

Founded in the year 1995, Compact Electric Limited has been a pioneer in the field of high intensity lamps. Manufacturing high quality automobile halogen Lamps has been our main focus.

Nestled in a 40-acre complex, about 58 km from the city of Chennai (Madras), is a state-of-the-art plant in a pollution free environment. The company has the best production technologies and special purpose machines to ensure quality at every stage and to guarantee reproducible lamp performance.

Compact Electric Limited's present production capacity is approximately 9 million lamps per annum. The current focus is on manufacturing six types of Halogen Lamps-H4, R2, S2, H3, H1 and H7.

# CEL

## About



At Compact it's all about clear vision.

Customer friendly and futuristic in our scientific innovations, Compact Electric Limited is a company on an unending journey towards great discoveries in automobile lighting.

**HALIX**

# Features of Compact's Auto Halogen Lamps.

## Standard Lamps

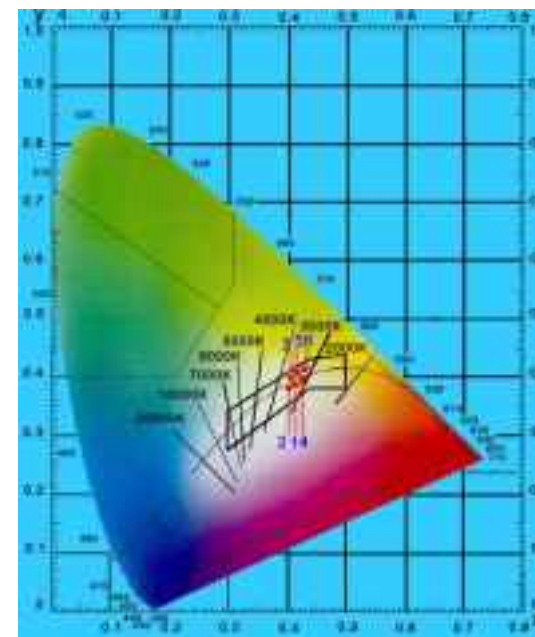
- Resistant to vibrations
- Made with UV- Blocking glass. It prevents damaging modern plastic head lights
- Beam angle is precisely controlled.

## Longerlife lamps

- Twice the life of standard lamps
- Special filament design and Krypton/Xenon ensures the long life

## Blueview Lamps

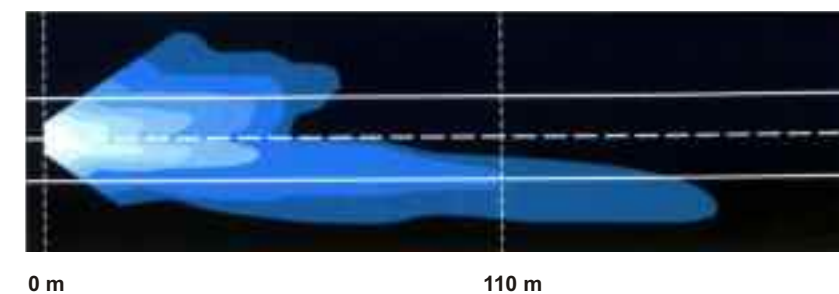
- Whiter light.Enhanced appearance
- Scratch proof coating
- Direct replacement of standard lamps
- Better road/sign reflection
- ECE R - 37 compliant



## Xtraview Lamps



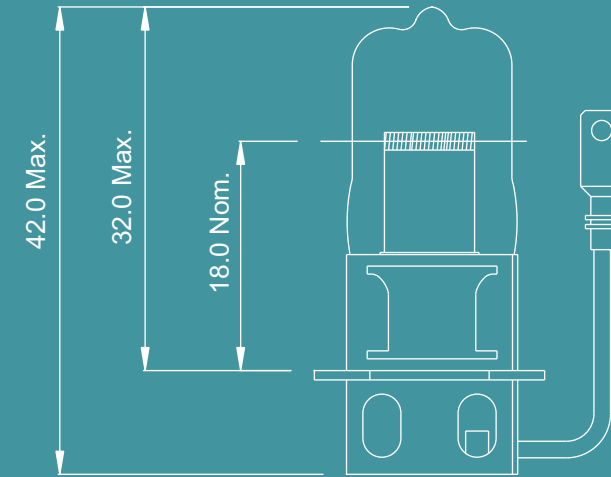
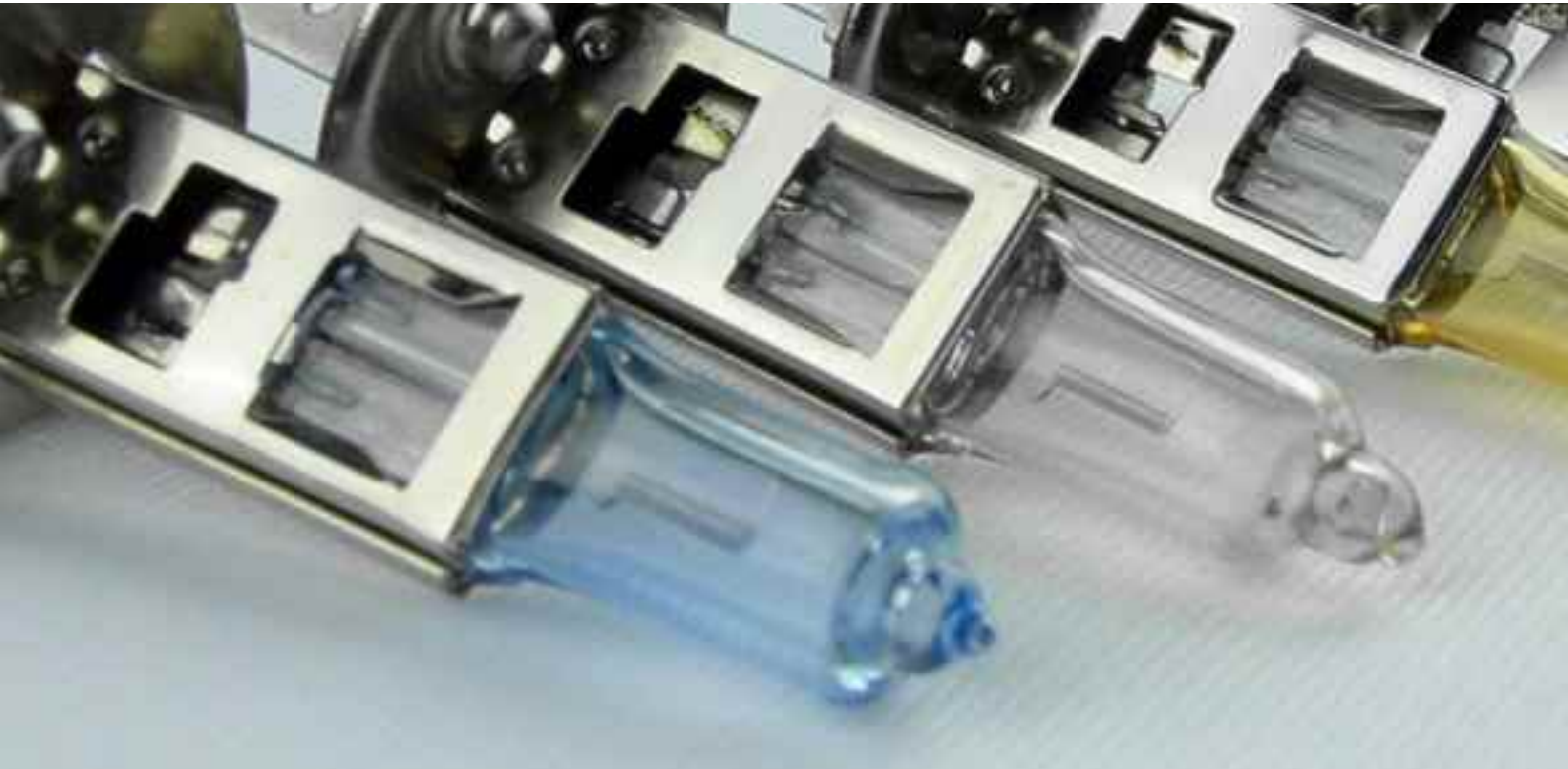
## H4 Standard



active safety up to 50% more light on the road

## Xtraview Lamps(H4+50%/H1+50%/H7+50%)

- Upto 50% more light on roads
- Excellent beam performance
- Direct replacement of standard lamps
- ECE R- 37 compliant



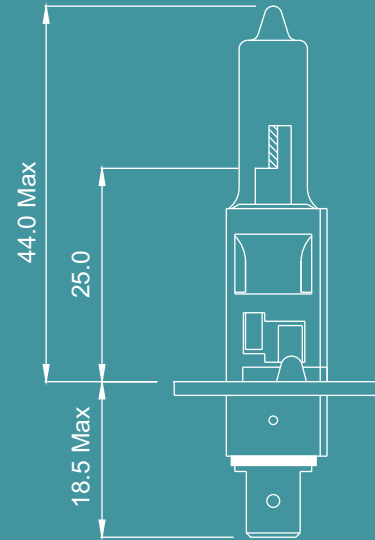
# H3

## H3 quartz glass lamps with reduced UV radiation

This single filament lamp is made with UV reduced Quartz glass.



ECE category	VOLATGE	WATTAGE	LUMENS	BASE
H1	12	55	1550	P14.5s
H1	24	70	1900	P14.5s
-	12	80	1900	P14.5s
-	12	100	2400	P14.5s



“E” approved where applicable

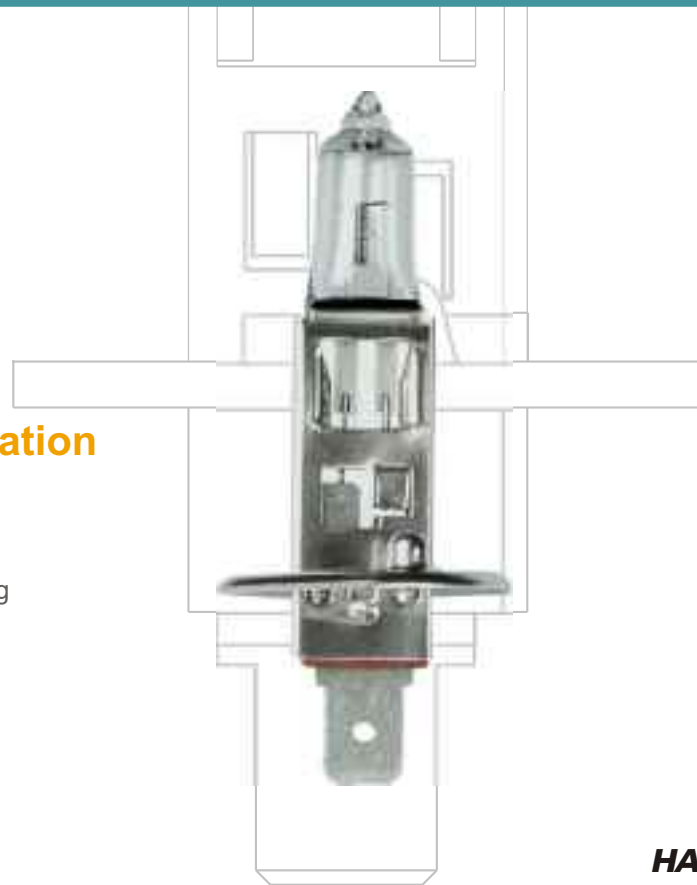
ECE category	VOLTAGE	WATTAGE	LUMENS	BASE
H3	12	55	1450	PK22S
H3	24	70	1700	PK22S
-	12	100	2400	PK22S
-	12	130	3000	PK22S
-	24	100	2400	PK22S

“E” approved where applicable

# H1

## H1 quartz glass lamps with reduced UV radiation

This single filament and high lumen efficacy lamp is made with UV reduced quartz glass. Beam angle is controlled by positioning the filament inside the envelope.



HALIX





ECE category	VOLTAGE	WATTAGE	LUMENS	BASE
H7	12	55	1450	PX26d
H7	24	70	1700	PX26d
-	12	100	2400	PX26d

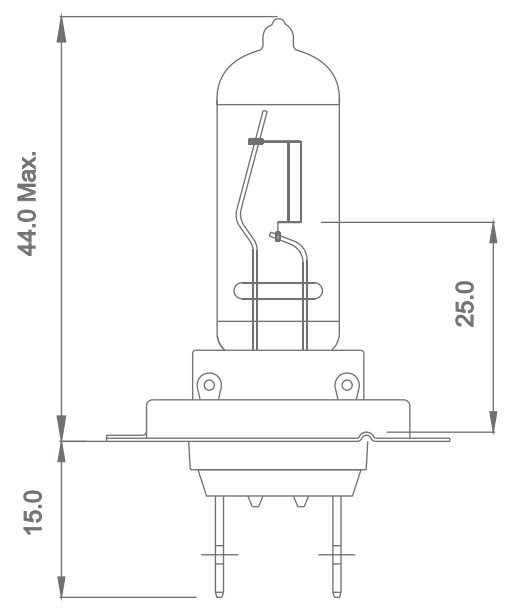
“E” approved where applicable




ECE category	VOLTAGE	WATTAGE	LUMENS	BASE
H4	12	60/55	1650/1000	P43t
H4	24	75/70	1900/1200	P43t
-	12	60/55	1650/1000	P45t
-	12	85/80	1900/1450	P43t/P45t
-	12	100/55	2550/1000	P36t
-	12	100/80	2550/1450	P43t/P45t
-	12	100/90	2550/1800	P43t/P45t
-	12	130/90	3000/1800	P43t/P45t
-	12	160/90	3400/1800	P43t/P45t
-	24	75/70	1900/1200	P45t
-	24	100/90	2700/1650	P43t/P45t
-	24	130/90	1300/1650	P43t/P45t

“E” approved where applicable

This is a highly energy efficient single filament halogen lamp and is made with UV reduced Quartz glass. These lamps are made to very close tolerances and ensure an accurate beam angle.



# H7

H7 Quartz-Glass lamps  
with reduced UV radiation

# H4

H4 Hard-Glass lamps

with reduced UV radiation

This dual filament lamp is made with UV reduced Aluminosilicate glass. In these shock proof lamps, beam angle is precisely controlled by accurately positioning the mirror and filaments inside the envelope.



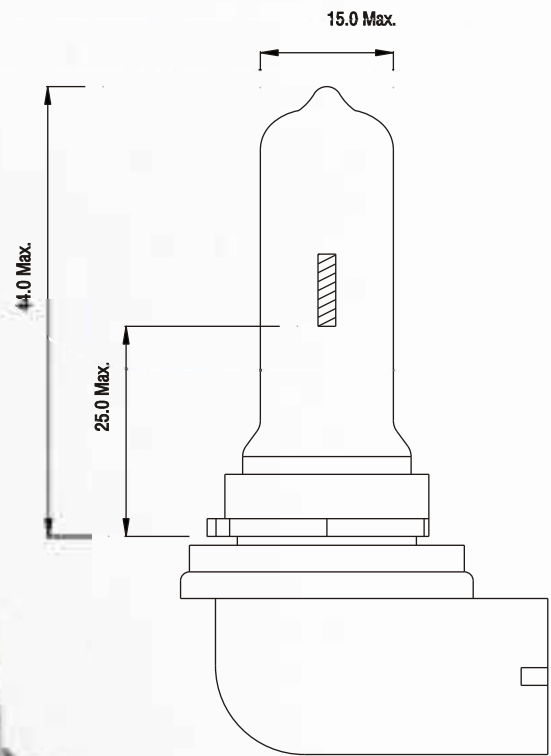
HALIX





# H8

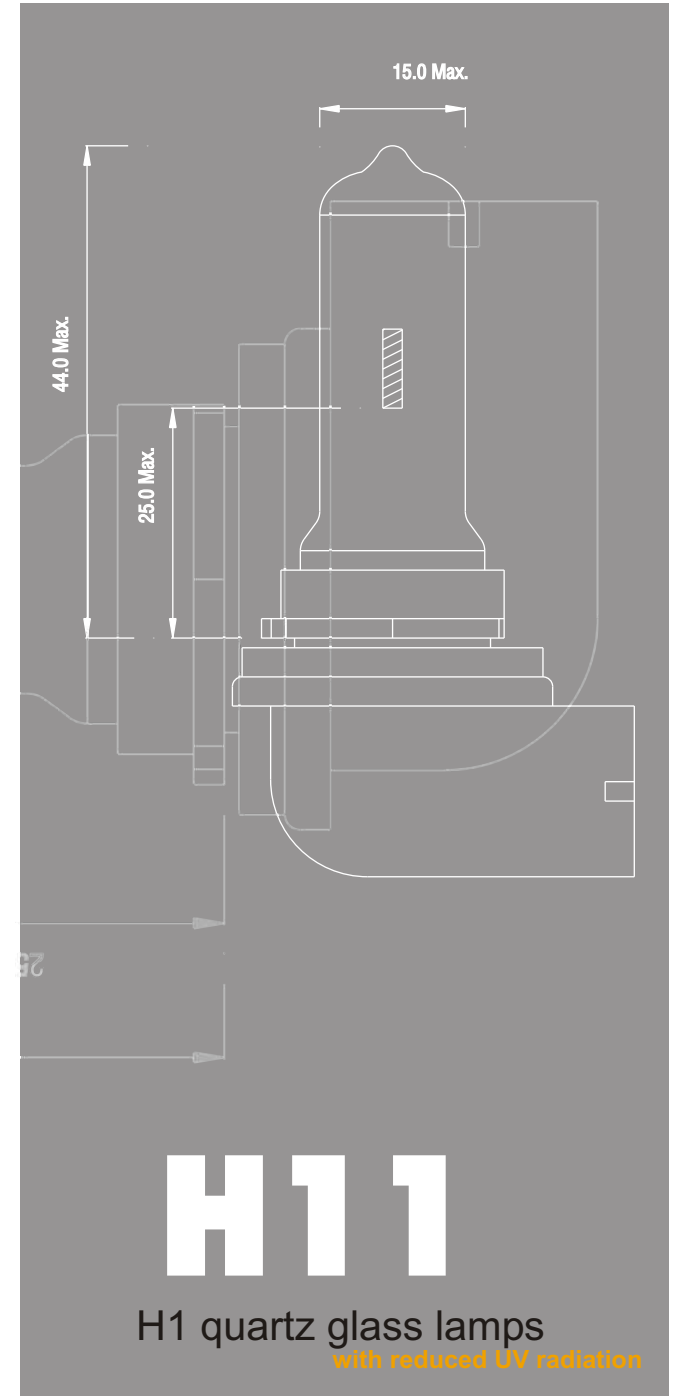
H1 quartz glass lamps  
with reduced UV radiation



# H9

H1 quartz glass lamps  
with reduced UV radiation

HALIX



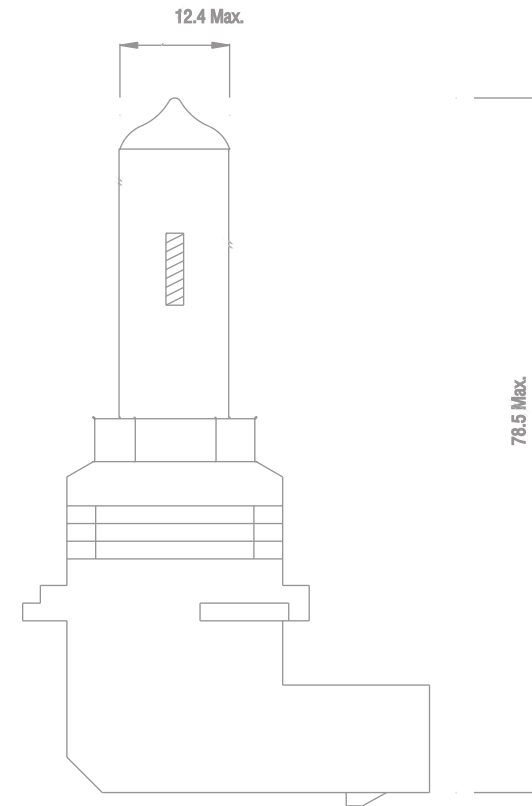
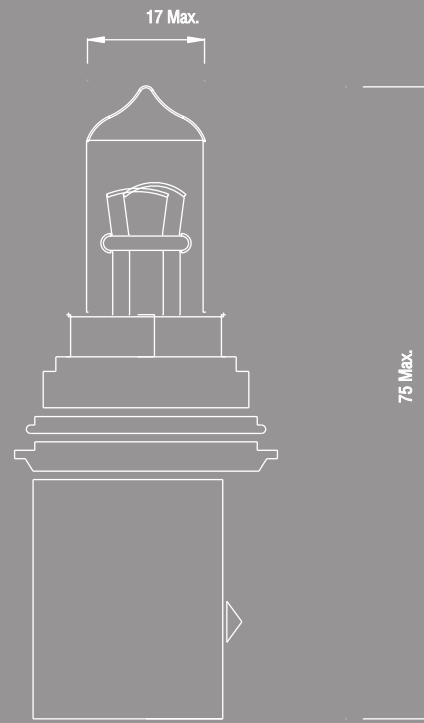
# H11

H1 quartz glass lamps  
with reduced UV radiation

ECE category	VOLTAGE	WATTAGE	LUMENS	BASE
H8	12	35	800	PGJ19-1
H9	12	65	2100	PGJ19-5
H11	12	55	1350	PGJ19-2

# HB1

HB1 quartz glass lamps  
with reduced UV radiation



# HB4

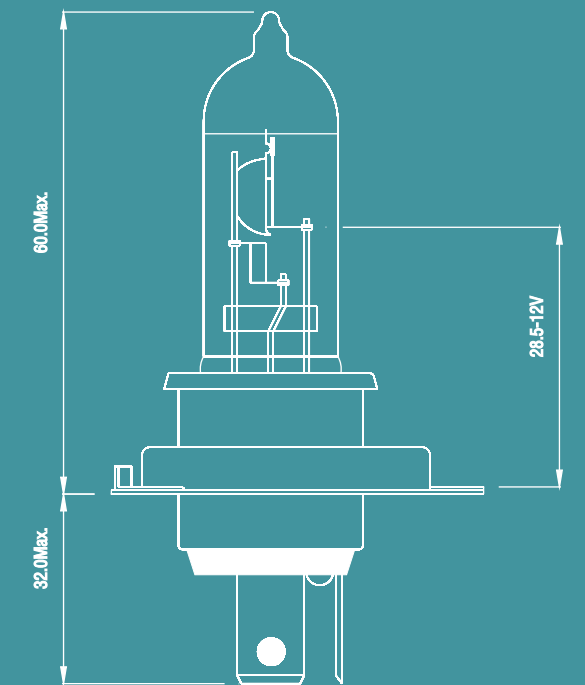
HB4 quartz glass lamps  
with reduced UV radiation



ECE category	VOLTAGE	WATTAGE	LUMENS	BASE
HB1	12	65/45	1200/700	P29t
HB3	12	60	1860	P20d
HB4	12	51	1095	P22d

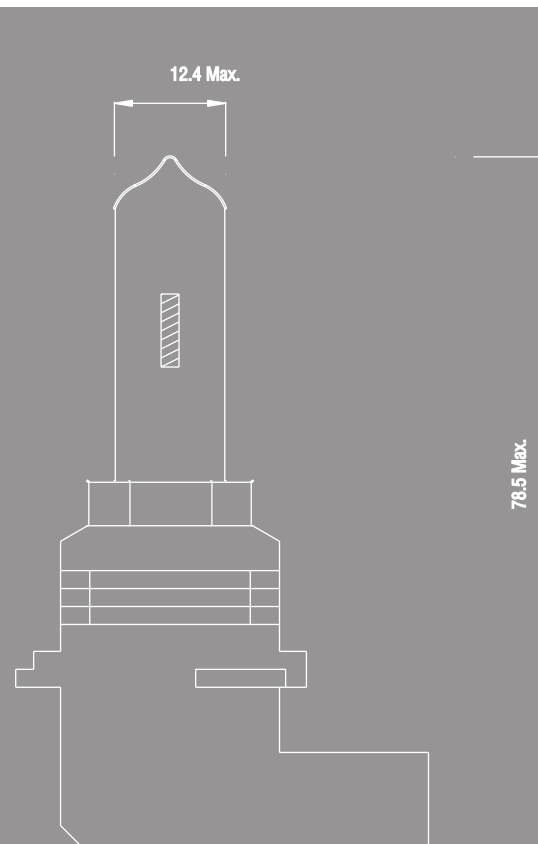
# HS1

HS1 quartz glass lamps  
with reduced UV radiation

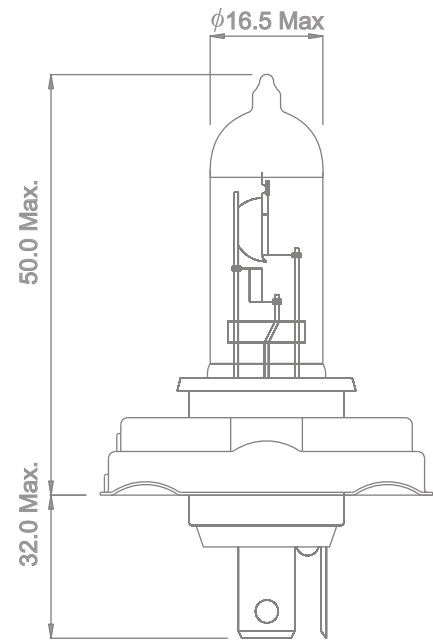


# HB3

HB3 quartz glass lamps  
with reduced UV radiation



ECE category	VOLTAGE	WATTAGE	LUMENS	BASE
HS1	12	35/35	825/525	PX43T



ECE category	VOLTAGE	WATTAGE	LUMENS	BASE
R2	12	45/50	860/675	P45t

# R2

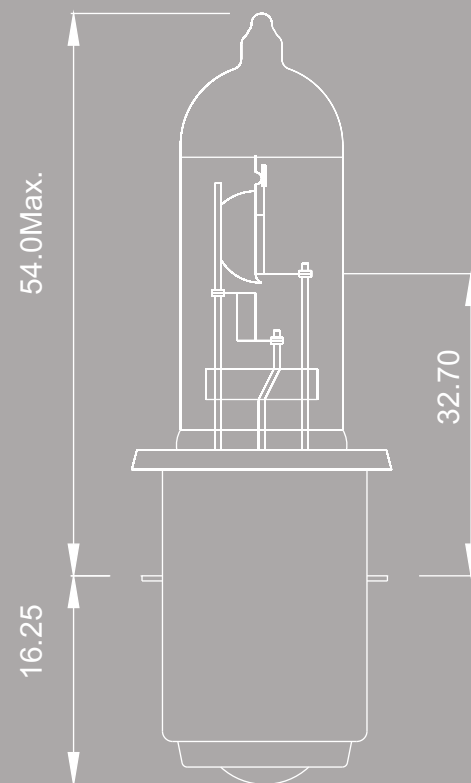
(Halogen)



The halogen version of this lamp ensures nearly double the lamp life of a typical incandescent bulb. Halogen cycle prevents the blackening of the glass wall of the lamp and minimizes the evaporation of the tungsten filament.



# S2



HALIX



# LongLife Lamps

Longer lasting bulbs . Double life

S.no	Type	Test Voltage	Life Hours (Standard Lamps)		Life Hours (Long Life Lamps)	
			B3	TC	B3	TC
1	H4 12V 60/55W P43t	13.2V	350	700	700	1400
2	H1 12V 55W P14.5s	13.2V	150	400	500	1000
3	H3 12V 55W Pk22s	13.2V	150	500	500	1000
4	H4 24V 75/70W P43t	28.0v	180	500	500	1000
5	H1 24V 70W P14.5s	28.0V	90	250	500	1000
6	H3 24V 70W Pk22s	28.0V	90	250	500	1000

Scientific studies show that the number of head-on collisions is greatly reduced by "Lights on" driving. Hence the advent of 'Daytime Running Light' enhances safety, particularly while driving in the shades or through woods.

Advanced technology ensures better bulb environmental cooling & slower tungsten evaporation. Superior lamps are now available with double the life of standard halogen bulbs to respond to significantly longer head-lighting demands for vehicles.

Available in 12V & 24V.



### Special Lamps - Xenon based halogen

At Compact Electric Limited, new aspects of lighting through state-of-the-art "Halogen Lamps" are being developed. A conscientious effort is being made to introduce new generation lamps which will complement the existing auto halogen range.

## XtraView Lamps

ECE category	VOLTAGE	WATTAGE	BASE
H4	12	60/55	P43t
H3	12	55	PK22S
H1	12	55	P14.5S

With reduced UV radiation (Up to 50% more light than normal lamps)

More light. Enhanced driving safety & comfort.

Technologically advanced bulbs that provide up to 50% more light on the road together with a 10 to 20 meter longer beam for better road signs reflection when compared to standard halogen bulbs.

ECE category	VOLTAGE	WATTAGE	LUMENS	BASE
H4	12	60/55	1650/1000	P43t
H3	12	55	1450	PK22S
H1	12	55	1550	P14.5S
-	12	100/90	2300/1450	P43t
-	12	130/90	2600/1450	P43t
-	12	100	2000	PK22s
-	12	80	1700	P14.5s

## DayView (Laser White) Lamps

Whiter light. Enhanced appearance.

The lamps have a whiter lighting appeal due to multi-layer coating and the enhanced lumens filament for more discernible driving. Also more pleasurable when compared with the warm-white light of the standard halogen bulbs.

"E" approved where applicable

ECE category	VOLTAGE	WATTAGE	LUMENS	BASE
H4	12	60/55	1650/1000	P43t
H3	12	55	1450	PK22S
H1	12	55	1550	P14.5S
H7	12	55	1500	PX26d
-	12	100/90	2400/1500	P43t
-	12	130/90	2700/1500	P43t
-	12	100	2100	PK22s
-	12	80	1800	P14.5s

## BlueView Lamps

Cool-white light. Enhanced appearance.

The lamps have a cool-white lighting appeal due to whiter light created by the light blue coating and the enhanced lumens filament for more discernible driving. Also more pleasurable when compared with the warm-white light of the standard halogen bulbs.

"E" approved where applicable



# Special Lamps Xenon based halogen

## Plasma White View Lamps

ECE category	VOLTAGE	WATTAGE	LUMENS	BASE
H4	12	60/55	1650/1000	P43t
H1	12	55	1550	P14.5s
-	12	100/90	2500/1750	P43t
-	12	130/90	2900/1750	P43t
-	12	80	1800	P14.5s

"E" approved where applicable

## All Weather Lamps

ECE category	VOLTAGE	WATTAGE	LUMENS	BASE
H4	12	60/55	1650/1000	P43t
H3	12	55	1450	PK22S
H1	12	55	1550	P14.5S
-	12	100/90	2550/1800	P43t
-	12	130/90	3000/1800	P43t
-	12	100	2400	PK22s
-	12	80	1900	P14.5s

"E" approved where applicable

## All Season View / Amber White View Lamps

ECE category	VOLTAGE	WATTAGE	LUMENS	BASE
H4	12	60/55	1650/1000	P43t
H3	12	55	1450	PK22S
H1	12	55	1550	P14.5S
-	12	100/90	2550/1800	P43t
-	12	130/90	3000/1800	P43t
-	12	100	2400	PK22s
-	12	80	1900	P14.5s

"E" approved where applicable

Lighting up for bad weather as well as for good. Greater safety & Comfort.

The bulbs produce an intense yellow light with wave-length more suitable for cutting through the worst of incimate weather due to the special coating and the enhanced lumens filament for more discernible driving.

**HALIX**



# HALIX

[www.compactlamps.com](http://www.compactlamps.com)



**For Business Enquires Please Contact :**

**Compact Electric Limited**

139/2, Hosur Road, Koramangala

Bangalore 560 095, India

Phone : 91 - 80 - 25532335

Fax : 91 - 80 - 25532335

Email : [Info@compactlamps.com](mailto:Info@compactlamps.com)