

PARTS CATALOGUE



SCOOTERS

SE30BA

RACING 150



Date : 2008/08/04

前言

- 本零件型錄適用於 SE30BA 機種，訂購零件時，請參照本冊。
- 本冊之配色表僅供參考，若與實車不符之處，以實車為準。
- 配色記號(Color Mark)
註明 "***" 記號，表示訂購該零件時，請參照機種相片及配色表，並請在基本零件號碼最後加上色碼。
- 本冊若有錯誤或遺漏之處，敬請不吝賜教指正。

ABOUT THIS PARTS LIST

- This parts list is compiled all service parts for model SE30BA.
- Any difference between color chart and motorcycle will be revised according to motorcycle.
- The sales mark:
 - 1.marking "***" must add color code in the end before ordering parts.
- When modification or additions to this parts list are made a revised edition at an appropriate time.

目次

● 前言	1
● SE30BA 配色表	3
● 引擎結構圖	6
● 車架結構圖	7
● 引擎號碼表	10
● 車架零件號碼表	46
● 零件號碼索引	112

CONTENTS

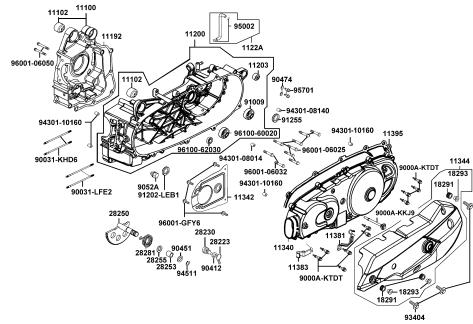
● ABOUT THIS PARTS LIST	1
● COLOR CHART OF SE30BA	3
● CONTENTS-ENGINE GROUP	6
● CONTENTS-FRAME GROUP	7
● ENGINE PARTS LIST	10
● FRAME PARTS LIST	46
● PART NO. INDEX	112

NO	MODEL			SE30BA COLOR CHART			
	PHOTO NO			NO. 1	NO. 2	NO. 3	
	BASIC COLOR			寶石黑	晶鑽銀	珍珠白	
	CODE			Black Diamond	Silver Crystal	Pearly White	
	PARTS NAME	PARTS NO.	VERSION	NH191MA	NH263MA	NH193PA	
1	GRIP COMP THROT	53140-LEA1-900	3	H2R			
2	GRIP COMP L HANDLE	53150-LEA1-900	1	H4R			
3	CLAMPER TUBE	90660-KGBG-900	0	H4R			
4	COVER FR HANDLE	53205-LFB5-900	1	HTP	HUP	NVP	
5	FENDER FR INNER	61100-LFB5-900	1				
6	MOLD FR	64302-LFB5-900	0				
7	SKIRT R SIDE	64305-LFB5-900	0				
8	SKIRT L SIDE	64306-LFB5-900	0				
9	COVER FR TOP	6430A-LFB5-305	0				
10	CARRIER REAR	81200-LFB5-900	2				
11	COVER R BODY	83500-LFB5-305	0				
12	COVER L BODY	83600-LFB5-305	0				
13	MIRROR ASSY R BACK	88110-LFB5-900	0				
14	MIRROR ASSY L BACK	88120-LFB5-900	0	HUA			
15	WHEEL COMP RR CAST	42601-LFE2-900	4	HUA			
16	WHEEL SET FR	44650-LFE2-305	0	M5A			
17	LEVER R STRG HANDLE	53175-KFA5-E10	0	M5A			
18	LEVER STEERING	53178-LCD1-E00	1	M5A			
19	"COVER COMP.,L	11344-LFB5-900	2	N1R			
20	PROTECTOR MUFFLER	18318-LFB5-900	0	N1R			
21	COVER BATTERY	5032A-LEB1-900	1	N1R			
22	COVER UNDER	50613-LFB5-900	0	N1R			
23	COVER HANDLE RR	53206-LFB5-900	0	N1R			
24	"GRILLE,R FENDER	61101-LFB5-900	0	N1R			
25	"GRILLE,L FENDER	61102-LFB5-900	0	N1R			
DATE OF STARTING-SALES							
DATE OF END-SALES							

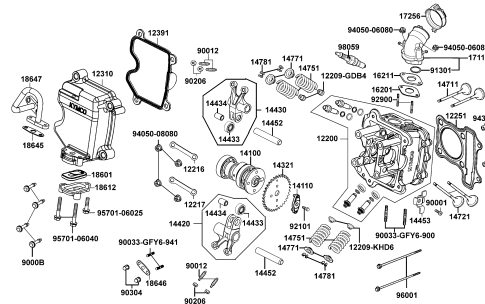
NO	MODEL			SE30BA COLOR CHART							
	PHOTO NO			NO. 1	NO. 2	NO. 3					
	BASIC COLOR			寶石黑	晶鑽銀	珍珠白					
	CODE			Black Diamond	Silver Crystal	Pearly White					
	PARTS NAME	PARTS NO.	VERSION	NH191MA	NH263MA	NH193PA					
26	"FENDER B, FR."	6110B-LFB5-900	0	N1R							
27	"GRILLE,R FR.	64303-LFB5-900	0								
28	"GRILLE,L FR.	64304-LFB5-900	0								
29	"GRILLER,COVER , FR."	64307-LFB5-900	1								
30	FLOOR PANEL	64310-LFB5-900	0								
31	PLUG FLOOR	64316-KHD6-900	0								
32	PLUG FLOOR	64316-KHE2-900	0								
33	"COWL, UNDER"	64400-LFB5-900	1								
34	FENDER RR TIRE	80100-LFB5-900	2								
35	FENDER RR	80105-LFB5-900	1								
36	FENDER RR INNER	80107-LFB5-900	1								
37	COVER CENTER	80151-LFB5-900	2								
38	LEG SHIELD UP	81131-LFB5-900	0								
39	CAP LEG SHIELD UP	81132-LFB5-900	0								
40	HOOK LEG SHIELD	81134-LAB4-900	1								
41	LEG SHIELD LOW	81141-LFB5-900	0								
42	LID LEG SHIELD	81142-KUDU-900	1								
43	COVER PROTECT SEAT	83503-KHD6-900	2								
44	"COVER , R SIDE"	83520-LFB5-900	0								
45	"COVER , L SIDE"	83620-LFB5-900	0								
46	BAND HARNESS WIRE	90656-KUDU-900	0								
47	DISK FR BRAKE	45351-LEA5-E00	2					N1S			
48	FORK ASSY RR	52000-LFB5-900	1					N8A			
49	CUSHION ASSY RR R	52400-LFB5-900	3					NMS			
50	"CUSHION ASSY ,RR L"	52500-LFB5-900	2								
DATE OF STARTING-SALES											
DATE OF END-SALES											

CONTENTS - ENGINE GROUP

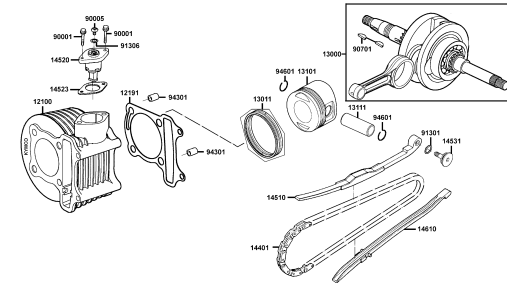
E01 曲軸箱



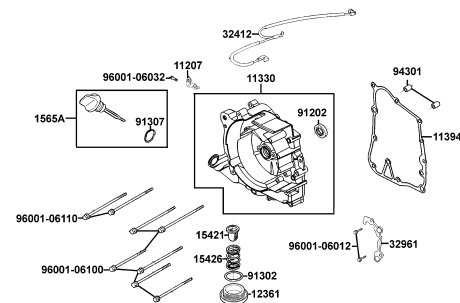
E02 汽缸頭蓋 汽缸頭



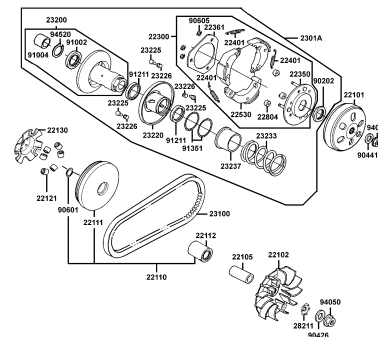
E03 汽缸 活塞 曲軸



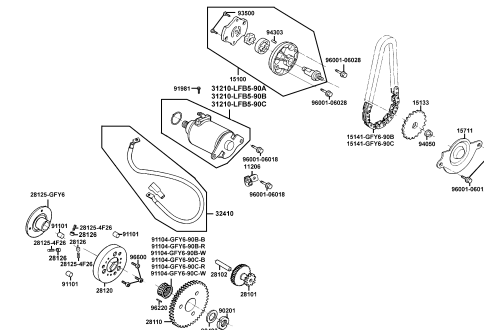
E04 右曲軸箱蓋



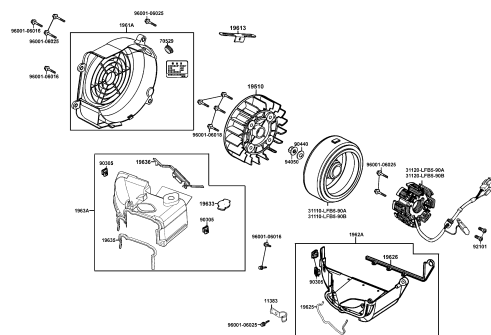
E05 傳動皮帶輪



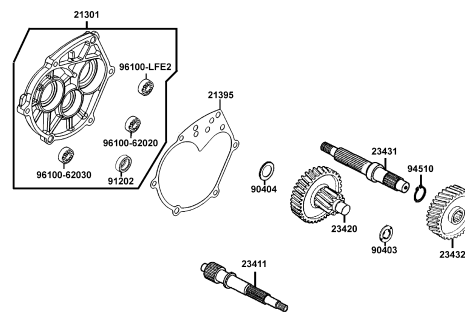
E06 起動馬達 機油泵



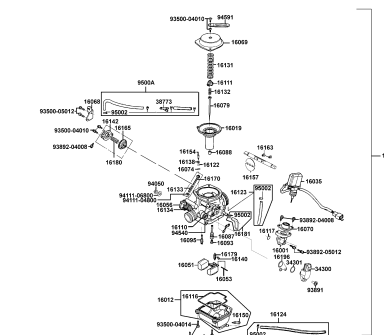
E07 發電機 水泵



E08 傳動系

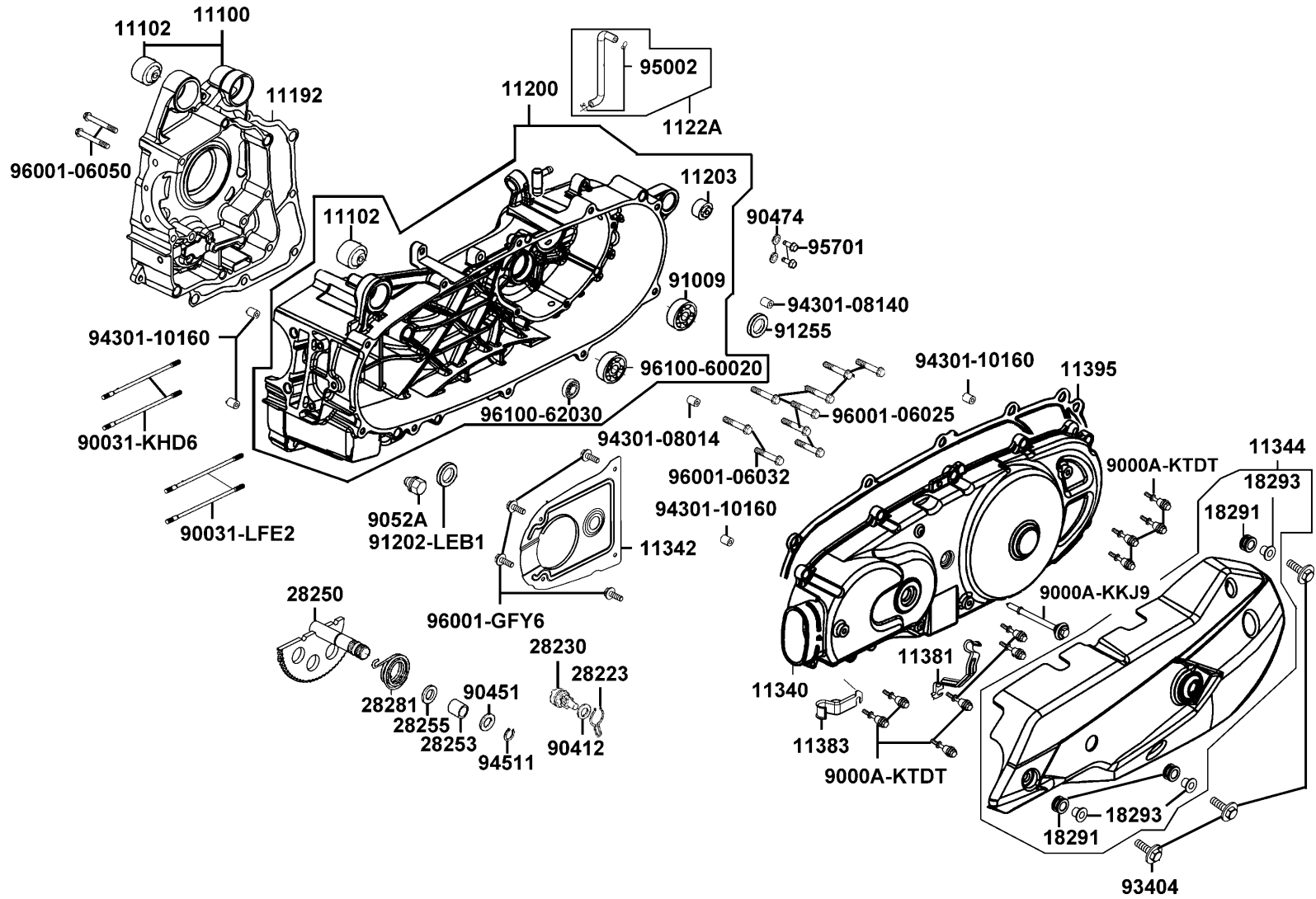


E09 化油器



E01

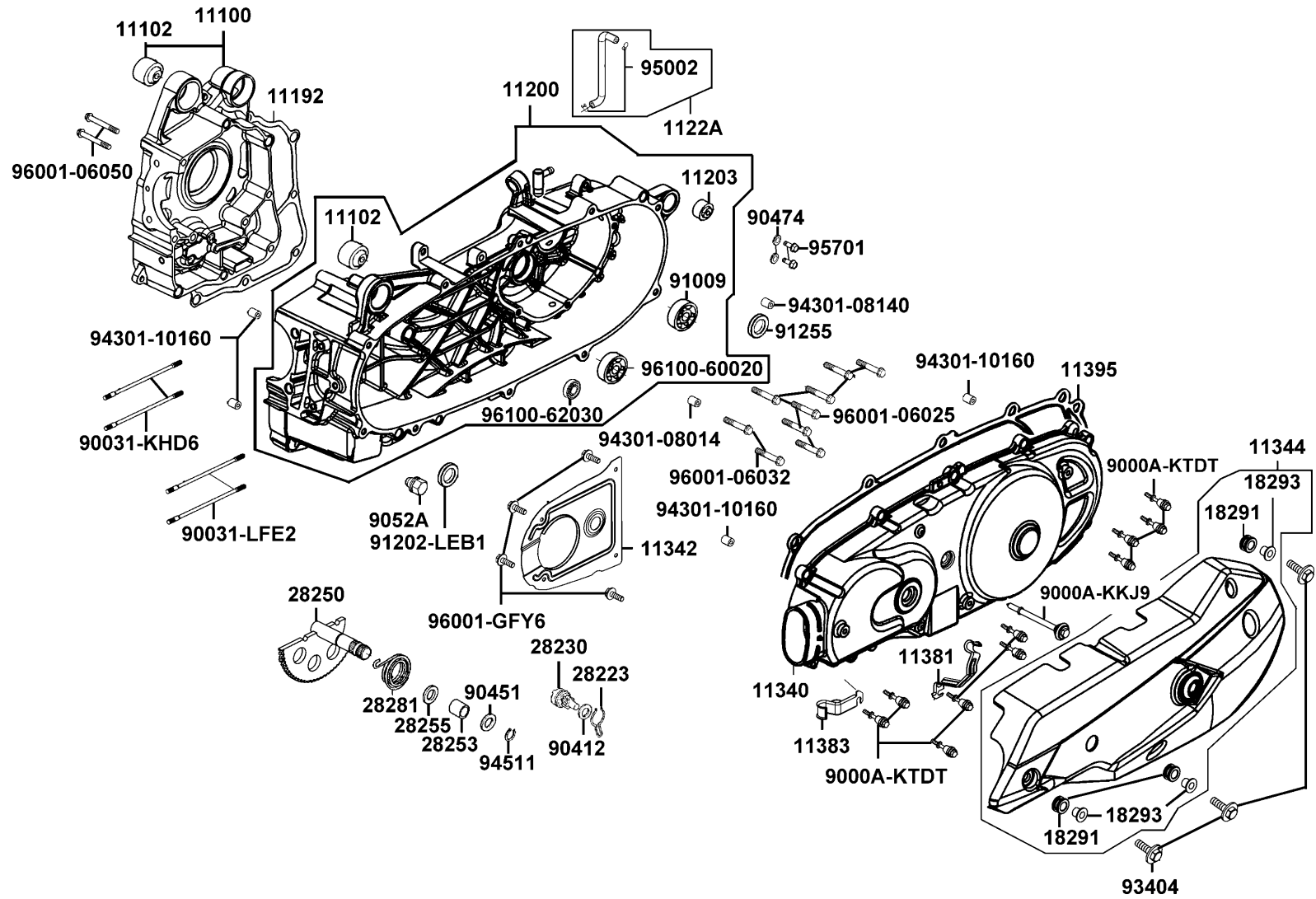
Crank Case 曲軸箱



Sales mark	Ref no	Part no	Ver	Description	Reg description	Regd no	E01
	11100	11100-LEB1-306	6	CRANK CASE SET R	右曲軸箱組	1	
	11102	11102-1G87-004	3	RUB BUSH ENG HANGER	引擎吊架襯套	2	
	11192	11192-LEB1-900	5	GASKET CRANK CASE A	曲軸箱墊片 A	1	
	11200	11200-LFB5-305	0	CRANKCASE SET L	左曲軸箱組	1	
	11203	11203-GGC7-301	2	UNDER RUBBER BUSH REAR	後緩衝下襯套	1	
	1122A	1122A-LFB5-900	1	TUBE ASSY BREATHER	通氣管	1	
	11340	11340-LFB5-900	1	COVER LEFT	左曲軸箱蓋	1	
	11342	11342-LFB5-900	3	PLATE L COVER	導流板	1	
**	11344	11344-LFB5-900	2	"COVER COMP.,L COVER"	左側外蓋總成	1	
	11381	11381-LFB5-900	2	CLAMPER THROTTLE CABLE	加油導線夾	1	
	11383	11383-LFB5-900	0	CLAMPER DRAIN TUBE	油管鉤	1	
	11395	11395-LFB5-900	2	GASKET L COVER	左曲軸箱蓋墊片	1	
	18291	18291-KKC4-900	0	COLLAR	套筒	3	
	18293	18293-KKC4-900	0	RUBBER	橡皮	3	
	28223	28223-KNBN-901	0	SPG KICK DRIVEN GEAR	起動惰齒輪彈簧	1	
	28230	28230-LFB5-900	0	GEAR COMP KICK DRIVEN	起動惰齒輪	1	
	28250	28250-LFB5-900	0	SPINDLE COMP KICK STARTER	起動臂軸	1	
	28253	28253-GBN2-60A	0	BUSH KICK SPINDLE	起動臂軸襯套	1	
	28255	28255-GFS6-001	0	COLLAR KICK BOSS	套筒	1	
	28281	28281-GBN2-60A	1	SPRING KICK RETURN	起動彈簧	1	

E01

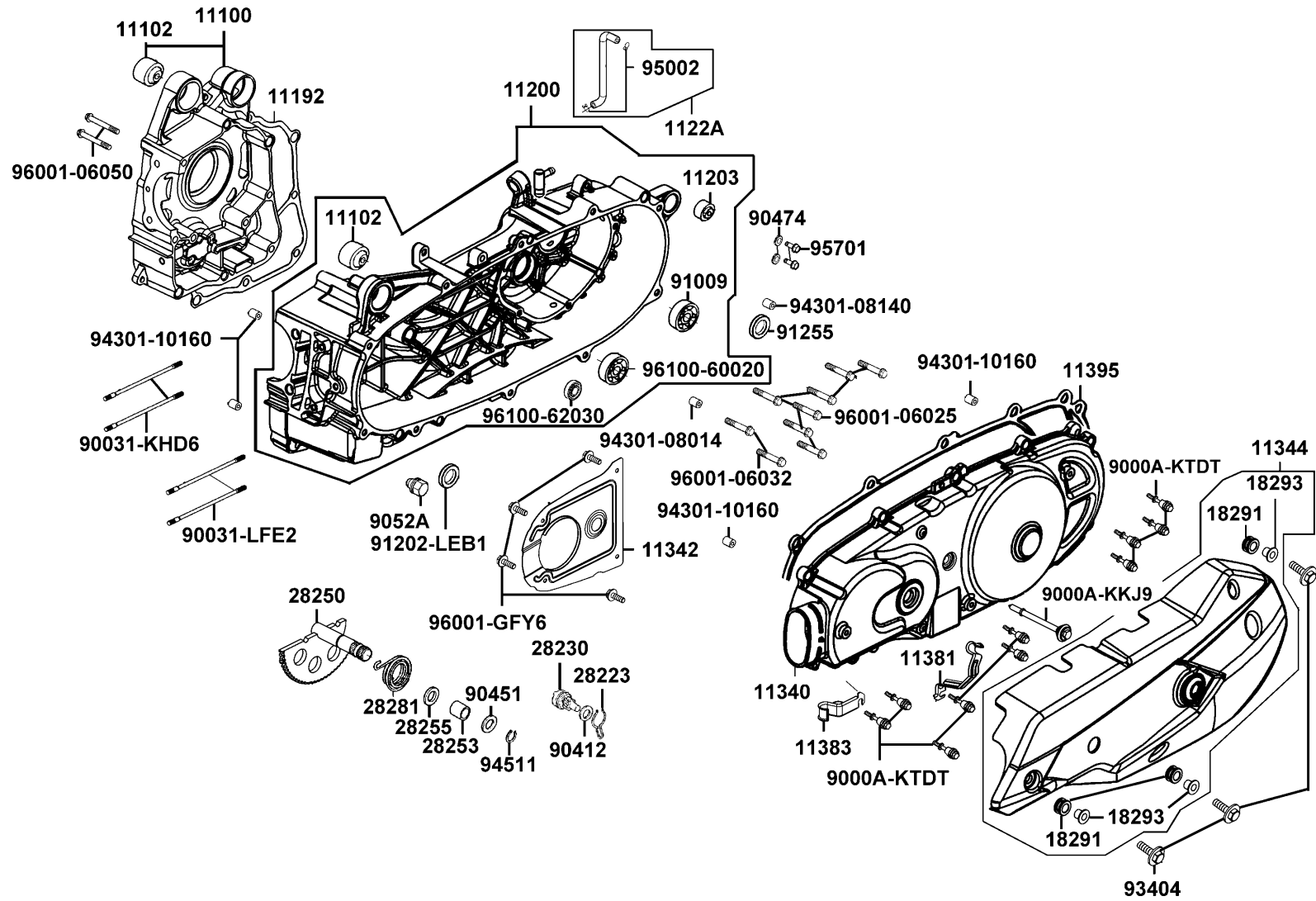
Crank Case 曲軸箱



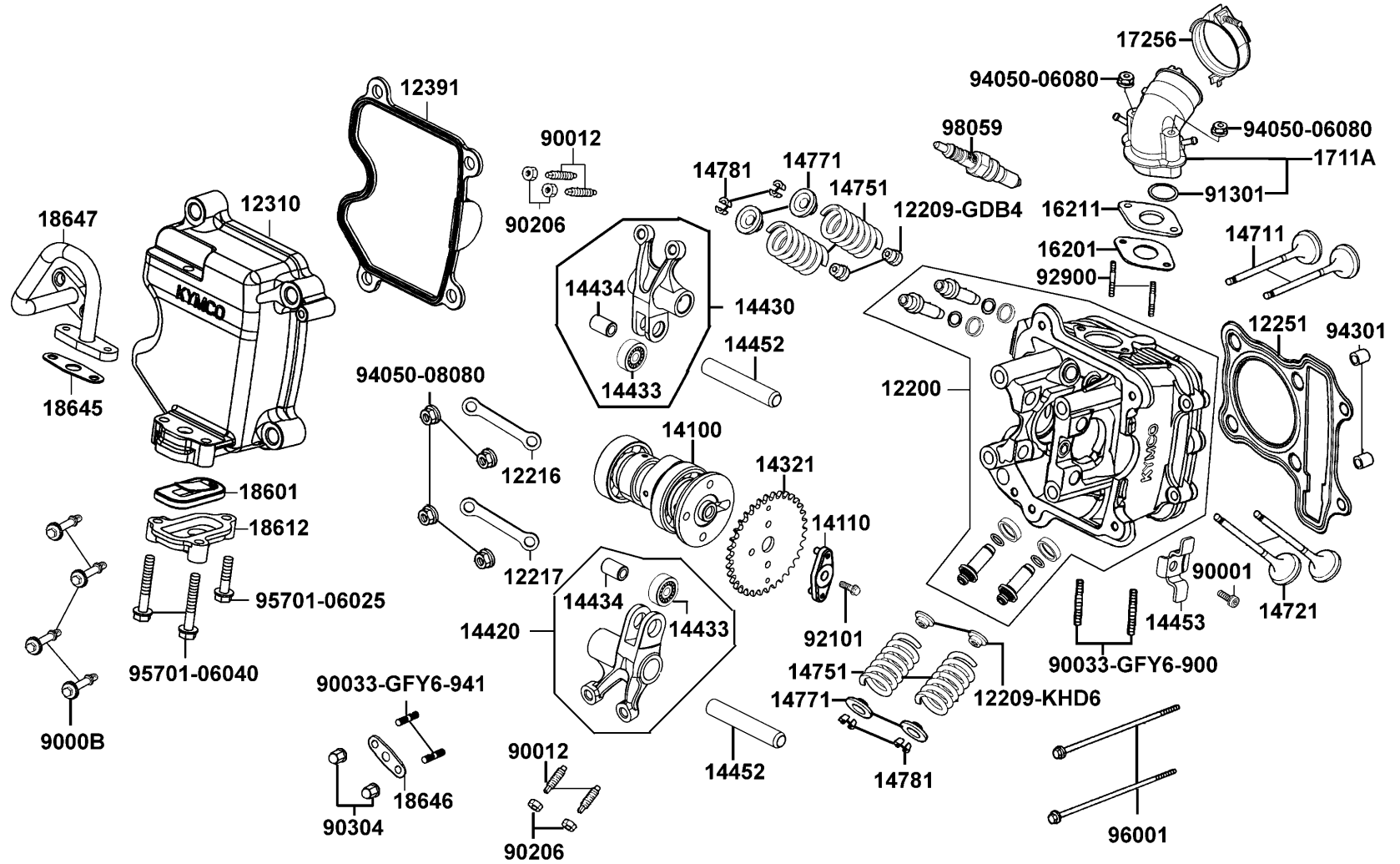
Sales mark	Ref no	Part no	Ver	Description	Reg description	Regd no	E01
	9000A-KKJ9	9000A-KKJ9-001	0	BOLT SPECIAL COMP	特殊螺絲	1	
	9000A-KTDT	9000A-KTDT-900	1	BOLT ASSY SPECIAL 6*29.5	特殊螺絲6*29.5	10	
	90031-KHD6	90031-KHD6-900	2	BOLT A STUD 8*218	雙頭螺絲 8*218	2	
	90031-LFE2	90031-LFE2-900	2	BOLT B STUD 8*225	雙頭螺絲 8*225	2	
	90412	90412-3K29-001	0	WASHER THRUST10MM	華司	1	
	90451	90451-GBN2-601	0	WASHER KICK SPINDLE	華司	1	
	90474	90474-3C33-001	1	WASHER 8MM	華司	1	
#	9052A	9052A-LEB1-900	1	BOLT ASSY DRAIN PLUG	洩油螺絲	1	
	91009	91009-GLE0-004	1	BRG BALL RADIAL 6004 UU	軸承	1	
	91202	91202-LEB1-900	2	OIL SEAL 25*35*5	油封 25*35*5	1	
	91255	91255-GLE0-006	0	OIL SEAL 27*42*7	油封	1	
	93404	93404-06025-06	0	BOLT WASHER 6*25	螺絲 6*25	3	
	94301-08140	94301-08140	0	DOWEL PIN 8*14	定位銷 8X14	4	
	94301-10160	94301-10160	0	DOWEL PIN 10*16	定位銷 10X16	4	
	94511	94511-14000	0	CIRCLIP EX 14	夾環	1	
	95002	95002-50000	0	CLIP C9 TUBE	管夾	1	
	95701	95701-08012-08	0	BOLT FLANGE 8*12	螺絲 8*12	2	
	96001-06025	96001-06025-08	0	BOLT FLANGE SH 6*25	螺絲 6*25	4	
	96001-06032	96001-06032-08	0	BOLT FLANGE SH 6*32	螺栓 6*32	2	
	96001-06050	96001-06050-08	0	BOLT FLANGE 6*50	螺絲 6X50	2	

E01

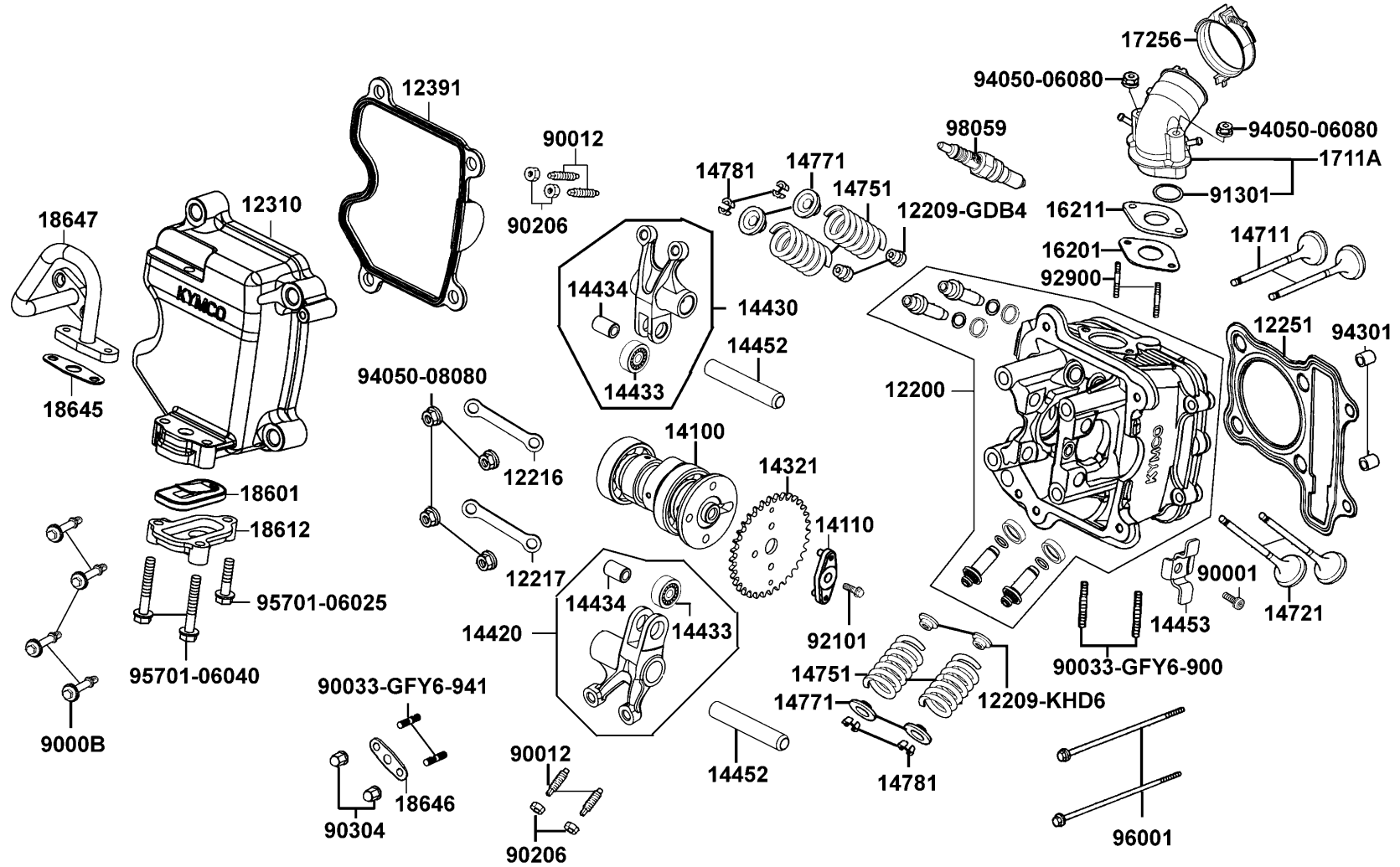
Crank Case 曲軸箱



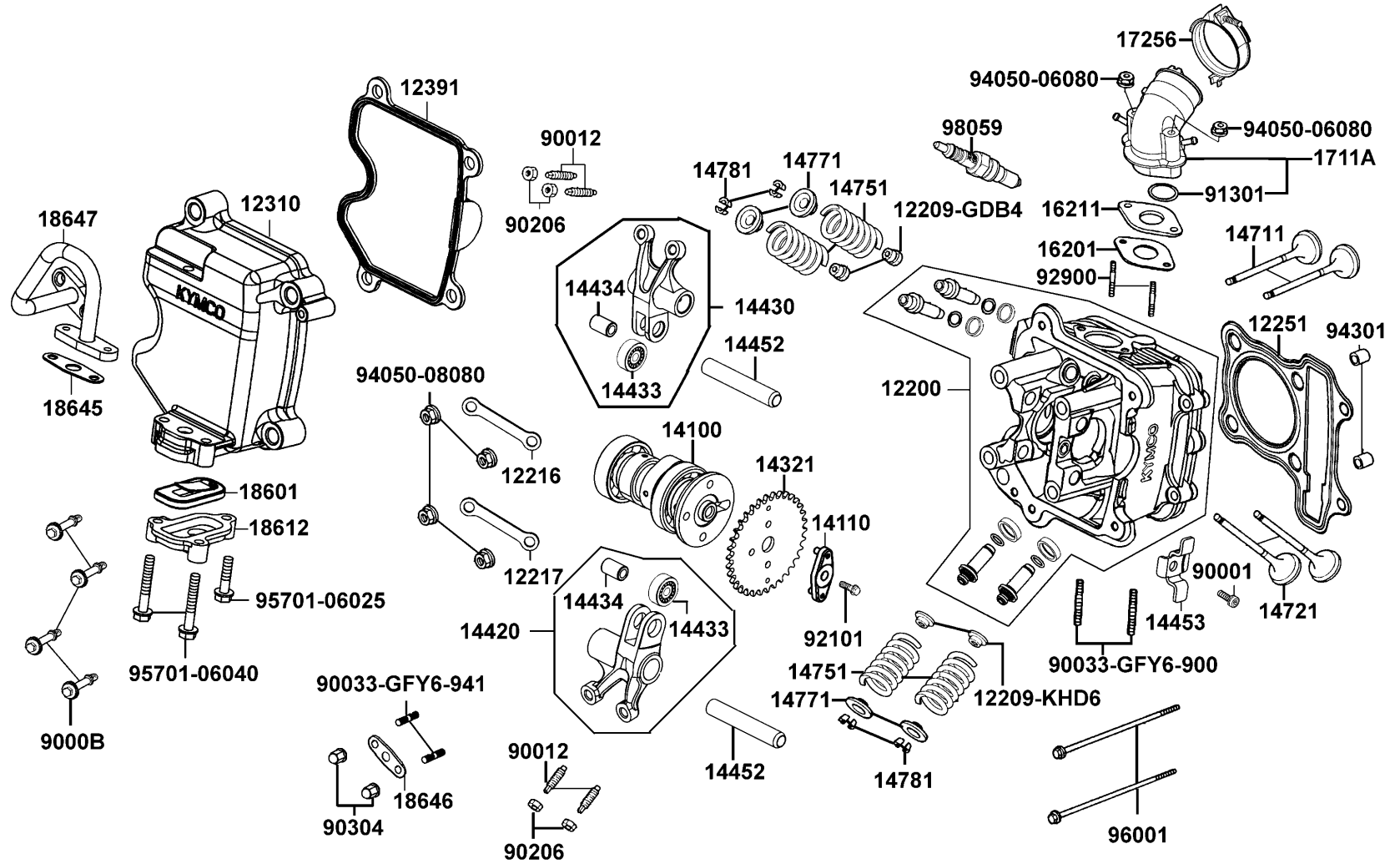
Sales mark	Ref no	Part no	Ver	Description	Reg description	Regd no	E01
	96001-GFY6	96001-GFY6-900	1	BOLT SPECIAL 5*10	螺絲 5*10	4	
	96100-60020	96100-60020-00	0	BRG BALL RADIAL 6002	軸承 6002	1	
	96100-62030	96100-62030-00	0	BRG BALL RADIAL 6203	軸承 6203	1	



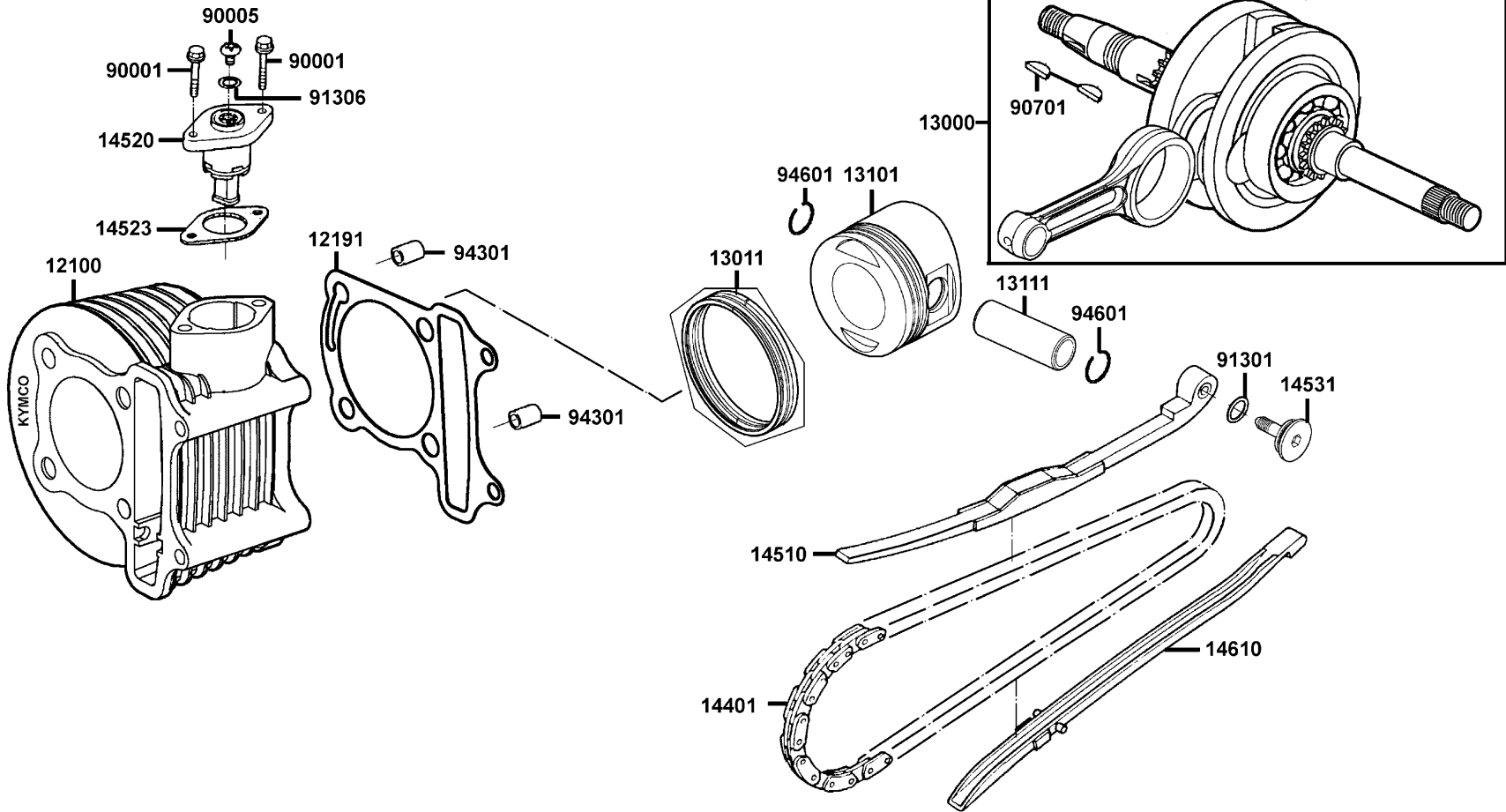
Sales mark	Ref no	Part no	Ver	Description	Reg description	Regd no	E02
	12200	12200-LFE2-900	5	HEAD COMP CYLINDER	汽缸頭	1	
	12209-GDB4	12209-GDB4-68A	0	SEAL VALVE STEM	門閥徑封	2	
	12209-KHD6	12209-KHD6-900	0	SEAL VALVE STEM	門閥徑封	2	
	12216	12216-LEB1-900	2	FORK A HOLDER	固定座前叉	1	
	12217	12217-LEB1-900	1	FORK B HOLDER	固定座前叉	1	
	12251	12251-LFE2-900	4	GASKET CYLINDER HEAD	汽缸頭墊片	1	
	12310	12310-LFB5-900	1	COVER COMP HEAD	汽缸頭蓋	1	
	12391	12391-LFE2-900	3	GASKET HEAD COVER	墊片	1	
	14100	14100-LFE2-900	4	SHAFT COMP CAM	凸輪軸	1	
	14110	14110-LEB1-900	3	FIXTURE CAMSHAFT	凸輪軸固定件	1	
	14321	14321-LEB1-900	3	SPROCKET CAM	凸輪扣鏈齒輪	1	
	14420	14420-LFE2-900	1	ARM COMP EXH VALVE ROCKER	排氣閥搖臂	1	
	14430	14430-LFE2-900	1	ARM COMP IN VALVE ROCKER	進氣閥搖臂	1	
	14433	14433-LEB1-900	1	ROLLER ASSY ROCKER ARM	軸承	2	
	14434	14434-LEB1-900	1	PIN ROCKER ARM	套筒	2	
	14452	14452-LEB1-900	4	SHAFT EXH ROCKER ARM	排氣閥搖臂軸	2	
	14453	14453-LEB1-910	1	SET PLATE ROCKER ARM SHAFT	搖臂托架	1	
	14711	14711-LFE2-900	1	VALVE INLET	進氣閥	2	
	14721	14721-LFE2-900	2	VALVE EXHAUST	排氣閥	2	
	14751	14751-KHD6-900	1	SPG VALVE OUTER	門閥外彈簧	4	



Sales mark	Ref no	Part no	Ver	Description	Reg description	Regd no	E02
	14771	14771-KHD6-900	0	RETAINER VALVE SRINPG	門閥彈簧扣環	4	
	14781	14781-MFA6-001	0	COTTER VALVE	閥門鎖扣	8	
	16201	16201-LFE2-900	2	GASKET CARB INSULATOR A	隔熱板墊片 A	1	
	16211	16211-LFE2-900	2	INSULATOR CARB	化油器隔熱板	1	
	1711A	1711A-LFE2-900	1	PIPE ASSY INLET	進氣管	1	
	17256	17256-GFY6-901	4	BAND INSULATOR	進氣管夾	1	
	18601	18601-MAJ1-79A	0	REED VALVE COMP	簧片單向閥	1	
	18612	18612-GFY6-941	0	COVER REED VALVE	簧片單向閥蓋	1	
	18645	18645-GFY6-941	0	GSKT A/I PIPE	通氣管墊片	1	
	18646	18646-GFY6-941	0	GAKT A/I PIPE	通氣管墊片	1	
	18647	18647-KHD6-900	0	PIPE ASSY AIR	空氣管組	1	
	90001	90001-GFY6-901	1	SOCKET BOLT 6*10	螺絲 6X10	1	
	9000B	9000B-KHD6-900	2	BOLT ASSY SPECIAL 6*41.5	螺絲 6*41.5	4	
	90012	90012-3C33-001	0	SCREW TAPPET ADJUSTING	樞軸調整螺絲	4	
	90033-GFY6-900	90033-GFY6-900	0	BOLT STUD 8*32	螺絲 8X32	2	
	90033-GFY6-941	90033-GFY6-941	0	BOLT STUD 6*16	特殊螺絲 6*16	2	
	90206	90206-0A01-001	1	NUT TAPPET ADJG	挺桿調整螺帽	4	
	90304	90304-4H38-001	2	NUT HEX CAP 6MM	螺帽 6MM	2	
	91301	91301-LEB1-900	1	O-RING 30*2	O環 30*2	1	
	92101	92101-06014-0H	1	BOLT HEX 6*14	螺絲 6*14	1	



Sales mark	Ref no	Part no	Ver	Description	Reg description	Regd no	E02
	92900	92900-06050-0B	0	BOLT STUD 6*50	雙頭螺絲 6*50	2	
#	94050-06080	94050-06080	0	NUT FLANGE 6MM	螺帽 6MM	2	
	94050-08080	94050-08080	0	NUT FLANGE 8MM	螺帽 8MM	4	
	94301	94301-10160	0	DOWEL PIN 10*16	定位銷 10X16	2	
	95701-06025	95701-06025-00	0	BOLT FLANGE 6*25	螺絲 6*25	1	
	95701-06040	95701-06040-00	0	BOLT FLANGE 6*40	螺絲 6*40	2	
	96001	96001-06100-08	0	BOLT FLANGE SH 6*100	特殊螺絲 6*100	2	
	98059	98059-58916-00	2	PLUG SPARK(CR8E)	火星塞	1	

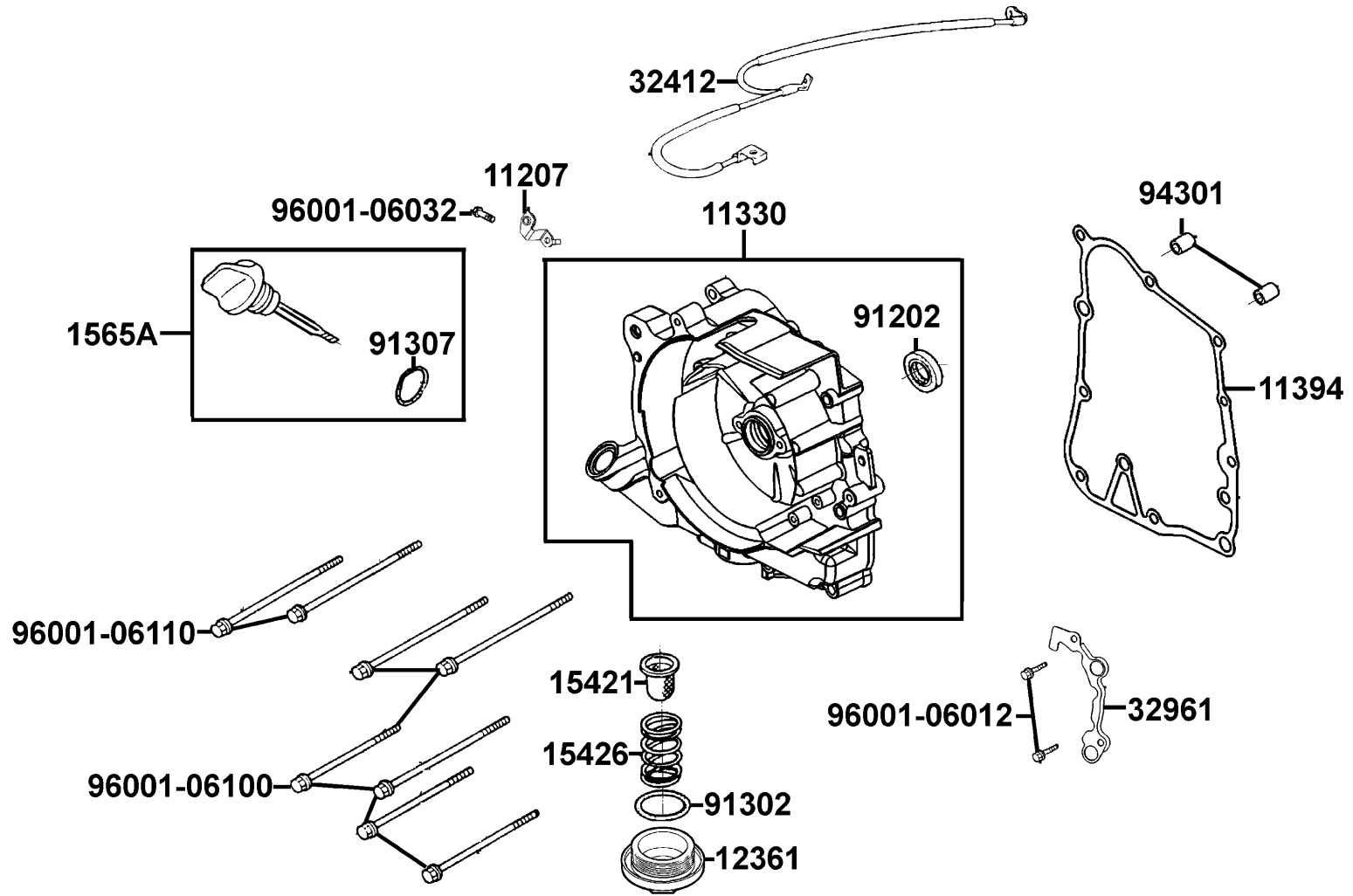


Sales mark	Ref no	Part no	Ver	Description	Reg description	Regd no	E03
	12100	12100-LFE2-900	3	CYLINDER COMP	汽缸	1	
	12191	12191-LFE2-900	1	GASKET CYLINDER A	汽缸墊片 A	1	
	13000	13000-LFB5-900	2	CRANK SHAFT COMP	曲軸	1	
	13011	13011-LFE2-90B	2	RING ASSY PISTON	活塞環組	1	
	13101	13101-LFE2-900	7	PISTON	活塞	1	
	13111	13111-KKJ9-001	2	PIN PISTON	活塞銷	1	
	14401	14401-LFE2-900	2	CHAIN CAM	凸輪軸驅動鏈條	1	
	14510	14510-LEB1-900	2	TENSIONER CAM CHAIN	內鏈條拉力桿	1	
**	14520	14520-GFY6-90A	1	LIFTER ASSY TENSIONER	內鏈條調整器	1	
	14523	14523-KED9-900	0	GASKET TENSIONER LIFTER @A	內鏈條調整器墊片	1	
	14531	14531-GLR0-001	1	PIVOT CAM CHAIN TENSIONER	拉力桿螺絲	1	
	14610	14610-LEB1-900	1	GUIDE COMP CAM CHAIN	鏈條導件	1	
	90001	90001-GBHB-661	0	BOLT FLANGE SH 6*22	螺絲 6*22	2	
	90005	90005-KAW1-901	1	SCREW PAN 6*6	螺絲 6*6	1	
	90701	90701-HFB6-011	1	KEY WOODRUFF 25*14*4	固定鍵 25X14X4	2	
	91301	91301-GLR0-005	1	O RING 15.2*1.5	O環 15.2X1.5	1	
	91306	91306-1E05-691	0	O-RING 1.5*9.5	O環 1.5*9.5	1	
	94301	94301-10160	0	DOWEL PIN 10*16	定位銷 10X16	2	
	94601	94601-15000	0	CLIP PISTON PIN 15MM	活塞銷環夾 15MM	2	

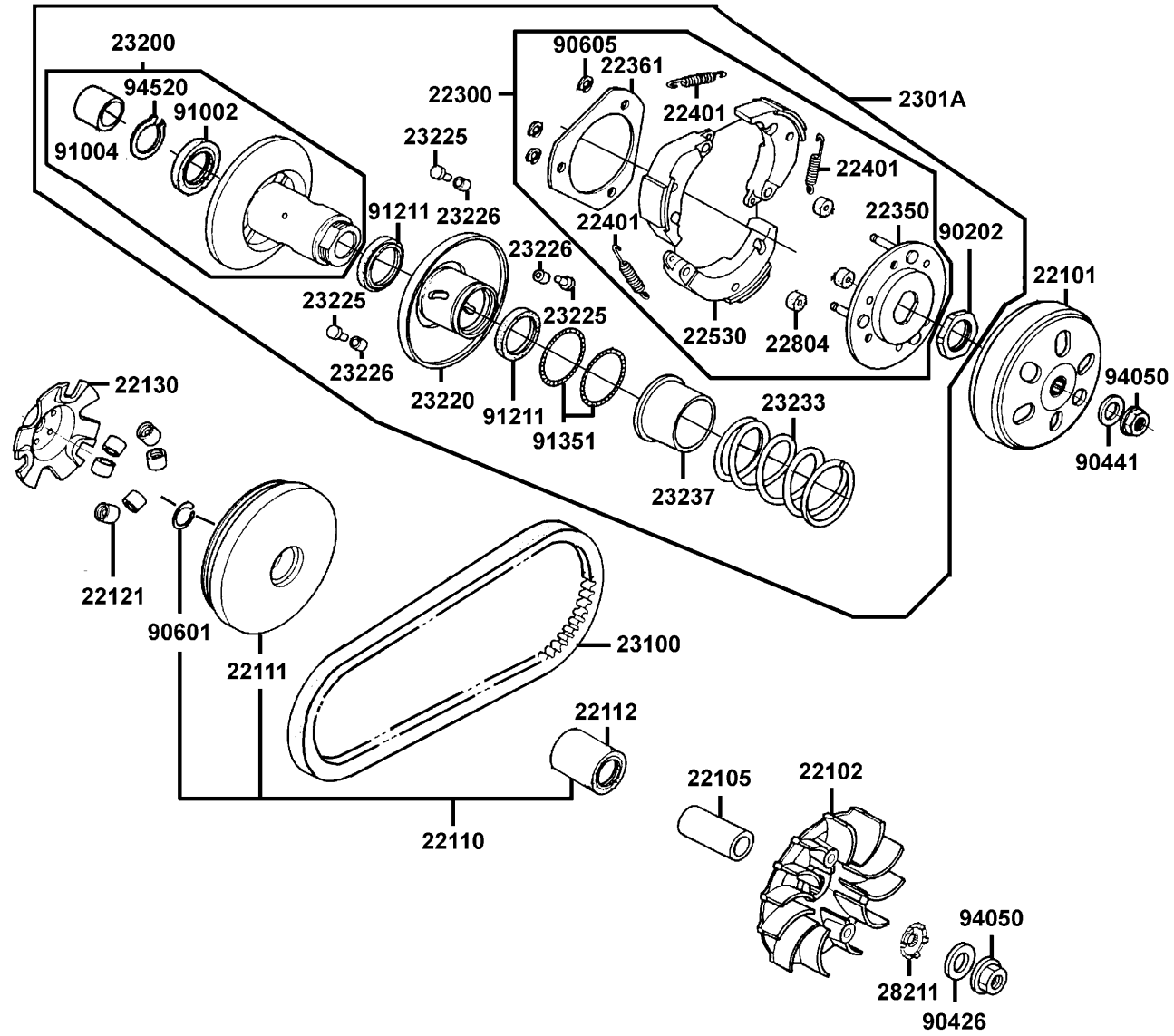
E04

Right Crankcase Cover

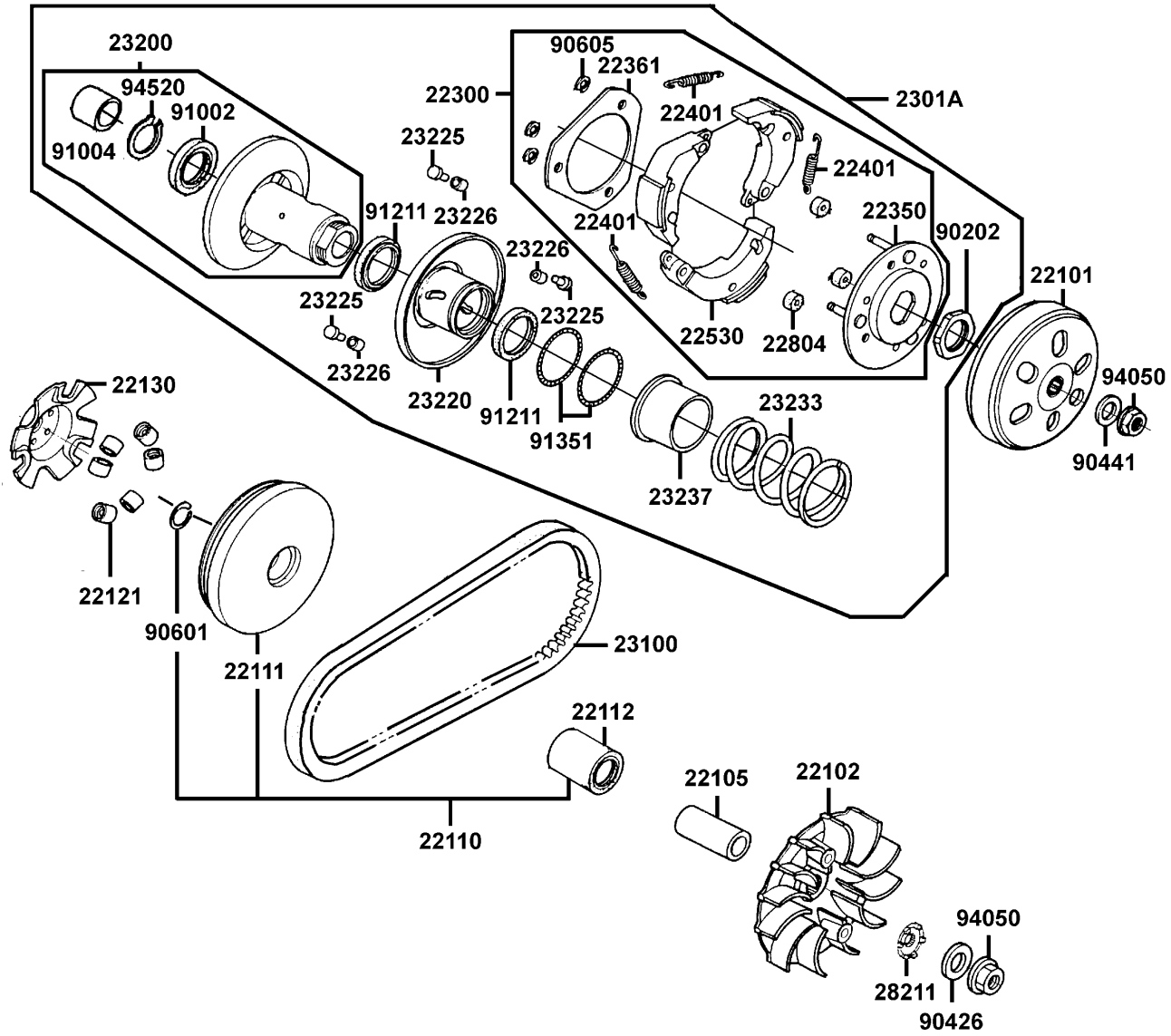
右曲軸箱蓋



Sales mark	Ref no	Part no	Ver	Description	Reg description	Regd no	E04
	11207	11207-LFB5-900	1	STAY B RR FENDER	後土除支架 B	1	
	11330	11330-LEB1-900	9	COVER R CRANK CASE	右曲軸箱蓋	1	
	11394	11394-LEB1-900	4	GASKET R COVER	右曲軸箱蓋墊片	1	
	12361	12361-GFY6-901	1	HOLE CAP TAPPET ADJUSTING	調節螺帽	1	
	15421	15421-1G07-001	1	SCREEN OIL FILTER	濾油網	1	
	15426	15426-GAE1-921	0	SPG OIL FILTER SCREEN	濾油網彈簧	1	
	1565A	1565A-KUDU-900	0	GAUGE OIL LEVEL ASSY	機油尺組	1	
	32412	32412-LEB1-900	4	CABLE EARTH	接地導線	1	
	32961	32961-LEB1-900	2	CLAMPER ACG CORD	A.C.G 線夾	1	
	91202	91202-GFY6-90B	0	OIL SEAL 19.8*30*5	油封 19.8*30*5	1	
	91302	91302-OA01-021	0	O-RING 30.8M/M	O環 30.8MM	1	
	91307	91307-0E35-001	0	O RING 18*3	O環 18X3	1	
	94301	94301-10160	0	DOWEL PIN 10*16	定位銷 10X16	2	
#	96001-06012	96001-06012-08	0	BOLT FLANGE 6*12	螺絲 6*12	2	
	96001-06032	96001-06032-08	0	BOLT FLANGE SH 6*32	螺栓 6*32	1	
	96001-06100	96001-06100-08	0	BOLT FLANGE SH 6*100	特殊螺絲 6*100	6	
	96001-06110	96001-06110-08	0	BOLT FLANGE SH 6*110	螺絲 6X110	2	

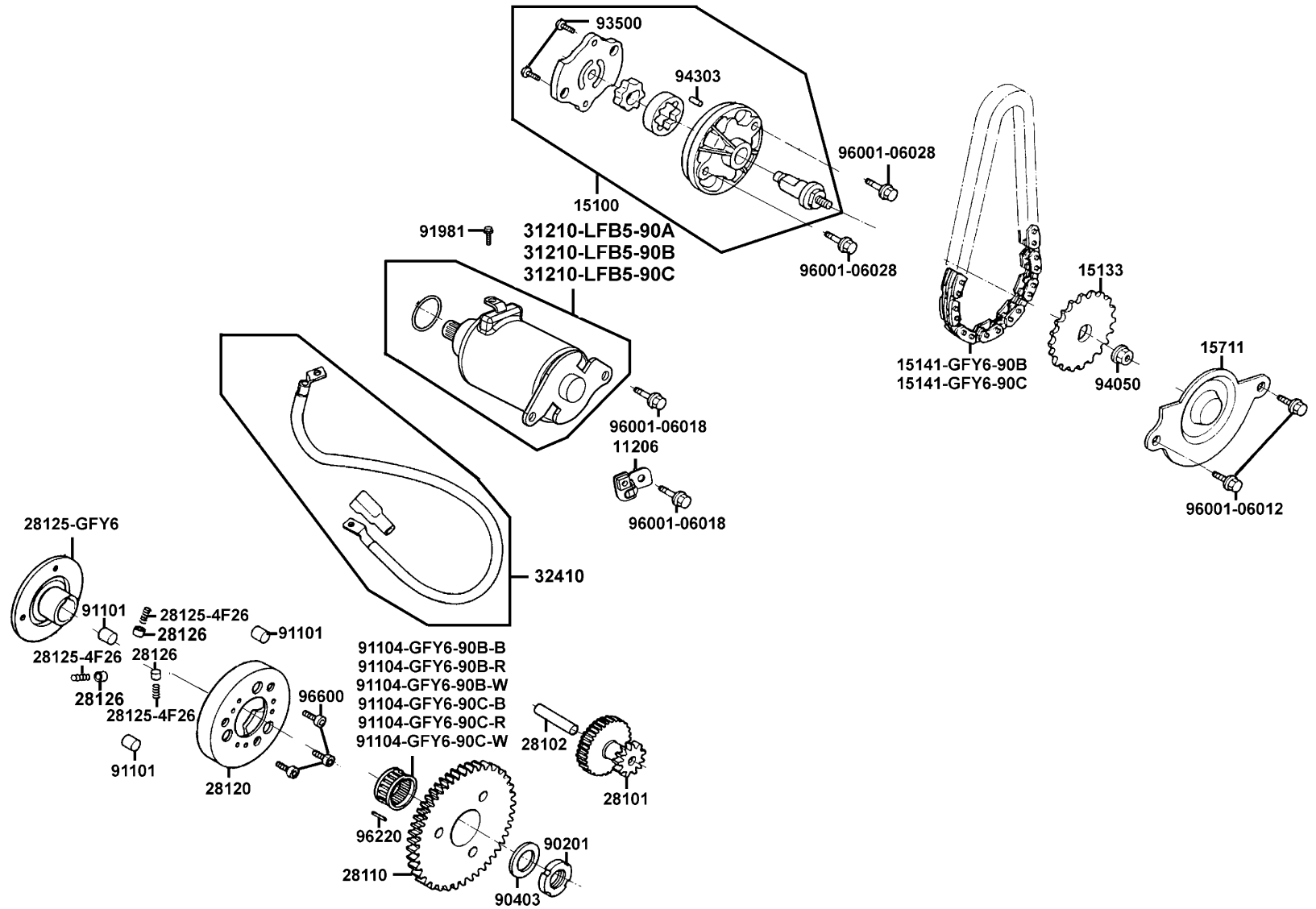


Sales mark	Ref no	Part no	Ver	Description	Reg description	Regd no	E05
	22101	22101-LCD3-E00	1	OUTER CLUTCH	離合器外套	1	
	22102	22102-LEB1-900	2	FACE DRIVE	驅動皮帶扇葉盤	1	
	22105	22105-LEB1-900	2	BOSS DRIVE FACE	襯套	1	
	22110	22110-LEB1-800	7	FACE COMP MOVABLE DRIVE	滑動式驅動盤	1	
	22111	22111-LEB1-800	5	FACE MOVABLE DRIVE	滑動式驅動盤	1	
	22112	22112-GFY6-90A	0	BUSH 24*28*30	襯套	1	
	22121	22121-KKD7-900	1	ROLLER COMP WEIGHT	配重滾子	6	
	22130	22130-LEB1-800	5	PLATE RAMP	斜坡板	1	
	22300	22300-LEB1-910	0	PLATE ASSY DRIVE	驅動板組	1	
	22350	22350-GFY6-90A	1	PLATE COMP DRIVE	驅動板	1	
	22361	22361-KGN7-671	1	PLATE CLUTCH SIDE	離合器舉升板	1	
	22401	22401-LEB1-910	0	SPG CLUTCH	離合器彈簧	3	
	22530	22530-LEB1-910	0	WEIGHT CLUTCH	離合配重	3	
	22804	22804-GBB2-001	0	RUBBER CLUTCH DUMPER	橡皮	3	
#	2301A	2301A-LEB1-910	2	PULLEY ASSY DRIVEN	從動皮帶輪組	1	
	23100	23100-LFB5-90B	0	BELT DRIVE	驅動皮帶	1	
	23200	23200-LFE2-900	1	FACE ASSY DRIVEN(2007.04.04~)	平面傳動盤組	1	
	23220	23220-GFY6-921	1	FACE COMP MOVABLE DRIVEN	滑動式從動皮帶盤	1	
	23225	23225-GHC8-004	0	PIN ROLLER GUIDE	滾導銷	3	
	23226	23226-GHC8-004	0	ROLLER GUIDE	滾子	3	



Sales mark	Ref no	Part no	Ver	Description	Reg description	Regd no	E05
	23233	23233-LFE2-910	1	SPG DRIVEN FACE	驅動彈簧	1	
	23237	23237-GFY6-941	0	COLLAR SEAL	套筒油封	1	
	28211	28211-KFC8-900	0	RATCHET KICK STARTER	起動齒盤	1	
	90202	90202-1G87-001	0	NUT SPECIAL 28MM	螺帽	1	
	90426	90426-KNBN-901	0	WASHER SPECIAL 12MM	華司	1	
	90441	90441-GFY6-941	0	WASHER 12.2*29*2.5	華司 12.2*29*2.5	1	
	90601	90601-GFY6-901	0	CLIP 28MM	夾子 28MM	1	
	90605	90605-1F66-721	0	CIR CLIP 7MM	環夾 7MM	3	
	91002	91002-GGA7-70A	0	BRG BALL RADIAL 6902U	軸承 6902U	1	
	91004	91004-KHE7-900	1	BRG NDL 22*29*18	軸承 22*29*18	1	
	91211	91211-KEBE-900	0	SEAL DRIVEN FACE 34*41*4	驅動油封 34X41X4	2	
	91351	91351-6B42-000	0	O-RING PINION CAP	O環	2	
	94050	94050-12080	0	NUT C FLANGE 12MM	螺帽 12MM	2	
	94520	94520-28000	0	CIR CLIP IN 28	內環夾 28MM	1	

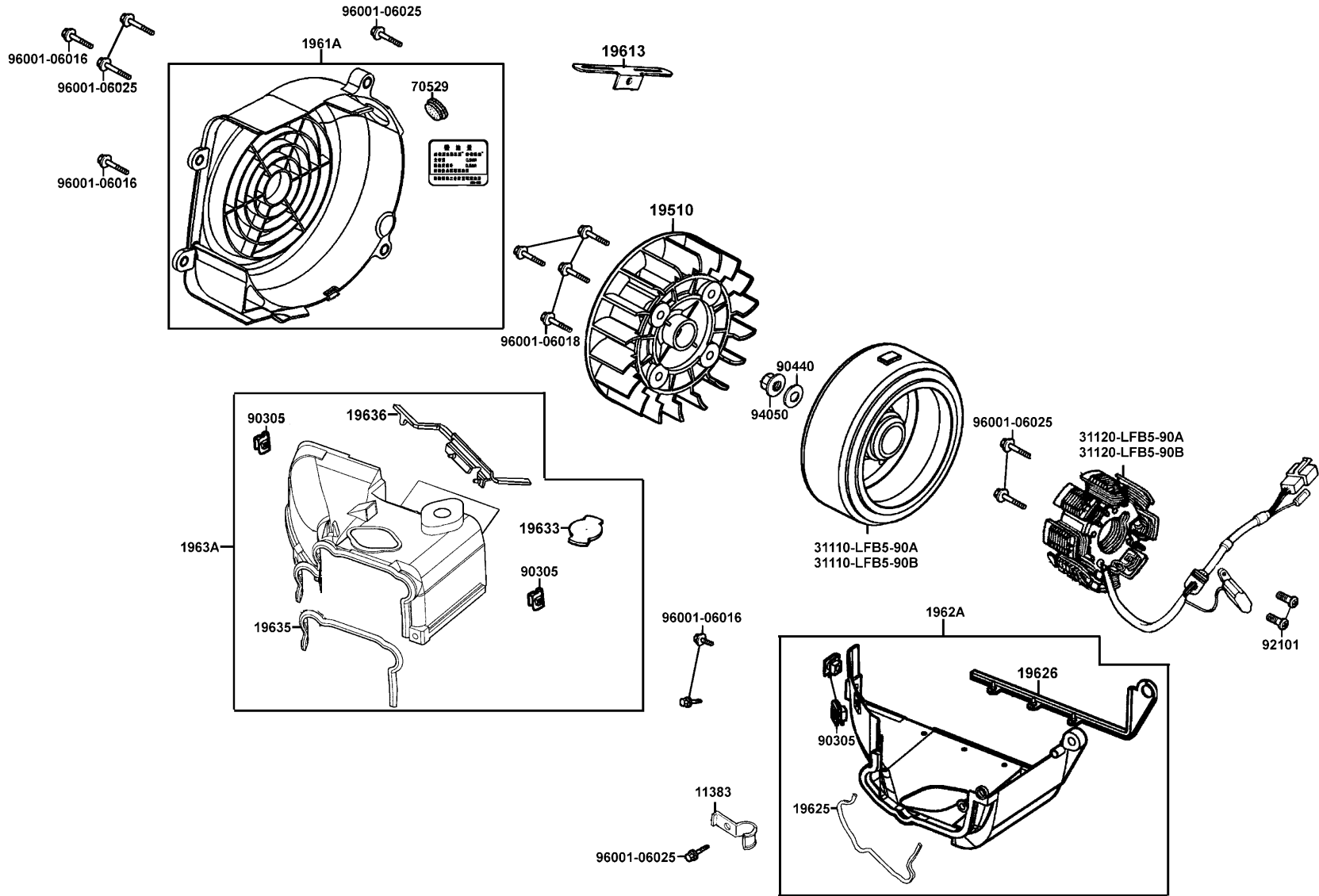
Sales mark	Ref no	Part no	Ver	Description	Reg description	Regd no	E06
	11206	11206-LFB5-900	2	STAY A RR FENDER	後土除支架 A	1	
	15100	15100-KFB7-900	0	PUMP ASSY OIL	機油泵浦	1	
	15133	15133-GFY6-901	0	SPROCKET OIL PUMP DRIVE	機油泵驅動齒輪	1	
	15141-GFY6-90B	15141-GFY6-90B	0	CHAIN OIL PUMP	機油泵驅動鏈條	1	
	15141-GFY6-90C	15141-GFY6-90C	1	CHAIN OIL PUMP	機油泵驅動鏈條	1	
	15711	15711-GFY6-901	0	SEPARATER OIL	機油分隔板	1	
	28101	28101-GFY6-200	2	GEAR STARTER REDUCTION	起動減速齒輪	1	
	28102	28102-GFY6-901	0	SHAFT STARTER REDUCTION GEAR	起動減速齒輪軸	1	
	28110	28110-LEB1-900	3	GEAR COMP STARTING CLUTCH	起動齒輪	1	
	28120	28120-GFY6-315	6	OUTER COMP STARTING CLUTCH	離合器外套	1	
	28125-4F26	28125-4F26-001	0	SPRING ROLLER STARTER CLUTCH	離合器滾子彈簧	3	
	28125-GFY6	28125-GFY6-960	3	FLANGE STARTING CLUTCH	起動離合器盤	1	
	28126	28126-KUDU-900	1	CAP STARTING ROLLER SPRING	滾子彈簧蓋	3	
	31210-LFB5-90A	31210-LFB5-90A	0	MOTOR UNIT START	起動馬達組	1	
	31210-LFB5-90B	31210-LFB5-90B	0	MOTOR UNIT START	起動馬達組	1	
	31210-LFB5-90C	31210-LFB5-90C	0	MOTOR UNIT START	起動馬達組	1	
	32410	32410-LEB1-900	1	CABLE START MOTOR	起動馬達配線	1	
	90201	90201-GFY6-901	0	NUT LOCK 22MM	螺帽 22MM	1	
	90403	90403-GFY6-901	0	WASHER THRUST 22. 2*31*2.5	華司 22.2*31*2.5	1	
	91101	91101-1K79-711	1	ROLLER 10*10	滾子 10X10	3	



Sales mark	Ref no	Part no	Ver	Description	Reg description	Regd no	E06
	91104-GFY6-90B-B	91104-GFY6-90B-B	1	BRG NEEDLE 28*32*17	滾針軸承	1	
	91104-GFY6-90B-R	91104-GFY6-90B-R	1	BRG NEEDLE 28*32*17	滾針軸承	1	
	91104-GFY6-90B-	91104-GFY6-90B-W	1	BRG NEEDLE 28*32*17	滾針軸承	1	
	91104-GFY6-90C-B	91104-GFY6-90C-B	0	BRG NEEDLE 28*32*17	滾針軸承	1	
	91104-GFY6-90C-R	91104-GFY6-90C-R	0	BRG NEEDLE 28*32*17	滾針軸承	1	
	91104-GFY6-90C-	91104-GFY6-90C-W	0	BRG NEEDLE 28*32*17	滾針軸承	1	
	91981	91981-KGN7-670	0	SCREW WASH 5X8	螺絲 5X8	1	
	93500	93500-03010-1A	0	SCREW PAN 3*10	螺絲 3*10	1	
#	94050	94050-06080	0	NUT FLANGE 6MM	螺帽 6MM	1	
	94303	94303-04065	0	PIN DOWEL 4*65	定位銷4*65	1	
#	96001-06012	96001-06012-08	0	BOLT FLANGE 6*12	螺絲 6*12	2	
#	96001-06018	96001-06018-08	0	BOLT FLANGE SH 6*18	螺絲 6X18	2	
	96001-06028	96001-06028-08	0	BOLT FLANGE SH 6*28	螺絲 6*28	2	
	96220	96220-60100	0	ROLLER 6*10	定位銷 6X10	1	
	96600	96600-08010-10	1	SOCKET BOLT 8*10	內六角螺絲 8X10	3	

E07

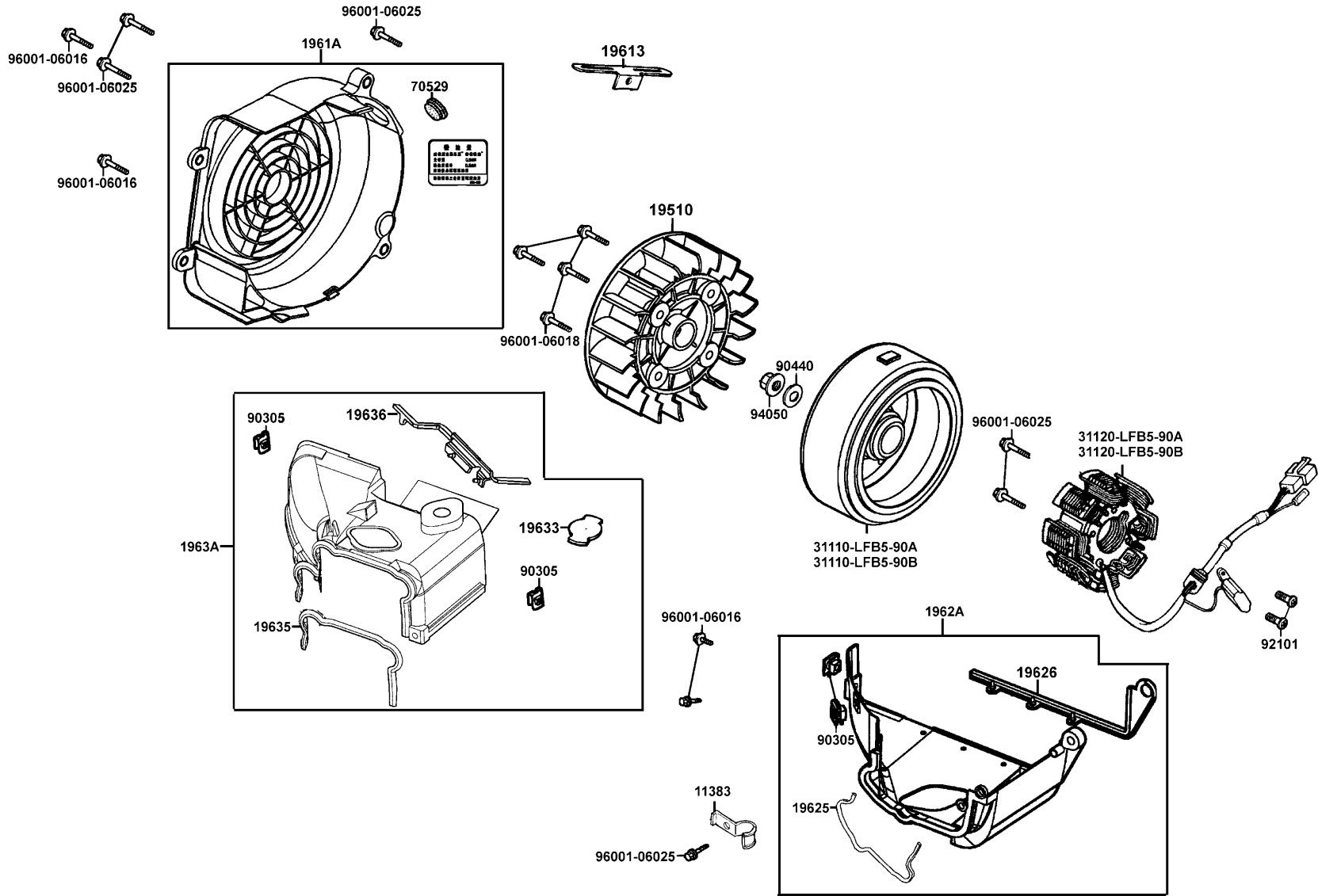
Generator Water Pump 發電機 水泵



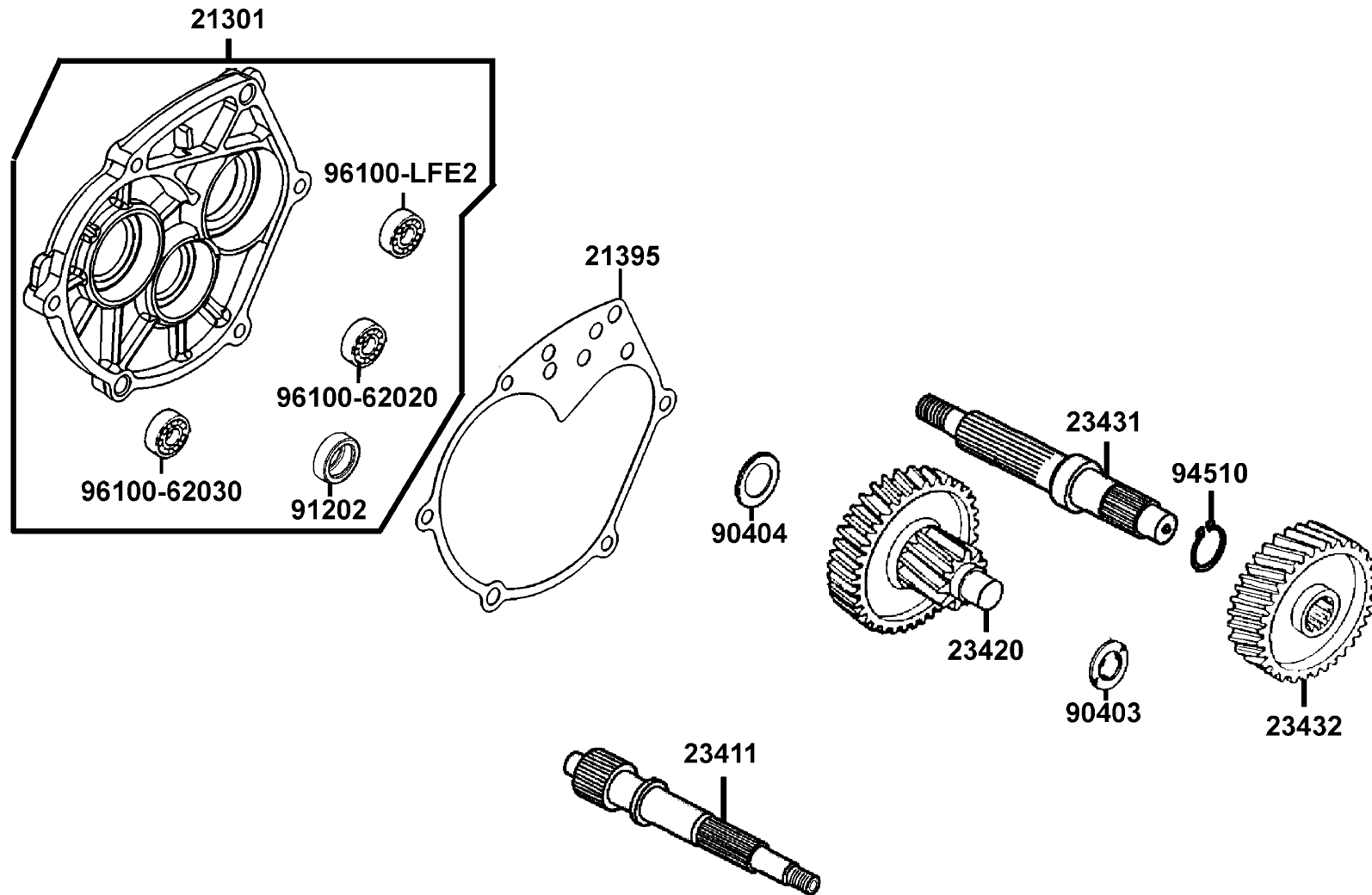
Sales mark	Ref no	Part no	Ver	Description	Reg description	Regd no	E07
	11383	11383-GFY6-901	2	CLAMPER BREATHER DRAIN TUBE	通氣管夾	1	
**	19510	19510-LEB1-900	1	FAN COMP COOLING	冷卻風扇	1	
	19613	19613-GFY6-901	0	CLAMPER STARTER MOTOR	起動馬達導線夾	1	
	1961A	1961A-LEB1-900	4	COVER ASSY FAN	風扇蓋組	1	
	19625	19625-LFE2-900	1	SEAL SHROUD A	罩蓋油封 A	1	
	19626	19626-LEB1-900	1	SEAL SHROUD A	罩蓋油封 A	1	
	1962A	1962A-LFE2-900	3	SHROUD ASSY A	罩蓋 A	1	
	19633	19633-GFY6-901	0	GROMET SHROUD B	橡皮蓋	1	
	19635	19635-LFE2-900	2	SEAL SHROUD B	罩蓋油封 B	1	
	19636	19636-LEB1-900	1	SEAL SHROUD B	罩蓋油封 B	1	
	1963A	1963A-LFE2-900	2	SHROUD ASSY B	罩蓋B	1	
	31110-LFB5-90A	31110-LFB5-90A	1	FLYWHEEL COMP	飛輪	1	
	31110-LFB5-90B	31110-LFB5-90B	1	FLYWHEEL COMP	飛輪	1	
	31120-LFB5-90A	31120-LFB5-90A	0	STATOR COMP	轉子線圈	1	
	31120-LFB5-90B	31120-LFB5-90B	0	STATOR COMP	轉子線圈	1	
	70529	70529-6G57-671	0	GROM B SIDE PNL	橡皮塞	1	
	90305	90305-GHK8-001	1	NUT CLIP 6MM	夾螺帽	4	
	90440	90440-1F66-001	0	WASHER PLAIN 12MM	華司 12MM	1	
	92101	92101-05012-0H	0	BOLT HEX 5*12	螺絲 5*12	2	
	94050	94050-12080	0	NUT C FLANGE 12MM	螺帽 12MM	1	

E07

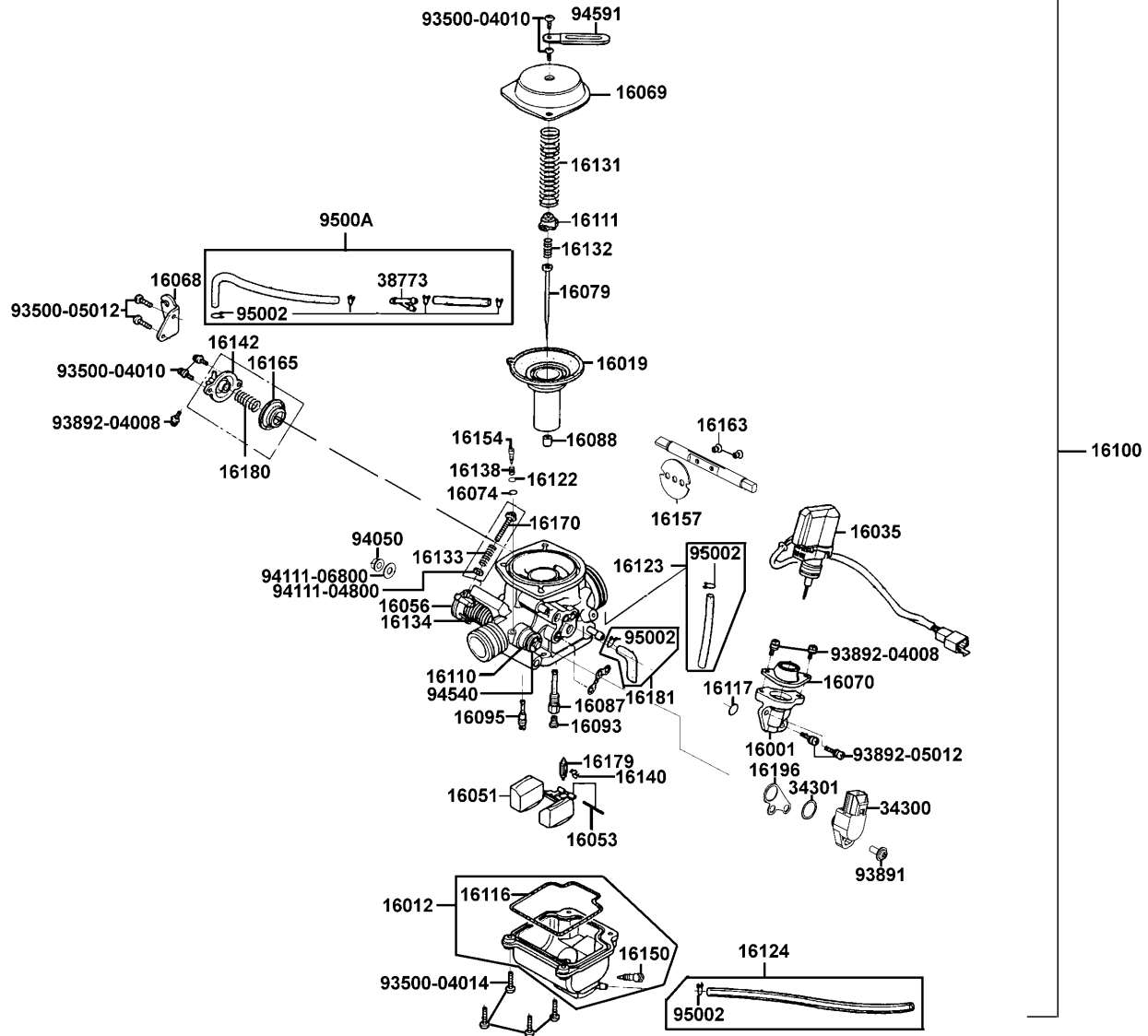
Generator Water Pump 發電機 水泵



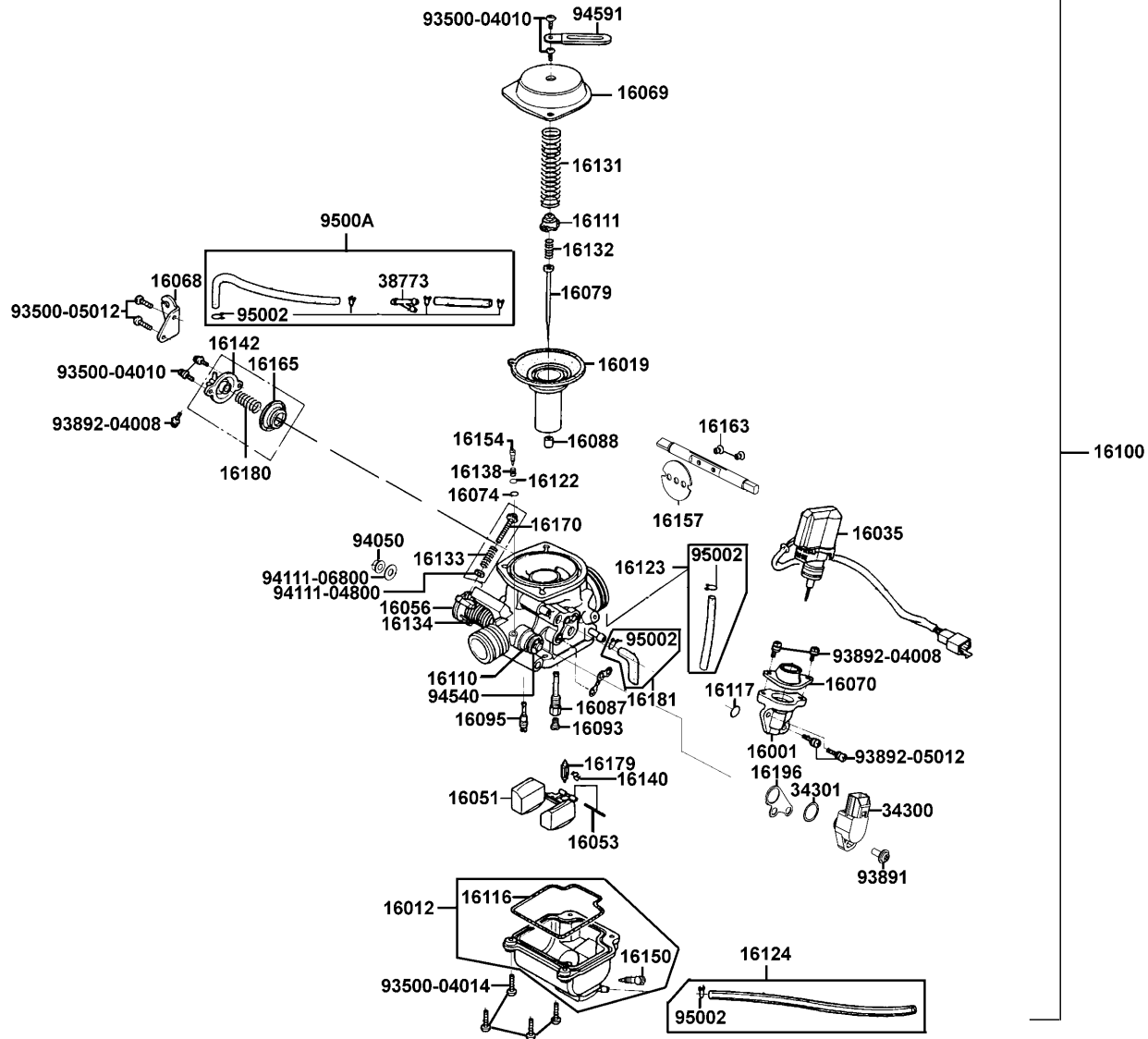
Sales mark	Ref no	Part no	Ver	Description	Reg description	Regd no	E07
#	96001-06016	96001-06016-08	0	BOLT FLANGE SH 6*16	凸緣螺栓	4	
#	96001-06018	96001-06018-08	0	BOLT FLANGE SH 6*18	螺絲 6X18	4	
	96001-06025	96001-06025-08	0	BOLT FLANGE SH 6*25	螺絲 6*25	6	



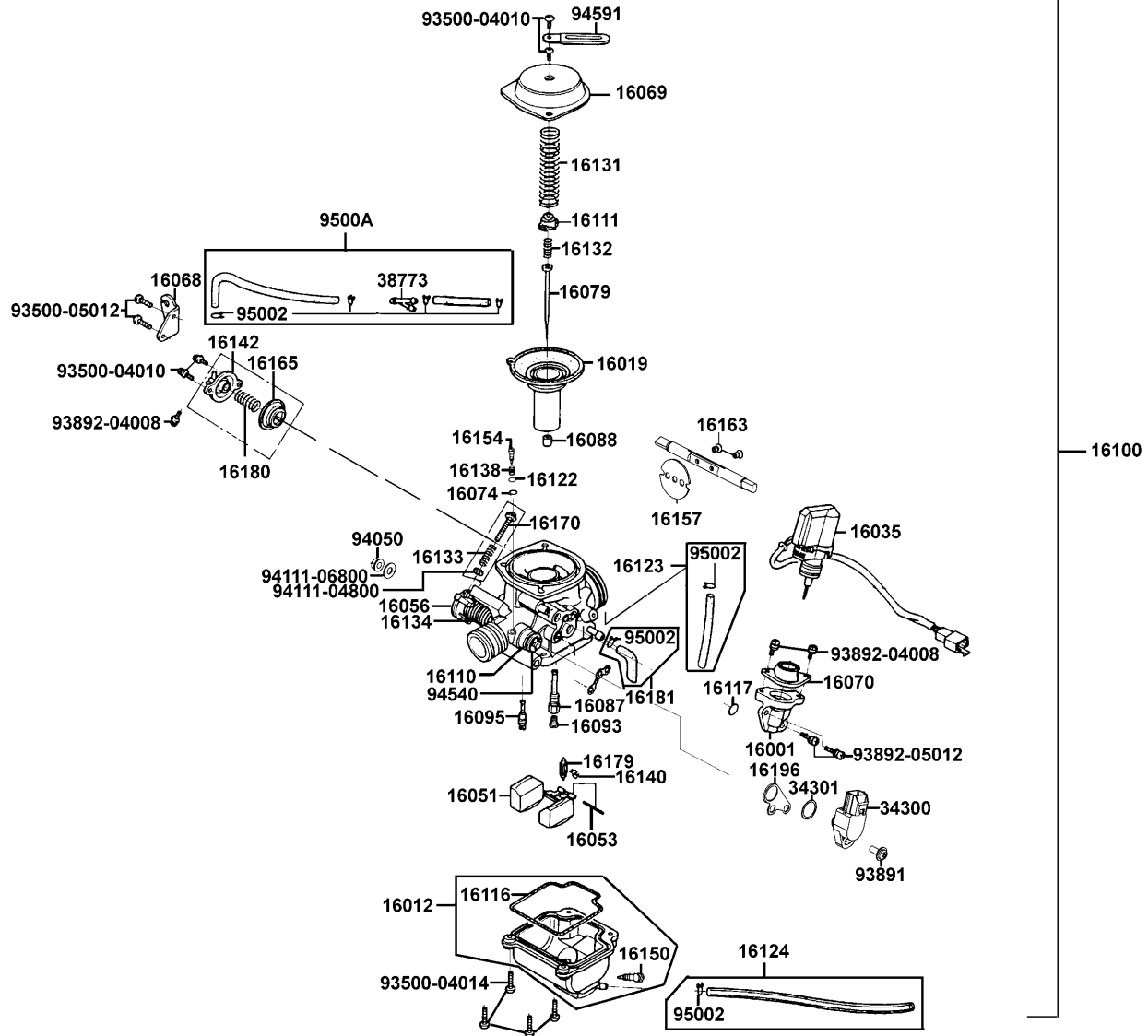
Sales mark	Ref no	Part no	Ver	Description	Reg description	Regd no	E08
	21301	21301-LFB5-305	1	COVER MISSION(2007.04.04)	變速箱蓋	1	
	21395	21395-LFB5-900	3	GASKET MISSION CASE	主軸蓋墊片	1	
	23411	23411-LFB5-900	1	SHAFT DRIVE(2007.04.03)	驅動軸	1	
	23420	23420-LFB5-900	0	SHAFT COMP COUNTER	副軸組	1	
	23431	23431-LFB5-900	4	SHAFT FINAL	最終軸	1	
	23432	23432-LFB5-900	1	GEAR FINAL	最終齒輪	1	
	90403	90403-LEB1-900	1	WASHER BELLEVILLE 15MM	貝氏彈簧墊片 15MM	1	
	90404	90404-LEB1-900	1	WASHER BELLEVILLE 20MM	貝氏彈簧墊片 20MM	1	
	91202	91202-LFE2-900	0	OIL SEAL 22*32*5	左曲軸箱油封 22*32*5	1	
	94510	94510-20000	0	CIR CLIP EX 20	夾環	1	
	96100-62020	96100-62020-00	0	BEARING BALL RADIAL 6202	軸承 6202	1	
	96100-62030	96100-62030-00	0	BRG BALL RADIAL 6203	軸承 6203	1	
	96100-LFE2	96100-LFE2-900	1	BRG BALL RADIAL TMB2/22CC4	軸承 22CC4	1	



Sales mark	Ref no	Part no	Ver	Description	Reg description	Regd no	E09
	16001	16001-KEC3-900	3	BODY ASSY BY-ST	自動旁通器座	1	
	16012	16012-KEC3-800	4	CHAMBER FLOAT ASSY	浮筒室組	1	
	16019	16019-KUDU-900	0	VALVE ASSY PISTON	真空活塞閥	1	
	16035	16035-LFB5-900	0	UNIT BY-ST	自動旁通器	1	
	16051	16051-KEC3-90A	1	BODY FLOAT	浮筒組	1	
	16053	16053-KEC3-900	0	PIN FLOAT	浮筒閥臂銷	1	
	16056	16056-KKC8-500	1	SHAFT ASSY THROTTLE	加油軸	1	
	16068	16068-KEC3-900	0	PLATE WIRE FIXED	起動閥配線支架	1	
	16069	16069-KEC3-900	3	COVER PISTON VALVE DIAPHRAGM	真空活塞閥蓋	1	
	16070	16070-KEC3-900	3	STOPPER BY-ST	固定板	1	
	16074	16074-KEC3-900	4	WASHER IDLE SCREW	華司	1	
	16079	16079-LFE2-910	0	NEEDLE ASSY JET	噴嘴針組	1	
	16087	16087-LFE2-900	1	TUBE EMULSION	乳膠管	1	
	16088	16088-KEC3-900	1	JET NEEDLE	噴嘴	1	
	16093	16093-KEC3-096	0	JET MAIN	主噴油嘴	1	
	16095	16095-KEC3-900	2	JET SLOW	慢速噴油嘴	1	
	16100	16100-LFB5-900	0	CARBURETOR ASSY	化油器組	1	
	16110	16110-KGC5-900	1	WASHER THROTTLE ASSY	華司	1	
	16111	16111-KEC3-900	1	STOPPER JET NEEDLE SPG	阻板	1	
	16116	16116-KEC3-900	1	PACKING FLOAT CHAMBER	浮筒室墊圈	1	



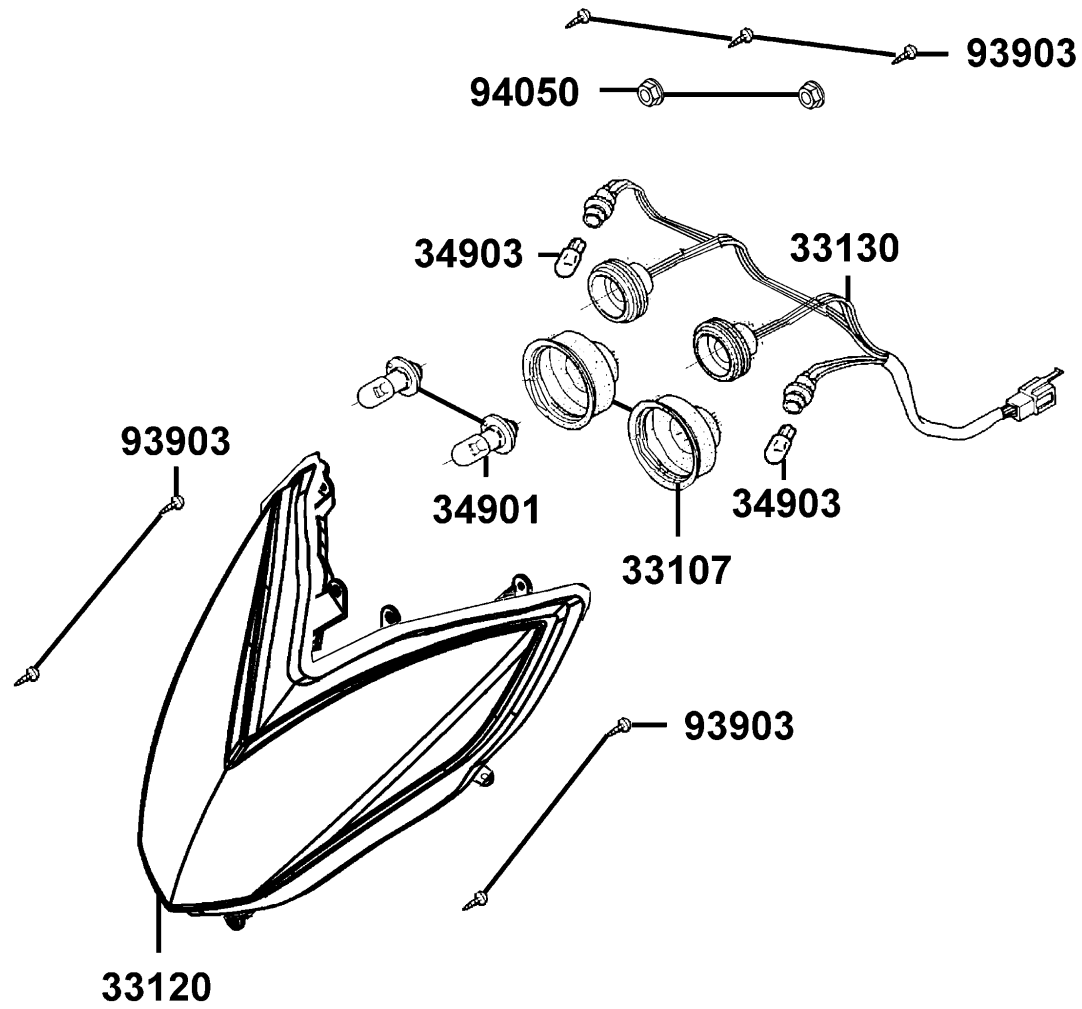
Sales mark	Ref no	Part no	Ver	Description	Reg description	Regd no	E09
	16117	16117-KEC3-900	0	PACKING BY-ST	墊片	1	
	16122	16122-KEC3-900	0	O-RING IDLE SCREW	O型環	1	
	16123	16123-LFB5-900	0	TUBE COMPL 3.5*710	油管	1	
	16124	16124-KEC3-900	1	TUBE COMPL 3.5*300	油管	2	
	16131	16131-KEC3-900	0	SPG PISTON VALVE RETURN	真空活塞閥彈簧	1	
	16132	16132-KEC3-900	1	SPG JET NEEDLE	油針彈簧	1	
	16133	16133-KEC3-900	1	SPG THROTTLE ADJUST SCREW	彈簧	1	
	16134	16134-KEC3-900	0	SPG THROTTLE SHAFT	彈簧	1	
	16138	16138-KEC3-900	1	SPG IDLE ADJ SCREW	彈簧	1	
	16140	16140-KEC3-900	1	CLIP FLOAT VALVE	浮筒閥夾	1	
	16142	16142-KEC3-900	1	COVER ACV	阻風閥蓋	1	
	16150	16150-KEC3-900	1	SCREW COMPL DRAIN	螺絲	1	
	16154	16154-KEC3-900	0	SCREW IDLE ADJUST	調整螺絲	1	
	16157	16157-KYCY-900	0	THROTTLE VALVE	節流閥門片	1	
	16163	16163-KHC4-900	0	SCREW THROTTLE VALVE	螺絲	2	
	16165	16165-KEC3-900	0	DIAPHRAGM	阻風閥組	1	
	16170	16170-KEC3-900	0	SCREW THROTTLE ADJUST	調整螺絲	1	
	16179	16179-KEC3-900	2	VALVE ASSY FLOAT	浮筒閥	1	
	16180	16180-KEC3-900	0	SPG ACV	阻風閥彈簧	1	
	16181	16181-KEC3-900	1	TUBE AIR VENT	空氣管	1	



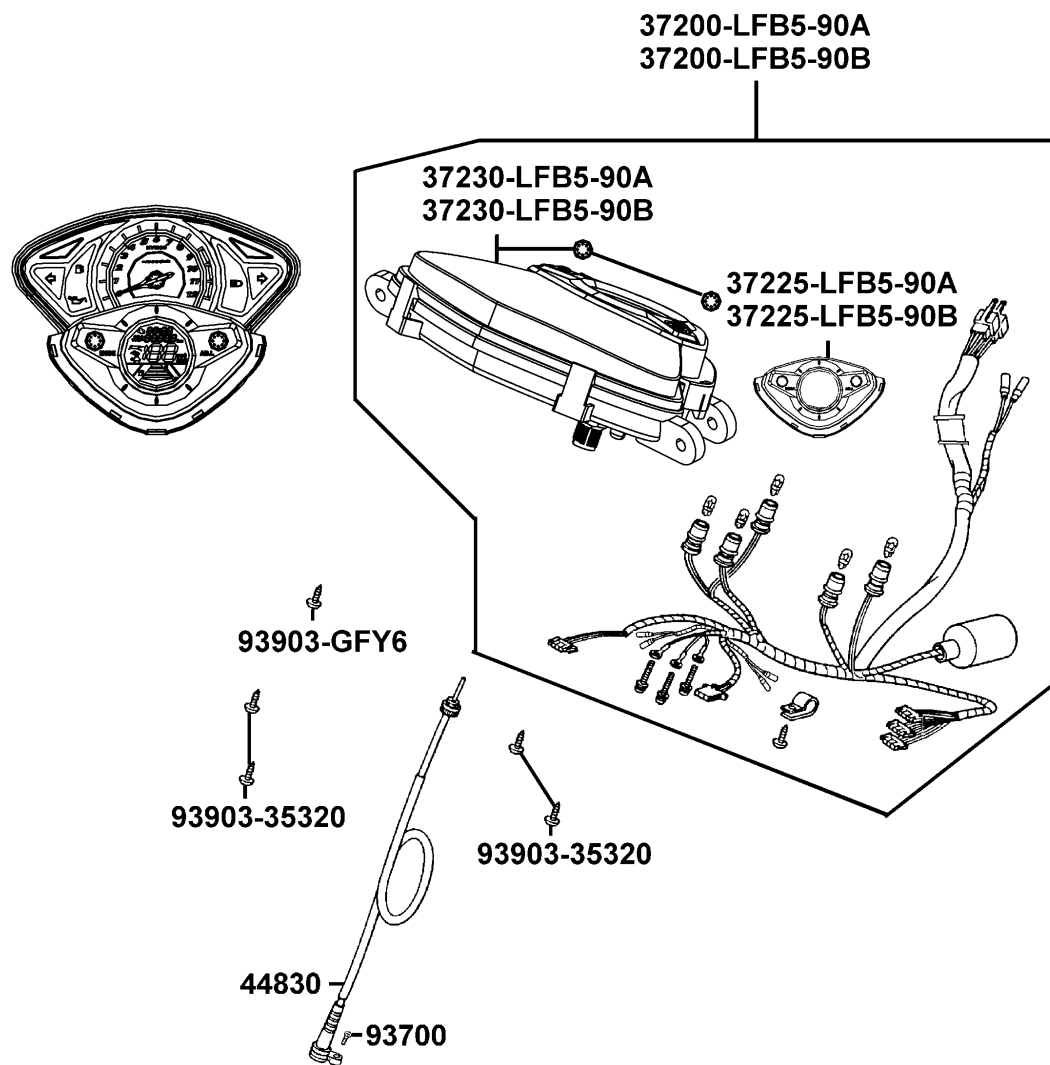
Sales mark	Ref no	Part no	Ver	Description	Reg description	Regd no	E09
	16196	16196-KKC8-500	2	PLATE	固定板	1	
	34300	34300-KKE3-900	3	THROTTLE POSITION SENSOR	節流閥感應器	1	
	34301	34301-KKE3-900	2	O-RING THROTTLE POSITION	O 環	1	
	38773	38773-KEC3-900	0	JOINT ASSY TANK CAP	油箱連接管蓋組	1	
#	93500-04010	93500-04010-06	0	SCREW 4*10	螺絲 4*10	4	
	93500-04014	93500-04014-1A	0	SCREW 4*12	螺絲	4	
	93500-05012	93500-05012-08	0	SCREW 5*12	螺絲 5*12	2	
	93891	93891-05016-08	0	SCREW WASHER 5*16	螺絲 5X16	1	
	93892-04008	93892-04008-18	0	SCREW WASHER	螺絲 4*8	3	
	93892-05012	93892-05012-18	0	SCREW WASH 5*12	螺絲 5*12	2	
#	94050	94050-06080	0	NUT FLANGE 6MM	螺帽 6MM	1	
	94111-04800	94111-04800	0	WASHER SPG	華司	1	
#	94111-06800	94111-06800	0	WASHER SPG 6MM	華司 6MM	1	
	94540	94540-50029	0	E CLIP SHAFT	E 型夾子	1	
	94591	94591-27000	0	CLIP 2*70	夾子 2*70	1	
	95002	95002-02070	0	CLIP B7 TUBE	管夾	7	
#	9500A	9500A-LEB1-910	1	TUBE JOINT ASSY 3 WAY ACV	油管組	1	

F01

Head Light 前燈



Sales mark	Ref no	Part no	Ver	Description	Reg description	Regd no	F01
	33107	33107-KKC4-E00	0	COVER RUBBER	前燈配線橡皮護蓋	2	
	33120	33120-LFB5-900	0	COMB HEAD LIGHT	前燈殼	1	
	33130	33130-LFB5-900	0	SOCKET COMP	前燈配線/雙燈	1	
	34901	34901-KFA6-900	0	BULB HEAD LIGHT	前燈泡	2	
	34903	34903-KPCP-900	0	BULB POSITION	位置燈燈泡	2	
	93903	93903-35360	0	SCREW TAPPING 5*16	螺釘 5*16	7	
#	94050	94050-06060	0	NUT FLANGE 6MM	螺帽 6MM	2	



Sales mark	Ref no	Part no	Ver	Description	Reg description	Regd no	F02
	37200-LFB5-90A	37200-LFB5-90A	0	SPEED METER ASSY	速度錶組	1	
	37200-LFB5-90B	37200-LFB5-90B	0	SPEED METER ASSY	速度錶組	1	
	37225-LFB5-90A	37225-LFB5-90A	0	METER SPEED DECORATION COVER	哩程表裝飾蓋	1	
	37225-LFB5-90B	37225-LFB5-90B	0	METER SPEED DECORATION COVER	哩程表裝飾蓋	1	
	37230-LFB5-90A	37230-LFB5-90A	0	LENS ASSY	儀錶蓋	1	
	37230-LFB5-90B	37230-LFB5-90B	0	LENS ASSY	儀錶蓋	1	
	44830	44830-KXCX-901	4	CABLE COMP SPDMT	速度錶導線	1	
	93700	93700-05018-0H	0	SCREW OVAL 5*18	螺絲 5*18	1	
	93903-35320	93903-35320	0	SCREW TAPPING 5*16	螺絲 5*16	4	
	93903-GFY6	93903-GFY6-900	1	SCREW TAPPING 4*14	螺絲 4*14	1	

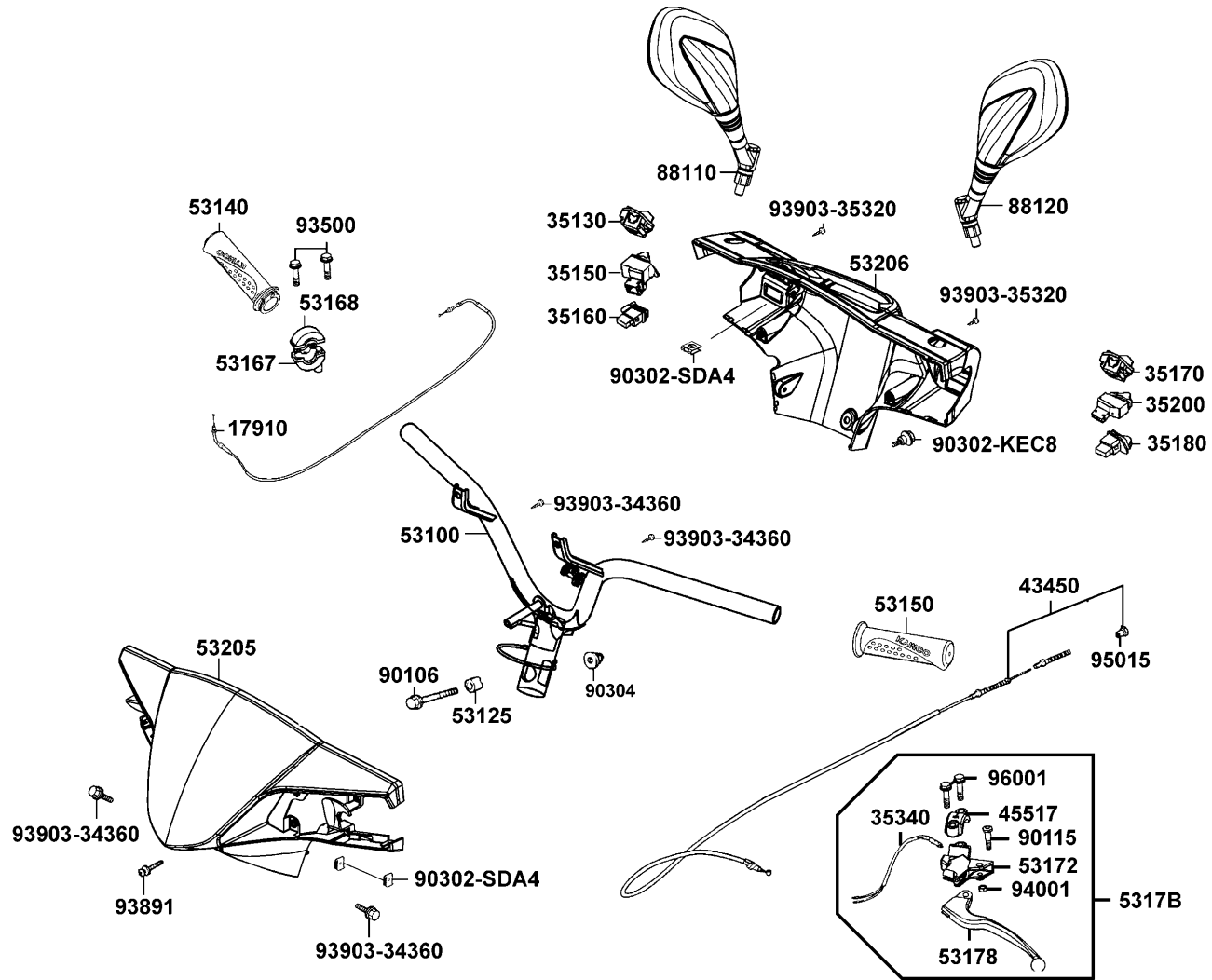
F03

Handle Steering

Handle Cover

轉向手柄

手柄蓋



Sales mark	Ref no	Part no	Ver	Description	Reg description	Regd no	F03
	17910	17910-LEB1-900	1	CABLE COMP THROT	節流導線	1	
	35130	35130-KXCX-M00	0	SW UNIT KILL	單位開關	1	
	35150	35150-GFY6-900	4	SW UNIT LIGHTING	前燈開關	1	
	35160	35160-GFY6-900	2	SW UNIT STARTER	起動開關	1	
	35170	35170-KNBN-910	1	SW UNIT DIMMER	遠近燈開關	1	
	35180	35180-GFY6-900	2	SW UNIT HORN	喇叭開關	1	
	35200	35200-GFY6-910	1	SW UNIT WINKER	方向燈開關	1	
	35340	35340-KFLF-900	2	SW ASSY FR STOP	煞車燈前置開關	1	
	43450	43450-LFB5-800	3	"CABLE COMP ,RR BRAKE"	後剎車導線	1	
	45517	45517-LFB5-800	1	"HOLDER HNDL., BRKT."	手柄固定座夾板	1	
	53100	53100-LFB5-900	4	HANDLE COMP STRG	轉向手柄	1	
	53125	53125-GEN5-901	0	COLLAR HANDLE SET	套筒	1	
**	53140	53140-LEA1-900	3	GRIP COMP THROT	節流管套組	1	
**	53150	53150-LEA1-900	1	GRIP COMP L HANDLE	手柄左橡皮套	1	
	53167	53167-KFA1-900	0	HOUSING UND THROT	節流管套下固定座	1	
	53168	53168-KFA1-900	1	HOUSING UP THROT	節流管套上固定座	1	
	53172	53172-KTCT-900	0	BRKT HANDLE L	手柄左托架	1	
**	53178	53178-LCD1-E00	1	LEVER STEERING HANDLE	手柄左拉桿	1	
	5317B	5317B-LFB5-900	3	"BRKT. ASSY , HNDL LH"	手柄左拉桿組	1	
**	53205	53205-LFB5-900	1	COVER FR HANDLE	手柄前蓋	1	

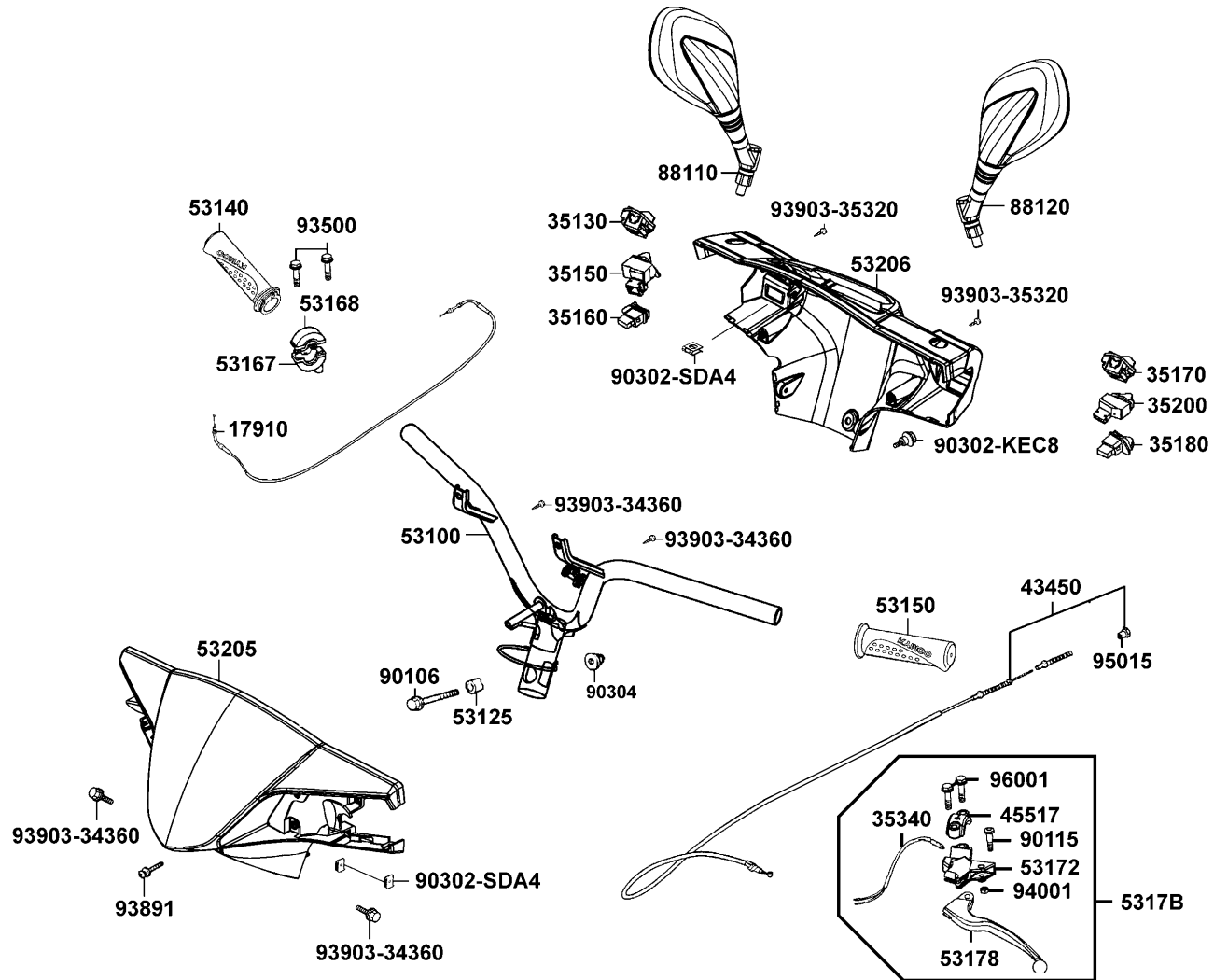
F03

Handle Steering

Handle Cover

轉向手柄

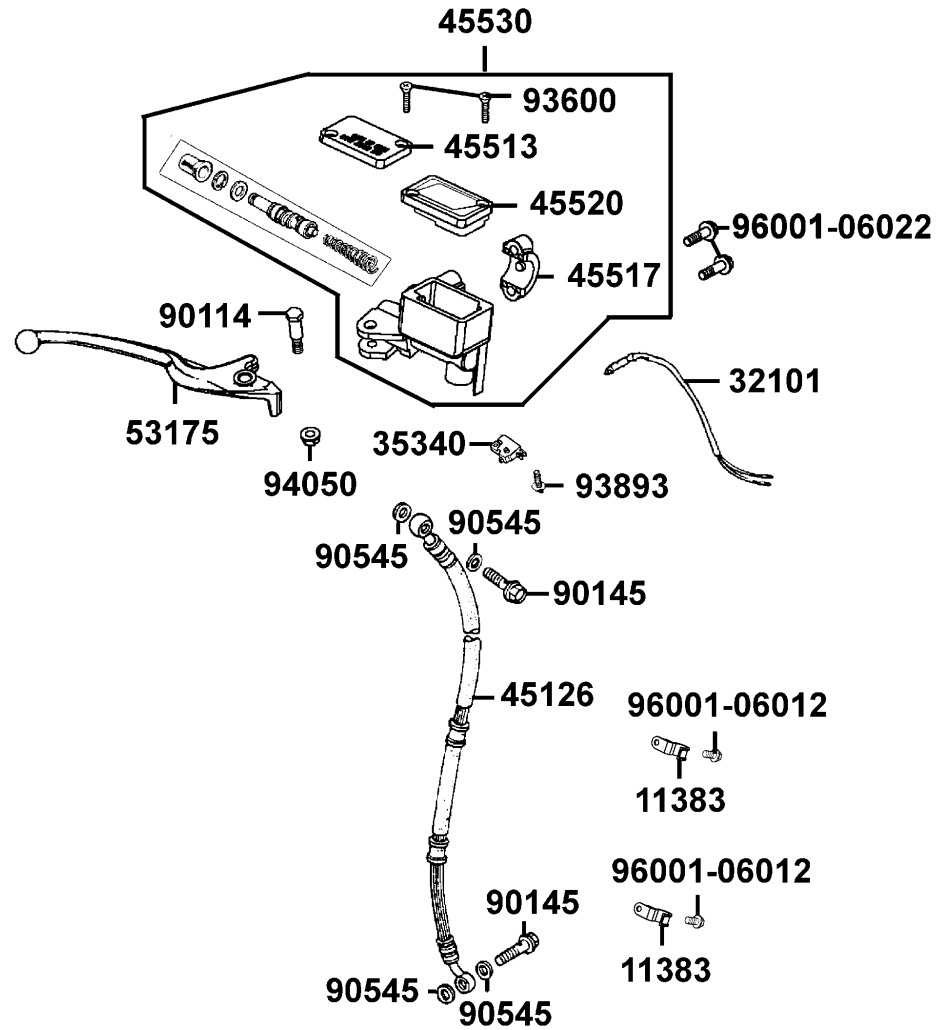
手柄蓋



Sales mark	Ref no	Part no	Ver	Description	Reg description	Regd no	F03
**	53206	53206-LFB5-900	0	COVER HANDLE RR	手柄後蓋	1	
**	88110	88110-LFB5-900	0	MIRROR ASSY R BACK	右後視鏡	1	
**	88120	88120-LFB5-900	0	MIRROR ASSY L BACK	左後視鏡	1	
	90106	90106-GEN5-901	0	BOLT FLANGE 10*50	特殊螺絲 10*50	1	
	90115	90115-GLE0-001	0	BOLT HNDL LEVER PIVOT	拉桿螺絲	1	
	90302-KEC8	90302-KEC8-900	1	BOLT PAN 5*9	螺釘 5*9	1	
#	90302-SDA4	90302-SDA4-004	1	NUT SPRING 4MM	螺帽 4MM	3	
	90304	90304-GHE8-004-SW	0	NUT U FLANGE 10MM	螺帽 10MM	1	
	93500	93500-05022-06	0	SCREW PAN 5*22	螺絲 5*22	2	
	93891	93891-05025-06	0	SCREW WASH 5*25	螺絲 5*25	1	
	93903-34360	93903-34360	0	SCREW TAPPING 4*12	螺絲 4*12	4	
	93903-35320	93903-35320	0	SCREW TAPPING 5*16	螺絲 5*16	2	
	94001	94001-05080-0S	0	NUT HEX 5MM	螺帽 5MM	1	
	95015	95015-LEB1-900	3	NUT B ADJUST	調整螺帽	1	
	96001	96001-06025-08	0	BOLT FLANGE SH 6*25	螺絲 6*25	2	

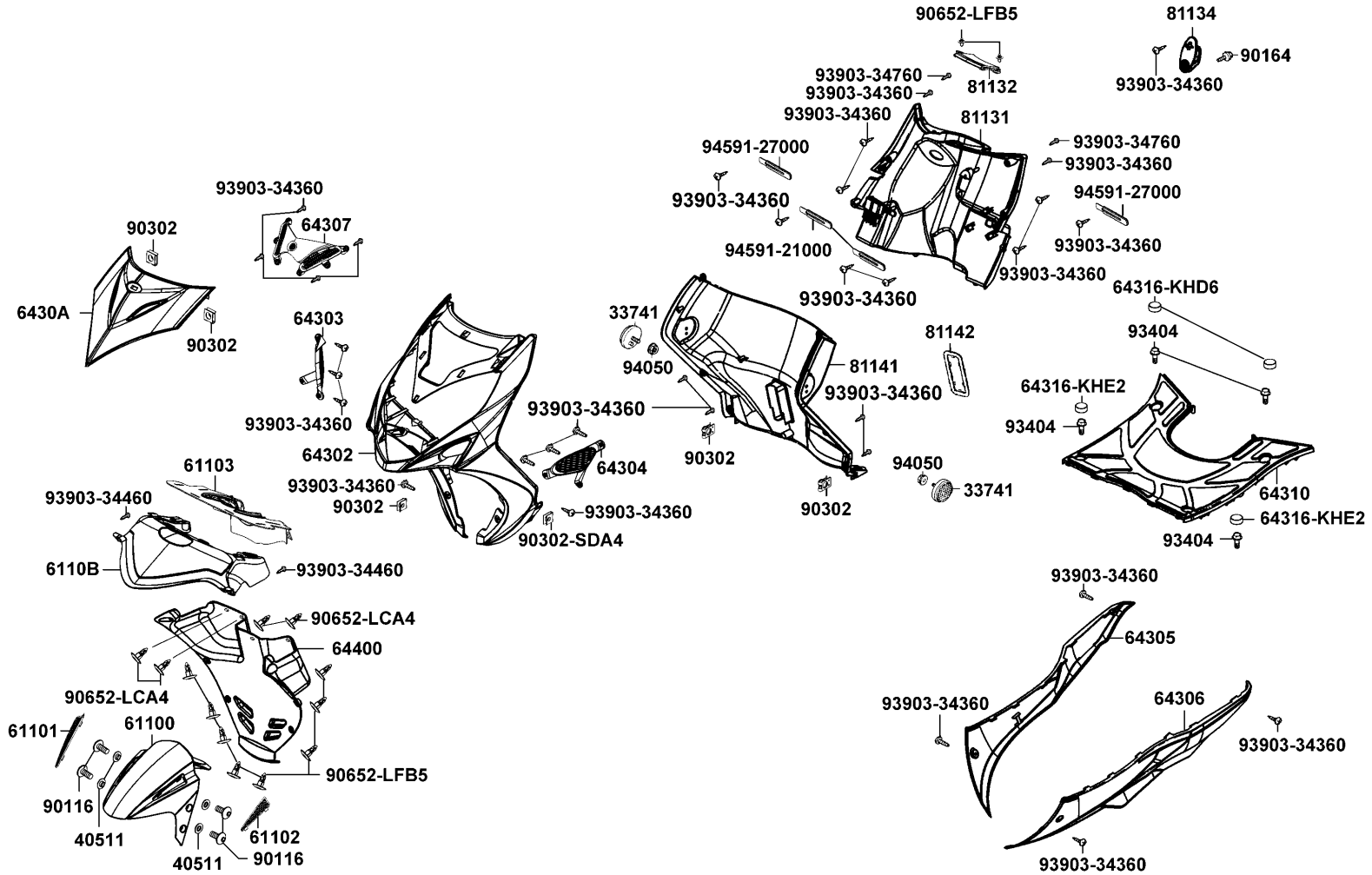
F04

Brake Master Cylinder 煞車主油缸



Sales mark	Ref no	Part no	Ver	Description	Reg description	Regd no	F04
	11383	11383-KHE7-900	0	CLAMPER RR BRK HOSE	後煞車管夾	1	
	32101	32101-GFY6-901	1	SUB CORD R/H	煞車燈開關右配線	1	
	35340	35340-KNBN-901	0	SW ASSY FR STOP	煞車燈前置開關	1	
	45126	45126-LFB5-900	1	HOSE ASSY FR BRK	前煞車油管	1	
	45513	45513-GLW0-91A	0	CAP MASTER CYLINDER	煞車主油缸蓋	1	
	45517	45517-KFAF-910	0	HOLDER M/C	煞車主油缸固定座	1	
	45520	45520-GLW0-91A	0	DIAPHRAGM	橫隔板	1	
	45530	45530-LFB5-305	0	CYLINDER SET MASTER	煞車主油缸	1	
**	53175	53175-KFA5-E10	0	LEVER R STRG HANDLE	手柄右拉桿	1	
	90114	90114-1F66-007	2	BOLT HANDLE LEVER	右拉桿固定螺栓	1	
	90145	90145-MKS9-61A	1	OIL BOLT 10*22	油管螺絲 10*22	2	
	90545	90545-3L00-001	2	WASHER OIL BOLT	華司	4	
	93600	93600-04012-1G	0	SCREW FLAT 4*12	螺絲 4*12	2	
	93893	93893-04012-18	0	SCREW WASHER 4*12	螺絲 4*12	1	
#	94050	94050-06060	0	NUT FLANGE 6MM	螺帽 6MM	1	
	96001-06012	96001-06012-00	0	BOLT FLANGE SH 6*12	螺絲 6*12	2	
	96001-06022	96001-06022-06	1	BOLT FLANGE 6*20	螺絲 6*20	2	

Sales mark	Ref no	Part no	Ver	Description	Reg description	Regd no	F05
	33741	33741-GFY6-C30	1	REFLEX REFLECTOR	反光鏡片	2	
	40511	40511-LEC8-E00	1	COLLAR	軸環	4	
**	61100	61100-LFB5-900	1	FENDER FR INNER	前土除	1	
**	61101	61101-LFB5-900	0	"GRILLE,R FENDER TIRE, FR. "	右前土除護網	1	
**	61102	61102-LFB5-900	0	"GRILLE,L FENDER TIRE, FR. "	左前土除護網	1	
	61103	61103-LFB5-900	0	"RUBBER,FENDER FR."	前土除橡皮	1	
**	6110B	6110B-LFB5-900	0	"FENDER B, FR."	前土除	1	
**	64302	64302-LFB5-900	0	MOLD FR	前護板	1	
**	64303	64303-LFB5-900	0	"GRILLE,R FR. MOLDING"	右前護網	1	
**	64304	64304-LFB5-900	0	"GRILLE,L FR. MOLDING"	左前護網	1	
**	64305	64305-LFB5-900	0	SKIRT R SIDE	右邊軌	1	
**	64306	64306-LFB5-900	0	SKIRT L SIDE	左邊軌	1	
**	64307	64307-LFB5-900	1	"GRILLER,COVER , FR."	前護網	1	
**	6430A	6430A-LFB5-305	0	COVER FR TOP	前頂蓋	1	
**	64310	64310-LFB5-900	0	FLOOR PANEL	腳踏板	1	
**	64316-KHD6	64316-KHD6-900	0	PLUG FLOOR	踏板塞	2	
**	64316-KHE2	64316-KHE2-900	0	PLUG FLOOR	踏板塞子	2	
**	64400	64400-LFB5-900	1	"COWL, UNDER"	下罩蓋	1	
**	81131	81131-LFB5-900	0	LEG SHIELD UP	內箱上殼	1	
**	81132	81132-LFB5-900	0	CAP LEG SHIELD UP	內箱上套蓋	1	

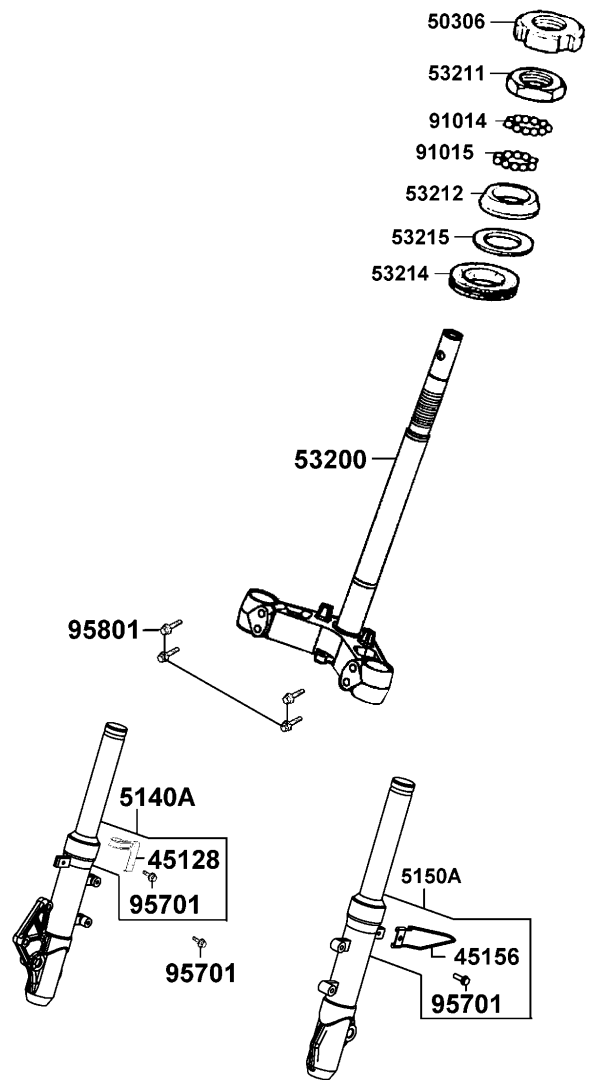


Sales mark	Ref no	Part no	Ver	Description	Reg description	Regd no	F05
# **	81134	81134-LAB4-900	1	"HOOK,LEG SHIELD"	前置物箱掛鉤	1	
**	81141	81141-LFB5-900	0	LEG SHIELD LOW	內箱下殼	1	
**	81142	81142-KUDU-900	1	LID LEG SHIELD	內箱蓋	1	
	90116	90116-KED9-900	2	SCREW PAN 6*24	螺絲 6*24	4	
	90164	90164-MDR4-901	0	SCREW SPECIAL 6MM	特殊螺絲 6MM	1	
#	90302	90302-SDA4-004	1	NUT SPRING 4MM	螺帽 4MM	6	
	90652-LCA4	90652-LCA4-E00	1	CLIP MUDGUARD	踏板架	4	
	90652-LFB5	90652-LFB5-900	0	"CLIP,MUDGUARD"	塑膠螺絲	10	
	93404	93404-06030-06	0	BOLT WASHER 6*30	螺絲6*30	4	
	93903-34360	93903-34360	0	SCREW TAPPING 4*12	螺絲 4*12	32	
	93903-34460	93903-34460	0	SCREW TAPPING 4*16	螺釘 4*16	2	
	93903-34760	93903-34760	0	SCREW TAPPING 4*30	螺釘4X30	2	
#	94050	94050-06080	0	NUT FLANGE 6MM	螺帽 6MM	2	
	94591-21000	94591-21000	0	CLIP 2*100	導線夾	1	
	94591-27000	94591-27000	0	CLIP 2*70	夾子 2*70	2	

F06

Front Cushion

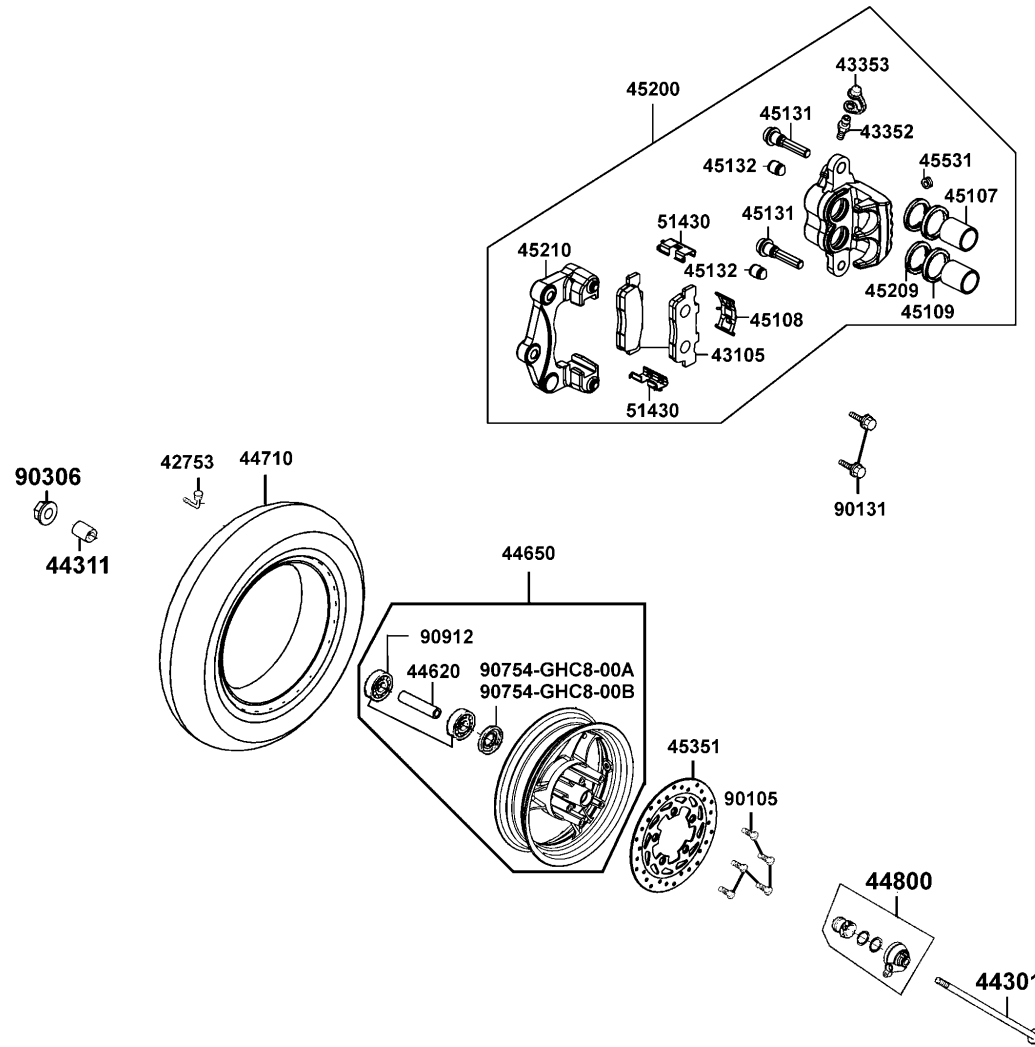
前避震器



Sales mark	Ref no	Part no	Ver	Description	Reg description	Regd no	F06
	45128	45128-KEBE-900	0	CLAMPER FR BRAKE HOSE	煞車油管夾	1	
	45156	45156-KEC6-900	2	CLAMPER RR BRAKE HOSE	後煞車油管夾	1	
	50306	50306-1F96-001	0	NUT STRG STEM LOCK	主幹螺帽	1	
**	5140A	5140A-LFB5-900	2	FORK SET R FR	右前避震器	1	
**	5150A	5150A-LFB5-900	2	FORK SET L FR	左前避震器	1	
	53200	53200-LFB5-900	3	STEM COMP STRG	轉向桿	1	
	53211	53211-GFY6-940	1	RACE STRG TOP CONE	上錐體座圈	1	
	53212	53212-2L50-011	1	RACE STRG BOT CONE	下錐體座圈	1	
	53214	53214-2L50-001	0	DUST SEAL STRG(HEAD)	墊片	1	
	53215	53215-2L50-001	0	WASH STRG HDL DUST-SEAL	轉向桿華司	1	
#	91014	91014-LLJ3-E00	1	CASE STEERING TOPP	鋼珠座	1	
#	91015	91015-LLJ3-E00	1	CASE STEERING BOT	鋼珠座	1	
#	95701	95701-06012-06	1	BOLT FLANGE 6*12	螺絲 6*12	3	
	95801	95801-08040-08	0	BOLT FLANGE 8*40	螺絲 8*40	4	

F07

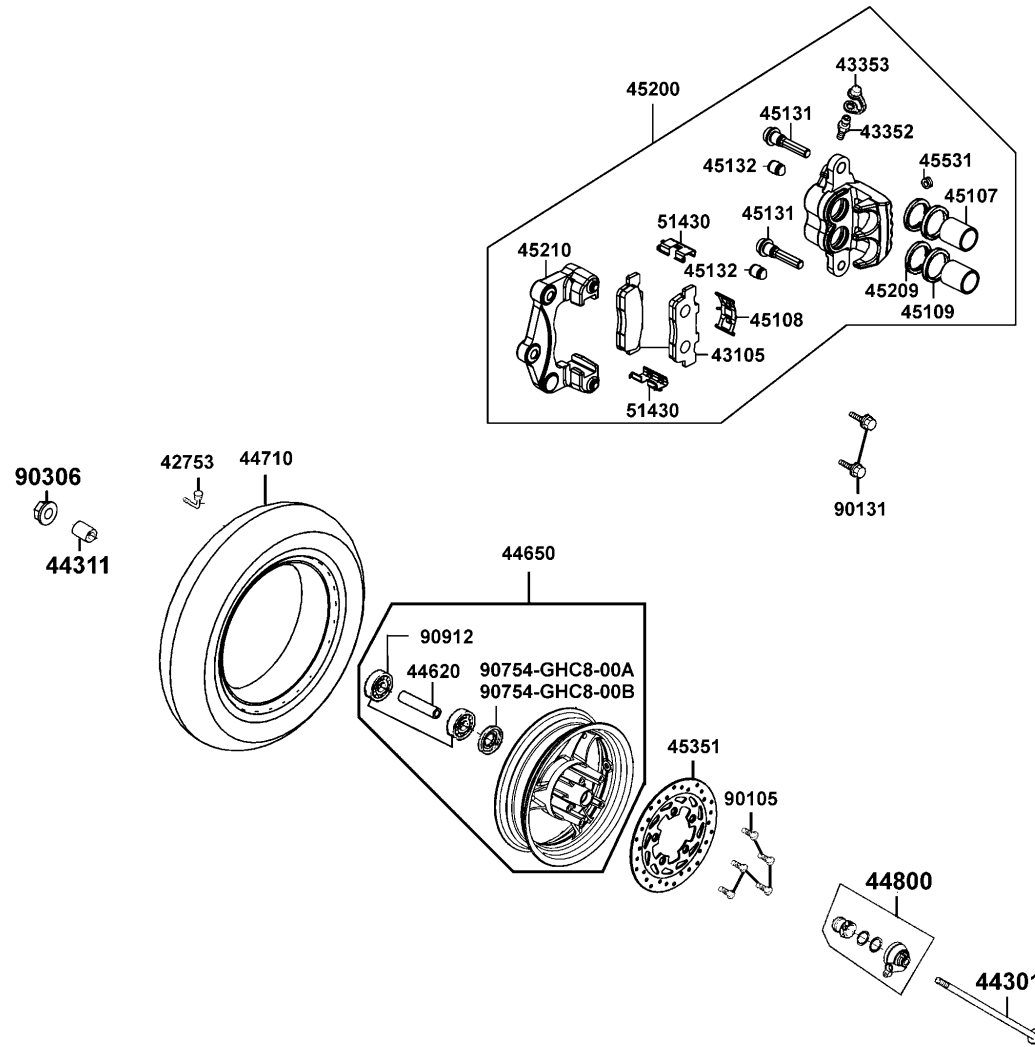
Front Wheel 前輪



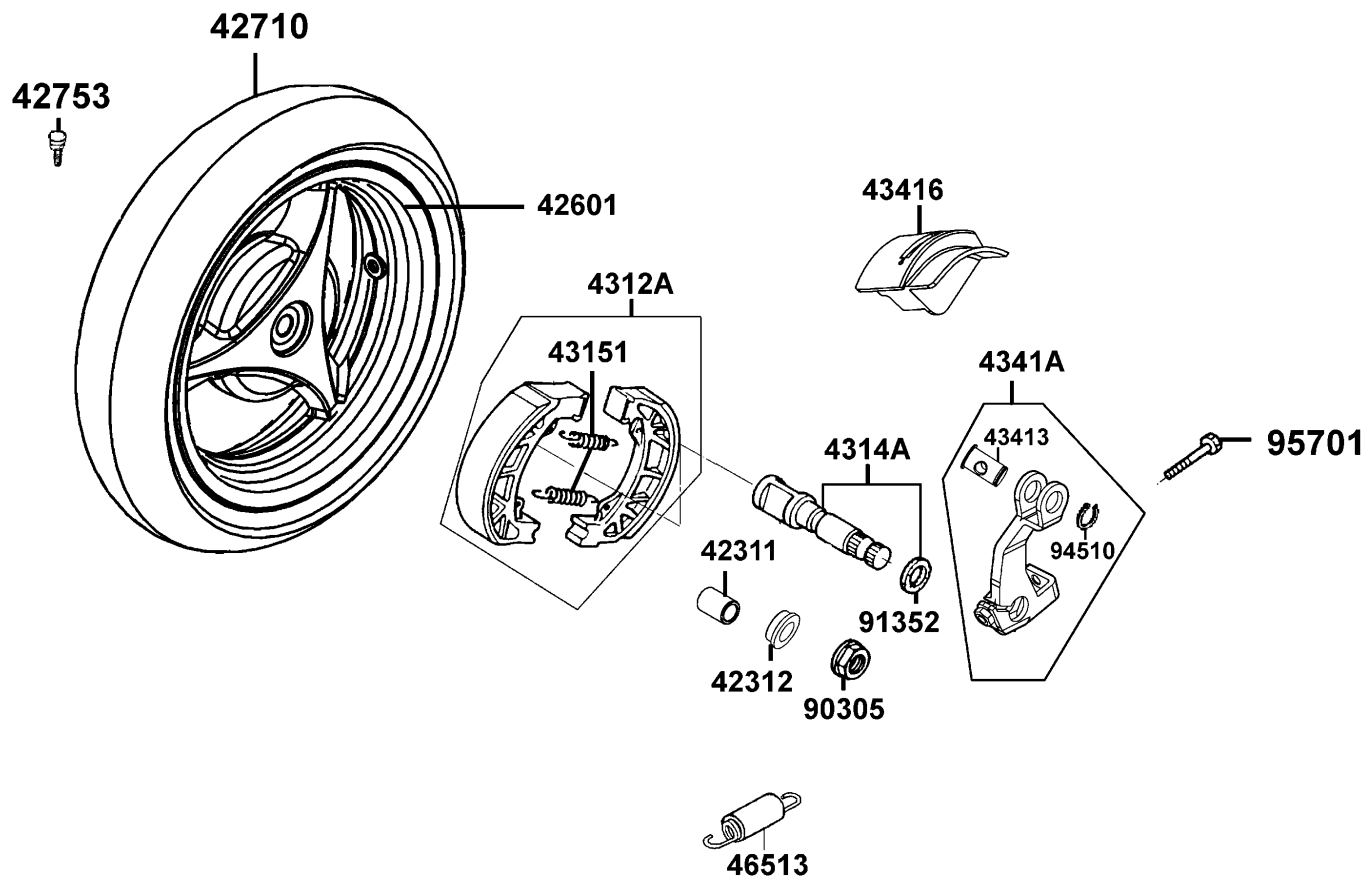
Sales mark	Ref no	Part no	Ver	Description	Reg description	Regd no	F07
	42753	42753-0D04-900	1	RIM VALVE (PVR 70)	打氣嘴	1	
	43105	43105-LFB5-900	0	PAD COMP	前煞車摩擦板組	1	
	43352	43352-KKD6-E90	1	SCREW BLEEDER	加油嘴	1	
	43353	43353-4A61-77A	0	CAP BLEEDER	加油嘴蓋	1	
	44301	44301-LFE2-900	1	AXLE FR WHEEL	前輪軸	1	
	44311	44311-KEBE-900	0	COLLAR FR WHEEL SIDE	前輪邊套筒	1	
	44620	44620-KHD8-900	1	COLLAR FR AXLE DISTANCE	前輪軸距套筒	1	
**	44650	44650-LFE2-305	0	WHEEL SET FR	前輪圈	1	
	44710	44710-KFA5-90A-G303	2	TIRE ASSY FR	前輪胎	1	
	44800	44800-KFA5-900	1	GEAR BOX ASSY	速度齒輪箱組	1	
	45107	45107-LFB5-900	0	PISTON	卡鉗活賽塞	2	
	45108	45108-LDH1-E00	0	SPRING PAD	摩擦板彈簧	1	
	45109	45109-GBE2-007	0	DUST SEAL	防塵封	2	
	45131	45131-LDH1-E00	0	PIN BOLT	卡鉗螺絲銷	2	
	45132	45132-LDH1-E00	0	BUSH BOOT PIN	卡鉗襯套	1	
**	45200	45200-LFB5-900	1	CALIPER ASSY FR	前煞車卡鉗	1	
	45209	45209-GBE2-007	0	SEAL PISTON	油封	2	
	45210	45210-LFB5-900	0	BRKT FR CALIPER	前煞車卡鉗托架	1	
**	45351	45351-LEA5-E00	2	DISK FR BRAKE	前煞車圓盤	1	
**	45531	45531-GAR1-951	0	PLUG	塞蓋	1	

F07

Front Wheel 前輪



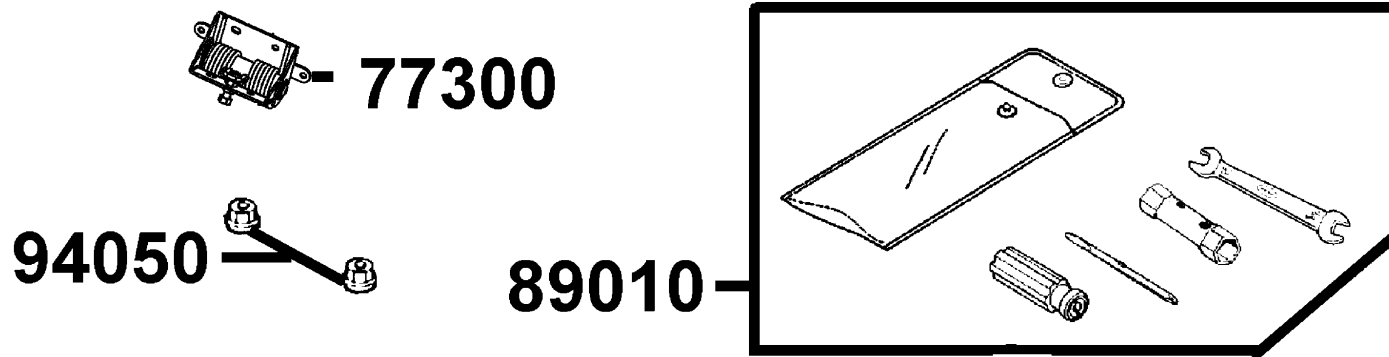
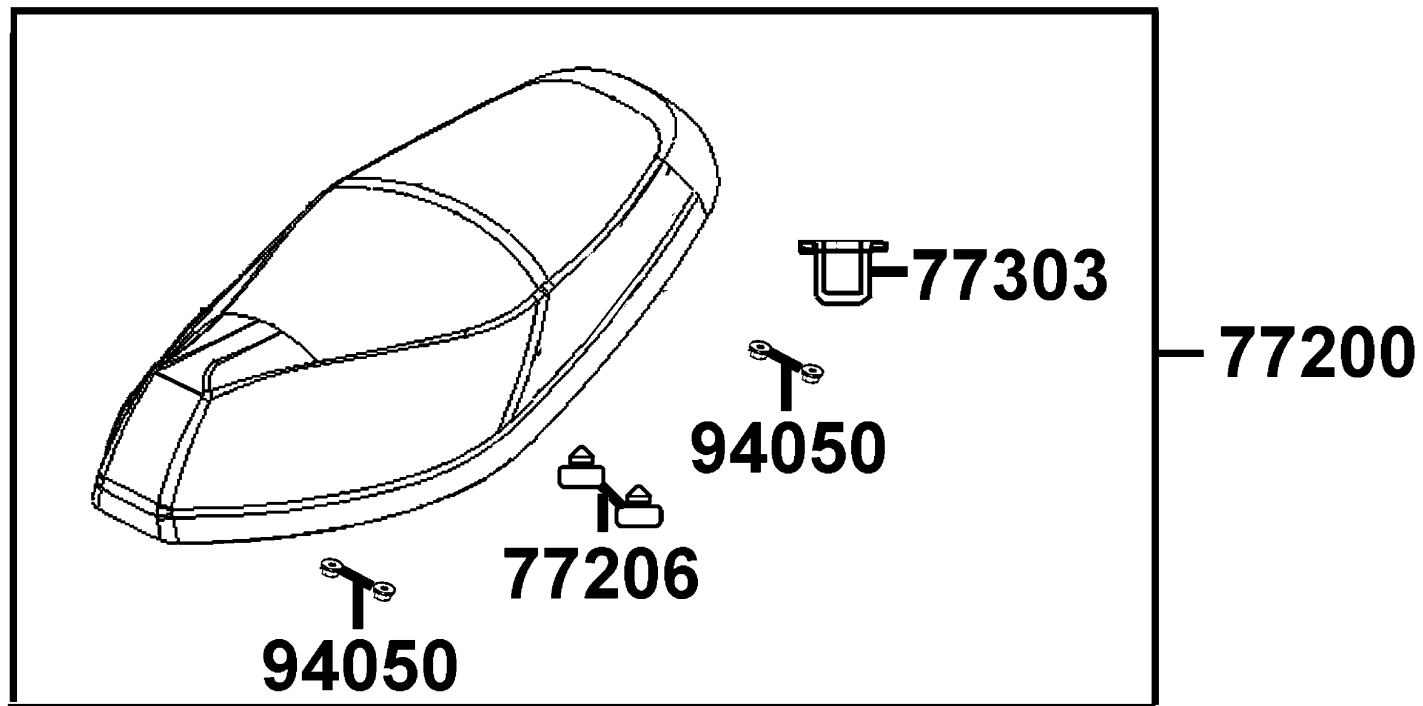
Sales mark	Ref no	Part no	Ver	Description	Reg description	Regd no	F07
	51430	51430-LDH1-E00	0	SLIDE PAD	襯套滑件	2	
	90105	90105-KCR3-001	1	BOLT FR DISK 8*24	前煞車圓盤螺絲 8*24	5	
	90131	90131-LEB1-900	1	BOLT FLANGE 8*35	螺絲 8*35	2	
	90306	90306-LFE2-900	1	NUT FLANGE 12MM	螺帽 12MM	1	
	90754-GHC8-00A	90754-GHC8-00A	1	SEAL DUST 20*32*5	油封 20*32*5	1	
	90754-GHC8-00B	90754-GHC8-00B	1	SEAL DUST 20*32*5	油封 20*32*5	1	
	90912	90912-KFLF-00A	0	BEARING 6201 LLU	軸承 6201	2	



Sales mark	Ref no	Part no	Ver	Description	Reg description	Regd no	F08
	42311	42311-LFB5-900	0	COLLAR RR AXLE SIDE A	套筒	1	
	42312	42312-KHB4-900	0	COLLAR RR AXLE SIDE	後輪軸邊套筒	1	
**	42601	42601-LFE2-900	4	WHEEL COMP RR CAST	後輪圈	1	
	42710	42710-KEB7-E1A-G303	3	TIRE ASSY RR	後輪胎	1	
	42753	42753-KNBN-90B	1	VALVE RIM (TR 412)	打氣嘴	1	
	4312A	4312A-LFB5-800	0	"SHOE ASSY ,RR BRAKE"	後煞車片	1	
	4314A	4314A-LFB5-800	0	"CAM ASSY ,RR BRAKE"	後煞車凸輪組	1	
	43151	43151-LEB1-900	2	SPRING BRAKE SHOE REAR	彈簧	1	
	43413	43413-LBE1-900	1	BREAK ARM JOINT	煞車導線接頭銷	1	
	43416	43416-LEB1-900	1	GUARD RR BRK ARM	後煞車臂護蓋	1	
	4341A	4341A-LFB5-800	1	"ARM ASSY ,RR BRAKE"	後煞車臂	1	
	46513	46513-LEB1-900	1	SPG ASSY BRK ARM	煞車踏板彈簧	1	
	90305	90305-KFW6-91A	0	NUT U FLANGE 16MM	螺帽 16MM	1	
	91352	91352-KHG8-83B	0	O-RING 11.3*1.3	O環 11.3*1.3	1	
	94510	94510-12000	0	CIR CLIP EXTERNAL 12	外環夾 12MM	1	
	95701	95701-06035-08	0	BOLT FLANGE SH 6*35	螺絲 6*35	1	

F09

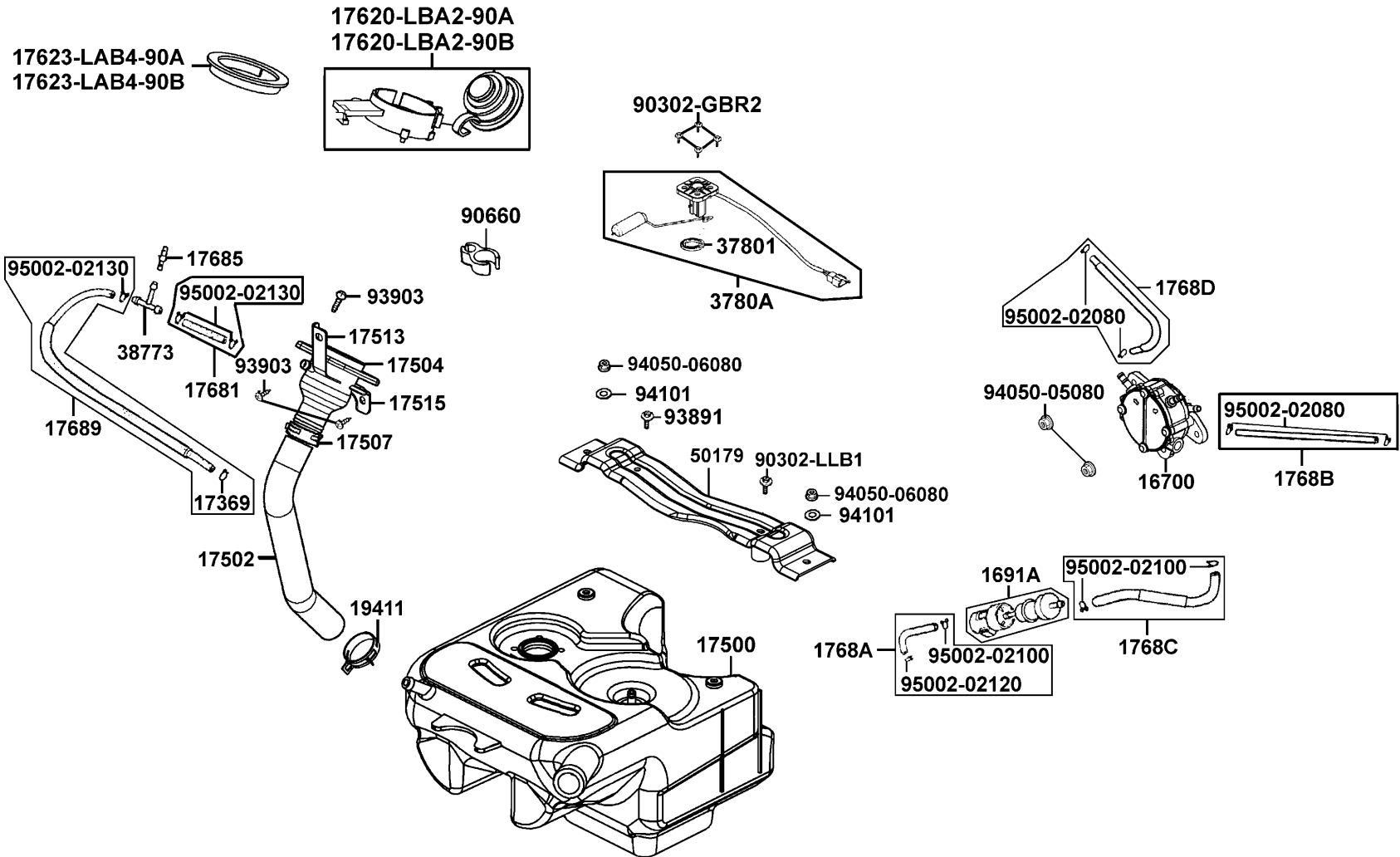
Seat 座墊



Sales mark	Ref no	Part no	Ver	Description	Reg description	Regd no	F09
**	77200	77200-LFB5-305	0	SEAT ASSY	座墊組	1	
	77206	77206-KEB7-900	0	RUBBER SEAT CUSH	橡皮	2	
	77300	77300-LBE3-900	0	HINGE COMP SEAT	坐墊自動彈起鉸鏈	1	
	77303	77303-KKC4-800	1	HOOK SEAT LOCK	座墊鉤	1	
	89010	89010-LEB1-900	2	TOOL SET	工具包組	1	
#	94050	94050-06080	0	NUT FLANGE 6MM	螺帽 6MM	6	

F10

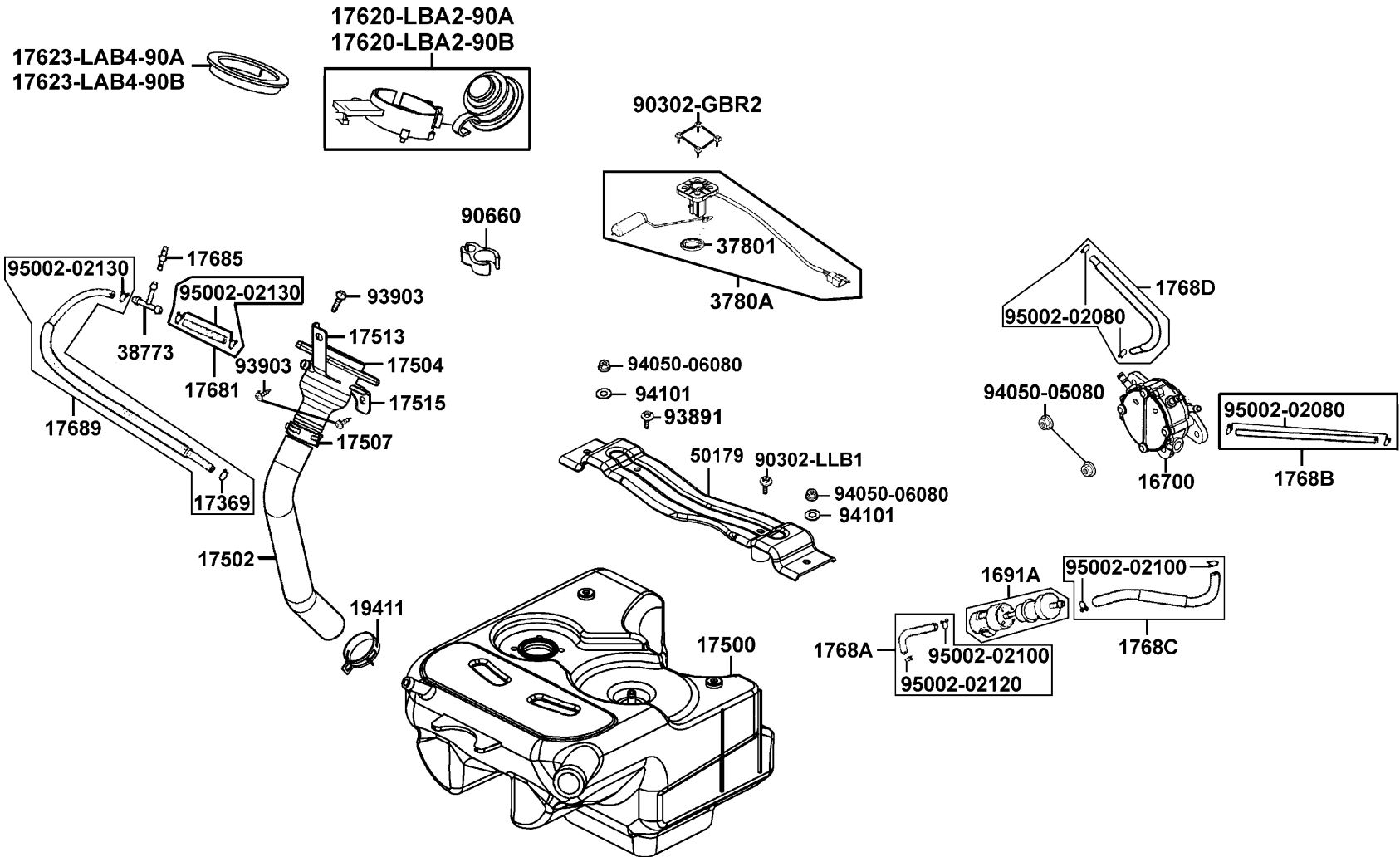
Fuel Tank 油箱



Sales mark	Ref no	Part no	Ver	Description	Reg description	Regd no	F10
	16700	16700-KHE7-900	5	FUEL PUMP ASSY	汽油泵浦	1	
	1691A	1691A-KEC2-E00	0	STRAINER ASSY FUEL	汽油濾清器	1	
	17369	17369-KHC4-900	0	CLIP BREATHER TUBE	通氣管夾	1	
	17500	17500-LFB5-900	2	TANK COMP FUEL	油箱	1	
	17502	17502-LEB1-900	2	TUBE FUEL	油管	1	
	17504	17504-LAB4-900	2	FUEL FILLER	加油漏斗	1	
	17507	17507-LAB4-900	1	BAND FUEL HOSE	油管束夾	1	
	17513	17513-LAD9-900	1	FUEL PIPE STAY A	加油漏斗支架 A	1	
	17515	17515-LAD9-900	1	FUEL PIPE STAY B	加油漏斗支架 B	1	
	17620-LBA2-90A	17620-LBA2-90A	0	CAP COMP FUEL FILLER	油箱蓋	1	
	17620-LBA2-90B	17620-LBA2-90B	0	CAP COMP FUEL FILLER	油箱蓋	1	
	17623-LAB4-90A	17623-LAB4-90A	1	COLLAR FUEL CAP	油箱蓋套筒	1	
	17623-LAB4-90B	17623-LAB4-90B	1	COLLAR FUEL CAP	油箱蓋套筒	1	
	17681	17681-KFA1-900	0	TUBE JOINT 3 WAY	油管	1	
	17685	17685-LFB5-900	0	JOINT TUBE	通氣管	1	
	17689	17689-LFB5-900	0	TUBE ASSY FILLER	油管	1	
	1768A	1768A-LFB5-900	0	TUBE ASSY FUEL	油管組	1	
	1768B	1768B-LEB1-900	2	TUBE ASSY VACUUM	真空管組	1	
	1768C	1768C-LFB5-900	1	TUBE ASSY FUEL	油管組	1	
	1768D	1768D-KHE2-910	2	TUBE ASSY PUMP-CARBU	油管	1	

F10

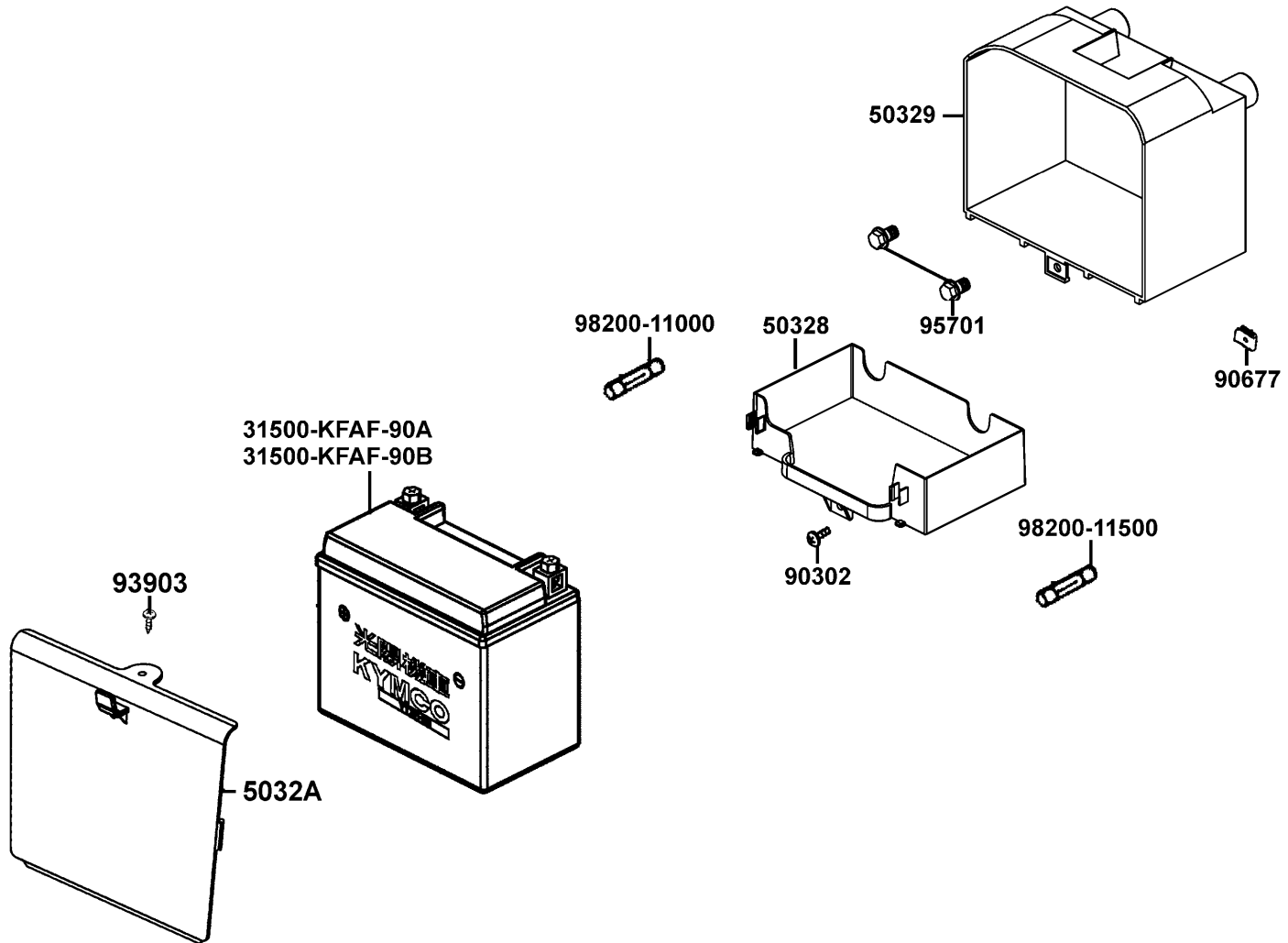
Fuel Tank 油箱



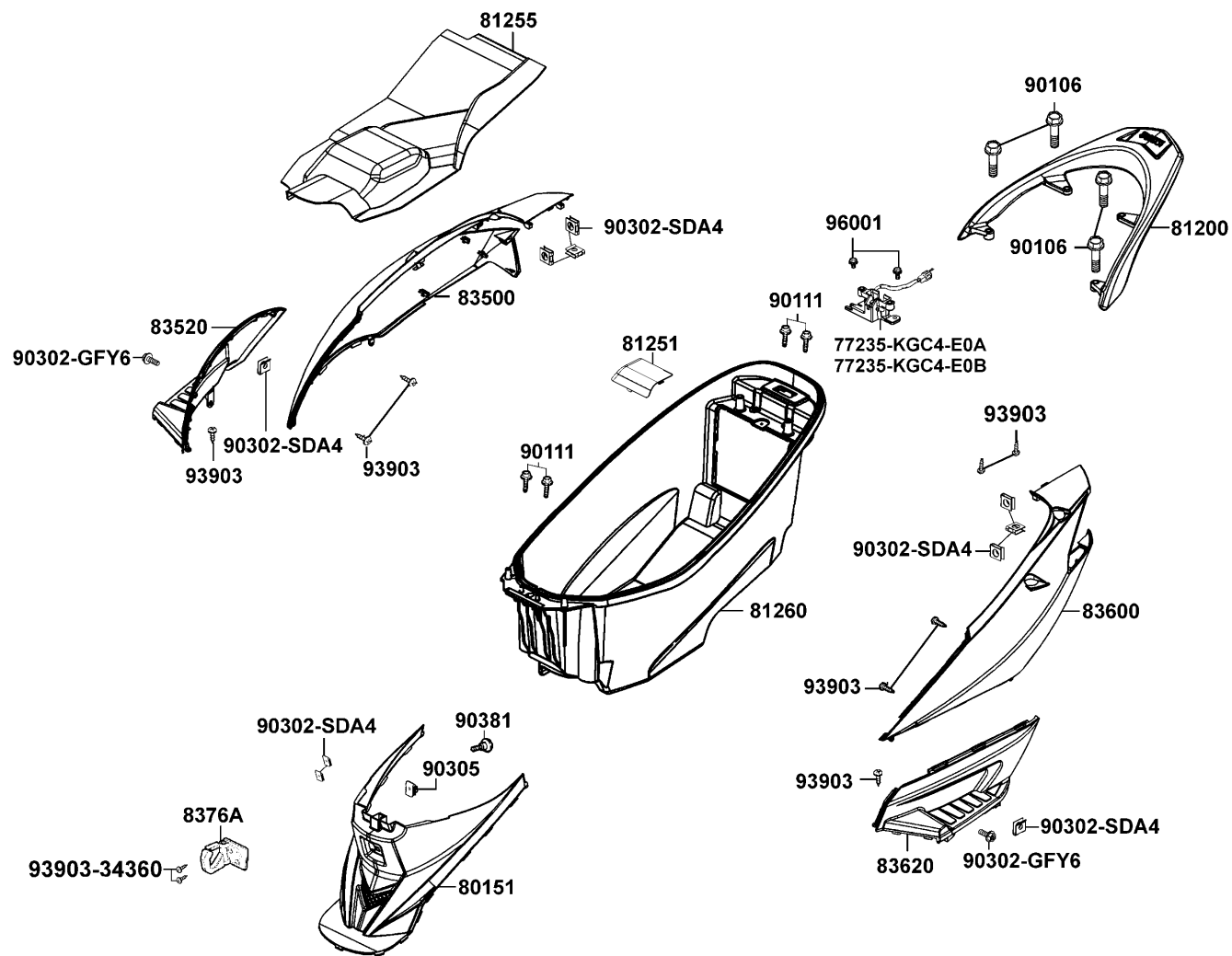
Sales mark	Ref no	Part no	Ver	Description	Reg description	Regd no	F10
	19411	19411-KBCB-900	0	CLIP HOSE	油管鎖環	1	
	37801	37801-LAB4-910	1	PACKING BASE	墊圈	1	
	3780A	3780A-LFB5-900	0	FUEL UNIT ASSY	燃料量指示器組	1	
	38773	38773-KBCB-900	0	JOINT 3 WAY	3通管	1	
	50179	50179-LEB2-900	2	BRKT FLOOR PANEL	腳踏板支架	1	
	90302-GBR2	90302-GBR2-001	1	BOLT WASH 5*16	螺絲 5*16	4	
	90302-LLB1	90302-LLB1-E00	2	BOLT-WASHER 5*12	螺絲 5X12	2	
# **	90660	90660-KGBG-900	0	CLAMP TUBE	管夾	1	
	93891	93891-05040-06	0	SCREW WASHER 5*340	螺絲 5*40	1	
	93903	93903-35360	0	SCREW TAPPING 5*16	螺釘 5*16	3	
#	94050-05080	94050-05080	0	NUT FLANGE 5MM	螺帽 5MM	2	
#	94050-06080	94050-06080	0	NUT FLANGE 6MM	螺帽 6MM	2	
	94101	94101-08800	0	WASHER PLAIN 8MM	華司	2	
	95002-02080	95002-02080	0	CLIP B8 TUBE	管夾	4	
	95002-02100	95002-02100	0	CLIP B15 TUBE	管夾	3	
	95002-02120	95002-02120	0	CLIP B12 TUBE	管夾 B12	1	
	95002-02130	95002-02130	0	CLIP B 12.5 TURE	管夾	3	

F11

Battery 電瓶



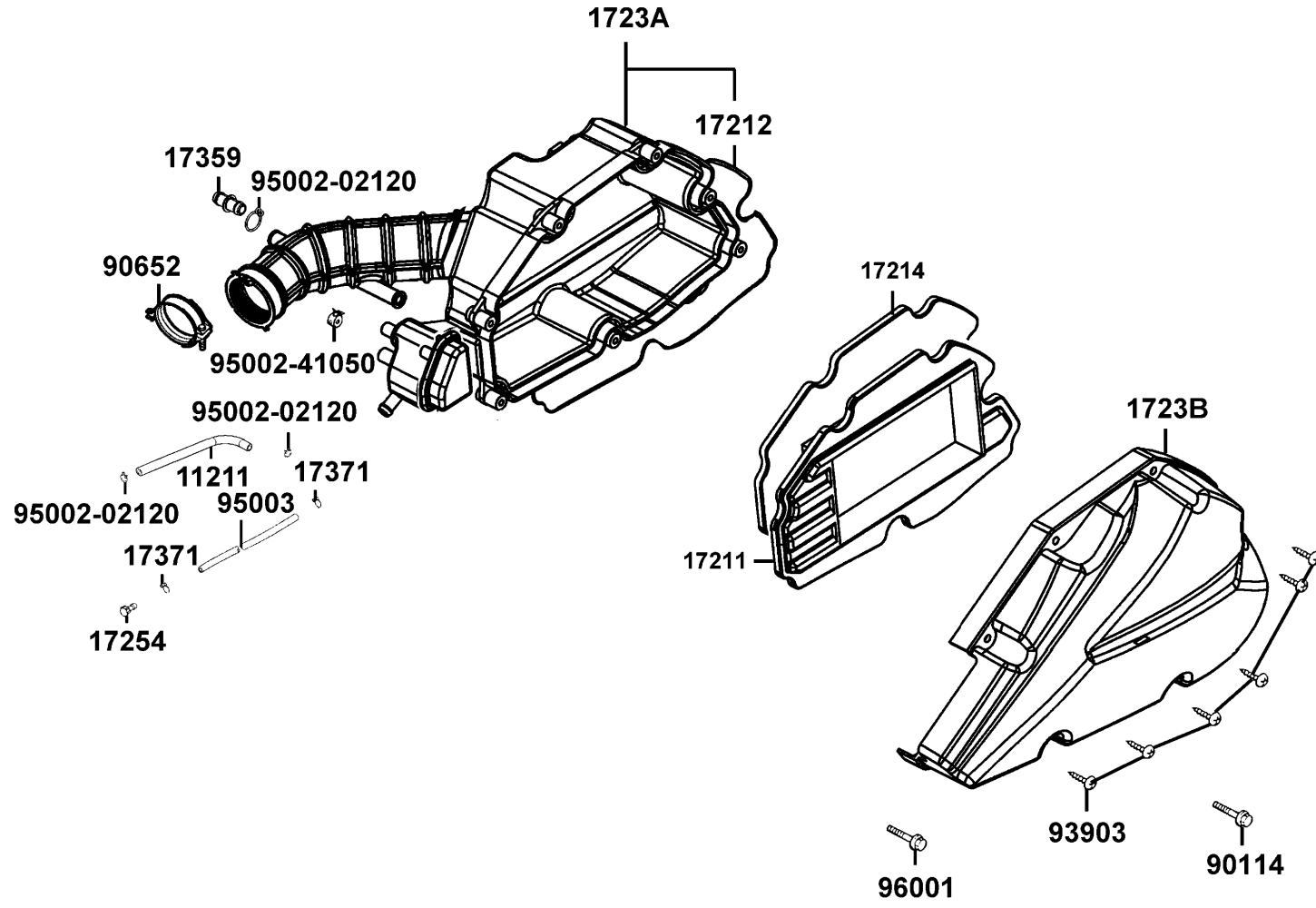
Sales mark	Ref no	Part no	Ver	Description	Reg description	Regd no	F11
	31500-KFAF-90A	31500-KFAF-90A-YU	4	BATTERY YTX9-BS	電瓶	1	
	31500-KFAF-90B	31500-KFAF-90B-KY	6	BATTERY GTX7-BS	電瓶	1	
	50328	50328-LBB8-900	1	BATTERY DRAWER	電瓶滑動底座	1	
	50329	50329-LEB1-900	2	BATTERY CASE	電瓶盒	1	
**	5032A	5032A-LEB1-900	1	COVER BATTERY	電瓶蓋	1	
#	90302	90302-GFY6-940	1	BOLT-WASH 5*16	螺絲 5*16	1	
#	90677	90677-GAR1-004	1	NUT CLIP 5MM	彈簧螺帽 5MM	1	
	93903	93903-34360	0	SCREW TAPPING 4*12	螺絲 4*12	1	
	95701	95701-06022-06	1	BOLT FLANGE 6*22	螺絲 6X22	2	
	98200-11000	98200-11000	0	FUSE 10A	保險絲 10A	1	
	98200-11500	98200-11500	0	FUSE A15	保險絲 A15	1	



Sales mark	Ref no	Part no	Ver	Description	Reg description	Regd no	F12
	77235-KGC4-E0A	77235-KGC4-E0A	2	SEAT CATCH	座墊檔器	1	
	77235-KGC4-E0B	77235-KGC4-E0B	2	SEAT CATCH	座墊檔器	1	
**	80151	80151-LFB5-900	2	COVER CENTER	中心蓋	1	
**	81200	81200-LFB5-900	2	CARRIER REAR	後架	1	
	81251	81251-LEB1-900	2	LID LUG BOX	置物箱小蓋	1	
	81255	81255-LEB1-700	4	BAG LUGGAGE	置物箱袋	1	
	81260	81260-LEB1-900	2	BOX ASSY LUGGAGE	置物箱	1	
**	83500	83500-LFB5-305	0	COVER R BODY	車體右邊蓋組	1	
**	83520	83520-LFB5-900	0	"COVER , R SIDE"	右後邊把	1	
**	83600	83600-LFB5-305	0	COVER L BODY	車體左邊蓋組	1	
**	83620	83620-LFB5-900	0	"COVER , L SIDE"	左後邊把	1	
	8376A	8376A-KECE-901	2	CLIP ASSY CENTER	中心掛鉤	1	
	90106	90106-KFAF-900	2	BOLT SPECIAL	後握桿螺絲	4	
	90111	90111-1G87-001	1	BOLT FLANGE 6MM	螺絲 6MM	4	
	90302-GFY6	90302-GFY6-901	1	BOLT WASH 5*12	螺絲 5*12	2	
#	90302-SDA4	90302-SDA4-004	1	NUT SPRING 4MM	螺帽 4MM	4	
	90305	90305-GHK8-001	1	NUT CLIP 6MM	夾螺帽	1	
	90381	90381-GEZ5-001	1	SCREW SPECIAL 6*17	螺絲 6*17	1	
	93903	93903-34360	0	SCREW TAPPING 4*12	螺絲 4*12	10	
#	96001	96001-06014-08	0	BOLT FLANGE 6*14	螺絲 6X14	2	

F13

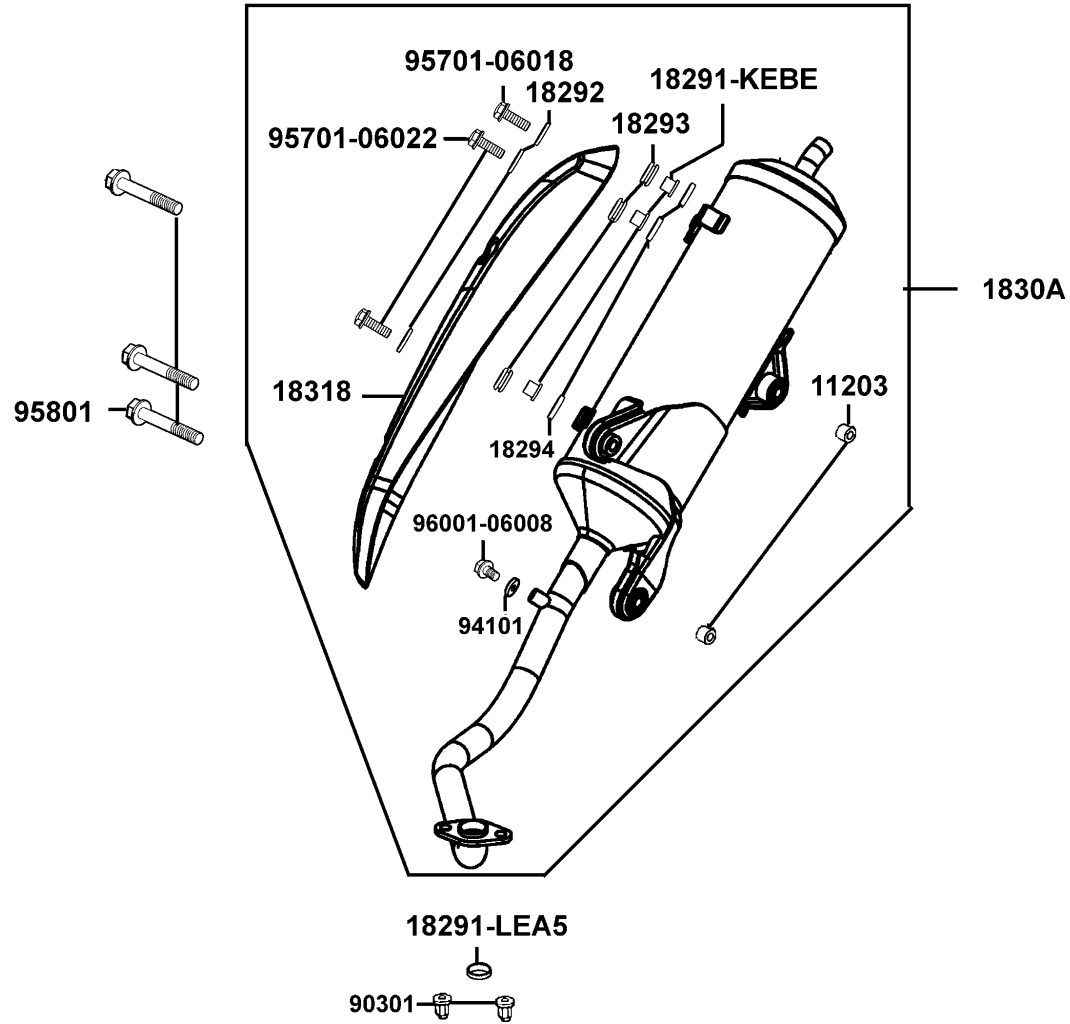
Air Cleaner 空氣濾清器



Sales mark	Ref no	Part no	Ver	Description	Reg description	Regd no	F13
	11211	11211-LFB5-900	2	TUBE BRTHER	通氣管	1	
	17211	17211-LFB5-900	0	ELEMENT COMP AIR/C	空氣濾清器	1	
	17212	17212-LFB5-900	0	SEAL AIR/C COVER	空氣濾清器箱蓋油封	1	
	17214	17214-LFB5-900	0	SEAL AIR/C CASE	空氣濾清器箱蓋塵封	1	
	1723A	1723A-LFB5-900	0	CASE ASSY AIR/C	空氣濾清器箱組	1	
	1723B	1723B-LFB5-900	0	COVER COMP AIR/C	空氣濾清器蓋	1	
	17254	17254-KACA-P00	0	JOINT PURGE TUBE	管塞	1	
	17359	17359-4K19-671	0	JOINT BREATHER TUBE	通氣管接頭	1	
	17371	17371-1D74-671	0	CLIP BREATHER TUBE	通氣管夾	2	
	90114	90114-GDM4-011	1	BOLT FLANGE 6*28	螺絲 6*28	2	
	90652	90652-GFY6-901	1	BAND 49 AIR/C CONNECTING TUBE	連接管固定帶	1	
	93903	93903-25460	0	SCREW TAPPING 4*12	螺釘 4*12	6	
	95002-02120	95002-02120	0	CLIP B12 TUBE	管夾 B12	3	
	95002-41050	95002-41050-00	0	CLIP D10.5 TUBE	管夾	1	
	95003	95003-23024-60	0	V TUBE 8*12*240	通氣管	1	
#	96001	96001-06035-08	0	BOLT FLANGE 6*35	螺絲 6*35	1	

F14

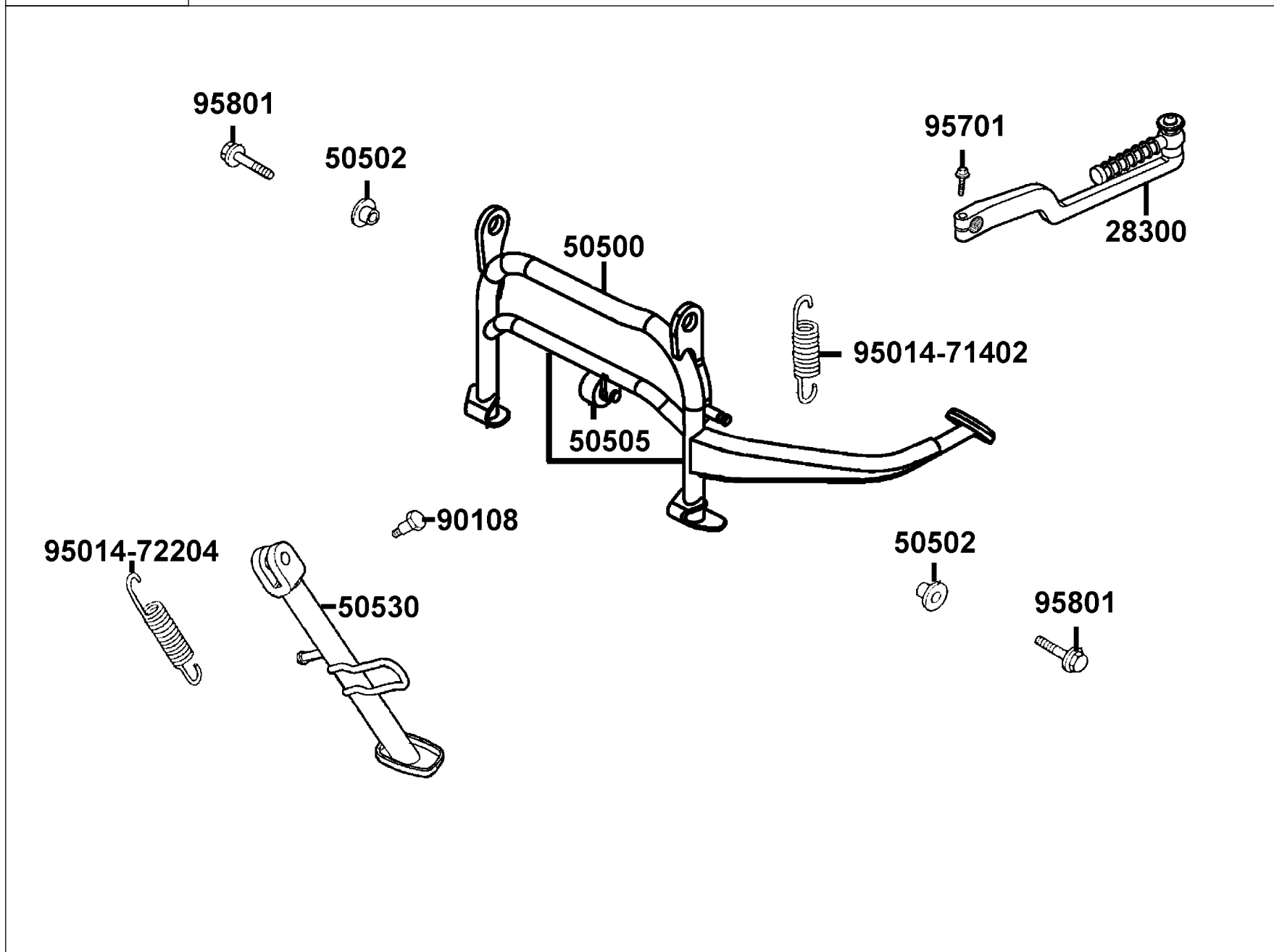
Exhaust Muffler 排氣管



Sales mark	Ref no	Part no	Ver	Description	Reg description	Regd no	F14
	11203	11203-GFY6-901	0	RUBBER BUSH MUFFER STAY	橡皮襯套	2	
	18291-KEBE	18291-KEBE-900	0	COLLAR	套筒	3	
	18291-LEA5	18291-LEA5-E00	1	GASKET EXH PIPE	排氣管墊圈	1	
	18292	18292-KEBE-900	0	PACKING PROTECTOR	墊片	3	
	18293	18293-KEBE-900	0	RUBBER PKG PROTR	橡皮	3	
	18294	18294-KEBE-900	0	PACKING PROTECTOR	防熱墊片	3	
	1830A	1830A-LFB5-90A	2	MUFFLER ASSY EXH	排氣管組	1	
**	18318	18318-LFB5-900	0	PROTECTOR MUFFLER	排氣管護蓋	1	
	90301	90301-GFY6-901	1	NUT (HEX) CAP 8MM	圓螺帽 8MM	2	
	94101	94101-06700	0	WASHER PLAIN 6MM	平華司	1	
	95701-06018	95701-06018-07	1	BOLT FLANGE 6*18	螺絲 6*18	1	
	95701-06022	95701-06022-06	1	BOLT FLANGE 6*22	螺絲 6X22	2	
	95801	95801-08042-06	0	BOLT FLANGE 8*42	螺絲 8*42	3	
	96001	96001-06008-07	0	BOLT FLANGE SH 6*8	螺絲 6*8	1	

F15

Stand Kick Starter Arm 腳架 起動踏桿



Sales mark	Ref no	Part no	Ver	Description	Reg description	Regd no	F15
	28300	28300-LFB5-900	0	ARM ASSY KICK STARTER	起動踏桿組	1	
	50500	50500-LFB5-900	4	STAND COMP MAIN	主腳架	1	
	50502	50502-GFY6-901	3	COLLAR MAIN STAND	主腳架套環	2	
	50505	50505-LAD9-900	1	STOPPER RUBBER	主腳架橡皮	1	
	50530	50530-LFB5-900	2	SIDE STAND COMP	側腳架	1	
	90108	90108-KUDU-900	1	SCREW SIDE STAND PIVOT	側腳架螺絲	1	
	95014-71402	95014-71402	0	SPRING D MAIN STAND	主腳架彈簧	1	
	95014-72204	95014-72204	0	SPG B1 SIDE STAND	側腳架彈簧	1	
	95701	95701-06020-06	1	BOLT FLANGE 6*20	螺絲 6*20	1	
	95801	95801-10025-08	0	BOLT FLANGE 10*25	螺絲 10*25	2	

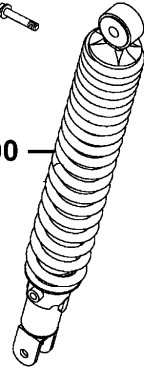
F16

Rear Cushion 後避震器

95801-10040

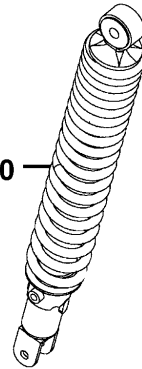
52400

95801-08035



52500

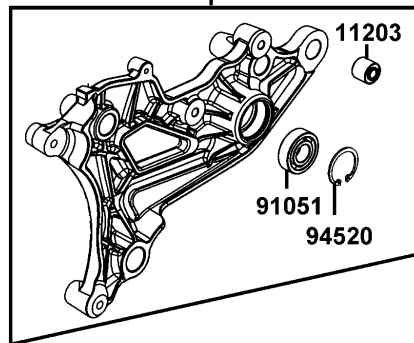
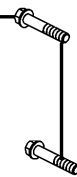
95801-10040



95801-08035

52000

90131



11203

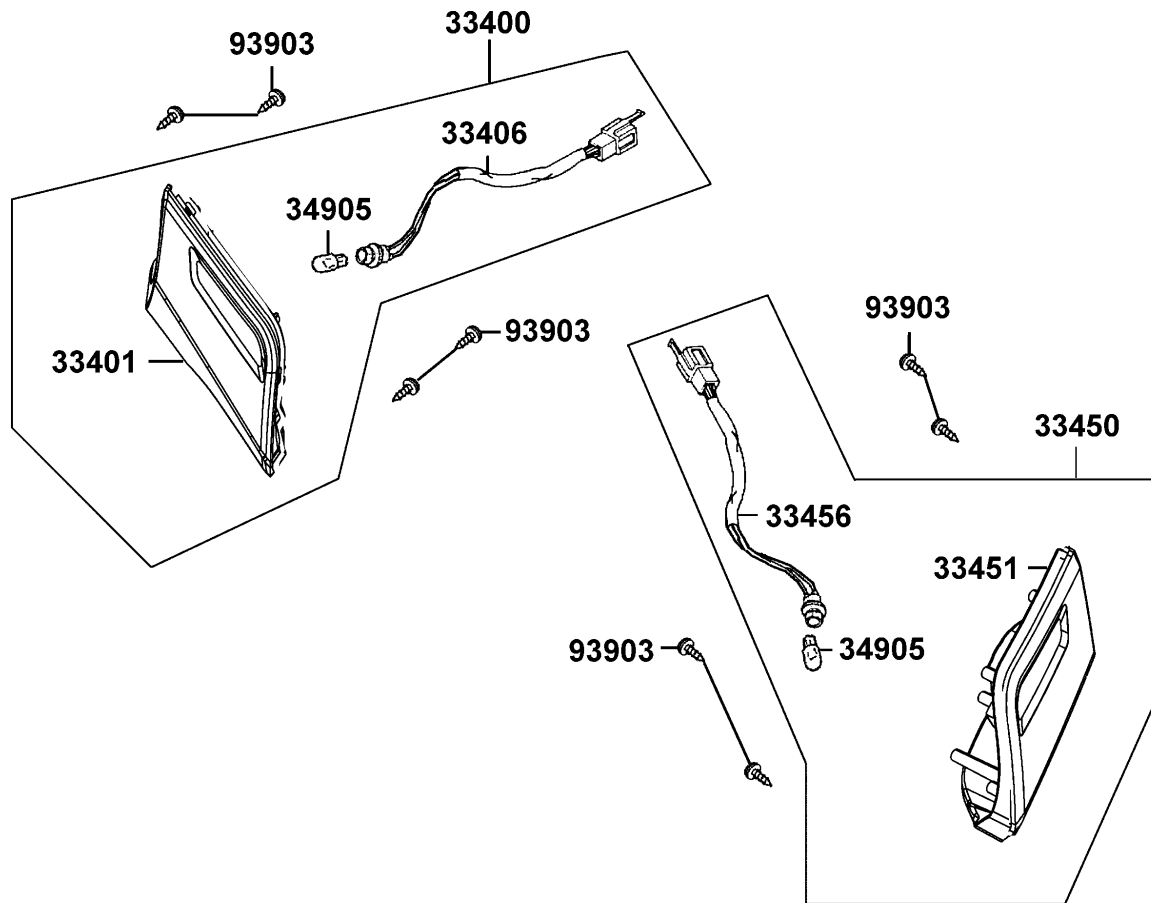
91051

94520

Sales mark	Ref no	Part no	Ver	Description	Reg description	Regd no	F16
	11203	11203-GGC7-301	2	UNDER RUBBER BUSH REAR	後緩衝下襯套	1	
**	52000	52000-LFB5-900	1	FORK ASSY RR	後叉組	1	
**	52400	52400-LFB5-900	3	CUSHION ASSY RR R	後避震器	1	
**	52500	52500-LFB5-900	2	"CUSHION ASSY ,RR L"	後避震器	1	
	90131	90131-LFB5-900	0	BOLT FLANGE 8*35	螺絲 8*35	1	
	91051	91051-KFBF-901	1	BRG BALL RAKIAL 6203LLU	軸承 6203	1	
	94520	94520-40000	0	CIR CLIP IN 40	內環夾	1	
	95801-08035	95801-08035-06	1	BOLT FLANGE 8*35	螺絲 8*35	2	
	95801-10040	95801-10040-08	0	BOLT FLANGE 10*40	特殊螺絲 10*40	2	

F17

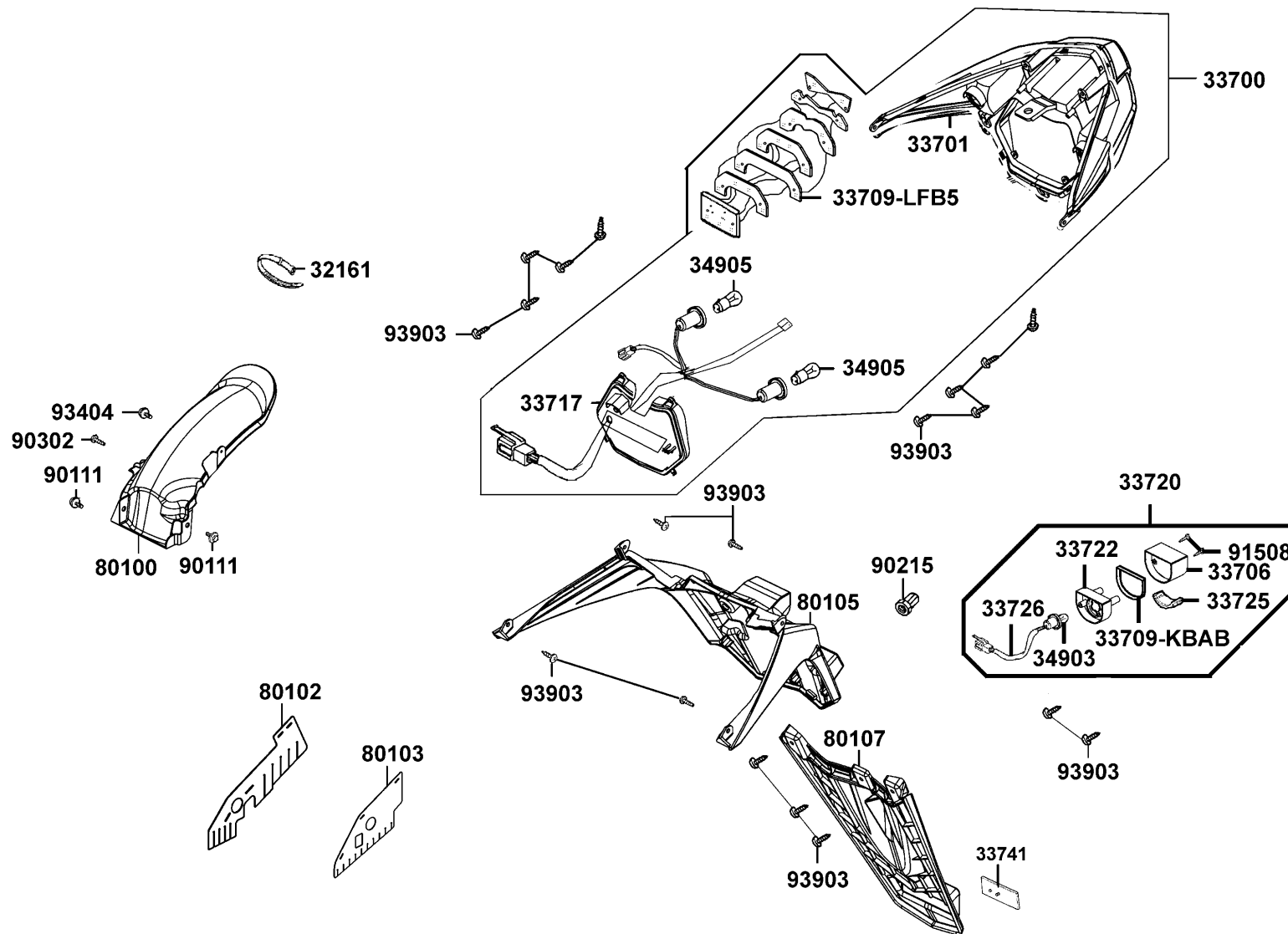
Front Winker 前方向燈



Sales mark	Ref no	Part no	Ver	Description	Reg description	Regd no	F17
	33400	33400-LFB5-900	0	WINKER ASSY RH FR	右前方向燈組	1	
	33401	33401-LFB5-900	0	WINKER COMP R FR	右前方向燈殼組	1	
	33406	33406-LFB5-900	0	SOCKET COMP R WINKER	右前方向燈配線	1	
	33450	33450-LFB5-900	0	WINKER ASSY LH FR	左前方向燈組	1	
	33451	33451-LFB5-900	0	WINKER COMP L FR	左前方向燈殼組	1	
	33456	33456-LFB5-900	0	SOCKET COMP L WINKER	左前方向燈配線	1	
	34905	34905-LBA7-E00	0	BULB WINKER 12V10W	方向燈燈泡	2	
	93903	93903-34360	0	SCREW TAPPING 4*12	螺絲 4*12	8	

F18

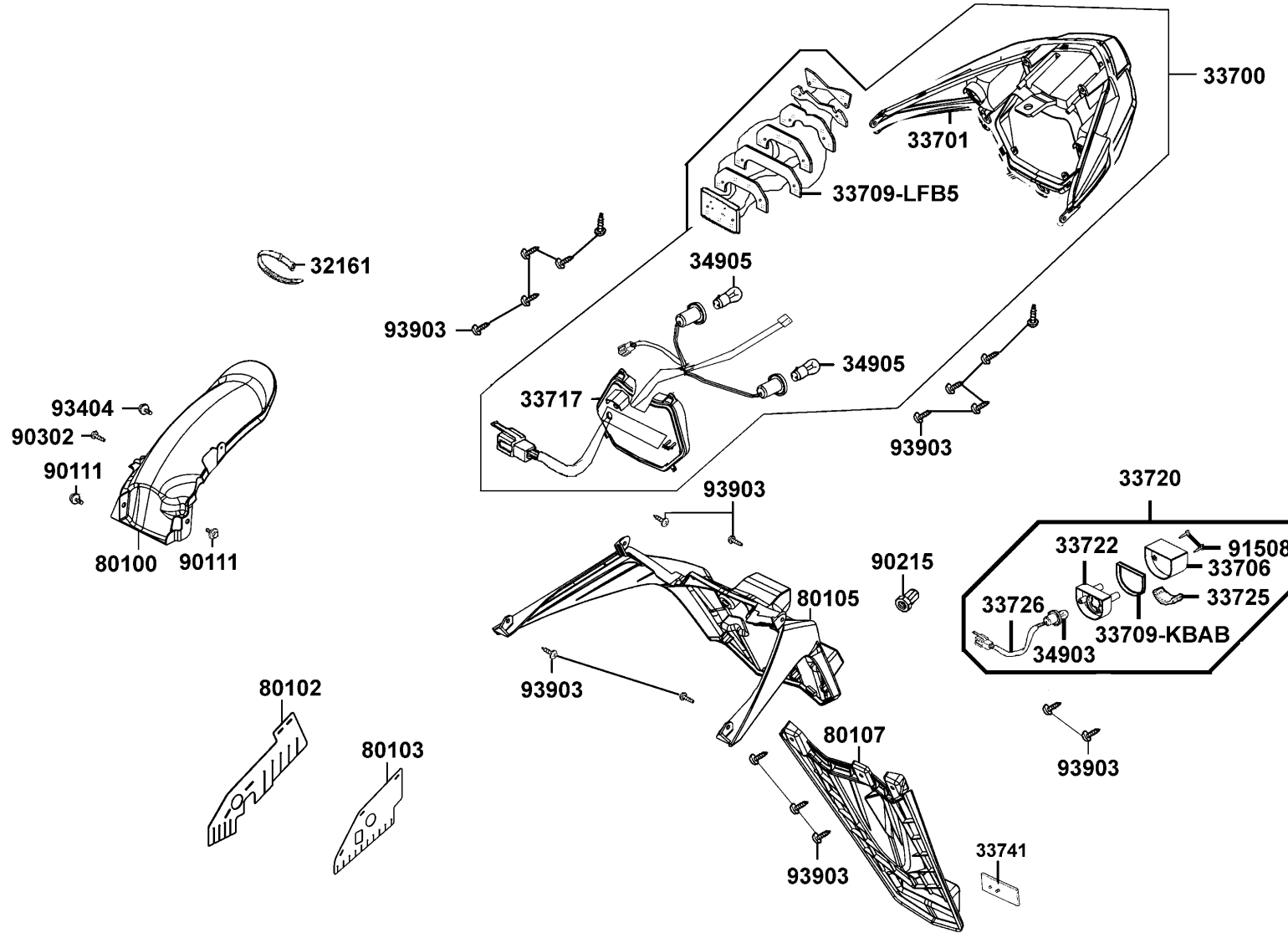
Tail Light Rear Fender 後燈 後土除



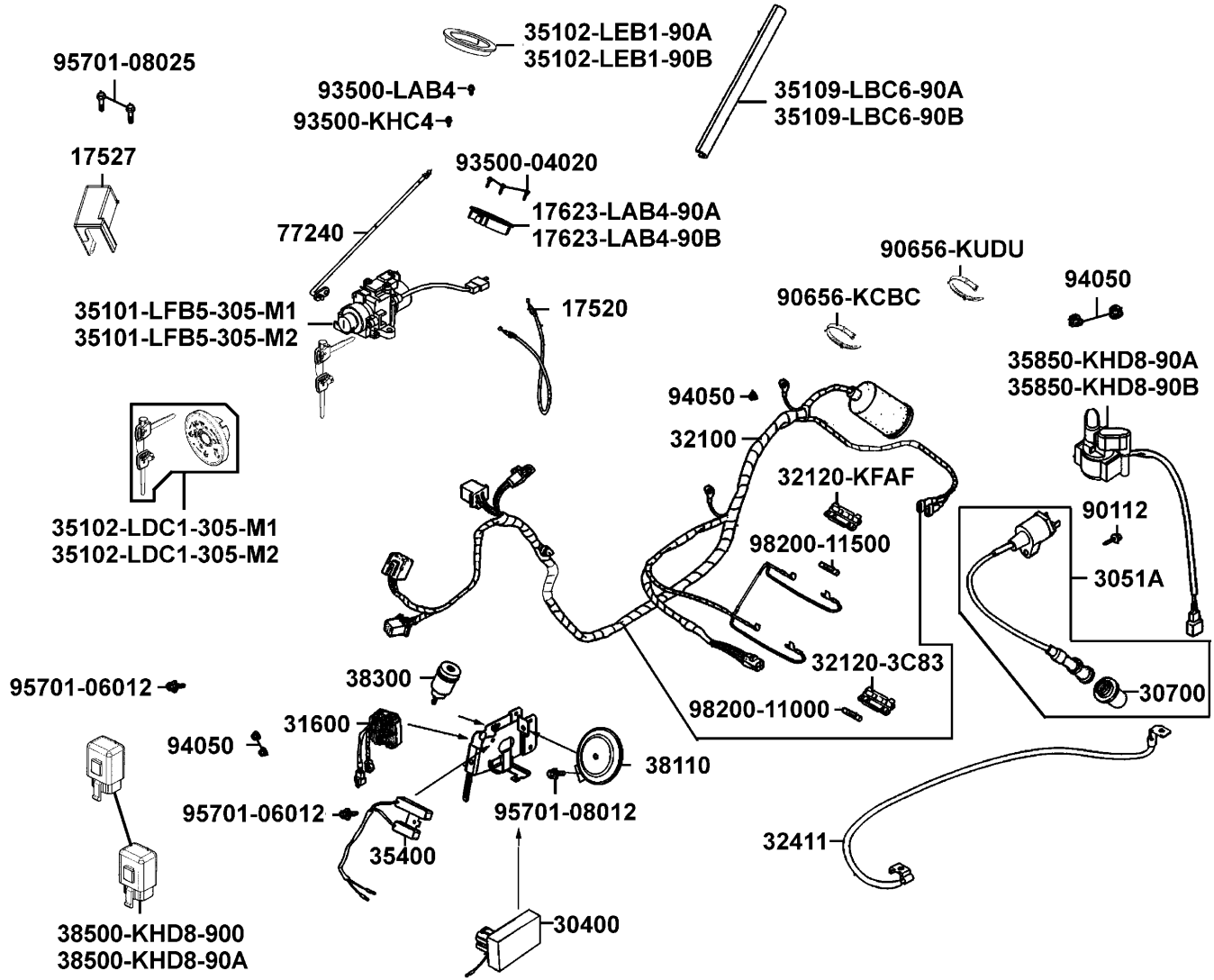
Sales mark	Ref no	Part no	Ver	Description	Reg description	Regd no	F18
	32161	32161-LBA7-900	0	BAND WIRE	束帶	1	
	33700	33700-LFB5-900	0	LIGHT SET RR COMB	後燈組	1	
	33701	33701-LFB5-900	0	LIGHT SET RR COMB	後燈組	1	
	33706	33706-KHB4-E01	0	COVER LICENSE	牌照燈蓋	1	
	33709-KBAB	33709-KBAB-003	0	PACKING LICENSE	牌照燈墊圈	1	
	33709-LFB5	33709-LFB5-900	0	PCB TAIL LIGHT	後燈LED燈電路板組	1	
	33717	33717-LFB5-900	0	SOCKET COMP RR COMB	後燈配線	1	
#	33720	33720-KHB4-E00	3	LIGHT ASSY LICENSE	牌照燈組	1	
	33722	33722-KHB4-E00	0	BASE LICENSE	牌照燈座	1	
	33725	33725-KHB4-E00	0	LENS LICENSE	牌照燈殼	1	
	33726	33726-KHB4-E00	0	SOCKET COMP	牌照燈配線	1	
	33741	33741-KEC8-900	0	REFLEX REFLECTOR	反光鏡片	1	
	34903	34903-KPCP-900	0	BULB POSITION	位置燈燈泡	1	
	34905	34905-KHC4-900	0	BULB WINKER	方向燈泡	2	
**	80100	80100-LFB5-900	2	FENDER RR TIRE	後輪上土除	1	
	80102	80102-LFB5-900	2	PLATE SPLASH BOARD	防塵橡皮片	1	
	80103	80103-LFB5-900	0	"PLATE A, SPLASH BOARD"	防濺橡皮	1	
**	80105	80105-LFB5-900	1	FENDER RR	後土除	1	
**	80107	80107-LFB5-900	1	FENDER RR INNER	後內擋泥板	1	
	90111	90111-LEB1-900	1	BOLT FLANGE 6MM	螺絲 6MM	2	

F18

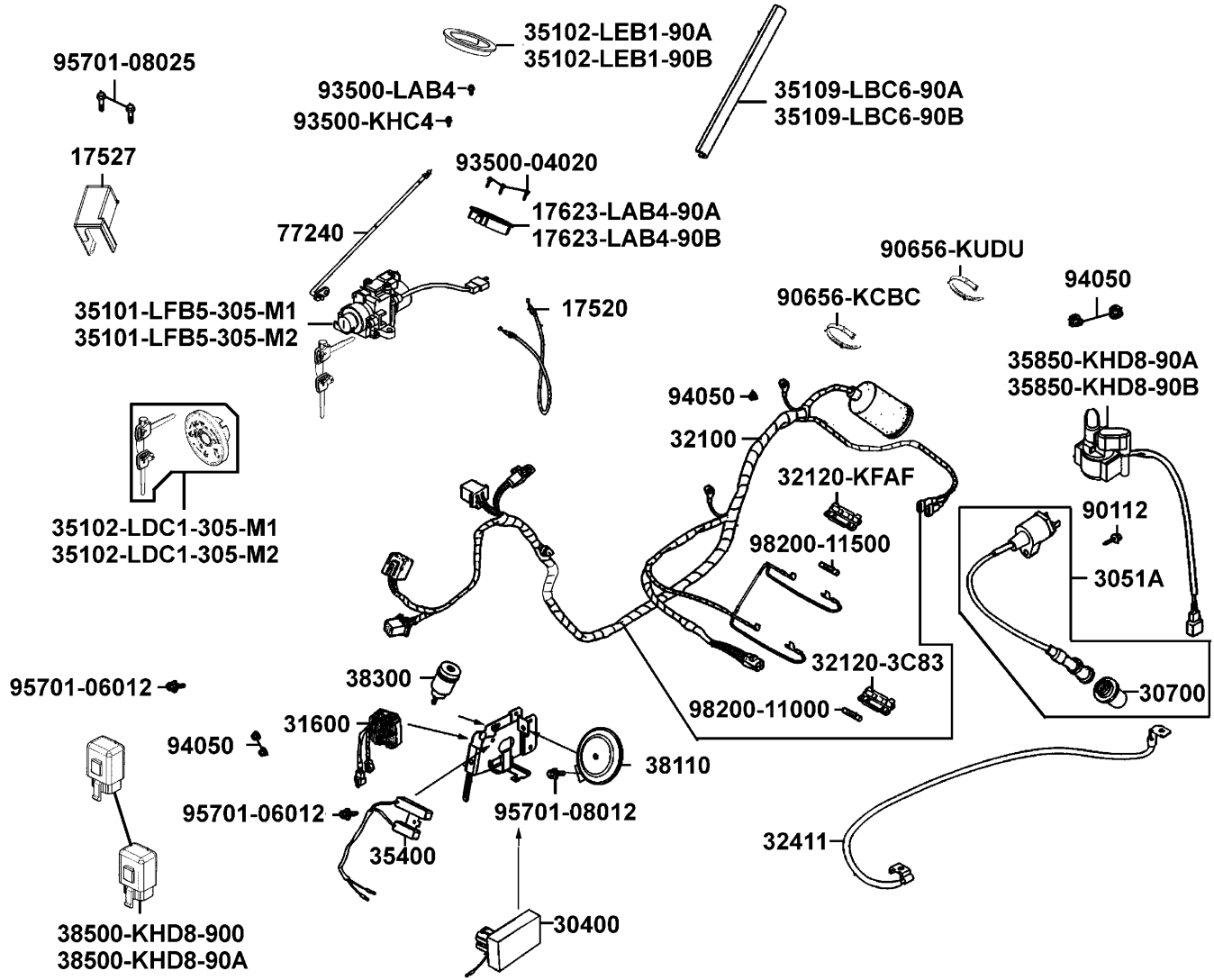
Tail Light Rear Fender 後燈 後土除



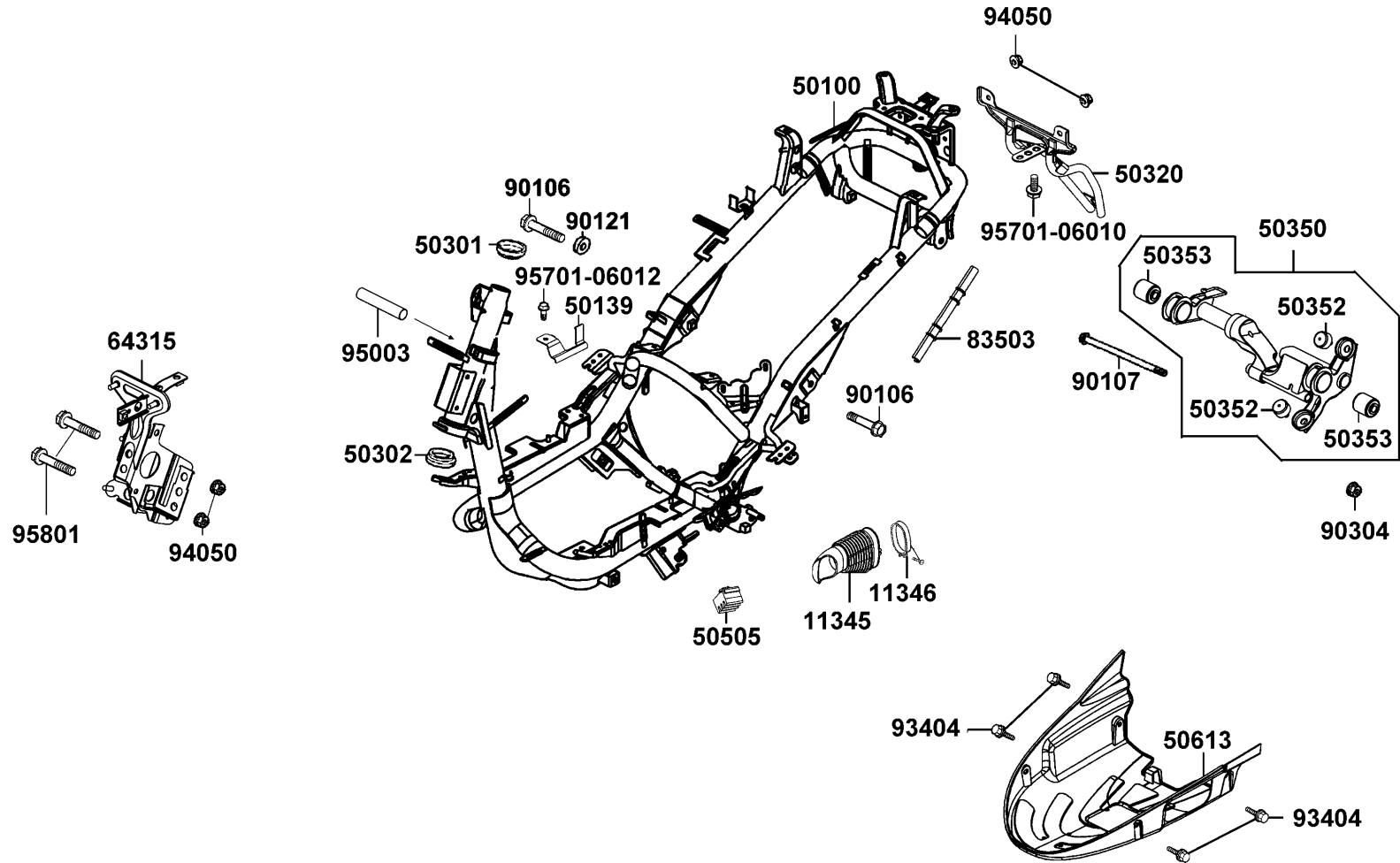
Sales mark	Ref no	Part no	Ver	Description	Reg description	Regd no	F18
	90215	90215-GLM0-910	1	NUT CAP 6MM	螺帽 6MM	1	
	90302	90302-LLB1-E00	2	BOLT-WASHER 5*12	螺絲 5X12	2	
	91508	91508-KGV7-67A	0	SCREW TAPPING 4*14	螺絲 4*14	2	
#	93404	93404-06012-06	0	BOLT WASH 6*12	螺絲 6*12	1	
	93903	93903-34360	0	SCREW TAPPING 4*12	螺絲 4*12	2	



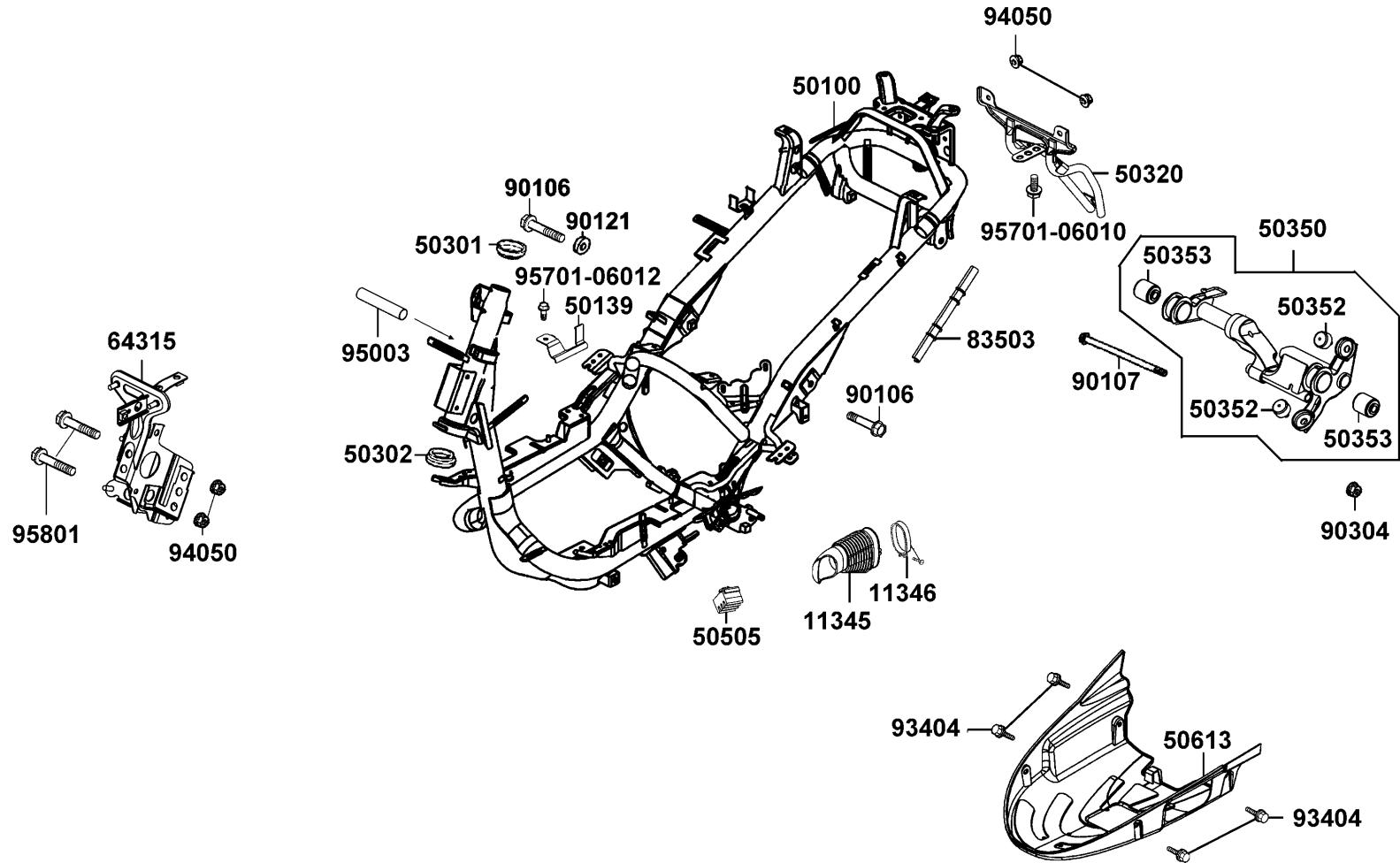
Sales mark	Ref no	Part no	Ver	Description	Reg description	Regd no	F19
#	17520	17520-LEB1-900	0	CABLE COMP FUEL CAP	油箱蓋導線	1	
	17527	17527-LBA2-900	0	SLIDE COVER FUEL CAP	油箱蓋導線防塵蓋	1	
	17623-LAB4-90A	17623-LAB4-90A	1	COLLAR FUEL CAP	油箱蓋套筒	1	
	17623-LAB4-90B	17623-LAB4-90B	1	COLLAR FUEL CAP	油箱蓋套筒	1	
	30400	30400-LFB5-900	1	UNIT ASSY CDI	C.D.I.組	1	
	3051A	3051A-LFE2-900	1	COIL ASSY IGN	點火線圈	1	
	30700	30700-LFE2-900	1	CAP ASSY NOISE SUPPRESOR	火星塞蓋	1	
	31600	31600-KAM1-009	1	REG REC COMP	整流器	1	
	32100	32100-LFB5-900	2	HARNESS WIRE	主配線	1	
	32120-3C83	32120-3C83-831	0	CASE 10A FUSE	保險絲盒	1	
	32120-KFAF	32120-KFAF-900	0	CASE 15A FUSE	保險絲盒	1	
	32411	32411-LEB1-900	4	CABLE BAT	電瓶導線	1	
	35101-LFB5-305-	35101-LFB5-305-M1	0	KEY SET	鎖匙組	1	
	35101-LFB5-305-	35101-LFB5-305-M2	0	KEY SET	鎖匙組	1	
	35102-LDC1-305-	35102-LDC1-305-M1	0	SHUTIER SET MAGNETIC LOCK	磁石鎖組/2合1KEY	1	
	35102-LDC1-305-	35102-LDC1-305-M2	0	SHUTIER SET MAGNETIC LOCK	磁石鎖組/2合1KEY	1	
	35102-LEB1-90A	35102-LEB1-90A	0	COLLAR MAIN SW	主開關環	1	
	35102-LEB1-90B	35102-LEB1-90B	0	COLLAR MAIN SW	主開關環	1	
	35109-LBC6-90A	35109-LBC6-90A	1	PROTECTING COVER CABLE	防水蓋	1	
	35109-LBC6-90B	35109-LBC6-90B	1	PROTECTING COVER CABLE	防水蓋	1	



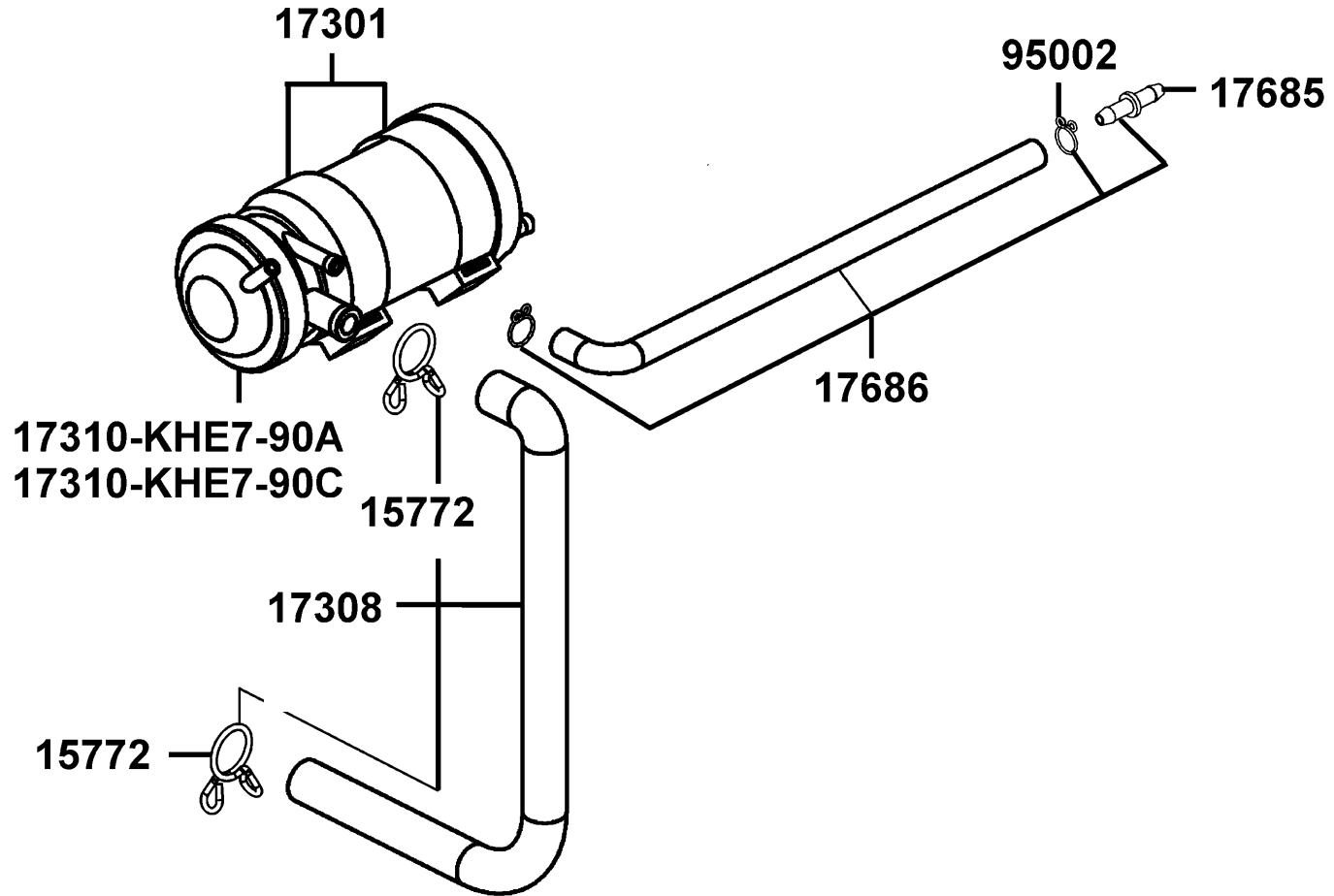
Sales mark	Ref no	Part no	Ver	Description	Reg description	Regd no	F19
	35400	35400-LEB1-900	3	RESISTOR COMP	電阻器組	1	
	35850-KHD8-900	35850-KHD8-900	1	SET START MAG	起動開關組	1	
	35850-KHD8-90A	35850-KHD8-90A	0	SET START MAG	起動開關組	1	
	38110	38110-LEA5-E00	1	HORN COMP	喇叭	1	
#	38300	38300-LEA5-E0A	1	RELAY ASSY WINKER	方向燈繼電器	1	
	38500-KHD8-900	38500-KHD8-900	0	RELAY ASSY LIGHT	繼電器	1	
	38500-KHD8-90A	38500-KHD8-90A	0	RELAY ASSY LIGHT	繼電器	1	
	77240	77240-LFB5-900	0	CABLE SEAT LOCK	座墊導線	1	
	90112	90112-KRDR-900	0	BOLT FLANGE 5*22	螺絲 5*22	1	
#	90656-KCBC	90656-KCBC-900	0	BAND OIL HOSE	油管束帶	1	
# **	90656-KUDU	90656-KUDU-900	0	BAND HARNESS WIRE	束帶	6	
	93500-04020	93500-04020-0G	0	SCREW PAN 4*20	螺絲 4*20	3	
	93500-KHC4	93500-KHC4-90A	0	SCREW PAN 5*10	螺絲 5*10	1	
	93500-LAB4	93500-LAB4-900	0	SCREW FLANGE 4*10	螺絲 4*10	1	
#	94050	94050-06080	0	NUT FLANGE 6MM	螺帽 6MM	5	
	95701-06012	95701-06012-08	0	BOLT FLANGE 6*12	螺絲 6*12	2	
	95701-08012	95701-08012-08	0	BOLT FLANGE 8*12	螺絲 8*12	1	
	95701-08025	95701-08025-08	0	BOLT FLANGE 8*25	螺絲 8*25	2	
	98200-11000	98200-11000	0	FUSE 10A	保險絲 10A	1	
	98200-11500	98200-11500	0	FUSE A15	保險絲 A15	1	



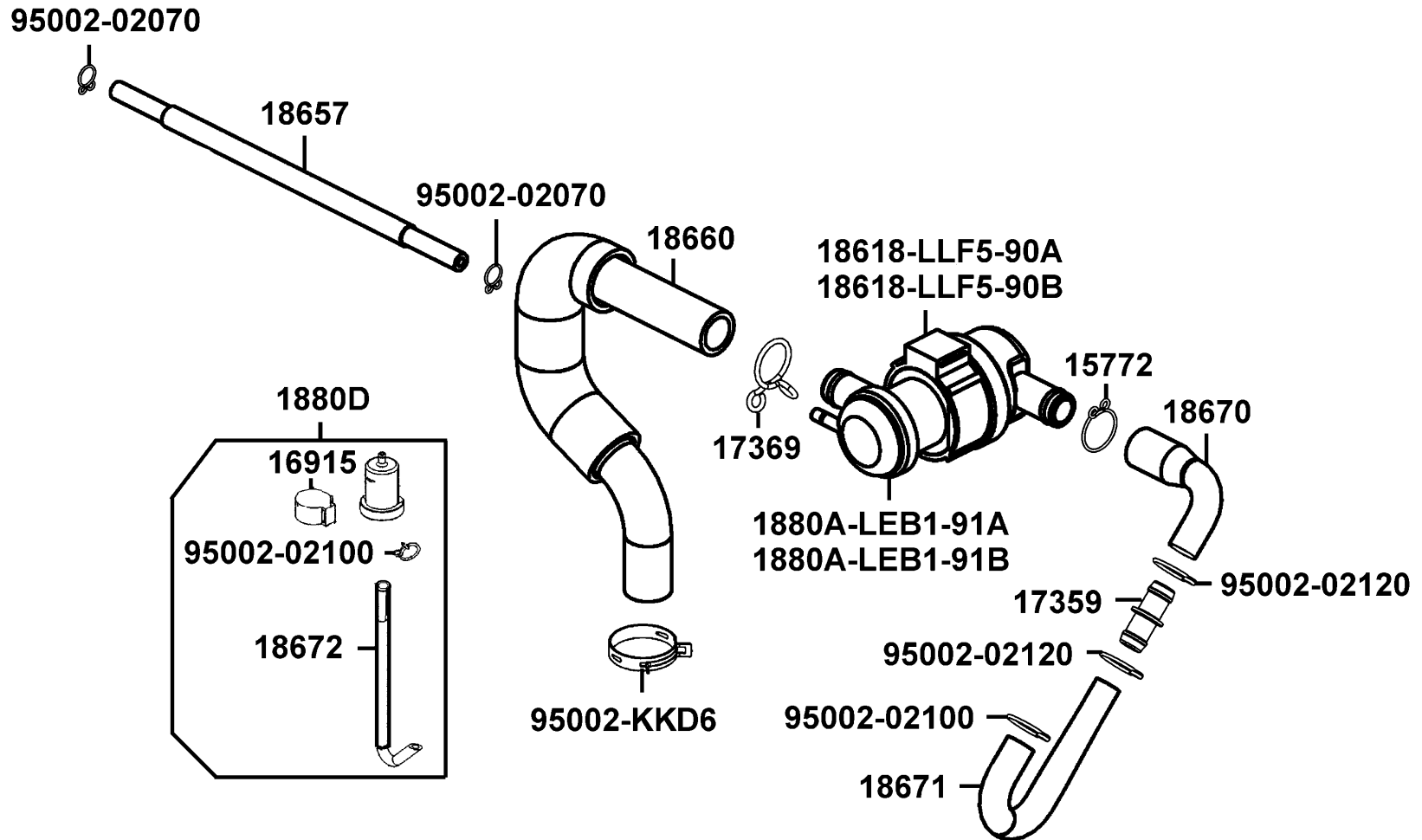
Sales mark	Ref no	Part no	Ver	Description	Reg description	Regd no	F20
	11345	11345-LFB5-900	1	DUCT L COVER	冷卻導管	1	
	11346	11346-GFY6-901	0	BAND L COVER DUCT	導管束帶	1	
	50100	50100-LFB5-900	2	BODY COMP FRAME	車體	1	
	50139	50139-LEB1-900	1	STAY AICV	AICV 支架	1	
	50301	50301-KGN7-671	2	RACE UP STRG BALL	上珠碗	1	
	50302	50302-2H68-011	2	RACE STRG BOT BALL	下珠碗	1	
	50320	50320-LFB5-900	1	STAY RR FENDER	後土除支架	1	
	50350	50350-LFB5-900	3	ENG HANGER ASSY	引擎吊架	1	
	50352	50352-GFY6-901	0	RUBBER STOPPER	吊架橡皮	2	
	50353	50353-LEB1-900	1	BUSH SWING LOCK	襯套	2	
	50505	50505-KEBE-900	0	STOPPER RUBBER	主腳架橡皮	1	
**	50613	50613-LFB5-900	0	COVER UNDER	電瓶底蓋	1	
	64315	64315-LFB5-900	1	STAY FR COVER	前護蓋支架	1	
**	83503	83503-KHD6-900	2	COVER PROTECT SEAT WIRE FR	前防護座墊線外蓋	1	
	90106	90106-GFY6-901	0	BOLT FLANGE 10*55	螺絲 10*55	2	
	90107	90107-KUDU-900	2	BOLT FLANGE 10*188	螺絲 10*188	1	
	90121	90121-GFY6-901	1	COLLAR DISTANCE	套筒	1	
	90304	90304-GHE8-004-SW	0	NUT U FLANGE 10MM	螺帽 10MM	1	
#	93404	93404-06016-06	0	BOLT WASHER 6*16	螺絲 6*16	4	
#	94050	94050-06080	0	NUT FLANGE 6MM	螺帽 6MM	4	



Sales mark	Ref no	Part no	Ver	Description	Reg description	Regd no	F20
#	95003	95003-LEB1-900	0	"TUBE, CLAMP"	管夾	1	
	95701-06010	95701-06010-08	1	BOLT FLANGE 6*10	螺絲 6*10	1	
	95701-06012	95701-06012-08	0	BOLT FLANGE 6*12	螺絲 6*12	1	
	95801	95801-06050-08	0	BOLT FLANGE 6*50	螺絲 6*50	2	



Sales mark	Ref no	Part no	Ver	Description	Reg description	Regd no	F21
15772		15772-5L00-013	1	CLIP B14.5 TUBE	管夾	2	
17301		17301-KNBN-960	0	RUBBER CANISTER MOUNT	活性炭罐懸掛橡皮	2	
17308		17308-LFB5-900	3	TUBE ASSY CANISTER-A/C	通氣管	1	
17310-KHE7-90A		17310-KHE7-90A	1	CANISTER COMP	活性炭罐	1	
17310-KHE7-90C		17310-KHE7-90C	2	CANISTER COMP	活性炭罐	1	
17685		17685-GFY6-940	0	JOINT COCK CARB TUBE	油管接頭	1	
17686		17686-LFB5-900	3	TUBE TANK CANISTER	通氣管	1	
95002		95002-02080	0	CLIP B8 TUBE	管夾	3	

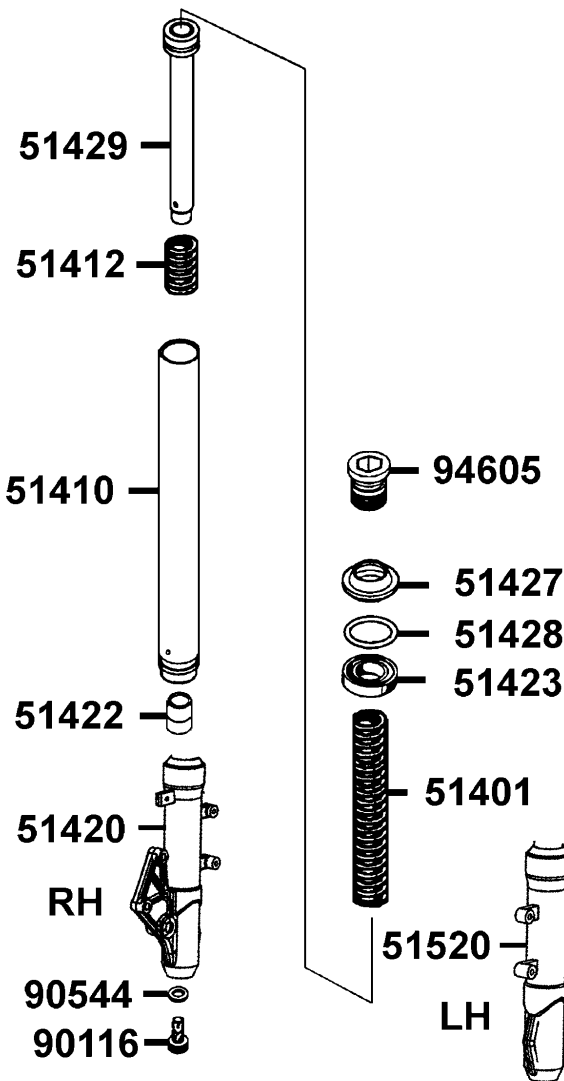


Sales mark	Ref no	Part no	Ver	Description	Reg description	Regd no	F22
	15772	15772-5A51-001	1	CLIP BREATHER TUBE	通氣管夾	1	
	16915	16915-KEBE-910	0	SUSP STRAINER	過濾暫停器	1	
	17359	17359-4K19-671	0	JOINT BREATHER TUBE	通氣管接頭	1	
	17369	17369-KDB4-671	1	CLIP BREATHER TUBE	通氣管夾	2	
	18618-LLF5-90A	18618-LLF5-90A	2	RUBBER AICV MOUNT	ACV橡皮	1	
	18618-LLF5-90B	18618-LLF5-90B	1	RUBBER AI CLEANER MOUNT	橡皮	1	
	18657	18657-LEB1-910	1	TUBE ASSY AICV-INLET PIPE	通氣管	1	
	18660	18660-LEB1-910	2	DUCT AICV-REED VALVE	通氣管	1	
	18670	18670-LEB1-910	2	DUCT AICV-JOINT	二次空氣濾清導管	1	
	18671	18671-LFB5-910	0	DUCT STRAINER AIR-JOINT	導管	1	
	18672	18672-LFB5-910	2	DUCT AIR-STRAINER	導管	1	
	1880A-LEB1-91A	1880A-LEB1-91A	2	AI/C-AICV ASSY	空氣噴射控制閥	1	
	1880A-LEB1-91B	1880A-LEB1-91B	2	AI/C-AICV ASSY	空氣噴射控制閥	1	
	1880D	1880D-LFB5-910	2	STRAINER ASSY AIR	空氣濾清器	1	
	95002-02070	95002-02070	0	CLIP B7 TUBE	管夾	2	
	95002-02100	95002-02100	0	CLIP B15 TUBE	管夾	2	
	95002-02120	95002-02120	0	CLIP B12 TUBE	管夾 B12	2	
#	95002-KKD6	95002-KKD6-E05	0	CLAMP D18 TUBE	管夾	1	

F23

Separated Parts Of Fr Fork

前叉附件



Sales mark	Ref no	Part no	Ver	Description	Reg description	Regd no	F23
	51401	51401-LFB5-900	0	SPRING FR CUSHION	彈簧	2	
	51410	51410-LFB5-900	0	FORK PIPE COMP	前避震器管	2	
	51412	51412-KHD8-900	0	REBOUND SPRING	回位彈簧	2	
**	51420	51420-LFB5-900	0	BOTTOM CASE R	右前避震器底管	1	
	51422	51422-LFB5-900	0	OIL LOCK PIECE	止油接頭	2	
	51423	51423-KKAK-900	0	OIL SEAL	前避震器油封	2	
	51427	51427-KKAK-900	0	DUST SEAL	防塵封	2	
	51428	51428-KKAK-900	0	OIL SEAL STOPPER RING	油封止位環	2	
	51429	51429-LFB5-900	0	PIPE SEAT COMP	避震管座	2	
**	51520	51520-LFB5-900	0	BOTTOM CASE L	左前避震器底管	1	
	90116	90116-KHD8-900	0	BOLT	螺絲	2	
	90544	90544-KEC8-900	0	PACKING	墊片	2	
	94605	94605-LFB5-900	1	FORK BOLT	螺絲	2	

<ul style="list-style-type: none"> □ 請戴安全帽行駛。 □ 行駛時，請勿超過法定速度。 □ 因排氣管溫度很高，停車時請停置於他人不易碰觸之場所。 □ 為了駕駛安全及性能維護，請勿任意違法改造。 	<ul style="list-style-type: none"> □ 請確實做好定期保養工作及行車前之安全檢查。 <p style="text-align: center;">◀ 行駛前檢查項目 ▶</p> <p style="text-align: center;">剎車性能 輪胎 機油量 燈光 喇叭 儀表板</p>
--	---

○ 敬請熟讀駕駛手冊，確保行車安全 GY6-900

87560

注 意	
輪胎最大胎壓	前輪 2.30kgf/cm ² 後輪 2.50kgf/cm ²
一人騎乘時	前輪 1.75kgf/cm ² 後輪 1.75kgf/cm ²
二人騎乘時	前輪 1.75kgf/cm ² 後輪 4.00kgf/cm ²
輪胎規格	前輪 110/70-12 後輪 130/70-12
載物限重	前行李箱(依實車配備為準) 1.5kg
	置物掛鉤 3.0kg

87505-LFB5-900

87505

注 意	
在引擎發動前，請先將側支架扳起，以策安全。	

87541-GGS7

87541-KUDU

機 油 量	
請使用光陽專用"特使機油"	
全容量	0.9公升
機油交換時	0.8公升
給油後必須確認油量	
發動惰轉三分鐘再確認油量	

KDU-900

注 意	
後側蓋與引擎之間，請勿放入任何物品，以免妨礙行駛。	

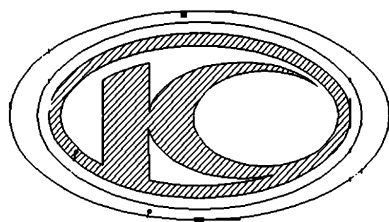
GM9-300

87542

Sales mark	Ref no	Part no	Ver	Description	Reg description	Regd no	F24
**	87505	87505-LFB5-900	1	LABEL TIRE	標籤	1	
**	87541-GGS7	87541-GGS7-901	2	CAUTION SIDE STAND	標籤	1	
**	87541-KUDU	87541-KUDU-900	2	LABEL OIL CAP	標籤	1	
**	87542	87542-GKM9-301	3	MARK MAINT CAUTION	標籤	1	
**	87560	87560-GFY6-900	3	MARK DRIVE CAUTION	標誌	1	

F25

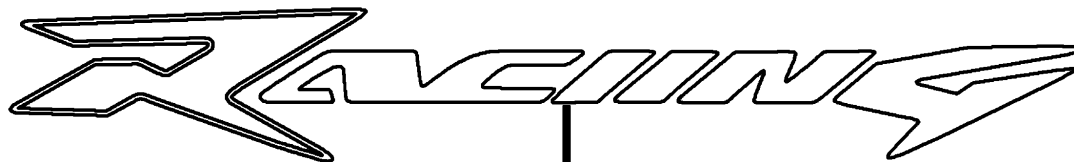
Emblem Stripe 標徽 貼紙



86102



87140



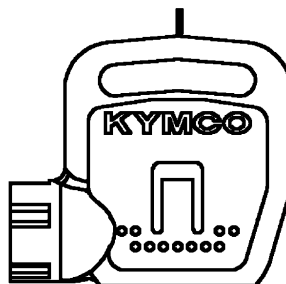
86202

Sales mark	Ref no	Part no	Ver	Description	Reg description	Regd no	F25
**	86102	86102-KKC4-900	1	EMB K-LOGO 28.5MM	標誌 28.5MM	1	
**	86202	86202-LFB5-900	0	EMB BODY COVER	貼紙	3	
**	87140	87140-LFB5-900	1	EMB MARK 150	貼紙	3	

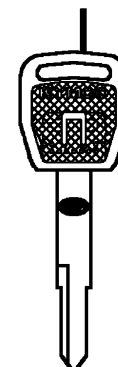
35111-LDC1-305-M1



35111-LDC1-307-M1



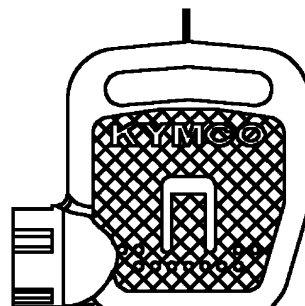
35111-LDC1-306-M2



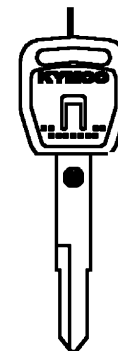
35111-LDC1-305-M2



35111-LDC1-307-M2



35111-LDC1-306-M1



Sales mark	Ref no	Part no	Ver	Description	Reg description	Regd no	F26
	35111-LDC1-305-	35111-LDC1-305-M1	0	KEY COMP/MAIN SW	未加工主開關鑰匙/右切/SD	2	
	35111-LDC1-305-	35111-LDC1-305-M2	0	KEY COMP/MAIN SW	未加工主開關鑰匙/右切/TJ	2	
	35111-LDC1-306-	35111-LDC1-306-M1	0	KEY COMP/MAIN SW	未加工主開關鑰匙/左切/SD	2	
	35111-LDC1-306-	35111-LDC1-306-M2	0	KEY COMP/MAIN SW	未加工主開關鑰匙/左切/TJ	2	
	35111-LDC1-307-	35111-LDC1-307-M1	0	KEY COMP/SHUTTER MAGNEITC	磁石鑰匙/SD	2	
	35111-LDC1-307-	35111-LDC1-307-M2	0	KEY COMP/SHUTTER MAGNEITC	磁石鑰匙/TJ	2	

PART NO. INDEX

PART NO.	VERSION	PAGE	PART NO.	VERSION	PAGE	PART NO.	VERSION	PAGE
11000			12000			14321-LEB1-900	3	E02
11100-LEB1-306	6	E01	12100-LFE2-900	3	E03	14401-LFE2-900	2	E03
11102-1G87-004	3	E01	12191-LFE2-900	1	E03	14420-LFE2-900	1	E02
11192-LEB1-900	5	E01	12200-LFE2-900	5	E02	14430-LFE2-900	1	E02
11200-LFB5-305	0	E01	12209-GDB4-68A	0	E02	14433-LEB1-900	1	E02
11203-GFY6-901	0	F14	12209-KHD6-900	0	E02	14434-LEB1-900	1	E02
11203-GGC7-301	2	E01	12216-LEB1-900	2	E02	14452-LEB1-900	4	E02
11203-GGC7-301	2	F16	12217-LEB1-900	1	E02	14453-LEB1-910	1	E02
11206-LFB5-900	2	E06	12251-LFE2-900	4	E02	14510-LEB1-900	2	E03
11207-LFB5-900	1	E04	12310-LFB5-900	1	E02	14520-GFY6-90A	1	E03
11211-LFB5-900	2	F13	12361-GFY6-901	1	E04	14523-KED9-900	0	E03
1122A-LFB5-900	1	E01	12391-LFE2-900	3	E02	14531-GLR0-001	1	E03
11330-LEB1-900	9	E04				14610-LEB1-900	1	E03
11340-LFB5-900	1	E01	13000			14711-LFE2-900	1	E02
11342-LFB5-900	3	E01				14721-LFE2-900	2	E02
11344-LFB5-900	2	E01	13000-LFB5-900	2	E03	14751-KHD6-900	1	E02
11345-LFB5-900	1	F20	13011-LFE2-90B	2	E03	14771-KHD6-900	0	E02
11346-GFY6-901	0	F20	13101-LFE2-900	7	E03	14781-MFA6-001	0	E02
11381-LFB5-900	2	E01	13111-KKJ9-001	2	E03	15000		
11383-GFY6-901	2	E07				15100-KFB7-900	0	E06
11383-KHE7-900	0	F04	14000			15133-GFY6-901	0	E06
11383-LFB5-900	0	E01				15141-GFY6-90B	0	E06
11394-LEB1-900	4	E04	14100-LFE2-900	4	E02	15141-GFY6-90C	1	E06
11395-LFB5-900	2	E01	14110-LEB1-900	3	E02	15421-1G07-001	1	E04

PART NO. INDEX

PART NO.	VERSION	PAGE	PART NO.	VERSION	PAGE	PART NO.	VERSION	PAGE
15426-GAE1-921	0	E04	16111-KEC3-900	1	E09	16915-KEBE-910	0	F22
1565A-KUDU-900	0	E04	16116-KEC3-900	1	E09	1691A-KEC2-E00	0	F10
15711-GFY6-901	0	E06	16117-KEC3-900	0	E09			
15772-5A51-001	1	F22	16122-KEC3-900	0	E09	17000		
15772-5L00-013	1	F21	16123-LFB5-900	0	E09			
			16124-KEC3-900	1	E09	1711A-LFE2-900	1	E02
16000			16131-KEC3-900	0	E09	17211-LFB5-900	0	F13
			16132-KEC3-900	1	E09	17212-LFB5-900	0	F13
16001-KEC3-900	3	E09	16133-KEC3-900	1	E09	17214-LFB5-900	0	F13
16012-KEC3-800	4	E09	16134-KEC3-900	0	E09	1723A-LFB5-900	0	F13
16019-KUDU-900	0	E09	16138-KEC3-900	1	E09	1723B-LFB5-900	0	F13
16035-LFB5-900	0	E09	16140-KEC3-900	1	E09	17254-KACA-P00	0	F13
16051-KEC3-90A	1	E09	16142-KEC3-900	1	E09	17256-GFY6-901	4	E02
16053-KEC3-900	0	E09	16150-KEC3-900	1	E09	17301-KNBN-960	0	F21
16056-KKC8-500	1	E09	16154-KEC3-900	0	E09	17308-LFB5-900	3	F21
16068-KEC3-900	0	E09	16157-KYCY-900	0	E09	17310-KHE7-90A	1	F21
16069-KEC3-900	3	E09	16163-KHC4-900	0	E09	17310-KHE7-90C	2	F21
16070-KEC3-900	3	E09	16165-KEC3-900	0	E09	17359-4K19-671	0	F13
16074-KEC3-900	4	E09	16170-KEC3-900	0	E09	17359-4K19-671	0	F22
16079-LFE2-910	0	E09	16179-KEC3-900	2	E09	17369-KDB4-671	1	F22
16087-LFE2-900	1	E09	16180-KEC3-900	0	E09	17369-KHC4-900	0	F10
16088-KEC3-900	1	E09	16181-KEC3-900	1	E09	17371-1D74-671	0	F13
16093-KEC3-096	0	E09	16196-KKC8-500	2	E09	17500-LFB5-900	2	F10
16095-KEC3-900	2	E09	16201-LFE2-900	2	E02	17502-LEB1-900	2	F10
16100-LFB5-900	0	E09	16211-LFE2-900	2	E02	17504-LAB4-900	2	F10
16110-KGC5-900	1	E09	16700-KHE7-900	5	F10	17507-LAB4-900	1	F10

PART NO. INDEX

PART NO.	VERSION	PAGE	PART NO.	VERSION	PAGE	PART NO.	VERSION	PAGE
17513-LAD9-900	1	F10	18292-KEBE-900	0	F14	19613-GFY6-901	0	E07
17515-LAD9-900	1	F10	18293-KEBE-900	0	F14	1961A-LEB1-900	4	E07
17520-LEB1-900	0	F19	18293-KKC4-900	0	E01	19625-LFE2-900	1	E07
17527-LBA2-900	0	F19	18294-KEBE-900	0	F14	19626-LEB1-900	1	E07
17620-LBA2-90A	0	F10	1830A-LFB5-90A	2	F14	1962A-LFE2-900	3	E07
17620-LBA2-90B	0	F10	18318-LFB5-900	0	F14	19633-GFY6-901	0	E07
17623-LAB4-90A	1	F10	18601-MAJ1-79A	0	E02	19635-LFE2-900	2	E07
17623-LAB4-90A	1	F19	18612-GFY6-941	0	E02	19636-LEB1-900	1	E07
17623-LAB4-90B	1	F10	18618-LLF5-90A	2	F22	1963A-LFE2-900	2	E07
17623-LAB4-90B	1	F19	18618-LLF5-90B	1	F22			
17681-KFA1-900	0	F10	18645-GFY6-941	0	E02	21000		
17685-GFY6-940	0	F21	18646-GFY6-941	0	E02			
17685-LFB5-900	0	F10	18647-KHD6-900	0	E02	21301-LFB5-305	1	E08
17686-LFB5-900	3	F21	18657-LEB1-910	1	F22	21395-LFB5-900	3	E08
17689-LFB5-900	0	F10	18660-LEB1-910	2	F22			
1768A-LFB5-900	0	F10	18670-LEB1-910	2	F22	22000		
1768B-LEB1-900	2	F10	18671-LFB5-910	0	F22			
1768C-LFB5-900	1	F10	18672-LFB5-910	2	F22	22101-LCD3-E00	1	E05
1768D-KHE2-910	2	F10	1880A-LEB1-91A	2	F22	22102-LEB1-900	2	E05
17910-LEB1-900	1	F03	1880A-LEB1-91B	2	F22	22105-LEB1-900	2	E05
			1880D-LFB5-910	2	F22	22110-LEB1-800	7	E05
18000			19000			22111-LEB1-800	5	E05
						22112-GFY6-90A	0	E05
18291-KEBE-900	0	F14				22121-KKD7-900	1	E05
18291-KKC4-900	0	E01	19411-KBCB-900	0	F10	22130-LEB1-800	5	E05
18291-LEA5-E00	1	F14	19510-LEB1-900	1	E07	22300-LEB1-910	0	E05

PART NO. INDEX

PART NO.	VERSION	PAGE	PART NO.	VERSION	PAGE	PART NO.	VERSION	PAGE
22350-GFY6-90A	1	E05	28120-GFY6-315	6	E06	31210-LFB5-90B	0	E06
22361-KGN7-671	1	E05	28125-4F26-001	0	E06	31210-LFB5-90C	0	E06
22401-LEB1-910	0	E05	28125-GFY6-960	3	E06	31500-KFAF-90A-YU	4	F11
22530-LEB1-910	0	E05	28126-KUDU-900	1	E06	31500-KFAF-90B-KY	6	F11
22804-GBB2-001	0	E05	28211-KFC8-900	0	E05	31600-KAM1-009	1	F19
23000			28223-KNBN-901	0	E01	32000		
			28230-LFB5-900	0	E01			
			28250-LFB5-900	0	E01			
2301A-LEB1-910	2	E05	28253-GBN2-60A	0	E01	32100-LFB5-900	2	F19
23100-LFB5-90B	0	E05	28255-GFS6-001	0	E01	32101-GFY6-901	1	F04
23200-LFE2-900	1	E05	28281-GBN2-60A	1	E01	32120-3C83-831	0	F19
23220-GFY6-921	1	E05	28300-LFB5-900	0	F15	32120-KFAF-900	0	F19
23225-GHC8-004	0	E05	30000			32161-LBA7-900	0	F18
23226-GHC8-004	0	E05				32410-LEB1-900	1	E06
23233-LFE2-910	1	E05				32411-LEB1-900	4	F19
23237-GFY6-941	0	E05	30400-LFB5-900	1	F19	32412-LEB1-900	4	E04
23411-LFB5-900	1	E08	3051A-LFE2-900	1	F19	32961-LEB1-900	2	E04
23420-LFB5-900	0	E08	30700-LFE2-900	1	F19	33000		
23431-LFB5-900	4	E08	31000					
23432-LFB5-900	1	E08				33107-KKC4-E00	0	F01
28000			31110-LFB5-90A	1	E07	33120-LFB5-900	0	F01
			31110-LFB5-90B	1	E07	33130-LFB5-900	0	F01
28101-GFY6-200	2	E06	31120-LFB5-90A	0	E07	33400-LFB5-900	0	F17
28102-GFY6-901	0	E06	31120-LFB5-90B	0	E07	33401-LFB5-900	0	F17
28110-LEB1-900	3	E06	31210-LFB5-90A	0	E06	33406-LFB5-900	0	F17

PART NO. INDEX

PART NO.	VERSION	PAGE	PART NO.	VERSION	PAGE	PART NO.	VERSION	PAGE
33450-LFB5-900	0	F17				35850-KHD8-900	1	F19
33451-LFB5-900	0	F17	35000			35850-KHD8-90A	0	F19
33456-LFB5-900	0	F17				37000		
33700-LFB5-900	0	F18	35101-LFB5-305-M1	0	F19			
33701-LFB5-900	0	F18	35101-LFB5-305-M2	0	F19			
33706-KHB4-E01	0	F18	35102-LDC1-305-M1	0	F19	37200-LFB5-90A	0	F02
33709-KBAB-003	0	F18	35102-LDC1-305-M2	0	F19	37200-LFB5-90B	0	F02
33709-LFB5-900	0	F18	35102-LEB1-90A	0	F19	37225-LFB5-90A	0	F02
33717-LFB5-900	0	F18	35102-LEB1-90B	0	F19	37225-LFB5-90B	0	F02
33720-KHB4-E00	3	F18	35109-LBC6-90A	1	F19	37230-LFB5-90A	0	F02
33722-KHB4-E00	0	F18	35109-LBC6-90B	1	F19	37230-LFB5-90B	0	F02
33725-KHB4-E00	0	F18	35111-LDC1-305-M1	0	F26	37801-LAB4-910	1	F10
33726-KHB4-E00	0	F18	35111-LDC1-305-M2	0	F26	3780A-LFB5-900	0	F10
33741-GFY6-C30	1	F05	35111-LDC1-306-M1	0	F26			
33741-KEC8-900	0	F18	35111-LDC1-306-M2	0	F26	38000		
			35111-LDC1-307-M1	0	F26			
34000			35111-LDC1-307-M2	0	F26	38110-LEA5-E00	1	F19
			35130-KXCX-M00	0	F03	38300-LEA5-E0A	1	F19
34300-KKE3-900	3	E09	35150-GFY6-900	4	F03	38500-KHD8-900	0	F19
34301-KKE3-900	2	E09	35160-GFY6-900	2	F03	38500-KHD8-90A	0	F19
34901-KFA6-900	0	F01	35170-KNBN-910	1	F03	38773-KBCB-900	0	F10
34903-KPCP-900	0	F01	35180-GFY6-900	2	F03	38773-KEC3-900	0	E09
34903-KPCP-900	0	F18	35200-GFY6-910	1	F03			
34905-KHC4-900	0	F18	35340-KFLF-900	2	F03	40000		
34905-LBA7-E00	0	F17	35340-KNBN-901	0	F04			
			35400-LEB1-900	3	F19	40511-LEC8-E00	1	F05

PART NO. INDEX

PART NO.	VERSION	PAGE	PART NO.	VERSION	PAGE	PART NO.	VERSION	PAGE
42000			44000			45517-KFAF-910	0	F04
42311-LFB5-900	0	F08	44301-LFE2-900	1	F07	45517-LFB5-800	1	F03
42312-KHB4-900	0	F08	44311-KEBE-900	0	F07	45520-GLW0-91A	0	F04
42601-LFE2-900	3	F08	44620-KHD8-900	1	F07	45530-LFB5-305	0	F04
42601-LFE2-900	4	F08	44650-LFE2-305	0	F07	45531-GAR1-951	0	F07
42710-KEB7-E1A-G303	3	F08	44710-KFA5-90A-G303	2	F07	46000		
42753-0D04-900	1	F07	44800-KFA5-900	1	F07	46513-LEB1-900	1	F08
42753-KNBN-90B	1	F08	44830-KXCX-901	4	F02	50000		
43000			45000			50100-LFB5-900	2	F20
43105-LFB5-900	0	F07	45107-LFB5-900	0	F07	50139-LEB1-900	1	F20
4312A-LFB5-800	0	F08	45108-LDH1-E00	0	F07	50179-LEB2-900	2	F10
4314A-LFB5-800	0	F08	45109-GBE2-007	0	F07	50301-KGN7-671	2	F20
43151-LEB1-900	2	F08	45126-LFB5-900	1	F04	50302-2H68-011	2	F20
43352-KKD6-E90	1	F07	45128-KEBE-900	0	F06	50306-1F96-001	0	F06
43353-4A61-77A	0	F07	45131-LDH1-E00	0	F07	50320-LFB5-900	1	F20
43413-LBE1-900	1	F08	45132-LDH1-E00	0	F07	50328-LBB8-900	1	F11
43416-LEB1-900	1	F08	45156-KEC6-900	2	F06	50329-LEB1-900	2	F11
4341A-LFB5-800	1	F08	45200-LFB5-900	1	F07	5032A-LEB1-900	1	F11
43450-LFB5-800	3	F03	45209-GBE2-007	0	F07	50350-LFB5-900	3	F20
			45210-LFB5-900	0	F07	50352-GFY6-901	0	F20
			45351-LEA5-E00	2	F07	50353-LEB1-900	1	F20
			45513-GLW0-91A	0	F04	50500-LFB5-900	4	F15

PART NO. INDEX

PART NO.	VERSION	PAGE	PART NO.	VERSION	PAGE	PART NO.	VERSION	PAGE
50502-GFY6-901	3	F15	52500-LFB5-900	2	F16	61102-LFB5-900	0	F05
50505-KEBE-900	0	F20				61103-LFB5-900	0	F05
50505-LAD9-900	1	F15	53000			6110B-LFB5-900	0	F05
50530-LFB5-900	2	F15						
50613-LFB5-900	0	F20	53100-LFB5-900	4	F03	64000		
			53125-GEN5-901	0	F03			
51000			53140-LEA1-900	3	F03	64302-LFB5-900	0	F05
			53150-LEA1-900	1	F03	64303-LFB5-900	0	F05
51401-LFB5-900	0	F23	53167-KFA1-900	0	F03	64304-LFB5-900	0	F05
5140A-LFB5-900	2	F06	53168-KFA1-900	1	F03	64305-LFB5-900	0	F05
51410-LFB5-900	0	F23	53172-KTCT-900	0	F03	64306-LFB5-900	0	F05
51412-KHD8-900	0	F23	53175-KFA5-E10	0	F04	64307-LFB5-900	0	F05
51420-LFB5-900	0	F23	53178-LCD1-E00	1	F03	64307-LFB5-900	1	F05
51422-LFB5-900	0	F23	5317B-LFB5-900	3	F03	6430A-LFB5-305	0	F05
51423-KKAK-900	0	F23	53200-LFB5-900	3	F06	64310-LFB5-900	0	F05
51427-KKAK-900	0	F23	53205-LFB5-900	1	F03	64315-LFB5-900	1	F20
51428-KKAK-900	0	F23	53206-LFB5-900	0	F03	64316-KHD6-900	0	F05
51429-LFB5-900	0	F23	53211-GFY6-940	1	F06	64316-KHE2-900	0	F05
51430-LDH1-E00	0	F07	53212-2L50-011	1	F06	64400-LFB5-900	1	F05
5150A-LFB5-900	2	F06	53214-2L50-001	0	F06			
51520-LFB5-900	0	F23	53215-2L50-001	0	F06	70000		
52000			61000			70529-6G57-671	0	E07
52000-LFB5-900	1	F16	61100-LFB5-900	1	F05			
52400-LFB5-900	3	F16	61101-LFB5-900	0	F05			

PART NO. INDEX

PART NO.	VERSION	PAGE	PART NO.	VERSION	PAGE	PART NO.	VERSION	PAGE	
77000			81142-KUDU-900	1	F05	87542-GKM9-301	3	F24	
			81200-LFB5-900	2	F12	87560-GFY6-900	3	F24	
			81251-LEB1-900	2	F12				
	77200-LFB5-305	0	F09	81255-LEB1-700	4	F12	88000		
	77206-KEB7-900	0	F09	81260-LEB1-900	2	F12			
	77235-KGC4-E0A	2	F12			88110-LFB5-900	0	F03	
	77235-KGC4-E0B	2	F12	83000		88120-LFB5-900	0	F03	
	77240-LFB5-900	0	F19						
	77300-LBE3-900	0	F09	83500-LFB5-305	0	F12	89000		
	77303-KKC4-800	1	F09	83503-KHD6-900	2	F20			
80000			83520-LFB5-900	0	F12	89010-LEB1-900	2	F09	
			83600-LFB5-305	0	F12				
			83620-LFB5-900	0	F12	90000			
	80100-LFB5-900	2	F18	8376A-KECE-901	2	F12			
	80102-LFB5-900	2	F18			90001-GBHB-661	0	E03	
	80103-LFB5-900	0	F18	86000		90001-GFY6-901	1	E02	
	80105-LFB5-900	1	F18			90005-KAW1-901	1	E03	
	80107-LFB5-900	1	F18	86102-KKC4-900	1	F25	9000A-KKJ9-001	0	E01
	80151-LFB5-900	2	F12	86202-LFB5-900	0	F25	9000A-KTDT-900	1	E01
							9000B-KHD6-900	2	E02
81000						90012-3C33-001	0	E02	
						90031-KHD6-900	2	E01	
	81131-LFB5-900	0	F05	87000		90031-LFE2-900	2	E01	
	81132-LFB5-900	0	F05	87140-LFB5-900	1	F25	90033-GFY6-900	0	E02
	81134-LAB4-900	1	F05	87505-LFB5-900	1	F24	90033-GFY6-941	0	E02
	81141-LFB5-900	0	F05	87541-GGS7-901	2	F24	90105-KCR3-001	1	F07
				87541-KUDU-900	2	F24			

PART NO. INDEX

PART NO.	VERSION	PAGE	PART NO.	VERSION	PAGE	PART NO.	VERSION	PAGE
90106-GEN5-901	0	F03	90302-KEC8-900	1	F03	90601-GFY6-901	0	E05
90106-GFY6-901	0	F20	90302-LLB1-E00	2	F10	90605-1F66-721	0	E05
90106-KFAF-900	2	F12	90302-LLB1-E00	2	F18	90652-GFY6-901	1	F13
90107-KUDU-900	2	F20	90302-SDA4-004	1	F03	90652-LCA4-E00	1	F05
90108-KUDU-900	1	F15	90302-SDA4-004	1	F05	90652-LFB5-900	0	F05
90111-1G87-001	1	F12	90302-SDA4-004	1	F12	90656-KCBC-900	0	F19
90111-LEB1-900	1	F18	90304-4H38-001	2	E02	90656-KUDU-900	0	F19
90112-KRDR-900	0	F19	90304-GHE8-004-SW	0	F03	90660-KGBG-900	0	F10
90114-1F66-007	2	F04	90304-GHE8-004-SW	0	F20	90677-GAR1-004	1	F11
90114-GDM4-011	1	F13	90305-GHK8-001	1	E07	90701-HFB6-011	1	E03
90115-GLE0-001	0	F03	90305-GHK8-001	1	F12	90754-GHC8-00A	1	F07
90116-KED9-900	2	F05	90305-KFW6-91A	0	F08	90754-GHC8-00B	1	F07
90116-KHD8-900	0	F23	90306-LFE2-900	1	F07	90912-KFLF-00A	0	F07
90121-GFY6-901	1	F20	90381-GEZ5-001	1	F12			
90131-LEB1-900	1	F07	90403-GFY6-901	0	E06	91000		
90131-LFB5-900	0	F16	90403-LEB1-900	1	E08			
90145-MKS9-61A	1	F04	90404-LEB1-900	1	E08	91002-GGA7-70A	0	E05
90164-MDR4-901	0	F05	90412-3K29-001	0	E01	91004-KHE7-900	1	E05
90201-GFY6-901	0	E06	90426-KNBN-901	0	E05	91009-GLE0-004	1	E01
90202-1G87-001	0	E05	90440-1F66-001	0	E07	91014-LLJ3-E00	1	F06
90206-0A01-001	1	E02	90441-GFY6-941	0	E05	91015-LLJ3-E00	1	F06
90215-GLM0-910	1	F18	90451-GBN2-601	0	E01	91051-KFBF-901	1	F16
90301-GFY6-901	1	F14	90474-3C33-001	1	E01	91101-1K79-711	1	E06
90302-GBR2-001	1	F10	9052A-LEB1-900	1	E01	91104-GFY6-90B-B	1	E06
90302-GFY6-901	1	F12	90544-KEC8-900	0	F23	91104-GFY6-90B-R	1	E06
90302-GFY6-940	1	F11	90545-3L00-001	2	F04	91104-GFY6-90B-W	1	E06

PART NO. INDEX

PART NO.	VERSION	PAGE	PART NO.	VERSION	PAGE	PART NO.	VERSION	PAGE
91104-GFY6-90C-B	0	E06				93903-34360	0	F11
91104-GFY6-90C-R	0	E06	93000			93903-34360	0	F12
91104-GFY6-90C-W	0	E06				93903-34360	0	F17
91202-GFY6-90B	0	E04	93404-06012-06	0	F18	93903-34360	0	F18
91202-LEB1-900	2	E01	93404-06016-06	0	F20	93903-34460	0	F05
91202-LFE2-900	0	E08	93404-06025-06	0	E01	93903-34760	0	F05
91211-KEBE-900	0	E05	93404-06030-06	0	F05	93903-35320	0	F02
91255-GLE0-006	0	E01	93500-03010-1A	0	E06	93903-35320	0	F03
91301-GLR0-005	1	E03	93500-04010-06	0	E09	93903-35360	0	F01
91301-LEB1-900	1	E02	93500-04014-1A	0	E09	93903-35360	0	F10
91302-0A01-021	0	E04	93500-04020-0G	0	F19	93903-GFY6-900	1	F02
91306-1E05-691	0	E03	93500-05012-08	0	E09			
91307-0E35-001	0	E04	93500-05022-06	0	F03	94000		
91351-6B42-000	0	E05	93500-KHC4-90A	0	F19			
91352-KHG8-83B	0	F08	93500-LAB4-900	0	F19	94001-05080-0S	0	F03
91508-KGV7-67A	0	F18	93600-04012-1G	0	F04	94050-05080	0	F10
91981-KGN7-670	0	E06	93700-05018-0H	0	F02	94050-06060	0	F01
			93891-05016-08	0	E09	94050-06060	0	F04
92000			93891-05025-06	0	F03	94050-06080	0	E02
			93891-05040-06	0	F10	94050-06080	0	E06
92101-05012-0H	0	E07	93892-04008-18	0	E09	94050-06080	0	E09
92101-06014-0H	1	E02	93892-05012-18	0	E09	94050-06080	0	F05
92900-06050-0B	0	E02	93893-04012-18	0	F04	94050-06080	0	F09
			93903-25460	0	F13	94050-06080	0	F10
			93903-34360	0	F03	94050-06080	0	F19
			93903-34360	0	F05	94050-06080	0	F20

PART NO. INDEX

PART NO.	VERSION	PAGE	PART NO.	VERSION	PAGE	PART NO.	VERSION	PAGE	
94050-08080	0	E02	95000			95701-06018-07	1	F14	
94050-12080	0	E05				95701-06020-06	1	F15	
94050-12080	0	E07				95701-06022-06	1	F11	
94101-06700	0	F14		95002-02070	0	E09	95701-06022-06	1	F14
94101-08800	0	F10		95002-02070	0	F22	95701-06025-00	0	E02
94111-04800	0	E09		95002-02080	0	F10	95701-06035-08	0	F08
94111-06800	0	E09		95002-02080	0	F21	95701-06040-00	0	E02
94301-08140	0	E01		95002-02100	0	F10	95701-08012-08	0	E01
94301-10160	0	E01		95002-02100	0	F22	95701-08012-08	0	F19
94301-10160	0	E02		95002-02120	0	F10	95701-08025-08	0	F19
94301-10160	0	E03		95002-02120	0	F13	95801-06050-08	0	F20
94301-10160	0	E04		95002-02120	0	F22	95801-08035-06	1	F16
94303-04065	0	E06		95002-02130	0	F10	95801-08040-08	0	F06
94510-12000	0	F08		95002-41050-00	0	F13	95801-08042-06	0	F14
94510-20000	0	E08		95002-50000	0	E01	95801-10025-08	0	F15
94511-14000	0	E01		95002-KKD6-E05	0	F22	95801-10040-08	0	F16
94520-28000	0	E05		95003-23024-60	0	F13			
94520-40000	0	F16	95003-LEB1-900	0	F20	96000			
94540-50029	0	E09	9500A-LEB1-910	1	E09				
94591-21000	0	F05	95014-71402	0	F15	96001-06008-07	0	F14	
94591-27000	0	E09	95014-72204	0	F15	96001-06012-00	0	F04	
94591-27000	0	F05	95015-LEB1-900	3	F03	96001-06012-08	0	E04	
94601-15000	0	E03	95701-06010-08	1	F20	96001-06012-08	0	E06	
94605-LFB5-900	1	F23	95701-06012-06	1	F06	96001-06014-08	0	F12	
			95701-06012-08	0	F19	96001-06016-08	0	E07	
			95701-06012-08	0	F20	96001-06018-08	0	E06	

PART NO. INDEX

PART NO.	VERSION	PAGE	PART NO.	VERSION	PAGE	PART NO.	VERSION	PAGE
96001-06018-08	0	E07	98200-11000	0	F19			
96001-06022-06	1	F04	98200-11500	0	F11			
96001-06025-08	0	E01	98200-11500	0	F19			
96001-06025-08	0	E07						
96001-06025-08	0	F03						
96001-06028-08	0	E06						
96001-06032-08	0	E01						
96001-06032-08	0	E04						
96001-06035-08	0	F13						
96001-06050-08	0	E01						
96001-06100-08	0	E02						
96001-06100-08	0	E04						
96001-06110-08	0	E04						
96001-GFY6-900	1	E01						
96100-60020-00	0	E01						
96100-62020-00	0	E08						
96100-62030-00	0	E01						
96100-62030-00	0	E08						
96100-LFE2-900	1	E08						
96220-60100	0	E06						
96600-08010-10	1	E06						
98000								
98059-58916-00	2	E02						
98200-11000	0	F11						