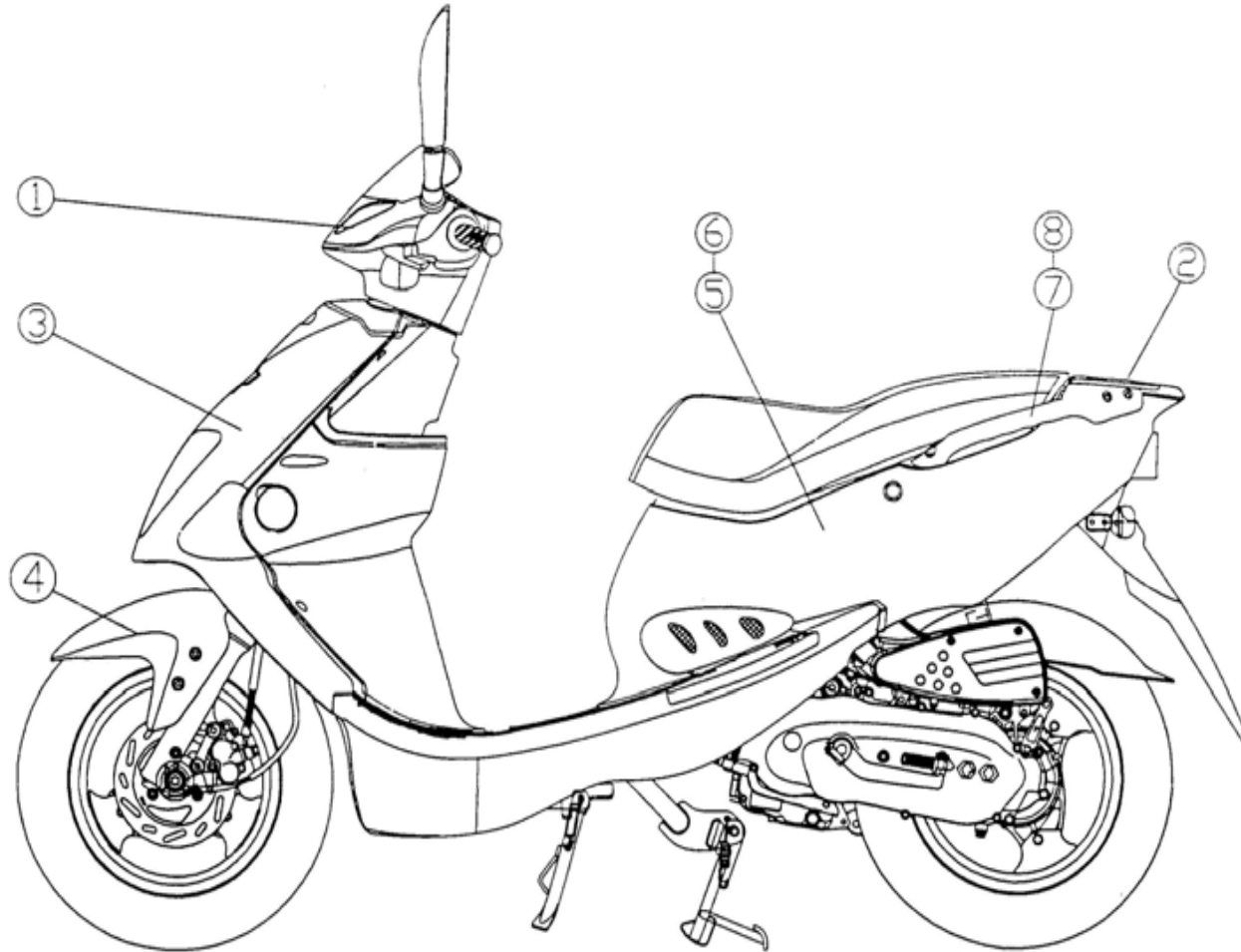


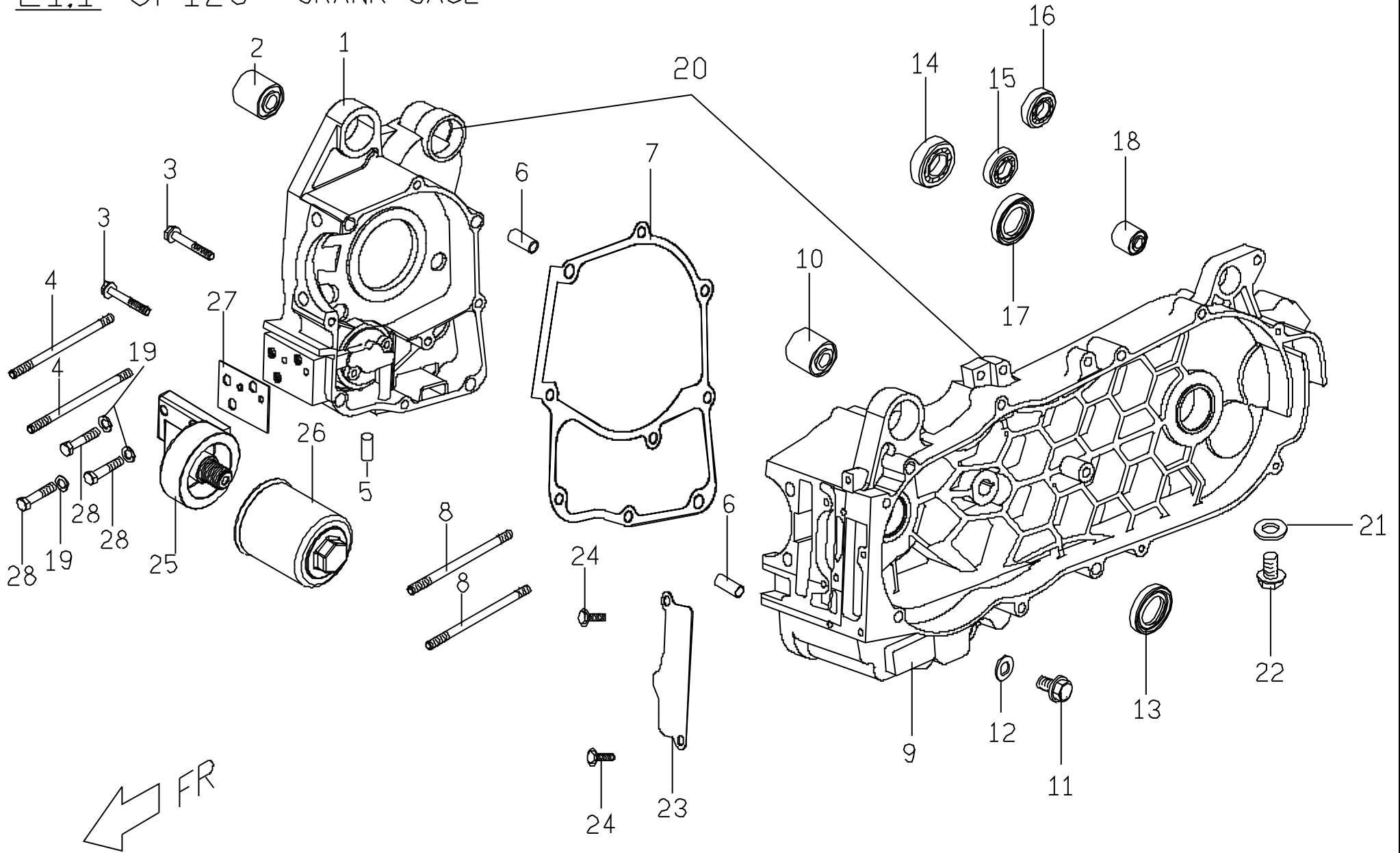
T-REX 50/110/125/150 : OUTLINE COLOR CODE



T-REX 50/110/125/150 : OUTLINE COLOR CODE

NAME \ COLOR	SILVER(7L) + BLACK(69)	SILVER(7L) + BLUE(4W)	BLUE(4W)+ BLACK(69)
1. UPPER HANDLE COVER	C16130017L0	C16130017L0	C16130014W0
2. REAR COVER	C1625704690	C16257044W0	C1625704690
3. WINDSHIELD	C16210027L0	C16210027L0	C16210024W0
4. FRONT FENDER	C16320026902	C16320024W02	C16320026902
5. BODY COVER, LH	C1625303690	C16253034W0	C1625303690
6. BODY COVER, RH	C1625502690	C16255024W0	C1625502690
7. HANDRAIL, LH	C15450007L0	C15450007L0	C15450007L0
8. HANDRAIL, RH	C154E0007L0	C154E0007L0	C154E0007L0

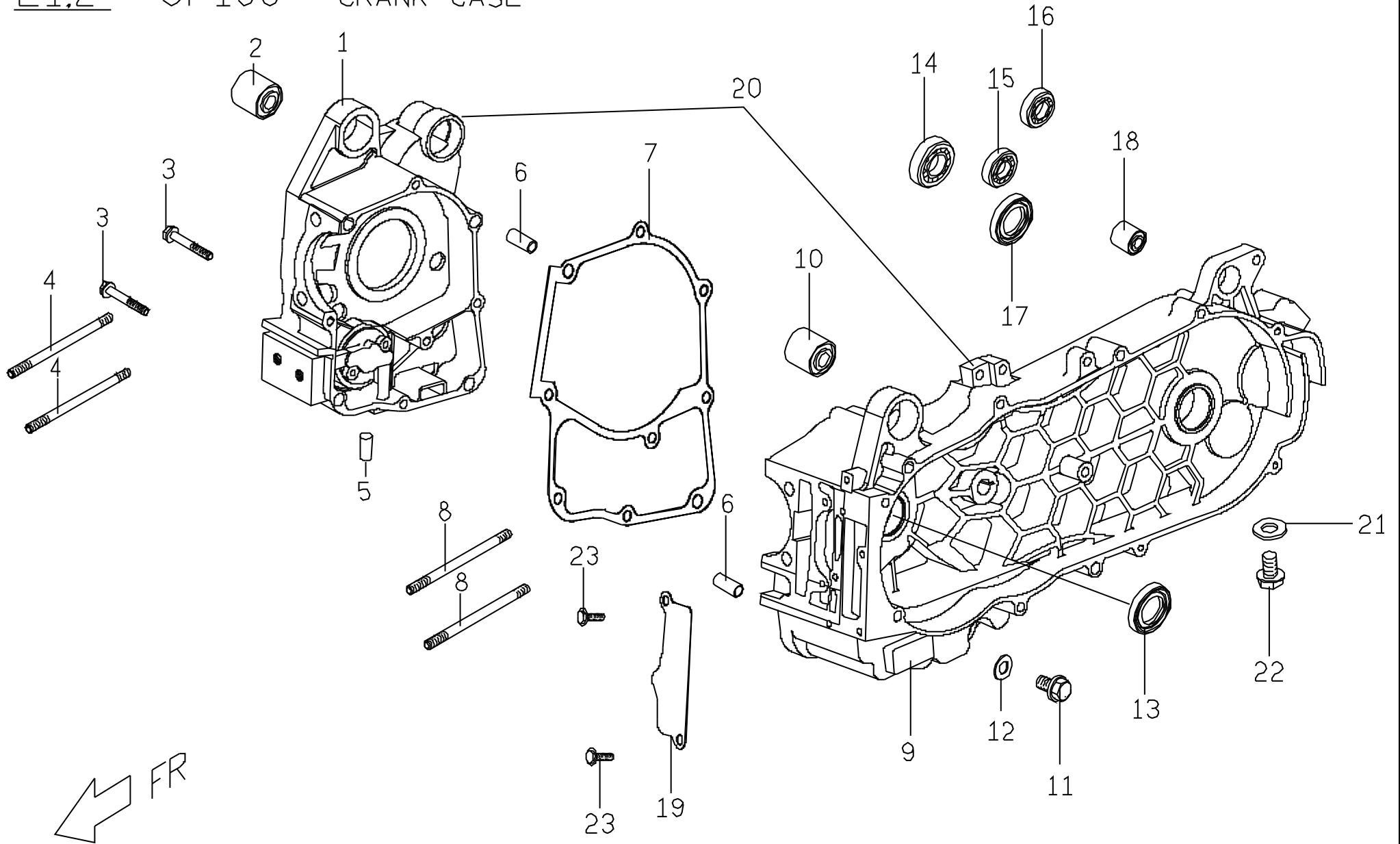
E1.1 CP125 CRANK CASE



E1.1. CP125 CRANKCASE

No.	Part No.	Q'TY	PART NAME	PART NAME	REMARK
項目	零件號碼	數量	零件中文名稱	零件英文名稱	備註
1	C1061012000	1	右曲軸箱	RH CRANKCASE	
2	E1061020000	1	防震襯套(引擎吊架)	RUBBER BUSH	
3	90190605003	2	六角凸緣螺栓(M6*50L)	HEXAGON FLANGE BOLT	
4	90170818800	2	雙頭螺栓	STUP BOLT	
5	G1061070000	1	油塞	PLUG OIL	
6	93540801400	2	定位銷	LOCK PIN	
7	C5061040000	1	曲軸箱墊片	CRANKCASE GASKET	
8	90170819500	2	雙頭螺栓	STUD BOLT	
9	C10620110001	1	左曲軸箱	LH.CRANKCASE	
10	E1061020000	1	防震襯套(引擎吊架)	RUBBER BUSH	
11	90181201500	1	六角凸緣螺栓	HEXAGON FLANGE BOLT	
12	92141200006	1	平墊圈	PLAIN WASHER	
13	95572232601	1	TC形油封(φ 32* φ 20.9*6t)	OIL SEALTC TYPE	
14	96510620402	1	深槽滾珠軸承(6204)	DEEP GROOVE BALL BEARING	
15	96510620200	1	深槽滾珠軸承(6202)	DEEP GROOVE BALL BEARING	
16	96510620301	1	深槽滾珠軸承(6203)	DEEP GROOVE BALL BEARING	
17	95572032600	1	TC形油封(φ 32* φ 19.5*6t)	OIL SEAL TC TYPE	
18	P1062020000	1	防震襯套	RUBBER BUSH	
19	92140600011	3	平墊圈	PLAIN WASHER	
20	C106K020000	1	左右曲軸箱總成	RH AND LH CRANKCASE ASSY.	
21	92140800001	1	平墊圈(8*1.6T)	PLAIN WASHER	
22	90190801200	1	六角凸緣螺栓(M8*12L)	HEXAGON FLANGE BOLT	
23	90190602700	2	六角凸緣螺栓	HEXAGON FLANGE BOLT	
24	C1286320000	1	空氣進氣蓋隔板	SEP PLAT , SECOND AIR COVER	
25	C1082030000	1	機油濾清器固定座	SEAT , OIL FILTER	

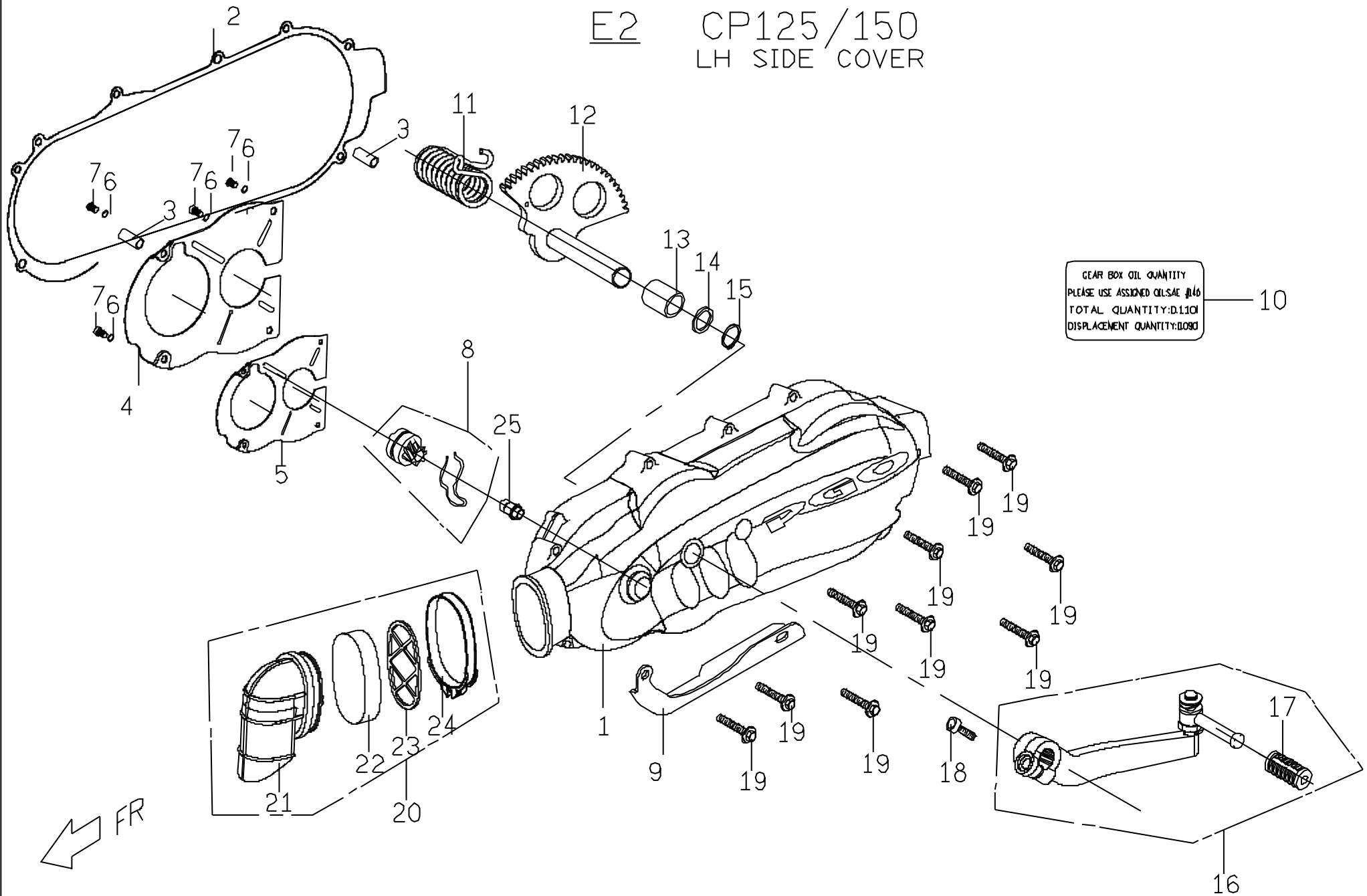
E1.2 CP150 CRANK CASE



E1.2. CP150_CRANKCASE

No.	Part No.	Q'TY	PART NAME	PART NAME	REMARK
項目	零件號碼	數量	零件中文名稱	零件英文名稱	備註
1	C5061011000	1	右曲軸箱	RH CRANKCASE	
2	E1061020000	1	防震襯套	RUBBER BUSH	
3	90190605003	2	六角凸緣螺栓 (M6*50L)	HEXAGON FLANGE BOLT	
4	90170818800	2	雙頭螺絲	STUP BOLT	
5	G1061070000	1	油塞	PLUG OIL	
6	93540801400	2	定位銷	LOCK PIN	
7	C5061040000	1	曲軸箱墊片	CRANKCASE GASKET	
8	90170819500	2	雙頭螺絲	STUD BOLT	
9	C50620110001	1	左曲軸箱	LH.CRANKCASE	
10	E1061020000	1	防震襯套	RUBBER BUSH	
11	90181201500	1	六角凸緣螺栓	HEXAGON FLANGE BOLT	
12	92141200006	1	平墊圈	PLAIN WASHER	
13	95572032601	1	TC形油封	OIL SEAL,TC TYPE	
14	96510620402	1	深槽滾珠軸承	DEEP GROOVE BALL BEARING	
15	96510620200	1	深槽滾珠軸承	DEEP GROOVE BALL BEARING	
16	96510620301	1	深槽滾珠軸承	DEEP GROOVE BALL BEARING	
17	95572032600	1	TC形油封	OIL SEAL TC TYPE	
18	P1062020000	1	防震襯套	RUBBER BUSH	
19	C1286320000	1	空氣進氣蓋隔板	SEP PLATE ,SECOND AIR COVER	
20	C506K0100001	1	左右曲軸箱總成	RH AND LH CRANKCASE ASSY.	
21	92140800001	1	平墊圈	PLAIN WASHER	
22	90190801200	1	六角凸緣螺栓	HEXAGON FLANGE BOLT	
23	90190602700	2	六角凸緣螺栓	HEXAGON FLANGE BOLT	

E2 CP125/150
LH SIDE COVER

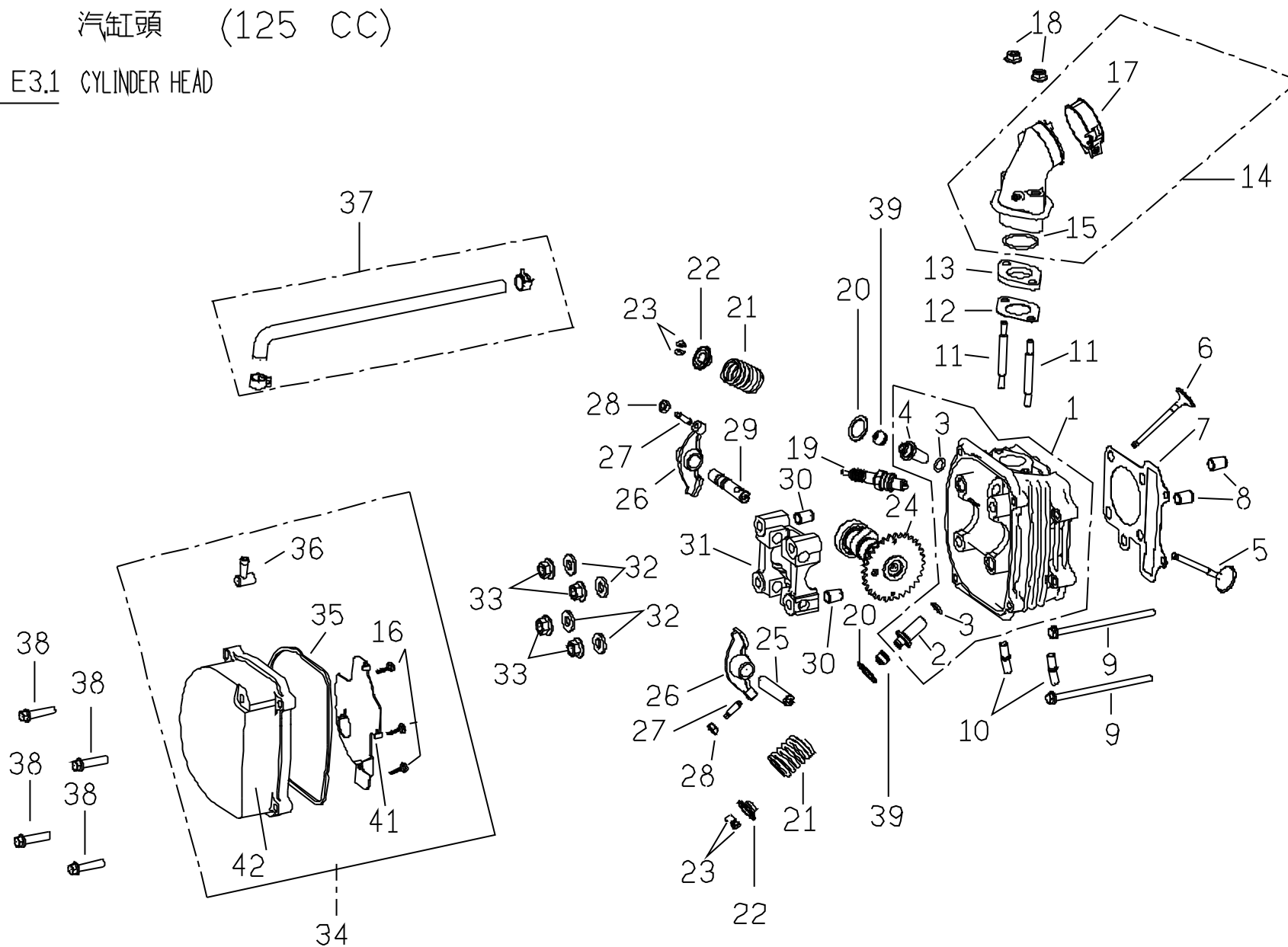


E2. CP125/150 LH SIDE COVER

No.	Part No.	Q'TY	PART NAME	PART NAME	REMARK
項目	零件號碼	數量	零件中文名稱	零件英文名稱	備註
1	C10630107206	1	左邊蓋(散銀色)	LH SIDE COVER	
2	C1063020000	1	左邊蓋襯墊	GASKET LEFT COVER	
3	93540801400	2	定位銷	LOCK PIN	
4	C10630600001	1	隔板	PARTITION PLATE	
5	C1063120000	1	隔板襯墊	PACKING, PARTITION PLATE	
6	92110500000	4	彈簧鎖緊墊圈	SPRING WASHER	
7	90050500900	4	十字圓頭機器螺釘	C-R ROUND HD. TAPPING SCREW	
8	C1251001000	1	腳踏被動齒輪彈簧組合	DRIVEN GEAR & SPG. ASSY.	
9	C1062081000	1	中腳柱止擋托架	BRACKET, CENTER STAND	
10	C16031400001	1	齒輪油注意貼紙(英文)	GEAR OIL NOTICE LABEL(ENGLISH)	
11	C1251111000	1	扭轉彈簧	TORSION SPRING	
12	C1251101000	1	腳踏起動心軸組合	KICK,SHAFT ASSY	
13	C1251120000	1	襯套(踏桿)	BUSH,KICK SPINDLE	
14	92141700002	1	平墊圈	PLAIN WASHER	
15	92171700000	1	C型扣環	RETAINING RING C-TYPE	
16	C1251200000	1	起動踏桿組合	ARM,KICK STARTER ASSY	
17	E1251240000	1	起動板膠套	RUBBER,PAD,KICK STARTER	
18	90210802500	1	六角角承窩螺栓	HEXAGON SOCKET HEAD CAP BOLT	
19	90190604001	10	六角凸緣螺栓	HEXAGON FLANGE BOLT	
20	C1063102000	1	通風管組合	BREATHER PIPE COMP	
21	C1063030000	1	通風管	BREATHER PIPE	
22	C1063092000	1	過濾棉	SPONGE,BREATHER PIPE	
23	C1063110000	1	固定板	FIXING PLATE	
24	C1706280000	1	管夾	CLAMP	
25	C1251171000	1	起動固定心軸	START FIXED SHAFT	

汽缸頭 (125 CC)

E3.1 CYLINDER HEAD

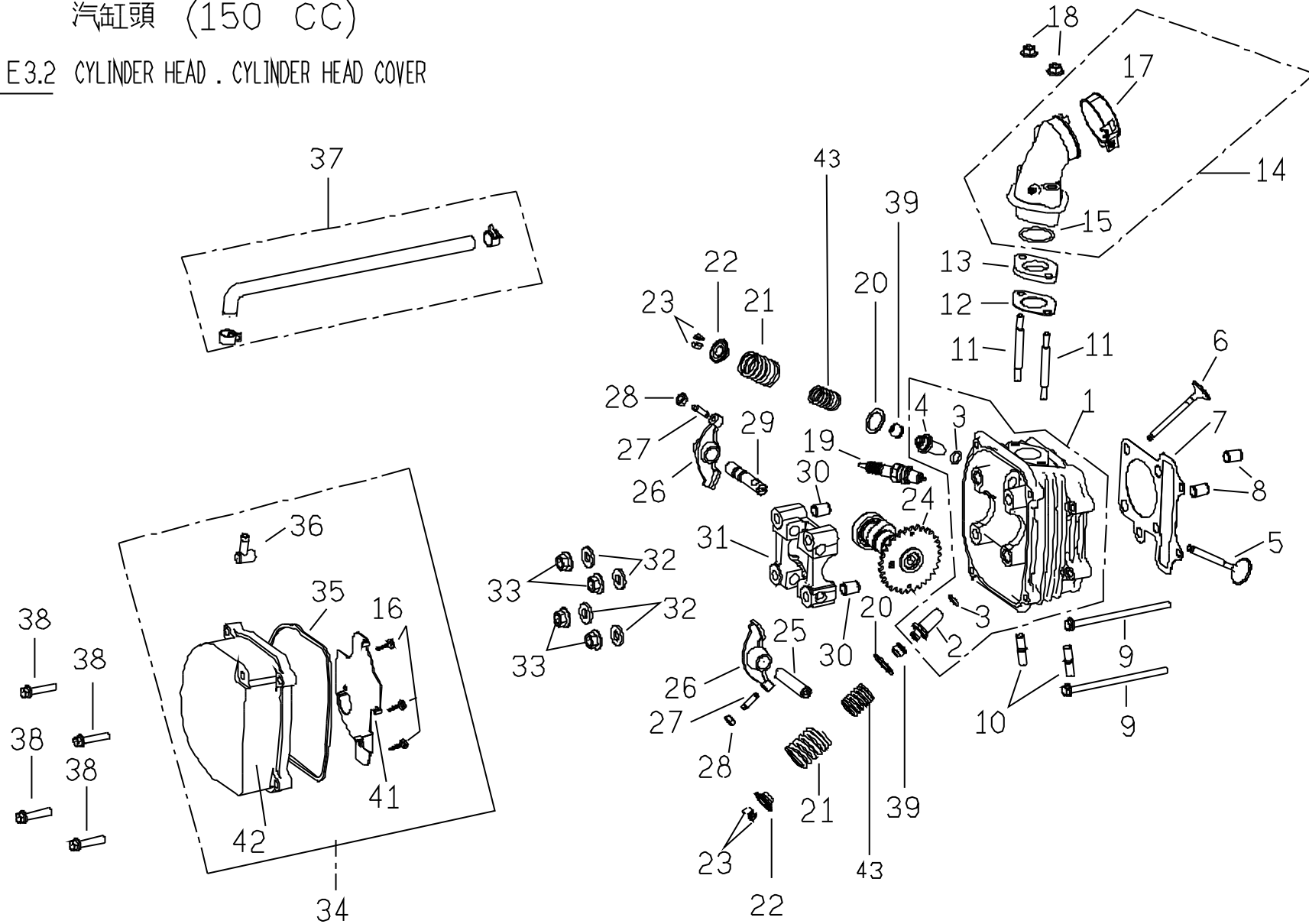


E3.1. CP125 CYLINDER HEAD

No.	Part No.	Q'TY	PART NAME	PART NAME	REMARK
項目	零件號碼	數量	零件中文名稱	零件英文名稱	備註
1	C10710120001	1	汽缸頭(外銷用)	HEAD COMP. CYLINDER	
5	C1071200000	1	排氣閥	VALVE EXHAUST	
6	C1071300000	1	進氣閥	VALVE INLET	
7	C1071072000	1	汽缸頭墊片	GASKET HEAD CYL.	
8	93541001401	2	定位銷	LOCK PIN	
9	90190610000	2	六角凸緣螺栓	HEXAGON FLANGE BOLT	
10	90170802900	2	雙頭螺栓	STUD BOLT	
11	90170606300	2	雙頭螺栓	STUD BOLT	
12	C1261320000	1	化油器絕緣板墊片	INSULATOR CARB GASKET	
13	C1261310000	1	化油器絕緣板	INSULATOR CARB	
14	C1261052000	1	進氣歧管組合	INTAKE MANIFOLD COMP	
15	95512700001	1	O形環	O RING	
16	90150400800	4	十字槽扁圓頭自攻螺釘	C-R TAPPING MACHINE SCREW	
17	C1261061000	1	管束	HOSE CLAMP	
18	92040600000	2	六角凸緣螺帽 (M6*1.0P)	HEXAGON FLANGE NUT	
19	C1222000000	1	火星塞(NGK C7HSA)	IGNITION PLUG	
20	92431600002	2	平墊圈	PLAIN WASHER	
21	C1071410000	2	閥門彈簧	SPRING, VALVE	
22	C1071440000	2	閥門彈簧承盤	RETAIER VALVE SPRING	
23	C1071430000	4	門閥栓	COTTER VALVE	
24	C1073000000	1	凸輪軸總成	CAM,SHAFT ASSY.	

汽缸頭 (150 CC)

E3.2 CYLINDER HEAD . CYLINDER HEAD COVER

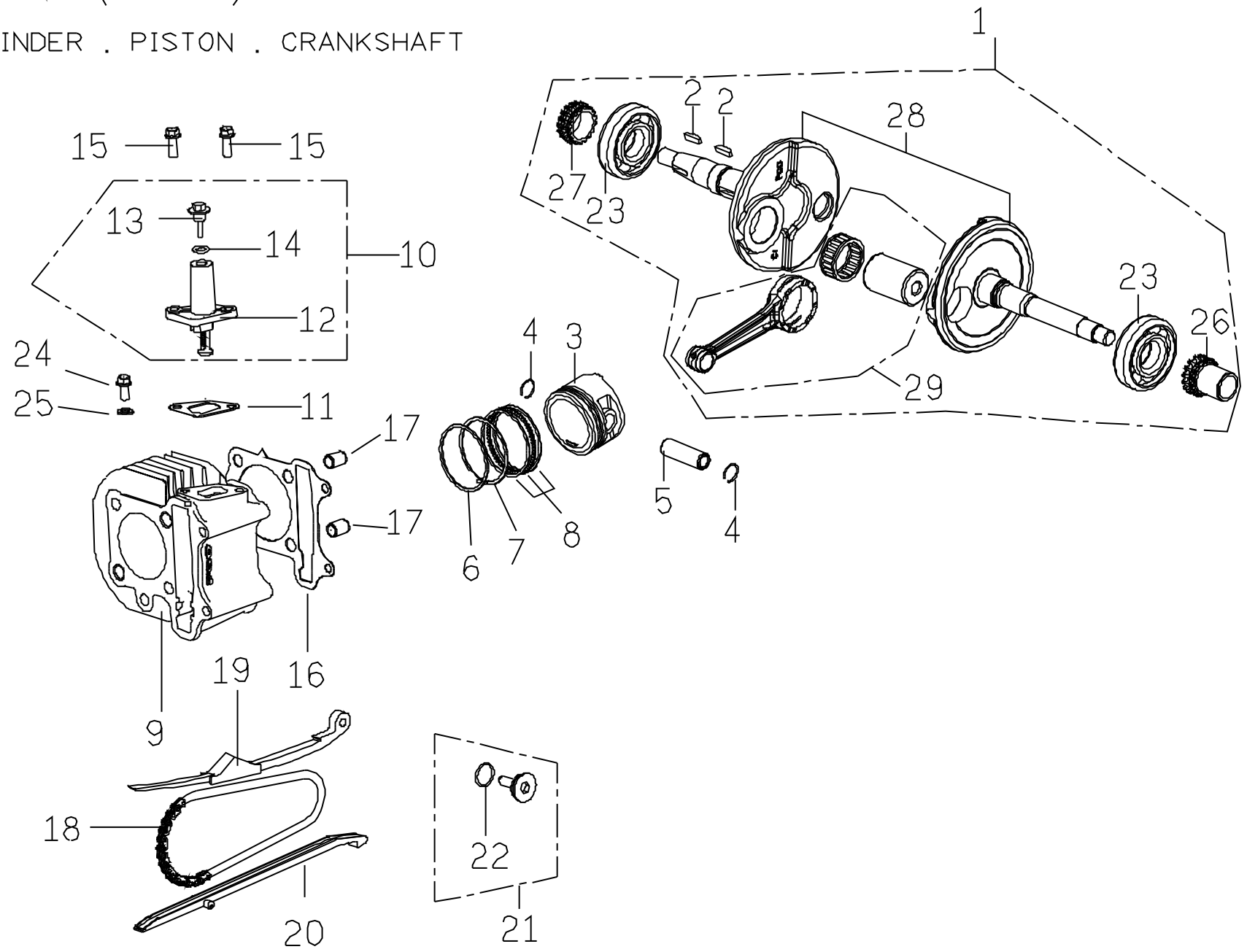


E3.2. CP150 CYLINDER HEAD

No.	Part No.	Q'TY	PART NAME	PART NAME	REMARK
項目	零件號碼	數量	零件中文名稱	零件英文名稱	備註
1	C5071011000	1	汽缸頭	HEAD COMP. CYLINDER	
5	C5071200000	1	排氣閥	VALVE EXHAUST	
6	C5071300000	1	進氣閥	VALVE INLET	
7	C5071071000	1	汽缸頭墊片	GASKET HEAD CYL.	
8	93541001401	2	定位銷	LOCK PIN	
9	90190610000	2	六角凸緣螺栓	HEXAGON FLANGE BOLT	
10	90170802900	2	雙頭螺栓	STUD BOLT	
11	90170606300	2	雙頭螺栓	STUD BOLT	
12	C1261320000	1	化油器絕緣板墊片	INSULATOR CARB GASKET	
13	C1261310000	1	化油器絕緣板	INSULATOR CARB	
14	C1261052000	1	進氣歧管組合	INTAKE MANIFOLD COMP	
15	95512700001	1	O形環	O RING	
16	90150400800	4	十字槽扁圓頭自攻螺釘	C-R TAPPING MACHINE SCREW	
17	C1261061000	1	管束	HOSE CLAMP	
18	92040600000	2	六角凸緣螺帽	HEXAGON FLANGE NUT	
19	C1222000000	1	火星塞	IGNITION PLUG	
20	92431600002	2	平墊圈	PLAIN WASHER	
21	C5071411000	2	閥門外彈簧	OUTER SPRING, VALVE	
22	C1071440000	2	閥門彈簧承盤	RETAIER VALVE SPRING	
23	C1071430000	4	閥門栓	COTTER VALVE	
24	C5073000000	1	凸輪軸總成	CAM,SHAFT ASSY.	
25	C1072060000	1	排氣閥搖臂軸	SHAFT,EX.ROCKER ARM	

曲軸及汽缸 (125 CC)

E4.1 CYLINDER . PISTON . CRANKSHAFT

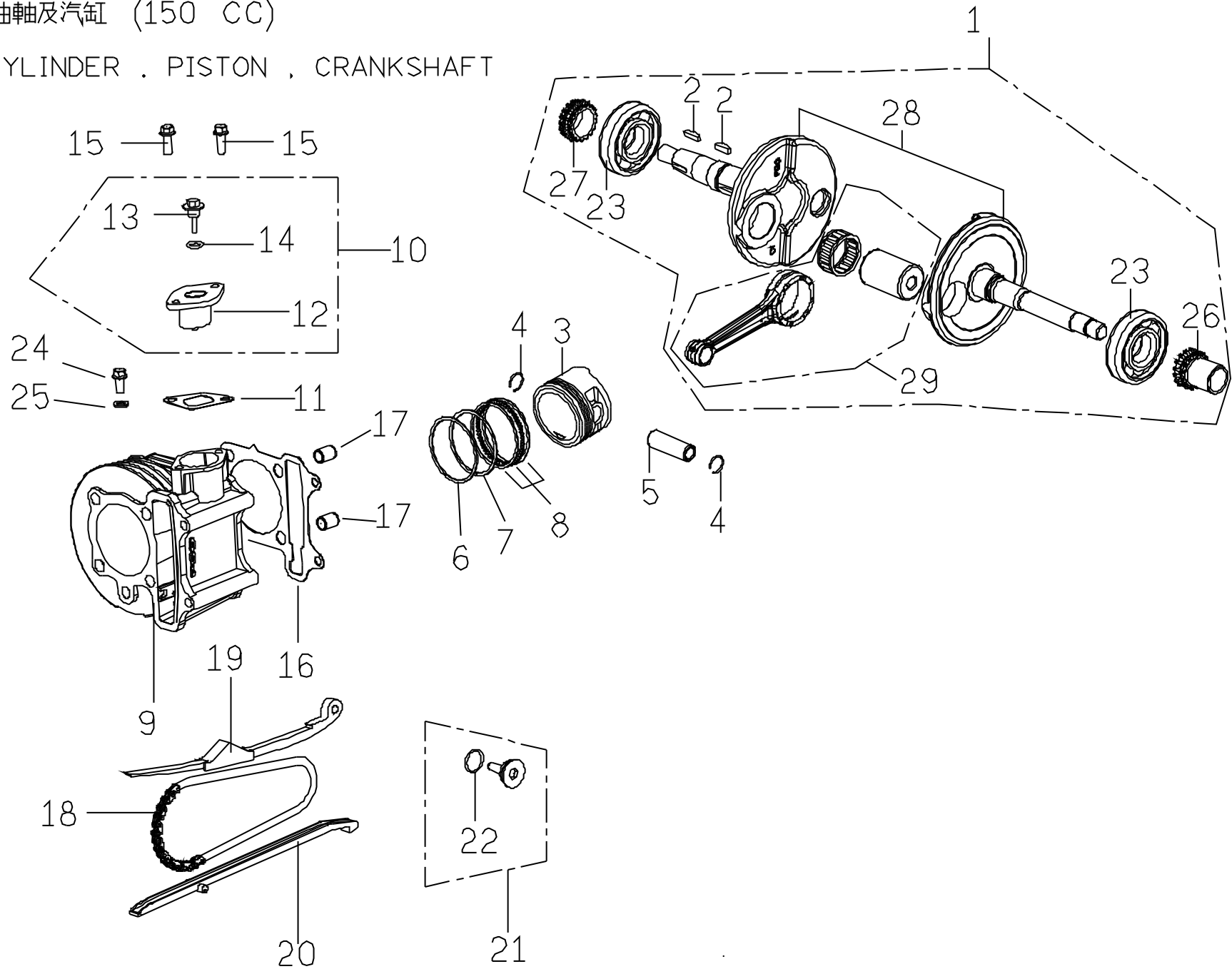


E4.1. CP125_CRANKSHAFT

No.	Part No.	Q'TY	PART NAME	PART NAME	REMARK
項目	零件號碼	數量	零件中文名稱	零件英文名稱	備註
1	C1066503000	1	曲柄軸總成	CRANKSHAFT COMP.	
2	93530402500	2	半月鍵	WOODRUFF KEY	
3	C1067013000	1	活塞	PISTON	
4	C1067150000	2	活塞銷夾	CLIP,PISTON PIN	
5	C1067110000	1	活塞銷	PISTON PIN	
6	C10673100001	1	活塞環(1)"R1"	PISTON RING (1)	
7	C1067321000	1	活塞環(2)"RN"	PISTON RING (2)	
8	C1067402000	1	刮油環組合	OIL SCRAPER RING COMP	
9	C1064011000	1	汽缸	CYLINDER	
10	C1072500000	1	鏈條調整器組合	CHAIN ADJUSTER COMP.	
11	C1072480000	1	鏈條調整器墊片	GASKET,CHAIN ADJUSTER	
13	C1072560000	1	鏈條調整器螺栓	CHAIN ADJUSTER BOLT.	
14	95510900001	1	O型環	O RING	
15	90190601601	2	六角凸緣螺栓	HEXAGON FLANGE BOLT	
16	C1064110000	1	汽缸墊片	GASKET CYLINDER	
17	93541001401	2	定位銷 (10*14)	LOCK PIN	
18	C10724600001	1	凸輪軸鏈條	CHAIN,CAMSHAFT	
19	C1072440000	1	鏈條拉力桿	TENSIONER,CAM CHAIN	
20	C1072470000	1	鏈條導件	GUIDE COMP,CAM CHAIN	
21	C1072490000	1	拉力桿螺絲組合	SCREW ASSY, TIMING CHAIN TENSIONER	
22	95511500001	1	O型環	O RING	
23	C1062100000	2	滾珠軸承	ROLLER BEARING	
24	90190601200	1	六角凸緣螺栓 (M6*12L)	HEXAGON FLANGE BOLT	
25	92140600011	1	平墊圈	PLAIN WASHER	
26	C1066130000	1	正時鍊輪	TIMING SPROCKET	
27	C1066140000	1	機油泵鍊輪	OIL PUMP SPROCKET	
28	C106F010000	1	左右曲軸組合	LH & RH CRANKSHAFT ASSY.	
29	C106F020000	1	連桿組合	CONNECTING ROD ASSY.	

曲軸及汽缸 (150 CC)

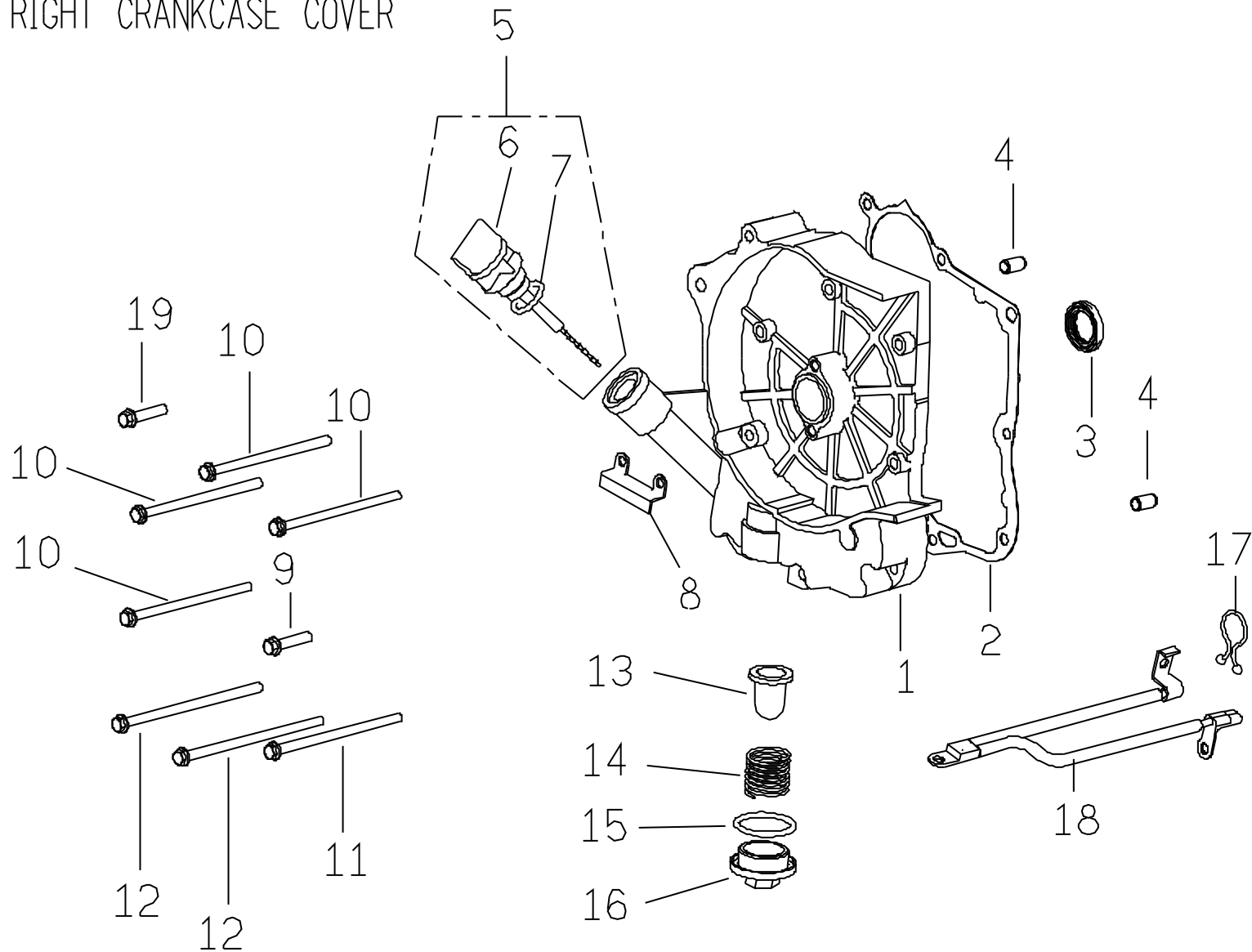
E4.2 CYLINDER . PISTON , CRANKSHAFT



E4.2. CP150_CRANKSHAFT

No.	Part No.	Q'TY	PART NAME	PART NAME	REMARK
項目	零件號碼	數量	零件中文名稱	零件英文名稱	備註
1	C50665010002	1	曲柄軸組合	CRANKSHAFT COMP.	
2	93530402500	2	半月鏈	WOODRUFF KEY	
3	C5067012000	1	活塞	PISTON	
4	G1067151000	2	活塞銷夾	CLIP,PISTON PIN	
5	C5067110000	1	活塞銷	PISTON PIN	
6	C5067310000	1	活塞環(1)	PISTON RING (1)	
7	C5067320000	1	活塞環(2)	PISTON RING (2)	
8	C5067400000	1	刮油環組合	OIL SCRAPER RING COMP	
9	C50640100005	1	汽缸	CYLINDER	
10	C5072500000	1	鏈條調整器組合	CHAIN ADJUSTER COMP.	
11	C5072480000	1	鏈條調整器墊片	GASKET,CHAIN ADJUSTER	
13	90070600600	1	機器螺釘	CR TRUSS HEAD TAPPING SCREW	
14	95511000002	1	O形環	O-RING	
15	90180602000	2	六角凸緣螺絲	HEXAGON FLANGE BOLT	
16	C5064110000	1	汽缸墊片	GASKET CYLINDER	
17	93541001401	2	定位銷	LOCK PIN	
18	C10724600001	1	凸輪軸鏈條	CHAIN,CAMSHAFT	
19	C1072440000	1	鏈條拉力桿	TENSIONER,CAM CHAIN	
20	C5072470000	1	鏈條導件	GUIDE COMP,CAM CHAIN	
21	C1072490000	1	拉力桿螺絲組合	PIVOT,CAM CHAIN TENSION COMP	
22	95511500001	1	O形環	O RING	
23	C1062100000	2	滾珠軸承	ROLLER BEARING	
24	90190601200	1	六角凸緣螺絲	HEXAGON FLANGE BOLT	
25	92140600011	1	平墊圈	PLAIN WASHER	
26	C5066130000	1	正時鍊輪	TIMING SPROCKET	
27	C1066140000	1	機油泵鍊輪	OIL PUMP SPROCKET	
28	C506F010000	1	左右曲軸組合	LH & RH CRANKSHAFT ASSY.	
29	C506F1100002	1	連桿組合	CONNECTING ROD ASSY.	

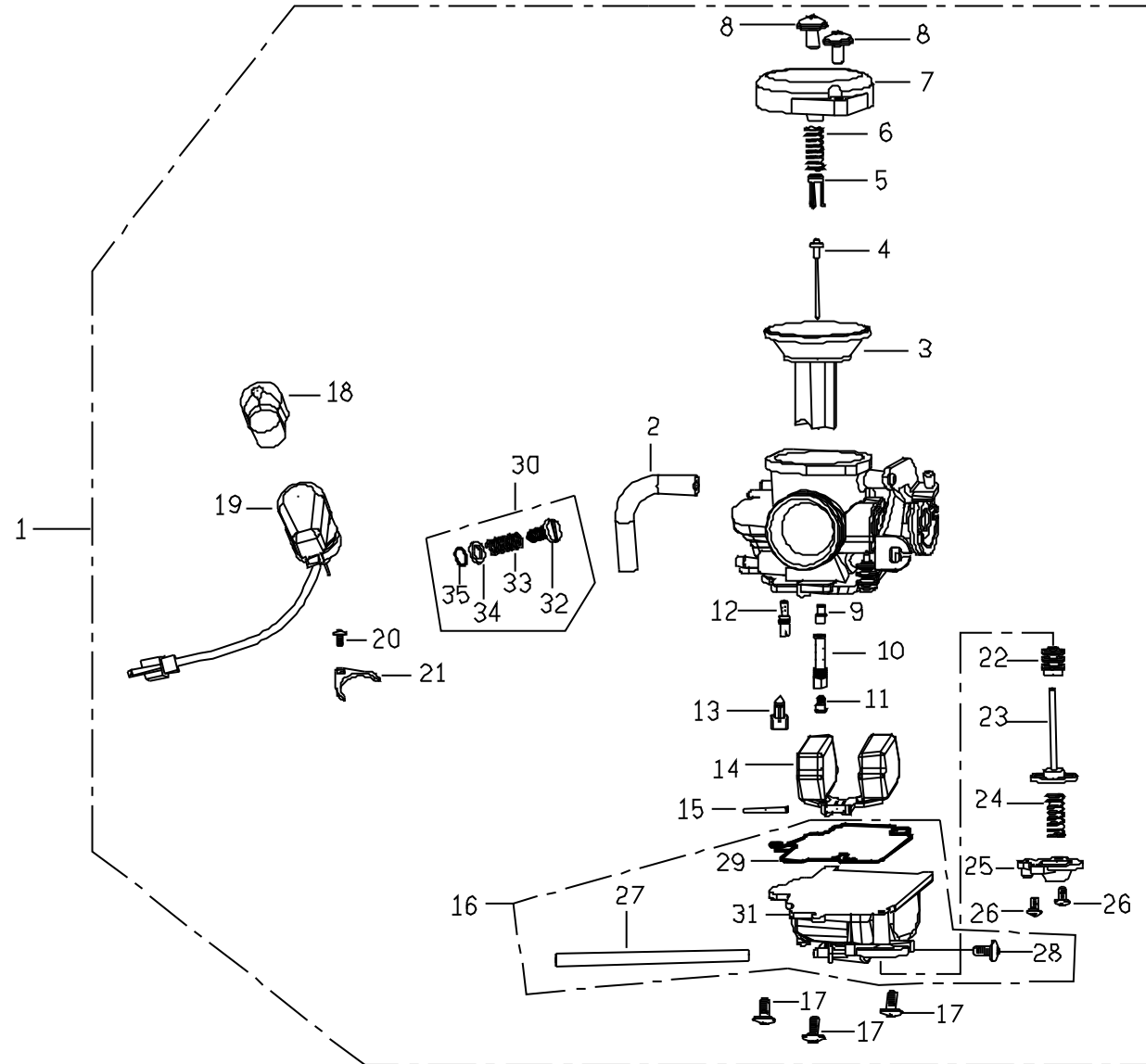
E5 RIGHT CRANKCASE COVER



E5. CP125/150 RIGHT CRANKCASE COVER

No.	Part No.	Q'TY	PART NAME	PART NAME	REMARK
項目	零件號碼	數量	零件中文名稱	零件英文名稱	備註
1	C1068011000	1	右曲軸箱蓋	RH. CRANKCASE COVER	
2	C1068020000	1	右曲軸箱蓋墊片	GASKET RH. CRANKCASE COVER	
3	95572030501	1	TC形油封(φ 30*φ 18*5t)	OIL SEAL TC TYPE	
4	93540801400	2	定位銷	LOCK PIN	
5	C2068110000	1	機油尺組合	GAUSE,OIL LEVEL COMP	
6	NA	1	機油尺	GAUSE,OIL LEVEL	
7	95511800001	1	O形環	O-RING	
8	C1706640000	1	A.C.G壓板	A.C.G PLATE	
9	90190602700	1	六角凸緣螺栓	HEXAGON FLANGE BOLT	
10	90190609500	4	六角凸緣螺栓	HEXAGON FLANGE BOLT	
11	90190610000	1	六角凸緣螺栓	HEXAGON FLANGE BOLT	
12	90190611000	2	六角凸緣螺栓	HEXAGON FLANGE BOLT	
13	G1062180000	1	濾油網	SCREEN OIL FILTER	
14	C1062190000	1	壓縮彈簧	SPRING OIL FILTER SCREEN	
15	95513100000	1	O形環	O-RING	
16	C1062240000	1	濾油網蓋	CAP TAPPET ADJUSTING HOLE	
17	C1701270000	1	塑膠鎖扣	PURSE LOCK	
18	C1241030000	1	起動馬達接地線	START MOTOR, LINE	
19	90190603000	1	六角凸緣螺栓	HEXAGON FLANGE BOLT	

E6. 化油器
CARBURETOR

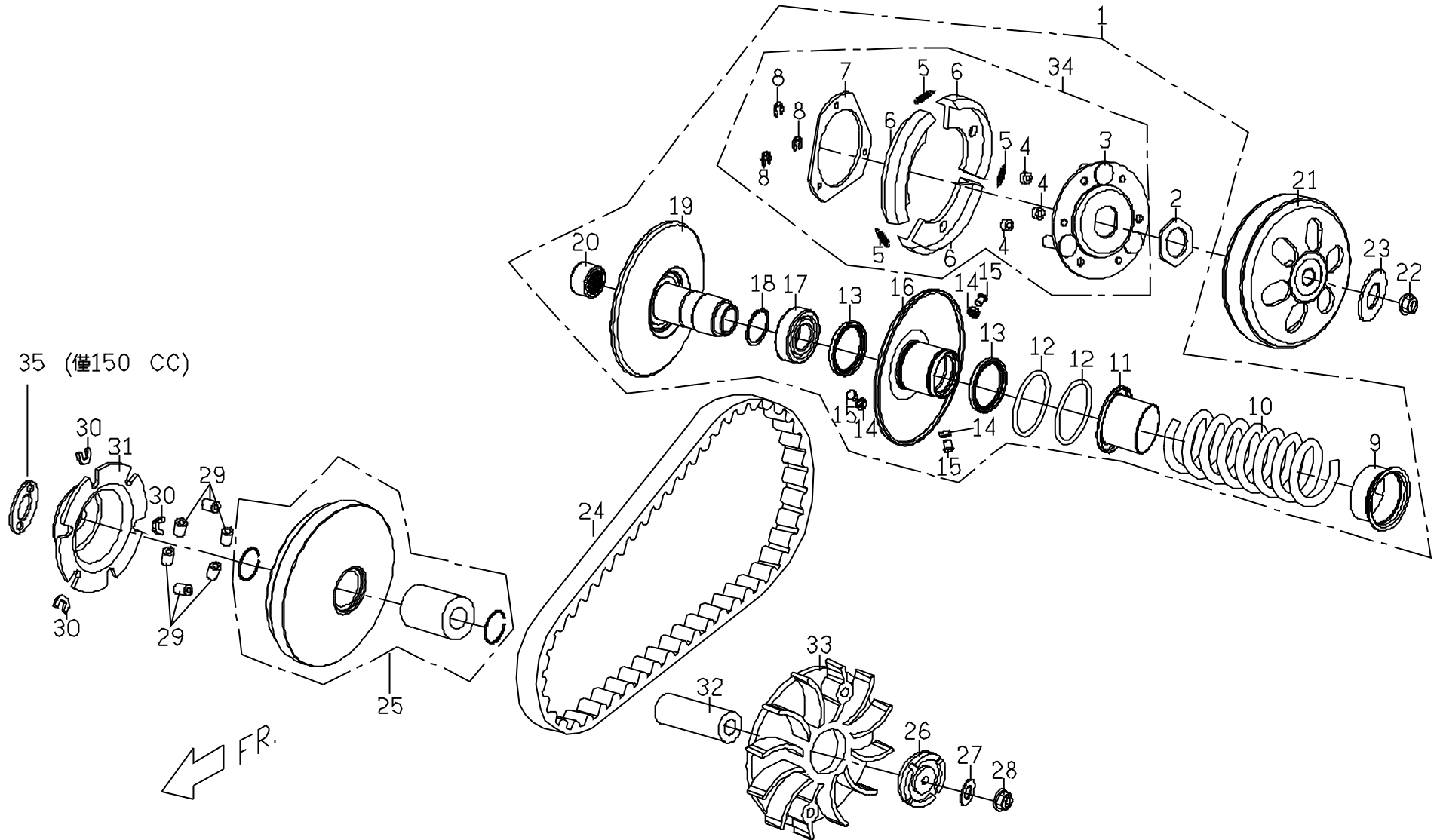


E6. CP125/CP150_CARBURETOR

No.	Part No.	Q'TY	PART NAME	PART NAME	REMARK
項目	零件號碼	數量	零件中文名稱	零件英文名稱	備註
1	C11510010001	1	化油器總成	CARBURETOR ASSY (CVK013)	CP125
1	C51510010001	1	化油器總成	CARBURETOR ASSY (CVK046)	CP150
2	16199GY69000	1	橡膠管	TUBE SET	
3	14029232201	1	真空活塞組	VACUUM PISTON COMP	
4	N4254HGGN	1	油針	JET NEEDLE COMP	CP125
4	N4254HLGL	1	油針	JET NEEDLE COMP	CP150
5	12298057000	1	閥板	VALVE PLATE SET	
6	1290A232000	1	壓縮彈簧	SPG;COMPR	
7	10308737003	1	上蓋	TOP SET	
8	01108031100	2	螺絲組	SCREW,PAN	
9	N42633A00	1	油針噴嘴	NEEDLE JET	CP125
9	N42633C00	1	油針噴嘴	NEEDLE JET	CP150
10	N41318C00	1	油針噴嘴套管	NEEDLE JET HOLDER	
11	991011160980	1	主噴嘴(#98)	MAIN JET	CP125
11	991011160920	1	主噴嘴(#92)	MAIN JET	CP150
12	1001440H0351	1	低速噴嘴(#35)	SLOW JET	CP125
12	1001440H0381	1	低速噴嘴(#38)	SLOW JET	CP150
13	16155ZG8L100	1	浮動閥組	FLOAT VALVE SET	
14	10528622101	1	浮筒組	FLOAT COMP	
15	W952525250	1	浮筒銷	ARM PIN	
16	K350TV51100	1	油室組總成	FLOAT CHAMBER SET	CP125
16	K3500190600	1	油室組總成	FLOAT CHAMBER SET	CP150
17	93500040121H	3	螺絲組	SCREW,PAN	
18	12308567001	1	保溫蓋	HOLDER CAP	
19	40000940000	1	自動旁通起動組	AUTO BYSTARTER SET	
20	938920400818	1	墊片螺絲	SCREW WASHER	
21	10908732001	1	固定片	SET PLATE	
22	10280547000	1	封閉蓋	SEALING CAP	

E7 自動變速系統

CVT TRANSMISSION

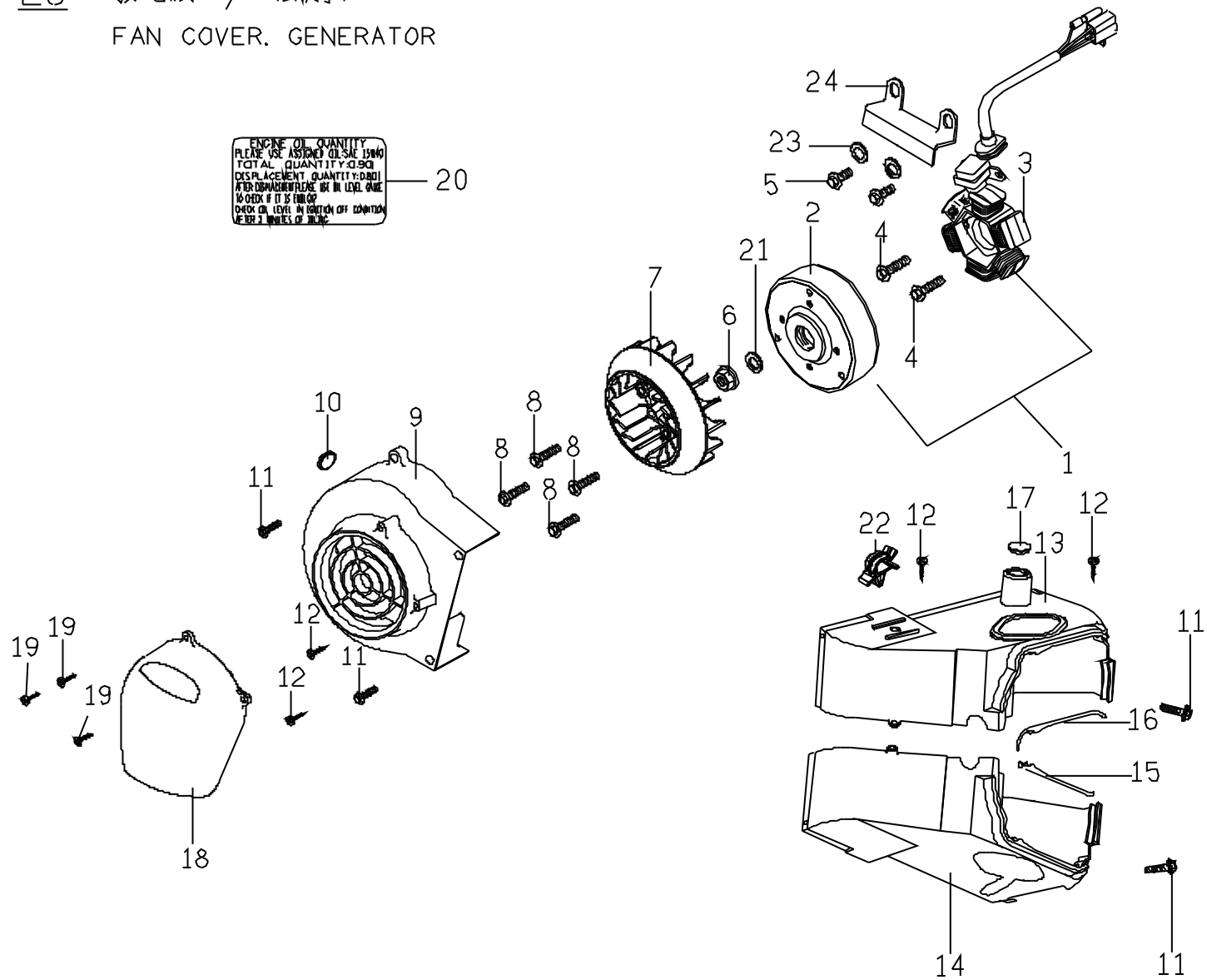


E7. CP125/150 DRIVEN PULLEY

No.	Part No.	Q'TY	PART NAME	PART NAME	REMARK
項目	零件號碼	數量	零件中文名稱	零件英文名稱	備註
1	C1123700000	1	被驅動面皮帶輪組合	BELT PULLEY COMP,DRIVEN FACE	
2	P1123410000	1	特殊螺帽	NUT	
3	C1123300000	1	驅動板本體組合	BODY COMP,DRIVE PLATE	
4	C1123420000	3	離合器阻尼橡膠	DAMPER RUBBER,CLUTCH	
5	C1123430000	3	離合器彈簧	SPRING,CLUTCH	
6	C1123440000	3	離合器比重組	WEIGHT SET,CLUTCH	
7	C1123450000	1	離合器壓板	PRESSURE PLATE,CLUTCH	
8	92180700000	3	E型扣環	RETAINING RING E TYPE	
9	C1123330000	1	彈簧套筒	COLLAR,SPRING	
10	C1123520000	1	被驅動面彈簧	SPG,DRIVEN FACE	
11	C1123530000	1	密封套筒	SEALED SOCKET	
12	95514000001	2	O形環	O-RING	
13	95593441400	2	G型油封	OIL SEAL G TYPE	
14	C1123250000	3	襯套	BUSH	
15	C1123240000	3	導滾銷	PIN,GRIDE	
16	C1123210000	1	活動被驅動面本體組合	BODY COMP,DRIVEN FACE	
17	96520690200	1	單封深槽滾珠軸承(D28*D15*7)	DEEP GROOVE BALL BEAR ONE SEAL	
18	92162800000	1	C型扣環	RETAINING RING C TYPE	
19	C1123110000	1	被驅動面本體組合	DOBY COMP,DRIVEN FACE	
20	96550202900	1	滾針軸承	NEEDLE BEARING	
21	C1123510000	1	離合器外套本體組合	OUTER BODY COMP,CLUTCH	
22	92041200002	1	六角凸緣螺帽	HEXAGON FLANGE NUT	
23	92141200005	1	平墊圈	PLAIN WASHER	
24	C11220000001	1	皮帶	BELT	
25	C11211000001	1	活動驅動面組合	FACE MOVABLE DRIVE	

E8 發電機 / 風扇罩
 FAN COVER, GENERATOR

ENGINE OIL QUANTITY
 PLEASE USE ASSIGNED OIL SAE 15W40
 TOTAL QUANTITY 0.80L
 DISPLACEMENT QUANTITY 0.80L
 IF OIL DISPLACEMENT PLEASE USE IN LEVEL GAUGE
 TO CHECK IF IT IS FULL OF OIL
 CHECK OIL LEVEL IN POSITION OFF POSITION
 EVERY 3 MINUTES OF RUNNING



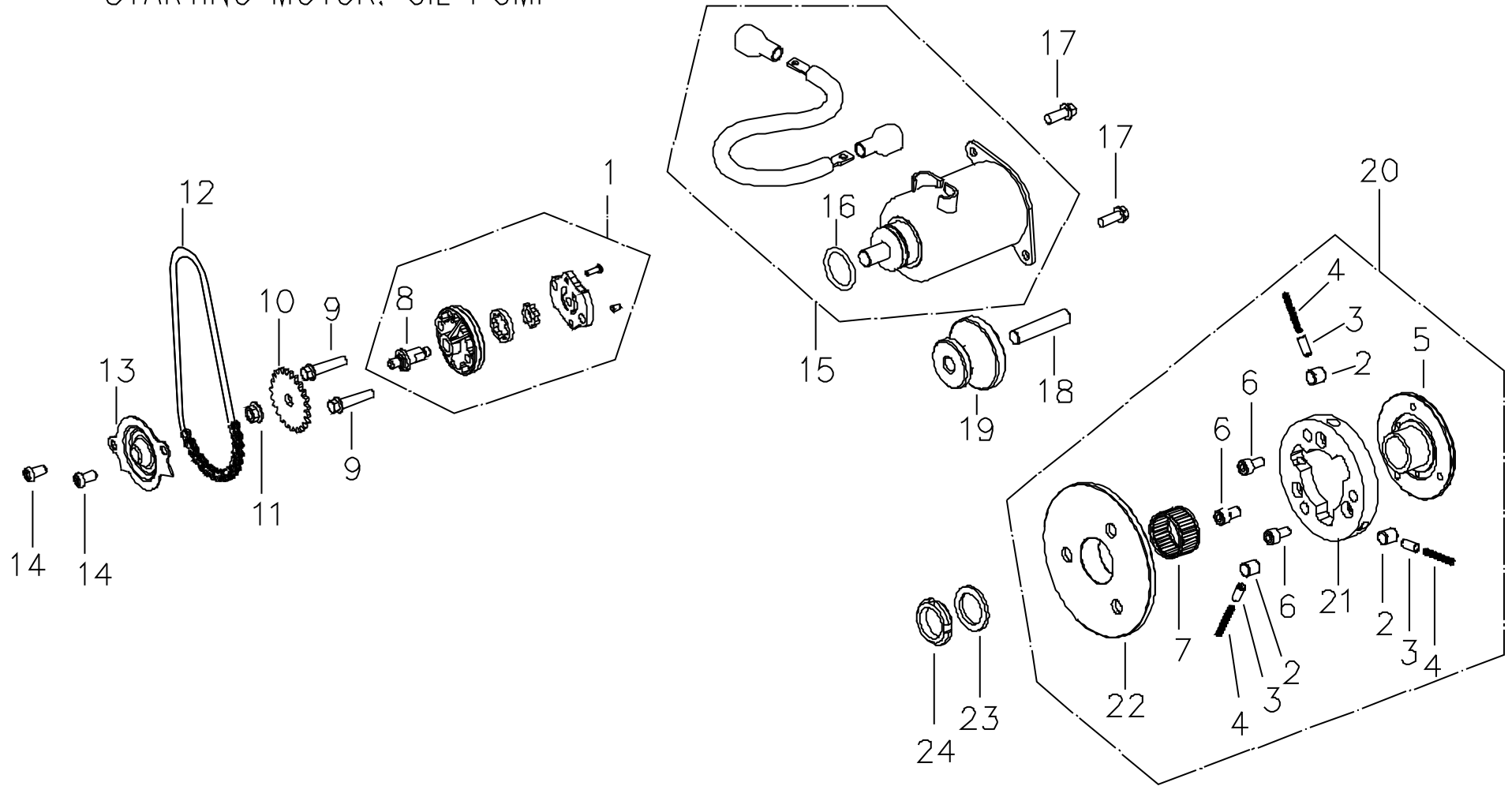
E8. CP125/150 GENERATOR

No.	Part No.	Q'TY	PART NAME	PART NAME	REMARK
項目	零件號碼	數量	零件中文名稱	零件英文名稱	備註
1	C12210000001	1	飛輪磁電機總成(交流點燈)	AC GENERATOR ASSY(AC LIGHT)	
2	C12210100001	1	飛輪(交流點燈)	FLYWHEEL COMP(AC LIGHT)	
3	C12210200001	1	固定轉子(交流點燈)	STATOR COMP(AC LIGHT)	
4	90180602000	2	六角凸緣螺栓(M6*20L)	HEXAGON FLANGE BOLT	
5	90190501201	2	六角凸緣螺栓(M5*12L)	HEXAGON FLANGE BOLT	
6	92041200000	1	六角凸緣螺帽	HEXAGON FLANGE NUT	
7	C1043001000	1	風扇	FAN	
8	90190601204	4	六角凸緣螺栓	HEXAGON FLANGE BOLT	
9	C1042001000	1	風扇罩	FAN COVER	
10	C1042030000	1	橡膠塞	RUBBER PLUG	
11	90180602000	4	六角凸緣螺栓(M6*20L)	HEXAGON FLANGE BOLT	
12	90150501600	4	十字槽盤頭自攻螺釘(M5*16L)	CR PAN HD.TAPPING SCREW	
13	C10422100001	1	冷卻罩(2)	COOLING COWL(2)	CP125
13	C50422110001	1	冷卻罩(2)	COOLING COWL(2)	CP150
14	C1042102000	1	冷卻罩(1)	COOLING COWL(1)	CP125
14	C5042102000	1	冷卻罩(1)	COOLING COWL(1)	CP150
15	C1042120000	1	冷卻罩油封(1)	SEAL,COOLING HOOD(1)	
16	C1042220000	1	冷卻罩油封(2)	SEAL,COOLING HOOD(2)	
17	C1701260000	1	橡膠塞	RUBBER PLUG	
18	C1042242000	1	風扇罩蓋	FAN COVER'S COVER	
19	90110401600	3	十字槽盤頭自攻螺釘(M5*16L)	CR PAN HD.TAPPING SCREW	
20	C1603130001	1	引擎機油注意貼紙(英文)	ENG., OIL NOTICE LABEL	
21	92141200005	1	平墊圈	PLAIN WASHER	
22	C1701290000	1	塑膠鎖扣	PLASTIC LOCKER	
23	92140500014	2	平墊圈	PLAIN WASHER	
24	C1706640000	1	ACG壓板	ACG PLATE	
25	C1042270000	1	導熱風管	AIR PIPE	OPTIONAL PART

E9

起動馬達

STARTING MOTOR, OIL PUMP

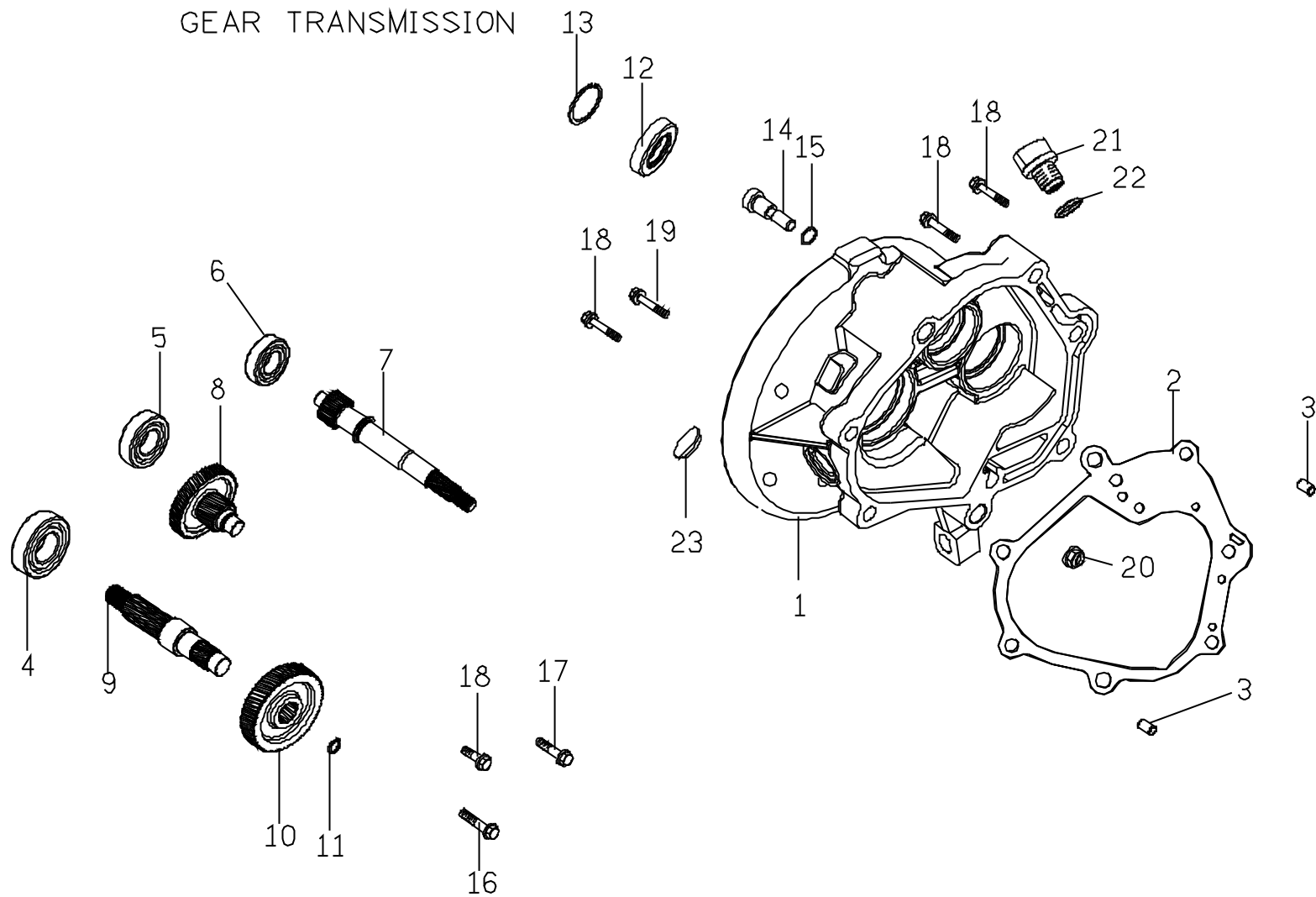
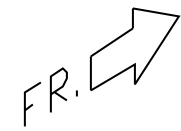


E9. CP125/150 STARTING MOTOR

No.	Part No.	Q'TY	PART NAME	PART NAME	REMARK
項目	零件號碼	數量	零件中文名稱	零件英文名稱	備註
1	C1081000000	1	機油泵總成	OIL PUMP ASSY	
2	C1243030000	3	單向離合器滾柱	ROLLER ONE WAY CLUTCH	
3	C1243020000	3	套筒	COP,ROLLER SPRING	
4	G1243010000	3	壓縮彈簧	COMPRESS SPRING	
5	C12430500001	1	起動離合器凸緣	COVER CLUTCH OUTER	
6	90210801000	3	六角承窩螺栓	INNER HEX BOLT	
7	96590283200	1	滾針軸承	NEEDLE BEARING	
8	C1081070000	1	機油泵軸	SHAFT,OIL PUMP	
9	90190602700	2	六角凸緣螺栓 (M6*27L)	HEXAGON FLANGE BOLT	
10	C1081030000	1	機油泵驅動齒輪	SPRKT OIL PUMP DRIVEN	
11	92040600000	1	六角凸緣螺帽 (M6*1.0P)	HEXAGON FLANGE BOLT	
12	C10812200001	1	機油泵驅動鏈條	CHAIN,OIL PUMP	
13	C1081230000	1	機油分隔板	SEPARATER OIL	
14	E1681030000	2	帶墊圈螺絲	WITH WASHER HEXAGON SCREW	
15	C1241000000	1	起動馬達組合	START MOOT COMP.	
16	95512400002	1	O形環	O RING	
17	90190601601	2	六角凸緣螺栓	HEXAGON FLANGE BOLT	
18	C1242040000	1	起動減速齒輪軸	SHAFT,STARTET REDUCTION GEAR	
19	C1242010000	1	起動減速齒輪	GEAR,STARTER REOUCTION	
20	C12430000001	1	單向離合器總成	ONE WAY CLUTCH ASSY.	
21	C12431000001	1	單向離合器組合	ONE WAY CLUTCH COMP.	
22	C1244000000	1	起動離合器齒輪組合	GEAR COMP.STARTING CLUTCH	
23	92142200000	1	平墊圈 (22*31*2.5)	PLAIN WASHER	
24	C1243060000	1	鎖定螺帽 (左螺紋牙)	NUT LOCK (LEFT THREAD)	

E10 傳動齒輪箱

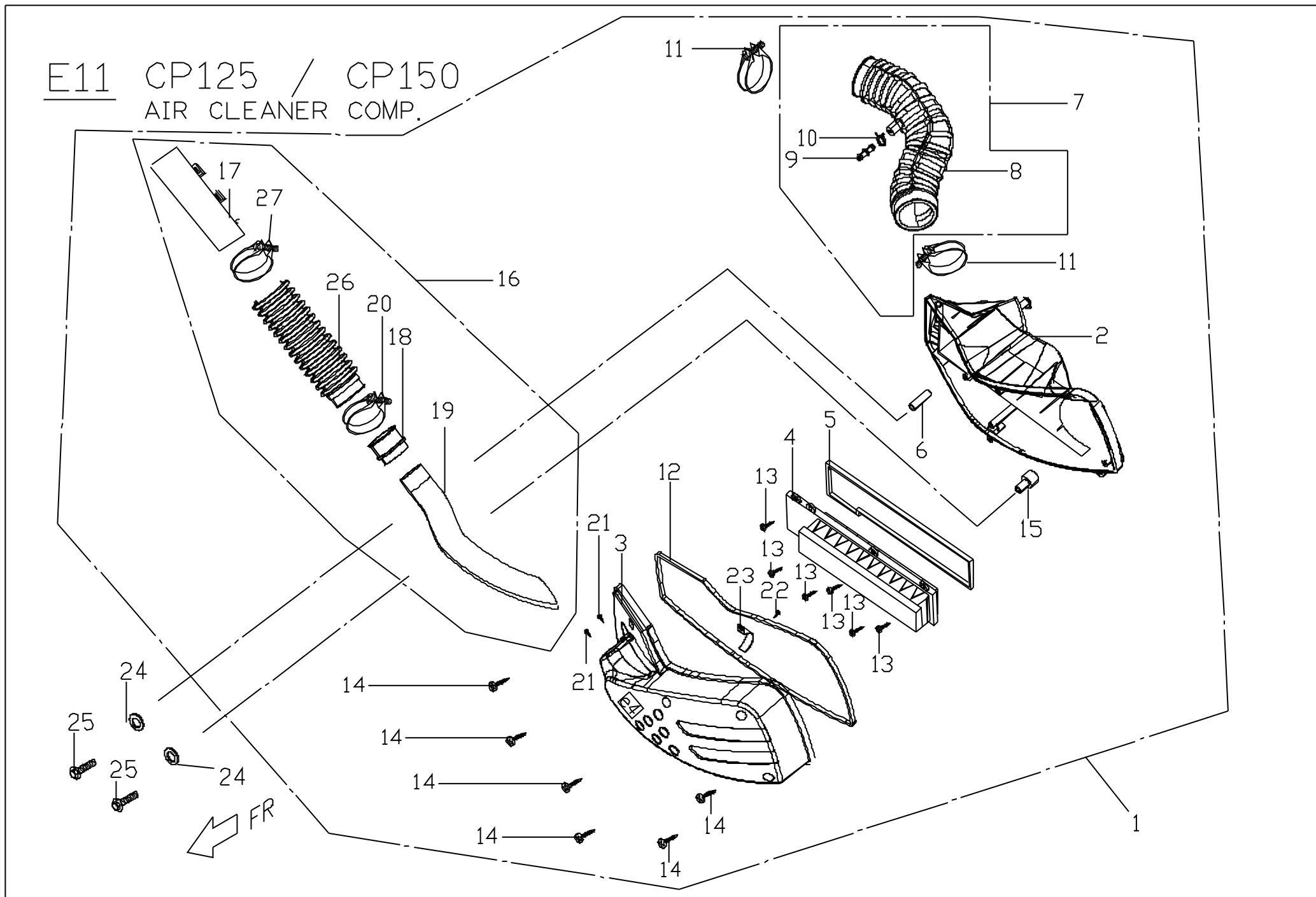
GEAR TRANSMISSION



E10. CP125/150 GEARBOX

No.	Part No.	Q'TY	PART NAME	PART NAME	REMARK
項目	零件號碼	數量	零件中文名稱	零件英文名稱	備註
1	C2141011000	1	傳動箱蓋	TRANSMISSION COVER	
2	C2141020000	1	傳動箱蓋襯墊	TRANSMISSION COVER GASKET	
3	93541001401	2	定位銷	LOCK PIN	
4	96510630100	1	深槽滾珠軸承(6301)	BALL BEARING	
5	96510600200	1	深槽滾珠軸承(6002)	BALL BEARING	
6	96530622200	1	雙封滾珠軸承(6222)	BALL BEARING.DOUBLE SEALED	
7	C11411000003	1	驅動軸	DRIVE SHAFT (14T)	CP125
7	C11411000001	1	驅動軸	DRIVE SHAFT (15T)	CP150
8	C11412000003	1	惰齒輪組合	IDLE GEAR COMP.(43T)	CP125
8	C11412000001	1	惰齒輪組合	IDLE GEAR COMP.(42T)	CP150
9	C1141411000	1	後軸	AXLC DRIVE	
10	C11413100003	1	最終齒輪	FINAL GEAR (43T)	
11	92172000000	1	C型扣環	RETAINING RING C TYPE	
12	95572742700	1	TC形油封(φ 42* φ 25.8*7t)	OIL SEAL TC TYPE	
13	92165000000	1	C型扣環(孔用)	RETAINING RING C TYPE	
14	C2407431000	1	後煞車軸蹄樞軸	PIVDT REAR BK.SHDE	
15	95510800000	1	O形環 (7.5*1.5)	O RING	
16	90190805001	1	六角凸緣螺栓 (墨綠)	HEXAGON FLANGE BOLT	
17	90190804501	1	六角凸緣螺栓	HEXAGON FLANGE BOLT	
18	90190804003	4	六角凸緣螺栓	HEXAGON FLANGE BOLT	
19	90190803003	1	六角凸緣螺栓	HEXAGON FLANGE BOLT	
20	92060800000	1	六角凸緣螺帽 (防鬆M8*1.25P)	HEXAGON FLANGE NUT	
21	P1062150000	1	機油螺栓	OIL BOLT	
22	95511300001	1	O形環	O-RING	

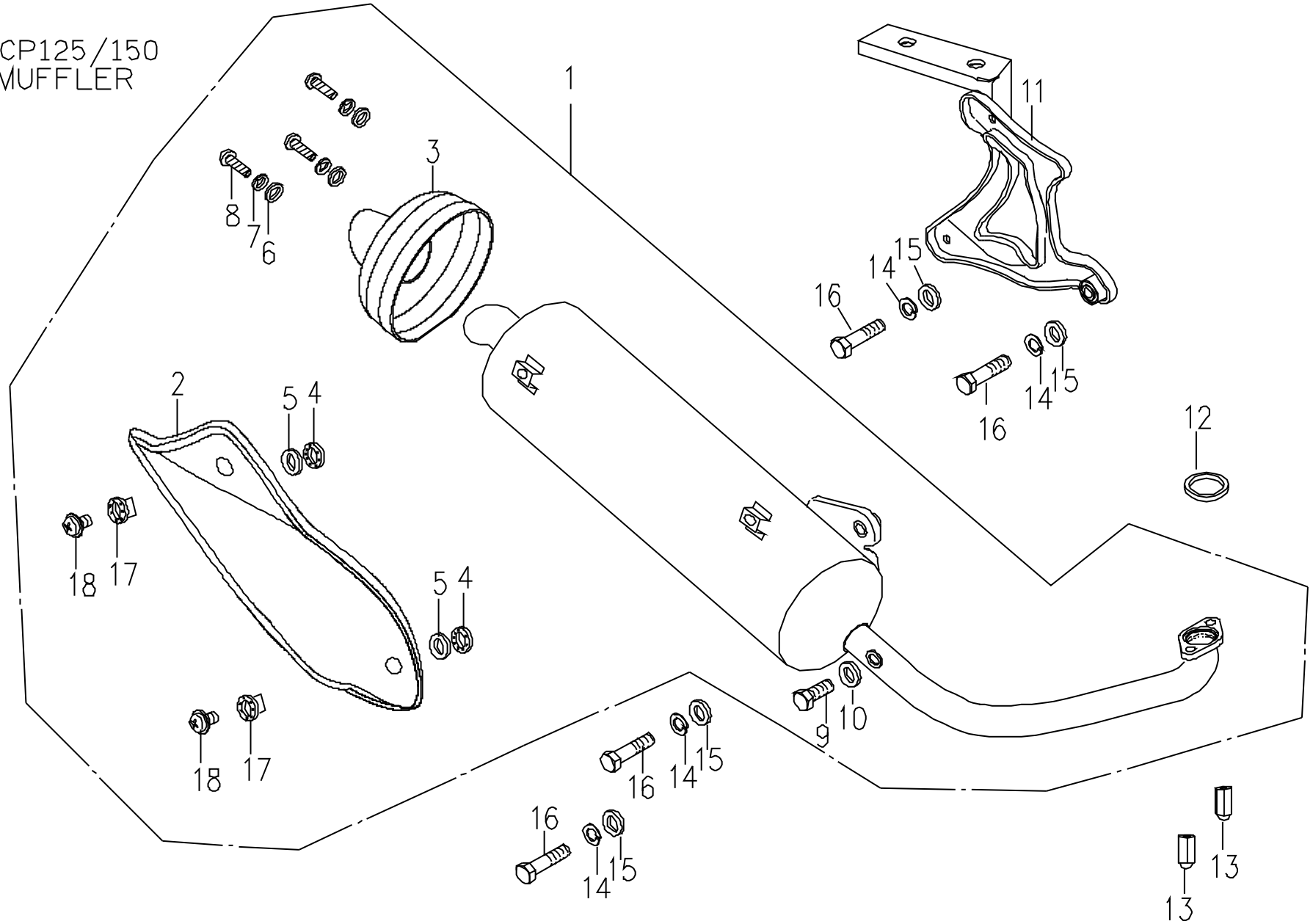
E11 CP125 / CP150
AIR CLEANER COMP.



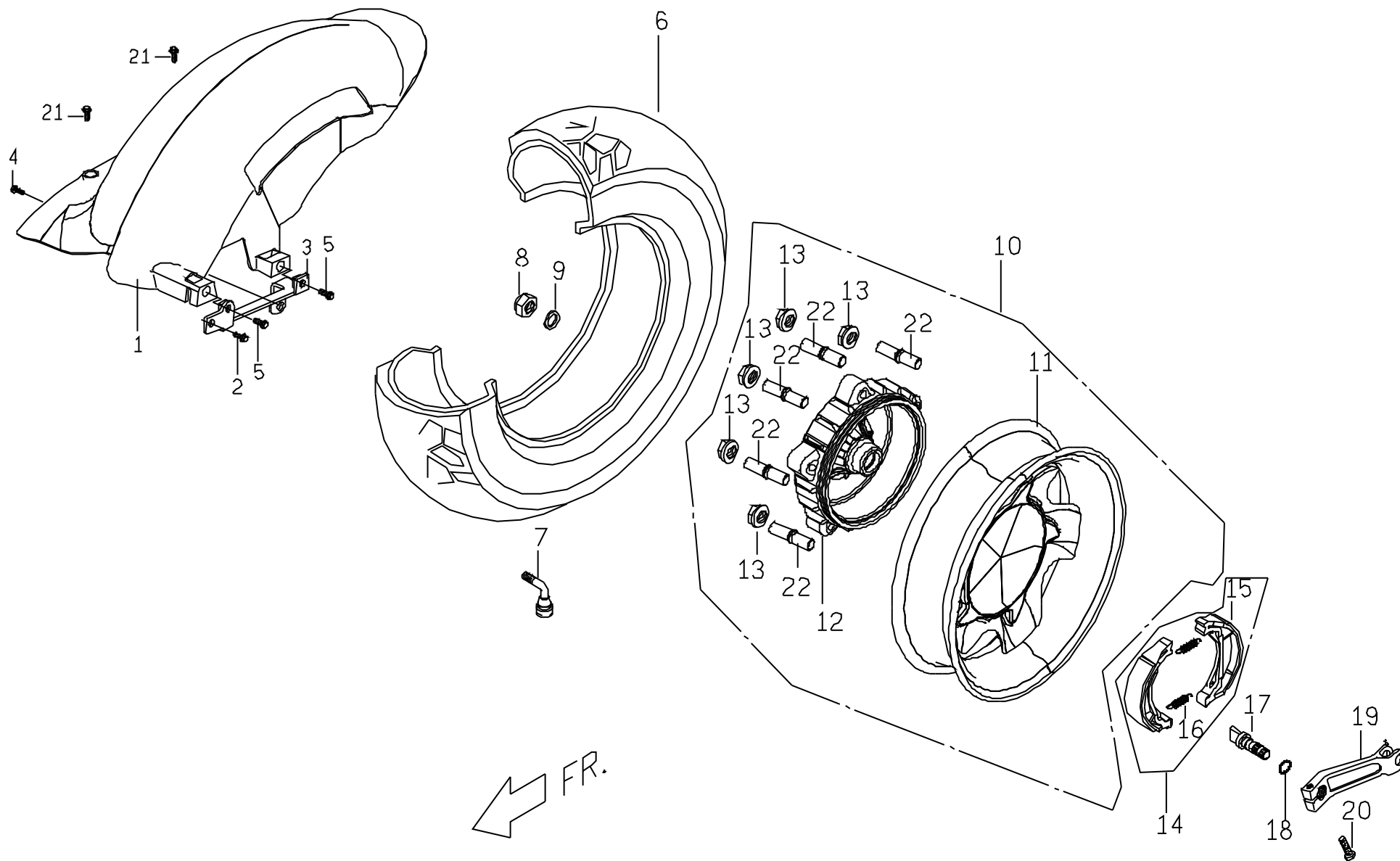
E11. CP125/150_AIRCLEANER ASSEMBLY

No.	Part No.	Q'TY	PART NAME	PART NAME	REMARK
項目	零件號碼	數量	零件中文名稱	零件英文名稱	備註
1	C22620010001	1	空氣濾清器組合(外銷用)	AIR CLEANER COMP	CP-125
1	C52620010001	1	空氣濾清器組合(外銷用)	AIR CLEANER COMP	CP-150
3	C2262020000	1	空氣濾清器蓋	COVER,AIR CLEANER	
4	C5262032000	1	空氣濾清器紙蕊	AIR FILTER	
5	C2262040000	1	空氣濾清器紙蕊襯墊	PACKING,AIR FILTER	
6	C2262060000	1	襯套	BUSH	
7	C22623400001	1	空氣濾清器連接管組合	CONNECTION DIPE,AIR CLEANER	
8	C2262080000	1	空氣濾清器連接管	CONNECTION DIPE	CP-125
8	C22620800001	1	空氣濾清器連接管	CONNECTION DIPE	CP-150
9	C226B340000	1	二通接管	PIPE, TWO WAY	
10	92221100000	1	板狀管夾	PLANE CLIP	
11	C1262110000	2	管束	CLAP	
12	C2262230000	1	空濾器墊片	AIR CLEANER PACKING	
13	90150501600	6	十字槽盤頭自攻螺絲	CR TRUSS HD TAPPING SCREW	
14	90150502500	6	十字槽盤頭自攻螺絲	CR TRUSS HD TAPPING SCREW	
15	C2262250000	1	襯套	BUSH	
16	C2262260000	1	進氣管組合	INLET PIPE ASSY	
17	C2262270000	1	進氣連接管	INLET CONNECTING PIPE	
18	90150502500	1	連接管	CONNECTING PIPE	
19	C2262290000	1	內進氣管	INLET PIPE INSIDE	
20	C1262110000	1	管夾	CLAMP.	
21	90130301300	2	自攻螺絲	TAPPING SCREW	
22	90130501000	1	自攻螺絲	TAPPING SCREW	
23	C2262320000	1	壓迫板	COMPRESS PLATE	
24	92140600005	2	平墊圈	PLAIN WASHER	
25	90190604500	2	六角凸緣螺絲	HEXAGON FLANGE BOLT	
26	C2262210000	1	進氣連接管	INLET CONNECTING PIPE	

E12 CP125/150
MUFFLER



E13 CP125/CP150
REAR WHEEL

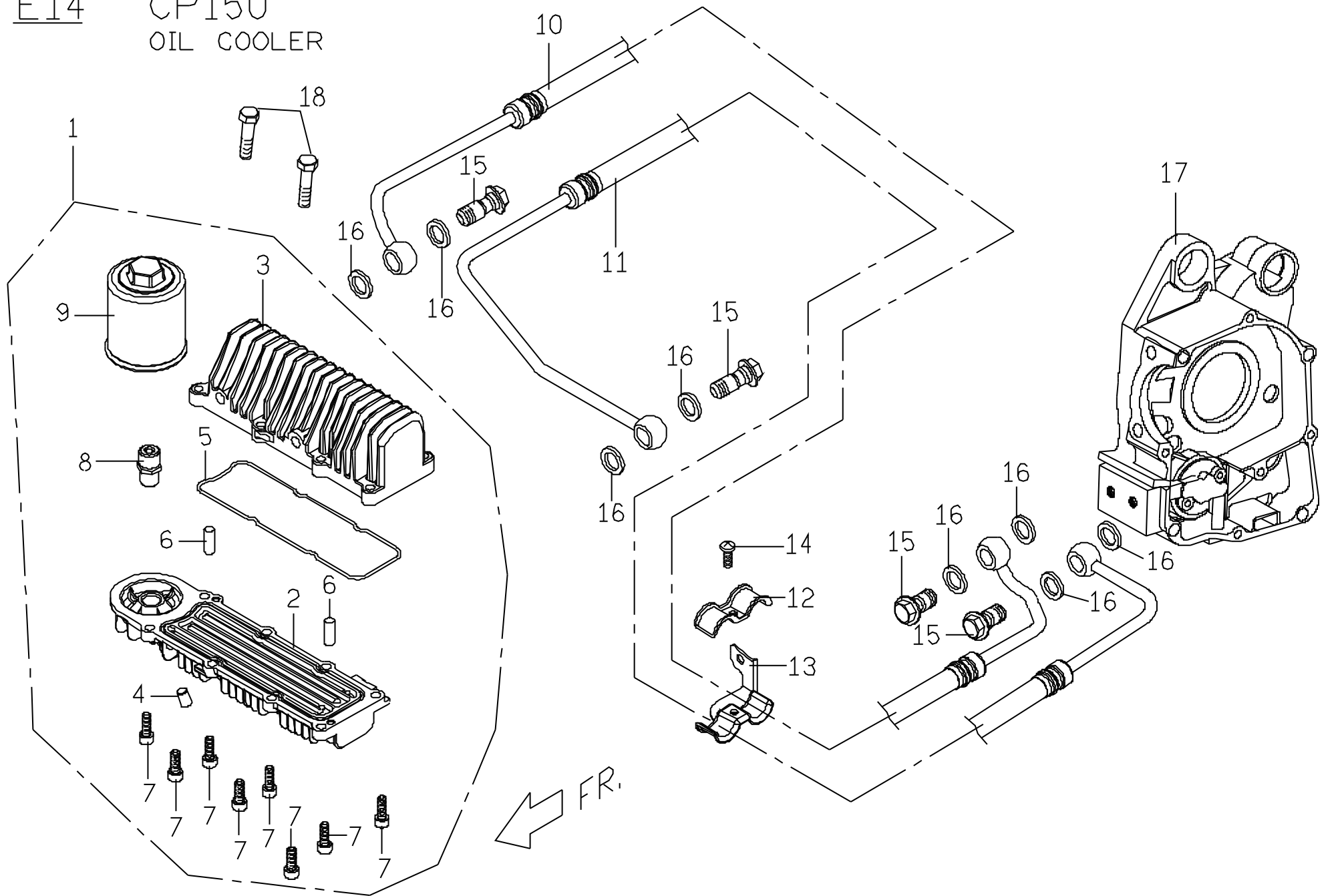


E13. CP125/150 REAR WHEEL

No.	Part No.	Q'TY	PART NAME	PART NAME	REMARK
項目	零件號碼	數量	零件中文名稱	零件英文名稱	備註
1	C5634002650	1	後土除 (深灰色)	REAR FENDER	
2	90190602002	1	六角凸緣螺栓	HEXAGON FLANGE BOLT	
3	C5634021000	1	後土除托架(1)	FIXED REAR FENDER(1)	
4	90190803003	1	六角凸緣螺栓	HEXAGON FLANGE BOLT	
5	90190602002	2	六角凸緣螺栓 (M6*20L)	HEXAGON FLANGE BOLT	
6	C5407300000	1	後輪胎總成 (130/70-12)	RR TYPE ASSY (130/70-12)	
7	P140B330000	1	氣門嘴	VALVE	
8	92011600000	1	U 型螺帽	U NUT	
9	92141700001	1	平墊圈	PLAIN WASHER	
10	C5407103770	1	後輪圈組合(銀灰色)	RR WHEEL COMP.	
11	C5407140770	1	後輪圈(銀灰色)	REAR WHEEL RIM	
12	C2407131770	1	輪轂	HUB REAR	
13	92060800000	5	六角凸緣螺帽	HEXAGON FLANGE NUT	
14	C2407400000	1	煞車蹄片總成	BRAKE SHOE ASSY.	
15	C1404400000	1	煞車蹄片組合	BRAKE SHOE COMP.	
16	C2407410000	2	煞車蹄片彈簧	BRAKE SHOE SPRING	
17	C2407442000	1	後煞車凸輪	CAM REAR BREAK	
18	95511200000	1	O形環	O RING	
19	C24074700001	1	後煞車臂	ARM,REAR BREAK	
20	90020602203	1	六角螺栓	HEXAGON BOLT	
21	90190602800	2	六角凸緣螺栓 (M6*28L)	HEXAGON FLANGE BOLT	
22	90170803601	5	雙頭螺栓	STUD BOLT	

E14

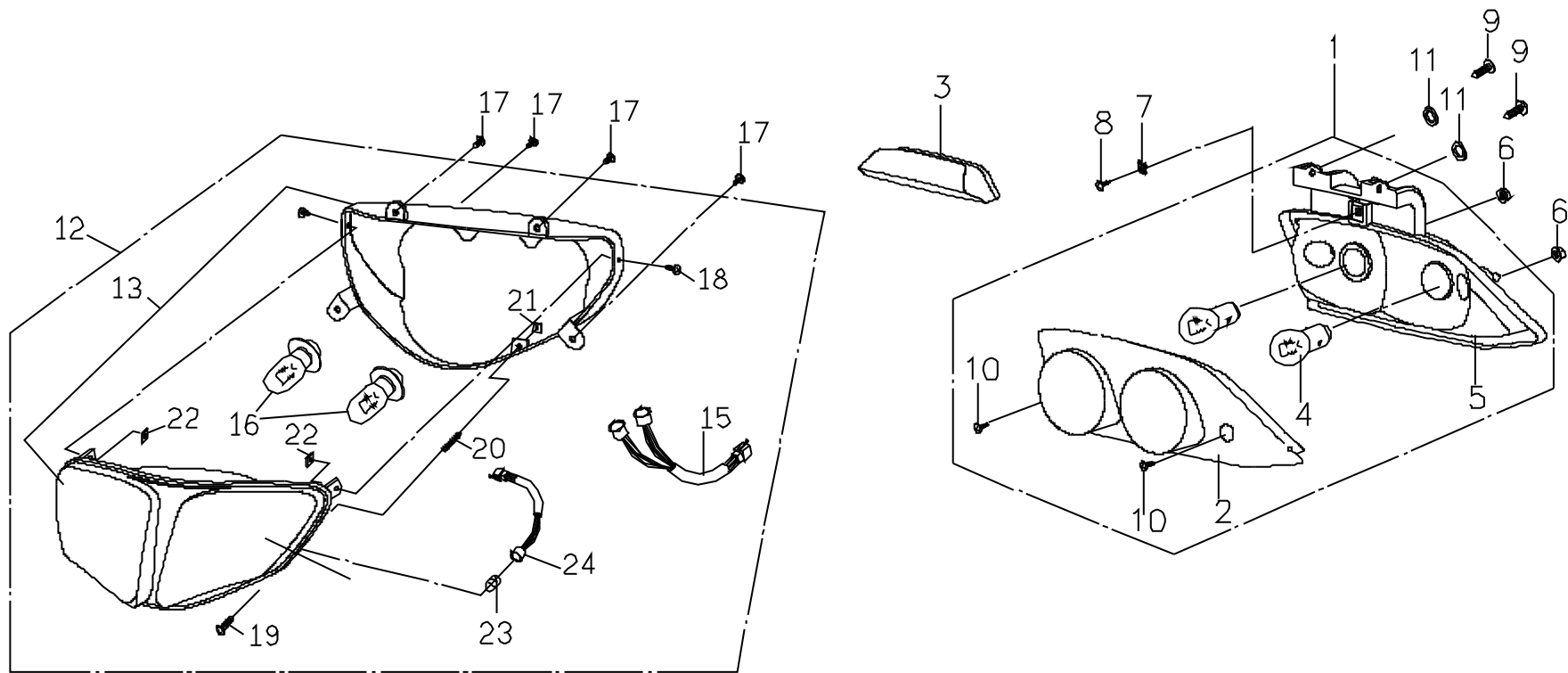
CP150
OIL COOLER



E14. CP150_OIL COOLER

No.	Part No.	Q'TY	PART NAME	PART NAME	REMARK
項目	零件號碼	數量	零件中文名稱	零件英文名稱	備註
1	C5083010000	1	機油冷卻器組合	OIL COOLER ASSY.	CP150 ONLY
2	C5083020000	1	上冷卻器	RADIATOR, UPPER	
3	C5083030000	1	下冷卻器	RADIATOR, LOWER	
4	G1067010000	1	油塞	OIL PLUG	
5	C5083040000	1	油封	OIL SEAL	
6	93560401000	2	定位銷	LOCK PIN	
7	90210601800	8	六角承窩螺絲	HEXAGON SOCKET HD. CAP SCREW	
8	C5083080000	1	機油冷卻器接頭	OIL FILTER JOINT	
9	C1082020000	1	機油冷卻器	OIL FILTER	
10	C5083050000	1	機油冷卻器油管(1)	OIL COOLER PIPE(1)	
11	C5083060000	1	機油冷卻器油管(2)	OIL COOLER PIPE(2)	
12	C5083100000	1	機油冷卻器油管固定板(1)	OIL COOLER HOSE HOLD(1)	
13	C50830920001	1	機油冷卻器油管托架組合	OIL COOLER HOSE BRACKET	
14	90190601203	1	六角凸緣螺栓	HEXAGON FLANGE BOLT	
15	C5083070000	4	機油旁通螺絲	OIL PASS BOLT	
16	92141200006	8	平墊圈	PLAIN WASHER	
17	C5061011000	1	右曲軸箱	RH CRANKCASE	
18	90190807500	2	六角凸緣螺栓(M8*75L)	HEXAGON FLANGE BOLT	

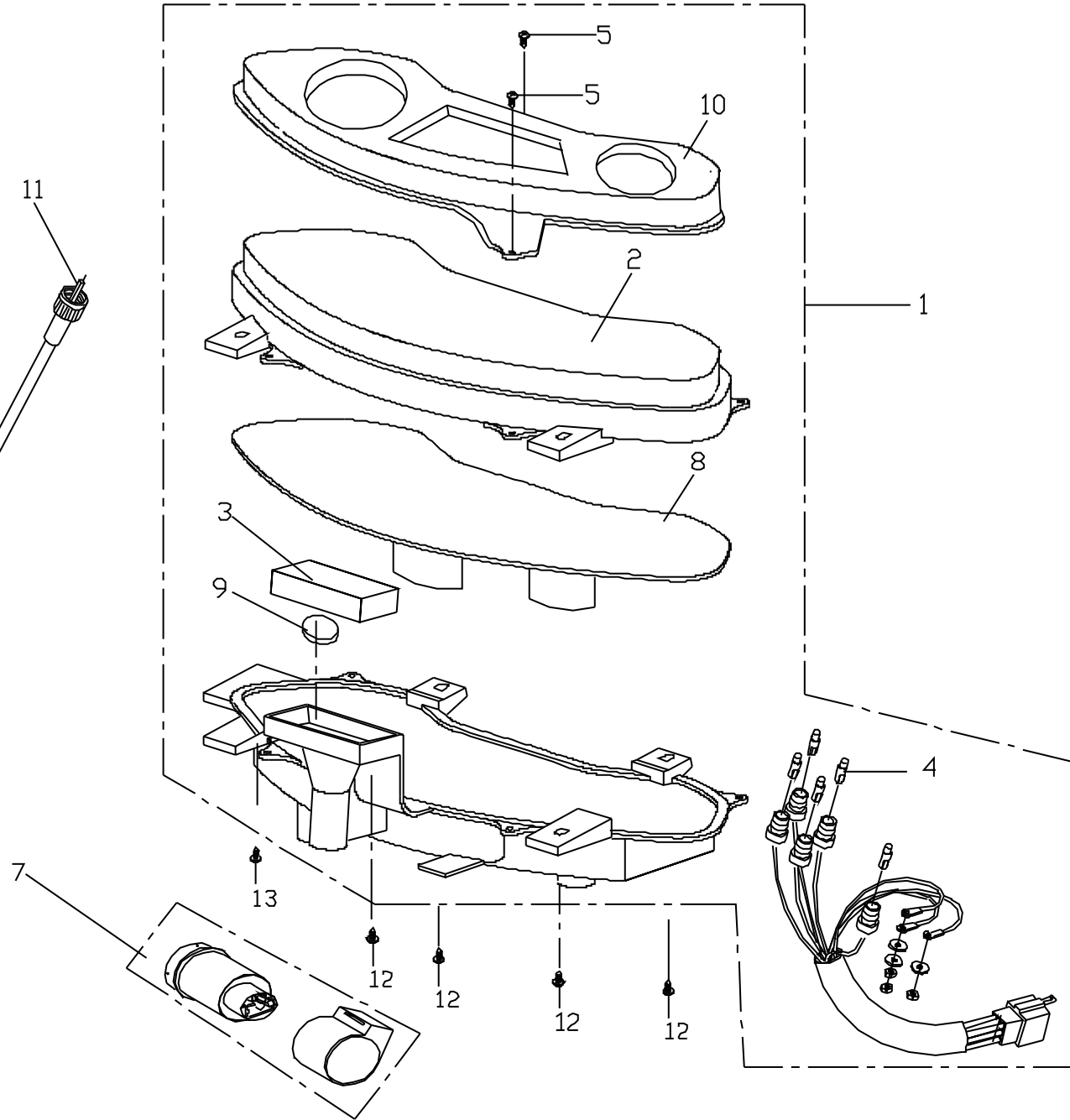
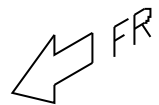
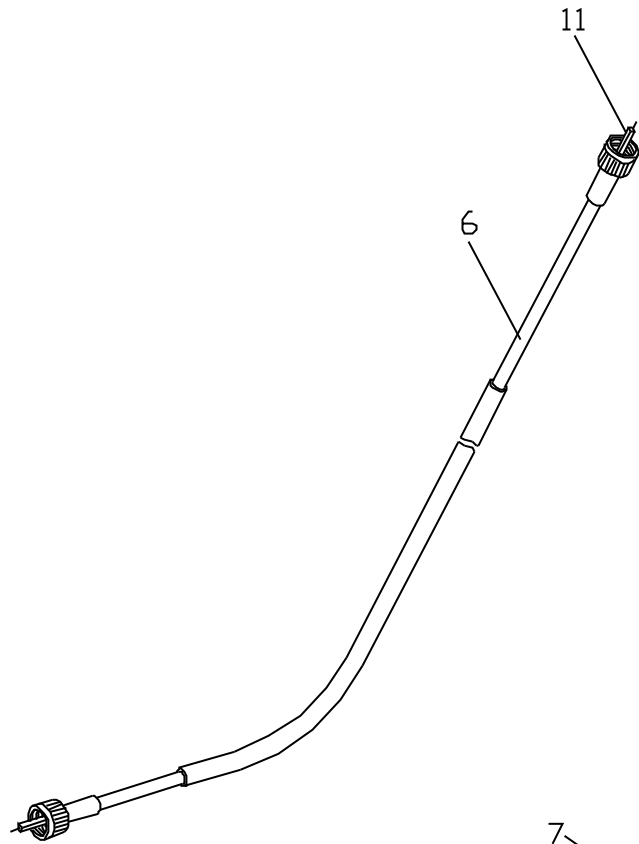
F1 HEAD LIGHT



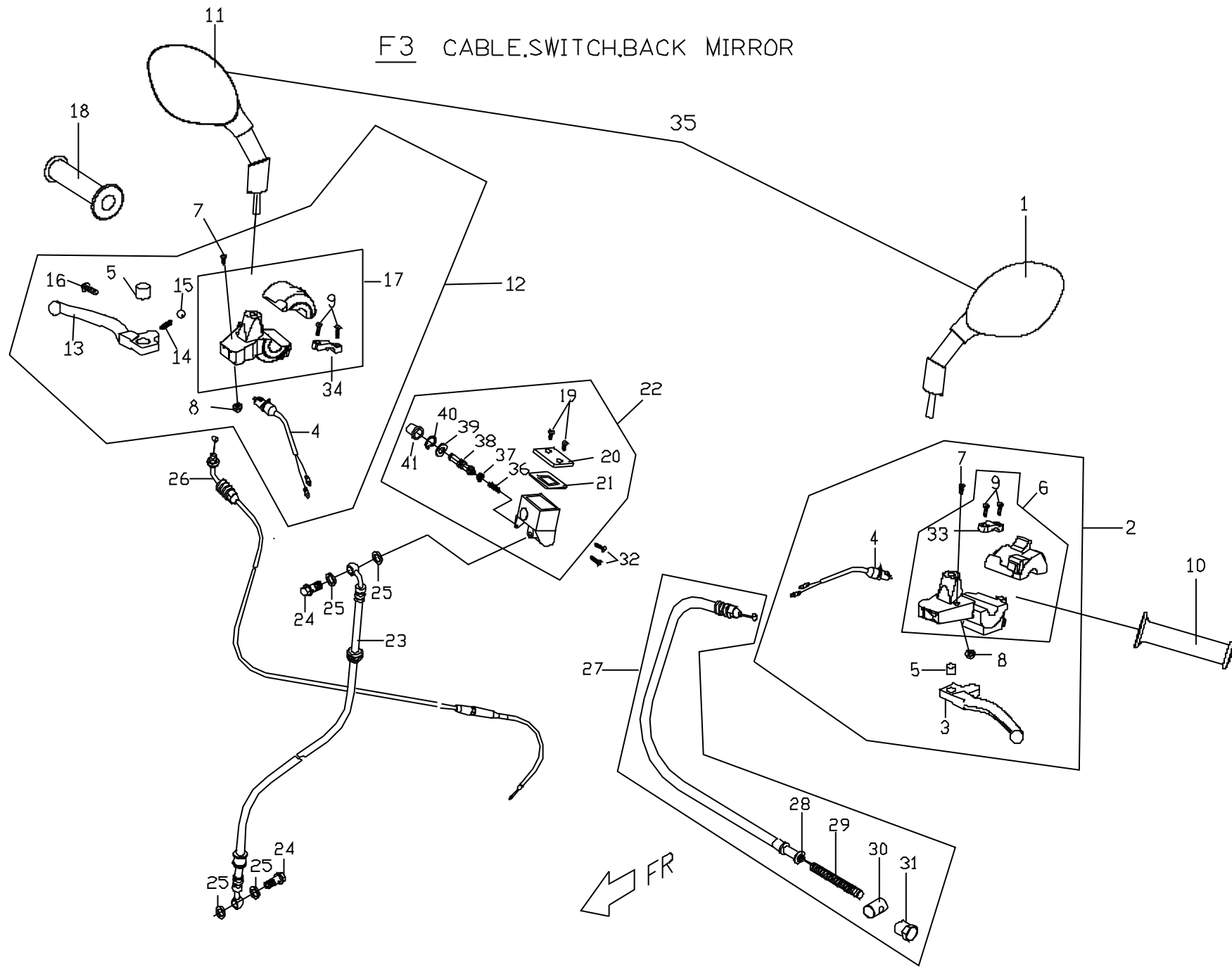
F1. CP125/150 HEAD LAMP

No.	Part No.	Q'TY	PART NAME	PART NAME	REMARK
項目	零件號碼	數量	零件中文名稱	零件英文名稱	備註
1	C1666002000	1	後燈總成(內銷)	REAR LAMP ASSY	
2	C166F100000	1	燈殼	LAMP COVER	
3	C1666011000	1	LED總成	LED COMP	
4	98311210030	2	燈泡 (10W/3W)	BULB (10W/3W)	
6	92040600000	2	六角凸緣螺栓	HEXAGON FLANGE BOLT	
7	92370500003	1	U型彈簧螺帽	SPRING NUT U-TYPE	
8	90150501600	1	自攻螺釘	TAPPING SCREW	
9	90130301300	2	自攻螺釘	TAPPING SCREW	
10	C166F080000	2	自攻螺釘	TAPPING SCREW	
11	92140400002	2	平墊圈	PLAIN WASHER	
12	C1661001000	1	頭燈總成	HEADLIGHT ASSY	
13	C166A0100001	1	燈殼組合	LAMP COVER ASSY	
14	C166A0300001	1	外框	HOUSING	
15	C166A100000	1	電線組	SOCKET COMP	
16	98141218180	2	燈泡 (12V 18W/18W)	BULB (12V 18W/18W)	
17	90130501400	4	十字槽圓頭自攻螺釘	C-R RECESS PAN HD TAPPING SCREW	
18	C166A080000	2	螺絲	SCREW PAN	
19	C166A060000	1	調整螺栓	REGULATING SCREW	
20	C166A050000	1	壓縮彈簧	COMPRESSION SPRING	
21	C166A070000	1	調整螺帽	REGULATING NUT	
22	C166A090000	2	螺帽	NUT	
23	98231234000	1	燈泡	BULB	
24	C166C640000	1	電線組	SOCKET COMP	

F2 SPEEDOMETER



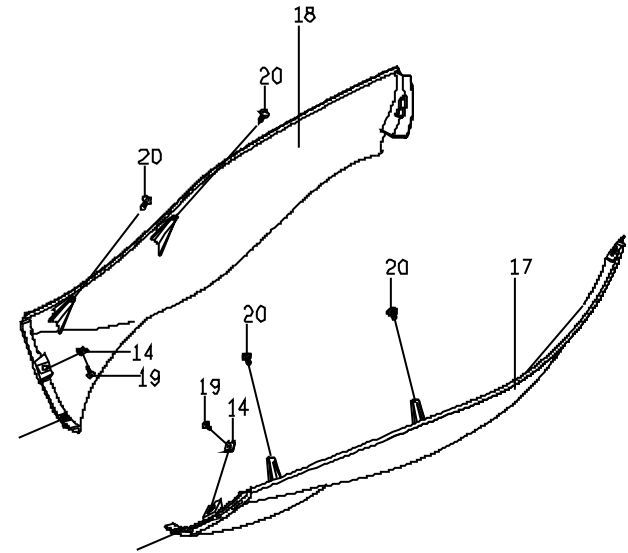
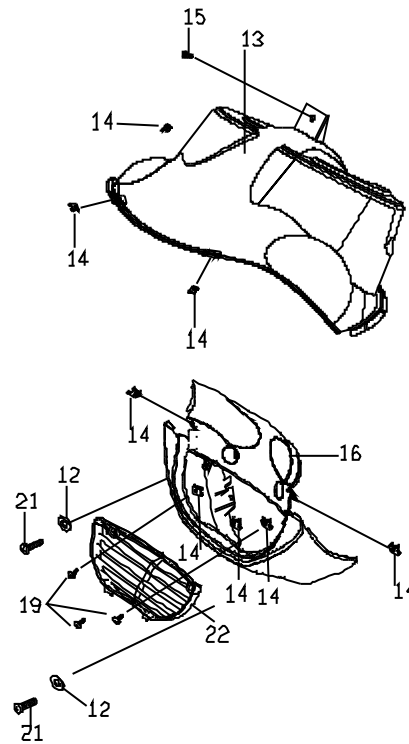
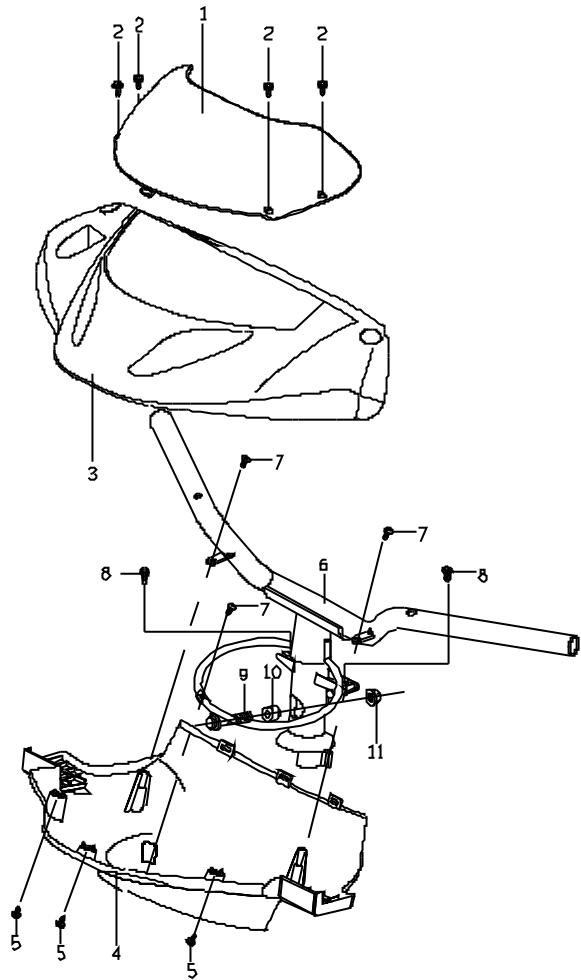
F3 CABLE.SWITCH.BACK MIRROR



F3. CP125/150_CABLE / SWITCH

No.	Part No.	Q'TY	PART NAME	PART NAME	REMARK
項目	零件號碼	數量	零件中文名稱	零件英文名稱	備註
1	C161F010000	1	左後視鏡	LH BACK MIRROR	
2	C1546002000	1	左把手開關總成	HANDLE BAR SWITCH ASSY(LEFT)	
3	C1543301000	1	左煞車拉桿	LEVER,LH BRAKE	
4	N1548030000	2	煞車燈開關	STOP LIGHT SWITCH	
5	N1543610000	2	滑動襯套	SLIDE BUSH	
6	C1546101000	1	左開關組合	SWITCH ASSY,LH	
7	N1548020000	2	拉桿螺栓	BOLT,LEVER	
8	N1548050000	2	尼龍封口防鬆螺帽	SELF-LOCKING NUT	
9	90040501600	4	十字槽盤頭機器螺釘	C-R PAN HD MACHINE SCREW	
10	C1541001000	1	左-握把護套	LH GRIP ASSY	
11	C161F020000	1	右後視鏡	RH BACK MIRROR	
12	C1548003000	1	右把手開關總成(碟式)	LEVER HOLDER ASSY(RIGHT)	
13	N1543600000	1	右煞車拉桿	LEVER,RH BRAKE	
14	C1543630000	1	彈簧	SPRING	
15	99010500001	1	鋼珠	STEEL BALL	
16	E2543620000	1	調整螺栓	ADJUSTING BOLT,SLOTTED HEAD	
17	C1548013000	1	右開關組合(碟式)	SWITCH COMP,RH	
18	C1542003000	1	右-握把總成	RH GRIP ASSY	
19	90100401200	2	十字槽埋頭機器螺釘	C-R PAN HD MACHINE SCREW	
20	E2406390000	1	煞車總泵蓋	COVER,MASTER CYLINDER	
21	E2406380000	1	總泵襯墊	GASKET,MASTER CYLINDER	
22	C1406302000	1	右煞車總泵總成	MASTER CYLINDER,ASSY	
23	C1403601000	1	煞車油管總成	FRT BRAKE FLUID HOSE COMP	
24	P1403810000	2	煞車油管通油螺栓	JOINT BOLT,BRAKE HOSE	
25	92141000002	4	平墊圈 (10D*15D*1.5T)	PLAIN WASHER	

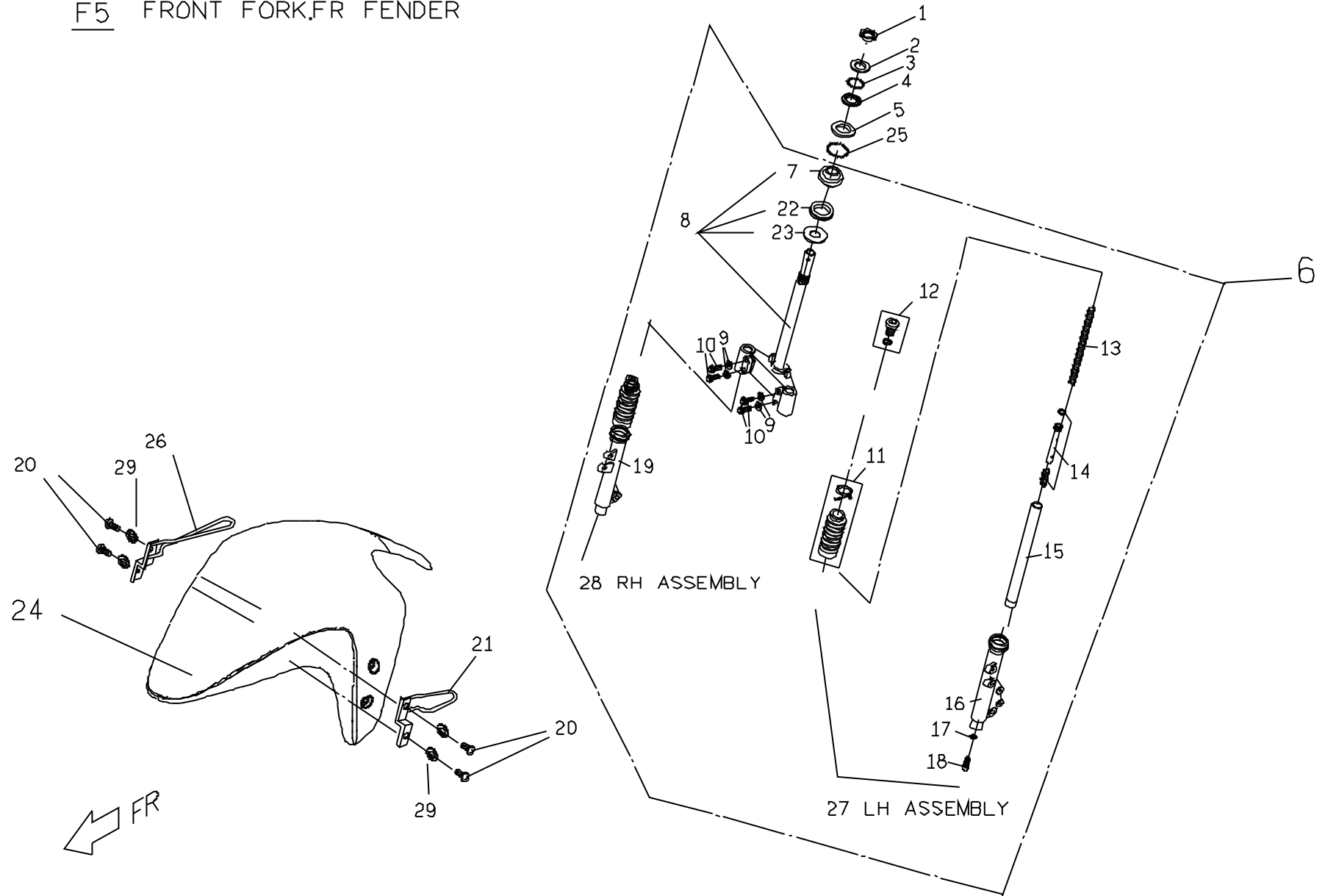
F4 COVER UPPER&LOWER HANDLE BAR.
TURN SIGNAL FRONT.



F4. CP125/150 STEERING HANDLE

No.	Part No.	Q'TY	PART NAME	PART NAME	REMARK
項目	零件號碼	數量	零件中文名稱	零件英文名稱	備註
1	C1613021000	1	遮陽板	AGAINST SUN PLATE	
2	E1701040000	4	螺旋鉚釘組合	SCRIVET ASSY	
3	C1613001000	1	方向把手上蓋	COVER,UPPER	ADD COLOR CODE
4	C1614003650	1	方向把手下蓋	COVER,LOWER	
5	90110401200	4	十字槽盤頭自攻螺釘	C-R RECESS PAN HD.TAPPING SCREW	
6	C1612004600	1	方向把手管總成 (E.D) 黑色	HANDLE BAR ASSY	
7	90130501400	3	十字槽盤頭自攻螺釘	C-R RECESS PAN HD.TAPPING SCREW	
8	90040501600	2	十字槽盤頭機器螺釘	C-R RECESS PAN HD.TAPPING SCREW	
9	90191005000	1	六角螺栓	HEXAGON BOLT	
10	C1612010000	1	墊環	SCREW WASHER	
11	92061000001	1	六角凸緣螺帽	HEXAGON FLANGE NUT	
12	92140600005	2	墊圈	WASHER	
13	C1633001650	1	前內擋泥板 (超黑色)	FENDER FR.INNER	
14	92370500003	8	U型彈簧螺帽	SPRING NUT U-TYPE	
15	90190601200	1	六角凸緣螺栓	HEXAGON FLANGE BOLT	
16	C1626021650	1	腳踏前下腹蓋 (超黑色)	STEPLOWER,FRONT	
17	C1626002650	1	腳踏左下腹蓋	STEPLOWER LH.	
18	C1626012650	1	腳踏右下腹蓋	STEPLOWER RH.	
19	90150501600	6	自攻螺釘	TAPPING SCREW	
20	90130501400	4	自攻螺釘	TAPPING SCREW	
21	90040601400	2	十字槽盤頭機器螺釘	C-R RECESS PAN HD.TAPPING SCREW	
22	C16260306501	1	通氣蓋	COVER	CP125
22	C1626030650	1	通氣網	COVER	CP150

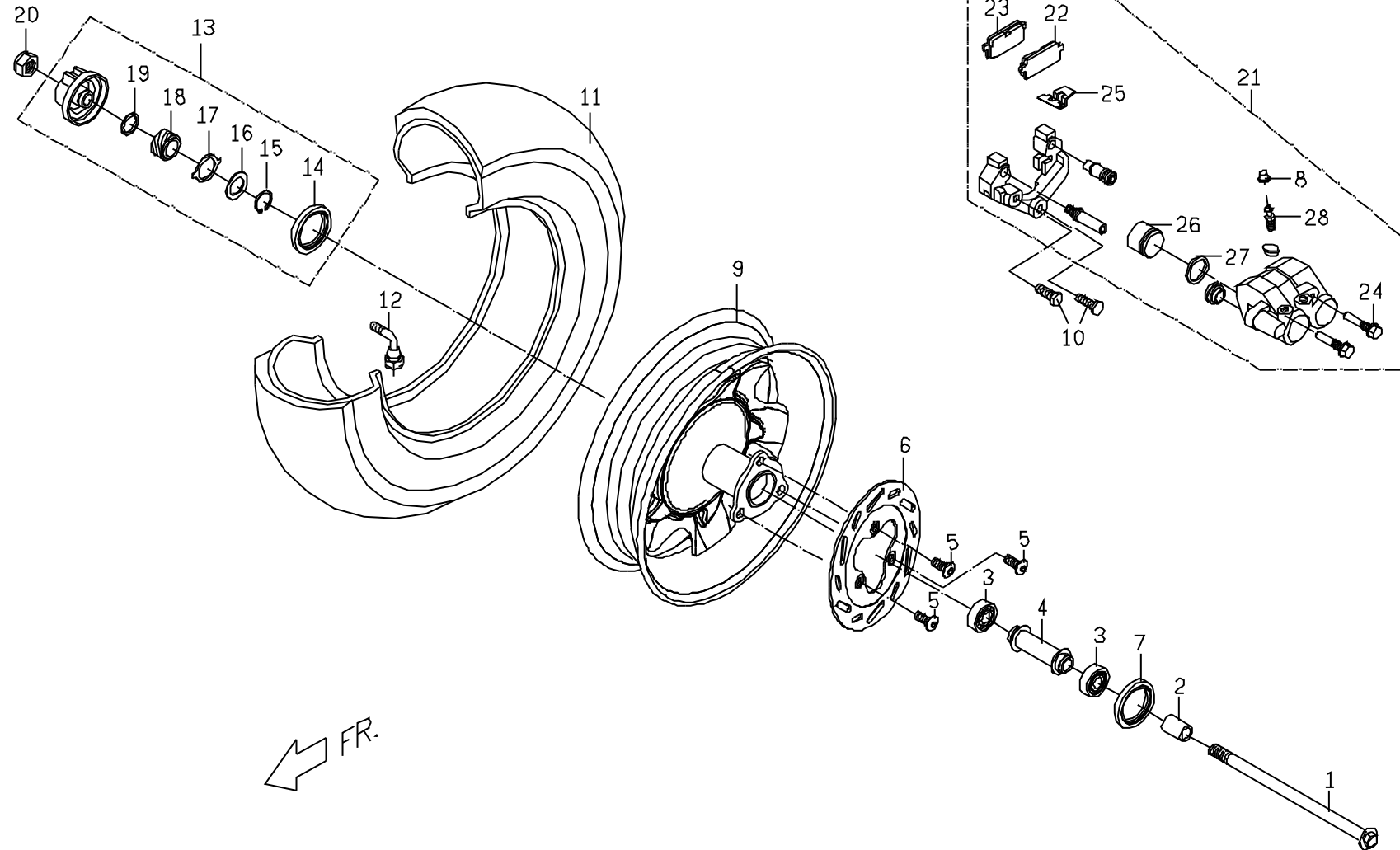
F5 FRONT FORK,FR FENDER



F5. CP125/150 FRONT FORK

No.	Part No.	Q'TY	PART NAME	PART NAME	REMARK
項目	零件號碼	數量	零件中文名稱	零件英文名稱	備註
1	E1444040000	1	轉向軸防鬆螺帽	STEERING SHAFT LOCK NUT	
2	E1444050000	1	上座環型螺帽	OUTER BEARING CAGE	
3	99010400000	26	鋼珠 (5/32)	BEARING BALL	
4	C1443020000	1	上軸承座	UPPER BEARING CAGE	
5	C1443011000	1	軸承底座	LOWER BEARING CAGE	
6	C1443002720	1	前叉總成 (散銀色)	FRONT FORK ASSY	
7	C144C150000	1	下軸承內座	INNER BEARING CAGE	supplied
8	C144C200000	1	下三角架組	UNDER BRACKET,COMP.	INCLUDE 7.22.23
11	C144C040000	2	橡膠套管組	BOOT	
12	C144C050000	2	內筒螺栓組	BOOT	
13	C144C060000	2	大彈簧	SPRING,FRONT FORK	supplied
15	C144C080000	2	內筒組	INNER.TUBE COMP	supplied
18	C144C110000	2	六角螺栓	BOLT HEXAGON SOCKET HEAD	
20	90210602000	4	六角承窩螺栓	INNER HEXAGON SCREW	
21	C1544040000	1	碼錶導線束圈(左)	CLIP COMP.SPDMT CABLE . LH	
22	C144C140000	1	防塵套	COVER	supplied
23	C144C130000	1	墊片	GASKET	supplied
24	C16320020002	1	前土除	FRT.FENDER	Add Color Code
25	99010600000	19	鋼珠 (1/4")	BEARING BALL (1/4")	
26	C1544050000	1	碼錶導線束圈(右)	CLIP COMP.SPDMT CABLE . RH	
27	C144C211000	1	左內外筒組合LH(碟)	TUBE COMP. LH	
28	C144C221000	1	右內外筒組合RH(碟)	TUBE COMP. RH	
29	92140600005	4	平墊圈 (6.4D*13D*1T)	PLAIN WASHER	

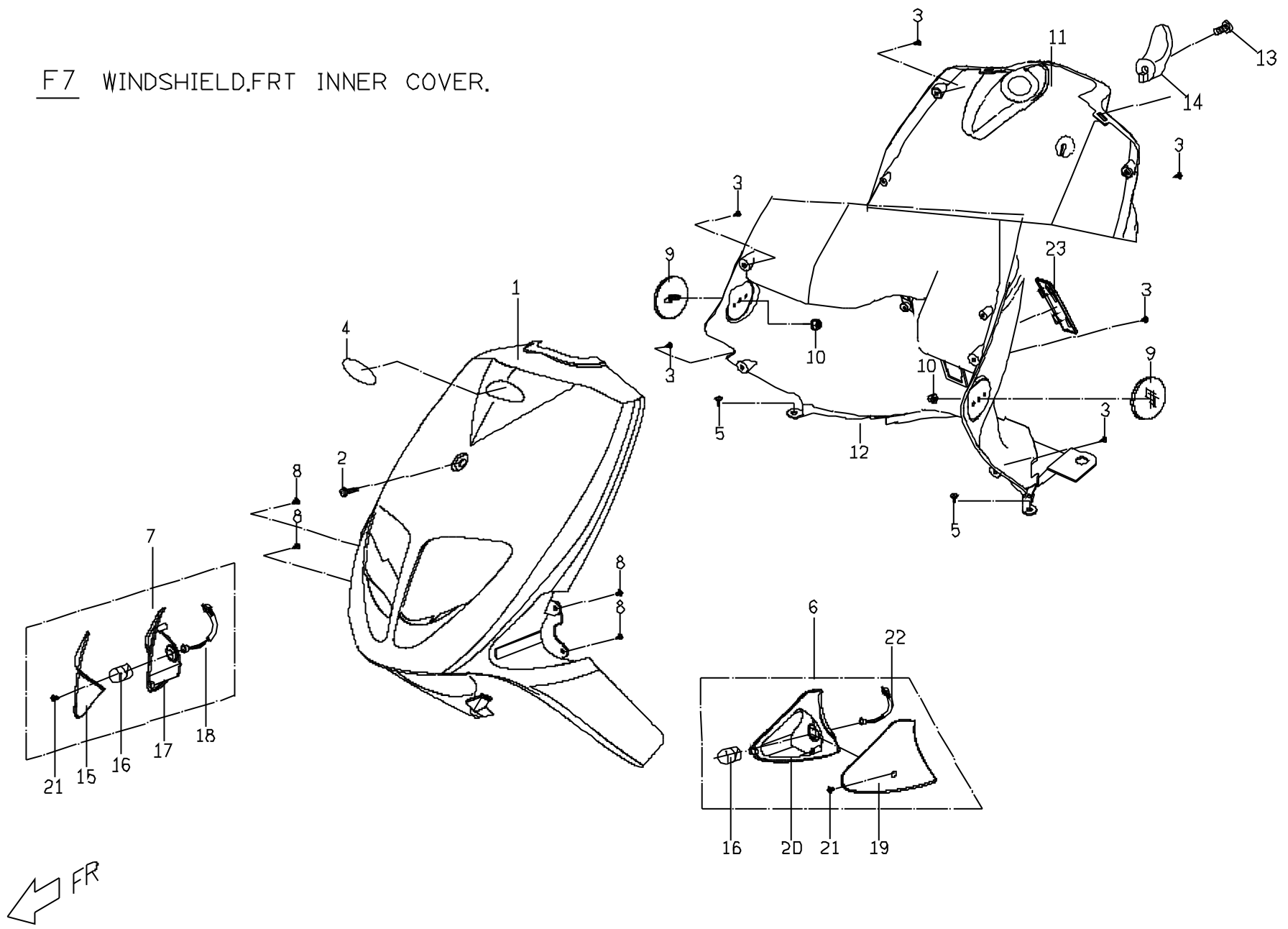
F6 TIRE,FRT WHEEL,FRT CALIPER,(DISK)



F6. CP125/150 FRONT WHEEL

No.	Part No.	Q'TY	PART NAME	PART NAME	REMARK
項目	零件號碼	數量	零件中文名稱	零件英文名稱	備註
1	C1402500000	1	前輪軸	AXLE FR WHEEL	
2	P1401010000	1	間隔環	SPACER	
3	96520620100	2	單封深槽滾珠軸承(6201)	ONE SHTELD BALL BEARING	
4	P1402400000	1	間隔環組合	SPACER COMP	
5	C1403510000	3	前煞車盤螺絲	FRT BRK DISK	
6	C240C5020002	1	前煞車圓盤 (190MM)	DISC FRONT BRAKE (190mm)	
7	95572235700	1	油封(TC 22 35)	OIL SEAL	
8	C140C160000	1	放氣帽	CAP	
9	C5401103770	1	前輪圈組合(銀灰色)	FRT WHEEL ASSY	
10	90190804002	2	六角凸緣螺栓	HEXAGON FLANGE BOLT	
11	C5402300000	1	前輪胎總成(120/70-12)	FR TIRE ASSY (120/70-12)	
12	P140B330000	1	氣門嘴	VALVE	
13	P1566002000	1	碼錶齒輪總成	METER GEAR ASSY	
14	95574052600	1	油封(TC 40 52)	OIL SEAL	
15	92171800000	1	C型扣環	C CLIP	
16	92141900001	1	平墊圈	PLAIN WASHER	
17	P1566050000	1	傳動片	PAD	
18	P1566040000	1	速度表齒輪	SPEEDOMETER GEAR	
19	92141900002	1	平墊圈	PLAIN WASHER	
20	92061200000	1	防鬆螺帽 (M12*1.25P)	LOCK NUT	
21	C1403302000	1	碟式煞車夾總成	FRT CALIPER ASSY	
22	C240C311000	1	內煞車片組成	INSIDE PAD	
23	C240C321000	1	外煞車片組成	OUTSIDE PAD	
24	C140C141000	2	煞車片銷	SCREW	
25	C140C330000	1	軛簧	SPRING	
26	C140C040000	1	防塵圈	DUST PROOF	
27	C140C030000	1	油封圈	OIL SEAL	
28	C140C060000	1	放氣螺絲	BREED SCREW	

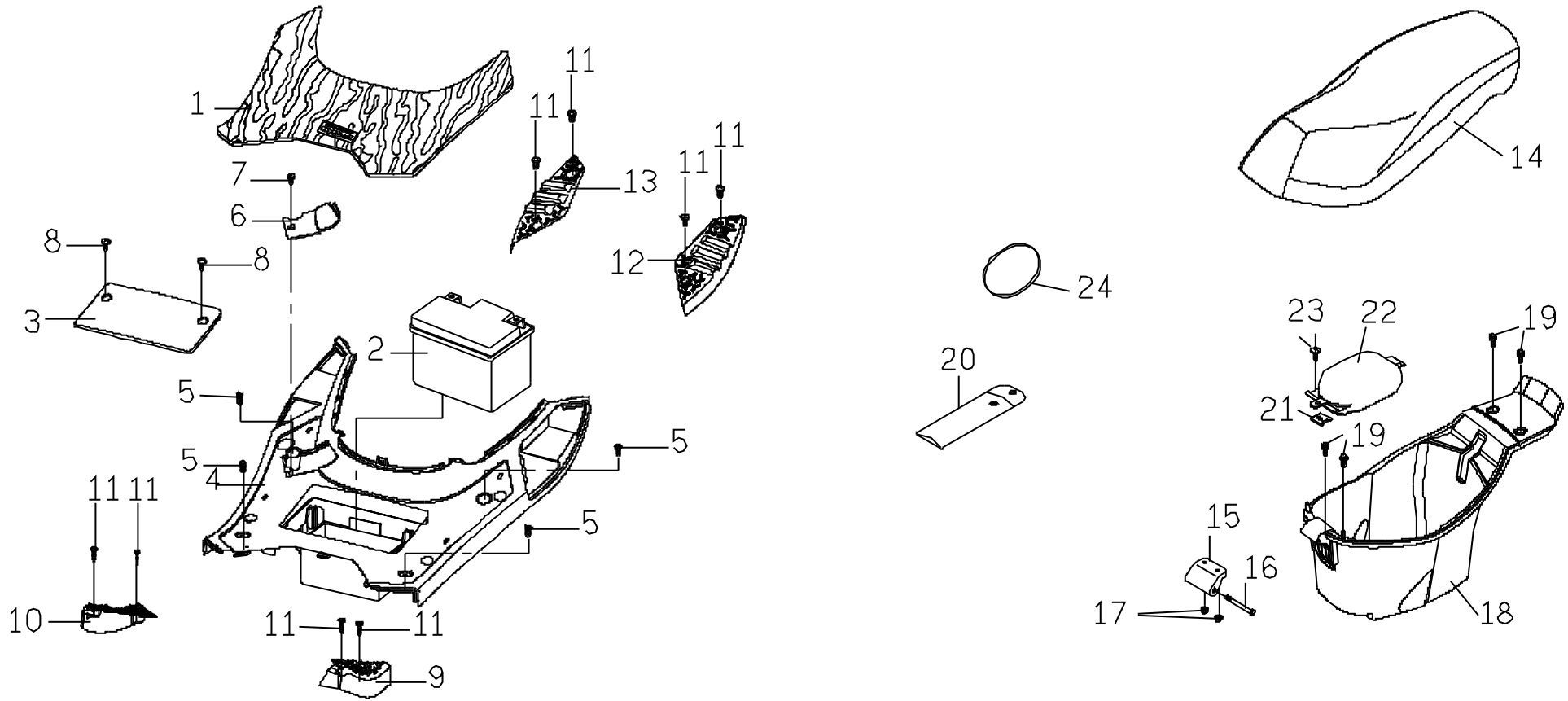
F7 WINDSHIELD.FRT INNER COVER.



F7. CP125/150 WINDSHIELD

No.	Part No.	Q'TY	PART NAME	PART NAME	REMARK
項目	零件號碼	數量	零件中文名稱	零件英文名稱	備註
1	C1621002000	1	擋風板	WINDSHIELD	ADD COLOR CODE
2	E1621010000	1	帶墊圈螺栓	SCREW,WITH WASHER	
3	90130501400	6	自攻螺釘	TAPPING SCREW	
4	C1601410000	1	PGO Scooters 名牌	PGO Scooters PAPER	
5	90150501600	2	自攻螺釘	TAPPING SCREW	
6	C166C010000	1	左前方向燈組合	SIGNAL LAMP ASSY,LH FRT	
7	C166D010000	1	右前方向燈組合	SIGNAL LAMP ASSY,RH FRT	
8	90110401200	4	自攻螺釘	TAPPING SCREW	
9	C1669000000	2	側反光片 (橘黃色)	REFLECTOR SIDE	
10	92040600000	2	六角凸緣螺帽	HEXAGON FLANGE NUT	
11	C162C0116501	1	前內蓋上段	FRT INNER COVER ,UPPER	
12	C162C0216501	1	前內蓋下段	FRT INNER COVER ,LOWER	
13	90040601601	1	十字槽盤頭機器螺釘	CR TRUSS HD. MACHINE SCREW	
14	P5701211650	1	前置物掛勾	FRT HOOD	
15	C166D610000	1	右燈蓋	SIGNAL LAMP COVER,RH	
16	98221210990	2	燈泡 (12V-10W)	BULB (12V-10W)	
17	C166D620000	1	右燈座	SIGNAL LAMP BASE,RH	
18	C166D020000	1	右電線組	CONNECTING WIRE, RH	
19	C166C610000	1	左燈蓋	SIGNAL LAMP COVER,LH	
20	C166C620000	1	左燈座	SIGNAL LAMP BASE,LH	
21	C166C650000	2	自攻螺釘	TAPPING SCREW	
22	C166C020000	1	左電線組	CONNECTING WIRE, LH	
23	C2623010650	1	車身號碼牌蓋	DUMMY VIN PLATE COVER	

F8 STEP FLOOR.

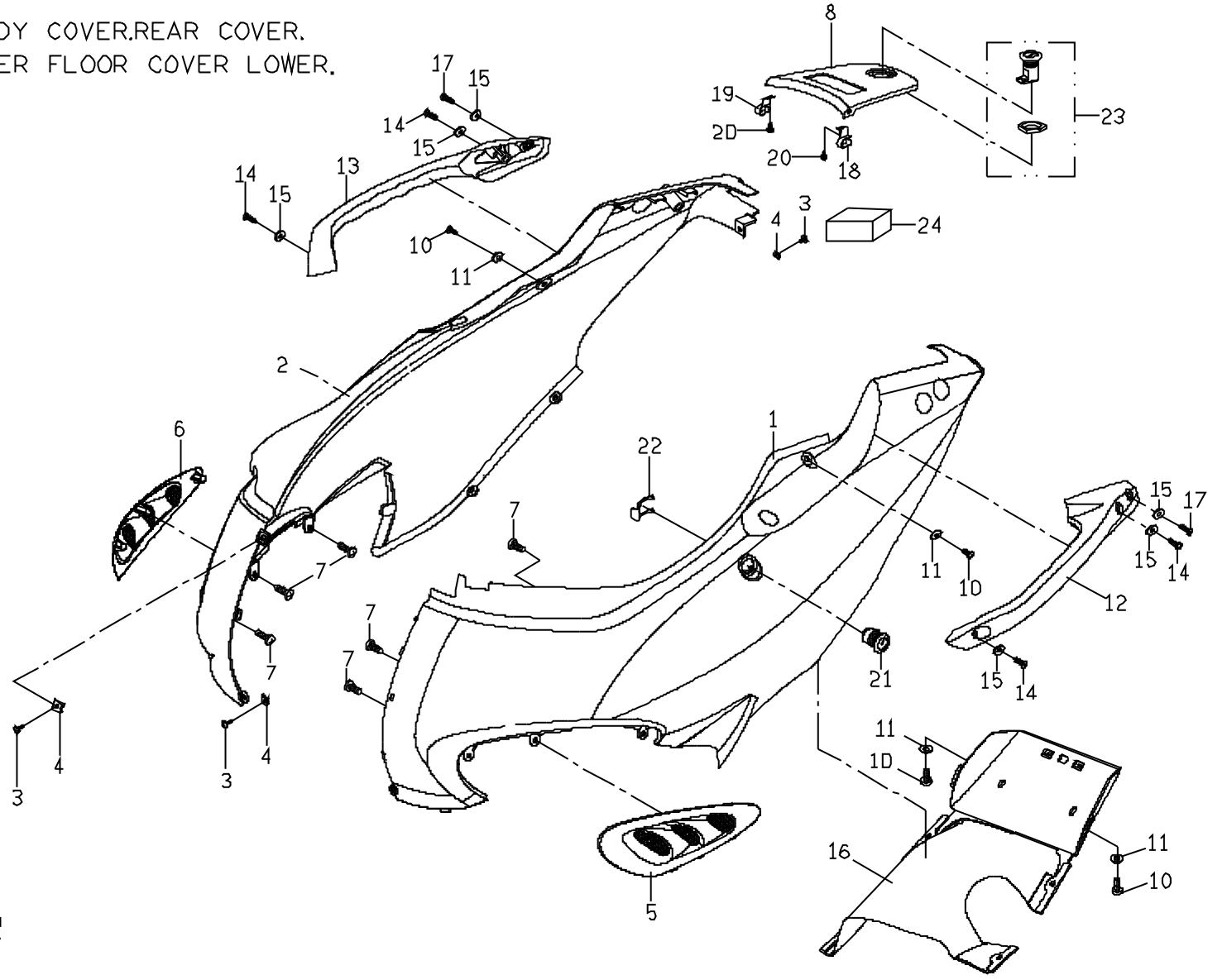


F8. CP125/150_STEP FLOOR

No.	Part No.	Q'TY	PART NAME	PART NAME	REMARK
項目	零件號碼	數量	零件中文名稱	零件英文名稱	備註
1	C1624502000	1	踏板墊	MAT FLOOR	
2	C2583000000	1	電瓶(YTX7A-BS)	BATTERY	
3	C1624033650	1	電瓶蓋	COVER BATTERY	
4	C1624001650	1	腳踏板	STEP FLOOR	
5	90200602500	4	帶墊圈螺栓	SCREW,WITH WASHER	
6	C1624041650	1	腳踏板飾蓋	COVER,STEP-FLOOR	
7	90110401200	1	自攻螺釘	TAPPING SCREW	
8	90130501400	2	自攻螺釘	TAPPING SCREW	
9	C1624011000	1	腳踏左前踏板	STEP PLATE,LH FRONT	
10	C162D011000	1	腳踏右前踏板	STEP PLATE,RH FRONT	
11	90040601600	8	十字槽盤頭機器螺釘	C-R RECESS PAN HD.TAPPING SCREW	
12	C16240207701	1	腳踏左後踏板(ABS)銀灰色	STEP PLATE,LH REAR(SILVER)	C16240200001 RAW
13	C162D0207701	1	腳踏右後踏板(ABS)銀灰色	STEP PLATE,RH REAR(SILVER)	C162D0200001 RAW
14	C16710000003	1	座墊總成	SEAY ASSY	
15	C1681060000	1	前取付	BRACKET	
16	C1681070000	1	特殊螺栓(座墊前取付用)	SPECIAL BOLT	
17	92040600000	2	六角凸緣螺帽	HEXAGON FLANGE NUT	
18	C1681003000	1	置物箱總成	LUUGAGE COMP	
19	90190601600	4	凸緣螺栓 (M6*16L)	FLANGE BOLT	
20	C17065400001	1	工具包總成	TOOL PARTS ASSY	
21	92370500003	1	U型彈簧螺帽	SPRING NUT U-TYPE	
22	C1681101000	1	置物箱底蓋	LUGGAGE LOW COVER	
23	90150501600	1	自攻螺釘	TAPPING SCREW	
24	P6701030000	1	工具包束帶	O-RING	

F9

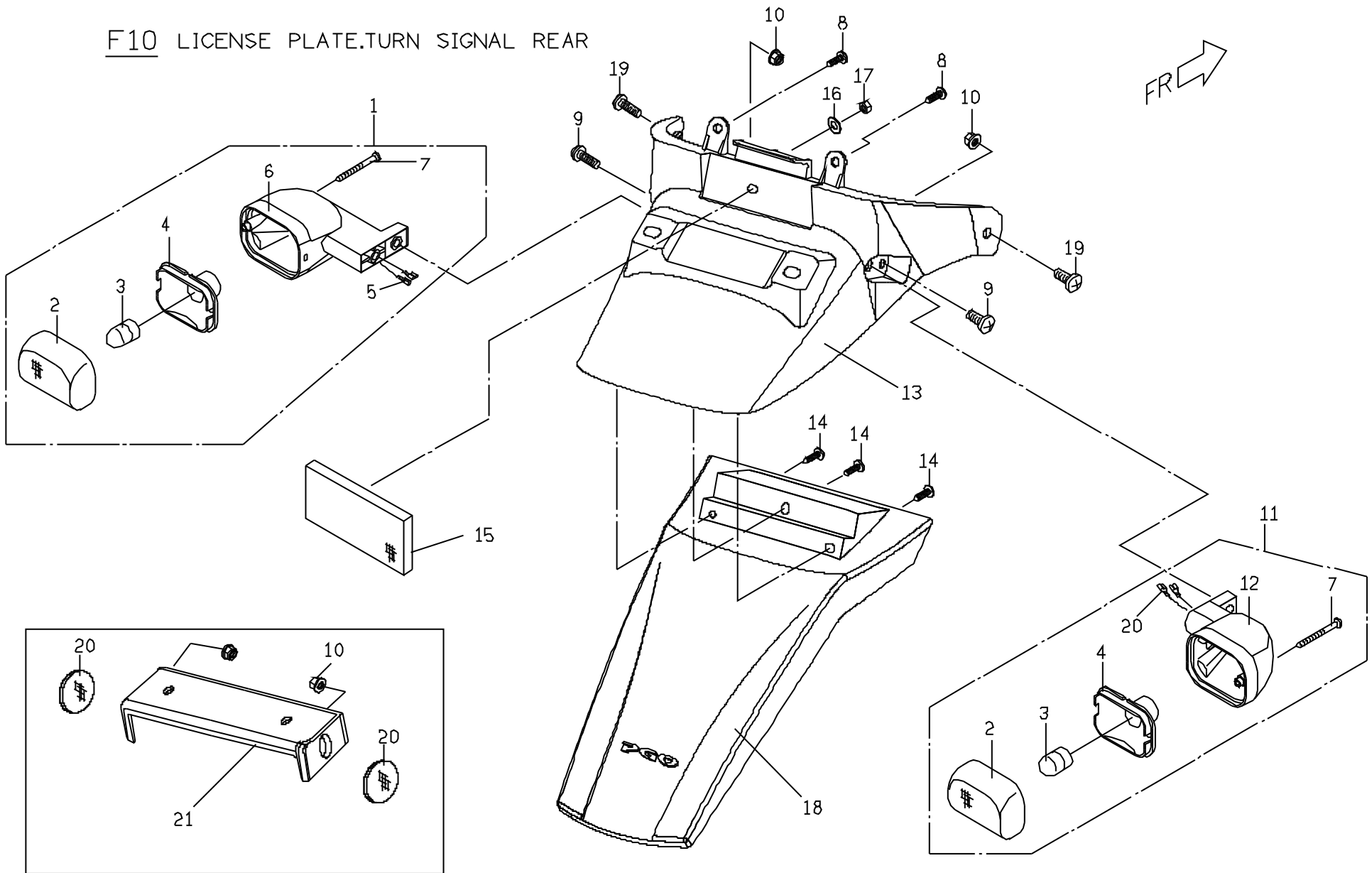
BODY COVER, REAR COVER,
STER FLOOR COVER LOWER.



F9. CP125/150 REAR COVER

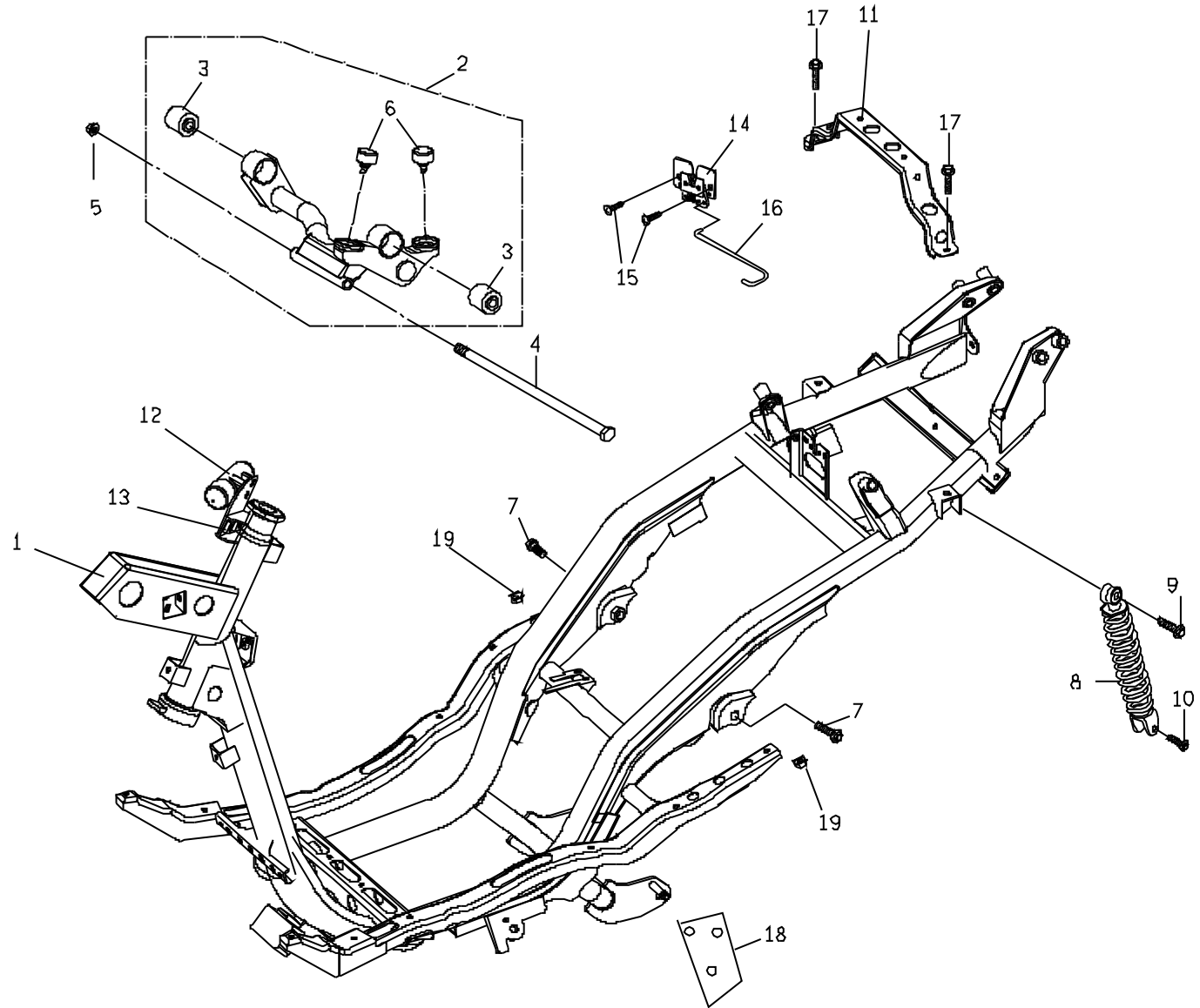
No.	Part No.	Q'TY	PART NAME	PART NAME	REMARK
項目	零件號碼	數量	零件中文名稱	零件英文名稱	備註
1	C1625303000	1	左車身蓋	LH BODY COVER	ADD COLOR CODE
2	C1625502000	1	右車身蓋	RH BODY COVER	ADD COLOR CODE
3	90150501600	3	十字槽盤頭自攻螺釘	C-R RECESS PAN HD.TAPPING SCREW	
4	92370500003	3	U型彈簧螺帽	SPRING NUT U-TYPE	
5	C1627002650	1	左通氣蓋	COVER,AIR INLET(L)	
6	C162G002650	1	右通氣蓋	COVER,AIR INLET(R)	
7	90110401200	6	自攻螺釘	TAPPING SCREW	
8	C1625704000	1	後蓋	REAR COVER	ADD COLOR CODE
9	C1701010000	2	後蓋緩衝襯墊	REAR COVER PACKING	
10	90040601400	4	十字槽圓頭機器螺釘	C-R RECESS PAN HD.TAPPING SCREW	
11	92140600005	4	墊圈 (6.4D*13D*1T)	WASHER	
12	C1545000000	1	左推車扶手	WASHER	ADD COLOR CODE
13	C154E000000	1	右推車扶手	WASHER	ADD COLOR CODE
14	90210603001	4	內六角承窩螺絲	C-R RECESS PAN HD.TAPPING SCREW	
15	92140600018	6	平墊圈	WASHER	
16	C1625022650	1	車身下腹蓋	STER FLOOR COVER LOWER	
17	90210602000	2	內六角承窩螺絲	C-R RECESS PAN HD.TAPPING SCREW	
18	C1706011000	1	左後蓋彈簧板	LH REAR COVER SPPING PLATE	
19	C1706021000	1	右後蓋彈簧板	RH REAR COVER SPPING PLATE	
20	90130301000	2	自攻螺釘	TAPPING SCREW	
21	C1558001000	1	座墊鎖總成	SEAT LOCK ASSY	
22	E9706070000	1	固定片	FIX PLANE	
23	C155C040000	1	后蓋鎖	LOCK.REAR COVER	
24	C1701030000	1	後蓋襯墊	REAR COVER GASKET	

F10 LICENSE PLATE.TURN SIGNAL REAR

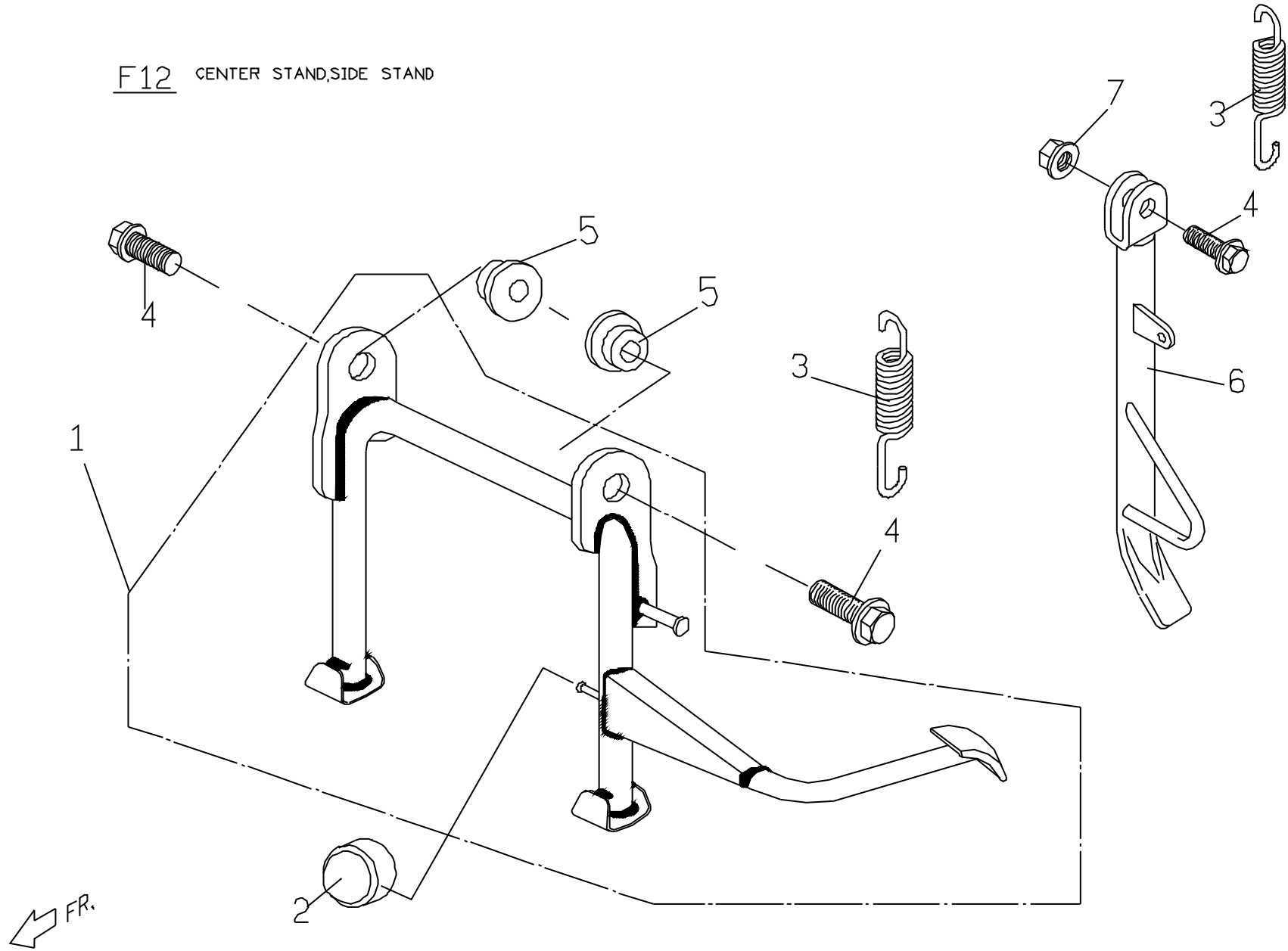


OPTIONAL EQUIPMENT

F11, FRAME

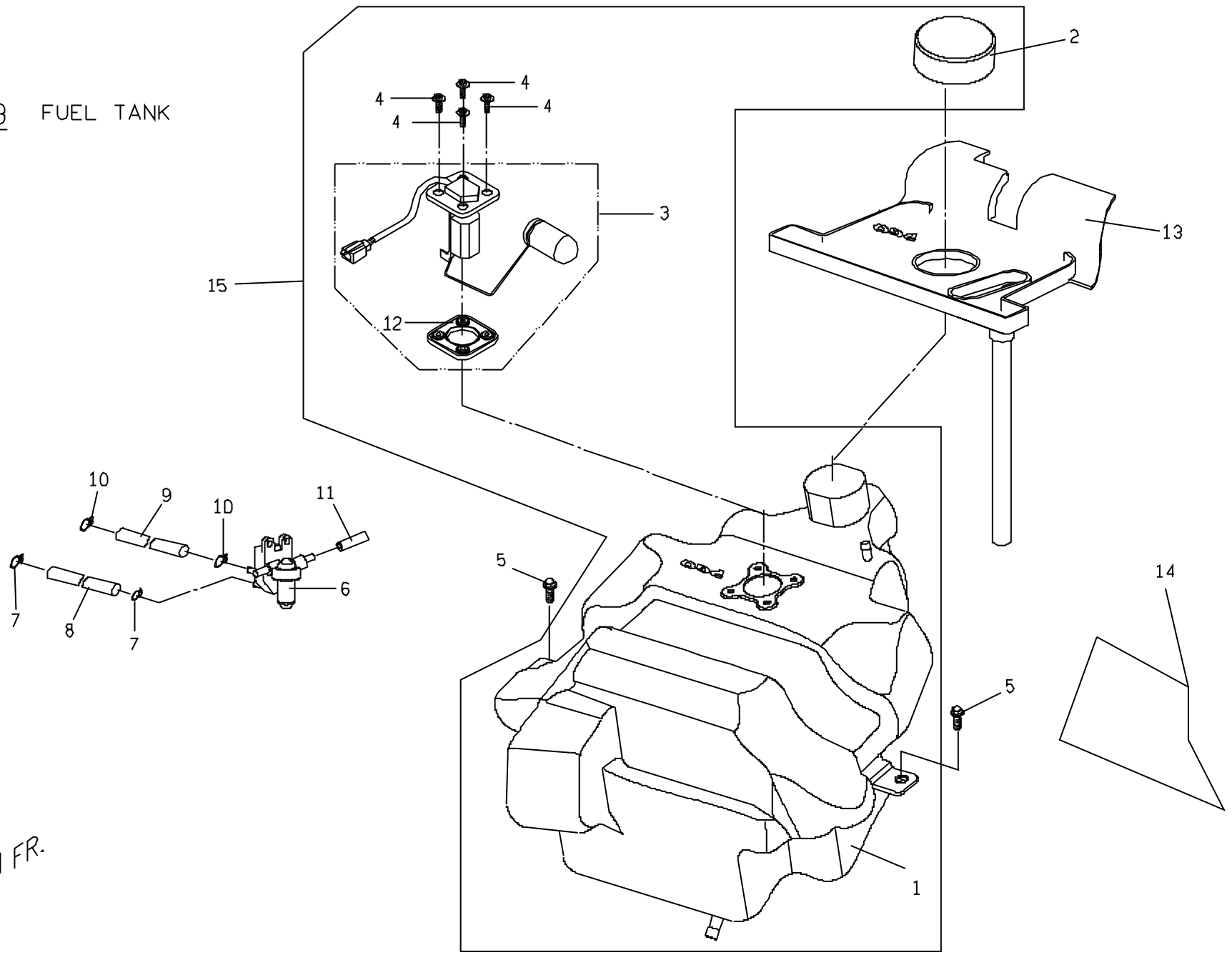


F12 CENTER STAND, SIDE STAND

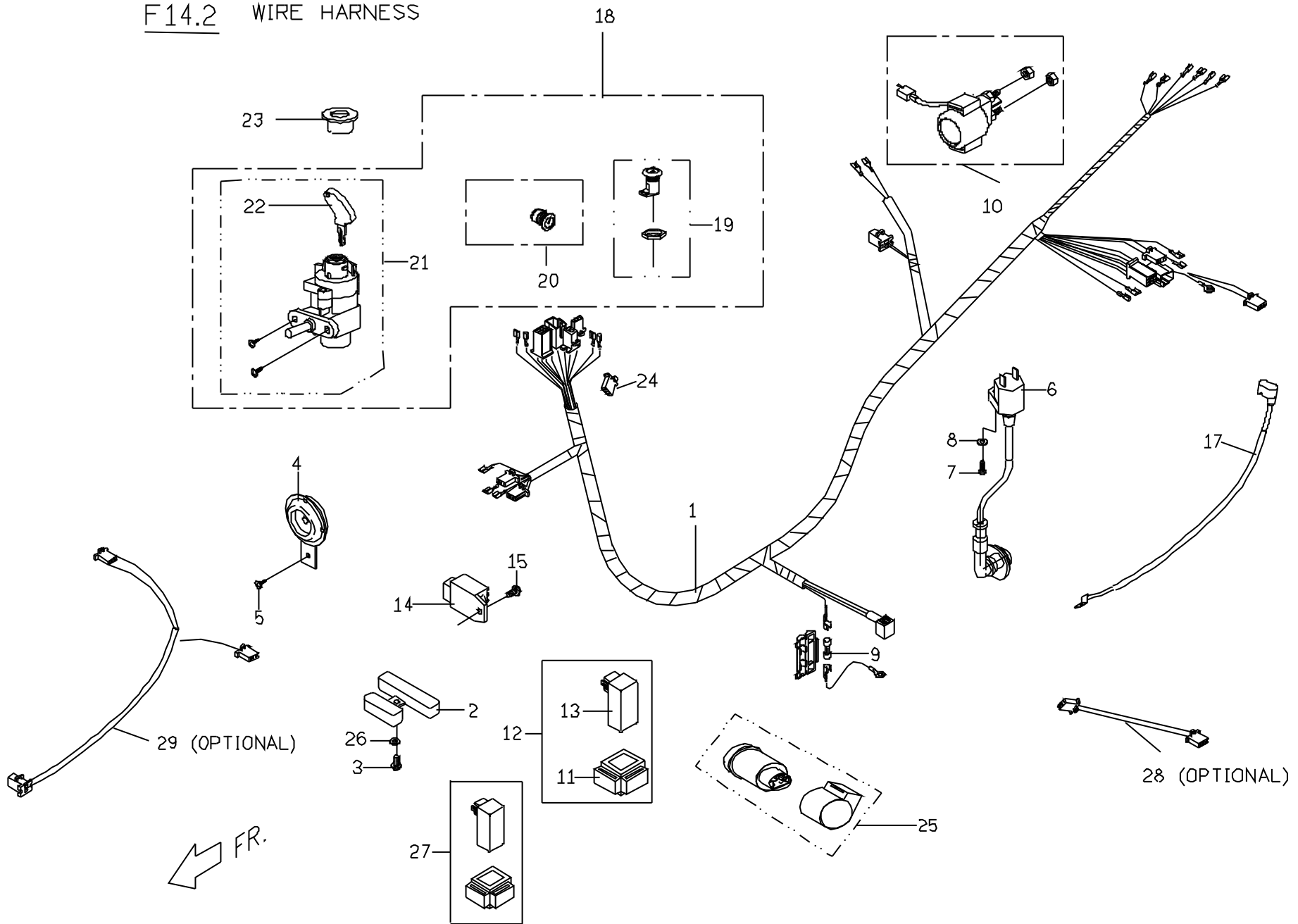


F13 FUEL TANK

FR. ←



F14.2 WIRE HARNESS



F14. CP125/150 WIRE HARNESS

No.	Part No.	Q'TY	PART NAME	PART NAME	REMARK
項目	零件號碼	數量	零件中文名稱	零件英文名稱	備註
1	C55816000001	1	主配線總成	WIRE HARNESS	
2	P1586600000	1	電阻器	RESISTOR	
3	90190601200	1	六角凸緣螺栓(M6*12L)	HEXAGON FLANGE BOLT	
4	C2583600000	1	喇叭	HORN	
5	90040601400	1	十字槽盤頭機器螺釘	C-R MACHINE HD,TAPPING SCREW	
6	C1584601000	1	點火線圈總成	COIL COMP,IGNITION	
7	90070502000	1	十字槽扁圓頭機器螺釘	C-R MACHINE HD,TAPPING SCREW	
8	92110500000	1	彈簧鎖緊墊圈	SPRING LOCK WASHER	
9	C158A020000	1	保險絲	FUSE	
10	C1581001000	1	起動繼電器總成	STARTER RELAY AND SUPPORTOR ASSY	
11	C1701200000	1	橡膠托架	RUBBER BRACKET	
12	C1582001000	1	電子點火控制器總成	CDI UNIT ASSY	
14	C1584000000	1	電壓調整器總成(交流)	VOL REGULATOR COMP	
15	90190602000	2	六角凸緣螺栓	HEXAGON FLANGE BOLT	
16	92030600004	2	六角螺帽	HEXAGON NUT	
17	C1583020000	1	電瓶正極線	BATTERY (+)LINE	
18	C1551006000	1	鎖總成	IGNITION SWTTCH COMP	
19	C1553002000	1	後蓋鎖總成	REAR COVER LOCK ASSY	
20	C1558001000	1	座墊鎖總成	SEAT LOCK ASSY	
21	C1552001000	1	電源鎖總成	IGNITION SWITCH ASSY	
22	C155B010000	1	空白色鑰匙	DUMMY KEY	
23	E1552010000	1	電源鎖襯套	IGNITION SWITCH RUBBER	
24	C158A010000	2	二極體組合	DIODE ASSY	
25	P2586011000	1	方向繼電器組合	FLASHER RELAY ASSY.	
26	92130600000	1	齒形墊圈	TEETH WASHER	

F15-LABELS



1



2



3



4



5



6



7



8



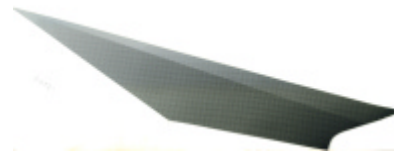
9



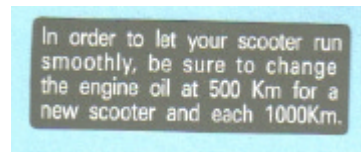
10



11



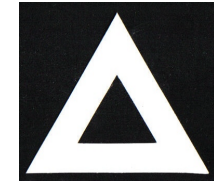
12



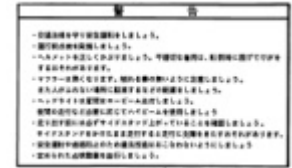
13



14



15



16



17

F15. CP125/150 LABELS

No.	Part No.	Q'TY	PART NAME	PART NAME	REMARK
項目	零件號碼	數量	零件中文名稱	零件英文名稱	備 註
1	C1601021000	1	PGO SCOOTERS貼紙(長方形)		
2	C1601080000	1	CP125DA貼紙(12")		CP125日本_9403
3	C1601140000	2	T-REX貼紙		CP125日本_9403
4	C1601412000	1	PGO SCOOTERS名牌(橢圓形)		
5	C1601420000	1	前土除反光貼紙		CP125日本_9403
6	C1601570000	2	下腹蓋PGO貼紙-2003		CP150日本_9403
7	C1601580000	1	左擋風板PGO貼紙-2003		CP150日本_9403
8	C1601590000	1	右擋風板PGO貼紙-2003		CP150日本_9403
9	C1601740000	1	左車身蓋貼紙 T-REX (2003)		CP150日本_9403
10	C1601750000	1	左車身蓋下方貼紙 T-REX (2003)		CP150日本_9403
11	C1601760000	1	右車身蓋貼紙 T-REX (2003)		CP150日本_9403
12	C1601770000	1	右車身蓋下方貼紙 T-REX (2003)		CP150日本_9403
13	C16030100001	1	機油更換貼紙 (外銷)		
14	C1603020000	1	汽油使用貼紙		
15	C2601210000	1	後反光貼紙		CP125日本_9403
16	C2603001000	1	注意事項貼紙 (日文)		
17	C5601220000	2	車身蓋150字體貼紙		CP150日本_9403