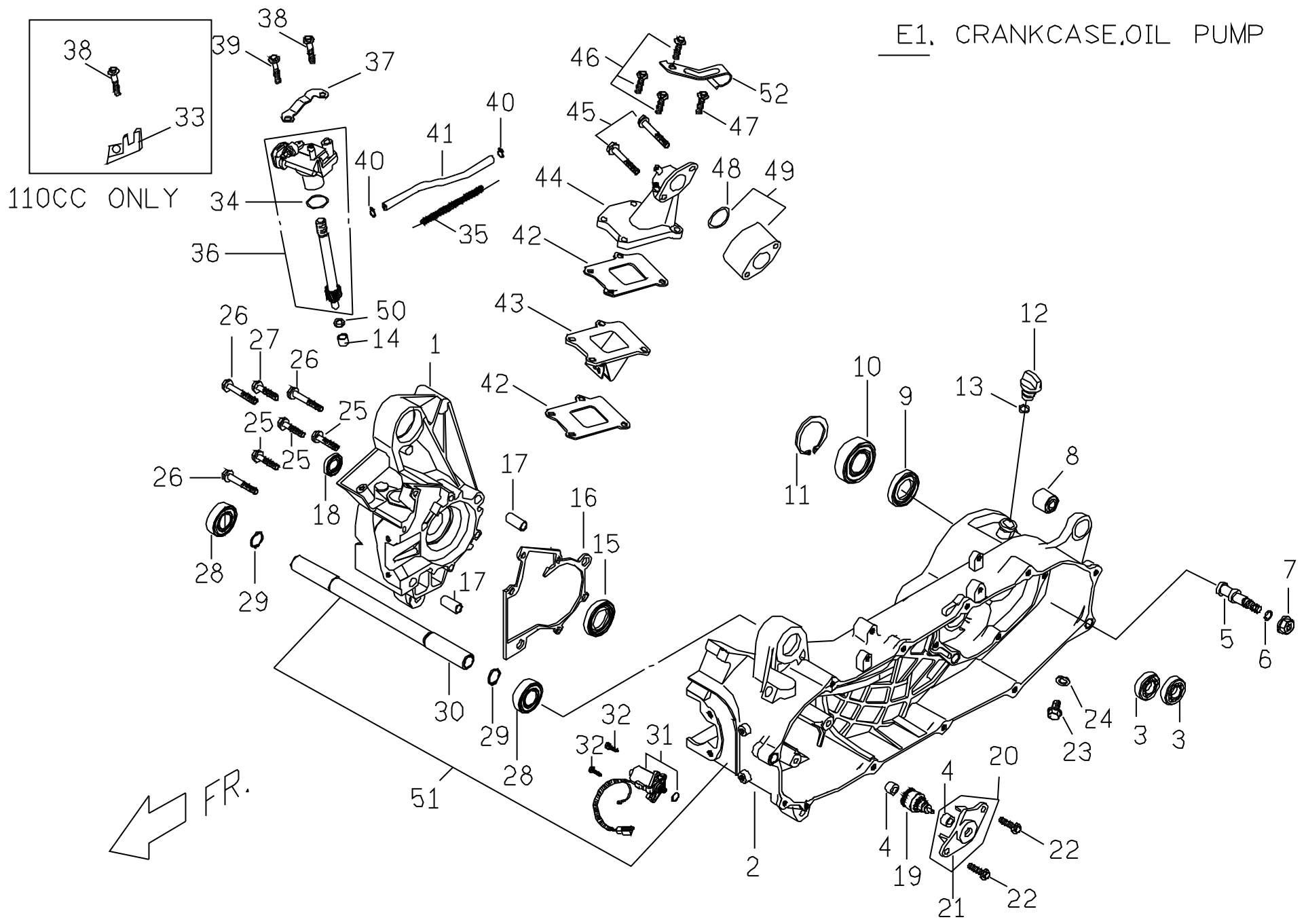


E1. CRANKCASE,OIL PUMP



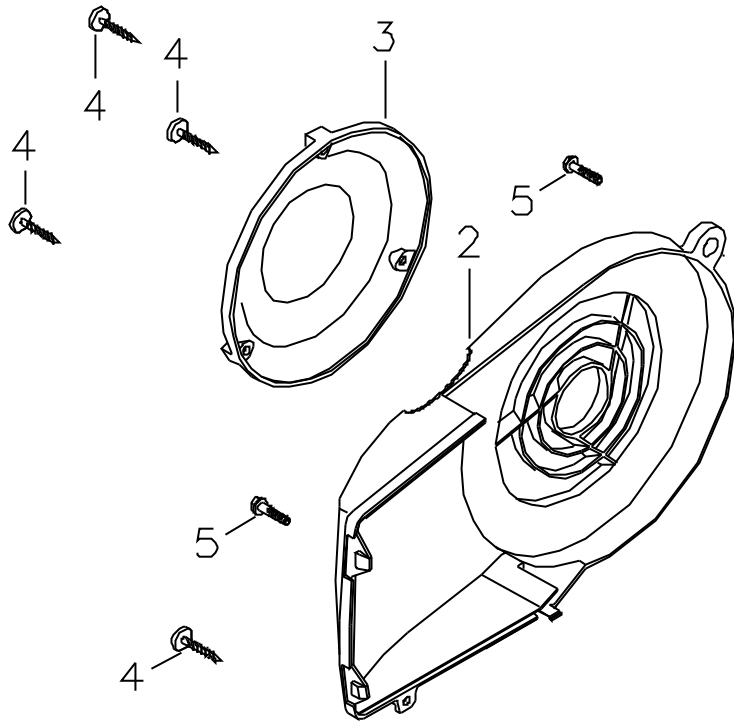
**E1. CRANK CASE OIL PUMP ( PMS50/PMS110 )**

NO.	PART NO.(50)	PART NO.(110)	PART NAME	Q'TY	REMARK
1	P1061010000	P0061010000	RH CRANKCASE	1	
2	P1062011000	P00620110001	LH CRANKCASE	1	
3	96510620000	96510620000	BALL BEARING	2	
4	E1062130000	E1062130000	BUSH	2	
5	P1407430000	P1407430000	PIVOT, RR BRAKE SHOE	1	
6	95510800000	95510800000	O RING	1	
7	92040800000	92040800000	HEXAGON FLANGE NUT	1	
8	P1062020000	P1062020000	RUBBER BUSH	1	
9	95572540700	95572540700	OIL SEAL, TC TYPE	1	
10	96530620400	96530620400	BALL BEARING, DOUBLE SEAL	1	
11	92164700000	92164700000	RETAINING, RING, C TYPE	1	
12	P1062150000	P1062150000	OIL BOLT	1	
13	95511300001	95511300001	O RING	1	
14	E1061030000	E1061030000	BUSH	1	
15	95572038700	95572038700	OIL SEAL, TC TYPE	1	
16	P1061040000	P0061041000	GASKET , CRANKCASE	1	
17	93541002300	93541002300	LOCK PIN	2	
18	95571525700	95571525700	OIL SEAL, TC TYPE	1	
19	E1242001000	E92420000001	IDLE GEAR COMP, STARTER	1	
20	P1242111000	P1242111000	FIXED PLATE, STARTER COMP.	1	
21	NA	NA	FIXING PLATE	1	not supplied
22	90190601601	90180602000	HEXAGON FLANGE BOLT	2	
23	90190801200	90190801200	HEXAGON FLANGE BOLT	1	
24	92140800001	92140800001	WASHER	1	
25	90190604500	90190604500	HEXAGON FLANGE BOLT	3	
26	90190606000	90190606000	HEXAGON FLANGE BOLT	3	
27	90190602700	90190602700	HEXAGON FLANGE BOLT	1	
28	96530600300	96530600300	BALL BEARING, DOUBLE SEAL	2	

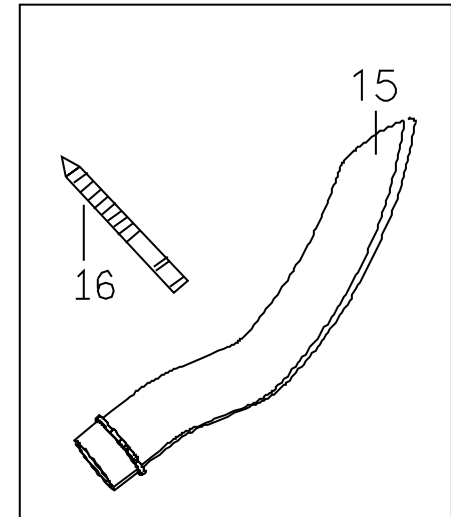
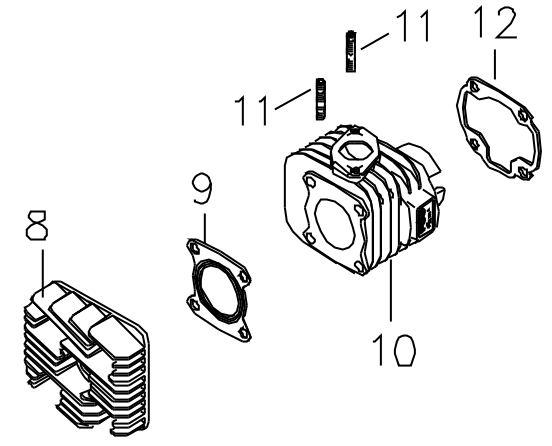
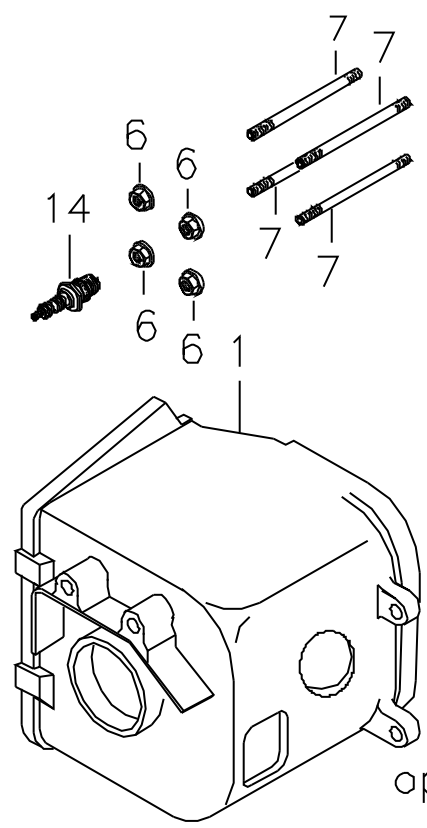
**E1. CRANK CASE OIL PUMP ( PMS50/PMS110 )**

<b>NO.</b>	<b>PART NO.(50)</b>	<b>PART NO.(110)</b>	<b>PART NAME</b>	<b>Q'TY</b>	<b>REMARK</b>
29	92171700000	92171700000	RETAINING, RING, C TYPE	2	
30	P1486020000	P1486020000	ENGINE HANGER SHAFT	1	
31	E124100000	P0241001000	MOTOR COMP., STARTER	1	
32	90040602001	90210602000	HEXAGON FLANGE BOLT	2	
33	P1081100000	P9081100000	DRIVING SHAFT, OIL PUMP	1	
34	95512000001	95511900000	O RING	1	
35	P1706611000	P1706611000	COMPRESION SPRING	1	
36	P10810010001	P90810000001	OIL PUMP ASSY.	1	
37	P10812100000	P9081211000	OIL PUMP PLATE	1	
38	90190603500	90190603500	HEXAGON FLANGE BOLT	2	
39	90190601201	90190601201	HEXAGON FLANGE BOLT	1	
40	93550500800	P1706270000	SPRING PIN	2	
41	P1081301000	P9081300000	RUBBER TUBE	1	
42	P1261020000	P1261020000	GASKET, REED VALVE	1	
43	P1261101000	P0261100000	REED VALVE COMP.	1	
44	P1261014000	P0261011000	INTAKE MANIFOLD	1	
45	90190603500	90190603000	HEXAGON FLANGE BOLT	2	
46	90190602500	90190602500	HEXAGON FLANGE BOLT	3	
47	90190608600	90190608001	HEXAGON FLANGE BOLT	1	
48	95512300000	95512300000	O RING	1	
49	P12613000001	P12613000001	INSULATOR ASSY., CARB.	1	
50	92140700001	92140700001	PLAIN WASHER	1	
51	P106K011000	P006K0110001	RH/LH CRANKCASE COMP.	1	
52	P1706400000	P1706400000	FIXING CLIP	1	

E2. FAN COVER, COOLING COWL  
CYLINDER, CYLINDER HEAD



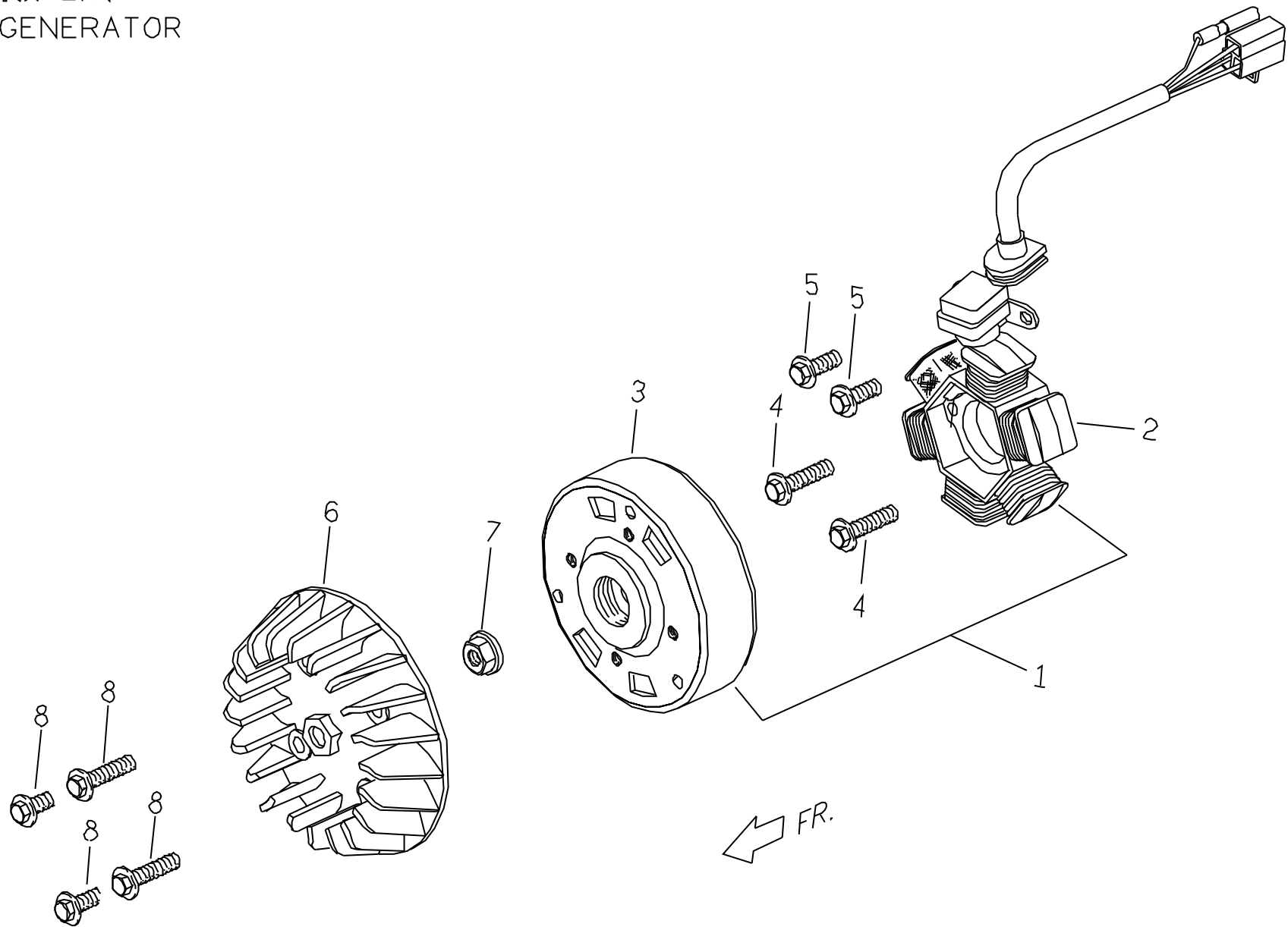
FR. ←



optional device for frozen area

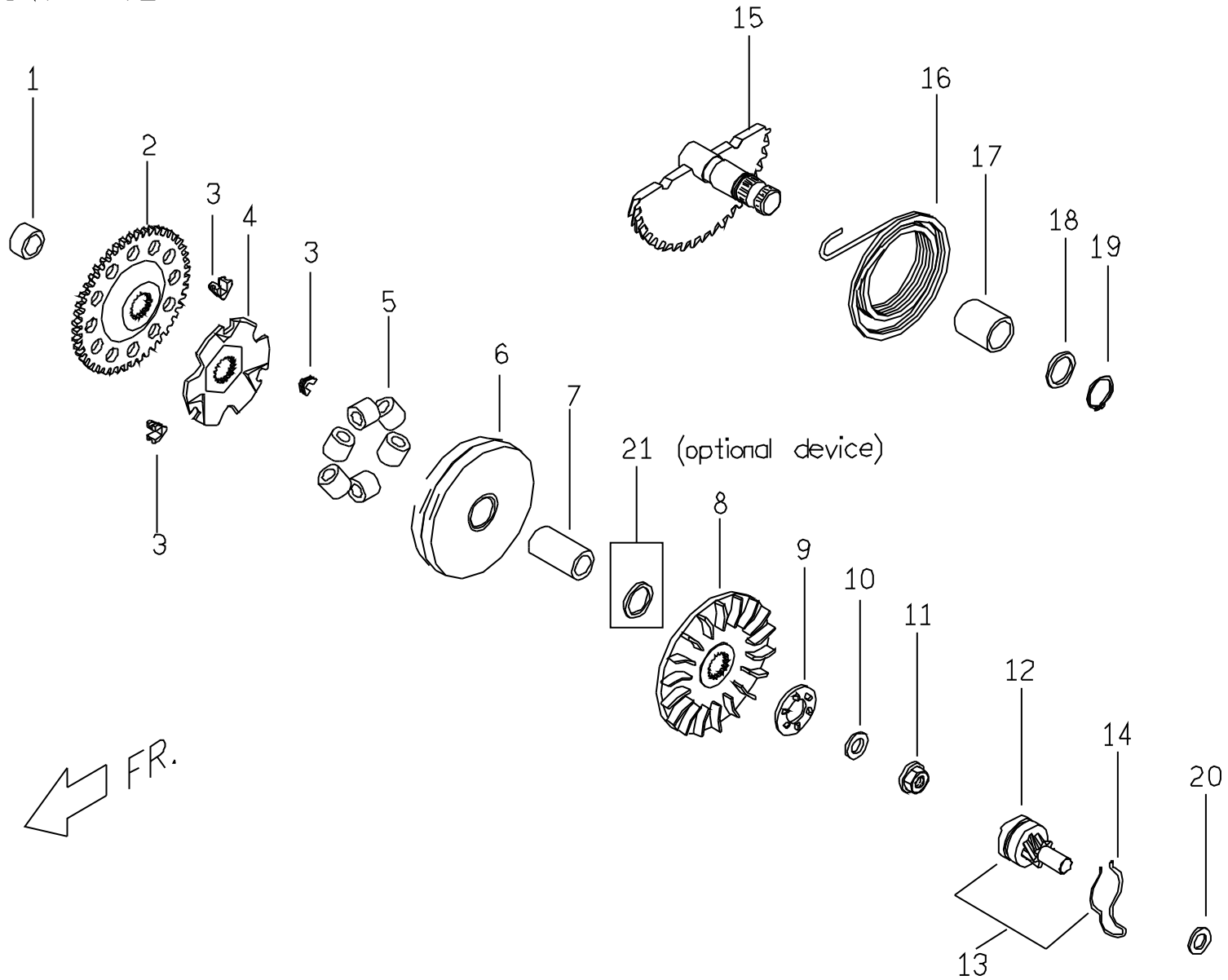


E3 風扇.發電機  
FAN,GENERATOR





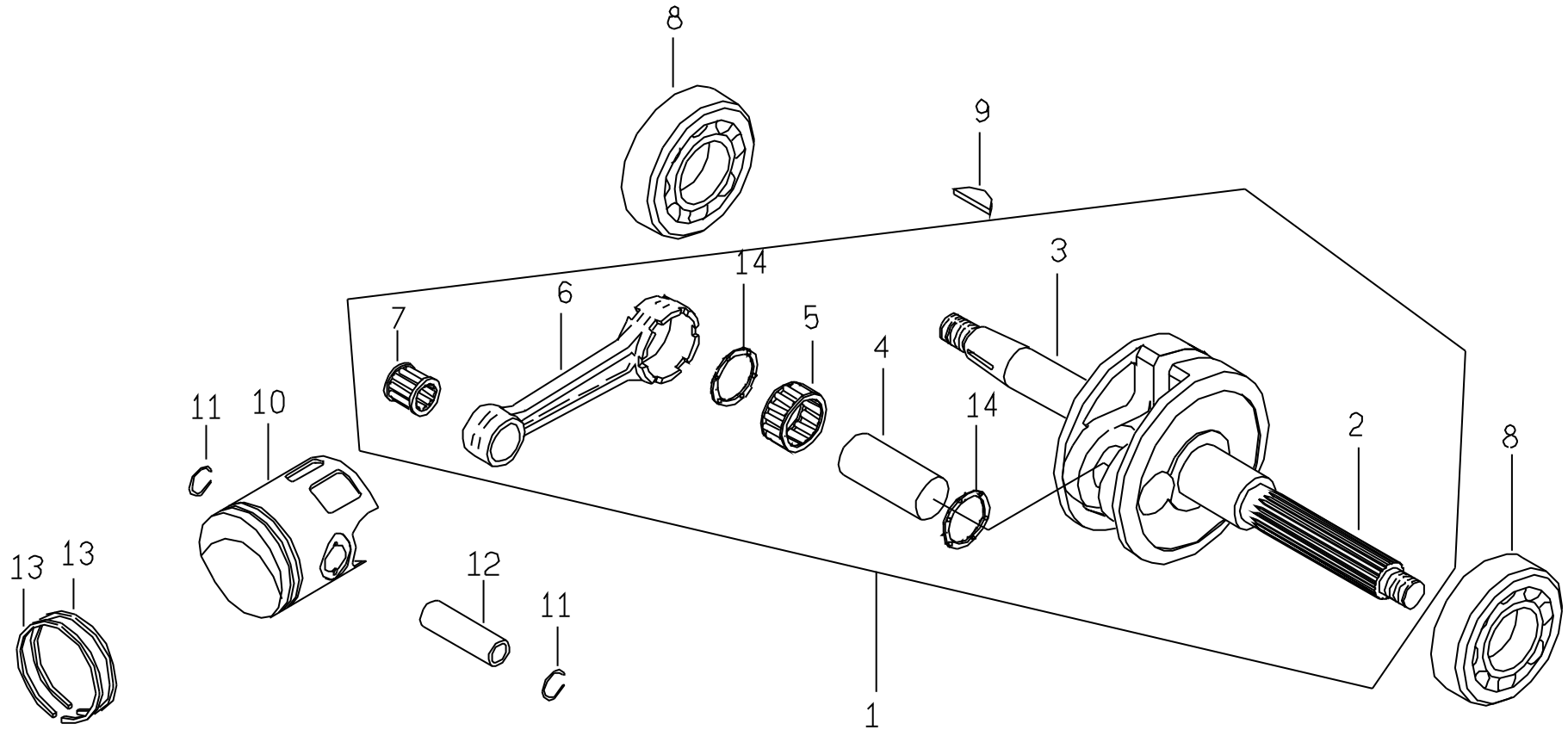
E4 DRIVING FACE



**E4. DRIVING FACE ( PMS50/PMS110 )**

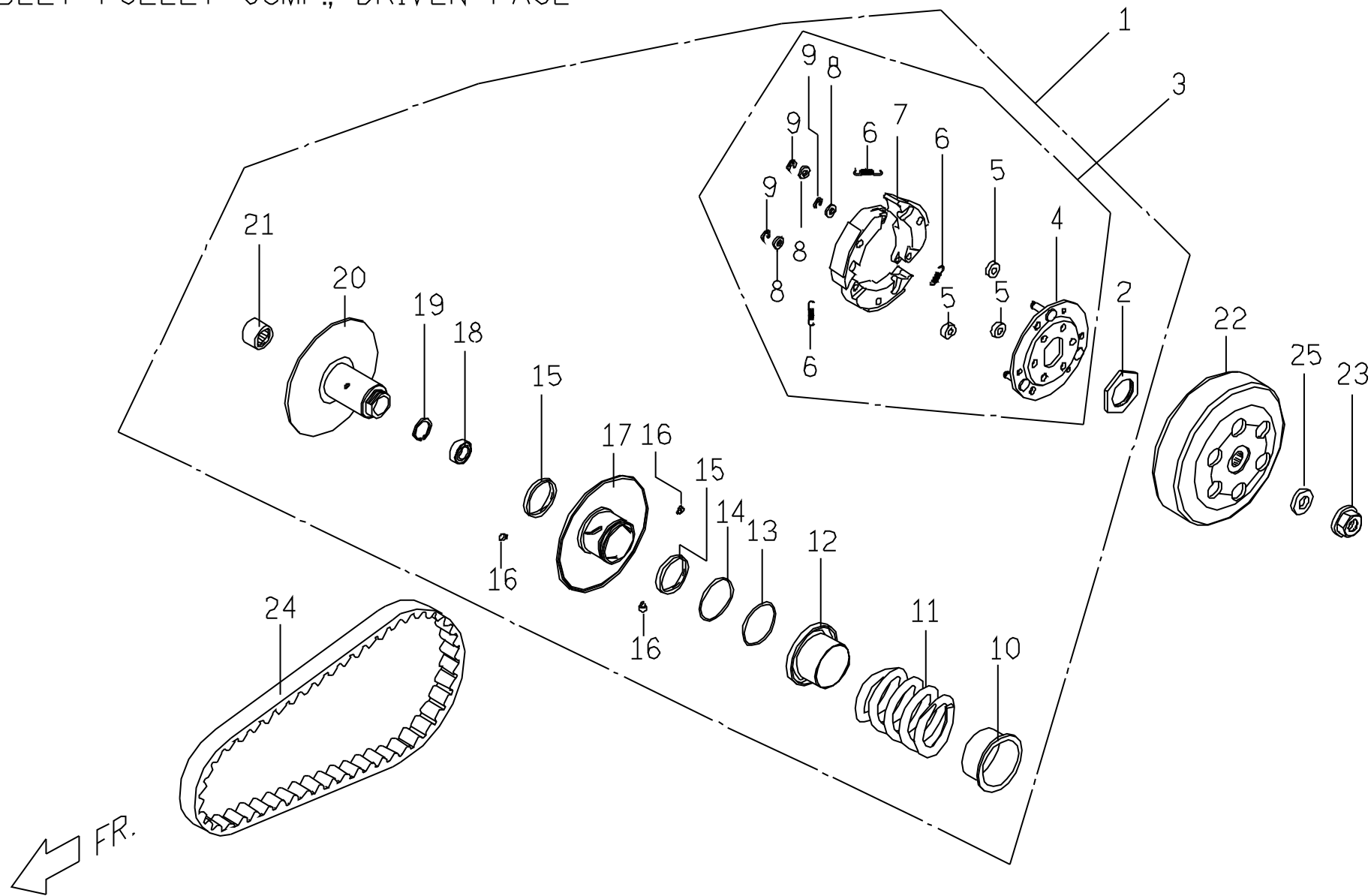
NO.	PART NO.(50)	PART NO.(110)	PART NAME	Q'TY	REMARK
1	P1242210000	P9242210000	SPACER	1	
2	P1242200000	P9242201000	DRIVEN GEAR, STERTER	1	
3	P1121320000	P9121320000	SLIDE PIECE	3	
4	P1121310000	P9121310000	RAMP PLATE	1	
5	P1121200000	P11212000003	WEIGHT ROLLER COMP.	6	
6	P1121101000	P9121101000	DRIVING FACE COMP., MOVABLE	1	
7	P1121050000	P9121050000	BOSS, MOVABLE DRIVE FACE	1	
8	P1121060000	P9121060000	DRIVE FACE	1	
9	P1251030000	P9251030000	RATCHET, KICK STARTWER	1	
10	92141000001	92141000001	PLAIN WASHER	1	
11	92041000001	92041000001	HEXAGON FLANGE NUT	1	
12	E1251010000	P0251010000	DRIVEN GEAR COMP., KICK STARTER	1	not supplied
13	E1251000000	P0251000000	DRIVEN GEAR 7 SPRING COMP.	1	
14	E1251020000	E1251020000	SPRING, FRICTION STARTER GEAR	1	not supplied
15	E1251101000	P0251100000	SPINDLE COMP., KICK STARTER	1	
16	E2251110000	E2251110000	TORSION SPRING	1	
17	E1251120000	E1251120000	BUSH	1	
18	92141400000	92141400000	PLAIN WASHER	1	
19	92171400000	92171400000	RETAINING RING, C TYPE	1	
20	92141000011	92141000011	PLAIN WASHER	1	

E5 CRANKSHAFT.PISTON





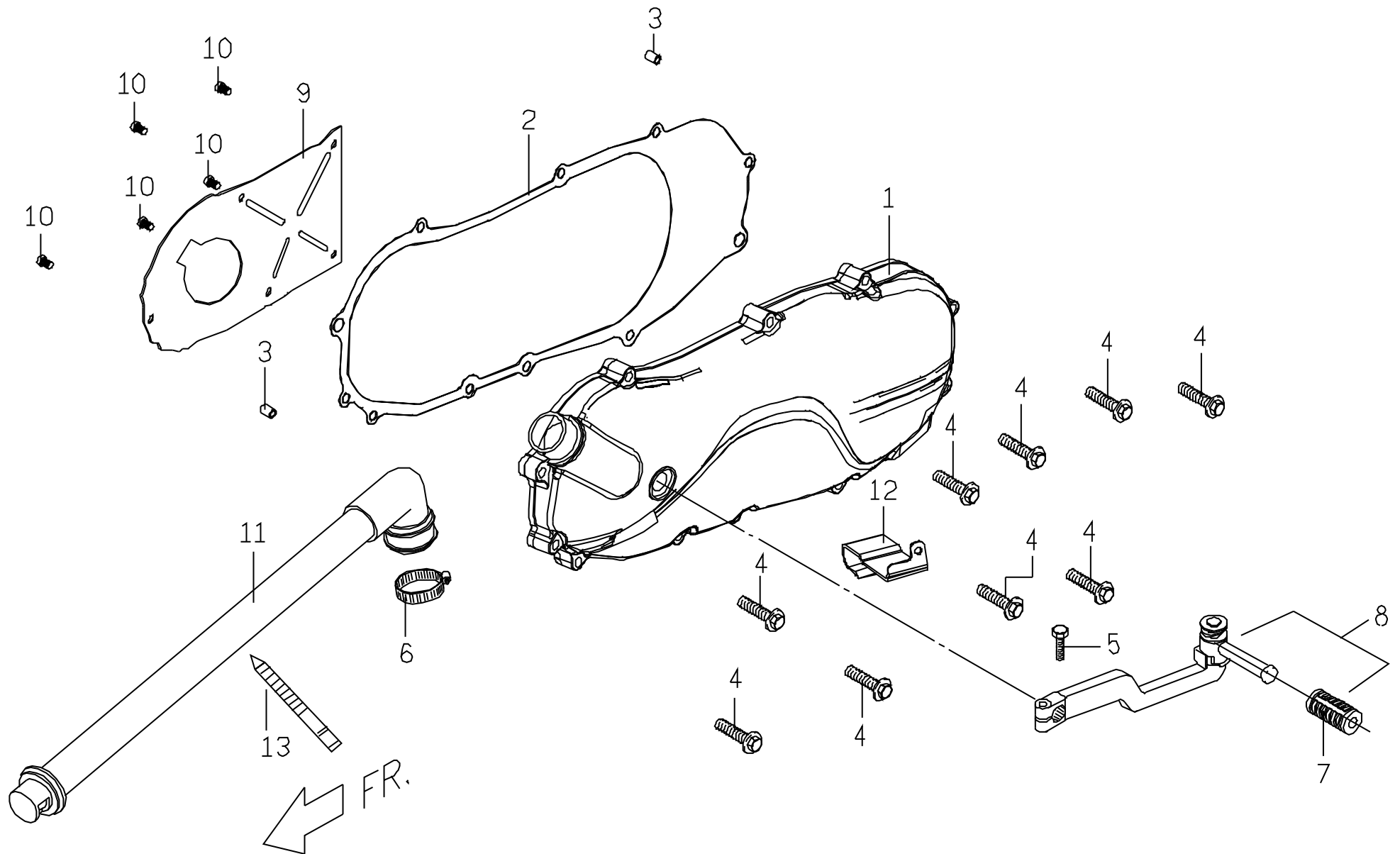
E6 被驅動面皮帶輪組合  
BELT PULLEY COMP., DRIVEN FACE



**E6. BELT PULLY COMP. DRIVEN FACE ( PMS50/PMS110 )**

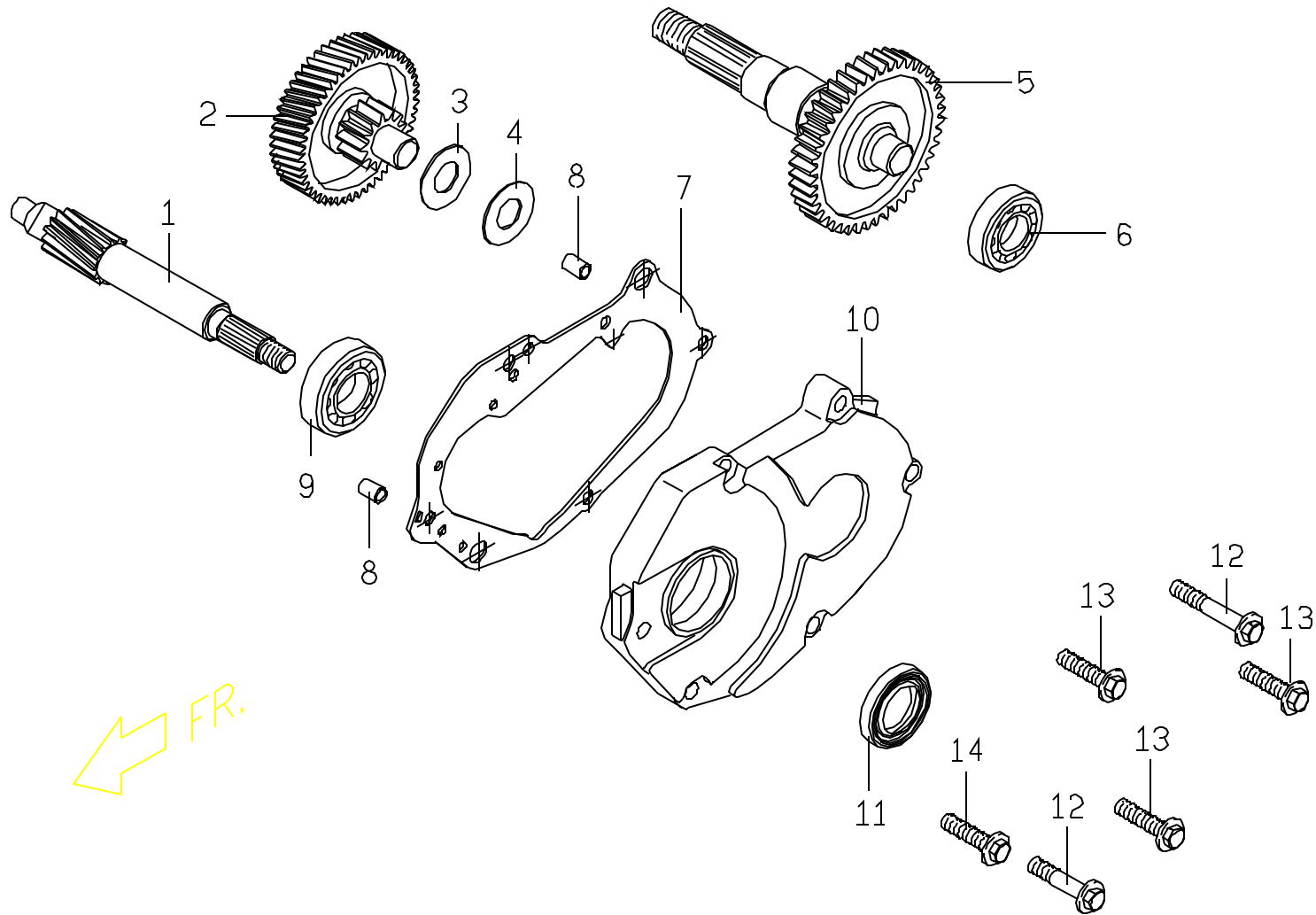
<b>NO.</b>	<b>PART NO.(50)</b>	<b>PART NO.(110)</b>	<b>PART NAME</b>	<b>Q'TY</b>	<b>REMARK</b>
1	P1123701000	P0123703000	BELT PULLY COMP, DRIVEN FACE	1	
2	P1123410000	P9123410000	NUT	1	
3	P1123300000	P9123300000	BODY COMP., DRIVE PLATE	1	
4	P1123420000	C1123420000	DAMPER RUBBER, CLUTCH	3	
5	P1123430000	C1123430000	SPRING , CLUTCH	3	
6	P1123441000	P0123440000	WEIGHT SET, CLUTCH	3	
7	92140600008	92140600008	PLAIN WASHER	3	
8	92180500000	92180700000	RETAINING RING, E TYPE	3	
9	P1123330000	P0123330000	COLLAR, SPRING	1	
10	P1123520000	P01235200001	SPRING, DRIVEN FACE	1	
11	P1123530000	P9123530000	SEALED SOCKET	1	
12	95513600000	95513600000	O RING	1	
13	95514000001	95514000001	O RING	1	
14	95593439300	95593439300	OLI SEAL , G TYPE	2	
15	P1123240000	P9123240000	PIN, GUIDE ROLLER	3	
16	P1123210000	P9123210000	BODY COMP, MOVABLE DRIVEN FACE	1	
17	96520690100	96520690100	DEEP GROOVE BALL BEARING, ONE SEAL	1	
18	92162400000	92162400000	RETAINING RING, C TYPE	1	
19	P1123110000	P9123110000	BODY COMP, DRIVEN FACE	1	
20	E1123140000	E1123140000	NIDDLE BEARING	1	
21	P1123510000	P0123510000	OUTER BODY COMP., CLUTCH	1	
22	92041000001	92041000001	HEXAGON FLANGE NUT	1	
23	P1122000000	P9122000000	V BELT	1	
24	92141000001	92141000001	PLAIN WASHER	1	
25	P1123600000	P0123600000	DRIVE PLATE COMP	1	

E7 LH. SIDE COVER



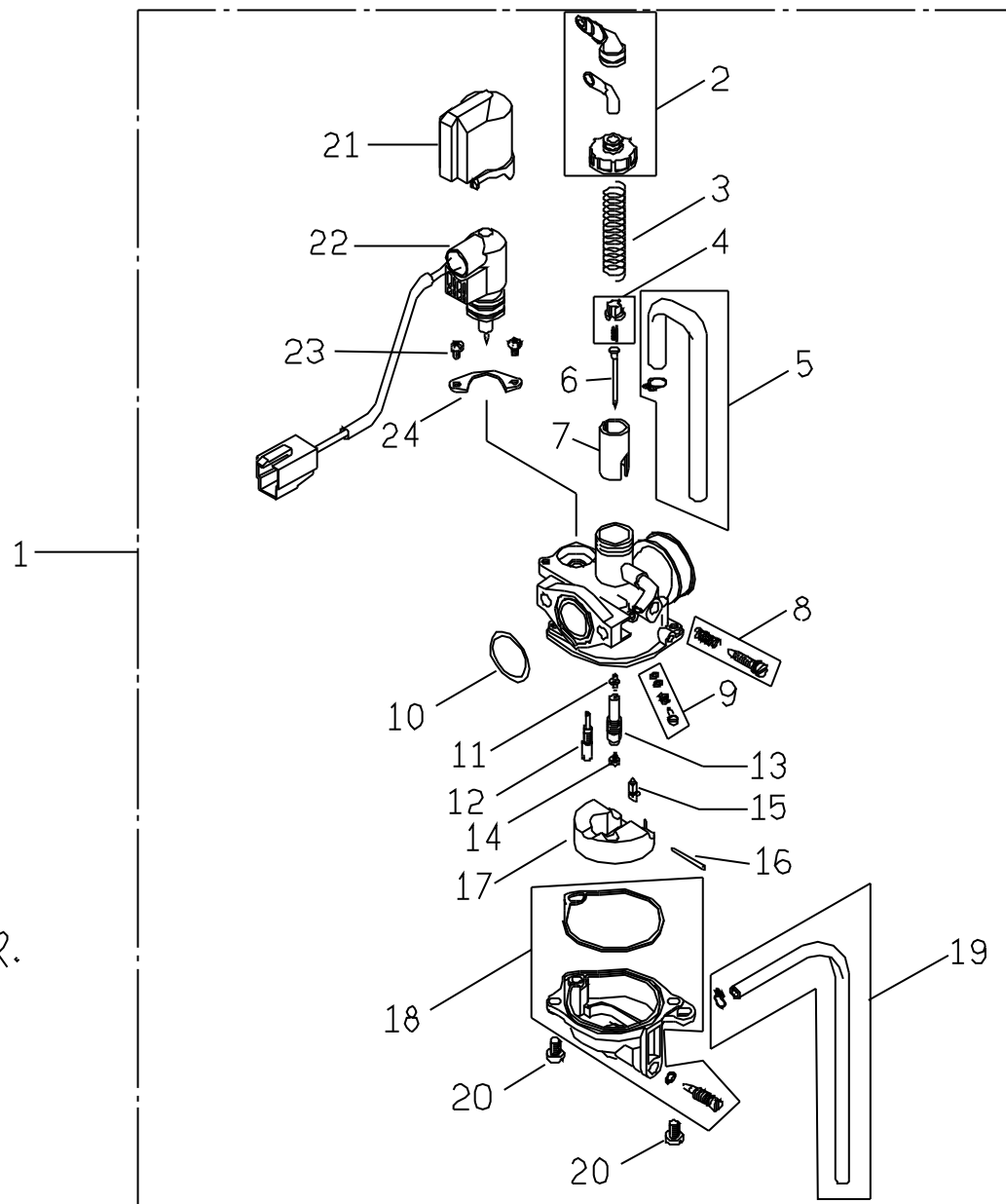


E8 傳動系  
TRANSMISSION





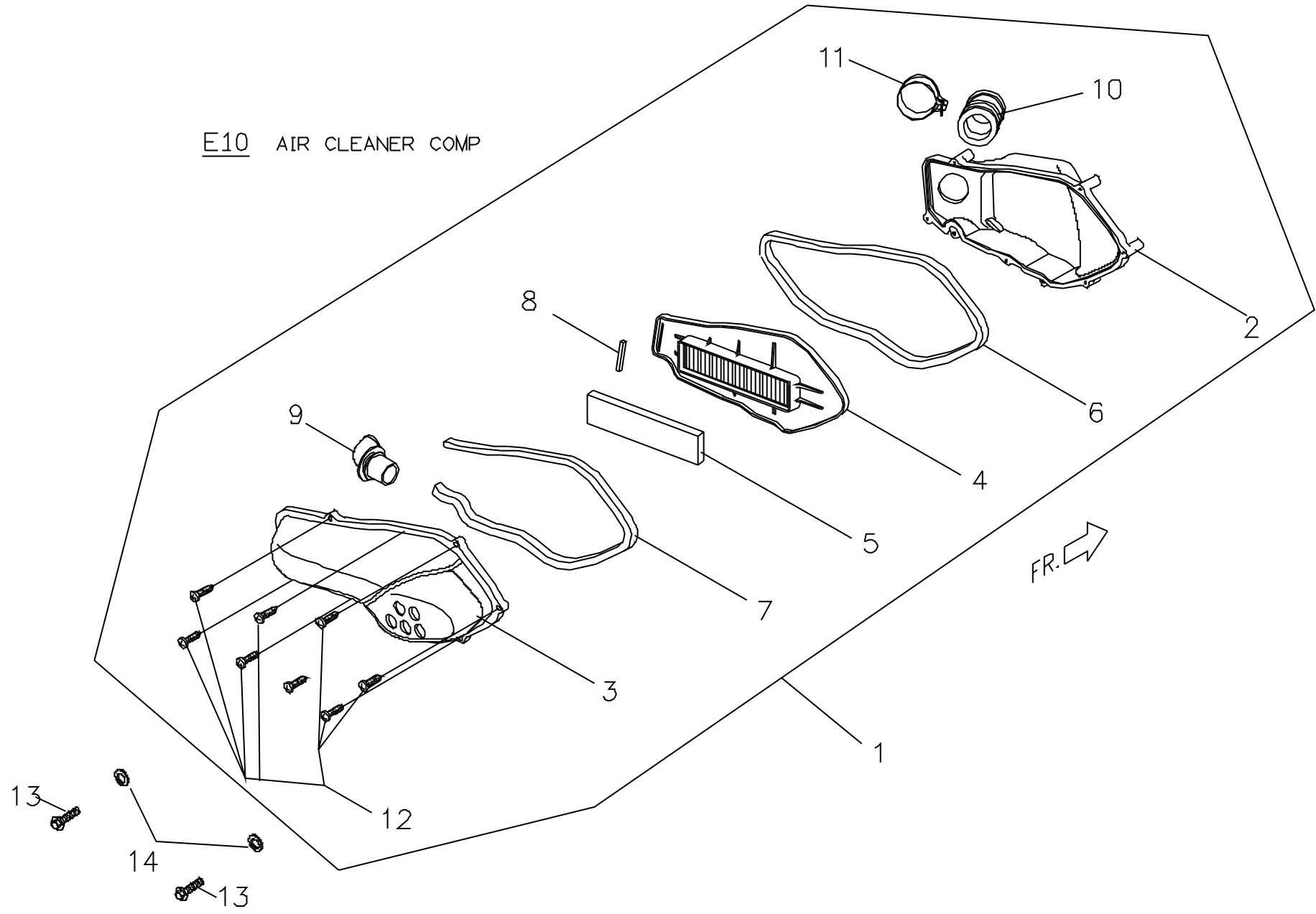
E9.1 化油器  
CARBURETOR



**E9. CARBURETOR ( PMS50/PMS110 )**

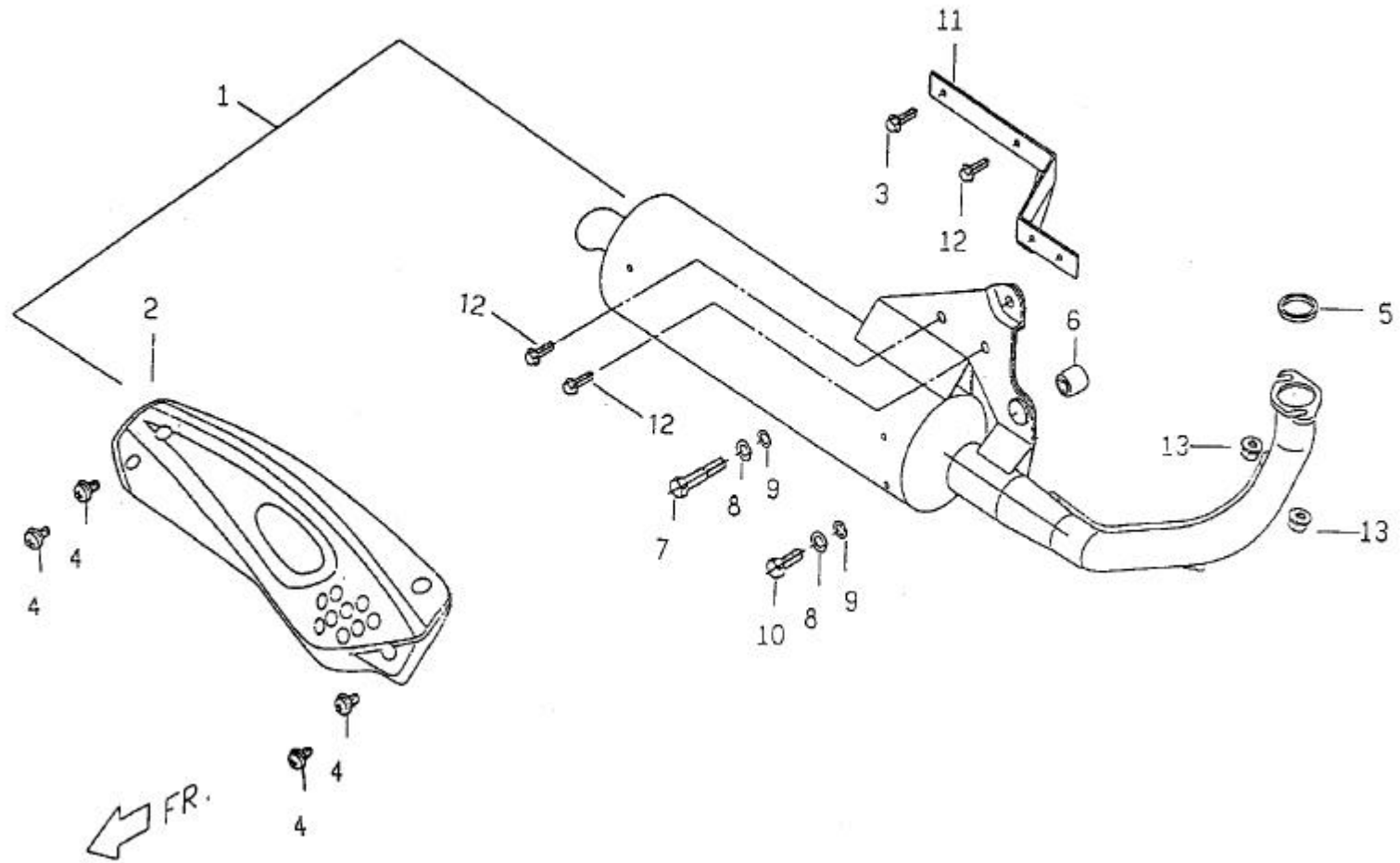
<b>NO.</b>	<b>PART NO.(50)</b>	<b>PART NO.(110)</b>	<b>PART NAME</b>	<b>Q'TY</b>	<b>REMARK</b>
1	P11510010002	P01510010001	CARBURETOR ASSY.	1	
2	D19KT0140100	D19KT0080100	TOP SET	1	
3	D19KT0040200	D19KT0070200	SPRING COMP.	1	
4	D19KT0010300	D19KT0010300	PLATE SET	1	
5	D19KT0262100	D19KT0262100	TUB SET	1	
6	D19KT0130400	D19KT0140400	JET NEEDLE	1	
7	D19KT0150500	D19KT0060500	THROTTLE VALVE	1	
8	D19KT0091600	D19KT0031400	SCREW SET	1	
9	D19KT0071400	D19KT0071400	SCREW SET (A.S.)	1	
10	D19KT0031500	D19KT0031500	O RING	1	
11	D19KT0140600	D19KT0050600	HOLDER, NEEDLE JET	1	
12	D19KT0061100	D19KT0061100	SLOW JET	1	
13	D19KT0080900	D19KT0080900	NEEDLE JET	1	
14	D19KT0131000	D19KT0131000	MAIN JET	1	
15	D19KT0030700	D19KT0030700	FLOAT VALVE SET	1	
16	D19KT0010800	D19KT0010800	PIN, ARM	1	
17	D19KT0061200	D19KT0061200	FLOAT SET	1	
18	D19KT0031300	D19KT0031300	FLOAT CHAMBER SET	1	
19	D19KT0272100	D19KT0272100	TUB SET	1	
20	D19KT0061900	D19KT0061900	SCREW WASHER	2	
21	D19KT0022000	D19KT0022000	CAP HOLDER	1	
22	D19KT0151700	D19KT0361700	AUTO BYSTARTER SET	1	
23	D19KT0051900	D19KT0051900	SCREW WASHER	2	
24	D19KT0011800	D19KT0011800	PLATE SET	1	

E10 AIR CLEANER COMP



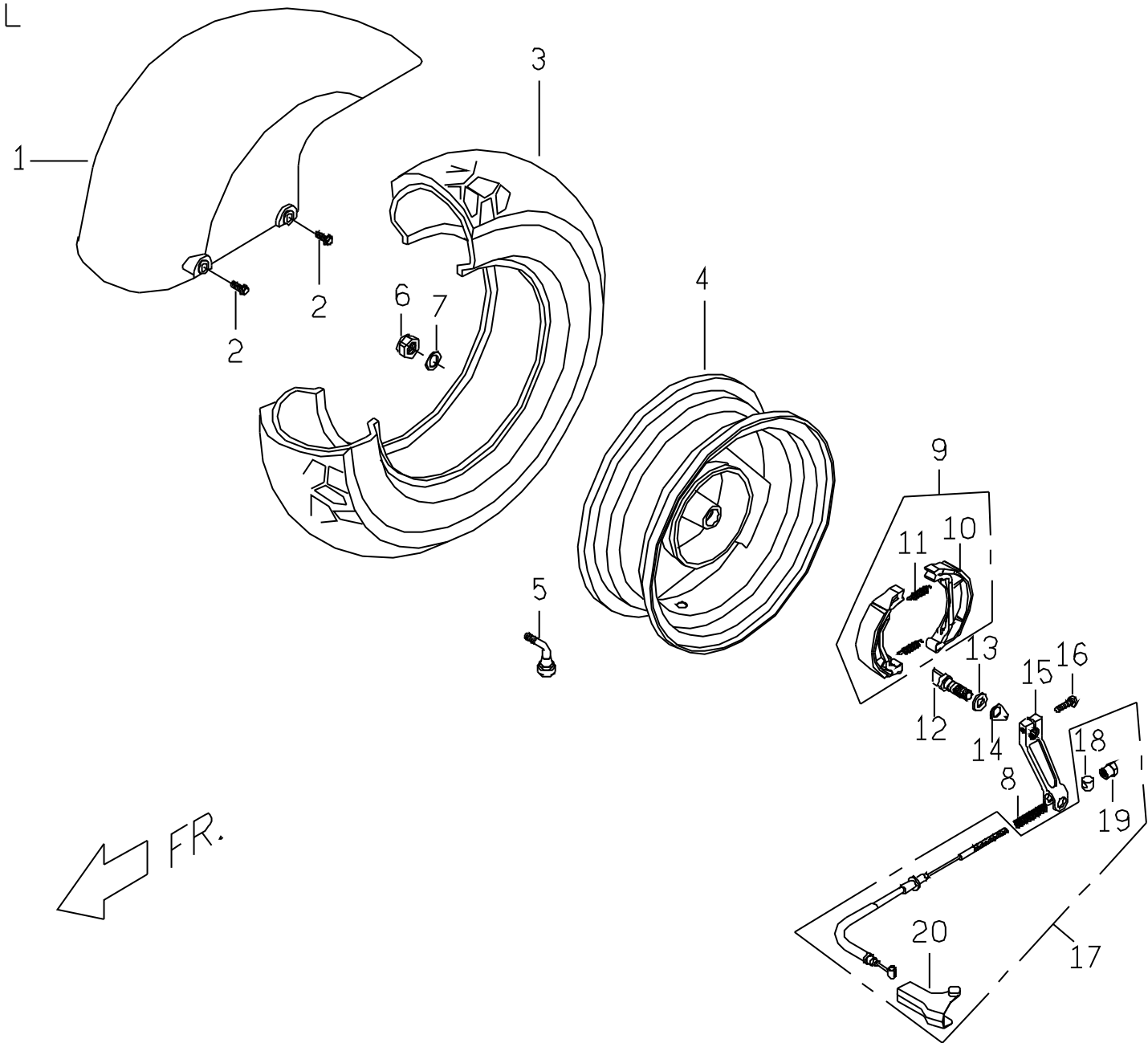


E11 MUFFLER





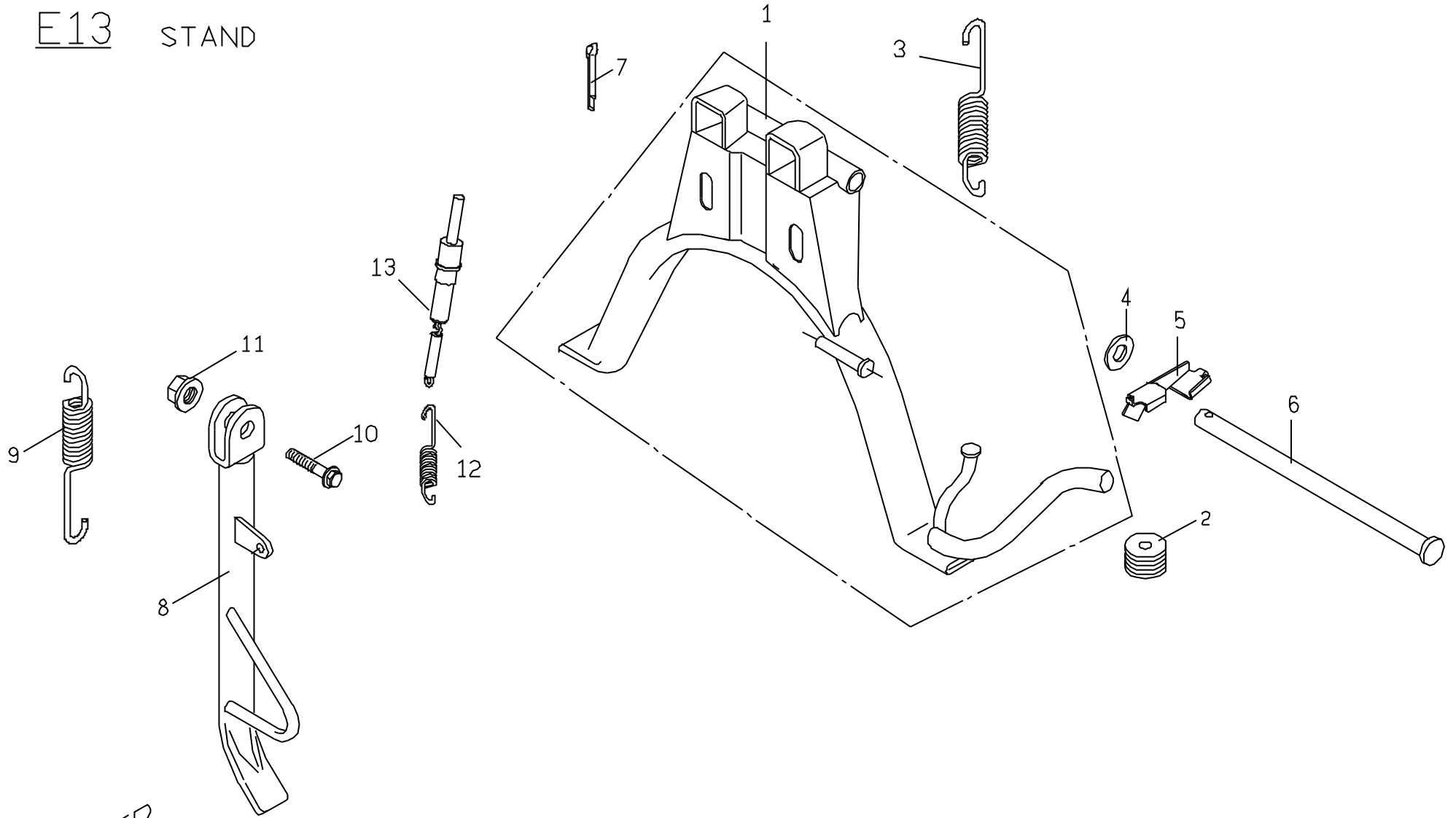
# E12 REAR WHEEL



**E12. REAR WHEEL ( PMS50/PMS110 )**

NO.	PART NO.(50)	PART NO.(110)	PART NAME	Q'TY	REMARK
1	P2634000650	P2634000650	REAR FENDER	1	
2	90180602000	90180602000	HEXAGON FLANGE BOLT	2	
3	C540G320000	C540G320000	TIRE 130/70-12	1	VN
4	P84071017702	P84071017702	RR WHEEL COMP.	1	
5	P140B330000	P140B330000	VALVE	1	
6	92011600000	92011600000	U TYPE NUT	1	
7	92141700001	92141700001	PLAIN WASHER	1	
9	E14074000002	E14074000002	BRAKE SHOE ASSY.	1	
10	E1407420000	E1407420000	BRAKE SHOE COMP.	2	
11	E1407410000	E1407410000	SPRING, BRAKE SHOE	2	
12	E1407440000	E1407440000	CAM, REAR BRAKE	1	
13	95511000002	95511000002	AEPE WASHER	1	
14	E1407450000	E1407450000	INDICATOR, RR BRAKE	1	
15	P1407471000	P1407471000	ARM, REAR BRAKE	1	
16	90020602203	90020602203	HEXAGON BOLT	1	
17	P0544401000H	P0544401000H	CABLE ASSY, RR BRAKE	1	
18	E1544440000	E1544440000	PIN	1	
19	E1544410000	E1544410000	ADJUST NUT, CABLE	1	
20	P1543390000	P1543390000	PROTECTING COVER	1	
21	E1544420000	E1544420000	SPRING, RR BRAKE ARM	1	
22	95511000002	95511000002	O RING	1	

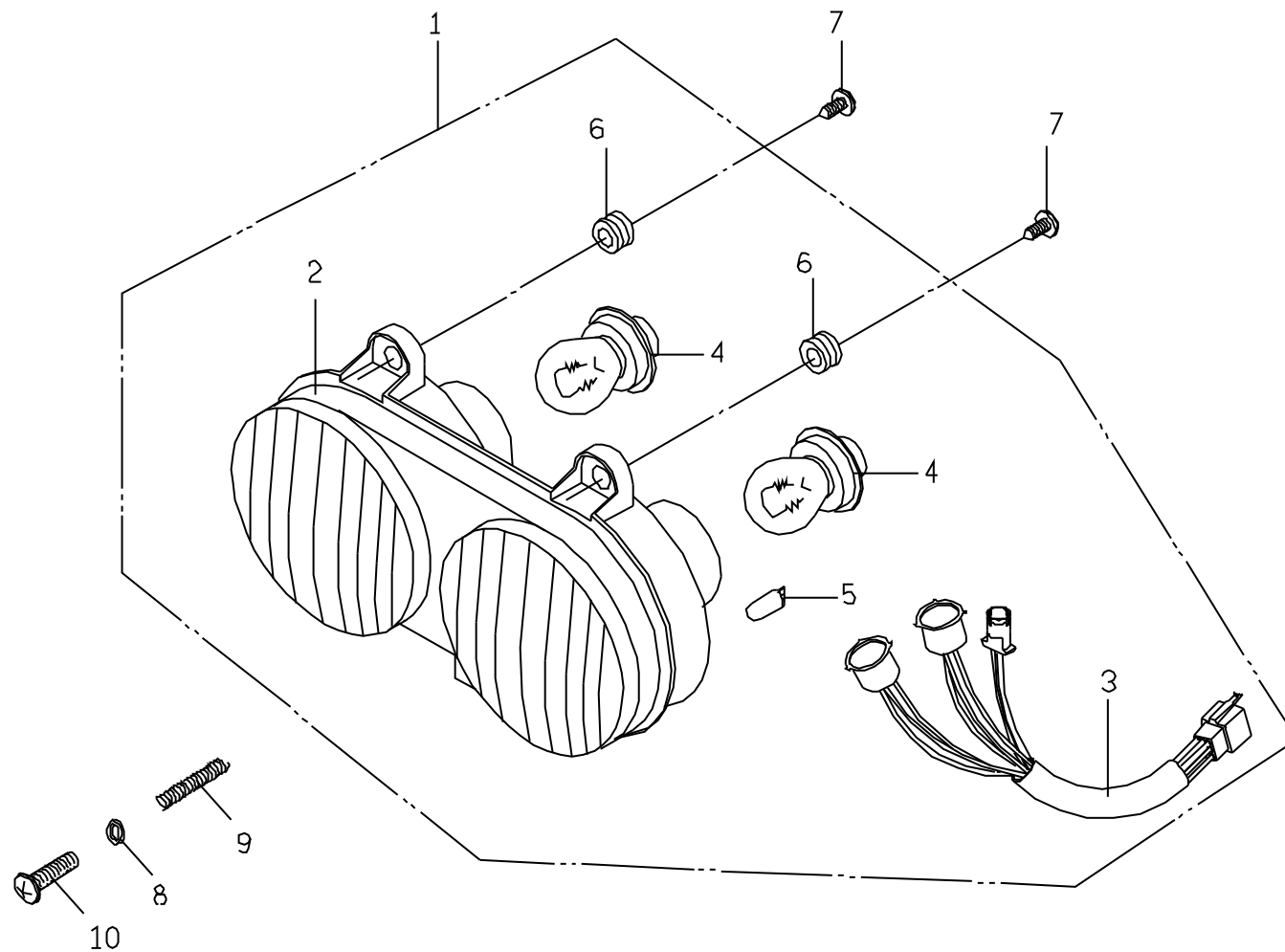
E13 STAND



← FR.



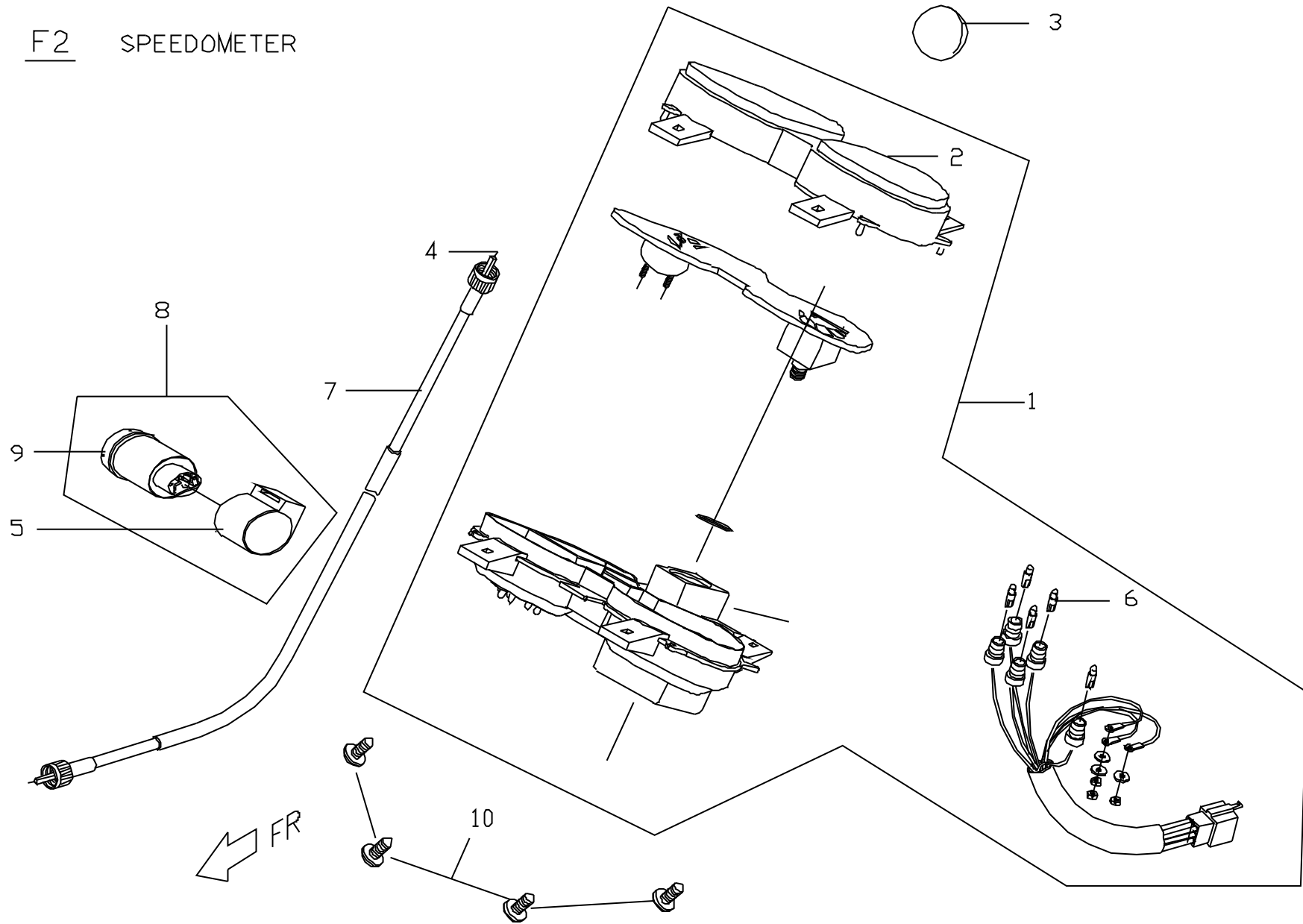
# F1 HEAD LIGHT



← FR

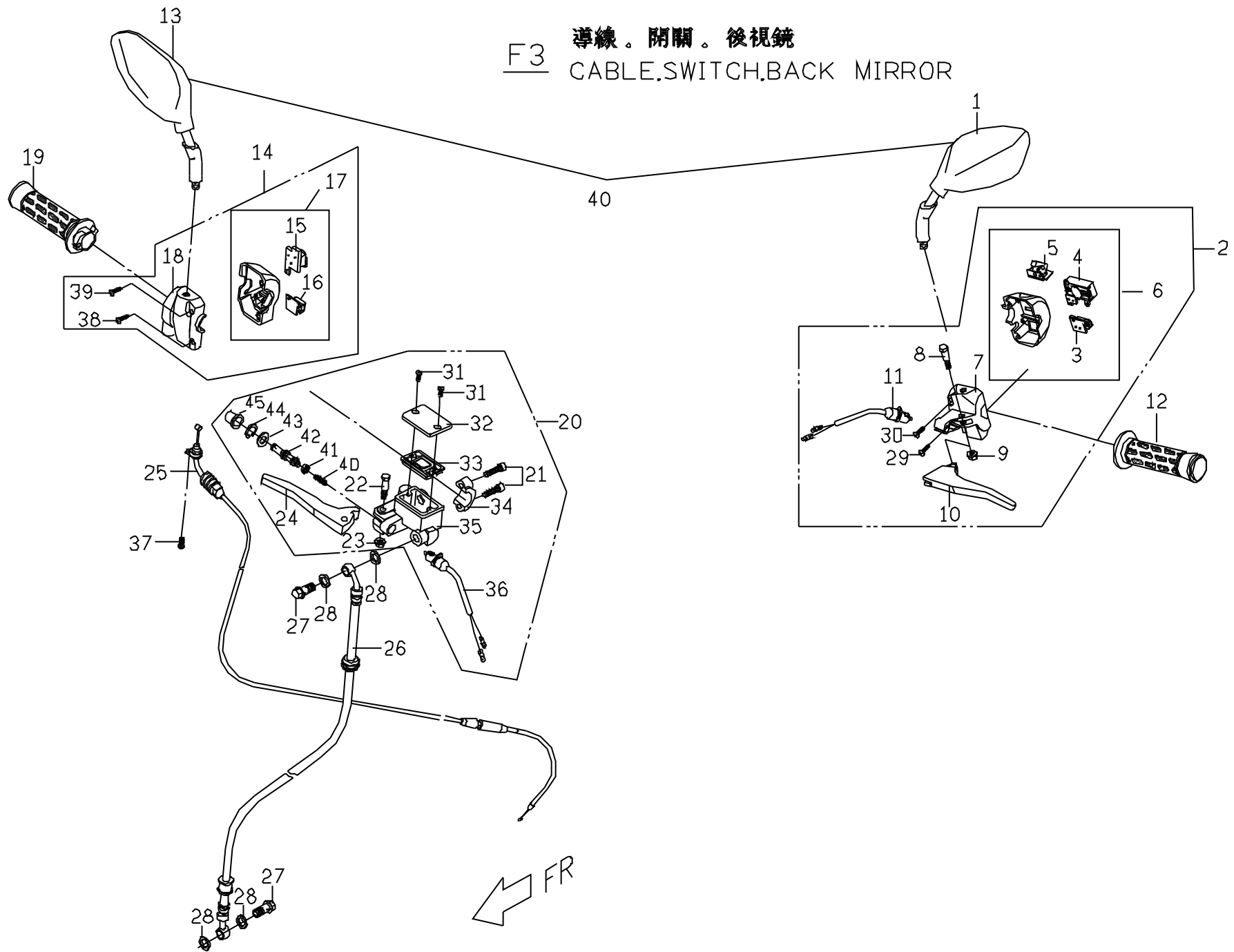


F2 SPEEDOMETER





F3 導線。閉關。後視鏡  
CABLE.SWITCH.BACK MIRROR



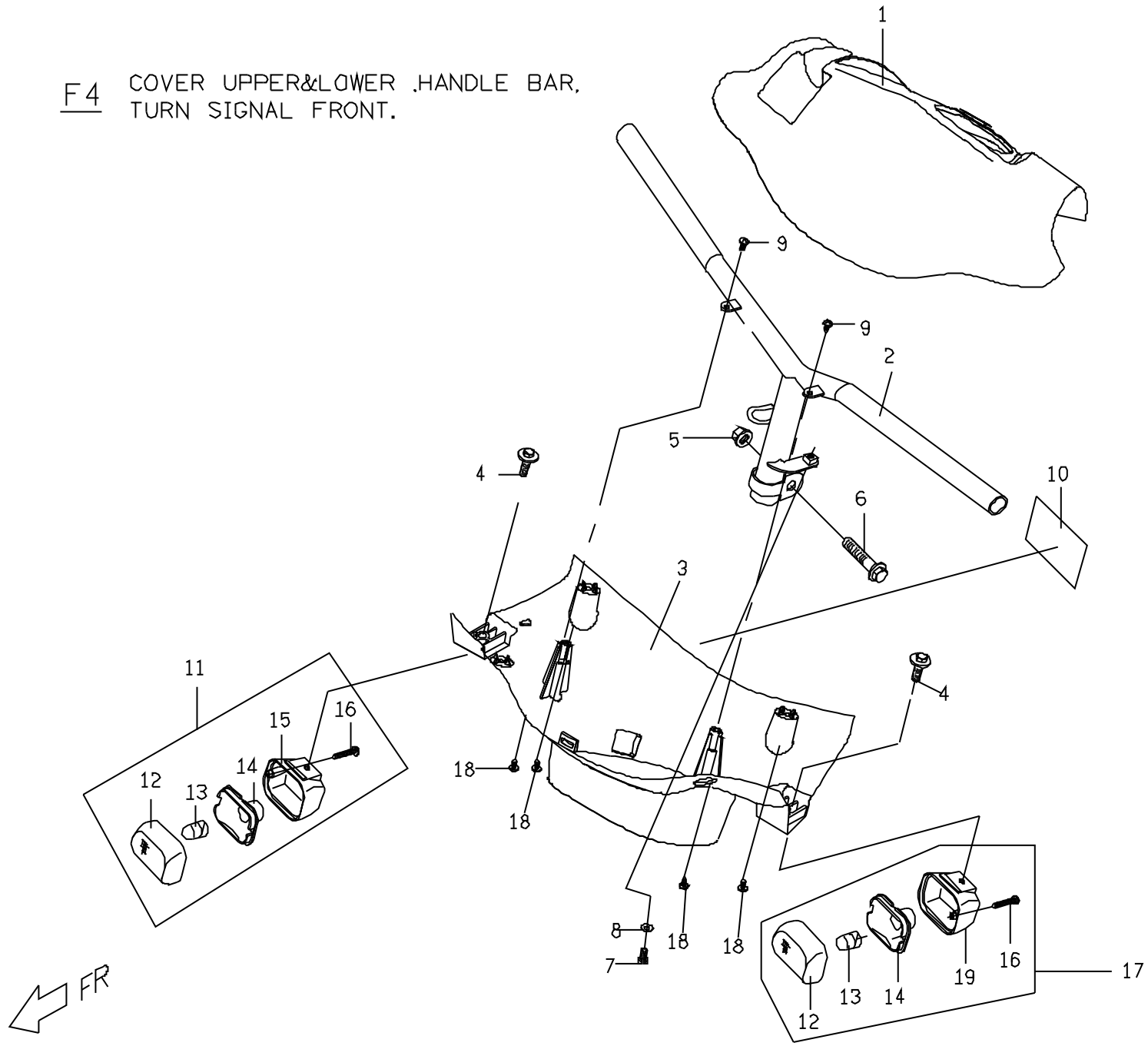
**F3. CABLE.SWITCH.BACK MIRROR ( PMS50/PMS110 )**

<b>NO.</b>	<b>PART NO.(50)</b>	<b>PART NO.(110)</b>	<b>PART NAME</b>	<b>Q'TY</b>	<b>REMARK</b>
1	P261F010000	P261F010000	LH BACK MIRROR	1	
2	P1546003000	P1546003000	LEVER HOLDER ASSY, LF	1	
3	NA	NA	HORN SWITCH	1	not supplied
4	NA	NA	SIGNAL LAMP SWITCH	1	not supplied
5	NA	NA	HI/LO LAMP SWITCH	1	not supplied
6	P154F011000	P154F011000	CASE, SWITCH UNDER, 2	1	
7	P154F020000	P154F020000	CASE, SWITCH UNDER, 1	1	
8	P154F030000	P154F030000	BOLT	1	
9	P154F040000	P154F040000	LOCK NUT	1	
10	P1543302000	P1543302000	LEVER, LH BRAKE	1	
11	C2548220000	C2548220000	RR BRAKE SWITCH COMP.	1	
12	P0541000000	P0541000000	LH GRIP ASSY.	1	
13	P261F020000	P261F020000	RH BACK MIRROR	1	
14	P2548001000	P2548001000	LEVER HOLDER ASSY., RIGHT	1	
15	NA	NA	HEAD LAMP SWITCH	1	not supplied
16	NA	NA	START SWITCH	1	not supplied
17	P254H010000	P254H010000	CASE, SWITCH UNDER 2	1	not supplied
18	P154H020000	P154H020000	CASE, SWITCH UNDER 1	1	
19	P0542000000	P0542000000	RH GRIP ASSY.	1	
20	P24030010002	P24030010002	FR BRAKE MASTER CYLINDER	1	
21	P140C250000	P140C250000	HEXAGON SUCKET HEAD BOLT	2	
22	P140C220000	P140C220000	BOLT	1	
23	P140C230000	P140C230000	FLANGE NUT	1	
24	P140C191000	P140C191000	LEVER, RH BRAKE	1	
25	P1544603000	P8544600000	CABLE ASSY., THROTTLE	1	
26	P24036000001	P24036000001	FRONT BRAKE FLUID HOSE COMP.	1	
27	P1403810000	P1403810000	JOINT BOLT, BRAKE HOSE	2	

**F3. CABLE.SWITCH.BACK MIRROR ( PMS50/PMS110 )**

NO.	PART NO.(50)	PART NO.(110)	PART NAME	Q'TY	REMARK
28	92141000002	92141000002	PLAIN WASHER	4	
29	P154F390000	P154F390000	SCREW, PAN HD	1	
30	P154F400000	P154F400000	SCREW, PAN HD	1	
31	P140C130000	P140C130000	SCREW	2	
32	P140C120000	P140C120000	CAP, RESERVOIR	1	
33	P140C110000	P140C110000	DIAPHRAGM, RESERVOIR	1	
34	P140C240000	P140C240000	BRACKET, MASTER CYLINDER	1	
35	NA	NA	MASTER CYLINDER	1	not supplied
36	P140C180000	P140C180000	SAFETY SWITCH ASSY.	1	
37	90050501200	90050501200	C-R RECESS PAN HD TAPPING SCREW	1	
38	P154H180000	P154H180000	C-R ROUND HD SCREW	1	
39	P154H170000	P154H170000	C-R ROUND HD SCREW	1	
40	P240C0500002	P240C0500002	SPRING	1	
41	P240C0300002	P240C0300002	P SEAL	1	
42	P240C0200002	P240C0200002	PISTON	1	
43	P240C0400002	P240C0400002	S SEAL	1	
44	P140C070000	P140C070000	CLIP	1	
45	P140C080000	P140C080000	DUST PROOF ASSY.	1	
46	P2616000000	P2616000000	BACK MIRROR ASSY.	1	

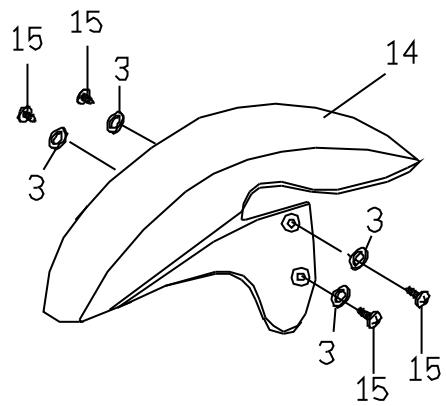
F4 COVER UPPER&LOWER .HANDLE BAR,  
TURN SIGNAL FRONT.



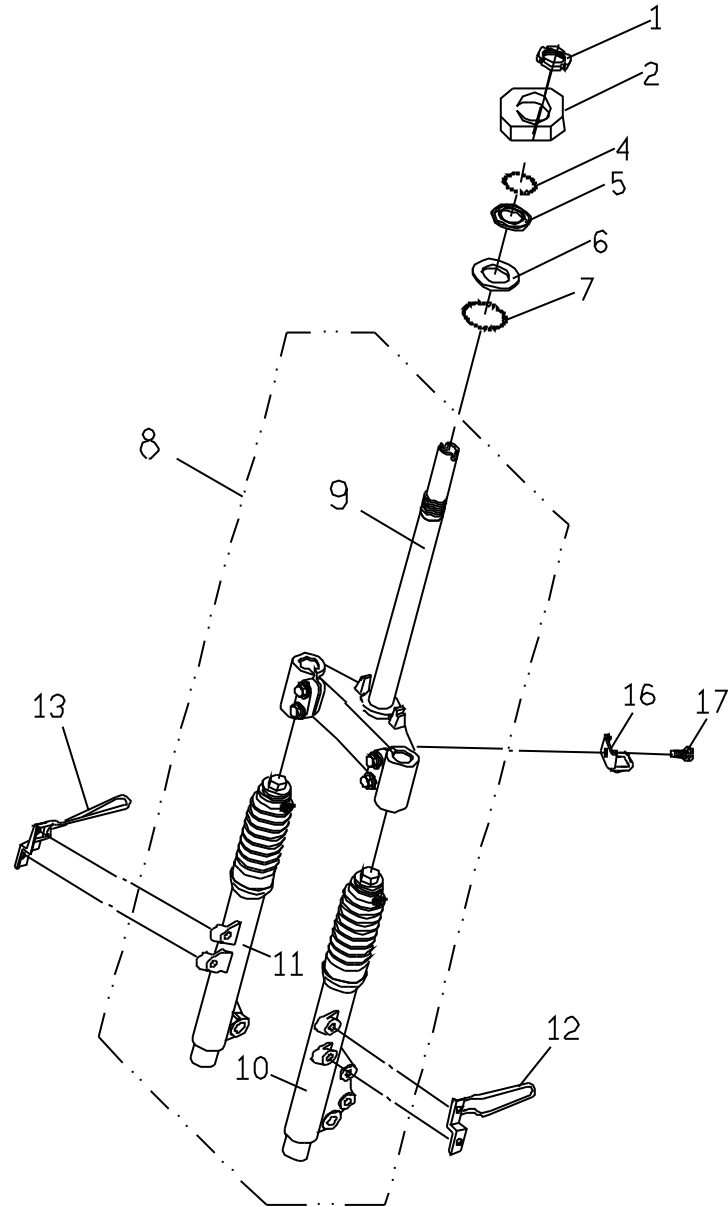
**F4. COVER UPPER&LOWER.HANDLE BAR.TURN SIGNAL FRONT ( PMS50/PMS110 )**

NO.	PART NO.(50)	PART NO.(110)	PART NAME	Q'TY	REMARK
1	P26130017J0	P26130017J0	COVER, UPPER (SILVER)	1	SILVER
1	P2613001630	P2613001630	COVER, UPPER (BLACK)	1	BLACK
1	P26130014R0	P26130014R0	COVER, UPPER (BLUE)	1	BLUE
1	P26130012B0	P26130012B0	COVER, UPPER (YELLOW)	1	YELLOW
2	P2612000600	P2612000600	HANDLE BAR ASSY.	1	
3	P2614002650	P2614002650	COVER, LOWER	1	
5	92061000001	92061000001	HEXAGON LOCK NUT	1	
6	90191004600	90191004600	HEXAGON FLANGE BOLT	1	
7	90040501600	90040501600	C-R RECESS PAN HD TAPPING SCREW	1	
8	92140500014	92140500014	PLAIN WASHER	1	
9	90130501400	90130501400	C-R RECESS PAN HD TAPPING SCREW	2	
10	C26030500002	C26030500002	NOTICE STICKER	1	
11	P066D010650	P066D010650	RH FR TURN SIGNAL LAMP ASSY.	1	
12	P066C030000	P066C030000	COVER, SIGNAL LAMP	2	
13	98211210000	98211210000	BULB	2	
14	P066C040000	P066C040000	TURN SIGNAL LAMP COMP.	2	
15	NA	NA	TURN SIGNAL LAMP SHELL, RH	1	not supplied
16	P166C060000	P166C060000	TAPPING SCREW	2	
17	P066C010650	P066C010650	LH FR TURN SIGNAL LAMP ASSY.	1	
18	90110401200	90110401200	TAPPING SCREW	4	
19	NA	NA	TURN SIGNAL LAMP SHELL, LH	1	not supplied
20	P2601300000	P2601300000	STICKER, HANDLE COVER,LH(BLUE)	1	FOR DEEP COLOR CAR
20	P26013000001	P26013000001	STICKER, HANDLE COVER,LH(SILVER)	1	FOR LIGHT COLOR CAR
21	P2601310000	P2601310000	STICKER , HANDLE COVER, RH(BLUE)	1	FOR DEEP COLOR CAR
21	P26013100001	P26013100001	STICKER , HANDLE COVER, RH(SILVER)	1	FOR LIGHT COLOR CAR
22	90200501600	90200501600	SCREW WITH WASHER	2	

F5 FRONT FORK,FR FENDER



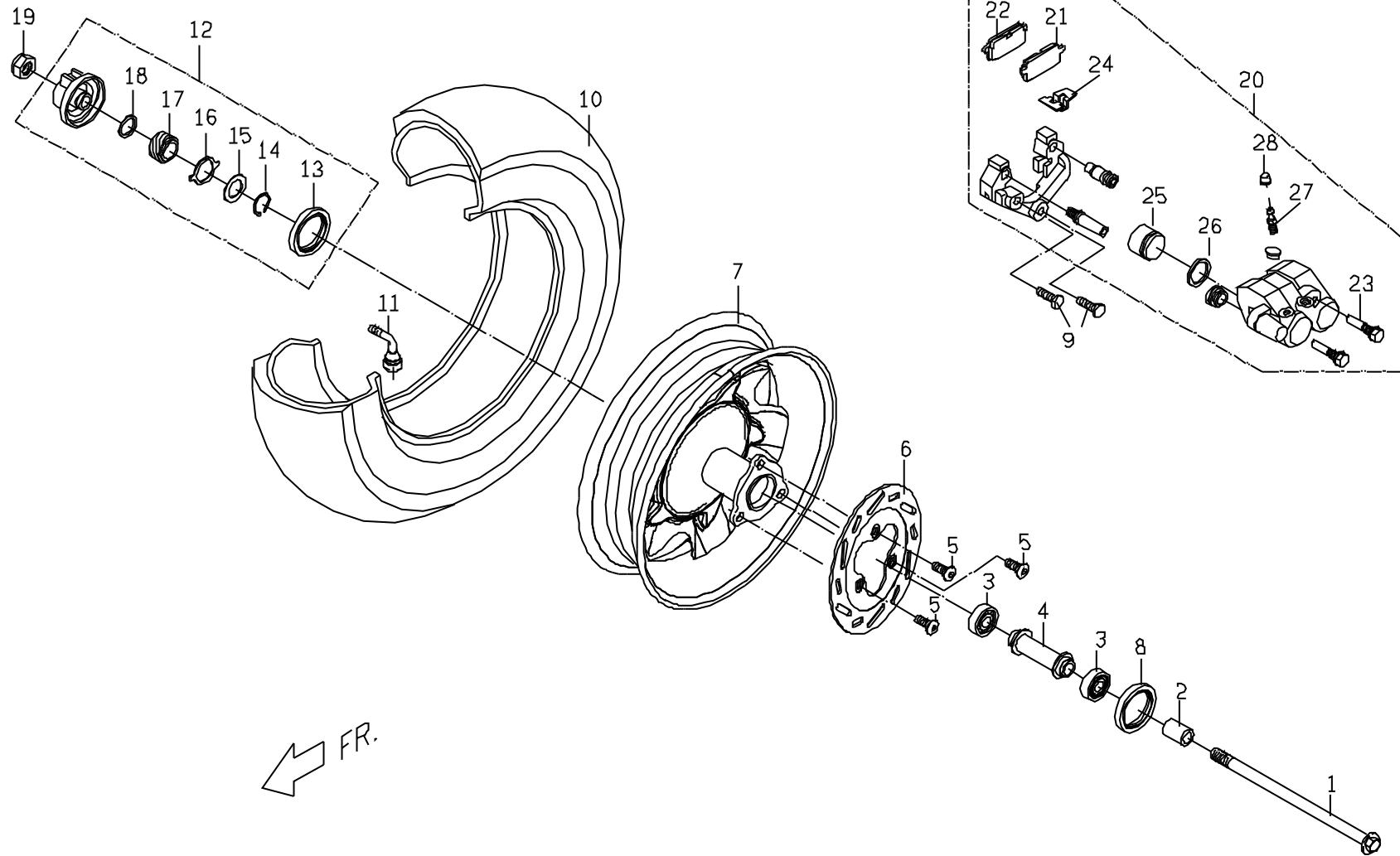
← FR.



**F5. FRONT FORK ( PMS50/PMS110 )**

<b>NO.</b>	<b>PART NO.(50)</b>	<b>PART NO.(110)</b>	<b>PART NAME</b>	<b>Q'TY</b>	<b>REMARK</b>
1	P1443040000	P1443040000	STEERING SHAFT LOCK NUT	1	
2	P6444051000	P6444051000	OUTER BEARING CAGE	1	
4	99010500000	99010500000	BEARING BALL	22	
5	P1443020000	P1443020000	OUTTER BEARING CAGE	1	
6	C1443011000	C1443011000	LOWER INNER BEARING CAGE	1	
7	99010600000	99010600000	BEARING BALL	19	
8	P24430037203	P24430037203	FRONT FORK ASSY.	1	
9	P244C2030003	P244C2030003	UNDER BRACKET COMP.	1	
10	P244C2110003	P244C2110003	LH OUTER TUBE ASSY	1	
11	P244C2210003	P244C2210003	RH OUTER TUBE ASSY	1	
12	C1544040000	C1544040000	CABLE CLIP COMP. LH	1	
13	C1544050000	C1544050000	CABLE CLIP COMP. RH	1	
14	P26320007J01	P26320007J01	FRONT FENDER (SILVER)	1	SILVER
14	P26320006301	P26320006301	FRONT FENDER (BLACK)	1	BLACK
14	P26320004R01	P26320004R01	FRONT FENDER (BLUE)	1	BLUE
14	P26320002B01	P26320002B01	FRONT FENDER (YELLOW)	1	YELLOW
15	90050601200	90050601200	C-R RECESS PAN HD TAPPING SCREW	4	
16	P5544010000	P5544010000	CABLE CLIP COMP	1	
17	90190601001	90190601001	HEXAGON FLANGE BOLT	1	
18	P2601320000	P2601320000	STICKER, FR FENDER, LH	1	
18	P26013200001	P26013200001	STICKER, FR FENDER, LH(SILVER)	1	
19	P2601330000	P2601330000	STICKER, FR FENDER, RH	1	
19	P26013300001	P26013300001	STICKER, FR FENDER, RH(SILVER)	1	
20	E1601010000	E1601010000	STICKER, FRONT FORK RH	1	
21	E1601020000	E1601020000	STICKER, FRONT FORK LH	1	
22	92140600005	92140600005	PLAIN WASHER	4	
23	---	P060114000	FRONT FENDER MARK	1	

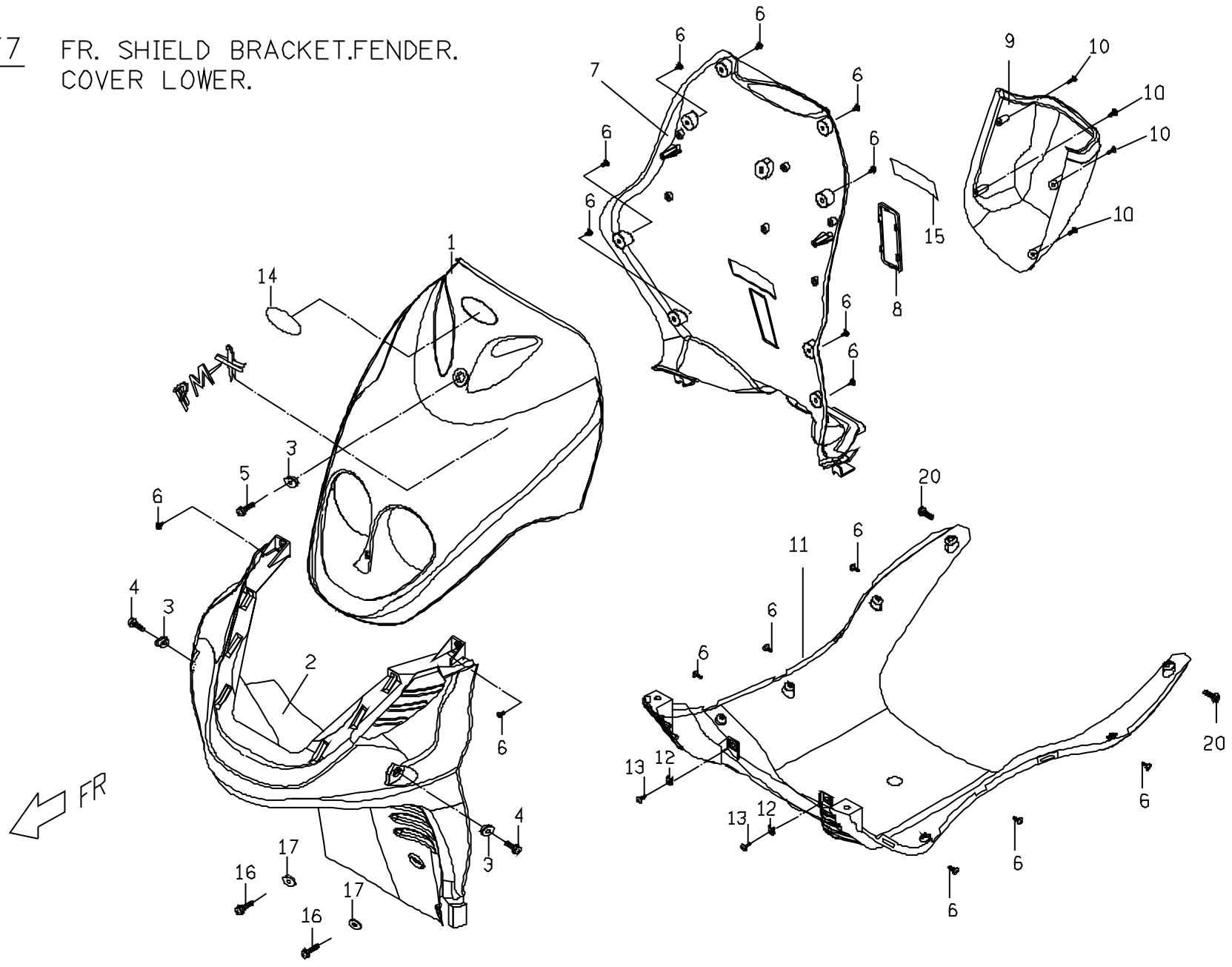
F6 TIRE.FRT WHEEL.FRT CALIPER.(DISK)



**F6. TIRE.FRT WHEEL.FRT CALIPER ( PMS50/PMS110 )**

<b>NO.</b>	<b>PART NO.(50)</b>	<b>PART NO.(110)</b>	<b>PART NAME</b>	<b>Q'TY</b>	<b>REMARK</b>
1	C1402500000	C1402500000	AXLE, FR WHEEL	1	
2	P1401010000	P1401010000	SPACER	1	
3	96520620100	96520620100	ONE SHIELD BALL BEARING	2	
4	P8402400000	P8402400000	SPACER COMP.	1	
5	C1403510000	C1403510000	SCREW, FRONT BRAKE DISK	3	
6	C240C5020002	C240C5020002	DISK, FR BRAKE	1	
7	P84011017702	P84011017702	FR WHEEL ASSY.	1	
8	92400800000	92400800000	LOCK NUT	3	
9	90190804002	90020803000	HEXAGON BOLT	2	
10	C540B320000	C540B320000	TIRE 120/70-12	1	VN
11	P140B330000	P140B330000	VALVE	1	
12	P1566002000	P0566000000	METER GEAR ASSY.	1	
13	95572235700	95572235700	OIL SEAL	1	
14	92171800000	92171800000	C TYPE CLIP	1	
15	92141900001	92141900001	PLAIN WASHER	1	
16	P1566050000	P1566050000	PAD	1	
17	P1566040000	P1566040000	SPEEDMETER GEAR	1	
18	92141900002	92141900002	PLAIN WASHER	1	
19	92061200000	92061200000	LOCK NUT	1	
20	C1403302000	C1403302000	FR CALIPER ASSY.	1	
21	C140C310000	C140C310000	INSIDE PAD	1	
22	C140C320000	C140C320000	OUTSIDE PAD	1	
23	C140C141000	C140C141000	SCREW	2	
24	C140C330000	C140C330000	YOKE SPRING	1	
25	C140C040000	C140C040000	DUST PROOF	1	
26	C140C030000	C140C030000	OIL SEAL	1	
27	C140C060000	C140C060000	BREED SCREW	1	
28	C140C160000	C140C160000	CAP	1	

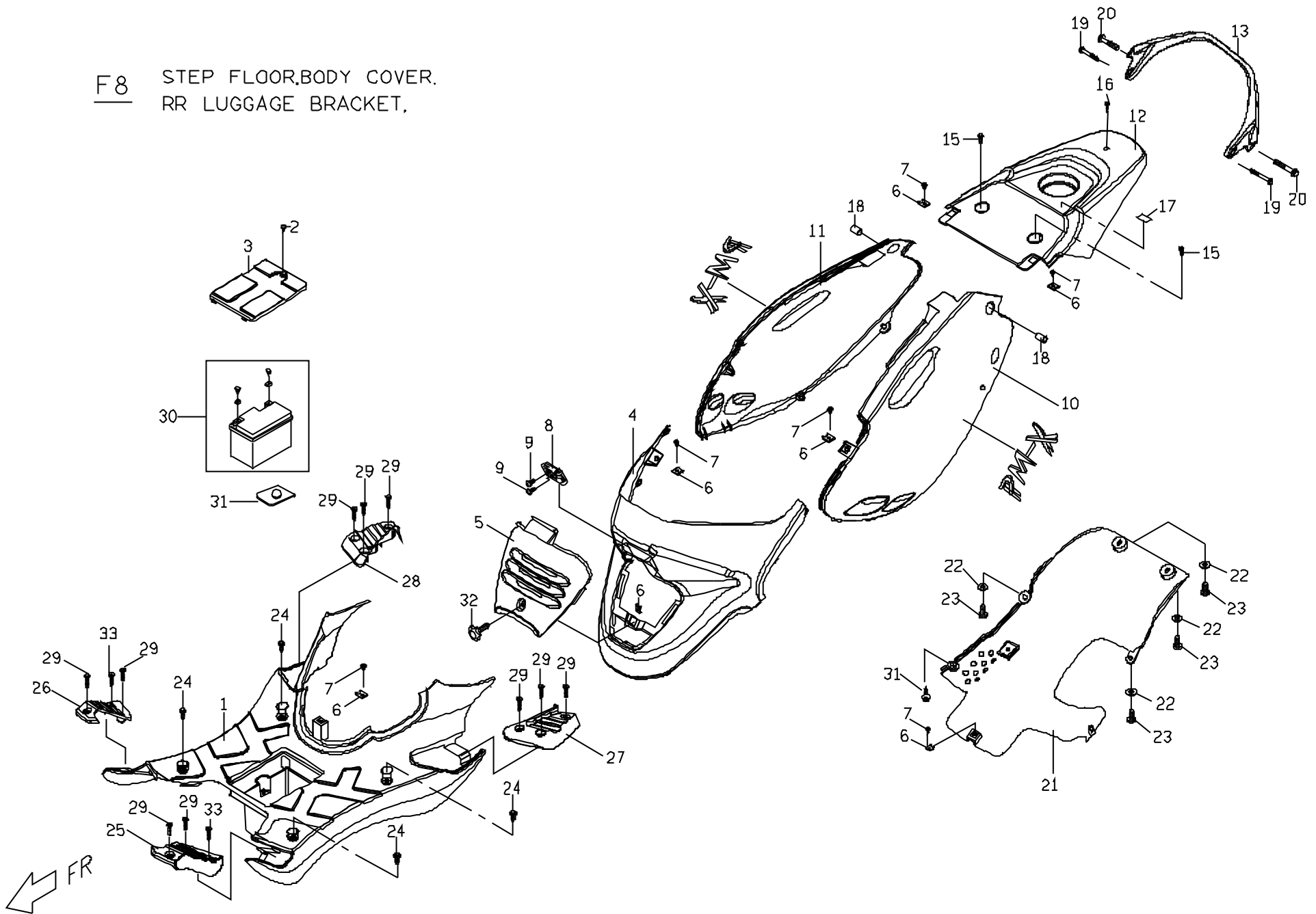
F7 FR. SHIELD BRACKET.FENDER.  
COVER LOWER.



**F7. FR. SHIELD.FENDER.COVER LOWER ( PMS50/PMS110 )**

<b>NO.</b>	<b>PART NO.(50)</b>	<b>PART NO.(110)</b>	<b>PART NAME</b>	<b>Q'TY</b>	<b>REMARK</b>
1	P26210017J0	P26210017J0	WINDSHIELD (SILVER)	1	SILVER
1	P2621001630	P2621001630	WINDSHIELD (BLACK)	1	BLACK
1	P26210014R0	P26210014R0	WINDSHIELD (BLUE)	1	BLUE
1	P26210012B0	P26210012B0	WINDSHIELD (YELLOW)	1	YELLOW
2	P2626010650	P2626010650	FR COVER, LOWER	1	
3	P1706510000	P1706510000	BUSH	3	
4	P1621010000	P1621010000	SCREW WITH WASHER	2	
5	P16210110001	P16210110001	SCREW WITH WASHER	1	
6	90130501400	90130501400	C-R RECESS PAN HD TAPPING SCREW	16	
7	P2623002650	P2623002650	FR INNER COVER	1	
8	P1623012650	P1623012650	VIN COVER	1	
9	P2622000650	P2622000650	FR LUGGAGE CASE	1	
10	90110401600	90110401600	C-R RECESS PAN HD TAPPING SCREW	4	
11	P2626001650	P2626001650	STEP FLOOR COVER, LOWER	1	
12	92370500003	92370500003	U-TYPE SPRING NUT	2	
13	90130501400	90130501400	C-R RECESS PAN HD TAPPING SCREW	2	
14	C2601010000	C2601010000	PGO STICKER	1	
16	P2601350000	P2601350000	STICKER, WINDSHIELD, LH(BLUE)	1	
16	P26013500001	P26013500001	STICKER, WINDSHIELD, LH(YELLOW)	1	
17	P2601360000	P2601360000	STICKER, WINDSHIELD,RH(BLUE)	1	
17	P26013600001	P26013600001	STICKER, WINDSHIELD,RH(YELLOW)	1	
18	92140600005	92140600005	WASHER	1	
19	90040601400	90040601400	HEXAGON FLANGE BOLT	1	
20	90050601002	90050601002	C-R RECESS PAN HD TAPPING SCREW	4	
21	92140600005	92140600005	PLAIN WASHER	2	

F8 STEP FLOOR,BODY COVER.  
RR LUGGAGE BRACKET,



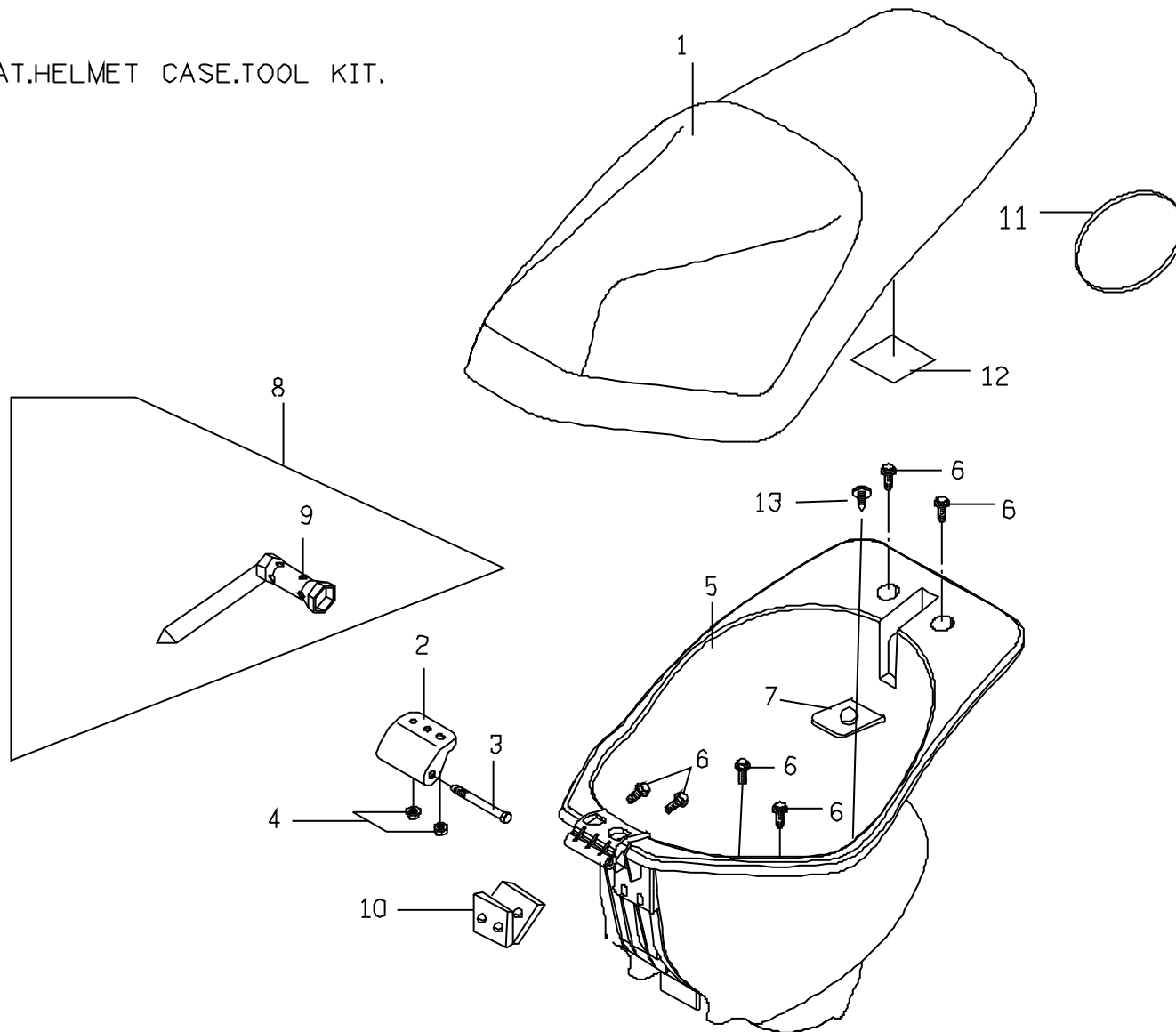
**F8. STEP FLOOR.BODY COVER.RR LUGGAGE BRACKET ( PMS50/PMS110 )**

<b>NO.</b>	<b>PART NO.(50)</b>	<b>PART NO.(110)</b>	<b>PART NAME</b>	<b>Q'TY</b>	<b>REMARK</b>
1	P2624000650	P2624000650	STEP FLOOR	1	
2	90130501400	90130501400	C-R RECESS PAN HD TAPPING SCREW	1	
3	P2624030650	P2624030650	BATTERY COVER	1	
4	P2625040650	P2625040650	BODY COVER, FR	1	
5	P2625010650	P2625010650	MIDDLE COVER	1	
6	92370500003	92370500003	U-TYPE SPRING NUT	3	
7	90130501400	90130501400	C-R RECESS PAN HD TAPPING SCREW	5	
8	P2701210650	P2701210650	HELMET HOOK ASSY.	1	
9	90040602003	90040602003	FLANGE BOLT	2	
10	P26253017J0	P26253017J0	LH BODY COVER (SILVER)	1	SILVER
10	P2625301630	P2625301630	LH BODY COVER (BLACK)	1	BLACK
10	P26253014R0	P26253014R0	LH BODY COVER (BLUE)	1	BLUE
11	P26255007J0	P26255007J0	RH BODY COVER (SILVER)	1	SILVER
11	P2625500630	P2625500630	RH BODY COVER (BLACK)	1	BLACK
11	P26255004R0	P26255004R0	RH BODY COVER (BLUE)	1	BLUE
12	P26257007J0	P26257007J0	REAR COVER (SILVER)	1	SILVER
12	P2625700630	P2625700630	REAR COVER (BLACK)	1	BLACK
12	P26257004R0	P26257004R0	REAR COVER (BLUE)	1	BLUE
13	P06760111E0	P06760111E0	RR LUGGAGE BRACKET	1	
15	90190601200	90190601200	HEXAGON FLANGE BOLT	2	
16	E1621010000	E1621010000	SCREW WITH WASHER	1	
17	E1603040000	E1603040000	STICKER, FUEL TYPE	1	
18	P1421480000	P1421480000	BUSH	2	
19	90190603502	90190603502	HEXAGON FLANGE BOLT	2	
20	90190804501	90190804501	HEXAGON FLANGE BOLT	2	
21	P2625022650	P2625022650	BODY COVER , LOWER	1	
22	92140600005	92140600005	WASHER	4	

**F8. STEP FLOOR.BODY COVER.RR LUGGAGE BRACKET ( PMS50/PMS110 )**

NO.	PART NO.(50)	PART NO.(110)	PART NAME	Q'TY	REMARK
23	90040601400	90040601400	C-R RECESS PAN HD TAPPING SCREW	4	
24	90200602500	90200602500	HEXAGON FLANGE BOLT	4	
25	P2624011900	P2624011900	STEP PLATE, LH FRT	1	
26	P262D011900	P262D011900	STEP PLATE, RH FRT	1	
27	P2624020900	P2624020900	STEP PLATE, LH RR	1	
28	P262D020900	P262D020900	STEP PLATE, RH RR	1	
29	90040601600	90040601600	C-R PAN HD MACHINE SCREW	10	
30	P5583000000	E95830000001	BATTERY	1	
31	P1583010000	---	BATTERY PAD	1	
32	P2706020000	P2706020000	C-R RECESS PAN HD TAPPING SCREW	1	
33	P2601340000	P2601340000	STICKER, RH/LH BODY COVER(BLUE)	2	
33	P26013400001	P26013400001	STICKER, RH/LH BODY COVER(YELLOW)	2	
34	P2601280000	P2601280000	STICKER 2, LH BODY COVER(BLUE)	1	
34	P26012800001	P26012800001	STICKER 2, LH BODY COVER(YELLOW)	1	
35	P2601290000	P2601290000	STICKER 2, RH BODY COVER(BLUE)	1	
35	P26012900001	P26012900001	STICKER 2, RH BODY COVER(YELLOW)	1	
36	E1701040000	E1701040000	PLASTIC SCREW	1	
37	90040602200	90040602200	C-R PAN HD MACHINE SCREW	2	

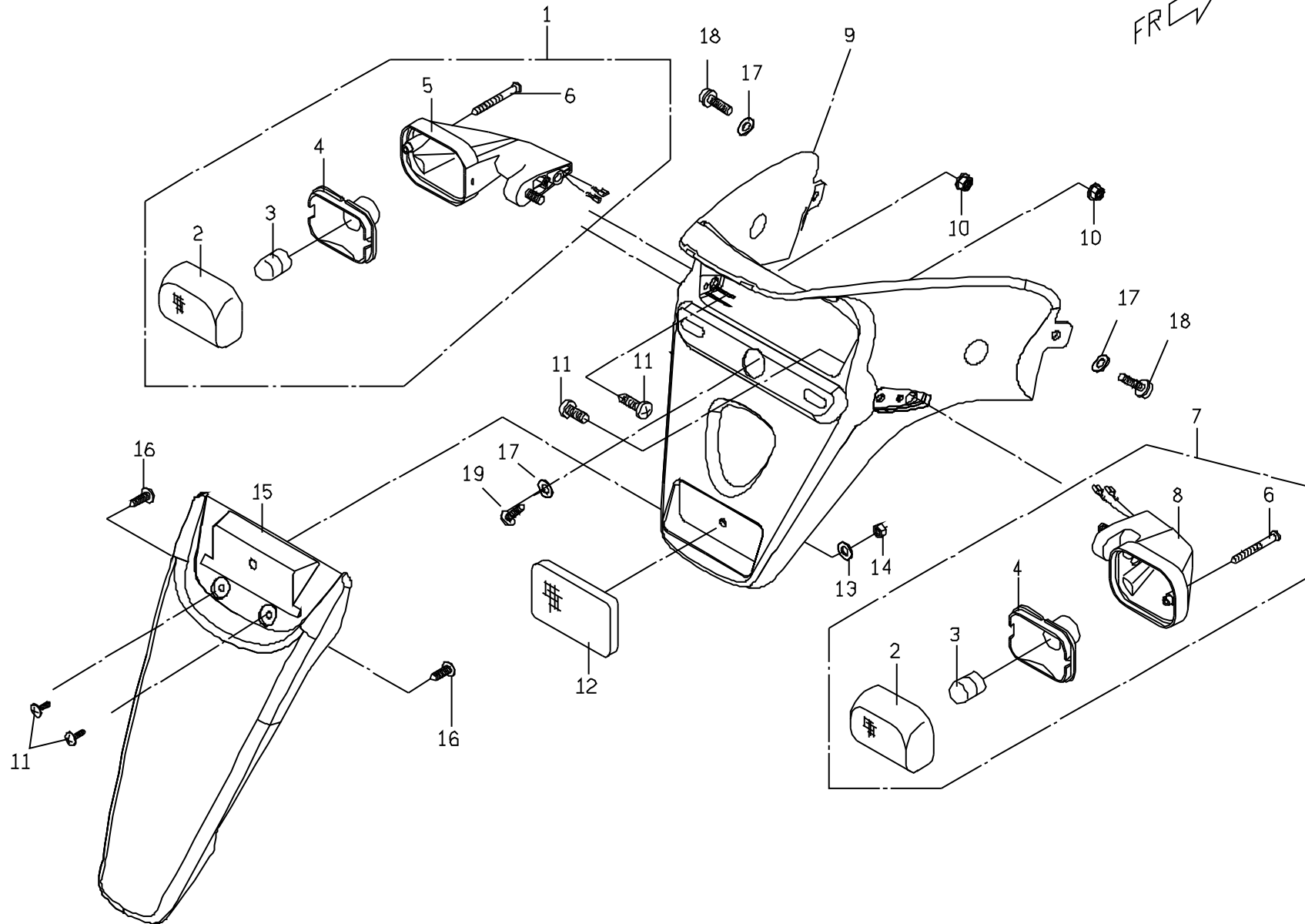
F9 SEAT.HELMET CASE.TOOL KIT.



← FR



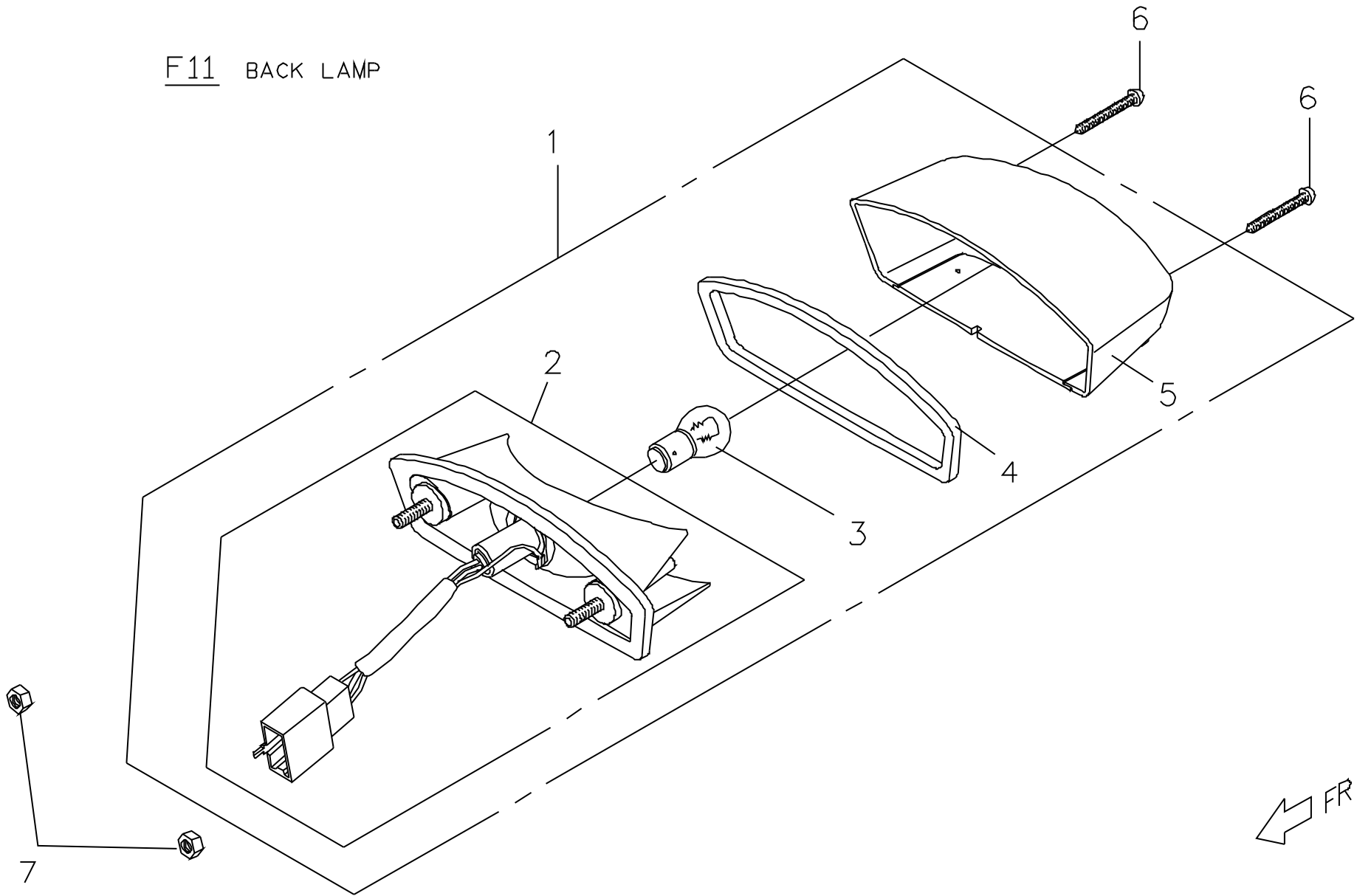
F10 LICENSE PLATE.TURN SIGNAL REAR



**F10. WIRE HARNESS ( PMS50/PMS110 )**

NO.	PART NO.(50)	PART NO.(110)	PART NAME	Q'TY	REMARK
1	P2581605000	P0581605000	WIRE HARNESS	1	
2	P1552002000	P1552002000	IGNITION SWITCH ASSY.	1	
3	P155B010000	P155B010000	KEY	2	
4	P155B020000	P155B020000	SWITCH INDICATED COVER	1	
5	90190601001	---	HEXAGON FLANGE BOLT	2	
6	P2583600000	P2583600000	HORN	1	
7	E1706190000	E1706190000	SCREW WITH WASHER	2	
8	---	P15866000001	RESISTER A	1	
9	E9584601000	E9584601000	IGNITION COIL COMP.	1	
10	92110500000	92110500000	SPRING WASHER	1	
11	90070502000	90070502000	C-R RECESS PAN HD NACHING SCREW	1	
12	E1581630000	E1581630000	FUSE	1	
13	P9581000000	P9581000000	STARTER RELAY WITH BRACKET ASSY.	1	
14	P9581010000	P9581010000	STARTER RELAY	1	
15	P9701190000	P9701190000	RUBBER BRACKET	1	
16	NA	NA	CDI ASSY.	1	NA
17	E9582000000	E9582000000	CDI UNIT COMP.	1	
18	C1584000000	C1584000000	VOLTAGE REGULATOR COMP.	1	
19	90190601500	90190601500	FLANGE BOLT	3	
20	P9701190000	P9701190000	RUBBER BRACKET	1	
21	P15866000002	P05866000000	RESISTER B	1	
22	P25510040001	P25510040001	KEYLOCK SET	1	
23	92240007800	92240007800	WIRE CLIP	1	
24	90190601200	90190601200	FLANGE BOLT	2	
25	E1701030000	E1701030000	RUBBER BAND	1	

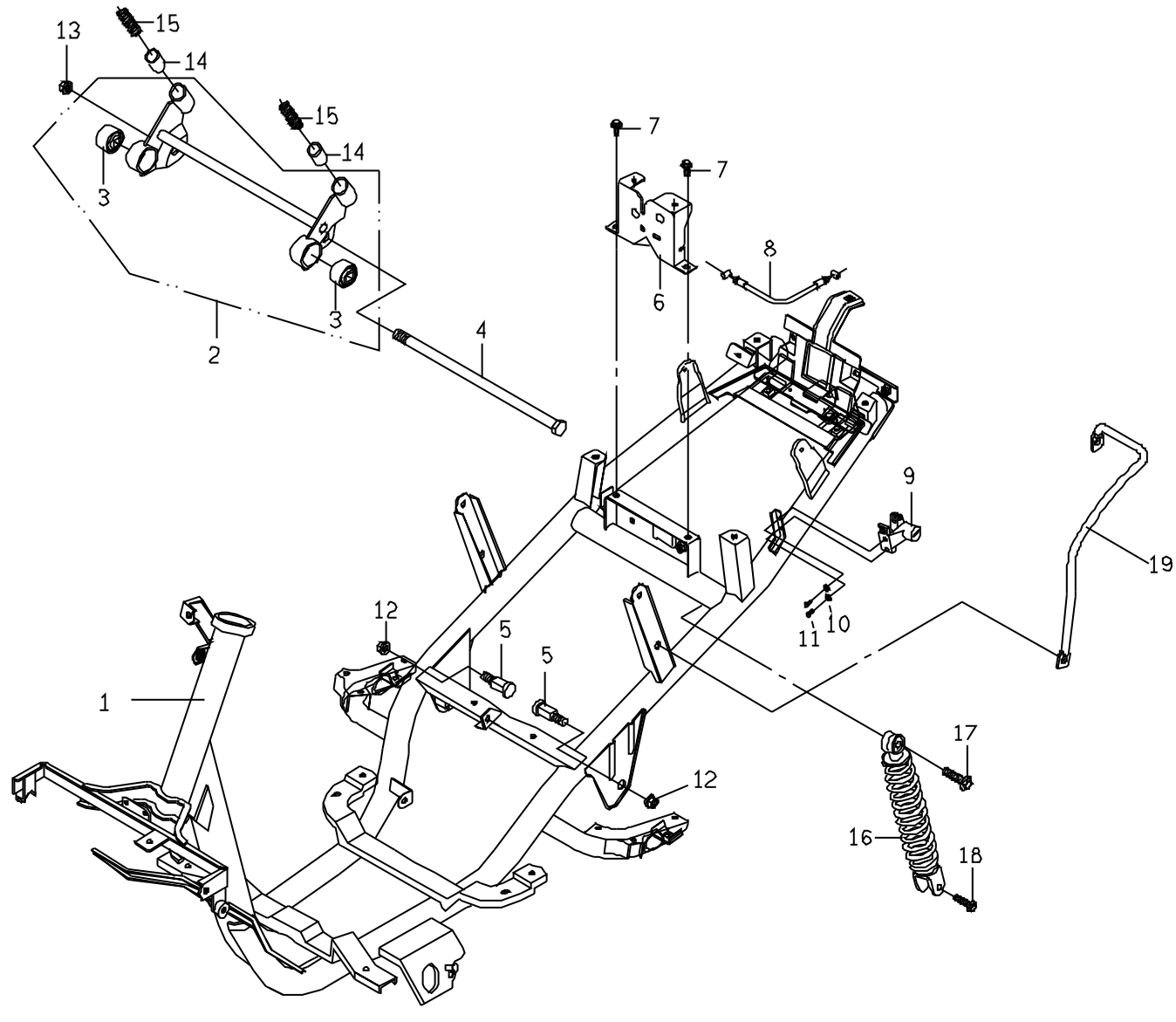
F11 BACK LAMP



**F11. LICENSE PLATE.TURN SIGNAL REAR ( PMS50/PMS110 )**

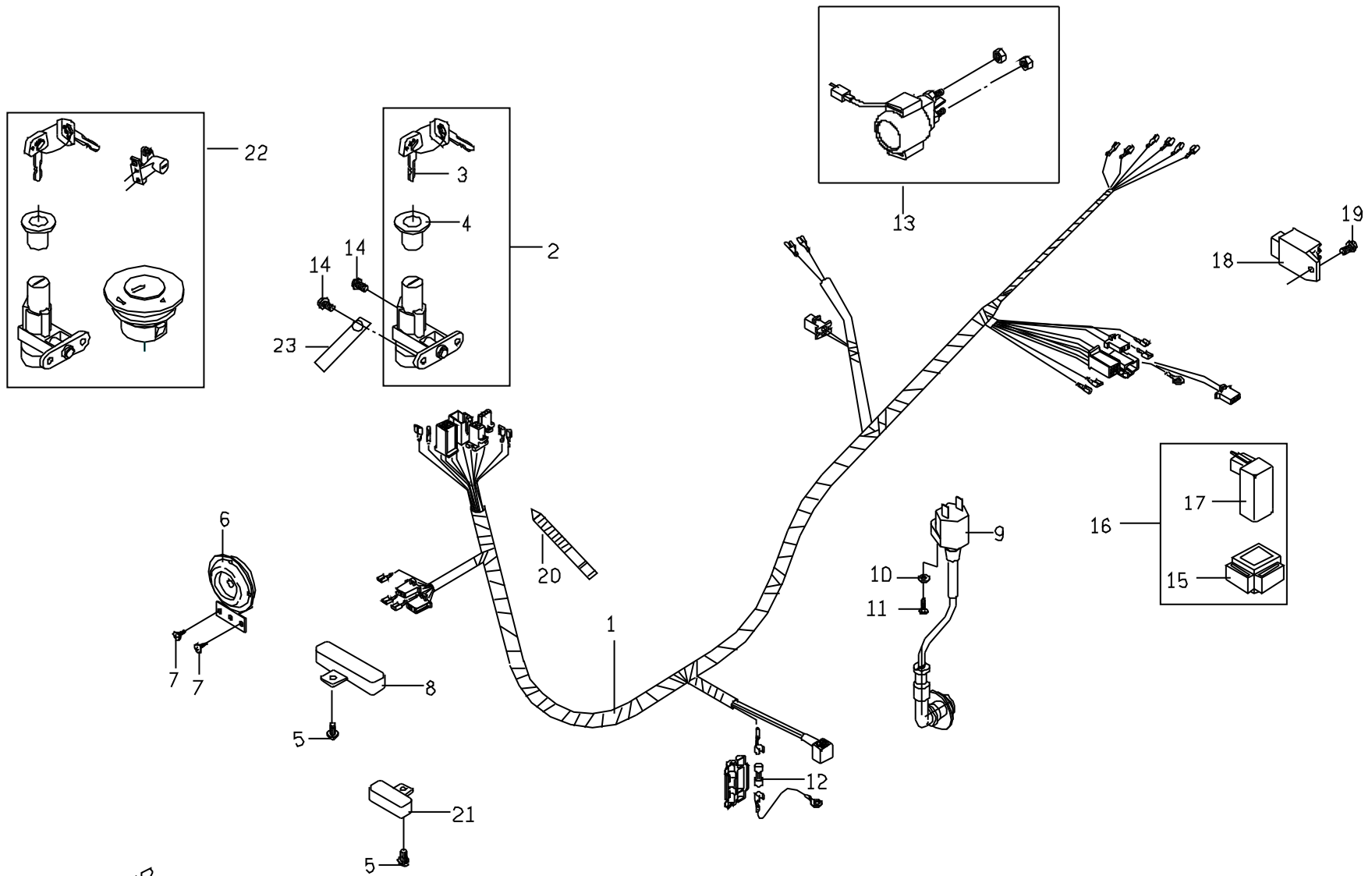
<b>NO.</b>	<b>PART NO.(50)</b>	<b>PART NO.(110)</b>	<b>PART NAME</b>	<b>Q'TY</b>	<b>REMARK</b>
1	P066G010650	P066G010650	LH RR SIGNAL LAMP ASSY	1	
2	P066C030000	P066C030000	SIGNAL LAMP COVER	2	
3	98211210000	98211210000	BULB	2	
4	P066C040000	P066C040000	TURN SIGNAL LAMP COMP.	2	
5	NA	NA	LH RR TURN SIGNAL LAMP SHELL	1	not supplied
6	P066C080000	P066C080000	TAPPING SCREW	2	
7	P066H010650	P066H010650	RH RR SIGNAL LAMP ASSY.	1	
8	NA	NA	RH RR TURN SIGNAL LAMP SHELL	1	not supplied
9	P2636001650	P2636001650	LICENCE PLATE	1	
10	92040600000	92040600000	HEXAGON FLANGE NUT	2	
11	90110401200	90110401200	TAPPING SCREW	4	
12	P2669000000	P2669000000	REFLECTOR	1	
13	92140500014	92140500014	WASHER	1	
14	92020500000	92020500000	HEXAGON NUT	1	
15	P2635001650	P2635001650	LOWER FENDER	1	
16	90110401200	90110401200	C-R RECESS PAN HD TAPPING SCREW	2	
17	92140600005	92140600005	REAR FENDER MARK	3	
18	90050601002	90050601002	C-R RECESS PAN HD TAPPING SCREW	2	
19	90040601400	90040601400	C-R RECESS PAN HD TAPPING SCREW	1	

F12 FRAME





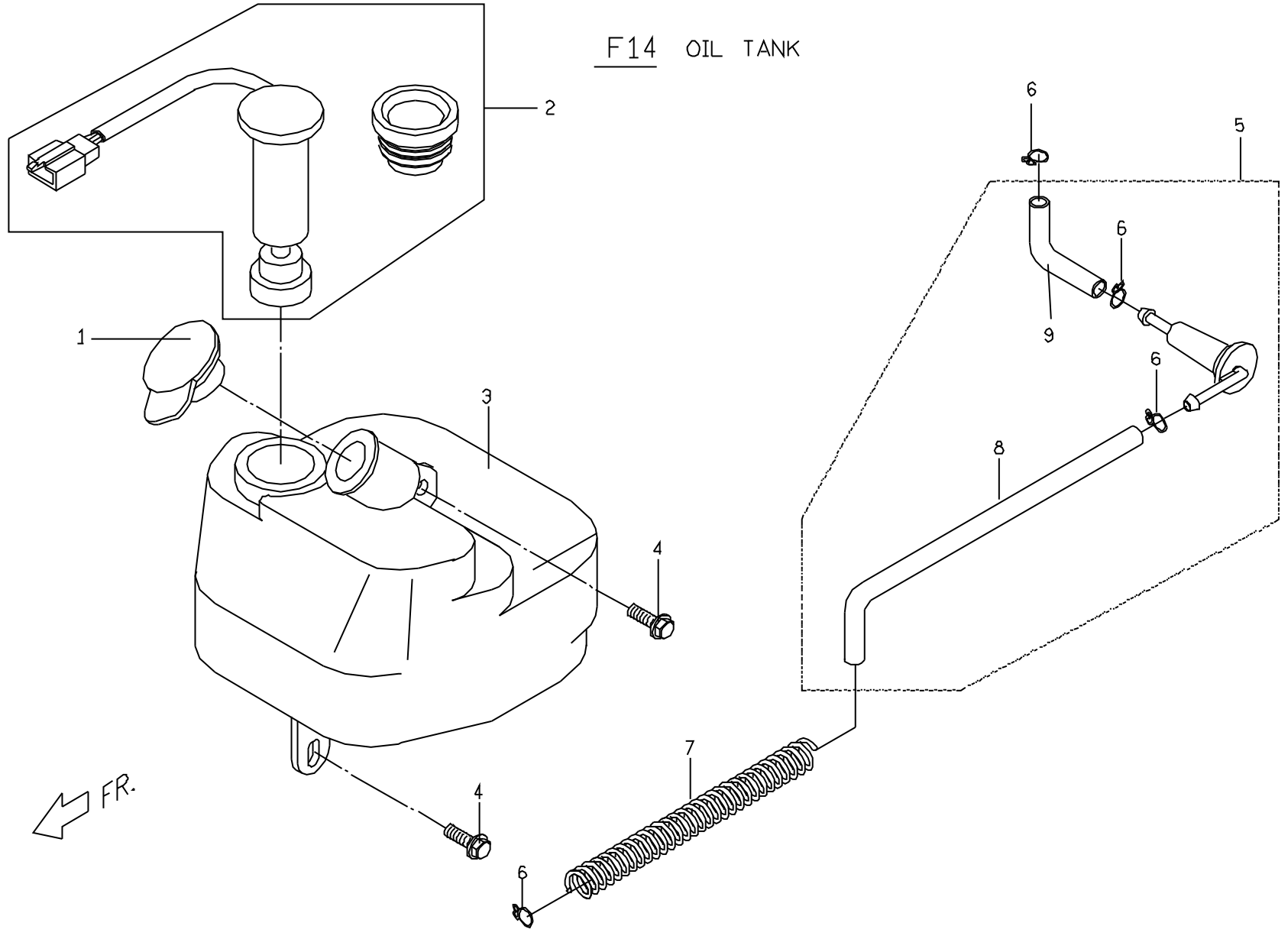
# F13 WIRE HARNESS



FR.



F14 OIL TANK



← FR.



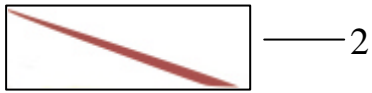




# F16. LABEL



1



2



3



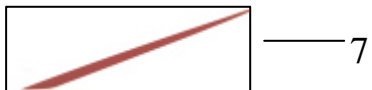
4



5



6



7



8



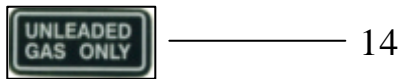
9



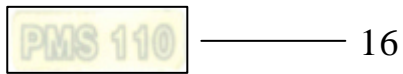
10



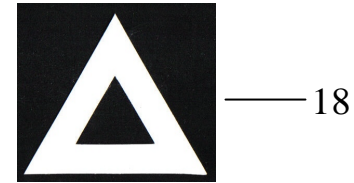
11



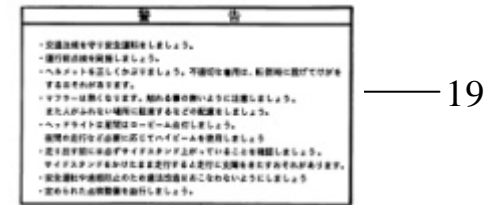
14



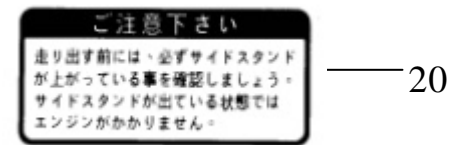
16



18



19



20

**F16. LABEL ( PMS50/PMS110 )**

NO.	PART NO.(50)	PART NO.(110)	PART NAME	Q'TY	REMARK
1	C2601010000	C2601010000	"PGO SCOOTERS" LABEL	1	
2	P2601290000	P2601290000	RH BODY UPPER LABEL	1	(deep color car)
2	P26012900001	P26012900001	RH BODY UPPER LABEL	1	(light color car)
3	P2601310000	P2601310000	RH COVER LABEL	1	(deep color car)
3	P26013100001	P26013100001	RH COVER LABEL	1	(light color car)
4	P2601330000	P2601330000	RH FRONT FENDER LABEL	1	(deep color car)
4	P26013300001	P26013300001	RH FRONT FENDER LABEL	1	(light color car)
5	P2601360000	P2601360000	RH WINDSHIELD LABEL	1	(deep color car)
5	P26013600001	P26013600001	RH WINDSHIELD LABEL	1	(light color car)
6	P2601340000	P2601340000	BODY LABEL	2	(deep color car)
6	P26013400001	P26013400001	BODY LABEL	2	(light color car)
7	P2601280000	P2601280000	LH BODY UPPER LABEL	1	(deep color car)
7	P26012800001	P26012800001	LH BODY UPPER LABEL	1	(light color car)
8	P2601300000	P2601300000	LH COVER UPPER LABEL	1	(deep color car)
8	P26013000001	P26013000001	LH COVER UPPER LABEL	1	(light color car)
9	P2601320000	P2601320000	LH FRONT FENDER LABEL	1	(deep color car)
9	P26013200001	P26013200001	LH FRONT FENDER LABEL	1	(light color car)
10	P2601350000	P2601350000	LH WINDSHIELD LABEL	1	(deep color car)
10	P26013500001	P26013500001	LH WINDSHIELD LABEL	1	(light color car)
11	P2601090000	P2601090000	PGO LABEL	1	
14	P1603040000	P1603040000	FUEL TYPE LABEL	1	
16	---	P2601170000	"PMS 100" LABEL	1	
18	C2601210000	C2601210000	後反光貼紙	1	
19	C2603001000	C2603001000	注意事項貼紙(日文)	1	
20	C26030500002	C26030500002	側腳安全開關貼紙(日文)	1	