

# PARTS CATALOGUE



踏板车

SE24CM(CN)

Many



Release Date : 2023/06/13  
Print Date : 2024/01/20

## 前言

- 本零件目录适用于SE24CM(CN).机种,订购零件时,请参照本册
- 本册之配色表仅供参考,若于实车不符之处,以实车为准
- 贩卖记号(Sales mark):
  - 1、注明"\*\*\*"记号,表示该订购零件时,请参照机车相片及配色表,并请在本零件号码最后加上色码。
  - 2.注明"# "记号,表示该零件有设变记录,请上系统查询设变履历。
- 本册付梓印刷仓促,倘有错误或遗漏之处,敬请不吝赐教指正

## ABOUT THIS PARTS LIST

- This parts list is compiled all service parts for model SE24CM(CN).
- Any difference between color chart and motorcycle will be revised according to motorcycle.
- The Mark:
  1. Marking "\*\*\*" must add color code in the end before ordering parts.
  2. Marking "# " are parts with modification, Please find the details from e-Parts system.
- When modification or additions to this parts list are made a revised edition at an appropriate time.

## 目录

● 前言 .....	1
● 配色表SE24CM(CN). .....	3
● 引擎结构图 .....	9
● 车架结构图 .....	10
● 引擎零件号码表 .....	13
● 车架零件号码表 .....	47
● 零件号码索引 .....	117

## CONTENTS

● ABOUT THIS PARTS LIST .....	1
● COLOR CHART OF SE24CM(CN) .....	3
● CONTENTS-ENGINE GROUP .....	9
● CONTENTS-FRAME GROUP .....	10
● ENGINE PARTS LIST .....	13
● FRAME PARTS LIST .....	47
● PART NO. INDEX .....	117

NO	机种			配色表SE24CM(CN).			
	相片No.			NO. 1	NO. 2	NO. 3	NO. 4
	主体色						
	色码			Mat Silver Crystal		Pearly White	Ruby Red
	零件名称	零件号码	版次	WN263FA	WB080MA	WN193PA	RR004CA
1	WHEEL COMP, RR CAST	42601-AFB6-600	8	HUA			
2	WHEEL SET FR	44600-LHJ8-306	0				
3	FORK ASSY FR R	51400-LHJ8-600	4				
4	BOTTOM CASE RH	51420-LHJ8-600	0				
5	FORK SET FR L	5150A-LHJ8-600	3				
6	BOTTOM CASE LH	51520-LHJ8-600	0				
7	手把下盖	53206-AFB5-900	6	A3P                      A6P                      ACP                      R1P			
8	手把下盖B	53208-AFB5-900	0				
9	前挡泥板/不含贴纸	61100-AFB5-900	9				
10	前护盖	64301-AFB5-910	1				
11	上中心盖	80151-AFB5-900	0				
12	COVER R SET BODY	83500-AFB5-355	0				
13	车体右边盖	83500-AFB5-900	3				
14	COVER L SET BODY	83600-AFB5-355	0				
15	车体左边盖	83600-AFB5-900	3				
16	后中心盖	83750-AFB5-900	0				
17	DISK RR BRAKE	43351-LHJ8-700	2	M2S			
18	前手把盖	53207-AFB5-900	0	HUP                      A6P                      ACP                      R1P			
19	COVER SET FR R SIDE	64302-AFB5-305	0				
20	前盖右边条	64302-AFB5-900	5				
21	COVER SET FR L SIDE	64312-AFB5-305	0				
22	前盖左边条	64312-AFB5-900	5				
23	PROTECTOR MUFF	18318-LHJ8-700	1	N1R			
24	BATTERY COVER	50326-LKG2-900	1				
25	COVER UNDER **M1R	50613-LEA2-900	5				
生产日期							
停产日期							

NO	机种			配色表SE24CM(CN).			
	相片No.			NO. 5			
	主体色						
	色码			Flat Black			
	零件名称	零件号码	版次	NH397FA			
1	WHEEL COMP, RR CAST	42601-AFB6-600	8	HUA			
2	WHEEL SET FR	44600-LHJ8-306	0				
3	FORK ASSY FR R	51400-LHJ8-600	4				
4	BOTTOM CASE RH	51420-LHJ8-600	0				
5	FORK SET FR L	5150A-LHJ8-600	3				
6	BOTTOM CASE LH	51520-LHJ8-600	0				
7	手把下盖	53206-AFB5-900	6	JJP			
8	手把下盖B	53208-AFB5-900	0				
9	前挡泥板/不含贴纸	61100-AFB5-900	9				
10	前护盖	64301-AFB5-910	1				
11	上中心盖	80151-AFB5-900	0				
12	COVER R SET BODY	83500-AFB5-355	0				
13	车体右边盖	83500-AFB5-900	3				
14	COVER L SET BODY	83600-AFB5-355	0				
15	车体左边盖	83600-AFB5-900	3				
16	后中心盖	83750-AFB5-900	0				
17	DISK RR BRAKE	43351-LHJ8-700	2	M2S			
18	前手把盖	53207-AFB5-900	0				
19	COVER SET FR R SIDE	64302-AFB5-305	0				
20	前盖右边条	64302-AFB5-900	5				
21	COVER SET FR L SIDE	64312-AFB5-305	0				
22	前盖左边条	64312-AFB5-900	5	N1P			
23	PROTECTOR MUFF	18318-LHJ8-700	1				
24	BATTERY COVER	50326-LKG2-900	1				
25	COVER UNDER **M1R	50613-LEA2-900	5	N1R			
生产日期							
停产日期							

NO	机种			配色表SE24CM(CN).							
	相片No.			NO. 1	NO. 2	NO. 3	NO. 4				
	主体色										
	色码			Mat Silver Crystal		Pearly White	Ruby Red				
	零件名称	零件号码	版次	WN263FA	WB080MA	WN193PA	RR004CA				
26	GRIP COMP THROT	53140-LHJ8-900	0	N1R							
27	GRIP L HANDLE	53166-GBW2-001	2								
28	FENDER FR D INNER	61103-AFB6-600	2								
29	FLOOR , PANEL	64310-AFB5-900	4								
30	COVER PUMP MAINT	64311-AFB5-900	0								
31	PLUG FLOOR	64316-LEA2-900	1								
32	COWL UNDER	64400-LHJ8-900	0								
33	FENDER RR TIRE	80100-LHJ8-710	1								
34	FENDER RR	80105-AFB5-900	0								
35	FENDER RR INNER	80106-AFB6-900	0								
36	COVER CENTER LOW	80152-AFB5-900	0								
37	LEG SHIELD	81131-AFB5-900	5								
38	LID LEG SHIELD	81132-AFB5-900	0								
39	COVER INNER BOX	81133-AFB5-910	2								
40	BAND HARNESS WIRE	90656-KUDU-900	0								
41	CUSHION ASSY.. RR.	52400-LHJ8-700	5					N1S			
42	COLLAR FUEL FILLER	17623-KKE5-E1A	0					N8P			
43	COVER GRIP RR	81201-AFB5-900	0					F1P			
44	CALIPER ASSY. RR.	43100-LHJ8-700	6					NJA			
45	BRACKET SET	43210-LHJ8-305	0								
46	CALIPER ASSY. FR.	45200-LHJ8-600	3								
47	FORK ASSY RR	52000-LHJ8-740	0					T01			
48	LABEL OIL CAP	87541-KUDU-900	2								
49	MARK DRIVER CAUTION	87560-AFB5-900	0								
50	GRIP REAR	81300-AFB5-900	8					T02			
生产日期											
停产日期											

NO	机种			配色表SE24CM(CN).			
	相片No.			NO. 5			
	主体色						
	色码			Flat Black			
	零件名称	零件号码	版次	NH397FA			
26	GRIP COMP THROT	53140-LHJ8-900	0	N1R			
27	GRIP L HANDLE	53166-GBW2-001	2				
28	FENDER FR D INNER	61103-AFB6-600	2				
29	FLOOR , PANEL	64310-AFB5-900	4				
30	COVER PUMP MAINT	64311-AFB5-900	0				
31	PLUG FLOOR	64316-LEA2-900	1				
32	COWL UNDER	64400-LHJ8-900	0				
33	FENDER RR TIRE	80100-LHJ8-710	1				
34	FENDER RR	80105-AFB5-900	0				
35	FENDER RR INNER	80106-AFB6-900	0				
36	COVER CENTER LOW	80152-AFB5-900	0				
37	LEG SHIELD	81131-AFB5-900	5				
38	LID LEG SHIELD	81132-AFB5-900	0				
39	COVER INNER BOX	81133-AFB5-910	2				
40	BAND HARNESS WIRE	90656-KUDU-900	0	N1S			
41	CUSHION ASSY.. RR.	52400-LHJ8-700	5				
42	COLLAR FUEL FILLER	17623-KKE5-E1A	0				
43	COVER GRIP RR	81201-AFB5-900	0	N8P			
44	CALIPER ASSY. RR.	43100-LHJ8-700	6	NEP			
45	BRACKET SET	43210-LHJ8-305	0				
46	CALIPER ASSY. FR.	45200-LHJ8-600	3				
47	FORK ASSY RR	52000-LHJ8-740	0				
48	LABEL OIL CAP	87541-KUDU-900	2	NJA			
49	MARK DRIVER CAUTION	87560-AFB5-900	0				
50	GRIP REAR	81300-AFB5-900	8				
生产日期				T01			
停产日期							







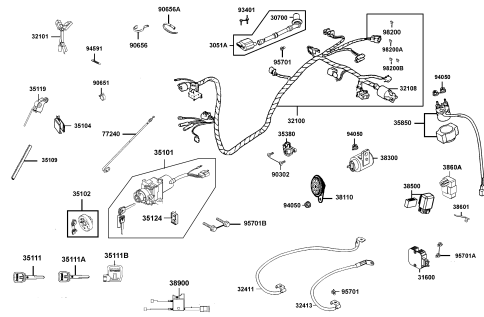
# CONTENTS - FRAME GROUP 车架结构图

<p><b>F01</b>    Head Light</p>	<p><b>F02</b>    Speedometer</p>	<p><b>F03</b>    Handle Steering    Handle Cover</p>
<p><b>F04</b>    Cylinder Assy Fr</p>	<p><b>F05</b>    Cover Set Front</p>	<p><b>F06</b>    Front Fork    Front</p>
<p><b>F07</b>    Front Wheel</p>	<p><b>F08</b>    Rear Wheel</p>	<p><b>F09</b>    Seat</p>

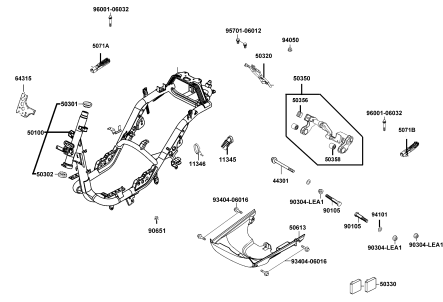


# CONTENTS - FRAME GROUP 车架结构图

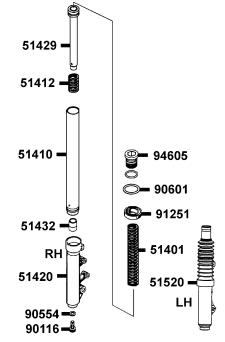
**F19 Wire Harness**



**F20 Frame Body**



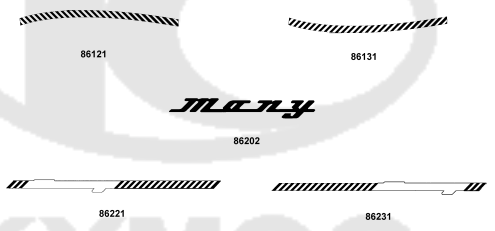
**F21 Separated Parts Of Fr Fork**



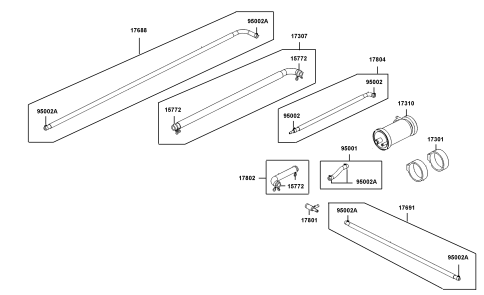
**F22 Caution Label**



**F23 Emblem Stripe**

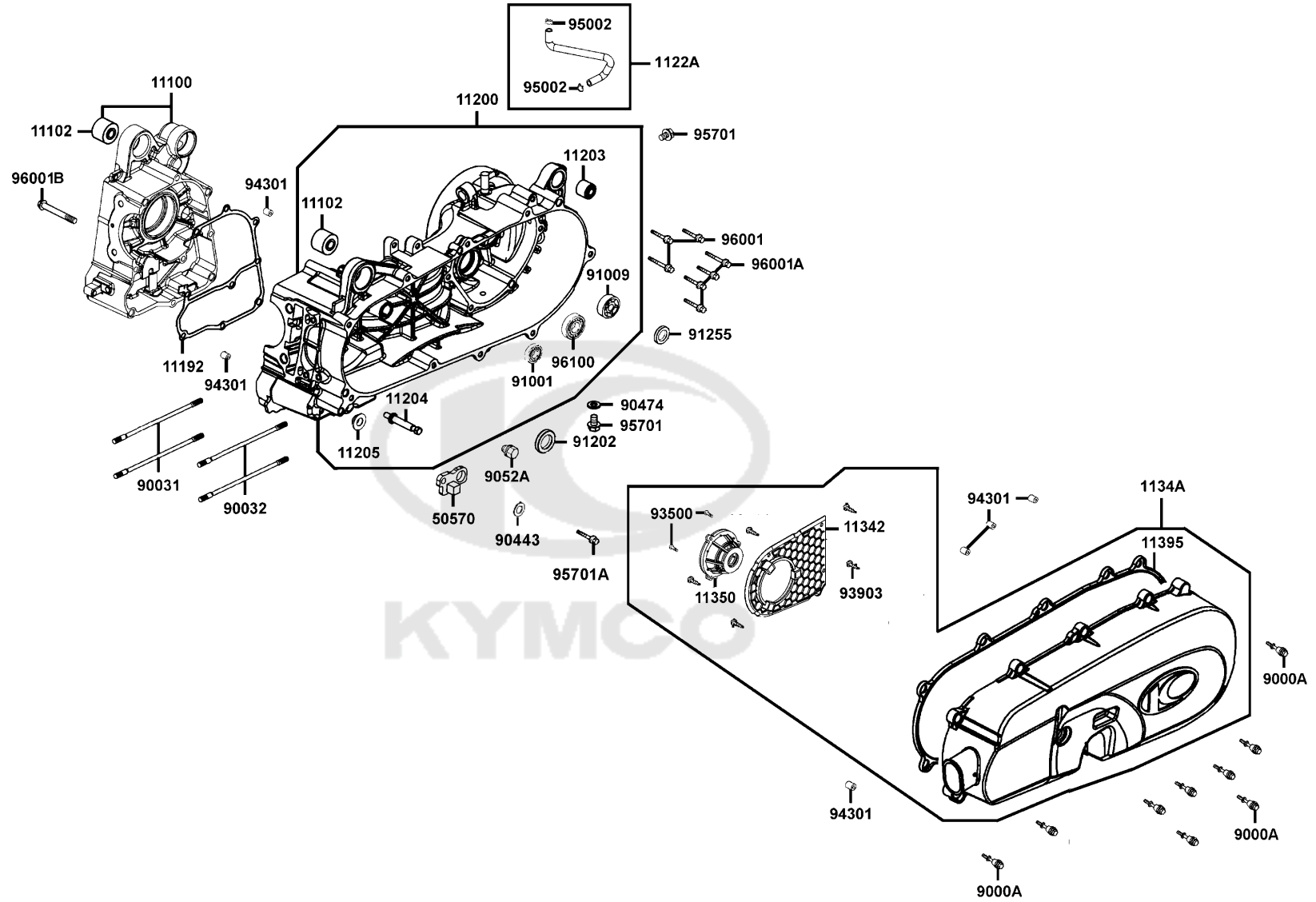


**F24 Canister-Pcv Assy**



E01

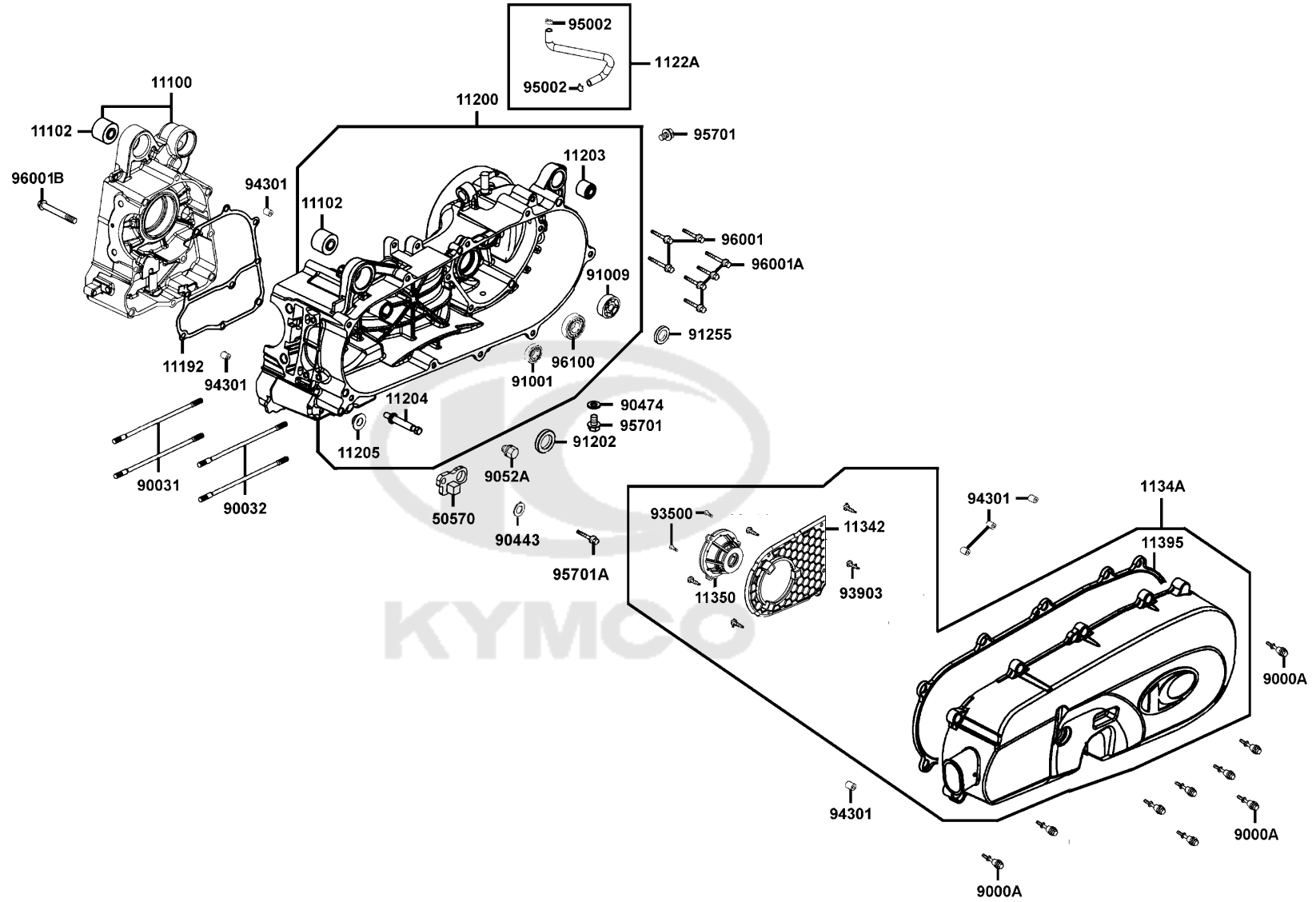
# Crank Case



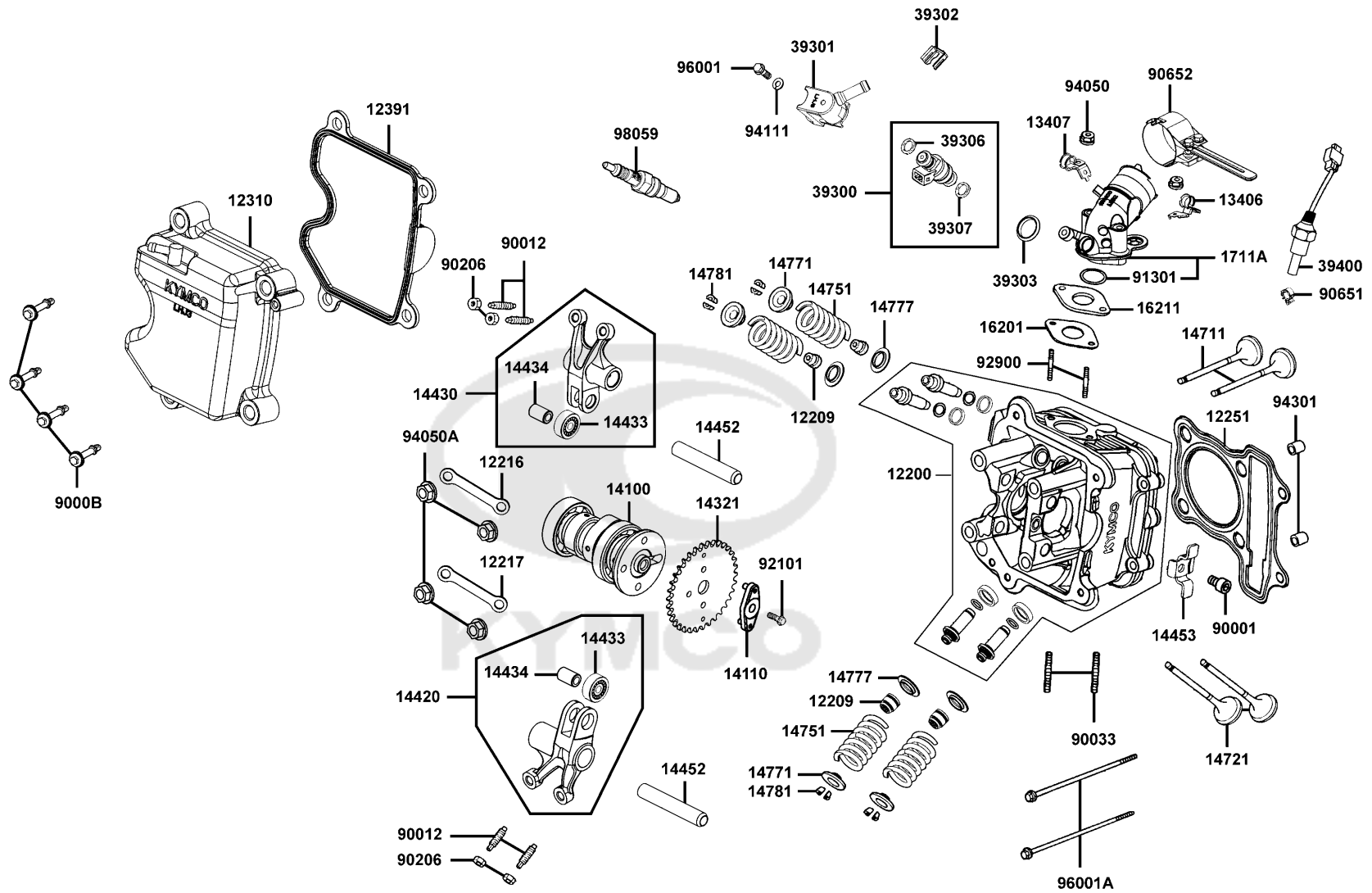
Sales mark 配色标记	Ref no 参考号码	Part no 零件号码	Description 英文名称	Reg description 零件名称	Regd no 需求用量	E01
	11100	11100-LHJ8-305	CRANK CASE COMP R	CRANK CASE COMP R	1	
	11102	11102-1G87-004	RUB BUSH ENG HANGER	引擎吊架衬套	2	
	11192	11192-LEA2-900	GASKET CRANK CASE @A	GASKET CRANK CASE @A	1	
	11200	11200-LHJ6-325	CRANK CASE SET L	CRANK CASE SET L	1	
	11203	11203-GGC7-301	UNDER RUBBER BUSH REAR CUSHION	後缓冲下衬套	1	
	11204	11204-LEA1-900	PIN SPG HOOK	定位销	1	
	11205	11205-LEA2-900	BUSH M STAND	衬套	1	
	1122A	1122A-LEA1-900	TUBE ASSY BREATHER	通气管	1	
	11342	11342-LHJ8-740	PLATE L COVER	PLATE L COVER	1	
	1134A	1134A-LHJ8-740	COVER ASSY. LEFT SIDE	COVER ASSY. LEFT SIDE	1	
	11350	11350-LHJ8-740	ELEMENT L COVER	ELEMENT L COVER	1	
	11395	11395-LKC6-900	GASKET L COVER	GASKET L COVER	1	
	50570	50570-LEA1-900	STOPPER L MAIN STAND	主脚架左边制止器	1	
	9000A	9000A-KTDT-910	BOLT ASSY SPECIAL 6X29.5	特殊螺丝 6*29.5/KD	9	
	90031	90031-KHD6-900	BOLT A STUD 8*218	双头螺丝 8*200.5	2	
	90032	90032-KHD6-900	BOLT B STUD 8*210	BOLT B STUD 8*210	2	
	90443	90443-8D44-001	WASHER THRUST 8MM	WASHER THRUST 8MM	1	
	90474	90474-3C33-001	WASHER 8MM	垫圈	1	
	9052A	9052A-LEB1-910	BOLT ASSY DRAIN PLUG 12X15	BOLT ASSY DRAIN PLUG 12X15	1	
	91001	91001-KGBG-C0A	BRG BALL RADIAL TM-SC03A	BRG BALL RADIAL TM-SC03A	1	

E01

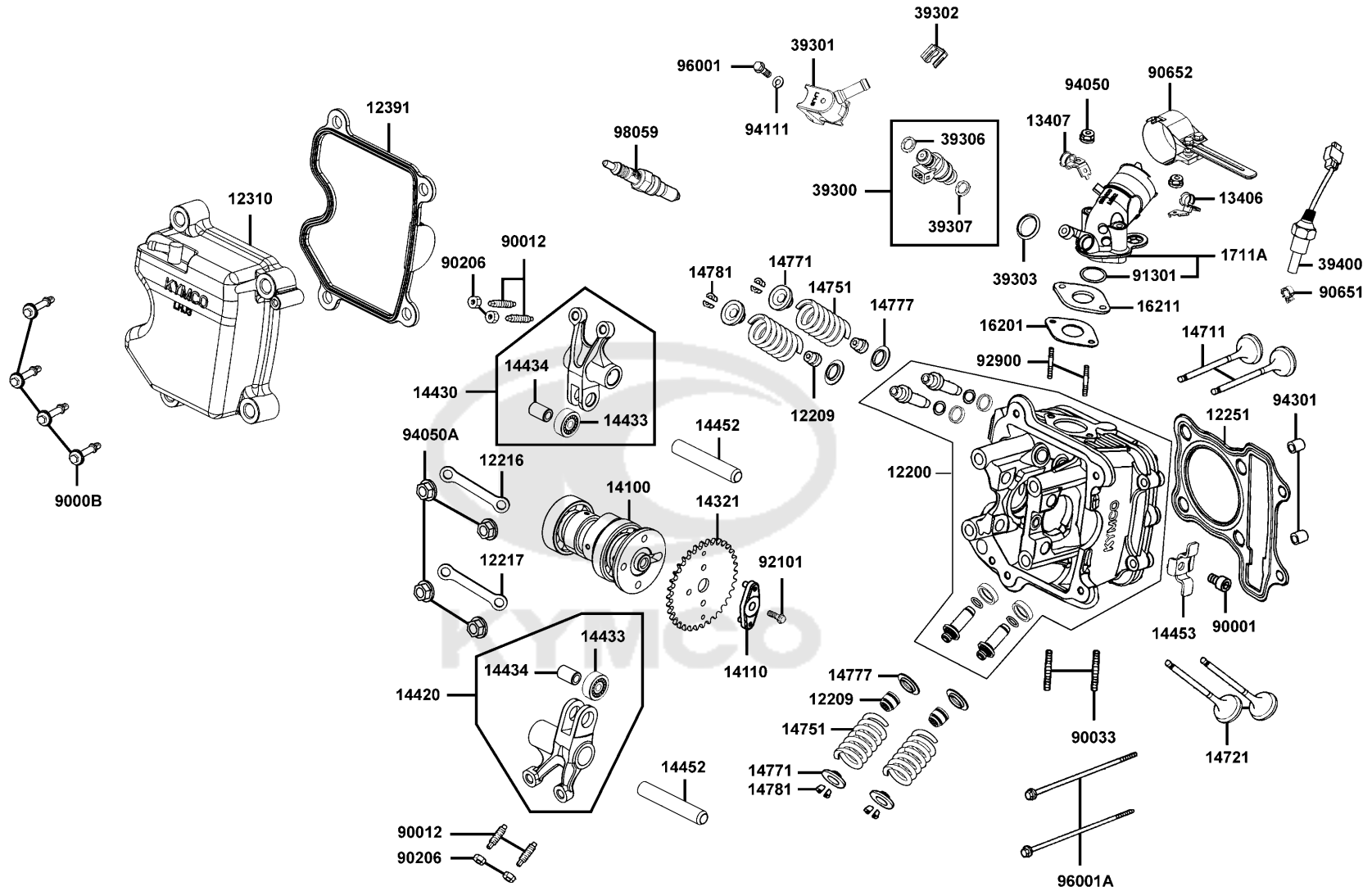
# Crank Case



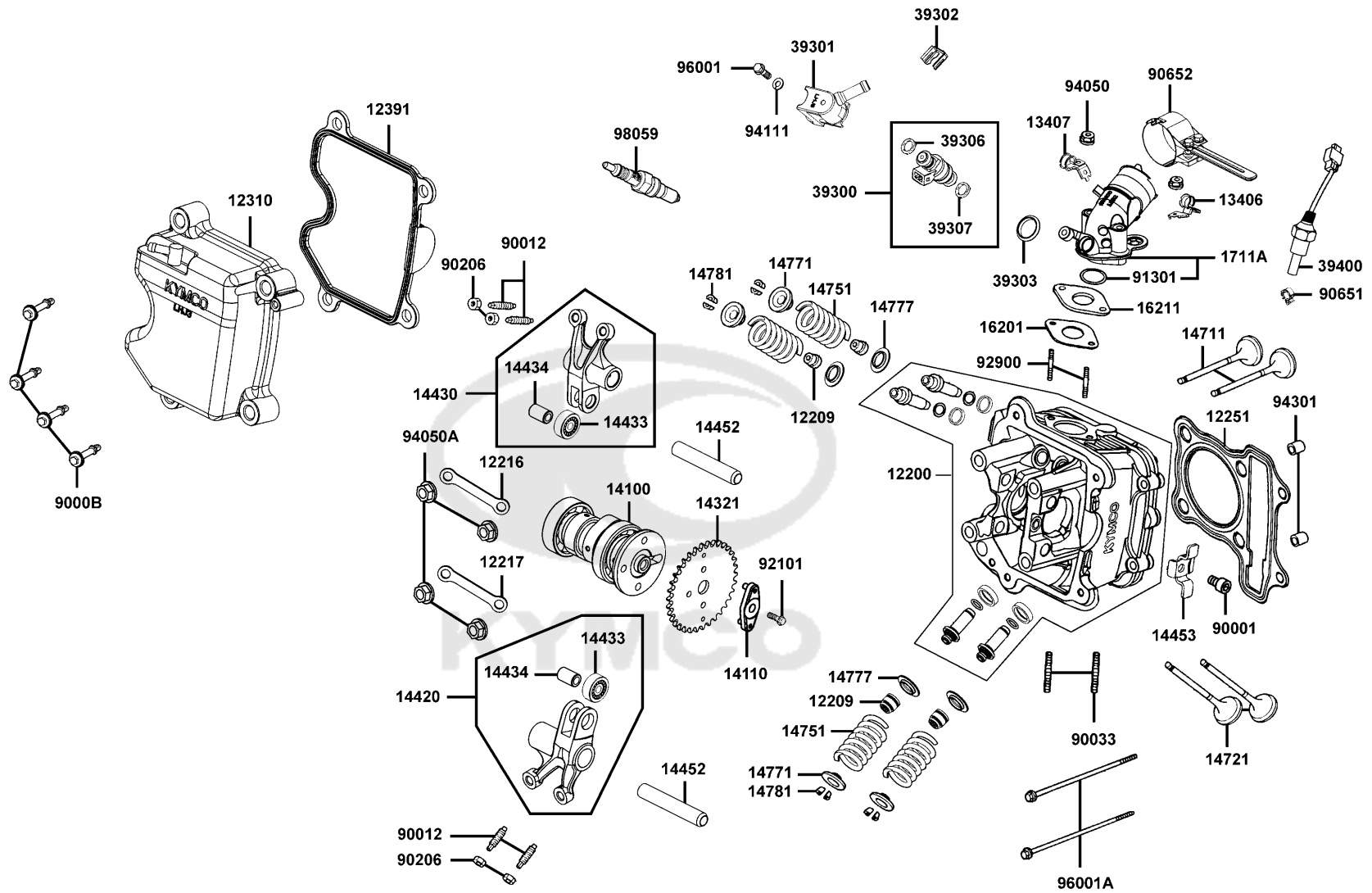
Sales mark 配色标记	Ref no 参考号码	Part no 零件号码	Description 英文名称	Reg description 零件名称	Regd no 需求用量	E01
91009	91009-GLE0-004	BRG BALL RADIAL 6004 UU	BRG BALL RADIAL 6004 UU	E后轮轴承6004UU/CK125T	1	
91202	91202-LFE2-800	OIL SEAL 22X32X6 (CCW)	OIL SEAL 22X32X6 (CCW)	OIL SEAL 22X32X6 (CCW)	1	
91255	91255-AFF8-90A	OIL SEAL 27*42*7	OIL SEAL 27*42*7	OIL SEAL 27*42*7	1	
93500	93500-04015-0G	SCREW M4*15L	SCREW M4*15L	SCREW M4*15L	2	
93903	93903-35260	SCREW TAPPING 5*12	SCREW TAPPING 5*12	螺丝 5X12	4	
94301	94301-08140	DOWEL PIN 8*14	DOWEL PIN 8*14	定位销 8*14	6	
95002	95002-50000	CLIP C9 TUBE	CLIP C9 TUBE	油管夹	2	
95701	95701-08012-08G	BOLT FLANGE 8X12(C)	BOLT FLANGE 8X12(C)	BOLT FLANGE 8X12(C)	2	
95701A	95701-08025-08G	BOLT FLANGE	BOLT FLANGE	有边缘螺丝8*25/WD	1	
96001	96001-06025-08G	BOLT FLANGE SH 6*25 (C)	BOLT FLANGE SH 6*25 (C)	有边缘螺丝6*25/WD	3	
96001A	96001-06032-08G	BOLT FLANGE SH 6X32 (C)	BOLT FLANGE SH 6X32 (C)	BOLT FLANGE SH 6X32 (C)	4	
96001B	96001-06050-08G	BOLT FLANGE SH 6*50 (C)	BOLT FLANGE SH 6*50 (C)	BOLT FLANGE SH 6*50 (C)	1	
96100	96100-60020-00	BRG BALL RADIAL 6002	BRG BALL RADIAL 6002	径向滚珠轴承	1	



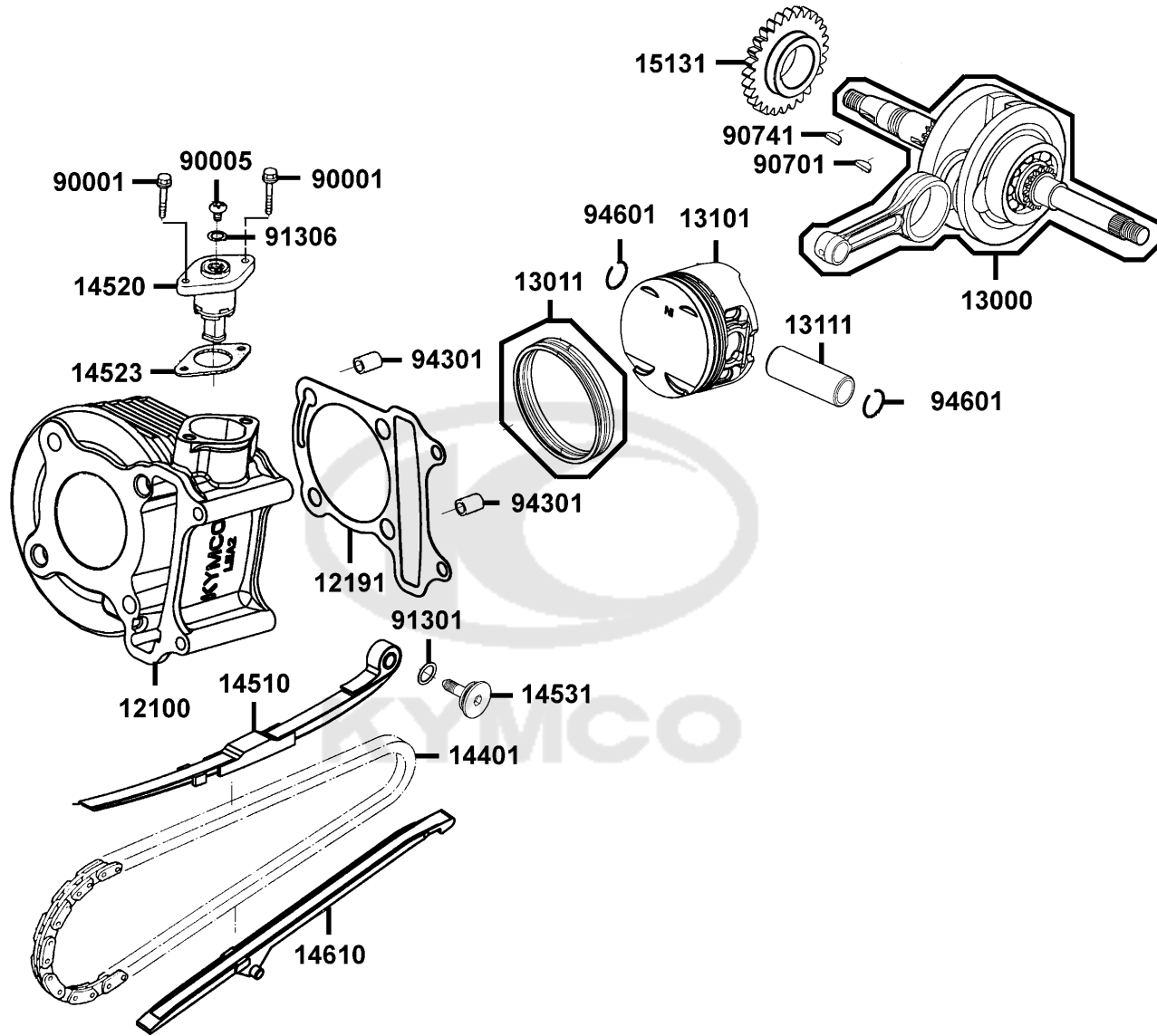
Sales mark 配色标记	Ref no 参考号码	Part no 零件号码	Description 英文名称	Reg description 零件名称	Regd no 需求用量	E02
	12200	12200-LKE6-900	HEAD COMP CYLINDER	HEAD COMP CYLINDER	1	
	12209	12209-LEA2-900	SEAL VALVE STEM	SEAL VALVE STEM	4	
	12216	12216-LEB1-900	FORK A HOLDER	固定座前叉	1	
	12217	12217-LEB1-900	FORK B HOLDER	固定座前叉	1	
	12251	12251-LKE6-900	GASKET CYLINDER HEAD	GASKET CYLINDER HEAD	1	
	12310	12310-LHJ3-900	COVER COMP CYLN HEAD	COVER COMP CYLN HEAD	1	
	12391	12391-LEB1-900	GASKET HEAD COVER	GASKET HEAD COVER	1	
	13406	13406-LHJ8-900	CLAMPER FUEL TUBE	高压油管夹/KD	1	
	13407	13407-LHJ8-900	PLATE A ECU MODULE	PLATE A ECU MODULE	1	
	14100	14100-LHJ8-900	SHAFT COMP CAM	SHAFT COMP CAM	1	
	14110	14110-LEB1-900	FIXTURE CAMSHAFT	凸轮轴固定件	1	
	14321	14321-LEB1-900	SPROCKET CAM	凸轮扣链齿轮	1	
	14420	14420-LEB1-910	ARM COMP. EXH VALVE ROCKER	ARM COMP. EXH VALVE ROCKER	2	
	14430	14430-LEB1-910	ARM COMP IN VALVE ROCKER	ARM COMP IN VALVE ROCKER	2	
	14433	14433-LEB1-C00	ROLLER ASSY ROCKER ARM	ROLLER ASSY ROCKER ARM	2	
	14434	14434-LEB1-C00	PIN ROCKER ARM	PIN ROCKER ARM	2	
	14452	14452-LFA7-E00	SHAFT ROCKER ARM	摇杆臂轴	2	
	14453	14453-LKE6-900	SET PLATE ROCKER ARM SHAFT	SET PLATE ROCKER ARM SHAFT	1	
	14711	14711-LKE6-900	VALVE INLET	VALVE INLET	2	
	14721	14721-LKE6-900	VALVE EXHAUST	VALVE EXHAUST	2	



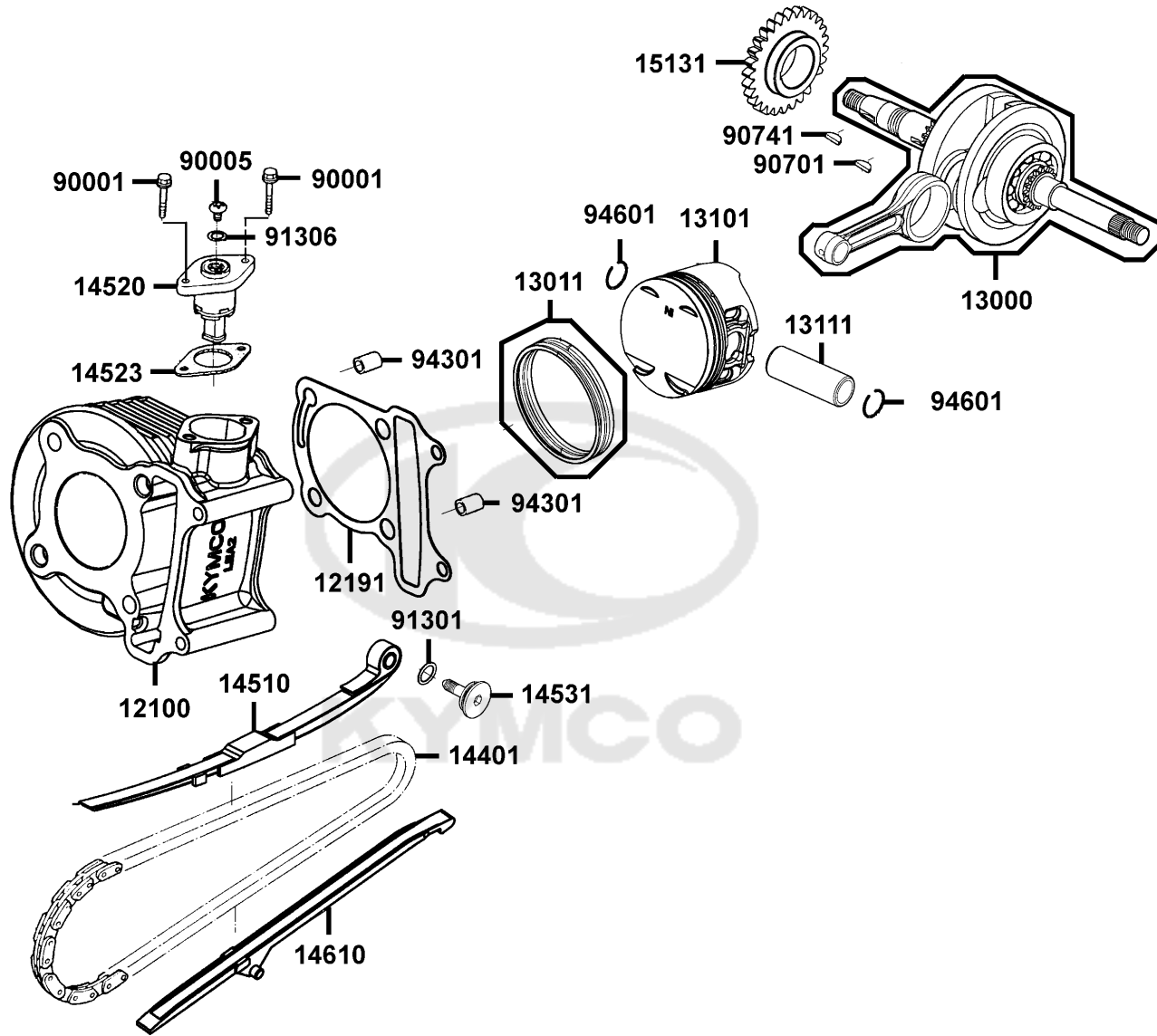
Sales mark 配色标记	Ref no 参考号码	Part no 零件号码	Description 英文名称	Reg description 零件名称	Regd no 需求用量	E02
14751	14751-KHD6-900	14751-KHD6-900	SPG VALVE OUTER	门阀外弹簧	4	
14771	14771-LEA2-900	14771-LEA2-900	RETAINER UPPER SPRING	门阀弹簧扣环/KD	4	
14777	14777-LFA7-E00	14777-LFA7-E00	SEAT VALVE SPG	阀门弹簧座/KD	4	
14781	14781-KKE5-E00	14781-KKE5-E00	COTTER VALVE	门阀扣环/KD	8	
16201	16201-LEB1-900	16201-LEB1-900	GASKET CARB INSULATOR A	GASKET CARB INSULATOR A	1	
16211	16211-LEB1-900	16211-LEB1-900	INSULATOR CARB	INSULATOR CARB	1	
1711A	1711A-LGH6-910	1711A-LGH6-910	PIPE ASS'Y.INLET	PIPE ASS'Y.INLET	1	
39300	39300-LEB2-800	39300-LEB2-800	FUEL INJECTOR	燃油喷嘴	1	
39301	39301-LGM9-910	39301-LGM9-910	HOLDER ASSY.. FUEL INJECTOR	HOLDER ASSY.. FUEL INJECTOR	1	
39302	39302-KKE3-900	39302-KKE3-900	CLIP SPRING FUEL INJECTOR	燃料喷嘴弹簧夹	1	
39303	39303-LEB2-900	39303-LEB2-900	SEAL HIGH TENSION FUEL INJECT	拉力封	1	
39306	39306-LEB2-305	39306-LEB2-305	O-RING A INJECTOR /BLACK	O-RING A INJECTOR /BLACK	1	
39307	39307-LEB2-305	39307-LEB2-305	O-RING B INJECTOR /GREEN	O-RING B INJECTOR /GREEN	1	
39400	39400-LHJ3-900	39400-LHJ3-900	SENSOR. HEAD TEMPERATURE	汽缸头温度感知器	1	
90001	90001-GFY6-901	90001-GFY6-901	SOCKET BOLT 6*10	内六角螺丝 6X10	1	
9000B	9000B-KHD6-900	9000B-KHD6-900	BOLT ASSY SPECIAL 6*41.5	螺丝 6X41.5	4	
90012	90012-3C33-001	90012-3C33-001	SCREW TAPPET ADJUSTING	枢轴调整螺帽	4	
90033	90033-GFY6-900	90033-GFY6-900	BOLT STUD 8*32	汽缸头盖垫片	2	
90206	90206-0A01-001	90206-0A01-001	NUT TAPPET ADJG	挺杆调整螺帽/KD	4	
90651	90651-LKE6-900	90651-LKE6-900	CLIP CABLE	环夹	1	



Sales mark 配色标记	Ref no 参考号码	Part no 零件号码	Description 英文名称	Reg description 零件名称	Regd no 需求用量	E02
90652		90652-LHJ3-900	BEND 48 INLET-PIPE	BEND 48 INLET-PIPE	1	
91301		91301-LEB1-900	O-RING 30*2	O环 30*2	1	
92101		92101-06014-0HG	BOLT HEX 6*14	BOLT HEX 6*14	1	
92900		92900-06060-0B	BOLT STUD 6*60	双头螺丝6*60	2	
94050		94050-06080-G	NUT FLANGE 6MM	螺帽6MM/WD	2	
94050A		94050-08080-G	NUT FLANGE 8MM	NUT FLANGE 8MM	4	
94111		94111-06800	WASHER SPRING 6MM	华司 6MM	1	
94301		94301-10160	DOWEL PIN 10*16	定位销	2	
96001		96001-06014-08G	BOLT FLANGE SH 6*14 (C)	凸缘螺栓6*14(C)	1	
96001A		96001-06100-08G	BOLT FLANGE SH 6x100 (C)	BOLT FLANGE SH 6x100 (C)	2	
98059		98059-58916-00	PLUG SPARK(CR8E)	火星塞	1	



Sales mark 配色标记	Ref no 参考号码	Part no 零件号码	Description 英文名称	Reg description 零件名称	Regd no 需求用量	E03
#	12100	12100-LEB1-900	CYLINDER COMP	CYLINDER COMP	1	
	12191	12191-LEB1-900	GASKET CYLINDER A	GASKET CYLINDER A	1	
	13000	13000-LHJ8-900	CRANK SHAFT COMP	CRANK SHAFT COMP	1	
	13011	13011-LHJ8-90B	RING ASSY PISTON	RING ASSY PISTON	1	
	13101	13101-LHJ8-900	PISTON	PISTON	1	
	13111	13111-LFA7-E00	PIN PISTON	PIN PISTON	1	
	14401	14401-LHJ8-90B	CHAIN CAM (Morse 92RH2005-92)	凸轮轴内链条/KD	1	
	14510	14510-LHJ8-900	TENSIONER CAM CHAIN	TENSIONER CAM CHAIN	1	
	14520	14520-LHJ8-900	LIFTER ASSYTENSIONER	LIFTER ASSYTENSIONER	1	
#	14523	14523-KED9-920	GASKET TENSIONER LIFTER @A	GASKET TENSIONER LIFTER @A	1	
	14531	14531-GLR0-001	PIVOT CAM CHAIN TENSIONER	拉力杆螺丝	1	
	14610	14610-LHJ8-900	GUIDE COMP CAM CHAIN	GUIDE COMP CAM CHAIN	1	
	15131	15131-LEA2-900	GEAR OIL PUMP DRIVE	GEAR OIL PUMP DRIVE	1	
	90001	90001-GBHB-670	BOLT FLANGE SHF 6*22 (C)	有边缘螺丝/KD	2	
	90005	90005-KAW1-910	SCREW PAN 6*6	SCREW PAN 6*6	1	
	90701	90701-HFB6-011	KEY WOODRUFF 25*14*4	固定键 25*14*4	1	
	90741	90741-0E35-001	KEY WOODRUFF	固定键25*14*4/KD	1	
	91301	91301-GLR0-005	O-RING 15.2*1.5	O环 15.2X1.5	1	
	91306	91306-1E05-691	O-RING 1.5*9.5	O环 1.5*9.5	1	
	94301	94301-10160	DOWEL PIN 10*16	定位销	2	



Sales mark 配色标记	Ref no 参考号码	Part no 零件号码	Description 英文名称	Reg description 零件名称	Regd no 需求用量	E03
--------------------	----------------	-----------------	---------------------	-------------------------	-----------------	-----

94601

94601-14000

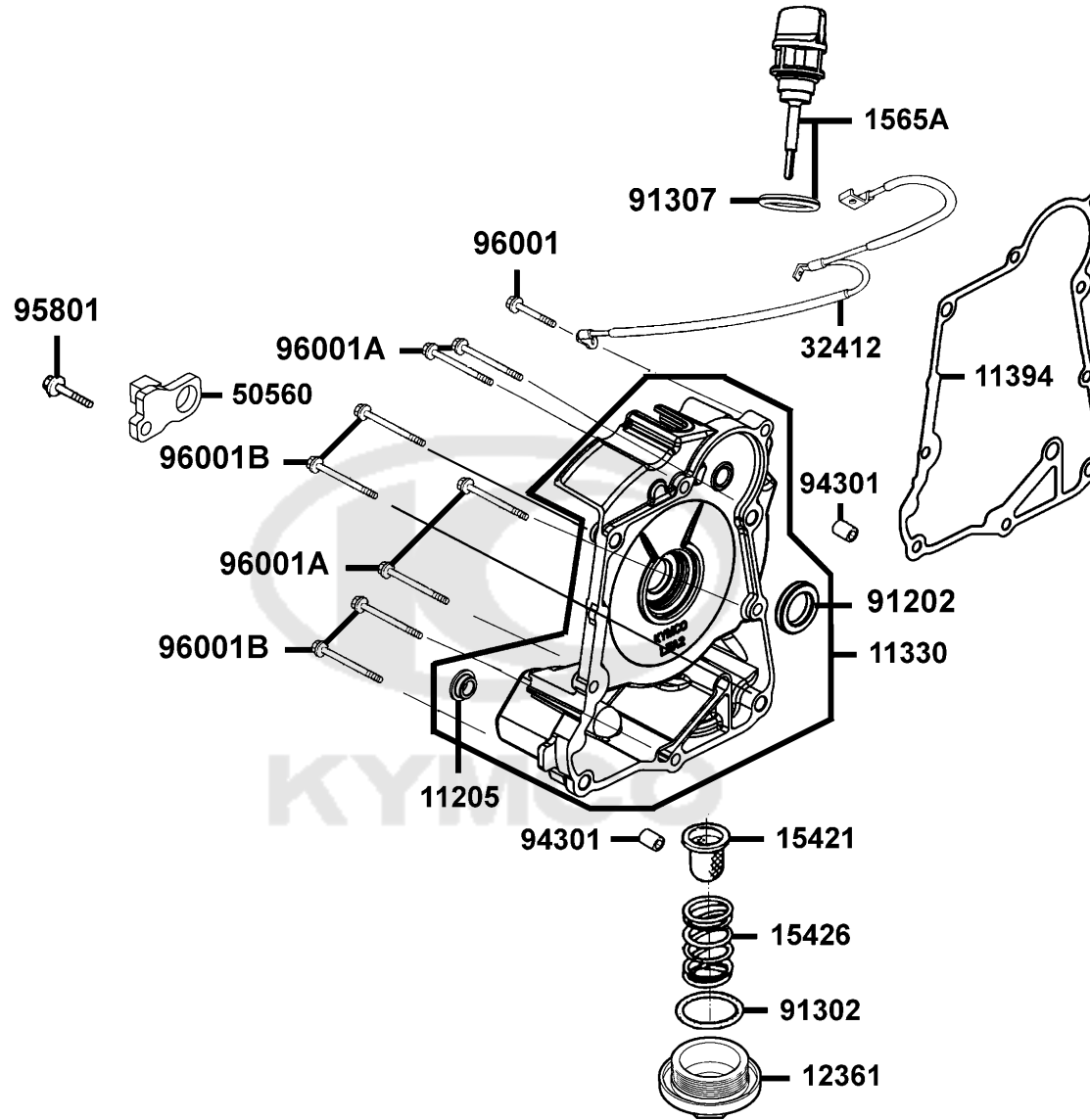
CLIP PISTON PIN 12MM

活塞梢夹

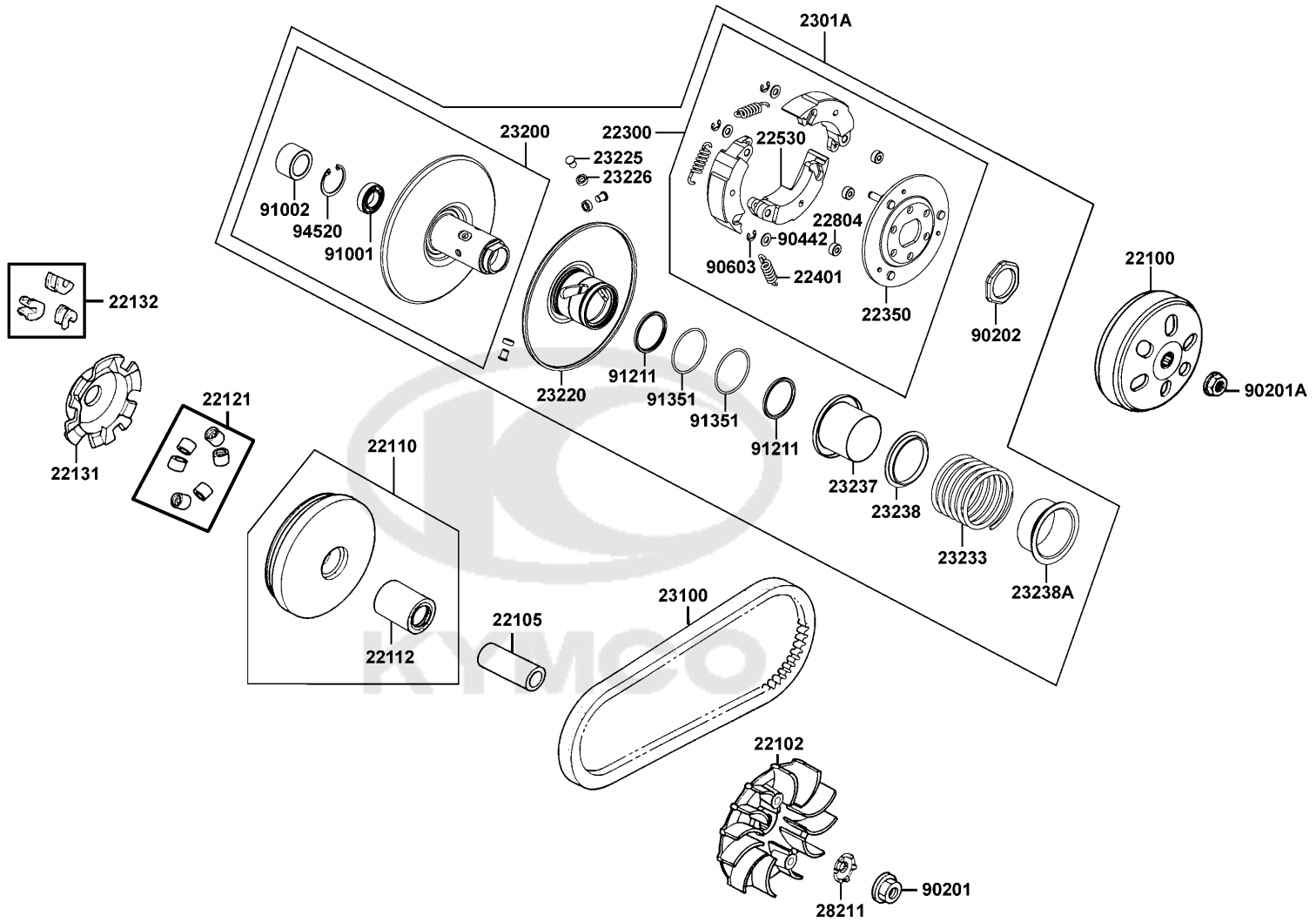
2



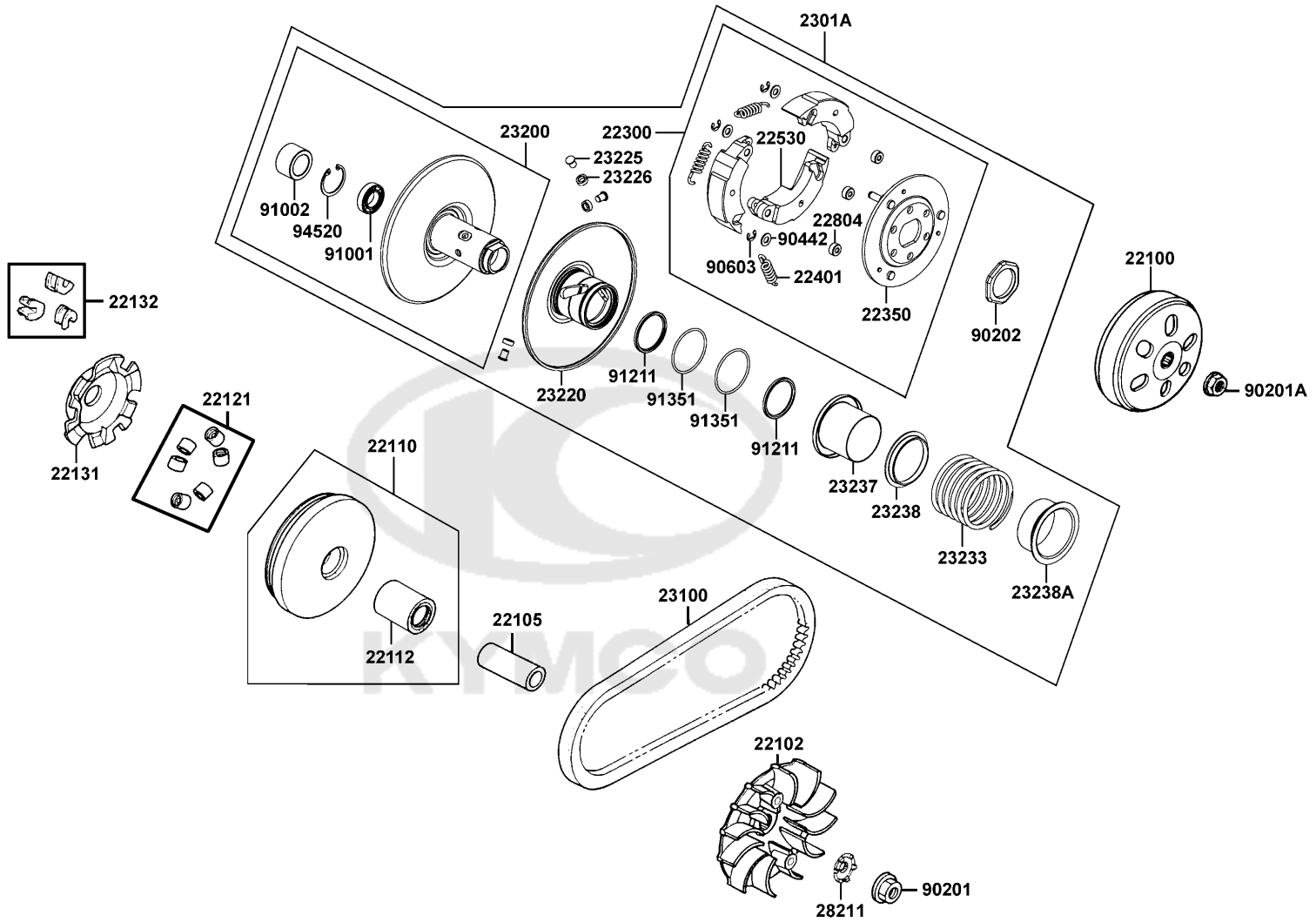
Right Crankcase Cover



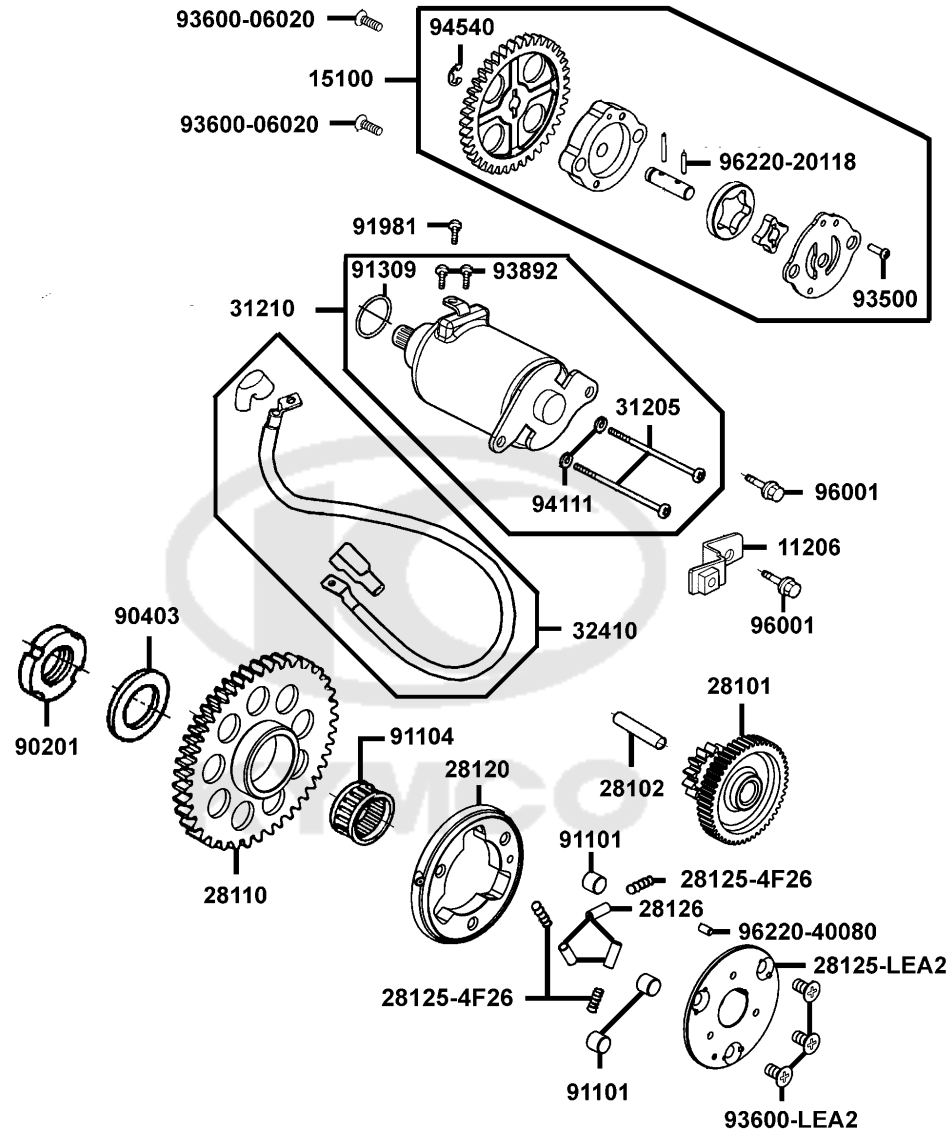
Sales mark 配色标记	Ref no 参考号码	Part no 零件号码	Description 英文名称	Reg description 零件名称	Regd no 需求用量	E04
	11205	11205-LEA2-900	BUSH M STAND	衬套	1	
	11330	11330-LHJ8-700	COVER COMP R CRANK CASE	COVER COMP R CRANK CASE	1	
	11394	11394-LEA2-900	GASKET R COVER @A	GASKET R COVER @A	1	
	12361	12361-GFY6-901	HOLE CAP TAPPET ADJUSTING	定位销	1	
	15421	15421-1G07-001	SCREEN OIL FILTER	滤油网	1	
	15426	15426-GAE1-921	SPG OIL FILTER SCREEN	滤油网弹簧	1	
	1565A	1565A-GFY6-900	GAUGE OIL LEVEL ASSY	量油尺组	1	
	32412	32412-LEA2-900	CABLE EARTH	接地导线	1	
	50560	50560-LEA1-900	STOPPER R MAIN STAND	主脚架右止件	1	
	91202	91202-GFY6-90C	OIL SEAL 19.8*30*5	OIL SEAL 19.8*30*5	2	
	91302	91302-0A01-021	O-RING 30.8M/M	O环 30.8MM	1	
	91307	91307-0E35-001	O RING 18*3	O环 18*3	1	
	94301	94301-08140	DOWEL PIN 8*14	定位销 8*14	2	
	95801	95801-08025-08G	BOLT FLANGE 8X25	BOLT FLANGE 8X25	1	
	96001	96001-06032-08G	BOLT FLANGE SH 6X32 (C)	BOLT FLANGE SH 6X32 (C)	1	
	96001A	96001-06090-08G	BOLT FLANGE SH 6*90(C)	BOLT FLANGE SH 6*90(C)	4	
	96001B	96001-06100-08G	BOLT FLANGE SH 6x100 (C)	BOLT FLANGE SH 6x100 (C)	4	



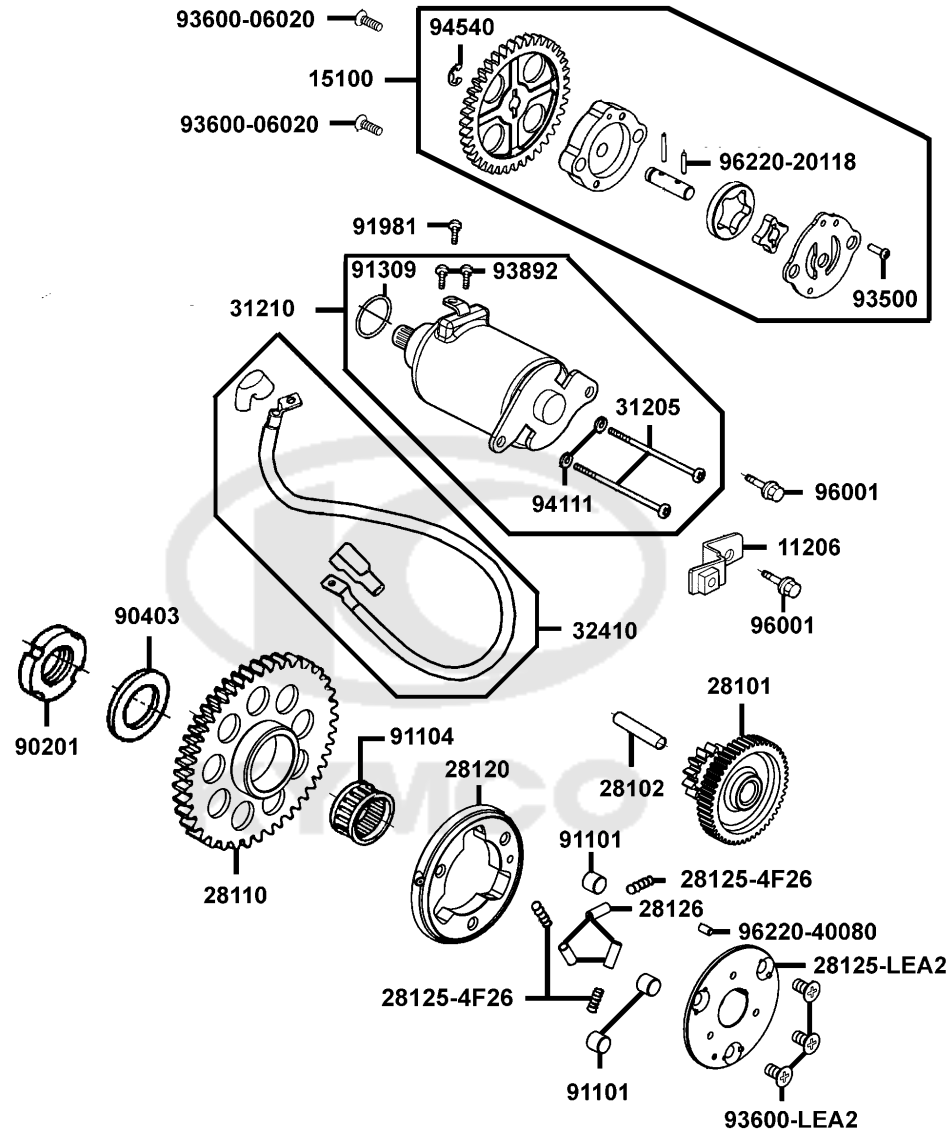
Sales mark 配色标记	Ref no 参考号码	Part no 零件号码	Description 英文名称	Reg description 零件名称	Regd no 需求用量	E05
	22100	22100-LKC6-900	OUTER COMP CLUTCH	OUTER COMP CLUTCH	1	
	22102	22102-LEA2-900	FACE DRIVE	FACE DRIVE	1	
	22105	22105-LHJ6-900	BOSS. DRIVE FACE	BOSS. DRIVE FACE	1	
	22110	22110-LHJ6-900	FACE COMP MOVABLE DRIVE	FACE COMP MOVABLE DRIVE	1	
	22112	22112-GFY6-90A	BUSH 24*28*30	衬套 24X28X30	1	
	22121	22121-LEA2-305	ROLLER SET WEIGHT (1SET:6PCS)	ROLLER SET WEIGHT (1SET:6PCS)	1	
	22131	22131-LEA2-900	PLATE RAMP	PLATE RAMP	1	
	22132	22132-LKB9-305	PIECE SLIDE SET (1SET:3PCS)	PIECE SLIDE SET (1SET:3PCS)	3	
	22300	22300-LEA2-900	PLATE ASSY DRIVE	PLATE ASSY DRIVE	1	
	22350	22350-KHC4-W00	PLATE COMP DRIVE	PLATE COMP DRIVE	1	
	22401	22401-KEB8-900	SPRING CLUTCH	SPRING CLUTCH	3	
	22530	22530-LBC6-900	WEIGHT CLUTCH	WEIGHT CLUTCH	3	
	22804	22804-GAR1-W00	RUBBER CLUTCH DUMPER	RUBBER CLUTCH DUMPER	3	
	2301A	2301A-LHJ8-900	PULLEY SUB ASSY DRIVEN	PULLEY SUB ASSY DRIVEN	1	
	23100	23100-LKC6-900	BELT DRIVE	BELT DRIVE	1	
	23200	23200-LHJ6-900	FACE ASSY DRIVEN	FACE ASSY DRIVEN	1	
	23220	23220-LKB9-900	FACE COMP MOVABLE DRIVEN	FACE COMP MOVABLE DRIVEN	1	
	23225	23225-GHC8-004	PIN ROLLER GUIDE	单向离合器边板	3	
	23226	23226-GHC8-004	ROLLER GUIDE	导销	3	
	23233	23233-LHJ8-900	SPG DRIVEN FACE	SPG DRIVEN FACE	1	




Sales mark 配色标记	Ref no 参考号码	Part no 零件号码	Description 英文名称	Reg description 零件名称	Regd no 需求用量	E05
23237		23237-GFY6-W00	COLLAR SEAL	COLLAR SEAL	1	
23238		23238-LHJ6-900	COLLAR SPG	COLLAR SPG	1	
23238A		23238-LHJ8-900	COLLAR SPG	COLLAR SPG	1	
28211		28211-LFA7-E00	WASHER 16.6*24*5	华司	1	
90201		90201-KHE7-900	NUT C FLANGE M12	螺帽 12MM	1	
90201A		90201-PHB8-001	NUT C FLANGE M12(C)	NUT C FLANGE M12(C)	1	
90202		90202-1G87-001	NUT SPECIAL 28MM	螺帽28MM/KD	1	
90442		90442-0D44-001	WASHER THRUST 6M	垫片/KD	3	
90603		90603-0D44-001	CIR CLIP 6MM	CIR CLIP 6MM	3	
91001		91001-GFY6-90A	BRG NDL 20*29*18	BRG NDL 20*29*18	1	
91002		91002-GFY6-W00	BRG BALL RADIAL (6902U)	轴承/KD	1	
91211		91211-KEE1-900	OIL SEAL 34*39*3	OIL SEAL 34*39*3	2	
91351		91351-KEBE-W00	O RING 36.7X1.9	O RING 36.7X1.9	2	
94520		94520-28000	CIR CLIP IN 28	内环夹 28MM	1	

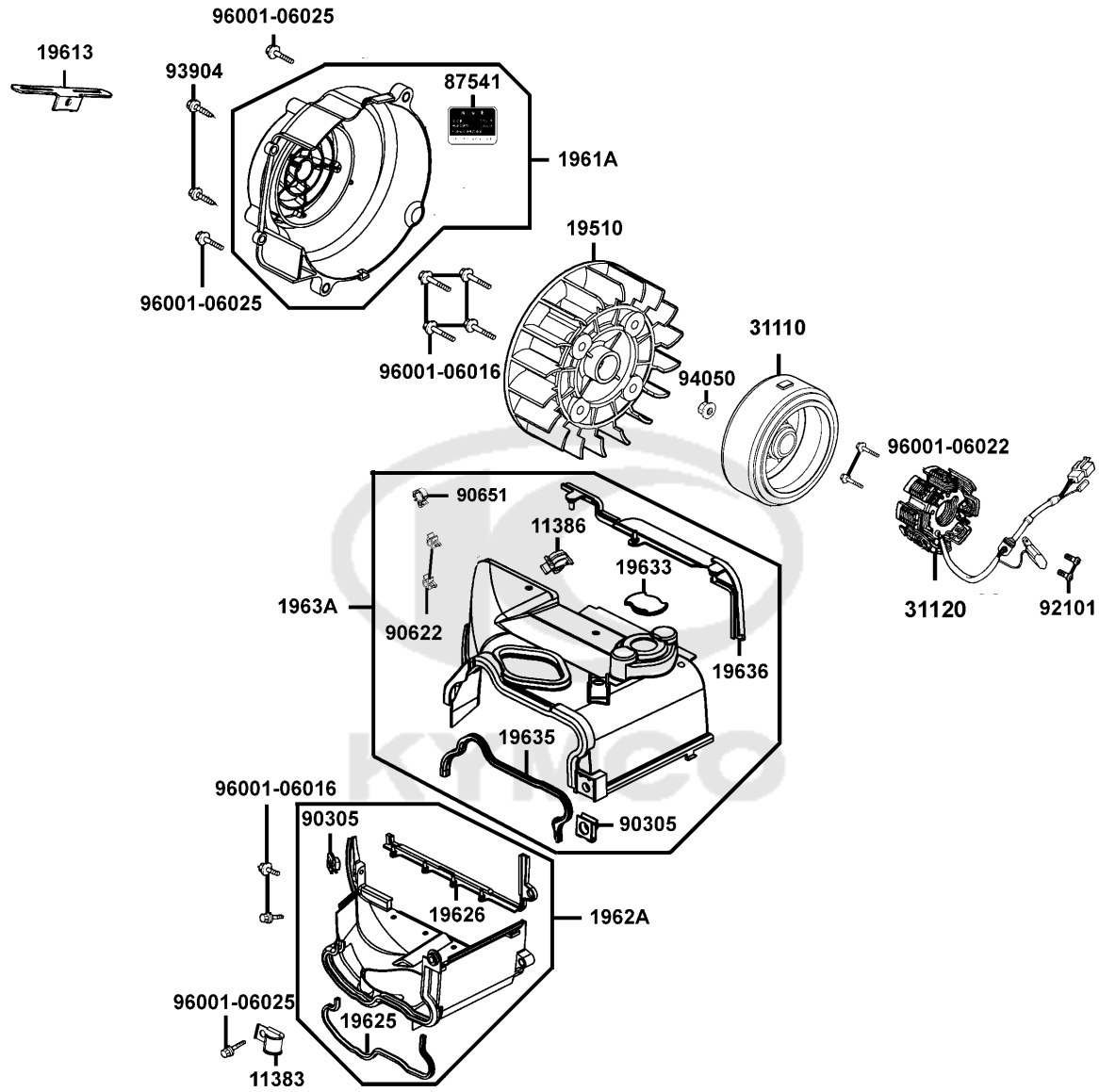


Sales mark 配色标记	Ref no 参考号码	Part no 零件号码	Description 英文名称	Reg description 零件名称	Regd no 需求用量	E06
	11206	11206-LEA1-900	STAY A RR FENDER	後土除支架 A	1	
	15100	15100-LEA2-900	PUMP ASSY OIL	机油泵浦	1	
	28101	28101-LEA2-900	GEAR STARTER REDUCTION	起动减速齿轮	1	
	28102	28102-LEA2-900	SHAFT STARTER REDUCTION GEAR	减速齿轮轴	1	
	28110	28110-LEA2-900	GEAR COMP STARTING CLUTCH	起动齿轮	1	
	28120	28120-LEA2-900	OUTER COMP STARTING CLUTCH	离合器外套	1	
	28125-4F26	28125-4F26-001	SPRING ROLLER STARTER CLUTCH	离合器滚子弹簧	3	
	28125-LEA2	28125-LEA2-910	FLANGE. STARTING CLUTCH	FLANGE. STARTING CLUTCH	1	
	28126	28126-KNBN-901	CAP SPGNG ROLLER SP	滚子弹簧盖	3	
	31205	31205-KGN7-670	BOLT SET	BOLT SET	2	
	31210	31210-KKC3-900	MOTOR UNIT START	起动马达组	1	
	32410	32410-LHJ8-900	CABLE. START MOTOR	CABLE. START MOTOR	1	
	90201	90201-GFY6-901	NUT LOCK 22MM	锁定螺帽22MM	1	
	90403	90403-LEA2-900	WASHER THRUST 22.5X311.5	WASHER THRUST 22.5X311.5	1	
	91101	91101-LEA2-900	ROLLER 10*9	滚子 10X9	3	
	91104	91104-LEA1-900	"BRG NEEDLE 28X33X14"	轴承	1	
	91309	91309-4E25-004	O-RING 24.4*3.1	O环 24.4X3.1	1	
	91981	91981-KGN7-670	SCREW WASH 5*8	螺丝	1	
	93500	93500-03010-0F	SCREW PAN 3X10	SCREW PAN 3X10	1	
	93600-06020	93600-06020-0HG	SCREW FLAT 6*20	SCREW FLAT 6*20	1	



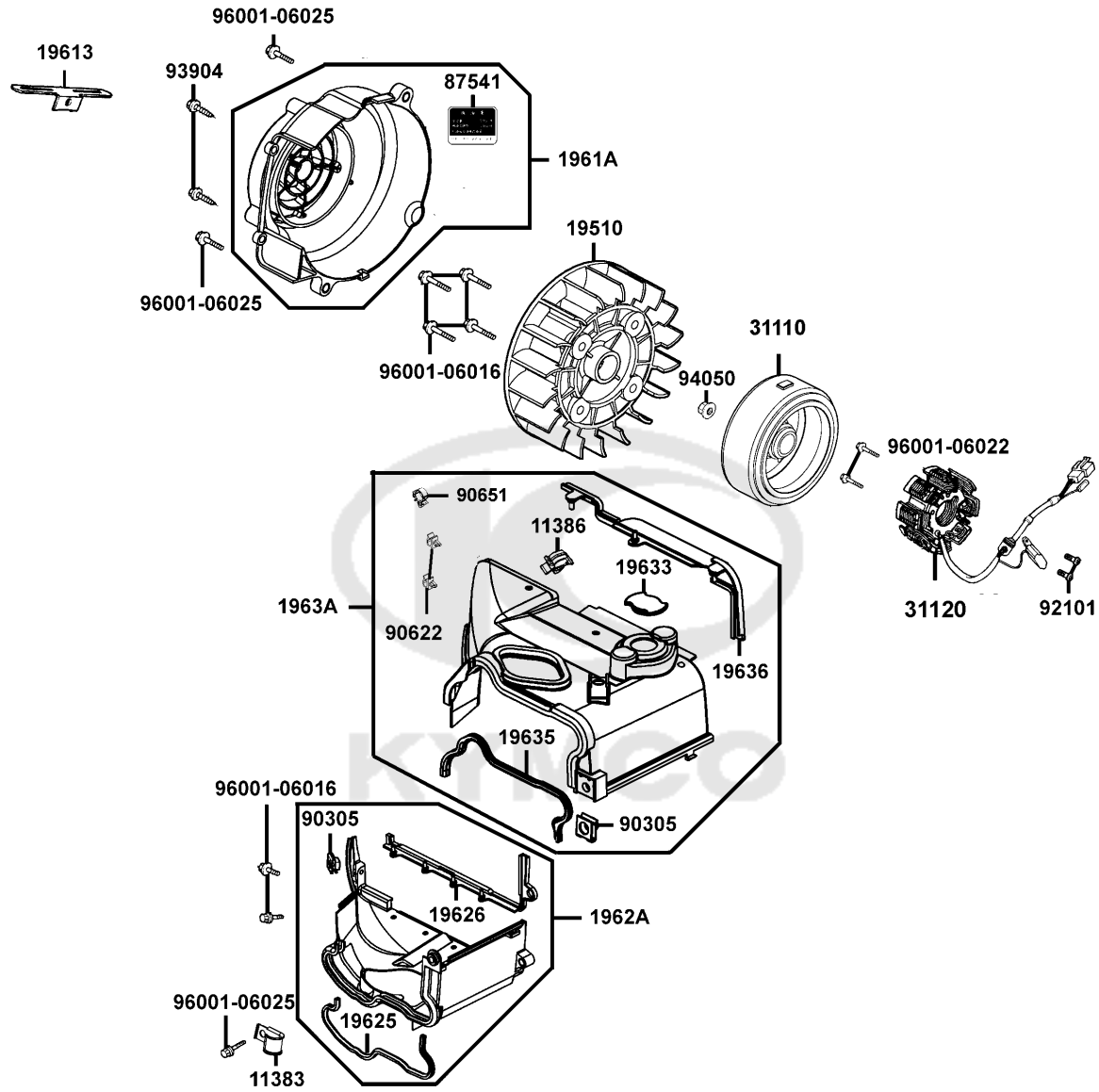
Sales mark 配色标记	Ref no 参考号码	Part no 零件号码	Description 英文名称	Reg description 零件名称	Regd no 需求用量	E06
#	93600-LEA2	93600-LEA2-910	BOLT SOCKET 6X12	BOLT SOCKET 6X12	3	
	93892	93892-04006-08	SCREW WASHER 4*6	SCREW WASHER 4*6	2	
	94111	94111-05800	WASHER SPRING 5MM	华司 5MM	2	
	94540	94540-05018	E RING 5	E型环	1	
	96001	96001-06018-08G	BOLT FLANGE SH 6*18 (C)	凸缘螺栓	2	
	96220-20118	96220-20118	ROLLER 2*11.8	滚子 2X11.8	1	
	96220-40080	96220-40080	ROLLER 4*8	定位销 4X10	1	
						


Fan Cover Generator



Sales mark 配色标记	Ref no 参考号码	Part no 零件号码	Description 英文名称	Reg description 零件名称	Regd no 需求用量	E07
	11383	11383-LEA1-900	CLAMPER DRAIN TUBE	通气管夹	1	
	11386	11386-GFY6-900	CLIP VACUUM TUBE	真空管夹	1	
	19510	19510-LHJ8-900	FAN COMP COOLING	FAN COMP COOLING	1	
	19613	19613-GFY6-901	CLAMPER STARTER MOTOR	起动马达导线夹	1	
	1961A	1961A-LEA2-900	COVER ASSY.. FAN	COVER ASSY.. FAN	1	
	19625	19625-LEB1-900	SEAL SHROUD A	SEAL SHROUD A	1	
	19626	19626-LHJ8-900	SEAL SHROUD A	SEAL SHROUD A	1	
	1962A	1962A-LHJ8-900	SHROUD ASSY A	SHROUD ASSY A	1	
	19633	19633-GFY6-901	GROMET SHROUD B	橡皮盖	1	
	19635	19635-LEB1-910	SEAL SHROUD B	SEAL SHROUD B	1	
	19636	19636-LHJ8-900	SEAL SHROUD B	SEAL SHROUD B	1	
	1963A	1963A-LHJ8-920	SHROUD ASSY B	SHROUD ASSY B	1	
	31110	31110-LEA1-90A	FLYWHEEL COMP (D402)	飞轮	1	
	31120	31120-LHJ8-90A	STATOR COMP (D402)	STATOR COMP (D402)	1	
# **	87541	87541-KUDU-900	LABEL OIL CAP	标签	1	
	90305	90305-GHK8-001	NUT CLIP 6MM	夹螺帽 6MM	2	
	90622	90622-LHJ8-900	CLAMP	线夹/KD	2	
	90651	90651-LKE6-900	CLIP CABLE	环夹	1	
	92101	92101-05012-0HG	BOLT HEX 5*12	六角螺丝5*12?	1	
	93904	93904-35320-G	SCREW TAPPING 5*16	SCREW TAPPING 5*16	2	

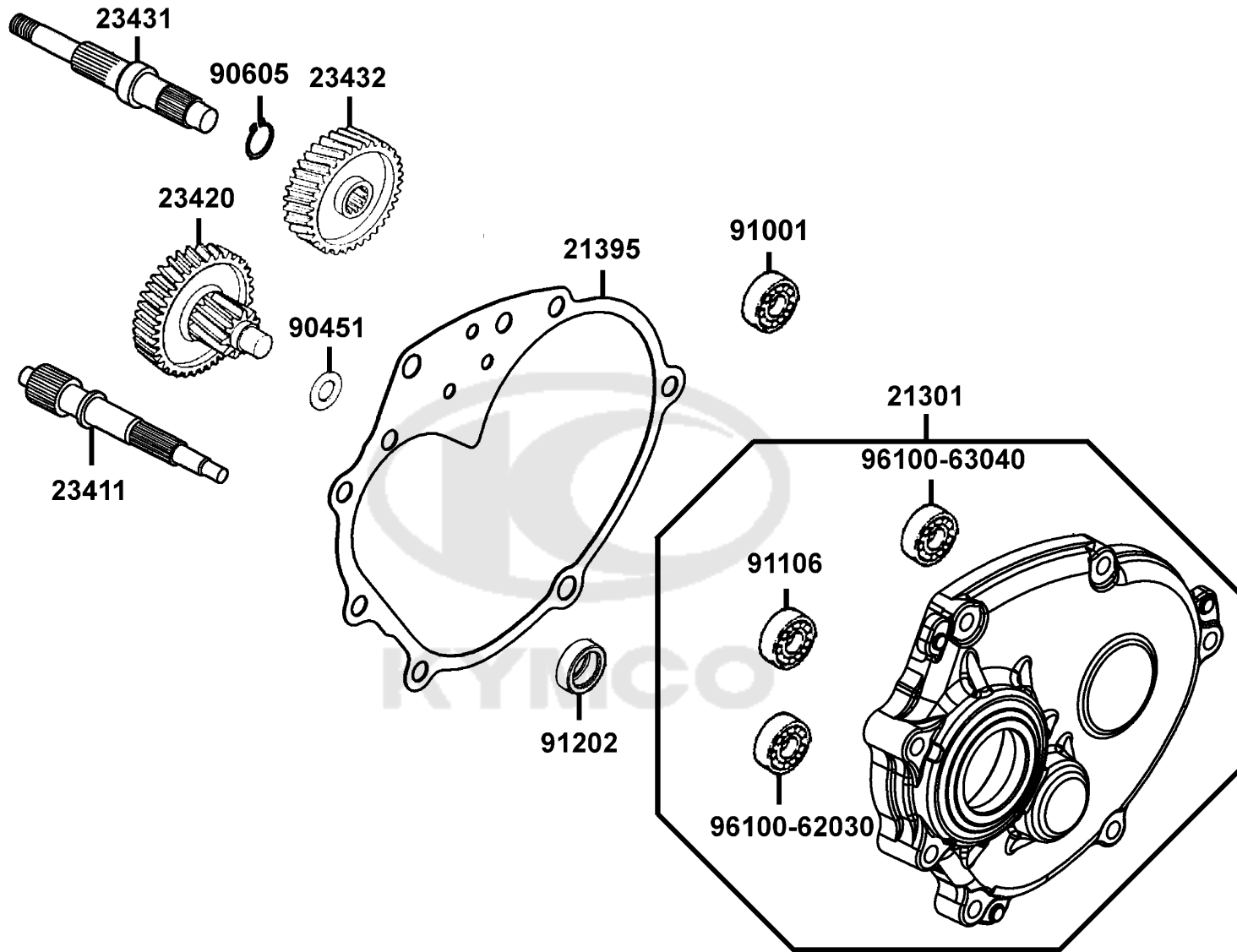
Fan Cover Generator



Sales mark 配色标记	Ref no 参考号码	Part no 零件号码	Description 英文名称	Reg description 零件名称	Regd no 需求用量	E07
	94050	94050-10080-G	NUT FLANGE 10MM (C)	边缘螺帽(黄色)	1	
	96001-06016	96001-06016-08G	BOLT FLANGE SH 6x16 (C)	BOLT FLANGE SH 6x16 (C).	6	
	96001-06022	96001-06022-08G	BOLT FLANGE SH 6*22 (C)	凸缘螺栓6*25(C)	2	
	96001-06025	96001-06025-08G	BOLT FLANGE SH 6*25 (C)	有边缘螺丝6*25/WD	3	
						

E08

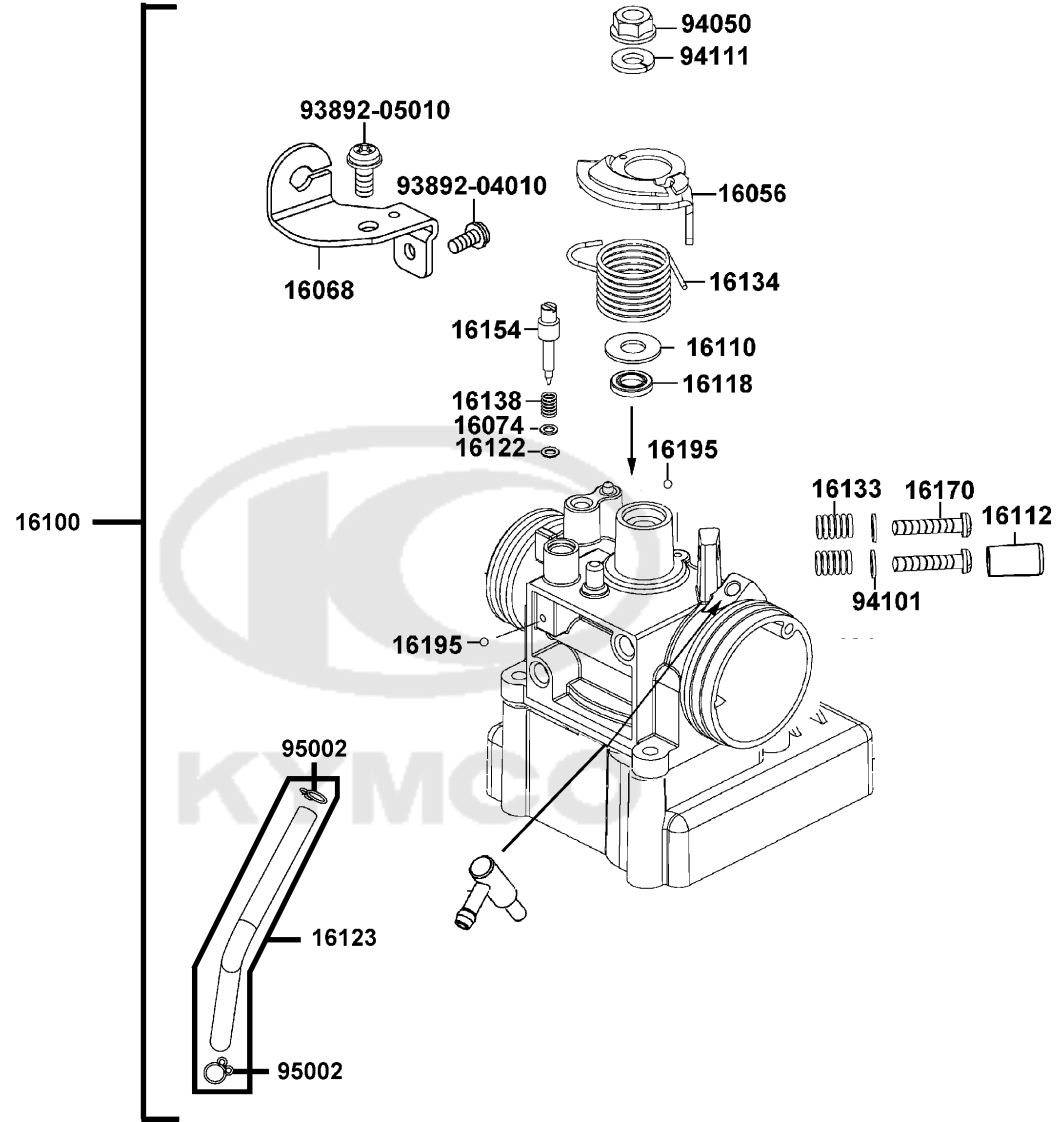
Transmission



Sales mark 配色标记	Ref no 参考号码	Part no 零件号码	Description 英文名称	Reg description 零件名称	Regd no 需求用量	E08
21301	21301-LEA2-305	21301-LEA2-305	COVER MISSION(2007.04.04)	COVER MISSION(2007.04.04)	1	
21395	21395-LEA2-900	21395-LEA2-900	GASKET MISSION CASE @A	GASKET MISSION CASE @A	1	
23411	23411-LHJ6-900	23411-LHJ6-900	SHAFT DRIVE	SHAFT DRIVE	1	
23420	23420-LKC6-C00	23420-LKC6-C00	SHAFT COMP COUNTER	SHAFT COMP COUNTER	1	
23431	23431-LHJ8-700	23431-LHJ8-700	SHAFT FINAL	SHAFT FINAL	1	
23432	23432-LKC6-900	23432-LKC6-900	GEAR. FINAL	GEAR. FINAL	1	
90451	90451-KUDU-900	90451-KUDU-900	WASHER THRUST 15MM	推力垫圈	1	
90605	90605-2L00-001	90605-2L00-001	SET RING 20MM	SET RING 20MM	1	
91001	91001-KHC4-90D	91001-KHC4-90D	BRG BALL RADIAL 6304JR2CS10	BRG BALL RADIAL 6304JR2CS10	1	
91106	91106-KHC4-90B	91106-KHC4-90B	BEARING NEEPLE 15MM **KHC4-9000-M2	BEARING NEEPLE 15MM **KHC4-9000-M2	1	
91202	91202-LEA1-90A	91202-LEA1-90A	OIL SEAL 20*32*6	OIL SEAL 20*32*6	1	
96100-62030	96100-62030-00	96100-62030-00	BRG BALL RADIAL 6203	6203轴承/CK110	1	
96100-63040	96100-63040-00	96100-63040-00	BRG BALL RADIAL 6304	左曲轴箱轴承 6304/20*52*15	1	

E09

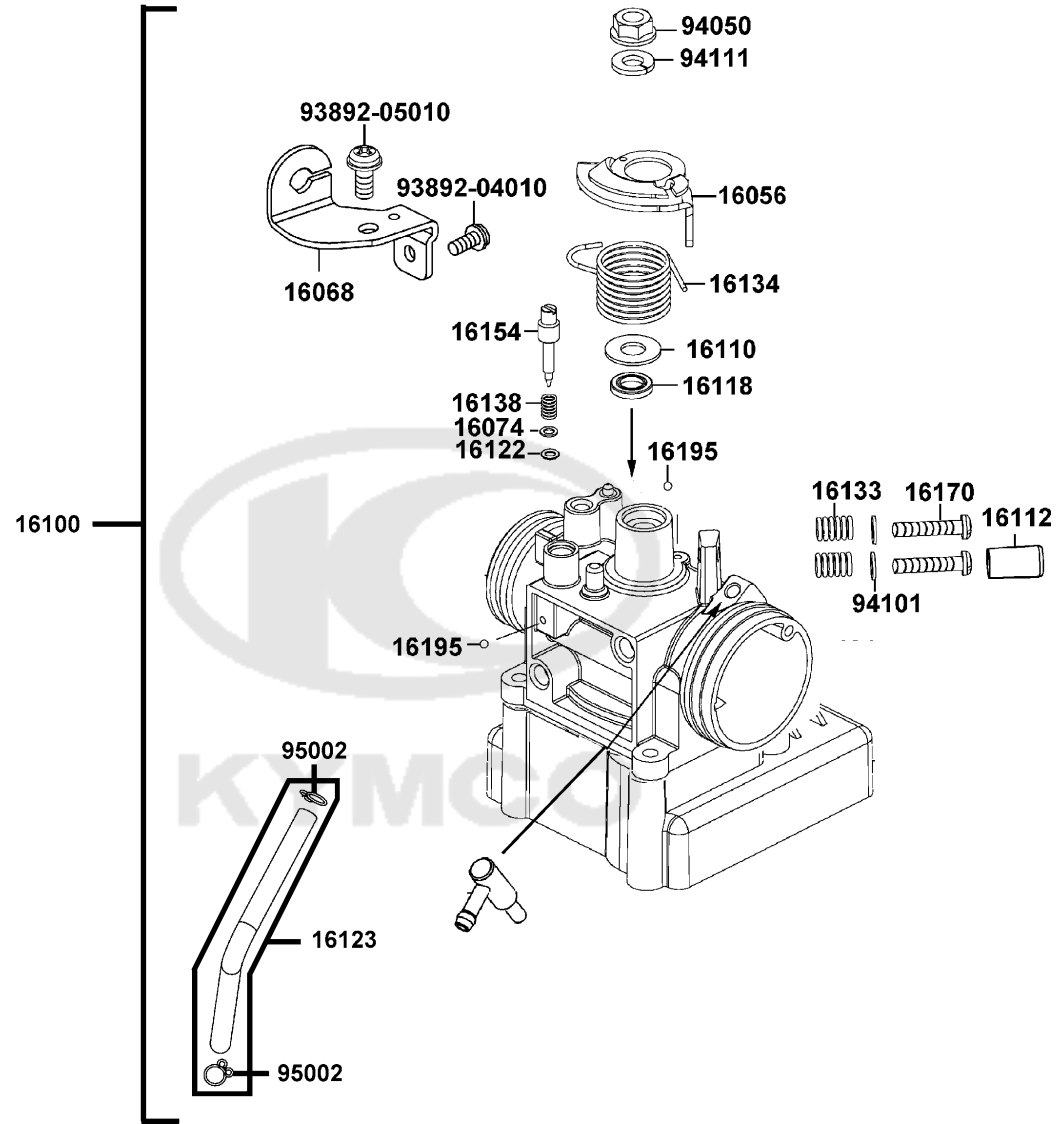
# Throttle Body Assy



Sales mark 配色标记	Ref no 参考号码	Part no 零件号码	Description 英文名称	Reg description 零件名称	Regd no 需求用量	E09
	16056	16056-LEB2-900	SHAFT ASSY THROTTLE	拉杆节流阀 A	1	
	16068	16068-LEB2-900	PLATE WIRE FIXED	节流导线固定板	1	
	16074	16074-KEC3-900	WASHER IDLE SCREW	华司	1	
	16100	16100-AFB6-C00	THROTTLE BODY ASSY	THROTTLE BODY ASSY	1	
	16110	16110-KKE3-900	WASHER THROTTLE COMP	华司	1	
	16112	16112-KKE3-900	COVER IDLE SCREW	盖	1	
	16118	16118-KEC3-900	SEAL THROTTLE SHAFT	节流阀轴封	1	
	16122	16122-KEC3-900	O-RING IDLE SCREW	O环	1	
	16123	16123-LHJ8-900	TUBE COMP 3.5*290	TUBE COMP 3.5*290	1	
	16133	16133-KEC3-900	SPG THROTTLE ADJ SCREW	弹簧	2	
	16134	16134-LHJ8-900	SPG THROTTLE SHAFT	SPG THROTTLE SHAFT	1	
	16138	16138-KEC3-900	SPG IDLE SCREW	弹簧	1	
	16154	16154-KKE3-900	SCREW IDLE ADJUST	调整螺丝	1	
	16170	16170-KEC3-900	SCREW THROTTLE ADJUST	调整螺丝	2	
	16195	16195-KEC3-900	BALL 2.1	滚珠 2.1MM	3	
	93892-04010	93892-04010-06	SCREW WASHER 4X10	SCREW WASHER 4X10	1	
	93892-05010	93892-05010-06	SCREW WASHER 5X10	SCREW WASHER 5X10	1	
	94050	94050-06080	NUT FLANGE 6MM	特殊螺帽 6MM	1	
	94101	94101-KKE3-900	WASHER PLAIN 4MM	华司 4MM	2	
	94111	94111-06800	WASHER SPRING 6MM	华司 6MM	1	

E09

# Throttle Body Assy



Sales mark 配色标记	Ref no 参考号码	Part no 零件号码	Description 英文名称	Reg description 零件名称	Regd no 需求用量	E09
--------------------	----------------	-----------------	---------------------	-------------------------	-----------------	-----

95002

95002-02070

CLIP B7 TUBE

管夹

2

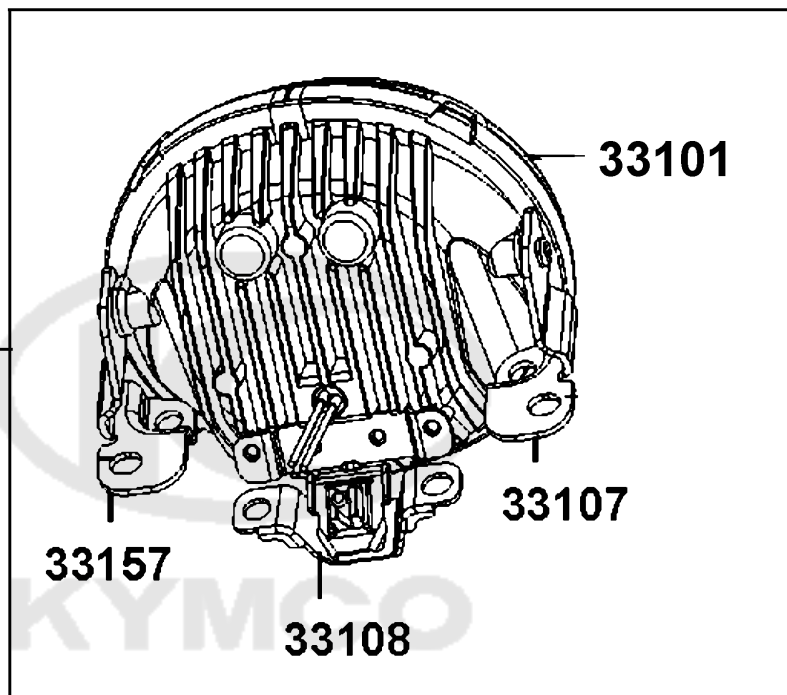


F01

Head Light



33100

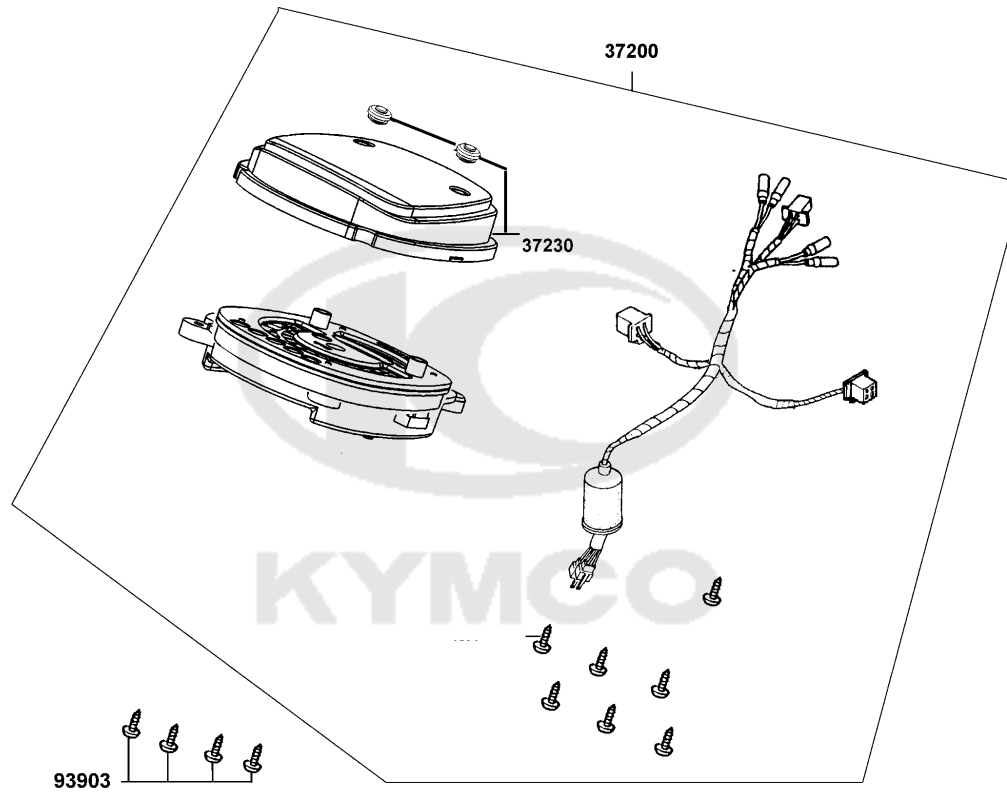


Sales mark 配色标记	Ref no 参考号码	Part no 零件号码	Description 英文名称	Reg description 零件名称	Regd no 需求用量	F01
	33100	33100-AFB6-91A	LIGHT ASSY HEAD(LED)	LIGHT ASSY HEAD(LED)	1	
	33101	33101-AGD7-70A	COMB HEAD LIGHT	COMB HEAD LIGHT	1	
	33107	33107-AGD7-305	FIXED BRKT RH ASSY	FIXED BRKT RH ASSY	1	
	33108	33108-AGD7-305	BRKT BEAM ADJUST ASSY	BRKT BEAM ADJUST ASSY	1	
	33127	33127-AGD7-700	FIXED BRKT SUB RH	FIXED BRKT SUB RH	1	
	33128	33128-AGD7-700	FIXED BRKT SUB LH	FIXED BRKT SUB LH	1	
	33157	33157-AGD7-305	FIXED BRKT LH ASSY	FIXED BRKT LH ASSY	1	
	93903	93903-25220-G	SCREW TAPPING 5*12	螺丝(五彩色)	4	



F02

# Speedometer



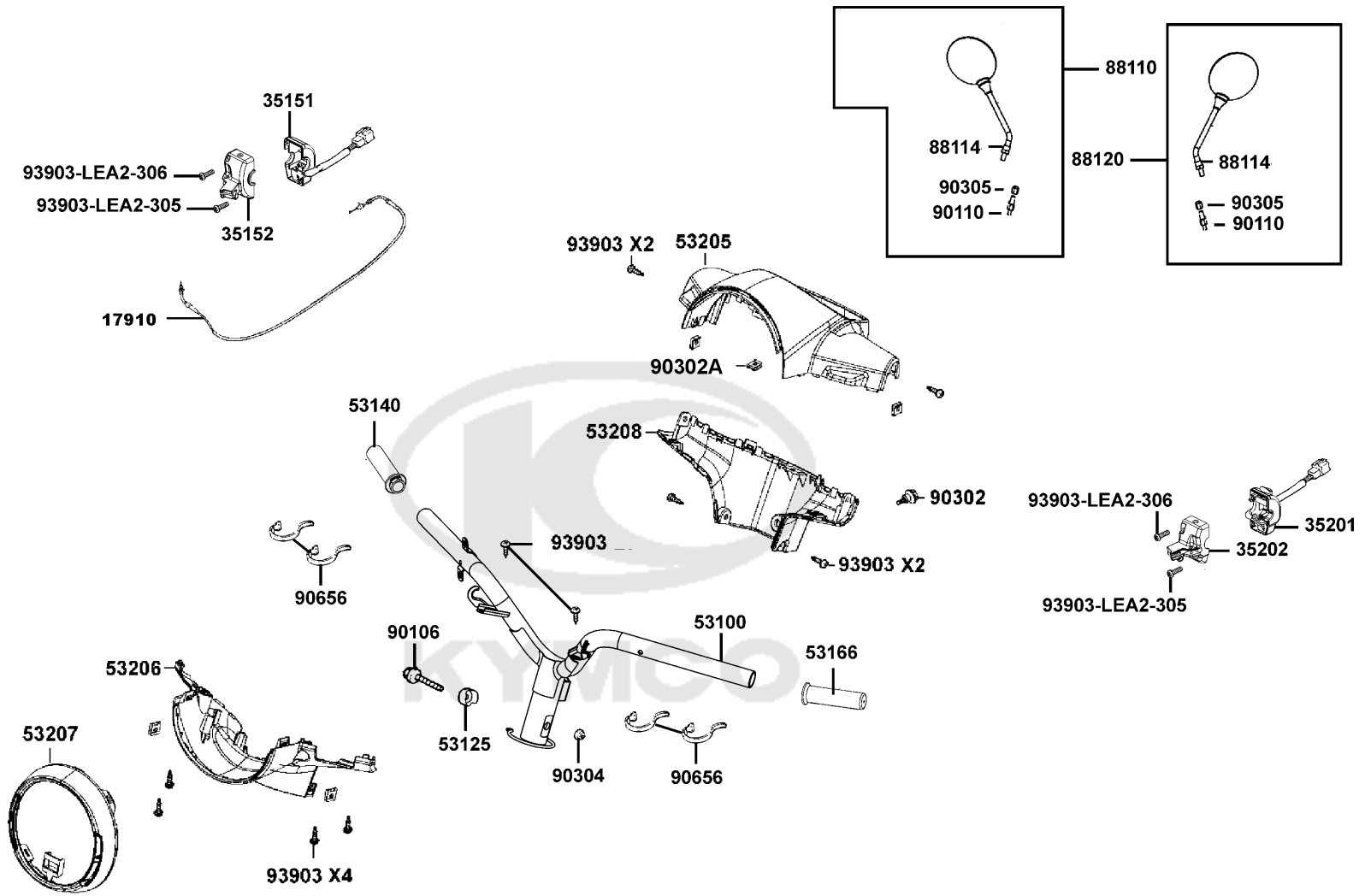
Sales mark 配色标记	Ref no 参考号码	Part no 零件号码	Description 英文名称	Reg description 零件名称	Regd no 需求用量	F02
--------------------	----------------	-----------------	---------------------	-------------------------	-----------------	-----

37200	37200-AFB6-610	37200-AFB6-610	METER ASSY.. SPEED	METER ASSY.. SPEED	1	
37230	37230-AFB5-900	37230-AFB5-900	LENS	LENS	1	
93903	93903-35320-G	93903-35320-G	SCREW TAPPING 5*16	铁钐牙5*16(C)平(3价铬)	4	



F03

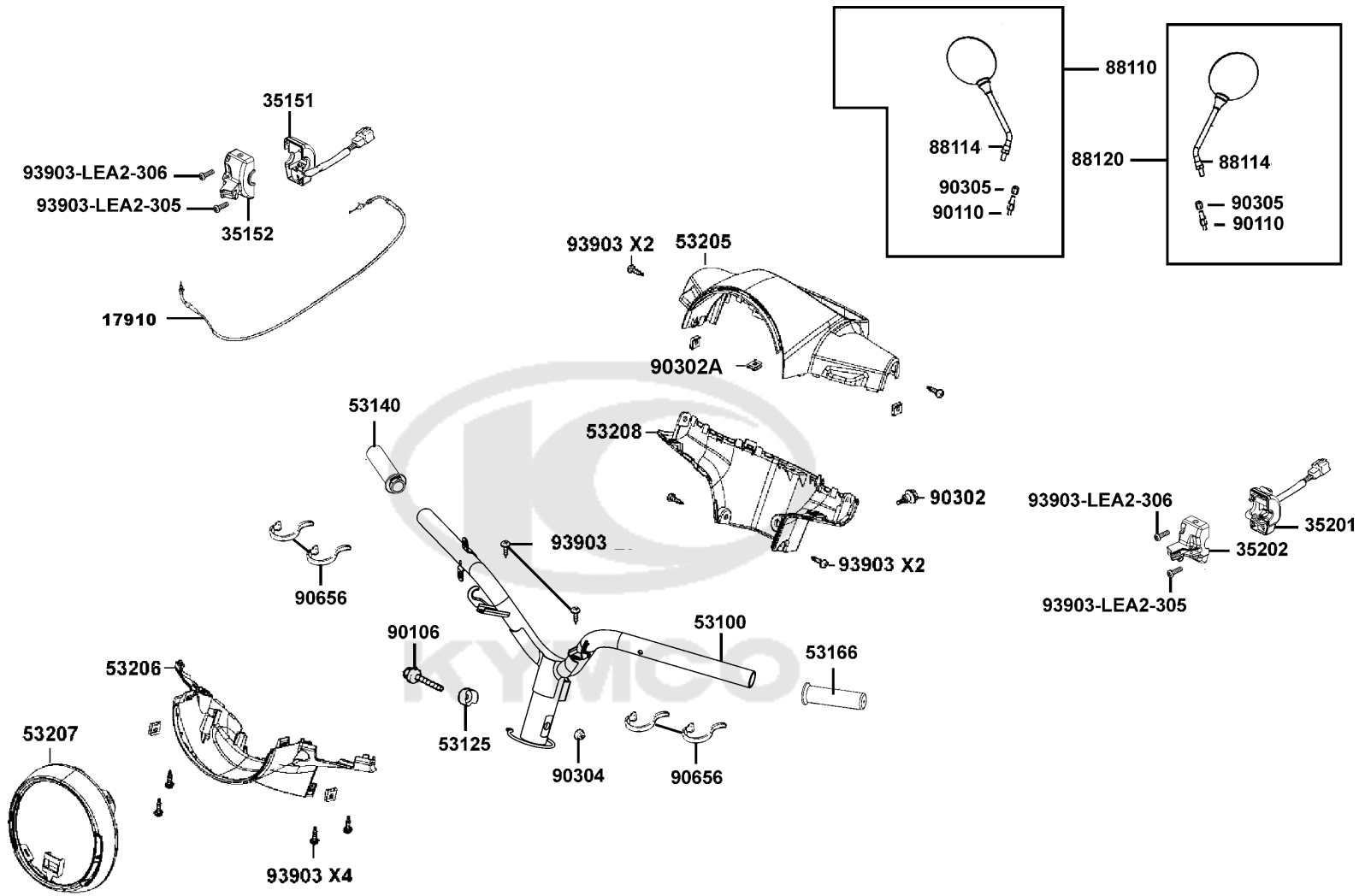
Handle Steering Handle Cover



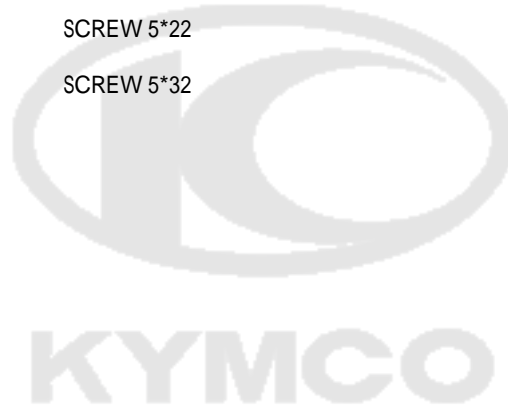
Sales mark 配色标记	Ref no 参考号码	Part no 零件号码	Description 英文名称	Reg description 零件名称	Regd no 需求用量	F03
	17910	17910-LHJ8-900	CABLE COMP THROT	CABLE COMP THROT	1	
**	35151	35151-AFB5-325	CASE COMP FR (D209)	CASE COMP FR (D209)	1	
**	35152	35152-LHJ8-307	RR CASE COMP	RR CASE COMP	1	
# **	35152	35152-LHJ8-910	RR CASE RH	RR CASE RH	1	
# **	35152	35152-LHJ8-990	RR CASE RH	RR CASE RH	1	
**	35201	35201-LHJ8-315	CASE SET FR	CASE SET FR	1	
**	35202	35202-LHJ8-910	CASE REAR LH	CASE REAR LH	1	
# **	35202	35202-LHJ8-990	CASE REAR LH	CASE REAR LH	1	
	53100	53100-AFB6-900	HANDLE COMP STRG	HANDLE COMP STRG	1	
	53125	53125-GEN5-901	COLLAR HANDLE SET	轴环	1	
**	53140	53140-LHJ8-900	GRIP COMP THROT	GRIP COMP THROT	1	
**	53166	53166-GBW2-001	GRIP L HANDLE	GRIP L HANDLE	1	
**	53205	53205-AFB5-900	COVER UP HANDLE	手把上盖	1	
**	53206	53206-AFB5-900	COVER LOW A HANDLE	手把下盖	1	
**	53207	53207-AFB5-900	COVER FR HANDLE	前手把盖	1	
**	53208	53208-AFB5-900	COVER LOW B HANDLE	手把下盖B	1	
	88110	88110-AFB6-C00	MIRROR ASSY R BACK	MIRROR ASSY R BACK	1	
	88114	88114-AFB5-900	BOOT MIRROR STAY	BOOT MIRROR STAY	2	
	88120	88120-AFB6-C00	MIRROR ASSY L BACK	MIRROR ASSY L BACK	1	
	90106	90106-GEN5-910	BOLT FLANGE 10*50	螺丝 10*50/KD	1	

F03

Handle Steering Handle Cover



Sales mark 配色标记	Ref no 参考号码	Part no 零件号码	Description 英文名称	Reg description 零件名称	Regd no 需求用量	F03
90110		90110-LDA7-900	BOLT SPECIAL 8MM	螺丝 8MM	2	
90302		90302-KEC8-920	BOLT PAN 5*9 (CR3+)	BOLT PAN 5*9 (CR3+)	1	
90302A		90302-LKB9-900	NUT SPRING 5MM	NUT SPRING 5MM	5	
90304		90304-LEA1-910	NUT U 10MM (C)	NUT U 10MM (C)	1	
90305		90305-KNCN-900	NUT SPECIAL 12MM	特殊螺帽 12MM	2	
90656		90656-KCBC-900	BAND OIL HANDLE 8X146	油管束带	4	
93903		93903-25280-G	SCREW TAPPING 5*12 (KG)	螺钉 5*12/KD	10	
93903-LEA2-305		93903-LEA2-305-T02	SCREW 5*22	SCREW 5*22	2	
93903-LEA2-306		93903-LEA2-306-T02	SCREW 5*32	SCREW 5*32	2	

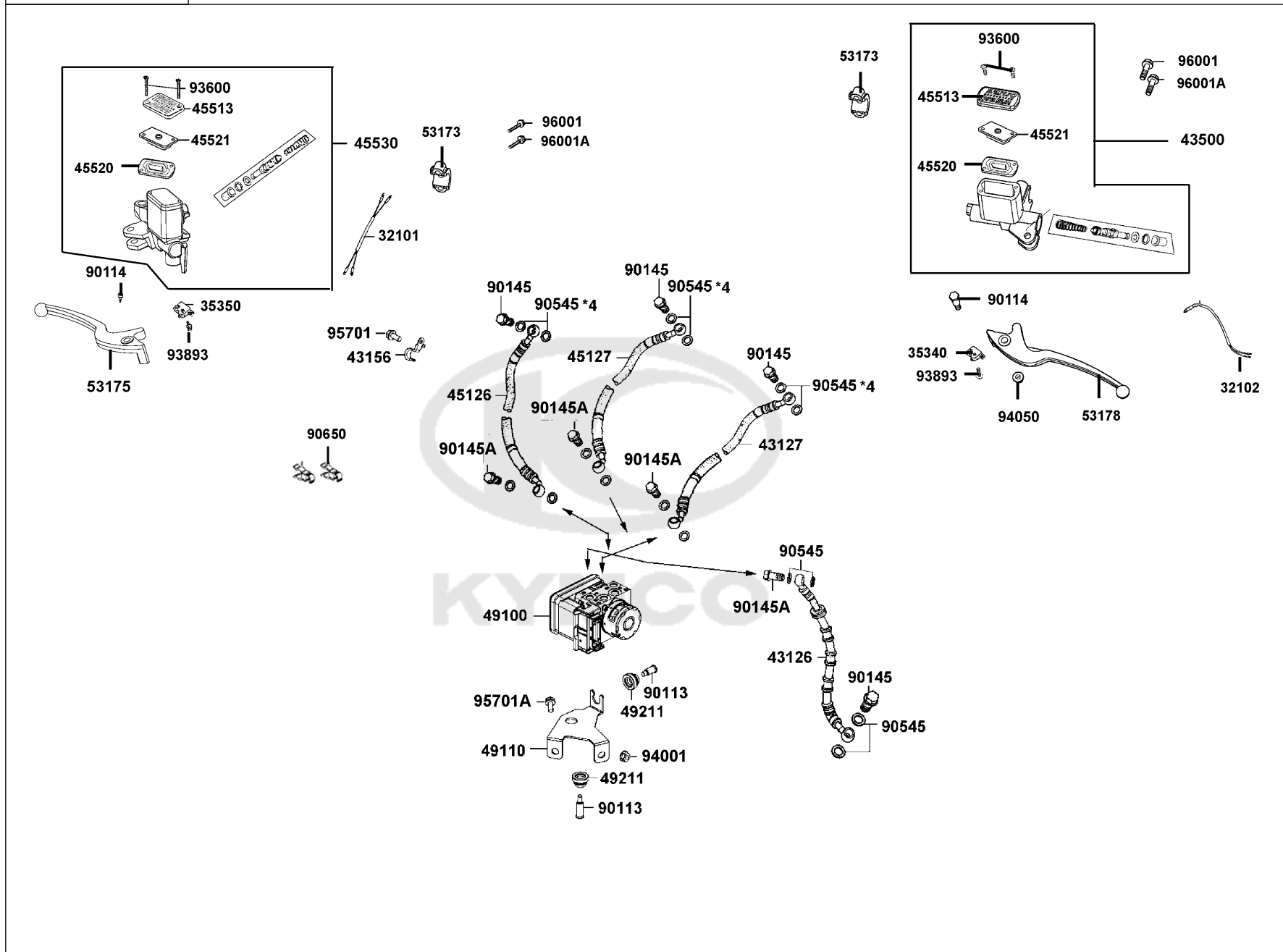




Sales mark 配色标记	Ref no 参考号码	Part no 零件号码	Description 英文名称	Reg description 零件名称	Regd no 需求用量	F04
	32101	32101-GFY6-901	SUB CORD R	副配线	1	
	32102	32102-GFY6-901	SUB CORD L	煞车灯开关左配线	1	
	35340	35340-KNBN-901	SW ASSY FR STOP	煞车灯前置开关	1	
	35350	35350-KNBN-901	SW ASSY RR STOP	煞车灯後置开关	1	
	43126	43126-AFB6-600	HOSE ASSY C/P RR BRK(ABS)	HOSE ASSY C/P RR BRK(ABS)	1	
	43127	43127-AFB6-600	HOSE ASSY. M/C RR BRK(ABS)	HOSE ASSY. M/C RR BRK(ABS)	1	
	43156	43156-KKC4-900	CLAMPER HOSE RR	後煞车管夹	1	
**	43500	43500-AFB6-305	CYLINDER SET RR. MASTER	CYLINDER SET RR. MASTER	1	
	45126	45126-AFB6-600	HOSE ASSY. C/P FR BRK(ABS)	HOSE ASSY. C/P FR BRK(ABS)	1	
	45127	45127-AFB6-600	HOSE ASSY M/C FR BRK(ABS)	HOSE ASSY M/C FR BRK(ABS)	1	
**	45513	45513-AFB5-900	CAP M/C	CAP M/C	2	
	45520	45520-GLW0-91A	DIAPHRAGM	隔膜	2	
	45521	45521-LHJ8-900	PLATE DIAPHRAGM	PLATE DIAPHRAGM	2	
**	45530	45530-AFB5-305	CYLINDER SET FR	CYLINDER SET FR	1	
	49100	49100-AFB6-600	MODULATOR ASSY ABS	MODULATOR ASSY ABS	1	
	49110	49110-AFB6-600	STAY ABS	STAY ABS	1	
	49211	49211-LFH1-E00	RUBBER BUSH	RUBBER BUSH	2	
	53173	53173-LEA2-900	HOLDER MASTER CYLINDER.	前煞车主油缸承座	2	
**	53175	53175-LHJ8-900	LEVER R STRG HANDLE	LEVER R STRG HANDLE	1	
**	53178	53178-LHJ8-900	LEVER L STRG HANDLE	LEVER L STRG HANDLE	1	

F04

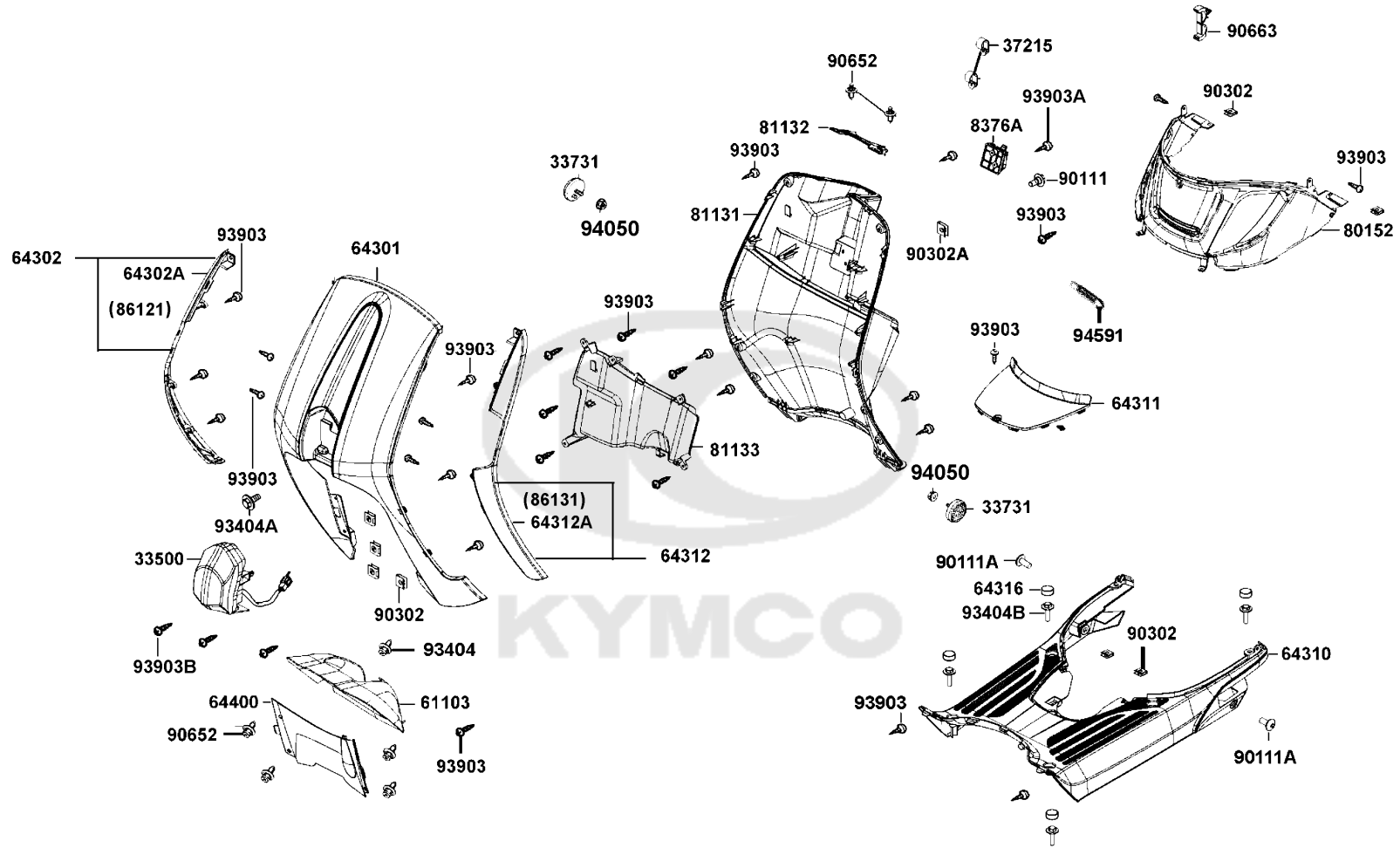
# Cylinder Assy Fr



Sales mark 配色标记	Ref no 参考号码	Part no 零件号码	Description 英文名称	Reg description 零件名称	Regd no 需求用量	F04
90113		90113-LGE5-E02	BOLT FLANGE 6X20 ABS	BOLT FLANGE 6X20 ABS	2	
90114		90114-1F66-007	BOLT HANDLE LEVER	右拉杆固定螺栓	1	
90145		90145-LEA3-E01	OIL BOLT 10*22	OIL BOLT 10*22	4	
90145A		90145-LFH1-E01	OIL BOLT 10X22	OIL BOLT 10X22	4	
90545		90545-3L00-001	WASHER OIL BOLT	华司	16	
90650		90650-LHJ6-900	CLAMP TUBE	CLAMP TUBE	2	
93600		93600-04012-1A	SCREW FLAT 4*12	螺丝 4X12	4	
93893		93893-04012-18	SCREW WASHER 4*12	螺丝 4X12	2	
94001		94001-08060-0S	NUT HEX 8MM	NUT HEX 8MM	1	
94050		94050-06000	NUT FLANGE 6MM	螺帽 6MM	1	
95701		95701-06012-08G	BOLT FLANGE 6*12	有边缘螺丝	1	
95701A		95701-08012-08G	BOLT FLANGE 8X12(C)	BOLT FLANGE 8X12(C)	1	
96001		96001-06022-08G	BOLT FLANGE SH 6*22 (C)	凸缘螺栓6*25(C)	2	
96001A		96001-06030-08G	BOLT FLANGE SH 6*30 (G)	BOLT FLANGE SH 6*30 (G)	2	

F05

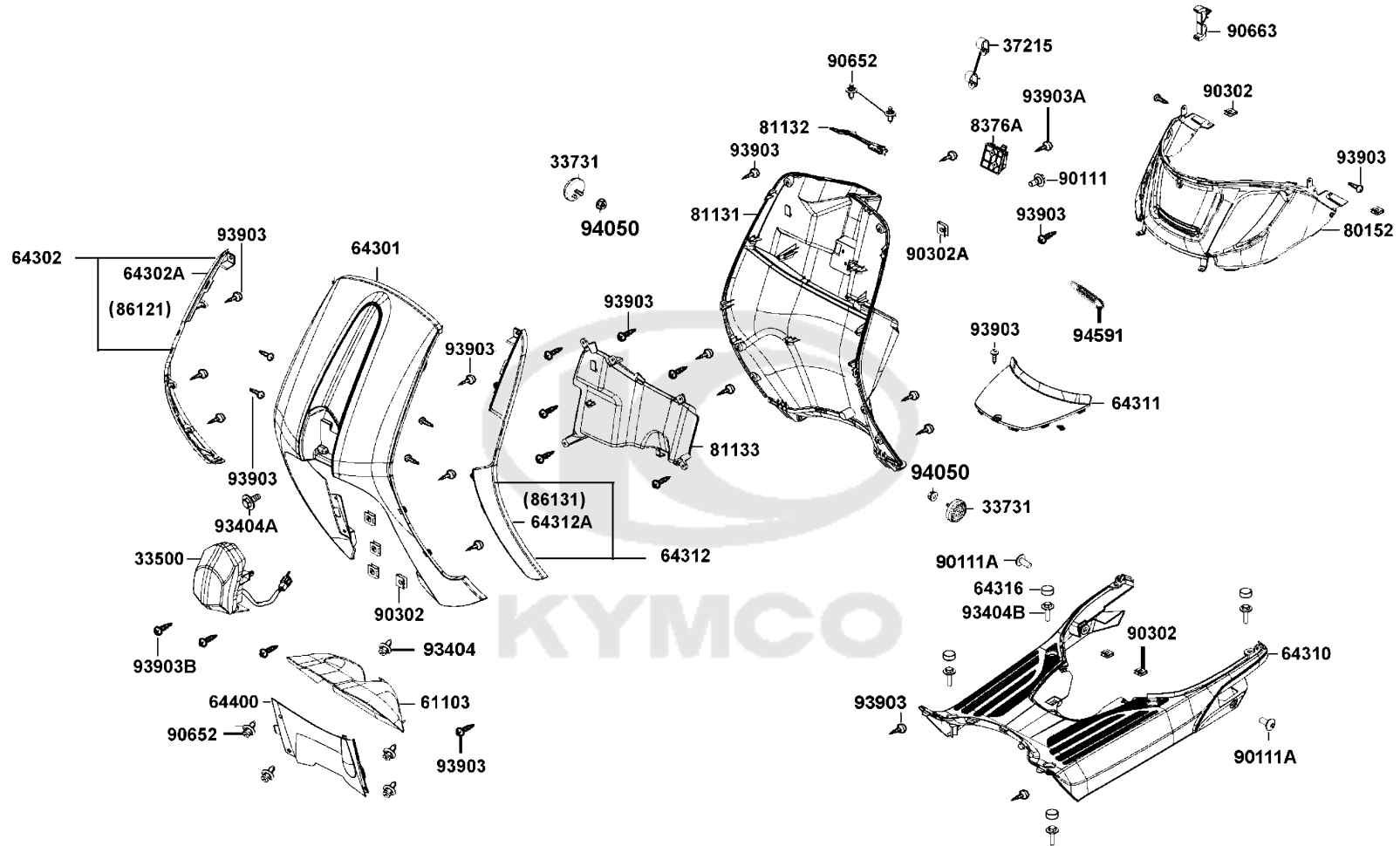
Cover Set Front



Sales mark 配色标记	Ref no 参考号码	Part no 零件号码	Description 英文名称	Reg description 零件名称	Regd no 需求用量	F05
	33500	33500-AFB5-910	LIGHT ASSY FR POSITION	LIGHT ASSY FR POSITION	1	
	33731	33731-LHJ8-900	REFLEX REFLECTOR SIDE	REFLEX REFLECTOR SIDE	2	
	37215	37215-LKG2-910	CLAMP	CLAMP	2	
**	61103	61103-AFB6-600	FENDER FR D INNER	FENDER FR D INNER	1	
**	64301	64301-AFB5-910	COVER FRONT	前护盖	1	
**	64302	64302-AFB5-305	COVER SET FR R SIDE	COVER SET FR R SIDE	1	
**	64302A	64302-AFB5-900	COVER FR. R. SIDE	前盖右边条	1	
**	64310	64310-AFB5-900	FLOOR PANEL	FLOOR PANEL	1	
**	64311	64311-AFB5-900	COVER PUMP MAINT	COVER PUMP MAINT	1	
**	64312	64312-AFB5-305	COVER SET FR L SIDE	COVER SET FR L SIDE	1	
**	64312A	64312-AFB5-900	COVER FR. L. SIDE	前盖左边条	1	
**	64316	64316-LEA2-900	PLUG FLOOR	踏板塞	4	
**	64400	64400-LHJ8-900	COWL UNDER	COWL UNDER	1	
**	80152	80152-AFB5-900	COVER CENTER LOW	COVER CENTER LOW	1	
**	81131	81131-AFB5-900	LEG SHIELD	LEG SHIELD	1	
**	81132	81132-AFB5-900	LID LEG SHIELD	LID LEG SHIELD	1	
**	81133	81133-AFB5-910	COVER INNER BOX	COVER INNER BOX	1	
	8376A	8376A-AFB5-900	HOOK CENTER ASSY	挂勾/KD	1	
**	86121	86121-AFB6-910	STRIPE R FR COVER	STRIPE R FR COVER	1	
**	86131	86131-AFB6-910	STRIPE L FR COVER	STRIPE L FR COVER	1	

F05

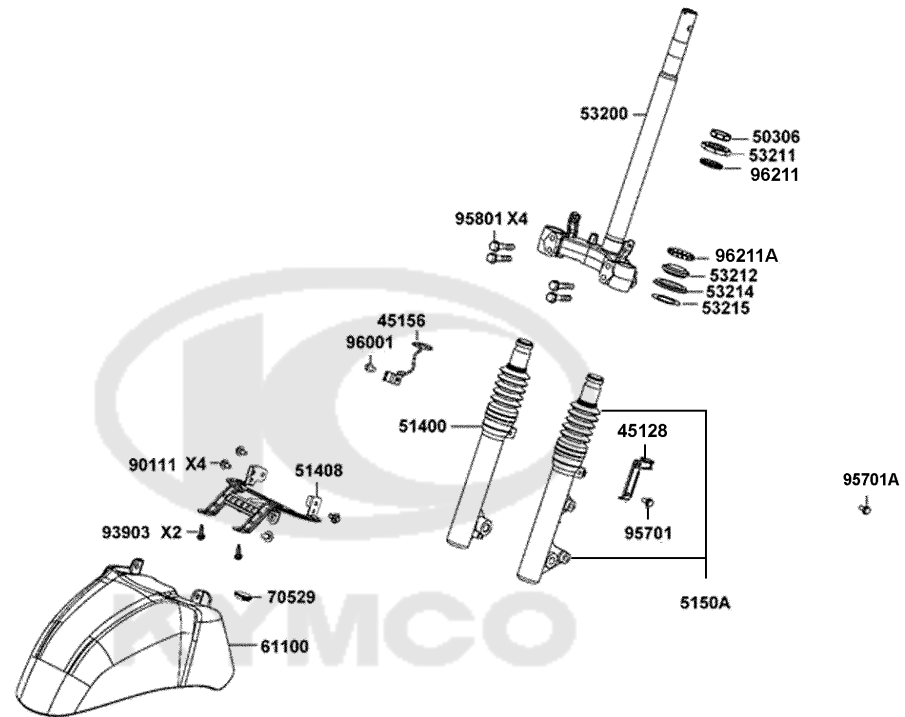
Cover Set Front



Sales mark 配色标记	Ref no 参考号码	Part no 零件号码	Description 英文名称	Reg description 零件名称	Regd no 需求用量	F05
90111		90111-1G87-020	BOLT FLANGE 6*14 (KG)	螺丝6*14 (KG)/KD	1	
90111A		90111-LEC8-E01	SCREW.PAN 6X14(CG)	SCREW.PAN 6X14(CG)	2	
90302		90302-LKB9-900	NUT SPRING 5MM	NUT SPRING 5MM	8	
90302A		90302-SDA4-004	NUT SPRING 4MM	夹螺帽 4MM	1	
90652		90652-LFB5-900	CLIP MUDGUARD	塑胶螺丝	6	
90663		90663-LKJ1-900	CLIP	CLIP	1	
93404		93404-06012-08G	BOLT WASHER 6*12 (C)	BOLT WASHER 6*12.	1	
93404A		93404-06016-08G	BOLT WASHER 6*16	BOLT WASHER 6*16	1	
93404B		93404-06020-07G	BOLT-WASH 6x20	BOLT-WASH 6x20	4	
93903		93903-25220-G	SCREW TAPPING 5*12	螺丝(五彩色)	33	
93903A		93903-34380-G	SCREW TAPPING 4x12	螺钉 4*12	1	
93903B		93903-45380-G	SCREW,TAPPING 5X16(KG)	SCREW,TAPPING 5X16(KG)	2	
94050		94050-06080-G	NUT FLANGE 6MM	螺帽6MM/WD	2	
94591		94591-KFBF-900	CLIP 2*70	束带	1	

F06

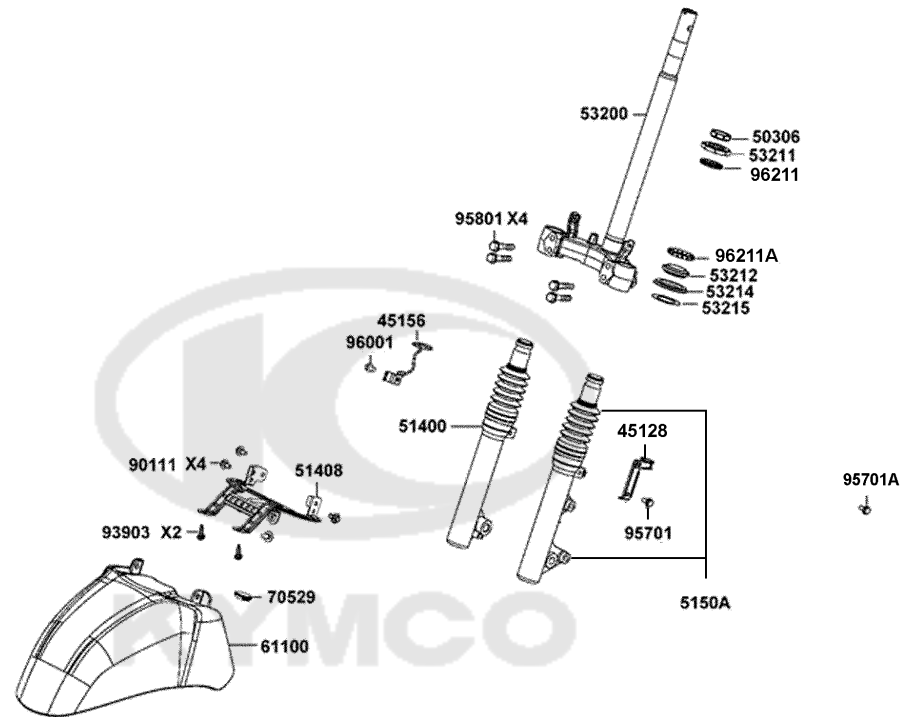
Front Fork Front Cushion Fender Fr



Sales mark 配色标记	Ref no 参考号码	Part no 零件号码	Description 英文名称	Reg description 零件名称	Regd no 需求用量	F06
	45128	45128-LEA2-910	CLAMPER FR BPAKE HOSE	CLAMPER FR BPAKE HOSE	1	
	45156	45156-LHJ8-900	CLIP SENSOR WIRE	CLIP SENSOR WIRE	1	
	50306	50306-1F96-001	NUT STRG STEM LOCK	主干螺帽	1	
**	51400	51400-LHJ8-600	FORK ASSY FR R	FORK ASSY FR R	1	
	51408	51408-AFB5-900	STAY FR FENDER	STAY FR FENDER	1	
**	5150A	5150A-LHJ8-600	FORK SET FR L	FORK SET FR L	1	
	53200	53200-AFB5-900	STEM COMP STRG	STEM COMP STRG	1	
	53211	53211-GFY6-940	RACE STRG TOP CONE	上锥体座圈	1	
	53212	53212-2L50-011	RACE STRG BOT CONE	下锥体座圈	1	
	53214	53214-LHJ6-900	DUST SEAL STRG	DUST SEAL STRG	1	
	53215	53215-2L50-001	WASH STRG HDL DUST-SEAL	华司	1	
**	61100	61100-AFB5-900	FENDER FR.	前挡泥板/不含贴纸	1	
	70529	70529-LKD8-E00	GROM B SIDE PNL	GROM B SIDE PNL	1	
	90111	90111-LEB1-910	BOLT FLANGE 6X12	螺丝6mm/KD	4	
	93903	93903-25220-G	SCREW TAPPING 5*12	螺丝(五彩色)	2	
	95701	95701-06012-06	BOLT FLANGE 6X12	螺丝 6X12	1	
	95701A	95701-06012-08G	BOLT FLANGE 6*12	有边缘螺丝	1	
	95801	95801-08040-08G	BOLT FLANGE 8*40	BOLT FLANGE 8*40	4	
	96001	96001-06012-08G	BOLT FLANGE SH 6X12 (C)	螺丝 6X12	1	
	96211	96211-05000	BALL STEEL #5	钢珠	26	

F06

Front Fork Front Cushion Fender Fr



Sales mark 配色标记	Ref no 参考号码	Part no 零件号码	Description 英文名称	Reg description 零件名称	Regd no 需求用量	F06
--------------------	----------------	-----------------	---------------------	-------------------------	-----------------	-----

96211A

96211-08000

BALL STEEL #8

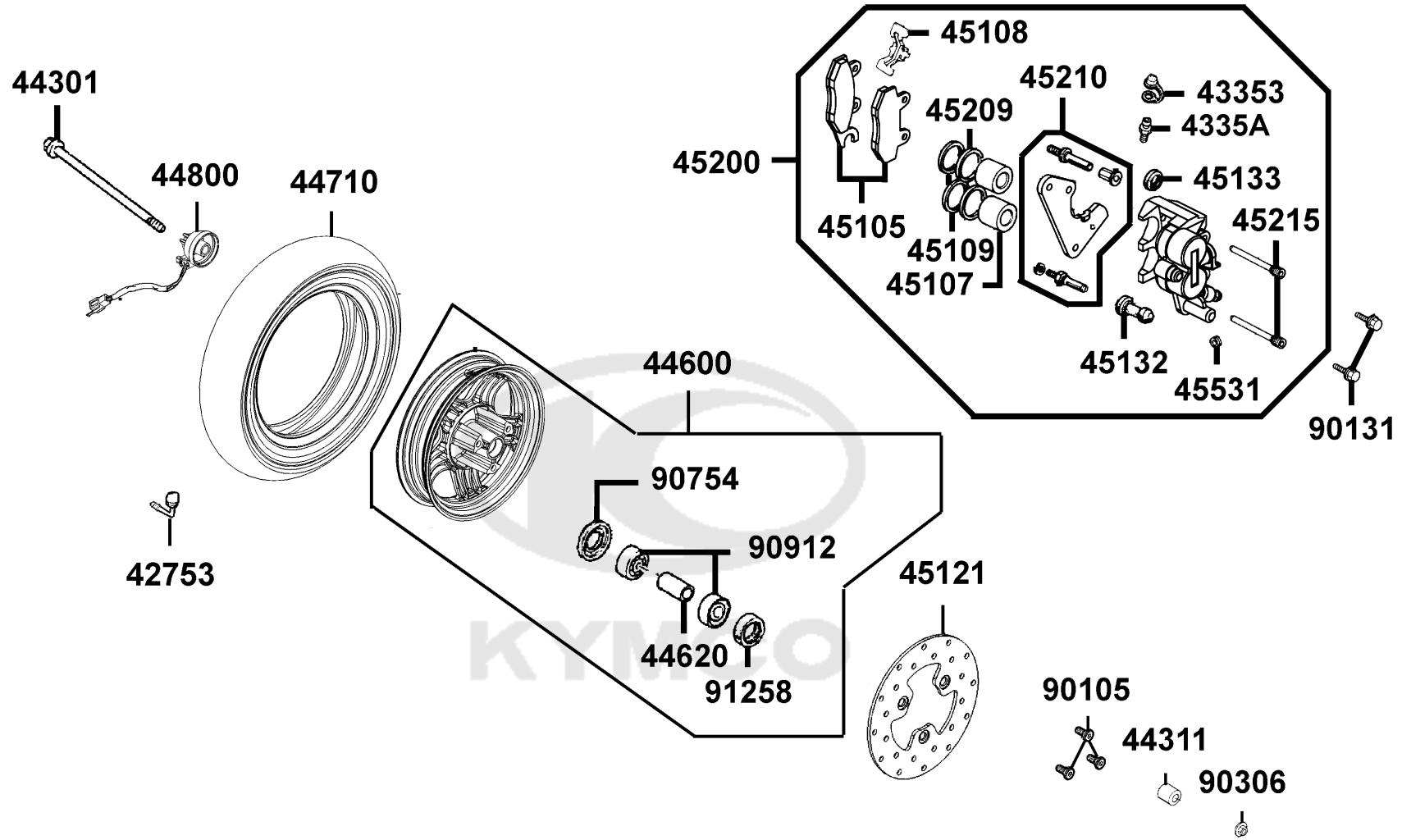
钢珠

19



F07

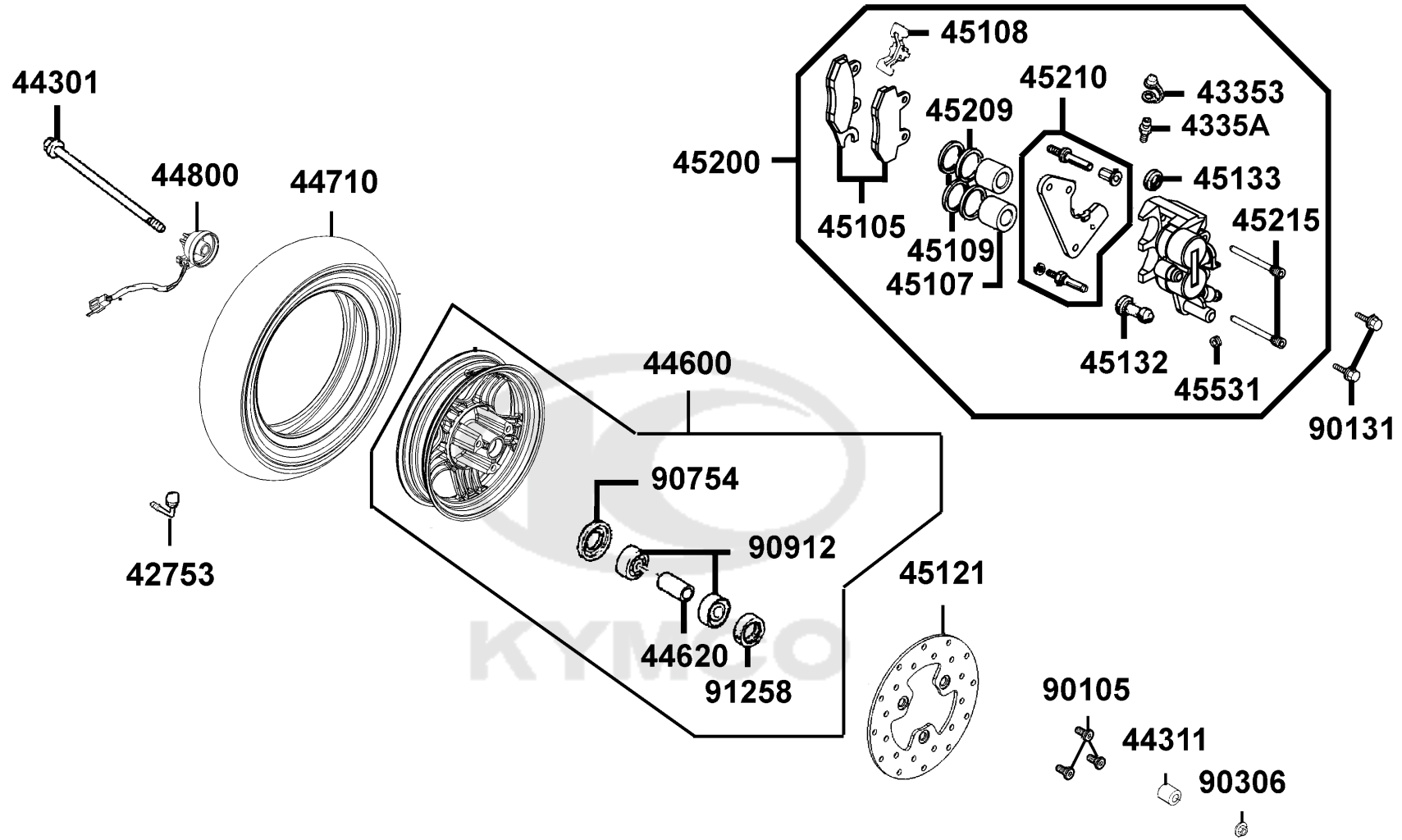
Front Wheel



Sales mark 配色标记	Ref no 参考号码	Part no 零件号码	Description 英文名称	Reg description 零件名称	Regd no 需求用量	F07
	42753	42753-0F06-900	VALVE (PVR-70(B)) & CAP (E)	VALVE (PVR-70(B)) & CAP (E)	1	
	43353	43353-4A61-77A	CAP BLEEDER	加油嘴盖	1	
	4335A	4335A-LBA2-E01	BLEEDER ASSY	加油嘴	1	
	44301	44301-LGE3-910	AXLE FR WHEEL	AXLE FR WHEEL	1	
	44311	44311-GLW0-911	COLLAR FR WHEEL SIDE	前轮边套筒	1	
**	44600	44600-LHJ8-306	WHEEL SET FR	WHEEL SET FR	1	
	44620	44620-KSBS-900	COLLAR FR DIST	COLLAR FR DIST	1	
	44710	44710-LHJ8-600	TIRE ASSY FR( 90/90-10 50L)	TIRE ASSY FR( 90/90-10 50L)	1	
	44800	44800-AFB6-600	FRONT SPEED SENSOR. ABS	FRONT SPEED SENSOR. ABS	1	
	45107	45107-MEN5-007	PISTON	卡钳活塞	2	
	45108	45108-MDL4-007	PAD SPG	摩擦板弹簧	1	
	45109	45109-GBE2-007	DUST SEAL	油封	2	
	45121	45121-LHJ8-600	DISK FR BRAKE	DISK FR BRAKE	1	
	45132	45132-1F66-017	BUSH BOOT PIN	衬套	1	
	45133	45133-MCA3-007	BOOT B	衬套 B	1	
	45105	45150-LKG2-305	PAD ASSY	PAD ASSY	1	
**	45200	45200-LHJ8-600	CALIPER ASSY. FR.	CALIPER ASSY. FR.	1	
	45209	45209-GBE2-007	SEAL PISTON	油封	2	
	45210	45210-LHJ8-305	BRACKET ASSY C/P	BRACKET ASSY C/P	1	
	45215	45215-KECE-900	PIN HANGER	PIN HANGER	2	

F07

Front Wheel

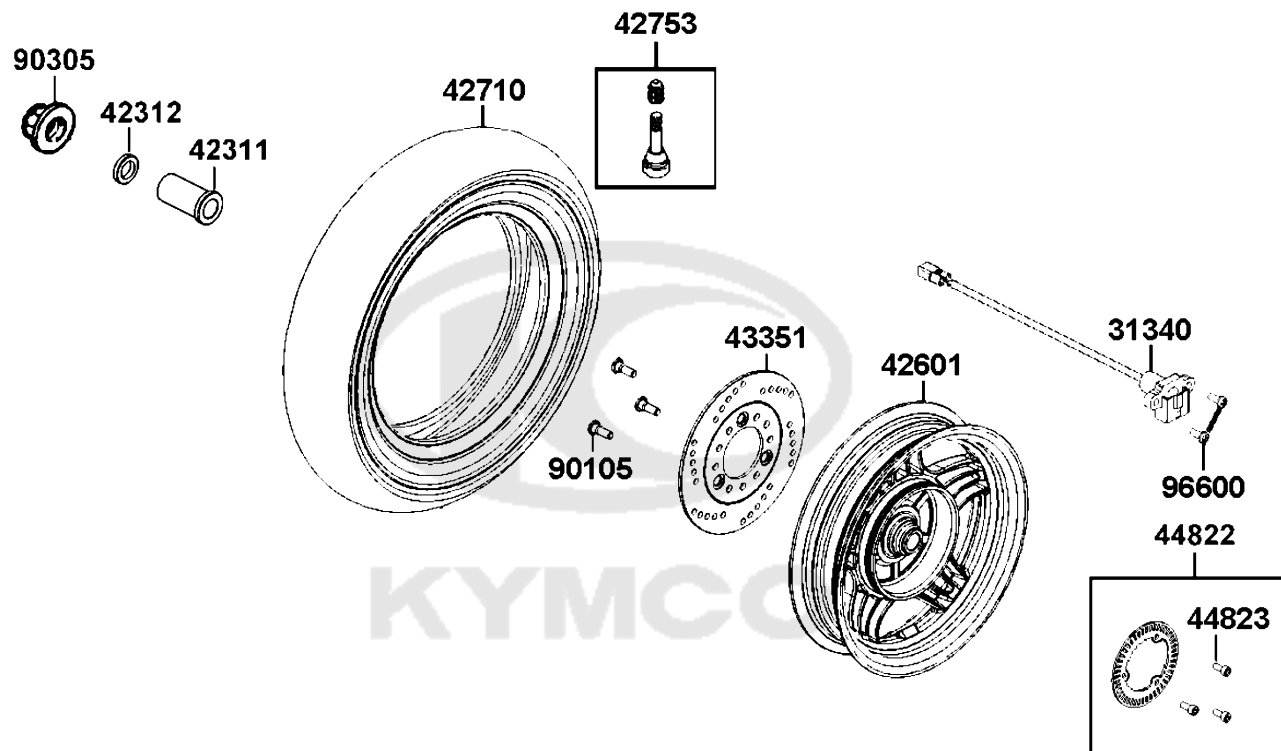


Sales mark 配色标记	Ref no 参考号码	Part no 零件号码	Description 英文名称	Reg description 零件名称	Regd no 需求用量	F07
45531		45531-GAR1-951	PLUG	塞盖	1	
90105		90105-KCR3-001	BOLT FR DISK 8*24	前煞车圆盘螺丝 8*24	3	
90131		90131-LEB1-910	BOLT FLANGE 8*35	BOLT FLANGE 8*35	2	
90306		90306-LFE2-910	NUT FLANGE 12MM	NUT FLANGE 12MM	1	
90754		90754-GHC8-00C	SAEL DUST 20*32*5	SAEL DUST 20*32*5	1	
90912		90912-GHC8-00A	BEARING 6201 (U)	前轮轴承	2	
91258		91258-KAM1-00A	SEAL SPDMT GEAR BOX	SEAL SPDMT GEAR BOX	1	



F08

Rear Wheel

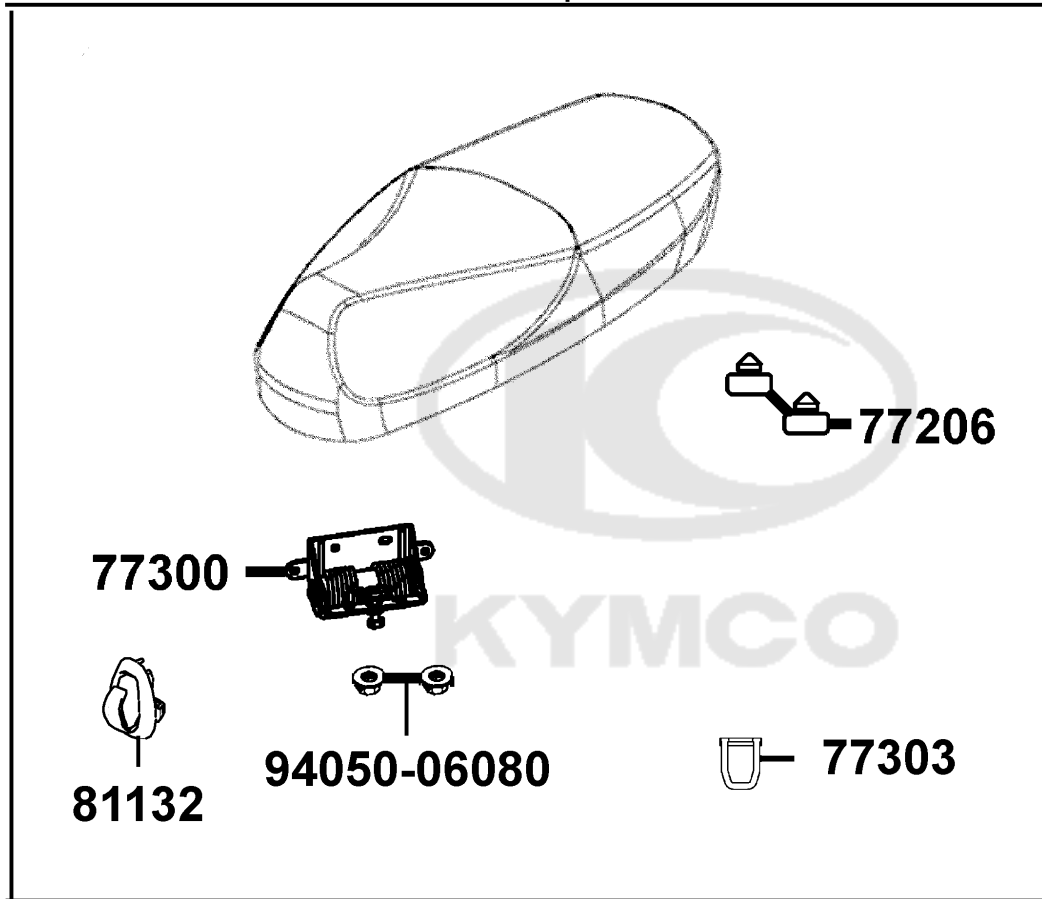


Sales mark 配色标记	Ref no 参考号码	Part no 零件号码	Description 英文名称	Reg description 零件名称	Regd no 需求用量	F08
	31340	31340-AFB6-600	REAR SPEED SENSOR ABS	REAR SPEED SENSOR ABS	1	
	42311	42311-LHJ8-700	COLLAR RR AXIL SIDE A	COLLAR RR AXIL SIDE A	1	
	42312	42312-LEB1-900	COLLAR RR AXLE SIDE	套筒	1	
**	42601	42601-AFB6-600	WHEEL CAST RR	WHEEL CAST RR	1	
	42710	42710-LHJ8-600	TIRE ASSY RR( 90/90-10 50L)	TIRE ASSY RR( 90/90-10 50L)	1	
	42753	42753-KNBN-90B	VALVE RIM (TR412)	打气嘴	1	
**	43351	43351-LHJ8-700	DISK RR BRAKE	DISK RR BRAKE	1	
	44822	44822-AFB6-600	MAGNET SET REAR SPPED SENSOR	MAGNET SET REAR SPPED SENSOR	1	
	44823	44823-AFB6-600	BOLT M5*8	BOLT M5*8	3	
	90105	90105-KCR3-001	BOLT FR DISK 8*24	前煞车圆盘螺丝 8*24	3	
	90305	90305-KNBN-90B	NUT U 16MM	螺帽 16MM	1	
	96600	96600-LHJ8-610	SOCKET BOLT 5X16 (CG)	SOCKET BOLT 5X16 (CG)	2	

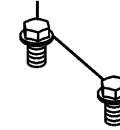
F09

Seat

77200



96001-06012

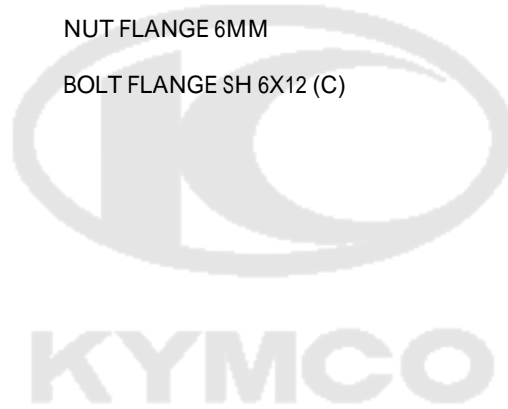


77235



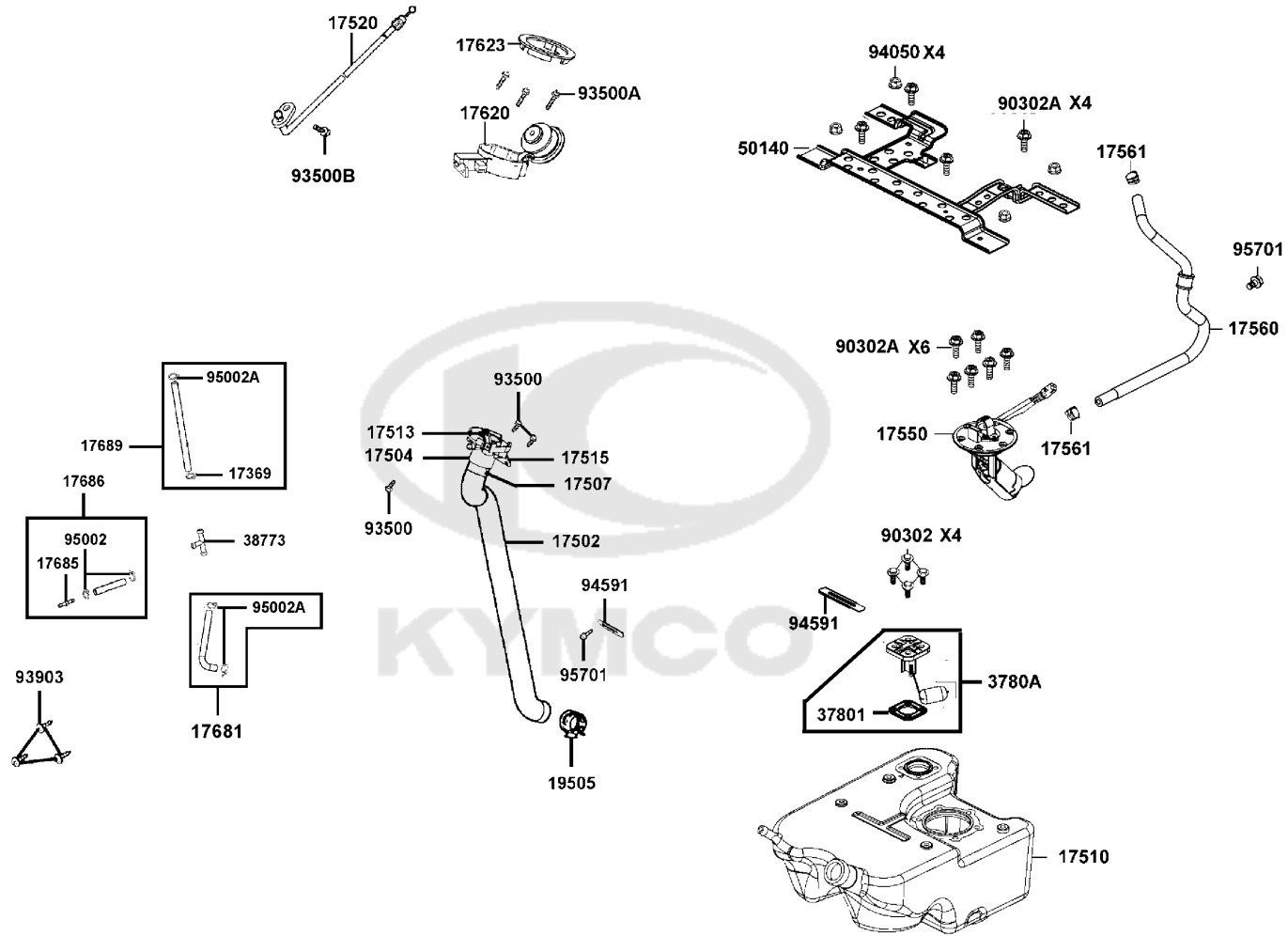
94050-06060

Sales mark 配色标记	Ref no 参考号码	Part no 零件号码	Description 英文名称	Reg description 零件名称	Regd no 需求用量	F09
**	77200	77200-AFB6-B31	SEAT ASSY	SEAT ASSY	1	
	77206	77206-LKB9-900	RUBBER SEAT CUSH	RUBBER SEAT CUSH	2	
	77235	77235-AFB5-90A	CATCH COMP SEAT	CATCH COMP SEAT	1	
	77300	77300-AFB5-900	HINGE COMP SEAT	HINGE COMP SEAT	1	
	77303	77303-LEA1-900	HOOK SEAT LOCK	HOOK SEAT LOCK	1	
	81132	81132-ACC1-E10	HOOK LUGAGGE	安全帽挂钩/KD	1	
	94050-06060	94050-06060	NUT FLANGE 6MM	螺帽 6MM/KD	2	
	94050-06080	94050-06080-G	NUT FLANGE 6MM	螺帽6MM/WD	2	
	96001-06012	96001-06012-08G	BOLT FLANGE SH 6X12 (C)	螺丝 6X12	2	



F10

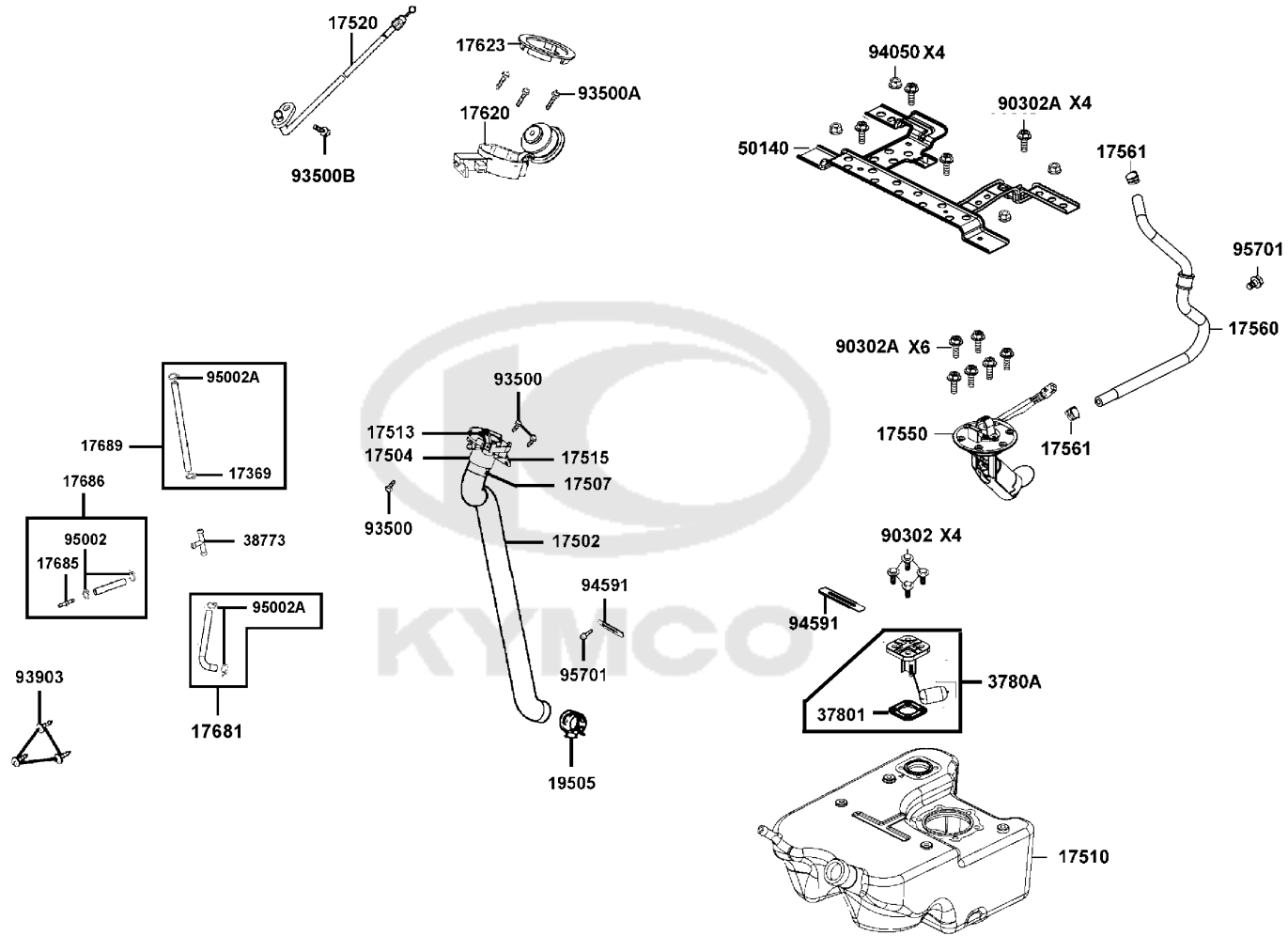
Fuel Tank



Sales mark 配色标记	Ref no 参考号码	Part no 零件号码	Description 英文名称	Reg description 零件名称	Regd no 需求用量	F10
	17369	17369-KHC4-900	CLIP BREATHER TUBE	通气管夹	1	
	17502	17502-AFB5-900	TUBE FUEL	TUBE FUEL	1	
	17504	17504-LAB4-900	FUEL FILLER	加油漏斗	1	
	17507	17507-LAB4-900	BAND 50 FUEL HOSE	油管束夹	1	
	17510	17510-LHJ8-900	TANK FUEL	TANK FUEL	1	
	17513	17513-AFB5-900	STAY A FUEL FILLER	STAY A FUEL FILLER	1	
	17515	17515-LAB4-900	STAY B FUEL FILLER	加油漏斗支架 B	1	
	17520	17520-AFB6-600	CABLE COMP FUEL CAP	CABLE COMP FUEL CAP	1	
	17550	17550-AFB5-800	PUMP ASSY FUEL	PUMP ASSY FUEL	1	
	17560	17560-AFB5-900	TUBE PUMP INJECTOR	TUBE PUMP INJECTOR	1	
	17561	17561-LKB9-900	CLIP 12.5	CLIP 12.5	2	
	17620	17620-LKC7-840	CAP COMP FUEL FILLER	CAP COMP FUEL FILLER	1	
**	17623	17623-KKE5-E1A	COLLAR FUEL FILLER	油箱盖套环	1	
	17681	17681-KFA1-900	TUBE JOINT 3 WAY	三向管组	1	
	17685	17685-KZCZ-900	JOINT TUBE	通气管接头	1	
	17686	17686-AFB6-C00	TUBE ASSY FUEL	TUBE ASSY FUEL	1	
	17689	17689-LEA2-900	TUBE ASSY FILLER	油管	1	
	19505	19505-LEA2-900	CLAMP HOSE	CLAMP., HOSE	1	
	37801	37801-LHJ3-900	PACKING. BASE	PACKING. BASE	1	
	3780A	3780A-AFB5-900	FUEL UNIT ASSY	FUEL UNIT ASSY	1	

F10

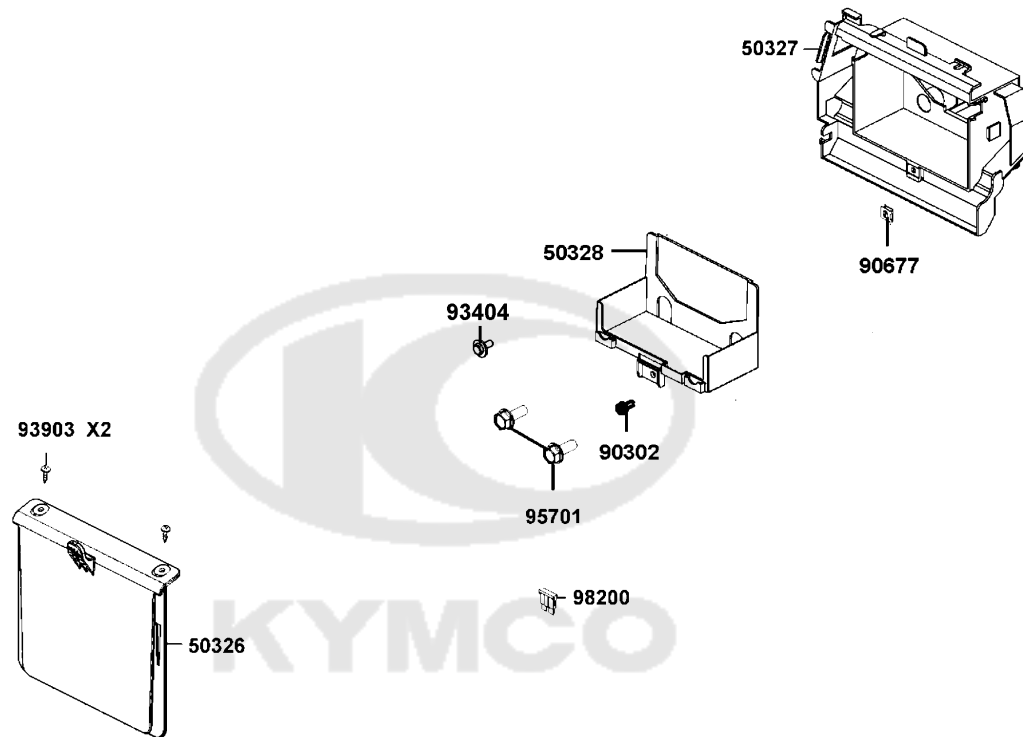
# Fuel Tank



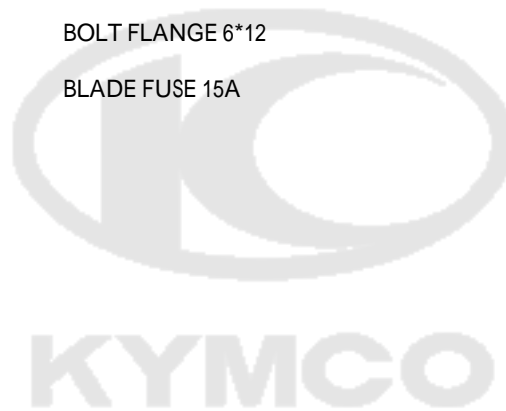
Sales mark 配色标记	Ref no 参考号码	Part no 零件号码	Description 英文名称	Reg description 零件名称	Regd no 需求用量	F10
38773		38773-KBCB-900	JOINT 3 WAY	三向管接头	1	
50140		50140-AFB5-900	PLATE. FUEL TANK	PLATE. FUEL TANK	1	
90302		90302-GFY6-911	BOLT-WASH 5*12	BOLT-WASH 5*12	4	
90302A		90302-GFY6-950	BOLT-WASH 5*16	BOLT-WASH 5*16	10	
93500		93500-04008-0F	SCREW PAN 4X8	SCREW PAN 4X8	3	
93500A		93500-04020-0G	SCREW PAN 4*20	螺丝 4X20	3	
93500B		93500-KHC4-90A	SCREW PAN 5*10	螺丝 5X10	1	
93903		93903-35320-G	SCREW TAPPING 5*16	铁钹牙5*16(C)平(3价铬)	3	
94050		94050-06080-G	NUT FLANGE 6MM	螺帽6MM/WD	4	
94591		94591-KFBF-900	CLIP 2*70	束带	1	
95002		95002-02080	CLIP B8 TUBE	管夹	2	
95002A		95002-02130	CLIP B12.5 TUBE	管夹	3	
95701		95701-06012-08G	BOLT FLANGE 6*12	有边缘螺丝	1	

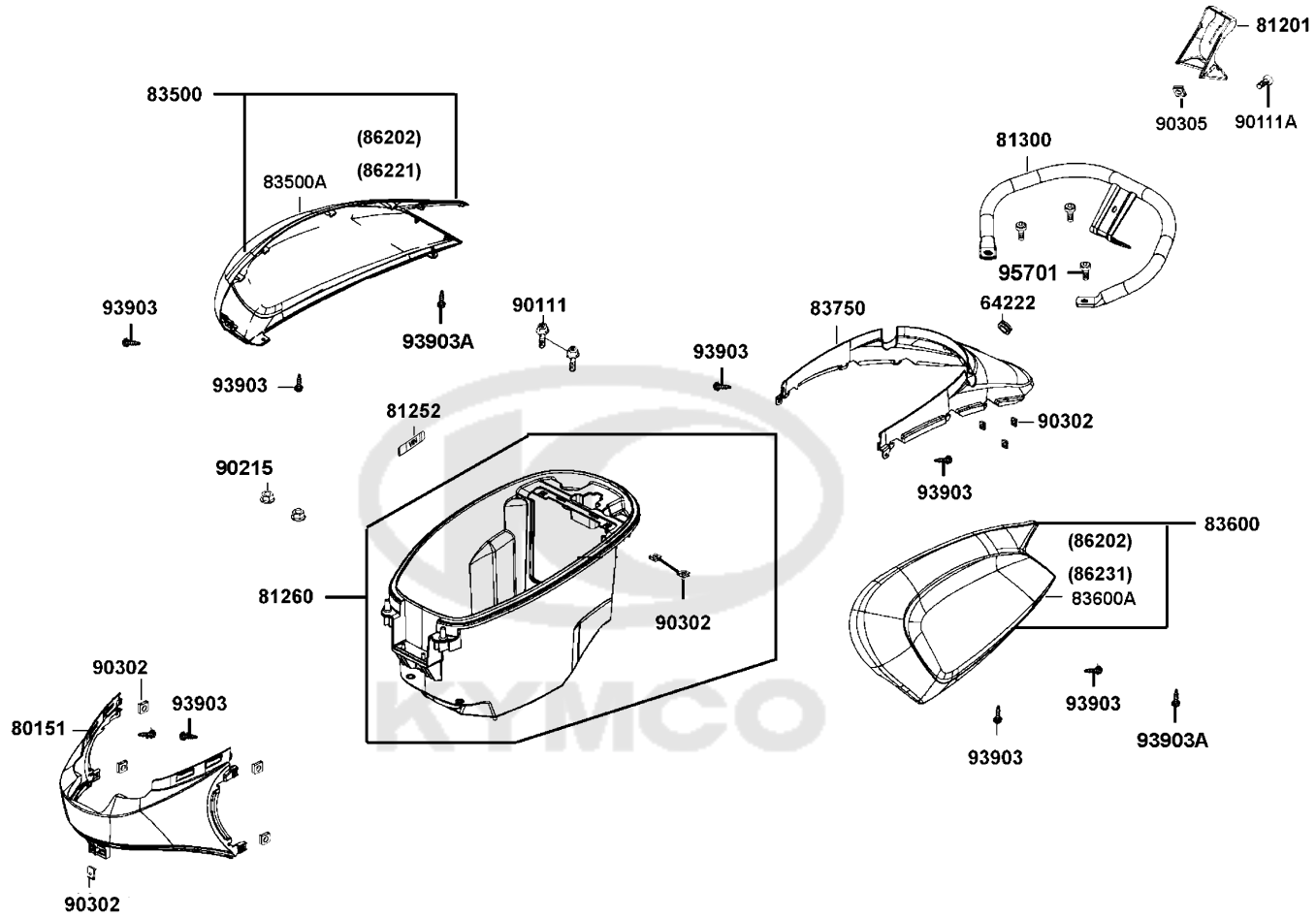
F11

Battery

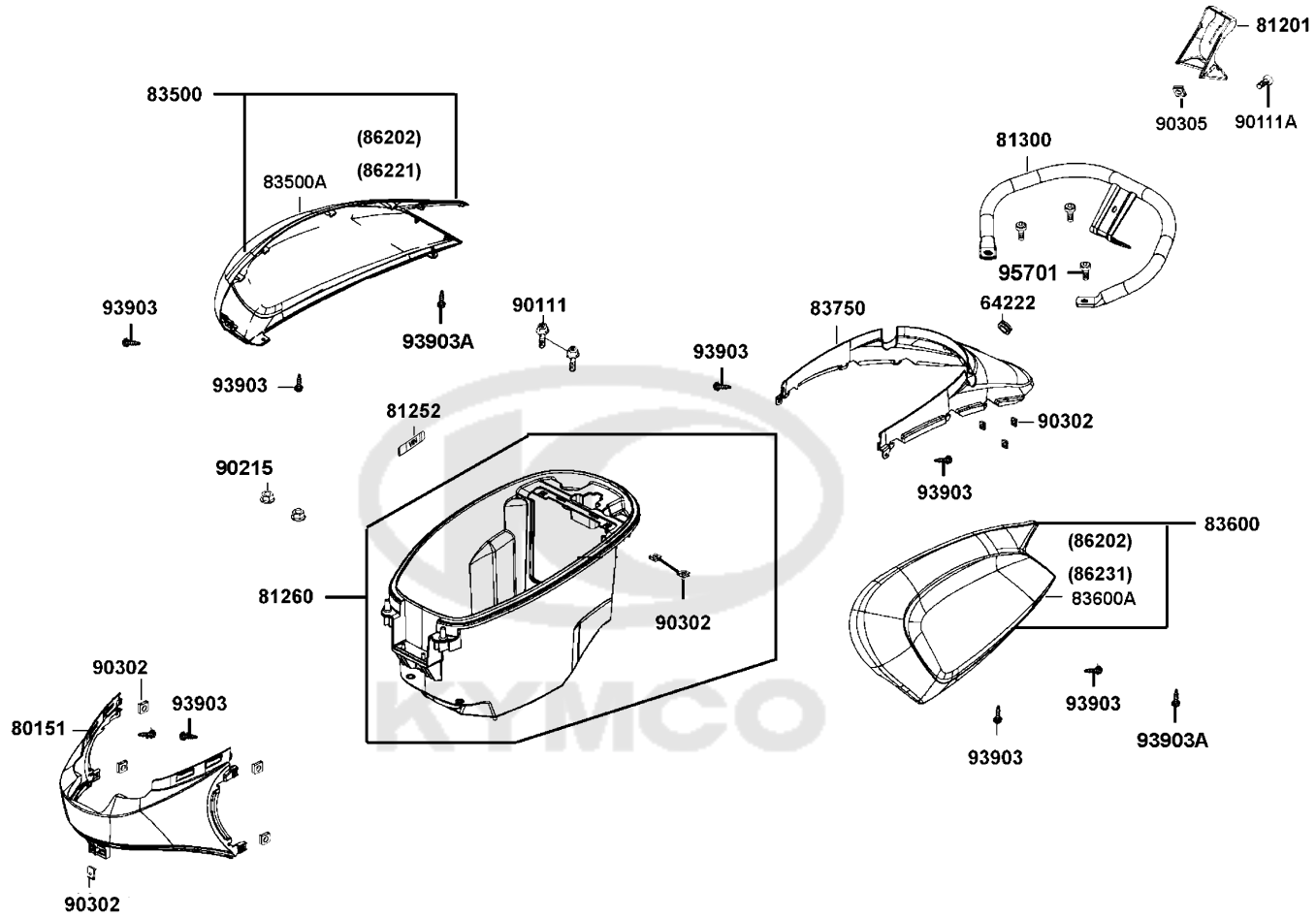


Sales mark 配色标记	Ref no 参考号码	Part no 零件号码	Description 英文名称	Reg description 零件名称	Regd no 需求用量	F11
**	50326	50326-LKG2-900	BATTERY COVER	BATTERY COVER	1	
	50327	50327-AFB5-800	BATTERY CASE	BATTERY CASE	1	
	50328	50328-LHJ8-900	DRAWER BATTERY	DRAWER BATTERY	1	
	90302	90302-GFY6-940	BOLT-WASH 5*16	螺丝 5X16	1	
	90677	90677-GAR1-004	NUT CLIP 5MM	弹簧螺帽 5MM	1	
	93404	93404-06016-08G	BOLT WASHER 6*16	BOLT WASHER 6*16	1	
	93903	93903-LHJ8-920	SCREW TAPPING 5*14	螺丝5X14/KD	2	
	95701	95701-06012-08G	BOLT FLANGE 6*12	有边缘螺丝	2	
	98200	98200-31500	BLADE FUSE 15A	保险丝/插片形 15A	2	



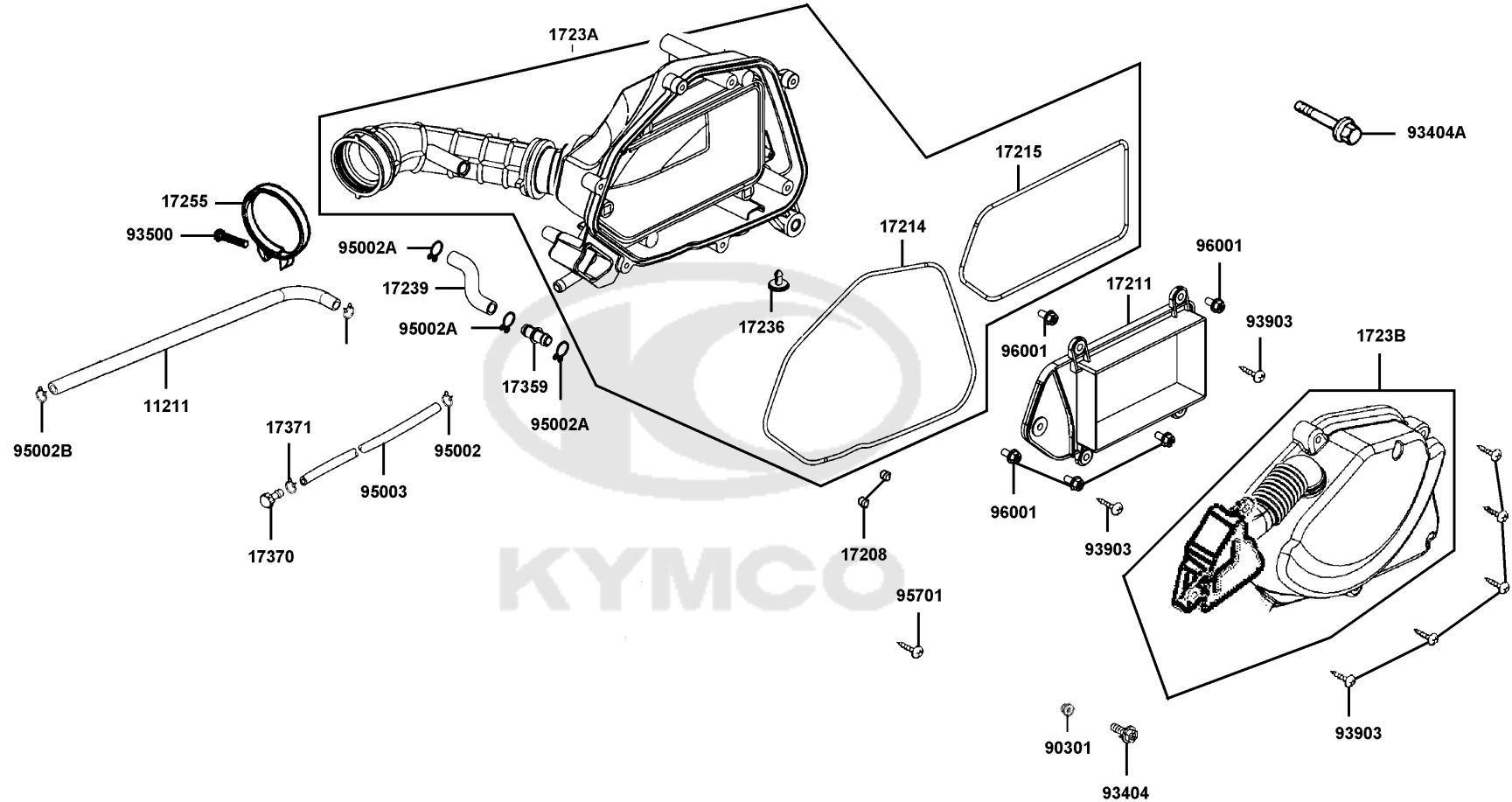


Sales mark 配色标记	Ref no 参考号码	Part no 零件号码	Description 英文名称	Reg description 零件名称	Regd no 需求用量	F12
	64222	64222-LBC6-900	CUSHION RR GRIP	後握杆减震橡皮环	1	
**	80151	80151-AFB5-900	COVER CENTER UP	上中心盖	1	
**	81201	81201-AFB5-900	COVER GRIP RR	COVER GRIP RR	1	
	81252	81252-AFB6-C00	RUBBER LUGGAGE BOX	RUBBER LUGGAGE BOX	1	
	81260	81260-AFB5-900	BOX ASSY LUGGAGE	BOX ASSY LUGGAGE	1	
**	81300	81300-AFB5-900	GRIP REAR	GRIP REAR	1	
**	83500	83500-AFB5-355	COVER R SET BODY	COVER R SET BODY	1	
**	83500A	83500-AFB5-900	COVER R BODY	车体右边盖	1	
**	83600	83600-AFB5-355	COVER L SET BODY	COVER L SET BODY	1	
**	83600A	83600-AFB5-900	COVER L BODY	车体左边盖	1	
**	83750	83750-AFB5-900	COVER RR CENTER	后中心盖	1	
**	86202	86202-AFB6-910	EMB BODY COVER	EMB BODY COVER	1	
**	86221	86221-AFB6-910	STRIPE R BODY COVER	STRIPE R BODY COVER	1	
**	86231	86231-AFB6-910	STRIPE L BODY COVER	STRIPE L BODY COVER	1	
	90111	90111-1G87-010	BOLT FLANGE 6MM	BOLT FLANGE 6MM	2	
	90111A	90111-AFB5-910	SCREW PAN 6X18	SCREW PAN 6X18	1	
	90215	90215-KKC4-900	NUT CAP 6MM	螺帽盖	2	
	90302	90302-LKB9-900	NUT SPRING 5MM	NUT SPRING 5MM	4	
	90305	90305-GHK8-001	NUT CLIP 6MM	夹螺帽 6MM	1	
	93903	93903-25220-G	SCREW TAPPING 5*12	螺丝(五彩色)	8	

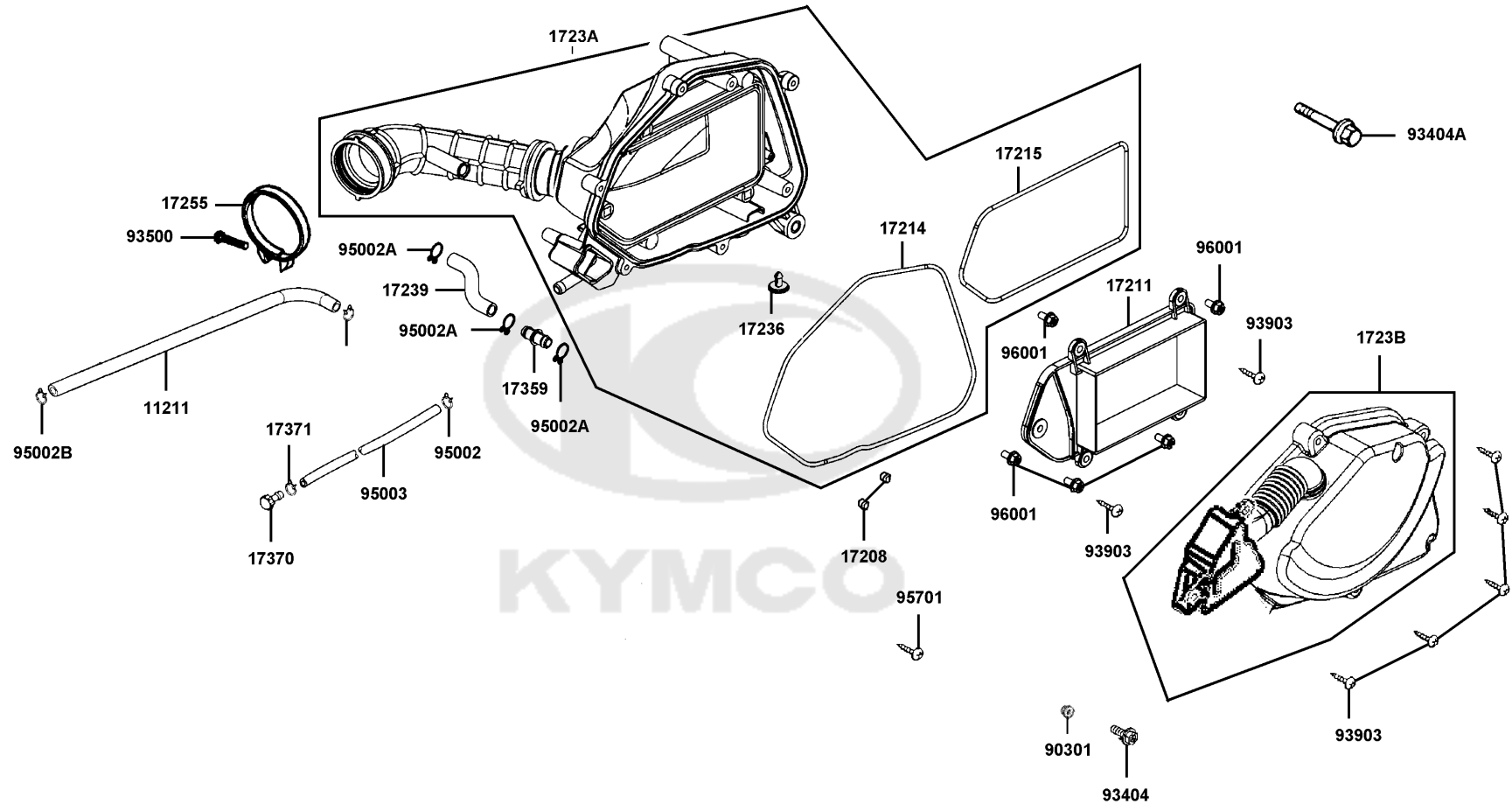


Sales mark 配色标记	Ref no 参考号码	Part no 零件号码	Description 英文名称	Reg description 零件名称	Regd no 需求用量	F12
	93903A	93903-35320-G	SCREW TAPPING 5*16	铁钹牙5*16(C)平(3价铬)	2	
	95701	95701-08012-08G	BOLT FLANGE 8X12(C)	BOLT FLANGE 8X12(C)	3	





Sales mark 配色标记	Ref no 参考号码	Part no 零件号码	Description 英文名称	Reg description 零件名称	Regd no 需求用量	F13
	11211	11211-LHJ8-900	TUBE BREATHER	TUBE BREATHER	1	
	17208	17208-GAR1-011	COLLAR AIR/C SET	套筒	2	
	17211	17211-LEA1-900	ELEMENT COMP AIR/C	空气滤清器滤芯	1	
	17214	17214-LEA2-900	SEAL. AIR/C	垫圈	1	
	17215	17215-LEA1-900	SEAL. ELEMENT	垫圈	1	
	17236	17236-KFBF-910	PLATE	销	1	
	17239	17239-LEA1-900	TUBE AIR/C BLOW-BY	空气滤清滤负压管	1	
	1723A	1723A-LHJ8-900	CASE ASSY AIR/C	CASE ASSY AIR/C	1	
	1723B	1723B-AFB5-90A	COVER COMP AIR/C	COVER COMP AIR/C	1	
	17359	17359-4K19-671	JOINT BREATHER TUBE	通气管接头	2	
	17370	17370-4K19-701	PLUG BREATHER TUBE	溢油管管塞	1	
	17371	17371-1D74-671	CLIP BREATHER TUBE	通气管夹	2	
	90301	90301-LAC5-671	NUT FLANGE 6MM	螺帽 6MM/KD	1	
	93404	93404-06016-08G	BOLT WASHER 6*16	BOLT WASHER 6*16	1	
	93404A	93404-06030-08G	BOLT WASHER 6*30	BOLT WASHER 6*30	1	
	93500	93500-04025-0A	SCREW PAN 4*25	附十字穴小芽径(白色)	1	
	93903	93903-25460	SCREW TAPPING 5*20	螺丝 5*20	7	
	95002	95002-02120	CLIP B12 TUBE	燃油软管夹 B形12号	1	
	95002A	95002-41150-00	CLIP D11.5 TUBE	CLIP D11.5 TUBE	4	
	95002B	95002-50000	CLIP C9 TUBE	油管夹	1	

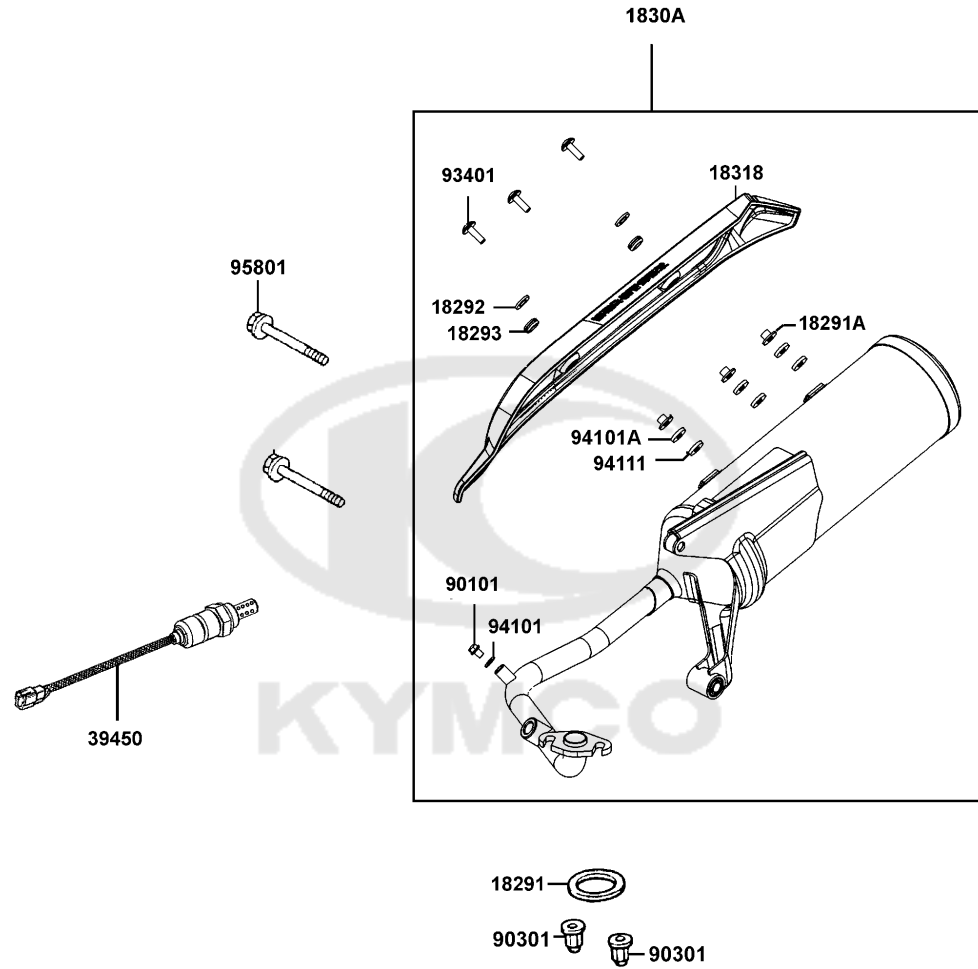


Sales mark 配色标记	Ref no 参考号码	Part no 零件号码	Description 英文名称	Reg description 零件名称	Regd no 需求用量	F13
95003	95003-23024-60	95003-23024-60	V TUBE 8*12*240	软管	1	
95701	95701-06032-08G	95701-06032-08G	BOLT FLANGE 6*32	有边缘螺丝6*32	1	
96001	96001-GFY6-900	96001-GFY6-900	BOLT SPECIAL 5*10	特殊螺丝 5X10	5	



F14

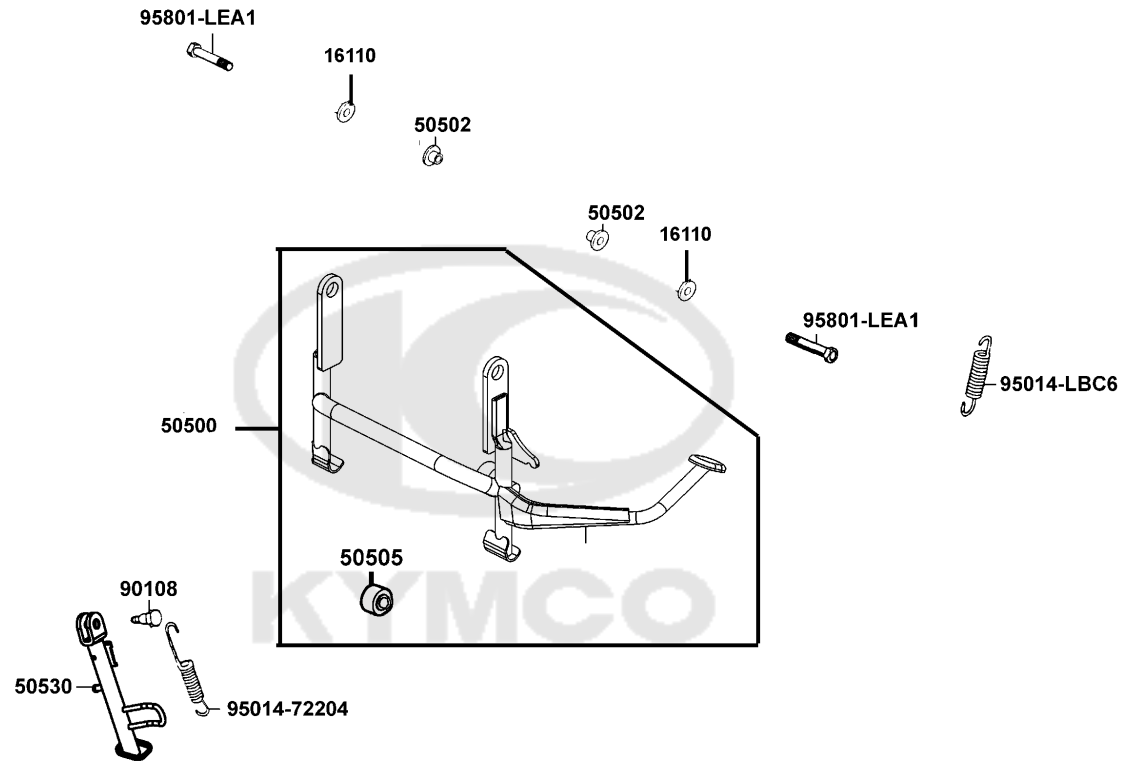
Exhaust Muffler



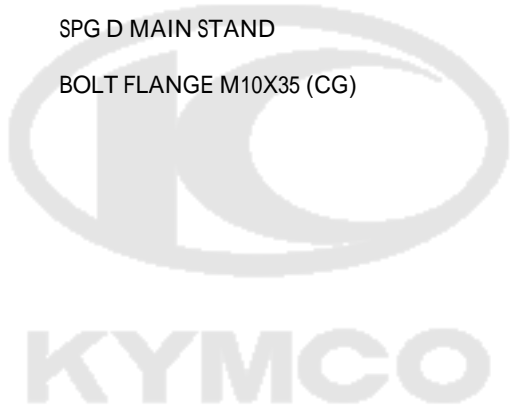
Sales mark 配色标记	Ref no 参考号码	Part no 零件号码	Description 英文名称	Reg description 零件名称	Regd no 需求用量	F14
	18291	18291-LEA5-E00	GASKET EXH PIPE	排气管垫圈	1	
	18291A	18291-LKG2-90A	COLLAR	套筒/KD	3	
	18292	18292-KEBE-900	PACKING PROTECTOR	防热垫片	3	
	18293	18293-LHJ8-900	RUBBER PKG PROTR	橡胶/KD	3	
	1830A	1830A-AFB6-920	MUFFLER ASSY EXHAUST	MUFFLER ASSY EXHAUST	1	
**	18318	18318-LHJ8-700	PROTECTOR MUFF	PROTECTOR MUFF	1	
	39450	39450-ZVA6-M00	O2 SENSOR	O2 SENSOR	1	
	90101	90101-LEA7-E00	BOLT FLANGE SH 6X8	BOLT FLANGE SH 6X8	1	
	90301	90301-GFY6-901	NUT (HEX) CAP 8MM	盖形螺母	2	
	93401	93401-06020-06	BOLT WASHER 6X20	BOLT WASHER 6X20	3	
	94101	94101-06700	WASHER PLAIN 6MM	平华司 6MM	1	
	94101A	94101-LEA2-900	WASHER PLAIN 6.5*18*105	垫圈.	3	
	94111	94111-ACD5-E00	WASHER.SPG	弹簧垫圈	3	
	95801	95801-08042-08G	BOLT FLANGE 8*42	BOLT FLANGE 8*42	2	

F15

Stand

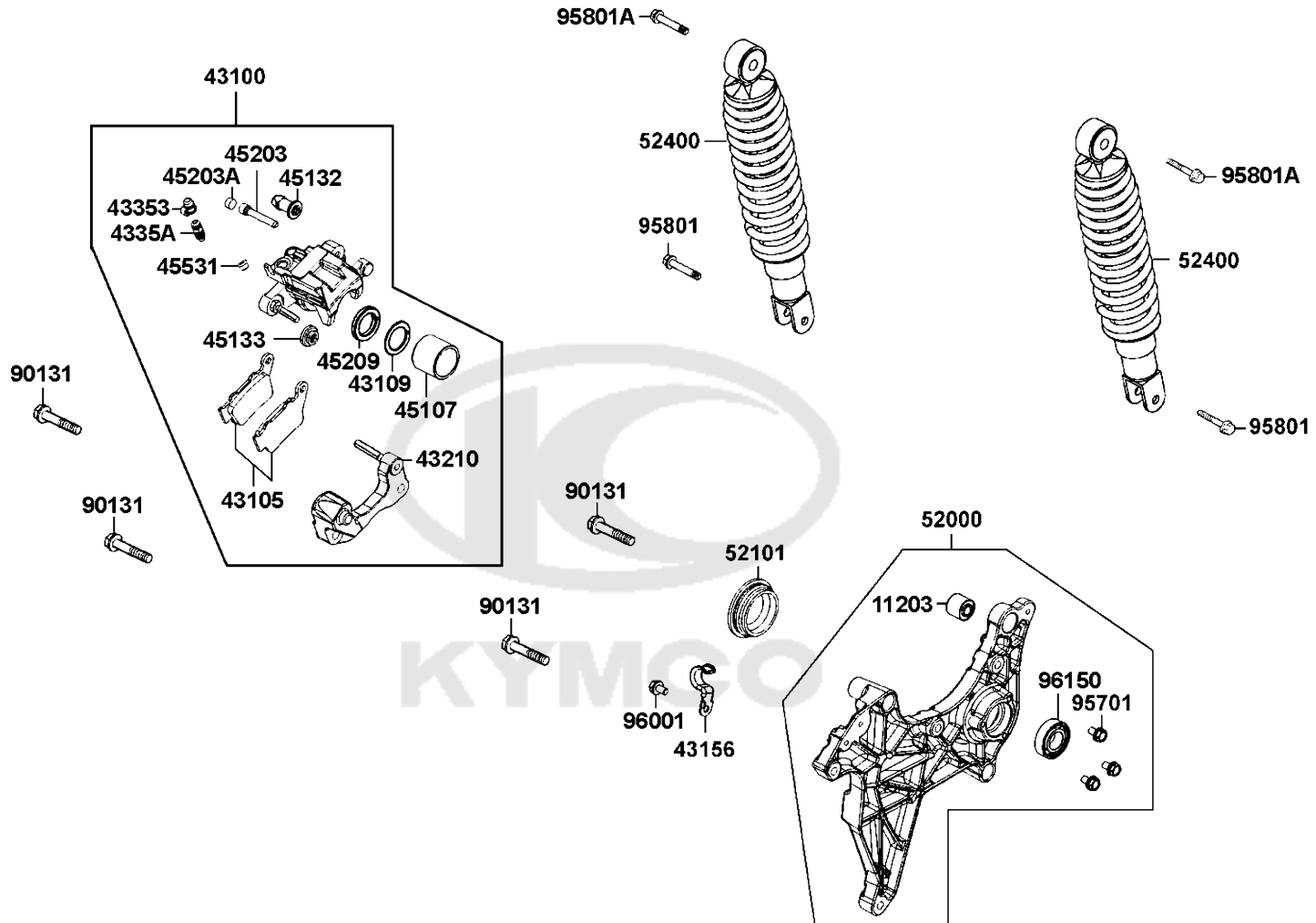


Sales mark 配色标记	Ref no 参考号码	Part no 零件号码	Description 英文名称	Reg description 零件名称	Regd no 需求用量	F15
16110		16110-LEA1-900	WASHER 15X23X1	华司	2	
50500		50500-LGM2-900	STAND COMP MAIN	STAND COMP MAIN	1	
50502		50502-LEA1-910	COLLAR. MAIN STAND	主脚架套筒	1	
50505		50505-LAD9-900	STOPPER RUBBER	主脚架停止橡皮	1	
50530		50530-AFB5-900	STAND COMP SIDE	STAND COMP SIDE	1	
90108		90108-LKE6-910	PIVOT SCREW SIDE STAND (C)	PIVOT SCREW SIDE STAND (C)	1	
95014-72204		95014-72204	SPG B1 SIDE STAND	边脚架弹簧	1	
95014-LBC6		95014-LBC6-900	SPG D MAIN STAND	主脚架弹簧	1	
95801-LEA1		95801-LEA1-910	BOLT FLANGE M10X35 (CG)	BOLT FLANGE M10X35 (CG)	2	



F16

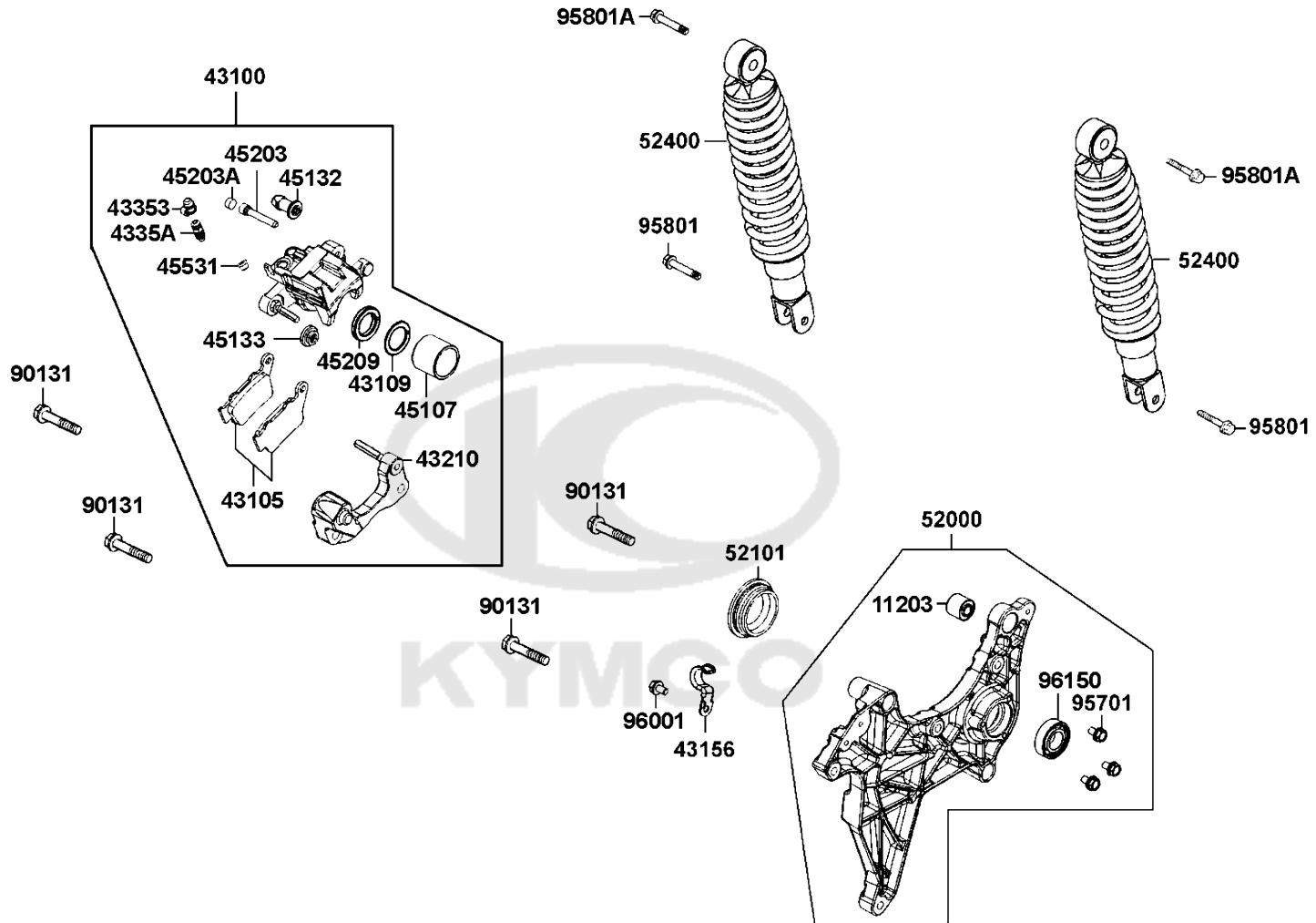
Rear Cushion



Sales mark 配色标记	Ref no 参考号码	Part no 零件号码	Description 英文名称	Reg description 零件名称	Regd no 需求用量	F16
	11203	11203-GGC7-301	UNDER RUBBER BUSH REAR CUSHION	後缓冲下衬套	1	
# **	43100	43100-LHJ8-700	CALIPER ASSY. RR.	CALIPER ASSY. RR.	1	
#	43105	43105-LHJ8-305	PAD SET	PAD SET	1	
#	43109	43109-KKC4-900	DUST SEAL	防尘封	1	
	43156	43156-LHJ8-700	CLAMPER HOSE , RR	CLAMPER HOSE , RR	1	
# **	43210	43210-LHJ8-305	BRACKET SET	BRACKET SET	1	
	43353	43353-4A61-77A	CAP BLEEDER	加油嘴盖	1	
	4335A	4335A-LBA2-E01	BLEEDER ASSY	加油嘴	1	
	45107	45107-LHJ8-700	PISTON C/P	PISTON C/P	1	
	45132	45132-1F66-017	BUSH BOOT PIN	衬套	1	
	45133	45133-MCA3-007	BOOT B	衬套 B	1	
	45203	45203-LHJ8-700	PIN HANGER	PIN HANGER	1	
	45203A	45203-MCG3-007	PLUG PIN	PLUG PIN	1	
	45209	45209-KKC4-900	SEAL PISTON	SEAL PISTON	1	
	45531	45531-GAR1-951	PLUG	塞盖	1	
**	52000	52000-LHJ8-740	FORK ASSY RR	FORK ASSY RR	1	
	52101	52101-LGR8-900	FORK RR. CAP	後叉小护盖	1	
**	52400	52400-LHJ8-700	CUSHION ASSY. RR.	CUSHION ASSY. RR.	2	
	90131	90131-LEA5-E01	BOLT FLANGE 8X42(CG)	BOLT FLANGE 8X42(CG)	4	
	95701	95701-06010-06	BOLT FLANGE 6*10	BOLT FLANGE 6*10	3	

F16

Rear Cushion

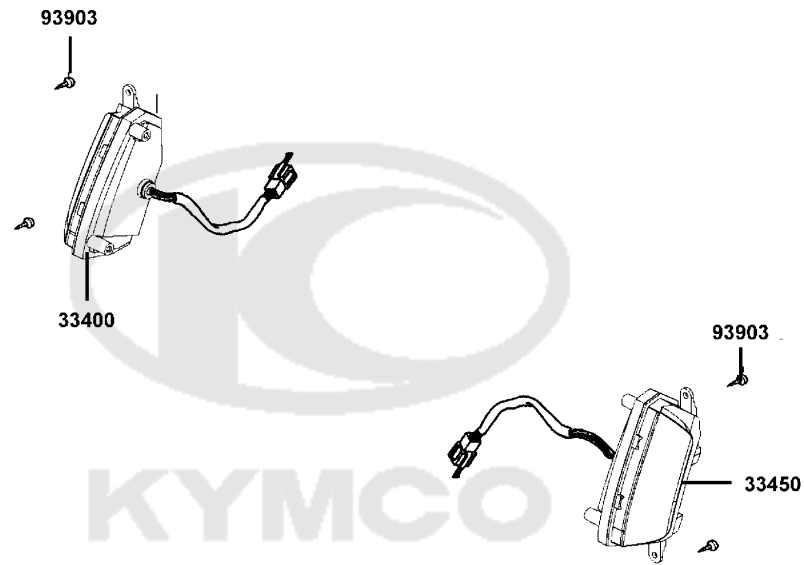


Sales mark 配色标记	Ref no 参考号码	Part no 零件号码	Description 英文名称	Reg description 零件名称	Regd no 需求用量	F16
	95801	95801-08032-08G	BOLT FLANGE 8*32(C)	BOLT FLANGE 8*32(C)	2	
	95801A	95801-10035-08G	BOLT FLANGE 10X35	有边缘螺丝 BF 10*35	2	
	96001	96001-06012-08G	BOLT FLANGE SH 6X12 (C)	螺丝 6X12	1	
	96150	96150-LHJ8-900	BRG BALL RADIAL 6003-2RS	BRG BALL RADIAL 6003-2RS	1	



F17

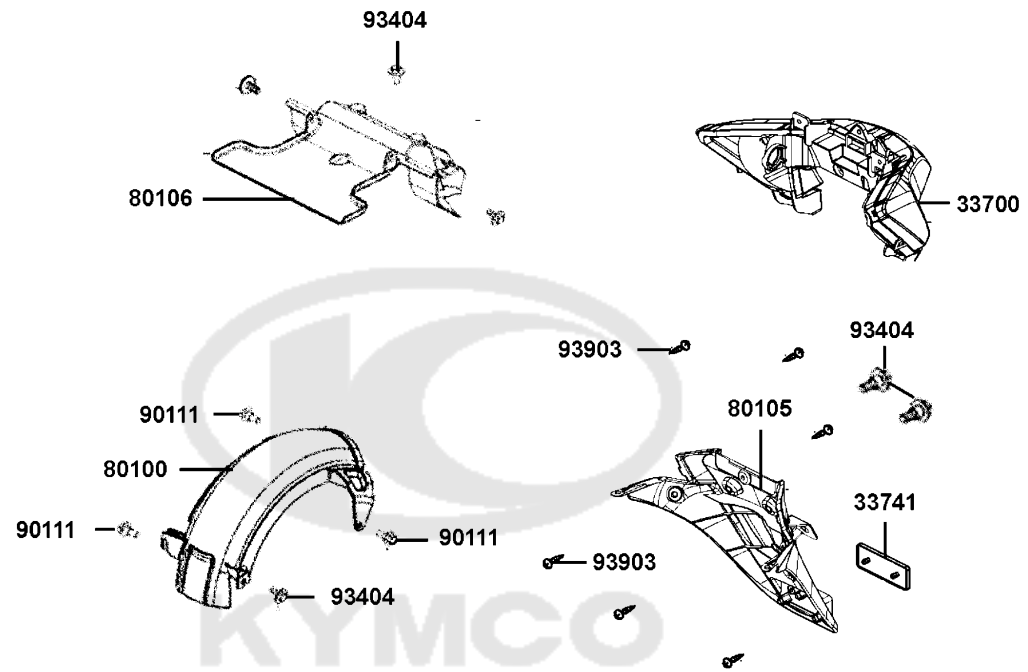
Front Winker



Sales mark 配色标记	Ref no 参考号码	Part no 零件号码	Description 英文名称	Reg description 零件名称	Regd no 需求用量	F17
--------------------	----------------	-----------------	---------------------	-------------------------	-----------------	-----

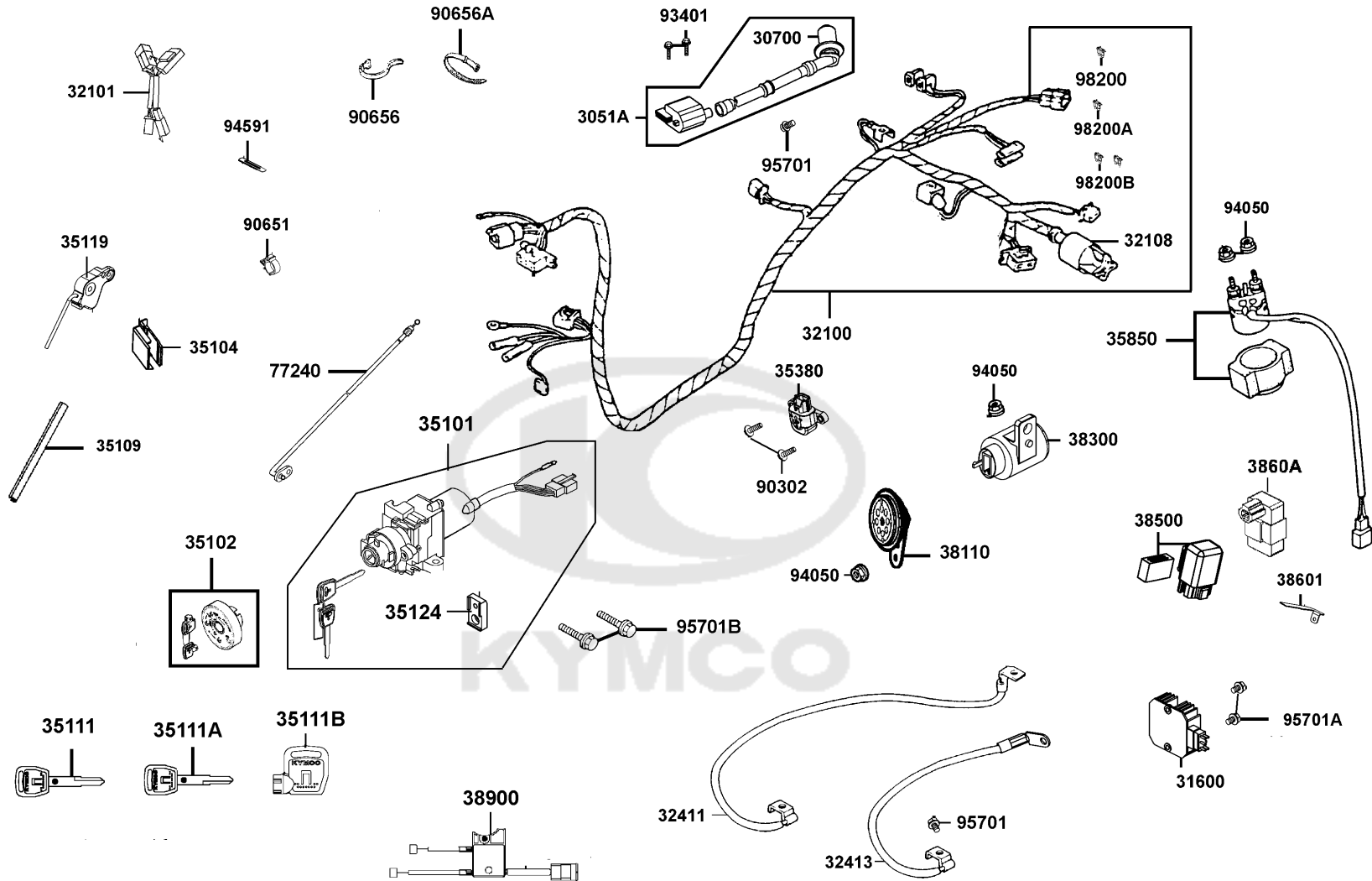
33400	33400-AGD7-900	33400-AGD7-900	WINKER ASSY R. FR	WINKER ASSY R. FR	1	
33450	33450-AGD7-900	33450-AGD7-900	WINKER ASSY L. FR	WINKER ASSY L. FR	1	
93903	93903-25220-G	93903-25220-G	SCREW TAPPING 5*12	螺丝(五彩色)	10	





Sales mark 配色标记	Ref no 参考号码	Part no 零件号码	Description 英文名称	Reg description 零件名称	Regd no 需求用量	F18
	33700	33700-AFB5-900	LIGHT ASSY RR COMB.	LIGHT ASSY RR COMB.	1	
	33741	33741-LEA3-E00	REFLEX REFLECTOR	反射片	1	
**	80100	80100-LHJ8-710	FENDER RR TIRE	FENDER RR TIRE	1	
**	80105	80105-AFB5-900	FENDER RR	FENDER RR	1	
**	80106	80106-AFB6-900	FENDER RR INNER	FENDER RR INNER	1	
	90111	90111-LEB1-910	BOLT FLANGE 6X12	螺丝6mm/KD	3	
	93404	93404-06012-08G	BOLT WASHER 6*12 (C)	BOLT WASHER 6*12.	2	
	93903	93903-25220-G	SCREW TAPPING 5*12	螺丝(五彩色)	6	

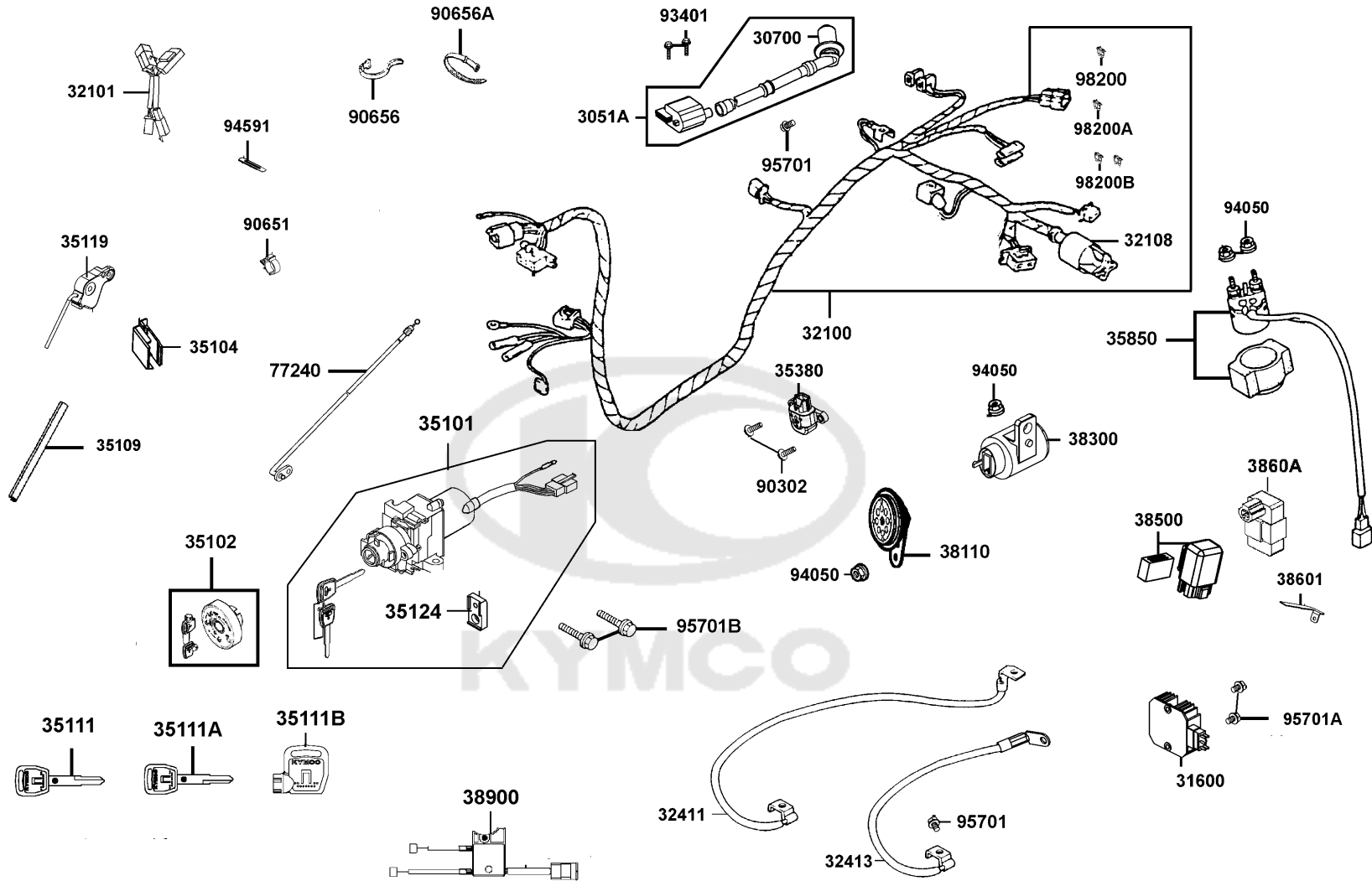




Sales mark 配色标记	Ref no 参考号码	Part no 零件号码	Description 英文名称	Reg description 零件名称	Regd no 需求用量	F19
	3051A	3051A-LHJ8-900	COIL ASSY IGN	COIL ASSY IGN	1	
	30700	30700-LHJ8-900	CAP ASSY NOISE SUPPRESSOR	CAP ASSY NOISE SUPPRESSOR	1	
	31600	31600-LEA2-90A	REG. REC. COMP. (supplier:D423)	REG. REC. COMP. (supplier:D423)	1	
	32100	32100-AFB6-620	HARNESS WIRE	HARNESS WIRE	1	
	32101	32101-LHJ6-301	DIODE WIRE	DIODE WIRE	1	
	32108	32108-GAR1-711	COVER HARNESS WIRE	配线盖	1	
	32411	32411-LHJ8-90B	CABLE BATTERY	CABLE BATTERY	1	
	32413	32413-LHJ8-90B	CABLE BATTERY EARTH	CABLE BATTERY EARTH	1	
	35101	35101-AFB5-305-M1	SW COMB & LOCK	SW COMB & LOCK	1	
	35102	35102-AFB5-308-M1	SHUTTER MAGNETIC LOCK & USB	SHUTTER MAGNETIC LOCK & USB	1	
	35104	35104-LBC6-90A	PLATE COVER FUEL CAP CABLE	油箱盖导线防水盖	1	
	35109	35109-LAD9-90A	PROTECTOR COVER CABLE	PROTECTOR COVER CABLE	1	
	35111	35111-LDC1-305-M1	KEY COMP (R TANGENT PLANE/SD)	未加工开关钥匙/右切/SD	1	
	35111A	35111-LDC1-306-M1	KEY COMP (L TANGENT PLANE/SD)	未加工开关钥匙/左切/SD	1	
	35111B	35111-LDC1-307-M1	KEY COMP SHUTTER MAGNETIC (SD) **not	磁石钥匙/SD	1	
	35119	35119-LBC6-90A	COVER SEAT CABLE	座垫外盖导线	1	
	35124	35124-LHJ8-900	RECEIVE PLATE	RECEIVE PLATE	1	
	35380	35380-LEA2-900	SENSOR ANGLE DETECT	倾倒角度感知器	1	
	35850	35850-KHB4-90A	SET START MAG (D402)	起动开关组	1	
	38110	38110-KEB7-90B	HORN COMP	喇叭	1	

F19

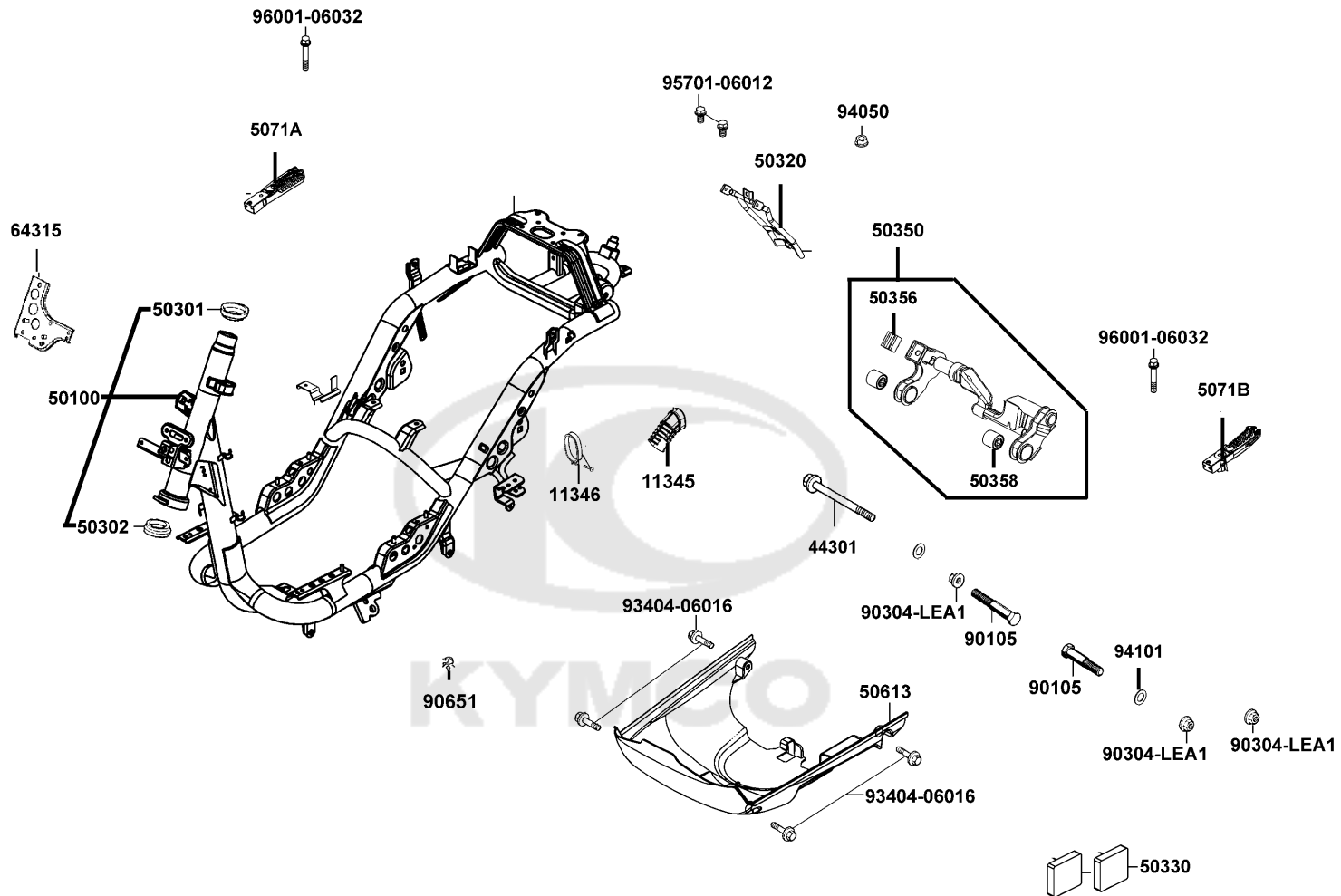
Wire Harness



Sales mark 配色标记	Ref no 参考号码	Part no 零件号码	Description 英文名称	Reg description 零件名称	Regd no 需求用量	F19
	38300	38300-LFB6-700	RELAY ASSY WINKER	RELAY ASSY WINKER	1	
	38500	38500-LGL3-90A	RELAY ASSY LIGHT/D402(12V 20A)	RELAY ASSY LIGHT/D402(12V 20A)	1	
	38601	38601-AFB6-600	STAY LIGHT CONTROLLER	STAY LIGHT CONTROLLER	1	
	3860A	3860A-AFB6-600	CONTROLLER ASSY HEAD LIGHTING	CONTROLLER ASSY HEAD LIGHTING	1	
	38900	38900-LHJ8-700	CONTROLLER USB CHARGER	CONTROLLER USB CHARGER	1	
	77240	77240-AFB6-600	CABLE ASSY SEAT LOCK	CABLE ASSY SEAT LOCK	1	
	90302	90302-GFY6-950	BOLT-WASH 5*16	BOLT-WASH 5*16	2	
	90651	90651-AFB5-900	CLIP CABLE	线夹/KD	1	
	90656	90656-KCBC-900	BAND OIL HANDLE 8X146	油管束带	1	
**	90656A	90656-KUDU-900	BAND HARNESS WIRE	配线束带	1	
	93401	93401-04025-08G	BOLT WASHER 4*25	垫圈型螺栓BOLT-WASHER(五彩色)/KD	2	
	94050	94050-06080-G	NUT FLANGE 6MM	螺帽6MM/WD	4	
	94591	94591-KFBF-900	CLIP 2*70	束带	1	
	95701	95701-06012-08G	BOLT FLANGE 6*12	有边缘螺丝	3	
	95701A	95701-06016-08G	BOLT FLANGE 6*16 (C)	BOLT FLANGE 6*16.	2	
	95701B	95701-08025-08G	BOLT FLANGE	有边缘螺丝8*25/WD	2	
	98200	98200-31500	BLADE FUSE 15A	保险丝/插片形 15A	1	
	98200A	98200-32500	BLADE FUSE 25A	BLADE FUSE 25A	1	
	98200B	98200-41500	FUSE 15A	FUSE 15A	2	

F20

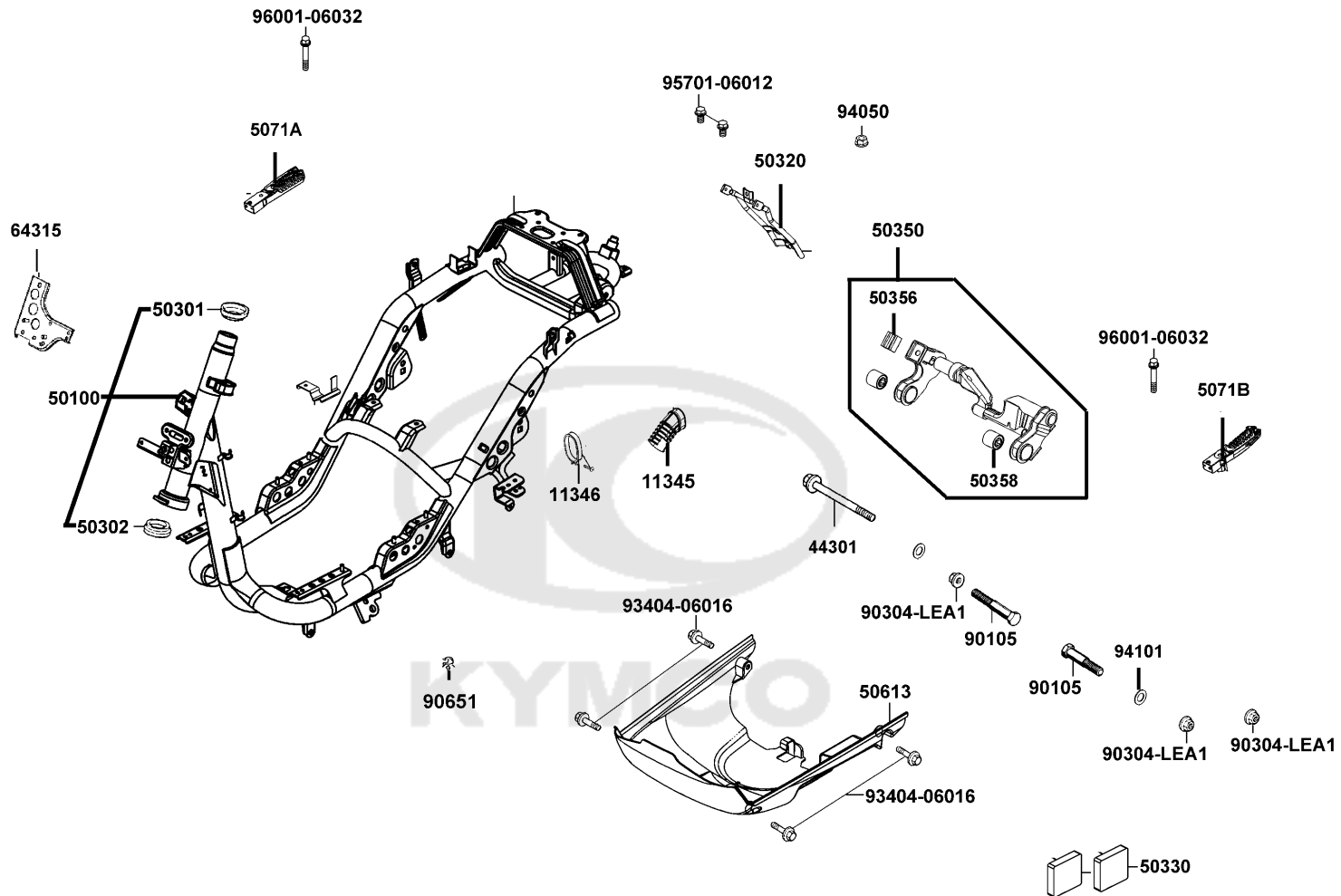
Frame Body



Sales mark 配色标记	Ref no 参考号码	Part no 零件号码	Description 英文名称	Reg description 零件名称	Regd no 需求用量	F20
	11345	11345-LEA2-900	DUCT L COVER	通气管	1	
	11346	11346-KEBE-900	BAND L COVER DUCT	冷却通风管夹	1	
	44301	44301-LKC6-910	BOLT FLANGE 10*200	BOLT FLANGE 10*200	1	
	50100	50100-AFB6-325	BODY ASSY FRAME (C00)	BODY ASSY FRAME (C00)	1	
	50301	50301-KGN7-671	RACE UP STRG BALL	上珠碗	1	
	50302	50302-2H68-011	RACE STRG BOT BALL	下珠碗	1	
	50320	50320-AFB5-900	STAY RR FENDER	STAY RR FENDER	1	
	50330	50330-AFB5-900	SPONGE FRAME	SPONGE FRAME	2	
	50350	50350-AFB5-900	HANGER ASSY ENG	HANGER ASSY ENG	1	
	50356	50356-KNBN-200	RUBBER C ENG HANGE STPR	橡皮 C	1	
	50358	50358-KHC4-900	RUBBER BUSH ENG HANGER	引擎吊耳橡皮衬套	2	
**	50613	50613-LEA2-900	COVER UNDER	电瓶底盖	1	
	5071A	5071A-LHJ8-900	BAR R ASSY RR STEP	后右踏横条组/KD	1	
	5071B	5071B-LHJ8-900	BAR L ASSY RR STEP	左踏横条组/KD	1	
	64315	64315-LHJ8-600	STAY FR COVER	STAY FR COVER	1	
	90105	90105-KHC4-910	SQUARE BOLT M10X50	四角螺丝/KD	2	
	90304-LEA1	90304-LEA1-910	NUT U 10MM (C)	NUT U 10MM (C)	3	
	90651	90651-LKE6-900	CLIP CABLE	环夹	1	
	93404-06016	93404-06016-08G	BOLT WASHER 6*16	BOLT WASHER 6*16	4	
	94050	94050-06080-G	NUT FLANGE 6MM	螺帽6MM/WD	1	

F20

Frame Body

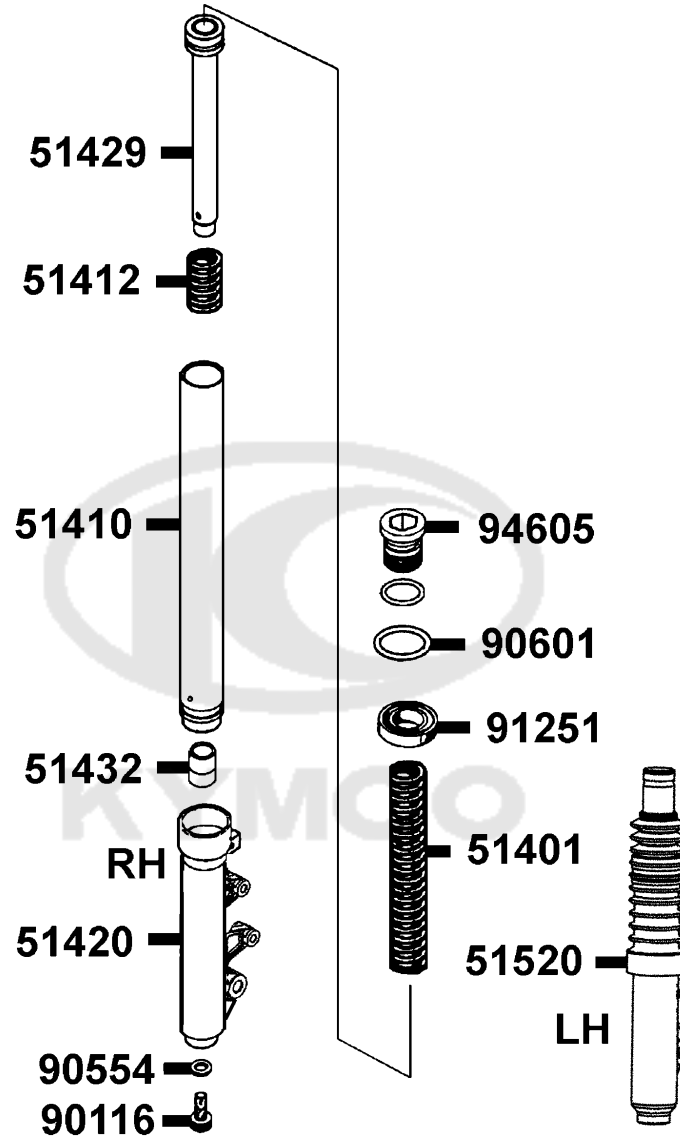


Sales mark 配色标记	Ref no 参考号码	Part no 零件号码	Description 英文名称	Reg description 零件名称	Regd no 需求用量	F20
	94101	94101-AFB5-910	WASHER ENG HANGER	WASHER ENG HANGER	2	
	95701-06012	95701-06012-08G	BOLT FLANGE 6*12	有边缘螺丝	2	
	96001-06032	96001-06032-08G	BOLT FLANGE SH 6X32 (C)	BOLT FLANGE SH 6X32 (C)	2	

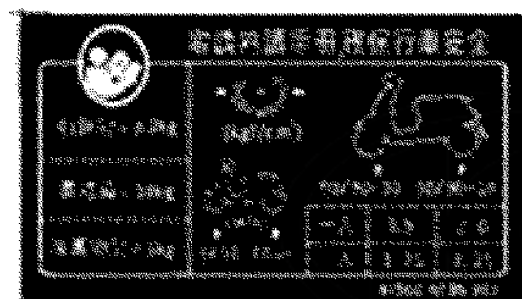


F21

Separated Parts Of Fr Fork



Sales mark 配色标记	Ref no 参考号码	Part no 零件号码	Description 英文名称	Reg description 零件名称	Regd no 需求用量	F21
	51401	51401-LHJ8-600	SPRING	SPRING	2	
	51410	51410-LHJ8-600	FORK PIPE COMP	FORK PIPE COMP	2	
	51412	51412-KFA1-900	REBOUND SPRING	回位弹簧	2	
**	51420	51420-LHJ8-600	BOTTOM CASE RH	BOTTOM CASE RH	1	
	51429	51429-LHJ8-600	PIPE SEAT COMP	PIPE SEAT COMP	2	
	51432	51432-KFA1-900	OIL LOCK PIECE	止油接头	2	
**	51520	51520-LHJ8-600	BOTTOM CASE LH	BOTTOM CASE LH	1	
	90116	90116-LHJ8-600	BOLT 8*20	BOLT 8*20	2	
	90554	90554-2C83-001	PACKING	特殊华司	2	
	90601	90601-GAR1-900	RING OIL SEAL STOPPER	油封止位环	2	
	91251	91251-LAB4-900	OIL SEAL	油封	1	
	94605	94605-LKB9-910	FORK BOLT CAP	FORK BOLT CAP	2	



87560

**ABS**

87311

KYMCO

Sales mark 配色标记	Ref no 参考号码	Part no 零件号码	Description 英文名称	Reg description 零件名称	Regd no 需求用量	F22
--------------------	----------------	-----------------	---------------------	-------------------------	-----------------	-----

**	87311	87311-AAG1-610	EMB ABS	EMB ABS	2	
**	87560	87560-AFB5-900	MARK DRIVER CAUTION	MARK DRIVER CAUTION	1	



F23

Emblem Stripe



86121



86131



86202



86221



86231

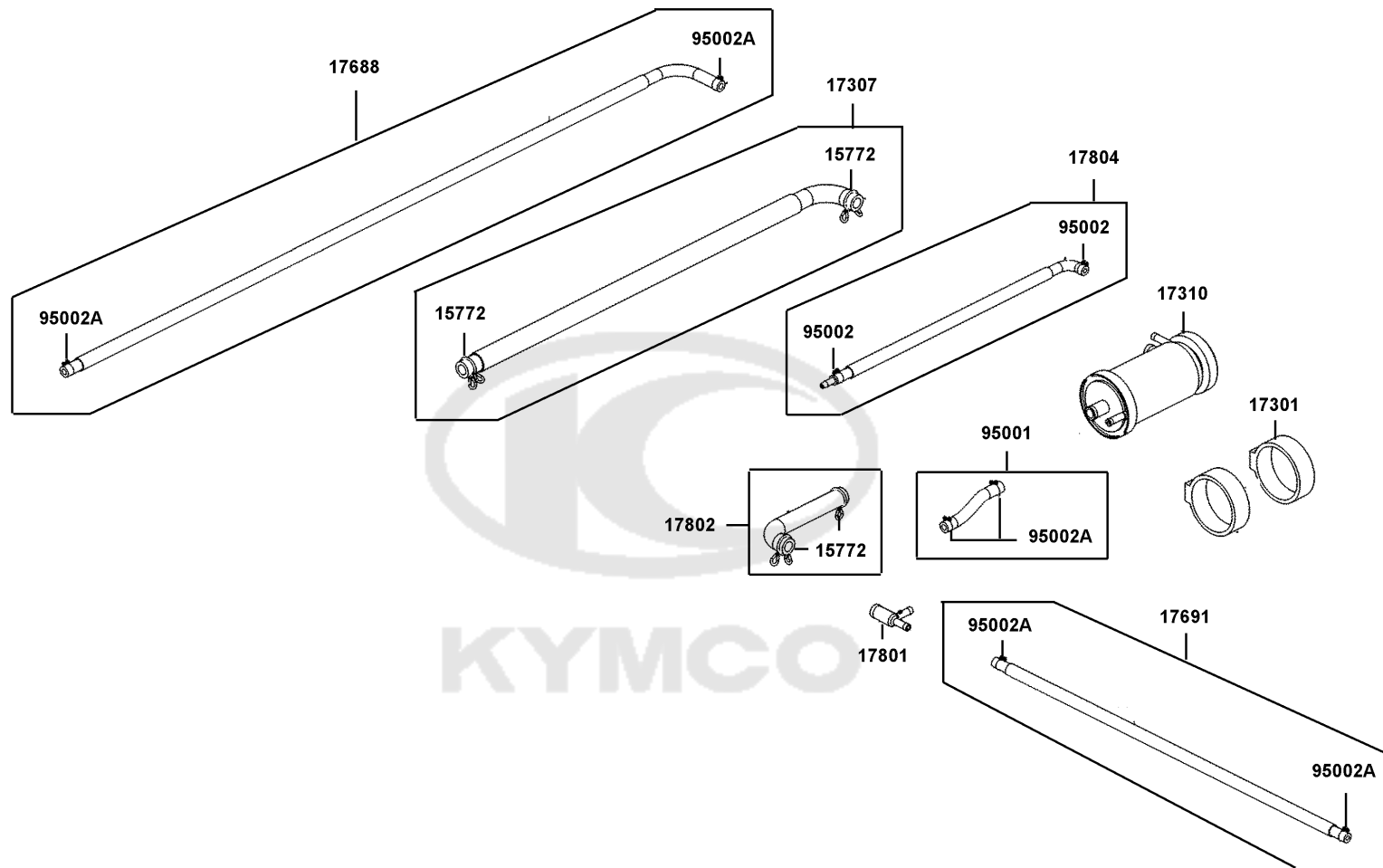
Sales mark 配色标记	Ref no 参考号码	Part no 零件号码	Description 英文名称	Reg description 零件名称	Regd no 需求用量	F23
--------------------	----------------	-----------------	---------------------	-------------------------	-----------------	-----

**	86121	86121-AFB6-910	STRIPE R FR COVER	STRIPE R FR COVER	1	
**	86131	86131-AFB6-910	STRIPE L FR COVER	STRIPE L FR COVER	1	
**	86202	86202-AFB6-910	EMB BODY COVER	EMB BODY COVER	1	
**	86221	86221-AFB6-910	STRIPE R BODY COVER	STRIPE R BODY COVER	1	
**	86231	86231-AFB6-910	STRIPE L BODY COVER	STRIPE L BODY COVER	1	



F24

Canister-Pcv Assy



Sales mark 配色标记	Ref no 参考号码	Part no 零件号码	Description 英文名称	Reg description 零件名称	Regd no 需求用量	F24
	15772	15772-5L00-013	CLIP B14.5 TUBE	管夹	4	
	17301	17301-KNBN-960	RUBBER CANISTER MOUNT	活性炭罐悬挂橡皮	2	
	17307	17307-AFB6-C00	TUBE ASSY CANISTER-AIR/C	TUBE ASSY CANISTER-AIR/C	1	
	17310	17310-LBA2-90A	CANISTER COMP	活性炭罐	1	
	17688	17688-AFB6-C00	TUBE ASSY TANK-CANISTER	TUBE ASSY TANK-CANISTER	1	
	17691	17691-AFB6-C00	TUBE ASSY	TUBE ASSY	1	
	17801	17801-KED9-M30	JOINT CATCH 3 WAY	JOINT CATCH 3 WAY	1	
	17802	17802-AFB6-C00	TUBE ASSY	TUBE ASSY	1	
	17804	17804-AFB6-C00	TUBE ASSY INLET PIPE-CANISTER	TUBE ASSY INLET PIPE-CANISTER	1	
	95001	95001-AFB6-C00	TUBE ASSY	TUBE ASSY	1	
	95002	95002-02070	CLIP B7 TUBE	管夹	2	
	95002A	95002-02080	CLIP B8 TUBE	管夹	6	

## PART NO. INDEX

## 零件号码索引

PART NO. 零件号码	VERSION 版次	PAGE 页次	PART NO. 零件号码	VERSION 版次	PAGE 页次	PART NO. 零件号码	VERSION 版次	PAGE 页次
<b>11000</b>			<b>12000</b>			14110-LEB1-900	3	E02
11100-LHJ8-305	0	E01	12100-LEB1-900	8	E03	14321-LEB1-900	4	E02
11102-1G87-004	4	E01	12191-LEB1-900	2	E03	14401-LHJ8-90B	1	E03
11192-LEA2-900	6	E01	12200-LKE6-900	8	E02	14420-LEB1-910	1	E02
11200-LHJ6-325	0	E01	12209-LEA2-900	2	E02	14430-LEB1-910	1	E02
11203-GGC7-301	2	E01	12216-LEB1-900	2	E02	14433-LEB1-C00	0	E02
11203-GGC7-301	2	F16	12217-LEB1-900	1	E02	14434-LEB1-C00	0	E02
11204-LEA1-900	1	E01	12251-LKE6-900	1	E02	14452-LFA7-E00	3	E02
11205-LEA2-900	3	E01	12310-LHJ3-900	4	E02	14453-LKE6-900	2	E02
11205-LEA2-900	3	E04	12361-GFY6-901	1	E04	14510-LHJ8-900	1	E03
11206-LEA1-900	2	E06	12391-LEB1-900	4	E02	14520-LHJ8-900	2	E03
11211-LHJ8-900	5	F13				14523-KED9-920	1	E03
1122A-LEA1-900	4	E01	<b>13000</b>			14531-GLR0-001	1	E03
11330-LHJ8-700	3	E04				14610-LHJ8-900	5	E03
11342-LHJ8-740	0	E01	13000-LHJ8-900	8	E03	14711-LKE6-900	2	E02
11345-LEA2-900	1	F20	13011-LHJ8-90B	0	E03	14721-LKE6-900	1	E02
11346-KEBE-900	0	F20	13101-LHJ8-900	3	E03	14751-KHD6-900	2	E02
1134A-LHJ8-740	2	E01	13111-LFA7-E00	3	E03	14771-LEA2-900	2	E02
11350-LHJ8-740	0	E01	13406-LHJ8-900	2	E02	14777-LFA7-E00	2	E02
11383-LEA1-900	1	E07	13407-LHJ8-900	0	E02	14781-KKE5-E00	2	E02
11386-GFY6-900	0	E07				<b>15000</b>		
11394-LEA2-900	7	E04	<b>14000</b>			15100-LEA2-900	7	E06
11395-LKC6-900	1	E01				15131-LEA2-900	1	E03
			14100-LHJ8-900	4	E02	15421-1G07-001	1	E04

## PART NO. INDEX

## 零件号码索引

PART NO. 零件号码	VERSION 版次	PAGE 页次	PART NO. 零件号码	VERSION 版次	PAGE 页次	PART NO. 零件号码	VERSION 版次	PAGE 页次
15426-GAE1-921	0	E04				17550-AFB5-800	0	F10
1565A-GFY6-900	0	E04	<b>17000</b>			17560-AFB5-900	4	F10
15772-5L00-013	1	F24				17561-LKB9-900	1	F10
<b>16000</b>			1711A-LGH6-910	3	E02	17620-LKC7-840	0	F10
			17208-GAR1-011	0	F13	17623-KKE5-E1A	0	F10
			17211-LEA1-900	3	F13	17681-KFA1-900	0	F10
16056-LEB2-900	4	E09	17214-LEA2-900	0	F13	17685-KZCZ-900	0	F10
16068-LEB2-900	4	E09	17215-LEA1-900	1	F13	17686-AFB6-C00	0	F10
16074-KEC3-900	4	E09	17236-KFBF-910	1	F13	17688-AFB6-C00	2	F24
16100-AFB6-C00	0	E09	17239-LEA1-900	1	F13	17689-LEA2-900	1	F10
16110-KKE3-900	2	E09	1723A-LHJ8-900	3	F13	17691-AFB6-C00	1	F24
16110-LEA1-900	1	F15	1723B-AFB5-90A	0	F13	17801-KED9-M30	1	F24
16112-KKE3-900	1	E09	17301-KNBN-960	0	F24	17802-AFB6-C00	0	F24
16118-KEC3-900	0	E09	17307-AFB6-C00	0	F24	17804-AFB6-C00	0	F24
16122-KEC3-900	1	E09	17310-LBA2-90A	2	F24	17910-LHJ8-900	1	F03
16123-LHJ8-900	1	E09	17359-4K19-671	0	F13			
16133-KEC3-900	1	E09	17369-KHC4-900	0	F10	<b>18000</b>		
16134-LHJ8-900	2	E09	17370-4K19-701	1	F13			
16138-KEC3-900	1	E09	17371-1D74-671	0	F13	18291-LEA5-E00	1	F14
16154-KKE3-900	4	E09	17502-AFB5-900	0	F10	18291-LKG2-90A	1	F14
16170-KEC3-900	0	E09	17504-LAB4-900	2	F10	18292-KEBE-900	1	F14
16195-KEC3-900	0	E09	17507-LAB4-900	2	F10	18293-LHJ8-900	2	F14
16201-LEB1-900	4	E02	17510-LHJ8-900	4	F10	1830A-AFB6-920	3	F14
16211-LEB1-900	5	E02	17513-AFB5-900	0	F10	18318-LHJ8-700	1	F14
			17515-LAB4-900	1	F10			
			17520-AFB6-600	1	F10			

## PART NO. INDEX

## 零件号码索引

PART NO. 零件号码	VERSION 版次	PAGE 页次	PART NO. 零件号码	VERSION 版次	PAGE 页次	PART NO. 零件号码	VERSION 版次	PAGE 页次
<b>19000</b>			22112-GFY6-90A	0	E05	<b>28000</b>		
			22121-LEA2-305	0	E05			
			22131-LEA2-900	1	E05			
19505-LEA2-900	1	F10	22132-LKB9-305	0	E05	28101-LEA2-900	1	E06
19510-LHJ8-900	0	E07	22300-LEA2-900	5	E05	28102-LEA2-900	2	E06
19613-GFY6-901	0	E07	22350-KHC4-W00	0	E05	28110-LEA2-900	2	E06
1961A-LEA2-900	14	E07	22401-KEB8-900	1	E05	28120-LEA2-900	8	E06
19625-LEB1-900	2	E07	22530-LBC6-900	1	E05	28125-4F26-001	0	E06
19626-LHJ8-900	0	E07	22804-GAR1-W00	0	E05	28125-LEA2-910	4	E06
1962A-LHJ8-900	7	E07				28126-KNBN-901	0	E06
19633-GFY6-901	0	E07	<b>23000</b>			28211-LFA7-E00	5	E05
19635-LEB1-910	2	E07						
19636-LHJ8-900	1	E07	2301A-LHJ8-900	6	E05	<b>30000</b>		
1963A-LHJ8-920	4	E07	23100-LKC6-900	1	E05			
<b>21000</b>			23200-LHJ6-900	4	E05	3051A-LHJ8-900	4	F19
			23220-LKB9-900	2	E05	30700-LHJ8-900	1	F19
			23225-GHC8-004	1	E05			
21301-LEA2-305	0	E08	23226-GHC8-004	0	E05	<b>31000</b>		
21395-LEA2-900	9	E08	23233-LHJ8-900	1	E05			
			23237-GFY6-W00	0	E05	31110-LEA1-90A	5	E07
<b>22000</b>			23238-LHJ6-900	1	E05	31120-LHJ8-90A	7	E07
			23238-LHJ8-900	0	E05	31205-KGN7-670	0	E06
22100-LKC6-900	2	E05	23411-LHJ6-900	3	E08	31210-KKC3-900	4	E06
22102-LEA2-900	4	E05	23420-LKC6-C00	0	E08	31340-AFB6-600	5	F08
22105-LHJ6-900	5	E05	23431-LHJ8-700	4	E08	31600-LEA2-90A	3	F19
22110-LHJ6-900	3	E05	23432-LKC6-900	1	E08			

## PART NO. INDEX

## 零件号码索引

PART NO. 零件号码	VERSION 版次	PAGE 页次	PART NO. 零件号码	VERSION 版次	PAGE 页次	PART NO. 零件号码	VERSION 版次	PAGE 页次
<b>32000</b>			33731-LHJ8-900	2	F05	<b>37000</b>		
			33741-LEA3-E00	2	F18			
32100-AFB6-620	7	F19	<b>35000</b>			37200-AFB6-610	2	F02
32101-GFY6-901	1	F04				37215-LKG2-910	1	F05
32101-LHJ6-301	2	F19	35101-AFB5-305-M1	0	F19	37230-AFB5-900	0	F02
32102-GFY6-901	1	F04	35102-AFB5-308-M1	0	F19	37801-LHJ3-900	0	F10
32108-GAR1-711	1	F19	35104-LBC6-90A	0	F19	3780A-AFB5-900	5	F10
32410-LHJ8-900	6	E06	35109-LAD9-90A	0	F19			
32411-LHJ8-90B	3	F19	35111-LDC1-305-M1	0	F19	<b>38000</b>		
32412-LEA2-900	4	E04	35111-LDC1-306-M1	0	F19			
32413-LHJ8-90B	1	F19	35111-LDC1-307-M1	0	F19	38110-KEB7-90B	5	F19
			35119-LBC6-90A	0	F19	38300-LFB6-700	2	F19
<b>33000</b>			35124-LHJ8-900	3	F19	38500-LGL3-90A	5	F19
			35151-AFB5-325	0	F03	38601-AFB6-600	0	F19
33100-AFB6-91A	4	F01	35152-LHJ8-307	0	F03	3860A-AFB6-600	5	F19
33101-AGD7-70A	0	F01	35152-LHJ8-910	0	F03	38773-KBCB-900	0	F10
33107-AGD7-305	0	F01	35152-LHJ8-990	0	F03	38900-LHJ8-700	7	F19
33108-AGD7-305	0	F01	35201-LHJ8-315	0	F03			
33127-AGD7-700	0	F01	35202-LHJ8-910	0	F03	<b>39000</b>		
33128-AGD7-700	0	F01	35202-LHJ8-990	0	F03			
33157-AGD7-305	0	F01	35340-KNBN-901	0	F04	39300-LEB2-800	1	E02
33400-AGD7-900	3	F17	35350-KNBN-901	0	F04	39301-LGM9-910	4	E02
33450-AGD7-900	3	F17	35380-LEA2-900	2	F19	39302-KKE3-900	2	E02
33500-AFB5-910	5	F05	35850-KHB4-90A	5	F19	39303-LEB2-900	2	E02
33700-AFB5-900	5	F18				39306-LEB2-305	0	E02

**PART NO. INDEX**  
**零件号码索引**

PART NO. 零件号码	VERSION 版次	PAGE 页次	PART NO. 零件号码	VERSION 版次	PAGE 页次	PART NO. 零件号码	VERSION 版次	PAGE 页次
39307-LEB2-305	0	E02	4335A-LBA2-E01	3	F07	45132-1F66-017	0	F07
39400-LHJ3-900	3	E02	4335A-LBA2-E01	3	F16	45132-1F66-017	0	F16
39450-ZVA6-M00	1	F14	43500-AFB6-305	0	F04	45133-MCA3-007	0	F07
<b>42000</b>			<b>44000</b>			45133-MCA3-007	0	F16
42311-LHJ8-700	3	F08	44301-LGE3-910	0	F07	45150-LKG2-305	0	F07
42312-LEB1-900	2	F08	44301-LKC6-910	0	F20	45156-LHJ8-900	0	F06
42601-AFB6-600	8	F08	44311-GLW0-911	0	F07	45200-LHJ8-600	3	F07
42710-LHJ8-600	2	F08	44600-LHJ8-306	0	F07	45203-LHJ8-700	0	F16
42753-0F06-900	1	F07	44620-KSBS-900	0	F07	45203-MCG3-007	0	F16
42753-KNBN-90B	1	F08	44710-LHJ8-600	2	F07	45209-GBE2-007	0	F07
<b>43000</b>			44800-AFB6-600	7	F07	45209-KKC4-900	0	F16
43100-LHJ8-700	6	F16	44822-AFB6-600	8	F08	45210-LHJ8-305	0	F07
43105-LHJ8-305	0	F16	44823-AFB6-600	0	F08	45215-KECE-900	0	F07
43109-KKC4-900	0	F16	<b>45000</b>			45513-AFB5-900	0	F04
43126-AFB6-600	3	F04	45107-LHJ8-700	0	F16	45513-AFB5-900	01	F04
43127-AFB6-600	5	F04	45107-MEN5-007	0	F07	45520-GLW0-91A	0	F04
43156-KKC4-900	2	F04	45108-MDL4-007	2	F07	45521-LHJ8-900	0	F04
43156-LHJ8-700	2	F16	45109-GBE2-007	0	F07	45530-AFB5-305	0	F04
43210-LHJ8-305	0	F16	45121-LHJ8-600	2	F07	45531-GAR1-951	0	F07
43351-LHJ8-700	2	F08	45126-AFB6-600	3	F04	45531-GAR1-951	0	F16
43353-4A61-77A	0	F07	45127-AFB6-600	3	F04	<b>49000</b>		
43353-4A61-77A	0	F16	45128-LEA2-910	1	F06	49100-AFB6-600	0	F04
						49110-AFB6-600	2	F04
						49211-LFH1-E00	1	F04

**PART NO. INDEX**  
**零件号码索引**

PART NO. 零件号码	VERSION 版次	PAGE 页次	PART NO. 零件号码	VERSION 版次	PAGE 页次	PART NO. 零件号码	VERSION 版次	PAGE 页次
<b>50000</b>			<b>51000</b>			53173-LEA2-900	2	F04
50100-AFB6-325	0	F20	51400-LHJ8-600	4	F06	53175-LHJ8-900	0	F04
50140-AFB5-900	0	F10	51401-LHJ8-600	0	F21	53178-LHJ8-900	0	F04
50301-KGN7-671	2	F20	51408-AFB5-900	4	F06	53200-AFB5-900	7	F06
50302-2H68-011	2	F20	51410-LHJ8-600	2	F21	53205-AFB5-900	7	F03
50306-1F96-001	0	F06	51412-KFA1-900	0	F21	53206-AFB5-900	6	F03
50320-AFB5-900	1	F20	51420-LHJ8-600	0	F21	53207-AFB5-900	0	F03
50326-LKG2-900	1	F11	51429-LHJ8-600	0	F21	53208-AFB5-900	0	F03
50327-AFB5-800	3	F11	51432-KFA1-900	0	F21	53211-GFY6-940	1	F06
50328-LHJ8-900	1	F11	5150A-LHJ8-600	3	F06	53212-2L50-011	1	F06
50330-AFB5-900	1	F20	51520-LHJ8-600	0	F21	53214-LHJ6-900	1	F06
50350-AFB5-900	7	F20				53215-2L50-001	0	F06
50356-KNBN-200	1	F20	<b>52000</b>			<b>61000</b>		
50358-KHC4-900	1	F20				61100-AFB5-900	9	F06
50500-LGM2-900	7	F15	52000-LHJ8-740	0	F16	61103-AFB6-600	2	F05
50502-LEA1-910	3	F15	52101-LGR8-900	2	F16			
50505-LAD9-900	3	F15	52400-LHJ8-700	5	F16	<b>64000</b>		
50530-AFB5-900	0	F15				64222-LBC6-900	1	F12
50560-LEA1-900	5	E04	<b>53000</b>			64301-AFB5-910	1	F05
50570-LEA1-900	5	E01				64302-AFB5-305	0	F05
50613-LEA2-900	5	F20	53100-AFB6-900	0	F03	64302-AFB5-900	5	F05
5071A-LHJ8-900	9	F20	53125-GEN5-901	2	F03	64310-AFB5-900	4	F05
5071B-LHJ8-900	8	F20	53140-LHJ8-900	0	F03	64311-AFB5-900	0	F05
			53166-GBW2-001	2	F03			

## PART NO. INDEX

## 零件号码索引

PART NO. 零件号码	VERSION 版次	PAGE 页次	PART NO. 零件号码	VERSION 版次	PAGE 页次	PART NO. 零件号码	VERSION 版次	PAGE 页次
64312-AFB5-305	0	F05				86131-AFB6-910	0	F05
64312-AFB5-900	5	F05	<b>81000</b>			86131-AFB6-910	0	F23
64315-LHJ8-600	0	F20				86202-AFB6-910	0	F12
64316-LEA2-900	1	F05	81131-AFB5-900	5	F05	86202-AFB6-910	0	F23
64400-LHJ8-900	0	F05	81132-ACC1-E10	2	F09	86221-AFB6-910	0	F12
			81132-AFB5-900	0	F05	86221-AFB6-910	0	F23
<b>70000</b>			81133-AFB5-910	2	F05	86231-AFB6-910	0	F12
			81133-LHJ8-910	1	F05	86231-AFB6-910	0	F23
70529-LKD8-E00	1	F06	81201-AFB5-900	0	F12			
			81252-AFB6-C00	1	F12	<b>87000</b>		
<b>77000</b>			81260-AFB5-900	3	F12			
			81300-AFB5-900	8	F12	87311-AAG1-610	3	F22
77200-AFB6-B31	0	F09				87541-KUDU-900	2	E07
77206-LKB9-900	1	F09	<b>83000</b>			87560-AFB5-900	0	F22
77235-AFB5-90A	3	F09						
77240-AFB6-600	1	F19	83500-AFB5-355	0	F12	<b>88000</b>		
77300-AFB5-900	0	F09	83500-AFB5-900	3	F12			
77303-LEA1-900	1	F09	83600-AFB5-355	0	F12	88110-AFB6-C00	1	F03
			83600-AFB5-900	3	F12	88114-AFB5-900	0	F03
<b>80000</b>			83750-AFB5-900	0	F12	88120-AFB6-C00	1	F03
			8376A-AFB5-900	0	F05			
80100-LHJ8-710	1	F18				<b>90000</b>		
80105-AFB5-900	0	F18	<b>86000</b>					
80106-AFB6-900	0	F18				90001-GBHB-670	3	E03
80151-AFB5-900	0	F12	86121-AFB6-910	0	F05	90001-GFY6-901	5	E02
80152-AFB5-900	0	F05	86121-AFB6-910	0	F23	90005-KAW1-910	1	E03

## PART NO. INDEX

## 零件号码索引

PART NO. 零件号码	VERSION 版次	PAGE 页次	PART NO. 零件号码	VERSION 版次	PAGE 页次	PART NO. 零件号码	VERSION 版次	PAGE 页次
9000A-KTDT-910	0	E01	90201-GFY6-901	1	E06	90443-8D44-001	0	E01
9000B-KHD6-900	2	E02	90201-KHE7-900	3	E05	90451-KUDU-900	0	E08
90012-3C33-001	1	E02	90201-PHB8-001	1	E05	90474-3C33-001	1	E01
90031-KHD6-900	3	E01	90202-1G87-001	2	E05	9052A-LEB1-910	3	E01
90032-KHD6-900	2	E01	90206-0A01-001	4	E02	90545-3L00-001	2	F04
90033-GFY6-900	1	E02	90215-KKC4-900	2	F12	90554-2C83-001	0	F21
90101-LEA7-E00	1	F14	90301-GFY6-901	2	F14	90601-GAR1-900	0	F21
90105-KCR3-001	1	F07	90301-LAC5-671	1	F13	90603-0D44-001	0	E05
90105-KCR3-001	1	F08	90302-GFY6-911	1	F10	90605-2L00-001	0	E08
90105-KHC4-910	0	F20	90302-GFY6-940	2	F11	90622-LHJ8-900	1	E07
90106-GEN5-910	0	F03	90302-GFY6-950	0	F10	90650-LHJ6-900	0	F04
90108-LKE6-910	1	F15	90302-GFY6-950	0	F19	90651-AFB5-900	1	F19
90110-LDA7-900	1	F03	90302-KEC8-920	0	F03	90651-LKE6-900	1	E02
90111-1G87-010	0	F12	90302-LKB9-900	4	F03	90651-LKE6-900	1	E07
90111-1G87-020	0	F05	90302-LKB9-900	4	F05	90651-LKE6-900	1	F20
90111-AFB5-910	2	F12	90302-LKB9-900	4	F12	90652-LFB5-900	3	F05
90111-LEB1-910	0	F06	90302-SDA4-004	3	F05	90652-LHJ3-900	1	E02
90111-LEB1-910	0	F18	90304-LEA1-910	0	F03	90656-KCBC-900	0	F03
90111-LEC8-E01	3	F05	90304-LEA1-910	0	F20	90656-KCBC-900	0	F19
90113-LGE5-E02	0	F04	90305-GHK8-001	1	E07	90656-KUDU-900	0	F19
90114-1F66-007	2	F04	90305-GHK8-001	1	F12	90663-LKJ1-900	0	F05
90116-LHJ8-600	0	F21	90305-KNBN-90B	1	F08	90677-GAR1-004	2	F11
90131-LEA5-E01	0	F16	90305-KNCN-900	1	F03	90701-HFB6-011	2	E03
90131-LEB1-910	0	F07	90306-LFE2-910	0	F07	90741-0E35-001	1	E03
90145-LEA3-E01	1	F04	90403-LEA2-900	2	E06	90754-GHC8-00C	1	F07
90145-LFH1-E01	1	F04	90442-0D44-001	3	E05	90912-GHC8-00A	2	F07

## PART NO. INDEX

## 零件号码索引

PART NO. 零件号码	VERSION 版次	PAGE 页次	PART NO. 零件号码	VERSION 版次	PAGE 页次	PART NO. 零件号码	VERSION 版次	PAGE 页次
<b>91000</b>			<b>92000</b>			93600-06020-0HG	0	E06
91001-GFY6-90A	2	E05	92101-05012-0HG	1	E07	93600-LEA2-910	0	E06
91001-KGBG-C0A	0	E01	92101-06014-0HG	1	E02	93892-04006-08	0	E06
91001-KHC4-90D	1	E08	92900-06060-0B	0	E02	93892-04010-06	0	E09
91002-GFY6-W00	0	E05				93892-05010-06	0	E09
91009-GLE0-004	1	E01	<b>93000</b>			93893-04012-18	0	F04
91101-LEA2-900	1	E06				93903-25220-G	0	F01
91104-LEA1-900	2	E06	93401-04025-08G	0	F19	93903-25220-G	0	F05
91106-KHC4-90B	0	E08	93401-06020-06	0	F14	93903-25220-G	0	F06
91202-GFY6-90C	2	E04	93404-06012-08G	0	F05	93903-25220-G	0	F12
91202-LEA1-90A	5	E08	93404-06012-08G	0	F18	93903-25220-G	0	F17
91202-LFE2-800	2	E01	93404-06016-08G	0	F05	93903-25220-G	0	F18
91211-KEE1-900	0	E05	93404-06016-08G	0	F11	93903-25280-G	0	F03
91251-LAB4-900	0	F21	93404-06016-08G	0	F13	93903-25460	0	F13
91255-AFF8-90A	3	E01	93404-06016-08G	0	F20	93903-25460	0	F13
91258-KAM1-00A	1	F07	93404-06020-07G	1	F05	93903-34380-G	0	F05
91301-GLR0-005	1	E03	93404-06030-08G	0	F13	93903-35260	0	E01
91301-LEB1-900	1	E02	93500-03010-0F	0	E06	93903-35320-G	0	F02
91302-0A01-021	0	E04	93500-04008-0F	0	F10	93903-35320-G	0	F10
91306-1E05-691	0	E03	93500-04015-0G	0	E01	93903-35320-G	0	F12
91307-0E35-001	1	E04	93500-04020-0G	0	F10	93903-45380-G	0	F05
91309-4E25-004	0	E06	93500-04025-0A	0	F13	93903-LEA2-305-T02	0	F03
91351-KEBE-W00	0	E05	93500-KHC4-90A	0	F10	93903-LEA2-306-T02	0	F03
91981-KGN7-670	0	E06	93600-04012-1A	0	F04	93903-LHJ8-920	0	F11
						93904-35320-G	0	E07

**PART NO. INDEX**  
**零件号码索引**

PART NO. 零件号码	VERSION 版次	PAGE 页次	PART NO. 零件号码	VERSION 版次	PAGE 页次	PART NO. 零件号码	VERSION 版次	PAGE 页次	
<b>94000</b>			94301-10160	0	E03	95701-06012-08G	1	F04	
			94520-28000	0	E05	95701-06012-08G	1	F06	
			94540-05018	0	E06	95701-06012-08G	1	F10	
	94001-08060-0S	0	F04	94591-KFBF-900	2	F05	95701-06012-08G	1	F11
	94050-06000	0	F04	94591-KFBF-900	2	F10	95701-06012-08G	1	F19
	94050-06060	1	F09	94591-KFBF-900	2	F19	95701-06012-08G	1	F20
	94050-06080	2	E09	94601-14000	0	E03	95701-06016-08G	1	F19
	94050-06080-G	1	E02	94605-LKB9-910	0	F21	95701-06032-08G	0	F13
	94050-06080-G	1	F05				95701-08012-08G	1	E01
	94050-06080-G	1	F09	<b>95000</b>			95701-08012-08G	1	F04
	94050-06080-G	1	F10				95701-08012-08G	1	F12
	94050-06080-G	1	F19	95001-AFB6-C00	0	F24	95701-08025-08G	0	E01
	94050-06080-G	1	F20	95002-02070	2	E09	95701-08025-08G	0	F19
	94050-08080-G	1	E02	95002-02070	2	F24	95801-08025-08G	0	E04
	94050-10080-G	1	E07	95002-02080	0	F10	95801-08032-08G	0	F16
	94101-06700	0	F14	95002-02080	0	F24	95801-08040-08G	1	F06
	94101-AFB5-910	1	F20	95002-02120	1	F13	95801-08042-08G	0	F14
	94101-KKE3-900	1	E09	95002-02130	0	F10	95801-10035-08G	0	F16
	94101-LEA2-900	0	F14	95002-41150-00	0	F13	95801-LEA1-910	0	F15
94111-05800	0	E06	95002-50000	0	E01				
94111-06800	0	E02	95002-50000	0	F13	<b>96000</b>			
94111-06800	0	E09	95003-23024-60	0	F13				
94111-ACD5-E00	1	F14	95014-72204	0	F15	96001-06012-08G	1	F06	
94301-08140	4	E01	95014-LBC6-900	1	F15	96001-06012-08G	1	F09	
94301-08140	4	E04	95701-06010-06	1	F16	96001-06012-08G	1	F16	
94301-10160	0	E02	95701-06012-06	1	F06	96001-06014-08G	0	E02	

## PART NO. INDEX

## 零件号码索引

PART NO. 零件号码	VERSION 版次	PAGE 页次	PART NO. 零件号码	VERSION 版次	PAGE 页次	PART NO. 零件号码	VERSION 版次	PAGE 页次
96001-06016-08G	1	E07						
96001-06018-08G	1	E06	<b>98000</b>					
96001-06022-08G	1	E07						
96001-06022-08G	1	F04	98059-58916-00	2	E02			
96001-06025-08G	1	E01	98200-31500	1	F11			
96001-06025-08G	1	E07	98200-31500	1	F19			
96001-06030-08G	0	F04	98200-32500	0	F19			
96001-06032-08G	1	E01	98200-41500	1	F19			
96001-06032-08G	1	E04						
96001-06032-08G	1	F20						
96001-06050-08G	1	E01						
96001-06090-08G	0	E04						
96001-06100-08G	1	E02						
96001-06100-08G	1	E04						
96001-GFY6-900	2	F13						
96100-60020-00	0	E01						
96100-62030-00	0	E08						
96100-63040-00	1	E08						
96150-LHJ8-900	0	F16						
96211-05000	26	F06						
96211-08000	19	F06						
96220-20118	0	E06						
96220-40080	0	E06						
96600-LHJ8-610	1	F08						