

零件目錄書

PART CATALOGUE

TL47W1-EU (TL1 / MAXSYM TL) 歐洲

作承	確認	承認

Ver. _____


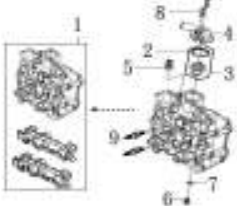
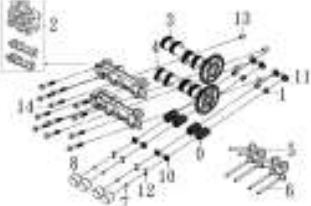
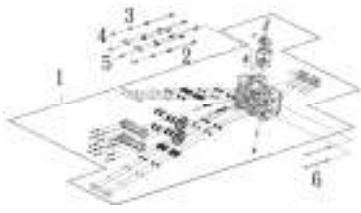

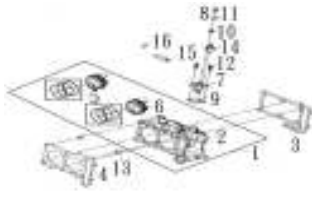
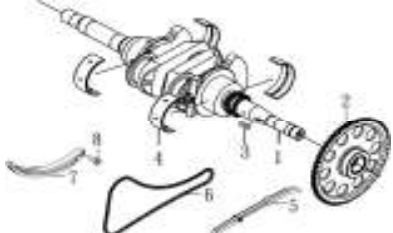
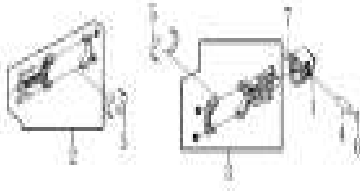
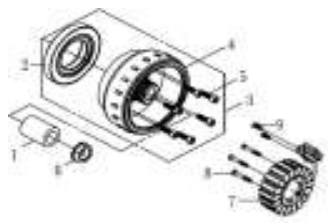
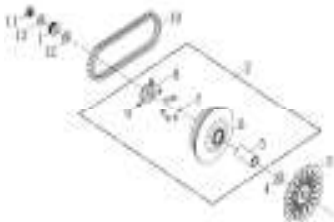
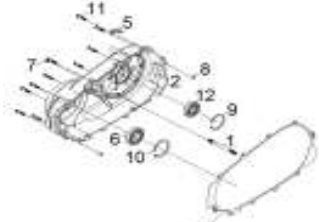
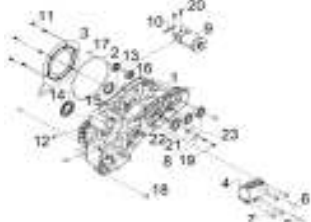
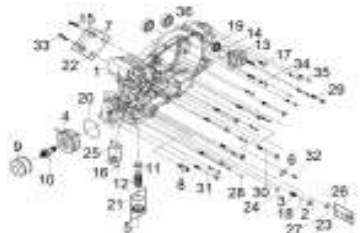
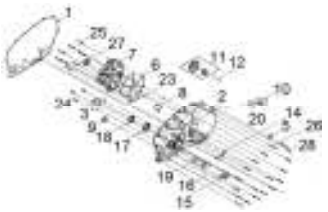
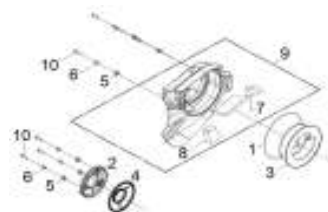
Date: _____

NO	機種 Model		TL47W1-EU (TL47W1-EU (TL1 / MAXSYM TL) 歐洲)							
	日期 Date		2019/09	2019/09	2019/09	2019/09	2019/09	2019/09	2019/09	2019/09
	機種色 Basic Color		WH-300P	BU-2747U	BK-001UL	GY-008C	WH-300P	BU-2747U	BK-001UL	GY-008C
	色碼 Color Code		W	BL	BK	GY	W5	BL5	BK5	GY5
	零件名稱 Parts Name	零件料號 Parts Number	冰雪白	消光藍	消光黑	灰	冰雪白	消光藍	消光黑	灰
1	R. FR. COVER	64303-TL1-000	QU	UH	JH	GG	QU	UH	JH	GG
2	L. FR. COVER	64304-TL1-000	QU	UH	JH	GG	QU	UH	JH	GG
3	FR. COVER	6430A-TL1-000	KB	KB	KB	KB	KB	KB	KB	KB
4	FR FENDER	61100-TL1-000	QU	UH	JH	GG	QU	UH	JH	GG
5	R. UNDER SPOILER ASSY	5061B-TL1-000	GE	GE	IL	IL	GE	GE	IL	IL
6	L. UNDER SPOILER ASSY	5061C-TL1-000	GE	GE	IL	IL	GE	GE	IL	IL
7	R SIDE COVER ASSY	8351A-TL1-000	GE	GE	IL	IL	GE	GE	IL	IL
8	R SIDE COVER ASSY	83610-TL1-000	GE	GE	IL	IL	GE	GE	IL	IL
9	R. BODY COVER	83500-TL1-000	QU	UH	JH	GG	QU	UH	JH	GG
10	L. BODY COVER	83600-TL1-000	QU	UH	JH	GG	QU	UH	JH	GG
11	RR CENTER COVER	83750-TL1-000	KB	KB	KB	KB	KB	KB	KB	KB
12	R. RR. CARRIER ASSY	8120A-TL1-000	KB	KB	KB	KB	KB	KB	KB	KB
13	L. RR. CARRIER ASSY	8130A-TL1-000	KB	KB	KB	KB	KB	KB	KB	KB
14	METER GARNISH	53209-TL1-000	IL	IL	IL	IL	IL	IL	IL	IL
15	TOP HANDLE COVER ASSY	5320A-TL1-000	IL	IL	IL	IL	IL	IL	IL	IL
16	R. MAINTENANCE COVER	81142-TL1-000	KB	KB	KB	KB	KB	KB	KB	KB
17	L. MAINTENANCE COVER	81143-TL1-000	KB	KB	KB	KB	KB	KB	KB	KB
18	R. PILLION STEP	50621-TL1-000	●	●	●	●	●	●	●	●
19	L. PILLION STEP	50622-TL1-000	●	●	●	●	●	●	●	●
20	R. PILLION STEP HOLDER BK-001C	50610-TL1-000	●	●	●	●	●	●	●	●
21	L. PILLION STEP HOLDER BK-001C	50620-TL1-000	●	●	●	●	●	●	●	●
22	FINAL DRIVEN FLANGE	42610-TL1-000	JD	JD	JD	JD	JD	JD	JD	JD
23	FR. CASTING WHEEL COMP	44601-TL1-000	JD	JD	JD	JD	JD	JD	JD	JD
24	RR. CASTING WHEEL COMP	42601-TL1-000	JD	JD	JD	JD	JD	JD	JD	JD
25	R FR CALIPER ASSY	45100-TL1-000	KB	KB	KB	KB	KB	KB	KB	KB
26	L FR CALIPER ASSY	45200-TL1-000	KB	KB	KB	KB	KB	KB	KB	KB
27	RR CALIPER ASSY	43100-TL1-000	KB	KB	KB	KB	KB	KB	KB	KB
28	R FR. BRAKE DISK BK-001C	45121-TL1-000	●	●	●	●	●	●	●	●
29	RR. BRAKE DISK BK-001C	43121-TL1-000	●	●	●	●	●	●	●	●
30	R. FR. CUSHION ASSY BK-001C	51400-TL1-000	●	●	●	●	●	●	●	●
31	L. FR. CUSHION ASSY BK-001C	51500-TL1-000	●	●	●	●	●	●	●	●
32	MAIN STAND COMP BK-001C	50500-TL1-000	●	●	●	●	●	●	●	●
33	SIDE STAND COMP BK-001C	50530-TL1-000	●	●	●	●	●	●	●	●
34	R SWING ARM ASSY BK-001C	5211A-TL1-000	●	●	●	●	●	●	●	●
35	L SWING ARM ASSY BK-001C	5212E-TL1-000	●	●	●	●	●	●	●	●
36	PIVOT HOLDER BK-001C	52150-TL1-000	●	●	●	●	●	●	●	●
37	SWINGARM PIVOT COVER BK-001C	52160-TL1-000	●	●	●	●	●	●	●	●
38	PUSH ROD ASSY BK-7C	5214A-TL1-000	●	●	●	●	●	●	●	●
39	RR. CUSSION ROCKER ASSY. BK-001C	5213A-TL1-000	●	●	●	●	●	●	●	●
40	L. OUTER COVER ASSY.	1135A-TL1-000	IL	IL	IL	IL	IL	IL	IL	IL
41	R. OUTER COVER ASSY.	1136A-TL1-010	IL	IL	IL	IL	IL	IL	IL	IL
42	MUFFLER REAR PROTECTOR GY-7450U	18328-TL1-000	●	●	●	●	●	●	●	●
43	R CRANK CASE COMP GY-7520U	11100-TL1-010	●	●	●	●	●	●	●	●
44	L. CRANK CASE COMP. GY-7520U	11200-TL1-000	●	●	●	●	●	●	●	●
45	R. CRANK CASE COVER GY-7520U	11331-TL1-010	●	●	●	●	●	●	●	●
46	L. CRANK CASE COVER COMP. GY-7520U	11340-TL1-000	●	●	●	●	●	●	●	●
47	R. BODY COVER EMBLEM (MAXSYM) MRCR_@	87126-TL1-000	●	●	●	●	●	●	●	●
48	R. BODY COVER EMBLEM (TL500)	87126-TL1-100					●	●	●	●
49	L. BODY COVER EMBLEM (MAXSYM) MRCR_@	87127-TL1-000	●	●	●	●	●	●	●	●
50	L. BODY COVER EMBLEM (TL500)	87127-TL1-100					●	●	●	●
51	DY COVER EMBLEM (TL) R-200CA+S-011U	87128-TL1-010	●	●	●	●	●	●	●	●
52	SYM LOGO (40 PC) TYPE1 (BK / GD)	87552-F93-000	T1	T1	T1	T1	T1	T1	T1	T1
53	SYM LOGO (50 PC) TYPE1 (BK / GD)	87552-TL1-000	T1	T1	T1	T1	T1	T1	T1	T1

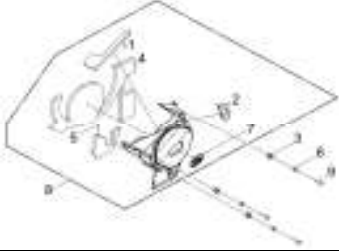
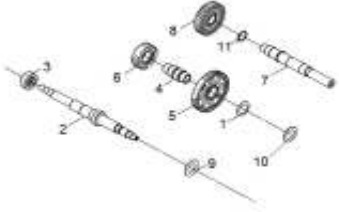
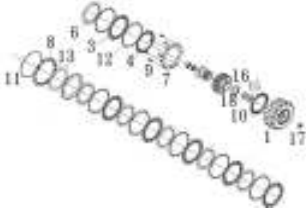
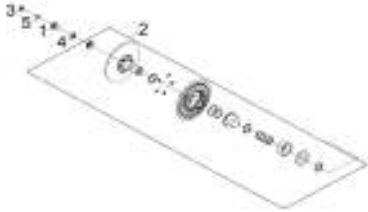
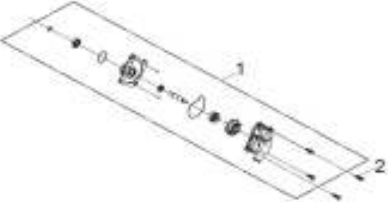
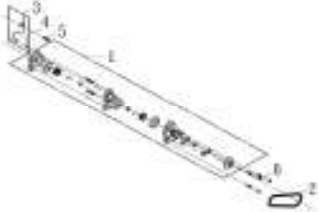
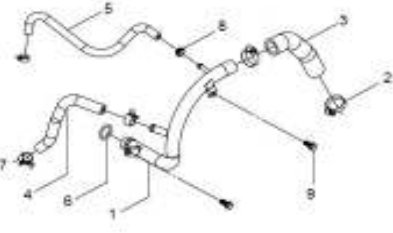
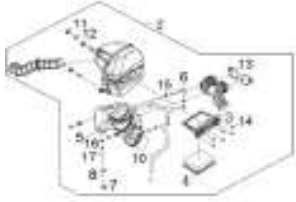
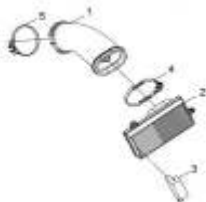

色碼備註 Color Remarks		
QU	WHITE	WH-300P
UH	MATTE BLUE	BU-2747U
JH	MATTE BLACK	BK-001UL
GG	GRAY	GY-008C
GE	MATTE GRAY	GY-010UL
IL	MATTE GRAY	GY-7450U
KB	BLACK	BK-001C
JD	BLACK	BK-7C
●	-	-

引擎內容

CONTENTS-ENGINE GROUP

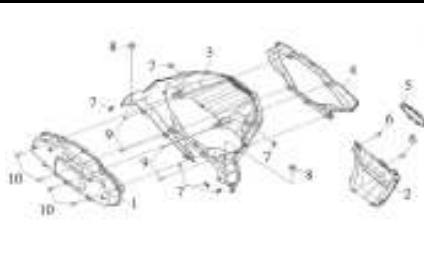
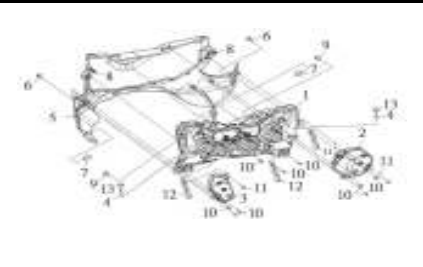
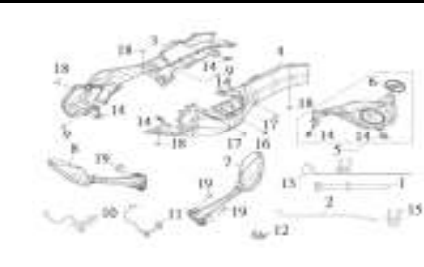
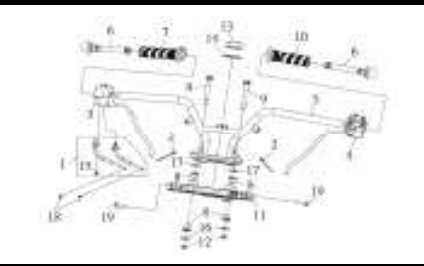
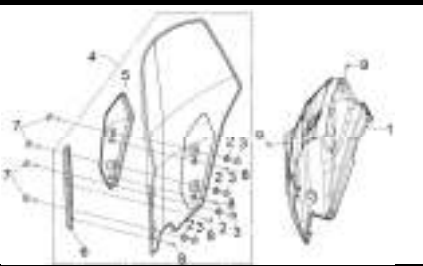
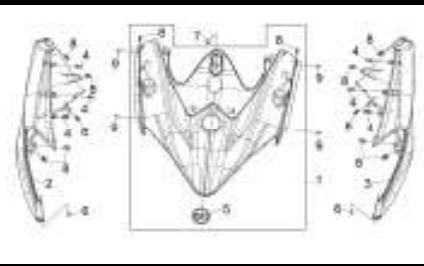
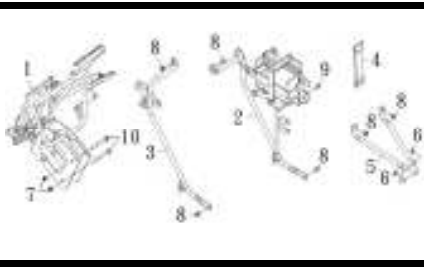
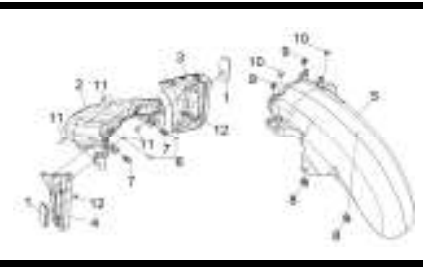
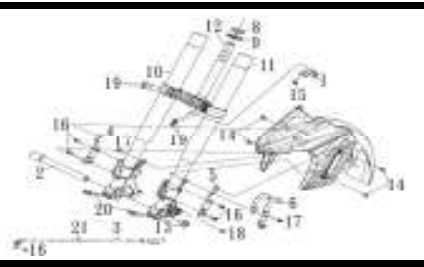
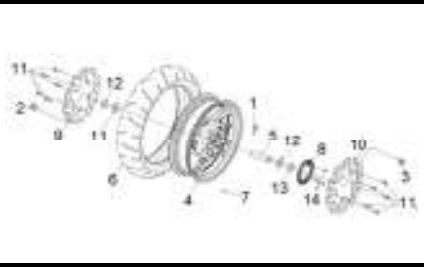
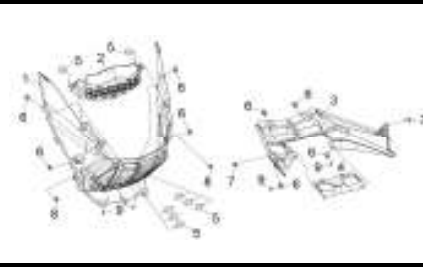
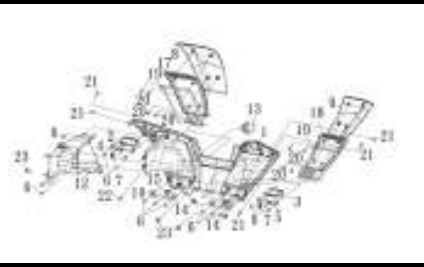
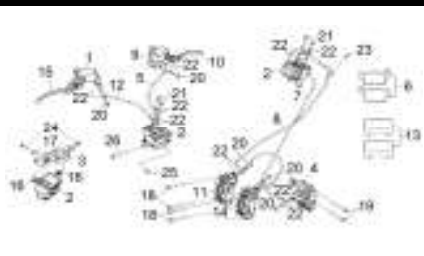
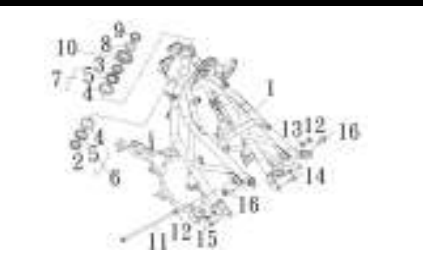
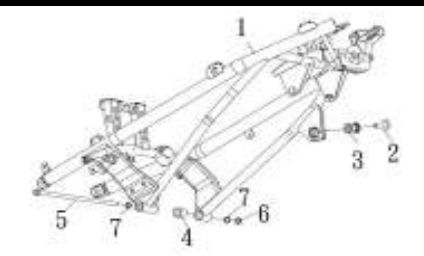
<p>E01 汽缸頭蓋 CYLINDER HEAD COVER ASSY.</p> 	<p>E02 汽缸頭 CYLINDER HEAD</p> 	<p>E03 凸輪軸 CAM SHAFT</p> 
<p>E04 汽缸頭總成 CYLINDER HEAD ASSY</p> 	<p>E05 進氣歧管 INLET PIPE SET</p> 	<p>E06 汽缸整組 CYLINDER SET</p> 
<p>E07 曲軸 CRANK SHAFT</p> 	<p>E08 連結桿 CONNECTING ROD ASSY</p> 	<p>E09 交流發電機 AG.GEN</p> 
<p>E10 滑動驅動盤 MOVABLE DRIVE FACE</p> 	<p>E11 右曲軸箱蓋 R. CRANK CASE COVER ASSY.</p> 	<p>E12 右曲軸箱 R. CRANK CASE COMP</p> 
<p>E13 左曲軸箱 L. CRANK CASE</p> 	<p>E14 左曲軸箱蓋 L. CRANK CASE COVER</p> 	<p>E15 右外箱蓋 R. OUTER COVER</p> 

引擎內容 CONTENTS-ENGINE GROUP

<p>E16 左外箱蓋 L. OUTER COVER</p> 	<p>E17 傳動系統 TRANSMISSION</p> 	<p>E18 離合器 CLUTCH</p> 
<p>E19 驅動盤總成 DRIVEN PULLEY ASSY.</p> 	<p>E20 水泵總成 WATER PUMP ASSY.</p> 	<p>E21 機油泵總成 OIL PUMP ASSY.</p> 
<p>E22 進水管 PIPE ASSY.</p> 	<p>E23 空氣濾清器 AIR/C ASSY.</p> 	<p>E24 CVT 進氣系統 CVT L. INLET SYSTEM ASSY.</p> 
<p>E25 排氣管總成 EXH. MUFFLER ASSY. GY-7450U</p> 		

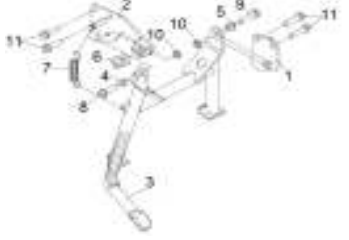
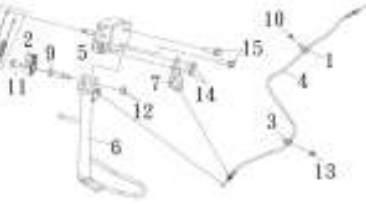
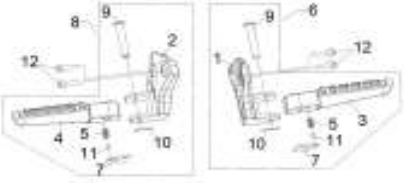
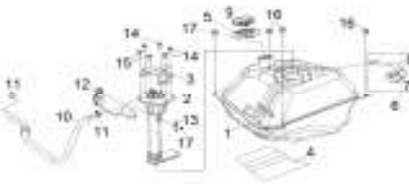
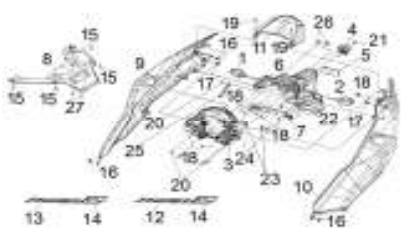
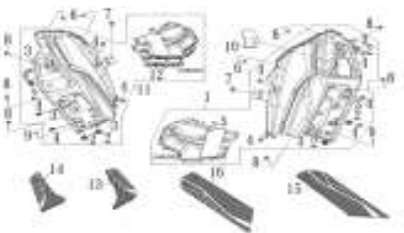
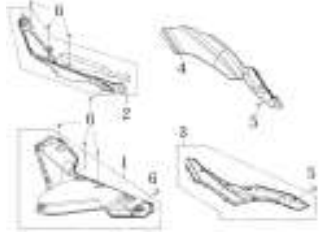
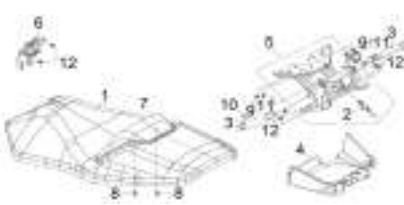
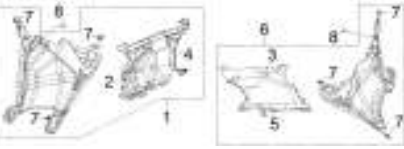
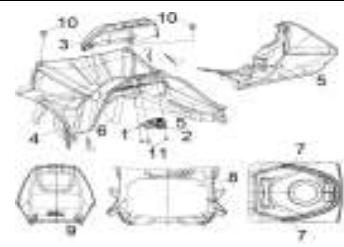
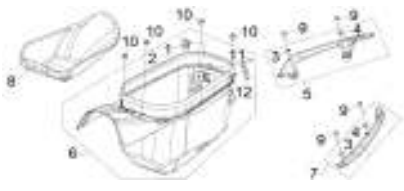
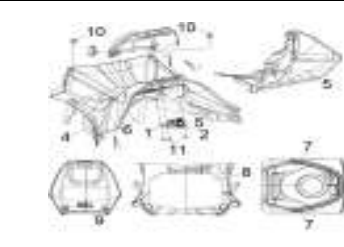
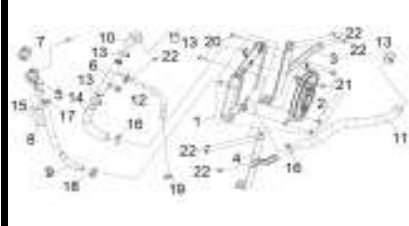
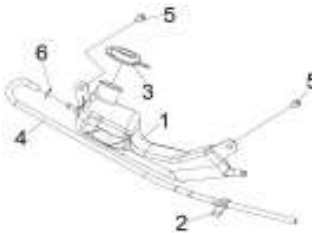
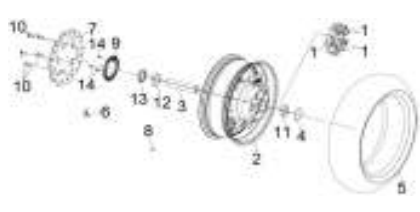
車架內容

CONTENTS—FRAME GROUP

<p>F01 碼錶總成 SPEEDOMETER ASSY.</p> 	<p>F02 前燈總成 HEAD LIGHT ASSY</p> 	<p>F03 把手蓋 / 後視鏡 FR. HANDLE COVER / BACK MIRROR</p> 
<p>F04 方向把手 HANDLE STRG.</p> 	<p>F05 風鏡總成 WIND SCREEN ASSY</p> 	<p>F06 前擋板 FR. COVER</p> 
<p>F07 前擋板支架 FR. COVER BRKT.</p> 	<p>F08 前土除 FR. FENDER</p> 	<p>F09 轉向主幹 / 前避震器 STRG. STEM COMP. / FR. CUSHION</p> 
<p>F10 前輪圈 FR. WHEEL ASSY</p> 	<p>F11 前保護蓋 FR. MAINTENANCE COVER ASSY</p> 	<p>F12 前內箱 FR. INNER BOX</p> 
<p>F13 右 / 左前煞車卡鉗總成 R / L FR CALIPER ASSY</p> 	<p>F14 前段車台 FRAME BODY COMP.(1)</p> 	<p>F15 後段車台 FRAME BODY COMP.(2)</p> 

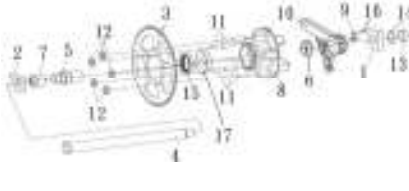


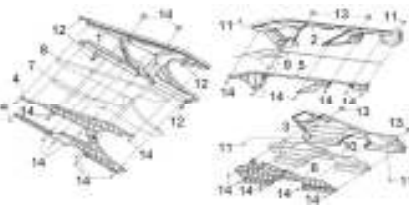
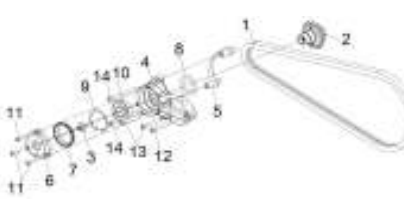
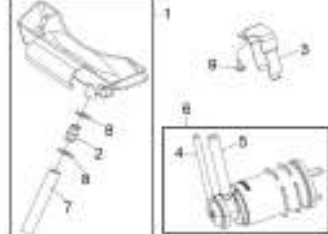

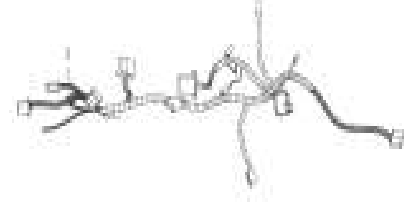
車架內容

CONTENTS—FRAME GROUP

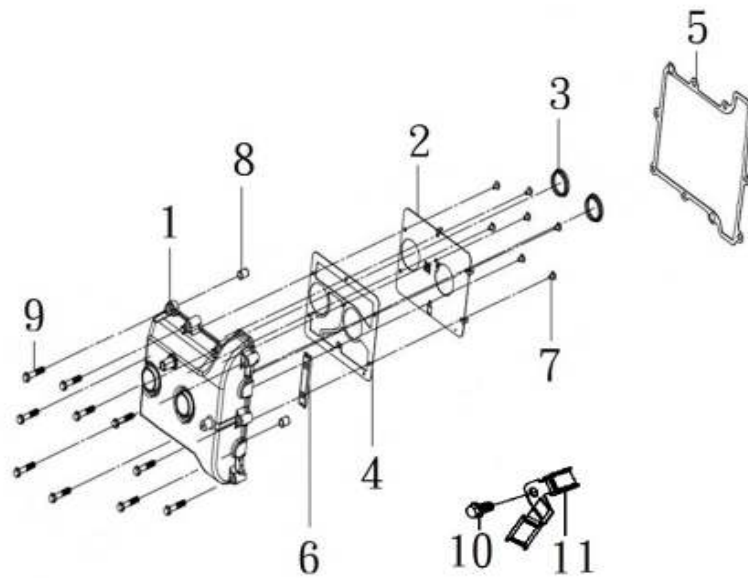
<p>F16 主腳架總成 MAIN STAND ASSY</p> 	<p>F17 側腳架 SIDE STAND COMP</p> 	<p>F18 右/左腳踏桿總成 R / L PILLION STEP ASSY</p> 
<p>F19 油箱 FUEL TANK ASSY</p> 	<p>F20 右 / 左車體蓋 / 後燈具 R / L BODY COVER ASSY / TAIL LIGHT ASSY</p> 	<p>F21 右 / 左腳踏板總成 R / L. FLOOR PANEL ASSY</p> 
<p>F22 右 / 左側蓋 R / L SIDE COVER</p> 	<p>F23 座墊總成 DOUBLE SEAT ASSY</p> 	<p>F24 維修蓋 MAINTENANCE COVER</p> 
<p>F25 中央護蓋 CENTER COVER</p> 	<p>F26 行李箱 / 後架 LUGGAGE BOX ASSY / RR. CARRIER</p> 	<p>F27 中央護蓋 CENTER COVER</p> 
<p>F28 水箱總成 RADIATOR ASSY.</p> 	<p>F29 副水箱 RESERVE TANK</p> 	<p>F30 後輪圈 RR. WHEEL ASSY</p> 

車架內容

CONTENTS—FRAME GROUP

F31 後輪鼓總成 FINAL DRIVEN ASSY.	F32 左後懸臂總成(黑) L. SWING ARM ASSY	F33 後避震 RR. CUSSION SYSTEM
		
F34 鏈條護蓋總成 DRIVE CHAIN COVER ASSY.	F35 鍊條機構 DRIVE CHAIN	F36 活性碳罐總成 CANISTER ASSY.
		
F37 電裝品 ELECTRIAL PARTS	F38 主配線 WIRE HARNESS	
		

汽缸頭蓋 CYLINDER HEAD COVER ASSY.

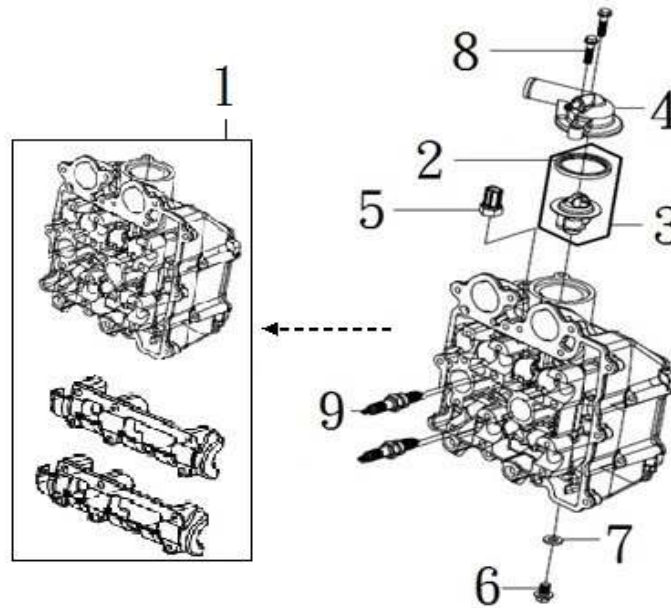


圖面僅供參考

Pictures reference only

NO	PARTS NUMBER	PRICE (RM/pcs)	DESCRIPTION	QTY	EFFECTIVE DATE
1	12301-TL1-000		CYLINDER HEAD COVER	1	
2	12302-TL1-000		BREATHER SEPARATING PLATE COMP.	1	
3	12303-TL1-000		HEAD COVER SEAL	2	
4	12308-TL1-000		SEPARATING PLATE GASKET	1	
5	12391-TL1-000		CYLN. HEAD COVER GASKET	1	
6	14710-TL1-000		CAM CHAIN GUIDE B	1	
7	93903-34120	0.70	TAPPING SCREW 4*8	8	
8	90703-M8Q-000		DOWEL PIN 10*14	2	
9	96001-06035-00	1.50	FLANGE SH BOLT 6X35	10	
10	96001-06012-00	0.90	FLANGE BOLT SH 6*12	1	
11	15715-TL1-000		A.I.S.V. TUBE STAY	1	

汽缸頭 CYLINDER HEAD



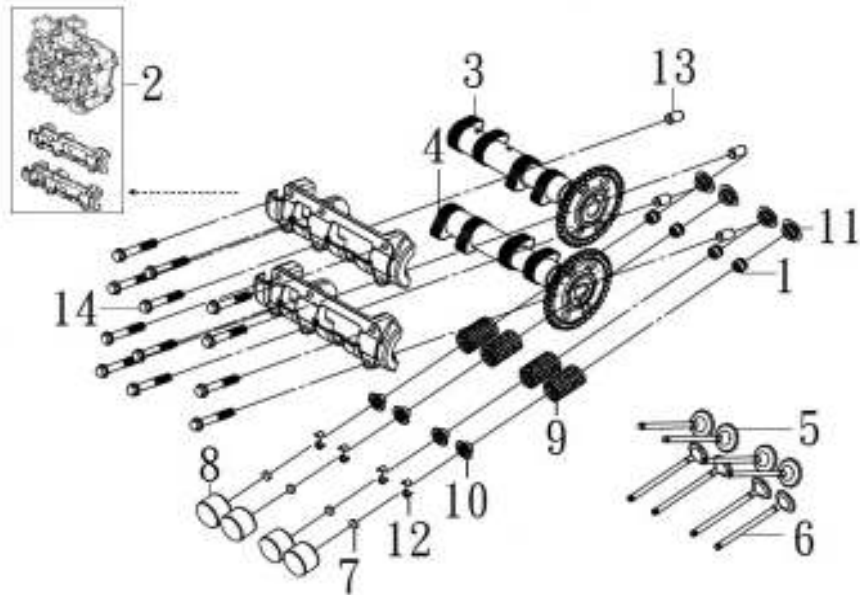
圖面僅供參考

Pictures reference only

NO	PARTS NUMBER	PRICE (RM/pcs)	DESCRIPTION	QTY	EFFECTIVE DATE
1	12200-TL1-000-A		CYLINDER HEAD SET	1	
2	19301-REA-000		THERMOSTAT RING 48.3	1	
3	1930A-L6C-000		THERMOSTAT ASSY	1	
4	19315-TL1-000		THERMOSTAT COVER COMP	1	
5	37880-HLK-900		COOLANT TEMP. SENSOR	1	
6	90103-M9Q-000	1.00	SPECIAL BOLT 8mm	1	
7	90474-M9Q-000	0.55	WASHER 8mm	1	
8	96001-06025-07	0.30	FLANGE BOLT SH 6*25	2	
9	98056-FZK-000		PLUG SPARK (NGK CPR7EA-9)	2	

●Please check the color & stripe information according to the color index !

凸輪軸 CAM SHAFT

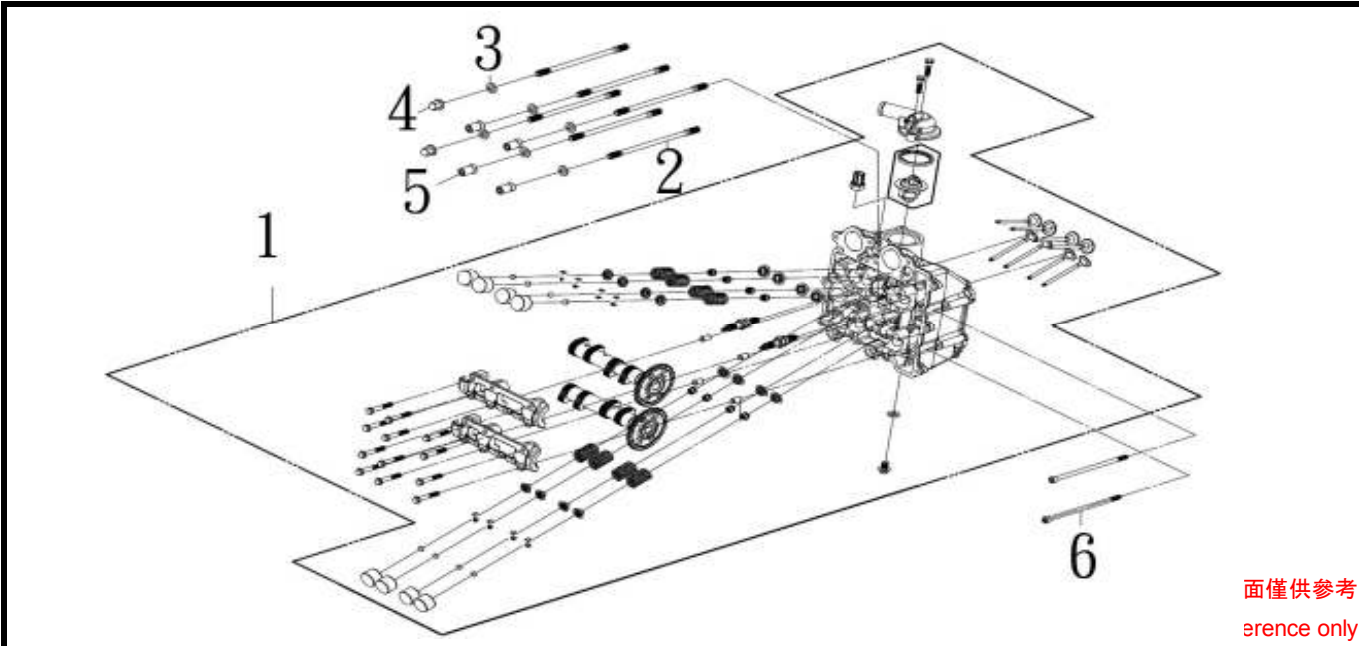


圖面僅供參考
Pictures reference only

NO	PARTS NUMBER	PRICE (RM/pcs)	DESCRIPTION	QTY	EFFECTIVE DATE
1	12209-L1N-000	7.30	VALVE STEM SEAL	8	
2	12200-TL1-000-A		CYLINDER HEAD SET	1	
3	14100-TL1-000		INTAKE CAM SHAFT COMP.	1	
4	14200-TL1-000		EXHAUST CAM SHAFT COMP.	1	
5	14711-TL1-000		INLET VALVE	4	
6	14721-TL1-000		EXHAUST VALVE	4	
7	14732-TL1-000		TAPPET SHIM	8	
8	14741-TL1-000		TAPPET	8	
9	14751-TL1-000		VALVE SPRING	8	
10	14771-TL1-000		VALVE SPRING RETAINER	8	
11	14775-HLK-000		SETA VALVE SPRING	8	
12	14781-L1N-000-A		VALVE COTTER	4	
13	94301-08140	1.50	DOWEL PIN 8*14	4	
14	96001-06040-07	1.50	FLANGE SH BOLT 6*40	12	

•Please check the color & stripe information according to the color index !

汽缸頭總成 CYLINDER HEAD ASSY

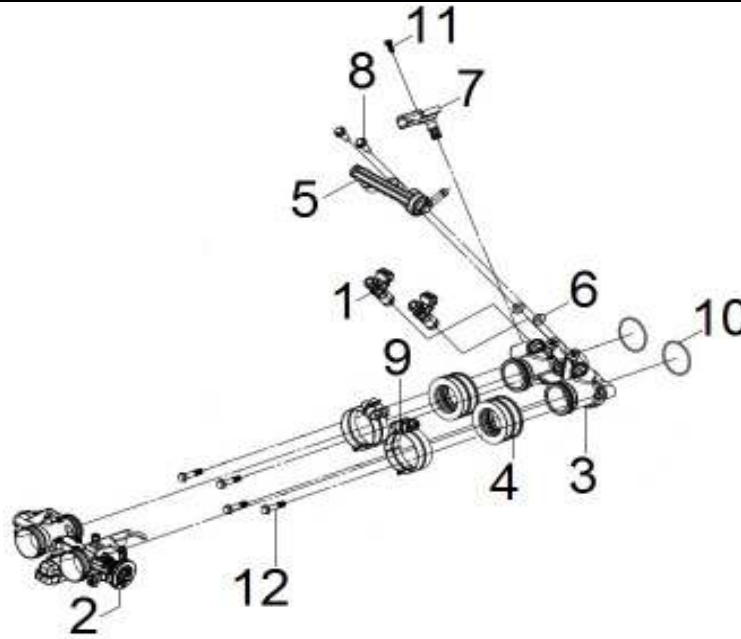


面僅供參考
reference only

NO	PARTS NUMBER	PRICE (RM/pcs)	DESCRIPTION	QTY	EFFECTIVE DATE
1	1220A-TL1-000		CYLINDER HEAD ASSY	1	
2	90031-L1N-000		CYL. STUD BOLT A	6	
3	90442-TL1-000		SEALING WASHER 9.5X16.5MM	6	
4	90443-TL1-000		CAP NUT 9mm	2	
5	92161-TL1-000		SPECIAL NUT	4	
6	96700-06140-10		SOCKET BOLT 6*140	2	

•Please check the color & stripe information according to the color index !

進氣歧管 INLET PIPE SET

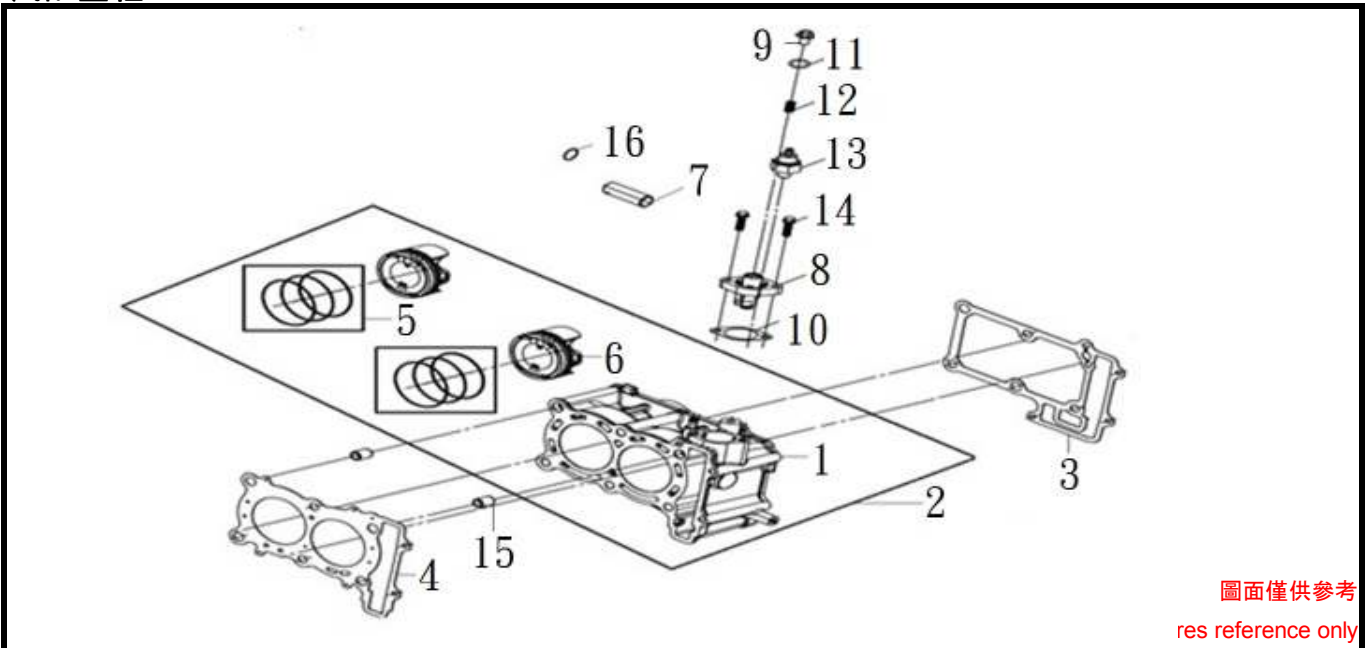


圖面僅供參考
Pictures reference only

NO	PARTS NUMBER	PRICE (RM/pcs)	DESCRIPTION	QTY	EFFECTIVE DATE
1	06414-XTA-000		FUEL INJECTOR	2	
1.1	06415-HKK-000		O-RING(GREEN)	1	
1.2	06416-HKK-000		SEAL-RING(BLACK)	1	
2	16400-TL1-000		THROTTLE BODY ASSY	1	
3	17110-TL1-000		INLET PIPE COMP	1	
4	17111-TL1-000		INLET PIPE RUBBER	2	
5	17120-TL1-000		FUEL CAP COMP.	1	
6	17123-TL1-000		FUEL CAP PACKING 7*15*1	2	
7	37830-MMA-900		T-MAP SENSOR	1	
8	91006-TL1-000		FUEL CAP BOLT 5*23	2	
9	91011-TL1-000		AIR/C. CONN. TUBE BAND 52	4	
10	91308-L3A-000		INSULATOR SEAL	2	
11	93904-44580		TAPPING SCREW 4*20	1	
12	96001-06030-00	1.50	FLANGE BOLT SH 6*30	4	

●Please check the color & stripe information according to the color index !

汽缸整組 CYLINDER SET

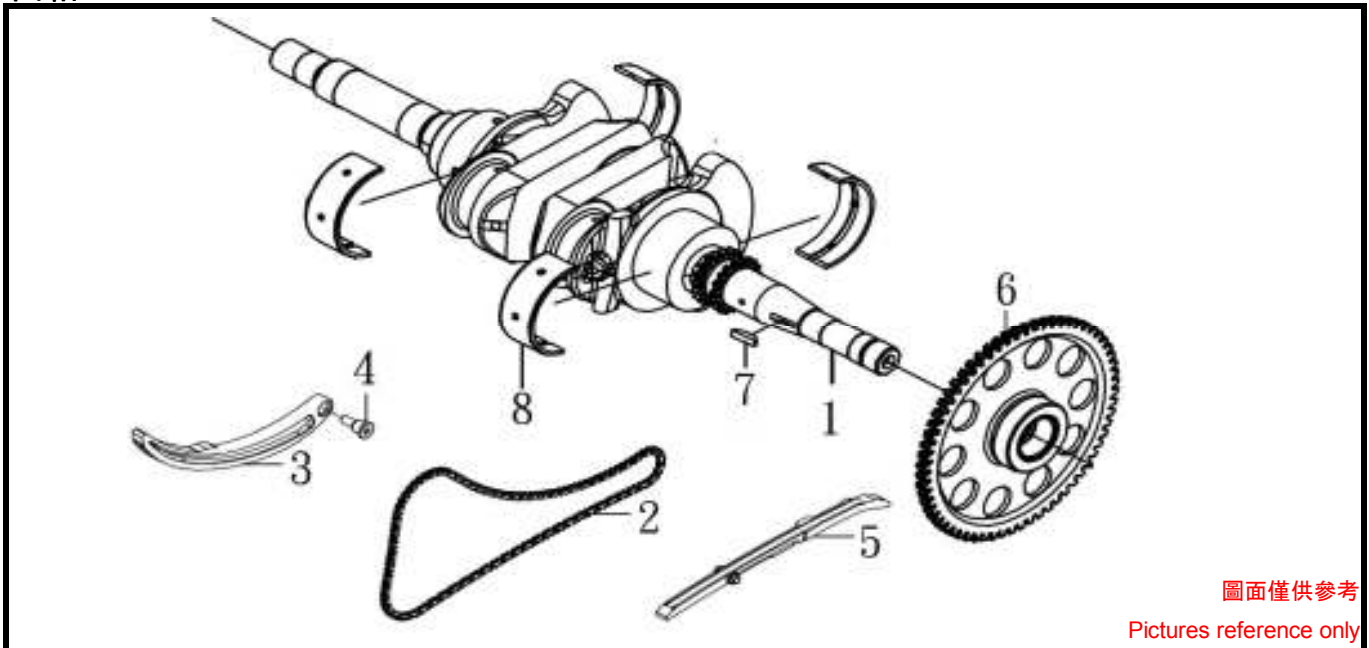


圖面僅供參考
res reference only

NO	PARTS NUMBER	PRICE (RM/pcs)	DESCRIPTION	QTY	EFFECTIVE DATE
1	12100-TL1-000		CYLINDER COMP	1	
2	12100-TL1-000-A		CYLINDER SET	1	
3	12191-TL1-000		CYLINDER GASKET	1	
4	12251-TL1-000		CYLINDER HEAD GASKET	1	
5	13010-TL1-000		PISTON RING SET	1	
6	13101-TL1-000		PISTON	1	
7	13111-TL1-000		PISTON PIN 16*46.6	2	
8	14520-H6T-000	59.90	TENSIONER LIFTER	1	
9	14522-H6T-0000		TENSIONER ADJUSTER BOLT	1	
10	14523-M9Q-002	1.00	TENSIONER LIFTER GASKET	1	
11	14524-H6T-000	2.00	O-RING	1	
12	14525-H6T-000	3.00	ADJUSTER SPRING	1	
13	37240-L4A-000	63.40	OIL PRESSURE SW. ASSY	1	
14	90001-RFS-000		FLANGE SHF BOLT 6*22	2	
15	91020-TL1-000		DOWEL PIN 12*20	4	
16	94601-16000		PISTON PIN CLIP 16mm	2	

●Please check the color & stripe information according to the color index !

曲軸 CRANK SHAFT

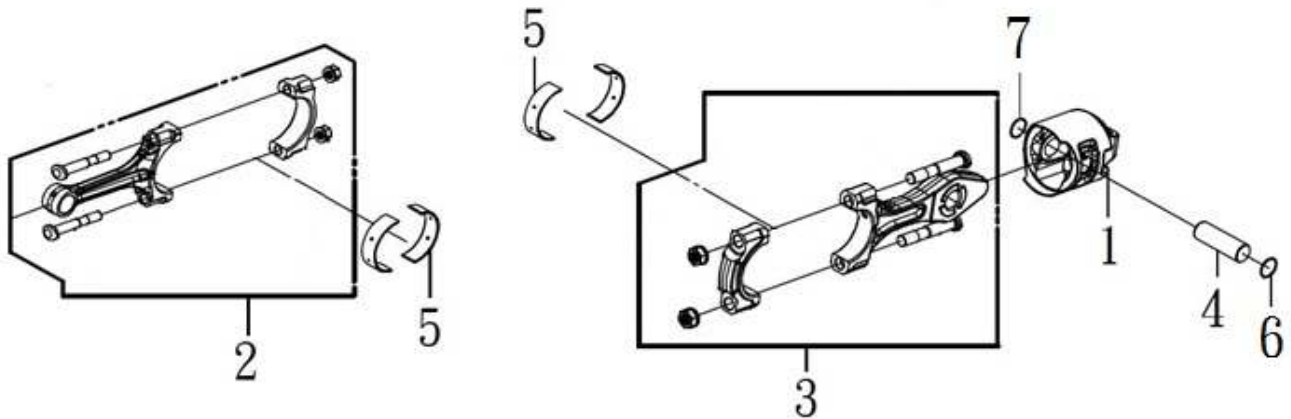


圖面僅供參考

Pictures reference only

NO	PARTS NUMBER	PRICE (RM/pcs)	DESCRIPTION	QTY	EFFECTIVE DATE
1	13000-TL1-000		CRANK SHAFT COMP.	1	
2	14401-TL1-000		CAM CHAIN 132L	1	
3	14510-TL1-000		CAM CHAIN TENSIONER	1	
4	14531-REA-000	4.20	CAM CHAIN TENSIONERPIVOT	1	
5	14610-TL1-000		CAM CHAIN GUIDE	1	
6	28110-L4A-002	162.80	STARTING CLUTCH GEAR COMP	1	
7	90701-HB6-010	6.55	WOODRUFF KEY 25*14*4	1	
8	91001-TL1-000		MAIN BRG. (55*60*23)	4	

連結桿 CONNECTING ROD ASSY



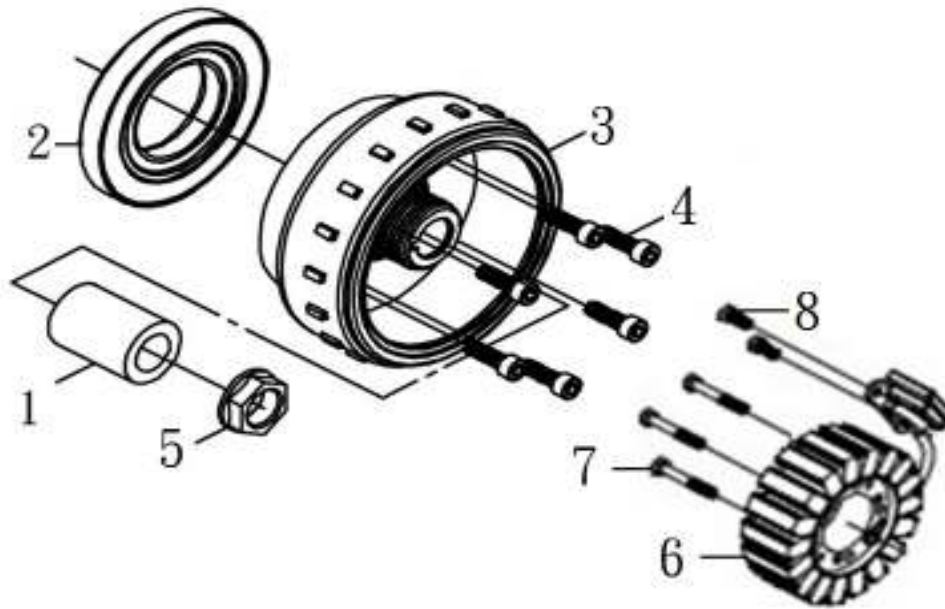
圖面僅供參考

Pictures reference only

NO	PARTS NUMBER	PRICE (RM/pcs)	DESCRIPTION	QTY	EFFECTIVE DATE
1	13102-TL1-000		BALANCE PISTON	1	
2	13210-TL1-000		CONNECTING ROD ASSY.	1	
3	13220-TL1-000		BALANCE CONN. ROD ASSY.	1	
4	13411-TL1-000		BALANCE PISTON PIN	1	
5	91003-TL1-000		CON-ROD BRG. (42*45*13.5)	4	
6	94601-15000	0.80	PISTON PIN CLIP 15mm	1	
7	94601-16000		PISTON PIN CLIP 16mm	1	

●Please check the color & stripe information according to the color index !

交流發電機 AG.GEN

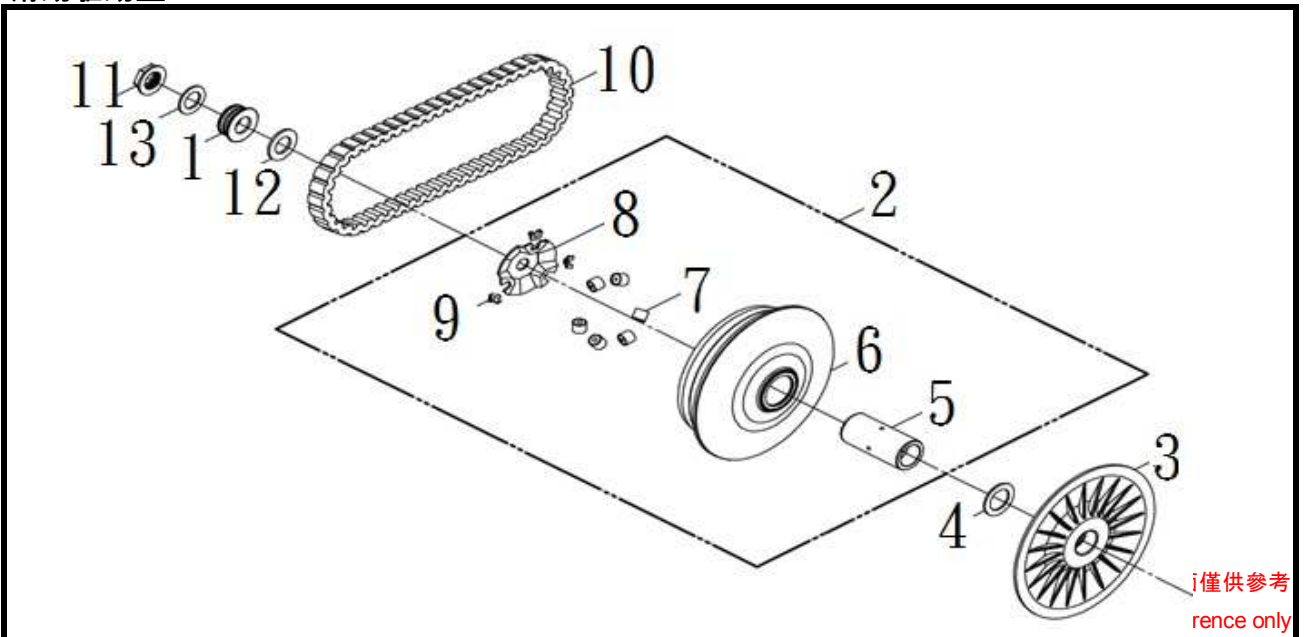


圖面僅供參考

Pictures reference only

NO	PARTS NUMBER	PRICE (RM/pcs)	DESCRIPTION	QTY	EFFECTIVE DATE
1	13001-TL1-000		CRANK SHAFT COLLAR 18*30*41.4	1	
2	2812A-TL1-000		ONE WAY CLUTCH ASSY.	1	
3	31110-TL1-000		FLYWHEEL COMP.	1	
4	90002-L4G-000		SOCKET BOLT 6*20	6	
5	90210-TL1-000		LOCK NUT 18mm	1	
6	31120-TL1-000		STATOR COMP	1	
7	92101-05035-0H		HEX BOLT 5*35MM	3	
8	92101-05012-0A	0.90	HEX BOLT 5*12	2	
9	92101-05012-0A	0.90	HEX BOLT 5*12	2	

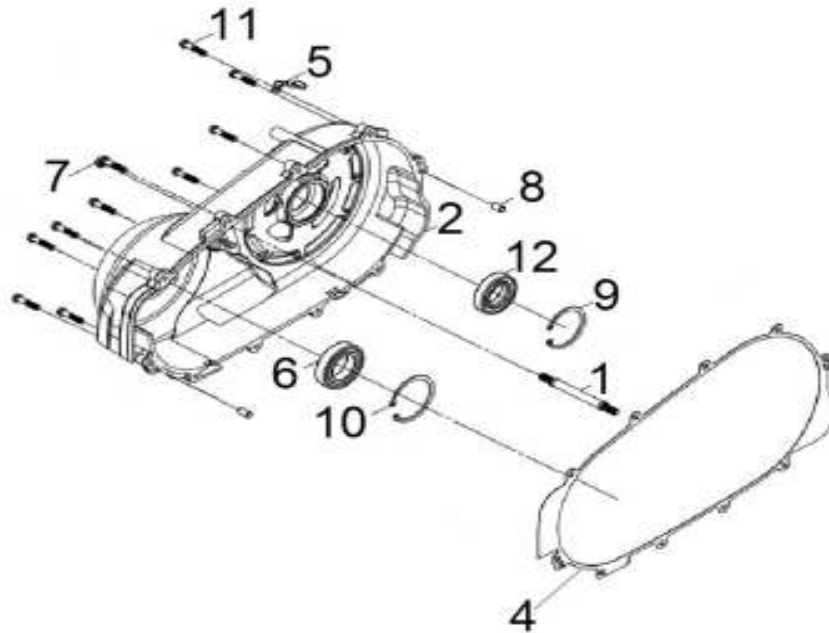
滑動驅動盤 MOVABLE DRIVE FACE



NO	PARTS NUMBER	PRICE (RM/pcs)	DESCRIPTION	QTY	EFFECTIVE DATE
1	1137A-TL1-000		BEARING STAY COLLAR ASSY.	1	
2	22000-TL1-000		MOVABLE DRIVE FACE ASSY.	1	
3	22102-TL1-000		DRIVE FACE	1	
4	22103-TL1-000		WASHER THRUST 25*38*2.0	1	
5	22105-TL1-000		DRIVE PULLEY BOSS	1	
6	22110-TL1-020		MOVABLE DRIVE FACE COMP.	1	
7	22121-TL1-020-A		WEIGHT ROLLER COMP.	1	
8	22131-TL1-010		RAMP PLATE	1	
9	22132-TL1-010-A		DRIVE PULLEY CUSHION	1	
10	23100-TL1-000		DRIVE BELT	1	
11	90202-REA-000	15.90	LOCK NUT 20mm	1	
12	90402-BAA-000	5.90	THRUST WASHER 20.2*36*2.5	1	
13	90406-TL1-000		THRUST WASHER 20.2*33*2	1	

•Please check the color & stripe information according to the color index !

右曲軸箱蓋 R. CRANK CASE COVER ASSY.

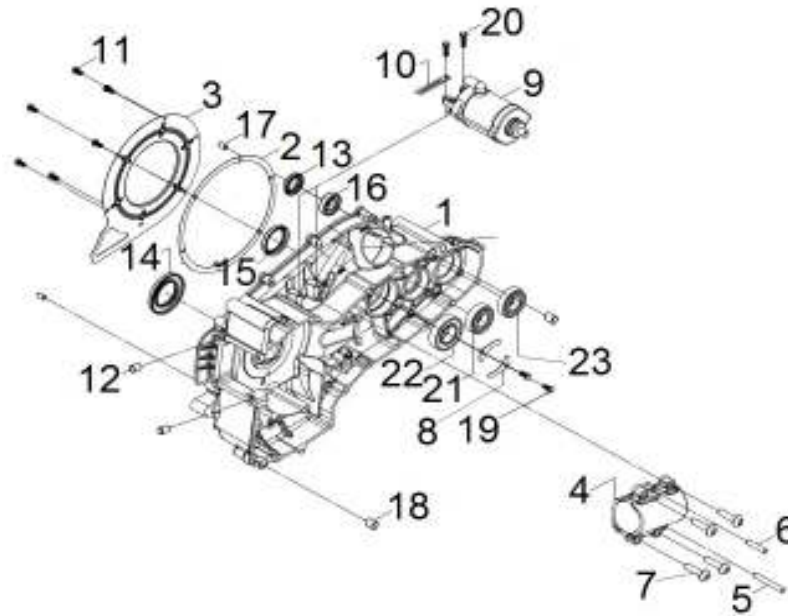


圖面僅供參考

Pictures reference only

NO	PARTS NUMBER	PRICE (RM/pcs)	DESCRIPTION	QTY	EFFECTIVE DATE
1	11113-TL1-000		R COVER STUD BOLT M8	1	
2	11331-TL1-010		R. CRANK CASE COVER	1	
4	11394-TL1-000		R. CRANK CASE COVER GASKET	1	
5	52116-TL1-000		R RR. FORK CABLE STAY A	1	
6	91002-TL1-000		RADIAL BALL BEARING 6007LLHV16	1	
7	94050-08000	0.80	FLANGE NUT 8mm	1	
8	94301-08140	1.50	DOWEL PIN 8X14	2	
9	94520-55000		CIRCLIP IN 55	1	
10	94520-62000		CIRCLIP IN. 62	1	
11	96001-06030-00	1.50	FLANGE BOLT SH 6*30	10	
12	96150-60060-10	51.50	RADIAL BALL BEARING 6006LLU	1	

右曲軸箱 R. CRANK CASE COMP



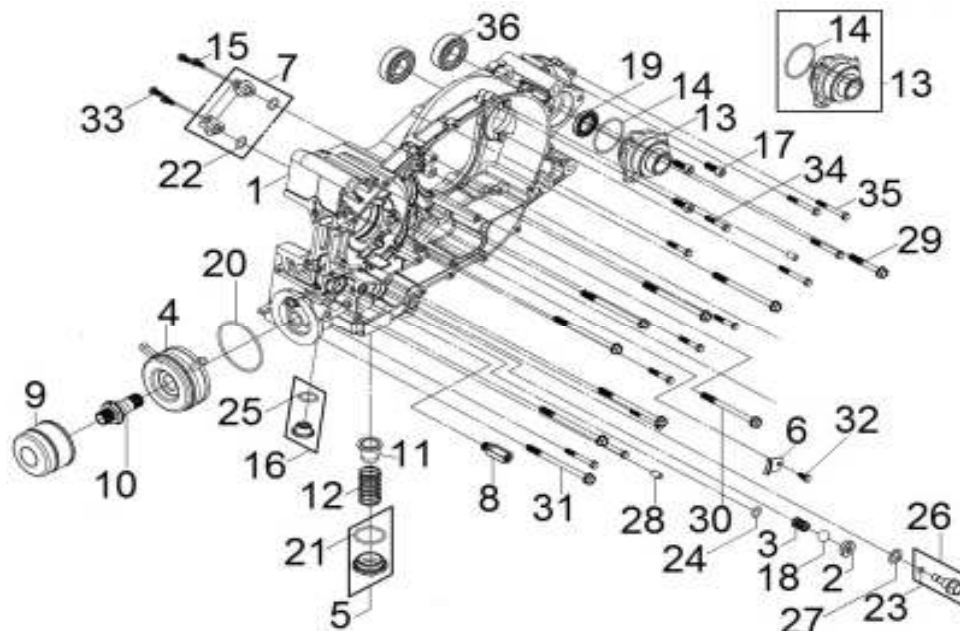
圖面僅供參考

Pictures reference only

NO	PARTS NUMBER	PRICE (RM/pcs)	DESCRIPTION	QTY	EFFECTIVE DATE
1	11100-TL1-010		R CRANK CASE COMP GY-7520U	1	
2	11111-TL1-000		CVT PLATE GASKET	1	
3	11112-TL1-000		CVT PLATE	1	
4	12110-TL1-000		BALANCE CYLINDER	1	
5	12111-TL1-000		BALANCE CYLN. DOWEL PIN A	1	
6	12112-TL1-000		BALANCE CYLN. DOWEL PIN B	1	
7	12113-TL1-000		BALANCE CYLINDER BOLT	4	
8	21202-TL1-000		BRG. SETTING PLATE	2	
9	31200-TL1-000		STARTER MOTOR ASSY.	1	
10	50130-X04-000	3.50	CLIP 2X70	1	
11	90001-AZA-000		SH FLANGE BOLT 5*12	6	
12	91020-TL1-000		DOWEL PIN 12*16	2	
13	91202-RCA-000		OIL SEAL (24*40*7)	1	
14	91204-TL1-000		OIL SEAL HTCR 44*75.8	1	
15	91205-TL1-010		OIL SEAL HTCR 42*55*7	1	
16	91215-RCA-000		BEARING 4T-30203	1	
17	94301-08140	1.50	DOWEL PIN 8X14	1	
18	94301-REA-300		KNOCK PIN 14*16	2	
19	96001-06014-00	0.90	FLANGE BOLT SH 6*14	2	
20	96001-06022-00	1.10	FLANGE BOLT SH 6*22	6	
21	96100-62050-00	25.80	RADIAL BALL BRG. 6205	1	
22	96100-62060-00		RADIAL BALL BEARING 6206	1	
23	96100-63040-00		RADIAL BALL BRG. 6304	1	

●Please check the color & stripe information according to the color index !

左曲軸箱 L. CRANK CASE



圖面僅供參考

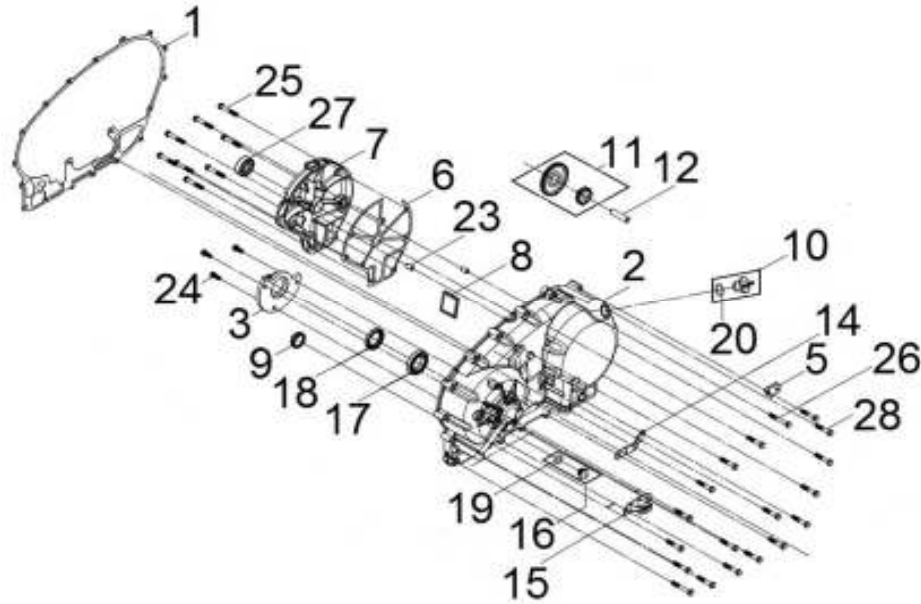
Pictures reference only

NO	PARTS NUMBER	PRICE (RM/pcs)	DESCRIPTION	QTY	EFFECTIVE DATE
1	11200-TL1-000		L. CRANK CASE COMP. GY-7520U	1	
2	11201-TL1-000		OIL SEAL VCY 11*23*7	1	
3	11202-TL1-000		CHECK BALL SPRING	1	
4	11360-TL1-000		OIL COOLER ASSY.	1	
5	1236A-B04-000	12.75	TAPPET ADJ. HOLE CAP ASSY	1	
6	14151-L4A-000	3.00	CAM CHAIN SETTING PLATE	1	
7	1522A-TL1-000		OIL PIPE ASSY.	1	
8	15230-REA-000	36.30	OIL RELIEF ASSY	1	
9	15400-TL1-000		OIL FILTER UNIT	1	
10	15402-TL1-000		OIL FILTER BOLT	1	
11	15421-REA-000	11.70	OIL FILTER SCREEN (248→780)	1	
12	15426-REA-000	3.00	OIL FILTER SCREEN SPRING	1	
13	2343A-TL1-000		FINAL SHAFT COVER	1	
13.1	90915-TL1-000-A		TAPPING BEARING 32907XU SET	1	
14	23438-TL1-000		O-RING 49.5*2.5	1	
15	90001-AZA-000		SH FLANGE BOLT 5*12	1	
16	9010A-TL1-000		OIL HOLE CAP ASSY.	1	
17	90157-F3G-000	2.15	SOCKET BOLT 8*20	3	
18	91016-TL1-000		STEEL BALL 20	1	
19	91204-HMA-000	12.75	OIL SEAL 25*40*7	1	
20	91301-TL1-000		O-RING 74.4*3.1	1	
21	91303-B08-000	4.10	O-RING 35*3	1	
22	91303-M2Q-000	1.10	O RING 13.8*2.5mm	2	
23	91304-TL1-000		O-RING 4.8*2.4	1	
24	91310-REA-000	5.15	L.CASE OIL HOLE O-RING	1	

NO	PARTS NUMBER	PRICE (RM/pcs)	DESCRIPTION	QTY	EFFECTIVE DATE
25	91311-TL1-000		O-RING 21.7*2.5	1	
26	9280A-TL1-000		DRAIN PLUG BOLT ASSY	1	
27	94109-14000		DRAIN PLUG WASHER 14MM	1	
28	94301-08140	1.50	DOWEL PIN 8*14	2	
29	95701-08055-00	1.10	FLANGE BOLT 8*55	1	
30	95701-08095-00		FLANGE BOLT 8*95	1	
31	95701-08110-00		FLANGE BOLT 8*110	7	
32	96001-06012-00	0.90	FLANGE BOLT SH 6*12	1	
33	96001-06014-00	0.90	FLANGE BOLT SH 6*14	3	
34	96001-06035-00	1.50	FLANGE SH BOLT 6*35	5	
35	96001-06050-00	0.90	FLANGE BOLT SH 6*50	7	
36	96100-62050-00	25.80	RADIAL BALL BEARING 6205T	2	

●Please check the color & stripe information according to the color index !

左曲軸箱蓋 L. CRANK CASE COVER

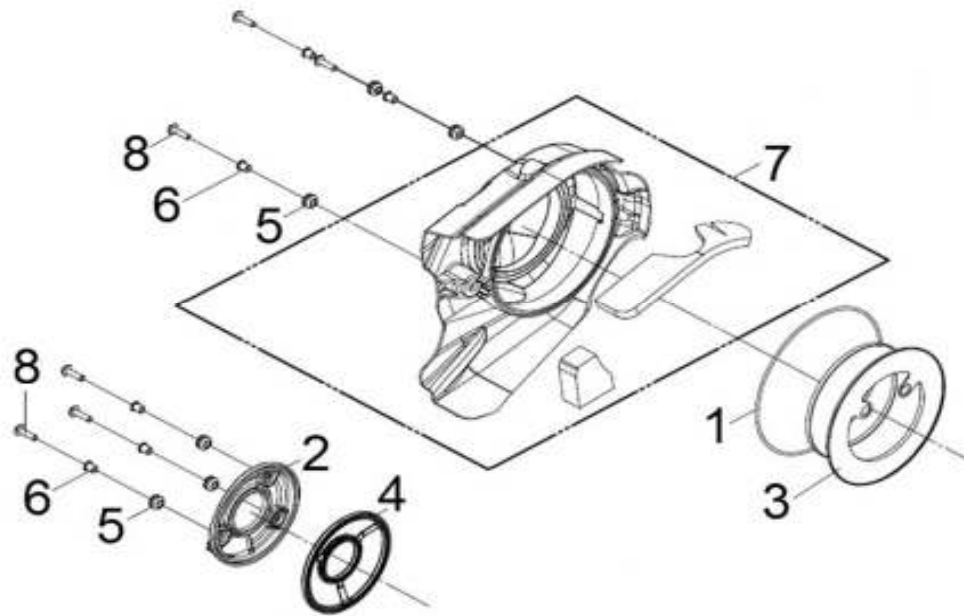


圖面僅供參考
Pictures reference only

NO	PARTS NUMBER	PRICE (RM/pcs)	DESCRIPTION	QTY	EFFECTIVE DATE
1	11395-TL1-000		L. CRANK CASE COVER GASKET	1	
2	11340-TL1-000		L. CRANK CASE COVER COMP. GY-7520	1	
3	11343-TL1-000		L. CRANK CASE COVER CAP	1	
5	11383-TL1-000		L. OUTER COVER STAY	1	
6	11396-TL1-000		OIL TANK COVER GASKET	1	
7	11400-TL1-000		OIL TANK COVER COMP.	1	
8	15421-M8Q-000		OIL FILTER SCREEN	1	
9	15652-B9A-000	11.50	OIL LEVEL GAUGE	1	
10	1565A-TL1-000		OIL FILLER CAP ASSY.	1	
11	28100-TL1-000		STARTER REDUCTION GEAR COMP.	1	
12	28102-BAA-000	5.70	START REDUCTION GEAR SHAFT	1	
14	45457-TL1-000		CABLE CLAMP SUPPORT	1	
15	5025A-TL1-000		SIDE STAND STOPPER ASSY.	1	
16	9008A-H9A-000	5.05	ACG. CAP ASSY. 14MM	1	
17	91005-TL1-000		RADIAL BALL BEARING 6906ZCM	1	
18	91202-TL1-000		OIL SEAL TC 30*42*7	1	
19	91303-M2Q-000	1.10	O RING 13.8X2.5MM	1	
20	91307-M8Q-000		O-RING 18*3	1	
23	94301-08140	1.50	DOWEL PIN 8X14	2	
24	96001-06016-00	0.80	SH. FLANGE BOLT 6*16	3	
25	96001-06035-00	1.50	FLANGE SH BOLT 6X35	8	
26	96001-06040-00	0.90	FLANGE BOLT SH 6X40	2	
27	96140-63013-00		RADIAL BALL BREAING 6301U	1	
28	96700-06020-07	1.00	SOCKET BOLT 6*20	17	

•Please check the color & stripe information according to the color index !

右外箱蓋 R. OUTER COVER



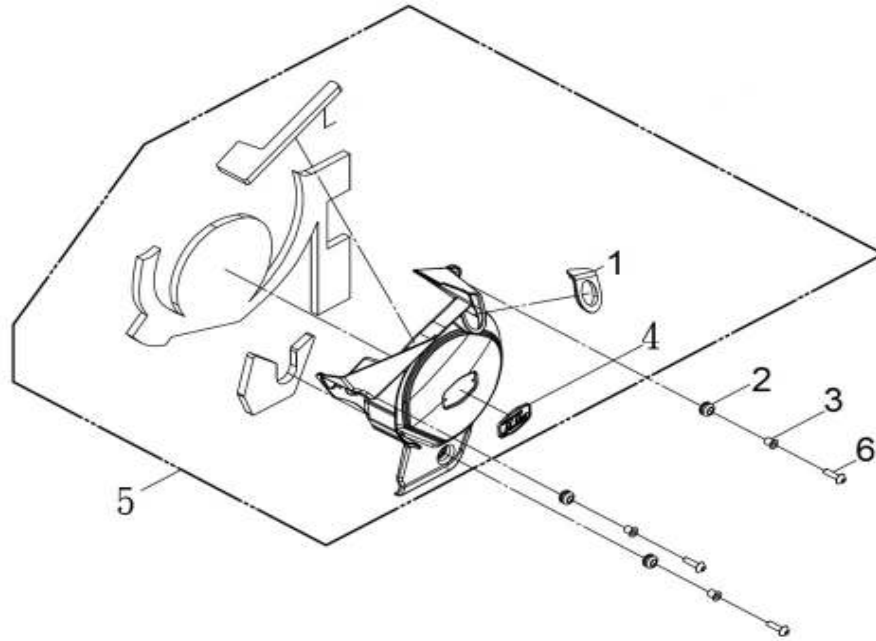
圖面僅供參考

Pictures reference only

NO	PARTS NUMBER	PRICE (RM/pcs)	DESCRIPTION	QTY	EFFECTIVE DATE
1	11333-TL1-000		R. OUTER COVER SEAL	1	
2	11334-TL1-000		R. COVER FR. CAP	1	
3	11335-TL1-000		R. COVER ELEMENT COMP.	1	
4	11336-TL1-000		R. COVER FR. CAP DAMPER	1	
5	11354-H3A-000	3.75	MOUNT RUBBER	6	
6	11356-H3A-000	3.00	COLLAR	6	
7	1136A-TL1-010-IL		R. OUTER COVER ASSY. GY-7450U	1	
8	90117-TL1-000		SPECIAL BOLT M6*22	6	

●Please check the color & stripe information according to the color index !

左外箱蓋 L. OUTER COVER



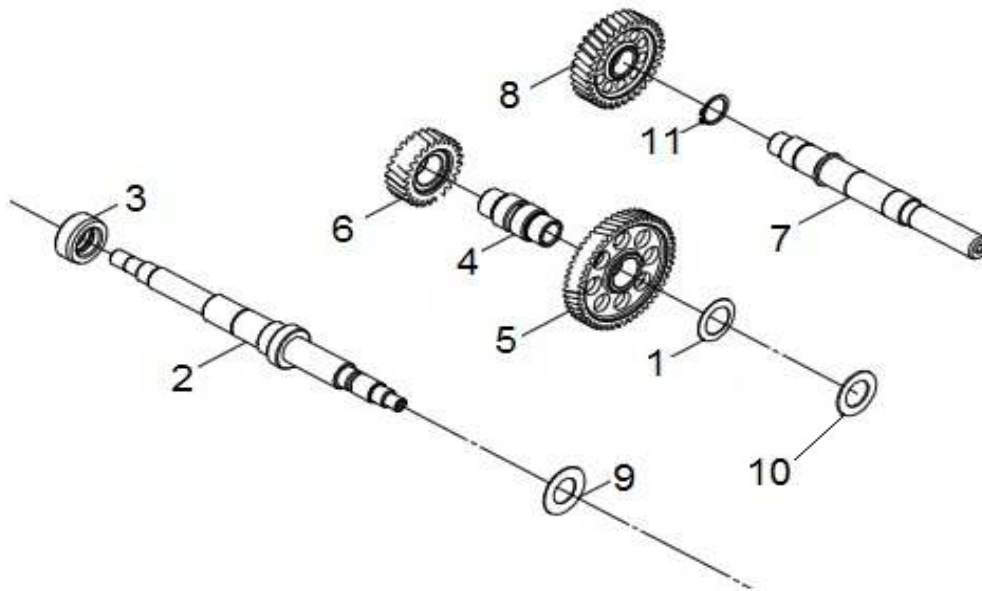
圖面僅供參考

Pictures reference only

NO	PARTS NUMBER	PRICE (RM/pcs)	DESCRIPTION	QTY	EFFECTIVE DATE
1	11353-TL1-000		L. OUTER COVER RUBBER	1	
2	11354-H3A-000	3.75	MOUNT RUBBER	3	
3	11356-H3A-000	3.00	COLLAR	3	
4	11356-TL1-000		L. OUTER COVER EMBLEM	1	
5	1135A-TL1-000-IL		L. OUTER COVER ASSY. GY-7450U	1	
6	90117-TL1-000		SPECIAL BOLT M6*22	3	

●Please check the color & stripe information according to the color index !

傳動系統 TRANSMISSION

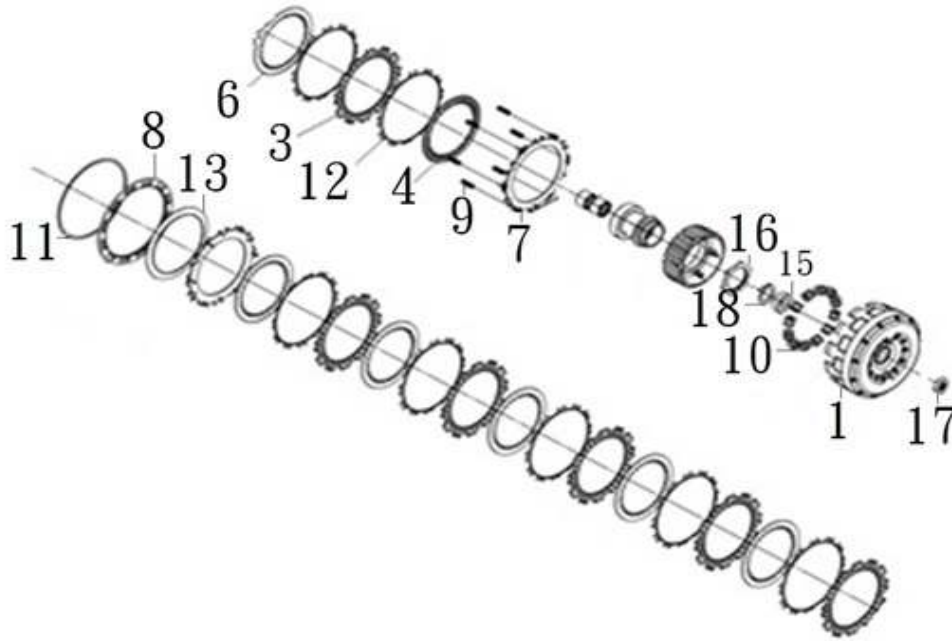


圖面僅供參考

Pictures reference only

NO	PARTS NUMBER	PRICE (RM/pcs)	DESCRIPTION	QTY	EFFECTIVE DATE
1	13336-BHA-000		CONE WASHER	1	
2	23411-TL1-000		DRIVE SHAFT	1	
3	23412-TL1-000		DRIVE SHAFT SEAL COLLAR SET	1	
4	23421-TL1-000		COUNTER SHAFT	1	
5	23422-TL1-000		C-1 GEAR	1	
6	23423-TL1-000		C-2 GEAR	1	
7	23431-TL1-000		FINAL SHAFT	1	
8	23432-TL1-000		FINAL GEAR	1	
9	90401-TL1-000		THRUST WASHER 25.4*45*1.0	1	
10	90403-TL1-000		THRUST WASHER 25.1*42*1.6	1	
11	94510-25000	1.70	EX. CIRCLIP 25	1	

離合器 CLUTCH

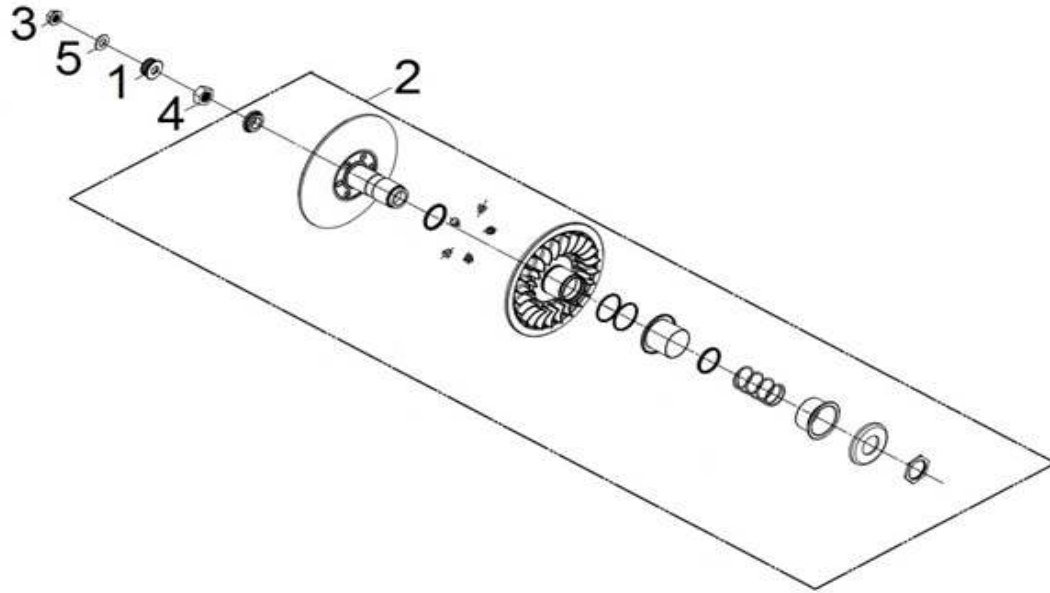


圖面僅供參考

Pictures reference only

NO	PARTS NUMBER	PRICE (RM/pcs)	DESCRIPTION	QTY	EFFECTIVE DATE
1	22101-TL1-010		CLUTCH OUTER	1	
3	22201-TL1-000-A		CLUTCH FRICTION DISK A(6PCS/1SET)	1	
4	22202-TL1-000		CLUTCH FRICTION DISK B	2	
5	22310-TL1-000		PRESSURE PLATE A COMP.	1	
6	22311-TL1-000-A		CLUCH PLATE(5PCS/1SET)	1	
7	22320-TL1-000		PRESSURE PLATE B COMP.	1	
8	22371-TL1-000		SPRING STOPPER PLATE	1	
9	22411-TL1-010		CLUTCH FREE SPRING	6	
10	22530-TL1-000-A		ROLLER WEIGHT COMP.(12PCS/1SET)	12	
11	22901-TL1-000		CLIP 164.5MM	1	
12	23118-TL1-000-A		CLUTCH DAMPER SPRING(7PCS/1SET)	1	
13	23119-TL1-000		CLUTCH SPRING PLATE	1	
15	23414-TL1-000		CLUTCH CENTER COLLAR	1	
16	90201-TL1-000		SPECIAL NUT M48	1	
17	90231-TL1-000		NUT M16	1	
18	90404-TL1-000		THRUST WASHER 24.7*37.8*2	1	

●Please check the color & stripe information according to the color index !

驅動盤 DRIVEN PULLEY ASSY.


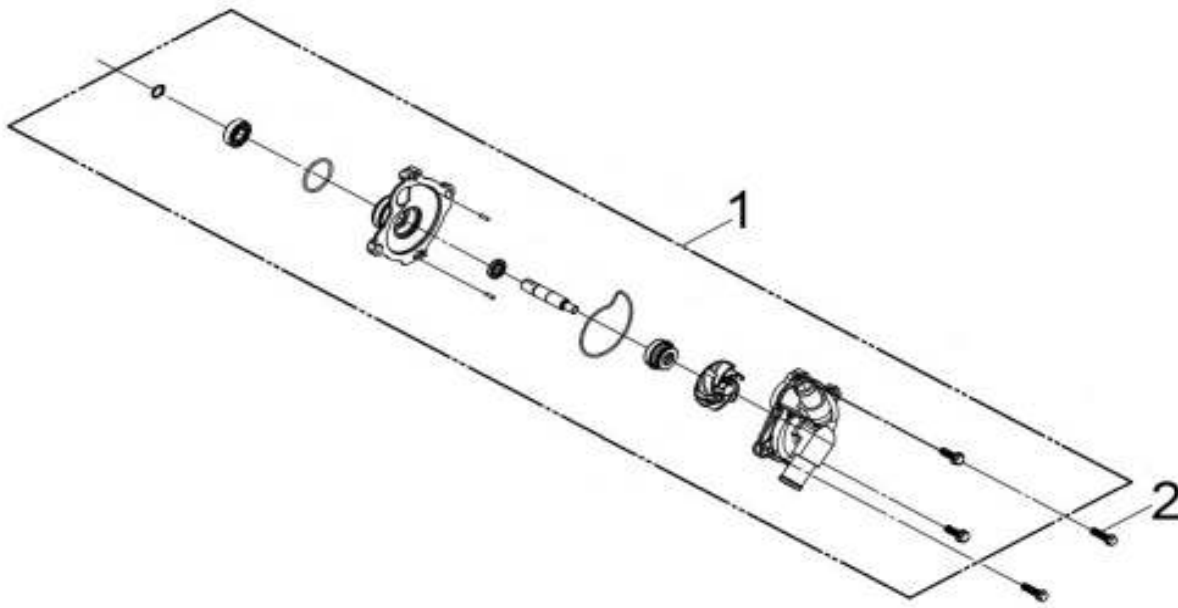
圖面僅供參考

Pictures reference only

NO	PARTS NUMBER	PRICE (RM/pcs)	DESCRIPTION	QTY	EFFECTIVE DATE
1	1137A-TL1-000		BEARING STAY COLLAR ASSY.	1	
2	23010-TL1-000		DRIVEN PULLEY ASSY.	1	
3	90201-KR8-751-M1	5.30	FLANGE NUT 14MM	1	
4	90203-TL1-000		SPECIAL NUT M18	1	
5	90401-KJ9-000	2.40	THRUST WASHER 14*28*2	1	

●Please check the color & stripe information according to the color index !

水泵 WATER PUMP ASSY.

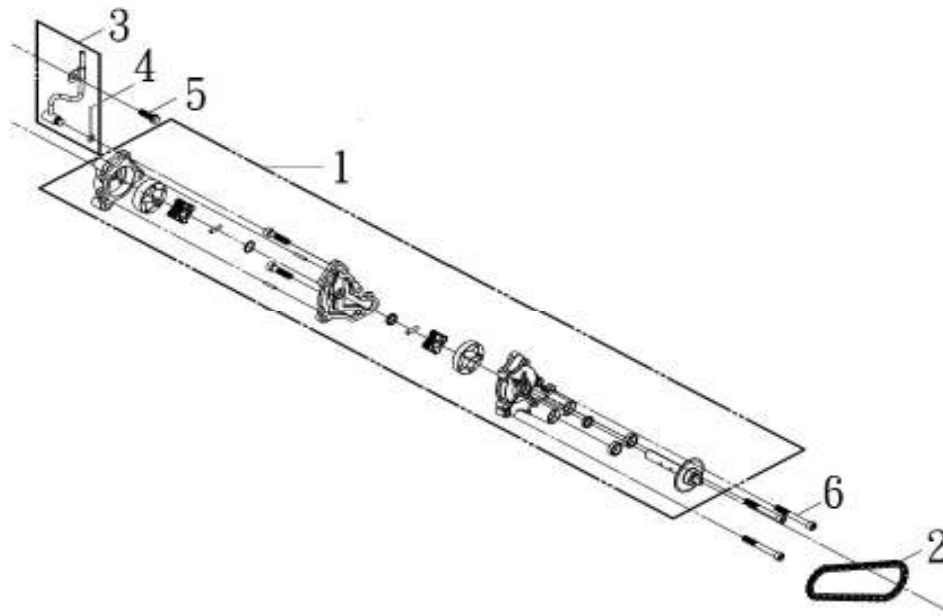


圖面僅供參考

Pictures reference only

NO	PARTS NUMBER	PRICE (RM/pcs)	DESCRIPTION	QTY	EFFECTIVE DATE
1	19210-TL1-000		WATER PUMP ASSY.	1	
2	95701-06028-00	0.80	FLANGE BOLT 6*28	2	

機油泵 OIL PUMP ASSY.

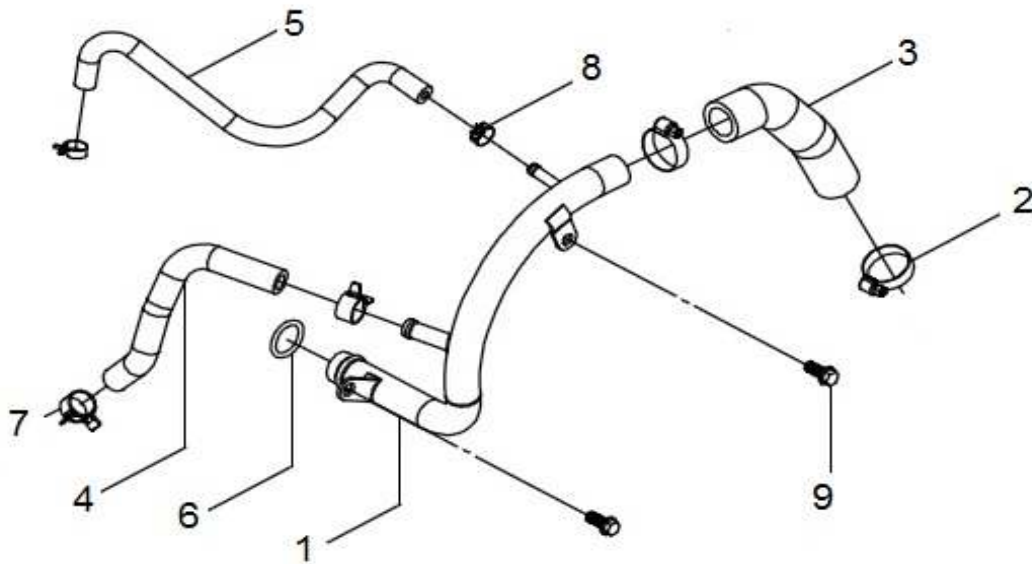


圖面僅供參考
tures reference only

NO	PARTS NUMBER	PRICE (RM/pcs)	DESCRIPTION	QTY	EFFECTIVE DATE
1	15100-TL1-000		OIL PUMP ASSY.	1	
2	15141-TL1-000		OIL PUMP CHAIN 58L	1	
3	1524A-TL1-000		OIL BREATHER PIPE ASSY.	1	
4	91308-TL1-000		O-RING 5.8*1.9	1	
5	96001-06012-00	0.90	FLANGE BOLT SH 6*12	1	
6	96700-06050-07	13.00	SOCKET BOLT 6*50	4	

●Please check the color & stripe information according to the color index !

進水管 PIPE ASSY.



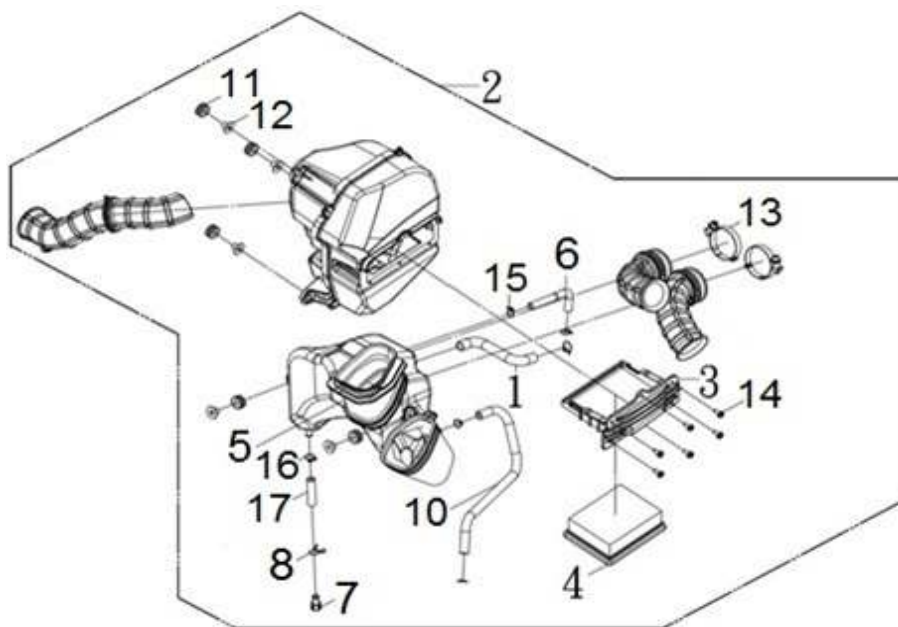
圖面僅供參考

Pictures reference only

NO	PARTS NUMBER	PRICE (RM/pcs)	DESCRIPTION	QTY	EFFECTIVE DATE
1	19501-TL1-000		WATER PIPE COMP.	1	
2	19505-REA-000	9.90	HOSE CLAMP	1	
3	19508-TL1-000		WATER HOSE A	1	
4	19509-TL1-000		WATER HOSE B	1	
5	19510-TL1-000		WATER HOSE C	1	
6	91309-TL1-000		O-RING 18.9*2.62	1	
7	91407-SA7-003		FUEL HOSE CLAMP 17.0	1	
8	95002-41200-00		TUBE CLAMP D12	1	
9	96001-06012-00	0.90	FLANGE BOLT SH 6*12	2	

●Please check the color & stripe information according to the color index !

空氣濾清器 AIR/C ASSY.



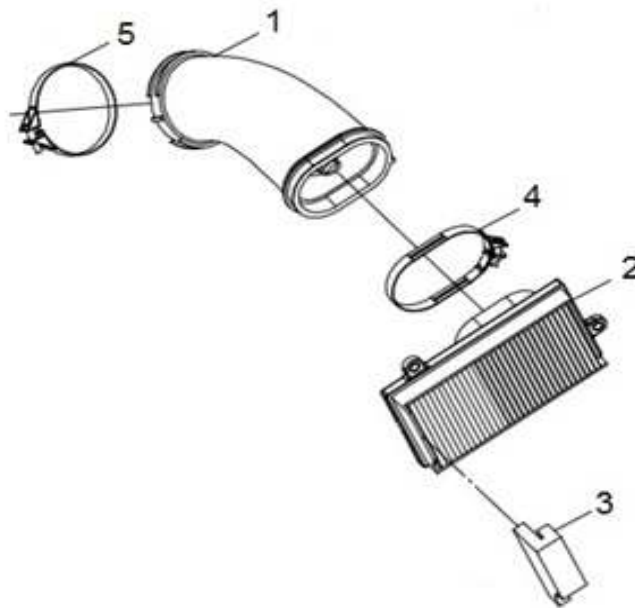
圖面僅供參考

Pictures reference only

NO	PARTS NUMBER	PRICE (RM/pcs)	DESCRIPTION	QTY	EFFECTIVE DATE
1	15761-TL1-000		BLOW-BY TUBE	1	
2	17200-TL1-010		AIR/C ASSY.	1	
3	17210-TL1-000		ELEMENT HOLDER COMP.	1	
4	17211-TL1-000		AIR/C ELEMENT COMP.	1	
5	17233-TL1-000		AIR BOX RUBBER	1	
6	17234-TL1-010		BREATHER TUBE	1	
7	17370-M9Q-000	4.20	BREATHER TUBE PLUG	1	
8	17371-A5W-000		BREATHER TUBE CLIP	1	
10	17688-TL1-000		CANISTER-AIR/C. TUBE	1	
11	64304-X01-000	2.15	FR COVER RUBBER	5	
12	64306-X01-900		FR COVER COLLAR	5	
13	91011-TL1-000		AIR/C. CONN. TUBE BAND 52	2	
14	93891-05016-07	1.70	WASH SCREW 5X16	6	
15	95002-70000		TUBE CLIP CII	2	
16	95002-80000	1.50	TUBE CLIP C12	1	
17	95003-23005-60		V TUBE 8*12*50	1	

●Please check the color & stripe information according to the color index !

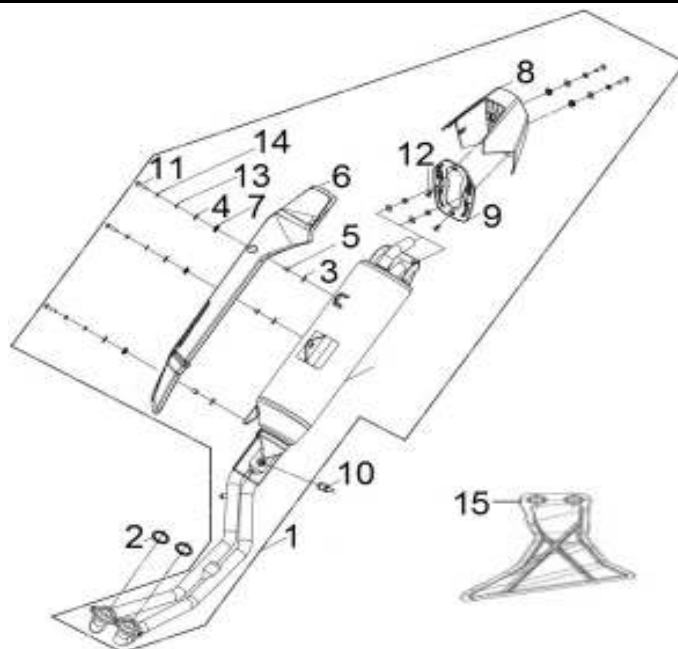
CVT 進氣系統 CVT L. INLET SYSTEM ASSY.



圖面僅供參考
Pictures reference only

NO	PARTS NUMBER	PRICE (RM/pcs)	DESCRIPTION	QTY	EFFECTIVE DATE
1	11105-TL1-000		CVT INLET DUCT	1	
2	11106-TL1-000		CVT ELEMENT	1	
3	11108-TL1-000		CVT ELEMENT SPONGE	1	
4	91012-TL1-000		CVT INLET DUCT BAND A	1	
5	91013-TL1-000		CVT INLET DUCT BAND B 75	1	

排氣管 EXH. MUFFLER ASSY. GY-7450U

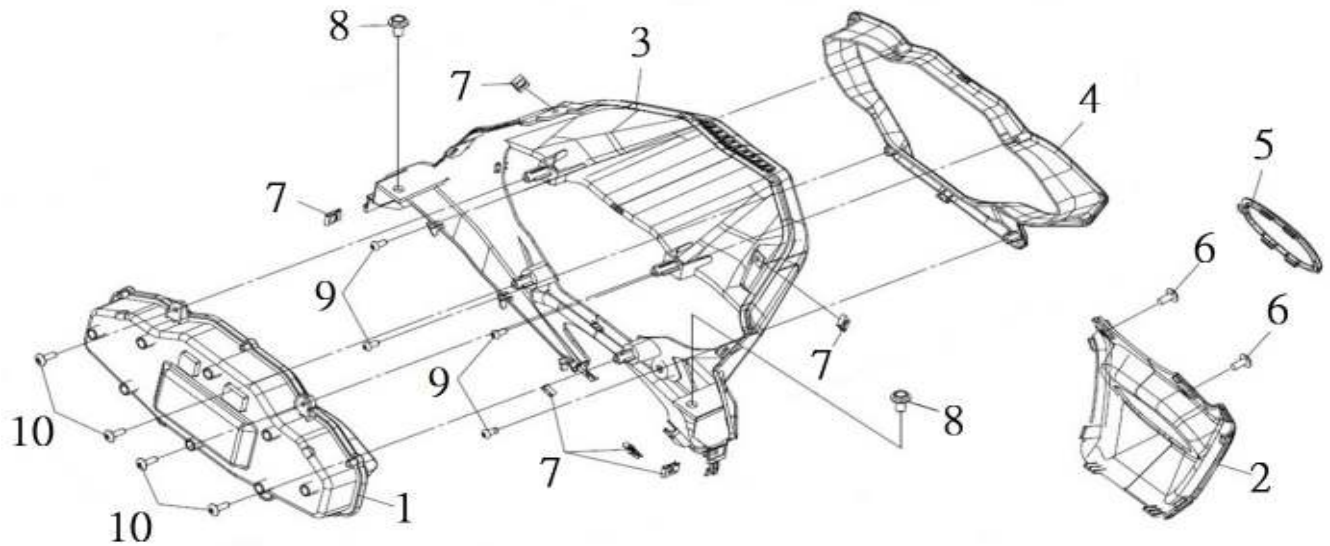


圖面僅供參考

Pictures reference only

NO	PARTS NUMBER	PRICE (RM/pcs)	DESCRIPTION	QTY	EFFECTIVE DATE
1	18000-TL1-010-IL		EXH. MUFFLER ASSY. GY-7450U	1	
2	18291-TL1-000		EXH. PIPE GASKET	2	
3	18292-F86-000		PROTECTOR PACKING A	5	
4	18293-F3E-000	1.10	PROTECTOR PACKING B	5	
5	18295-A1A-000	2.90	COLLAR M6	5	
6	18318-TL1-010		MUFFLER PROTECTOR	1	
7	18321-L1A-000	3.50	PROTECTOR RUBBER	5	
8	18328-TL1-000		MUFFLER REAR PROTECTOR GY-7450U	1	
9	18338-TL1-000		MUFFLER REAR PROTECTOR CAP	1	
10	37890-TL1-000		OXYGEN SENSOR COMP.	1	
11	90117-TL1-000		SPECIAL BOLT M6*22	5	
12	93903-24380	0.60	SCREW TAPPING 4*14	2	
13	94101-06700	1.10	PLAIN WASHER 6mm	5	
14	94111-BD1-000		SPRING WASHER 6mm	5	
15	18241-TL1-000		EX. PIPE PROTECTOR	1	

碼錶 SPEEDOMETER ASSY.



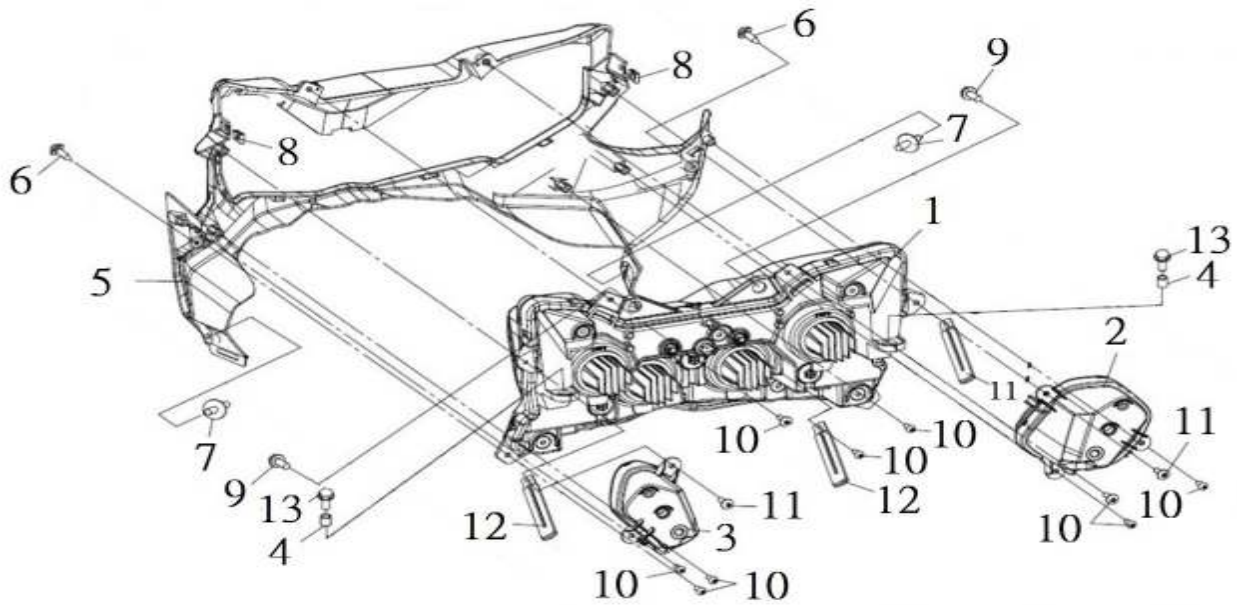
考

Pictures reference only

NO	PARTS NUMBER	PRICE (RM/pcs)	DESCRIPTION	QTY	EFFECTIVE DATE
1	37200-TL1-000		SPEEDOMETER ASSY.	1	
2	53207-TL1-000-KA		MAIN SW COVER BK-001U	1	
3	53208-TL1-000-KA		METER PANEL BK-001U	1	
4	53209-TL1-000-IL		METER GARNISH GY-7450U	1	
5	81135-F91-000		MAIN SW. GARNISH	1	
6	90102-TL1-900		HEX. SOCKET TAPPING SCREW 4*14	2	
7	90302-V02-000	0.80	NUT SPRING 4mm	6	
8	93404-06012-07	1.50	WASHER BOLT 6*12	2	
9	93903-34380	0.60	TAPPING SCREW 4*12	4	
10	93903-35380	0.40	TAPPING SCREW 5*16	4	

●Please check the color & stripe information according to the color index !

前燈 HEAD LIGHT ASSY



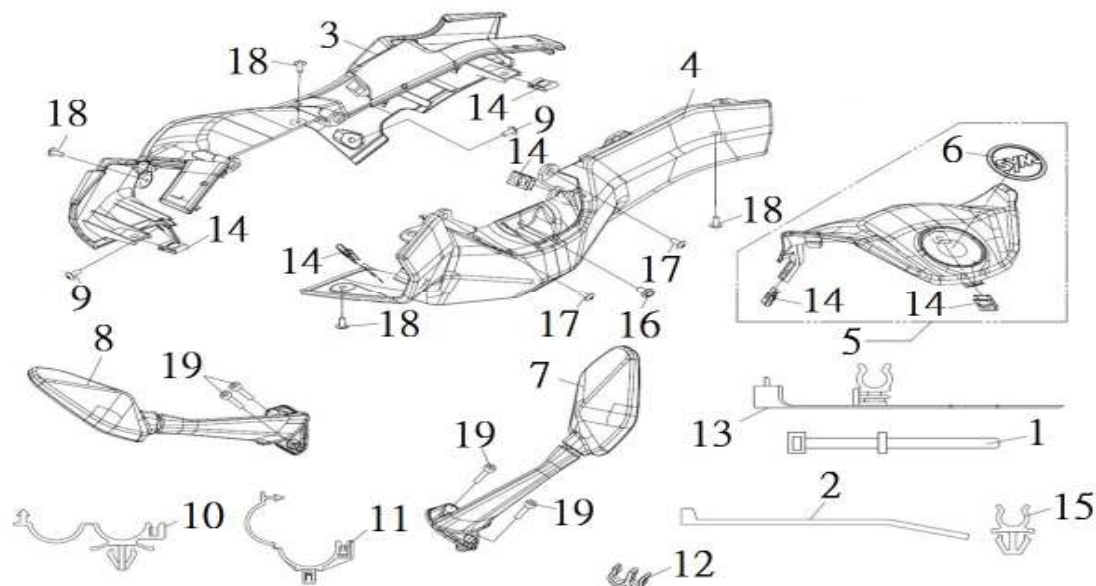
供參考

Pictures reference only

NO	PARTS NUMBER	PRICE (RM/pcs)	DESCRIPTION	QTY	EFFECTIVE DATE
1	33100-TL1-000		HEAD LIGHT ASSY.	1	
2	33400-TL1-000		R. FR. WINKER ASSY.	1	
3	33450-TL1-000		L. FR. WINKER ASSY.	2	
4	64306-X01-900		FR. COVER COLLAR	2	
5	64307-TL1-000-KA		HEAD LIGHT COVER	1	
6	90102-TL1-900		HEX. SOCKET TAPPING SCREW 4*12	2	
7	90115-REA-000	2.15	PLASTIC NUT 6mm	2	
8	90302-V02-000	0.80	SPRING NUT 4mm	1	
9	93401-06012-08	0.90	WASHER BOLT 6*12	9	
10	93903-35280	0.90	TAPPING SCREW 5*12	2	
11	93903-35320	0.80	TAPPING SCREW 5*16	2	
12	94591-25000	1.40	CLIP 2*50	2	
13	95801-06022-07	0.90	FLANGE BOLT 6*22	3	

●Please check the color & stripe information according to the color index !

把手蓋 / 後視鏡 FR. HANDLE COVER / BACK MIRROR

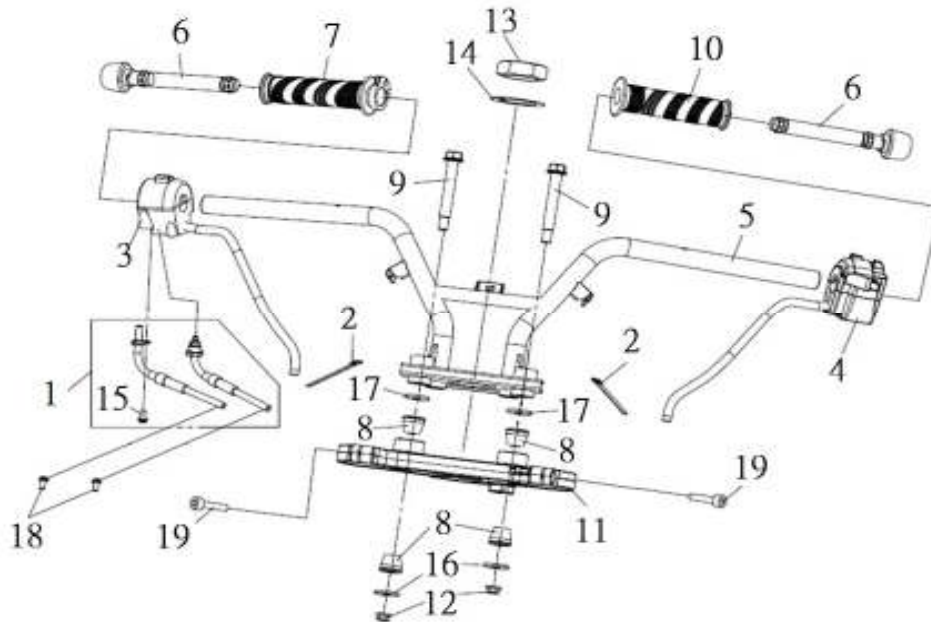


圖面僅供參考
ures reference only

NO	PARTS NUMBER	PRICE (RM/pcs)	DESCRIPTION	QTY	EFFECTIVE DATE
1	32161-M9Q-100		WIRE BAND	1	
2	32161-T15-000	4.20	WIRE BAND 250	27	
3	53205-TL1-000-KA		FR. HANDLE COVER BK-001U	1	
4	53206-TL1-000-KA		RR. HANDLE COVER BK-001U	1	
5	5320A-TL1-000-IL		TOP HANDLE COVER ASSY. GY-7450U	1	
6	87552-F93-000-T1		SYM LOGO (40 PC)	1	
7	88110-TL1-000		R. BACK MIRROR ASSY.	1	
8	88120-TL1-000		L. BACK MIRROR ASSY.	1	
9	90102-TL1-900		HEX. SOCKET TAPPING SCREW 4*14	2	
10	90116-F91-000		CABLE CLIP	3	
11	90118-BD4-000		CABLE CLAMP	1	
12	90118-L4G-000		CLAMP TUBE	5	
13	90120-TL1-000		CLIP STAP	1	
14	90302-V02-000	0.80	SPRING NUT 4mm	6	
15	90611-FFE-000		PIPE CLAMP	4	
16	93401-05012-07		WASHER BOLT 5*12	1	
17	93903-34380	0.60	TAPPING SCREW 4*12	2	
18	93903-44380	1.50	TAPPING SCREW 4*12	4	
19	96700-06025-07	2.15	SOCKET BOLT 6*25	4	

●Please check the color & stripe information according to the color index !

方向把手 HANDLE STRG.



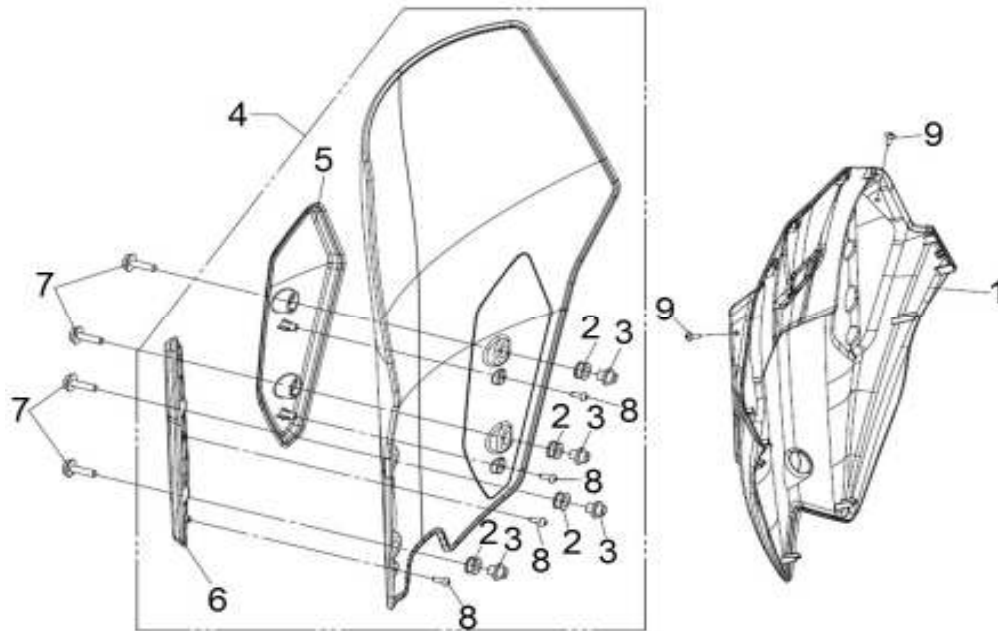
圖面僅供參考

Pictures reference only

NO	PARTS NUMBER	PRICE (RM/pcs)	DESCRIPTION	QTY	EFFECTIVE DATE
1	17910-TL1-000		THROT. CABLE COMP	1	
2	32161-M9Q-100		WIRE BAND	2	
3	35150-L4A-000	134.95	R HANDLE SW. ASSY.	1	
4	35200-TL1-000		L HANDLE SW ASSY	1	
5	53100-TL1-000		STRG. HANDLE COMP	1	
6	53102-VB4-000		HNDL. PIPE WT. ASSY	2	
7	53140-L4A-003	21.55	THROT GRIP COMP BK-001U	1	
8	53122-B3D-000		HOLDER RUBBER	4	
9	53123-TL1-000		TOP BRIGE BOLT	2	
10	53166-L4A-004	20.60	L HANDLE GRIP BK-001U	1	
11	53231-TL1-000		TOP BRIGE	1	
12	90304-M9Q-800	3.30	FLANGE U NUT 10mm	2	
13	90305-TL1-000		STRG. STEM NUT	1	
14	90503-TL1-000		STEERING STEM NUT WASHER	1	
15	93891-05012-07	0.90	WASHER SCREW 5X12	1	
16	94103-10800		PLAIN WASHER	2	
17	94103-12700		PLAIN WASHER 12MM	2	
18	96700-05008-07		SOCKET BOLT 5*8	2	
19	96700-08025-00		SOCKET BOLT 8*25	2	

●Please check the color & stripe information according to the color index !

風鏡 WIND SCREEN ASSY



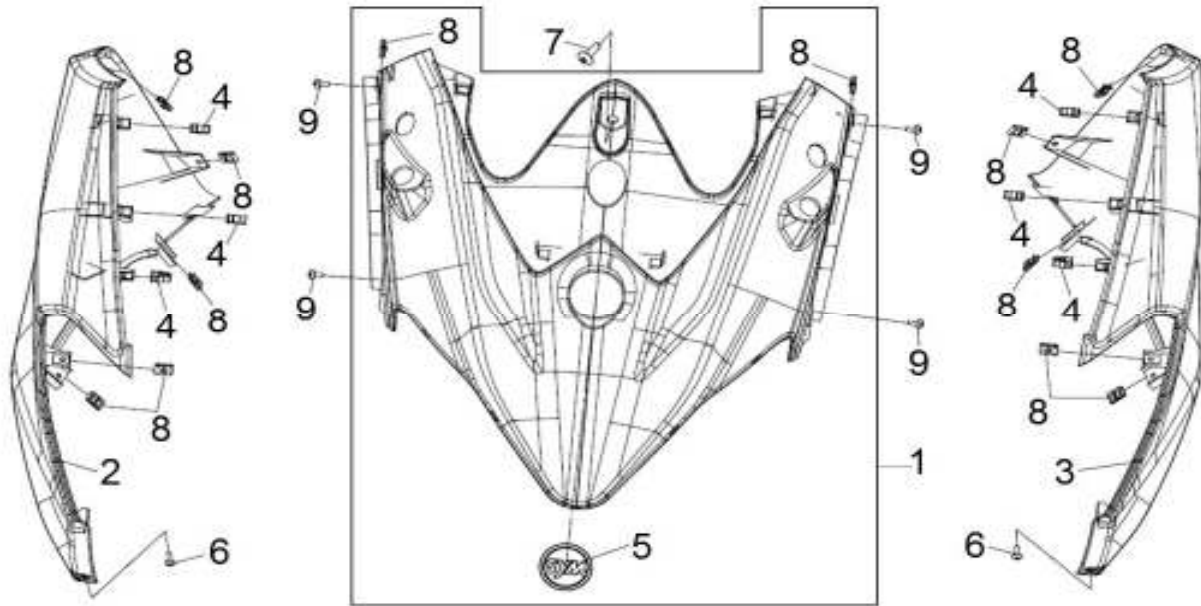
圖面僅供參考

Pictures reference only

NO	PARTS NUMBER	PRICE (RM/pcs)	DESCRIPTION	QTY	EFFECTIVE DATE
1	64302-TL1-000		FR. COVER GARNISH	1	
2	61104-APA-000-KD		FR. FENDER RUBBER	4	
3	61201-TL1-000		WIND SCREEN COLLAR	4	
4	6710A-TL1-000		WIND SCREEN ASSY.	1	
5	67110-TL1-000		R. WIND SCREEN GARNISH BK-001U	1	
6	67120-TL1-000		L. WIND SCREEN GARNISH BK-001U	1	
7	90114-TL1-000		SPECIAL SCREW 6*25	4	
8	93903-34380	0.60	TAPPING SCREW 4*12	4	
9	93903-44380	1.50	TAPPING SCREW 4*12	2	

●Please check the color & stripe information according to the color index !

前擋板 FR. COVER



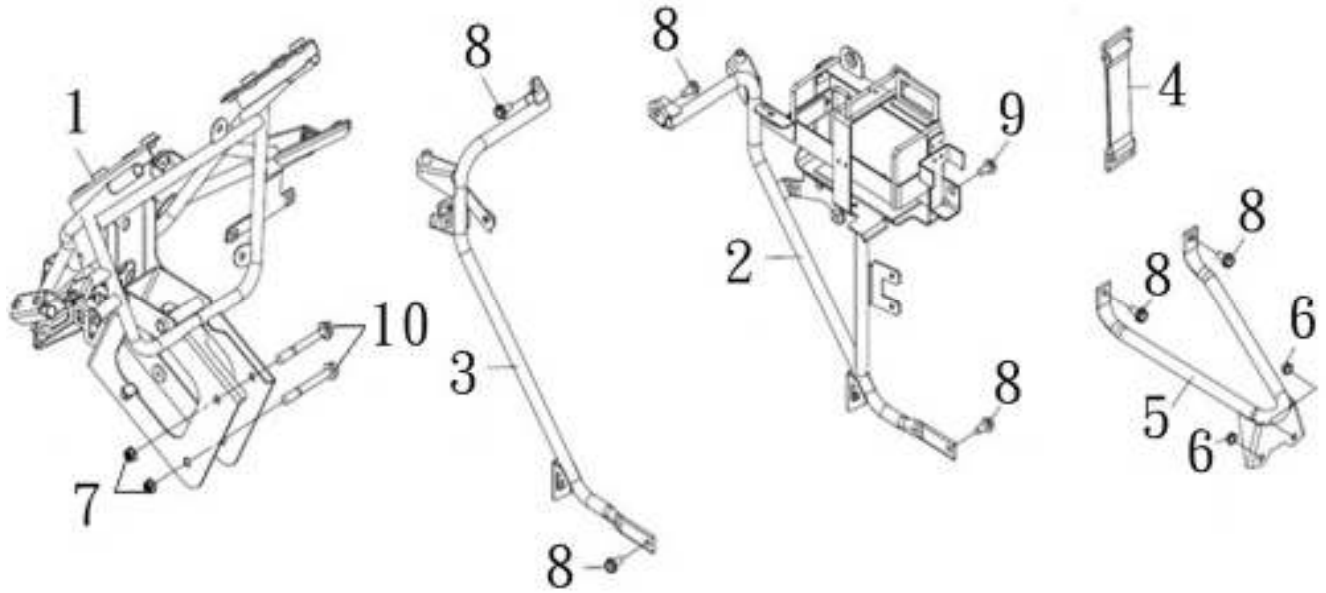
僅供參考

Pictures reference only

NO	PARTS NUMBER	PRICE (RM/pcs)	DESCRIPTION	QTY	EFFECTIVE DATE
1	6430A-TL1-000-KB		FR. COVER ASSY. BK-001C	1	
2	64303-TL1-000-GG		R FR COVER GY-008C	1	
2	64303-TL1-000-JH		R FR COVER BK-001UL	1	
2	64303-TL1-000-QU		R FR COVER WH-300P	1	
2	64303-TL1-000-UH		R FR COVER BU-2747U	1	
3	64304-TL1-000-GG		L FR COVER GY-008C	1	
3	64304-TL1-000-JH		L FR COVER BK-001UL	1	
3	64304-TL1-000-QU		L FR COVER WH-300P	1	
3	64304-TL1-000-UH		L FR COVER BU-2747U	1	
4	77405-L4A-000	1.70	CLIP	6	
5	87552-TL1-000-T1		SYM LOGO(50 PC)	1	
6	90102-TL1-900		HEX. SOCKET TAPPING SCREW 4*12	2	
7	90117-H9A-000		SCREW WASHER 5*14	1	
8	90302-V02-000	0.80	SPRING NUT 4mm	12	
9	93903-44380	1.50	TAPPING SCREW 4*12	4	

●Please check the color & stripe information according to the color index !

前擋板支架 FR. COVER BRKT.



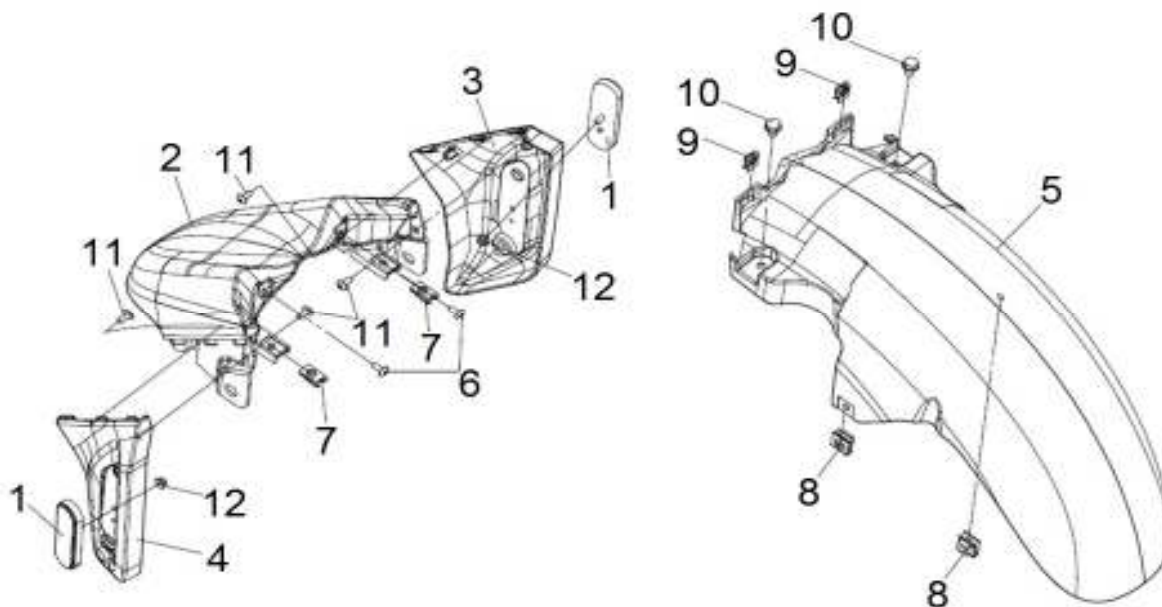
參考

Pictures reference only

NO	PARTS NUMBER	PRICE (RM/pcs)	DESCRIPTION	QTY	EFFECTIVE DATE
1	50315-TL1-000		FR COVER BRKT COMP	1	
2	50316-TL1-000		R FR COVER BRKT COMP	1	
3	50317-TL1-000		L FR COVER BRKT COMP	1	
4	50324-B9A-000		BATTERY BAND	1	
5	52500-TL1-000		RR, FENDER BRKT. COMP	1	
6	94050-06070	0.90	FLANGE NUT 6mm	2	
7	94050-08080	0.90	FLANGE NUT 8MM	2	
8	95801-06012-07	0.90	FLANGE BOLT 6*12	6	
9	95801-08012-07	0.80	FLANGE BOLT 8*12	1	
10	95801-08065-08	2.50	FLANGE BOLT 8*65	2	

●Please check the color & stripe information according to the color index !

前土除 FR. FENDER



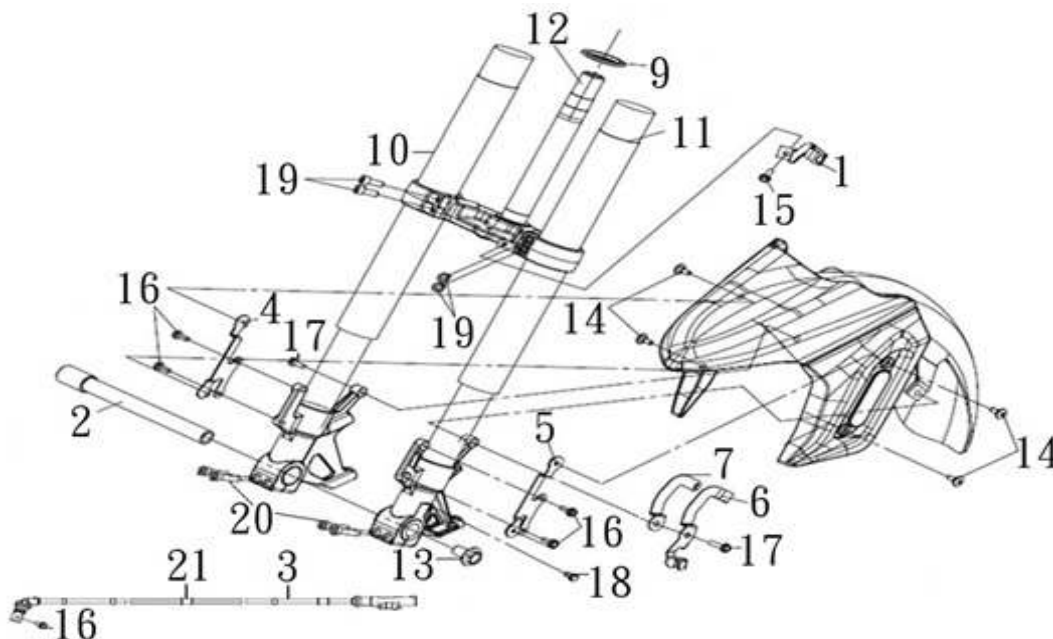
面僅供參考

Reference only

NO	PARTS NUMBER	PRICE (RM/pcs)	DESCRIPTION	QTY	EFFECTIVE DATE
1	33742-REC-000		SIDE REFLEX REFLECTOR	2	
2	61100-TL1-000-GG		FR FENDER GY-008C	1	
2	61100-TL1-000-JH		FR FENDER BK-001UL	1	
2	61100-TL1-000-QU		FR FENDER WH-300P	1	
2	61100-TL1-000-UH		FR FENDER BU-2747U	1	
3	61110-TL1-000-KA		R FR FENDER BK-001U	1	
4	61120-TL1-000-KA		L FR FENDER BK-001U	1	
5	61130-TL1-000-KA		FR INNER FENDER BK-001U	1	
6	90117-H9A-000		SCREW WASHER 5*14	2	
7	90301-RCA-000		CLIP NUT 6mm	2	
8	90305-VS1-000	3.00	CLIP NUT 6mm	2	
9	90677-M9Q-000	1.60	CLIP NUT M5*0.8	2	
10	93401-06014-07		WASHER BOLT 6*14	2	
11	93903-35280	0.90	TAPPING SCREW 5*12	4	
12	94050-05080	0.90	FLANGE NUT 5mm	2	

●Please check the color & stripe information according to the color index !

轉向主幹 / 前避震器 STRG. STEM COMP. / FR. CUSHION

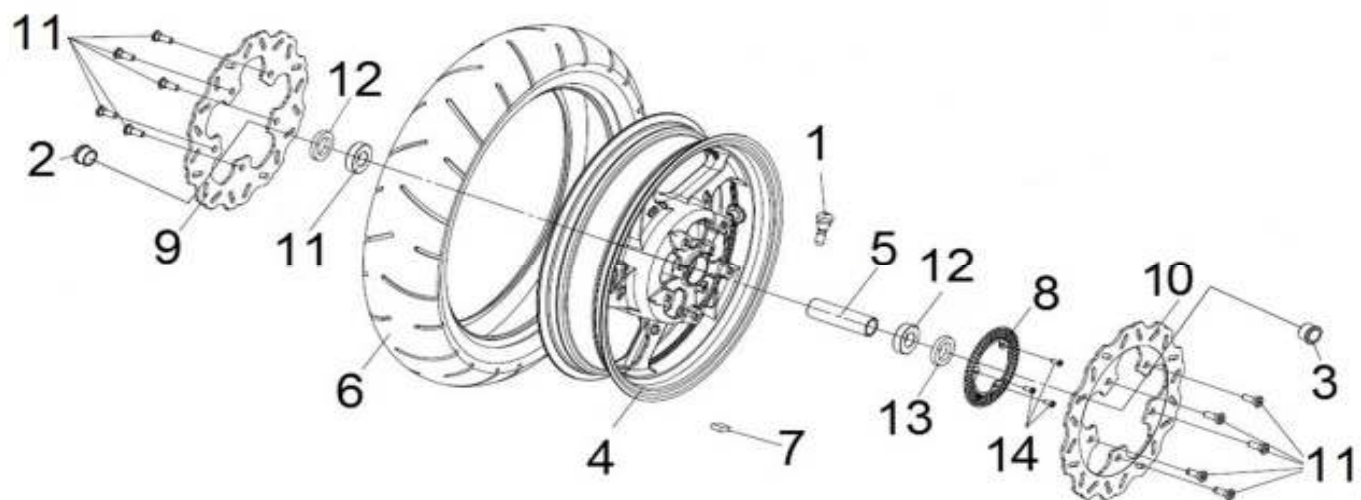


圖面僅供參考
:tures reference only

NO	PARTS NUMBER	PRICE (RM/pcs)	DESCRIPTION	QTY	EFFECTIVE DATE
1	43316-TL1-000		BRAKE HOSE COMP.	1	
2	44301-TL1-000		FR. WHEEL AXLE	1	
3	44870-L4C-000	214.30	ABS. SPEED SENSOR (BOSCH)	1	
4	45111-TL1-000		R. FR. FENDER STAY	1	
5	45112-TL1-000		L. FR. FENDER STAY	1	
6	45156-TL1-000		L. FR. BRAKE HOSE CLAMP A	1	
7	45158-TL1-000		L. FR. BRAKE HOSE CLAMP B	1	
9	50307-TL1-000		HEAD PIPE SEAL	1	
10	51400-TL1-000		R. FR. CUSHION ASSY (BK)	1	
11	51500-TL1-000		L. FR. CUSHION ASSY (BK)	1	
12	53200-TL1-000		STRG. STEM COMP.	1	
13	90105-TL1-000		FLANGE BOLT M14*25	1	
14	90164-M9Q-000	1.70	SCREW SPECIAL 6mm	4	
15	95801-06012-07	0.90	FLANGE BOLT 6*12	1	
16	95801-06014-07	0.60	FKANGE BOLT 6*14	4	
17	95801-06028-07		FKANGE BOLT 6*28	2	
18	96001-06012-07	0.40	SH. FLANGE BOLT 6*12	1	
19	96700-08025-00		SOCKET BOLT 8*25	4	
20	96700-08040-07		SOCKET BOLT 8*40	4	
21	44910-L4C-000	2.15	ABS. RUBBER BUSH	3	

●Please check the color & stripe information according to the color index !

前輪圈 FR. WHEEL ASSY

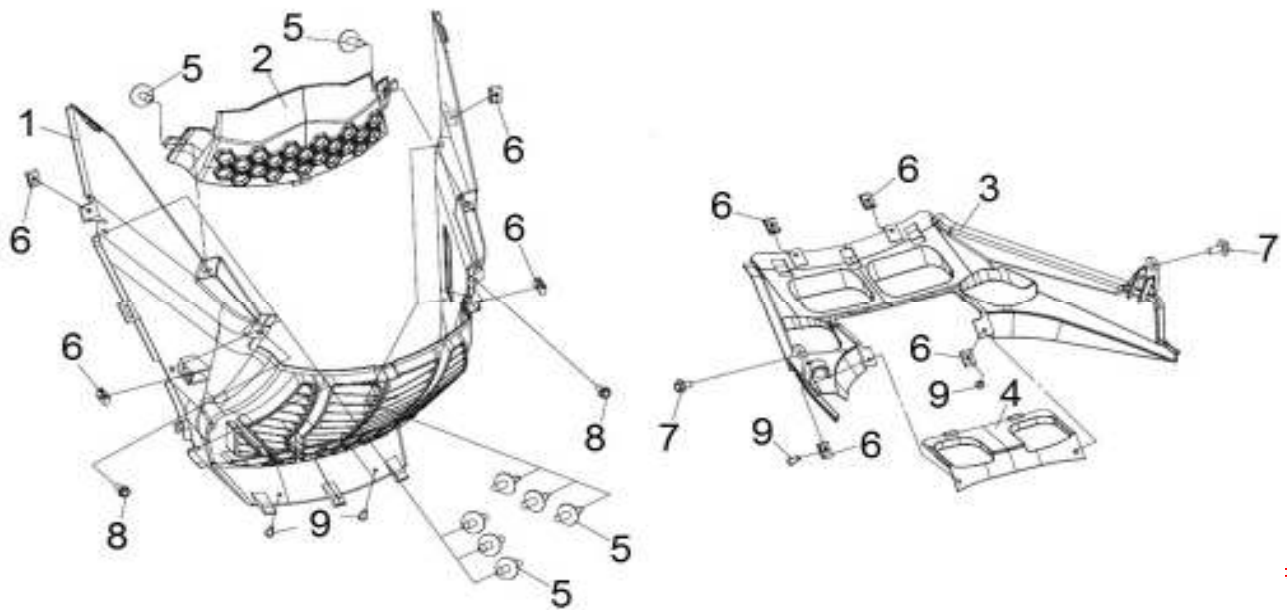


圖面僅供參考

Pictures reference only

NO	PARTS NUMBER	PRICE (RM/pcs)	DESCRIPTION	QTY	EFFECTIVE DATE
1	42753-KBN-902	15.55	RIM VALVE	1	
2	44313-TL1-000		FR. WHEEL SIDE COLLAR	1	
3	44314-TL1-000		L. FR. WHEEL SIDE COLLAR	1	
4	44601-TL1-000-JD		FR CASTING WHEEL COMP BK-7C	1	
5	44620-TL1-000		FR. AXLE DIST. COLLAR	1	
6	44710-TL1-001		FR. TIRE ASSY.(120/70-15)	1	
7	44720-H9A-000	12.75	BALANCE WEIGHT	1	
8	45120-TL1-000		ABS DETECTIVE DISK	1	
9	45121-TL1-000		R FR. BRAKE DISK BK-001C	2	
10	45122-TL1-000		L. FR. BRAKE DISK BK-001C	1	
11	90105-KR3-000	5.50	FR. DISK BOLT 8*24	10	
12	90912-TL1-000		RADIAL BALL BEARING 60/22LLU	2	
13	91201-TL1-000		OIL SEAL 28*44*7	2	
14	93500-L4C-000		NYLOK PAN SCREW 5*12mm	3	

●Please check the color & stripe information according to the color index !

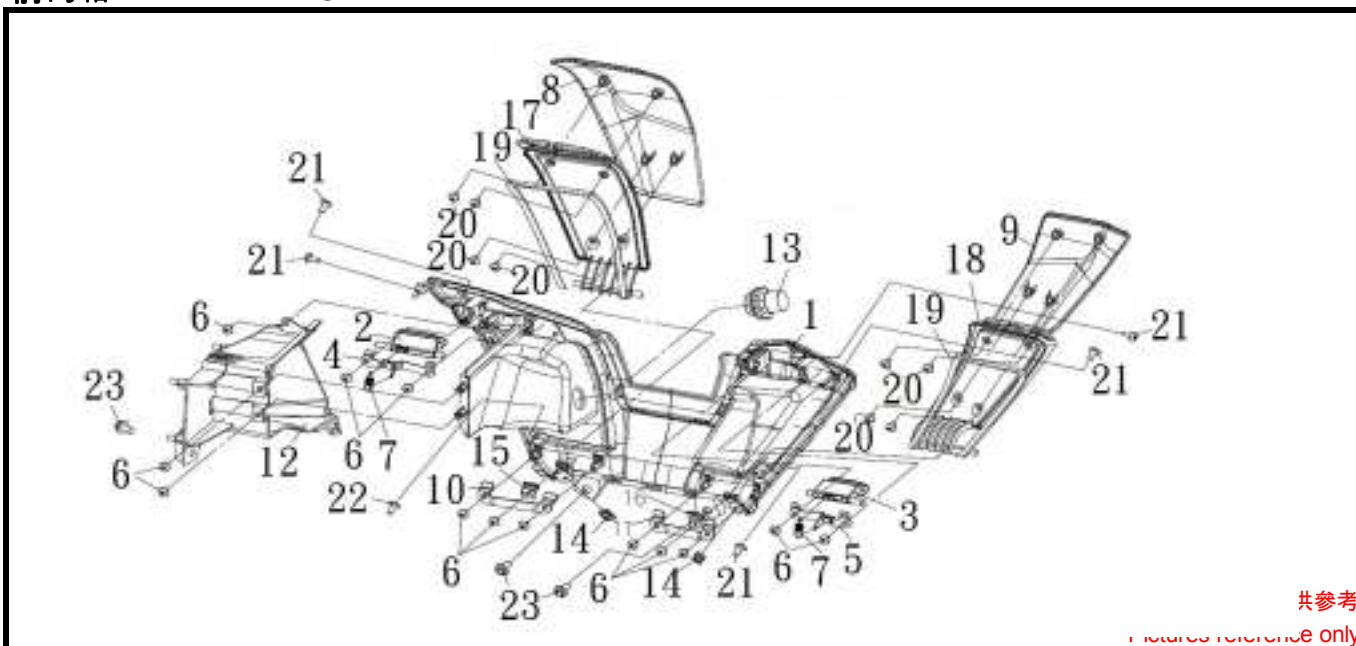


參考

pictures reference only

NO	PARTS NUMBER	PRICE (RM/pcs)	DESCRIPTION	QTY	EFFECTIVE DATE
1	50611-TL1-000-KA		RADIATOR AIR DUCT BK-001U	1	
2	50612-TL1-000-KA		FR. MAINTENANCE COVER BK-001U	1	
3	50613-TL1-000-KA		UNDER COVER BK-001U	1	
4	50614-TL1-000-KA		LWR. UND. COVER BK-001U	1	
5	90115-REA-000	2.15	PLASTIC NUT 6mm	8	
6	90302-V02-000	0.80	SPRING NUT 4mm	8	
7	93401-06012-07	0.80	WASHER BOLT 6*12	2	
8	93404-06012-07	1.50	WASHER BOLT 6*12	2	
9	93903-44380	1.50	TAPPING SCREW 4*12	4	

前內箱 FR. INNER BOX



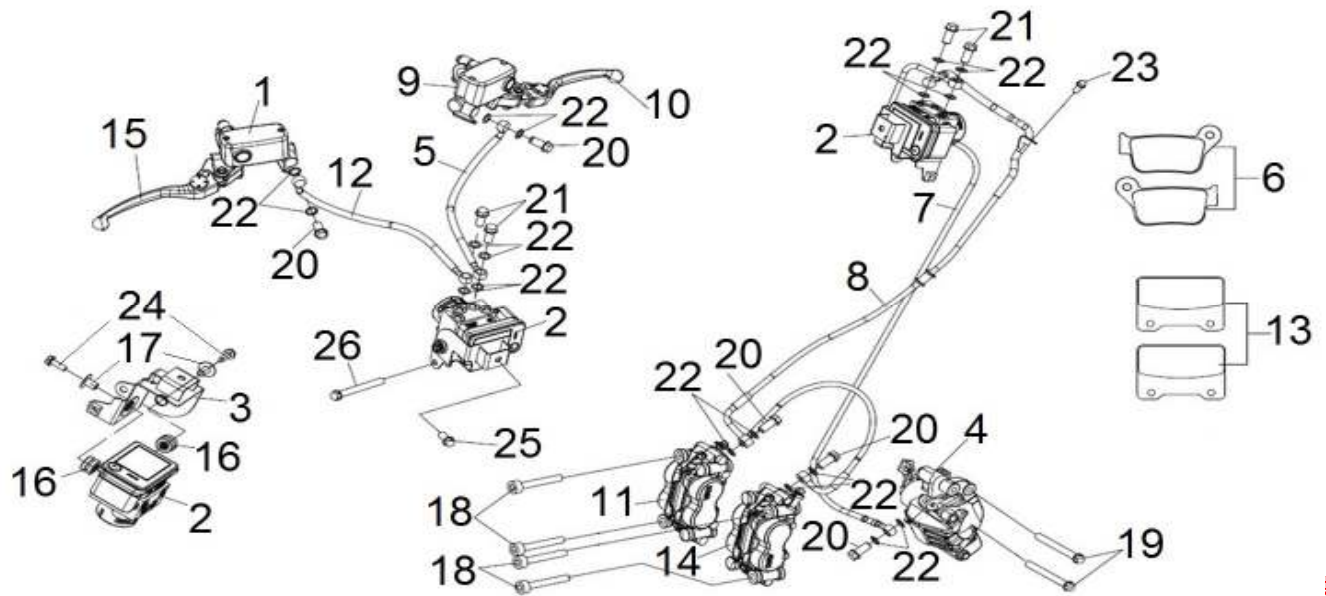
共參考

reference only

NO	PARTS NUMBER	PRICE (RM/pcs)	DESCRIPTION	QTY	EFFECTIVE DATE
1	81132-TL1-000-KA		FR. INNER BOX BK-001U	1	
2	81152-TL1-000		R. COIN BOX LID BOTTOM	1	
3	81153-TL1-000		L. COIN BOX LID BOTTOM	1	
4	53222-TL1-000		R. BOX BUTTOM PLATE	1	
5	53232-TL1-000		L. BOX BOTTOM PLATE	1	
6	93903-34380	0.60	TAPPING SCREW 4*12	13	
7	17667-TL1-000		INNER BOX BOTTOM SPRING	2	
8	81142-TL1-000-KB		R. MAINTENANCE COVER BK-001C	1	
9	81143-TL1-000-KB		L. MAINTENANCE COVER BK-001C	2	
10	50323-TL1-000		R. COIN BOX LID HINGE STAY	1	
11	50333-TL1-000		L. COIN BOX LID HINGE STAY	1	
12	81141-TL1-000		FR. INNER BOX CASE	1	
13	38650-FSA-000-A2	110.10	USB CHARGE UNIT	1	
14	90302-V02-000	0.80	SPRING NUT 4mm	2	
15	50321-TL1-000		R. INNER LID SPRING	1	
16	50322-TL1-000		L. INNER LID SPRING	1	
17	81144-TL1-000		R. FR. INNER BOX LID STIFFENER	1	
18	81145-TL1-000		L. FR. INNER BOX LID STIFFENER	1	
19	81133-TL1-000		INNER BOX RUBBER	2	
20	93903-34180	1.40	TAPPING SCREW 4*8	8	
21	93903-44380	1.50	TAPPING SCREW 4*12	5	
22	93903-44480	0.70	TAPPING SCREW 4*16	1	
23	93404-06012-08	0.90	WASHER BOLT 6*12	3	

●Please check the color & stripe information according to the color index !

右 / 左前煞車卡鉗 R / L FR CALIPER ASSY



參考

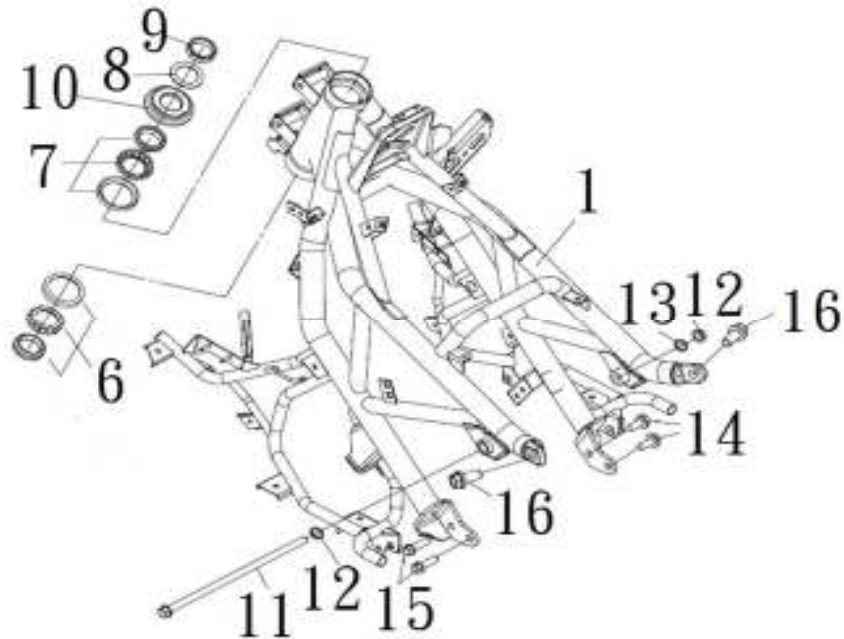
Pictures reference only

NO	PARTS NUMBER	PRICE (RM/pcs)	DESCRIPTION	QTY	EFFECTIVE DATE
1	45500-L4C-000		FR. M/C ASSY.	1	
1.1	45506-L4A-300	5.05	M/C LID GASKET	1	
1.2	45507-L4A-300		M/C CAP	1	
1.3	45508-L4A-300	0.90	MASTER CYLINDER CAP SCREW	2	
1.4	45510-L4A-300	5.05	HANDLE LEVER SCREW	1	
2	38730-TL1-000		ABS. HYDRAULIC CIRCUIT UNIT	1	
3	38731-TL1-000		ABS. HYDRAULIC CIRCUIT UNIT BRKT.	1	
4	43100-TL1-000-KB		RR CALIPER ASSY BK-001C	1	
5	43126-TL1-000		RR. BREAK HOSE COMP. A	1	
6	43140-L4A-300	100.60	PAD ASSY.	1	
7	43313-TL1-000		RR. BREAK HOSE COMP. B	1	
8	43315-TL1-000		FR. CALIPER HOSE COMP. B	1	
9	43500-L4C-000		RR. M/C ASSY.	1	
9.1	45506-L4A-300	5.05	M/C LID GASKET	1	
9.2	45507-L4A-300		M/C CAP	1	
9.3	45508-L4A-300	0.90	MASTER CYLINDER CAP SCREW	2	
9.4	45510-L4A-300	5.05	HANDLE LEVER SCREW	1	
10	43509-L4A-300	149.85	L. HANDLE LEVER	1	
11	45100-TL1-000-KB		R FR CALIPER ASSY BK-001C	1	
12	45126-TL1-000		FR. BREAK HOSE COMP. A	1	
13	45130-L4A-310	96.00	PAD ASSY.	2	
14	45200-TL1-000-KB		L FR CALIPER ASSY BK-001C	1	
15	45509-L4A-300	149.85	R. HANDLE LEVER	1	
16	80103-X01-000		RR. FENDER RUBBER	2	
17	80104-X01-000		RR. FENDER COLLAR	2	

NO	PARTS NUMBER	PRICE (RM/pcs)	DESCRIPTION	QTY	EFFECTIVE DATE
18	90102-L4A-000	5.05	SOCKET BOLT 10*65	4	
19	90103-H6B-000		FLANGE BOLT 8*38	2	
20	90145-M9Q-000	4.20	OIL BOLT 10*22	5	
21	90145-M9Q-900		OIL BOLT 10*19.5	4	
22	90545-M9Q-000	1.50	OIL BOLT WASHER	18	
23	95801-06012-07	0.90	FLANGE BOLT 6*12	1	
24	95801-06020-07		FLANGE BOLT 6*20	2	
25	95801-08012-07	0.80	FLANGE BOLT 8*12	1	
26	95801-08075-08		FLANGE BOLT 8*75	1	

●Please check the color & stripe information according to the color index !

前段車台 FRAME BODY COMP.(1)



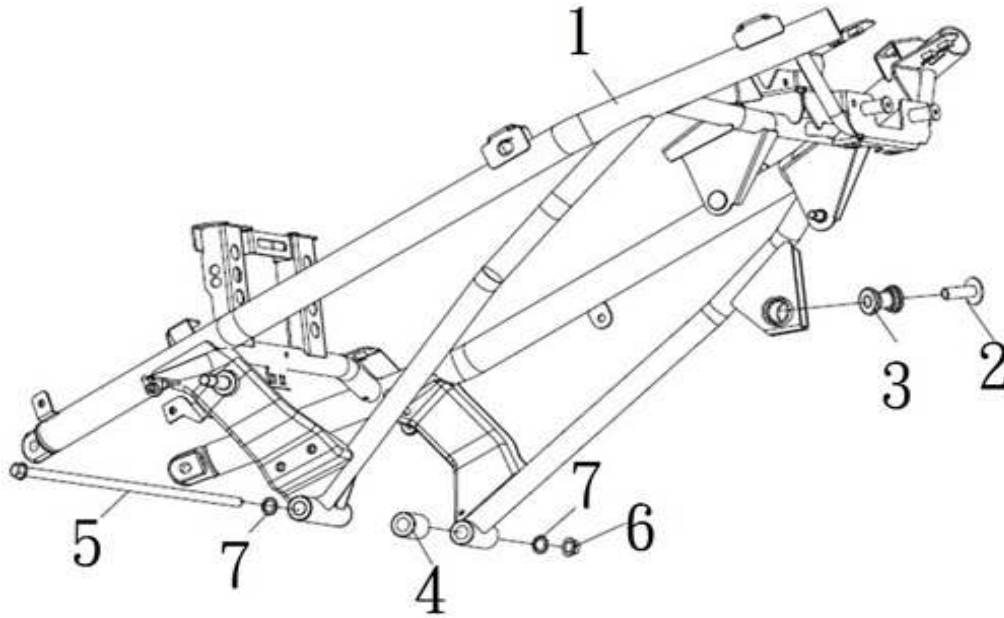
圖面僅供參考

Pictures reference only

NO	PARTS NUMBER	PRICE (RM/pcs)	DESCRIPTION	QTY	EFFECTIVE DATE
1	5010N-TL1-000		FRAME BODY SET	1	
6	50300-TL1-000		STRG. UP/BOTTOM RACE BALL	1	
7	50306-TL1-000		TOP CONE / BALL RACE SET	1	
8	50308-TL1-000		STRG. STEM WASHER	1	
9	50309-TL1-000		STRG. STEM LOCK NUT	1	
10	53220-TL1-000		STRG. HEAD TOP THEAD COMP.	1	
11	90121-TL1-000		PIVOT BOLT M12*317	1	
12	94101-12800	0.45	WASHER PLAIN 12mm	2	
13	90306-M9Q-000	7.70	SELF LOCK NUT 12mm	1	
14	95801-10025-07		FLANGE BOLT 10*25	2	
15	95801-10038-07		FLANGE BOKT 10*38	2	
16	95801-12025-00		FLANGE BOLT M12*25	2	

●Please check the color & stripe information according to the color index !

後段車台 FRAME BODY COMP.(2)



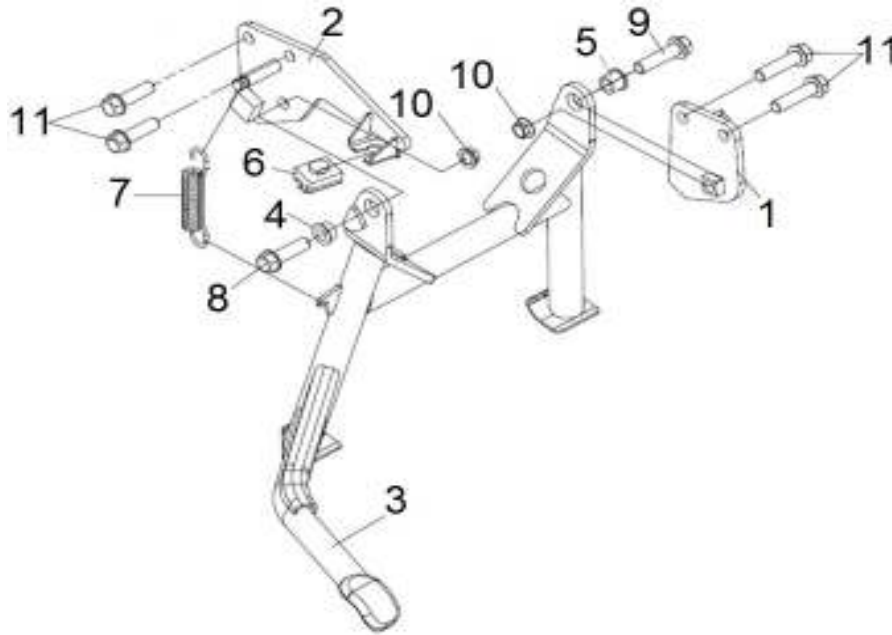
圖面僅供參考

Pictures reference only

NO	PARTS NUMBER	PRICE (RM/pcs)	DESCRIPTION	QTY	EFFECTIVE DATE
1	50180-TL1-000-KB		RR. FRAME BODY COMP	1	
2	18422-N01-000	16.30	MUFF. MOUNT COLLAR	1	
3	18421-N01-000	7.30	MUFF. MOUNT RUBBER	1	
4	50181-TL1-000		RR. FRAME COLLAR	1	
5	90122-TL1-000		PIVOT BOLT M12*360	1	
6	90306-M9Q-000	7.70	SELF-LOCK NUT 12mm	2	
7	94101-12800	0.45	PLAIN WASHER 12mm	4	

●Please check the color & stripe information according to the color index !

主腳架 MAIN STAND ASSY



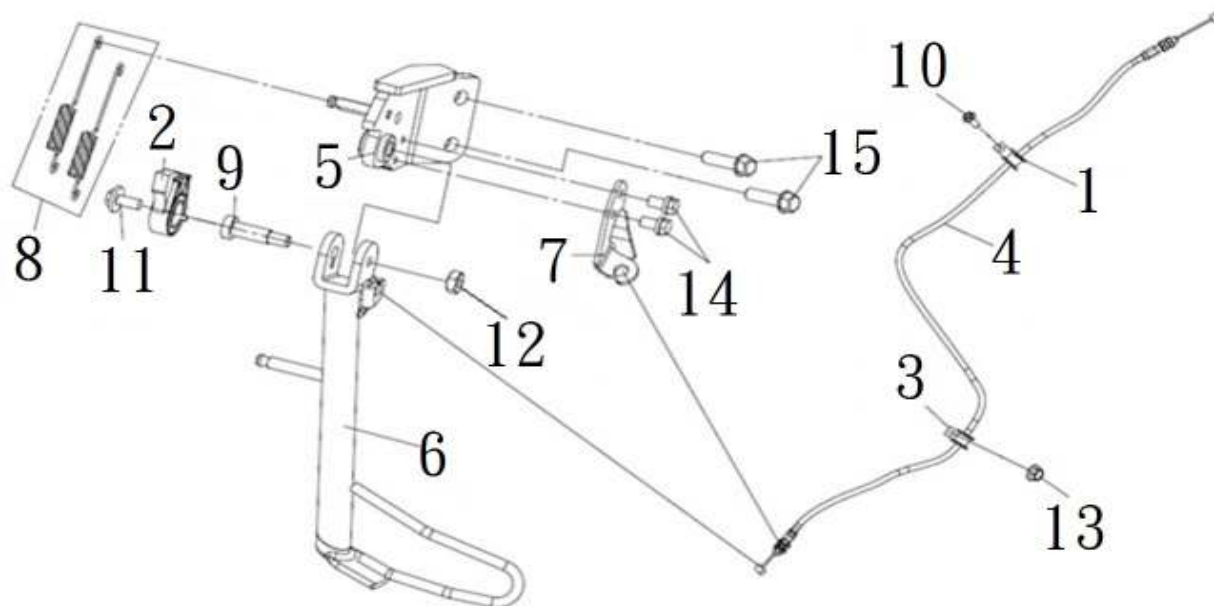
圖面僅供參考

Pictures reference only

NO	PARTS NUMBER	PRICE (RM/pcs)	DESCRIPTION	QTY	EFFECTIVE DATE
1	50165-TL1-000		R. MAIN STAND BRKT.	1	
2	50166-TL1-000		L. MAIN STAND BRKT.	1	
3	50500-TL1-000		MAIN STAND COMP BK-001C	1	
4	50502-GY6-900	4.20	MAIN STAND COLLAR	1	
5	50503-HHA-000		MAIN STAND COLLAR	1	
6	50505-M7Q-000		STAND STOPPER RUBBER	1	
7	5052A-H9A-000	8.50	MAIN STAND SPG.ASSY	1	
8	90116-HHA-000	4.70	MAIN STAND PIVOT BOLT	1	
9	90117-L4A-000	5.80	FLANGE BOLT 10*40	1	
10	90304-M9Q-000	6.55	FLANGE U NUT 10mm	2	
11	95801-10025-07		FLANGE BOLT 10*25	4	

●Please check the color & stripe information according to the color index !

側腳架 SIDE STAND COMP



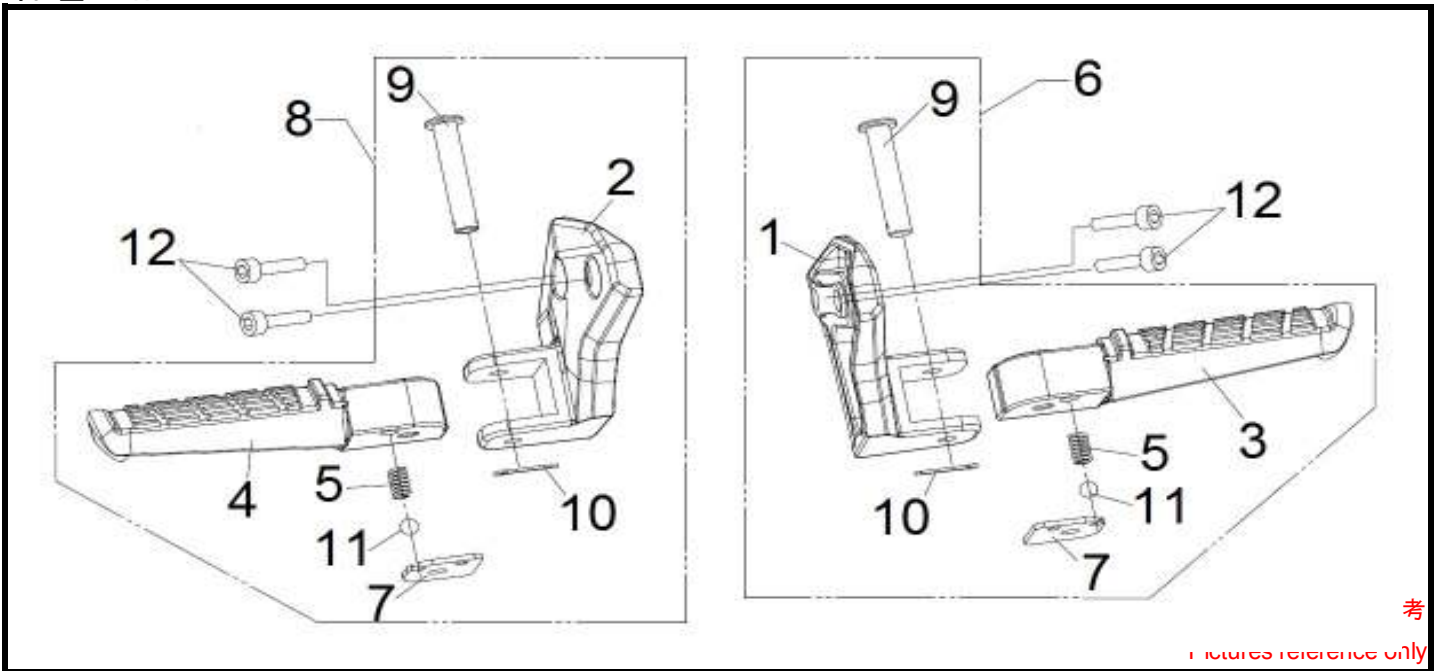
請供參考

Pictures reference only

NO	PARTS NUMBER	PRICE (RM/pcs)	DESCRIPTION	QTY	EFFECTIVE DATE
1	17787-AVA-000		THROTTLE CABLE CLAMP	1	
2	36500-F91-000		SIDE STAND SW. COMP	1	
3	45157-TL1-000		CABLE CLAMP	1	
4	45450-TL1-000		PARKING CABLE COMP.	1	
5	50255-TL1-000		SIDE STAND BRKT.	1	
6	50530-TL1-000		SIDE STAND COMP BK-001C	1	
7	50533-TL1-000		PARKING CABLE STAY COMP.	1	
8	5053A-HMA-000	10.70	SIDE STAND SPG. ASSY.	1	
9	90108-HMA-000	3.30	SIDE STAND PIVOT SCREW	1	
10	93401-05012-07		WASHER BOLT 5*12	1	
11	93404-06016-07	0.90	WASHER BOLT 6*16	1	
12	94030-08080	0.45	HEX NUT 8mm	1	
13	94050-06070	0.90	FLANGE NUT 6mm	1	
14	95801-06012-07	0.90	FLANGE BOLT 6*12	2	
15	95801-10038-07		FLANGE BOLT 10*38	2	

●Please check the color & stripe information according to the color index !

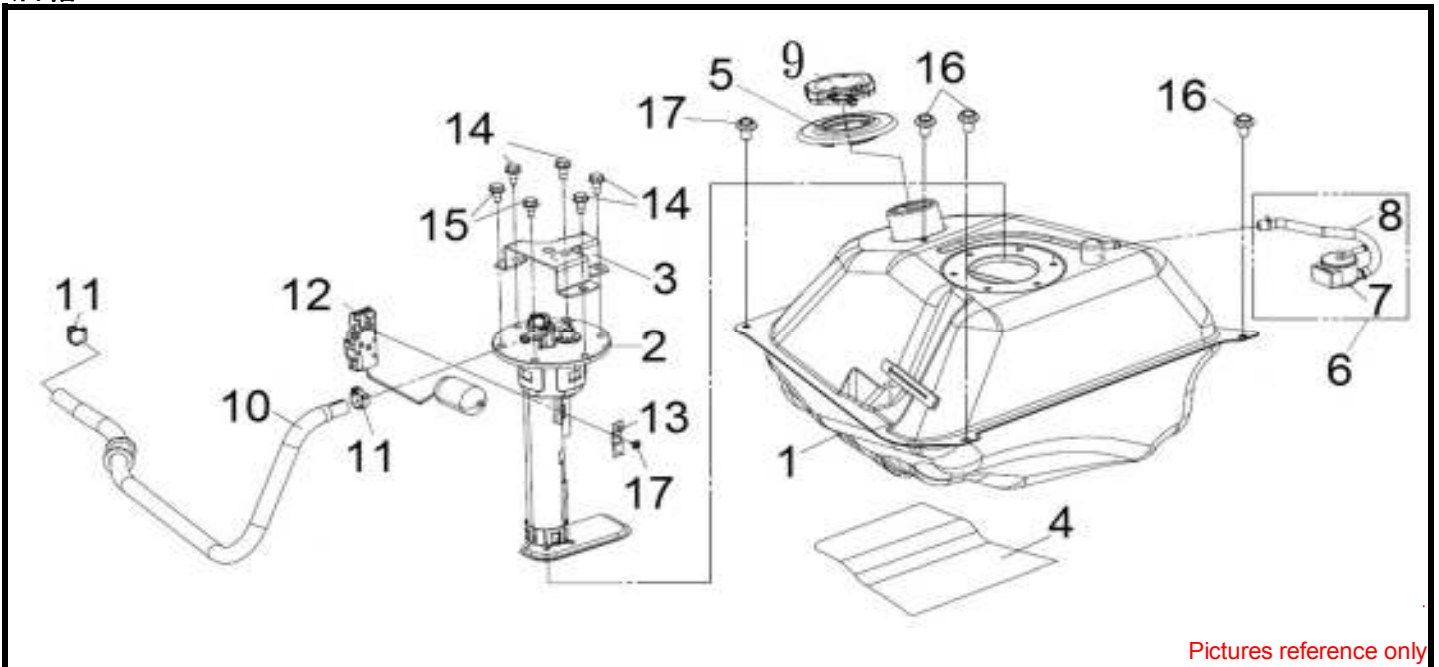
右/左腳踏桿 R / L PILLION STEP ASSY



NO	PARTS NUMBER	PRICE (RM/pcs)	DESCRIPTION	QTY	EFFECTIVE DATE
1	50610-TL1-000		R. PILLION STEP HOLDER	1	
2	50620-TL1-000		L. PILLION STEP HOLDER	1	
3	50621-TL1-000		R. PILLION STEP	1	
4	50622-TL1-000		L. PILLION STEP	1	
5	50703-R02-000	4.20	STOP. SPRING	2	
6	50710-TL1-000		R. PILLION STEP ASSY BK-001C	1	
7	50719-TL1-000		STOP. PLATE	2	
8	50720-TL1-000		L. PILLION STEP ASSY BK-001C	1	
9	50722-B9A-000	7.70	STEP PIN	2	
10	94201-16200	0.45	SPLIT PIN 1.6*20	2	
11	96211-08000	1.40	STEEL BALL 8MM(1/4" BALL)	2	
12	96700-08020-00	2.15	SOCKET BOLT 8*20	4	

●Please check the color & stripe information according to the color index !

油箱 FUEL TANK ASSY

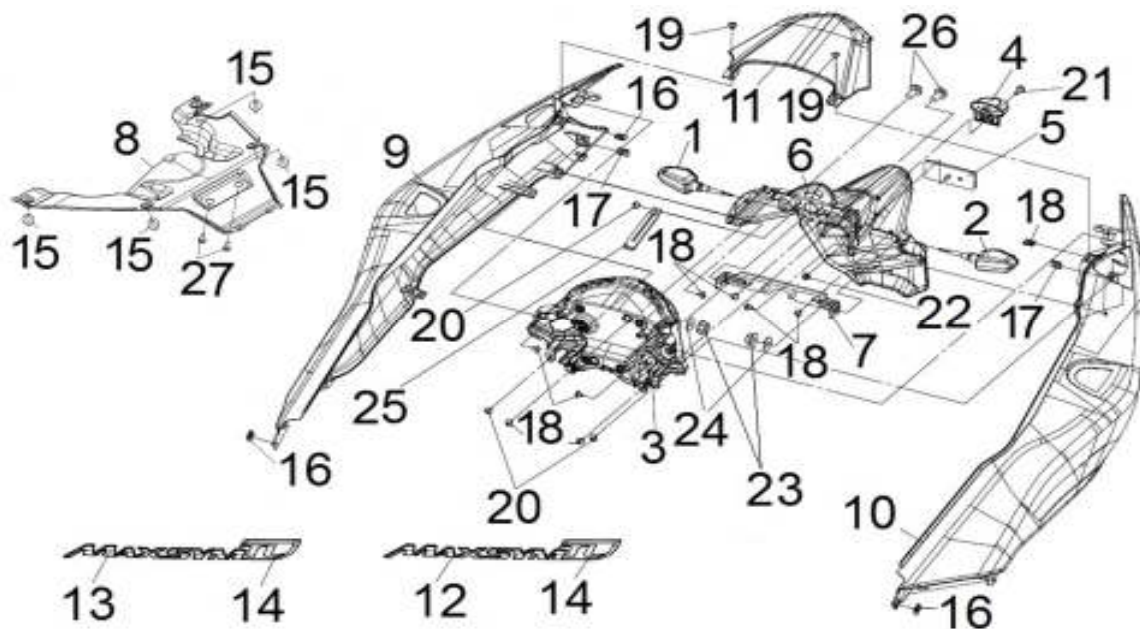


Pictures reference only

NO	PARTS NUMBER	PRICE (RM/pcs)	DESCRIPTION	QTY	EFFECTIVE DATE
1	17500-TL1-000		FUEL TANK COMP.	1	
2	16700-TL1-000		FUEL PUMP ASSY.	1	
3	17502-TL1-000		FUEL PUMP STAY	1	
4	17506-TL1-000		HEAT PROOF PANEL	1	
5	17512-TL1-000		PACKING FILLER NECK	1	
6	17580-TL1-000		FUEL CUT VALVE ASSY.	1	
7	17581-L32-000	16.90	FUEL CUT VALVE(SENTEC)	1	
8	17583-TL1-000		TANK-F.C.V. TUBE	1	
9	17620-XH1-020	40.50	FUEL FILLER CAP COMP.	1	
10	17782-TL1-000		FUEL TUBE	1	
11	19505-F81-000	2.90	HOSE CLAMP	2	
12	37800-TL1-000		FUEL UNIT COMP.	1	
13	37804-TL1-000		FUEL UNIT STAY	1	
14	90105-HMC-000	1.70	FUEL PUMP BOLT	4	
15	90106-LEA-000	2.15	FUEL PUMP BOLT	2	
16	93404-06012-07	1.50	WASHER BOLT 6*12	4	
17	93903-HGC-000	0.90	TAPPING SCREW	1	

●Please check the color & stripe information according to the color index !

右 / 左車體蓋 / 後燈具 R / L BODY COVER ASSY / TAIL LIGHT ASSY



圖面僅供參考

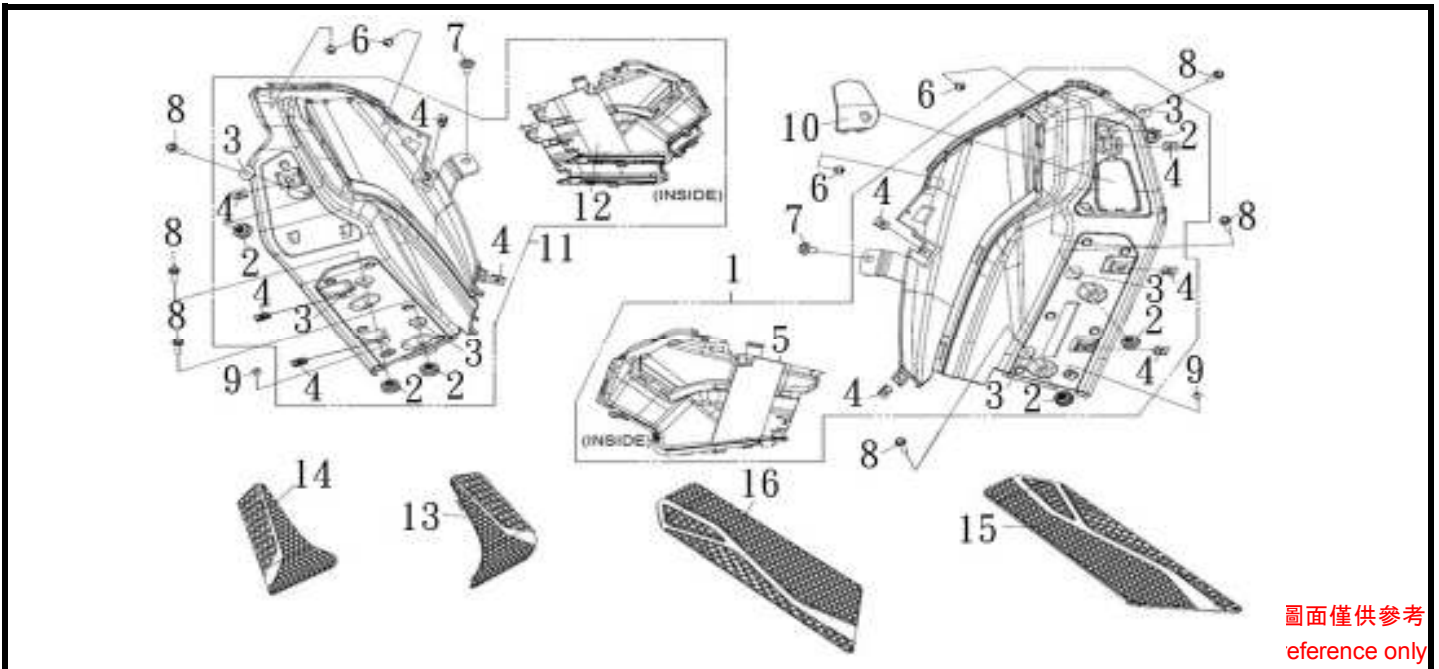
Pictures reference only

NO	PARTS NUMBER	PRICE (RM/pcs)	DESCRIPTION	QTY	EFFECTIVE DATE
1	33600-TL1-000		RR. R WINKER ASSY	1	
2	33650-TL1-000		RR. L WINKER ASSY	1	
3	33700-TL1-000		TAIL LIGHT ASSY	1	
4	33740-E4D-010	42.95	LICENES LIGHT ASSY.	1	
5	33741-M9A-100	15.40	RR. REFLEX REFLECTOR	1	
6	80100-TL1-000-KA		RR. FENDER BK-001U	1	
7	80107-TL1-000		RR. WINKER STAY	1	
8	8010A-TL1-000-KA		RR. INNER FENDER ASSY. BK-001U	1	
9	83500-TL1-000-GG		R BODY COVER GY-008C	1	
9	83500-TL1-000-JH		R BODY COVER BK-001UL	1	
9	83500-TL1-000-QU		R BODY COVER WH-300P	1	
9	83500-TL1-000-UH		R BODY COVER BU-2747U	1	
10	83600-TL1-000-GG		L BODY COVER GY-008C	1	
10	83600-TL1-000-JH		L BODY COVER BK-001UL	1	
10	83600-TL1-000-QU		L BODY COVER WH-300P	1	
10	83600-TL1-000-UH		L BODY COVER BU-2747U	1	
11	83750-TL1-000-KB		RR CENTER COVER BK-001C	1	
12	87126-TL1-000		R. BODY COVER EMBLEM (MAXSYM)	1	
12	87126-TL1-100		R. BODY COVER EMBLEM (TL500)	1	
13	87127-TL1-000		L. BODY COVER EMBLEM (MAXSYM)	1	
13	87127-TL1-100		L. BODY COVER EMBLEM (TL500)	1	
14	87128-TL1-010		BODY COVER EMBLEM (TL) R-200CA+S-011U	2	
15	90115-REA-000	2.15	PLASTIC NUT 6mm	4	
16	90302-V02-000	0.80	NUT SPRING 4mm	4	

NO	PARTS NUMBER	PRICE (RM/pcs)	DESCRIPTION	QTY	EFFECTIVE DATE
17	90308-X04-000	1.40	SPECIAL NUT 5mm	2	
18	93903-35280	0.90	TAPPING SCREW 5*12	8	
19	93903-44380	1.50	TAPPING SCREW 4*12	2	
20	93903-45280	0.90	TAPPING SCREW 5*12	3	
21	93903-HGC-000	0.90	TAPPING SCREW	1	
22	94050-05080	0.90	FLANGE NUT 5mm	1	
23	94050-10080	2.15	FLANGE NUT 10mm	2	
24	94102-10700	0.90	PLAIN WASHER 10mm	2	
25	94591-27000	1.80	CLIP 2*70	1	
26	95801-06016-07	1.10	FLANGE BOLT 6*16	2	
27	95801-08012-07	0.80	FLANGE BOLT 8*12	2	

●Please check the color & stripe information according to the color index !

右 / 左腳踏板 R / L. FLOOR PANEL ASSY

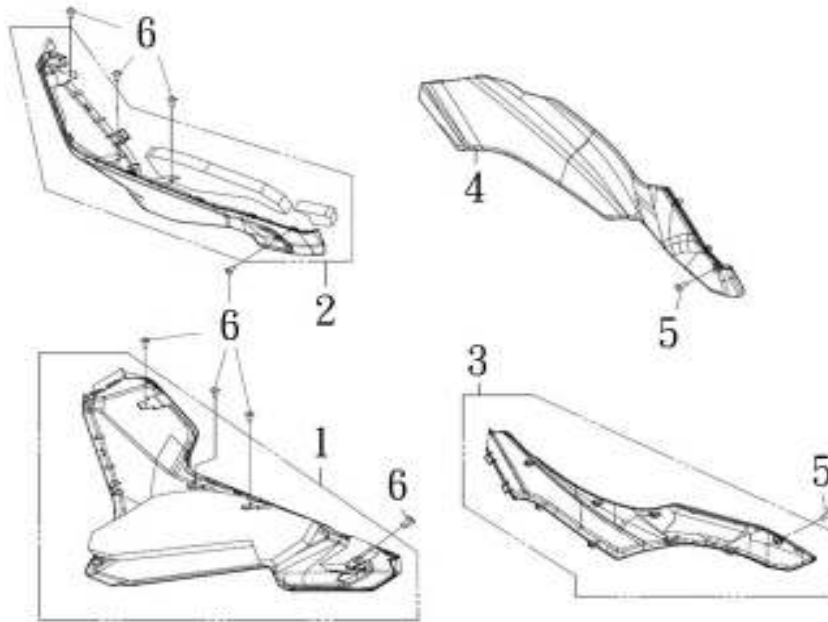


圖面僅供參考
reference only

NO	PARTS NUMBER	PRICE (RM/pcs)	DESCRIPTION	QTY	EFFECTIVE DATE
1	6431A-TL1-000-KA		R. FLOOR PANEL ASSY. BK-001U	1	
2	64304-X01-000	2.15	FR. COVER RUBBER	6	
3	67101-L3A-000	5.05	WIND SCREW COLLAR	6	
4	90302-V02-000	0.80	SPRING NUT 4mm	10	
5	64311-TL1-000		R. FLOOR PANAL SPONGE	1	
6	90102-TL1-900		HEX. SOCKET TAPPING SCREW 4*14	2	
7	93404-06012-07	1.50	WASHER BOLT 6*12	2	
8	95801-06022-07	0.90	FLANGE BOLT 6*22	6	
9	93903-44380	1.50	TAPPING SCREW 4*12	2	
10	64325-TL1-000-KA		RADIATOR LID BK-001U	1	
11	6432A-TL1-000-KA		L. FLOOR PANEL ASSY. BK-001U	1	
12	64312-TL1-000		L. FLOOR PANAL SPONGE	1	
13	64321-TL1-000-KA		R. FLOOR MAT A BK-001U	1	
14	64322-TL1-000-KA		L. FLOOR MAT A BK-001U	1	
15	64323-TL1-000-KA		R. FLOOR MAT B BK-001U	1	
16	64324-TL1-000-KA		L. FLOOR MAT B BK-001U	1	

●Please check the color & stripe information according to the color index !

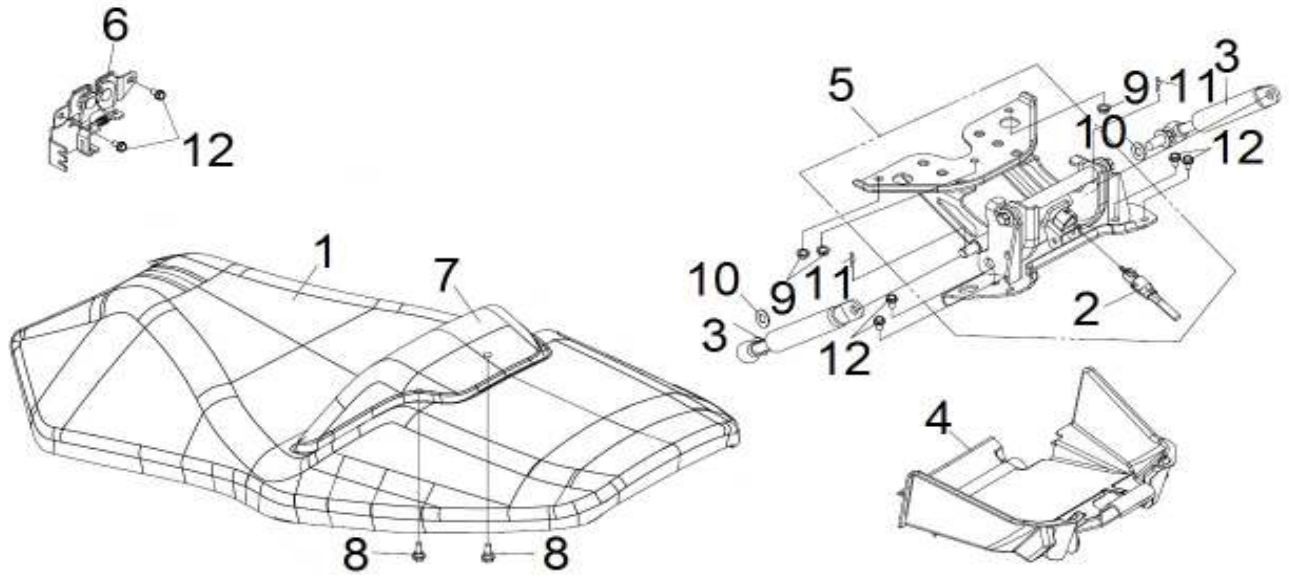
右 / 左側蓋 R / L SIDE COVER



圖面僅供參考
Pictures reference only

NO	PARTS NUMBER	PRICE (RM/pcs)	DESCRIPTION	QTY	EFFECTIVE DATE
1	5061B-TL1-000-GE		R. UNDER SPOILER ASSY GY-010UL	1	
1	5061B-TL1-000-IL		R. UNDER SPOILER ASSY GY-7450U	1	
2	5061C-TL1-000-GE		L. UNDER SPOILER ASSY GY-010UL	1	
2	5061C-TL1-000-IL		L. UNDER SPOILER ASSY GY-7450U	1	
3	8351A-TL1-000-GE		R SIDE COVER ASSY GY-010UL	1	
3	8351A-TL1-000-IL		R SIDE COVER ASSY GY-7450U	1	
4	83610-TL1-000-GE		L SIDE COVER GY-010UL	1	
4	83610-TL1-000-IL		L SIDE COVER GY-7450U	1	
5	90117-TL1-000		SPECIAL BOLT M6*22	2	
6	93903-44380	1.50	TAPPING SCREW 4*12	8	

●Please check the color & stripe information according to the color index !

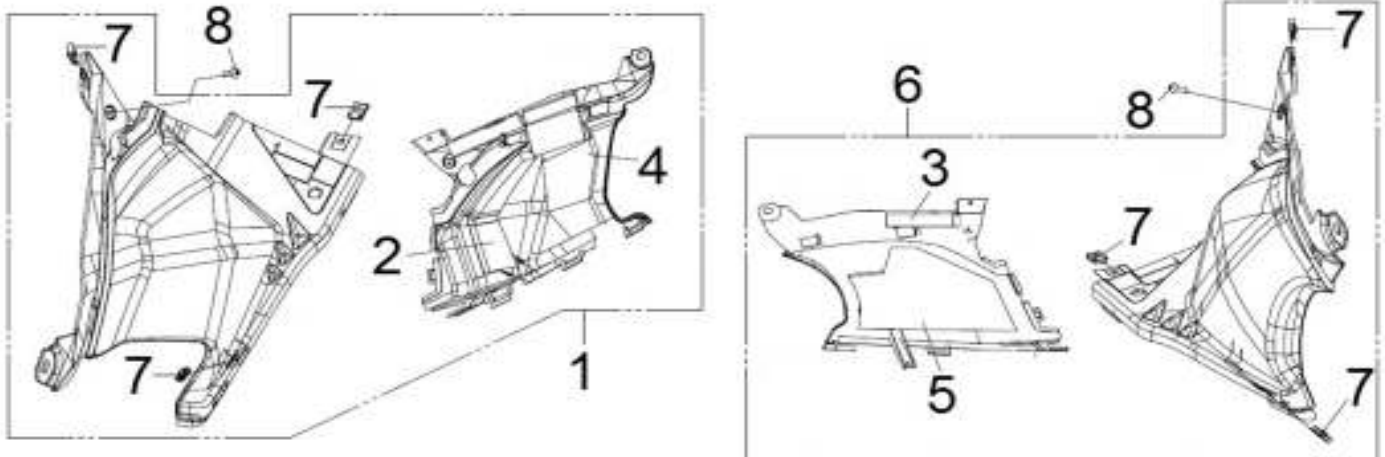


圖照僅供參考
Pictures reference only

NO	PARTS NUMBER	PRICE (RM/pcs)	DESCRIPTION	QTY	EFFECTIVE DATE
1	77200-TL1-000		DOUBLE SEAT COMP.	1	
2	35345-L3A-000	25.80	SEAT OPEN LAMP SW.	1	
3	74480-TL1-000		GAS DAMPER	2	
4	77213-TL1-000		R SEAT HINGER COVER	1	
5	7721A-TL1-000		SEAT HINGE ASSY.	1	
6	77230-LM1-000	33.40	SEAT CATCH ASSY.	1	
7	77300-TL1-000		RR. SEAT COMP.	1	
8	90111-M9Q-900	2.50	FLANGE BOLT 6mm	2	
9	94050-06070	0.90	FLANGE NUT 6mm	3	
10	94101-08000	0.50	PLAIN WASHER 8mm	2	
11	94251-08400	0.80	LOCK PIN 8mm	2	
12	95801-06012-07	0.90	FLANGE BOLT 6*12	6	

●Please check the color & stripe information according to the color index !

維修蓋 MAINTENANCE COVER

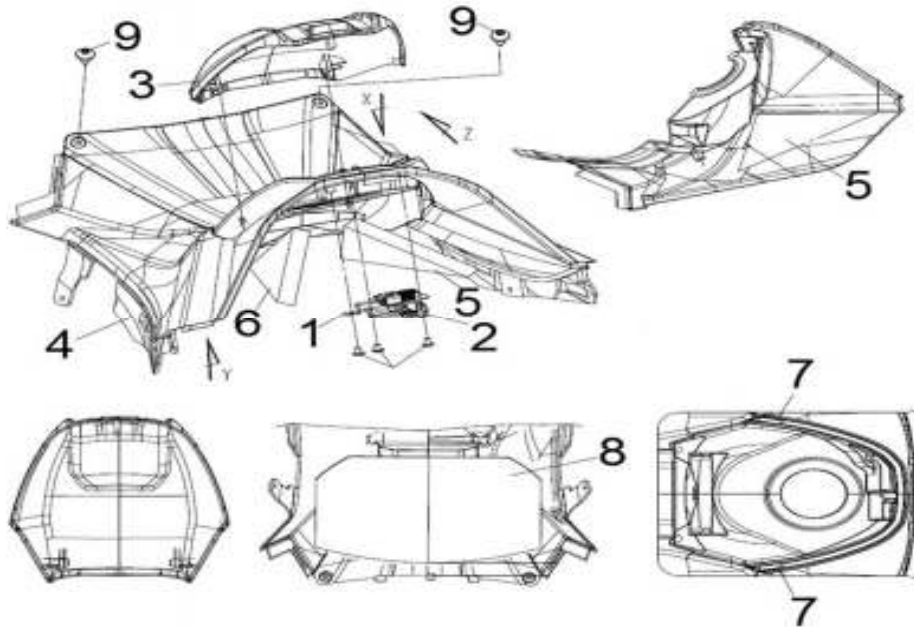


圖面僅供參考
Pictures reference only

NO	PARTS NUMBER	PRICE (RM/pcs)	DESCRIPTION	QTY	EFFECTIVE DATE
1	6433A-TL1-000-KA		R. SIDE MAINTENANCE COVER	1	
2	64331-TL1-000		R. MAINTENANCE COVER SPONGE	1	
3	64332-TL1-000		SIDE MAINTENANCE COVER SPONGE A	2	
4	64333-TL1-000		SIDE MAINTENANCE COVER SPONGE B	1	
5	64341-TL1-000		L. MAINTENANCE COVER SPONGE	1	
6	6434A-TL1-000-KA		L. SIDE MAINTENANCE COVER	1	
7	90302-V02-000	0.80	SPRING NUT 4mm	6	
8	93903-44380	1.50	TAPPING SCREW 4*12	2	

●Please check the color & stripe information according to the color index !

中央護蓋 CENTER COVER

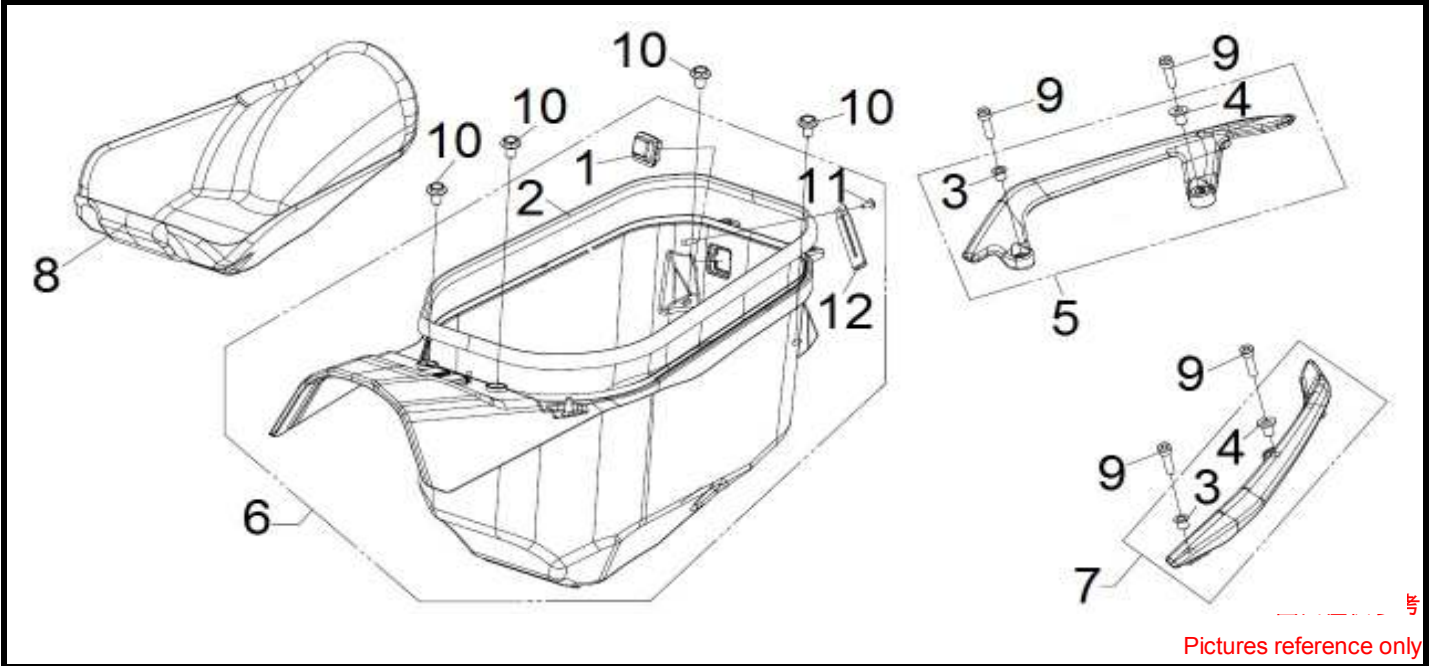


圖面僅供參考
Pictures reference only

NO	PARTS NUMBER	PRICE (RM/pcs)	DESCRIPTION	QTY	EFFECTIVE DATE
1	77249-TL1-000		FUEL CAP SRG. PLATE	1	
2	7724A-TL1-000		FUEL CABLE SUPPORT ASSY.	1	
3	80150-TL1-000-KA		FUEL TANK COVER BK-001U	1	
4	80152-TL1-000-KA		CENTER COVER BK-001U	1	
5	80153-TL1-000		R. CENTER COVER SPONGE	1	
6	80154-TL1-000		L. CENTER COVER SPONGE	1	
7	80155-TL1-000		SPONGE	2	
8	80156-TL1-000		CENTER COVER SPONGE	1	
9	90102-TL1-900		HEX. SOCKET TAPPING SCREW 4*14	2	
10	93903-34280	0.90	TAPPING SCREW 4*10	3	

●Please check the color & stripe information according to the color index !

行李箱 / 後架 LUGGAGE BOX ASSY / RR. CARRIER

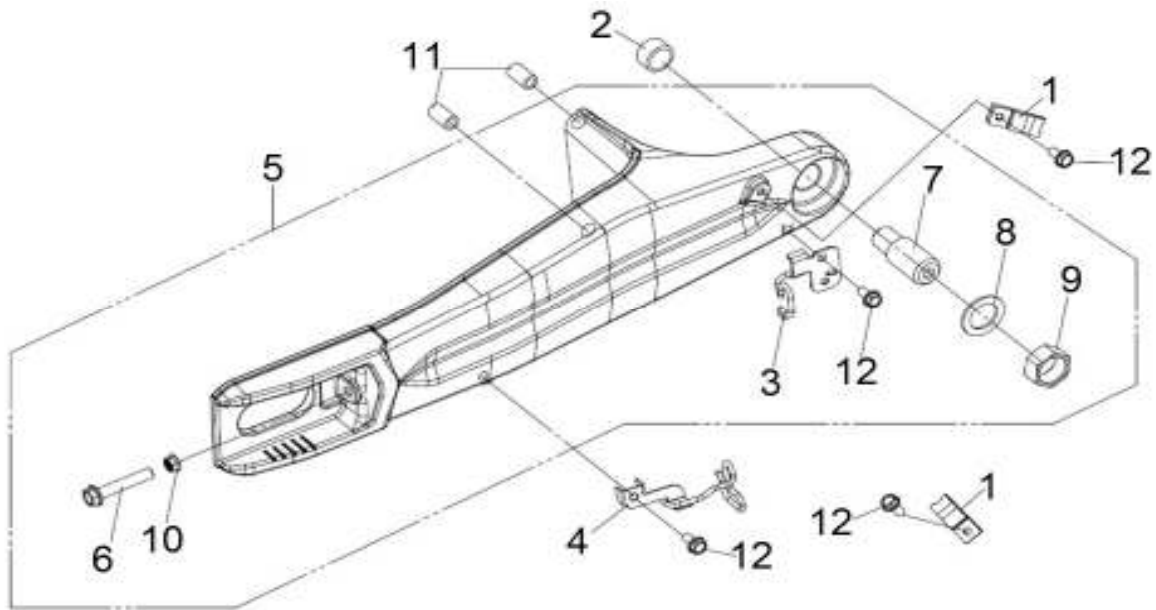


Pictures reference only

NO	PARTS NUMBER	PRICE (RM/pcs)	DESCRIPTION	QTY	EFFECTIVE DATE
1	35370-L4A-000	45.10	LUGGAGE BOX LIGHT ASSY.	1	
2	77115-TL1-000		LUGGAGE BOX RUBBER	1	
3	81201-AVA-000		RR. CARRIER COLLAR	2	
4	81202-TL1-000		RR. CARRIER COLLAR	2	
5	8120A-TL1-000-KB		R. RR. CARRIER ASSY BK-001C	1	
6	8125A-TL1-000		LUGGAGE BOX ASSY.	1	
7	8130A-TL1-000-KB		L. RR. CARRIER ASSY BK-001C	1	
8	83630-TL1-000		LUGGAGE BOX MAT	1	
9	90105-M92-000		SPECIAL BLOT 8mm	4	
10	93404-06012-07	1.50	WASHER BOLT 6*12	4	
11	93903-44380	1.50	TAPPING SCREW 4*12	1	
12	94591-25000	1.40	CLIP 2*50	1	

●Please check the color & stripe information according to the color index !

右後懸臂(黑) R. SWING ARM ASSY



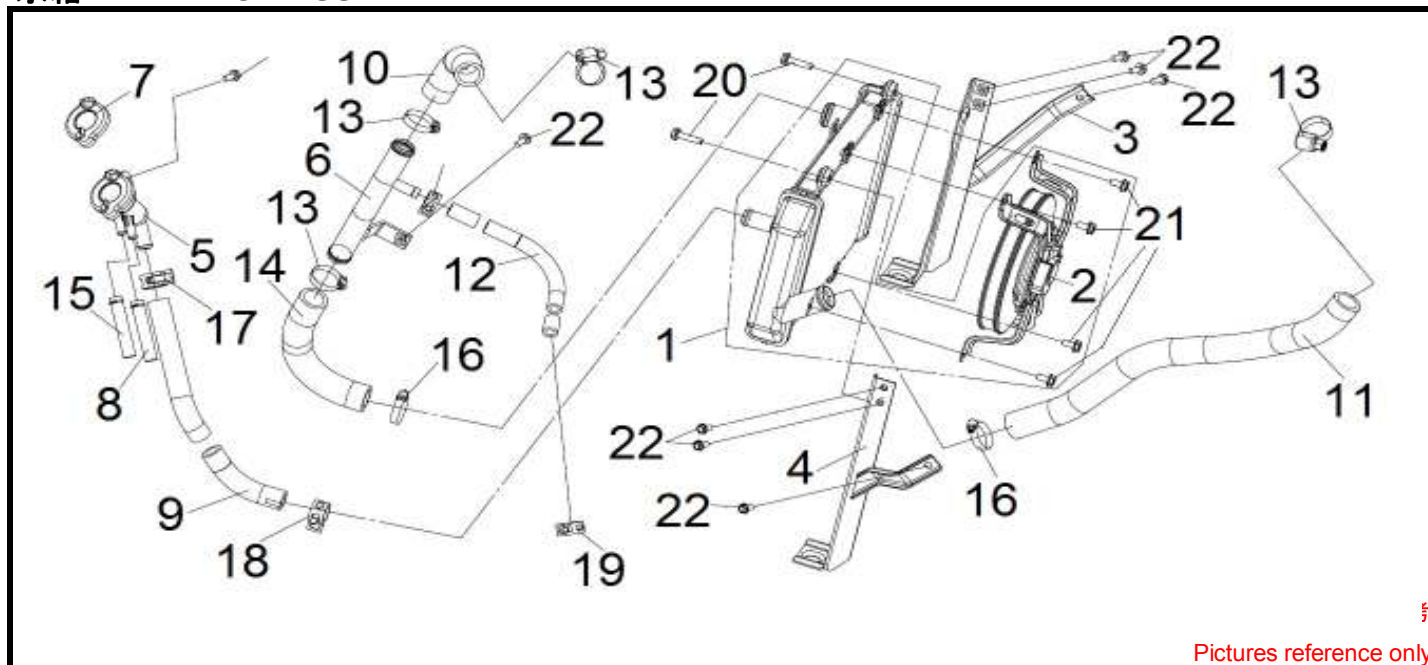
圖面僅供參考

Pictures reference only

NO	PARTS NUMBER	PRICE (RM/pcs)	DESCRIPTION	QTY	EFFECTIVE DATE
1	45156-HJA-000		SENSOR HOSE CLAMP A	2	
2	52112-TL1-000		R. PIVOT COLLAR	1	
3	52113-TL1-000		R. RR. FORK CABLE STAY B	1	
4	52114-TL1-000		R. RR. FORK CABLE STAY C	1	
5	5211A-TL1-000		R SWING ARM ASSY BK-001C	1	
6	90103-TL1-000		HEX BOLT 8*45	1	
7	90302-TL1-000		R. PIVOT BOLT	1	
8	90303-TL1-000		PIVOT BOLT WASHER	1	
9	90304-TL1-000		NUT M22*1.5	1	
10	94050-08000	0.80	FLANGE NUT 8mm	1	
11	94301-12160		DOWEL PIN 12*16	2	
12	95801-06012-07	0.90	FLANGE BOLT 6*12	4	

●Please check the color & stripe information according to the color index !

水箱 RADIATOR ASSY.

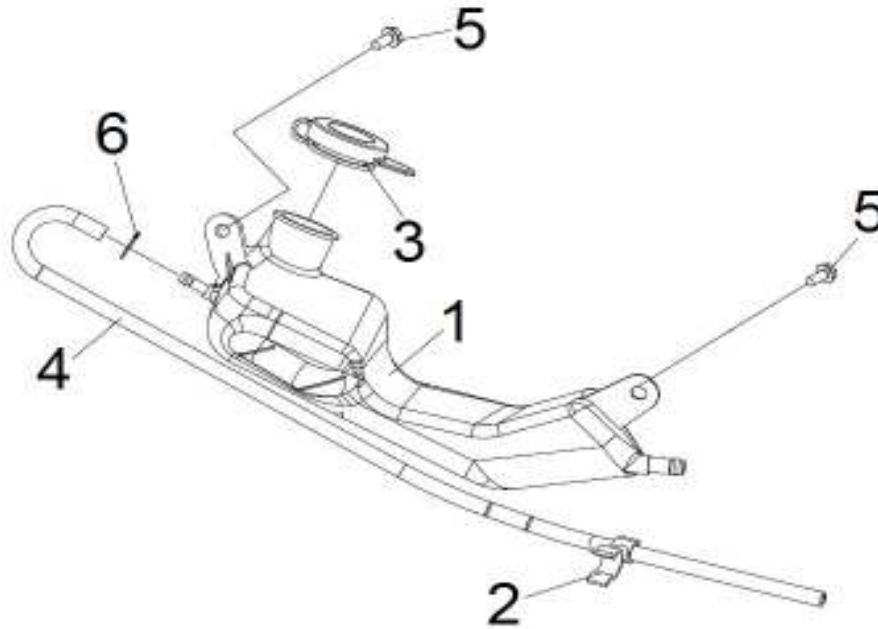


Pictures reference only

NO	PARTS NUMBER	PRICE (RM/pcs)	DESCRIPTION	QTY	EFFECTIVE DATE
1	19000-TL1-000		RADIATOR ASSY.	1	
2	19005-TL1-000		SHROUD ASSY.	1	
3	19020-TL1-000		R. RADIATOR MOUNTING BRKT.	1	
4	19021-TL1-000		L. RADIATOR MOUNTING BRKT.	1	
5	19039-H9A-000		FILLER NECK	1	
6	19110-TL1-000		WATER PIPE COMP.	1	
7	19111-H9A-900		RADIA FILLER CAP COMP.	1	
8	19124-TL1-000		FILLER NECK-ENG. HOSE	1	
9	19125-TL1-000		RADIATOR HOSE	1	
10	19502-TL1-000		WATER PIPE B	1	
11	19503-TL1-000		RADIATOR HOSE C	1	
12	19504-TL1-000		WATER PIPE C	1	
13	19505-REA-000	9.90	GOSE CLAMP.	4	
14	19505-TL1-000		WATER PIPE A	1	
15	19507-TL1-000		RESERVE TANK-FILLER NECK HOSE	1	
16	19511-REA-000	11.70	CLIP WATER HOSE	2	
17	90682-SB0-671	5.90	CNSTR HOSE CLAMP	1	
18	91405-SS0-003	8.50	CLAMP D21 TUBE	1	
19	91407-SA7-003		FUEL HOSE CLAMP 17.0	2	
20	93401-06025-07	1.40	WASHER BOLT 6/25	2	
21	93404-06016-07	0.90	WASHER BOLT 6*16	4	
22	95801-06012-07	0.90	FLANGE BOLT 6*12	5	

●Please check the color & stripe information according to the color index !

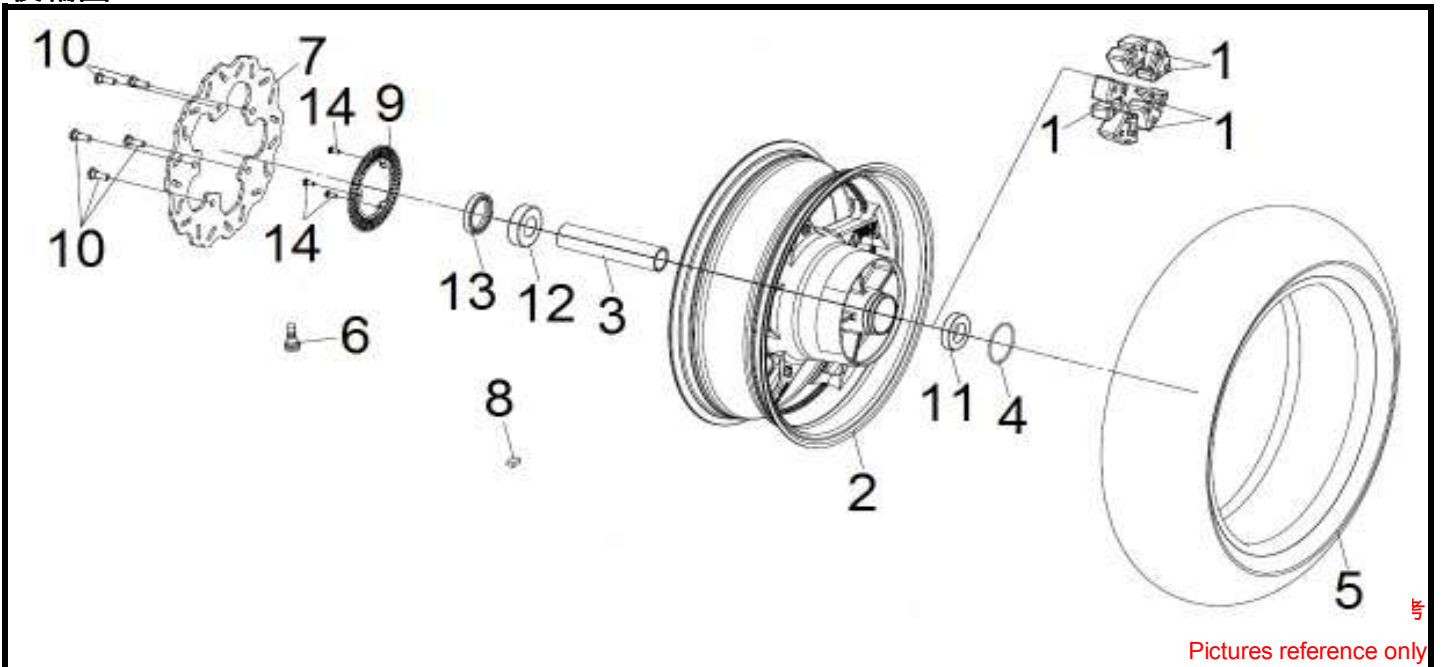
副水箱 RESERVE TANK



圖面僅供參考
Pictures reference only

NO	PARTS NUMBER	PRICE (RM/pcs)	DESCRIPTION	QTY	EFFECTIVE DATE
1	19101-TL1-000		RESEVER TANK	1	
2	19102-L4A-000	3.00	TUBE CLAMP	1	
3	19104-M9Q-000	6.20	TANK RESEVER CAP	1	
4	19109-TL1-000		RESEVER TANK TUBE	1	
5	93401-06016-07	0.60	WASHER BOLT 6*16	2	
6	95002-45000	0.45	CLIP TUBE C8	1	

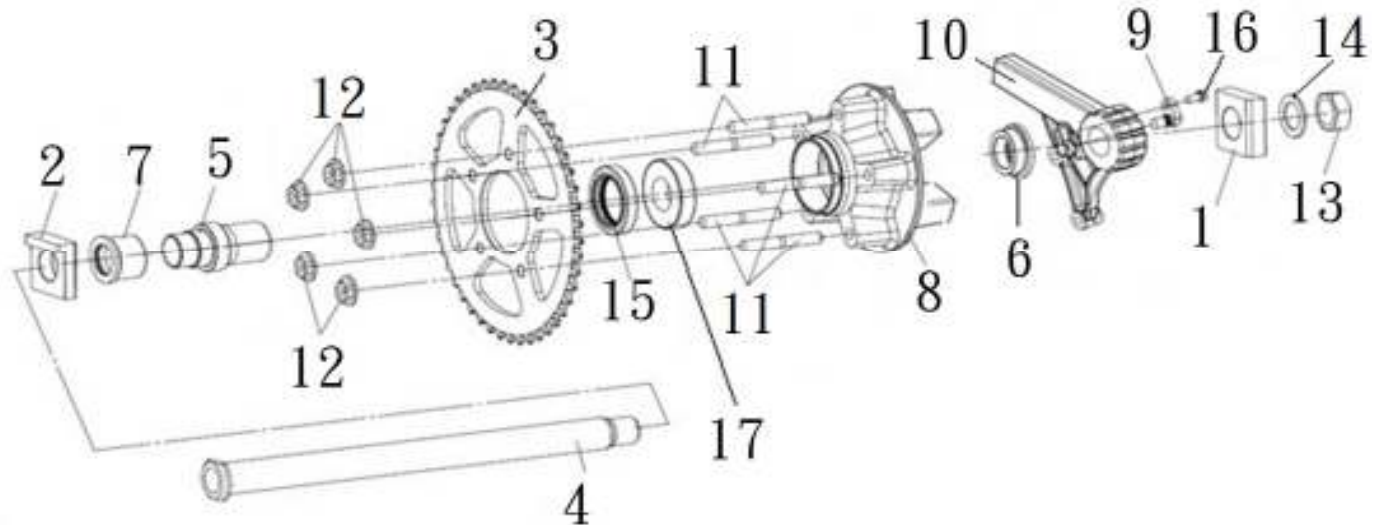
●Please check the color & stripe information according to the color index !



NO	PARTS NUMBER	PRICE (RM/pcs)	DESCRIPTION	QTY	EFFECTIVE DATE
1	41241-TL1-000-A		RR. WHEEL DAMPER	1	
2	42601-TL1-000-JD		RR CASTING WHEEL COMP BK-7C	1	
3	42620-TL1-000		RR. WHEEL DIST. COLLAR	1	
4	42653-TL1-000		O RIHG 52.07*2.62	1	
5	42710-TL1-001		RR. TIRE ASSY.(160/60-15)	1	
6	42753-KBN-902	15.55	RIM VALVE	1	
7	43121-TL1-000		RR. BRAKE DISK BK-001C	1	
8	44720-H9A-000	12.75	BALANCE WEIGHT	1	
9	45120-TL1-000		ABS DETECTIVE DISK	1	
10	90105-KR3-000	5.50	FR. DISK BOLT 8*24	5	
11	90913-TL1-000		RADIAL BALL BEARING 60/28 LUU	1	
12	90914-TL1-000		RADIAL BALL BEARING 62/28 LUU	1	
13	91206-TL1-000		OIL SEAL 40*58*8	1	
14	93500-L4C-000		NYLOK PAN SCREW 5*12	3	

●Please check the color & stripe information according to the color index !

後輪鼓總成 FINAL DRIVEN ASSY.



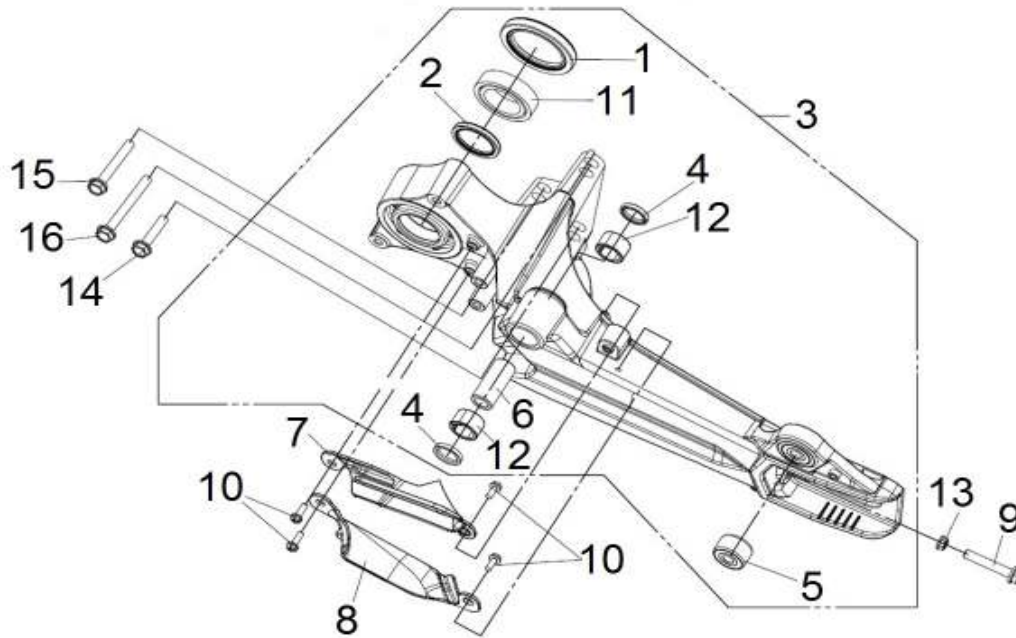
圖面僅供參考

Pictures reference only

NO	PARTS NUMBER	PRICE (RM/pcs)	DESCRIPTION	QTY	EFFECTIVE DATE
1	40547-TL1-000		R. AXLE FIXED WASHER	1	
2	40548-TL1-000		L. AXLE FIXED WASHER	1	
3	41201-TL1-000		FINAL DRIVEN SPROCKET (46T)	1	
4	42301-TL1-000		RR. WHEEL AXLE	1	
5	42303-TL1-000		REAR AXLE SLEEVE	1	
6	4231A-TL1-000		R. RR. WHEEL SIDE COLLAR ASSY	1	
7	4231B-TL1-000		L. RR. WHEEL SIDE COLLAR ASSY	1	
8	42610-TL1-000-JD		FINAL DRIVEN FLANGE BK-7C	1	
9	44870-L4C-000	214.30	ABS. SPEED SENSOR (BOSCH)	1	
9.1	44910-L4C-000	2.15	ABS. RUBBER BUSH	1	
10	52105-TL1-000		RR BRAKE BRKT	1	
11	90110-B8G-000	3.00	STUD BOLT 10*39.5	5	
12	90304-M9Q-800	3.30	FLANGE U NUT 10mm	5	
13	90307-TL1-000		U NUT M24X1.5	1	
14	90504-TL1-000		RR. AXLE WASHER	1	
15	91203-TL1-000		OIL SEAL 40*62*10	1	
16	95801-06014-07	0.60	FLANGE BOLT 6*14	1	
17	96150-60070-10		RADIAL BALL BRG. 6007UU	1	

●Please check the color & stripe information according to the color index !

左後懸臂總成(黑) L. SWING ARM ASSY

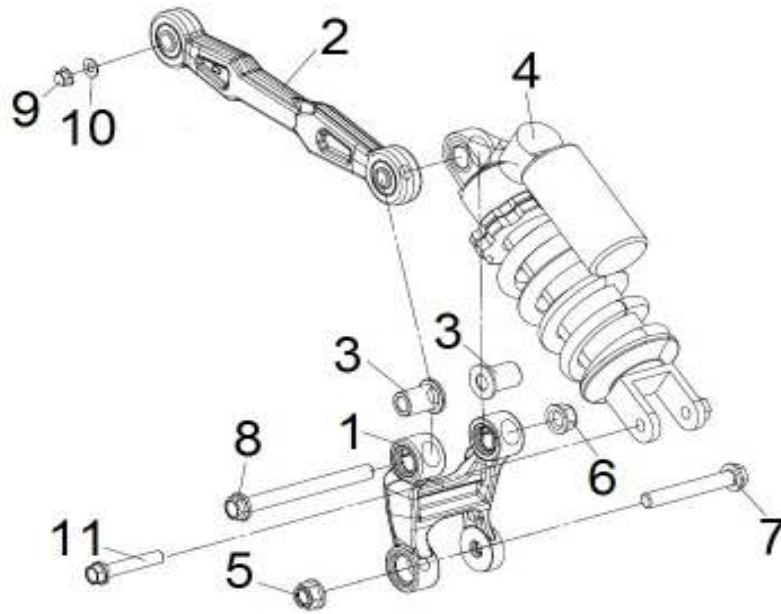


圖面僅供參考
Pictures reference only

NO	PARTS NUMBER	PRICE (RM/pcs)	DESCRIPTION	QTY	EFFECTIVE DATE
1	52122-TL1-000		OIL SEAL 50*70*9	1	
2	52123-TL1-000		OIL SEAL 30*45*5	1	
3	5212E-TL1-000		L SWING ARM ASSY BK-001C	1	
4	52133-TL1-000		OIL SEAL 20*26*4	2	
5	52141-TL1-000		RUBBER BUSH	1	
6	52152-TL1-000		NEEDLE BEARING COLLAR B	1	
7	52170-TL1-000		UPPER CHAN SLIDER	1	
8	52171-TL1-000		LOWER CHAN SLIDER	1	
9	90103-TL1-000		HEX BOLT 8*45	1	
10	90302-M9Q-000		WASHER BOLT 5*12	4	
11	90915-TL1-000-A		TAPERED BEARING 32907XU SET	1	
12	91003-RB1-000		NEEDLE BEARING HK2016	2	
13	94050-08000	0.80	FLANGE NUT 8mm	1	
14	95801-10050-07	1.70	BOLT FLANGE 10*50	1	
15	95801-10075-07	3.90	FLANGE BOLT 10*75	1	
16	95801-10120-07		FLANGE BOLT 10*120	1	

•Please check the color & stripe information according to the color index !

後避震 RR. CUSSION SYSTEM

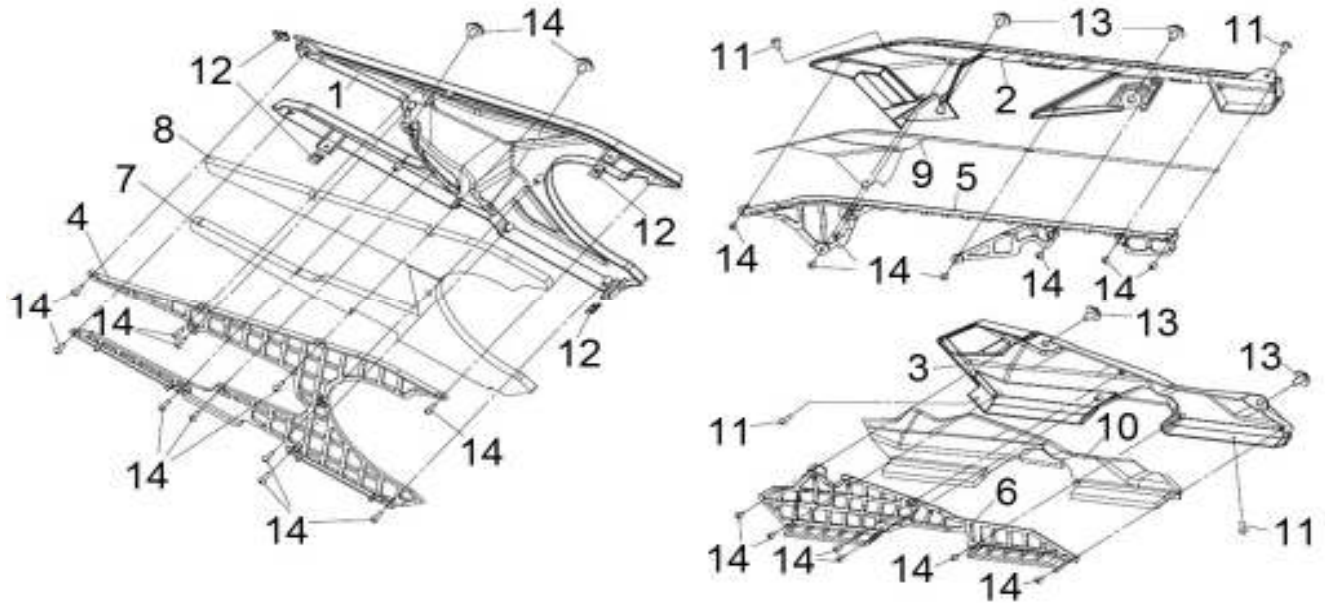


圖面僅供參考
Pictures reference only

NO	PARTS NUMBER	PRICE (RM/pcs)	DESCRIPTION	QTY	EFFECTIVE DATE
1	5213A-TL1-000	3.30	RR. CUSSION ROCKER ASSY. BK-001C	1	
2	5214A-TL1-000		PUSH ROD ASSY BK-7C	1	
2.1	52141-TL1-000		RUBBER BUSH	1	
3	52154-TL1-000		NEEDLE BEARING COLLAR A	2	
4	52400-TL1-000		RR. CUSHION ASSY BK-001C	1	
5	90304-M9Q-800		FLANGE U NUT 10mm	1	
6	90306-M9Q-900		SELF-LOCK NUT 12mm	1	
7	92201-10075-0G		HEXAGON HEAD BOLT 10*75	1	
8	92601-12120-0A		CAP BOLT 12*120	1	
9	94021-10020		CAP NUT 10mm	1	
10	94101-10000		PLAIN WASHER 10mm	1	
11	95801-12040-07	FLANGE BOLT 12*40	1		

●Please check the color & stripe information according to the color index !

鏈條護蓋總成 DRIVE CHAIN COVER ASSY.



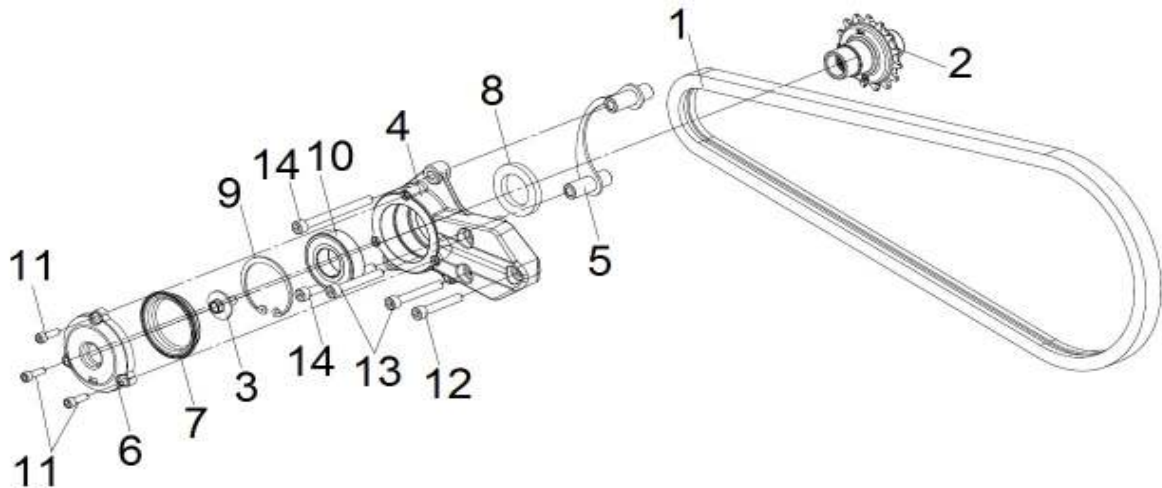
:參考

Pictures reference only

NO	PARTS NUMBER	PRICE (RM/pcs)	DESCRIPTION	QTY	EFFECTIVE DATE
1	40510-TL1-000		DRIVE CHAIN COVER	1	
2	40511-TL1-000		UP. DRIVE CHAIN COVER	1	
3	40512-TL1-000		LWR. DRIVE CHAIN COVER	1	
4	40513-TL1-000		DRIVE CHAIN PLATE	1	
5	40514-TL1-000		UP. DRIVE CHAIN PLATE	1	
6	40515-TL1-000		LWR. DRIVE CHAIN PLATE	1	
7	40516-TL1-000		CHAIN COVER INSULATOR A	1	
8	40517-TL1-000		CHAIN COVER INSULATOR D	1	
9	40519-TL1-000		CHAIN COVER INSULATOR B	1	
10	40520-TL1-000		CHAIN COVER INSULATOR C	1	
11	90102-TL1-900		HEX. SOCKET TAPPING SCREW 4*14	4	
12	90302-V02-000	0.80	SPRING NUT 4mm	4	
13	93401-06012-07	0.80	WASHER BOLT 6*12	6	
14	93903-34280	0.90	TAPPING SCREW 4*10	24	

●Please check the color & stripe information according to the color index !

鍊條機構 DRIVE CHAIN

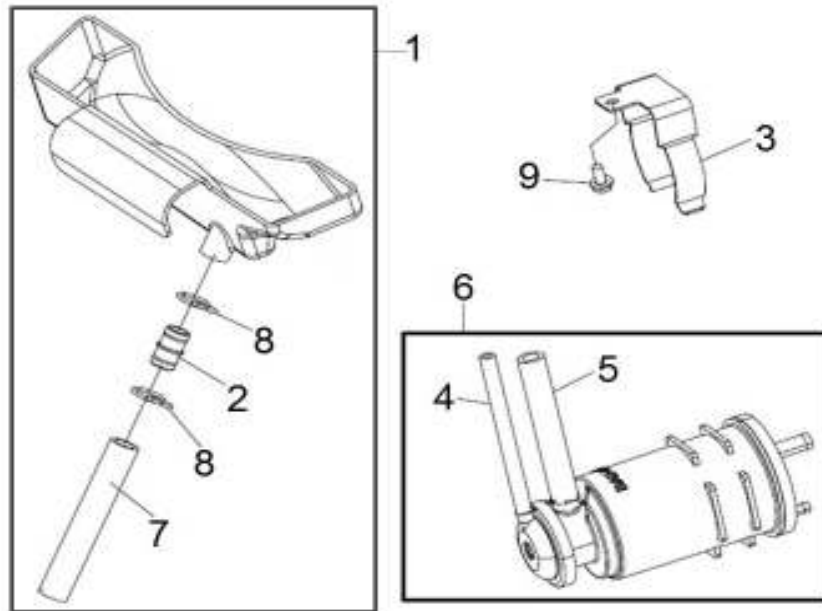


圖面僅供參考

Pictures reference only

NO	PARTS NUMBER	PRICE (RM/pcs)	DESCRIPTION	QTY	EFFECTIVE DATE
1	40530-TL1-000		DRIVE CHAIN	1	
2	41202-TL1-000		DRIVE SPROCKET(15T)	1	
3	41203-TL1-000		DRIVE SPROCKET BOLT M8*16	1	
4	52150-TL1-000		PIVOT HOLDER BK-001C	1	
5	52151-TL1-000		DRIVE CHAIN GUARD	1	
6	52160-TL1-000		SWINGARM PIVOT COVER BK-001C	1	
7	52161-TL1-000		PIVOT HOLDER SEAL	1	
8	91207-TL1-000		OIL SEAL TC35*55*7	1	
9	94520-62000		CIRCLIP IN. 62	1	
10	96150-62060-10	53.70	RADIAL BALL BRG.6206LLU/2AS	1	
11	96700-06020-07	1.00	SOCKET BOLT 6*20	3	
12	96700-08040-07		SOCKET BOLT 8*40	1	
13	96700-08050-07		SOCKET BOLT 8*50	2	
14	96700-08090-07		SOCKET BOLT 8*90	2	

●Please check the color & stripe information according to the color index !

活性炭罐總成 CANISTER ASSY.


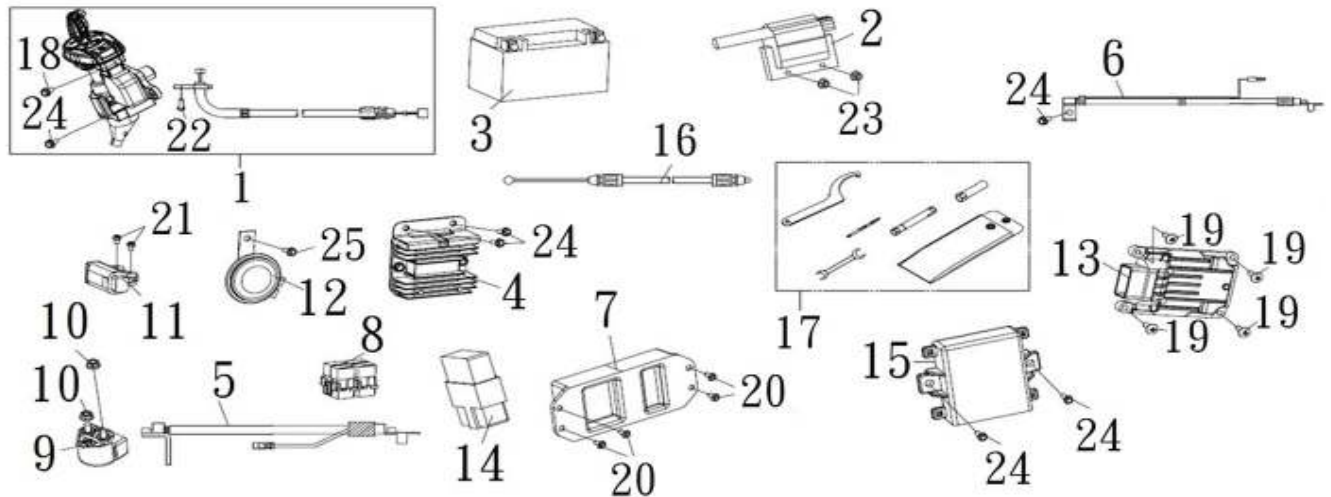
圖面僅供參考

Pictures reference only

NO	PARTS NUMBER	PRICE (RM/pcs)	DESCRIPTION	QTY	EFFECTIVE DATE
1	17510-TL1-000		FUEL TANK CAP RUBBER ASSY	1	
2	17525-KBN-900		FUEL TUBE JOINT	1	
3	17551-TL1-000		CANISTER CLAMP	1	
4	17686-TL1-000		CANISTER-INLET PIPE TUBE	1	
5	17687-TL1-000		CANISTER-F.C.V. TUBE	1	
6	1756A-TL1-000		CANISTER ASSY.	1	
7	95001-80510-60		FUEL TUBE 8.0*510	1	
8	95002-L4A-000		CLIP B13 TUBE	2	
9	95801-06012-07	0.90	FLANGE BOLT 6*12	1	

●Please check the color & stripe information according to the color index !

電裝品 ELECTRICAL PARTS



圖面僅供參考

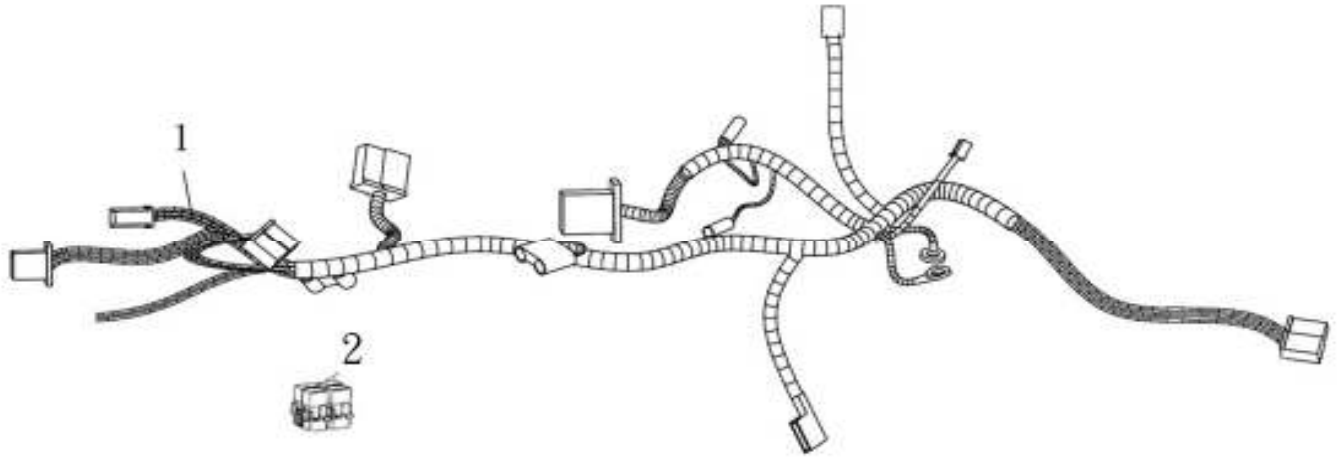
Pictures reference only

NO	PARTS NUMBER	PRICE (RM/pcs)	DESCRIPTION	QTY	EFFECTIVE DATE
1	35010-TL1-000-TW		KEY SET (NO CABLE)	1	
1.1	35110-F91-000-A21~A40		SHUTTER COMP.	1	
1.2	35111-F91-000-A21~A40		KEY COMP.	1	
1.2	35111-F91-000-C21~C40		KEY COMP.	1	
1.3	77245-TL1-000		FUEL CAP LOCK CABLE	1	
2	3051A-TL1-000		IGN COIL ASSY	2	
3	31500-VS1-020-P		BATTERY ASSY.	1	
4	31600-HJA-900		REG. REC SET (MK=677)	1	
5	32411-TL1-000		BATTERY CABLE	1	
6	32412-TL1-000		EARTH CABLE A	1	
7	33110-TL1-000		HI/LO BEAM DRIVER	1	
8	35850-F91-000		ELEC. RELAY	4	
9	35850-L4A-000		STARTER MAG. SW. COMP	1	
10	35859-M9Q-000	0.90	MAG. SW. NUT	2	
11	36100-MMA-100-A1	117.10	ROLL OVER SENSOR ASSY (MK=640)	1	
12	38110-L4A-000	53.70	HORN COMP	1	
13	38710-TL1-000-01			1	
13	38710-TL1-000-03		ECU ASSY	1	20/01/2020
14	3872A-TL1-000		HAZARD CONTROL UNIT ASSY.	1	
15	39900-L6G-000		TPMS. CONTROL UNIT	1	
16	77240-TL1-000		SEAT LOCK CABLE	1	
17	89010-TL1-000		TOOL SET	1	
18	90085-HHA-900	2.50	FLANGE BOLT 6*12	1	
19	90106-AGA-000		TAPPING SCREW 4*12	4	
20	93401-05012-08	0.90	WASHER BOLT 5*12	4	
21	93891-04022-08	0.90	SCREW WASHER 4*22	2	

NO	PARTS NUMBER	PRICE (RM/pcs)	DESCRIPTION	QTY	EFFECTIVE DATE
22	93892-05012-08	2.60	WASHER SCREW 5*12	1	
23	94050-04000	0.70	FLANGE NUT 4mm	4	
24	95801-06012-07	0.90	FLANGE BOLT 6*12	5	
25	95801-08012-07	0.80	FLANGE BOLT 8*12	1	

•Please check the color & stripe information according to the color index !

VIRE HARNESS



圖面僅供參考
Pictures reference only

NO	PARTS NUMBER	PRICE (RM/pcs)	DESCRIPTION	QTY	EFFECTIVE DATE
1	32100-TL1-000		WIRE HARNESS	1	
2	35850-F91-000		ELEC. RELAY	4	

●Please check the color & stripe information according to the color index !

PARTS NO. INDEX

PARTS NO.	NO.	PARTS NO.	NO.	PARTS NO.	NO.
06414-XTA-000	E05	12200-TL1-000-A	E02	14771-TL1-000	E03
06415-HKK-000	E05	12200-TL1-000-A	E03	14775-HLK-000	E03
06416-HKK-000	E05	12251-TL1-000	E06	14781-L1N-000-A	E03
11100-TL1-010	E12	12301-TL1-000	E01	15100-TL1-000	E21
11105-TL1-000	E24	12302-TL1-000	E01	15141-TL1-000	E21
11106-TL1-000	E24	12303-TL1-000	E01	1522A-TL1-000	E13
11108-TL1-000	E24	12308-TL1-000	E01	15230-REA-000	E13
11111-TL1-000	E12	1236A-B04-000	E13	1524A-TL1-000	E21
11112-TL1-000	E12	12391-TL1-000	E01	15400-TL1-000	E13
11113-TL1-000	E11	13000-TL1-000	E07	15402-TL1-000	E13
11200-TL1-000	E13	13001-TL1-000	E09	15421-M8Q-000	E14
11201-TL1-000	E13	13010-TL1-000	E06	15421-REA-000	E13
11202-TL1-000	E13	13101-TL1-000	E06	15426-REA-000	E13
11331-TL1-010	E11	13102-TL1-000	E08	15652-B9A-000	E14
11333-TL1-000	E15	13111-TL1-000	E06	1565A-TL1-000	E14
11334-TL1-000	E15	13210-TL1-000	E08	15715-TL1-000	E01
11395-TL1-000	E14	13220-TL1-000	E08	15761-TL1-000	E23
11335-TL1-000	E15	13336-BHA-000	E17	16400-TL1-000	E05
11336-TL1-000	E15	13411-TL1-000	E08	16700-TL1-000	F19
11340-TL1-000	E14	14100-TL1-000	E03	17110-TL1-000	E05
11343-TL1-000	E14	14151-L4A-000	E13	17111-TL1-000	E05
11353-TL1-000	E16	14200-TL1-000	E03	17120-TL1-000	E05
11354-H3A-000	E15	14401-TL1-000	E07	17123-TL1-000	E05
11354-H3A-000	E16	14510-TL1-000	E07	17200-TL1-010	E23
11356-H3A-000	E15	14520-H6T-000	E06	17210-TL1-000	E23
11356-H3A-000	E16	14522-H6T-0000	E06	17211-TL1-000	E23
11356-TL1-000	E16	14523-M9Q-002	E06	17233-TL1-000	E23
1135A-TL1-000-IL	E16	14524-H6T-000	E06	17234-TL1-010	E23
11360-TL1-000	E13	14525-H6T-000	E06	17370-M9Q-000	E23
1136A-TL1-010-IL	E15	14531-REA-000	E07	17371-A5W-000	E23
1137A-TL1-000	E10	14610-TL1-000	E07	17500-TL1-000	F19
1137A-TL1-000	E19	14710-TL1-000	E01	17502-TL1-000	F19
11383-TL1-000	E14	14711-TL1-000	E03	17506-TL1-000	F19
11394-TL1-000	E11	14721-TL1-000	E03	17510-TL1-000	F36
11396-TL1-000	E14	14732-TL1-000	E03	17512-TL1-000	F19
11400-TL1-000	E14	14741-TL1-000	E03	17525-KBN-900	F36
12100-TL1-000	E06	14751-TL1-000	E03	17551-TL1-000	F36
12100-TL1-000-A	E06			1756A-TL1-000	F36
12110-TL1-000	E12			17580-TL1-000	F19
12111-TL1-000	E12			17581-L32-000	F19
12112-TL1-000	E12			17583-TL1-000	F19
12113-TL1-000	E12			17620-XH1-020	F19
12191-TL1-000	E06			17667-TL1-000	F12
12209-L1N-000	E03			17686-TL1-000	F36
1220A-TL1-000	E04				

PARTS NO. INDEX

PARTS NO.	NO.	PARTS NO.	NO.	PARTS NO.	NO.
17687-TL1-000	F36	19509-TL1-000	E22	31200-TL1-000	E12
17688-TL1-000	E23	19510-TL1-000	E22	31500-VS1-020-P	F37
17782-TL1-000	F19	19511-REA-000	F28	31600-HJA-900	F37
17787-AVA-000	F17	21202-TL1-000	E12	32100-TL1-000	F38
17910-TL1-000	F04	22000-TL1-000	E10	32161-M9Q-100	F03
18000-TL1-010-IL	E25	22101-TL1-010	E18	32161-M9Q-100	F04
18241-TL1-000	E25	22102-TL1-000	E10	32161-T15-000	F03
18291-TL1-000	E25	22103-TL1-000	E10	32411-TL1-000	F37
18292-F86-000	E25	22105-TL1-000	E10	32412-TL1-000	F37
18293-F3E-000	E25	22110-TL1-020	E10	33100-TL1-000	F02
18295-A1A-000	E25	22121-TL1-020-A	E10	33110-TL1-000	F37
18318-TL1-010	E25	22131-TL1-010	E10	33400-TL1-000	F02
18321-L1A-000	E25	22132-TL1-010-A	E10	33450-TL1-000	F02
18328-TL1-000	E25			33600-TL1-000	F20
18338-TL1-000	E25	22201-TL1-000-A	E18	33650-TL1-000	F20
18421-N01-000	F15	22202-TL1-000	E18	33700-TL1-000	F20
18422-N01-000	F15	22310-TL1-000	E18	33740-E4D-010	F20
		22311-TL1-000-A	E18	33741-M9A-100	F20
19000-TL1-000	F28	22320-TL1-000	E18	33742-REC-000	F08
19005-TL1-000	F28	22371-TL1-000	E18	35010-TL1-000-TW	F37
19020-TL1-000	F28	22411-TL1-010	E18	35110-F91-000-A21	F37
19021-TL1-000	F28	22530-TL1-000-A	E18	35110-F91-000-A22	F37
19039-H9A-000	F28	22901-TL1-000	E18	35110-F91-000-A23	F37
19101-TL1-000	F29	23010-TL1-000	E19	35110-F91-000-A24	F37
19102-L4A-000	F29	23100-TL1-000	E10	35110-F91-000-A25	F37
19104-M9Q-000	F29	23118-TL1-000-A	E18	35110-F91-000-A26	F37
19109-TL1-000	F29	23119-TL1-000	E18	35110-F91-000-A27	F37
19110-TL1-000	F28			35110-F91-000-A28	F37
19111-H9A-900	F28	23411-TL1-000	E17	35110-F91-000-A29	F37
19124-TL1-000	F28	23412-TL1-000	E17	35110-F91-000-A30	F37
19125-TL1-000	F28	23414-TL1-000	E18	35110-F91-000-A31	F37
19210-TL1-000	E20	23421-TL1-000	E17	35110-F91-000-A32	F37
19301-REA-000	E02	23422-TL1-000	E17	35110-F91-000-A33	F37
1930A-L6C-000	E02	23423-TL1-000	E17	35110-F91-000-A34	F37
19315-TL1-000	E02	23431-TL1-000	E17	35110-F91-000-A35	F37
19501-TL1-000	E22	23432-TL1-000	E17	35110-F91-000-A36	F37
19502-TL1-000	F28	2343A-TL1-000	E13	35110-F91-000-A37	F37
19503-TL1-000	F28	23438-TL1-000	E13	35110-F91-000-A38	F37
19504-TL1-000	F28	28100-TL1-000	E14	35110-F91-000-A39	F37
19505-F81-000	F19	28102-BAA-000	E14	35110-F91-000-A40	F37
19505-REA-000	E22	28110-L4A-002	E07	35111-F91-000-A21	F37
19505-REA-000	F28	2812A-TL1-000	E09	35111-F91-000-A22	F37
19505-TL1-000	F28	3051A-TL1-000	F37	35111-F91-000-A23	F37
19507-TL1-000	F28	31110-TL1-000	E09	35111-F91-000-A24	F37
19508-TL1-000	E22	31120-TL1-000	E09	35111-F91-000-A25	F37

零件料號索引

PARTS NO. INDEX

PARTS NO.	NO.		PARTS NO.	NO.		PARTS NO.	NO.	
35111-F91-000-A26	F37		37240-L4A-000	E06		43313-TL1-000	F13	
35111-F91-000-A27	F37		37800-TL1-000	F19		43315-TL1-000	F13	
35111-F91-000-A28	F37		37804-TL1-000	F19		43316-TL1-000	F09	
35111-F91-000-A29	F37		37830-MMA-900	E05		43500-L4C-000	F13	
35111-F91-000-A30	F37		37880-HLK-900	E02		43509-L4A-300	F13	
35111-F91-000-A31	F37		37890-TL1-000	E25		44301-TL1-000	F09	
35111-F91-000-A32	F37		38110-L4A-000	F37		44313-TL1-000	F10	
35111-F91-000-A33	F37		38650-FSA-000-A2	F12		44314-TL1-000	F10	
35111-F91-000-A34	F37		38710-TL1-000-03	F37		44601-TL1-000-JD	F10	
35111-F91-000-A35	F37		3872A-TL1-000	F37		44620-TL1-000	F10	
35111-F91-000-A36	F37		38730-TL1-000	F13		44710-TL1-001	F10	
35111-F91-000-A37	F37		38731-TL1-000	F13		44720-H9A-000	F10	
35111-F91-000-A38	F37		39900-L6G-000	F37		44720-H9A-000	F30	
35111-F91-000-A39	F37		40510-TL1-000	F34		44870-L4C-000	F09	
35111-F91-000-A40	F37		40511-TL1-000	F34		44870-L4C-000	F31	
35111-F91-000-C21	F37		40512-TL1-000	F34		44910-L4C-000	F09	
35111-F91-000-C22	F37		40513-TL1-000	F34		44910-L4C-000	F31	
35111-F91-000-C23	F37		40514-TL1-000	F34		45100-TL1-000-KB	F13	
35111-F91-000-C24	F37		40515-TL1-000	F34		45111-TL1-000	F09	
35111-F91-000-C25	F37		40516-TL1-000	F34		45112-TL1-000	F09	
35111-F91-000-C26	F37		40517-TL1-000	F34		45120-TL1-000	F10	
35111-F91-000-C27	F37		40519-TL1-000	F34		45120-TL1-000	F30	
35111-F91-000-C28	F37		40520-TL1-000	F34		45121-TL1-000	F10	
35111-F91-000-C29	F37		40530-TL1-000	F35		45122-TL1-000	F10	
35111-F91-000-C30	F37		40547-TL1-000	F31		45126-TL1-000	F13	
35111-F91-000-C31	F37		40548-TL1-000	F31		45130-L4A-310	F13	
35111-F91-000-C32	F37		41201-TL1-000	F31		45156-HJA-000	F27	
35111-F91-000-C33	F37		41202-TL1-000	F35		45156-TL1-000	F09	
35111-F91-000-C34	F37		41203-TL1-000	F35		45157-TL1-000	F17	
35111-F91-000-C35	F37		41241-TL1-000-A	F30		45200-TL1-000-KB	F13	
35111-F91-000-C36	F37		42301-TL1-000	F31		45450-TL1-000	F17	
35111-F91-000-C37	F37		42303-TL1-000	F31		45457-TL1-000	E14	
35111-F91-000-C38	F37		4231A-TL1-000	F31		45500-L4C-000	F13	
35111-F91-000-C39	F37		4231B-TL1-000	F31		45506-L4A-300	F13	
35111-F91-000-C40	F37		42601-TL1-000-JD	F30		45506-L4A-300	F13	
35150-L4A-000	F04		42610-TL1-000-JD	F31		45507-L4A-300	F13	
35200-TL1-000	F04		42620-TL1-000	F30		45507-L4A-300	F13	
35345-L3A-000	F23		42653-TL1-000	F30		45508-L4A-300	F13	
35370-L4A-000	F26		42710-TL1-001	F30		45508-L4A-300	F13	
35850-F91-000	F37		42753-KBN-902	F10		45509-L4A-300	F13	
35850-F91-000	F38		42753-KBN-902	F30		45510-L4A-300	F13	
35850-L4A-000	F37		43100-TL1-000-KB	F13		45510-L4A-300	F13	
35859-M9Q-000	F37		43121-TL1-000	F30		5010N-TL1-000	F14	
36100-MMA-100	F37		43126-TL1-000	F13		50130-X04-000	E12	
36500-F91-000	F17		43140-L4A-300	F13		50165-TL1-000	F16	
37200-TL1-000	F01							

PARTS NO.	NO.		PARTS NO.	NO.		PARTS NO.	NO.	
50166-TL1-000	F16		50703-R02-000	F18		53222-TL1-000	F12	
50180-TL1-000-KB	F15		50710-TL1-000	F18		53231-TL1-000	F04	
50181-TL1-000	F15		50719-TL1-000	F18		53232-TL1-000	F12	
50255-TL1-000	F17		50720-TL1-000	F18		61100-TL1-000-GG	F08	
5025A-TL1-000	E14		50722-B9A-000	F18		61100-TL1-000-JH	F08	
50300-TL1-000	F14		51400-TL1-000	F09		61100-TL1-000-QU	F08	
50306-TL1-000	F14		51500-TL1-000	F09		61100-TL1-000-UH	F08	
50307-TL1-000	F09		52105-TL1-000	F31		61104-APA-000-KD	F05	
50308-TL1-000	F14		52112-TL1-000	F27		61110-TL1-000-KA	F08	
50309-TL1-000	F14		52113-TL1-000	F27		61120-TL1-000-KA	F08	
50315-TL1-000	F07		52114-TL1-000	F27		61130-TL1-000-KA	F08	
50316-TL1-000	F07		52116-TL1-000	E11		61201-TL1-000	F05	
50317-TL1-000	F07		5211A-TL1-000	F27		64302-TL1-000	F05	
50321-TL1-000	F12		52122-TL1-000	F32		64303-TL1-000-GG	F06	
50322-TL1-000	F12		52123-TL1-000	F32		64303-TL1-000-JH	F06	
50323-TL1-000	F12		5212E-TL1-000	F32		64303-TL1-000-QU	F06	
50324-B9A-000	F07		52133-TL1-000	F32		64303-TL1-000-UH	F06	
50333-TL1-000	F12		5213A-TL1-000	F33		64304-TL1-000-GG	F06	
50500-TL1-000	F16		52141-TL1-000	F32		64304-TL1-000-JH	F06	
50502-GY6-900	F16		52141-TL1-000	F33		64304-TL1-000-QU	F06	
50503-HHA-000	F16		5214A-TL1-000	F33		64304-TL1-000-UH	F06	
50505-M7Q-000	F16		52150-TL1-000	F35		64304-X01-000	E23	
5052A-H9A-000	F16		52151-TL1-000	F35		64304-X01-000	F21	
50530-TL1-000	F17		52152-TL1-000	F32		64306-X01-900	E23	
50533-TL1-000	F17		52154-TL1-000	F33		64306-X01-900	F02	
5053A-HMA-000	F17		52160-TL1-000	F35		64307-TL1-000-KA	F02	
50610-TL1-000	F18		52161-TL1-000	F35		6430A-TL1-000-KB	F06	
50612-TL1-000-KA	F11		52170-TL1-000	F32		64311-TL1-000	F21	
50614-TL1-000-KA	F11		52171-TL1-000	F32		64312-TL1-000	F21	
5061B-TL1-000-GE	F22		52400-TL1-000	F33		6431A-TL1-000-KA	F21	
5061B-TL1-000-GE	F22		52500-TL1-000	F07		64321-TL1-000-KA	F21	
5061B-TL1-000-IL	F22		53100-TL1-000	F04		64322-TL1-000-KA	F21	
5061B-TL1-000-IL	F22		53102-VB4-000	F04		64323-TL1-000-KA	F21	
5061C-TL1-000-GE	F22		53122-B3D-000	F04		64324-TL1-000-KA	F21	
5061C-TL1-000-GE	F22		53123-TL1-000	F04		64325-TL1-000-KA	F21	
5061C-TL1-000-IL	F22		53140-L4A-003	F04		6432A-TL1-000-KA	F21	
5061C-TL1-000-IL	F22		53166-L4A-004	F04		64331-TL1-000	F24	
50620-TL1-000	F18		53200-TL1-000	F09		64332-TL1-000	F24	
50621-TL1-000	F18		53205-TL1-000-KA	F03		64333-TL1-000	F24	
50622-TL1-000	F18		53206-TL1-000-KA	F03		6433A-TL1-000-KA	F24	
			53207-TL1-000-KA	F01		64341-TL1-000	F24	
			53208-TL1-000-KA	F01		6434A-TL1-000-KA	F24	
			53209-TL1-000-IL	F01		67101-L3A-000	F21	
			5320A-TL1-000-IL	F03		6710A-TL1-000	F05	
			53220-TL1-000	F14		67110-TL1-000	F05	

PARTS NO.	NO.		PARTS NO.	NO.		PARTS NO.	NO.	
67120-TL1-000	F05		8351A-TL1-000-IL	F22		90106-LEA-000	F19	
74480-TL1-000	F23		83600-TL1-000-GG	F20		90108-HMA-000	F17	
77115-TL1-000	F26		83600-TL1-000-JH	F20		9010A-TL1-000	E13	
77200-TL1-000	F23		83600-TL1-000-QU	F20		90110-B8G-000	F31	
77213-TL1-000	F23		83600-TL1-000-UH	F20		90111-M9Q-900	F23	
7721A-TL1-0000	F23		83610-TL1-000-GE	F22		90114-TL1-000	F05	
77230-LM1-000	F23		83610-TL1-000-GE	F22		90115-REA-000	F02	
77240-TL1-000	F37		83610-TL1-000-IL	F22		90115-REA-000	F11	
77245-TL-000	F37		83610-TL1-000-IL	F22		90115-REA-000	F20	
77249-TL1-000	F25		83630-TL1-000	F26		90116-F91-000	F03	
7724A-TL1-000	F25		83750-TL1-000-KB	F20		90116-HHA-000	F16	
77300-TL1-000	F23		87126-TL1-000	F20		90117-H9A-000	F06	
77405-L4A-000	F06		87126-TL1-100	F20		90117-H9A-000	F08	
80100-TL1-000-KA	F20		87127-TL1-000	F20		90117-L4A-000	F16	
80103-X01-000	F13		87127-TL1-100	F20		90117-TL1-000	E15	
80104-X01-000	F13		87128-TL1-010	F20		90117-TL1-000	E16	
80107-TL1-000	F20		87552-F93-000-T1	F03		90117-TL1-000	E25	
8010A-TL1-000-KA	F20		87552-TL1-000-T1	F06		90117-TL1-000	F22	
80150-TL1-000-KA	F25		88110-TL1-000	F03		90118-BD4-000	F03	
80152-TL1-000-KA	F25		88120-TL1-000	F03		90118-L4G-000	F03	
80153-TL1-000	F25		89010-TL1-000	F37		90120-TL1-000	F03	
80154-TL1-000	F25		90001-AZA-000	E12		90121-TL1-000	F14	
80155-TL1-000	F25		90001-AZA-000	E13		90122-TL1-000	F15	
80156-TL1-000	F25		90001-RFS-000	E06		90145-M9Q-000	F13	
81132-TL1-000-KA	F12		90002-L4G-000	E09		90145-M9Q-900	F13	
81133-TL1-000	F12		90031-L1N-000	E04		90157-F3G-000	E13	
81135-F91-000	F01		90085-HHA-900	F37		90164-M9Q-000	F09	
81141-TL1-000	F12		9008A-H9A-000	E14		90201-KR8-751-M1	E19	
81142-TL1-000-KB	F12		90102-L4A-000	F13		90201-TL1-000	E18	
81143-TL1-000-KB	F12		90102-TL1-900	F01		90202-REA-000	E10	
81144-TL1-000	F12		90102-TL1-900	F02		90203-TL1-000	E19	
81145-TL1-000	F12		90102-TL1-900	F03		90210-TL1-000	E09	
81152-TL1-000	F12		90102-TL1-900	F06		90231-TL1-000	E18	
81153-TL1-000	F12		90102-TL1-900	F21		90301-RCA-000	F08	
81201-AVA-000	F26		90102-TL1-900	F25		90302-M9Q-000	F32	
81202-TL1-000	F26		90102-TL1-900	F34		90302-TL1-000	F27	
8120A-TL1-000-KB	F26		90103-H6B-000	F13		90302-V02-000	F01	
8125A-TL1-000	F26		90103-M9Q-000	E02		90302-V02-000	F02	
8130A-TL1-000-KB	F26		90103-TL1-000	F27		90302-V02-000	F03	
83500-TL1-000-GG	F20		90103-TL1-000	F32		90302-V02-000	F06	
83500-TL1-000-JH	F20		90105-HMC-000	F19		90302-V02-000	F11	
83500-TL1-000-QU	F20		90105-KR3-000	F10		90302-V02-000	F12	
83500-TL1-000-UH	F20		90105-KR3-000	F30		90302-V02-000	F20	
8351A-TL1-000-GE	F22		90105-M92-000	F26		90302-V02-000	F21	
8351A-TL1-000-GE	F22		90105-TL1-000	F09		90302-V02-000	F24	
8351A-TL1-000-IL	F22		90106-AGA-000	F37				
			90106-AGA-000	F37				

零件料號索引

PARTS NO. INDEX

PARTS NO.	NO.		PARTS NO.	NO.		PARTS NO.	NO.	
90302-V02-000	F34		91016-TL1-000	E13		93404-06012-07	F21	
90303-TL1-000	F27		91020-TL1-000	E06		93404-06012-07	F26	
90304-M9Q-000	F16		91020-TL1-000	E12		93404-06012-08	F12	
90304-M9Q-800	F04		91201-TL1-000	F10		93404-06016-07	F17	
90304-M9Q-800	F31		91202-RCA-000	E12		93404-06016-07	F28	
90304-M9Q-800	F33		91202-TL1-000	E14		93500-L4C-000	F10	
90304-TL1-000	F27		91203-TL1-000	F31		93500-L4C-000	F30	
90305-TL1-000	F04		91204-HMA-000	E13		93891-04022-08	F37	
90305-VS1-000	F08		91204-TL1-000	E12		93891-05012-07	F04	
90306-M9Q-000	F14		91205-TL1-010	E12		93891-05016-07	E23	
90306-M9Q-000	F15		91206-TL1-000	F30		93892-05012-08	F37	
90306-M9Q-900	F33		91207-TL1-000	F35		93903-24380	E25	
90307-TL1-000	F31		91215-RCA-000	E12		93903-34120	E01	
90308-X04-000	F20		91301-TL1-000	E13		93903-34180	F12	
90401-KJ9-000	E19		91303-B08-000	E13		93903-34280	F25	
90401-TL1-000	E17		91303-M2Q-000	E13		93903-34280	F34	
90402-BAA-000	E10		91303-M2Q-000	E14		93903-34380	F01	
90403-TL1-000	E17		91304-TL1-000	E13		93903-34380	F03	
90404-TL1-000	E18		91307-M8Q-000	E14		93903-34380	F05	
90406-TL1-000	E10		91308-L3A-000	E05		93903-34380	F12	
90442-TL1-000	E04		91308-TL1-000	E21		93903-35280	F02	
90443-TL1-000	E04		91309-TL1-000	E22		93903-35280	F08	
90474-M9Q-000	E02		91310-REA-000	E13		93903-35280	F20	
90503-TL1-000	F04		91311-TL1-000	E13		93903-35320	F02	
90504-TL1-000	F31		91405-SS0-003	F28		93903-35380	F01	
90545-M9Q-000	F13		91407-SA7-003	E22		93903-44380	F03	
90611-FFE-000	F03		91407-SA7-003	F28		93903-44380	F05	
90677-M9Q-000	F08		92101-05012-0A	E09		93903-44380	F06	
90682-SB0-671	F28		92101-05012-0A	E09		93903-44380	F11	
90701-HB6-010	E07		92101-05035-0H	E09		93903-44380	F12	
90703-M8Q-000	E01		92161-TL1-000	E04		93903-44380	F20	
90912-TL1-000	F10		92201-10075-0G	F33		93903-44380	F21	
90913-TL1-000	F30		92601-12120-0A	F33		93903-44380	F22	
90914-TL1-000	F30		9280A-TL1-000	E13		93903-44380	F24	
90915-TL1-000-A	F32		93401-05012-07	F03		93903-44380	F26	
90915-TL1-000-A	E13		93401-05012-07	F17		93903-44480	F12	
91001-TL1-000	E07		93401-05012-08	F37		93903-45280	F20	
91002-TL1-000	E11		93401-06012-07	F11		93903-HGC-000	F19	
91003-RB1-000	F32		93401-06012-07	F34		93903-HGC-000	F20	
91003-TL1-000	E08		93401-06014-07	F08		93904-44580	E05	
91005-TL1-000	E14		93401-06016-07	F29		94021-10020	F33	
91006-TL1-000	E05		93401-06025-07	F28		94030-08080	F17	
91011-TL1-000	E05		93404-06012-07	F01		94050-04000	F37	
91011-TL1-000	E23		93404-06012-07	F11		94050-05080	F08	
91012-TL1-000	E24		93404-06012-07	F19		94050-05080	F20	
91013-TL1-000	E24							

PARTS NO. INDEX

PARTS NO.	NO.	PARTS NO.	NO.	PARTS NO.	NO.
94050-06070	F07	95701-06028-00	E20	96001-06025-07	E02
94050-06070	F17	95701-08055-00	E13	96001-06030-00	E05
94050-06070	F23	95701-08095-00	E13	96001-06030-00	E11
94050-08000	E11	95701-08110-00	E13	96001-06035-00	E01
94050-08000	F27	95801-06012-07	F07	96001-06035-00	E13
94050-08000	F32	95801-06012-07	F09	96001-06035-00	E14
94050-08080	F07	95801-06012-07	F13	96001-06040-00	E14
94050-10080	F20	95801-06012-07	F17	96001-06040-07	E03
94101-06700	E25	95801-06012-07	F23	96001-06050-00	E13
94101-08000	F23	95801-06012-07	F27	96100-62050-00	E12
94101-10000	F33	95801-06012-07	F28	96100-62050-00	E13
94101-12800	F14	95801-06012-07	F36	96100-62060-00	E12
94101-12800	F15	95801-06012-07	F37	96100-63040-00	E12
94102-10700	F20	95801-06014-07	F09	96140-63013-00	E14
94103-10800	F04	95801-06014-07	F31	96150-60060-10	E11
94103-12700	F04	95801-06016-07	F20	96150-60070-10	F31
94109-14000	E13	95801-06020-07	F13	96150-62060-10	F35
94111-BD1-000	E25	95801-06022-07	F02	96211-08000	F18
94201-16200	F18	95801-06022-07	F21	96700-05008-07	F04
94251-08400	F23	95801-06028-07	F09	96700-06020-07	E14
94301-08140	E03	95801-08012-07	F07	96700-06020-07	F35
94301-08140	E11	95801-08012-07	F13	96700-06025-07	F03
94301-08140	E12	95801-08012-07	F20	96700-06050-07	E21
94301-08140	E13	95801-08012-07	F37	96700-06140-10	E04
94301-08140	E14	95801-08065-08	F07	96700-08020-00	F18
		95801-08075-08	F13	96700-08025-00	F04
94301-12160	F27	95801-10025-07	F14	96700-08025-00	F09
94301-REA-300	E12	95801-10025-07	F16	96700-08040-07	F09
94510-25000	E17	95801-10038-07	F14	96700-08040-07	F35
94520-55000	E11	95801-10038-07	F17	96700-08050-07	F35
94520-62000	E11	95801-10050-07	F32	96700-08090-07	F35
94520-62000	F35	95801-10075-07	F32	98056-FZK-000	E02
94591-25000	F02	95801-10120-07	F32		
94591-25000	F26	95801-12025-00	F14		
94591-27000	F20	95801-12040-07	F33		
94601-15000	E08	96001-06012-00	E01		
94601-16000	E06	96001-06012-00	E13		
94601-16000	E08	96001-06012-00	E21		
95001-80510-60	F36	96001-06012-00	E22		
95002-41200-00	E22	96001-06012-07	F09		
95002-45000	F29	96001-06014-00	E12		
95002-70000	E23	96001-06014-00	E13		
95002-80000	E23				
95002-L4A-000	F36	96001-06016-00	E14		
95003-23005-60	E23	96001-06022-00	E12		