



OSRAM headlight lamps for motorcycles

Information for Professionals

SEE THE WORLD IN A NEW LIGHT



Reliable Performance for Innovative Lighting Concepts

Motorcycle Lamp Series



This brochure is meant to provide you with product details. It should not replace continued personal contacts for any additional information required.

A.1 Product Overview

Lamp category	Type	Base	Type	Order Code	Page
HS1	12V 35/35W	PX43t	Standard	64185	8
R2	12V 45/40W	P45t	Standard	64183	9
Anti-Dazzle (AD)	12V 18/18W	P15d-25-1	Standard	62374	10
		P43t	Standard	62184	12
	12V 25/25W	P15d-25-1	Standard	62375	10
	12V 35/35W	BA20d	Standard	62387	11
		P15d-25-1	Standard	62377	10
Double Filament (DF)	6V 15/15W	P15d-25-1	Standard	62330	13
	6V 25/25W	BA20d	Standard	62321	16
		P15d-25-1	Standard	62331	13
		P15d-25-3	Standard	On request	18
	12V 18/18W	P15d-25-1	Standard	62334	14
	12V 25/25W	BA20d	Standard	62325	16
		P15d-25-1	Standard	62335	14
		P15d-25-3	Standard	On request	18
	12V 30/30W	P15d-25-1	Standard	62336	14
	12V 35/30W	P15d-25-3 Convex	Standard	62348	19
	12V 35/35W	P15d-25-1	Standard	62337	14
			SILVERSTAR	62337SVS	15
			COOL BLUE	62337CB	15
			ALL SEASON	62337ALS	15
		BA20d	Standard	62327	16
			SILVERSTAR	62327SVS	17
			COOL BLUE	62327CB	17
ALL SEASON			62327ALS	17	
P15d-25-3		Standard	62347	18	
P15d-30		Standard	62357	20	
P45t		Standard	62310	21	
12V 35/36.5W		P15d-25-3	Standard	62349	18

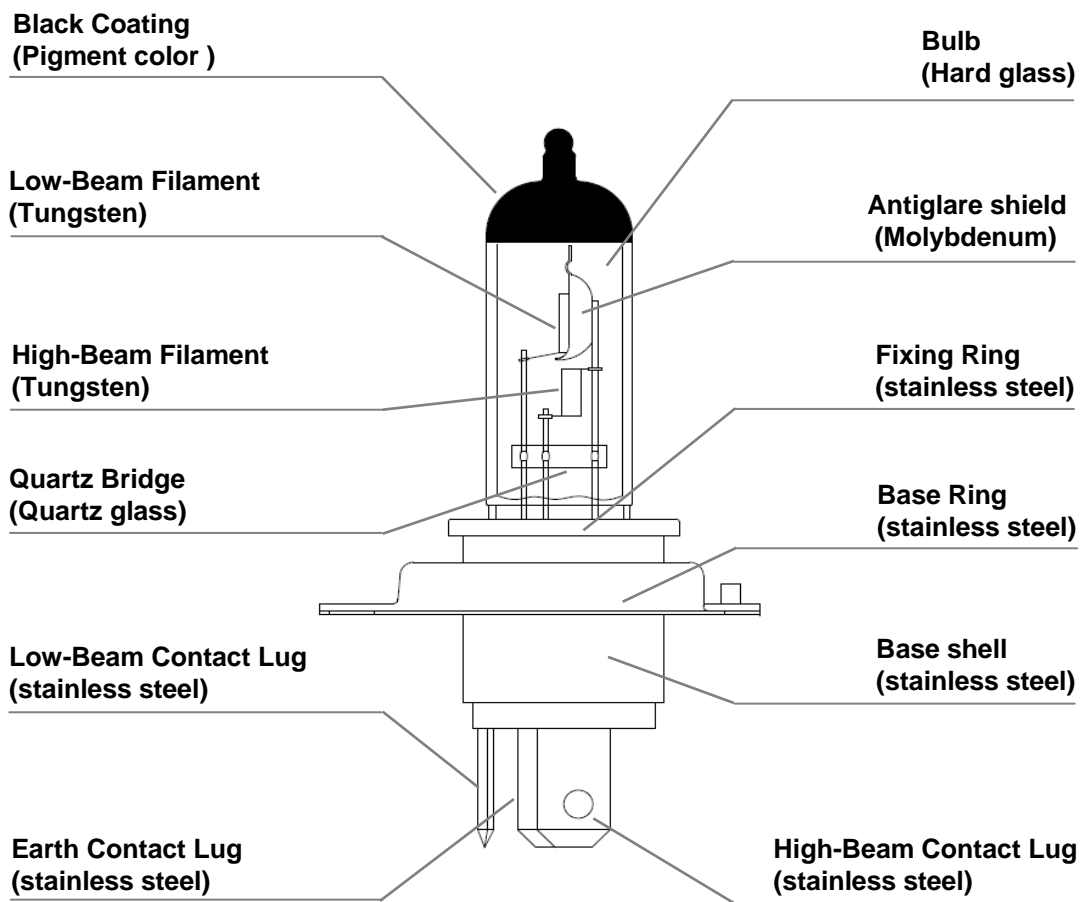
HS1 / R2

General information

A.2

Lamp Structure

Component parts and connection materials



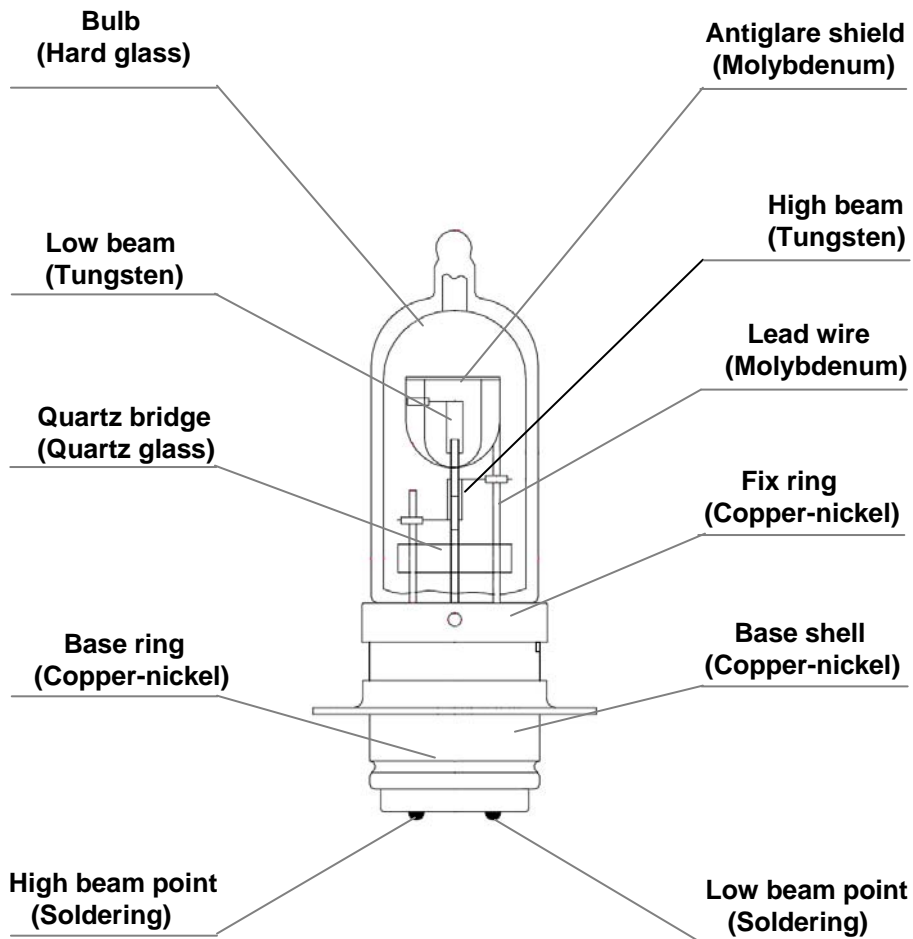
AD

General information

A.2

Lamp Structure

Component parts and connection materials



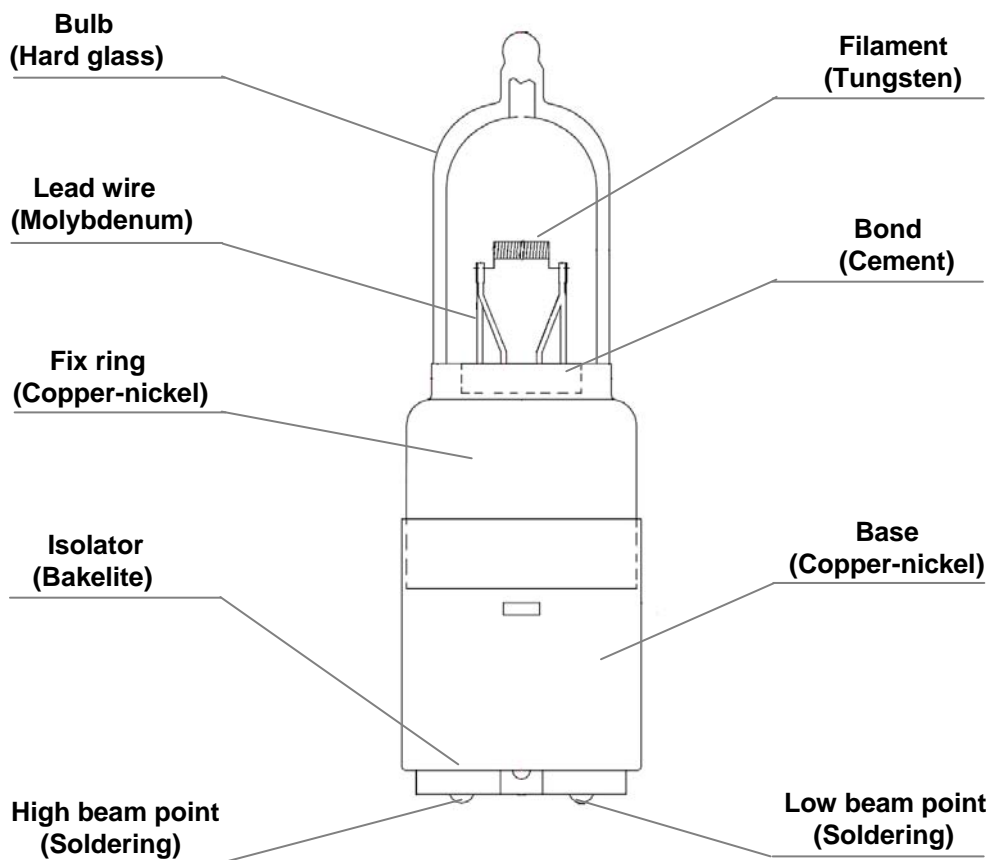
DF

General information

A.2

Lamp Structure

Component parts and connection materials



A.3

Base Type

The main regulations for the lamp base and the lamp holder are the IEC/EN 60061-1 and IEC/EN 60061-2. For special lamp types please ask your OSRAM contact to provide the related data.



PX43t



P45t



BA20d



P15d-25-1



P15d-25-3



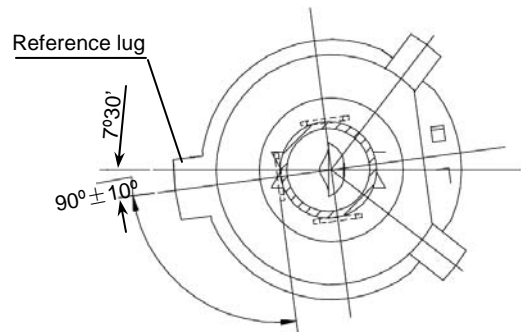
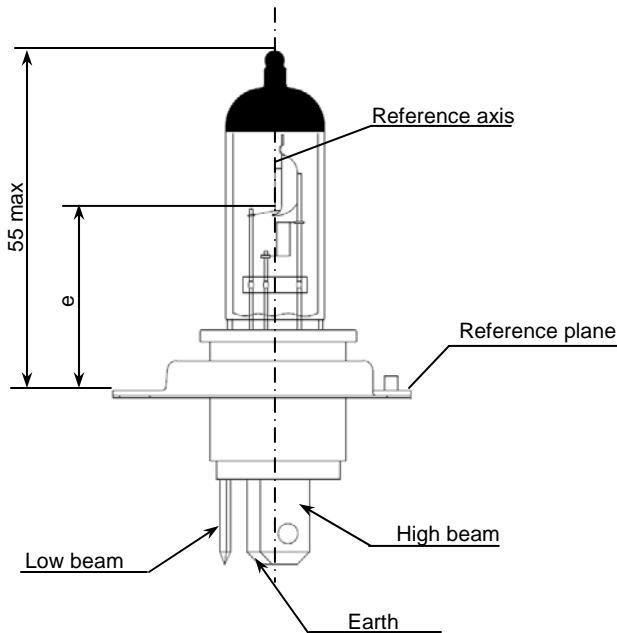
P15d-25-3
Convex



P15D-30

HS1

A.4 Lamp Type

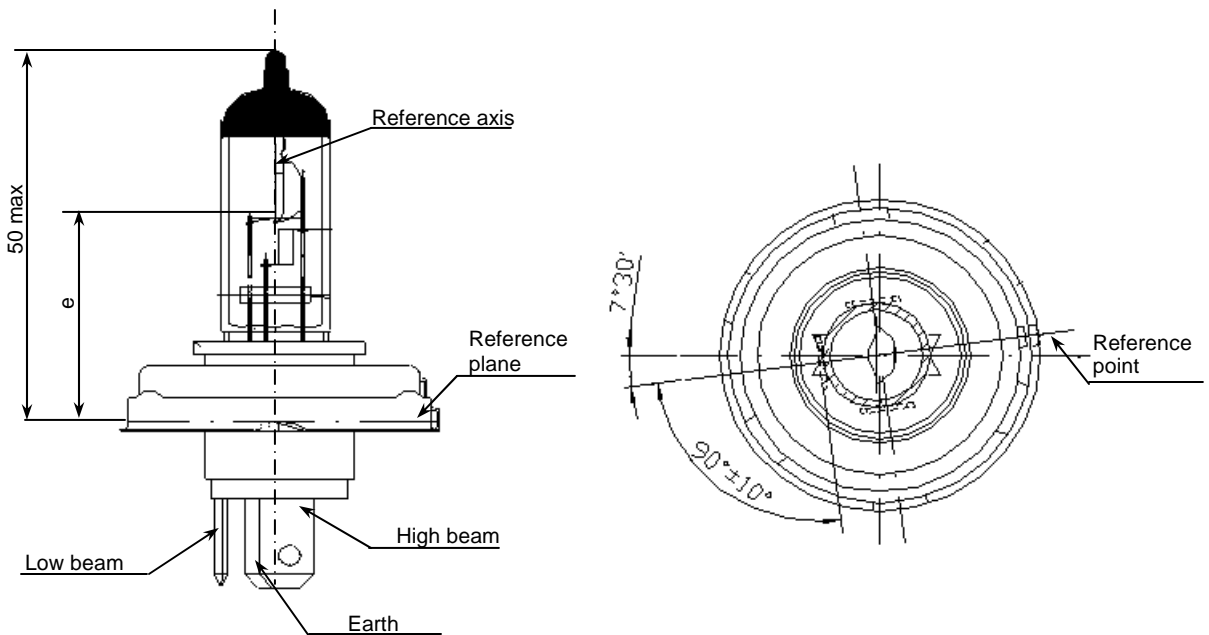


$$e=28.5+0.45/-0.25$$

Lamp category	HS1
Type	Standard
Order number	64185
Nominal data	12V 35/35W
Test voltage [V]	13.2
Luminous flux [lm]	825/525 \pm 15%
Service life B3/Tc@13.2V [h]	150//150/300//300
Base	PX43t
ECE/SAE	Yes

R2

A.4 Lamp Type

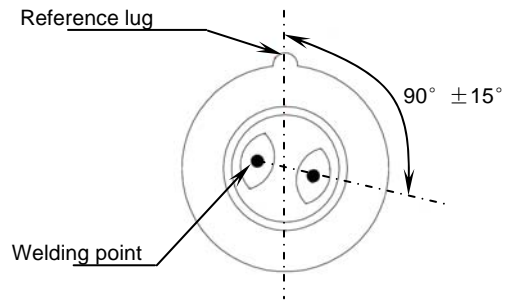
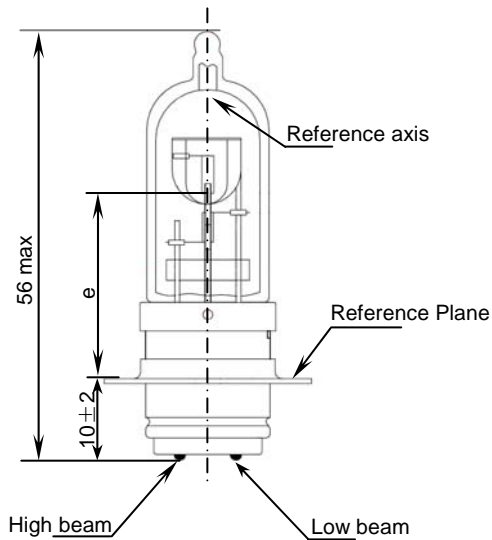


$e=28.5 \pm 0.35$ for reference, defined on customer requirements.

Lamp category	R2
Type	Standard
Order number	64183
Nominal data	12V 45/40W
Test voltage [V]	13.2
Luminous flux [lm]	1030/675 \pm 15%
Service life B3/Tc@13.2V [h]	250//400/500//1200
Base	P45t
ECE/SAE	Yes

AD

A.4 Lamp Type

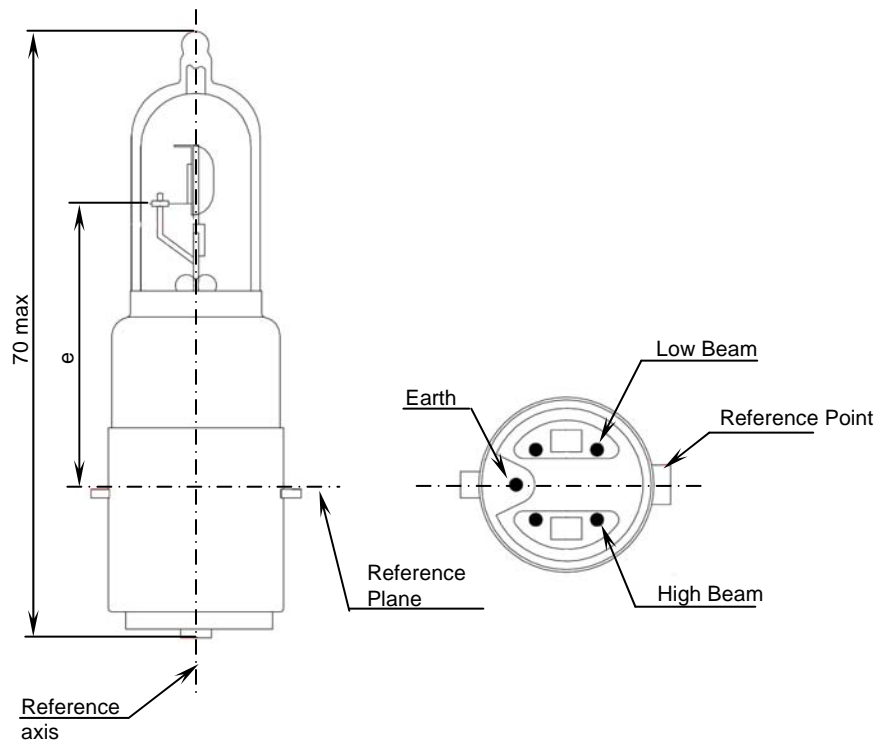


e=23.0-23.5 for reference (defined on customer requirements)

Lamp category	MCH AD	MCH AD	MCH AD
Type	Standard	Standard	Standard
Order number	62374	62375	62377
Nominal data	12V 18/18W	12V 25/25W	12V 35/35W
Test voltage [V]	13.5	13.5	13.5
Luminous flux [lm]	360/320 ± 15%	600/450 ± 15%	825/600 ± 15%
Service life B3/Tc@13.5V [h]	100//100//200/200	100//100//200/200	100//100//200/200
Base	P15d-25-1	P15d-25-1	P15d-25-1
ECE/SAE	No	No	No

AD

A.4 Lamp Type

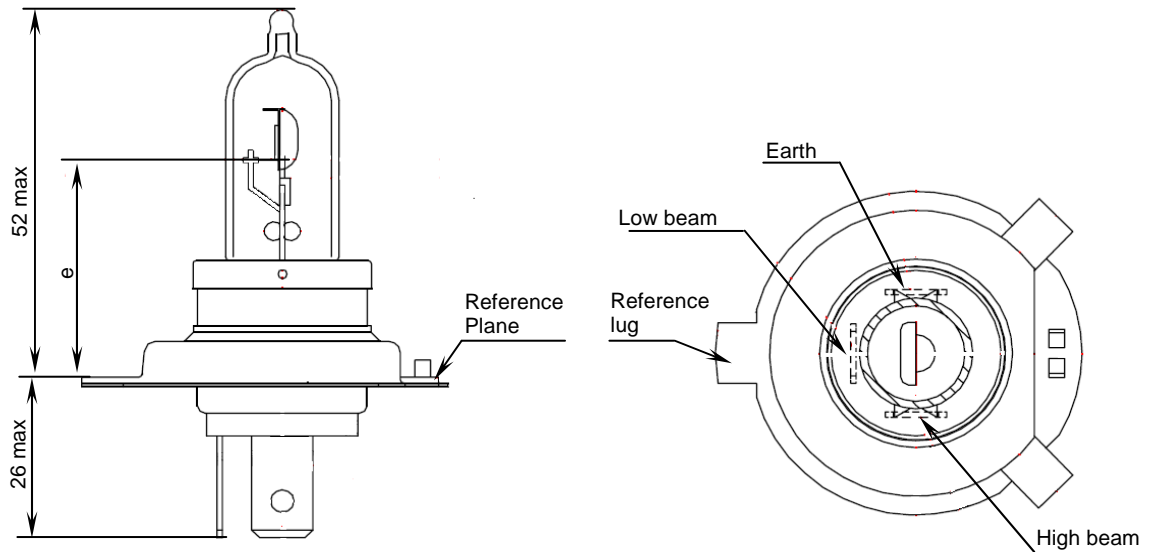


e=32.7 for reference (defined on the customer requirements)

Lamp category	MCH AD
Type	Standard
Order number	62387
Nominal data	12V 35/35W
Test voltage [V]	13.5
Luminous flux [lm]	825/600 ± 15%
Service life B3/Tc@13.5V [h]	100//100/200//200
Base	BA20d
ECE/SAE	No

AD

A.4 Lamp Type

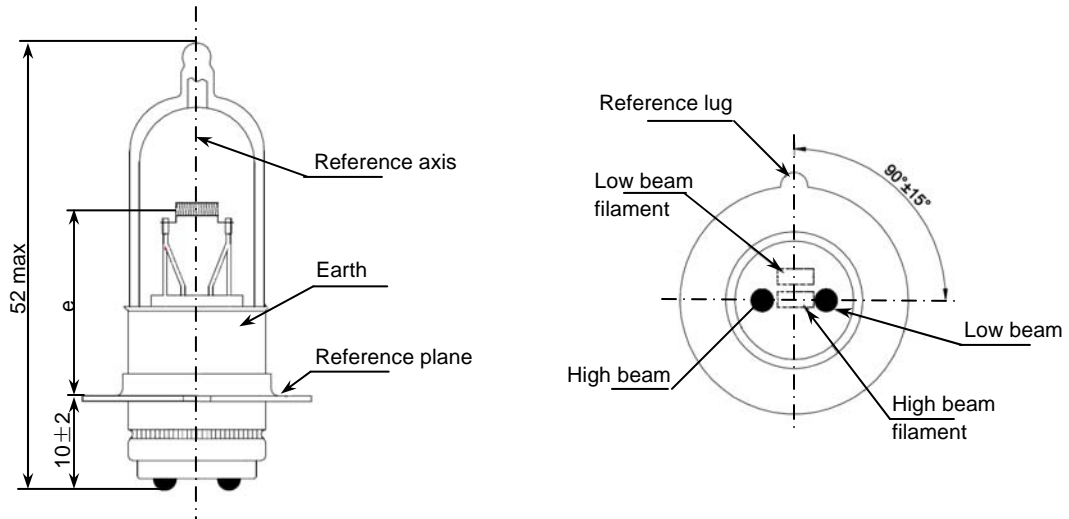


e=28.5 for reference (defined on the customer requirements)

Lamp category	MC AD
Type	Standard
Order number	62184
Nominal data	12V 18/18W
Test voltage [V]	13.5
Luminous flux [lm]	360/320 ± 15%
Service life B3/Tc@13.5V [h]	100//100/200//200
Base	P43t
ECE/SAE	No

DF

A.4 Lamp Type

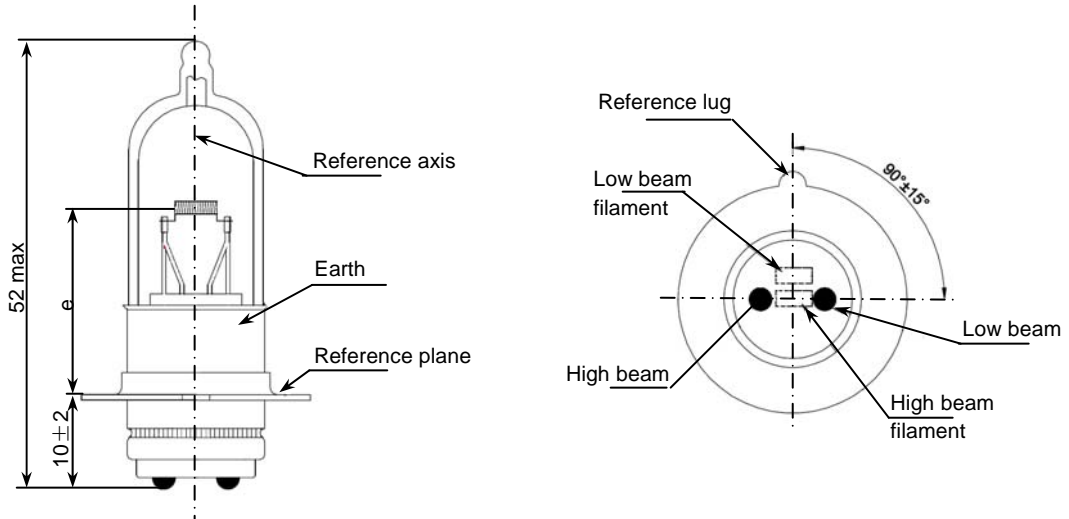


$e=20 \pm 0.5$ for reference (defined on the customer requirements)

Lamp category	MCH DF	MCH DF
Type	Standard	Standard
Order number	62330	62331
Nominal data	6V 15/15W	6V 25/25W
Test voltage [V]	6.75	6.75
Luminous flux [lm]	$300 \pm 15\%$	$560 \pm 15\%$
Service life average [h]	100/100	100/100
Base	P15d-25-1	P15D-25-1
ECE/SAE	No	No

DF

A.4 Lamp Type

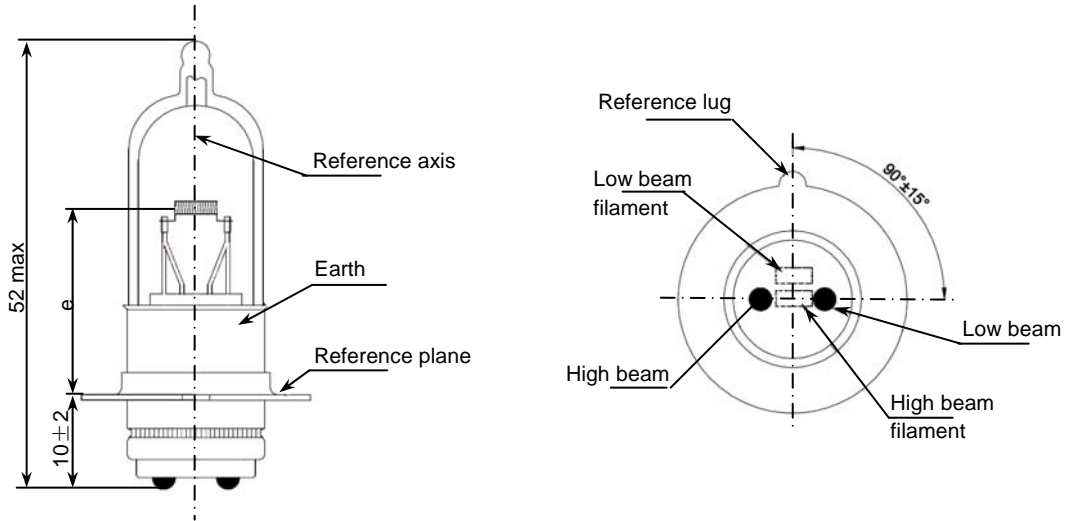


e=20±0.5 for reference (defined on the customer requirements)
reverse polarity for filaments on request

Lamp category	MCH DF	MCH DF	MCH DF	MCH DF
Type	Standard	Standard	Standard	Standard
Order number	62334	62335	62336	62337
Nominal data	12V 18/18W	12V 25/25W	12V 30/30W	12V 35/35W
Test voltage [V]	13.5	13.5	13.5	13.5
Luminous flux [lm]	360 ± 15%	560 ± 15%	750 ± 15%	820 ± 15%
Service life average [h]	100/100	100/100	100/100	100/100
Base	P15d-25-1	P15d-25-1	P15d-25-1	P15d-25-1
ECE/SAE	No	No	No	No

DF

A.4
Lamp Type



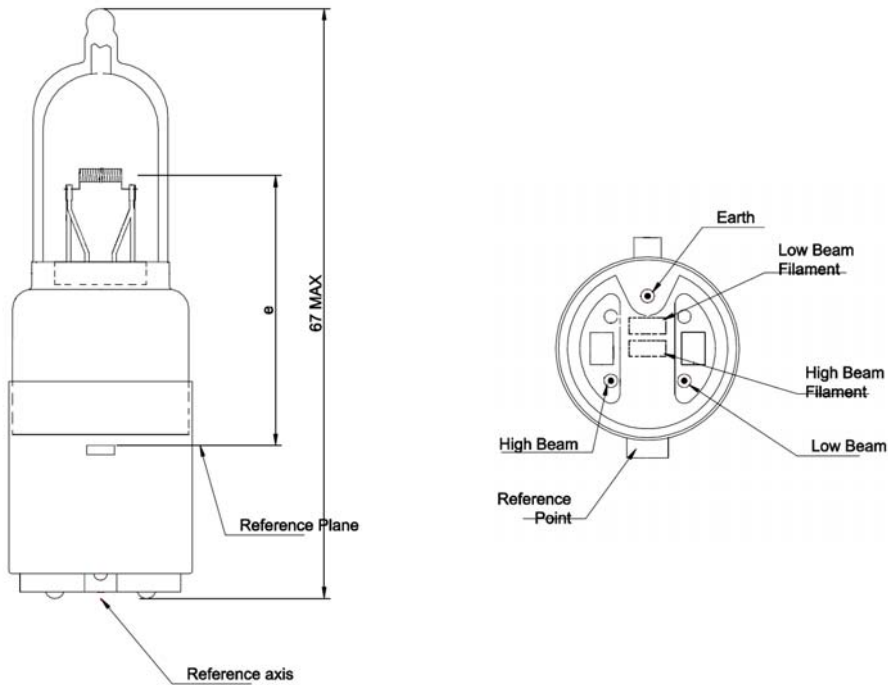
e=20±0.5 for reference (defined on the customer requirements)
reverse polarity for filaments on request



Lamp category	M5	M5	M5
Type	SILVERSTAR	Cool Blue	All SEASON
Order number	62337SVS	62337CB	62337ALS
Nominal data	12V 35/35W	12V 35/35W	12V 35/35W
Test voltage [V]	13.5	13.5	13.5
Luminous flux [lm]	900 ± 15%	650lm ± 15%	900lm ± 15%
Service life average [h]	50/100	50/100	50/100
Base	P15d-25-1	P15d-25-1	P15d-25-1
ECE/SAE	No	No	No
Color temperature [K]	3200	4000	2700

DF

A.4
Lamp Type

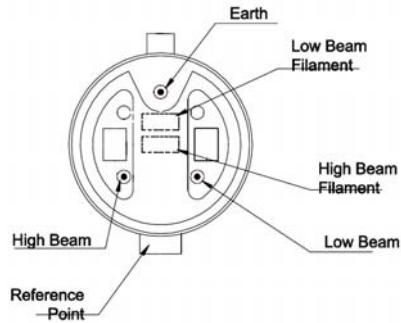
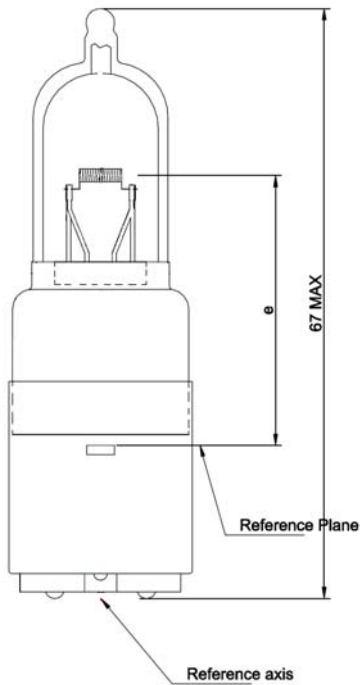


e=29.5±0.5 for reference (defined on the customer requirements)

Lamp category	MCH	MCH	MCH
Type	Standard	Standard	Standard
Order number	62321	62325	62327
Nominal data	6V 25/25W	12V 25/25W	12V 35/35W
Test voltage [V]	6.75	13.5	13.5
Luminous flux [lm]	560 ± 15%	560 ± 15%	820 ± 15%
Service life average [h]	100/100	100/100	100/100
Base	BA20d	BA20d	BA 20d
ECE/SAE	No	No	No

DF

A.4
Lamp Type



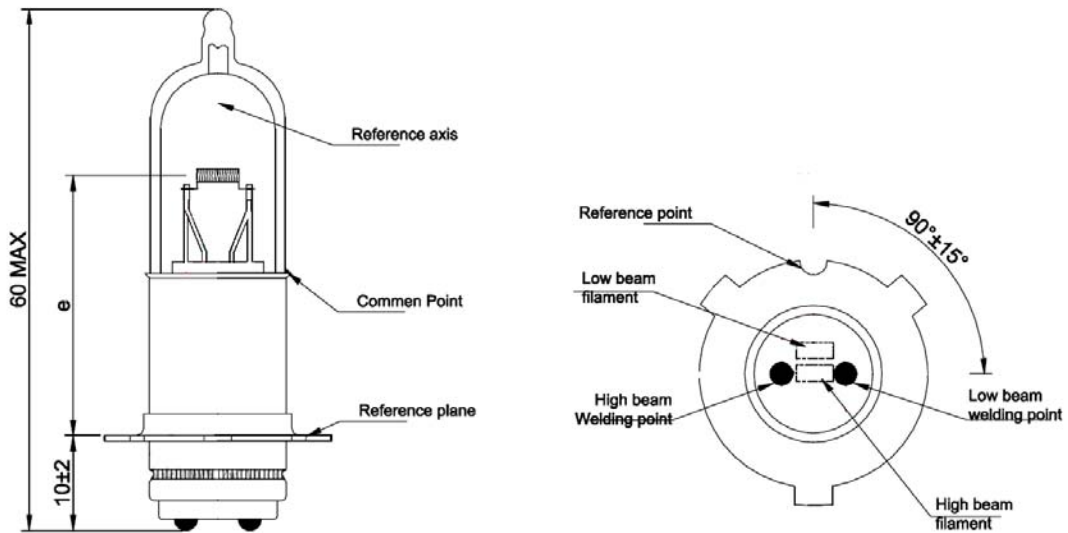
$e=29.5 \pm 0.5$ for reference (defined on the customer requirements)



Lamp category	M5	M5	M5
Type	SILVERSTAR	COOL BLUE	ALLSEASON
Order number	62327SVS	62327CB	62327ALS
Nominal data	12V 35/35W	12V 35/35W	12V 35/35W
Test voltage [V]	13.5	13.5	13.5
Luminous flux [lm]	900 ± 15%	650lm ± 15%	900lm ± 15%
Service life average [h]	50/100	50/100	50/100
Base	BA20d	BA20d	BA20d
ECE/SAE	No	No	No
Color temperature [K]	3200	4200	2700

DF

A.4 Lamp Type

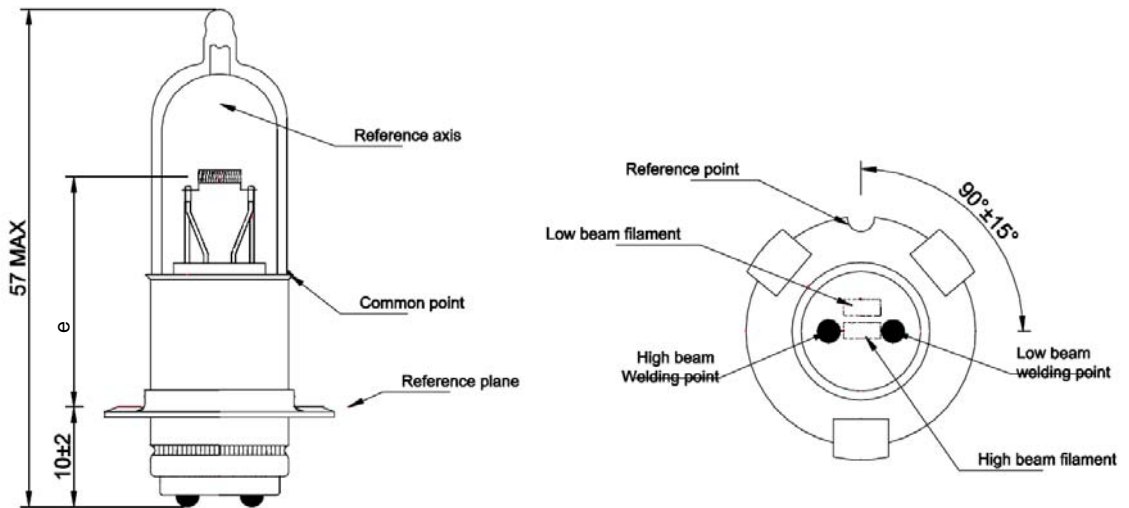


e=28.5±0.5 for reference (defined on the customer requirements)

Lamp category	MCH DF	MCH DF	MCH DF	MCH DF
Type	Standard	Standard	Standard	Standard
Order number	62315	62341	62347	62349
Nominal data	6V 25/25W	12V 25/25W	12V 35/35W	12V 35/36.5W
Test voltage [V]	6.75	13.5	13.5	13.0
Luminous flux [lm]	560 ± 15%	560 ± 15%	820 ± 15%	805/840 ± 15%
Service life average [h]	100/100	100/100	100/100	100/100
Base	P15d-25-3	P15d-25-3	P15d-25-3	P15d-25-3
ECE/SAE	No	No	No	No

DF

A.4 Lamp Type

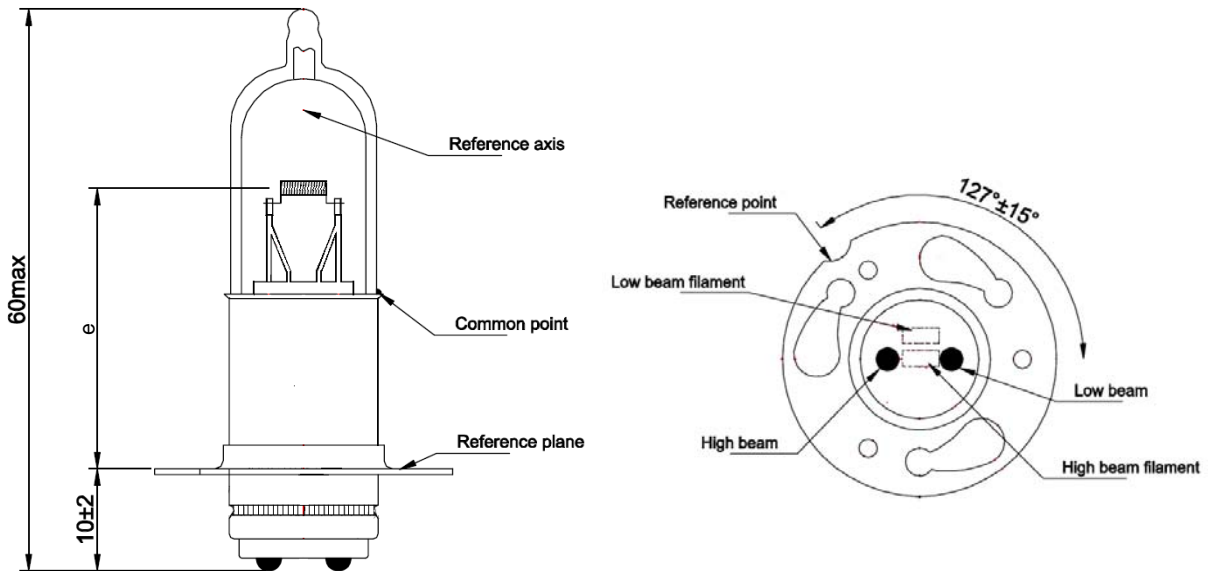


$e=26.5 \pm 0.5$ for reference (defined on the customer requirement)

Lamp category	MCH DF
Type	Standard
Order number	62347
Nominal data	12V 35/35W
Test voltage [V]	13.5
Luminous flux [lm]	$820 \pm 15\%$
Service life average [h]	100/100
Base	P15d-25-3 Convex
ECE/SAE	No

DF

A.4 Lamp Type

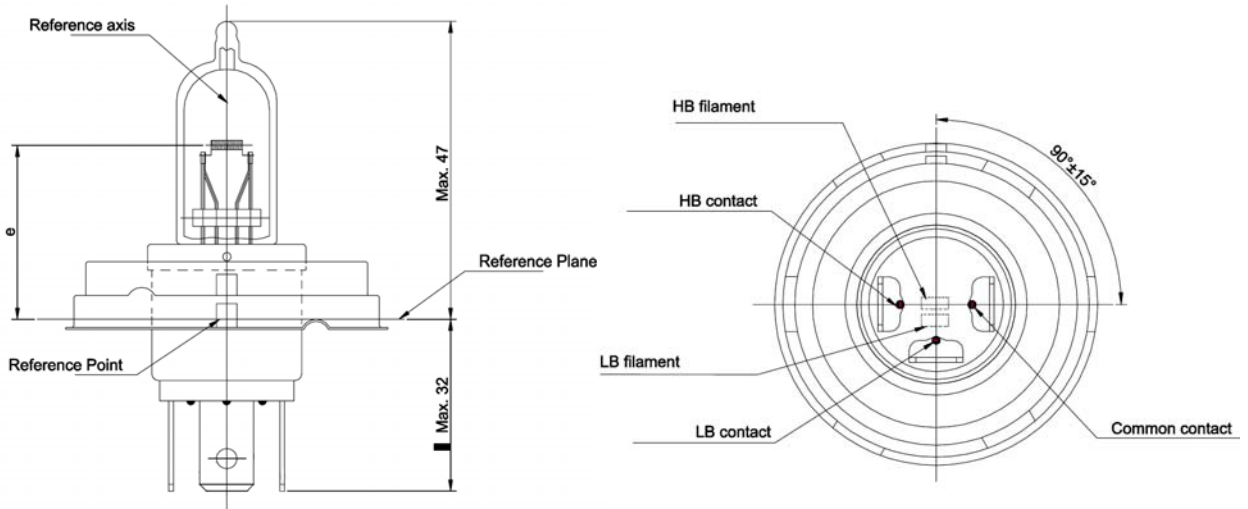


$e = 28.5 \pm 0.5$ for reference (defined on the customer requirements)

Lamp category	MCH DF
Type	Standard
Order number	62357
Nominal data	12V 35/35W
Test voltage [V]	13.5
Luminous flux [lm]	$820 \pm 15\%$
Service life average [h]	100/100
Base	P15d-30
ECE/SAE	No

DF

A.4 Lamp Type



e= 28.5 for reference (defined on the customer requirements)

Lamp category	MCH DF
Type	Standard
Order number	62310
Nominal data	12V 35/35W
Test voltage [V]	13.5
Luminous flux [lm]	820 ± 15%
Service life average [h]	100/100
Base	P45t
ECE/SAE	No

Australia

OSRAM Australia Pty. Ltd.

11 Floor, Building 1,
423 Pennant Hills Road,
Pennant Hills NSW 2120
Tel. : +61 2 9481 8399
Fax : +61 2 9481 9468

China

OSRAM China Lighting Ltd.

No.1 North Industrial Road, Foshan,
Guangdong, 528000
Tel. : +86 757 8648 2111
Fax : +86 757 8648 2222

Hong Kong

OSRAM Prosperity Co., Ltd.

Rm. 4007-09 Office Tower,
Convention Plaza,
1 Harbour Road, Wanchai
Tel. : +852 2511 2268
Fax : +852 2511 2038

India

OSRAM India Private Ltd.

Signature Towers, 11th Floor,
Tower-B, South City-1,
Gurgaon, Haryana, 122001
Tel. : +91 124 4081 581
Fax : +91 124 4081 577

OSRAM Head Office

OSRAM GmbH
Hellabrunner Strasse 1,
Munich 81543, Germany
Tel. : +49 89 6213 0
Fax : +49 89 6213 2020

Indonesia

PT. OSRAM Indonesia

Komplek Puri Mutiara Blok C No.11,
J1. Griya Utama,
Sunter Agung, Jakarta Utara 14350
Tel. : +62 21 6530 2685
Fax : +62 21 6530 2684

Japan

Mitsubishi Electric OSRAM Ltd.

Tobu Yokohama Building No. 3 (F),
8-29 Kita-Saiwai, 2-chome,
Nishi-ku, 220-0004 Yokohama
Tel. : +81 45 3235 129 or 20
Fax : +81 45 3235 155

Korea

OSRAM Korea Co., Ltd.

3rd Fl., Ye-Sung Bldg.,
150-30 Samsung-dong,
Gangnam-Ku, Seoul, 135-090
Tel. : +82 2 5544 112
Fax : +82 2 5561 644

Malaysia

OSRAM Sdn. Bhd.

Level 12, CP Tower, No. 11, Jalan 16/11,
Pusat Dagang Seksyen 16,
46350 Petaling Jaya, Selangor
Tel. : +60 3 7952 5555
Fax : +60 3 7952 5599

**OSRAM Asia Pacific
Regional Headquarters**

OSRAM Asia Pacific Ltd.

3006-10, China Resources Bldg., 26 Harbour Road, Wan Chai, Hong Kong
Tel. : +852 3652 5678
Fax : +852 2877 3913

Singapore

OSRAM Pte. Ltd.

159 Sin Ming Road, #05-04 Amtech
Building, Singapore, 575625
Tel. : +65 6552 0110
Fax : +65 6552 7117

Taiwan

OSRAM Taiwan Co., Ltd..

7F, No. 87, Sung Chiang Road
Taipei 104
Tel. : +886 2 2508 3502
Fax : +886 2 2509 6782

Thailand

OSRAM Thailand Co., Ltd.

100/45, 24th Floor,
Sathorn Nakorn Tower, North
Sathorn Road, Khwaeng Silom,
Khet Bangrak, Bangkok, 10500
Tel. : +66 2 6367 475
Fax : +66 2 6367 477