



SANYANG
GENUINE PARTS

LV25W1-EU

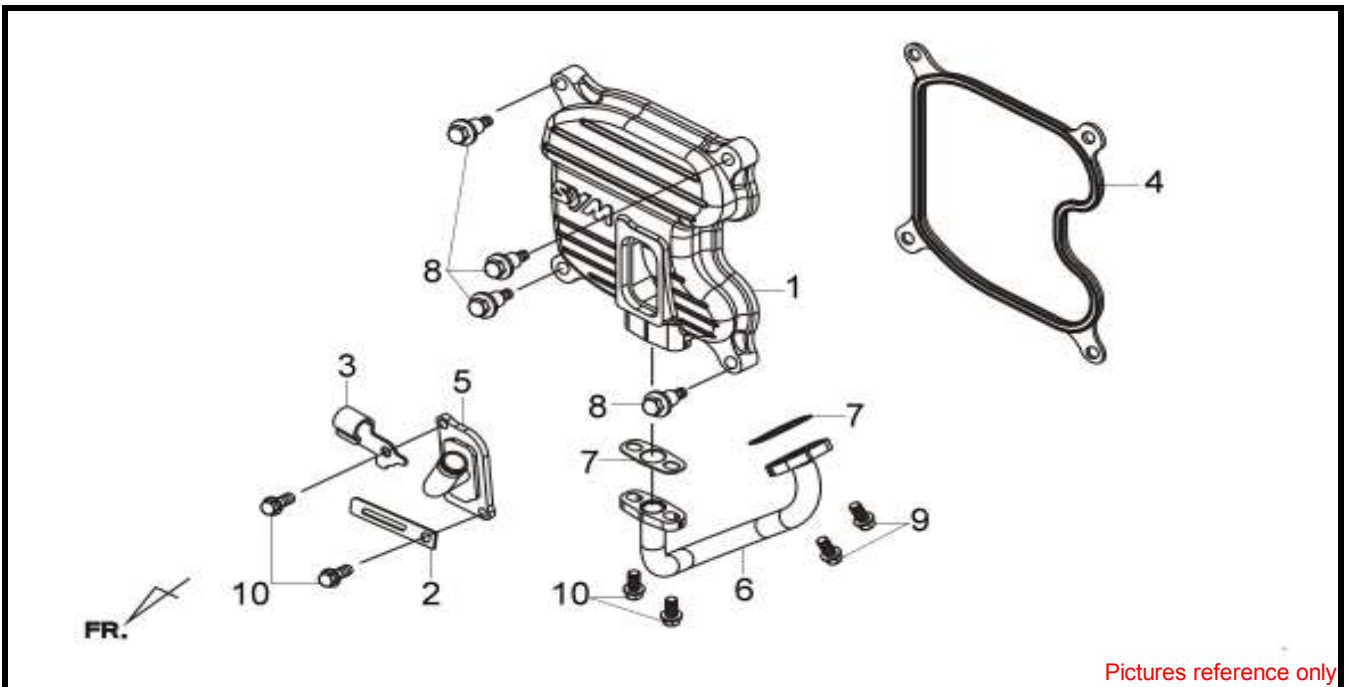
零件目錄

PART CATALOGUE

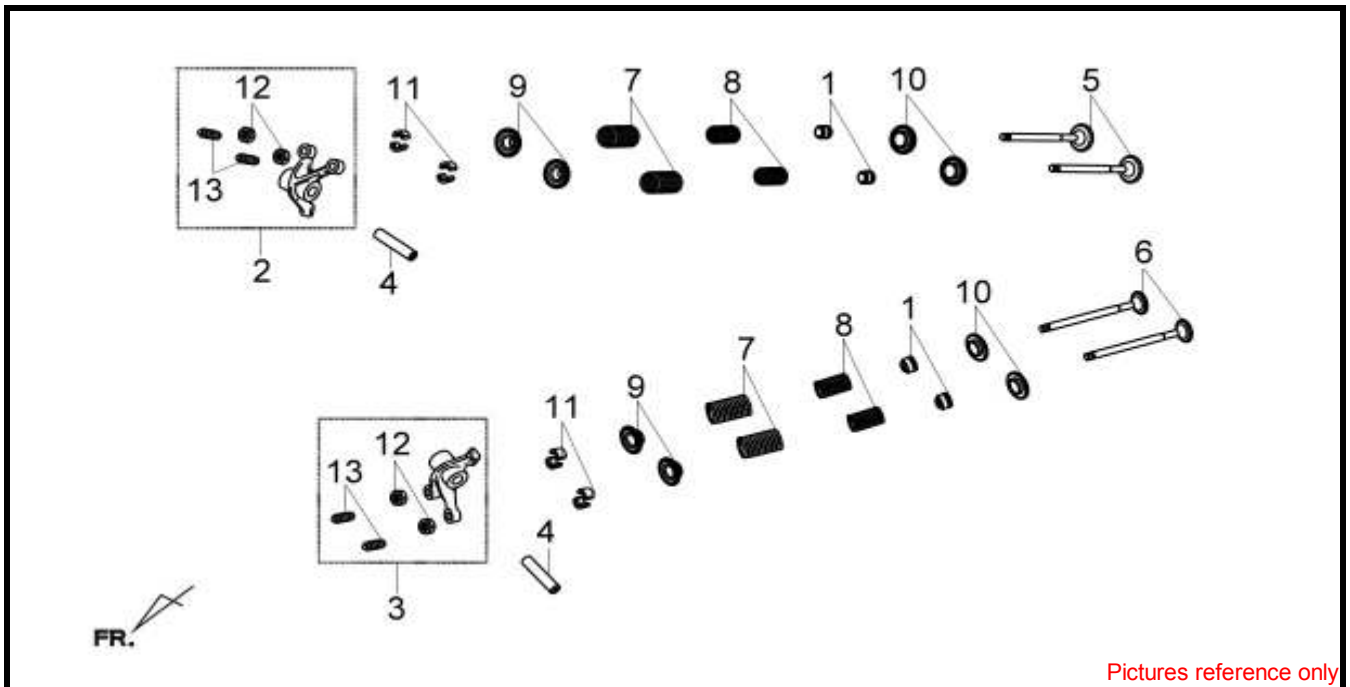
LL1 /CRUISYM /歐洲

N O	MODEL	LV25W1-EU (LL1 /CRUISYM /歐洲)				
	DATE	2017/03	2017/03	2017/03	2017/03	
	BASIC COLOR	BK	GY	R	W	
	COLOR CODE	BK-001UL	GY-7450U	R-010CA	WH-300P	
	Description	Parts Number	BLACK	GRAY	RED	WHITE
1	ENG L. OUTER COVER	11351-HMA-009	GYK	GYK	GYK	GYK
2	RR. CAST. WHEEL COM	42601-L9F-000	IF	IF	IF	IF
3	RR.CALIPER ASSY	43100-L3A-010	KB	KB	KB	KB
4	RR.DISK	43121-L3A-900	●	●	●	●
5	FR. CAST. WHEEL COMP	44601-L9F-000	IF	IF	IF	IF
6	FR.CALIPER ASSY	45100-L3A-000	KB	KB	KB	KB
7	FR.DISK	45121-L3A-900	●	●	●	●
8	BATTERY COVER	50326-LM1-000	IL	IL	IL	IL
9	R STEP BAR SET	5071A-L3A-000	IE	IE	IE	IE
10	L STEP BAR SET	5071B-L3A-000	IE	IE	IE	IE
11	R. CUSHION ASSY	51400-L3A-000	●	●	●	●
12	L. CUSHION ASSY	51500-L3A-000	●	●	●	●
13	RR. FORK ASSY	5210A-L3A-000	IL	IL	IL	IL
14	RR. CUSHION ASSY	52400-LM1-000	KB	KB	KB	KB
15	THROT GRIP COMP	53140-L4A-003	●	●	●	●
16	L HANDLE GRIP	53166-L4A-004	●	●	●	●
17	UP HANDLE COVER	53205-LM1-000	●	●	●	●
18	RR. HANDLE COVER	53206-LM1-000	●	●	●	●
19	HANDLE COVER MASK	5320C-LM1-000	OK	OK	OK	OK
20	METER PANEL	53208-LM1-000	●	●	●	●
21	FR. FENDER	61100-LM1-000	JH	IL	RT	QU
22	FR. UNDER SPOILER	6430E-LM1-000	●	●	●	●
23	FR COVER	64301-LM1-000	●	●	●	●
24	FR. TOP COVER ASSY	6430C-LM1-000	KB	KB	KB	KB
25	R. FR. SIDE COVER	64303-LM1-000	JH	IL	RT	QU
26	L. FR. SIDE COVER	64304-LM1-000	JH	IL	RT	QU
27	R. FR. SIDE SPOILER	64305-LM1-000	JH	IL	RT	QU
28	L. FR. SIDE SPOILER	64306-LM1-000	JH	IL	RT	QU
29	R. FLOOR FAINING ASSY	6431G-LM1-000	KB	KB	KB	KB
30	R. MARK 250 STRIPE	87131-LL1-000	T2	T2	T2	T2
31	L. FLOOR FAINING ASSY	6431H-LL1-000	KB	KB	KB	KB
32	L. MARK 300 STRIPE	87132-LL1-000	T2	T2	T2	T2
33	FLOOR PANEL	64310-LM1-000	●	●	●	●
34	FUEL CAP LID	64311-LM1-000	●	●	●	●
35	FLOOR LID STIFFENER	64312-LM1-000	●	●	●	●
36	R. FLOOR SIDE COVER ASSY	64315-LM1-000	OK	JD	OK	OK
37	L. FLOOR SIDE COVER ASSY	64316-LM1-000	OK	JD	OK	OK
38	R. FLOOR MAT A	64321-LM1-000	●	●	●	●
39	L. FLOOR MAT A	64322-LM1-000	●	●	●	●
40	R. FLOOR MAT B	64323-LM1-000	●	●	●	●
41	L. FLOOR MAT B	64324-LM1-000	●	●	●	●
42	R. WIND SCREEN GARNISH	67110-LM1-010	●	●	●	●
43	L. WIND SCREEN GARNISH	67120-LM1-010	●	●	●	●

N O	MODEL	LV25W1-EU (LL1 /CRUISYM /歐洲)				
	DATE	2017/03	2017/03	2017/03	2017/03	
	BASIC COLOR	BK	GY	R	W	
	COLOR CODE	BK-001UL	GY-7450U	R-010CA	WH-300P	
	Description	Parts Number	BLACK	GRAY	RED	WHITE
1	DOUBLE SEAT COMP	77200-LM1-000	●	●	●	●
2	RR. FENDER	80100-LM1-000	●	●	●	●
3	RR. MUDGUARD	80106-L3A-000	KA	KA	KA	KA
4	INNER BOX	81131-LM1-000	●	●	●	●
5	INNER BOX USB DOCK	81132-LM1-000	●	●	●	●
6	MAIN SW. COVER	81133-LM1-000	●	●	●	●
7	INNER BOX LID	81141-LM1-000	●	●	●	●
8	INNER BOX LID STIFFENER	81142-LM1-000	●	●	●	●
9	R. RR. CARRIER	81210-LM1-000	OK	JD	OK	OK
10	L. RR. CARRIER	81220-LM1-000	OK	JD	OK	OK
11	R. BODY COVER ASSY	8350G-LM1-000	JH			
12	R. BODY COVER ASSY	8350G-LL1-000		IL	RT	QU
14	R. CRUISYM EMBLEM	87126-LM1-000	●			
15	R. CRUISYM EMBLEM	87126-LL1-000		JD	OK	JD
16	L. BODY COVER ASSY	8360G-LM1-000	JH			
17	L. BODY COVER ASSY	8360G-LL1-000		IL	RT	QU
19	L. CRUISYM EMBLEM	87127-LM1-000	●			
20	L. CRUISYM EMBLEM	87127-LL1-000		JD	OK	JD
21	R. SIDE COVER	83520-LM1-000	●	●	●	●
22	L. SIDE COVER	83620-LM1-000	●	●	●	●
23	RR. CENTER COVER	83750-LM1-000	OK	JD	OK	OK
24	R. BACK MIRROR ASSY	88110-LM1-000	●	●	●	●
25	L. BACK MIRROR ASSY	88120-LM1-000	●	●	●	●



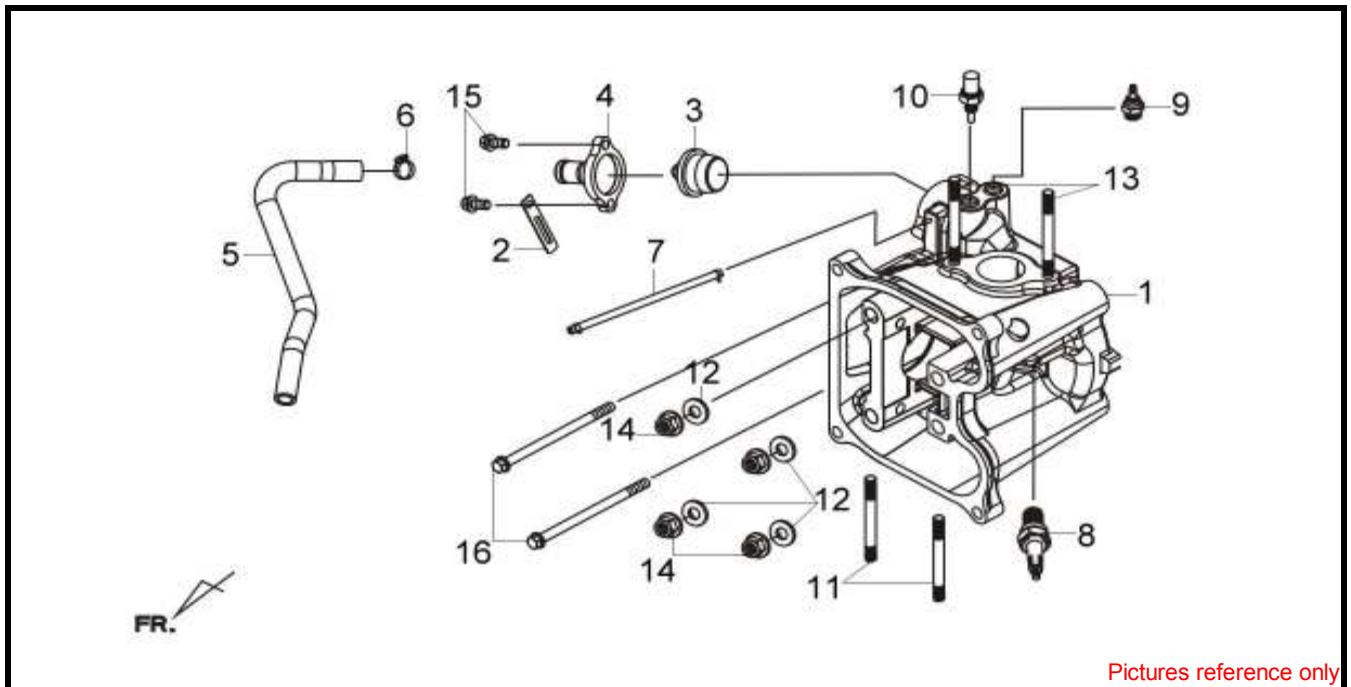
NO	零件料號 PARTS NUMBER	Unit Price (RM/pcs)	DESCRIPTION	QTY	EFFECTIVE DATE
1	12301-HMA-000	100.00	CYLINDER HEAD COVER	1	
2	12342-X01-000	1.30	CLAMP	1	
3	12363-L2E-010	6.70	IGNITION COIL CLAMP	1	
4	12391-HMA-000	12.30	CYLINDER HEAD COVER GASKE	1	
5	18610-L2E-000	55.00	REED VALVE COMP	1	
6	18647-HMA-000	41.00	AIR PIPE COMP	1	
7	18654-N14-004	1.20	AIR PIPE GASKET	2	
8	90002-HMA-000	3.80	CYLINDER HEAD COVER BOLT	4	
9	96001-06014-00	0.80	FLANGE BOLT SH 6*14	2	
10	96001-06016-00	0.80	FLANGE BOLT SH 6*16	4	



Pictures reference only

NO	零件料號 PARTS NUMBER	Unit Price (RM/pcs)	DESCRIPTION	QTY	EFFECTIVE DATE
1	12209-H6B-900	6.90	VALVE STEM SEAL	4	
2	1443A-HMA-000	140.00	IN. VALVE ROCKER ARM ASSY	1	
3	1444A-HMA-000	140.00	EX. VALVE ROCKER ARM ASSY	1	
4	14451-HMA-000	9.90	ROCKER ARM SHAFT	2	
5	14711-HMA-000	35.00	INLET VALVE	2	
6	14721-RFS-000	60.00	INLET VALVE	2	
7	14751-HMA-000	4.70	VALVE OUTER SPG.	4	
8	14761-HMA-000	4.70	VALVE INNER SPG.	4	
9	14771-M8Q-000	10.10	VALVE SPRING RETAINER	4	
10	14777-KN7-670	6.00	VALVE SPRING SEAT	4	
11	14781-M9Q-000-A	11.30	VALVE COTTER SET(4PCS/1SET)	2	
12	90012-HLK-000	6.00	TAPPET ADJUSTING SCREW	4	
13	90206-HLK-000	3.60	TAPPET ADJUSTING NUT	4	

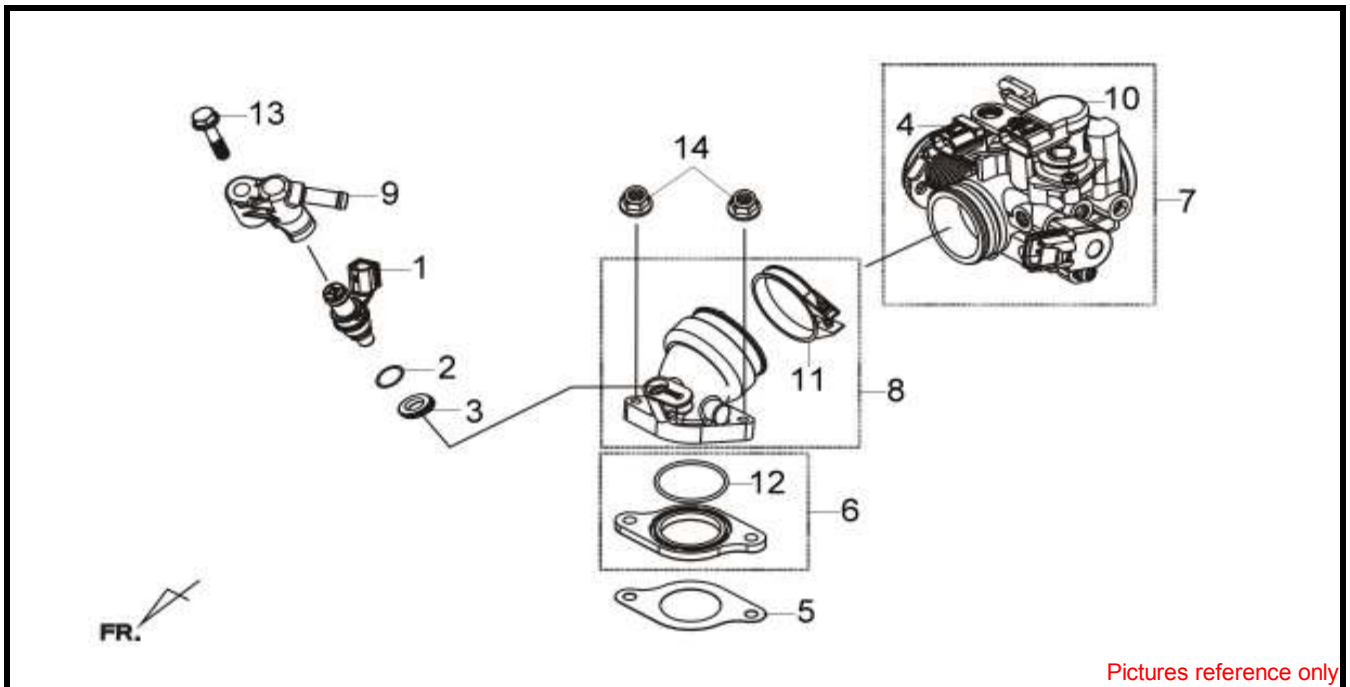
●Please check the color & stripe information according to the color index !



Pictures reference only

NO	零件料號 PARTS NUMBER	Unit Price (RM/pcs)	DESCRIPTION	QTY	EFFECTIVE DATE
1	12200-HMC-000	760.00	CYLINDER HEAD COMP	1	
2	12342-X01-000	1.30	CLAMP	1	
3	19300-HMA-000	80.00	THERMOSTAT ASSY.	1	
4	19315-L3A-010	23.00	THERMOSTAT COVER	1	
5	19502-L3A-000	48.00	WATER HOSE	1	
6	19505-REA-000	9.90	HOSE CLAMP	1	
7	1951A-HMA-010	10.70	THERMOSTAT TUBE ASSY	1	
8	AC-005-1201-0009	19.00	PLUG CR8E	1	
9	37750-PC1-004	50.00	THERMO UNIT ASSY	1	
10	37880-HMC-000	50.00	TW SENSOR	1	
11	90034-HMA-000	1.50	SPECIAL STUD BOLT 8*40	2	
12	90442-HMA-000	1.20	SEALING WASHER 10.5mm	4	
13	92900-06028-0B	2.00	STUB BOLT 6*28	2	
14	94050-10080	2.00	FLANGE NUT 10mm	4	
15	96001-06016-00	0.80	FLANGE BOLT SH 6*16	2	
16	96001-06090-00	1.50	FLANGE SH BOLT 6*90	2	

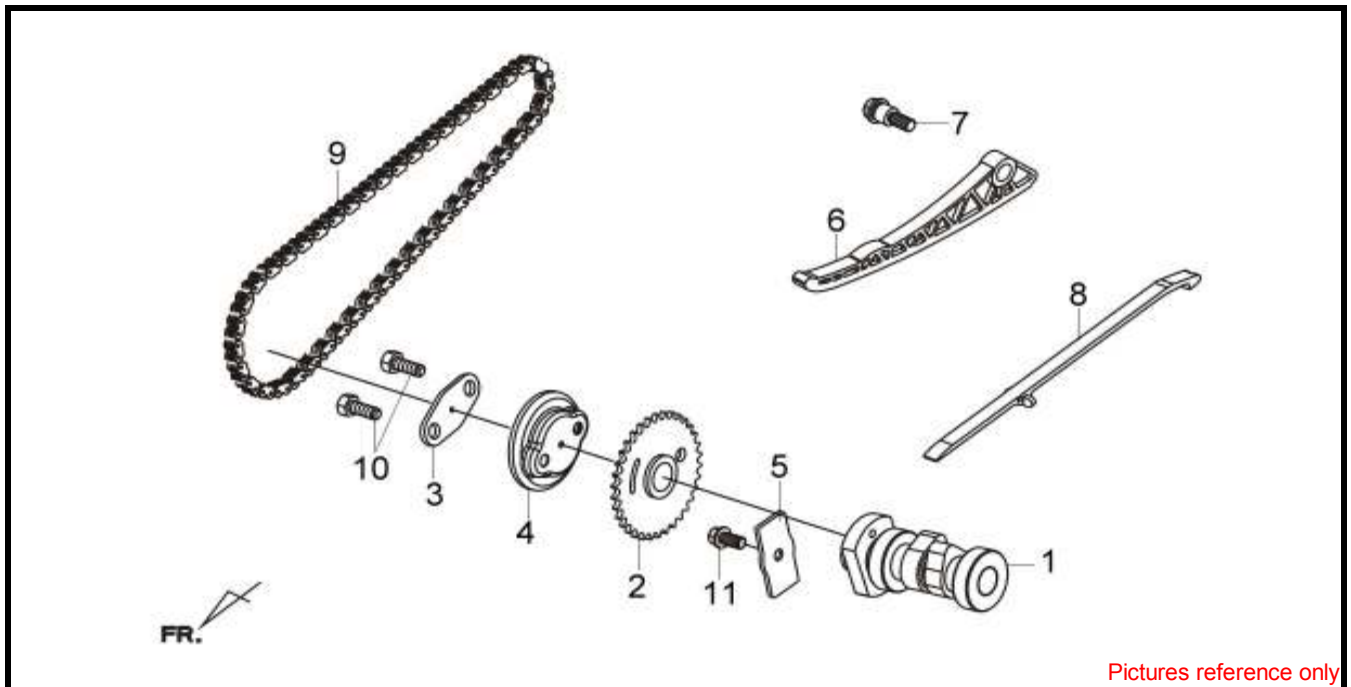
●Please check the color & stripe information according to the color index !



Pictures reference only

NO	零件料號 PARTS NUMBER	Unit Price (RM/pcs)	DESCRIPTION	QTY	EFFECTIVE DATE
1	06414-LEF-000	240.00	FUEL INJECTOR	1	
2	06415-HNS-000	4.00	O-RING	1	
3	06416-HNS-000	8.50	SEAL-RING	1	
4	16403-F6K-000	390.70	THB.M.A.P.SENSOR SERVICE PARTS	1	
5	16201-HMC-001	1.60	CARB. INSULATOR GASKET	1	
6	1621A-HMC-000	10.70	CARBURETOR INSULATOR ASSY	1	
7	16401-L2W-000	883.30	THROTTLE BODY ASSY	1	
8	1711A-L2E-000	110.00	INLET PIPE ASSY.	1	
9	17120-HNS-010	28.00	FUEL INJECTOR CUP ASSY	1	
10	3700-A35B-0100	410.00	ISC VALVE	1	
11	90653-HMA-000	18.00	INLET PIPE BAND 48	1	
12	91308-HMA-000	2.90	O-RING 34*2.0	1	
13	92101-06016-0H	1.20	HEX BOLT 6*16	1	
14	94050-06000	0.40	FLANGE NUT 6mm	2	

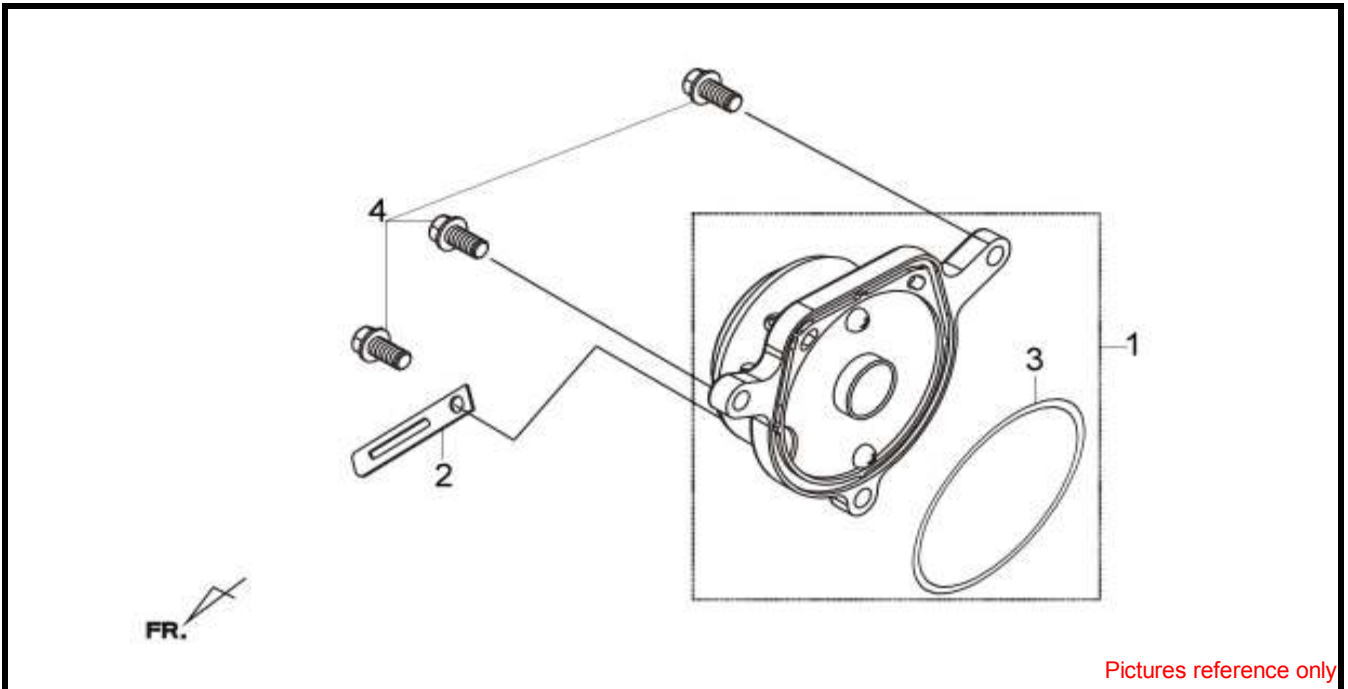
●Please check the color & stripe information according to the color index !



Pictures reference only

NO	零件料號 PARTS NUMBER	Unit Price (RM/pcs)	DESCRIPTION	QTY	EFFECTIVE DATE
1	14100-HML-000	190.00	CAM SHAFT COMP	1	
2	14105-RFA-000	34.00	CAM SPROCKET	1	
3	14105-X01-000	3.20	CAM SPROCKET WASHER	1	
4	14108-M36-000	3.20	CENTRIFUGAL DISK	1	
5	14457-HMA-000	1.30	CAM SHAFT SETTING PLATE1.	1	
6	14510-RFA-000	11.00	CAM CHAIN TENSIONER	1	
7	14531-KJ9-000	2.90	CAM CHAIN TENSIONERPIVOT	1	
8	14610-BCE-000	14.90	CAM CHAIN GUIDE	1	
9	1C14401-RFA-000	135.00	CAM CHAIN 92RH2010-100L	1	
10	92101-06016-0H	1.20	HEX BOLT 6*16	2	
11	96001-06014-00	0.80	FLANGE BOLT SH 6*14	1	

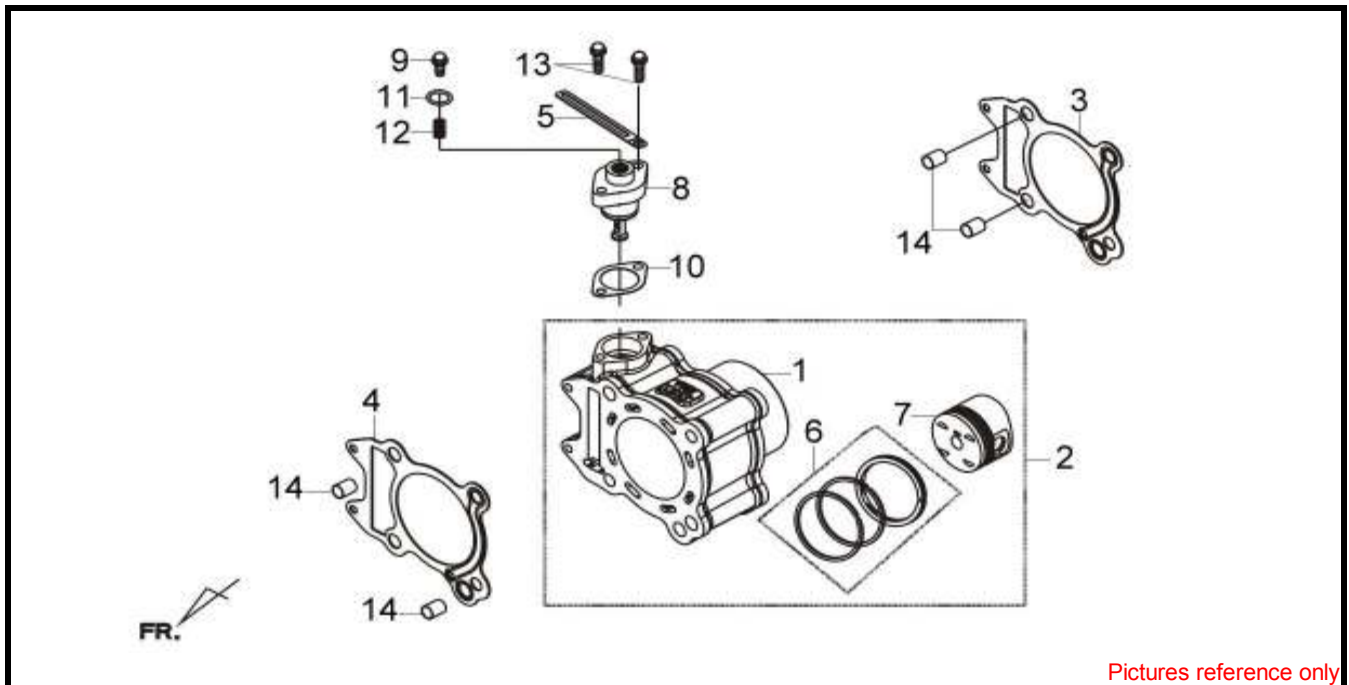
●Please check the color & stripe information according to the color index !



Pictures reference only

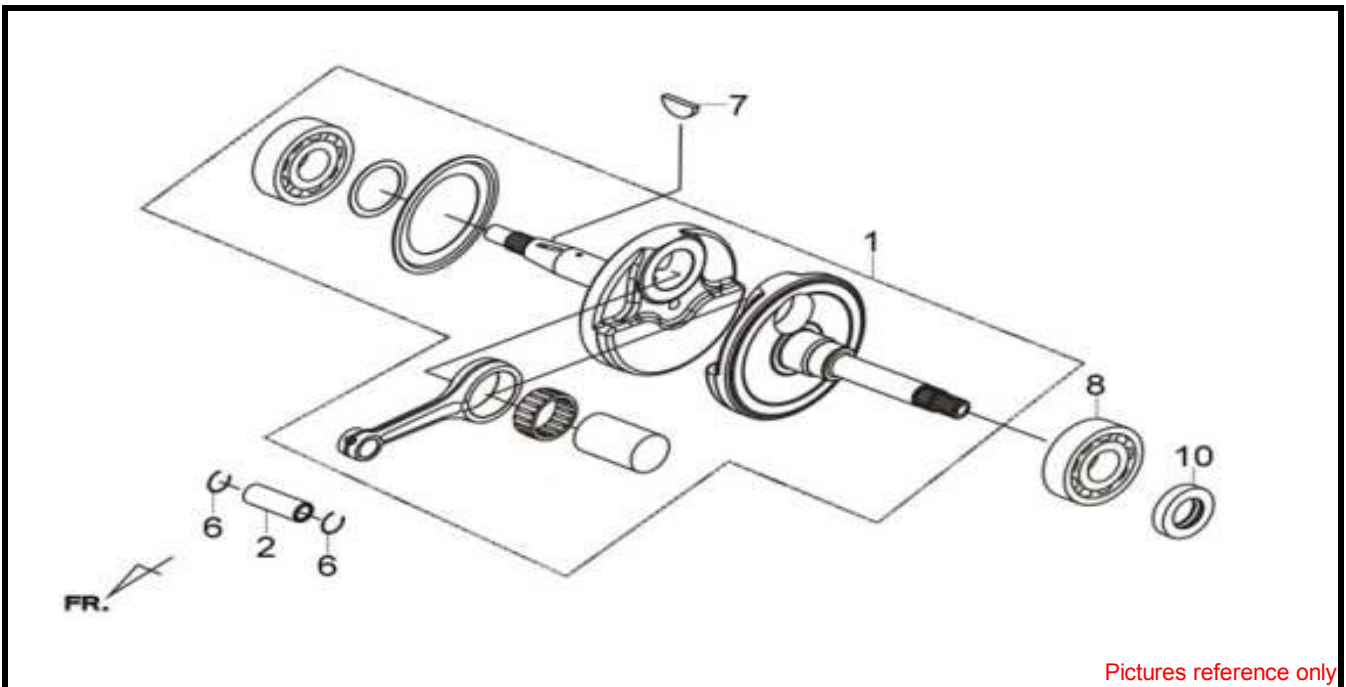
NO	零件料號 PARTS NUMBER	Unit Price (RM/pcs)	DESCRIPTION	QTY	EFFECTIVE DATE
1	1231A-L3A-000	55.00	CYL. HEAD SIDE COVER ASSY	1	
2	12342-X01-000	1.30	CLAMP	1	
3	91301-HMA-000	4.70	HEAD SIDE COVER O-RING	1	
4	96001-06018-00	0.90	FLANGE BOLT SH 6*18	3	

●Please check the color & stripe information according to the color index !



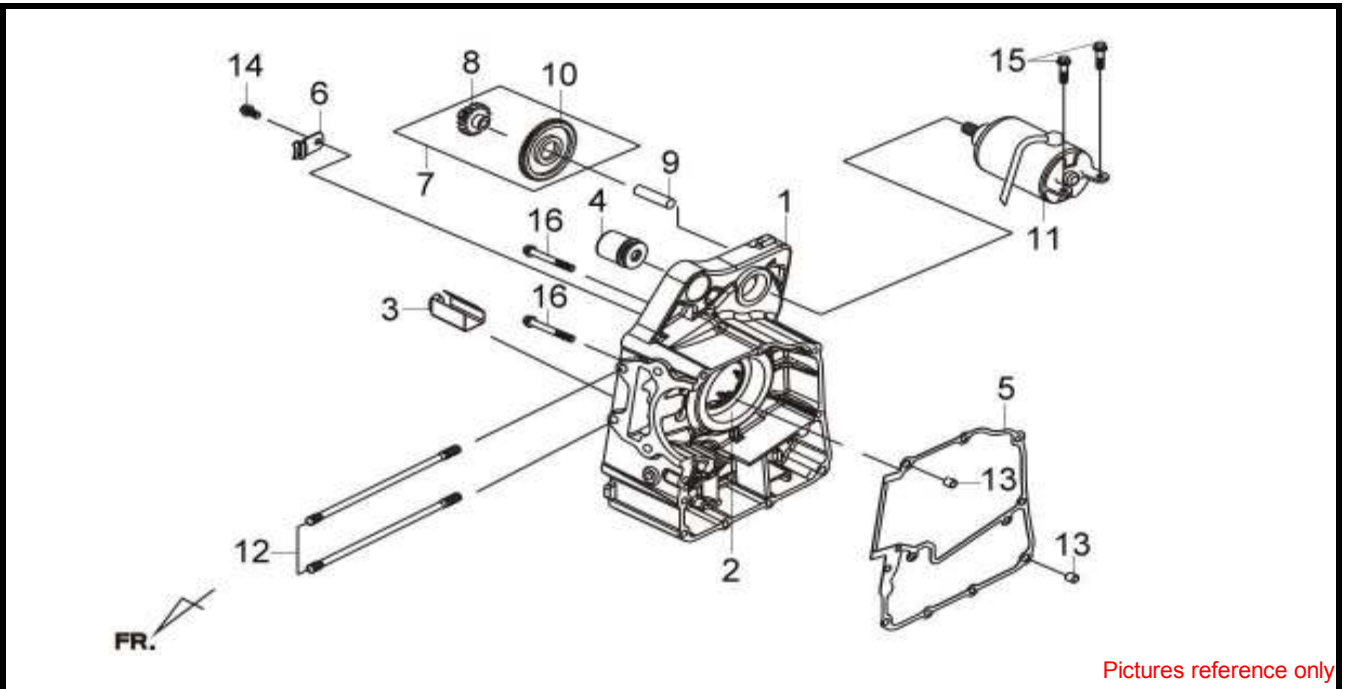
Pictures reference only

NO	零件料號 PARTS NUMBER	Unit Price (RM/pcs)	DESCRIPTION	QTY	EFFECTIVE DATE
1	1210S-HMA-000	501.90	CYLINDR ASSY	1	
2	12100-HMA-000-A	700.00	CYLINDER SET	1	
3	12191-HMA-004	7.50	CYLINDER GASKET	1	
4	12251-HMA-000	46.00	CYLINDER HEAD GASKET	1	
5	12342-G02-000	2.30	CLAMP	1	
6	13010-HMA-000	69.00	PISTON RING SET	1	
7	13101-HMA-000	65.00	PISTON	1	
8	14520-H6T-000	50.00	TENSIONER LIFTER	1	
9	14522-H6T-000	3.20	TENSIONER ADJUSTER BOLT	1	
10	14523-M9Q-002	1.00	TENSIONER LIFTER GASKET	1	
11	14524-H6T-000	2.00	OIL-RING (5PCS/PKT)	1	
12	14525-H6T-000	2.90	ADJUSTER SPRING	1	
13	90001-M9Q-000	0.90	FLANGE SHF BOLT 6*22	2	
14	94301-12200	2.90	DOWEL PIN 12*20	2	



Pictures reference only

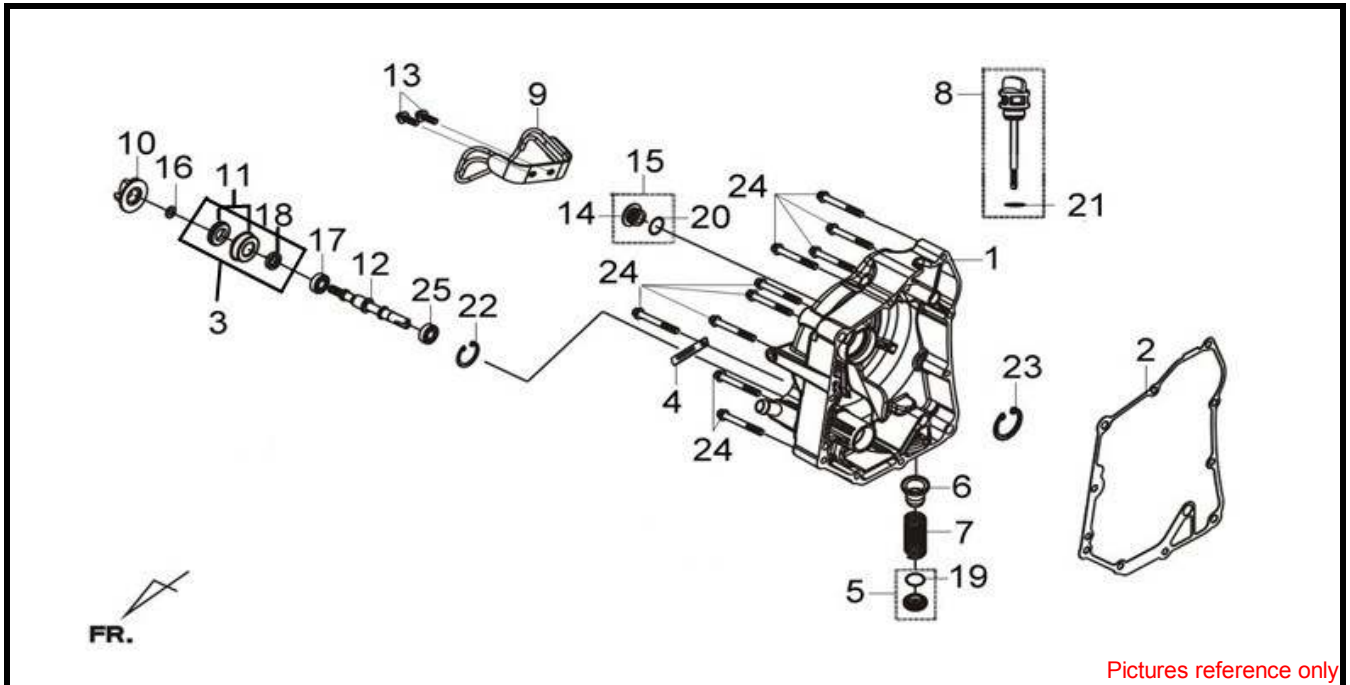
NO	零件料號 PARTS NUMBER	Unit Price (RM/pcs)	DESCRIPTION	QTY	EFFECTIVE DATE
1	13000-L2A-000	760.00	CRANK SHAFT COMP	1	
2	13111-HMA-000	16.00	PISION PIN 11*17*50 M2	1	
6	90601-HMA-000	0.90	PISTON PIN CLIP 17mm	2	
7	90701-HB6-010	5.50	WOODRUFF KEY 25*14*4	1	
8	91001-HMA-000	115.00	RADIAL BALL BRG. TMB306	1	
10	91201-HMA-300	5.50	OIL SEAL TC27*42*7	1	



Pictures reference only

NO	零件料號 PARTS NUMBER	Unit Price (RM/pcs)	DESCRIPTION	QTY	EFFECTIVE DATE
1	11100-HMA-001	380.00	R. CRANK CASE COMP	1	
2	11102-HMA-300	14.00	CRANK CASE BUSH 72mm	1	
3	11107-HMA-000	8.50	MAGNET PLATE	1	
4	11120-LEA-000	50.00	ENGINE HANGER BUSH ASSY	1	
5	11191-HMA-003	12.50	CRANK CASE GASKET	1	
6	14151-RFA-000	2.20	CAM CHAIN SETTING PLATE	1	
7	28100-HMA-000	65.00	STARTER REDUCTION GEAR COMP	1	
8	28101-HMA-300	46.00	STARTER REDUCTION GEAR A	1	
9	28102-HMA-000	6.50	START.REDUCTION GEAR SHAFT	1	
10	28105-HMA-300	42.00	STARTER REDUCTION GEAR B	1	
11	31200-L3D-000	462.90	START MOTOR ASSY.	1	
12	90031-HMA-000	11.00	CYLINDER STUD BOLT A	2	
13	94301-08140	1.20	DOWEL PIN 8*14	2	
14	96001-06012-08	0.90	FLANGE BOLT SH 6*12	1	
15	96001-06022-00	1.10	FLANGE BOLT SH 6*22	2	
16	96001-06055-00	1.90	BOLT FLANGE SH 6*55	2	

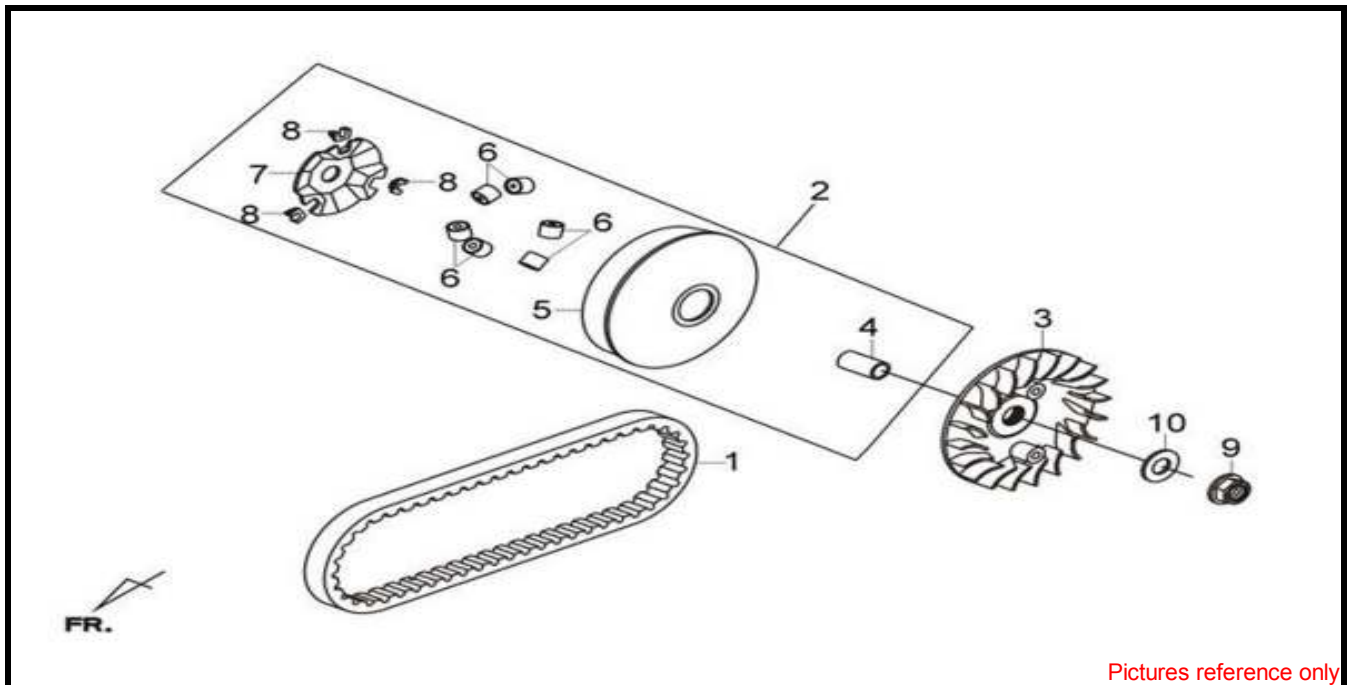
●Please check the color & stripe information according to the color index !



Pictures reference only

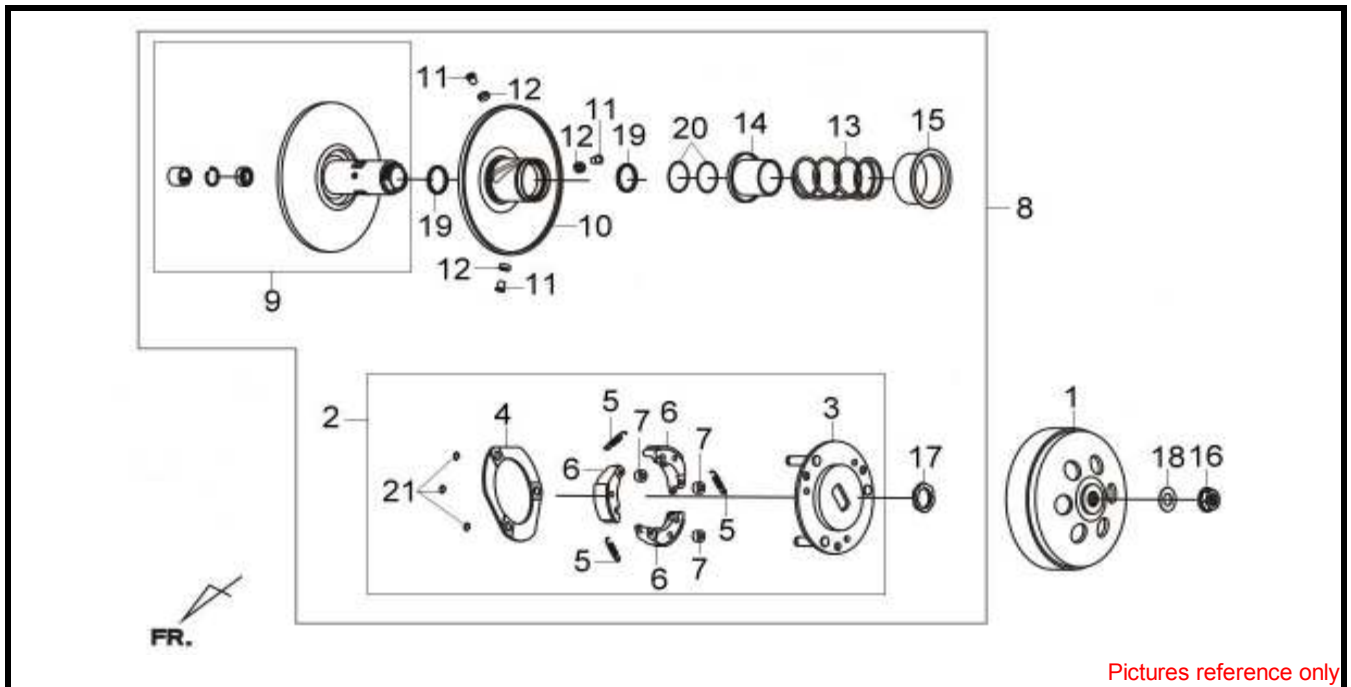
NO	零件料號 PARTS NUMBER	Unit Price (RM/pcs)	DESCRIPTION	QTY	EFFECTIVE DATE
1	11330-L3A-000	325.00	R. CASE COVER COMP	1	
2	11394-HMA-002	10.60	R COVER GASKET	1	
3	19217-H9A-300-A	32.80	MECHANICAL SEAL SET	1	
4	12342-X01-000	1.30	CLAMP	1	
5	1236A-V02-000	9.00	TAPPET ADJ HOLE CAP ASSY.	1	
6	15421-B9D-000	5.50	OIL FILTER SCREEN	1	
7	15426-M9Q-000	0.90	OIL FILTER SCREW SPG.	1	
8	1565A-HMA-000	4.70	OIL LEVEL GAUGE ASSY	1	
9	18241-L3A-000	44.00	EXH. PIPE PROTECTOR	1	
10	19215-HLA-000	11.50	WATER PUMP IMPELLER	1	
11	19217-H9A-300	27.00	MECHANICAL SEAL	1	
12	19231-HMA-000	34.00	WATER PUMP SHAFT	1	
13	90003-L3A-000	2.00	WASHER BOLT 6*20	2	
14	90084-H9A-000	11.50	A. C. GEN. CAP 14mm	1	
15	9008A-H9A-000	4.70	A.C.G. CAP ASSY 14mm	1	
16	90423-KJ9-000	0.90	WASHER 7.2*13*1.2	1	
17	91001-KJ9-005	19.00	RADIAL BALL BRG.6901	1	
18	91205-KF0-003	4.50	OIL SEAL 12*20*5	1	
19	91302-M9Q-000	2.00	O-RING 30.8mm	1	
20	91303-M2Q-000	1.10	O RING 13.8*2.5mm	1	
21	91307-M9Q-000	3.50	O RING 18X3	1	
22	94520-26000	1.50	CIRCLIP IN 26mm	1	
23	94520-32000	3.20	IN CIRCLIP 32mm	1	
24	96001-06045-00	1.20	FLANGE BOLT SH 6*45	10	
25	96100-60000-00	17.00	RADIAL BALL BRG. 6000CM	1	

•Please check the color & stripe information according to the color index !



Pictures reference only

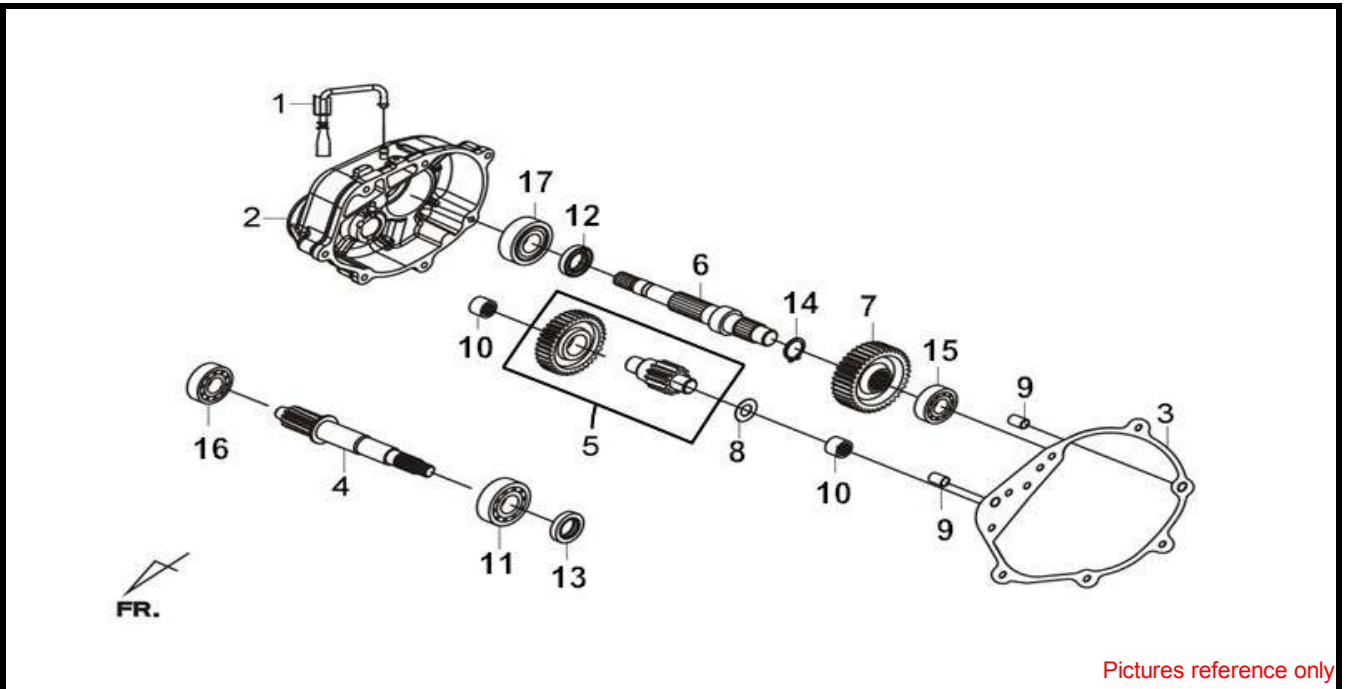
NO	零件料號 PARTS NUMBER	Unit Price (RM/pcs)	DESCRIPTION	QTY	EFFECTIVE DATE
1	1B01HMA01	275.00	DRIVE BELT(924X24.4X30)	1	
2	22000-RB1-000	285.00	MOVABLE DRIVE FACE ASSY.	1	
3	22102-HMA-000	90.00	DRIVE FACE	1	
4	22105-HMA-000	46.00	DRIVE FACE BOSS	1	
5	22110-HMA-000	150.00	MOVABLE DRIVE FACE COMP	1	
6	22121-RB1-001-A	76.00	WEIGHT ROLLER COMP	1	
7	22131-HMA-000	40.00	RAMP PLATE	1	
8	22132-HMA-000-A	6.70	SLIDE PIECE SET(3PCS/1SET)	1	
9	90201-KR8-751-M1	5.30	FLANGE NUT 14mm	1	
10	90401-KJ9-000	3.20	THRUST WASHER 14*28*2	1	



Pictures reference only

NO	零件料號 PARTS NUMBER	Unit Price (RM/pcs)	DESCRIPTION	QTY	EFFECTIVE DATE
1	22101-HMA-000	145.00	CLUTCH OUTER	1	
2	22300-L3D-000	321.00	DRIVE PLATE ASSY	1	
3	22350-HMA-000	53.00	DRIVE PLATE COMP	1	
4	22361-HMA-000	12.00	CLUTCH SIDE PLATE	1	
5	22401-HMA-000	4.70	CLUTCH SPRING	3	
6	22530-L3D-000-A	250.00	CLUTCH WEIGHT(3PCS/SET)	3	
7	22804-HMA-000	5.20	CLUTCH DAMPER RUBBER	3	
8	23010-L3D-000	983.50	DRIVEN PULLEY ASSY	1	
9	23200-L3A-000	496.40	DRIVEN FACE ASSY.	1	
10	23220-HMA-000	240.00	MOVABLE DRIVEN FACE COMP.	1	
11	23225-HMA-000	4.40	ROLLER GUIDE PIN	3	
12	23226-HMA-000	2.90	GUIDE ROLLER	3	
13	23233-HMA-000	23.00	DRIVEN FACE SPRING	1	
14	23237-L4A-000	55.00	SEAL COLLAR	1	
15	23238-L3A-000	20.90	SPRING COLLAR	1	
16	90201-KR8-751-M1	5.30	FLANGE NUT 14mm	1	
17	90202-HMA-000	11.00	SPECIAL NUT	1	
18	90401-KJ9-000	3.20	THRUST WASHER 14*28*2	1	
19	91211-HMA-000	4.40	OIL SEAL	2	
20	91305-HMA-000	3.40	O-RING 47*2.0	2	
21	94540-08010	0.90	E-RING	3	

●Please check the color & stripe information according to the color index !



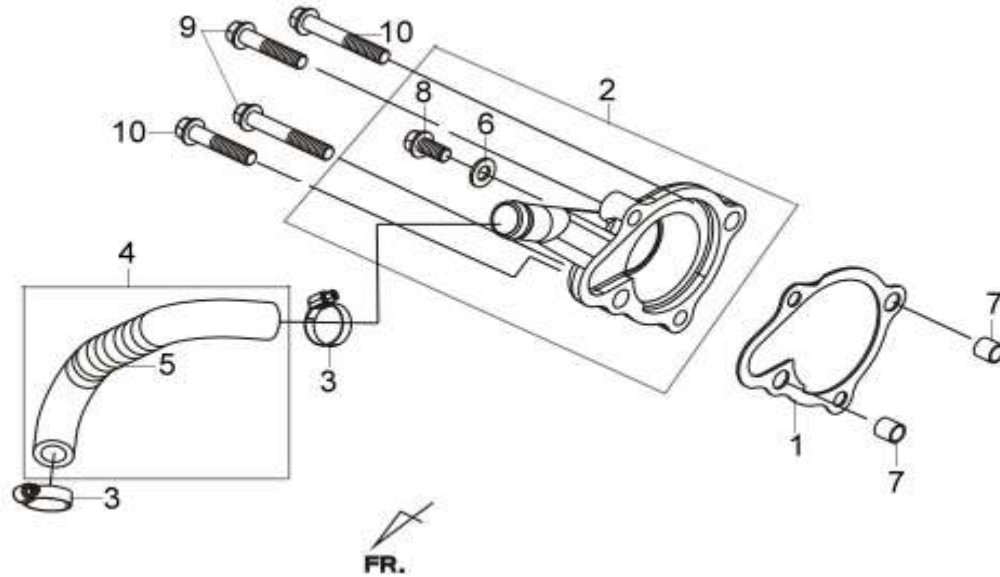
Pictures reference only

NO	零件料號 PARTS NUMBER	Unit Price (RM/pcs)	DESCRIPTION	QTY	EFFECTIVE DATE
1	1122A-HMA-000	12.00	MISSION BREATHER TUBE ASSY	1	
2	21200-L2C-000	189.80	MISSION CASE COMP	1	
3	21395-HMA-001	8.90	MISSION CASE GASKET	1	
4	23411-HMA-000	110.00	DRIVE SHAFT	1	
5	23420-HMA-000	99.00	COUNTER SHAFT COMP	1	
6	23431-HMA-000	138.00	FINAL SHAFT	1	
7	23432-HMA-000	102.00	FINAL GEAR	1	
8	90401-HMA-000	3.20	THRUST WASHER 15mm	1	
9	90703-M8Q-000	1.10	DOWEL PIN 10*14	2	
10	91002-HWA-000-M1	68.80	NEEDLE BRG.NK15*23*16	2	
11	91009-HMC-000	42.00	BALL RADIAL BRG.CSB205 JR2C3	1	
12	91203-HMA-000	4.40	OIL SEAL	1	
13	91204-HMA-000	10.60	OIL SEAL 25*40*7	1	
14	94510-25000	1.50	EX. CIR CLIP 25mm	1	
15	96100-62040-10	18.00	RADIAL BALL BRG. 6204	1	
16	96100-63020-00	19.00	RAD.BALL.BRG.6302	1	
17	96150-62050-10	30.30	RADIAL BALL BRG. 6205LLU	1	

●Please check the color & stripe information according to the color index !

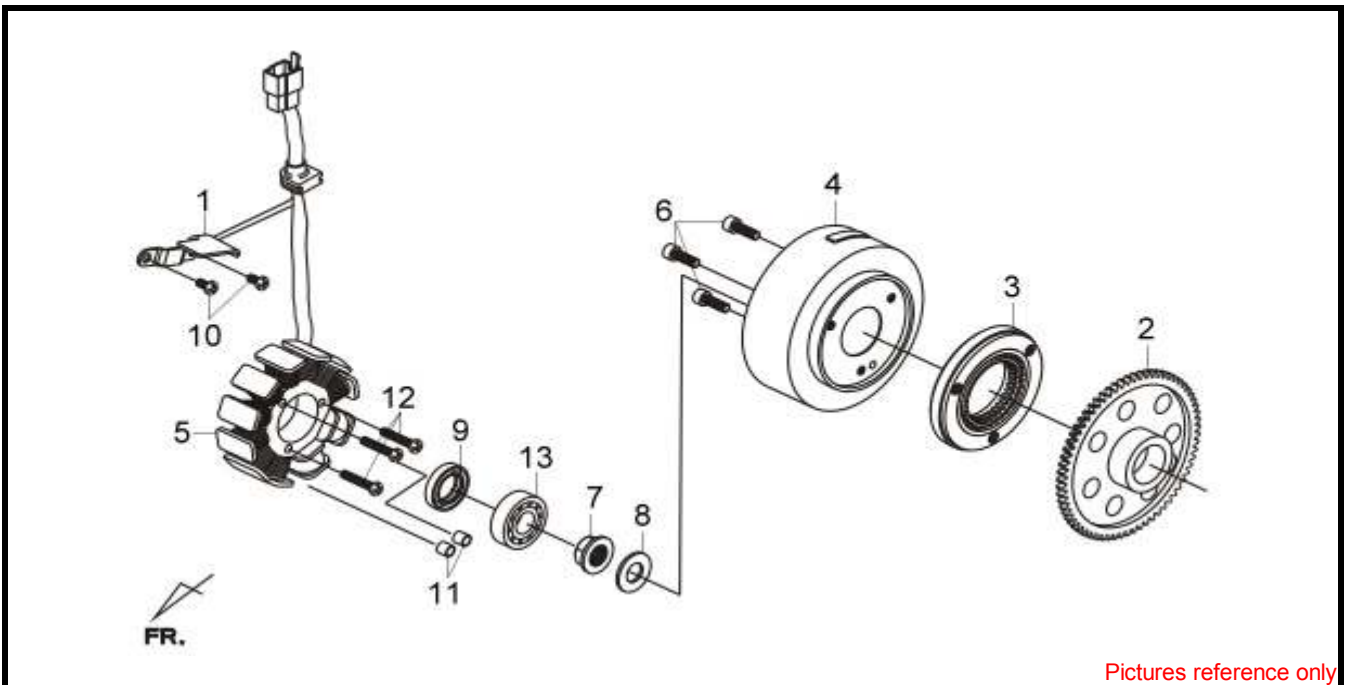
E14 WATER PUMP COVER

LV25W1-EU



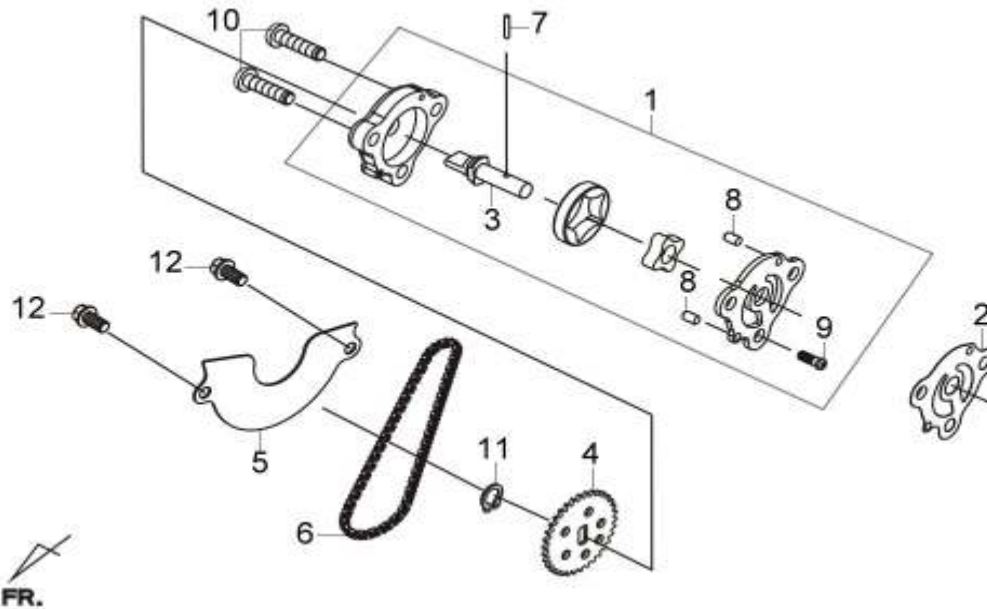
Pictures reference only

NO	零件料號 PARTS NUMBER	Unit Price (RM/pcs)	DESCRIPTION	QTY	EFFECTIVE DATE
1	19229-H9A-002	1.80	WATER PUMP GASKET	1	
2	1922A-LEA-000	32.50	WATER PUMP COVER ASSY.	1	
3	19505-KS6-700	3.80	WATER HOSE CLAMP A	2	
4	1950A-LEA-000	25.00	WATER HOSE ASSY	1	
5	19604-H01-000	5.50	LH. WATER HOSE GUARD WIRE	1	
6	90478-700-000	0.90	WASHER A. 6mm	1	
7	94301-08140	1.20	DOWEL PIN 8*14	2	
8	96001-06010-00	0.90	SH FLANGE BOLT 6*10	1	
9	96001-06022-00	1.10	FLANGE BOLT SH 6*22	2	
10	96001-06032-00	1.20	FLANGE BOLT SH 6*32	2	



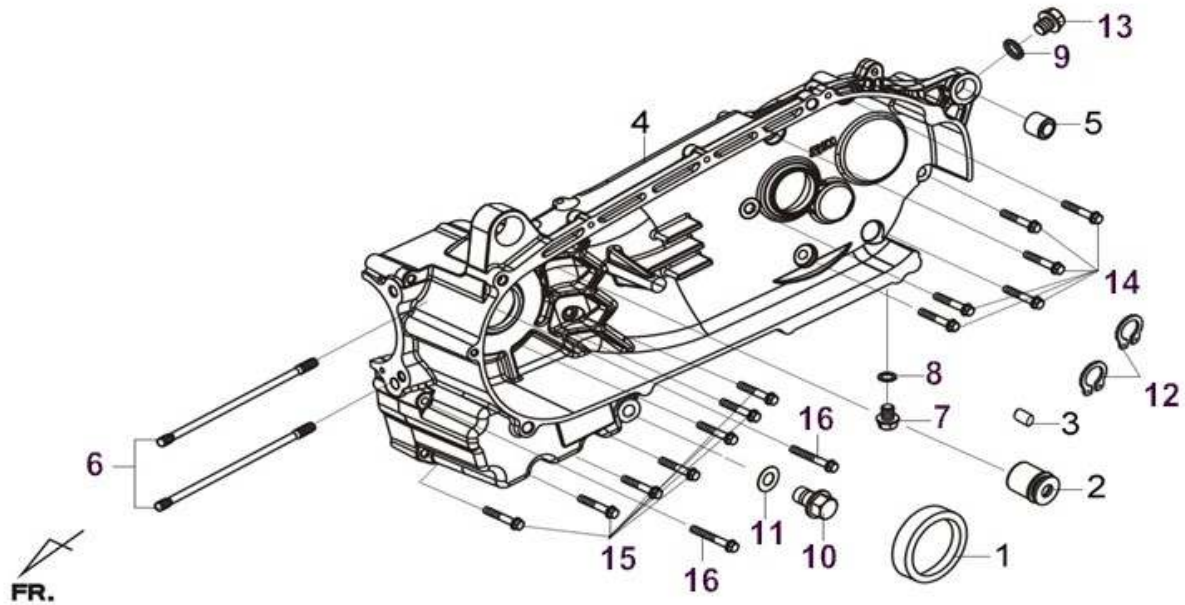
Pictures reference only

NO	零件料號 PARTS NUMBER	Unit Price (RM/pcs)	DESCRIPTION	QTY	EFFECTIVE DATE
1	15713-HMC-010	4.70	OIL BAFFLE PLATE	1	
2	28110-HMA-000	120.00	STARTING CLUTCH GEAR COMP	1	
3	2812A-L3A-000	345.00	ONE WAY CLUTCH ASSY	1	
4	31110-L3A-000	285.00	FLYWHEEL COMP	1	
5	31120-L3A-000	300.00	STATOR COMP	1	
6	90157-F3G-000	2.00	SOCKET BOLT 8*20	3	
7	90201-KR8-751-M1	5.30	FLANGE NUT 14mm	1	
8	90401-KJ9-000	3.20	THRUST WASHER 14*28*2	1	
9	91202-HMA-000	4.40	OIL SEAL TC12*22*5	1	
10	93500-05016-0A	0.90	PAN SCREW 5*16	2	
11	94301-08140	1.20	DOWEL PIN 8*14	2	
12	96001-06030-00	1.50	FLANGE BOLT SH 6*30	3	
13	96140-62013-10	16.00	RADIAL BALL BRG. 6201LUC3	1	



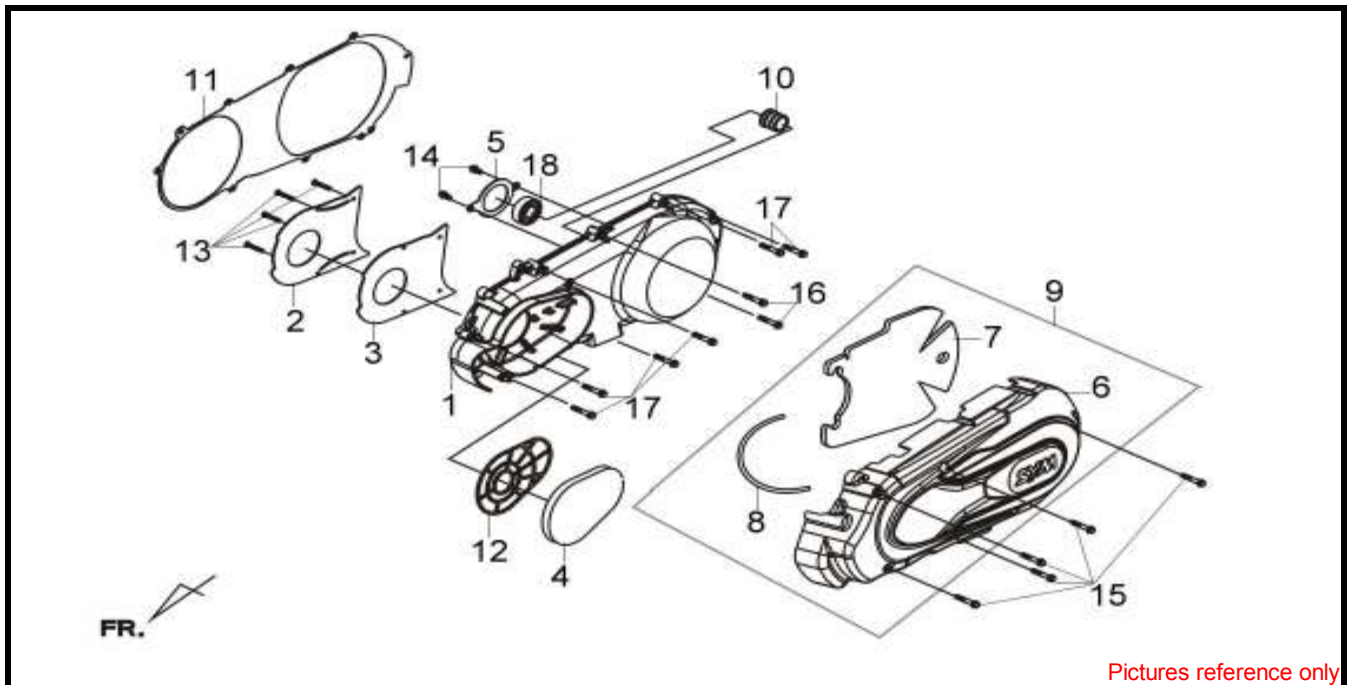
Pictures reference only

NO	零件料號 PARTS NUMBER	Unit Price (RM/pcs)	DESCRIPTION	QTY	EFFECTIVE DATE
1	15100-HMA-000	48.00	OIL PUMP ASSY.	1	
2	15126-B8A-000	2.00	OIL PUMP GASKET	1	
3	15132-HMA-000	11.50	OIL PUMP SHAFT	1	
4	15133-HMA-000	17.00	OIL PUMP DRIVEN SPROCKET	1	
5	15711-HML-000	3.80	OIL SEPARATER	1	
6	1C15141-HMA-000	42.00	OIL PUMP CHAIN 92RH2005-48	1	
7	91101-HMA-000	2.00	ROLLER 2.5*11.8	1	
8	91103-A3F-000	2.90	ROLLER 3*9.8	2	
9	93500-03008-1A	0.90	PAN SCREW 3*8	1	
10	93500-06025-0H	0.50	PAN SCREW 6*25	2	
11	94510-10000	0.90	CIR CLIP 10mm	1	
12	96001-06012-08	0.90	FLANGE BOLT SH 6*12	2	



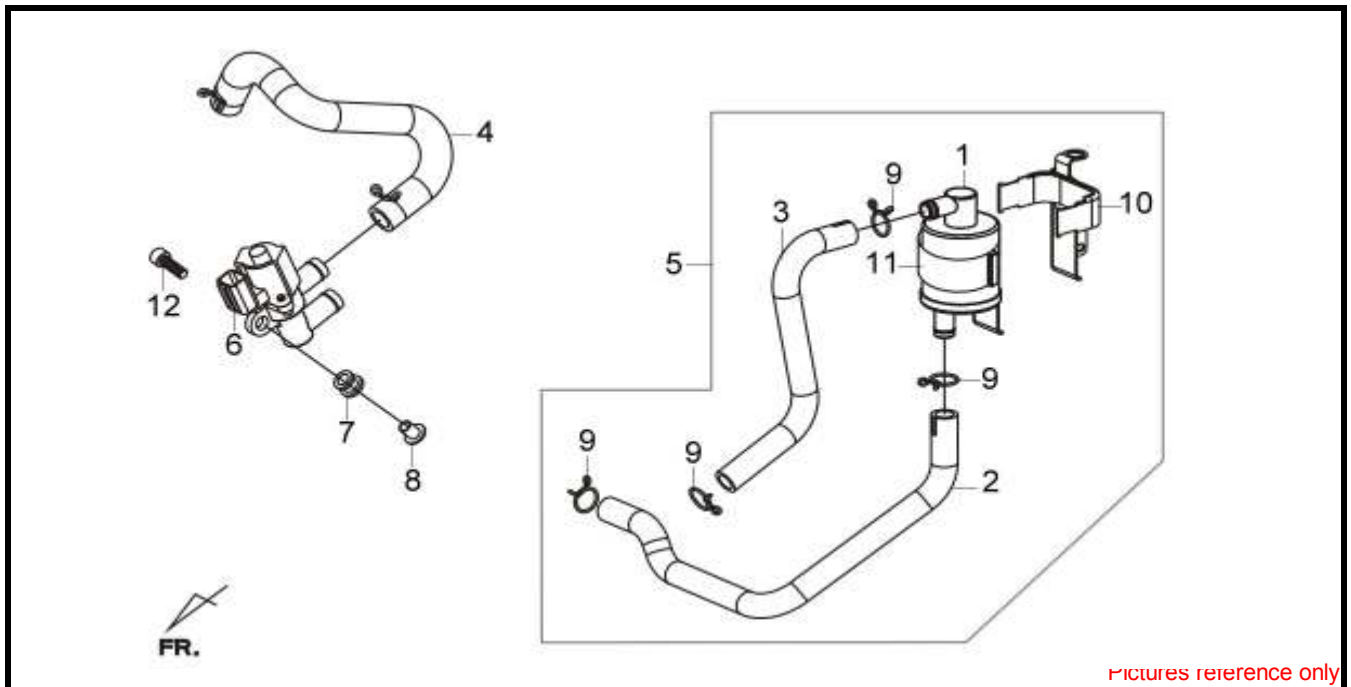
Pictures reference only

NO	零件料號 PARTS NUMBER	Unit Price (RM/pcs)	DESCRIPTION	QTY	EFFECTIVE DATE
1	11102-HMA-300	14.00	CRANK CASE BUSH 72mm	1	
2	11120-LEA-000	50.00	ENGINE HANGER BUSH ASSY	1	
3	11133-A1A-300	2.20	OIL ORIFICE 6*5	1	
4	11200-L2C-000	799.50	L CRANK CASE COMP	1	
5	11203-M9Q-300	3.74	RR CUSH UND BUSH RUBBER	1	
6	90032-HMA-000	10.20	CYLINDER STUD BOLT B	2	
7	90103-M9Q-000	1.00	SPECIAL BOLT 8mm	1	
8	90474-M9Q-000	0.50	WASHER 8mm	1	
9	90481-M9Q-100	0.80	WASHER 8mm	1	
10	92800-12000	3.00	DRAIN PLUG BOLT 12mm	1	
11	94109-12000	1.10	DRAIN PLUG WASHER 12mm	1	
12	94510-20000	1.20	EX. CIR CLIP 20mm	2	
13	95701-10012-08	2.00	FLANGE BOLT 10*12 (5PCS/PKT)	1	
14	95801-08050-08	2.90	FLANGE BOLT 8*50	6	
15	96001-06050-00	0.90	FLANGE BOLT SH 6*50	7	
16	96001-06070-00	1.50	FLANGE SH BOLT 6*70	2	

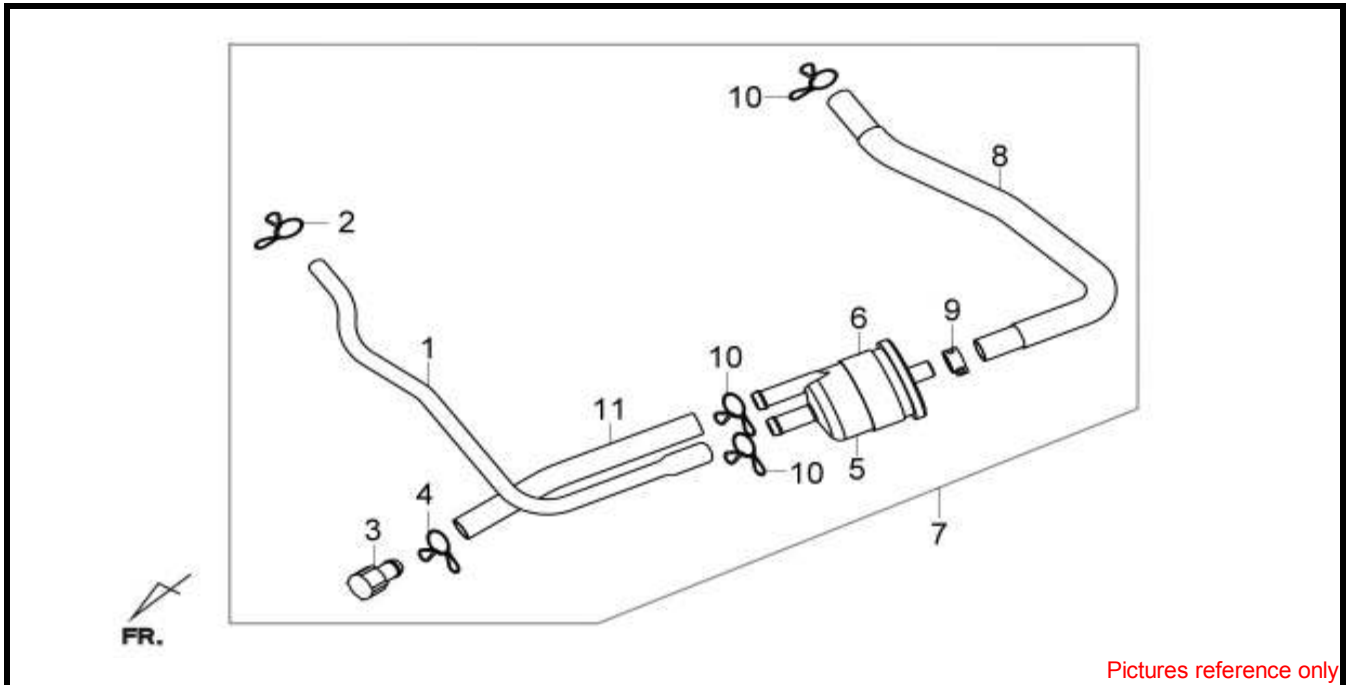


Pictures reference only

NO	零件料號 PARTS NUMBER	Unit Price (RM/pcs)	DESCRIPTION	QTY	EFFECTIVE DATE
1	11341-HMA-000	305.00	L CRANK CASE COVER	1	
2	11342-HMA-000	9.50	L COVER PLATE	1	
3	11343-HMA-001	9.30	L COVER PLATE GASKET	1	
4	11344-HMA-000	10.00	L. SIDE CVOER ELEMENT	1	
5	11346-HMA-000	4.00	L BEARING SETTING PLATE	1	
6	11351-HMA-009-GYK	214.00	L OUTER COVER. GY-7450U/BK-001U	1	
7	11352-HMA-000	20.00	L. OUTER COVER SPONGE	1	
8	11353-HMA-000	4.00	L OUTER COVER SEAL	1	
9	1135A-HMA-010-GYK	216.30	L OUTER COVER ASSY. GY-7450U/BK-00	1	
10	1137A-HMA-000	50.00	BEARING STAY COLLAR ASSY	1	
11	11395-HMA-003	35.20	L. CRANK CASE COVER GASKET	1	
12	17221-LEA-000	50.50	TRAP COMP	1	
13	93500-05012-0H	0.90	PAN SCREW 5X12	5	
14	96001-06012-00	0.90	FLANGE BOLT SH 6*12	2	
15	96001-06018-07	0.90	SH. FLANGE BOLT 6*18	5	
16	96001-06030-00	1.50	FLANGE BOLT SH 6*30	2	
17	96001-06035-00	1.50	FLANGE SH BOLT 6*35	6	
18	96150-60060-10	43.30	FLANGE SH BOLT 6*35	1	



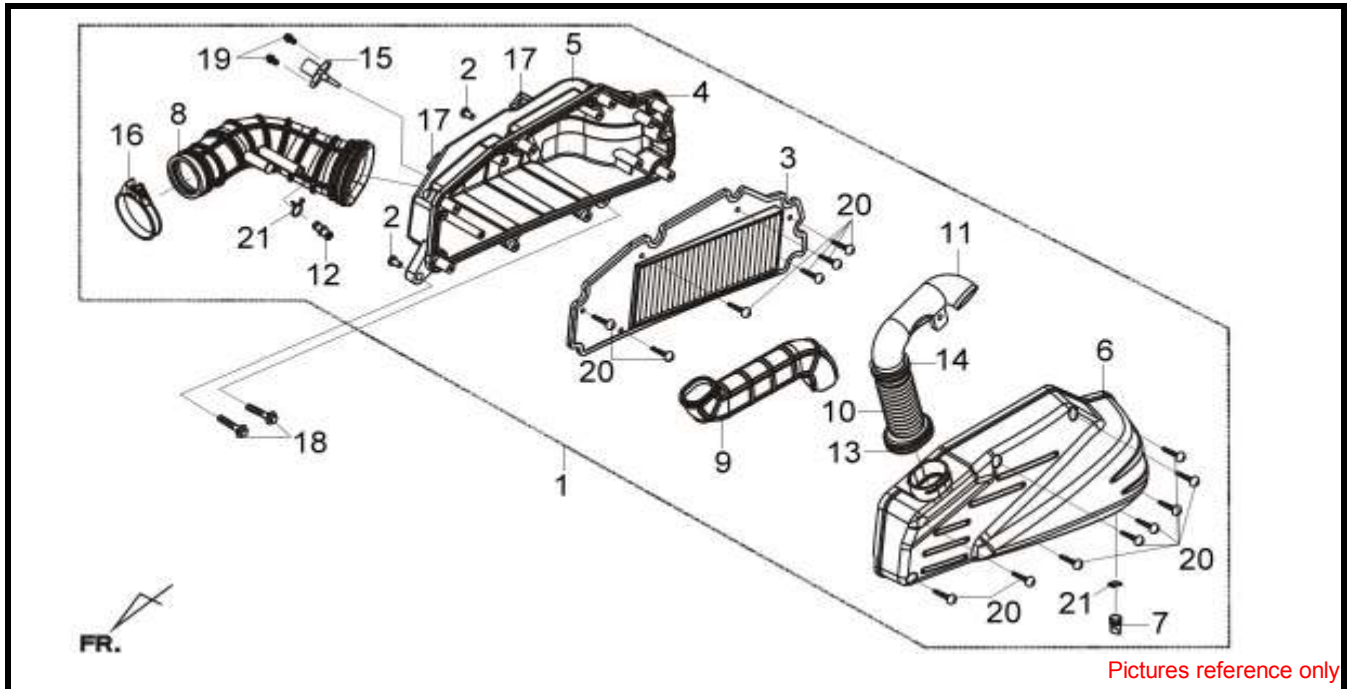
NO	零件料號 PARTS NUMBER	Unit Price (RM/pcs)	DESCRIPTION	QTY	EFFECTIVE DATE
1	17570-HMC-000	69.00	A.I.A.C. COMP	1	
2	17571-L3A-000	19.00	A.I.A.C. TUBE A	1	
3	17574-L2A-000	14.00	A.I.C.V. TUBE B	1	
4	17576-L2A-010	23.00	A.I.S.V.-REED VALVE JOINT TUBE	1	
5	1757A-L3A-000	97.00	A.I.A.C. ASSY	1	
6	17590-HMC-000	230.00	A.I.S.V. ASSY	1	
7	17591-HMC-000	2.00	A.I.S.V. RUBBER	1	
8	17592-HMC-000	2.00	A.I.S.V. COLLAR	1	
9	18533-M7Q-000	3.80	AIR HOSE CLIP 19	4	
10	18659-L2A-000	13.50	A.I.C.V. STAY	1	
11	18811-N14-000	6.00	A.I.A.C.SETTING BAND	1	
12	93891-05016-07	1.40	WASHER SCREW 5*16	1	



Pictures reference only

NO	零件料號 PARTS NUMBER	Unit Price (RM/pcs)	DESCRIPTION	QTY	EFFECTIVE DATE
1	11211-L3A-000	24.00	BREATHER TUBE	1	
2	15772-500-013	3.20	TUBE CLIP	1	
3	17370-M9Q-000	3.60	BREATHER TUBE PLUG	1	
4	17371-M9Q-000	0.90	BREATHER TUBE CLIP	1	
5	17380-H6A-000	38.00	BREATHER CHAMBER COMP	1	
6	17385-H6A-000	7.90	CHAMBER SETTING BAND	1	
7	1738A-L3A-000	60.00	BREATHER CHAMBER ASSY.	1	
8	17562-L2A-000	14.60	P.C.V./A.C. TUBE	1	
9	90682-V02-900	3.60	TUBE CLAMPER D11.5	1	
10	95002-80000	1.10	TUBE CLIP C12	3	
11	95003-23022-10	4.30	V TUBE 8*12*220	1	

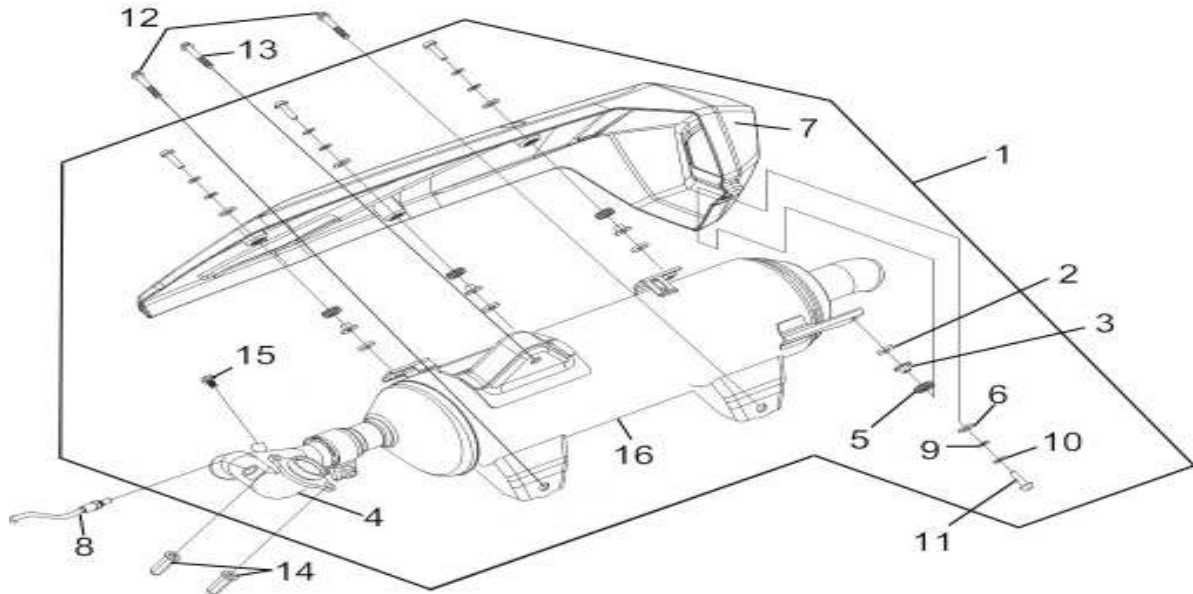
●Please check the color & stripe information according to the color index !



Pictures reference only

NO	零件料號 PARTS NUMBER	Unit Price (RM/pcs)	DESCRIPTION	QTY	EFFECTIVE DATE
1	17200-LM1-000	207.00	AIR/C ASSY.	1	
2	17208-L3A-000	8.60	AIR/C SET COLLAR	2	
3	17211-HMA-000	59.40	AIR/C ELEMENT COMP	1	
4	17214-HMA-000	7.20	AIR/C COVER SEAL	1	
5	17230-L3A-000	57.00	AIR/C CASE COMP	1	
6	17231-LM1-000	51.40	AIR/C COVER	1	
7	17234-M51-000	2.60	AIR CLEANER DRAIN TUBE	1	
9	17255-HMA-000	22.30	AIR/INLET DUCT	1	
10	17257-HMA-000	18.00	AIR/C DUCT A	1	
11	17258-H9A-000	16.20	AIR/C DUCT B	1	
12	17359-M9Q-000	3.60	BREATHER TUBE JOINT	1	
13	18362-HMA-000	18.00	BAND SILENCR SEAL	1	
14	18362-KA4-700	1.40	BAND SILENCR SEAL	1	
15	37830-HMC-000	50.30	AIR TEMP SENSOR	1	
16	90652-HMA-000	9.00	AIR/C CONN. TUBE BAND 52	1	
17	90305-L3A-000	2.00	CLIP NUT 5	2	
18	93404-06040-07	0.80	WASHER BOLT 6*40	2	
19	93891-05016-07	1.40	WASHER SCREW 5*16	2	
20	93903-25480	0.70	TAPPING SCREW 5*20	14	
21	95002-80000	1.10	TUBE CLIP C12	3	

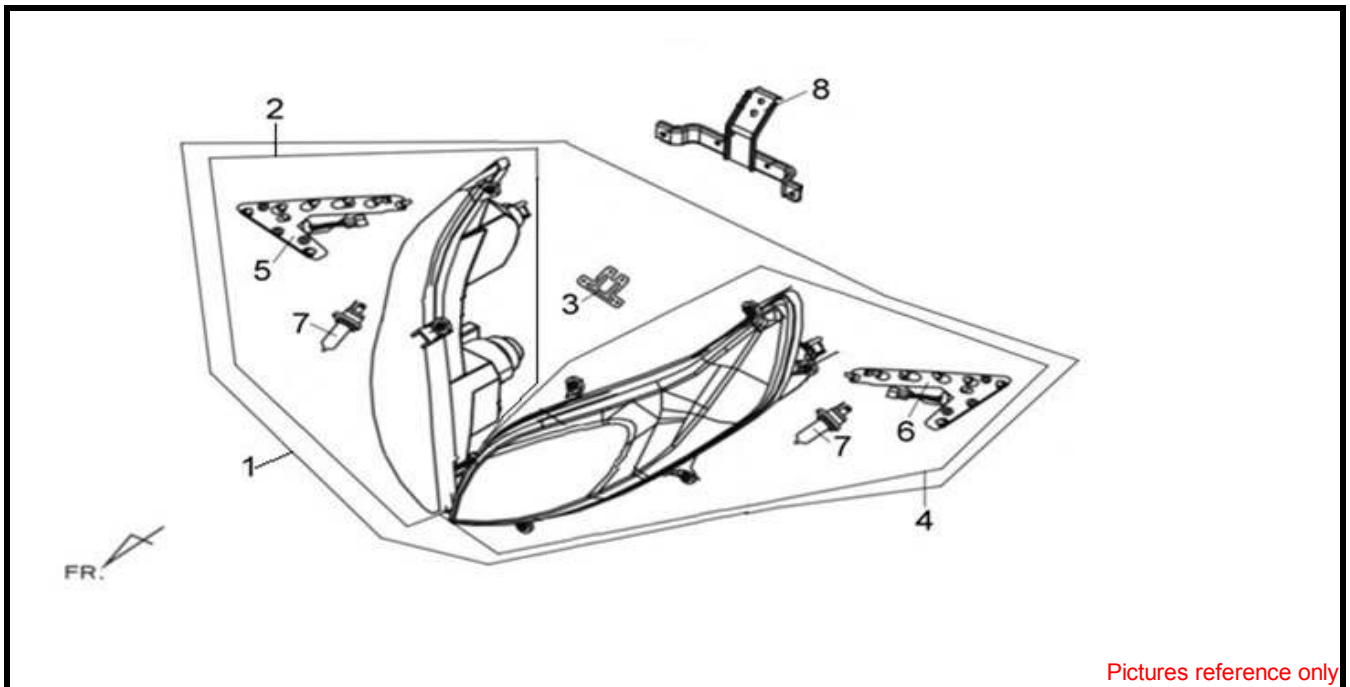
●Please check the color & stripe information according to the color index !



Pictures reference only

NO	零件料號 PARTS NUMBER	Unit Price (RM/pcs)	DESCRIPTION	QTY	EFFECTIVE DATE
1	18000-LM1-000	2420.50	EXH. MUFFLER ASSY. (BK-001U)	1	
2	18292-F3E-000	4.30	PROTECTOR PACKING A	4	
3	18295-A1A-000	2.90	COLLAR M6	4	
4	18320-L9D-300	248.30	EXH. PIPE COMP.	1	
5	18321-L1A-000	3.50	PROTECTOR RUBBER	4	
6	18293-F3E-000	1.10	PROTECTOR PACKING	4	
7	18318-LM1-000	66.30	MUFFLER PROTECTOR	1	
8	37890-LHF-000	273.20	O2 SENSOR	1	
9	94101-06700	1.10	PLAIN WASHER 6mm	4	
10	94111-06700	0.40	SPRING WASHER 6mm	4	
11	90116-L4A-000	3.50	SPECIAL BOLT M6*22	4	
12	90002-L3A-000	2.60	FLANGE BOLT M10*50	2	
13	90001-L3A-000	3.50	FLANGE BOLT M10*60	1	
14	90043-HMA-000	4.30	CAP NUT 8mm	2	
15	93401-HKD-000	2.70	WASHER BOLT 6*10	1	
16	18310-LM1-300	1084.30	MUFFLER COMP.	1	

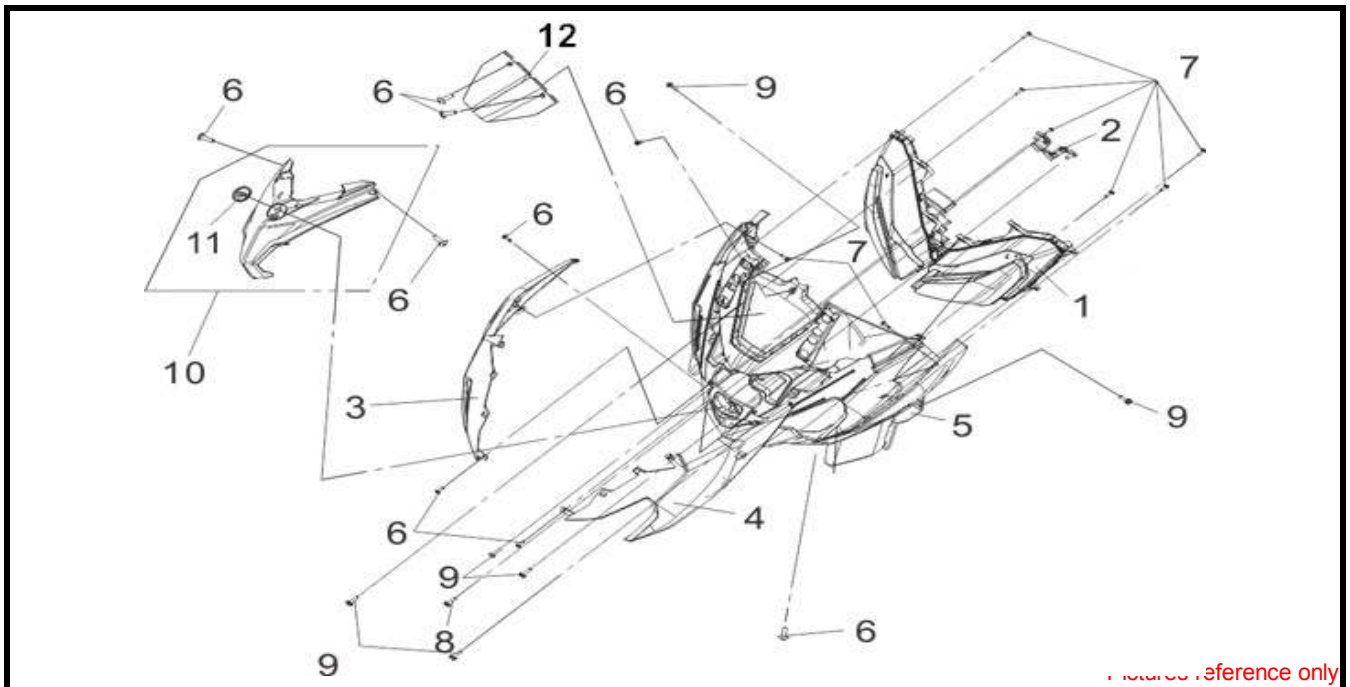
●Please check the color & stripe information according to the color index !



Pictures reference only

NO	零件料號 PARTS NUMBER	Unit Price (RM/pcs)	DESCRIPTION	QTY	EFFECTIVE DATE
1	3310A-LM1-000	1965.40	HEAD LIGHT ASSY	1	
2	33100-LM1-000	781.00	R. HEAD LIGHT	1	
2.1	64304-X01-000	1.40	FR. COVER RUBBER	2	
3	33120-L4A-000	17.80	HEAD LIGHT PLATE	1	
4	33150-LM1-000	775.40	L. HEAD LIGHT ASSY	1	
4.1	64304-X01-000	1.40	FR. COVER RUBBER	2	
5	33144-LM1-000	173.10	R. POSITION LIGHT LED PCB ASSY	1	
6	33244-LM1-000	173.10	L. POSITION LIGHT LED PCB ASSY	1	
7	34901-HWA-000	95.20	HEAD LIGHT BULB	2	
8	50310-LM1-000	25.50	HEAD LIGHT BRKT	1	

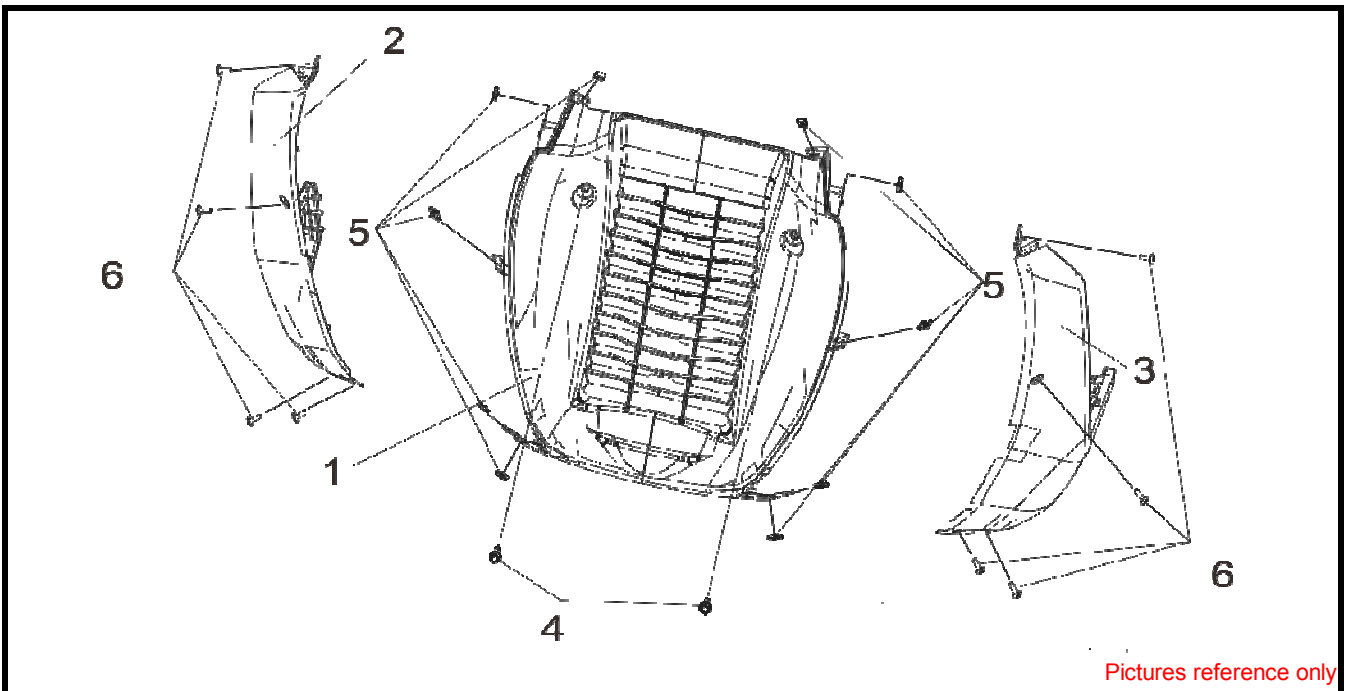
●Please check the color & stripe information according to the color index !



For reference only

NO	零件料號 PARTS NUMBER	Unit Price (RM/pcs)	DESCRIPTION	QTY	EFFECTIVE DATE
1	3310A-LM1-000	1965.40	HEAD LIGHT ASSY	1	
2	50310-LM1-000	25.50	HEAD LIGHT BRKT	1	
3	64303-LM1-000-JH	81.40	R. FR SIDE COVER BK-001UL	1	
3	64303-LM1-000-IL	81.40	R. FR SIDE COVER GY-7450U	1	
3	64303-LM1-000-RT	81.40	R. FR SIDE COVER R-010CA	1	
3	64303-LM1-000-QU	81.40	R. FR SIDE COVER WH-300P	1	
4	64304-LM1-000-JH	81.40	L. FR SIDE COVER BK-001UL	1	
4	64304-LM1-000-IL	81.40	L. FR SIDE COVER GY-7450U	1	
4	64304-LM1-000-RT	81.40	L. FR SIDE COVER R-010CA	1	
4	64304-LM1-000-QU	81.40	L. FR SIDE COVER WH-300P	1	
5	64301-LM1-000-KA	72.40	FR COVER BK-001U	1	
6	93903-44480	0.70	TAPPING SCREW 4*16	12	
7	93903-35320	0.80	TAPPING SCREW 5*16	10	
8	95801-06016-08	1.10	FLANGE BOLT 6*16	1	
9	95801-06020-08	1.10	FLANGE BOLT 6*20	6	
10	6430C-LM1-000-KB	137.00	FR. TOP COVER ASSY. BK-001C	1	
11	87552-L6G-000	26.00	SYM LOGO (50 PC)	1	
12	64309-LM1-000	13.10	FR. COVER LID (BK-001U)	1	

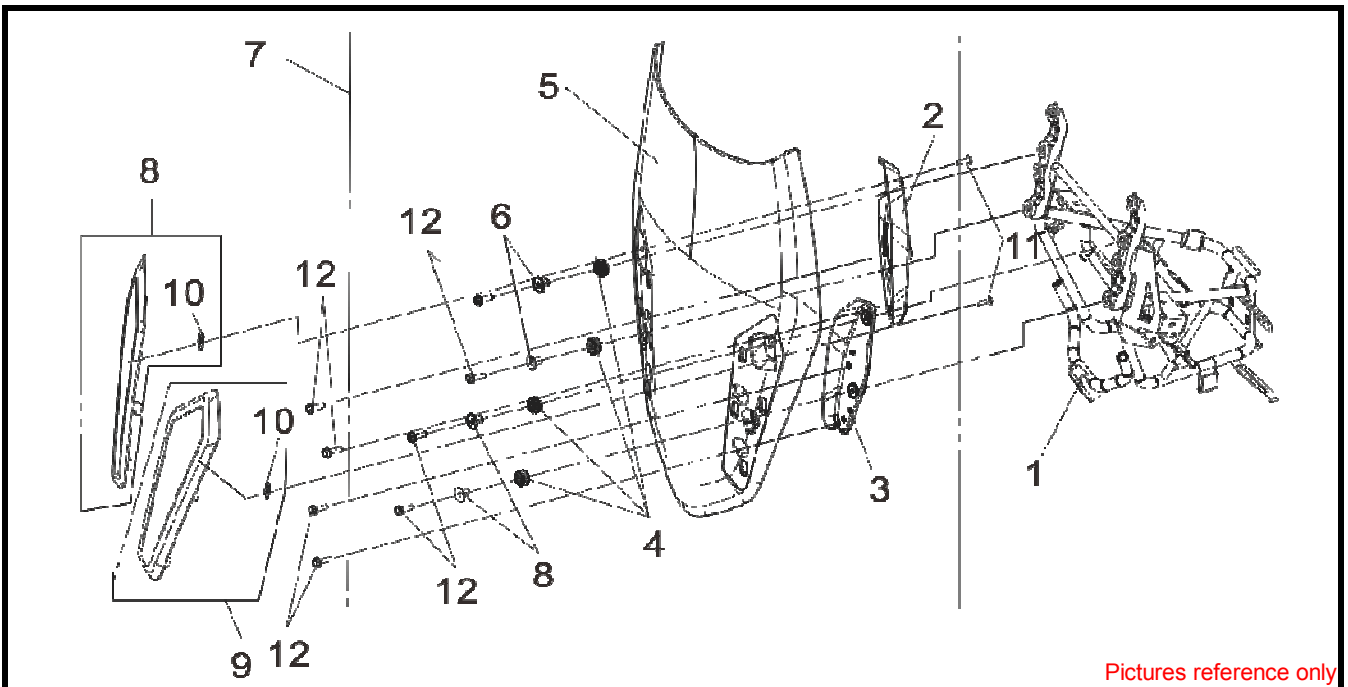
●Please check the color & stripe information according to the color index !



Pictures reference only

NO	零件料號 PARTS NUMBER	Unit Price (RM/pcs)	DESCRIPTION	QTY	EFFECTIVE DATE
1	64300-LM1-000	50.70	FR. UNDER SPOILER	1	
2	64305-LM1-000-JH	114.00	R. FR. SIDE SPOILER BK-001UL	1	
2	64305-LM1-000-IL	114.00	R. FR. SIDE SPOILER GY-7450U	1	
2	64305-LM1-000-RT	114.00	R. FR. SIDE SPOILER R-010CA	1	
2	64305-LM1-000-QU	114.00	R. FR. SIDE SPOILER WH-300P	1	
3	64306-LM1-000-JH	114.00	L. FR. SIDE SPOILER BK-001UL	1	
3	64306-LM1-000-IL	114.00	L. FR. SIDE SPOILER GY-7450U	1	
3	64306-LM1-000-RT	114.00	L. FR. SIDE SPOILER R-010CA	1	
3	64306-LM1-000-QU	114.00	L. FR. SIDE SPOILER WH-300P	1	
4	93404-06012-07	0.90	WASHER BOLT 6*12	2	
5	90302-M92-000	0.80	SPRING NUT 4mm	10	
6	93903-44480	0.70	TAPPING SCREW 4X16	8	

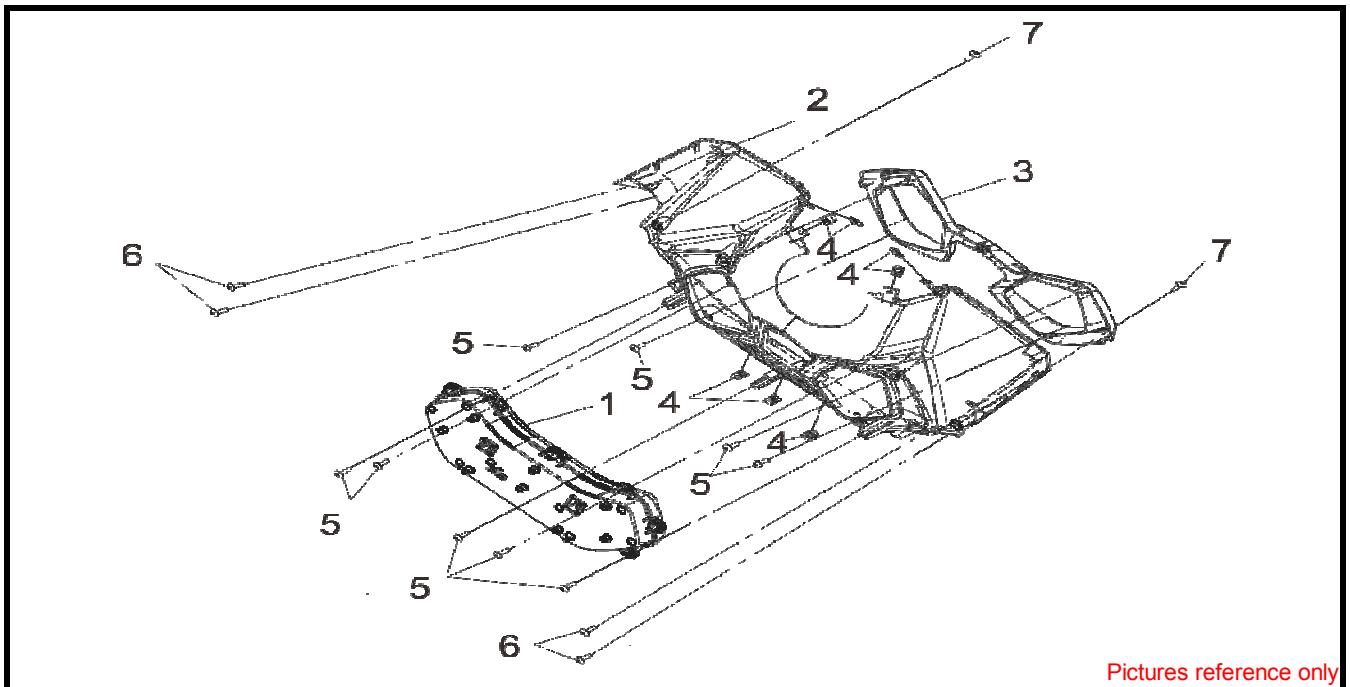
●Please check the color & stripe information according to the color index !



Pictures reference only

NO	零件料號 PARTS NUMBER	Unit Price (RM/pcs)	DESCRIPTION	QTY	EFFECTIVE DATE
1	50315-LM1-000	368.90	FR. COVER STAY	1	
2	50317-LM1-010	38.10	R WIND SCREEN STAY	1	
3	50318-LM1-010	38.10	L WIND SCREEN STAY	1	
4	64304-X01-000	1.40	FR. COVER RUBBER	4	
5	67100-LM1-010	360.40	WIND SCREEN	1	
6	67101-HMA-000	4.70	WINDSCREEN SCREW CAP	2	
7	6710A-LM1-010	399.80	WIND SCREEN SET.	1	
7.1	87121-LM1-000	2.40	R. WIND SCREEN STRIPE	1	
7.2	87122-LM1-000	2.40	L. WIND SCREEN STRIPE	1	
8	67110-LM1-010	8.50	R. WIND SCREEN GARNISH	1	
9	67120-LM1-010	8.50	L. WIND SCREEN GARNISH	1	
10	90302-M9Q-800	0.70	NUT SPRING 4mm	2	
11	93903-44480	0.70	TAPPING SCREW 4X16	2	
12	95801-06022-07	0.90	FLANGE BOLT 6*22	4	

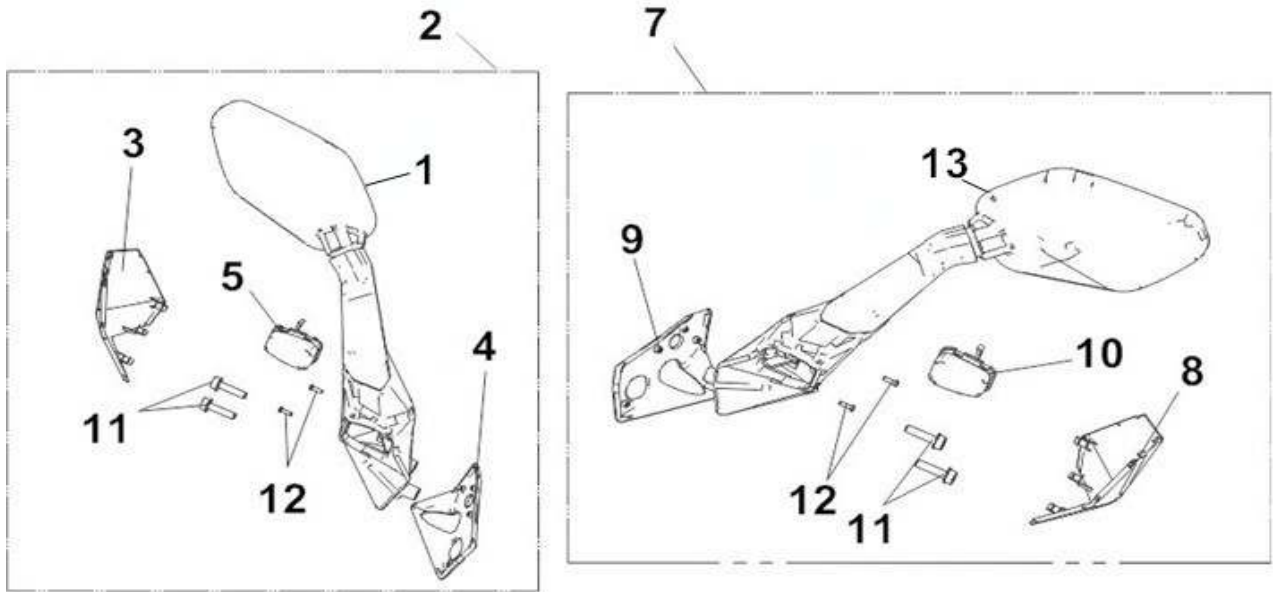
●Please check the color & stripe information according to the color index !



Pictures reference only

NO	零件料號 PARTS NUMBER	Unit Price (RM/pcs)	DESCRIPTION	QTY	EFFECTIVE DATE
1	37200-LM1-010	1039.40	SPEEDOMETER ASSY.	1	
2	53208-LM1-000	28.90	METER PANEL BK-001U	1	
3	53210-LM1-000-OK	45.90	METER TRIM (S-011U)	1	
4	90302-M9Q-800	0.70	NUT SPRING 4mm	4	
5	93903-35320	0.80	TAPPING SCREW 5*16	9	
6	93903-35280	0.60	TAPPING SCREW 5*12	4	
7	93903-44480	0.70	TAPPING SCREW 4X16	2	

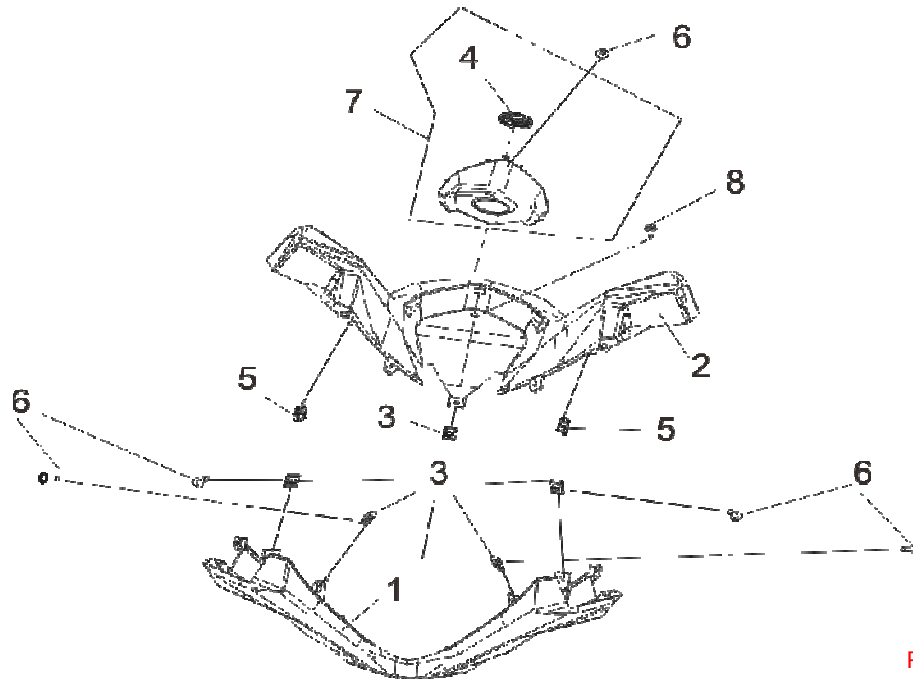
●Please check the color & stripe information according to the color index !



Pictures reference only

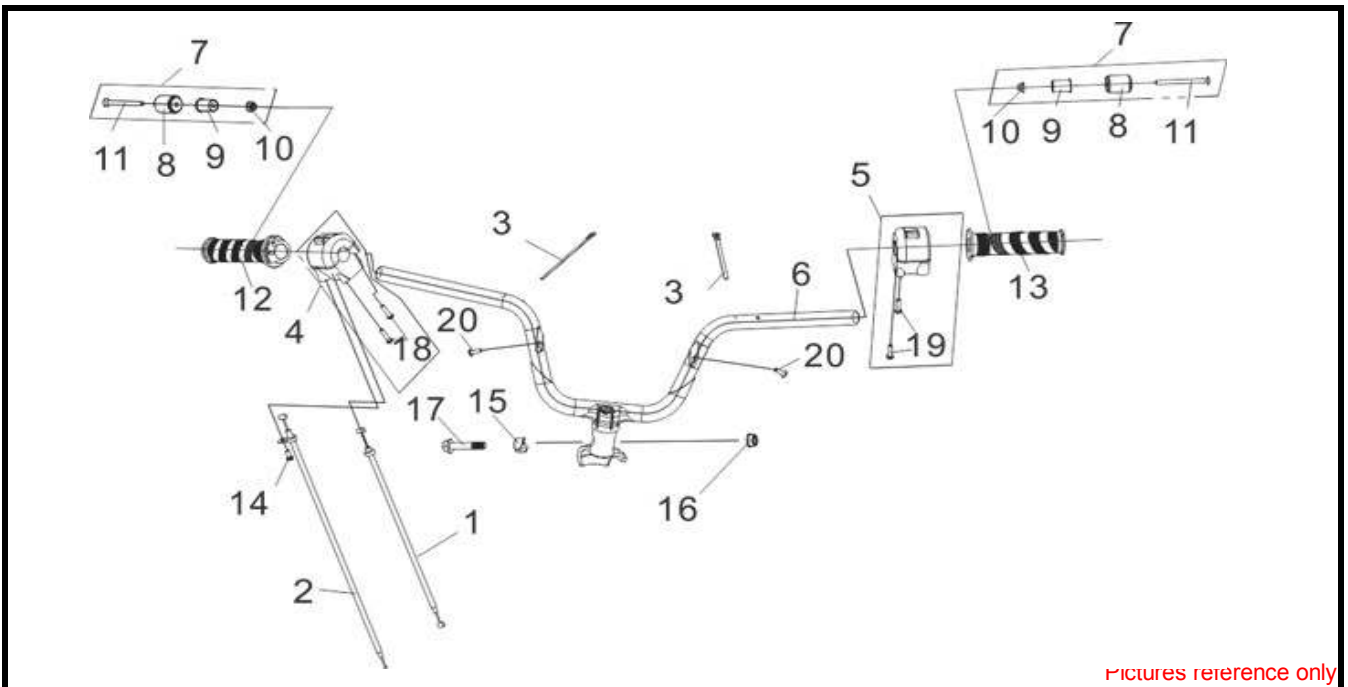
NO	零件料號 PARTS NUMBER	Unit Price (RM/pcs)	DESCRIPTION	QTY	EFFECTIVE DATE
1	88115-LM1-000	435.60	R. BACK MIRROR ASSY(NO WINKER)	1	
2	88110-LM1-000	639.00	R. BACK MIRROR ASSY	1	
3	88111-LM1-000	30.60	R. BASE COVER	1	
4	88112-LM1-000	5.50	R. PAD	1	
5	33400-LM1-000	170.30	R. FR. WINKER LAMP ASSY.	1	
7	88120-LM1-000	639.00	L. BACK MIRROR ASSY	1	
8	88121-LM1-000	30.60	L. BASE COVER	1	
9	88122-LM1-000	5.50	L. PAD	1	
10	33450-LM1-000	213.00	L. FR. WINKER LAMP ASSY.	1	
11	93500-03010-1A	1.40	PAN SCREW 3*10	2	
12	96700-06025-07	1.80	SOCKET BOLT 6X25	2	
13	88125-LM1-000	321.50	L. BACK MIRROR ASSY(NO WINKER)	1	

●Please check the color & stripe information according to the color index !



Pictures reference only

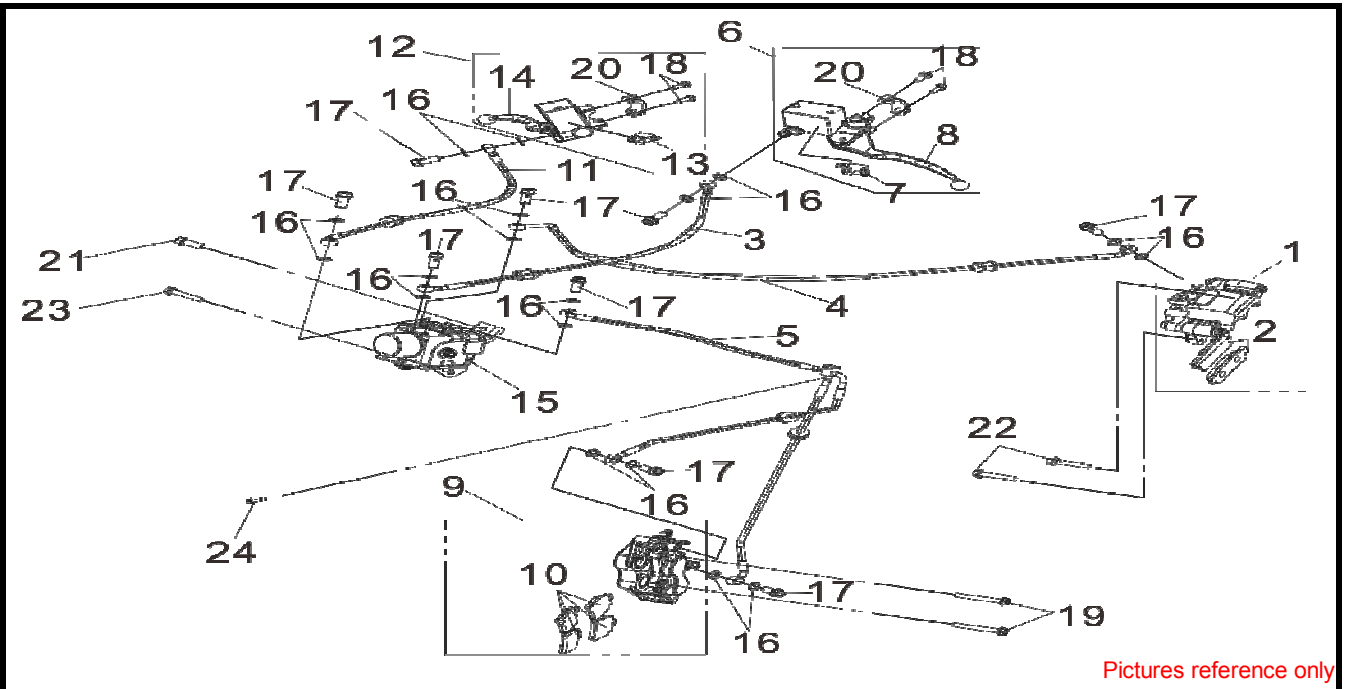
NO	零件料號 PARTS NUMBER	Unit Price (RM/pcs)	DESCRIPTION	QTY	EFFECTIVE DATE
1	53205-LM1-000	54.00	FR HANDLE COVER (BK-001C)	1	
2	53206-LM1-000	20.20	RR. HANDLE COVER	1	
3	90302-M9Q-800	0.70	NUT SPRING 4mm	5	
4	87552-L6G-900	35.90	SYM LOGO (40 PC)	1	
5	90308-X04-000	1.40	SPECIAL NUT 5mm	2	
6	93903-44480	0.70	TAPPING SCREW 4*16	6	
7	5320C-LM1-000-OK	67.30	HANDLE COVER MASK ASSY.(S-011U)	1	
8	93894-05016-07	1.10	WASHER SCREW	1	



pictures reference only

NO	零件料號 PARTS NUMBER	Unit Price (RM/pcs)	DESCRIPTION	QTY	EFFECTIVE DATE
1	17910-L3A-000	43.20	THROT. CABLE COMP A	1	
2	17920-L3A-000	43.20	THROT. CABLE COMP B	1	
3	32160-A3A-900	3.60	WIRE BAND 200*4.7	2	
4	35150-L4A-000	117.00	R. HANDLE SW. ASSY	1	
5	35200-HNL-000	126.00	L. HANDLE SW. ASSY	1	
6	53100-LM1-000	161.80	STRG. HANDLE COMP	1	
7	53104-N02-000	33.10	HANDLE PIPE WT. ASSY.	2	
8	53105-N02-000	19.60	HANDLE PIPE WT.	2	
9	53106-N02-000	7.20	HANDLE WEIGHT RUBBER	2	
10	53108-N02-000	1.40	SPECIAL NUT 6mm	2	
11	90118-N02-000	7.20	HNDL. WT. BOLT	2	
12	53140-L4A-003	21.20	THROT GRIP COMP BK-001U	1	
13	53166-L4A-004	20.00	L HANDLE GRIP BK-001U	1	
14	93891-05012-07	0.80	WASHER SCREW 5*12	1	
15	53125-M9Q-000	9.00	HANDLE SET COLLAR	1	
16	90304-M9Q-000	5.00	NUT U FLANGE 10mm	1	
17	90106-M9Q-000	3.30	FLANGE BOLT 10*50	1	
18	93500-05035-0G	0.40	PAN SCREW 5*35	2	
19	93500-05025-0G	1.10	PAN SCREW 5*25	2	
20	93903-35320	0.80	TAPPING SCREW 5*16	2	

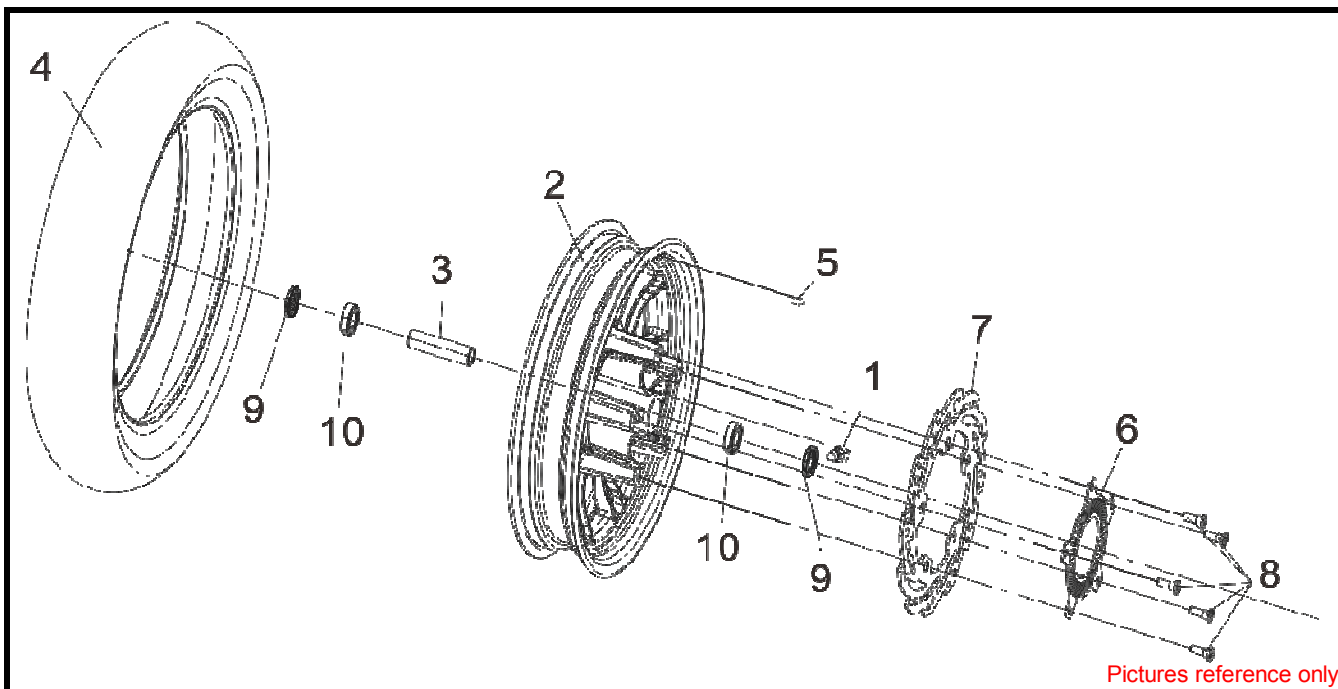
●Please check the color & stripe information according to the color index !



Pictures reference only

NO	零件料號 PARTS NUMBER	Unit Price (RM/pcs)	DESCRIPTION	QTY	EFFECTIVE DATE
1	43100-L3A-010-KB	550.90	RR. CALIPER ASSY. BK-001C	1	
2	43108-L1A-000-A	146.90	RR. BRAKE PAD COMP A (2PCS/1SET)	2	
3	43311-L3E-000-A1	121.90	RR BRAKE HOSE A	1	
4	43312-L3E-000-A1	210.50	RR BRAKE HOSE B	1	
5	45127-LM1-000	222.70	FR. BRAKE HOSE B	1	
6	43500-L3E-000	265.20	RR. M/C ASSY.	1	
7	35350-L6C-000	29.50	RR. HANDLE STOP SW.	1	
8	53178-HMA-000	23.40	L.HANDLE LEVER	1	
9	45100-L3A-000-KB	474.20	FR. CALIPER ASSY BK-001C	1	
10	45105-L3A-000-A	126.00	FR. BRAKE PAD SET(4PCS/1SET)	4	
11	45126-L3E-000-A1	126.40	FR BRAKE HOSE A	1	
12	45500-L3E-000	283.90	FR. M/C ASSY	1	
13	35340-L6C-000	29.50	FR. HANDLE STOP SW.	1	
14	53175-HMA-000	23.40	R.HANDLE LEVER	1	
15	38730-L3G-000	2104.10	ABS.HYDRAULIC CIRCUIT UNIT	1	
16	90145-M9Q-000	3.50	OIL BOLT 10*22	9	
17	90545-M9Q-000	1.10	OIL BOLT WASHER	18	
18	95801-06022-07	0.90	FLANGE BOLT 6*22	4	
19	90104-H5K-000	2.60	FLANGE BOLT 8*40	2	
20	45517-TFA-000	18.00	M/C HOLDER	1	
21	93404-08014-07	2.50	FLANGE BOLT 8*14	1	
22	90104-L2A-000	3.50	FLANGE BOLT 8*57	2	
23	95801-08060-07	2.10	FLANGE BOLT 8*60	1	
24	95801-06020-08	1.10	FLANGE BOLT 6*20	1	

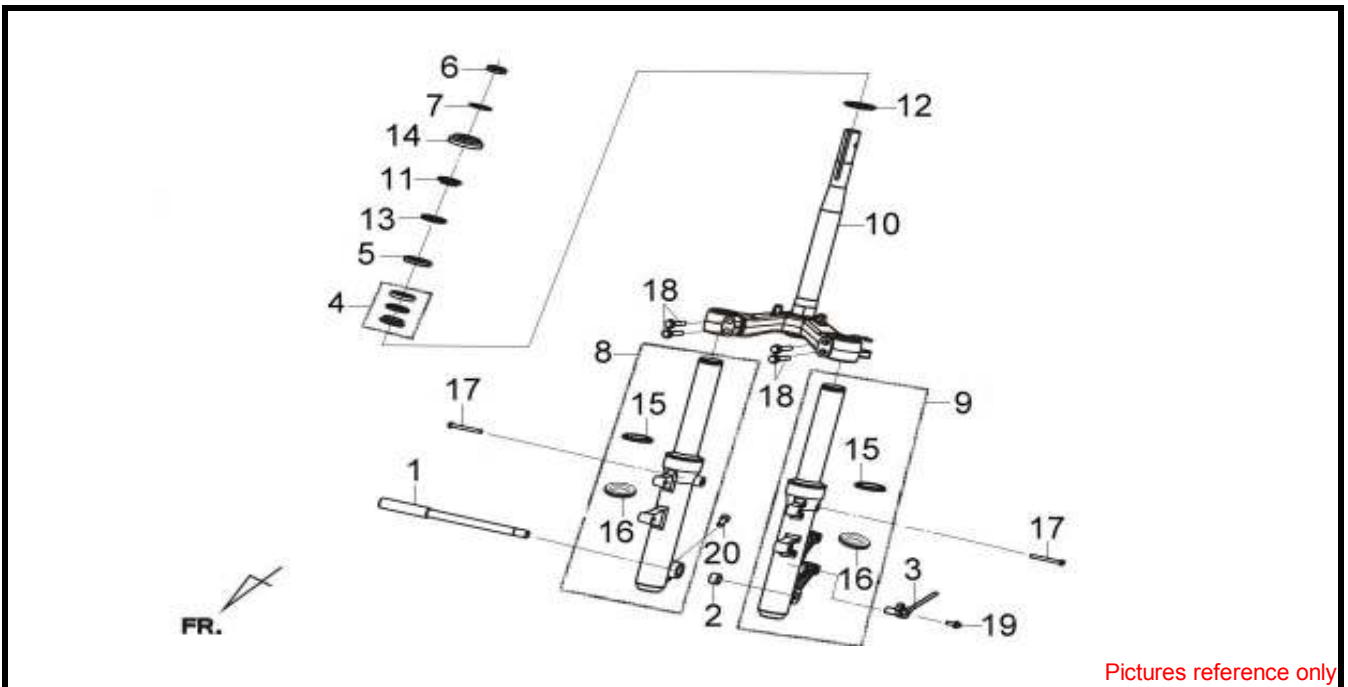
●Please check the color & stripe information according to the color index !



Pictures reference only

NO	零件料號 PARTS NUMBER	Unit Price (RM/pcs)	DESCRIPTION	QTY	EFFECTIVE DATE
1	42753-KBN-902	15.30	RIM VALVE (MK=419)	1	
2	44601-L9F-000-IF	514.00	FR. CAST WHEEL COMP GY-430S	1	
3	44620-L3A-000	7.90	FR. AXLE DIST COLLAR	1	
4	44710-LM1-001	509.00	FR. TIRE ASSY(120/70-14 55P)	1	
5	44720-H9A-000	10.70	BALANCE WEIGHT	1	
6	45120-L3A-000	24.60	ABS DETECTIVE DISK	1	
7	45121-L3A-900	260.00	FR. BRAKE DISK(S-421S)	1	
8	90105-L3A-000	3.50	FR. DISK BOLT 8*26	5	
9	90754-LEA-000	3.50	DUST SEAL 20*35*5.0	1	
10	90912-LEA-000	17.00	BEARING 6202(LLU)	1	

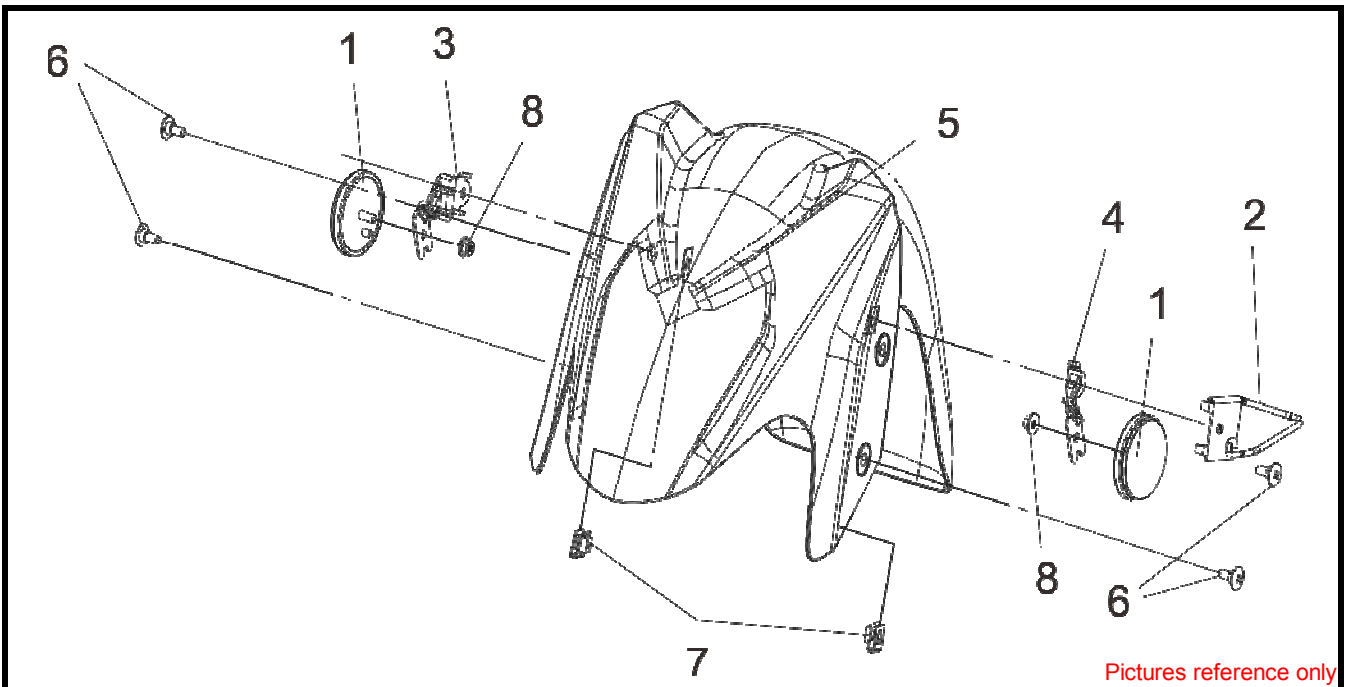
●Please check the color & stripe information according to the color index !



Pictures reference only

NO	零件料號 PARTS NUMBER	Unit Price (RM/pcs)	DESCRIPTION	QTY	EFFECTIVE DATE
1	44301-L3A-000	129.00	FR. WHEEL AXLE	1	
2	44311-L3A-000	6.90	FR. WHEEL SIDE COLLAR	1	
3	44870-L4C-000	210.50	ABS. SPEED SENSOR	1	
4	50300-L4A-000	170.20	BALL RACE SET	1	
5	50301-HMA-000	11.40	RACE UP STRG BALL	1	
6	50306-M9Q-000	5.80	STRG. STEM LOCK NUT(MZ→SY)	1	
7	50308-HMA-000	1.80	STRG STEM WASHER	1	
8	51400-L3A-000	530.00	R CUSHION ASSY. BK-001C	1	
9	51500-L3A-000	530.00	L. CUSHION ASSY(BK-001C)	1	
10	53200-L3E-000	642.80	STRG. STEM COMP	1	
11	53211-HMA-000	12.70	STRG. UP CONE RACE	1	
12	53214-L4A-000	13.50	STRG.DUST SEAL	1	
13	53215-HMA-000	26.90	STEEL BALL UP ASSY.	1	
14	53220-HMA-000	10.70	STRG HEAD TOP THREAD COMP	1	
15	91255-L3A-000	11.40	FR. CUSHION OIL SEAL	2	
16	91256-L3A-000	48.60	DUST SEAL	2	
17	93891-06050-07	1.10	WASHER SCREW 6*50	2	
18	95801-10040-08	2.10	FLANGE BOLT 10*40	4	
19	96001-06012-00	0.90	FLANGE BOLT SH 6*12	1	
20	96700-08020-00	1.80	SOCKET BOLT 8*20	1	

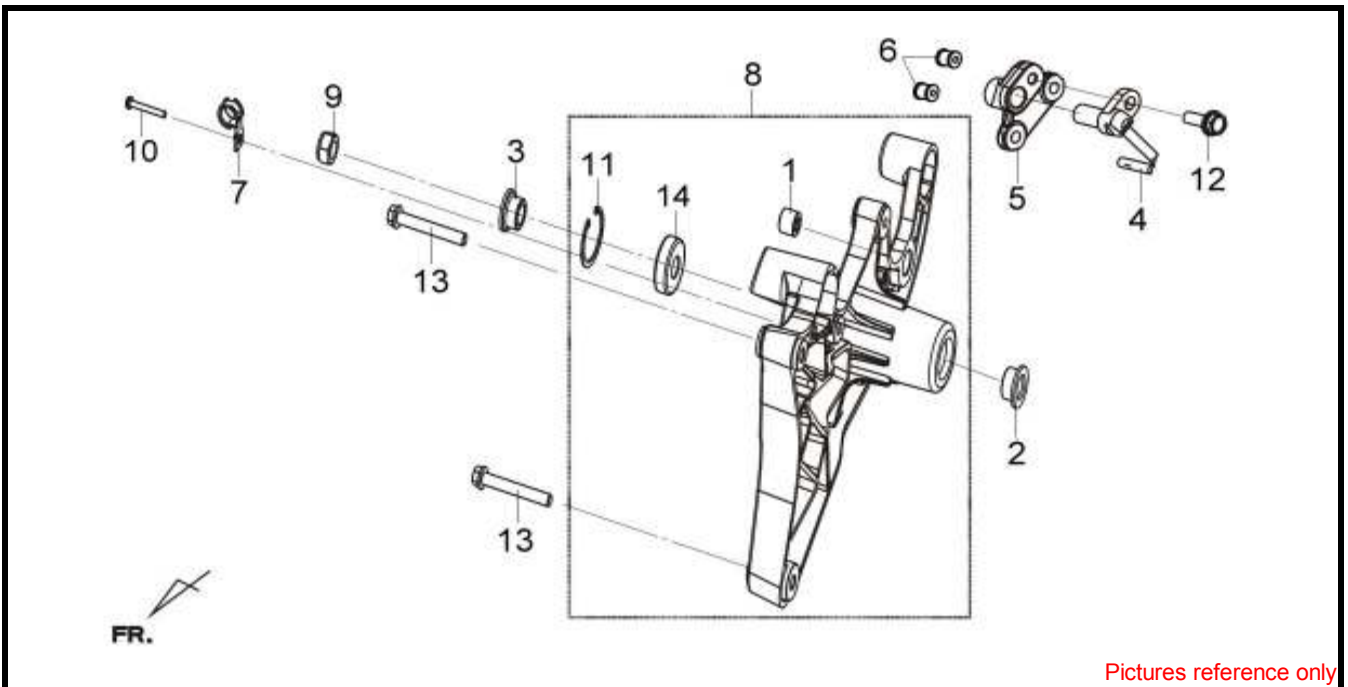
●Please check the color & stripe information according to the color index !



Pictures reference only

NO	零件料號 PARTS NUMBER	Unit Price (RM/pcs)	DESCRIPTION	QTY	EFFECTIVE DATE
1	33742-F3H-000	10.60	SIDE REFLEX REFLECTOR	1	
2	45465-L3E-000	15.50	CABLE GUIDE	1	
3	51401-L3D-000	17.70	FR. RH. REFLECTOR STAY	1	
4	51501-L31-000	8.20	FR. LH. REFLECTOR STAY	1	
5	61100-LM1-000-IL	147.60	FR FENDER (GY-7450U)	1	
5	61100-LM1-000-JH	147.60	FR FENDER (BK-001UL)	1	
5	61100-LM1-000-QU	147.60	FR FENDER (WH-300P)	1	
5	61100-LM1-000-RT	147.60	FR FENDER (R-010CA)	1	
6	90164-M9Q-000	1.40	SCREW SPECIAL 6mm	4	
7	90305-M9Q-000	1.80	CLIP NUT 6mm	2	
8	94050-06070	0.80	FLANGE NUT 6mm	2	

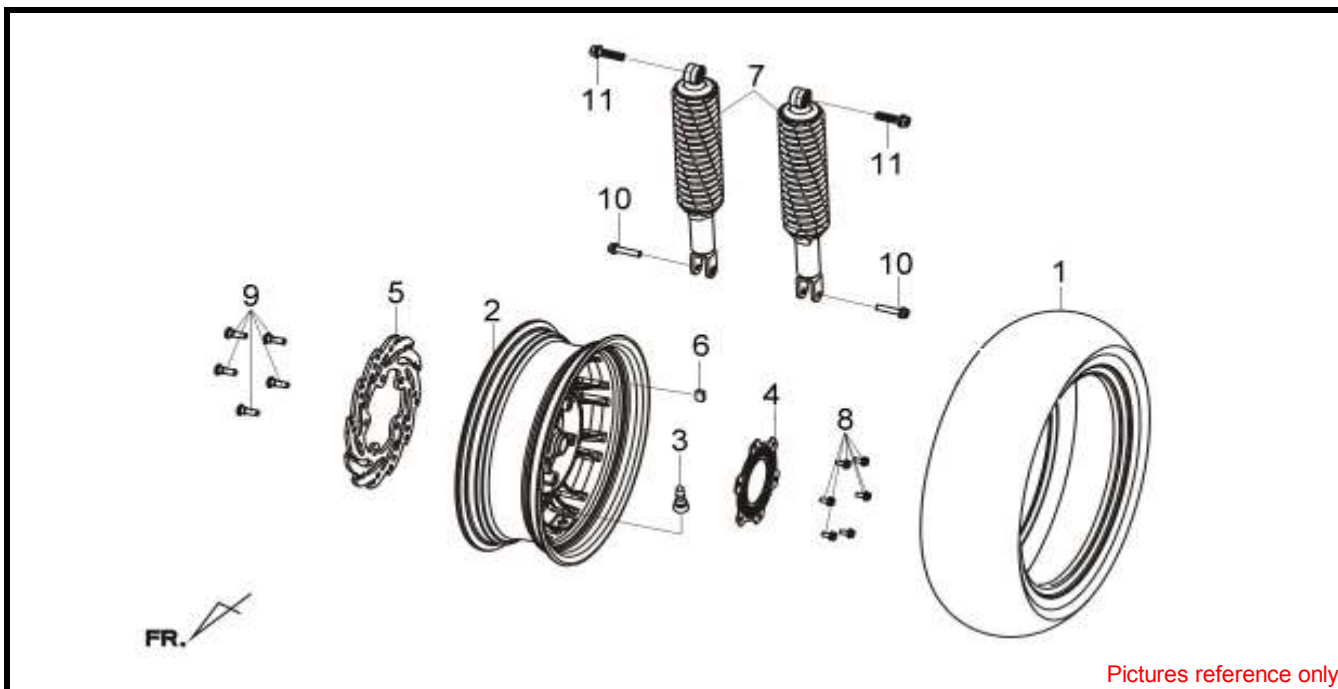
●Please check the color & stripe information according to the color index !



Pictures reference only

NO	零件料號 PARTS NUMBER	Unit Price (RM/pcs)	DESCRIPTION	QTY	EFFECTIVE DATE
1	11203-M9Q-300	3.70	RR CUSH UND BUSH RUBBER	1	
2	42311-H9A-000	15.80	RR. AXLE COLLAR	1	
3	42311-H9A-900	19.80	RR. AXLE COLLAR	1	
4	44870-L4C-000	210.50	ABS. SPEED SENSOR	1	
5	44871-L4C-000	27.30	ABS. SPEED SENSOR BRKT.	1	
6	44910-L4C-000	2.00	ABS. RUBBER BUSH	1	
7	45156-LAS-000	5.90	FR. BRAKE HOSE CLAMP	1	
8	5210A-L3A-000-IL	390.00	RR. FORK ASSY(GY-7450U)	1	
9	90305-M9Q-900	10.70	U NUT 16mm	1	
10	93891-05045-07	0.70	WASHER SCREW 5X45	1	
11	94524-47000	3.50	CIR CLIP IN47	1	
12	95801-06016-07	1.10	FLANGE BOLT 6*16	1	
13	95801-10075-07	2.90	FLANGE BOLT 10*75	2	
14	96150-63033-10	26.90	RADIAL BALL BEARING 6303U	1	

●Please check the color & stripe information according to the color index !



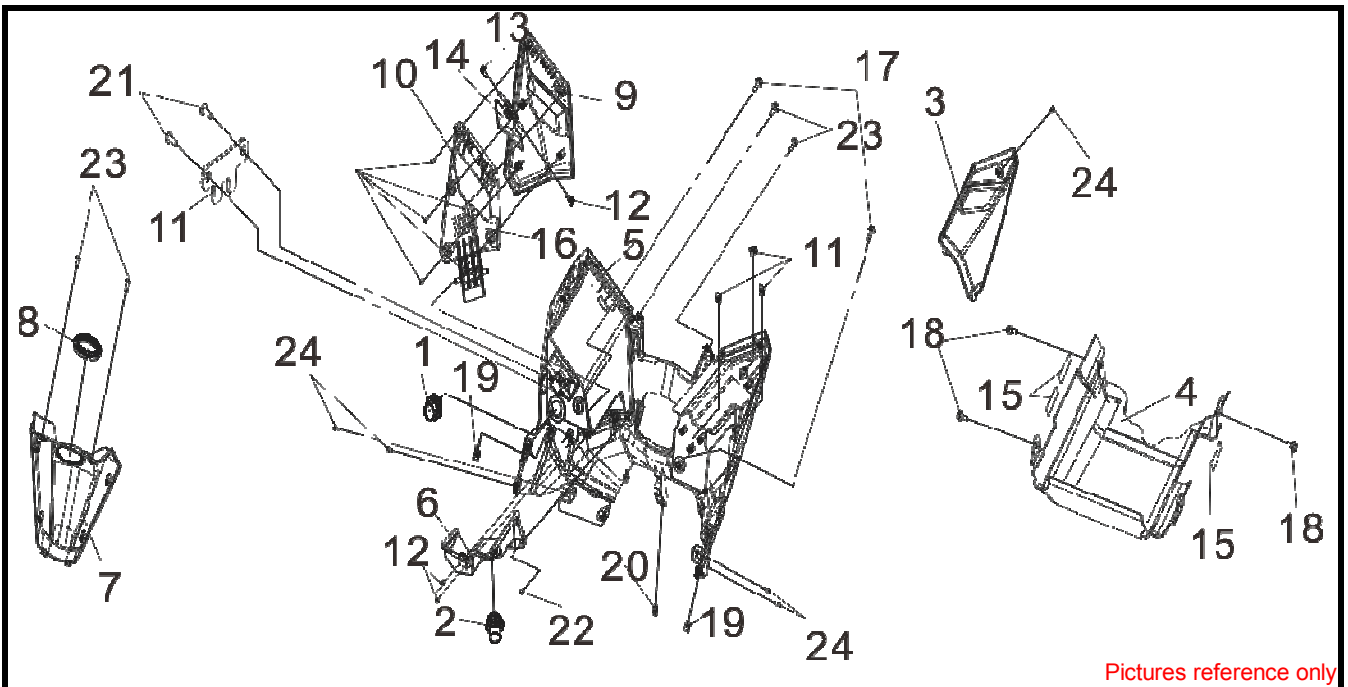
Pictures reference only

NO	零件料號 PARTS NUMBER	Unit Price (RM/pcs)	DESCRIPTION	QTY	EFFECTIVE DATE
1	42710-LM1-001	471.60	RR. TIRE ASSY(140/60-13 63P)	1	
2	42601-L9F-000-IF	644.10	RR. CAST WHEEL COMP GY-430S	1	
3	42753-KBN-902	15.30	RIM VALVE (MK=419)	1	
4	43120-L3E-000	25.30	RR. ABS DETECTIVE DISK	1	
5	43121-L3A-900	250.00	RR. BRAKE DISK(S-421S)	1	
6	44720-H9A-000	10.70	BALANCE WEIGHT	1	
7	52400-LM1-000-KB	284.80	RR CUSHION ASSY. BK-001C	2	
8	93500-L2F-000	0.40	PAN SCREW 6X14	6	
9	90105-KR3-000	4.30	FR. DISK BOLT 8*24	5	
10	95801-08035-00	2.50	FLANGE BOLT M8X35	2	
11	95801-10040-07	2.20	FLANGE BOLT 10*40	2	

●Please check the color & stripe information according to the color index !

F15 INNER BOX&UNDER COVER

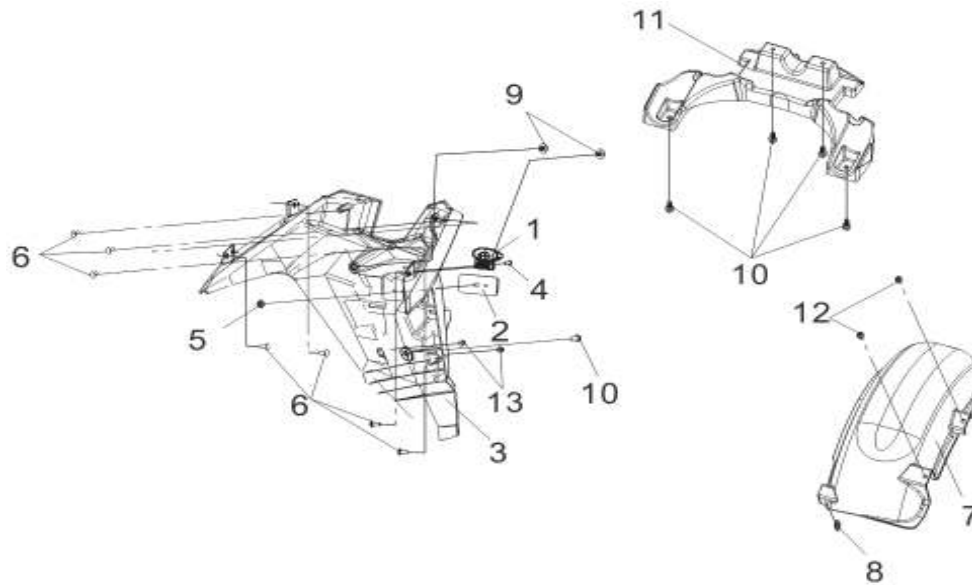
LV25W1-EU



Pictures reference only

NO	零件料號 PARTS NUMBER	Unit Price (RM/pcs)	DESCRIPTION	QTY	EFFECTIVE DATE
1	38600-L4A-000	36.30	DC. POWER OUTLET ASSY	1	
2	38650-FSA-000-A2	108.10	USB CHARGE UNIT (MK=687)	1	
3	50326-LM1-000	53.60	BATTERY COVER (GY-7450U)	1	
4	50611-HMA-000	26.90	UNDER COVER BK-001U	1	
5	81131-LM1-000	99.40	INNER BOX BK-001U	1	
6	81132-LM1-000	8.40	INNER BOX USB DOCK (BK-001U)	1	
7	81133-LM1-000	17.70	MAIN SW. COVER (BK-001U)	1	
8	81134-LM1-000	7.20	KEY SET SHUTTER PACKING	1	
9	81141-LM1-000-IL	40.20	INNER BOX LID (GY-7450U)	1	
10	81142-LM1-000	14.40	INNER BOX LID STIFFENER (BK-001U)	1	
11	81149-L4A-000	3.50	FUES BOX STAY	1	
12	81163-LM1-000	1.30	R. COIN BOX LOCK SPRING	1	
13	81164-LM1-000	1.30	L. COIN BOX LOCK SPRING	1	
14	81165-LM1-000	5.70	INNER COVER LID LOCK (BK-001U)	1	
15	83619-L3F-000	1.70	CUSHION RUBBER	3	
16	87503-LM1-000	1.00	USE BOX OPEN NOTICE STICKER	1	
17	90111-HKD-900	1.90	FLANGE BOLT	2	
18	90111-M9Q-800	2.10	FLANGE BOLT 6mm	2	
19	90302-M9Q-800	0.70	NUT SPRING 4mm	1	
20	90308-X04-000	1.40	SPECIAL NUT 5mm	1	
21	93903-34380	0.60	TAPPING SCREW 5*16	2	
22	93903-35280	0.60	TAPPING SCREW 5*12	1	
23	93903-44480	0.70	TAPPING SCREW 4*16	4	
24	93903-45380	0.40	TAPPING SCREW 5*16	5	

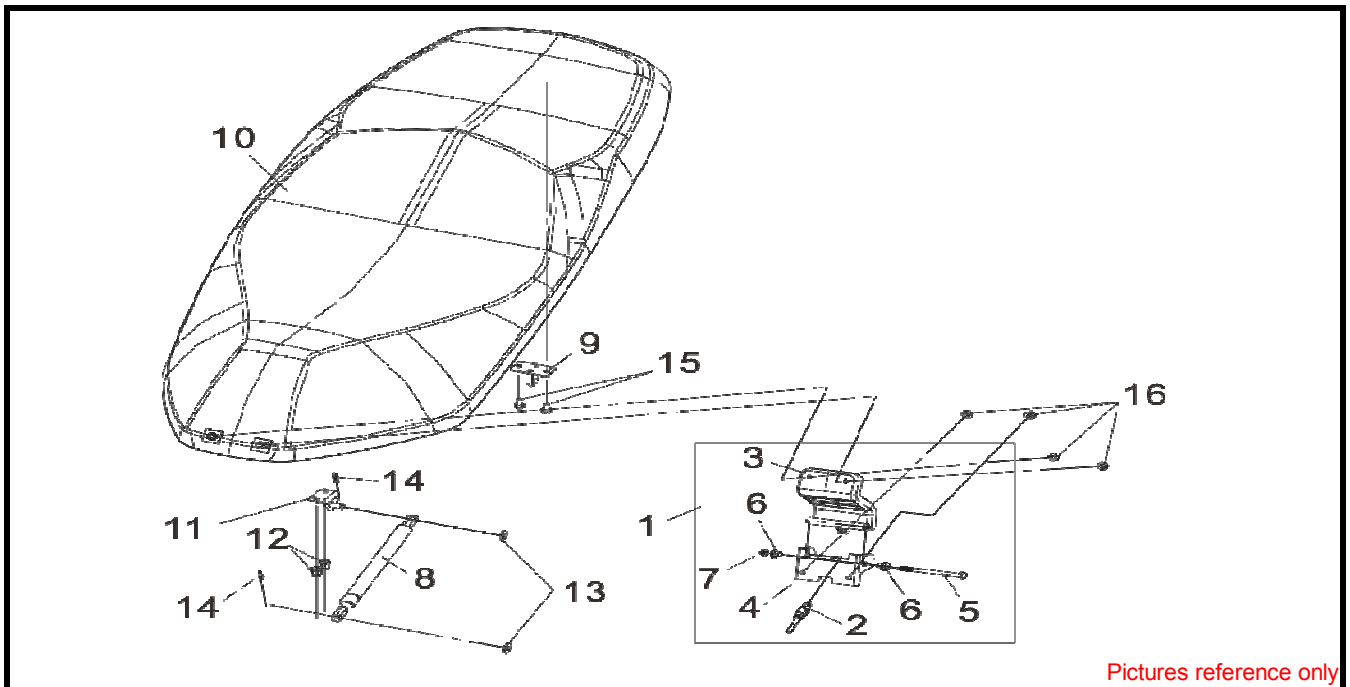
●Please check the color & stripe information according to the color index !



Pictures reference only

NO	零件料號 PARTS NUMBER	Unit Price (RM/pcs)	DESCRIPTION	QTY	EFFECTIVE DATE
1	33740-LEA-010	36.10	LICENSE LIGHT ASSY	1	
2	33741-M9A-100	12.90	RR. REFLEX REFLECTOR	1	
3	80100-LM1-000	38.40	RR. FENDER BK-001U	1	
4	93901-34480	0.30	TAPPING SCREW	1	
5	94050-05080	0.80	FLANGE NUT 5mm	1	
6	93903-35280	0.60	TAPPING SCREW 5*12	6	
7	80106-L3A-000-KA	32.30	RR. MUDGUARD(BK-001U)	1	
8	90677-M9Q-000	1.50	CLIP NUT M5*0.8	1	
9	90111-L2A-000	2.00	FLANGE BOLT 6mm	2	
10	93404-06012-07	0.90	WASHER BOLT 6*12	5	
11	80105-LM1-000	13.60	RR. INNER FENDER (BK-001U)	1	
12	93894-05016-07	1.10	WASHER SCREW	12	
13	90899-422-610	1.80	CORN. PLUG	2	

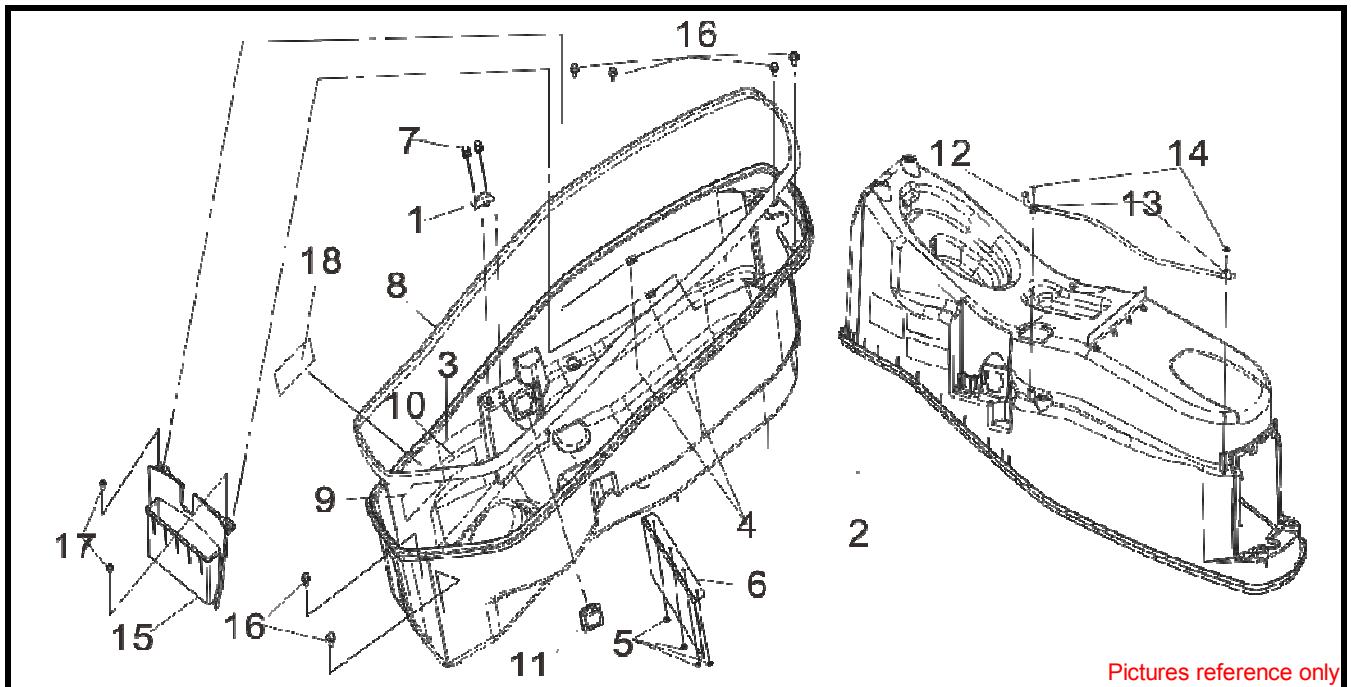
●Please check the color & stripe information according to the color index !



Pictures reference only

NO	零件料號 PARTS NUMBER	Unit Price (RM/pcs)	DESCRIPTION	QTY	EFFECTIVE DATE
1	7711A-LM1-000	86.80	SEAT HINGE ASSY	1	
2	35345-L3A-000	21.60	SEAT OPEN LAMP SW	1	
3	77111-LM1-000	35.60	SEAT HINGE STAY A	1	
4	77112-LM1-000	36.50	SEAT HINGE STAY B	1	
5	95801-06110-08	2.00	FLANGE BOLT 6X110	1	
6	50757-L3A-000	5.00	SEAT HINGE OILES	2	
7	90306-BAA-000	2.60	U NUT 6mm	1	
8	74480-L3A-000	100.80	OPEN STAY	1	
9	77101-L3A-000	7.20	SEAT LOCK BAR	1	
10	77200-LM1-000	976.30	DOUBLE SEAT ASSY	1	
11	77202-HMA-100	6.10	OPEN STAY BRKT. A	1	
12	90304-M9Q-900	5.00	HEX CAP NUT 6mm	2	
13	94101-08800	0.80	PLAIN WASHER 8mm	2	
14	94251-08400	0.80	LOCK PIN 8mm (LATCH PIN)	2	
15	95801-06012-07	0.90	FLANGE BOLT 6*12	2	
16	94050-06080	1.10	FLANGE NUT 6mm	4	

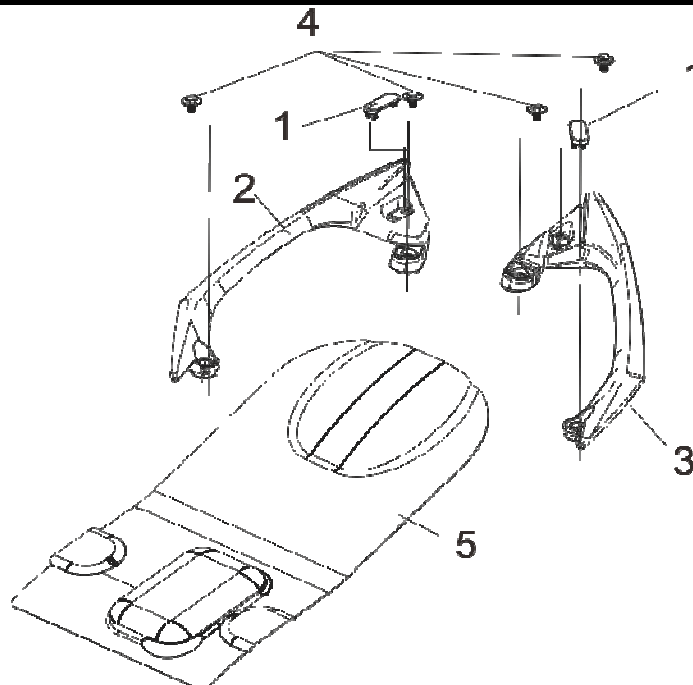
●Please check the color & stripe information according to the color index !



Pictures reference only

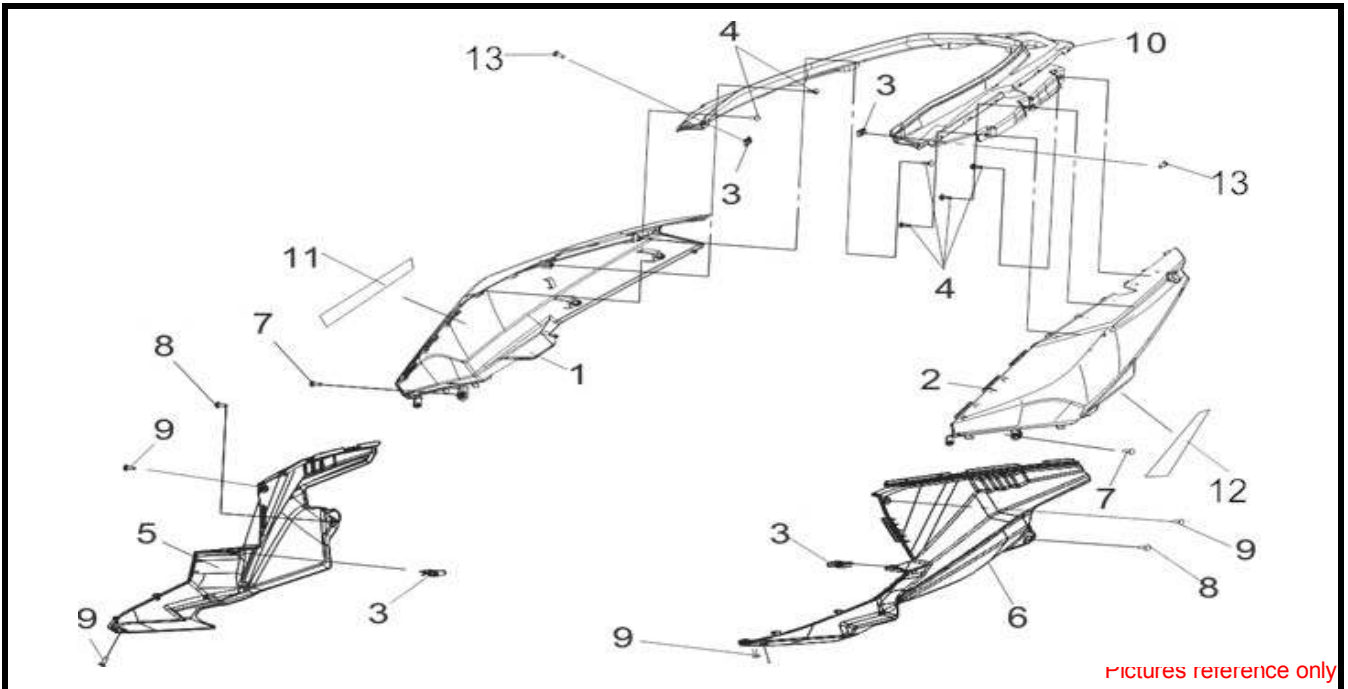
NO	零件料號 PARTS NUMBER	Unit Price (RM/pcs)	DESCRIPTION	QTY	EFFECTIVE DATE
1	74481-HMA-100	21.60	OPEN STAY BRKT.	1	
2	81250-LM1-000	146.30	LUGGAGE BOX	1	
3	87505-L1A-000	4.20	TIRE CAUTION MARK	1	
4	90302-M9Q-800	0.70	NUT SPRING 4mm	2	
5	90301-GE0-000	1.10	CLIP UNT	4	
6	80104-HMA-000	4.30	SPLASH GUARD PLATE	1	
7	90304-M9Q-900	5.00	HEX CAP NUT 6mm	2	
8	77115-LM1-000	81.00	LUGGAGE BOX RRUBBER	1	
9	81219-L1A-000	2.00	LUGGAGU BOX CAUTION LABEL	1	
10	87561-L1A-000	2.00	DRIVE CAUTION STRIPE	1	
11	35370-M9P-000	37.80	LUGGAGE BOX LIGHT ASSY	1	
12	32105-LM1-000	11.20	LUGGAGE BOX LIGHT SUB CORD	1	
13	94592-A5W-000	1.80	CABLE CLAMP (1/14")	2	
14	93903-34320	0.90	TAPPING SCREW 4*12	2	
15	81256-LM1-000	19.20	LUGGAGE BOX RR. COVER	1	
16	90111-M9Q-800	2.10	FLANGE BOLT 6mm	6	
17	93903-44480	0.70	TAPPING SCREW 4*16	2	
18	50189-LL1-000	2.60	MANUFACTURER NO. PLATE	1	

●Please check the color & stripe information according to the color index !



Pictures reference only

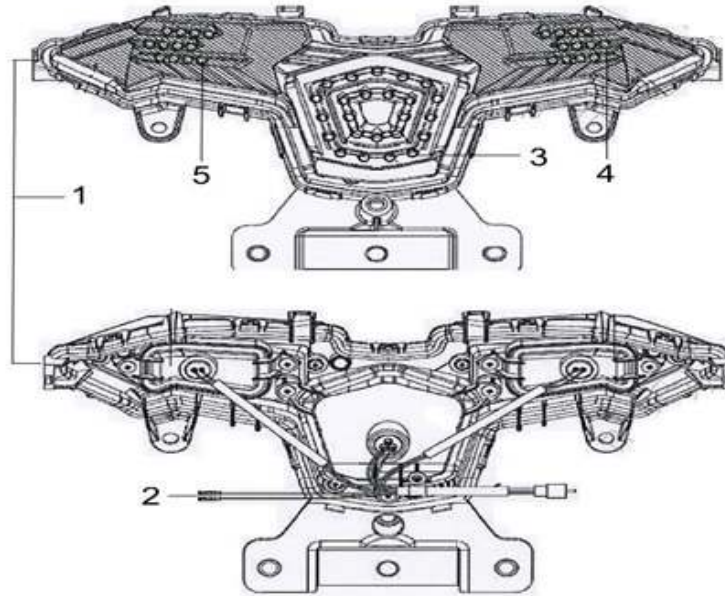
NO	零件料號 PARTS NUMBER	Unit Price (RM/pcs)	DESCRIPTION	QTY	EFFECTIVE DATE
1	81300-L1P-000	6.40	RR. CARRIER CAP	2	
2	81210-LM1-000-OK	285.50	R RR. CARRIER S-011U	1	
2	81210-LM1-000-JD	218.50	R RR. CARRIER BK-7C	1	
3	81220-LM1-000-JD	218.50	L RR. CARRIER BK-7C	1	
3	81220-LM1-000-OK	285.50	L RR. CARRIER S-011U	1	
4	90105-H7A-010	3.50	SPECIAL BOLT 8mm	4	
5	83630-L3A-100	70.30	LUGGAGE BOX MAT	1	



pictures reference only

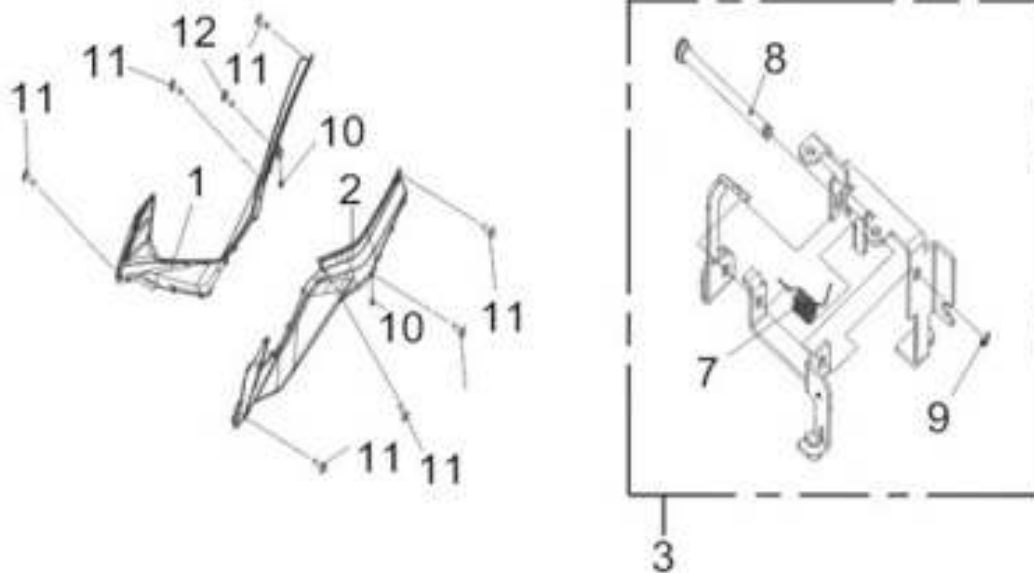
NO	零件料號 PARTS NUMBER	Unit Price (RM/pcs)	DESCRIPTION	QTY	EFFECTIVE DATE
1	8350G-LM1-000-JH	183.90	R. BODY COVER ASSY. BK-001UL	1	
1	8350G-LL1-000-IL	183.90	R. BODY COVER ASSY. GY-7450U	1	
1	8350G-LL1-000-RT	183.90	R. BODY COVER ASSY. R-010CA	1	
1	8350G-LL1-000-QU	183.90	R. BODY COVER ASSY. WH-300P	1	
2	8360G-LM1-000-JH	183.90	L. BODY COVER ASSY. BK-001UL	1	
2	8360G-LL1-000-IL	183.90	L. BODY COVER ASSY. GY-7450U	1	
2	8360G-LL1-000-RT	183.90	L. BODY COVER ASSY. R-010CA	1	
2	8360G-LL1-000-QU	183.90	L. BODY COVER ASSY. WH-300P	1	
3	90302-M9Q-800	0.70	NUT SPRING 4mm	4	
4	93903-35280	0.60	TAPPING SCREW 5*12	1	
5	83520-LM1-000	41.20	R. SIDE COVER	1	
6	83620-LM1-000	41.20	L. SIDE COVER	1	
7	93401-06014-00	0.90	WASHER BOLT 6*14	2	
8	93891-05016-07	1.40	WASHER SCREW 5*16	2	
9	93903-44480	0.70	TAPPING SCREW 4*16	4	
10	83750-LM1-000-OK	182.50	RR. CENTER COVER S-011U	1	
10	83750-LM1-000-JD	182.50	RR. CENTER COVER BK-7C	1	
11	87126-LM1-000	42.60	R. CRUISYM EMBLEM (MRCR2-@)	1	
11	87126-LL1-000-OK	30.60	R. CRUISYM EMBLEM (S-011U)	1	
11	87126-LL1-000-JD	30.60	R. CRUISYM EMBLEM (BK-7C)	1	
12	87127-LM1-000	42.60	L. CRUISYM EMBLEM (MRCR2-@)	1	
12	87127-LL1-000-OK	30.60	L. CRUISYM EMBLEM (S-011U)	1	
12	87127-LL1-000-JD	30.60	L. CRUISYM EMBLEM (BK-7C)	1	
13	93903-34380	0.60	TAPPING SCREW 4*12	2	

●Please check the color & stripe information according to the color index !



Pictures reference only

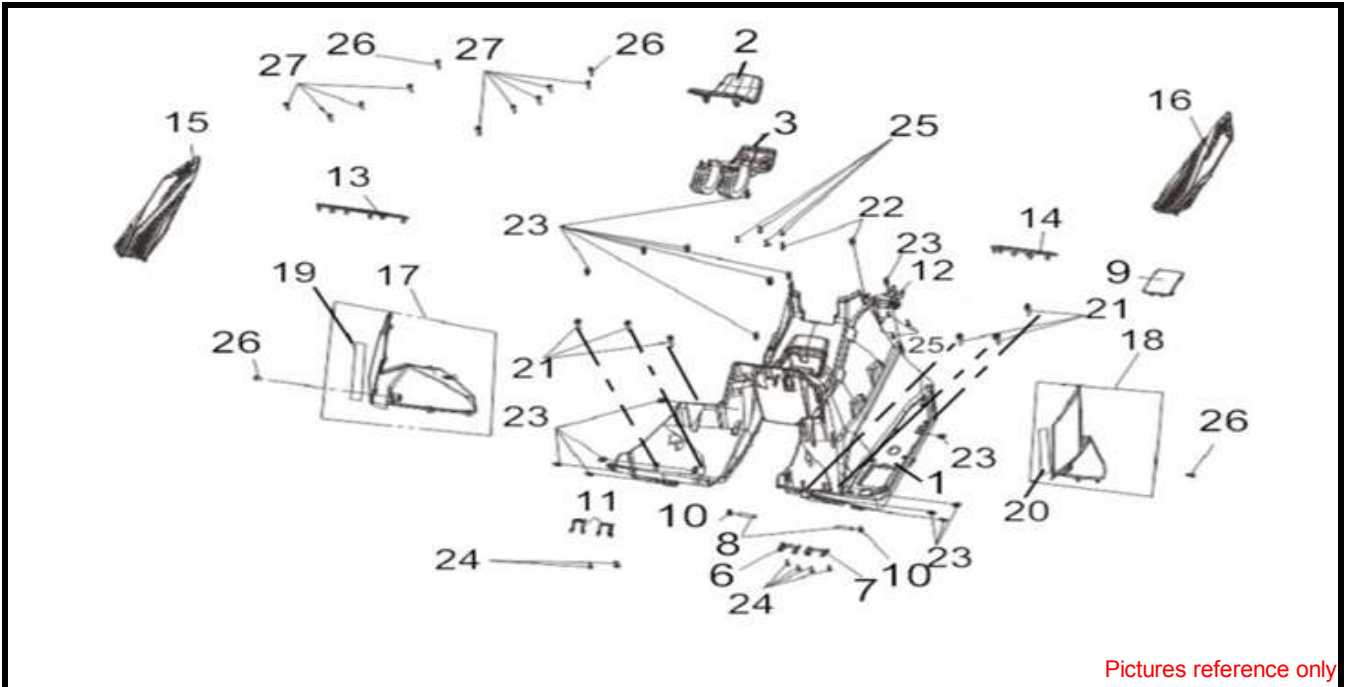
NO	零件料號 PARTS NUMBER	Unit Price (RM/pcs)	DESCRIPTION	QTY	EFFECTIVE DATE
1	33700-LM1-000	834.40	TAIL LIGHT ASSY	1	
1.1	3370S-LM1-000	210.10	TAIL LIGHT COMP(LENS+BASE)	1	
2	33706-LM1-000	72.40	TAIL LIGHT SOCKET COMP	1	
3	33707-LM1-000	255.60	TAIL LIGHT LED PCB COMP	1	
4	33604-LM1-000	144.90	RR. WINKER LED PCB COMP	1	
5	33654-LM1-000	144.90	RL. WINKER LED PCB COMP	1	



Pictures reference only

NO	零件料號 PARTS NUMBER	Unit Price (RM/pcs)	DESCRIPTION	QTY	EFFECTIVE DATE
1	64315-LM1-000-JD	138.80	R. FLOOR SIDE COVER(BK-7C)	1	
1	64315-LM1-000-OK	138.80	R. FLOOR SIDE COVER(S-011U)	1	
2	64316-LM1-000-JD	138.80	L. FLOOR SIDE COVER(BK-7C)	1	
2	64316-LM1-000-OK	138.80	L. FLOOR SIDE COVER(S-011U)	1	
3	64320-LM1-000-H1	35.80	FUEL LID LOCK ASSY	1	
8	90105-LM1-000	2.10	FUEL LID LOCK HINGE	1	
9	90308-X04-000	1.40	SPECIAL NUT 5mm	1	
10	94540-04018	0.20	E RING 40	1	
11	93903-34380	0.60	TAPPING SCREW 4*12	6	
12	93903-45380	0.40	TAPPING SCREW 5*16	1	

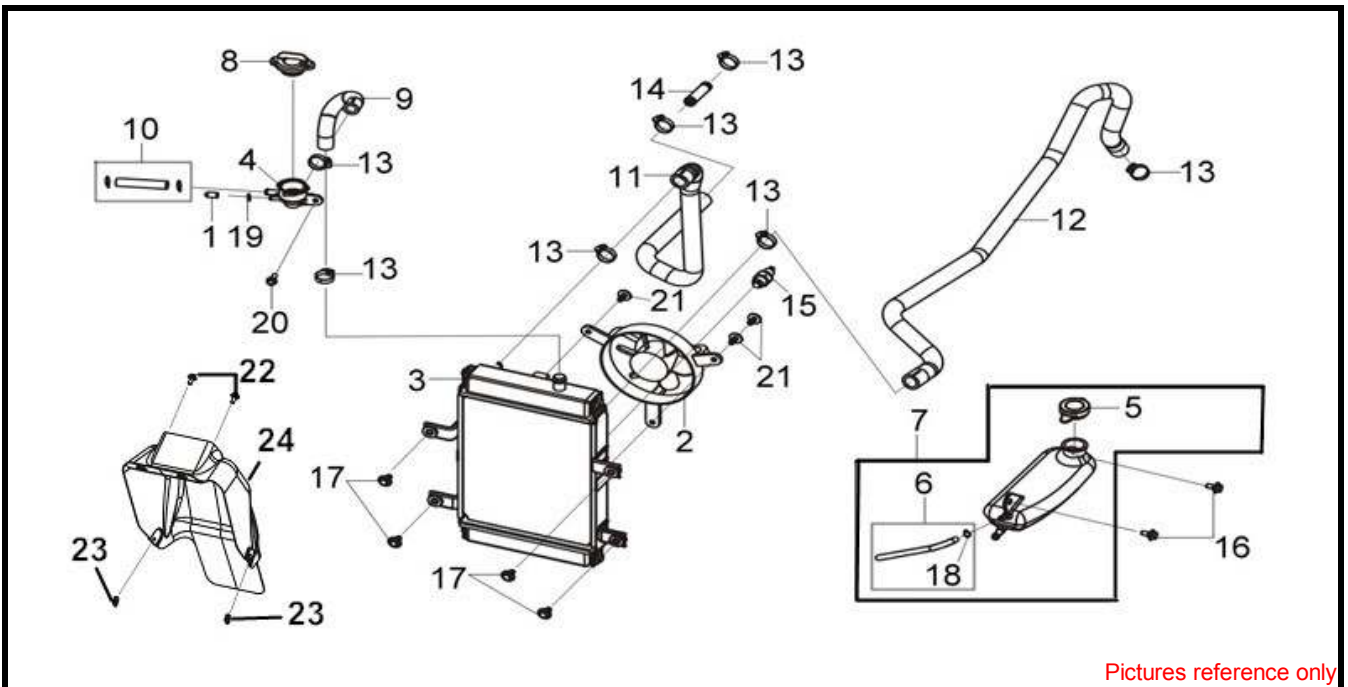
●Please check the color & stripe information according to the color index !



Pictures reference only

NO	零件料號 PARTS NUMBER	Unit Price (RM/pcs)	DESCRIPTION	QTY	EFFECTIVE DATE
1	64310-LM1-000	108.70	FLOOR PANEL BK-001U	1	
2	64311-LM1-000	11.90	FUEL LID BK-001U	1	
3	64312-LM1-000	21.20	FLOOR LID STIFFENER (BK-001U)	1	
6	64315-L3A-000	4.30	R. LID HINGE STAY	1	
7	64316-L3A-000	4.30	L. LID HINGE STAY	1	
8	64317-L3A-000	1.80	LID HINGE PIN	2	
9	64318-L3A-000	6.10	RES. TANK LID	1	
10	64318-LM1-000	1.30	FUEL LID SPRING	2	
11	64319-LM1-000	10.20	FUEL STOP SRRING	2	
12	64320-LM1-000-H1	35.80	FUEL LID LOCK ASSY	1	
13	64321-LM1-000	17.50	R FLOOR MAT A (BK-001U)	1	
14	64322-LM1-000	17.50	L FLOOR MAT A (BK-001U)	1	
15	64323-LM1-000	20.00	R FLOOR MAT B (BK-001U)	1	
16	64324-LM1-000	20.00	L FLOOR MAT B (BK-001U)	1	
17	6431G-LL1-000-KB	49.70	R. FLOOR FAINING ASSY TYPE2 (BK-001C)	1	
18	6431H-LL1-000-KB	49.70	L. FLOOR FAINING ASSY TYPE2 (BK-001C)	1	
19	87131-LL1-000-T2	3.10	R MARK 250 STRIPE(53*9) TYPE2	1	
20	87132-LL1-000-T2	3.10	L MARK 250 STRIPE(55*9) TYPE2	1	
21	90111-HKD-900	1.90	FLANGE BOLT	6	
22	90302-M9Q-800	0.70	NUT SPRING 4mm	2	
23	90308-X04-000	1.40	SPECIAL NUT 5mm	16	
24	93903-34320	0.90	TAPPING SCREW 4*12	6	
25	93903-35280	0.60	TAPPING SCREW 5*12	7	
26	93903-44480	0.70	TAPPING SCREW 4*16	4	
27	93903-45380	0.40	TAPPING SCREW 5*16	9	

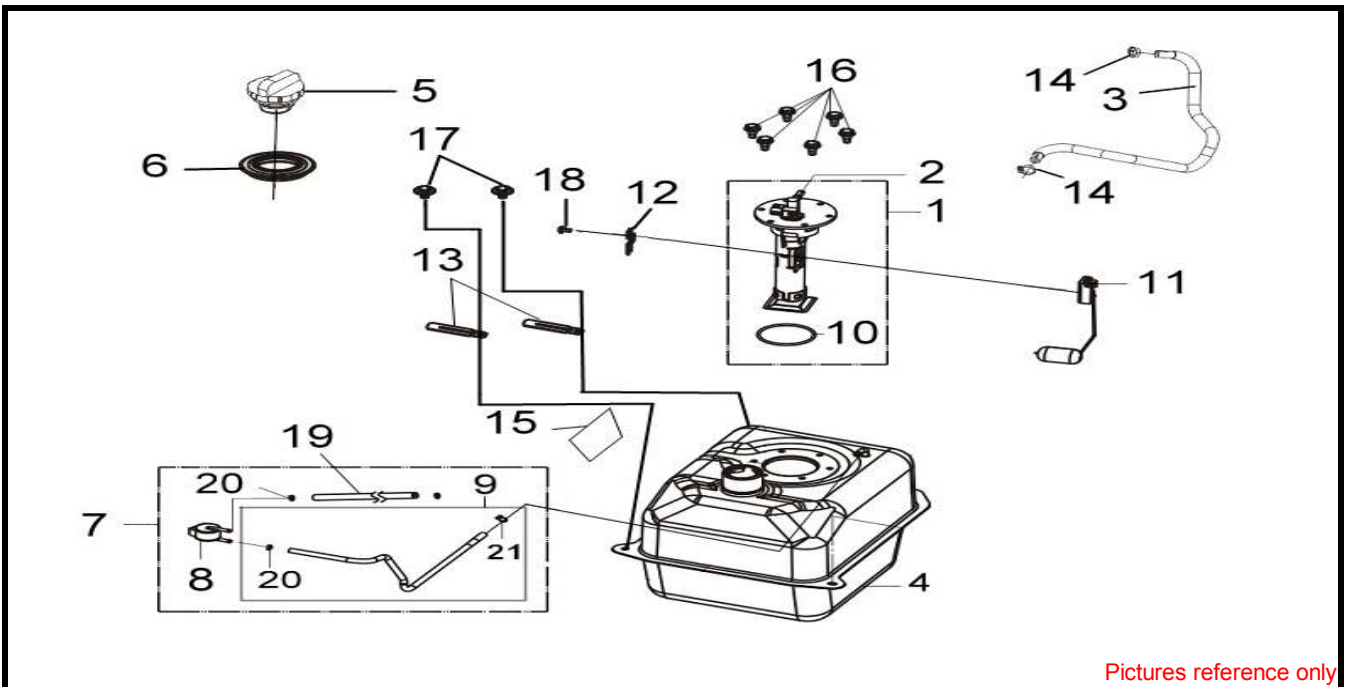
●Please check the color & stripe information according to the color index !



Pictures reference only

NO	零件料號 PARTS NUMBER	Unit Price (RM/pcs)	DESCRIPTION	QTY	EFFECTIVE DATE
1	17236-FWA-000	3.50	TUBE PLUG	1	
2	19020-HMA-000	349.10	SHROUD ASSY. (MK=609)	1	
3	19010-L3A-000	450.00	RADIATOR COMP	1	
4	19039-LVA-000	9.30	FILLER NECK	1	
5	19104-M9Q-000	6.20	RESERVE TANK CAP	1	
6	19109-L3A-000	6.10	RESERVE TANK TUBE	1	
7	1910A-L3A-000	61.20	RESERVE TANK ASSY	1	
8	19111-H9A-000	38.70	RADIATOR FILLER CAP	1	
9	19125-LM1-000	24.20	RADIATOR HOSE A	1	
10	19126-L3A-000	17.30	RADIATOR HOSE B	1	
11	19501-L3A-000	51.00	RADIATOR INLET WATER HOSE	1	
12	19505-L3A-000	82.70	ENG. INLET WATER HOSE	1	
13	19505-KS6-700	3.80	WATER HOSE CLAMP A	7	
14	19509-HWA-000	7.20	WATER HOSE 2 WAY JOINT	1	
15	37760-HMA-000	90.00	THERMO. SW	1	
16	90111-M9Q-800	2.10	FLANGE BOLT 6mm	2	
17	93404-06020-08	0.80	WASHER BOLT 6*20	4	
18	95002-45000	0.40	CLIP ,C8,TUBE	1	
19	95002-40800-08	2.10	TUBE CLAMP D8.0	1	
20	95801-06012-08	0.90	FLANGE BOLT 6*12	1	
21	93405-06016-07	0.90	WASHER BOLT 6*16	3	
22	90111-GJ5-000	0.70	BOLT FLANGE 6mm	2	
23	90308-X04-000	1.40	SPECIAL NUT 5mm	2	
24	17508-LM1-000	9.90	FUEL TANK HEAT GUARD	1	

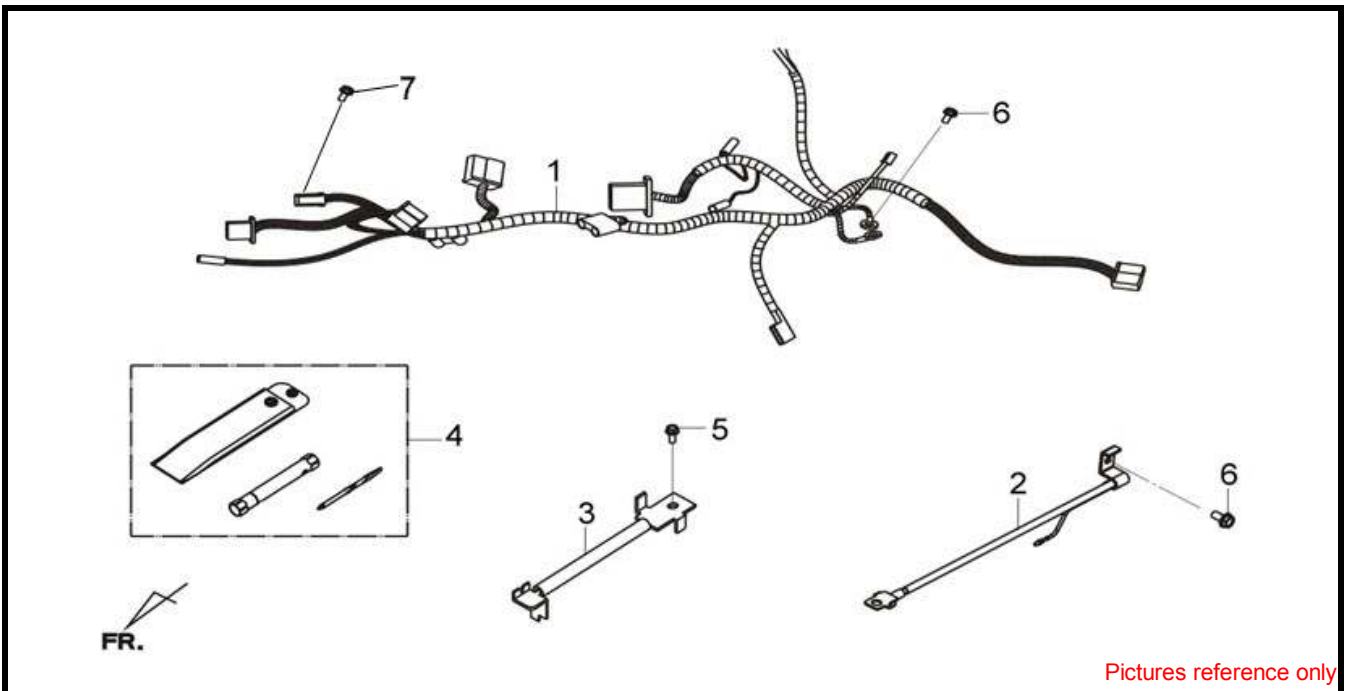
●Please check the color & stripe information according to the color index !



Pictures reference only

NO	零件料號 PARTS NUMBER	Unit Price (RM/pcs)	DESCRIPTION	QTY	EFFECTIVE DATE
1	1670A-HWA-000	660.60	FUEL PUMP ASSY	1	
3	16730-L2E-000	102.60	FUEL TUBE	1	
4	17500-L3A-010	355.00	FUEL TANK	1	
5	1762A-LM2-000	23.00	FUEL CAP ASSY	1	
5.1	17621-LM2-000	3.50	FUEL CAP COVER	1	
5.2	17620-LM2-000	25.90	FUEL FILLER CAP COMP	1	
5.3	93600-03006-0G	0.20	FLAT SCREW 3*6	1	
6	17512-L3A-010	6.10	PACKING FILLER NECK	1	
7	17580-LA2-000	29.90	PACKING FILLER NECK	1	
8	17581-L32-000	16.60	FUEL CUT VALVE(SENTEC)	1	
9	17585-L3A-010	8.90	TANK-FCV TUBE	1	
10	37801-A5L-000	9.80	FUEL FILTER PACKING	1	
11	37800-L3A-010	67.30	FUEL UNIT COMP	1	
12	37804-LEA-000	1.40	FUEL UNIT STAY	1	
13	32162-H6T-000	5.80	CLIP 2 * 100	2	
14	19505-F81-000	2.80	HOSE CLAMP	2	
15	83619-F8A-300	10.50	SOLID RUBBER	1	
16	90106-LEA-000	1.40	FUEL PUMP BOLT	6	
17	93404-06012-07	0.90	WASHER BOLT 6*12	2	
18	93903-HGC-000	0.80	TAPPING SCREW	1	
19	95001-45220-40	3.00	FUEL TUBE 4.5*220	1	
20	95002-02080	0.90	TUBE CLIP B8	3	
21	95002-50000	1.40	TUBE CLIP C9 5mm	1	

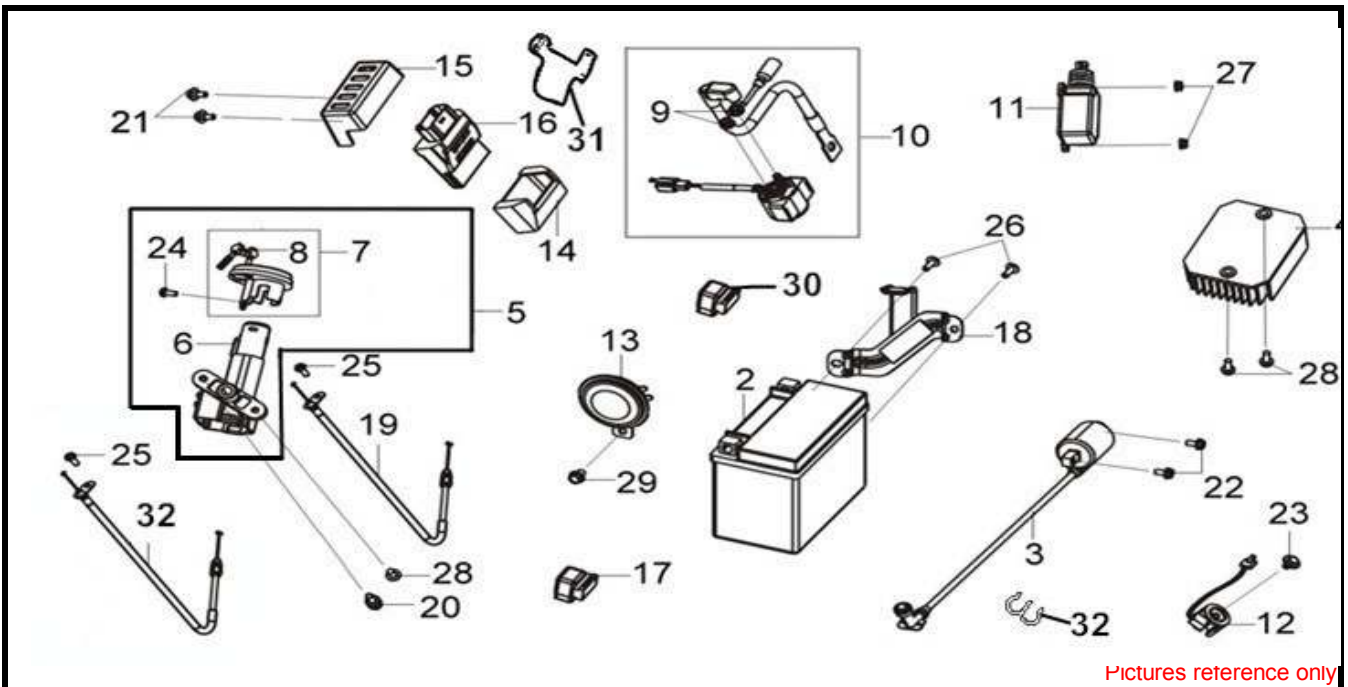
●Please check the color & stripe information according to the color index !



Pictures reference only

NO	零件料號 PARTS NUMBER	Unit Price (RM/pcs)	DESCRIPTION	QTY	EFFECTIVE DATE
1	32100-LM1-000	1712.70	WIRE HARNESS	1	
2	32412-L3A-100	75.30	EARTH CABLE B	1	
3	32415-LEA-000	19.80	EARTH CABLE B	1	
4	89010-M92-000	28.90	TOOL SET	1	
5	90110-FYA-000	2.00	FLANGE BOLT 6*14	1	
6	95801-06012-07	0.90	FLANGE BOLT 6*12	1	
7	93903-34380	0.60	TAPPING SCREW 4*12	1	

●Please check the color & stripe information according to the color index !

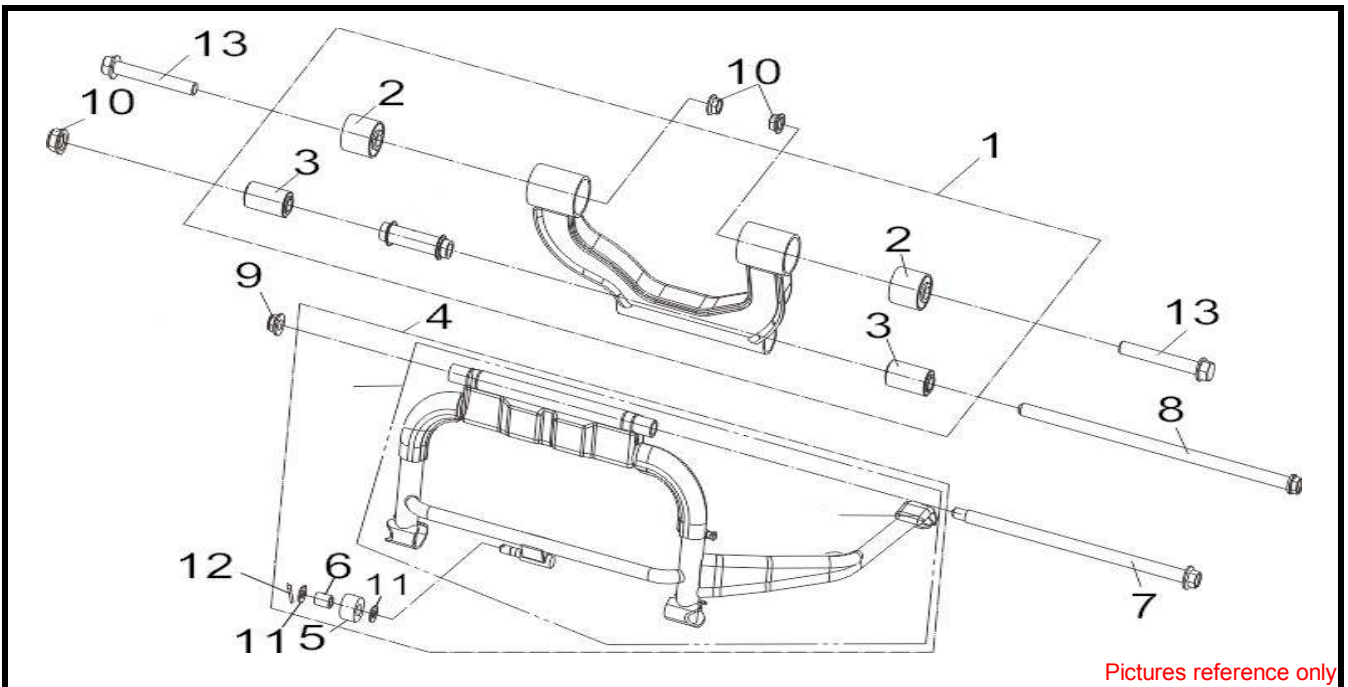


Pictures reference only

NO	零件料號 PARTS NUMBER	Unit Price (RM/pcs)	DESCRIPTION	QTY	EFFECTIVE DATE
2	31500-BAB-000-P	475.70	BATTERY ASS'Y(GT12A-BS)	1	
3	3051A-L3A-000	130.00	IGN. COIL ASSY	1	
4	31600-L3A-000	456.50	REG. REC ASSY.	1	
5	35010-LM1-000-TW	221.50	KEY SET	1	
6	35100-LM1-000-TW3	132.10	COMB. LOCK SW. ASSY(NO CABLE&SHUTTER)	1	
7	35110-FSA-000(B01~B20)	45.90	SHUTTER COMP	1	
8	35111-LM1-000(B01~B20)	54.20	KEY COMP	1	
9	35859-M9Q-000	0.90	MAG. SW. NUT	2	
10	3585A-L3A-000	124.20	START MAG. SW. ASSY	1	
11	35880-HMB-000	79.20	LINER MOTOR ASSY.	1	
12	36500-HMA-000-A6	40.60	SIDE STAND SW COMP	1	
13	38110-L3A-000	45.00	HORN COMP	1	
14	38700-L4A-900	12.70	ECU SUSPENSION	1	
15	38701-L3A-000	7.90	ECU COVER	1	
16	38710-LHF-000-06	590.80	ECU ASSY. 06 (L2W-01B)	1	
17	38800-H5B-000	37.80	ELECTRIC RELAY UNIT	1	
18	50324-L3A-000	30.60	BATTERY BAND	1	
19	77240-LM1-000	35.10	SEAT LOCK CABLE	1	
20	96001-06016-00	0.80	FLANGE BOLT SH 6*16	1	
21	90111-N01-000	1.40	FLANGE BOLT 6mm	2	
22	90112-M9Q-000	1.70	FLANGE BOLT 5*22	2	
23	93404-06016-07	0.90	BOLT WASHER 6*16	1	
24	93891-05008-08	0.90	WASHER SCREW 5*8	1	
25	93892-05012-08	2.60	WASHER SCREW 5*12	1	
26	93903-45380	0.40	TAPPING SCREW 5*16	2	

27	94050-06080	1.10	FLANGE NUT 6mm	2
28	90085-HHA-900	2.10	SELF LOCKING BOLT 6*16	1
29	95801-08012-08	1.40	FLANGE BOLT 8*12	1
30	3850A-HLA-100-A2	24.20	ELEC. RELAY ASSY.(MK=626)	1
31	80104-LM1-000	12.50	R. SPLASH BOARD PLATE	1
32	77245-LM1-000	25.70	FUEL LID LOCK CABLE	1

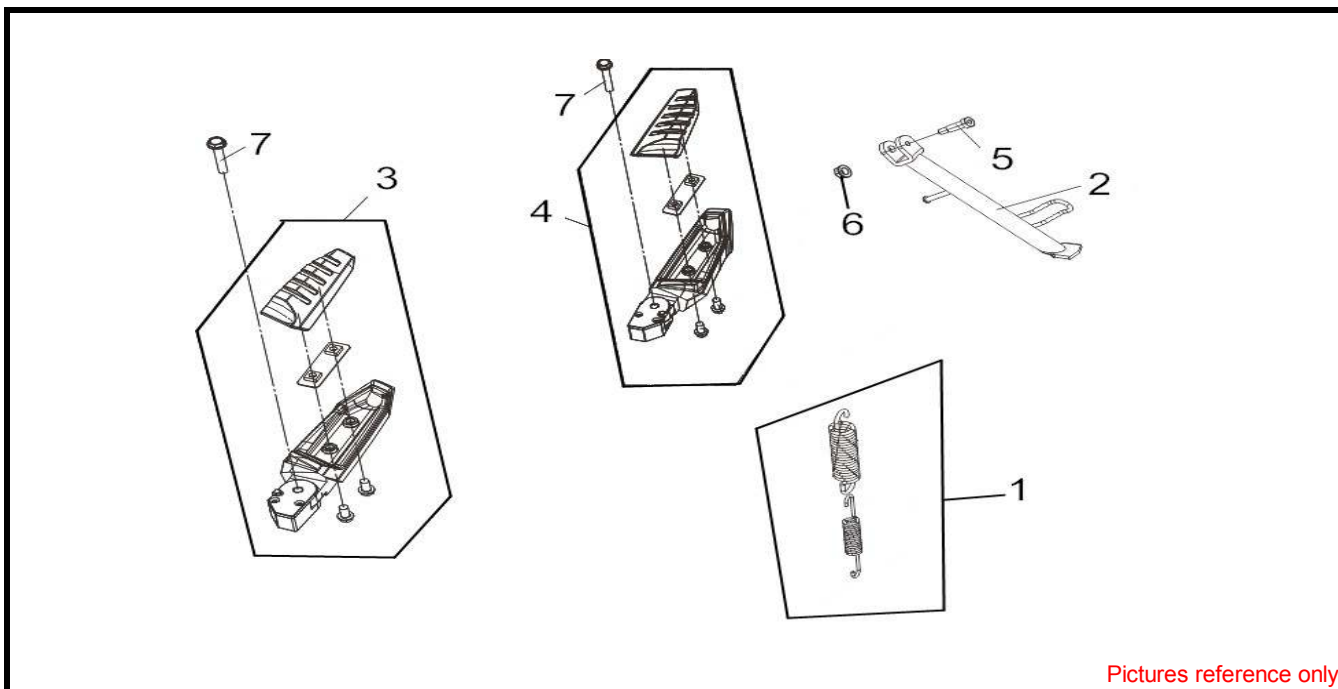
● Please check the color & stripe information according to the color index !



Pictures reference only

NO	零件料號 PARTS NUMBER	Unit Price (RM/pcs)	DESCRIPTION	QTY	EFFECTIVE DATE
1	50350-L2A-000	205.00	ENG. HANGER LINK ASSY	1	
2	50353-HHA-000	15.10	SWING LOCK BUSH	2	
3	50357-HMA-000	9.80	ENG. HANGER BUSH	2	
4	5050A-LM1-000	222.00	MAIN STAND ASSY.	1	
5	50505-H3A-000	3.50	STAND STOPPER RUBBER	1	
6	50506-H3A-000	3.50	STOP RUBBER COLLAR	1	
7	50512-H6B-000	11.40	MAIN STAND PIVOT BOLT	1	
8	90107-L3A-000	24.00	FLANGE BOLT 12*268	1	
9	90304-M9Q-000	5.00	NUT U FLANGE 10mm	1	
10	90306-M9Q-000	6.40	SELF LOCK NUT 12mm	3	
11	94102-08800	0.80	PLAIN WASHER 8mm	2	
12	94201-25200	1.80	PIN SPLIT 2.5*20	1	
13	95801-12095-07	7.20	FLANGE BOLT 12*95	2	

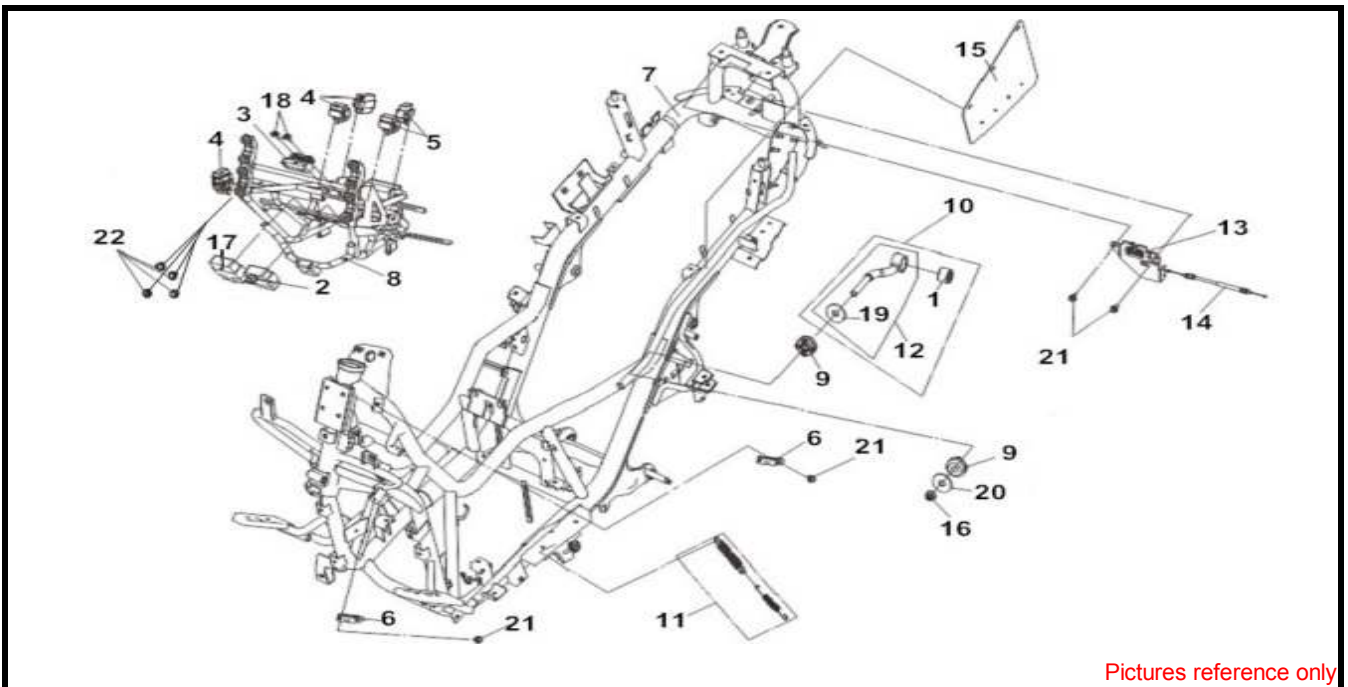
●Please check the color & stripe information according to the color index !



Pictures reference only

NO	零件料號 PARTS NUMBER	Unit Price (RM/pcs)	DESCRIPTION	QTY	EFFECTIVE DATE
1	5052A-L3A-020	9.80	MAIN STAND SPG.ASSY	1	
2	50530-HMA-100	30.60	SIDE STAND COMP	1	
3	5071A-L3A-000-IE	118.00	R. STEP BAR SET(GY-820)	1	
4	5071B-L3A-000-IE	118.00	L. STEP BAR SET(GY-820)	1	
5	90108-HMA-000	2.90	SIDE STAND PIVOT SCREW	1	
6	94030-08080	0.40	HEX NUT 8mm	1	
7	95801-06035-07	1.10	FLANGE BOLT 6*35	2	

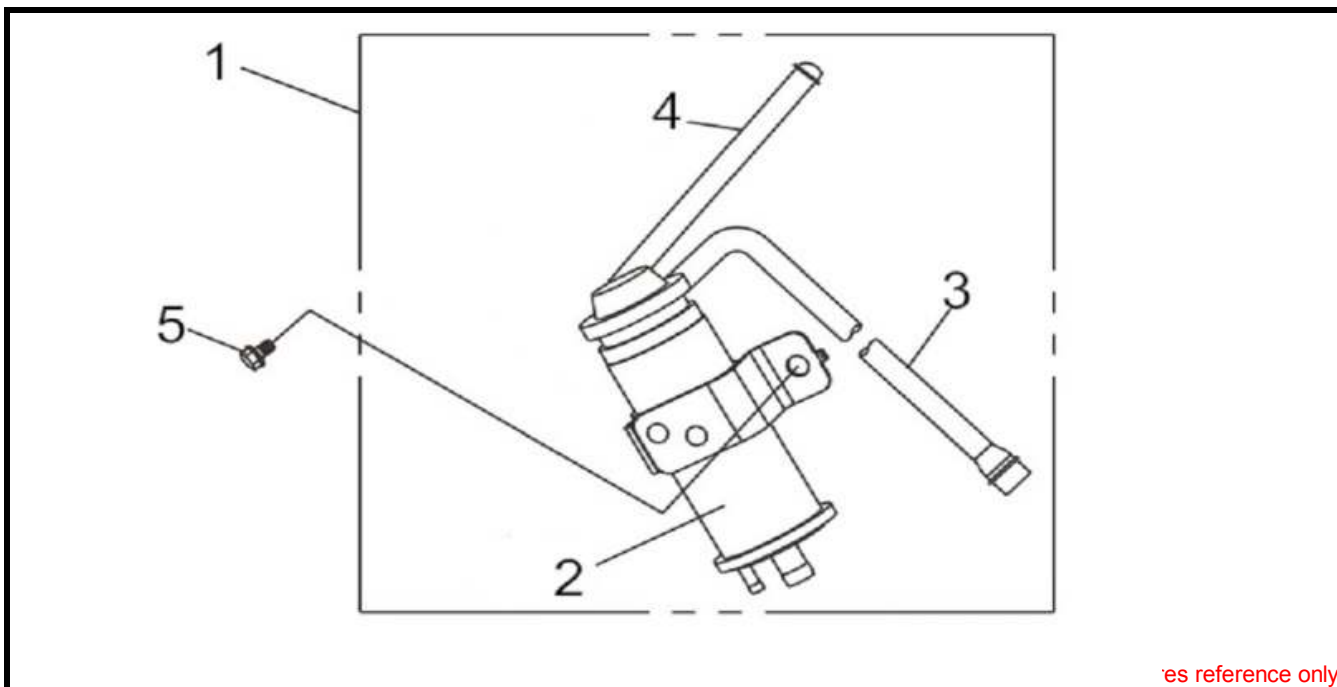
●Please check the color & stripe information according to the color index !



Pictures reference only

NO	零件料號 PARTS NUMBER	Unit Price (RM/pcs)	DESCRIPTION	QTY	EFFECTIVE DATE
1	11102-H9A-300	5.50	ENG. HANGER RUB. BUSH	1	
2	3043A-REA-000	52.30	BATTERY OPEN CONTROL ASSY	1	
3	36100-MMA-100-A1	114.90	ROLL OVER SENSOR ASSY (MK=640)	1	
4	3850A-HLA-100-A2	24.20	ELEC. RELAY ASSY.(MK=626)	3	
5	3850A-M8Q-000	34.20	ELEC RELAY ASSY	2	
6	45156-HMA-000	3.60	BRAKE HOSE CLAMP	2	
7	5010N-LL1-000	2583.80	FRAME BODY COMP SET (BK-001C)	1	
8	50315-LM1-000	368.90	FR. COVER STAY	1	
9	50352-L3A-000	6.90	STOPPER RUBBER	2	
10	50380-L2A-010	57.30	TENSION ROD ASSY.	1	
11	5053A-HMA-000	6.10	SIDE STAND SPRING ASSY.	1	
12	50381-L2A-010	36.60	TENSION ROD	1	
13	77230-LM1-000	32.80	SEAT CATCH ASSY.	1	
14	77241-L3A-000	12.70	SEAT LOCK CABLE B	1	
15	80103-HMA-000	12.70	L. SPLASH BOARD PLATE	1	
16	90304-M9Q-800	2.90	FLANGE U NUT 10mm	1	
17	3872A-LM1-000	222.00	HAZARD CONTROL UNIT ASSY.	1	
18	93894-04022-08	1.10	WASHER SCREW 4*22	2	
19	94103-L2A-000	6.40	PLAIN WASHER 12mm	1	
20	94103-L3A-000	5.50	PLAIN WASHER 12mm	1	
21	95801-06012-08	0.90	FLANGE BOLT 6*12	4	
22	95801-08018-07	1.70	FLANGE BOLT 8*18	4	

●Please check the color & stripe information according to the color index !



es reference only

NO	零件料號 PARTS NUMBER	Unit Price (RM/pcs)	DESCRIPTION	QTY	EFFECTIVE DATE
1	1730A-L3D-000	105.30	CANISTER SET	1	
2	17550-HMB-010	48.80	CANISTER ASSY	1	
3	17688-L3D-000	19.90	CANI-AIR/C TUBE	1	
4	17682-L3D-000	19.10	CANI-CARB. TUBE	1	
5	95801-06012-08	0.90	FLANGE BOLT 6*12	1	

PARTS NO.	NO.	PARTS NO.	NO.	PARTS NO.	NO.
06414-LEF-000	E04	12391-HMA-000	E01	16730-L2E-000	F25
06415-HNS-000	E04	13000-L2A-000	E08	1711A-L2E-000	E04
06416-HNS-000	E04	13010-HMA-000	E07	17120-HNS-010	E04
11100-HMA-001	E09	13101-HMA-000	E07	17200-LM1-000	E21
11102-H9A-300	F30	13111-HMA-000	E08	17208-L3A-000	E21
11102-HMA-300	E09	14100-HML-000	E05	17211-HMA-000	E21
11102-HMA-300	E17	14105-RFA-000	E05	17214-HMA-000	E21
11107-HMA-000	E09	14105-X01-000	E05	17221-LEA-000	E18
11120-LEA-000	E09	14108-M36-000	E05	17230-L3A-000	E21
11120-LEA-000	E17	14151-RFA-000	E09	17231-L3A-000	E21
11133-A1A-300	E17	1443A-HMA-000	E02	17234-M51-000	E21
11191-HMA-003	E09	1444A-HMA-000	E02	17236-FWA-000	F24
11200-L2C-000	E17	14451-HMA-000	E02	17253-L3D-000	E21
11203-M9Q-300	E17	14457-HMA-000	E05	17255-HMA-000	E21
11203-M9Q-300	F13	14510-RFA-000	E05	17257-HMA-000	E21
11211-L3A-000	E20	14520-H6T-000	E07	17258-H9A-000	E21
1122A-HMA-000	E13	14522-H6T-000	E07	17359-M9Q-000	E21
11330-L3A-000	E10	14523-M9Q-002	E07	17370-M9Q-000	E20
11341-HMA-000	E18	14524-H6T-000	E07	17371-M9Q-000	E20
11342-HMA-000	E18	14525-H6T-000	E07	17380-H6A-000	E20
11343-HMA-001	E18	14531-KJ9-000	E05	17385-H6A-000	E20
11344-HMA-000	E18	14610-BCE-000	E05	1738A-L3A-000	E20
11346-HMA-000	E18	14711-HMA-000	E02	17500-L3A-010	F25
11351-HMA-009-GYK	E18	14721-RFS-000	E02	17508-LM1-000	F24
11352-HMA-000	E18	14751-HMA-000	E02	17512-L3A-010	F25
11353-HMA-000	E18	14761-HMA-000	E02	17562-L2A-000	E20
1135A-HMA-010-GYK	E18	14771-M8Q-000	E02	17570-HMC-000	E19
1137A-HMA-000	E18	14777-KN7-670	E02	17571-L3A-000	E19
11394-HMA-002	E10	14781-M9Q-000-A	E02	17574-L2A-000	E19
11395-HMA-003	E18	15100-HMA-000	E16	17576-L2A-010	E19
12100-HMA-000-A	E07	15126-B8A-000	E16	1757A-L3A-000	E19
1210S-HMA-000	E07	15132-HMA-000	E16	17580-LA2-000	F25
12191-HMA-004	E07	15133-HMA-000	E16	17581-L32-000	F25
12200-HMC-000	E03	15421-B9D-000	E10	17585-L3A-010	F25
12209-H6B-900	E02	15426-M9Q-000	E10	17590-HMC-000	E19
12251-HMA-000	E07	1565A-HMA-000	E10	17591-HMC-000	E19
12301-HMA-000	E01	15711-HML-000	E16	17592-HMC-000	E19
1231A-L3A-000	E06	15713-HMC-010	E15	1762A-LM2-000	F25
12342-G02-000	E07	15772-500-013	E20	17620-LM2-000	F25
12342-X01-000	E01	16201-HMC-001	E04	17621-LM2-000	F25
12342-X01-000	E03	1621A-HMC-000	E04	17910-L3A-000	F08
12342-X01-000	E06	16401-L2W-000	E04	17920-L3A-000	F08
12342-X01-000	E10	16403-F6K-000	E04	18000-LM1-000	E22
12363-L2E-010	E01	1670A-HWA-000	F25	18241-L3A-000	E10
1236A-V02-000	E10	16700-HWA-000	F25	18292-F3E-000	E22

PARTS NO.	NO.	PARTS NO.	NO.	PARTS NO.	NO.
18293-F3E-000	E22	19604-H01-000	E14	32100-LM1-000	F26
18295-A1A-000	E22	1B01HMA01	E11	32105-LM1-000	F18
18310-LM1-300	E22	1C14401-RFA-000	E05	32160-A3A-900	F08
18318-LM1-000	E22	1C15141-HMA-000	E16	32162-H6T-000	F25
18320-L9D-300	E22	1PCR8E	E03	32412-L3A-100	F26
18321-L1A-000	E22	21200-L2C-000	E13	32415-LEA-000	F26
18362-HMA-000	E21	21395-HMA-001	E13	33100-LM1-000	F01
18362-KA4-700	E21	22000-RB1-000	E11	3310A-LM1-000	F01
18533-M7Q-000	E19	22101-HMA-000	E12	3310A-LM1-000	F02
18610-L2E-000	E01	22102-HMA-000	E11	33120-L4A-000	F01
18647-HMA-000	E01	22105-HMA-000	E11	33144-LM1-000	F01
18654-N14-004	E01	22110-HMA-000	E11	33150-LM1-000	F01
18659-L2A-000	E19	22121-RB1-001-A	E11	33244-LM1-000	F01
18811-N14-000	E19	22131-HMA-000	E11	33400-LM1-000	F06
19010-L3A-000	F24	22132-HMA-000-A	E11	33450-LM1-000	F06
19020-HMA-000	F24	22300-L3D-000	E12	33604-LM1-000	F21
19039-LVA-000	F24	22350-HMA-000	E12	33654-LM1-000	F21
19104-M9Q-000	F24	22361-HMA-000	E12	33700-LM1-000	F21
19109-L3A-000	F24	22401-HMA-000	E12	33706-LM1-000	F21
1910A-L3A-000	F24	22530-L3D-000-A	E12	33707-LM1-000	F21
19111-H9A-000	F24	22804-HMA-000	E12	3370S-LM1-000	F21
19125-LM1-000	F24	23010-L3D-000	E12	33740-LEA-010	F16
19126-L3A-000	F24	23200-L3A-000	E12	33741-M9A-100	F16
19215-HLA-000	E10	23220-HMA-000	E12	33742-F3H-000	F12
19217-H9A-300	E10	23225-HMA-000	E12	34901-HWA-000	F01
19217-H9A-300-A	E10	23226-HMA-000	E12	35010-LM1-000-TW	F27
19229-H9A-002	E14	23233-HMA-000	E12	35100-LM1-000-TW3	F27
1922A-LEA-000	E14	23237-L4A-000	E12	35110-FSA-000	F27
19231-HMA-000	E10	23238-L3A-000	E12	35111-LM1-000	F27
19300-HMA-000	E03	23411-HMA-000	E13	35150-L4A-000	F08
19315-L3A-010	E03	23420-HMA-000	E13	35200-HNL-000	F08
19501-L3A-000	F24	23431-HMA-000	E13	35340-L6C-000	F09
19502-L3A-000	E03	23432-HMA-000	E13	35345-L3A-000	F17
19505-F81-000	F25	28100-HMA-000	E09	35350-L6C-000	F09
19505-KS6-700	E14	28101-HMA-300	E09	35370-M9P-000	F18
19505-KS6-700	F24	28102-HMA-000	E09	35859-M9Q-000	F27
19505-L3A-000	F24	28105-HMA-300	E09	3585A-L3A-000	F27
19505-REA-000	E03	28110-HMA-000	E15	35880-HMB-000	F27
19509-HWA-000	F24	2812A-L3A-000	E15	36100-MMA-100-A1	F30
1950A-LEA-000	E14	3043A-REA-000	F30	36500-HMA-000-A6	F27
1951A-HMA-010	E03	3051A-L3A-000	F27		
		31110-L3A-000	E15		
		31120-L3A-000	E15		
		31200-L3D-000	E09		
		31500-BAB-000-P	F27		
		31600-L3A-000	F27		

PARTS NO.	NO.	PARTS NO.	NO.	PARTS NO.	NO.
3700-A35B-0100	E04	45120-L3A-000	F10	52400-LM1-000-KB	F14
37200-LM1-000	F05	45121-L3A-900	F10	53100-LM1-000	F08
37750-PC1-004	E03	45126-L3E-000-A1	F09	53104-N02-000	F08
37760-HMA-000	F24	45127-LM1-000	F09	53105-N02-000	F08
37800-L3A-010	F25	45156-HMA-000	F30	53106-N02-000	F08
37801-A5L-000	F25	45156-LAS-000	F13	53108-N02-000	F08
37804-LEA-000	F25	45465-L3E-000	F12	53125-M9Q-000	F08
37830-HMC-000	E21	45500-L3E-000	F09	53140-L4A-003	F08
37880-HMC-000	E03	45517-TFA-000	F09	53166-L4A-004	F08
37890-LHF-000	E22	5010N-LL1-000	F30	53175-HMA-000	F09
38110-L3A-000	F27	50189-LM1-000	F18	53178-HMA-000	F09
3850A-HLA-100-A2	F27	50300-L4A-000	F11	53200-L3E-000	F11
3850A-HLA-100-A2	F30	50301-HMA-000	F11	53205-LM1-000	F07
3850A-M8Q-000	F30	50306-M9Q-000	F11	53206-LM1-000	F07
38600-L4A-000	F15	50308-HMA-000	F11	53208-LM1-000	F05
38650-FSA-000-A2	F15	50310-LM1-000	F01	5320C-LM1-000-OK	F07
38700-L4A-900	F27	50310-LM1-000	F02	53210-LM1-000-OK	F05
38700-L4A-900	F27	50315-LM1-000	F04	53211-HMA-000	F11
38701-L3A-000	F27	50315-LM1-000	F30	53214-L4A-000	F11
38710-LHF-000-06	F27	50317-LM1-010	F04	53215-HMA-000	F11
3872A-LM1-000	F30	50318-LM1-010	F04	53220-HMA-000	F11
38730-L3G-000	F09	50324-L3A-000	F27	61100-LM1-000-IL	F12
38800-H5B-000	F27	50326-LM1-000	F15	61100-LM1-000-JH	F12
42311-H9A-000	F13	50350-L2A-000	F28	61100-LM1-000-QU	F12
42311-H9A-900	F13	50352-L3A-000	F30	61100-LM1-000-RT	F12
42601-L9F-000-IF	F14	50353-HHA-000	F28	64301-LM1-000-KA	F02
42710-LM1-000	F14	50357-HMA-000	F28	64303-LM1-000-IL	F02
42753-KBN-902	F14	50380-L2A-010	F30	64303-LM1-000-JH	F02
42753-KBN-902	F10	50381-L2A-010	F30	64303-LM1-000-QU	F02
43100-L3A-010-KB	F09	50505-H3A-000	F28	64303-LM1-000-RT	F02
45100-L3A-000-KB	F09	50506-H3A-000	F28	64304-LM1-000-IL	F02
43105-L3A-010-A	F09	5050A-LM1-000	F28	64304-LM1-000-JH	F02
43120-L3E-000	F14	50512-H6B-000	F28	64304-LM1-000-QU	F02
43121-L3A-900	F14	5052A-L3A-020	F29	64304-LM1-000-RT	F02
43311-L3E-000-A1	F09	50530-HMA-100	F29	64304-X01-000	F01
43312-L3E-000-A1	F09	5053A-HMA-000	F30	64304-X01-000	F01
43500-L3E-000	F09	50611-HMA-000	F15	64304-X01-000	F04
44301-L3A-000	F11	5071A-L3A-000-IE	F29	64305-LM1-000-IL	F03
44311-L3A-000	F11	5071B-L3A-000-IE	F29	64305-LM1-000-JH	F03
44601-L9F-000-IF	F10	50757-L3A-000	F17	64305-LM1-000-QU	F03
44620-L3A-000	F10	51400-L3A-000	F11	64305-LM1-000-RT	F03
44710-LM1-000	F10	51401-L3D-000	F12	64306-LM1-000-IL	F03
44720-H9A-000	F10	51500-L3A-000	F11	64306-LM1-000-JH	F03
44720-H9A-000	F14	51501-L31-000	F12	64306-LM1-000-QU	F03
44870-L4C-000	F11	5210A-L3A-000-IL	F13	64306-LM1-000-RT	F03
44870-L4C-000	F13				
44871-L4C-000	F13				
44910-L4C-000	F13				
45105-L3A-000-A	F09				

PARTS NO.	NO.	PARTS NO.	NO.	PARTS NO.	NO.
6430C-LM1-000-KB	F02	77230-LM1-000	F30	83750-LM1-000-JD	F20
64300-LM1-000	F03	77240-LM1-000	F27	83750-LM1-000-OK	F20
64309-LM1-000	F02	77241-L3A-000	F30	87126-LL1-000-JD	F20
64310-LM1-000	F23	77245-LM1-000	F27	87126-LL1-000-OK	F20
64311-LM1-000	F23	80100-LM1-000	F16	87126-LM1-000	F20
64312-LM1-000	F23	80103-HMA-000	F30	87127-LL1-000-JD	F20
64315-L3A-000	F23	80104-HMA-000	F18	87127-LL1-000-OK	F20
64315-LM1-000-JD	F22	80104-LM1-000	F27	87127-LM1-000	F20
64315-LM1-000-OK	F22	80105-LM1-000	F16	87131-LL1-000-T2	F23
64315-LM1-000-OK	F22	80106-L3A-000-KA	F16	87132-LL1-000-T2	F23
64315-LM1-000-OK	F22	81131-LM1-000	F15	87503-LM1-000	F15
64316-L3A-000	F23	81132-LM1-000	F15	87505-L1A-000	F18
64316-LM1-000-JD	F22	81133-LM1-000	F15	87552-L6G-000	F02
64316-LM1-000-OK	F22	81134-LM1-000	F15	87552-L6G-900	F07
64316-LM1-000-OK	F22	81141-LM1-000-IL	F15	87561-L1A-000	F18
64316-LM1-000-OK	F22	81142-LM1-000	F15	88110-LM1-000	F06
64317-L3A-000	F23	81149-L4A-000	F15	88111-LM1-000	F06
64318-L3A-000	F23	81163-LM1-000	F15	88112-LM1-000	F06
64318-LM1-000	F23	81164-LM1-000	F15	88115-LM1-000	F06
64319-LM1-000	F23	81165-LM1-000	F15	88120-LM1-000	F06
6431G-LL1-000-KB	F23	81210-LM1-000-JD	F19	88121-LM1-000	F06
6431H-LL1-000-KB	F23	81210-LM1-000-OK	F19	88122-LM1-000	F06
64320-LM1-000-H1	F22	81210-LM1-000-OK	F19	88125-LM1-000	F06
64320-LM1-000-H1	F23	81210-LM1-000-OK	F19	89010-M92-000	F26
64321-LM1-000	F23	81219-L1A-000	F18	90001-L3A-000	E22
64322-LM1-000	F23	81220-LM1-000-JD	F19	90001-M9Q-000	E07
64323-LM1-000	F23	81220-LM1-000-OK	F19	90002-HMA-000	E01
64324-LM1-000	F23	81220-LM1-000-OK	F19	90002-L3A-000	E22
64328-LM1-000	F22	81220-LM1-000-OK	F19	90003-L3A-000	E10
67100-LM1-010	F04	81250-LM1-000	F18	90012-HLK-000	E02
67101-HMA-000	F04	81256-LM1-000	F18	90031-HMA-000	E09
6710A-LM1-010	F04	81300-L1P-000	F19	90032-HMA-000	E17
67110-LM1-010	F04	8350G-LL1-000-IL	F20	90034-HMA-000	E03
67120-LM1-010	F04	8350G-LL1-000-QU	F20	90043-HMA-000	E22
74480-L3A-000	F17	8350G-LL1-000-RT	F20	90084-H9A-000	E10
74481-HMA-100	F18	8350G-LM1-000-JH	F20		
77101-L3A-000	F17	83520-LM1-000	F20		
77111-LM1-000	F17	8360G-LL1-000-IL	F20		
77112-LM1-000	F17	8360G-LL1-000-QU	F20		
77115-LM1-000	F18	8360G-LL1-000-RT	F20		
7711A-LM1-000	F17	8360G-LM1-000-JH	F20		
77200-LM1-000	F17	83619-F8A-300	F25		
77202-HMA-100	F17	83619-L3F-000	F15		
		83620-LM1-000	F20		
		83630-L3A-100	F19		

PARTS NO.	NO.		PARTS NO.	NO.		PARTS NO.	NO.	
90085-HHA-900	F27		90304-M9Q-800	F30		91205-KF0-003	E10	
9008A-H9A-000	E10		90304-M9Q-900	F17		91255-L3A-000	F11	
90103-M9Q-000	E17		90304-M9Q-900	F18		91256-L3A-000	F11	
90104-H5K-000	F09		90305-L3A-000	E21		91301-HMA-000	E06	
90104-L2A-000	F09		90305-M9Q-000	F12		91302-M9Q-000	E10	
90105-H7A-010	F19		90305-M9Q-900	F13		91303-377-000	E10	
90105-KR3-000	F14		90306-BAA-000	F17		91307-M9Q-000	E10	
90105-L3A-000	F10		90306-M9Q-000	F28		91308-HMA-000	E04	
90105-LM1-000	F22		90308-X04-000	F07		92101-06016-0H	E04	
90106-LEA-000	F25		90308-X04-000	F15		92101-06016-0H	E05	
90106-M9Q-000	F08		90308-X04-000	F22		92800-12000	E17	
90107-L3A-000	F28		90308-X04-000	F23		92900-06028-0B	E03	
90108-HMA-000	F29		90308-X04-000	F24		93401-06014-00	F20	
90110-FYA-000	F26		90401-HMA-000	E13		93401-HKD-000	E22	
90111-GJ5-000	F24		90401-KJ9-000	E11		93404-06012-07	F03	
90111-HKD-900	F15		90401-KJ9-000	E12		93404-06012-07	F16	
90111-HKD-900	F23		90401-KJ9-000	E15		93404-06012-07	F25	
90111-L2A-000	F16		90423-KJ9-000	E10		93404-06016-07	F27	
90111-M9Q-800	F15		90442-HMA-000	E03		93404-06020-08	F24	
90111-M9Q-800	F18		90474-M9Q-000	E17		93404-06040-07	E21	
90111-M9Q-800	F24		90478-700-000	E14		93404-08014-07	F09	
90111-N01-000	F27		90481-M9Q-100	E17		93405-06016-07	F24	
90112-M9Q-000	F27		90545-M9Q-000	F09		93500-03008-1A	E16	
90116-L4A-000	E22		90601-HMA-000	E08		93500-03010-1A	F06	
90118-N02-000	F08		90652-HMA-000	E21		93500-05012-0H	E18	
90145-M9Q-000	F09		90653-HMA-000	E04		93500-05016-0A	E15	
90157-F3G-000	E15		90677-M9Q-000	F16		93500-05025-0G	F08	
90164-M9Q-000	F12		90682-V02-900	E20		93500-05035-0G	F08	
90201-KR8-751-M1	E11		90701-HB6-010	E08		93500-06025-0H	E16	
90201-KR8-751-M1	E12		90703-M8Q-000	E13		93500-L2F-000	F14	
90201-KR8-751-M1	E15		90754-LEA-000	F10		93600-03006-0G	F25	
90202-HMA-000	E12		90899-422-610	F16		93891-05008-08	F27	
90206-HLK-000	E02		90912-LEA-000	F10		93891-05012-07	F08	
90301-GE0-000	F18		91001-HMA-000	E08		93891-05016-07	E19	
90302-M92-000	F03		91001-KJ9-005	E10		93891-05016-07	E21	
90302-M9Q-800	F04		91002-HWA-000-M1	E13		93891-05016-07	F20	
90302-M9Q-800	F05		91009-HMC-000	E13		93891-05045-07	F13	
90302-M9Q-800	F07		91101-HMA-000	E16		93891-06050-07	F11	
90302-M9Q-800	F15		91103-A3F-000	E16		93892-05012-08	F27	
90302-M9Q-800	F18		91201-HMA-300	E08		93894-04022-08	F30	
90302-M9Q-800	F20		91202-HMA-000	E15		93894-05016-07	F07	
90302-M9Q-800	F23		91203-HMA-000	E13		93894-05016-07	F16	
90304-M9Q-000	F08		91204-HMA-000	E13		93901-34480	F16	
90304-M9Q-000	F28							

PARTS NO.	NO.	PARTS NO.	NO.	PARTS NO.	NO.
93903-25480	E21	94301-08140	E14	96001-06012-08	E09
93903-34320	F18	94301-08140	E15	96001-06012-08	E16
93903-34320	F23	94301-12200	E07	96001-06014-00	E01
93903-34380	F15	94510-10000	E16	96001-06014-00	E05
93903-34380	F20	94510-20000	E17	96001-06016-00	E01
93903-34380	F22	94510-25000	E13	96001-06016-00	E03
93903-35280	F05	94520-26000	E10	96001-06016-00	F27
93903-35280	F15	94520-32000	E10	96001-06018-00	E06
93903-35280	F16	94524-47000	F13	96001-06018-07	E18
93903-35280	F20	94540-04018	F22	96001-06022-00	E09
93903-35280	F23	94540-08010	E12	96001-06022-00	E14
93903-35320	F02	94592-A5W-000	F18	96001-06030-00	E15
93903-35320	F05	95001-45220-40	F25	96001-06030-00	E18
93903-35320	F08	95002-02080	F25	96001-06032-00	E14
93903-44480	F02	95002-40800-08	F24	96001-06035-00	E18
93903-44480	F03	95002-45000	F24	96001-06045-00	E10
93903-44480	F04	95002-50000	F25	96001-06050-00	E17
93903-44480	F05	95002-80000	E20	96001-06055-00	E09
93903-44480	F07	95002-80000	E21	96001-06070-00	E17
93903-44480	F15	95003-23022-10	E20	96001-06090-00	E03
93903-44480	F18	95701-10012-08	E17	96100-60000-00	E10
93903-44480	F20	95801-06012-07	F17	96100-62040-10	E13
93903-44480	F23	95801-06012-07	F26	96100-63020-00	E13
93903-45380	F15	95801-06012-08	F24	96140-62013-10	E15
93903-45380	F22	95801-06012-08	F30	96150-60060-10	E18
93903-45380	F23	95801-06016-07	F13	96150-62050-10	E13
93903-45380	F27	95801-06016-08	F02	96700-06025-07	F06
93903-HGC-000	F25	95801-06020-08	F02	96700-08020-00	F11
94030-08080	F29	95801-06020-08	F09		
94050-05080	F16	95801-06022-07	F04		
94050-06000	E04	95801-06022-07	F09		
94050-06070	F12	95801-06035-07	F29		
94050-06080	F17	95801-06110-08	F17		
94050-06080	F27	95801-08012-08	F27		
94050-10080	E03	95801-08018-07	F30		
94101-06700	E22	95801-08035-00	F14		
94101-08800	F17	95801-08050-08	E17		
94102-08800	F28	95801-08060-07	F09		
94103-L2A-000	F30	95801-10040-07	F14		
94103-L3A-000	F30	95801-10040-08	F11		
94109-12000	E17	95801-10075-07	F13		
94111-06700	E22	95801-12095-07	F28		
94201-25200	F28	96001-06010-00	E14		
94251-08400	F17	96001-06012-00	E18		
94301-08140	E09	96001-06012-00	F11		