



SANYANG
GENUINE PARTS

LV30W1-EU

零件目錄

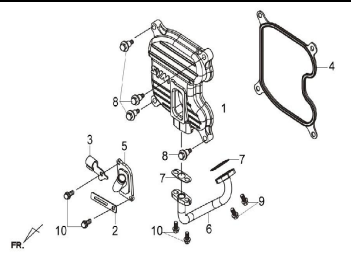
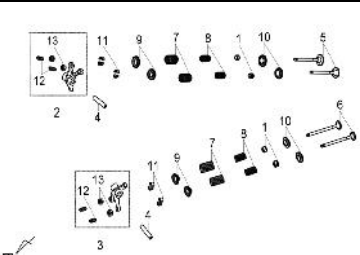
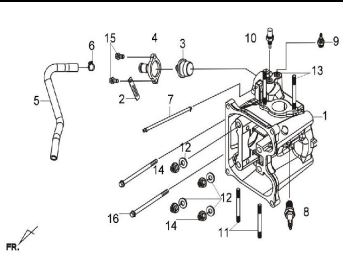
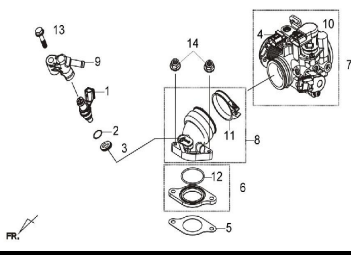
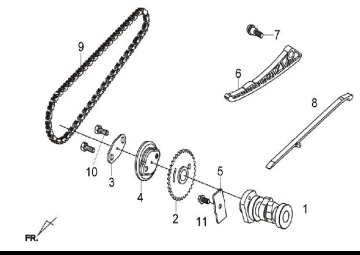
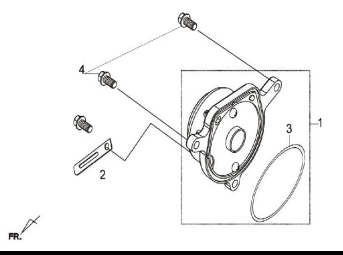
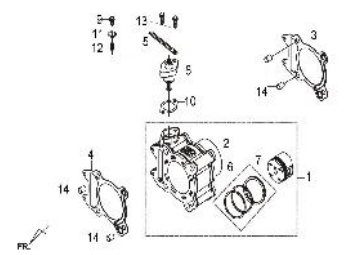
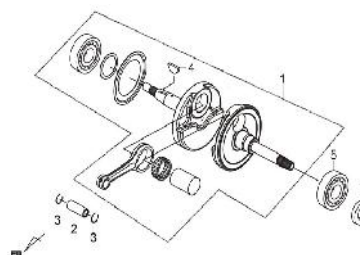
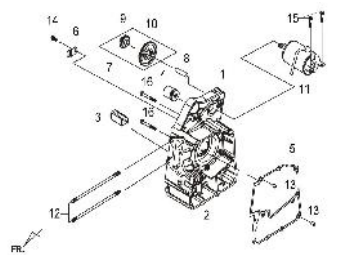
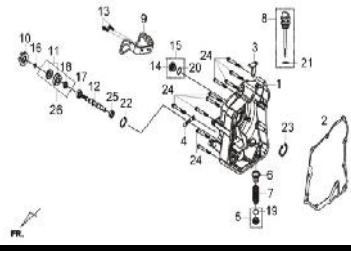
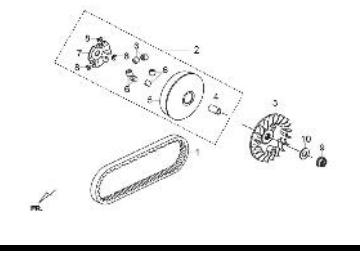
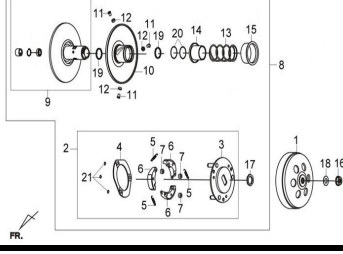
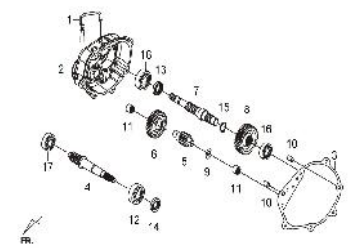
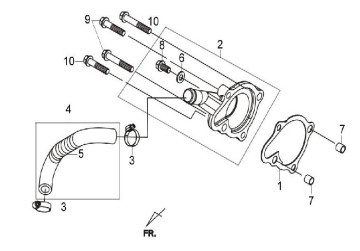
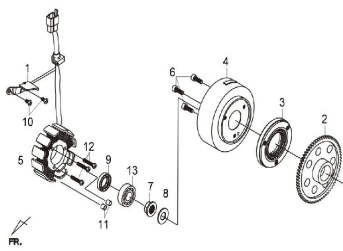
PART CATALOGUE

CRUISYM 300 / LM1

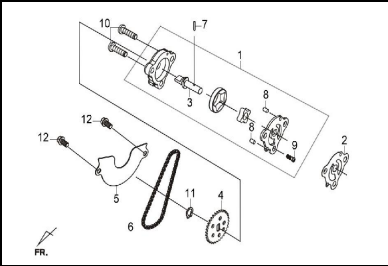
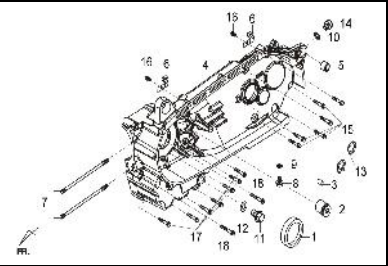
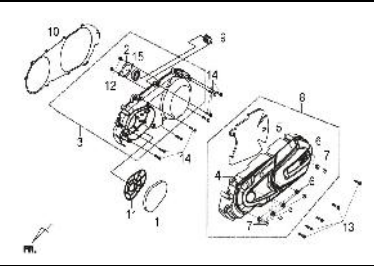
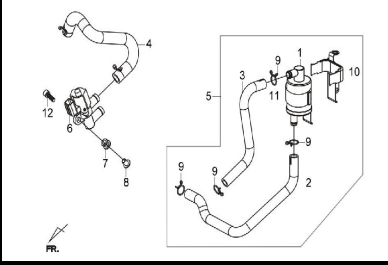
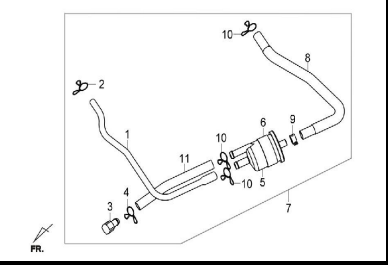
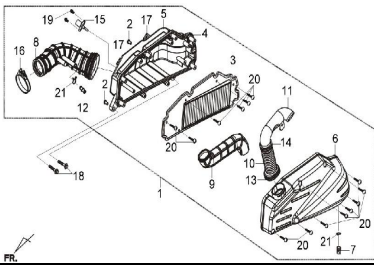
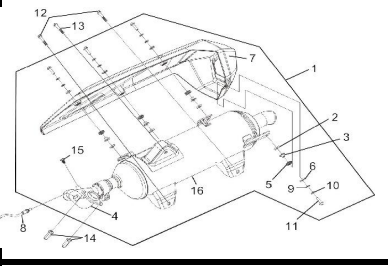
N O	MODEL		LV30W1-EU (LM1 / CRUYSYM300 / 歐洲)			
	DATE		2017/03	2017/03	2017/03	2017/03
	BASIC COLOR		BK	GY	R	W
	COLOR CODE		BK-001UL	GY-7450U	R-010CA	WH-300P
	Description	Parts Number	BLACK	GRAY	RED	WHITE
1	ENG L. OUTER COVER	11351-L3A-008	GYK	GYK	GYK	GYK
2	RR. CAST. WHEEL COM	42601-L9F-000	IF	IF	IF	IF
3	RR.CALIPER ASSY	43100-L3A-010	KB	KB	KB	KB
4	RR.DISK	43121-L3A-900	●	●	●	●
5	FR. CAST. WHEEL COMP	44601-L9F-000	IF	IF	IF	IF
6	FR.CALIPER ASSY	45100-L3A-000	KB	KB	KB	KB
7	FR.DISK	45121-L3A-900	●	●	●	●
8	BATTERY COVER	50326-LM1-000	IL	IL	IL	IL
9	R STEP BAR SET	5071A-L3A-000	IE	IE	IE	IE
10	L STEP BAR SET	5071B-L3A-000	IE	IE	IE	IE
11	R. CUSHION ASSY	51400-L3A-000	●	●	●	●
12	L. CUSHION ASSY	51500-L3A-000	●	●	●	●
13	RR. FORK ASSY	5210A-L3A-000	IL	IL	IL	IL
14	RR. CUSHION ASSY	52400-LM1-000	KB	KB	KB	KB
15	THROT GRIP COMP	53140-L4A-003	●	●	●	●
16	L HANDLE GRIP	53166-L4A-004	●	●	●	●
17	UP HANDLE COVER	53205-LM1-000	●	●	●	●
18	RR. HANDLE COVER	53206-LM1-000	●	●	●	●
19	HANDLE COVER MASK ASSY	5320C-LM1-000	OK	OK	OK	OK
20	METER PANEL	53208-LM1-000	●	●	●	●
21	FR. FENDER	61100-LM1-000	JH	IL	RT	QU
22	FR. UNDER SPOILER	6430E-LM1-000	●	●	●	●
23	FR COVER	6430B-LM1-000	●	●	●	●
24	FR. TOP COVER ASSY	6430C-LM1-000	●	●	●	●
25	R. FR. SIDE COVER	64303-LM1-000	JH	IL	RT	QU
26	L. FR. SIDE COVER	64304-LM1-000	JH	IL	RT	QU
27	R. FR. SIDE SPOILER	64305-LM1-000	JH	IL	RT	QU
28	L. FR. SIDE SPOILER	64306-LM1-000	JH	IL	RT	QU
29	R. FLOOR FAINING ASSY	6431G-LM1-000	KB	KB	KB	KB
30	R. MARK 300 STRIPE	87131-LM1-000	T2	T2	T2	T2
31	L. FLOOR FAINING ASSY	6431H-LM1-000	KB	KB	KB	KB
32	L. MARK 300 STRIPE	87132-LM1-000	T2	T2	T2	T2
33	FLOOR PANEL	64310-LM1-000	●	●	●	●
34	FUEL CAP LID	64311-LM1-000	●	●	●	●
35	FLOOR LID STIFFENER	64312-LM1-000	●	●	●	●
36	R. FLOOR SIDE COVER ASSY	64315-LM1-000	OK	JD	OK	OK
37	L. FLOOR SIDE COVER ASSY	64316-LM1-000	OK	JD	OK	OK
38	R. FLOOR MAT A	64321-LM1-000	●	●	●	●
39	L. FLOOR MAT A	64322-LM1-000	●	●	●	●
40	R. FLOOR MAT B	64323-LM1-000	●	●	●	●
41	L. FLOOR MAT B	64324-LM1-000	●	●	●	●
42	R. WIND SCREEN GARNISH	6711A-LM1-010	●	●	●	●
43	L. WIND SCREEN GARNISH	6712A-LM1-010	●	●	●	●

N O	MODEL		LV30W1-EU (LM1 / CRUISYM300 / 歐洲)			
	DATE		2017/03	2017/03	2017/03	2017/03
	BASIC COLOR		BK	GY	R	W
	COLOR CODE		BK-001UL	GY-7450U	R-010CA	WH-300P
Description		Parts Number	BLACK	GRAY	RED	WHITE
1	DOUBLE SEAT ASSY	7720A-LM1-000	●	●	●	●
2	DOUBLE SEAT COMP	77200-LM1-000	●	●	●	●
3	RR. FENDER	80100-LM1-000	●	●	●	●
4	RR. MUDGUARD	80106-L3A-000	KA	KA	KA	KA
5	INNER BOX	81131-LM1-000	●	●	●	●
6	INNER BOX USB DOCK	81132-LM1-000	●	●	●	●
7	MAIN SW. COVER	81133-LM1-000	●	●	●	●
8	INNER BOX LID	81141-LM1-000	IL	IL	IL	IL
9	INNER BOX LID STIFFENER	81142-LM1-000	●	●	●	●
10	R. RR. CARRIER	81210-LM1-000	OK	JD	OK	OK
11	L. RR. CARRIER	81220-LM1-000	OK	JD	OK	OK
12	R. BODY COVER ASSY	8350G-LM1-000	JH			
13	R. BODY COVER ASSY	8350G-LL1-000		IL	RT	QU
14	R. CRUISYM EMBLEM	87126-LM1-000			●	
15	R. CRUISYM EMBLEM	87126-LL1-000	OK	JD		JD
16	L. BODY COVER ASSY	8360G-LM1-000	JH			
17	L. BODY COVER ASSY	8360G-LL1-000		IL	RT	QU
18	L. CRUISYM EMBLEM	87127-LM1-000			●	
19	L. CRUISYM EMBLEM	87127-LL1-000	OK	JD		JD
20	R. SIDE COVER	83520-LM1-000	●	●	●	●
21	L. SIDE COVER	83620-LM1-000	●	●	●	●
22	RR. CENTER COVER	83750-LM1-000	OK	JD	OK	OK
23	R. BACK MIRROR ASSY	88110-LM1-000	●	●	●	●
24	L. BACK MIRROR ASSY	88120-LM1-000	●	●	●	●

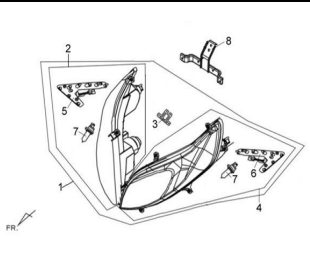
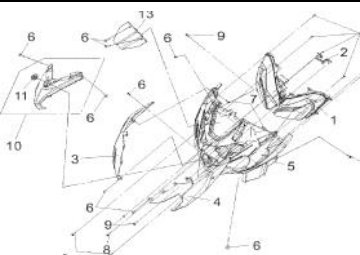
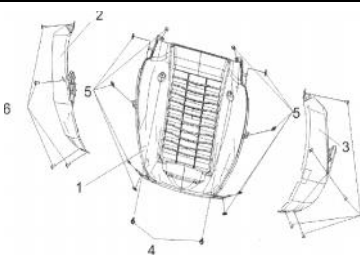
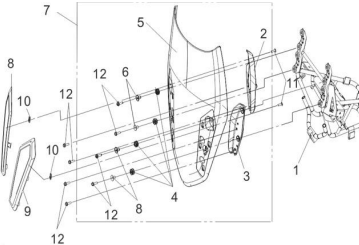
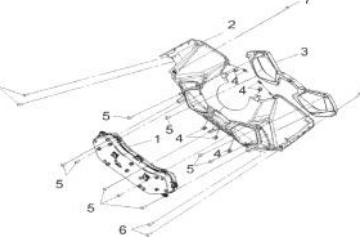
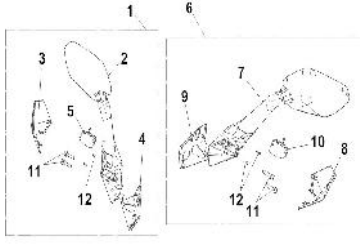
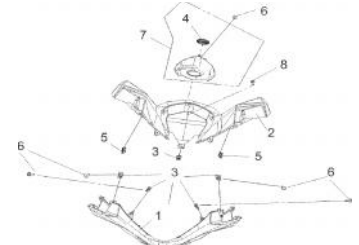
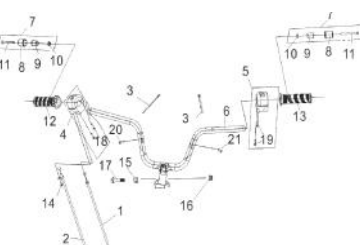
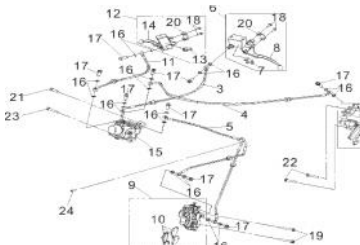
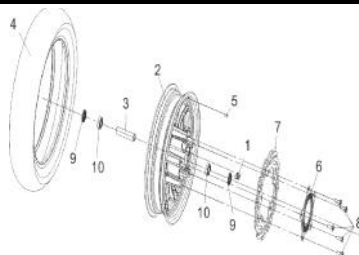
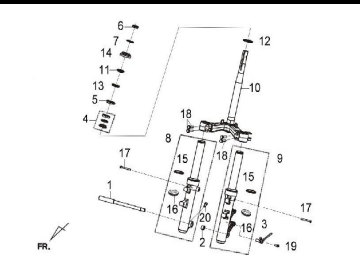
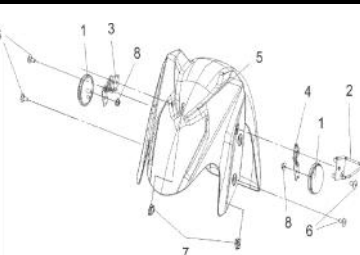
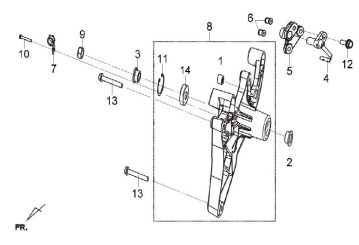
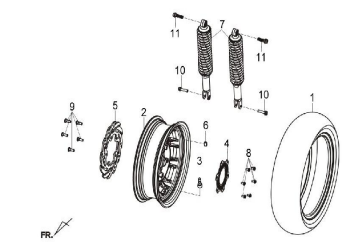
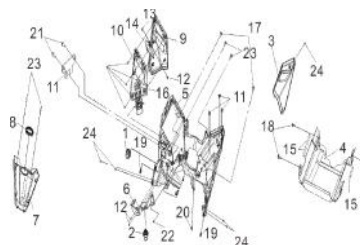
CONTENTS-ENGINE GROUP

<p>E01 CYLINDER HEAD COVER</p> 	<p>E02 IN/EX. VALVE ROCKER ARM</p> 	<p>E03 CYLINDER HEAD COMP</p> 
<p>E04 INLET PIPE ASSY</p> 	<p>E05 CAM SHAFT COMP</p> 	<p>E06 CYL. HEAD SIDE COVER</p> 
<p>E07 CYLINDER SET</p> 	<p>E08 CRANK SHAFT COMP</p> 	<p>E09 R. CRANK CASE COMP</p> 
<p>E10 R. CASE COVER COMP</p> 	<p>E11 MOVABLE DRIVE FACE</p> 	<p>E12 DRIVEN PULLEY ASSY</p> 
<p>E13 MISSION CASE COMP</p> 	<p>E14 WATER PUMP COVER</p> 	<p>E15 FLYWHEEL & STATOR</p> 

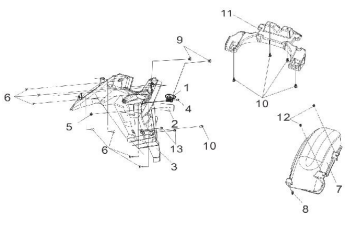
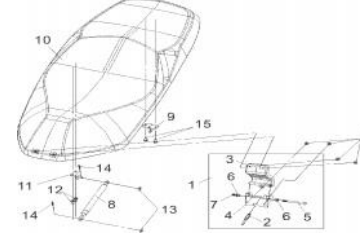
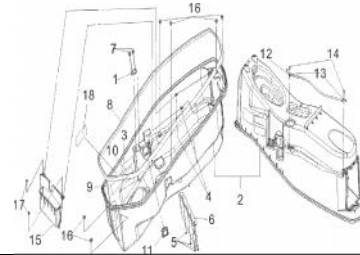
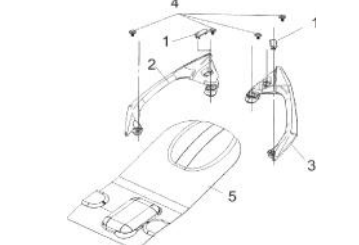
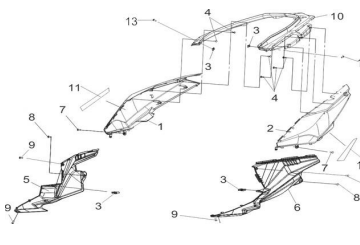
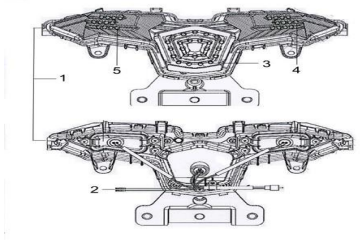
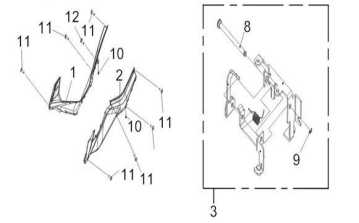
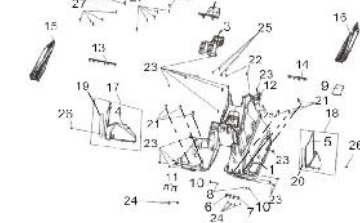
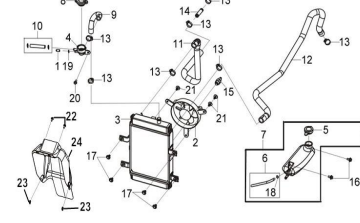
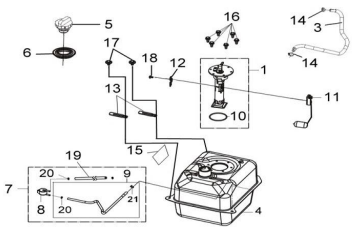
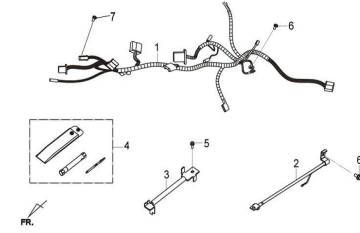
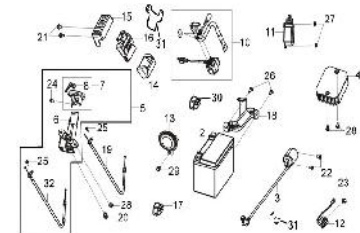
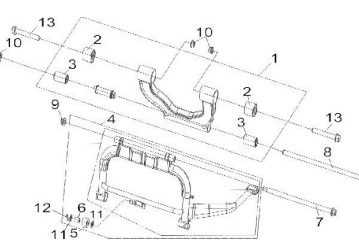
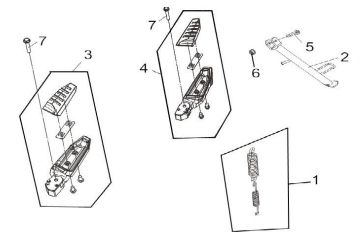
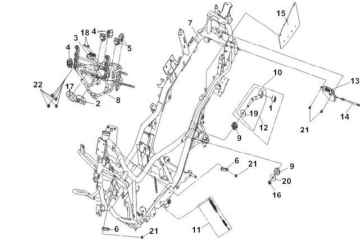
CONTENTS-ENGINE GROUP

<p>E16</p> <p style="text-align: center;">OIL PUMP ASSY</p> 	<p>E17</p> <p style="text-align: center;">L. CRANK CASE COMP</p> 	<p>E18</p> <p style="text-align: center;">L. CRANK CASE COVER</p> 
<p>E19</p> <p style="text-align: center;">A.I.S.V.ASSY</p> 	<p>E20</p> <p style="text-align: center;">BREATHER CHAMBER</p> 	<p>E21</p> <p style="text-align: center;">AIRCLEANER ASSY</p> 
<p>E22</p> <p style="text-align: center;">MUFFLER ASSY</p> 		

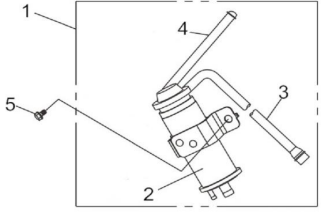
CONTENTS—FRAME GROUP

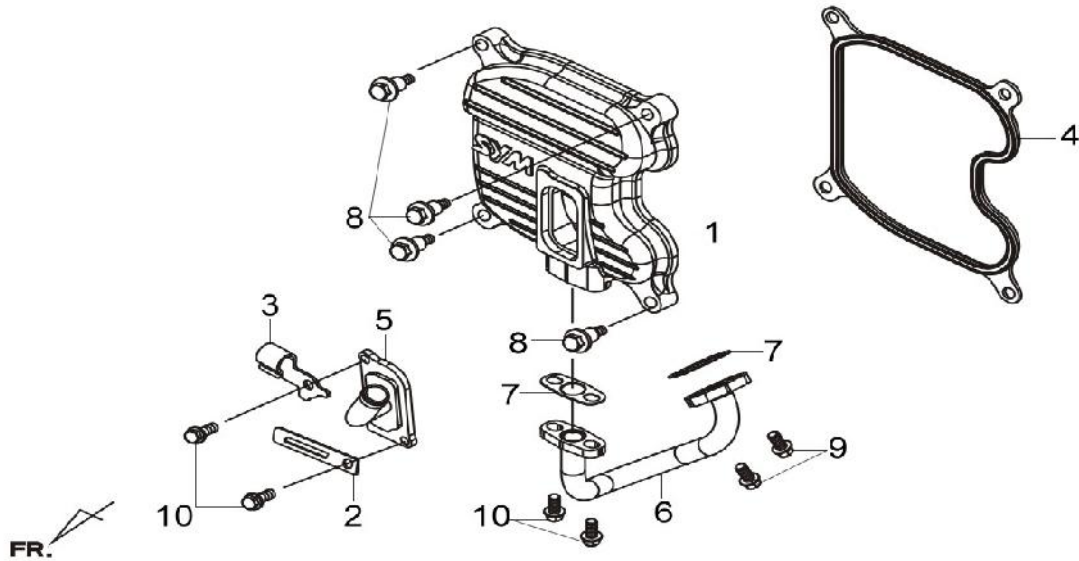
<p>F01</p> <p>HEAD LIGHT</p> 	<p>F02</p> <p>FR. COVER</p> 	<p>F03</p> <p>UNDER SPOILER</p> 
<p>F04</p> <p>WIND SCREEN</p> 	<p>F05</p> <p>SPEEDOMETER</p> 	<p>F06</p> <p>R/L BACK MIRROR</p> 
<p>F07</p> <p>FR. HANDLE COVER</p> 	<p>F08</p> <p>STRG. HANDLE</p> 	<p>F09</p> <p>BRAKE SYSTEM</p> 
<p>F10</p> <p>FR. WHEEL</p> 	<p>F11</p> <p>STRG. STEM</p> 	<p>F12</p> <p>FR. FENDER</p> 
<p>F13</p> <p>RR. FORK</p> 	<p>F14</p> <p>RR. CAST WHEEL</p> 	<p>F15</p> <p>INNER BOX</p> 

CONTENTS—FRAME GROUP

<p>F16</p> <p>RR. MUDGUARD</p> 	<p>F17</p> <p>SEAT</p> 	<p>F18</p> <p>LUGGAGE BOX</p> 
<p>F19</p> <p>RR. CARRIER</p> 	<p>F20</p> <p>BODY COVER</p> 	<p>F21</p> <p>TAIL LIGHT</p> 
<p>F22</p> <p>SIDE COVER</p> 	<p>F23</p> <p>FLOOR PANEL</p> 	<p>F24</p> <p>RADIATOR</p> 
<p>F25</p> <p>FUEL TANK</p> 	<p>F26</p> <p>WIRE HARNESS</p> 	<p>F27</p> <p>ELECTRIC PARTS</p> 
<p>F28</p> <p>ENG. HANGER</p> 	<p>F29</p> <p>SIDE STAND</p> 	<p>F30</p> <p>FRAME</p> 

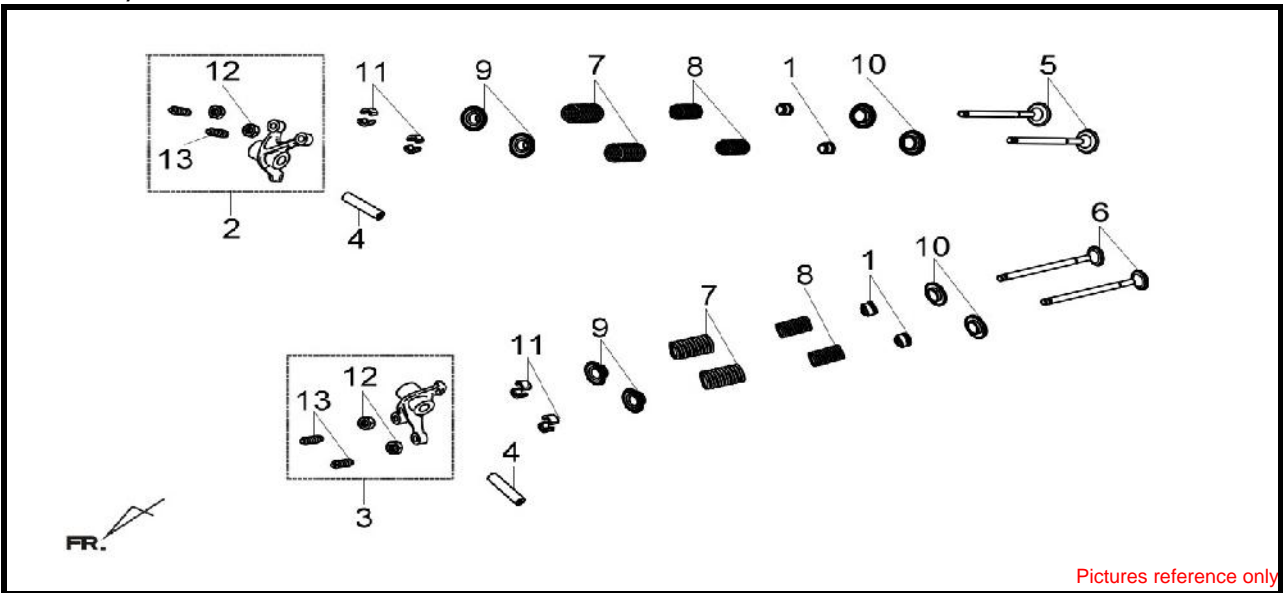
CONTENTS—FRAME GROUP

F31 RR. MUDGUARD		
		



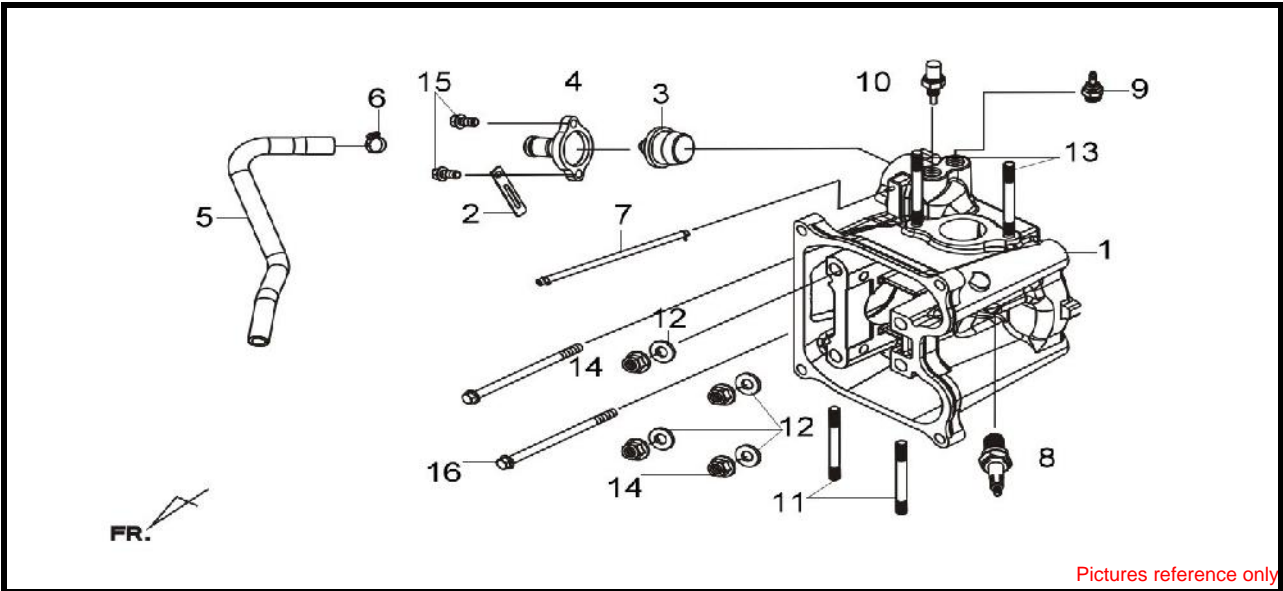
Pictures reference only

NO	零件料號 PARTS NUMBER	品名 NAME	DESCRIPTION	QTY	EFFECTIVE DATE
1	12301-HMA-000	汽缸頭蓋	CYLINDER HEAD COVER	1	
2	12342-X01-000	線夾	CLAMP	1	
3	12363-L2E-010	點火線圈線夾	IGNITION COIL CLAMP	1	
4	12391-HMA-000	汽缸頭蓋墊片	CYLINDER HEAD COVER GASKE	1	
5	18610-L2E-000	閥門	REED VALVE COMP	1	
6	18647-HMA-000	空氣導管	AIR PIPE COMP	1	
7	18654-N14-004	空氣導管墊片(環保材)	AIR PIPE GASKET	2	
8	90002-HMA-000	汽缸頭蓋螺絲	CYLINDER HEAD COVER BOLT	4	
9	96001-06014-00	緣面螺栓(白鋅)6*14	FLANGE BOLT SH 6*14	2	
10	96001-06016-00	螺絲 6*16	FLANGE BOLT SH 6*16	4	



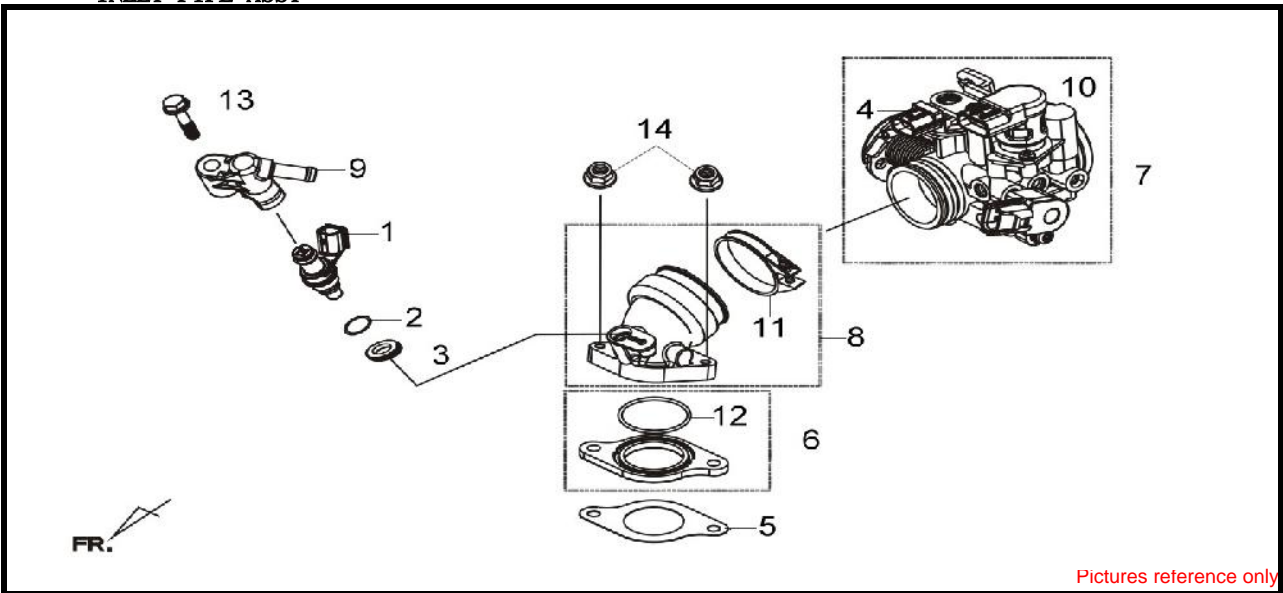
NO	零件料號 PARTS NUMBER	品名 NAME	DESCRIPTION	QTY	EFFECTIV E
1	12209-H6B-900	氣門桿油封	VALVE STEM SEAL	4	
2	1443A-LEA-000	進汽門閥搖臂組	IN. VALVE ROCKER ARM ASSY	1	
3	1444A-LEA-000	排汽門閥搖臂組	EX. VALVE ROCKER ARM ASSY	1	
4	14451-HMA-000	門閥搖臂軸	ROCKER ARM SHAFT	2	
5	14711-HMA-000	進氣門閥	INLET VALVE	2	
6	14721-RFS-000	進氣門閥	INLET VALVE	2	
7	14751-HMA-000	外門閥彈簧	VALVE OUTER SPG.	4	
8	14761-HMA-000	門閥內彈簧	VALVE INNER SPG.	4	
9	14771-M8Q-000	內門閥彈簧座	VALVE SPRING RETAINER	4	
10	14777-KN7-670	門閥彈簧座	VALVE SPRING SEAT	4	
11	14781-M9Q-000-A	門閥栓組(4PCS一組)	VALVE COTTER SET(4PCS/1SET)	2	
12	90012-HLK-000	閥門調整螺絲	TAPPET ADJUSTING SCREW	4	
13	90206-HLK-000	閥門調整螺帽	TAPPET ADJUSTING NUT	4	

Please check the color & stripe information according to the color index !



NO	零件料號 PARTS NUMBER	品名 NAME	DESCRIPTION	QTY	EFFECTIV E
1	12200-L3A-010	汽缸頭	CYLINDER HEAD COMP	1	
2	12342-X01-000	線夾	CLAMP	1	
3	19300-HMA-000	恆溫器	THERMOSTAT ASSY.	1	
4	19315-L3A-010	恆溫器蓋	THERMOSTAT COVER	1	
5	19502-L3A-000	水管	WATER HOSE	1	
6	19505-REA-000	管夾	HOSE CLAMP	1	
7	1951A-HMA-010	恆溫器管	THERMOSTAT TUBE ASSY	1	
8	1PCR8E	CR8E 火星塞	PLUG CR8E	1	
9	37750-PC1-004	溫度計量器總成	THERMO UNIT ASSY	1	
10	37880-HMC-000	汽缸頭溫度感知器	TW SENSOR	1	
11	90034-HMA-000	特殊雙頭螺栓8*40	SPECIAL STUD BOLT 8*40	2	
12	90442-HMA-000	油封墊圈 10.5mm	SEALING WASHER 10.5mm	4	
13	92900-06028-0B	雙頭螺栓 6*28	STUB BOLT 6*28	2	
14	94050-10080	緣面螺帽 10mm	FLANGE NUT 10mm	4	
15	96001-06016-00	螺絲 6*16	FLANGE BOLT SH 6*16	2	
16	96001-06090-00	緣面螺栓(白鋅)6*90	FLANGE SH BOLT 6*90	2	

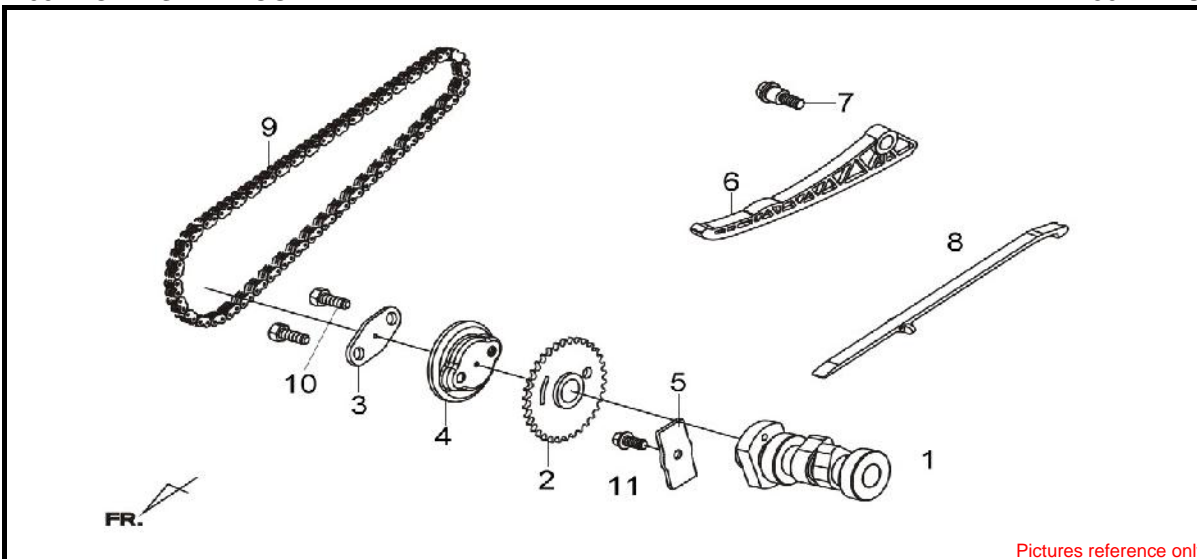
Please check the color & stripe information according to the color index !



Pictures reference only

NO	零件料號 PARTS NUMBER	品名 NAME	DESCRIPTION	QTY	EFFECTIV E
1	06414-LEF-000	燃料噴油嘴	FUEL INJECTOR	1	
2	06415-HNS-000	O型油環	O-RING	1	
3	06416-HNS-000	油封環	SEAL-RING	1	
4	16403-F6K-000	歧管壓力感知器	THB.M.A.P.SENSOR SERVICE PARTS	1	
5	16201-HMC-001	絕緣墊片(環保材)	CARB. INSULATOR GASKET	1	
6	1621A-HMC-000	化油器絕緣總成	CARBURETOR INSULATOR ASSY	1	
7	16401-L3D-000	節流組	THROTTLE BODY ASSY	1	
8	1711A-LHF-000	進氣管總成	INLET PIPE ASSY.	1	
9	17120-HNS-010	燃料噴注器總成	FUEL INJECTOR CUP ASSY	1	
10	3700-A35B-0100	怠速控制閥	ISC VALVE	1	
11	90653-HMA-000	進氣管固定帶 48	INLET PIPE BAND 48	1	
12	91308-HMA-000	油環 34*2.0	O-RING 34*2.0	1	
13	92101-06016-0H	六角螺栓 6*16	HEX BOLT 6*16	1	
14	94050-06000	六角緣面螺帽6mm	FLANGE NUT 6mm	2	

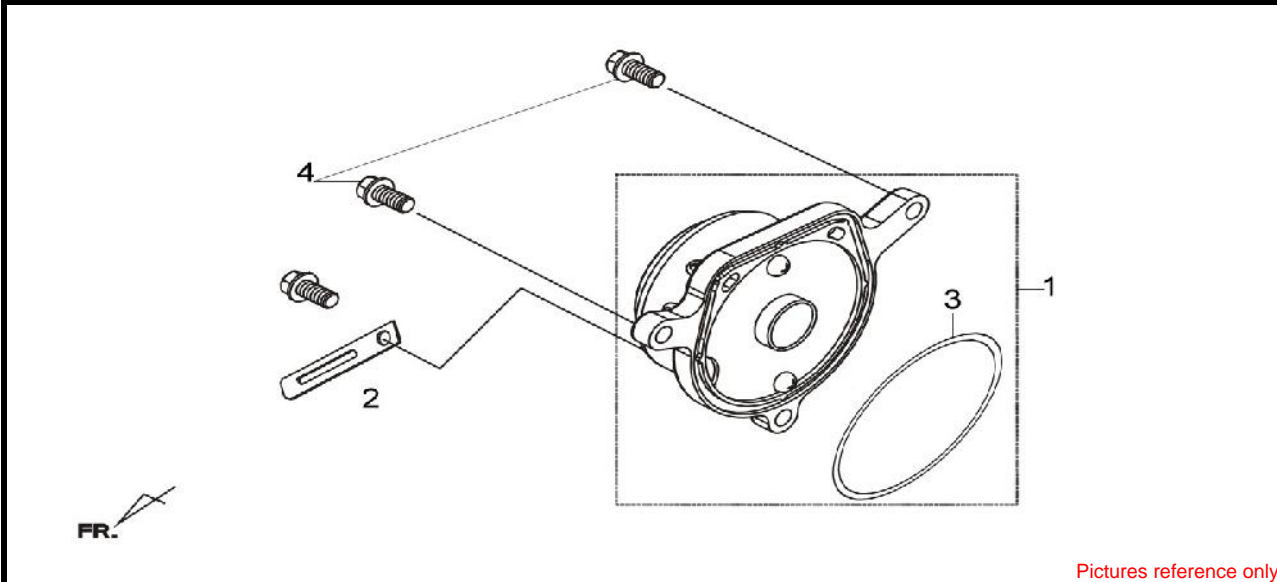
Please check the color & stripe information according to the color index !



Pictures reference only

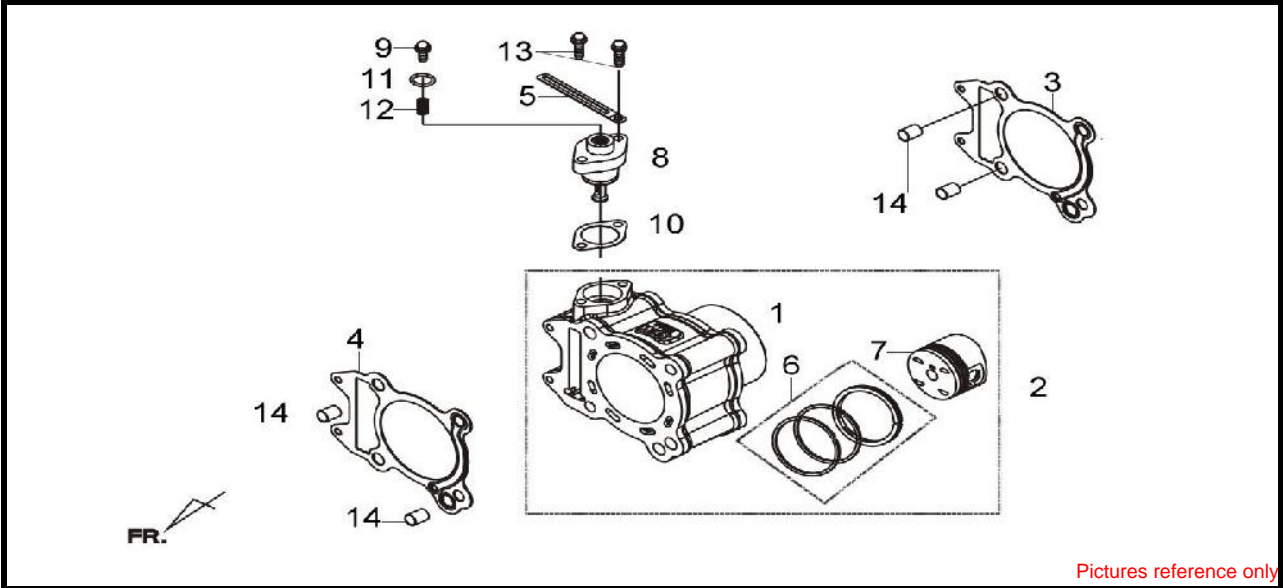
NO	零件料號 PARTS NUMBER	品名 NAME	DESCRIPTION	QTY	EFFECTIVE DATE
1	14100-RFB-000	凸輪軸	CAM SHAFT COMP	1	
2	14105-RFA-000	凸輪軸齒輪	CAM SPROCKET	1	
3	14105-X01-000	凸輪軸鏈輪墊圈	CAM SPROCKET WASHER	1	
4	14108-M36-000	離心式圓盤	CENTRIFUGAL DISK	1	
5	14457-HMA-000	固定片	CAM SHAFT SETTING PLATE1.	1	
6	14510-RFA-000	凸輪鏈條張力器	CAM CHAIN TENSIONER	1	
7	14531-KJ9-000	凸輪張力器螺栓	CAM CHAIN TENSIONERPIVOT	1	
8	14610-BCE-000	凸輪鏈條導件	CAM CHAIN GUIDE	1	
9	1C14401-RFA-000	凸輪軸鏈條/92RH2010-100L	CAM CHAIN 92RH2010-100L	1	
10	92101-06016-0H	六角螺栓 6*16	HEX BOLT 6*16	2	
11	96001-06014-00	緣面螺栓(白鋅)6*14	FLANGE BOLT SH 6*14	1	

Please check the color & stripe information according to the color index !



NO	零件料號 PARTS NUMBER	品名 NAME	DESCRIPTION	QTY	EFFECTIV E
1	1231A-L3A-000	汽缸頭側蓋總成	CYL. HEAD SIDE COVER ASSY	1	
2	12342-X01-000	線夾	CLAMP	1	
3	91301-HMA-000	油環	HEAD SIDE COVER O-RING	1	
4	96001-06018-00	緣面螺栓(白鋅)6*18	FLANGE BOLT SH 6*18	3	

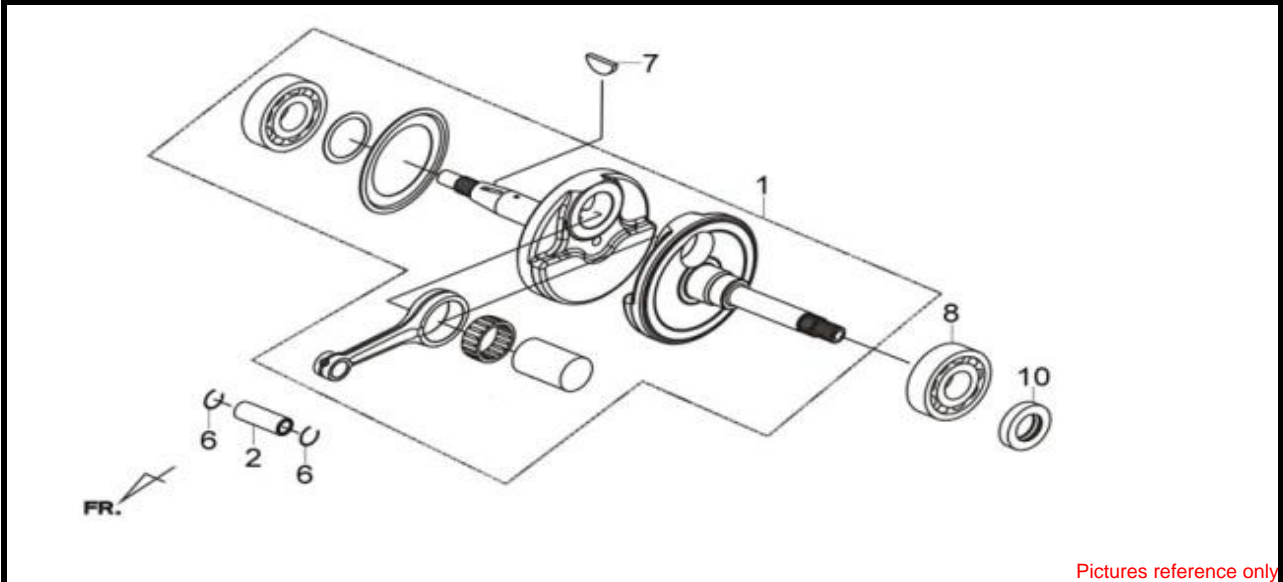
Please check the color & stripe information according to the color index !



Pictures reference only

NO	零件料號 PARTS NUMBER	品名 NAME	DESCRIPTION	QTY	EFFECTIV E
1	12100-RFA-000	汽缸單體	CYLINDER COMP	1	
2	12100-L3A-000-A	汽缸整組	CYLINDER SET	1	
3	12191-RFA-001	汽缸墊片(環保材)	CYLINDER GASKET	1	
4	12251-RFA-000	汽缸頭墊片	CYLINDER HEAD GASKET	1	
5	12342-G02-000	固定夾	CLAMP	1	
6	13010-L3A-000	活塞環組	PISTON RING SET	1	
7	13101-L3A-000	活塞	PISTON	1	
8	14520-H6T-000	張力器桿	TENSIONER LIFTER	1	
9	14522-H6T-000	張力器調整螺絲(中空)	TENSIONER ADJUSTER BOLT	1	
10	14523-M9Q-002	TENSIONER LIFTER GASKET	調整器墊片(環保材)	1	
11	14524-H6T-000	O-RING	O型油環	1	
12	14525-H6T-000	調整器彈簧	ADJUSTER SPRING	1	
13	90001-RFS-000	緣面螺栓 6*22	FLANGE SHF BOLT 6*22	2	
14	94301-12200	定位銷12*20	DOWEL PIN 12*20	4	

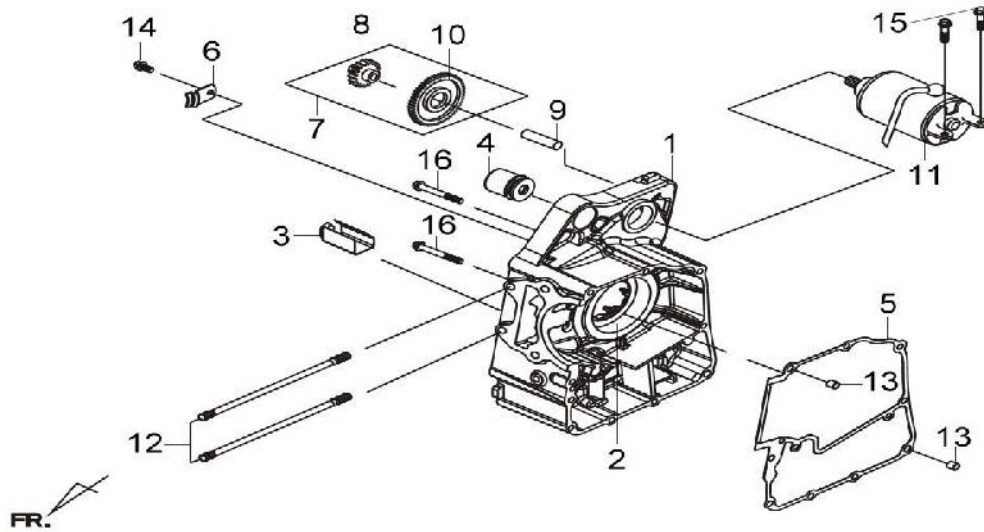
Please check the color & stripe information according to the color index !



Pictures reference only

NO	零件料號 PARTS NUMBER	品名 NAME	DESCRIPTION	QTY	EFFECTIV E
1	13000-L3A-000	曲軸	CRANK SHAFT COMP	1	
2	13111-HMA-000	活塞梢 11*17*50 M2	PISION PIN 11*17*50 M2	1	
6	90601-HMA-000	活塞銷夾 17mm	PISTON PIN CLIP 17mm	2	
7	90701-HB6-010	半圓固定梢 25*14*4	WOODRUFF KEY 25*14*4	1	
8	91001-HMA-000	軸承	RADIAL BALL BRG. TMB306	1	
10	91201-HMA-300	油封 TC27*42*7	OIL SEAL TC27*42*7	1	

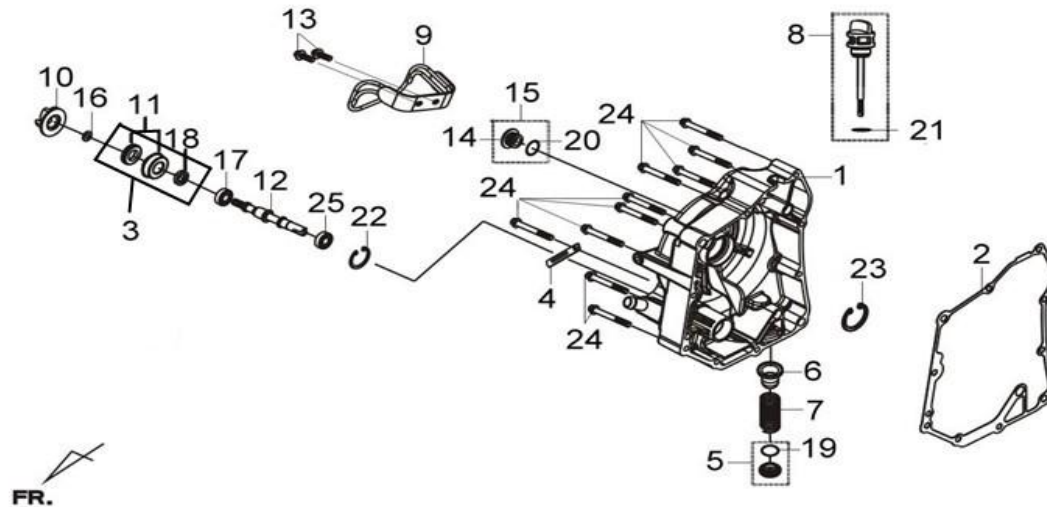
Please check the color & stripe information according to the color index !



Pictures reference only

NO	零件料號 PARTS NUMBER	品名 NAME	DESCRIPTION	QTY	EFFECTIV E
1	11100-L3A-000	右曲軸箱	R. CRANK CASE COMP	1	
2	11102-HMA-300	曲軸箱襯套	CRANK CASE BUSH 72mm	1	
3	11107-HMA-000	磁板	MAGNET PLATE	1	
4	11120-LEA-000	引擎吊板襯套總成	ENGINE HANGER BUSH ASSY	1	
5	11191-L3A-000	曲軸箱墊片	CRANK CASE GASKET	1	
6	14151-RFA-000	凸輪軸鏈條固定片	CAM CHAIN SETTING PLATE	1	
7	28100-HMA-000	起動離合器齒輪	STARTER REDUCTION GEAR COMP	1	
8	28101-RB1-000	起動減速齒輪	STAR. REDUCTION GEAR COMP	1	
9	28102-RB1-000	起動減速齒輪軸 S10X37	STA. REDUCTION GEAR SHAFT	1	
10	28105-HMA-300	起動減速齒輪B	STARTER REDUCTION GEAR B	1	
11	31200-L3D-000	起動馬達總成	START MOTOR ASSY.	1	
12	90031-HMA-000	汽缸雙頭螺栓	CYLINDER STUD BOLT A	2	
13	94301-08140	定位梢8*14	DOWEL PIN 8*14	2	
14	96001-06012-08	六角緣面螺絲6*12(五彩)	FLANGE BOLT SH 6*12	1	
15	96001-06022-00	緣面螺栓(白鋅)6*22	FLANGE BOLT SH 6*22	2	
16	96001-06055-00	緣面螺栓(白鋅)6*55	BOLT FLANGE SH 6*55	2	

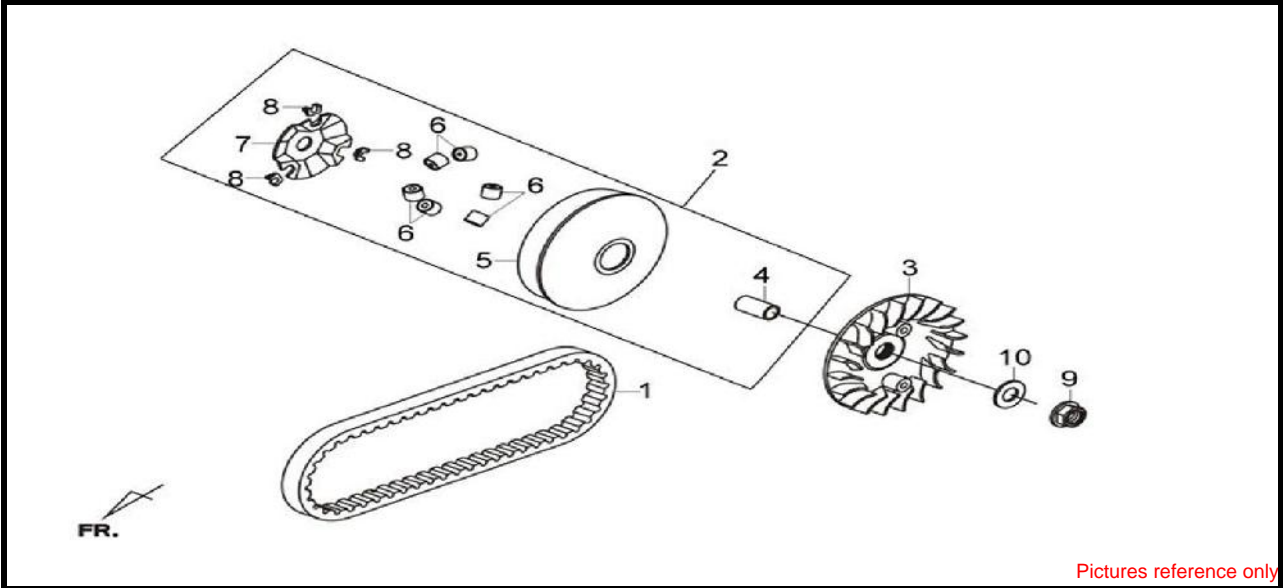
Please check the color & stripe information according to the color index !



Pictures reference only

NO	零件料號 PARTS NUMBER	品名 NAME	DESCRIPTION	QTY	EFFECTIV E
1	11330-L3A-000	右曲軸箱蓋	R. CASE COVER COMP	1	
2	11394-HMA-002	右曲軸箱蓋墊片(環保材)	R COVER GASKET	1	
3	19217-H9A-300-A	機械油封(SET)	MECHANICAL SEAL SET	1	
4	12342-X01-000	線夾	CLAMP	1	
5	1236A-V02-000	汽門調整孔蓋總成	TAPPET ADJ HOLE CAP ASSY.	1	
6	15421-B9D-000	機油濾網	OIL FILTER SCREEN	1	
7	15426-M9Q-000	濾油網彈簧	OIL FILTER SCREW SPG.	1	
8	1565A-LEA-000	機油尺總成	OIL LEVEL GAUGE ASSY	1	
9	18241-L3A-000	排氣管保護桿	EXH. PIPE PROTECTOR	1	
10	19215-HLA-000	水泵推進器	WATER PUMP IMPELLER	1	
11	19217-H9A-300	機械油封	MECHANICAL SEAL	1	
12	19231-HMA-000	水泵軸	WATER PUMP SHAFT	1	
13	90003-L3A-000	華司螺絲 6*20	WASHER BOLT 6*20	2	
14	90084-H9A-000	發電機蓋(14mm/銀色)	A. C. GEN. CAP 14mm	1	
15	9008A-H9A-000	發電機蓋組 14mm	A.C.G. CAP ASSY 14mm	1	
16	90423-KJ9-000	墊圈 7.2*13*1.2	WASHER 7.2*13*1.2	1	
17	91001-KJ9-005	軸承	RADIAL BALL BRG.6901	1	
18	91205-KF0-003	油封 12*20*5	OIL SEAL 12*20*5	1	
19	91302-M9Q-000	O型油環30.8mm	O-RING 30.8mm	1	
20	91303-377-000	油環 13.8X2.5	O-RING 13.8X2.5	1	
21	91307-M9Q-000	油環 18*3(NBR)	O RING 18X3	1	
22	94520-26000	固定夾 26mm	CIRCLIP IN 26mm	1	
23	94520-32000	環夾32mm	IN CIRCLIP 32mm	1	
24	96001-06045-00	緣面螺絲(白鋅6*45)	FLANGE BOLT SH 6*45	10	
25	96100-60000-00	軸承 6000CM	RADIAL BALL BRG. 6000CM	1	

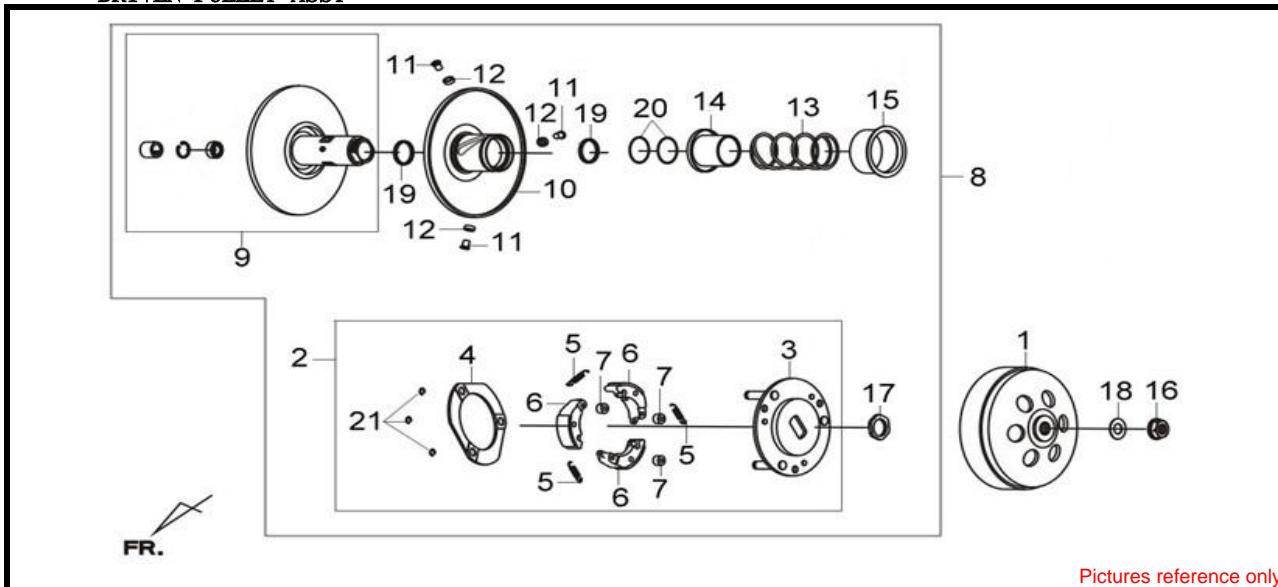
Please check the color & stripe information according to the color index !



Pictures reference only

NO	零件料號 PARTS NUMBER	品名 NAME	DESCRIPTION	QTY	EFFECTIV E
1	1B01L3A01	皮帶 902*23.4*28(日本進口)	DRIVE BELT 902*23.4*28	1	
2	22000-RB1-000	滑動驅動盤總成	MOVABLE DRIVE FACE ASSY.	1	
3	22102-HMA-000	驅動盤	DRIVE FACE	1	
4	22105-HMA-000	驅動盤輪轂	DRIVE FACE BOSS	1	
5	22110-HMA-000	滑動驅動盤	MOVABLE DRIVE FACE COMP	1	
6	22121-RB1-001-A	阪東重垂滾子 6PCS(18G)(藍色)	WEIGHT ROLLER COMP	1	
7	22131-HMA-000	中樞導體	RAMP PLATE	1	
8	22132-HMA-000-A	滑動片(3PCS/1組)	SLIDE PIECE SET(3PCS/1SET)	1	
9	90201-KR8-751-M1	緣面螺帽 14mm	FLANGE NUT 14mm	1	
10	90401-KJ9-000	止推墊圈 14*28*2	THRUST WASHER 14*28*2	1	

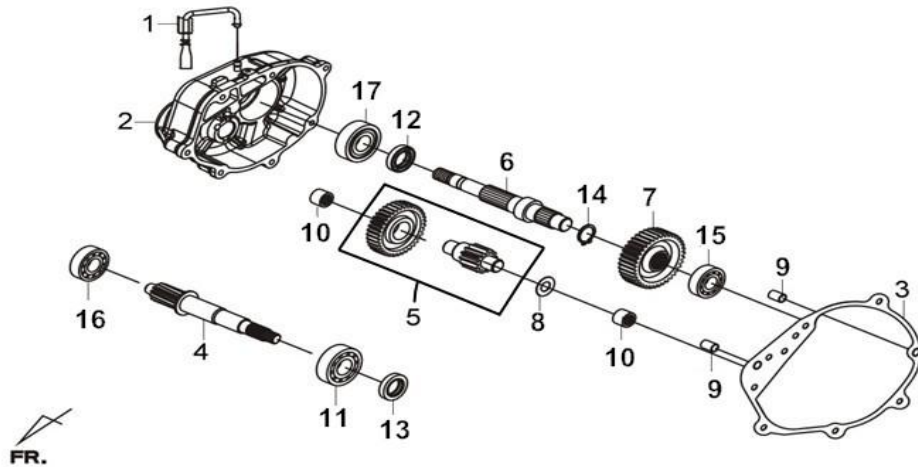
Please check the color & stripe information according to the color index !



Pictures reference only

NO	零件料號 PARTS NUMBER	品名 NAME	DESCRIPTION	QTY	EFFECTIV E
1	22101-HMA-000	離合器外套(奈印HMB)	CLUTCH OUTER	1	
2	22300-L3D-000	離合器配重組	DRIVE PLATE ASSY	1	
3	22350-HMA-000	驅動板	DRIVE PLATE COMP	1	
4	22361-HMA-000	離合器側板	CLUTCH SIDE PLATE	1	
5	22401-HMA-000	離合器彈簧	CLUTCH SPRING	3	
6	22530-L3D-000-A	離合器配重組(3PCS/SET)	CLUTCH WEIGHT(3PCS/SET)	1	
7	22804-HMA-000	離合器橡皮	CLUTCH DAMPER RUBBER	3	
8	23010-L3D-000	驅動盤總成	DRIVEN PULLEY ASSY	1	
9	23200-L3A-000	驅動盤總成	DRIVEN FACE ASSY.	1	
10	23220-HMA-000	滑動驅動盤	MOVABLE DRIVEN FACE COMP.	1	
11	23225-HMA-000	滾導梢	ROLLER GUIDE PIN	4	
12	23226-HMA-000	滾子	GUIDE ROLLER	4	
13	23233-HMA-000	傳動盤彈簧	DRIVEN FACE SPRING	1	
14	23237-L4A-000	軸環油封	SEAL COLLAR	1	
15	23238-L3A-000	彈簧軸環	SPRING COLLAR	1	
16	90201-KR8-751-M1	緣面螺帽 14mm	FLANGE NUT 14mm	1	
17	90202-HMA-000	特殊螺帽	SPECIAL NUT	1	
18	90401-KJ9-000	止推墊圈 14*28*2	THRUST WASHER 14*28*2	1	
19	91211-HMA-000	油封 TC41*48*4	OIL SEAL	2	
20	91305-HMA-000	油環 47*2.0	O-RING 47*2.0	2	
21	94540-08010	E環	E-RING	3	

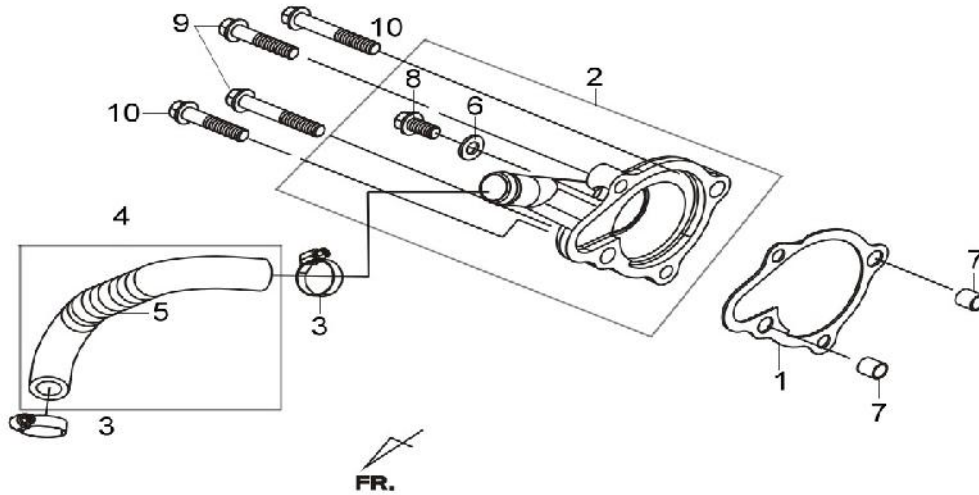
Please check the color & stripe information according to the color index !



Pictures reference only

NO	零件料號 PARTS NUMBER	品名 NAME	DESCRIPTION	QTY	EFFECTIV E
1	1122A-HMA-000	變速箱通氣管總成	MISSION BREATHER TUBE ASSY	1	
2	21200-L3A-000	變速箱蓋	MISSION CASE COMP	1	
3	21395-L3A-000	變速箱墊片	MISSION CASE GASKET	1	
4	23411-LEA-000	驅動軸	DRIVE SHAFT	1	
5	23420-L3A-000	副軸齒輪軸	COUNTER SHAFT COMP	1	
6	23431-L3A-000	最終齒輪軸	FINAL SHAFT	1	
7	23432-L3A-000	最終齒輪	FINAL GEAR	1	
8	90401-HMA-000	止推墊圈	THRUST WASHER 15mm	1	
9	90703-M8Q-000	固定梢 10*14	DOWEL PIN 10*14	2	
10	91002-HWA-000-M1	滾針軸承	NEEDLE BRG.NK15*23*16	2	
11	91009-HMC-000	軸承 CSB205 JR2C3	BALL RADIAL BRG.CSB205 JR2C3	1	
12	91203-HMA-000	油封 TC34*52*5	OIL SEAL	1	
13	91204-HMA-000	油封 25*40*7	OIL SEAL 25*40*7	1	
14	94510-25000	外環夾 25mm	EX. CIR CLIP 25mm	1	
15	96100-62050-10	軸承 6205/2AS	RADIAL BALL BRG. 6205	1	
16	96100-63020-00	軸承 6302	RAD.BALL.BRG.6302	1	
17	96150-62050-10	軸承	RADIAL BALL BRG. 6205LLU	1	

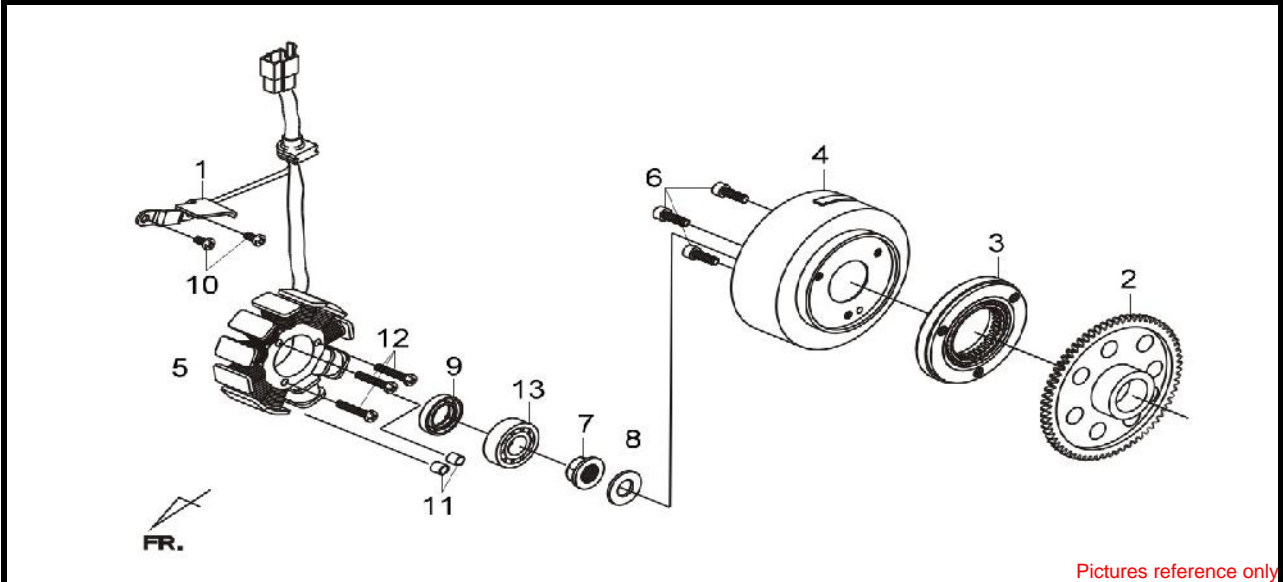
Please check the color & stripe information according to the color index !



Pictures reference only

NO	零件料號 PARTS NUMBER	品名 NAME	DESCRIPTION	QTY	EFFECTIV E
1	19229-H9A-002	水泵墊片(環保材)	WATER PUMP GASKET	1	
2	1922A-LEA-000	水泵蓋總成	WATER PUMP COVER ASSY.	1	
3	19505-KS6-700	水管夾	WATER HOSE CLAMP A	2	
4	1950A-LEA-000	水管總成	WATER HOSE ASSY	1	
5	19604-H01-000	左水管保護管	LH. WATER HOSE GUARD WIRE	1	
6	90478-700-000	墊片 6mm	WASHER A. 6mm	1	
7	94301-08140	定位梢8*14	DOWEL PIN 8*14	2	
8	96001-06010-00	緣面螺栓 6*10	SH FLANGE BOLT 6*10	1	
9	96001-06022-00	緣面螺栓(白鋅)6*22	FLANGE BOLT SH 6*22	2	
10	96001-06032-00	緣面螺栓(白鋅)6*32	FLANGE BOLT SH 6*32	2	

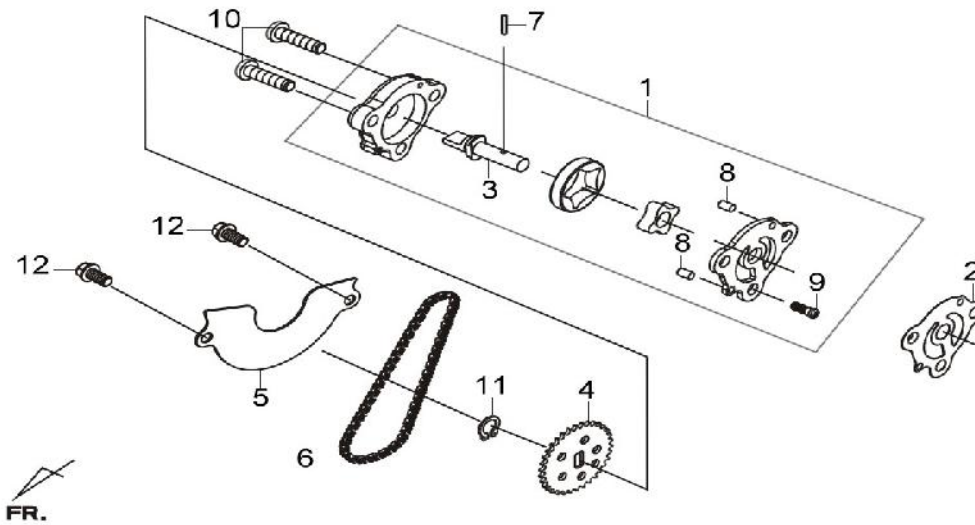
Please check the color & stripe information according to the color index !



Pictures reference only

NO	零件料號 PARTS NUMBER	品名 NAME	DESCRIPTION	QTY	EFFECTIV E
1	15713-HMC-010	機油隔板	OIL BAFFLE PLATE	1	
2	28110-HMA-000	起動齒輪	STARTING CLUTCH GEAR COMP	1	
3	2812A-HMA-000	單向離合器總成	ONE WAY CLUTCH ASSY	1	
4	31110-L3A-000	交流發電機飛輪	FLYWHEEL COMP	1	
5	31120-L3A-000	發電線圈	STATOR COMP	1	
6	90157-F3G-000	內六角螺栓 8*20	SOCKET BOLT 8*20	3	
7	90201-KR8-751-M1	緣面螺帽 14mm	FLANGE NUT 14mm	1	
8	90401-KJ9-000	止推墊圈 14*28*2	THRUST WASHER 14*28*2	1	
9	91202-HMA-000	油封 TC12*22*5	OIL SEAL TC12*22*5	1	
10	93500-05016-0A	盆狀字螺絲(白鋅)5*16	PAN SCREW 5*16	2	
11	94301-08140	定位梢8*14	DOWEL PIN 8*14	2	
12	96001-06030-00	緣面螺栓(白鋅)6*30	FLANGE BOLT SH 6*30	3	
13	96140-62013-10	軸承	RADIAL BALL BRG. 6201LUC3	1	

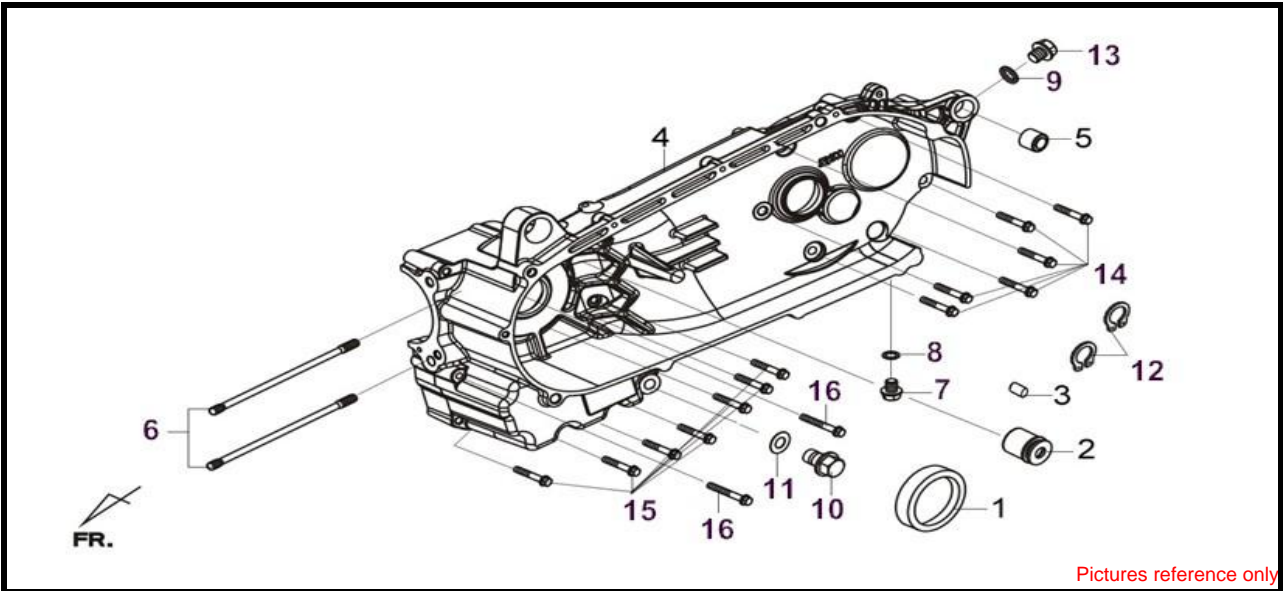
Please check the color & stripe information according to the color index !



Pictures reference only

NO	零件料號 PARTS NUMBER	品名 NAME	DESCRIPTION	QTY	EFFECTIV E
1	15100-HMA-000	油泵總成	OIL PUMP ASSY.	1	
2	15126-B8A-000	機油泵墊片	OIL PUMP GASKET	1	
3	15132-HMA-000	油泵板軸	OIL PUMP SHAFT	1	
4	15133-HMA-000	傳動齒輪	OIL PUMP DRIVEN SPROCKET	1	
5	15711-HML-000	機油分隔板	OIL SEPARATER	1	
6	1C15141-HMA-000	油泵驅動鏈條92RH2005-48	OIL PUMP CHAIN 92RH2005-48	1	
7	91101-HMA-000	插銷 2.5*11.8 (96220-25118)	ROLLER 2.5*11.8	1	
8	91103-A3F-000	滾子 3*9.8	ROLLER 3*9.8	2	
9	93500-03008-1A	盆狀螺絲3*8	PAN SCREW 3*8	1	
10	93500-06025-0H	盆狀螺絲 6*25	PAN SCREW 6*25	2	
11	94510-10000	環夾 10mm	CIR CLIP 10mm	1	
12	96001-06012-08	六角緣面螺絲6*12(五彩)	FLANGE BOLT SH 6*12	2	

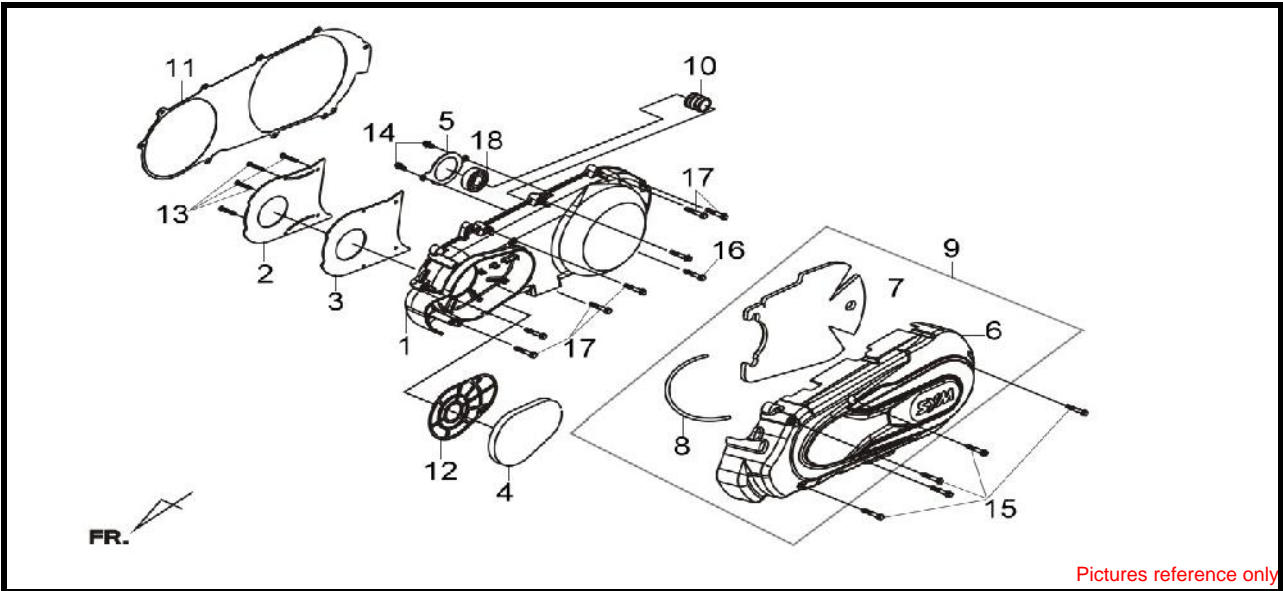
Please check the color & stripe information according to the color index !



Pictures reference only

NO	零件料號 PARTS NUMBER	品名 NAME	DESCRIPTION	QTY	EFFECTIV E
1	11102-HMA-300	曲軸箱襯套	CRANK CASE BUSH 72mm	1	
2	11120-LEA-000	引擎吊板襯套總成	ENGINE HANGER BUSH ASSY	1	
3	11133-A1A-300	油塞6*5	OIL ORIFICE 6*5	1	
4	11200-L3A-000	左曲軸箱	L CRANK CASE COMP	1	
5	11203-M9Q-300	後避震器橡皮襯套	RR CUSH UND BUSH RUBBER	1	
6	90032-HMA-000	汽缸雙頭螺栓	CYLINDER STUD BOLT B	2	
7	90103-M9Q-000	特殊螺絲8mm	SPECIAL BOLT 8mm	1	
8	90474-M9Q-000	墊圈8mm	WASHER 8mm	1	
9	90481-M9Q-100	墊圈8mm	WASHER 8mm	1	
10	92800-12000	洩油孔螺絲 12mm	DRAIN PLUG BOLT 12mm	1	
11	94109-12000	洩油孔墊片 12mm	DRAIN PLUG WASHER 12mm	1	
12	94510-20000	外環夾 20mm	EX. CIR CLIP 20mm	2	
13	95701-10012-08	FLANGE BOLT 10*12	緣面螺栓(五彩)10*12	1	
14	95801-08050-08	緣面螺栓 8*50	FLANGE BOLT 8*50	6	
15	96001-06050-00	六角緣面螺絲 6*50(白鋅)	FLANGE BOLT SH 6*50	7	
16	96001-06070-00	緣面螺絲(白鋅)6*70	FLANGE SH BOLT 6*70	2	

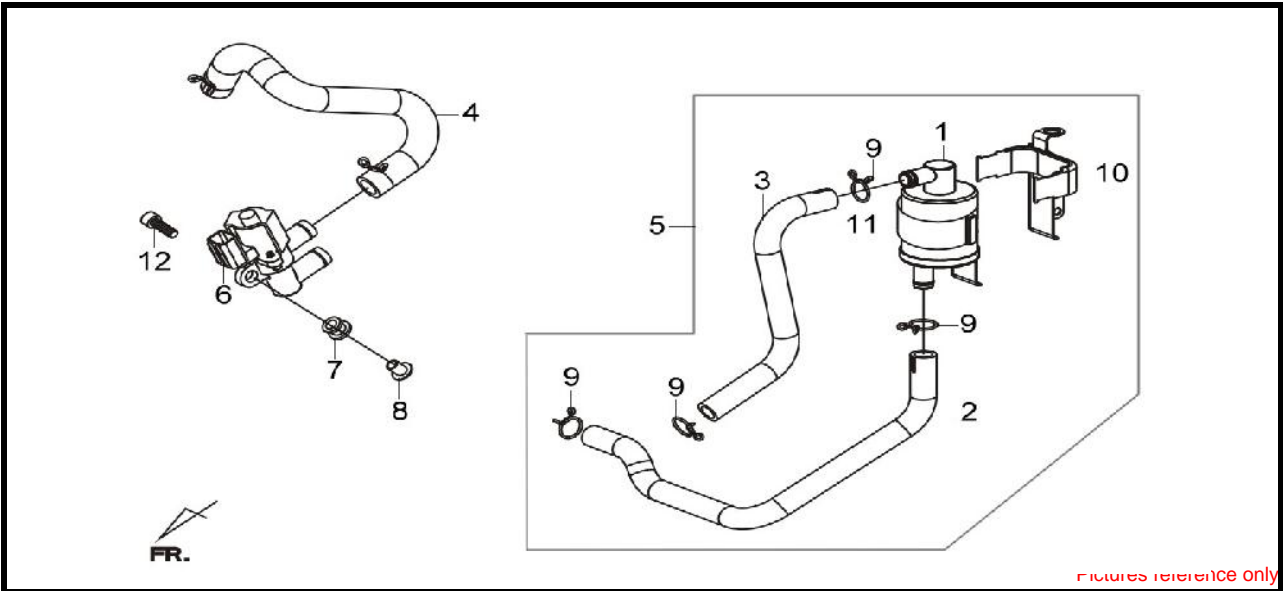
Please check the color & stripe information according to the color index !



Pictures reference only

NO	零件料號 PARTS NUMBER	品名 NAME	DESCRIPTION	QTY	EFFECTIV E
1	11341-L3A-000	左曲軸箱蓋	L CRANK CASE COVER	1	
2	11342-HMA-000	左曲軸箱蓋板	L COVER PLATE	1	
3	11343-HMA-001	左曲軸箱蓋板墊片(環保材)	L COVER PLATE GASKET	1	
4	11344-HMA-000	左側蓋海棉	L. SIDE CVOER ELEMENT	1	
5	11346-HMA-000	左培林固定板	L BEARING SETTING PLATE	1	
6	11351-L3A-008-GYK	左外箱蓋(消光灰/黑)(新LOGO)	L OUTER COVER (GY-7450U/BK-001U)	1	
7	11352-HMA-000	左曲軸箱蓋海棉	L. OUTER COVER SPONGE	1	
8	11353-HMA-000	左曲軸箱蓋橡皮墊圈	L OUTER COVER SEAL	1	
9	1135A-L3A-001-GYK	左外箱蓋總成(消光灰/黑)(新LOGO)	L OUTER COVER ASSY. (GY-7450U/BK-001U)	1	
10	1137A-HMA-000	軸承支架襯套總成	BEARING STAY COLLAR ASSY	1	
11	11395-L3A-000	左曲軸箱蓋墊片	L. CRANK CASE COVER GASKET	1	
12	17221-LEA-000	濾清器濾網	TRAP COMP	1	
13	93500-05012-0H	盆狀螺絲(五彩)5X12	PAN SCREW 5X12	5	
14	96001-06012-00	緣面螺栓(白鋅)6*12	FLANGE BOLT SH 6*12	2	
15	96001-06018-07	緣面螺栓 6*18	SH. FLANGE BOLT 6*18	5	
16	96001-06030-00	緣面螺栓(白鋅)6*30	FLANGE BOLT SH 6*30	2	
17	96001-06035-00	緣面螺栓(白鋅)6*35	FLANGE SH BOLT 6*35	6	
18	96150-60060-10	緣面螺栓(白鋅)6*35	FLANGE SH BOLT 6*35	1	

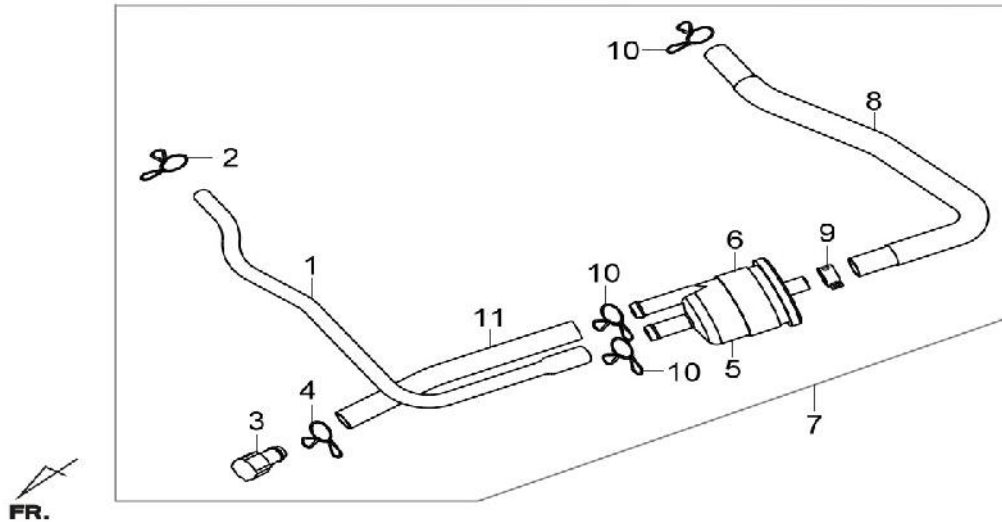
Please check the color & stripe information according to the color index !



pictures reference only

NO	零件料號 PARTS NUMBER	品名 NAME	DESCRIPTION	QTY	EFFECTIV E
1	17570-HMC-000	空氣切斷閥	A.I.A.C. COMP	1	
2	17571-L3A-000	空氣切斷閥管 A	A.I.A.C. TUBE A	1	
3	17574-L2A-000	空氣切斷閥管 B	A.I.C.V. TUBE B	1	
4	17576-L2A-010	空氣切斷簧片閥管	A.I.S.V.-REED VALVE JOINT TUBE	1	
5	1757A-L3A-000	空氣切斷閥總成	A.I.A.C. ASSY	1	
6	17590-HMC-000	二次空氣電池閥總成	A.I.S.V. ASSY	1	
7	17591-HMC-000	A.I.S.V.橡膠	A.I.S.V. RUBBER	1	
8	17592-HMC-000	A.I.S.V 襯套	A.I.S.V. COLLAR	1	
9	18533-M7Q-000	空氣軟管夾	AIR HOSE CLIP 19	4	
10	18659-L2A-000	空氣切斷閥支架	A.I.C.V. STAY	1	
11	18811-N14-000	空氣切斷閥固定帶	A.I.A.C.SETTING BAND	1	
12	93891-05016-07	攻絲螺釘5*16(黑鋅)	WASHER SCREW 5*16	1	

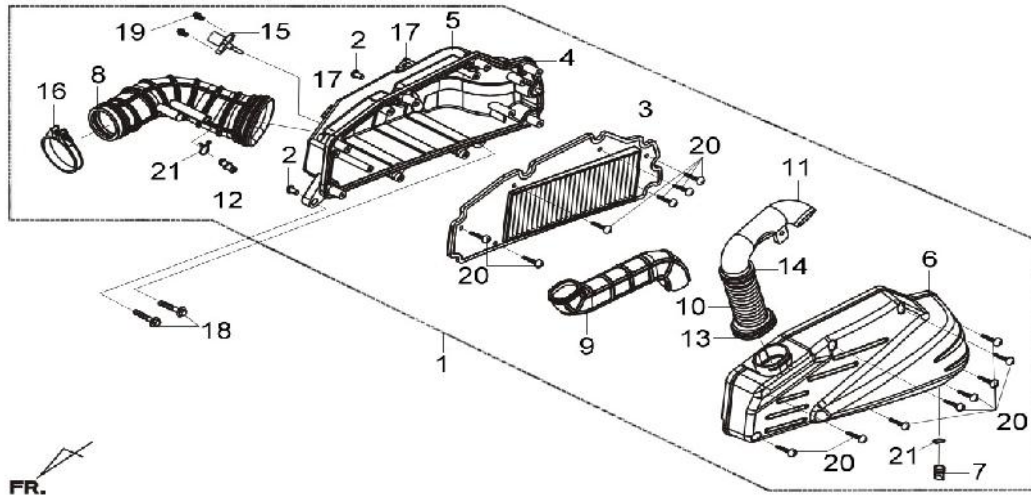
Please check the color & stripe information according to the color index !



Pictures reference only

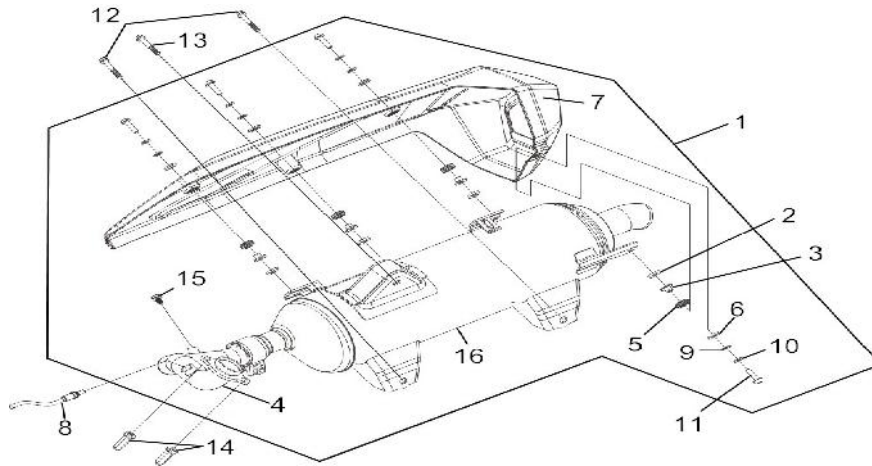
NO	零件料號 PARTS NUMBER	品名 NAME	DESCRIPTION	QTY	EFFECTIV E
1	11211-L3A-000	通氣管	BREATHER TUBE	1	
2	15772-500-013	管夾	TUBE CLIP	1	
3	17370-M9Q-000	通氣管塞子	BREATHER TUBE PLUG	1	
4	17371-M9Q-000	通氣管環夾	BREATHER TUBE CLIP	1	
5	17380-H6A-000	回收器本體	BREATHER CHAMBER COMP	1	
6	17385-H6A-000	濾清器固定帶	CHAMBER SETTING BAND	1	
7	1738A-L3A-000	廢氣回收器總成	BREATHER CHAMBER ASSY.	1	
8	17562-L2A-000	接頭導管	P.C.V./A.C. TUBE	1	
9	90682-V02-900	管夾	TUBE CLAMPER D11.5	1	
10	95002-80000	通氣管環夾 C12	TUBE CLIP C12	3	
11	95003-23022-10	洩油管 8*12*220	V TUBE 8*12*220	1	

Please check the color & stripe information according to the color index !



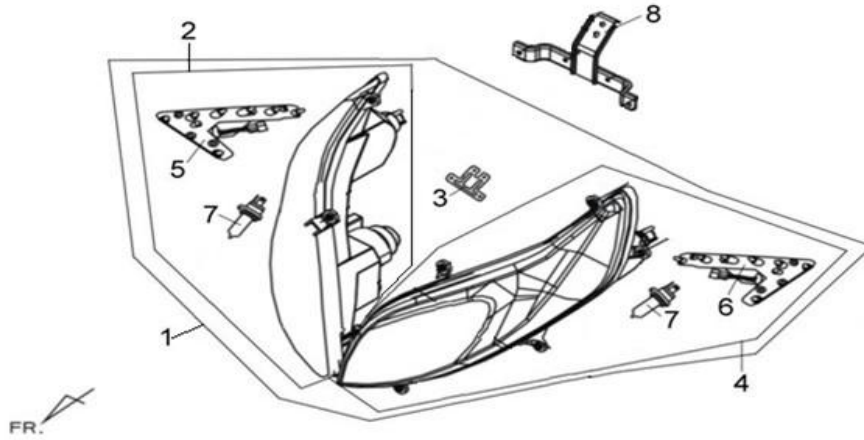
Pictures reference only

NO	零件料號 PARTS NUMBER	品名 NAME	DESCRIPTION	QTY	EFFECTIVE DATE
1	17200-LM1-000	空氣濾清器總成	AIR/C ASSY.	1	
2	17208-L3A-000	空氣濾清器組襯套	AIR/C SET COLLAR	2	
3	17211-HMA-000	濾清器蕊(火花捕捉器)	AIR/C ELEMENT COMP	1	
4	17214-HMA-000	空氣濾清器蓋封墊	AIR/C COVER SEAL	1	
5	17230-L3A-000	濾清器箱	AIR/C CASE COMP	1	
6	17231-LM1-000	空氣濾清器箱蓋	AIR/C COVER	1	
7	17234-M51-000	空氣濾清器排水管	AIR CLEANER DRAIN TUBE	1	
8	17253-L3D-000	空濾器連接管	AIR/C CONNECTING TUBE	1	
9	17255-HMA-000	濾清器進氣管	AIR/INLET DUCT	1	
10	17257-HMA-000	空氣濾清器管 A	AIR/C DUCT A	1	
11	17258-H9A-000	空濾器箱導管 B	AIR/C DUCT B	1	
12	17359-M9Q-000	通氣管接頭	BREATHER TUBE JOINT	1	
13	18362-HMA-000	油封夾	BAND SILENCR SEAL	1	
14	18362-KA4-700	油封夾	BAND SILENCR SEAL	1	
15	37830-HMC-000	進氣溫度感知器	AIR TEMP SENSOR	1	
16	90652-HMA-000	濾清器連接管帶	AIR/C CONN. TUBE BAND 52	1	
17	90305-L3A-000	夾定螺帽 5mm	CLIP NUT 5	2	
18	93404-06040-07	墊圈螺栓(黑鋅)6*40	WASHER BOLT 6*40	2	
19	93891-05016-07	攻絲螺釘5*16(黑鋅)	WASHER SCREW 5*16	2	
20	93903-25480	攻絲螺釘5*20	TAPPING SCREW 5*20	14	
21	95002-80000	通氣管環夾 C12	TUBE CLIP C12	3	



Pictures reference only

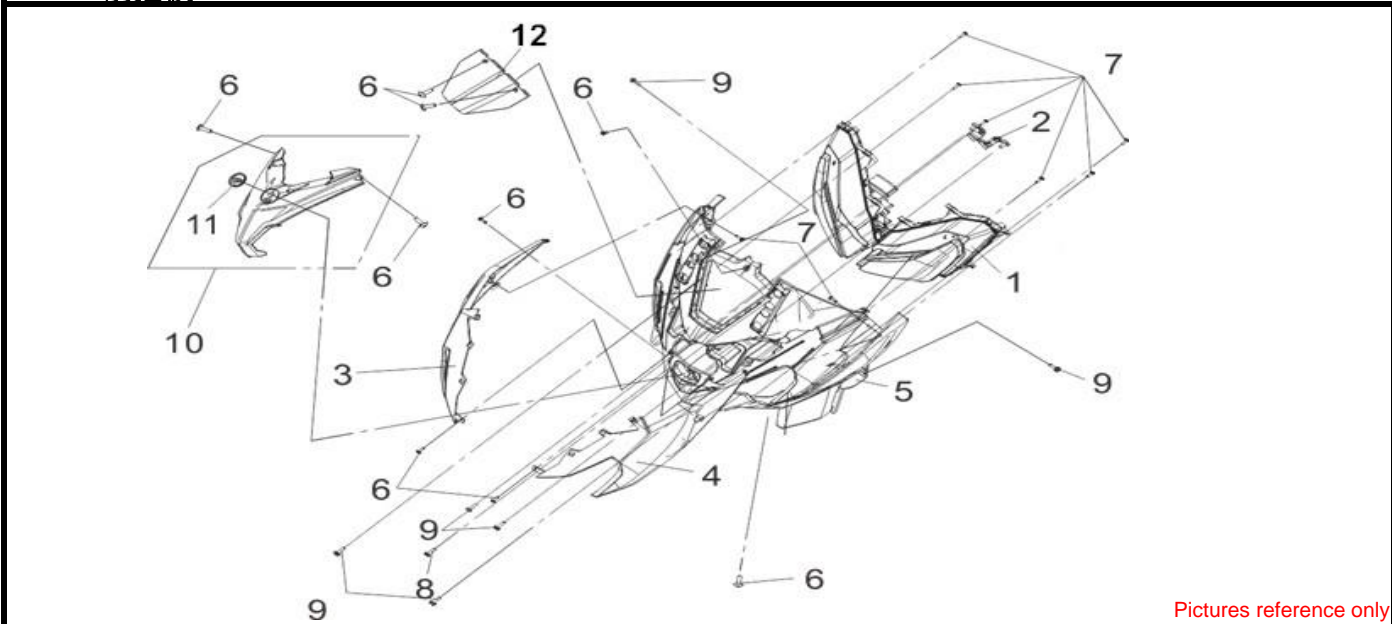
NO	零件料號 PARTS NUMBER	品名 NAME	DESCRIPTION	QTY	EFFECTIVE DATE
1	18000-LM1-000	排氣管總成(觸媒)	EXH. MUFFLER ASSY. (BK-001U)	1	
2	18292-F3E-000	排氣管護片墊片A	PROTECTOR PACKING A	4	
3	18295-A1A-000	排氣管護片襯套M6	COLLAR M6	4	
4	18320-L9D-300	排氣管前管	EXH. PIPE COMP.	1	
5	18321-L1A-000	排氣管護片墊圈	PROTECTOR RUBBER	4	
6	18293-F3E-000	排氣管護片墊片B	PROTECTOR PACKING	4	
7	18318-LM1-000	排氣管護蓋	MUFFLER PROTECTOR	1	
8	37890-LHF-000	含氧感應器	O2 SENSOR	1	
9	94101-06700	華司 6mm	PLAIN WASHER 6mm	4	
10	94111-06700	彈簧墊圈(黑)	SPRING WASHER 6mm	4	
11	90116-L4A-000	特殊螺栓 M6*22	SPECIAL BOLT M6*22	4	
12	90002-L3A-000	緣面螺栓 M10*50	FLANGE BOLT M10*50	2	
13	90001-L3A-000	緣面螺栓 M10*60	FLANGE BOLT M10*60	1	
14	90043-HMA-000	帽蓋螺帽8mm	CAP NUT 8mm	2	
15	93401-HKD-000	螺絲6*10	WASHER BOLT 6*10	1	
16	18310-LM1-300	排氣管	MUFFLER COMP.	1	



Pictures reference only

NO	零件料號 PARTS NUMBER	品名 NAME	DESCRIPTION	QTY	EFFECTIV E
1	3310A-LM1-000	頭燈總成	HEAD LIGHT ASSY	1	
2	33100-LM1-000	右頭燈組	R. HEAD LIGHT	1	
2.1	64304-X01-000	橡膠墊	FR. COVER RUBBER	2	
3	33120-L4A-000	頭燈固定片	HEAD LIGHT PLATE	1	
4	33150-LM1-000	左頭燈組	L. HEAD LIGHT ASSY	1	
4.1	64304-X01-000	橡膠墊	FR. COVER RUBBER	2	
5	33144-LM1-000	右位置燈LED組	R. POSITION LIGHT LED PCB ASSY	1	
6	33244-LM1-000	左位置燈LED組	L. POSITION LIGHT LED PCB ASSY	1	
7	34901-HWA-000	頭燈燈泡	HEAD LIGHT BULB	2	
8	50310-LM1-000	前燈固定架	HEAD LIGHT BRKT	1	

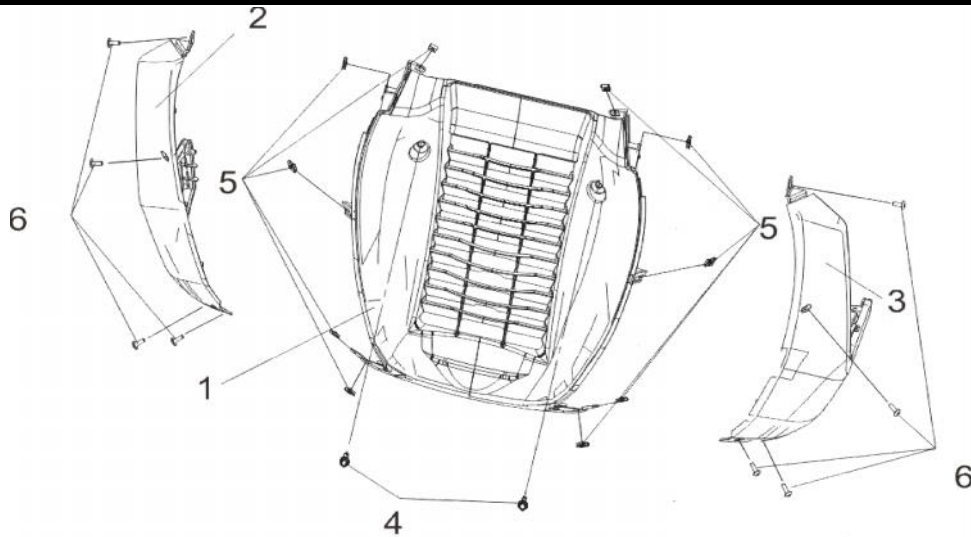
●Please check the color & stripe information according to the color index !



Pictures reference only

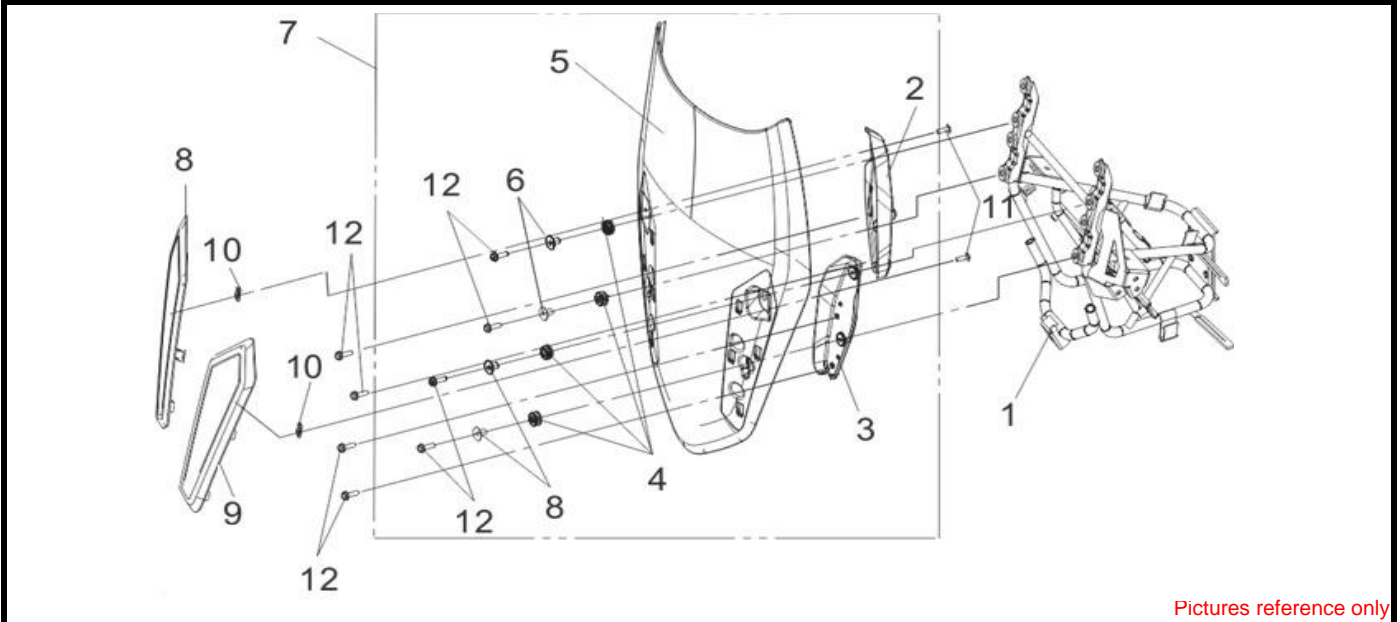
NO	零件料號 PARTS NUMBER	品名 NAME	DESCRIPTION	QTY	EFFECTIVE DATE
1	3310A-LM1-000	頭燈總成	HEAD LIGHT ASSY	1	
2	50310-LM1-000	前燈固定架	HEAD LIGHT BRKT	1	
3	64303-LM1-000-JH	右側前蓋護條(消光黑)	R. FR SIDE COVER BK-001UL	1	
3	64303-LM1-000-IL	右側前蓋護條(消光灰)	R. FR SIDE COVER GY-7450U	1	
3	64303-LM1-000-RT	右側前蓋護條(紅)	R. FR SIDE COVER R-010CA	1	
3	64303-LM1-000-QU	右側前蓋護條(冰雪白)	R. FR SIDE COVER WH-300P	1	
4	64304-LM1-000-JH	左側前蓋護條(消光黑)	L. FR SIDE COVER BK-001UL	1	
4	64304-LM1-000-IL	左側前蓋護條(消光灰)	L. FR SIDE COVER GY-7450U	1	
4	64304-LM1-000-RT	左側前蓋護條(紅)	L. FR SIDE COVER R-010CA	1	
4	64304-LM1-000-QU	左側前蓋護條(冰雪白)	L. FR SIDE COVER WH-300P	1	
5	64301-LM1-000-KA	前擋板總成	FR COVER BK-001U	1	
6	93903-44480	攻絲螺釘 4*16	TAPPING SCREW 4X16	12	
7	93903-35320	攻絲螺釘 5*16	TAPPING SCREW 5*16	10	
8	95801-06016-08	緣面螺栓(五彩)6*16	FLANGE BOLT 6*16	1	
9	95801-06020-08	緣面螺栓(五彩)6*20	FLANGE BOLT 6*20	6	
10	6430C-LM1-000-KB	前頂蓋總成(黑)	FR. TOP COVER ASSY. BK-001C	1	
11	87552-L6G-000	SYM標誌	SYM LOGO (50 PC)	1	
12	64309-LM1-000	前擋板蓋	FR. COVER LID (BK-001U)	1	

●Please check the color & stripe information according to the color index !



Pictures reference only

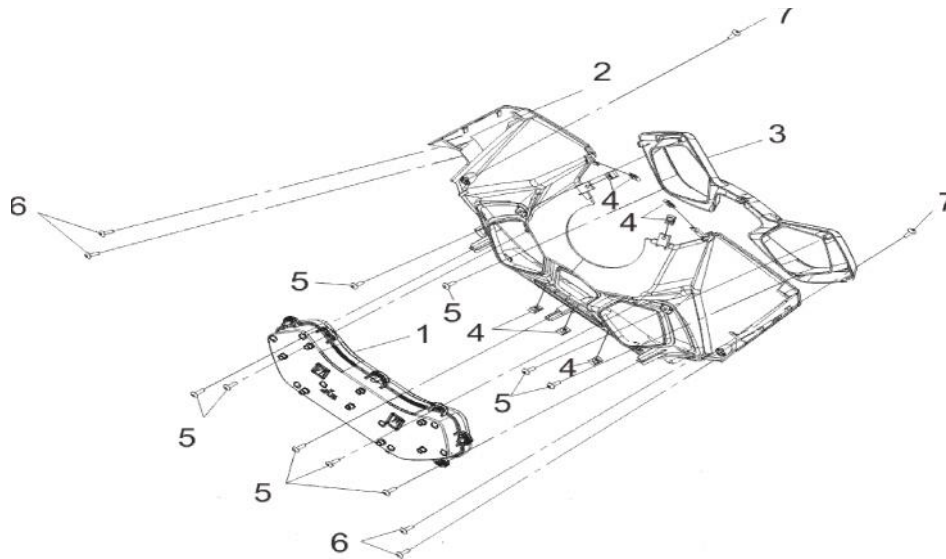
NO	零件料號 PARTS NUMBER	品名 NAME	DESCRIPTION	QTY	EFFECTIV E
1	64300-LM1-000	前下擾流總成	FR. UNDER SPOILER (BK-001U)	1	
2	64305-LM1-000-JH	右側前擾流板(消光黑)	R. FR. SIDE SPOILER BK-001UL	1	
3	64305-LM1-000-IL	右側前擾流板(消光灰)	R. FR. SIDE SPOILER GY-7450U	1	
4	64305-LM1-000-RT	右側前擾流板(紅)	R. FR. SIDE SPOILER R-010CA	1	
5	64305-LM1-000-QU	右側前擾流板(冰雪白)	R. FR. SIDE SPOILER WH-300P	1	
6	64306-LM1-000-JH	左側前擾流板(消光黑)	L. FR. SIDE SPOILER BK-001UL	1	
7	64306-LM1-000-IL	左側前擾流板(消光灰)	L. FR. SIDE SPOILER GY-7450U	1	
8	64306-LM1-000-RT	左側前擾流板(紅)	L. FR. SIDE SPOILER R-010CA	1	
9	64306-LM1-000-QU	左側前擾流板(冰雪白)	L. FR. SIDE SPOILER WH-300P	1	
10	93404-06012-07	墊圈螺栓(黑鋅)6*12	WASHER BOLT 6*12	2	
11	90302-M9Q-800	彈簧螺帽 4mm	NUT SPRING 4mm	16	
12	93903-44480	攻絲螺釘 4*16	TAPPING SCREW 4*16	3	



Pictures reference only

NO	零件料號 PARTS NUMBER	品名 NAME	DESCRIPTION	QTY	EFFECTIVE DATE
1	50315-LM1-000	前擋板支架	FR. COVER STAY	1	
2	50317-LM1-010	右風鏡支架	R WIND SCREEN STAY	1	
3	50318-LM1-010	左風鏡支架	L WIND SCREEN STAY	1	
4	64304-X01-000	橡膠墊	FR. COVER RUBBER	4	
5	67100-LM1-010	風鏡	WIND SCREEN	1	
6	67101-HMA-000	風鏡襯套	WIND SCREEN COLLAR	2	
7	6710A-LM1-010	風鏡組	WIND SCREEN SET.	1	
7.1	87121-LM1-000	風鏡貼紙(右)	R. WIND SCREEN STRIPE	1	
7.2	87122-LM1-000	風鏡貼紙(左)	L. WIND SCREEN STRIPE	1	
8	67110-LM1-010	右風鏡裝飾總成	R. WIND SCREEN GARNISH (BK-001U)	1	
9	67120-LM1-010	左風鏡裝飾總成	L. WIND SCREEN GARNISH (BK-001U)	1	
10	90302-M9Q-800	彈簧螺帽 4mm	NUT SPRING 4mm	2	
11	93903-44480	攻絲螺釘 4*16	TAPPING SCREW 4*16	2	
12	95801-06022-07	緣面螺栓(黑鋅)6*22	FLANGE BOLT 6*22	4	

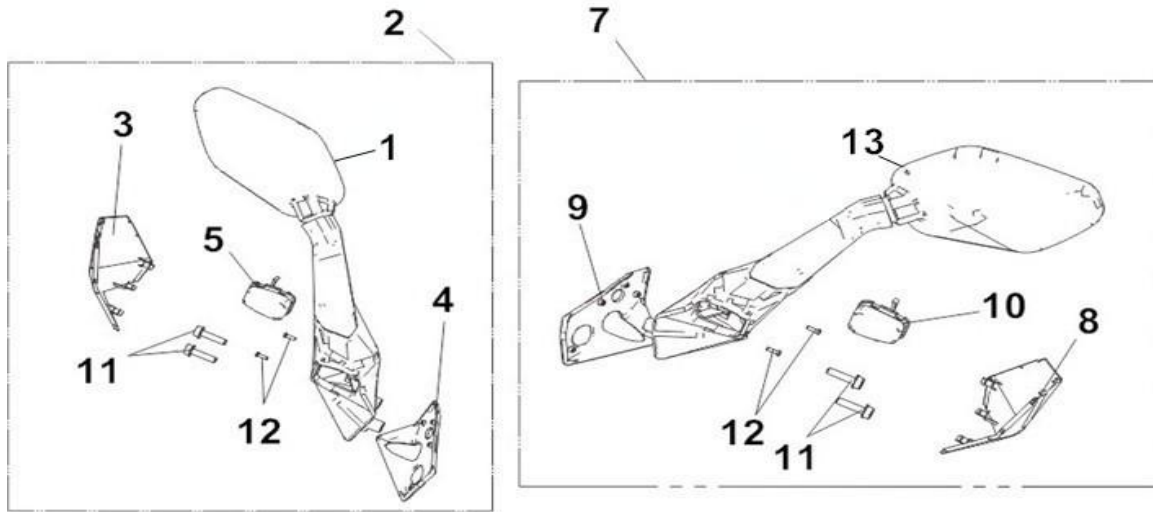
●Please check the color & stripe information according to the color index !



Pictures reference only

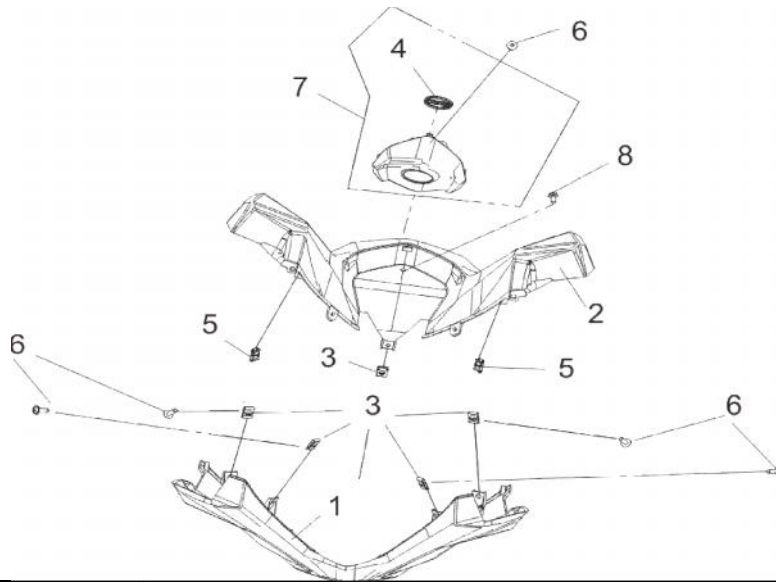
NO	零件料號 PARTS NUMBER	品名 NAME	DESCRIPTION	QTY	EFFECTIV E
1	37200-LM1-000	碼錶總成	SPEEDOMETER ASSY.	1	
2	53208-LM1-000	碼錶蓋(黑)	METER PANEL BK-001U	1	
3	53210-LM1-000-OK	碼錶裝飾(銀)	METER TRIM (S-011U)	1	
4	90302-M9Q-800	彈簧螺帽 4mm	NUT SPRING 4mm	2	
5	93903-35320	攻絲螺釘 5*16	TAPPING SCREW 5*16	9	
6	93903-35380	攻絲螺釘 5*16	TAPPING SCREW 5*16	6	
7	93903-44480	攻絲螺釘 4*16	TAPPING SCREW 4*16	2	

●Please check the color & stripe information according to the color index !



Pictures reference only

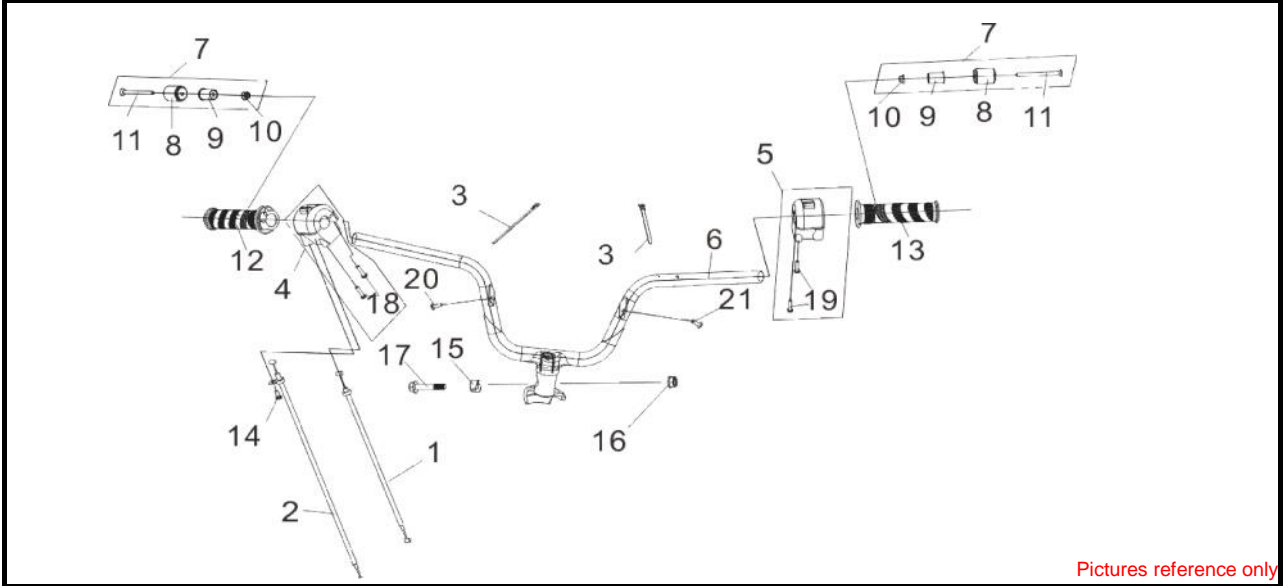
NO	零件料號 PARTS NUMBER	品名 NAME	DESCRIPTION	QTY	EFFECTIVE DATE
1	88115-LM1-000	右後視鏡總成(無方向燈)	R. BACK MIRROR ASSY(NO WINKER)	1	
2	88110-LM1-000	右後視鏡總成	R. BACK MIRROR ASSY	1	
3	88111-LM1-000	右後視鏡座蓋	R. BASE COVER	1	
4	88112-LM1-000	右後視鏡墊片	R. PAD	1	
5	33400-LM1-000	右前方向燈總成	R. FR. WINKER LAMP ASSY.	1	
7	88120-LM1-000	左後視鏡總成	L. BACK MIRROR ASSY	1	
8	88121-LM1-000	左後視鏡座蓋	L. BASE COVER	1	
9	88122-LM1-000	左後視鏡墊片	L. PAD	1	
10	33450-LM1-000	左前方向燈總成	L. FR. WINKER LAMP ASSY.	1	
11	93500-03010-1A	盆狀螺絲3*10	PAN SCREW 3*10	2	
12	96700-06025-07	內六角緣面螺栓(6*25)	SOCKET BOLT 6*25	2	
13	88125-LM1-000	右後視鏡總成(無方向燈)	L. BACK MIRROR ASSY(NO WINKER)	1	



Pictures reference only

NO	零件料號 PARTS NUMBER	品名 NAME	DESCRIPTION	QTY	EFFECTIV E
1	53205-LM1-000	前把手蓋(黑)	FR HANDLE COVER (BK-001C)	1	
2	53206-LM1-000	後前把手蓋	RR. HANDLE COVER	1	
3	90302-M9Q-800	彈簧螺帽 4mm	NUT SPRING 4mm	5	
4	87552-L6G-900	SYM標誌	SYM LOGO (40 PC)	1	
5	90308-X04-000	特殊螺帽5mm	SPECIAL NUT 5mm	2	
6	93903-44480	攻絲螺釘 4*16	TAPPING SCREW 4*16	6	
7	5320C-LM1-000-OK	前把手蓋總成(銀)	HANDLE COVER MASK ASSY.(S-011U)	1	
8	93894-05016-07	墊圈螺絲	WASHER SCREW	1	

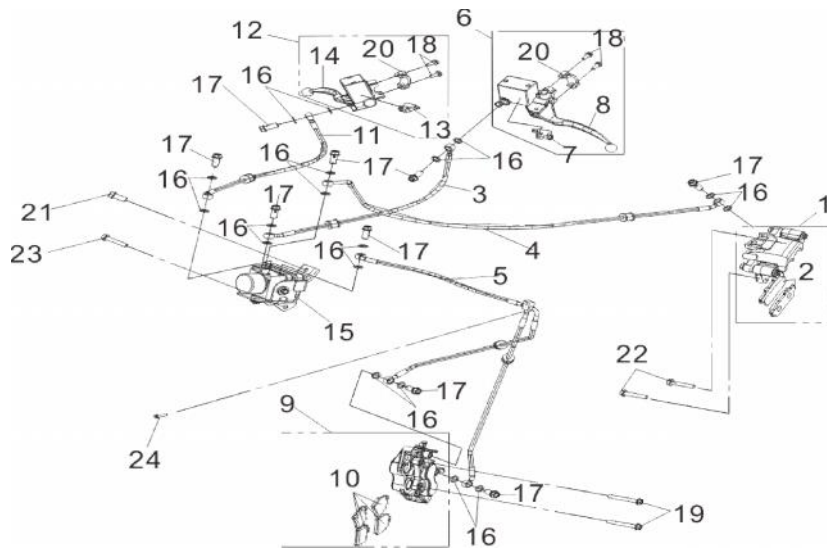
●Please check the color & stripe information according to the color index !



Pictures reference only

NO	零件料號 PARTS NUMBER	品名 NAME	DESCRIPTION	QTY	EFFECTIV E
1	17910-L3A-000	加油線 A	THROT. CABLE COMP A	1	
2	17920-L3A-000	加油線 B	THROT. CABLE COMP B	1	
3	32160-A3A-900	表帶 200*4.7	WIRE BAND 200*4.7	2	
4	35150-L4A-000	右開關	R. HANDLE SW. ASSY	1	
5	35200-HNL-000	左開關(RCG504)	L. HANDLE SW. ASSY	1	
6	53100-LM1-000	把手	STRG. HANDLE COMP	1	
7	53104-N02-000	把手配重總成	HANDLE PIPE WT. ASSY.	2	
8	53105-N02-000	平衡端子	HANDLE PIPE WT.	2	
9	53106-N02-000	把手配重橡皮	HANDLE WEIGHT RUBBER	2	
10	53108-N02-000	特殊螺絲 6mm	SPECIAL NUT 6mm	2	
11	90118-N02-000	螺栓	HNDL. WT. BOLT	2	
12	53140-L4A-003	加油把手(取消LOGO)	THROT GRIP COMP BK-001U	1	
13	53166-L4A-004	左把手管(取消LOGO)	L HANDLE GRIP BK-001U	1	
14	93891-05012-07	墊圈螺絲(黑鋅)5*12	WASHER SCREW 5*12	1	
15	53125-M9Q-000	把手架襯環	HANDLE SET COLLAR	1	
16	90304-M9Q-000	U型緣面螺帽 10mm	NUT U FLANGE 10mm	1	
17	90106-M9Q-000	緣面螺栓 10*50	FLANGE BOLT 10*50	1	
18	93500-05035-0G	盆狀螺絲5*35	PAN SCREW 5*35	2	
19	93500-05025-0G	盆狀螺絲5*25	PAN SCREW 5*25	2	
20	93903-35320	攻絲螺釘 5*16	TAPPING SCREW 5*16	1	

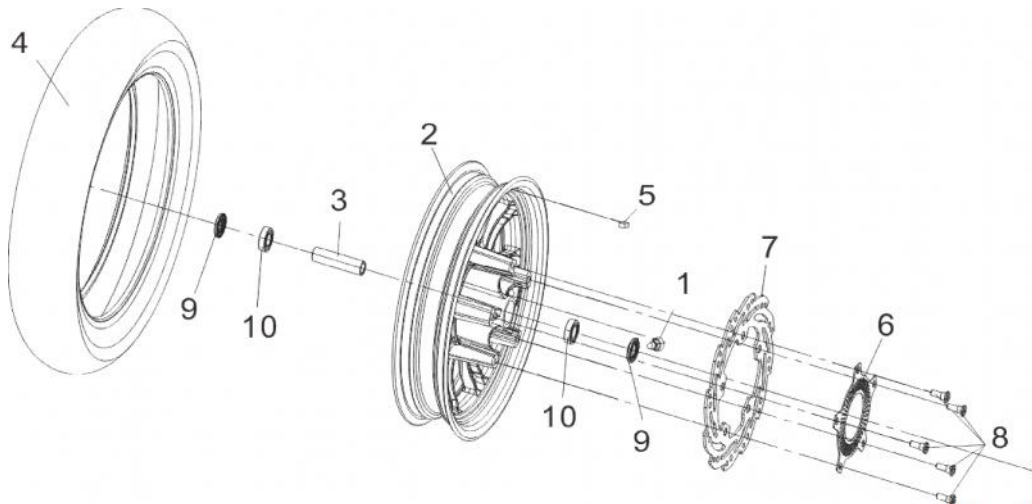
●Please check the color & stripe information according to the color index !



Pictures reference only

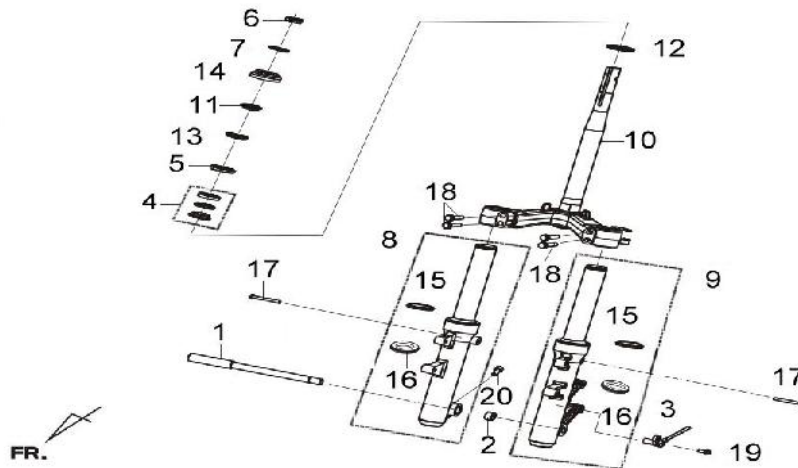
NO	零件料號 PARTS NUMBER	品名 NAME	DESCRIPTION	QTY	EFFECTIVE DATE
1	43100-L3A-010-KB	後剎車夾具總成(黑)	RR. CALIPER ASSY BK-001C	1	
2	43105-L3A-010-A	後剎車片組(2PCS/1SET)	RR. BRAKE PAD COMP A (2PCS/1SET)	1	
3	43311-L3E-000-A1	後剎車管 A	RR BRAKE HOSE A	1	
4	43312-L3E-000-A1	後剎車管 B	RR BRAKE HOSE B	1	
5	45127-LM1-000	前剎車管B	FR. BRAKE HOSE B	1	
6	43500-L3E-000	後剎車總泵	RR. M/C ASSY.	1	
7	35350-L6C-000	後剎車開關	RR. HANDLE STOP SW.	1	
8	53178-HMA-000	左剎車拉桿	L.HANDLE LEVER	1	
9	45100-L3A-000-KB	前剎車夾具總成(黑)	FR. CALIPER ASSY BK-001C	1	
10	45105-L3A-000-A	前剎車片組(4片1組)	FR. BRAKE PAD SET(4PCS/1SET)	1	
11	45126-L3E-000-A1	前剎車油管 A	FR BRAKE HOSE A	1	
12	45500-L3E-000	前剎車總泵	FR. M/C ASSY	1	
13	35340-L6C-000	煞車開關	FR. HANDLE STOP SW.	1	
14	53175-HMA-000	右剎車拉桿	R.HANDLE LEVER	1	
15	38730-L3G-000	ABS剎車系統	ABS.HYDRAULIC CIRCUIT UNIT	1	
16	90145-M9Q-000	油螺栓 10*22	OIL BOLT 10*22	9	
17	90545-M9Q-000	油管螺栓墊片	OIL BOLT WASHER	18	
18	95801-06022-07	緣面螺栓(黑鋅)6*22	FLANGE BOLT 6*22	4	
19	90104-H5K-000	緣面螺栓 8*40	FLANGE BOLT 8*40	2	
20	45517-TFA-000	夾持具	M/C HOLDER	1	
21	93404-08014-07	緣面螺栓	FLANGE BOLT 8*14	1	
22	90104-L2A-000	緣面螺栓 8*57	FLANGE BOLT 8*57	2	
23	95801-08060-07	緣面螺栓(黑鋅)8*60	FLANGE BOLT 8*60	1	
24	95801-06020-08	緣面螺栓(五彩)6*20	FLANGE BOLT 6*20	1	

●Please check the color & stripe information according to the color index !



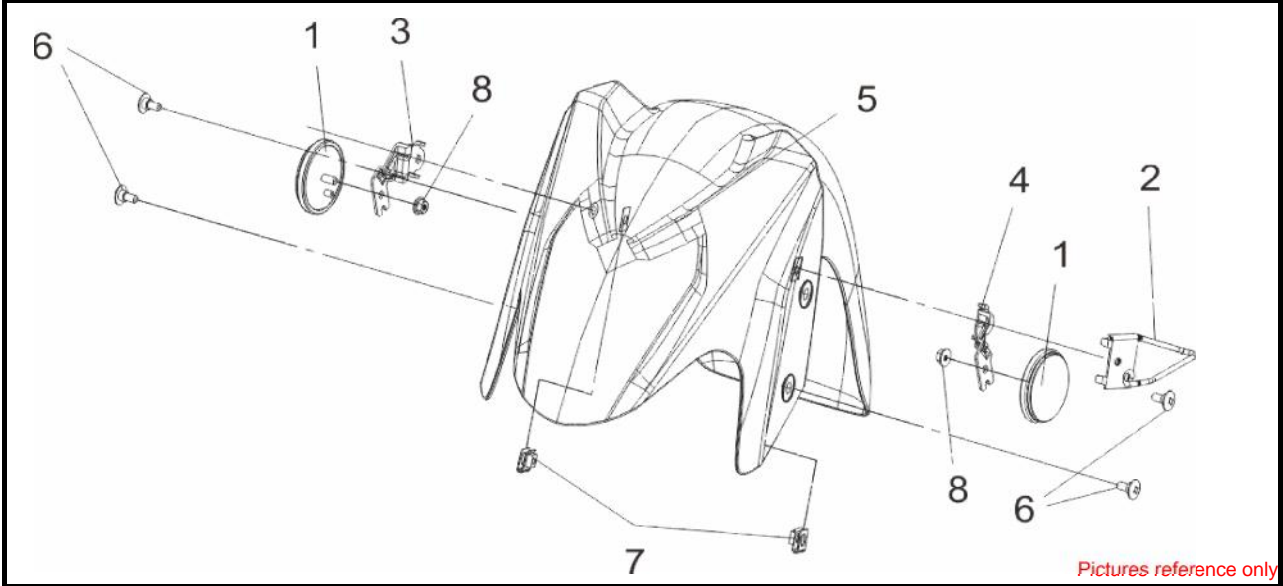
Pictures reference only

NO	零件料號 PARTS NUMBER	品名 NAME	DESCRIPTION	QTY	EFFECTIVE DATE
1	42753-KBN-902	打氣嘴	RIM VALVE (MK=419)	1	
2	44601-L9F-000-IF	前輪圈(灰)	FR. CAST WHEEL COMP GY-430S	1	
3	44620-L3A-000	前輪軸套筒	FR. AXLE DIST COLLAR	1	
4	44710-LM1-001	前輪胎	FR. TIRE ASSY(120/70-14 55P)	1	
5	44720-H9A-000	平衡塊	BALANCE WEIGHT	1	
6	45120-L3A-000	ABS偵測碟盤	ABS DETECTIVE DISK	1	
7	45121-L3A-900	前煞車圓盤(銀)	FR. BRAKE DISK(S-421S)	1	
8	90105-L3A-000	前剎車盤螺栓 8*26	FRONT DISK BOLT 8*26	5	
9	90754-LEA-000	塵封 20*35*5.0	DUST SEAL 20*35*5.0	1	
10	90912-LEA-000	軸承	BEARING 6202(LLU)	1	



Pictures reference only

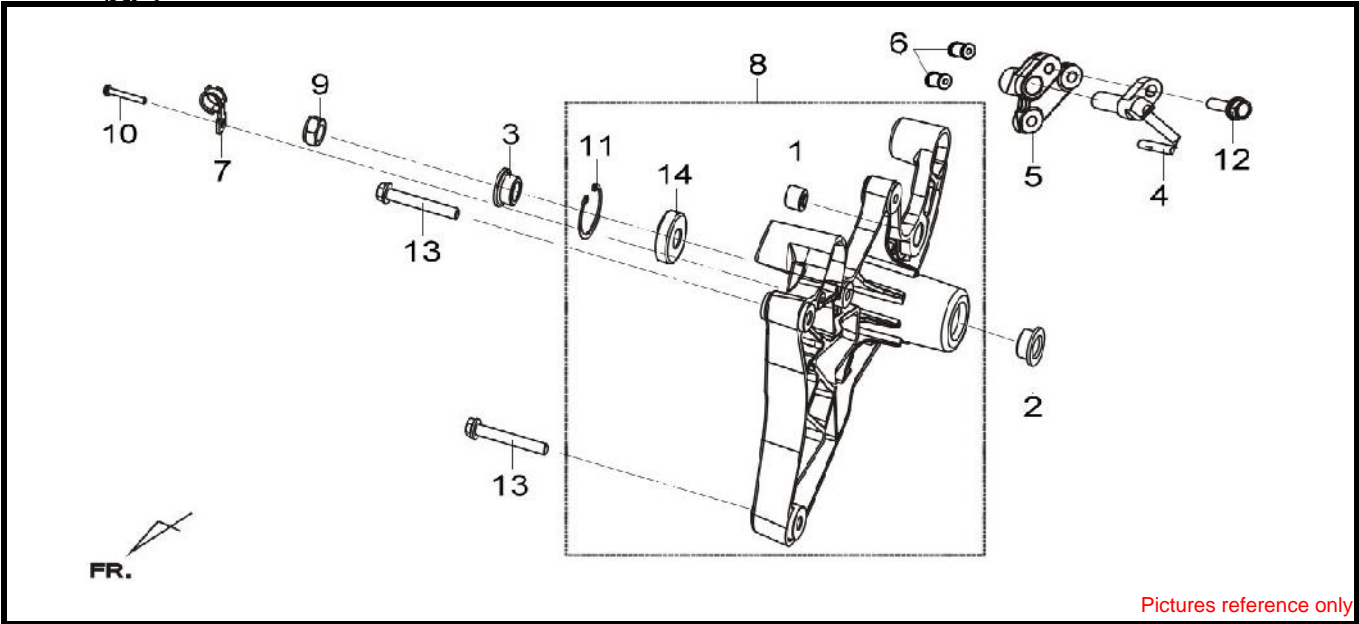
NO	零件料號 PARTS NUMBER	品名 NAME	DESCRIPTION	QTY	EFFECTIVE DATE
1	44301-L3A-000	前輪軸(白鋅)	FR. WHEEL AXLE	1	
2	44311-L3A-000	襯環	FR. WHEEL SIDE COLLAR	1	
3	44870-L4C-000	ABS速度感應器	ABS. SPEED SENSOR	1	
4	50300-L4A-000	下珠碗組	BALL RACE SET	1	
5	50301-HMA-000	上滾珠座圈	RACE UP STRG BALL	1	
6	50306-M9Q-000	方向桿固定螺帽	STRG. STEM LOCK NUT(MZ→SY)	1	
7	50308-HMA-000	方向主幹墊片	STRG STEM WASHER	1	
8	51400-L3A-000	右前避震器總成(黑)	R CUSHION ASSY. BK-001C	1	
9	51500-L3A-000	左前避震器總成(黑)	L. CUSHION ASSY(BK-001C)	1	
10	53200-L3E-000	轉向主幹	STRG. STEM COMP	1	
11	53211-HMA-000	上錐體座圈	STRG. UP CONE RACE	1	
12	53214-L4A-000	防塵圈	STRG.DUST SEAL	1	
13	53215-HMA-000	上滾珠總成	STEEL BALL UP ASSY.	1	
14	53220-HMA-000	轉向首環	STRG HEAD TOP THREAD COMP	1	
15	91255-L3A-000	避震器油封	FR. CUSHION OIL SEAL	2	
16	91256-L3A-000	防塵油封	DUST SEAL	2	
17	93891-06050-07	墊圈螺絲 6X45	WASHER SCREW 6*50	2	
18	95801-10040-08	緣面螺栓(五彩) 10*40	FLANGE BOLT 10*40	4	
19	96001-06012-00	緣面螺栓(白鋅)6*12	FLANGE BOLT SH 6*12	1	
20	96700-08020-00	套筒螺栓 8*20	SOCKET BOLT 8*20	1	



Pictures reference only

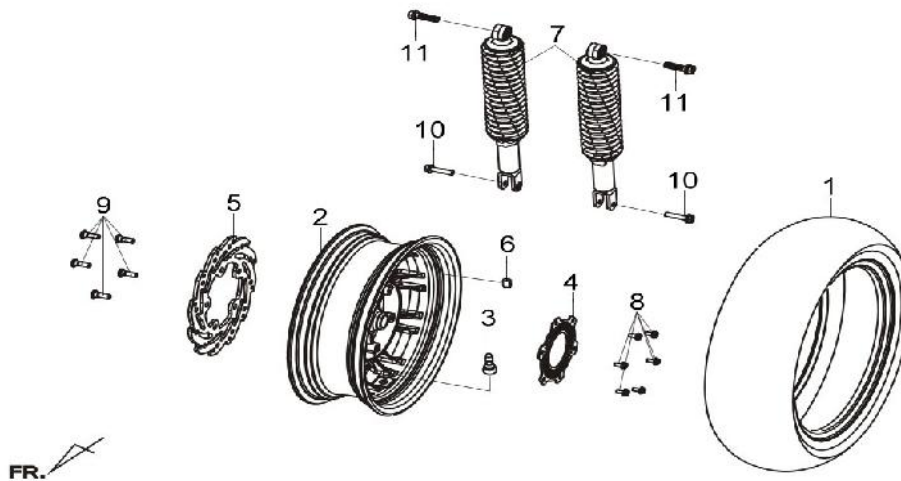
NO	零件料號 PARTS NUMBER	品名 NAME	DESCRIPTION	QTY	EFFECTIV E
1	33742-F3H-000	側反射片(橘)	SIDE REFLEX REFLECTOR	1	
2	45465-L3E-000	導線夾	CABLE GUIDE	1	
3	51401-L3D-000	前右反光片 支架	FR. RH. REFLECTOR STAY	1	
4	51501-L31-000	前左反光片 支架	FR. LH. REFLECTOR STAY	1	
5	61100-LM1-000-IL	前土除(消光灰)	FR FENDER (GY-7450U)	1	
5	61100-LM1-000-JH	前土除(消光黑)	FR FENDER (BK-001UL)	1	
5	61100-LM1-000-QU	前擋泥板(冰雪白)	FR FENDER (WH-300P)	1	
5	61100-LM1-000-RT	前擋泥板(紅)	FR FENDER (R-010CA)	1	
6	90164-M9Q-000	特殊螺栓 6MM	SCREW SPECIAL 6mm	4	
7	90305-M9Q-000	夾定螺帽 6mm	CLIP NUT 6mm	2	
8	94050-06070	緣面螺帽 6mm	FLANGE NUT 6mm	2	

●Please check the color & stripe information according to the color index !



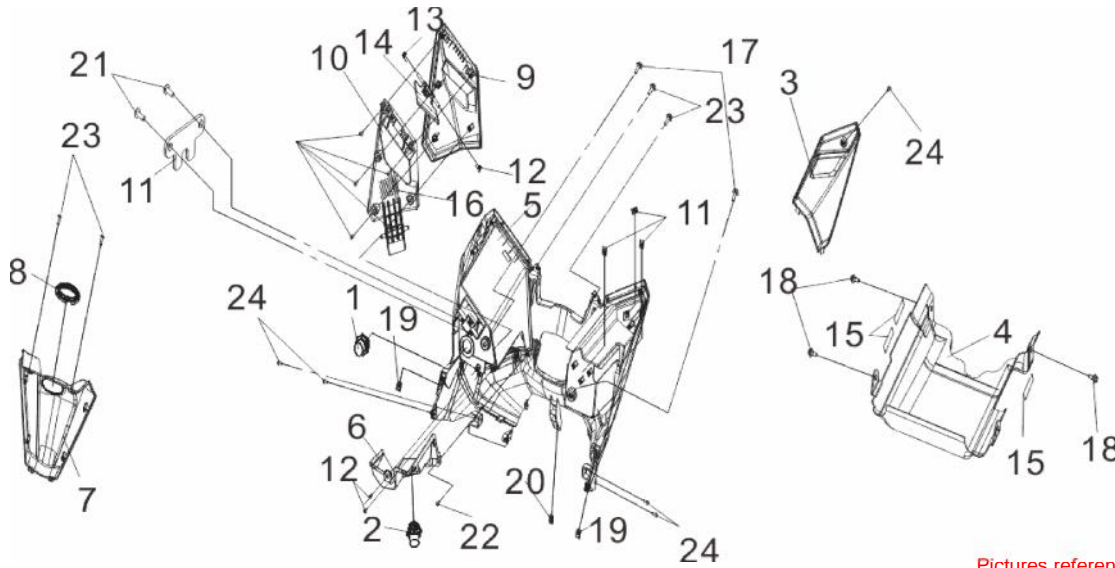
Pictures reference only

NO	零件料號 PARTS NUMBER	品名 NAME	DESCRIPTION	QTY	EFFECTIVE DATE
1	11203-M9Q-300	後避震器橡皮襯套	RR CUSH UND BUSH RUBBER	1	
2	42311-H9A-000	後輪軸襯環	RR. AXLE COLLAR	1	
3	42311-H9A-900	後輪軸襯環	RR. AXLE COLLAR	1	
4	44870-L4C-000	ABS速度感應器	ABS. SPEED SENSOR	1	
5	44871-L4C-000	ABS速度感應器支架	ABS. SPEED SENSOR BRKT.	1	
6	44910-L4C-000	ABS橡膠襯套	ABS. RUBBER BUSH	1	
7	45156-LAS-000	前剎車油管夾	FR. BRAKE HOSE CLAMP	1	
8	5210A-L3A-000-IL	後叉總成(消光灰)	RR. FORK ASSY(GY-7450U)	1	
9	90305-M9Q-900	螺帽16mm	U NUT 16mm	1	
10	93891-05045-07	墊圈螺絲(黑鋅)5X45	WASHER SCREW 5X45	1	
11	94524-47000	環夾 IN47	CIR CLIP IN47	1	
12	95801-06016-07	緣面螺栓6*16(黑鋅)	FLANGE BOLT 6*16	1	
13	95801-10075-07	緣面螺帽 10*75	FLANGE BOLT 10*75	2	



Pictures reference only

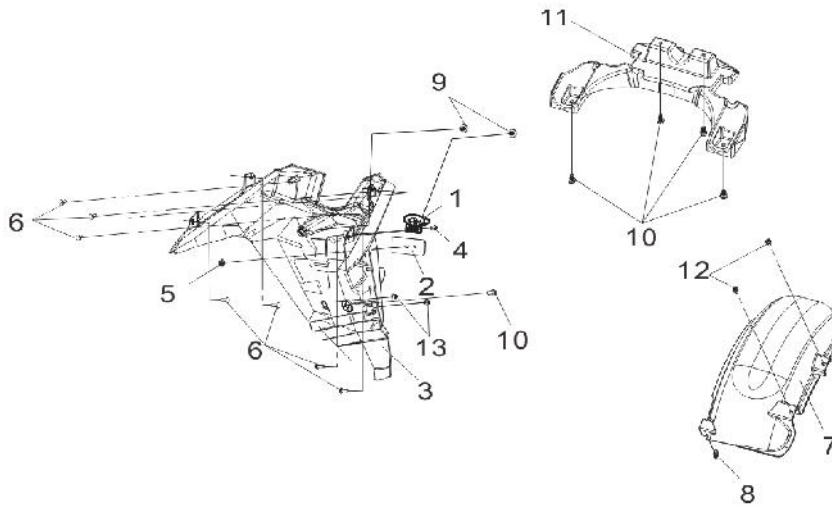
NO	零件料號 PARTS NUMBER	品名 NAME	DESCRIPTION	QTY	EFFECTIVE DATE
1	42710-LM1-001	後輪胎	RR. TIRE ASSY(140/60-13 63P)	1	
2	42601-L9F-000-IF	後輪圈(灰)	RR. CAST WHEEL COMP GY-430S	1	
3	42753-KBN-902	打氣嘴	RIM VALVE (MK=419)	1	
4	43120-L3E-000	後ABS偵測碟盤	RR. ABS DETECTIVE DISK	1	
5	43121-L3A-900	後碟盤(銀)	RR. BRAKE DISK(S-421S)	1	
6	44720-H9A-000	平衡塊	BALANCE WEIGHT	1	
7	52400-LM1-000-KB	後避震器(黑)	RR CUSHION ASSY. BK-001C	2	
8	93500-L2F-000	普通螺絲 6*14	PAN SCREW 6X14	6	
9	90105-KR3-000	前剎車盤螺栓 8*24	FR. DISK BOLT 8*24	5	
10	95801-08035-00	螺栓 8X35	FLANGE BOLT M8X35	2	
11	95801-10040-07	緣面螺栓(黑鋅)	FLANGE BOLT 10*40	2	



Pictures reference only

NO	零件料號 PARTS NUMBER	品名 NAME	DESCRIPTION	QTY	EFFECTIV E
1	38600-L4A-000	直流電插座組	DC. POWER OUTLET ASSY	1	
2	38650-FSA-000-A2	USB充電裝置	USB CHARGE UNIT (MK=687)	1	
3	50326-LM1-000-IL	電池蓋 (灰)	BATTERY COVER (GY-7450U)	1	
4	50611-HMA-000	下蓋(黑)	UNDER COVER BK-001U	1	
5	81131-LM1-000	內箱(黑)	INNER BOX BK-001U	1	
6	81132-LM1-000	內箱USB區	INNER BOX USB DOCK (BK-001U)	1	
7	81133-LM1-000	主開關蓋(黑)	MAIN SW. COVER (BK-001U)	1	
8	81134-LM1-000	鎖全組閉關器墊片	KEY SET SHUTTER PACKING	1	
9	81141-LM1-000-IL	內箱蓋(消光灰)	INNER BOX LID (GY-7450U)	1	
10	81142-LM1-000	內箱蓋支撐板	INNER BOX LID STIFFENER (BK-001U)	1	
11	81149-L4A-000	保險絲盒支架	FUES BOX STAY	1	
12	81163-LM1-000	右零錢盒鎖扣彈簧	R. COIN BOX LOCK SPRING	1	
13	81164-LM1-000	左零錢盒鎖扣彈簧	L. COIN BOX LOCK SPRING	1	
14	81165-LM1-000	內箱蓋鎖(黑)	INNER COVER LID LOCK (BK-001U)	1	
15	83619-L3F-000	橡膠墊	CUSHION RUBBER	3	
16	87503-LM1-000	保險絲盒注意標籤	FUSE BOX OPEN NOTICE STICKER	1	
17	90111-HKD-900	緣面螺栓	FLANGE BOLT	2	
18	90111-M9Q-800	緣面螺栓(黑鋅)6mm	FLANGE BOLT 6mm	2	
19	90302-M9Q-800	彈簧螺帽 4mm	NUT SPRING 4mm	1	
20	90308-X04-000	特殊螺帽5mm	SPECIAL NUT 5mm	1	
21	93903-34380	螺絲4*12	TAPPING SCREW 4*12	2	
22	93903-35280	攻絲螺釘 5*12	TAPPING SCREW 5*12	1	
23	93903-44480	攻絲螺釘 4*16	TAPPING SCREW 4*16	4	
24	93903-45380	攻絲螺釘 5*16	TAPPING SCREW 5*16	5	

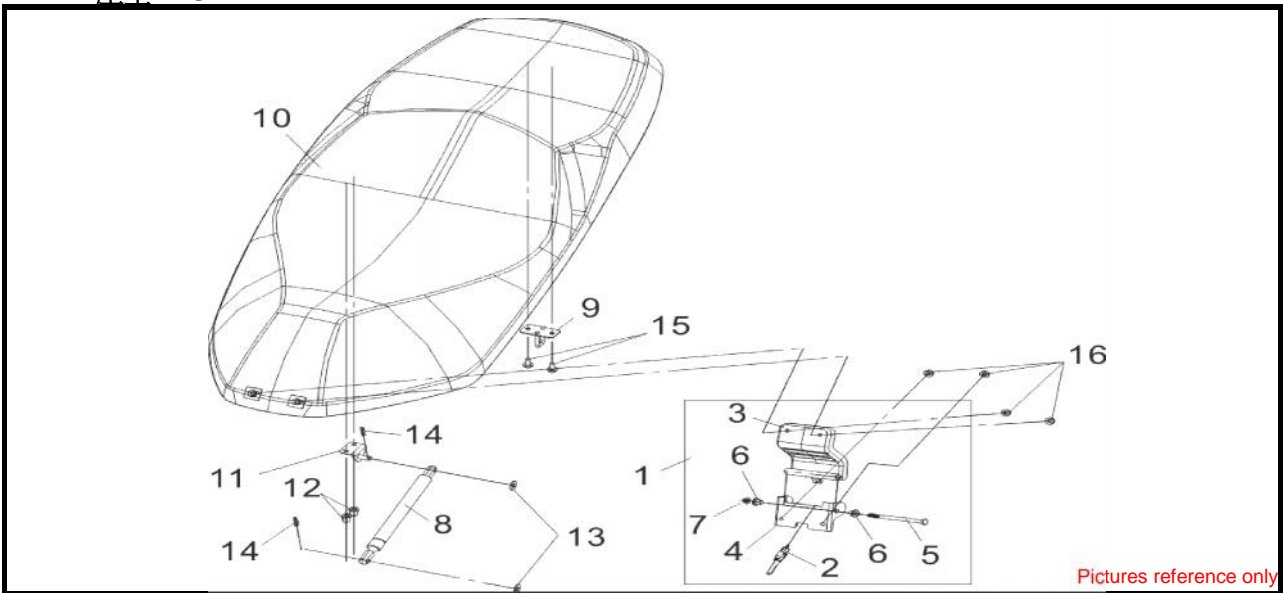
●Please check the color & stripe information according to the color index !



Pictures reference only

NO	零件料號 PARTS NUMBER	品名 NAME	DESCRIPTION	QTY	EFFECTIV E
1	33740-LEA-010	後牌照燈總成	LICENSE LIGHT ASSY	1	
2	33741-M9A-100	反射片	RR. REFLEX REFLECTOR	1	
3	80100-LM1-000	後擋泥板(黑)	RR. FENDER BK-001U	1	
4	93901-34480	攻絲螺釘	TAPPING SCREW	1	
5	94050-05080	緣面螺帽 5mm	FLANGE NUT 5mm	1	
6	93903-35280	攻絲螺釘 5*12	TAPPING SCREW 5*12	6	
7	80106-L3A-000-KA	後擋泥板(黑)	RR. MUDGUARD(BK-001U)	1	
8	90677-M9Q-000	夾片螺帽 5mm	CLIP NUT M5*0.8	1	
9	90111-L2A-000	緣面螺栓 6mm	FLANGE BOLT 6mm	2	
10	93404-06012-07	墊圈螺栓(黑鋅)6*12	WASHER BOLT 6*12	5	
11	80105-LM1-000	後擋泥板(黑)	RR. INNER FENDER (BK-001U)	1	
12	93894-05016-07	墊圈螺絲	WASHER SCREW	12	
13	90899-422-610	反射片底座塞子	CORN. PLUG	2	

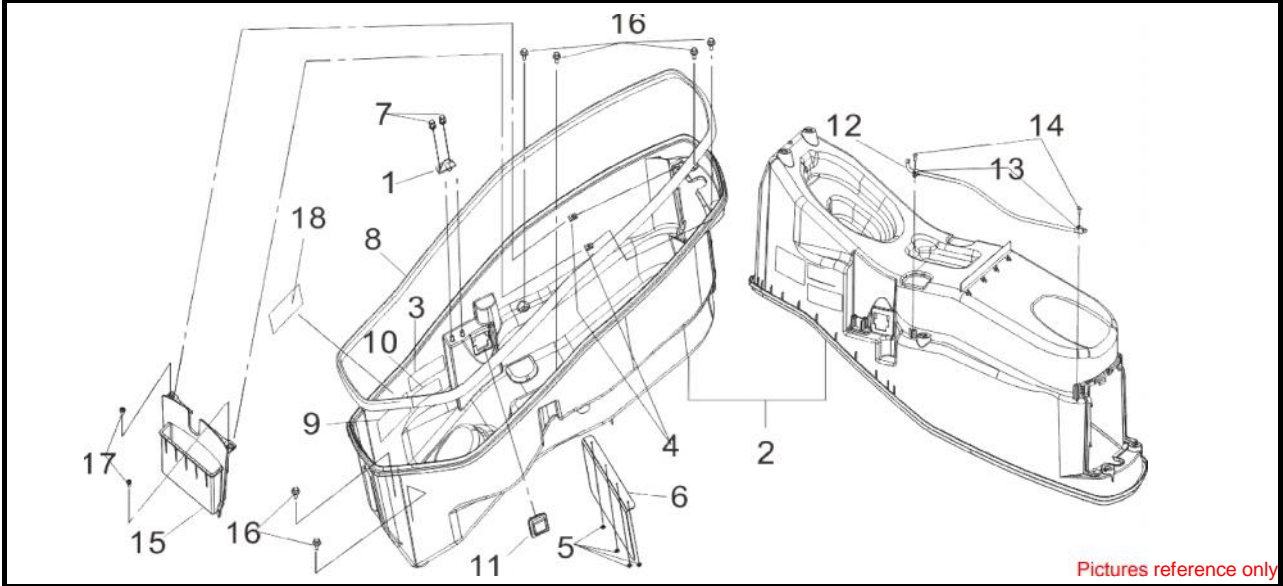
●Please check the color & stripe information according to the color index !



Pictures reference only

NO	零件料號 PARTS NUMBER	品名 NAME	DESCRIPTION	QTY	EFFECTIV E
1	7711A-LM1-000	座墊固定支架整組	SEAT HINGE ASSY	1	
2	35345-L3A-000	照明燈開關(RCSS)	SEAT OPEN LAMP SW	1	
3	77111-LM1-000	座墊固定支架A	SEAT HINGE STAY A	1	
4	77112-LM1-000	座墊固定支架B	SEAT HINGE STAY B	1	
5	95801-06110-08	緣面螺栓(五彩)6*110	FLANGE BOLT 6*110	1	
6	50757-L3A-000	座墊固定板襯套	SEAT HINGE OILES	2	
7	90306-BAA-000	U型螺帽6mm	U NUT 6mm	1	
8	74480-L3A-000	座墊開啟支架	OPEN STAY	1	
9	77101-L3A-000	座墊鎖桿	SEAT LOCK BAR	1	
10	77200-LM1-000	座墊總成	DOUBLE SEAT ASSY	1	
11	77202-HMA-100	座墊開啟支架托架 A	OPEN STAY BRKT. A	1	
12	90304-M9Q-900	袋型螺帽 6mm	HEX CAP NUT 6mm	2	
13	94101-08800	普通墊圈 8mm	PLAIN WASHER 8mm	2	
14	94251-08400	固定梢 8mm	LOCK PIN 8mm (LATCH PIN)	2	
15	95801-06012-07	緣面螺栓(黑鋅)6*12	FLANGE BOLT 6*12	2	
16	94050-06080	緣面螺帽 6mm	FLANGE NUT 6mm	4	

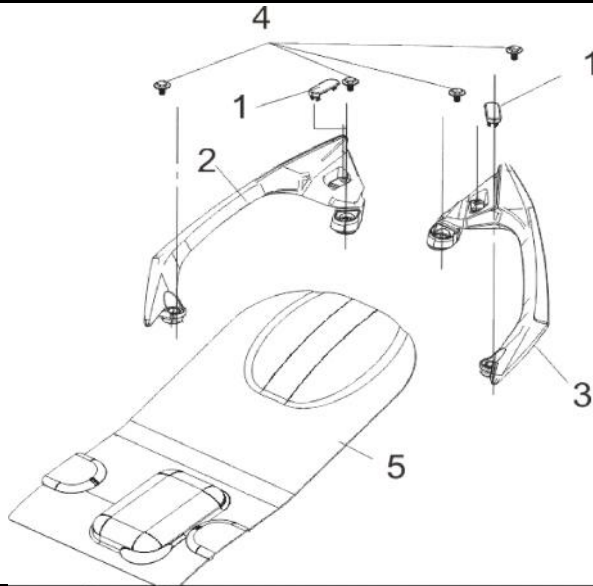
●Please check the color & stripe information according to the color index !



Pictures reference only

NO	零件料號 PARTS NUMBER	品名 NAME	DESCRIPTION	QTY	EFFECTIV E
1	74481-HMA-100	座墊開啟支架托架	OPEN STAY BRKT.	1	
2	81250-LM1-000	行李箱	LUGGAGE BOX	1	
3	87505-L1A-000	輪胎警告貼紙(英法文版)	TIRE CAUTION MARK	1	
4	90302-M9Q-800	彈簧螺帽 4mm	NUT SPRING 4mm	2	
5	90301-GE0-000	夾定螺帽	CLIP UNT	4	
6	80104-HMA-000	防濺板	SPLASH GUARD PLATE	1	
7	90304-M9Q-900	袋型螺帽 6mm	HEX CAP NUT 6mm	2	
8	77115-LM1-000	行李箱橡皮	LUGGAGE BOX RRUBBER	1	
9	81219-L1A-000	行李箱注意標籤(英法版)	LUGGAGU BOX CAUTION LABEL	1	
10	87561-L1A-000	注意事項貼紙(英法文版)	DRIVE CAUTION STRIPE	1	
11	35370-M9P-000	置物箱燈總成(設變後)	LUGGAGE BOX LIGHT ASSY	1	
12	32105-LM1-000	置物箱燈副線	LUGGAGE BOX LIGHT SUB CORD	1	
13	94592-A5W-000	線夾	CABLE CLAMP (1/14")	2	
14	93903-34320	攻絲螺釘4*12	TAPPING SCREW 4*12	2	
15	81256-LM1-000	行李箱後蓋	LUGGAGE BOX RR. COVER	1	
16	90111-M9Q-800	緣面螺栓(黑鋅)6mm	FLANGE BOLT 6mm	6	
17	93903-44480	攻絲螺釘 4*16	TAPPING SCREW 4*16	2	
18	50189-LM1-000	製造號碼牌	MANUFACTURER NO. PLATE	1	

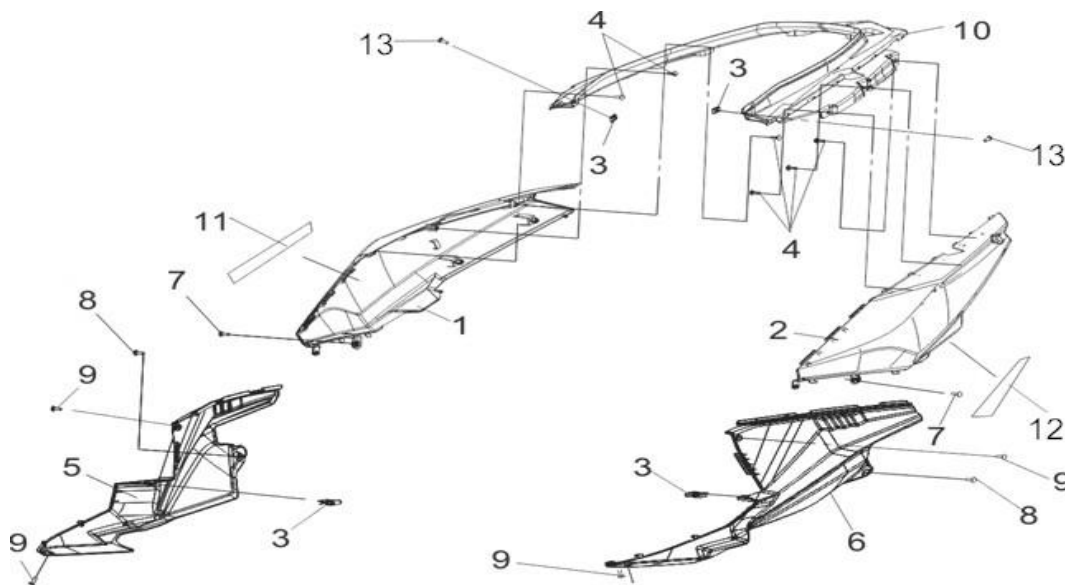
●Please check the color & stripe information according to the color index !



Pictures reference only

NO	零件料號 PARTS NUMBER	品名 NAME	DESCRIPTION	QTY	EFFECTIV E
1	81300-L1P-000	後貨架蓋	RR. CARRIER CAP	2	
2	81210-LM1-000-OK	右後貨架(銀)	R RR. CARRIER S-011U	1	
2	81210-LM1-000-JD	右後貨架(電鍍銀黑)	R RR. CARRIER BK-7C	1	
3	81220-LM1-000-OK	左後貨架(銀)	L RR. CARRIER S-011U	1	
3	81220-LM1-000-JD	左後貨架(電鍍銀黑)	L RR. CARRIER BK-7C	1	
4	90105-H7A-010	特殊螺栓 8mm	SPECIAL BOLT 8mm	4	
5	83630-L3A-100	行李箱墊	LUGGAGE BOX MAT	1	

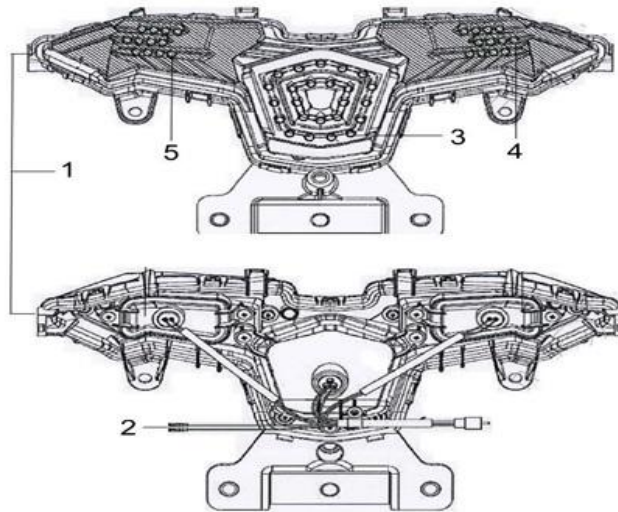
●Please check the color & stripe information according to the color index !



Pictures reference only

NO	零件料號 PARTS NUMBER	品名 NAME	DESCRIPTION	QTY	EFFECTIVE DATE
1	8350G-LM1-000-JH	右車體蓋總成(消光黑)	R. BODY COVER ASSY. BK-001UL	1	
1	8350G-LL1-000-IL	右車體蓋總成(消光灰)	R. BODY COVER ASSY. GY-7450U	1	
1	8350G-LL1-000-RT	右車體蓋總成(紅)	R. BODY COVER ASSY. R-010CA	1	
1	8350G-LL1-000-QU	右車體蓋總成(冰雪白)	R. BODY COVER ASSY. WH-300P	1	
2	8360G-LM1-000-JH	左車體蓋總成(消光黑)	L. BODY COVER ASSY. BK-001UL	1	
2	8360G-LL1-000-IL	左車體蓋總成(消光灰)	L. BODY COVER ASSY. GY-7450U	1	
2	8360G-LL1-000-RT	左車體蓋總成(紅)	L. BODY COVER ASSY. R-010CA	1	
2	8360G-LL1-000-QU	左車體蓋總成(冰雪白)	L. BODY COVER ASSY. WH-300P	1	
3	90302-M9Q-800	彈簧螺帽 4mm	NUT SPRING 4mm	4	
4	93903-35280	攻絲螺釘 5*12	TAPPING SCREW 5*12	1	
5	83520-LM1-000	右側蓋護條	R. SIDE COVER	1	
6	83620-LM1-000	左側蓋護條	L. SIDE COVER	1	
7	93401-06014-00	墊圈螺栓6*14	WASHER BOLT 6*14	2	
8	93891-05016-07	攻絲螺釘5*16(黑鋅)	WASHER SCREW 5*16	2	
9	93903-44480	攻絲螺釘 4*16	TAPPING SCREW 4*16	4	
10	83750-LM1-000-OK	後中心上蓋(銀)	RR. CENTER COVER S-011U	1	
10	83750-LM1-000-JD	後中心上蓋(電鍍銀黑)	RR. CENTER COVER BK-7C	1	
11	87126-LM1-000	右CRUISYM徽飾(電鍍)	R. CRUISYM EMBLEM (MRCR2-@)	1	
11	87126-LL1-000-OK	右CRUISYM徽飾(銀)	R. CRUISYM EMBLEM (S-011U)	1	
11	87126-LL1-000-JD	右CRUISYM徽飾(黑)	R. CRUISYM EMBLEM (BK-7C)	1	
12	87127-LM1-000	左CRUISYM徽飾(電鍍)	L. CRUISYM EMBLEM (MRCR2-@)	1	
12	87127-LL1-000-OK	左CRUISYM徽飾(銀)	L. CRUISYM EMBLEM (S-011U)	1	
12	87127-LL1-000-JD	左CRUISYM徽飾(黑)	L. CRUISYM EMBLEM (BK-7C)	1	
13	93903-34380	螺絲4*12	TAPPING SCREW 4*12	2	

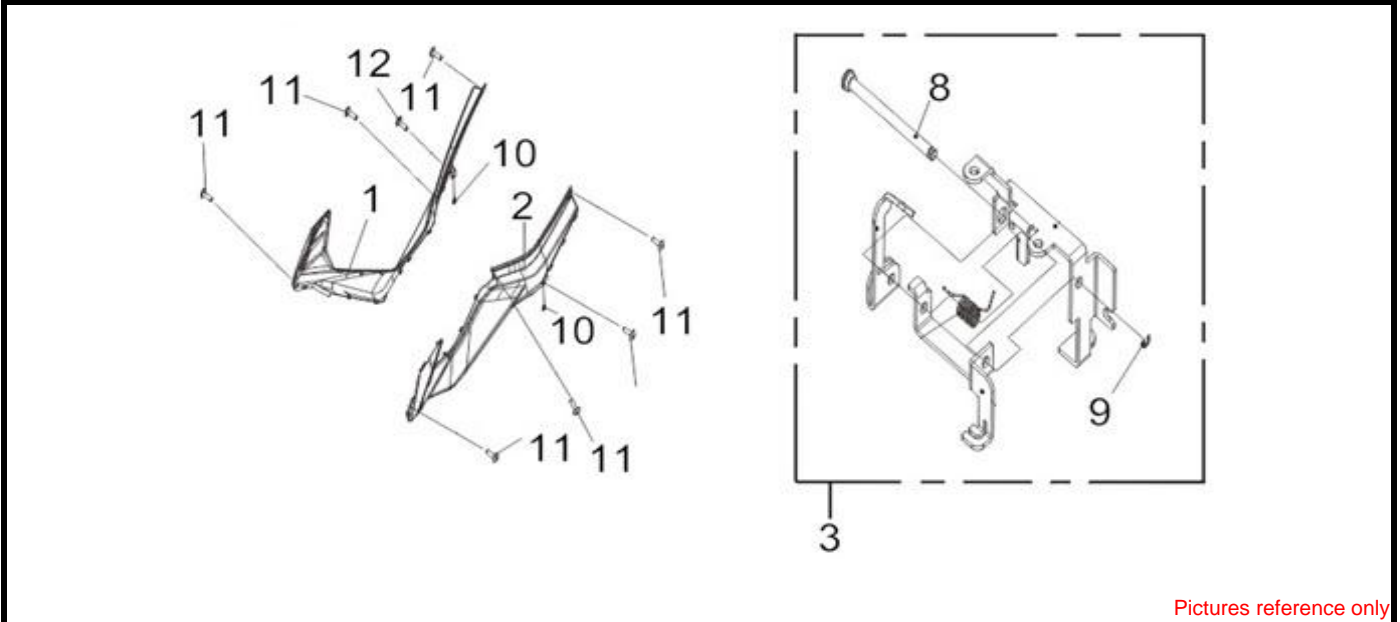
●Please check the color & stripe information according to the color index !



Pictures reference only

NO	零件料號 PARTS NUMBER	品名 NAME	DESCRIPTION	QTY	EFFECTIV E
1	33700-LM1-000	後燈總成	TAIL LIGHT ASSY	1	
1.1	3370S-LM1-000	後燈組(殼+座)	TAIL LIGHT COMP(LENS+BASE)	1	
2	33706-LM1-000	後燈線組	TAIL LIGHT SOCKET COMP	1	
3	33707-LM1-000	後燈LED电路板組	TAIL LIGHT LED PCB COMP	1	
4	33604-LM1-000	右後方向燈LED电路板組	RR. WINKER LED PCB COMP	1	
5	33654-LM1-000	左後方向燈LED电路板組	RL. WINKER LED PCB COMP	1	

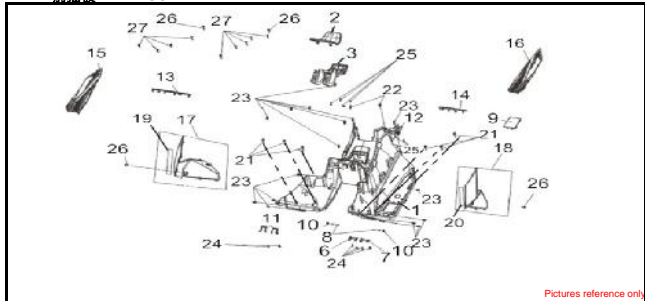
●Please check the color & stripe information according to the color index !



Pictures reference only

NO	零件料號 PARTS NUMBER	品名 NAME	DESCRIPTION	QTY	EFFECTIVE DATE
1	64315-LM1-000-JD	右踏板側蓋(電鍍銀黑)	R. FLOOR SIDE COVER(BK-7C)	1	
1	64315-LM1-000-OK	右踏板側蓋(銀)	R. FLOOR SIDE COVER(S-011U)	1	
2	64316-LM1-000-JD	左踏板側蓋(電鍍銀黑)	L. FLOOR SIDE COVER(BK-7C)	1	
2	64316-LM1-000-OK	左踏板側蓋(銀)	L. FLOOR SIDE COVER(S-011U)	1	
3	64320-LM1-000-H1	油箱蓋鎖	FUEL LID LOCK ASSY	1	
8	90105-LM1-000	油箱蓋鎖	FUEL LID LOCK HINGE	1	
9	90308-X04-000	特殊螺帽5mm	SPECIAL NUT 5mm	1	
10	94540-04018	E型環	E RING 40	2	
11	93903-34380	螺絲4*12	TAPPING SCREW 4*12	6	
12	93903-45380	攻絲螺釘 5*16	TAPPING SCREW 5*16	1	

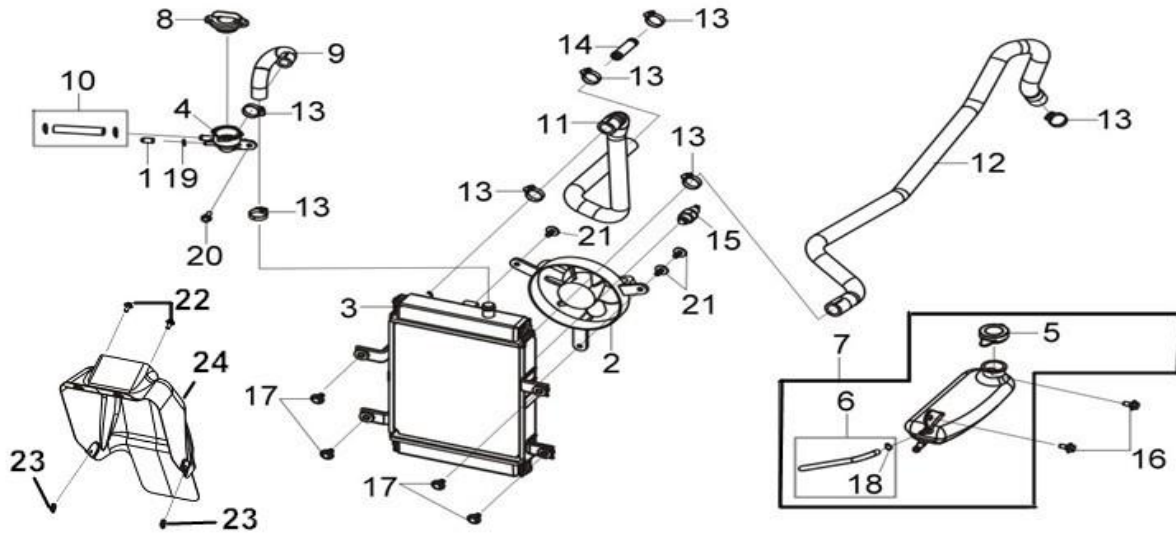
●Please check the color & stripe information according to the color index !



Pictures reference only

NO	零件料號 PARTS NUMBER	品名 NAME	DESCRIPTION	QTY	EFFECTIVE
1	64310-LM1-000	脚踏板(黑)	FLOOR PANEL BK-001U	1	
2	64311-LM1-000	油箱蓋(黑)	FUEL LID BK-001U	1	
3	64312-LM1-000	脚踏板蓋襯料	FLOOR LID STIFFENER (BK-001U)	1	
6	64315-L3A-000	右蓋支架	R. LID HINGE STAY	1	
7	64316-L3A-000	左蓋支架	L. LID HINGE STAY	1	
8	64317-L3A-000	脚踏板箱蓋樞紐插梢	LID HINGE PIN	2	
9	64318-L3A-000	副油箱蓋	RES. TANK LID	1	
10	64318-LM1-000	油箱蓋彈簧	FUEL LID SPRING	2	
11	64319-LM1-000	油箱止動彈簧	FUEL STOP SPRING	2	
12	64320-LM1-000-H1	油箱蓋鎖	FUEL LID LOCK ASSY	1	
13	64321-LM1-000	右脚踏墊A(黑)	R FLOOR MAT A (BK-001U)	1	
14	64322-LM1-000	左脚踏墊A(黑)	L FLOOR MAT A (BK-001U)	1	
15	64323-LM1-000	右脚踏墊B(黑)	R FLOOR MAT B (BK-001U)	1	
16	64324-LM1-000	左脚踏墊B(黑)	L FLOOR MAT B (BK-001U)	1	
17	6431G-LM1-000-KB	右踏板(黑)	R. FLOOR FAINING ASSY TYPE2 (BK-001C)	1	
18	6431H-LM1-000-KB	左踏板(黑)	L. FLOOR FAINING ASSY TYPE2 (BK-001C)	1	
19	87131-LL1-000-T2	右250貼飾	R MARK 250 STRIPE(53*9) TYPE2	1	
20	87132-LL1-000-T2	左250貼飾	L MARK 250 STRIPE(55*9) TYPE2	1	
21	90111-HKD-900	線面螺絲	FLANGE BOLT	6	
22	90302-M9Q-800	彈簧螺絲 4mm	NUT SPRING 4mm	2	
23	90308-X04-000	特殊螺絲5mm	SPECIAL NUT 5mm	16	
24	93903-34320	攻絲螺釘 4*12	TAPPING SCREW 4*12	6	
25	93903-35280	攻絲螺釘 5*12	TAPPING SCREW 5*12	7	
26	93903-44480	攻絲螺釘 4*16	TAPPING SCREW 4*16	4	
27	93903-45380	攻絲螺釘 5*16	TAPPING SCREW 5*16	9	

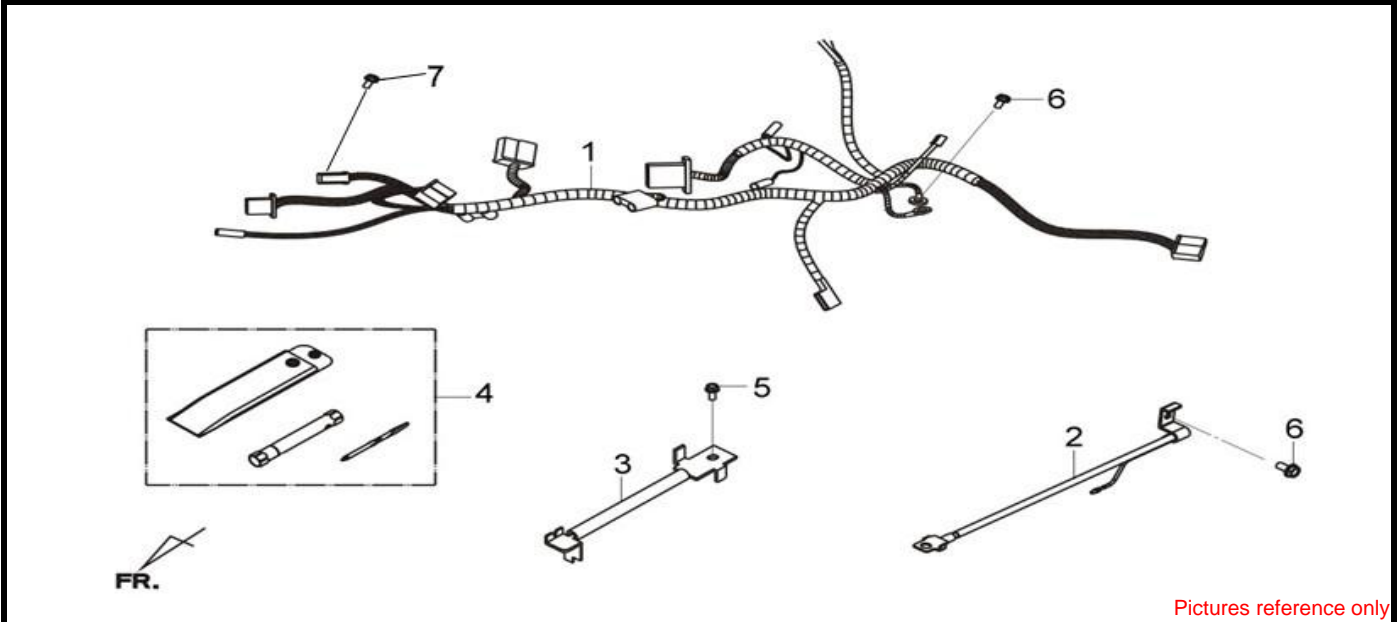
●Please check the color & stripe information according to the color index !



Pictures reference only

NO	零件料號 PARTS NUMBER	品名 NAME	DESCRIPTION	QTY	EFFECTIVE DATE
1	17236-FWA-000	管塞	TUBE PLUG	1	
2	19020-HMA-000	風扇護罩	SHROUD ASSY. (MK=609)	1	
3	19010-L3A-000	水箱	RADIATOR COMP	1	
4	19039-LVA-000	加油頸	FILLER NECK	1	
5	19104-M9Q-000	副水箱蓋	RESERVE TANK CAP	1	
6	19109-L3A-000	副水箱管	RESERVE TANK TUBE	1	
7	1910A-L3A-000	副水箱總成	RESERVE TANK ASSY	1	
8	19111-H9A-000	水箱T蓋總成	RADIATOR FILLER CAP	1	
9	19125-LM1-000	散熱器管 A	RADIATOR HOSE A	1	
10	19126-L3A-000	散熱器管 B	RADIATOR HOSE B	1	
11	19501-L3A-000	水箱進水管	RADIATOR INLET WATWE HOSE	1	
12	19505-L3A-000	引擎進水管	ENG. INLET WATER HOSE	1	
13	19505-KS6-700	水管夾	WATER HOSE CLAMP A	7	
14	19509-HWA-000	水管雙向接頭	WATER HOSE 2 WAY JOINT	1	
15	37760-HMA-000	溫度調節開關	THERMO. SW	1	
16	90111-M9Q-800	緣面螺栓(黑鋅)6mm	FLANGE BOLT 6mm	2	
17	93404-06020-08	墊圈螺栓6*20	WASHER BOLT 6*20	4	
18	95002-45000	管夾 C8	CLIP ,C8,TUBE	1	
19	95002-40800-08	管夾	TUBE CLAMP D8.0	1	
20	95801-06012-08	緣面螺栓 6*12 (五彩)	FLANGE BOLT 6*12	1	
21	93405-06016-07	墊圈螺栓6*16	WASHER BOLT 6*16	3	
22	90111-GJ5-000	緣面螺栓 6mm	BOLT FLANGE 6mm	2	
23	90308-X04-000	特殊螺帽5mm	SPECIAL NUT 5mm	2	
24	17508-LM1-000	燃料箱隔熱片	FUEL TANK HEAT GUARD	1	

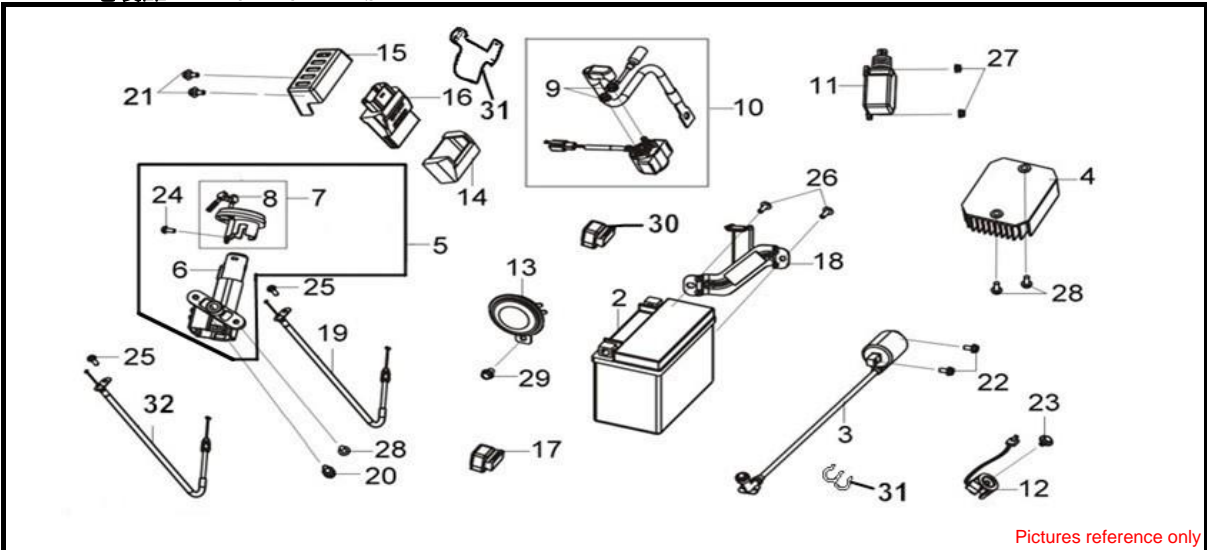
●Please check the color & stripe information according to the color index !



Pictures reference only

NO	零件料號 PARTS NUMBER	品名 NAME	DESCRIPTION	QTY	EFFECTIVE DATE
1	32100-LM1-000	配線	WIRE HARNESS	1	
2	32412-L3A-100	接地線B	EARTH CABLE B	1	
3	32415-LEA-000	電瓶接地線B	EARTH CABLE B	1	
4	89010-M92-000	工具包	TOOL SET	1	
5	90110-FYA-000	緣面螺栓 6*14	FLANGE BOLT 6*14	1	
6	95801-06012-07	緣面螺栓(黑鋅)6*12	FLANGE BOLT 6*12	1	

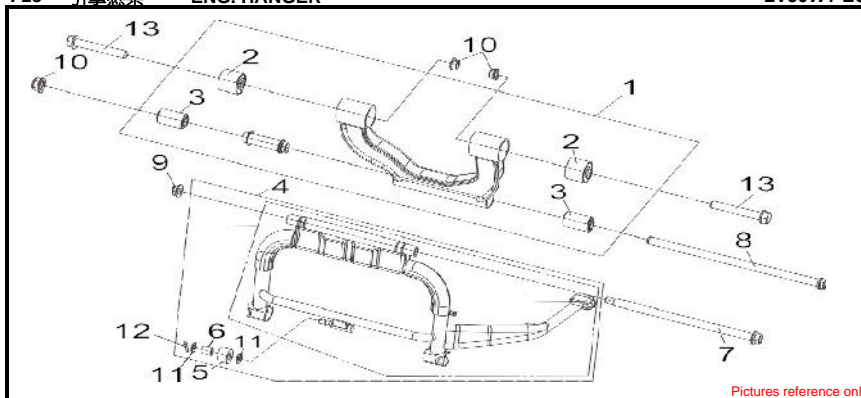
●Please check the color & stripe information according to the color index !



Pictures reference only

NO	零件料號 PARTS NUMBER	品名 NAME	DESCRIPTION	QTY	EFFECTIVE DATE
2	31500-BAB-000-P	電池(12A-BS)	BATTERY ASS'Y(GT12A-BS)	1	
3	3051A-L3A-000	點火線圈總成	IGN. COIL ASSY	1	
4	31600-L3A-000	整流調整器總成	REG. REC ASSY.	1	
5	35010-LM1-0002-TW	鎖全組(不含坐墊導線)	KEY SET (NO CABLE)	1	
6	35100-LM1-000-TW3	主開關(不含坐墊(油箱蓋)鎖線及	COMB. LOCK SW. ASSY(NO CABLE&SHUTTER	1	
7	35110-FSA-000(B01-B20)	開閉器	SHUTTER COMP	1	
8	35111-LM1-000(B01-B20)	鑰匙	KEY COMP	1	
9	35859-M9Q-000	起動開關螺帽	MAG. SW. NUT	2	
10	3585A-L3A-000	起動繼電器總成	START MAG. SW. ASSY	1	
11	35880-HMB-000	座墊鎖馬達	LINER MOTOR ASSY.	1	
12	36500-HMA-000-A6	側支架開關	SIDE STAND SW COMP	1	
13	38110-L3A-000	喇叭	HORN COMP	1	
14	38700-L4A-900	引擎控制單元橡皮	ECU SUSPENSION	1	
15	38701-L3A-000	引擎控制單元蓋	ECU COVER	1	
16	38700-L4A-900	引擎控制單元橡皮	ECU SUSPENSION	1	
17	38800-H5B-000	電子繼電器	ELECTRIC RELAY UNIT	1	
18	50324-L3A-000	電瓶束帶	BATTERY BAND	1	
19	77240-LM1-000	座墊鎖導線	SEAT LOCK CABLE	1	
20	96001-06016-00	螺絲 6*16	FLANGE BOLT SH 6*16	1	
21	90111-N01-000	緣面螺栓 6mm	FLANGE BOLT 6mm	2	
22	90112-M9Q-000	緣面螺栓5*22	FLANGE BOLT 5*22	2	
23	93404-06016-07	墊圈螺栓(黑鋅)6*16	BOLT WASHER 6*16	1	
24	93891-05008-08	墊圈螺絲5*8	WASHER SCREW 5*8	1	
25	93892-05012-08	墊圈螺絲5*12 (五彩)	WASHER SCREW 5*12	1	
26	93903-45380	攻絲螺釘 5*16	TAPPING SCREW 5*16	2	
27	94050-06080	緣面螺帽 6mm	FLANGE NUT 6mm	2	
28	90085-HHA-900	螺栓	SELF LOCKING BOLT 6*16	1	
29	95801-08012-08	緣面螺栓(五彩)8*12	FLANGE BOLT 8*12	1	
30	3850A-HLA-100-A2	繼電器	ELEC. RELAY ASSY.(MK=626)	1	
31	80104-LM1-000	右防濺板	R. SPLASH BOARD PLATE	1	
32	77245-LM1-000	油箱蓋鎖線	FUEL LID LOCK CABLE	1	

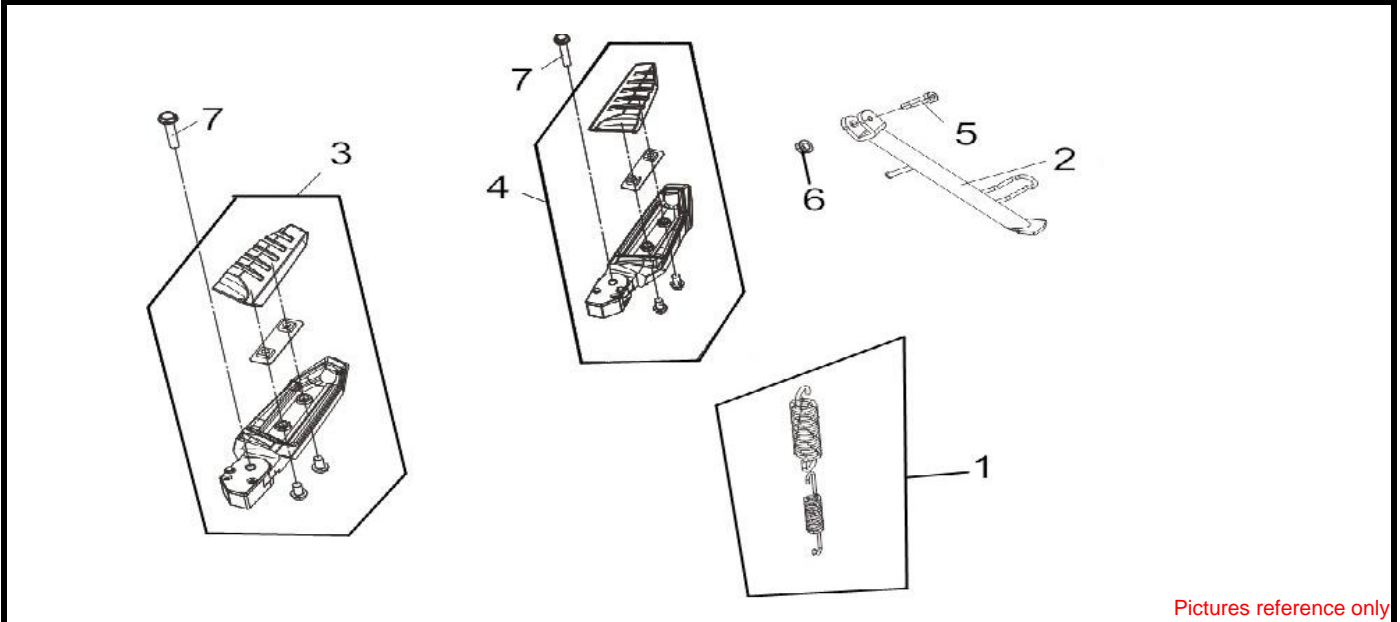
●Please check the color & stripe information according to the color index !



Pictures reference only

NO	零件料號 PARTS NUMBER	品名 NAME	DESCRIPTION	QTY	EFFECTIVE DATE
1	50350-L3A-000	引擎懸架總成	ENG. HANGER LINK ASSY	1	
2	50353-HHA-000	轉動鎖定襯套	SWING LOCK BUSH	2	
3	50357-HMA-000	引擎懸架襯套	ENG. HANGER BUSH	2	
4	5050A-LM1-000	主腳架總成	MAIN STAND ASSY.	1	
5	50505-H3A-000	主腳架橡皮	STAND STOPPER RUBBER	1	
6	50506-H3A-000	主腳架橡皮襯套	STOP RUBBER COLLAR	1	
7	50512-H6B-000	主腳架主軸	MAIN STAND PIVOT BOLT	1	
8	90107-L3A-000	緣面螺栓 12*268	FLANGE BOLT 12*268	1	
9	90304-M9Q-000	U型緣面螺帽 10mm	NUT U FLANGE 10mm	1	
10	90306-M9Q-000	鎖定螺帽 12mm	SELF LOCK NUT 12mm	3	
11	94102-08800	墊圈 8mm	PLAIN WASHER 8mm	2	
12	94201-25200	開口插梢(白鋅)	PIN SPLIT 2.5*20	1	
13	95801-12095-07	緣面螺栓 12X95	FLANGE BOLT 12*95	2	

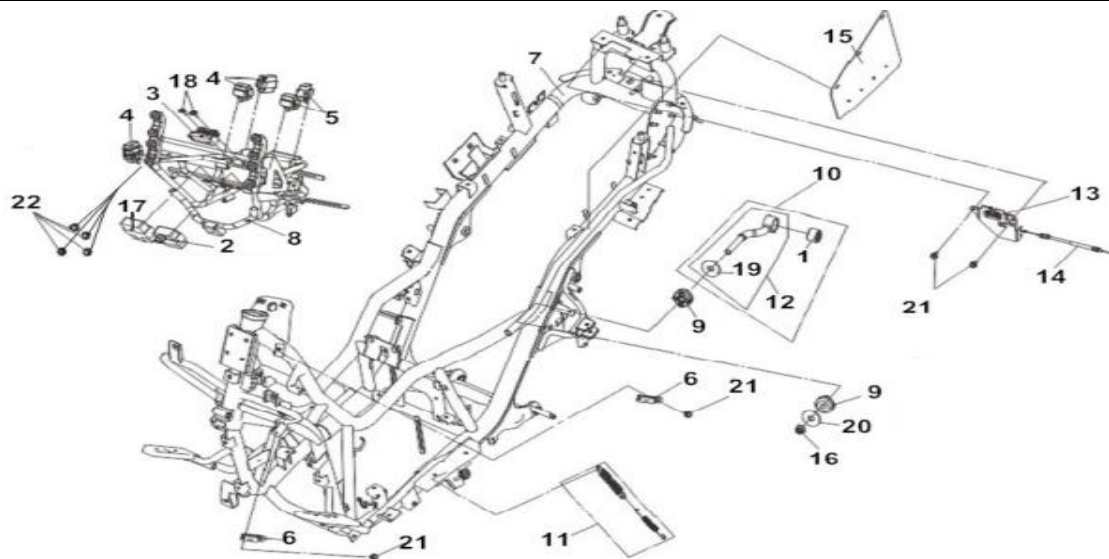
●Please check the color & stripe information according to the color index!



Pictures reference only

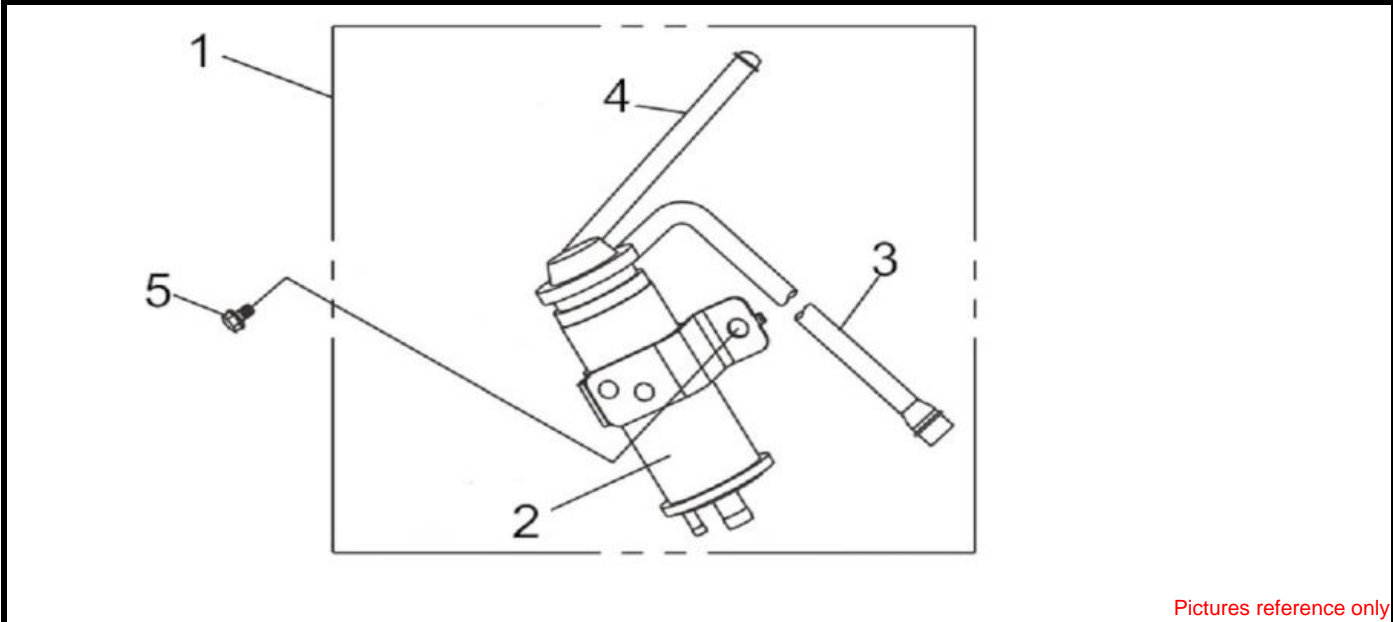
NO	零件料號 PARTS NUMBER	品名 NAME	DESCRIPTION	QTY	EFFECTIVE DATE
1	5052A-L3A-020	主腳架彈簧	MAIN STAND SPG.ASSY	1	
2	50530-HMA-100	側支架	SIDE STAND COMP	1	
3	5071A-L3A-000-IE	右踏桿組(銀灰)	R. STEP BAR SET(GY-820)	1	
4	5071B-L3A-000-IE	左踏桿組(銀灰)	L. STEP BAR SET(GY-820)	1	
5	90108-HMA-000	側支架螺絲	SIDE STAND PIVOT SCREW	1	
6	94030-08080	六角螺帽 8mm	HEX NUT 8mm	1	
7	95801-06035-07	緣面螺栓6*35	FLANGE BOLT 6*35	2	

●Please check the color & stripe information according to the color index !



Pictures reference only

NO	零件料號 PARTS NUMBER	品名 NAME	DESCRIPTION	QTY	EFFECTIV E
1	11102-H9A-300	引擎懸架襯套	ENG. HANGER RUB. BUSH	1	
2	3043A-REA-000	電瓶開啟控制總成	BATTERY OPEN CONTROL ASSY	1	
3	36100-MMA-100-A1	傾倒感應器	ROLL OVER SENSOR ASSY (MK=640)	1	
4	3850A-HLA-100-A2	繼電器	ELEC. RELAY ASSY.(MK=626)	3	
5	3850A-M8Q-000	繼電器	ELEC RELAY ASSY	2	
6	45156-HMA-000	剎車管夾子	BRAKE HOSE CLAMP	2	
7	5010N-LM1-000	車台	FRAME BODY COMP SET (BK-001C)	1	
8	50315-LM1-000	前擋板支架	FR. COVER STAY	1	
9	50352-L3A-000	制止橡皮	STOPPER RUBBER	2	
10	50380-L3A-010	張力器總成	TENSION ROD ASSY.	1	
11	5053A-HMA-000	側支架彈簧總成	SIDE STAND SPRING ASSY.	1	
12	50381-L3A-010	張力器	TENSION ROD	1	
13	77230-LM1-000	座墊掛鉤總成	SEAT CATCH ASSY.	1	
14	77241-L3A-000	座墊鎖導線 B	SEAT LOCK CABLE B	1	
15	80103-HMA-000	左防濺板	L. SPLASH BOARD PLATE	1	
16	90304-M9Q-800	U型緣面螺帽 10mm	FLANGE U NUT 10mm	1	
17	3872A-LM1-000	方向燈號控制器	HAZARD CONTROL UNIT ASSY.	1	
18	93894-04022-08	墊圈螺絲(五彩) 4*22	WASHER SCREW 4*22	2	
19	94103-L2A-000	普通墊圈 12mm	PLAIN WASHER 12mm	1	
20	94103-L3A-000	普通墊圈 12mm	PLAIN WASHER 12mm	1	
21	95801-06012-08	緣面螺栓 6*12 (五彩)	FLANGE BOLT 6*12	4	
22	95801-08018-07	緣面螺栓 8*18	FLANGE BOLT 8*18	4	



Pictures reference only

NO	零件料號 PARTS NUMBER	品名 NAME	DESCRIPTION	QTY	EFFECTIVE DATE
1	1730A-L3D-000	活性炭罐總成	CANISTER SET	1	
2	17550-HMB-010	活性炭罐總成	CANISTER ASSY	1	
3	17688-L3D-000	活性炭罐濾清導管	CANI-AIR/C TUBE	1	
4	17682-L3D-000	活性炭罐連接管	CANI-CARB. TUBE	1	
5	95801-06012-08	緣面螺栓 6*12 (五彩)	FLANGE BOLT 6*12	1	

●Please check the color & stripe information according to the color index !

PARTS NO.	NO.	PARTS NO.	NO.	PARTS NO.	NO.
06414-LEF-000	E04	12391-HMA-000	E01	16403-F6K-000	E04
06415-HNS-000	E04	13000-L3A-000	E08	1670A-HWA-000	F25
06416-HNS-000	E04	13010-L3A-000	E07	16730-L2E-000	F25
11100-L3A-000	E09	13101-L3A-000	E07	1711A-LHF-000	E04
11102-H9A-300	F30	13111-HMA-000	E08	17120-HNS-010	E04
11102-HMA-300	E09	14100-RFB-000	E05	17200-LM1-000	E21
11102-HMA-300	E17	14105-RFA-000	E05	17208-L3A-000	E21
11107-HMA-000	E09	14105-X01-000	E05	17211-HMA-000	E21
11120-LEA-000	E09	14108-M36-000	E05	17214-HMA-000	E21
11120-LEA-000	E17	14151-RFA-000	E09	17221-LEA-000	E18
11133-A1A-300	E17	1443A-LEA-000	E02	17230-L3A-000	E21
11191-L3A-000	E09	1444A-LEA-000	E02	17231-LM1-000	E21
11200-L3A-000	E17	14451-HMA-000	E02	17234-M51-000	E21
11203-M9Q-300	E17	14457-HMA-000	E05	17236-FWA-000	F24
11203-M9Q-300	F13	14510-RFA-000	E05	17253-L3D-000	E21
11211-L3A-000	E20	14520-H6T-000	E07	17255-HMA-000	E21
1122A-HMA-000	E13	14522-H6T-000	E07	17257-HMA-000	E21
11330-L3A-000	E10	14523-M9Q-002	E07	17258-H9A-000	E21
11341-L3A-000	E18	14524-H6T-000	E07	1730A-L3D-000	F31
11342-HMA-000	E18	14525-H6T-000	E07	17359-M9Q-000	E21
11343-HMA-001	E18	14531-KJ9-000	E05	17370-M9Q-000	E20
11344-HMA-000	E18	14610-BCE-000	E05	17371-M9Q-000	E20
11346-HMA-000	E18	14711-HMA-000	E02	17380-H6A-000	E20
11351-L3A-008-GYK	E18	14721-RFS-000	E02	17385-H6A-000	E20
11352-HMA-000	E18	14751-HMA-000	E02	1738A-L3A-000	E20
11353-HMA-000	E18	14761-HMA-000	E02	17500-L3A-010	F25
1135A-L3A-001-GYK	E18	14771-M8Q-000	E02	17508-LM1-000	F24
1137A-HMA-000	E18	14777-KN7-670	E02	17512-L3A-010	F25
11394-HMA-002	E10	14781-M9Q-000-A	E02	17550-HMB-010	F31
11395-L3A-000	E18	15100-HMA-000	E16	17562-L2A-000	E20
12100-RFA-000	E07	15126-B8A-000	E16	17570-HMC-000	E19
12100-L3A-000-A	E07	15132-HMA-000	E16	17571-L3A-000	E19
12191-RFA-001	E07	15133-HMA-000	E16	17574-L2A-000	E19
12200-L3A-010	E03	15421-B9D-000	E10	17576-L2A-010	E19
12209-H6B-900	E02	15426-M9Q-000	E10	1757A-L3A-000	E19
12251-RFA-000	E07	1565A-LEA-000	E10	17580-LA2-000	F25
12301-HMA-000	E01	15711-HML-000	E16	17581-L32-000	F25
1231A-L3A-000	E06	15713-HMC-010	E15	17585-L3A-010	F25
12342-G02-000	E07	15772-500-013	E20	17590-HMC-000	E19
12342-X01-000	E01	16201-HMC-001	E04	17591-HMC-000	E19
12342-X01-000	E03	1621A-HMC-000	E04	17592-HMC-000	E19
12342-X01-000	E06	16401-L3D-000	E04	1762A-LM2-000	F25
12342-X01-000	E10			17620-LM2-000	F25
12363-L2E-010	E01			17621-LM2-000	F25
1236A-V02-000	E10			17682-L3D-000	F31
				17688-L3D-000	F31

PARTS NO.	NO.	PARTS NO.	NO.	PARTS NO.	NO.
17910-L3A-000	F08	19505-KS6-700	F24	3043A-REA-000	F30
17920-L3A-000	F08	19505-L3A-000	F24	3051A-L3A-000	F27
18000-LM1-000	E22	19505-REA-000	E03	31110-L3A-000	E15
18241-L3A-000	E10	19509-HWA-000	F24	31120-L3A-000	E15
18292-F3E-000	E22	1950A-LEA-000	E14	31200-L3D-000	E09
18293-F3E-000	E22	1951A-HMA-010	E03	31500-BAB-000-P	F27
18295-A1A-000	E22	19604-H01-000	E14	31600-L3A-000	F27
18310-LM1-300	E22	1B01L3A01	E11	32100-LM1-000	F26
18318-LM1-000	E22	1C14401-RFA-000	E05	32105-LM1-000	F18
18320-L9D-300	E22	1C15141-HMA-000	E16	32160-A3A-900	F08
18321-L1A-000	E22	1PCR8E	E03	32162-H6T-000	F25
18362-HMA-000	E21	21200-L2C-000	E13	32412-L3A-100	F26
18362-KA4-700	E21	21395-L3A-000	E13	32415-LEA-000	F26
18533-M7Q-000	E19	22000-RB1-000	E11	33100-LM1-000	F01
18610-L2E-000	E01	22101-HMA-000	E12	3310A-LM1-000	F01
18647-HMA-000	E01	22102-HMA-000	E11	3310A-LM1-000	F02
18654-N14-004	E01	22105-HMA-000	E11	33120-L4A-000	F01
18659-L2A-000	E19	22110-HMA-000	E11	33144-LM1-000	F01
18811-N14-000	E19	22121-RB1-001-A	E11	33150-LM1-000	F01
19010-L3A-000	F24	22131-HMA-000	E11	33244-LM1-000	F01
19020-HMA-000	F24	22132-HMA-000-A	E11	33400-LM1-000	F06
19039-LVA-000	F24	22300-L3D-000	E12	33450-LM1-000	F06
19104-M9Q-000	F24	22350-HMA-000	E12	33604-LM1-000	F21
19109-L3A-000	F24	22361-HMA-000	E12	33654-LM1-000	F21
1910A-L3A-000	F24	22401-HMA-000	E12	33700-LM1-000	F21
19111-H9A-000	F24	22530-L3D-000-A	E12	33706-LM1-000	F21
19125-LM1-000	F24	22804-HMA-000	E12	33707-LM1-000	F21
19126-L3A-000	F24	23010-L3D-000	E12	3370S-LM1-000	F21
19215-HLA-000	E10	23200-L3A-000	E12	33740-LEA-010	F16
19217-H9A-300	E10	23220-HMA-000	E12	33741-M9A-100	F16
19217-H9A-300-A	E10	23225-HMA-000	E12	33742-F3H-000	F12
19229-H9A-002	E14	23226-HMA-000	E12	34901-HWA-000	F01
1922A-LEA-000	E14	23233-HMA-000	E12	35010-LM1-000-TW	F27
19231-HMA-000	E10	23237-L4A-000	E12	35100-LM1-000-TW3	F27
19300-HMA-000	E03	23238-L3A-000	E12	35110-FSA-000	F27
19315-L3A-010	E03	23411-LEA-000	E13	35111-LM1-000	F27
19501-L3A-000	F24	23420-L3A-000	E13	35150-L4A-000	F08
19502-L3A-000	E03	23431-L3A-000	E13	35200-HNL-000	F08
19505-F81-000	F25	23432-L3A-000	E13	35340-L6C-000	F09
19505-KS6-700	E14	28100-HMA-000	E09	35345-L3A-000	F17
		28101-RB1-000	E09		
		28102-RB1-000	E09		
		28105-HMA-300	E09		
		28110-HMA-000	E15		
		2812A-HMA-000	E15		

PARTS NO.	NO.	PARTS NO.	NO.	PARTS NO.	NO.
35350-L6C-000	F09	44620-L3A-000	F10	5053A-HMA-000	F30
35370-M9P-000	F18	44710-LM1-000	F10	50611-HMA-000	F15
35859-M9Q-000	F27	44720-H9A-000	F10	5071A-L3A-000-IE	F29
3585A-L3A-000	F27	44720-H9A-000	F14	5071B-L3A-000-IE	F29
35880-HMB-000	F27	44870-L4C-000	F11	50757-L3A-000	F17
36100-MMA-100-A1	F30	44870-L4C-000	F13	51400-L3A-000	F11
36500-HMA-000-A6	F27	44871-L4C-000	F13	51401-L3D-000	F12
3700-A35B-0100	E04	44910-L4C-000	F13	51500-L3A-000	F11
37200-LM1-000	F05	45100-L3A-000-KB	F09	51501-L31-000	F12
37750-PC1-004	E03	45105-L3A-000-A	F09	5210A-L3A-000-IL	F13
37760-HMA-000	F24	45120-L3A-000	F10	52400-LM1-000-KB	F14
37800-L3A-010	F25	45121-L3A-900	F10	53100-LM1-000	F08
37801-A5L-000	F25	45126-L3E-000-A1	F09	53104-N02-000	F08
37804-LEA-000	F25	45127-LM1-000	F09	53105-N02-000	F08
37830-HMC-000	E21	45156-HMA-000	F30	53106-N02-000	F08
37880-HMC-000	E03	45156-LAS-000	F13	53108-N02-000	F08
37890-LHF-000	E22	45465-L3E-000	F12	53125-M9Q-000	F08
38110-L3A-000	F27	45500-L3E-000	F09	53140-L4A-000	F08
3850A-HLA-100-A2	F27	45517-TFA-000	F09	53166-L4A-000	F08
3850A-HLA-100-A2	F30	5010N-LM1-000	F30	53175-HMA-000	F09
3850A-M8Q-000	F30	50189-LM1-000	F18	53178-HMA-000	F09
38600-L4A-000	F15	50300-L4A-000	F11	53200-L3E-000	F11
38650-FSA-000-A2	F15	50301-HMA-000	F11	53205-LM1-000	F07
38700-L4A-900	F27	50306-M9Q-000	F11	53206-LM1-000	F07
38700-L4A-900	F27	50308-HMA-000	F11	53208-LM1-000	F05
38701-L3A-000	F27	50310-LM1-000	F01	5320C-LM1-000-OK	F07
3872A-LM1-000	F30	50310-LM1-000	F02	53210-LM1-000-OK	F05
38730-L3G-000	F09	50315-LM1-000	F04	53211-HMA-000	F11
38800-H5B-000	F27	50315-LM1-000	F30	53214-L4A-000	F11
42311-H9A-000	F13	50317-LM1-010	F04	53215-HMA-000	F11
42311-H9A-900	F13	50318-LM1-010	F04	53220-HMA-000	F11
42601-L9F-000-IF	F14	50324-L3A-000	F27	61100-LM1-000-IL	F12
42710-LM1-000	F14	50326-LM1-000-IL	F15	61100-LM1-000-JH	F12
42753-KBN-902	F10	50350-L2A-000	F28	61100-LM1-000-QU	F12
42753-KBN-902	F14	50352-L3A-000	F30	61100-LM1-000-RT	F12
43100-L3A-010-KB	F09	50353-HHA-000	F28	64303-LM1-000-IL	F02
43105-L3A-010-A	F09	50357-HMA-000	F28	64303-LM1-000-JH	F02
43120-L3E-000	F14	50380-L2A-010	F30	64303-LM1-000-QU	F02
43121-L3A-900	F14	50381-L2A-010	F30	64303-LM1-000-RT	F02
43311-L3E-000-A1	F09	50505-H3A-000	F28	64304-LM1-000-IL	F02
43312-L3E-000-A1	F09	50506-H3A-000	F28	64304-LM1-000-JH	F02
43500-L3E-000	F09	5050A-LM1-000	F28	64304-LM1-000-QU	F02
44301-L3A-000	F11	50512-H6B-000	F28	64304-LM1-000-RT	F02
44311-L3A-000	F11	5052A-L3A-020	F29	64304-X01-000	F01
44601-L9F-000-IF	F10	50530-HMA-100	F29	64304-X01-000	F01

PARTS NO.	NO.	PARTS NO.	NO.	PARTS NO.	NO.
64304-X01-000	F04	77115-LM1-000	F18	83619-F8A-300	F25
64305-LM1-000-IL	F03	7711A-LM1-000	F17	83619-L3F-000	F15
64305-LM1-000-JH	F03	77200-LM1-000	F17	83620-LM1-000	F20
64305-LM1-000-QU	F03	77202-HMA-100	F17	83630-L3A-100	F19
64305-LM1-000-RT	F03	77230-LM1-000	F30	83750-LM1-000-JD	F20
64306-LM1-000-IL	F03	77240-LM1-000	F27	83750-LM1-000-OK	F20
64306-LM1-000-JH	F03	77241-L3A-000	F30	83750-LM1-000-OK	F20
64306-LM1-000-QU	F03	77245-LM1-000	F27	83750-LM1-000-OK	F20
64306-LM1-000-RT	F03	80100-LM1-000	F16	87121-LM1-000	F04
64301-LM1-000-KA	F02	80103-HMA-000	F30	87122-LM1-000	F04
6430C-LM1-000-KB	F02	80104-HMA-000	F18	87126-LL1-000-JD	F20
64300-LM1-000	F03	80104-LM1-000	F27	87126-LL1-000-JD	F20
64310-LM1-000	F23	80105-LM1-000	F16	87126-LL1-000-OK	F20
64311-LM1-000	F23	80106-L3A-000-KA	F16	87126-LM1-000	F20
64312-LM1-000	F23	81131-LM1-000	F15	87127-LL1-000-JD	F20
64315-L3A-000	F23	81132-LM1-000	F15	87127-LL1-000-JD	F20
64315-LM1-000-JD	F22	81133-LM1-000	F15	87127-LL1-000-OK	F20
64315-LM1-000-OK	F22	81134-LM1-000	F15	87127-LM1-000	F20
64316-L3A-000	F23	81141-LM1-000-IL	F15	87131-LL1-000-T2	F23
64316-LM1-000-JD	F22	81142-LM1-000	F15	87132-LL1-000-T2	F23
64316-LM1-000-OK	F22	81149-L4A-000	F15	87503-LM1-000	F15
64317-L3A-000	F23	81163-LM1-000	F15	87505-L1A-000	F18
64318-L3A-000	F23	81164-LM1-000	F15	87552-L6G-000	F02
64318-LM1-000	F23	81165-LM1-000	F15	87552-L6G-900	F07
64319-LM1-000	F23	81210-LM1-000-JD	F19	87561-L1A-000	F18
6431G-LL1-000-KB	F23	81210-LM1-000-OK	F19	88110-LM1-000	F06
6431H-LL1-000-KB	F23	81210-LM1-000-OK	F19	88111-LM1-000	F06
64320-LM1-000-H1	F22	81210-LM1-000-OK	F19	88112-LM1-000	F06
64320-LM1-000-H1	F23	81219-L1A-000	F18	88115-LM1-000	F06
64321-LM1-000	F23	81220-LM1-000-JD	F19	88120-LM1-000	F06
64322-LM1-000	F23	81220-LM1-000-OK	F19	88121-LM1-000	F06
64323-LM1-000	F23	81220-LM1-000-OK	F19	88122-LM1-000	F06
64324-LM1-000	F23	81220-LM1-000-OK	F19	88125-LM1-000	F06
67100-LM1-010	F04	81250-LM1-000	F18	89010-M92-000	F26
67101-L3A-000	F04	81256-LM1-000	F18	90001-L3A-000	E22
6710A-LM1-010	F04	81300-L1P-000	F19	90001-RFS-000	E07
67110-LM1-010	F04	8350G-LL1-000-IL	F20	90002-HMA-000	E01
67120-LM1-010	F04	8350G-LL1-000-QU	F20	90002-L3A-000	E22
74480-L3A-000	F17	8350G-LL1-000-RT	F20	90003-L3A-000	E10
74481-HMA-100	F18	8350G-LM1-000-JH	F20		
77101-L3A-000	F17	83520-LM1-000	F20		
77111-LM1-000	F17	8360G-LL1-000-IL	F20		
77112-LM1-000	F17	8360G-LL1-000-QU	F20		
		8360G-LL1-000-RT	F20		
		8360G-LM1-000-JH	F20		

PARTS NO.	NO.	PARTS NO.	NO.	PARTS NO.	NO.
90012-HLK-000	E02	90302-M9Q-800	F15	91101-HMA-000	E16
90031-HMA-000	E09	90302-M9Q-800	F18	91103-A3F-000	E16
90032-HMA-000	E17	90302-M9Q-800	F20	91201-HMA-300	E08
90034-HMA-000	E03	90302-M9Q-800	F23	91202-HMA-000	E15
90043-HMA-000	E22	90304-M9Q-000	F08	91203-HMA-000	E13
90084-H9A-000	E10	90304-M9Q-000	F28	91204-HMA-000	E13
90085-HHA-900	F27	90304-M9Q-800	F30	91205-KF0-003	E10
9008A-H9A-000	E10	90304-M9Q-900	F17	91211-HMA-000	E12
90103-M9Q-000	E17	90304-M9Q-900	F18	91255-L3A-000	F11
90104-H5K-000	F09	90305-L3A-000	E21	91256-L3A-000	F11
90104-L2A-000	F09	90305-M9Q-000	F12	91301-HMA-000	E06
90105-H7A-010	F19	90305-M9Q-900	F13	91302-M9Q-000	E10
90105-KR3-000	F14	90306-BAA-000	F17	91303-377-000	E10
90105-L3A-000	F10	90306-M9Q-000	F28	91305-HMA-000	E12
90105-LM1-000	F22	90308-X04-000	F07	91307-M9Q-000	E10
90106-LEA-000	F25	90308-X04-000	F15	91308-HMA-000	E04
90106-M9Q-000	F08	90308-X04-000	F22	92101-06016-0H	E04
90107-L3A-000	F28	90308-X04-000	F23	92101-06016-0H	E05
90108-HMA-000	F29	90308-X04-000	F24	92800-12000	E17
90110-FYA-000	F26	90401-HMA-000	E13	92900-06028-0B	E03
90111-GJ5-000	F24	90401-KJ9-000	E11	93401-06014-00	F20
90111-HKD-900	F15	90401-KJ9-000	E12	93401-HKD-000	E22
90111-HKD-900	F23	90401-KJ9-000	E15	93404-06012-07	F03
90111-L2A-000	F16	90423-KJ9-000	E10	93404-06012-07	F16
90111-M9Q-800	F15	90442-HMA-000	E03	93404-06012-07	F25
90111-M9Q-800	F18	90474-M9Q-000	E17	93404-06016-07	F27
90111-M9Q-800	F24	90478-700-000	E14	93404-06020-08	F24
90111-N01-000	F27	90481-M9Q-100	E17	93404-06040-07	E21
90112-M9Q-000	F27	90545-M9Q-000	F09	93404-08014-07	F09
90116-L4A-000	E22	90601-HMA-000	E08	93405-06016-07	F24
90118-N02-000	F08	90602-L2C-000	E12	93500-03008-1A	E16
90145-M9Q-000	F09	90652-HMA-000	E21	93500-03010-1A	F06
90157-F3G-000	E15	90653-HMA-000	E04	93500-05012-0H	E18
90164-M9Q-000	F12	90677-M9Q-000	F16	93500-05016-0A	E15
90201-KR8-751-M1	E11	90682-V02-900	E20	93500-05025-0G	F08
90201-KR8-751-M1	E12	90701-HB6-010	E08	93500-05035-0G	F08
90201-KR8-751-M1	E15	90703-M8Q-000	E13	93500-06025-0H	E16
90202-HMA-000	E12	90754-LEA-000	F10	93500-L2F-000	F14
90206-HLK-000	E02	90899-422-610	F16	93600-03006-0G	F25
90301-GE0-000	F18	90912-LEA-000	F10	93891-05008-08	F27
90302-M9Q-800	F03	91001-HMA-000	E08	93891-05012-07	F08
90302-M9Q-800	F04	91001-KJ9-005	E10	93891-05016-07	E19
90302-M9Q-800	F05	91002-HWA-000-M1	E13	93891-05016-07	E21
90302-M9Q-800	F07	91009-HMC-000	E13	93891-05016-07	F20
				93891-05045-07	F13

PARTS NO.	NO.	PARTS NO.	NO.	PARTS NO.	NO.
93891-06050-07	F11	94103-L3A-000	F30	95801-10040-07	F14
93892-05012-08	F27	94109-12000	E17	95801-10040-08	F11
93894-04022-08	F30	94111-06700	E22	95801-10075-07	F13
93894-05016-07	F07	94201-25200	F28	95801-12095-07	F28
93894-05016-07	F16	94251-08400	F17	96001-06010-00	E14
93901-34480	F16	94301-08140	E09	96001-06012-00	E18
93903-25480	E21	94301-08140	E14	96001-06012-00	F11
93903-34320	F18	94301-08140	E15	96001-06012-08	E09
93903-34320	F23	94301-12200	E07	96001-06012-08	E16
93903-34380	F15	94510-10000	E16	96001-06014-00	E01
93903-34380	F20	94510-20000	E17	96001-06014-00	E05
93903-34380	F22	94510-25000	E13	96001-06016-00	E01
93903-35280	F15	94520-26000	E10	96001-06016-00	E03
93903-35280	F16	94520-32000	E10	96001-06016-00	F27
93903-35280	F20	94524-47000	F13	96001-06018-00	E06
93903-35280	F23	94540-04018	F22	96001-06018-07	E18
93903-35320	F02	94540-L2C-000	E12	96001-06022-00	E09
93903-35320	F05	94592-A5W-000	F18	96001-06022-00	E14
93903-35320	F08	95001-45220-40	F25	96001-06030-00	E15
93903-35380	F05	95002-02080	F25	96001-06030-00	E18
93903-44480	F02	95002-40800-08	F24	96001-06032-00	E14
93903-44480	F03	95002-45000	F24	96001-06035-00	E18
93903-44480	F04	95002-50000	F25	96001-06045-00	E10
93903-44480	F05	95002-80000	E20	96001-06050-00	E17
93903-44480	F07	95002-80000	E21	96001-06055-00	E09
93903-44480	F15	95003-23022-10	E20	96001-06070-00	E17
93903-44480	F18	95701-10012-08	E17	96001-06090-00	E03
93903-44480	F20	95801-06012-07	F17	96100-60000-00	E10
93903-44480	F23	95801-06012-07	F26	96100-62050-10	E13
93903-45380	F15	95801-06012-08	F24	96100-63020-00	E13
93903-45380	F22	95801-06012-08	F30	96140-62013-10	E15
93903-45380	F23	95801-06012-08	F31	96150-60060-10	E18
93903-45380	F27	95801-06016-07	F13	96150-62050-10	E13
93903-HGC-000	F25	95801-06016-08	F02	96700-06025-07	F06
94030-08080	F29	95801-06020-08	F02	96700-08020-00	F11
94050-05080	F16	95801-06020-08	F09		
94050-06000	E04	95801-06022-07	F04		
94050-06070	F12	95801-06022-07	F09		
94050-06080	F17	95801-06035-07	F29		
94050-06080	F27	95801-06110-08	F17		
94050-10080	E03	95801-08012-08	F27		
94101-06700	E22	95801-08018-07	F30		
94101-08800	F17	95801-08035-00	F14		
94102-08800	F28	95801-08050-08	E17		
94103-L2A-000	F30	95801-08060-07	F09		