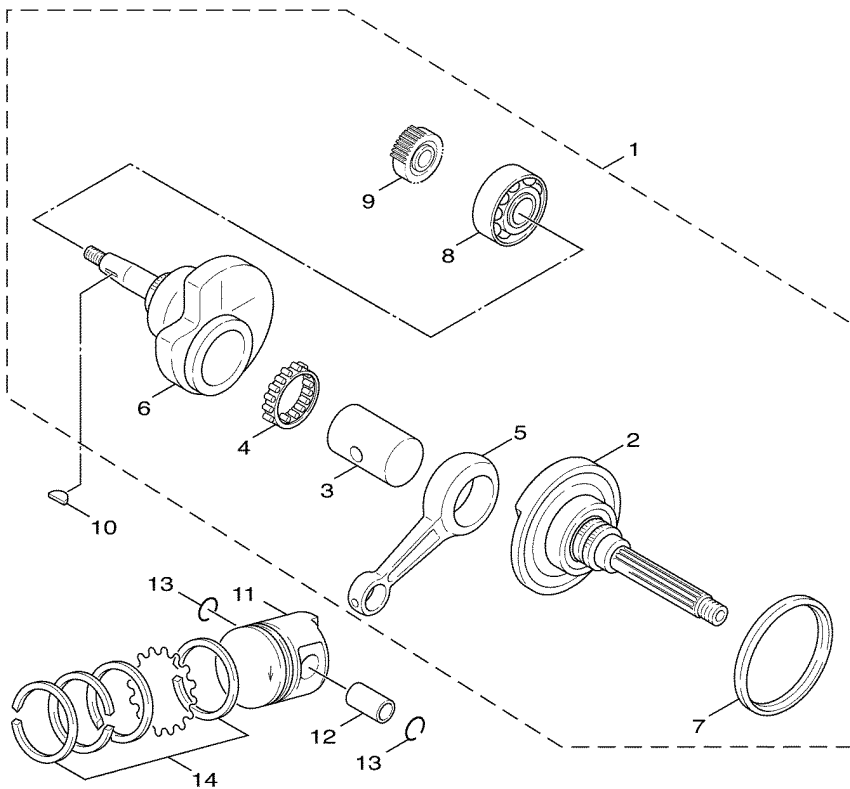


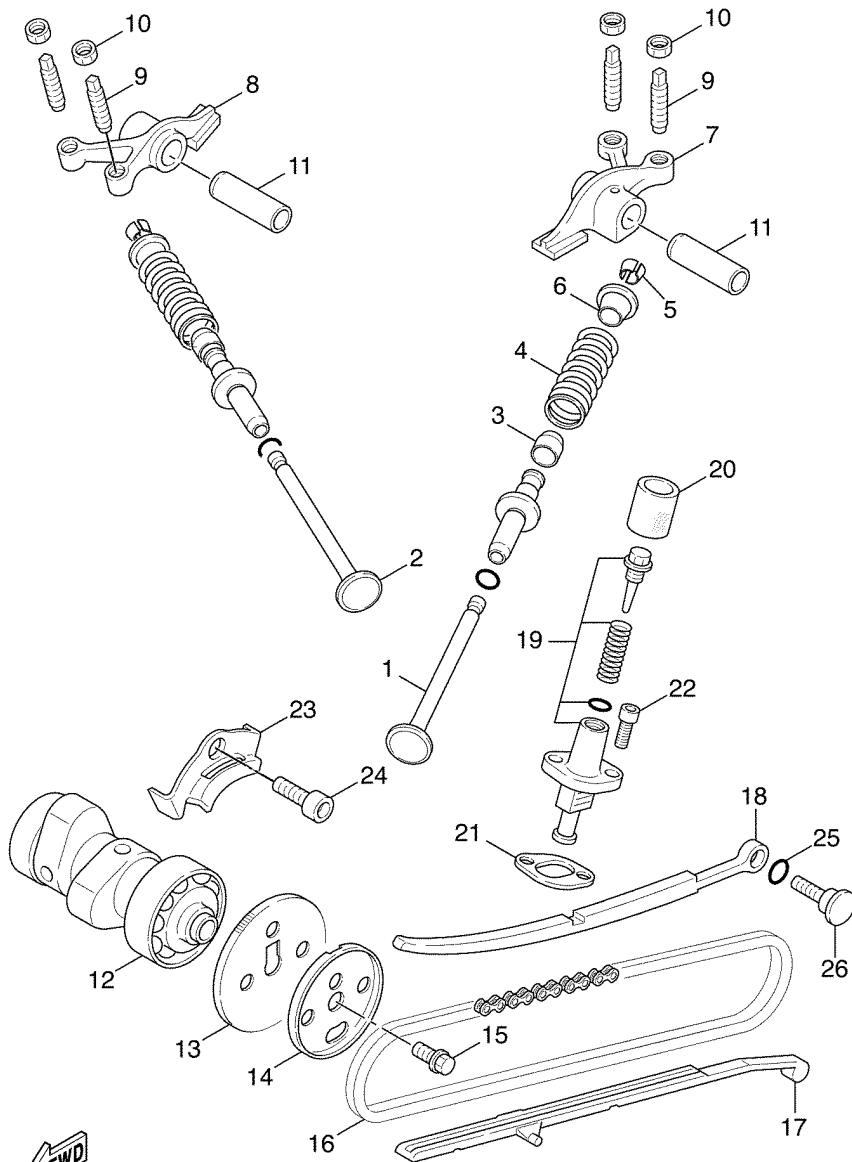
Ref No	Part No	Description
01	5ML-E1102-00-00	Cylinder Head Assy
02	5ML-11133-10-00	• . Guide, Valve 1
03	5ML-11134-10-00	• . Guide, Valve 2
04	90116-08806-00	• . Bolt, Stud
05	90153-06803-00	• . Screw, Hexagon
06	90430-06014-00	• . Gasket
07	90113-06803-00	• . Bolt, Set
08	5ML-E1160-00-00	Breather Assy
09	5ML-E1185-00-00	• . Cover, Cylinder Head Side 1
10	5ML-E1165-00-00	• . Plate, Breather
11	97527-06512-00	• . Bolt, With Washer
12	4CW-E1155-00-00	• . Seal, Labyrinth
13	93210-71462-00	• . O-ring
14	95027-06020-00	Bolt, Flange
15	5ML-E1186-00-00	Cover, Cylinder Head Side 2
16	93210-54801-00	O-ring
17	90201-08609-00	Washer, Plate
18	90176-08816-00	Nut, Crown
19	94700-00840-00	Plug, Spark (ngk Cr7e)
20	5ML-E1181-00-00	Gasket, Cylinder Head 1
21	99530-10114-00	Pin, Dowel
22	99530-10114-00	Pin, Dowel
23	91317-06100-00	Bolt
24	5ML-E1311-00-00	Cylinder 1
25	5ML-E1351-00-00	Gasket, Cylinder
26	5ML-E4987-00-00	Hose
27	90467-13042-00	Clip
28	95027-06016-00	Bolt, Flange
29	5ML-E1391-00-00	Bolt, Stud 1
30	5ML-E1392-00-00	Bolt, Stud 2

5UA1010-B010

Ref No	Part No	Description
01	5ML-E1400-01-00	Crankshaft Assy
02	5ML-W1141-00-00	. Crank 1
03	5ML-E1681-00-00	. Pin, Crank 1
04	93310-52809-00	. Bearing
05	5LW-E1651-00-00	. Rod, Connecting
06	5ML-E1422-00-00	. Crank 2
07	5ML-E3452-00-00	. Cover, Rotor Filter
08	93306-37211-00	. Bearing
09	5ML-E3324-00-00	. Gear, Pump Drive
10	90280-03045-00	Key, Woodruff
11	5ML-E1631-10-00	Piston (std)
12	5LW-E1633-00-00	Pin, Piston
13	93450-16068-00	Circlip
14	5ML-E1603-00-00	Piston Ring Set (std)



5TY1414-2020

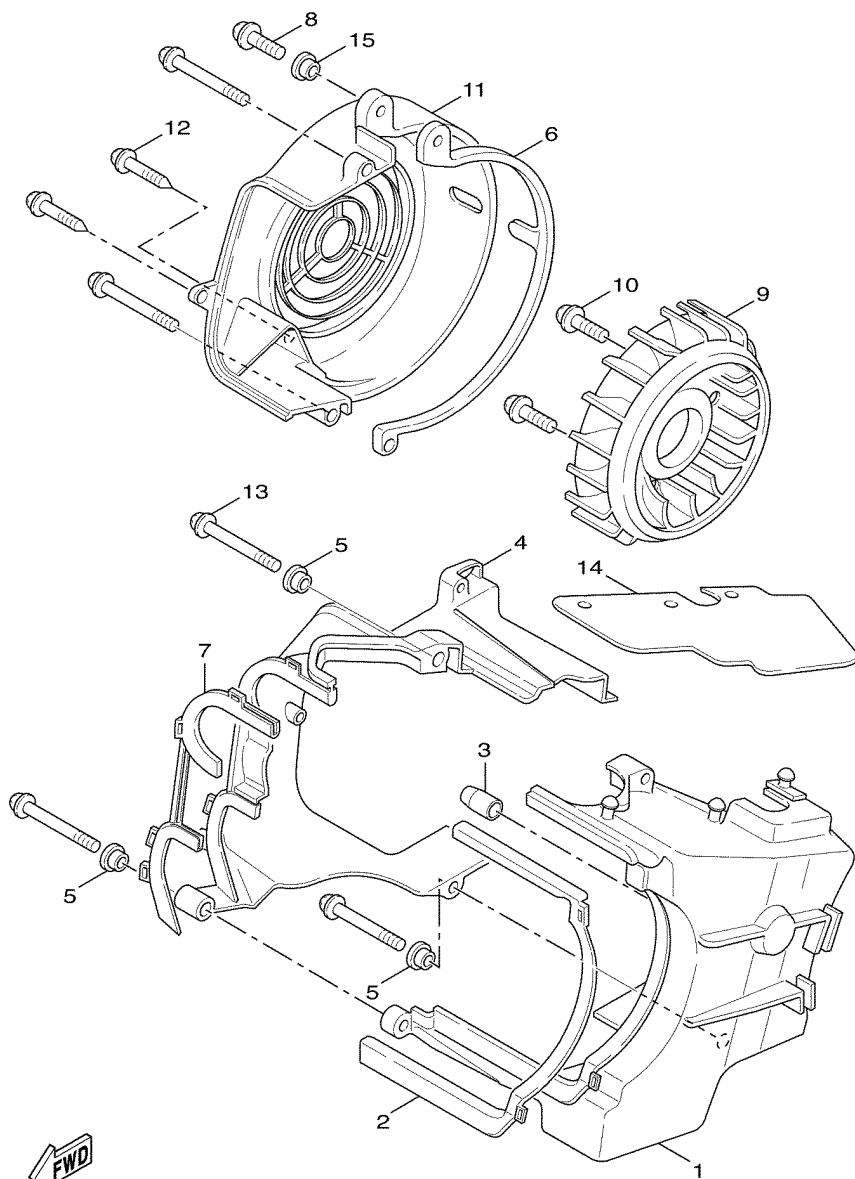


Ref No	Part No	Description
01	5ML-E2111-00-00	Valve, Intake
02	5ML-E2121-00-00	Valve, Exhaust
03	5ML-E2119-00-00	Seal, Valve Stem
04	5ML-12113-00-00	Spring, Valve Inner
05	1AA-12118-00-00	Cotter, Valve
06	5ML-12117-00-00	Retainer, Valve Spring
07	5ML-12151-00-00	Arm, Valve Rocker
08	5ML-12161-00-00	Arm, Valve Rocker 2
09	5FM-E2159-00-00	Screw, Valve Adjusting
10	90170-05800-00	Nut
11	5HK-E2156-00-00	Shaft, Rocker 2
12	5ML-E2170-00-00	Camshaft Assy 1
13	5LW-E2176-00-00	Sprocket, Cam Chain
14	5ML-E1145-00-00	Plate, Breather 2
15	95817-08016-00	Bolt, Flange
16	94568-75094-00	Chain
17	5ML-E2231-00-00	Guide, Stopper 1
18	5ML-E2241-00-00	Guide, Stopper 2
19	5ML-E2210-00-00	Tensioner Assy, Cam Chain
20	4CW-E2232-00-00	Damper
21	4DH-E2213-01-00	Gasket, Tensioner Case
22	91317-06016-00	Bolt
23	5ML-E111F-00-00	Plate
24	91317-06012-00	Bolt
25	93210-15862-00	O-ring
26	4CW-E2157-00-00	Bolt



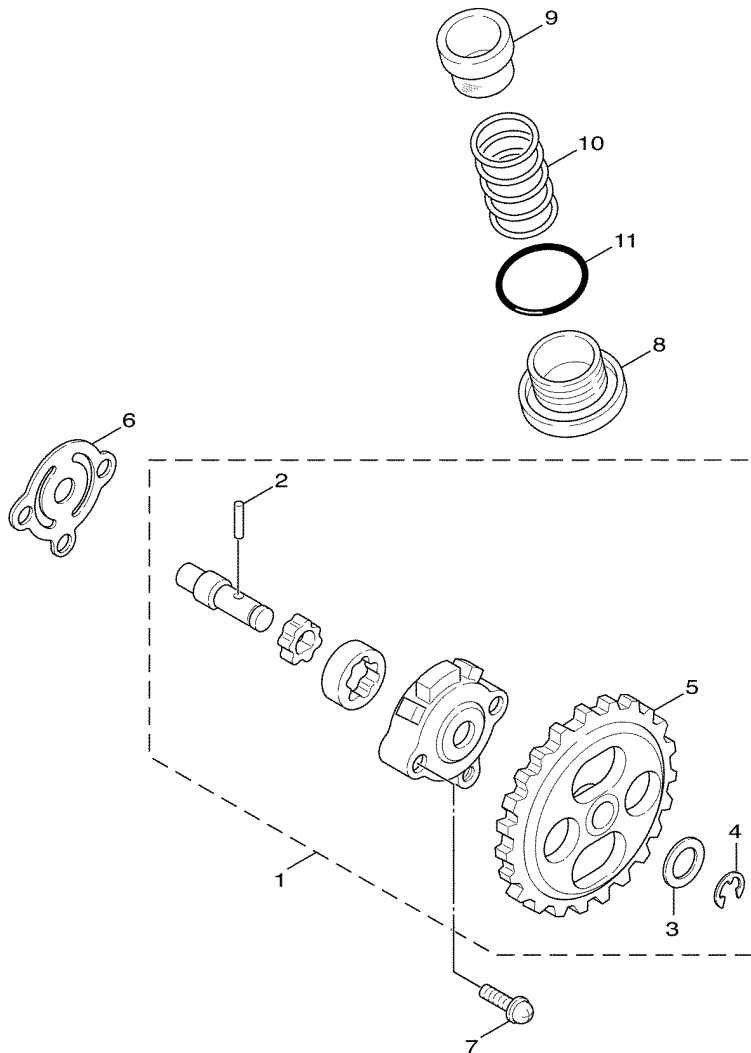
5TY1414-2030

Ref No	Part No	Description
01	5ML-E2651-00-00	Air Shroud, Cylinder 1
02	5ML-E2668-00-00	Damper, Air Shroud 3
03	3KW-E3569-00-00	Plug, Blind
04	5ML-E2652-00-00	Air Shroud, Cylinder 2
05	90387-068F9-00	Collar
06	5ML-E2658-00-00	Damper, Air Shroud 1
07	5ML-E2659-00-00	Damper, Air Shroud 2
08	97707-60530-00	Screw, Tapping
09	5TY-E2611-00-00	Fan
10	90119-06857-00	Bolt, With Washer
11	5ML-E2653-00-00	Air Shroud, Cylinder 3
12	97707-60516-00	Screw, Tapping
13	97607-06220-00	Screw, with Washer
14	5ML-E2682-00-00	Protector, Heat
15	90480-12497-00	Grommet

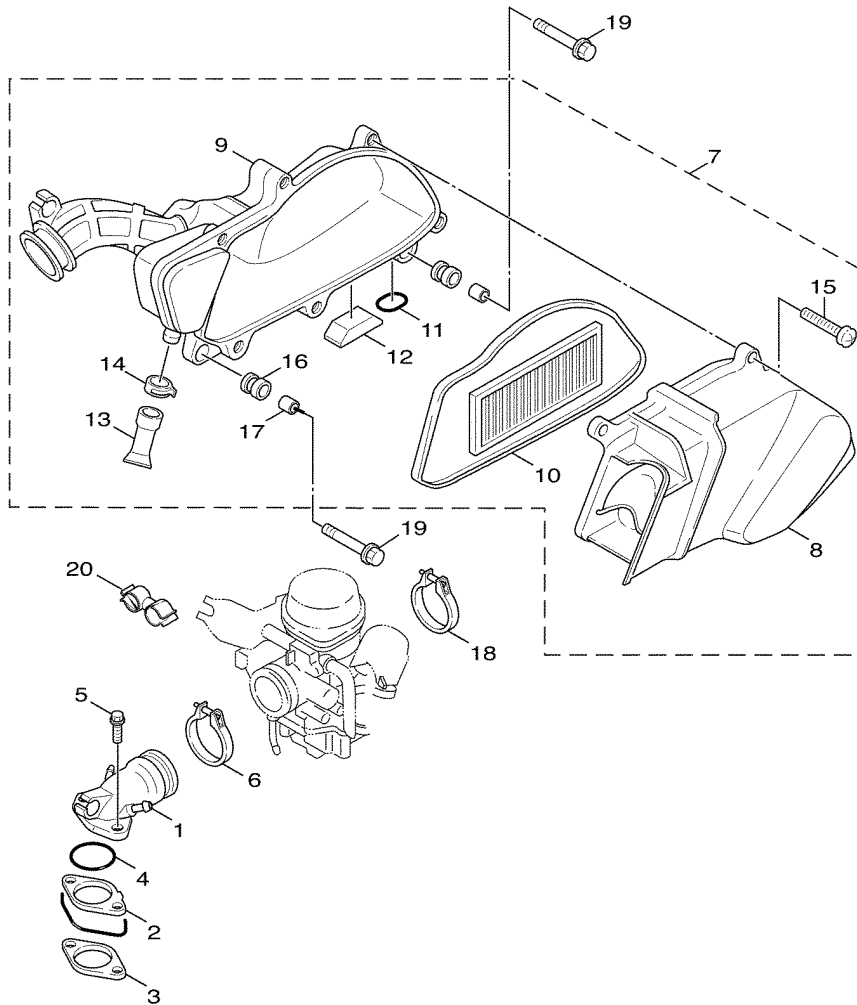


5TY1414-2040

Ref No	Part No	Description
01	5ML-E3300-00-00	Oil Pump Assy
02	93602-13832-00	• Pin, Dowel
03	90201-077F5-00	• Washer, Plate
04	99001-05600-00	• Circlip
05	5ML-E3325-00-00	• Gear, Pump Driven
06	5ML-E3475-00-00	Gasket
07	98507-05020-00	Screw, Pan Head
08	5ML-E5351-00-00	Plug, Drain
09	5ML-E3411-00-00	Strainer, Oil
10	90501-16004-00	Spring, Compression
11	93210-29800-00	O-ring



5TY1414-2050

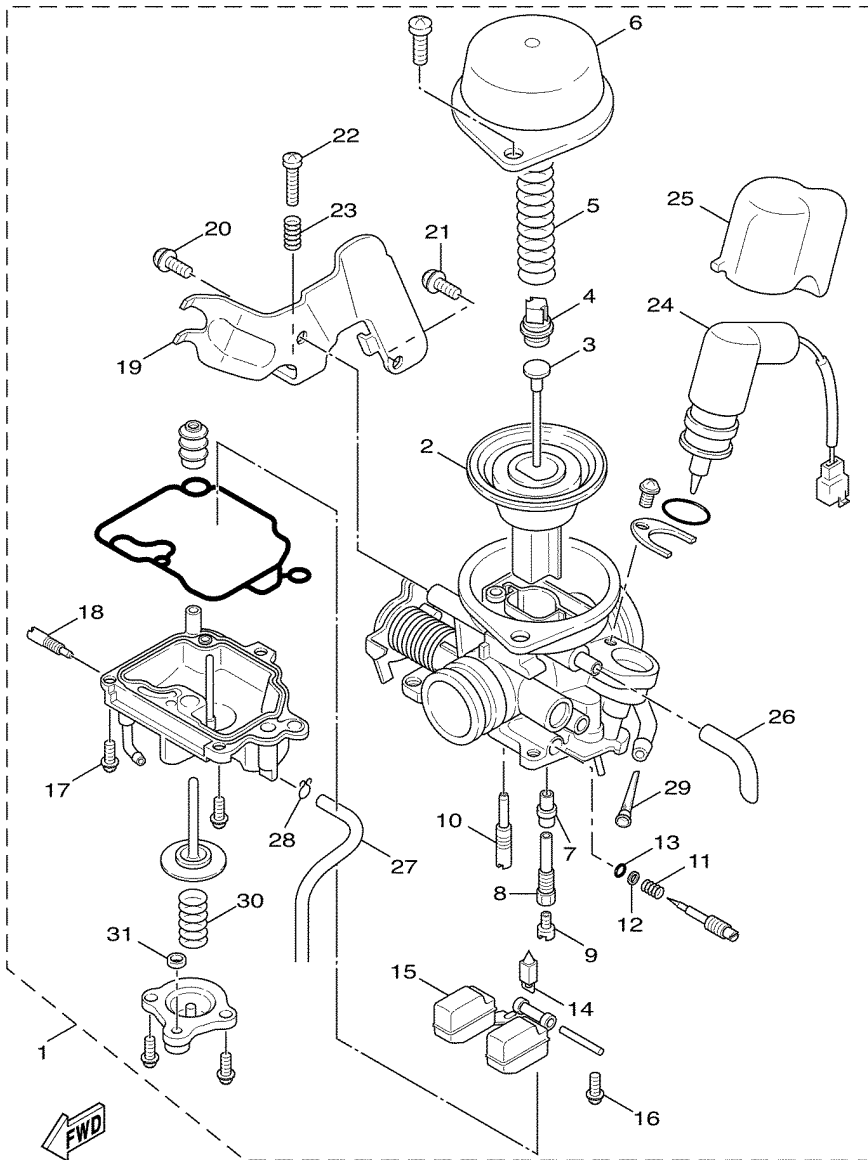


Ref No	Part No	Description
01	5ML-E3585-00-00	Manifold
02	5ML-E3595-00-00	Joint
03	5ML-E3556-00-00	Gasket, Manifold
04	93210-27800-00	O-ring
05	90109-06802-00	Bolt
06	5ML-E3474-00-00	Band
07	5TY-E4410-01-00	Air Cleaner Assy.
08	5TY-W1442-01-00	• Element, Air Cleaner
09	5TY-E4408-00-00	• Air Filter Case Comp.
10	5TY-E4451-00-00	• Element, Air Cleaner
11	5TY-E4476-00-00	• Seal
12	5TY-E442G-00-00	• Damper 3
13	5TY-E443E-00-00	• Pipe, Drain
14	90467-13813-00	• Clip
15	5TY-E4429-00-00	• Screw
16	5TY-E4435-00-00	• Grommet
17	5TY-E4449-00-00	• Collar
18	5ML-E3575-00-00	Band
19	95807-06030-00	Bolt, Flange
20	90464-23811-00	Clamp



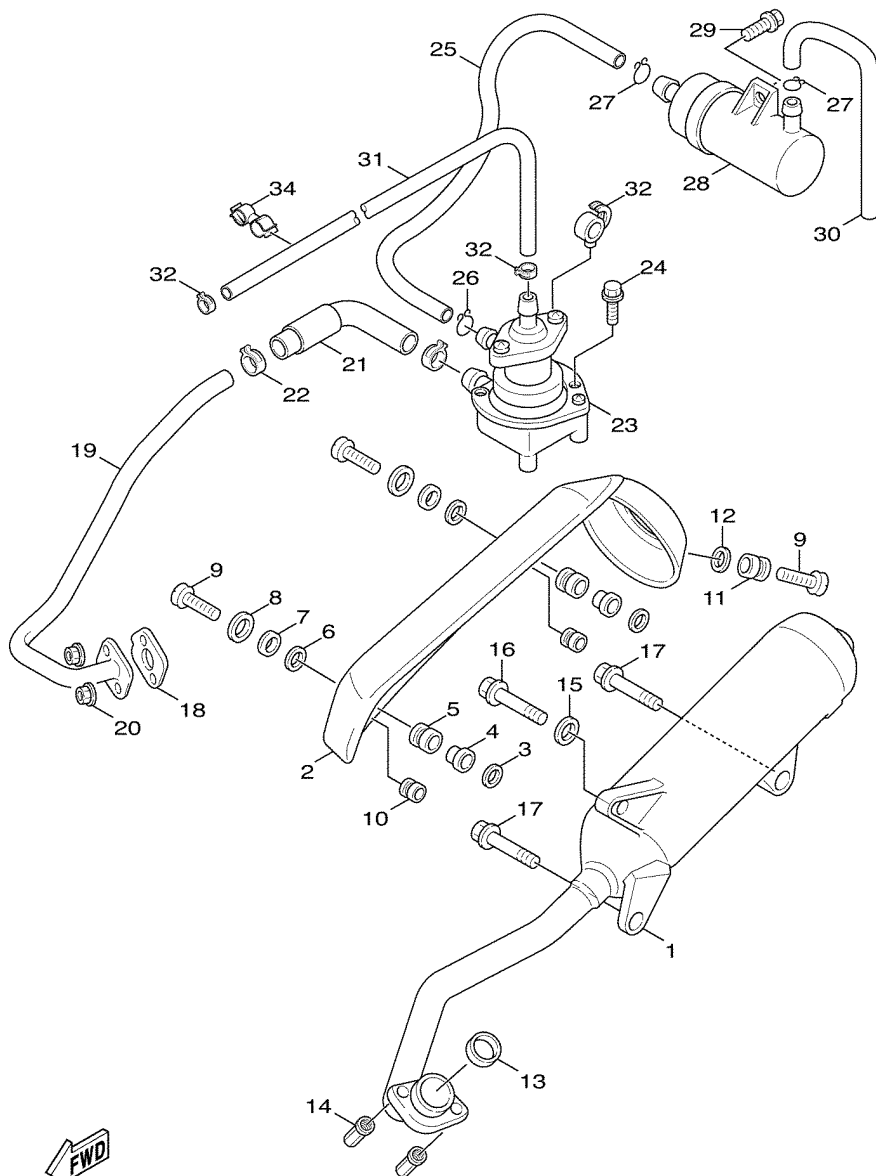
5TY1414-2061

Ref No	Part No	Description
01	5ML-E4901-00-00	Carburetor Assy 1
02	5TY-E4940-00-00	. Diaphragm Assy
03	5ML-E4916-00-00	. Needle
04	5TY-E4936-00-00	. Seat, Spring
05	5TY-E4933-00-00	. Spring, Diaphragm
06	5TY-E4958-00-00	. Cover, Diaphragm
07	5ML-E4947-00-00	. Jet, Needle
08	5TY-E414G-00-00	. Pipe, Main Breed
09	5ML-E4943-00-00	. Jet, Main
10	5ML-E4998-00-00	. Bush
11	4JH-14160-00-00	. Coil, Spring
12	3TJ-14952-40-00	. Washer
13	3TJ-14562-40-00	. O-ring
14	633-14159-00-00	. Clip
15	5TY-E4985-00-00	. Float
16	688-14592-00-00	. Screw
17	98502-04012-00	. Screw, Pan Head
18	5ML-E4191-00-00	. Plug, Drain
19	5TY-E4926-00-00	. Bracket, Throttle 1
20	5TY-E4245-00-00	. Screw, Guide
21	5TY-E4245-10-00	. Screw, Guide
22	5TY-E4922-00-00	. Screw, Throttle
23	5JG-14531-00-00	. Spring, Adjust Screw
24	5ML-E4370-00-00	. Plunger Starter Assy
25	5TY-E4967-00-00	. Cover
26	5TY-E4197-00-00	. Pipe
27	5TY-E4196-00-00	. Pipe
28	5BE-14937-00-00	. Clip
29	5TY-E4994-00-00	. Net, Filter
30	5TY-E4133-00-00	. Spring, Throttle Stop
31	3TJ-14654-40-00	. O-ring

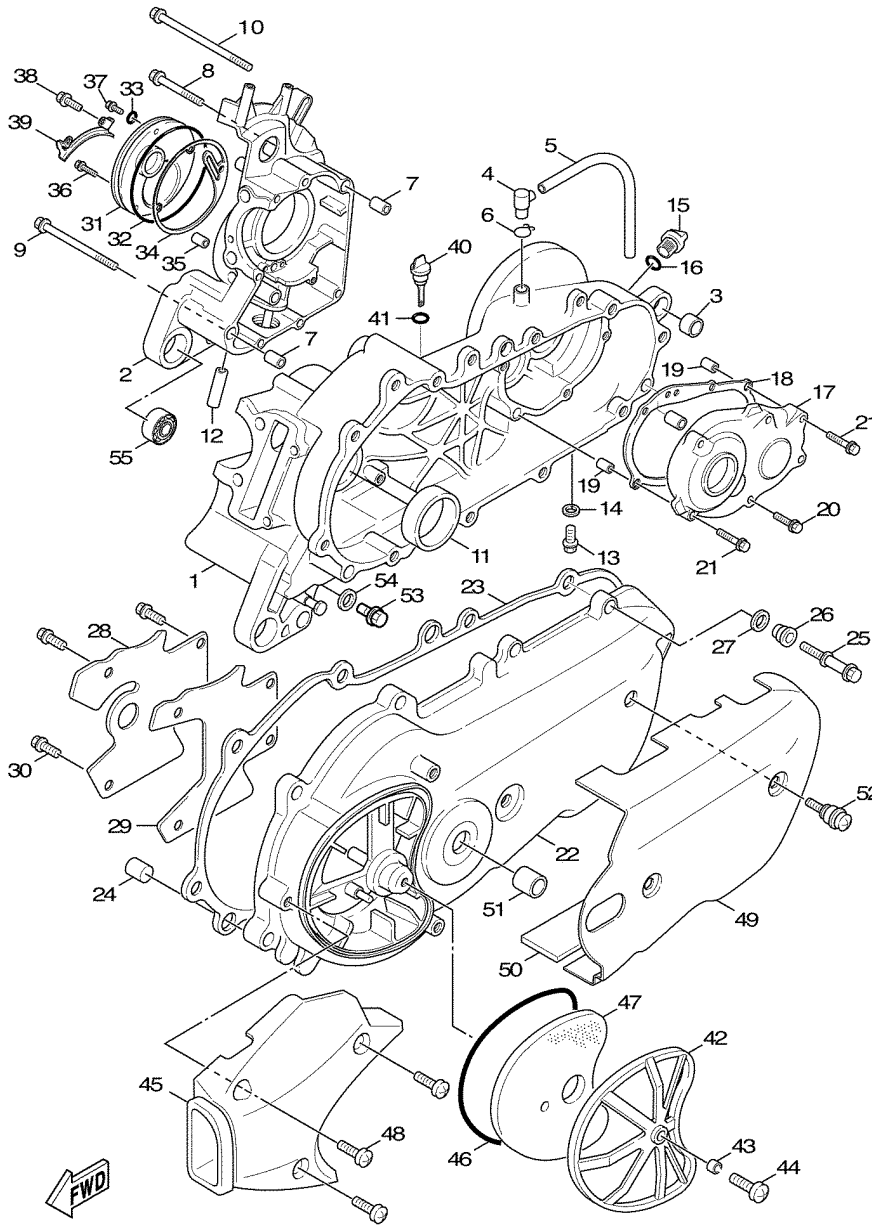


5TY1414-2070

Ref No	Part No	Description
01	5ML-E4610-00-98	Exhaust Pipe Assy 1
02	5ML-E4708-00-00	Protector Assy
03	4CW-E4766-00-00	Washer, Protector
04	5JS-E4779-00-00	Collar
05	5JS-E4445-00-00	Grommet
06	5JS-E4759-00-00	Washer
07	5JS-E4617-00-00	Washer
08	90201-06055-00	Washer, Plate
09	90111-06801-00	Bolt
10	90480-10332-00	Grommet
11	90480-14810-00	Grommet
12	90387-061N6-00	Collar
13	4DH-14613-00-00	Gasket, Exhaust Pipe
14	90179-08804-00	Nut
15	90201-101J1-00	Washer, Plate
16	95817-10035-00	Bolt, Flange
17	90105-08835-00	Bolt, Flange
18	5ML-E4815-00-00	Gasket
19	5ML-E4871-00-00	Pipe 1
20	95707-06500-00	Nut, Flange
21	5ML-E4883-00-00	Hose, Bend 3
22	90468-08812-00	Clip
23	5ML-E4803-10-00	Air Induction System Assy
24	97007-06014-00	Bolt
25	5ML-E4884-10-00	Hose, Bend 4
26	90467-16829-00	Clip
27	90467-18830-00	Clip
28	5ML-E4806-10-00	Air Filter
29	90109-063F1-00	Bolt
30	5ML-E4885-10-00	Hose, Bend 5
31	5ML-E3542-00-00	Hose, Vacuum Sensing 1
32	90467-08092-00	Clip
33	90464-20803-00	Clamp
34	90464-13800-00	Clamp



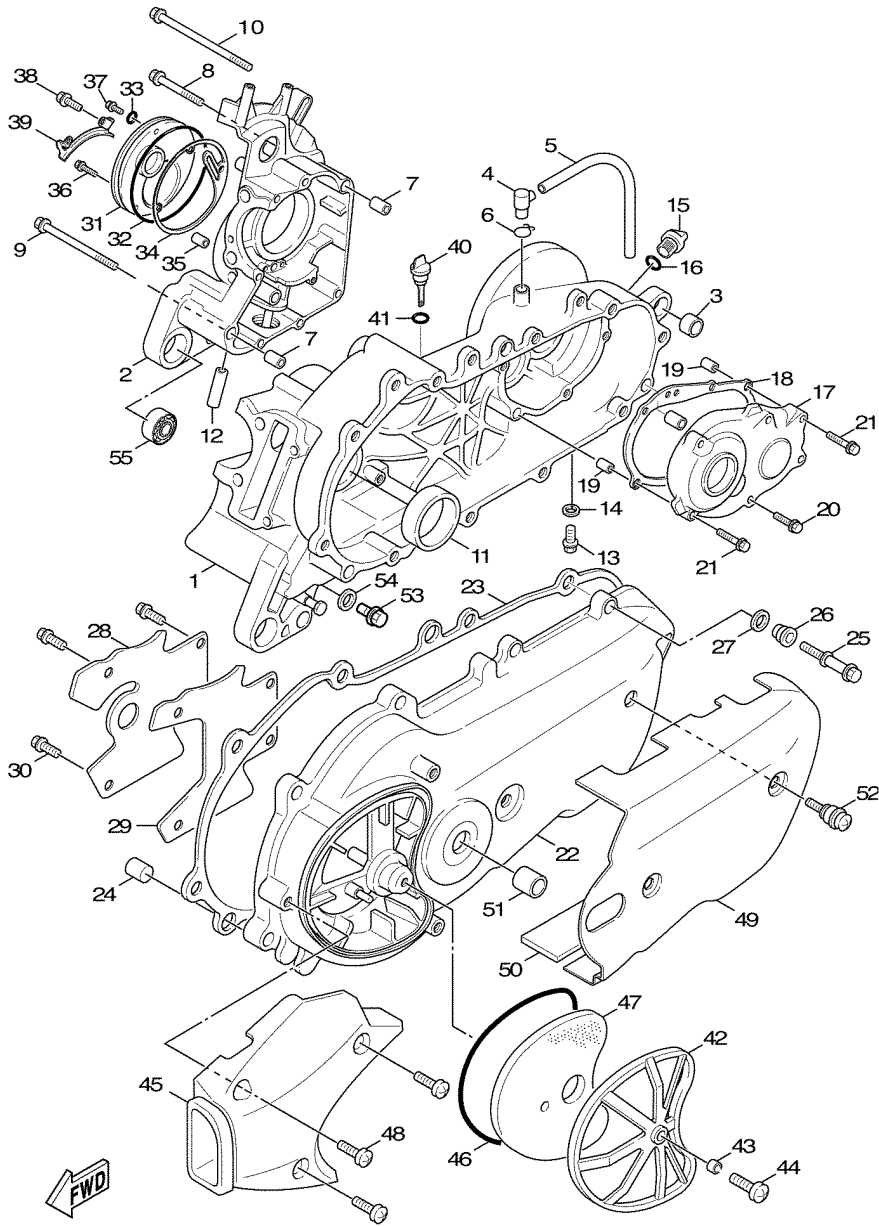
5TY1414-2081



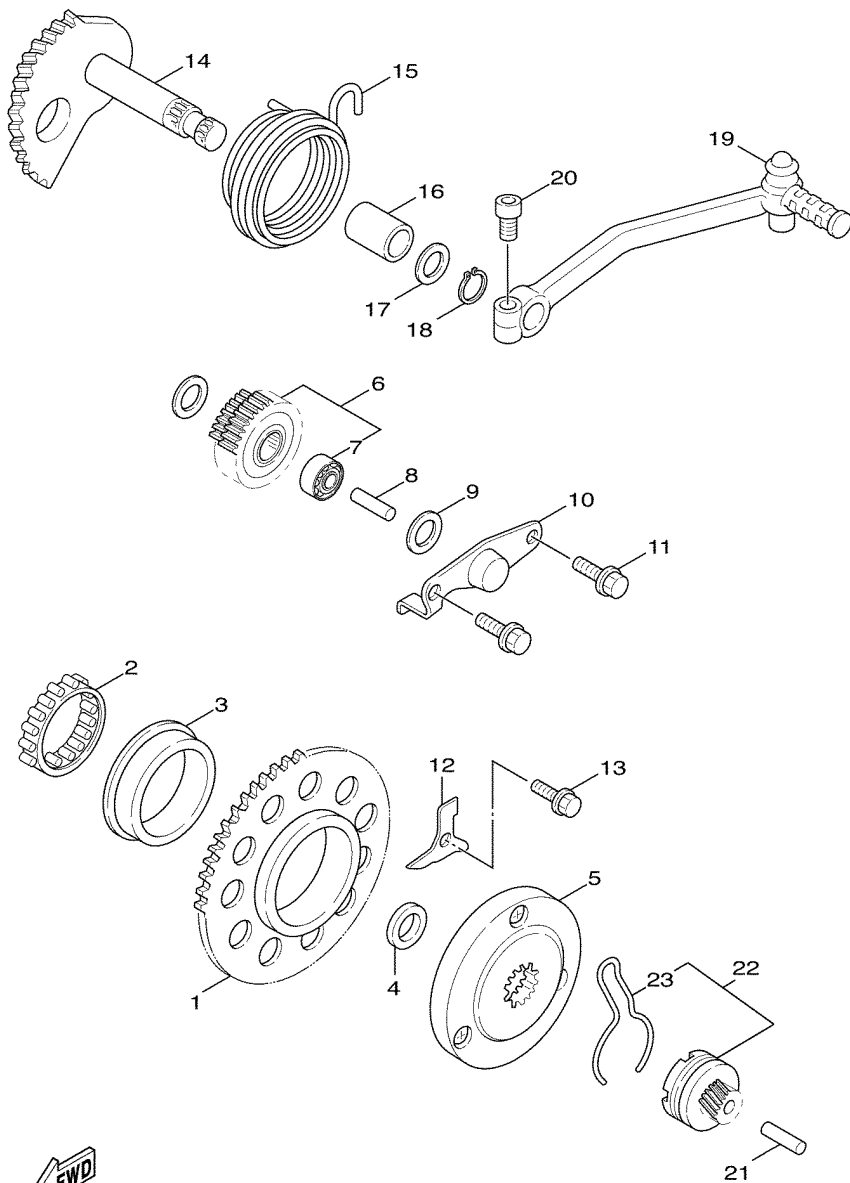
5UA1010-B091

Ref No	Part No	Description
01	5ML-E5111-00-00	Crankcase 1
02	5ML-E5121-01-00	Crankcase 2
03	4X6-F2216-00-00	Bush, Rear Shock Absorber
04	5CA-E5371-00-00	Breather
05	90446-13803-00	Hose
06	90467-12052-00	Clip
07	99530-10114-00	Pin, Dowel
08	90105-06808-00	Bolt, Flange
09	90105-06810-00	Bolt, Flange
10	90105-06817-00	Bolt, Flange
11	93102-22843-00	Oil Seal
12	5ML-E3416-00-00	Pipe, Oil 1
13	95817-08016-00	Bolt, Flange
14	90430-08816-00	Gasket
15	4Y4-E5363-00-00	Plug, Oil
16	93210-14805-00	O-ring
17	5ML-E5421-00-00	Cover, Crankcase 2
18	5ML-E5461-00-00	Gasket, Crankcase Cover 2
19	99530-10114-00	Pin, Dowel
20	90110-06813-00	Bolt, Hexagon Socket Head
21	90110-06815-00	Bolt, Hexagon Socket Head
22	5ML-E5411-00-00	Cover, Crankcase 1
23	5ML-E5451-00-00	Gasket, Crankcase Cover 1
24	93610-20800-00	Pin, Dowel
25	5ML-E5481-00-00	Bolt 1
26	5ML-E5422-00-00	Bush
27	5ML-E5158-00-00	Washer
28	5ML-E5191-00-00	Plate
29	5ML-E5455-00-00	Gasket 1
30	95027-06010-00	Bolt, Flange
31	5ML-E5417-00-00	Cover, Cap
32	93102-19851-00	Oil Seal
33	93211-07801-00	O-ring
34	5ML-E5453-00-00	Gasket
35	99480-05010-00	Pin
36	90105-06809-00	Bolt, Flange
37	90105-06807-00	Bolt, Flange
38	90105-06806-00	Bolt, Flange
39	5ML-E5113-00-00	Plate
40	5ML-E5362-00-00	Plug, Oil Level
41	5ML-E3769-00-00	O-ring
42	5ML-E5404-00-00	Guide, Element
43	90387-06819-00	Collar
44	98907-06016-00	Screw, Bind
45	5ML-E5471-00-00	Duct, Air
46	5ML-E5472-00-00	Seal, Air Duct
47	5ML-E5407-00-00	Element 1
48	98907-06020-00	Screw, Bind
49	5ML-X1543-00-00	Cover, Crankcase 3
50	5ML-E5338-00-00	Damper, Engine Mount 5
51	5ML-E5328-00-00	Spacer, Damper
52	4DM-E5481-00-00	Bolt 1
53	90340-12802-00	Plug, Straight Screw
54	90201-12172-00	Washer, Plate

Ref No	Part No	Description
55	93306-003Y4-00	Bearing

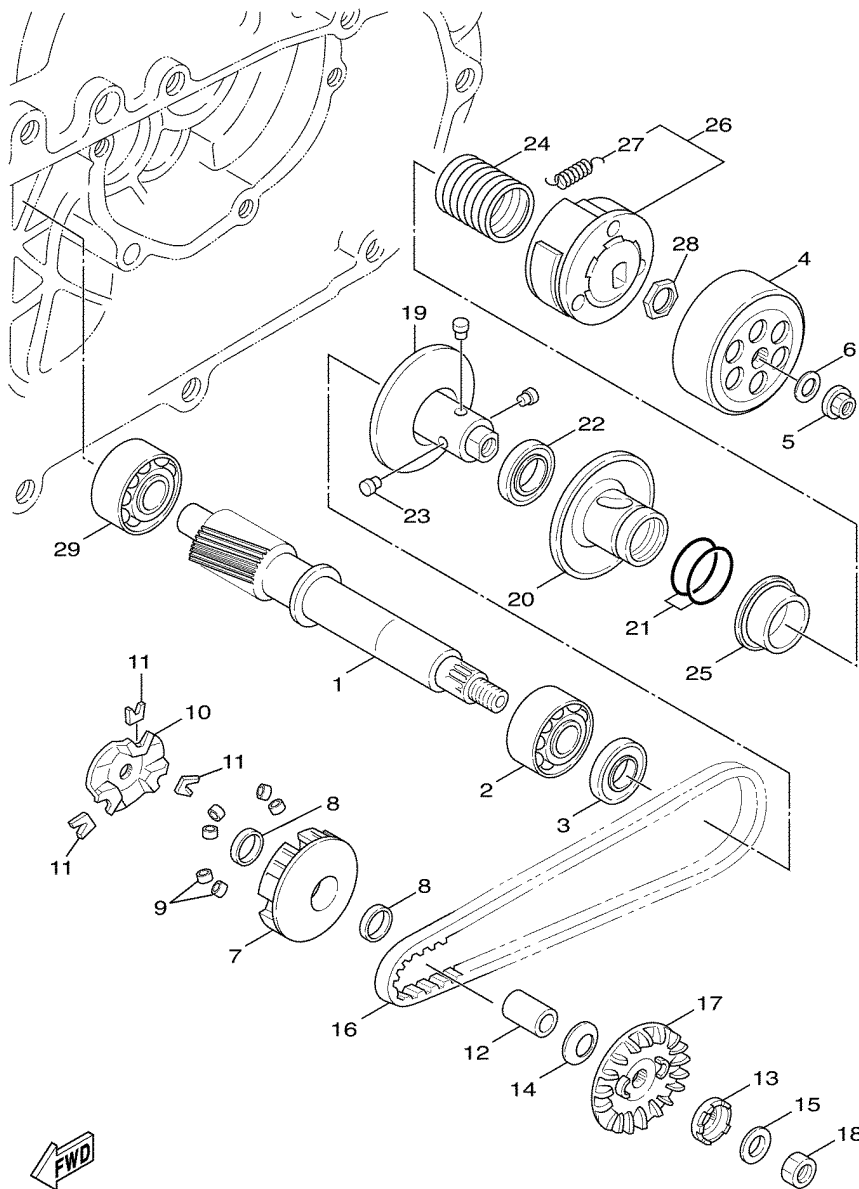


5UA1010-B091



Ref No	Part No	Description
01	5TY-E5524-00-00	Wheel, Starter
02	93310-45006-00	Bearing
03	5LW-E5538-00-00	Boss, Gear 2
04	90201-16802-00	Washer, Plate
05	5LW-E5570-11-00	Starter Clutch Assy
06	5ML-E5650-00-00	Idle Gear Assy
07	93315-110Y6-00	• . Bearing
08	5CA-E5521-00-00	Shaft 1
09	90201-108A3-00	Washer, Plate
10	5ML-E5532-00-00	Plate, Idle Gear
11	95027-06012-00	Bolt, Flange
12	5TY-E5645-00-00	Shim, Kick Shaft
13	95027-06012-00	Bolt, Flange
14	5ML-E5601-00-00	Kick Shaft Assy
15	90508-32609-00	Spring, Torsion
16	90380-15817-00	Bush, Solid
17	90201-155G5-00	Washer, Plate
18	99009-15400-00	Circlip
19	5ML-E5620-00-00	Kick Crank Assy
20	91317-06030-00	Bolt
21	5ML-E5659-00-00	Shaft
22	5ML-E5670-00-00	Kick Pinion Assy 2
23	5ML-E5673-00-00	• . Clip

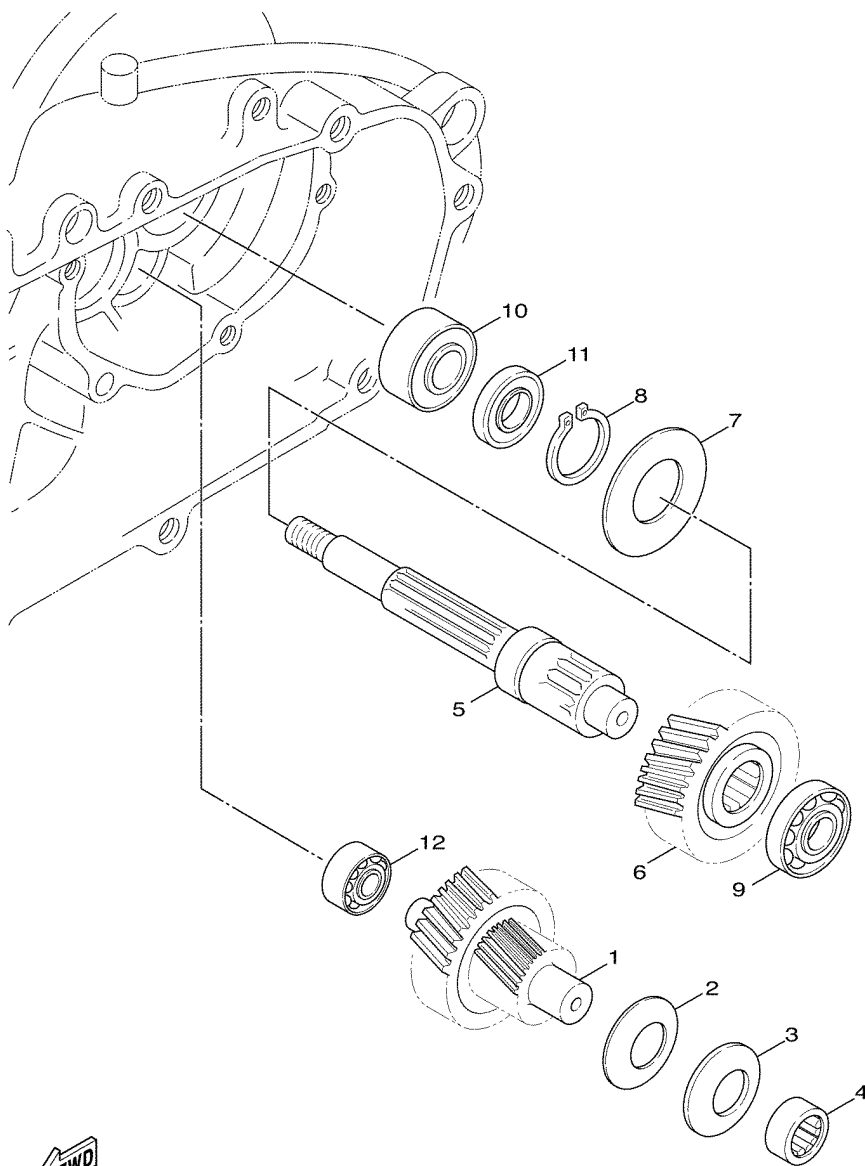
FWD
 5TY1414-2100



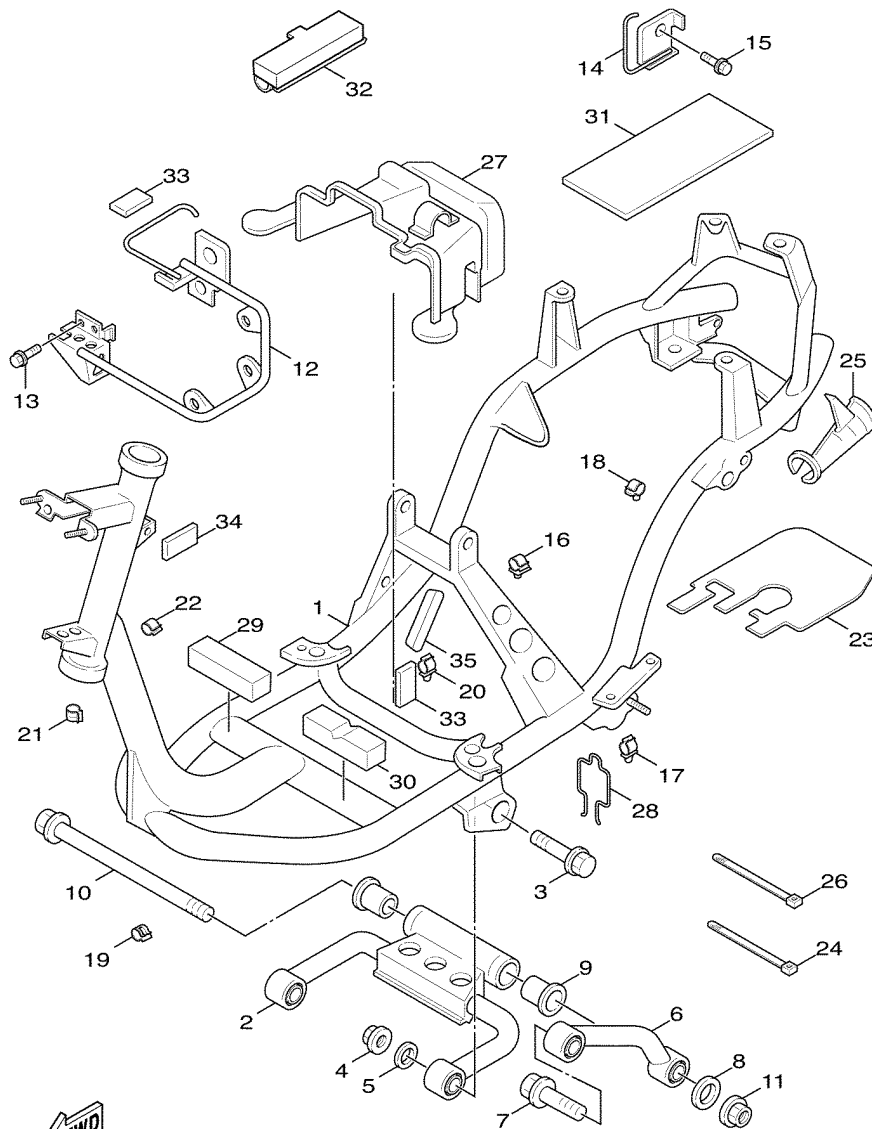
Ref No	Part No	Description
01	5ML-E6111-00-00	Gear, Primary Drive
02	93306-27210-00	Bearing
03	93102-22800-00	Oil Seal
04	4CW-E6611-00-00	Clutch Housing Comp.
05	90179-14427-00	Nut
06	90201-144M8-00	Washer, Plate
07	5ML-E7620-02-00	Primary Sliding Sheave Comp.
08	93101-21170-00	Oil Seal
09	5ML-E7632-00-00	Weight
10	5ML-E7623-00-00	Cam
11	5ML-E7653-00-00	Slider
12	90387-16801-00	Collar
13	5ML-E5657-00-00	Clutch, Oneway
14	90208-12050-00	Washer, Conical Spring
15	90201-16802-00	Washer, Plate
16	5ML-17641-00-00	V-belt
17	4HP-E7611-00-00	Sheave, Primary Fixed
18	95307-12700-00	Nut
19	4CW-E7660-01-00	Secondary Fixed Sheave Comp.
20	4KP-E7670-00-00	Secondary Sliding Sheave
21	93104-41801-00	Oil Seal
22	93210-43800-00	O-ring
23	4CW-E7664-00-00	Pin, Guide
24	90501-43801-00	Spring, Compression
25	5TY-E7644-01-00	Seat, spring
26	4TE-E6620-01-00	Clutch Carrier Assy
27	4CW-E6626-00-00	• . Spring, Clutch Weight 1
28	90170-36279-00	Nut
29	93306-20324-00	Bearing

FWD
 5TY1414-2110

Ref No	Part No	Description
01	5ML-E7410-00-00	Main Axle Comp.
02	90201-15803-00	Washer, Plate
03	90208-15801-00	Washer, Conical Spring
04	93311-315Y2-00	Bearing
05	5ML-E7421-00-00	Axle, Drive
06	5ML-E7211-00-00	Gear, 1st Wheel
07	90208-25800-00	Washer, Conical Spring
08	99009-25400-00	Circlip
09	93306-303Y8-00	Bearing
10	93306-204Y4-00	Bearing
11	93102-26852-00	Oil Seal
12	93306-301Y1-00	Bearing (6301)



5TY1414-2120

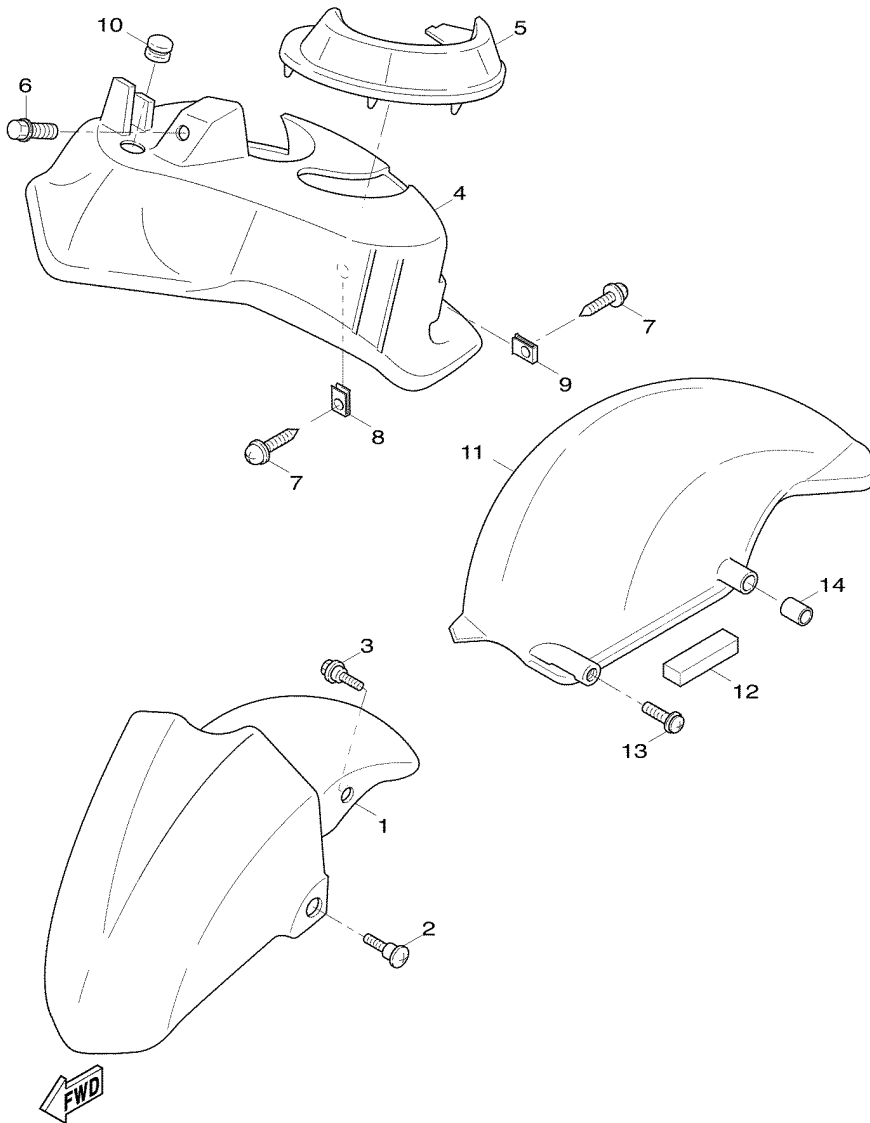


Ref No	Part No	Description
01	5ML-F1110-01-33	Frame Comp.
02	5ML-F1420-01-00	Engine Bracket Comp. 2
03	3UH-F1481-00-00	Bolt, Engine Mounting 1
04	90185-10801-00	Nut, Self-locking
05	90201-105A2-00	Washer, Plate
06	5ML-F1480-00-00	Stay, Engine
07	95827-10045-00	Bolt, Flange
08	90201-105A2-00	Washer, Plate
09	5ML-F1544-01-00	Collar 1
10	5ML-F1481-00-00	Bolt, Engine Mounting 1
11	90185-10801-00	Nut, Self-locking
12	5UA-F1415-00-00	Bracket, Front Upper 1
13	95807-06010-00	Bolt, Flange
14	5ML-F1161-01-00	Holder, Cable
15	95807-06010-00	Bolt, Flange
16	90464-07800-00	Clamp
17	90464-09801-00	Clamp
18	90464-11801-00	Clamp
19	90464-20803-00	Clamp
20	90464-10800-00	Clamp
21	90464-18803-00	Clamp
22	90464-16803-00	Clamp
23	5ML-F162H-00-00	Flap 3
24	90465-13275-00	Clamp
25	5ML-F162J-00-00	Flap 4
26	90465-13275-00	Clamp
27	5ML-F842M-00-00	Cover 1
28	5ML-F8457-00-00	Clip
29	5ML-F1208-00-00	Seal Set, 1
30	5ML-F1268-00-00	Seal
31	5ML-F117G-00-00	Protector
32	5ML-F8100-00-00	Tool Kit
33	5ML-F1541-00-00	Damper 1
34	5ML-F1639-00-00	Damper 2
35	5ML-F1652-00-00	Protector

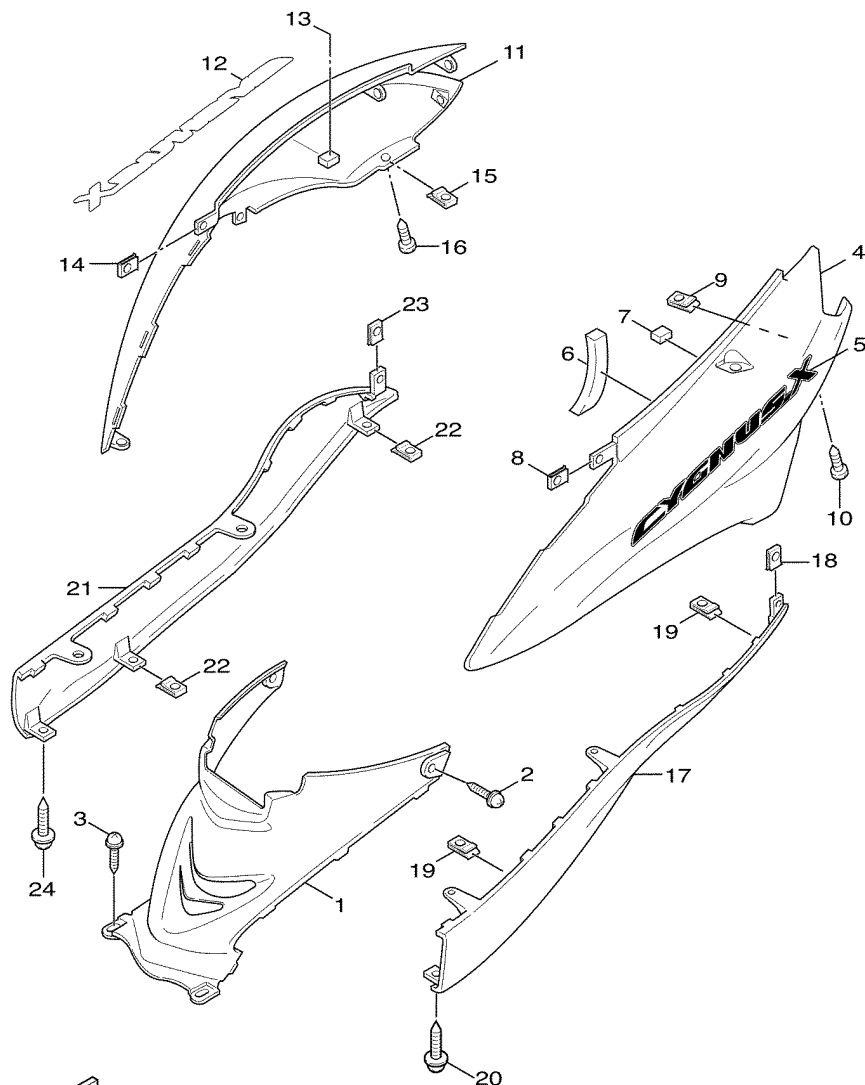


5UA1010-B131

Ref No	Part No	Description
01	5ML-F1511-00-P0	Fender, Front
01	5ML-F1511-00-P3	Fender, Front
02	90154-06807-00	Screw, Binding
03	90109-06876-00	Bolt
04	5ML-F1552-00-00	Fender, Inner
05	5ML-F151B-00-00	Cap
06	90119-06821-00	Bolt, With Washer
07	97707-50016-00	Screw, Tapping
08	90183-05807-00	Nut, Spring
09	90183-05807-00	Nut, Spring
10	5ML-F2417-00-00	Plug
11	5ML-X2161-00-00	Fender, Rear
12	5CA-F1639-00-00	• . Damper 2
13	98507-06014-00	Screw, Pan Head
14	90387-062M9-00	Collar



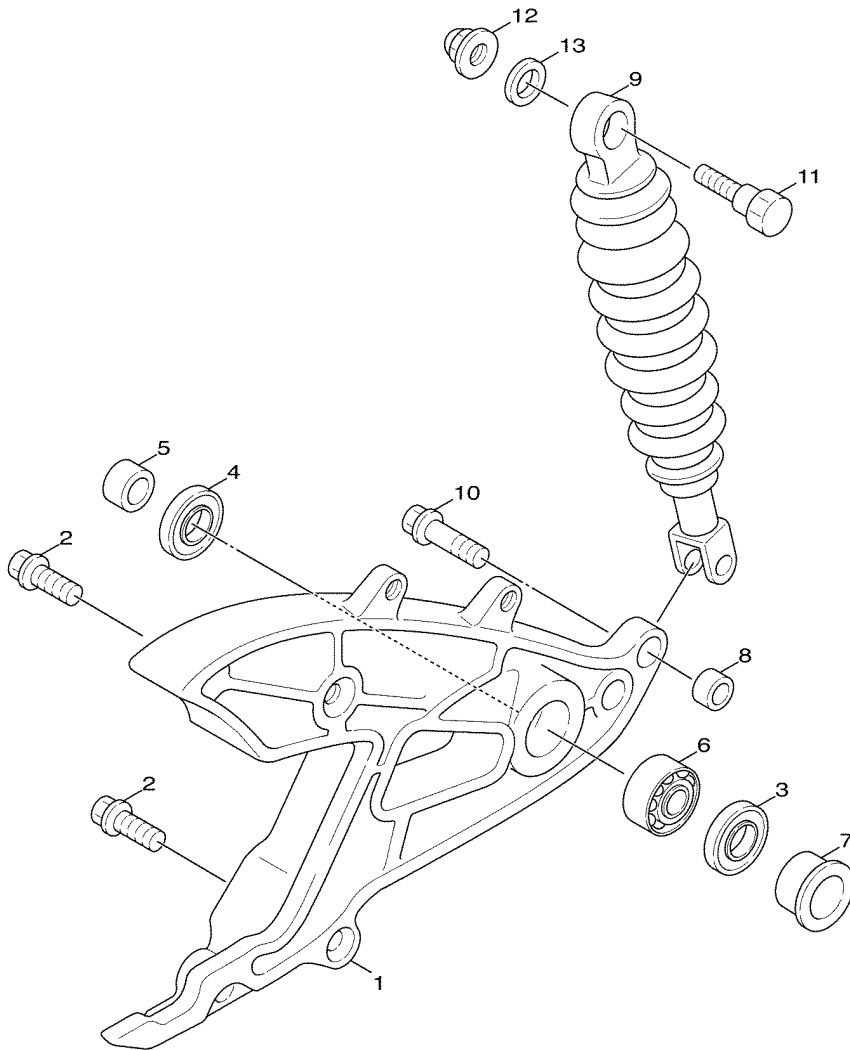
5TY1414-2142



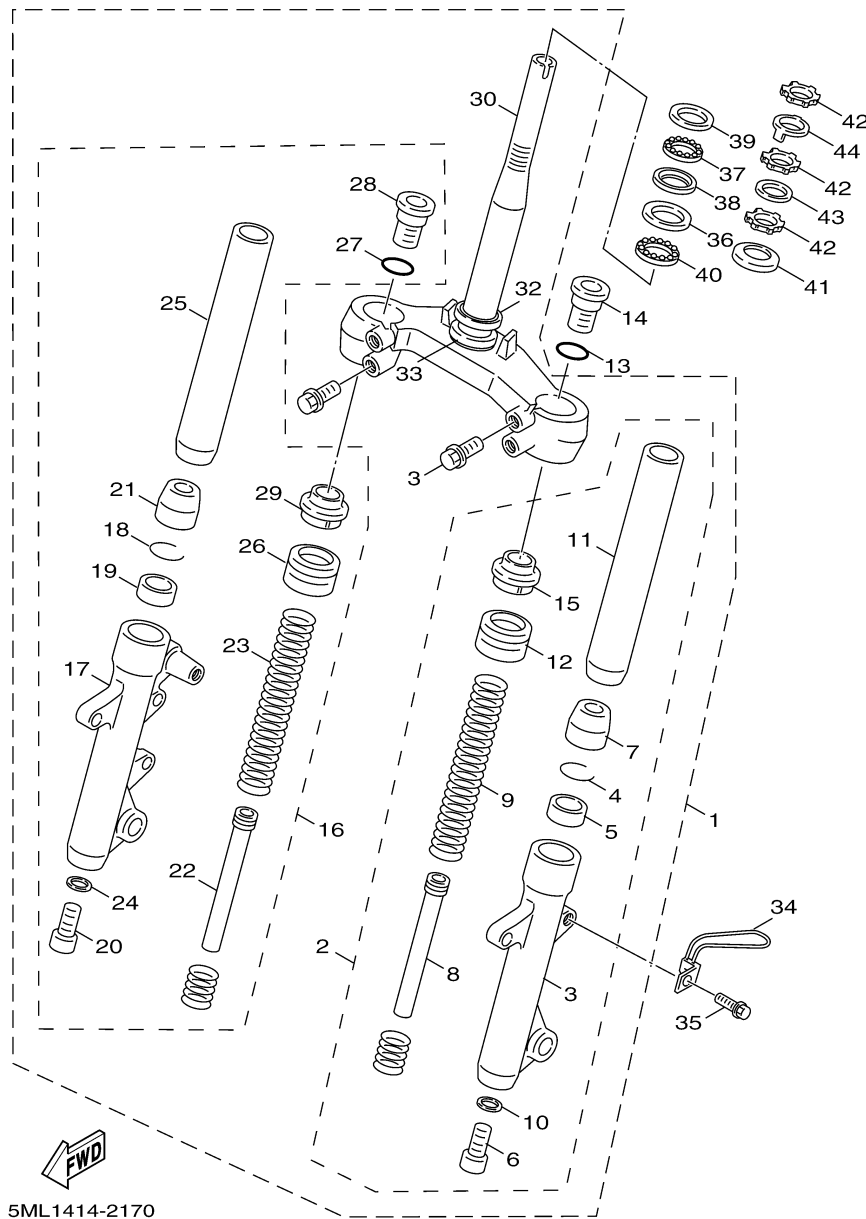
5UA1010-B150

Ref No	Part No	Description
01	5ML-F1711-00-00	Cover, Side 1
02	97707-50012-00	Screw, Tapping
03	97707-50012-00	Screw, Tapping
04	5ML-F1721-00-P0	Cover, Side 2
04	5ML-F1721-00-P3	Cover, Side 2
05	5ML-F173B-00-00	Emblem
06	5ML-F1746-00-00	Damper
07	5ML-F1732-00-00	Seal 1
08	90183-05807-00	Nut, Spring
09	5ML-F176M-00-00	Hook
10	97707-50012-00	Screw, Tapping
11	5ML-F1731-00-P0	Cover, Side 3
11	5ML-F1731-00-P3	Cover, Side 3
12	5ML-F174B-00-00	Emblem
13	5ML-F1732-00-00	Seal 1
14	90183-05807-00	Nut, Spring
15	5ML-F176M-00-00	Hook
16	97707-50012-00	Screw, Tapping
17	5ML-F171L-00-P0	Mole, Side Cover 1
17	5ML-F171L-00-P3	Mole, Side Cover 1
18	90183-05807-00	Nut, Spring
19	5ML-F176M-00-00	Hook
20	97707-50012-00	Screw, Tapping
21	5ML-F171M-00-P0	Mole, Side Cover 2
21	5ML-F171M-00-P3	Mole, Side Cover 2
22	5ML-F176M-00-00	Hook
23	90183-05807-00	Nut, Spring
24	97707-50012-00	Screw, Tapping

Ref No	Part No	Description
01	5ML-F2171-00-00	Arm, Rear 1
02	95827-08040-00	Bolt, Flange
03	93109-28811-00	O-ring
04	93106-26823-00	Oil Seal
05	90387-15423-00	Collar
06	93306-302X1-00	Bearing
07	90387-153N8-00	Collar
08	4X6-F2216-00-00	Bush, Rear Shock Absorber
09	5ML-F2210-00-00	Shock Absorber Assy, Rear
10	90105-08121-00	Bolt, Flange
11	90101-10875-00	Bolt
12	95307-10800-00	Nut
13	90201-101J1-00	Washer, Plate



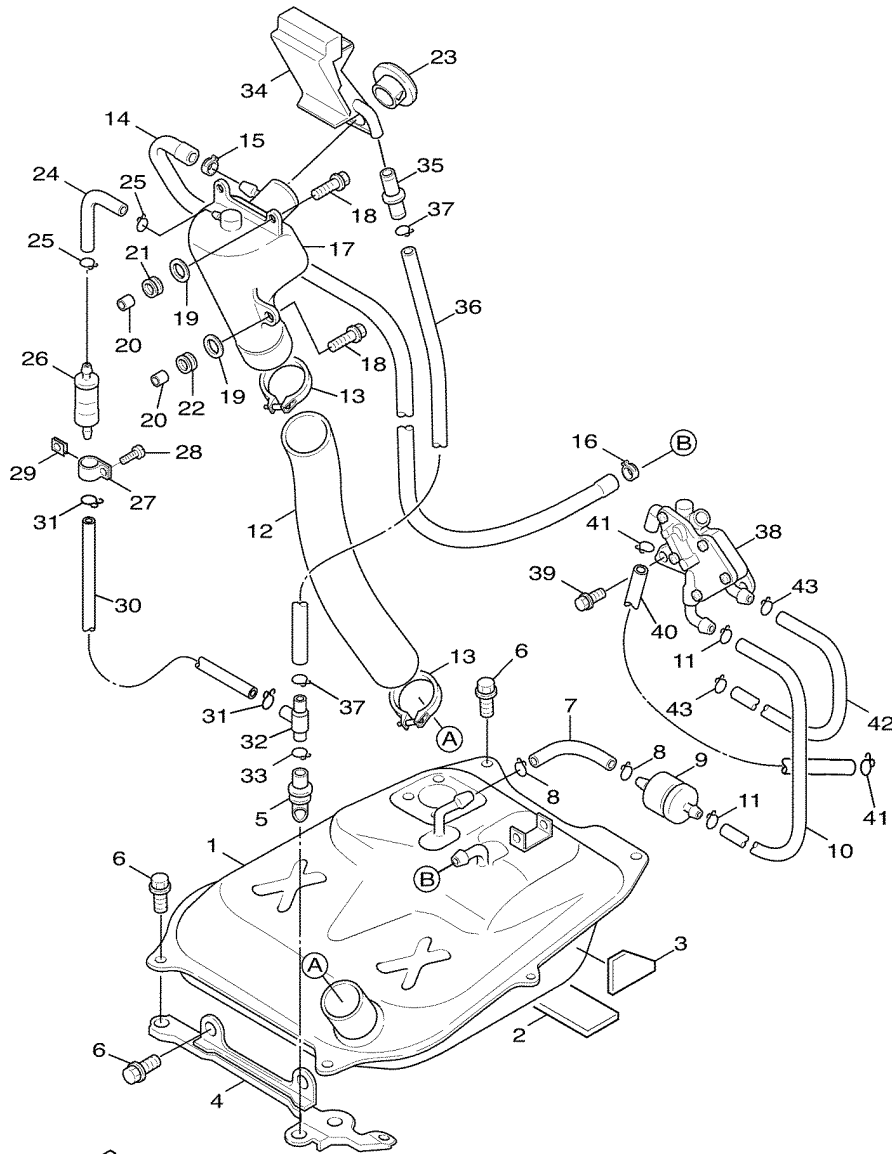
5TY1414-2160



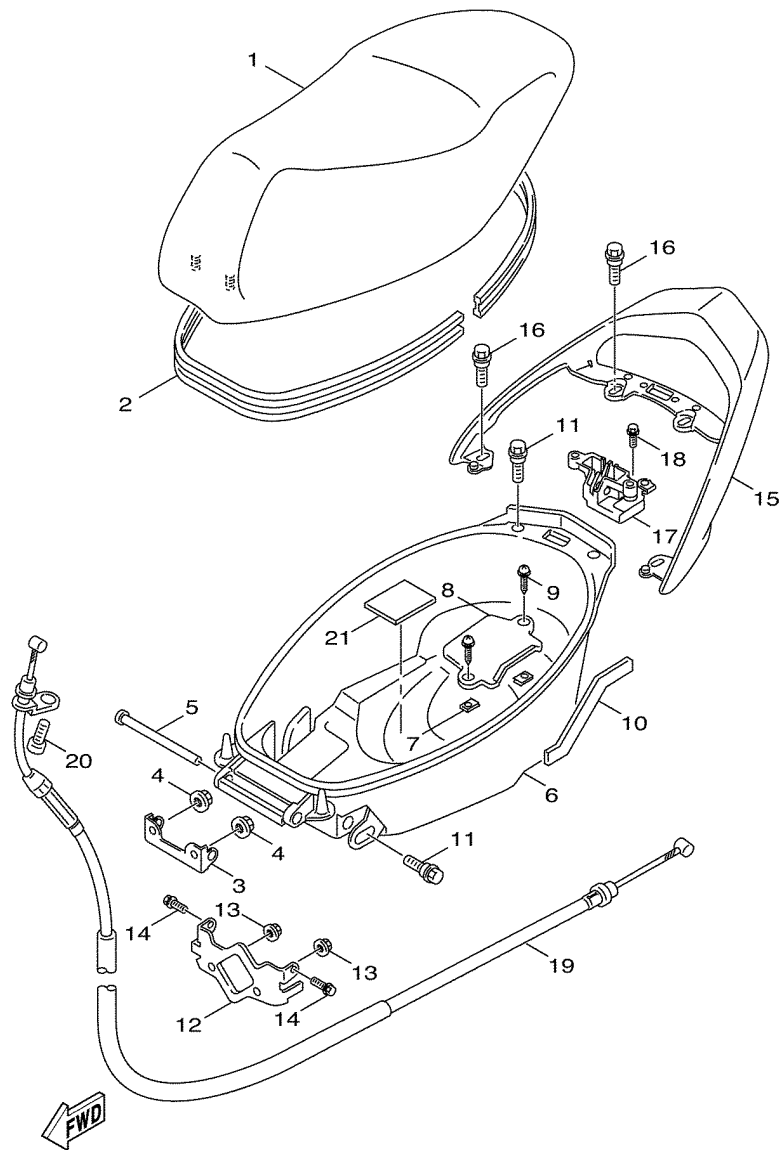
5ML1414-2170

Ref No	Part No	Description
01	5ML-F3100-10-00	Front Fork Assy
02	5TY-F3102-10-00	• Front Fork Assy (l.h)
03	5ML-F3126-10-00	•• Tube, Outer (left)
04	5ML-F3156-10-00	•• Clip, Oil Seal
05	5ML-F3145-10-00	•• Oil Seal
06	3UH-F3181-00-00	•• Bolt, Hexagon Socket Head
07	3UH-F3173-00-00	•• Spindle, Taper
08	5ML-F3171-10-00	•• Piston, Front Fork
09	5ML-F3141-10-00	•• Spring, Front Fork
10	3UH-F3158-00-00	•• Gasket
11	5ML-F3110-10-00	•• Inner Tube Comp.1
12	5ML-F331G-10-00	•• Cover
13	3UH-F3114-00-00	•• Gasket
14	5ML-F3356-10-00	•• Bolt 2
15	5ML-F3144-00-00	•• Seal, Dust
16	5ML-F3103-10-00	• Front Fork Assy (r.h)
17	5ML-F3136-10-00	•• Tube, Outer (right)
18	5ML-F3156-10-00	•• Clip, Oil Seal
19	5ML-F3145-10-00	•• Oil Seal
20	3UH-F3181-00-00	•• Bolt, Hexagon Socket Head
21	3UH-F3173-00-00	•• Spindle, Taper
22	5ML-F3171-10-00	•• Piston, Front Fork
23	5ML-F3141-10-00	•• Spring, Front Fork
24	3UH-F3158-00-00	•• Gasket
25	5ML-F3114-10-00	•• Gasket
26	5ML-F331G-10-00	•• Cover
27	3UH-F3114-00-00	•• Gasket
28	5ML-F3356-10-00	•• Bolt 2
29	5ML-F3144-00-00	•• Seal, Dust
30	5ML-F3340-10-00	• Under Bracket Comp.
31	5TY-F3346-00-00	• Bolt 1
32	1MH-F3411-00-00	• Race, Ball 1
33	3KW-F3462-00-00	• Seal, Steering
34	5ML-F3317-00-00	Holder, Cable
35	9580L-06020-00	Bolt, Flange
36	156-23412-00-00	Race, Ball 2
37	156-2341E-00-00	Retainer, Ball Bearing
38	22F-23412-01-00	Race, Ball 2
39	22F-23411-01-00	Race, Ball 1
40	22F-2341E-00-00	Retainer, Ball Bearing
41	4TE-F3416-00-00	Cover, Ball Race 2
42	90179-25615-00	Nut
43	90202-26142-00	Washer, Plate
44	4VP-F3418-00-00	Washer, Special

Ref No	Part No	Description
01	5ML-F4110-00-33	Fuel Tank Comp.
02	5ML-F4181-00-00	Damper, Locating 1
03	5ML-F4183-00-00	Damper, Locating 3
04	5ML-F4115-00-00	Stay, Fuel Tank 1
05	5ML-F4339-00-00	Grommet
06	90119-06856-00	Bolt, With Washer
07	5ML-F4311-00-00	Pipe, Fuel 1
08	90467-08003-00	Clip
09	5CA-F4560-00-00	Filter Assy
10	5ML-F4312-01-00	Pipe 2
11	90467-08003-00	Clip
12	5ML-F4316-00-00	Pipe 6
13	90450-60001-00	Hose Clamp Assy
14	5ML-F4317-00-00	Pipe 7
15	90468-08812-00	Clip
16	90467-20810-00	Clip
17	5ML-F4280-00-00	Tank, Fuel
18	95827-06025-00	Bolt, Flange
19	90201-06072-00	Washer, Plate
20	90387-07598-00	Collar
21	90480-18290-00	Grommet
22	90480-01326-00	Grommet
23	5ML-F4602-00-00	Cap Assy
24	5ML-F4313-00-00	Pipe 3
25	90467-08003-00	Clip
26	5ML-F4180-00-00	Roll Over Valve Assy
27	90461-15801-00	Clamp
28	97707-50014-00	Screw, Tapping
29	90183-05807-00	Nut, Spring
30	5ML-F4314-00-00	Pipe 4
31	90467-09006-00	Clip
32	3UH-F4376-00-00	Pipe, Joint 1
33	90467-10041-00	Clip
34	5ML-F414A-00-00	Cover, Filler
35	5ML-F1753-01-00	Boss, Connector
36	5ML-F4318-00-00	Pipe, Overflow
37	90467-10041-00	Clip
38	5UA-E3910-00-00	Fuel Pump Assy
39	95027-06010-00	Bolt, Flange
40	5ML-E4294-00-00	Hose
41	90467-09006-00	Clip
42	5ML-E3929-00-00	Pipe, Impulse
43	90467-10008-00	Clip



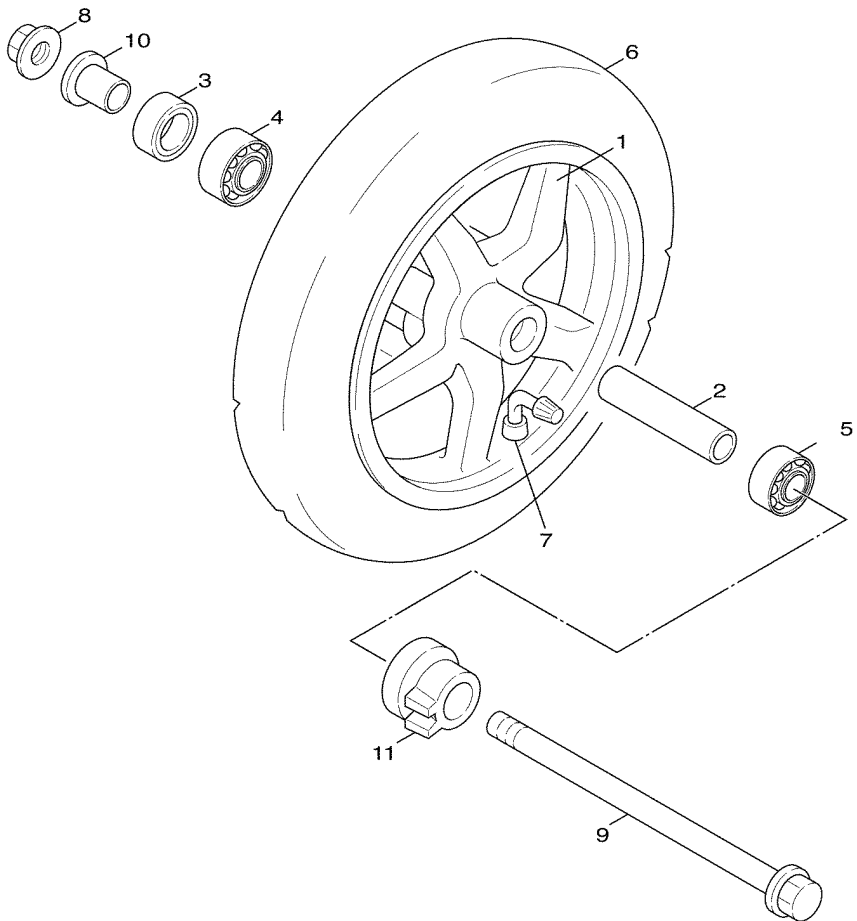
5UA1010-B180



5ML1414-2190

Ref No	Part No	Description
01	5ML-F4730-00-00	Double Seat Assy
02	5ML-F475M-01-00	• . Seal
03	4CW-F4726-01-00	Hinge, Seat
04	95707-06500-00	Nut, Flange
05	90241-10015-00	Pin
06	5ML-F473R-00-00	Box 1
07	90183-05807-00	Nut, Spring
08	5ML-F473T-00-00	Lid 1
09	97707-50012-00	Screw, Tapping
10	5ML-F4723-00-00	Damper, Seat
11	90109-063F1-00	Bolt
12	5ML-F4491-00-00	Bracket, Fuel Pump
13	2GF-F1535-00-00	Nut 1
14	95807-06012-00	Bolt, Flange
15	5ML-F4812-00-P0	Handle
15	5ML-F4812-00-P3	Handle
16	90119-08821-00	Bolt, With Washer
17	4UE-F4780-02-00	Seat Lock Assy
18	95807-06016-00	Bolt, Flange
19	5ML-F478E-00-00	Cable, Seat Lock
20	98507-05010-00	Screw, Pan Head
21	5ML-F139X-00-00	Damper

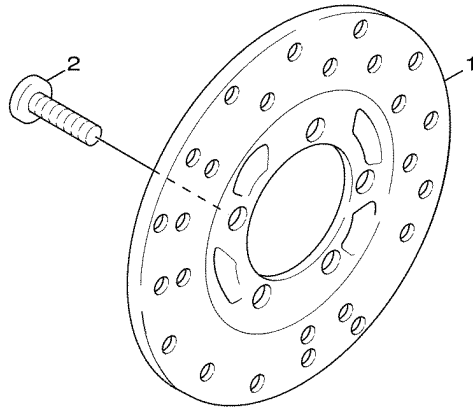
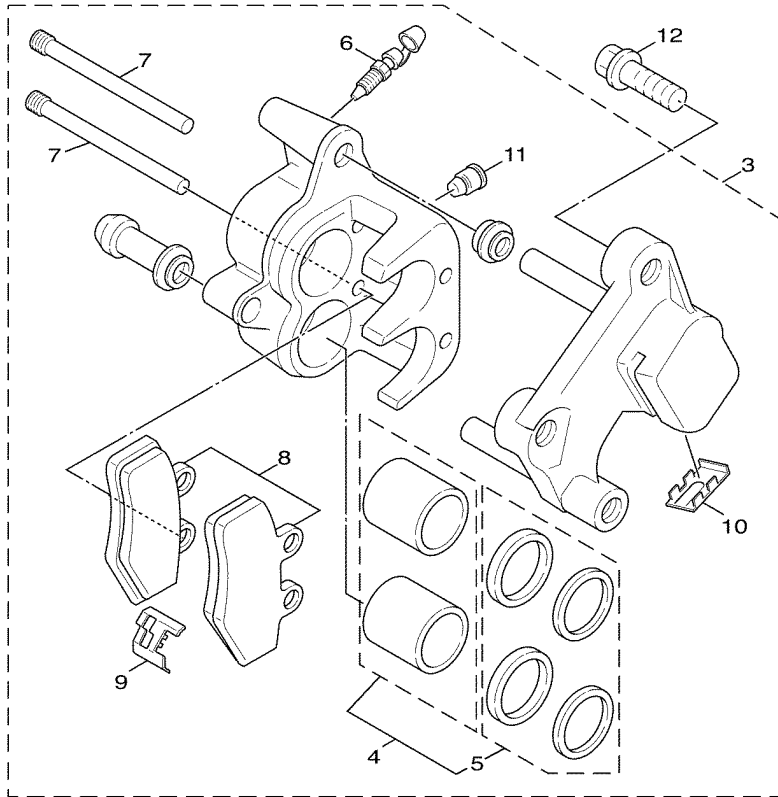
Ref No	Part No	Description
01	5ML-F5168-00-35	Cast Wheel, Front
02	5ML-F5183-00-00	Collar, Wheel
03	93102-17853-00	Oil Seal
04	93306-201Y7-00	Bearing
05	93306-301YA-00	Bearing
06	94111-12802-00	Tire (110/70-12 C922n 47I)
07	93900-00802-00	Valve, Rim
08	95607-12200-00	Nut, Self-locking
09	5ML-F5181-00-00	Axle, Wheel
10	90387-125J1-00	Collar
11	5UA-F5190-00-00	Gear Unit Assy



5TY1414-2200

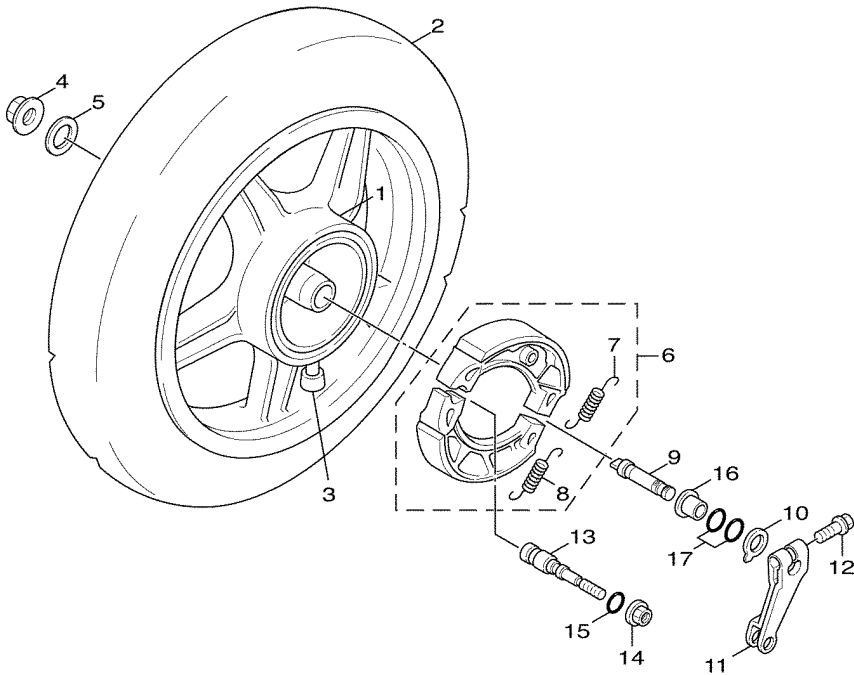
Ref No	Part No	Description
--------	---------	-------------

01	5ML-F582U-00-00	Disc, Brake (right)
02	90149-08814-00	Screw
03	5ML-F580U-00-00	Caliper Assy (right)
04	5NW-W0057-00-00	• . Piston Assy, Caliper
05	5NW-W0047-00-00	•• . Caliper Seal Kit
06	5AG-W0048-00-00	• . Bleed Screw Kit
07	5NW-F5914-00-00	• . Pin, Slide
08	5NW-W0045-00-00	• . Brake Pad Kit
09	5NW-F5919-00-00	• . Support, Pad
10	5NW-F5919-10-00	• . Support, Pad
11	5AG-F5845-00-00	• . Cap, Indicator
12	90105-10638-00	Bolt, Flange

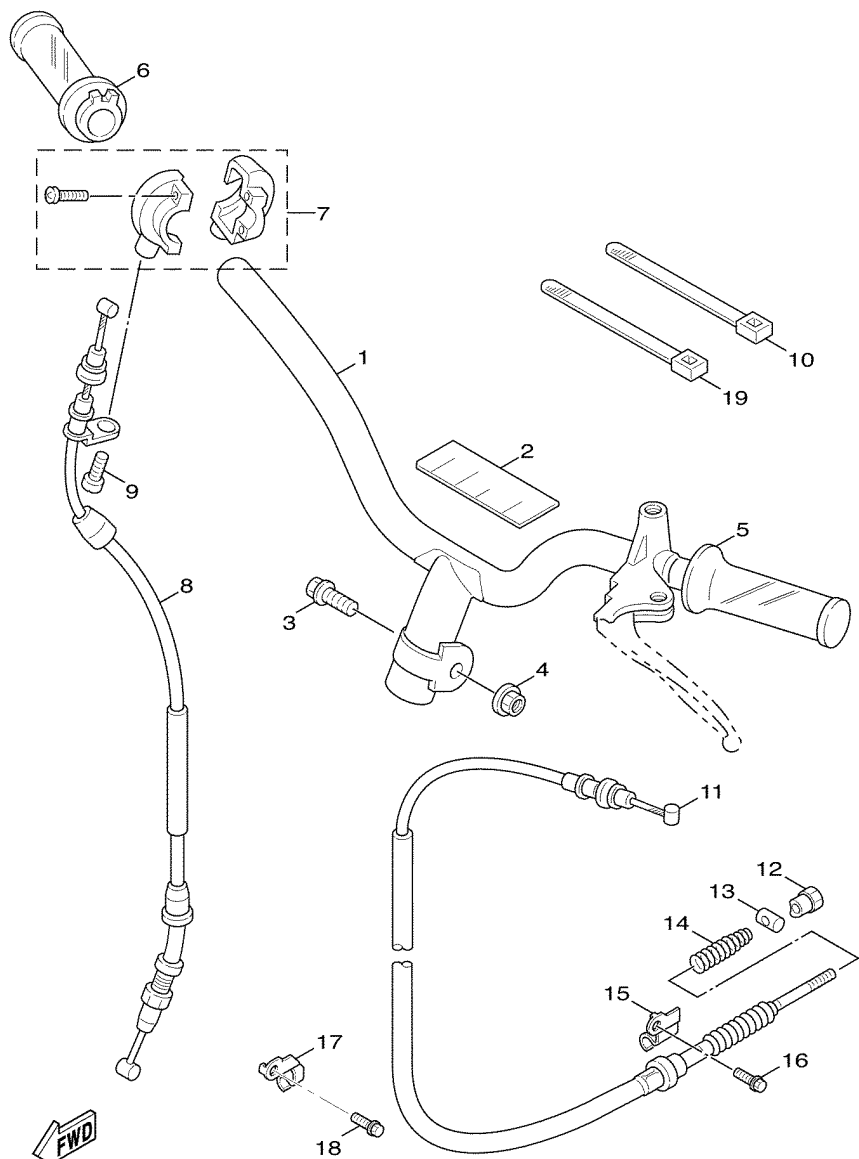


5TY1414-2210

Ref No	Part No	Description
01	5ML-F5338-00-35	Cast Wheel, Rear
02	94112-12801-00	Tire
03	93900-00802-00	Valve, Rim
04	90185-14124-00	Nut, Self-locking
05	90201-20276-00	Washer, Plate (t=1.0)
06	5ML-X2533-00-00	Brake Shoe Set
07	90506-13800-00	• Spring, Tension
08	90506-16802-00	• Spring, Tension
09	5ML-F5351-00-00	Camshaft
10	4VP-F533A-00-00	Plate, Indicator
11	5CA-F5355-00-00	Lever, Camshaft
12	90101-06291-00	Bolt
13	5ML-F5326-00-00	Pin, Pivot
14	95707-10500-00	Nut, Flange
15	93210-09859-00	O-ring
16	5ML-F5377-00-00	Collar, Wheel
17	93210-14802-00	O-ring

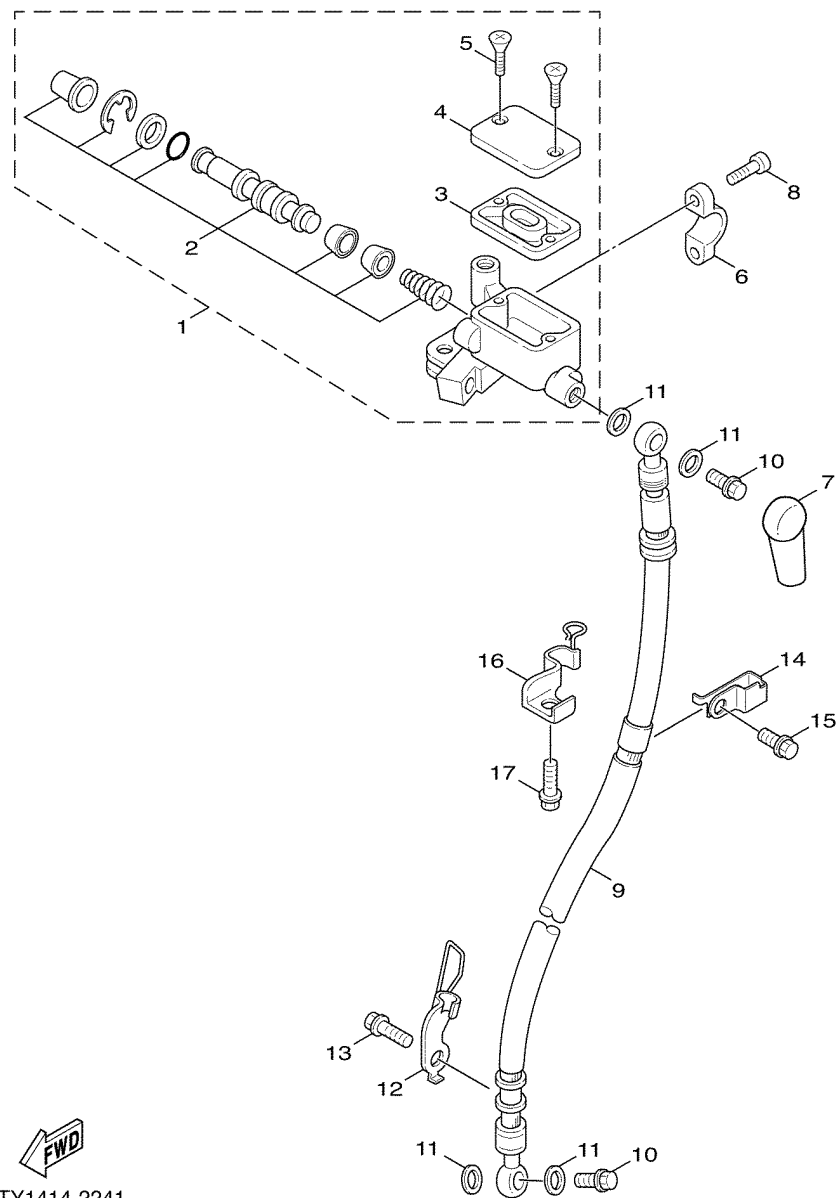


5TY1414-2220



Ref No	Part No	Description
01	5ML-F6110-10-00	Handle Comp.
02	5ML-F6113-00-00	Damper
03	90105-10036-00	Bolt, Flange
04	90185-10801-00	Nut, Self-locking
05	5ML-F6241-00-00	Grip
06	5ML-F6240-00-00	Grip Assy
07	5ML-F6270-01-00	Cable Connector Cap Assy
08	5ML-F6311-01-00	Cable, Throttle 1
09	98507-05010-00	Screw, Pan Head
10	90464-12812-00	Clamp
11	5ML-F6351-01-00	Cable, Brake
12	90179-06843-00	Nut
13	90249-12008-00	Pin
14	90501-16801-00	Spring, Compression
15	5ML-F637G-00-00	Holder, Wire
16	95807-06012-00	Bolt, Flange
17	5ML-F637H-00-00	Holder, Wire 2
18	95807-06012-00	Bolt, Flange
19	90464-12812-00	Clamp

5TY1414-2231

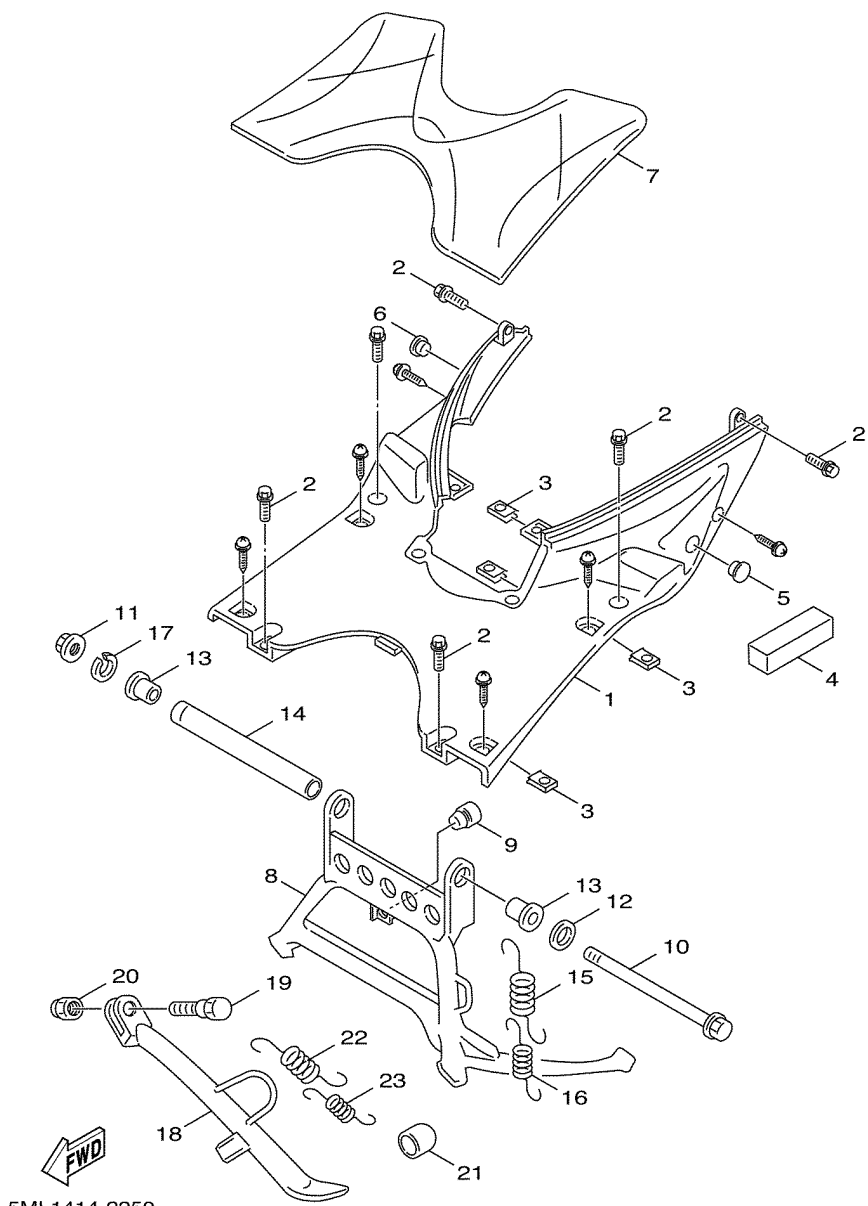


Ref No	Part No	Description
01	5ML-F5870-00-00	Master Cylinder Sub Assy
02	5NW-W0041-00-00	• . Cylinder Kit, Master
03	3GF-F5854-00-00	• . Diaphragm, Reservoir
04	5ML-F5852-00-00	• . Cap, Reservoir
05	98780-04012-00	• . Screw, Flat Head
06	5ML-F5867-00-00	Bracket, Master Cylinder
07	1MH-F5862-00-00	Boot, Master Cylinder
08	91317-06025-00	Bolt
09	5ML-F5872-00-00	Hose, Brake 1
10	90401-10805-00	Bolt, Union
11	90201-10118-00	Washer, Plate
12	5ML-F5875-00-00	Holder, Brake Hose 1
13	95807-06012-00	Bolt, Flange
14	5ML-F5876-00-00	Holder, Brake Hose 2
15	95807-06014-00	Bolt, Flange
16	5ML-F5887-00-00	Holder, Brake Hose
17	95807-06014-00	Bolt, Flange

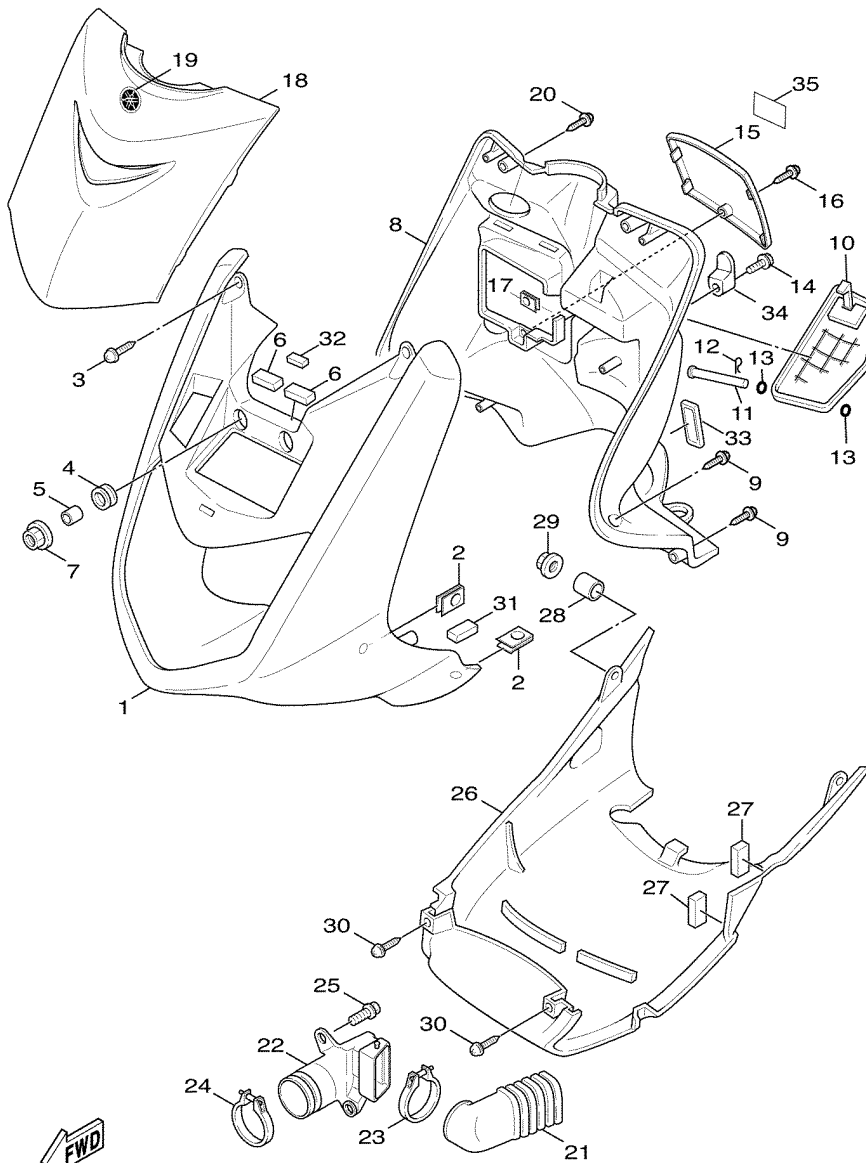


5TY1414-2241

Ref No	Part No	Description
01	5ML-F7481-00-00	Board, Footrest
02	90119-06821-00	Bolt, With Washer
03	90183-05807-00	Nut, Spring
04	5ML-F1779-00-00	Damper, Locating 2
05	3GF-F6199-00-00	Plug, Blind
06	4DH-F6199-01-00	Plug, Blind
07	5ML-F7483-00-00	Mat 1
08	5ML-X2711-00-00	Stand, Main
09	5ML-F7114-00-00	• . Stopper, Main Stand
10	5ML-F7117-00-00	Bolt, Main Stand
11	95604-08200-00	Nut, U Flange
12	90201-08810-00	Washer, Plate
13	5ML-F7121-00-00	Bush
14	5ML-F7113-00-00	Collar, Main Stand
15	90506-35800-00	Spring, Tension
16	90506-20803-00	Spring, Tension
17	5ML-F7254-00-00	Hook
18	5ML-F7311-00-00	Stand, Side
19	90109-10005-00	Bolt
20	90185-10110-00	Nut, Self-locking
21	5CA-F7114-00-00	Stopper, Main Stand
22	90506-26802-00	Spring, Tension
23	90506-16801-00	Spring, Tension



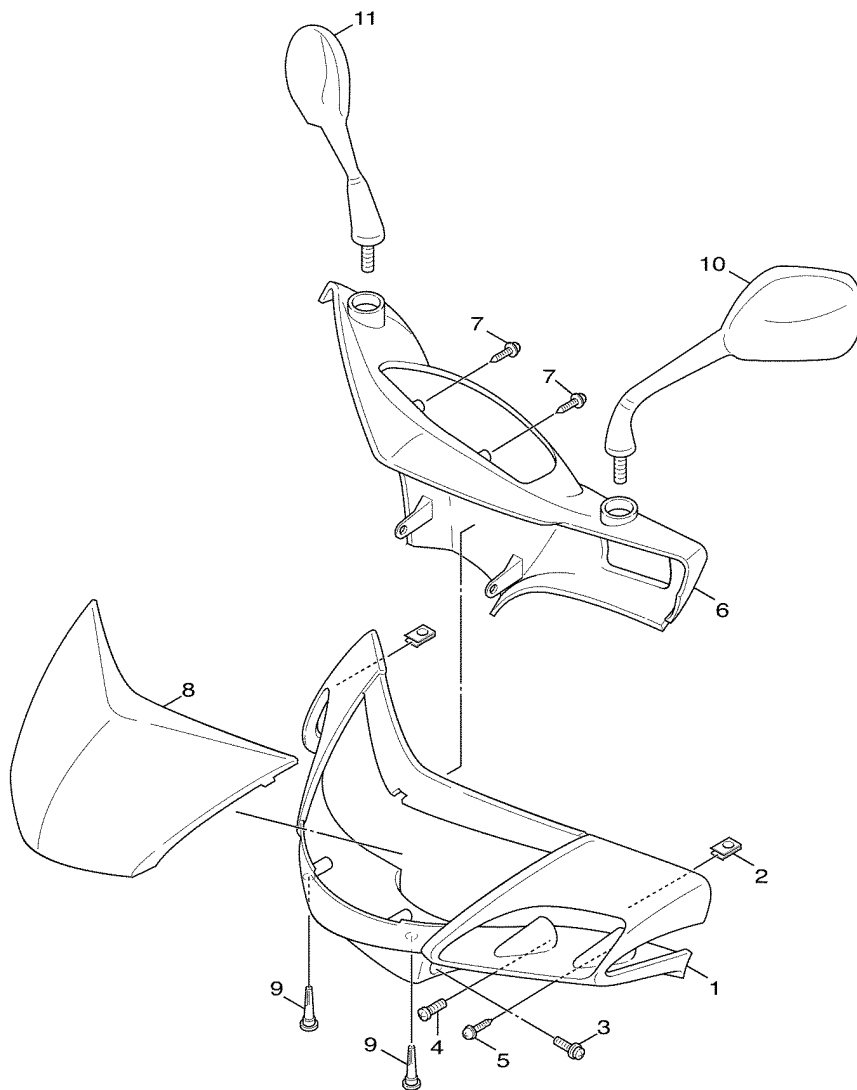
5ML1414-2250



Ref No	Part No	Description
01	5ML-F8311-00-P0	Leg Shield 1
01	5ML-F8311-00-P3	Leg Shield 1
02	90183-05807-00	Nut, Spring
03	97707-50016-00	Screw, Tapping
04	90480-13398-00	Grommet
05	90387-067N5-00	Collar
06	5ML-F834E-00-00	Damper 1
07	95707-06500-00	Nut, Flange
08	5ML-F8312-01-00	Leg Shield 2
09	97707-50016-00	Screw, Tapping
10	5ML-F8313-00-00	Lid
11	90240-05047-00	Pin, Clevis
12	90468-12007-00	Clip
13	93210-058H0-00	O-ring
14	90159-06822-00	Screw, With Washer
15	5ML-H2129-00-00	Cover, Battery
16	90169-05001-00	Tapping Screw
17	90183-05807-00	Nut, Spring
18	5ML-F8345-00-P0	Mole 1
18	5ML-F8345-00-P3	Mole 1
19	5TY-F1569-00-00	Graphic 1
20	97707-50012-00	Screw, Tapping
21	5ML-F838N-00-00	Duct 1
22	5ML-F838R-00-00	Duct 2
23	5CA-F1823-00-00	Clamp, Hose
24	90450-53061-00	Hose Clamp Assy
25	90109-063F1-00	Bolt
26	5ML-X2838-00-00	Cover,under
27	5ML-F836T-00-00	• Damper, Locating 1
28	90387-062M9-00	Collar
29	95707-06500-00	Nut, Flange
30	97707-50012-00	Screw, Tapping
31	5ML-F836U-00-00	Damper, Locating 2
32	5ML-F8372-00-00	Damper
33	5FM-F8349-00-00	Cap
34	5JS-F8257-40-00	Hook 1
35	5ML-F478W-00-00	Plate, Side 3

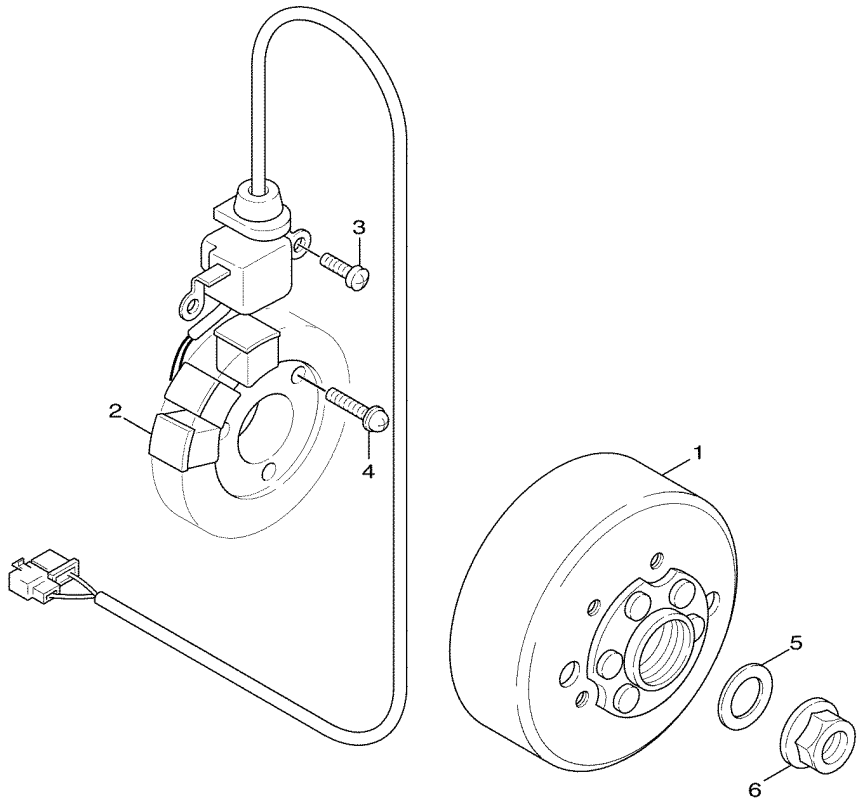

 5UA1010-B260

Ref No	Part No	Description
01	5ML-F6143-01-P0	Cover, Handlebar Upper 1
01	5ML-F6143-01-P1	Cover, Handlebar Upper 1
02	90183-05807-00	Nut, Spring
03	90159-05028-00	Screw, With Washer
04	90159-05802-00	Screw, With Washer
05	97707-50016-00	Screw, Tapping
06	5ML-F6145-00-00	Cover, Handlebar Upper 2
07	97707-50016-00	Screw, Tapping
08	5ML-F6234-00-00	Screen
09	90269-06803-00	Rivet
10	5ML-F6280-00-00	Rear View Mirror Assy (left)
11	5ML-F6290-00-00	Rear View Mirror Assy (right)



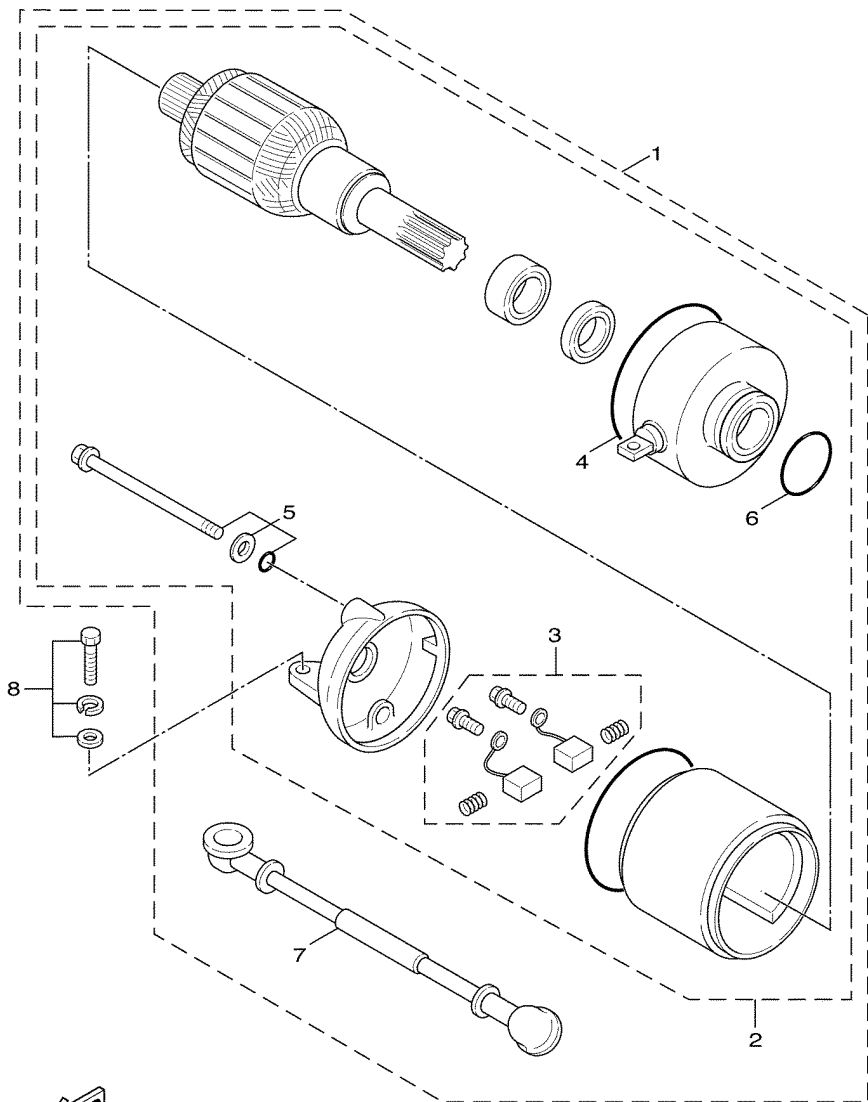
5TY1414-2270

Ref No	Part No	Description
01	5TY-H1450-00-00	Rotor Assy
02	5ML-H1410-00-00	Stator Assy
03	98507-06016-00	Screw, Pan Head
04	97607-06225-00	Screw, with Washer
05	90201-12688-00	Washer, Plate
06	90179-12248-00	Nut



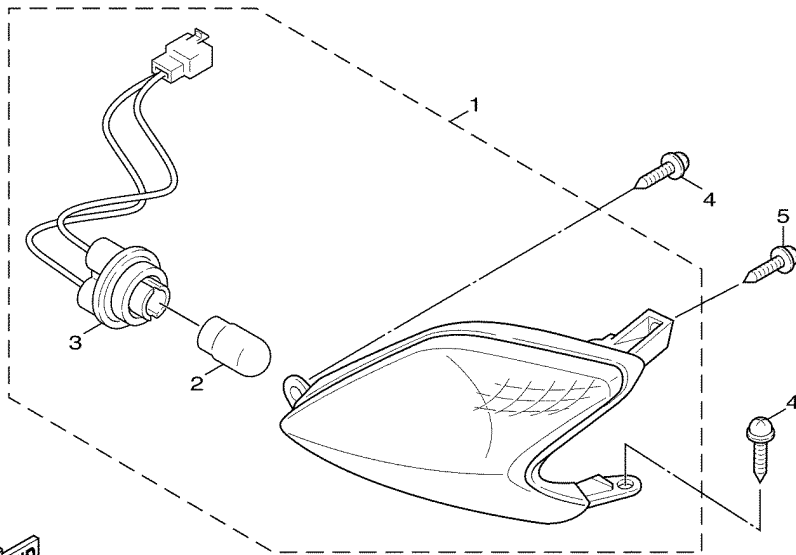
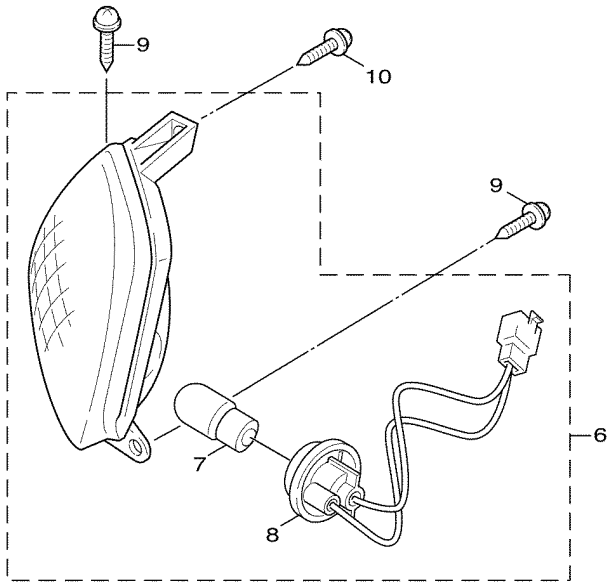
5TY1414-2280

Ref No	Part No	Description
01	5ML-H1800-00-00	Starting Motor Assy
02	5ML-W8180-00-00	• . Electric Starter Kit
03	3KW-H1801-00-00	•• .. Brush Set
04	93210-55669-00	•• .. O-ring
05	3UH-H1828-01-00	•• .. Bolt 2
06	93210-26668-00	•• .. O-ring
07	5ML-H183G-00-00	• . Cord Comp.
08	97507-06525-00	Bolt, With Washer



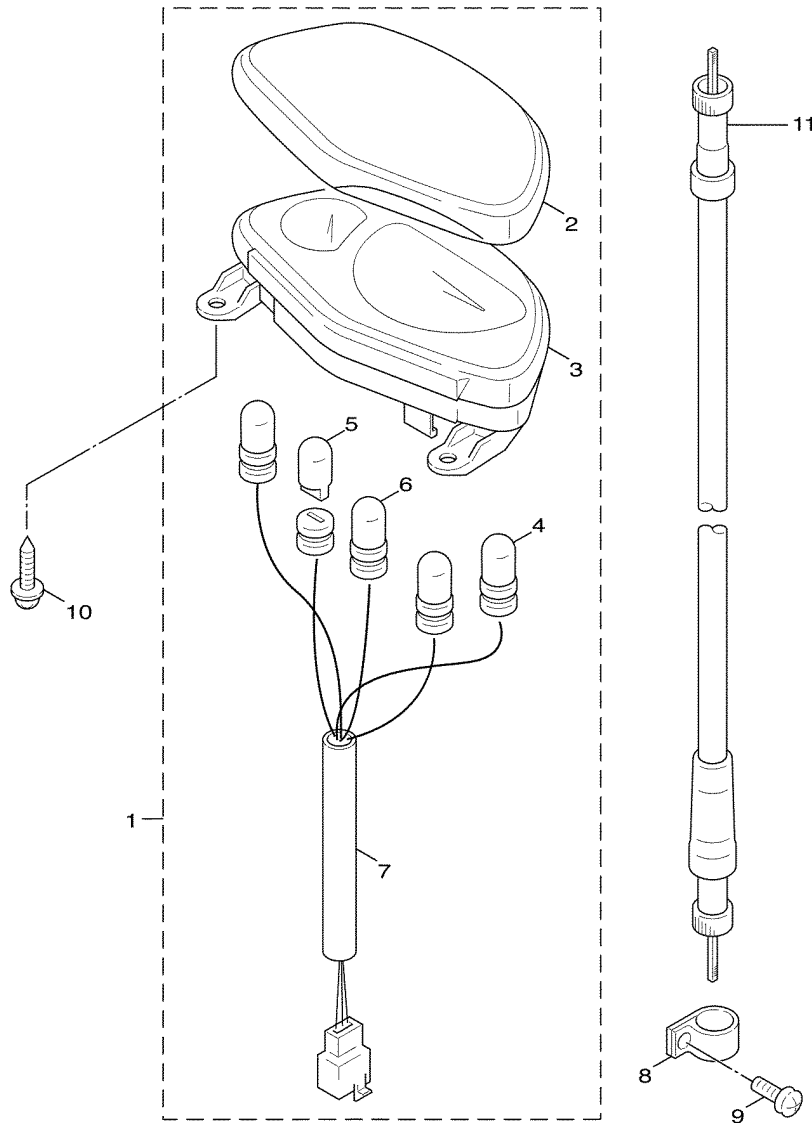
5TY1414-2290

Ref No	Part No	Description
01	5ML-H3310-00-00	Front Flasher Light Assy 1
02	5FM-H3311-00-00	• Bulb, Flasher (12v-10w)
03	5ML-H331J-00-00	• Socket Comp. 1
04	97707-50016-00	Screw, Tapping
05	97707-50012-00	Screw, Tapping
06	5ML-H3320-00-00	Front Flasher Light Assy 2
07	5FM-H3311-00-00	• Bulb, Flasher (12v-10w)
08	5ML-H331R-00-00	• Socket Comp. 2
09	97707-50016-00	Screw, Tapping
10	97707-50012-00	Screw, Tapping



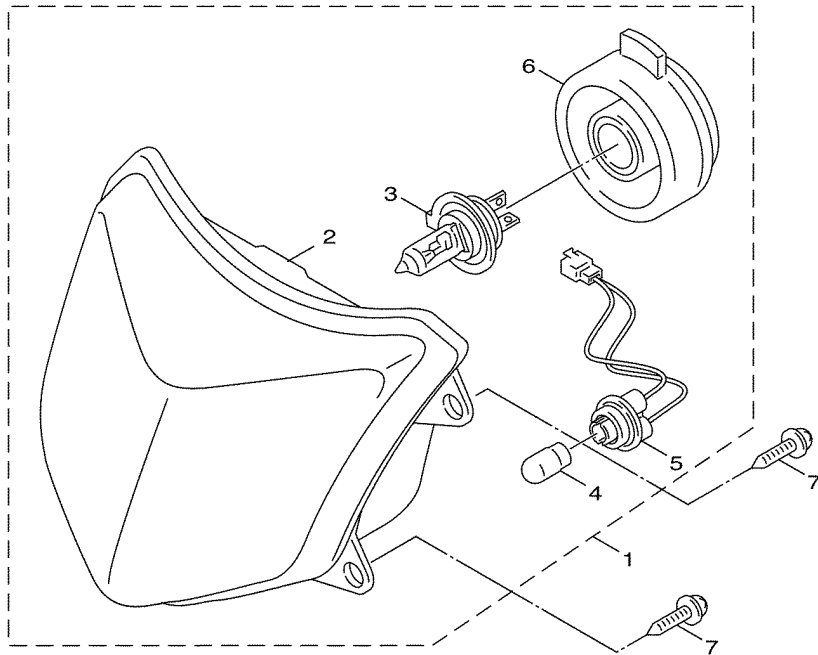
5TY1414-2300

Ref No	Part No	Description
01	5ML-H3510-20-00	Speedometer Assy
01	5ML-H3510-40-00	Speedometer Assy
01	5ML-H3510-40-00	Speedometer Assy
02	5ML-H353E-00-00	• Case, Meter Upper
03	5ML-H353K-00-00	• Glass Plate
04	1MH-H3517-00-00	• Bulb
05	3KW-H3517-00-00	• Bulb (12v 1.7w)
06	3GF-H3517-00-00	• Bulb (12v-1.7w)
07	5ML-H3509-00-00	• Socket Cord Assy
08	5ML-H3595-00-00	Clamp
09	5ML-H3616-00-00	Screw, Tapping
10	97707-50016-00	Screw, Tapping
11	5ML-H3550-00-00	Speedometer Cable Assy



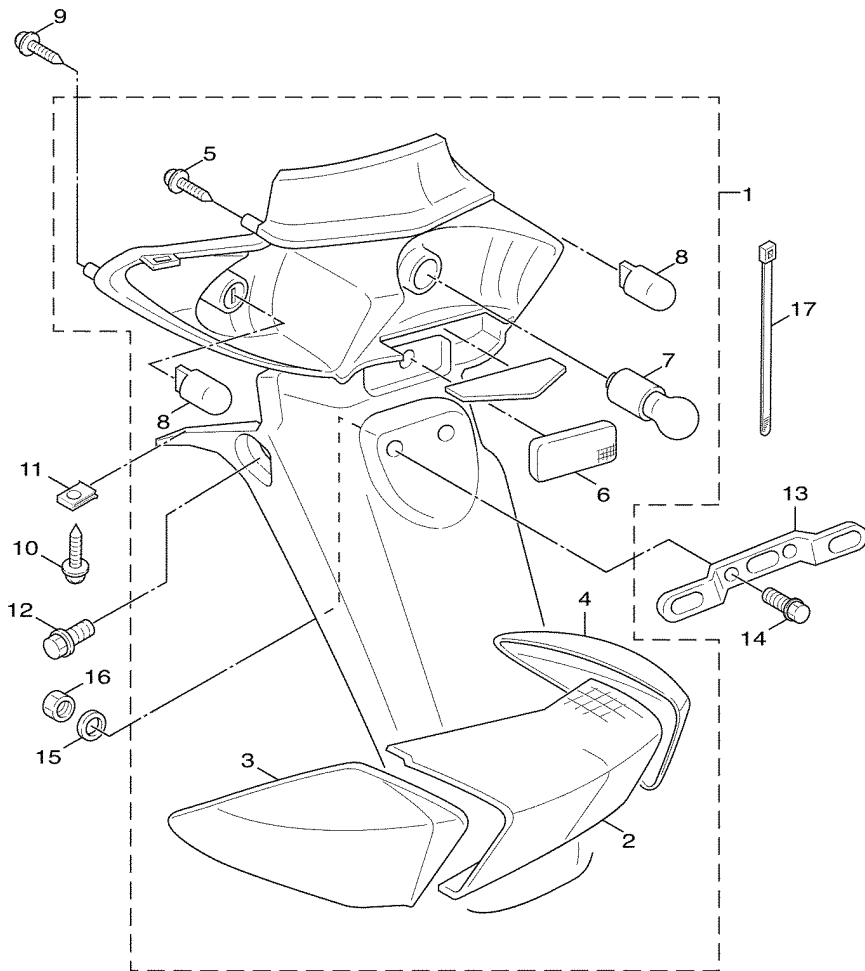
5TY1414-2311

Ref No	Part No	Description
01	5ML-H4310-00-00	Headlight Unit Assy
01	5ML-H4310-00-00	Headlight Unit Assy
01	5ML-H4310-10-00	Headlight Unit Assy
02	5ML-H430A-00-00	. Headlight Unit Assy
02	5ML-H430A-00-00	. Headlight Unit Assy
02	5ML-H430A-10-00	. Headlight Unit Assy
03	3YB-H4314-00-00	. Bulb, Headlight (12v-60/55w)
04	5FM-H4347-00-00	. Bulb
05	5ML-H4312-00-00	. Holder, Socket
06	5CA-H4396-00-00	. Cover
07	97707-60020-00	Screw, Tapping



5ML1414-2320

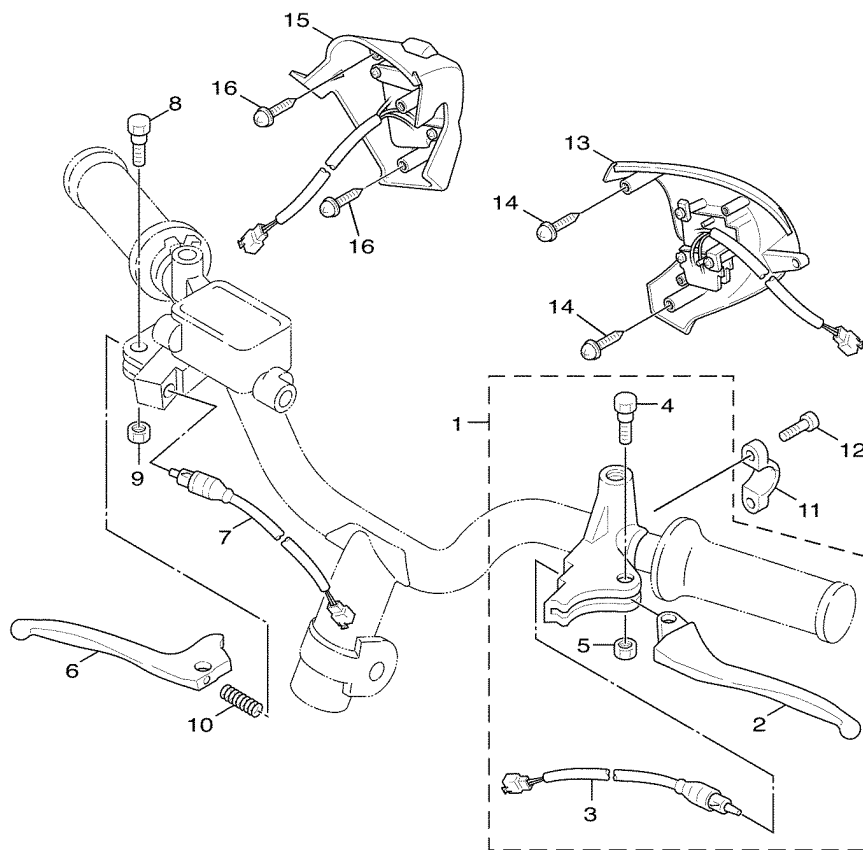
Ref No	Part No	Description
01	5ML-H4700-00-00	Taillight Assy
02	5ML-H4721-00-00	. Lens, Taillight
03	5ML-H3332-00-00	. Lens, Flasher
04	5ML-H3342-00-00	. Lens, Flasher 2
05	97707-04616-00	. Screw, Tapping
06	5CP-H5130-01-00	. Rear Reflector Assy
07	4VP-H4714-00-00	. Bulb (12v-21/5w)
08	5ML-H3311-00-00	. Bulb, Flasher (12v-16w)
09	97707-50016-00	Screw, Tapping
10	97707-50012-00	Screw, Tapping
11	90183-05807-00	Nut, Spring
12	90109-063F1-00	Bolt
13	5ML-H4751-00-00	Bracket, License
14	95807-06014-00	Bolt, Flange
15	90201-06557-00	Washer, Plate
16	95607-06100-00	Nut, U
17	90465-13152-00	Clamp



5TY1414-2331

Ref No	Part No	Description
--------	---------	-------------

01	5ML-H2910-00-00	Lever Holder Assy (left)
02	5ML-H3912-00-00	• . Lever 1
03	5ML-H3980-10-00	• . Front Stop Switch Assy
04	5NV-H3945-00-00	• . Bolt, Lever
05	95607-05100-00	• . Nut, U
06	5ML-H3922-00-00	Lever 2
07	5ML-H3980-00-00	Front Stop Switch Assy
08	90109-06577-00	Bolt
09	95607-06100-00	Nut, U
10	90501-10312-00	Spring, Compression
11	3GF-F5867-00-00	Bracket, Master Cylinder
12	91317-06025-00	Bolt
13	5ML-H3973-00-00	Switch, Handle 3
14	97707-50016-00	Screw, Tapping
15	5UA-H3976-00-00	Switch, Handle 1
16	97707-50016-00	Screw, Tapping



5TY1414-2340