

PARTS CATALOGUE



踏板车

SR30ED(CN)

超 5 FI 150



Release Date : 2013/01/01
Print Date : 2013/02/18

前言

- 本零件目录适用于SR30ED(CN).机种,订购零件时,请参照本册
- 本册之配色表仅供参考,若于实车不符之处,以实车为准
- 贩卖记号(Sales mark):
 - 1、注明"***"记号,表示该订购零件时,请参照机车相片及配色表,并请在本零件号码最后加上色码。
 - 2.注明"#"记号,表示该零件有设变记录,请上系统查询设变履历。
- 本册付梓印刷仓促,倘有错误或遗漏之处,敬请不吝赐教指正

ABOUT THIS PARTS LIST

- This parts list is compiled all service parts for model SR30ED(CN).
- Any difference between color chart and motorcycle will be revised according to motorcycle.
- The Mark:
 1. Marking "***" must add color code in the end before ordering parts.
 2. Marking "#" are parts with modification, Please find the details from e-Parts system.
- When modification or additions to this parts list are made a revised edition at an appropriate time.

目录

● 前言	1
● 配色表SR30ED(CN).	3
● 引擎结构图	12
● 车架结构图	13
● 引擎零件号码表	16
● 车架零件号码表	48
● 零件号码索引	122

CONTENTS

● ABOUT THIS PARTS LIST	1
● COLOR CHART OF SR30ED(CN)	3
● CONTENTS-ENGINE GROUP	12
● CONTENTS-FRAME GROUP	13
● ENGINE PARTS LIST	16
● FRAME PARTS LIST	48
● PART NO. INDEX	122

NO	机种			配色表SR30ED(CN).							
	相片No.			NO. 1	NO. 2	NO. 3	NO. 4				
	主体色					Ivory White	Ivory White				
	色码			Silver Crystal	Black		Ivory White				
	零件名称	零件号码	版次	NH263MA	NH001SAA	NH190PAC	NH190PAC				
1	FORK SET FR R	5140A-LKE7-900	2	A01							
2	FORK SET FR L	5150A-LKE7-900	4								
3	GRIP COMP..THROT.	53140-LFB6-800	5	E4R							
4	GRIP COMP L HANDLE	53150-LEA6-900	4								
5	END HANDLE	53102-KEC8-900	0	F1S							
6	END R STRGHANDLE	53105-LBB5-E00	2								
7	WHEEL CAST ,RR	42601-LKE7-900	0	HUA							
8	WHEEL SET FR	44650-LFE2-305	4								
9	COVER. FRONT	64301-LKE6-900	3	HUP		HXP					
10	COVER UP R BODY	83510-LKE6-900	4								
11	COVER UP L BODY	83610-LKE6-900	4								
12	LEVER L STRG HANDLE	53178-KKBK-E00	0	M3A							
13	LEVER R STRG HANDLE	53175-LEB2-900	1	M5A							
14	BOTTOM CASE R	51420-LFE2-900	0	N1A							
15	BOTTOM CASE L	51520-LFE2-900	0								
16	COVER HANDLE FR.	53205-LKE7-900	1	HUP							
17	MOLDING FRONT	64302-LKE6-305	0								
18	SKIRT R SIDE	64305-LEB1-900	3								
19	SKIRT L SIDE	64306-LEB1-900	3								
20	CARRIER RR	81200-LKE6-900	2					N1P		HXP	
21	COVER R BODY	83500-LKE6-325	0								
22	COVER L BODY	83600-LKE6-325	0								
23	MIRROR ASS.Y.. R BACK	88110-LEB1-900	5								
24	MIRROR ASS.Y.. L BACK	88120-LEB1-900	5								
25	TAIL CAP MUFFLER	18306-LAC7-900	3	N1R							
生产日期											
停产日期											

NO	机种			配色表SR30ED(CN).			
	相片No.			NO. 5	NO. 6	NO. 7	NO. 8
	主体色			Ivory White	Ivory White	Ivory White	Ivory White
	色码				Ivory White		Ivory White
	零件名称	零件号码	版次	NH190PAB	NH190PAB	NH190PAA	NH190PAA
1	FORK SET FR R	5140A-LKE7-900	2	A01			
2	FORK SET FR L	5150A-LKE7-900	4				
3	GRIP COMP..THROT.	53140-LFB6-800	5	E4R			
4	GRIP COMP L HANDLE	53150-LEA6-900	4				
5	END HANDLE	53102-KEC8-900	0	F1S			
6	END R STRGHANDLE	53105-LBB5-E00	2				
7	WHEEL CAST ,RR	42601-LKE7-900	0	HUA			
8	WHEEL SET FR	44650-LFE2-305	4				
9	COVER. FRONT	64301-LKE6-900	3	N8P			X4P
10	COVER UP R BODY	83510-LKE6-900	4				
11	COVER UP L BODY	83610-LKE6-900	4				
12	LEVER L STRG HANDLE	53178-KKBK-E00	0	M3A			
13	LEVER R STRG HANDLE	53175-LEB2-900	1	M5A			
14	BOTTOM CASE R	51420-LFE2-900	0	N1A			
15	BOTTOM CASE L	51520-LFE2-900	0				
16	COVER HANDLE FR.	53205-LKE7-900	1	HXP			
17	MOLDING FRONT	64302-LKE6-305	0				
18	SKIRT R SIDE	64305-LEB1-900	3				
19	SKIRT L SIDE	64306-LEB1-900	3				
20	CARRIER RR	81200-LKE6-900	2				
21	COVER R BODY	83500-LKE6-325	0				
22	COVER L BODY	83600-LKE6-325	0				
23	MIRROR ASS.Y.. R BACK	88110-LEB1-900	5				
24	MIRROR ASS.Y.. L BACK	88120-LEB1-900	5	N1R			
25	TAIL CAP MUFFLER	18306-LAC7-900	3				
生产日期							
停产日期							

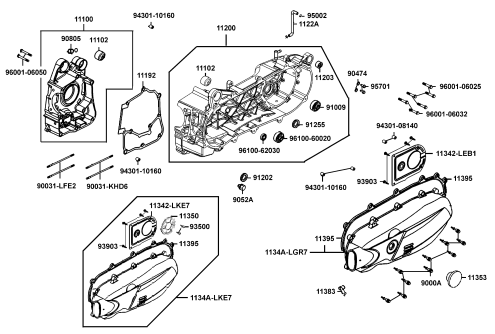
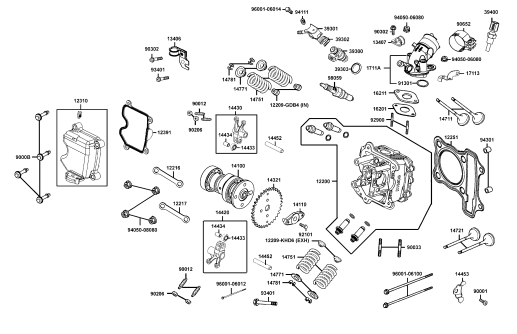
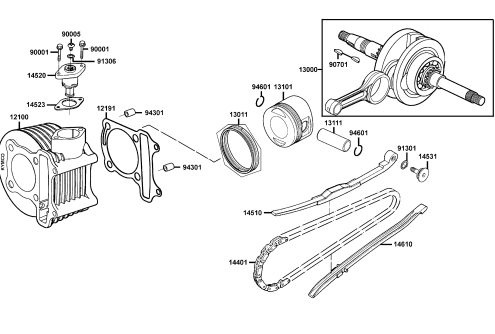
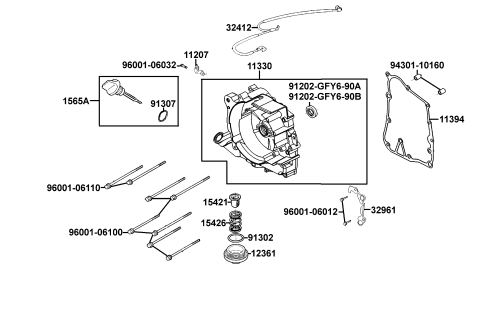
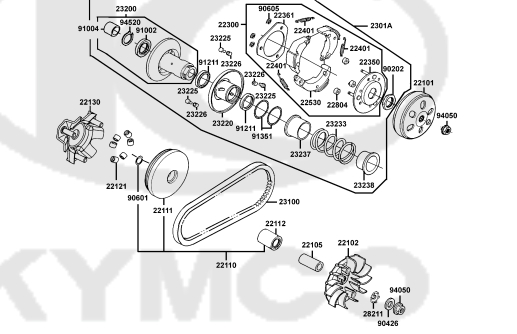
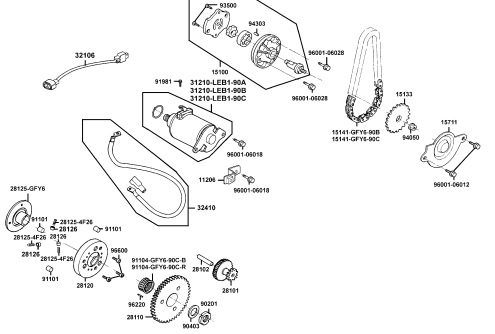
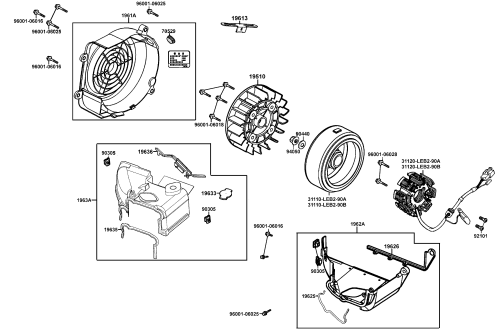
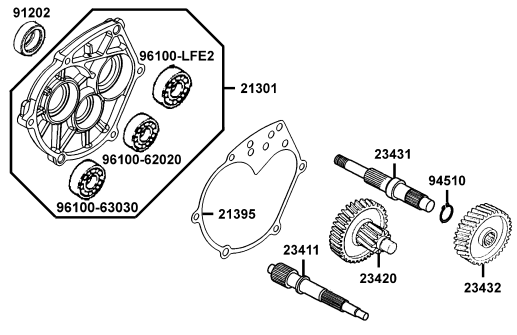
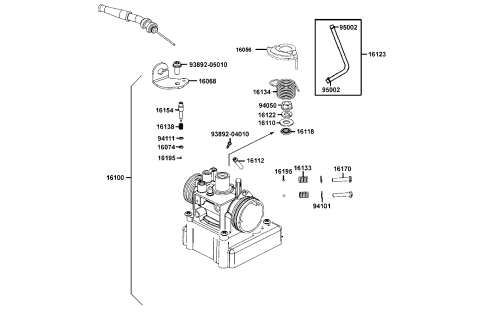
NO	机种			配色表SR30ED(CN).			
	相片No.			NO. 9			
	主体色						
	色码			Black			
	零件名称	零件号码	版次	NH001SAB			
1	FORK SET FR R	5140A-LKE7-900	2	A01			
2	FORK SET FR L	5150A-LKE7-900	4				
3	GRIP COMP..THROT.	53140-LFB6-800	5	E4R			
4	GRIP COMP L HANDLE	53150-LEA6-900	4				
5	END HANDLE	53102-KEC8-900	0	F1S			
6	END R STRGHANDLE	53105-LBB5-E00	2				
7	WHEEL CAST ,RR	42601-LKE7-900	0	HUA			
8	WHEEL SET FR	44650-LFE2-305	4				
9	COVER. FRONT	64301-LKE6-900	3	N1P			
10	COVER UP R BODY	83510-LKE6-900	4				
11	COVER UP L BODY	83610-LKE6-900	4	M3A			
12	LEVER L STRG HANDLE	53178-KKBK-E00	0				
13	LEVER R STRG HANDLE	53175-LEB2-900	1	M5A			
14	BOTTOM CASE R	51420-LFE2-900	0	N1A			
15	BOTTOM CASE L	51520-LFE2-900	0				
16	COVER HANDLE FR.	53205-LKE7-900	1	N1P			
17	MOLDING FRONT	64302-LKE6-305	0				
18	SKIRT R SIDE	64305-LEB1-900	3	N1P			
19	SKIRT L SIDE	64306-LEB1-900	3				
20	CARRIER RR	81200-LKE6-900	2	N1R			
21	COVER R BODY	83500-LKE6-325	0				
22	COVER L BODY	83600-LKE6-325	0				
23	MIRROR ASS.Y.. R BACK	88110-LEB1-900	5				
24	MIRROR ASS.Y.. L BACK	88120-LEB1-900	5				
25	TAIL CAP MUFFLER	18306-LAC7-900	3				
生产日期							
停产日期							

NO	机种			配色表SR30ED(CN).							
	相片No.			NO. 1	NO. 2	NO. 3	NO. 4				
	主体色					Ivory White	Ivory White				
	色码			Silver Crystal	Black		Ivory White				
	零件名称	零件号码	版次	NH263MA	NH001SAA	NH190PAC	NH190PAC				
26	PROTECTOR.MUFFLER	18318-LEB1-900	4	N1R							
27	COVER BATTERY	5032A-LEB1-900	2								
28	COVER. UNDE	50613-LEB1-900	6								
29	COVER. RR. HANDLE	53206-LEB1-900	3								
30	FENDER. FR. INNER	61100-LEB1-900	5								
31	FENDER B.FR.INNER	61101-LEB1-900	3								
32	FENDER FR. B INNER	61101-LGR7-900	5								
33	FLOOR PANEL	64310-LEB1-900	7								
34	特殊螺丝	64316-KHE2-900	1								
35	FENDER TIRE RR.	80100-LKE7-900	0								
36	FENDER. RR.	80105-LEB1-900	6								
37	FENDER RR INNER	80106-LEB1-900	5								
38	COVER. CENTER	80151-LEB1-900	4								
39	LEG SHIELD UP	81131-LKE6-900	2								
40	CAP LEG SHIELD UP	81132-LEB1-900	2								
41	LEG SHIELD UP B	81133-LKE6-900	1								
42	LEG SHIELD LOW	81141-LEB1-900	3								
43	LID LEG SHIELD	81142-KUDU-900	1								
44	COVER PROTECTOR	83503-KHD6-900	2								
45	CAP MIRROR BRKT	88115-LBA2-E02	1								
46	BAND HARNESS WIRE	90656-KUDU-900	0								
47	FORK ASSY .RR	52000-LKE7-900	3					N8A			
48	C/P ASSY RR RH	43100-LKE7-900	0					R8A			
49	CALIPER ASSY FR	45200-LGR8-900	2					R8S			
50	DISK. FR BRK	45351-LFB6-900	2					R8S			
生产日期											
停产日期											

NO	机种			配色表SR30ED(CN).							
	相片No.			NO. 5	NO. 6	NO. 7	NO. 8				
	主体色			Ivory White	Ivory White	Ivory White	Ivory White				
	色码				Ivory White		Ivory White				
	零件名称	零件号码	版次	NH190PAB	NH190PAB	NH190PAA	NH190PAA				
26	PROTECTOR.MUFFLER	18318-LEB1-900	4	N1R							
27	COVER BATTERY	5032A-LEB1-900	2								
28	COVER. UNDE	50613-LEB1-900	6								
29	COVER. RR. HANDLE	53206-LEB1-900	3								
30	FENDER. FR. INNER	61100-LEB1-900	5								
31	FENDER B.FR.INNER	61101-LEB1-900	3								
32	FENDER FR. B INNER	61101-LGR7-900	5								
33	FLOOR PANEL	64310-LEB1-900	7								
34	特殊螺丝	64316-KHE2-900	1								
35	FENDER TIRE RR.	80100-LKE7-900	0								
36	FENDER. RR.	80105-LEB1-900	6								
37	FENDER RR INNER	80106-LEB1-900	5								
38	COVER. CENTER	80151-LEB1-900	4								
39	LEG SHIELD UP	81131-LKE6-900	2								
40	CAP LEG SHIELD UP	81132-LEB1-900	2								
41	LEG SHIELD UP B	81133-LKE6-900	1								
42	LEG SHIELD LOW	81141-LEB1-900	3								
43	LID LEG SHIELD	81142-KUDU-900	1								
44	COVER PROTECTOR	83503-KHD6-900	2								
45	CAP MIRROR BRKT	88115-LBA2-E02	1								
46	BAND HARNESS WIRE	90656-KUDU-900	0								
47	FORK ASSY .RR	52000-LKE7-900	3					N8A			
48	C/P ASSY RR RH	43100-LKE7-900	0					R8A			
49	CALIPER ASSY FR	45200-LGR8-900	2					R8S			
50	DISK. FR BRK	45351-LFB6-900	2					R8S			
生产日期											
停产日期											

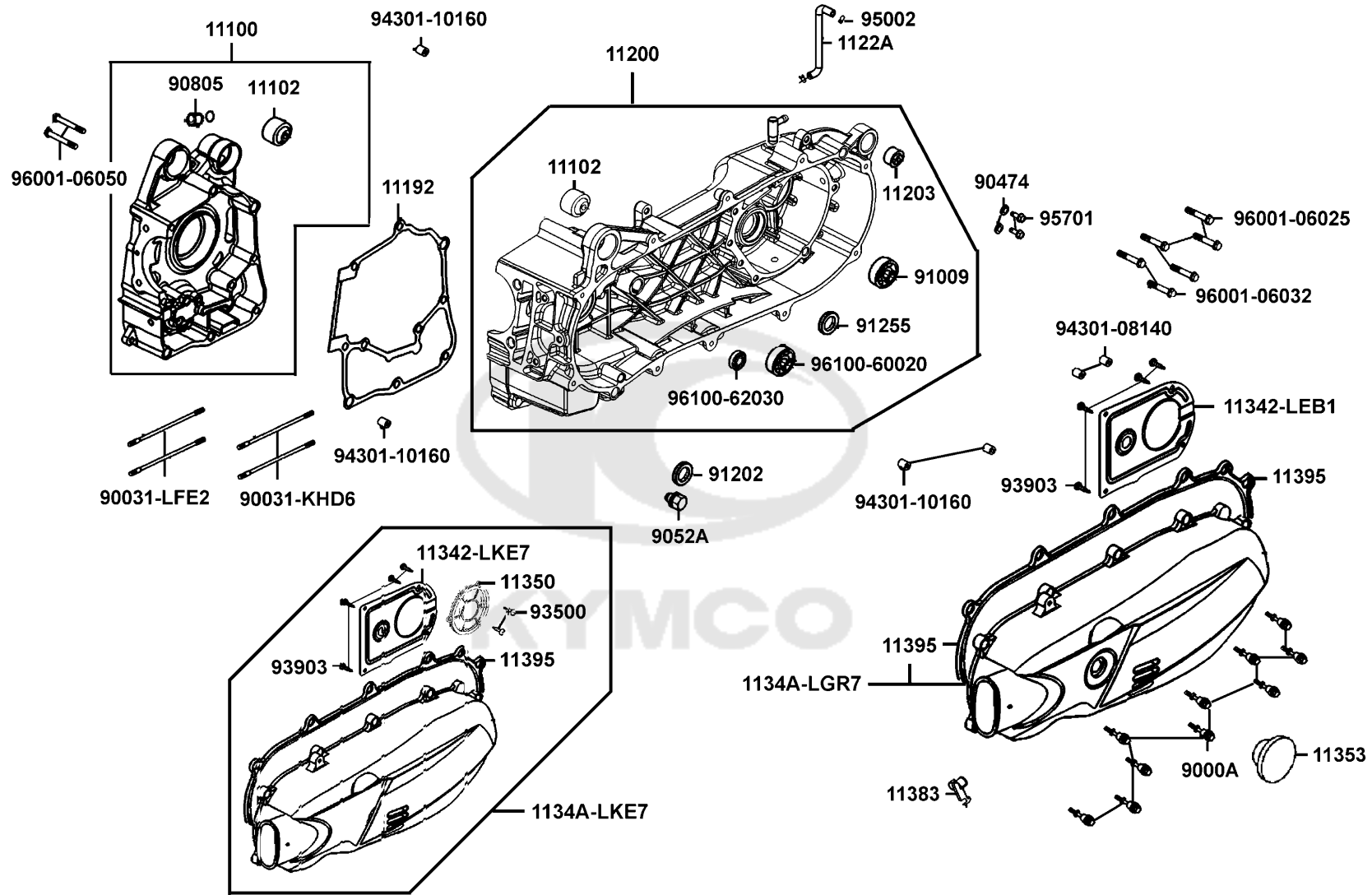
NO	机种			配色表SR30ED(CN).							
	相片No.			NO. 9							
	主体色										
	色码			Black							
	零件名称	零件号码	版次	NH001SAB							
26	PROTECTOR.MUFFLER	18318-LEB1-900	4	N1R							
27	COVER BATTERY	5032A-LEB1-900	2								
28	COVER. UNDE	50613-LEB1-900	6								
29	COVER. RR. HANDLE	53206-LEB1-900	3								
30	FENDER. FR. INNER	61100-LEB1-900	5								
31	FENDER B.FR.INNER	61101-LEB1-900	3								
32	FENDER FR. B INNER	61101-LGR7-900	5								
33	FLOOR PANEL	64310-LEB1-900	7								
34	特殊螺丝	64316-KHE2-900	1								
35	FENDER TIRE RR.	80100-LKE7-900	0								
36	FENDER. RR.	80105-LEB1-900	6								
37	FENDER RR INNER	80106-LEB1-900	5								
38	COVER. CENTER	80151-LEB1-900	4								
39	LEG SHIELD UP	81131-LKE6-900	2								
40	CAP LEG SHIELD UP	81132-LEB1-900	2								
41	LEG SHIELD UP B	81133-LKE6-900	1								
42	LEG SHIELD LOW	81141-LEB1-900	3								
43	LID LEG SHIELD	81142-KUDU-900	1								
44	COVER PROTECTOR	83503-KHD6-900	2								
45	CAP MIRROR BRKT	88115-LBA2-E02	1								
46	BAND HARNESS WIRE	90656-KUDU-900	0								
47	FORK ASSY .RR	52000-LKE7-900	3					N8A			
48	C/P ASSY RR RH	43100-LKE7-900	0					R8A			
49	CALIPER ASSY FR	45200-LGR8-900	2								
50	DISK. FR BRK	45351-LFB6-900	2	R8S							
生产日期											
停产日期											

CONTENTS - ENGINE GROUP 引擎结构图

<p>E01 Crank Case</p> 	<p>E02 Cylinder Head Cover Cylinder</p> 	<p>E03 Cylinder Piston Crankshaft</p> 
<p>E04 Right Crankcase Cover</p> 	<p>E05 Pulley Assy Driven</p> 	<p>E06 Starting Motor Oil Pump</p> 
<p>E07 Fan Cover Generator</p> 	<p>E08 Transmission</p> 	<p>E09 Throttle Body Assy</p> 

E01

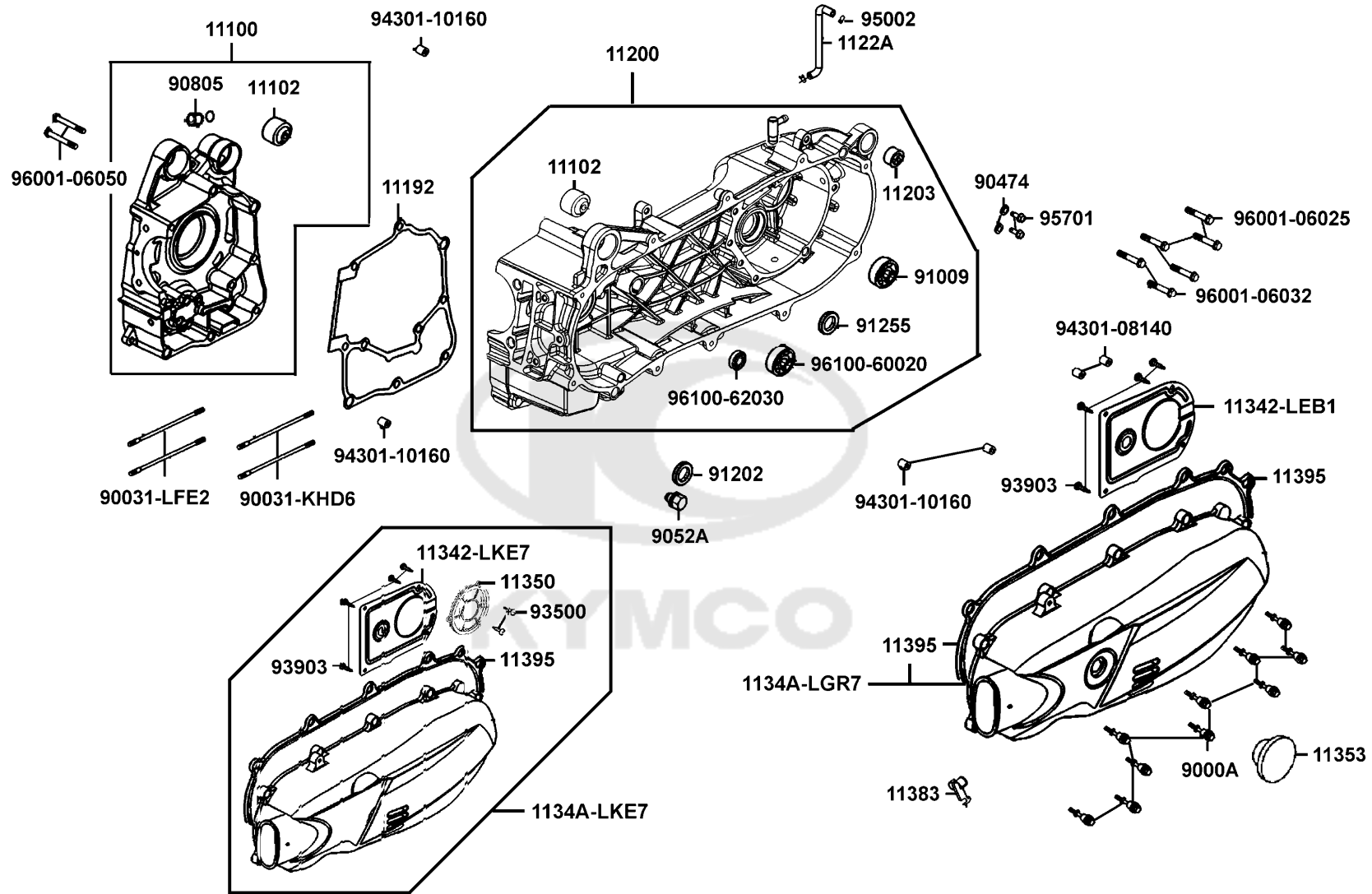
Crank Case



Sales mark 配色标记	Ref no 参考号码	Part no 零件号码	Description 英文名称	Reg description 零件名称	Regd no 需求用量	E01
	11100	11100-LEB1-306	CRANK CASE SET R	右曲轴箱组	1	
	11102	11102-1G87-004	RUB BUSH ENG HANGER	引擎吊架衬套	2	
	11192	11192-LEB1-900	GASKET CRANK CASE @A	曲轴箱垫片 A	1	
	11200	11200-LKE7-305	CRANK CASE COMP L	左曲轴箱组	1	
	11203	11203-GGC7-301	UNDER RUBBER BUSH REAR CUSHION	後缓冲下衬套	1	
	1122A	1122A-LEB1-900	TUBE ASSY BREATHER	通气管	1	
	11342-LEB1	11342-LEB1-900	PLATE L COVER	导流板	1	
	11342-LKE7	11342-LKE7-900	PLATE L COVER	PLATE L COVER	1	
	1134A-LGR7	1134A-LGR7-900	COVER LEFT	左曲轴箱盖	1	
	1134A-LKE7	1134A-LKE7-900	COVER ASSY.L SIDE	COVER ASSY.L SIDE	1	
	11350	11350-LKB9-900	ELEMENT L COVER	ELEMENT L COVER	1	
	11353	11353-LEB2-900	RUBBER PLUG L COVER KICK	冷风入口盖	1	
	11383	11383-LEB1-900	CLAMPER DRAIN TUBE	油管钩	1	
	11395	11395-LGR7-900	GASKET L COVER	左曲轴箱盖垫片	1	
	9000A	9000A-KTDT-900	BOLT ASSY SPECIAL 6*29.5	特殊螺丝 6X29.5	10	
	90031-KHD6	90031-KHD6-900	BOLT A STUD 8*218	双头螺丝 8*200.5	2	
	90031-LFE2	90031-LFE2-900	BOLT B STUD 8*225	双头螺丝 8*225	2	
	90474	90474-3C33-001	WASHER 8MM	垫圈	2	
	9052A	9052A-LEB1-900	BOLT ASSY DRAIN PLUG	泄油螺丝	1	
	90805	90805-GBHB-901	CONE TYPE PLUG 6*7	油路栓 6*7	1	

E01

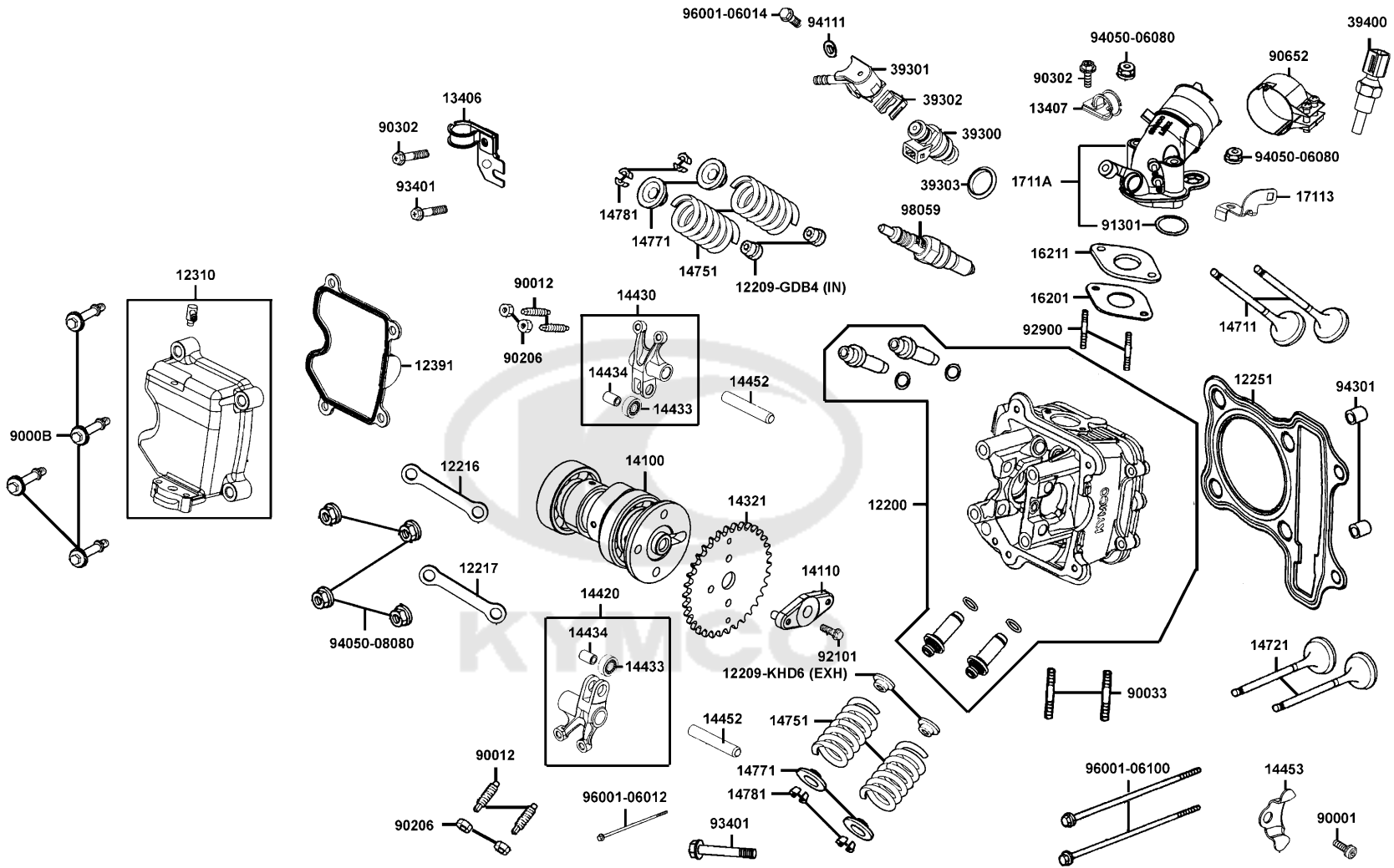
Crank Case



Sales mark 配色标记	Ref no 参考号码	Part no 零件号码	Description 英文名称	Reg description 零件名称	Regd no 需求用量	E01
91009		91009-GLE0-004	BRG BALL RADIAL 6004 UU	轴承 6004	1	
91202		91202-LEB1-900	OIL SEAL 25*35*5	油封 25*35*5	1	
91255		91255-GLE0-006	OIL SEAL 27*42*7	油封 27X42X7	1	
93500		93500-04010-0G	SCREW PAN 4X10	SCREW PAN 4X10	2	
93903		93903-35260	SCREW TAPPING 5*12	螺丝 5X12	4	
94301-08140		94301-08140	PIN A DOWEL 8*14	定位销	2	
94301-10160		94301-10160	DOWEL PIN 10*16	定位销	4	
95002		95002-50000	CLIP C9 TUBE	油管夹	1	
95701		95701-08012-08	BOLT FLANGE 8*12 (C)	有边缘螺丝8*12	2	
96001-06025		96001-06025-08	BOLT FLANGE 6*25	凸缘螺栓	5	
96001-06032		96001-06032-08	BOLT FLANGE SH 6*32	螺丝 6X32	3	
96001-06050		96001-06050-08	BOLT FLANGE SH 6*50 (C)	凸缘螺栓	2	
96100-60020		96100-60020-00	BEARING BALL RADIAL 6002	径向滚珠轴承	1	
96100-62030		96100-62030-00	BEARING BALL RADIAL 6203	径向滚珠轴承	1	

E02

Cylinder Head Cover Cylinder Head

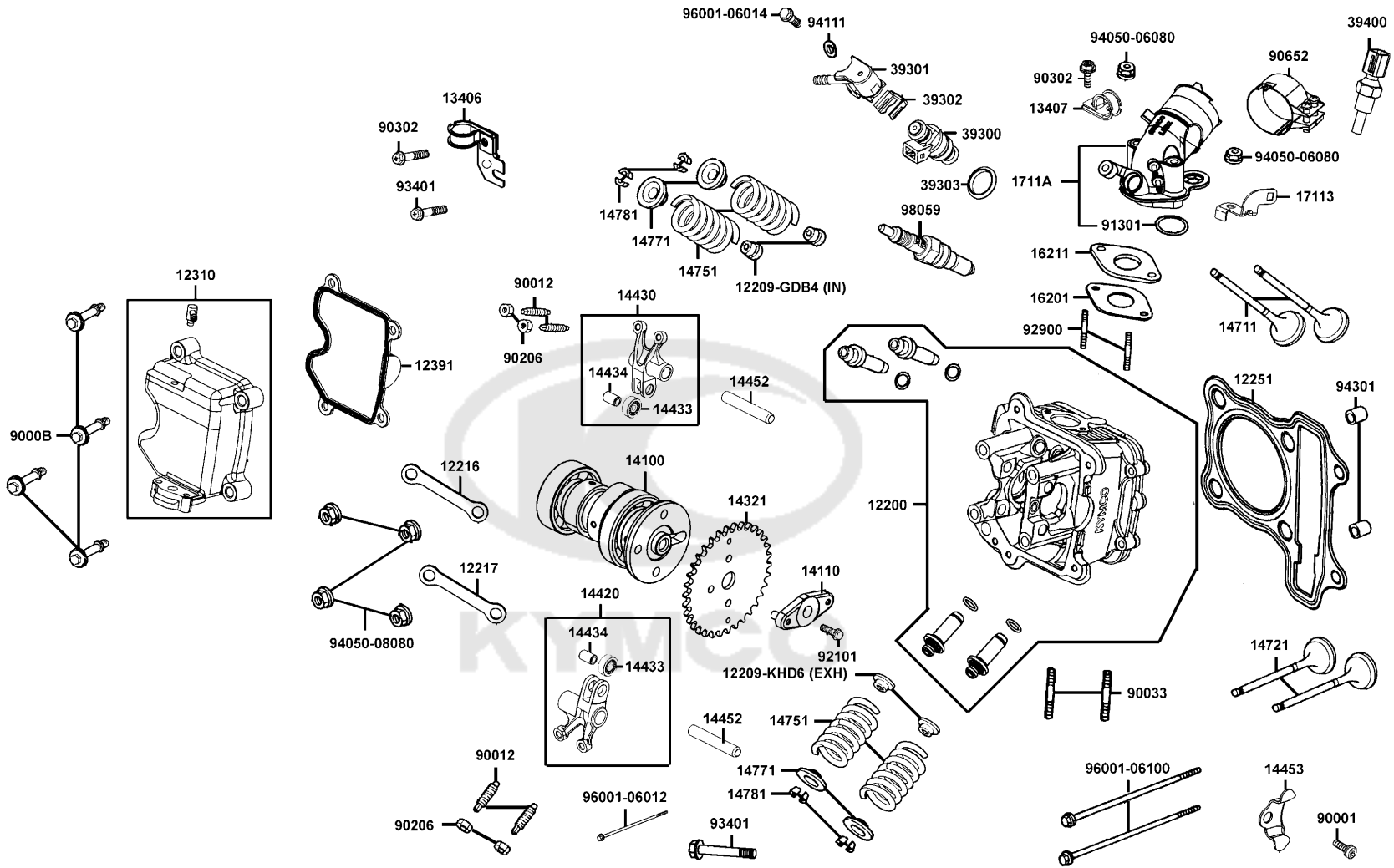


Sales mark 配色标记	Ref no 参考号码	Part no 零件号码	Description 英文名称	Reg description 零件名称	Regd no 需求用量	E02
	12200	12200-LKE7-900	HEAD COMP.. CYLN.	汽缸头	1	
	12209-GDB4	12209-GDB4-68A	SEAL VALVE STEM	阀门径封	2	
	12209-KHD6	12209-KHD6-900	SEAL VALVE STEM	门阀径封	2	
	12216	12216-LEB1-900	FORK A CAM HOLDER	固定座前叉	1	
	12217	12217-LEB1-900	FORK B CAM HOLDER	固定座前叉	1	
	12251	12251-LKE7-900	GASKET CYLINDER HEAD	汽缸头垫片	1	
	12310	12310-LKE7-900	COVER COMP CYLN.HEAD	汽缸头盖	1	
	12391	12391-LFE2-900	GASKET HEAD COVER	垫片	1	
	13406	13406-LKE7-900	PLATE FUEL INJECTOR	喷射进气支板	1	
	13407	13407-LKC6-900	PLATE A ECU MODULE	夹子	1	
	14100	14100-LFE2-900	SHAFT COMP CAM	凸轮轴	1	
	14110	14110-LEB1-900	FIXTURE CAMSHAFT	凸轮轴固定件	1	
	14321	14321-LEB1-900	SPROCKET CAM	凸轮扣链齿轮	1	
	14420	14420-LFE2-900	ARM COMP EXH VALVE ROCKER	排气阀摇臂	1	
	14430	14430-LFE2-900	ARM COMP IN VALVE ROCKER	进气阀摇臂	1	
	14433	14433-LEB1-900	ROLLER ASSY ROCKER ARM	轴承	1	
	14434	14434-LEB1-900	PIN ROCKER ARM	套筒	1	
	14452	14452-LFA7-E00	SHAFT ROCKER ARM	摇杆臂轴	1	
	14453	14453-LKE7-900	SET PLATE ROCKER ARM SHAFT	内阀摇臂轴固定板	1	
	14711	14711-LFE2-900	VALVE INLET	进气阀	2	

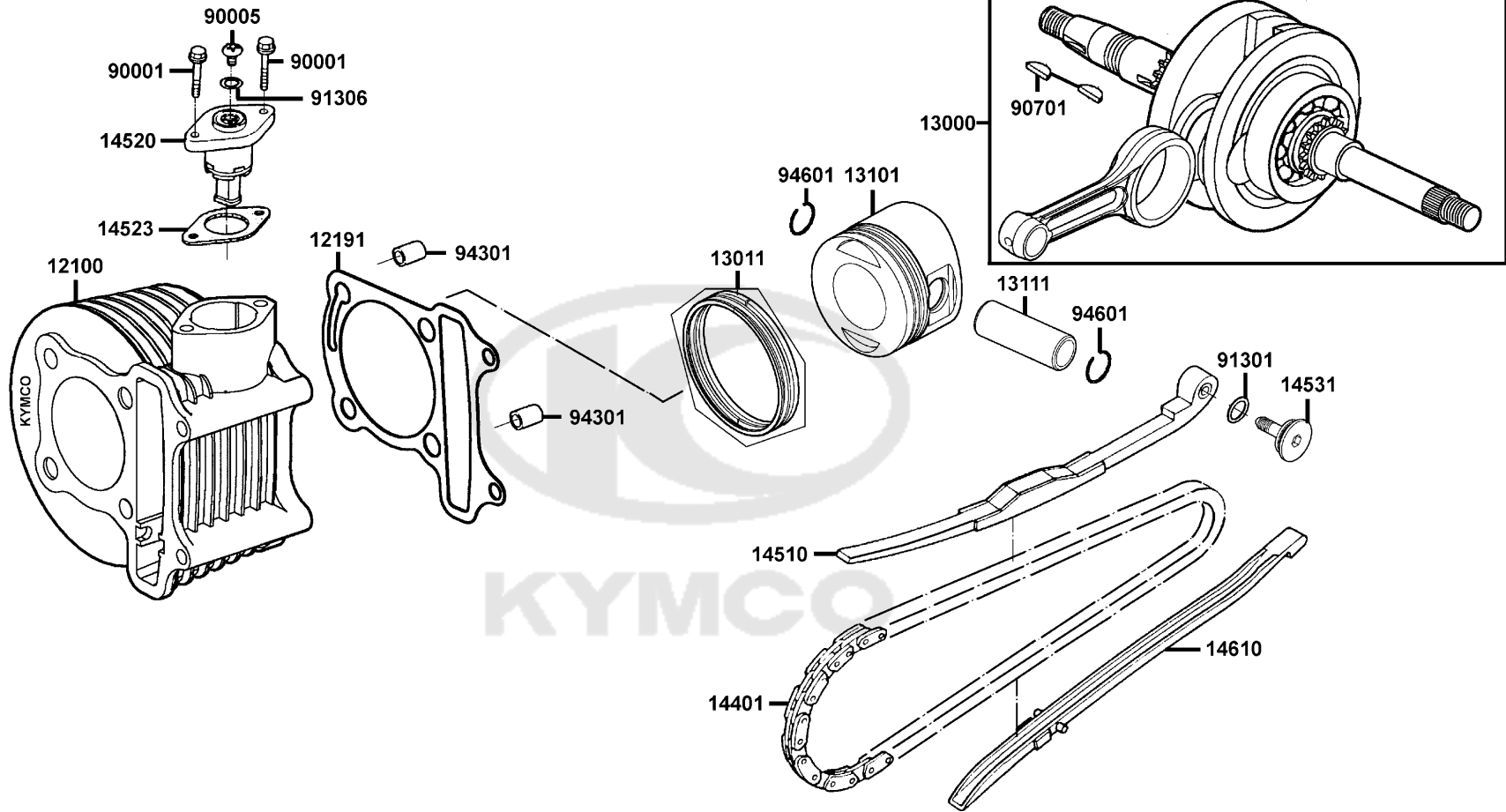
Sales mark 配色标记	Ref no 参考号码	Part no 零件号码	Description 英文名称	Reg description 零件名称	Regd no 需求用量	E02
	14721	14721-LGL9-900	VALVE EXHAUST	排气阀	2	
	14751	14751-KHD6-900	SPG VALVE OUTER	门阀外弹簧	4	
	14771	14771-KHD6-900	RETAINER VALVE SRINPG	门阀弹簧扣环	4	
	14781	14781-MFA6-001	COTTER VALVE	阀门锁扣	8	
	16201	16201-LFE2-900	GASKET CARB INSULATOR A	隔热板垫片 A	1	
	16211	16211-LFE2-900	INSULATOR CARB	化油器隔热板	1	
	17113	17113-LKE6-900	STAY INLET PIPE	支架	1	
	1711A	1711A-LFB6-800	PIPE ASS.Y.INLET	进气歧管组立	1	
	39300	39300-LEB2-800	FUEL INJECTOR	燃油喷嘴	1	
	39301	39301-LGL9-900	HOLDER ASSY FUEL	油管保持组立	1	
	39302	39302-KKE3-900	CLIP SPRING FUEL INJECTOR	燃料喷嘴弹簧夹	1	
	39303	39303-LEB2-900	SEAL HIGH TENSION FUEL INJECT	拉力封	1	
	39400	39400-KKE3-800	SENSOR HEAD TEMPERATURE	汽缸头温度感知器	1	
	90001	90001-GFY6-901	SOCKET BOLT 6*10	内六角螺丝 6X10	1	
	9000B	9000B-KHD6-900	BOLT ASSY SPECIAL 6*41.5	螺丝 6X41.5	4	
	90012	90012-3C33-001	SCREW TAPPET ADJUSTING	枢轴调整螺帽	4	
	90033	90033-GFY6-900	GASKET HEAD COVER	汽缸头盖垫片	2	
	90206	90206-0A01-001	NUT TAPPET ADJG	挺杆调整螺帽	2	
	90302	90302-LLB1-E00	BOLT-WASH 5X12	垫圈螺栓	2	
	90652	90652-LGJ9-900	BAND 48 INLET-PIPE	进气管夹	1	

E02

Cylinder Head Cover Cylinder Head



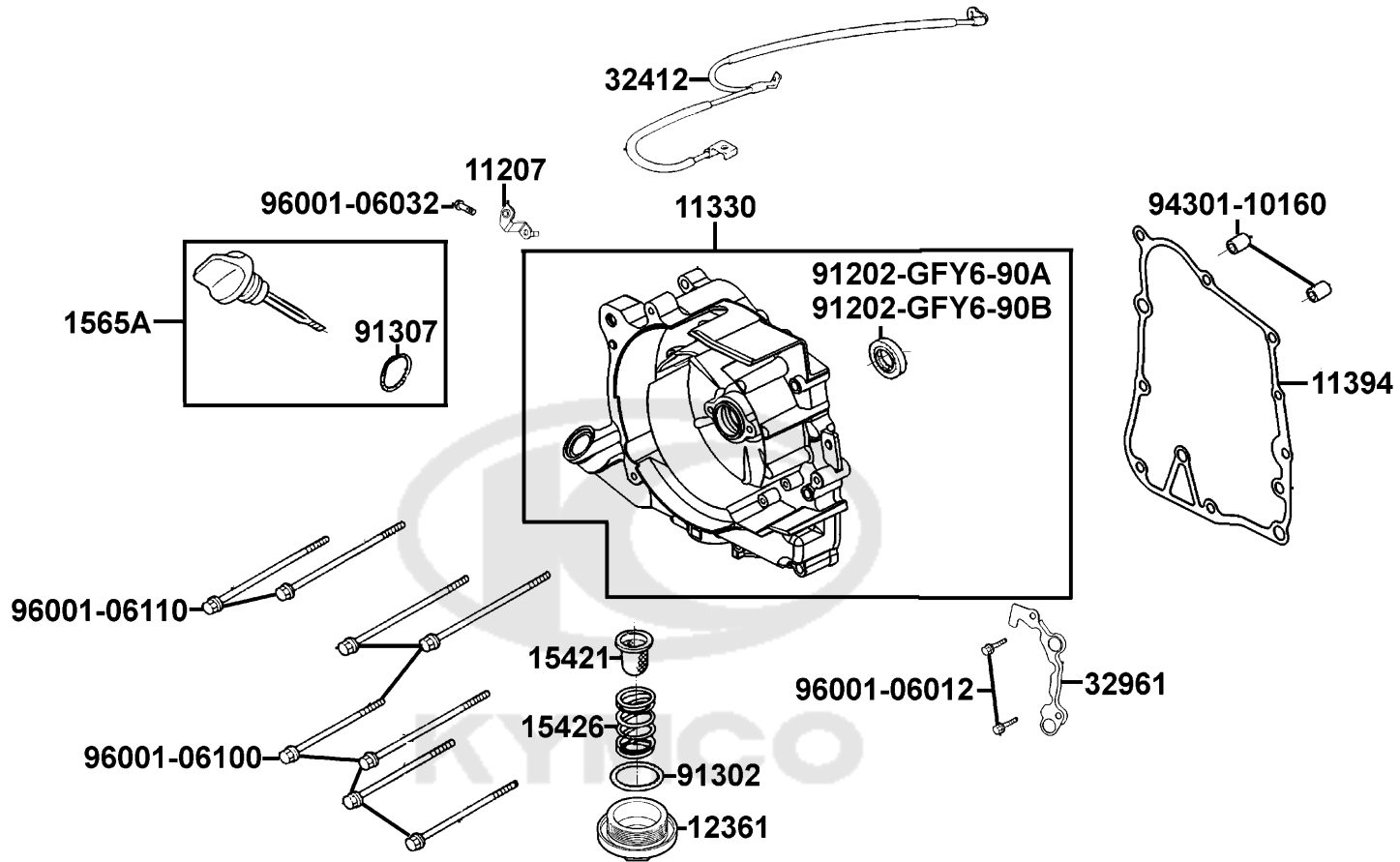
Sales mark 配色标记	Ref no 参考号码	Part no 零件号码	Description 英文名称	Reg description 零件名称	Regd no 需求用量	E02
91301		91301-LEB1-900	O-RING 30*2	O环 30*2	1	
92101		92101-06014-0H	BOLT HEX 6*14	螺丝 6X14	1	
92900		92900-06060-0B	BOLT STUD j 6*60	螺栓	2	
93401		93401-05020-08	BOLT WASHER 5*20	螺丝 5X20	1	
94050-06080		94050-06080	NUT FLANGE 6MM (C)	有边缘螺帽 NF 6MM	2	
94050-08080		94050-08080	NUT FLANGE 8MM	边缘螺帽(黄色)	4	
94111		94111-06800	WASHER SPRING 6MM	华司 6MM	1	
94301		94301-10160	DOWEL PIN 10*16	定位销	2	
96001-06012		96001-06012-08	BOLT FLANGE SH 6*12	凸缘螺栓6*12	1	
96001-06014		96001-06014-08	BOLT FLANGE SH 6*14 (C)	凸缘螺栓	1	
96001-06100		96001-06100-08	BOLT FLANGE 6*100	凸缘螺栓	2	
98059		98059-58916-00	PLUG SPARK(CR8E)	火星塞	1	



Sales mark 配色标记	Ref no 参考号码	Part no 零件号码	Description 英文名称	Reg description 零件名称	Regd no 需求用量	E03
	12100	12100-LFE2-90B	CYLINDER COMP	汽缸	1	
	12191	12191-LFE2-900	GASKET CYLINDER A	汽缸垫片 A	1	
	13000	13000-LKE7-900	CRANK SHAFT COMP.	曲轴	1	
	13011	13011-LFE2-90B	RING ASSY PISTON	活塞环组	1	
	13101	13101-LFE2-900	PISTON	活塞	1	
	13111	13111-KKJ9-001	PIN PISTON	活塞销	1	
	14401	14401-LFE2-900	CHAIN CAM	凸轮轴驱动链条	1	
	14510	14510-LEB1-900	TENSIONER CAM CHAIN	内链条拉力杆	1	
	14520	14520-LFA7-E00	LIFTER ASSY TENSIONER	LIFTER ASSY TENSIONER	1	
	14523	14523-KED9-900	GASKET TENSIONER LIFTER @A	内链条调整器垫片	1	
	14531	14531-GLR0-001	PIVOT CAM CHAIN TENSIONER	拉力杆螺丝	1	
	14610	14610-LEB1-900	GUIDE COMP CAM CHAIN	链条导件	1	
	90001	90001-GBHB-661	BOLT FLANGE SH 6*22	有边缘螺丝 6*22	2	
	90005	90005-KAW1-901	SCREW PAN 6*6	附十字穴小芽径	1	
	90701	90701-HFB6-011	KEY WOODRUFF 25X14X4	固定键 25*14*4	1	
	91301	91301-GLR0-005	O-RING 15.2*1.5	O环 15.2X1.5	1	
	91306	91306-1E05-691	O-RING 1.5*9.5	O环 1.5*9.5	1	
	94301	94301-10160	DOWEL PIN 10*16	定位销	2	
	94601	94601-15000	CLIP PISTON PIN 15MM	活塞梢夹	2	

E04

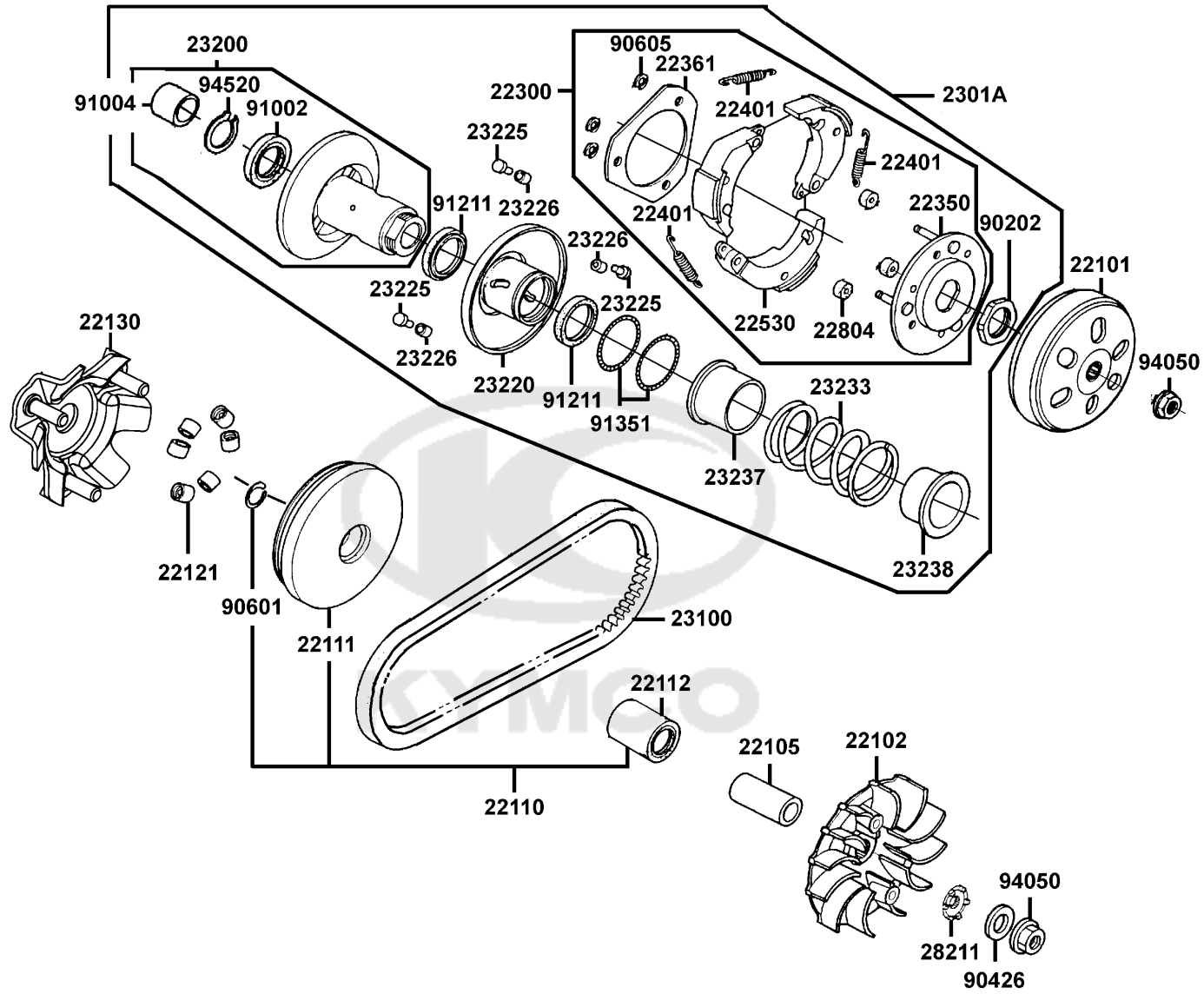
Right Crankcase Cover



Sales mark 配色标记	Ref no 参考号码	Part no 零件号码	Description 英文名称	Reg description 零件名称	Regd no 需求用量	E04
11207		11207-LEB1-900	STAY B RR FENDER	後土除支架 B	1	
11330		11330-LEB1-900	COVER R CRANK CASE	右曲轴箱盖	1	
11394		11394-LEB1-900	GASKET R COVER	右曲轴箱盖垫片	1	
12361		12361-GFY6-901	HOLE CAP TAPPET ADJUSTING	定位销	1	
15421		15421-1G07-001	SCREEN OIL FILTER	滤油网	1	
15426		15426-GAE1-921	SPRING OIL FILTER SCREEN	滤油网弹簧	1	
1565A		1565A-KUDU-900	GAUGE OIL LEVEL ASSY	机油尺组	1	
32412		32412-LEA1-910	CABLE EARTH	接地导线	1	
32961		32961-LEB1-900	CLAMPER ACG CORD	A.C.G 线夹	1	
91202-GFY6-90A		91202-GFY6-90A	OIL SEAL 19.8*30*5	油封 19.8X30X5	1	
91202-GFY6-90B		91202-GFY6-90B	OIL SEAL 19.8*30*5	油封	1	
91302		91302-0A01-021	O-RING 30.8M/M	O环 30.8MM	1	
91307		91307-0E35-001	O RING 18*3	O环 18*3	1	
94301-10160		94301-10160	DOWEL PIN 10*16	定位销	2	
96001-06012		96001-06012-08	BOLT FLANGE SH 6*12	凸缘螺栓6*12	2	
96001-06032		96001-06032-08	BOLT FLANGE SH 6*32	螺丝 6X32	1	
96001-06100		96001-06100-08	BOLT FLANGE 6*100	凸缘螺栓	6	
96001-06110		96001-06110-08	BOLT FLANGE SH 6*110 (C)	凸缘螺栓6*110	2	

E05

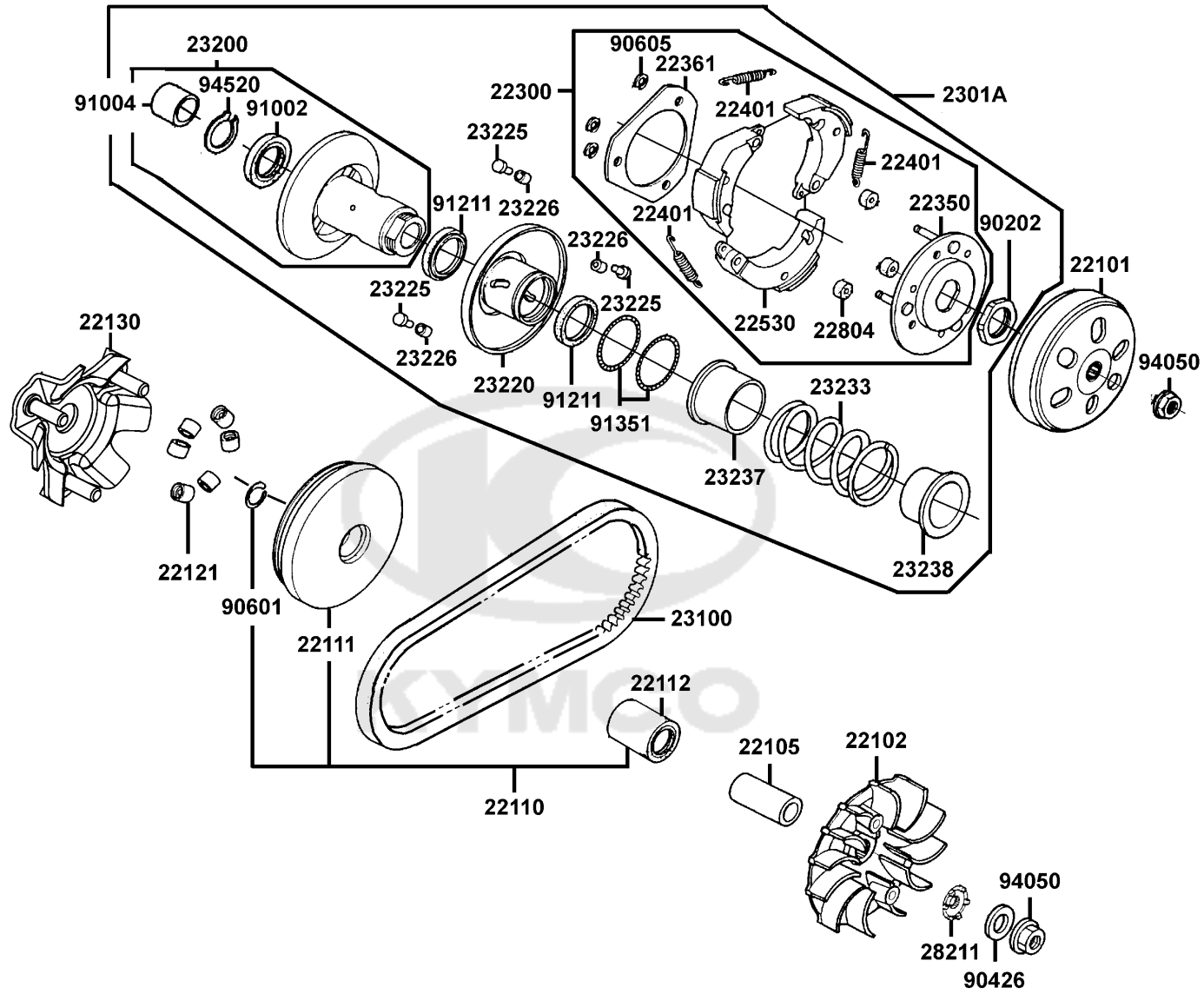
Pulley Assy Driven



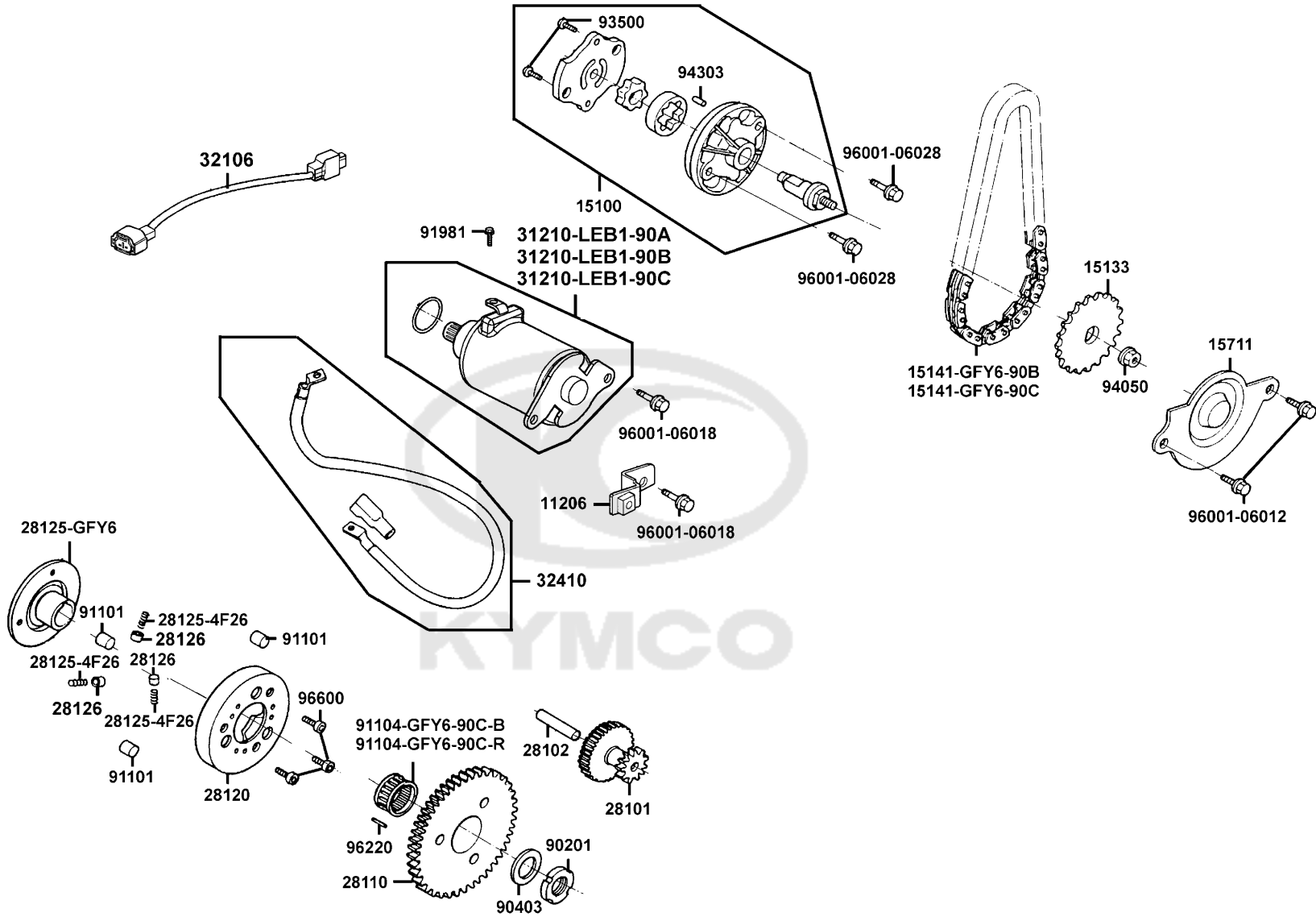
Sales mark 配色标记	Ref no 参考号码	Part no 零件号码	Description 英文名称	Reg description 零件名称	Regd no 需求用量	E05
	22101	22101-KEBE-900	OUTER CLUTCH	离合器外套	1	
	22102	22102-LEB1-900	FACE DRIVE	驱动皮带扇叶盘	1	
	22105	22105-LFE2-900	BOSS DRIVE FACE	衬套	1	
	22110	22110-LEB1-800	FACE COMP MOVABLE DRIVE	滑动式驱动盘	1	
	22111	22111-LEB1-800	FACE MOVABLE DRIVE	滑动式驱动盘	1	
	22112	22112-GFY6-90A	BUSH 24*28*30	衬套 24X28X30	1	
	22121	22121-KKD7-900	ROLLER COMP WEIGHT	配重滚子	6	
	22130	22130-LEB1-800	PLATE RAMP	斜坡板	1	
	22300	22300-LFB6-910	PLATE ASS.Y.DRIVE	CVT离合器驱动盘组	1	
	22350	22350-KGN7-671	PLATE COMP DRIVE	驱动板	1	
	22361	22361-KGN7-671	PLATE CLUTCH SIDE	离合器举升板	1	
	22401	22401-GFY6-94A	SPRING CLUTCH	离合器弹簧	3	
	22530	22530-LKE7-900	WEIGHT CLUTCH	离合器配重组	1	
	22804	22804-GBB2-001	RUBBER CLUTCH DAMPER	离合器橡皮	3	
	2301A	2301A-LKE7-900	PULLEY SUB ASSY	从动皮带轮组	1	
	23100	23100-LGR7-900	BELT DRIVE	驱动皮带	1	
	23200	23200-LFE2-900	FACE ASSY DRIVEN(2007.04.04~)	平面传动盘组	1	
	23220	23220-GFY6-921	FACE COMP MOVABLE DRIVEN	滑动式从动皮带盘	1	
	23225	23225-GHC8-004	PIN ROLLER GUIDE	单向离合器边板	3	
	23226	23226-GHC8-004	ROLLER GUIDE	导销	3	

E05

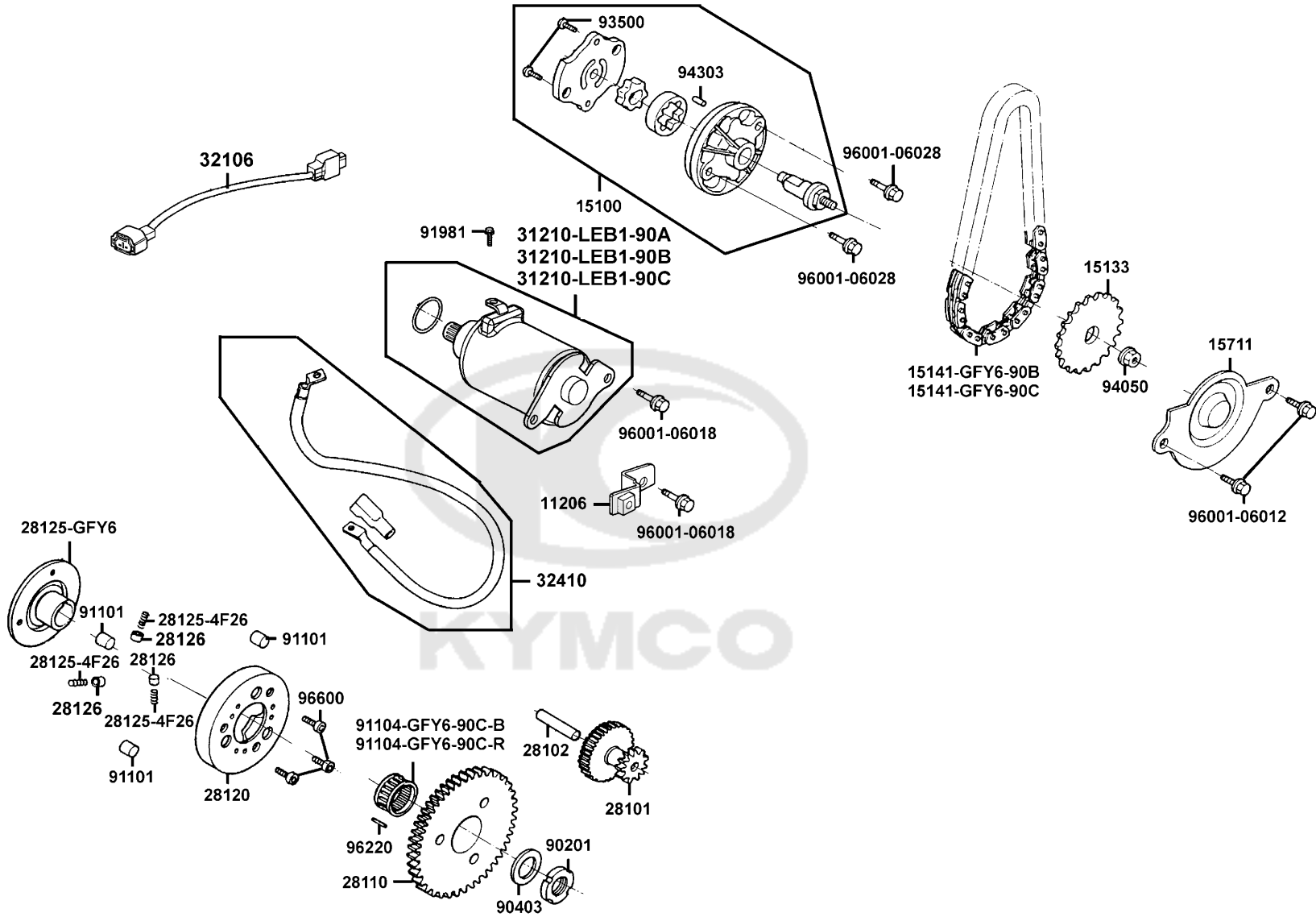
Pulley Assy Driven



Sales mark 配色标记	Ref no 参考号码	Part no 零件号码	Description 英文名称	Reg description 零件名称	Regd no 需求用量	E05
23233	23233-LFE2-910	23233-LFE2-910	SPG DRIVEN FACE	驱动弹簧	1	
23237	23237-GFY6-941	23237-GFY6-941	COLLAR SEAL	套筒油封	1	
23238	23238-LKE7-900	23238-LKE7-900	COLLAR SPG	套筒	1	
28211	28211-LFA7-E00	28211-LFA7-E00	WASHER 15.2x24x5	华司	1	
90202	90202-1G87-001	90202-1G87-001	NUT SPECIAL 28MM	螺帽 28MM	1	
90426	90426-KNBN-901	90426-KNBN-901	WASHER SPECIAL 12MM	特别垫圈	1	
90601	90601-GFY6-901	90601-GFY6-901	CLIP 28MM	环夹	1	
90605	90605-1F66-721	90605-1F66-721	CIR CLIP 7MM	环夹 7MM	3	
91002	91002-GGA7-70A	91002-GGA7-70A	BRG BALL RADIAL 6902U	轴承 6902U	1	
91004	91004-KHE7-900	91004-KHE7-900	BRG NDL 22*29*18	传动组轴承 22*29*18	1	
91211	91211-KEBE-900	91211-KEBE-900	SEAL DRIVEN FACE 34*41*4	驱动油封/CK125T-6	2	
91351	91351-6B42-000	91351-6B42-000	O-RING 38.8*1.9	O环16.8*1.9/CK125T-6	2	
94050	94050-12080	94050-12080	NUT FLANGE 12MM (C)	边缘螺帽(五彩色)	2	
94520	94520-28000	94520-28000	CIR CLIP IN 28	夹环	1	



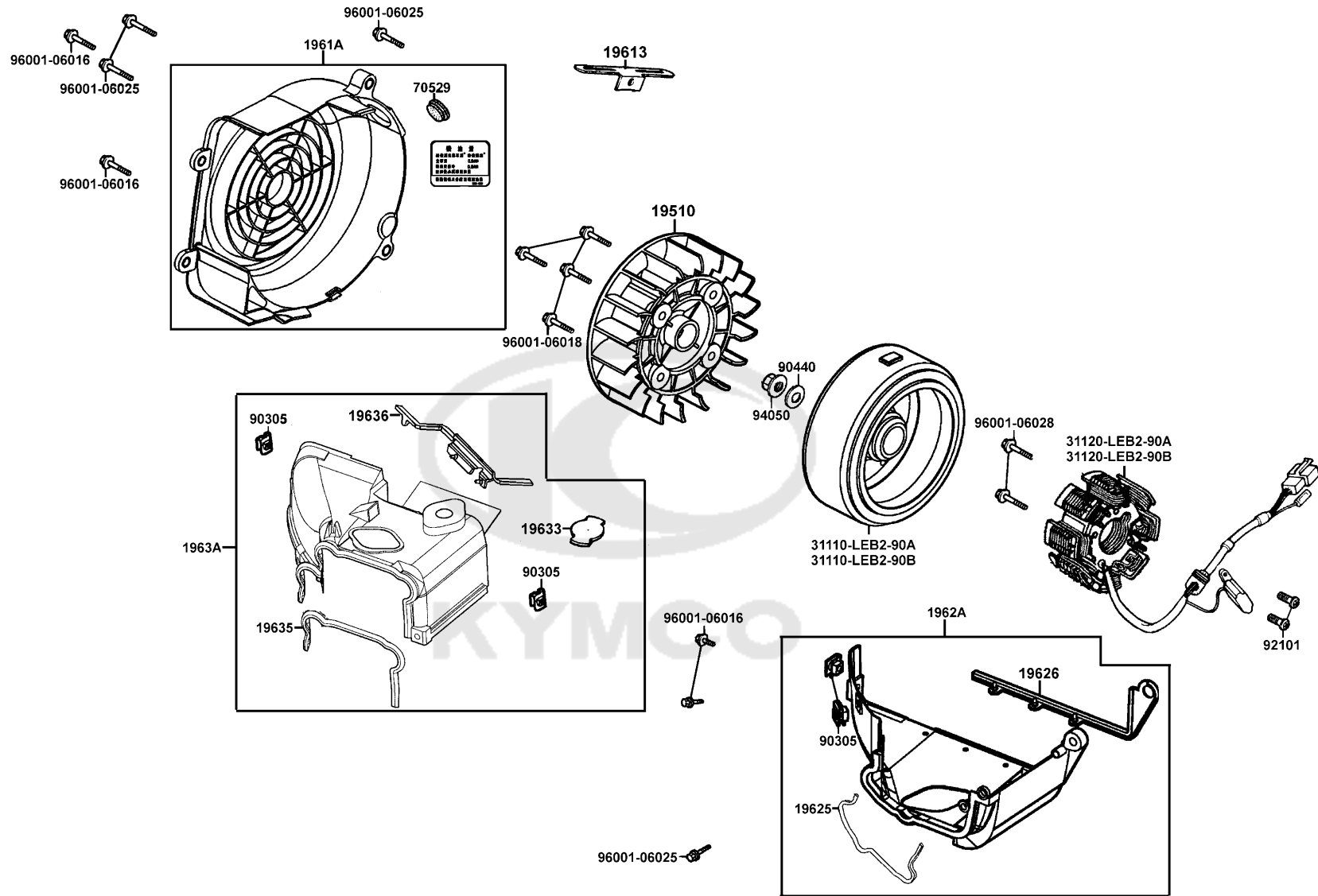
Sales mark 配色标记	Ref no 参考号码	Part no 零件号码	Description 英文名称	Reg description 零件名称	Regd no 需求用量	E06
	11206	11206-LEB1-900	STAY A RR FENDER	後土除支架 A	1	
	15100	15100-KFB7-900	PUMP ASSY OIL	机油泵浦	1	
	15133	15133-GFY6-901	SPRKT OIL PUMP DRIVEN	机油泵驱动齿轮	1	
	15141-GFY6-90B	15141-GFY6-90B	CHAIN OIL PUMP	机油泵驱动链条	1	
	15141-GFY6-90C	15141-GFY6-90C	CHAIN OIL PUMP	机油泵驱动链条	1	
	15711	15711-GFY6-901	SEPARATER OIL	机油分隔板	1	
	28101	28101-GFY6-200	GEAR STARTER REDUCTION	起动减速齿轮	1	
	28102	28102-GFY6-901	SHAFT STARTER REDUCTION GEAR	动减速齿轮轴	1	
	28110	28110-LEB1-900	GEAR COMP STARTING CLUTCH	起动齿轮	1	
	28120	28120-GFY6-315	OUTER COMP STARTING CLUTCH	离合器外套	1	
	28125-4F26	28125-4F26-001	SPRING ROLLER STARTER CLUTCH	离合器滚子弹簧	3	
	28125-GFY6	28125-GFY6-960	FLANGE STARTING CLUTCH	起动离合器凸缘	1	
	28126	28126-KUDU-900	CAP STARTING ROLLER SPRING	启动滚子盖弹簧	3	
	31210-LEB1-90A	31210-LEB1-90A	MOTOR UNIT START	起动马达组	1	
	31210-LEB1-90B	31210-LEB1-90B	MOTOR UNIT START	起动马达组	1	
	31210-LEB1-90C	31210-LEB1-90C	MOTOR UNIT START	起动马达组	1	
	32106	32106-LKE6-900	SUB HARNESS A	点火线圈副线	1	
	32410	32410-LEB1-900	CABLE START MOTOR	起动马达配线	1	
	90201	90201-GFY6-901	NUT LOCK 22MM	锁定螺帽 22MM	1	
	90403	90403-GFY6-901	WASHER THRUST 22.2*31*2.5	垫片 22.2*31*2.5	1	



Sales mark 配色标记	Ref no 参考号码	Part no 零件号码	Description 英文名称	Reg description 零件名称	Regd no 需求用量	E06
	91101	91101-1K79-711	ROLLER 10*10	滚子 10X10	3	
	91104-GFY6-90C-B	91104-GFY6-90C-B	BRG NEEDLE 28*32*17	滚针轴承 28*32*17	1	
	91104-GFY6-90C-R	91104-GFY6-90C-R	BRG NEEDLE 28*32*17	滚针轴承 28*32*17	1	
	91981	91981-KGN7-670	SCREW WASH 5*8	螺丝	1	
	93500	93500-03010-1A	SCREW PAN 3*10	螺丝 3X12	1	
	94050	94050-06080	NUT FLANGE 6MM (C)	有边缘螺帽 NF 6MM	1	
	94303	94303-04065	DOWEL PIN 4*6.5	定位销 4X6.5	1	
	96001-06012	96001-06012-08	BOLT FLANGE SH 6*12	凸缘螺栓6*12	2	
	96001-06018	96001-06018-08	BOLT FLANGE SH 6*18	凸缘螺栓	2	
	96001-06028	96001-06028-08	BOLT FLANGE SH 6*28	凸缘螺栓6*28	2	
	96220	96220-60100	ROLLER 6*10	滚子	1	
	96600	96600-08010-10	SOCKET BOLT 8*10 (B)	螺丝	3	

E07

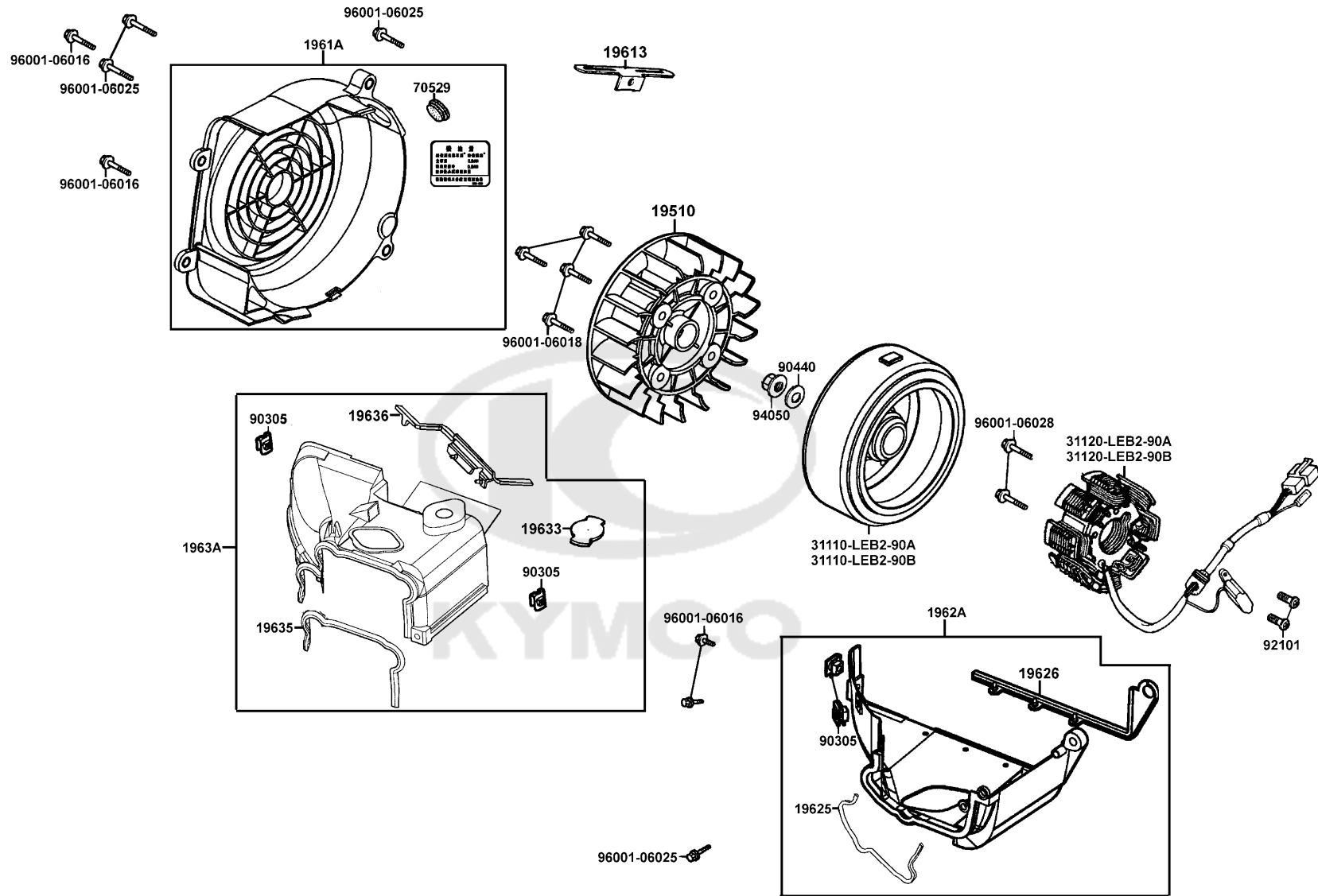
Fan Cover Generator



Sales mark 配色标记	Ref no 参考号码	Part no 零件号码	Description 英文名称	Reg description 零件名称	Regd no 需求用量	E07
**	19510	19510-LEB1-900	FAN COMP COOLING	冷却风扇	1	
	19613	19613-GFY6-901	CLAMPER STARTER MOTOR	起动马达导线夹	1	
	1961A	1961A-LEB1-900	COVER ASSY FAN	风扇盖组	1	
	19625	19625-LFE2-900	SEAL SHROUD A	罩盖油封 A	1	
	19626	19626-LKE7-900	SEAL SHROUD A	罩盖油封 A	1	
	1962A	1962A-LKE7-900	SHROUD ASSY..A	罩盖 A	1	
	19633	19633-GFY6-901	GROMET SHROUD B	橡皮盖	1	
	19635	19635-LFE2-900	SEAL SHROUD B	罩盖油封 B	1	
	19636	19636-LKE7-900	SEAL SHROUD B	罩盖油封 B	1	
	1963A	1963A-LKE7-900	SHROUD ASSY B	风罩盖组立(B)	1	
	31110-LEB2-90A	31110-LEB2-90A	FLYWHEEL COMP /D402	飞轮	1	
	31110-LEB2-90B	31110-LEB2-90B	FLYWHEEL COMP /D406	飞轮	1	
	31120-LEB2-90A	31120-LEB2-90A	STATOR COMP /D402	转子线圈	1	
	31120-LEB2-90B	31120-LEB2-90B	STATOR COMP /D406	转子线圈	1	
	70529	70529-6G57-671	GROM B SIDE PNL	橡皮塞	1	
	90305	90305-GHK8-001	NUT CLIP 6MM	夹螺帽 6MM	4	
	90440	90440-1F66-001	WASHER PLAIN 12MM	平面垫圈	1	
	92101	92101-05012-0H	BOLT HEX 5*12 (C)	六角BOLT	2	
	94050	94050-12080	NUT FLANGE 12MM (C)	边缘螺帽(五彩色)	1	
	96001-06016	96001-06016-08	BOLT FLANGE SH 6*16	凸缘螺栓	4	

E07

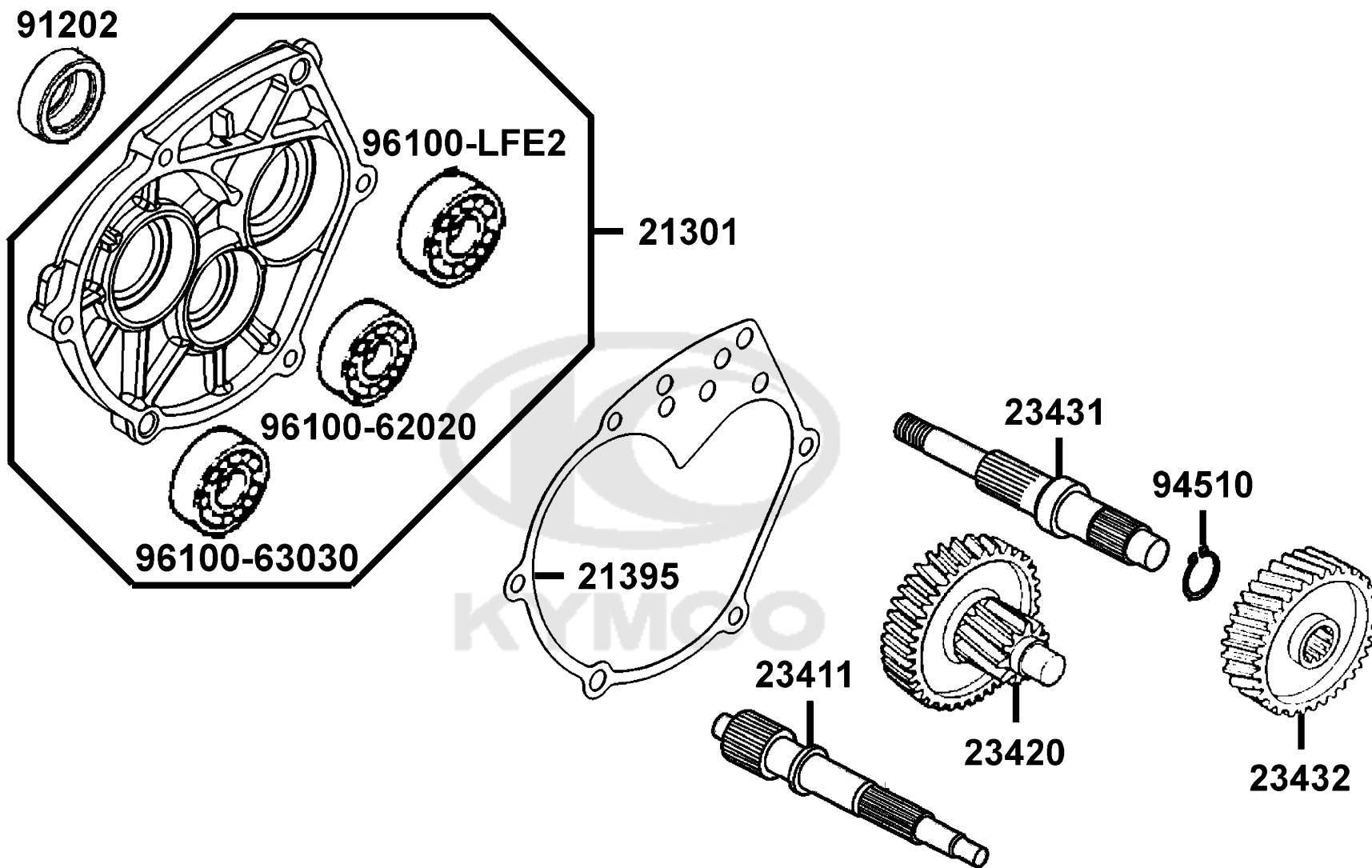
Fan Cover Generator



Sales mark 配色标记	Ref no 参考号码	Part no 零件号码	Description 英文名称	Reg description 零件名称	Regd no 需求用量	E07
--------------------	----------------	-----------------	---------------------	-------------------------	-----------------	-----

96001-06018	96001-06018-08	96001-06018-08	BOLT FLANGE SH 6*18	凸缘螺栓	4	
96001-06025	96001-06025-06	96001-06025-06	BOLT FLANGE 6*25	螺丝	3	
96001-06028	96001-06028-08	96001-06028-08	BOLT FLANGE SH 6*28	凸缘螺栓6*28	2	

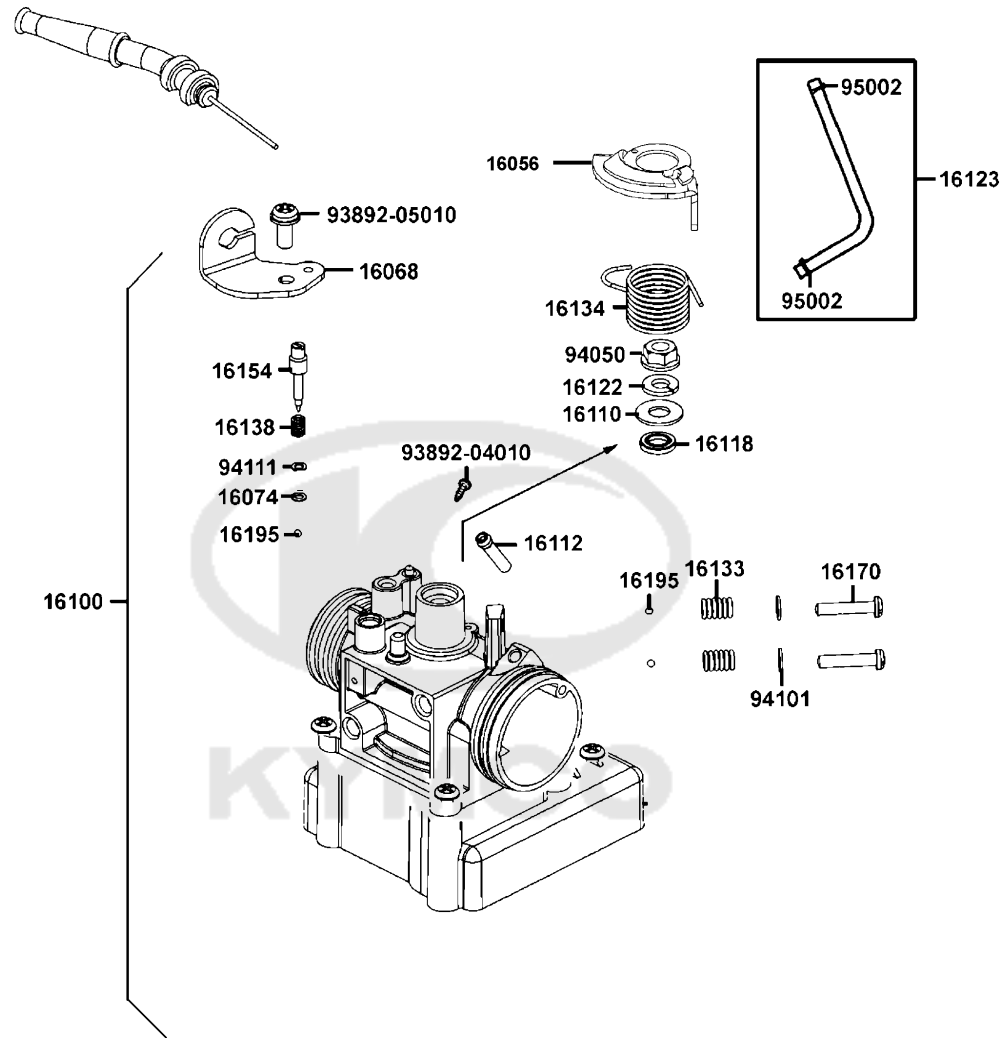




Sales mark 配色标记	Ref no 参考号码	Part no 零件号码	Description 英文名称	Reg description 零件名称	Regd no 需求用量	E08
21301	21301-LGR7-305	COVER MISSION(2007.04.04)	变速箱盖	1		
21395	21395-LGR7-900	GASKET MISSION CASE	主轴盖垫片	1		
23411	23411-LEB1-910	SHAFT DRIVE(2007.04.03)	驱动轴	1		
23420	23420-LEB2-900	SHAFT COMP COUNTER	副轴组	1		
23431	23431-LGR7-900	SHAFT FINAL	最终轴	1		
23432	23432-LEB2-900	GEAR FINAL	最终齿轮	1		
91202	91202-LFE2-90A	OIL SEAL 22*32*5	左曲轴箱油封 22*32*5	1		
94510	94510-25000	CIR CLIP EXTERNAL 25	外环夹 25MM	1		
96100-62020	96100-62020-00	BEARING BALL RADIAL 6202	径向滚珠轴承	1		
96100-63030	96100-63030-00	BEARING BALL RADIAL 6303	轴承 6303	1		
96100-LFE2	96100-LFE2-900	BRG BALL RADIAL TMB2/22CC4	轴承 22CC4	1		

E09

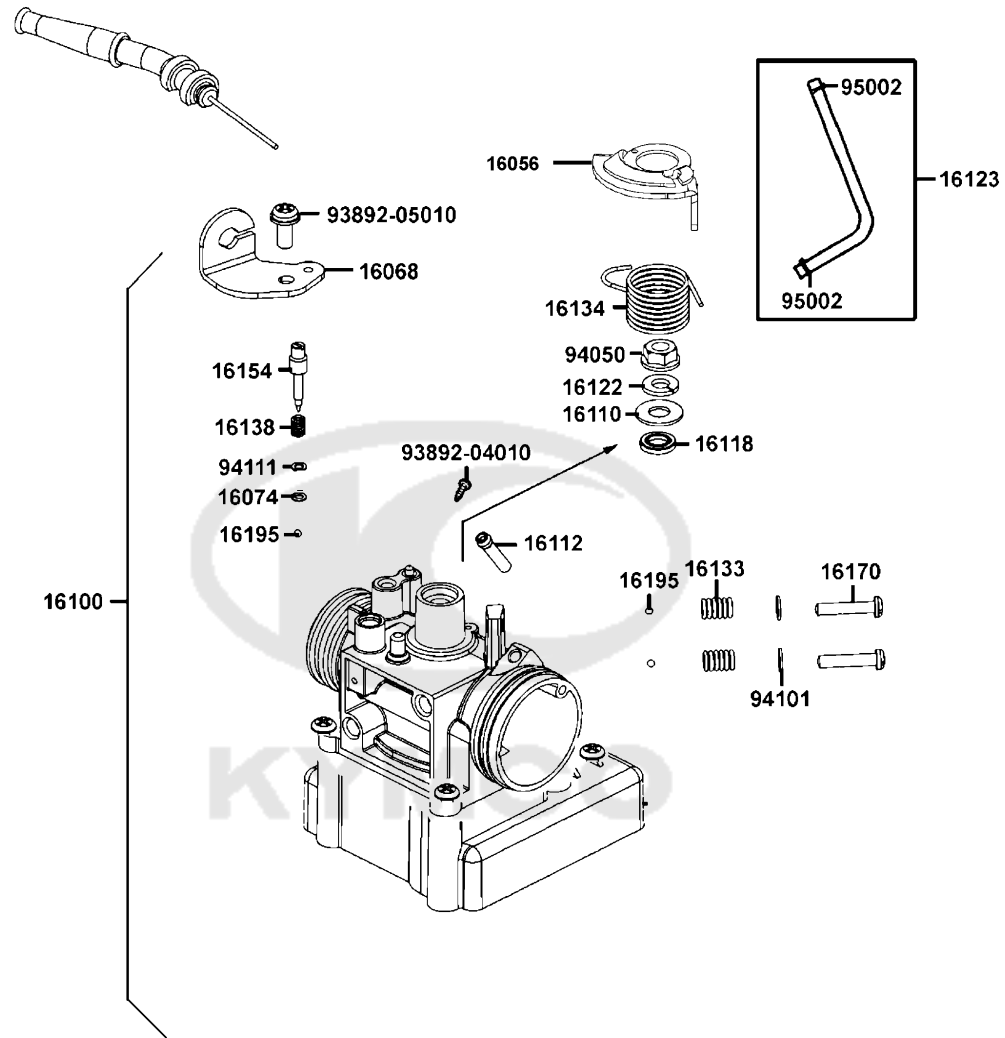
Throttle Body Assy



Sales mark 配色标记	Ref no 参考号码	Part no 零件号码	Description 英文名称	Reg description 零件名称	Regd no 需求用量	E09
	16056	16056-LEB2-900	LEVER ASSY THROTTLE	拉杆节流阀 A	1	
	16068	16068-LEB2-900	PLATE WIRE FIXED	节流导线固定板	1	
	16074	16074-KEC3-900	WASHER IDLE SCREW	华司	1	
	16100	16100-LKE7-900	THROTTLE BODY ASSY	节流阀体组	1	
	16110	16110-KKE3-900	WASHER THROTTLE COMP	华司	2	
	16112	16112-KKE3-900	COVER IDLE SCREW	盖	1	
	16118	16118-KEC3-900	SEAL THROTTLE SHAFT	节流阀轴封	1	
	16122	16122-KEC3-900	O-RING IDLE SCREW	O环	1	
	16123	16123-LKC6-900	TUBE COMP 3.5*540	油管	1	
	16133	16133-KEC3-900	SPG THROTTLE ADJ SCREW	弹簧	2	
	16134	16134-KKE3-900	SPG THROTTLE SHAFT	弹簧	1	
	16138	16138-KEC3-900	SPG IDLE SCREW	弹簧	1	
	16154	16154-KKE3-900	SCREW IDLE ADJUST	调整螺丝	1	
	16170	16170-KEC3-900	SCREW THROTTLE ADJUST	调整螺丝	2	
	16195	16195-KEC3-900	BALL 2.1	滚珠 2.1MM	3	
	93892-04010	93892-04010-08	SCREW WASHER 4*10	螺丝	1	
	93892-05010	93892-05010-08	SCREW WASH 5*10	螺丝 5X10	1	
	94050	94050-06080	NUT FLANGE 6MM (C)	有边缘螺帽 NF 6MM	1	
	94101	94101-KKE3-900	WASHER PLAN 4.5*8*0.8	华司 4MM	2	
	94111	94111-06800	WASHER SPRING 6MM	华司 6MM	1	

E09

Throttle Body Assy



Sales mark 配色标记	Ref no 参考号码	Part no 零件号码	Description 英文名称	Reg description 零件名称	Regd no 需求用量	E09
--------------------	----------------	-----------------	---------------------	-------------------------	-----------------	-----

95002

95002-02070

CLIP B7 TUBE

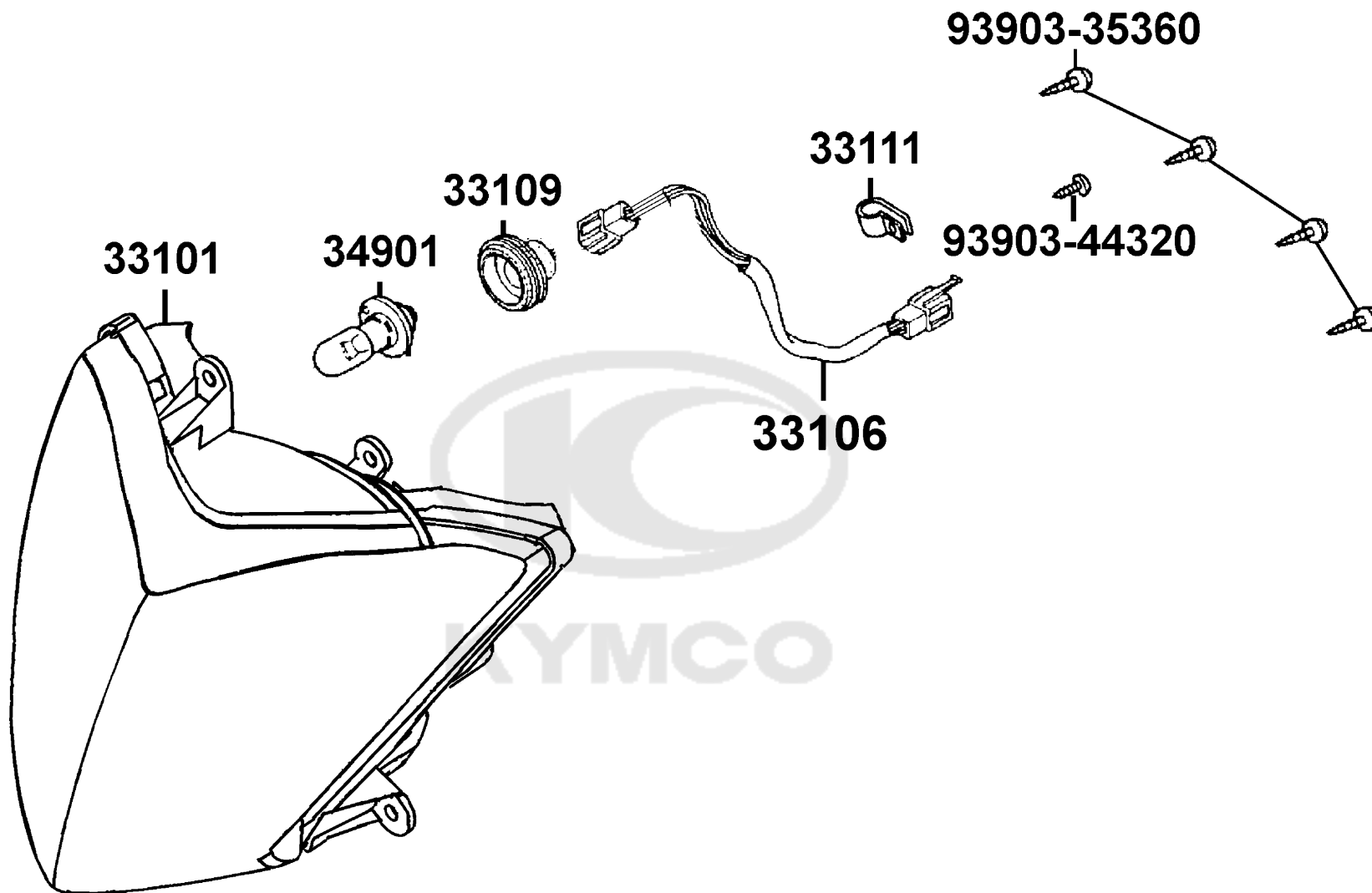
管夹

2



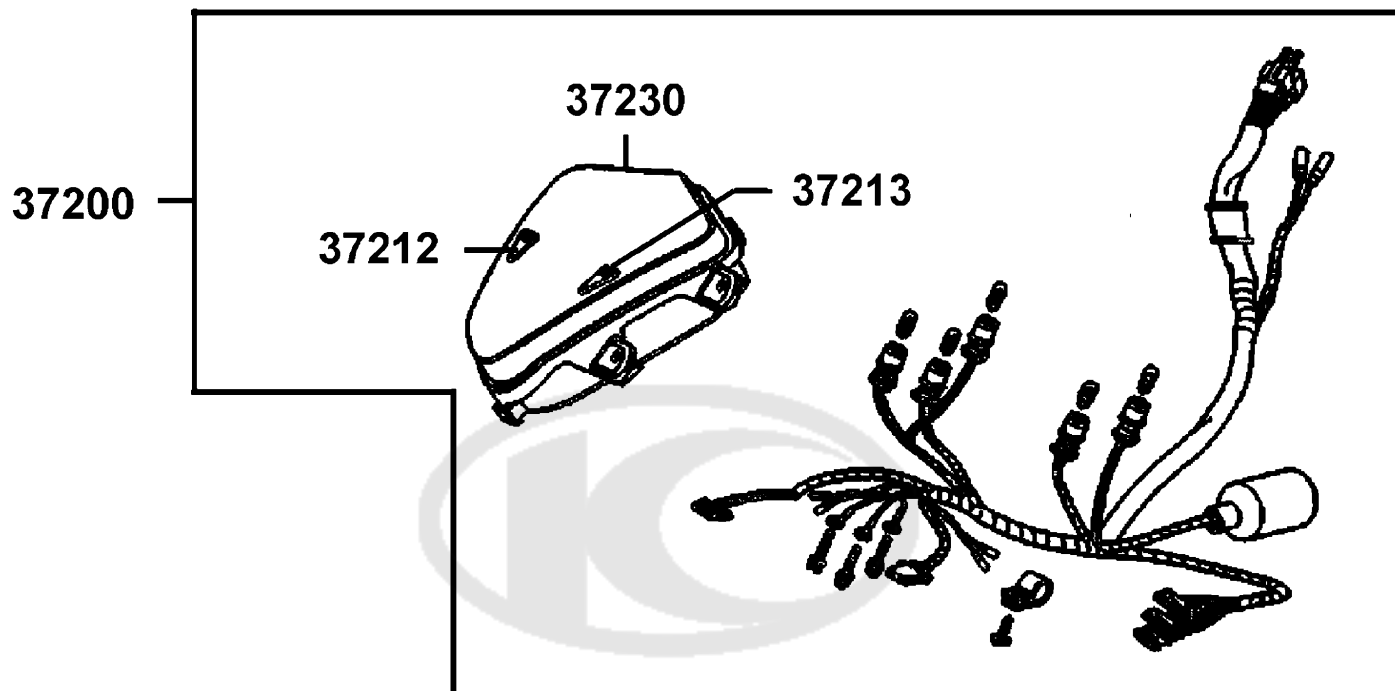
F01

Head Light



Sales mark 配色标记	Ref no 参考号码	Part no 零件号码	Description 英文名称	Reg description 零件名称	Regd no 需求用量	F01
	33101	33101-LKE6-305	COMB HEAD LIGHT	前灯壳组	1	
	33106	33106-LEB1-900	SOCKET COMP	前灯配线	1	
	33109	33109-LBE3-900	COVER RUBBER	橡皮护套	1	
	33111	33111-LEB1-900	CLIP FIX CORD	固定夹	1	
	34901	34901-KED9-900	BULB HEAD LIGHT	前灯泡	1	
	93903-35360	93903-35360	SCREW TAPPING 5*16	螺钉 5X16	4	
	93903-44320	93903-44320	SCREW TAPPING 4*12	螺丝	1	




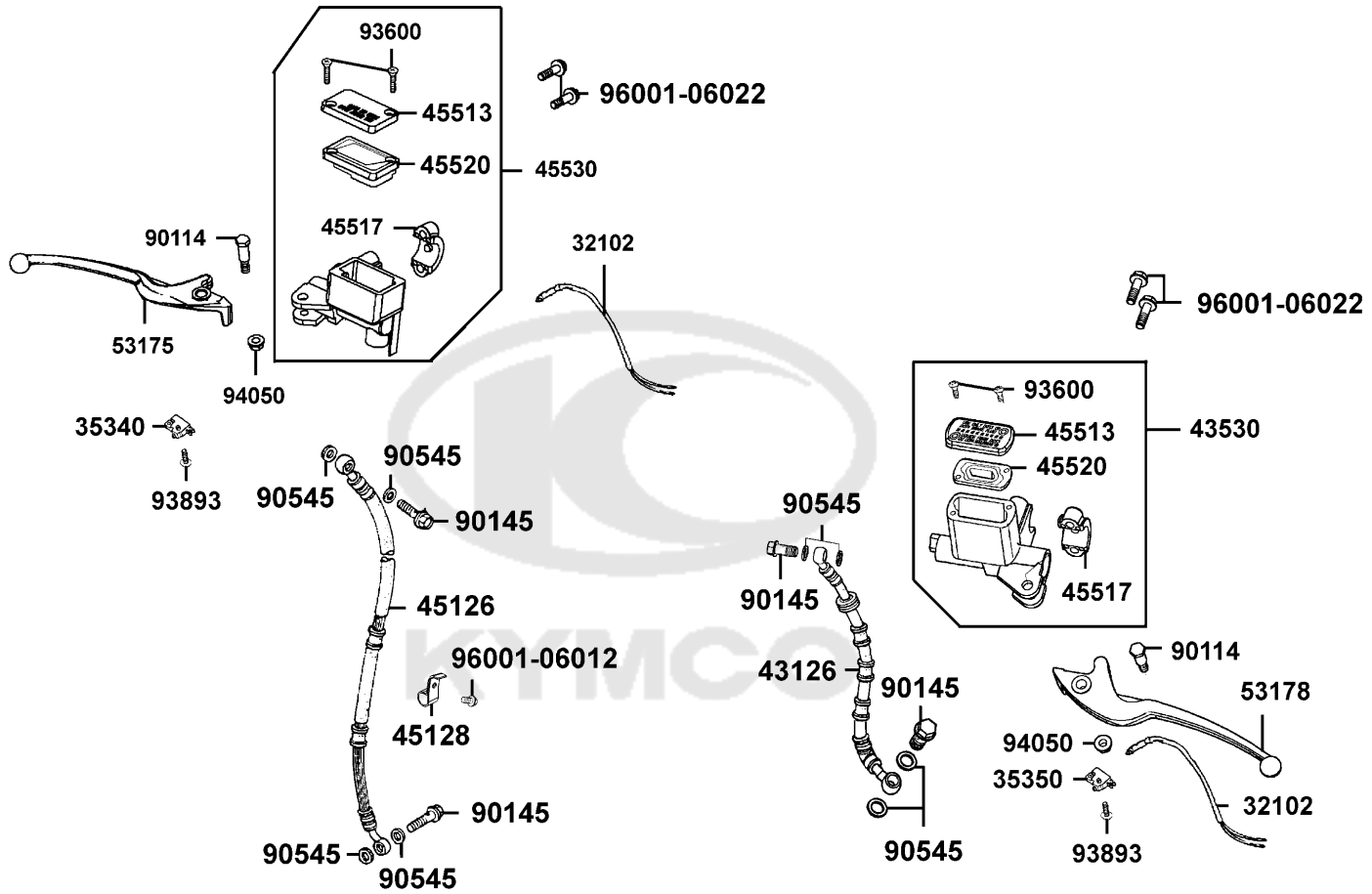


Sales mark 配色标记	Ref no 参考号码	Part no 零件号码	Description 英文名称	Reg description 零件名称	Regd no 需求用量	F02
	37200	37200-LKE7-C00	METER ASS'Y SPEED	仪表组	1	
	37212	37212-LEB1-90A	PACKING(BUTTON-ADJ)	调整按钮	1	
	37213	37213-LEB1-90A	PACKING(BUTTON-MODE)	调整按钮	1	
	37230	37230-LEB1-90A	LENS ASSY	仪表盖	1	
	93903	93903-35320	SCREW TAPPING 5*16	螺丝 5X16	4	



Sales mark 配色标记	Ref no 参考号码	Part no 零件号码	Description 英文名称	Reg description 零件名称	Regd no 需求用量	F03
	17910	17910-LKE6-900	CABLE COMP THROT	节流阀导线	1	
	3515A	3515A-LEB1-900	SW ASSY RH HNDL COMP	右开关组	1	
	3520A	3520A-LEB1-900	SW ASSY LH HNDL COMP	左开关组	1	
	53100	53100-LEB2-710	HANDLE COMP.. STRG	手柄	1	
**	53102	53102-KEC8-900	END R STRG HANDLE	平衡端子	1	
**	53105	53105-LBB5-E00	END R STRG HANDLE	转向手柄平衡端子	1	
	53125	53125-GEN5-901	COLLAR HANDLE SET	轴环	1	
**	53140	53140-LFB6-800	GRIP COMP THROT	节流管套组	1	
**	53150	53150-LEA6-900	GRIP COMP L HANDLE	左手把套	1	
**	53205	53205-LKE7-900	COVER HANDLE FR.	手柄前盖	1	
**	53206	53206-LEB1-900	COVER HANDLE RR	手柄後盖	1	
	64319	64319-LAB4-900	SEAL LEG SHIELD	护垫	1	
**	88110	88110-LEB1-900	MIRROR ASSY R BACK	右後视镜	1	
**	88115	88115-LBA2-E02	CAP MIRROR BRKT	CAP MIRROR BRKT	2	
**	88120	88120-LEB1-900	MIRROR ASSY L BACK	左後视镜	1	
	90105	90105-KHB4-900	BOLT WASH M8*60	螺丝 M8*60	1	
	90106-GEN5	90106-GEN5-901	BOLT FLANGE 10*50	特殊螺丝 10*50	1	
	90106-KFC2	90106-KFC2-900	BOLT SPECIAL 8MM	螺丝 8MM	1	
	90302-KEC8	90302-KEC8-900	BOLT PAN 5*9	螺丝钉 5X9	1	
	90302-SDA4	90302-SDA4-004	NUT SPRING 4MM	螺帽 4MM	2	

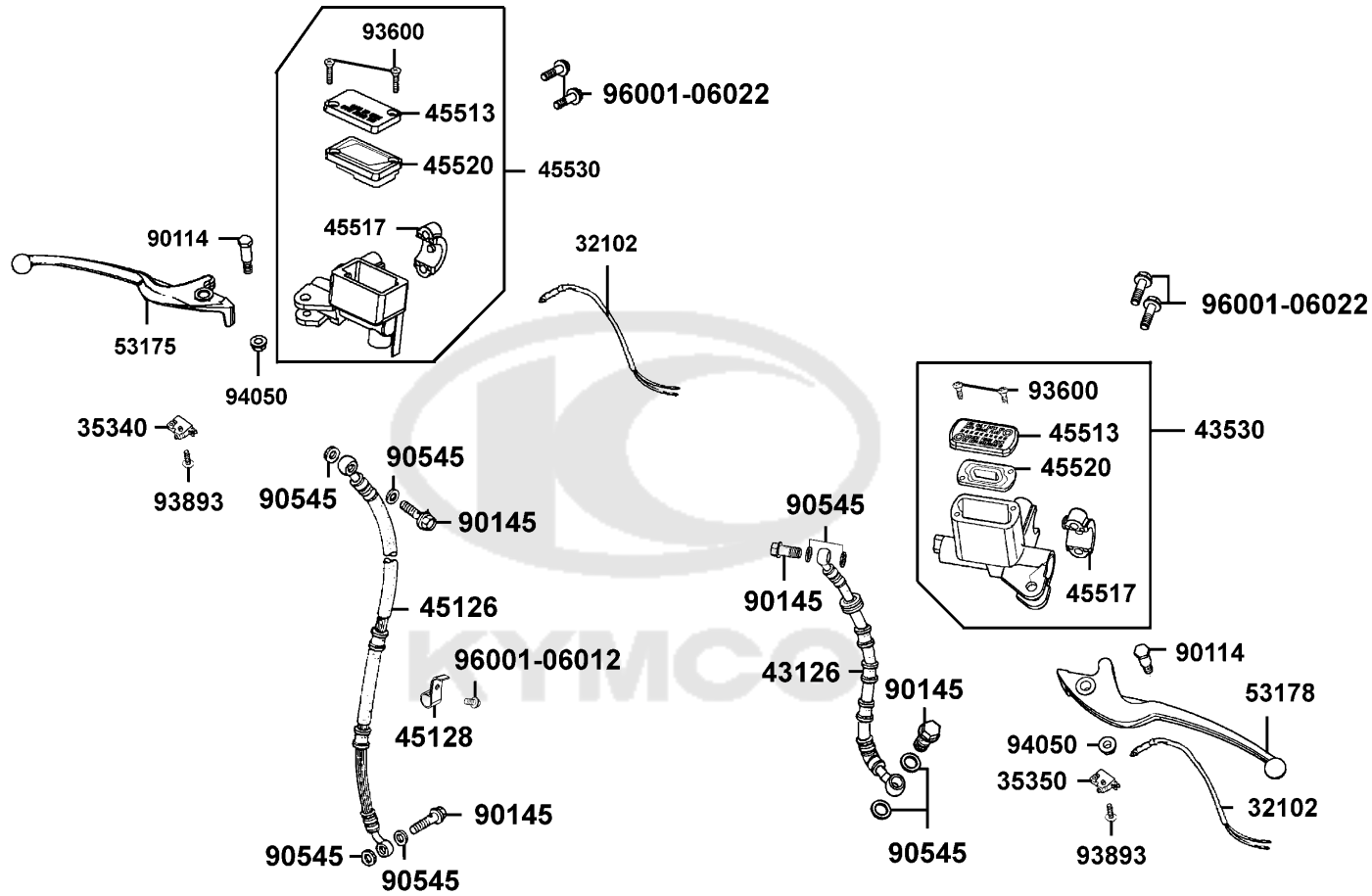
Sales mark 配色标记	Ref no 参考号码	Part no 零件号码	Description 英文名称	Reg description 零件名称	Regd no 需求用量	F03
	90304	90304-GHE8-004-SW	NUT U FLANGE 10MM	螺帽 10MM	1	
	90656	90656-KCBC-900	BAND OIL HANDLE	油管束带	2	
	93500	93500-05025-1B	SCREW PAN 5*25	螺丝 5X25	4	
	93891-05025	93891-05025-06	SCREW WASH 5*25	螺丝 5X25	1	
	93903-34360	93903-34360	SCREW TAPPING 4*12 (G)	螺丝	4	
	93903-35320	93903-35320	SCREW TAPPING 5*16	螺丝 5X16	2	
						



Sales mark 配色标记	Ref no 参考号码	Part no 零件号码	Description 英文名称	Reg description 零件名称	Regd no 需求用量	F04
	32102	32102-GFY6-901	SUB CORD R	煞车灯开关左配线	2	
	35340	35340-KNBN-901	SW ASSY FR STOP	煞车灯前置开关	1	
	35350	35350-KNBN-901	SW ASSY RR STOP	煞车灯後置开关	1	
	43126	43126-LKE7-900	HOSE ASSY ,RR BRAKE	後煞车油管	1	
	43530	43530-LKE7-306	CYLINDER SET RR MASTER	後煞车主油缸组	1	
	45126	45126-LGR8-900	HOSE ASSY FR BRK	前煞车油管	1	
	45128	45128-LFE2-900	CLAMPER B FR BRAKE HOSE	油管夹	1	
	45513	45513-LEB2-900	CAP, M/C	煞车主油缸盖	2	
	45517	45517-KKAK-900	HOLDER M/C	主油缸固定座	2	
	45520	45520-KCCC-900	DIAPHRAGM	隔膜	2	
	45530	45530-LFE2-306	CYLINDER SET MASTER	煞车主油缸	1	
**	53175	53175-LEB2-900	LEVER R STRG HANDLE	手柄右拉杆	1	
**	53178	53178-KKBK-E00	LEVER L STRG HANDLE	左煞车拉杆	1	
	90114	90114-KKAK-900	BOLT HANDLE LEVER	螺丝	1	
	90145	90145-MKS9-61A	OIL BOLT 10*22	油管螺丝 10X22	4	
	90545	90545-3L00-001	WASHER OIL BOLT	垫圈	8	
	93600	93600-04012-1A	SCREW FLAT 4*12	螺丝 4X12	4	
	93893	93893-04012-18	SCREW WASHER 4*12	螺丝 4X12	2	
	94050	94050-06060	NUT FLANGE 6MM	螺帽 6MM	2	
	96001-06012	96001-06012-00	BOLT FLANGE SH 6*12	螺丝 6*12	1	

F04

Brake Master



Sales mark 配色标记	Ref no 参考号码	Part no 零件号码	Description 英文名称	Reg description 零件名称	Regd no 需求用量	F04
--------------------	----------------	-----------------	---------------------	-------------------------	-----------------	-----

96001-06022

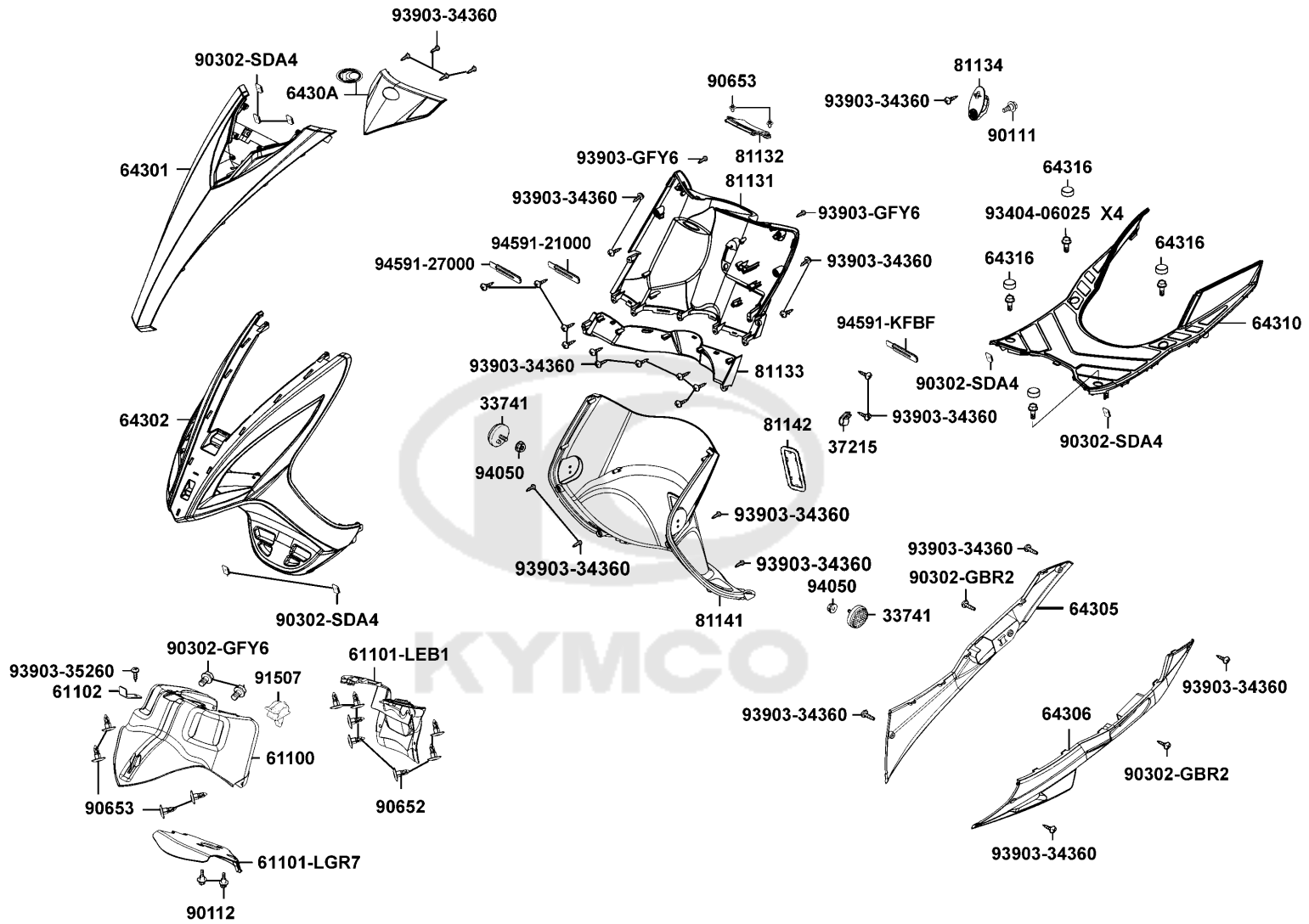
96001-06022-02

FLANGE BOLT 6*22

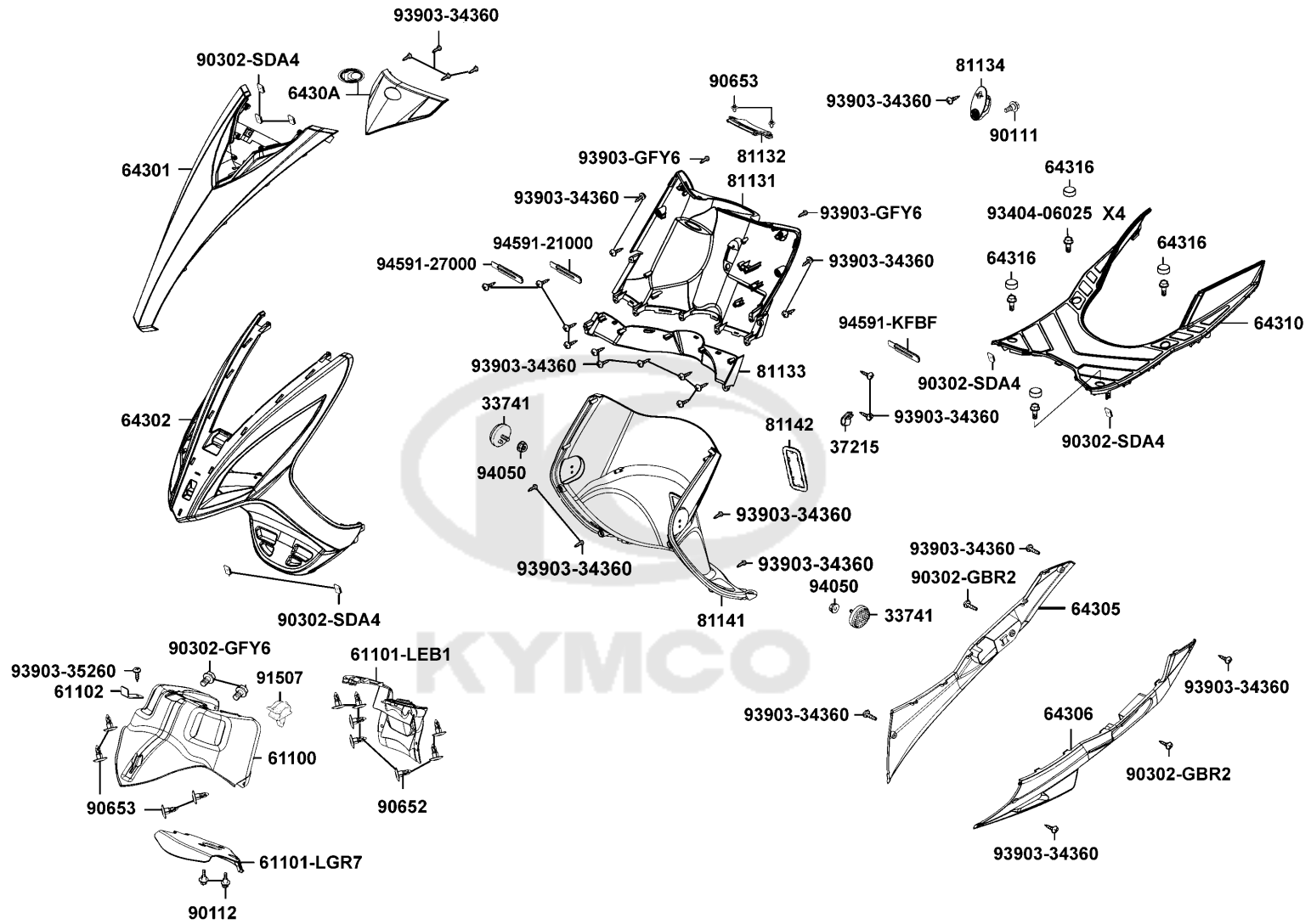
螺丝 6*22(电镀银)

4

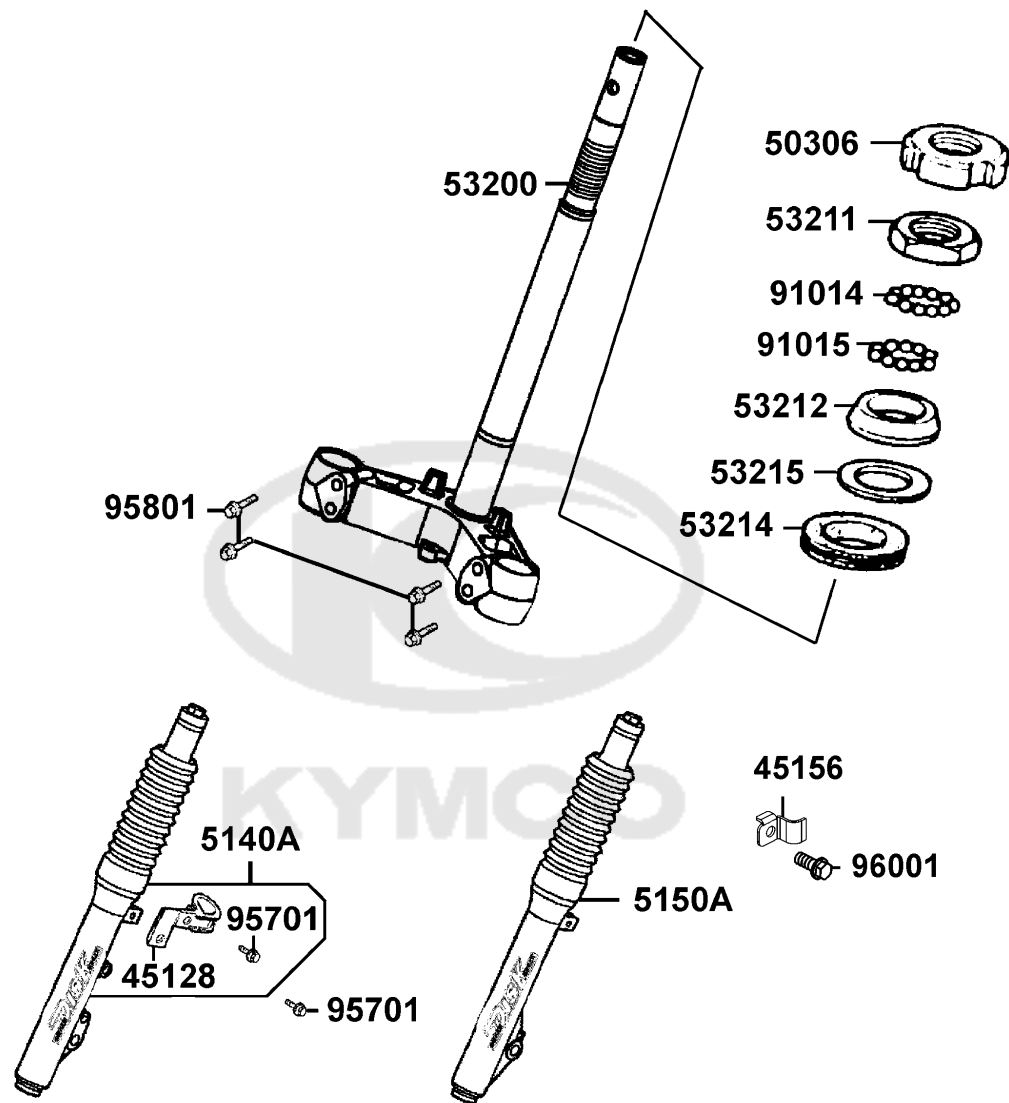




Sales mark 配色标记	Ref no 参考号码	Part no 零件号码	Description 英文名称	Reg description 零件名称	Regd no 需求用量	F05
	33741	33731-KHC5-M00	REFLEX REFLECTOR (AMBER)	反射片	2	
	37215	37215-LEA2-900	CLAMP	夹子	1	
**	61100	61100-LEB1-900	FENDER FR INNER	前土除	1	
**	61101-LEB1	61101-LEB1-900	FENDER B FR INNER	前土除橡皮	1	
**	61101-LGR7	61101-LGR7-900	FENDER FR B INNER	前内土除B	1	
	61102	61102-LKE6-900	STAY FR INNER	支架	1	
**	64301	64301-LKE6-900	COVER FRONT	前盖	1	
**	64302	64302-LKE6-305	MOLDING FRONT	前护板	1	
**	64305	64305-LEB1-900	SKIRT R SIDE	右边轨	1	
**	64306	64306-LEB1-900	SKIRT L SIDE	左边轨	1	
**	6430A	6430A-LEB1-900	COVER FR TOP	前顶盖	1	
**	64310	64310-LEB1-900	FLOOR PANEL	脚踏板	1	
**	64316	64316-KHE2-900	PLUG FLOOR	特殊螺丝	4	
**	81131	81131-LKE6-900	LEG SHIELD UP	上内箱	1	
**	81132	81132-LEB1-900	CAP LEG SHIELD UP	内箱上套盖	1	
**	81133	81133-LKE6-900	LEG SHIELD UP B	内箱B	1	
	81134	81134-LGH6-B20	HOOK,LEG SHIELD	挂勾	1	
**	81141	81141-LEB1-900	LEG SHIELD LOW	内箱下壳	1	
**	81142	81142-KUDU-900	LID LEG SHIELD	内箱小盖	1	
	90111	90111-LGE3-900	BOLT FLANGE 6MM	螺丝 6MM	1	



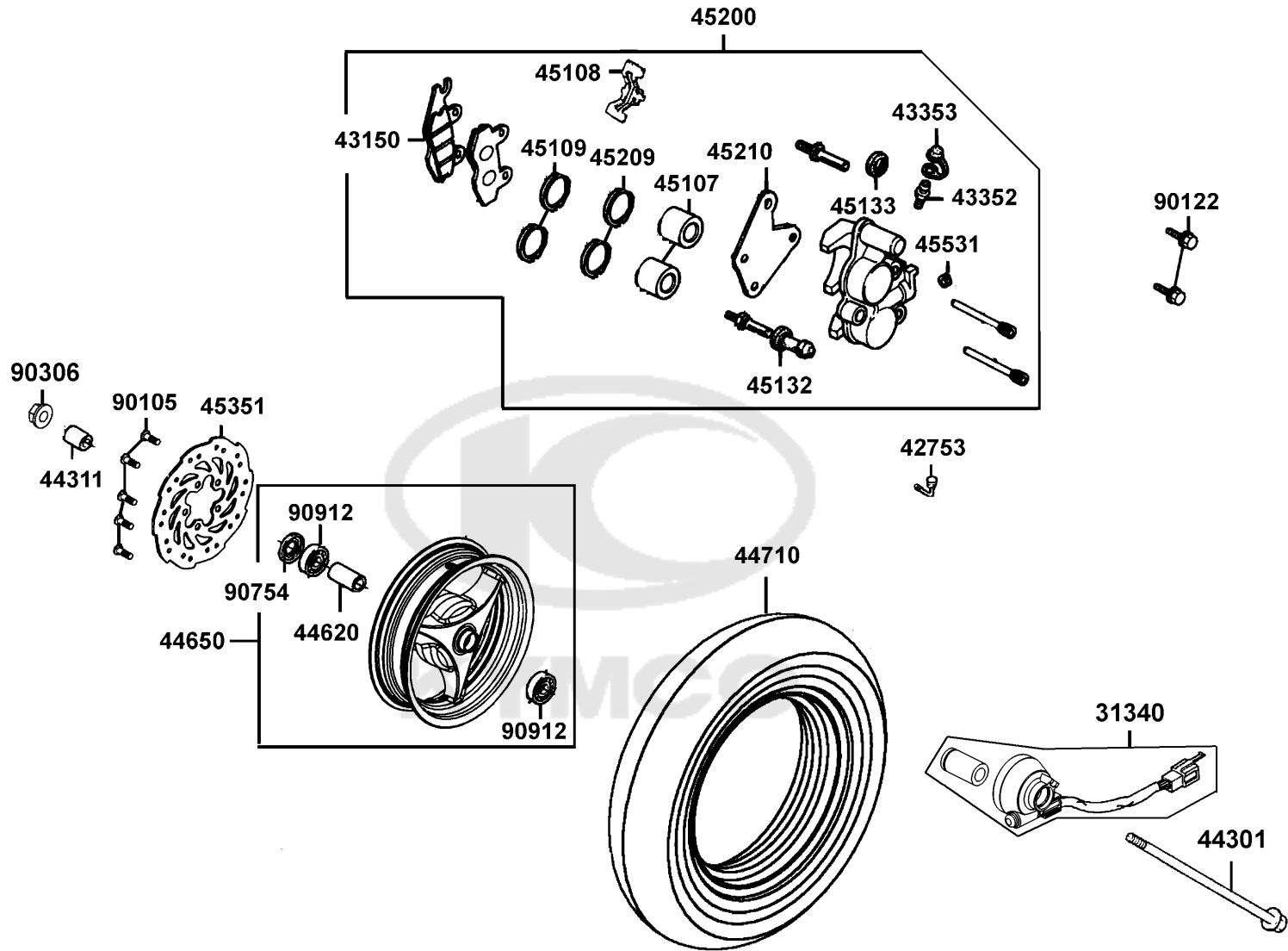
Sales mark 配色标记	Ref no 参考号码	Part no 零件号码	Description 英文名称	Reg description 零件名称	Regd no 需求用量	F05
90112		90112-GCC3-001	BOLT SPECIAL 5MM	特殊螺丝	2	
90302-GBR2		90302-GBR2-001	BOLT WASH 5*16	螺丝 5X16	2	
90302-GFY6		90302-GFY6-901	BOLT WASH 5*12	螺丝 5X12	2	
90302-SDA4		90302-SDA4-004	NUT SPRING 4MM	螺帽 4MM	7	
90652		90652-LFB5-900	CLIP MUDGUARD	塑胶螺丝	7	
90653		90653-LCA4-E00	CLIP MUDGUARD	束夹	6	
91507		91507-LKE6-900	CLIP	夹扣	1	
93404-06025		93404-06025-06	BOLT WASHER 6*25	螺丝 6X25	4	
93903-34360		93903-34360	SCREW TAPPING 4*12 (G)	螺丝	29	
93903-35260		93903-35260	SCREW TAPPING 5*12	螺丝 5X12	1	
93903-GFY6		93903-GFY6-900	SCREW TAPPING 4*14	螺丝4*14/CK50QT-5	2	
94050		94050-06080	NUT FLANGE 6MM (C)	有边缘螺帽 NF 6MM	2	
94591-21000		94591-21000	CLIP 2*100	夹	1	
94591-27000		94591-27000	CLIP 2*70	捆绑夹2形70号	1	
94591-KFBF		94591-KFBF-900	CLIP 2*70	线夹 2X70	1	



Sales mark 配色标记	Ref no 参考号码	Part no 零件号码	Description 英文名称	Reg description 零件名称	Regd no 需求用量	F06
	45128	45128-KEBE-900	CLAMPER FR BRAKE HOSE	管夹	1	
	45156	45156-LKE6-900	CLAMPER BRAKE CABLE	前煞车导线夹	1	
	50306	50306-1F96-001	NUT STRG STEM LOCK	主干螺帽	1	
**	5140A	5140A-LKE7-900	FORK SET FR R	前右避震器	1	
**	5150A	5150A-LKE7-900	FORK SET FR L	前左避震器	1	
	53200	53200-LKE6-900	STEM COMP .STRG.	转向手柄	1	
	53211	53211-GFY6-940	RACE STRG TOP CONE	上锥体座圈	1	
	53212	53212-2L50-011	RACE (STRG BOTTOM) CONE	下锥体座圈	1	
	53214	53214-2L50-001	DUST SEAL STRG (HEAD)	防尘油封	1	
	53215	53215-2L50-001	WASH STRG HDL DUST-SEAL	华司	1	
	91014	91014-LLJ3-E00	CAGE STEERING TOP	钢珠圈 #5	1	
	91015	91015-LLJ3-E00	CAGE STEERING BOT	钢珠圈 #8	1	
	95701	95701-06012-06	BOLT FLANGE 6*12	螺丝 6X12	1	
	95801	95801-08040-08	BOLT FLANGE 8*40	有边缘螺丝	4	
	96001	96001-06012-06	BOLT FLANGE SH 6*12	螺丝 6X12	1	

F07

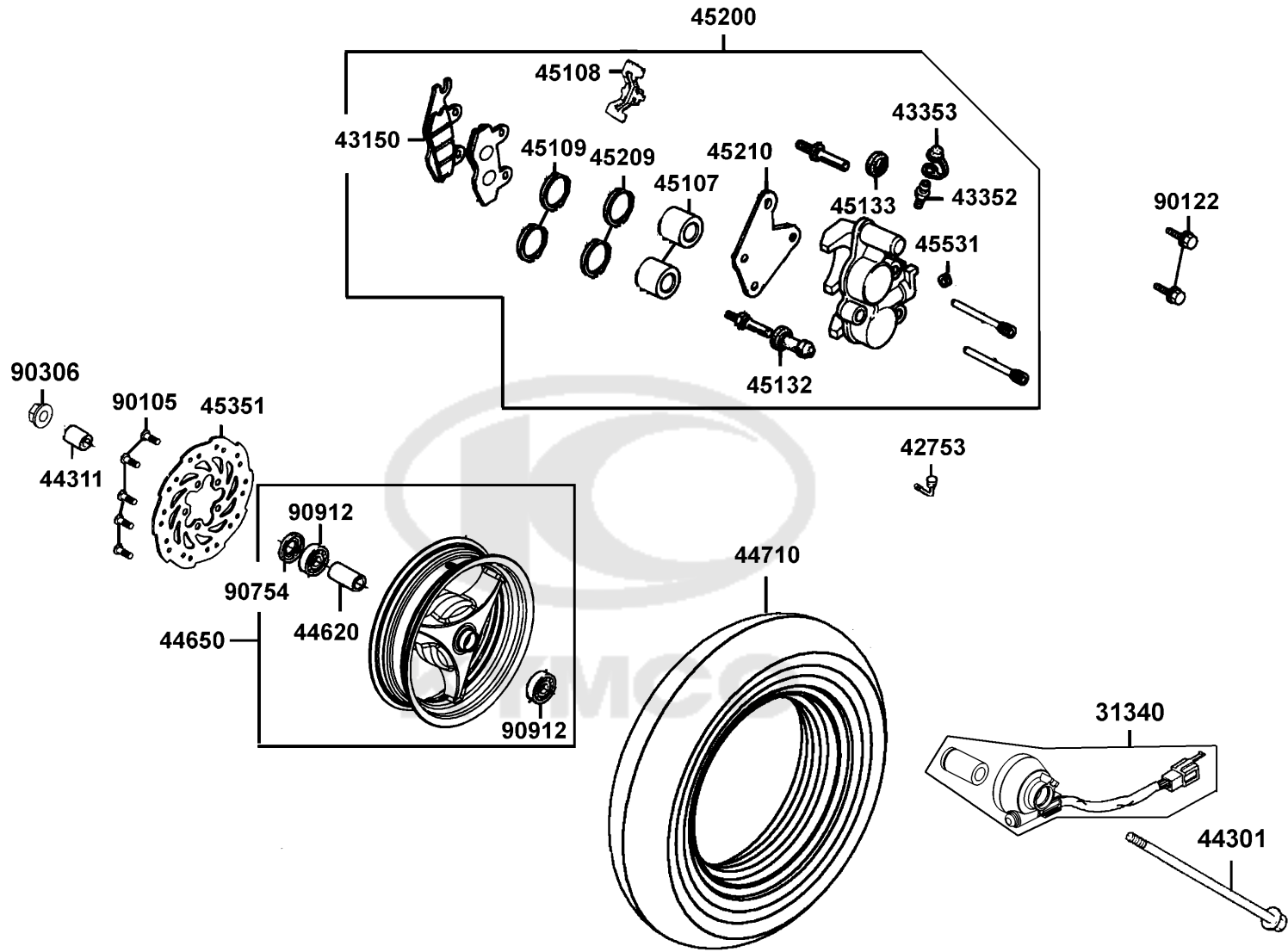
Front Wheel




Sales mark 配色标记	Ref no 参考号码	Part no 零件号码	Description 英文名称	Reg description 零件名称	Regd no 需求用量	F07
	31340	31340-LKE6-900	SPEED SENSOR ASSY	前轮转速感应器	1	
	42753	42753-KXCX-900	VALVE (PVR-70B) & CAP	打气嘴	1	
	43150	43150-KEBE-305	PAD COMP	前煞车摩擦板组	1	
	43352	43352-5H68-004	SCREW BLEEDER	加油嘴	1	
	43353	43353-4A61-77A	CAP BLEEDER	加油嘴盖	1	
	44301	44301-LFE2-900	AXLE FR WHEEL	前轮轴	1	
	44311	44311-KEBE-900	COLLAR FR WHEEL SIDE	前轮边套筒	1	
	44620	44620-KHD8-900	COLLAR FR AXLE DISTANCE	前轮轴距套筒	1	
**	44650	44650-LFE2-305	WHEEL SET FR	前轮圈	1	
	44710	44710-LEB2-910	TIRE ASSY ,FR	前轮	1	
	45107	45107-MEN5-007	PISTON	卡钳活塞	2	
	45108	45108-MDL4-007	PAD SPG	摩擦板弹簧	1	
	45109	45109-GBE2-007	DUST SEAL	油封	2	
	45132	45132-1F66-017	BUSH BOOT PIN	衬套	1	
	45133	45133-MCA3-007	BOOT B	衬套 B	1	
**	45200	45200-LGR8-900	CALIPER ASSY , FR	前煞车卡钳	1	
	45209	45209-GBE2-007	SEAL PISTON	油封	2	
	45210	45210-LGR8-305	BRKT FR CALIPER	前煞车卡钳托架	1	
**	45351	45351-LFB6-900	DISK, FR BRK	煞车碟盘	1	
	45531	45531-GAR1-951	PLUG	塞盖	1	

F07

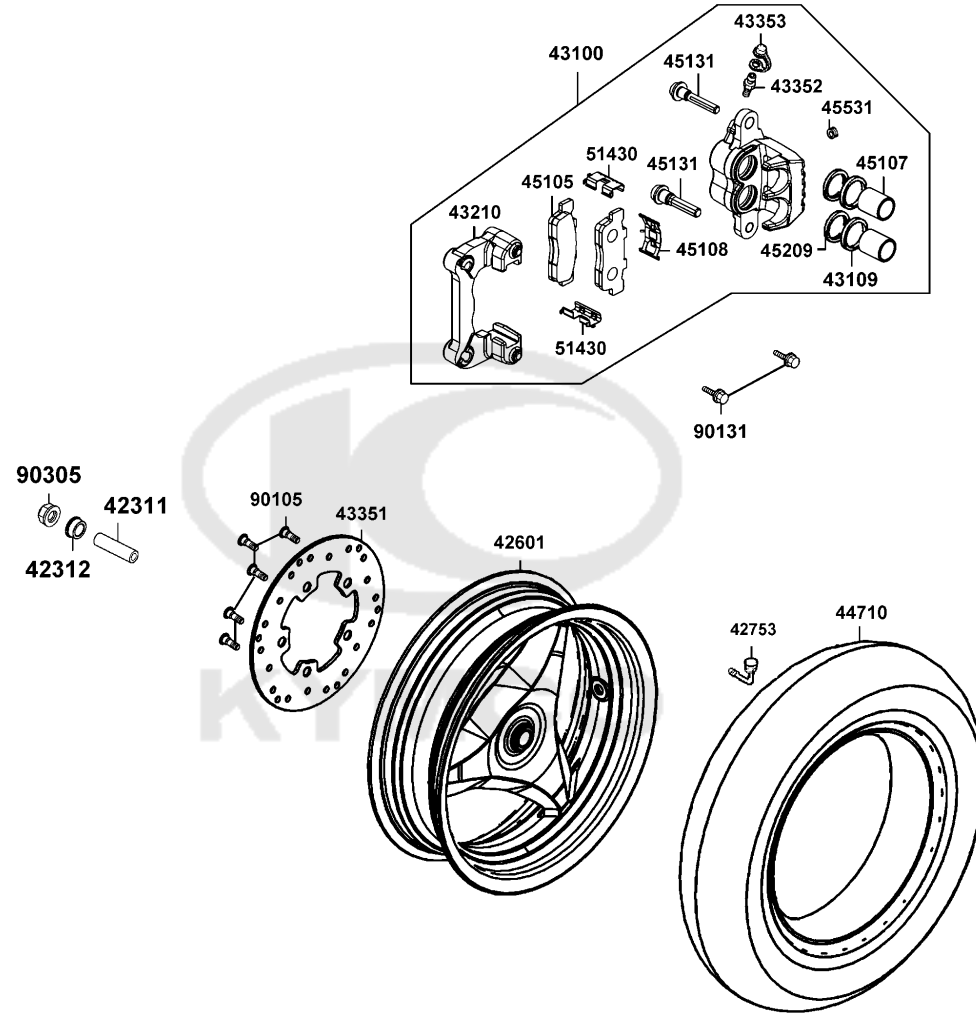
Front Wheel



Sales mark 配色标记	Ref no 参考号码	Part no 零件号码	Description 英文名称	Reg description 零件名称	Regd no 需求用量	F07
	90105	90105-KCR3-001	BOLT FR DISK 8*24	前煞车圆盘螺丝	5	
	90122	90122-KEBE-900	BOLT FLANGE 8*32	螺丝 8X32	2	
	90306	90306-LFE2-900	NUT FLANGE 12MM	螺帽 12MM	1	
	90754	90754-GHC8-00A	SEAL DUST 20*32*5	前轮防尘封 20X32X5	1	
	90912	90912-KFLF-00A	BEARING 6201 LLU	轴承 6201	2	
						

F08

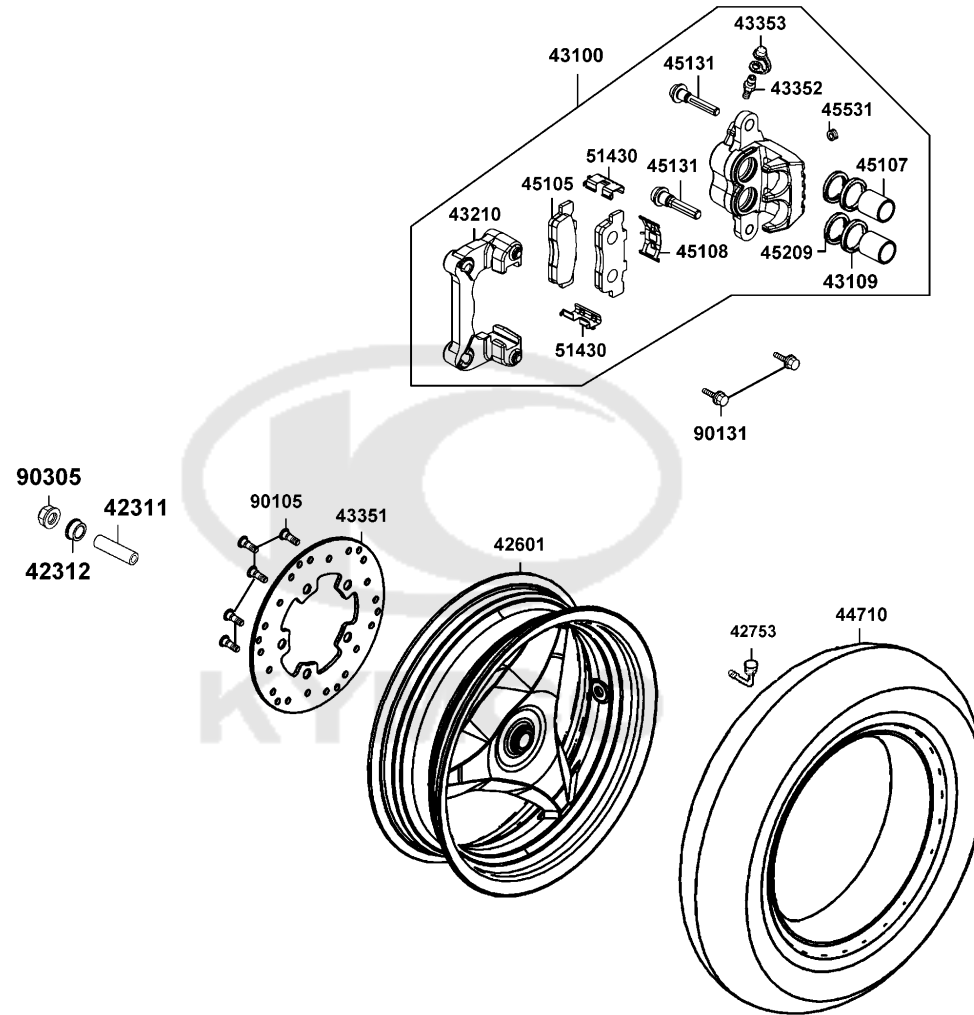
Rear Wheel



Sales mark 配色标记	Ref no 参考号码	Part no 零件号码	Description 英文名称	Reg description 零件名称	Regd no 需求用量	F08
	42311	42311-LGR8-900	COLLAR RR AXLE SIDE A	套筒	1	
	42312	42312-LEB1-900	COLLAR RR AXLE SIDE	套筒	1	
**	42601	42601-LKE7-900	WHEEL CAST ,RR	後轮圈	1	
	42753	42753-KNBN-90B	VALAE RIM (TR412)	打气嘴	1	
**	43100	43100-LKE7-900	C/P ASSY RR RH	後煞车卡钳	1	
	43109	43109-LBA2-E00	DUST SEAL	防尘油封	1	
	43210	43210-LFB5-305	BRKT RR CALIPER	後煞车卡钳托架	1	
	43351	43351-LFB5-900	DISK FR BRAKE	後煞车圆盘	1	
	43352	43352-KKD6-E90	SCREW BLEEDER	加油嘴	1	
	43353	43353-4A61-77A	CAP BLEEDER	加油嘴盖	1	
	44710	44710-LEB2-910	TIRE ASSY ,FR	前轮	1	
	45105	45105-LFB5-305	PAD SET	後煞车摩擦板组	1	
	45107	45107-LBA2-E00	PISTON	卡钳活塞	2	
	45108	45108-LDH1-E00	SPRING PAD	摩擦板弹簧	1	
	45131	45131-LDH1-E00	PIN BOLT	卡钳螺丝销	2	
	45209	45209-LBA2-E00	SEAL PISTON	活塞油封	2	
	45531	45531-GAR1-951	PLUG	塞盖	1	
	51430	51430-LDH1-E00	SLIDE PAD	衬套滑件	2	
	90105	90105-KCR3-001	BOLT FR DISK 8*24	前煞车圆盘螺丝	5	
	90131	90131-LEB1-900	BOLT FLANGE 8*35	螺丝 8*35	2	

F08

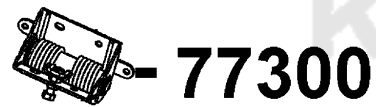
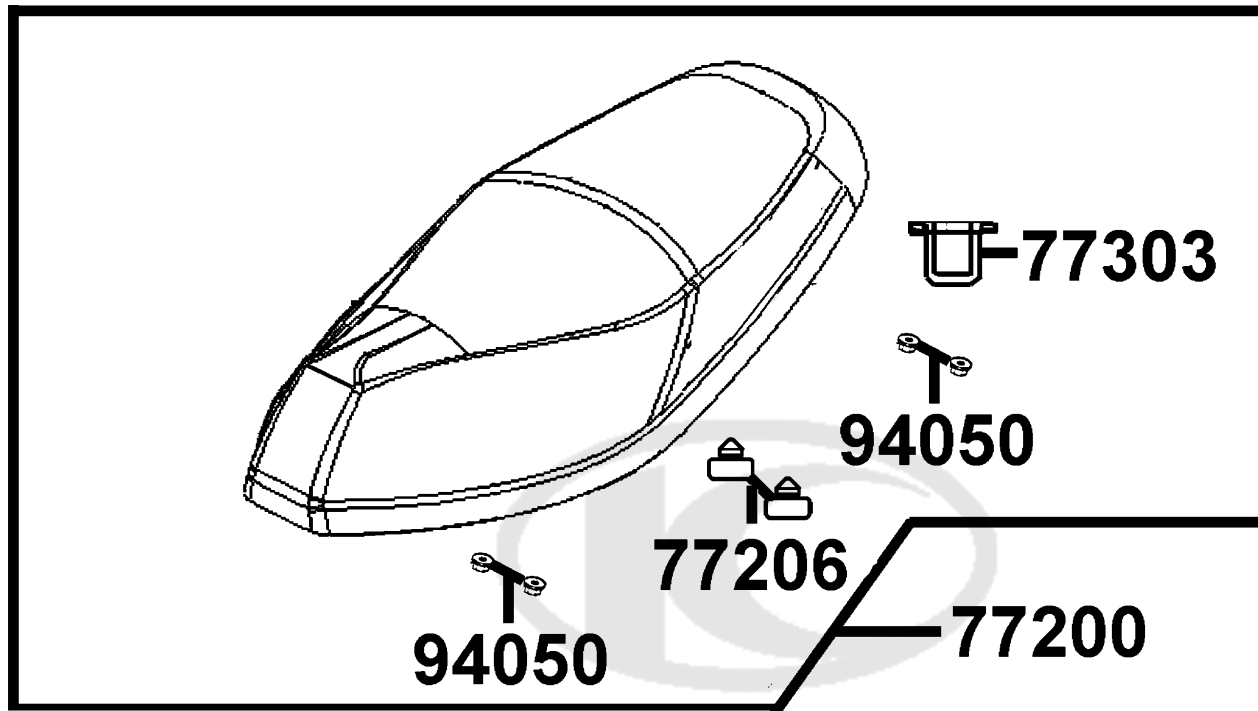
Rear Wheel



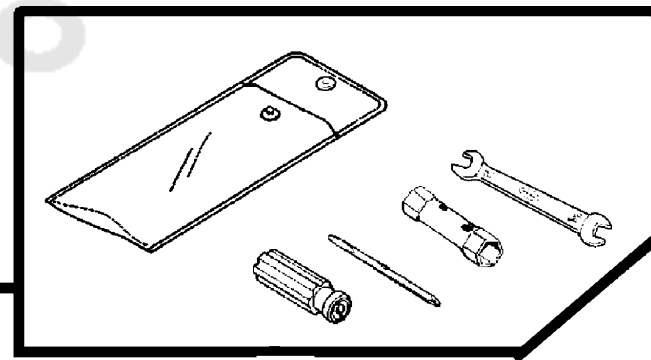
Sales mark 配色标记	Ref no 参考号码	Part no 零件号码	Description 英文名称	Reg description 零件名称	Regd no 需求用量	F08
--------------------	----------------	-----------------	---------------------	-------------------------	-----------------	-----

90305	90305-KNBN-90B	NUT U 16MM	螺帽 16MM	1		
-------	----------------	------------	---------	---	--	--



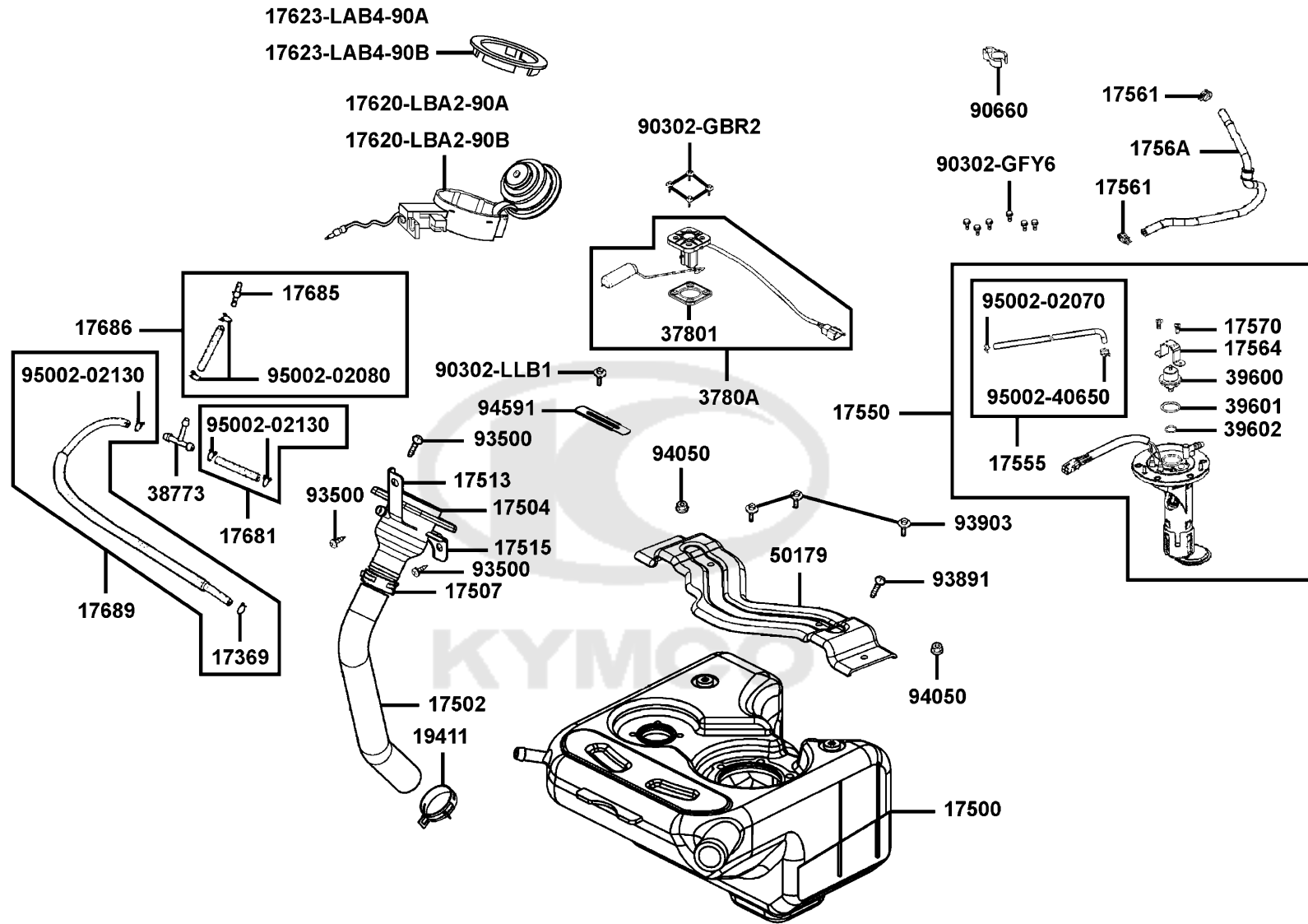


89010



Sales mark 配色标记	Ref no 参考号码	Part no 零件号码	Description 英文名称	Reg description 零件名称	Regd no 需求用量	F09
**	77200	77200-LKE7-305	SEAT ASSY.	座垫组	1	
	77206	77206-KEB7-900	RUBBER SEAT CUSH	橡皮	2	
	77300	77300-LKE6-900	HINGE COMP SEAT	座垫自动弹起铰链	1	
	77303	77303-KKC4-800	HOOK SEAT LOCK	座垫钩	1	
	89010	89010-LEB1-900	TOOL SET	工具包组	1	
	94050	94050-06080	NUT FLANGE 6MM (C)	有边缘螺帽 NF 6MM	2	

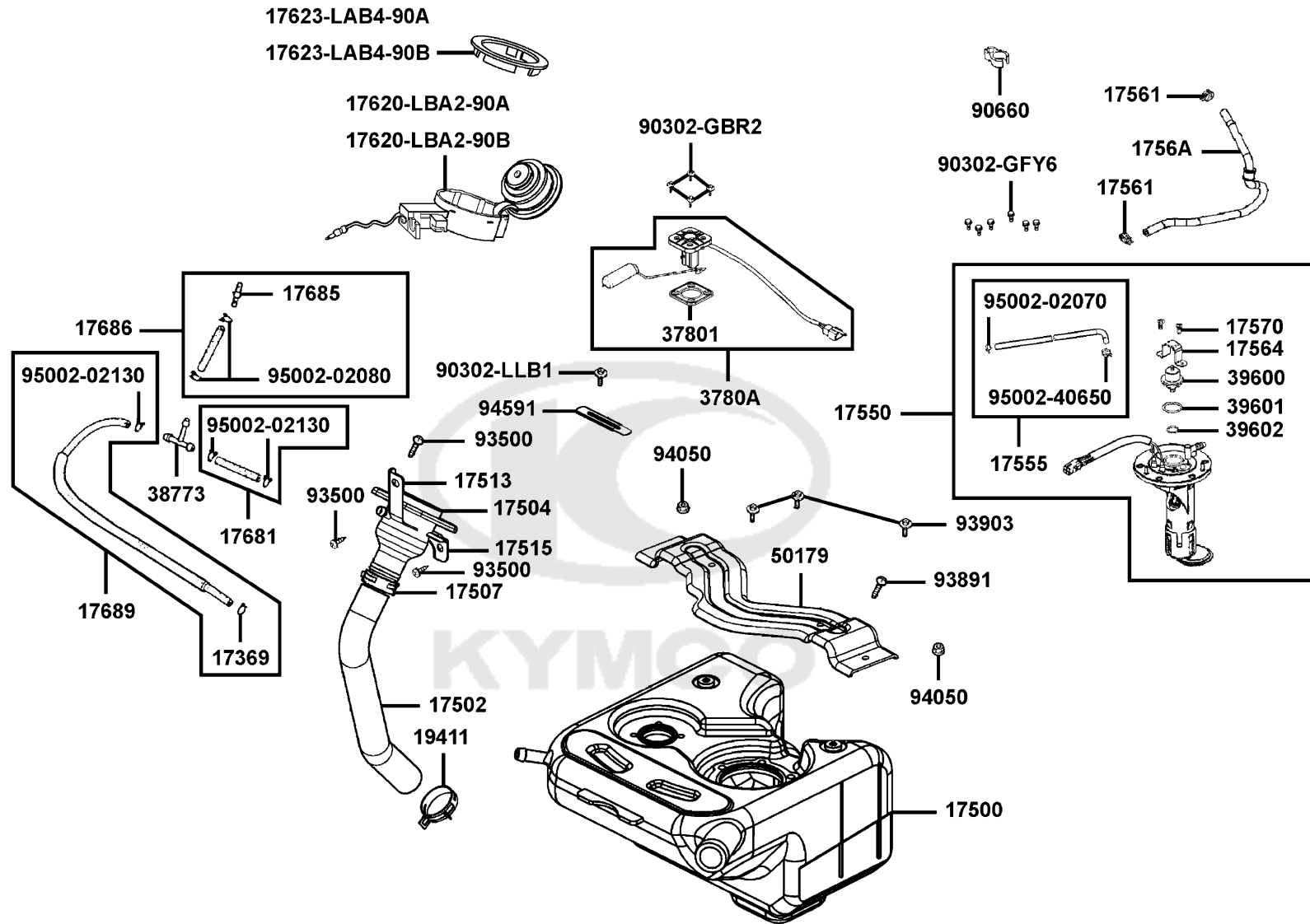




Sales mark 配色标记	Ref no 参考号码	Part no 零件号码	Description 英文名称	Reg description 零件名称	Regd no 需求用量	F10
	17369	17369-KHC4-900	CLIP BREATHER TUBE	通气管夹	1	
	17500	17500-LEB2-900	TANK FUEL	油箱	1	
	17502	17502-LKE6-900	HOSE FUEL	油管	1	
	17504	17504-LAB4-900	FUEL FILLER	加油漏斗	1	
	17507	17507-LAB4-900	BAND 50 FUEL HOSE	油管束夹	1	
	17513	17513-LAD9-900	FUEL PIPE STAY A	加油漏斗支架 A	1	
	17515	17515-LAD9-900	FUEL PIPE STAY B	加油漏斗支架 B	1	
	17550	17550-LKE6-900	PUMP ASSY FUEL	汽油油泵组	1	
	17555	17555-LKE6-900	TUBE SET	TUBE SET	1	
	17561	17561-LGK8-900	CLIP 12.0	管夹 2.0	2	
	17564	17564-KKE3-900	PROTECTIVE PLATE	PROTECTIVE PLATE	1	
	1756A	1756A-LKE6-900	TUBE PUMP INJECTOR COMP	燃料帮浦油管	1	
	17570	17570-KKE3-900	SCREW BOLT M 4*13	SCREW BOLT M 4*13	2	
	17620-LBA2-90A	17620-LBA2-90A	CAP COMP FUEL FILLER	油箱盖	1	
	17620-LBA2-90B	17620-LBA2-90B	CAP COMP FUEL FILLER	油箱盖	1	
	17623-LAB4-90A	17623-LAB4-90A	COLLAR FUEL CAP	油箱盖套筒	1	
	17623-LAB4-90B	17623-LAB4-90B	COLLAR FUEL FILLER	油箱盖套筒	1	
	17681	17681-KFA1-900	TUBE JOINT 3 WAY	三向管组	1	
	17685	17685-KZCZ-900	JOINT TUBE	通气管接头	1	
	17686	17686-KHE2-900	TUBE ASSY FUEL	油管组	1	

F10

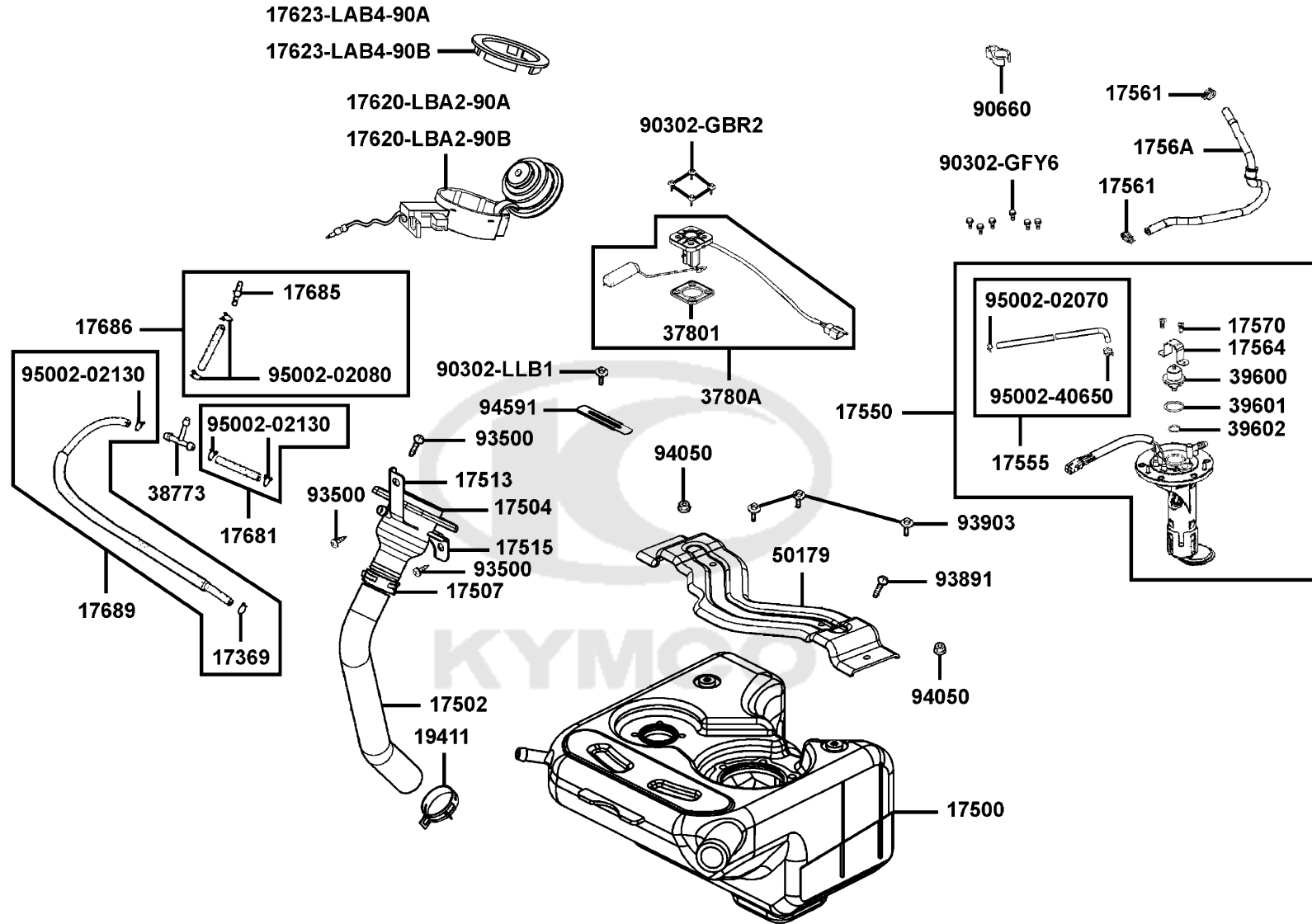
Fuel Tank



Sales mark 配色标记	Ref no 参考号码	Part no 零件号码	Description 英文名称	Reg description 零件名称	Regd no 需求用量	F10
	17689	17689-LKE6-900	TUBE ASSY FILLER	油管	1	
	19411	19411-KBCB-900	CLIP HOSE	油管锁环	1	
	37801	37801-LAB4-910	PACKING BASE	垫圈	1	
	3780A	3780A-LGL9-900	FUEL UNIT ASS.Y	油浮筒计	1	
	38773	38773-KBCB-900	JOINT 3 WAY	三向管接头	1	
	39600	39600-KKE3-800	REGULATOR	REGULATOR	1	
	39601	39601-KKE3-900	O RING A	O RING A	1	
	39602	39602-KKE3-900	O RING B	O RING B	1	
	50179	50179-LEB2-900	BRKT FLOOR PANEL	脚踏板支架	1	
	90302-GBR2	90302-GBR2-001	BOLT WASH 5*16	螺丝 5X16	4	
	90302-GFY6	90302-GFY6-940	BOLT-WASH 5*16	螺丝 5X16	6	
	90302-LLB1	90302-LLB1-E00	BOLT-WASH 5X12	垫圈螺栓	1	
	90660	90660-KNBN-921	CLAMP TUBE	管夹	1	
	93500	93500-04008-0G	SCREW PAN 4*8	螺丝 4X8	3	
	93891	93891-05040-06	SCREW WASHER 5*40	螺丝 5*40	1	
	93903	93903-35360	SCREW TAPPING 5*16	螺钉 5X16	3	
	94050	94050-06080	NUT FLANGE 6MM (C)	有边缘螺帽 NF 6MM	2	
	94591	94591-KFBF-900	CLIP 2*70	线夹 2X70	1	
	95002-02070	95002-02070	CLIP B7 TUBE	管夹	1	
	95002-02080	95002-02080	CLIP B8 TUBE	管夹	2	

F10

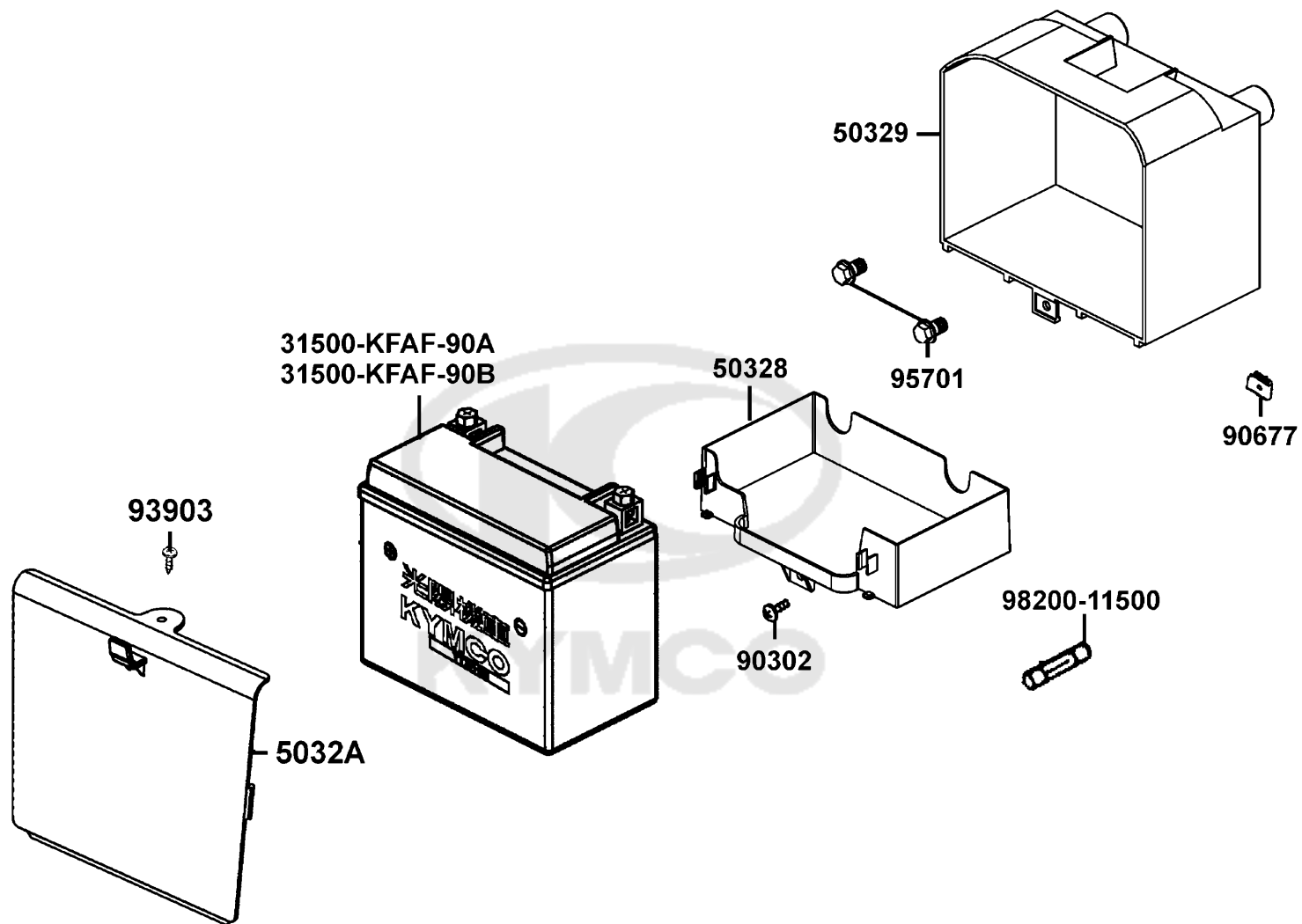
Fuel Tank



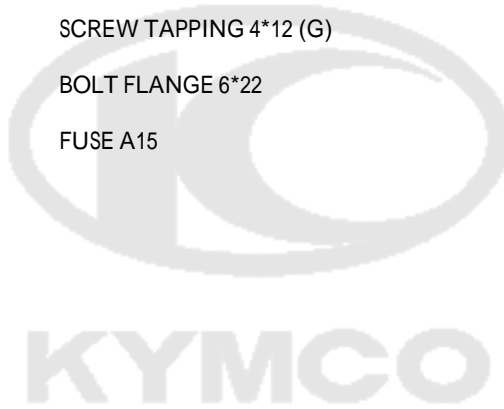
Sales mark 配色标记	Ref no 参考号码	Part no 零件号码	Description 英文名称	Reg description 零件名称	Regd no 需求用量	F10
--------------------	----------------	-----------------	---------------------	-------------------------	-----------------	-----

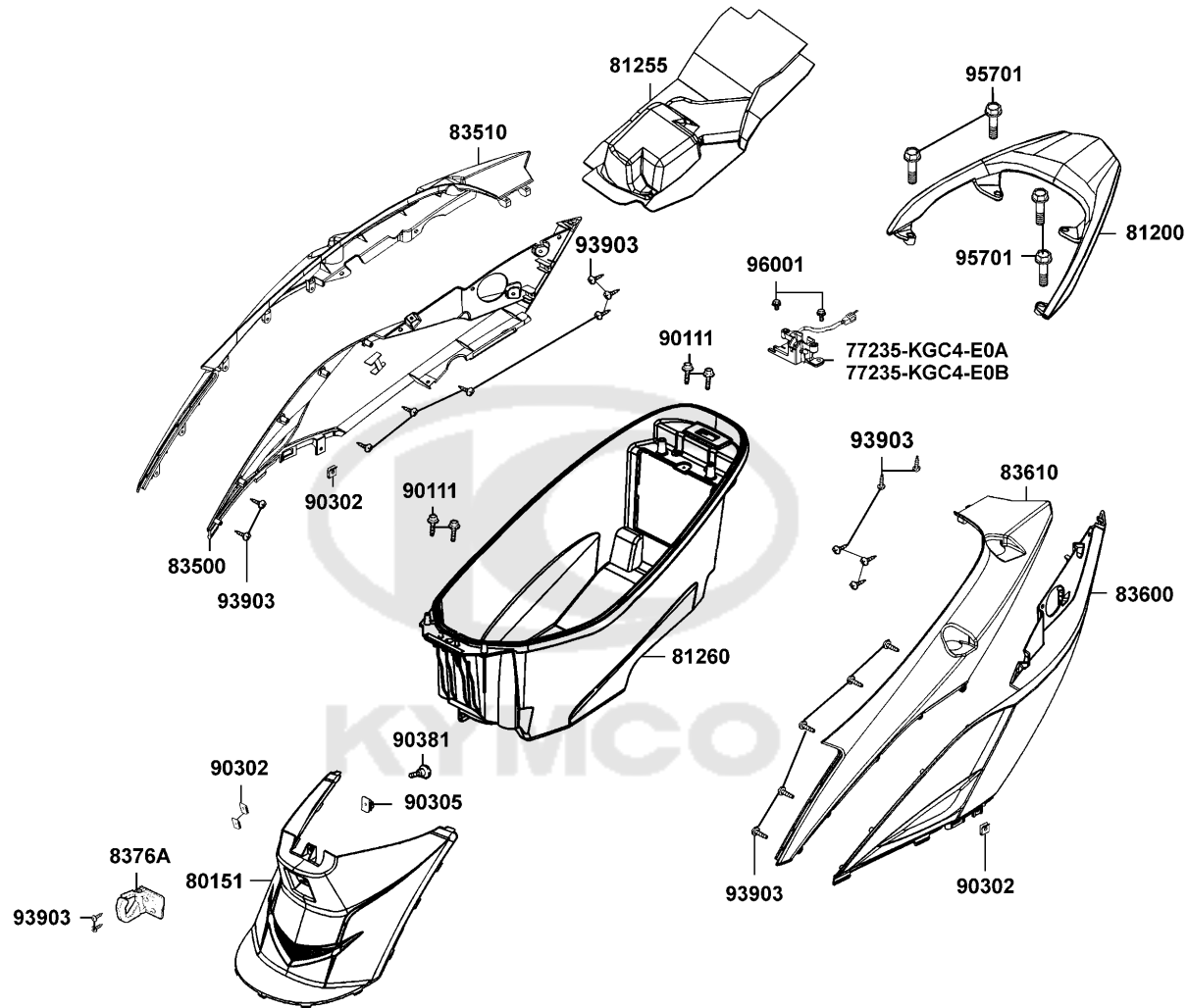
95002-02130	95002-02130	95002-02130	CLIP B12.5 TUBE	管夹	3	
95002-40650	95002-40650-08	95002-40650-08	CLAMP D6.5 TUBE	CLAMP D6.5 TUBE	1	



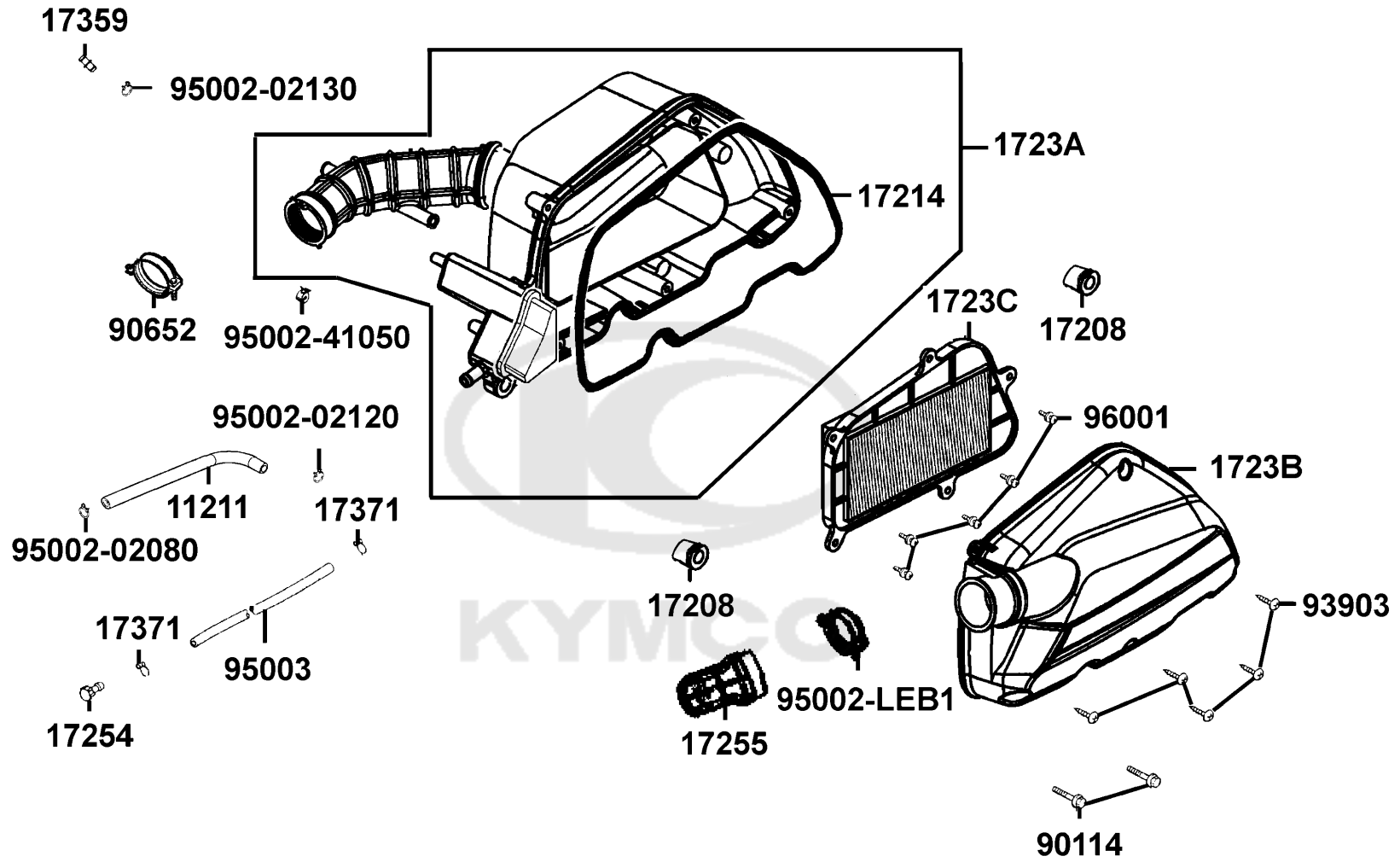


Sales mark 配色标记	Ref no 参考号码	Part no 零件号码	Description 英文名称	Reg description 零件名称	Regd no 需求用量	F11
	31500-KFAF-90A	31500-KFAF-90A	BATTERY YTX9-BS	电瓶	1	
	31500-KFAF-90B	31500-KFAF-90B	BATTERY GTX9-BS	电瓶	1	
	50328	50328-LBB8-900	BATTERY DRAWER	电瓶滑动底座	1	
	50329	50329-LEB1-900	BATTERY CASE	电瓶盒	1	
**	5032A	5032A-LEB1-900	COVER BATTERY	COVER BATTERY	1	
	90302	90302-GFY6-940	BOLT-WASH 5*16	螺丝 5X16	1	
	90677	90677-GAR1-004	NUT CLIP 5MM	弹簧螺帽 5MM	1	
	93903	93903-34360	SCREW TAPPING 4*12 (G)	螺丝	1	
	95701	95701-06022-06	BOLT FLANGE 6*22	螺丝 6X22	2	
	98200-11500	98200-11500	FUSE A15	保险丝 A15	1	





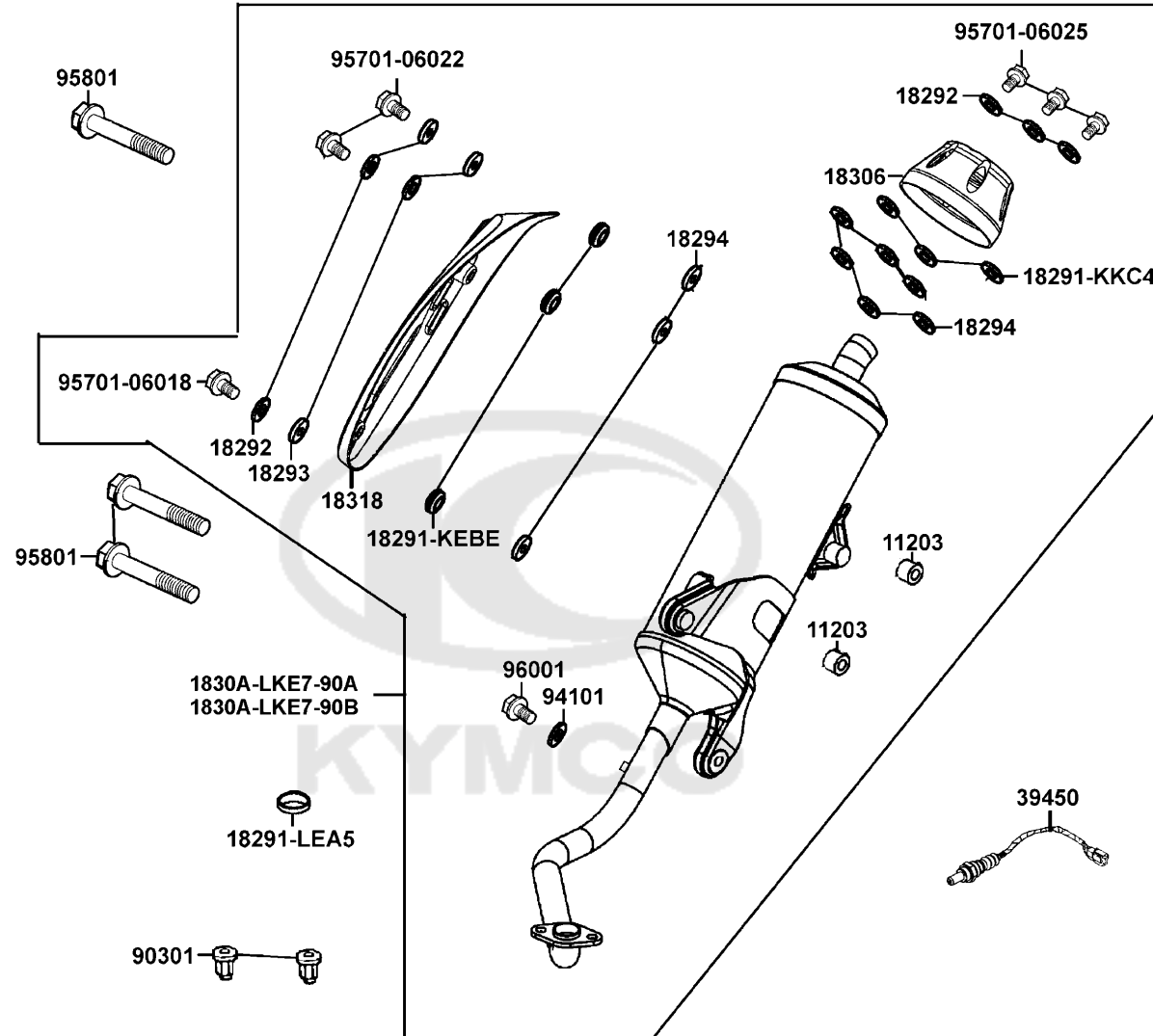
Sales mark 配色标记	Ref no 参考号码	Part no 零件号码	Description 英文名称	Reg description 零件名称	Regd no 需求用量	F12
	77235-KGC4-E0A	77235-KGC4-E0A	SEAT CATCH	座垫挡器	1	
	77235-KGC4-E0B	77235-KGC4-E0B	SEAT CATCH	座垫挡器	1	
**	80151	80151-LEB1-900	COVER CENTER	中心盖	1	
**	81200	81200-LKE6-900	CARRIER RR	後架	1	
	81255	81255-LGL9-900	BAG LUGGAGE	置物箱衬垫	1	
	81260	81260-LEB2-900	BOX ASSY..LUG	行李箱组	1	
**	83500	83500-LKE6-325	COVER R BODY	车体右边盖组	1	
**	83510	83510-LKE6-900	COVER UP R BODY	右边上盖	1	
**	83600	83600-LKE6-325	COVER L BODY	车体左边盖组	1	
**	83610	83610-LKE6-900	COVER UP L BODY	左边上盖	1	
	8376A	8376A-KECE-901	CLIP ASSY CENTER	中心挂钩	1	
	90111	90111-LEB1-900	BOLT FLANGE 6MM	螺丝 6MM	4	
	90302	90302-SDA4-004	NUT SPRING 4MM	螺帽 4MM	4	
	90305	90305-GHK8-001	NUT CLIP 6MM	夹螺帽 6MM	1	
	90381	90381-GEZ5-001	SCREW SPECIAL 6*17	特殊螺丝	1	
	93903	93903-34360	SCREW TAPPING 4*12 (G)	螺丝	20	
	95701	95701-08030-06	BOLT FLANGE 8X30	螺丝 8X30	4	
	96001	96001-06014-08	BOLT FLANGE SH 6*14 (C)	凸缘螺栓	2	



Sales mark 配色标记	Ref no 参考号码	Part no 零件号码	Description 英文名称	Reg description 零件名称	Regd no 需求用量	F13
	11211	11211-LFB5-900	TUBE BRTHER	通气管	1	
	17208	17208-GAR1-011	COLLAR AIR/C SET	套筒	2	
	17214	17214-LEB1-900	SEAL AIR/C COVER	空气滤清器箱盖油封	1	
	1723A	1723A-LKE7-900	CASE.AIR/C	空气滤清器座	1	
	1723B	1723B-LEB1-900	COVER COMP AIR/C	空气滤清器盖	1	
	1723C	1723C-LEB1-910	ELEMENT COMP AIR/C	空气滤清器/6孔	1	
	17254	17254-KACA-P00	PLUG AIR/C CONN TUBE	空气滤清器连接管塞	1	
	17255	17255-LEB1-900	DUCT AIR/C COVER	导管	1	
	17359	17359-4K19-671	JOINT BREATHER TUBE	通气管接头	1	
	17371	17371-1D74-671	CLIP BREATHER TUBE	通气管夹	2	
	90114	90114-GDM4-011	BOLT FLANGE SH 6*28	螺丝 6*28	2	
	90652	90652-GFY6-901	BAND 49 AIR/C CONNECTING TUBE	连接管固定带/CK125T-6	1	
	93903	93903-25380	SCREW TAPPING 5*16	螺丝 5X16	5	
	95002-02080	95002-02080	CLIP B8 TUBE	管夹	1	
	95002-02120	95002-02120	CLIP B12 TUBE	燃油软管夹 B形12号	1	
	95002-02130	95002-02130	CLIP B12.5 TUBE	管夹	1	
	95002-41050	95002-41050-00	CLIP D10.5 TUBE	管夹	1	
	95002-LEB1	95002-LEB1-900	CLAMPER D41	管夹	1	
	95003	95003-23024-60	V TUBE 8*12*240	软管	1	
	96001	96001-GFY6-900	BOLT SPECIAL 5*10	特殊螺丝 5X10	5	

F14

Exhaust Muffler



Sales mark 配色标记	Ref no 参考号码	Part no 零件号码	Description 英文名称	Reg description 零件名称	Regd no 需求用量	F14
	11203	11203-GFY6-901	RUBBER BUSH MUFFLER STAY	橡皮衬套	2	
	18291-KEBE	18291-KEBE-900	COLLAR	套筒	3	
	18291-KKC4	18291-KKC4-900	COLLAR	套筒	3	
	18291-LEA5	18291-LEA5-E00	GASKET EXH PIPE	排气管垫圈	1	
	18292	18292-KEBE-900	PACKING PROTECTOR	防热垫片	6	
	18293	18293-KEBE-900	RUBBER PKG PROTR	隔热橡皮	3	
	18294	18294-KEBE-900	PACKING PROTECTOR	防热垫片	9	
**	18306	18306-LAC7-900	TAIL ACP MUFFLER	排气管後护盖	1	
	1830A-LKE7-90A	1830A-LKE7-90A	MUFFLER ASS.Y	排气管组	1	
	1830A-LKE7-90B	1830A-LKE7-90B	MUFFLER ASS.Y	排气管组	1	
**	18318	18318-LEB1-900	PROTECTOR MUFFLER	排气管护盖	1	
	39450	39450-LEA6-800	O2 SENSOR	含氧感知器	1	
	90301	90301-GFY6-901	NUT (HEX) CAP 8MM	盖形螺母	2	
	94101	94101-06700	WASHER PLAIN 6MM	平华司 6MM	1	
	95701-06018	95701-06018-07	BOLT FLANGE 6*18	螺丝 6*18	1	
	95701-06022	95701-06022-06	BOLT FLANGE 6*22	螺丝 6X22	2	
	95701-06025	95701-06025-06	BOLT FLANGE 6*25	螺丝 6*25	3	
	95801	95801-08042-06	BOLT FLANGE 8*42	螺丝 8X42	3	
	96001	96001-06008-07	BOLT FLANGE SH 6*8	螺丝 6X8	1	

F15

Stand

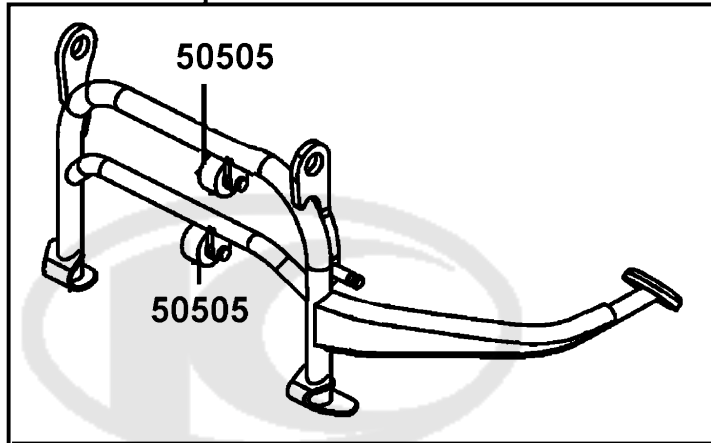
95801



50502



50500



50505

50505

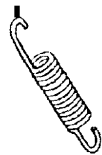
50502



95801



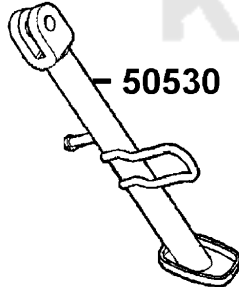
95014-72204



90108



50530



95014-LBC6

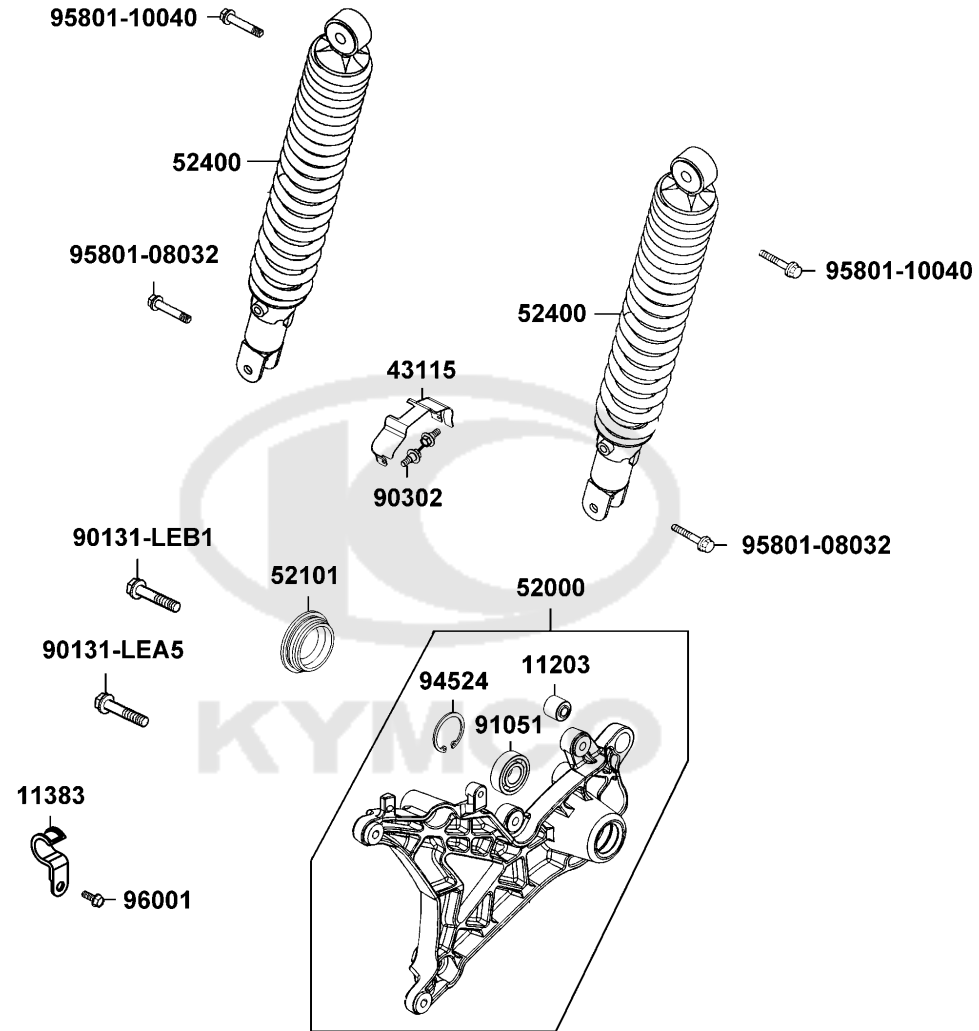


Sales mark 配色标记	Ref no 参考号码	Part no 零件号码	Description 英文名称	Reg description 零件名称	Regd no 需求用量	F15
	50500	50500-LKE7-900	STAND COMP MAIN	主脚架	1	
	50502	50502-GFY6-901	COLLAR MAIN STAND	主脚架套筒	2	
	50505	50505-LAD9-900	STOPPER RUBBER	主脚架停止橡皮	2	
	50530	50530-LAD9-900	SIDE STAND COMP	侧脚架	1	
	90108	90108-LKE6-900	PIVOT SCREW SIDE STAND	侧脚架螺丝	1	
	95014-72204	95014-72204	SPG B1 SIDE STAND	边脚架弹簧	1	
	95014-LBC6	95014-LBC6-900	SPG D MAIN STAND	主脚架弹簧	1	
	95801	95801-10025-06	BOLT FLANGE 10*25	螺丝	2	



F16

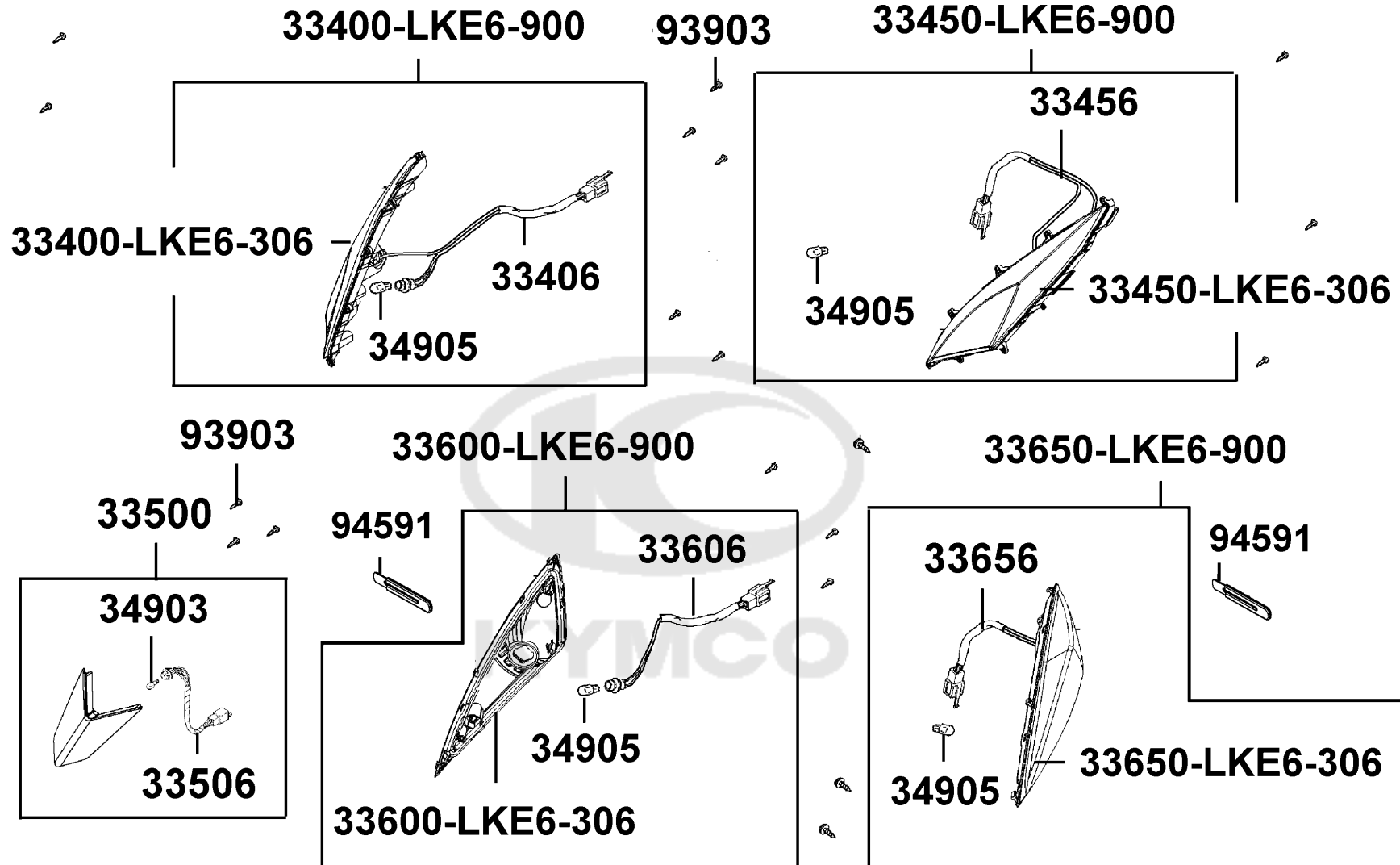
Rear Cushion



Sales mark 配色标记	Ref no 参考号码	Part no 零件号码	Description 英文名称	Reg description 零件名称	Regd no 需求用量	F16
	11203	11203-GGC7-301	UNDER RUBBER BUSH REAR CUSHION	後缓冲下衬套	1	
	11383	11383-KHE7-900	CLAMPER RR BRK HOSE	後煞车油管夹	1	
	43115	43115-LKE7-900	COVER DUST	防尘盖	1	
**	52000	52000-LKE7-900	FORK ASSY ,RR	後叉组	1	
	52101	52101-LGR8-900	FORK RR CAP	後叉小护盖	1	
**	52400	52400-LGL9-710	CUSHION ASSY RR	後避震器	2	
	90131-LEA5	90131-LEA5-E00	BOLT FLANGE 8*35	螺丝 8*42	1	
	90131-LEB1	90131-LEB1-900	BOLT FLANGE 8*35	螺丝 8*35	1	
	90302	90302-KEC8-900	BOLT PAN 5*9	螺丝钉 5X9	2	
	91051	91051-KFBF-901	BRG BALL RAKIAL 6203LLU	轴承 6203	1	
	94524	94524-40000	CIR CLIP IN 40	环夹	1	
	95801-08032	95801-08032-06	BOLT FLANGE 8*32	螺丝 8X32	2	
	95801-10040	95801-10040-08	BOLT FLANGE 10*40	特殊螺丝	2	
	96001	96001-06012-06	BOLT FLANGE SH 6*12	螺丝 6X12	1	

F17

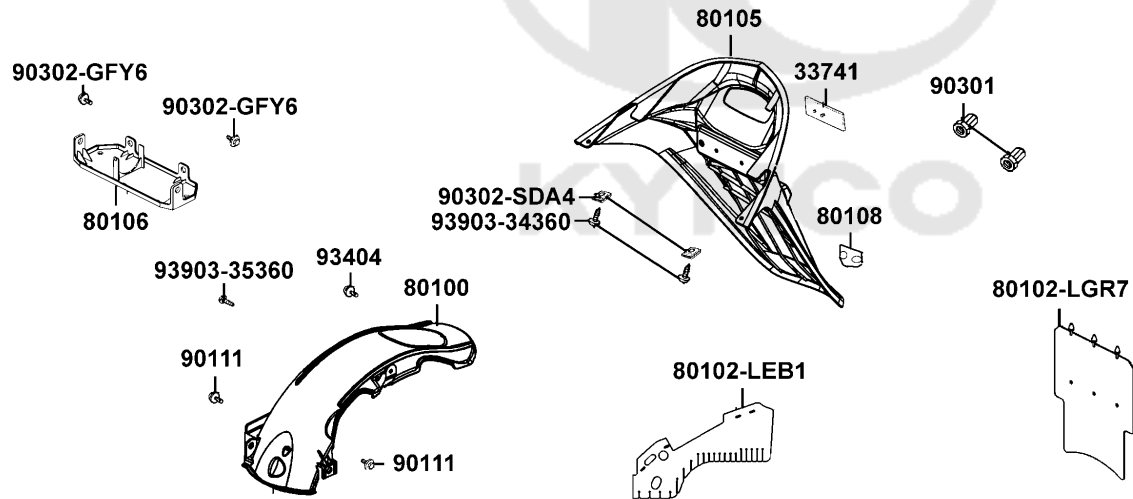
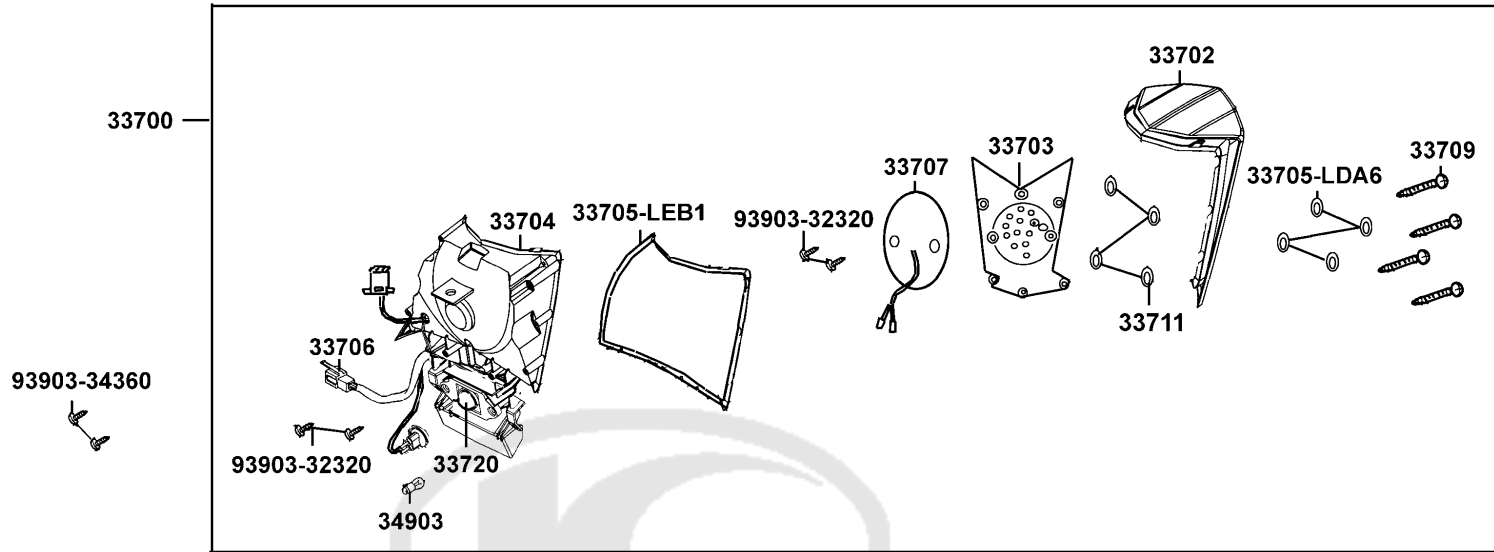
Front Winker



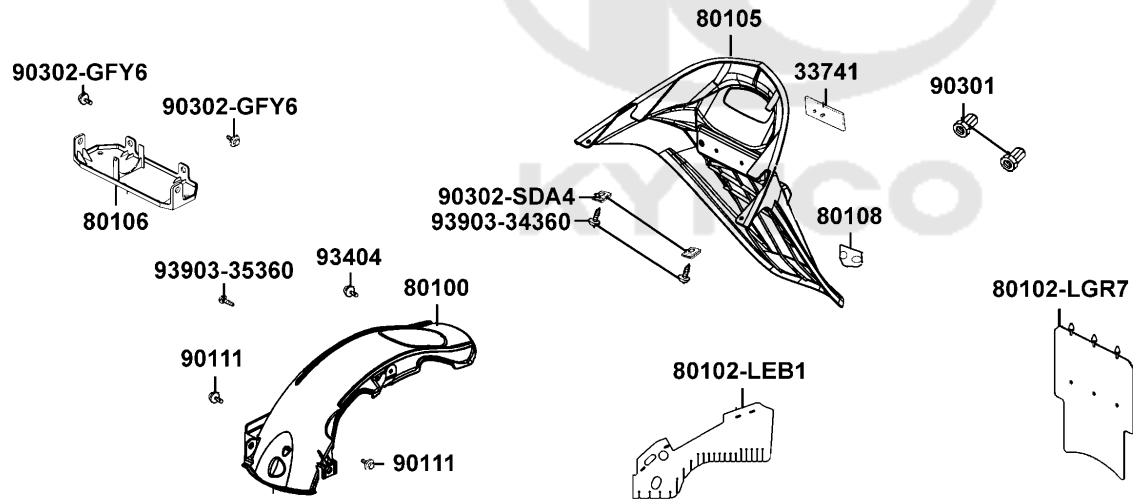
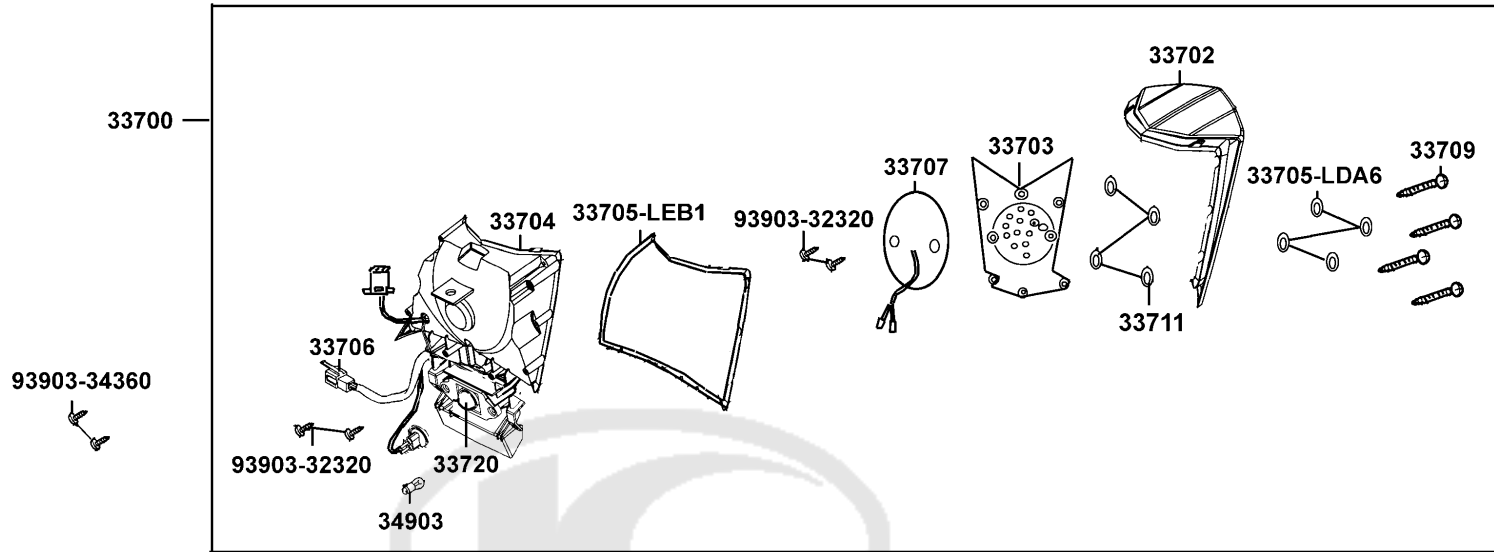
Sales mark 配色标记	Ref no 参考号码	Part no 零件号码	Description 英文名称	Reg description 零件名称	Regd no 需求用量	F17
	33400-LKE6-306	33400-LKE6-306	BASE COMP R FR WINKER	右前方向灯壳组	1	
	33400-LKE6-900	33400-LKE6-900	WINKER ASSY FR R	右前方向灯组	1	
	33406	33406-LKE6-900	SOCKET COMP R FR WINKER	前方向灯配线	1	
	33450-LKE6-306	33450-LKE6-306	BASE COMP L FR WINKER	左前方向灯壳组	1	
	33450-LKE6-900	33450-LKE6-900	WINKER ASSY FR L	左前方向灯组	1	
	33456	33456-LKE6-900	SOCKET COMP L FR WINKER	前方向灯配线	1	
	33500	33500-LKE6-900	LIGHT ASSY FR POSITION	前位置灯罩(假灯泡)	1	
	33506	33506-LEB1-900	SOCKET COMP POSITION LIGHT	灯泡座连接线	1	
	33600-LKE6-306	33600-LKE6-306	WINKER UNIT ASSY FR R	右後方向灯壳组	1	
	33600-LKE6-900	33600-LKE6-900	WINKER ASSY RR R	右後方向灯组	1	
	33606	33606-LKE6-900	SOCKET COMP RR R WINKER	右後方向灯配线	1	
	33650-LKE6-306	33650-LKE6-306	WINKER UNIT ASSY FR L	左後方向灯壳组	1	
	33650-LKE6-900	33650-LKE6-900	WINKER ASSY RR L	左後方向灯组	1	
	33656	33656-LKE6-900	SOCKET COMP RR L WINKER	左後方向灯配线	1	
	34903	34903-KPCP-900	BULB POSITION	位置灯灯泡 12V5W	4	
	34905	34905-KPCP-900	BULB WINKER	方向灯灯泡	4	
	93903	93903-34360	SCREW TAPPING 4*12 (G)	螺丝	13	
	94591	94591-27000	CLIP 2*70	捆绑夹2形70号	2	


F18

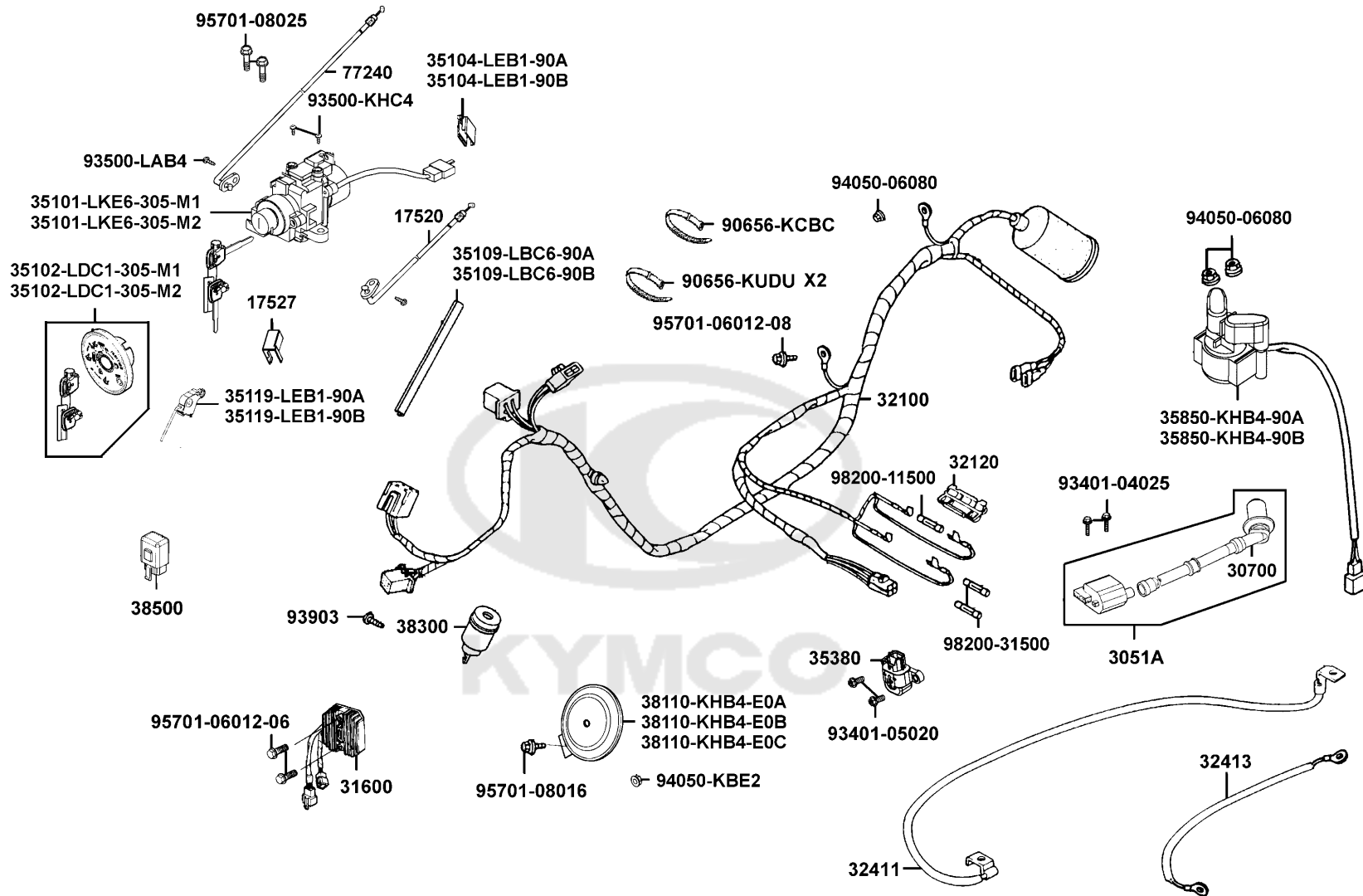
Tail Light Rear Fender



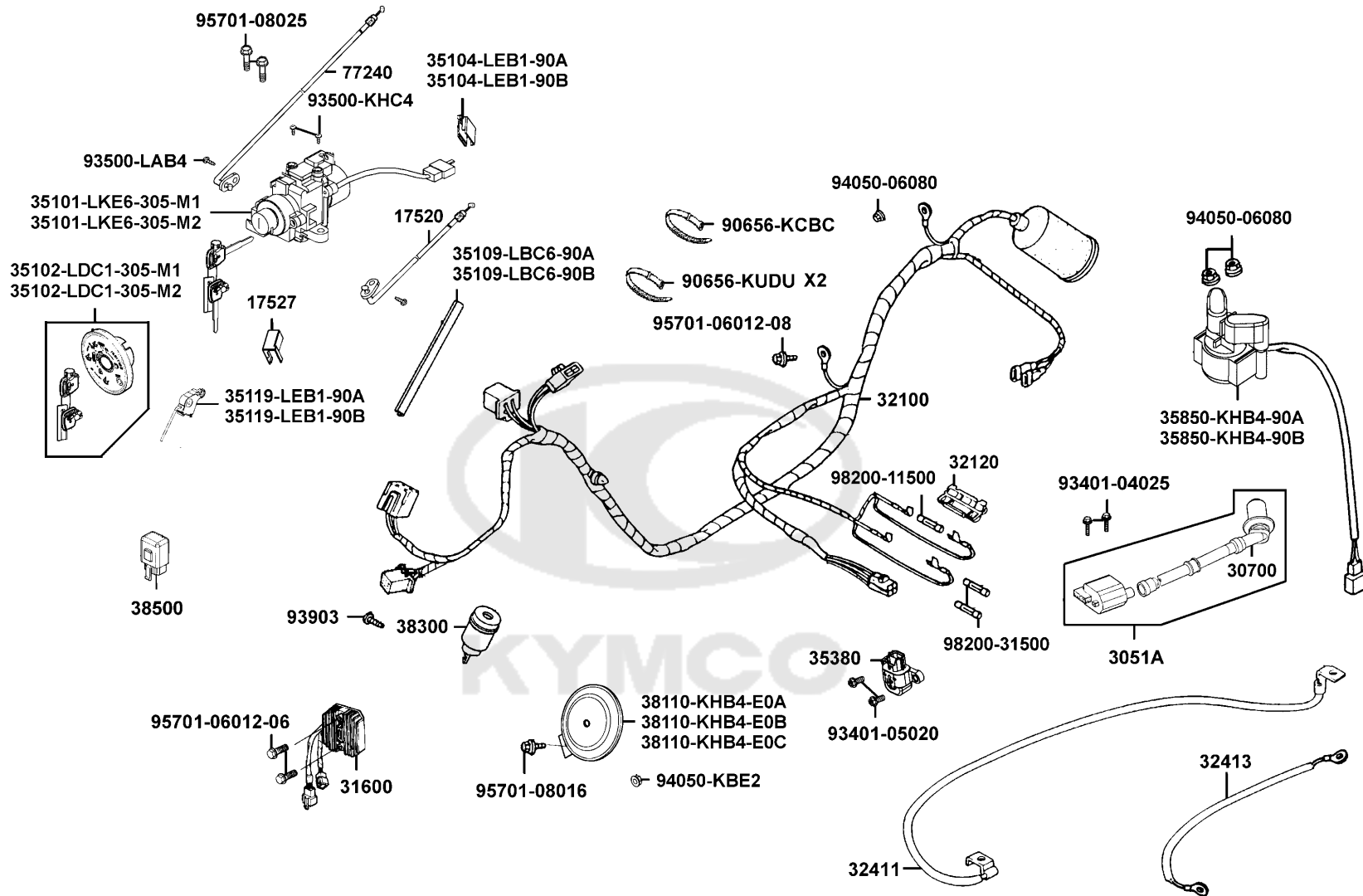
Sales mark 配色标记	Ref no 参考号码	Part no 零件号码	Description 英文名称	Reg description 零件名称	Regd no 需求用量	F18
	33700	33700-LKE6-900	LIGHT ASSR RR COMB	後灯组	1	
	33702	33702-LGR7-600	LENS TAIL LIGHT	後灯盖	1	
	33703	33703-LEB1-900	RS TAIL LIGHT	後灯反射片	1	
	33704	33704-LEB1-900	BASE TAIL LIGHT	後灯组後灯壳	1	
	33705-LDA6	33705-LDA6-900	WASHER WATERPROOF	防水垫圈	4	
	33705-LEB1	33705-LEB1-900	PACKING WATERPROOF	防水胶条	1	
	33706	33706-LEB1-900	SOCKET COMP RR COMB	後灯配线	1	
	33707	33707-LKE6-900	LED COMP	LED板组	1	
	33709	33709-LDA6-900	SCREW 6*35	螺丝 6*35	4	
	33711	33711-LDA6-900	PACKING WATERPROOF	防水垫圈	4	
	33720	33720-LBB5-E00	LIGHT ASSY LICENSE	牌照灯组	1	
	33741	33741-LEA3-E00	REFLEX REFLECTOR	反射片	1	
	34903	34903-KALA-900	BULB POSITION	灯泡	1	
**	80100	80100-LKE7-900	FENDER TIRE RR.	後轮上土除	1	
	80102-LEB1	80102-LEB1-900	PLATE SPLASH BOARD	防尘橡皮片	1	
	80102-LGR7	80102-LGR7-900	PLATE SPLASH GUARD	後轮防溅板	1	
**	80105	80105-LEB1-900	FENDER RR	後土除	1	
**	80106	80106-LEB1-900	FENDER RR INNER	後内挡泥板	1	
	80108	80108-LEB1-900	PLATE RR FENDER	固定铁片	1	
	90111	90111-LEB1-900	BOLT FLANGE 6MM	螺丝 6MM	2	



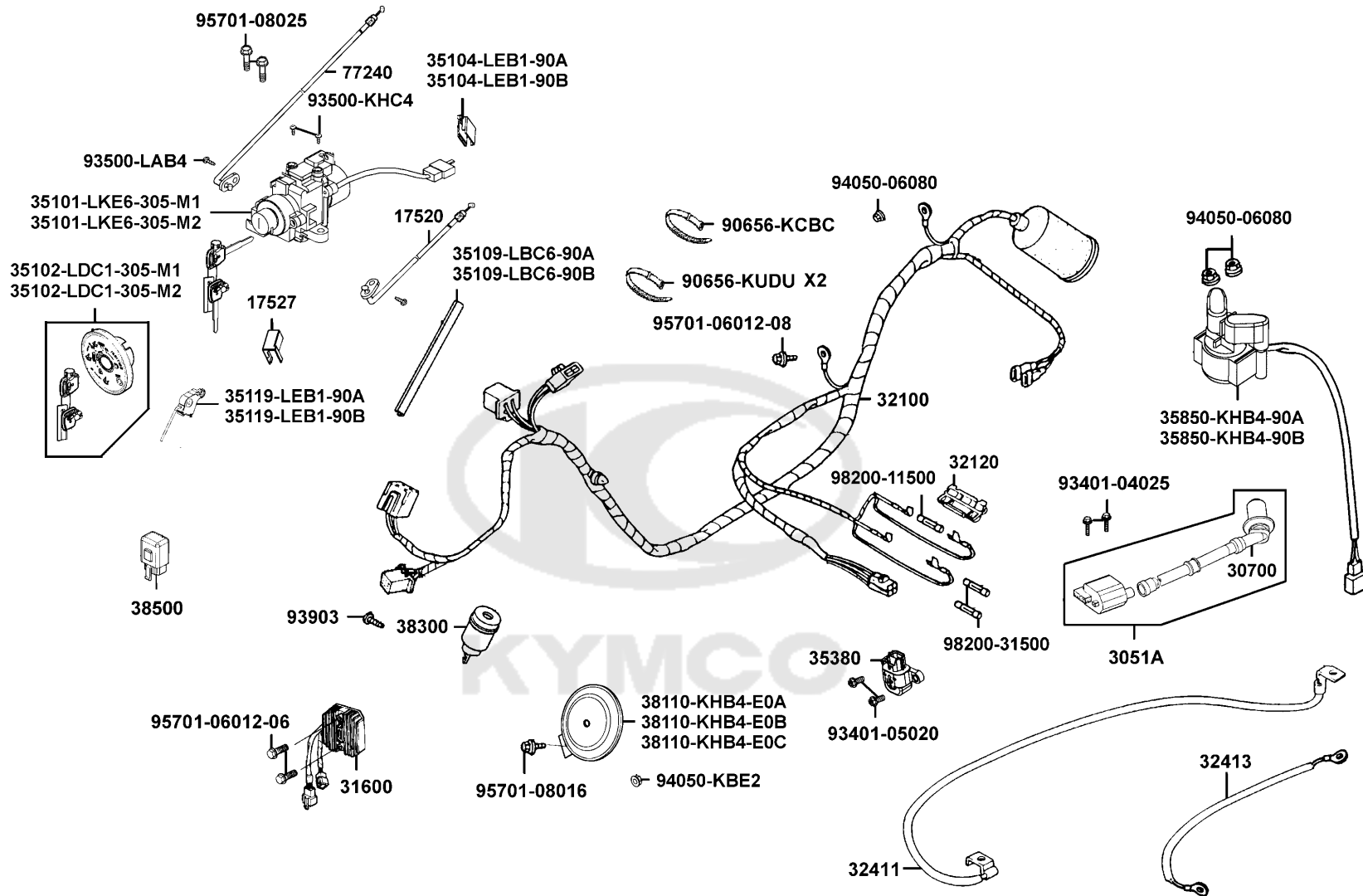
Sales mark 配色标记	Ref no 参考号码	Part no 零件号码	Description 英文名称	Reg description 零件名称	Regd no 需求用量	F18
90301		90301-6C93-001	NUT 6MM OPEN STAY	螺帽 6MM	2	
90302-GFY6		90302-GFY6-901	BOLT WASH 5*12	螺丝 5X12	2	
90302-SDA4		90302-SDA4-004	NUT SPRING 4MM	螺帽 4MM	2	
93404		93404-06012-06	BOLT WASHER 6*12 (G)	螺丝 6X12	1	
93903-32320		93903-32320	SCREW TAPPING 3*12	螺丝3*12	4	
93903-34360		93903-34360	SCREW TAPPING 4*12 (G)	螺丝	4	
93903-35360		93903-35360	SCREW TAPPING 5*16	螺钉 5X16	1	
						




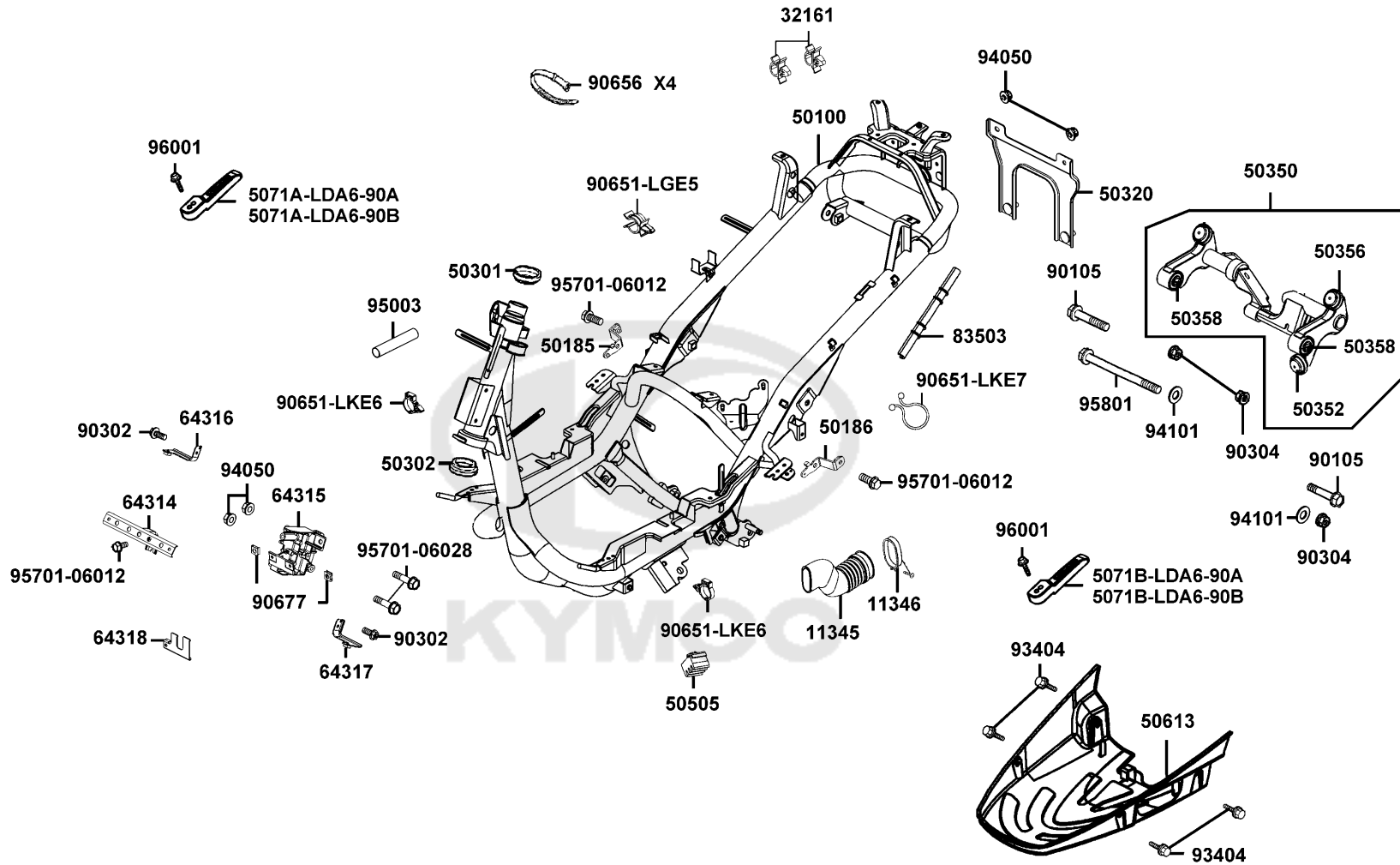
Sales mark 配色标记	Ref no 参考号码	Part no 零件号码	Description 英文名称	Reg description 零件名称	Regd no 需求用量	F19
	17520	17520-LEB1-900	CABLE COMP FUEL CAP	油箱盖导线	1	
	17527	17527-LBA2-900	SLIDE COVER FUEL CAP	油箱盖导线防尘盖	1	
	3051A	3051A-LKE7-700	COIL ASS.Y.IGN	COIL ASS.Y.IGN	1	
	30700	30700-LKE7-700	CAP ASSY NOISE SUPPR	火星塞盖	1	
	31600	31600-KAM1-009	REG REC COMP	整流器	1	
	32100	32100-LKE6-700	HARNESS WIRE	主配线	1	
	32120	32120-KEB7-900	CASE 15A FUSE	保险丝盒	1	
	32411	32411-LKE6-900	CABLE BATTERY	电池正极线	1	
	32413	32413-LKE6-900	CABLE BAT, EARTH	电池负极导线	1	
	35101-LKE6-305-M1	35101-LKE6-305-M1	SW COMB & LOCK	主开关组	1	
	35101-LKE6-305-M2	35101-LKE6-305-M2	SW COMB & LOCK	主开关组	1	
	35102-LDC1-305-M1	35102-LDC1-305-M1	SHUTTER SET MAGNETIC LOCK	磁石锁组/梅花型	1	
	35102-LDC1-305-M2	35102-LDC1-305-M2	SHUTTER SET MAGNETIC LOCK	磁石锁组/梅花型	1	
	35104-LEB1-90A	35104-LEB1-90A	PLATE COVER FUEL CAP CABLE	油箱盖导线防水盖	1	
	35104-LEB1-90B	35104-LEB1-90B	PLATE COVER FUEL CAP CABLE	油箱盖导线防水盖	1	
	35109-LBC6-90A	35109-LBC6-90A	PROTECTING COVER CABLE	防水盖	1	
	35109-LBC6-90B	35109-LBC6-90B	PROTECTING COVER CABLE	防水盖	1	
	35119-LEB1-90A	35119-LEB1-90A	COVER SEAT CABLE	座垫导线防水盖	1	
	35119-LEB1-90B	35119-LEB1-90B	COVER SEAT CABLE	座垫导线防水盖	1	
	35380	35380-LEA2-900	SENSOR ANGLE DETECT	倾倒角度感知器	1	



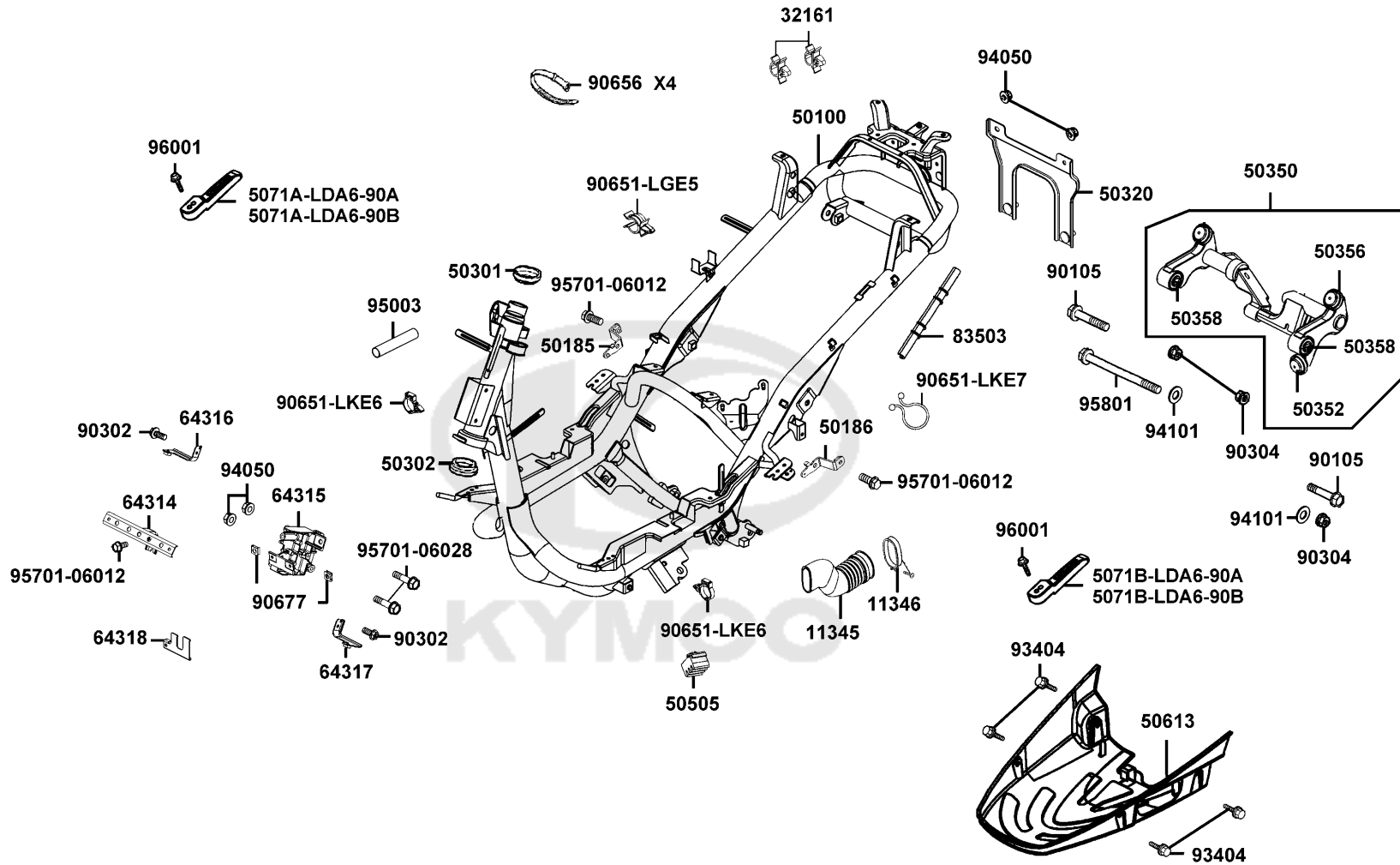
Sales mark 配色标记	Ref no 参考号码	Part no 零件号码	Description 英文名称	Reg description 零件名称	Regd no 需求用量	F19
	35850-KHB4-90A	35850-KHB4-90A	SET START MAG	起动开关组	1	
	35850-KHB4-90B	35850-KHB4-90B	SET START MAG	起动开关组	1	
	38110-KHB4-E0A	38110-KHB4-E0A	HORN COMP	喇叭	1	
	38110-KHB4-E0B	38110-KHB4-E0B	HORN COMP	喇叭	1	
	38110-KHB4-E0C	38110-KHB4-E0C	HORN COMP	喇叭	1	
	38300	38300-LEA5-E0A	RELAY ASSY WINKER	方向灯继电器	1	
	38500	38500-KHD8-900	RELAY ASSY LIGHT/D421	前灯继电器	1	
	77240	77240-LKE6-900	CABLE COMP SEAT LOCK	座垫锁线	1	
	90656-KCBC	90656-KCBC-900	BAND OIL HANDLE	油管束带	4	
**	90656-KUDU	90656-KUDU-900	BAND HARNESS WIRE	配线束带	2	
	93401-04025	93401-04025-08	BOLT WASHER 4*25	螺丝 4X25	2	
	93401-05020	93401-05020-08	BOLT WASHER 5*20	螺丝 5X20	2	
	93500-KHC4	93500-KHC4-90A	SCREW PAN 5*10	螺丝 5X10	2	
	93500-LAB4	93500-LAB4-900	SCREW FLANGE 4*10	螺丝 4*10	1	
	93903	93903-35360	SCREW TAPPING 5*16	螺钉 5X16	1	
	94050-06080	94050-06080	NUT FLANGE 6MM (C)	有边缘螺帽 NF 6MM	4	
	94050-KBE2	94050-KBE2-900	NUT FLANGE 8MM	螺帽 8MM	1	
	95701-06012-06	95701-06012-06	BOLT FLANGE 6*12	螺丝 6X12	2	
	95701-06012-08	95701-06012-08	BOLT FLANGE 6*12 (C)	有边缘螺丝	1	
	95701-08016	95701-08016-06	BOLT FLANGE 8*16	螺丝 8*16	1	



Sales mark 配色标记	Ref no 参考号码	Part no 零件号码	Description 英文名称	Reg description 零件名称	Regd no 需求用量	F19
	95701-08025	95701-08025-08	BOLT FLANGE 8*25 (C)	螺丝 8*25	2	
	98200-11500	98200-11500	FUZE A15	保险丝 A15	1	
	98200-31500	98200-31500	BLADE FUSE 15A	保险丝/插片形 15A	2	
						



Sales mark 配色标记	Ref no 参考号码	Part no 零件号码	Description 英文名称	Reg description 零件名称	Regd no 需求用量	F20
	11345	11345-LEB2-900	DUCT L COVER	冷却导管	1	
	11346	11346-GFY6-901	BAND L COVER DUCT	冷却导管卡环	1	
	32161	32161-3C93-004	CLIP HARNESS WIRE	主配线夹	2	
	50100	50100-LKE7-C60	BODY COMP FRAME	车体	1	
	50185	50185-LKE6-900	STAY R SIDE MOLD	右边条支架	1	
	50186	50186-LKE6-900	STAY L SIDE MOLD	左边条支架	1	
	50301	50301-KGN7-671	RACE UP STRG BALL	上珠碗	1	
	50302	50302-2H68-011	RACE (STRG BOT) BALL	下珠碗	1	
	50320	50320-LEB1-900	STAY RR FENDER	後土除支架	1	
	50350	50350-LKE6-900	HANGER ASSY ,ENG.	引擎吊架	1	
	50352	50352-GFY6-901	RUBBER STOPPER	止滑橡皮	2	
	50356	50356-KNBN-200	RUBBER C ENG HANGE STPR	橡皮 C	1	
	50358	50358-KHC4-900	RUBBER BUSH ENG HANGER	引擎吊耳橡皮衬套	1	
	50505	50505-KEBE-900	STOPPER RUBBER	主脚架橡皮	1	
**	50613	50613-LEB1-900	COVER UNDER	电瓶底盖	1	
	5071A-LDA6-90A	5071A-LDA6-90A	BAR R STEP ASSY	右踏板座	1	
	5071A-LDA6-90B	5071A-LDA6-90B	BAR R STEP ASSY	右脚踏杆	1	
	5071B-LDA6-90A	5071B-LDA6-90A	BAR L STEP ASSY	右踏板座	1	
	5071B-LDA6-90B	5071B-LDA6-90B	BAR STEP L ASSY	左脚踏杆	1	
	64314	64314-LKE6-900	STAY FR MOLDING	前护盖支架	1	



Sales mark 配色标记	Ref no 参考号码	Part no 零件号码	Description 英文名称	Reg description 零件名称	Regd no 需求用量	F20
	64315	64315-LKE6-900	STAY, FR COVER	前护盖支架	1	
	64316	64316-LKE6-900	STAY R FR FENDER	前土除右边支架	1	
	64317	64317-LKE6-900	STAY,L FR FENDER	前土除左边支架	1	
	64318	64318-LKE6-900	STAY.RELAY	继电器支架	1	
**	83503	83503-KHD6-900	COVER PROTECT SEAT WIRE FR	座垫线保护盖	1	
	90105	90105-KHC4-900	SQUARE BOLT M10X50	螺丝 10X50	1	
	90302	90302-LLB1-E00	BOLT-WASH 5X12	垫圈螺栓	2	
	90304	90304-LEA1-900	NUT U FLANGE 10MM	螺帽 10MM	3	
	90651-LGE5	90651-LGE5-E00	CLIP FUEL TANK	油箱环夹	1	
	90651-LKE6	90651-LKE6-900	CLIP CABLE	环夹	2	
	90651-LKE7	90651-LKE7-900	CLIP CABLE	导线夹	1	
**	90656	90656-KUDU-900	BAND HARNESS WIRE	配线束带	3	
	90677	90677-LKE7-900	NUT CLIP 5MM	螺帽	2	
	93404	93404-06016-06	BOLT WASHER 6*16	螺丝 6X16	4	
	94050	94050-06080	NUT FLANGE 6MM (C)	有边缘螺帽 NF 6MM	4	
	94101	94101-LKC6-900	WASHER 10.5X38X3 (G)	华司10.5X38X3 /墨绿	2	
	95003	95003-LEB1-900	"TUBE, CLAMP"	通气管	1	
	95701-06012	95701-06012-08	BOLT FLANGE 6*12 (C)	有边缘螺丝	3	
	95701-06028	95701-06028-08	BOLT FLANGE 6*28 (C)	螺丝6*28	2	
	95801	95801-10195-06	BOLT FLANGE 10*195	螺丝 10X195	1	

Sales mark 配色标记	Ref no 参考号码	Part no 零件号码	Description 英文名称	Reg description 零件名称	Regd no 需求用量	F20
--------------------	----------------	-----------------	---------------------	-------------------------	-----------------	-----

96001

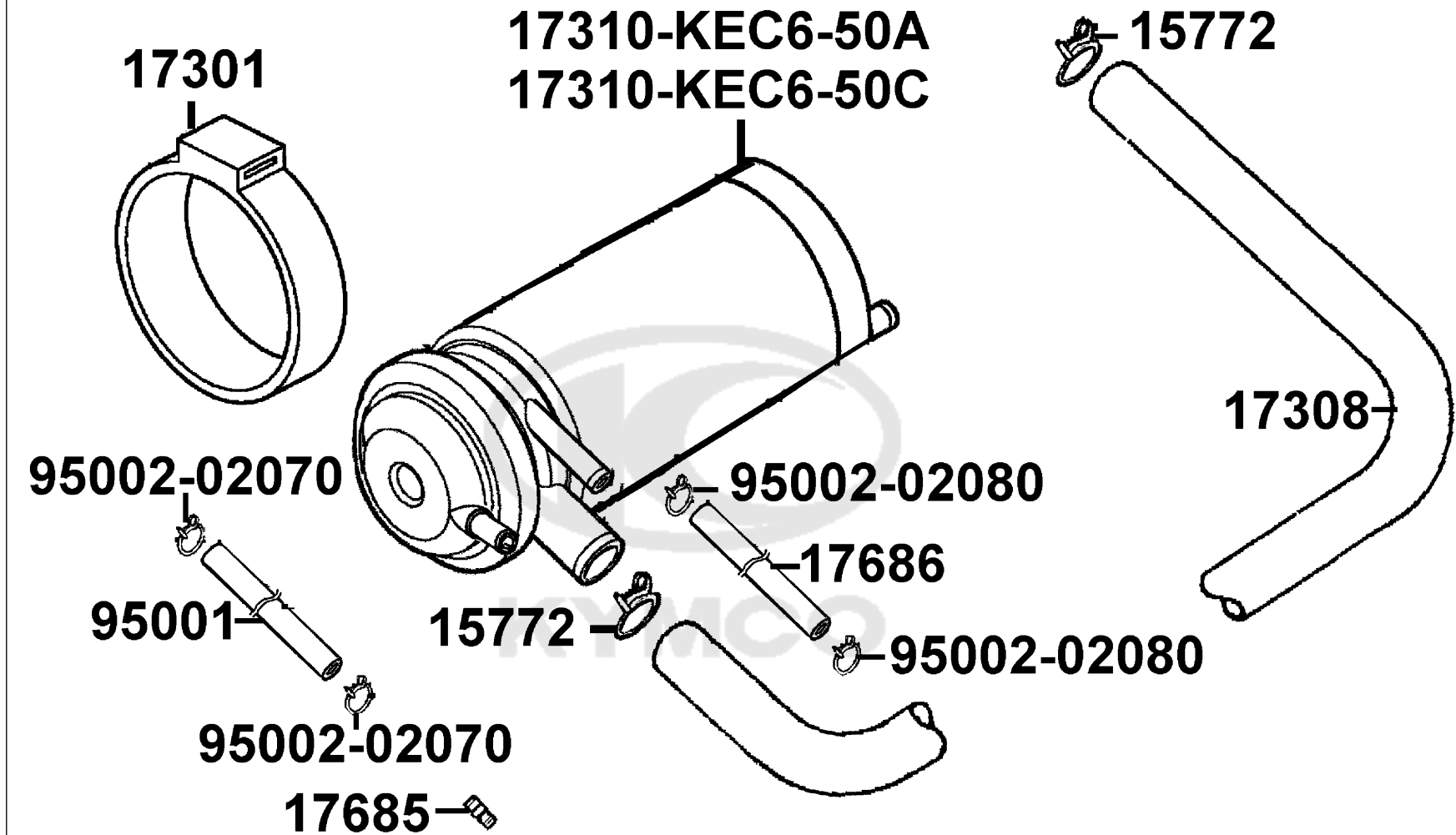
96001-06032-06

BOLT FLANGE 6*32

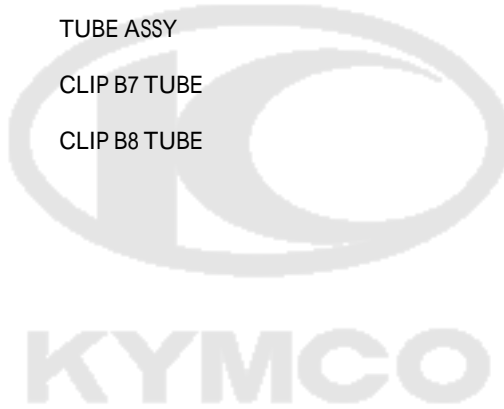
螺丝 6X32

2

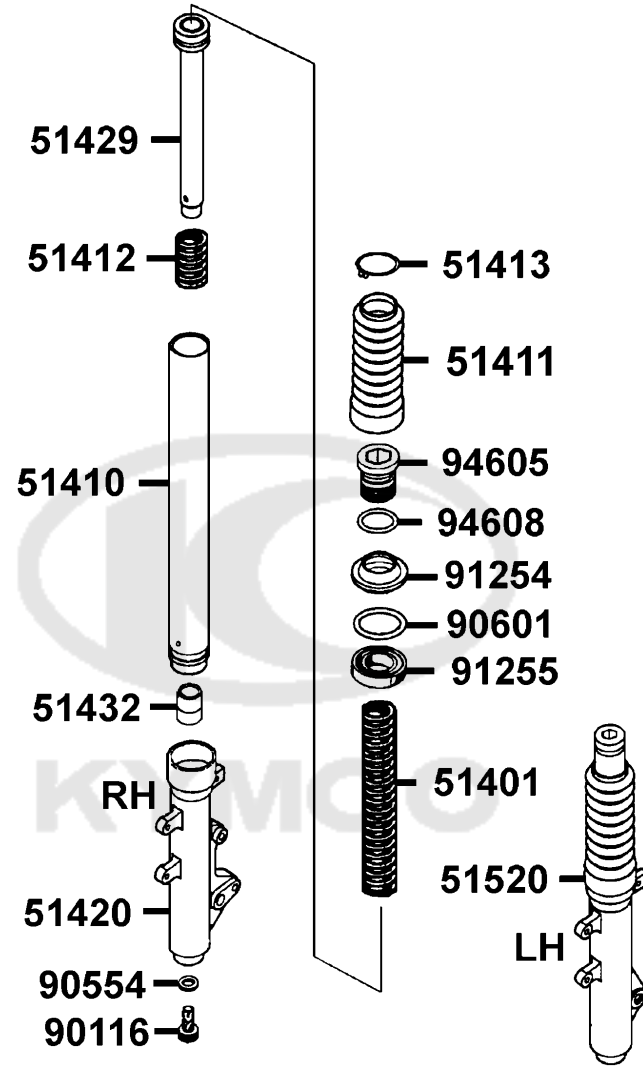




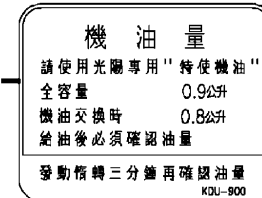
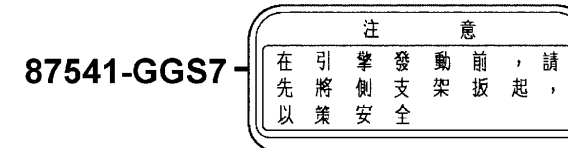
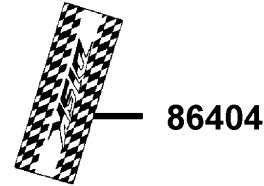
Sales mark 配色标记	Ref no 参考号码	Part no 零件号码	Description 英文名称	Reg description 零件名称	Regd no 需求用量	F21
	15772	15772-5L00-013	CLIP B14.5 TUBE	管夹	2	
	17301	17301-KNBN-960	RUBBER CANISTER MOUNT	活性炭罐悬挂橡皮	1	
	17308	17308-LKE6-900	TUBE ASSY..CANISTER-AIR/C	通气管	1	
	17310-KEC6-50A	17310-KEC6-50A	CANISTER COMP	活性炭罐	1	
	17310-KEC6-50C	17310-KEC6-50C	CANISTER COMP	活性炭罐	1	
	17685	17685-GLE0-301	JOINT COCK-CARB TUBE	油管接头	1	
	17686	17686-LEB1-900	TUBE TANK CANISTER	通气管	1	
	95001	95001-LKE6-900	TUBE ASSY	油管	1	
	95002-02070	95002-02070	CLIP B7 TUBE	管夹	2	
	95002-02080	95002-02080	CLIP B8 TUBE	管夹	2	



Separated Parts Of Fr Fork



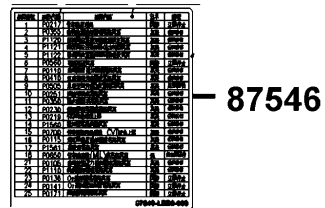
Sales mark 配色标记	Ref no 参考号码	Part no 零件号码	Description 英文名称	Reg description 零件名称	Regd no 需求用量	F22
	51401	51401-LGL9-710	SPRING FR CUSHION	弹簧	2	
	51410	51410-LGR7-900	FORK PIPE COMP	前避震器管	2	
	51411	51411-KEBE-E00	BOOT	护套	1	
	51412	51412-3A31-771	REBOUND SPRING	回位弹簧	2	
	51413	51413-KEBE-E00	BOOT BAND	护套夹	2	
**	51420	51420-LFE2-900	BOTTOM CASE R	右前避震器底管	1	
	51429	51429-LGR9-710	PIPE SEAT COMP	避震器管座	2	
	51432	51432-KGM7-911	OIL LOCK PIECE	止油接头	2	
**	51520	51520-LFE2-900	BOTTOM CASE L	左前避震器底管	1	
	90116	90116-3C83-72A	BOLT	内六角螺丝	2	
	90554	90554-2C83-001	PACKING	特殊华司	2	
	90601	90601-3D54-001	RING OIL-SEAL STOPPER	油封止位环	2	
	91254	91254-KEC5-004	DUST SEAL	前避震器防尘封	2	
	91255	91255-4F46-014	OIL SEAL	油封	2	
	94605	94605-KUDU-900	FORK BOLT	螺丝	2	
	94608	94608-30000	O-RING	O环	2	



87505

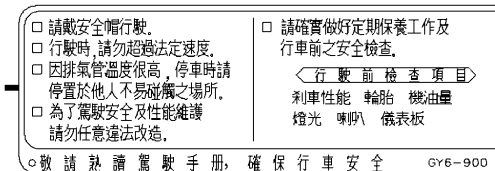
87503

87541-KUDU



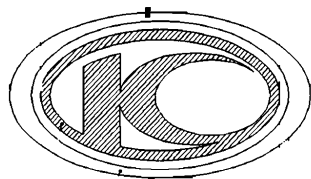
87155

87560



Sales mark 配色标记	Ref no 参考号码	Part no 零件号码	Description 英文名称	Reg description 零件名称	Regd no 需求用量	F23
**	86404	86404-LKE6-900	STRIPE FR FORK	前叉贴纸	2	
	87155	87155-LKE7-700	GASOLINE FUEL ECONOMY-LABEL	耗能标示	1	
**	87502	87502-LEB2-900	CAUTION BATTERY	标签	1	
**	87503	87503-LEA1-900	CAUTION MUFFLER	含氧感知贴纸	1	
**	87505	87505-LGL9-900	LABEL TIRE	标签	1	
**	87541-GGS7	87541-GGS7-901	CAUTION SIDE STAND	侧脚架标签	1	
**	87541-KUDU	87541-KUDU-900	LABEL OIL CAP	标签	1	
**	87542	87542-GKM9-301	MARK MAINT CAUTION	警告标签	1	
**	87546	87546-LEB2-900	CAUTION AFI	标志	1	
**	87560	87560-GFY6-900	MARK DRIVE CAUTION	驱动标示警告标示	1	





86102



86202



86221



86231

Sales mark 配色标记	Ref no 参考号码	Part no 零件号码	Description 英文名称	Reg description 零件名称	Regd no 需求用量	F24
--------------------	----------------	-----------------	---------------------	-------------------------	-----------------	-----

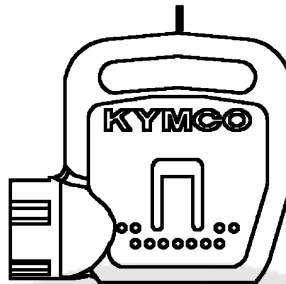
**	86102	86102-KKC4-900	EMB K-LOGO 28.5MM	标志	1	
**	86202	86202-LKE6-900	EMB G5	贴纸	1	
**	86221	86221-LKE7-700	STRIPE R BODY COVER	贴纸	1	
**	86231	86231-LKE7-700	STRIPE L BODY COVER	贴纸	1	



35111-LDC1-305-M1



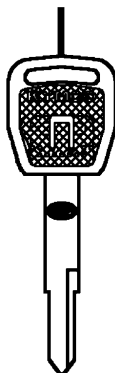
35111-LDC1-307-M1



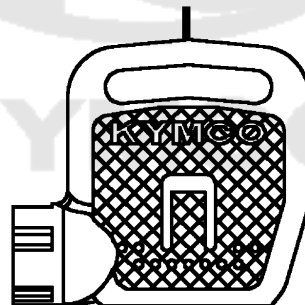
35111-LDC1-306-M2



35111-LDC1-305-M2



35111-LDC1-307-M2



35111-LDC1-306-M1



Sales mark 配色标记	Ref no 参考号码	Part no 零件号码	Description 英文名称	Reg description 零件名称	Regd no 需求用量	F25
	35111-LDC1-305-M1	35111-LDC1-305-M1	KEY COMP (R TANGENT PLANE/SD)	未加工开关钥匙/右切/SD	1	
	35111-LDC1-305-M2	35111-LDC1-305-M2	KEY COMP (R TANGENT PLANE/TJ)	未加工开关钥匙/右切/TJ	1	
	35111-LDC1-306-M1	35111-LDC1-306-M1	KEY COMP (L TANGENT PLANE/SD)	未加工开关钥匙/左切/SD	1	
	35111-LDC1-306-M2	35111-LDC1-306-M2	KEY COMP (L TANGENT PLANE/TJ)	未加工开关钥匙/左切/TJ	1	
	35111-LDC1-307-M1	35111-LDC1-307-M1	KEY COMP SHOTTER MAGNETIC (SD)	磁石钥匙/SD	1	
	35111-LDC1-307-M2	35111-LDC1-307-M2	KEY COMP SHOTTER MAGNETIC (TJ)	磁石钥匙/TJ	1	



PART NO. INDEX
零件号码索引

PART NO. 零件号码	VERSION 版次	PAGE 页次	PART NO. 零件号码	VERSION 版次	PAGE 页次	PART NO. 零件号码	VERSION 版次	PAGE 页次
11000			11395-LGR7-900	1	E01	14000		
11100-LEB1-306	1	E01	12000			14100-LFE2-900	5	E02
11102-1G87-004	3	E01	12100-LFE2-90B	4	E03	14110-LEB1-900	3	E02
11192-LEB1-900	6	E01	12191-LFE2-900	1	E03	14321-LEB1-900	3	E02
11200-LKE7-305	0	E01	12200-LKE7-900	2	E02	14401-LFE2-900	2	E03
11203-GFY6-901	0	F14	12209-GDB4-68A	0	E02	14420-LFE2-900	1	E02
11203-GGC7-301	2	E01	12209-KHD6-900	0	E02	14430-LFE2-900	1	E02
11203-GGC7-301	2	F16	12216-LEB1-900	2	E02	14433-LEB1-900	1	E02
11206-LEB1-900	2	E06	12217-LEB1-900	1	E02	14434-LEB1-900	1	E02
11207-LEB1-900	2	E04	12251-LKE7-900	1	E02	14452-LFA7-E00	3	E02
11211-LFB5-900	2	F13	12310-LKE7-900	0	E02	14453-LKE7-900	1	E02
1122A-LEB1-900	6	E01	12361-GFY6-901	1	E04	14510-LEB1-900	2	E03
11330-LEB1-900	9	E04	12391-LFE2-900	3	E02	14520-LFA7-E00	1	E03
11342-LEB1-900	4	E01	13000			14523-KED9-900	0	E03
11342-LKE7-900	3	E01	13000-LKE7-900	6	E03	14531-GLR0-001	1	E03
11345-LEB2-900	1	F20	13011-LFE2-90B	2	E03	14610-LEB1-900	1	E03
11346-GFY6-901	0	F20	13101-LFE2-900	8	E03	14711-LFE2-900	1	E02
1134A-LGR7-900	3	E01	13111-KKJ9-001	3	E03	14721-LGL9-900	2	E02
1134A-LKE7-900	4	E01	13406-LKE7-900	1	E02	14751-KHD6-900	1	E02
11350-LKB9-900	3	E01	13407-LKC6-900	3	E02	14771-KHD6-900	0	E02
11353-LEB2-900	1	E01				14781-MFA6-001	0	E02
11383-KHE7-900	0	F16						
11383-LEB1-900	1	E01						
11394-LEB1-900	5	E04						

PART NO. INDEX
零件号码索引

PART NO. 零件号码	VERSION 版次	PAGE 页次	PART NO. 零件号码	VERSION 版次	PAGE 页次	PART NO. 零件号码	VERSION 版次	PAGE 页次	
15000			16138-KEC3-900	1	E09	17502-LKE6-900	0	F10	
			16154-KKE3-900	4	E09	17504-LAB4-900	2	F10	
			16170-KEC3-900	0	E09	17507-LAB4-900	2	F10	
	15100-KFB7-900	0	E06	16195-KEC3-900	0	E09	17513-LAD9-900	1	F10
	15133-GFY6-901	0	E06	16201-LFE2-900	2	E02	17515-LAD9-900	1	F10
	15141-GFY6-90B	0	E06	16211-LFE2-900	2	E02	17520-LEB1-900	0	F19
	15141-GFY6-90C	1	E06				17527-LBA2-900	0	F19
	15421-1G07-001	1	E04	17000			17550-LKE6-900	2	F10
	15426-GAE1-921	0	E04				17555-LKE6-900	0	F10
	1565A-KUDU-900	0	E04	17113-LKE6-900	2	E02	17561-LGK8-900	1	F10
15711-GFY6-901	0	E06	1711A-LFB6-800	3	E02	17564-KKE3-900	0	F10	
15772-5L00-013	1	F21	17208-GAR1-011	0	F13	1756A-LKE6-900	0	F10	
16000			17214-LEB1-900	0	F13	17570-KKE3-900	0	F10	
			1723A-LKE7-900	4	F13	17620-LBA2-90A	1	F10	
			1723B-LEB1-900	3	F13	17620-LBA2-90B	1	F10	
	16056-LEB2-900	3	E09	1723C-LEB1-910	0	F13	17623-LAB4-90A	1	F10
	16068-LEB2-900	3	E09	17254-KACA-P00	0	F13	17623-LAB4-90B	1	F10
	16074-KEC3-900	4	E09	17255-LEB1-900	1	F13	17681-KFA1-900	0	F10
	16100-LKE7-900	5	E09	17301-KNBN-960	0	F21	17685-GLE0-301	2	F21
	16110-KKE3-900	2	E09	17308-LKE6-900	3	F21	17685-KZCZ-900	0	F10
	16112-KKE3-900	1	E09	17310-KEC6-50A	4	F21	17686-KHE2-900	0	F10
	16118-KEC3-900	0	E09	17310-KEC6-50C	2	F21	17686-LEB1-900	2	F21
16122-KEC3-900	0	E09	17359-4K19-671	0	F13	17689-LKE6-900	0	F10	
16123-LKC6-900	0	E09	17369-KHC4-900	0	F10	17910-LKE6-900	0	F03	
16133-KEC3-900	1	E09	17371-1D74-671	0	F13				
16134-KKE3-900	5	E09	17500-LEB2-900	4	F10				

PART NO. INDEX

零件号码索引

PART NO. 零件号码	VERSION 版次	PAGE 页次	PART NO. 零件号码	VERSION 版次	PAGE 页次	PART NO. 零件号码	VERSION 版次	PAGE 页次
18000			1963A-LKE7-900	3	E07	23000		
18291-KEBE-900	0	F14				2301A-LKE7-900	3	E05
18291-KKC4-900	1	F14	21000			23100-LGR7-900	1	E05
18291-LEA5-E00	1	F14	21301-LGR7-305	0	E08	23200-LFE2-900	1	E05
18292-KEBE-900	0	F14	21395-LGR7-900	0	E08	23220-GFY6-921	1	E05
18293-KEBE-900	0	F14				23225-GHC8-004	0	E05
18294-KEBE-900	0	F14	22000			23226-GHC8-004	0	E05
18306-LAC7-900	3	F14	22101-KEBE-900	1	E05	23233-LFE2-910	2	E05
1830A-LKE7-90A	2	F14	22102-LEB1-900	2	E05	23237-GFY6-941	0	E05
1830A-LKE7-90B	2	F14	22105-LFE2-900	1	E05	23238-LKE7-900	1	E05
18318-LEB1-900	4	F14	22110-LEB1-800	8	E05	23411-LEB1-910	4	E08
			22111-LEB1-800	6	E05	23420-LEB2-900	1	E08
19000			22112-GFY6-90A	0	E05	23431-LGR7-900	2	E08
19411-KBCB-900	0	F10	22121-KKD7-900	1	E05	23432-LEB2-900	2	E08
19510-LEB1-900	5	E07	22130-LEB1-800	6	E05			
19613-GFY6-901	0	E07	22300-LFB6-910	3	E05	28000		
1961A-LEB1-900	7	E07	22350-KGN7-671	1	E05	28101-GFY6-200	2	E06
19625-LFE2-900	1	E07	22361-KGN7-671	1	E05	28102-GFY6-901	0	E06
19626-LKE7-900	0	E07	22401-GFY6-94A	0	E05	28110-LEB1-900	3	E06
1962A-LKE7-900	2	E07	22530-LKE7-900	1	E05	28120-GFY6-315	6	E06
19633-GFY6-901	0	E07	22804-GBB2-001	0	E05	28125-4F26-001	0	E06
19635-LFE2-900	2	E07				28125-GFY6-960	3	E06
19636-LKE7-900	0	E07				28126-KUDU-900	1	E06

PART NO. INDEX

零件号码索引

PART NO. 零件号码	VERSION 版次	PAGE 页次	PART NO. 零件号码	VERSION 版次	PAGE 页次	PART NO. 零件号码	VERSION 版次	PAGE 页次
28211-LFA7-E00	5	E05	32120-KEB7-900	0	F19	33650-LKE6-900	4	F17
			32161-3C93-004	0	F20	33656-LKE6-900	0	F17
30000			32410-LEB1-900	3	E06	33700-LKE6-900	3	F18
			32411-LKE6-900	1	F19	33702-LGR7-600	0	F18
3051A-LKE7-700	3	F19	32412-LEA1-910	1	E04	33703-LEB1-900	0	F18
30700-LKE7-700	2	F19	32413-LKE6-900	0	F19	33704-LEB1-900	0	F18
			32961-LEB1-900	2	E04	33705-LDA6-900	0	F18
31000						33705-LEB1-900	0	F18
			33000			33706-LEB1-900	0	F18
31110-LEB2-90A	1	E07				33707-LKE6-900	0	F18
31110-LEB2-90B	3	E07	33101-LKE6-305	0	F01	33709-LDA6-900	0	F18
31120-LEB2-90A	2	E07	33106-LEB1-900	0	F01	33711-LDA6-900	0	F18
31120-LEB2-90B	2	E07	33109-LBE3-900	0	F01	33720-LBB5-E00	3	F18
31210-LEB1-90A	3	E06	33111-LEB1-900	0	F01	33731-KHC5-M00	2	F05
31210-LEB1-90B	3	E06	33400-LKE6-306	0	F17	33741-LEA3-E00	2	F18
31210-LEB1-90C	3	E06	33400-LKE6-900	4	F17			
31340-LKE6-900	6	F07	33406-LKE6-900	0	F17	34000		
31500-KFAF-90A	6	F11	33450-LKE6-306	0	F17			
31500-KFAF-90B	8	F11	33450-LKE6-900	4	F17	34901-KED9-900	0	F01
31600-KAM1-009	1	F19	33456-LKE6-900	0	F17	34903-KALA-900	0	F18
			33500-LKE6-900	4	F17	34903-KPCP-900	0	F17
32000			33506-LEB1-900	0	F17	34905-KPCP-900	0	F17
			33600-LKE6-306	0	F17			
32100-LKE6-700	9	F19	33600-LKE6-900	4	F17	35000		
32102-GFY6-901	1	F04	33606-LKE6-900	0	F17			
32106-LKE6-900	1	E06	33650-LKE6-306	0	F17	35101-LKE6-305-M1	0	F19

PART NO. INDEX

零件号码索引

PART NO. 零件号码	VERSION 版次	PAGE 页次	PART NO. 零件号码	VERSION 版次	PAGE 页次	PART NO. 零件号码	VERSION 版次	PAGE 页次
35101-LKE6-305-M2	0	F19	37212-LEB1-90A	1	F02	39602-KKE3-900	0	F10
35102-LDC1-305-M1	0	F19	37213-LEB1-90A	1	F02			
35102-LDC1-305-M2	0	F19	37215-LEA2-900	0	F05	42000		
35104-LEB1-90A	0	F19	37230-LEB1-90A	0	F02			
35104-LEB1-90B	0	F19	37801-LAB4-910	1	F10	42311-LGR8-900	1	F08
35109-LBC6-90A	1	F19	3780A-LGL9-900	2	F10	42312-LEB1-900	2	F08
35109-LBC6-90B	1	F19				42601-LKE7-900	0	F08
35111-LDC1-305-M1	0	F25	38000			42753-KNBN-90B	1	F08
35111-LDC1-305-M2	0	F25				42753-KXCX-900	1	F07
35111-LDC1-306-M1	0	F25	38110-KHB4-E0A	0	F19			
35111-LDC1-306-M2	0	F25	38110-KHB4-E0B	1	F19	43000		
35111-LDC1-307-M1	0	F25	38110-KHB4-E0C	1	F19			
35111-LDC1-307-M2	0	F25	38300-LEA5-E0A	1	F19	43100-LKE7-900	0	F08
35119-LEB1-90A	0	F19	38500-KHD8-900	0	F19	43109-LBA2-E00	0	F08
35119-LEB1-90B	0	F19	38773-KBCB-900	0	F10	43115-LKE7-900	4	F16
3515A-LEB1-900	2	F03				43126-LKE7-900	0	F04
3520A-LEB1-900	2	F03	39000			43150-KEBE-305	0	F07
35340-KNBN-901	0	F04				43210-LFB5-305	0	F08
35350-KNBN-901	0	F04	39300-LEB2-800	1	E02	43351-LFB5-900	2	F08
35380-LEA2-900	1	F19	39301-LGL9-900	1	E02	43352-5H68-004	3	F07
35850-KHB4-90A	2	F19	39302-KKE3-900	2	E02	43352-KKD6-E90	1	F08
35850-KHB4-90B	3	F19	39303-LEB2-900	2	E02	43353-4A61-77A	0	F07
			39400-KKE3-800	2	E02	43353-4A61-77A	0	F08
37000			39450-LEA6-800	3	F14	43530-LKE7-306	0	F04
			39600-KKE3-800	1	F10			
37200-LKE7-C00	2	F02	39601-KKE3-900	0	F10			

PART NO. INDEX

零件号码索引

PART NO. 零件号码	VERSION 版次	PAGE 页次	PART NO. 零件号码	VERSION 版次	PAGE 页次	PART NO. 零件号码	VERSION 版次	PAGE 页次	
44000			45200-LGR8-900	2	F07	50352-GFY6-901	0	F20	
			45209-GBE2-007	0	F07	50356-KNBN-200	1	F20	
			45209-LBA2-E00	0	F08	50358-KHC4-900	1	F20	
	44301-LFE2-900	1	F07	45210-LGR8-305	0	F07	50500-LKE7-900	1	F15
	44311-KEBE-900	0	F07	45351-LFB6-900	2	F07	50502-GFY6-901	3	F15
	44620-KHD8-900	1	F07	45513-LEB2-900	2	F04	50505-KEBE-900	0	F20
	44650-LFE2-305	0	F07	45517-KKAK-900	0	F04	50505-LAD9-900	3	F15
	44650-LFE2-305	4	F07	45520-KCCC-900	0	F04	50530-LAD9-900	1	F15
	44710-LEB2-910	3	F07	45530-LFE2-306	1	F04	50613-LEB1-900	6	F20
	44710-LEB2-910	3	F08	45531-GAR1-951	0	F07	5071A-LDA6-90A	1	F20
45000			45531-GAR1-951	0	F08	5071A-LDA6-90B	1	F20	
			50000			5071B-LDA6-90A	1	F20	
	45105-LFB5-305	0	F08			5071B-LDA6-90B	1	F20	
	45107-LBA2-E00	0	F08	50100-LKE7-C60		51000			
	45107-MEN5-007	0	F07	50179-LEB2-900	3	F10			
	45108-LDH1-E00	0	F08	50185-LKE6-900	0	F20	51401-LGL9-710	0	F22
	45108-MDL4-007	2	F07	50186-LKE6-900	0	F20	5140A-LKE7-900	2	F06
	45109-GBE2-007	0	F07	50301-KGN7-671	2	F20	51410-LGR7-900	0	F22
	45126-LGR8-900	1	F04	50302-2H68-011	2	F20	51411-KEBE-E00	0	F22
	45128-KEBE-900	0	F06	50306-1F96-001	0	F06	51412-3A31-771	0	F22
45128-LFE2-900	2	F04	50320-LEB1-900	2	F20	51413-KEBE-E00	0	F22	
45131-LDH1-E00	0	F08	50328-LBB8-900	2	F11	51420-LFE2-900	0	F22	
45132-1F66-017	0	F07	50329-LEB1-900	4	F11	51429-LGR9-710	0	F22	
45133-MCA3-007	0	F07	5032A-LEB1-900	2	F11	51430-LDH1-E00	0	F08	
45156-LKE6-900	2	F06	50350-LKE6-900	3	F20	51432-KGM7-911	0	F22	

PART NO. INDEX

零件号码索引

PART NO. 零件号码	VERSION 版次	PAGE 页次	PART NO. 零件号码	VERSION 版次	PAGE 页次	PART NO. 零件号码	VERSION 版次	PAGE 页次
5150A-LKE7-900	4	F06						
51520-LFE2-900	0	F22	61000			70000		
52000			61100-LEB1-900	5	F05	70529-6G57-671	0	E07
			61101-LEB1-900	3	F05			
52000-LKE7-900	3	F16	61101-LGR7-900	5	F05	77000		
52101-LGR8-900	2	F16	61102-LKE6-900	0	F05			
52400-LGL9-710	5	F16				77200-LKE7-305	0	F09
53000			64000			77206-KEB7-900	0	F09
						77235-KGC4-E0A	2	F12
			64301-LKE6-900	3	F05	77235-KGC4-E0B	2	F12
53100-LEB2-710	2	F03	64302-LKE6-305	0	F05	77240-LKE6-900	0	F19
53102-KEC8-900	0	F03	64305-LEB1-900	3	F05	77300-LKE6-900	0	F09
53105-LBB5-E00	2	F03	64306-LEB1-900	3	F05	77303-KKC4-800	1	F09
53125-GEN5-901	0	F03	6430A-LEB1-900	0	F05			
53140-LFB6-800	5	F03	64310-LEB1-900	7	F05	80000		
53150-LEA6-900	4	F03	64314-LKE6-900	0	F20			
53175-LEB2-900	1	F04	64315-LKE6-900	4	F20	80100-LKE7-900	0	F18
53178-KKBK-E00	0	F04	64316-KHE2-900	1	F05	80102-LEB1-900	4	F18
53200-LKE6-900	2	F06	64316-LKE6-900	0	F20	80102-LGR7-900	3	F18
53205-LKE7-900	1	F03	64317-LKE6-900	0	F20	80105-LEB1-900	6	F18
53206-LEB1-900	3	F03	64318-LKE6-900	2	F20	80106-LEB1-900	5	F18
53211-GFY6-940	1	F06	64319-LAB4-900	1	F03	80108-LEB1-900	0	F18
53212-2L50-011	1	F06				80151-LEB1-900	4	F12
53214-2L50-001	0	F06						
53215-2L50-001	0	F06						

PART NO. INDEX

零件号码索引

PART NO. 零件号码	VERSION 版次	PAGE 页次	PART NO. 零件号码	VERSION 版次	PAGE 页次	PART NO. 零件号码	VERSION 版次	PAGE 页次
81000			86221-LKE7-700	4	F24	90000		
			86231-LKE7-700	4	F24			
			86404-LKE6-900	3	F23			
81131-LKE6-900	2	F05				90001-GBHB-661	2	E03
81132-LEB1-900	2	F05	87000			90001-GFY6-901	4	E02
81133-LKE6-900	1	F05				90005-KAW1-901	1	E03
81134-LGH6-B20	1	F05	87155-LKE7-700	3	F23	9000A-KTDT-900	1	E01
81141-LEB1-900	3	F05	87502-LEB2-900	1	F23	9000B-KHD6-900	2	E02
81142-KUDU-900	1	F05	87503-LEA1-900	1	F23	90012-3C33-001	1	E02
81200-LKE6-900	2	F12	87505-LGL9-900	0	F23	90031-KHD6-900	2	E01
81255-LGL9-900	2	F12	87505-LGL9-900	1	F23	90031-LFE2-900	2	E01
81260-LEB2-900	3	F12	87541-GGS7-901	2	F23	90033-GFY6-900	0	E02
			87541-KUDU-900	2	F23	90105-KCR3-001	1	F07
83000			87542-GKM9-301	3	F23	90105-KCR3-001	1	F08
			87546-LEB2-900	1	F23	90105-KHB4-900	0	F03
83500-LKE6-325	0	F12	87560-GFY6-900	3	F23	90105-KHC4-900	1	F20
83503-KHD6-900	2	F20				90106-GEN5-901	0	F03
83510-LKE6-900	4	F12	88000			90106-KFC2-900	0	F03
83600-LKE6-325	0	F12				90108-LKE6-900	1	F15
83610-LKE6-900	4	F12	88110-LEB1-900	5	F03	90111-LEB1-900	1	F12
8376A-KECE-901	2	F12	88115-LBA2-E02	1	F03	90111-LEB1-900	1	F18
			88120-LEB1-900	5	F03	90111-LGE3-900	0	F05
86000						90112-GCC3-001	1	F05
			89000			90114-GDM4-011	2	F13
86102-KKC4-900	1	F24				90114-KKAK-900	0	F04
86202-LKE6-900	0	F24	89010-LEB1-900	2	F09	90116-3C83-72A	0	F22

PART NO. INDEX

零件号码索引

PART NO. 零件号码	VERSION 版次	PAGE 页次	PART NO. 零件号码	VERSION 版次	PAGE 页次	PART NO. 零件号码	VERSION 版次	PAGE 页次
90122-KEBE-900	2	F07	90304-LEA1-900	1	F20	90656-KUDU-900	0	F20
90131-LEA5-E00	1	F16	90305-GHK8-001	1	E07	90660-KNBN-921	0	F10
90131-LEB1-900	1	F08	90305-GHK8-001	1	F12	90677-GAR1-004	1	F11
90131-LEB1-900	1	F16	90305-KNBN-90B	0	F08	90677-LKE7-900	0	F20
90145-MKS9-61A	1	F04	90306-LFE2-900	1	F07	90701-HFB6-011	1	E03
90201-GFY6-901	0	E06	90381-GEZ5-001	1	F12	90754-GHC8-00A	1	F07
90202-1G87-001	0	E05	90403-GFY6-901	0	E06	90805-GBHB-901	1	E01
90206-0A01-001	2	E02	90426-KNBN-901	0	E05	90912-KFLF-00A	0	F07
90301-6C93-001	1	F18	90440-1F66-001	0	E07			
90301-GFY6-901	2	F14	90474-3C33-001	1	E01	91000		
90302-GBR2-001	1	F05	9052A-LEB1-900	1	E01			
90302-GBR2-001	1	F10	90545-3L00-001	2	F04	91002-GGA7-70A	0	E05
90302-GFY6-901	1	F05	90554-2C83-001	0	F22	91004-KHE7-900	1	E05
90302-GFY6-901	1	F18	90601-3D54-001	0	F22	91009-GLE0-004	1	E01
90302-GFY6-940	1	F10	90601-GFY6-901	0	E05	91014-LLJ3-E00	1	F06
90302-GFY6-940	1	F11	90605-1F66-721	0	E05	91015-LLJ3-E00	1	F06
90302-KEC8-900	1	F03	90651-LGE5-E00	1	F20	91051-KFBF-901	1	F16
90302-KEC8-900	1	F16	90651-LKE6-900	1	F20	91101-1K79-711	1	E06
90302-LLB1-E00	2	E02	90651-LKE7-900	1	F20	91104-GFY6-90C-B	0	E06
90302-LLB1-E00	2	F10	90652-GFY6-901	1	F13	91104-GFY6-90C-R	0	E06
90302-LLB1-E00	2	F20	90652-LFB5-900	2	F05	91202-GFY6-90A	1	E04
90302-SDA4-004	2	F03	90652-LGJ9-900	2	E02	91202-GFY6-90B	1	E04
90302-SDA4-004	2	F05	90653-LCA4-E00	1	F05	91202-LEB1-900	2	E01
90302-SDA4-004	2	F12	90656-KCBC-900	0	F03	91202-LFE2-90A	2	E08
90302-SDA4-004	2	F18	90656-KCBC-900	0	F19	91211-KEBE-900	0	E05
90304-GHE8-004-SW	0	F03	90656-KUDU-900	0	F19	91254-KEC5-004	0	F22

PART NO. INDEX

零件号码索引

PART NO. 零件号码	VERSION 版次	PAGE 页次	PART NO. 零件号码	VERSION 版次	PAGE 页次	PART NO. 零件号码	VERSION 版次	PAGE 页次
91255-4F46-014	0	F22	93500-04008-0G	0	F10	93903-35360	0	F19
91255-GLE0-006	0	E01	93500-04010-0G	0	E01	93903-44320	0	F01
91301-GLR0-005	1	E03	93500-05025-1B	0	F03	93903-GFY6-900	1	F05
91301-LEB1-900	1	E02	93500-KHC4-90A	0	F19			
91302-0A01-021	0	E04	93500-LAB4-900	0	F19	94000		
91306-1E05-691	0	E03	93600-04012-1A	0	F04			
91307-0E35-001	0	E04	93891-05025-06	0	F03	94050-06060	0	F04
91351-6B42-000	0	E05	93891-05040-06	0	F10	94050-06080	0	E02
91507-LKE6-900	1	F05	93892-04010-08	0	E09	94050-06080	0	E06
91981-KGN7-670	0	E06	93892-05010-08	0	E09	94050-06080	0	E09
			93893-04012-18	0	F04	94050-06080	0	F05
92000			93903-25380	0	F13	94050-06080	0	F09
			93903-32320	0	F18	94050-06080	0	F10
92101-05012-0H	0	E07	93903-34360	0	F03	94050-06080	0	F19
92101-06014-0H	1	E02	93903-34360	0	F05	94050-06080	0	F20
92900-06060-0B	0	E02	93903-34360	0	F11	94050-08080	0	E02
			93903-34360	0	F12	94050-12080	0	E05
93000			93903-34360	0	F17	94050-12080	0	E07
			93903-34360	0	F18	94050-KBE2-900	0	F19
93401-04025-08	0	F19	93903-35260	0	E01	94101-06700	0	F14
93401-05020-08	0	E02	93903-35260	0	F05	94101-KKE3-900	1	E09
93401-05020-08	0	F19	93903-35320	0	F02	94101-LKC6-900	1	F20
93404-06012-06	0	F18	93903-35320	0	F03	94111-06800	0	E02
93404-06016-06	0	F20	93903-35360	0	F01	94111-06800	0	E09
93404-06025-06	0	F05	93903-35360	0	F10	94301-08140	0	E01
93500-03010-1A	0	E06	93903-35360	0	F18	94301-10160	0	E01

PART NO. INDEX

零件号码索引

PART NO. 零件号码	VERSION 版次	PAGE 页次	PART NO. 零件号码	VERSION 版次	PAGE 页次	PART NO. 零件号码	VERSION 版次	PAGE 页次
94301-10160	0	E02	95002-02130	0	F10	95801-10025-06	0	F15
94301-10160	0	E03	95002-02130	0	F13	95801-10040-08	0	F16
94301-10160	0	E04	95002-40650-08	0	F10	95801-10195-06	0	F20
94303-04065	0	E06	95002-41050-00	0	F13			
94510-25000	0	E08	95002-50000	0	E01	96000		
94520-28000	0	E05	95002-LEB1-900	1	F13			
94524-40000	0	F16	95003-23024-60	0	F13	96001-06008-07	0	F14
94591-21000	0	F05	95003-LEB1-900	0	F20	96001-06012-00	0	F04
94591-27000	0	F05	95014-72204	0	F15	96001-06012-06	0	F06
94591-27000	0	F17	95014-LBC6-900	0	F15	96001-06012-06	0	F16
94591-KFBF-900	2	F05	95701-06012-06	1	F06	96001-06012-08	0	E02
94591-KFBF-900	2	F10	95701-06012-06	1	F19	96001-06012-08	0	E04
94601-15000	0	E03	95701-06012-08	0	F19	96001-06012-08	0	E06
94605-KUDU-900	1	F22	95701-06012-08	0	F20	96001-06014-08	0	E02
94608-30000	0	F22	95701-06018-07	1	F14	96001-06014-08	0	F12
			95701-06022-06	1	F11	96001-06016-08	0	E07
95000			95701-06022-06	1	F14	96001-06018-08	0	E06
			95701-06025-06	2	F14	96001-06018-08	0	E07
95001-LKE6-900	1	F21	95701-06028-08	0	F20	96001-06022-02	0	F04
95002-02070	0	E09	95701-08012-08	0	E01	96001-06025-06	0	E07
95002-02070	0	F10	95701-08016-06	0	F19	96001-06025-08	0	E01
95002-02070	0	F21	95701-08025-08	0	F19	96001-06028-08	0	E06
95002-02080	0	F10	95701-08030-06	0	F12	96001-06028-08	0	E07
95002-02080	0	F13	95801-08032-06	1	F16	96001-06032-06	0	F20
95002-02080	0	F21	95801-08040-08	0	F06	96001-06032-08	0	E01
95002-02120	1	F13	95801-08042-06	0	F14	96001-06032-08	0	E04

PART NO. INDEX

零件号码索引

PART NO. 零件号码	VERSION 版次	PAGE 页次	PART NO. 零件号码	VERSION 版次	PAGE 页次	PART NO. 零件号码	VERSION 版次	PAGE 页次
96001-06050-08	0	E01						
96001-06100-08	0	E02						
96001-06100-08	0	E04						
96001-06110-08	0	E04						
96001-GFY6-900	1	F13						
96100-60020-00	0	E01						
96100-62020-00	0	E08						
96100-62030-00	0	E01						
96100-63030-00	0	E08						
96100-LFE2-900	1	E08						
96220-60100	0	E06						
96600-08010-10	1	E06						
98000								
98059-58916-00	2	E02						
98200-11500	0	F11						
98200-11500	0	F19						
98200-31500	0	F19						