

## PREFACE

When it becomes necessary to replace parts on SUZUKI MOTORCYCLES, always use SUZUKI GENUINE PARTS which have passed a strict inspection which guarantees quality and performance.

This parts catalogue covers the list of all service parts for SUZUKI GW250L4.

### INSTRUCTIONS FOR QUOTING THE CATALOGUE

#### 1. DIMENSIONS

Dimensions of the parts in this catalogue are indicated in unit millimeters.

#### 2. ABBREVIATIONS

Abbreviations used in this catalogue are as follows:

AR	: As required	NT	: Number of teeth
ASSY	: Assembly	OPT	: Optional
E.NO.	: Engine number	OS	: Over size
F.NO.	: Frame number	STD	: Standard
D	: Diameter of material	T	: Thickness
ID	: Inside diameter	US	: Under size
OD	: Outside diameter	W	: Width
L	: Length		
LH	: Left hand side		
RH	: Right hand side		
~ 100045	: Up to F.NO.100045		
100046~	: From F.NO.100046		

12 x 34 x 5.6..... Figures in the description column  
| | | show the dimensions of parts.  
ID OD T(or W,L)

12345-56781 (Parts No.) : indicates that the parts number was changed to 12345-56781 and the new parts are interchangeable with the former ones but the former ones are not interchangeable with new ones.

12345-56781 (Parts No.) : indicates that the former and new parts are interchangeable with each other and both are usable.

#### 3. INNER PARTS OF ASSEMBLY

Part name with a dot (.) in front as shown in the description column indicates the component of the assembly also available individually.

#### 4. MODIFICATION NOTICE

A parts bulletin will be sent to you on all occasions when changes in parts occur, including interchangeable modifications between new parts and old ones.

#### 5. NOTE

5-1. There are some different parts from those of production models among spare parts for the administrative reasons and common use of them with other models.

5-2. In respect of rubber hoses and vinyl tubes, please be sure to use them by cutting off according to the length mentioned on parts catalogue or what is actually required on the vehicle.

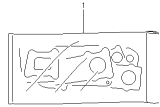
5-3. Note that the drawings on the illustration page are for ready reference of spare parts number, not to be used as an assembly manual.  
When assembling, use "SUZUKI SERVICE MANUAL".

#### 6. SPECIFICATION CODE

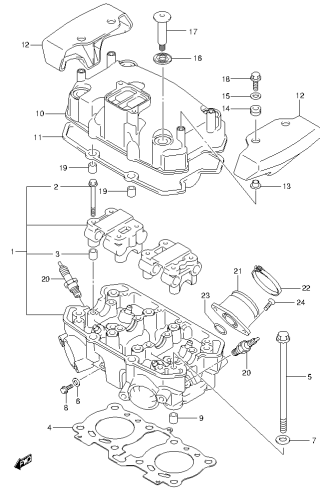
This catalogue contains the parts for the model designed for the following spec. ;  
spec. code : P71.

#### 7. SERIAL FRAME NUMBER

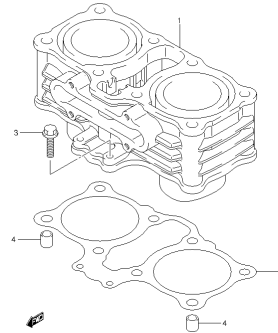
GW250L4 : LC6GJ55E E1100001~

**FIG.1**

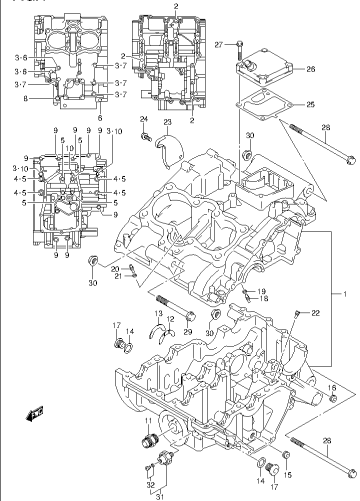
GW250L4\_F71\_001  
GASKET SET

**FIG.2**

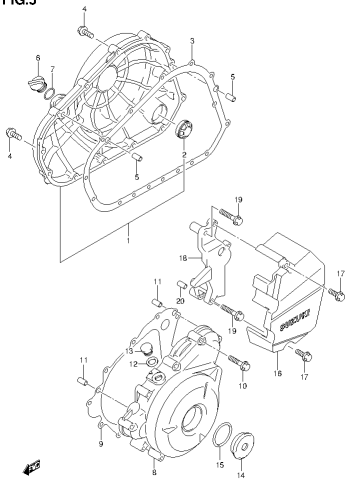
GW250L4\_F71\_002  
CYLINDER HEAD

**FIG.3**

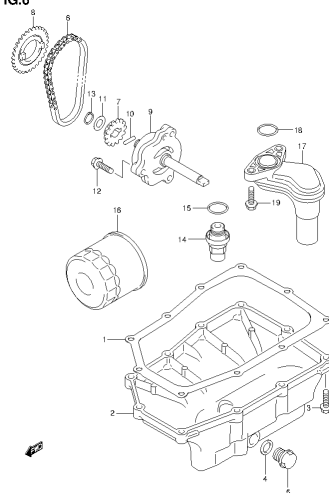
GW250L4\_F71\_003  
CYLINDER

**FIG.4**

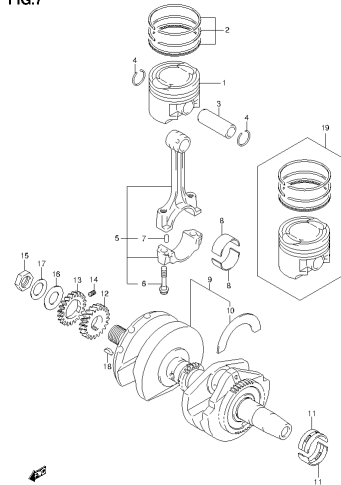
GW250L4\_F71\_004  
CRANKCASE

**FIG.5**

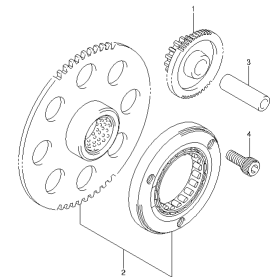
GW250L4\_F71\_005  
CRANKCASE COVER

**FIG.6**

GW250L4\_F71\_006  
OIL PUMP

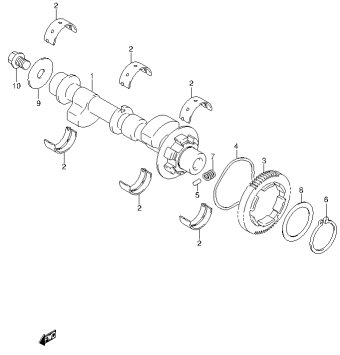
**FIG.7**

GW250L4\_F71\_007  
CRANKSHAFT

**FIG.8**

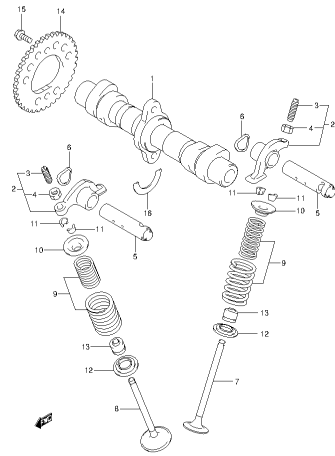
GW250L4\_F71\_008  
STARTER CLUTCH

FIG.9



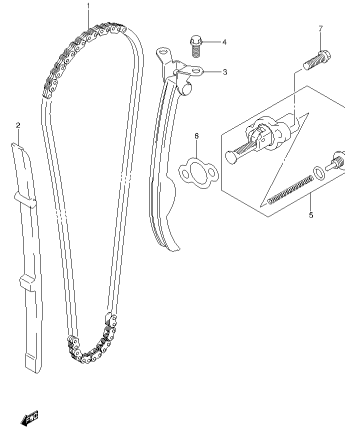
GW250L4\_F71\_009  
CRANK BALANCER

FIG.10



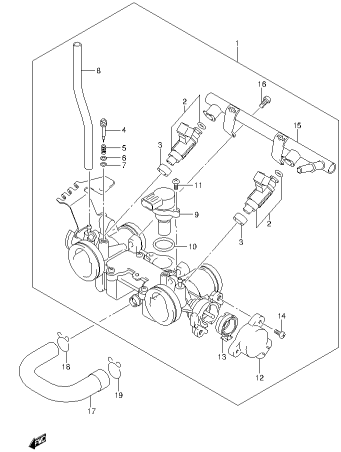
GW250L4\_F71\_010  
CAMSHAFT VALVE

FIG.11



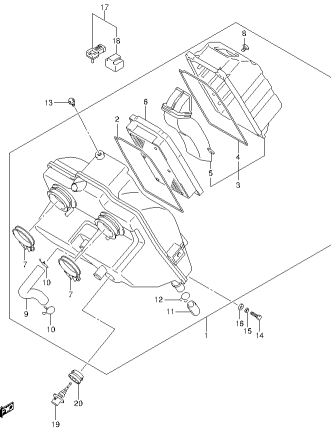
GW250L4\_F71\_011  
CAM CHAIN

FIG.12



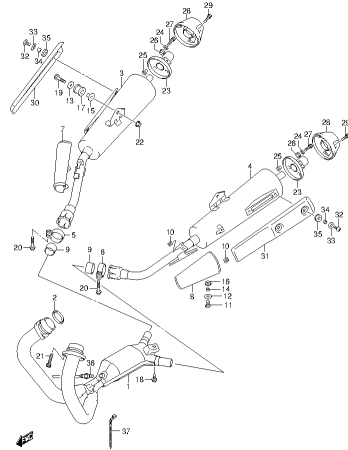
GW250L4\_F71\_012  
THROTTLE BODY

FIG.13



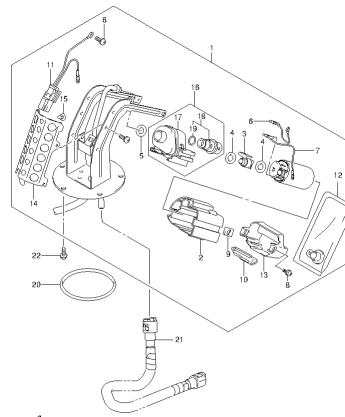
GW250L4\_F71\_013  
AIR CLEANER

FIG.14



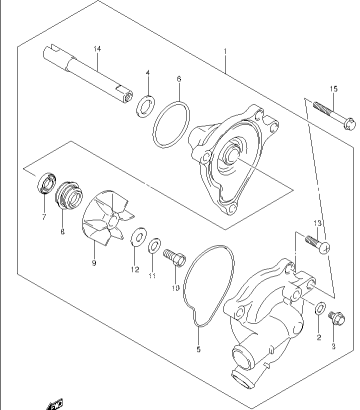
GW250L4\_F71\_014  
MUFFLER

FIG.15



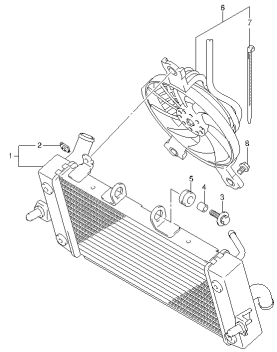
GW250L4\_F71\_015  
FUEL PUMP

FIG.16



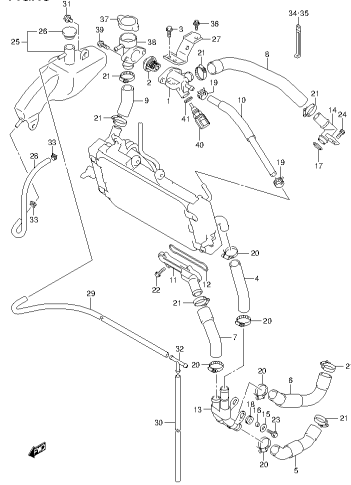
GW250L4\_F71\_016  
WATER PUMP

FIG.17



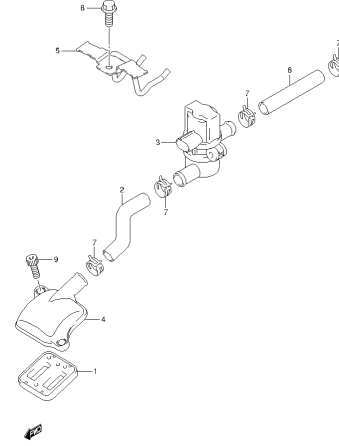
GW550L4\_F71\_017  
RADIATOR

FIG.18



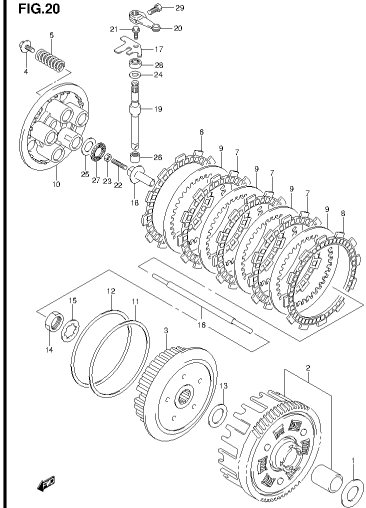
GW550L4\_F71\_018  
RADIATOR HOSE

FIG.19



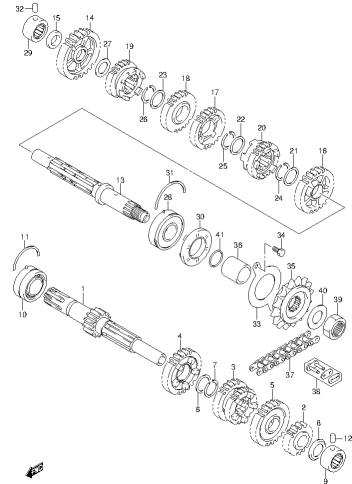
GW550L4\_F71\_019  
2ND AIR

FIG.20



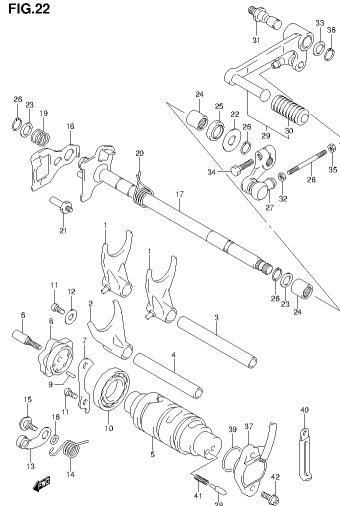
GW250L4\_F71\_020  
CLUTCH

FIG.21



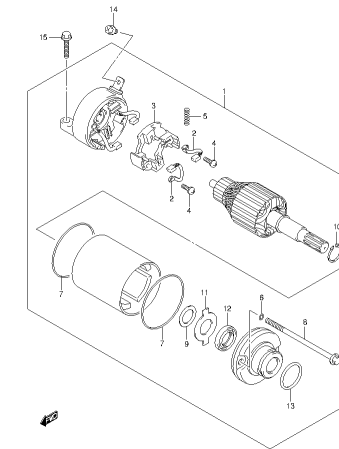
GW250L4\_F71\_021  
TRANSMISSION

FIG.22



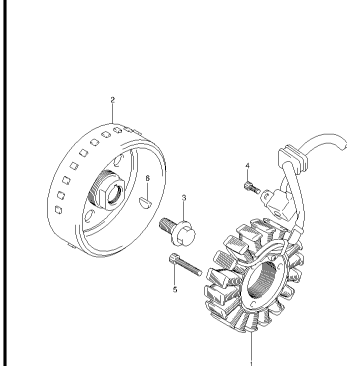
GW250L4\_F71\_022  
GEAR SHIFTING

FIG.23



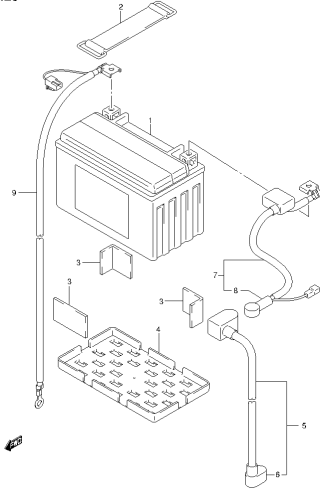
GW250L4\_F71\_023  
STARTING MOTOR

FIG.24



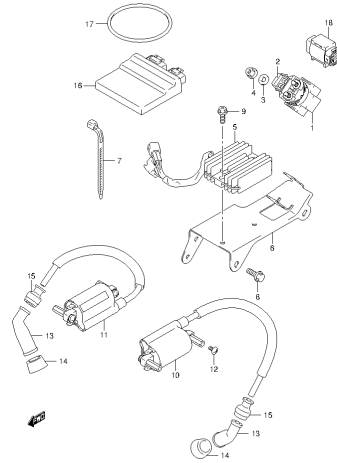
GW250L4\_F71\_024  
MAGNETO

FIG.25



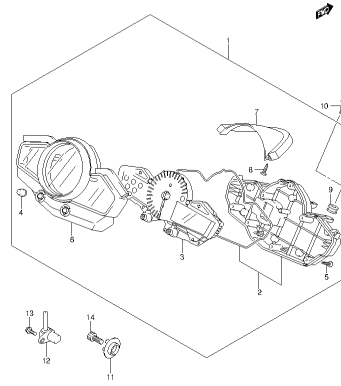
GW250L4\_F71\_025  
BATTERY

FIG.26



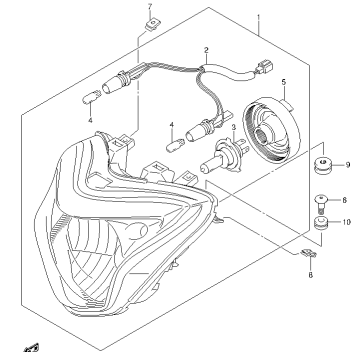
GW250L4\_F71\_026  
ELECTRICAL

FIG.27



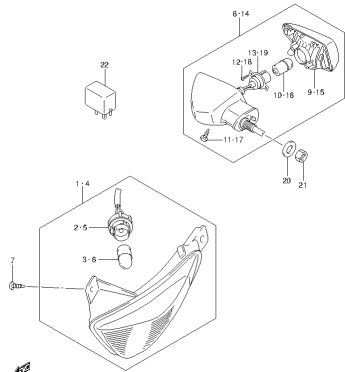
GW250L4\_F71\_027  
SPEEDOMETER

FIG.28



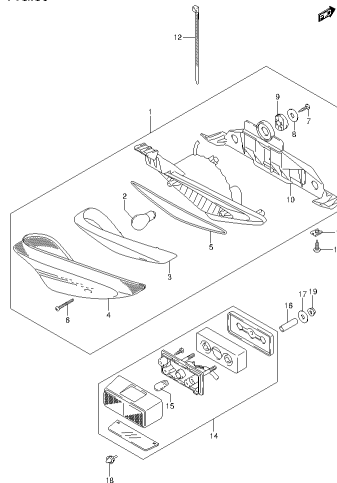
GW250L4\_F71\_028  
HEADLAMP

FIG.29



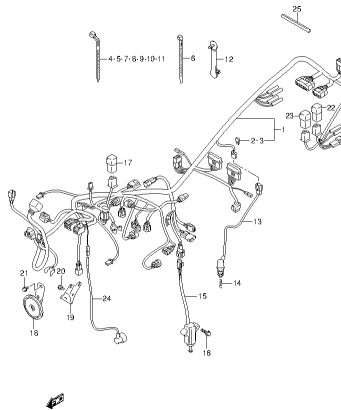
GW250L4\_F71\_029  
TURN SIGNAL LAMP

FIG.30



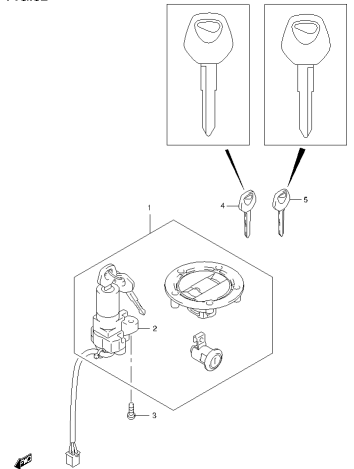
GW250L4\_F71\_030  
REAR COMBINATION LAMP

FIG.31



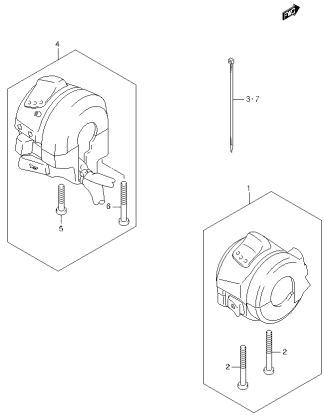
GW250L4\_F71\_031  
WIRING HARNESS

FIG.32



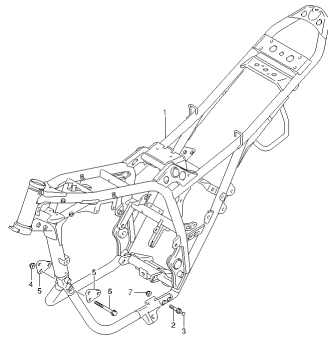
GW250L4\_F71\_032  
LOCK SET

FIG.33



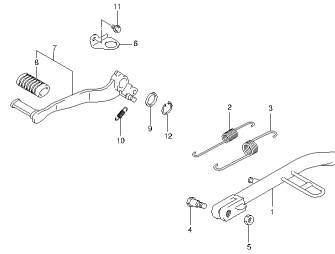
GW250L4\_F71\_033  
HANDLE SWITCH

FIG.34



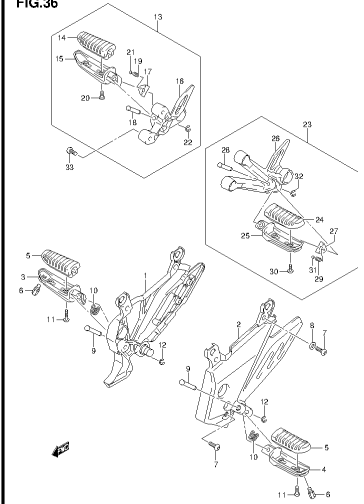
GW250L4\_F71\_034  
FRAME

FIG.35



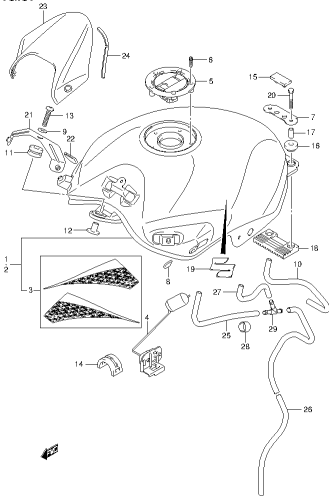
GW250L4\_F71\_035  
STAND

FIG.36



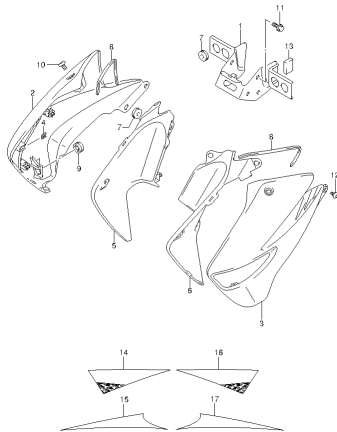
GW250L4\_F71\_036  
FOOTREST

FIG.37



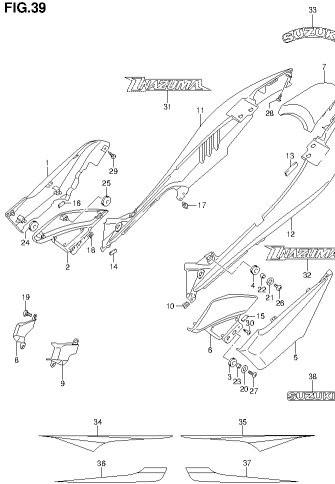
GW250L4\_F71\_037  
FUEL TANK

FIG.38



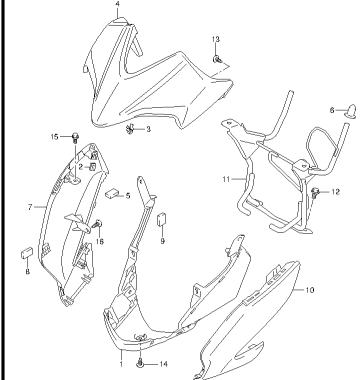
GW250L4\_F71\_038  
FUEL TANK COVER

FIG.39



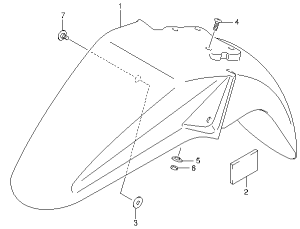
GW250L4\_F71\_039  
FRAME COVER

FIG.40



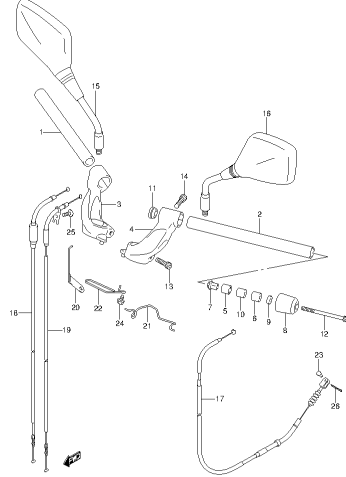
GW250L4\_F71\_040  
HEADLAMP HOUSING

FIG.41



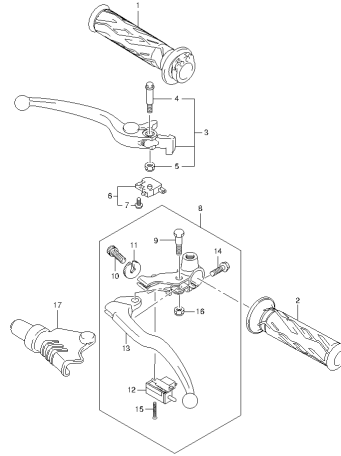
GW250L\_A\_FT1\_041  
FRONT FENDER

FIG.42



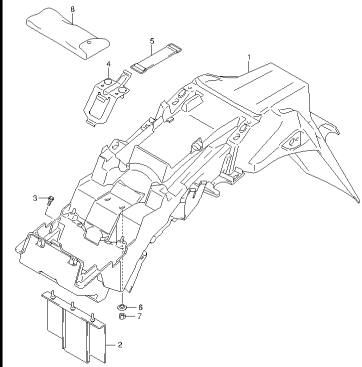
GW250L\_A\_FT1\_042  
HANDLEBARS

FIG.43



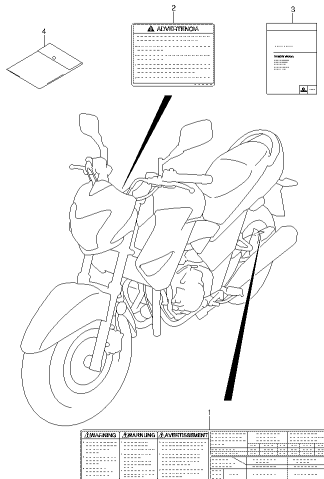
GW250L\_A\_FT1\_043  
HANDLE LEVER

FIG.44



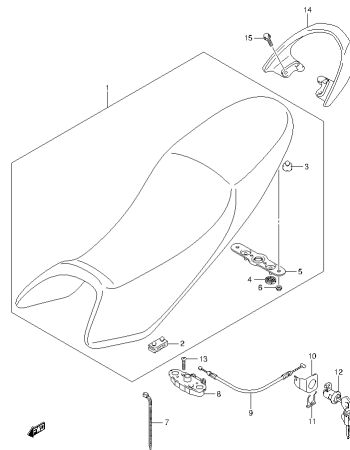
GW250L\_A\_FT1\_044  
REAR FENDER

FIG.45



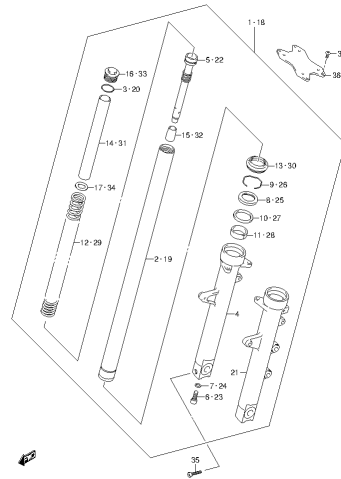
GW250L\_A\_FT1\_045  
LABEL

FIG.46



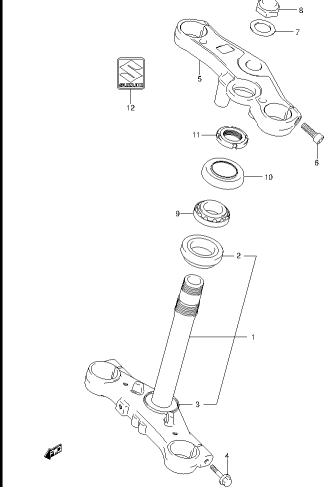
GW250L\_A\_FT1\_046  
SEAT

FIG.47



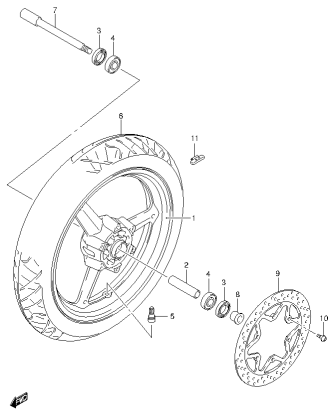
GW250L\_A\_FT1\_047  
FRONT FORK DAMPER

FIG.48



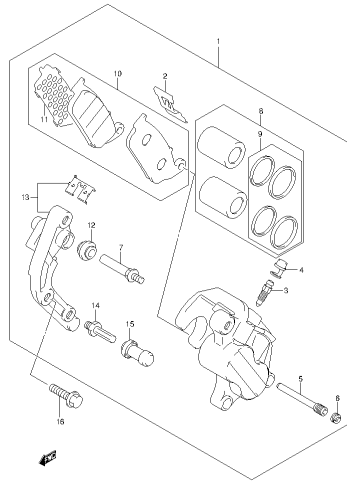
GW250L\_A\_FT1\_048  
STEERING STEM

FIG.49



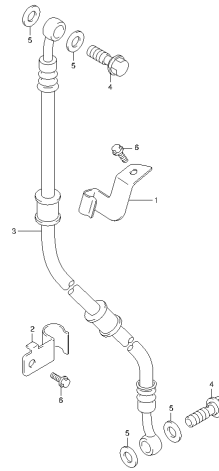
GW250L4\_F71\_049  
FRONT WHEEL

FIG.50



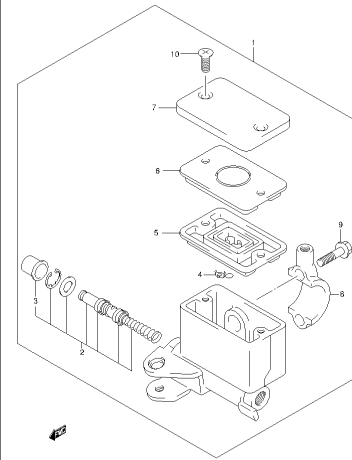
GW250L4\_F71\_050  
FRONT CALIPER

FIG.51



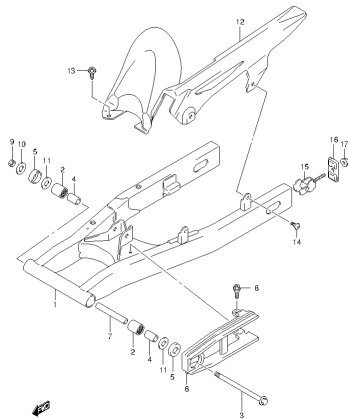
GW250L4\_F71\_051  
FRONT BRAKE HOSE

FIG.52



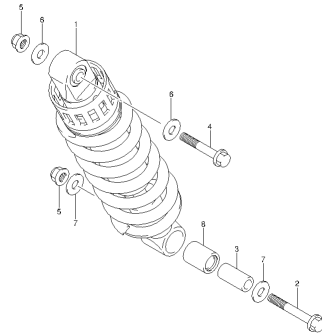
GW250L4\_F71\_052  
FRONT MASTER CYLINDER

FIG.53



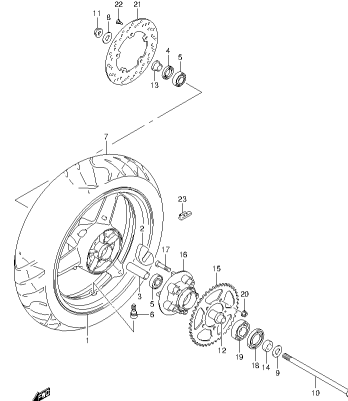
GW250L4\_F71\_053  
REAR SWINGARM

FIG.54



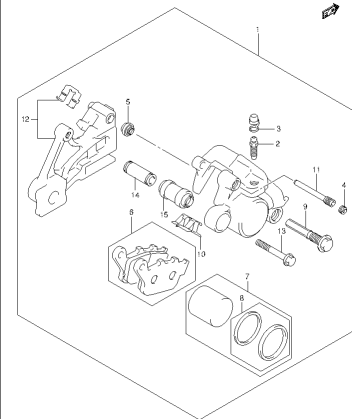
GW250L4\_F71\_054  
REAR SHOCK ABSORBER

FIG.55



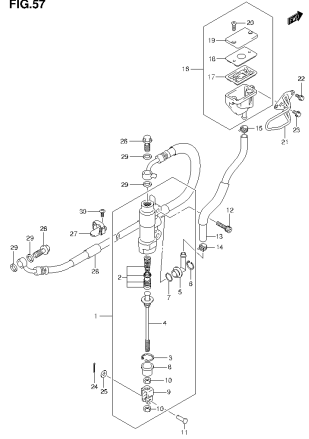
GW250L4\_F71\_055  
REAR WHEEL

FIG.56



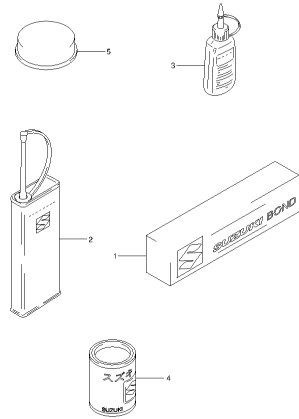
GW250L4\_F71\_056  
REAR CALIPER

FIG.57



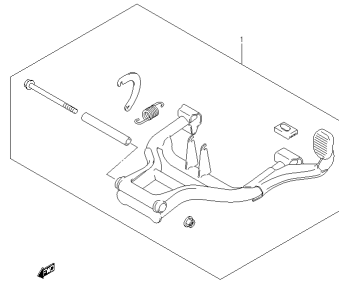
GW250L4\_F71\_057  
REAR MASTER CYLINDER

FIG.58



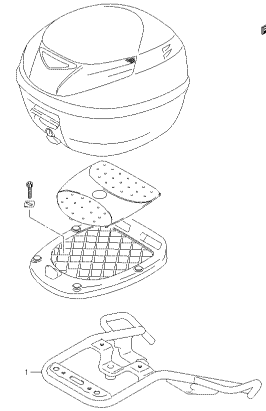
GW250L4\_F71\_058  
OPTIONAL

FIG.59



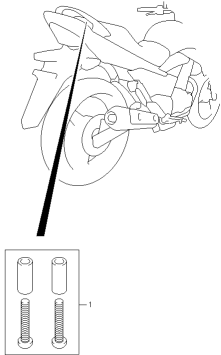
GW250L4\_F71\_059  
CENTER STAND SET (OPTIONAL)

FIG.60



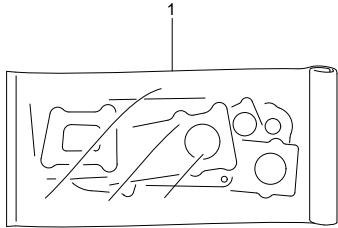
GW250L4\_F71\_060  
REAR CARRIER (OPTIONAL)

FIG.61



GW250L4\_F71\_061  
HOOK SET FILL-IN HANDLE (OPTIONAL)

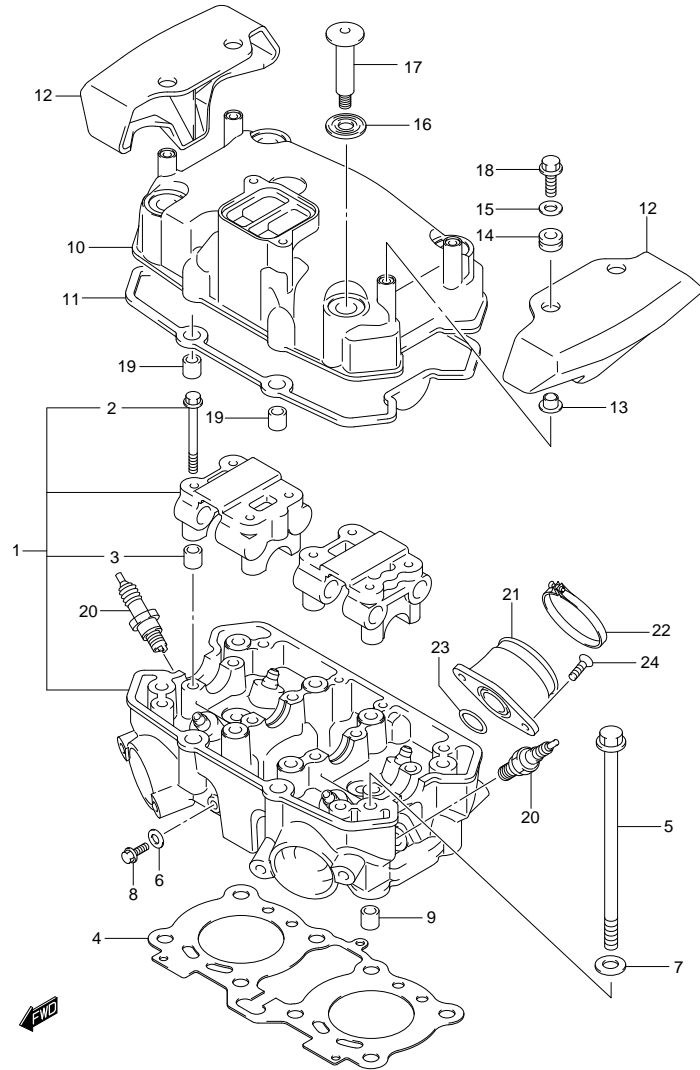
**FIG.1**



**FIG.1 (1-B-2) GASKET SET**

REF NO.	PART NO.	DESCRIPTION	Q'TY	REMARKS
1	11401-48880	GASKET SET	1	OPT
2	11141-48H00	.GASKET, CYLINDER HEAD	1	NOT ILLUSTRATED
3	11173-48H00	.GASKET, CYLINDER HEAD COVER	1	NOT ILLUSTRATED
4	11191-27E60	.WASHER, CYLINDER HEAD COVER	4	NOT ILLUSTRATED
5	11241-48H00	.GASKET, CYLINDER	1	NOT ILLUSTRATED
6	11318-48H00	.GASKET, BREATHER COVER	1	NOT ILLUSTRATED
7	11482-48H00	.GASKET, CLUTCH COVER	1	NOT ILLUSTRATED
8	11483-48H00	.GASKET, MAGNETO COVER	1	NOT ILLUSTRATED
9	11489-48H00	.GASKET, OIL PAN	1	NOT ILLUSTRATED
10	12837-48H00	.GASKET, TENSIONER ADJUSTER	1	NOT ILLUSTRATED
11	14181-46E20	.GASKET, EXHAUST PIPE	2	NOT ILLUSTRATED
12	09280-33004	.O RING (D:3.1,ID:32.7)	1	NOT ILLUSTRATED

**FIG.2**



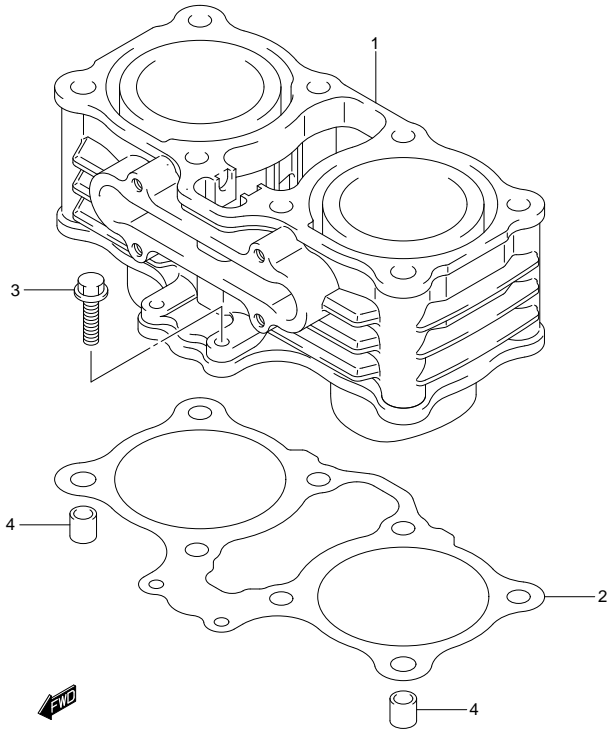
**FIG.2 (1-B-3) CYLINDER HEAD**

REF NO.	PART NO.	DESCRIPTION	Q'TY	REMARKS
1	11100-48H00	HEAD ASSY, CYLINDER	1	
2	09103-06220	.BOLT (6X60)	8	
3	09206-08011	.PIN (8X11)	4	
4	11141-48H00	GASKET, CYLINDER HEAD	1	
5	09103-08449	BOLT (8X165)	8	
6	09168-06L04	GASKET (5.8X13X1.8)	2	
7	09168-08036	GASKET (8.5X17X2.3)	8	
8	01550-0612A	BOLT	2	
9	04211-11129	PIN	2	
10	11171-48H00	COVER, CYLINDER HEAD	1	
11	11173-48H00	GASKET, CYLINDER HEAD COVER	1	
12	11174-48H00	CAP, CYLINDER HEAD COVER	2	
13	11177-48H00	SPACER, HEAD COVER CAP	4	
14	11181-48H00	CUSHION, HEAD COVER CAP	4	
15	09160-06077	WASHER (6.5X20X1.2)	4	
16	11191-27E60	WASHER, CYLINDER HEAD COVER	4	
17	09106-07022	BOLT (7X57)	4	
18	01547-0620A	BOLT	4	
19	04211-11129	PIN	2	
20-1	09482-00516	SPARK PLUG (CR7E)	2	NGK
20-2	09482-00515	SPARK PLUG (U22ESR-N)	2	DENSO
21	13110-48H00	PIPE, INTAKE	2	
22	13170-48H00	CLAMP, INTAKE PIPE	2	
23	09280-30L01	O-RING (D:2.3,ID:29.7)	2	
24	02122-0616A	SCREW	4	

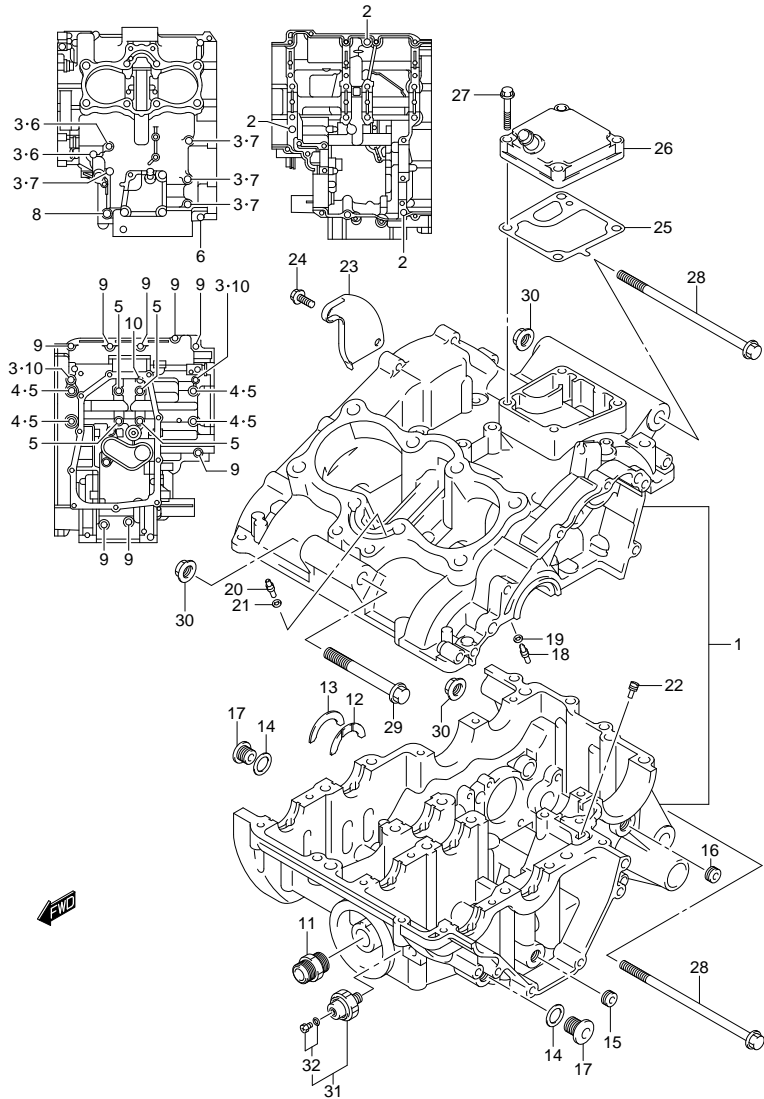
FIG.3

FIG.3 (1-B-4) CYLINDER

REF NO.	PART NO.	DESCRIPTION	Q'TY	REMARKS
1	11210-48H01-0F0	CYLINDER	1	
2	11241-48H00	GASKET, CYLINDER	1	
3	01550-0625A	BOLT	2	
4	04211-11129	PIN	2	



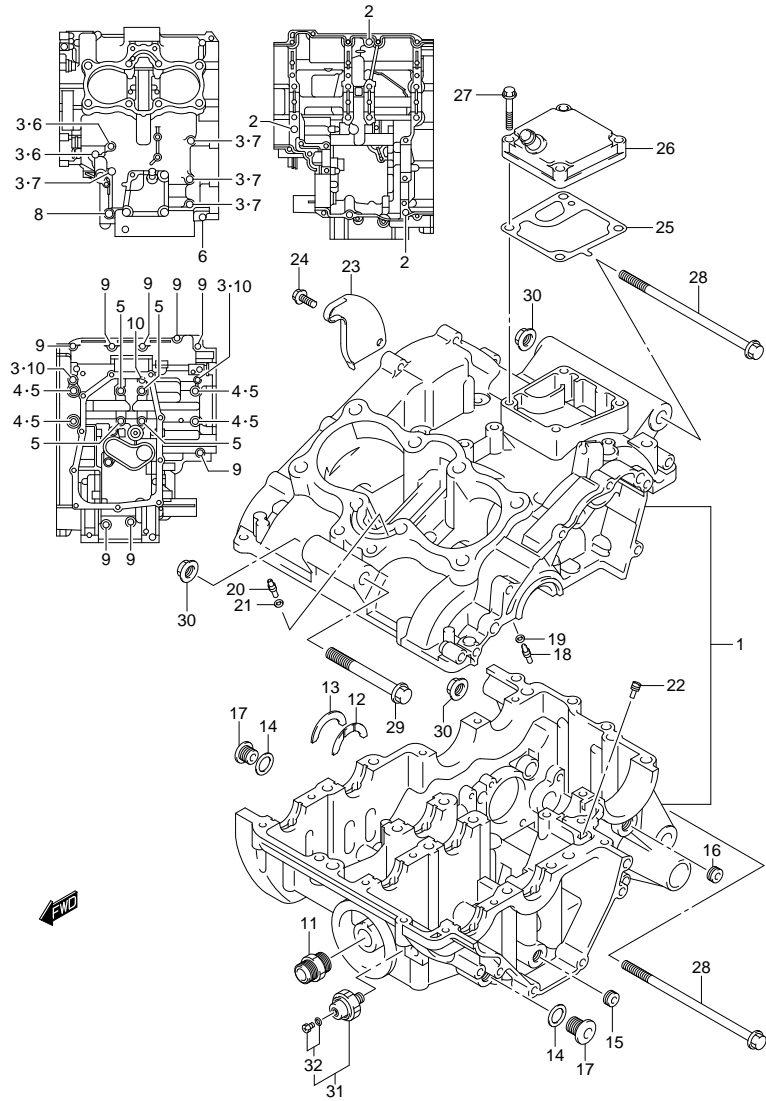
**FIG.4**



**FIG.4 (1-B-5) CRANKCASE**

REF NO.	PART NO.	DESCRIPTION	Q'TY	REMARKS
1	11300-48871	CRANKCASE SET	1	
2	04211-11169	.PIN	3	
3	09168-06L04	.GASKET (5.8X13X1.8)	11	
4	09168-08035	.GASKET (8.2X14X1)	4	
5	09103-08133	.BOLT (8X105)	8	
6	01547-0635A	.BOLT	3	
7	01547-0655A	.BOLT	4	
8	01550-0855A	.BOLT	1	
9	01547-0635A	.BOLT	8	
10	01547-0690A	.BOLT	3	
11	16591-48H00	.UNION, OIL FILTER STAND	1	
12	12228-17E00-0E0	.BEARING, CRANK THRUST (YELLOW)	2	
13-1	12228-17E00-0F0	.BEARING, CRANK THRUST (WHITE)	1	
13-2	12228-17E00-0G0	.BEARING, CRANK THRUST (ORANGE)	1	
13-3	12228-17E00-0H0	.BEARING, CRANK THRUST (PINK)	1	
13-4	12228-17E00-0J0	.BEARING, CRANK THRUST (BROWN)	1	
13-5	12228-17E00-0K0	.BEARING, CRANK THRUST (PURPLE)	1	
13-6	12228-17E00-0L0	.BEARING, CRANK THRUST (NO COLOR)	1	
14	09168-14L01	GASKET (14X18.3X4.8)	3	
15	11322-48H00	PLUG, OIL GALLERY	1	
16	11322-48H00	PLUG, SHIFT FORK SHAFT	2	
17	09248-14013	PLUG (14X12)	3	

**FIG.4**



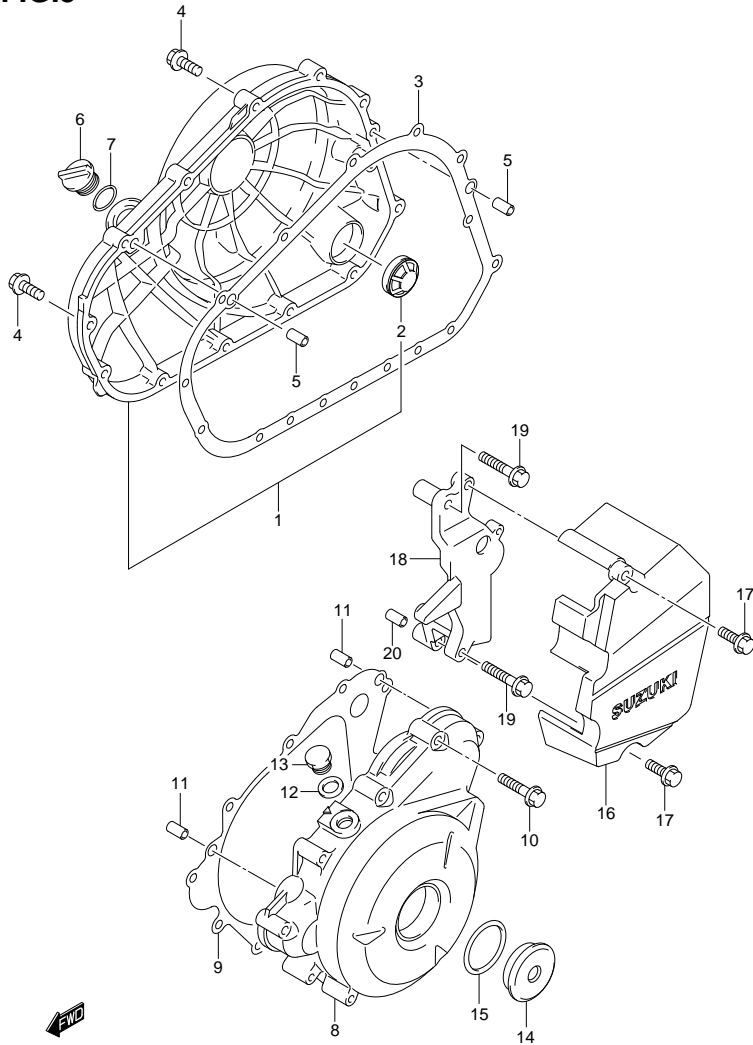
**FIG.4 (1-B-6) CRANKCASE**

REF NO.	PART NO.	DESCRIPTION	Q'TY	REMARKS
18	11390-48H00	JET, PISTON COOLING	2	
19	09280-04004	O RING (D:1.2,ID:4)	2	
20	11329-48H00	JET, OIL GALLERY CYLINDER	1	
21	09280-04004	O RING (D:1.2,ID:4)	1	
22	11313-48H00	JET, T/M COOLING	1	
23	11317-48H00	PLATE, OIL SEPARATOR	1	
24	01547-0612A	BOLT	2	
25	11318-48H00	GASKET, BREATHER COVER	1	
26	11330-48H00	COVER, BREATHER	1	
27	01547-0630A	BOLT	4	
28	09103-10115	BOLT (10X155)	2	
29	09103-10445	BOLT (10X85)	1	
30	09159-10L06	NUT	3	
31	37820-33D10	SWITCH ASSY, OIL PRESSURE	1	
32	37822-33D00	.BOLT, OIL PRESSURE SWITCH	1	

**FIG.5**

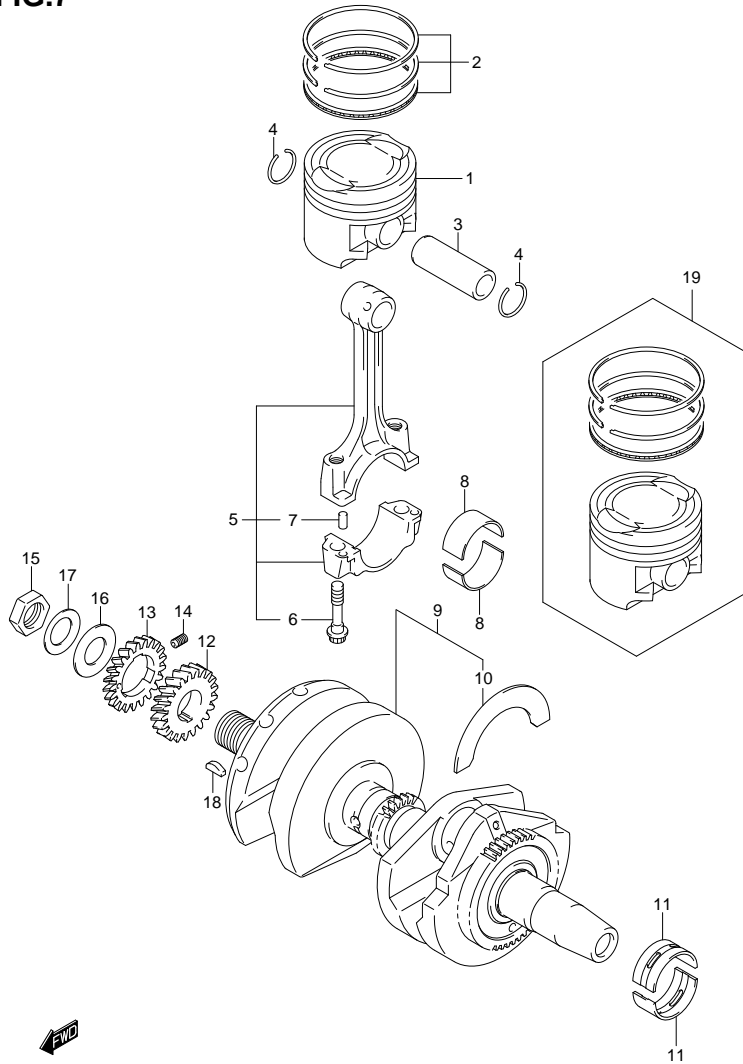
**FIG.5 (1-B-7) CRANKCASE COVER**

REF NO.	PART NO.	DESCRIPTION	Q'TY	REMARKS
1	11340-48H00	COVER, CLUTCH	1	
2	11971-48H00	.LENS, OIL LEVEL CHECK	1	
3	11482-48H00	GASKET, CLUTCH COVER	1	
4	01547-0630A	BOLT	13	
5	04211-09149	PIN	2	
6	11972-48H00	PLUG, OIL FILLER	1	
7	09280-17003	O RING (D:3.1,ID:16.8)	1	
8	11351-48H00	COVER, MAGNETO	1	
9	11483-48H00	GASKET, MAGNETO COVER	1	
10	01547-0635A	BOLT	10	
11	04211-09149	PIN	2	
12	11352-48H00	GASKET, TDC PLUG	1	
13	09247-12104	PLUG (12X9)	1	
14	09259-36016-20H	PLUG (SILVER)	1	
15	09280-33004	O RING (D:3.1,ID:32.7)	1	
16	11360-48H00	COVER, ENGINE SPROCKET	1	
17	01547-0625A	BOLT	2	
18	11371-48H00	BRACKET, SPEED SENSOR	1	
19	01547-0640A	BOLT	2	
20	04211-09149	PIN	2	





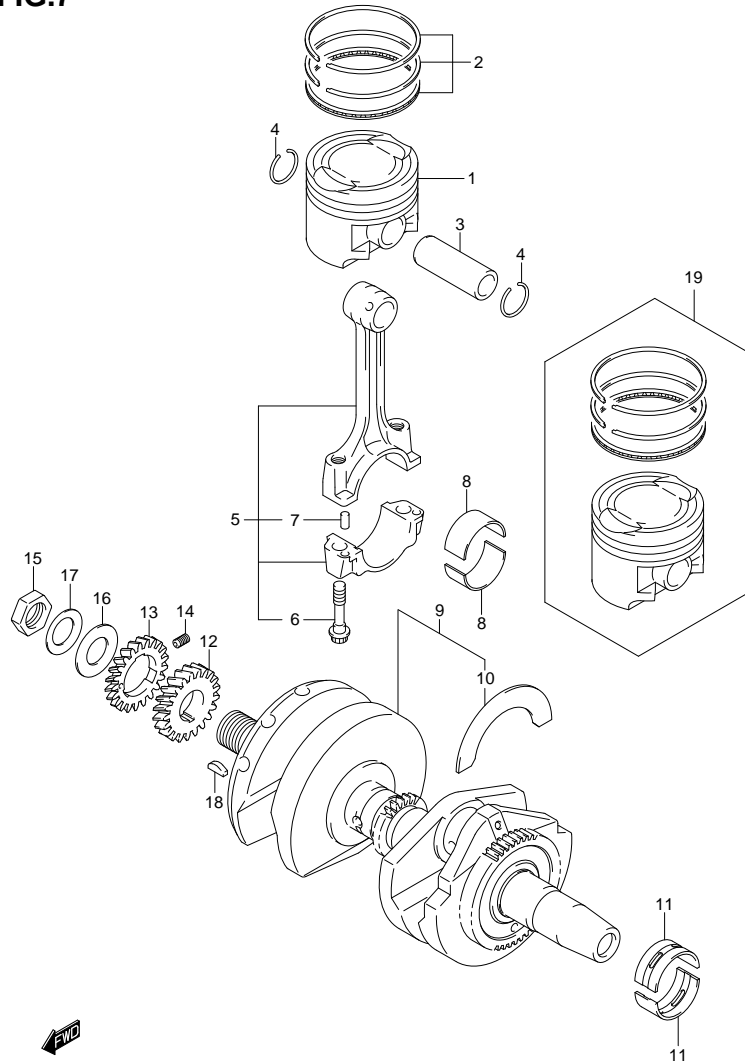
**FIG.7**



**FIG.7 (1-B-9) CRANKSHAFT**

REF NO.	PART NO.	DESCRIPTION	Q'TY	REMARKS
1	12111-48H00-0F0	PISTON (YELLOW)	2	
2	12140-48H00	RING SET, PISTON	2	
3	12151-48H00	PIN, PISTON	2	
4	09381-15001	CIRCLIP	4	
5	12160-48H00	CONNROD ASSY	2	
6	12163-35F00	.BOLT, CONNROD	4	
7	04221-04089	.PIN	4	
8-1	12164-39F00-0A0	BEARING, CRANK PIN (GREEN)	4	
8-2	12164-39F00-0B0	BEARING, CRANK PIN (BLACK)	4	
8-3	12164-39F00-0C0	BEARING, CRANK PIN (BROWN)	4	
8-4	12164-39F00-0D0	BEARING, CRANK PIN (YELLOW)	4	
9	12200-48840	CRANKSHAFT SET	1	
10-1	12228-17E00-0E0	.BEARING, CRANK THRUST (YELLOW)	2	
10-2	12228-17E00-0F0	.BEARING, CRANK THRUST (WHITE)	1	
10-3	12228-17E00-0G0	.BEARING, CRANK THRUST (ORANGE)	1	
10-4	12228-17E00-0H0	.BEARING, CRANK THRUST (PINK)	1	
10-5	12228-17E00-0J0	.BEARING, CRANK THRUST (BROWN)	1	
10-6	12228-17E00-0K0	.BEARING, CRANK THRUST (PURPLE)	1	
10-7	12228-17E00-0L0	.BEARING, CRANK THRUST (NO COLOR)	1	

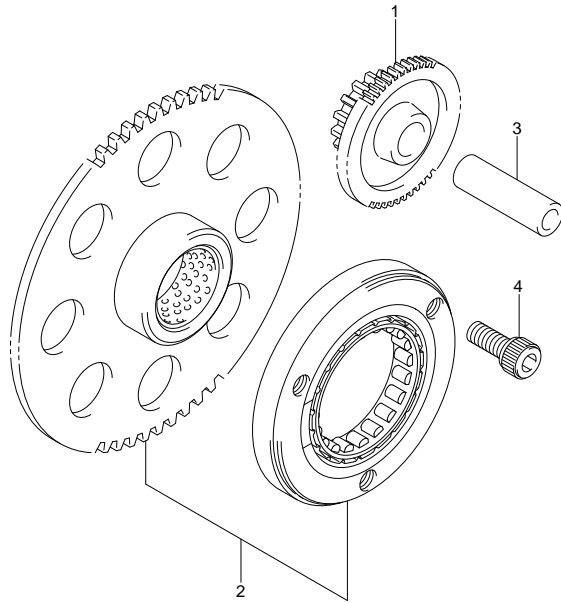
**FIG.7**



**FIG.7 (1-B-10) CRANKSHAFT**

REF NO.	PART NO.	DESCRIPTION	Q'TY	REMARKS
11-1	12229-48H10-0A0	BEARING, CRANKSHAFT (GREEN)	8	
11-2	12229-48H10-0B0	BEARING, CRANKSHAFT (BLACK)	8	
11-3	12229-48H10-0C0	BEARING, CRANKSHAFT (BROWN)	8	
11-4	12229-48H10-0D0	BEARING, CRANKSHAFT (YELLOW)	8	
12	21111-48H00	GEAR, PRIMARY DRIVE (NT:21)	1	
13	21112-48H00	GEAR, PRIMARY DRIVE NO.2 (NT:21)	1	
14	21114-35C00	SPRING, PRI DRIVE GEAR	3	
15	09140-18023	NUT	1	
16	09160-18039	WASHER (18X36X1.5)	1	
17	09164-18012	WASHER	1	
18	09420-04008	KEY	1	
19	12100-48H00-050	PISTON SET (OS:0.5)	1	OPT

**FIG.8**

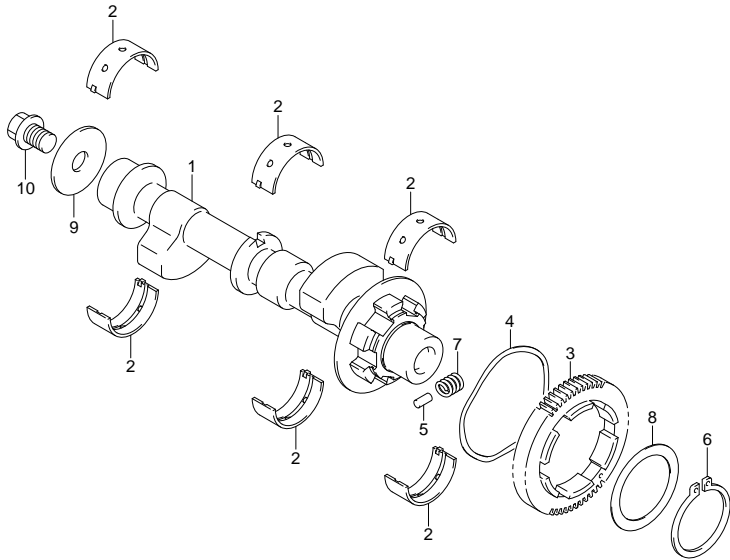


**FIG.8 (1-B-11) STARTER CLUTCH**

REF NO.	PART NO.	DESCRIPTION	Q'TY	REMARKS
1	12611-48H00	GEAR, STARTER IDLE (NT:15/53)	1	
2	12600-48830	CLUTCH SET, STARTER (NT:65)	1	
3	09206-13007	PIN (7.4X13X40)	1	
4	07130-0816A	BOLT	3	



**FIG.9**

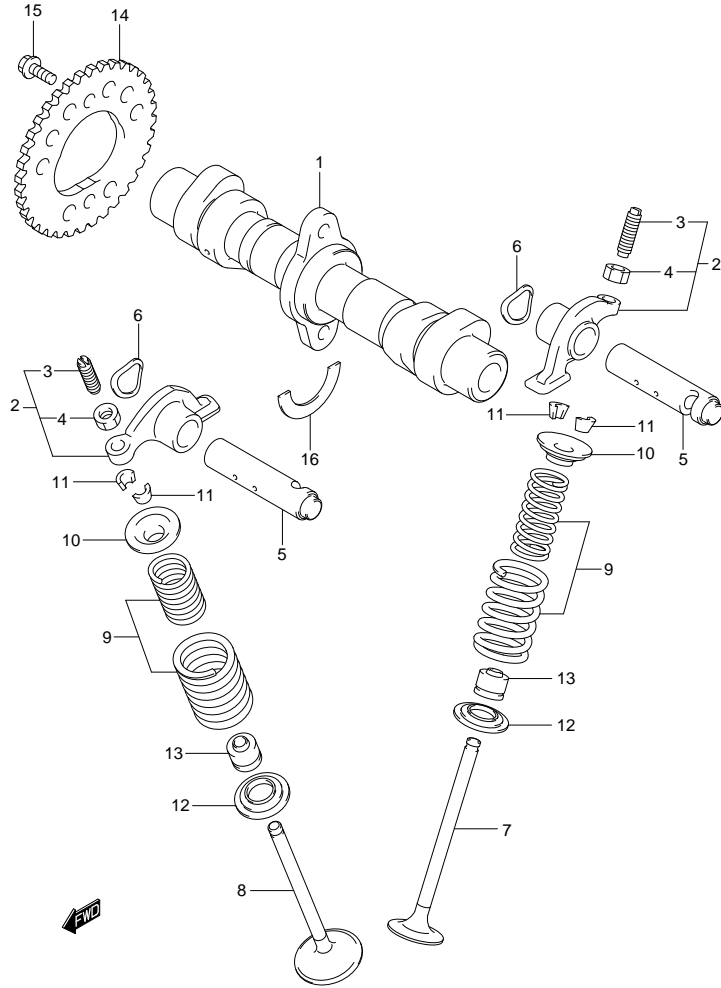


**FIG.9 (1-B-12) CRANK BALANCER**

REF NO.	PART NO.	DESCRIPTION	Q'TY	REMARKS
1	12650-48H00	BALANCER, CRANK	1	
2-1	12229-48H00-0A0	BEARING, CRANK BALANCER (GREEN)	6	
2-2	12229-48H00-0B0	BEARING, CRANK BALANCER (BLACK)	6	
2-3	12229-48H00-0C0	BEARING, CRANK BALANCER (BROWN)	6	
2-4	12229-48H00-0D0	BEARING, CRANK BALANCER (YELLOW)	6	
3	12666-48H00	GEAR, CRANK BALANCER DRIVEN	1	
4	09164-60001	WASHER	1	
5	09202-04017	PIN (4.5X9.5)	3	
6	09380-38008	CIRCLIP	1	
7	09440-09031	SPRING	6	
8	08211-38521	WASHER	1	
9	09160-10151	WASHER (10X37X3)	1	
10	01550-1016A	BOLT	1	



**FIG.10**



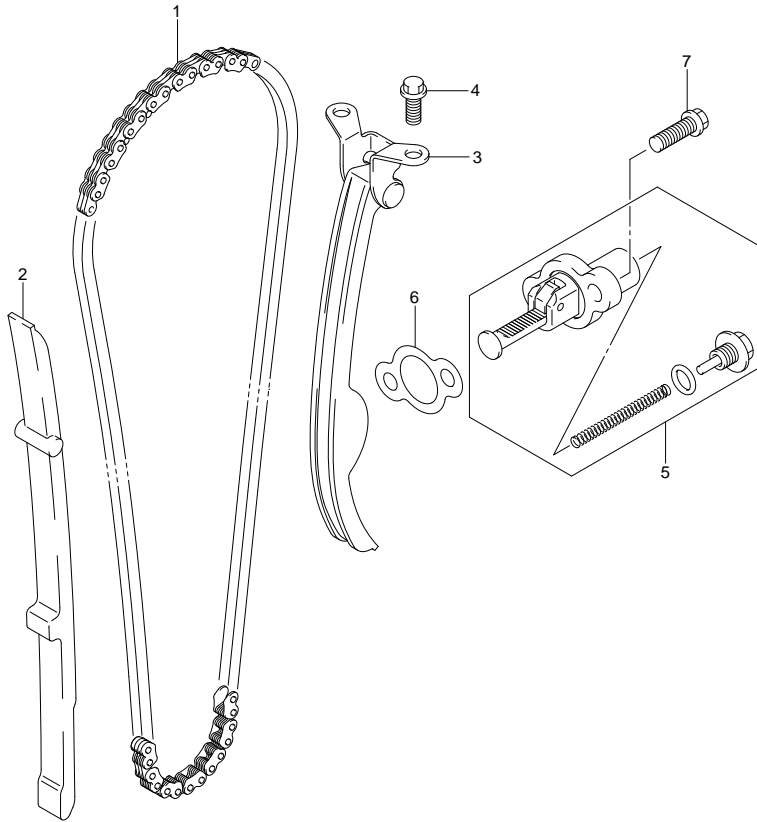
**FIG.10 (1-B-13) CAMSHAFT/VALVE**

REF NO.	PART NO.	DESCRIPTION	Q'TY	REMARKS
1	12710-48H00	CAMSHAFT	1	
2	12840-20H10	ARM, VALVE ROCKER	4	
3	12842-49220	.SCREW, TAPPET ADJUSTING	4	
4	12843-27A10	.NUT, TAPPET ADJUSTING	4	
5	12861-48H00	SHAFT, VALVE ROCKER ARM	4	
6	09164-12018	WASHER	4	
7	12911-20H10	VALVE, INTAKE	2	
8	12912-20H10	VALVE, EXHAUST	2	
9	12920-48H10	SPRING SET, VALVE	4	
10	12931-27A30	RETAINER, VALVE SPRING	4	
11	12932-27A10	COTTER, VALVE	8	
12	12933-81410	SEAT, VALVE SPRING	4	
13	09289-05016	OIL SEAL (5X10X8)	4	
14	12741-48H00	SPROCKET, CAMSHAFT (NT:38)	1	
15	09111-06027	BOLT (6X12.5)	2	
16	09390-22002	C RING	1	

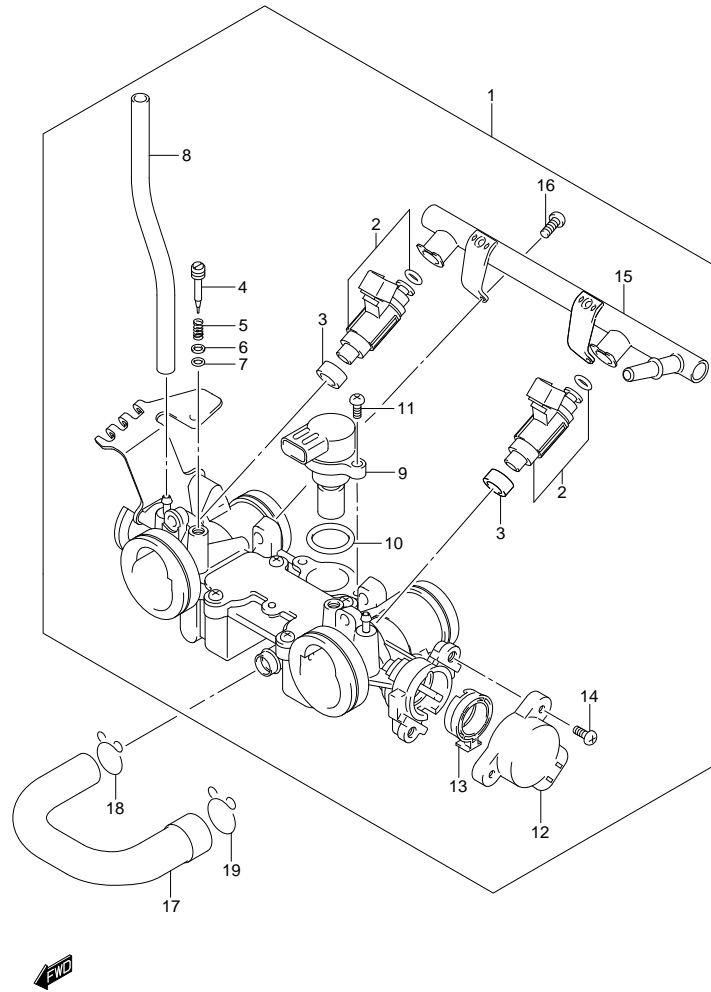
**FIG.11**

**FIG.11 (1-B-14) CAM CHAIN**

REF NO.	PART NO.	DESCRIPTION	Q'TY	REMARKS
1	12760-48H10	CHAIN, CAMSHAFT DRIVE	1	
2	12771-48H00	GUIDE, CAM CHAIN	1	
3	12810-48H00	TENSIONER, CAM CHAIN	1	
4	01547-0612A	BOLT	2	
5	12830-02A10	ADJUSTER ASSY, TENSIONER	1	
6	12837-48H00	GASKET, TENSIONER ADJUSTER	1	
7	01547-0620A	BOLT	2	



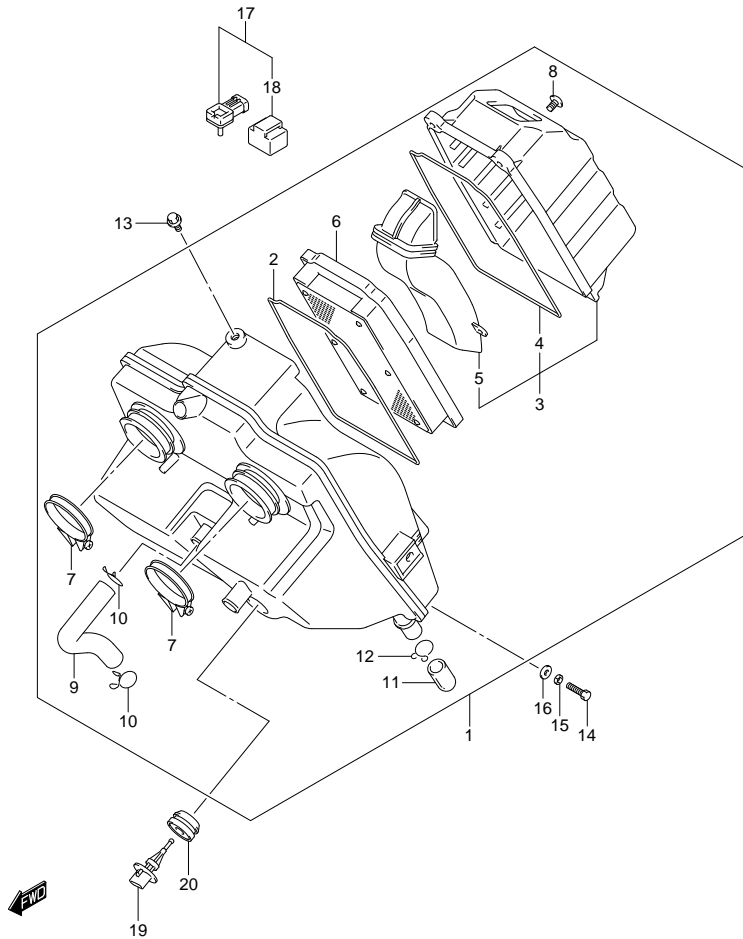
**FIG.12**



**FIG.12 (1-B-15) THROTTLE BODY**

REF NO.	PART NO.	DESCRIPTION	Q'TY	REMARKS
1	13400-48H10	BODY ASSY, THROTTLE	1	
2	15710-48H00	.INJECTOR ASSY	2	
3	15722-29G00	.SEAL	2	
4	13279-13G10	.ADJUSTER	2	
5	13268-48700	.SPRING	2	
6	13606-47A00	.WASHER	2	
7	13295-29900	.O RING	2	
8	13681-39F00-175	.HOSE	2	
9	18117-14J01	.MOTOR ASSY	1	
10	13679-37H00	.O RING	1	
11	13602-05A40	.SCREW	2	
12	13580-48H00	.SENSOR ASSY	1	
13	13311-48H00	.RING	1	
14	13605-02F00	.SCREW	2	
15	15730-48H00	.DELIVERLY PIPE	1	
16	13602-06148	.SCREW	1	
17	13697-48H00	HOSE, ISC VALVE	1	
18	09401-15101	CLIP	1	
19	09401-18101	CLIP	1	

**FIG.13**



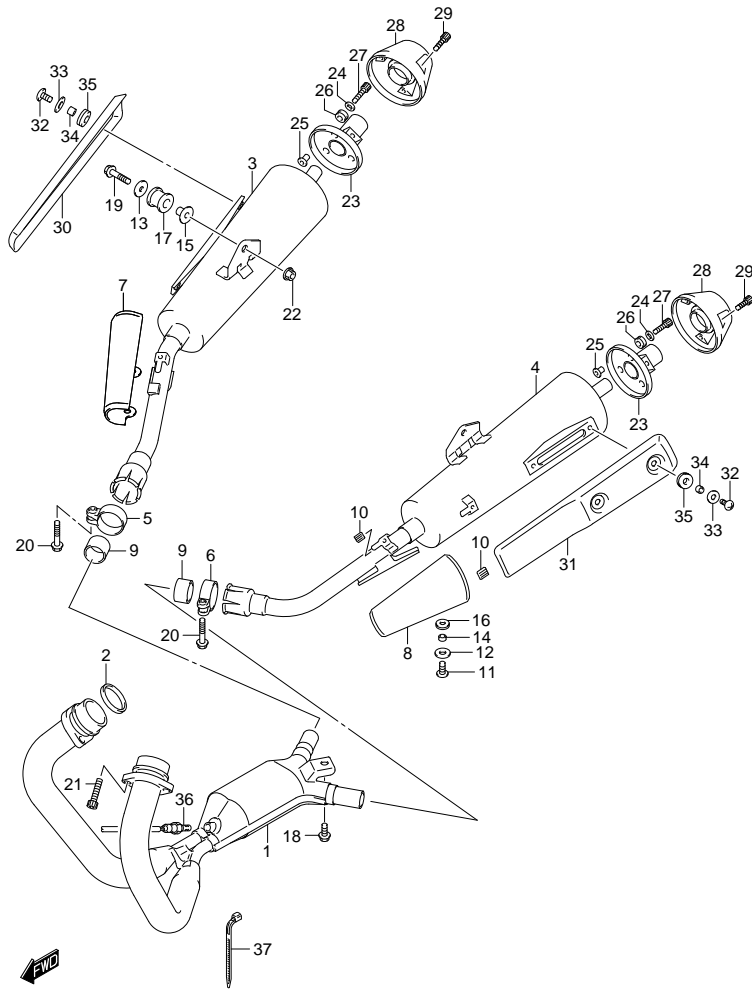
**FIG.13 (1-C-2) AIR CLEANER**

REF NO.	PART NO.	DESCRIPTION	Q'TY	REMARKS
1	13700-48H01	CLEANER ASSY, AIR	1	
2	13746-48H00	.GASKET	1	
3	13740-48H00	.CAP, AIR CLEANER	1	
4	13746-48H00	.GASKET	1	
5	13891-48H00	.TUBE, INLET	1	
6	13780-48H00	.FILTER ASSY	1	
7	13826-48H00	.CLAMP	2	
8	02142-0512A	.SCREW	2	
9	13853-48H00	.TUBE, BREATHER	1	
10	09401-15101	.CLIP	2	
11	13878-48H00	.PLUG, DRAIN	1	
12	09401-14101	.CLIP	1	
13	01550-0610A	BOLT	1	
14	01500-0620A	BOLT	1	
15	08321-0106A	LOCK WASHER	1	
16	09160-06088	WASHER (6.5X20X1.6)	1	
17	15630-29G20	SENSOR, BOOST	2	
18	15625-29G10	.COVER	2	
19	13650-52G00	SENSOR, AIR TEMP	1	
20	13655-77E00	GROMMET, AIR TEMP SENSOR	1	

**FIG.14**

**FIG.14 (1-C-3) MUFFLER**

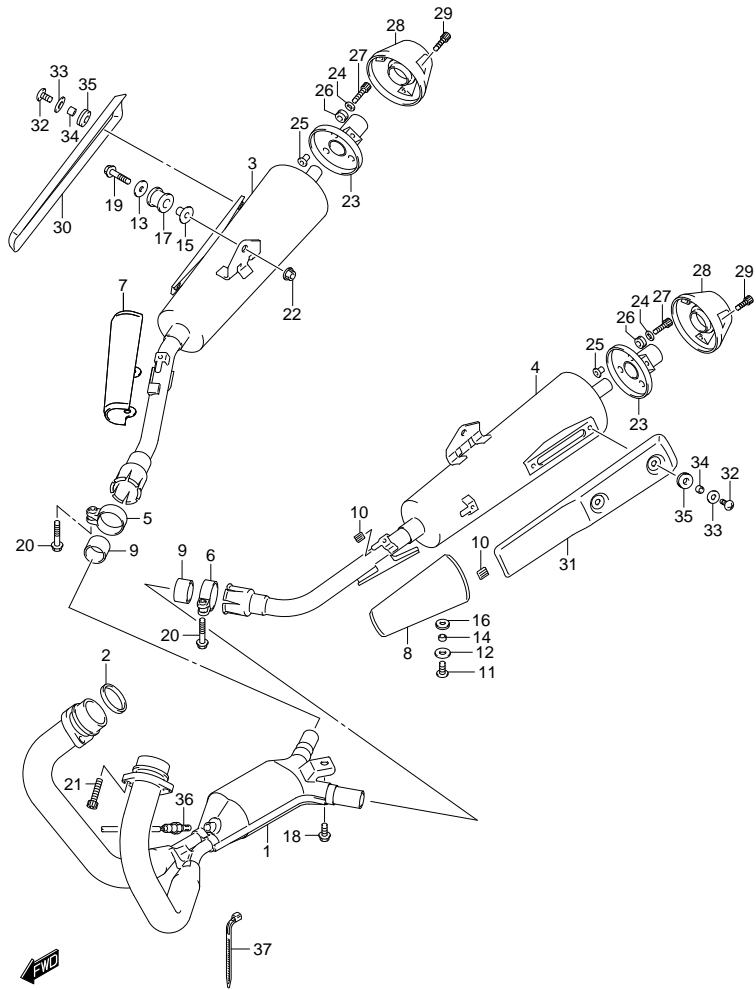
REF NO.	PART NO.	DESCRIPTION	Q'TY	REMARKS
1	14100-48H00	EXHAUST	1	
2	14181-46E20	GASKET, EXHAUST PIPE	2	
3	14305-48H01	MUFFLER, RH	1	
4	14306-48H02	MUFFLER, LH	1	
5	14459-48H00	CLAMP, MUFFLER CONNECTOR RH	1	
6	14469-48H00	CLAMP, MUFFLER CONNECTOR LH	1	
7	14750-48H00	COVER, MUFFLER FRONT RH	1	
8	14760-48H00	COVER, MUFFLER FRONT LH	1	
9	14771-38F10	CONNECTOR, JOINT	2	
10	14795-10FA0	GROMMET	3	
11	09139-06030	SCREW (6X16)	4	
12	09160-06164	WASHER (6.5X18.0X1)	4	
13	09160-08149	WASHER (8.5X30X1.6)	2	
14	09180-06365	SPACER (6.5X9X5)	4	
15	09180-08L02	SPACER	2	
16	09320-08082	CUSHION	4	
17	09320-12L04	CUSHION	2	
18	01550-0816A	BOLT	1	
19	01550-0840A	BOLT	2	
20	01550-0840A	BOLT	2	
21	07130-0830A	BOLT	4	
22	08316-1008A	NUT	2	
23	14770-48H01	STAY, MUFFLER RR COVER	2	
24	09160-06028	WASHER (6.5X18X1)	6	
25	09180-06331	SPACER (6.2X8.4X10.9)	6	
26	09320-08068	CUSHION	6	



**FIG.14**

**FIG.14 (1-C-4) MUFFLER**

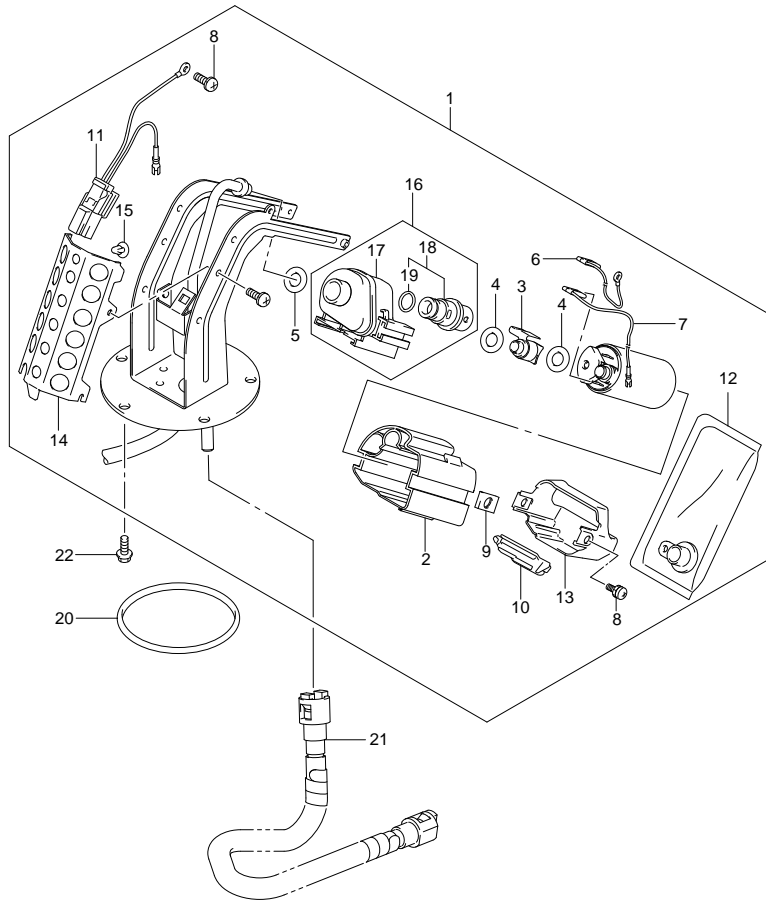
REF NO.	PART NO.	DESCRIPTION	Q'TY	REMARKS
27	07130-0620A	BOLT	6	
28	14790-48H01-YYK	COVER, MUFFLER REAR (GRAY)	2	
29	07130-0616A	BOLT	6	
30	14781-48H00	COVER, MUFFLER BODY RH	1	
31	14730-48H00	COVER, MUFFLER BODY LH	1	
32	09139-06030	SCREW (6X16)	4	
33	09160-06164	WASHER (6.5X18.0X1)	4	
34	09180-06365	SPACER (6.5X9X5)	4	
35	09320-08082	CUSHION	4	
36	18213-23H01	SENSOR, OXYGEN	1	
37	36990-32G20	CLAMP, OXYGEN SENSOR LEAD	1	



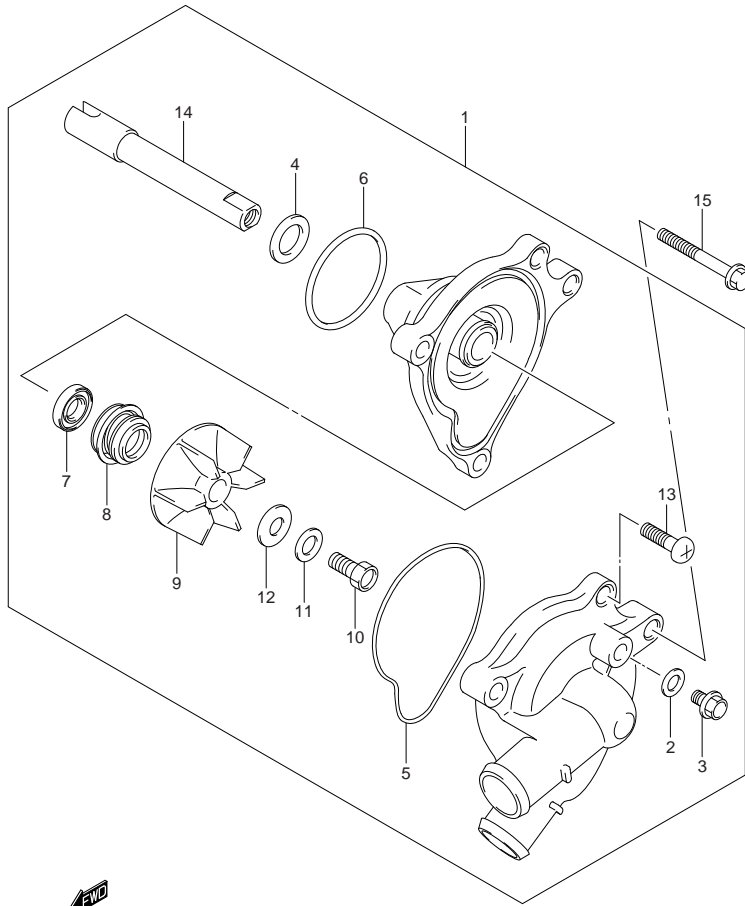
**FIG.15**

**FIG.15 (1-C-5) FUEL PUMP**

REF NO.	PART NO.	DESCRIPTION	Q'TY	REMARKS
1	15100-48H01	PUMP ASSY, FUEL	1	
2	15111-18H00	.CUP	1	
3	15112-05H00	.JOINT	1	
4	15113-05H00	.O RING	2	
5	15113-35F00	.O RING	1	
6	15114-05H01	.WIRE, EARTH	1	
7	15115-05H01	.WIRE, LEAD	1	
8	15116-10F00	.SCREW	6	
9	15117-05H00	.STOPPER	2	
10	15118-18H00	.COVER, CUP	1	
11	15246-18H01	.HARNES, GAUGE	1	
12	15420-48H10	.STRAINER	1	
13	15426-48H01	.COVER, DUST	1	
14	15581-48H00	.GUARD	1	
15	15582-18H00	.STOPPER	1	
16	15610-48H00	.REGULATOR ASSY, FUEL	1	
17	15410-48H00	..FILTER	1	
18	15610-48H10	..REGULATOR	1	
19	15113-48H00	...O RING	1	
20	15201-48H00	O RING, FUEL PUMP	1	
21	15810-48H00	HOSE, FUEL	1	
22	07120-0612A	BOLT	5	



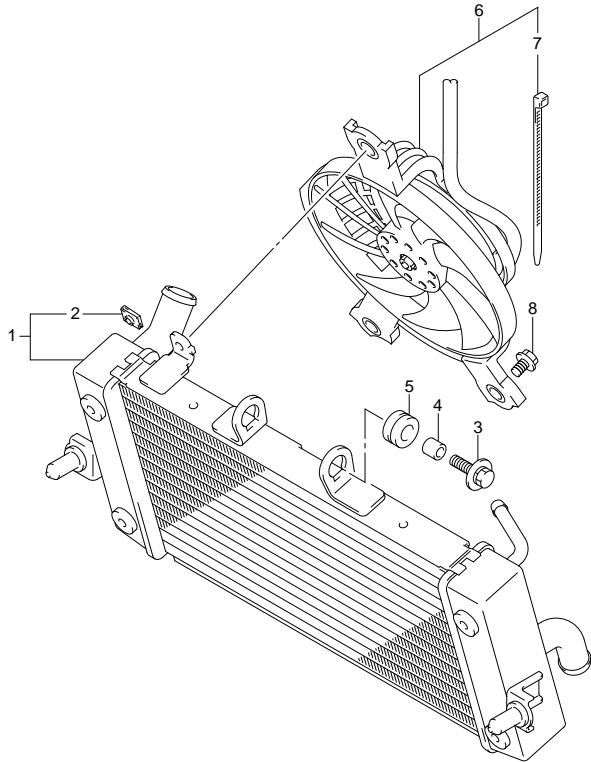
**FIG.16**



**FIG.16 (1-C-6) WATER PUMP**

REF NO.	PART NO.	DESCRIPTION	Q'TY	REMARKS
1	17400-48H00	PUMP ASSY, WATER	1	
2	17413-28C10	.GASKET	1	
3	17415-43D00	.BOLT, BLEEDER	1	
4	17432-07G00	.WASHER	1	
5	17435-12C00	.O RING, WATER PUMP CASE	1	
6	17435-33400	.O RING	1	
7	17461-01H00	.OIL SEAL	1	
8	17470-02F10	.SEAL, WATER PUMP SHAFT	1	
9	17491-12C00	.IMPELLER, WATER PUMP	1	
10	09100-06099	.BOLT (6X13)	1	
11	09164-06006	.WASHER	1	
12	09168-06025	.GASKET (6X15X2.2)	1	
13	02112-0616A	.SCREW	2	
14	17511-48H00	.SHAFT	1	
15	01547-0635A	BOLT	2	

**FIG.17**

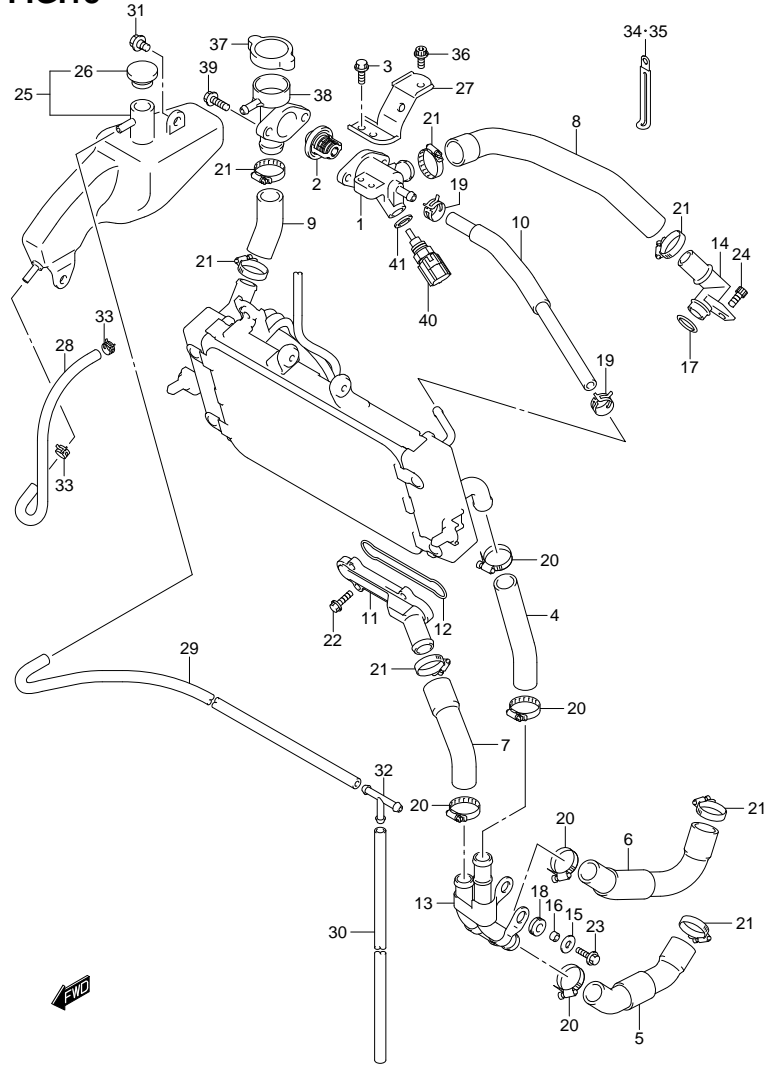


**FIG.17 (1-C-7) RADIATOR**

REF NO.	PART NO.	DESCRIPTION	Q'TY	REMARKS
1-1	17710-48H10	RADIATOR ASSY, WATER	1	
1-2	17710-48H30	RADIATOR ASSY, WATER	1	
2	17712-48H00	.NUT	3	
3	09118-06097	BOLT (6X25)	3	
4	09180-06364	SPACER (6.5X10X10)	3	
5	09320-10501	CUSHION	3	
6	17800-48H00	FAN ASSY, RADIATOR	1	
7	36990-48H20	.CLAMP, FAN MOTOR LEAD	1	
8	01550-0612A	BOLT	3	



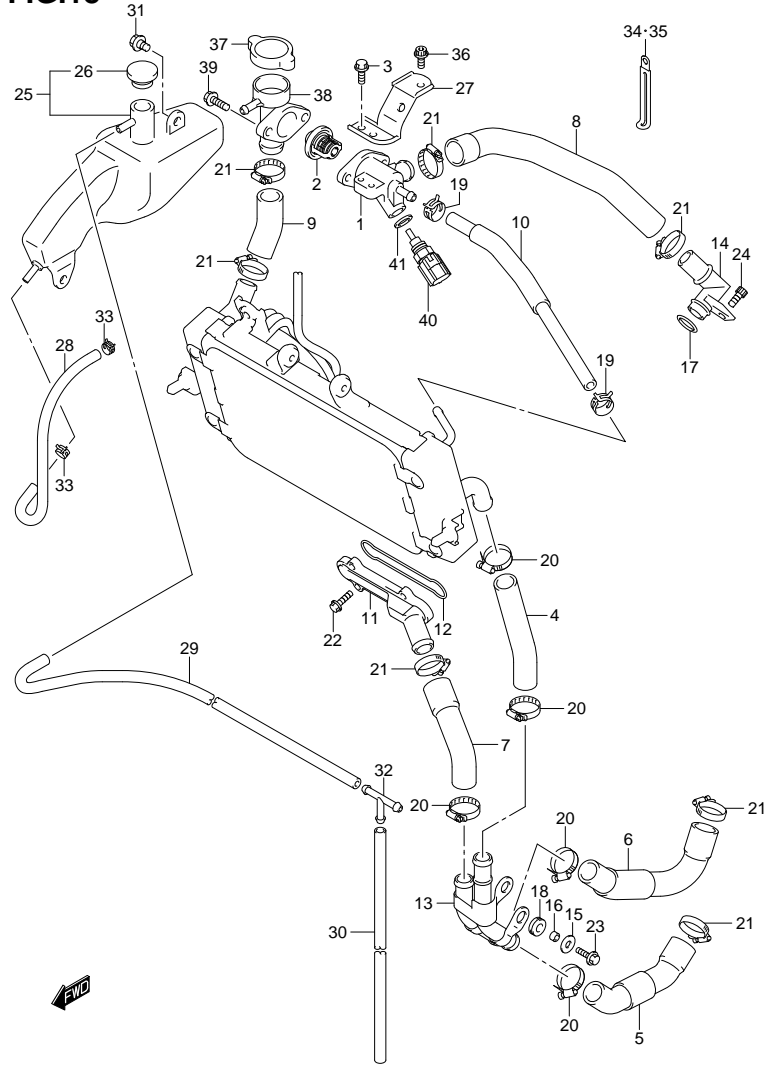
**FIG.18**



**FIG.18 (1-C-8) RADIATOR HOSE**

REF NO.	PART NO.	DESCRIPTION	Q'TY	REMARKS
1	17662-48H00	CONNECTOR, THERMOSTAT INLET	1	
2	17670-48H00	THERMOSTAT, WATER	1	
3	01550-0616A	BOLT	2	
4	17851-48H00	HOSE, RADIATOR OUTLET	1	
5	17852-48H00	HOSE, WATER PUMP INLET	1	
6	17853-48H00	HOSE, WATER PUMP OUTLET	1	
7	17854-48H00	HOSE, CYLINDER CONNECTOR	1	
8	17855-48H00	HOSE, THERMOSTAT CONNECTOR	1	
9	17856-48H00	HOSE, RADIATOR INLET	1	
10	17857-48H00	HOSE, WATER BYPASS	1	
11	17861-48H00	CONNECTOR, CYL WATER INLET	1	
12	17863-48H00	O RING, CYL INLET CONNECTOR	1	
13	17870-48H00	PIPE, WATER PUMP	1	
14	17880-48H00	PIPE, CYLINDER HEAD OUTLET	1	
15	09160-06028	WASHER (6.5X18X1)	2	
16	09180-06365	SPACER (6.5X9X5)	2	
17	09280-18011	O RING (D:3.2,ID:17.8)	1	
18	09320-08084	CUSHION	2	
19	09401-12L02	CLIP	2	
20	09402-27L01	CLAMP	5	
21	09402-32L01	CLAMP	7	
22	01547-0620A	BOLT	4	
23	01550-0620A	BOLT	2	
24	07130-0612A	BOLT	1	
25	17910-48H00	TANK ASSY, RESERVOIR	1	
26	17932-12C00	.CAP, RESERVOIR TANK	1	

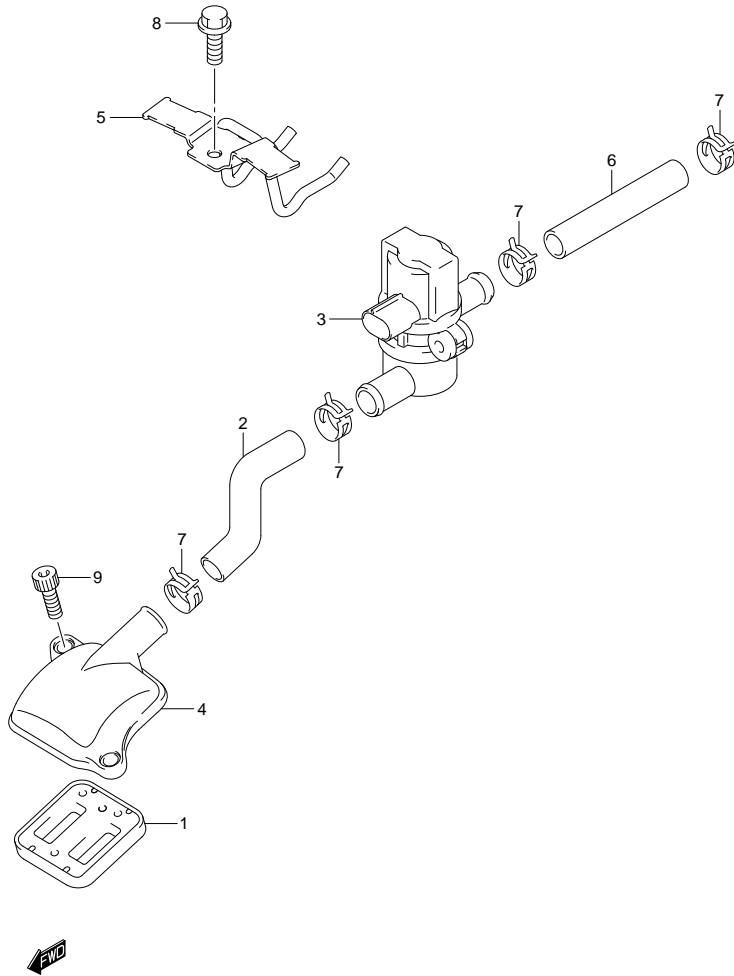
**FIG.18**



**FIG.18 (1-C-9) RADIATOR HOSE**

REF NO.	PART NO.	DESCRIPTION	Q'TY	REMARKS
27	17920-48H00	BRACKET, RESERVOIR TANK	1	
28	17981-19F00	HOSE, RESERVOIR TANK INLET	1	CUT AS REQUIRED
29	17900-44810	HOSE, RESERVOIR TANK OVER FLOW	1	
30	17985-48H00	HOSE, FUEL TANK WATER DRAIN	1	
31	09111-06085	BOLT (6X12)	2	
32	09367-08005	3 WAY	1	
33	09401-08L01	CLIP	2	
34	09404-06206	CLAMP (L:45)	1	
35	09404-06207	CLAMP (L:65)	1	
36	07120-0612A	BOLT	2	
37	17730-48H00	CAP, RADIATOR 1.1	1	
38	17791-48H00	CONDUCTION, RADIATOR	1	
39	01550-0620A	BOLT	2	
40	13650-49X00	SENSOR, WATER TEMP	1	
41	13651-48H00	GASKET, TEMP SENSOR	1	

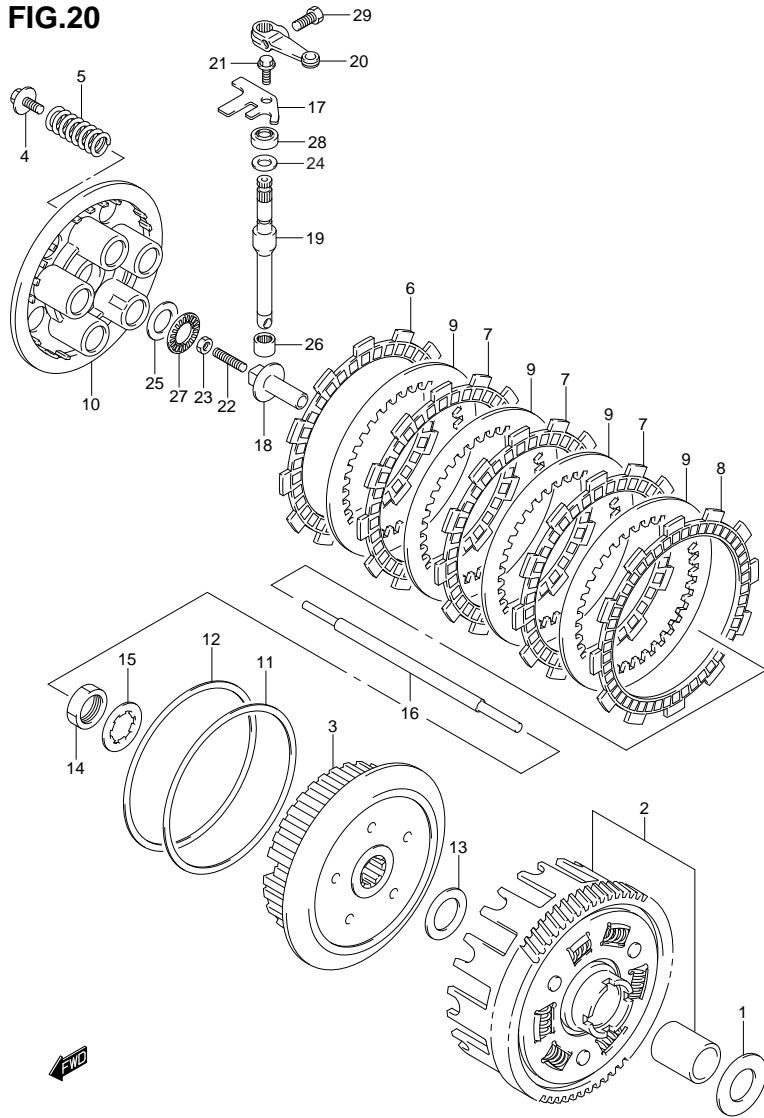
**FIG.19**



**FIG.19 (1-C-10) 2ND AIR**

REF NO.	PART NO.	DESCRIPTION	QTY	REMARKS
1	18450-48H00	VALVE ASSY, 2ND AIR REED	1	
2	18461-48H00	HOSE, 2ND AIR VALVE	1	
3	18510-48H00	VALVE ASSY, AIR CUT	1	
4	18531-48H00	COVER, 2ND AIR REED VALVE	1	
5	18610-48H00	BRACKET, 2ND AIR VALVE	1	
6	18711-48H00	HOSE, 2ND AIR CLEANER	1	
7	09401-17L02	CLIP	4	
8	01550-0612A	BOLT	1	
9	07130-0616A	BOLT	2	

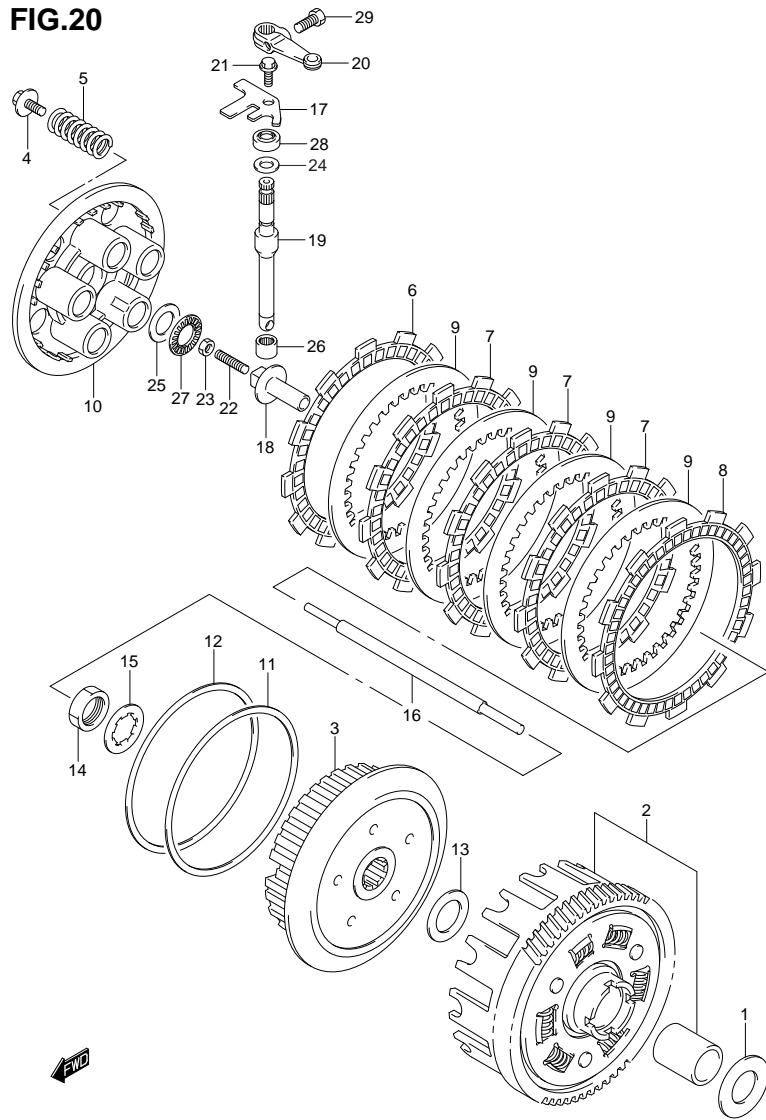
**FIG.20**



**FIG.20 (1-C-11) CLUTCH**

REF NO.	PART NO.	DESCRIPTION	Q'TY	REMARKS
1	21252-48H00	WASHER, THRUST	1	
2	21200-48880	GEAR ASSY, PRIMARY DRIVEN (NT:68)	1	
3	21411-48H00	HUB, CLUTCH SLEEVE	1	
4	21412-48H00	BOLT, CLUTCH SPRING	5	
5	21413-48H00	SPRING, CLUTCH	5	
6	21441-48H00	PLATE, CLUTCH DRIVE NO.1 (T:3.0)	1	
7	21441-48H10	PLATE, CLUTCH DRIVE NO.2 (T:3.0)	3	
8	21442-48H00	PLATE, CLUTCH DRIVE NO.3 (T:3.5)	1	
9	21451-48H00	PLATE, CLUTCH DRIVEN (T:2.0)	4	
10	21462-48H00	DISC, CLUTCH PRESSURE	1	
11	21471-48H00	SEAT, WAVE WASHER	1	
12	21472-48H00	WASHER, CLUTCH SLEEVE HUB WAVE	1	
13	08211-22363	WASHER	1	
14	09140-22005	NUT	1	
15	09167-22029	LOCK WASHER	1	
16	23110-48H00	ROD, CLUTCH PUSH	1	
17	23117-48H00	RETAINER, CL RELEASE OIL SEAL	1	
18	23121-48H00	PIECE, CLUTCH PUSH	1	
19	23122-48H02	CAMSHAFT, CLUTCH RELEASE	1	
20	23271-48H00	ARM, CLUTCH RELEASE	1	
21	09103-06233	BOLT (6X12)	1	
22	09134-06018	SCREW (6X25)	1	

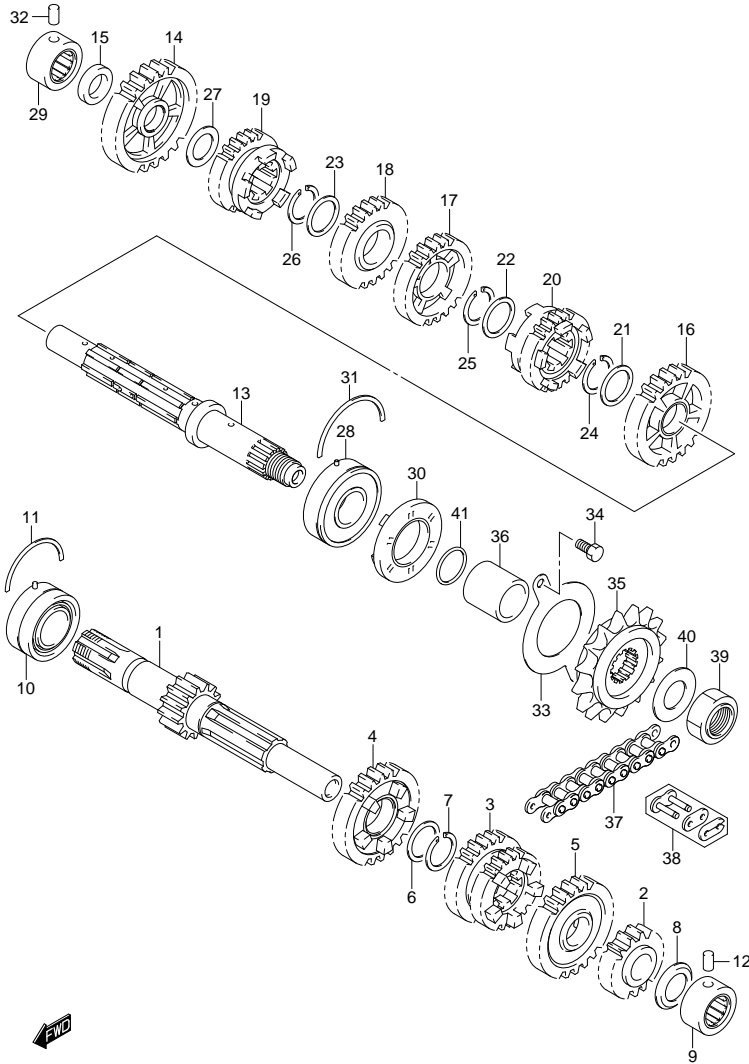
**FIG.20**



**FIG.20 (1-C-12) CLUTCH**

REF NO.	PART NO.	DESCRIPTION	Q'TY	REMARKS
23	09140-06023	NUT	1	
24	09160-12119	WASHER (12.5X17X1)	1	
25	09160-15045	WASHER (15.5X28X1)	1	
26	09263-10L01	BEARING (10X14X10)	1	
27	09263-15L01	BEARING (15X28X2)	1	
28	09285-10L01	OIL SEAL	1	
29	01500-0616A	BOLT	1	

**FIG.21**



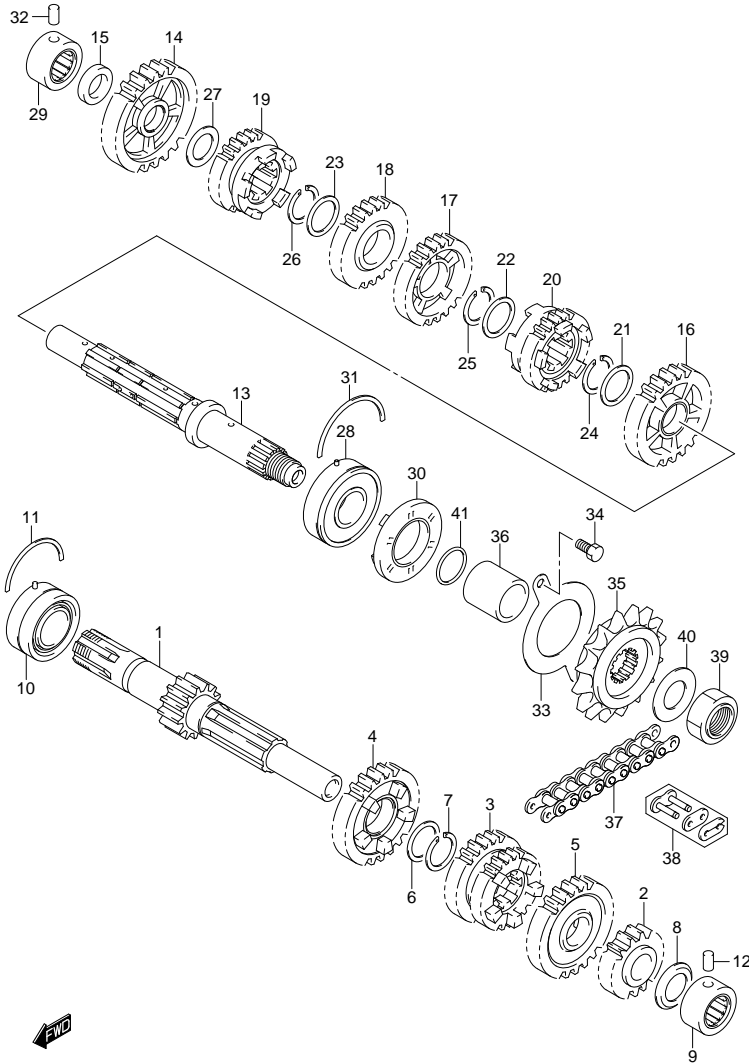
GW250L4\_P71\_021  
TRANSMISSION

**FIG.21 (1-C-13) TRANSMISSION**

REF NO.	PART NO.	DESCRIPTION	Q'TY	REMARKS
1	24120-48H00	SHAFT, COUNTER (NT:12)	1	
2	24221-48H00	GEAR, 2ND DRIVE (NT:17)	1	
3	24231-48H00	GEAR, 3RD & 4TH DRIVE (NT:10/11)	1	
4	24251-48H00	GEAR, 5TH DRIVE (NT:22)	1	
5	24260-48H00	GEAR, 6TH DRIVE (NT:26)	1	
6	09181-22017	SHIM (22X28X1)	1	
7	09380-22016	CIRCLIP	1	
8	24271-48H00	SEAL, SHAFT LH BEARING	1	
9	09263-17050	BEARING (17X30X16)	1	
10	09267-22001	BEARING (22X47X20.6)	1	
11	09390-47008	C-RING	1	
12	04221-06129	PIN	1	
13	24130-48H00	SHAFT, DRIVE	1	
14	24310-48H00	GEAR, 1ST DRIVEN (NT:29)	1	
15	24313-48H00	SPACER, 1ST DRIVEN GEAR	1	
16	24320-48H00	GEAR, 2ND DRIVEN (NT:26)	1	
17	24331-48H00	GEAR, 3RD DRIVEN (NT:26)	1	
18	24341-48H00	GEAR, 4TH DRIVEN (NT:24)	1	
19	24351-48H00	GEAR, 5TH DRIVEN (NT:20)	1	
20	24361-48H00	GEAR, 6TH DRIVEN (NT:21)	1	
21	09181-22017	SHIM (22X28X1)	1	
22	09181-22017	SHIM (22X28X1)	1	
23	09181-22017	SHIM (22X28X1)	1	
24	09380-22016	CIRCLIP	1	
25	09380-22016	CIRCLIP	1	

GW250L4\_P71

**FIG.21**



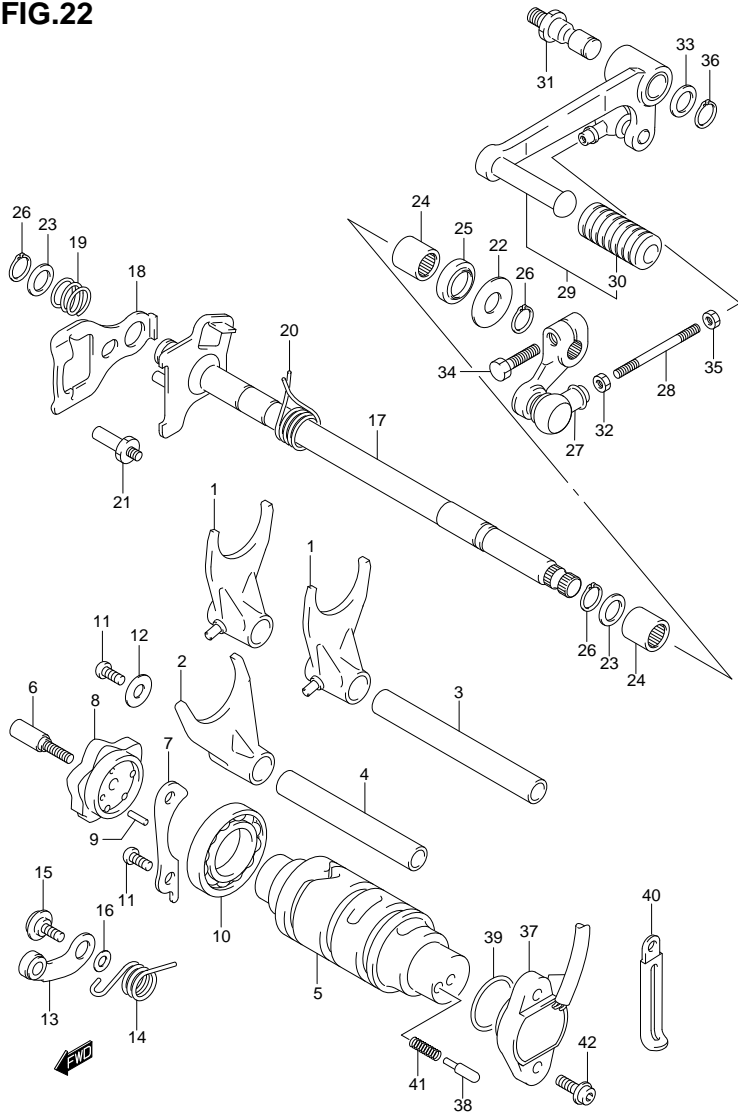
**FIG.21 (1-C-14) TRANSMISSION**

REF NO.	PART NO.	DESCRIPTION	Q'TY	REMARKS
26	09380-22016	CIRCLIP	1	
27	08211-17262	WASHER	1	
28	09262-22039	BEARING (22X56X16)	1	
29	09263-17050	BEARING (17X30X16)	1	
30	09283-30L01	OIL SEAL (30X56X9.5)	1	
31	09390-56002	C-RING	1	
32	04221-06129	PIN	1	
33	24741-48H00	RETAINER, DRIVE SHAFT OIL SEAL	1	
34	01500-0612A	BOLT	2	
35	27510-48H10	SPROCKET, ENGINE (NT:14)	1	
36	27531-48H00	SPACER, ENGINE SPROCKET	1	
37	27600-48H10-116	CHAIN ASSY, DRIVE (DID 520VF)	1	
38	27620-48H10	JOINT SET, CHAIN	1	OPT
39	09140-18008	NUT	1	
40	09181-22016	SHIM (22X36X1)	1	
41	09280-21008	O RING (D:2.5,ID:21)	1	

**FIG.22**

**FIG.22 (1-C-15) GEAR SHIFTING**

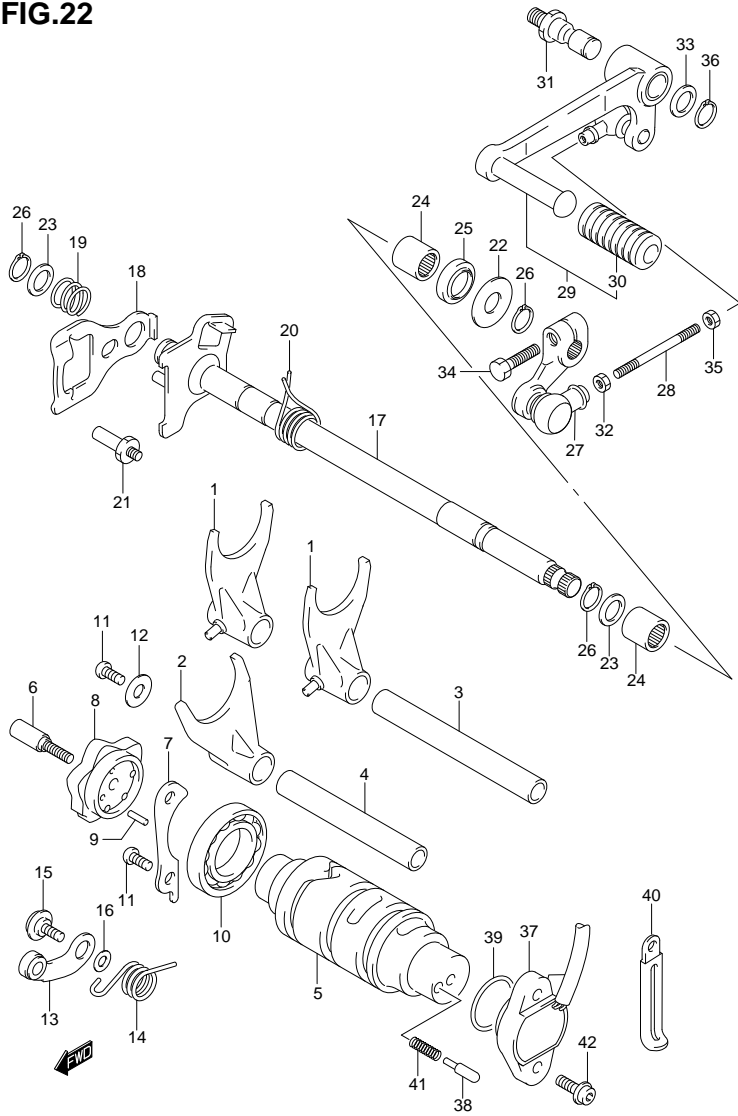
REF NO.	PART NO.	DESCRIPTION	Q'TY	REMARKS
1	25211-48H00	FORK, GEAR SHIFT NO.1	2	
2	25221-48H00	FORK, GEAR SHIFT NO.2	1	
3	25411-48H00	SHAFT, GEAR SHIFT FORK NO.1	1	
4	25421-48H00	SHAFT, GEAR SHIFT FORK NO.2	1	
5	25311-48H00	CAM, GEAR SHIFT	1	
6	25312-48H00	STOPPER, SHIFT CAM DRIVE PLATE	1	
7	25341-48H00	RETAINER, SHIFT CAM BEARING	1	
8	25380-48H02	PLATE, GEAR SHIFT CAM	1	
9	09261-03002	PIN (3X9.8)	2	
10	09262-25L01	BEARING (25X47X8)	1	
11	02112-0612A	SCREW	3	
12	08211-06183	WASHER	1	
13	25350-48H00	STOPPER, GEAR SHIFT CAM	1	
14	25355-48H00	SPRING, GEAR SHIFT CAM STOPPER	1	
15	09106-06131	BOLT (6X14.5)	1	
16	08211-06121	WASHER	1	
17	25510-48H00	SHAFT, GEAR SHIFT	1	
18	25512-48H00	PLATE, GEAR SHIFT CAM DRIVE	1	
19	25515-48H01	SPRING, SHIFT PLATE RETURN	1	
20	25518-48H00	SPRING, SHIFT SHAFT RETURN	1	
21	25671-16H10	STOPPER, GEAR SHIFT ARM	1	
22	09160-14069	WASHER (14X29X0.8)	1	
23	09160-14070	WASHER (14X22X1)	2	
24	09263-14L01	BEARING (14X20X12)	2	
25	09283-14L01	OIL SEAL (14X22X7.3)	1	
26	08331-3114A	CIRCLIP	3	



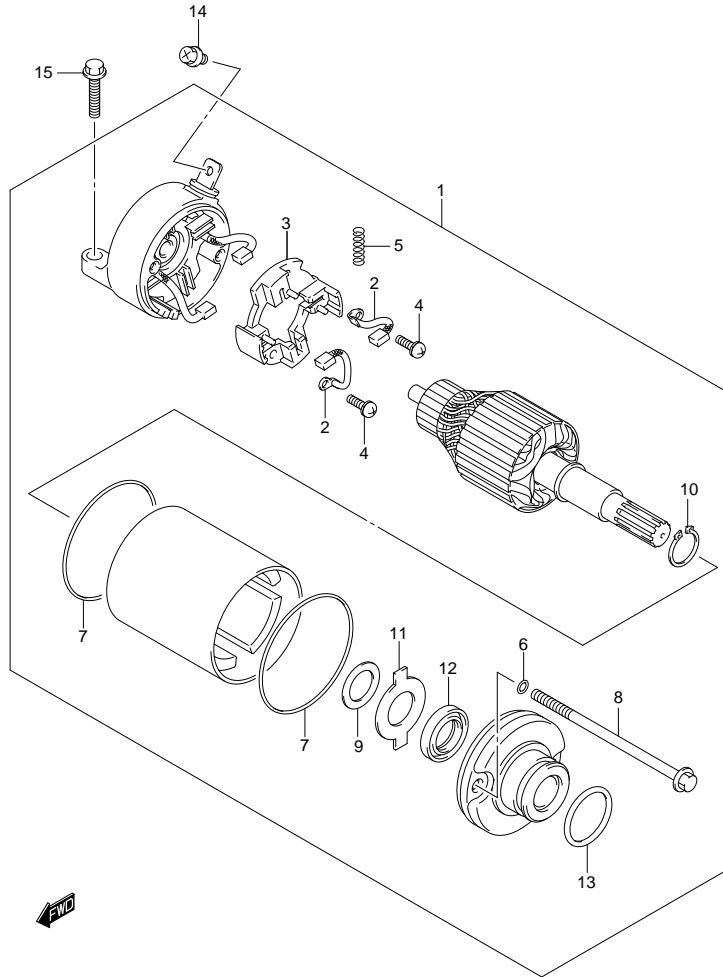
**FIG.22**

**FIG.22 (1-D-2) GEAR SHIFTING**

REF NO.	PART NO.	DESCRIPTION	Q'TY	REMARKS
27	25520-48H20	ARM, GEAR SHIFT LINK	1	
28	25525-48H00	ROD, GEAR SHIFT LINK	1	
29	25600-48H20	LEVER ASSY, GEAR SHIFT	1	
30	25652-48H00	.RUBBER, GEAR SHIFT PEDAL	1	
31	25617-03F20	SHAFT, GEAR SHIFT LEVER	1	
32	09140-06031	NUT	1	
33	09160-12011	WASHER (12.5X20X1)	1	
34	01500-0620A	BOLT	1	
35	08310-0006A	NUT	1	
36	08331-3112A	CIRCLIP	1	
37	37730-48H00	BASE ASSY, GEAR SHIFT TERM	1	
38	09209-05024	CONTACT	2	
39	09280-26005	O RING (D:2.4, ID:26.2)	1	
40	09404-06206	CLAMP (L:45)	1	
41	09440-04010	SPRING	2	
42	07120-0516B	BOLT	2	



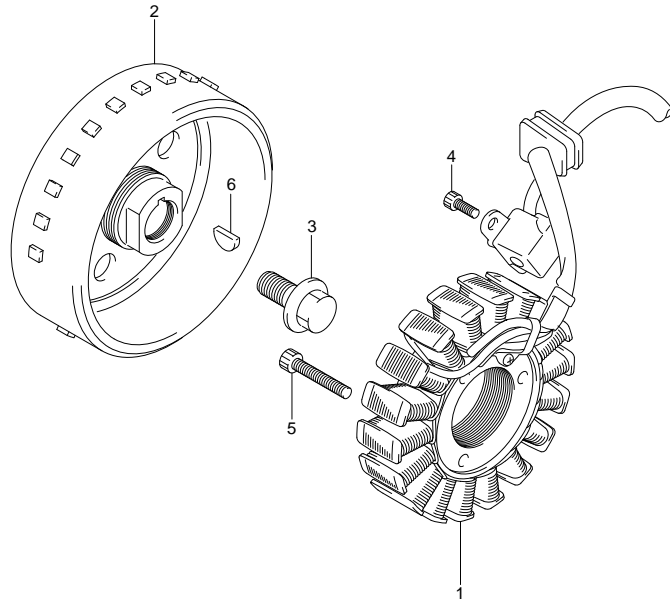
**FIG.23**



**FIG.23 (1-D-3) STARTING MOTOR**

REF NO.	PART NO.	DESCRIPTION	Q'TY	REMARKS
1	31100-48H00	MOTOR ASSY, STARTING	1	
2	31132-25H00	.BRUSH	2	
3	31133-25H00	.BRUSH HOLDER	1	
4	31134-25H00	.SCREW, WASHER	2	
5	31135-25H00	.SPRING	4	
6	31156-25H00	.O RING	2	
7	31264-05530	.O RING	2	
8	31281-25H00	.BOLT, THROUGH	2	
9	31361-055A0	.SHIM	1	
10	31361-05530	.SNAP RING	1	
11	31361-25H00	.PLATE LOCK	1	
12	31153-05530	.OIL SEAL	1	
13	09280-24003	.O RING (D:3, ID:24.5)	1	
14	09137-05004	.SCREW (5X8)	1	
15	01547-0625A	.BOLT	2	

**FIG.24**

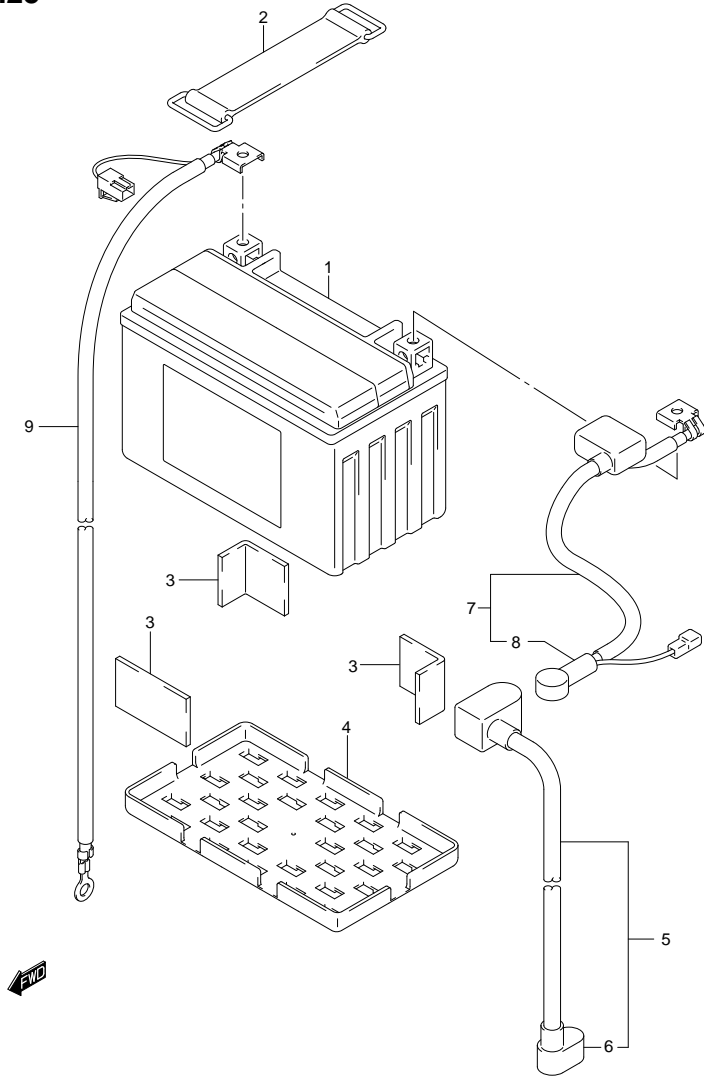


**FIG.24 (1-D-4) MAGNETO**

REF NO.	PART NO.	DESCRIPTION	QTY	REMARKS
1	32101-48H00	STATOR ASSY, MAGNETO	1	
2	32102-48H00	ROTOR ASSY, MAGNETO	1	
3	32491-48H00	BOLT, MAGNETO ROTOR	1	
4	07130-0512A	BOLT	2	
5	07130-0630A	BOLT	3	
6	08341-31039	KEY	1	



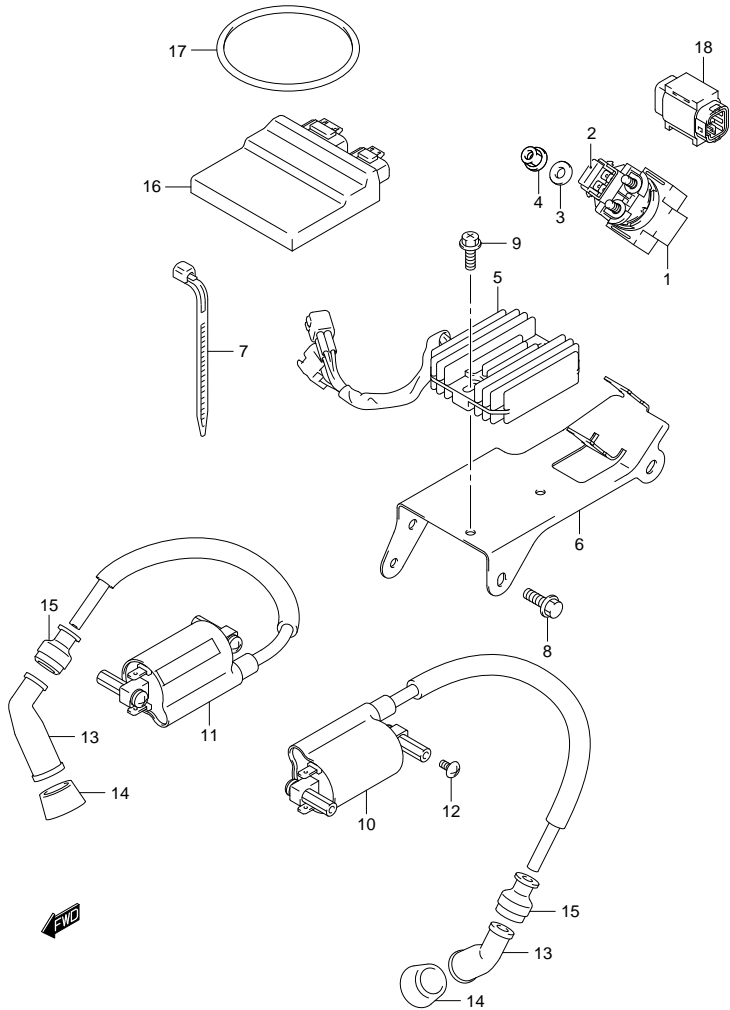
**FIG.25**



**FIG.25 (1-D-5) BATTERY**

REF NO.	PART NO.	DESCRIPTION	Q'TY	REMARKS
1	33610-32C10	BATTERY ASSY (YTX9-BS, 12V8AH)	1	
2	33651-48H00	BAND, BATTERY	1	
3	33652-48H00	PROTECTOR, BATTERY	3	
4	33652-48H10	PROTECTOR, BATTERY	1	
5	33810-48H00	WIRE, STARTER MOTOR LEAD	1	
6	31861-48H00	.CAP, STARTER MOTOR RELAY	1	
7	33820-48H10	WIRE, BATTERY PLUS LEAD	1	
8	31861-48H10	.CAP, STARTER MOTOR RELAY	1	
9	33860-48H00	WIRE, BATTERY MINUS LEAD	1	

**FIG.26**



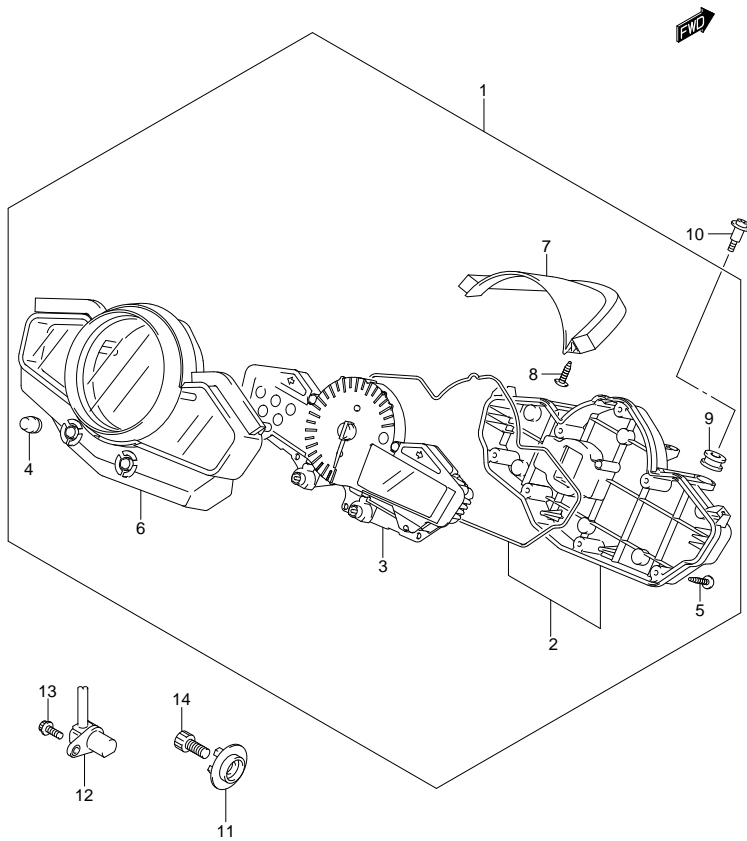
**FIG.26 (1-D-6) ELECTRICAL**

REF NO.	PART NO.	DESCRIPTION	Q'TY	REMARKS
1	31800-48H00	RELAY ASSY, STARTING MOTOR	1	
2	09481-30101	.FUSE (30A)	2	
3	09160-07019	WASHER (7.5X13X1)	2	
4	08361-3506A	NUT	2	
5	32800-48H00	RECTIFIER ASSY	1	
6	32830-48H10	BRACKET, RECTIFIER FITTING	1	
7	36990-32G10	CLAMP, RECTIFIER LEAD	1	
8	01550-0612A	BOLT	3	
9	02162-0625A	SCREW	2	
10	33410-48H00	COIL ASSY, IGNITION	1	
11	33420-48H00	COIL ASSY, IGNITION NO.2	1	
12	08316-1005B	NUT	4	
13	33510-48H00	CAP, SPARK PLUG	2	
14	33541-48H00	SEAL, SPARK PLUG	2	
15	33542-48H00	SEAL, HIGH TENSION CORD	2	
16	32920-48H20	CONTROL UNIT, FI	1	
17	32925-48H00	BAND, FI CONTROL UNIT	1	
18	33960-06G10	SENSOR ASSY, FUEL CUT	1	

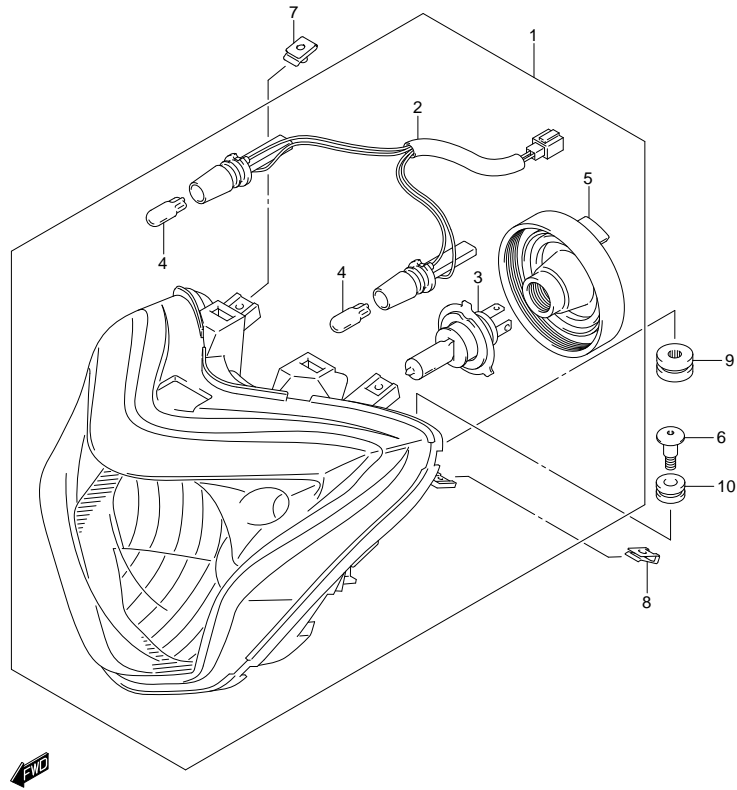
**FIG.27**

**FIG.27 (1-D-7) SPEEDOMETER**

REF NO.	PART NO.	DESCRIPTION	Q'TY	REMARKS
1	34100-48H90	SPEEDOMETER ASSY	1	
2	34111-48H00	.LOWER CASE	1	
3	34120-48H90	.COMBINATION METER	1	
4	34124-48H00	.RUBBER	2	
5	34149-03G00	.SCREW (3X14)	9	
6	34150-48H00	.UPPER CASE	1	
7	34152-48H00	.COVER	1	
8	34184-12B00	.SCREW	3	
9	34955-33E00	.CUSHION, METER	2	
10	34149-18G00	SCREW, SPEEDOMETER	2	
11	34981-26H00	ROTOR, SPEED	1	
12	34990-30H00	SENSOR, SPEED	1	
13	07120-0512B	BOLT	1	
14	07130-0816B	BOLT	1	



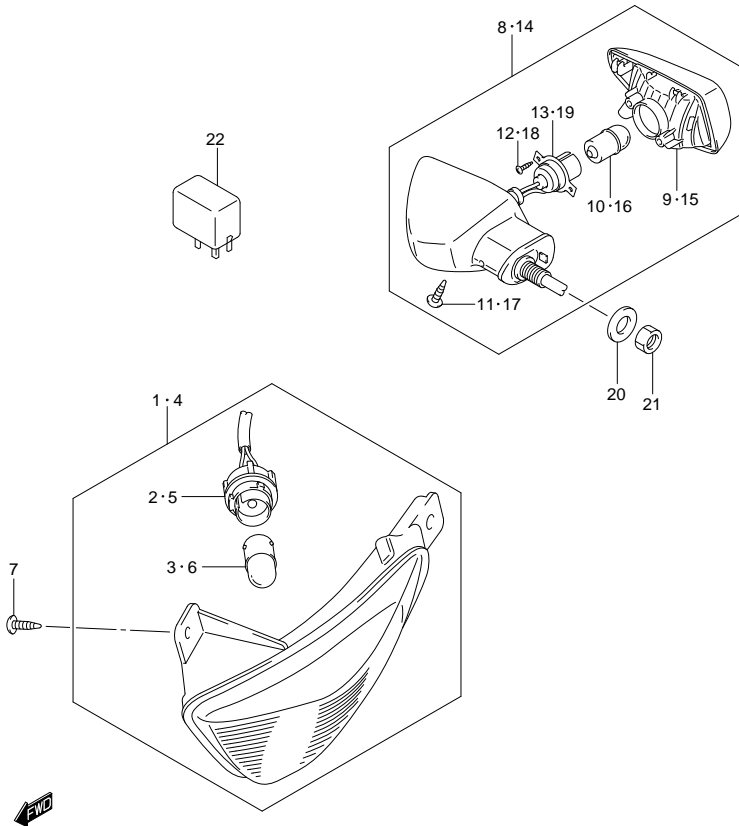
**FIG.28**



**FIG.28 (1-D-8) HEADLAMP**

REF NO.	PART NO.	DESCRIPTION	Q'TY	REMARKS
1	35100-48H10	HEADLAMP ASSY	1	
2	36118-48H01	.CORD ASSY	1	
3	09471-12060	.BULB (12V,60/55W)	1	
4	09471-12216	.BULB (12V5W)	2	
5	35179-48H00	.CAP	1	
6	35151-48H00	SCREW, HEADLAMP	2	
7	35155-48H00	NUT, HEADLAMP	2	
8	35157-48H00	NUT, HEADLAMP	2	
9	35382-48H00	CUSHION, HEADLAMP	2	
10	35382-48H10	CUSHION	2	

**FIG.29**



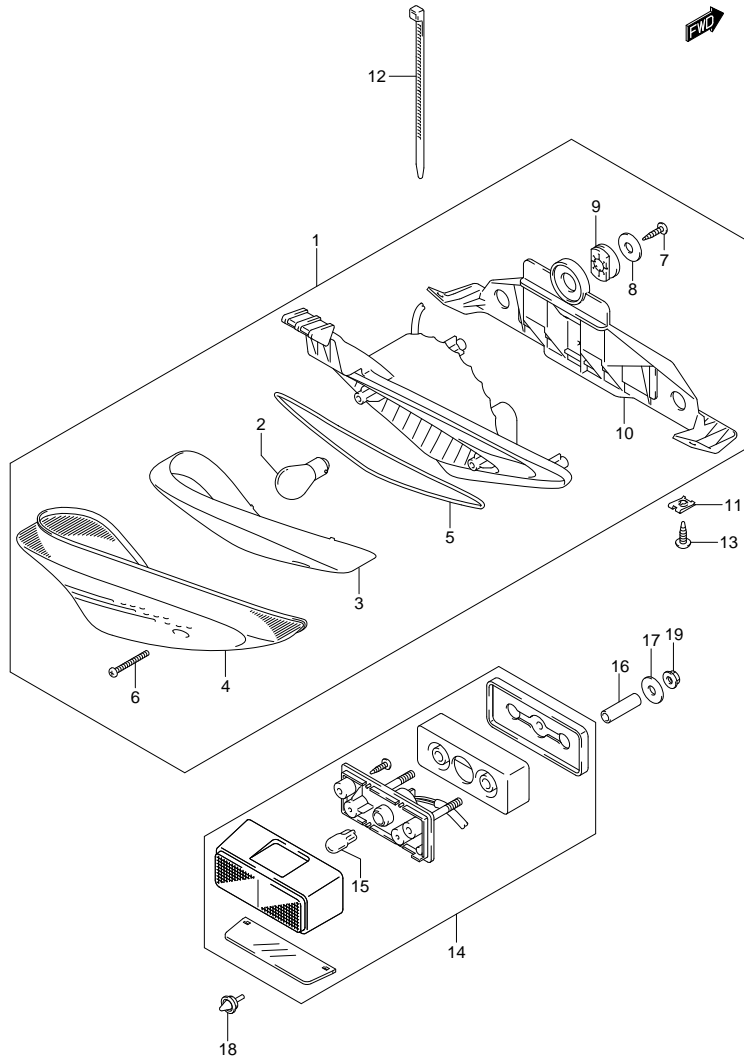
**FIG.29 (1-D-9) TURNSIGNAL LAMP**

REF NO.	PART NO.	DESCRIPTION	Q'TY	REMARKS
1	35601-48H00	LAMP ASSY, FRONT TURNSIGNAL RH	1	
2	35618-48H00	.CORD	1	
3	09471-12226	.BULB (12V,10W)	1	
4	35602-48H00	LAMP ASSY, FRONT TURNSIGNAL RH	1	
5	35638-48H00	.CORD	1	
6	09471-12226	.BULB (12V,10W)	1	
7	03541-0516A	SCREW	6	
8	35603-48H03	LAMP ASSY, REAR TURNSIGNAL RH	1	
9	35650-48H01	.LAMP UNIT RH	1	
10	09471-12226	.BULB (12V,10W)	1	
11	03241-0412A	.SCREW	1	
12	35623-48H00	.SCREW	2	
13	35658-48H00	.CORD RH	1	
14	35604-48H03	LAMP ASSY, REAR TURNSIGNAL LH	1	
15	35670-48H01	.LAMP UNIT LH	1	
16	09471-12226	.BULB (12V,10W)	1	
17	03241-0412A	.SCREW	1	
18	35623-48H00	.SCREW	2	
19	35678-48H00	.CORD LH	1	
20	35679-48H00	WASHER, REAR TURNSIGNAL LAMP	2	
21	08310-0010A	NUT	2	
22	38610-26H02	RELAY ASSY, TURNSIGNAL LAMP	1	

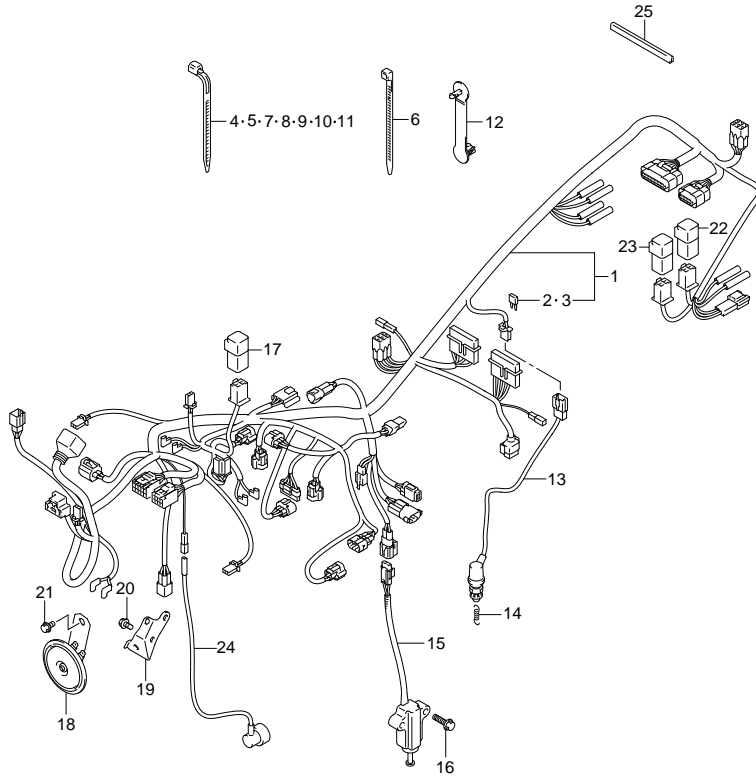
FIG.30

FIG.30 (1-D-10) REAR COMBINATION LAMP

REF NO.	PART NO.	DESCRIPTION	Q'TY	REMARKS
1	35710-48H01	LAMP ASSY, REAR COMBINASION	1	
2	09471-12083	.BULB (12V,21/5W)	1	
3	35732-48H00	.LENS	1	
4	35712-48H01	.LENS	1	
5	35713-48H00	.GASKET	1	
6	03211-0435A	.SCREW	2	
7	03241-0514A	.SCREW	3	
8	08212-05181	.WASHER	3	
9	35765-48H00	.CUSHION	3	
10	35726-48H00	.BRACKET	1	
11	35157-48H00	NUT, REAR COMBINATION LAMP	4	
12	36990-48H20	CLAMP, REAR COMBINASION LAMP	1	
13	03541-0516A	SCREW	4	
14	35910-48H01	LAMP ASSY, LICENSE	1	
15	09471-12216	.BULB (12V5W)	1	
16	35996-48H00	SPACER, LICENSE LAMP	2	
17	09160-06077	WASHER (6.5X20X1.2)	2	
18	09321-06032	CUSHION	1	
19	08316-1006A	NUT	2	



**FIG.31**

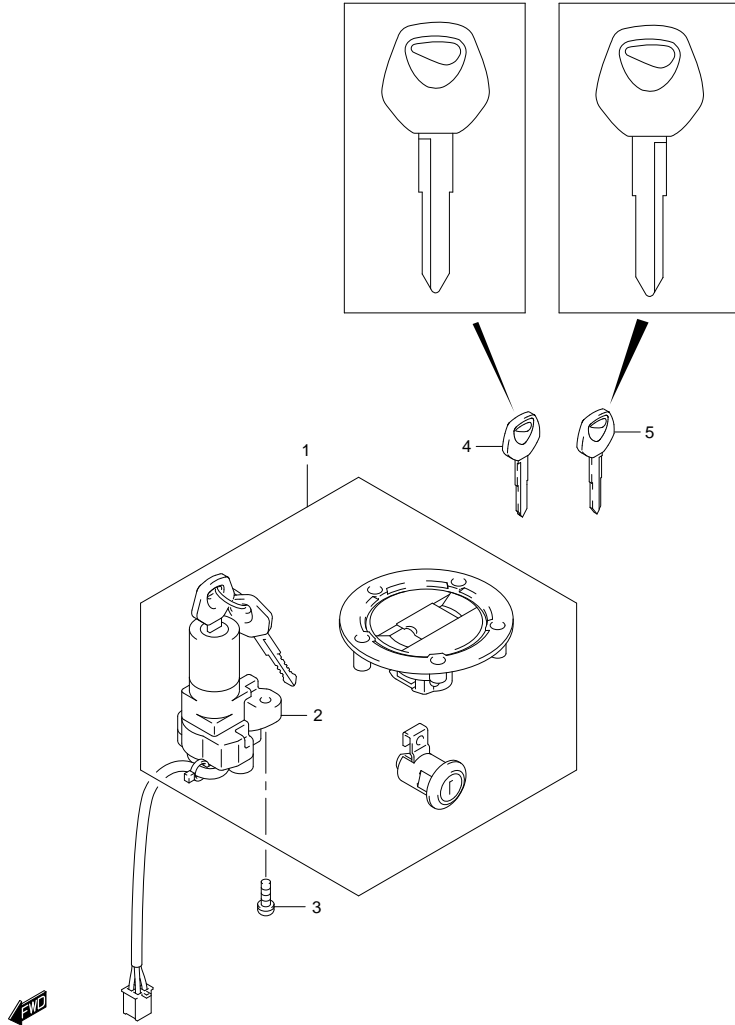


**FIG.31 (1-D-11) WIRING HARNESS**

REF NO.	PART NO.	DESCRIPTION	Q'TY	REMARKS
1	36610-48HD0	HARNESS, WIRING	1	
2	09481-10501	.FUSE (10A)	4	
3	09481-15501	.FUSE (15A)	2	
4	36990-32G10	CLAMP, WIRING HARNESS	3	
5	36990-32G20	CLAMP, WIRING HARNESS	2	
6	09407-25402	CLAMP (L:250)	1	
7	09407-25401	CLAMP (L:235)	1	
8	36990-48H00	CLAMP, WIRING HARNESS	1	
9	36990-45H30	CLAMP, WIRING HARNESS	2	
10	09407-19401	CLAMP (L:190)	2	
11	36990-32G30	CLAMP, WIRING HARNESS	1	
12	36990-48H10	CLAMP, WIRING HARNESS	1	
13	37740-33G00	SWITCH ASSY, STOP LAMP	1	
14	09443-06046	SPRING	1	
15	37840-18J00	SWITCH ASSY, SIDE STAND	1	
16	01550-0620B	BOLT	2	
17	38740-33G00	RELAY ASSY, SIDE STAND	1	
18	38500-48H30	HORN ASSY	1	
19	38590-48H10	PLATE, HORN	1	
20	01550-0812B	BOLT	1	
21	01550-0612B	BOLT	1	
22	38740-33G00	RELAY ASSY, FUEL PUMP	1	
23	38740-33G00	RELAY ASSY, FAN MOTOR	1	
24	36851-48H01	WIRE, OIL PRESSURE SWITCH LEAD	1	
25	36618-48H00	PROTECTOR, WIRING HARNESS	1	



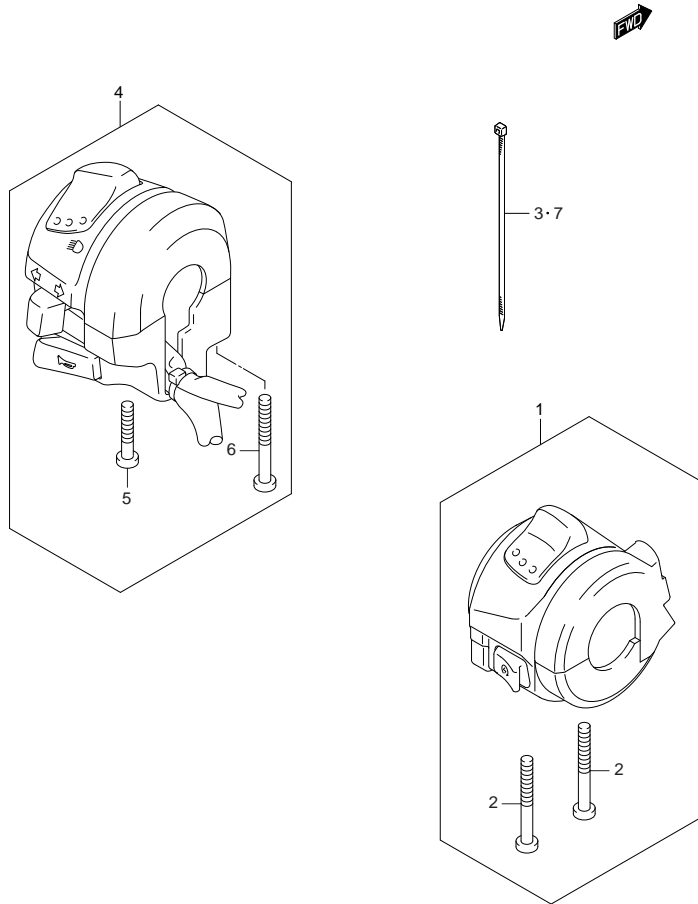
**FIG.32**



**FIG.32 (1-D-12) LOCK SET**

REF NO.	PART NO.	DESCRIPTION	Q'TY	REMARKS
1	37101-48840	LOCK SET	1	
2	37100-48H30	.LOCK ASSY, STEERING	1	
3	02112-3620B	SCREW	2	
4	37146-48H00	KEY, BLANK (TYPE:F)	1	OPT
5	37146-48H10	KEY, BLANK (TYPE:Z)	1	OPT

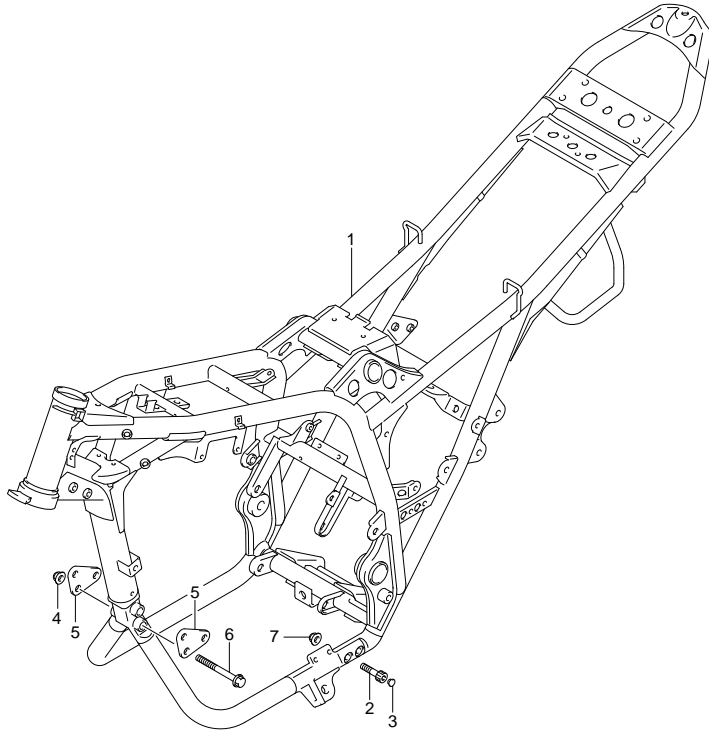
**FIG.33**



**FIG.33 (1-D-13) HANDLE SWITCH**

REF NO.	PART NO.	DESCRIPTION	Q'TY	REMARKS
1	37200-48H20	SWITCH ASSY, HANDLE RH	1	
2	02112-0530B	.SCREW	2	
3	09407-25402	CLAMP (L:250)	1	
4	37400-48H20	SWITCH ASSY, HANDLE LH	1	
5	02112-0525B	.SCREW	1	
6	02112-0545B	.SCREW	1	
7	09407-25402	CLAMP (L:250)	1	

**FIG.34**



**FIG.34 (1-D-14) FRAME**

REF NO.	PART NO.	DESCRIPTION	Q'TY	REMARKS
1	41100-48H20	FRAME	1	
2	09106-10068	BOLT (10X37)	2	
3	09250-08012	CAP (OD:12)	2	
4	08319-3110B	NUT	2	
5	41942-48H00	BRACKT, ENGINE MOUNTING FRONT	2	
6	09103-10445	BOLT (10X85)	2	
7	08319-3110B	NUT	2	



FIG.35

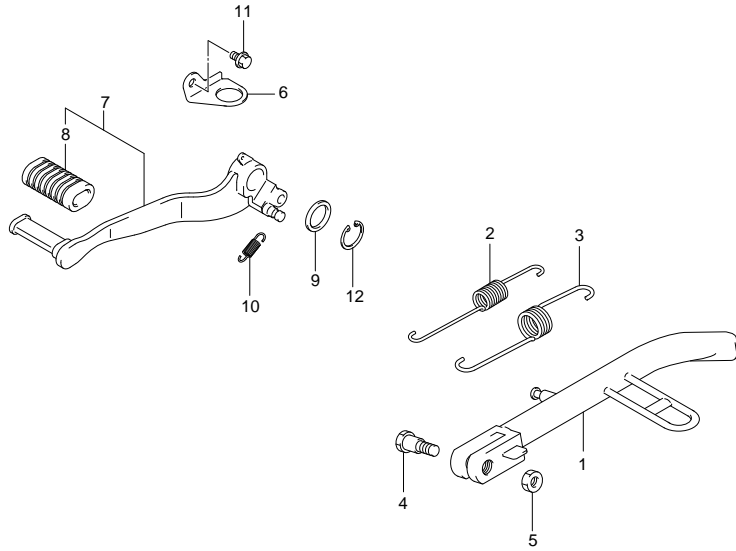


FIG.35 (1-D-15) STAND

REF NO.	PART NO.	DESCRIPTION	Q'TY	REMARKS
1	42310-48H00	STAND, PROP	1	
2	42421-48H00	SPRING, PROP STAND	1	
3	42422-48H00	SPRING, PROP STAND OUTER	1	
4	09111-10036	BOLT (10X38)	1	
5	42321-48H00	NUT	1	
6	41577-48H00	BRACKET, STOP LAMP SWITCH	1	
7	43110-48H10	PEDAL, BRAKE	1	
8	43151-48H00	.RUBBER, BRAKE PEDAL	1	
9	09160-18040	WASHER (18X24X1)	1	
10	09443-11033	SPRING	1	
11	01550-0508A	BOLT	1	
12	08331-3118A	CIRCLIP	1	

FIG.36

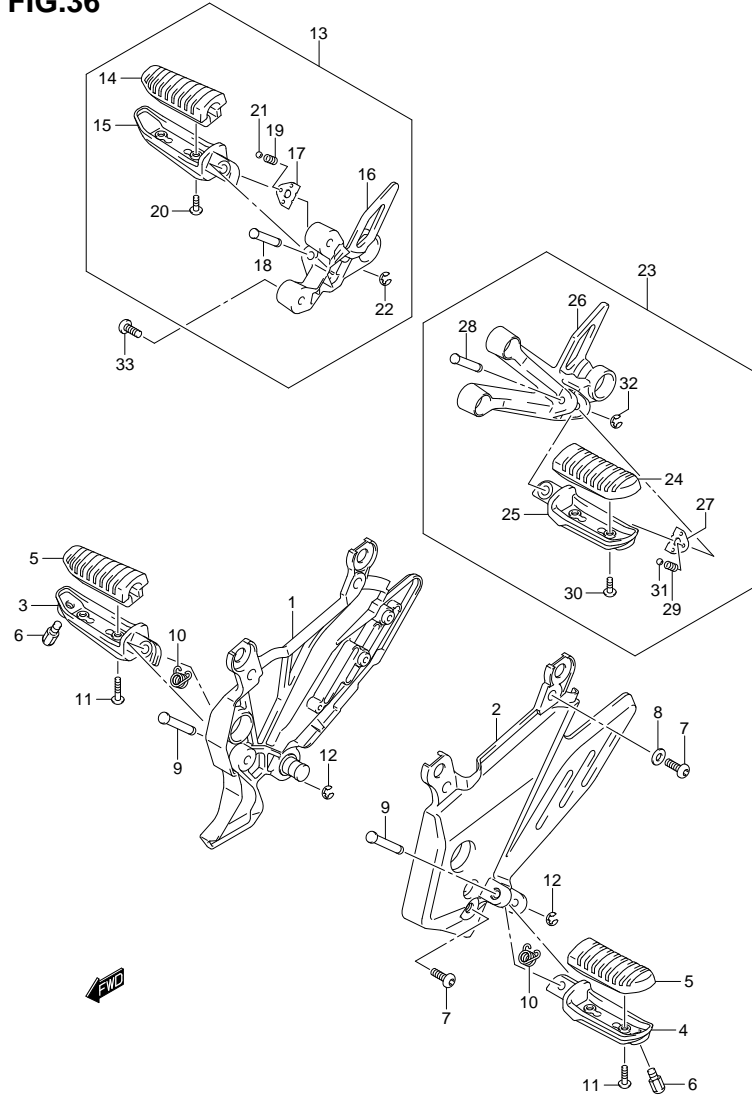


FIG.36 (1-E-2) FOOTREST

REF NO.	PART NO.	DESCRIPTION	Q'TY	REMARKS
1	43510-48H00	BRACKET, FOOTREST RH	1	
2	43521-48H00	BRACKET, FOOTREST LH	1	
3	43511-44G10	BAR, FRONT FOOTREST RH	1	
4	43521-44G10	BAR, FRONT FOOTREST LH	1	
5	43550-44G20	RUBBER, FOOTREST	2	
6	43576-48H00	BOLT, BANK SENSOR	2	
7	09106-08194	BOLT (8X20)	6	
8	09160-09015	WASHER (9X19X1.0)	4	
9	09208-08022	PIN	2	
10	09448-16033	SPRING	2	
11	02142-0512A	SCREW	4	
12	08332-1106A	E RING	2	
13	43600-48H00	FOOTREST ASSY, PILLION RH	1	
14	43550-44G00	.RUBBER, FOOTREST	1	
15	43611-44G00	.BAR, PILLION FOOTREST RH	1	
16	43811-48H00	.BRACKET, PILLION FOOTREST RH	1	
17	43816-01H10	.PLATE, PILLION FOOTREST	1	
18	09208-08021	.PIN	1	
19	09440-05003	.SPRING	1	
20	02142-0512A	.SCREW	2	
21	06111-07004	.BALL	1	
22	08332-1106A	.E RING	1	
23	43700-48H00	FOOTREST ASSY, PILLION LH	1	
24	43550-44G00	.RUBBER, FOOTREST	1	
25	43621-44G00	.BAR, PILLION FOOTREST LH	1	
26	43821-48H00	.BRACKET, PILLION FOOTREST LH	1	

FIG.36

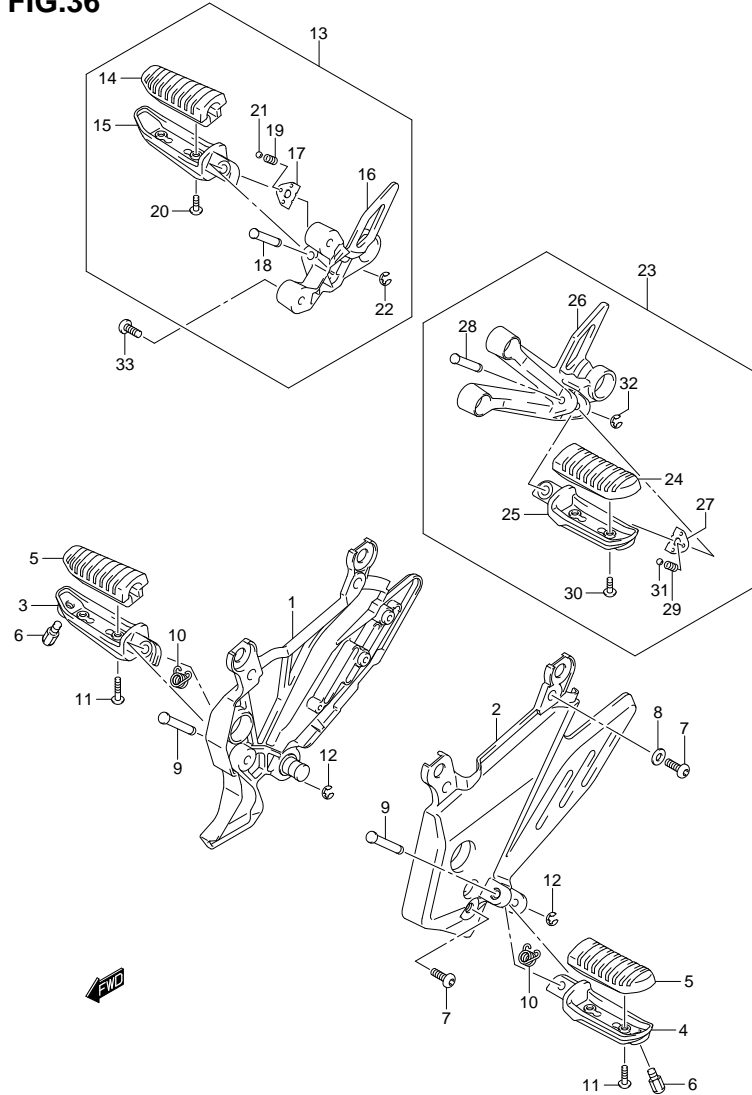
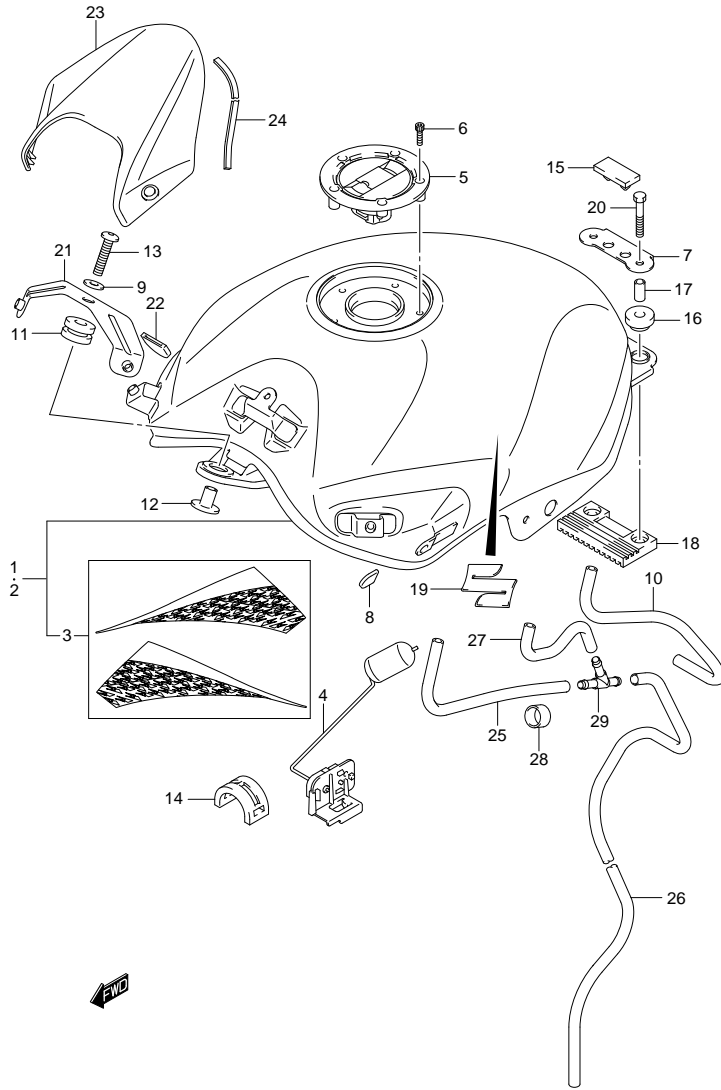


FIG.36 (1-E-3) FOOTREST

REF NO.	PART NO.	DESCRIPTION	Q'TY	REMARKS
27	43816-01H10	.PLATE, PILLION FOOTREST	1	
28	09208-08021	.PIN	1	
29	09440-05003	.SPRING	1	
30	02142-0512A	.SCREW	2	
31	06111-07004	.BALL	1	
32	08332-1106A	.E RING	1	
33	09106-08150	BOLT (8X23)	4	

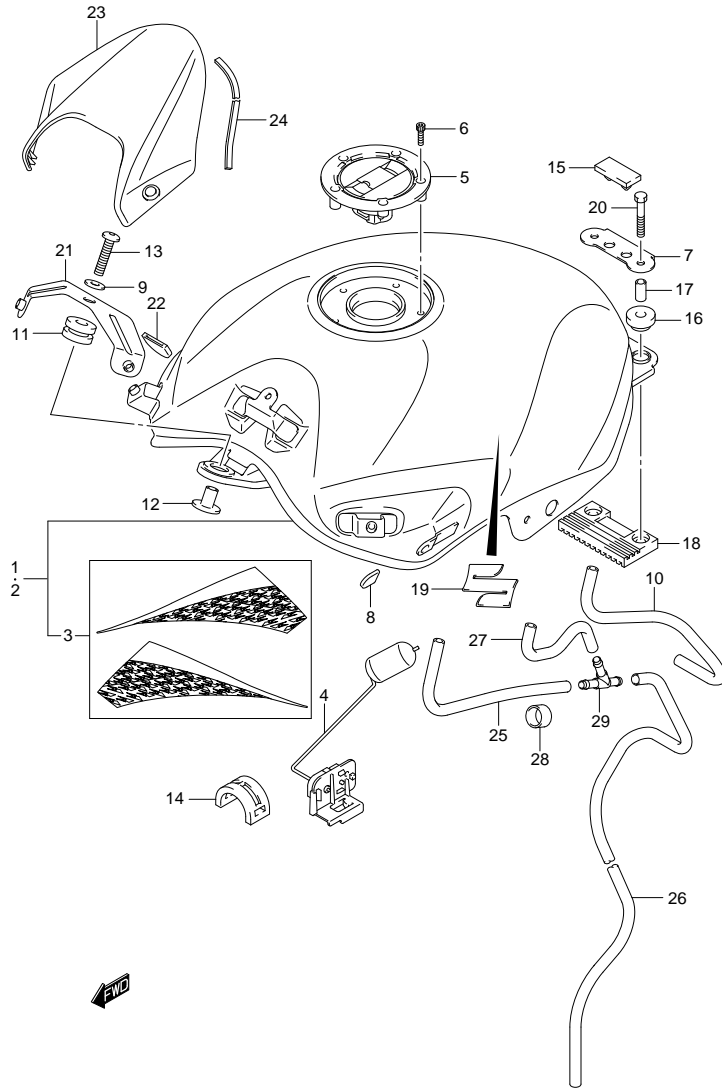
**FIG.37**



**FIG.37 (1-E-4) FUEL TANK**

REF NO.	PART NO.	DESCRIPTION	Q'TY	REMARKS
1-1	44100-48H30-YAY	TANK ASSY, FUEL (BLACK)	1	FOR YAY
1-2	44100-48H30-PDD	TANK ASSY, FUEL (RED)	1	FOR PDD
2	44100-48H50-AGQ	TANK ASSY, FUEL (BLUE/WHITE)	1	FOR AGQ
3	68110-48H00-AGQ	.TAPE SET, FUEL TANK (BLUE/WHITE)		
4	34810-48H00	GAUGE ASSY, FUEL LEVEL SENDER	1	
5	44200-48H00	CAP ASSY, FUEL TANK FILLER	1	
6	44211-48H00	BOLT (5X20)	3	
7	44146-48H00	WASHER, REAR BRACKET	1	
8	44276-48H00	CUSHION, FUEL TANK COVER	3	
9	44262-48H00	WASHER, FUEL TANK FRONT	1	
10	44423-48H00	HOSE, FUEL TANK WATER DRAIN	1	
11	44511-48H00	CUSHION, FUEL TANK FRONT	1	
12	44512-48H00	SPACER, FUEL TANK FRONT	1	
13	44513-48H00	SCREW, FUEL TANK FRONT	1	
14	44541-48H00	CUSHION, FUEL TANK SIDE	2	
15	44542-48H00	CUSHION, REAR BRACKET	1	
16	44543-48H00	CUSHION, FUEL TANK REAR UPPER	2	
17	44544-48H00	SPACER, FUEL TANK REAR	2	
18	44545-48H00	CUSHION, FUEL TANK REAR LOWER	1	
19	68111-47HA0	EMBLEM, "S"	2	
20	01500-0635A	BOLT	2	

**FIG.37**



**FIG.37 (1-E-5) FUEL TANK**

REF NO.	PART NO.	DESCRIPTION	Q'TY	REMARKS
21	44160-48H00	BRACKET, FUEL TANK COVER	1	
22	44164-48H00	CUSHION, TANK COVER BRACKET	1	
23-1	44191-48H00-YMD	COVER, FUEL TANK CENTER (SILVER)	1	FOR YAY,PDD
23-2	44191-48H00-YSF	COVER, FUEL TANK CENTER (BLUE)	1	FOR AGQ
24	44277-48H00	CUSHION, TANK COVER CENTER	1	
25	44424-48H00	HOSE, FUEL TANK BREATHER NO.1	1	
26	44424-48H10	HOSE, FUEL TANK BREATHER NO.2	1	
27	44424-48H20	HOSE, FUEL TANK BREATHER NO.3	1	
28	44424-48H30	HOSE, FUEL TANK BREATHER NO.4	1	
29	44438-48H00	JOINT, 3 WAY	1	

COLOR : AGQ=YSF(BLUE),YWW(WHITE)

FIG.38

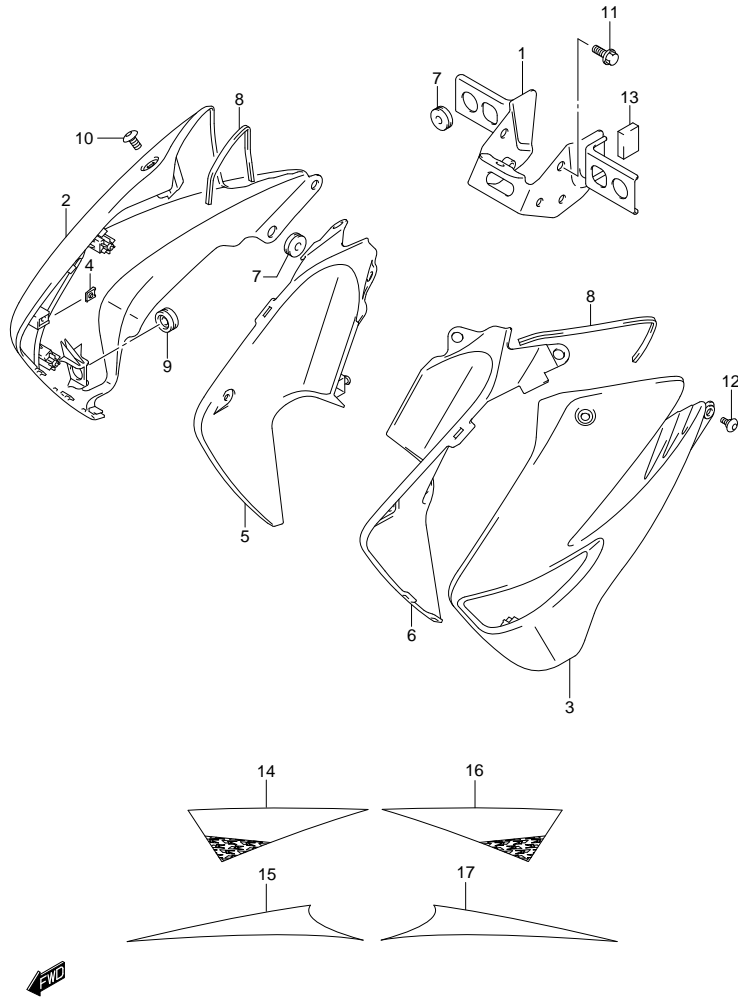
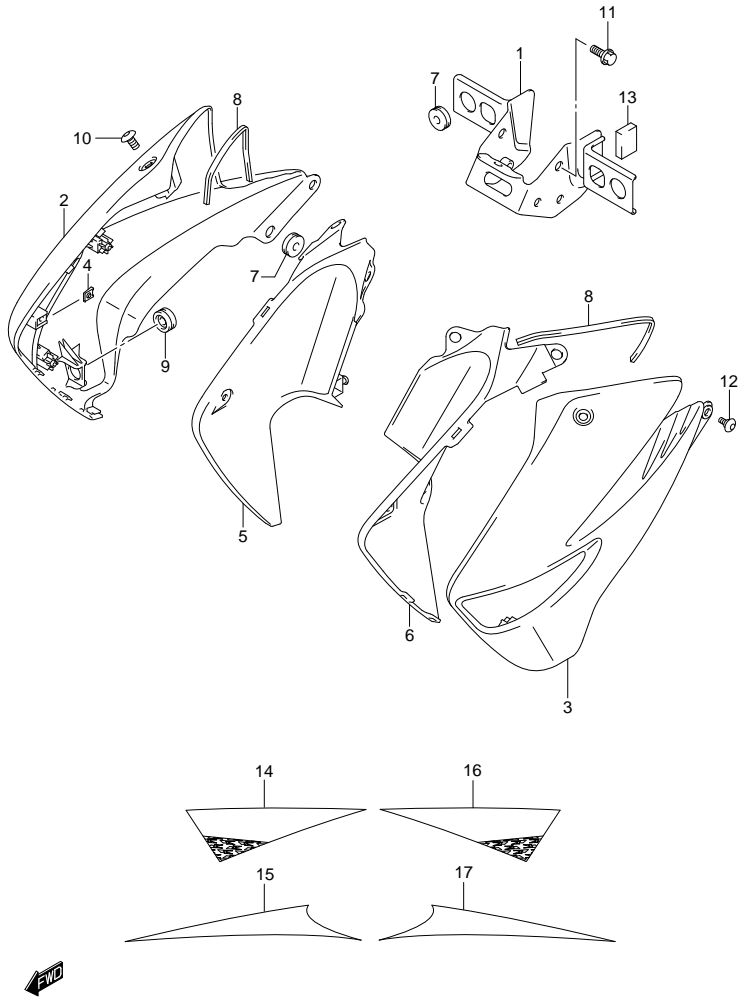


FIG.38 (1-E-6) FUEL TANK COVER

REF NO.	PART NO.	DESCRIPTION	Q'TY	REMARKS
1	44150-48H00	BRACKET, FRONT SIDE COVER	1	
2-1	44171-48H00-PDD	COVER, FUEL TANK RH (RED)	1	
2-2	44171-48H00-YAY	COVER, FUEL TANK RH (BLACK)	1	
2-3	44171-48H00-AGQ	COVER, FUEL TANK RH (BLUE/WHITE)	1	
3-1	44181-48H00-PDD	COVER, FUEL TANK LH (RED)	1	
3-2	44181-48H00-YAY	COVER, FUEL TANK LH (BLACK)	1	
3-3	44181-48H00-AGQ	COVER, FUEL TANK LH (BLUE/WHITE)	1	
4	44261-48H00	NUT, FUEL TANK COVER	2	
5	44271-48H00	COVER, FUEL TANK FRONT RH	1	
6	44281-48H00	COVER, FUEL TANK FR LH	1	
7	44274-48H00	CUSHION, FUEL TANK COVER	4	
8	44278-48H00	CUSHION, FUEL TANK COVER SIDE	2	
9	44279-48H00	CUSHION, FUEL TANK COVER	2	
10	09139-06172	SCREW (6X10)	4	
11	01550-0616B	BOLT	3	
12	44514-48H00	SCREW (6X12)	2	
13	44153-48H00	CUSHION, COVER BRACKET	2	

**FIG.38**



**FIG.38 (1-E-7) FUEL TANK COVER**

REF NO.	PART NO.	DESCRIPTION	Q'TY	REMARKS
14	68115-48H00-AGQ	TAPE, TANK COVER NO.1 RH (BLUE/WHITE)	1	FOR AGQ
15	68116-48H00-AGQ	TAPE, TANK COVER NO.2 RH (BLUE/WHITE)	1	FOR AGQ
16	68125-48H00-AGQ	TAPE, TANK COVER NO.1 LH (BLUE/WHITE)	1	FOR AGQ
17	68126-48H00-AGQ	TAPE, TANK COVER NO.2 LH (BLUE/WHITE)	1	FOR AGQ

COLOR : AGQ=YSF(BLUE),YWW(WHITE)

FIG.39

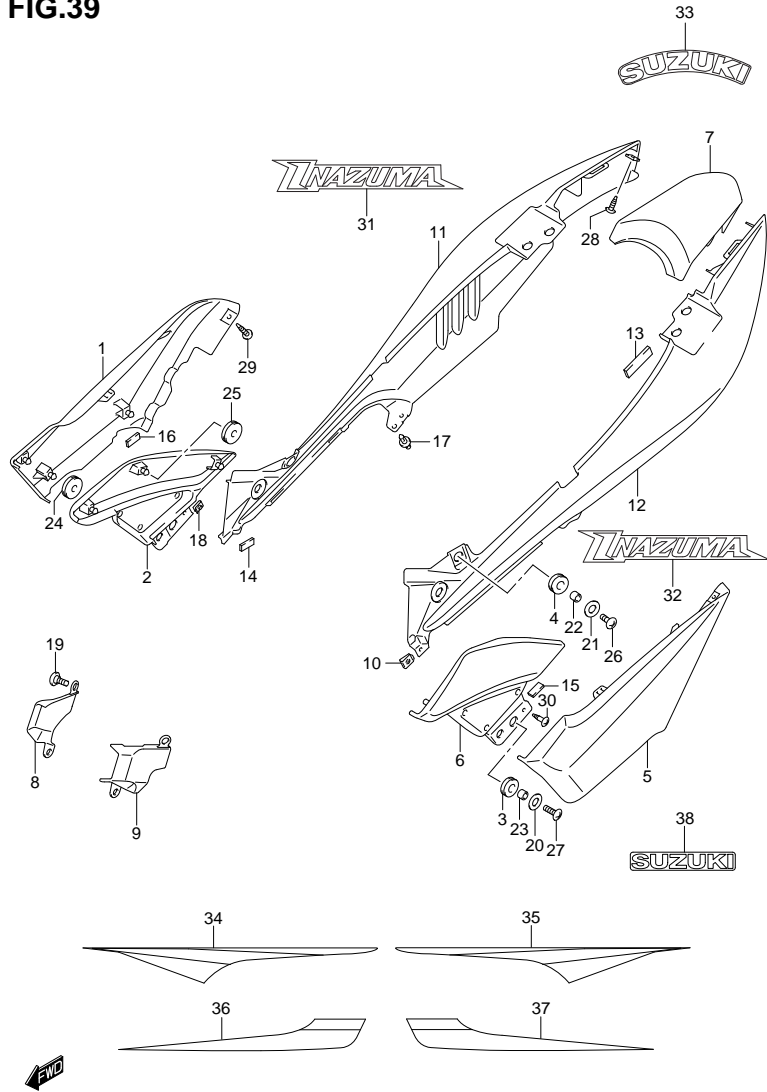


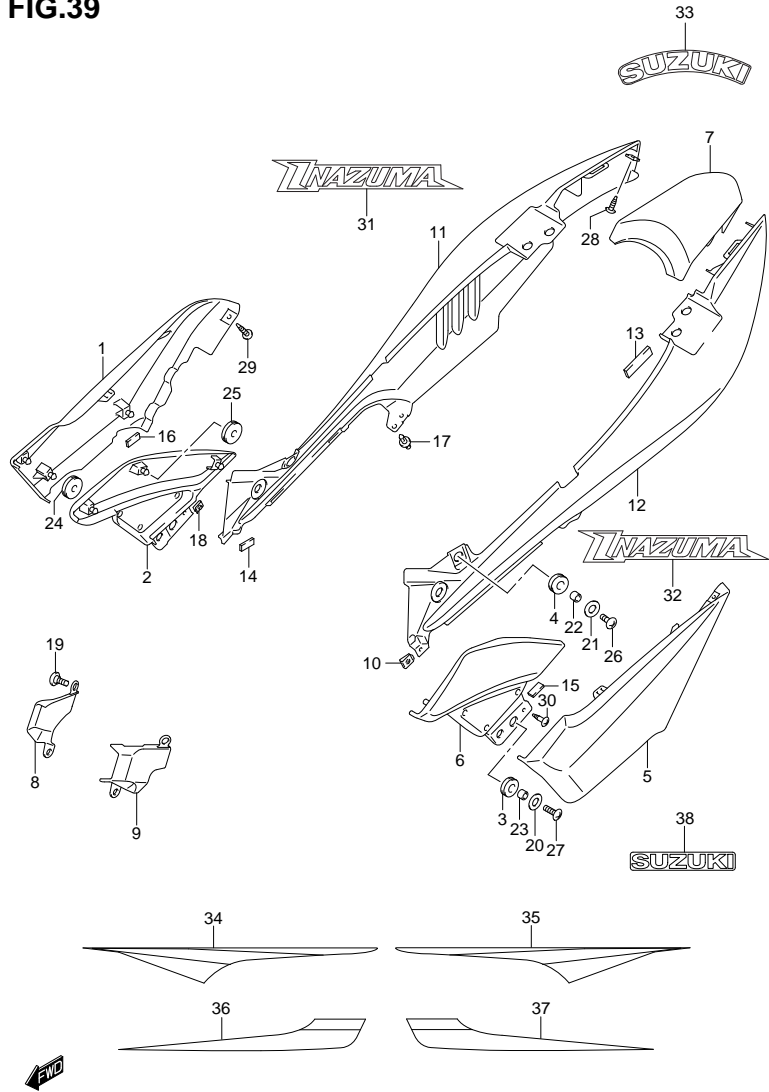
FIG.39 (1-E-8) FRAME COVER

REF NO.	PART NO.	DESCRIPTION	Q'TY	REMARKS
1-1	47111-48H00-YAY	COVER, FRAME RH (BLACK)	1	FOR AGQ
1-2	47111-48H00-YKV	COVER, FRAME RH (BLACK)	1	FOR YAY,PDD
2-1	47121-48H00-AB4	COVER, FRAME FRONT RH (SILVER/BLACK)	1	FOR YAY,PDD
2-2	47121-48H00-AQ8	COVER, FRAME FRONT RH (BLACK)	1	FOR AGQ
3	47161-48H00	CUSHION, COVER FRONT	2	
4	47161-48H00	CUSHION, COVER UPPER	2	
5-1	47211-48H00-YAY	COVER, FRAME LH (BLACK)	1	FOR AGQ
5-2	47211-48H00-YKV	COVER, FRAME LH (BLACK)	1	FOR YAY,PDD
6-1	47221-48H00-AB4	COVER, FRAME FRONT LH (SILVER/BLACK)	1	FOR YAY,PDD
6-2	47221-48H00-AQ8	COVER, FRAME FRONT LH (BLACK)	1	FOR AGQ
7-1	47311-48H00-YAY	COVER, FRAME UPPER CENTER (BLACK)	1	FOR YAY
7-2	47311-48H00-PDD	COVER, FRAME UPPER CENTER (RED)	1	FOR PDD
7-3	47311-48H00-YSF	COVER, FRAME UPPER CENTER (BLUE)	1	FOR AGQ
8	47351-48H00	COVER, FRAME HEAD RH	1	
9	47361-48H00	COVER, FRAME HEAD LH	1	
10	47399-48H00	NUT	4	

FIG.39

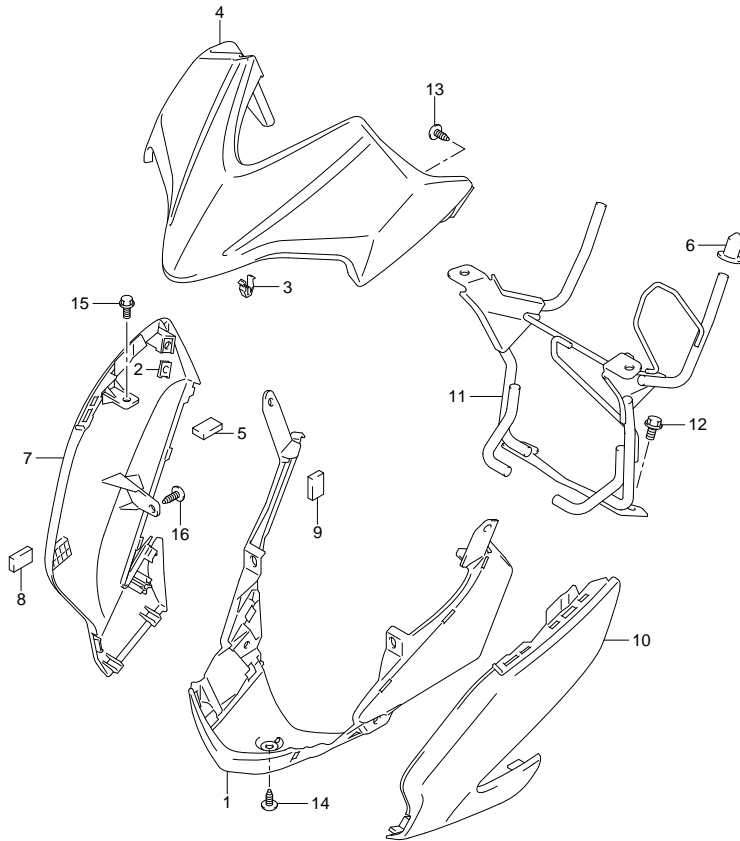
FIG.39 (1-E-9) FRAME COVER

REF NO.	PART NO.	DESCRIPTION	Q'TY	REMARKS
11-1	47831-48H00-YAY	COVER, FRAME UPPER RH (BLACK)	1	FOR YAY
11-2	47831-48H00-PDD	COVER, FRAME UPPER RH (RED)	1	FOR PDD
11-3	47831-48H00-YSF	COVER, FRAME UPPER RH (BLUE)	1	FOR AGQ
12-1	47841-48H00-YAY	COVER, FRAME UPPER LH (BLACK)	1	FOR YAY
12-2	47841-48H00-PDD	COVER, FRAME UPPER LH (RED)	1	FOR PDD
12-3	47841-48H00-YSF	COVER, FRAME UPPER LH (BLUE)	1	FOR AGQ
13	47845-48H00	CUSHION, COVER UPPER REAR	1	
14	47846-48H00	CUSHION, COVER UPPER	2	
15	47846-48H00	CUSHION, COVER FRONT	2	
16	47846-48H00	CUSHION, FRAME COVER	2	
17	48292-32GH0	CLIP, COVER UPPER	4	
18	93162-37G00	NUT, COVER FRAME FRONT	2	
19	47353-48H00	SCREW, FRAME HEAD COVER	4	
20	09160-06077	WASHER (6.5X20X1.2)	2	
21	09160-06077	WASHER (6.5X20X1.2)	2	
22	09180-06283	SPACER (6.5X10X7)	2	
23	09180-06283	SPACER (6.5X10X7)	2	
24	09320-08018	CUSHION	6	
25	09320-08018	CUSHION	4	
26	02142-0620A	SCREW	2	
27	02142-0620A	SCREW	2	
28	03541-0516A	SCREW	4	
29	03541-0516A	SCREW	2	
30	03541-0516A	SCREW	2	





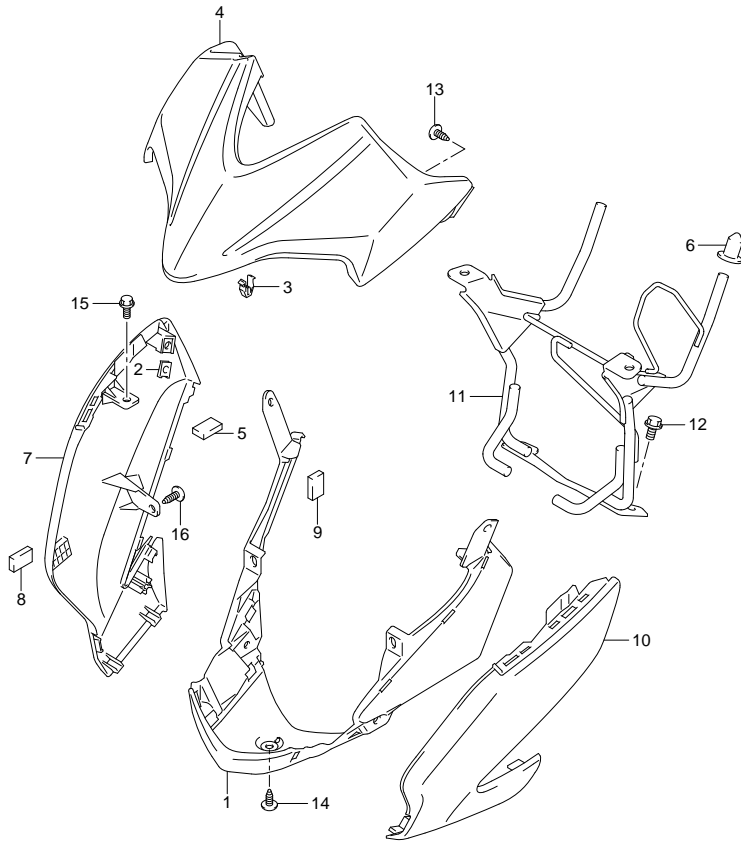
**FIG.40**



**FIG.40 (1-E-11) HEADLAMP HOUSING**

REF NO.	PART NO.	DESCRIPTION	Q'TY	REMARKS
1-1	51811-48H00-FJA	COVER, HEADLAMP LOWER (SILVER/BLACK)	1	FOR YAY,PDD
1-2	51811-48H00-FNF	COVER, HEADLAMP LOWER (BLUE/BLACK)	1	FOR AGQ
2	35157-48H00	NUT, HEADLAMP SIDE	2	
3	48291-32GH0	CLIP, HEADLAMP UPPER	2	
4-1	51821-48H01-YAY	COVER, HEADLAMP UPPER (BLACK)	1	FOR YAY,PDD
4-2	51821-48H01-YSF	COVER, HEADLAMP UPPER (BLUE)	1	FOR AGQ
5	51822-48H00	CUSHION, HEADLAMP UPPER	1	
6	51827-48H00	CUSHION, HOUSING BRACE	4	
7-1	51831-48H00-PDD	COVER, HEADLAMP SIDE RH (RED)	1	FOR PDD
7-2	51831-48H00-YAY	COVER, HEADLAMP SIDE RH (BLACK)	1	FOR YAY
7-3	51831-48H00-YWW	COVER, HEADLAMP SIDE RH (WHITE)	1	FOR AGQ
8	51832-48H00	CUSHION, HEADLAMP SIDE	2	
9	51832-48H00	CUSHION, HEADLAMP LOWER	2	
10-1	51841-48H00-PDD	COVER, HEADLAMP SIDE LH (RED)	1	FOR PDD
10-2	51841-48H00-YAY	COVER, HEADLAMP SIDE LH (BLACK)	1	FOR YAY
10-3	51841-48H00-YWW	COVER, HEADLAMP SIDE RH (WHITE)	1	FOR AGQ

**FIG.40**



**FIG.40 (1-E-12) HEADLAMP HOUSING**

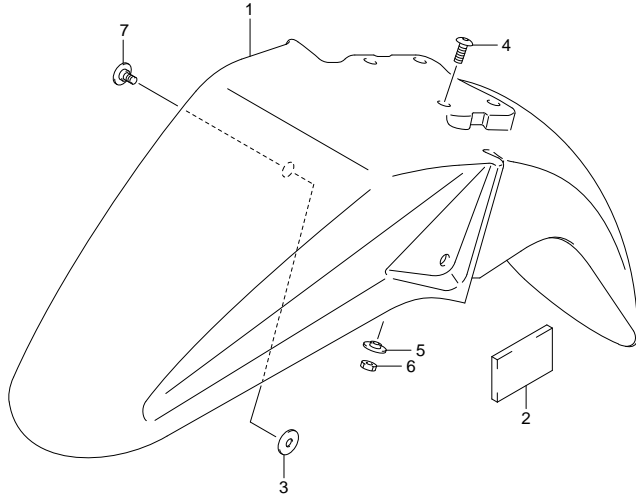
REF NO.	PART NO.	DESCRIPTION	Q'TY	REMARKS
11	51850-48H00	BRACE, HEADLAMP HOUSING	1	
12	01550-0612B	BOLT	2	
13	03541-0516B	SCREW	2	
14	03541-0516B	SCREW	3	
15	03541-0516B	SCREW	2	
16	03541-0520A	SCREW	2	

COLOR : AGQ=YSF(BLUE),YWW(WHITE)

**FIG.41**

**FIG.41 (1-E-13) FRONT FENDER**

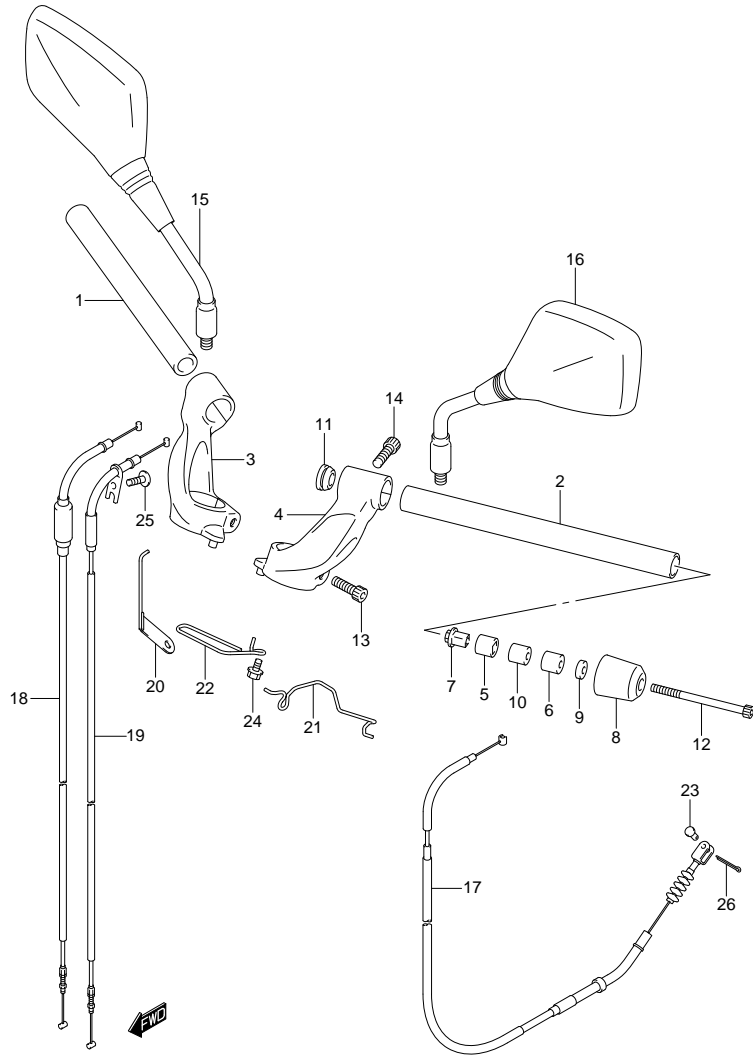
REF NO.	PART NO.	DESCRIPTION	QTY	REMARKS
1-1	53111-48H00-APW	FENDER, FRONT (BLUE/BLACK)	1	FOR AGQ
1-2	53111-48H00-AQ8	FENDER, FRONT (BLACK)	1	FOR YAY
1-3	53111-48H00-AS2	FENDER, FRONT (RED/BLACK)	1	FOR PDD
2	53145-48H00	CUSHION, FRONT FENDER	2	
3	53276-48H00	WASHER, PLANE	1	
4	09139-06030	SCREW (6X16)	4	
5	09169-06031	WASHER	4	
6	08319-2106A	NUT	4	
7	53135-48H00	SCREW, FRONT FENDER FRONT	2	



COLOR : AGQ=YSF(BLUE),YWW(WHITE)



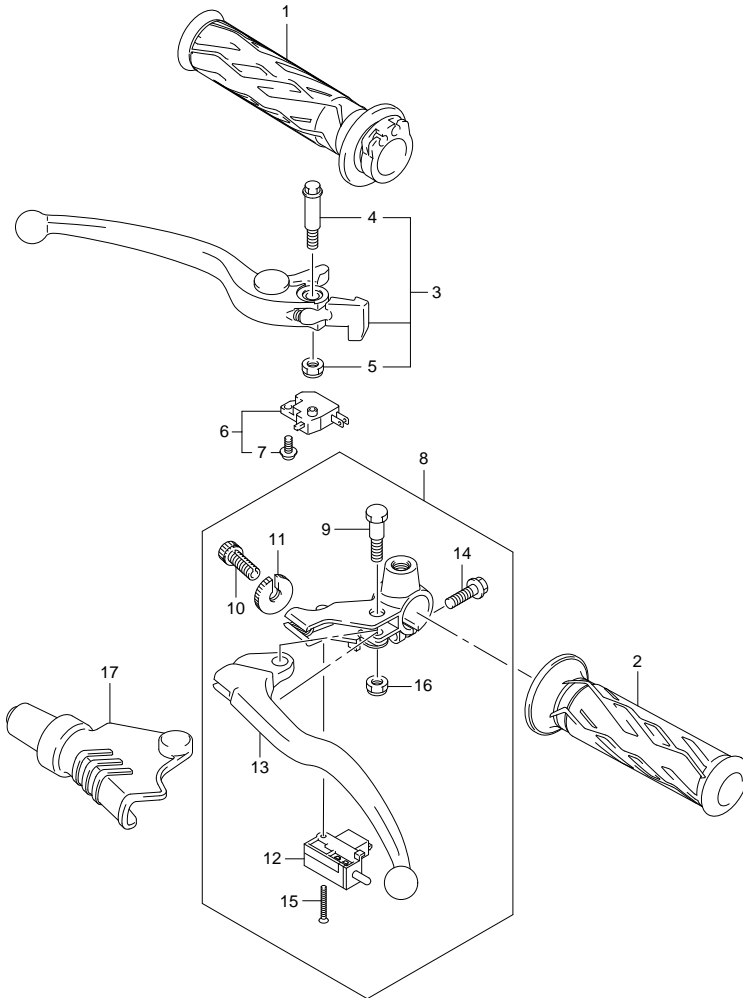
**FIG.42**



**FIG.42 (1-E-14) HANDLEBAR**

REF NO.	PART NO.	DESCRIPTION	Q'TY	REMARKS
1	56111-48H00	HANDLEBAR RH	1	
2	56151-48H00	HANDLEBAR LH	1	
3	56211-48H00	HOLDER, HANDLEBAR RH	1	
4	56221-48H00	HOLDER, HANDLEBAR LH	1	
5	56272-10G00	EXPANDER, HANDLE BALANCER	2	
6	56272-42F00	EXPANDER, HANDLE BALANCER	2	
7	56273-10G10	NUT, HANDLE BALANCER	2	
8	56278-48H00	BALANCER, HANDLEBAR	2	
9	09160-06131	WASHER (6.5X16X4)	2	
10	09180-06161	SPACER (6.5X16X15)	2	
11	09250-18003	PLUG (OD:22)	2	
12	07130-0680B	BOLT	2	
13	07130-0825A	BOLT	2	
14	07130-0830A	BOLT	2	
15	56500-48H10	MIRROR ASSY, REAR VIEW RH	1	
16	56600-48H10	MIRROR ASSY, REAR VIEW LH	1	
17	58200-48H21	CABLE ASSY, CLUTCH	1	
18	58300-48H60	CABLE ASSY, THROTTLE NO.1	1	
19	58300-48H70	CABLE ASSY, THROTTLE NO.2	1	
20	58620-48H31	GUIDE, GUIDE	1	
21	58621-48H01	GUIDE, CLUTCH CABLE	1	
22	58621-48H10	GUIDE, CABLE	1	
23	09200-06071	PIN	1	
24	01550-0612B	BOLT	2	
25	02142-0510B	SCREW	1	
26	04111-2015A	COTTER PIN	1	

**FIG.43**



**FIG.43 (1-E-15) HANDLE LEVER**

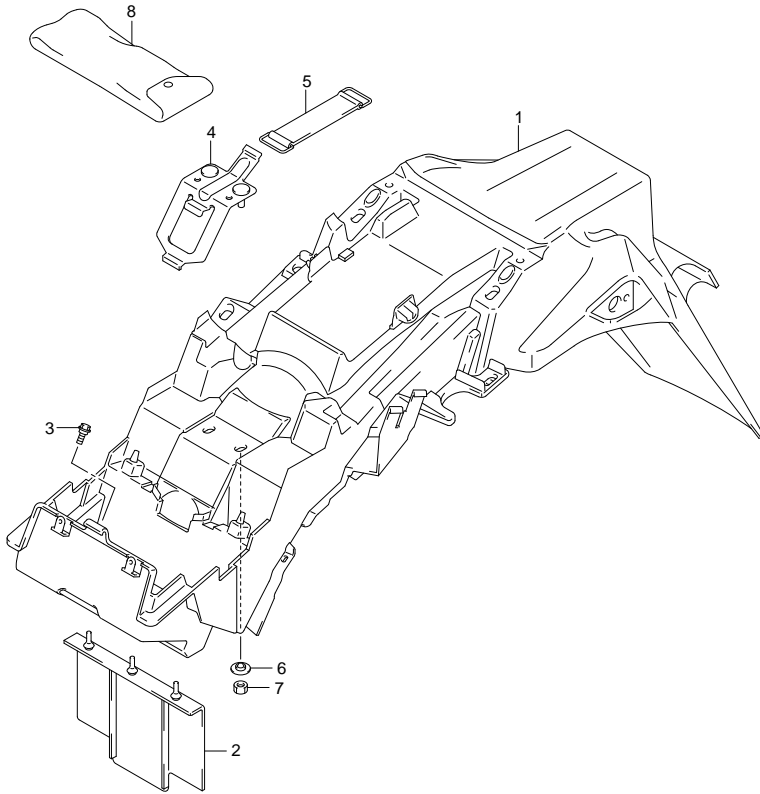
REF NO.	PART NO.	DESCRIPTION	Q'TY	REMARKS
1	57110-48H00	GRIP, THROTTLE	1	
2	57211-48H00	GRIP, LH	1	
3	57300-48H01	LEVER ASSY, BRAKE	1	
4	57431-48H10	.BOLT, LEVER PIVOT	1	
5	08319-2106A	.NUT	1	
6	57460-14J01	SWITCH ASSY, FRONT BRAKE	1	
7	57465-17C00	.SCREW	1	
8	57500-48H01	LEVER ASSY, CLUTCH	1	
9	57431-17H02	.BOLT, LEVER PIVOT	1	
10	57441-48H00	ADJUSTER, WIRE	1	
11	57442-48H00	.NUT, LOCK	1	
12	57560-48H00	.SWITCH ASSY, CLUTCH	1	
13	57621-48H01	.LEVER, CLUTCH	1	
14	01547-0620B	.BOLT	1	
15	02122-0320A	.SCREW	1	
16	08319-2106A	.NUT	1	
17	57661-48H00	COVER, CLUTCH LEVER	1	



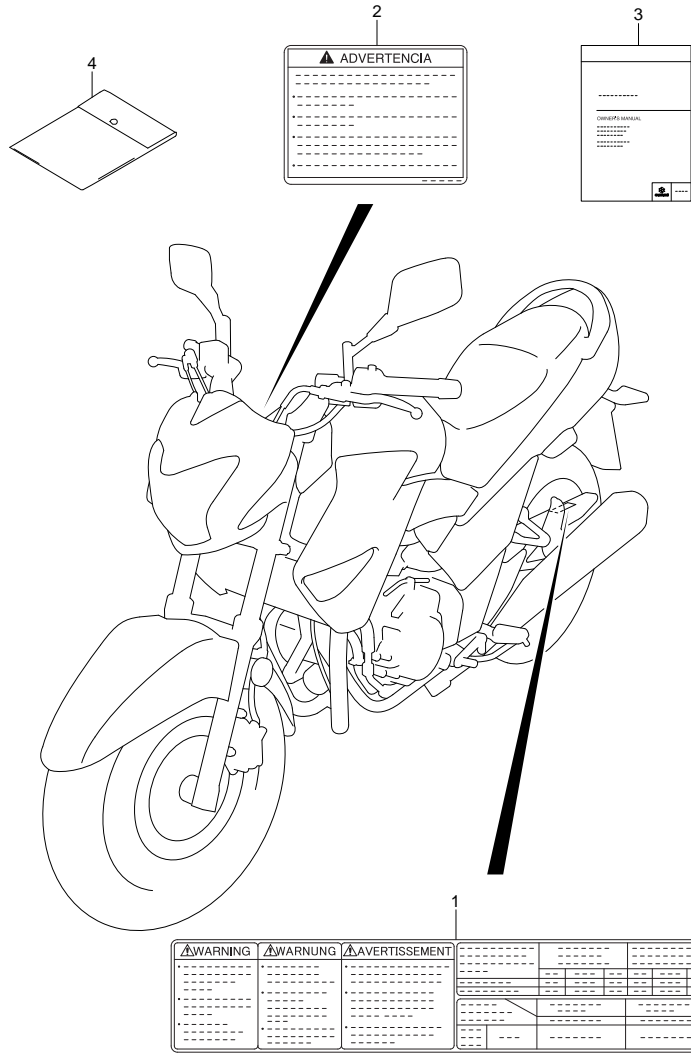
**FIG.44**

**FIG.44 (1-F-2) REAR FENDER**

REF NO.	PART NO.	DESCRIPTION	Q'TY	REMARKS
1	63111-48H02	FENDER, REAR	1	
2	63113-48H00	MUDGUARD, REAR FENDER	1	
3	09111-06107	BOLT (6X12)	6	
4	41550-48H00	HOLDER, TOOL	1	
5	47435-48H00	BAND, TOOL	1	
6	47445-48H00	WASHER, TOOL HOLDER	2	
7	08316-1006A	NUT	2	
8	96510-48H00	TOOL ASSY	1	



**FIG.45**



**FIG.45 (1-F-3) LABEL**

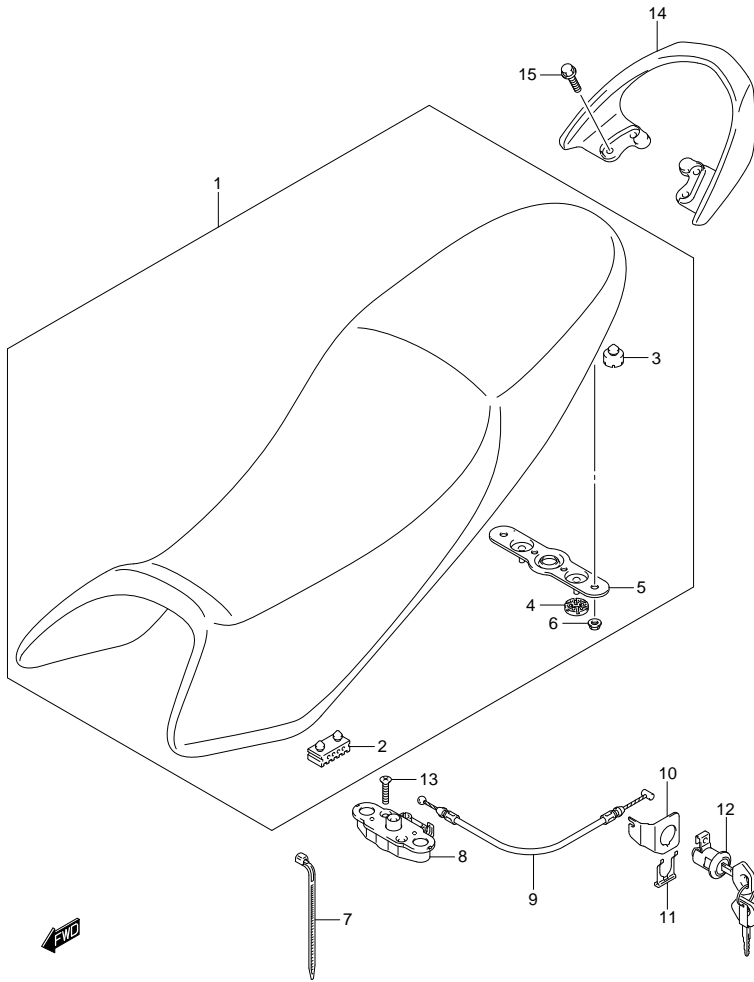
REF NO.	PART NO.	DESCRIPTION	QTY	REMARKS
1	68332-48H30	LABEL, TIRE INFORMATION	1	
2	68319-29F50	LABEL, WARNING (SPANISH)	1	
3	99011-48H51-71S	MANUAL, OWNER'S (SPANISH)	1	
4	94980-42A01	BAG, OWNER'S MANUAL	1	

**FIG.46**

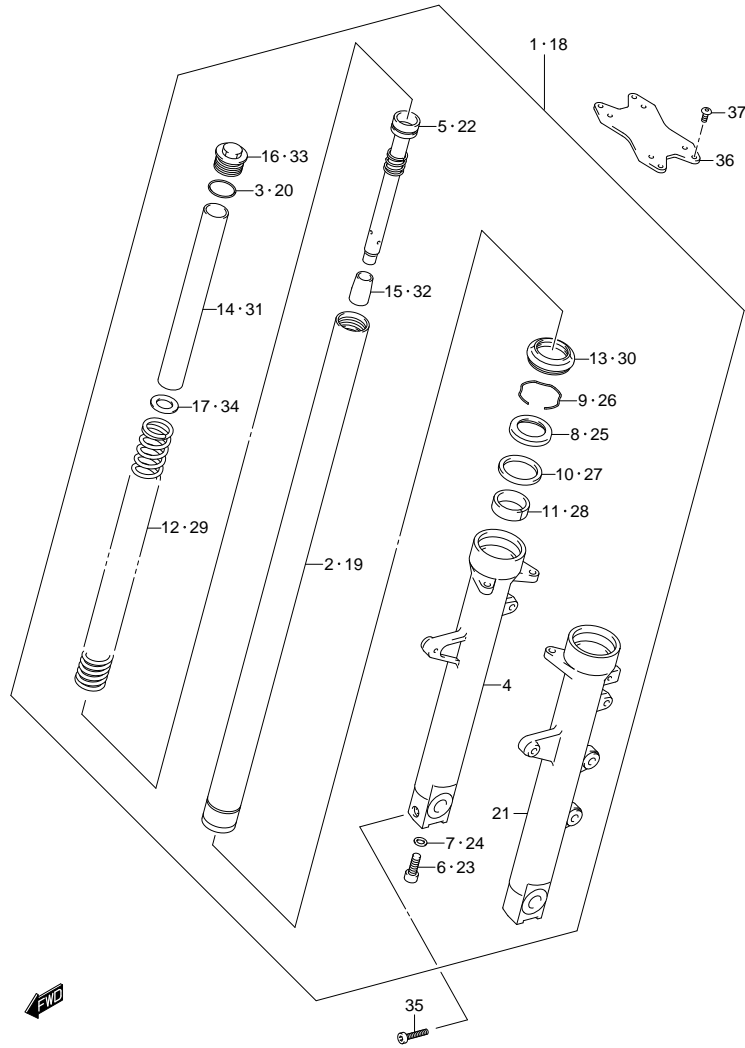
**FIG.46 (1-F-4) SEAT**

REF NO.	PART NO.	DESCRIPTION	Q'TY	REMARKS
1	45100-48H00-PEH	SEAT ASSY (BLACK)	1	
2	45147-12FB0	.CUSHION, SEAT MOUNT	4	
3	45148-20G50	.CUSHION, SEAT MOUNT	2	
4	45213-13601	.CUSHION, SEAT LOCK STRIKER	2	
5	45290-28D00	.STRIKER, SEAT LOCK	1	
6	08316-1006B	.NUT	2	
7	36990-32G10	CLAMP, SEAT LOCK CABLE	1	
8	45220-45F10	BRACKET, SEAT SUPPORT	1	
9	45280-48H00	CABLE, SEAT LOCK	1	
10	45288-09GB0	GUIDE, SEAT LOCK CABLE	1	
11	45289-09GB0	PLATE, SEAT LOCK ASSY	1	
12	95700-09GC0	LOCK ASSY, SEAT	1	
13	02122-0630B	SCREW	2	
14-1	46211-48H01-YLN	HANDLE, PILLION RIDER (SILVER)	1	FOR YAY,PDD
14-2	46211-48H01-YGA	HANDLE, PILLION RIDER (BLACK)	1	FOR AGQ
15	01550-0825A	BOLT	4	

COLOR : AGQ=YSF(BLUE),YWW(WHITE)



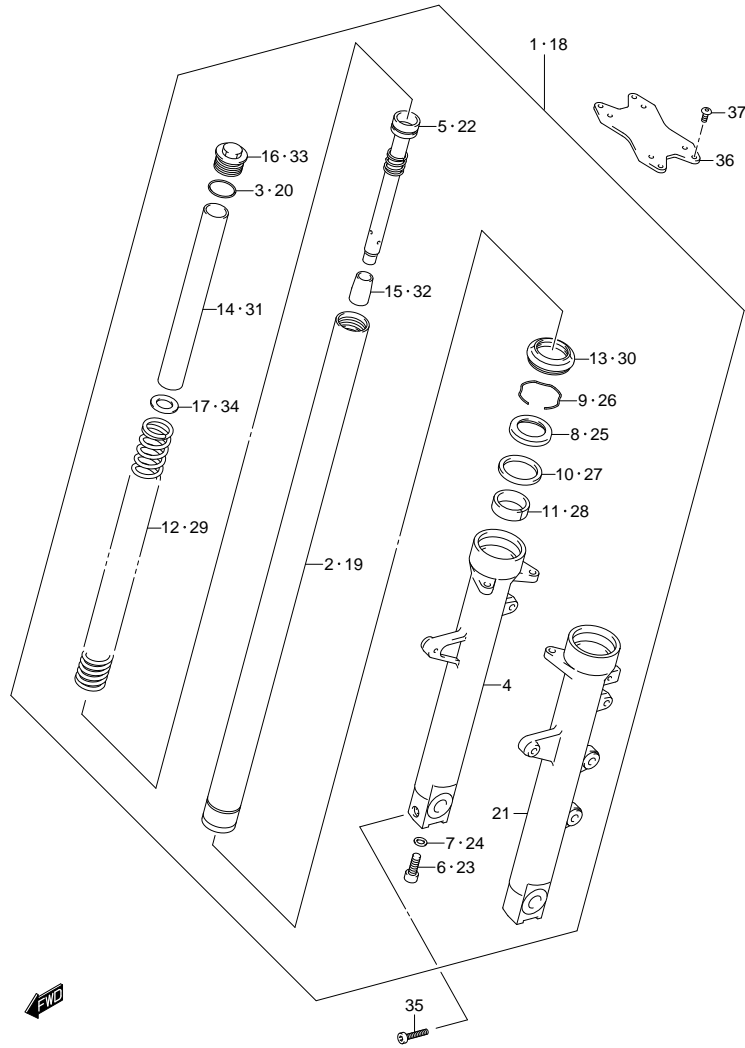
**FIG.47**



**FIG.47 (1-F-5) FRONT FORK DAMPER**

REF NO.	PART NO.	DESCRIPTION	Q'TY	REMARKS
1	51103-48H40	DAMPER ASSY, FRONT FORK RH	1	
2	51110-48H40	.TUBE, INNER	1	
3	51117-38260	.O RING	1	
4	51130-48H10	.TUBE, OUTER	1	
5	51146-48H00	.CYLINDER	1	
6	51147-05H00	.BOLT	1	
7	51148-41310	.GASKET	1	
8	51153-26F00	.OIL SEAL	1	
9	51156-40301	.RING, STOPPER	1	
10	51158-48H00	.WASHER	1	
11	51167-01D00	.METAL, SLIDE	1	
12	51171-48H00	.SPRING	1	
13	51173-48H00	.SEAL, DUST	1	
14	51176-48H00	.SPACER	1	
15	51195-48H00	.PIECE, OIL LOCK	1	
16	51351-48H00	.CAP	1	
17	51356-48H00	.WASHER	1	

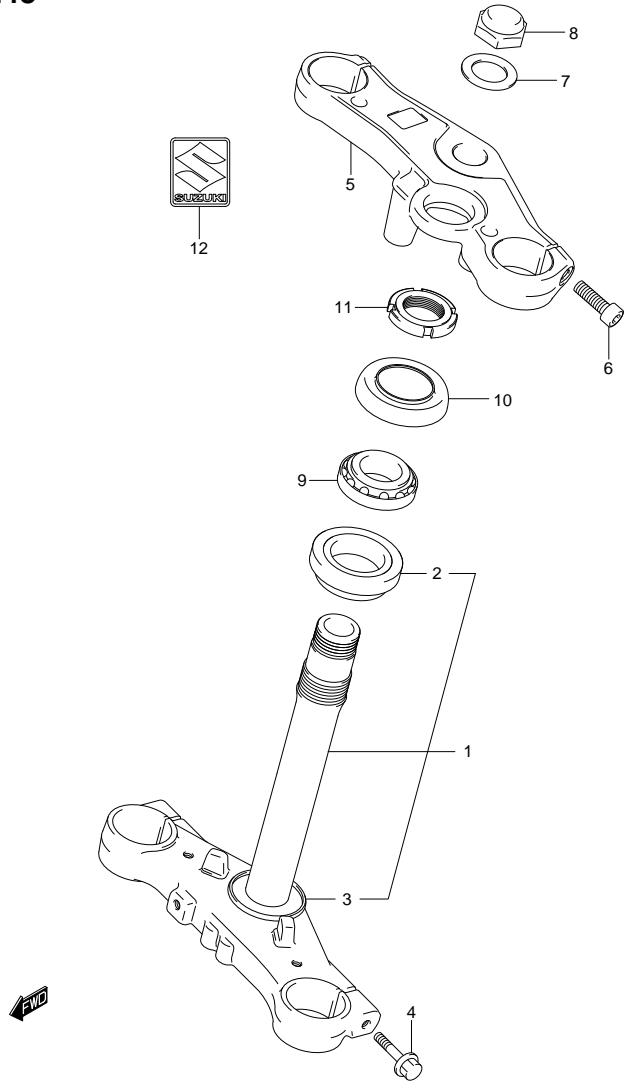
**FIG.47**



**FIG.47 (1-F-6) FRONT FORK DAMPER**

REF NO.	PART NO.	DESCRIPTION	Q'TY	REMARKS
18	51104-48H40	DAMPER ASSY, FRONT FORK LH	1	
19	51110-48H40	.TUBE, INNER	1	
20	51117-38260	.O RING	1	
21	51140-48H10	.TUBE, OUTER	1	
22	51146-48H00	.CYLINDER	1	
23	51147-05H00	.BOLT	1	
24	51148-41310	.GASKET	1	
25	51153-26F00	.OIL SEAL	1	
26	51156-40301	.RING, STOPPER	1	
27	51158-48H00	.WASHER	1	
28	51167-01D00	.METAL, SLIDE	1	
29	51171-48H00	.SPRING	1	
30	51173-48H00	.SEAL, DUST	1	
31	51176-48H00	.SPACER	1	
32	51195-48H00	.PIECE, OIL LOCK	1	
33	51351-48H00	.CAP	1	
34	51356-48H00	.WASHER	1	
35	51328-48H00	BOLT	1	
36	51471-48H00	STABILIZER, FRONT	1	
37	09139-06030	SCREW (6X16)	4	

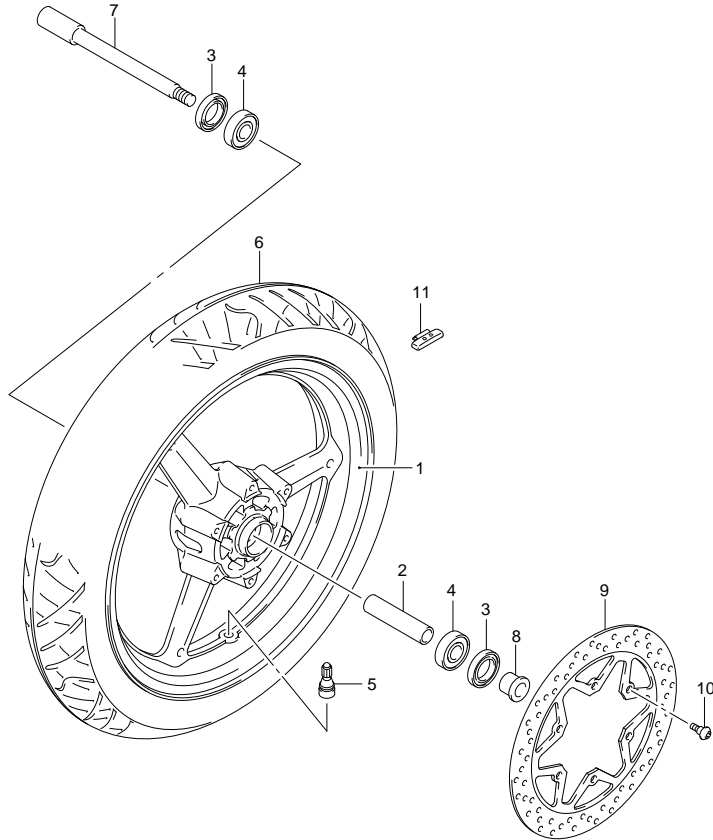
**FIG.48**



**FIG.48 (1-F-7) STEERING STEM**

REF NO.	PART NO.	DESCRIPTION	Q'TY	REMARKS
1	51410-48H00	BRACKET, UNDER	1	
2	51610-48H00	.BEARING	1	
3	51644-48H00	.SEAL, STEERING LOWER	1	
4	51451-48H00	BOLT BRACKET, UNDER	2	
5	51311-48H40	BRACKET, UPPER	1	
6	51166-48H00	BOLT BRACKET, UPPER	2	
7	51172-48H00	WASHER	1	
8	51353-24B00	NUT, CAP	1	
9	09267-25L01	BEARING (25X47X15)	1	
10	51643-49002	SEAL, STEERING UPPER DUST	1	
11	51631-48H00	NUT, STEERING STEM	1	
12	68281-47HA0	EMBLEM, "S"	1	

**FIG.49**



**FIG.49 (1-F-8) FRONT WHEEL**

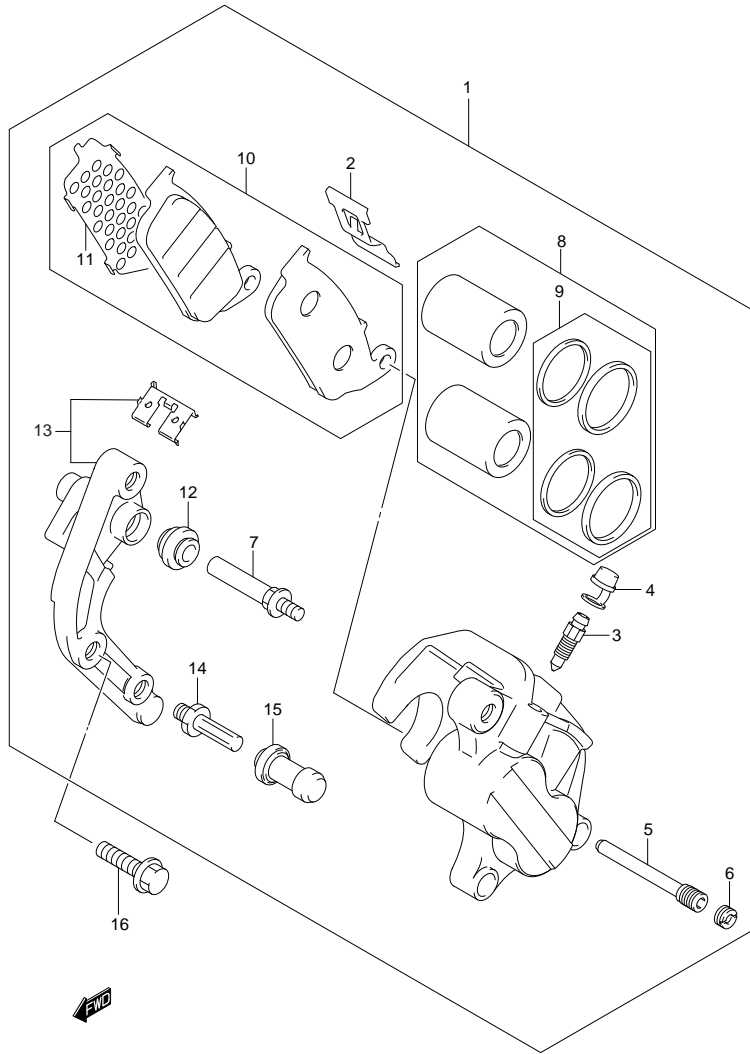
REF NO.	PART NO.	DESCRIPTION	Q'TY	REMARKS
1	54111-48H00-YGA	WHEEL, FRONT(17M/CXMT3.00) (BLACK)	1	
2	54731-48H00	SPACER, FRONT HUB BEARING	1	
3	54742-12FH0	SEAL, FRONT WHEEL BEARING	2	
4	08123-63027	BEARING	2	
5	43130-24A00	VALVE ASSY, WHEEL RIM (TR412)	1	
6	55110-48H00	TIRE, FRONT (110/80-17M/C 57H)	1	
7	54711-48H20	AXLE, FRONT	1	
8	54751-48H00	SPACER, FRONT AXLE LH	1	
9	59221-48H00	DISC, FRONT BRAKE	1	
10	59421-48H00	BOLT, FRONT BRAKE DISC	6	
11-1	55411-22H00	BALANCER, WHEEL (10G)	AR	
11-2	55412-22H00	BALANCER, WHEEL (20G)	AR	
11-3	55413-22H00	BALANCER, WHEEL (30G)	AR	



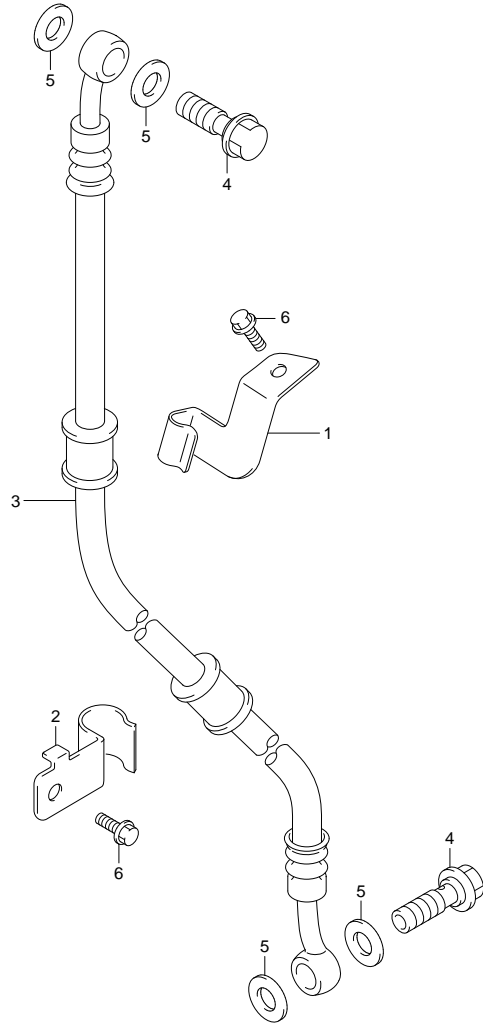
**FIG.50**

**FIG.50 (1-F-9) FRONT CALIPER**

REF NO.	PART NO.	DESCRIPTION	Q'TY	REMARKS
1	59300-48H10	CALIPER ASSY, FRONT LH	1	
2	59115-21E10	.SPRING, PAD	1	
3	59121-01A00	.BLEEDER	1	
4	59122-01A00	.CAP, BLEEDER	1	
5	59145-21E10	.PIN, HANGER	1	
6	59146-21E10	.PLUG, PIN	1	
7	59187-21E10	.PIN	1	
8	59300-48820	.PISTON SET	1	
9	59300-13820	..SEAL SET, PISTON	1	
10	59301-48811	.PAD SET	1	
11	59113-48H00	..SHIM	1	
12	59303-14500	.BOOT	1	
13	59350-48H00	.BRACKET	1	
14	59382-14500	.PIN	1	
15	59386-13A00	.BOOT	1	
16	01550-0830A	BOLT	2	



**FIG.51**



**FIG.51 (1-F-10) FRONT BRAKE HOSE**

REF NO.	PART NO.	DESCRIPTION	Q'TY	REMARKS
1	59261-48H00	CLAMP, FRONT BRAKE HOSE NO.1	1	
2	59269-48H00	CLAMP, FRONT BRAKE HOSE NO.2	1	
3	59480-48H00	HOSE, FRONT BRAKE	1	
4	59492-48H00	BOLT, BRAKE FLUID	2	
5	59464-48H00	WASHER, BRAKE FLUID	4	
6	01547-0612A	BOLT	2	

FIG.52

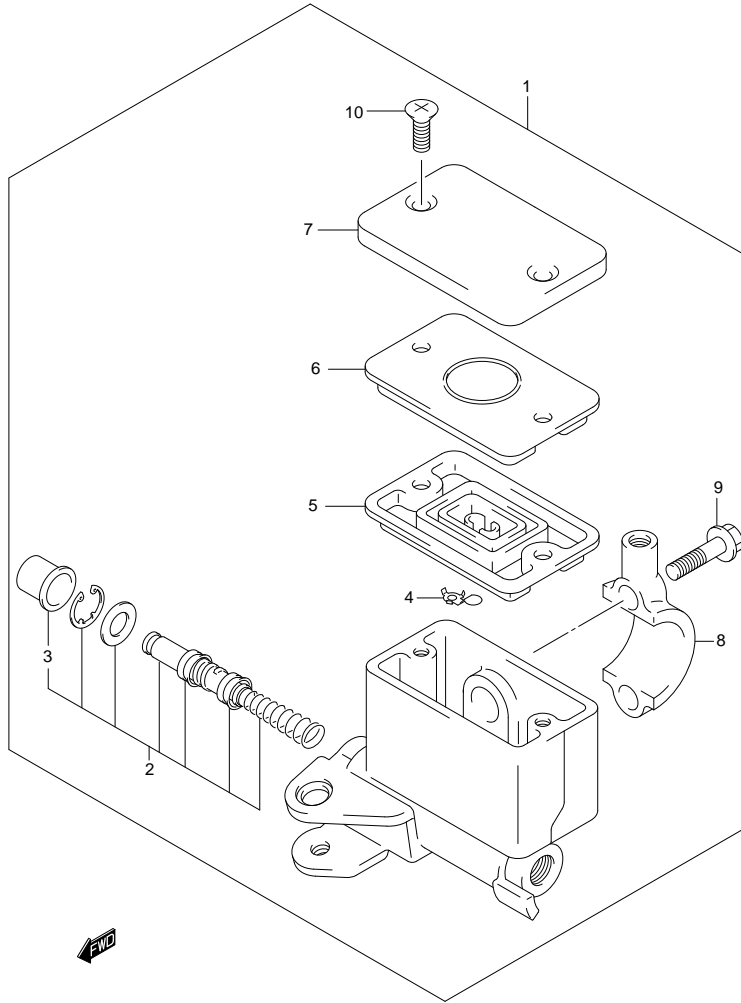


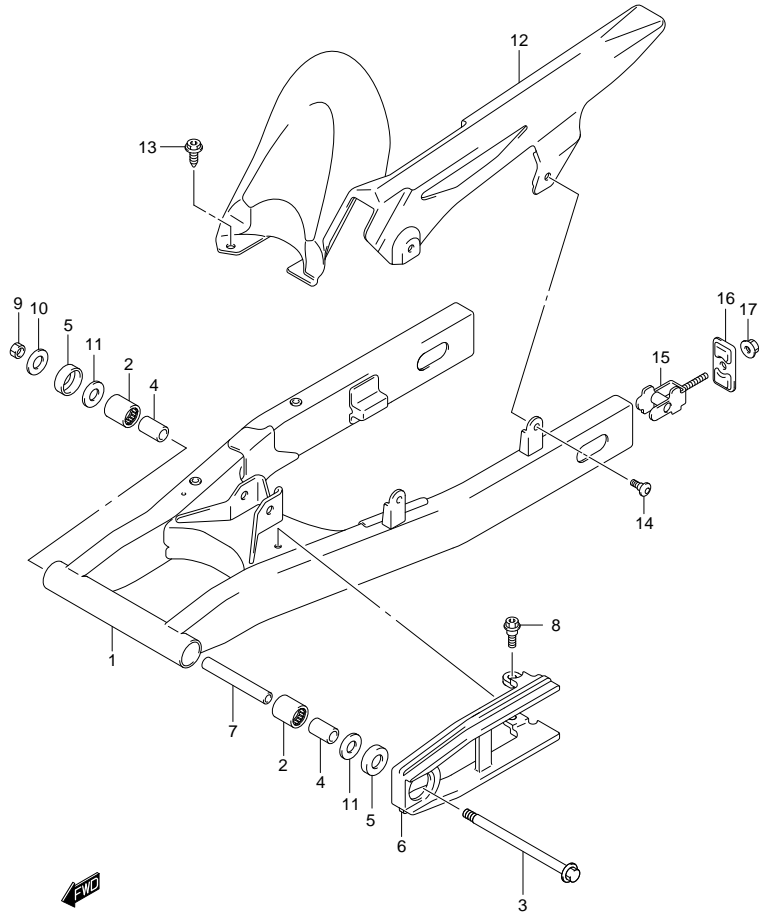
FIG.52 (1-F-11) FRONT MASTER CYLINDER

REF NO.	PART NO.	DESCRIPTION	Q'TY	REMARKS
1	59600-48H20	CYLINDER ASSY, FRONT MASTER	1	
2	59600-03820	.PISTON & CUP SET	1	
3	59666-44300	.BOOT	1	
4	59664-32F00	.PROTECTOR	1	
5	59667-49460	.DIAPHRAGM	1	
6	59668-41C00	.PLATE, DIAPHRAGM	1	
7	59669-10G00	.CAP	1	
8	59671-32F00	.HOLDER	1	
9	59675-02FA0	.BOLT	2	
10	69689-49300	.SCREW	2	

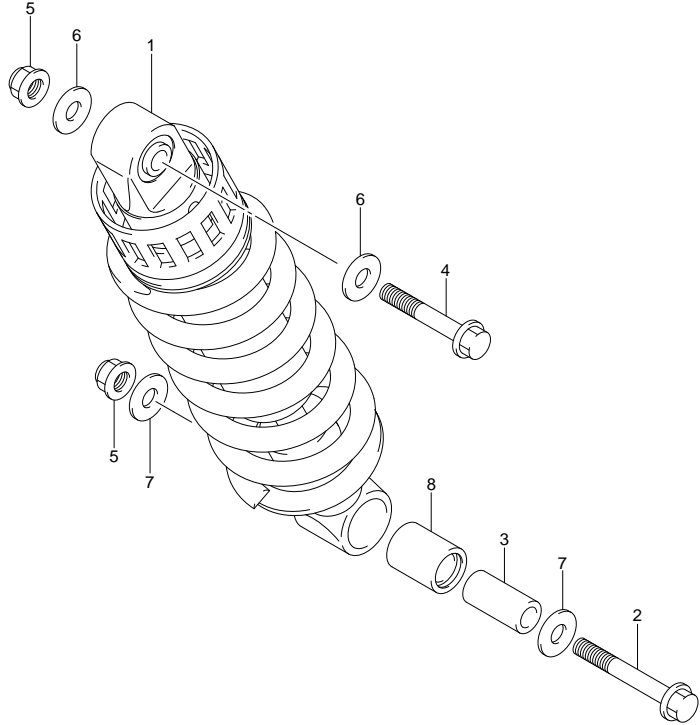
**FIG.53**

**FIG.53 (1-F-12) REAR SWINGINGARM**

REF NO.	PART NO.	DESCRIPTION	Q'TY	REMARKS
1	61100-48H00-YGA	SWINGINGARM, REAR (BLACK)	1	
2	09263-22L01	BEARING (22X29X30)	2	
3	61211-48H10	SHAFT, PIVOT	1	
4	61251-48H00	SPACER, PIVOT BEARING	2	
5	61262-48H00	COVER, PIVOT DUST	2	
6	61273-48H00	BUFFER, CHAIN TOUCH DEFENSE	1	
7	61282-48H00	SPACER, PIVOT CENTER	1	
8	09111-06072	BOLT (6X17.8)	2	
9	09159-14019	NUT	1	
10	09160-14067	WASHER (14.5X29X2.3)	1	
11	09160-14068	WASHER (14X34X1)	2	
12	61310-48H00	CASE, CHAIN	1	
13	09111-06065	BOLT (6X16)	1	
14	09139-06168	SCREW (6X16)	2	
15	61410-48H00	ADJUSTER, CHAIN	2	
16	61421-48H10	PLATE, CHAIN ADJUSTER GUIDE	2	
17	08319-3108A	NUT	2	



**FIG.54**



**FIG.54 (1-F-13) REAR SHOCK ABSORBER**

REF NO.	PART NO.	DESCRIPTION	Q'TY	REMARKS
1	62100-48H20-291	ABSORBER ASSY, REAR SHOCK (BLACK)	1	
2	62313-48H00	BOLT, RR SHOCK ABS LOWER	1	
3	62317-48H00	SPACER, REAR SHOCK ABS LOWER	1	
4	09103-10213	BOLT (10X52)	1	
5	09159-10115	NUT	2	
6	09160-10020	WASHER (10.5X24X1)	2	
7	09160-10093	WASHER (10.5X24X2.3)	2	
8	09263-17L01	BEARING (17X24X32)	1	

FIG.55

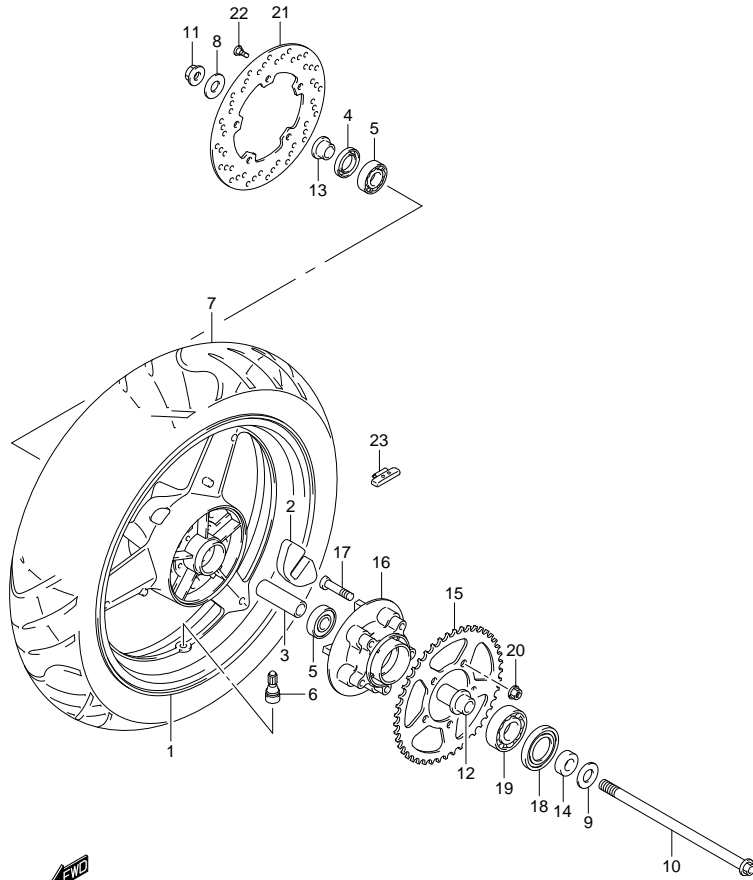


FIG.55 (1-F-14) REAR WHEEL

REF NO.	PART NO.	DESCRIPTION	Q'TY	REMARKS
1	64111-48H00-YGA	WHEEL, REAR (17M/CXMT4.00) (BLACK)	1	
2	64651-48H00	ABSORBER, REAR HUB SHOCK	5	
3	09180-17116	SPACER (17.5X25X78)	1	
4	09283-25L02	OIL SEAL (25X47X8)	1	
5	08123-63037	BEARING	2	
6	43130-24A00	VALVE ASSY, WHEEL RIM (TR412)	1	
7	65110-48H00	TIRE, REAR (140/70-17M/C 66H)	1	
8	61445-48H00	WASHER, REAR AXLE RH	1	
9	61455-48H00	WASHER, REAR AXLE LH	1	
10	64711-48H10	AXLE, REAR	1	
11	64721-48H00	NUT, REAR AXLE	1	
12	64733-10D00	RETAINER, REAR SPROCKET DRUM	1	
13	64741-48H00	SPACER, REAR AXLE RH	1	
14	64751-48H00	SPACER, REAR AXLE LH	1	
15	64511-48H10	SPROCKET, REAR (NT:46)	1	
16	64611-17C10	DRUM, REAR SPROCKET	1	
17	09119-10088	BOLT (10X43.5)	5	
18	09285-35L01	OIL SEAL	1	
19	09262-25073	BEARING (25X62X17)	1	
20	08319-3110A	NUT	5	
21	69211-48H00	DISC, REAR BRAKE	1	
22	69222-48H00	BOLT, REAR BRAKE DISC	5	
23-1	55411-22H00	BALANCER, WHEEL (10G)	AR	
23-2	55412-22H00	BALANCER, WHEEL (10G)	AR	
23-3	55413-22H00	BALANCER, WHEEL (30G)	AR	

FIG.56

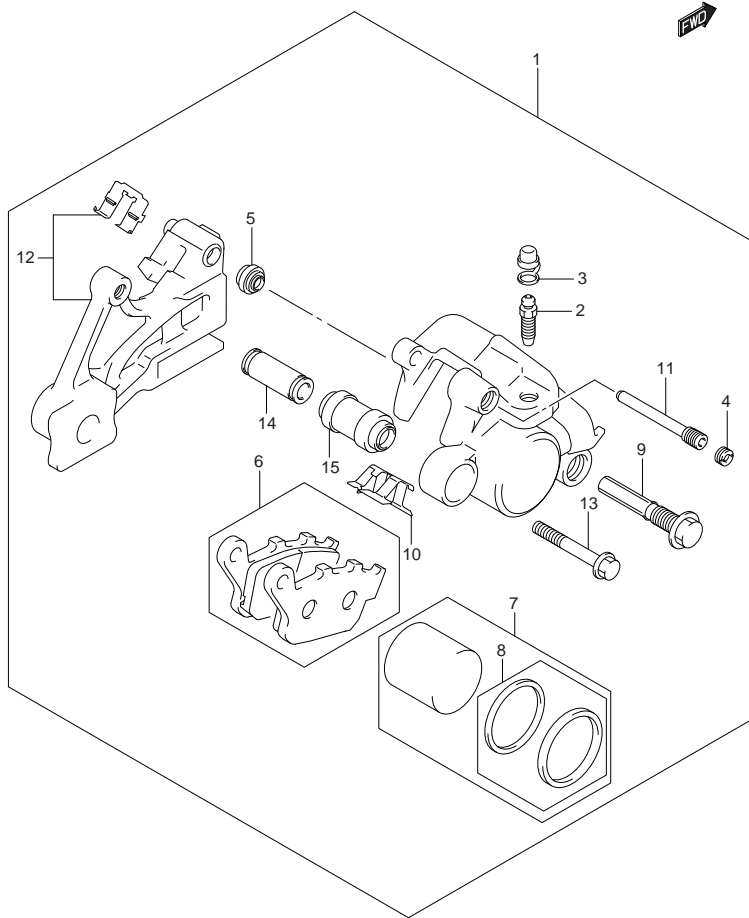


FIG.56 (1-F-15) REAR CALIPER

REF NO.	PART NO.	DESCRIPTION	QTY	REMARKS
1	69100-48H00	CALIPER ASSY, REAR	1	
2	59121-01A00	.BLEEDER	1	
3	59122-01A00	.CAP, BLEEDER	1	
4	59146-21E10	.PLUG, PIN	1	
5	59303-14500	.BOOT	1	
6	69100-48820	.PAD SET	1	
7	69101-44860	.PISTON SET	1	
8	69100-04820	..SEAL SET, PISTON	1	
9	69105-04F00	.BOLT	1	
10	69115-06G00	.SPRING, PAD	1	
11	69141-40F00	.PIN, PAD	1	
12	69150-48H00	.BRACKET	1	
13	69182-04F00	.BOLT	1	
14	69185-04F00	.SLEEVE	1	
15	69186-04F00	.BOOT, SLEEVE	1	

FIG.57

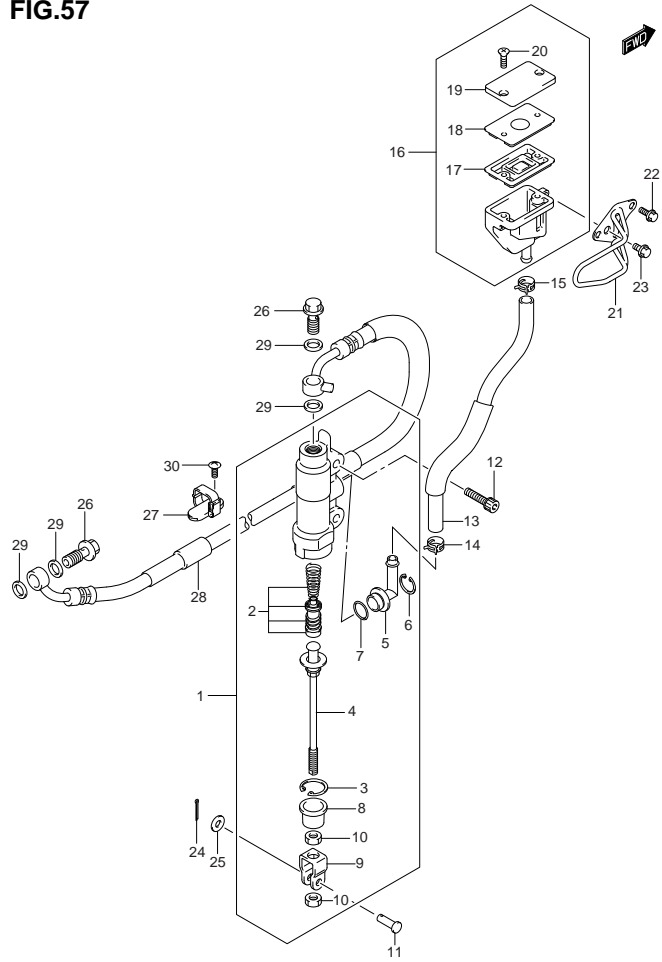
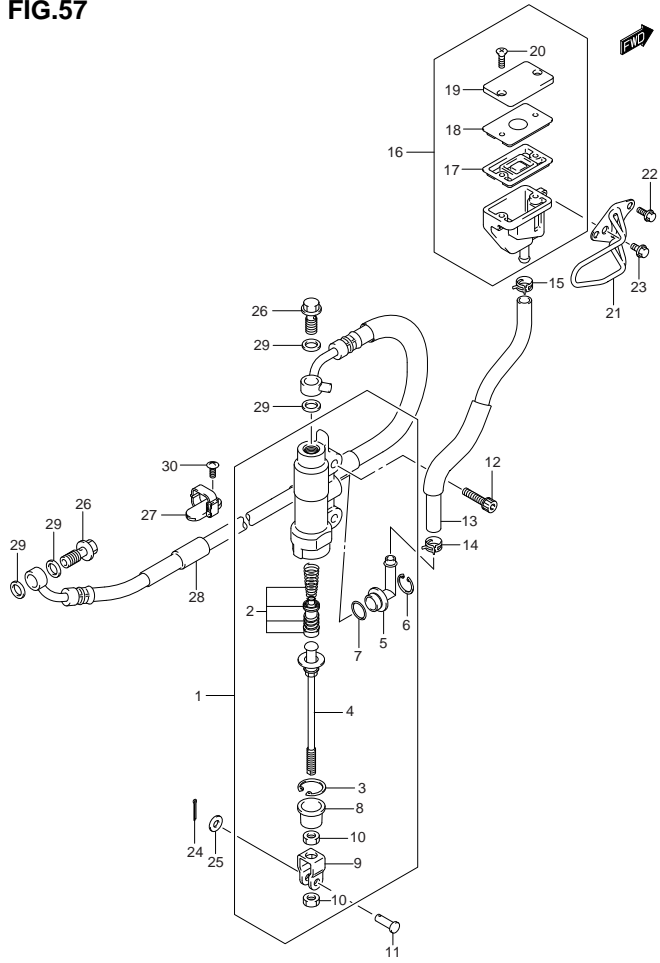


FIG.57 (1-G-2) REAR MASTER CYLINDER

REF NO.	PART NO.	DESCRIPTION	Q'TY	REMARKS
1	69600-48H00	CYLINDER ASSY, REAR MASTER	1	
2	69600-34810	.PISTON/CUP SET	1	
3	69665-47H00	.CIRCLIP	1	
4	69670-24A00	.ROD, PUSH	1	
5	69672-00B20	.CONNECTOR	1	
6	69674-00B20	.CIRCLIP	1	
7	69686-34200	.O RING	1	
8	69691-00A00	.BOOT	1	
9	69692-44H00	.YOKE	1	
10	69693-05A00	.NUT	2	
11	69697-48H00	PIN, REAR MASTER CYLINDER	1	
12	69698-48H00	BOLT, REAR MASTER CYLINDER	2	
13	69730-48H00	HOSE, REAR RESERVOIR TANK	1	
14	69735-48H00	CLIP, HOSE LOWER	1	
15	69735-48H10	CLIP, HOSE UPPER	1	
16	69740-48H20	TANK ASSY, REAR RESERVOIR	1	
17	59667-04700	.DIAPHRAGM	1	
18	59668-14F00	.PLATE	1	
19	59669-48H20	.CAP	1	
20	69689-48H00	.SCREW	2	
21	69760-48H10	GUARD, REAR RESERVOIR TANK	1	
22	01547-0612A	BOLT	1	
23	01547-0620A	BOLT	1	
24	04111-2015A	COTTER PIN	1	
25	08322-0106A	WASHER	1	
26	59492-48H00	BOLT, BRAKE FLUID	2	

GW250L4\_P71\_057  
REAR MASTER CYLINDER

FIG.57



GW250L4\_P71\_057  
 REAR MASTER CYLINDER

FIG.57 (1-G-3) REAR MASTER CYLINDER

REF NO.	PART NO.	DESCRIPTION	Q'TY	REMARKS
27	61196-48H00	GUIDE, REAR BRAKE HOSE	2	
28	69480-48H00	HOSE, REAR BRAKE	1	
29	59464-48H00	WASHER, BRAKE FLUID	4	
30	02142-0616A	SCREW	2	

FIG.58

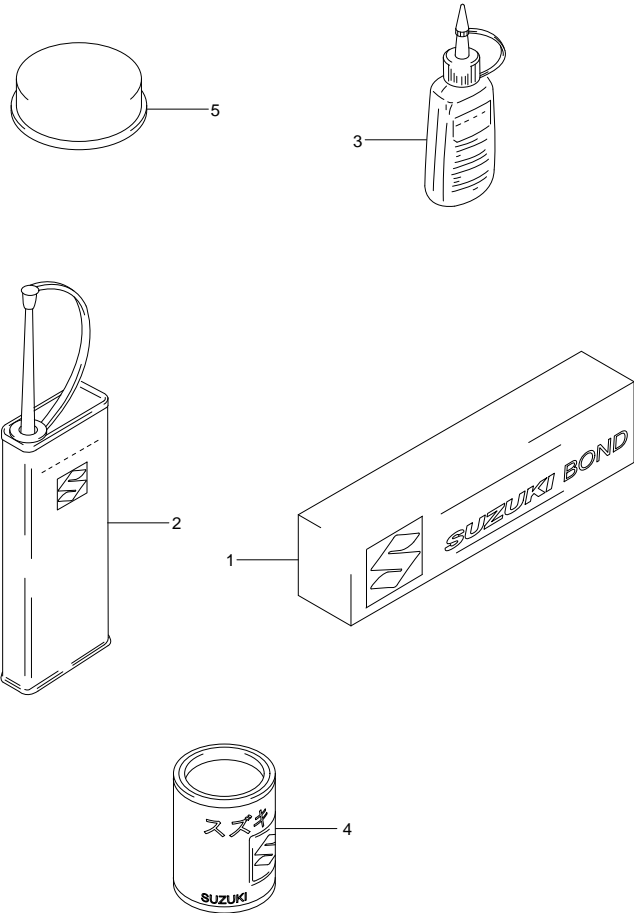


FIG.58 (1-G-4) OPTIONAL

REF NO.	PART NO.	DESCRIPTION	Q'TY	REMARKS
1	99000-31110	LIQUID GSKT NO.1215	1	250G
2	99000-32040	CEMENT, THREAD LOCK	1	200G
3-1	99000-32030	THREAD LOCK NO.1303B PURPL	1	50G
3-2	99000-32050	THREAD LOCK, SUPER (1342)	1	50G
3-3	99000-32020	THREAD LOCK NO.1333B RED	1	50G
3-4	99000-32110	THREAD LOCK, SUPER (1322)	1	50G
3-5	99000-32120	THREAD LOCK, SUPER (1424)	1	50G
3-6	99000-32130	THREAD LOCK, SUPER (1360)	1	50G
4	99000-25030	GREASE, SUPER	1	150G
5	99000-25110	GREASE, BRAKE PAD (PBC)	1	20G

FIG.59

FIG.59 (1-G-5) CENTER STAND SET (OPTIONAL)

REF NO.	PART NO.	DESCRIPTION	Q'TY	REMARKS
1	42100-48820	STAND SET, CENTER	1	

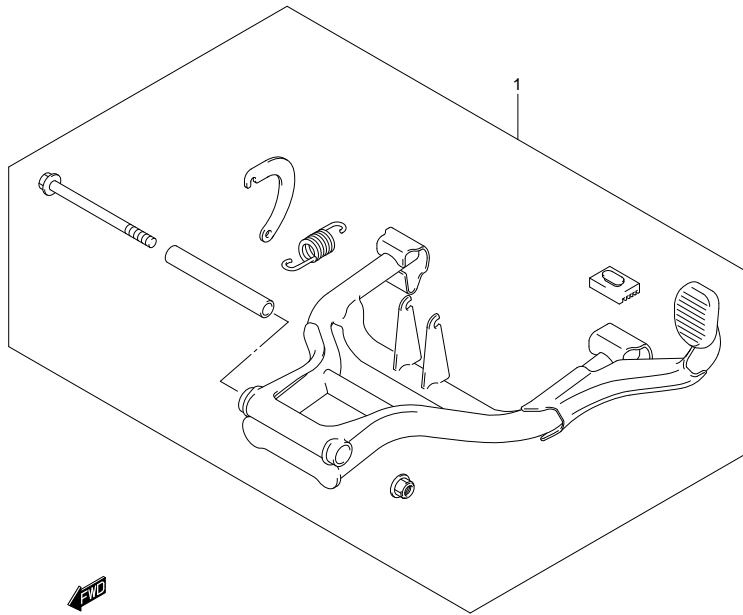


FIG.60

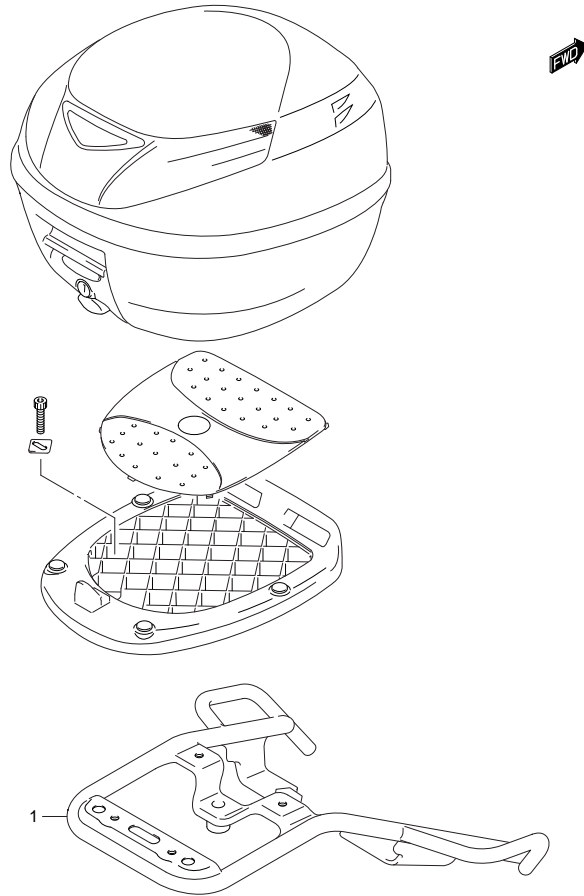


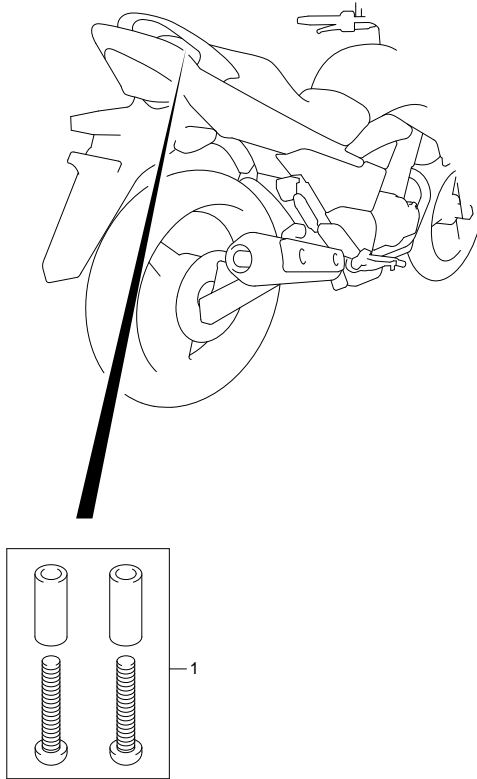
FIG.60 (1-G-6) REAR CARRIER (OPTIONAL)

REF NO.	PART NO.	DESCRIPTION	Q'TY	REMARKS
1	46100-48851	CARRIER SET, REAR	1	

**FIG.61**

**FIG.61 (1-G-7) HOOK SET PILLION HANDLE (OPTIONAL)**

REF NO.	PART NO.	DESCRIPTION	Q'TY	REMARKS
1	46200-48810	HOOK SET, PILLION HANDLE	1	



PART NO.	FIG.NO.-REF.NO.	PART NO.	FIG.NO.-REF.NO.	PART NO.	FIG.NO.-REF.NO.
10000		12164-39F00-0A0	7-8-1	13170-48H00	2-22
		12164-39F00-0B0	7-8-2	13268-48700	12-5
		12164-39F00-0C0	7-8-3	13279-13G10	12-4
		12164-39F00-0D0	7-8-4	13295-29900	12-7
		12200-48840	7-9	13311-48H00	12-13
11100-48H00	2-1	12228-17E00-0E0	4-12	13400-48H10	12-1
11141-48H00	1-2		7-10-1	13580-48H00	12-12
	2-4	12228-17E00-0F0	4-13-1	13602-05A40	12-11
11171-48H00	2-10		7-10-2	13602-06148	12-16
11173-48H00	1-3	12228-17E00-0G0	4-13-2	13605-02F00	12-14
	2-11		7-10-3	13606-47A00	12-6
11174-48H00	2-12	12228-17E00-0H0	4-13-3	13650-49X00	18-40
11177-48H00	2-13		7-10-4	13650-52G00	13-19
11181-48H00	2-14	12228-17E00-0J0	4-13-4	13651-48H00	18-41
11191-27E60	1-4		7-10-5	13655-77E00	13-20
	2-16	12228-17E00-0K0	4-13-5	13679-37H00	12-10
11210-48H01-0F0	3-1		7-10-6	13681-39F00-175	12-8
11241-48H00	1-5	12228-17E00-0L0	4-13-6	13697-48H00	12-17
	3-2		7-10-7	13700-48H01	13-1
11300-48871	4-1	12229-48H00-0A0	9-2-1	13740-48H00	13-3
11313-48H00	4-22	12229-48H00-0B0	9-2-2	13746-48H00	13-2
11317-48H00	4-23	12229-48H00-0C0	9-2-3		13-4
11318-48H00	1-6	12229-48H00-0D0	9-2-4	13780-48H00	13-6
	4-25	12229-48H10-0A0	7-11-1	13826-48H00	13-7
11322-48H00	4-15	12229-48H10-0B0	7-11-2	13853-48H00	13-9
	4-16	12229-48H10-0C0	7-11-3	13878-48H00	13-11
11329-48H00	4-20	12229-48H10-0D0	7-11-4	13891-48H00	13-5
11330-48H00	4-26	12600-48830	8-2	14100-48H00	14-1
11340-48H00	5-1	12611-48H00	8-1	14181-46E20	1-11
11351-48H00	5-8	12650-48H00	9-1		14-2
11352-48H00	5-12	12666-48H00	9-3	14305-48H01	14-3
11360-48H00	5-16	12710-48H00	10-1	14306-48H02	14-4
11371-48H00	5-18	12741-48H00	10-14	14459-48H00	14-5
11390-48H00	4-18	12760-48H10	11-1	14469-48H00	14-6
11401-48880	1-1	12771-48H00	11-2	14730-48H00	14-31
11482-48H00	1-7	12810-48H00	11-3	14750-48H00	14-7
	5-3	12830-02A10	11-5	14760-48H00	14-8
11483-48H00	1-8	12837-48H00	1-10	14770-48H01	14-23
	5-9		11-6	14771-38F10	14-9
11489-48H00	1-9	12840-20H10	10-2	14781-48H00	14-30
	6-1	12842-49220	10-3	14790-48H01-YYK	14-28
11511-48H00	6-2	12843-27A10	10-4	14795-10FA0	14-10
11971-48H00	5-2	12861-48H00	10-5	15100-48H01	15-1
11972-48H00	5-6	12911-20H10	10-7	15111-18H00	15-2
12100-48H00-050	7-19	12912-20H10	10-8	15112-05H00	15-3
12111-48H00-0F0	7-1	12920-48H10	10-9	15113-05H00	15-4
12140-48H00	7-2	12931-27A30	10-10	15113-35F00	15-5
12151-48H00	7-3	12932-27A10	10-11	15113-48H00	15-19
12160-48H00	7-5	12933-81410	10-12	15114-05H01	15-6
12163-35F00	7-6	13110-48H00	2-21	15115-05H01	15-7

PART NO.	FIG.NO.-REF.NO.	PART NO.	FIG.NO.-REF.NO.	PART NO.	FIG.NO.-REF.NO.
15116-10F00	15-8	17855-48H00	18-8	24120-48H00	21-1
15117-05H00	15-9	17856-48H00	18-9	24130-48H00	21-13
15118-18H00	15-10	17857-48H00	18-10	24221-48H00	21-2
15201-48H00	15-20	17861-48H00	18-11	24231-48H00	21-3
15246-18H01	15-11	17863-48H00	18-12	24251-48H00	21-4
15410-48H00	15-17	17870-48H00	18-13	24260-48H00	21-5
15420-48H10	15-12	17880-48H00	18-14	24271-48H00	21-8
15426-48H01	15-13	17900-44810	18-29	24310-48H00	21-14
15581-48H00	15-14	17910-48H00	18-25	24313-48H00	21-15
15582-18H00	15-15	17920-48H00	18-27	24320-48H00	21-16
15610-48H00	15-16	17932-12C00	18-26	24331-48H00	21-17
15610-48H10	15-18	17981-19F00	18-28	24341-48H00	21-18
15625-29G10	13-18	17985-48H00	18-30	24351-48H00	21-19
15630-29G20	13-17	18117-14J01	12-9	24361-48H00	21-20
15710-48H00	12-2	18213-23H01	14-36	24741-48H00	21-33
15722-29G00	12-3	18450-48H00	19-1	25211-48H00	22-1
15730-48H00	12-15	18461-48H00	19-2	25221-48H00	22-2
15810-48H00	15-21	18510-48H00	19-3	25311-48H00	22-5
16310-48H00	6-6	18531-48H00	19-4	25312-48H00	22-6
16321-48H00	6-7	18610-48H00	19-5	25341-48H00	22-7
16331-48H00	6-8	18711-48H00	19-6	25350-48H00	22-13
16400-48H00	6-9			25355-48H00	22-14
16421-48H00	6-10			25380-48H02	22-8
16422-48H00	6-11			25411-48H00	22-3
16440-48H00	6-14			25421-48H00	22-4
16510-07J00	6-16			25510-48H00	22-17
16520-48H00	6-17			25512-48H00	22-18
16591-48H00	4-11			25515-48H01	22-19
17400-48H00	16-1	20000		25518-48H00	22-20
17413-28C10	16-2			25520-48H20	22-27
17415-43D00	16-3	21111-48H00	7-12	25525-48H00	22-28
17432-07G00	16-4	21112-48H00	7-13	25600-48H20	22-29
17435-12C00	16-5	21114-35C00	7-14	25617-03F20	22-31
17435-33400	16-6	21200-48880	20-2	25652-48H00	22-30
17461-01H00	16-7	21252-48H00	20-1	25671-16H10	22-21
17470-02F10	16-8	21411-48H00	20-3	27510-48H10	21-35
17491-12C00	16-9	21412-48H00	20-4	27531-48H00	21-36
17511-48H00	16-14	21413-48H00	20-5	27600-48H10-116	21-37
17662-48H00	18-1	21441-48H00	20-6	27620-48H10	21-38
17670-48H00	18-2	21441-48H10	20-7		
17710-48H10	17-1-1	21442-48H00	20-8		
17710-48H30	17-1-2	21451-48H00	20-9		
17712-48H00	17-2	21462-48H00	20-10		
17730-48H00	18-37	21471-48H00	20-11	30000	
17791-48H00	18-38	21472-48H00	20-12		
17800-48H00	17-6	23110-48H00	20-16	31100-48H00	23-1
17851-48H00	18-4	23117-48H00	20-17	31132-25H00	23-2
17852-48H00	18-5	23121-48H00	20-18	31133-25H00	23-3
17853-48H00	18-6	23122-48H02	20-19	31134-25H00	23-4
17854-48H00	18-7	23271-48H00	20-20	31135-25H00	23-5

PART NO.	FIG.NO.-REF.NO.	PART NO.	FIG.NO.-REF.NO.	PART NO.	FIG.NO.-REF.NO.
31153-05530	23-12	35382-48H00	28-9	38590-48H10	31-19
31156-25H00	23-6	35382-48H10	28-10	38610-26H02	29-22
31264-05530	23-7	35601-48H00	29-1	38740-33G00	31-17
31281-25H00	23-8	35602-48H00	29-4		31-22
31361-05530	23-10	35603-48H03	29-8		31-23
31361-055A0	23-9	35604-48H03	29-14		
31361-25H00	23-11	35618-48H00	29-2		
31800-48H00	26-1	35623-48H00	29-12		
31861-48H00	25-6		29-18		
31861-48H10	25-8	35638-48H00	29-5		
32101-48H00	24-1	35650-48H01	29-9	41100-48H20	34-1
32102-48H00	24-2	35658-48H00	29-13	41550-48H00	44-4
32491-48H00	24-3	35670-48H01	29-15	41577-48H00	35-6
32800-48H00	26-5	35678-48H00	29-19	41942-48H00	34-5
32830-48H10	26-6	35679-48H00	29-20	42100-48820	59-1
32920-48H20	26-16	35710-48H01	30-1	42310-48H00	35-1
32925-48H00	26-17	35712-48H01	30-4	42321-48H00	35-5
33410-48H00	26-10	35713-48H00	30-5	42421-48H00	35-2
33420-48H00	26-11	35726-48H00	30-10	42422-48H00	35-3
33510-48H00	26-13	35732-48H00	30-3	43110-48H10	35-7
33541-48H00	26-14	35765-48H00	30-9	43130-24A00	49-5
33542-48H00	26-15	35910-48H01	30-14		55-6
33610-32C10	25-1	35996-48H00	30-16	43151-48H00	35-8
33651-48H00	25-2	36118-48H01	28-2	43510-48H00	36-1
33652-48H00	25-3	36610-48HD0	31-1	43511-44G10	36-3
33652-48H10	25-4	36618-48H00	31-25	43521-44G10	36-4
33810-48H00	25-5	36851-48H01	31-24	43521-48H00	36-2
33820-48H10	25-7	36990-32G10	26-7	43550-44G00	36-14
33860-48H00	25-9		31-4		36-24
33960-06G10	26-18		46-7	43550-44G20	36-5
34100-48H90	27-1	36990-32G20	14-37	43576-48H00	36-6
34111-48H00	27-2		31-5	43600-48H00	36-13
34120-48H90	27-3	36990-32G30	31-11	43611-44G00	36-15
34124-48H00	27-4	36990-45H30	31-9	43621-44G00	36-25
34149-03G00	27-5	36990-48H00	31-8	43700-48H00	36-23
34149-18G00	27-10	36990-48H10	31-12	43811-48H00	36-16
34150-48H00	27-6	36990-48H20	17-7	43816-01H10	36-17
34152-48H00	27-7		30-12		36-27
34184-12B00	27-8	37100-48H30	32-2	43821-48H00	36-26
34810-48H00	37-4	37101-48840	32-1	44100-48H30-PDD	37-1-2
34955-33E00	27-9	37146-48H00	32-4	44100-48H30-YAY	37-1-1
34981-26H00	27-11	37146-48H10	32-5	44100-48H50-AGQ	37-2
34990-30H00	27-12	37200-48H20	33-1	44146-48H00	37-7
35100-48H10	28-1	37400-48H20	33-4	44150-48H00	38-1
35151-48H00	28-6	37730-48H00	22-37	44153-48H00	38-13
35155-48H00	28-7	37740-33G00	31-13	44160-48H00	37-21
35157-48H00	28-8	37820-33D10	4-31	44164-48H00	37-22
	30-11	37822-33D00	4-32	44171-48H00-AGQ	38-2-3
	40-2	37840-18J00	31-15	44171-48H00-PDD	38-2-1
35179-48H00	28-5	38500-48H30	31-18	44171-48H00-YAY	38-2-2

40000

PART NO.	FIG.NO.-REF.NO.	PART NO.	FIG.NO.-REF.NO.	PART NO.	FIG.NO.-REF.NO.
44181-48H00-AGQ	38-3-3	47211-48H00-YAY	39-5-1	51166-48H00	48-6
44181-48H00-PDD	38-3-1	47211-48H00-YKV	39-5-2	51167-01D00	47-11
44181-48H00-YAY	38-3-2	47221-48H00-AB4	39-6-1		47-28
44191-48H00-YMD	37-23-1	47221-48H00-AQ8	39-6-2	51171-48H00	47-12
44191-48H00-YSF	37-23-2	47311-48H00-PDD	39-7-2		47-29
44200-48H00	37-5	47311-48H00-YAY	39-7-1	51172-48H00	48-7
44211-48H00	37-6	47311-48H00-YSF	39-7-3	51173-48H00	47-13
44261-48H00	38-4	47351-48H00	39-8		47-30
44262-48H00	37-9	47353-48H00	39-19	51176-48H00	47-14
44271-48H00	38-5	47361-48H00	39-9		47-31
44274-48H00	38-7	47399-48H00	39-10	51195-48H00	47-15
44276-48H00	37-8	47435-48H00	44-5		47-32
44277-48H00	37-24	47445-48H00	44-6	51311-48H40	48-5
44278-48H00	38-8	47831-48H00-PDD	39-11-2	51328-48H00	47-35
44279-48H00	38-9	47831-48H00-YAY	39-11-1	51351-48H00	47-16
44281-48H00	38-6	47831-48H00-YSF	39-11-3		47-33
44423-48H00	37-10	47841-48H00-PDD	39-12-2	51353-24B00	48-8
44424-48H00	37-25	47841-48H00-YAY	39-12-1	51356-48H00	47-17
44424-48H10	37-26	47841-48H00-YSF	39-12-3		47-34
44424-48H20	37-27	47845-48H00	39-13	51410-48H00	48-1
44424-48H30	37-28	47846-48H00	39-14	51451-48H00	48-4
44438-48H00	37-29		39-15	51471-48H00	47-36
44511-48H00	37-11		39-16	51610-48H00	48-2
44512-48H00	37-12	48291-32GH0	40-3	51631-48H00	48-11
44513-48H00	37-13	48292-32GH0	39-17	51643-49002	48-10
44514-48H00	38-12			51644-48H00	48-3
44541-48H00	37-14			51811-48H00-FJA	40-1-1
44542-48H00	37-15			51811-48H00-FNF	40-1-2
44543-48H00	37-16			51821-48H01-YAY	40-4-1
44544-48H00	37-17			51821-48H01-YSF	40-4-2
44545-48H00	37-18	51103-48H40	47-1	51822-48H00	40-5
45100-48H00-PEH	46-1	51104-48H40	47-18	51827-48H00	40-6
45147-12FB0	46-2	51110-48H40	47-2	51831-48H00-PDD	40-7-1
45148-20G50	46-3		47-19	51831-48H00-YAY	40-7-2
45213-13601	46-4	51117-38260	47-3	51831-48H00-YWW	40-7-3
45220-45F10	46-8		47-20	51832-48H00	40-8
45280-48H00	46-9	51130-48H10	47-4		40-9
45288-09GB0	46-10	51140-48H10	47-21	51841-48H00-PDD	40-10-1
45289-09GB0	46-11	51146-48H00	47-5	51841-48H00-YAY	40-10-2
45290-28D00	46-5		47-22	51841-48H00-YWW	40-10-3
46100-48851	60-1	51147-05H00	47-6	51850-48H00	40-11
46200-48810	61-1		47-23	53111-48H00-APW	41-1-1
46211-48H01-YGA	46-14-2	51148-41310	47-7	53111-48H00-AQ8	41-1-2
46211-48H01-YLN	46-14-1		47-24	53111-48H00-AS2	41-1-3
47111-48H00-YAY	39-1-1	51153-26F00	47-8	53135-48H00	41-7
47111-48H00-YKV	39-1-2		47-25	53145-48H00	41-2
47121-48H00-AB4	39-2-1	51156-40301	47-9	53276-48H00	41-3
47121-48H00-AQ8	39-2-2		47-26	54111-48H00-YGA	49-1
47161-48H00	39-3	51158-48H00	47-10	54711-48H20	49-7
	39-4		47-27	54731-48H00	49-2

50000

PART NO.	FIG.NO.-REF.NO.	PART NO.	FIG.NO.-REF.NO.	PART NO.	FIG.NO.-REF.NO.
54742-12FH0	49-3	59269-48H00	51-2	63111-48H02	44-1
54751-48H00	49-8	59300-13820	50-9	63113-48H00	44-2
55110-48H00	49-6	59300-48820	50-8	64111-48H00-YGA	55-1
55411-22H00	49-11-1	59300-48H10	50-1	64511-48H10	55-15
	55-23-1	59301-48811	50-10	64611-17C10	55-16
55412-22H00	49-11-2	59303-14500	50-12	64651-48H00	55-2
	55-23-2		56-5	64711-48H10	55-10
55413-22H00	49-11-3	59350-48H00	50-13	64721-48H00	55-11
	55-23-3	59382-14500	50-14	64733-10D00	55-12
56111-48H00	42-1	59386-13A00	50-15	64741-48H00	55-13
56151-48H00	42-2	59421-48H00	49-10	64751-48H00	55-14
56211-48H00	42-3	59464-48H00	51-5	65110-48H00	55-7
56221-48H00	42-4		57-29	68110-48H00-AGQ	37-3
56272-10G00	42-5	59480-48H00	51-3	68111-47HA0	37-19
56272-42F00	42-6	59492-48H00	51-4	68115-48H00-AGQ	38-14
56273-10G10	42-7		57-26	68116-48H00-AGQ	38-15
56278-48H00	42-8	59600-03820	52-2	68125-48H00-AGQ	38-16
56500-48H10	42-15	59600-48H20	52-1	68126-48H00-AGQ	38-17
56600-48H10	42-16	59664-32F00	52-4	68131-48H10-YGA	39-33-2
57110-48H00	43-1	59666-44300	52-3	68131-48H10-YMD	39-33-1
57211-48H00	43-2	59667-04700	57-17	68131-48H20-CRT	39-31-1
57300-48H01	43-3	59667-49460	52-5	68131-48H20-CUJ	39-31-2
57431-17H02	43-9	59668-14F00	57-18	68135-48H00-AGQ	39-34
57431-48H10	43-4	59668-41C00	52-6	68136-48H00-AGQ	39-36
57441-48H00	43-10	59669-10G00	52-7	68141-48H20-CRT	39-32-1
57442-48H00	43-11	59669-48H20	57-19	68141-48H20-CUJ	39-32-2
57460-14J01	43-6	59671-32F00	52-8	68145-48H00-AGQ	39-35
57465-17C00	43-7	59675-02FA0	52-9	68146-48H00-AGQ	39-37
57500-48H01	43-8			68281-47HA0	48-12
57560-48H00	43-12			68281-48H00-FJA	39-38-1
57621-48H01	43-13			68281-48H00-YMD	39-38-2
57661-48H00	43-17			68319-29F50	45-2
58200-48H21	42-17	60000		68332-48H30	45-1
58300-48H60	42-18			69100-04820	56-8
58300-48H70	42-19			69100-48820	56-6
58620-48H31	42-20	61100-48H00-YGA	53-1	69100-48H00	56-1
58621-48H01	42-21	61196-48H00	57-27	69101-44860	56-7
58621-48H10	42-22	61211-48H10	53-3	69105-04F00	56-9
59113-48H00	50-11	61251-48H00	53-4	69115-06G00	56-10
59115-21E10	50-2	61262-48H00	53-5	69141-40F00	56-11
59121-01A00	50-3	61273-48H00	53-6	69150-48H00	56-12
	56-2	61282-48H00	53-7	69182-04F00	56-13
59122-01A00	50-4	61310-48H00	53-12	69185-04F00	56-14
	56-3	61410-48H00	53-15	69186-04F00	56-15
59145-21E10	50-5	61421-48H10	53-16	69211-48H00	55-21
59146-21E10	50-6	61445-48H00	55-8	69222-48H00	55-22
	56-4	61455-48H00	55-9	69480-48H00	57-28
59187-21E10	50-7	62100-48H20-291	54-1	69600-34810	57-2
59221-48H00	49-9	62313-48H00	54-2	69600-48H00	57-1
59261-48H00	51-1	62317-48H00	54-3	69665-47H00	57-3

PART NO.	FIG.NO.-REF.NO.	PART NO.	FIG.NO.-REF.NO.	PART NO.	FIG.NO.-REF.NO.
69670-24A00	57-4	01547-0612A	4-24	02112-0616A	16-13
69672-00B20	57-5		11-4	02112-3620B	32-3
69674-00B20	57-6		51-6	02122-0320A	43-15
69686-34200	57-7		57-22	02122-0616A	2-24
69689-48H00	57-20	01547-0620A	2-18	02122-0630B	46-13
69689-49300	52-10		11-7	02142-0510B	42-25
69691-00A00	57-8		18-22	02142-0512A	13-8
69692-44H00	57-9		57-23		36-11
69693-05A00	57-10	01547-0620B	43-14		36-20
69697-48H00	57-11	01547-0625A	5-17		36-30
69698-48H00	57-12		6-3	02142-0616A	57-30
69730-48H00	57-13		6-12	02142-0620A	39-26
69735-48H00	57-14		23-15		39-27
69735-48H10	57-15	01547-0630A	4-27	02162-0625A	26-9
69740-48H20	57-16		5-4	03211-0435A	30-6
69760-48H10	57-21	01547-0635A	4-6	03241-0412A	29-11
			4-9		29-17
			5-10	03241-0514A	30-7
			16-15	03541-0516A	29-7
		01547-0640A	5-19		30-13
		01547-0655A	4-7		39-28
		01547-0690A	4-10		39-29
		01550-0508A	35-11		39-30
		01550-0610A	13-13	03541-0516B	40-13
		01550-0612A	2-8		40-14
			17-8		40-15
			19-8	03541-0520A	40-16
			26-8	04111-2015A	42-26
		01550-0612B	31-21		57-24
			40-12	04211-09149	5-5
93162-37G00	39-18		42-24		5-11
94980-42A01	45-4		18-3		5-20
95700-09G00	46-12	01550-0616A	38-11	04211-11129	2-9
96510-48H00	44-8	01550-0616B	18-23		2-19
99000-25030	58-4	01550-0620A	18-39		3-4
99000-25110	58-5		31-16	04211-11169	4-2
99000-31110	58-1	01550-0620B	3-3	04221-04089	7-7
99000-32020	58-3-3	01550-0625A	6-9	04221-06129	21-12
99000-32030	58-3-1		31-20		21-32
99000-32040	58-2	01550-0812B	14-18	06111-07004	36-21
99000-32050	58-3-2	01550-0816A	46-15		36-31
99000-32110	58-3-4	01550-0825A	50-16	07120-0512B	27-13
99000-32120	58-3-5	01550-0830A	14-19	07120-0516B	22-42
99000-32130	58-3-6	01550-0840A	14-20	07120-0612A	15-22
99011-48H51-71S	45-3		4-8		18-36
		01550-0855A	9-10	07130-0512A	24-4
		01550-1016A	33-5	07130-0612A	18-24
01500-0612A	21-34	02112-0525B	33-2	07130-0616A	14-29
01500-0616A	20-29	02112-0530B	33-6		19-9
01500-0620A	13-14	02112-0545B	22-11	07130-0620A	14-27
	22-34				
01500-0635A	37-20				

PART NO.	FIG.NO.-REF.NO.	PART NO.	FIG.NO.-REF.NO.	PART NO.	FIG.NO.-REF.NO.
07130-0630A	24-5	09106-07022	2-17	09160-15045	20-25
07130-0680B	42-12	09106-08150	36-33	09160-18039	7-16
07130-0816A	8-4	09106-08194	36-7	09160-18040	35-9
07130-0816B	27-14	09106-10068	34-2	09164-06006	16-11
07130-0825A	42-13	09111-06027	10-15	09164-12018	10-6
07130-0830A	14-21	09111-06065	53-13	09164-18012	7-17
	42-14	09111-06072	53-8	09164-60001	9-4
08123-63027	49-4	09111-06085	18-31	09167-22029	20-15
08123-63037	55-5	09111-06107	44-3	09168-06025	16-12
08211-06121	22-16	09111-10036	35-4	09168-06L04	2-6
08211-06183	22-12	09118-06097	17-3		4-3
08211-17262	21-27	09119-10088	55-17	09168-08035	4-4
08211-22363	20-13	09134-06018	20-22	09168-08036	2-7
08211-38521	9-8	09137-05004	23-14	09168-14L01	4-14
08212-05181	30-8	09139-06030	14-11		6-4
08310-0006A	22-35		14-32	09168-16010	6-15
08310-0010A	29-21		41-4	09169-06031	41-5
08316-1005B	26-12		47-37	09180-06161	42-10
08316-1006A	30-19	09139-06168	53-14	09180-06283	39-22
	44-7	09139-06172	38-10		39-23
08316-1006B	46-6	09140-06023	20-23	09180-06331	14-25
08316-1008A	14-22	09140-06031	22-32	09180-06364	17-4
08319-2106A	41-6	09140-18008	21-39	09180-06365	14-14
	43-5	09140-18023	7-15		14-34
	43-16	09140-22005	20-14		18-16
08319-3108A	53-17	09159-10115	54-5	09180-08L02	14-15
08319-3110A	55-20	09159-10L06	4-30	09180-17116	55-3
08319-3110B	34-4	09159-14019	53-9	09181-22016	21-40
	34-7	09160-06028	14-24	09181-22017	21-6
08321-0106A	13-15		18-15		21-21
08322-0106A	57-25	09160-06077	2-15		21-22
08331-31109	6-13		30-17		21-23
08331-3112A	22-36		39-20	09200-06071	42-23
08331-3114A	22-26		39-21	09202-04017	9-5
08331-3118A	35-12	09160-06088	13-16	09206-08011	2-3
08332-1106A	36-12	09160-06131	42-9	09206-13007	8-3
	36-22	09160-06164	14-12	09208-08021	36-18
	36-32		14-33		36-28
08341-31039	24-6	09160-07019	26-3	09208-08022	36-9
08361-3506A	26-4	09160-08149	14-13	09209-05024	22-38
09100-06099	16-10	09160-09015	36-8	09247-12104	5-13
09103-06220	2-2	09160-10020	54-6	09247-14043	6-5
09103-06233	20-21	09160-10093	54-7	09248-14013	4-17
09103-08133	4-5	09160-10151	9-9	09250-08012	34-3
09103-08449	2-5	09160-12011	22-33	09250-18003	42-11
09103-10115	4-28	09160-12119	20-24	09259-36016-20H	5-14
09103-10213	54-4	09160-14067	53-10	09261-03002	22-9
09103-10445	4-29	09160-14068	53-11	09262-22039	21-28
	34-6	09160-14069	22-22	09262-25073	55-19
09106-06131	22-15	09160-14070	22-23	09262-25L01	22-10

PART NO.	FIG.NO.-REF.NO.	PART NO.	FIG.NO.-REF.NO.	PART NO.	FIG.NO.-REF.NO.
09263-10L01	20-26	09401-17L02	19-7		
09263-14L01	22-24	09401-18101	12-19		
09263-15L01	20-27	09402-27L01	18-20		
09263-17050	21-9	09402-32L01	18-21		
	21-29	09404-06206	18-34		
09263-17L01	54-8		22-40		
09263-22L01	53-2	09404-06207	18-35		
09267-22001	21-10	09407-19401	31-10		
09267-25L01	48-9	09407-25401	31-7		
09280-04004	4-19	09407-25402	31-6		
	4-21		33-3		
09280-17003	5-7		33-7		
09280-18011	18-17	09420-04008	7-18		
09280-21008	21-41	09440-04010	22-41		
09280-23L01	6-18	09440-05003	36-19		
09280-24003	23-13		36-29		
09280-26005	22-39	09440-09031	9-7		
09280-30L01	2-23	09443-06046	31-14		
09280-33004	1-12	09443-11033	35-10		
	5-15	09448-16033	36-10		
09283-14L01	22-25	09471-12060	28-3		
09283-25L02	55-4	09471-12083	30-2		
09283-30L01	21-30	09471-12216	28-4		
09285-10L01	20-28		30-15		
09285-35L01	55-18	09471-12226	29-3		
09289-05016	10-13		29-6		
09320-08018	39-24		29-10		
	39-25		29-16		
09320-08068	14-26	09481-10501	31-2		
09320-08082	14-16	09481-15501	31-3		
	14-35	09481-30101	26-2		
09320-08084	18-18	09482-00515	2-20-2		
09320-10501	17-5	09482-00516	2-20-1		
09320-12L04	14-17				
09321-06032	30-18				
09367-08005	18-32				
09380-22016	21-7				
	21-24				
	21-25				
	21-26				
09380-38008	9-6				
09381-15001	7-4				
09390-22002	10-16				
09390-47008	21-11				
09390-56002	21-31				
09401-08L01	18-33				
09401-12L02	18-19				
09401-14101	13-12				
09401-15101	12-18				
	13-10				