

SUZUKI

PARTS CATALOGUE

AN125HKL4

(CF47C)



P71

2013-12

1ST EDITION

PREFACE

When it becomes necessary to replace parts on SUZUKI MOTORCYCLES, always use SUZUKI GENUINE PARTS which have passed a strict inspection which guarantees quality and performance.

This parts catalogue covers the list of all service parts for SUZUKI AN125HKL4.

INSTRUCTIONS FOR QUOTING THE CATALOGUE

1. DIMENSIONS

Dimensions of the parts in this catalogue are indicated in unit millimeters.

2. ABBREVIATIONS

Abbreviations used in this catalogue are as follows:

AR	: As required	NT	: Number of teeth
ASSY	: Assembly	OPT	: Optional
E. NO.	: Engine number	OS	: Over size
F. NO.	: Frame number	STD	: Standard
D	: Diameter of material	T	: Thickness
ID	: Inside diameter	US	: Under size
OD	: Outside diameter	W	: Width
L	: Length		
LH	: Left hand side		
RH	: Right hand side		
~100045	: Up to F. NO. A100-100045		
100046~	: From F. NO. A100-100046		
12 x 34 x 5.6.....	Figures in the description column		
	show the dimensions of parts.		
ID OD T(or W, L)			

→12345-56781 (Parts No.) : indicates that the parts number was changed to 12345-56781 and the new parts are interchangeable with the former ones but the former ones are not interchangeable with new ones.

←12345-56781 (Parts No.) : indicates that the former and new parts are interchangeable with each other and both are usable.

3. INNER PARTS OF ASSEMBLY

Part name with a dot (.) in front as shown in the description column indicates the component of the assembly also available individually.

4. MODIFICATION NOTICE

A parts bulletin will be sent to you on all occasions when changes in parts occur, including interchangeable modifications between new parts and old ones.

5. NOTE

5-1. There are some different parts from those of production models among spare parts for the administrative reasons and common use of them with other models.

5-2. In respect of rubber hoses and vinyl tubes, please be sure to use them by cutting off according to the length mentioned on parts catalogue or what is actually required on the vehicle.

5-3. Note that the drawings on the illustration page are for ready reference of spare parts number, not to be used as an assembly manual.
When assembling, use "SUZUKI SERVICE MANUAL".

6. SPECIFICATION CODE

This catalogue contains the parts for the model designed for the following spec. ;
spec. code : P71.

7. SERIAL FRAME NUMBER

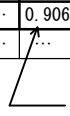
AN125HKL4 : LC6CF47C 50100001~

MILLIMETER → INCH CONVERSION CHART

	0	1	2	3	4	5	6	7	8	9
00	.000	.039	.079	.118	.157	.197	.236	.276	.315	.354
10	.394	.433	.472	.512	.551	.591	.630	.669	.709	.748
20	.787	.827	.866	.906	.945	.984	1.024	1.063	1.102	1.142
30	1.181	1.220	1.260	1.299	1.339	1.378	1.417	1.457	1.496	1.535
40	1.575	1.614	1.654	1.693	1.732	1.772	1.811	1.850	1.890	1.929
50	1.969	2.008	2.047	2.087	2.126	2.165	2.205	2.214	2.283	2.323
60	2.362	2.402	2.441	2.480	2.520	2.559	2.598	2.638	2.677	2.717
70	2.756	2.795	2.835	2.874	2.913	2.953	2.992	3.031	3.071	3.110
80	3.150	3.189	3.228	3.268	3.307	3.346	3.386	3.425	3.465	3.504
90	3.543	3.583	3.622	3.661	3.701	3.740	3.780	3.819	3.858	3.898

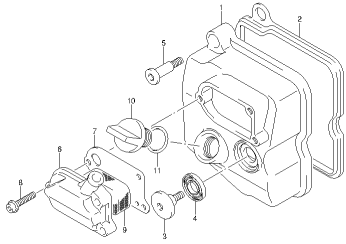
How to read

	0	1	2	3	4
00
10
20	0.906	...
30


 23 millimeters equal 0.906 inch

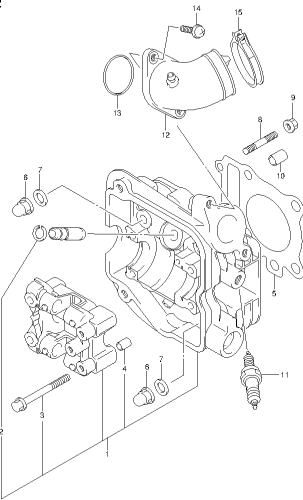
Contents are subject to change without notice or obligation.

FIG.1



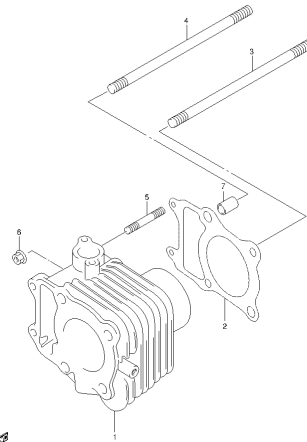
AN1291RL4.F71_001
CYLINDER HEAD COVER

FIG.2



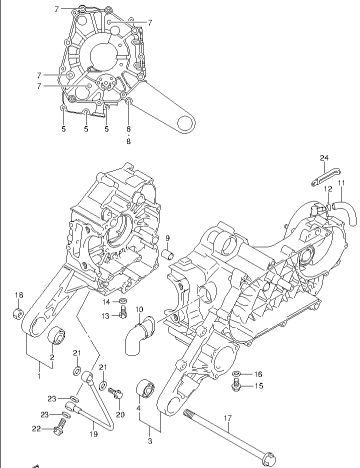
AN1291RL4.F71_002
CYLINDER HEAD

FIG.3



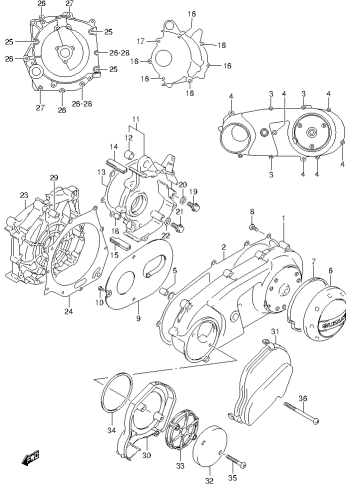
AN1291RL4.F71_003
CYLINDER

FIG.4



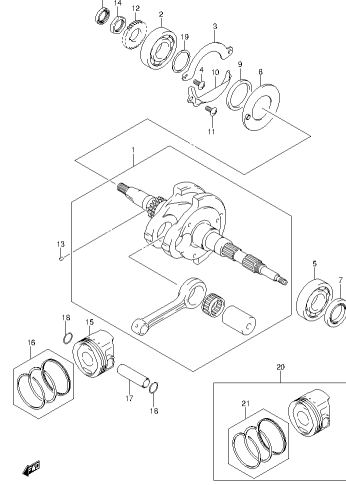
AN1291RL4.F71_004
CRANKCASE

FIG.5



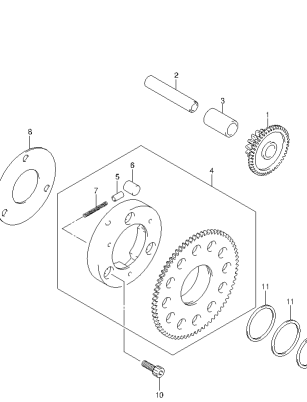
AN1291RL4.F71_005
CRANKCASE COVER

FIG.6



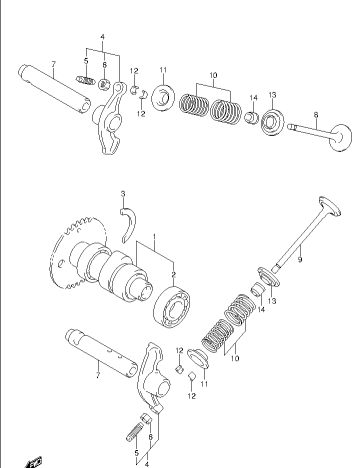
AN1291RL4.F71_006
CRANKSHAFT

FIG.7



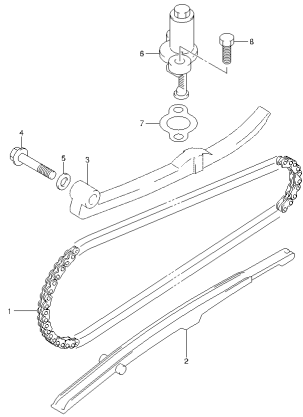
AN1291RL4.F71_007
STARTER CLUTCH

FIG.8



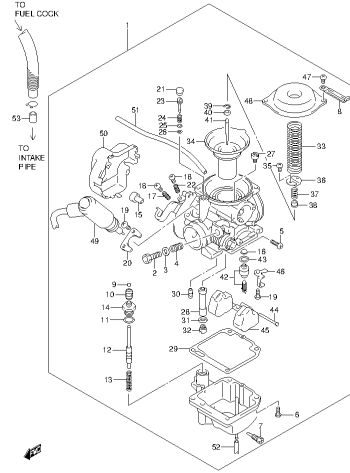
AN1291RL4.F71_008
CAM SHAFT/VALVE

FIG.9



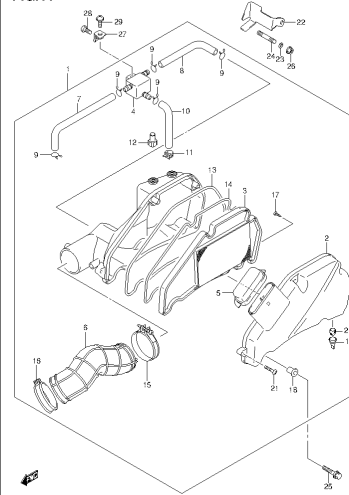
AN1259IKL4_F71_009
CAM CHAIN

FIG.10



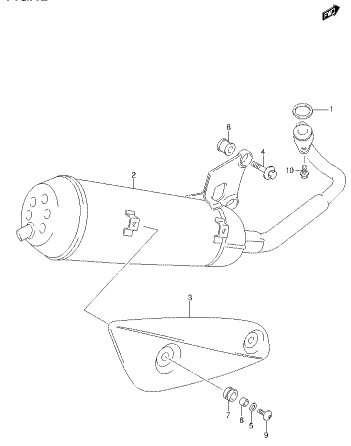
AN1259IKL4_F71_010
CARBURETOR

FIG.11



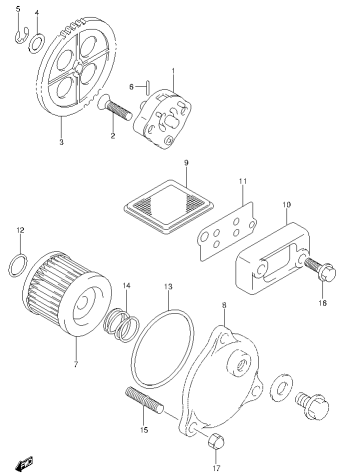
AN1259IKL4_F71_011
AIR CLEANER

FIG.12



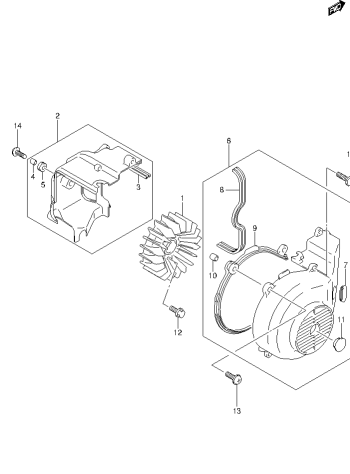
AN1259IKL4_F71_012
MUFFLER

FIG.13



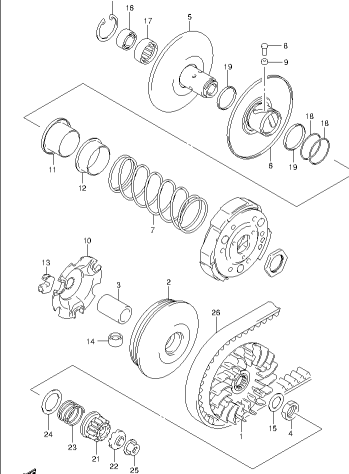
AN1259IKL4_F71_013
OIL PUMP

FIG.14



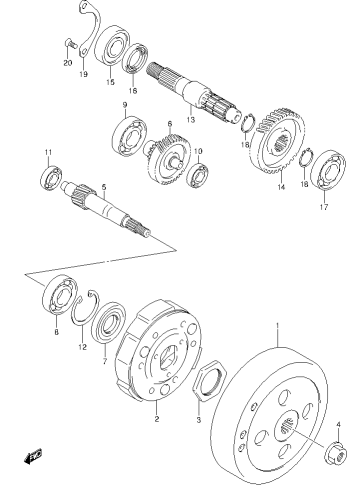
AN1259IKL4_F71_014
COOLING FAN

FIG.15



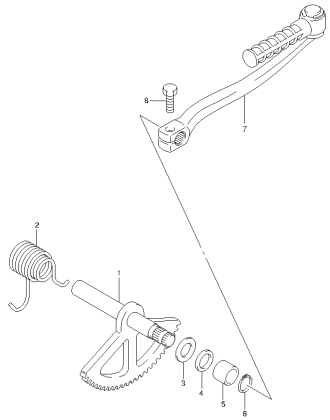
AN1259IKL4_F71_015
TRANSMISSION (1)

FIG.16



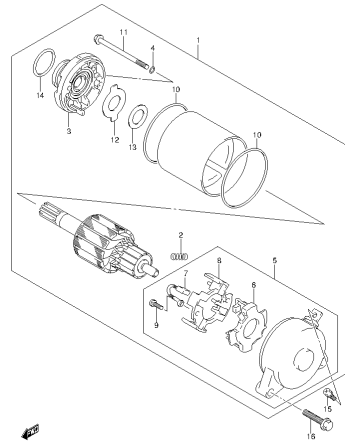
AN1259IKL4_F71_016
TRANSMISSION (2)

FIG.17



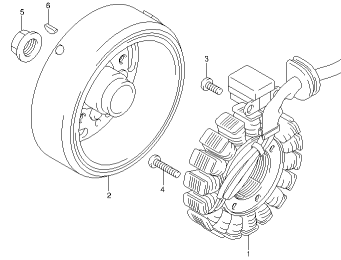
AN1259RKL4_F71_017
KICK STARTER

FIG.18



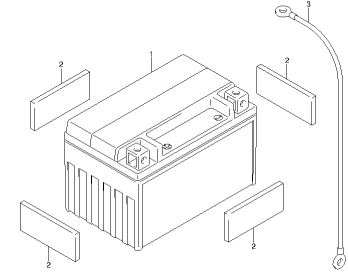
AN1259RKL4_F71_018
STARTING MOTOR

FIG.19



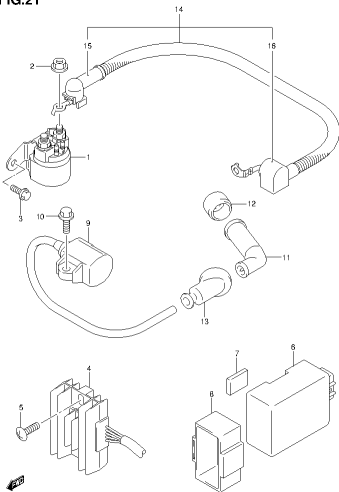
AN1259RKL4_F71_019
MAGNETO

FIG.20



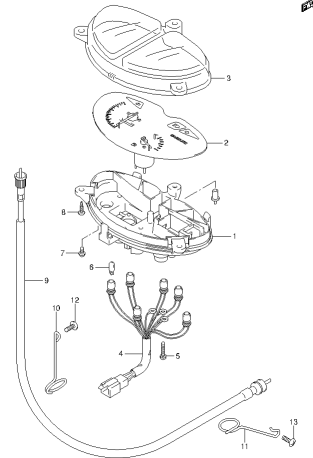
AN1259RKL4_F71_020
BATTERY

FIG.21



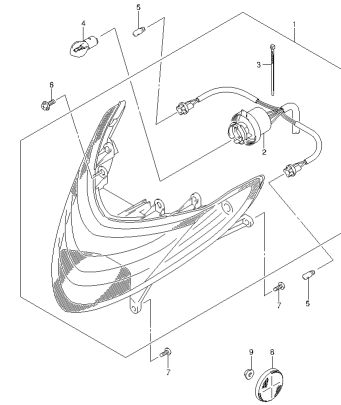
AN1259RKL4_F71_021
ELECTRICAL

FIG.22



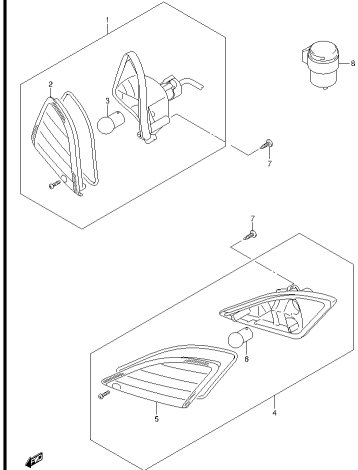
AN1259RKL4_F71_022
SPEEDOMETER

FIG.23



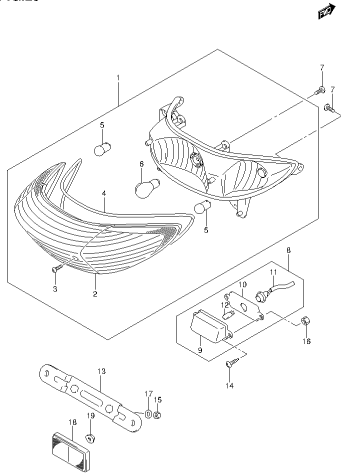
AN1259RKL4_F71_023
HEADLAMP

FIG.24



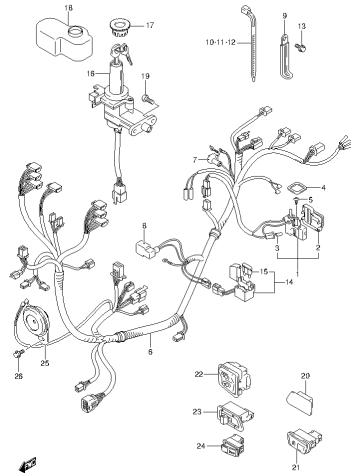
AN1259RKL4_F71_024
FRONT TURN LAMP

FIG.25



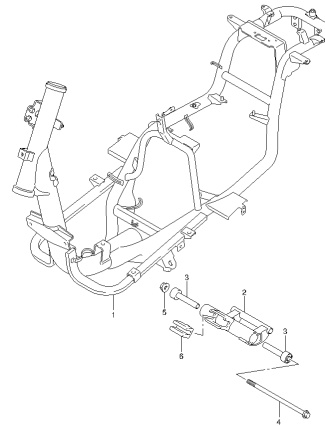
AN129INRL4_F71_025
REAR COMBINATION LAMP

FIG.26



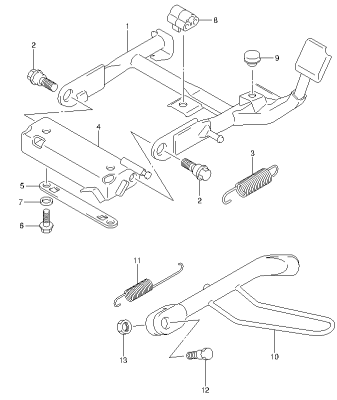
AN129INRL4_F71_026
WING HARNESS

FIG.27



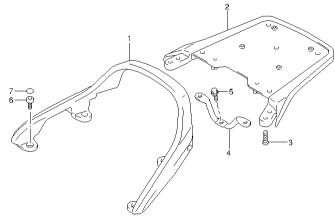
AN129INRL4_F71_027
FRAME

FIG.28



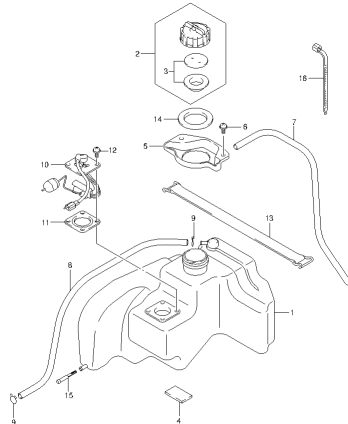
AN129INRL4_F71_028
STAND

FIG.29



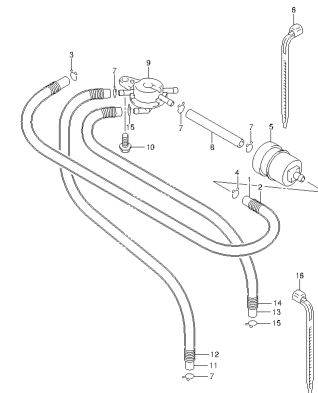
AN129INRL4_F71_029
CARRIER

FIG.30



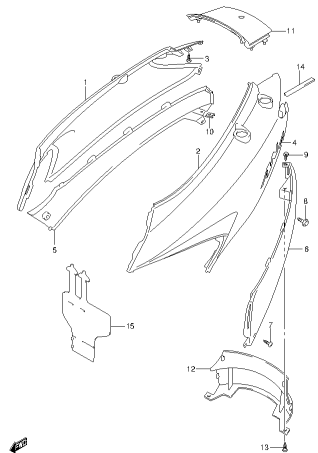
AN129INRL4_F71_030
FUEL TANK

FIG.31



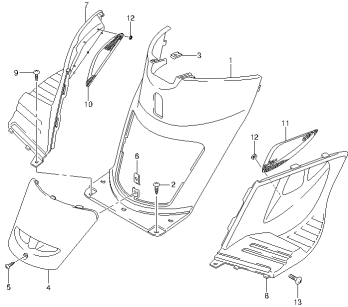
AN129INRL4_F71_031
FUEL COCK

FIG.32



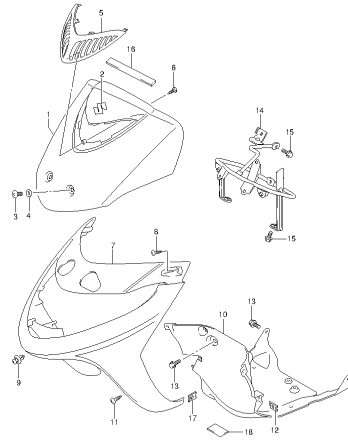
AN129INRL4_F71_032
FRAME COVER

FIG.33



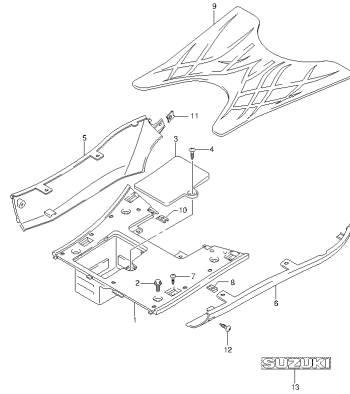
AN129RNK4L_P71_033
FRONT LEG SHIELD

FIG.34



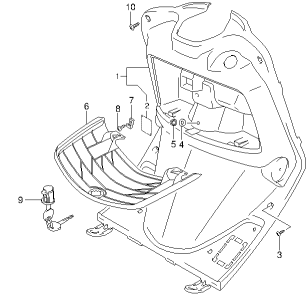
AN129RNK4L_P71_034
FRONT LEG SHIELD

FIG.35



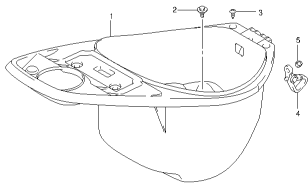
AN129RNK4L_P71_035
REAR LEG SHIELD

FIG.36



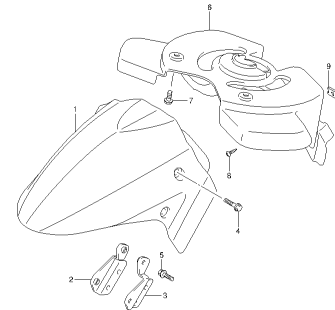
AN129RNK4L_P71_036
LEG SHIELD COVER

FIG.37



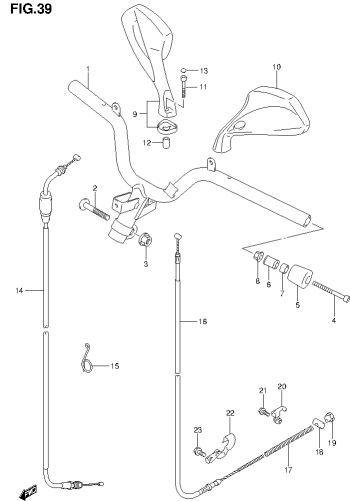
AN129RNK4L_P71_037
HELMET BOX

FIG.38



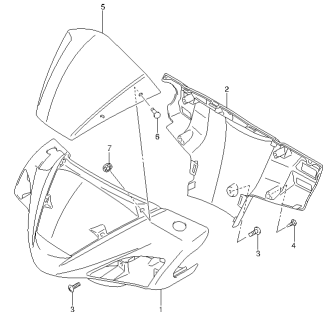
AN129RNK4L_P71_038
FRONT FENDER

FIG.39



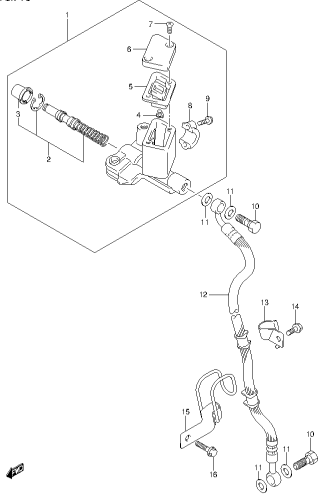
AN129RNK4L_P71_039
HANDLEBAR

FIG.40



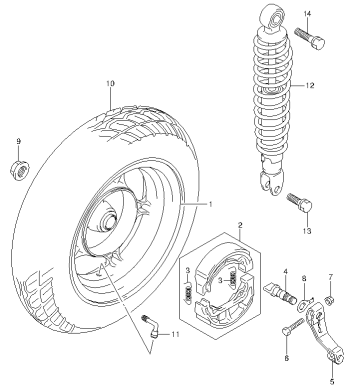
AN129RNK4L_P71_040
HANDLE COVER

FIG.49



AN129INL4-F71_049
FRONT BRAKE HOSE

FIG.50



AN129INL4-F71_050
REAR WHEEL

FIG.1

FIG.1 (1-B-2) CYLINDER HEAD COVER

REF NO.	PART NO.	DESCRIPTION	Q'TY	REMARKS
1	11171-20E11	COVER CYLINDER HEAD	1	
2	11173-20E00	GASKET, CYLINDER HEAD COVER	1	
3	09106-07018	BOLT (7X6.5)	1	
4	09161-11009	WASHER (10.6X25.5X2.3)	1	
5	09106-07019	BOLT (7X19)	2	
6	11176-20E11	COVER, BREATHER	1	
7	11177-20E10	GASKET, BREATHER COVER	1	
8	07120-0520B	BOLT	3	
9	11186-20E00	SEPARATOR, OIL BREATHER	1	
10	09259-20008-XC0	PLUG	1	
11	09280-17003	O RING (D:3.1,ID:16.8)	1	

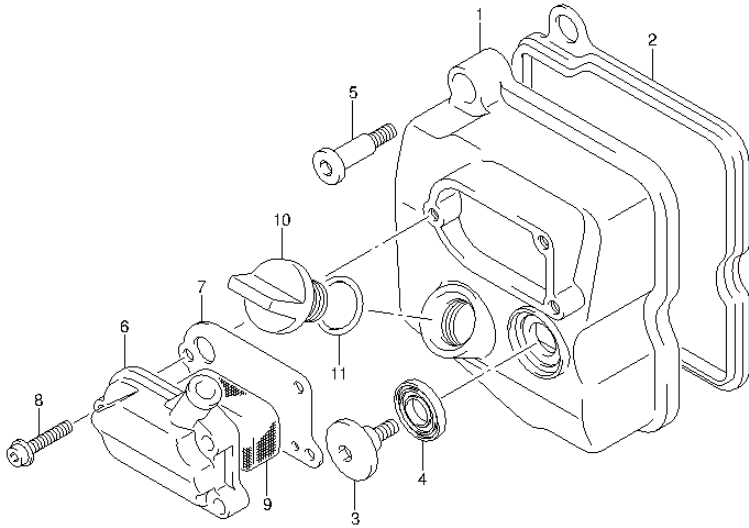


FIG.2

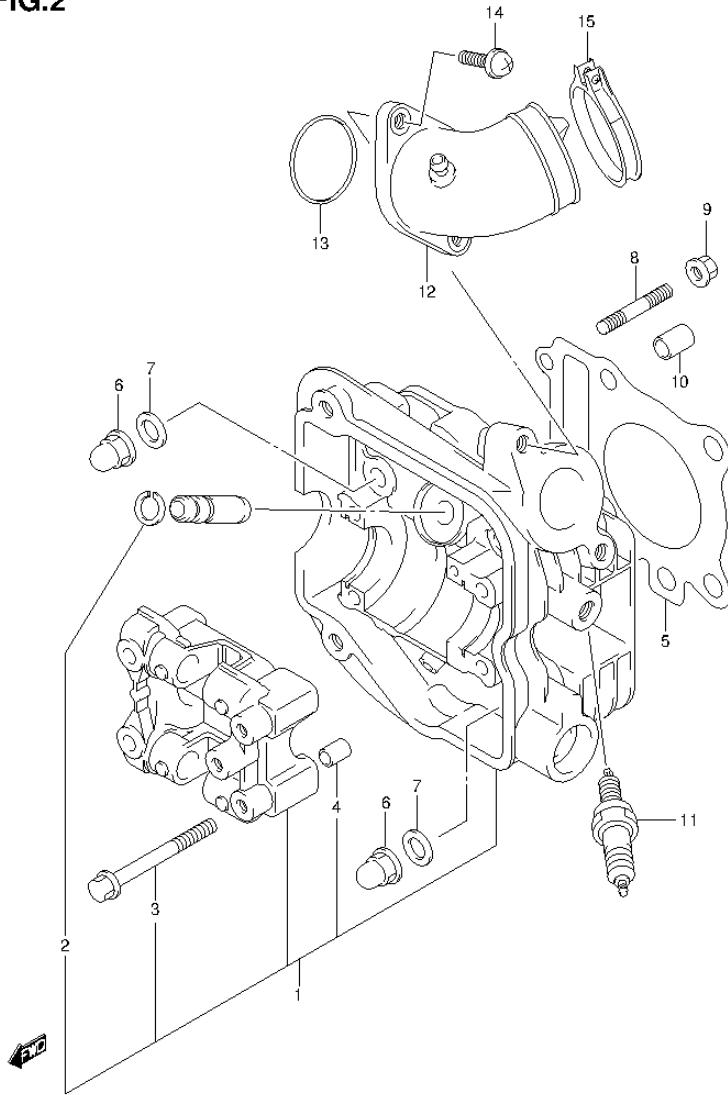


FIG.2 (1-B-3) CYLINDER HEAD

REF NO.	PART NO.	DESCRIPTION	Q'TY	REMARKS
1	11100-20E41	HEAD ASSY, CYLINDER	1	
2	09381-10004	.SNAP RING	2	
3	09103-06102	.BOLT (6X55)	4	
4	09206-08001	.PIN (8X11)	2	
5	11141-20E00	GASKET, CYLINDER HEAD	1	
6	09159-08049	NUT	4	
7	09168-08032	GASKET (8.5X17X2.3)	4	
8	01421-0625B	STUD BOLT	2	
9	08316-1006B	NUT	2	
10	04211-11169	PIN	2	
11-1	09482-00528	SPARK PLUG (CR6E)	1	NGK
11-2	09482-00516	SPARK PLUG (CR7E)	1	OPT NGK
11-3	09482-00456	SPARK PLUG (CR8E)	1	OPT NGK
12	13110-37G10	PIPE, INTAKE	1	
13	09280-32006	O RING (D:2.4, ID:31.7)	1	
14	02112-3616B	SCREW	2	
15	09402-46208	CLAMP	1	

FIG.3

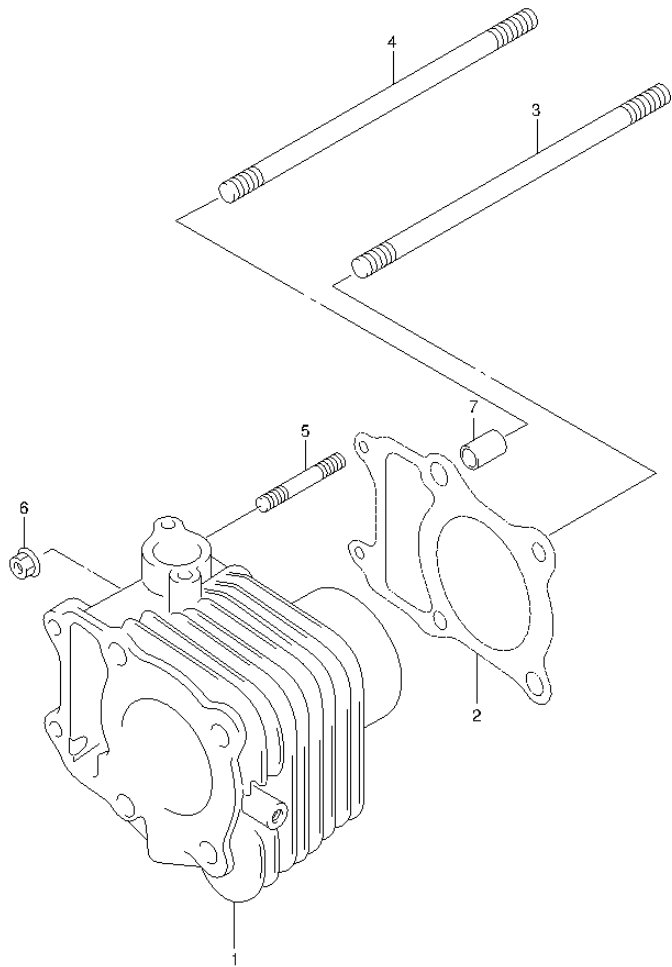


FIG.3 (1-B-4) CYLINDER

REF NO.	PART NO.	DESCRIPTION	Q'TY	REMARKS
1	11210-20E31-0F0	CYLINDER	1	
2	11241-20E10	GASKET, CYLINDER	1	
3	09108-08163	STUD BOLT (8X135)	3	
4	09108-08274	STUD BOLT	1	
5	01421-0625B	STUD BOLT	2	
6	08316-1006B	NUT	2	
7	04211-11169	PIN	2	

FIG.4

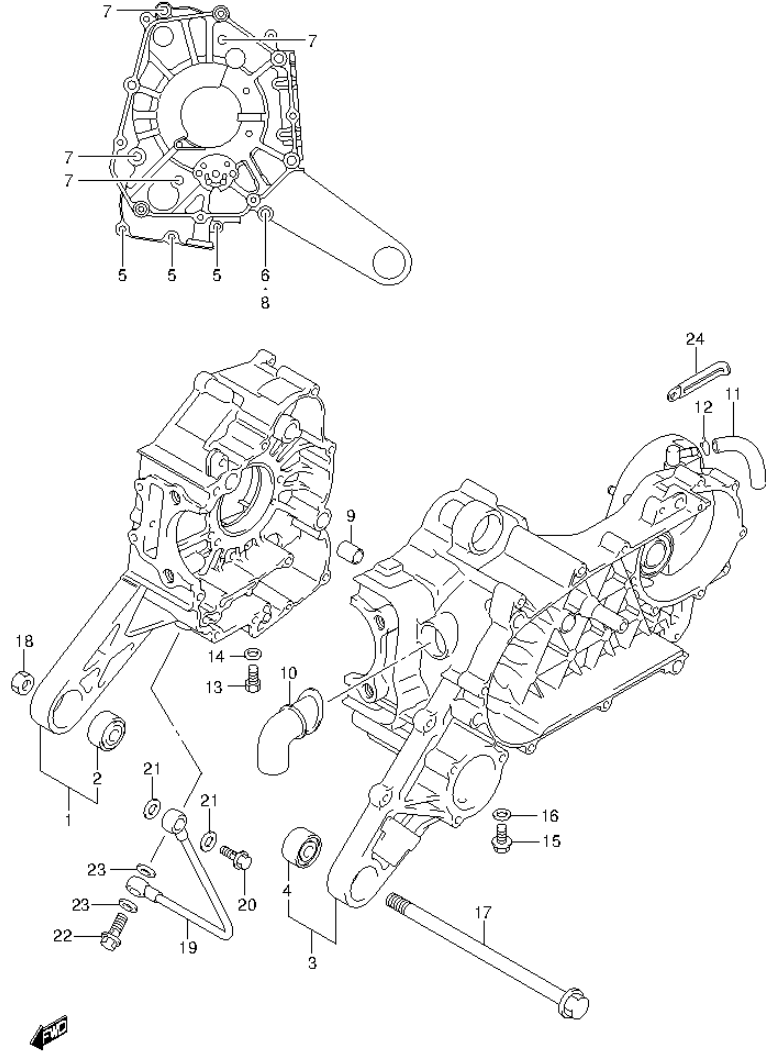


FIG.4 (1-B-5) CRANKCASE

REF NO.	PART NO.	DESCRIPTION	Q'TY	REMARKS
1	11310-20840	CRANKCASE SET, RH	1	
2	09319-12063	.BUSH	1	
3	11320-20840	CRANKCASE SET, LH	1	
4	09319-12063	.BUSH	1	
5	02112-0650B	SCREW	3	
6	01550-0890B	BOLT	1	
7	07130-0855B	BOLT	4	
8	09168-08016	GASKET (8.2X14X1)	1	
9	04211-13189	PIN	2	
10	11325-20E00	TUBE, CRANKCASE	1	
11	09352-70113-600	HOSE	1	
12	09401-11102	CLIP	1	
13	01500-1016B	BOLT	1	OIL DRAIN
14	09168-10L01	GASKET (10X14X3.6)	1	
15	01550-0812B	BOLT	1	
16	09168-08015	GASKET (8.2X14X1.6)	1	
17	09103-12056	BOLT (12X204)	1	
18	08310-0012B	NUT	1	
19	11280-20E00	PIPE, OIL	1	
20	09360-08011	UNION	1	
21	09168-08016	GASKET (8.2X14X1)	2	
22	09360-10054	UNION	1	
23	09168-10007	GASKET (10.1X16X1)	2	
24	09404-06429	CLAMP (L:45)	1	

FIG.5

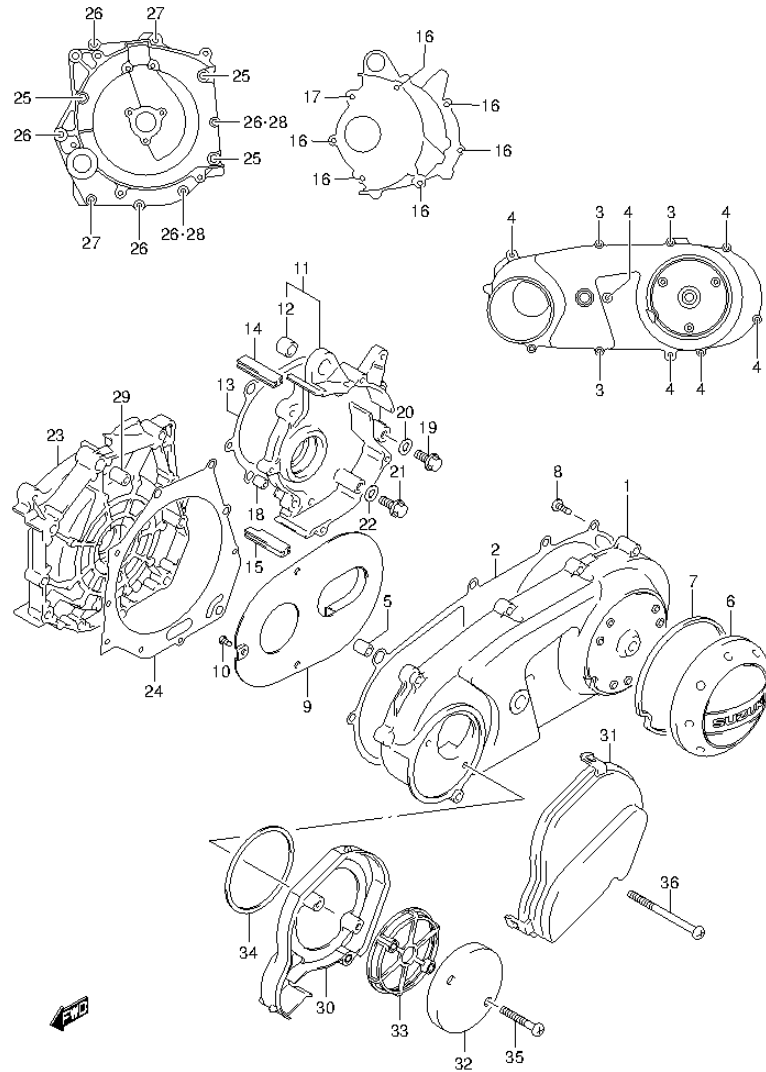


FIG.5 (1-B-6) CRANKCASE COVER

REF NO.	PART NO.	DESCRIPTION	Q'TY	REMARKS
1	11341-37G00	COVER, CLUTCH	1	
2	11482-20E20	GASKET, CLUTCH COVER	1	
3	02112-0625B	SCREW	3	
4	02112-0640B	SCREW	6	
5	04211-11169	PIN	2	
6	11383-37G00	CAP, CLUTCH COVER	1	
7	11389-09D00	CUSHION, CLUTCH COVER CAP	1	
8	03541-0512B	SCREW	3	
9	11346-37G00	PLATE, CLUTCH COVER, AIR INTAKE	1	
10	02112-0506B	SCREW	4	
11	11430-20820	COVER SET, GEAR BOX	1	
12	09319-10032	.BUSH (10.2X22.3X20)	1	
13	11484-20E10	GASKET, GEAR BOX COVER	1	
14	11485-20E00	CUSHION, GEAR BOX COVER UPPER	1	
15	11486-20E00	CUSHION, GEAR BOX COVER LOWER	1	
16	01547-0625B	BOLT	6	
17	01547-0635B	BOLT	1	
18	04211-11149	PIN	2	
19	01550-0812B	BOLT	1	
20	09168-08015	GASKET (8.2X14X1.6)	1	
21	01547-0612B	BOLT	1	OIL DRAIN
22	09168-06004	GASKET (6.2X11X1.2)	1	
23	11350-20E20	COVER, CRANKSHAFT RH	1	
24	11483-20E20	GASKET, CRANKSHAFT COVER RH	1	
25	09106-08142	BOLT (8X110)	3	
26	02112-0635B	SCREW	5	
27	02112-0645B	SCREW	2	
28	09168-06023	GASKET (5.8X13X1.2)	2	
29	04211-11169	PIN	2	
30	11381-37G00	DUCT, BELT COOLING INNER	1	
31	11382-37G00	DUCT, BELT COOLING OUTER	1	
32	11388-37G00	FILTER, BELT COOLING	1	
33	11389-37G00	HOLDER, BELT COOLING FILTER	1	

FIG.5

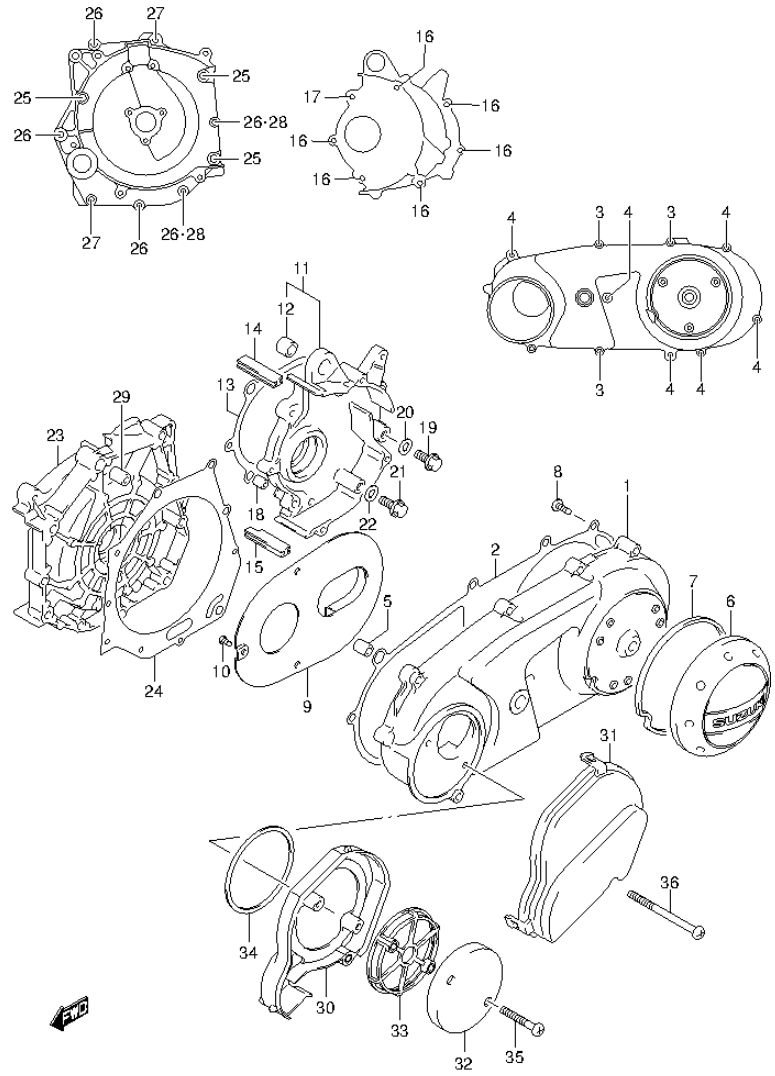


FIG.5 (1-B-7) CRANKCASE COVER

REF NO.	PART NO.	DESCRIPTION	Q'TY	REMARKS
34	11485-34F00	CUSHION, BELT COOLING DUCT	1	
35	02112-0635B	SCREW	2	
36	02112-0680B	SCREW	1	

FIG.6

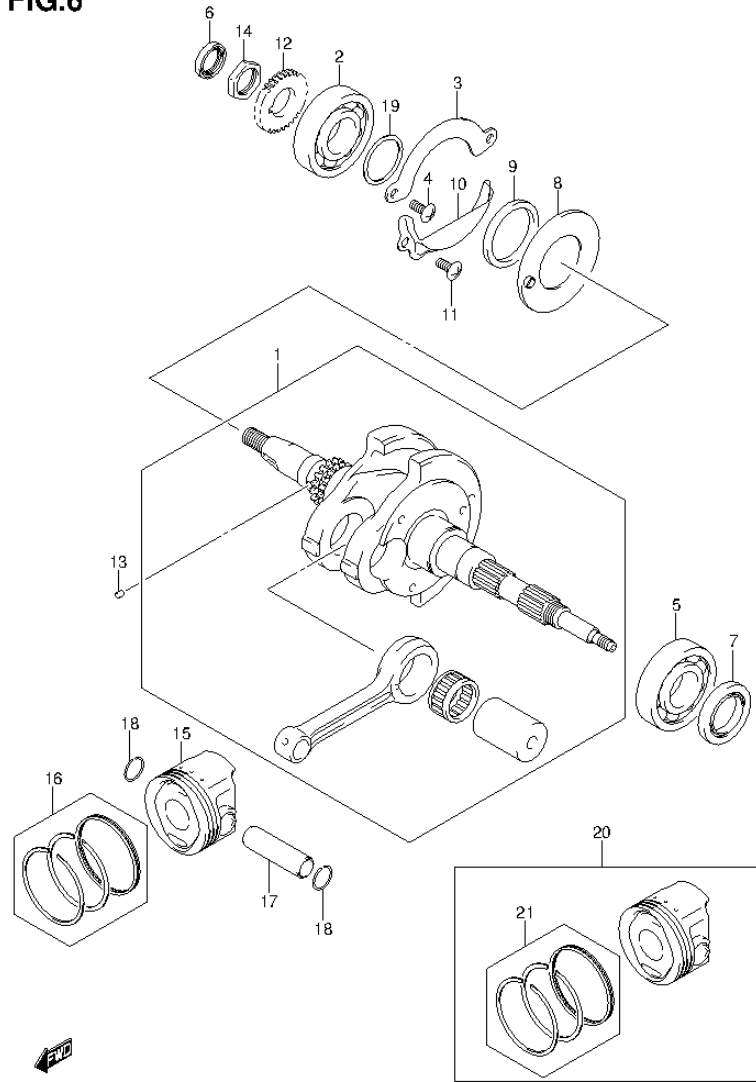


FIG.6 (1-B-8) CRANKSHAFT

REF NO.	PART NO.	DESCRIPTION	Q'TY	REMARKS
1	12200-20E61	CRANKSHAFT ASSY	1	
2	09262-32014	BEARING (32X65X16)	1	
3	12541-20E10	RETAINER, CRANKSHAFT BEARING RH	1	
4	09125-06069	SCREW (6X12)	2	
5	09262-25140	BEARING (25X62X16)	1	
6	09283-20055	OIL SEAL (20X28X5)	1	
7	09283-25095	OIL SEAL (25X42X6)	1	
8	12510-20E10	PLATE, CRANKSHAFT OIL GUIDE	1	
9	12359-20E10	RETAINER, OIL GUIDE PLATE	1	
10	12521-20E02	PLATE, OIL RESERVEOIR	1	
11	09125-06069	SCREW (6X12)	2	
12	16321-20E10	GEAR, OIL PUMP DRIVE (NT:30)	1	
13	04221-04069	PIN	1	
14	09140-22008	NUT	1	
15	12111-20E80-0F0	PISTON	1	
16	12140-20E10	RING SET, PISTON	1	
17	12151-12F00	PIN, PISTON	1	
18	09381-14001	SNAP RING	2	
19-1	09181-32131	SHIM (T:0.6)	1	
19-2	09181-32132	SHIM (T:0.7)	1	
19-3	09181-32134	SHIM (T:0.8)	1	
19-4	09181-32136	SHIM (T:0.9)	1	
19-5	09181-32138	SHIM (T:1.0)	1	
19-6	09181-32144	SHIM (T:1.1)	1	
19-7	09181-32148	SHIM (T:1.2)	1	
20	12100-20E80-050	PISTON SET (OS:0.5)	1	OPT
21	12140-20E10-050	.RING SET, PISTON (OS:0.5)	1	OPT

FIG.7

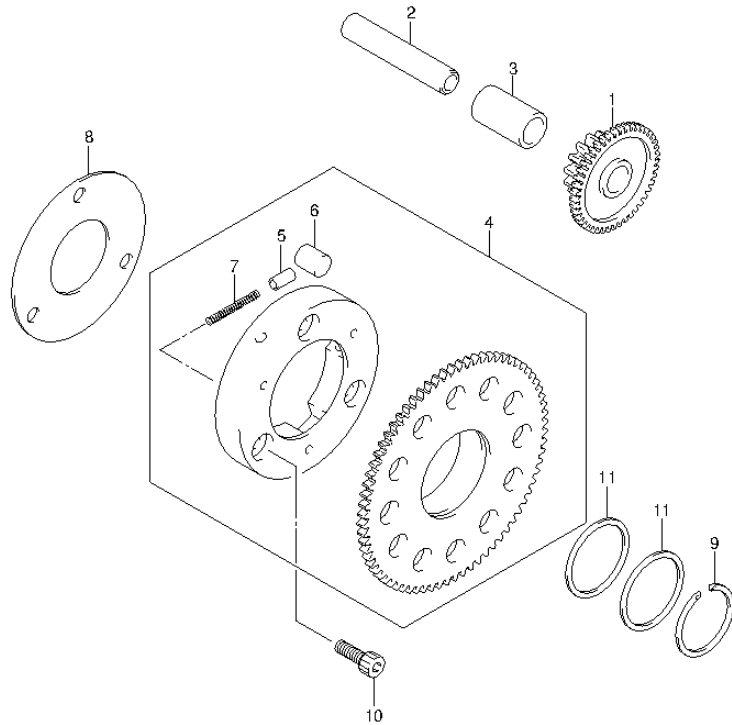


FIG.7 (1-B-9) STARTER CLUTCH

REF NO.	PART NO.	DESCRIPTION	Q'TY	REMARKS
1	12611-20E00	GEAR, STARTER IDLE (NT:15/44)	1	
2	09206-13016	PIN (7.4X13X72)	1	
3	09180-13009	SPACER (13X19X32.8)	1	
4	12600-20891	CLUTCH SET, STARTER (NT:57)	1	
5	12633-20E00	.PIECE, STARTER CLUTCH ROLLER PUSH	3	
6	09261-10003	.ROLLER (10X11)	3	
7	09440-03013	.SPRING	3	
8	12649-20E10	SHIM, STARTER CLUTCH HUB	1	
9	09380-32002	SNAP RING	1	
10	07130-0616B	BOLT	3	
11	12623-20E10	WASHER	2	



FIG.8

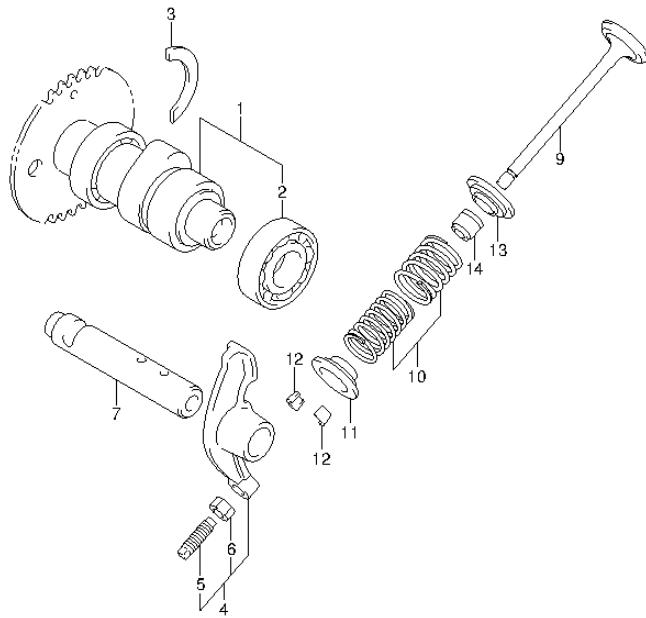
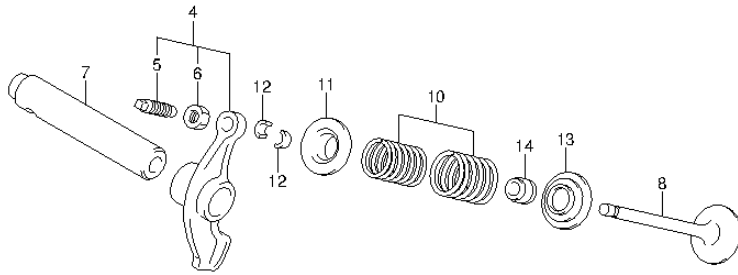


FIG.8 (1-B-10) CAM SHAFT/VALVE

REF NO.	PART NO.	DESCRIPTION	Q'TY	REMARKS
1	12710-20E90	SHAFT, CAM (NT:32)	1	
2	09262-15029	.BEARING (15X32X9)	2	
3	09390-32003	C RING	1	
4-1	12840-20E10	ARM, VALVE ROCKER	2	LAIZHOU NISSIN
4-2	12840-20E20	ARM, VALVE ROCKER	2	CHONGQING JUXING
4-3	12840-20E30	ARM, VALVE ROCKER	2	YUHUAN JINHUI
5	12842-49201	.SCREW, TAPPET ADJUSTING	2	
6	12843-27A00	.NUT, TAPPET ADJUSTING	2	
7	12861-20E00	SHAFT, VALVE ROCKER ARM	2	
8	12911-20E00	VALVE, INTAKE	1	
9	12912-20E00	VALVE, EXHAUST	1	
10	12920-20E10	SPRING SET, VALVE	2	
11	12931-09420	RETAINER, VALVE SPRING	2	
12	12932-27A10	COTTER, VALVE	4	
13	12933-39E10	SEAT, VALVE SPRING	2	
14-1	09289-05L02	OIL SEAL	2	
14-2	09289-05018	OIL SEAL (5X10X8.7)	2	ARS

FIG.9

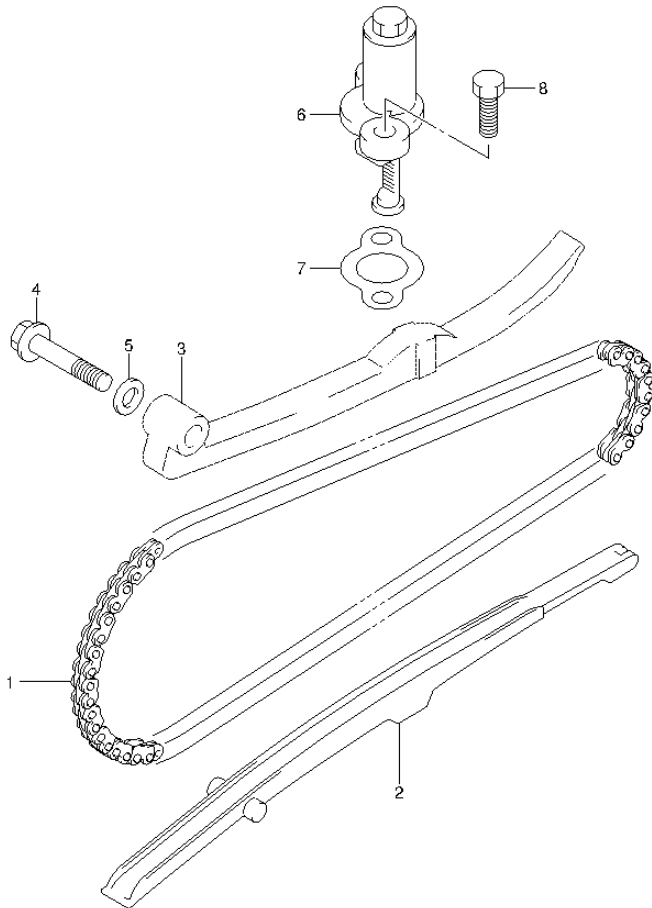


FIG.9 (1-B-11) CAM CHAIN

REF NO.	PART NO.	DESCRIPTION	Q'TY	REMARKS
1	12760-20E10	CHAIN, CAM SHAFT DRIVE	1	
2	12771-20E00	GUIDE, CAM CHAIN	1	
3	12811-20E20	TENSIONER, CAM CHAIN	1	
4	09103-06247	BOLT (6X32)	1	
5	09168-06004	GASKET (6.2X11X1.2)	1	
6	12830-20E00	ADJUSTER ASSY, TENSIONER	1	
7	12837-20E20	GASKET, TENSIONER ADJUSTER	1	
8	01500-0620B	BOLT	2	

FIG.10

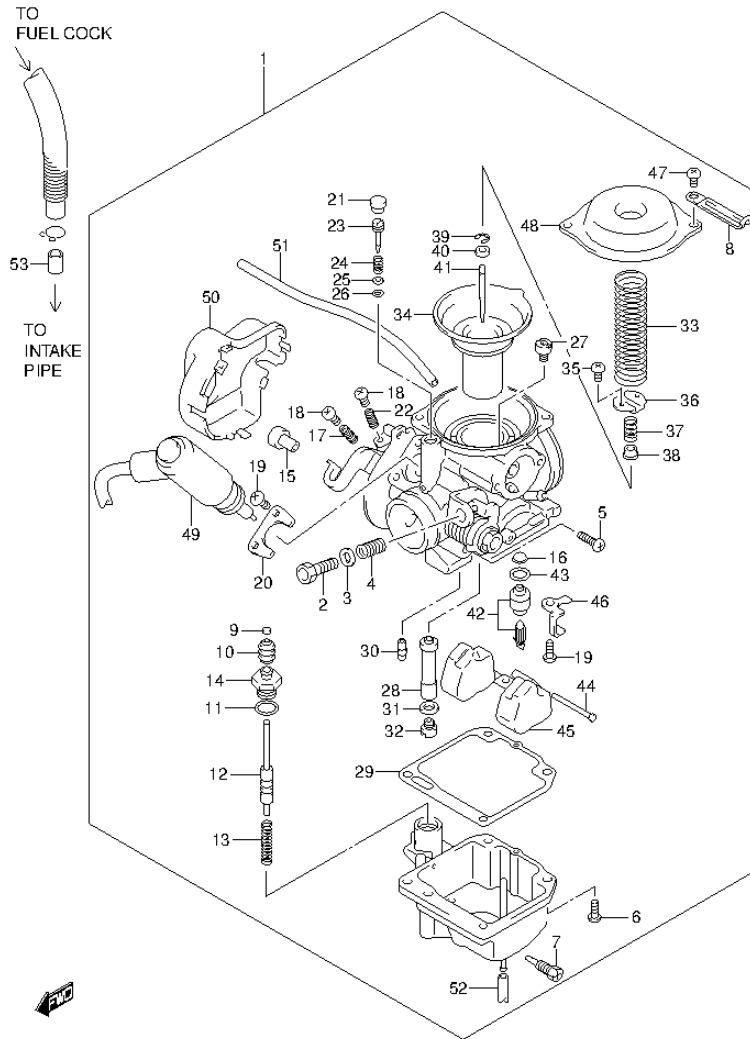


FIG.10 (1-B-12) CARBURETOR

REF NO.	PART NO.	DESCRIPTION	Q'TY	REMARKS
1	13200-37G10	CARBURETOR ASSY	1	
2	13267-20E20	.ADJUST SCREW	1	
3	13386-09410	.WASHER	1	
4	13268-37420	.SPRING	1	
5	02112-05107	.SCREW	2	
6	13601-04148	.SCREW	4	
7	13247-28A00	.SCREW, DRAIN	1	
8	09404-06433	.CLAMP (L:80)	1	
9	13495-09400	.CAP	1	
10	13495-18E00	.CAP	1	
11	09280-08014	.O RING (D:1.5,ID:8.5)	1	
12	13493-20E20	.PLUNGER	1	
13	13222-60A10	.SPRING	1	
14	13496-20E20	.GUIDE HOLDER	1	
15	13674-20E20	.FILTER ASSY	1	
16	13376-19F00	.FILTER	1	
17	13434-30650	.SPRING	1	
18	02112-03167	.SCREW	2	
19	02112-0406B	.SCREW	3	
20	13421-20E20	.PLATE	1	
21	13357-36A00	.PLUG	1	
22	13494-09410	.SPRING	1	
23	13279-45400	.SCREW, PILOT	1	
24	13268-47070	.SPRING	1	
25	13291-29900	.WASHER	1	
26	13295-29900	.O RING	1	
27	09491-23015	.JET, MAIN (117.5)	1	
28	09494-00845	.JET, NEEDLE (0-8)	1	
29	13251-20E20	.GASKET, FLOAT	1	
30	09492-35031	.JET, PILOT (35)	1	
31	13382-03110	.WASHER	1	
32	09491-92004	.JET, MAIN (92.5)	1	
33	13503-20E20	.SPRING	1	
34	13500-20E20	.DIAPHRAGM ASSY	1	

FIG.10

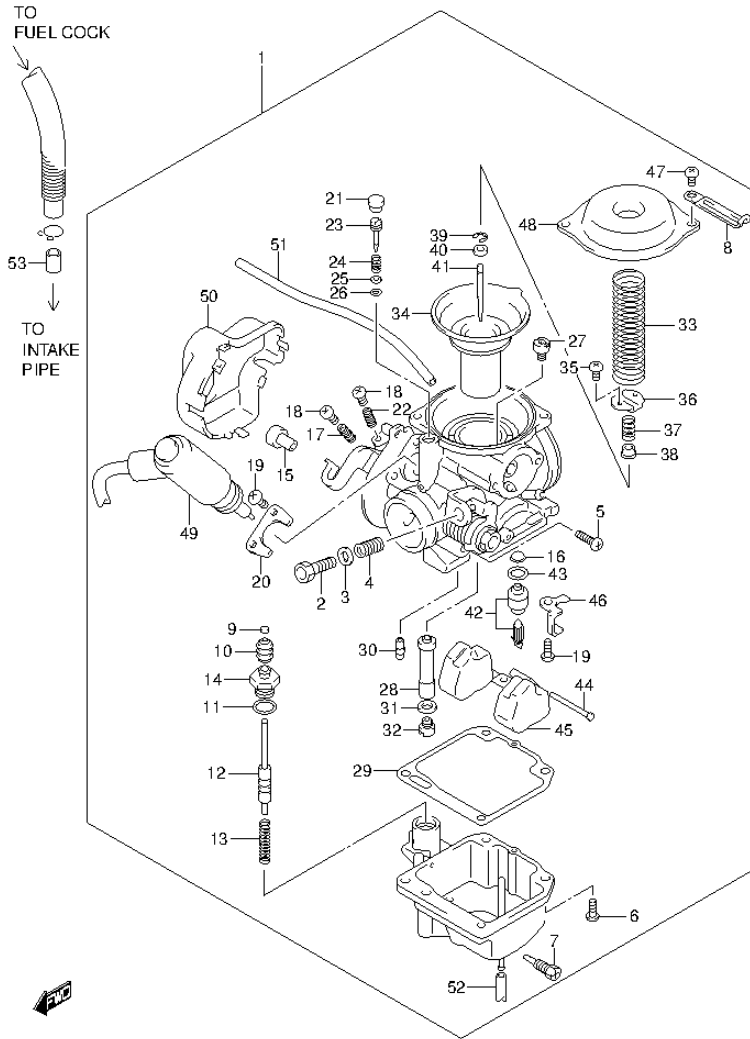


FIG.10 (1-B-13) CARBURETOR

REF NO.	PART NO.	DESCRIPTION	Q'TY	REMARKS
35	02112-0308A	.SCREW	2	
36	13389-20E20	.DISK PLATE	1	
37	13388-20E20	.SPRING	1	
38	13382-20E20	.RING	1	
39	13394-10010	.CLIP, NEEDLE	1	
40	13387-20E20	.RING	1	
41	13383-37G10	.JET NEEDLE	1	
42	13370-20E20	.NEEDLE VALVE ASSY	1	
43	13374-35C00	.O RING	1	
44	13254-92311	.PIN, FLOAT	1	
45	13250-05300	.FLOAT	1	
46	13373-11400	.PLATE	1	
47	02112-05087	.SCREW	2	
48	13502-20E20	.COVER, DIAPHRAGM	1	
49	13430-20E90	.THERMO ELEMENT ASSY	1	
50	13488-20E20	.COVER	1	
51	13683-38B01	.HOSE	1	
52	09352-30503-600	.HOSE (3X5X600)	1	
53	13131-20E00	.JET, BOOST HOSE	1	

FIG.11

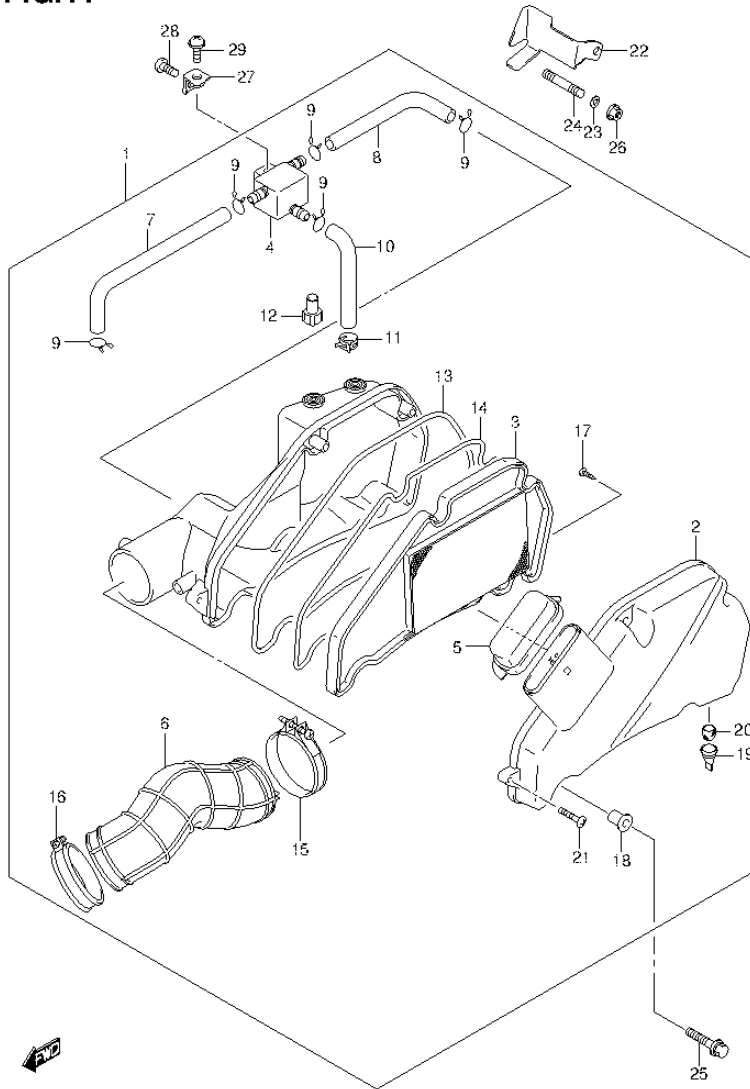


FIG.11 (1-B-14) AIR CLEANER

REF NO.	PART NO.	DESCRIPTION	Q'TY	REMARKS
1	13700-37G02	CLEANER ASSY, AIR	1	
2	13741-37G01	.CAP, AIR CLEANER	1	
3	13780-37G10	.FILTER, AIR CLEANER	1	
4	13855-37G00	.FILTER, BREATHER	1	
5	13742-37G00	.CAP, INLET TUBE	1	
6	13881-37G00	.TUBE, OUTLET	1	
7	13851-37G00	.TUBE, BREATHER NO.1	1	
8	13853-37G00	.TUBE, BREATHER NO.2	1	
9	09401-14301	.CLIP	5	
10	13871-37G00	.TUBE, DRAIN	1	
11	09401-12404	.CLIP	1	
12	13877-13700	.PLUG	1	
13	13746-37G00	.GASKET, AIR CLEANER	1	
14	13784-37G10	.GASKET, FILTER	1	
15	13744-37G00	.CLAMP	1	
16	09402-58208	.CLAMP	1	
17	03541-0410A	.SCREW	1	
18	13912-20E00	.COLLAR	2	
19	13878-39C10	.TUBE, DRAIN	1	
20	13788-29C50	.FILTER, DRAIN	1	
21	03541-0525B	.SCREW	5	
22	13982-20E00	PLATE, BREATHER UNION	1	
23	09162-06008	LOCK WASHER	1	
24	01421-0630B	STUD BOLT	1	
25	01580-0630B	BOLT	1	
26	08316-1006B	NUT	1	
27	13856-37G00	BRACKET, COOLING BOX	1	
28	02112-0612B	SCREW	1	
29	02112-1610B	SCREW	1	

FIG.12

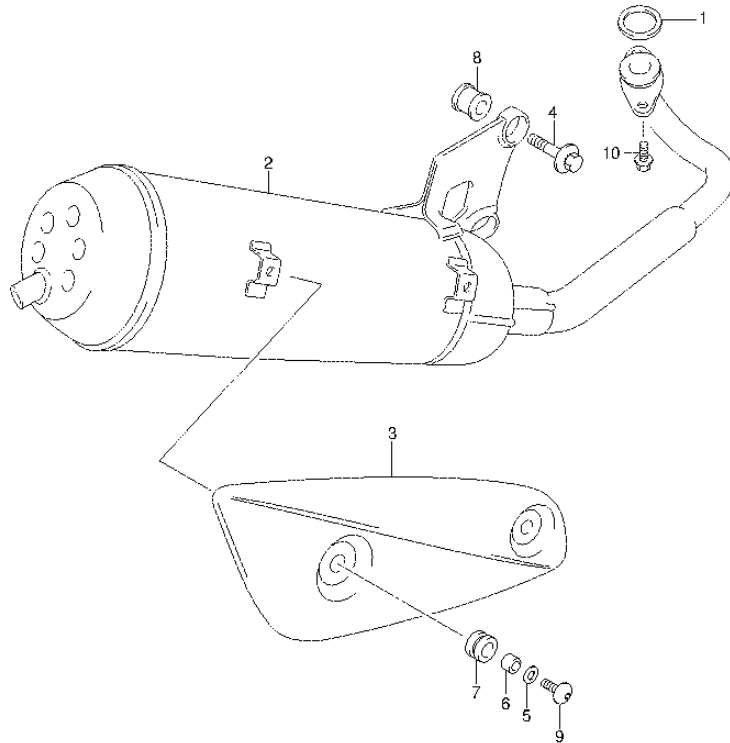


FIG.12 (1-B-15) MUFFLER

REF NO.	PART NO.	DESCRIPTION	Q'TY	REMARKS
1	14181-34H00	GASKET, EXHAUST PIPE	1	
2	14305-37G00	MUFFLER	1	
3	14790-37G00	COVER, MUFFLER	1	
4	09118-08147	BOLT (8X35)	2	
5	09160-06028	WASHER (6.5X18X1)	2	
6	09180-06306	SPACER (6.5X9X5)	2	
7	09320-08051	CUSHION	2	
8	09320-12058	CUSHION	2	
9	09139-06167	SCREW (6X14)	2	
10	07120-0820B	BOLT	2	

FIG.13

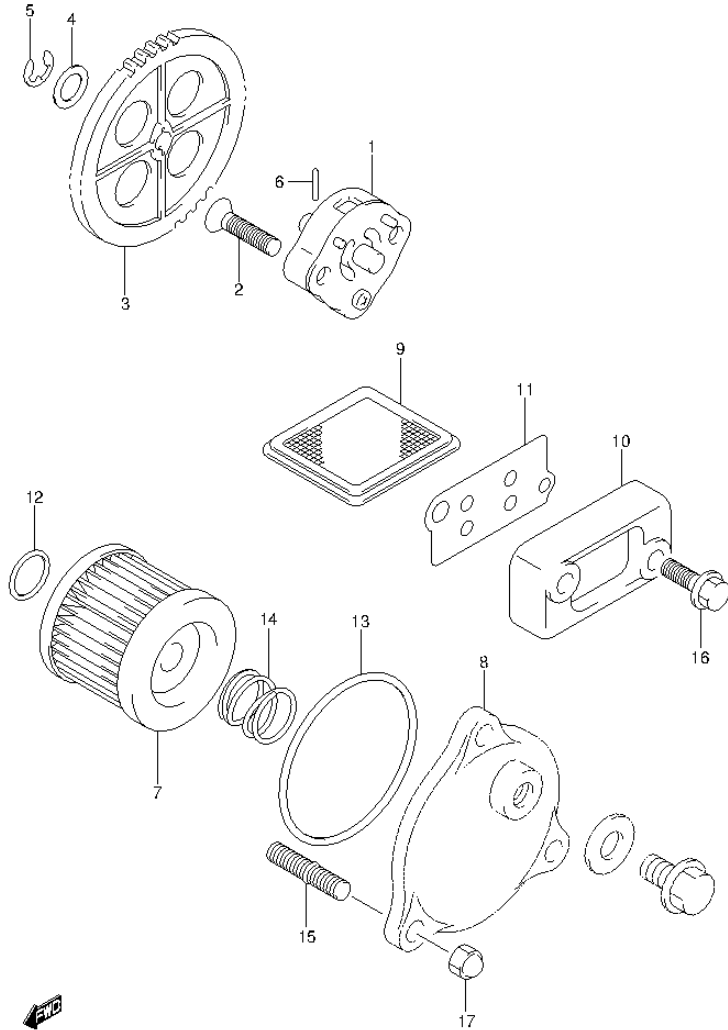


FIG.13 (1-C-2) OIL PUMP

REF NO.	PART NO.	DESCRIPTION	Q'TY	REMARKS
1	16410-20E00	PUMP, OIL	1	
2	02122-0625B	SCREW	2	
3	16331-20E00	GEAR, OIL PUMP DRIVEN (NT:47)	1	
4	16422-20E00	WASHER	1	
5	16423-20E00	CIRCLIP	1	
6	16421-20E00	PIN	1	
7	16510-05240	FILTER, ENGINE OIL	1	
8	16512-33G00	CAP, OIL FILTER	1	
9	16520-09410	STRAINER, ENGINE OIL	1	
10	16523-20E00	CAP, OIL STRAINER	1	
11	16524-20E20	GASKET, OIL STRAINER CAP	1	
12	09280-13004	O RING (D:1.9,ID:13)	1	
13	09280-54001	O RING (D:2.4,ID:52.6)	1	
14	09440-18002	SPRING	1	
15	01421-0612B	STUD BOLT	3	
16	01547-0625B	BOLT	2	
17	08313-1006B	NUT	3	

FIG.14



FIG.14 (1-C-3) COOLING FAN

REF NO.	PART NO.	DESCRIPTION	Q'TY	REMARKS
1	17110-20E23	FAN, COOLING	1	
2	17120-20E20	COWLING, CYLINDER	1	
3	17122-20E00	.MOLD, CYLINDER COWLING	1	
4	09180-06263	.SPACER (6.5X9X9)	1	
5	09320-09016	.CUSHION	1	
6	17130-20E00	COWLING ASSY, FAN	1	
7	09250-30003	.CAP (OD:36)	1	
8	17132-20E00	.MOLD, FAN COWLING	1	
9	17133-20E00	.DAMPER, FAN COWLING	1	
10	17134-20E00	.SPACER	2	
11	17136-20E00	.PLUG, COWLING FAN	1	
12	01550-0616B	BOLT	3	
13	02112-1625B	SCREW	4	
14	02112-1620B	SCREW	1	
15	03541-0620B	SCREW	1	

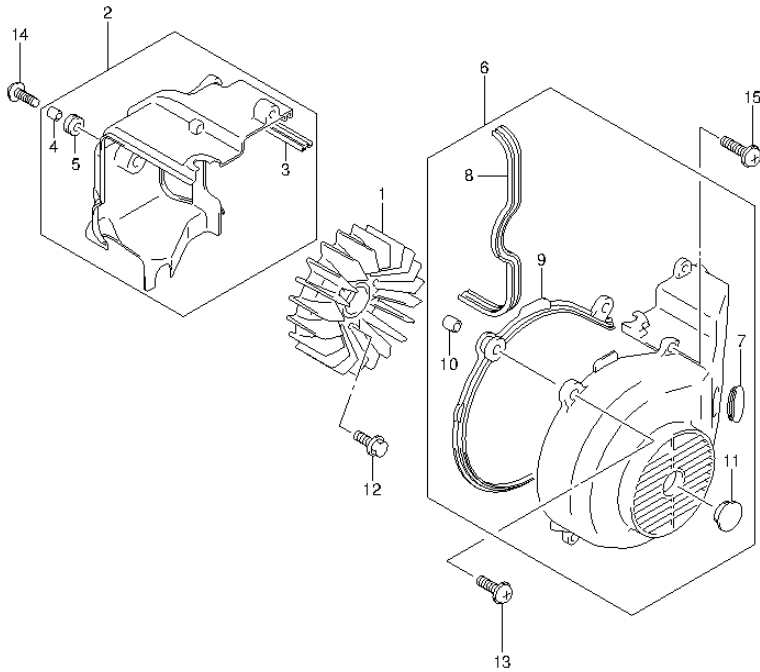


FIG.15

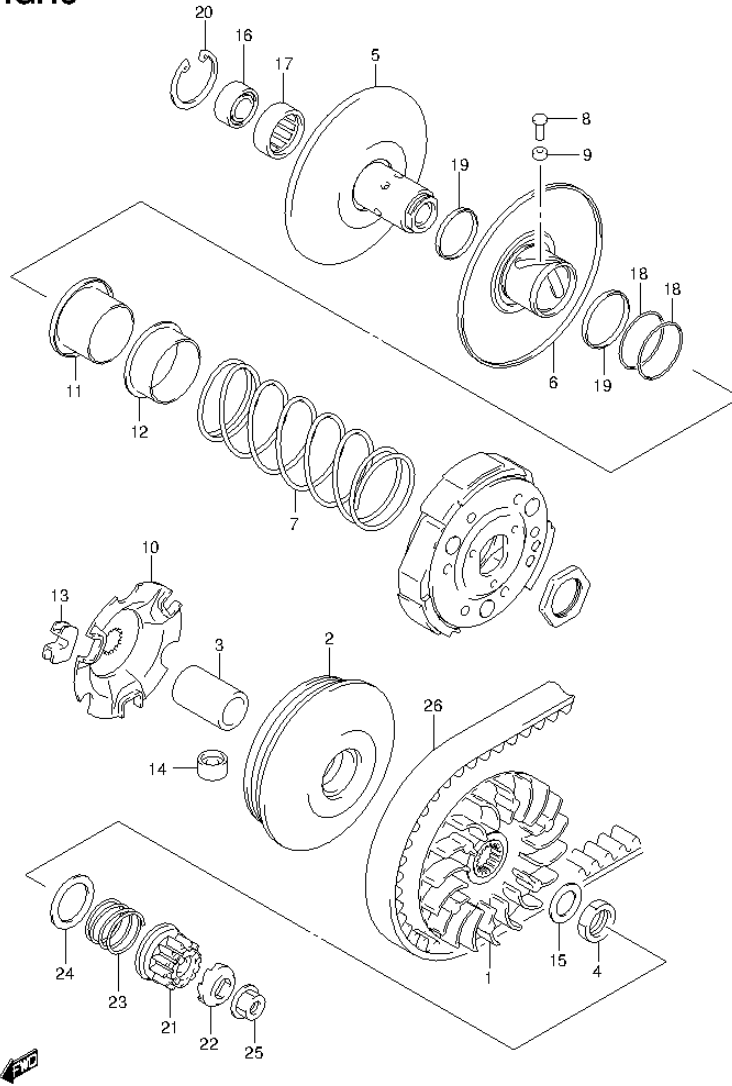


FIG.15 (1-C-4) TRANSMISSION (1)

REF NO.	PART NO.	DESCRIPTION	Q'TY	REMARKS
1	21111-20E00	FACE, FIXED DRIVE	1	
2	21120-20E10	FACE, MOVABLE DRIVE	1	
3	21125-20E10	SPACER, MOVABLE DRIVE	1	
4	21141-20E00	NUT, FIXED DRIVE FACE	1	
5	21210-20E31	FACE, FIXED DRIVEN	1	
6	21240-20E40	FACE, MOVABLE DRIVEN	1	
7	21243-20E40	SPRING, MOVABLE DRIVEN	1	
8	21248-33G00	PIN, MOVABLE DRIVEN	3	
9	21249-20E00	SPACER, MOVABLE DRIVEN PIN	3	
10	21431-20E30	PLATE, MOVABLE DRIVE	1	
11	21471-20E10	SHEET, MOVABLE DRIVEN	1	
12	21472-20E00	SHEET, MOVABLE DRIVEN	1	
13	21481-20E00	DAMPER, MOVABLE DRIVE PLATE	3	
14	21650-20E50	ROLLER, MOVABLE DRIVE	6	
15	09164-16005	WASHER	1	
16	09262-15034	BEARING (15X28X7)	1	
17	09263-20092	BEARING (20X29X18)	1	
18-1	09280-40014	O RING (D:2.ID:39)	2	
18-2	09280-40015	O RING (D:2.ID:39)	2	
19	09284-34004	OIL SEAL (33.2X39X3)	2	
20	08331-41289	CIRCLIP	1	
21	26280-11E20	GEAR, KICK STARTER DRIVEN (NT:12)	1	
22	26282-11E01	STARTER, KICK	1	
23	09440-30011	SPRING	1	
24	08221-25355	SHIM	1	
25	08316-1010B	NUT	1	
26	27601-20E01	V-BELT, DRIVE	1	

FIG.16

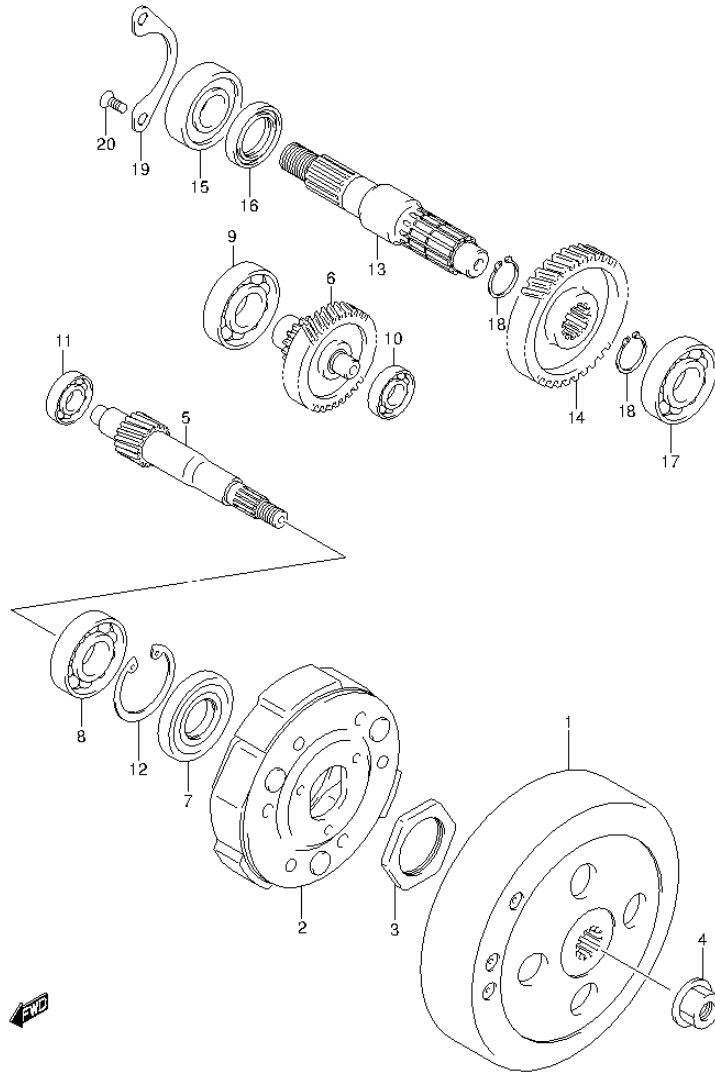


FIG.16 (1-C-5) TRANSMISSION (2)

REF NO.	PART NO.	DESCRIPTION	Q'TY	REMARKS
1	21220-20E10	HOUSING, CLUTCH	1	
2	21501-20EC0	CLUTCH ASSY, SHOE	1	
3	09140-28007	NUT	1	
4	08316-1012A	NUT	1	
5	24131-20E10	SHAFT, DRIVE (NT:17)	1	
6	24150-20E50	SHAFT, IDLE, (NT:15/45)	1	
7	09283-20062	OIL SEAL (18.7X47X6)	1	
8	09262-20069	BEARING (20X47X14)	1	
9	09262-20106	BEARING (20X42X12)	1	
10	08113-62017	BEARING	1	
11	08113-62017	BEARING	1	
12	08331-41479	CIRCLIP	1	
13	24141-20E00	SHAFT, REAR AXLE	1	
14	24371-20E00	GEAR, FINAL DRIVEN (NT:47)	1	
15	09262-22027	BEARING (22X50X14)	1	
16	09283-27015	OIL SEAL (27X40X6)	1	
17	08110-62030	BEARING	1	
18	08331-31229	CIRCLIP	2	
19	24751-11E00	RETAINER, AXLE SHAFT BEARING	1	
20	02122-0616A	SCREW	2	

FIG.17

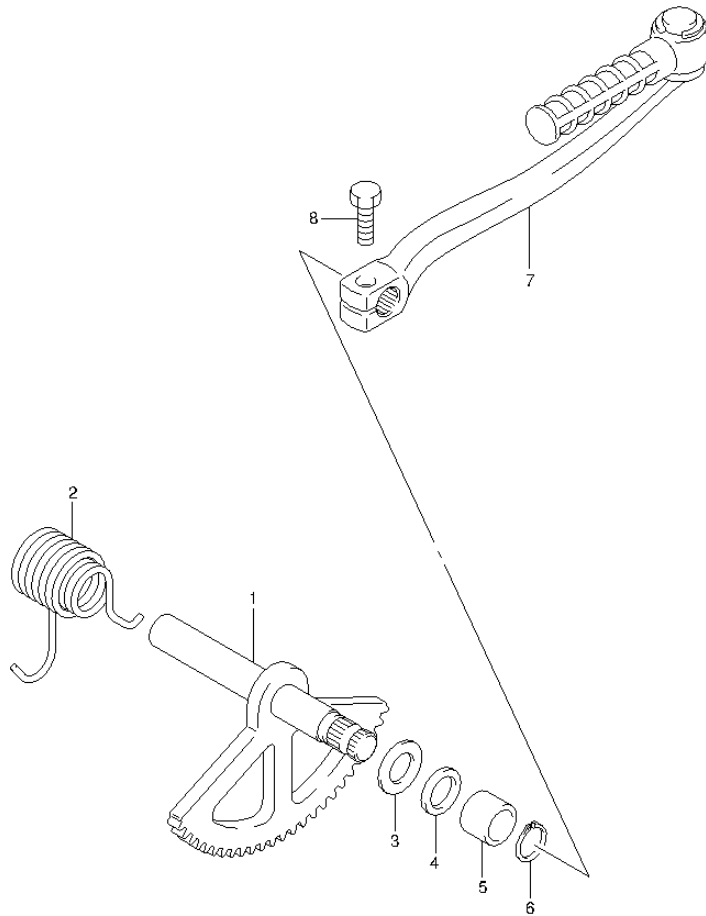


FIG.17 (1-C-6) KICK STARTER

REF NO.	PART NO.	DESCRIPTION	Q'TY	REMARKS
1	26210-20E00	SHAFT, KICK STARTER	1	
2	26212-20E10	SPRING, KICK SHAFT RETURN	1	
3	09181-14003	SHIM (14.2X21X2)	1	
4	09181-14195	SHIM (14X24X1)	1	
5	09300-14011	BUSH (14X18X15)	1	
6	08331-3114A	CIRCLIP	1	
7	26300-20E20	LEVER ASSY, KICK STARTER	1	
8	01500-0820B	BOLT	1	



FIG.18

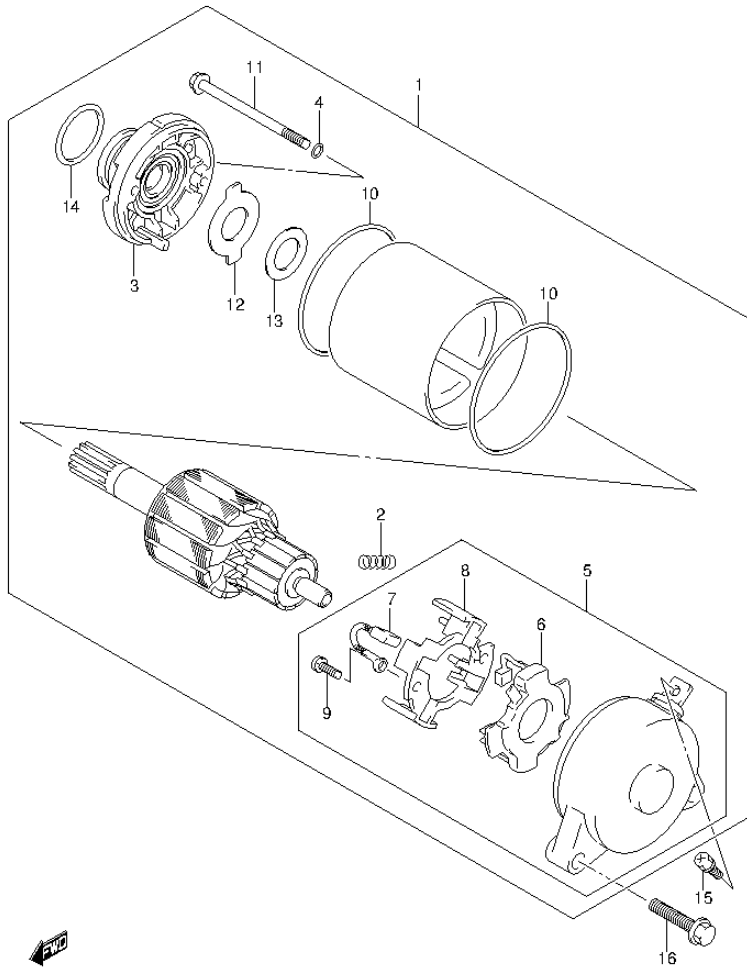


FIG.18 (1-C-7) STARTING MOTOR

REF NO.	PART NO.	DESCRIPTION	Q'TY	REMARKS
1	31100-20E00	STARTER ASSY	1	
2	31135-32C10	.SPRING	4	
3	31150-06C00	.BRACKET	1	
4	31156-38300	.O RING, STARTER MOTOR	2	
5	31175-20E00	.FRAME ASSY, COMMUTATOR	1	
6	31130-32C20	..BRUSH SUB ASSY, STARTER	1	
7	31132-32C10	..BRUSH	2	
8	31133-32C10	..HOLDER, BRUSH	1	
9	02112-3412B	..SCREW	2	
10	31264-32C10	.O RING	2	
11	31281-20E00	.BOLT	2	
12	31361-32C10	.PLATE, LOCK	1	
13	31361-38300	.SHIM	1	
14	09280-24003	.O RING (D:3, ID:24.5)	1	
15	09137-05004	SCREW (5X8)	1	
16	01547-0625B	BOLT	2	



FIG.19

FIG.19 (1-C-8) MAGNETO

REF NO.	PART NO.	DESCRIPTION	Q'TY	REMARKS
1	32101-20E70	STATOR ASSY	1	
2	32102-20E70	ROTOR ASSY	1	
3	02112-0510B	SCREW	2	
4	02112-0520B	SCREW	3	
5	08316-1012B	NUT	1	
6	08341-31039	KEY	1	

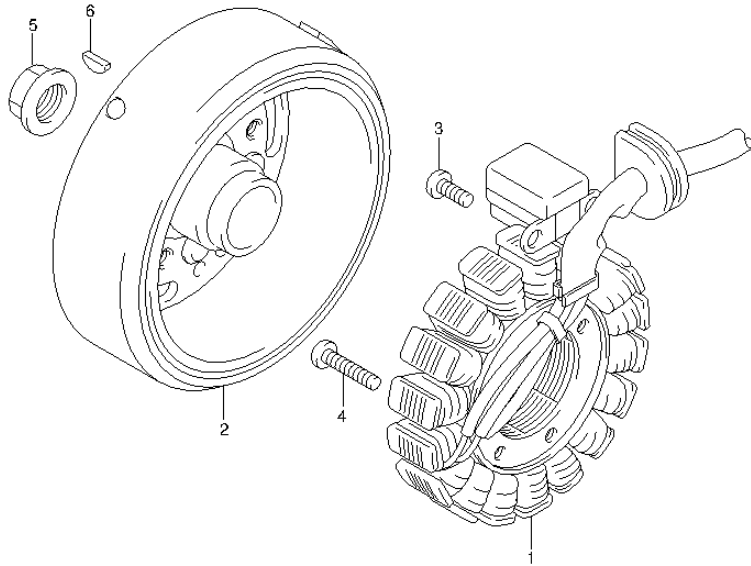


FIG.20

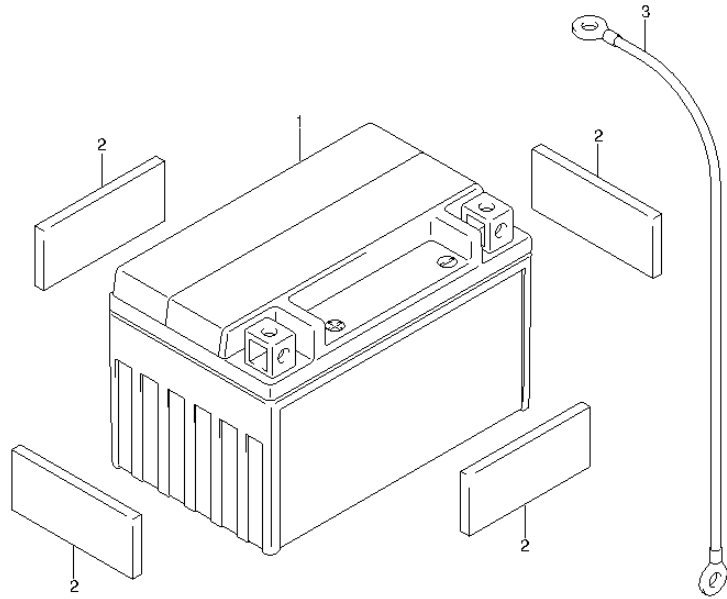


FIG.20 (1-C-9) BATTERY

REF NO.	PART NO.	DESCRIPTION	Q'TY	REMARKS
1	33610-06C10	BATTERY ASSY (YTX7A-BS,12V6AH)	1	
2	33652-37G00	PROTECTOR, BATTERY	4	
3	33860-37G10	WIRE, BATTERY MINUS LEAD	1	



FIG.21

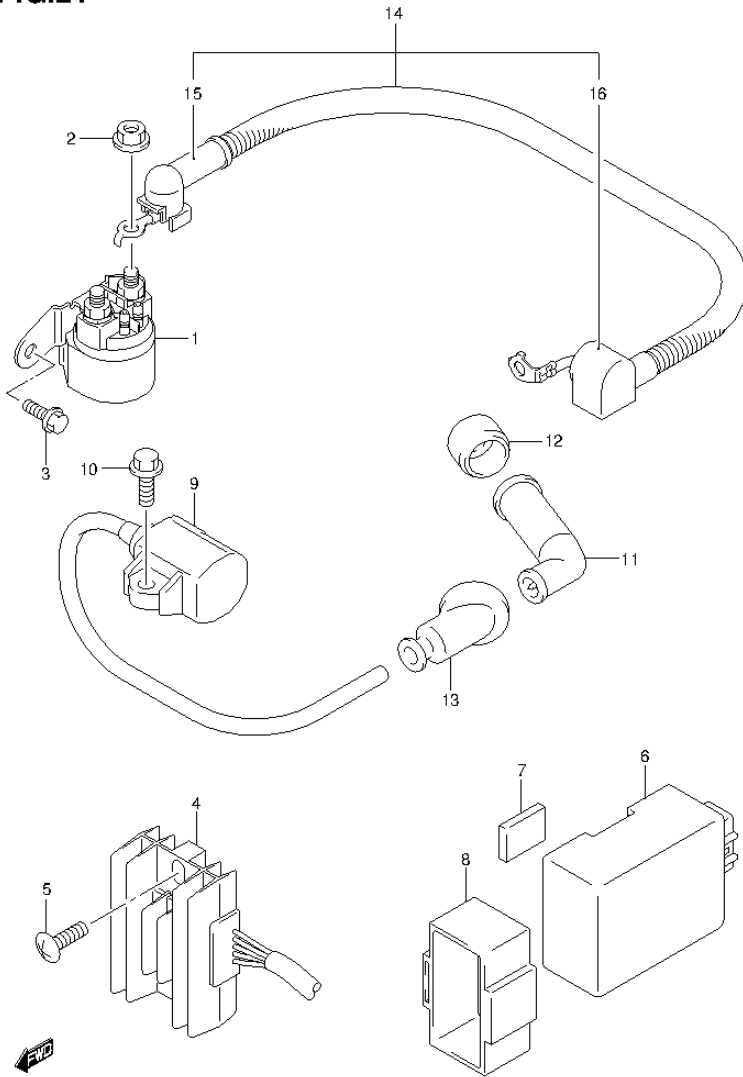


FIG.21 (1-C-10) ELECTRICAL

REF NO.	PART NO.	DESCRIPTION	Q'TY	REMARKS
1	31800-49110	RELAY ASSY, STARTING MOTOR	1	
2	08361-3506A	NUT	2	
3	01550-0612B	BOLT	2	
4	32800-37G10	RECTIFIER ASSY	1	
5	02142-0620B	SCREW	2	
6	32900-20EU3	CDI UNIT	1	
7	32941-37G00	PROTECTOR, CDI UNIT	1	
8	32980-20E10	HOLDER, CDI UNIT	1	
9-1	33410-33G10	COIL ASSY, IGNITION	1	LANGFANG KESEN
9-2	33410-33G30	COIL ASSY, IGNITION	1	HCE
10	01550-0616B	BOLT	1	
11	33510-04H10	CAP, SPARK PLUG	1	
12	33541-47D00	SEAL, SPARK PLUG	1	
13	33542-20E10	SEAL, HIGH TENSION CORD	1	
14	33810-37G10	WIRE, STARTER MOTOR	1	
15	31861-31500	.CAP, STARTER RELAY	1	
16	31861-37G00	.CAP, STARTER MOTOR	1	

FIG.22

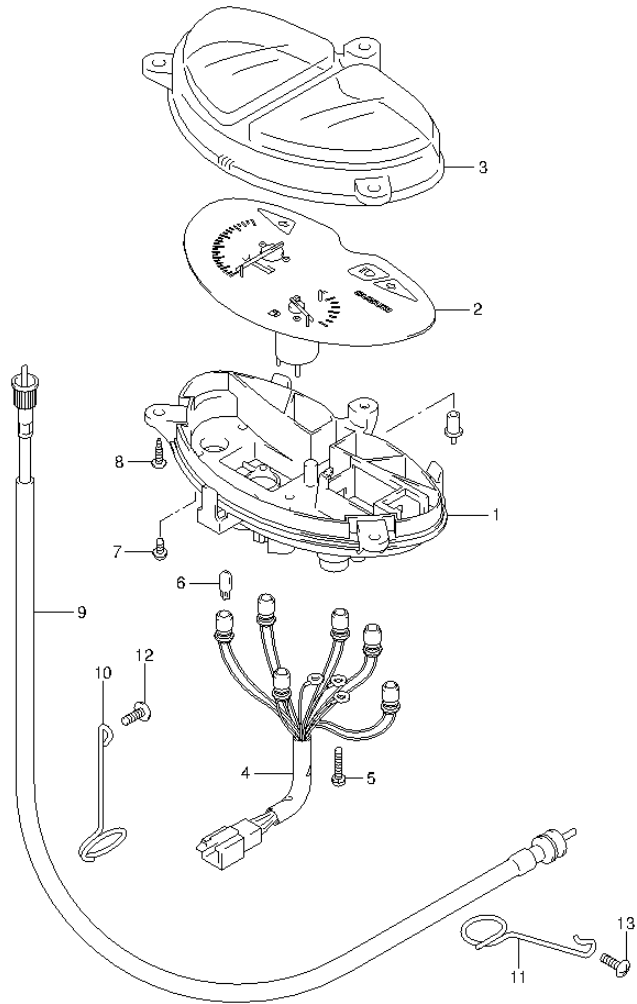


FIG.22 (1-C-11) SPEEDOMETER

REF NO.	PART NO.	DESCRIPTION	Q'TY	REMARKS
1	34111-37G00	CASE, LOWER	1	
2	34120-37G00	SPEEDOMETER/FUEL METER	1	
3	34150-37G00	HOOD, METER	1	
4	34173-37G00	CORD ASSY	1	
5	34383-37G00	SCREW	3	
6	09471-12077	BULB (12V,1.7W)	6	
7	02112-7408B	SCREW	2	
8	03541-0412B	SCREW	3	
9	34910-37G01	CABLE ASSY, SPEEDOMETER	1	
10	34938-37G00	GUIDE, SPEEDOMETER CABLE	1	
11	34938-37G20	GUIDE, SPEEDOMETER CABLE	1	
12	02142-0520B	SCREW	1	
13	02142-0610B	SCREW	1	

FIG.23

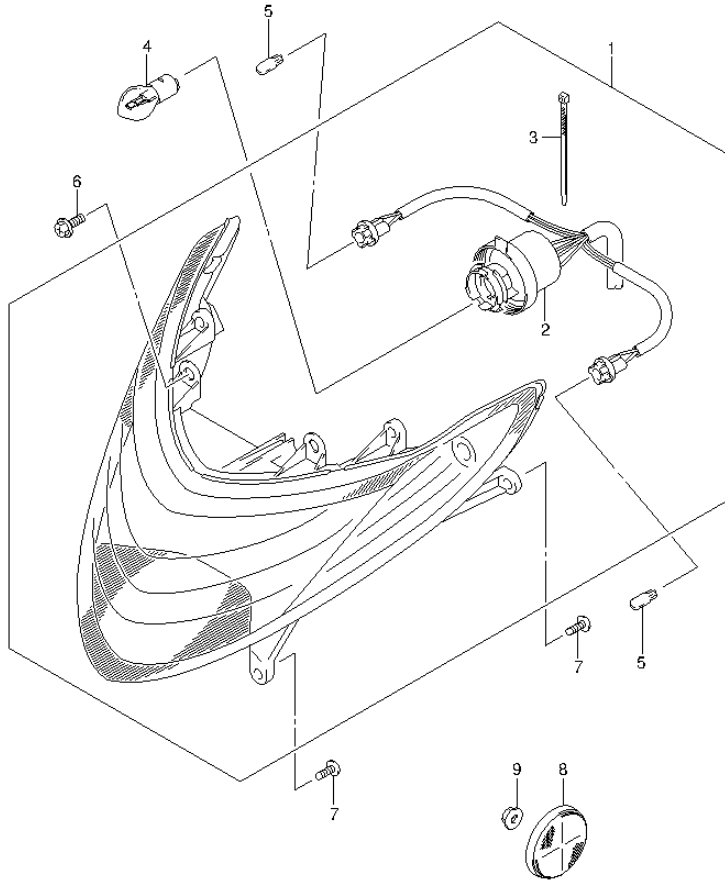


FIG.23 (1-C-12) HEADLAMP

REF NO.	PART NO.	DESCRIPTION	Q'TY	REMARKS
1	35100-37G32-999	HEADLAMP ASSY	1	
2	35171-37G02	.CORD, HEADLAMP	1	
3	35189-37G00	.CLAMP	1	
4	09471-12020	BULB (12V35/35W)	1	
5	09471-12081	BULB (12V,5W)	2	
6	35181-37G00	SCREW, HEADLAMP	2	
7	03541-0516B	SCREW	6	
8	35950-04H30	REFLEX REFLECTOR ASSY, FR SIDE	2	
9	08316-1005B	NUT	2	



FIG.24

FIG.24 (1-C-13) FRONT TURN LAMP

REF NO.	PART NO.	DESCRIPTION	Q'TY	REMARKS
1	35601-37G01	LAMP ASSY, FRONT TURNSIGNAL RH	1	
2	35612-37G01	.LENS, RH	1	
3	09471-12226	.BULB (12V,10W)	1	AMBER
4	35602-37G01	LAMP ASSY, FRONT TURNSIGNAL LH	1	
5	35632-37G01	.LENS, LH	1	
6	09471-12226	.BULB (12V,10W)	1	AMBER
7	03541-0412B	SCREW	4	
8	38610-37G00	RELAY ASSY, TURNSIGNAL	1	

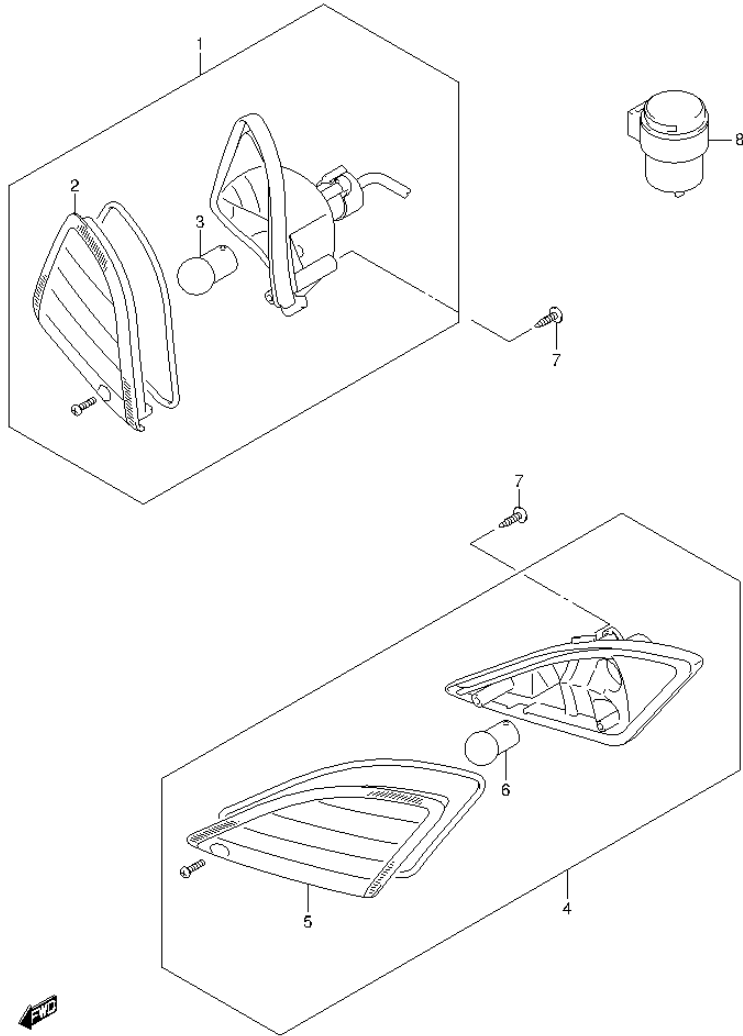


FIG.25

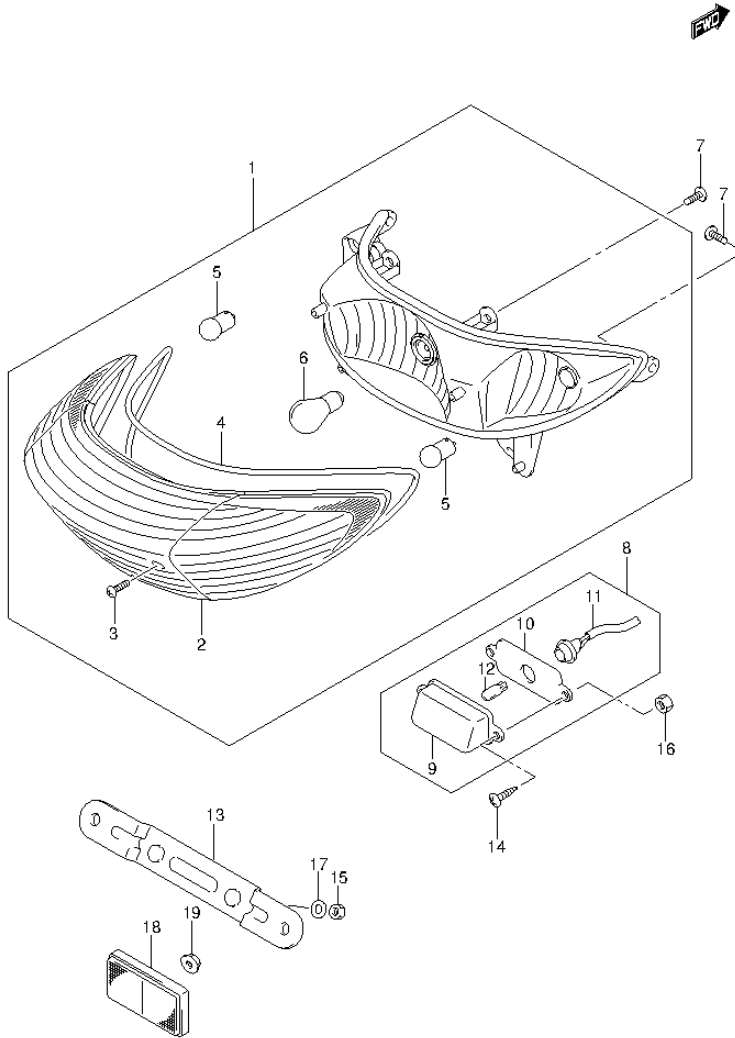


FIG.25 (1-C-14) REAR COMBINATION LAMP

REF NO.	PART NO.	DESCRIPTION	Q'TY	REMARKS
1	35710-37G01	LAMP ASSY, REAR COMBINATION	1	
2	35712-37G01	.LENS	1	
3	03211-0412A	.SCREW	2	
4	35713-37G00	.PACKING	1	
5	09471-12226	.BULB (12V,10W)	2	
6	09471-12128	.BULB (12V,21/5W)	1	
7	35725-37G00	SCREW, REAR COMBINATION LAMP	4	
8	35910-37G21	LAMP ASSY, LICENSE	1	
9	35912-37G21	.LENS	1	
10	35915-37G00	.BASE	1	
11	35918-37G00	.CORD ASSY	1	
12	09471-12081	.BULB (12V,5W)	1	
13	35927-37G00	BRACKET, LICENSE PLATE	1	
14	03241-0516B	SCREW	2	
15	08310-0006B	NUT	2	
16	08316-1006B	NUT	2	
17	08322-0106B	WASHER	2	
18	35970-04H11	REFLEX REFLECTOR ASSY, REAR	1	
19	08316-1005B	NUT	1	

FIG.26

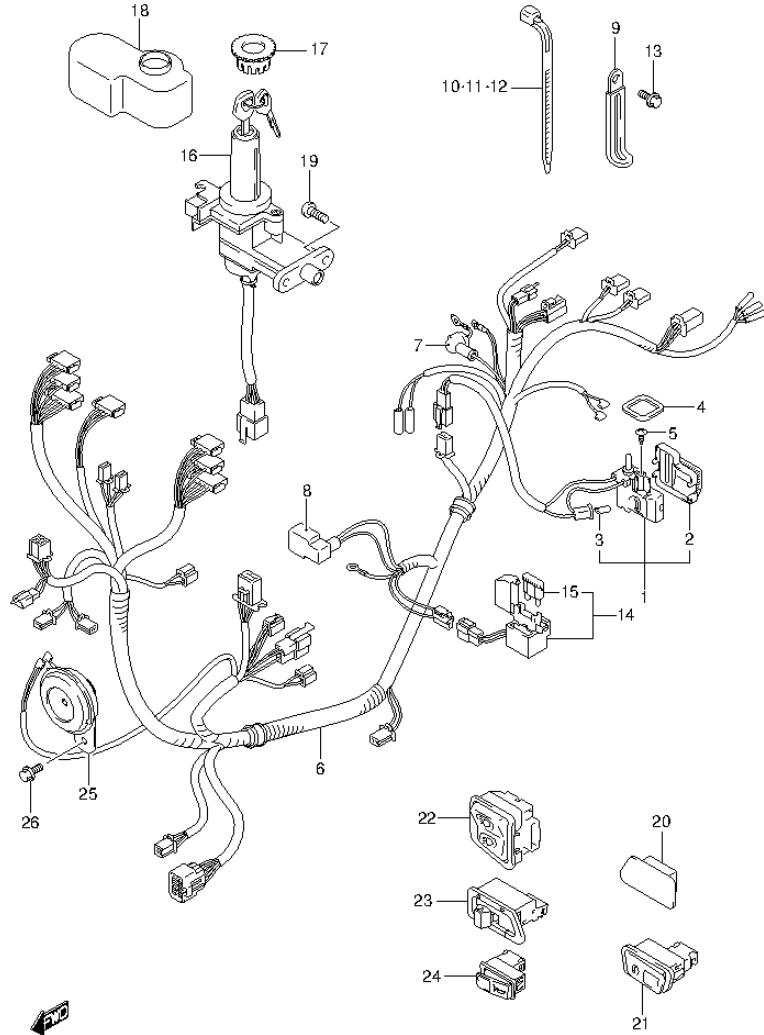


FIG.26 (1-C-15) WIRING HARNESS

REF NO.	PART NO.	DESCRIPTION	Q'TY	REMARKS
1	36210-37G00	LAMP ASSY, TRUNK BOX	1	
2	36212-37G00	.LENS	1	
3	09471-12118	.BULB (13.5V,2W)	1	
4	36920-37G00	PACKING, TRUNK LAMP	1	
5	03541-0416B	SCREW	1	
6	36610-37G60	HARNESS, WIRING	1	
7	31861-31500	.CAP, STARTER RELAY	1	
8	33624-37G00	.CAP, BATTERY PLUS TERMINAL	1	
9	09404-06431	CLAMP (L:65)	1	
10	09407-14403	CLAMP (L:125)	4	
11	09407-18402	CLAMP (L:165)	2	
12	09407-25401	CLAMP (L:235)	3	
13	01550-0612B	BOLT	1	
14	36740-37G10	CASE ASSY, FUSE	1	
15	09481-15101	.FUSE	2	
16	37100-37G01	LOCK ASSY, STEERING	1	
17	37155-37G01	CAP, STEERING LOCK	1	
18	37157-37G00	COVER, STEERING LOCK	1	
19	09139-06048	SCREW (6X20)	2	
20	37251-16H10	CAP, LIGHTING SWITCH	1	
21	37310-20E00	SWITCH ASSY, STARTER	1	
22	37420-37G01	SWITCH ASSY, DIMMER	1	
23	37510-37G00	SWITCH ASSY, TURNSIGNAL	1	
24	37520-20E00	SWITCH ASSY, HORN	1	
25	38500-37G11	HORN ASSY	1	
26	01550-0612B	BOLT	1	

FIG.27

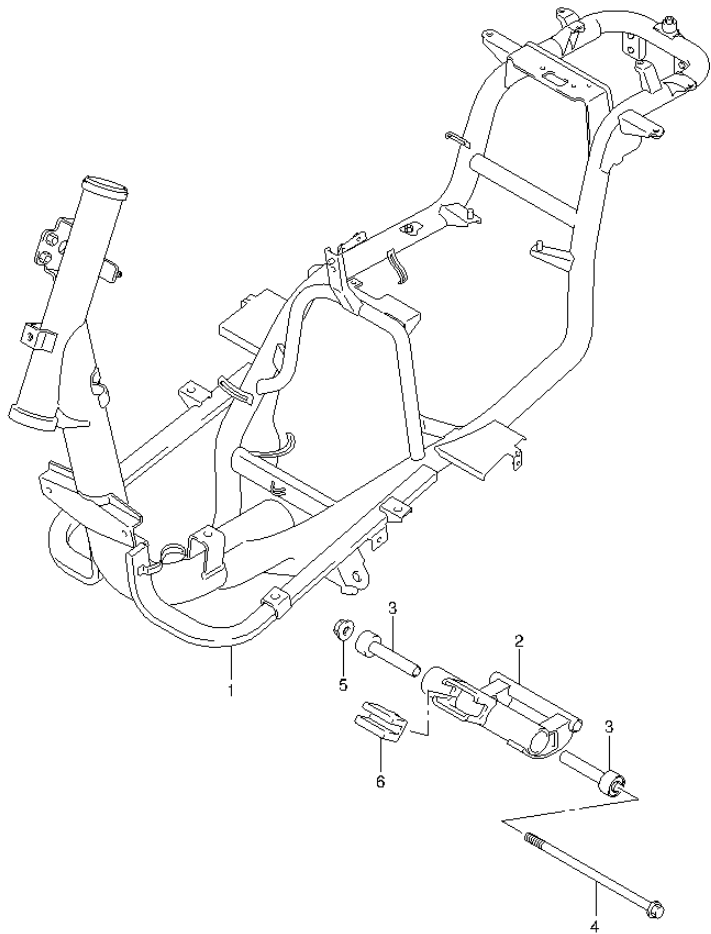


FIG.27 (1-D-2) FRAME

REF NO.	PART NO.	DESCRIPTION	Q'TY	REMARKS
1	41100-37G04	FRAME	1	
2	41180-37G00	BRACKET, CRANKCASE	1	
3	41186-37G00	BUSH	2	
4	09103-12058	BOLT (12X215)	1	
5	08319-3112A	NUT	1	
6	41185-41D00	CUSHION, SWING STOP	1	



FIG.28

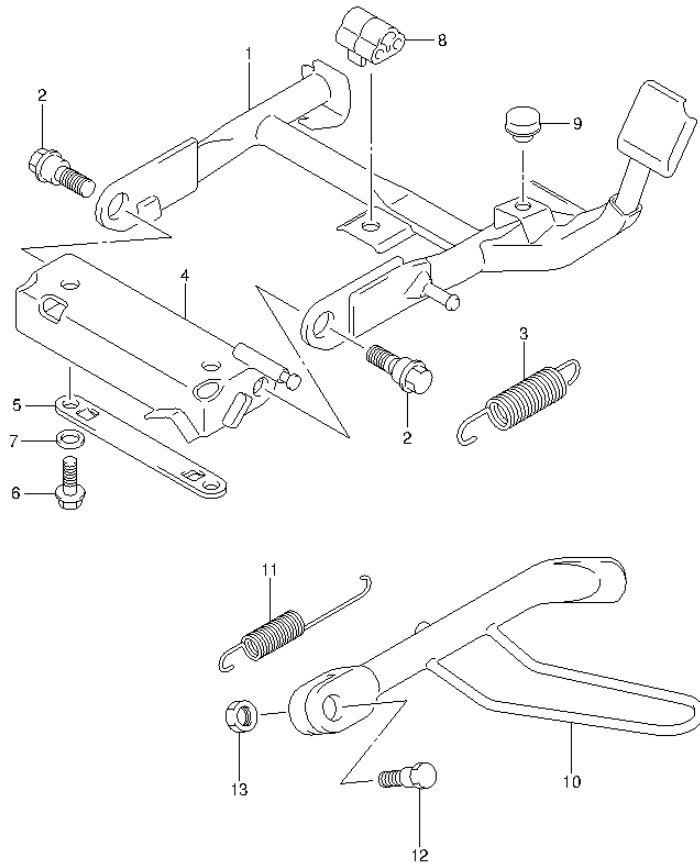


FIG.28 (1-D-3) STAND

REF NO.	PART NO.	DESCRIPTION	Q'TY	REMARKS
1	42100-20E24	STAND, CENTER	1	
2	09111-10056	BOLT (10X30)	2	
3	09443-17023	SPRING	1	
4	42270-20E11	BRACKET, CENTER STAND	1	
5	42191-20E00	PLATE, BRACKET	1	
6	42221-20E00	BOLT, CENTER STAND BRKT	2	
7	09164-08020	WASHER	2	
8	42272-20E00	CUSHION, CENTER STAND	1	
9	45148-20E00	CUSHION, CENTER STAND STOP LH	1	
10	42310-37G00	STAND, PROP	1	
11	42241-37G00	SPRING, PROP STAND	1	
12	09111-10014	BOLT (10X28)	1	
13	09159-10097	NUT	1	



FIG.29

FIG.29 (1-D-4) CARRIER

REF NO.	PART NO.	DESCRIPTION	Q'TY	REMARKS
1	46311-37G00	HANDLE, PILLION	1	
2	46312-37G00	CARRIER, REAR	1	
3	07130-0625A	BOLT	4	
4	46314-37G00	ROD, CARRIER	1	
5	01550-0616B	BOLT	3	
6	07130-0816B	BOLT	4	
7	09250-06004	CAP (OD:14.5)	4	

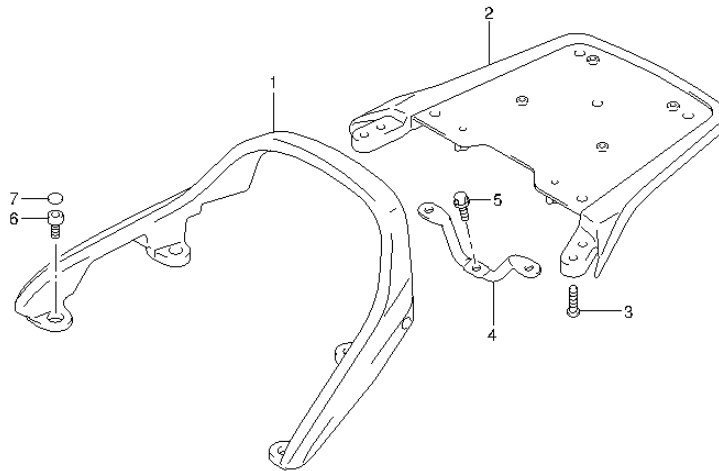


FIG.30

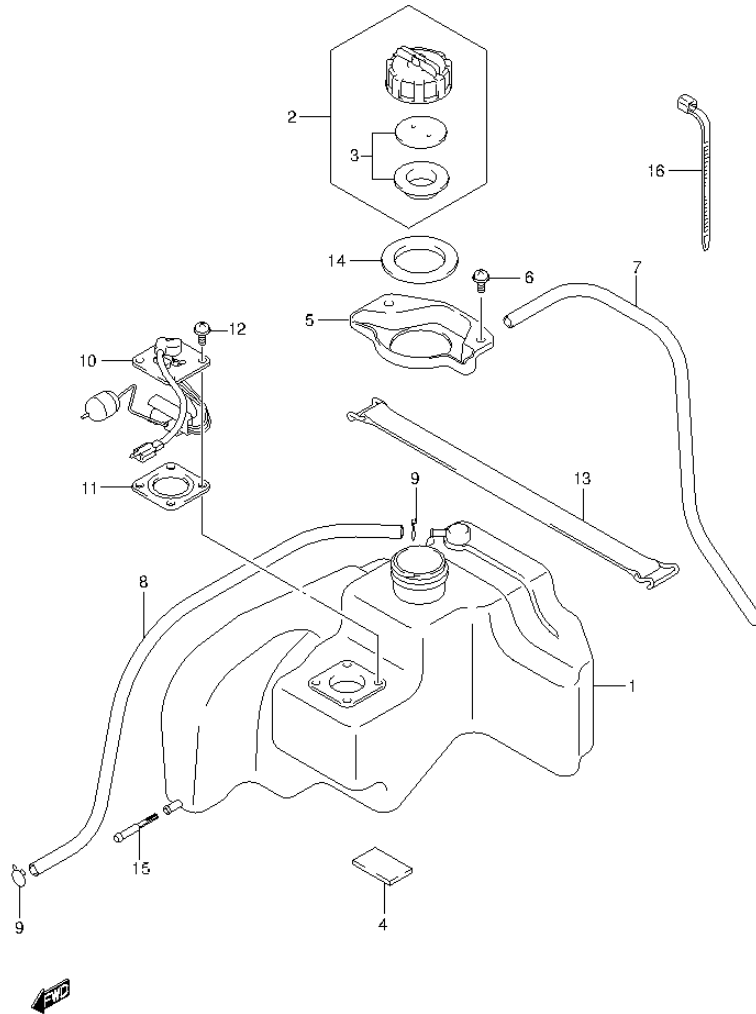


FIG.30 (1-D-5) FUEL TANK

REF NO.	PART NO.	DESCRIPTION	Q'TY	REMARKS
1	44111-37G00	TANK, FUEL	1	
2	44200-39812	CAP SET, FUEL TANK	1	
3	44660-36811	.GASKET SET	1	
4	44281-37G00	CUSHION	11	
5	44261-37G00	TRAY, FUEL DRAIN	1	
6	02112-1612B	SCREW	2	
7	44257-37G00	HOSE, DRAIN	1	
8	44236-37G00	HOSE, AIR VENT	1	
9	09401-08401	CLIP	2	
10	34810-37G00	GAUGE ASSY, FUEL LEVEL	1	
11	34825-37G00	GASKET	1	
12	02112-1612B	SCREW	4	
13	44292-20E10	BAND, FUEL TANK	1	
14	44261-36C00	GROMMET	1	
15	44322-20E60	FILTER, FUEL NO.1	1	
16	09407-18402	CLAMP (L:165)	4	

FIG.31

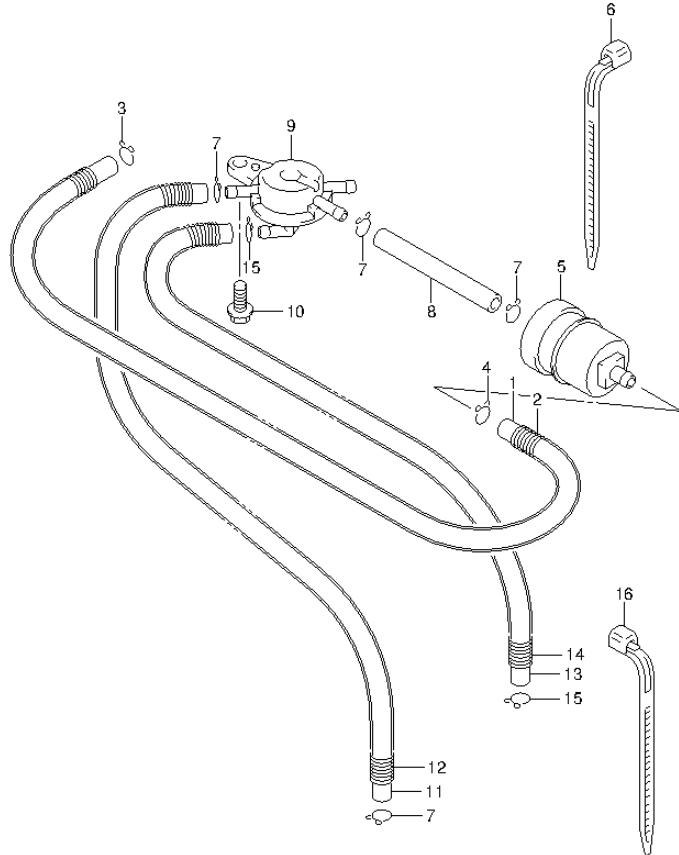


FIG.31 (1-D-6) FUEL COCK

REF NO.	PART NO.	DESCRIPTION	Q'TY	REMARKS
1	44199-37G00	HOSE, INLET NO.1	1	
2	44461-37G00	SPRING	1	
3	09401-10402	CLIP	1	
4	09401-11403	CLIP	1	
5	44330-45F10	FILTER, FUEL	1	
6	09407-18402	CLAMP (L:165)	1	
7	09401-08401	CLIP	4	
8	44422-37G00	HOSE, INLET NO.2	1	
9	44300-37G10	COCK ASSY, FUEL	1	
10	01550-0616B	BOLT	1	
11	44236-37G00	HOSE, OUTLET	1	CUT AS REQUIRED
12	44428-37G00	SPRING	1	
13	44425-37G00	HOSE, VACUUM	1	
14	44429-37G00	SPRING	1	
15	09401-10410	CLIP	2	
16	09407-14403	CLAMP (L:125)	1	



FIG.32

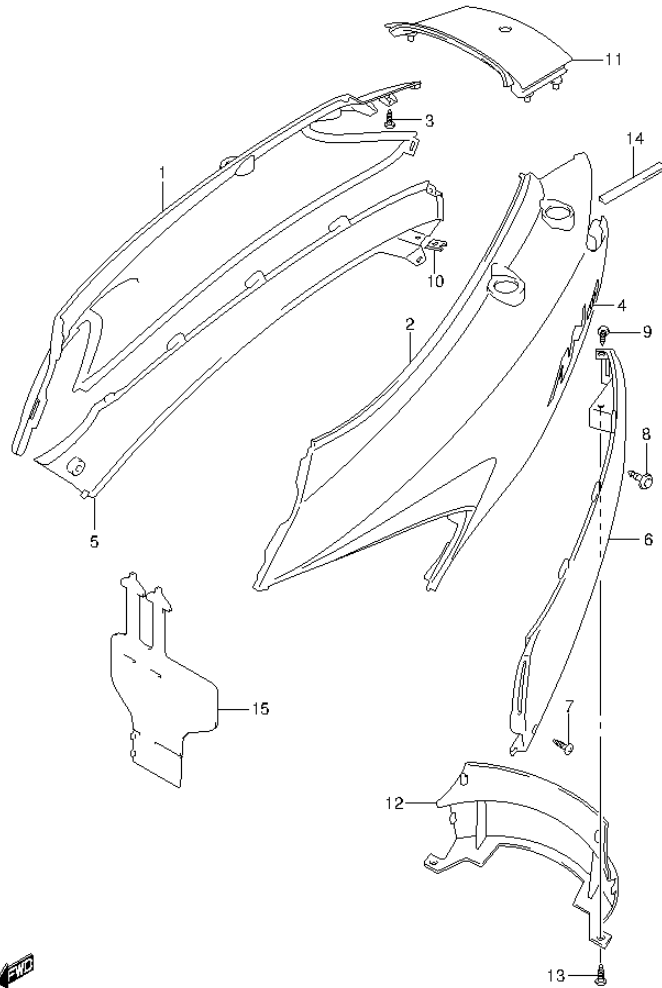


FIG.32 (1-D-7) FRAME COVER

REF NO.	PART NO.	DESCRIPTION	Q'TY	REMARKS
1-1	47111-37G01-PRA	COVER, FRAME RH (BLUE)	1	
1-2	47111-37G01-PRB	COVER, FRAME RH (GOLD)	1	
1-3	47111-37G01-YJR	COVER, FRAME RH (BLACK)	1	
1-4	47111-37G01-YRN	COVER, FRAME RH (RED)	1	
1-5	47111-37G01-YZL	COVER, FRAME RH (WHITE)	1	
2-1	47211-37G01-PRA	COVER, FRAME LH (BLUE)	1	
2-2	47211-37G01-PRB	COVER, FRAME LH (GOLD)	1	
2-3	47211-37G01-YJR	COVER, FRAME LH (BLACK)	1	
2-4	47211-37G01-YRN	COVER, FRAME LH (RED)	1	
2-5	47211-37G01-YZL	COVER, FRAME LH (WHITE)	1	
3	03541-0410B	SCREW	8	
4-1	68131-37G00-PRA	EMBLEM (BLUE)	2	FOR PRA
4-2	68131-37G00-PRB	EMBLEM (GOLD)	2	FOR PRB
4-3	68131-37G00-YJR	EMBLEM (BLACK)	2	FOR YJR,YZL
4-4	68131-37G00-YRN	EMBLEM (RED)	2	FOR YRN
5-1	47131-37G00-PRA	COVER, SIDE LOWER RH (BLUE)	1	
5-2	47131-37G00-PRB	COVER, SIDE LOWER RH (GOLD)	1	
5-3	47131-37G00-YJR	COVER, SIDE LOWER RH (BLACK)	1	
5-4	47131-37G00-YRN	COVER, SIDE LOWER RH (RED)	1	
5-5	47131-37G00-YZL	COVER, SIDE LOWER RH (WHITE)	1	
6-1	47231-37G00-PRA	COVER, SIDE LOWER LH (BLUE)	1	
6-2	47231-37G00-PRB	COVER, SIDE LOWER LH (GOLD)	1	
6-3	47231-37G00-YJR	COVER, SIDE LOWER LH (BLACK)	1	
6-4	47231-37G00-YRN	COVER, SIDE LOWER LH (RED)	1	
6-5	47231-37G00-YZL	COVER, SIDE LOWER LH (WHITE)	1	
7	03241-05127	SCREW	2	
8	09409-06322	CLIP	2	
9	03541-0410B	SCREW	2	
10	09148-05020	NUT	2	
11-1	47311-37G00-PRA	COVER, CENTER (BLUE)	1	
11-2	47311-37G00-PRB	COVER, CENTER (GOLD)	1	
11-3	47311-37G00-YJR	COVER, CENTER (BLACK)	1	
11-4	47311-37G00-YRN	COVER, CENTER (RED)	1	
11-5	47311-37G00-YZL	COVER, CENTER (WHITE)	1	

FIG.32

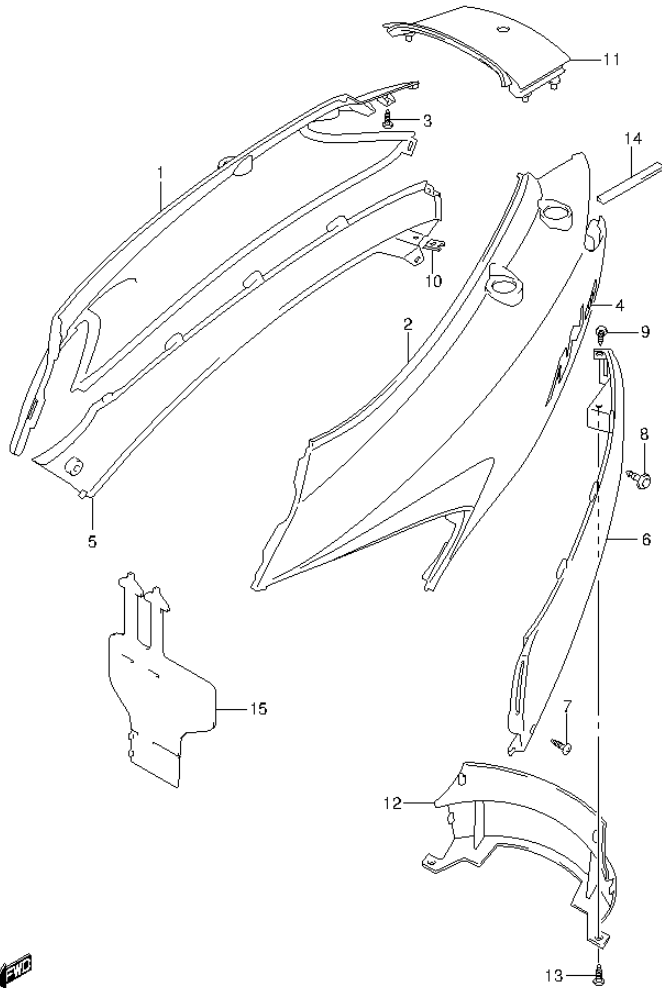


FIG.32 (1-D-8) FRAME COVER

REF NO.	PART NO.	DESCRIPTION	Q'TY	REMARKS
12-1	47321-37G00-PRA	COVER, LOWER (BLUE)	1	
12-2	47321-37G00-PRB	COVER, LOWER (GOLD)	1	
12-3	47321-37G00-YJR	COVER, LOWER (BLACK)	1	
12-4	47321-37G00-YRN	COVER, LOWER (RED)	1	
12-5	47321-37G00-YZL	COVER, LOWER (WHITE)	1	
13	03241-0512B	SCREW	2	
14	48116-20E00	CUSHION	2	
15	47219-37G00	MUDGUARD, INLET	1	



FIG.33

FIG.33 (1-D-9) FRONT COVER

REF NO.	PART NO.	DESCRIPTION	Q'TY	REMARKS
1	47351-37G00	COVER, FRONT	1	
2	03241-0516B	SCREW	2	
3	09148-05020	NUT	2	
4	48141-37G01	LID, MAINTENANCE	1	
5	03241-0416B	SCREW	1	
6	09148-04024	NUT	1	
7	48122-37G20	FOOTBOARD, REAR RH	1	
8	48123-37G20	FOOTBOARD, REAR LH	1	
9	03241-0512B	SCREW	2	
10	48127-37G10	NET, RH	1	
11	48128-37G10	NET, LH	1	
12	09148-03003	NUT	12	
13	02142-0616B	SCREW	2	

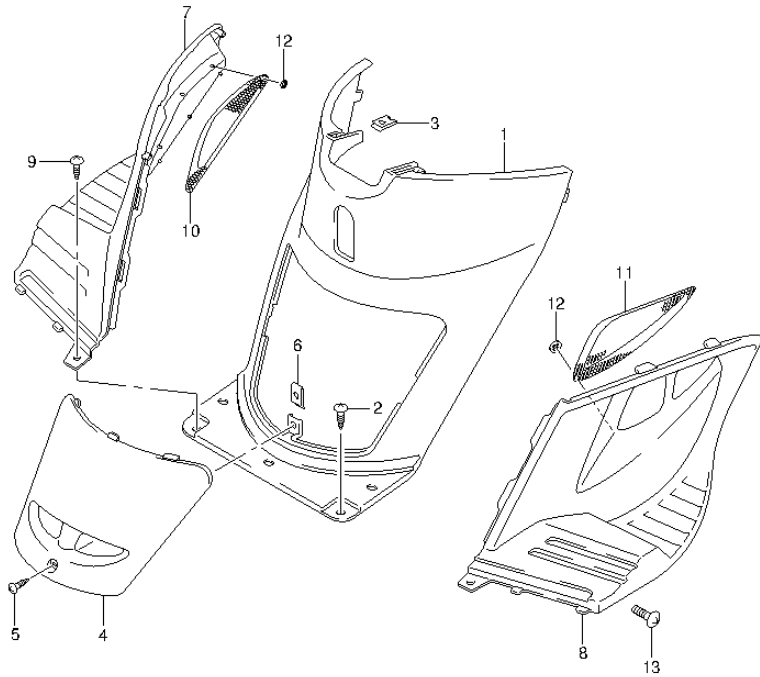


FIG.34

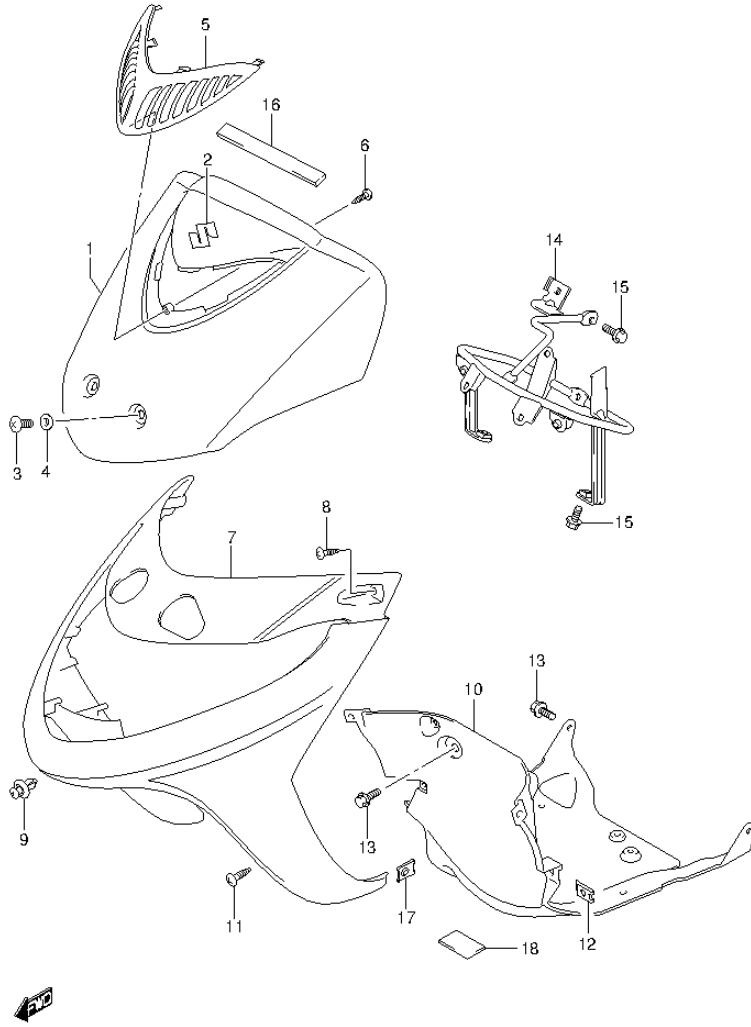


FIG.34 (1-D-10) FRONT LEG SHIELD

REF NO.	PART NO.	DESCRIPTION	Q'TY	REMARKS
1-1	48111-37G00-PRA	SHIELD, LEG FRONT (BLUE)	1	
1-2	48111-37G00-PRB	SHIELD, LEG FRONT (GOLD)	1	
1-3	48111-37G00-YJR	SHIELD, LEG FRONT (BLACK)	1	
1-4	48111-37G00-YRN	SHIELD, LEG FRONT (RED)	1	
1-5	48111-37G00-YZL	SHIELD, LEG FRONT (WHITE)	1	
2-1	68166-37G10-YJN	EMBLEM (RED)	1	FOR YRN,YZL,PRA
2-2	68166-37G10-YJP	EMBLEM (YELLOW)	1	FOR YJR,PRB
3	02142-06167	SCREW	2	
4	09169-06071	WASHER	2	
5	48132-37G00	COVER, HORN	1	
6	03541-0408B	SCREW	1	
7-1	48137-37G00-PRA	SHIELD, LEG LOWER (BLUE)	1	
7-2	48137-37G00-PRB	SHIELD, LEG LOWER (GOLD)	1	
7-3	48137-37G00-YJR	SHIELD, LEG LOWER (BLACK)	1	
7-4	48137-37G00-YRN	SHIELD, LEG LOWER (RED)	1	
7-5	48137-37G00-YZL	SHIELD, LEG LOWER (WHITE)	1	
8	03541-0416B	SCREW	2	
9	09409-06322	CLIP	2	
10	48139-37G01	COVER, LEG LOWER	1	
11	03241-0516B	SCREW	2	
12	09148-05020	NUT	2	
13	01550-0612B	BOLT	4	
14	48150-37G01	BRACE, FRONT	1	
15	01550-0616B	BOLT	2	
16	48135-37G00	CUSHION, FRONT	2	
17	09148-05020	NUT	2	
18	56313-20E00	PAD	1	

FIG.35

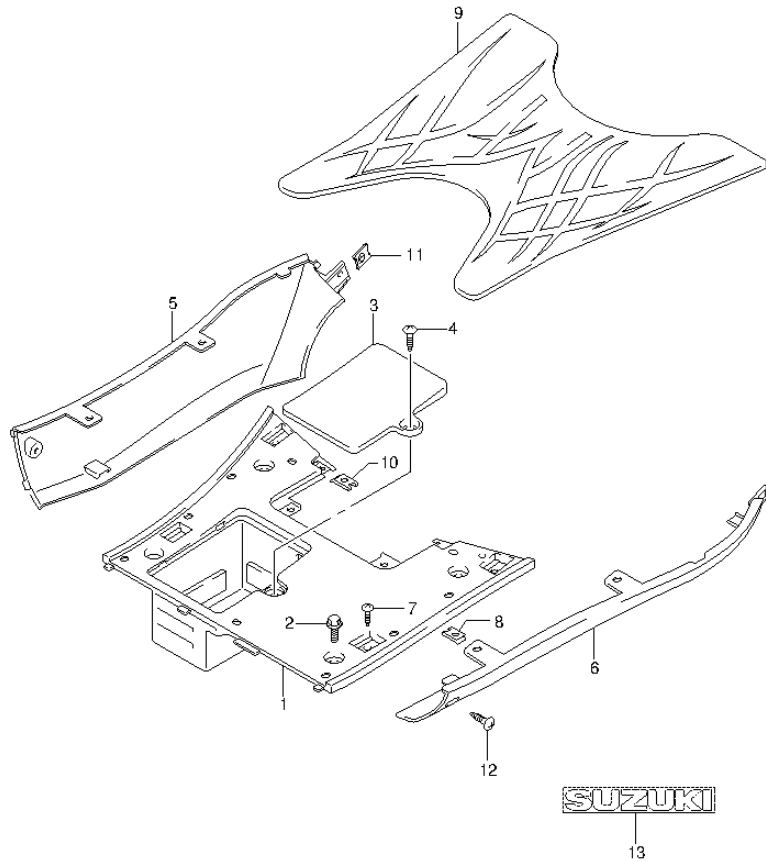


FIG.35 (1-D-11) REAR LEG SHIELD

REF NO.	PART NO.	DESCRIPTION	Q'TY	REMARKS
1	48121-37G01	SHIELD, LEG REAR	1	
2	09116-06211	BOLT (6X20)	4	
3	48125-37G00	LID, BATTERY HOLDER	1	
4	03541-0616B	SCREW	1	
5-1	48171-37G00-PRA	SHIELD, LEG SIDE RH (BLUE)	1	
5-2	48171-37G00-PRB	SHIELD, LEG SIDE RH (GOLD)	1	
5-3	48171-37G00-YJR	SHIELD, LEG SIDE RH (BLACK)	1	
5-4	48171-37G00-YRN	SHIELD, LEG SIDE RH (RED)	1	
5-5	48171-37G00-YZL	SHIELD, LEG SIDE RH (WHITE)	1	
6-1	48181-37G00-PRA	SHIELD, LEG SIDE LH (BLUE)	1	
6-2	48181-37G00-PRB	SHIELD, LEG SIDE LH (GOLD)	1	
6-3	48181-37G00-YJR	SHIELD, LEG SIDE LH (BLACK)	1	
6-4	48181-37G00-YRN	SHIELD, LEG SIDE LH (RED)	1	
6-5	48181-37G00-YZL	SHIELD, LEG SIDE LH (WHITE)	1	
7	03241-0516B	SCREW	4	
8	09148-05038	NUT	4	
9	43551-37G00	MAT, FLOOR	1	
10	09148-05020	NUT	4	
11	09148-05020	NUT	2	
12	03241-05127	SCREW	2	
13-1	68131-33GQ0-YD8	EMBLEM "SUZUKI" (SILVER)	2	FOR YRN,YZL,PRA
13-2	68131-33GQ0-YHG	EMBLEM "SUZUKI" (GRAY)	2	FOR YJR,PRB

FIG.36



FIG.36 (1-D-12) LEG SHIELD COVER

REF NO.	PART NO.	DESCRIPTION	Q'TY	REMARKS
1	92110-37G00	BOX, FRONT	1	
2	33652-08410	.CUSHION, FRONT BOX	1	
3	03541-0416B	SCREW	2	
4	46149-45F00	WASHER, CENTER	1	
5	08316-1006B	NUT	1	
6	92112-37G00	LID, FRONT BOX	1	
7	92113-37G00	PLATE, LID HINGE	2	
8	03541-0412B	SCREW	2	
9	92100-20810	LOCK SET, FRONT BOX	1	
10	03541-0416B	SCREW	2	

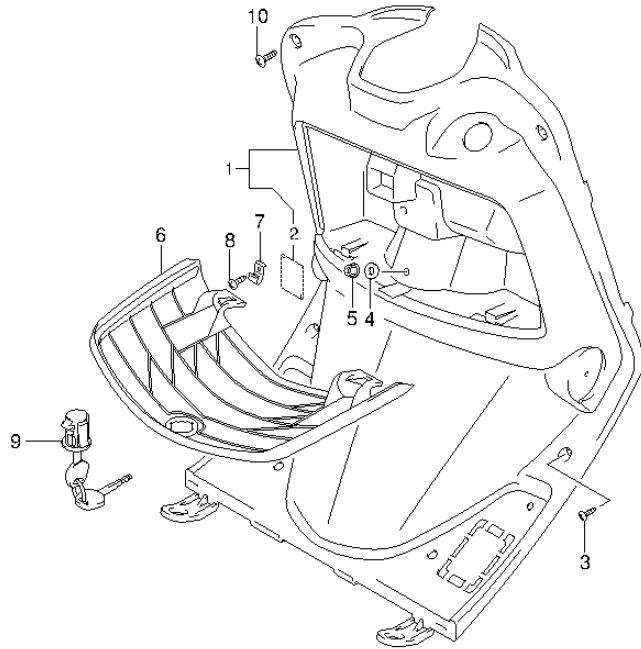


FIG.37



FIG.37 (1-D-13) HELMET BOX

REF NO.	PART NO.	DESCRIPTION	Q'TY	REMARKS
1	92211-37G00	BOX, HELMET	1	
2	92218-37G00	BOLT, LOWER	4	
3	03241-0516B	SCREW	2	
4	95700-37G00	HOLDER, HELMET	1	
5	08313-1006B	NUT	1	

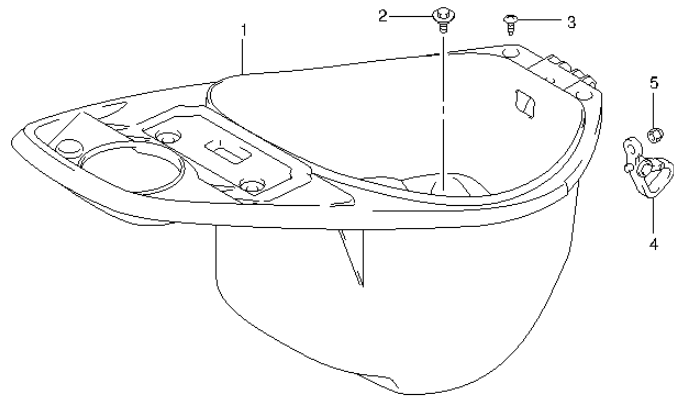


FIG.38

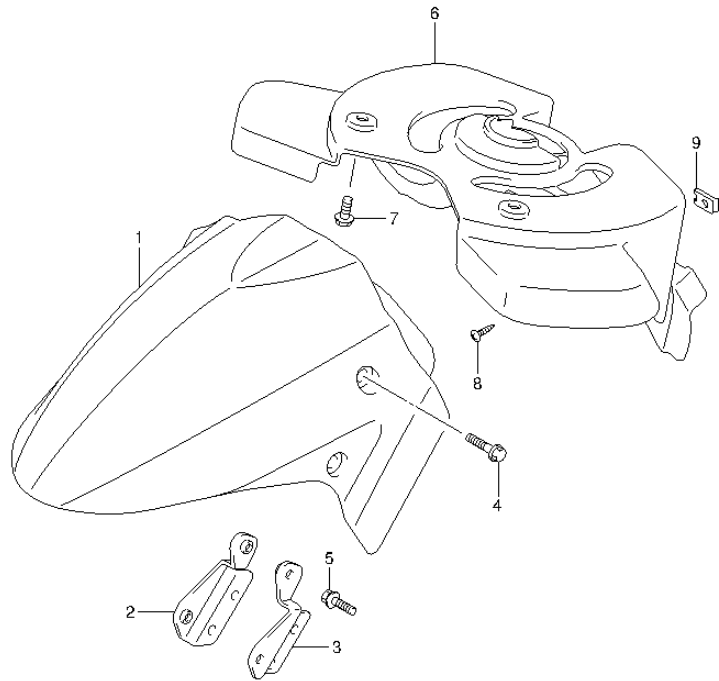


FIG.38 (1-D-14) FRONT FENDER

REF NO.	PART NO.	DESCRIPTION	Q'TY	REMARKS
1-1	53111-37G00-PRA	FENDER, FRONT (BLUE)	1	
1-2	53111-37G00-PRB	FENDER, FRONT (GOLD)	1	
1-3	53111-37G00-YJR	FENDER, FRONT (BLACK)	1	
1-4	53111-37G00-YRN	FENDER, FRONT (RED)	1	
1-5	53111-37G00-YZL	FENDER, FRONT (WHITE)	1	
2	53170-37G00	BRACKET, FRONT SIDE RH	1	
3	53180-37G00	BRACKET, FRONT SIDE LH	1	
4	53188-37G00	SCREW, FENDER	4	
5	01580-0616B	BOLT	4	
6	53182-37G00	FENDER, FIXED FRONT	1	
7	09111-06066	BOLT (6X16)	2	
8	03241-0516B	SCREW	2	
9	09148-05020	NUT	2	



FIG.39

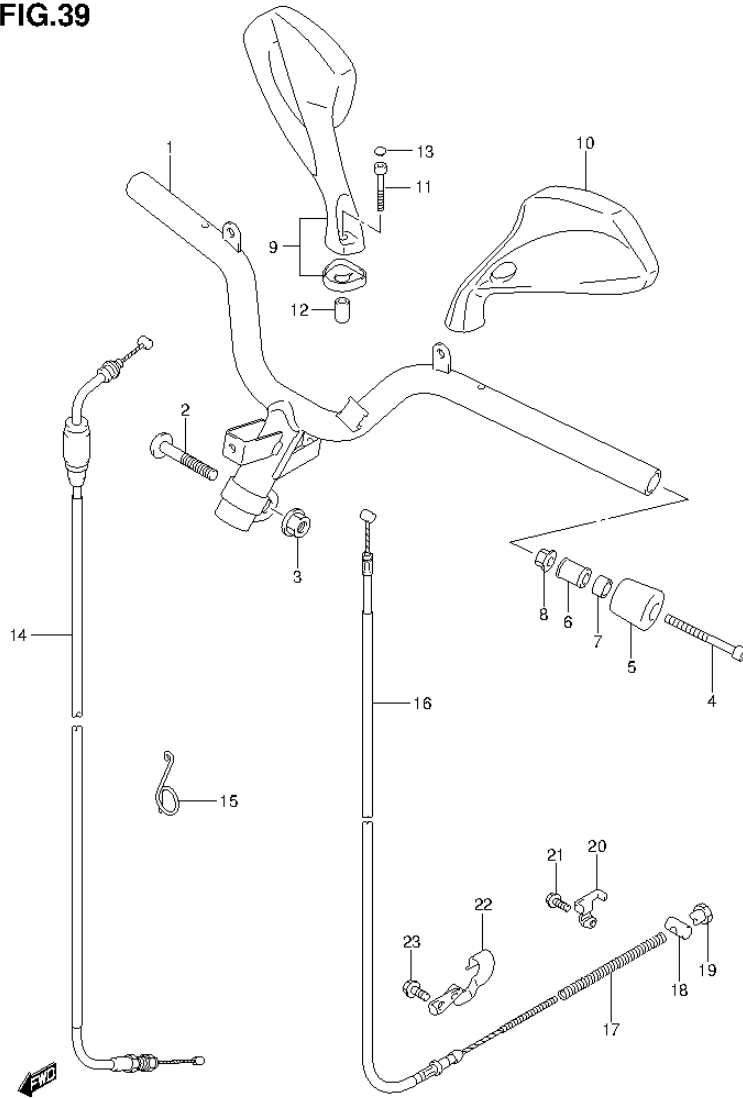


FIG.39 (1-D-15) HANDLEBAR

REF NO.	PART NO.	DESCRIPTION	Q'TY	REMARKS
1	56110-37G02	HANDLEBAR	1	
2	09106-10092	BOLT (10X50)	1	
3	09159-10115	NUT	1	
4	07130-06557	BOLT	2	
5	56271-37G00	BALANCER	2	
6	56272-31C00	EXPANDER	2	
7	09180-06069	SPACER (6.5X14X7.5)	2	
8	08316-1006B	NUT	2	
9-1	56500-37G10-PRA	MIRROR, REAR VIEW RH (BLUE)	1	
9-2	56500-37G10-PRB	MIRROR, REAR VIEW RH (GOLD)	1	
9-3	56500-37G10-YJR	MIRROR, REAR VIEW RH (BLACK)	1	
9-4	56500-37G10-YRN	MIRROR, REAR VIEW RH (RED)	1	
9-5	56500-37G10-YZL	MIRROR, REAR VIEW RH (WHITE)	1	
10-1	56600-37G10-PRA	MIRROR, REAR VIEW LH (BLUE)	1	
10-2	56600-37G10-PRB	MIRROR, REAR VIEW LH (GOLD)	1	
10-3	56600-37G10-YJR	MIRROR, REAR VIEW LH (BLACK)	1	
10-4	56600-37G10-YRN	MIRROR, REAR VIEW LH (RED)	1	
10-5	56600-37G10-YZL	MIRROR, REAR VIEW LH (WHITE)	1	
11	07130-08557	BOLT	2	
12	56741-37G00	SPACER	2	
13	09250-06011	CAP (OD:11)	2	
14	58300-37G00	CABLE ASSY, THROTTLE	1	
15	34938-20E61	GUIDE, THROTTLE CABLE	1	
16	58510-37G00	CABLE, REAR BRAKE	1	
17	09440-07062	SPRING	1	
18	09209-10001	PIN (10X19)	1	
19	09150-05101	NUT	1	
20	58575-20E00	PLATE, REAR BRAKE CABLE	1	
21	01547-0610B	BOLT	1	
22	58621-20E10	GUIDE, REAR BRAKE CABLE	1	
23	01550-0612B	BOLT	1	

FIG.40

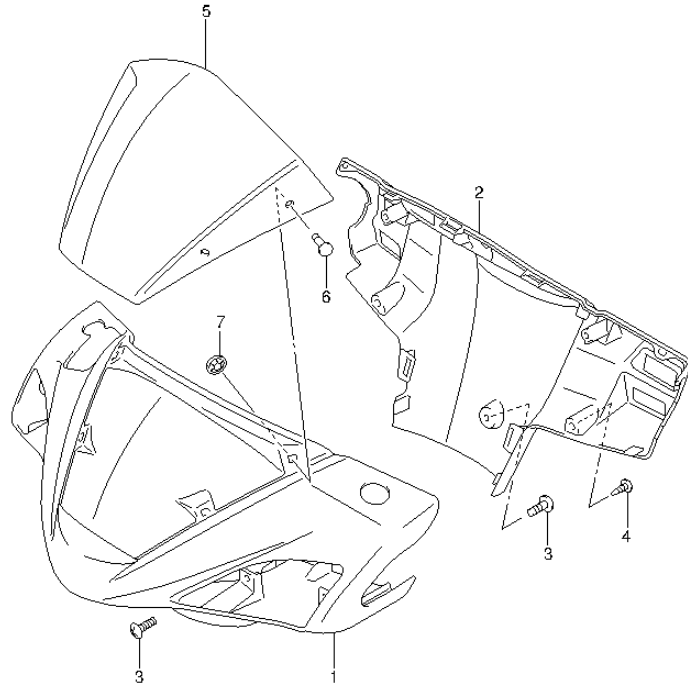


FIG.40 (1-E-2) HANDLE COVER

REF NO.	PART NO.	DESCRIPTION	Q'TY	REMARKS
1-1	56311-37G00-PRA	COVER, HANDLE FRONT (BLUE)	1	
1-2	56311-37G00-PRB	COVER, HANDLE FRONT (GOLD)	1	
1-3	56311-37G00-YJR	COVER, HANDLE FRONT (BLACK)	1	
1-4	56311-37G00-YRN	COVER, HANDLE FRONT (RED)	1	
1-5	56311-37G00-YZL	COVER, HANDLE FRONT (WHITE)	1	
2	56321-37G01	COVER, HANDLE REAR	1	
3	02142-0512B	SCREW	2	
4	03541-0416B	SCREW	4	
5	56331-37G00	VISOR, HANDLE COVER	1	
6	94618-37G00	CLIP, HANDLE COVER VISOR	4	
7	94619-37G00	NUT, HANDLE COVER VISOR	4	



FIG.41

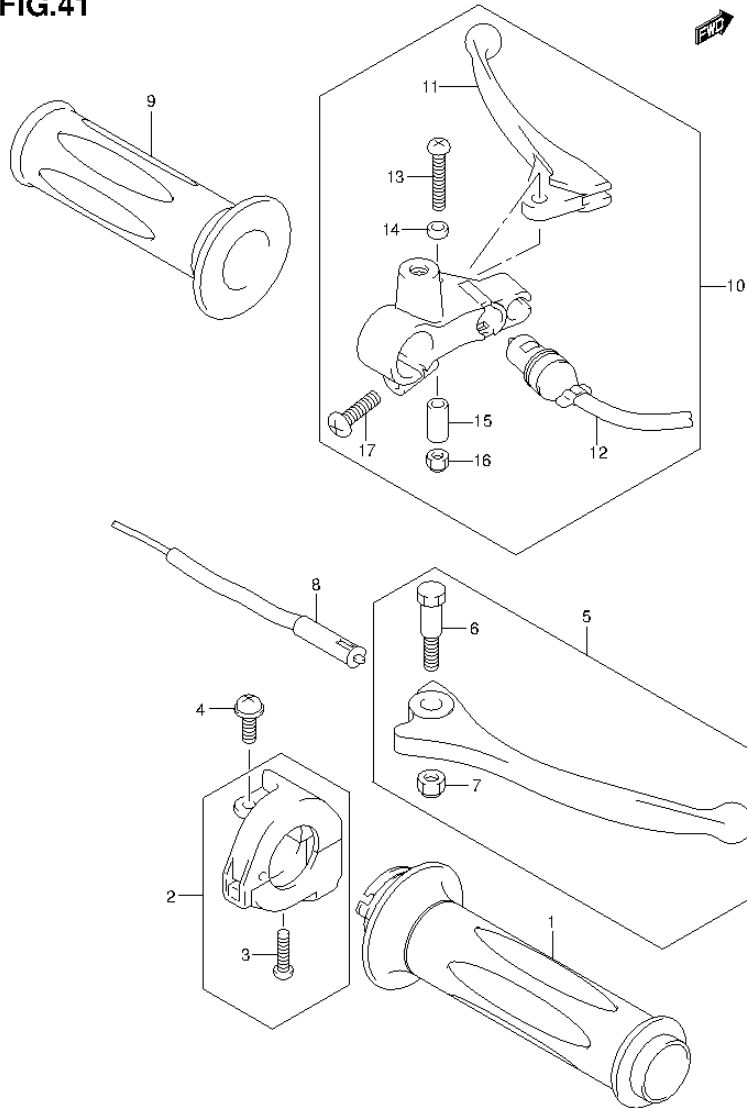


FIG.41 (1-E-3) HANDLE LEVER

REF NO.	PART NO.	DESCRIPTION	Q'TY	REMARKS
1	57110-37G00	GRIP, THROTTLE	1	
2	57100-29C02	CASE ASSY, THROTTLE	1	
3	02112-05207	.SCREW	1	
4	57128-37G00	SCREW, CASE	1	
5	57300-37G00	LEVER ASSY, BRAKE	1	
6	57431-29C00	.SCREW, LEVER PIVOT	1	
7	08319-2106A	.NUT	1	
8	57460-37G00	SWITCH ASSY, STOP	1	
9	57211-37G00	GRIP, LH	1	
10	57500-37G00	BRAKE LEVER REAR/SWITCH ASSY	1	
11	57621-37G00	.LEVER	1	
12	57470-20E00	.SWITCH ASSY	1	
13	02112-0530A	.SCREW	1	
14	57336-09D00	.COLLAR	1	
15	57435-12900	.SPACER	1	
16	08319-2105A	.NUT	1	
17	02112-0620A	.SCREW	1	

FIG.42

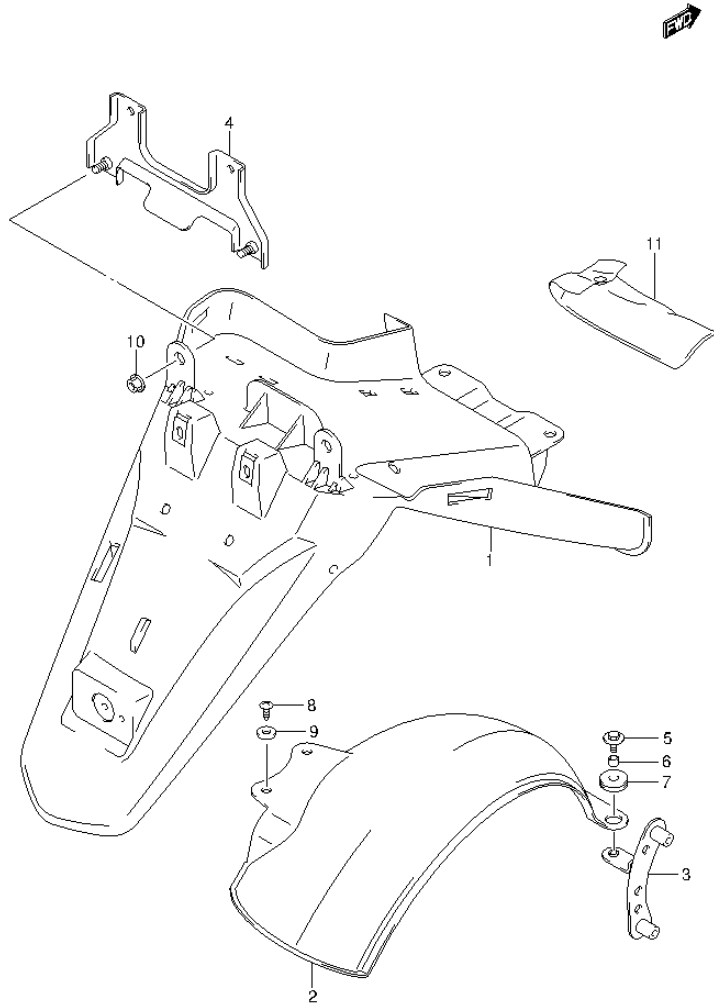


FIG.42 (1-E-4) REAR FENDER

REF NO.	PART NO.	DESCRIPTION	Q'TY	REMARKS
1	63111-37G00	BODY, FENDER UPPER	1	
2	63211-37G00	BODY, RR FENDER LOWER	1	
3	63120-37G01	BRACKET, UPPER	1	
4	63220-20E03	BRACKET, REAR FENDER LOWER	1	
5	09116-06212	BOLT (6X20)	1	
6	09180-06247	SPACER (6.1X8X7)	1	
7	09320-08028	CUSHION	1	
8	03541-0516B	SCREW	2	
9	09169-05012	WASHER	2	
10	09148-05020	NUT	2	
11	96510-37G00	TOOL ASSY	1	

FIG.43

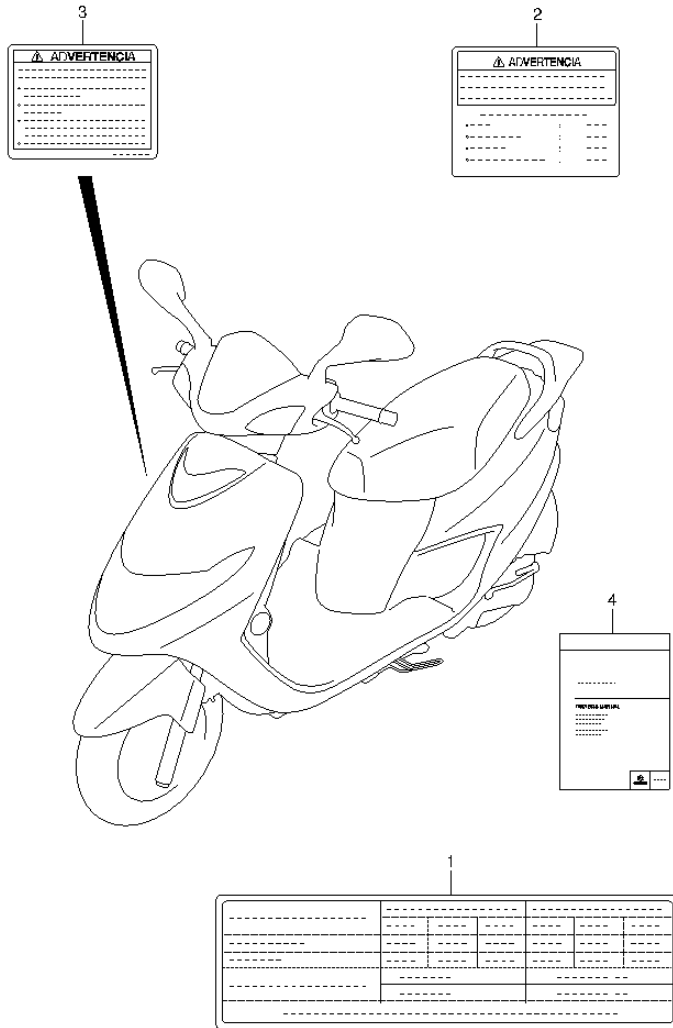


FIG.43 (1-E-5) LABEL

REF NO.	PART NO.	DESCRIPTION	Q'TY	REMARKS
1-1	68332-37G30	LABEL, TIRE INFORMATION (SPANISH)	1	
1-2	68332-37G10	LABEL, TIRE INFORMATION (ENGLISH)	1	
2-1	68913-37G50	LABEL, LOADING CAPACITY (SPANISH)	1	
2-2	68913-37G00	LABEL, LOADING CAPACITY (ENGLISH)	1	
3-1	68319-29F50	LABEL, WARNING (SPANISH)	1	
3-2	68319-29F00	LABEL, WARNING (ENGLISH)	1	
4	99011-20E58-01S	MANUAL, OWNER'S	1	

FIG.44

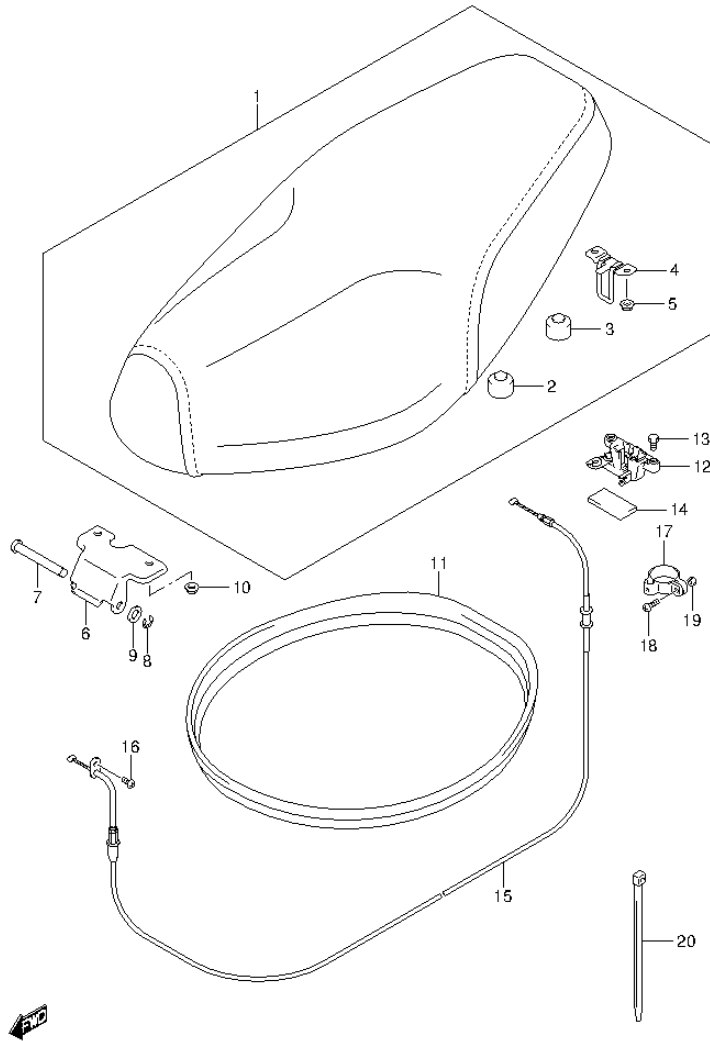


FIG.44 (1-E-6) SEAT

REF NO.	PART NO.	DESCRIPTION	Q'TY	REMARKS
1	45100-37G20	SEAT ASSY	1	
2	45149-37G00	.CUSHION	2	
3	45149-37G10	.CUSHION	2	
4	45210-37G10	.STRIKER, SEAT LOCK	1	
5	08316-1606A	.NUT	2	
6	45261-37G01	BRACKET, SEAT ASSY	1	
7	45216-37G00	PIN, SEAT HINGE	1	
8	08332-1106A	E RING	1	
9	08322-0108B	WASHER	1	
10	08316-1006B	NUT	2	
11	45211-37G10	MOLDING, SEAT	1	
12	45700-37G00	LOCK ASSY, SEAT	1	
13	01500-0612B	BOLT	2	
14	45701-37G00	CUSHION, SEAT LOCK	1	
15	45280-37G01	CABLE, SEAT LOCK	1	
16	02112-0510B	SCREW	1	
17	58285-37G10	GUIDE, CABLE	2	
18	02112-0516B	SCREW	2	
19	08310-0005B	NUT	2	
20	09407-14407	CLAMP (L:145)	4	

FIG.45

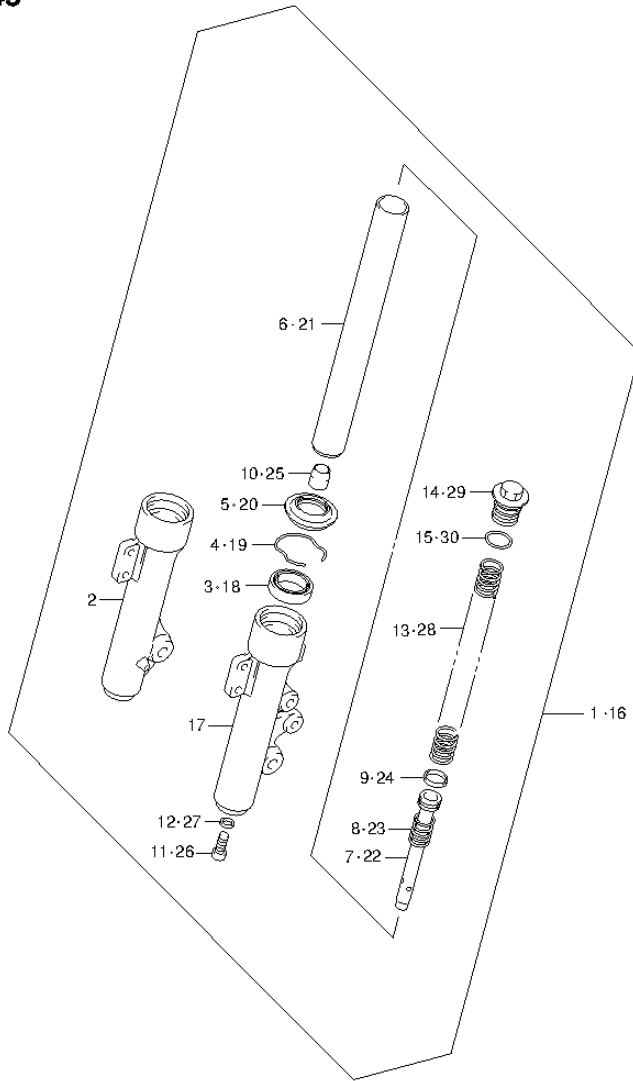


FIG.45 (1-E-7) FRONT FORK DAMPER

REF NO.	PART NO.	DESCRIPTION	Q'TY	REMARKS
1	51103-37G00	DAMPER ASSY, FRONT FORK RH	1	
2	51130-37G00	.TUBE, OUTER RH	1	
3	51153-45F40	.OIL SEAL	1	
4	51156-45F00	.SNAP RING	1	
5	51173-20E40	.SEAL, DUST	1	
6	51110-20E40	.TUBE, INNER	1	
7	51146-20E40	.CYLINDER	1	
8	51177-45F00	.SPRING, REBOUND	1	
9	51182-45F00	.RING, PISTON	1	
10	51195-20E40	.PIECE, OIL LOCK	1	
11	51147-45F00	.BOLT, CYLINDER	1	
12	51148-45F00	.GASKET	1	
13	51171-37G00	.SPRING, MAIN	1	
14	51189-20E40	.CAP, FORK	1	
15	51117-20E40	.O RING	1	
16	51104-37G00	DAMPER ASSY, FRONT FORK LH	1	
17	51140-37G00	.TUBE, OUTER LH	1	
18	51153-45F40	.OIL SEAL	1	
19	51156-45F00	.SNAP RING	1	
20	51173-20E40	.SEAL, DUST	1	
21	51110-20E40	.TUBE, INNER	1	
22	51146-20E40	.CYLINDER	1	
23	51177-45F00	.SPRING, REBOUND	1	
24	51182-45F00	.RING, PISTON	1	
25	51195-20E40	.PIECE, OIL LOCK	1	
26	51147-45F00	.BOLT, CYLINDER	1	
27	51148-45F00	.GASKET	1	
28	51171-37G00	.SPRING, MAIN	1	
29	51189-20E40	.CAP, FORK	1	
30	51117-20E40	.O RING	1	



FIG.46

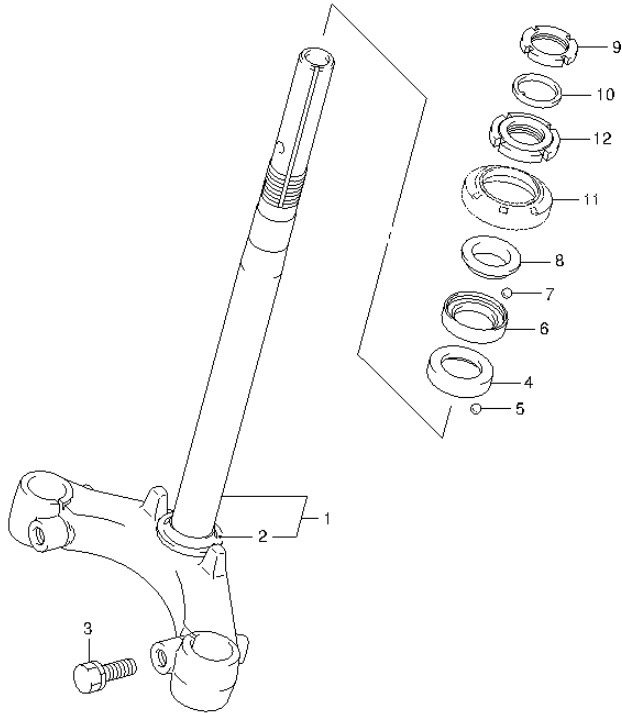


FIG.46 (1-E-8) STEERING STEM

REF NO.	PART NO.	DESCRIPTION	Q'TY	REMARKS
1	51410-20E42	STEM, STEERING	1	
2	51622-20E00	RACE, STEERING OUTER LOWER	1	
3	01570-1235B	BOLT	2	
4	51612-04000	RACE, STEERING INNER LOWER	1	
5	06111-06003	BALL	25	
6	51611-20002	RACE, STEERING INNER UPPER	1	
7	06111-06003	BALL	22	
8	51621-28000	RACE, STEERING OUTER UPPER	1	
9	51632-02400	NUT, STEERING STEM LOCK	1	
10	51635-33GA0	WASHER, STEERING LOCK	1	
11	51643-04H00	DUST SEAL, STEERING UPPER	1	
12	51631-28000	NUT, STEERING STEM	1	



FIG.47

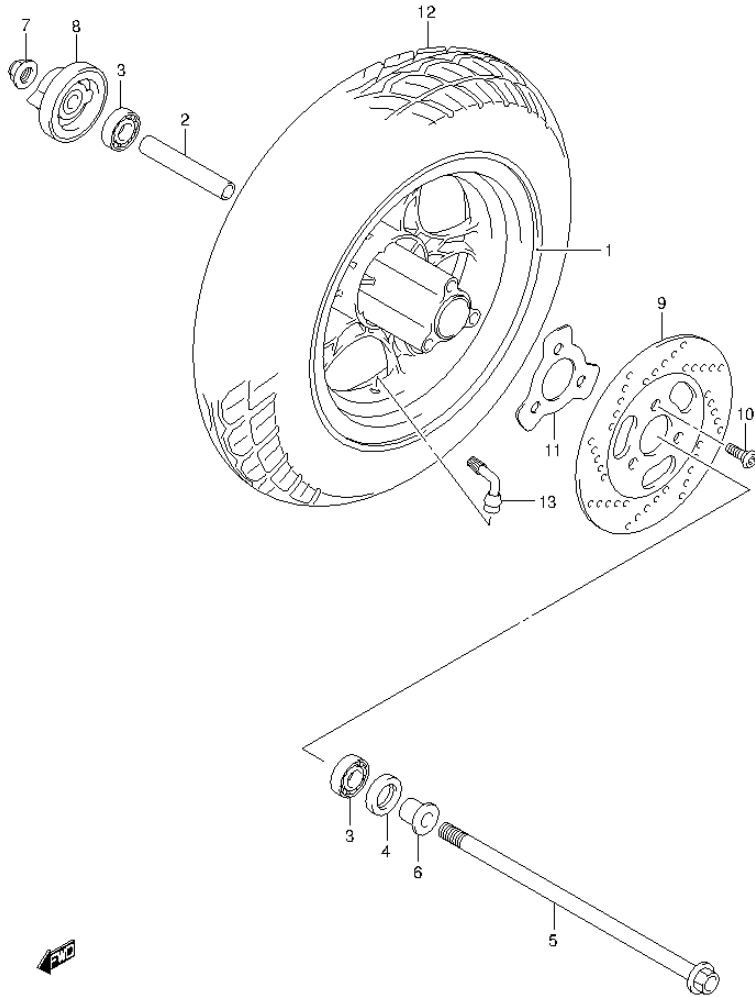


FIG.47 (1-E-9) FRONT WHEEL

REF NO.	PART NO.	DESCRIPTION	Q'TY	REMARKS
1	54111-20E11	WHEEL, FRONT (10X2.15)	1	
2	09180-12078	SPACER (12.6X19X91)	1	
3	08133-62017	BEARING	2	
4	09285-18002	OIL SEAL (18X32X7)	1	
5	54711-20E10	AXLE, FRONT	1	
6	64751-20400	SPACER, FRONT AXLE LH	1	
7	08319-3112A	NUT	1	
8	54600-11E11	BOX ASSY, SPEEDOMETER GEAR	1	
9	59211-20E10	DISC, FRONT BRAKE	1	
10	59421-20E00	BOLT, DISC	3	
11	59222-20E00	PLATE, LOWER NOISE	1	
12	55110-20E10	TIRE, FRONT (3.50-10 51J)	1	
13	43130-41D00	VALVE ASSY, WHEEL RIM (PVR-70)	1	

FIG.48

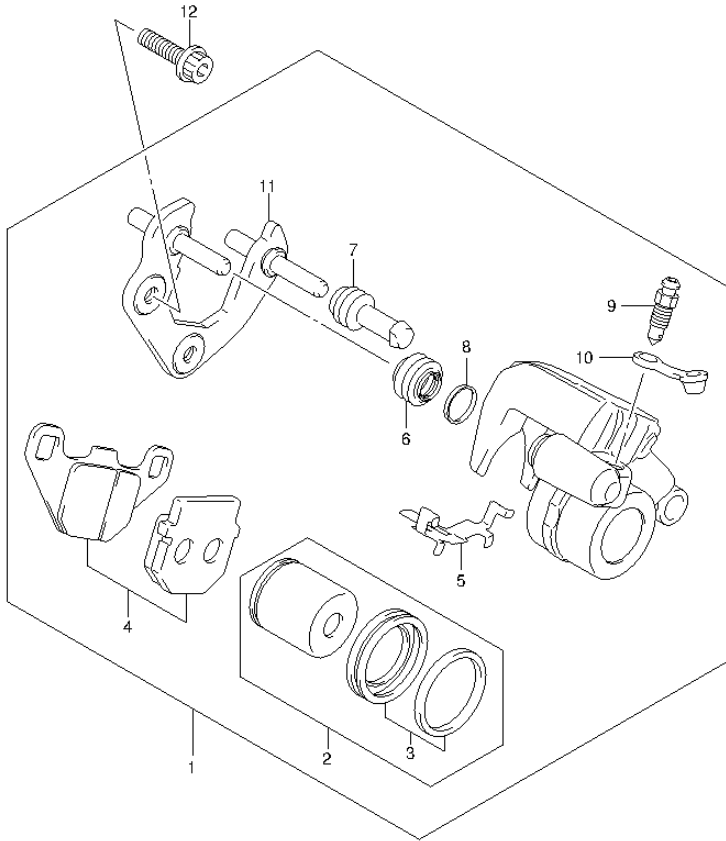


FIG.48 (1-E-10) FRONT CALIPER

REF NO.	PART NO.	DESCRIPTION	Q'TY	REMARKS
1	59300-20E90	CALIPER ASSY, FRONT LH	1	
2	59302-20870	.PISTON SET	1	
3	59302-20860	..SEAL SET, PISTON	1	
4	59300-37810	.PAD SET	1	
5	59315-20E90	.SPRING	1	
6	59312-20E90	.BOOT	1	
7	59313-20E90	.INSULATOR	1	
8	59314-20E90	.RING	1	
9	59121-18410	.BLEEDER	1	
10	55165-66310	.CAP	1	
11	59350-20E90	.CARRIER, CALIPER	1	
12	07120-0830B	BOLT	2	



FIG.49

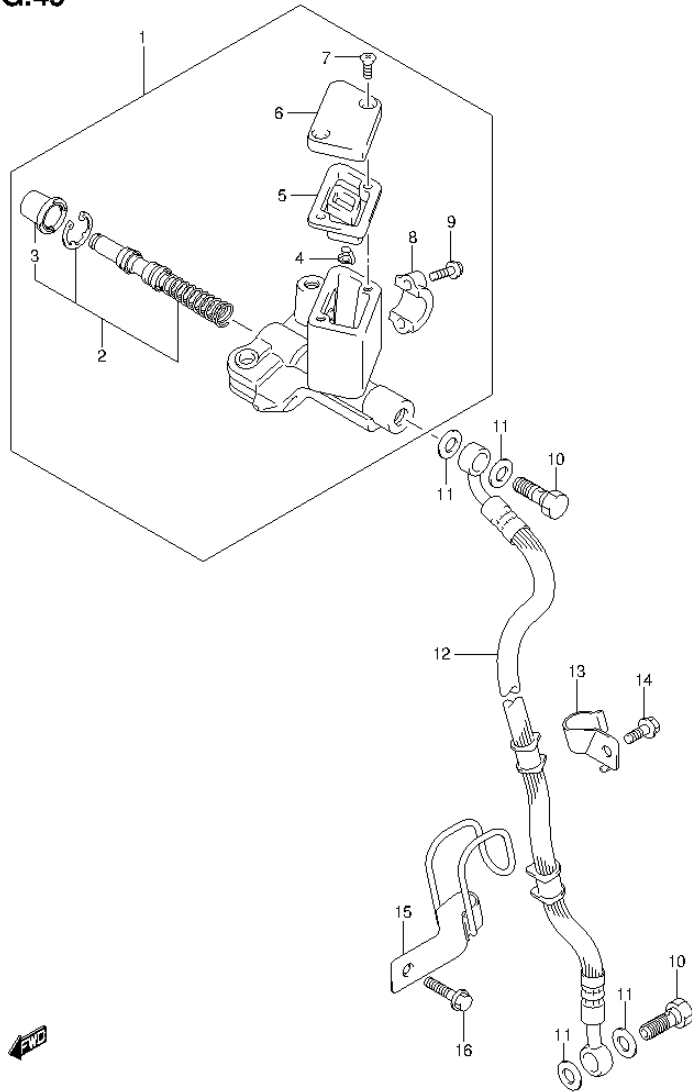


FIG.49 (1-E-11) FRONT BRAKE HOSE

REF NO.	PART NO.	DESCRIPTION	Q'TY	REMARKS
1	59600-37G20	CYLINDER ASSY, FRONT MASTER	1	
2	59600-37820	.PISTON/CUP SET	1	
3	59666-37G20	..BOOT	1	
4	59664-37G20	.PROTECTOR	1	
5	59667-37G20	.DIAPHRAGM	1	
6	59669-37G20	.CAP	1	
7	59689-37G20	.SCREW	2	
8	59671-37G20	.HOLDER	1	
9	59675-37G20	.BOLT	2	
10	09360-10061	UNION	2	
11	09161-10009	WASHER (10X15X1.5)	4	
12	59480-37G10	HOSE, FRONT BRAKE	1	
13	59245-20E10	CLAMP, FRONT BRAKE HOSE	1	
14	01550-0610B	BOLT	1	
15	59240-37G00	GUIDE, FRONT BRAKE HOSE	1	
16	01550-0620B	BOLT	1	



FIG.50

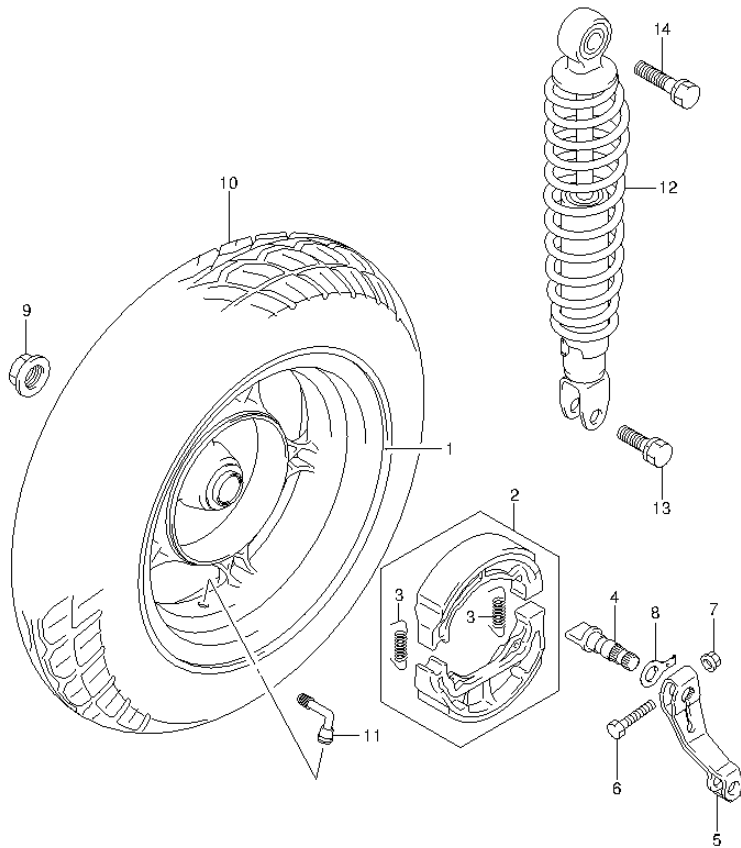


FIG.50 (1-E-12) REAR WHEEL

REF NO.	PART NO.	DESCRIPTION	Q'TY	REMARKS
1	64150-20E01	WHEEL, REAR (2.50X10)	1	
2	54400-33810	SHOE SET, REAR BRAKE	1	
3	55421-45F00	.SPRING, BRAKE SHOE	2	
4	64441-11E11	CAM, REAR BRAKE	1	
5	64451-20E00	LEVER, REAR BRAKE CAM	1	
6	09100-06139	BOLT (6X31)	1	
7	08316-1006B	NUT	1	
8	64492-17BA0	PLATE, INDICATOR	1	
9	64714-37G00	NUT	1	
10	55110-20E10	TIRE, REAR (3.50-10 51J)	1	
11	43130-41D00	VALVE ASSY, WHEEL RIM (PVR-70)	1	
12	62100-37G00	ABSORBER ASSY, REAR SHOCK	1	
13	01570-1035B	BOLT	1	
14	01570-1040B	BOLT	1	



PART NO.	FIG.NO.-REF.NO.	PART NO.	FIG.NO.-REF.NO.	PART NO.	FIG.NO.-REF.NO.	
10000		12760-20E10	9-1	13495-09400	10-9	
		12771-20E00	9-2	13495-18E00	10-10	
		12811-20E20	9-3	13496-20E20	10-14	
		12830-20E00	9-6	13500-20E20	10-34	
		12837-20E20	9-7	13502-20E20	10-48	
	11100-20E41	2-1	12840-20E10	8-4-1	13503-20E20	10-33
	11141-20E00	2-5	12840-20E20	8-4-2	13601-04148	10-6
	11171-20E11	1-1	12840-20E30	8-4-3	13674-20E20	10-15
	11173-20E00	1-2	12842-49201	8-5	13683-38B01	10-51
	11176-20E11	1-6	12843-27A00	8-6	13700-37G02	11-1
	11177-20E10	1-7	12861-20E00	8-7	13741-37G01	11-2
	11186-20E00	1-9	12911-20E00	8-8	13742-37G00	11-5
11210-20E31-0F0	3-1	12912-20E00	8-9	13744-37G00	11-15	
11241-20E10	3-2	12920-20E10	8-10	13746-37G00	11-13	
11280-20E00	4-19	12931-09420	8-11	13780-37G10	11-3	
11310-20840	4-1	12932-27A10	8-12	13784-37G10	11-14	
11320-20840	4-3	12933-39E10	8-13	13788-29C50	11-20	
11325-20E00	4-10	13110-37G10	2-12	13851-37G00	11-7	
11341-37G00	5-1	13131-20E00	10-53	13853-37G00	11-8	
11346-37G00	5-9	13200-37G10	10-1	13855-37G00	11-4	
11350-20E20	5-23	13222-60A10	10-13	13856-37G00	11-27	
11381-37G00	5-30	13247-28A00	10-7	13871-37G00	11-10	
11382-37G00	5-31	13250-05300	10-45	13877-13700	11-12	
11383-37G00	5-6	13251-20E20	10-29	13878-39C10	11-19	
11388-37G00	5-32	13254-92311	10-44	13881-37G00	11-6	
11389-09D00	5-7	13267-20E20	10-2	13912-20E00	11-18	
11389-37G00	5-33	13268-37420	10-4	13982-20E00	11-22	
11430-20820	5-11	13268-47070	10-24	14181-34H00	12-1	
11482-20E20	5-2	13279-45400	10-23	14305-37G00	12-2	
11483-20E20	5-24	13291-29900	10-25	14790-37G00	12-3	
11484-20E10	5-13	13295-29900	10-26	16321-20E10	6-12	
11485-20E00	5-14	13357-36A00	10-21	16331-20E00	13-3	
11485-34F00	5-34	13370-20E20	10-42	16410-20E00	13-1	
11486-20E00	5-15	13373-11400	10-46	16421-20E00	13-6	
12100-20E80-050	6-20	13374-35C00	10-43	16422-20E00	13-4	
12111-20E80-0F0	6-15	13376-19F00	10-16	16423-20E00	13-5	
12140-20E10	6-16	13382-03110	10-31	16510-05240	13-7	
12140-20E10-050	6-21	13382-20E20	10-38	16512-33G00	13-8	
12151-12F00	6-17	13383-37G10	10-41	16520-09410	13-9	
12200-20E61	6-1	13386-09410	10-3	16523-20E00	13-10	
12359-20E10	6-9	13387-20E20	10-40	16524-20E20	13-11	
12510-20E10	6-8	13388-20E20	10-37	17110-20E23	14-1	
12521-20E02	6-10	13389-20E20	10-36	17120-20E20	14-2	
12541-20E10	6-3	13394-10010	10-39	17122-20E00	14-3	
12600-20891	7-4	13421-20E20	10-20	17130-20E00	14-6	
12611-20E00	7-1	13430-20E90	10-49	17132-20E00	14-8	
12623-20E10	7-11	13434-30650	10-17	17133-20E00	14-9	
12633-20E00	7-5	13488-20E20	10-50	17134-20E00	14-10	
12649-20E10	7-8	13493-20E20	10-12	17136-20E00	14-11	
12710-20E90	8-1	13494-09410	10-22			

PART NO.	FIG.NO.-REF.NO.	PART NO.	FIG.NO.-REF.NO.	PART NO.	FIG.NO.-REF.NO.	
20000		31361-32C10	18-12	35927-37G00	25-13	
		31361-38300	18-13	35950-04H30	23-8	
		31800-49110	21-1	35970-04H11	25-18	
		31861-31500	21-15	36210-37G00	26-1	
			26-7	36212-37G00	26-2	
	21111-20E00	15-1	31861-37G00	21-16	36610-37G60	26-6
	21120-20E10	15-2	32101-20E70	19-1	36740-37G10	26-14
	21125-20E10	15-3	32102-20E70	19-2	36920-37G00	26-4
	21141-20E00	15-4	32800-37G10	21-4	37100-37G01	26-16
	21210-20E31	15-5	32900-20EU3	21-6	37155-37G01	26-17
	21220-20E10	16-1	32941-37G00	21-7	37157-37G00	26-18
	21240-20E40	15-6	32980-20E10	21-8	37251-16H10	26-20
21243-20E40	15-7	33410-33G10	21-9-1	37310-20E00	26-21	
21248-33G00	15-8	33410-33G30	21-9-2	37420-37G01	26-22	
21249-20E00	15-9	33510-04H10	21-11	37510-37G00	26-23	
21431-20E30	15-10	33541-47D00	21-12	37520-20E00	26-24	
21471-20E10	15-11	33542-20E10	21-13	38500-37G11	26-25	
21472-20E00	15-12	33610-06C10	20-1	38610-37G00	24-8	
21481-20E00	15-13	33624-37G00	26-8			
21501-20EC0	16-2	33652-08410	36-2			
21650-20E50	15-14	33652-37G00	20-2			
24131-20E10	16-5	33810-37G10	21-14			
24141-20E00	16-13	33860-37G10	20-3	40000		
24150-20E50	16-6	34111-37G00	22-1			
24371-20E00	16-14	34120-37G00	22-2			
24751-11E00	16-19	34150-37G00	22-3	41100-37G04	27-1	
26210-20E00	17-1	34173-37G00	22-4	41180-37G00	27-2	
26212-20E10	17-2	34383-37G00	22-5	41185-41D00	27-6	
26280-11E20	15-21	34810-37G00	30-10	41186-37G00	27-3	
26282-11E01	15-22	34825-37G00	30-11	42100-20E24	28-1	
26300-20E20	17-7	34910-37G01	22-9	42191-20E00	28-5	
27601-20E01	15-26	34938-20E61	39-15	42221-20E00	28-6	
		34938-37G00	22-10	42241-37G00	28-11	
		34938-37G20	22-11	42270-20E11	28-4	
		35100-37G32-999	23-1	42272-20E00	28-8	
		35171-37G02	23-2	42310-37G00	28-10	
		35181-37G00	23-6	43130-41D00	47-13	
		35189-37G00	23-3			
		35601-37G01	24-1	43551-37G00	35-9	
		35602-37G01	24-4	44111-37G00	30-1	
31100-20E00	18-1	35612-37G01	24-2	44199-37G00	31-1	
31130-32C20	18-6	35632-37G01	24-5	44200-39812	30-2	
31132-32C10	18-7	35710-37G01	25-1	44236-37G00	30-8	
31133-32C10	18-8	35712-37G01	25-2			
31135-32C10	18-2	35713-37G00	25-4	44257-37G00	30-7	
31150-06C00	18-3	35725-37G00	25-7	44261-36C00	30-14	
31156-38300	18-4	35910-37G21	25-8	44261-37G00	30-5	
31175-20E00	18-5	35912-37G21	25-9	44281-37G00	30-4	
31264-32C10	18-10	35915-37G00	25-10	44292-20E10	30-13	
31281-20E00	18-11	35918-37G00	25-11	44300-37G10	31-9	

PART NO.	FIG.NO.-REF.NO.	PART NO.	FIG.NO.-REF.NO.	PART NO.	FIG.NO.-REF.NO.
44322-20E60	30-15	47321-37G00-PRB	32-12-2		45-30
44330-45F10	31-5	47321-37G00-YJR	32-12-3	51130-37G00	45-2
44422-37G00	31-8	47321-37G00-YRN	32-12-4	51140-37G00	45-17
44425-37G00	31-13	47321-37G00-YZL	32-12-5	51146-20E40	45-7
44428-37G00	31-12	47351-37G00	33-1		45-22
44429-37G00	31-14	48111-37G00-PRA	34-1-1	51147-45F00	45-11
44461-37G00	31-2	48111-37G00-PRB	34-1-2		45-26
44660-36811	30-3	48111-37G00-YJR	34-1-3	51148-45F00	45-12
45100-37G20	44-1	48111-37G00-YRN	34-1-4		45-27
45148-20E00	28-9	48111-37G00-YZL	34-1-5	51153-45F40	45-3
45149-37G00	44-2	48116-20E00	32-14		45-18
45149-37G10	44-3	48121-37G01	35-1	51156-45F00	45-4
45210-37G10	44-4	48122-37G20	33-7		45-19
45211-37G10	44-11	48123-37G20	33-8	51171-37G00	45-13
45216-37G00	44-7	48125-37G00	35-3		45-28
45261-37G01	44-6	48127-37G10	33-10	51173-20E40	45-5
45280-37G01	44-15	48128-37G10	33-11		45-20
45700-37G00	44-12	48132-37G00	34-5	51177-45F00	45-8
45701-37G00	44-14	48135-37G00	34-16		45-23
46149-45F00	36-4	48137-37G00-PRA	34-7-1	51182-45F00	45-9
46311-37G00	29-1	48137-37G00-PRB	34-7-2		45-24
46312-37G00	29-2	48137-37G00-YJR	34-7-3	51189-20E40	45-14
46314-37G00	29-4	48137-37G00-YRN	34-7-4		45-29
47111-37G01-PRA	32-1-1	48137-37G00-YZL	34-7-5	51195-20E40	45-10
47111-37G01-PRB	32-1-2	48139-37G01	34-10		45-25
47111-37G01-YJR	32-1-3	48141-37G01	33-4	51410-20E42	46-1
47111-37G01-YRN	32-1-4	48150-37G01	34-14	51611-20002	46-6
47111-37G01-YZL	32-1-5	48171-37G00-PRA	35-5-1	51612-04000	46-4
47131-37G00-PRA	32-5-1	48171-37G00-PRB	35-5-2	51621-28000	46-8
47131-37G00-PRB	32-5-2	48171-37G00-YJR	35-5-3	51622-20E00	46-2
47131-37G00-YJR	32-5-3	48171-37G00-YRN	35-5-4	51631-28000	46-12
47131-37G00-YRN	32-5-4	48171-37G00-YZL	35-5-5	51632-02400	46-9
47131-37G00-YZL	32-5-5	48181-37G00-PRA	35-6-1	51635-33GA0	46-10
47211-37G01-PRA	32-2-1	48181-37G00-PRB	35-6-2	51643-04H00	46-11
47211-37G01-PRB	32-2-2	48181-37G00-YJR	35-6-3	53111-37G00-PRA	38-1-1
47211-37G01-YJR	32-2-3	48181-37G00-YRN	35-6-4	53111-37G00-PRB	38-1-2
47211-37G01-YRN	32-2-4	48181-37G00-YZL	35-6-5	53111-37G00-YJR	38-1-3
47211-37G01-YZL	32-2-5			53111-37G00-YRN	38-1-4
47219-37G00	32-15			53111-37G00-YZL	38-1-5
47231-37G00-PRA	32-6-1			53170-37G00	38-2
47231-37G00-PRB	32-6-2			53180-37G00	38-3
47231-37G00-YJR	32-6-3			53182-37G00	38-6
47231-37G00-YRN	32-6-4	50000		53188-37G00	38-4
47231-37G00-YZL	32-6-5			54111-20E11	47-1
47311-37G00-PRA	32-11-1			54400-33810	50-2
47311-37G00-PRB	32-11-2	51103-37G00	45-1	54600-11E11	47-8
47311-37G00-YJR	32-11-3	51104-37G00	45-16	54711-20E10	47-5
47311-37G00-YRN	32-11-4	51110-20E40	45-6	55110-20E10	47-12
47311-37G00-YZL	32-11-5				50-10
47321-37G00-PRA	32-12-1	51117-20E40	45-15	55165-66310	48-10

PART NO.	FIG.NO.-REF.NO.	PART NO.	FIG.NO.-REF.NO.	PART NO.	FIG.NO.-REF.NO.
55421-45F00	50-3	59313-20E90	48-7	92100-20810	36-9
56110-37G02	39-1	59314-20E90	48-8	92110-37G00	36-1
56271-37G00	39-5	59315-20E90	48-5	92112-37G00	36-6
56272-31C00	39-6	59350-20E90	48-11	92113-37G00	36-7
56311-37G00-PRA	40-1-1	59421-20E00	47-10	92211-37G00	37-1
56311-37G00-PRB	40-1-2	59480-37G10	49-12	92218-37G00	37-2
56311-37G00-YJR	40-1-3	59600-37820	49-2	94618-37G00	40-6
56311-37G00-YRN	40-1-4	59600-37G20	49-1	94619-37G00	40-7
56311-37G00-YZL	40-1-5	59664-37G20	49-4	95700-37G00	37-4
56313-20E00	34-18	59666-37G20	49-3	96510-37G00	42-11
56321-37G01	40-2	59667-37G20	49-5	99011-20E58-01S	43-4
56331-37G00	40-5	59669-37G20	49-6		
56500-37G10-PRA	39-9-1	59671-37G20	49-8		
56500-37G10-PRB	39-9-2	59675-37G20	49-9		
56500-37G10-YJR	39-9-3	59689-37G20	49-7		
56500-37G10-YRN	39-9-4				
56500-37G10-YZL	39-9-5				
56600-37G10-PRA	39-10-1	60000		00000	
56600-37G10-PRB	39-10-2				
56600-37G10-YJR	39-10-3				
56600-37G10-YRN	39-10-4	62100-37G00	50-12	01421-0612B	13-15
56600-37G10-YZL	39-10-5	63111-37G00	42-1	01421-0625B	2-8
56741-37G00	39-12	63120-37G01	42-3		3-5
57100-29C02	41-2	63211-37G00	42-2	01421-0630B	11-24
57110-37G00	41-1	63220-20E03	42-4	01500-0612B	44-13
57128-37G00	41-4	64150-20E01	50-1	01500-0620B	9-8
57211-37G00	41-9	64441-11E11	50-4	01500-0820B	17-8
57300-37G00	41-5	64451-20E00	50-5	01500-1016B	4-13
57336-09D00	41-14	64492-17BA0	50-8	01547-0610B	39-21
57431-29C00	41-6	64714-37G00	50-9	01547-0612B	5-21
57435-12900	41-15	64751-20400	47-6	01547-0625B	5-16
57460-37G00	41-8	68131-33GQ0-YD8	35-13-1		13-13
57470-20E00	41-12	68131-33GQ0-YHG	35-13-2		18-16
57500-37G00	41-10	68131-37G00-PRA	32-4-1	01547-0635B	5-17
57621-37G00	41-11	68131-37G00-PRB	32-4-2	01550-0610B	49-14
58285-37G10	44-17	68131-37G00-YJR	32-4-3	01550-0612B	21-3
58300-37G00	39-14	68131-37G00-YRN	32-4-4		26-13
58510-37G00	39-16	68166-37G10-YJN	34-2-1		26-26
58575-20E00	39-20	68166-37G10-YJP	34-2-2		34-13
58621-20E10	39-22	68319-29F00	43-3-2		39-23
59121-18410	48-9	68319-29F50	43-3-1	01550-0616B	14-12
59211-20E10	47-9	68332-37G10	43-1-2		21-10
59222-20E00	47-11	68332-37G30	43-1-1		29-5
59240-37G00	49-15	68913-37G00	43-2-2		31-10
59245-20E10	49-13	68913-37G50	43-2-1		34-15
59300-20E90	48-1			01550-0620B	49-16
59300-37810	48-4			01550-0812B	4-15
59302-20860	48-3	90000			5-19
59302-20870	48-2			01550-0890B	4-6
59312-20E90	48-6			01570-1035B	50-13

PART NO.	FIG.NO.-REF.NO.	PART NO.	FIG.NO.-REF.NO.	PART NO.	FIG.NO.-REF.NO.
01570-1040B	50-14		35-7		25-19
01570-1235B	46-3		37-3	08316-1006B	2-9
01580-0616B	38-5		38-8		3-6
01580-0630B	11-25	03541-0408B	34-6		11-26
02112-0308A	10-35	03541-0410A	11-17		25-16
02112-03167	10-18	03541-0410B	32-3		36-5
02112-0406B	10-19		32-9		39-8
02112-0506B	5-10	03541-0412B	22-8		44-10
02112-05087	10-47		24-7		50-7
02112-05107	10-5		36-8	08316-1010B	15-25
02112-0510B	19-3	03541-0416B	26-5	08316-1012A	16-4
	44-16		34-8	08316-1012B	19-5
02112-0516B	44-18		36-3	08316-1606A	44-5
02112-05207	41-3		36-10	08319-2105A	41-16
02112-0520B	19-4		40-4	08319-2106A	41-7
02112-0530A	41-13	03541-0512B	5-8	08319-3112A	27-5
02112-0612B	11-28	03541-0516B	23-7		47-7
02112-0620A	41-17		42-8	08322-0106B	25-17
02112-0625B	5-3	03541-0525B	11-21	08322-0108B	44-9
02112-0635B	5-26	03541-0616B	35-4	08331-3114A	17-6
	5-35	03541-0620B	14-15	08331-31229	16-18
02112-0640B	5-4	04211-11149	5-18	08331-41289	15-20
02112-0645B	5-27	04211-11169	2-10	08331-41479	16-12
02112-0650B	4-5		3-7	08332-1106A	44-8
02112-0680B	5-36		5-5	08341-31039	19-6
02112-1610B	11-29		5-29	08361-3506A	21-2
02112-1612B	30-6	04211-13189	4-9	09100-06139	50-6
	30-12	04221-04069	6-13	09103-06102	2-3
02112-1620B	14-14	06111-06003	46-5	09103-06247	9-4
02112-1625B	14-13		46-7	09103-12056	4-17
02112-3412B	18-9	07120-0520B	1-8	09103-12058	27-4
02112-3616B	2-14	07120-0820B	12-10	09106-07018	1-3
02112-7408B	22-7	07120-0830B	48-12	09106-07019	1-5
02122-0616A	16-20	07130-0616B	7-10	09106-08142	5-25
02122-0625B	13-2	07130-0625A	29-3	09106-10092	39-2
02142-0512B	40-3	07130-06557	39-4	09108-08163	3-3
02142-0520B	22-12	07130-0816B	29-6	09108-08274	3-4
02142-0610B	22-13	07130-08557	39-11	09111-06066	38-7
02142-06167	34-3	07130-0855B	4-7	09111-10014	28-12
02142-0616B	33-13	08110-62030	16-17	09111-10056	28-2
02142-0620B	21-5	08113-62017	16-10	09116-06211	35-2
03211-0412A	25-3		16-11	09116-06212	42-5
03241-0416B	33-5	08133-62017	47-3	09118-08147	12-4
03241-05127	32-7	08221-25355	15-24	09125-06069	6-4
	35-12	08310-0005B	44-19		6-11
03241-0512B	32-13	08310-0006B	25-15	09137-05004	18-15
	33-9	08310-0012B	4-18	09139-06048	26-19
03241-0516B	25-14	08313-1006B	13-17	09139-06167	12-9
	33-2		37-5	09140-22008	6-14
	34-11	08316-1005B	23-9	09140-28007	16-3

PART NO.	FIG.NO.-REF.NO.	PART NO.	FIG.NO.-REF.NO.	PART NO.	FIG.NO.-REF.NO.
09148-03003	33-12	09209-10001	39-18	09401-10410	31-15
09148-04024	33-6	09250-06004	29-7	09401-11102	4-12
09148-05020	32-10	09250-06011	39-13	09401-11403	31-4
	33-3	09250-30003	14-7	09401-12404	11-11
	34-12	09259-20008-XC0	1-10	09401-14301	11-9
	34-17	09261-10003	7-6	09402-46208	2-15
	35-10	09262-15029	8-2	09402-58208	11-16
	35-11	09262-15034	15-16	09404-06429	4-24
	38-9	09262-20069	16-8	09404-06431	26-9
	42-10	09262-20106	16-9	09404-06433	10-8
09148-05038	35-8	09262-22027	16-15	09407-14403	26-10
09150-05101	39-19	09262-25140	6-5		31-16
09159-08049	2-6	09262-32014	6-2	09407-14407	44-20
09159-10097	28-13	09263-20092	15-17	09407-18402	26-11
09159-10115	39-3	09280-08014	10-11		30-16
09160-06028	12-5	09280-13004	13-12		31-6
09161-10009	49-11	09280-17003	1-11	09407-25401	26-12
09161-11009	1-4	09280-24003	18-14	09409-06322	32-8
09162-06008	11-23	09280-32006	2-13		34-9
09164-08020	28-7	09280-40014	15-18-1	09440-03013	7-7
09164-16005	15-15	09280-40015	15-18-2	09440-07062	39-17
09168-06004	5-22	09280-54001	13-13	09440-18002	13-14
	9-5	09283-20055	6-6	09440-30011	15-23
09168-06023	5-28	09283-20062	16-7	09443-17023	28-3
09168-08015	4-16	09283-25095	6-7	09471-12020	23-4
	5-20	09283-27015	16-16	09471-12077	22-6
09168-08016	4-8	09284-34004	15-19	09471-12081	23-5
	4-21	09285-18002	47-4		25-12
09168-08032	2-7	09289-05018	8-14-2	09471-12118	26-3
09168-10007	4-23	09289-05L02	8-14-1	09471-12128	25-6
09168-10L01	4-14	09300-14011	17-5	09471-12226	24-3
09169-05012	42-9	09319-10032	5-12		26-6
09169-06071	34-4	09319-12063	4-2		25-5
09180-06069	39-7		4-4	09481-15101	26-15
09180-06247	42-6	09320-08028	42-7	09482-00456	2-11-3
09180-06263	14-4	09320-08051	12-7	09482-00516	2-11-2
09180-06306	12-6	09320-09016	14-5	09482-00528	2-11-1
09180-12078	47-2	09320-12058	12-8	09491-23015	10-27
09180-13009	7-3	09352-30503-600	10-52	09491-92004	10-32
09181-14003	17-3	09352-70113-600	4-11	09492-35031	10-30
09181-14195	17-4	09360-08011	4-20	09494-00845	10-28
09181-32131	6-19-1	09360-10054	4-22		
09181-32132	6-19-2	09360-10061	49-10		
09181-32134	6-19-3	09380-32002	7-9		
09181-32136	6-19-4	09381-10004	2-2		
09181-32138	6-19-5	09381-14001	6-18		
09181-32144	6-19-6	09390-32003	8-3		
09181-32148	6-19-7	09401-08401	30-9		
09206-08001	2-4		31-7		
09206-13016	7-2	09401-10402	31-3		

SUZUKI AN125HKL4 PARTS CATALOGUE

SUZUKI MOTOR CORPORATION All rights reserved

No part of this document may be reproduced or transmitted in any form or by any means, electronic or mechanical, for any purpose, without the express written permission of Suzuki Motor Corporation.

SUZUKI MOTOR CORPORATION

Technical Readiness Group, Automobile Field Quality Assurance Department
300 Takatsuka, Minami, Hamamatsu, Japan

Reprint Prohibited

SUZUKI MOTOR CORPORATION