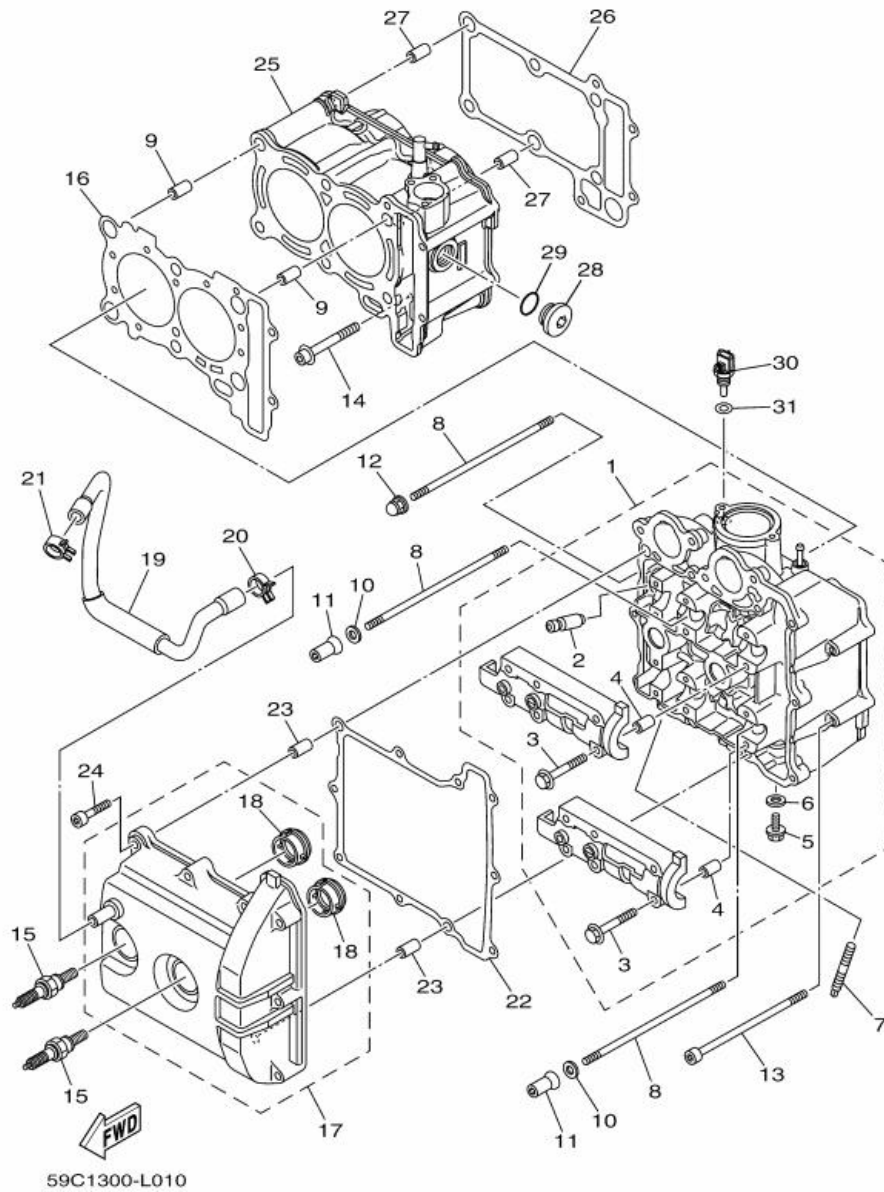
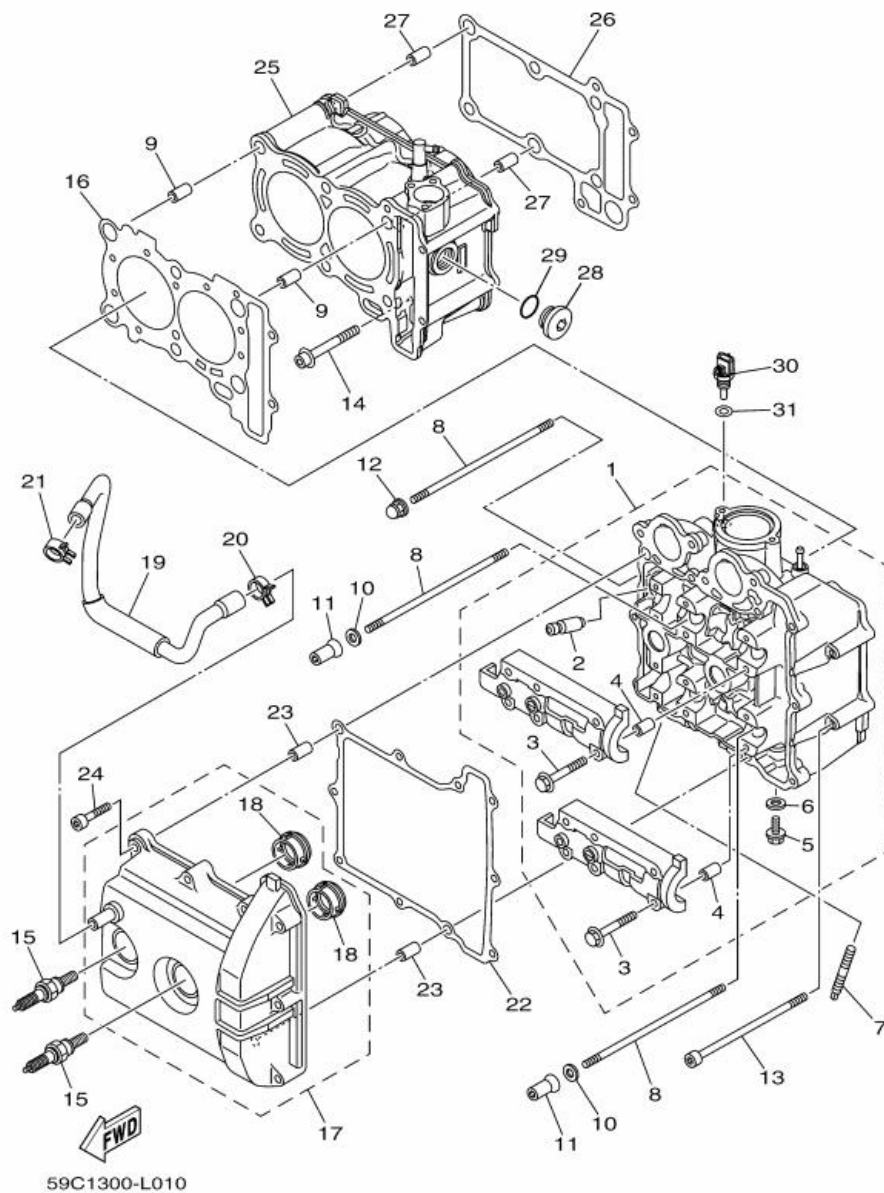


Fig. 01 CYLINDER



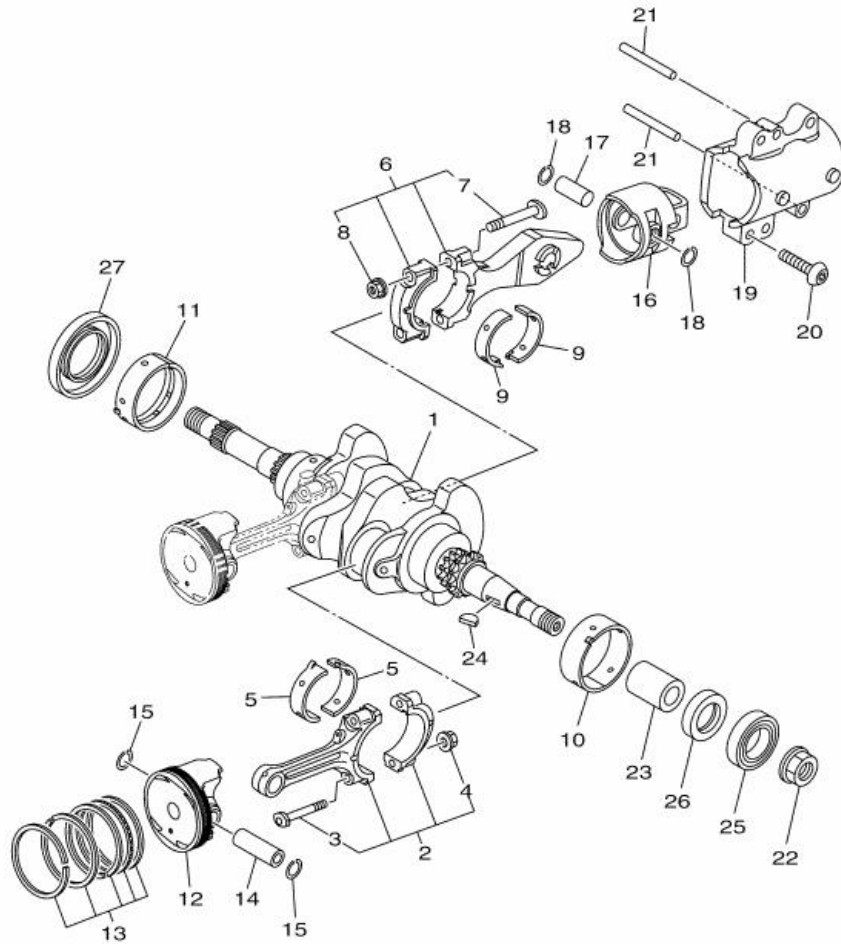
Ref. No.	Part No.	Description		Remarks
1	59C-11101-09	CYLINDER HEAD ASSY	1	
2	5NL-11133-10	GUIDE, VALVE 1	8	
3	90105-06027	BOLT, FLANGE	12	
4	91808-16023	PIN, DOWEL	4	
5	95022-08012	BOLT, FLANGE	1	
6	90430-08119	GASKET	1	
7	90116-08087	BOLT, STUD	4	
8	90116-09584	BOLT, STUD	6	
9	93612-16254	PIN, DOWEL	2	
10	90201-090P4	WASHER, PLATE	4	
11	90179-09612	NUT	4	
12	90176-09001	NUT, CROWN	2	
13	90110-06021	BOLT, HEXAGON SOCKET HEAD	2	
14	90110-06379	BOLT, HEXAGON SOCKET HEAD	1	
15	94701-00353	PLUG, SPARK (NGK CR7E)	2	
16	59C-11181-00	GASKET, CYLINDER HEAD 1	1	
17	59C-11190-00	COVER, CYLINDER HEAD 1	1	
18	5GJ-11195-00	GASKET	2	
19	59C-11166-00	PIPE, BREATHER 1	1	
20	90467-15001	CLIP	1	
21	90467-16181	CLIP	1	
22	59C-11193-00	GASKET, HEAD COVER 1	1	
23	99530-10116	PIN, DOWEL	2	
24	91312-06035	BOLT	10	
25	59C-11310-08	CYLINDER	1	
26	59C-11351-00	GASKET, CYLINDER	1	
27	93612-16254	PIN, DOWEL	2	

Fig. 01 CYLINDER



Ref. No.	Part No.	Description		Remarks
	28 4H7-15189-00	PLUG	1	
	29 93210-22382	O-RING	1	
	30 5PS-85790-00	THERMOSENSOR ASSY	1	
	31 90430-12202	GASKET	1	

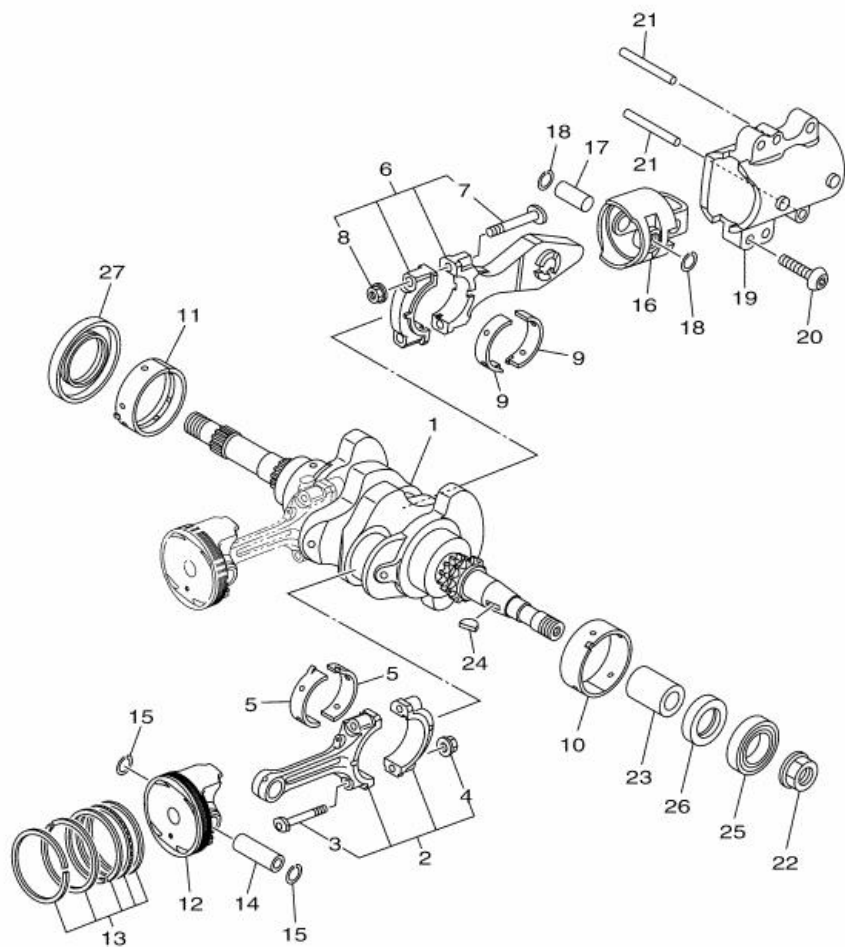
Fig. 02 CRANKSHAFT & PISTON



59C1300-L020

Ref. No.	Part No.	Description	Remarks
1	59C-11400-00	CRANKSHAFT ASSY	1
2	59C-11650-00	CONNECTING ROD ASSY	2
3	5VU-11654-00	BOLT, CONNECTING ROD	2
4	90179-07652	NUT	2
5	5GJ-11656-00	PLANE BEARING, CONNECTING ROD	4 UR BLUE
5GJ-11656-10	PLANE BEARING, CONNECTING ROD	4 UR BLACK	
5GJ-11656-20	PLANE BEARING, CONNECTING ROD	4 UR BROWN	
5GJ-11656-30	PLANE BEARING, CONNECTING ROD	4 UR GREEN	
6	59C-11660-00	CONNECTING ROD ASSY	1
7	4X7-11654-01	BOLT, CONNECTING ROD	2
8	90179-09379	NUT	2
9	5GJ-11656-00	PLANE BEARING, CONNECTING ROD	2 UR BLUE
5GJ-11656-10	PLANE BEARING, CONNECTING ROD	2 UR BLACK	
5GJ-11656-20	PLANE BEARING, CONNECTING ROD	2 UR BROWN	
5GJ-11656-30	PLANE BEARING, CONNECTING ROD	2 UR GREEN	
10	5GJ-11416-00	PLANE BEARING, CRANKSHAFT 1	1 UR BLUE
5GJ-11416-10	PLANE BEARING, CRANKSHAFT 1	1 UR BLACK	
5GJ-11416-20	PLANE BEARING, CRANKSHAFT 1	1 UR BROWN	
5GJ-11416-30	PLANE BEARING, CRANKSHAFT 1	1 UR GREEN	
5GJ-11416-40	PLANE BEARING, CRANKSHAFT 1	1 UR YELLOW	
5GJ-11416-A0	PLANE BEARING, CRANKSHAFT 1	1 UR WHITE	
11	5GJ-11417-00	PLANE BEARING, CRANKSHAFT 2	1 UR BLUE
5GJ-11417-10	PLANE BEARING, CRANKSHAFT 2	1 UR BLACK	
5GJ-11417-20	PLANE BEARING, CRANKSHAFT 2	1 UR BROWN	
5GJ-11417-30	PLANE BEARING, CRANKSHAFT 2	1 UR GREEN	
5GJ-11417-40	PLANE BEARING, CRANKSHAFT 2	1 UR YELLOW	
5GJ-11417-A0	PLANE BEARING, CRANKSHAFT 2	1 UR WHITE	

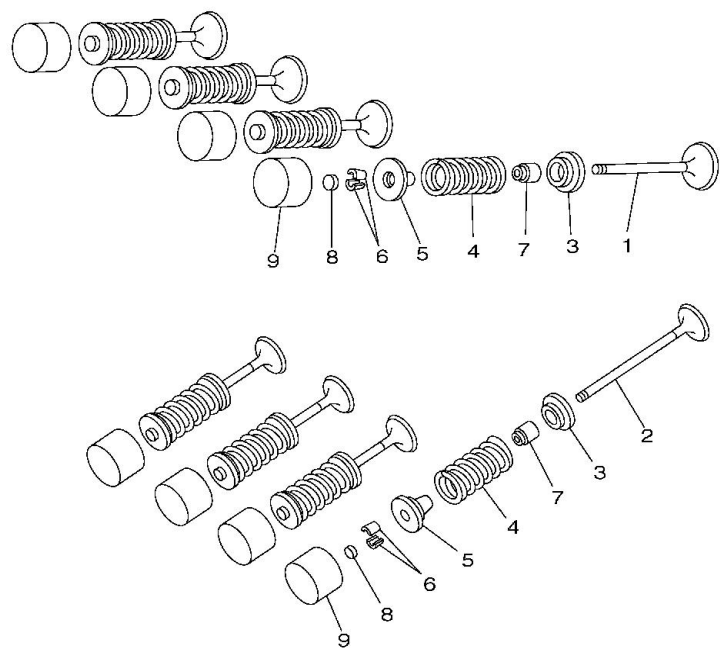
Fig. 02 CRANKSHAFT & PISTON



59C1300-L020

Ref. No.	Part No.	Description		Remarks
	12 59C-11631-00	PISTON (STD)	2	
	13 39P-11603-00	PISTON RING SET (STD)	2	
	14 5SL-11633-00	PIN, PISTON	2	
	15 93450-17129	CIRCLIP	4	
	16 59C-11642-00-A0	PISTON 2 (STD)	1	
<hr style="border-top: 1px dashed black;"/>				
	17 5GJ-11455-10	SHAFT 1	1	
	18 93450-16068	CIRCLIP	2	
	19 59C-11312-00	SLEEVE, CYLINDER	1	
	20 90111-10026	BOLT,HEX. SOCKET BUTTON	4	
	21 93608-60001	PIN, DOWEL	2	
<hr style="border-top: 1px dashed black;"/>				
	22 90179-18007	NUT	1	
	23 90387-18001	COLLAR	1	
	24 90280-05048	KEY, WOODRUFF	1	
	25 93306-90602	BEARING	1	
	26 93101-30001	OIL SEAL	1	
	27 93102-44008	OIL SEAL	1	
<hr style="border-top: 1px dashed black;"/>				
<hr style="border-top: 1px dashed black;"/>				
<hr style="border-top: 1px dashed black;"/>				

Fig. 03 VALVE

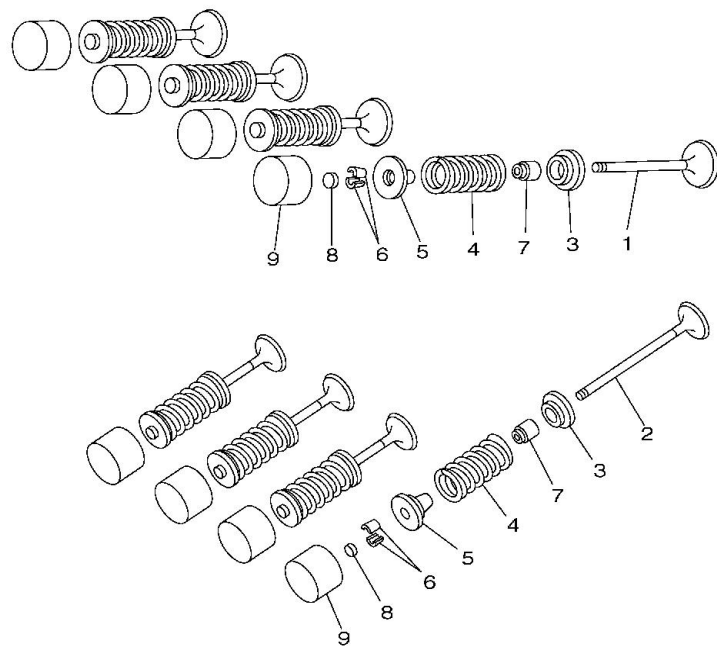


Ref. No.	Part No.	Description		Remarks
1	59C-12111-00	VALVE, INTAKE	4	
2	59C-12121-00	VALVE, EXHAUST	4	
3	8GC-12126-00	SEAT, VALVE SPRING 2	8	
4	59C-12113-00	SPRING, VALVE INNER	8	
5	3TJ-12117-00	RETAINER, VALVE SPRING	8	
<hr/>				
6	1HX-12118-00	LOCK, VALVE SPRING RETAINER	16	
7	4TV-12119-00	SEAL, VALVE STEM	8	
8	1HX-12168-00	PAD, ADJUSTING 2 (1.20)	8	UR
	1HX-12168-20	PAD, ADJUSTING 2 (1.25)	8	UR
	1HX-12168-40	PAD, ADJUSTING 2 (1.30)	8	UR
<hr/>				
	1HX-12168-60	PAD, ADJUSTING 2 (1.35)	8	UR
	1HX-12168-80	PAD, ADJUSTING 2 (1.40)	8	UR
	1HX-12168-A0	PAD, ADJUSTING 2 (1.45)	8	UR
	1HX-12168-F0	PAD, ADJUSTING 2 (1.50)	8	UR
	1HX-12168-H1	PAD, ADJUSTING 2 (1.55)	8	UR
<hr/>				
	1HX-12168-K1	PAD, ADJUSTING 2 (1.60)	8	UR
	1HX-12168-M1	PAD, ADJUSTING 2 (1.65)	8	UR
	1HX-12168-R1	PAD, ADJUSTING 2 (1.70)	8	UR
	1HX-12168-U1	PAD, ADJUSTING 2 (1.75)	8	UR
	1HX-12168-W1	PAD, ADJUSTING 2 (1.80)	8	UR
<hr/>				
	1HX-12168-Y1	PAD, ADJUSTING 2 (1.85)	8	UR
	1HX-12169-11	PAD, ADJUSTING 2 (1.90)	8	UR
	1HX-12169-31	PAD, ADJUSTING 2 (1.95)	8	UR
	1HX-12169-50	PAD, ADJUSTING 2 (2.00)	8	UR
	1HX-12169-70	PAD, ADJUSTING 2 (2.05)	8	UR
<hr/>				
	1HX-12169-90	PAD, ADJUSTING 2 (2.10)	8	UR
	1HX-12169-E0	PAD, ADJUSTING 2 (2.15)	8	UR



5GJ1300-1030

Fig. 03 VALVE



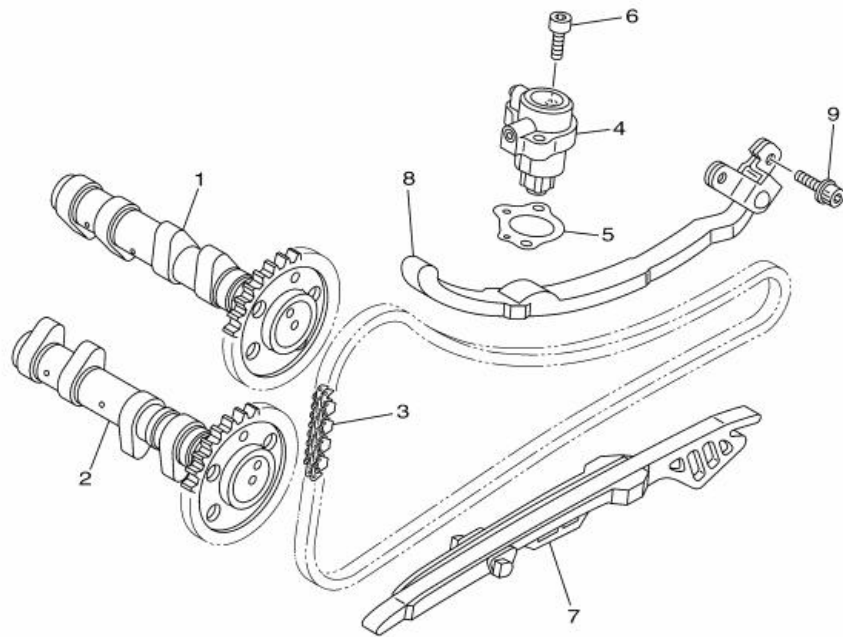
Ref. No.	Part No.	Description	Remarks
	1HX-12169-G0	PAD, ADJUSTING 2 (2.20)	8 UR
	1HX-12169-J0	PAD, ADJUSTING 2 (2.25)	8 UR
	1HX-12169-L0	PAD, ADJUSTING 2 (2.30)	8 UR
	1HX-12169-N0	PAD, ADJUSTING 2 (2.35)	8 UR
	1HX-12169-T0	PAD, ADJUSTING 2 (2.40)	8 UR
	9 5EB-12153-10	LIFTER, VALVE	8 UR YELLOW
	5EB-12153-09	LIFTER, VALVE (O/S)	8 AP GREEN



5GJ1300-1030

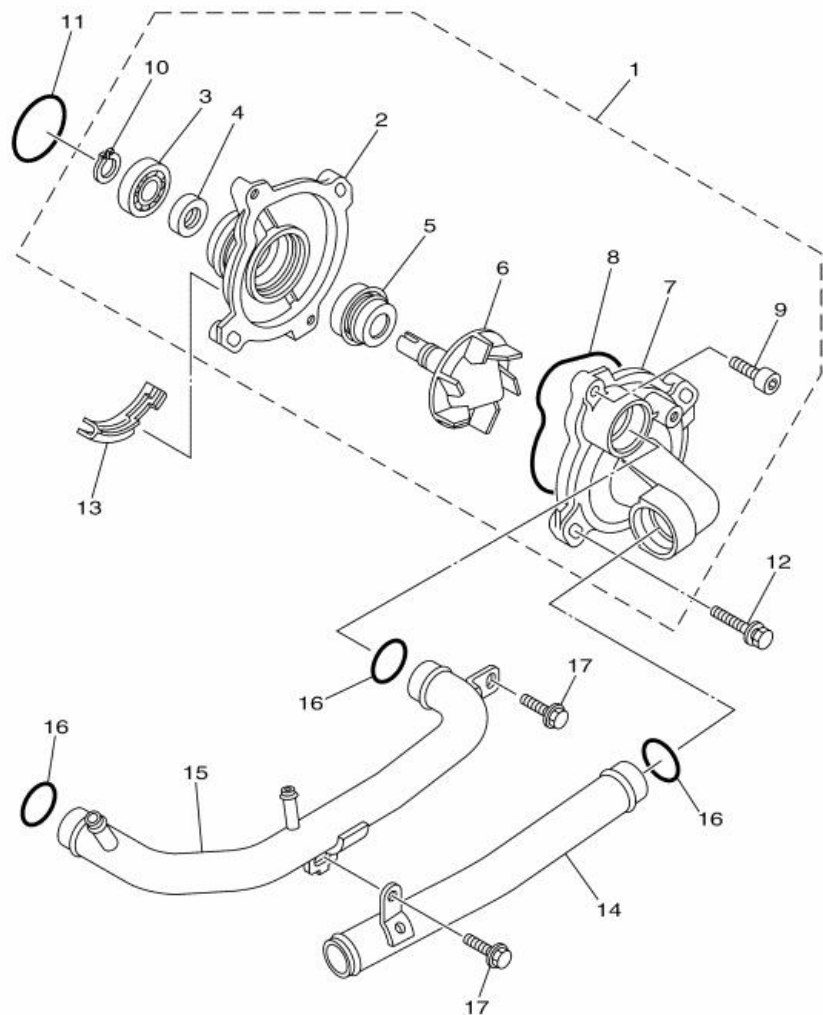
Fig. 04 CAMSHAFT & CHAIN

Ref. No.	Part No.	Description		Remarks
1	59C-12170-00	CAMSHAFT ASSY 1	1	
2	59C-12180-00	CAMSHAFT ASSY 2	1	
3	94591-53134	CHAIN	1	
4	59C-12210-00	TENSIONER ASSY, CAM CHAIN	1	
5	15B-12213-00	GASKET, TENSIONER CASE	1	
6	91312-06025	BOLT	2	
7	59C-12251-00	DAMPER, CHAIN 1	1	
8	5GJ-12252-00	DAMPER, CHAIN 2	1	
9	90110-06218	BOLT, HEXAGON SOCKET HEAD	2	



59C1300-L040

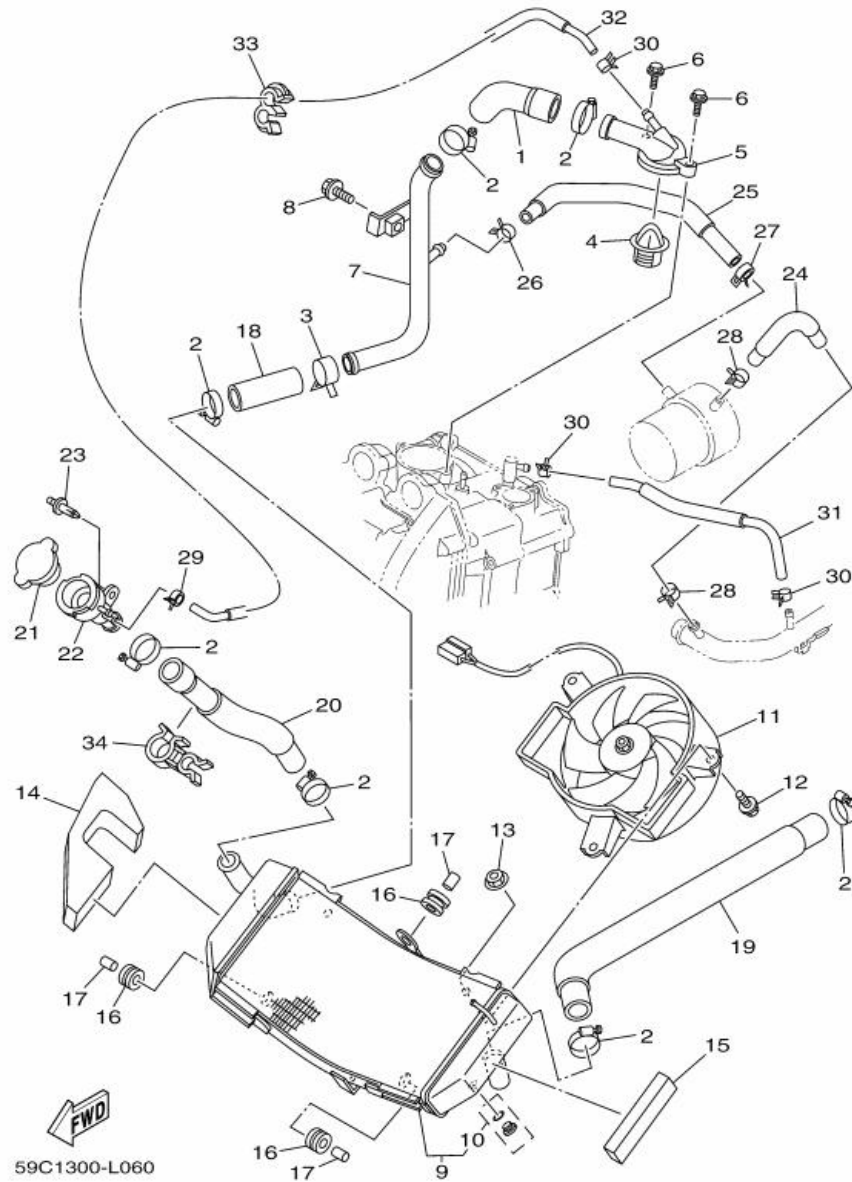
Fig. 05 WATER PUMP



59C1300-L050

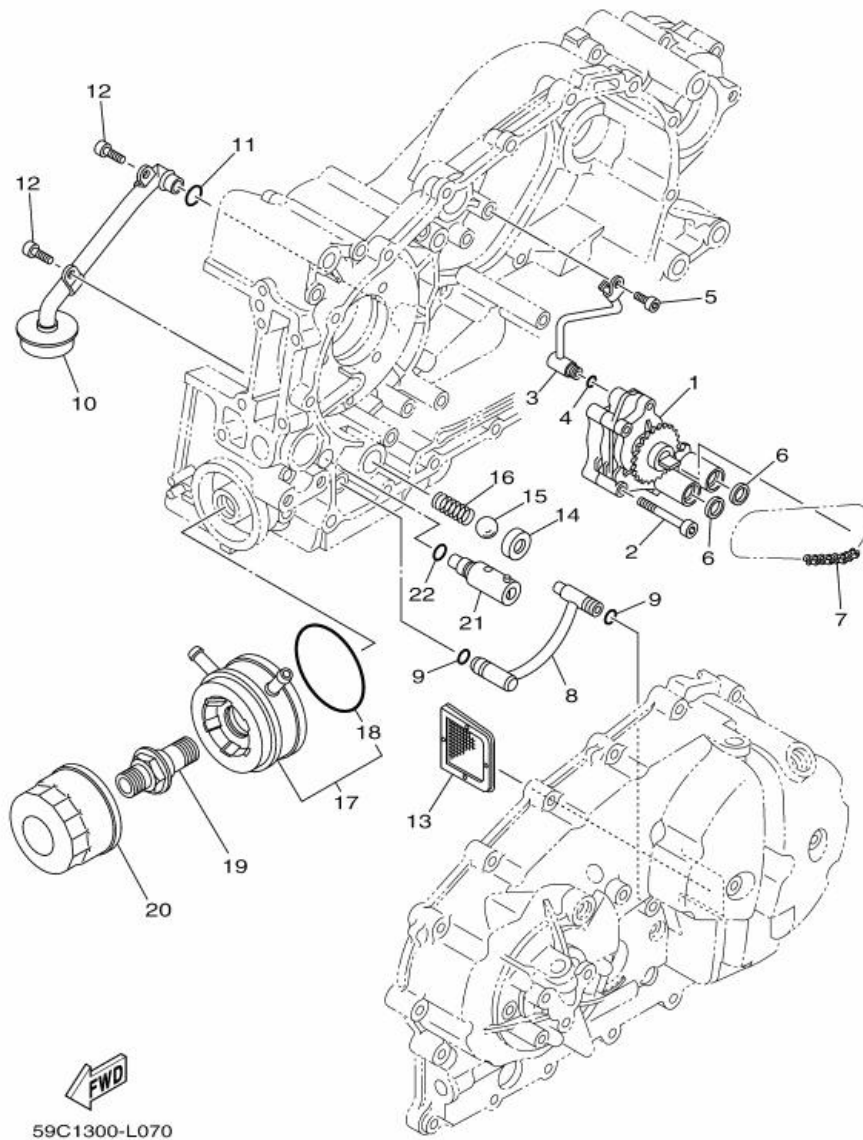
Ref. No.	Part No.	Description		Remarks
	1 59C-12420-10	WATER PUMP ASSY	1	
	2 5VU-12421-00	HOUSING, WATER PUMP	1	
	3 93306-00106	BEARING	1	
	4 93102-12442	OIL SEAL	1	
	5 5VK-12438-00	SEAL, MECHANICAL	1	
	6 20S-12450-00	IMPELLER SHAFT ASSY	1	
	7 5GJ-12422-02	COVER, HOUSING	1	
	8 1WG-12439-00	O-RING	1	
	9 91312-06020	BOLT	2	
	10 99009-12400	CIRCLIP	1	
	11 93210-33133	O-RING	1	
	12 90119-06M83	BOLT, WITH WASHER	2	
	13 59C-12437-00	STOPPER	1	
	14 4B5-12481-00	PIPE 1	1	
	15 59C-12482-00	PIPE 2	1	
	16 93210-21190	O-RING	3	
	17 97522-06516	BOLT, WITH WASHER	2	

Fig. 06 RADIATOR & HOSE



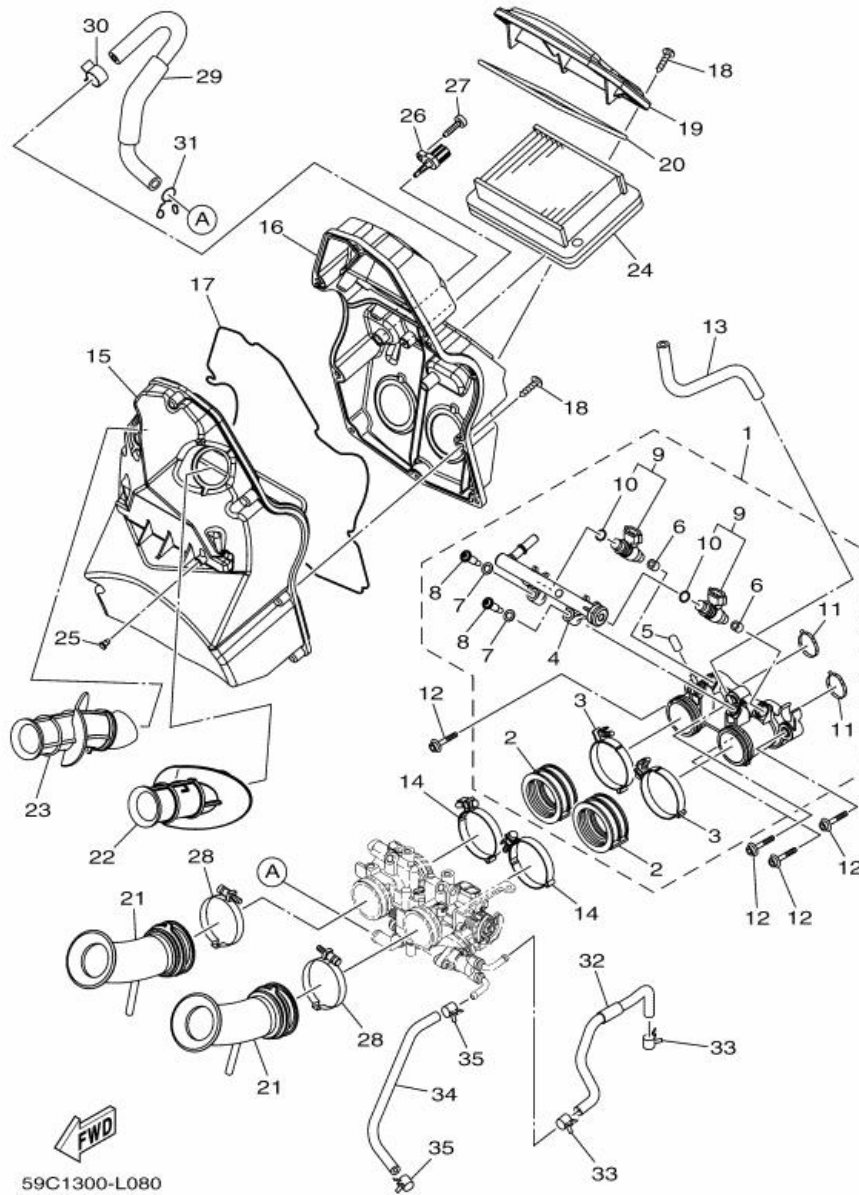
Ref. No.	Part No.	Description		Remarks
1	59C-12483-00	PIPE 3	1	
2	90450-32015	HOSE CLAMP ASSY	7	
3	90467-26189	CLIP	1	
4	4JH-12410-00	THERMOSTAT ASSY	1	
5	4B5-12413-00	COVER, THERMOSTAT	1	
6	95022-06025	BOLT, FLANGE	2	
7	59C-12484-00	PIPE 4	1	
8	95022-06012	BOLT, FLANGE	1	
9	59C-12461-00	RADIATOR COMP	1	
10	5VU-12478-00	COCK, DRAIN	1	
11	59C-12405-00	BLOWER ASSY	1	
12	2S3-12675-00	BOLT, BLOWER HOLDING	3	
13	5SL-12671-00	NUT 1	3	
14	59C-28455-00	DAMPER, 4	1	
15	59C-28435-00	DAMPER 4	1	
16	90480-16301	GROMMET	3	
17	90387-065L7	COLLAR	3	
18	59C-12485-00	PIPE 5	1	
19	59C-12476-00	PIPE 6	1	
20	59C-12477-00	PIPE 7	1	
21	5SL-12462-00	CAP, RADIATOR	1	
22	5GJ-12591-00	SUPT, FILLER NECK	1	
23	90269-07008	RIVET	1	
24	59C-1243A-00	HOSE 1	1	
25	4B5-1243E-00	HOSE 2	1	
26	90467-15001	CLIP	1	
27	90467-15141	CLIP	1	

Fig. 07 OIL PUMP



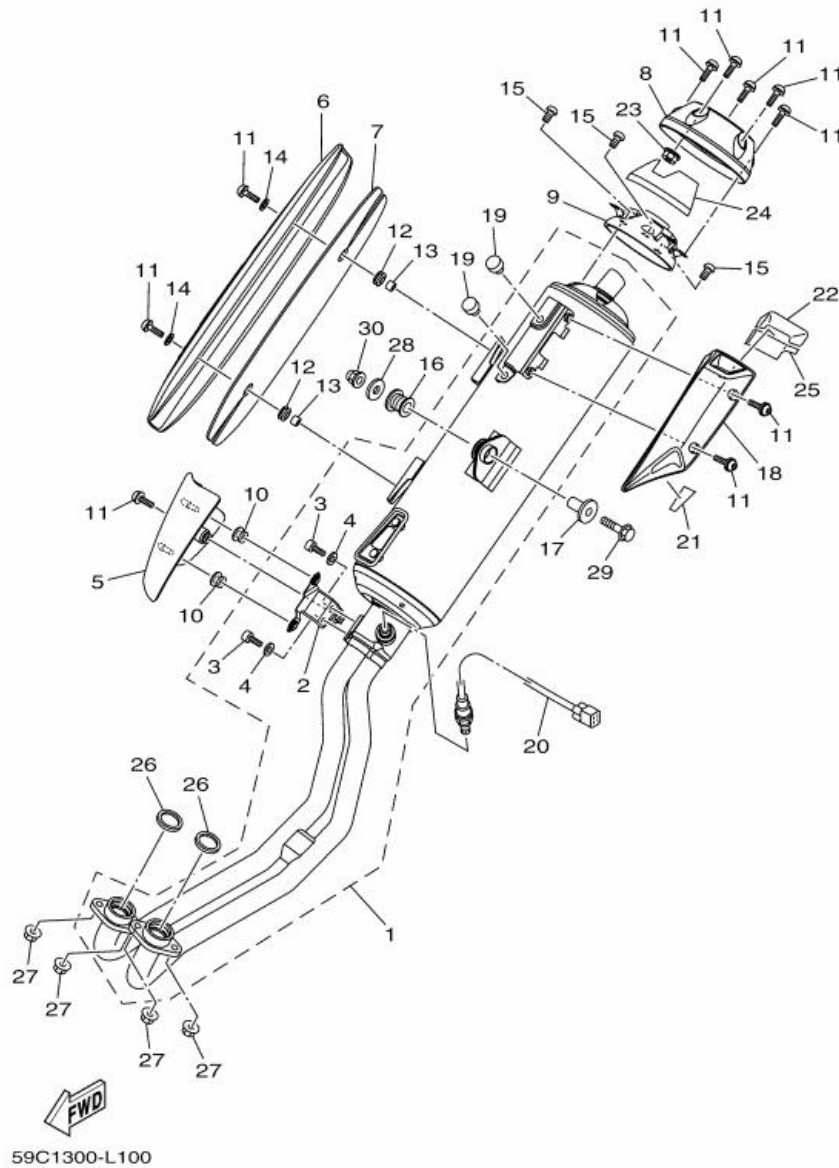
Ref. No.	Part No.	Description		Remarks
1	59C-13300-00	OIL PUMP ASSY	1	
2	92012-06050	BOLT, BUTTON HEAD	3	
3	5GJ-13161-00	PIPE, DELIVERY 1	1	
4	93210-06422	O-RING	1	
5	90110-06168	BOLT, HEXAGON SOCKET HEAD	1	
6	5GJ-13475-00	GASKET	2	
7	94580-25058	CHAIN (DID25 58L)	1	
8	5GJ-13405-00	OIL PIPE COMP. 1	1	
9	93210-09525	O-RING	2	
10	5GJ-13410-00	STRAINER HOUSING ASSY	1	
11	93210-14579	O-RING	1	
12	90110-06168	BOLT, HEXAGON SOCKET HEAD	2	
13	22F-13411-01	STRAINER, OIL	1	
14	3LD-13113-00	SEAT, CHECK BALL	1	
15	93505-08030	BALL	1	
16	90501-104F9	SPRING, COMPRESSION	1	
17	5GJ-13470-10	OIL COOLER ASSY	1	
18	5JW-13473-00	O-RING	1	
19	90401-20170	BOLT, UNION	1	
20	5DM-13440-00	ELEMENT ASSY, OIL CLEANER	1	
21	4G0-13490-01	RELIEF VALVE ASSY	1	
22	93210-10096	O-RING	1	

Fig. 08 INTAKE



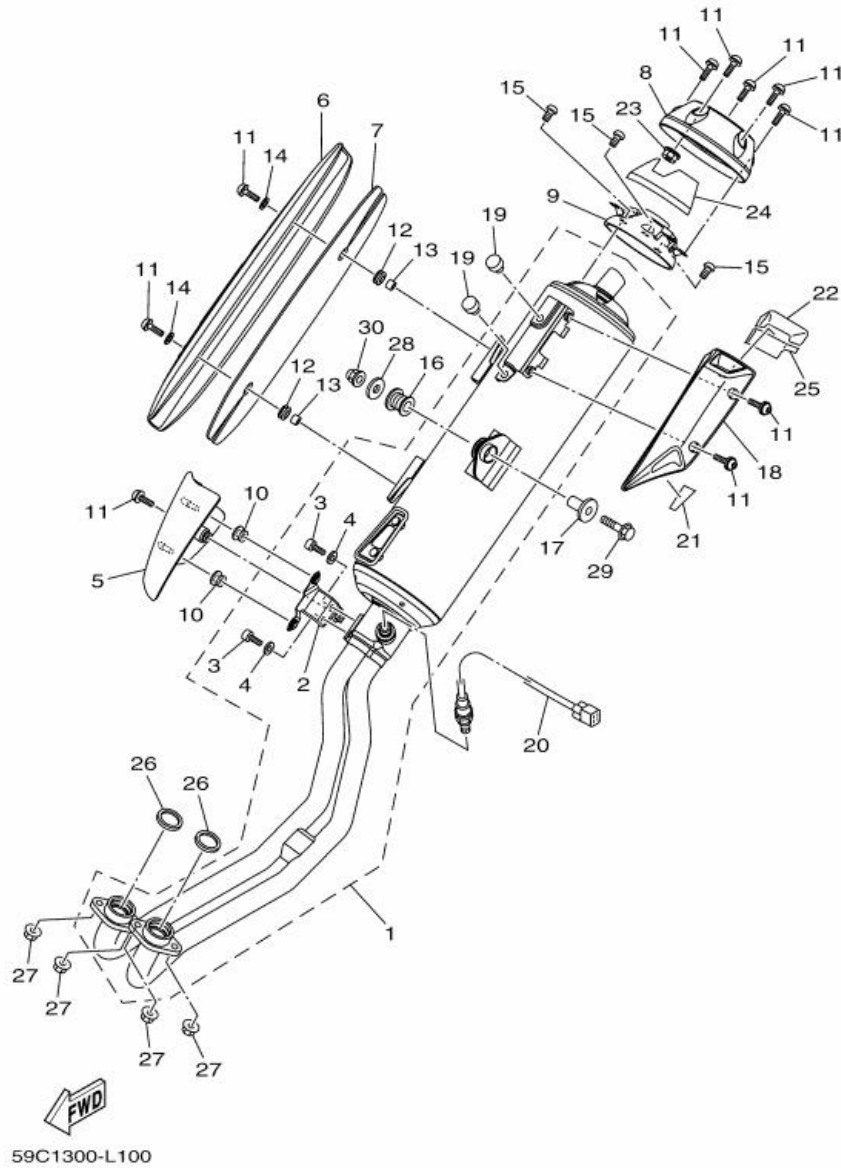
Ref. No.	Part No.	Description	Remarks
	1	59C-13630-00 INTAKE MANIFOLD ASSY.	1
	2	59C-13635-00 JOINT, INTAKE 1	2
	3	90450-52008 HOSE CLAMP ASSY	2
	4	59C-13938-00 PIPE	1
	5	84M-14169-00 CAP	1
<hr/>			
	6	8FP-13556-00 RUBBER, INJECTOR	2
	7	363-14198-00 GASKET	2
	8	14B-13573-00 BOLT 1	2
	9	2C0-13761-10 INJECTOR	2
	10	5PS-14147-00 O-RING	1
<hr/>			
	11	59C-13645-00 GASKET, MANIFOLD 1	2
	12	90110-06346 BOLT, HEXAGON SOCKET HEAD	4
	13	90445-08017 HOSE	1
	14	90450-52008 HOSE CLAMP ASSY	2
	15	4B5-14411-00 CASE, AIR CLEANER 1	1
<hr/>			
	16	59C-14412-00 CAP, CLEANER CASE 1	1
	17	59C-14452-00 SEAL	1
	18	97702-50025 SCREW, TAPPING	12
	19	59C-1441A-00 COVER, CLEANER CASE 1	1
	20	4B5-14462-00 SEAL	1
<hr/>			
	21	59C-14479-00 FUNNEL	2
	22	59C-14437-00 DUCT	1
	23	59C-1443A-00 DUCT	1
	24	4B5-14451-00 ELEMENT, AIR CLEANER	1
	25	90338-05056 PLUG	1
<hr/>			
	26	8FP-85886-00 SENSOR, AIR TEMPERATURE	1
	27	98902-05012 SCREW, BIND	1

Fig. 10 EXHAUST



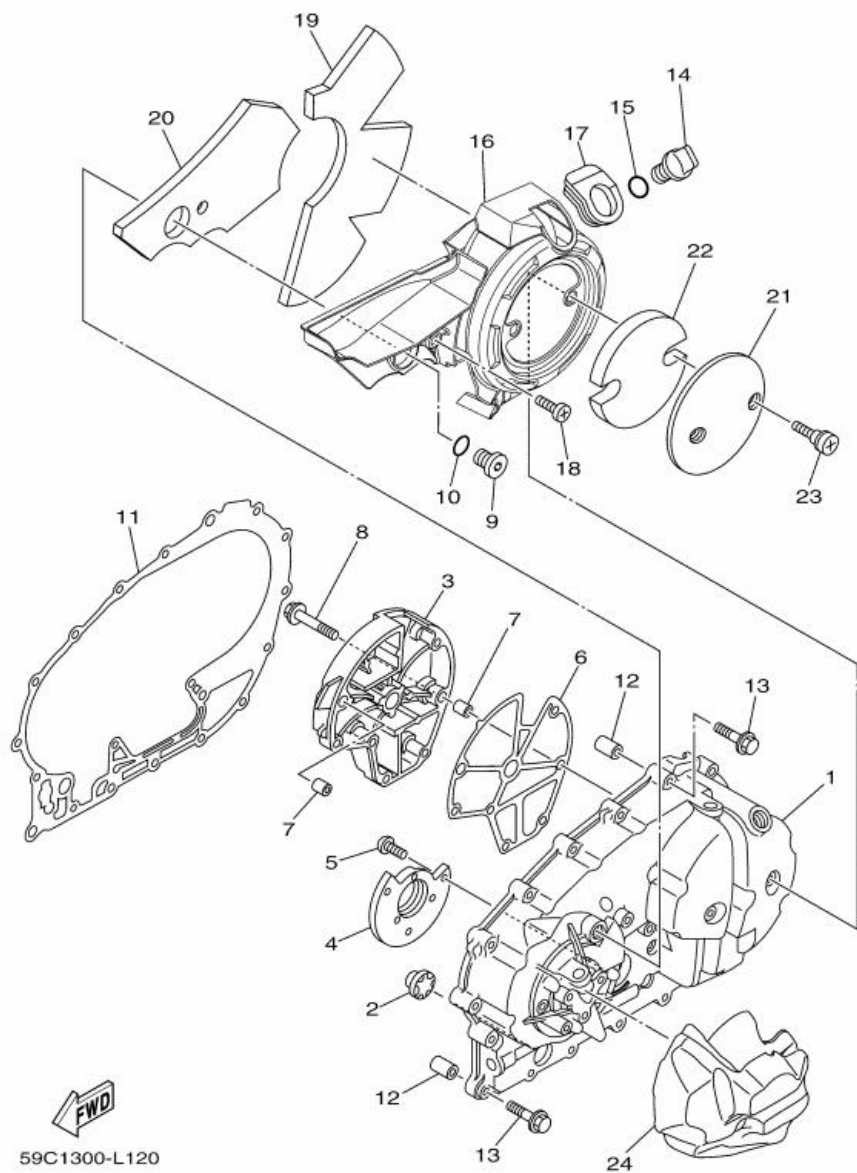
Ref. No.	Part No.	Description		Remarks
1	59C-14711-00	MUFFLER 1	1	
2	59C-1471M-00	BRACKET, 1-3	1	
3	91380-06012	BOLT	2	
4	92990-06200	WASHER, PLAIN	2	
5	4B5-1465R-00	PLATE, PROTECTOR 1	1	
6	5VU-1465T-00	PLATE, PROTECTOR 2	1	
7	5VU-1465U-00	PLATE, PROTECTOR 3	1	
8	59C-14799-00	CAP	1	
9	59C-14629-01	STAY, PROTECTOR	1	
10	90480-10332	GROMMET	2	
11	90111-06015	BOLT, HEX. SOCKET BUTTON	10	
12	90480-12581	GROMMET	2	
13	90387-06023	COLLAR	2	
14	90201-062G3	WASHER, PLATE	2	
15	98980-06008	SCREW, BIND	3	
16	36Y-27424-01	DAMPER, FOOTREST 2	1	
17	90387-10046	COLLAR	1	
18	4B5-14718-00	PROTECTOR, MUFFLER 1	1	
19	22W-24181-00	DAMPER, LOCATING 1	2	
20	59C-8592A-00	SENSOR, OXYGEN	1	
21	4B5-14728-00	PROTECTOR, MUFFLER 2	1	
22	59C-14738-00	PROTECTOR, MUFFLER 3	1	
23	95704-06500	NUT, FLANGE	1	
24	59C-1465V-01	PLATE, PROTECTOR 4	1	
25	59C-14748-00	PROTECTOR, MUFFLER 4	1	
26	4BR-14613-00	GASKET, EXHAUST PIPE	2	
27	95602-08200	NUT, SELF-LOCKING	4	

Fig. 10 EXHAUST



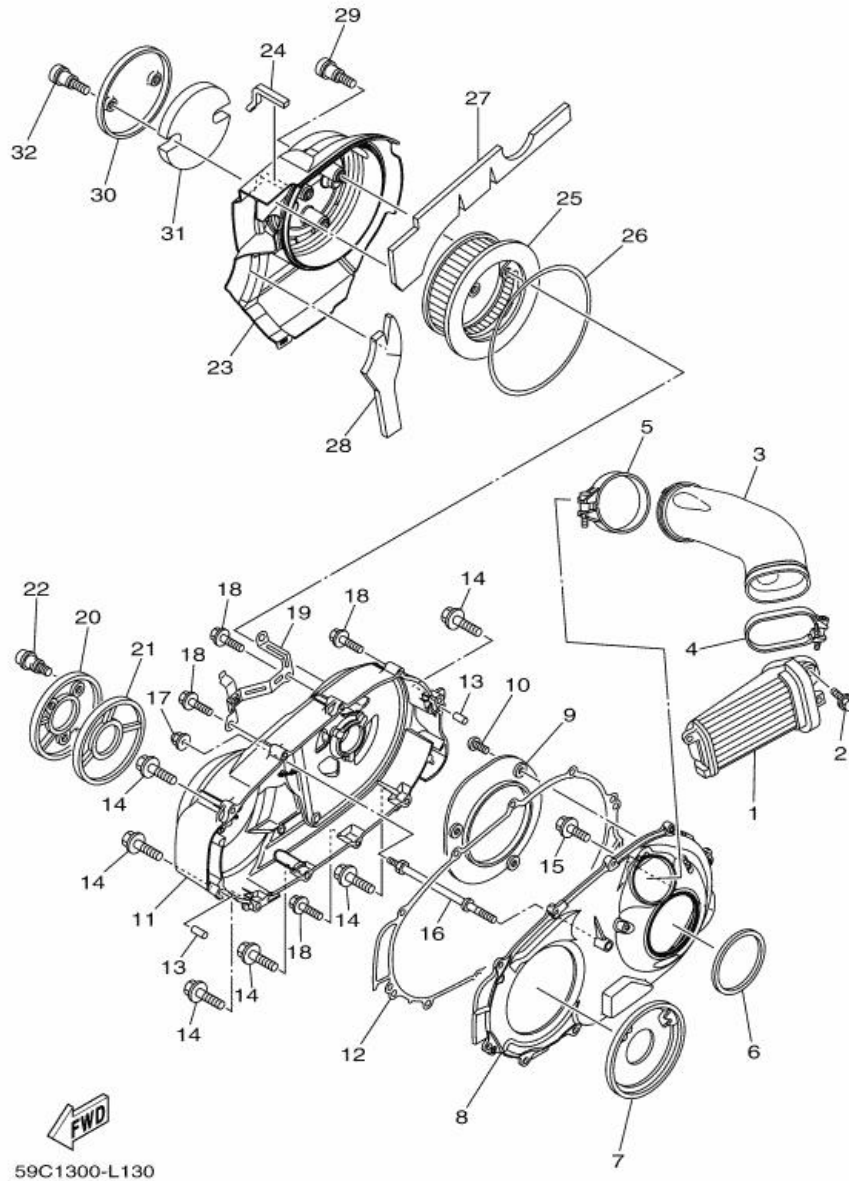
Ref. No.	Part No.	Description		Remarks
	28 90201-10043	WASHER, PLATE	1	
	29 95812-10040	BOLT, FLANGE	1	
	30 90176-10075	NUT, CROWN	1	

Fig. 12 CRANKCASE COVER 1



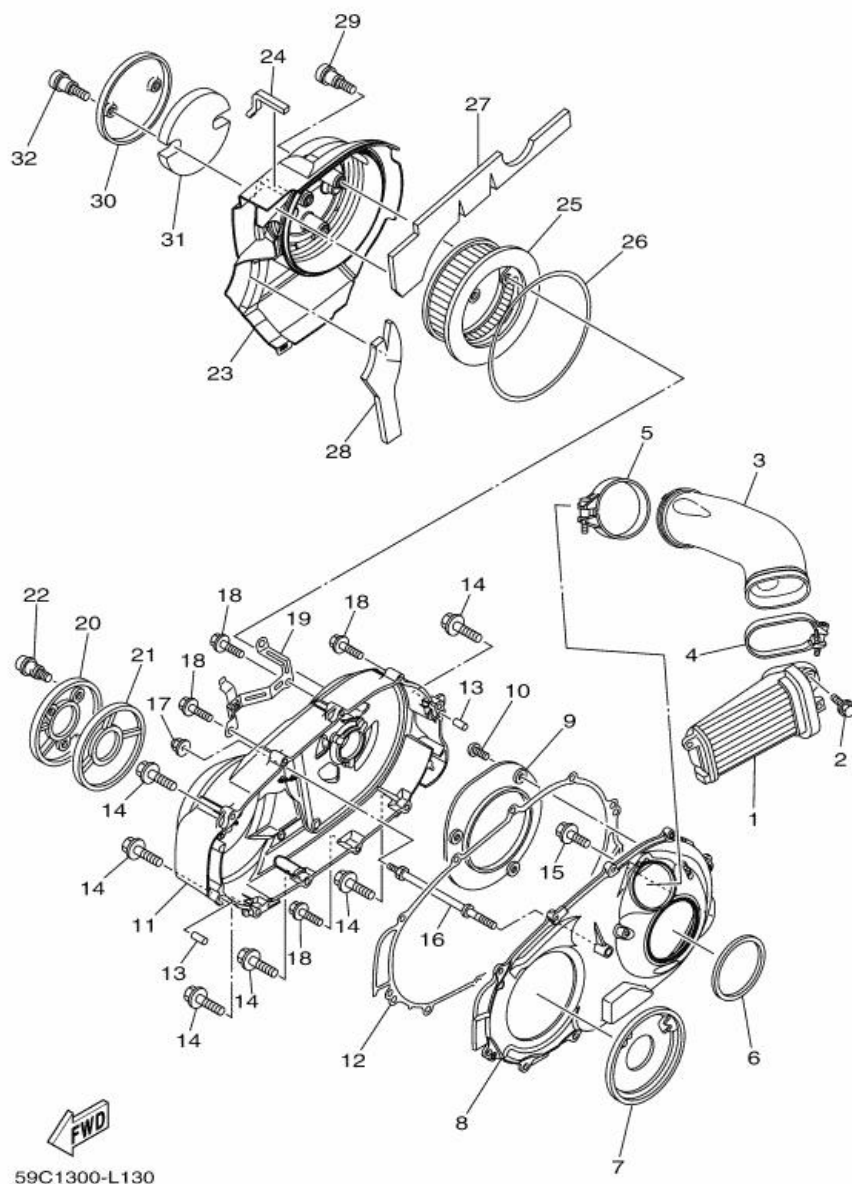
Ref. No.	Part No.	Description		Remarks
1	59C-15411-00	COVER, CRANKCASE 1	1	
2	2H7-15361-00	GAUGE, LEVEL	1	
3	59C-15414-00	COVER 1	1	
4	5GJ-15417-00	COVER, CAP	1	
5	90149-06082	SCREW	3	
<hr/>				
6	5GJ-15453-01	GASKET	1	
7	99530-10114	PIN, DOWEL	2	
8	95022-06035	BOLT, FLANGE	7	
9	36Y-15189-00	PLUG	1	
10	93210-16325	O-RING	1	
<hr/>				
11	5GJ-15451-01	GASKET, CRANKCASE COVER 1	1	
12	99530-10114	PIN, DOWEL	2	
13	95022-06035	BOLT, FLANGE	19	
14	5GJ-15363-10	PLUG, OIL	1	
15	93210-19123	O-RING	1	
<hr/>				
16	59C-15415-00	COVER, GENERATOR	1	
17	5GJ-15486-00	GROMMET	1	
18	3KJ-15481-00	BOLT 1	1	
19	4B5-15316-00	DAMPER 1	1	
20	4B5-15335-00	DAMPER 3	1	
<hr/>				
21	5GJ-15499-00	PROTECTOR, COVER	1	
22	5VU-15789-00	DAMPER	1	
23	3KJ-15481-00	BOLT 1	2	
24	59C-1542C-00	DAMPER 3	1	
<hr/>				

Fig. 13 CRANKCASE COVER 2



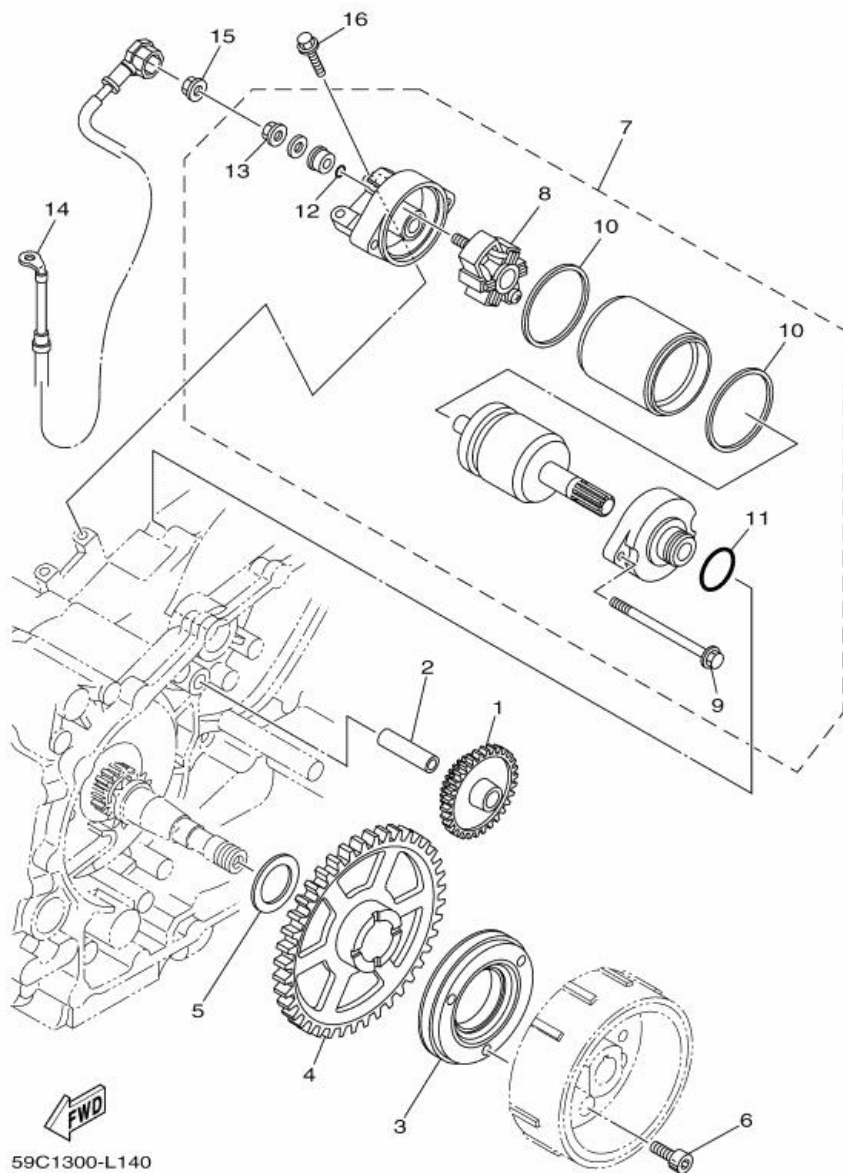
Ref. No.	Part No.	Description		Remarks
1	59C-15407-00	ELEMENT 1	1	
2	95822-06020	BOLT, FLANGE	2	
3	59C-15473-00	DUCT, AIR	1	
4	90450-01001	HOSE CLAMP ASSY	1	
5	90450-74001	HOSE CLAMP ASSY	1	
6	5GJ-15474-00	SEAL, AIR DUCT	1	
7	15B-15191-00	PLATE	1	
8	59C-15431-00	COVER, CRANKCASE 3	1	
9	5GJ-15113-00	PLATE	1	
10	92012-06014	BOLT, BUTTON HEAD	3	
11	59C-15421-00	COVER, CRANKCASE 2	1	
12	59C-15461-00	GASKET, CRANKCASE COVER 2	1	
13	99480-08020	PIN	2	
14	95022-08040	BOLT, FLANGE	6	
15	95022-08025	BOLT, FLANGE	1	
16	59C-15768-00	BOLT	1	
17	90176-06017	NUT, CROWN	1	
18	95022-06035	BOLT, FLANGE	4	
19	59C-26279-00	GUIDE, CABLE	1	
20	4B5-15492-00	COVER	1	
21	5GJ-1542A-00	DAMPER 1	1	
22	3KJ-15481-00	BOLT 1	3	
23	59C-15423-00	COVER 2	1	
24	59C-15338-00	DAMPER 5	1	
25	59C-15408-00	ELEMENT 2	1	
26	48U-14452-00	SEAL	1	
27	59C-15326-00	DAMPER 2	1	

Fig. 13 CRANKCASE COVER 2



Ref. No.	Part No.	Description		Remarks
	28 59C-1542B-00	DAMPER 2	1	
	29 3KJ-15481-00	BOLT 1	3	
	30 5GJ-15499-00	PROTECTOR, COVER	1	
	31 5VU-15789-00	DAMPER	1	
	32 3KJ-15481-00	BOLT 1	2	

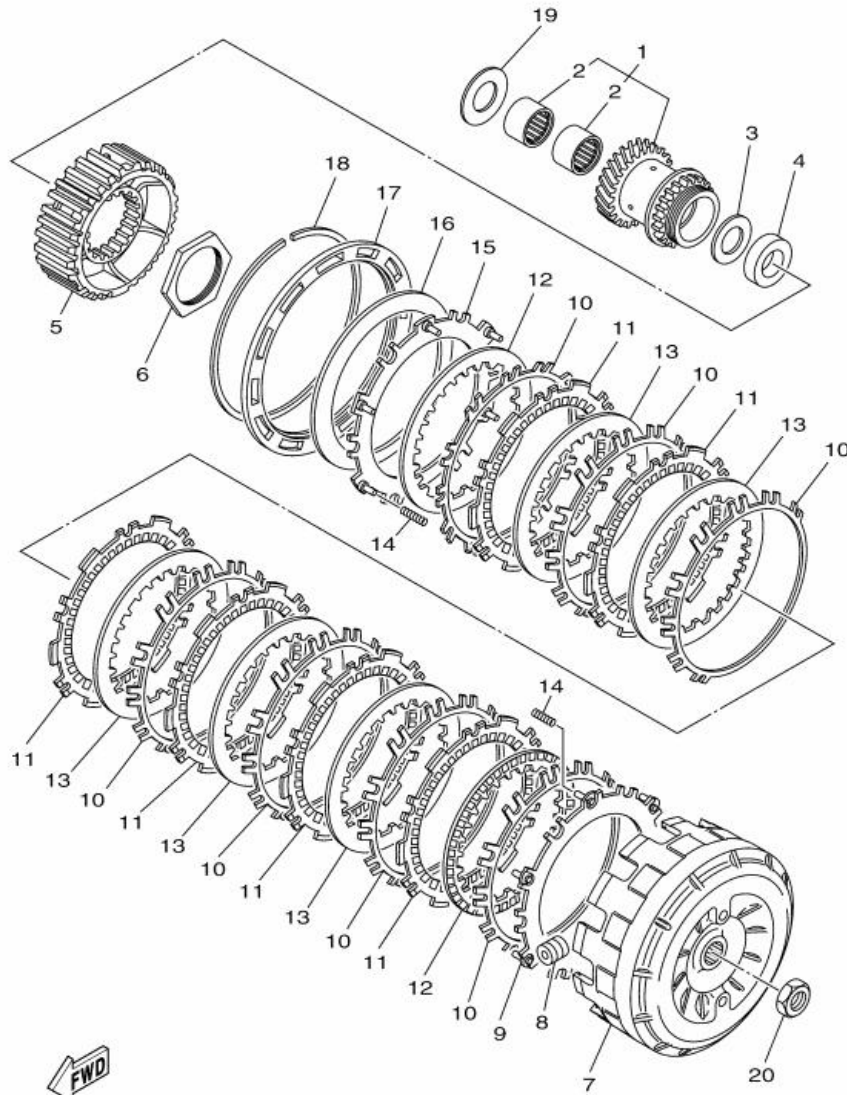
Fig. 14 STARTER



59C1300-L140

Ref. No.	Part No.	Description		Remarks
1	22U-15512-00	GEAR, IDLER 1 (12T/50T)	1	
2	36Y-15521-01	SHAFT 1	1	
3	4NK-15590-00	STARTER ONE-WAY ASSY	1	
4	5GJ-15517-00	GEAR, IDLER 2	1	
5	90201-25290	WASHER, PLATE	1	
6	90110-08080	BOLT, HEXAGON SOCKET HEAD	3	
7	4B5-81890-00	MOTOR ASSY	1	
8	4B5-81840-00	BRUSH HOLDER ASSY	1	
9	4B5-81826-00	BOLT	2	
10	4B5-81844-00	GASKET	2	
11	1FK-81847-00	O-RING	1	
12	3TB-81847-00	O-RING	1	
13	4XV-8182A-00	NUT	1	
14	59C-81815-00	CORD, STARTER MOTOR	1	
15	4XV-8182A-00	NUT	1	
16	95812-06025	BOLT, FLANGE	2	

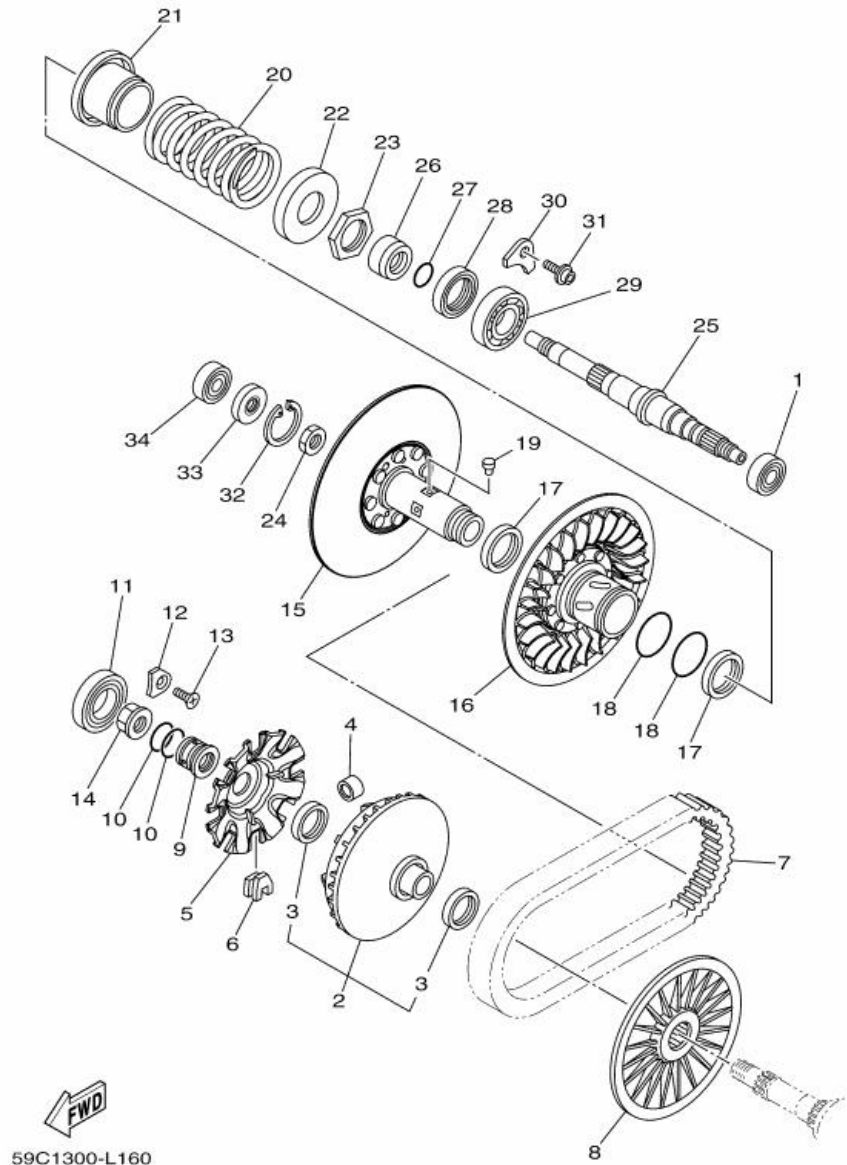
Fig. 15 CLUTCH



59C1300-L150

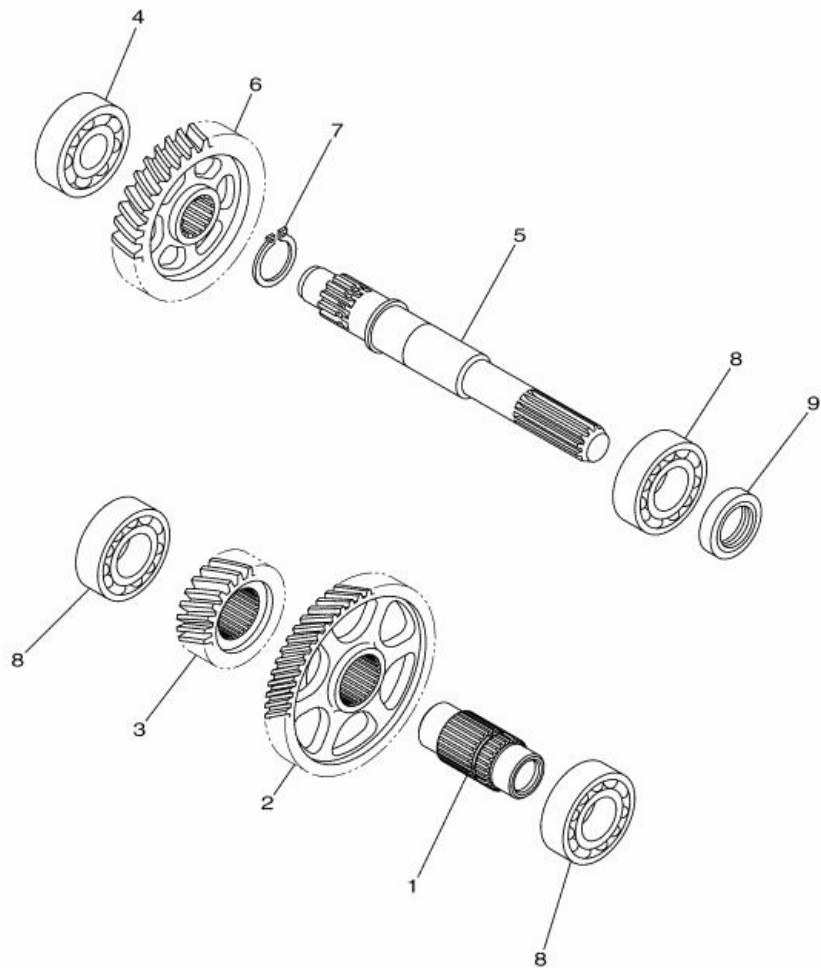
Ref. No.	Part No.	Description	Remarks
1	5VU-16110-00	PRIMARY DRIVE GEAR ASSY	1
2	93317-32493	BEARING	2
3	90201-244A9	WASHER, PLATE (2.05T)	1
4	90387-20018	COLLAR	1
5	59C-16371-00	BOSS, CLUTCH	1
6	90170-48003	NUT	1
7	59C-16510-00	CLUTCH HOUSING COMP.	1
8	5GJ-16540-00	ROLLER WEIGHT ASSY	12
9	5GJ-16520-00	PLATE, THRUST WEIGHT	1
10	5GJ-16533-00	SPRING, CLUTCH	7
11	59C-16321-00	PLATE, FRICTION	6
12	59C-16325-00	PLATE, CLUTCH 2	2
13	59C-16324-00	PLATE, CLUTCH 1	5
14	59C-16539-00	SPRING	6
15	5GJ-16550-00	PRESSURE PLATE ASSY	1
16	5GJ-16334-00	SPRING, CLUTCH 2	1
17	5GJ-16537-00	PLATE, SPRING STOPPER	1 UR (HOLE 0)
	5GJ-16537-10	PLATE, SPRING STOPPER	1 UR (HOLE 1)
	5GJ-16537-20	PLATE, SPRING STOPPER	1 UR (HOLE 2)
	5GJ-16537-30	PLATE, SPRING STOPPER	1 UR (HOLE 3)
18	5GJ-16529-00	CLIP	1
19	90201-24017	WASHER, PLATE	1
20	90170-16326	NUT	1

Fig. 16 CLUTCH 2



Ref. No.	Part No.	Description		Remarks
1	93306-30102	BEARING	1	
2	59C-W1760-00	PRIMARY SLIDING SHEAVE ASSY.	1	
3	93101-35001	OIL SEAL	2	
4	5RU-17632-20	WEIGHT	8	
5	59C-17623-00	CAM	1	
<hr/>				
6	59C-17653-00	SLIDER	8	
7	59C-17641-00	V-BELT	1	
8	59C-17611-00	SHEAVE, PRIMARY FIXED	1	
9	59C-17649-00	SPACER	1	
10	93210-30611	O-RING	2	
<hr/>				
11	93306-00713	BEARING	1	
12	4XM-15383-00	PLATE, BEARING COVER	1	
13	90151-06024	SCREW, COUNTERSUNK	1	
14	90179-20013	NUT	1	
15	59C-17660-00	SECONDARY FIXED SHEAVE COMP.	1	
<hr/>				
16	59C-17670-00	SECONDARY SLIDING SHEAVE	1	
17	93104-41119	OIL SEAL	2	
18	93210-44545	O-RING	2	
19	4CW-17664-00	PIN, GUIDE	6	
20	90501-620A0	SPRING, COMPRESSION	1	
<hr/>				
21	5GJ-17690-00	SPRING SEAT COMP.	1	
22	4WV-17644-00	SEAT, SPRING	1	
23	90170-36279	NUT	1	
24	90170-18221	NUT	1	
25	5VU-17681-00	SHAFT, SECONDARY	1	
<hr/>				
26	90387-26001	COLLAR	1	
27	93210-26001	O-RING	1	

Fig. 17 TRANSMISSION

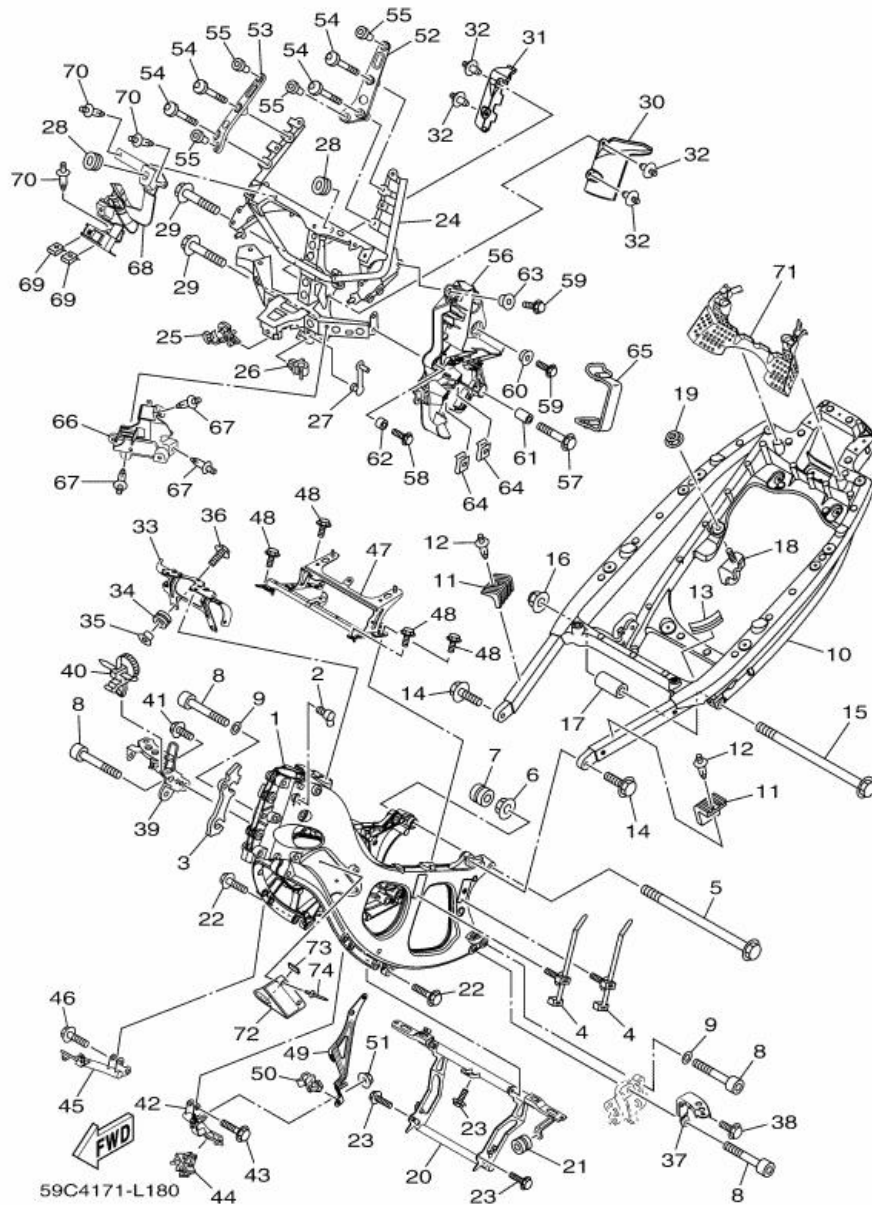


Ref. No.	Part No.	Description		Remarks
1	59C-17411-00	AXLE, MAIN	1	
2	59C-16151-00	GEAR, PRIMARY DRIVEN (52T)	1	
3	59C-17111-00	GEAR,1ST PINION (22T)	1	
4	93306-30427	BEARING	1	
5	59C-17421-00	AXLE, DRIVE	1	
<hr style="border-top: 1px dashed black;"/>				
6	59C-17211-00	GEAR, 1ST WHEEL (36T)	1	
7	99009-25400	CIRCLIP	1	
8	93306-205A8	BEARING	3	
9	93102-25064	OIL SEAL	1	
<hr style="border-top: 1px dashed black;"/>				
<hr style="border-top: 1px dashed black;"/>				
<hr style="border-top: 1px dashed black;"/>				
<hr style="border-top: 1px dashed black;"/>				
<hr style="border-top: 1px dashed black;"/>				
<hr style="border-top: 1px dashed black;"/>				
<hr style="border-top: 1px dashed black;"/>				
<hr style="border-top: 1px dashed black;"/>				
<hr style="border-top: 1px dashed black;"/>				



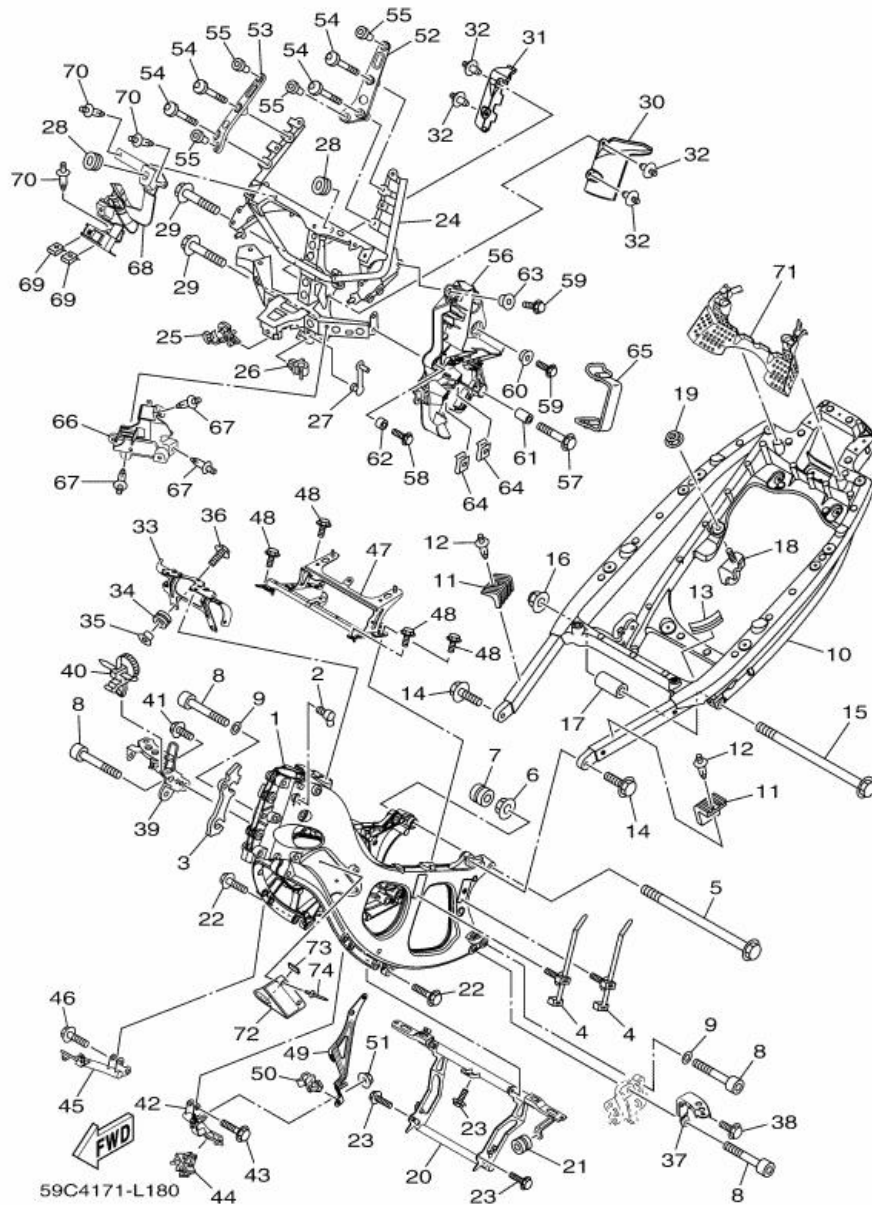
59C1300-L170

Fig. 18 FRAME



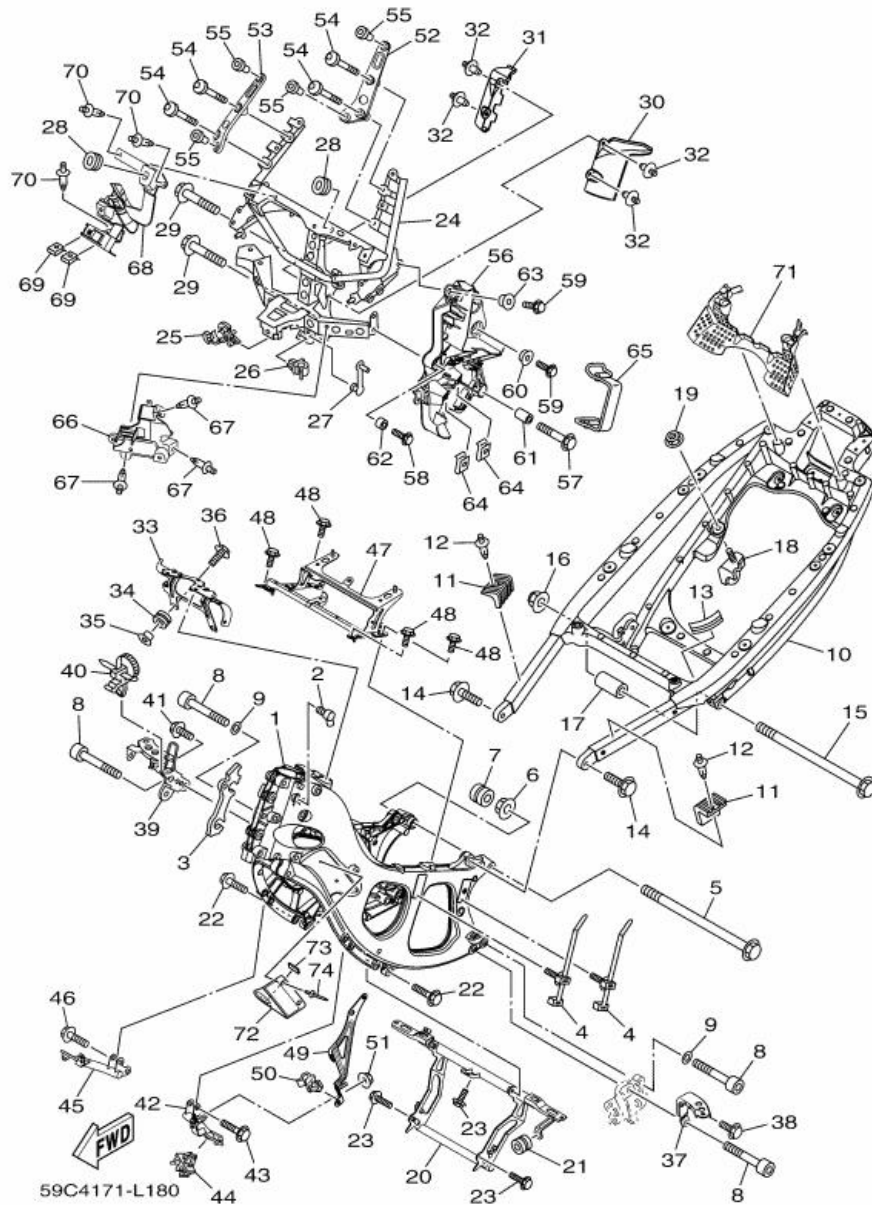
Ref. No.	Part No.	Description		Remarks
1	59C-21110-00	FRAME COMP.	1	
2	5VX-21279-10	PLUG, BLIND	1	
3	4B5-2113B-00	DAMPER	1	
4	5RU-12491-00	CLAMP 1	2	
5	90105-12052	BOLT, FLANGE	1	
6	95602-12200	NUT, SELF-LOCKING	1	
7	90480-14229	GROMMET	1	
8	90110-10032	BOLT, HEXAGON SOCKET HEAD	4	
9	90201-10037	WASHER, PLATE	2	
10	59C-21190-00	REAR FRAME COMP.	1	
11	59C-24183-00	DAMPER, LOCATING 3	2	
12	90269-06001	RIVET	2	
13	31A-24188-01	MOLD, FUEL TANK	1	
14	90105-12058	BOLT, FLANGE	2	
15	90105-12052	BOLT, FLANGE	1	
16	95602-12200	NUT, SELF-LOCKING	1	
17	59C-21116-00	COLLAR	1	
18	4B5-21445-00	STAY, MUFFLER 1	1	
19	95602-10200	NUT, U FLANGE	1	
20	59C-2142K-10	BRACKET, RADIATOR	1	
21	90480-14052	GROMMET	1	
22	95812-08030	BOLT, FLANGE	4	
23	95822-06020	BOLT, FLANGE	3	
24	59C-28356-00	STAY 1	1	
25	90464-18246	CLAMP	1	
26	90464-08051	CLAMP	1	
27	90464-09026	CLAMP	1	

Fig. 18 FRAME



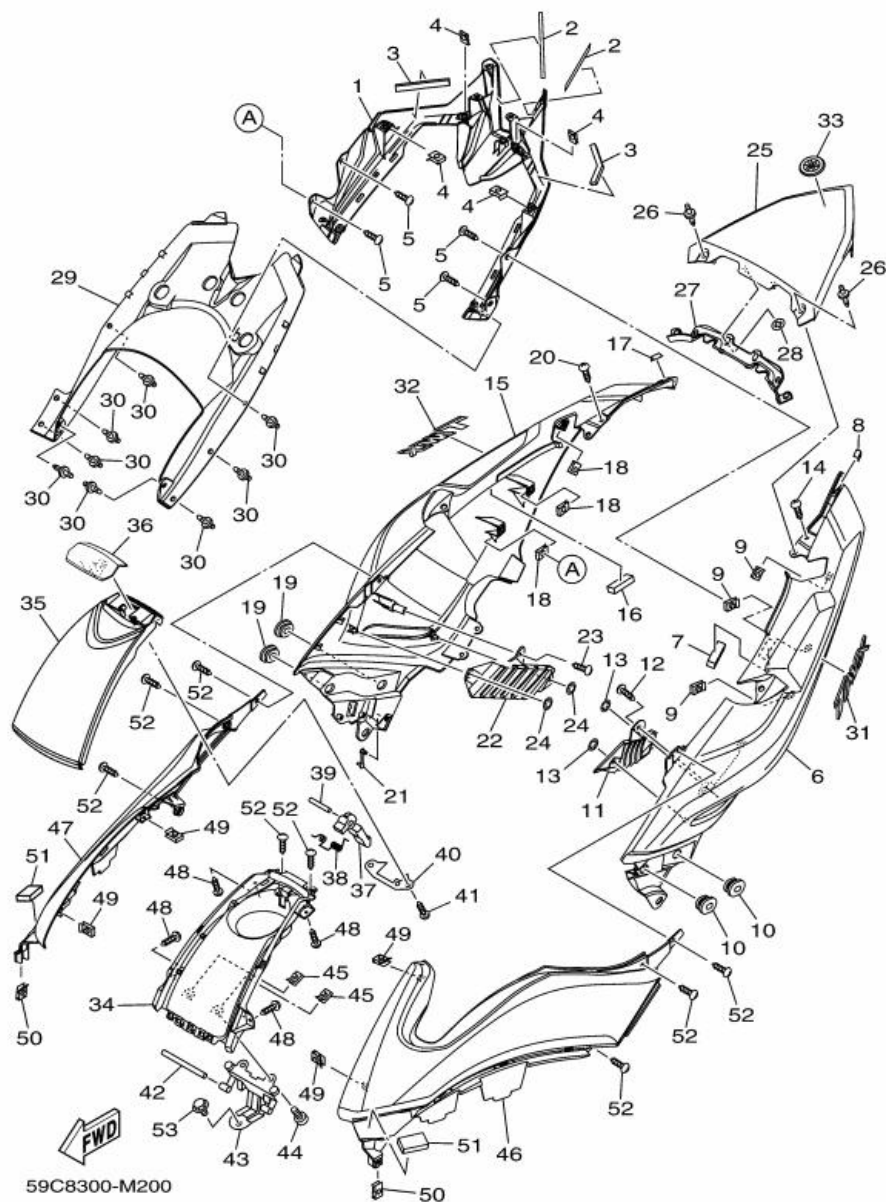
Ref. No.	Part No.	Description		Remarks
	28 90480-01558	GROMMET	2	
	29 95822-10045	BOLT, FLANGE	2	
	30 4B5-2117F-00	COVER	1	
	31 4B5-2117M-00	COVER 2	1	
	32 90269-07077	RIVET	4	
<hr/>				
	33 59C-21147-00	BRACKET, AIR CLEANER 1	1	
	34 90480-13003	GROMMET	2	
	35 90560-06201	SPACER	2	
	36 95822-06016	BOLT, FLANGE	2	
	37 59C-2141A-00	BRACKET 1	1	
<hr/>				
	38 95822-08016	BOLT, FLANGE	1	
	39 59C-2141E-10	BRACKET 2	1	
	40 90464-12089	CLAMP	1	
	41 95822-08016	BOLT, FLANGE	1	
	42 59C-2144H-00	BRACKET, FOOTREST 3	1	
<hr/>				
	43 95812-08030	BOLT, FLANGE	2	
	44 90464-08126	CLAMP	1	
	45 59C-2145H-00	BRACKET, FOOTREST 4	1	
	46 95812-08030	BOLT, FLANGE	2	
	47 59C-21345-00	BRACKET, TANK FITTING	1	
<hr/>				
	48 90119-06186	BOLT, WITH WASHER	4	
	49 59C-2117A-00	STAY	1	
	50 90464-08051	CLAMP	1	
	51 95702-06500	NUT, FLANGE	1	
	52 59C-28322-00	STAY 2	1	
<hr/>				
	53 59C-28332-00	STAY, LEG SHIELD	1	
	54 90111-06106	BOLT, HEX. SOCKET BUTTON	4	

Fig. 18 FRAME



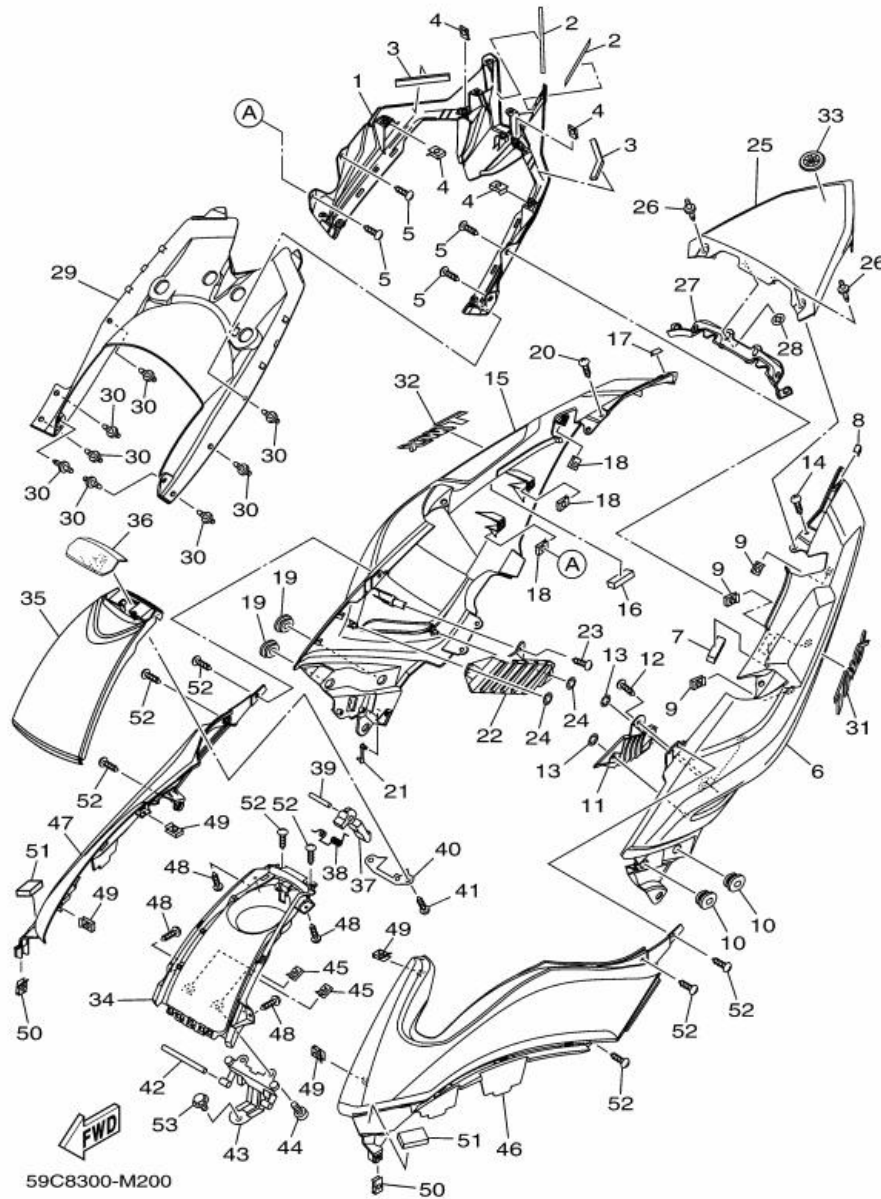
Ref. No.	Part No.	Description		Remarks
	55 90179-05003	NUT	4	
	56 59C-8212B-00	BOX, BATTERY 1	1	
	57 90119-08112	BOLT, WITH WASHER	1	
	58 90119-06209	BOLT, WITH WASHER	1	
	59 95822-06014	BOLT, FLANGE	2	
<hr/>				
	60 90387-06170	COLLAR	1	
	61 90387-10100	COLLAR	1	
	62 90387-08042	COLLAR	1	
	63 90387-07006	COLLAR	1	
	64 90183-06069	NUT, SPRING	2	
<hr/>				
	65 137-82131-01	BAND, BATTERY	1	
	66 59C-8212C-00	BOX, BATTERY 2	1	
	67 90269-06008	RIVET	3	
	68 59C-2117J-00	STAY, RELAY	1	
	69 90183-04039	NUT, SPRING	2	
<hr/>				
	70 90269-06008	RIVET	3	
	71 59C-8252R-00	DAMPER	1	
	72 4B5-2116M-00	BRACKET 10	1	
	73 2C0-27414-00	DAMPER, FOOTREST	1	
	74 90267-32196	RIVET, BLIND	2	
<hr/>				

Fig. 20 SIDE COVER



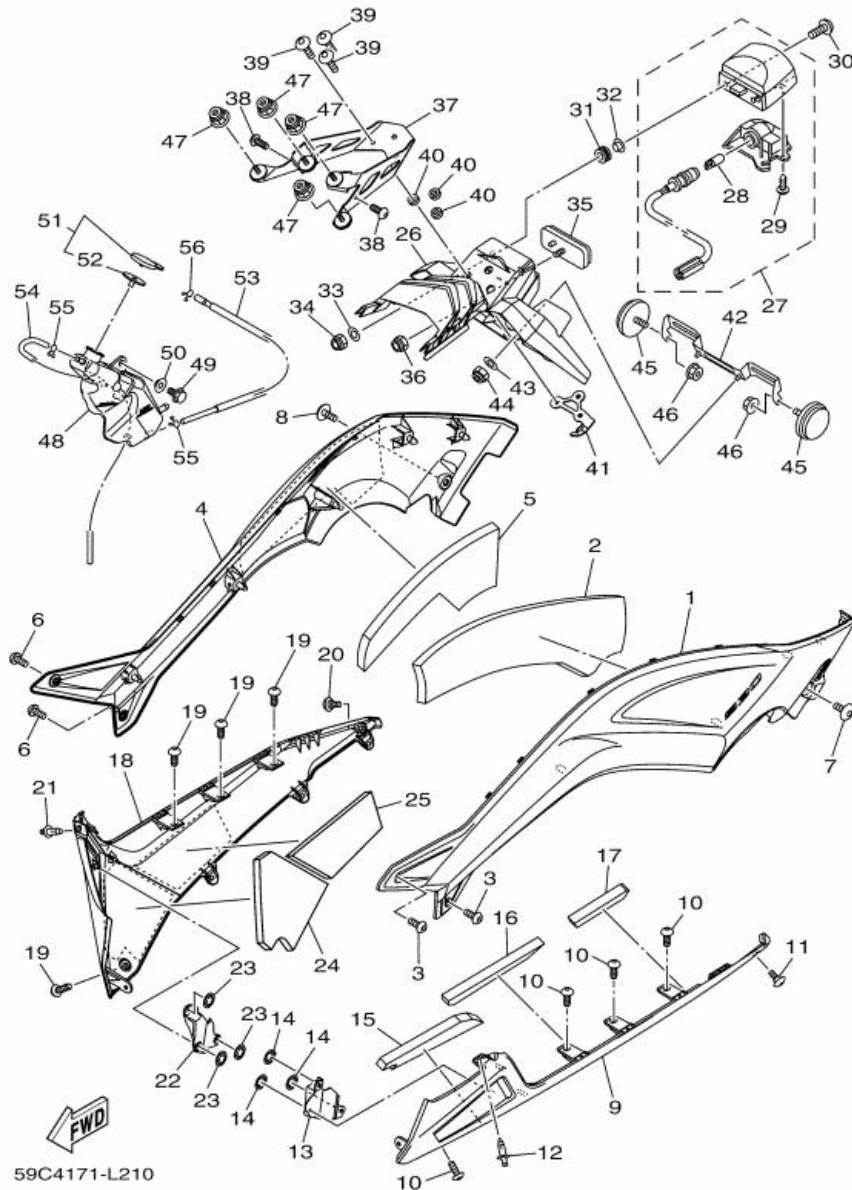
Ref. No.	Part No.	Description	Quantity	Remarks
1	59C-2171E-00-P0	COVER, SIDE 5	1	MBL2 FOR MDNM1
2	2C0-21746-00	DAMPER	2	
3	4B5-2174X-00	DAMPER	2	
4	90183-05042	NUT, SPRING	4	
5	97702-50016	SCREW, TAPPING	4	
<hr/>				
6	59C-21711-00-P2	COVER, SIDE 1	1	FOR MDNM1
7	90520-10014	DAMPER, PLATE	1	
8	90520-01001	DAMPER, PLATE	1	
9	90183-05042	NUT, SPRING	3	
10	90480-01559	GROMMET	2	
<hr/>				
11	59C-2163E-00	COVER, REAR FENDER 2	1	
12	97702-50016	SCREW, TAPPING	1	
13	90183-05M02	NUT, SPRING	2	
14	97702-50016	SCREW, TAPPING	1	
15	59C-21721-00-P2	COVER, SIDE 2	1	FOR MDNM1
<hr/>				
16	90520-10014	DAMPER, PLATE	1	
17	90520-01001	DAMPER, PLATE	1	
18	90183-05042	NUT, SPRING	3	
19	90480-01559	GROMMET	2	
20	97702-50016	SCREW, TAPPING	1	
<hr/>				
21	90464-05003	CLAMP	1	
22	59C-2163F-00	COVER, REAR FENDER 3	1	
23	97702-50016	SCREW, TAPPING	1	
24	90183-05M02	NUT, SPRING	2	
25	59C-2171A-00-P0	COVER, TOP	1	MBL2 FOR MDNM1
<hr/>				
26	90269-06001	RIVET	2	
27	4B5-2175N-00	COVER, FLANGE	1	

Fig. 20 SIDE COVER



Ref. No.	Part No.	Description		Remarks
	28 90183-05M02	NUT, SPRING	6	
	29 59C-21651-00	COVER, REAR FENDER	1	
	30 90269-06001	RIVET	8	
	31 5GJ-2173B-20	EMBLEM 3D	1	
	32 5GJ-2173B-20	EMBLEM 3D	1	
<hr/>				
	33 4KN-2836B-10	TUNING FORK MARK	1	
	34 4B5-2473F-00	COVER, SEAT COMP.	1	
	35 59C-2473T-00	LID 1	1	
	36 4B5-2477F-00	LEVER, SEAT	1	
	37 5GJ-24754-01	HOOK, SEAT	1	
<hr/>				
	38 4HC-24758-00	SPRING	1	
	39 93603-50195	PIN, DOWEL	1	
	40 4B5-24217-00	COVER	1	
	41 97702-40010	SCREW, TAPPING	2	
	42 5GJ-24774-00	PIN	1	
<hr/>				
	43 4B5-24762-00	REINFORCEMENT	1	
	44 98902-05010	SCREW, BIND	2	
	45 90183-050A7	NUT, SPRING	2	
	46 59C-24129-00	COVER, SIDE 1	1	
	47 59C-24139-00	COVER, SIDE 2	1	
<hr/>				
	48 97702-40010	SCREW, TAPPING	4	
	49 90183-040A0	NUT, SPRING	4	
	50 90183-05042	NUT, SPRING	2	
	51 90520-07001	DAMPER, PLATE	2	
	52 97707-50016	SCREW, TRUSS HEAD TAPPING	8	
<hr/>				
	53 95802-06010	BOLT, FLANGE	1	

Fig. 21 SIDE COVER 2



Ref. No.	Part No.	Description	Remarks
1	59C-21731-00-P1	COVER, SIDE 3	1 MDYNM3 FOR MDNM1
2	59C-21778-00	DAMPER, LOCATING 1	1
3	92014-06014	BOLT, BUTTON HEAD	2
4	59C-21741-00-P1	COVER, SIDE 4	1 MDYNM3 FOR MDNM1
5	59C-21778-10	DAMPER, LOCATING 1	1

6	92014-06014	BOLT, BUTTON HEAD	2
7	90110-06200	BOLT, HEXAGON SOCKET HEAD	1
8	90110-06200	BOLT, HEXAGON SOCKET HEAD	1
9	59C-2171L-00-P2	MOLE, SIDE COVER 1	1 FOR MDNM1
10	90167-05076	SCREW, TAPPING	4

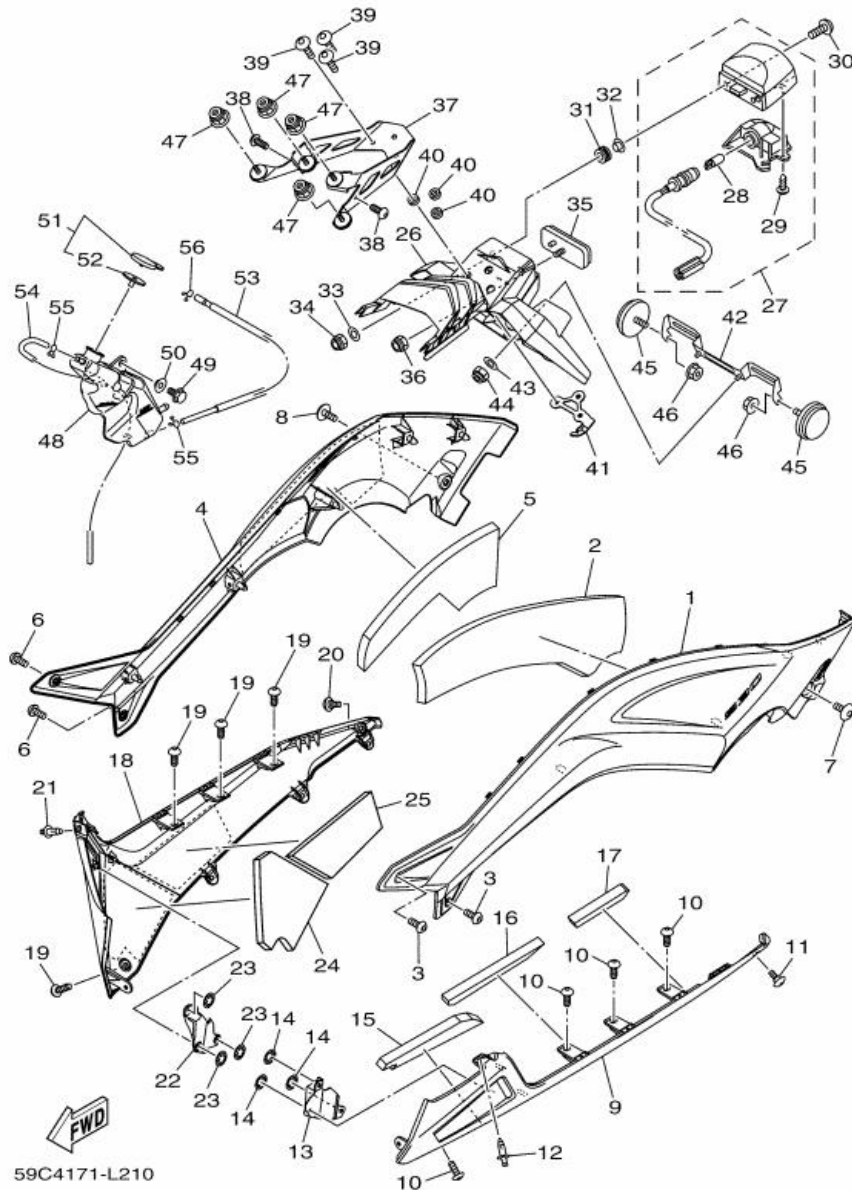
11	90111-05045	BOLT,HEX. SOCKET BUTTON	1
12	90269-06008	RIVET	1
13	59C-2178L-00	GUIDE 1	1
14	90183-05M02	NUT, SPRING	3
15	59C-21746-00	DAMPER	1

16	59C-2177M-00	DAMPER, LOCATING 3	1
17	59C-21852-00	DAMPER	1
18	59C-2171M-00-P2	MOLE, SIDE COVER 2	1 FOR MDNM1
19	90167-05076	SCREW, TAPPING	4
20	90111-05045	BOLT,HEX. SOCKET BUTTON	1

21	90269-06008	RIVET	1
22	59C-2178M-00	GUIDE 2	1
23	90183-05M02	NUT, SPRING	3
24	59C-21746-10	DAMPER	1
25	59C-2177M-10	DAMPER, LOCATING 3	1

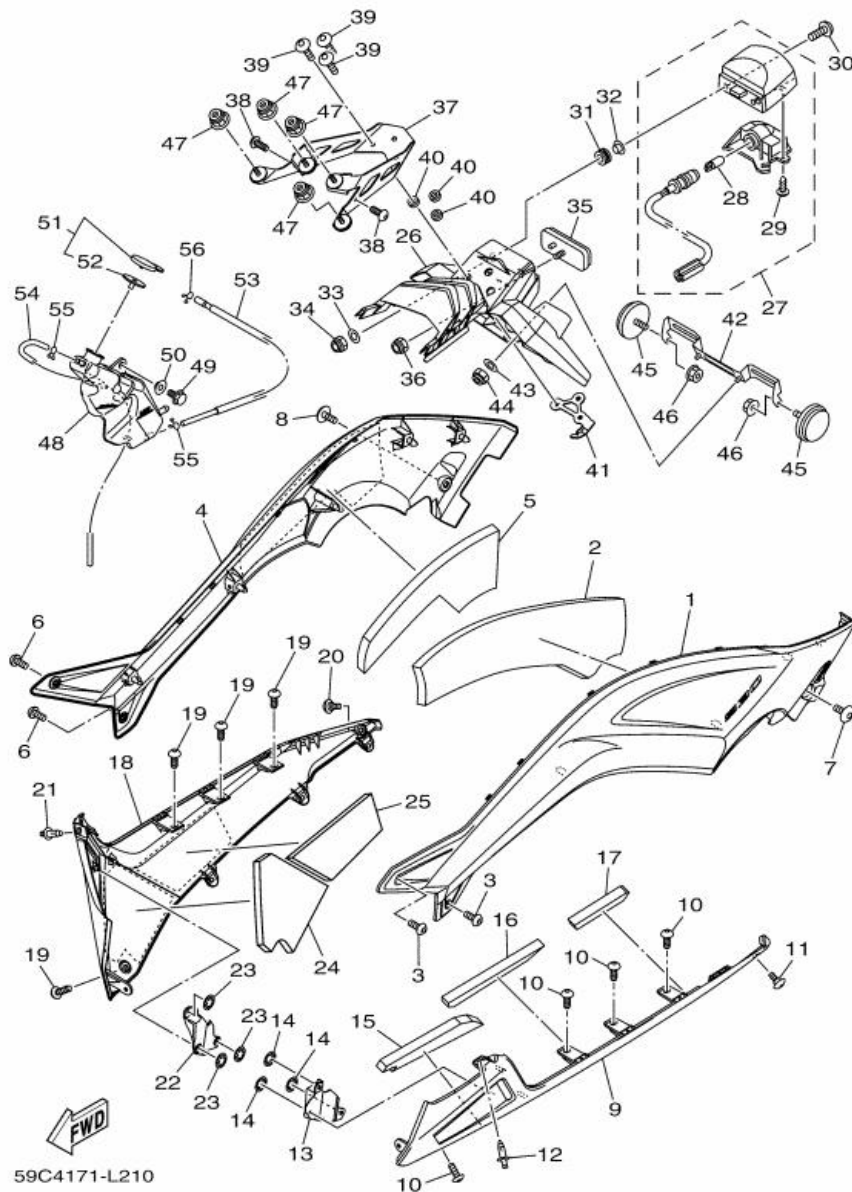
26	59C-21629-00	GUARD, MUD	1
27	59C-84745-00	LICENCE LIGHT UNIT ASSY	1

Fig. 21 SIDE COVER 2



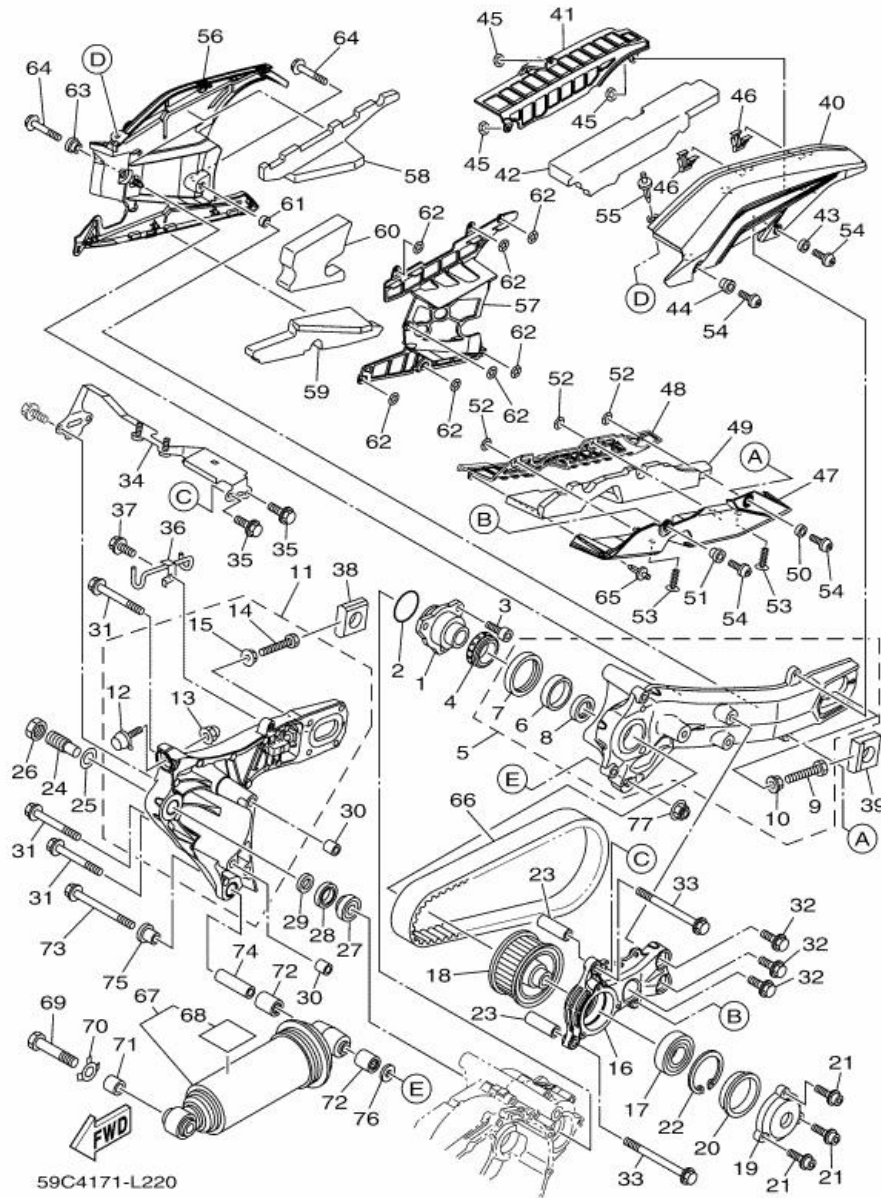
Ref. No.	Part No.	Description		Remarks
	28 4HC-84744-00	BULB (12V-5W)	1	
	29 97707-40612	SCREW, TAPPING	2	
	30 98902-05020	SCREW, BIND	2	
	31 90480-11009	GROMMET	2	
	32 90387-05003	COLLAR	2	
	33 92907-05200	WASHER	2	
	34 95602-05100	NUT, U	2	
	35 3Y6-85130-02	REAR REFLECTOR ASSY	1	
	36 95607-05200	NUT, U FLANGE	1	
	37 59C-21640-00	REAR STAY COMP.	1	
	38 90167-05076	SCREW, TAPPING	2	
	39 90111-06061	BOLT,HEX. SOCKET BUTTON	3	
	40 90387-061Y1	COLLAR	3	
	41 59C-2161G-00	BRACKET 6	1	
	42 59C-84751-00	BRACKET, LICENSE	1	
	43 92902-06600	WASHER, PLATE	2	
	44 95607-06100	NUT, U	2	
	45 449-85131-02	REFLECTOR, REAR 1	2	
	46 95707-05500	NUT, FLANGE	2	
	47 95602-06200	NUT, SELF-LOCKING	4	
	48 59C-21871-00	TANK, RECOVERY	1	
	49 95822-06014	BOLT, FLANGE	1	
	50 90387-06170	COLLAR	1	
	51 1AA-21815-00	CAP	1	
	52 1AA-21874-00	GASKET	1	
	53 59C-21816-00	PIPE 1	1	
	54 90445-09039	HOSE	1	

Fig. 21 SIDE COVER 2



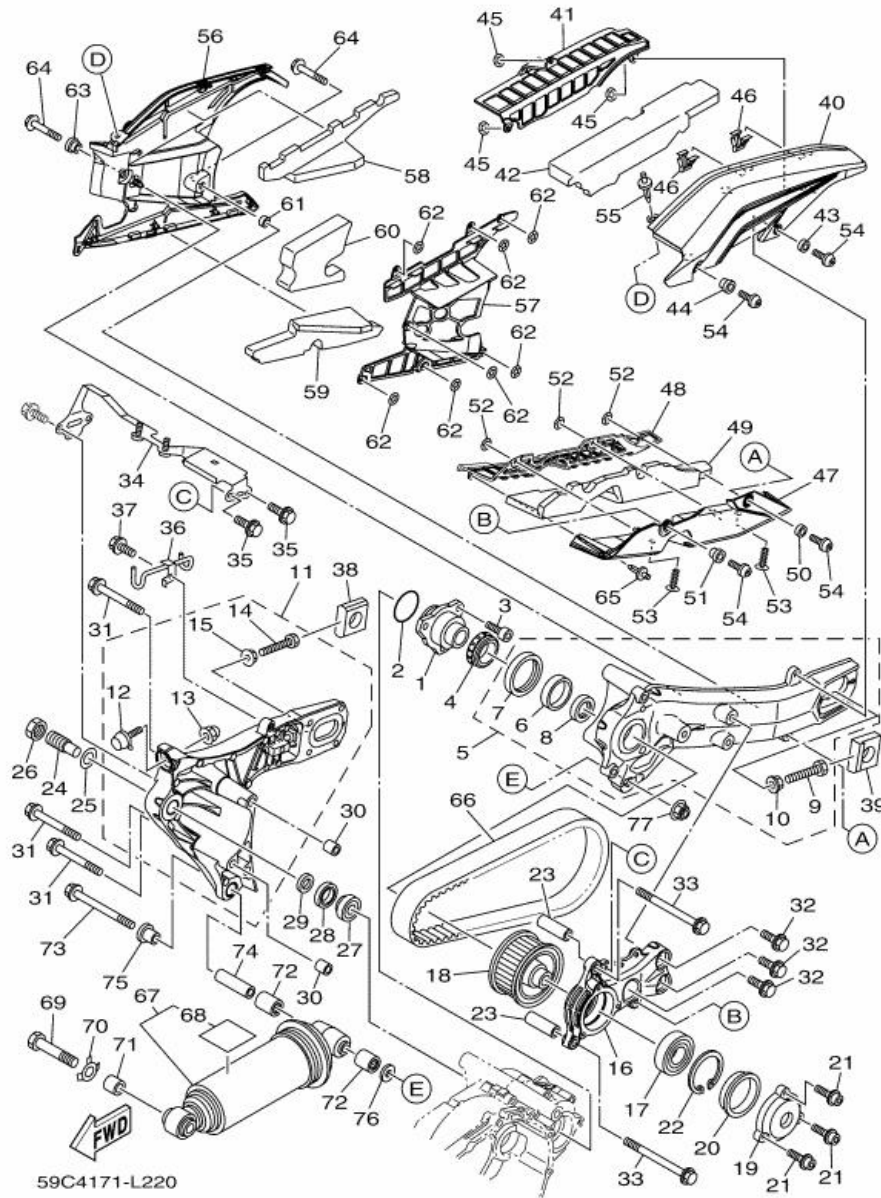
Ref. No.	Part No.	Description		Remarks
	55 90467-090A2	CLIP	2	
	56 90467-100A1	CLIP	1	
<hr style="border-top: 1px dashed black;"/>				
<hr style="border-top: 1px dashed black;"/>				
<hr style="border-top: 1px dashed black;"/>				
<hr style="border-top: 1px dashed black;"/>				
<hr style="border-top: 1px dashed black;"/>				
<hr style="border-top: 1px dashed black;"/>				
<hr style="border-top: 1px dashed black;"/>				
<hr style="border-top: 1px dashed black;"/>				

Fig. 22 REAR ARM & SUSPENSION



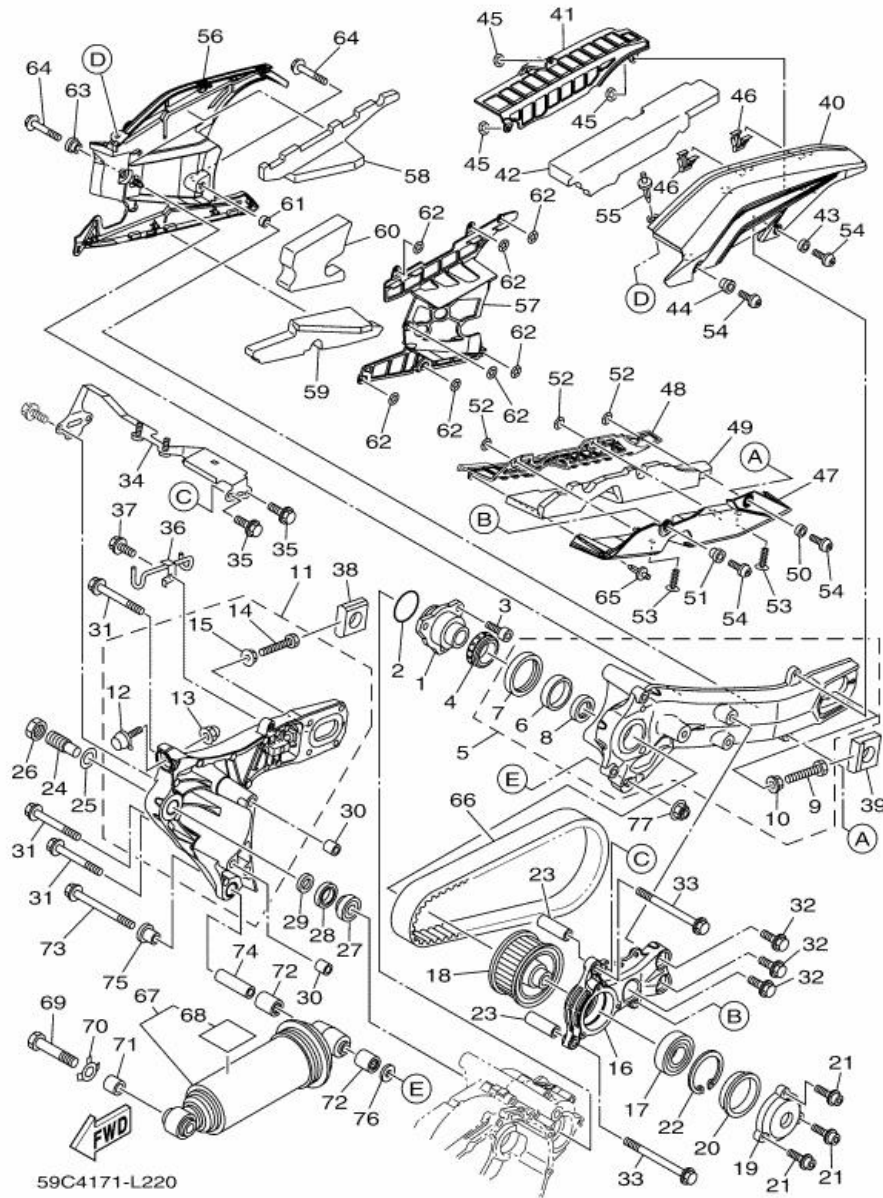
Ref. No.	Part No.	Description	Quantity	Remarks
1	15B-17524-00	HOLDER	1	
2	93210-50553	O-RING	1	
3	91312-08020	BOLT	3	
4	93332-00086	BEARING	1	
5	59C-2210M-00	REAR ARM ASSY 1	1	
6	5GJ-17554-00	RETAINER, BEARING	1	
7	93102-55004	OIL SEAL	1	
8	93102-30284	OIL SEAL	1	
9	90101-08013	BOLT	1	
10	95702-08500	NUT, FLANGE	1	
11	59C-2210N-01	REAR ARM ASSY 2	1	
12	59C-22426-00	BUMP, STOP	1	
13	90176-06016	NUT, CAP	1	
14	90101-08013	BOLT	1	
15	95702-08500	NUT, FLANGE	1	
16	59C-22465-00	HOLDER	1	
17	93306-20662	BEARING	1	
18	59C-17651-00	PULLEY, BELT	1	
19	59C-2219X-00	COVER	1	
20	59C-2214F-00	DAMPER 1	1	
21	90110-06163	BOLT, HEXAGON SOCKET HEAD	3	
22	99009-62500	CIRCLIP	1	
23	59C-46153-00	COLLAR, GUIDE	2	
24	15B-22141-00	SHAFT, PIVOT	1	
25	90201-22018	WASHER, PLATE	1	
26	1J7-22143-00	NUT	1	
27	93332-00010	BEARING	1	

Fig. 22 REAR ARM & SUSPENSION



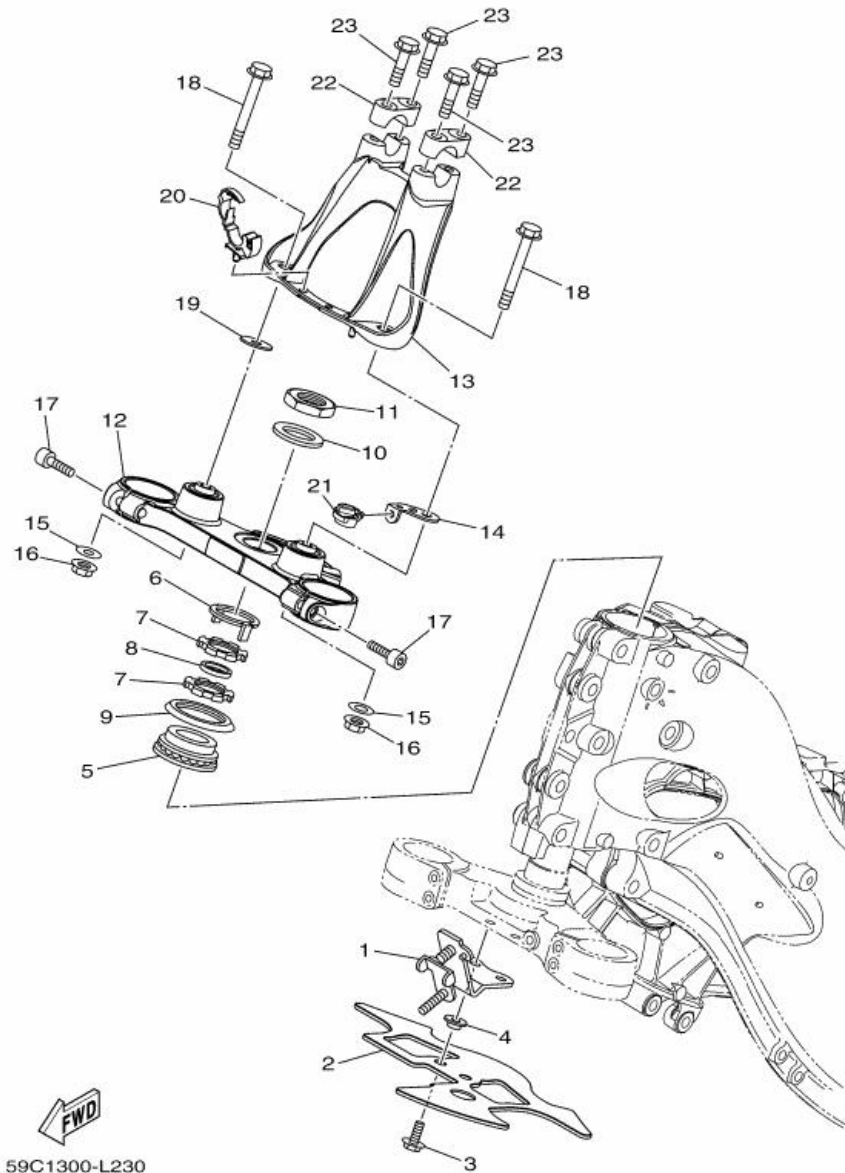
Ref. No.	Part No.	Description		Remarks
28	93102-25017	OIL SEAL	1	
29	90387-17011	COLLAR	1	
30	99530-14016	PIN, DOWEL	2	
31	95812-10100	BOLT, FLANGE	3	
32	95817-10025	BOLT, FLANGE	3	
33	95817-10090	BOLT, FLANGE	2	
34	59C-21682-00	STAY, PLATE	1	
35	95822-06012	BOLT, FLANGE	2	
36	59C-2587A-00	HOLDER, BRAKE HOSE	1	
37	95822-06012	BOLT, FLANGE	1	
38	5VY-25388-00	PULLER, CHAIN 1	1	
39	59C-25389-00	PULLER, CHAIN 2	1	
40	59C-22311-00	CASE, CHAIN	1	
41	59C-22131-00	STAY, CHAIH CASE 1	1	
42	59C-2174X-00	DAMPER	1	
43	90387-06372	COLLAR	1	
44	90387-06130	COLLAR	1	
45	90183-05M02	NUT, SPRING	3	
46	90468-040A0	CLIP	2	
47	59C-22312-00	CASE, CHAIN 2	1	
48	59C-22132-00	STAY 2	1	
49	59C-2174Y-00	DAMPER	1	
50	90387-06372	COLLAR	1	
51	90387-06130	COLLAR	1	
52	90183-05M02	NUT, SPRING	3	
53	90269-03001	RIVET	2	
54	90111-06116	BOLT,HEX. SOCKET BUTTON	4	

Fig. 22 REAR ARM & SUSPENSION



Ref. No.	Part No.	Description		Remarks
	55 90269-06001	RIVET	1	
	56 59C-22381-00	COVER 1	1	
	57 59C-22133-00	STAY, CHAIN CASE 3	1	
	58 59C-2834E-00	DAMPER 3	1	
	59 59C-2834F-00	DAMPER	1	
	60 59C-28267-00	DAMPER 5	1	
	61 90387-06372	COLLAR	1	
	62 90183-05M02	NUT, SPRING	7	
	63 90387-06130	COLLAR	1	
	64 95822-06014	BOLT, FLANGE	2	
	65 90269-06001	RIVET	1	
	66 59C-W4624-00	BELT	1	
	67 59C-22210-20	SHOCK ABSORBER ASSY, REAR	1	
	68 4AA-22259-60	LABEL, WARNING	1	
	69 90101-16003	BOLT	1	
	70 4B5-22243-00	WASHER 1	1	
	71 90387-16019	COLLAR	1	
	72 93317-41761	BEARING	2	
	73 90105-12053	BOLT, FLANGE	1	
	74 90387-12003	COLLAR	1	
	75 90387-12039	COLLAR	1	
	76 90201-12043	WASHER, PLATE	1	
	77 95602-12200	NUT, SELF-LOCKING	1	

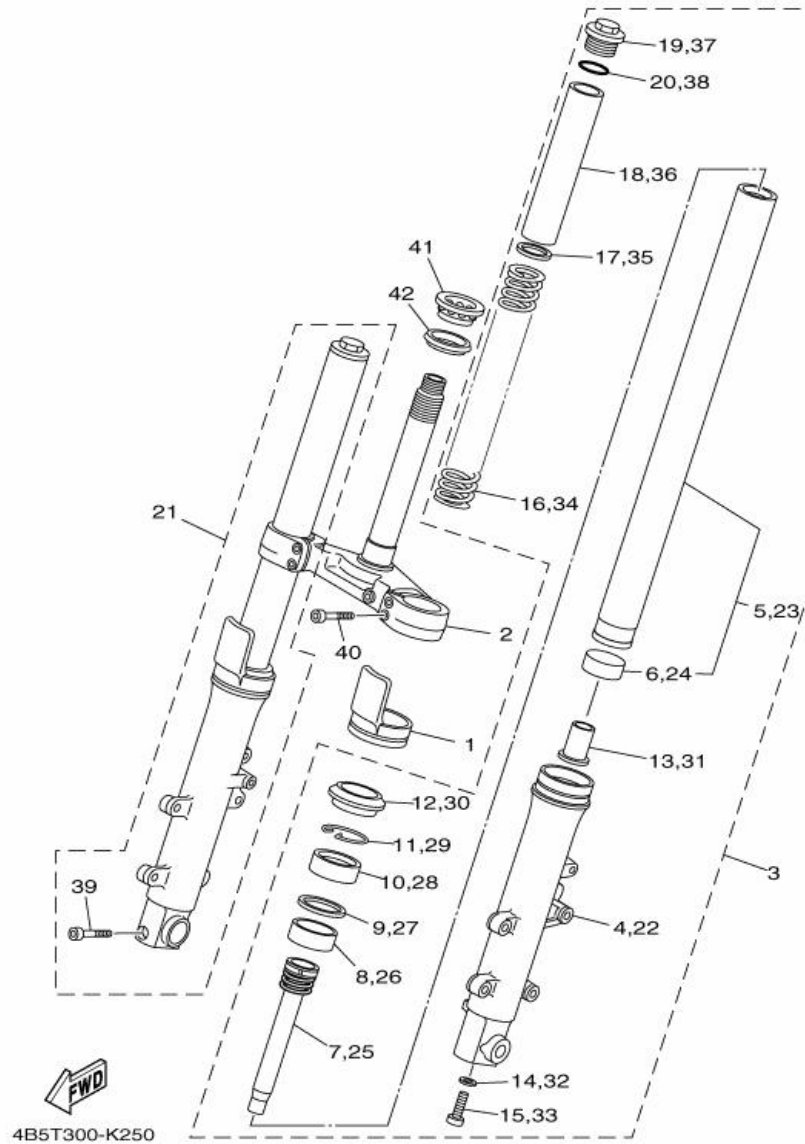
Fig. 23 STEERING



59C1300-L230

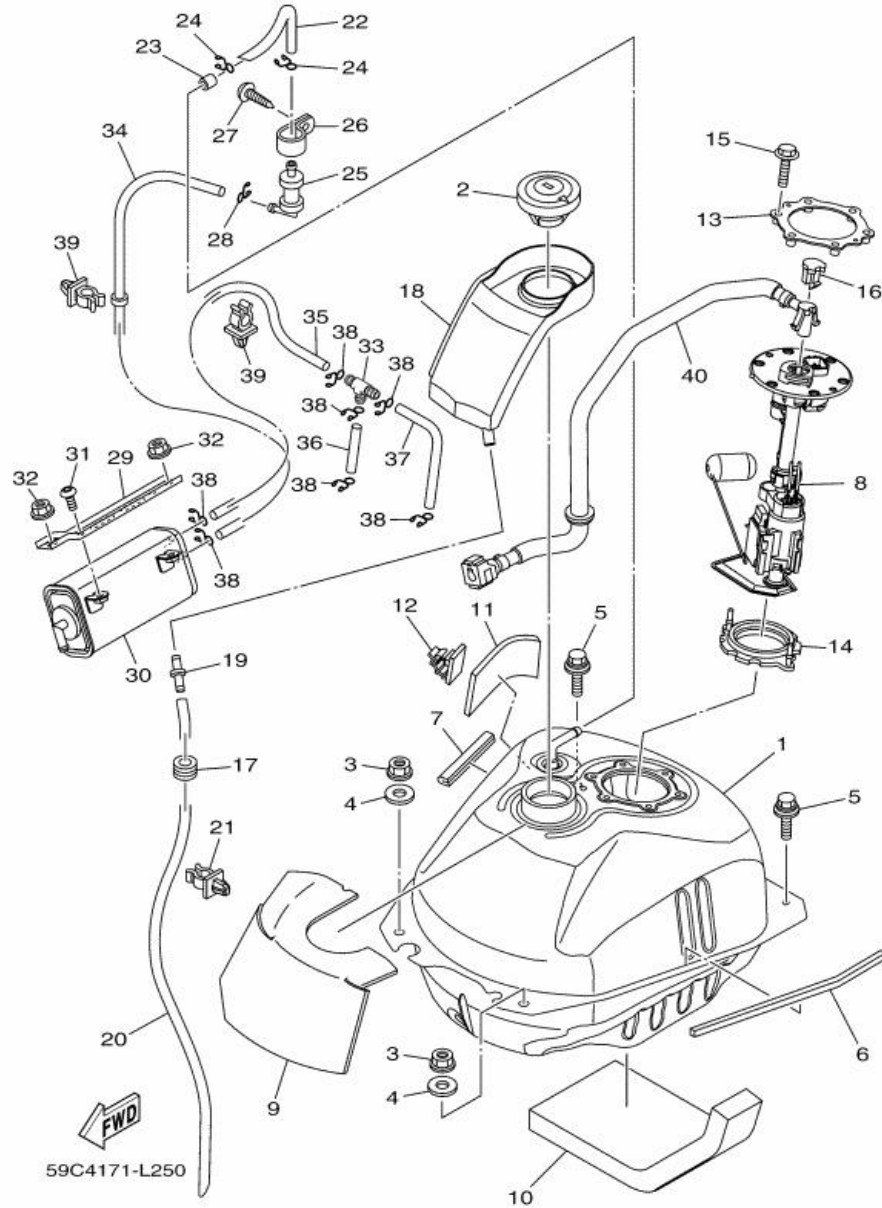
Ref. No.	Part No.	Description		Remarks
1	4B5-23377-00	BRACKET, HORN	1	
2	4B5-23818-00	COVER, STEERING	1	
3	90119-06193	BOLT, WITH WASHER	2	
4	90387-062M9	COLLAR	2	
5	93399-99932	BEARING	1	
6	4XV-23418-00	WASHER, SPECIAL	1	
7	90179-30691	NUT	2	
8	90202-30235	WASHER, PLATE	1	
9	4XV-23415-01	COVER, BALL RACE 1	1	
10	90201-28017	WASHER, PLATE	1	
11	90170-28419	NUT	1	
12	4B5-W2341-10	CROWN, HANDLE	1	
13	59C-23442-00	HOLDER, HANDLE LOWER	1	
14	59C-2334G-00	BRACKET 1	1	
15	90201-10043	WASHER, PLATE	2	
16	95602-10100	NUT, U	2	
17	91312-08030	BOLT	2	
18	90105-10211	BOLT, FLANGE	2	
19	92902-10200	WASHER	1	
20	90464-18011	CLAMP	1	
21	90464-13249	CLAMP	1	
22	5XE-23441-00	HOLDER, HANDLE UPPER	2	
23	95022-08035	BOLT, FLANGE	4	

Fig. 24 FRONT FORK



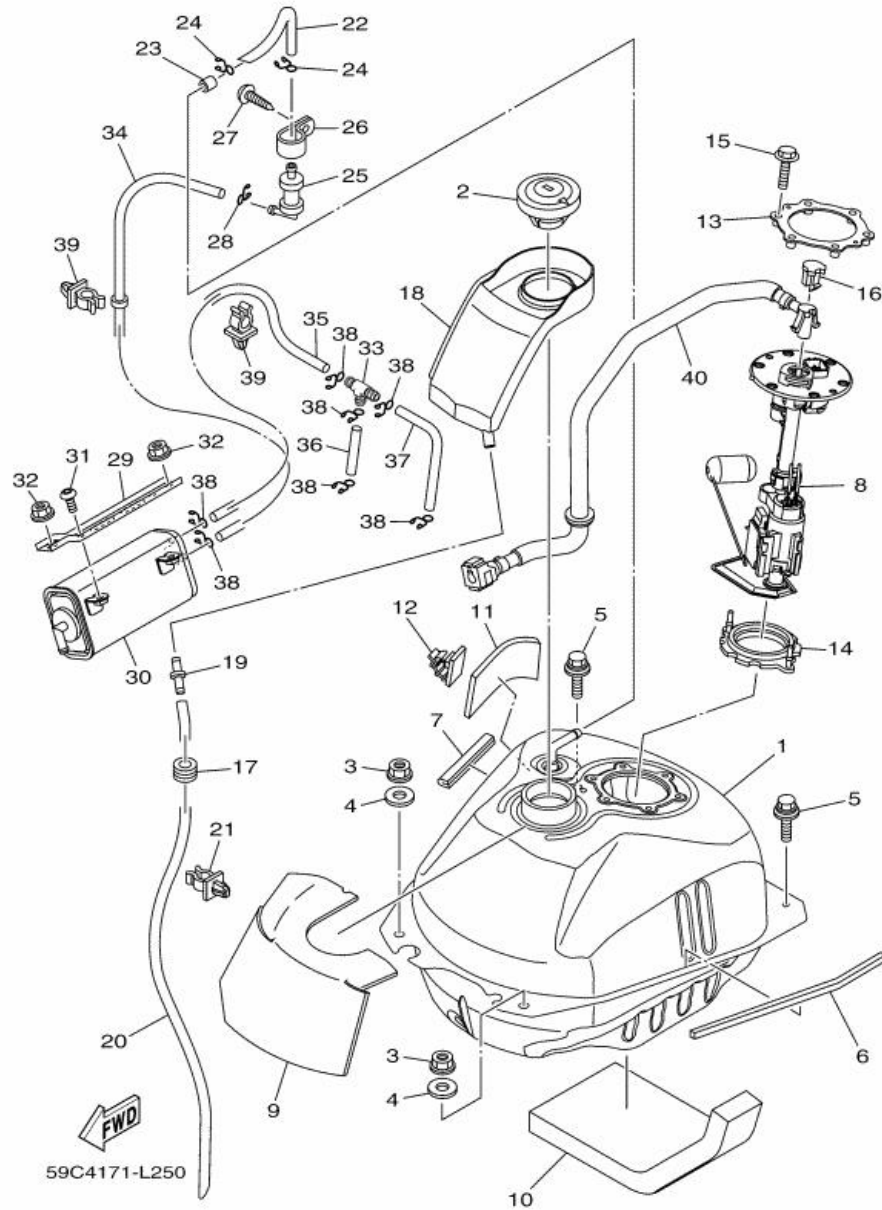
Ref. No.	Part No.	Description		Remarks
1	4PU-2331G-00	COVER	2	
2	4B5-23340-10	UNDER BRACKET COMP.	1	
3	4B5-23102-00	FRONT FORK ASSY (L.H)	1	
4	4B5-23126-00	TUBE, OUTER (LEFT)	1	
5	4B5-23110-00	INNER TUBE COMP.1	1	
6	5EA-23171-30	PISTON, FRONT FORK	1	
7	4B5-23170-00	CYLINDER COMP., FRONT FORK	1	
8	5EB-23125-00	METAL, SLIDE 1	1	
9	4V4-23146-L0	WASHER, OIL SEAL	1	
10	4PU-23145-01	OIL SEAL	1	
11	4V4-23153-L0	RING, SNAP	1	
12	4PU-23144-00	SEAL, DUST	1	
13	4YR-23173-00	SPINDLE, TAPER	1	
14	509-23158-L0	GASKET	1	
15	278-23181-50	BOLT, HEXAGON SOCKET HEAD	1	
16	4B5-23141-00	SPRING, FRONT FORK	1	
17	3LR-23149-00	WASHER, SPRING UPPER	1	
18	5WM-23118-00	SPACER	1	
19	3TJ-23111-00	BOLT, CAP	1	
20	4V4-23188-L0	O-RING	1	
21	59C-23103-00	FRONT FORK ASSY (R.H)	1	
22	4B5-23136-00	TUBE, OUTER (RIGHT)	1	
23	4B5-23110-00	INNER TUBE COMP.1	1	
24	5EA-23171-30	PISTON, FRONT FORK	1	
25	4B5-23170-00	CYLINDER COMP., FRONT FORK	1	
26	5EB-23125-00	METAL, SLIDE 1	1	
27	4V4-23146-L0	WASHER, OIL SEAL	1	

Fig. 25 FUEL TANK



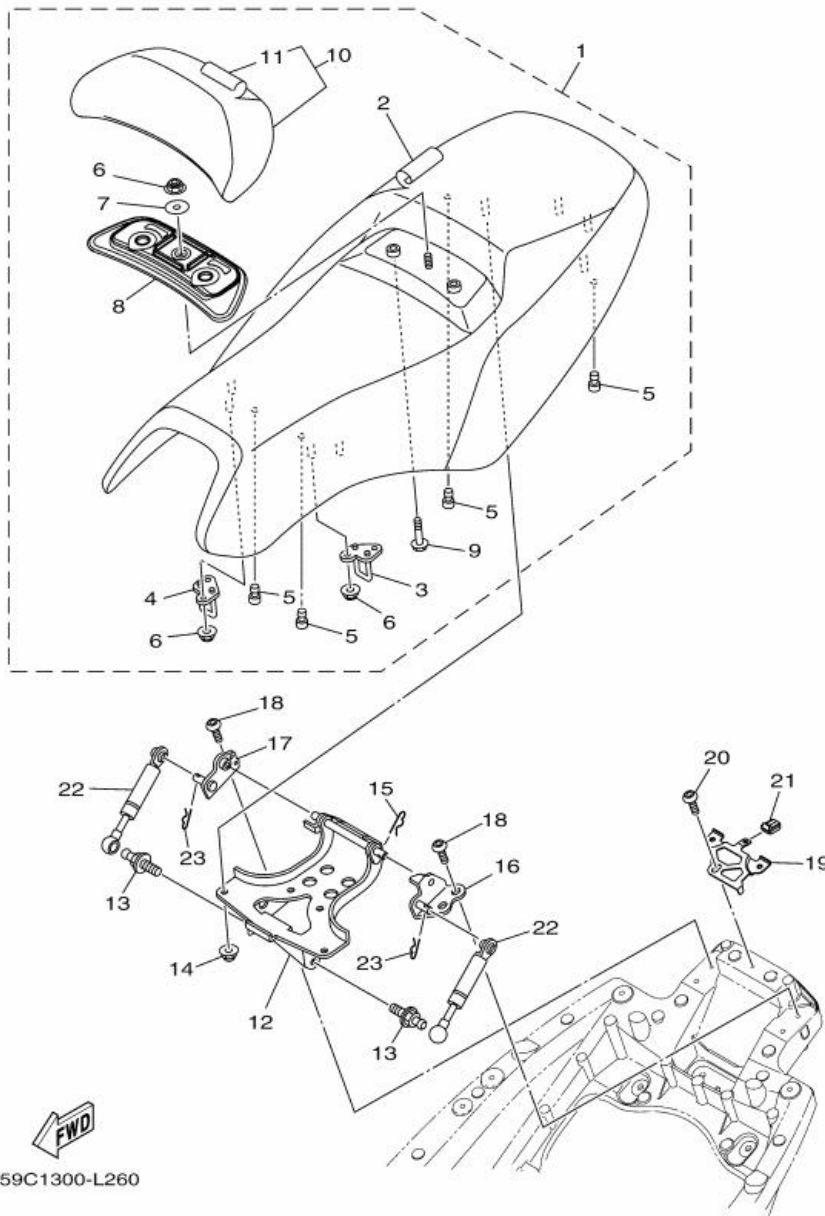
Ref. No.	Part No.	Description		Remarks
1	59C-24110-00	FUEL TANK COMP.	1	
2	54K-24602-10	CAP ASSY	1	
3	95702-06500	NUT, FLANGE	2	
4	90201-06078	WASHER, PLATE	2	
5	90159-06051	SCREW, WITH WASHER	2	
6	4B5-24181-00	DAMPER, LOCATING 1	1	
7	4BP-24188-00	MOLD, FUEL TANK	1	
8	59C-13907-00	FUEL PUMP COMP.	1	
9	4B5-24182-00	DAMPER, LOCATING 2	1	
10	59C-24184-00	DAMPER, LOCATING 4	1	
11	90520-04009	DAMPER, PLATE	1	
12	90464-25160	CLAMP	1	
13	59C-24491-00	BRACKET, FUEL PUMP	1	
14	5CA-2414G-01	SEAL	1	
15	97502-05520	BOLT, WITH WASHER	6	
16	5VU-24135-00	CLAMP 1	1	
17	90480-13018	GROMMET	1	
18	4B5-2414A-00	COVER, FILLER	1	
19	4JP-21753-00	BOSS, CONNECTOR	1	
20	59C-24318-00	PIPE, OVERFLOW	1	
21	90464-09008	CLAMP	1	
22	4B5-24313-00	PIPE 3	1	
23	4B5-24141-00	PROTECTOR, FUEL TANK	1	
24	90467-090A2	CLIP	2	
25	5RB-24180-00	ROLL OVER VALVE ASSY	1	
26	4B5-24135-00	CLAMP 1	1	
27	97702-50014	SCREW, TAPPING	1	

Fig. 25 FUEL TANK



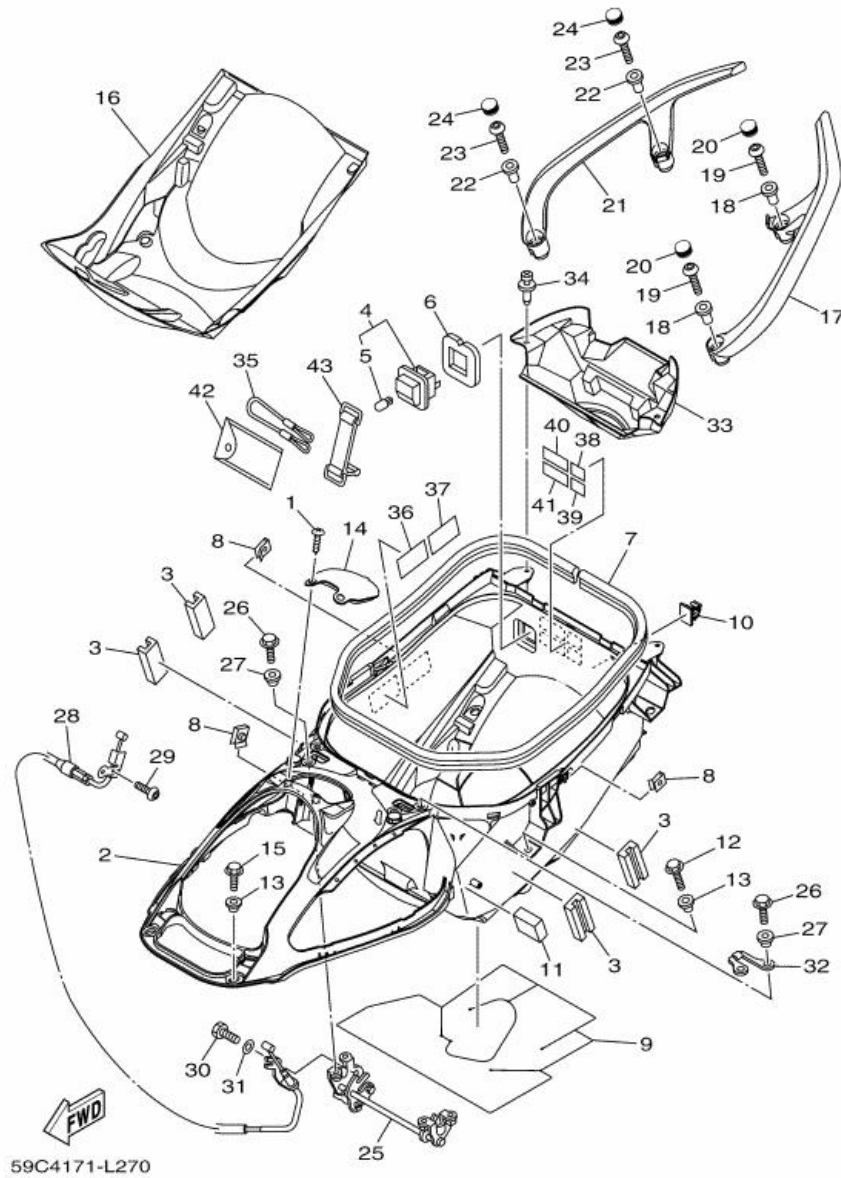
Ref. No.	Part No.	Description		Remarks
	28 90467-090A2	CLIP	1	
	29 59C-2419F-00	BRACKET, CANISTOR	1	
	30 59C-24170-00	CANISTER ASSY	1	
	31 92012-06010	BOLT, BUTTON HEAD	2	
	32 95702-06500	NUT, FLANGE	2	
<hr/>				
	33 90413-06031	WAY 3	1	
	34 59C-24315-00	PIPE 5	1	
	35 59C-24316-00	PIPE 6	1	
	36 59C-24317-00	PIPE 7	1	
	37 59C-24321-00	PIPE 10	1	
<hr/>				
	38 90467-090A2	CLIP	7	
	39 90464-09008	CLAMP	2	
	40 59C-13971-00	PIPE, FUEL 1	1	
<hr/>				
<hr/>				
<hr/>				
<hr/>				
<hr/>				

Fig. 26 SEAT



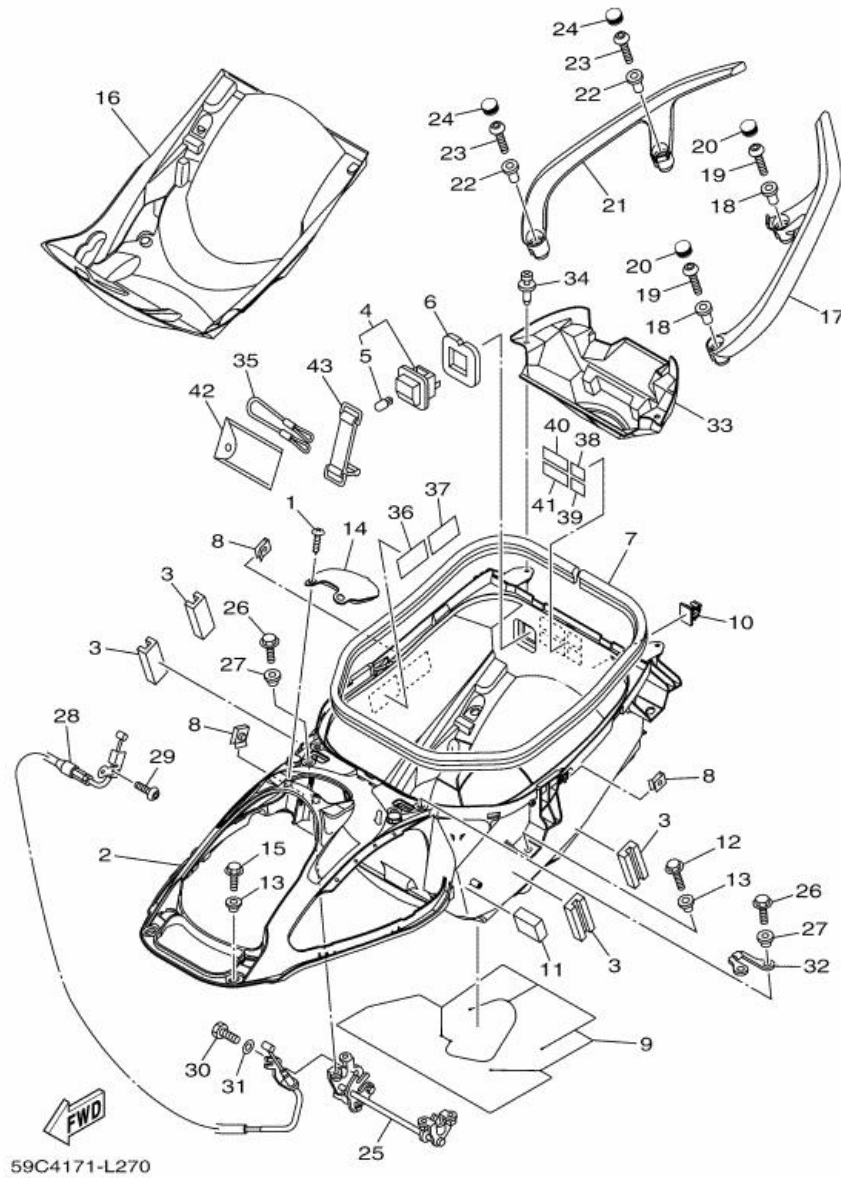
Ref. No.	Part No.	Description		Remarks
1	59C-24730-01	DOUBLE SEAT ASSY	1	
2	59C-24731-00	COVER, SEAT	1	
3	4B5-24718-20	BRACKET, SEAT	1	
4	4B5-24728-20	BRACKET, SEAT	1	
5	5SL-24723-00	DAMPER, SEAT	4	
6	95607-06200	NUT, SELF U-FLANGE	5	
7	90201-065G8	WASHER, PLATE	1	
8	4B5-24752-00	PLATE	1	
9	95802-06025	BOLT, FLANGE	2	
10	59C-24790-01	SEAT BACK ASSY	1	
11	59C-24791-00	COVER, SEAT BACK	1	
12	4B5-24726-01	HINGE, SEAT	1	
13	4B5-2474E-00	ARM	2	
14	95602-06200	NUT, SELF-LOCKING	4	
15	90468-18121	CLIP	1	
16	4B5-24769-00	HINGE, SEAT	1	
17	4B5-24779-00	HINGE, SEAT 2	1	
18	92012-08020	BOLT, BUTTON HEAD	4	
19	59C-2475U-00	BRACKET, TAIL COVER	1	
20	92012-08020	BOLT, BUTTON HEAD	1	
21	59P-21746-00	DAMPER	1	
22	4B5-2478G-12	STOPPER	2	
23	90468-16001	CLIP	2	

Fig. 27 SEAT 2



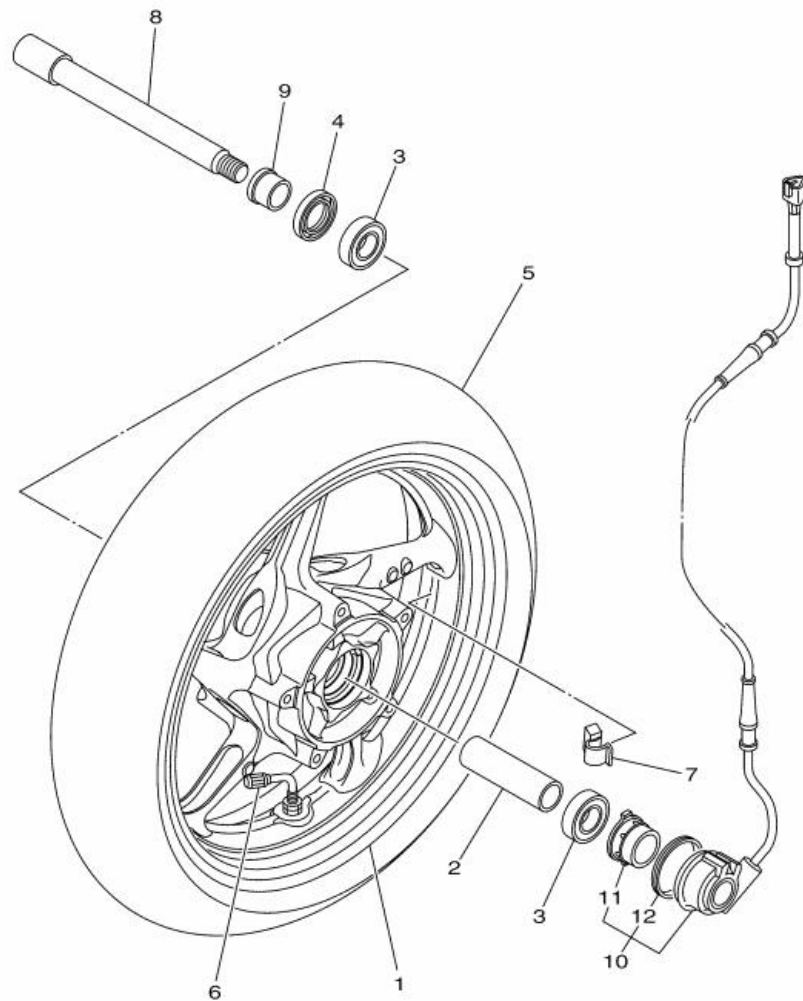
Ref. No.	Part No.	Description	Quantity	Remarks
1	97702-50016	SCREW, TAPPING	2	
2	59C-2473R-00	BOX 1	1	
3	4B5-24737-00	DAMPER, SEAT	4	
4	4HC-84770-00	LIGHT, ACCESORY	1	
5	4HC-84347-00	BULB (12V-2W)	1	
<hr/>				
6	5GJ-2839M-00	SEAL, BOX 2	1	
7	59C-2173M-00	SEAL 3	1	
8	90183-05042	NUT, SPRING	3	
9	59C-28217-00	DAMPER 1	1	
10	90464-13185	CLAMP	1	
<hr/>				
11	4C8-28416-00	DAMPER 2	1	
12	95822-06020	BOLT, FLANGE	8	
13	90387-06170	COLLAR	10	
14	4B5-2482H-00	CAP	1	
15	95022-06014	BOLT, FLANGE	2	
<hr/>				
16	59C-24747-00	DAMPER, SEAT	1	
17	4B5-2474A-01-PA	ASSIST, GRIP	1	FOR MDNM1
18	90387-08068	COLLAR	2	
19	92012-08035	BOLT, BUTTON HEAD	2	
20	4B5-2476U-00	PROTECTOR,1	2	
<hr/>				
21	4B5-2474W-01-P9	ASSIST,GRIP 2	1	FOR MDNM1
22	90387-08068	COLLAR	2	
23	92012-08035	BOLT, BUTTON HEAD	2	
24	4B5-2476U-00	PROTECTOR,1	2	
25	59C-24780-00	SEAT LOCK ASSY	1	
<hr/>				
26	95802-06016	BOLT, FLANGE	4	
27	90387-06170	COLLAR	4	

Fig. 27 SEAT 2



Ref. No.	Part No.	Description		Remarks
	28 59C-2478D-00	SEAT LOCK CABLE ASSY	1	
	29 92012-05012	BOLT, BUTTON HEAD	1	
	30 97002-05010	BOLT	1	
	31 92902-05600	WASHER, PLATE	1	
	32 59C-2475K-00	BRACKET 3	1	
<hr/>				
	33 59C-2163A-00	COVER 1	1	
	34 90269-06081	RIVET	2	
	35 4B5-21398-10	HANGER, HELMET	1	
	36 5VU-21668-00	LABEL, TIRE	1	
	37 5VU-21668-10	LABEL, TIRE	1	
<hr/>				
	38 3LD-24877-A0	LABEL, CAUTION	1	ENGLISH
	39 3LD-24877-B1	LABEL, CAUTION	1	FRENCH
	40 3JJ-28446-A1	LABEL, CAUTION	1	
	41 3JJ-28446-B1	LABEL, CAUTION	1	
	42 59C-28100-00	TOOL KIT	1	
<hr/>				
	43 3TJ-82131-00	BAND, BATTERY	1	
<hr/>				

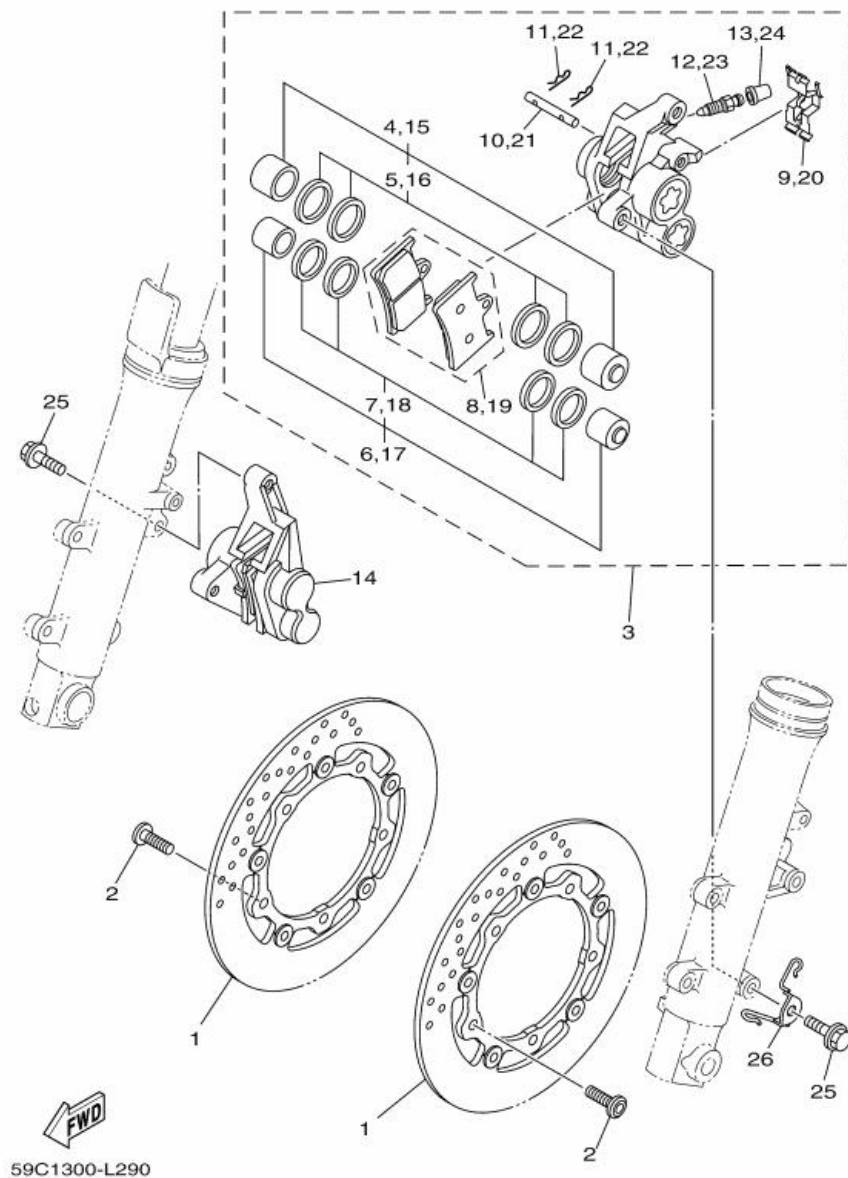
Fig. 28 FRONT WHEEL



59C1300-L280

Ref. No.	Part No.	Description	Remarks
1	59C-25168-00-P0	CAST WHEEL, FRONT	1 MDYNM2 FOR MDNM1
2	5EA-25117-00	SPACER, BEARING	1
3	93306-07208	BEARING	2
4	93106-28043	OIL SEAL	1
5	94112-15008	TIRE(120/70R15M/C 56H BT011F)	1 UR BRIDGESTONE
	94112-15009	TIRE(120/70R15M/C56H GPR-100F)	1 UR DUNLOP
6	93900-00025	VALVE, RIM (PVR59A)	1 TAIHEIYO
7	5MT-25398-00	BALANCER, WHEEL (10G)	1 UN
	5MT-25398-10	BALANCER, WHEEL (20G)	1 UN
	5MT-25398-20	BALANCER, WHEEL (30G)	1 UN
8	4XV-25181-10	AXLE, WHEEL	1
9	90387-22016	COLLAR	1
10	59C-83755-01	SENSOR, SPEED	1
11	5RB-2517G-10	ROTOR, SENSOR	1
12	5RB-2511B-00	SEAL, OIL	1

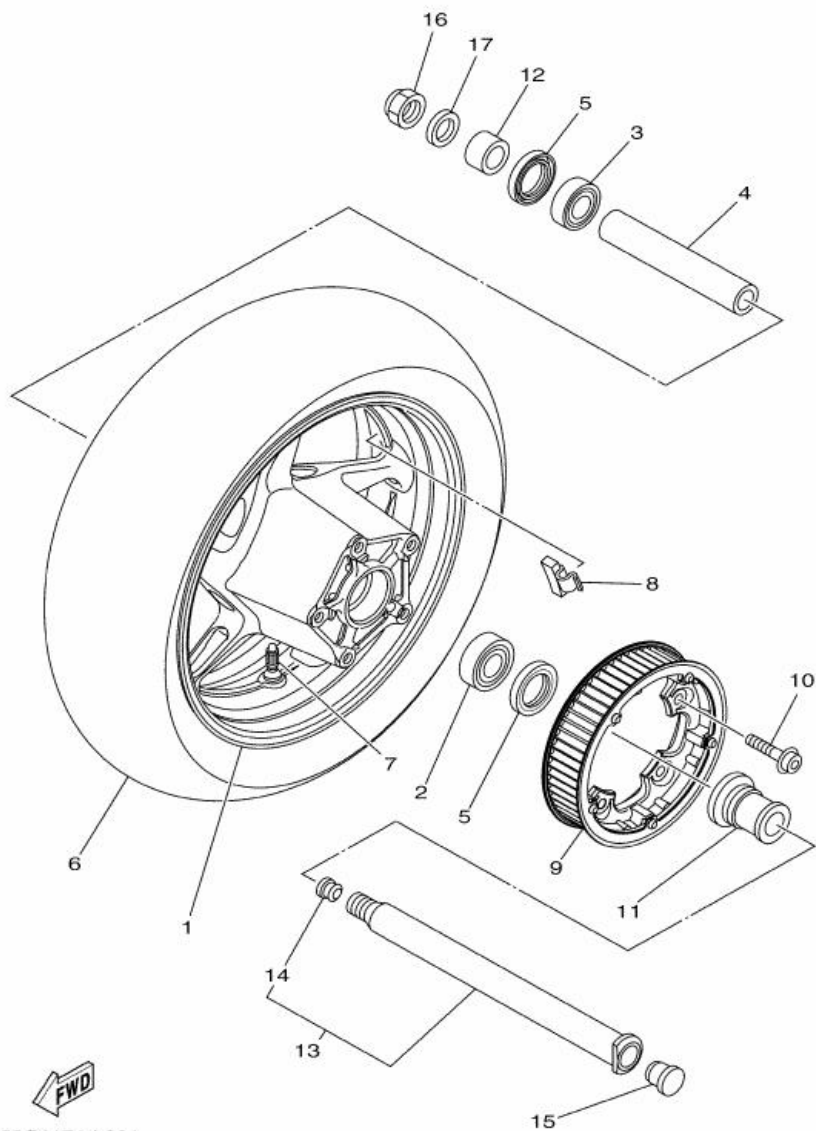
Fig. 29 FRONT BRAKE CALIPER



59C1300-L290

Ref. No.	Part No.	Description	Quantity	Remarks
1	59C-2581T-00	DISK BRAKE ASSY	2	
2	90109-083G4	BOLT	10	
3	4B5-2580T-20	CALIPER ASSY (LEFT)	1	
4	4SV-25802-10	PISTON ASSY, CALIPER	1	
5	3GM-25803-10	CALIPER SEAL KIT	1	
6	4SV-25802-00	PISTON ASSY, CALIPER	1	
7	3MA-25803-10	CALIPER SEAL KIT	1	
8	4B5-25805-00	BRAKE PAD KIT	1	
9	13S-25919-00	SUPPORT, PAD	1	
10	4SV-25924-00	PIN, PAD	1	
11	3GM-25925-00	CLIP	2	
12	1J3-25824-00	SCREW, BLEED	1	
13	306-25825-01	CAP	1	
14	4B5-2580U-20	CALIPER ASSY (RIGHT)	1	
15	4SV-25802-10	PISTON ASSY, CALIPER	1	
16	3GM-25803-10	CALIPER SEAL KIT	1	
17	4SV-25802-00	PISTON ASSY, CALIPER	1	
18	3MA-25803-10	CALIPER SEAL KIT	1	
19	4B5-25805-00	BRAKE PAD KIT	1	
20	13S-25919-00	SUPPORT, PAD	1	
21	4SV-25924-00	PIN, PAD	1	
22	3GM-25925-00	CLIP	2	
23	1J3-25824-00	SCREW, BLEED	1	
24	306-25825-01	CAP	1	
25	90105-105A7	BOLT, FLANGE	4	
26	5VU-23317-00	HOLDER, CABLE	1	

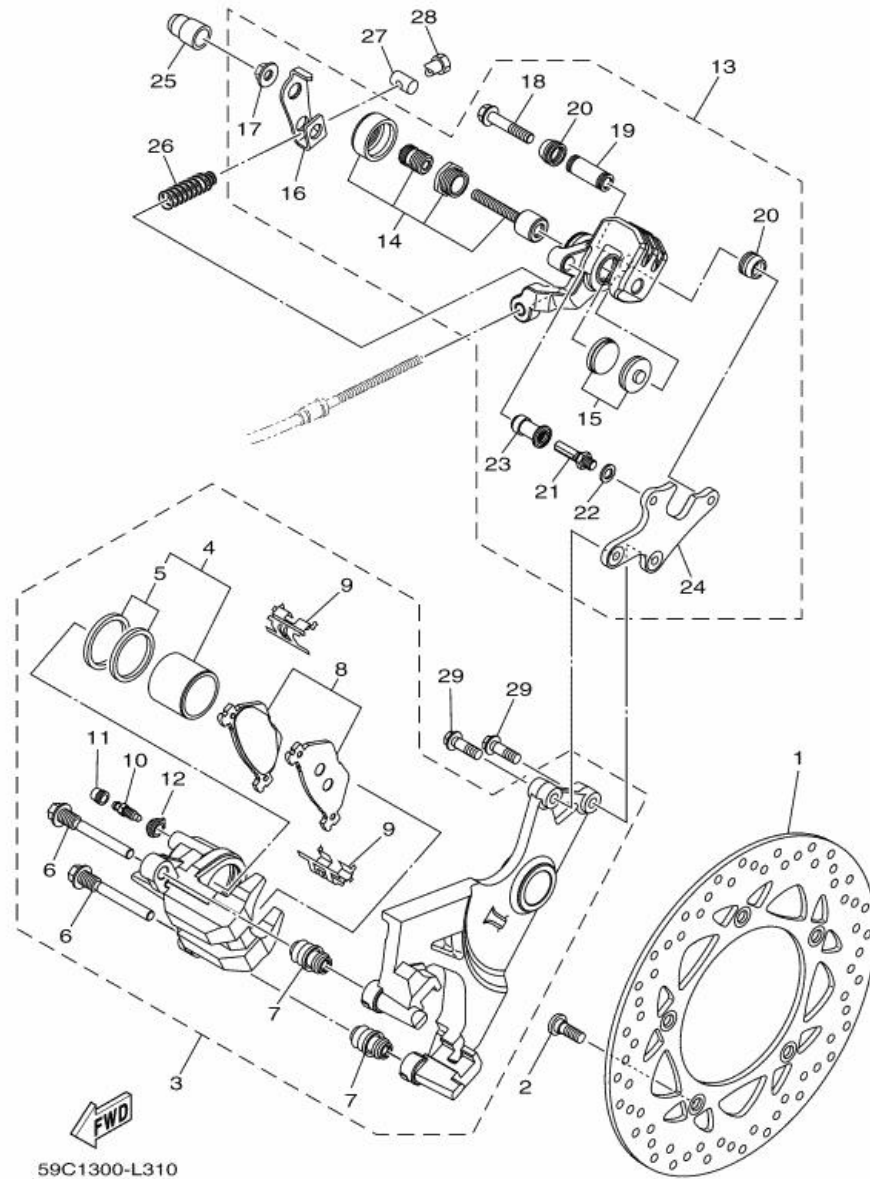
Fig. 30 REAR WHEEL



59C4171-L301

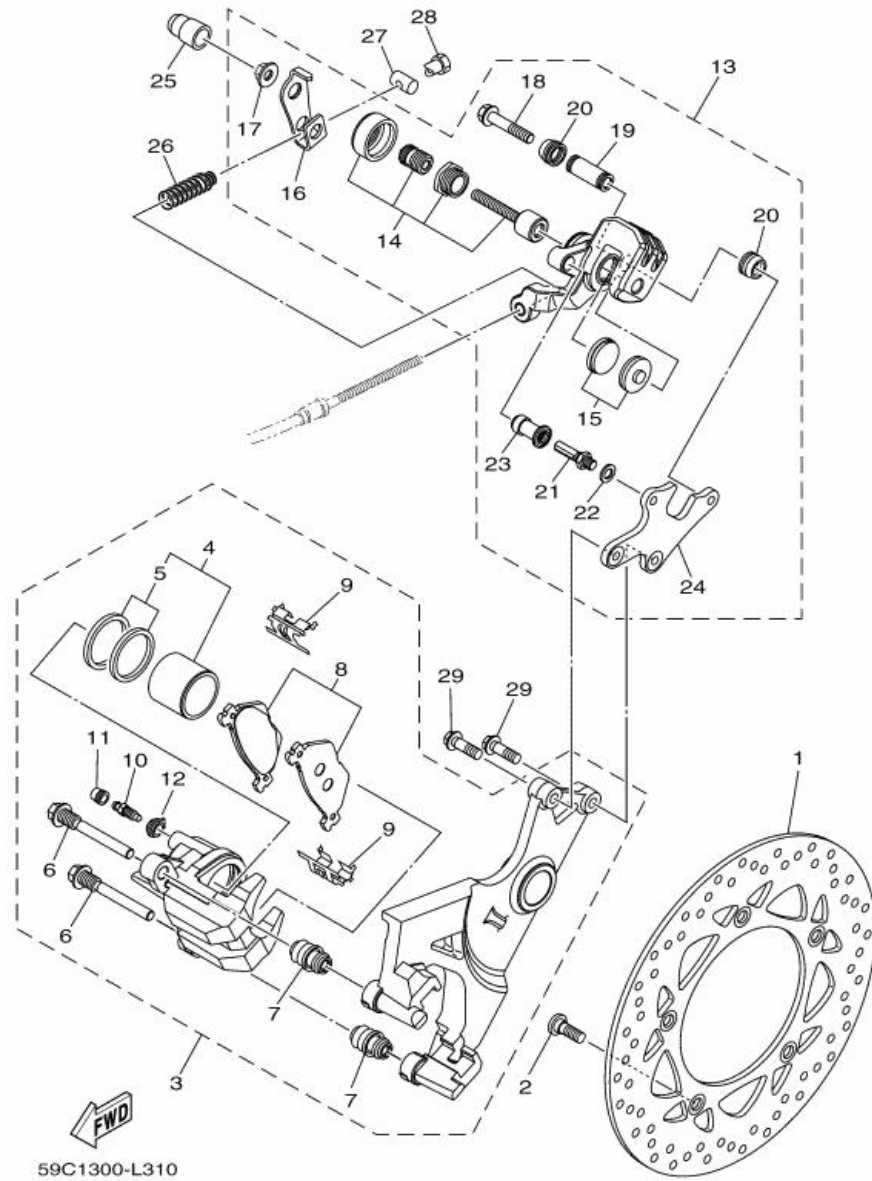
Ref. No.	Part No.	Description	Remarks
1	59C-25338-00-P0	CAST WHEEL, REAR	1 MDYNM2 FOR MDNM1
2	93306-205B5	BEARING	1
3	93306-07809	BEARING	1
4	59C-25317-01	SPACER, BEARING	1
5	93106-40013	OIL SEAL	2
<hr/>			
6	94116-15011	TIRE(160/60R15M/C 67H BT012R)	1 UR BRIDGESTONE
	94116-15012	TIRE(160/60R15M/C 67H GPR-100)	1 UR DUNLOP
7	93900-00030	VALVE, RIM (TR412)	1 TAIHEIYO
8	5MT-25398-00	BALANCER, WHEEL (10G)	1 UN
	5MT-25398-10	BALANCER, WHEEL (20G)	1 UN
<hr/>			
	5MT-25398-20	BALANCER, WHEEL (30G)	1 UN
9	59C-25470-00	SPROCKET, DRIVEN (70T)	1
10	90110-10025	BOLT, HEXAGON SOCKET HEAD	5
11	59C-2530S-00	COLLAR ASSY	1
12	59C-25377-00	COLLAR, WHEEL	1
<hr/>			
13	59C-2530E-01	REAR AXLE ASSY	1
14	90338-17004	PLUG	1
15	90338-24112	PLUG	1
16	90185-24007	NUT, SELF-LOCKING	1
17	90201-25020	WASHER, PLATE	1
<hr/>			

Fig. 31 REAR BRAKE CALIPER



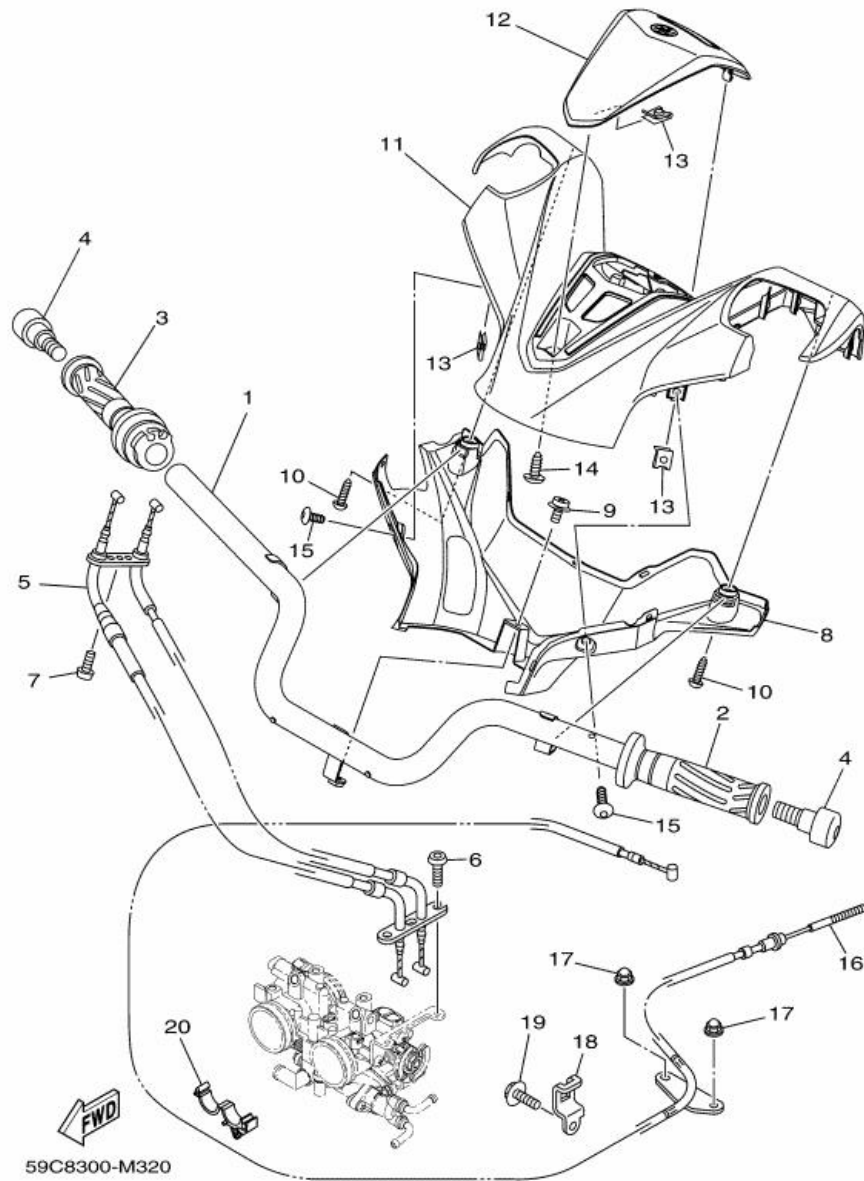
Ref. No.	Part No.	Description		Remarks
1	59C-2582W-00	DISK, REAR BRAKE 2	1	
2	90149-08009	SCREW	5	
3	59C-2580W-00	CALIPER ASSY, REAR 2	1	
4	59C-25802-00	PISTON ASSY, CALIPER	1	
5	59C-25803-00	CALIPER SEAL KIT	1	
6	59C-25914-00	PIN, SLIDE	2	
7	4TT-25937-00	BOOT 2	2	
8	59C-25806-00	BRAKE PAD KIT 2	1	
9	5JW-25919-00	SUPPORT, PAD	2	
10	5GM-25824-00	SCREW, BLEED	1	
11	1D7-25825-00	CAP	1	
12	5GM-25975-00	RUBBER, BUSHING	1	
13	59C-259A0-00	CALIPER ASSY 2	1	
14	59C-25802-50	PISTON ASSY, CALIPER	1	
15	59C-25805-50	BRAKE PAD KIT	1	
16	59C-259A3-00	ARM	1	
17	59C-259A4-00	NUT, ADJUSTING	1	
18	59C-25914-50	PIN, SLIDE	1	
19	59C-25838-00	SLEEVE, CALIPER	1	
20	1UY-25917-51	BOOT, CALIPER	2	
21	1UY-25926-51	BOLT	1	
22	1UY-25938-51	WASHER, SPRING	1	
23	1UY-25937-51	BOOT 2	1	
24	59C-25921-50	BRACKET, SUPPORT	1	
25	59C-25825-00	CAP	1	
26	59C-25333-00	SPRING, RETURN	1	
27	90249-12004	PIN	1	

Fig. 31 REAR BRAKE CALIPER



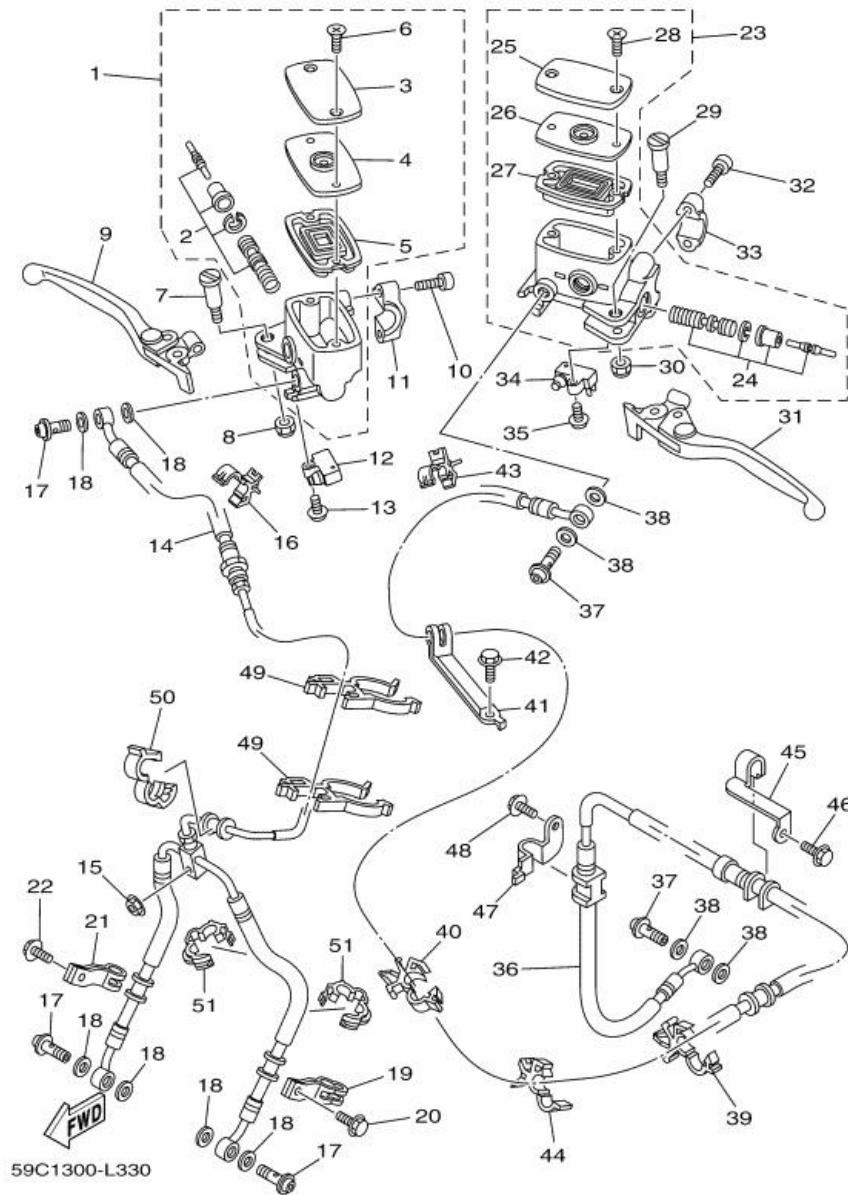
Ref. No.	Part No.	Description		Remarks
	28 90179-06018	NUT	1	
	29 90105-08440	BOLT, FLANGE	2	
<hr/>				
<hr/>				
<hr/>				
<hr/>				
<hr/>				
<hr/>				
<hr/>				
<hr/>				
<hr/>				
<hr/>				

Fig. 32 STEERING HANDLE & CABLE



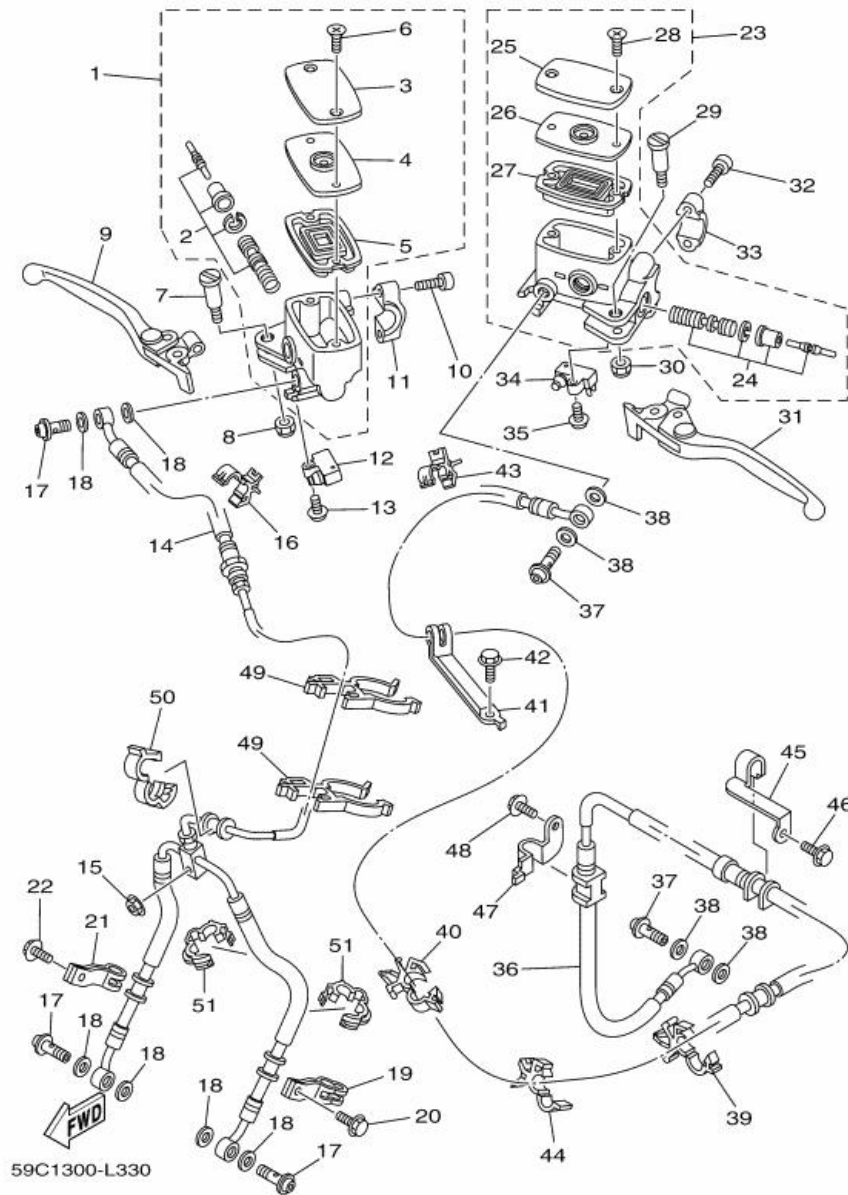
Ref. No.	Part No.	Description		Remarks
1	59C-26110-01	HANDLE COMP.	1	
2	4YR-26241-02	GRIP (LEFT)	1	
3	4YR-26240-02	GRIP ASSY	1	
4	3HX-26246-10	END, GRIP	2	
5	59C-26301-00	THROTTLE CABLE ASSY	1	
<hr/>				
6	92012-05012	BOLT, BUTTON HEAD	2	
7	98502-05020	SCREW, PAN HEAD	1	
8	59C-26144-00	COVER, HANDLEBAR LOWER 1	1	
9	90159-05032	SCREW, WITH WASHER	1	
10	90160-05014	SCREW, ROUND TAPPING	2	
<hr/>				
11	59C-26143-00	COVER, HANDLE UPPER 1	1	
12	59C-26145-00-P0	COVER, HAND UPPER 2	1	MBL2 FOR MDNM1
13	90183-05042	NUT, SPRING	3	
14	97702-50016	SCREW, TAPPING	1	
15	90167-05079	SCREW, TAPPING	2	
<hr/>				
16	59C-2835X-00	WIRE	1	
17	90176-06055	NUT, CROWN	2	
18	4B5-26131-00	GUIDE, CABLE 1	1	
19	95822-06010	BOLT, FLANGE	1	
20	90464-16006	CLAMP	1	
<hr/>				

Fig. 33 FRONT MASTER CYLINDER



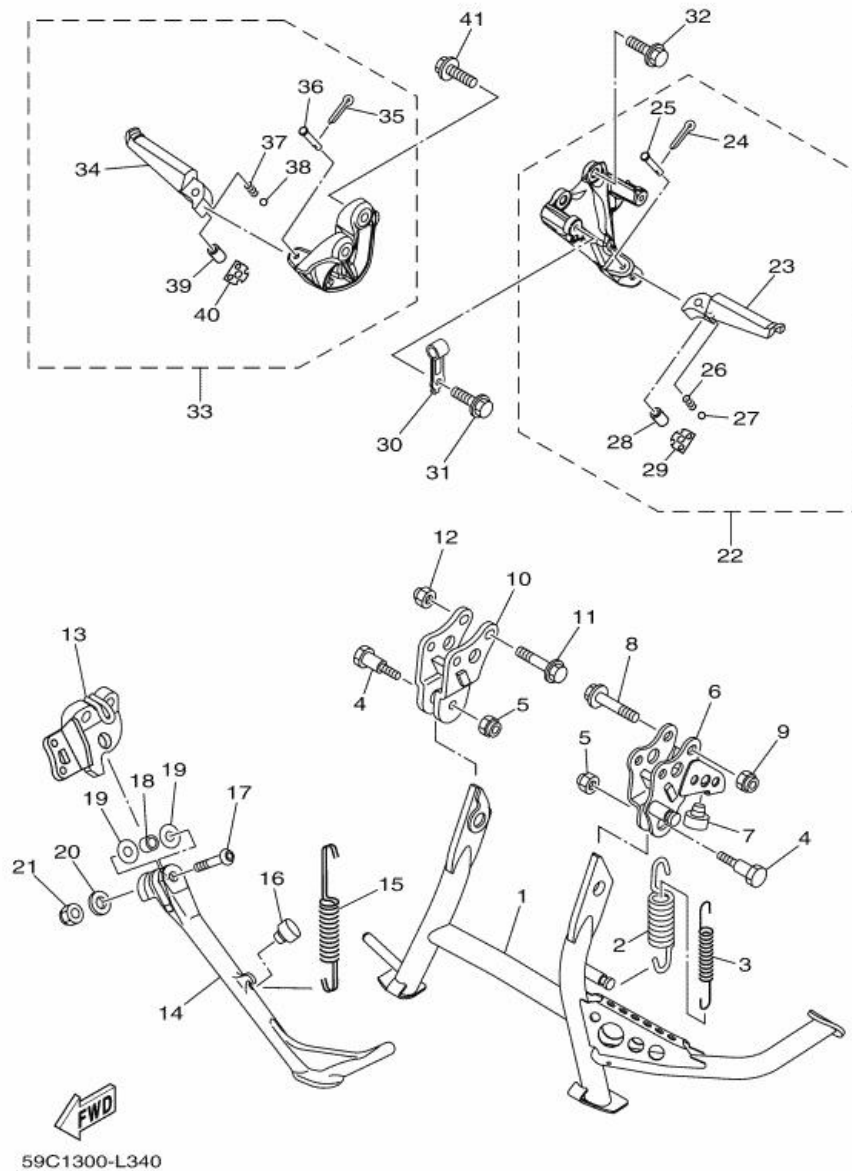
Ref. No.	Part No.	Description		Remarks
1	4B5-W2587-00	MASTER CYLINDER SUB ASSY	1	
2	4B5-W0041-00	CYLINDER KIT, MASTER	1	
3	4B5-25852-00	CAP, RESERVOIR	1	
4	4B5-25855-00	BUSH,DIAPHRAGM	1	
5	4B5-25854-00	DIAPHRAGM, RESERVOIR	1	
6	5VS-2589H-00	SCREW	2	
7	5VS-2589F-00	BOLT, LEVER	1	
8	95617-06100	NUT, U	1	
9	4B5-83922-00	LEVER 2	1	
10	5VS-26332-00	BOLT	2	
11	5VS-25867-00	BRACKET, MASTER CYLINDER	1	
12	36Y-82917-00	SWITCH	1	
13	97602-04214	SCREW, PAN HEAD WITH WASHER	1	
14	59C-25872-00	HOSE, BRAKE 1	1	
15	95702-06500	NUT, FLANGE	1	
16	90464-15192	CLAMP	1	
17	90401-10172	BOLT, UNION	3	
18	90430-10005	GASKET	6	
19	4B5-25886-00	HOLDER, BRAKE HOSE	1	
20	95802-06012	BOLT, FLANGE	1	
21	4B5-25875-00	HOLDER, BRAKE HOSE 1	1	
22	95802-06012	BOLT, FLANGE	1	
23	4B5-W2587-10	RR. MASTER CYLINDER ASSY.	1	
24	4B5-W0041-10	CYLINDER KIT, MASTER	1	
25	4B5-25852-00	CAP, RESERVOIR	1	
26	4B5-25855-00	BUSH,DIAPHRAGM	1	
27	4B5-25854-00	DIAPHRAGM, RESERVOIR	1	

Fig. 33 FRONT MASTER CYLINDER



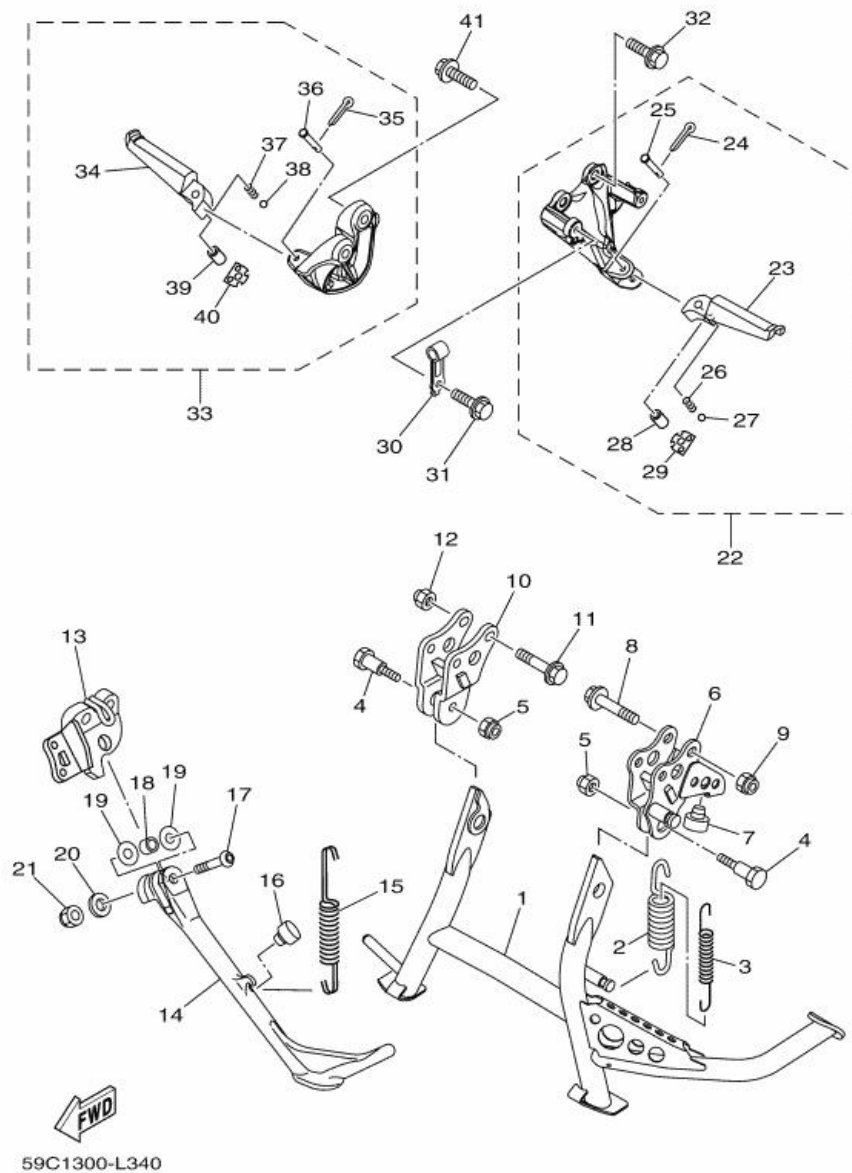
Ref. No.	Part No.	Description		Remarks
	28 5VS-2589H-00	SCREW	2	
	29 5VS-2589F-00	BOLT, LEVER	1	
	30 95617-06100	NUT, U	1	
	31 4B5-83912-00	LEVER 1	1	
	32 5VS-26332-00	BOLT	2	
<hr/>				
	33 5VS-25867-00	BRACKET, MASTER CYLINDER	1	
	34 36Y-83980-01	FRONT STOP SWITCH ASSY	1	
	35 97602-04214	SCREW, PAN HEAD WITH WASHER	1	
	36 59C-2584A-00	BRAKE HOSE ASSY	1	
	37 90401-10172	BOLT, UNION	2	
<hr/>				
	38 90430-10005	GASKET	4	
	39 90464-16006	CLAMP	1	
	40 90464-16006	CLAMP	1	
	41 59C-25887-00	HOLDER, BRAKE HOSE	1	
	42 95802-06010	BOLT, FLANGE	1	
<hr/>				
	43 90464-15192	CLAMP	1	
	44 90464-15192	CLAMP	1	
	45 59C-28216-00	PLATE, LOCK 1	1	
	46 95822-06012	BOLT, FLANGE	1	
	47 59C-28226-00	PLATE, LOCK 2	1	
<hr/>				
	48 95822-06012	BOLT, FLANGE	1	
	49 90464-43001	CLAMP	2	
	50 90464-16003	CLAMP	1	
	51 90464-14003	CLAMP	2	
<hr/>				

Fig. 34 STAND & FOOTREST



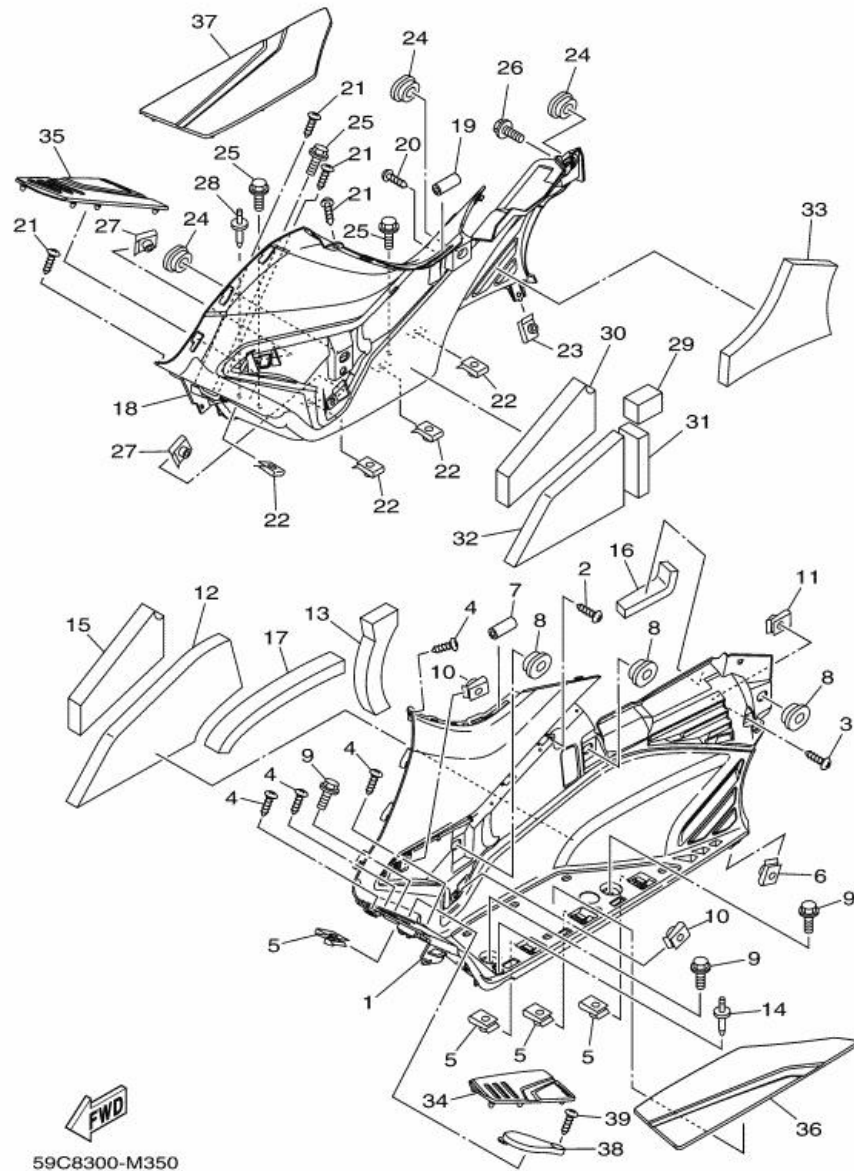
Ref. No.	Part No.	Description		Remarks
1	59C-27111-00	STAND, MAIN	1	
2	90506-40508	SPRING, TENSION	1	
3	90506-23509	SPRING, TENSION	1	
4	90109-10029	BOLT	2	
5	90185-10022	NUT, SELF-LOCKING	2	
6	59C-27151-00	BRACKET, MAIN STAND	1	
7	36C-27114-00	STOPPER, MAIN STAND	1	
8	90105-10283	BOLT, FLANGE	2	
9	90185-10022	NUT, SELF-LOCKING	2	
10	4B5-27152-00	BRACKET, MAIN STAND 2	1	
11	90105-10283	BOLT, FLANGE	2	
12	90185-10022	NUT, SELF-LOCKING	2	
13	4B5-27321-00	BRACKET, SIDE STAND	1	
14	59C-27311-00	STAND, SIDE	1	
15	90506-18020	SPRING, TENSION	1	
16	59C-27114-00	STOPPER	1	
17	90111-10007	BOLT, HEX. SOCKET BUTTON	1	
18	90387-10020	COLLAR	1	
19	90201-10051	WASHER, PLATE	2	
20	90201-10035	WASHER, PLATE	1	
21	90185-10012	NUT, SELF-LOCKING	1	
22	59C-27430-00	REAR FOOTREST ASSY 1	1	
23	3VR-27431-01	FOOTREST, REAR 1	1	
24	91402-20012	PIN, COTTER	1	
25	91702-06038	PIN, CLEVIS	1	
26	90501-15001	SPRING, COMPRESSION	1	
27	93501-04011	BALL	1	

Fig. 34 STAND & FOOTREST



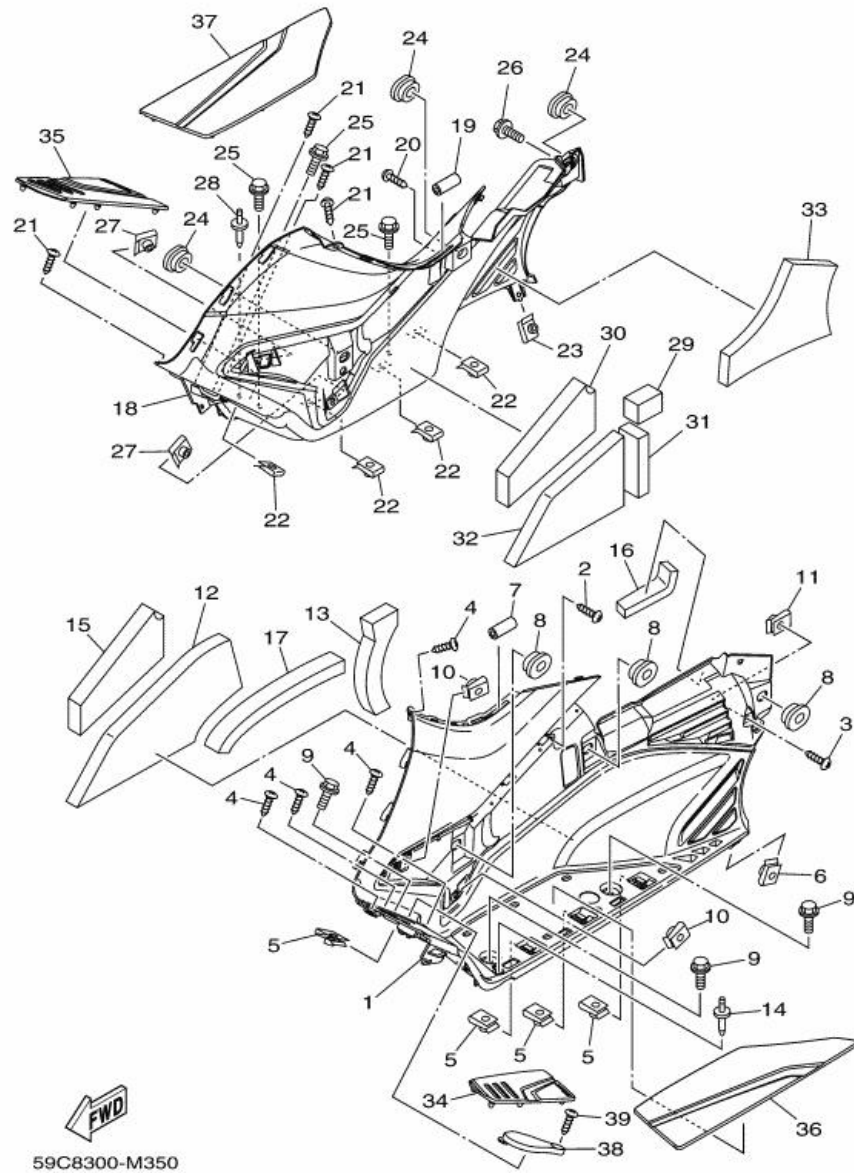
Ref. No.	Part No.	Description		Remarks
	28 90387-064H8	COLLAR	1	
	29 4B5-27437-00	WASHER, SPECIAL	1	
	30 59C-25876-00	HOLDER, BRAKE HOSE 2	1	
	31 95802-06014	BOLT, FLANGE	1	
	32 95812-08025	BOLT, FLANGE	2	
	33 59C-27440-00	REAR FOOTREST ASSY 2	1	
	34 3VR-27441-01	FOOTREST, REAR 2	1	
	35 91402-20012	PIN, COTTER	1	
	36 91702-06038	PIN, CLEVIS	1	
	37 90501-15001	SPRING, COMPRESSION	1	
	38 93501-04011	BALL	1	
	39 90387-064H8	COLLAR	1	
	40 4B5-27437-00	WASHER, SPECIAL	1	
	41 95812-08025	BOLT, FLANGE	2	

Fig. 35 STAND & FOOTREST 2



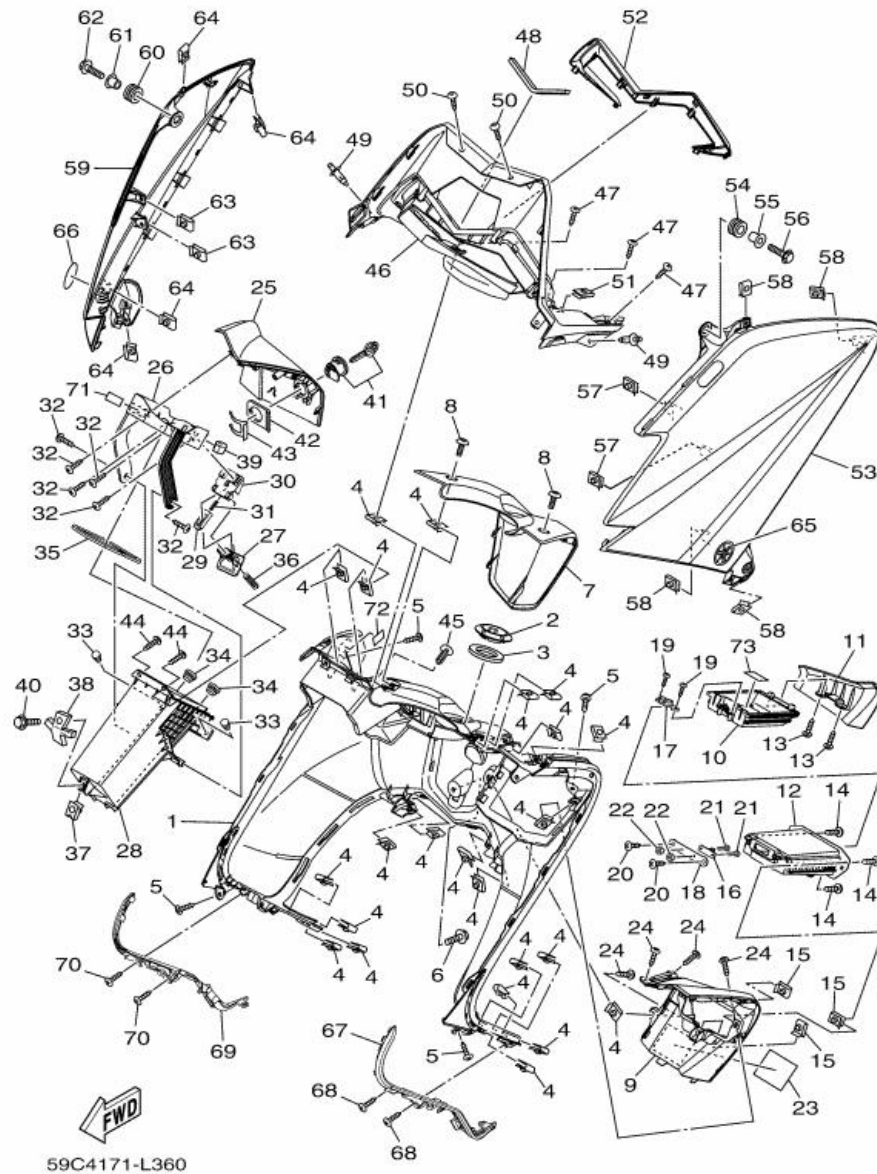
Ref. No.	Part No.	Description		Remarks
1	59C-27481-00	BOARD, FOOTREST	1	
2	97702-50016	SCREW, TAPPING	1	
3	97702-50016	SCREW, TAPPING	1	
4	97702-50016	SCREW, TAPPING	4	
5	90183-05042	NUT, SPRING	4	
6	90183-050A6	NUT, SPRING	1	
7	59C-28329-00	SPACER	1	
8	90480-01559	GROMMET	3	
9	90119-06209	BOLT, WITH WASHER	3	
10	90183-060A6	NUT, SPRING	2	
11	90183-05042	NUT, SPRING	1	
12	59C-2836T-00	DAMPER, LOCATING 1	1	
13	59C-21779-00	DAMPER, LOCATING 2	1	
14	90269-07001	RIVET	1	
15	59C-28227-00	DAMPER 2	1	
16	59C-28247-00	DAMPER 4	1	
17	90520-25001	DAMPER, PLATE	1	
18	59C-27488-00	BOARD, FOOTREST 2	1	
19	59C-28329-00	SPACER	1	
20	97702-50016	SCREW, TAPPING	1	
21	97702-50016	SCREW, TAPPING	4	
22	90183-05042	NUT, SPRING	4	
23	90183-050A6	NUT, SPRING	1	
24	90480-01559	GROMMET	3	
25	90119-06209	BOLT, WITH WASHER	3	
26	90119-06235	BOLT, WITH WASHER	1	
27	90183-060A6	NUT, SPRING	2	

Fig. 35 STAND & FOOTREST 2



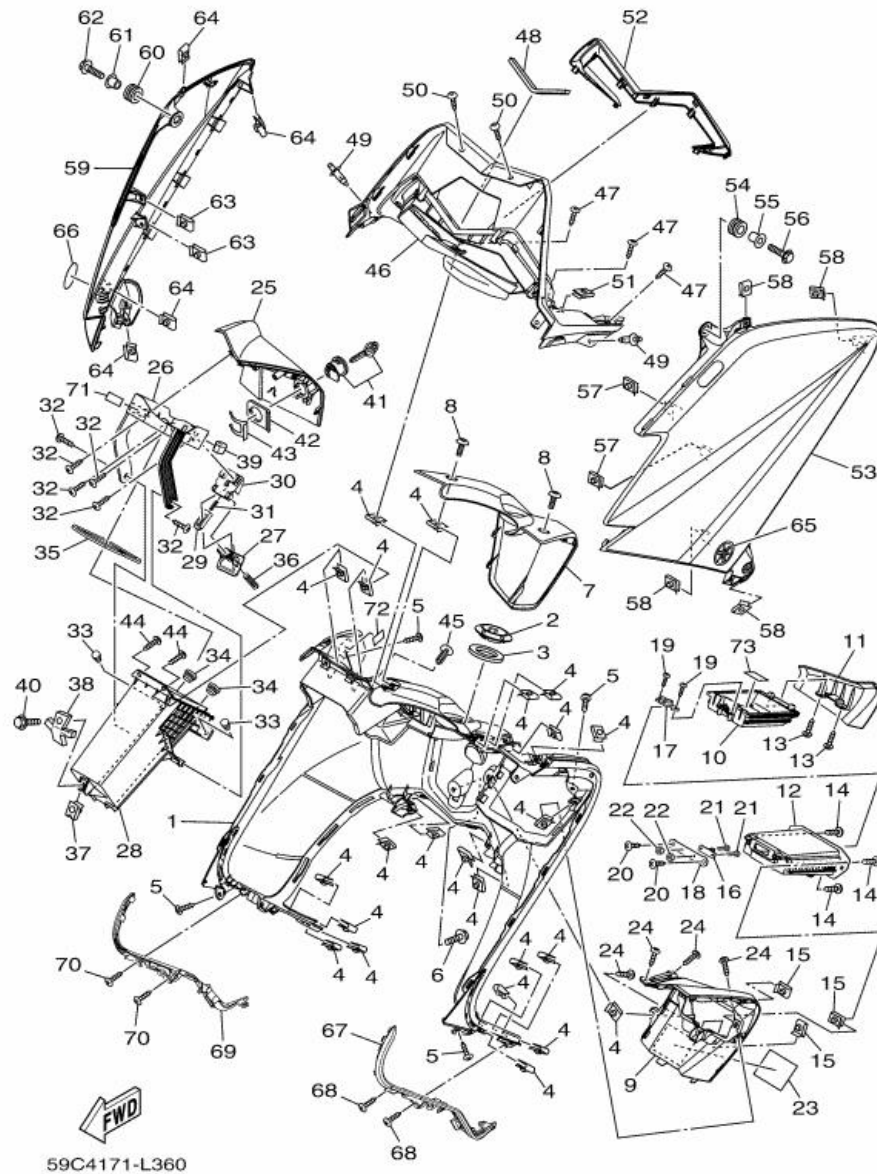
Ref. No.	Part No.	Description		Remarks
	28 90269-07001	RIVET	1	
	29 5UX-21649-00	DAMPER	1	
	30 59C-28227-10	DAMPER 2	1	
	31 4B5-28227-00	DAMPER 2	1	
	32 59C-21747-00	DAMPER	1	
	33 59C-28237-00	DAMPER 3	1	
	34 59C-27483-00	MAT 1	1	
	35 59C-27484-00	MAT 2	1	
	36 59C-27493-00	MAT 3	1	
	37 59C-27494-00	MAT 4	1	
	38 59C-27463-00	COVER 2	1	
	39 97702-50016	SCREW, TAPPING	1	

Fig. 36 LEG SHIELD



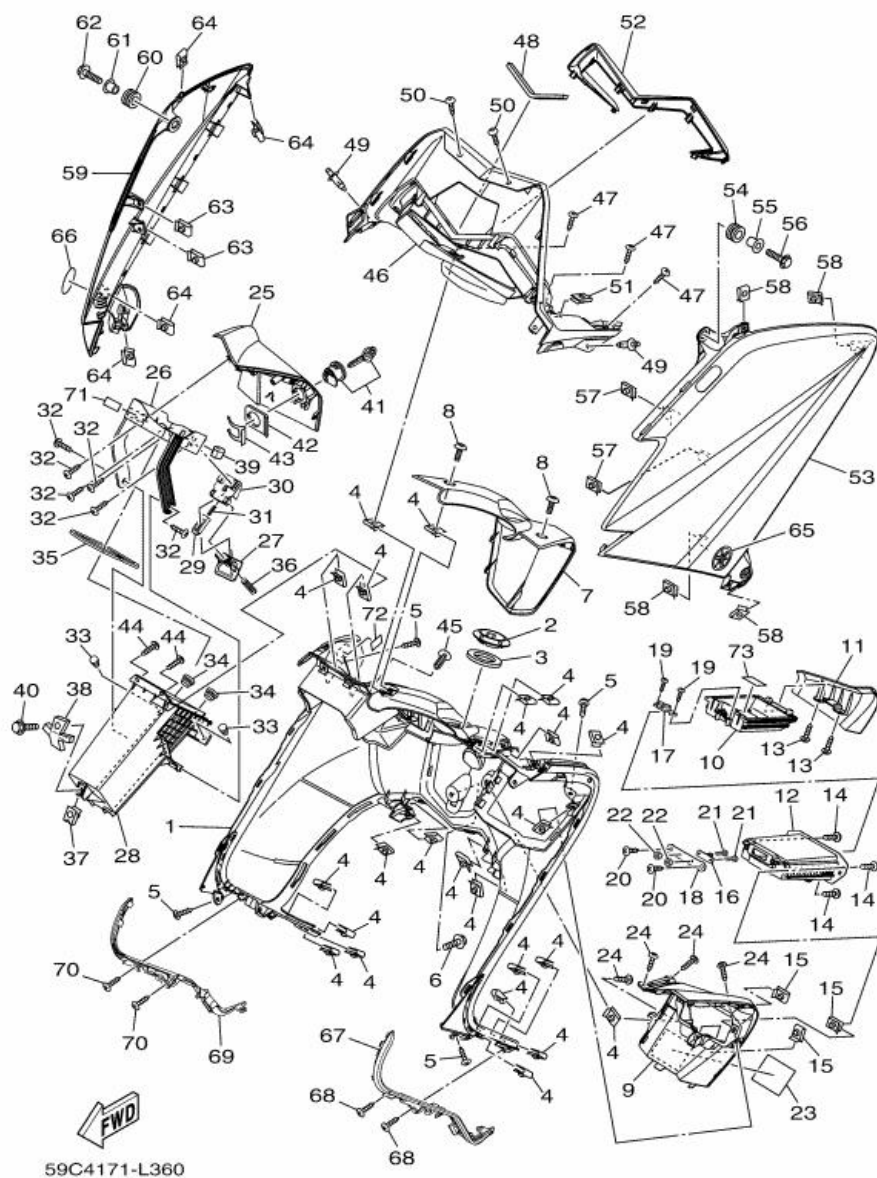
Ref. No.	Part No.	Description		Remarks
	1	59C-28311-00	LEG SHIELD 1	1
	2	4B5-82552-00	CAP, SWITCH	1
	3	5VU-28307-00	SEAL	1
	4	90183-05042	NUT, SPRING	23
	5	97707-50016	SCREW, TRUSS HEAD TAPPING	4
<hr/>				
	6	90119-06212	BOLT, WITH WASHER	1
	7	59C-28312-00	LEG SHIELD 2	1
	8	90167-05076	SCREW, TAPPING	2
	9	59C-28313-00	LID	1
	10	59C-2836M-00	PANEL, INNER 3	1
<hr/>				
	11	59C-2836X-00	KNOB, 1	1
	12	59C-2838K-00	BOX 1	1
	13	97702-50016	SCREW, TAPPING	2
	14	90169-05001	TAPPING SCREW	3
	15	90183-05042	NUT, SPRING	3
<hr/>				
	16	59C-5271A-00	LATCH 1	1
	17	59C-64848-00	CATCH	1
	18	59C-28367-00	BRACKET	1
	19	90160-03002	SCREW, ROUND TAPPING	2
	20	90160-05015	SCREW, ROUND TAPPING	2
<hr/>				
	21	90150-03008	SCREW, ROUND HEAD	2
	22	90185-03002	NUT, SELF-LOCKING	2
	23	4C8-2118K-10	LABEL, CAUTION	1
	24	97702-50016	SCREW, TAPPING	4
	25	59C-2839K-00	LID 1	1
<hr/>				
	26	59C-2836N-00	PANEL, INNER 4	1
	27	59C-2836Y-00	KNOB, 2	1

Fig. 36 LEG SHIELD



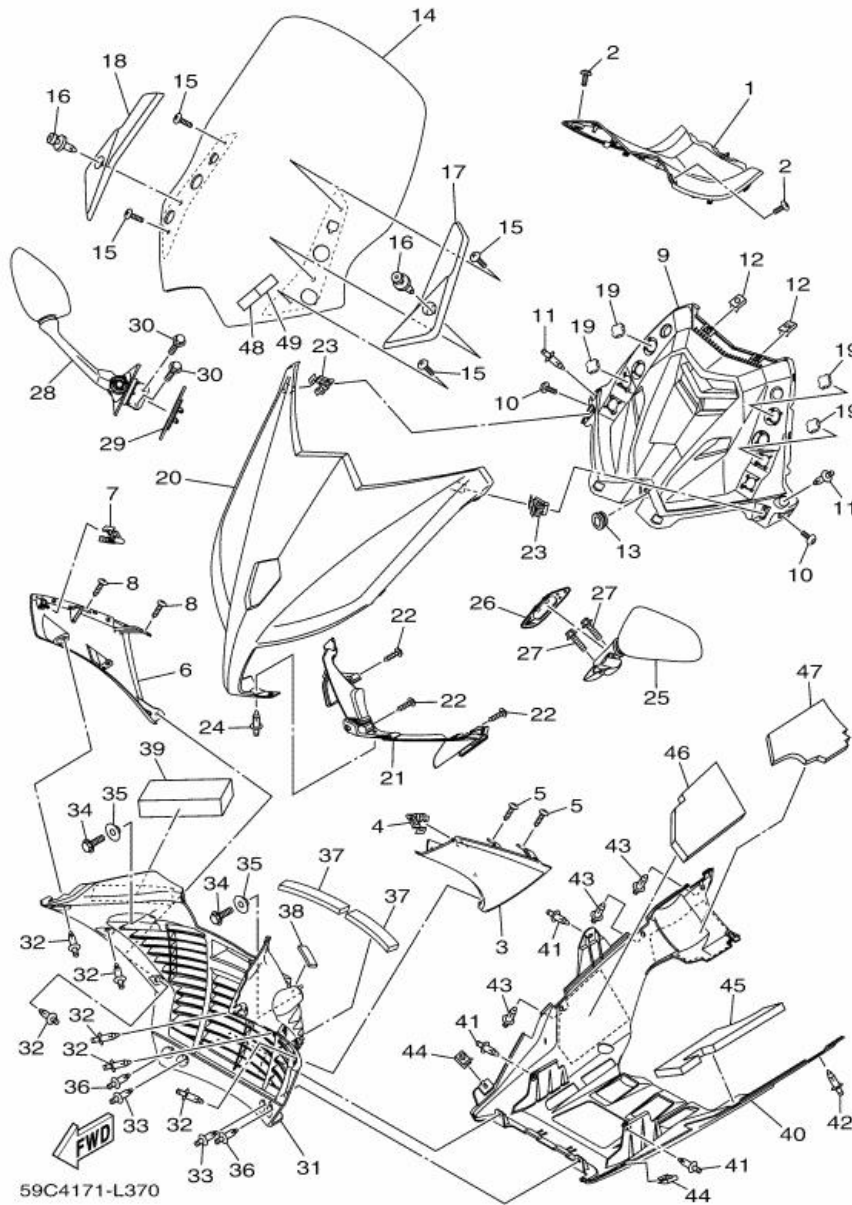
Ref. No.	Part No.	Description	Quantity	Remarks
	28 59C-2838L-00	BOX 2	1	
	29 59C-28235-00	PIN, LOCK	1	
	30 59C-2848Y-00	COVER, LOCK	1	
	31 59C-28388-00	SPRING	1	
	32 97702-50016	SCREW, TAPPING	6	
	33 90338-06018	PLUG	2	
	34 90338-10132	PLUG	2	
	35 90520-06003	DAMPER, PLATE	1	
	36 59C-2838C-00	SPRING 2	1	
	37 90183-06069	NUT, SPRING	1	
	38 59C-24724-00	DAMPER, SEAT	1	
	39 5JX-21778-00	DAMPER, LOCATING 1	1	
	40 90119-06241	BOLT, WITH WASHER	1	
	41 59C-28407-00	LOCK SET 2	1	
	42 59C-2117K-00	STAY, LOCK	1	
	43 59C-2176V-00	SPRING, LOCK 2	1	
	44 97702-50016	SCREW, TAPPING	2	
	45 90269-03001	RIVET	1	
	46 59C-2836K-00	PANEL, INNER 1	1	
	47 97702-50016	SCREW, TAPPING	3	
	48 90520-03012	DAMPER, PLATE	1	
	49 90269-06001	RIVET	2	
	50 90111-05002	BOLT, HEX. SOCKET BUTTON	2	
	51 90183-05042	NUT, SPRING	1	
	52 59C-2839R-00-P0	PANEL, ACCESSORY	1	MBL2 FOR MDNM1
	53 59C-28351-00-P2	BODY, COWLING	1	FOR MDNM1
	54 90480-14003	GROMMET	1	

Fig. 36 LEG SHIELD



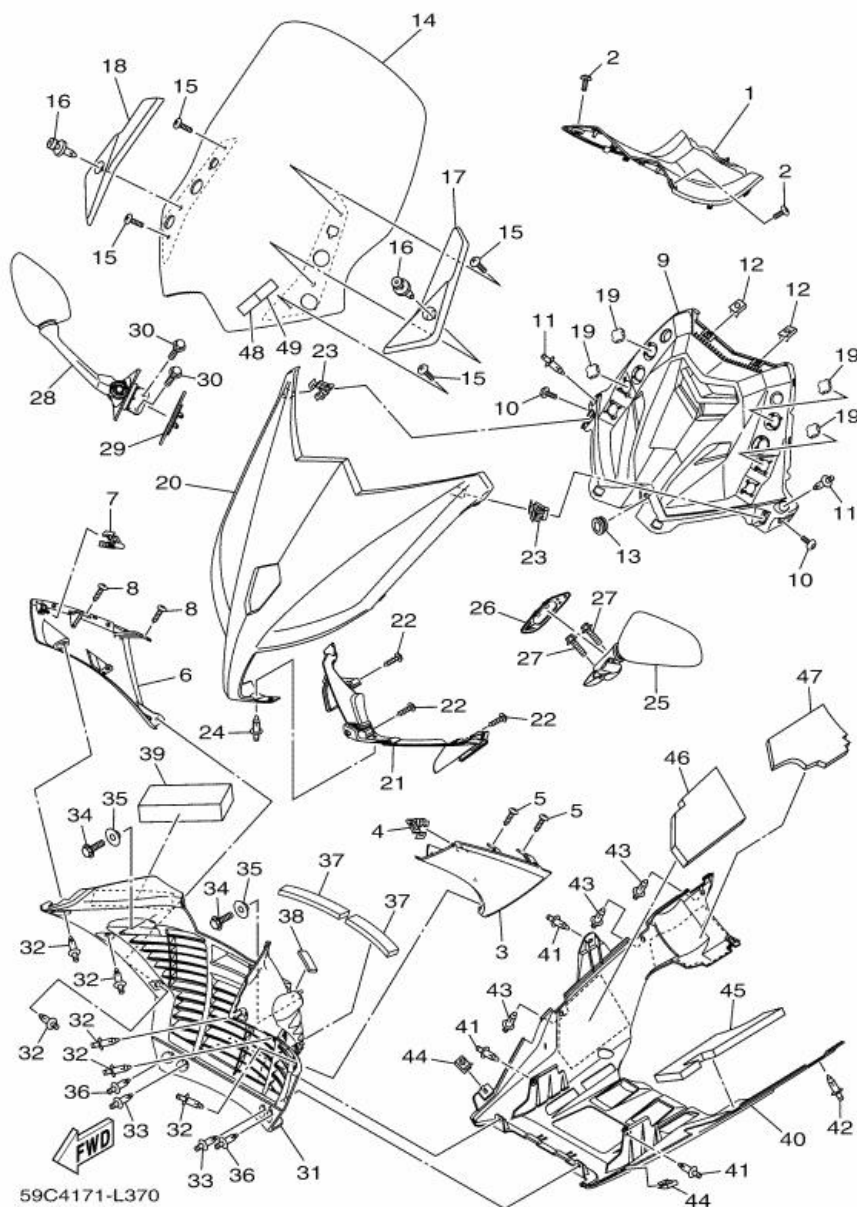
Ref. No.	Part No.	Description	Quantity	Remarks
	55 90387-0602X	COLLAR	1	
	56 95822-06020	BOLT, FLANGE	1	
	57 90183-060A6	NUT, SPRING	2	
	58 90183-05042	NUT, SPRING	4	
	59 59C-28377-00-P2	BODY, COWLING 2	1	FOR MDNM1
<hr/>				
	60 90480-14003	GROMMET	1	
	61 90387-0602X	COLLAR	1	
	62 95822-06020	BOLT, FLANGE	1	
	63 90183-060A6	NUT, SPRING	2	
	64 90183-05042	NUT, SPRING	4	
<hr/>				
	65 5SL-2413B-00	EMBLEM	1	
	66 5SL-2413B-00	EMBLEM	1	
	67 59C-28396-00	PLATE 1	1	
	68 97702-50016	SCREW, TAPPING	2	
	69 59C-28397-00	PLATE 2	1	
<hr/>				
	70 97702-50016	SCREW, TAPPING	2	
	71 4BR-24877-A0	LABEL, CAUTION	1	
	72 4BR-24877-B1	LABEL, CAUTION	1	
	73 59C-24877-B0	LABEL, CAUTION	1	
<hr/>				

Fig. 37 WINDSHIELD



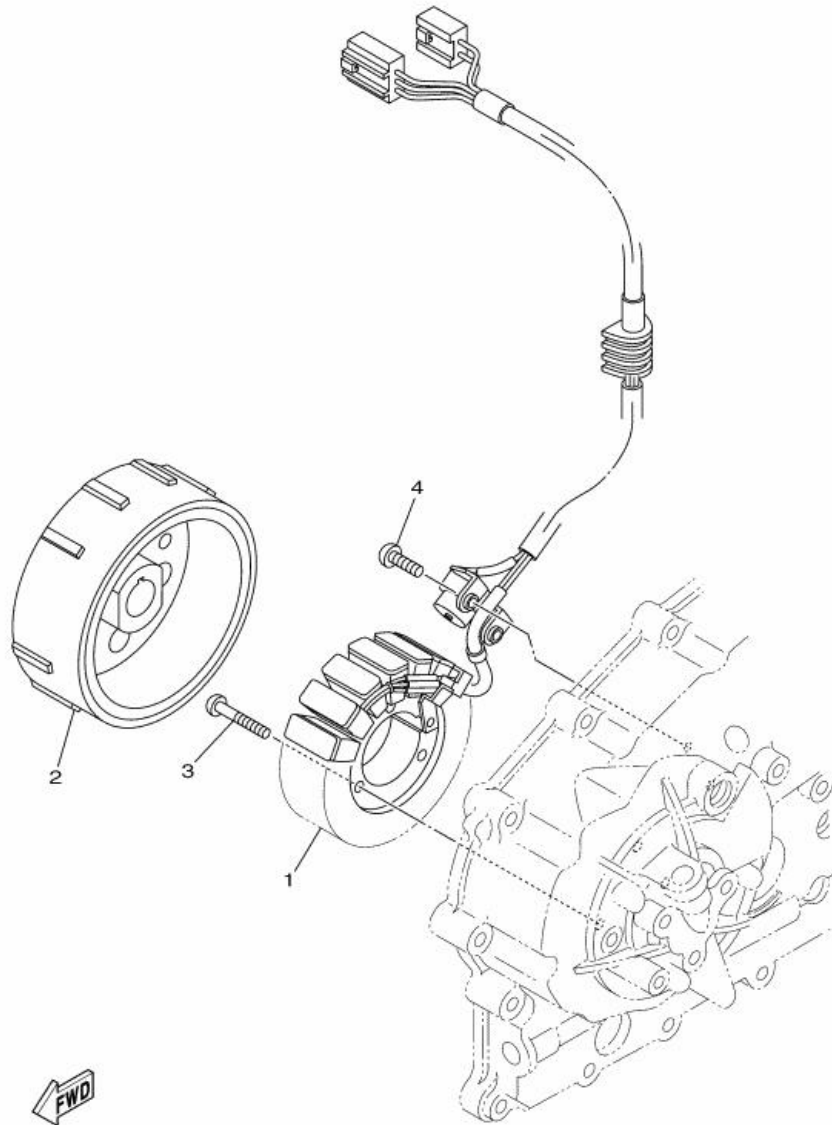
Ref. No.	Part No.	Description	Quantity	Remarks
1	59C-28365-01	COVER	1	
2	90167-05076	SCREW, TAPPING	2	
3	59C-2835U-00	PANEL 1	1	
4	90468-040A0	CLIP	1	
5	97702-50016	SCREW, TAPPING	2	
6	59C-2835V-00	PANEL 2	1	
7	90468-040A0	CLIP	1	
8	97702-50016	SCREW, TAPPING	2	
9	59C-2836L-00	PANEL, INNER 2	1	
10	90167-05076	SCREW, TAPPING	2	
11	90269-06001	RIVET	2	
12	90183-05076	NUT, SPRING	2	
13	90480-01559	GROMMET	1	
14	59C-2837U-00	SCREEN	1	
15	90150-05024	SCREW, ROUND HEAD	4	
16	90269-08007	RIVET	2	
17	59C-2842A-00	COVER 5	1	
18	59C-2843C-00	COVER 6	1	
19	59C-28349-00	CAP	4	
20	59C-22865-00-P1	COVER, FRONT	1	FOR MDNM1
21	59C-28345-00-P1	MOLE 1	1	FOR MDNM1
22	97702-50016	SCREW, TAPPING	3	
23	90468-040A0	CLIP	2	
24	90269-06008	RIVET	1	
25	59C-26280-00	REAR VIEW MIRROR ASSY (LEFT)	1	
26	59C-2628N-00	BASE, MIRROR (LEFT)	1	
27	95822-06020	BOLT, FLANGE	2	

Fig. 37 WINDSHIELD



Ref. No.	Part No.	Description		Remarks
	28 59C-26290-00	REAR VIEW MIRROR ASSY (RIGHT)	1	
	29 59C-2628R-00	BASE, MIRROR (RIGHT)	1	
	30 95822-06020	BOLT, FLANGE	2	
	31 59C-21557-00	DUCT, AIR	1	
	32 90269-06008	RIVET	6	
	33 90269-06008	RIVET	2	
	34 95802-06014	BOLT, FLANGE	2	
	35 90387-060U0	COLLAR	2	
	36 90269-06008	RIVET	2	
	37 90520-10015	DAMPER, PLATE	2	
	38 90520-03011	DAMPER, PLATE	1	
	39 90520-50003	DAMPER, PLATE	1	
	40 59C-21553-00	FENDER, INNER 2	1	
	41 90269-06008	RIVET	3	
	42 90269-06008	RIVET	1	
	43 90269-06008	RIVET	3	
	44 90183-05042	NUT, SPRING	2	
	45 59C-2847R-00	DAMPER 10	1	
	46 59C-2847N-00	DAMPER 8	1	
	47 59C-2847P-00	DAMPER 9	1	
	48 59C-2815K-00	LABEL, NOTICE WINDSHIELD 1	1	
	49 59C-2815K-10	LABEL, NOTICE WINDSHIELD 1	1	

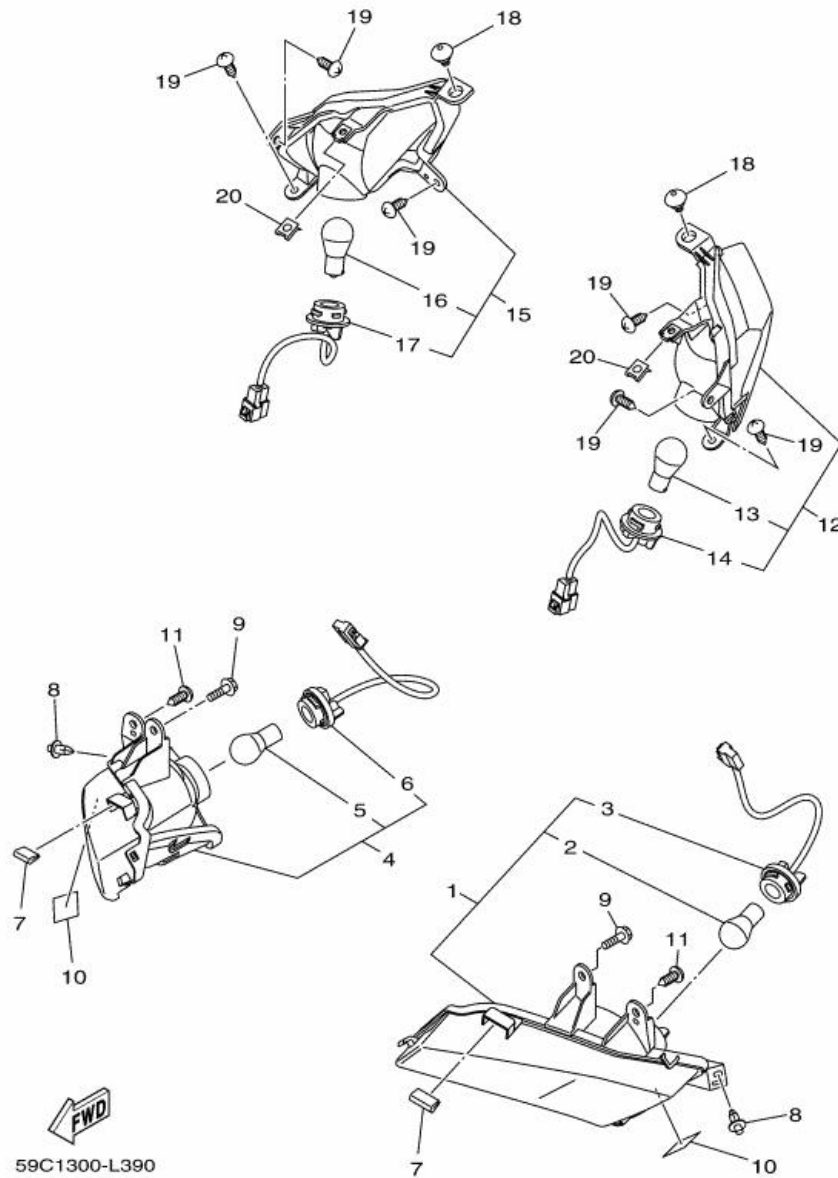
Fig. 38 GENERATOR



59C1300-L380

Ref. No.	Part No.	Description		Remarks
1	59C-81410-00	STATOR ASSY	1	
2	59C-81450-00	ROTOR ASSY	1	
3	90149-06093	SCREW	3	
4	90149-06082	SCREW	2	

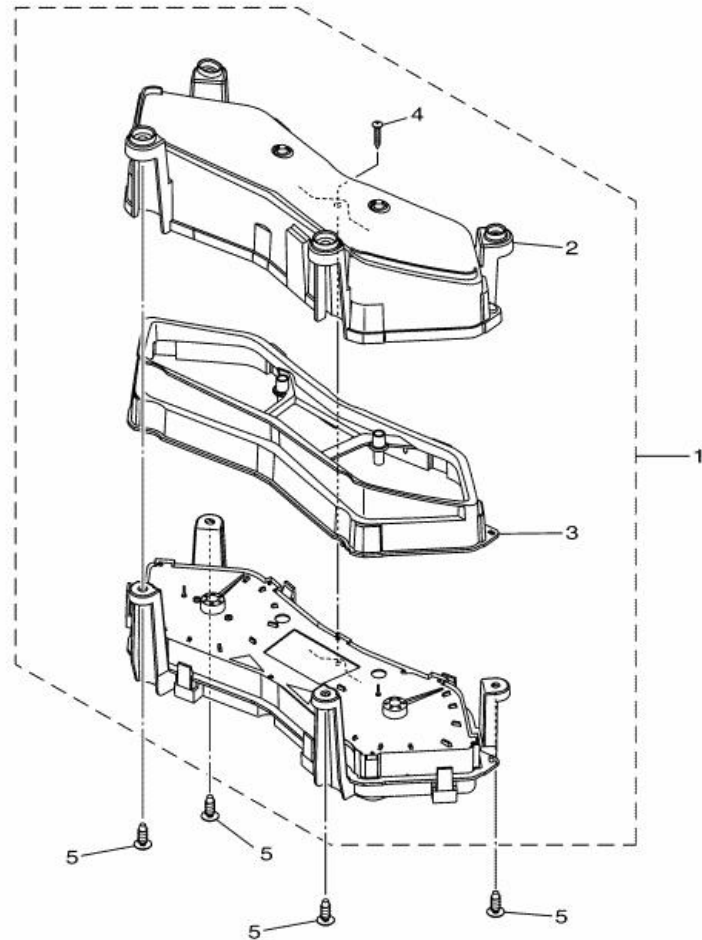
Fig. 39 FLASHER LIGHT



59C1300-L390

Ref. No.	Part No.	Description		Remarks
1	59C-83310-10	FRONT FLASHER LIGHT ASSY 1	1	
2	59C-83311-10	BULB, FLASHER (12V P21/5W)	1	
3	59C-83336-20	CORD	1	
4	59C-83320-10	FRONT FLASHER LIGHT ASSY 2	1	
5	59C-83311-10	BULB, FLASHER (12V P21/5W)	1	
<hr/>				
6	59C-83346-20	CORD	1	
7	34B-24785-00	MOLD, SEAT	2	
8	90269-06008	RIVET	2	
9	90119-06156	BOLT, WITH WASHER	2	
10	90520-02009	DAMPER, PLATE	2	
<hr/>				
11	97702-50016	SCREW, TAPPING	2	
12	59C-83330-00	REAR FLASHER LIGHT ASSY 1	1	
13	59C-83311-00	BULB, FLASHER (12V PY21W)	1	
14	59C-83336-10	CORD	1	
15	59C-83340-00	REAR FLASHER LIGHT ASSY 2	1	
<hr/>				
16	59C-83311-00	BULB, FLASHER (12V PY21W)	1	
17	59C-83346-10	CORD	1	
18	90109-06249	BOLT	2	
19	97702-50016	SCREW, TAPPING	6	
20	90183-05042	NUT, SPRING	2	
<hr/>				

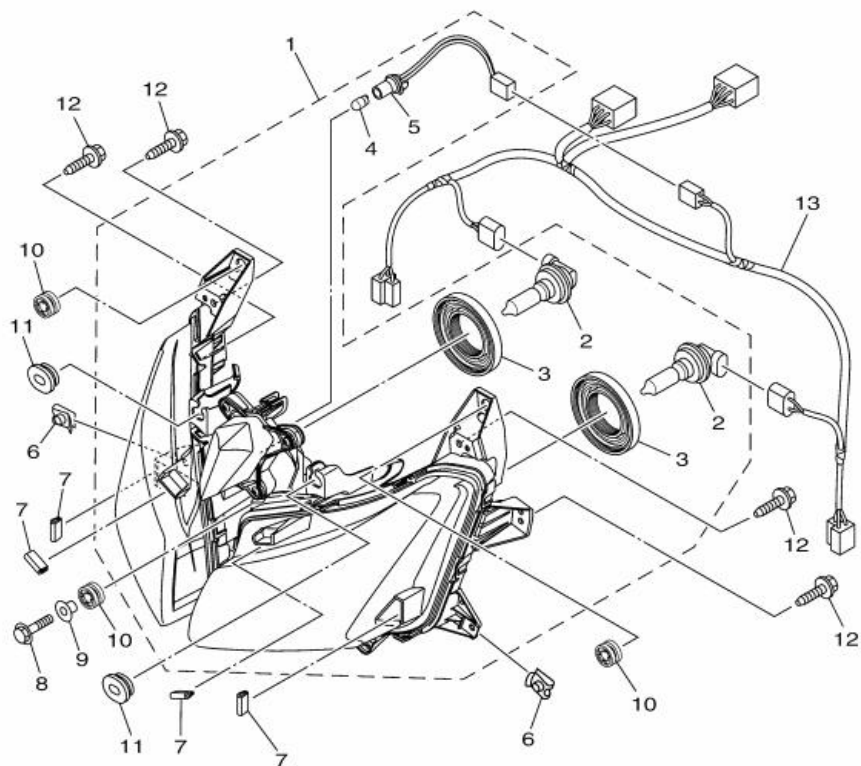
Fig. 40 METER



59C1300-L400

Ref. No.	Part No.	Description		Remarks
1	59C-83500-50	METER ASSY (KM/H)	1	
2	59C-83511-00	LENS, SPEEDOMETER	1	
3	59C-8353L-00	REFLECTOR	1	
4	4AS-83616-10	SCREW, TAPPING	9	
5	97702-50016	SCREW, TAPPING	4	

Fig. 41 HEADLIGHT

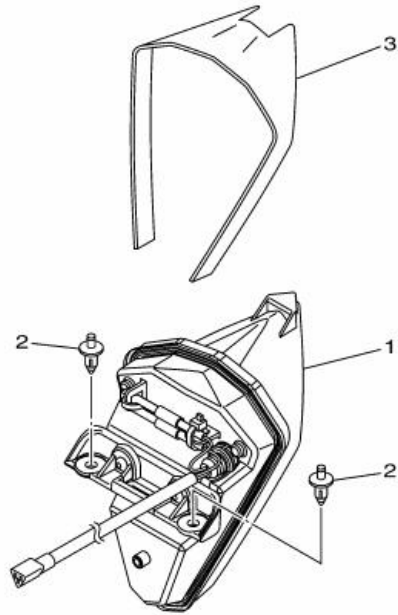


59C4171-L410

Ref. No.	Part No.	Description		Remarks
1	59C-84300-00	HEADLIGHT ASSY	1	
2	4D9-84314-01	BULB (12V-55W, H11)	2	
3	4D9-84396-00	COVER	2	
4	59C-84347-00	BULB (12V-5W) W5W	1	
5	59C-84340-00	SOCKET CORD ASSY 1	1	
6	90183-06069	NUT, SPRING	2	
7	34B-24785-00	MOLD, SEAT	4	
8	95822-06020	BOLT, FLANGE	1	
9	90387-06161	COLLAR	1	
10	5PS-83513-00	DAMPER	3	
11	90480-01559	GROMMET	2	
12	90119-06156	BOLT, WITH WASHER	4	
13	59C-84359-10	CORD, HEADLIGHT	1	

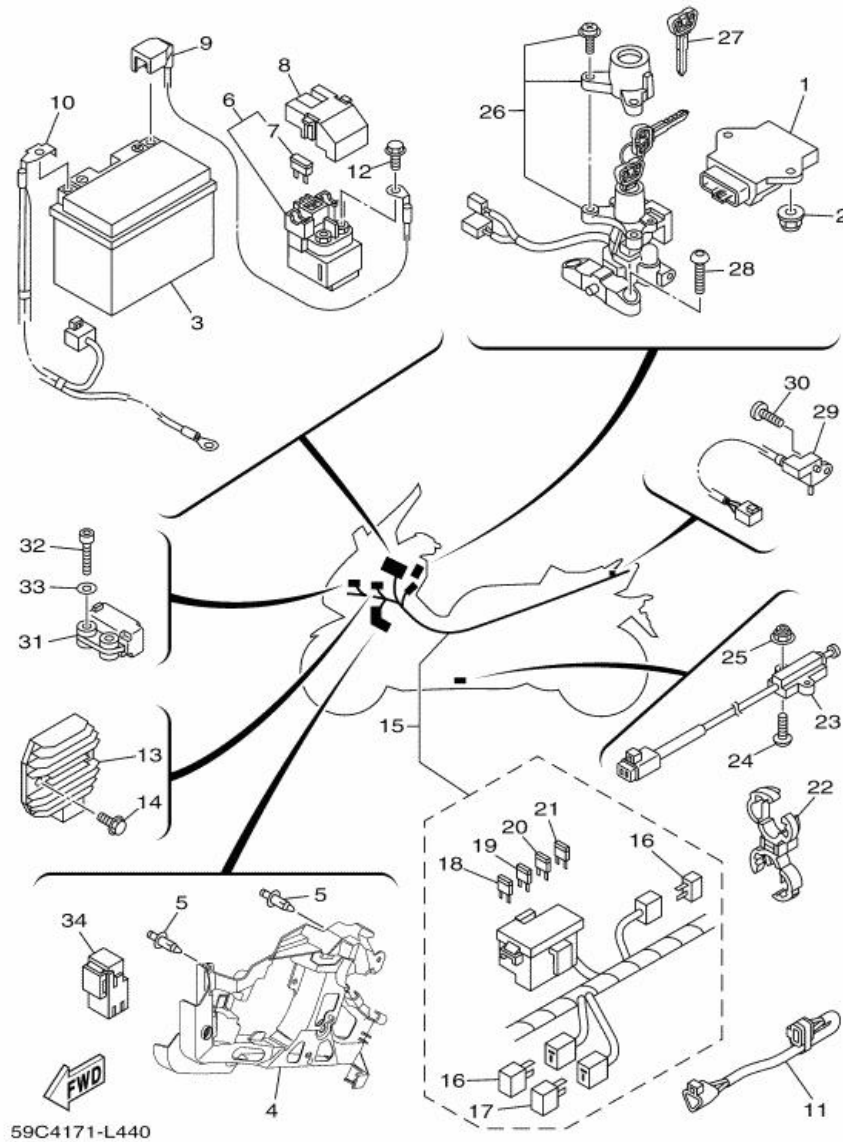
Fig. 42 TAILLIGHT

Ref. No.	Part No.	Description	1	Remarks
1	4C8-84710-10	TAILLIGHT UNIT ASSY	1	
2	90269-06008	RIVET	2	
3	59C-84736-00	DAMPER, TAIL 1	1	



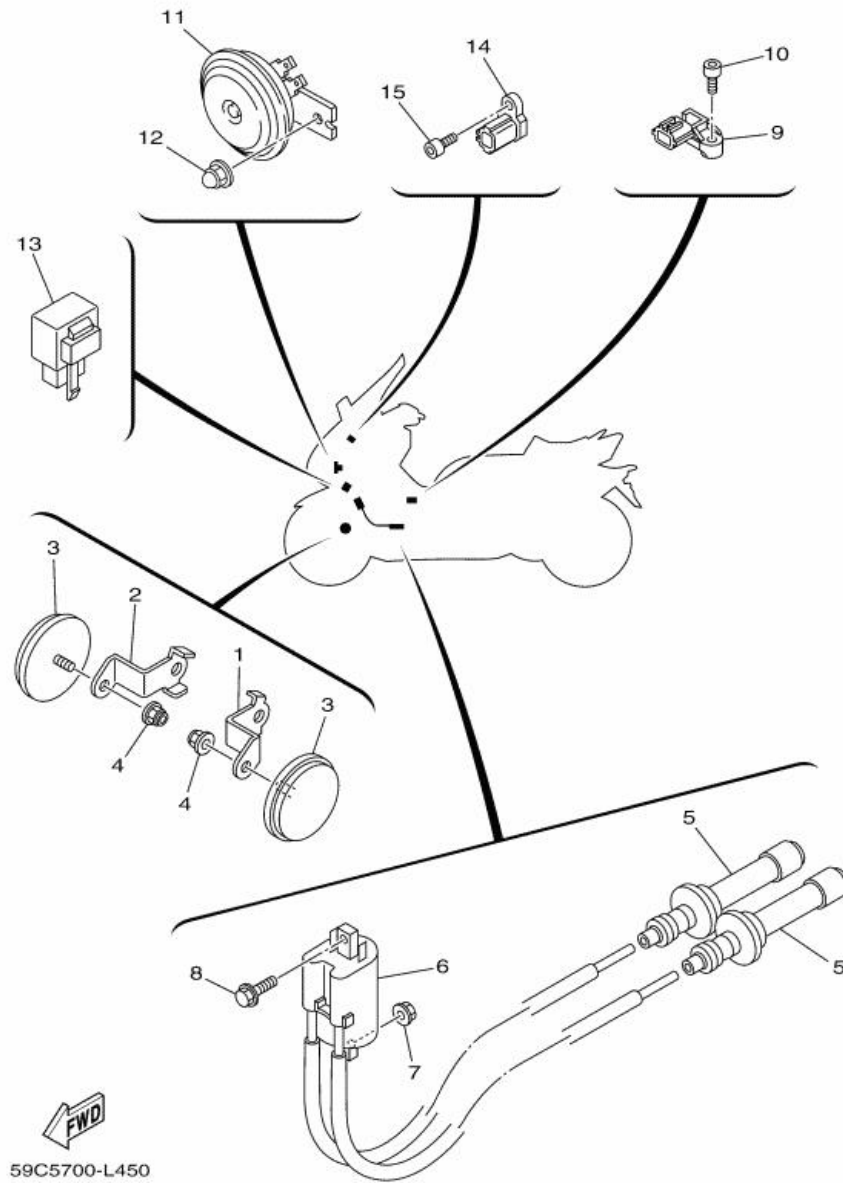
59C1300-L420

Fig. 44 ELECTRICAL 1



Ref. No.	Part No.	Description		Remarks
	1 59C-8591A-20	ENGINE CONTROL UNIT ASSY	1	
	2 95602-06200	NUT, SELF-LOCKING	2	
	3 23P-82100-00	BATTERY ASSY (GS YUASA YTZ12S)	1	
	4 59C-2116M-00	BRACKET 10	1	
	5 90269-06008	RIVET	2	
<hr/>				
	6 59C-81940-00	STARTER RELAY ASSY	1	
	7 5EA-82151-00	FUSE (40A-BL)	2	
	8 5SL-82119-10	COVER, LEAD WIRE	1	
	9 59C-82115-00	WIRE, PLUS LEAD	1	
	10 59C-82116-00	WIRE, MINUS LEAD	1	
<hr/>				
	11 59C-82583-00	WIRE, SUB LEAD	1	
	12 95022-06008	BOLT, FLANGE	2	
	13 5VX-81960-00	RECTIFIER & REGULATOR ASSY	1	
	14 95802-06020	BOLT, FLANGE	2	
	15 59C-82590-20	WIRE HARNESS ASSY	1	
<hr/>				
	16 4WA-81980-00	DIODE ASSY	2	
	17 3WP-81980-00	DIODE ASSY	1	
	18 5JJ-82151-10	FUSE (15A-BL)	3	
	19 5JJ-82151-20	FUSE (20A-BL)	2	
	20 5JJ-82151-00	FUSE (7.5A-BL)	4	
<hr/>				
	21 5JJ-82151-30	FUSE (10A-BL)	2	
	22 90464-22004	CLAMP	1	
	23 59C-82566-00	SWITCH, SIDE STAND	1	
	24 92012-05020	BOLT, BUTTON HEAD	2	
	25 95602-05200	NUT, SELF-LOCKING	2	
<hr/>				
	26 59C-82501-10	MAIN SWITCH STEERING LOCK	1	
	27 4BH-82511-09	BLANK KEY	1	AP

Fig. 45 ELECTRICAL 2



Ref. No.	Part No.	Description		Remarks
1	4B5-85112-00	BRACKET, REFLECTOR 1	1	
2	4B5-85122-00	BRACKET, REFLECTOR 2	1	
3	4AG-85111-00	REFLECTOR, 1	2	
4	95602-06200	NUT, SELF-LOCKING	2	
5	59C-82370-00	PLUG CAP ASSY	2	
6	59C-82310-00	IGNITION COIL ASSY	1	
7	95702-06500	NUT, FLANGE	1	
8	95802-06020	BOLT, FLANGE	1	
9	2C0-82380-00	SENSOR, PRESSURE	1	
10	91312-05020	BOLT	1	
11	59C-83371-00	HORN	1	
12	90176-08008	NUT, CROWN	1	
13	3GM-83350-01	FLASHER RELAY ASSY	1	
14	5YU-85886-00	SENSOR, AIR TEMPERATURE	1	
15	91312-05012	BOLT	1	