

PARTS CATALOGUE



速克達

SE10BB

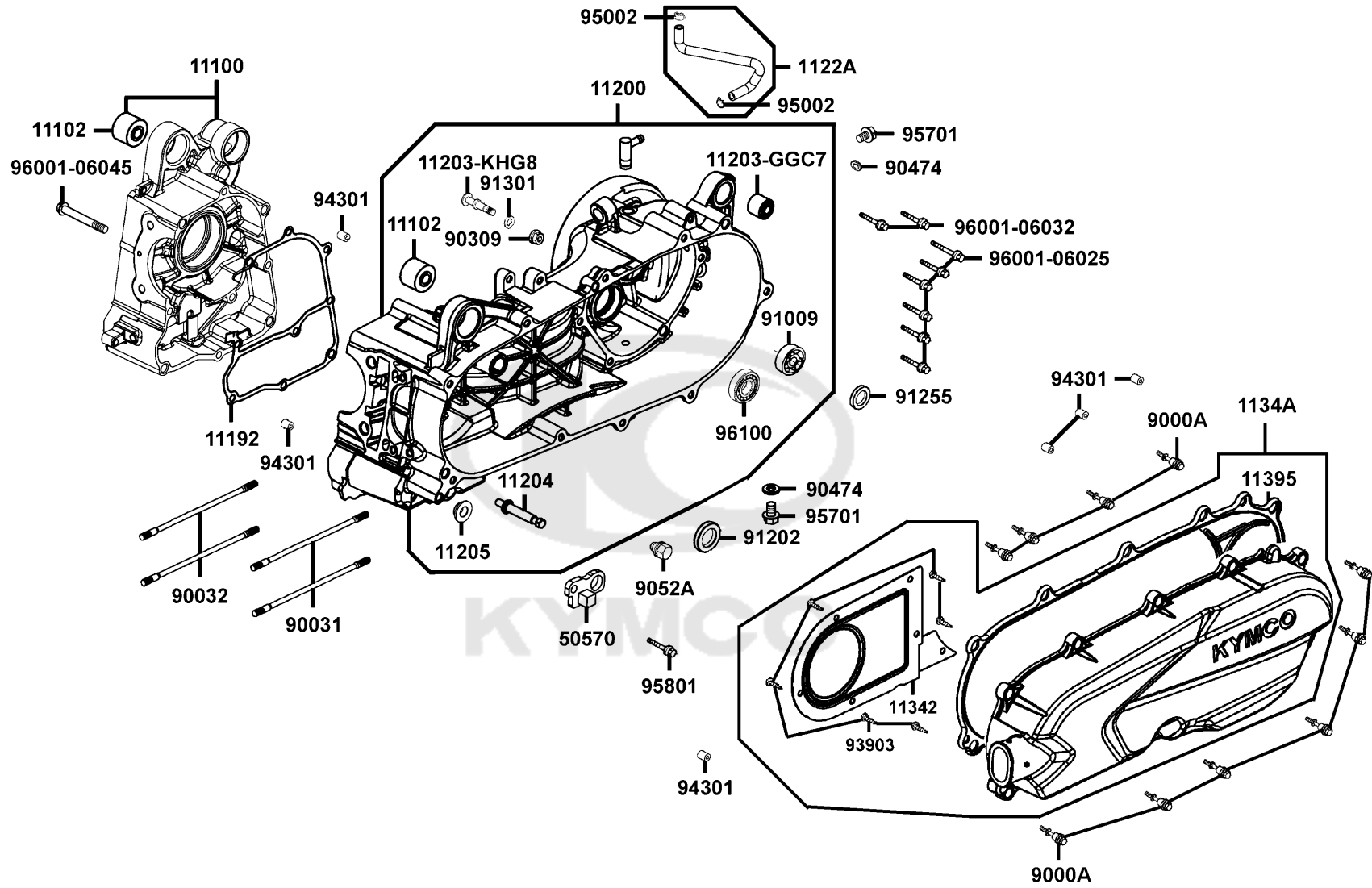
MANY 50



Release Date : 2013/08/21
Print Date : 2013/09/15

E01

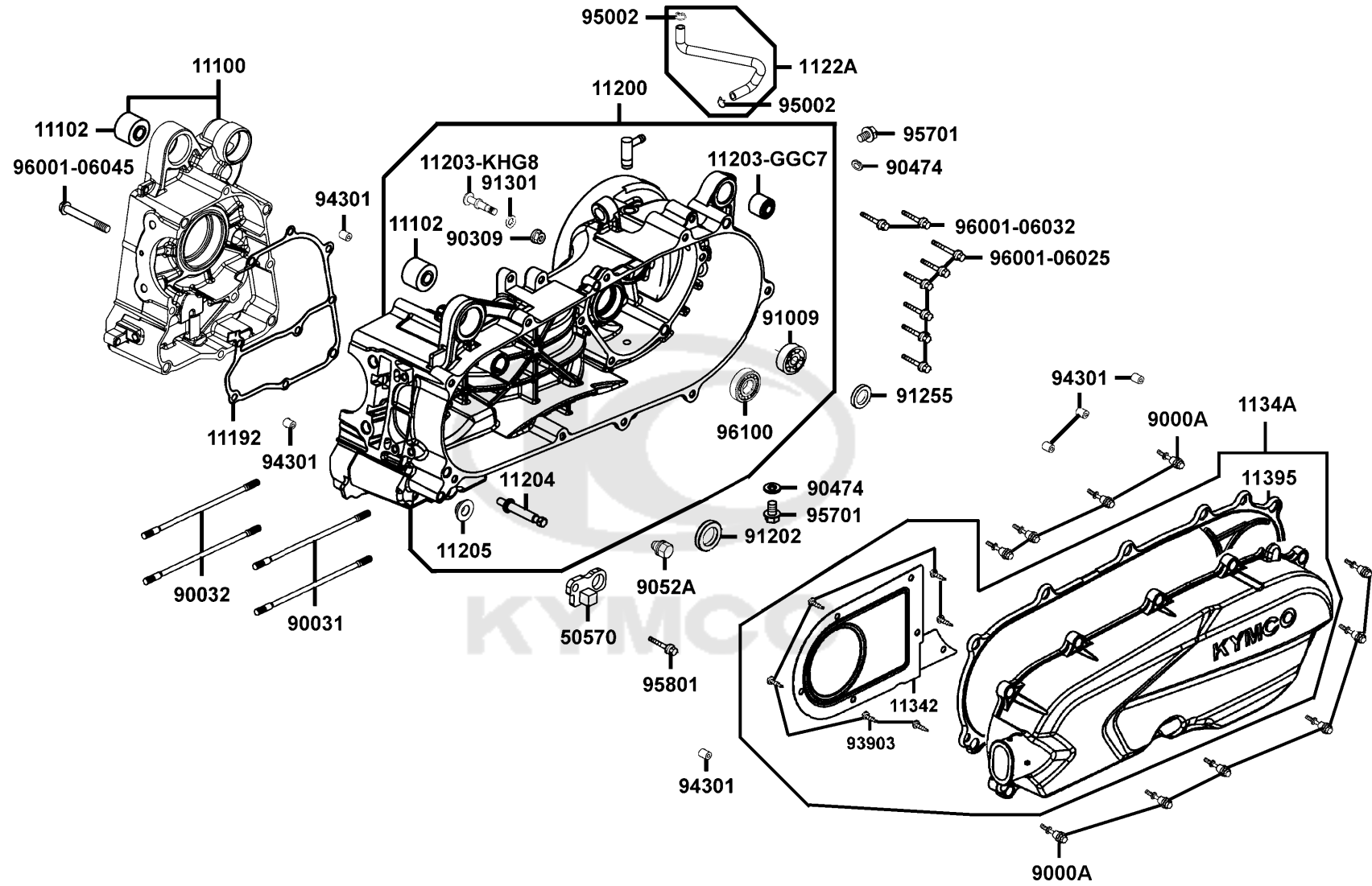
Crank Case 曲軸箱



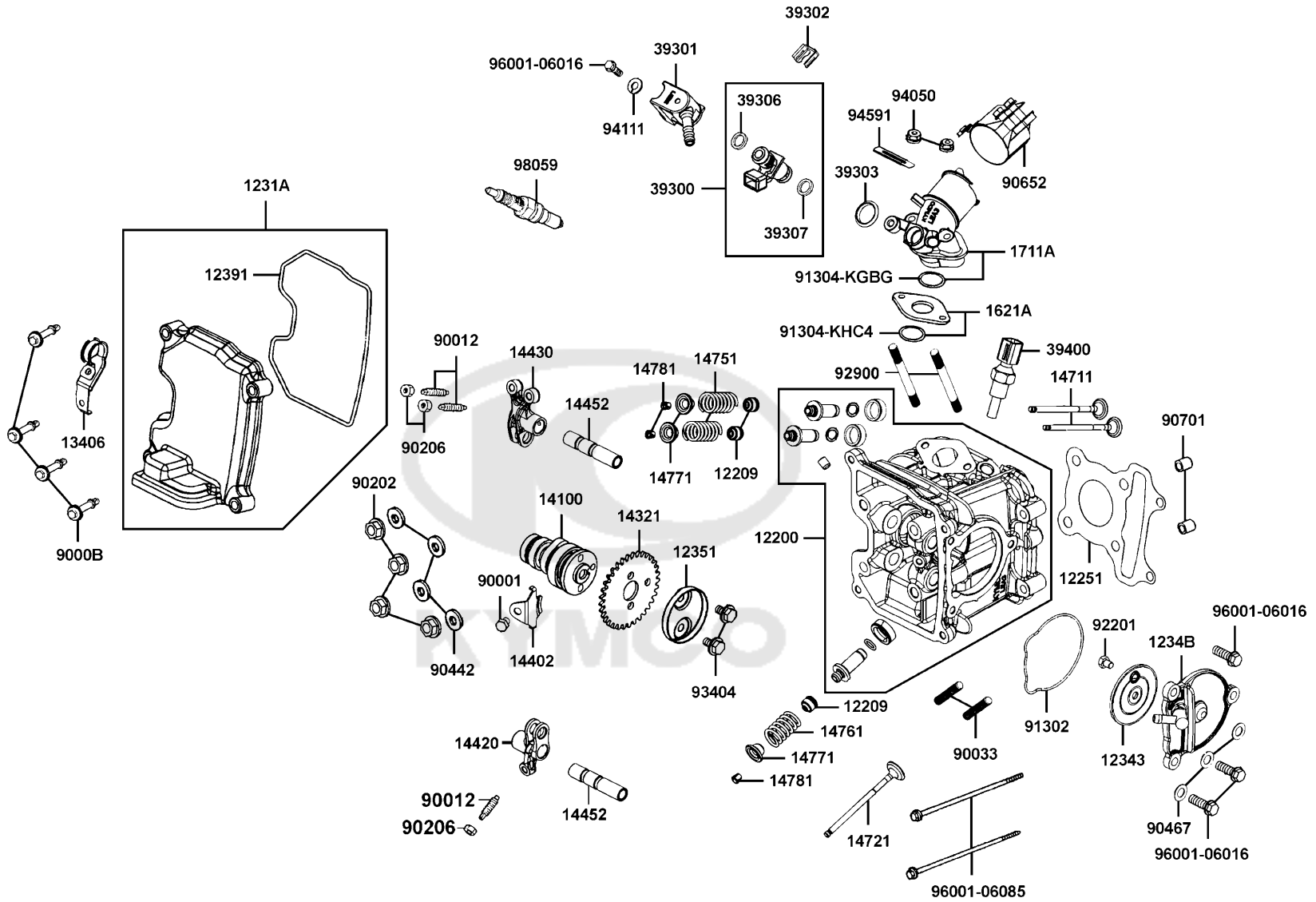
Sales mark 配色標註	Ref no 參考號碼	Part no 零件號碼	Description 英文名稱	Reg description 中文名稱	Regd no 需求用量	E01
	11100	11100-LEA3-305	CRANK CASE SET R	右曲軸箱組	1	
	11102	11102-1G87-004	RUB BUSH ENG HANGER	引擎吊架襯套	2	
	11192	11192-LEA3-900	GASKET CRANK CASE A	曲軸箱墊片 A	1	
	11200	11200-LEA3-305	CRANKCASE SET L	左曲軸箱組	1	
	11203-GGC7	11203-GGC7-301	UNDER RUBBER BUSH REAR CUSHION	後緩衝下襯套	1	
	11203-KHG8	11203-KHG8-301	PIN BRAKE SHOE ANCHOR	煞車鼓固定銷	1	
	11204	11204-LEA1-900	PIN SPG HOOK	定位銷	1	
	11205	11205-LEA2-900	BUSH M STAND	襯套	1	
	1122A	1122A-LEA1-900	TUBE ASSY BREATHER	通氣管	1	
	11342	11342-LEA3-900	PLATE L COVER	導流板	1	
	1134A	1134A-LEA3-900	COVER ASSY., L SIDE	曲軸箱左蓋總成	1	
	11395	11395-LEA3-900	GASKET L COVER	左曲軸箱蓋墊片	1	
	50570	50570-LEA1-900	STOPPER L MAIN STAND	主腳架左邊制止器	1	
	9000A	9000A-KTDT-900	BOLT ASSY SPECIAL 6*29.5	特殊螺絲 6X29.5	10	
	90031	90031-LEA3-900	BOLT A STUD 7X184	雙頭螺絲 7X184	2	
	90032	90032-KGBG-910	BOLT B STUD 7*176	雙頭螺絲 7*176	2	
	90309	90309-KLF0-004-SY	NUT FLANGE 8MM	螺帽 8MM	1	
	90474	90474-3C33-001	WASHER 8MM	華司 8MM	1	
	9052A	9052A-LEB1-900	BOLT ASSY DRAIN PLUG	洩油螺絲	1	
	91009	91009-GLE0-004	BRG BALL RADIAL 6004 UU	軸承 6004	1	

E01

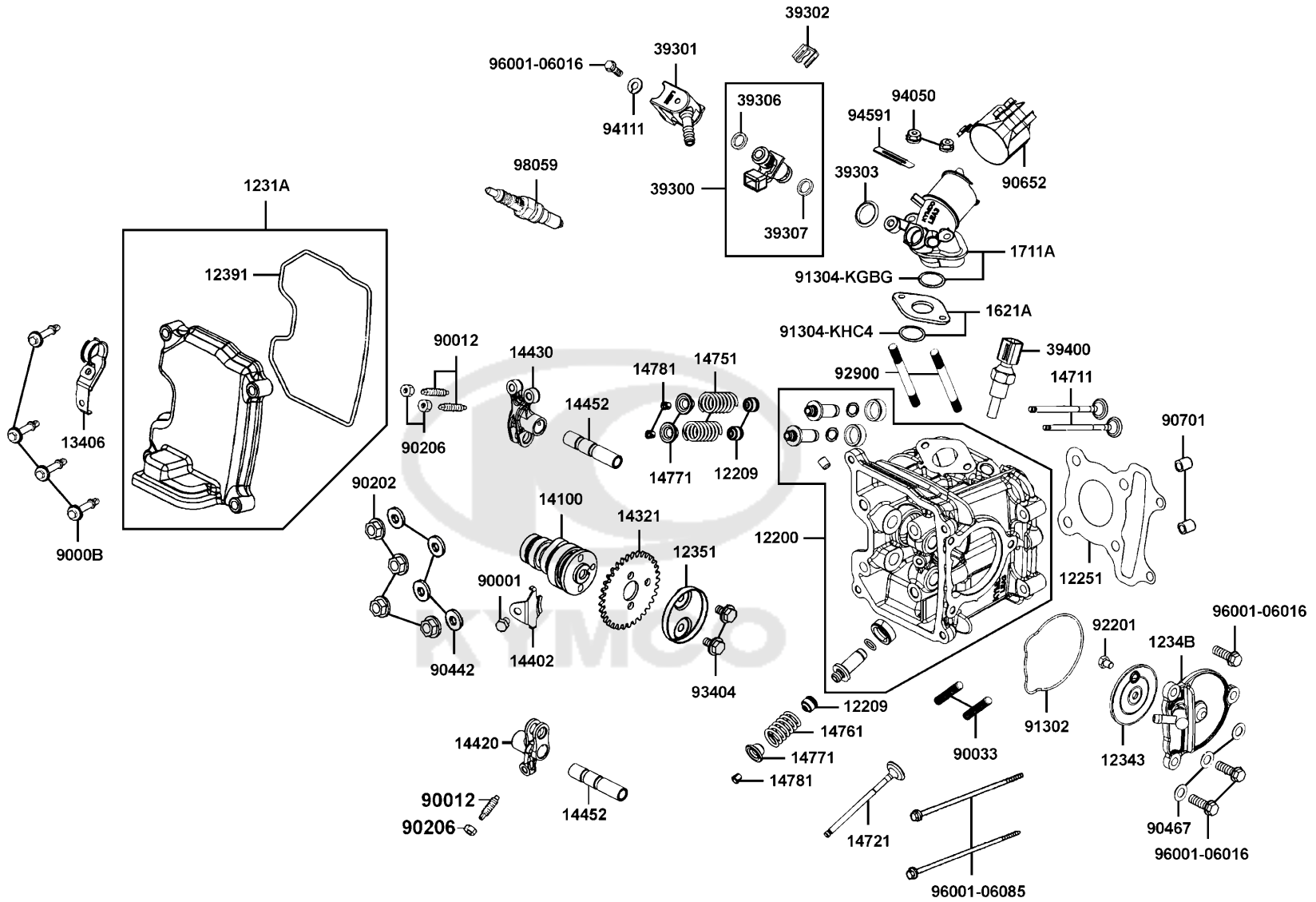
Crank Case 曲軸箱



Sales mark 配色標註	Ref no 參考號碼	Part no 零件號碼	Description 英文名稱	Reg description 中文名稱	Regd no 需求用量	E01
	91202	91202-GFY6-90A	OIL SEAL 19.8*30*5	油封 19.8X30X5	1	
	91255	91255-GLE0-006	OIL SEAL 27*42*7	油封 27X42X7	1	
	91301	91301-0C53-001	O RING 7.5*1.5	O環 7.5X1.5	1	
#	93903	93903-35360	SCREW TAPPING 5*16	螺釘 5X16	6	
	94301	94301-08140	DOWEL PIN 8*14	定位銷 8X14	6	
	95002	95002-50000	CLIP C9 TUBE	油管夾	2	
	95701	95701-08012-08	BOLT FLANGE 8*12	螺絲 8X12	2	
	95801	95801-08025-06	BOLT FLANGE 8*25	螺絲 8*25	1	
	96001-06025	96001-06025-08	BOLT FLANGE SH 6*25	螺絲 6X25	3	
	96001-06032	96001-06032-08	BOLT FLANGE SH 6*32	螺絲 6X32	4	
	96001-06045	96001-06045-08	BOLT FLANGE SH 6*45	螺絲 6X45	1	
	96100	96100-62010-00	BEARING BALL RADIAL 6201	軸承 6201	1	

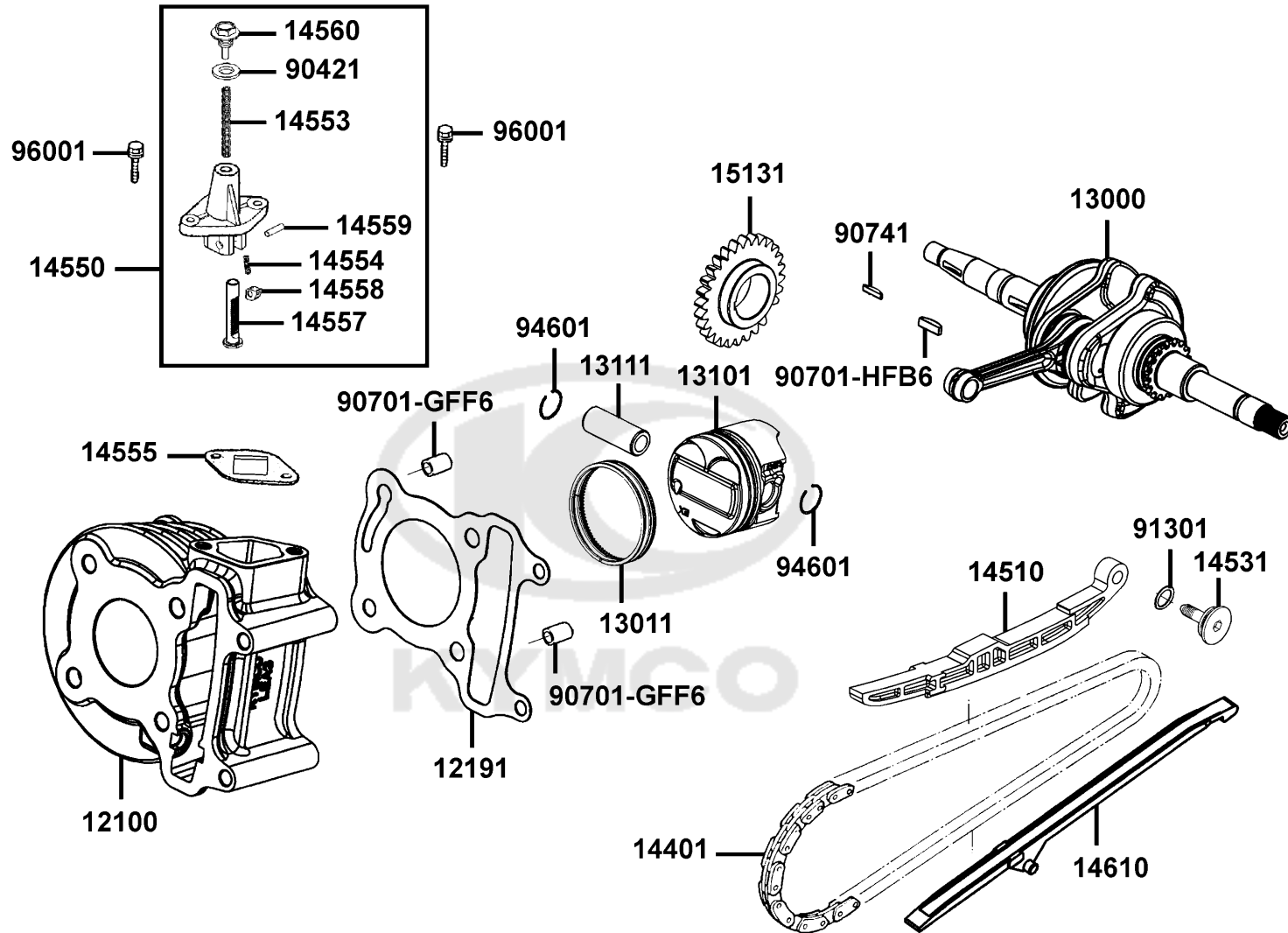


Sales mark 配色標註	Ref no 參考號碼	Part no 零件號碼	Description 英文名稱	Reg description 中文名稱	Regd no 需求用量	E02
	12200	12200-LEA3-900	HEAD COMP CYLINDER	汽缸頭	1	
	12209	12209-LEA3-900	SEAL VALVE STEM	汽門導桿油封	2	
	12251	12251-LEA3-900	GASKET,CYLINDER HEAD	汽缸頭墊片	1	
	1231A	1231A-LEA3-900	COVER ASSY.,HEAD	汽缸頭蓋組	1	
#	12343	12343-LEA3-900	PLATE A,BREATHER	通氣薄板	1	
#	12343	12343-LEA3-910	PLATE A. BREATHER	通氣薄板	1	
#	1234B	1234B-LEA3-910	COVER COMP.. CYLN HEAD SIDE	汽缸頭邊蓋組	1	
	12351	12351-LEA3-900	FIXTURE CAMSHAFT	凸輪軸固定件	1	
	12391	12391-LEA3-900	GASKET HEAD COVER	墊片	1	
	13406	13406-LEA3-900	PLATE FUEL INJECTOR	噴射進氣支板	1	
	14100	14100-LEA3-900	SHAFT COMP.,CAM	凸輪軸	1	
	14321	14321-LLF5-900	SPROCKET CAM	凸輪扣鏈齒輪	1	
	14402	14402-LEA3-900	PLATE,SET CAM CHAIN	凸輪鍊條板組	1	
	14420	14420-LEA3-900	ARM COMP.,EXH. VALVE ROCKER	排氣閥門搖臂組	1	
	14430	14430-LEA3-900	ARM COMP IN VALVE ROCKER	進氣閥搖臂	1	
	14452	14452-LEA3-900	SHAFT EXH ROCKER ARM	排氣閥搖臂軸	4	
	14711	14711-LEA3-900	VALVE INLET	進氣閥	2	
	14721	14721-LEA3-900	VALVE EXHAUST	排氣閥	1	
#	14751	14751-LEA3-900	SPRING VALVE INNER	門閥外彈簧	2	
#	14761	14761-LEA3-90B	SPRING. VALVE	SPRING. VALVE	1	

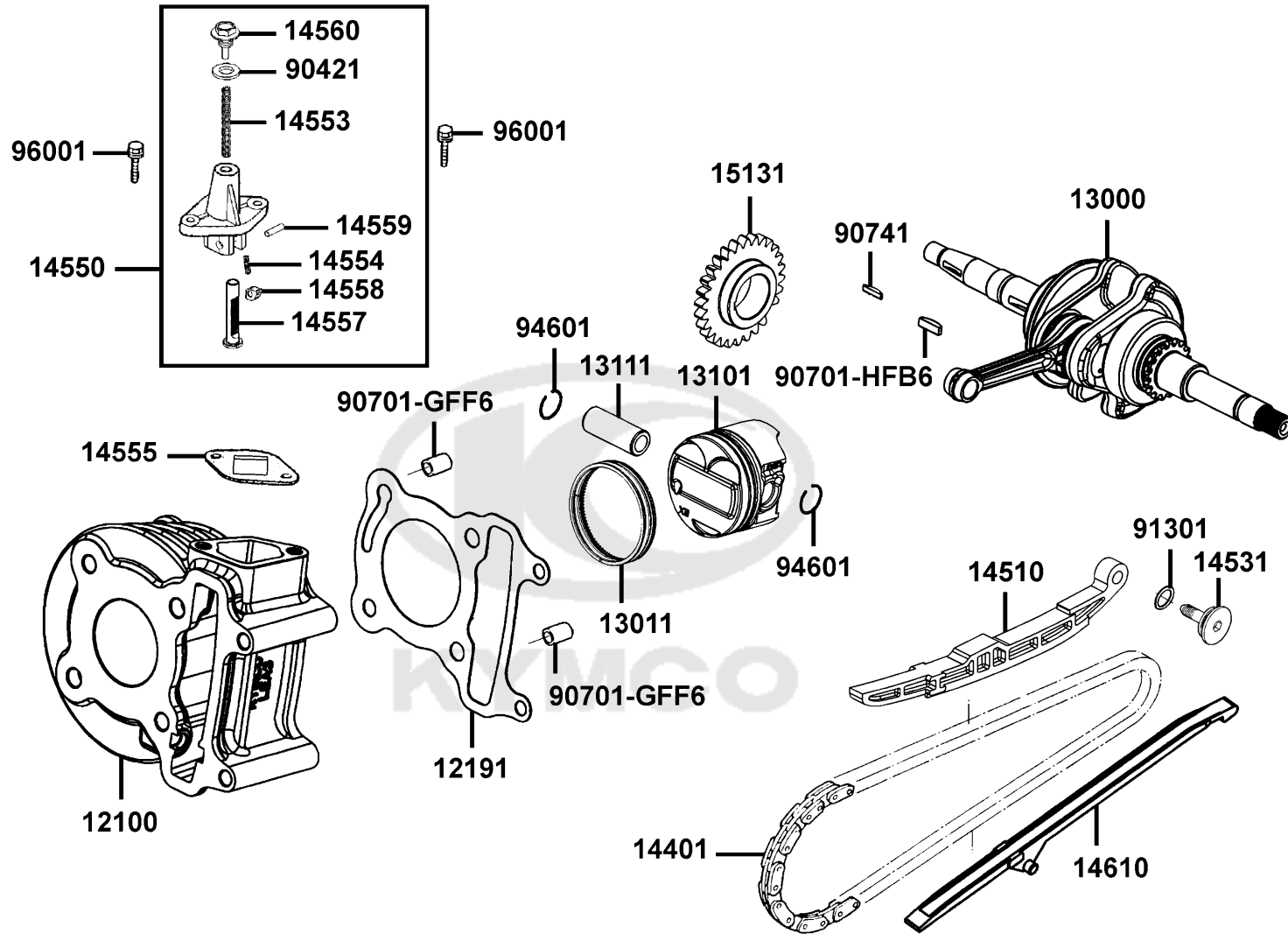



Sales mark 配色標註	Ref no 參考號碼	Part no 零件號碼	Description 英文名稱	Reg description 中文名稱	Regd no 需求用量	E02
	14771	14771-LEA3-900	RETAINER, UPPER SPRING	門閥彈簧扣環	3	
	14781	14781-LEA3-900	COTTER VALVE	門閥扣環	6	
	1621A	1621A-LEA3-900	INSULATOR CARB	絕緣板	1	
	1711A	1711A-LEA3-900	PIPE ASSY.,INLET	進氣管	1	
	39300	39300-LEA3-900	FUEL INJECTOR	燃油噴嘴	1	
	39301	39301-LGM9-900	HOLDER ASSY FUEL	燃油噴嘴托蓋組	1	
	39302	39302-KKE3-900	CLIP SPRING FUEL INJECTOR	燃料噴嘴彈簧夾	1	
	39303	39303-LEB2-900	SEAL HIGH TENSION FUEL INJECT	拉力封	1	
	39306	39306-LEB2-305	O-RING A INJECTOR /BLACK	燃油噴嘴O環A/黑色	1	
	39307	39307-LEB2-305	O-RING B INJECTOR /GREEN	燃油噴嘴O環B/綠色	1	
	39400	39400-KKE3-800	SENSOR HEAD TEMPERATURE	汽缸頭溫度感知器	1	
	90001	90001-GFY6-901	SOCKET BOLT 6*10	內六角螺絲 6X10	1	
	9000B	9000B-KHD6-900	BOLT ASSY SPECIAL 6*41.5	螺絲 6X41.5	4	
	90012	90012-3C33-001	SCREW TAPPET ADJUSTING	樞軸調整螺帽	4	
	90033	90033-GFY6-900	BOLT STUD 8*32	螺絲 8X32	2	
	90202	90202-GFF6-011	NUT FLANGE 7M/M	挺桿調整螺帽	4	
	90206	90206-0A01-001	NUT TAPPET ADJG	挺桿調整螺帽	4	
	90442	90442-GFF6-011	WASHER SEALING 7MM	華司 7MM	4	
	90467	90467-KED9-900	WASHER SEALING	華司	3	
	90652	90652-LEA3-900	BAND 37,INLET-PIPE	進氣管夾	1	

Sales mark 配色標註	Ref no 參考號碼	Part no 零件號碼	Description 英文名稱	Reg description 中文名稱	Regd no 需求用量	E02
90701	90701	GFF6-001	PIN DOWEL SPECIAL 8*14	鏈條導件	2	
91302	91302	LEA3-900	SEAL.CYLN HEAD SIDE COVER	油封	1	
91304-KGBG	91304	KGBG-900	O RING 20.6*2.0	O環 20.6X2.0	1	
91304-KHC4	91304	KHC4-900	O- RING 22*2.0	O環 22*2.0	1	
92201	92201	05006-0H	BOLT HEX 5*6	螺絲 5*6	1	
92900	92900	06050-0B	BOLT STUD 6*50	雙頭螺絲 6X50	2	
93404	93404	LLF5-900	BOLT-WASH 6*12	螺絲 6*12	2	
94050	94050	06080	NUT FLANGE 6MM	特殊螺帽 6MM	2	
94111	94111	06800	WASHER SPRING 6MM	華司 6MM	1	
94591	94591	KFBF-900	CLIP 2*70	線夾 2X70	1	
96001-06016	96001	06016-08	BOLT FLANGE SH 6*16	螺絲 6X16	4	
96001-06085	96001	06085-06	BOLT FLANGE 6*85	螺絲 6*85	2	
98059	98059	57916-00	SPARK PLUG CR7E	火星塞	1	



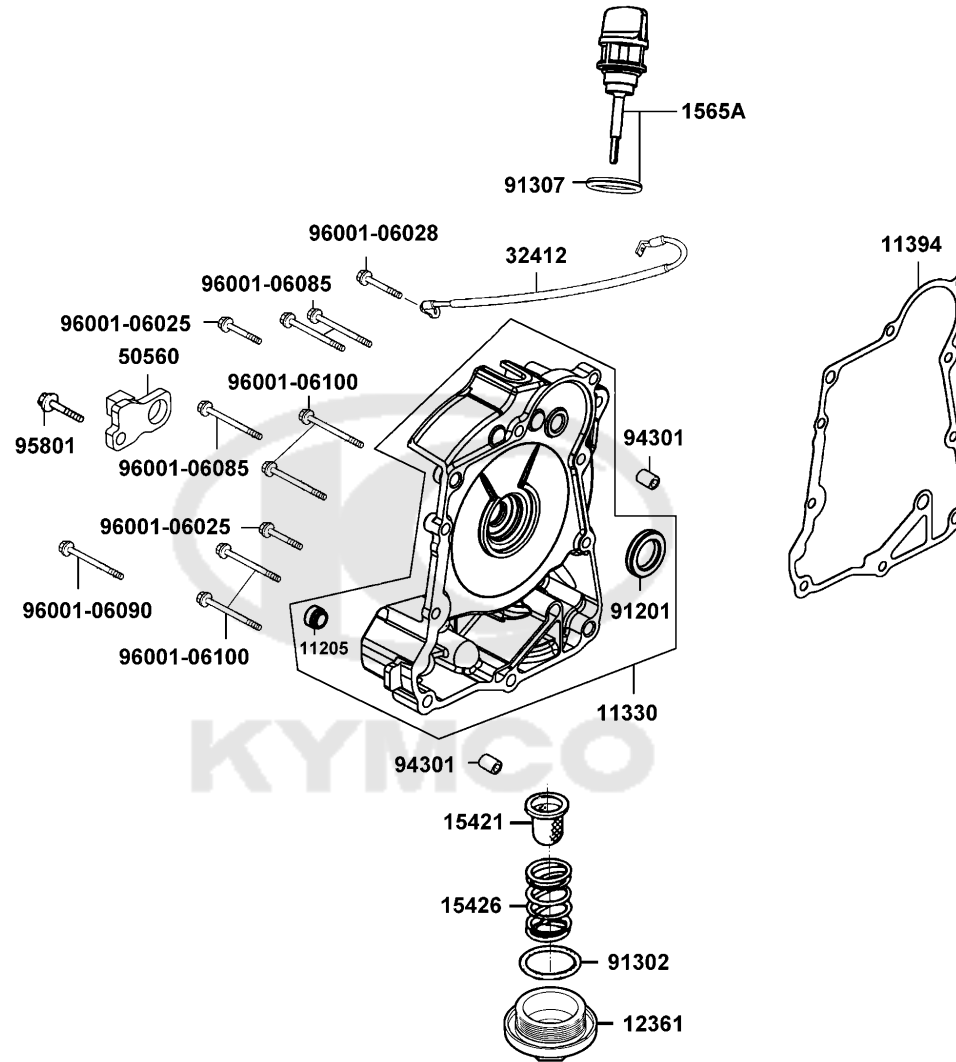
Sales mark 配色標註	Ref no 參考號碼	Part no 零件號碼	Description 英文名稱	Reg description 中文名稱	Regd no 需求用量	E03
	12100	12100-LEA3-900	CYLINDER COMP	汽缸	1	
	12191	12191-LEA3-900	GASKET CYLINDER A	汽缸墊片 A	1	
	13000	13000-LEA3-900	CRANK SHAFT COMP	曲軸	1	
	13011	13011-LEA3-900	RING ASSY PISTON	活塞環組	1	
	13101	13101-LEA3-900	PISTON	活塞	1	
	13111	13111-LEA3-900	PIN PISTON	活塞銷	1	
	14401	14401-KGBG-900	CHAIN CAM	凸輪軸內鏈條	1	
	14510	14510-LEA3-900	TENSIONER CAM CHAIN	內鏈條拉力桿	1	
	14531	14531-GLR0-001	PIVOT CAM CHAIN TENSIONER	拉力桿螺絲	1	
	14550	14550-KDS4-00B	ADJUSTER CAM CHAIN	鏈條調節器	1	
	14553	14553-KGBG-900	SPRING CAM CHAIN ADJUSTER	鏈條調節彈簧	1	
	14554	14554-KAM1-004	SPRING RATCHET	彈簧	1	
#	14555	14555-KKJ9-001	GASKET CAM CHAIN ADJUSTER	調整器墊片	1	
#	14555	14555-LBA2-E00	GASKET CAM CHAIN ADJUSTER	凸輪墊片	1	
	14557	14557-KGBG-900	PLUGER ADJUSTER	柱塞調節器	1	
	14558	14558-KGBG-900	CAM ADJUSTER	凸輪軸調整器	1	
	14559	14559-KGBG-900	PIN ADJUSTER	調整定位夾1	1	
	14560	14560-KGBG-900	PLUG COMP ADJUSTER	調整器塞總承	1	
	14610	14610-KGBG-900	GUIDE COMP CAM CHAIN	鏈條調節彈簧	1	
	15131	15131-LEA3-900	GEAR OIL DRIVE	機油泵驅動齒輪	1	



Sales mark 配色標註	Ref no 參考號碼	Part no 零件號碼	Description 英文名稱	Reg description 中文名稱	Regd no 需求用量	E03
	90421	90421-KAM1-004	WASHER SEALING 8*16*1.6	華司 8X16X1.6	1	
	90701-GFF6	90701-GFF6-001	PIN DOWEL SPECIAL 8*14	鏈條導件	2	
	90701-HFB6	90701-HFB6-011	KEY WOODRUFF 25*14*4	固定鍵 25X14X4	1	
	90741	90741-0E35-001	KEY WOODRUFF	固定鍵	1	
	91301	91301-GLR0-005	O-RING 15.2*1.5	O環 15.2X1.5	1	
	94601	94601-LEA3-900	PISTON PIN CLIP	活塞銷夾	2	
	96001	96001-06018-08	BOLT FLANGE SH 6*18	螺絲 6X18	2	
						

E04

Right Crankcase Cover 右曲軸箱蓋

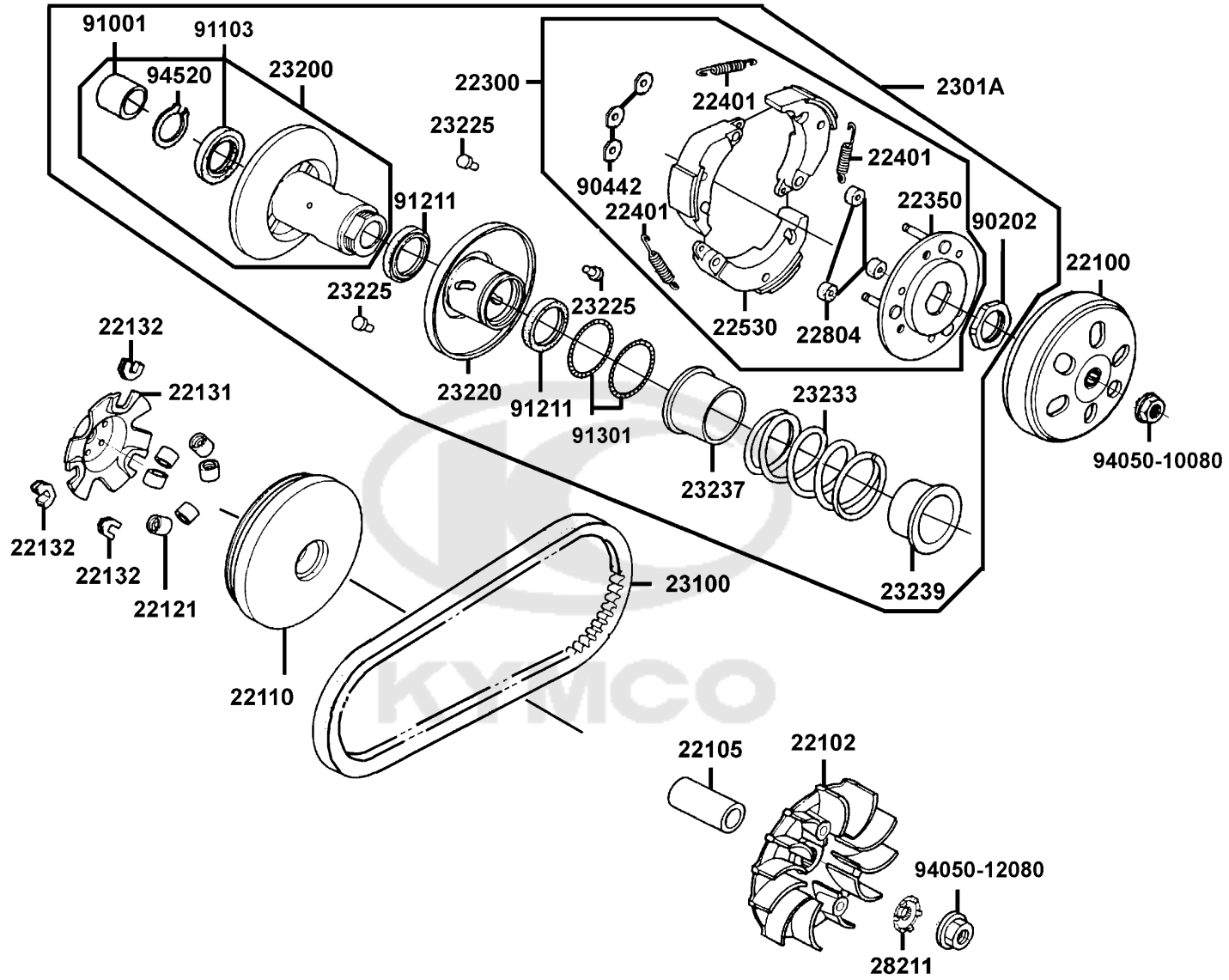


Sales mark 配色標註	Ref no 參考號碼	Part no 零件號碼	Description 英文名稱	Reg description 中文名稱	Regd no 需求用量	E04
11205	11205-LEA2-900	11205-LEA2-900	BUSH M STAND	襯套	1	
11330	11330-LEA3-900	11330-LEA3-900	COVER R CRANK CASE	右曲軸箱蓋	1	
11394	11394-LEA3-900	11394-LEA3-900	GASKET R COVER	右曲軸箱蓋墊片	1	
12361	12361-GFY6-901	12361-GFY6-901	HOLE CAP TAPPET ADJUSTING	調節螺帽	1	
15421	15421-1G07-001	15421-1G07-001	SCREEN OIL FILTER	濾油網	1	
15426	15426-GAE1-921	15426-GAE1-921	SPG OIL FILTER SCREEN	濾油網彈簧	1	
1565A	1565A-GFY6-900	1565A-GFY6-900	GAUGE OIL LEVEL ASSY	量油尺組	1	
32412	32412-LEA2-900	32412-LEA2-900	CABLE EARTH	接地導線	1	
50560	50560-LEA1-900	50560-LEA1-900	STOPPER R MAIN STAND	主腳架右止件	1	
91201	91201-KNBN-92A	91201-KNBN-92A	OIL SEAL 15.6*25.5*7	油封 15.6X25.5X7	1	
91302	91302-0A01-021	91302-0A01-021	O-RING 30.8M/M	O環 30.8MM	1	
91307	91307-0E35-001	91307-0E35-001	O RING 18*3	O環 18X3	1	
94301	94301-08140	94301-08140	DOWEL PIN 8*14	定位銷 8X14	2	
95801	95801-08025-06	95801-08025-06	BOLT FLANGE 8*25	螺絲 8*25	1	
96001-06025	96001-06025-08	96001-06025-08	BOLT FLANGE SH 6*25	螺絲 6X25	1	
96001-06028	96001-06028-08	96001-06028-08	BOLT FLANGE SH 6*28	螺絲 6X28	1	
96001-06085	96001-06085-06	96001-06085-06	BOLT FLANGE 6*85	螺絲 6*85	3	
96001-06090	96001-06090-08	96001-06090-08	BOLT FLANGE SH 6*90	螺絲 6X90	1	
96001-06100	96001-06100-08	96001-06100-08	BOLT FLANGE SH 6*100	螺絲 6X100	4	

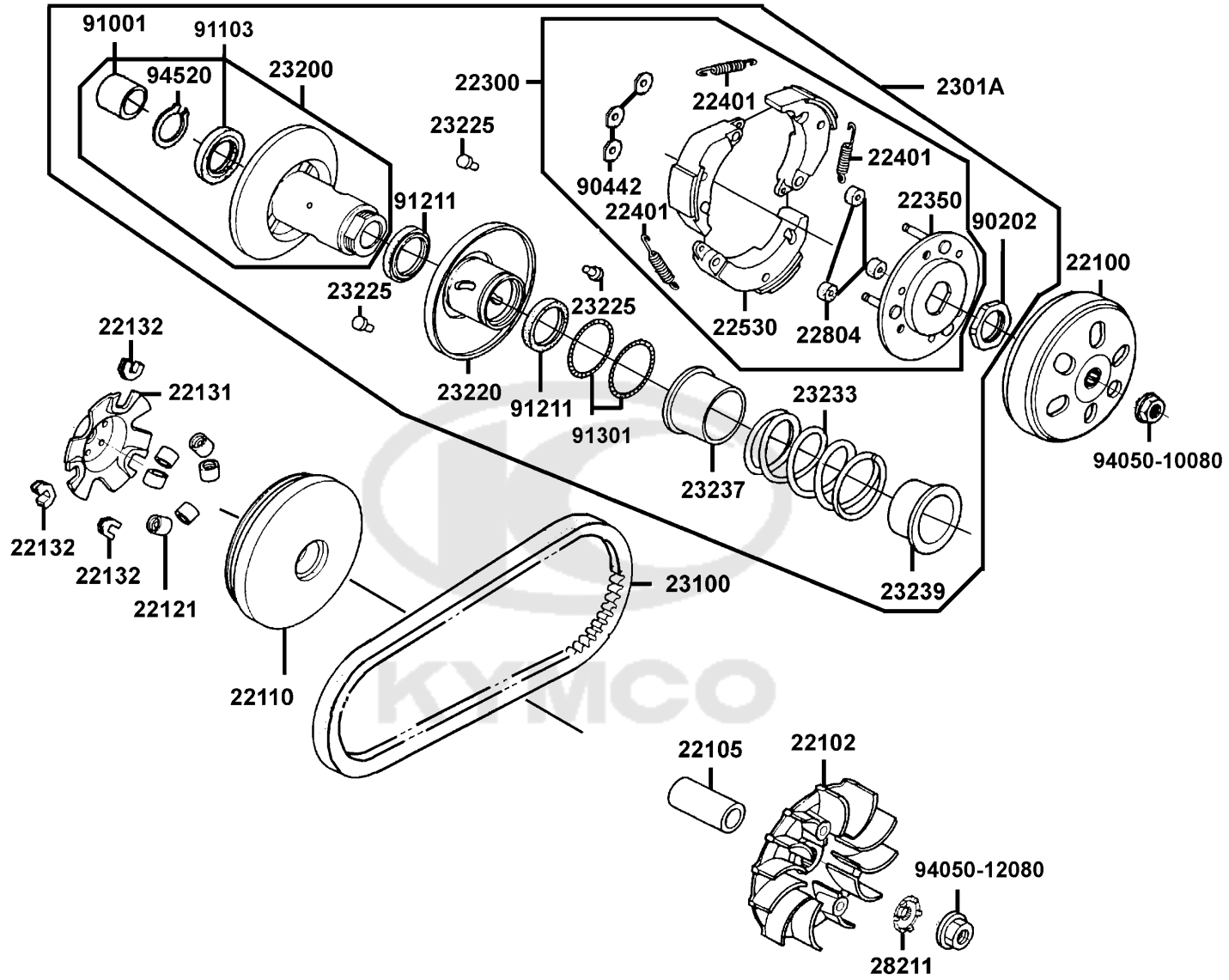
E05

Driven Pulley

傳動皮帶輪



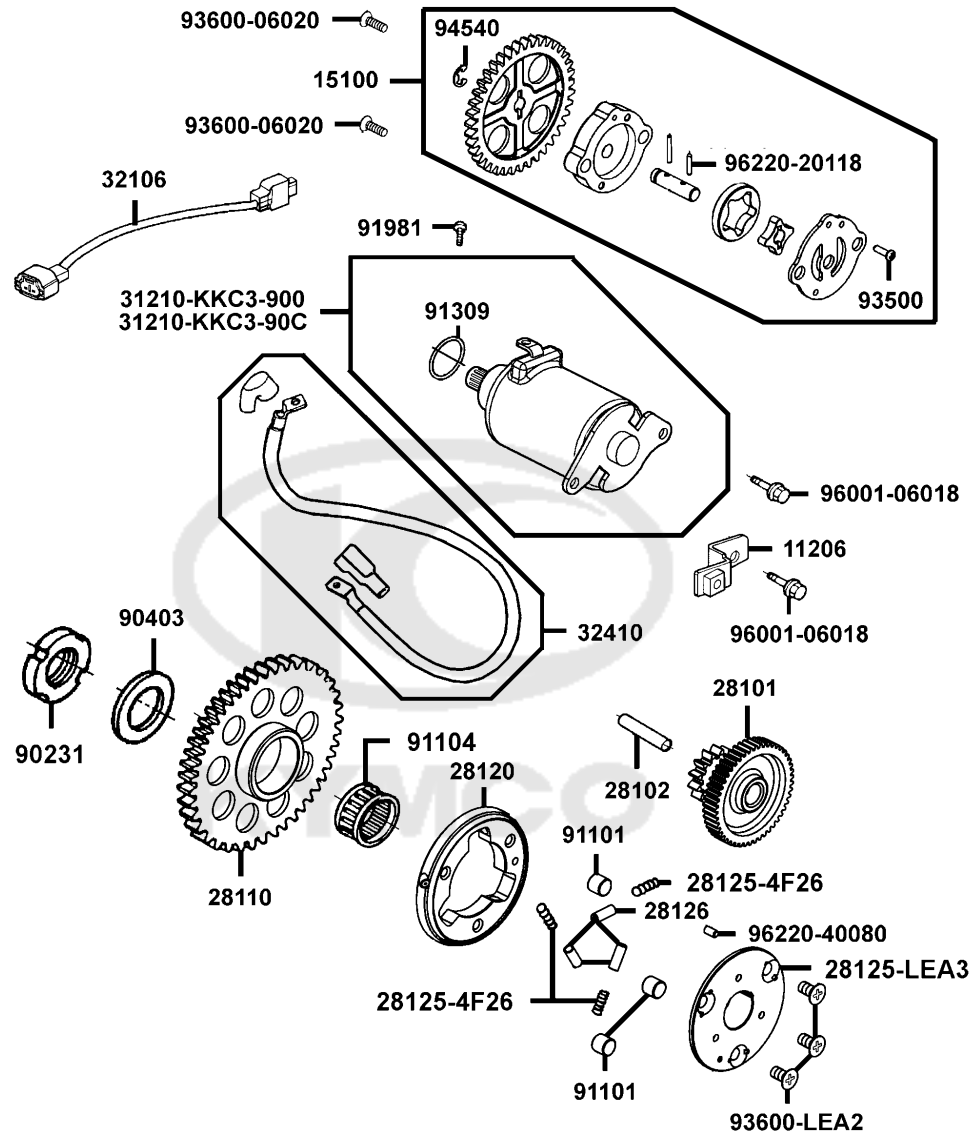
Sales mark 配色標註	Ref no 參考號碼	Part no 零件號碼	Description 英文名稱	Reg description 中文名稱	Regd no 需求用量	E05
	22100	22100-GAR1-751	CLUTCH OUTER	離合器外套	1	
	22102	22102-LEA3-900	FACE DRIVE	驅動皮帶扇葉盤	1	
	22105	22105-KGBG-910	BOSS DRIVE FACE	襯套	1	
	22110	22110-LEA3-900	FACE COMP., MOVABLE DRIVE	滑動式驅動盤	1	
	22121	22121-LBD4-900	ROLLER COMP WEIGHT 7.5 gr	配重滾子 6.5 gr	1	
	22131	22131-GHAH-781	PLATE RAMP	斜坡板	1	
	22132	22132-GLW0-001	PIECE SLIDE	斜板邊件	1	
	22300	22300-GGAG-750	PLATE ASSY DRIVE	驅動板組	1	
	22350	22350-GKAK-930	PLATE COMP DRIVE	驅動板	1	
	22401	22401-GJAJ-920	SPRING CLUTCH	離合器彈簧	3	
	22530	22530-GKAK-930	WEIGHT CLUTCH	離合器配重	3	
	22804	22804-1H48-001	RUBBER CLUTCH DAMPER	橡皮	3	
	2301A	2301A-LEA3-900	PULLEY ASSY DRIVEN	從動皮帶輪組	1	
#	23100	23100-LEA3-90B	BELT DRIVE	傳動皮帶	1	
	23200	23200-GAR1-220	FACE ASSY DRIVEN	從動皮帶盤組	1	
	23220	23220-KEE1-220	FACE COMP MOVABLE DRIVEN	滑動式從動皮帶盤	1	
	23225	23225-GAR1-751	PIN GUIDE	滾導銷	3	
	23233	23233-LEA3-900	SPG DRIVEN FACE	驅動彈簧	1	
	23237	23237-GAR1-220	COLLAR SEAL	套筒	1	
	23239	23239-LEA3-900	GUIDE, SPG.	GUIDE, SPG.	1	



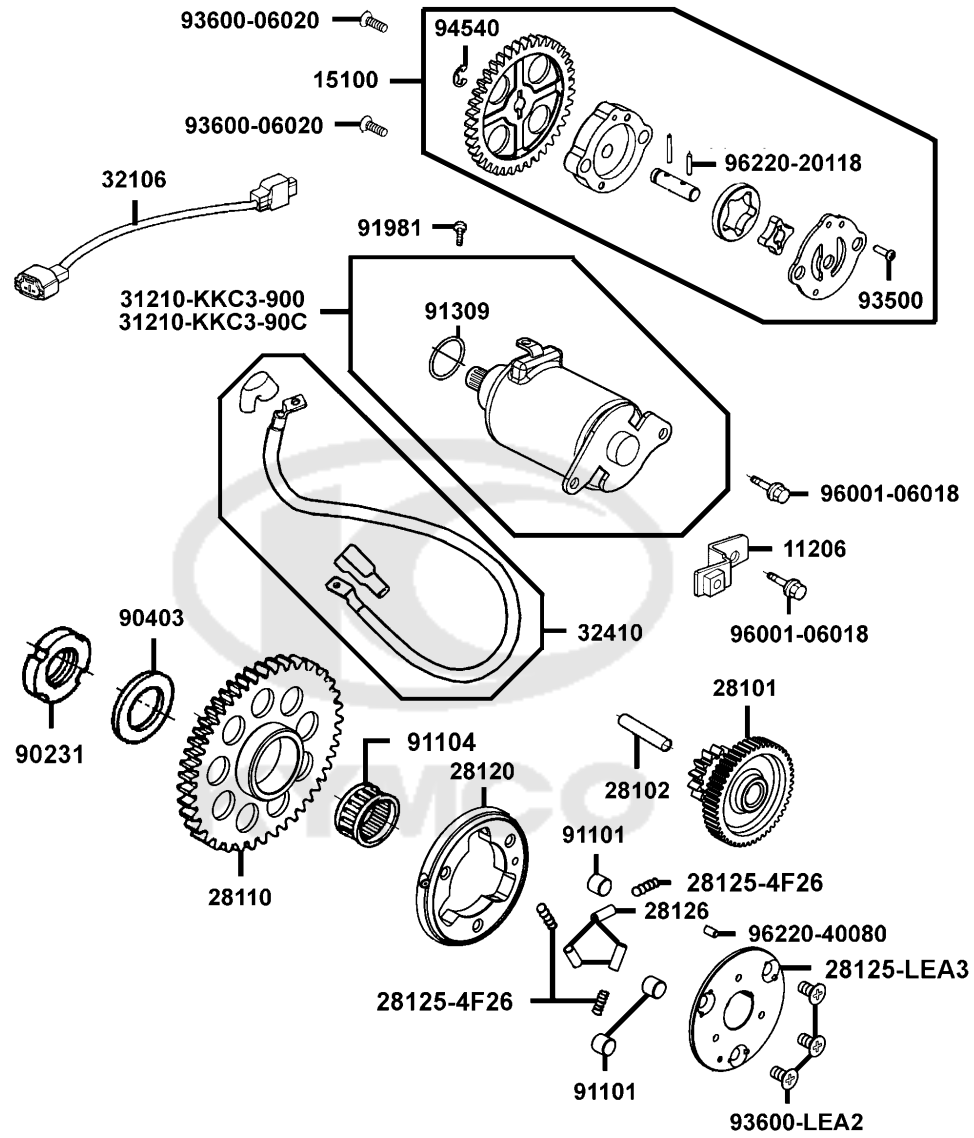
Sales mark 配色標註	Ref no 參考號碼	Part no 零件號碼	Description 英文名稱	Reg description 中文名稱	Regd no 需求用量	E05
#	28211	28211-KNBN-901	RATCHET KICK STARTER	起動棘齒輪	1	
#	28211	28211-LGK8-600	WASHER 14.2x24x2	華司	1	
	90202	90202-1G87-001	NUT SPECIAL 28MM	螺帽 28MM	1	
	90442	90442-0D44-001	WASHER THRUST 6M	華司	3	
	91001	91001-GGA7-70A	BRG RADIAL BALL 6901U	平面傳動盤軸承 12X24X6	1	
	91103	91103-GAR1-004	BRG NEEDLE 17*25*18 WS	平面傳動盤軸承 17X25X18	1	
	91211	91211-GHK8-014	OIL SEAL 34*39*3	驅動油封 34X39X3	2	
	91301	91301-KEA5-742	O-RING 36*1.5	O環 36X1.5	2	
	94050-10080	94050-10080	NUT FLANGE 10MM	螺帽 10MM	1	
	94050-12080	94050-12080	NUT C FLANGE 12MM	螺帽 12MM	2	
	94520	94520-24000	CIR CLIP IN 24	內環夾 24MM	1	


E06

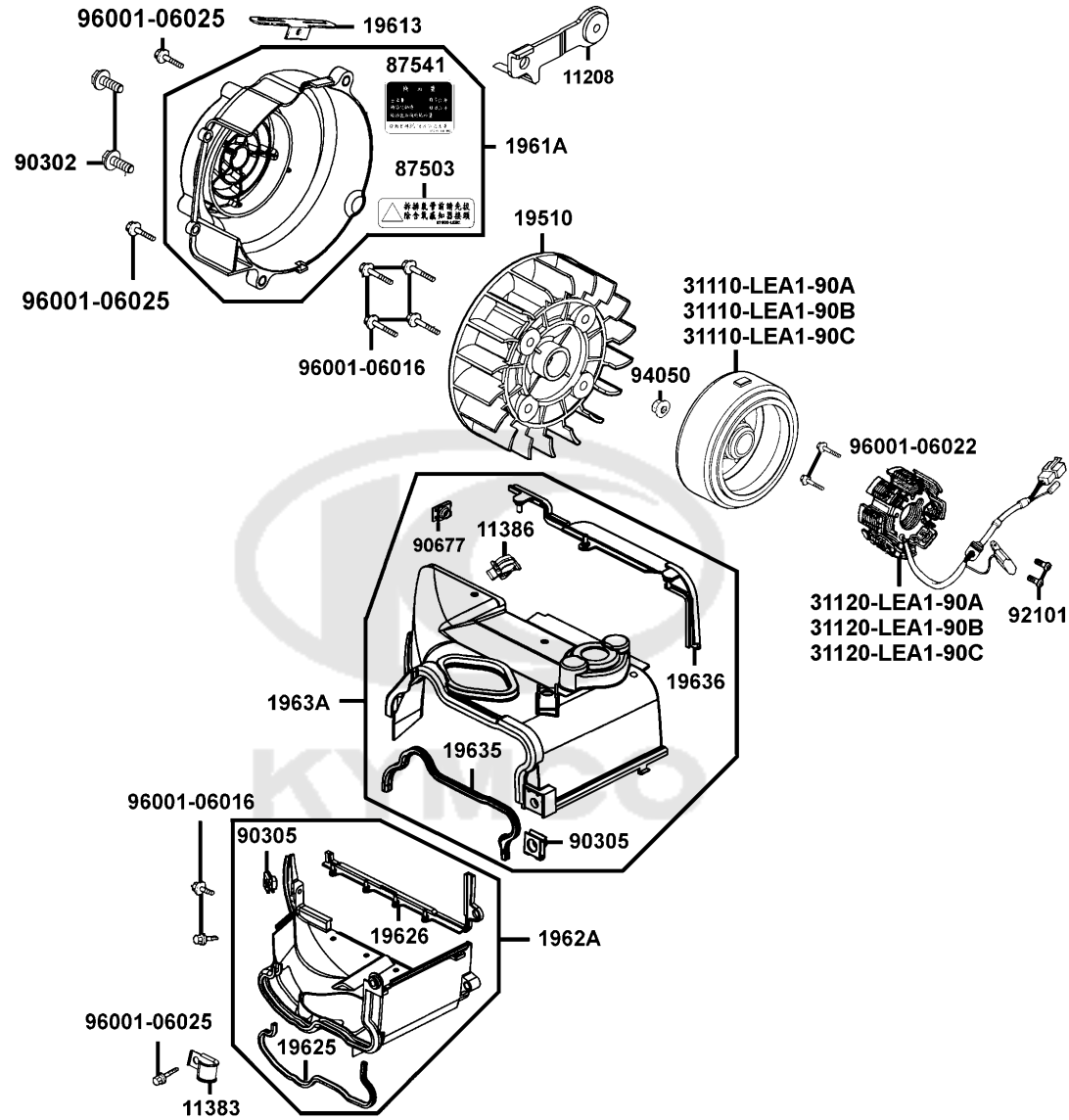
Starting Motor Oil Pump 起動馬達 機油泵



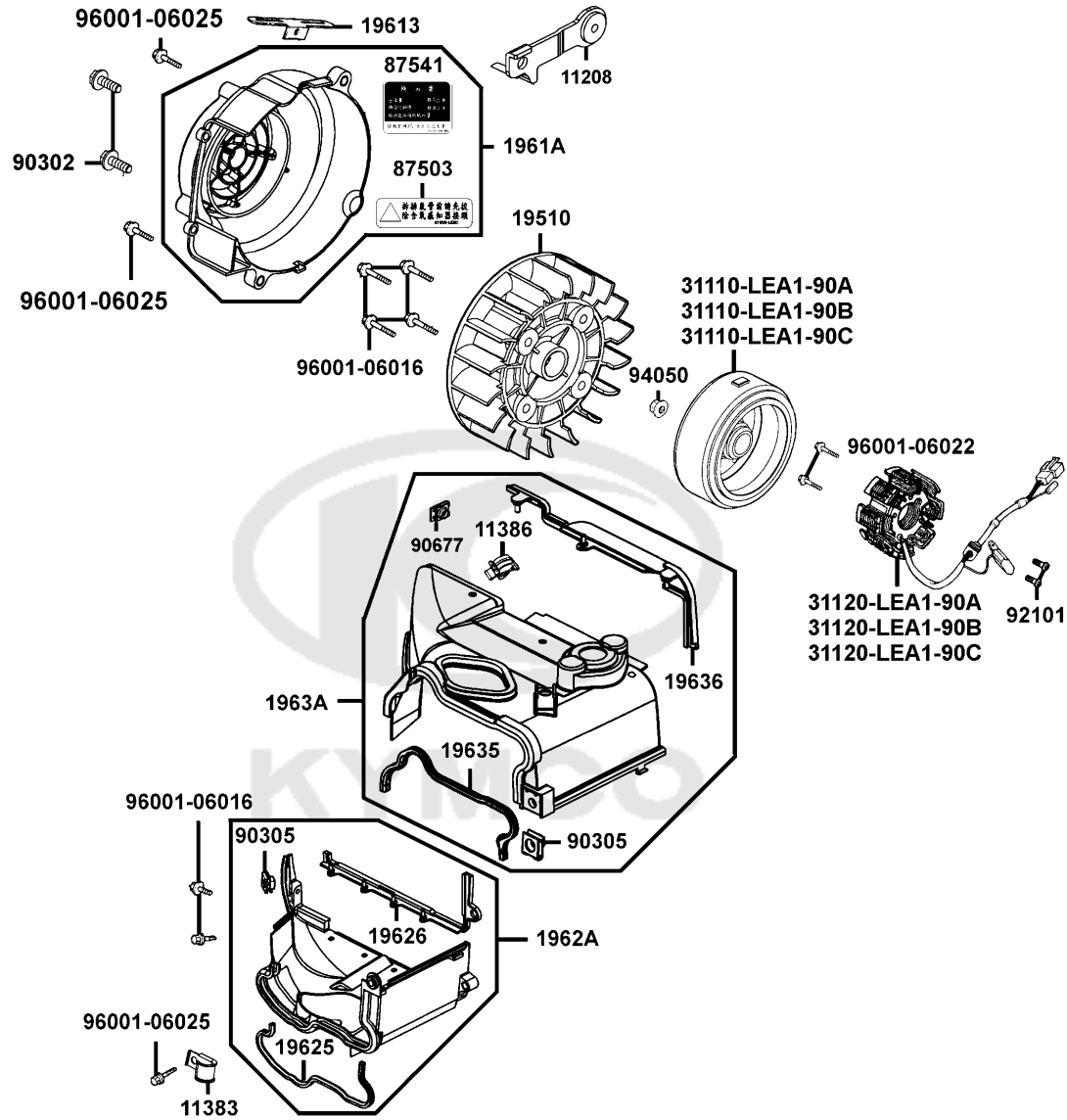
Sales mark 配色標註	Ref no 參考號碼	Part no 零件號碼	Description 英文名稱	Reg description 中文名稱	Regd no 需求用量	E06
	11206	11206-LEA1-900	STAY A RR FENDER	後土除支架 A	1	
	15100	15100-LEA2-900	PUMP ASSY OIL	機油泵浦	1	
	28101	28101-LEA2-900	GEAR STARTER REDUCTION	起動減速齒輪	1	
	28102	28102-LEA2-900	SHAFT STARTER REDUCTION GEAR	減速齒輪軸	1	
	28110	28110-LEA2-900	GEAR COMP STARTING CLUTCH	起動齒輪	1	
	28120	28120-LEA2-900	OUTER COMP STARTING CLUTCH	離合器外套	1	
	28125-4F26	28125-4F26-001	SPRING ROLLER STARTER CLUTCH	離合器滾子彈簧	3	
#	28125-LEA3	28125-LEA3-910	FLANGE, STARTING CLUTCH		1	
	28126	28126-KNBN-901	CAP SPGING ROLLER SP	滾子彈簧蓋	3	
	31210-KKC3-900	31210-KKC3-900	MOTOR UNIT START	起動馬達組	1	
	31210-KKC3-90C	31210-KKC3-90C	MOTOR UNIT START	起動馬達組	1	
	32106	32106-KKE3-900	SUB HARNESS A	點火線圈副線	1	
	32410	32410-LDA6-900	CABLE START MOTOR	起動馬達配線	1	
	90231	90231-LEA3-900	NUT,LOCK 17MM	螺帽 17MM	1	
	90403	90403-LEA3-900	WASHER THRUST 16.2*30*1.5	華司 16.2*30*1.5	1	
	91101	91101-LEA2-900	ROLLER 10*9	滾子 10*9	3	
	91104	91104-LEA1-900	"BRG NEEDLE 28X33X14"	軸承	1	
	91309	91309-4E25-004	O-RING 24.4*3.1	O環 24.4X3.1	1	
	91981	91981-KGN7-670	SCREW WASH 5*8	螺絲	1	
	93500	93500-03010-1A	SCREW PAN 3*10 (B)	螺絲 3X12	1	



Sales mark 配色標註	Ref no 參考號碼	Part no 零件號碼	Description 英文名稱	Reg description 中文名稱	Regd no 需求用量	E06
	93600-06020	93600-06020-06	SCREW FLAT 6*20	螺絲 6*20	2	
	93600-LEA2	93600-LEA2-900	SCREW PLAT 6*12	螺絲 6*12	3	
	94540	94540-05018	E RING 5	E型環	1	
	96001-06018	96001-06018-08	BOLT FLANGE SH 6*18	螺絲 6X18	2	
	96220-20118	96220-20118	ROLLER 2*11.8	滾子 2X11.8	1	
	96220-40080	96220-40080	ROLLER 4*8	定位銷 4X10	1	
						

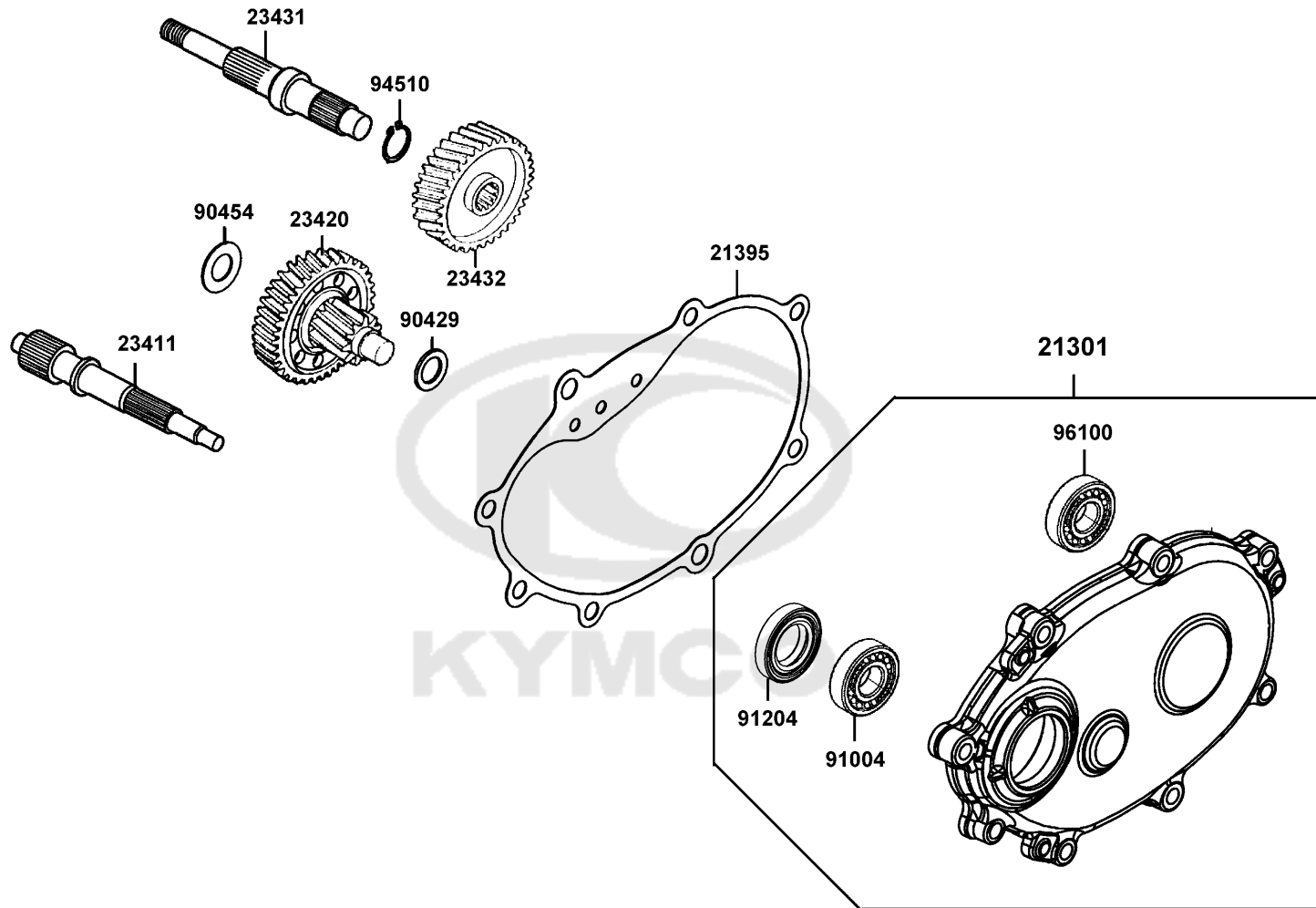


Sales mark 配色標註	Ref no 參考號碼	Part no 零件號碼	Description 英文名稱	Reg description 中文名稱	Regd no 需求用量	E07
	11208	11208-LEA3-900	STAY A,RR FENDER	後土除支架 A	1	
	11383	11383-LEA1-900	CLAMPER DRAIN TUBE	通氣管夾	1	
	11386	11386-GFY6-900	CLIP VACUUM TUBE	真空管夾	1	
	19510	19510-LEA3-900	FAN COMP., COOLING	冷卻風扇	1	
	19613	19613-GFY6-901	CLAMPER STARTER MOTOR	起動馬達導線夾	1	
	1961A	1961A-LEA3-900	COVER ASSY., FAN	風扇罩蓋組	1	
	19625	19625-LEA3-900	SEAL A, SHROUD A	罩蓋A密封墊A	1	
	19626	19626-LEA3-900	SEAL B, SHROUD A	罩蓋A密封墊B	1	
	1962A	1962A-LEA3-900	SHROUD ASSY., A	引擎罩蓋 A	1	
	19635	19635-LEA3-900	SEAL A, SHROUD B	罩蓋B密封墊A	1	
	19636	19636-LEA3-900	SEAL B, SHROUD B	罩蓋B密封墊B	1	
	1963A	1963A-LEA3-900	SHROUD ASSY., B	引擎罩蓋 B組	1	
	31110-LEA1-90A	31110-LEA1-90A	FLYWHEEL COMP /D402	飛輪	1	
	31110-LEA1-90B	31110-LEA1-90B	FLYWHEEL COMP /D406	飛輪	1	
	31110-LEA1-90C	31110-LEA1-90C	FLYWHEEL COMP /D414	飛輪	1	
	31120-LEA1-90A	31120-LEA1-90A	STATOR COMP /D402	轉子線圈	1	
	31120-LEA1-90B	31120-LEA1-90B	STATOR COMP /D406	轉子線圈	1	
	31120-LEA1-90C	31120-LEA1-90C	STATOR COMP /D414	轉子線圈	1	
**	87503	87503-LEA1-900	CAUTION MUFFLER	含氧感知貼紙	1	
**	87541	87541-KGBG-900	LABE OIL CAP	標籤	1	



Sales mark 配色標註	Ref no 參考號碼	Part no 零件號碼	Description 英文名稱	Reg description 中文名稱	Regd no 需求用量	E07
	90302	90302-GFY6-940	BOLT-WASH 5*16	螺絲 5X16	2	
	90305	90305-GHK8-001	NUT CLIP 6MM	夾螺帽 6MM	2	
#	90677	90677-GAR1-004	NUT CLIP 5MM	螺帽夾 5MM	1	
	92101	92101-05012-0H	BOLT HEX 5*12	螺絲 5X12	2	
	94050	94050-10080	NUT FLANGE 10MM	螺帽 10MM	1	
	96001-06016	96001-06016-08	BOLT FLANGE SH 6*16	螺絲 6X16	6	
	96001-06022	96001-06022-08	BOLT FLANGE SH 6*22	螺絲 6X22	2	
	96001-06025	96001-06025-08	BOLT FLANGE SH 6*25	螺絲 6X25	3	





Sales mark 配色標註	Ref no 參考號碼	Part no 零件號碼	Description 英文名稱	Reg description 中文名稱	Regd no 需求用量	E08
	21301	21301-LEA3-305	COVER MISSION	變速箱蓋	1	
	21395	21395-LEA3-900	GASKET MISSION CASE	主軸蓋墊片	1	
	23411	23411-LEA3-900	SHAFT DRIVE	驅動軸	1	
	23420	23420-LEA3-900	SHAFT COMP COUNTER	副軸組	1	
	23431	23431-LEA3-900	SHAFT FINAL	最終軸	1	
	23432	23432-LEA3-900	GEAR FINAL	最終齒輪	1	
	90429	90429-GBN2-004	WASHER SIDE 14MM	華司 14MM	1	
	90454	90454-3L50-001	WASHER THRUST 14MM	華司 14MM	1	
	91004	91004-KNBN-92A	BRG BALL RADIAL 6203 SPC 17*40*12	左曲軸箱軸承 17X42X12	1	
	91204	91204-KNBN-90A	OIL SEAL 17*30*6	油封 17X30X6	1	
	94510	94510-20000	CIR CLIP EX 20	外環夾 20MM	1	
	96100	96100-62030-00	BRG BALL RADIAL 6203	軸承 6203	1	