

PARTS CATALOGUE



速克達

SW25BB

GP 125



前言

- 本零件型錄適用於 SW25BB 機種，訂購零件時，請參照本冊。
- 本冊之配色表僅供參考，若與實車不符之處，以實車為準。
- 配色記號(Color Mark)
 - 1.註明 "***" 記號，表示訂購該零件時，請參照機種相片及配色表，並請在基本零件號碼最後加上色碼。
 - 2.註明 "#" 記號，表示該零件有設變記錄，請上系統查詢設變履歷。
- 本冊若有錯誤或遺漏之處，敬請不吝賜教指正。

ABOUT THIS PARTS LIST

- This parts list is compiled all service parts for model SW25BB.
- Any difference between color chart and motorcycle will be revised according to motorcycle.
- The Mark:
 1. Marking "***" must add color code in the end before ordering parts.
 2. Marking "#" are parts with modification, Please find the details from e-Parts system.
- When modification or additions to this parts list are made a revised edition at an appropriate time.

目次

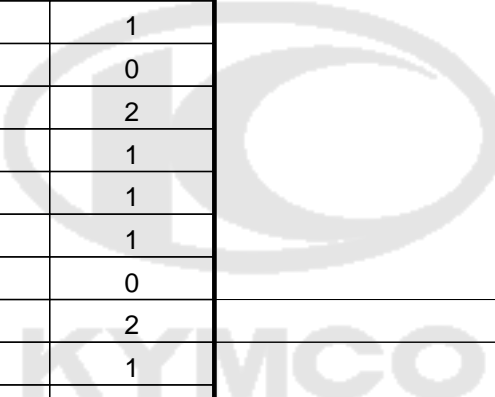
| | |
|--------------------|-----|
| ● 前言 | 1 |
| ● SW25BB 配色表 | 3 |
| ● 引擎結構圖 | 9 |
| ● 車架結構圖 | 10 |
| ● 引擎號碼表 | 13 |
| ● 車架零件號碼表 | 45 |
| ● 零件號碼索引 | 113 |

CONTENTS

| | |
|-------------------------------|-----|
| ● ABOUT THIS PARTS LIST | 1 |
| ● COLOR CHART OF SW25BB | 3 |
| ● CONTENTS-ENGINE GROUP | 9 |
| ● CONTENTS-FRAME GROUP | 10 |
| ● ENGINE PARTS LIST | 13 |
| ● FRAME PARTS LIST | 45 |
| ● PART NO. INDEX | 113 |

| NO | 機種 | | | SW25BB 配色表 | | | |
|------|---------------------|----------------|----|------------|------------|---------|----------------|
| | 相片NO | | | NO. 1 | NO. 2 | NO. 3 | NO. 4 |
| | 主體色 | | | 閃銀藍 | 亮紅 | 黑 | 麗晶橘 |
| | 色碼 | | | Light Blue | Bright Red | Black | Shining Orange |
| | 零件名稱 | 零件號碼 | 版次 | PB331MA | RR217PA | NH001SA | YR323MA |
| 1 | 前護條 | 64302-AAC9-900 | 1 | HUP | NVP | HUP | |
| 2 | 右邊護板 | 64305-AAC9-305 | 1 | | | | |
| 3 | 左邊護板 | 64306-AAC9-305 | 1 | | | | |
| 4 | 前土除覆蓋 | 64312-AAC9-900 | 1 | | | | |
| 5 | 右側蓋 | 83510-AAC9-900 | 1 | | | | |
| 6 | 左側蓋 | 83610-AAC9-900 | 1 | | | | |
| 7 | MIRROR ASSY..R BCAK | 88110-LHE9-900 | 1 | L9R | | | |
| 8 | MIRROR ASSY..L BACK | 88120-LHE9-900 | 1 | | | | |
| 9 | 腳踏板支架 | 50179-LFG7-900 | 2 | M2S | | | |
| 10 | 後輪轂 | 42610-KUDU-900 | 2 | | | | |
| 11 | 前輪轂組 | 44610-AAC9-800 | 0 | N1A | | | |
| 12 | 前輪轂組 | 51400-KHD6-W01 | 1 | | | | |
| 13 | 右前避震器底管 | 51420-KECE-W01 | 0 | | | | |
| 14 | 左前避震器 | 5150A-KHD6-W01 | 2 | | | | |
| 15 | 左前避震器底管 | 51520-KECE-W01 | 0 | | | | |
| 16 | 手柄左拉桿 | 53175-KNBN-901 | 1 | | | | |
| 17 | 手柄左拉桿 | 53178-GKAK-901 | 0 | CKP | | | |
| 18 | 手柄前蓋 | 53205-LDA6-800 | 2 | | | | |
| 19 | 前蓋 | 64301-AAC9-900 | 1 | | | | |
| 20 | 後架 | 81200-LDA6-900 | 2 | | | | |
| 21 | 右邊蓋 | 83500-AAC9-305 | 1 | | | | |
| 22 | 左邊蓋 | 83600-AAC9-305 | 1 | | | | |
| 23 | 左曲軸箱蓋 | 1134A-LGL3-910 | 2 | N1R | | | |
| 24 | 排氣管護熱蓋 | 18317-LHB8-900 | 1 | | | | |
| 25 | 電瓶底蓋 | 50613-AAC9-900 | 0 | | | | |
| 生產日期 | | | | | | | |
| 停產日期 | | | | | | | |

| NO | 機種 | | | SW25BB 配色表 | | | |
|------|---------------------|----------------|----|--------------|--|--|--|
| | 相片NO | | | NO. 5 | | | |
| | 主體色 | | | 珍珠白 | | | |
| | 色碼 | | | Pearly White | | | |
| | 零件名稱 | 零件號碼 | 版次 | NH193PA | | | |
| 1 | 前護條 | 64302-AAC9-900 | 1 | NVP | | | |
| 2 | 右邊護板 | 64305-AAC9-305 | 1 | | | | |
| 3 | 左邊護板 | 64306-AAC9-305 | 1 | | | | |
| 4 | 前土除覆蓋 | 64312-AAC9-900 | 1 | | | | |
| 5 | 右側蓋 | 83510-AAC9-900 | 1 | | | | |
| 6 | 左側蓋 | 83610-AAC9-900 | 1 | | | | |
| 7 | MIRROR ASSY..R BCAF | 88110-LHE9-900 | 1 | L9R | | | |
| 8 | MIRROR ASSY..L BACK | 88120-LHE9-900 | 1 | | | | |
| 9 | 腳踏板支架 | 50179-LFG7-900 | 2 | M2S | | | |
| 10 | 後輪轂 | 42610-KUDU-900 | 2 | N1A | | | |
| 11 | 前輪轂組 | 44610-AAC9-800 | 0 | | | | |
| 12 | 前輪轂組 | 51400-KHD6-W01 | 1 | | | | |
| 13 | 右前避震器底管 | 51420-KECE-W01 | 0 | | | | |
| 14 | 左前避震器 | 5150A-KHD6-W01 | 2 | | | | |
| 15 | 左前避震器底管 | 51520-KECE-W01 | 0 | | | | |
| 16 | 手柄左拉桿 | 53175-KNBN-901 | 1 | | | | |
| 17 | 手柄左拉桿 | 53178-GKAK-901 | 0 | | | | |
| 18 | 手柄前蓋 | 53205-LDA6-800 | 2 | NVP | | | |
| 19 | 前蓋 | 64301-AAC9-900 | 1 | | | | |
| 20 | 後架 | 81200-LDA6-900 | 2 | | | | |
| 21 | 右邊蓋 | 83500-AAC9-305 | 1 | | | | |
| 22 | 左邊蓋 | 83600-AAC9-305 | 1 | | | | |
| 23 | 左曲軸箱蓋 | 1134A-LGL3-910 | 2 | N1R | | | |
| 24 | 排氣管護熱蓋 | 18317-LHB8-900 | 1 | | | | |
| 25 | 電瓶底蓋 | 50613-AAC9-900 | 0 | | | | |
| 生產日期 | | | | | | | |
| 停產日期 | | | | | | | |

| NO | 機種 | | | SW25BB 配色表 | | | | | | | | | | | |
|------|---------|----------------|----|---|------------|---------|----------------|-----|--|--|--|-----|--|--|--|
| | 相片NO | | | NO. 1 | NO. 2 | NO. 3 | NO. 4 | | | | | | | | |
| | 主體色 | | | 閃銀藍 | 亮紅 | 黑 | 麗晶橘 | | | | | | | | |
| | 色碼 | | | Light Blue | Bright Red | Black | Shining Orange | | | | | | | | |
| | 零件名稱 | 零件號碼 | 版次 | PB331MA | RR217PA | NH001SA | YR323MA | | | | | | | | |
| 26 | 節流管套組 | 53140-KFA1-900 | 2 |  | | | | | | | | | | | |
| 27 | 手柄左橡皮套 | 53166-KFA1-900 | 2 | | | | | | | | | | | | |
| 28 | 手柄後蓋 | 53206-LDA6-900 | 4 | | | | | | | | | | | | |
| 29 | 前內土除 | 61110-KKC8-900 | 2 | | | | | | | | | | | | |
| 30 | 腳踏板 | 64310-LDA6-900 | 3 | | | | | N1R | | | | | | | |
| 31 | A型踏板塞 | 64317-KHD6-900 | 0 | | | | | | | | | | | | |
| 32 | 下罩 | 64400-AAC9-900 | 1 | | | | | | | | | | | | |
| 33 | 中心蓋 | 80151-AAC9-900 | 1 | | | | | | | | | | | | |
| 34 | 行旅內箱 | 81131-AAC9-900 | 1 | | | | | | | | | | | | |
| 35 | 內箱蓋小蓋 | 81132-AAC9-900 | 0 | | | | | | | | | | | | |
| 36 | 安全帽掛鉤 | 81132-LFG6-900 | 2 | | | | | | | | | | | | |
| 37 | 內箱蓋 | 81133-AAC9-900 | 1 | | | | | | | | | | | | |
| 38 | 車體右邊蓋小蓋 | 83520-AAC9-900 | 1 | | | | | | | | | | | | |
| 39 | 車體左邊蓋小蓋 | 83620-AAC9-900 | 1 | | | | | | | | | | | | |
| 40 | 配線束帶 | 90656-KUDU-900 | 0 | | | | | N1S | | | | | | | |
| 41 | 前煞車板總成 | 45000-LCB3-910 | 2 | | | | | | | | | | | | |
| 42 | 後輪鋼圈 | 42705-LGL3-600 | 1 | | | | | | | | | N2S | | | |
| 43 | 輪圈 | 44705-LGL3-600 | 1 | | | | | | | | | | | | |
| 44 | 前護蓋 | 64303-AAC9-900 | 1 | | | | | | | | | N8P | | | |
| 45 | 後避震器 | 52400-LAD9-900 | 3 | | | | | | | | | | | | |
| 46 | 冷卻風扇 | 19510-LDA7-900 | 3 | | | | | | | | | RAR | | | |
| 47 | 座墊組 | 77200-AAC9-900 | 0 | | | | | | | | | | | | |
| 48 | 貼紙 | 86102-LDA6-900 | 1 | | | | | | | | | T01 | | | |
| 49 | 主貼紙 | 86202-AAC9-800 | 0 | | | | | | | | | | | | |
| 50 | 前避震器貼紙 | 86404-LAD9-S10 | 2 | | | | | | | | | | | | |
| 生產日期 | | | | | | | | | | | | | | | |
| 停產日期 | | | | | | | | | | | | | | | |

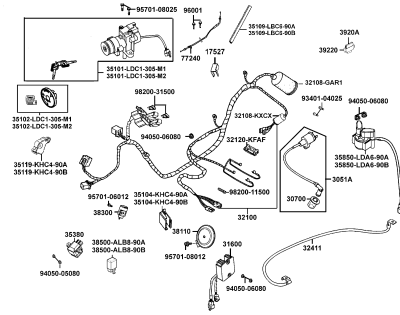
| NO | 機種 | | | SW25BB 配色表 | | | |
|------|---------|----------------|----|--------------|-----|--|--|
| | 相片NO | | | NO. 5 | | | |
| | 主體色 | | | 珍珠白 | | | |
| | 色碼 | | | Pearly White | | | |
| | 零件名稱 | 零件號碼 | 版次 | NH193PA | | | |
| 26 | 節流管套組 | 53140-KFA1-900 | 2 | N1R | | | |
| 27 | 手柄左橡皮套 | 53166-KFA1-900 | 2 | | | | |
| 28 | 手柄後蓋 | 53206-LDA6-900 | 4 | | | | |
| 29 | 前內土除 | 61110-KKC8-900 | 2 | | | | |
| 30 | 腳踏板 | 64310-LDA6-900 | 3 | | | | |
| 31 | A型踏板塞 | 64317-KHD6-900 | 0 | | | | |
| 32 | 下罩 | 64400-AAC9-900 | 1 | | | | |
| 33 | 中心蓋 | 80151-AAC9-900 | 1 | | | | |
| 34 | 行旅內箱 | 81131-AAC9-900 | 1 | | | | |
| 35 | 內箱蓋小蓋 | 81132-AAC9-900 | 0 | | | | |
| 36 | 安全帽掛鉤 | 81132-LFG6-900 | 2 | | | | |
| 37 | 內箱蓋 | 81133-AAC9-900 | 1 | | | | |
| 38 | 車體右邊蓋小蓋 | 83520-AAC9-900 | 1 | | | | |
| 39 | 車體左邊蓋小蓋 | 83620-AAC9-900 | 1 | | | | |
| 40 | 配線束帶 | 90656-KUDU-900 | 0 | | | | |
| 41 | 前煞車板總成 | 45000-LCB3-910 | 2 | | N1S | | |
| 42 | 後輪鋼圈 | 42705-LGL3-600 | 1 | N2S | | | |
| 43 | 輪圈 | 44705-LGL3-600 | 1 | | | | |
| 44 | 前護蓋 | 64303-AAC9-900 | 1 | N8P | | | |
| 45 | 後避震器 | 52400-LAD9-900 | 3 | R8S | | | |
| 46 | 冷卻風扇 | 19510-LDA7-900 | 3 | RAR | | | |
| 47 | 座墊組 | 77200-AAC9-900 | 0 | T01 | | | |
| 48 | 貼紙 | 86102-LDA6-900 | 1 | | | | |
| 49 | 主貼紙 | 86202-AAC9-800 | 0 | | | | |
| 50 | 前避震器貼紙 | 86404-LAD9-S10 | 2 | | | | |
| 生產日期 | | | | | | | |
| 停產日期 | | | | | | | |

CONTENTS - ENGINE GROUP 引擎結構圖

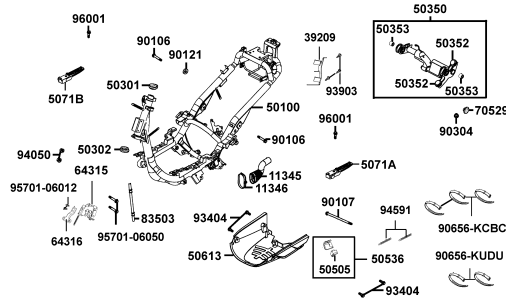
| | | |
|--------------------|---------------------|---------------------|
| E01 曲軸箱 | E02 汽缸頭蓋 汽缸頭 | E03 汽缸 活塞 曲軸 |
| | | |
| E04 右曲軸箱蓋 | E05 傳動皮帶輪 | E06 起動馬達 機油泵 |
| | | |
| E07 風扇蓋 發電機 | E08 傳動系 | E09 噴射節流閥 |
| | | |

CONTENTS - FRAME GROUP 車架結構圖

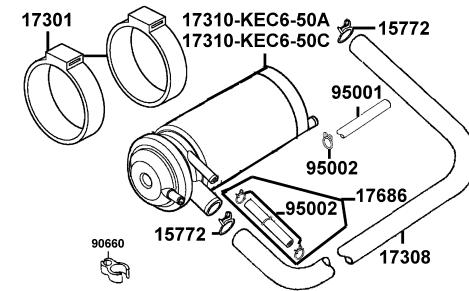
F19 主電路配線



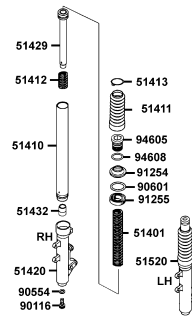
F20 車體



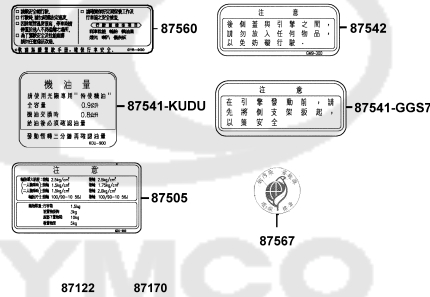
F21 活性炭罐



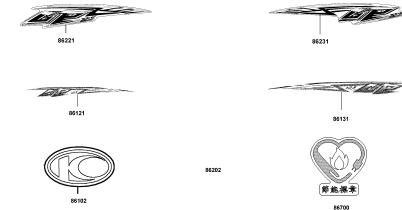
F22 前叉附件



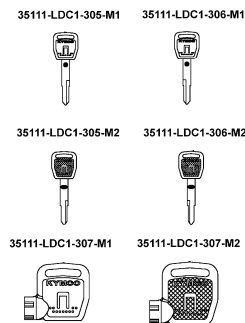
F23 注意標籤



F24 貼紙

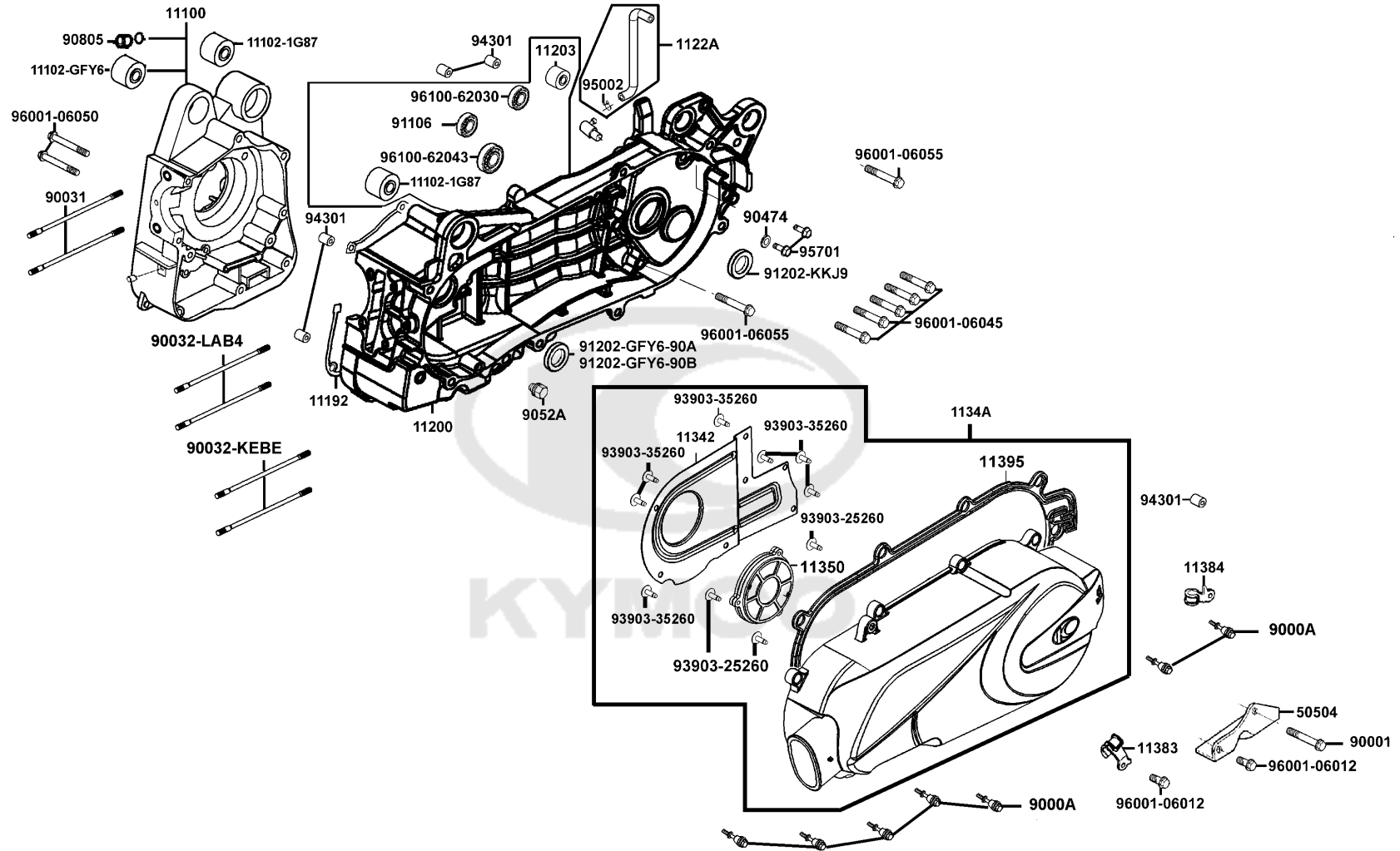


F25 鑰匙組



E01

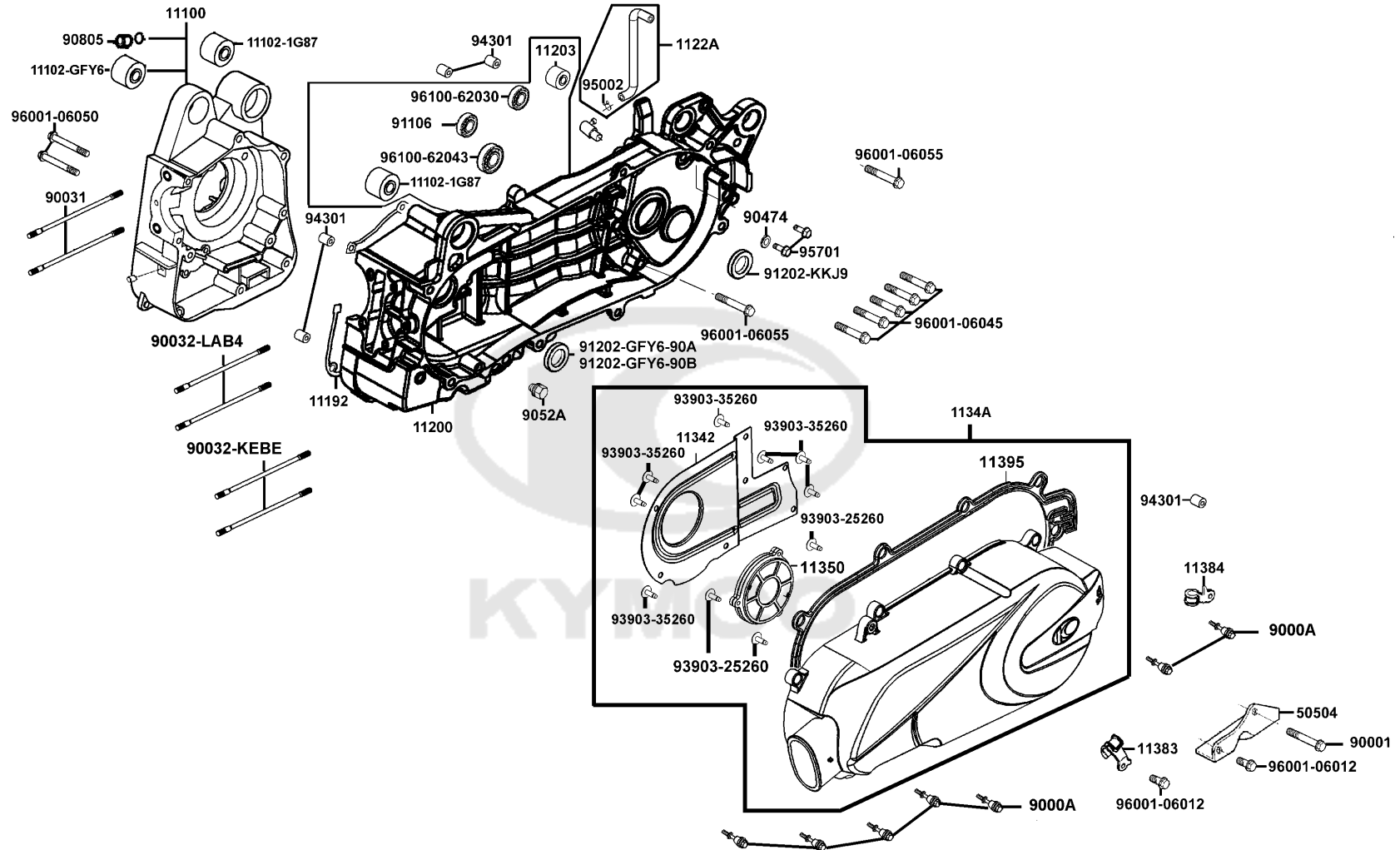
Crank Case 曲軸箱



| Sales mark 配色標註 | Ref no 參考號碼 | Part no 零件號碼 | Description 英文名稱 | Reg description 中文名稱 | Regd no 需求用量 | E01 |
|--------------------|----------------|------------------|--------------------------------|-------------------------|-----------------|-----|
| | 11100 | 11100-LBB8-315 | CASE SET R CRANK | 右曲軸箱組 | 1 | |
| | 11102-1G87 | 11102-1G87-004 | RUB BUSH ENG HANGER | 引擎吊架襯套 | 2 | |
| | 11102-GFY6 | 11102-GFY6-C00 | BUSH , R 56MM | 襯套 | 1 | |
| | 11192 | 11192-LDA6-900 | GASKET CRANK CASE A | 曲軸箱墊片 A | 1 | |
| | 11200 | 11200-KUDU-335 | CRANKCASE SET L | 左曲軸箱組 | 1 | |
| | 11200 | 11200-LDA6-305 | CASE SET L CRANK | 左曲軸箱組 | 1 | |
| | 11203 | 11203-GGC7-301 | UNDER RUBBER BUSH REAR CUSHION | 後緩衝下襯套 | 1 | |
| | 1122A | 1122A-LAD9-900 | TUBE ASSY MISSION BREATHER | 通氣管 | 1 | |
| | 11342 | 11342-LGL3-910 | PLATE L COVER | 左曲軸箱蓋 | 1 | |
| # ** | 1134A | 1134A-LGL3-910 | COVER ASSY. LEFT SIDE | 左曲軸箱蓋 | 1 | |
| | 11350 | 11350-LKG2-900 | ELEMENT ASSY L COVER | 左曲軸箱海綿 | 1 | |
| | 11383 | 11383-KUDU-900 | CLAMPER BRTH DRAIN TUBE | 油管鉤 | 1 | |
| | 11384 | 11384-KUDU-900 | CLAMPER BREATHER TUBE | 通氣管夾 | 1 | |
| | 11395 | 11395-LGL3-900 | GASKET L COVER | 墊片 | 1 | |
| | 50504 | 50504-KUDU-900-G | STAY MAIN STAND STOPPER | 主腳架止動座 | 1 | |
| | 90001 | 90001-GBHB-711 | BOLT FLANGE SHF 6*40 | 螺絲 6X40 | 1 | |
| | 9000A | 9000A-KTDT-900 | BOLT ASSY SPECIAL 6*29.5 | 特殊螺絲 6X29.5 | 7 | |
| | 90031 | 90031-KUDU-900 | BOLT A STUD 8*200.5 | 雙頭螺絲 8X200.5 | 2 | |
| | 90032-KEBE | 90032-KEBE-900 | BOLT B STUD 8MM | 雙頭螺絲 8MM | 2 | |
| | 90032-LAB4 | 90032-LAB4-900 | BOLT B STUD 8*203.5 | 雙頭螺絲 8X203.5 | 2 | |

E01

Crank Case 曲軸箱



| Sales mark 配色標註 | Ref no 參考號碼 | Part no 零件號碼 | Description 英文名稱 | Reg description 中文名稱 | Regd no 需求用量 | E01 |
|--------------------|----------------|-----------------|--------------------------|-------------------------|-----------------|-----|
| 90474 | 90474-3C33-001 | 90474-3C33-001 | WASHER 8MM | 華司 8MM | 1 | |
| 9052A | 9052A-GFY6-950 | 9052A-GFY6-950 | BOLT ASSY DRAIN PLUG | 洩油螺絲 | 1 | |
| 90805 | 90805-GBHB-C00 | 90805-GBHB-C00 | CONE TYPE PLUG 6*7 | 油路栓 | 1 | |
| 91106 | 91106-3C83-00A | 91106-3C83-00A | BRG NEEDLE 15MM | 針型軸承 | 1 | |
| 91202-GFY6-90A | 91202-GFY6-90A | 91202-GFY6-90A | OIL SEAL 19.8*30*5 | 油封 19.8X30X5 | 1 | |
| 91202-GFY6-90B | 91202-GFY6-90B | 91202-GFY6-90B | OIL SEAL 19.8*30*5 | 油封 19.8X30X5 | 1 | |
| 91202-KKJ9 | 91202-KKJ9-004 | 91202-KKJ9-004 | OIL SEAL 20*32*6 | 油封 20X32X6 | 1 | |
| 93903-25260 | 93903-25260 | 93903-25260 | SCREW TAPPING 5*12 | 螺釘 5X12 | 3 | |
| 93903-35260 | 93903-35260 | 93903-35260 | SCREW TAPPING 5*12 | 螺絲 5X12 | 7 | |
| 94301 | 94301-10160 | 94301-10160 | DOWEL PIN 10*16 | 定位銷 10X16 | 6 | |
| 95002 | 95002-02080 | 95002-02080 | CLIP B8 TUBE | 管夾 | 1 | |
| 95701 | 95701-08012-08 | 95701-08012-08 | BOLT FLANGE 8*12 | 螺絲 8X12 | 2 | |
| 96001-06012 | 96001-06012-08 | 96001-06012-08 | BOLT FLANGE 6*12 | 螺絲 6X12 | 2 | |
| 96001-06045 | 96001-06045-08 | 96001-06045-08 | BOLT FLANGE SH 6*45 | 螺絲 6X45 | 5 | |
| 96001-06050 | 96001-06050-08 | 96001-06050-08 | BOLT FLANGE 6*50 | 螺絲 6X50 | 2 | |
| 96001-06055 | 96001-06055-08 | 96001-06055-08 | BOLT FLANGE SH 6*55 | 螺絲 6X55 | 2 | |
| 96100-62030 | 96100-62030-00 | 96100-62030-00 | BRG BALL RADIAL 6203 | 軸承 6203 | 1 | |
| 96100-62043 | 96100-62043-00 | 96100-62043-00 | BEARING BALL RADIAL 6204 | 軸承 6204 | 1 | |

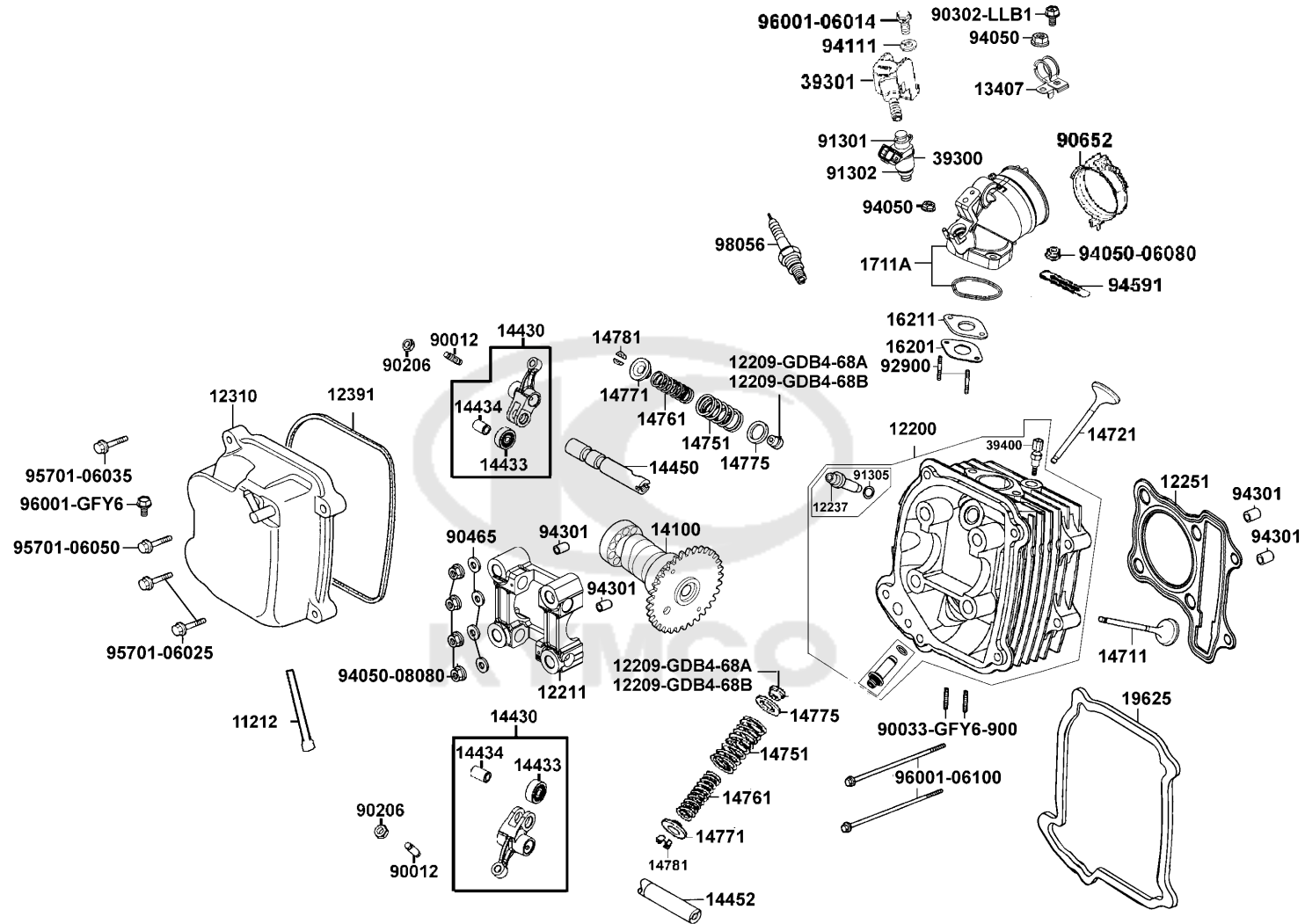
E02

Cylinder Head Cover

Cylinder Head

汽缸頭蓋

汽缸頭



| Sales mark 配色標註 | Ref no 參考號碼 | Part no 零件號碼 | Description 英文名稱 | Reg description 中文名稱 | Regd no 需求用量 | E02 |
|--------------------|----------------|-----------------|--------------------------|-------------------------|-----------------|-----|
| | 11212 | 11212-ALB8-900 | TUBE B BREATHER | B型通氣管 | 1 | |
| | 12200 | 12200-AAC9-900 | HEAD ASSY CYLINDER | 汽缸頭組 | 1 | |
| | 12209-GDB4-68A | 12209-GDB4-68A | SEAL VALVE STEM | 門閥徑封 | 2 | |
| | 12209-GDB4-68B | 12209-GDB4-68B | SEAL VALVE STEM | 閥門徑封 | 2 | |
| | 12211 | 12211-LFD7-900 | HOLDER CAM SHAFT | 凸輪軸固定座 | 1 | |
| | 12237 | 12237-KUDU-900 | GUIDE VALVE | 汙門導管 | 1 | |
| | 12251 | 12251-GFY6-90A | GASKET CYLINDER HEAD | 汽缸頭墊片 | 1 | |
| | 12310 | 12310-ALB8-900 | COVER COMP, HEAD | 汽缸頭蓋總成 | 1 | |
| | 12391 | 12391-GFY6-941 | GASKET HEAD COVER | 汽缸頭蓋墊片 | 1 | |
| | 13407 | 13407-LKC6-900 | PLATE A ECU MODULE | 夾子 | 1 | |
| | 14100 | 14100-LFD7-900 | CAM SHAFT COMP | 凸輪軸 | 1 | |
| | 14430 | 14430-LFD7-900 | ARM VALVE ROCKER | 汽門搖臂 | 2 | |
| | 14433 | 14433-LEB1-900 | ROLLER ASSY ROCKER ARM | 軸承 | 2 | |
| | 14434 | 14434-LEB1-900 | PIN ROCKER ARM | 套筒 | 2 | |
| | 14450 | 14450-GFY6-901 | SHAFT COMP IN ROCKER ARM | 進氣閥搖臂軸 | 1 | |
| | 14452 | 14452-GFY6-901 | SHAFT EXH ROCKER ARM | 排氣閥搖臂軸 | 1 | |
| | 14711 | 14711-KUDU-900 | VALVE INLET | 進氣閥 | 1 | |
| | 14721 | 14721-KUDU-900 | VALVE EXHAUST | 排氣閥 | 1 | |
| | 14751 | 14751-LFD7-900 | SPG VALVE OUTER | 閥門外彈簧 | 2 | |
| | 14761 | 14761-KKJ9-003 | SPG VALVE INNER | 門閥內彈簧 | 2 | |

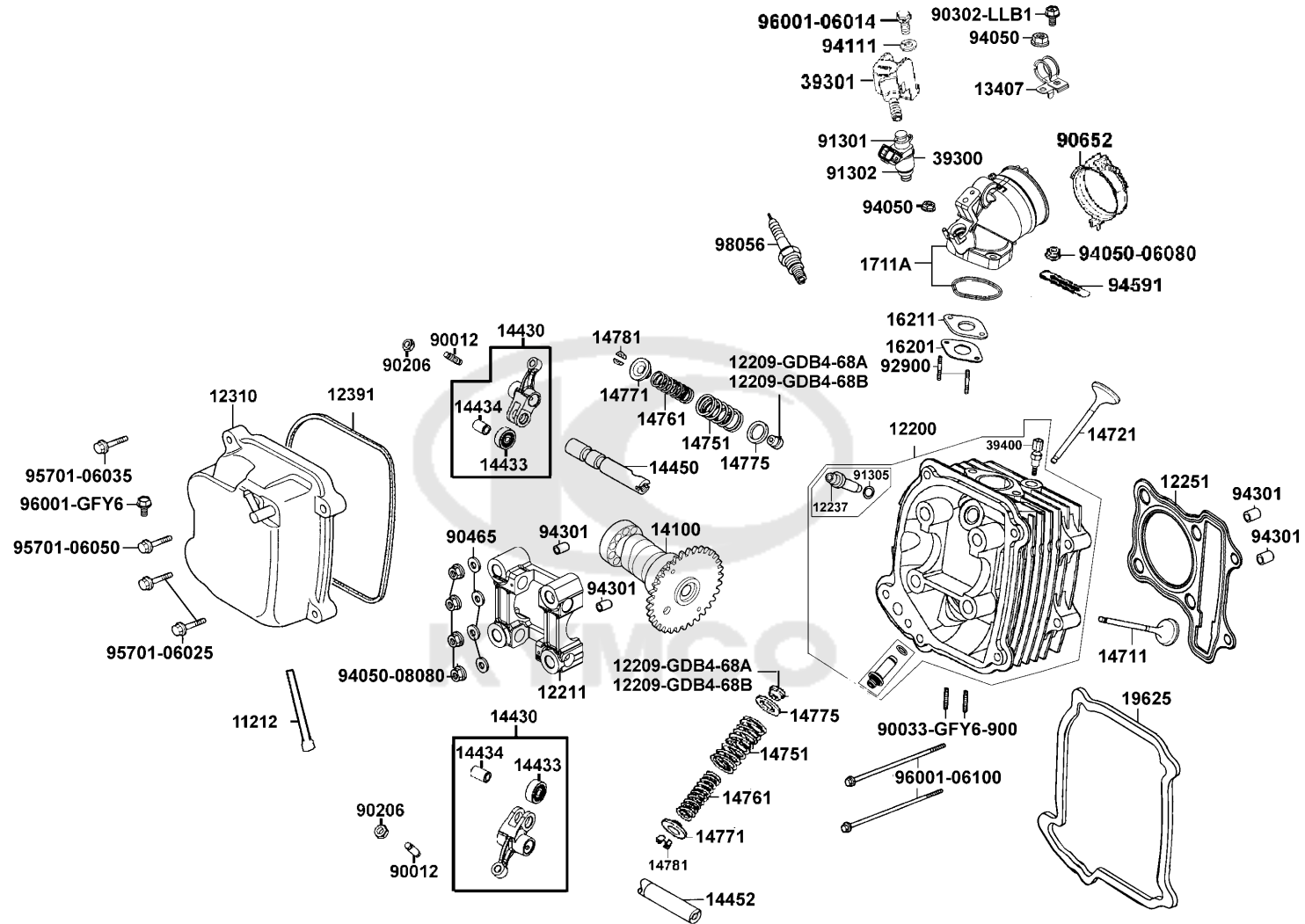
E02

Cylinder Head Cover

Cylinder Head

汽缸頭蓋

汽缸頭



| Sales mark 配色標註 | Ref no 參考號碼 | Part no 零件號碼 | Description 英文名稱 | Reg description 中文名稱 | Regd no 需求用量 | E02 |
|--------------------|----------------|-----------------|-------------------------------|-------------------------|-----------------|-----|
| | 14771 | 14771-GDB4-680 | RETAINER VALVE SPRING | 閥門彈簧保持器 | 2 | |
| | 14775 | 14775-MFA6-001 | SEAT VALVE SPG OUTER | 門閥彈簧外座 | 2 | |
| | 14781 | 14781-MFA6-001 | COTTER VALVE | 閥門鎖扣 | 4 | |
| | 16201 | 16201-GFY6-901 | GASKET CARB INSULATOR @ A | 隔熱板墊片 | 1 | |
| | 16211 | 16211-AAC9-900 | INSULATOR,THROTTLE BODY | 節流閥隔熱片 | 1 | |
| | 17113-ALB8 | 17113-ALB8-900 | STAY, INLET PIPE | 支架 | 1 | |
| | 17113-KKE3 | 17113-KKE3-900 | O-RING INLET PIPE | O環 | 1 | |
| | 1711A | 1711A-AAC9-900 | INLET PIPE ASS'Y | 進氣歧管組立 | 1 | |
| | 19625 | 19625-KUDU-910 | SEAL SHROUD | 罩蓋油封 | 1 | |
| | 39300 | 39300-AAC9-900 | FUEL INJECTOR | 燃油噴嘴 | 1 | |
| | 39301 | 39301-AAC9-900 | CUP COMP.,FUEL INJECTOR | 噴射頭油杯總成 | 1 | |
| | 39302 | 39302-KKE3-900 | CLIP SPRING FUEL INJECTOR | 燃料噴嘴彈簧夾 | 1 | |
| | 39303 | 39303-LEB2-900 | SEAL HIGH TENSION FUEL INJECT | 拉力封 | 1 | |
| | 39304 | 39304-LFG7-900 | CLAMPER FUEL TUBE | 進氣管固定夾 | 1 | |
| | 39400-KKE3 | 39400-KKE3-800 | SENSOR HEAD TEMPERATURE | 汽缸頭溫度感知器 | 1 | |
| | 39400-LHJ3 | 39400-LHJ3-900 | SENSOR. HEAD TEMPERATURE | 汽缸頭溫度感知器 | 1 | |
| | 90012 | 90012-3C33-001 | SCREW TAPPET ADJUSTING | 樞軸調整螺帽 | 2 | |
| | 90033-GFY6-900 | 90033-GFY6-900 | BOLT STUD 8*32 | 螺絲 8X32 | 2 | |
| | 90206 | 90206-0A01-001 | NUT TAPPET ADJG | 挺桿調整螺帽 | 2 | |
| | 90302 | 90302-LLB1-E00 | BOLT-WASHER 5*12 | 螺絲 5X12 | 1 | |

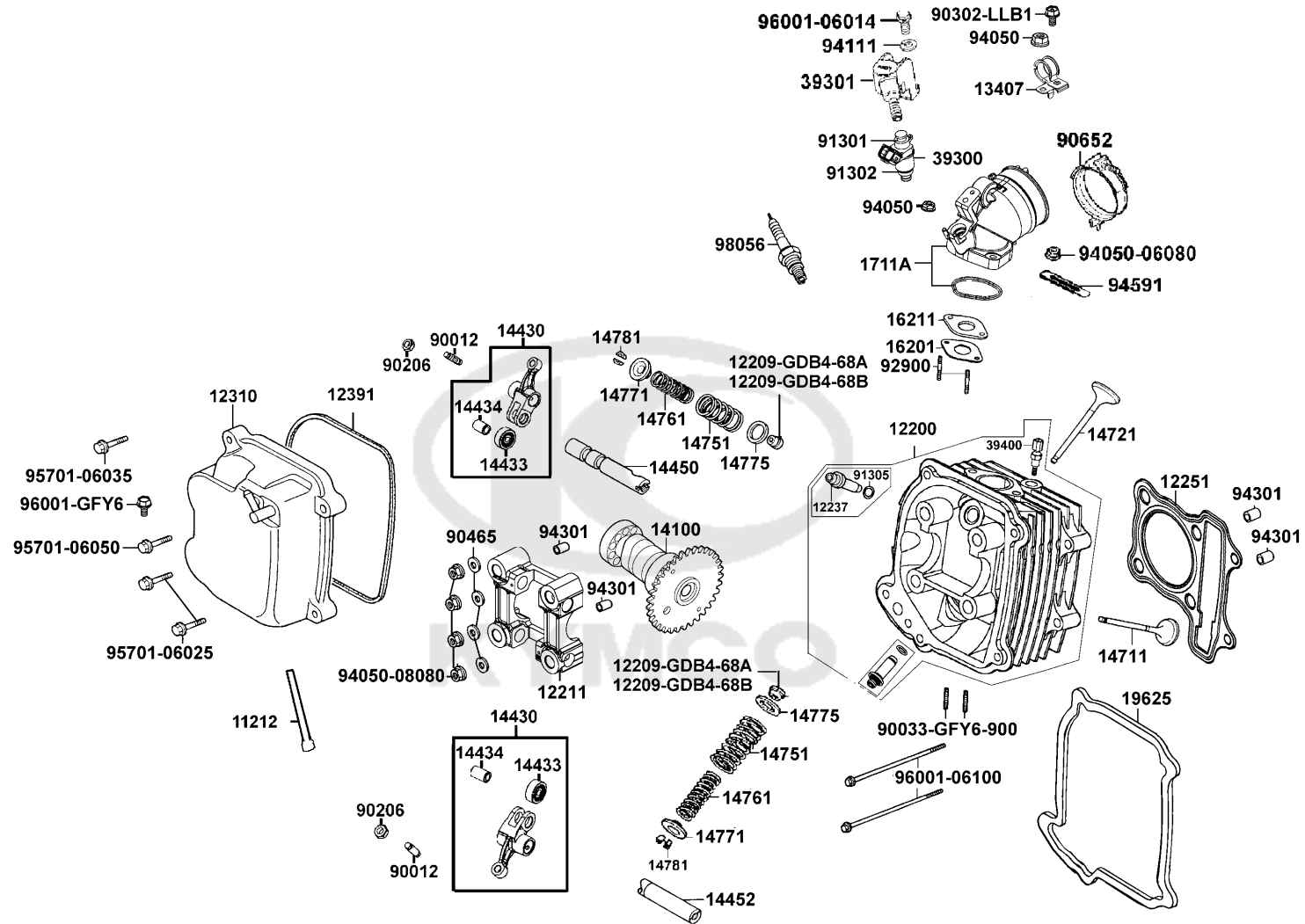
E02

Cylinder Head Cover

Cylinder Head

汽缸頭蓋

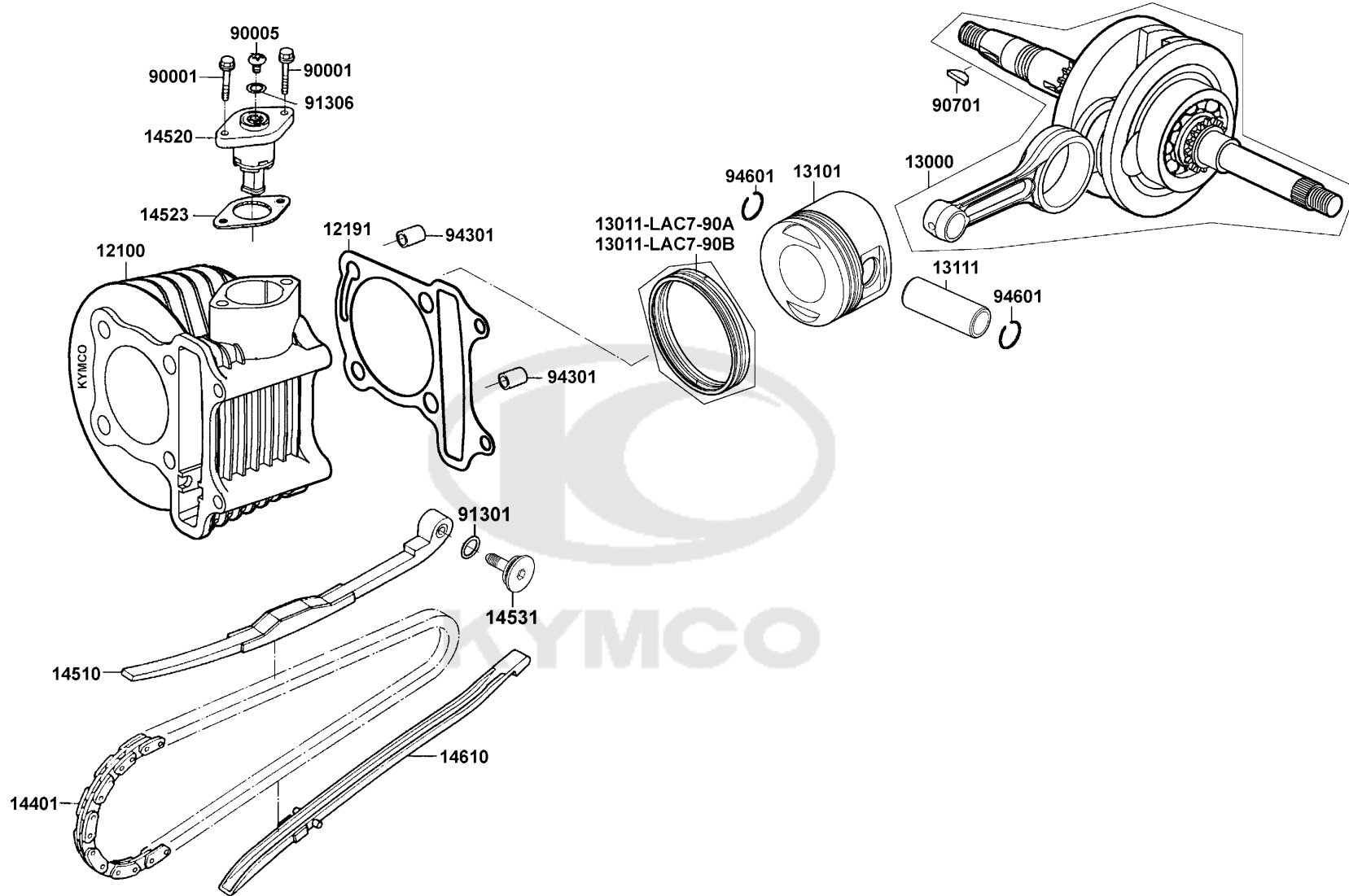
汽缸頭



| Sales mark 配色標註 | Ref no 參考號碼 | Part no 零件號碼 | Description 英文名稱 | Reg description 中文名稱 | Regd no 需求用量 | E02 |
|--------------------|----------------|-----------------|----------------------|-------------------------|-----------------|-----|
| | 90465 | 90465-MDC4-001 | WASHER 8MM | 華司 8MM | 4 | |
| | 90652 | 90652-ALB8-900 | BAND 48,INLET-PIPE | 進氣管夾 | 1 | |
| | 90660 | 90660-PWA2-900 | CLAMP TUBE | 油管夾 | 1 | |
| | 91301 | 91301-LDF2-M90 | O-RING 7.3*2.2 | O環 7.3*2.2 | 1 | |
| | 91302 | 91302-LDF2-M90 | SEAL RING | 油封 | 1 | |
| | 91305 | 91305-0H28-159 | O-RING 9*1.6 | O環 9X1.6 | 1 | |
| | 92900 | 92900-06060-0B | BOLT STUD 6*60 | 雙頭螺絲 6X60 | 2 | |
| | 94050-06080 | 94050-06080 | NUT FLANGE 6MM | 特殊螺帽 6MM | 2 | |
| | 94050-08080 | 94050-08080 | NUT FLANGE 8MM | 螺帽 8MM | 4 | |
| | 94111 | 94111-06800 | WASHER SPRING 6MM | 華司 6MM | 1 | |
| | 94301 | 94301-10160 | DOWEL PIN 10*16 | 定位銷 10X16 | 4 | |
| | 94591 | 94591-KFBF-900 | CLIP 2*70 | 線夾 2X70 | 1 | |
| | 95701-06025-08 | 95701-06025-08 | BOLT FLANGE 6*25 | 螺絲 6X25 | 2 | |
| | 95701-06035 | 95701-06035-08 | BOLT FLANGE 6*35 | 螺絲 6X35 | 1 | |
| | 95701-06050 | 95701-06050-08 | BOLT FLANGE 6*50 (C) | 螺絲 6X50 | 1 | |
| | 96001-06014 | 96001-06014-08 | BOLT FLANGE 6*14 | 螺絲 6X14 | 1 | |
| | 96001-06100 | 96001-06100-08 | BOLT FLANGE SH 6*100 | 螺絲 6X100 | 2 | |
| | 96001-GFY6 | 96001-GFY6-900 | BOLT SPECIAL 5*10 | 特殊螺絲 5X10 | 1 | |
| | 98056 | 98056-5771R-00 | SPARK PLUG (CR7HSA) | 火星塞(CR7HSA) | 1 | |

E03

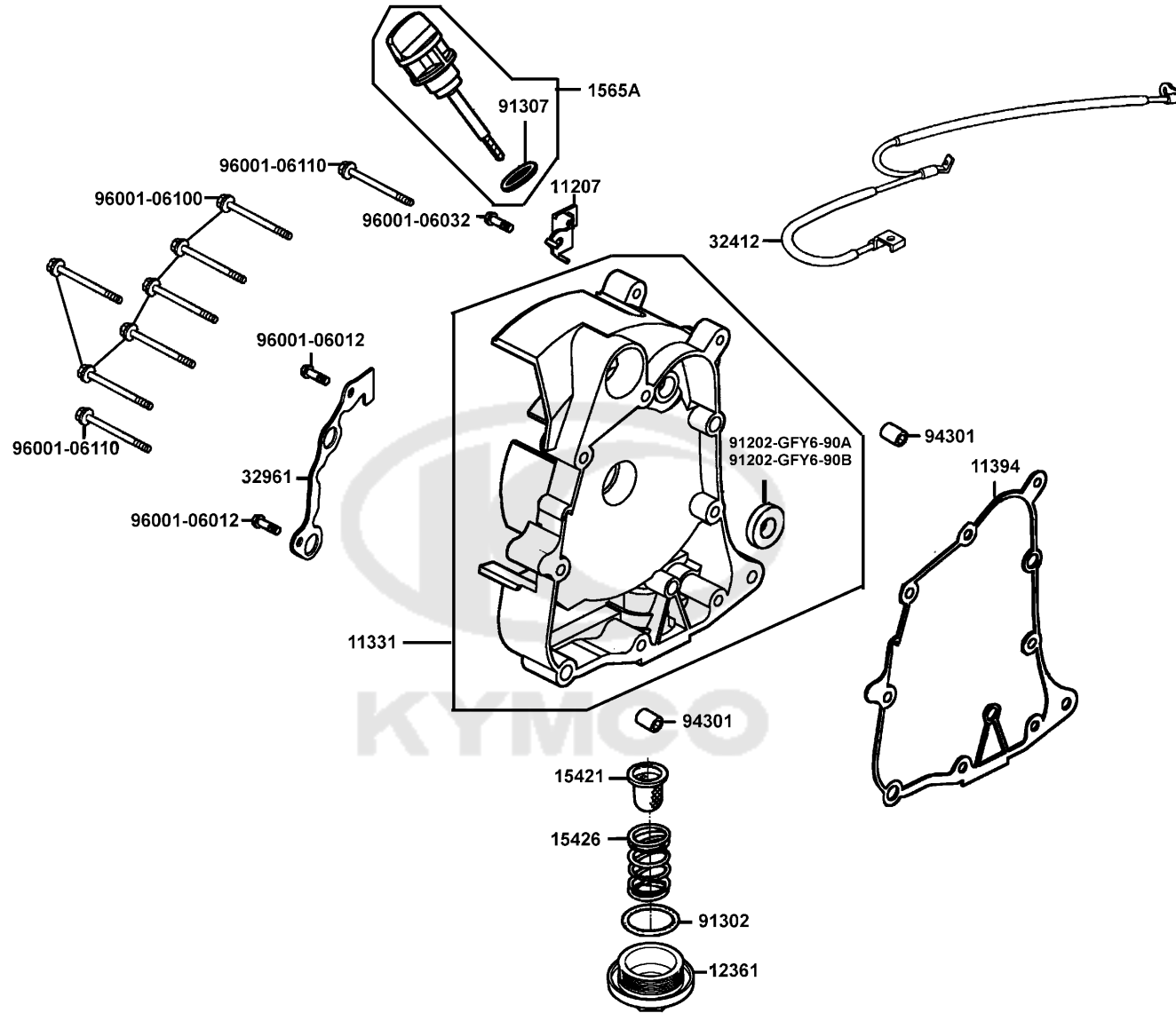
Cylinder Piston Crankshaft 汽缸 活塞 曲軸



| Sales mark 配色標註 | Ref no 參考號碼 | Part no 零件號碼 | Description 英文名稱 | Reg description 中文名稱 | Regd no 需求用量 | E03 |
|--------------------|----------------|-----------------|-----------------------------|-------------------------|-----------------|-----|
| | 12100 | 12100-KFA9-C00 | CYLINDER COMP | 汽缸/陶瓷 | 1 | |
| | 12191 | 12191-GFY6-901 | GASKET CYLINDER @ A | 汽缸墊片 | 1 | |
| | 13000 | 13000-KUDU-900 | CRANK SHAFT COMP | 曲軸 | 1 | |
| | 13011-LAC7-90A | 13011-LAC7-90A | RING ASSY PISTON | 活塞環組 | 1 | |
| | 13011-LAC7-90B | 13011-LAC7-90B | RING ASSY PISTON | 活塞環組 | 1 | |
| | 13101 | 13101-LAD9-950 | PISTON A | 活塞 | 1 | |
| | 13111 | 13111-3D84-001 | PIN PISTON | 活塞銷 | 1 | |
| | 14401 | 14401-KUDU-900 | CHAIN CAM | 凸輪軸驅動鏈條 | 1 | |
| | 14510 | 14510-KUDU-C00 | TENSIONER CAM CHAIN | 內鏈條拉力桿 | 1 | |
| | 14520 | 14520-GFY6-90A | LIFTER ASSY TENSIONER | 內鏈條調整器 | 1 | |
| | 14523 | 14523-GFY6-901 | GASKET TENSIONER LIFTER @ A | 內鏈條調整器墊片 | 1 | |
| | 14531 | 14531-GLR0-001 | PIVOT CAM CHAIN TENSIONER | 拉力桿螺絲 | 1 | |
| | 14610 | 14610-KUDU-C00 | GUIDE COMP CAM CHAIN | 鏈條導件 | 1 | |
| | 90001 | 90001-GBHB-661 | BOLT FLANGE SH 6*22 | 螺絲 6X22 | 2 | |
| | 90005 | 90005-KAW1-901 | SCREW PAN 6*6 | 螺絲 6X6 | 1 | |
| | 90701 | 90701-HFB6-011 | KEY WOODRUFF 25*14*4 | 固定鍵 25X14X4 | 1 | |
| | 91301 | 91301-GLR0-005 | O-RING 15.2*1.5 | O環 15.2X1.5 | 1 | |
| | 91306 | 91306-1E05-691 | O-RING 1.5*9.5 | O環 1.5X9.5 | 1 | |
| | 94301 | 94301-10160 | DOWEL PIN 10*16 | 定位銷 10X16 | 2 | |
| | 94601 | 94601-15000 | CLIP PISTON PIN 15MM | 活塞銷夾 15MM | 2 | |

E04

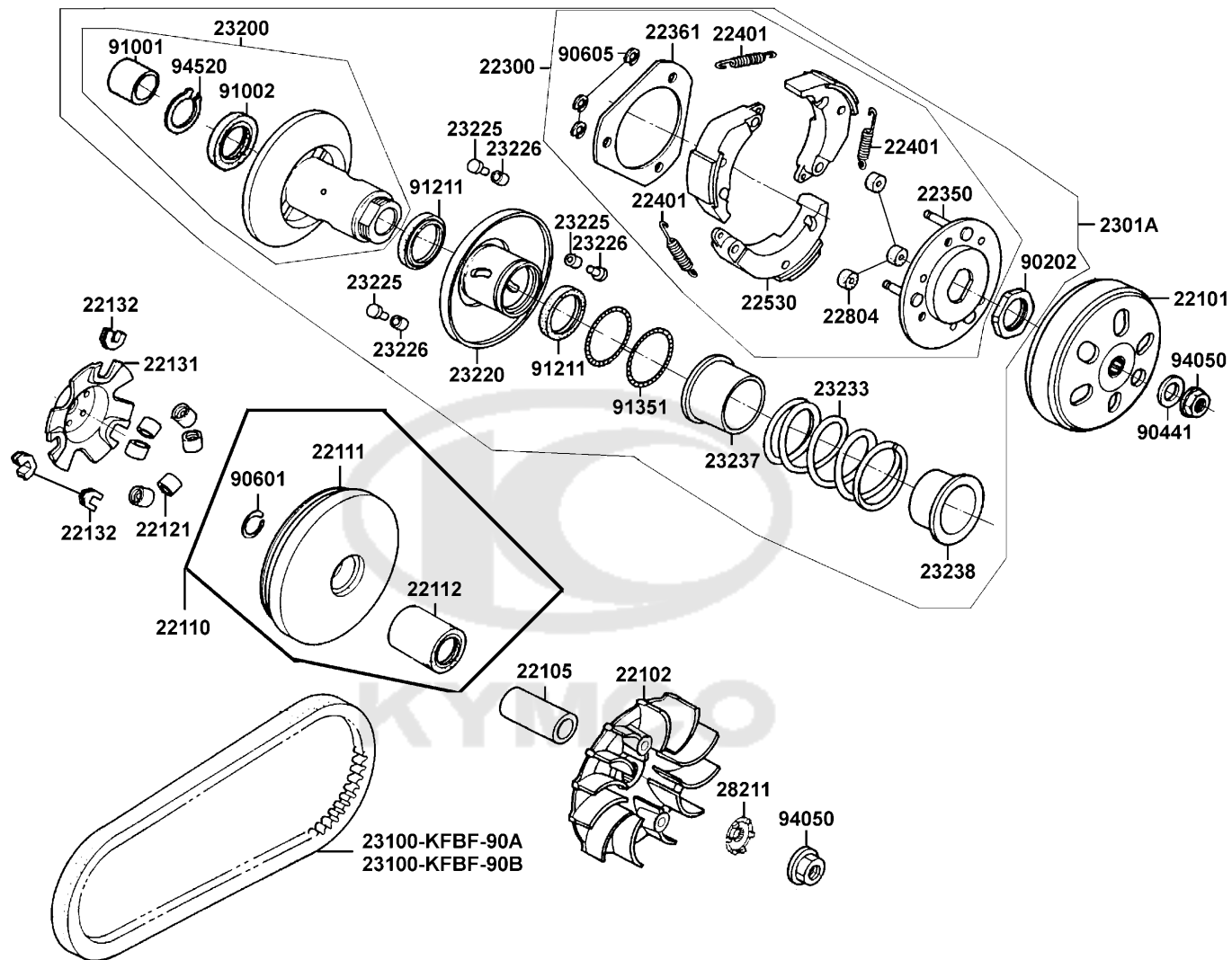
Right Crankcase Cover 右曲軸箱蓋



| Sales mark 配色標註 | Ref no 參考號碼 | Part no 零件號碼 | Description 英文名稱 | Reg description 中文名稱 | Regd no 需求用量 | E04 |
|--------------------|----------------|-----------------|---------------------------|-------------------------|-----------------|-----|
| 11207 | 11207 | 11207-KKE3-900 | STAY B RR FENDER* | 後土除支架 B | 1 | |
| 11331 | 11331 | 11331-KUDU-C10 | COVER R. CRANK CASE | 右曲軸箱蓋 | 1 | |
| 11394 | 11394 | 11394-KUDU-900 | GASKET R COVER | 右曲軸箱蓋墊片 | 1 | |
| 12361 | 12361 | 12361-GFY6-901 | HOLE CAP TAPPET ADJUSTING | 調節螺帽 | 1 | |
| 15421 | 15421 | 15421-1G07-001 | SCREEN OIL FILTER | 濾油網 | 1 | |
| 15426 | 15426 | 15426-GAE1-921 | SPG OIL FILTER SCREEN | 濾油網彈簧 | 1 | |
| 1565A | 1565A | 1565A-KUDU-900 | GAUGE OIL LEVEL ASSY | 機油尺組 | 1 | |
| 32412 | 32412 | 32412-LHB8-900 | CABLE, EARTH | 接地導線 | 1 | |
| 32961 | 32961 | 32961-KUDU-900 | CLAMPER ACG CORD | A.C.G 線夾 | 1 | |
| 91202-GFY6-90A | 91202 | 91202-GFY6-90A | OIL SEAL 19.8*30*5 | 油封 19.8X30X5 | 1 | |
| 91202-GFY6-90B | 91202 | 91202-GFY6-90B | OIL SEAL 19.8*30*5 | 油封 19.8X30X5 | 1 | |
| 91302 | 91302 | 91302-0A01-021 | O-RING 30.8MM | O環 30.8MM | 1 | |
| 91307 | 91307 | 91307-0E35-001 | O RING 18*3 | O環 18X3 | 1 | |
| 94301 | 94301 | 94301-10160 | DOWEL PIN 10*16 | 定位銷 10X16 | 2 | |
| 96001-06012 | 96001 | 96001-06012-08 | BOLT FLANGE 6*12 | 螺絲 6X12 | 2 | |
| 96001-06032 | 96001 | 96001-06032-08 | BOLT FLANGE SH 6*32 | 螺絲 6X32 | 2 | |
| 96001-06100 | 96001 | 96001-06100-08 | BOLT FLANGE SH 6*100 | 螺絲 6X100 | 6 | |
| 96001-06110 | 96001 | 96001-06110-08 | BOLT FLANGE SH 6*110 | 螺絲 6X110 | 2 | |

E05

Driven Pulley 傳動皮帶輪

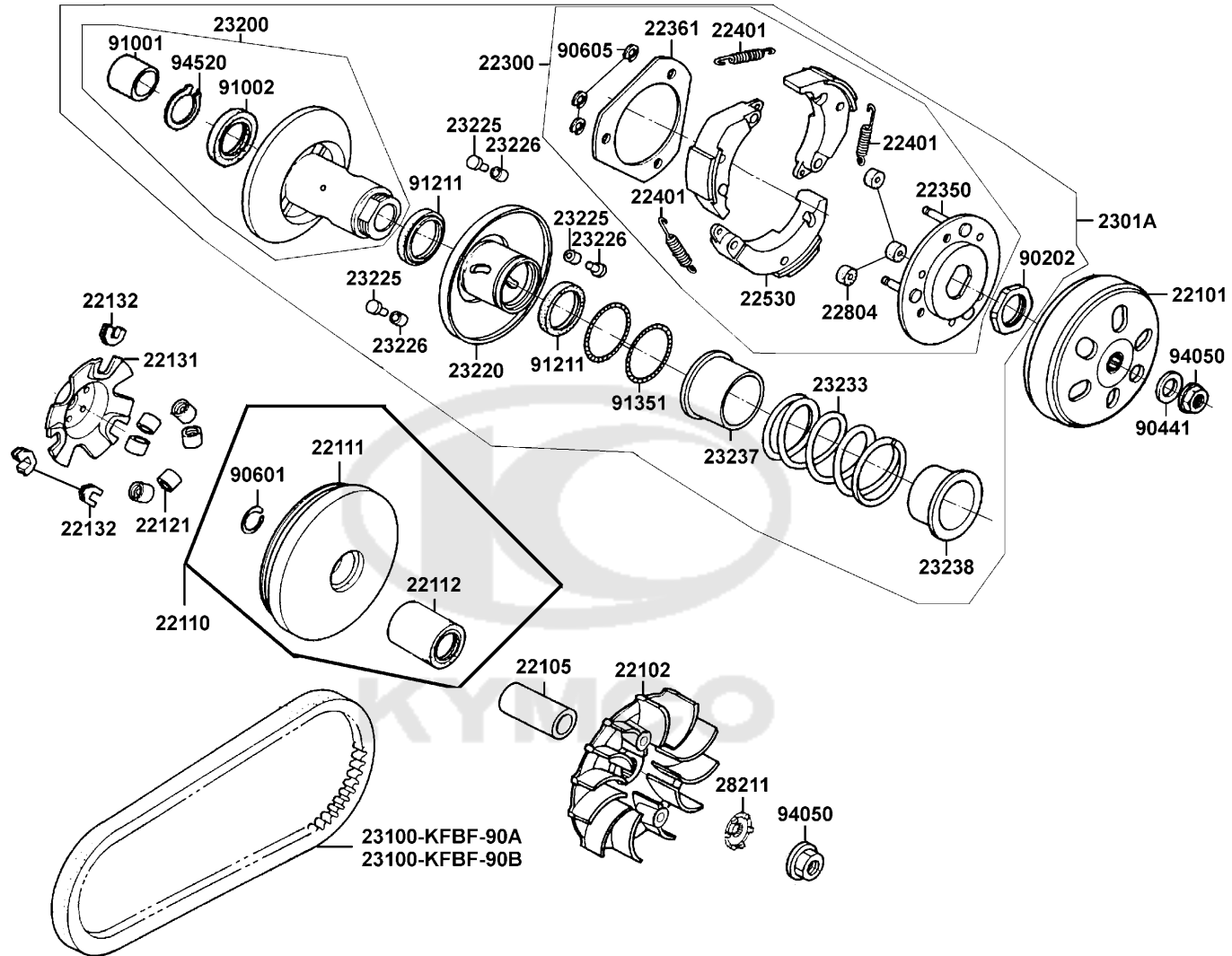


| Sales mark 配色標註 | Ref no 參考號碼 | Part no 零件號碼 | Description 英文名稱 | Reg description 中文名稱 | Regd no 需求用量 | E05 |
|--------------------|----------------|-----------------|--------------------------|-------------------------|-----------------|-----|
| | 22101 | 22101-LCD3-E00 | OUTER CLUTCH | 離合器外套 | 1 | |
| | 22102 | 22102-KUDU-220 | FACE DRIVE | 滑動式驅動盤 | 1 | |
| | 22105 | 22105-GFY6-220 | BOSS DRIVE FACE | 襯套 | 1 | |
| | 22110 | 22110-KKE3-900 | FACE COMP MOVABLE DRIVE | 滑動式驅動盤 | 1 | |
| | 22111 | 22111-KKE3-900 | FACE MOVABLE DRIVE | 滑動式驅動盤 | 1 | |
| | 22112 | 22112-GFY6-90A | BUSH 24*28*30 | 襯套 24X28X30 | 1 | |
| | 22121 | 22121-GFY6-92A | ROLLER COMP WEIGHT 13gr | 配重滾子 | 6 | |
| | 22131 | 22131-LDA6-900 | PLATE RAMP | 斜坡板 | 1 | |
| | 22132 | 22132-KBN2-901 | PIECE SLIDE | 斜坡板邊件 | 3 | |
| | 22300 | 22300-LKB3-900 | PLATE ASSY.. DRIVE | 驅動板組 | 1 | |
| | 22350 | 22350-LHJ3-900 | PLATE COMP DRIVE | 驅動板 | 1 | |
| | 22361 | 22361-LHJ3-900 | PLATE CLUTCH SIDE | 離合器舉升板 | 1 | |
| | 22401 | 22401-LKB3-900 | SPRING CLUTCH | 離合器彈簧 | 3 | |
| | 22530 | 22530-LHJ3-900 | WEIGHT CLUTCH | 離合器配重/片 | 3 | |
| | 22804 | 22804-GBB2-001 | RUBBER CLUTCH DAMPER | 離合器橡皮 | 3 | |
| | 2301A-AAC9 | 2301A-AAC9-900 | PULLEY SUB ASSY | 從動皮帶輪組 | 1 | |
| | 23100-KFBF-90A | 23100-KFBF-90A | BELT DRIVE | 驅動皮帶 | 1 | |
| | 23100-KFBF-90B | 23100-KFBF-90B | BELT DRIVE | 驅動皮帶 | 1 | |
| | 23200 | 23200-GFY6-901 | FACE ASSY DRIVEN | 平面傳動組 | 1 | |
| | 23220 | 23220-GFY6-921 | FACE COMP MOVABLE DRIVEN | 滑動式從動皮帶盤 | 1 | |

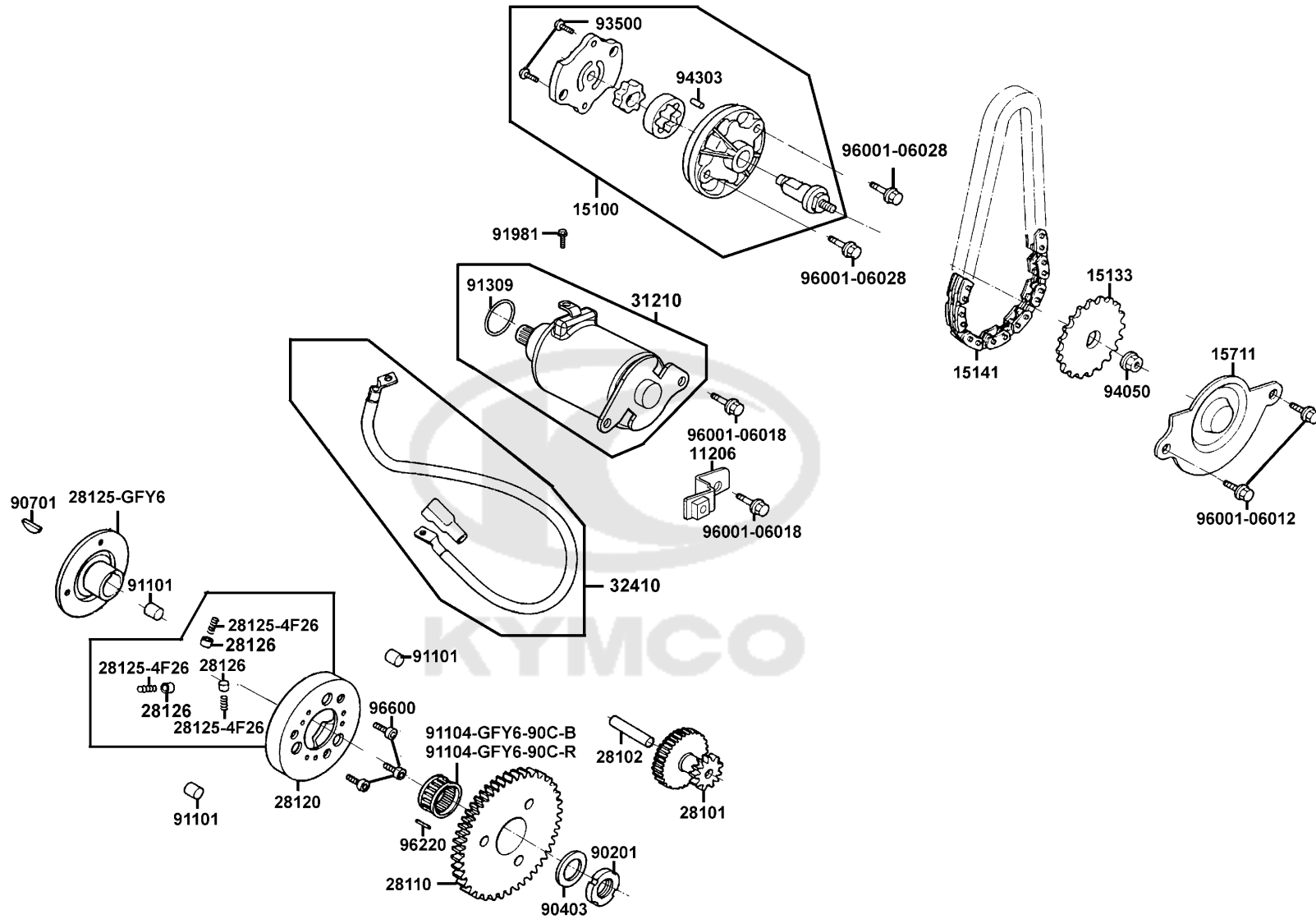
E05

Driven Pulley

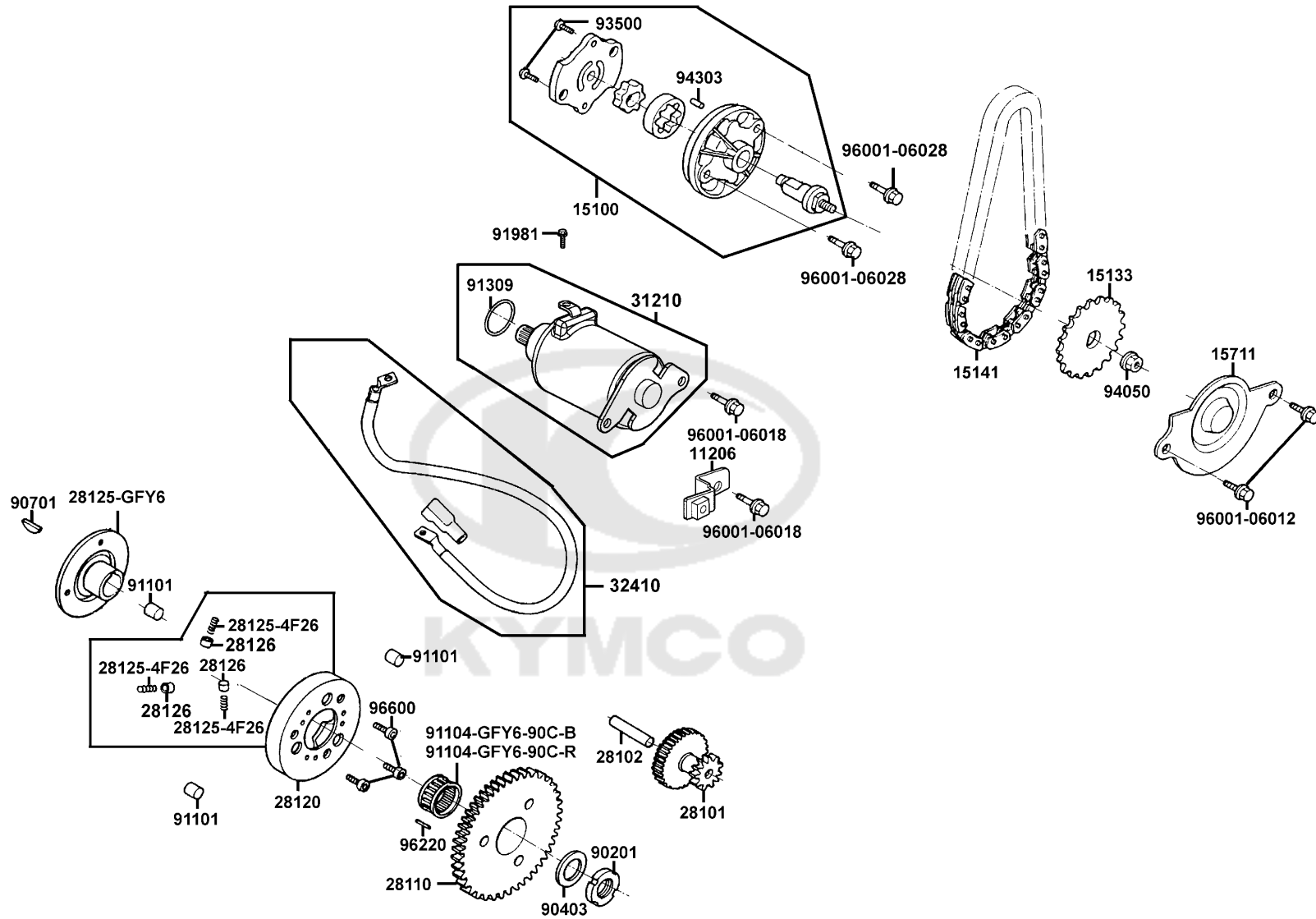
傳動皮帶輪



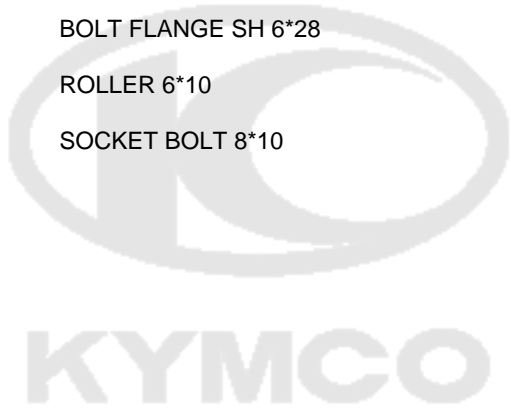
| Sales mark 配色標註 | Ref no 參考號碼 | Part no 零件號碼 | Description 英文名稱 | Reg description 中文名稱 | Regd no 需求用量 | E05 |
|--------------------|----------------|--------------------------|--------------------------|-------------------------|-----------------|-----|
| 23225 | 23225-GHC8-004 | PIN ROLLER GUIDE | PIN ROLLER GUIDE | 滾導銷 | 3 | |
| 23226 | 23226-GHC8-004 | ROLLER GUIDE | ROLLER GUIDE | 滾導 | 3 | |
| 23233 | 23233-AAC9-900 | SPG DRIVEN FACE | SPG DRIVEN FACE | 驅動彈簧 | 1 | |
| 23237 | 23237-GFY6-941 | COLLAR SEAL | COLLAR SEAL | 套筒 | 1 | |
| 23238 | 23238-GFY6-941 | COLLAR SPG | COLLAR SPG | 套筒 | 1 | |
| 28211 | 28211-LGK2-900 | WASHER 15.1x24x5 | WASHER 15.1x24x5 | WASHER 15.1x24x5 | 1 | |
| 90202 | 90202-1G87-001 | NUT SPECIAL 28MM | NUT SPECIAL 28MM | 螺帽 28MM | 1 | |
| 90441 | 90441-GFY6-941 | WASHER 12.2*29*2.5 | WASHER 12.2*29*2.5 | 華司 12.2X29X2.5 | 1 | |
| 90601 | 90601-GFY6-901 | CLIP 28MM | CLIP 28MM | 夾子 28MM | 1 | |
| 90605 | 90605-1F66-721 | CIR CLIP 7MM | CIR CLIP 7MM | 環夾 7MM | 3 | |
| 91001 | 91001-GFY6-90A | BRG NDL 20*29*18 | BRG NDL 20*29*18 | 平面傳動盤軸承 20X29X18 | 1 | |
| 91002 | 91002-GGA7-70A | BRG BALL RADIAL 6902U | BRG BALL RADIAL 6902U | 軸承 6902U 15X28X7 | 1 | |
| 91211 | 91211-KEBE-900 | SEAL DRIVEN FACE 34*41*4 | SEAL DRIVEN FACE 34*41*4 | 從動皮帶輪油封 34X41X4 | 2 | |
| 91351 | 91351-6B42-000 | O-RING PINION CAP | O-RING PINION CAP | O環 | 2 | |
| 94050 | 94050-12080 | NUT C FLANGE 12MM | NUT C FLANGE 12MM | 螺帽 12MM | 2 | |
| 94520 | 94520-28000 | CIR CLIP IN 28 | CIR CLIP IN 28 | 內環夾 28MM | 1 | |



| Sales mark 配色標註 | Ref no 參考號碼 | Part no 零件號碼 | Description 英文名稱 | Reg description 中文名稱 | Regd no 需求用量 | E06 |
|--------------------|------------------|------------------|------------------------------|-------------------------|-----------------|-----|
| | 11206 | 11206-KKE3-900 | STAY A RR FENDER | 後土除支架 A | 1 | |
| | 15100 | 15100-KFB7-900 | PUMP ASSY OIL | 機油泵浦 | 1 | |
| | 15133 | 15133-GFY6-901 | SPRKT OIL PUMP DRIVEN | 機油泵驅動齒輪 | 1 | |
| | 15141 | 15141-GFY6-90B | CHAIN OIL PUMP | 機油泵驅動鏈條 | 1 | |
| | 15711 | 15711-KUDU-900 | SEPARATER OIL | 機油分隔板 | 1 | |
| | 28101 | 28101-GFY6-901 | GEAR STARTER REDUCTION | 起動減速齒輪 | 1 | |
| | 28102 | 28102-GFY6-901 | SHAFT STARTER REDUCTION GEAR | 起動減速齒輪軸 | 1 | |
| | 28110 | 28110-GFY6-901 | GEAR COMP STARTING CLUTCH | 起動離合器齒輪 | 1 | |
| | 28120 | 28120-GFY6-315 | OUTER COMP STARTING CLUTCH | 離合器外套 | 1 | |
| | 28125-4F26 | 28125-4F26-001 | SPRING ROLLER STARTER CLUTCH | 離合器滾子彈簧 | 3 | |
| | 28125-GFY6 | 28125-GFY6-960 | FLANGE STARTING CLUTCH | 起動離合器凸緣 | 1 | |
| | 28126 | 28126-KUDU-900 | CAP STARTING ROLLER SPRING | 滾子彈簧蓋 | 3 | |
| | 31210 | 31210-GFY6-200 | MOTOR UNIT START | 起動馬達組 | 1 | |
| | 32410 | 32410-AAC9-900 | CABLE START MOTOR | 啟動馬達線組 | 1 | |
| | 90201 | 90201-GFY6-901 | NUT LOCK 22MM | 鎖定螺帽 22MM | 1 | |
| | 90403 | 90403-KUDU-900 | WASHER THRUST 22.2*39*2.5 | 華司 22.2X39X2.5 | 1 | |
| | 90701 | 90701-HFB6-011 | KEY WOODRUFF 25*14*4 | 固定鍵 25X14X4 | 1 | |
| | 91101 | 91101-1K79-711 | ROLLER 10*10 | 滾子 10X10 | 3 | |
| | 91104-GFY6-90C-B | 91104-GFY6-90C-B | BRG NEEDLE 28*32*17 | 滾針軸承 28X32X17 | 1 | |
| | 91104-GFY6-90C-R | 91104-GFY6-90C-R | BRG NEEDLE 28*32*17 | 滾針軸承 28X32X17 | 1 | |

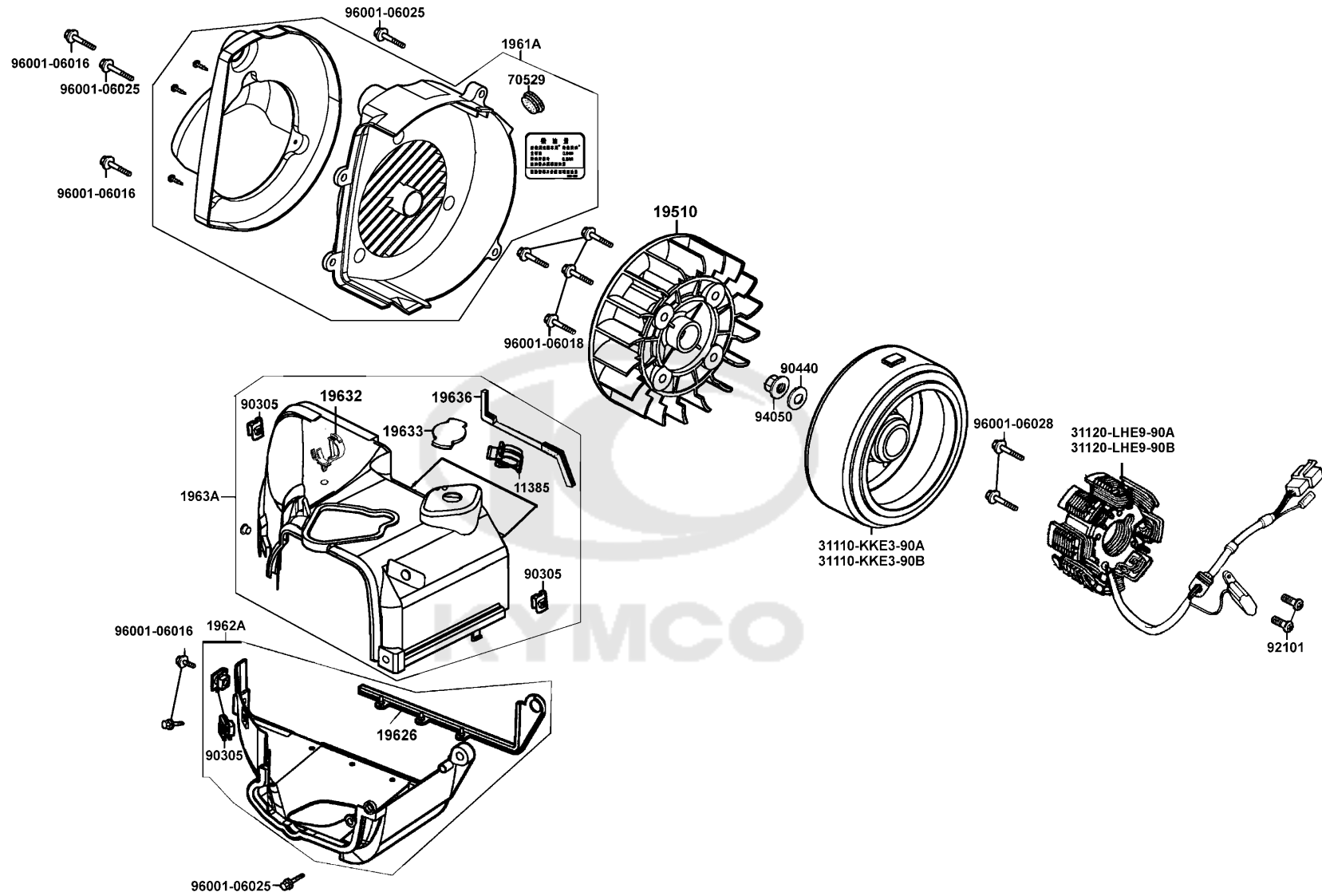


| Sales mark 配色標註 | Ref no 參考號碼 | Part no 零件號碼 | Description 英文名稱 | Reg description 中文名稱 | Regd no 需求用量 | E06 |
|--------------------|----------------|-----------------|---------------------|-------------------------|-----------------|-----|
| 91309 | 91309-4E25-004 | | O-RING 24.4*3.1 | O環 24.4X3.1 | 1 | |
| 91981 | 91981-KGN7-670 | | SCREW WASH 5*8 | 螺絲 | 1 | |
| 93500 | 93500-03010-1A | | SCREW PAN 3*10 (B) | 螺絲 3X12 | 2 | |
| 94050 | 94050-06080 | | NUT FLANGE 6MM | 特殊螺帽 6MM | 1 | |
| 94303 | 94303-04065 | | DOWEL PIN 4*6.5 | 定位銷 4X6.5 | 1 | |
| 96001-06012 | 96001-06012-08 | | BOLT FLANGE 6*12 | 螺絲 6X12 | 2 | |
| 96001-06018 | 96001-06018-08 | | BOLT FLANGE SH 6*18 | 螺絲 6X18 | 2 | |
| 96001-06028 | 96001-06028-08 | | BOLT FLANGE SH 6*28 | 螺絲 6X28 | 2 | |
| 96220 | 96220-60100 | | ROLLER 6*10 | 定位銷 6X10 | 1 | |
| 96600 | 96600-08010-10 | | SOCKET BOLT 8*10 | 內六角螺絲 8X10 | 3 | |



E07

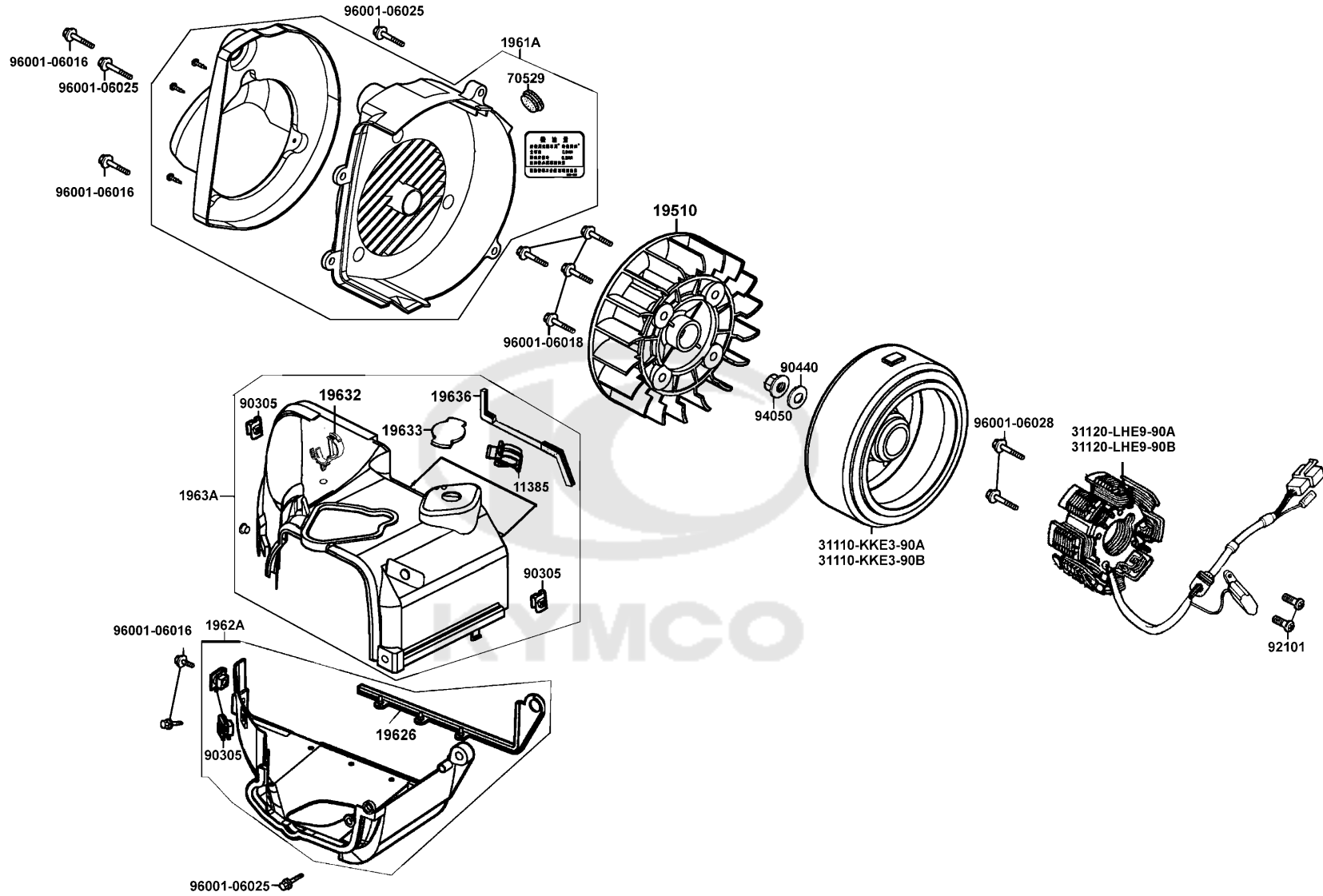
Fan Cover Generator 風扇蓋 發電機



| Sales mark 配色標註 | Ref no 參考號碼 | Part no 零件號碼 | Description 英文名稱 | Reg description 中文名稱 | Regd no 需求用量 | E07 |
|--------------------|----------------|-----------------|---------------------|-------------------------|-----------------|-----|
| | 11385 | 11385-KGBG-900 | CLIP VACUUM TUBE | 管夾 | 1 | |
| ** | 19510 | 19510-LDA7-900 | FAN COMP.. COOLING | 冷卻風扇 | 1 | |
| | 1961A | 1961A-KUDU-C00 | COVER ASSY FAN | 風扇蓋組 | 1 | |
| | 19626 | 19626-KUDU-900 | SEAL SHROUD A | 罩蓋A油封 | 1 | |
| | 19627 | 19627-LEJ8-E00 | BAFFLE | 導流板 | 1 | |
| | 19628 | 19628-LEJ8-E00 | SEAL A BAFFLE | 導流板油封 A | 1 | |
| | 19629 | 19629-LEJ8-E00 | SEAL B BAFFLE | 導流板油封 B | 1 | |
| | 1962A | 1962A-KKE3-900 | SHROUD ASSY A | 罩蓋 A | 1 | |
| | 19632 | 19632-LFB6-900 | CLIP.FUEL HOSE | 油管勾 | 1 | |
| | 19633 | 19633-GFY6-901 | GROMET SHROUD B | 橡皮蓋 | 1 | |
| | 19636 | 19636-KUDU-C00 | SEAL SHROUD B | 罩蓋B油封 | 1 | |
| | 1963A | 1963A-AAC9-900 | SHROUD ASS'Y,B | 風罩蓋B組立 | 1 | |
| | 31110-KKE3-90A | 31110-KKE3-90A | FLYWHEEL COMP /D406 | 飛輪 | 1 | |
| | 31110-KKE3-90B | 31110-KKE3-90B | FLYWHEEL COMP /D402 | 飛輪 | 1 | |
| | 31120-LHE9-90A | 31120-LHE9-90A | STATOR COMP /D406 | 定子組 | 1 | |
| | 31120-LHE9-90B | 31120-LHE9-90B | STATOR COMP /D402 | 定子組 | 1 | |
| | 70529 | 70529-6G57-671 | GROM B SIDE PNL | 橡皮塞 | 1 | |
| | 90305 | 90305-GHK8-001 | NUT CLIP 6MM | 夾螺帽 6MM | 4 | |
| | 90440 | 90440-1F66-001 | WASHER PLAIN 12MM | 華司 12MM | 1 | |
| | 92101 | 92101-05012-0H | BOLT HEX 5*12 | 螺絲 5X12 | 2 | |

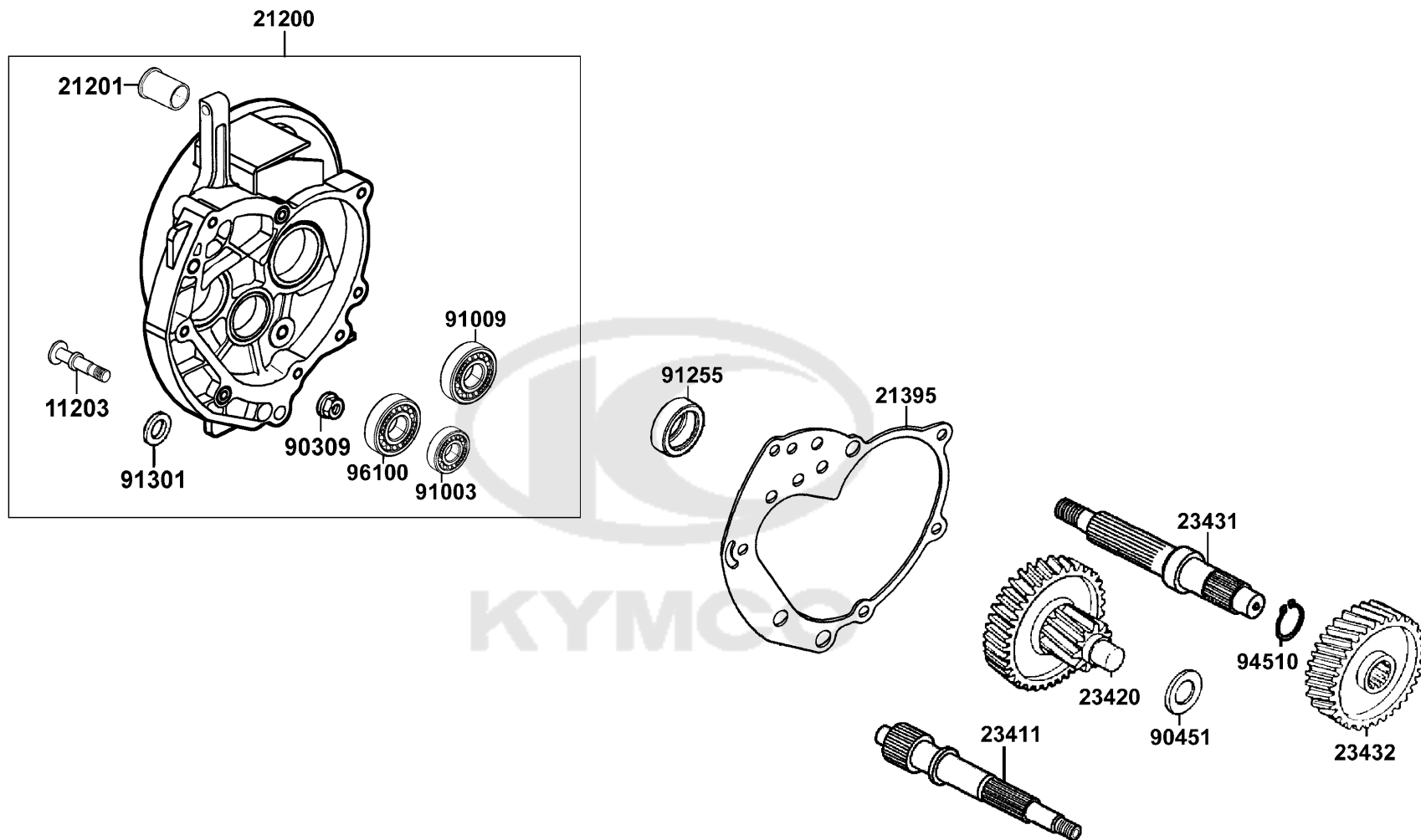
E07

Fan Cover Generator 風扇蓋 發電機



| Sales mark 配色標註 | Ref no 參考號碼 | Part no 零件號碼 | Description 英文名稱 | Reg description 中文名稱 | Regd no 需求用量 | E07 |
|--------------------|----------------|-----------------|---------------------|-------------------------|-----------------|-----|
| | 94050 | 94050-12080 | NUT C FLANGE 12MM | 螺帽 12MM | 1 | |
| | 96001-06016 | 96001-06016-08 | BOLT FLANGE SH 6*16 | 螺絲 6X16 | 4 | |
| | 96001-06018 | 96001-06018-08 | BOLT FLANGE SH 6*18 | 螺絲 6X18 | 8 | |
| | 96001-06025 | 96001-06025-08 | BOLT FLANGE SH 6*25 | 螺絲 6X25 | 3 | |
| | 96001-06028 | 96001-06028-08 | BOLT FLANGE SH 6*28 | 螺絲 6X28 | 2 | |



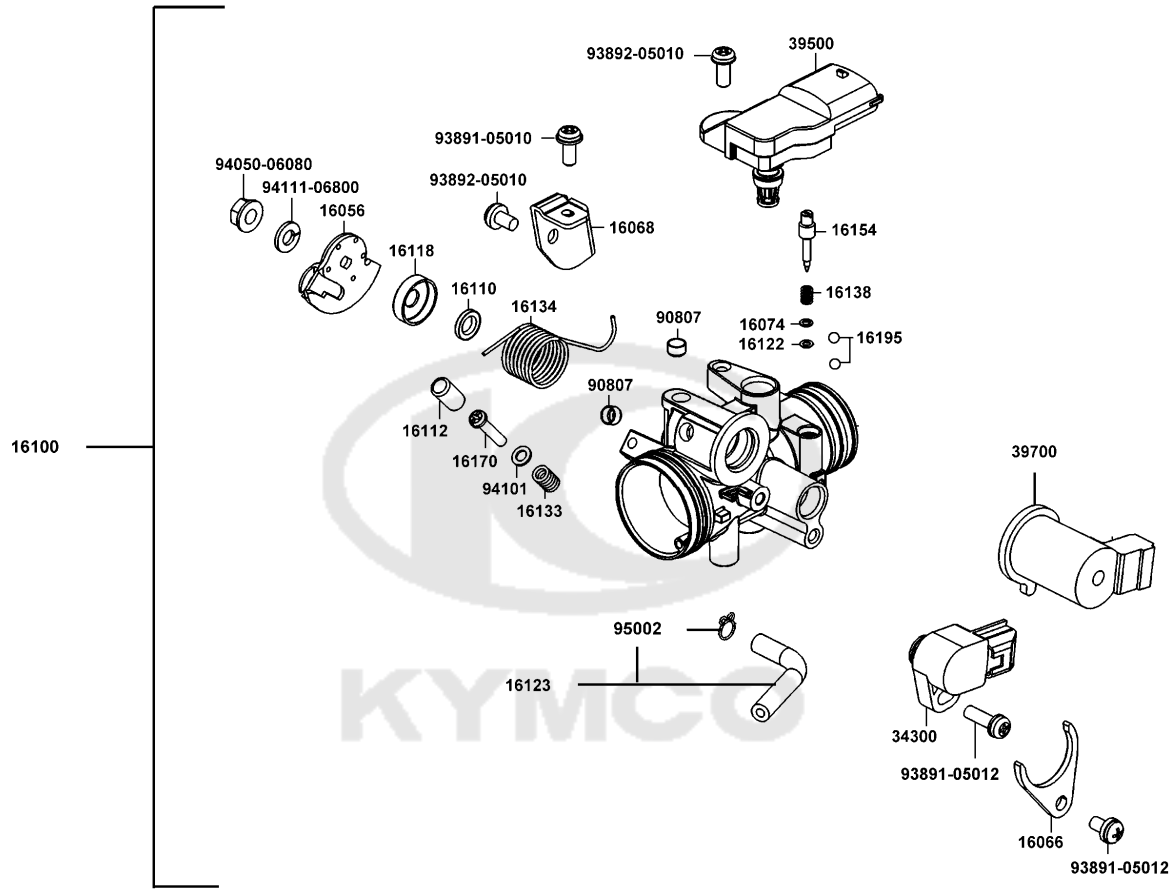


| Sales mark 配色標註 | Ref no 參考號碼 | Part no 零件號碼 | Description 英文名稱 | Reg description 中文名稱 | Regd no 需求用量 | E08 |
|--------------------|----------------|-------------------|-------------------------|-------------------------|-----------------|-----|
| | 11203 | 11203-KUDU-900 | PIN BRAKE SHOE ANCHOR | 固定錨銷 | 1 | |
| | 21200 | 21200-LDA6-325 | CASE COMP, MISSION | 變速箱總成 | 1 | |
| | 21201 | 21201-KUDU-900 | BUSH MISSION | 主軸襯套 | 1 | |
| | 21395 | 21395-KUDU-900 | GASKET MISSION CASE | 主軸蓋墊片 | 1 | |
| | 23411 | 23411-ALB8-900 | SHAFT,DRIVE | 驅動軸 | 1 | |
| | 23420 | 23420-ALB8-900 | SHAFT COMP,COUNTER | 副軸組 | 1 | |
| | 23431 | 23431-KUDU-W00 | SHAFT, FINAL | 最終軸 | 1 | |
| | 23432 | 23432-ALB8-900 | GEAR,FINAL | 最終齒輪 | 1 | |
| | 90309 | 90309-KLF0-004-SY | NUT FLANGE 8MM | 螺帽 8MM | 1 | |
| | 90451 | 90451-KUDU-900 | WASHER THRUST 15MM | 華司 | 1 | |
| | 91003 | 91003-KDS4-004 | BRG BALL RADIAL 6301TMB | 軸承 6301 | 1 | |
| | 91009 | 91009-GLE0-004 | BRG BALL RADIAL 6004 UU | 軸承 6004 | 1 | |
| | 91255 | 91255-GLE0-006 | OIL SEAL 27*42*7 | 油封 27X42X7 | 1 | |
| | 91301 | 91301-0C53-001 | O RING 7.5*1.5 | O環 7.5X1.5 | 1 | |
| | 94510 | 94510-20000 | CIR CLIP EX 20 | 外環夾 20MM | 1 | |
| | 96100 | 96100-60020-00 | BRG BALL RADIAL 6002 | 軸承 6002 | 1 | |

E09

Throttle Body Assy

噴射節流閥

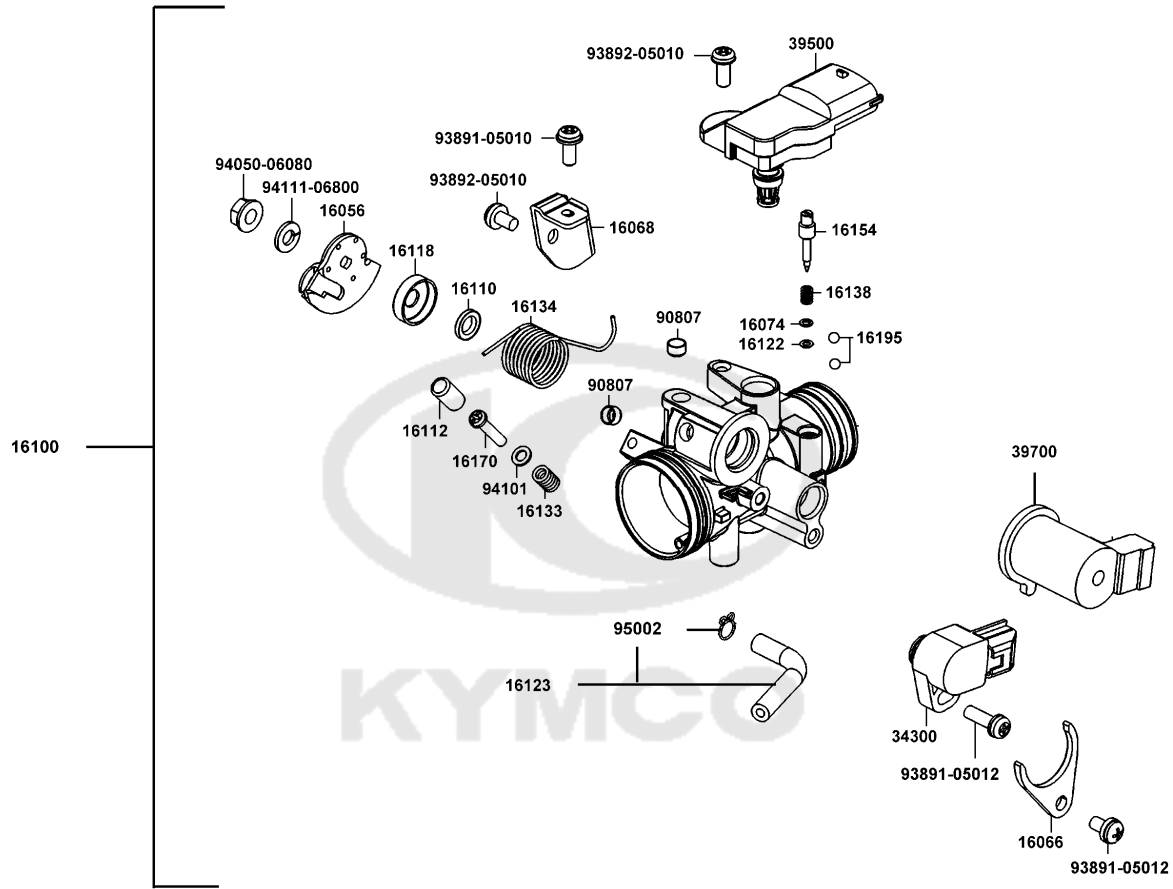


| Sales mark 配色標註 | Ref no 參考號碼 | Part no 零件號碼 | Description 英文名稱 | Reg description 中文名稱 | Regd no 需求用量 | E09 |
|--------------------|----------------|-----------------|--------------------------|-------------------------|-----------------|-----|
| | 16056 | 16056-LEB2-900 | LEVER ASSY THROTTLE | 拉桿節流閥 A | 1 | |
| | 16066 | 16066-LGK8-600 | PLATE ISC | 怠速旁通閥固定板 | 1 | |
| | 16068 | 16068-LEA3-E00 | PLATE WIRE FIXED | 節流導線固定板 | 1 | |
| | 16074 | 16074-KEC3-900 | WASHER IDLE SCREW | 華司 | 1 | |
| | 16100 | 16100-AAC9-900 | THROTTLE BODY ASSY | 節流閥體組 | 1 | |
| | 16110 | 16110-KKE3-900 | WASHER THROTTLE COMP | 華司 | 1 | |
| | 16112 | 16112-KKE3-900 | COVER IDLE SCREW | 蓋 | 1 | |
| | 16118 | 16118-KEC3-900 | SEAL THROTTLE SHAFT | 節流閥軸封 | 1 | |
| | 16122 | 16122-KEC3-900 | O-RING IDLE SCREW | O環 | 1 | |
| | 16123 | 16123-LFB5-900 | TUBE COMPL 3.5*710 | 油管 | 1 | |
| | 16133 | 16133-KEC3-900 | SPG THROTTLE ADJ SCREW | 彈簧 | 2 | |
| | 16134 | 16134-KKE3-900 | SPG THROTTLE SHAFT | 彈簧 | 1 | |
| | 16138 | 16138-KEC3-900 | SPG IDLE SCREW | 彈簧 | 1 | |
| | 16154 | 16154-KKE3-900 | SCREW IDLE ADJUST | 調整螺絲 | 1 | |
| | 16170 | 16170-KEC3-900 | SCREW THROTTLE ADJ | 調整螺絲 | 2 | |
| | 16195 | 16195-KEC3-900 | BALL 2.1 | 滾珠 2.1MM | 2 | |
| | 34300 | 34300-ALK8-900 | THROTTLE POSITION SENSOR | 位置節流閥感應器 | 1 | |
| | 39500 | 39500-AAC9-900 | SENSOR T-MAP | 溫度壓力感知器 | 1 | |
| | 39700 | 39700-LGK8-600 | VALVE ISC | ISC閥 | 1 | |
| | 90807 | 90807-LGK8-900 | PLUG CAP INSIDE D=7mm | 塞子 | 2 | |

E09

Throttle Body Assy

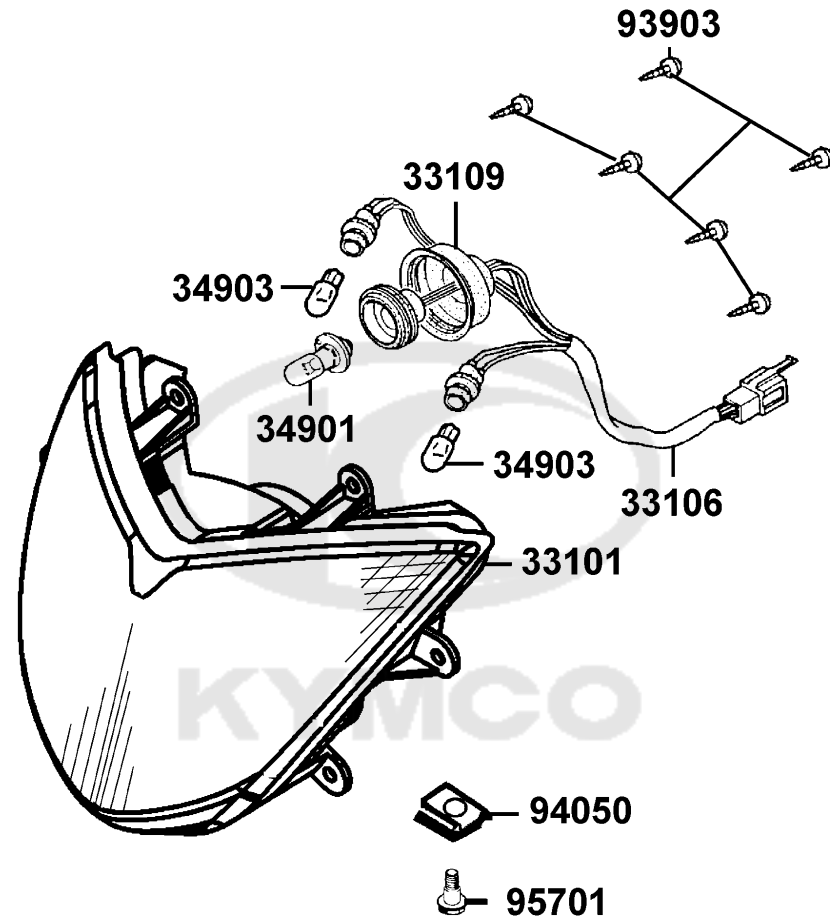
噴射節流閥



| Sales mark 配色標註 | Ref no 參考號碼 | Part no 零件號碼 | Description 英文名稱 | Reg description 中文名稱 | Regd no 需求用量 | E09 |
|---|----------------|-----------------|-----------------------|-------------------------|-----------------|-----|
| | 93891-05010 | 93891-05010-08 | SCREW WASHER 5*10 | 螺絲 5X10 | 1 | |
| | 93891-05012 | 93891-05012-08 | SCREW WASHER 5*12 (C) | 十字穴附裝墊圈螺絲 SW 5*12(金黃色) | 2 | |
| | 93892-05010 | 93892-05010-08 | SCREW WASH 5*10 | 螺絲 5X10 | 2 | |
| | 94050-06080 | 94050-06080 | NUT FLANGE 6MM | 特殊螺帽 6MM | 1 | |
| | 94101 | 94101-KKE3-900 | WASHER PLAN 4.5*8*0.8 | 華司 4MM | 2 | |
| | 94111-06800 | 94111-06800 | WASHER SPRING 6MM | 華司 6MM | 1 | |
| | 95002 | 95002-02070 | CLIP B7 TUBE | 管夾 | 1 | |
|  | | | | | | |

F01

Head Light 前燈

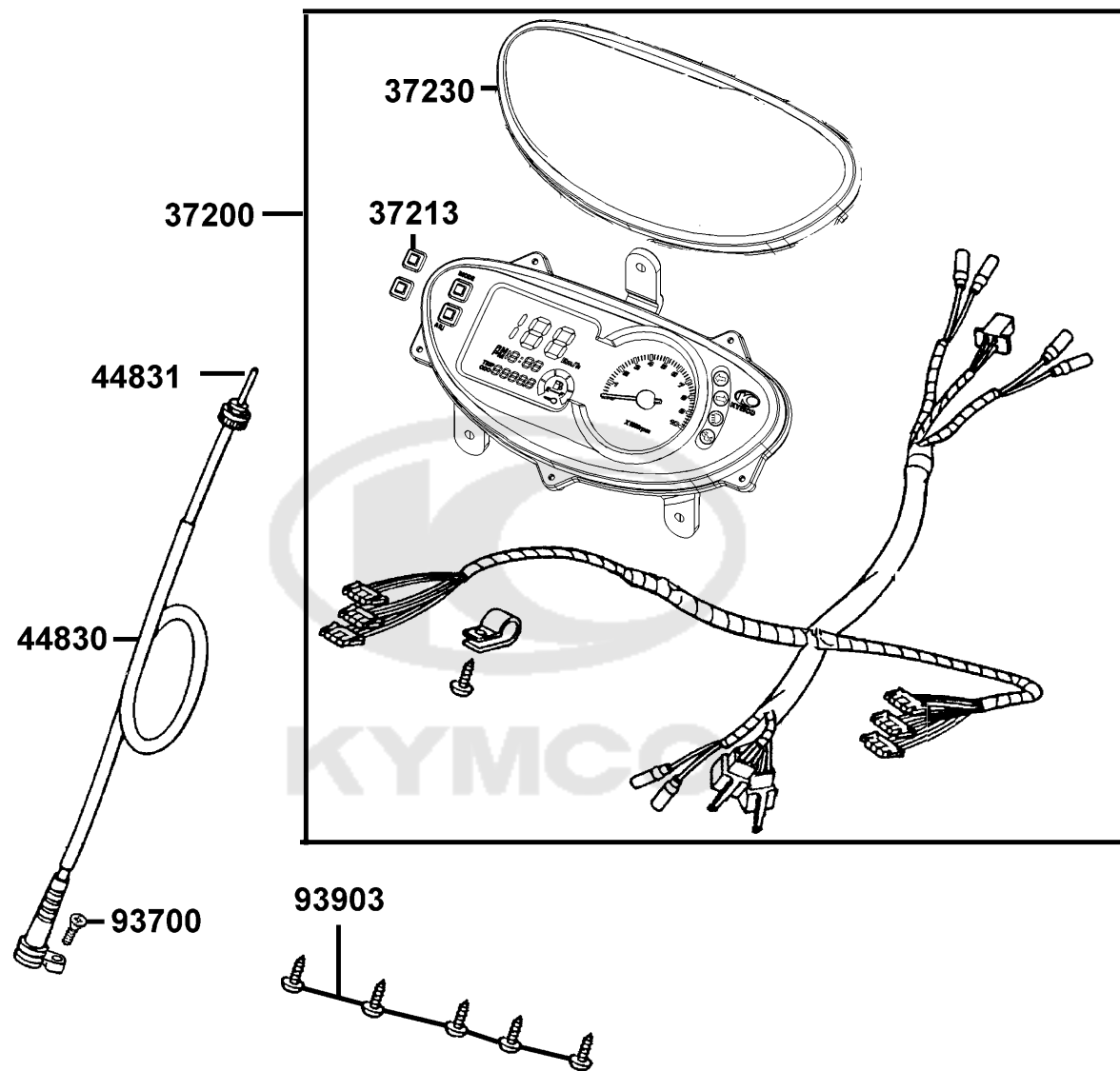


| Sales mark 配色標註 | Ref no 參考號碼 | Part no 零件號碼 | Description 英文名稱 | Reg description 中文名稱 | Regd no 需求用量 | F01 |
|--------------------|----------------|-----------------|------------------------|-------------------------|-----------------|-----|
| | 33101 | 33101-LHE9-306 | COMB HEAD LIGHT | 前燈殼組 | 1 | |
| | 33106 | 33106-LHE9-910 | SOCKET | 前燈配線 | 1 | |
| | 33109 | 33109-LBE3-900 | COVER RUBBER | 橡皮護套 | 1 | |
| | 34901 | 34901-KED9-900 | BULB HEAD LIGHT | 前燈泡 | 1 | |
| | 34903 | 34903-KALA-900 | BULB POSITION | 燈泡 | 2 | |
| | 93903 | 93903-34360 | SCREW TAPPING 4*12 (G) | 螺釘 4X12 | 6 | |
| | 94050 | 94050-LDA6-900 | CLIP NUT M4 | 螺帽 | 1 | |
| | 95701 | 95701-LDA6-900 | BOLT ADJUST | 調整螺絲 | 1 | |



F02

Speedometer 儀錶



| Sales mark 配色標註 | Ref no 參考號碼 | Part no 零件號碼 | Description 英文名稱 | Reg description 中文名稱 | Regd no 需求用量 | F02 |
|--------------------|----------------|-----------------|---------------------|-------------------------|-----------------|-----|
| | 37200 | 37200-AAC9-900 | METER ASSY.. SPEED | 儀錶組 | 1 | |
| | 37213 | 37213-LDA6-900 | BUTTON / RUBBER | 電子鐘按鍵橡皮 | 2 | |
| | 37230 | 37230-LFG7-900 | LENS ASSY | 儀錶蓋 | 1 | |
| | 44830 | 44830-KECE-800 | CABLE COMP SPDMT | 碼錶導線 | 1 | |
| | 44831 | 44831-KECE-900 | CABLE INNER | 碼錶內線 | 1 | |
| | 93700 | 93700-05018-0H | SCREW OVAL 5*18 | 螺絲 5X18 | 1 | |
| | 93903 | 93903-35320 | SCREW TAPPING 5*16 | 螺絲 5X16 | 5 | |

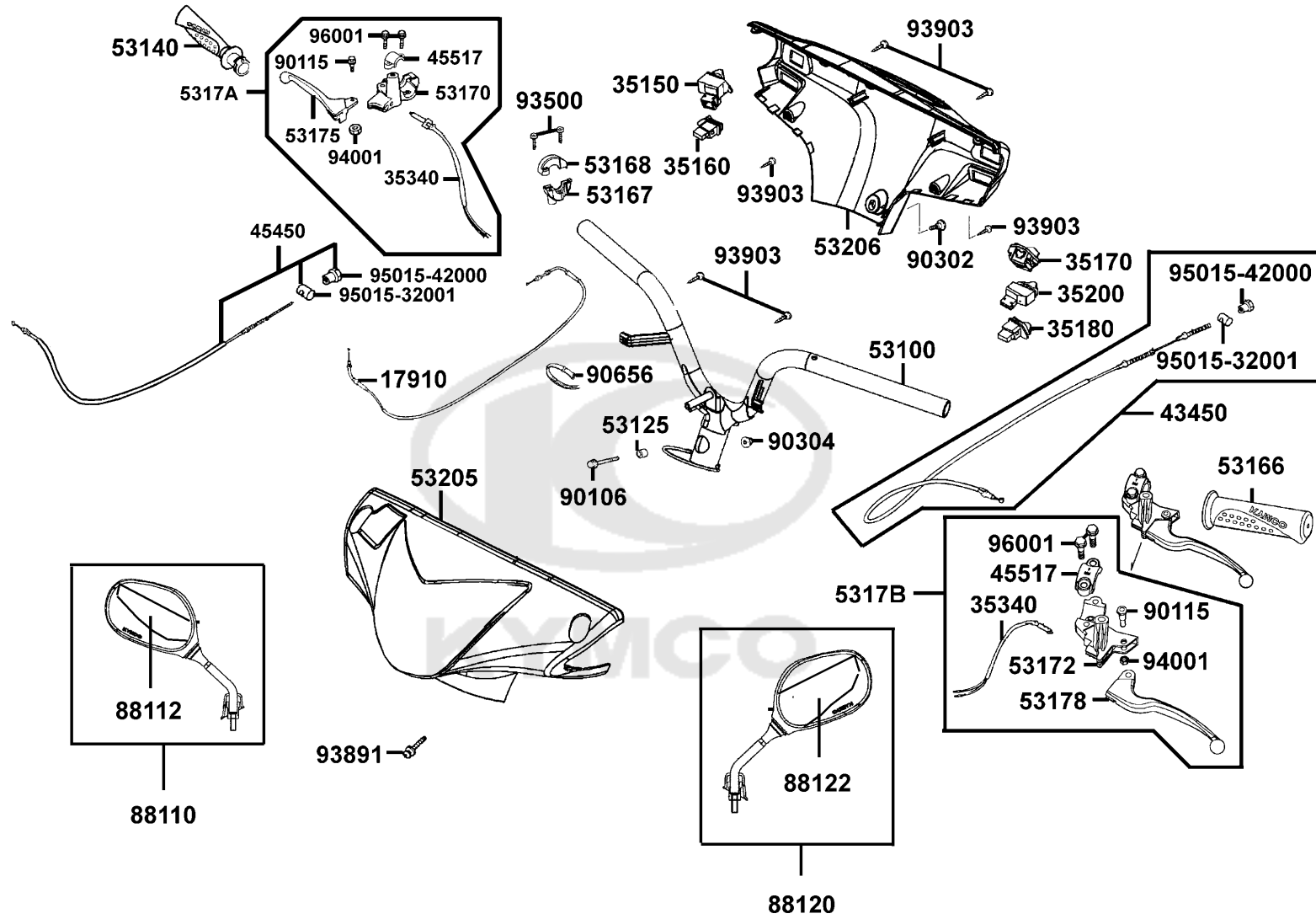


| Sales mark 配色標註 | Ref no 參考號碼 | Part no 零件號碼 | Description 英文名稱 | Reg description 中文名稱 | Regd no 需求用量 | F03 |
|--------------------|----------------|-----------------|--------------------------|-------------------------|-----------------|-----|
| | 17910 | 17910-ALB8-900 | CABLE COMP THROT | 節流閥導線 | 1 | |
| | 35150 | 35150-GFY6-900 | SW UNIT LIGHTING | 前燈開關 | 1 | |
| | 35160 | 35160-GFY6-900 | SW UNIT STARTER | 起動開關 | 1 | |
| | 35170 | 35170-KNBN-910 | SW UNIT DIMMER & PASSING | 遠近燈開關 | 1 | |
| | 35180 | 35180-GFY6-900 | SW UNIT HORN | 喇叭開關 | 1 | |
| | 35200 | 35200-GFY6-910 | SW UNIT WINKER | 方向燈開關 | 1 | |
| | 35340 | 35340-KFLF-900 | SW ASSY FR STOP | 煞車燈前置開關 | 2 | |
| | 43450 | 43450-LDA7-900 | CABLE COMP RR BRK | 後煞車導線 | 1 | |
| | 45450 | 45450-LLF5-900 | CABLE COMP FR BRAKE | 前煞車導線 | 1 | |
| | 45517 | 45517-GFY6-900 | HOLDER HNDL BRKT | 手柄固定座夾板 | 2 | |
| | 53100 | 53100-LDA6-900 | HANDLE COMP STRG | 轉向手柄 | 1 | |
| | 53125 | 53125-GEN5-901 | COLLAR HANDLE SET | 套筒 | 1 | |
| ** | 53140 | 53140-KFA1-900 | GRIP COMP THROT | 節流管套組 | 1 | |
| ** | 53166 | 53166-KFA1-900 | GRIP L HANDLE | 手柄左橡皮套 | 1 | |
| | 53167 | 53167-KFA1-900 | HOUSING UND THROT | 節流管套下固定座 | 1 | |
| | 53168 | 53168-KFA1-900 | HOUSING UP THROT | 節流管套上固定座 | 1 | |
| | 53170 | 53170-LGJ9-900 | BRKT HANDLE R | 手柄右托架組 | 1 | |
| | 53172 | 53172-LBE3-900 | BRKT HNDL L | 手柄左托架組 | 1 | |
| | 53175 | 53175-KCLC-901 | LEVER R STRG HANDLE | 手柄右拉桿 | 1 | |
| ** | 53178 | 53178-GKAK-901 | LEVEL L STRG HANDLE | 手柄左拉桿 | 1 | |

F03

Handle Steering Handle Cover

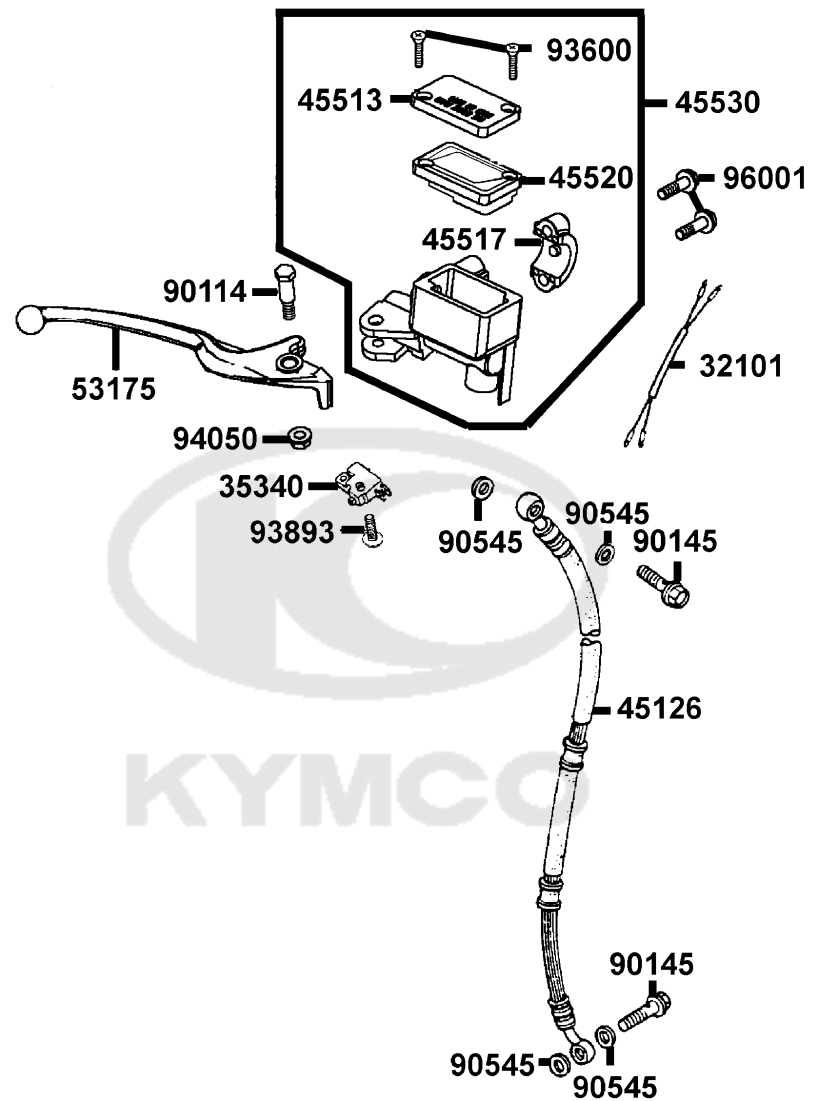
轉向手柄 手柄蓋



| Sales mark 配色標註 | Ref no 參考號碼 | Part no 零件號碼 | Description 英文名稱 | Reg description 中文名稱 | Regd no 需求用量 | F03 |
|--------------------|----------------|-----------------|------------------------|-------------------------|-----------------|-----|
| | 5317A | 5317A-LGJ9-900 | BRKT ASSY HANDLE R/H | 手柄右拉桿組 | 1 | |
| | 5317B | 5317B-LFG7-900 | BRKT ASSY L/H HANDLE | 手柄左拉桿托架組 | 1 | |
| ** | 53205 | 53205-LDA6-800 | COVER FR HANDLE | 手柄前蓋 | 1 | |
| ** | 53206 | 53206-LDA6-900 | COVER HANDLE RR | 手柄後蓋 | 1 | |
| ** | 88110 | 88110-LHE9-900 | MIRROR ASSY..R BCAK | [not define] | 1 | |
| | 88112 | 88112-LDA6-700 | LID R MIRROR HOLDER | 右後視鏡裝飾蓋/透明 | 1 | |
| ** | 88120 | 88120-LHE9-900 | MIRROR ASSY..L BACK | [not define] | 1 | |
| | 88122 | 88122-LDA6-700 | LID L MIRROR HOLDER | 左後視鏡裝飾蓋/透明 | 1 | |
| | 90106 | 90106-GEN5-901 | BOLT FLANGE 10*50 | 特殊螺絲 10X50 | 1 | |
| | 90115 | 90115-GLE0-001 | BOLT HNDL LEVER PIVOT | 拉桿螺絲 | 2 | |
| | 90302 | 90302-KNBN-900 | BOLT PAN 5*10 | 螺絲 5X10 | 1 | |
| | 90304 | 90304-GHE8-004 | NUT U 10MM | 螺帽 10MM | 1 | |
| | 90656 | 90656-KCBC-900 | BAND OIL HOSE 8*146 | 油管束帶 | 1 | |
| | 93500 | 93500-05022-06 | SCREW PAN 5*22 | 螺絲 5X22 | 2 | |
| | 93891 | 93891-05025-06 | SCREW WASH 5*25 | 螺絲 5X25 | 1 | |
| | 93903 | 93903-34360 | SCREW TAPPING 4*12 (G) | 螺釘 4X12 | 6 | |
| | 94001 | 94001-05080-0S | NUT HEX 5MM | 螺帽 5MM | 1 | |
| | 95015-32001 | 95015-32001 | JOINT B BRAKE ARM | 煞車導線接頭銷 | 2 | |
| | 95015-42000 | 95015-42000 | NUT B ADJUST | 調整螺帽 | 1 | |
| | 96001 | 96001-06025-06 | BOLT FLANGE SH 6*25 | 螺絲 6X25 | 4 | |

F04

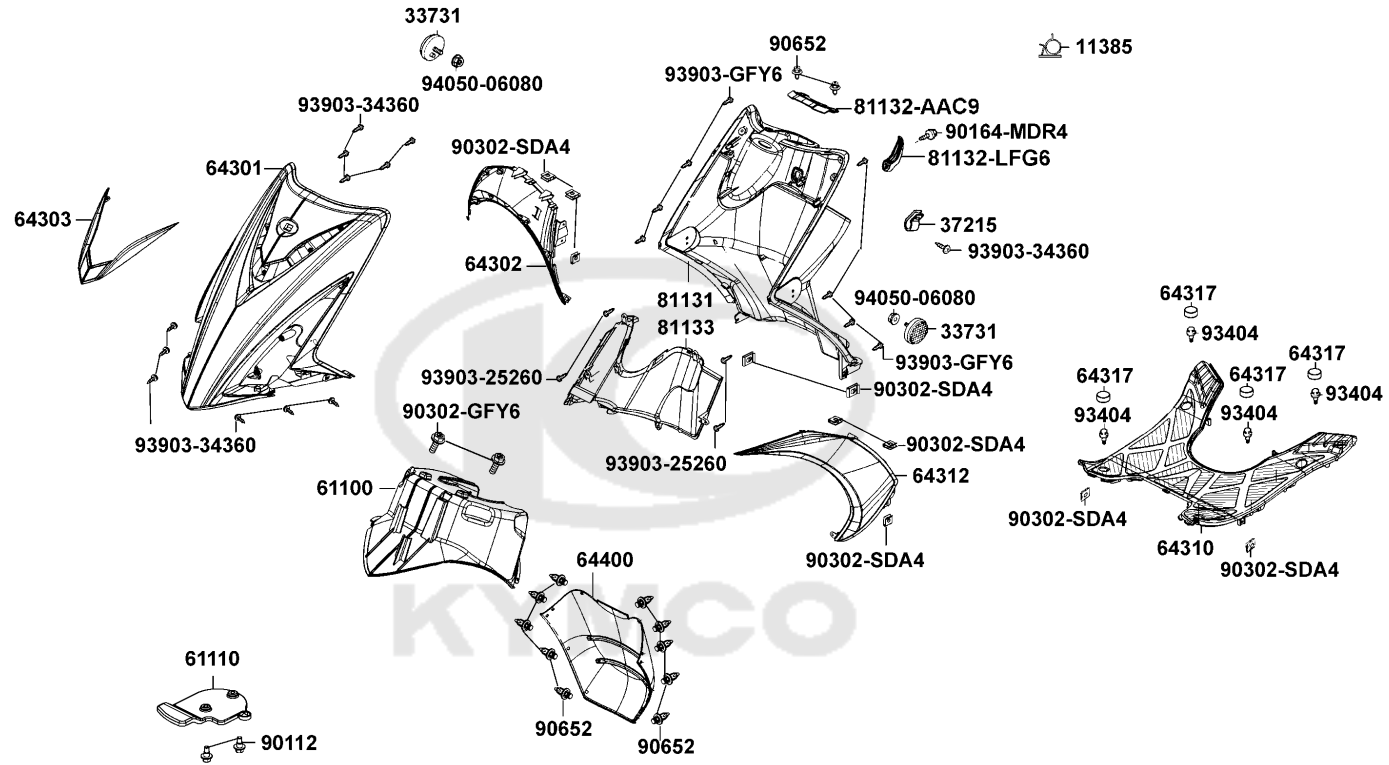
Brake Master Cylinder 煞車主油缸



| Sales mark 配色標註 | Ref no 參考號碼 | Part no 零件號碼 | Description 英文名稱 | Reg description 中文名稱 | Regd no 需求用量 | F04 |
|--------------------|----------------|-----------------|-------------------------|-------------------------|-----------------|-----|
| | 32101 | 32101-KALA-901 | SUB HARNESS | 配線 | 1 | |
| | 35340 | 35340-KNBN-901 | SW ASSY FR STOP | 煞車燈前置開關組 | 1 | |
| | 45126 | 45126-LDA6-900 | HOSE ASSY FR BRK | 前煞車油管組 | 1 | |
| | 45513 | 45513-KCCC-900 | CAP M/C | 煞車主油缸蓋 | 1 | |
| | 45517 | 45517-KFAF-910 | HOLDER M/C | 主油缸固定座 | 1 | |
| | 45520 | 45520-KCCC-900 | DIAPHRAGM | 橫隔板 | 1 | |
| | 45530 | 45530-LFG7-305 | CYLINDER SET MASTER | 前煞車主油缸組 | 1 | |
| ** | 53175 | 53175-KNBN-901 | LEVER R STRG HANDLE | 手柄左拉桿 | 1 | |
| | 90114 | 90114-1F66-007 | BOLT HANDLE LEVER | 右拉桿固定螺栓 | 1 | |
| | 90145 | 90145-MKS9-61A | OIL BOLT 10*22 | 油管螺絲 10X22 | 2 | |
| | 90545 | 90545-3L00-001 | WASHER OIL BOLT | 華司 | 4 | |
| | 93600 | 93600-04012-1G | SCREW FLAT 4*12 | 螺絲 4X12 | 2 | |
| | 93893 | 93893-04012-18 | SCREW WASHER 4*12 | 螺絲 4X12 | 1 | |
| | 94050 | 94050-06060 | NUT FLANGE 6MM | 特殊螺帽 6MM | 1 | |
| | 96001 | 96001-06022-06 | BOLT FLANGE SH 6*22 (G) | 螺絲 6X22 | 2 | |

F05

Front Cover Front Fender 前護蓋 前土除

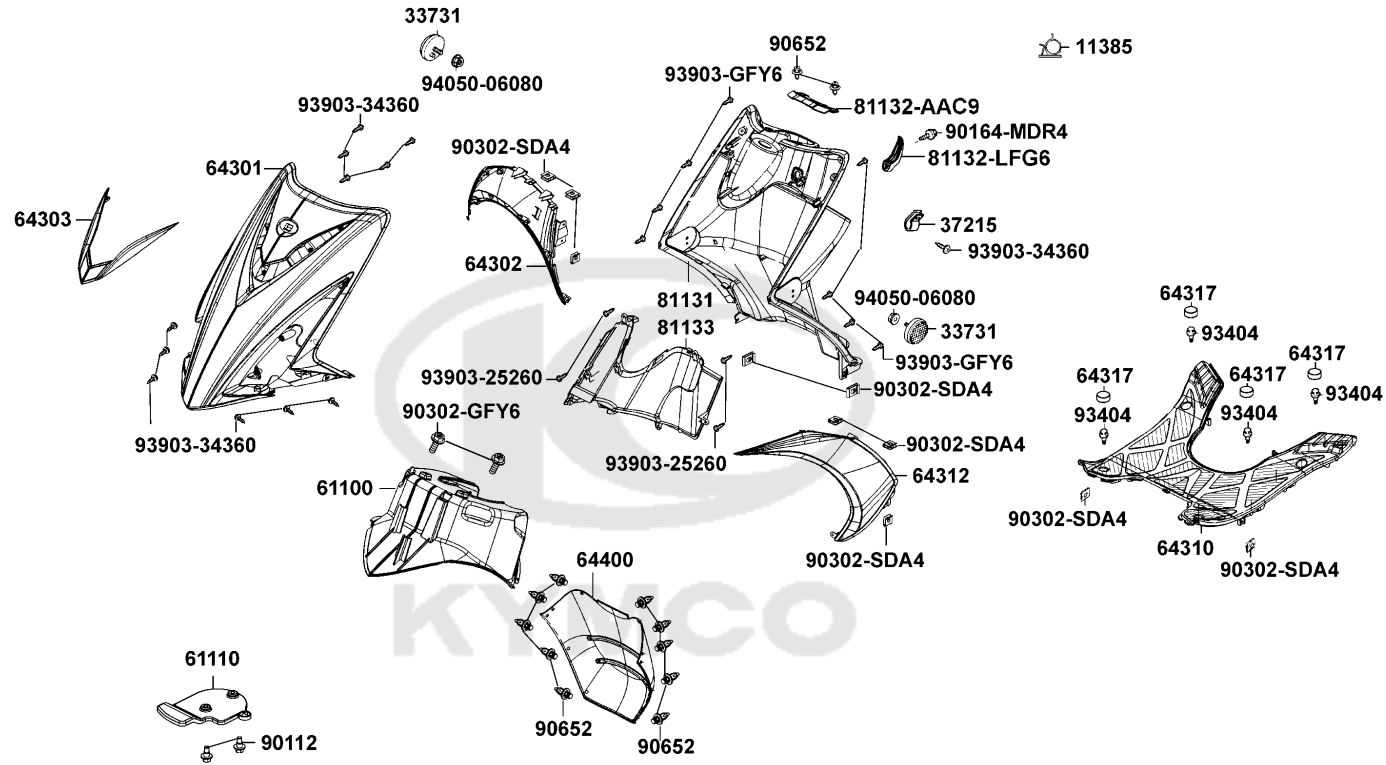


| Sales mark 配色標註 | Ref no 參考號碼 | Part no 零件號碼 | Description 英文名稱 | Reg description 中文名稱 | Regd no 需求用量 | F05 |
|--------------------|----------------|-----------------|--------------------------|-------------------------|-----------------|-----|
| | 11385 | 11385-LGM9-900 | CLIP CABLE | 線夾 | 1 | |
| | 33731 | 33731-KHC5-M00 | REFLEX REFLECTOR (AMBER) | 反射片 | 2 | |
| | 37215 | 37215-LGM9-900 | CLAMP | 配線夾 | 2 | |
| | 61100 | 61100-AAC9-900 | FENDER A FR INNER | 前土除 | 1 | |
| ** | 61110 | 61110-KKC8-900 | FENDER FRONT INNER | 前內土除 | 1 | |
| ** | 64301 | 64301-AAC9-900 | COVER ,FR. | 前蓋 | 1 | |
| ** | 64302 | 64302-AAC9-900 | MOLD R. SIDE FR | 前護條 | 1 | |
| ** | 64303 | 64303-AAC9-900 | TOP COVER FR. | 前護蓋 | 1 | |
| ** | 64310 | 64310-LDA6-900 | FLOOR PANEL | 腳踏板 | 1 | |
| ** | 64312 | 64312-AAC9-900 | MOLD L. SIDE FR. | 前土除覆蓋 | 1 | |
| ** | 64317 | 64317-KHD6-900 | PLUG FLOOR A | A型踏板塞 | 4 | |
| ** | 64400 | 64400-AAC9-900 | COWL UNDER | 下罩 | 1 | |
| ** | 81131 | 81131-AAC9-900 | LEG SHIELD | 行旅內箱 | 1 | |
| ** | 81132-AAC9 | 81132-AAC9-900 | CAP LEG SHIELD | 內箱蓋小蓋 | 1 | |
| ** | 81132-LFG6 | 81132-LFG6-900 | HOOK LUGGAGE | 安全帽掛鉤 | 1 | |
| ** | 81133 | 81133-AAC9-900 | COVER,INNER BOX | 內箱蓋 | 1 | |
| | 90112 | 90112-GCC3-001 | BOLT SPECIAL 5MM | 螺絲 5MM | 2 | |
| | 90164 | 90164-MDR4-901 | SCREW SPECIAL 6MM | 螺絲 6MM | 1 | |
| | 90302-GFY6 | 90302-GFY6-901 | BOLT WASH 5*12 | 螺絲 5X12 | 2 | |
| | 90302-SDA4 | 90302-SDA4-004 | NUT SPRING 4MM | 彈簧螺帽 4MM | 6 | |

F05

Front Cover Front Fender

前護蓋 前土除

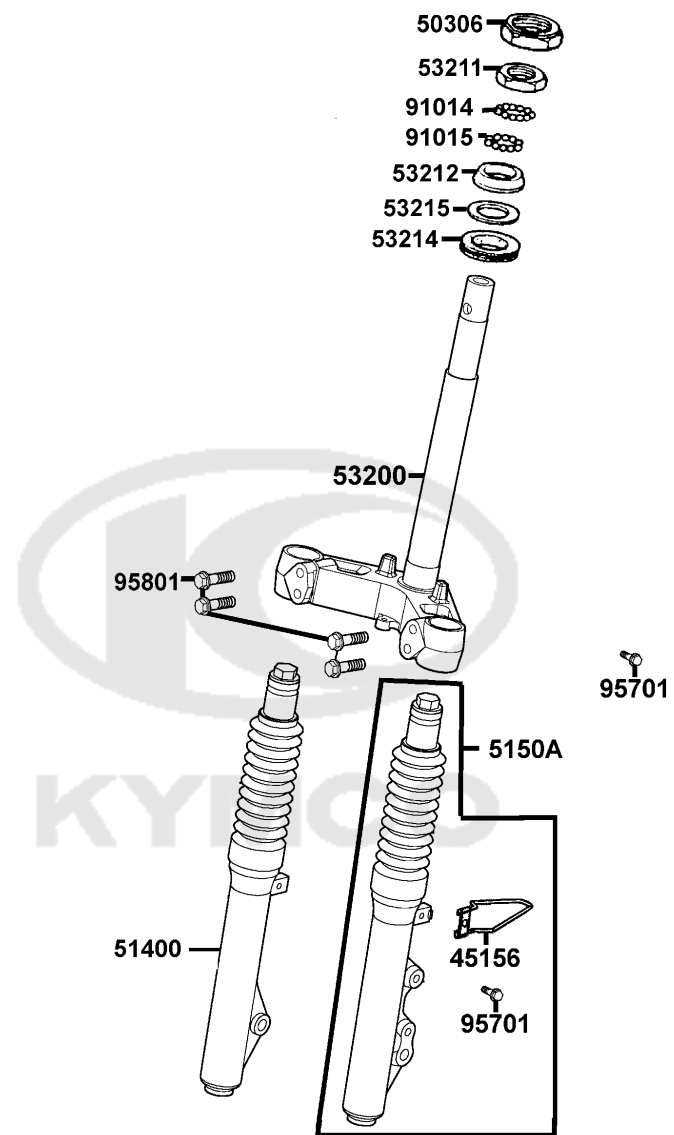


| Sales mark 配色標註 | Ref no 參考號碼 | Part no 零件號碼 | Description 英文名稱 | Reg description 中文名稱 | Regd no 需求用量 | F05 |
|--------------------|----------------|-----------------|------------------------|-------------------------|-----------------|-----|
| | 90652 | 90652-LFB5-900 | CLIP MUDGUARD | 塑膠螺絲 | 12 | |
| | 93404 | 93404-06016-06 | BOLT WASHER 6*16 | 螺絲 6X16 | 4 | |
| | 93903-25260 | 93903-25260 | SCREW TAPPING 5*12 | 螺釘 5X12 | 4 | |
| | 93903-34360 | 93903-34360 | SCREW TAPPING 4*12 (G) | 螺釘 4X12 | 12 | |
| | 93903-GFY6 | 93903-GFY6-900 | SCREW TAPPING 4*14 | 螺釘 4X14 | 8 | |
| | 94050 | 94050-06080 | NUT FLANGE 6MM | 特殊螺帽 6MM | 2 | |



F06

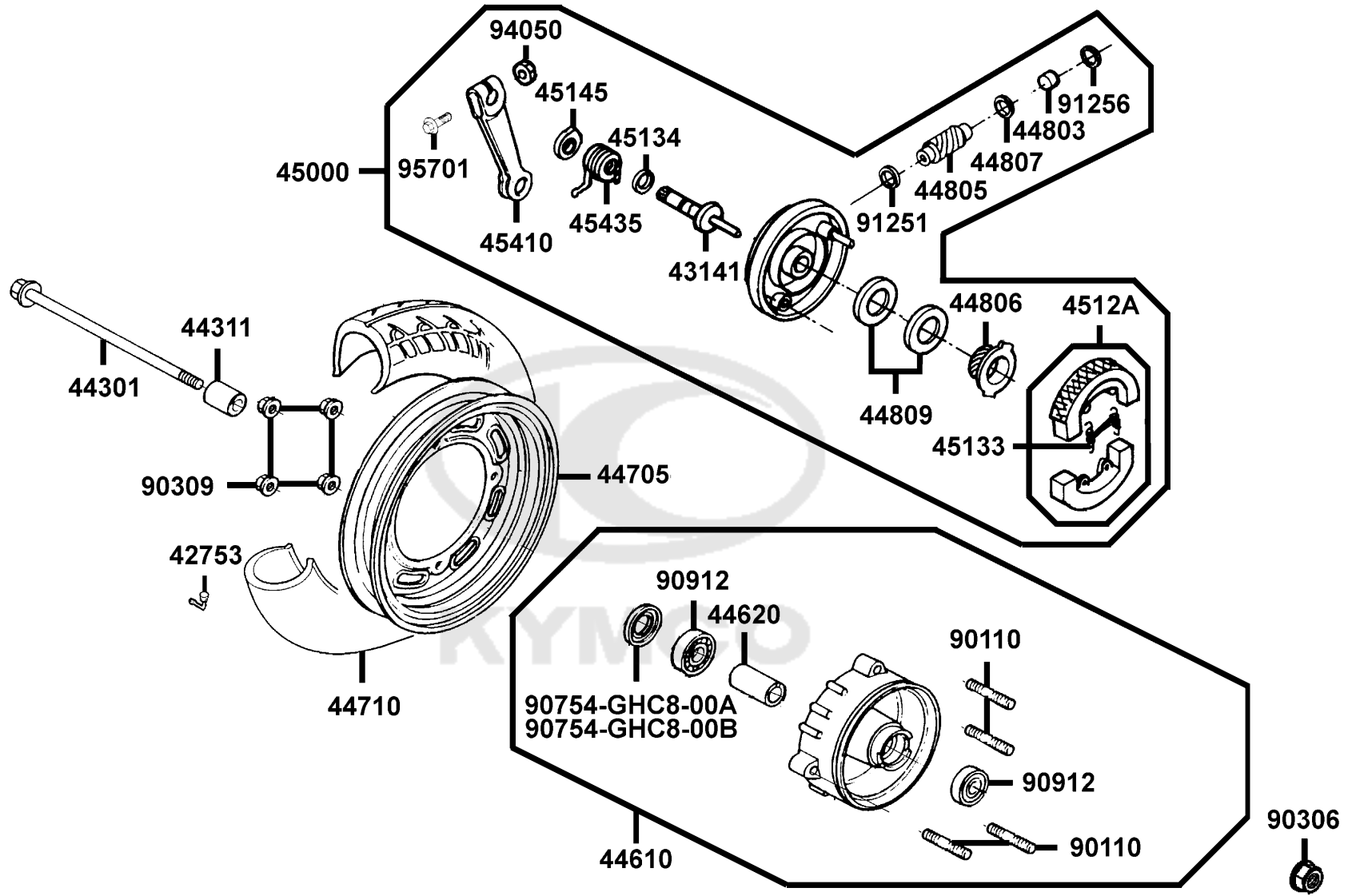
Stem Steering Front Fork 轉向軸 前避震器



| Sales mark 配色標註 | Ref no 參考號碼 | Part no 零件號碼 | Description 英文名稱 | Reg description 中文名稱 | Regd no 需求用量 | F06 |
|--------------------|----------------|-----------------|-------------------------|-------------------------|-----------------|-----|
| | 45156 | 45156-LGL3-800 | CLAMPER FR BRK CABLE | 煞車導線夾 | 1 | |
| | 50306 | 50306-1F96-001 | NUT STRG STEM LOCK | 主幹螺帽 | 1 | |
| ** | 51400 | 51400-KHD6-W01 | HUB SUB ASSY FR | 前輪轂組 | 1 | |
| ** | 5150A | 5150A-KHD6-W01 | FORK SET. L FR | 左前避震器 | 1 | |
| | 53200 | 53200-LDA6-800 | STEM COMP STRG | 轉向桿 | 1 | |
| | 53211 | 53211-AAC9-W00 | RACE STRG TOP CONE | 上錐體座圈 | 1 | |
| | 53212 | 53212-AAC9-W00 | RACE (STRG BOTTOM) CONE | 下錐體座圈 | 1 | |
| | 53214 | 53214-2L50-001 | DUST SEAL STRG(HEAD) | 防塵油封 | 1 | |
| | 53215 | 53215-2L50-001 | WASH STRG HDL DUST-SEAL | 華司 | 1 | |
| | 91014 | 91014-AAC9-W00 | CAGE STRG TOPP | 鋼珠圈 | 1 | |
| | 91015 | 91015-AAC9-W00 | CASE STEERING BOT | 鋼珠圈 | 1 | |
| | 95701 | 95701-06012-08 | BOLT FLANGE 6*12 | 螺絲 6X12 | 2 | |
| | 95801 | 95801-08040-08 | BOLT FLANGE 8*40 | 螺絲 8X40 | 4 | |

F07

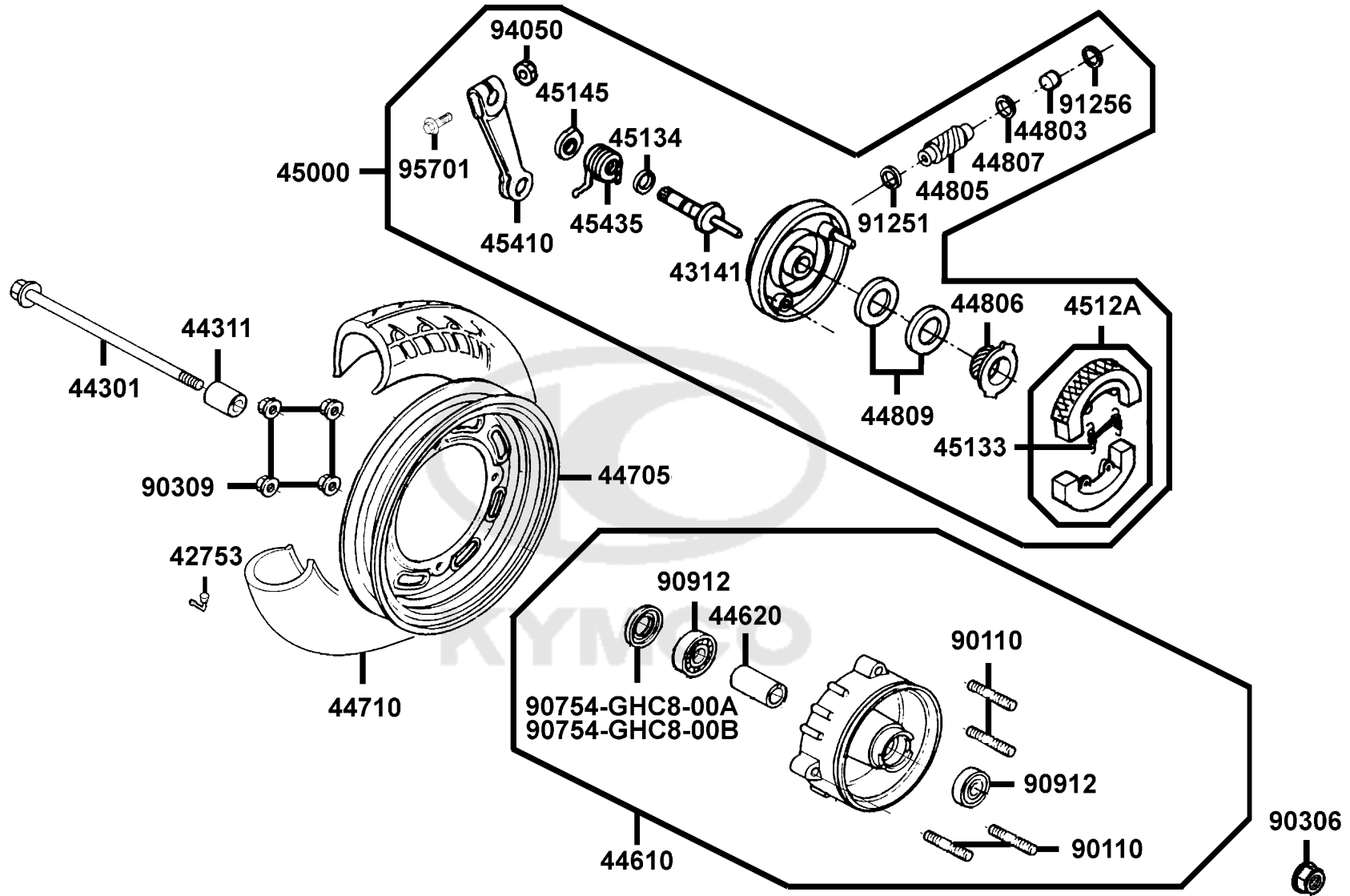
Front Wheel 前輪



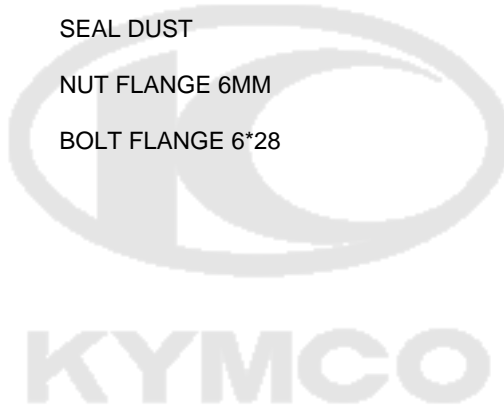
| Sales mark 配色標註 | Ref no 參考號碼 | Part no 零件號碼 | Description 英文名稱 | Reg description 中文名稱 | Regd no 需求用量 | F07 |
|--------------------|----------------|--------------------|-------------------------|-------------------------|-----------------|-----|
| | 42753 | 42753-0D04-900 | RIM VALVE (PVR 70) | 打氣嘴/L型 | 1 | |
| | 43141 | 43141-4L00-011 | CAM REAR BRAKE | 前煞車凸輪 | 1 | |
| | 44301 | 44301-KECE-900 | AXLE FR WHEEL | 前輪軸 | 1 | |
| | 44311 | 44311-GKM9-001 | COLLAR FR WHEEL SIDE | 前輪邊套筒 | 1 | |
| ** | 44610 | 44610-AAC9-800 | HUB SUB ASSY FR | 前輪殼組 | 1 | |
| | 44620 | 44620-GHC8-001 | COLLAR FR AXLE DISTANCE | 前輪軸距套筒 | 1 | |
| ** | 44705 | 44705-LGL3-600 | RIM COMP FR WHEEL | 輪圈 | 1 | |
| | 44710 | 44710-AAC9-800-304 | TIRE ASSY FR /KENDA | 前輪胎 | 1 | |
| | 44803 | 44803-GFY6-90A | BUSH PINION | 速度錶小齒輪襯套 | 1 | |
| | 44805 | 44805-KECE-800 | PINION SPDMT | 速度錶軸狀齒輪 | 1 | |
| | 44806 | 44806-KECE-800 | GEAR SPDMT | 速度錶齒輪 | 1 | |
| | 44807 | 44807-0A01-004 | WASHER GEAR BOX PINION | 華司 | 1 | |
| | 44809 | 44809-1L70-004 | WASHER SPDMT GEAR | 華司 | 1 | |
| ** | 45000 | 45000-LCB3-910 | PANEL ASSY FR BRAKE | 前煞車板總成 | 1 | |
| | 4512A | 4512A-LCB4-910 | SHOE COMP RR BRAKE | 後煞車鞋組 | 1 | |
| | 45133 | 45133-0H28-001 | SPRING BRAKE SHOE | 煞車鞋彈簧 | 2 | |
| | 45134 | 45134-2L50-001 | BRAKE CAM DUST SEAL | 凸輪防塵封 | 1 | |
| | 45145 | 45145-0F96-651 | INDICATOR FRONT BRAKE | 前煞車指示器 | 1 | |
| | 45410 | 45410-GBB2-001 | ARM FRONT BRAKE | 煞車臂 | 1 | |
| | 45435 | 45435-GBB2-721 | SPG BRK ARM RETURN | 彈簧 | 1 | |

F07

Front Wheel 前輪

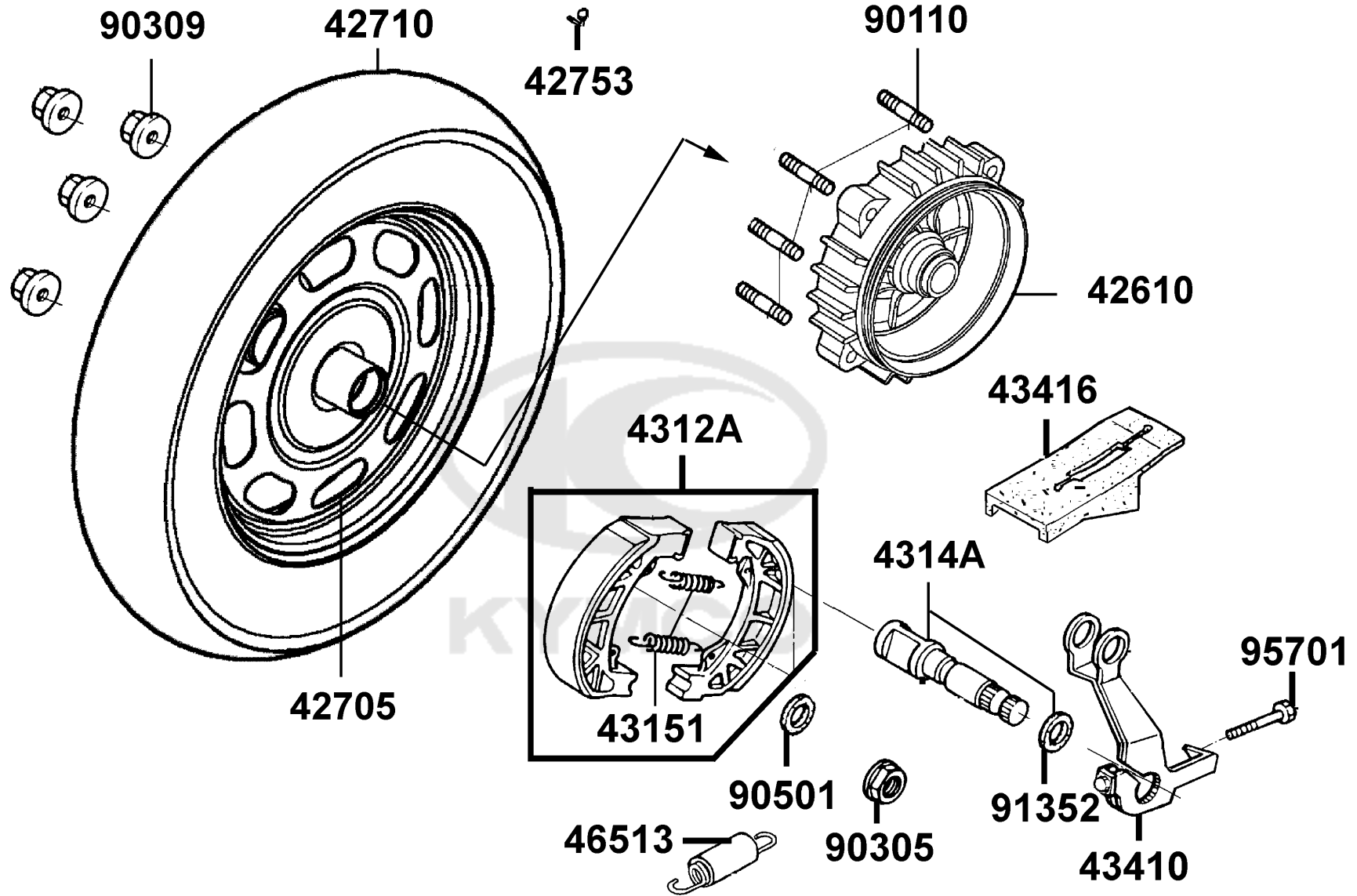


| Sales mark 配色標註 | Ref no 參考號碼 | Part no 零件號碼 | Description 英文名稱 | Reg description 中文名稱 | Regd no 需求用量 | F07 |
|--------------------|----------------|-------------------|---------------------|-------------------------|-----------------|-----|
| | 90110 | 90110-KHG8-901 | BOLT STUD2 8*22 | 雙頭螺絲 8X22 | 4 | |
| | 90306 | 90306-KLF0-004-SY | NUT FLANGE 12MM | 螺帽 12MM | 1 | |
| | 90309 | 90309-GLW0-90A | NUT U FLANGE 8MM | 平螺帽 8MM | 4 | |
| | 90754-GHC8-00A | 90754-GHC8-00A | SEAL DUST 20*32*5 | 油封 20X32X5 | 1 | |
| | 90754-GHC8-00B | 90754-GHC8-00B | SEAL DUST 20*32*5 | 前輪防塵封 20X32X5 | 1 | |
| | 90912 | 90912-AAC9-900 | BEARING 6201 LLU | 軸承 6201LLU | 2 | |
| | 91251 | 91251-GHC8-004 | SEAL OIL 41*51*5 | 油封 41X51X5 | 1 | |
| | 91256 | 91256-GAC1-004 | SEAL DUST | 防塵封 | 1 | |
| | 94050 | 94050-06080 | NUT FLANGE 6MM | 特殊螺帽 6MM | 1 | |
| | 95701 | 95701-06028-08 | BOLT FLANGE 6*28 | 螺絲 6X28 | 1 | |



F08

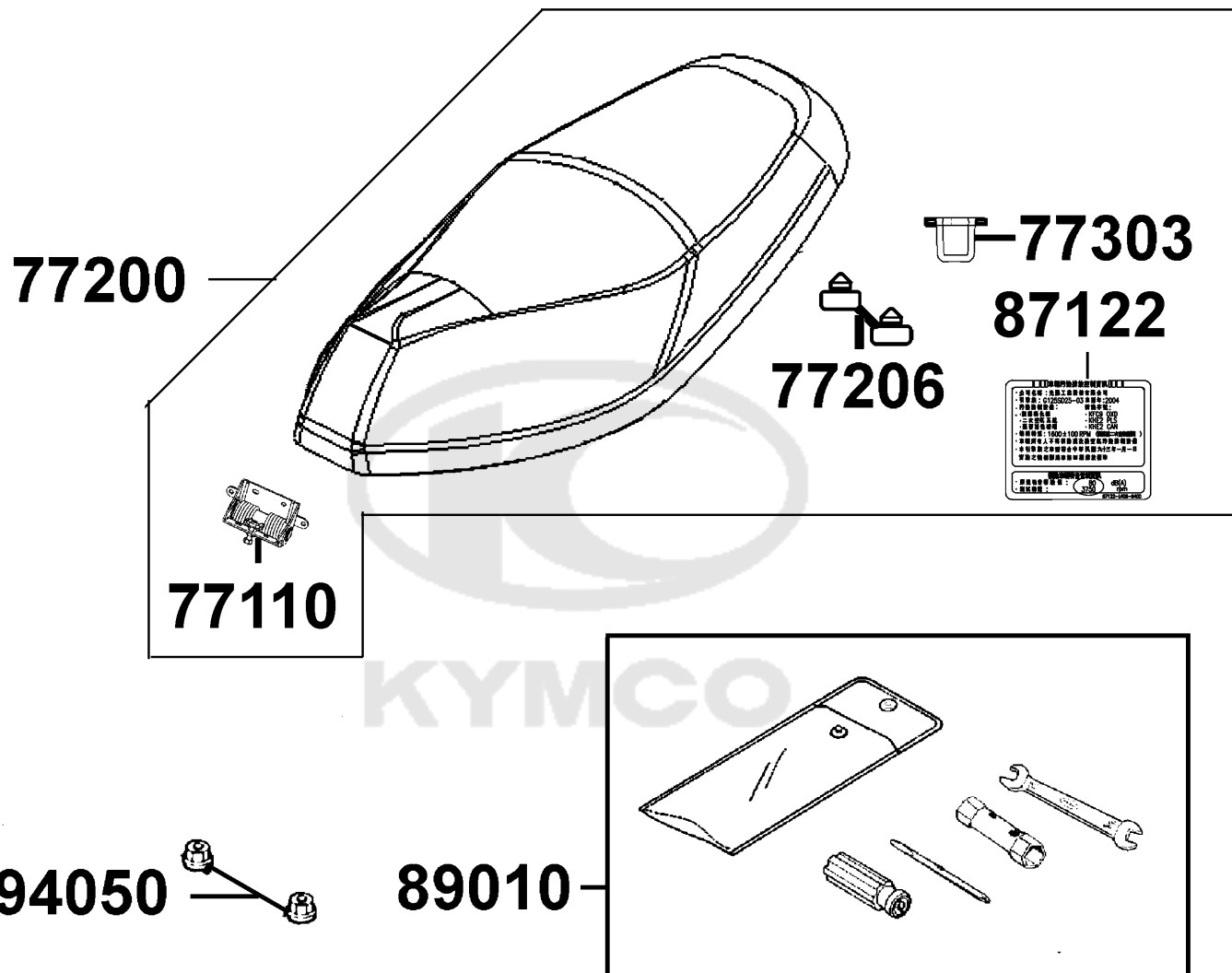
Rear Wheel 後輪



| Sales mark 配色標註 | Ref no 參考號碼 | Part no 零件號碼 | Description 英文名稱 | Reg description 中文名稱 | Regd no 需求用量 | F08 |
|--------------------|----------------|--------------------|------------------------|-------------------------|-----------------|-----|
| ** | 42610 | 42610-KUDU-900 | HUB SUB COMP RR | 後輪轂 | 1 | |
| ** | | 42705-LGL3-600 | RIM COMP RR WHEEL | 後輪鋼圈 | 1 | |
| | 42710 | 42710-AAC9-800-304 | TIRE ASSY,RR | 後輪胎 | 1 | |
| | 42753 | 42753-KXCX-900 | VALVE (PVR-70B) & CAP | 打氣嘴 70B/L型 4CM | 1 | |
| | 4312A | 4312A-LEB1-900 | SHOE ASSY REAR BRAKE | 後煞車鞋 | 1 | |
| | 4314A | 4314A-LDF7-E10 | CAM ASSY RR BRK | 後煞車凸輪組 | 1 | |
| | 43151 | 43151-LEB1-900 | SPRING BRAKE SHOE REAR | 彈簧 | 2 | |
| | 43410 | 43410-LAD9-900 | ARM COMP RR BRAKE | 後煞車臂 | 1 | |
| | 43416 | 43416-KUDU-900 | GUARD RR BRK ARM | 後煞車臂護蓋 | 1 | |
| | 46513 | 46513-KUDU-900 | SPG ASSY BRK ARM | 煞車踏板彈簧 | 1 | |
| | 90110 | 90110-KHG8-901 | BOLT STUD2 8*22 | 雙頭螺絲 8X22 | 4 | |
| | 90305 | 90305-KNBN-90B | NUT U 16MM | 螺帽 16MM | 1 | |
| | 90501 | 90501-KNBN-901 | WASHER 16MM | 華司 16MM | 1 | |
| | 91352 | 91352-KHG8-83B | O-RING 11.3*1.3 | O環 11.3X1.3 | 1 | |
| | 95701 | 95701-06035-08 | BOLT FLANGE 6*35 | 螺絲 6X35 | 1 | |

F09

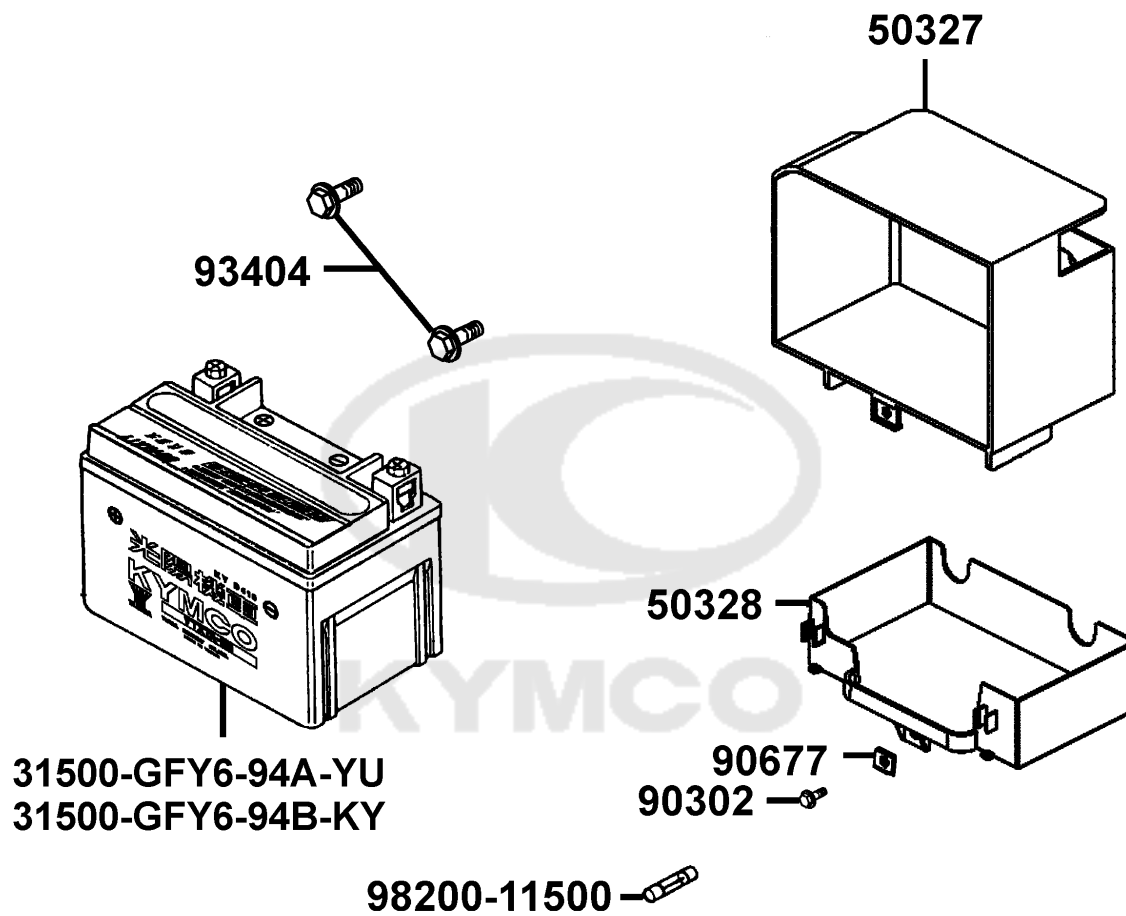
Seat 座墊



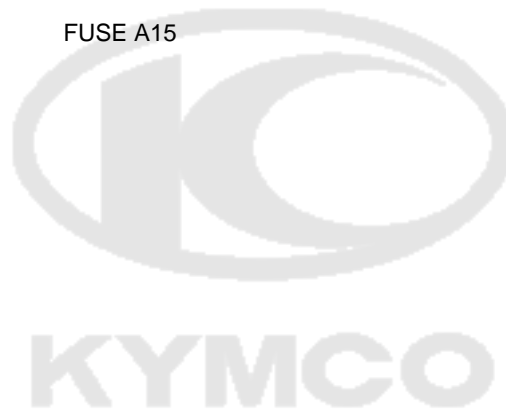
| Sales mark 配色標註 | Ref no 參考號碼 | Part no 零件號碼 | Description 英文名稱 | Reg description 中文名稱 | Regd no 需求用量 | F09 |
|---|----------------|-----------------|---------------------|-------------------------|-----------------|-----|
| | 77110 | 77110-LDA6-900 | HINGE COMP SEAT | 坐墊鉸鏈 | 1 | |
| ** | 77200 | 77200-AAC9-900 | SEAT ASSY. | 座墊組 | 1 | |
| | 77206 | 77206-KEB7-900 | RUBBER SEAT CUSH | 橡皮 | 2 | |
| | 77303 | 77303-LHE9-900 | HOOK SEAT LOCK | 座墊鉤 | 1 | |
| | 87122 | 87122-AAC9-800 | MARK E/M 5th STAGE | 排放管制貼紙 | 1 | |
| | 89010 | 89010-AAC9-900 | TOOL SET | 工具包組 | 1 | |
| | 94050 | 94050-06080 | NUT FLANGE 6MM | 特殊螺帽 6MM | 2 | |
|  | | | | | | |

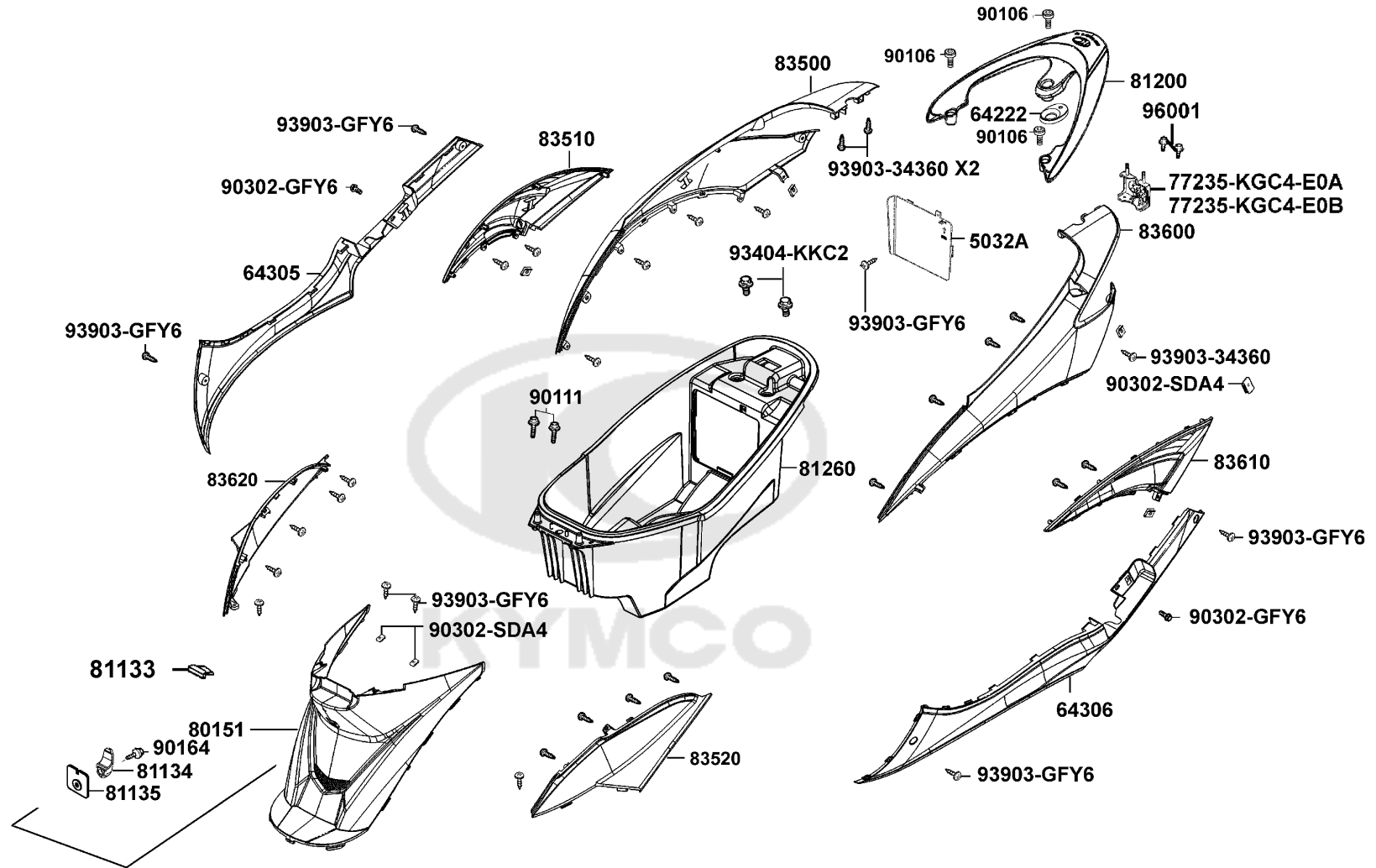
| Sales mark 配色標註 | Ref no 參考號碼 | Part no 零件號碼 | Description 英文名稱 | Reg description 中文名稱 | Regd no 需求用量 | F10 |
|--------------------|----------------|-----------------|----------------------|-------------------------|-----------------|-----|
| | 17369 | 17369-KHC4-900 | CLIP BREATHER TUBE | 通氣管夾 | 1 | |
| | 17500 | 17500-LFG7-900 | TANK COMP FUEL | 油箱 | 1 | |
| | 17502 | 17502-AAC9-900 | HOSE,FUEL | 油管 | 1 | |
| | 17504 | 17504-LAB4-900 | FUEL FILLER | 加油漏斗 | 1 | |
| | 17507 | 17507-LAB4-900 | BAND 50 FUEL HOSE | 油管束夾 | 1 | |
| | 17513 | 17513-AAC9-900 | STAY A,FILLER | 加油漏斗支架A | 1 | |
| | 17515 | 17515-AAC9-900 | STAY B,FUEL FILLER | 加油漏斗支架B | 1 | |
| | 17520 | 17520-LLF5-900 | CABLE COMP FUEL CAP | 油箱蓋導線 | 1 | |
| | 17550 | 17550-AAC9-800 | PUMP ASSY.. FUEL | 燃料泵組 | 1 | |
| | 17560 | 17560-ALB8-900 | TUBE PUMP INJECTOR | 油管 | 1 | |
| | 17561 | 17561-LGK8-900 | CLIP 12.0 | 管夾 12.0 | 2 | |
| | 17620-LBA2-90A | 17620-LBA2-90A | CAP COMP FUEL FILLER | 油箱蓋 | 1 | |
| | 17620-LBA2-90B | 17620-LBA2-90B | CAP COMP FUEL FILLER | 油箱蓋 | 1 | |
| | 17623-LAB4-90A | 17623-LAB4-90A | COLLAR FUEL CAP | 油箱蓋套筒 | 1 | |
| | 17623-LAB4-90B | 17623-LAB4-90B | COLLAR FUEL FILLER | 油箱蓋套筒 | 1 | |
| | 17681 | 17681-KFA1-900 | TUBE JOINT 3 WAY | 三向管組 | 1 | |
| | 17685 | 17685-KZCZ-900 | JOINT TUBE | 通氣管接頭 | 1 | |
| | 17686 | 17686-KHE2-900 | TUBE ASSY FUEL | 油管組 | 1 | |
| | 17689 | 17689-LAD9-900 | TUBE ASSY FILLER | 油管 | 1 | |
| | 19411 | 19411-KBCB-900 | CLIP HOSE | 油管鎖環 | 1 | |

| Sales mark 配色標註 | Ref no 參考號碼 | Part no 零件號碼 | Description 英文名稱 | Reg description 中文名稱 | Regd no 需求用量 | F10 |
|--------------------|----------------|-----------------|---------------------|-------------------------|-----------------|-----|
| | 37801 | 37801-LAB4-910 | PACKING BASE | 墊圈 | 1 | |
| | 3780A | 3780A-AAC9-900 | FUEL UNIT.. ASSY. | 汽油浮筒組 | 1 | |
| | 38773 | 38773-KBCB-900 | JOINT 3 WAY | 三向管接頭 | 1 | |
| ** | 50179 | 50179-LFG7-900 | BRKT FLOOR PANEL | 腳踏板支架 | 1 | |
| | 90302-GBR2 | 90302-GBR2-001 | BOLT WASH 5*16 | 螺絲 5X16 | 4 | |
| | 90302-LLB1 | 90302-LLB1-E00 | BOLT-WASHER 5*12 | 螺絲 5X12 | 3 | |
| | 93500 | 93500-04008-0G | SCREW PAN 4*8 | 螺絲 4X8 | 3 | |
| | 93903 | 93903-35360 | SCREW TAPPING 5*16 | 螺釘 5X16 | 3 | |
| | 94050-06080 | 94050-06080 | NUT FLANGE 6MM | 特殊螺帽 6MM | 3 | |
| | 94591 | 94591-KFBF-900 | CLIP 2*70 | 線夾 2X70 | 1 | |
| | 95002-02080 | 95002-02080 | CLIP B8 TUBE | 管夾 | 2 | |
| | 95002-02130 | 95002-02130 | CLIP B12.5 TUBE | 管夾 | 4 | |
| | 96001 | 96001-06014-08 | BOLT FLANGE 6*14 | 螺絲 6X14 | 6 | |

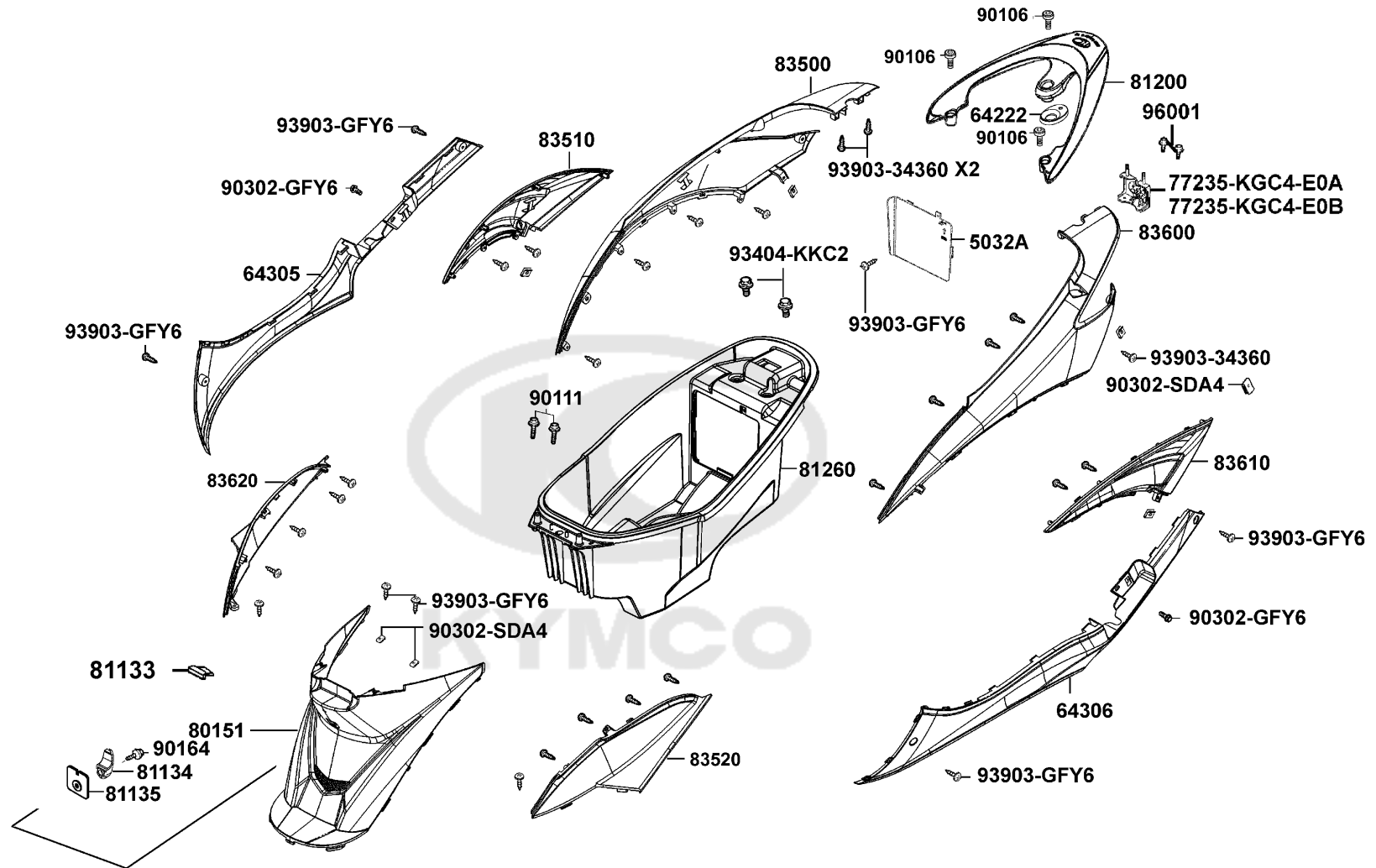



| Sales mark 配色標註 | Ref no 參考號碼 | Part no 零件號碼 | Description 英文名稱 | Reg description 中文名稱 | Regd no 需求用量 | F11 |
|--------------------|-------------------|-------------------|----------------------|-------------------------|-----------------|-----|
| | 31500-GFY6-94A-YU | 31500-GFY6-94A-YU | BATTERY YTX7A-BS | 電瓶 | 1 | |
| | 31500-GFY6-94B-KY | 31500-GFY6-94B-KY | BATTERY GTX7A-BS | 電瓶 | 1 | |
| 50327 | | 50327-LHB8-900 | BATTERY CASE | 電池盒本體 | 1 | |
| 50328 | | 50328-LBB8-900 | BATTERY DRAWER | 電瓶滑動底座 | 1 | |
| 90302 | | 90302-GFY6-940 | BOLT-WASH 5*16 | 螺絲 5X16 | 1 | |
| 90677 | | 90677-GAR1-004 | NUT CLIP 5MM | 螺帽夾 5MM | 1 | |
| 93404 | | 93404-06020-06 | BOLT WASHER 6*20 (G) | 螺絲 6X20 | 2 | |
| 98200-11500 | | 98200-11500 | FUSE A15 | 保險絲 A15 | 1 | |

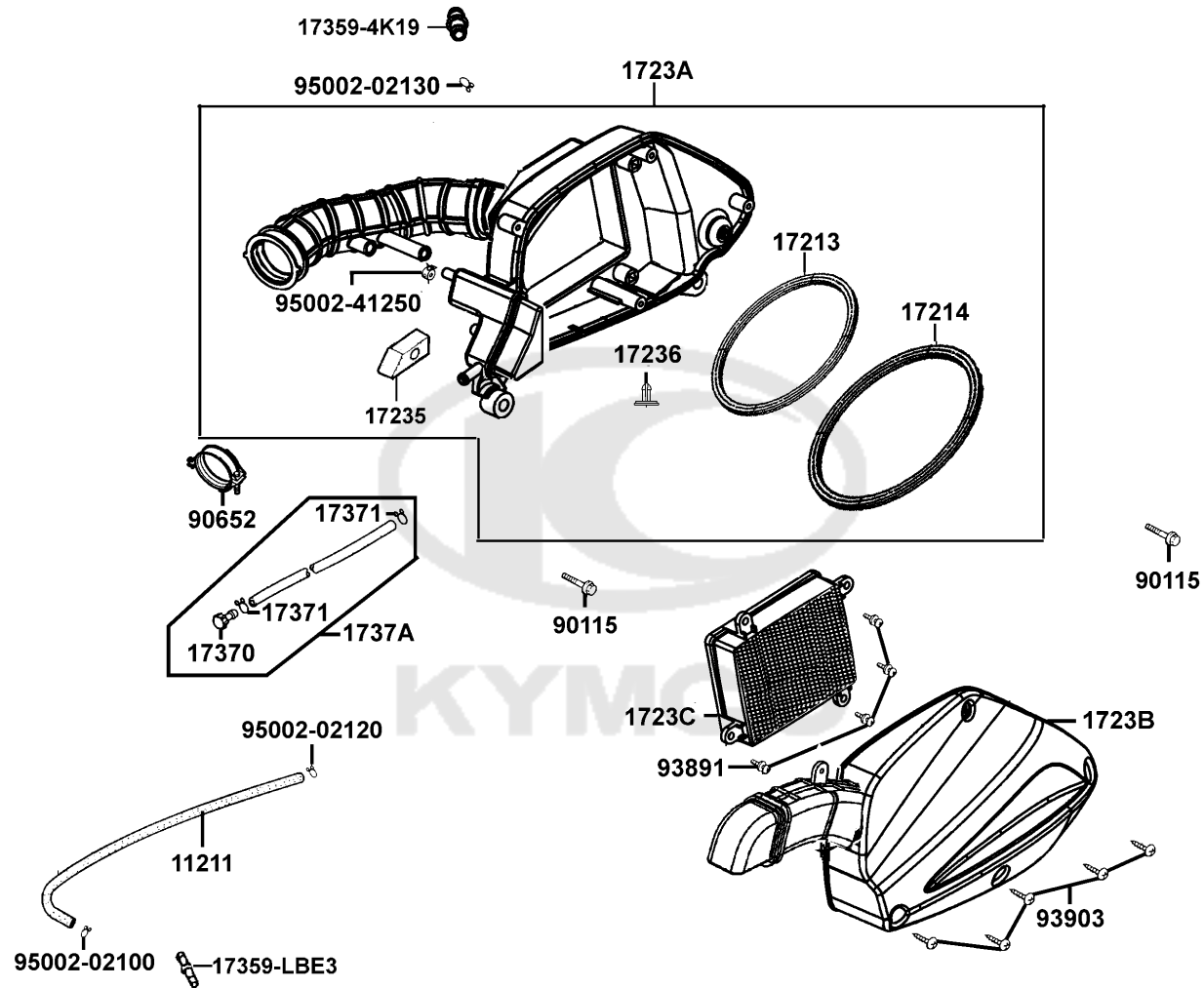




| Sales mark 配色標註 | Ref no 參考號碼 | Part no 零件號碼 | Description 英文名稱 | Reg description 中文名稱 | Regd no 需求用量 | F12 |
|--------------------|----------------|-----------------|--------------------------|-------------------------|-----------------|-----|
| | 5032A | 5032A-LDA6-900 | COVER ASSY BATTERY MAINT | 電瓶蓋 | 1 | |
| | 64222 | 64222-LDA6-900 | CUSHION RR GRIP | 後架緩衝橡皮 | 1 | |
| ** | 64305 | 64305-AAC9-305 | SKIRT R SIDE | 右邊護板 | 1 | |
| ** | 64306 | 64306-AAC9-305 | 64306-AAC9-900 | 左邊護板 | 1 | |
| | 77235-KGC4-E0A | 77235-KGC4-E0A | SEAT CATCH | 座墊擋器 | 1 | |
| | 77235-KGC4-E0B | 77235-KGC4-E0B | SEAT CATCH | 座墊擋器 | 1 | |
| ** | 80151 | 80151-AAC9-900 | COVER CENTER | 中心蓋 | 1 | |
| | 81133 | 81133-KGBG-900 | STOPPER LUGGAGE | 襯蓋 | 1 | |
| | 81134 | 81134-KGBG-900 | HOOK LUGGAGE | 置物箱掛鉤 | 1 | |
| | 81135 | 81135-KGBG-900 | STAY LUGGAGE HOOK | 掛鉤座 | 1 | |
| ** | 81200 | 81200-LDA6-900 | CARRIER RR | 後架 | 1 | |
| | 81260 | 81260-LHB8-910 | ASSY.BOX,LUGGAGE | 置物箱 | 1 | |
| ** | 83500 | 83500-AAC9-305 | COVER A, R. BODY | 右邊蓋 | 1 | |
| ** | 83510 | 83510-AAC9-900 | COVER B, R. BODY | 右側蓋 | 1 | |
| ** | 83520 | 83520-AAC9-900 | COVER R SIDE | 車體右邊蓋小蓋 | 1 | |
| ** | 83600 | 83600-AAC9-305 | COVER A, L. BODY | 左邊蓋 | 1 | |
| ** | 83610 | 83610-AAC9-900 | COVER B, L. BODY | 左側蓋 | 1 | |
| ** | 83620 | 83620-AAC9-900 | COVER L SIDE | 車體左邊蓋小蓋 | 1 | |
| | 90106 | 90106-AAC9-900 | BOLT SPECIAL 8MM | 螺絲 8MM | 3 | |
| | 90111 | 90111-1G87-001 | BOLT FLANGE 6MM | 螺絲 6X14 | 2 | |

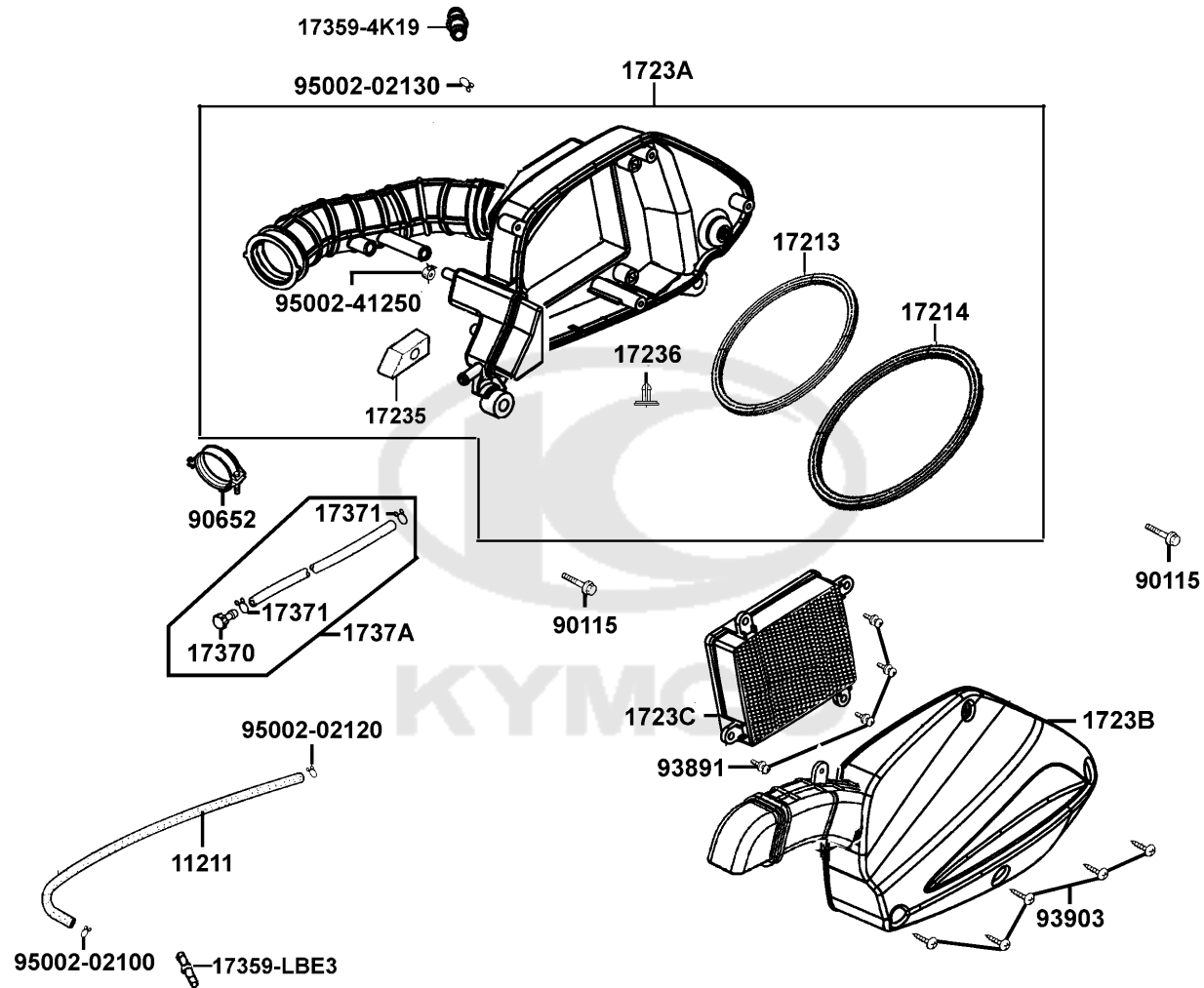


| Sales mark 配色標註 | Ref no 參考號碼 | Part no 零件號碼 | Description 英文名稱 | Reg description 中文名稱 | Regd no 需求用量 | F12 |
|---|----------------|-------------------|------------------------|-------------------------|-----------------|-----|
| | 90164 | 90164-KGBG-900 | SCREW SPECIAL 6MM | 特殊螺絲 6MM | 1 | |
| | 90302-GFY6 | 90302-GFY6-901 | BOLT WASH 5*12 | 螺絲 5X12 | 2 | |
| | 90302-SDA4 | 90302-SDA4-004 | NUT SPRING 4MM | 彈簧螺帽 4MM | 4 | |
| | 93404 | 93404-KKC2-900-06 | BOLT-WASH 6X16 | 螺絲 6*16 | 2 | |
| | 93903-34360 | 93903-34360 | SCREW TAPPING 4*12 (G) | 螺釘 4X12 | 12 | |
| | 93903-GFY6 | 93903-GFY6-900 | SCREW TAPPING 4*14 | 螺釘 4X14 | 7 | |
| | 96001 | 96001-06012-08 | BOLT FLANGE 6*12 | 螺絲 6X12 | 2 | |
|  | | | | | | |



| Sales mark 配色標註 | Ref no 參考號碼 | Part no 零件號碼 | Description 英文名稱 | Reg description 中文名稱 | Regd no 需求用量 |
|--------------------|----------------|-----------------|-------------------------------|-------------------------|-----------------|
| | 11211 | 11211-ALB8-900 | TUBE BREATHER | 通氣管 | 1 |
| | 17213 | 17213-LDA6-900 | SEAL ELEMENT | 濾清器油封 | 1 |
| | 17214 | 17214-LDA6-900 | SEAL AIR/C CASE | 空氣濾清器箱防水封 | 1 |
| | 17235 | 17235-GFY6-901 | FILTER OIL CATCH | 集油濾清海綿 | 1 |
| | 17236 | 17236-KFBF-910 | PLATE | 隔板 | 1 |
| | 1723A | 1723A-LHB8-900 | CASE COMP., AIR/C | 空氣濾清器箱 | 1 |
| | 1723B | 1723B-LDA6-900 | COVER COMP AIR/C | 空氣濾清器蓋 | 1 |
| | 1723C | 1723C-LDA6-900 | ELEMENT COMP AIR/C | 空氣濾清器 | 1 |
| | 17359-4K19 | 17359-4K19-671 | JOINT BREATHER TUBE | 通氣管接頭 | 1 |
| | 17359-LBE3 | 17359-LBE3-900 | JOINT BREATHER TUBE | 通氣管接頭 | 1 |
| | 17370 | 17370-4K19-701 | PLUG BREATHER TUBE | 溢油管管塞 | 1 |
| | 17371 | 17371-1D74-671 | CLIP BREATHER TUBE | 通氣管夾 | 2 |
| | 1737A | 1737A-LDA6-900 | V TUBE ASSY | 空氣管 | 1 |
| | 90115 | 90115-KXCX-900 | BOLT FLANGE SH 6*32 | 螺絲 6X32 | 2 |
| | 90652 | 90652-GFY6-901 | BAND 49 AIR/C CONNECTING TUBE | 連接管固定帶 | 1 |
| | 93891 | 93891-05016-08 | SCREW WASHER 5*16 | 螺絲 5X16 | 4 |
| | 93903 | 93903-25460 | SCREW TAPPING 5*20 | 螺絲 5X20 | 5 |
| | 95002-02100 | 95002-02100 | CLIP B15 TUBE | 管夾 | 1 |
| | 95002-02120 | 95002-02120 | CLIP B12 TUBE | 管夾 | 1 |
| | 95002-02130 | 95002-02130 | CLIP B12.5 TUBE | 管夾 | 1 |

F13



| Sales mark 配色標註 | Ref no 參考號碼 | Part no 零件號碼 | Description 英文名稱 | Reg description 中文名稱 | Regd no 需求用量 | F13 |
|--------------------|----------------|-----------------|---------------------|-------------------------|-----------------|-----|
|--------------------|----------------|-----------------|---------------------|-------------------------|-----------------|-----|

95002-41250

95002-41250-00

CLIP D12.5 TUBE

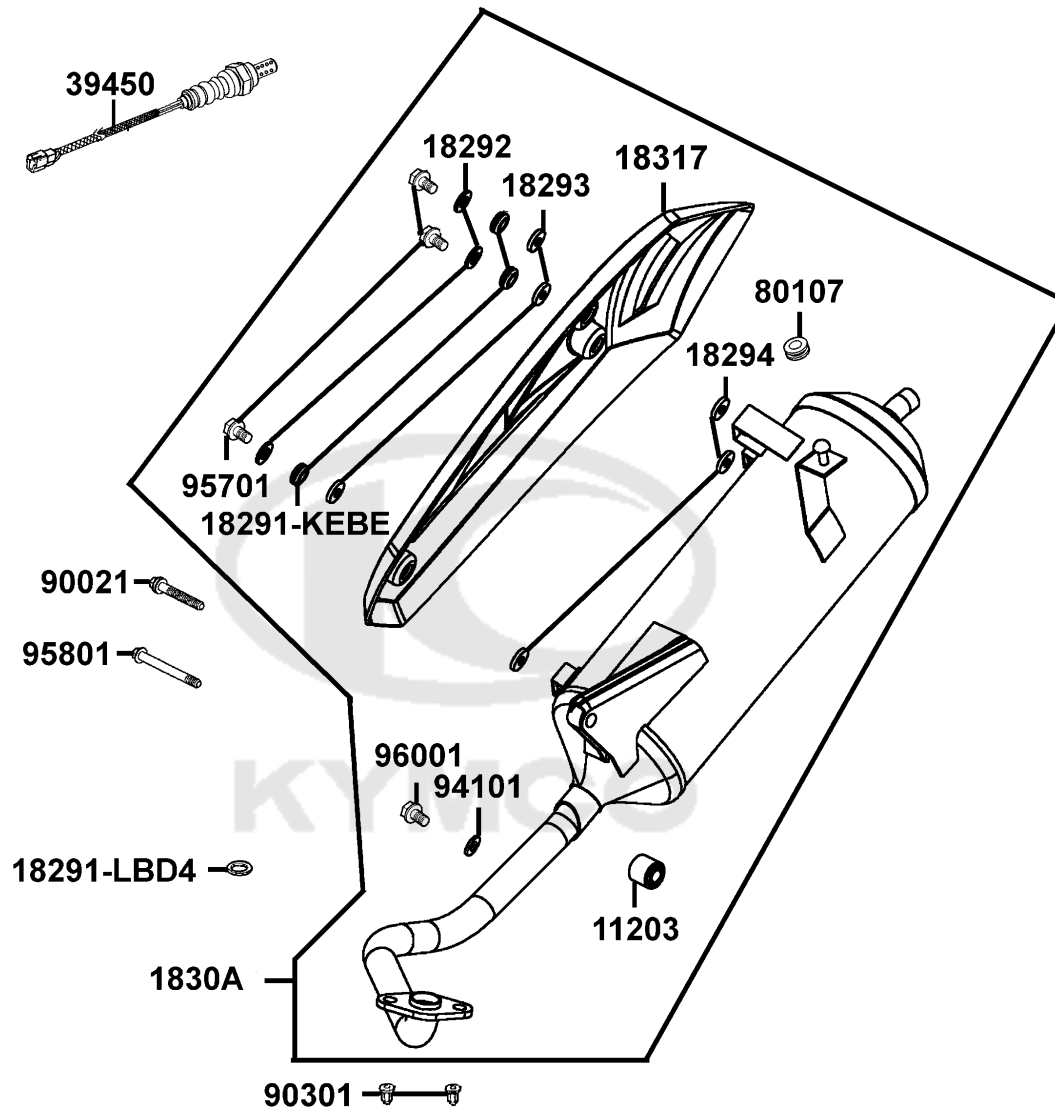
管夾

1



F14

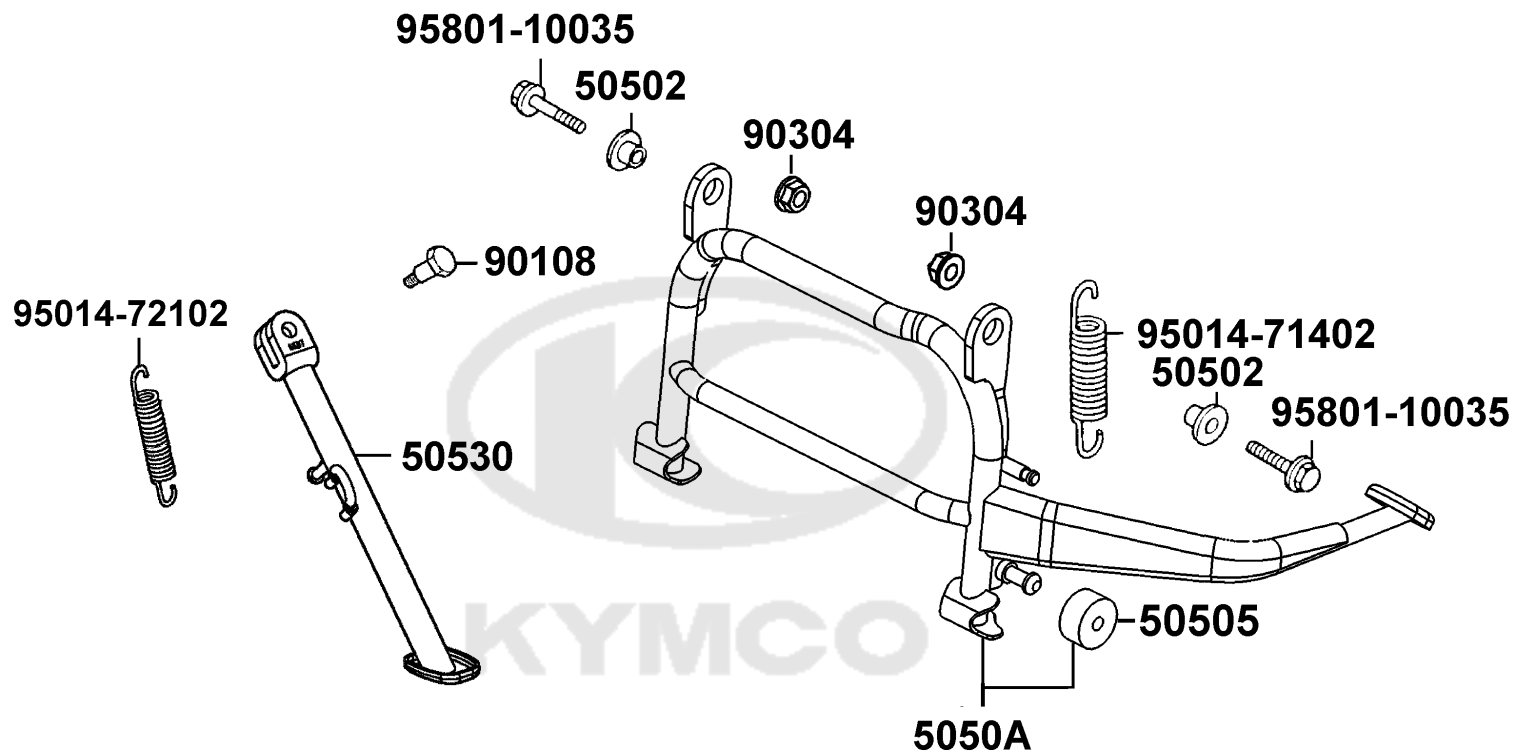
Exhaust Muffler 排氣管



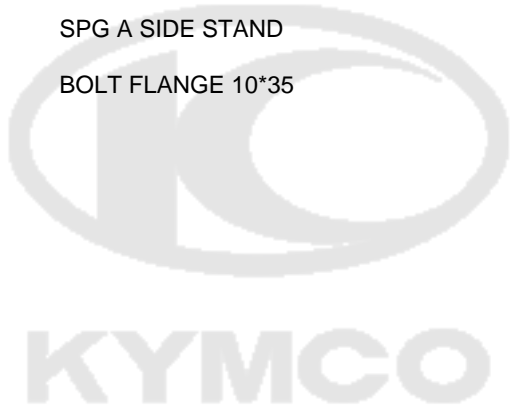
| Sales mark 配色標註 | Ref no 參考號碼 | Part no 零件號碼 | Description 英文名稱 | Reg description 中文名稱 | Regd no 需求用量 | F14 |
|--------------------|----------------|-----------------|--------------------------|-------------------------|-----------------|-----|
| | 11203 | 11203-GFY6-901 | RUBBER BUSH MUFFLER STAY | 橡皮襯套 | 1 | |
| | 18291-KEBE | 18291-KEBE-900 | COLLAR | 套筒 | 3 | |
| | 18291-LBD4 | 18291-LBD4-900 | GASKET EXH PIPE | 排氣管墊圈 | 1 | |
| | 18292 | 18292-KEBE-900 | PACKING PROTECTOR | 防熱墊片 | 3 | |
| | 18293 | 18293-KEBE-900 | RUBBER PKG PROTR | 隔熱橡皮 | 3 | |
| | 18294 | 18294-KEBE-900 | PACKING PROTECTOR | 防熱墊片 | 3 | |
| | 1830A | 1830A-AAC9-900 | MUFFLER ASS'Y | 排氣管組立 | 1 | |
| ** | 18317 | 18317-LHB8-900 | PROTECTOR COMP MUFFLER | 排氣管護熱蓋 | 1 | |
| | 39450 | 39450-ALK8-900 | O2. SENSOR | 含氧感知器 | 1 | |
| | 80107 | 80107-KHLH-900 | RUBBER A RR FENDER | 後土除橡皮A/二期 | 1 | |
| | 90021 | 90021-GFY6-900 | BOLT WASHER COMP | 排氣管固定螺絲 8X42 | 1 | |
| | 90301 | 90301-GFY6-901 | NUT (HEX) CAP 8MM | 圓螺帽 6MM | 2 | |
| | 94101 | 94101-06700 | WASHER PLAIN 6MM | 平華司 6MM | 1 | |
| | 95701 | 95701-06022-06 | BOLT FLANGE 6*22 | 螺絲 6X22 | 3 | |
| | 95801 | 95801-08042-06 | BOLT FLANGE 8*42 | 螺絲 8X42 | 1 | |
| | 96001 | 96001-06008-07 | BOLT FLANGE SH 6*8 | 螺絲 6X8 | 1 | |

F15

Kick Starter Arm Stand 起動踏桿 腳架

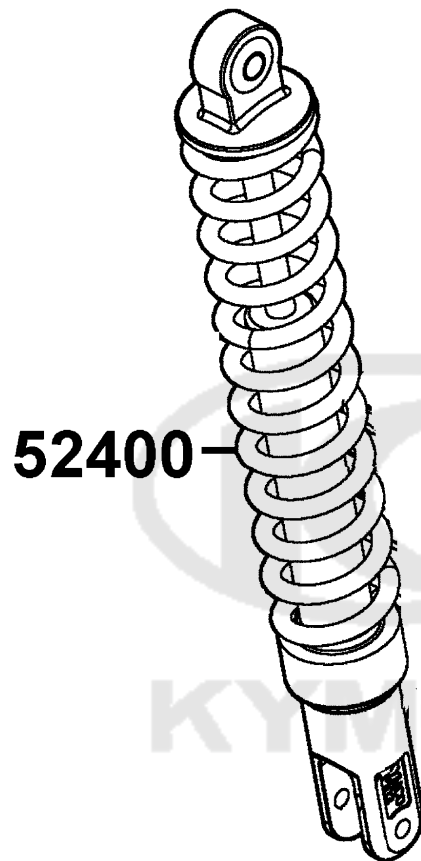


| Sales mark 配色標註 | Ref no 參考號碼 | Part no 零件號碼 | Description 英文名稱 | Reg description 中文名稱 | Regd no 需求用量 | F15 |
|--------------------|----------------|-----------------|------------------------|-------------------------|-----------------|-----|
| | 50502 | 50502-GFY6-901 | COLLAR MAIN STAND | 主腳架套環 | 2 | |
| | 50505-KKD7 | 50505-LAD9-900 | STOPPER RUBBER | 主腳架停止橡皮 | 1 | |
| | 5050A | 5050A-AAC9-900 | STAND ASSY., MAIN | 主腳架 | 1 | |
| | 50530 | 50530-LLF5-900 | SIDE STAND COMP | 側腳架 | 1 | |
| | 90108 | 90108-KUDU-900 | SCREW SIDE STAND PIVOT | 側腳架螺絲 | 1 | |
| | 90304 | 90304-LEA1-900 | NUT U FLANGE 10MM | 螺帽 10MM | 2 | |
| | 95014-71402 | 95014-71402 | SPRING D MAIN STAND | 主腳架彈簧 | 1 | |
| | 95014-72102 | 95014-72102 | SPG A SIDE STAND | 側腳架彈簧 | 1 | |
| | 95801 | 95801-10035-06 | BOLT FLANGE 10*35 | 螺絲 10X35 | 2 | |

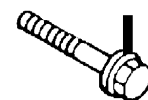


F16

Rear Cushion 後避震器



95801-08035



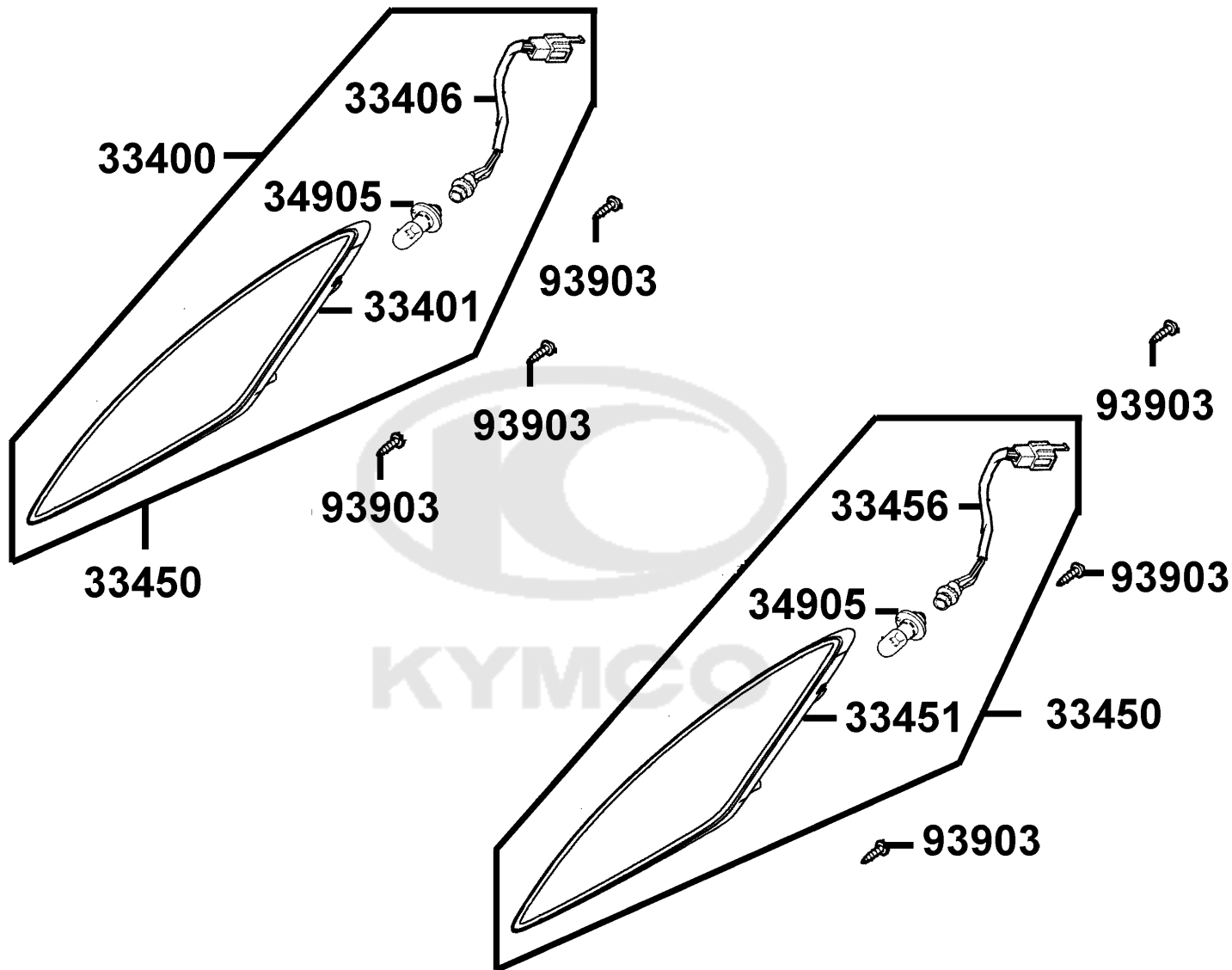
| Sales mark 配色標註 | Ref no 參考號碼 | Part no 零件號碼 | Description 英文名稱 | Reg description 中文名稱 | Regd no 需求用量 | F16 |
|--------------------|----------------|-----------------|---------------------|-------------------------|-----------------|-----|
| ** | 52400 | 52400-LAD9-900 | CUSHION ASSY RR | 後避震器 | 1 | |
| | 95801-08035 | 95801-08035-08 | BOLT FLANGE 8*35 | 螺絲 8X35 | 1 | |
| | 95801-10040 | 95801-10040-08 | BOLT FLANGE 10*40 | 特殊螺絲 | 1 | |



F17

Front Winker

前方向燈

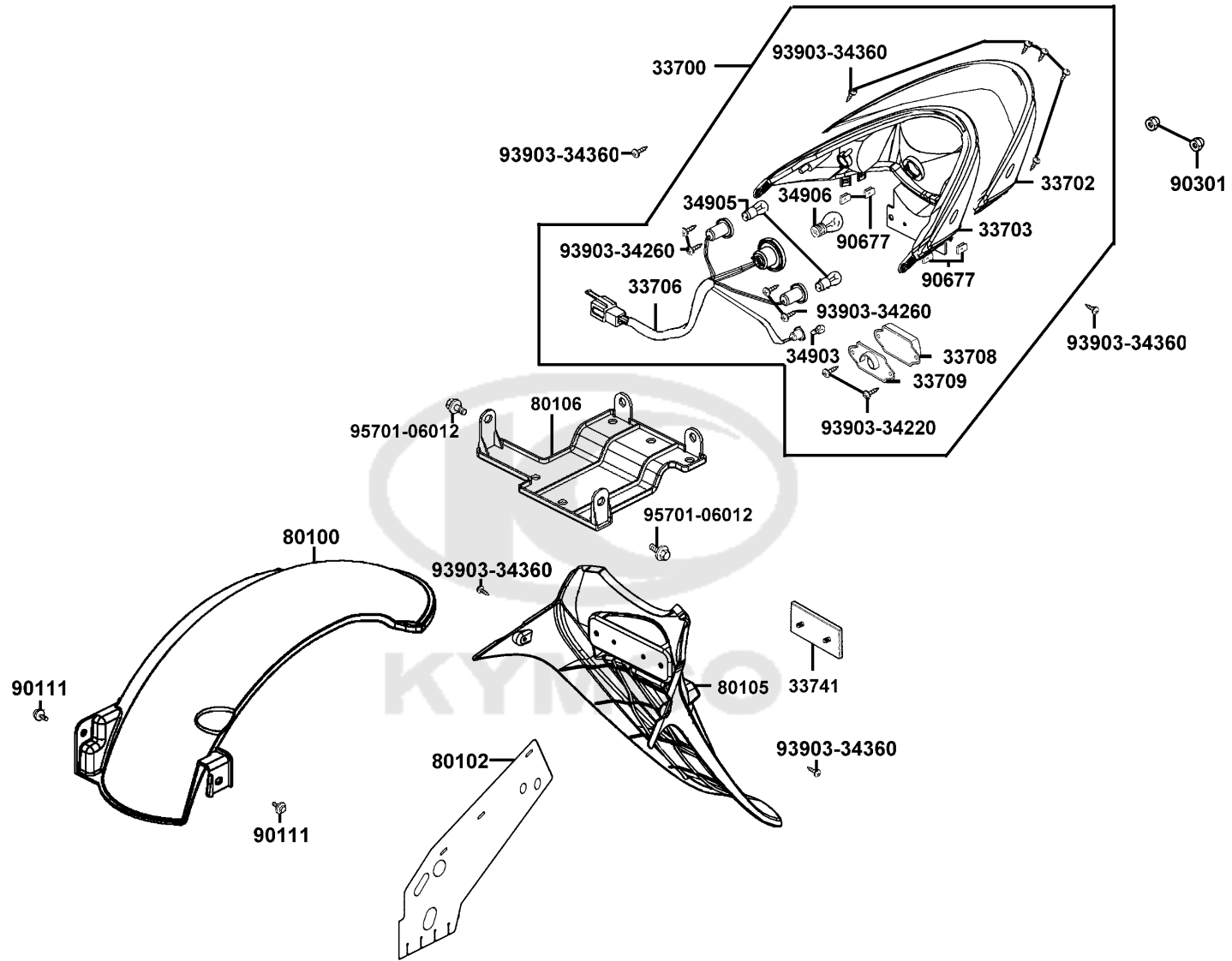


| Sales mark 配色標註 | Ref no 參考號碼 | Part no 零件號碼 | Description 英文名稱 | Reg description 中文名稱 | Regd no 需求用量 | F17 |
|--------------------|----------------|-----------------|-------------------------|-------------------------|-----------------|-----|
| | 33400 | 33400-AAC9-800 | WINKER ASSY.. R. FR | 右前方向燈組 | 1 | |
| | 33401 | 33401-AAC9-305 | BASE COMP R FR WINKER | 右前方向燈殼組 | 1 | |
| | 33406 | 33406-AAC9-900 | SOCKET COMP R FR WINKER | 右前方向燈配線 | 1 | |
| | 33450 | 33450-AAC9-800 | WINKER ASSY.. L. FR | 左前方向燈組 | 1 | |
| | 33450 | 33450-AAC9-900 | WINKER ASSY.. R. FR | 右前方向燈組 | 1 | |
| | 33451 | 33451-AAC9-305 | BASE COMP L FR WINKER | 左前方向燈殼組 | 1 | |
| | 33456 | 33456-AAC9-900 | SOCKET COMP R FR WINKER | 左前方向燈配線 | 1 | |
| | 34905 | 34905-LHG7-E00 | BULB 12V WY21W | 燈炮 12V WY21W琥珀色 | 2 | |
| | 93903 | 93903-34360 | SCREW TAPPING 4*12 (G) | 螺釘 4X12 | 6 | |



F18

Tail Light 後燈

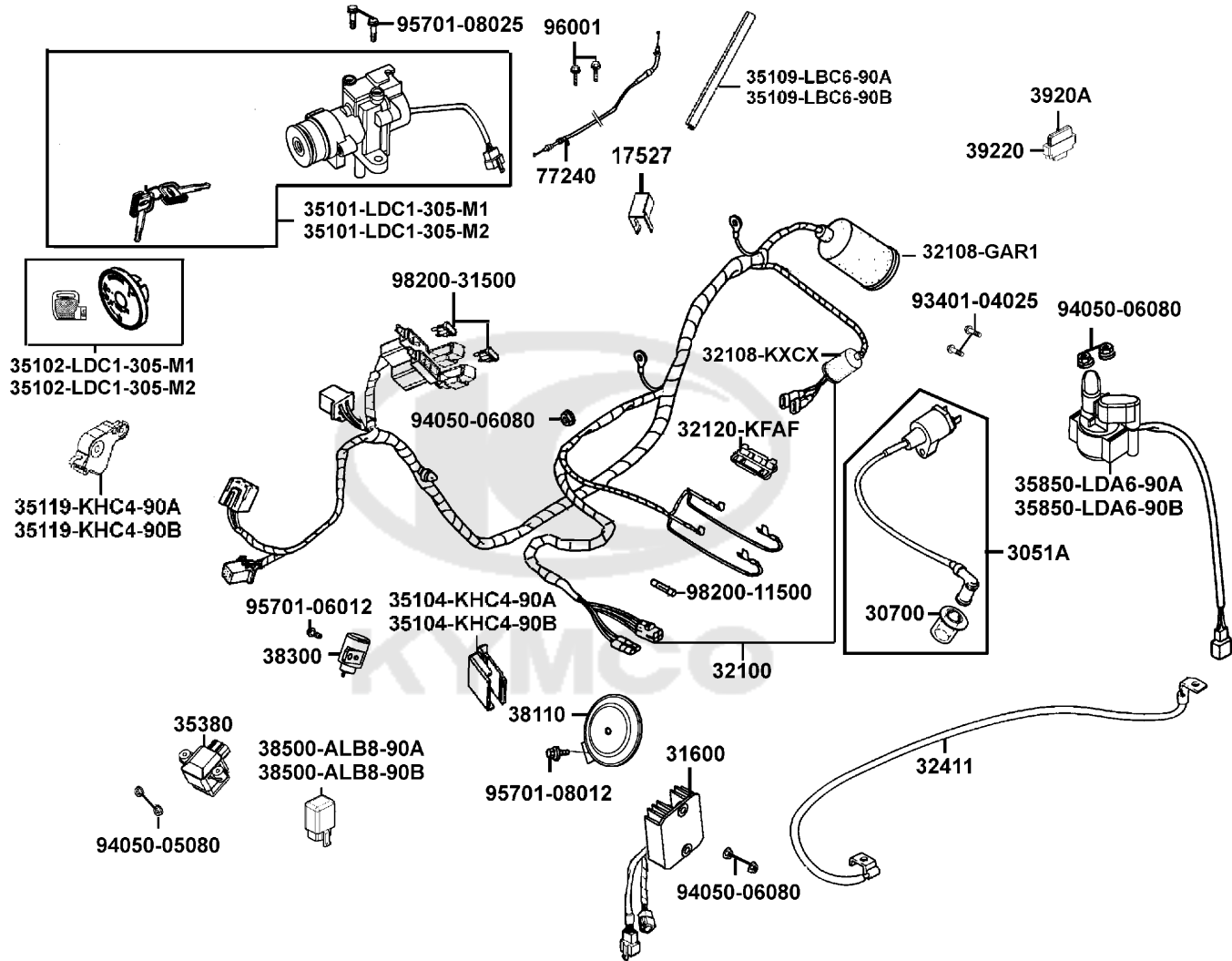


| Sales mark 配色標註 | Ref no 參考號碼 | Part no 零件號碼 | Description 英文名稱 | Reg description 中文名稱 | Regd no 需求用量 |
|--------------------|----------------|-----------------|----------------------------|-------------------------|-----------------|
| | 33700 | 33700-AAC9-900 | LIGHT ASSY.. RR. COMB. | 後燈組 | 1 |
| | 33702 | 33702-AAC9-900 | LENS COMP TAIL LIGHT | 後燈殼 | 1 |
| | 33703 | 33703-LDA7-305 | BASE TAIL LIGHT | 後燈座 | 1 |
| | 33706 | 33706-AAC9-900 | SOCKET TAIL LIGHT | 後燈配線 | 1 |
| | 33708 | 33708-LDA6-900 | LENS LICENSE | 牌照燈殼 | 1 |
| | 33709 | 33709-LDA6-900 | SCREW 6*35 | 螺絲 6*35 | 1 |
| | 33741 | 33741-LEA3-E00 | REFLEX REFLECTOR | 反射片 | 1 |
| | 34903 | 34903-KALA-900 | BULB POSITION | 燈泡 | 1 |
| | 34905 | 34905-LCA5-E00 | BULB WINKER | 方向燈燈泡 | 2 |
| | 34906 | 34906-LGE5-E00 | BULB TAIL & STOP 12V21W/5W | 後燈泡 12V21W/5W | 0 |
| | 80100 | 80100-LAD9-900 | FENDER RR TIRE | 後輪上土除 | 1 |
| | 80102 | 80102-LDA6-900 | PLATE SPLASH BOARD | 防濺板 | 1 |
| | 80105 | 80105-LDA6-900 | FENDER RR | 後土除 | 1 |
| | 80106 | 80106-LDA6-900 | FENDER INNER RR | 後內檔泥板 | 1 |
| | 90111 | 90111-KFW6-001 | BOLT FLANGE 6MM | 螺絲 6MM | 2 |
| | 90301 | 90301-6D34-671 | NUT FLANGE 6MM | 螺帽 | 2 |
| | 90677 | 90677-KFC9-900 | NUT CLIP 4MM | 螺帽夾 | 4 |
| | 93901-34380 | 93901-34380 | SCREW TAPPING 4*12 | 螺絲 4*12 | 5 |
| | 93903-34220 | 93903-34220 | SCREW TAPPING 4*10 | 螺釘 4*10 | 2 |
| | 93903-34260 | 93903-34260 | SCREW TAPPING 4*10 | 螺釘 4X10 | 4 |

F18

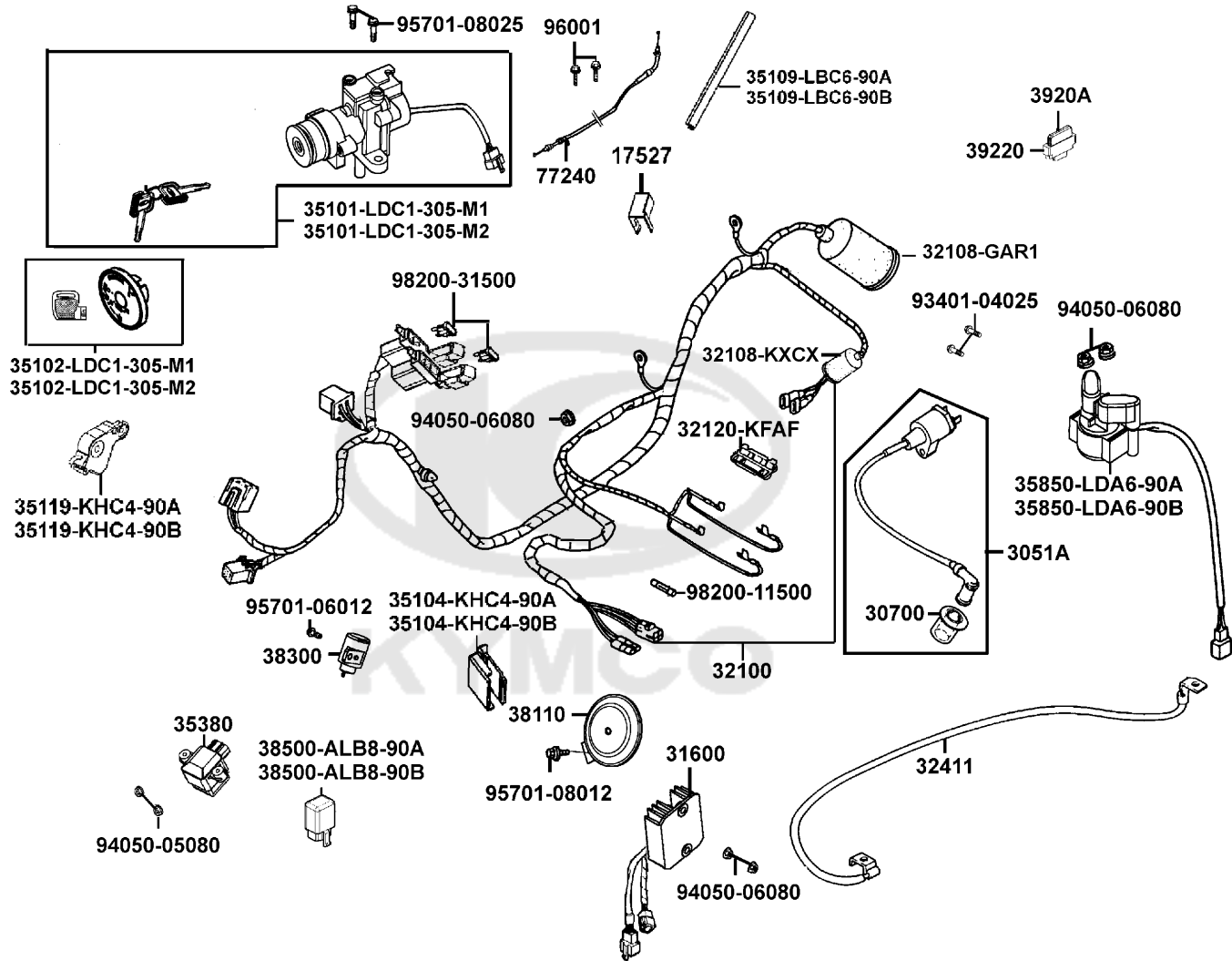
| Sales mark 配色標註 | Ref no 參考號碼 | Part no 零件號碼 | Description 英文名稱 | Reg description 中文名稱 | Regd no 需求用量 | F18 |
|--------------------|----------------|-----------------|------------------------|-------------------------|-----------------|-----|
| | 93903-34360 | 93903-34360 | SCREW TAPPING 4*12 (G) | 螺釘 4X12 | 6 | |
| | 95701 | 95701-06012-08 | BOLT FLANGE 6*12 | 螺絲 6X12 | 2 | |





| Sales mark 配色標註 | Ref no 參考號碼 | Part no 零件號碼 | Description 英文名稱 | Reg description 中文名稱 | Regd no 需求用量 |
|--------------------|-------------------|-------------------|----------------------------|-------------------------|-----------------|
| | 17527 | 17527-LBA2-900 | SLIDE COVER FUEL CAP | 油箱蓋導線防塵蓋 | 1 |
| | 3051A | 3051A-ALB8-900 | COIL ASS'Y IGN | 高壓點火線圈組 | 1 |
| | 30700 | 30700-KKE3-900 | CAP ASSY NOISE SUPPRESOR | 火星塞蓋 | 1 |
| | 31600 | 31600-LEA5-E00 | REG REC COMP | 整流器 | 1 |
| | 32100 | 32100-AAC9-900 | HARNESS WIRE | 主配線 | 1 |
| | 32108-GAR1 | 32108-GAR1-711 | COVER HARNESS WIRE | 配線蓋 | 1 |
| | 32108-KXCX | 32108-KXCX-E00 | COVER COUPLER 6P F | F型電器連結器外蓋 | 1 |
| | 32120-KFAF | 32120-KFAF-900 | CASE FUSE | 保險絲盒 | 1 |
| | 32411 | 32411-LDA6-900 | CABLE BAT | 電瓶導線 | 1 |
| | 35101-LDC1-305-M1 | 35101-LDC1-305-M1 | SW COMB & LOCK | 主開關組 | 1 |
| | 35101-LDC1-305-M2 | 35101-LDC1-305-M2 | SW COMB & LOCK | 主開關 | 1 |
| | 35102-LDC1-305-M1 | 35102-LDC1-305-M1 | SHUTTER SET MAGNETIC LOCK | 磁石鎖組/梅花型 | 1 |
| | 35102-LDC1-305-M2 | 35102-LDC1-305-M2 | SHUTTER SET MAGNETIC LOCK | 磁石鎖組/梅花型 | 1 |
| | 35104-KHC4-90A | 35104-KHC4-90A | PLATE COVER FUEL CAP CABLE | 蓋燃料外蓋薄板導線 | 1 |
| | 35104-KHC4-90B | 35104-KHC4-90B | PLATE COVER FUEL CAP CABLE | 油箱蓋導線防水蓋 | 1 |
| | 35109-LBC6-90A | 35109-LBC6-90A | PROTECTING COVER CABLE | 防水蓋 | 1 |
| | 35109-LBC6-90B | 35109-LBC6-90B | PROTECTING COVER CABLE | 防水蓋 | 1 |
| | 35119-KHC4-90A | 35119-KHC4-90A | COVER SEAT CABLE | 座墊外蓋導線 | 1 |
| | 35119-KHC4-90B | 35119-KHC4-90B | COVER SEAT CABLE | 座墊外蓋導線 | 1 |
| | 35380 | 35380-LEA2-900 | SENSOR ANGLE DETECT | 傾倒角度感知器 | 1 |

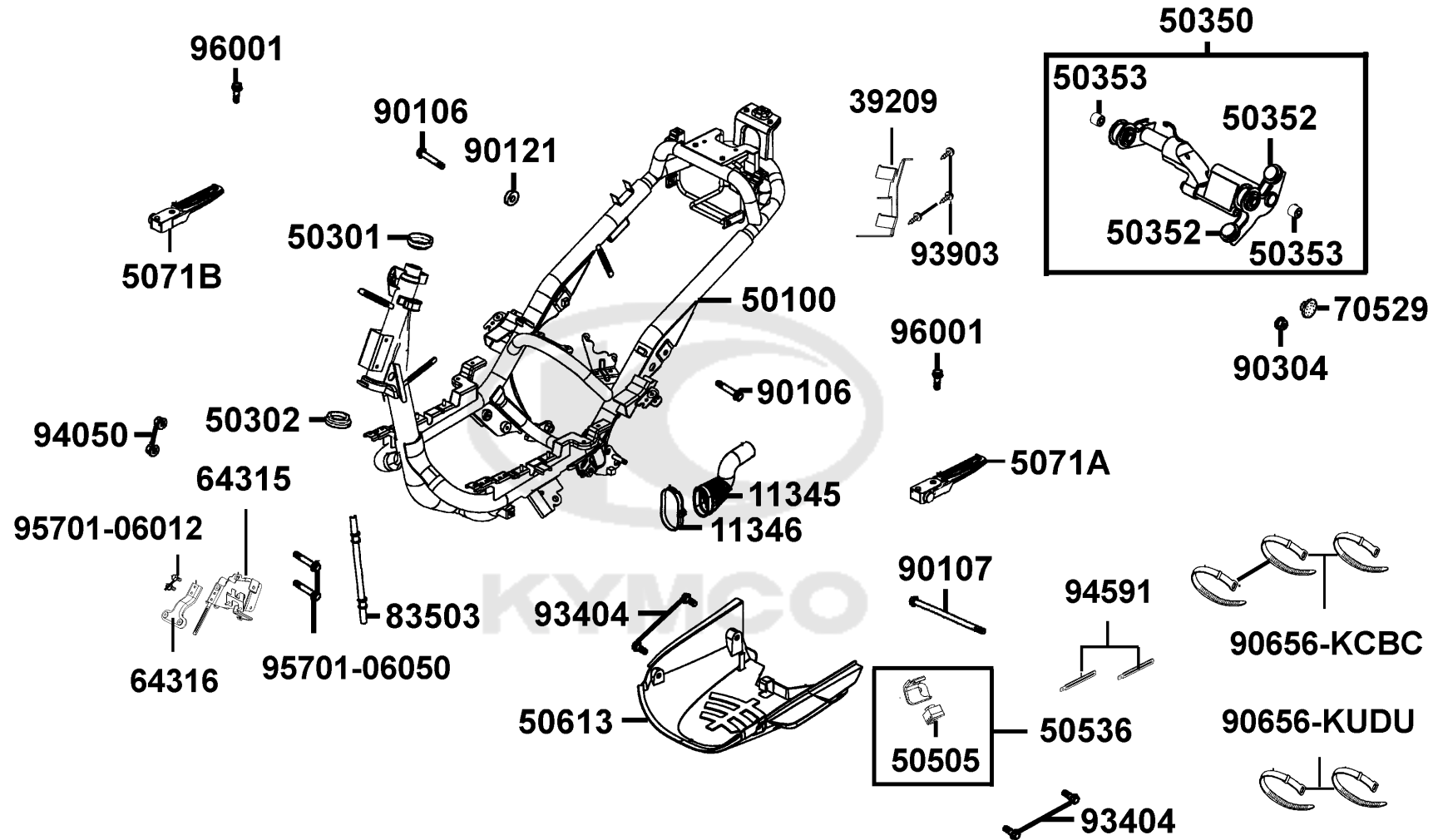
F19



| Sales mark 配色標註 | Ref no 參考號碼 | Part no 零件號碼 | Description 英文名稱 | Reg description 中文名稱 | Regd no 需求用量 | F19 |
|--------------------|----------------|-----------------|---------------------|-------------------------|-----------------|-----|
| | 35850-LDA6-90A | 35850-LDA6-90A | SET START MAG | 起動開關組 | 1 | |
| | 35850-LDA6-90B | 35850-LDA6-90B | SET START MAG | 起動開關組 | 1 | |
| | 38110 | 38110-LEB1-900 | HORN COMP | 喇叭 | 1 | |
| | 38300 | 38300-LEA7-E00 | RELAY COMP WINKER | 方向燈繼電器組 | 1 | |
| | 38500-ALB8-90A | 38500-ALB8-90A | RELAY ASS'Y LIGHT | 繼電器組 | 1 | |
| | 38500-ALB8-90B | 38500-ALB8-90B | RELAY ASS'Y LIGHT | 繼電器組 | 1 | |
| | 3920A | 3920A-AAC9-900 | ASSY. ECU | 噴射系統電子控制器組 | 0 | |
| | 39220 | 39220-LDF2-900 | CUSHION CASE ECU | 引擎控制系統緩衝橡皮 | 1 | |
| | 77240 | 77240-LAB4-900 | CABLE SEAT LOCK | 座墊導線 | 1 | |
| | 93401-04025 | 93401-04025-08 | BOLT WASHER 4*25 | 螺絲 4X25 | 2 | |
| | 94050-05080 | 94050-05080 | NUT FLANGE 5MM | 特殊螺帽 5MM | 5 | |
| | 94050-06080 | 94050-06080 | NUT FLANGE 6MM | 特殊螺帽 6MM | 5 | |
| | 95701-06012 | 95701-06012-08 | BOLT FLANGE 6*12 | 螺絲 6X12 | 1 | |
| | 95701-08012 | 95701-08012-08 | BOLT FLANGE 8*12 | 螺絲 8X12 | 1 | |
| | 95701-08025 | 95701-08025-08 | BOLT FLANGE 8*25 | 螺絲 8X25 | 2 | |
| | 96001 | 96001-06012-08 | BOLT FLANGE 6*12 | 螺絲 6X12 | 2 | |
| | 98200-11500 | 98200-11500 | FUSE A15 | 保險絲 A15 | 1 | |
| | 98200-31500 | 98200-31500 | BLADE FUSE 15A | 保險絲/插片形 15A | 2 | |

F20

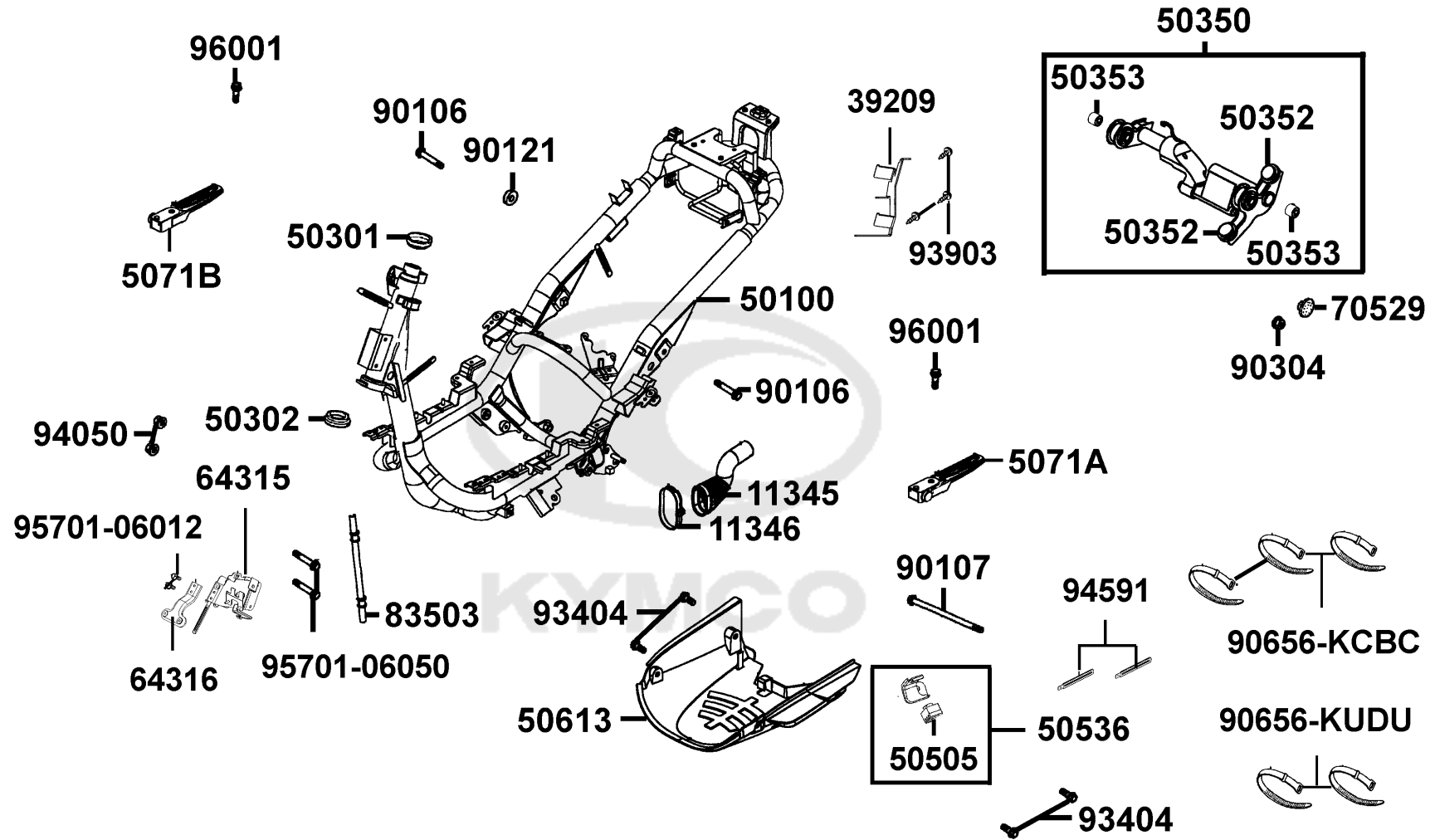
Frame Body 車體



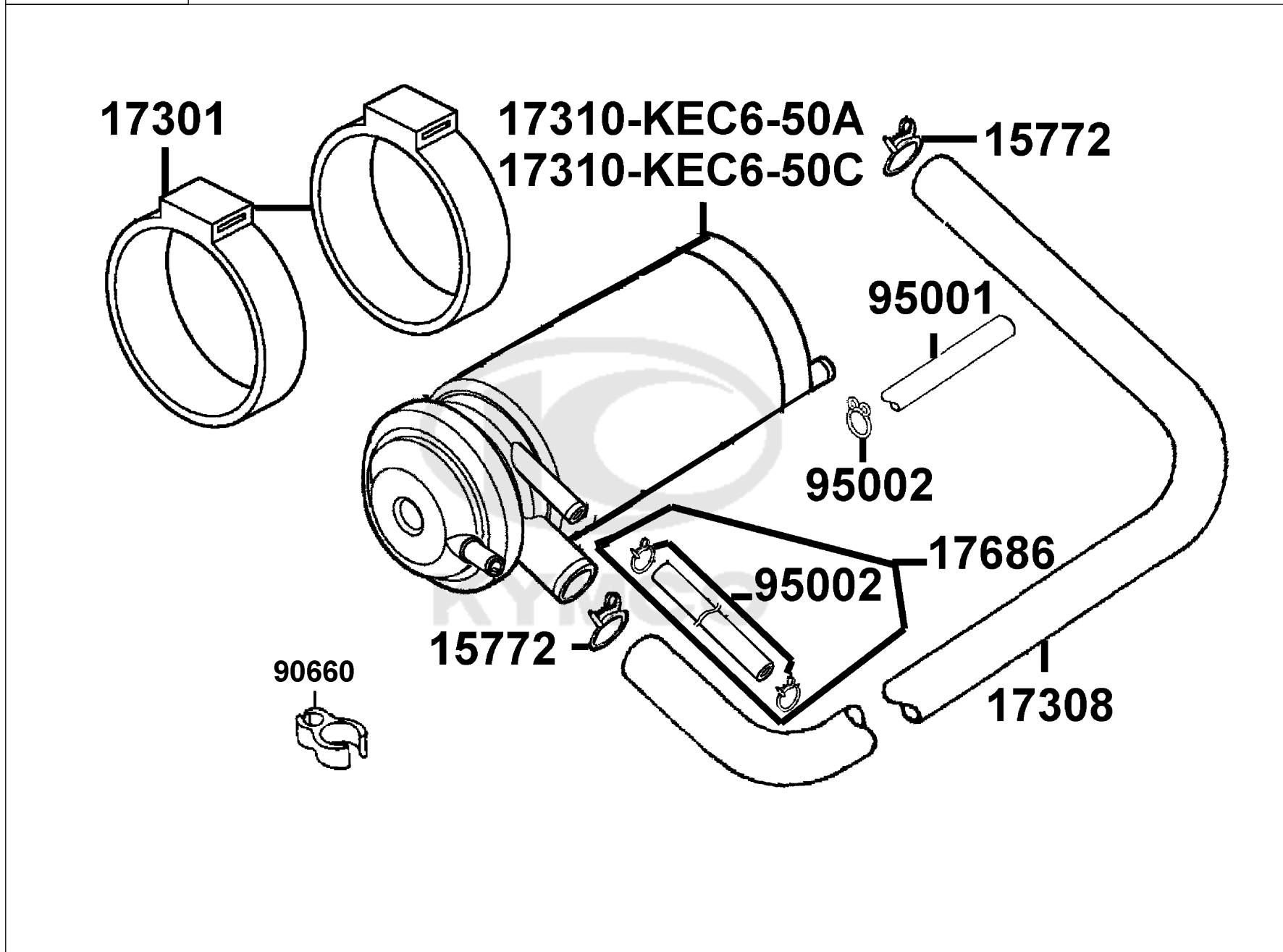
| Sales mark 配色標註 | Ref no 參考號碼 | Part no 零件號碼 | Description 英文名稱 | Reg description 中文名稱 | Regd no 需求用量 | F20 |
|--------------------|----------------|-----------------|--------------------------------|-------------------------|-----------------|-----|
| | 11345 | 11345-LAD9-900 | DUCT L COVER | 冷卻導管 | 1 | |
| | 11346 | 11346-GFY6-901 | BAND L COVER DUCT | 導管束帶 | 1 | |
| | 39209 | 39209-ALB8-900 | STAY ECU | ECU支架 | 1 | |
| | 50100 | 50100-AAC9-900 | BODY COMP.,FRAME | 車架 | 1 | |
| | 50301 | 50301-AAC9-W00 | RACE, UP STRG. BALL | 上珠碗 | 1 | |
| | 50302 | 50302-AAC9-W00 | RACE (STRG BOT) BALL | 下珠碗 | 1 | |
| | 50350 | 50350-ALB8-900 | HANGER ASSY ENG | 引擎吊架 | 1 | |
| | 50352 | 50352-GFY6-901 | RUBBER STOPPER | 止滑橡皮 | 2 | |
| | 50353 | 50353-LEB1-900 | BUSH SWING LOCK | 襯套 | 2 | |
| | 50505 | 50505-KUDU-900 | STOPPER RUBBER STAND | 主腳架橡皮 | 1 | |
| | 50536 | 50536-LBE3-900 | STOPPER RUBBER ASSY SIDE STAND | 側腳架停止橡皮 | 1 | |
| ** | 50613 | 50613-AAC9-900 | COVER UNDER | 電瓶底蓋 | 1 | |
| | 5071A | 5071A-AAC9-900 | BAR R ASSY RR STEP | 右踏橫條組 | 1 | |
| | 5071B | 5071B-AAC9-900 | BAR L ASSY RR STEP | 左踏橫條組 | 1 | |
| | 64315 | 64315-AAC9-900 | STAY , FR COVER | 前蓋支架 | 1 | |
| | 64316 | 64316-ALB8-900 | STAY LOW FR COVER | 前蓋下支架 | 1 | |
| | 70529 | 70529-KUDU-900 | GROM B SIDE PNL | 橡皮塞 | 1 | |
| | 83503 | 83503-KHC4-900 | COVER PROTECT SEAT WIRE FR | 座墊線外蓋 | 1 | |
| | 90106 | 90106-GFY6-901 | BOLT FLANGE 10*55 | 螺絲 10X55 | 2 | |
| | 90107 | 90107-KUDU-900 | BOLT FLANGE 10*188 | 螺絲 10X188 | 1 | |

F20

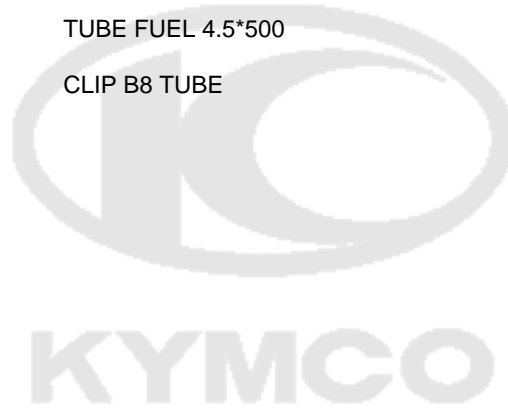
Frame Body 車體

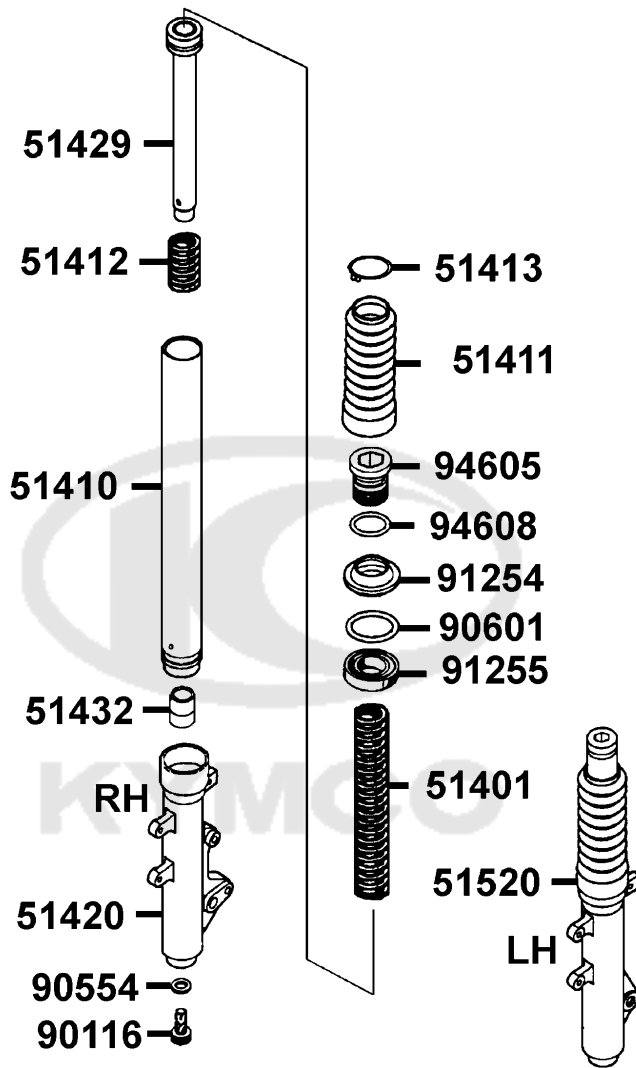


| Sales mark 配色標註 | Ref no 參考號碼 | Part no 零件號碼 | Description 英文名稱 | Reg description 中文名稱 | Regd no 需求用量 | F20 |
|--------------------|----------------|-----------------|----------------------|-------------------------|-----------------|-----|
| | 90121 | 90121-GFY6-901 | COLLAR DISTANCE | 套筒 | 1 | |
| | 90304 | 90304-GHE8-004 | NUT U 10MM | 螺帽 10MM | 1 | |
| | 90656-KCBC | 90656-KCBC-900 | BAND OIL HOSE 8*146 | 油管束帶 | 3 | |
| ** | 90656-KUDU | 90656-KUDU-900 | BAND HARNESS WIRE | 配線束帶 | 2 | |
| | 93404 | 93404-06016-06 | BOLT WASHER 6*16 | 螺絲 6X16 | 4 | |
| | 93903 | 93903-35260 | SCREW TAPPING 5*12 | 螺絲 5X12 | 3 | |
| | 94050 | 94050-06080 | NUT FLANGE 6MM | 特殊螺帽 6MM | 2 | |
| | 94591 | 94591-KFBF-900 | CLIP 2*70 | 線夾 2X70 | 2 | |
| | 95701-06012 | 95701-06012-06 | BOLT FLANGE 6*12 | 螺絲 6X12 | 2 | |
| | 95701-06050 | 95701-06050-08 | BOLT FLANGE 6*50 (C) | 螺絲 6X50 | 2 | |
| | 96001 | 96001-06032-06 | BOLT FLANGE 6*32 | 螺絲 6X32 | 2 | |



| Sales mark 配色標註 | Ref no 參考號碼 | Part no 零件號碼 | Description 英文名稱 | Reg description 中文名稱 | Regd no 需求用量 | F21 |
|--------------------|----------------|-----------------|---------------------------|-------------------------|-----------------|-----|
| | 15772 | 15772-5L00-013 | CLIP B14.5 TUBE | 通氣管夾 | 2 | |
| | 17301 | 17301-KNBN-960 | RUBBER CANISTER MOUNT | 活性碳罐懸掛橡皮 | 2 | |
| | 17308 | 17308-LHB8-900 | TUBE ASSY.,CANISTER-AIR/C | 通氣管 | 1 | |
| | 17310-KEC6-50A | 17310-KEC6-50A | CANISTER COMP | 活性碳罐 | 1 | |
| | 17310-KEC6-50C | 17310-KEC6-50C | CANISTER COMP | 活性碳罐 | 1 | |
| | 17686 | 17686-LDA6-900 | TUBE FUEL FILLER-CANISTER | 通氣管 | 1 | |
| | 90660 | 90660-KNBN-921 | CLAMP TUBE | 管夾 | 1 | |
| | 95001 | 95001-45500-40 | TUBE FUEL 4.5*500 | 通氣管 4.5*50 | 1 | |
| | 95002 | 95002-02080 | CLIP B8 TUBE | 管夾 | 3 | |





| Sales mark 配色標註 | Ref no 參考號碼 | Part no 零件號碼 | Description 英文名稱 | Reg description 中文名稱 | Regd no 需求用量 | F22 |
|--------------------|----------------|-----------------|-----------------------|-------------------------|-----------------|-----|
| | 51401 | 51401-KHD6-800 | SPRING | 彈簧 | 2 | |
| | 51410 | 51410-KEC6-800 | FORK PIPE COMP | 前避震器管 | 2 | |
| | 51411 | 51411-KEBE-E00 | BOOT | 護套 | 2 | |
| | 51412 | 51412-KECE-900 | REBOUND SPRING | 回位彈簧 | 2 | |
| | 51413 | 51413-KEBE-E00 | BOOT BAND | 護套夾 | 2 | |
| ** | 51420 | 51420-KECE-W01 | BOTTOM CASE R | 右前避震器底管 | 1 | |
| | 51429 | 51429-KHD6-900 | PIPE SEAT COMP | 避震管座 | 2 | |
| | 51432 | 51432-KGM7-911 | OIL LOCK PIECE | 止油接頭 | 2 | |
| ** | 51520 | 51520-KECE-W01 | BOTTOM CASE L | 左前避震器底管 | 1 | |
| | 90116 | 90116-3C83-72A | BOLT | 內六角螺絲 | 2 | |
| | 90554 | 90554-2C83-001 | PACKING | 特殊華司 | 2 | |
| | 90601 | 90601-3D54-001 | RING OIL-SEAL STOPPER | 油封止位環 | 2 | |
| | 91254 | 91254-KEC5-004 | DUST SEAL | 前避震器防塵封 | 2 | |
| | 91255 | 91255-4F46-014 | OIL SEAL | 油封 | 2 | |
| | 94605 | 94605-KUDU-900 | FORK BOLT | 螺絲 | 2 | |
| | 94608 | 94608-30000 | O-RING | O環 | 2 | |

| | |
|--|---|
| <ul style="list-style-type: none"> □ 請察安全標行駛。 □ 行駛時，請勿超過法定速度。 □ 因排氣管溫度很高，停車時請停置於他人不易接觸之處所。 □ 為了駕駛安全及性能維護，請勿任意違法改裝。 | <ul style="list-style-type: none"> □ 請確實做好定期保養工作及行車輛之安全檢查。 |
|--|---|

行車重要檢查項目

引擎油量 輪胎 機油量
燈光 喇叭 儀表板

◎ 敬請參閱駕駛手冊，確保行車安全。 GY6-900

87560

注 意

後側蓋與引擎之間，請勿放入任何物品，以免妨礙行駛。

87542

GM9-300

機 油 量

請使用光陽專用"特使機油"

全容量 0.9公升

機油交換時 0.8公升

給油後必須確認油量

發動惰轉三分鐘再確認油量

87541-KUDU

KDU-900

注 意

在引擎發動前，請先將側支架扳起，以策安全。

87541-GGS7

注 意

| | |
|-----------------------------------|---------------------------|
| 輸出最大扭力: 前輪 2.5kg/cm ² | 後輪 2.5kg/cm ² |
| (一人騎乘時): 前輪 1.5kg/cm ² | 後輪 1.75kg/cm ² |
| (二人騎乘時): 前輪 1.5kg/cm ² | 後輪 2.0kg/cm ² |
| 輪胎尺寸: 前輪 100/90-10 56J | 後輪 100/90-10 56J |

| | |
|-----------|-------|
| 載物重量: 行車箱 | 1.5kg |
| 前置物掛鉤 | 3kg |
| 座墊下置物箱 | 10kg |
| 後置物架 | 5kg |

87505

KDU-900



87567

87122

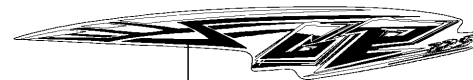
87170

| Sales mark 配色標註 | Ref no 參考號碼 | Part no 零件號碼 | Description 英文名稱 | Reg description 中文名稱 | Regd no 需求用量 | F23 |
|--------------------|----------------|-----------------|---------------------------|-------------------------|-----------------|-----|
| ** | 87122 | 87122-AAC9-900 | MARK E/M 5th STAGE | 排放管制貼紙 | 1 | |
| ** | 87170 | 87170-GLE0-001 | MARK FR FORK | 前叉標誌 | 2 | |
| ** | 87505 | 87505-KUDU-900 | LABEL TIRE | 標籤 | 1 | |
| ** | 87541-GGS7 | 87541-GGS7-901 | CAUTION SIDE STAND | 側腳架標籤 | 1 | |
| ** | 87541-KUDU | 87541-KUDU-900 | LABEL OIL CAP | 標籤 | 1 | |
| ** | 87542 | 87542-GKM9-301 | MARK MAIN CAUTION | 警告標籤 | 1 | |
| ** | 87560 | 87560-GFY6-900 | MARK DRIVE CAUTION | 驅動標示警告標示 | 1 | |
| ** | 87567 | 87567-LGL3-900 | GREEN MARK (TAIWAN) '35mm | 貼紙(台灣環保標章) | 1 | |





86221



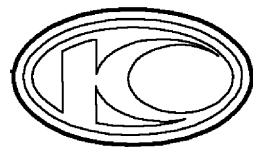
86231



86121



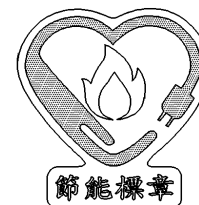
86131



86102



86202



86700

| Sales mark 配色標註 | Ref no 參考號碼 | Part no 零件號碼 | Description 英文名稱 | Reg description 中文名稱 | Regd no 需求用量 | F24 |
|--------------------|----------------|-----------------|---------------------|-------------------------|-----------------|-----|
| ** | 86102 | 86102-LDA6-900 | EMB K-LOGO 28.5MM | 貼紙 | 1 | |
| ** | 86121 | 86121-LHE9-920 | STRIPE R FR COVER | 右前蓋貼紙 | 1 | |
| ** | 86131 | 86131-LHE9-920 | STRIPE L FR COVER | 左前蓋組 | 1 | |
| ** | 86202 | 86202-AAC9-800 | EMB BODY COVER | 主貼紙 | 1 | |
| ** | 86221 | 86221-LHE9-910 | STRIPE R BODY COVER | 車體右邊蓋貼紙 | 1 | |
| ** | 86231 | 86231-LHE9-910 | STRIPE L BODY COVER | 車體左邊蓋貼紙 | 1 | |
| ** | | 86404-LAD9-S10 | STRIPE FR FORK | 前避震器貼紙 | 1 | |
| ** | 86700 | 86700-LFG7-900 | STRIPE ENERGY LOGO | 節能標章 | 1 | |



35111-LDC1-305-M1



35111-LDC1-306-M1



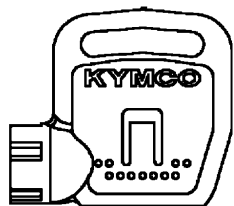
35111-LDC1-305-M2



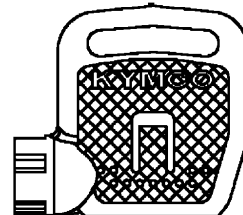
35111-LDC1-306-M2



35111-LDC1-307-M1



35111-LDC1-307-M2



| Sales mark 配色標註 | Ref no 參考號碼 | Part no 零件號碼 | Description 英文名稱 | Reg description 中文名稱 | Regd no 需求用量 | F25 |
|--------------------|-------------------|-------------------|--------------------------------|-------------------------|-----------------|-----|
| | 35111-LDC1-305-M1 | 35111-LDC1-305-M1 | KEY COMP (R TANGENT PLANE/SD) | 未加工開關鑰匙/右切/SD | 1 | |
| | 35111-LDC1-305-M2 | 35111-LDC1-305-M2 | KEY COMP (R TANGENT PLANE/TJ) | 未加工開關鑰匙/右切/TJ | 1 | |
| | 35111-LDC1-306-M1 | 35111-LDC1-306-M1 | KEY COMP (L TANGENT PLANE/SD) | 未加工開關鑰匙/左切/SD | 1 | |
| | 35111-LDC1-306-M2 | 35111-LDC1-306-M2 | KEY COMP (L TANGENT PLANE/TJ) | 未加工開關鑰匙/左切/TJ | 1 | |
| | 35111-LDC1-307-M1 | 35111-LDC1-307-M1 | KEY COMP SHOTTER MAGNETIC (SD) | 磁石鑰匙/SD | 1 | |
| | 35111-LDC1-307-M2 | 35111-LDC1-307-M2 | KEY COMP SHOTTER MAGNETIC (TJ) | 磁石鑰匙/TJ | 1 | |



PART NO. INDEX

零件號碼索引

| PART NO. 零件號碼 | VERSION 版數 | PAGE 頁次 | PART NO. 零件號碼 | VERSION 版數 | PAGE 頁次 | PART NO. 零件號碼 | VERSION 版數 | PAGE 頁次 |
|------------------|---------------|------------|------------------|---------------|------------|------------------|---------------|------------|
| 11000 | | | 11385-LGM9-900 | 0 | F05 | 14000 | | |
| | | | 11394-KUDU-900 | 0 | E04 | | | |
| | | | 11395-LGL3-900 | 3 | E01 | | | |
| 11100-LBB8-315 | 0 | E01 | 12000 | | | 14100-LFD7-900 | 2 | E02 |
| 11102-1G87-004 | 3 | E01 | | | | 14401-KUDU-900 | 0 | E03 |
| 11102-GFY6-C00 | 0 | E01 | | | | 14430-LFD7-900 | 4 | E02 |
| 11192-LDA6-900 | 1 | E01 | 12100-KFA9-C00 | 4 | E03 | 14433-LEB1-900 | 1 | E02 |
| 11200-KUDU-335 | 0 | E01 | 12191-GFY6-901 | 1 | E03 | 14434-LEB1-900 | 1 | E02 |
| 11200-LDA6-305 | 2 | E01 | 12200-AAC9-900 | 1 | E02 | 14450-GFY6-901 | 0 | E02 |
| 11203-GFY6-901 | 0 | F14 | 12209-GDB4-68A | 0 | E02 | 14452-GFY6-901 | 0 | E02 |
| 11203-GGC7-301 | 2 | E01 | 12209-GDB4-68B | 0 | E02 | 14510-KUDU-C00 | 0 | E03 |
| 11203-KUDU-900 | 2 | E08 | 12211-LFD7-900 | 2 | E02 | 14520-GFY6-90A | 1 | E03 |
| 11206-KKE3-900 | 4 | E06 | 12237-KUDU-900 | 3 | E02 | 14523-GFY6-901 | 0 | E03 |
| 11207-KKE3-900 | 6 | E04 | 12251-GFY6-90A | 1 | E02 | 14531-GLR0-001 | 1 | E03 |
| 11211-ALB8-900 | 3 | F13 | 12310-ALB8-900 | 1 | E02 | 14610-KUDU-C00 | 0 | E03 |
| 11212-ALB8-900 | 0 | E02 | 12361-GFY6-901 | 1 | E04 | 14711-KUDU-900 | 1 | E02 |
| 1122A-LAD9-900 | 1 | E01 | 12391-GFY6-941 | 0 | E02 | 14721-KUDU-900 | 0 | E02 |
| 11331-KUDU-C10 | 0 | E04 | 13000 | | | 14751-LFD7-900 | 2 | E02 |
| 11342-LGL3-910 | 1 | E01 | | | | 14761-KKJ9-003 | 1 | E02 |
| 11345-LAD9-900 | 1 | F20 | | | | 14771-GDB4-680 | 2 | E02 |
| 11346-GFY6-901 | 0 | F20 | 13000-KUDU-900 | 7 | E03 | 14775-MFA6-001 | 0 | E02 |
| 1134A-LGL3-910 | 2 | E01 | 13011-LAC7-90A | 3 | E03 | 14781-MFA6-001 | 0 | E02 |
| 11350-LKG2-900 | 2 | E01 | 13011-LAC7-90B | 2 | E03 | 15000 | | |
| 11383-KUDU-900 | 0 | E01 | 13101-LAD9-950 | 6 | E03 | | | |
| 11384-KUDU-900 | 0 | E01 | 13111-3D84-001 | 3 | E03 | | | |
| 11385-KGBG-900 | 0 | E07 | 13407-LKC6-900 | 3 | E02 | 15100-KFB7-900 | 0 | E06 |

PART NO. INDEX

零件號碼索引

| PART NO. 零件號碼 | VERSION 版數 | PAGE 頁次 | PART NO. 零件號碼 | VERSION 版數 | PAGE 頁次 | PART NO. 零件號碼 | VERSION 版數 | PAGE 頁次 |
|------------------|---------------|------------|------------------|---------------|------------|------------------|---------------|------------|
| 15133-GFY6-901 | 0 | E06 | 16201-GFY6-901 | 0 | E02 | 17502-AAC9-900 | 0 | F10 |
| 15141-GFY6-90B | 0 | E06 | 16211-AAC9-900 | .2 | E02 | 17504-LAB4-900 | 2 | F10 |
| 15421-1G07-001 | 1 | E04 | | | | 17507-LAB4-900 | 2 | F10 |
| 15426-GAE1-921 | 0 | E04 | 17000 | | | 17513-AAC9-900 | 0 | F10 |
| 1565A-KUDU-900 | 0 | E04 | | | | 17515-AAC9-900 | 0 | F10 |
| 15711-KUDU-900 | 0 | E06 | 17113-ALB8-900 | 2 | E02 | 17520-LLF5-900 | 1 | F10 |
| 15772-5L00-013 | 1 | F21 | 17113-KKE3-900 | 2 | E02 | 17527-LBA2-900 | 0 | F19 |
| | | | 1711A-AAC9-900 | 1 | E02 | 17550-AAC9-800 | 0 | F10 |
| 16000 | | | 17213-LDA6-900 | 1 | F13 | 17560-ALB8-900 | 1 | F10 |
| | | | 17214-LDA6-900 | 1 | F13 | 17561-LGK8-900 | 1 | F10 |
| 16056-LEB2-900 | 3 | E09 | 17235-GFY6-901 | 0 | F13 | 17620-LBA2-90A | 1 | F10 |
| 16066-LGK8-600 | 0 | E09 | 17236-KFBF-910 | 1 | F13 | 17620-LBA2-90B | 1 | F10 |
| 16068-LEA3-E00 | 3 | E09 | 1723A-LHB8-900 | 3 | F13 | 17623-LAB4-90A | 1 | F10 |
| 16074-KEC3-900 | 4 | E09 | 1723B-LDA6-900 | 1 | F13 | 17623-LAB4-90B | 1 | F10 |
| 16100-AAC9-900 | 0 | E09 | 1723C-LDA6-900 | 0 | F13 | 17681-KFA1-900 | 0 | F10 |
| 16110-KKE3-900 | 2 | E09 | 17301-KNBN-960 | 0 | F21 | 17685-KZCZ-900 | 0 | F10 |
| 16112-KKE3-900 | 1 | E09 | 17308-LHB8-900 | 0 | F21 | 17686-KHE2-900 | 0 | F10 |
| 16118-KEC3-900 | 0 | E09 | 17310-KEC6-50A | 4 | F21 | 17686-LDA6-900 | 1 | F21 |
| 16122-KEC3-900 | 0 | E09 | 17310-KEC6-50C | 2 | F21 | 17689-LAD9-900 | 1 | F10 |
| 16123-LFB5-900 | 0 | E09 | 17359-4K19-671 | 0 | F13 | 17910-ALB8-900 | 1 | F03 |
| 16133-KEC3-900 | 1 | E09 | 17359-LBE3-900 | 0 | F13 | | | |
| 16134-KKE3-900 | 5 | E09 | 17369-KHC4-900 | 0 | F10 | 18000 | | |
| 16138-KEC3-900 | 1 | E09 | 17370-4K19-701 | 0 | F13 | | | |
| 16154-KKE3-900 | 4 | E09 | 17371-1D74-671 | 0 | F13 | 18291-KEBE-900 | 0 | F14 |
| 16170-KEC3-900 | 0 | E09 | 1737A-LDA6-900 | 0 | F13 | 18291-LBD4-900 | 2 | F14 |
| 16195-KEC3-900 | 0 | E09 | 17500-LFG7-900 | 6 | F10 | 18292-KEBE-900 | 0 | F14 |

PART NO. INDEX

零件號碼索引

| PART NO. 零件號碼 | VERSION 版數 | PAGE 頁次 | PART NO. 零件號碼 | VERSION 版數 | PAGE 頁次 | PART NO. 零件號碼 | VERSION 版數 | PAGE 頁次 |
|------------------|---------------|------------|------------------|---------------|------------|------------------|---------------|------------|
| 18293-KEBE-900 | 0 | F14 | | | | 23225-GHC8-004 | 0 | E05 |
| 18294-KEBE-900 | 0 | F14 | 22000 | | | 23226-GHC8-004 | 0 | E05 |
| 1830A-AAC9-900 | 0 | F14 | | | | 23233-AAC9-900 | 1 | E05 |
| 18317-LHB8-900 | 1 | F14 | 22101-LCD3-E00 | 1 | E05 | 23237-GFY6-941 | 0 | E05 |
| | | | 22102-KUDU-220 | 1 | E05 | 23238-GFY6-941 | 0 | E05 |
| 19000 | | | 22105-GFY6-220 | 1 | E05 | 23411-ALB8-900 | 1 | E08 |
| | | | 22110-KKE3-900 | 1 | E05 | 23420-ALB8-900 | 1 | E08 |
| 19411-KBCB-900 | 0 | F10 | 22111-KKE3-900 | 1 | E05 | 23431-KUDU-W00 | 0 | E08 |
| 19510-LDA7-900 | 3 | E07 | 22112-GFY6-90A | 0 | E05 | 23432-ALB8-900 | 1 | E08 |
| 1961A-KUDU-C00 | 2 | E07 | 22121-GFY6-92A | 2 | E05 | | | |
| 19625-KUDU-910 | 0 | E02 | 22131-LDA6-900 | 1 | E05 | 28000 | | |
| 19626-KUDU-900 | 0 | E07 | 22132-KBN2-901 | 4 | E05 | | | |
| 19627-LEJ8-E00 | 1 | E07 | 22300-LKB3-900 | 0 | E05 | 28101-GFY6-901 | 2 | E06 |
| 19628-LEJ8-E00 | 1 | E07 | 22350-LHJ3-900 | 1 | E05 | 28102-GFY6-901 | 0 | E06 |
| 19629-LEJ8-E00 | 1 | E07 | 22361-LHJ3-900 | 1 | E05 | 28110-GFY6-901 | 2 | E06 |
| 1962A-KKE3-900 | 2 | E07 | 22401-LKB3-900 | 0 | E05 | 28120-GFY6-315 | 6 | E06 |
| 19632-LFB6-900 | 1 | E07 | 22530-LHJ3-900 | 2 | E05 | 28125-4F26-001 | 0 | E06 |
| 19633-GFY6-901 | 0 | E07 | 22804-GBB2-001 | 0 | E05 | 28125-GFY6-960 | 3 | E06 |
| 19636-KUDU-C00 | 0 | E07 | | | | 28126-KUDU-900 | 1 | E06 |
| 1963A-AAC9-900 | 0 | E07 | 23000 | | | 28211-LGK2-900 | 2 | E05 |
| | | | | | | | | |
| 21000 | | | 2301A-AAC9-900 | 0 | E05 | 30000 | | |
| | | | 23100-KFBF-90A | 2 | E05 | | | |
| 21200-LDA6-325 | 0 | E08 | 23100-KFBF-90B | 1 | E05 | 3051A-ALB8-900 | 3 | F19 |
| 21201-KUDU-900 | 0 | E08 | 23200-GFY6-901 | 3 | E05 | 30700-KKE3-900 | 1 | F19 |
| 21395-KUDU-900 | 1 | E08 | 23220-GFY6-921 | 1 | E05 | | | |

PART NO. INDEX

零件號碼索引

| PART NO. 零件號碼 | VERSION 版數 | PAGE 頁次 | PART NO. 零件號碼 | VERSION 版數 | PAGE 頁次 | PART NO. 零件號碼 | VERSION 版數 | PAGE 頁次 |
|-------------------|---------------|------------|------------------|---------------|------------|-------------------|---------------|------------|
| 31000 | | | 33000 | | | 34903-KALA-900 | 0 | F01 |
| 31110-KKE3-90A | 4 | E07 | 33101-LHE9-306 | 0 | F01 | 34903-KALA-900 | 0 | F18 |
| 31110-KKE3-90B | 3 | E07 | 33106-LHE9-910 | 0 | F01 | 34905-LCA5-E00 | 0 | F18 |
| 31120-LHE9-90A | 1 | E07 | 33109-LBE3-900 | 0 | F01 | 34905-LHG7-E00 | 0 | F17 |
| 31120-LHE9-90B | 1 | E07 | 33400-AAC9-800 | 0 | F17 | 34906-LGE5-E00 | 0 | F18 |
| 31210-GFY6-200 | 7 | E06 | 33401-AAC9-305 | 0 | F17 | 35000 | | |
| 31500-GFY6-94A-YU | 4 | F11 | 33406-AAC9-900 | 0 | F17 | 35101-LDC1-305-M1 | 0 | F19 |
| 31500-GFY6-94B-KY | 4 | F11 | 33450-AAC9-800 | 0 | F17 | 35101-LDC1-305-M2 | 0 | F19 |
| 31600-LEA5-E00 | 3 | F19 | 33450-AAC9-900 | 0 | F17 | 35102-LDC1-305-M1 | 0 | F19 |
| 32000 | | | 33451-AAC9-305 | 0 | F17 | 35102-LDC1-305-M2 | 0 | F19 |
| 32100-AAC9-900 | 2 | F19 | 33456-AAC9-900 | 0 | F17 | 35104-KHC4-90A | 0 | F19 |
| 32101-KALA-901 | 0 | F04 | 33700-AAC9-900 | 0 | F18 | 35104-KHC4-90B | 0 | F19 |
| 32108-GAR1-711 | 1 | F19 | 33702-AAC9-900 | 0 | F18 | 35109-LBC6-90A | 1 | F19 |
| 32108-KXCX-E00 | 0 | F19 | 33703-LDA7-305 | 1 | F18 | 35109-LBC6-90B | 1 | F19 |
| 32120-KFAF-900 | 0 | F19 | 33706-AAC9-900 | 0 | F18 | 35111-LDC1-305-M1 | 0 | F25 |
| 32410-AAC9-900 | 0 | E06 | 33708-LDA6-900 | 0 | F18 | 35111-LDC1-305-M2 | 0 | F25 |
| 32411-LDA6-900 | 4 | F19 | 33709-LDA6-900 | 0 | F18 | 35111-LDC1-306-M1 | 0 | F25 |
| 32412-LHB8-900 | 1 | E04 | 33731-KHC5-M00 | 2 | F05 | 35111-LDC1-306-M2 | 0 | F25 |
| 32961-KUDU-900 | 0 | E04 | 33741-LEA3-E00 | 2 | F18 | 35111-LDC1-307-M1 | 0 | F25 |
| | | | 34000 | | | 35111-LDC1-307-M2 | 0 | F25 |
| | | | 34300-ALK8-900 | 0 | E09 | 35119-KHC4-90A | 0 | F19 |
| | | | 34901-KED9-900 | 0 | F01 | 35119-KHC4-90B | 0 | F19 |
| | | | | | | 35150-GFY6-900 | 4 | F03 |
| | | | | | | 35160-GFY6-900 | 2 | F03 |

PART NO. INDEX

零件號碼索引

| PART NO. 零件號碼 | VERSION 版數 | PAGE 頁次 | PART NO. 零件號碼 | VERSION 版數 | PAGE 頁次 | PART NO. 零件號碼 | VERSION 版數 | PAGE 頁次 |
|------------------|---------------|------------|--------------------|---------------|------------|--------------------|---------------|------------|
| 35170-KNBN-910 | 1 | F03 | | | | | | |
| 35180-GFY6-900 | 2 | F03 | 39000 | | | 43000 | | |
| 35200-GFY6-910 | 1 | F03 | | | | | | |
| 35340-KFLF-900 | 2 | F03 | 39209-ALB8-900 | 0 | F20 | 4312A-LEB1-900 | 3 | F08 |
| 35340-KNBN-901 | 0 | F04 | 3920A-AAC9-900 | 0 | F19 | 43141-4L00-011 | 1 | F07 |
| 35380-LEA2-900 | 1 | F19 | 39220-LDF2-900 | 1 | F19 | 4314A-LDF7-E10 | 1 | F08 |
| 35850-LDA6-90A | 2 | F19 | 39300-AAC9-900 | 1 | E02 | 43151-LEB1-900 | 2 | F08 |
| 35850-LDA6-90B | 2 | F19 | 39301-AAC9-900 | 1 | E02 | 43410-LAD9-900 | 1 | F08 |
| | | | 39302-KKE3-900 | 2 | E02 | 43416-KUDU-900 | 0 | F08 |
| 37000 | | | 39303-LEB2-900 | 2 | E02 | 43450-LDA7-900 | 1 | F03 |
| | | | 39304-LFG7-900 | 1 | E02 | | | |
| 37200-AAC9-900 | 0 | F02 | 39400-KKE3-800 | 2 | E02 | 44000 | | |
| 37213-LDA6-900 | 0 | F02 | 39400-LHJ3-900 | 1 | E02 | | | |
| 37215-LGM9-900 | 0 | F05 | 39450-ALK8-900 | 1 | F14 | 44301-KECE-900 | 3 | F07 |
| 37230-LFG7-900 | 2 | F02 | 39500-AAC9-900 | 0 | E09 | 44311-GKM9-001 | 4 | F07 |
| 37801-LAB4-910 | 1 | F10 | 39700-LGK8-600 | 2 | E09 | 44610-AAC9-800 | 0 | F07 |
| 3780A-AAC9-900 | 0 | F10 | | | | 44620-GHC8-001 | 1 | F07 |
| | | | 42000 | | | 44705-LGL3-600 | 1 | F07 |
| 38000 | | | | | | 44710-AAC9-800-304 | 0 | F07 |
| | | | 42610-KUDU-900 | 2 | F08 | 44803-GFY6-90A | 0 | F07 |
| 38110-LEB1-900 | 1 | F19 | 42705-LGL3-600 | 1 | F08 | 44805-KECE-800 | 4 | F07 |
| 38300-LEA7-E00 | 2 | F19 | 42710-AAC9-800-304 | 0 | F08 | 44806-KECE-800 | 2 | F07 |
| 38500-ALB8-90A | 0 | F19 | 42753-0D04-900 | 1 | F07 | 44807-0A01-004 | 1 | F07 |
| 38500-ALB8-90B | 0 | F19 | 42753-KXCX-900 | 1 | F08 | 44809-1L70-004 | 1 | F07 |
| 38773-KBCB-900 | 0 | F10 | | | | 44830-KECE-800 | 5 | F02 |
| | | | | | | 44831-KECE-900 | 1 | F02 |

PART NO. INDEX

零件號碼索引

| PART NO. 零件號碼 | VERSION 版數 | PAGE 頁次 | PART NO. 零件號碼 | VERSION 版數 | PAGE 頁次 | PART NO. 零件號碼 | VERSION 版數 | PAGE 頁次 |
|------------------|---------------|------------|------------------|---------------|------------|------------------|---------------|------------|
| 45000 | | | 50179-LFG7-900 | 2 | F10 | 51411-KEBE-E00 | 0 | F22 |
| | | | 50301-AAC9-W00 | 0 | F20 | 51412-KECE-900 | 0 | F22 |
| | | | 50302-AAC9-W00 | 0 | F20 | 51413-KEBE-E00 | 0 | F22 |
| 45000-LCB3-910 | 2 | F07 | 50306-1F96-001 | 0 | F06 | 51420-KECE-W01 | 0 | F22 |
| 45126-LDA6-900 | 2 | F04 | 50327-LHB8-900 | 4 | F11 | 51429-KHD6-900 | 0 | F22 |
| 4512A-LCB4-910 | 1 | F07 | 50328-LBB8-900 | 2 | F11 | 51432-KGM7-911 | 0 | F22 |
| 45133-0H28-001 | 1 | F07 | 5032A-LDA6-900 | 1 | F12 | 5150A-KHD6-W01 | 2 | F06 |
| 45134-2L50-001 | 0 | F07 | 50350-ALB8-900 | 4 | F20 | 51520-KECE-W01 | 0 | F22 |
| 45145-0F96-651 | 2 | F07 | 50352-GFY6-901 | 0 | F20 | | | |
| 45156-LGL3-800 | 2 | F06 | 50353-LEB1-900 | 1 | F20 | 52000 | | |
| 45410-GBB2-001 | 1 | F07 | 50502-GFY6-901 | 3 | F15 | | | |
| 45435-GBB2-721 | 1 | F07 | 50504-KUDU-900-G | 0 | E01 | 52400-LAD9-900 | 3 | F16 |
| 45450-LLF5-900 | 2 | F03 | 50505-KUDU-900 | 1 | F20 | | | |
| 45513-KCCC-900 | 0 | F04 | 50505-LAD9-900 | 3 | F15 | 53000 | | |
| 45517-GFY6-900 | 5 | F03 | 5050A-AAC9-900 | 0 | F15 | | | |
| 45517-KFAF-910 | 0 | F04 | 50530-LLF5-900 | 1 | F15 | 53100-LDA6-900 | 2 | F03 |
| 45520-KCCC-900 | 0 | F04 | 50536-LBE3-900 | 0 | F20 | 53125-GEN5-901 | 0 | F03 |
| 45530-LFG7-305 | 0 | F04 | 50613-AAC9-900 | 0 | F20 | 53140-KFA1-900 | 2 | F03 |
| | | | 5071A-AAC9-900 | 0 | F20 | 53166-KFA1-900 | 2 | F03 |
| 46000 | | | 5071B-AAC9-900 | 0 | F20 | 53167-KFA1-900 | 0 | F03 |
| | | | | | | 53168-KFA1-900 | 1 | F03 |
| 46513-KUDU-900 | 2 | F08 | 51000 | | | 53170-LGJ9-900 | 2 | F03 |
| | | | | | | 53172-LBE3-900 | 1 | F03 |
| 50000 | | | 51400-KHD6-W01 | 1 | F06 | 53175-KCLC-901 | 0 | F03 |
| | | | 51401-KHD6-800 | 0 | F22 | 53175-KNBN-901 | 1 | F04 |
| 50100-AAC9-900 | 0 | F20 | 51410-KEC6-800 | 0 | F22 | 53178-GKAK-901 | 0 | F03 |

PART NO. INDEX

零件號碼索引

| PART NO. 零件號碼 | VERSION 版數 | PAGE 頁次 | PART NO. 零件號碼 | VERSION 版數 | PAGE 頁次 | PART NO. 零件號碼 | VERSION 版數 | PAGE 頁次 |
|------------------|---------------|------------|------------------|---------------|------------|------------------|---------------|------------|
| 5317A-LGJ9-900 | 2 | F03 | 64316-ALB8-900 | 1 | F20 | 80151-AAC9-900 | 1 | F12 |
| 5317B-LFG7-900 | 0 | F03 | 64317-KHD6-900 | 0 | F05 | | | |
| 53200-LDA6-800 | 2 | F06 | 64400-AAC9-900 | 1 | F05 | 81000 | | |
| 53205-LDA6-800 | 2 | F03 | | | | | | |
| 53206-LDA6-900 | 4 | F03 | 70000 | | | 81131-AAC9-900 | 1 | F05 |
| 53211-AAC9-W00 | 0 | F06 | | | | 81132-AAC9-900 | 0 | F05 |
| 53212-AAC9-W00 | 0 | F06 | 70529-6G57-671 | 0 | E07 | 81132-LFG6-900 | 2 | F05 |
| 53214-2L50-001 | 0 | F06 | 70529-KUDU-900 | 0 | F20 | 81133-AAC9-900 | 1 | F05 |
| 53215-2L50-001 | 0 | F06 | | | | 81133-KGBG-900 | 0 | F12 |
| | | | 77000 | | | 81134-KGBG-900 | 2 | F12 |
| 61000 | | | | | | 81135-KGBG-900 | 2 | F12 |
| | | | 77110-LDA6-900 | 1 | F09 | 81200-LDA6-900 | 2 | F12 |
| 61100-AAC9-900 | 0 | F05 | 77200-AAC9-900 | 0 | F09 | 81260-LHB8-910 | 0 | F12 |
| 61110-KKC8-900 | 2 | F05 | 77206-KEB7-900 | 0 | F09 | | | |
| | | | 77235-KGC4-E0A | 2 | F12 | 83000 | | |
| 64000 | | | 77235-KGC4-E0B | 2 | F12 | | | |
| | | | 77240-LAB4-900 | 2 | F19 | 83500-AAC9-305 | 1 | F12 |
| 64222-LDA6-900 | 2 | F12 | 77303-LHE9-900 | 0 | F09 | 83503-KHC4-900 | 2 | F20 |
| 64301-AAC9-900 | 1 | F05 | | | | 83510-AAC9-900 | 1 | F12 |
| 64302-AAC9-900 | 1 | F05 | 80000 | | | 83520-AAC9-900 | 1 | F12 |
| 64303-AAC9-900 | 1 | F05 | | | | 83600-AAC9-305 | 1 | F12 |
| 64305-AAC9-305 | 1 | F12 | 80100-LAD9-900 | 6 | F18 | 83610-AAC9-900 | 1 | F12 |
| 64306-AAC9-305 | 1 | F12 | 80102-LDA6-900 | 2 | F18 | 83620-AAC9-900 | 1 | F12 |
| 64310-LDA6-900 | 3 | F05 | 80105-LDA6-900 | 3 | F18 | | | |
| 64312-AAC9-900 | 1 | F05 | 80106-LDA6-900 | 3 | F18 | | | |
| 64315-AAC9-900 | 0 | F20 | 80107-KHLH-900 | 0 | F14 | | | |

PART NO. INDEX

零件號碼索引

| PART NO. 零件號碼 | VERSION 版數 | PAGE 頁次 | PART NO. 零件號碼 | VERSION 版數 | PAGE 頁次 | PART NO. 零件號碼 | VERSION 版數 | PAGE 頁次 |
|------------------|---------------|------------|------------------|---------------|------------|------------------|---------------|------------|
| 86000 | | | 88000 | | | 90106-GFY6-901 | 0 | F20 |
| 86102-LDA6-900 | 1 | F24 | 88110-LHE9-900 | 1 | F03 | 90107-KUDU-900 | 2 | F20 |
| 86121-LHE9-920 | 2 | F24 | 88112-LDA6-700 | 2 | F03 | 90108-KUDU-900 | 1 | F15 |
| 86131-LHE9-920 | 2 | F24 | 88120-LHE9-900 | 1 | F03 | 90110-KHG8-901 | 1 | F07 |
| 86202-AAC9-800 | 0 | F24 | 88122-LDA6-700 | 2 | F03 | 90110-KHG8-901 | 1 | F08 |
| 86221-LHE9-910 | 0 | F24 | | | | 90111-1G87-001 | 1 | F12 |
| 86231-LHE9-910 | 0 | F24 | 89000 | | | 90111-KFW6-001 | 0 | F18 |
| 86404-LAD9-S10 | 2 | F24 | | | | 90112-GCC3-001 | 1 | F05 |
| 86700-LFG7-900 | 2 | F24 | 89010-AAC9-900 | | F09 | 90114-1F66-007 | 2 | F04 |
| 87000 | | | 90000 | | | 90115-GLE0-001 | 0 | F03 |
| 87122-AAC9-800 | 0 | F09 | 90001-GBHB-661 | 2 | E03 | 90115-KXCX-900 | 1 | F13 |
| 87122-AAC9-900 | 0 | F23 | 90001-GBHB-711 | 2 | E01 | 90116-3C83-72A | 0 | F22 |
| 87170-GLE0-001 | 4 | F23 | 90005-KAW1-901 | 1 | E03 | 90121-GFY6-901 | 1 | F20 |
| 87505-KUDU-900 | 1 | F23 | 9000A-KTDT-900 | 1 | E01 | 90145-MKS9-61A | 1 | F04 |
| 87541-GGS7-901 | 2 | F23 | 90012-3C33-001 | 1 | E02 | 90164-KGBG-900 | 1 | F12 |
| 87541-KUDU-900 | 2 | F23 | 90021-GFY6-900 | 2 | F14 | 90164-MDR4-901 | 0 | F05 |
| 87542-GKM9-301 | 3 | F23 | 90031-KUDU-900 | 0 | E01 | 90201-GFY6-901 | 0 | E06 |
| 87560-GFY6-900 | 3 | F23 | 90032-KEBE-900 | 0 | E01 | 90202-1G87-001 | 0 | E05 |
| 87567-LGL3-900 | 2 | F23 | 90032-LAB4-900 | 1 | E01 | 90206-0A01-001 | 2 | E02 |
| | | | 90033-GFY6-900 | 0 | E02 | 90301-6D34-671 | 1 | F18 |
| | | | 90106-AAC9-900 | 3 | F12 | 90301-GFY6-901 | 2 | F14 |
| | | | 90106-GEN5-901 | 0 | F03 | 90302-GBR2-001 | 1 | F10 |
| | | | | | | 90302-GFY6-901 | 1 | F05 |
| | | | | | | 90302-GFY6-901 | 1 | F12 |
| | | | | | | 90302-GFY6-940 | 1 | F11 |
| | | | | | | 90302-KNBN-900 | 1 | F03 |

PART NO. INDEX

零件號碼索引

| PART NO. 零件號碼 | VERSION 版數 | PAGE 頁次 | PART NO. 零件號碼 | VERSION 版數 | PAGE 頁次 | PART NO. 零件號碼 | VERSION 版數 | PAGE 頁次 |
|-------------------|---------------|------------|------------------|---------------|------------|------------------|---------------|------------|
| 90302-LLB1-E00 | 2 | E02 | 90652-GFY6-901 | 1 | F13 | 91104-GFY6-90C-B | 0 | E06 |
| 90302-LLB1-E00 | 2 | F10 | 90652-LFB5-900 | 2 | F05 | 91104-GFY6-90C-R | 0 | E06 |
| 90302-SDA4-004 | 2 | F05 | 90656-KCBC-900 | 0 | F03 | 91106-3C83-00A | 1 | E01 |
| 90302-SDA4-004 | 2 | F12 | 90656-KCBC-900 | 0 | F20 | 91202-GFY6-90A | 1 | E01 |
| 90304-GHE8-004 | 0 | F03 | 90656-KUDU-900 | 0 | F20 | 91202-GFY6-90A | 1 | E04 |
| 90304-GHE8-004 | 0 | F20 | 90660-KNBN-921 | 0 | F21 | 91202-GFY6-90B | 1 | E01 |
| 90304-LEA1-900 | 1 | F15 | 90660-PWA2-900 | 1 | E02 | 91202-GFY6-90B | 1 | E04 |
| 90305-GHK8-001 | 1 | E07 | 90677-GAR1-004 | 1 | F11 | 91202-KKJ9-004 | 0 | E01 |
| 90305-KNBN-90B | 0 | F08 | 90677-KFC9-900 | 0 | F18 | 91211-KEBE-900 | 0 | E05 |
| 90306-KLF0-004-SY | 1 | F07 | 90701-HFB6-011 | 1 | E03 | 91251-GHC8-004 | 0 | F07 |
| 90309-GLW0-90A | 1 | F07 | 90701-HFB6-011 | 1 | E06 | 91254-KEC5-004 | 0 | F22 |
| 90309-KLF0-004-SY | 1 | E08 | 90754-GHC8-00A | 1 | F07 | 91255-4F46-014 | 0 | F22 |
| 90403-KUDU-900 | 0 | E06 | 90754-GHC8-00B | 1 | F07 | 91255-GLE0-006 | 0 | E08 |
| 90440-1F66-001 | 0 | E07 | 90805-GBHB-C00 | 0 | E01 | 91256-GAC1-004 | 0 | F07 |
| 90441-GFY6-941 | 0 | E05 | 90807-LGK8-900 | 1 | E09 | 91301-0C53-001 | 0 | E08 |
| 90451-KUDU-900 | 0 | E08 | 90912-AAC9-900 | 0 | F07 | 91301-GLR0-005 | 1 | E03 |
| 90465-MDC4-001 | 0 | E02 | | | | 91301-LDF2-M90 | 2 | E02 |
| 90474-3C33-001 | 1 | E01 | 91000 | | | 91302-0A01-021 | 0 | E04 |
| 90501-KNBN-901 | 0 | F08 | | | | 91302-LDF2-M90 | 2 | E02 |
| 9052A-GFY6-950 | 3 | E01 | 91001-GFY6-90A | 2 | E05 | 91305-0H28-159 | 0 | E02 |
| 90545-3L00-001 | 2 | F04 | 91002-GGA7-70A | 0 | E05 | 91306-1E05-691 | 0 | E03 |
| 90554-2C83-001 | 0 | F22 | 91003-KDS4-004 | 1 | E08 | 91307-0E35-001 | 0 | E04 |
| 90601-3D54-001 | 0 | F22 | 91009-GLE0-004 | 1 | E08 | 91309-4E25-004 | 0 | E06 |
| 90601-GFY6-901 | 0 | E05 | 91014-AAC9-W00 | 0 | F06 | 91351-6B42-000 | 0 | E05 |
| 90605-1F66-721 | 0 | E05 | 91015-AAC9-W00 | 0 | F06 | 91352-KHG8-83B | 0 | F08 |
| 90652-ALB8-900 | 2 | E02 | 91101-1K79-711 | 1 | E06 | 91981-KGN7-670 | 0 | E06 |

PART NO. INDEX

零件號碼索引

| PART NO. 零件號碼 | VERSION 版數 | PAGE 頁次 | PART NO. 零件號碼 | VERSION 版數 | PAGE 頁次 | PART NO. 零件號碼 | VERSION 版數 | PAGE 頁次 |
|-------------------|---------------|------------|------------------|---------------|------------|------------------|---------------|------------|
| | | | 93903-25260 | 0 | F05 | 94050-06080 | 0 | F07 |
| 92000 | | | 93903-25460 | 0 | F13 | 94050-06080 | 0 | F09 |
| | | | 93903-34220 | 0 | F18 | 94050-06080 | 0 | F10 |
| 92101-05012-0H | 0 | E07 | 93903-34260 | 0 | F18 | 94050-06080 | 0 | F19 |
| 92900-06060-0B | 0 | E02 | 93903-34360 | 0 | F01 | 94050-06080 | 0 | F20 |
| | | | 93903-34360 | 0 | F03 | 94050-08080 | 0 | E02 |
| 93000 | | | 93903-34360 | 0 | F05 | 94050-12080 | 0 | E05 |
| | | | 93903-34360 | 0 | F12 | 94050-12080 | 0 | E07 |
| 93401-04025-08 | 0 | F19 | 93903-34360 | 0 | F17 | 94050-LDA6-900 | 0 | F01 |
| 93404-06016-06 | 0 | F05 | 93903-34360 | 0 | F18 | 94101-06700 | 0 | F14 |
| 93404-06016-06 | 0 | F20 | 93903-35260 | 0 | E01 | 94101-KKE3-900 | 1 | E09 |
| 93404-06020-06 | 1 | F11 | 93903-35260 | 0 | F20 | 94111-06800 | 0 | E02 |
| 93404-KKC2-900-06 | 1 | F12 | 93903-35320 | 0 | F02 | 94111-06800 | 0 | E09 |
| 93500-03010-1A | 0 | E06 | 93903-35360 | 0 | F10 | 94301-10160 | 0 | E01 |
| 93500-04008-0G | 0 | F10 | 93903-GFY6-900 | 1 | F05 | 94301-10160 | 0 | E02 |
| 93500-05022-06 | 0 | F03 | 93903-GFY6-900 | 1 | F12 | 94301-10160 | 0 | E03 |
| 93600-04012-1G | 0 | F04 | | | | 94301-10160 | 0 | E04 |
| 93700-05018-0H | 0 | F02 | 94000 | | | 94303-04065 | 0 | E06 |
| 93891-05010-08 | 0 | E09 | | | | 94510-20000 | 0 | E08 |
| 93891-05012-08 | 0 | E09 | 94001-05080-0S | 0 | F03 | 94520-28000 | 0 | E05 |
| 93891-05016-08 | 0 | F13 | 94050-05080 | 0 | F19 | 94591-KFBF-900 | 2 | E02 |
| 93891-05025-06 | 0 | F03 | 94050-06060 | 0 | F04 | 94591-KFBF-900 | 2 | F10 |
| 93892-05010-08 | 0 | E09 | 94050-06080 | 0 | E02 | 94591-KFBF-900 | 2 | F20 |
| 93893-04012-18 | 0 | F04 | 94050-06080 | 0 | E06 | 94601-15000 | 0 | E03 |
| 93901-34380 | 0 | F18 | 94050-06080 | 0 | E09 | 94605-KUDU-900 | 1 | F22 |
| 93903-25260 | 0 | E01 | 94050-06080 | 0 | F05 | 94608-30000 | 0 | F22 |

PART NO. INDEX

零件號碼索引

| PART NO. 零件號碼 | VERSION 版數 | PAGE 頁次 | PART NO. 零件號碼 | VERSION 版數 | PAGE 頁次 | PART NO. 零件號碼 | VERSION 版數 | PAGE 頁次 | |
|------------------|----------------|------------|------------------|----------------|------------|------------------|----------------|------------|-----|
| 95000 | | | 95701-06050-08 | 0 | E02 | 96001-06025-06 | 0 | F03 | |
| | | | 95701-06050-08 | 0 | F20 | 96001-06025-08 | 0 | E07 | |
| | | | 95701-08012-08 | 0 | E01 | 96001-06028-08 | 0 | E06 | |
| | 95001-45500-40 | 0 | F21 | 95701-08012-08 | 0 | F19 | 96001-06028-08 | 0 | E07 |
| | 95002-02070 | 0 | E09 | 95701-08025-08 | 0 | F19 | 96001-06032-06 | 0 | F20 |
| | 95002-02080 | 0 | E01 | 95701-LDA6-900 | 0 | F01 | 96001-06032-08 | 0 | E04 |
| | 95002-02080 | 0 | F10 | 95801-08035-08 | 0 | F16 | 96001-06045-08 | 0 | E01 |
| | 95002-02080 | 0 | F21 | 95801-08040-08 | 0 | F06 | 96001-06050-08 | 0 | E01 |
| | 95002-02100 | 0 | F13 | 95801-08042-06 | 0 | F14 | 96001-06055-08 | 0 | E01 |
| | 95002-02120 | 1 | F13 | 95801-10035-06 | 0 | F15 | 96001-06100-08 | 0 | E02 |
| | 95002-02130 | 0 | F10 | 95801-10040-08 | 0 | F16 | 96001-06100-08 | 0 | E04 |
| | 95002-02130 | 0 | F13 | | | | 96001-06110-08 | 0 | E04 |
| | 95002-41250-00 | 0 | F13 | 96000 | | | 96001-GFY6-900 | 1 | E02 |
| | 95014-71402 | 0 | F15 | | | | 96100-60020-00 | 0 | E08 |
| | 95014-72102 | 0 | F15 | 96001-06008-07 | 0 | F14 | 96100-62030-00 | 0 | E01 |
| | 95015-32001 | 0 | F03 | 96001-06012-08 | 0 | E01 | 96100-62043-00 | 0 | E01 |
| | 95015-42000 | 0 | F03 | 96001-06012-08 | 0 | E04 | 96220-60100 | 0 | E06 |
| | 95701-06012-06 | 1 | F20 | 96001-06012-08 | 0 | E06 | 96600-08010-10 | 1 | E06 |
| | 95701-06012-08 | 0 | F06 | 96001-06012-08 | 0 | F12 | | | |
| | 95701-06012-08 | 0 | F18 | 96001-06012-08 | 0 | F19 | 98000 | | |
| 95701-06012-08 | 0 | F19 | 96001-06014-08 | 0 | E02 | | | | |
| 95701-06022-06 | 1 | F14 | 96001-06014-08 | 0 | F10 | 98056-5771R-00 | 0 | E02 | |
| 95701-06025-08 | 0 | E02 | 96001-06016-08 | 0 | E07 | 98200-11500 | 0 | F11 | |
| 95701-06028-08 | 0 | F07 | 96001-06018-08 | 0 | E06 | 98200-11500 | 0 | F19 | |
| 95701-06035-08 | 0 | E02 | 96001-06018-08 | 0 | E07 | 98200-31500 | 0 | F19 | |
| 95701-06035-08 | 0 | F08 | 96001-06022-06 | 1 | F04 | | | | |