

# PARTS CATALOGUE



## SCOOTERS

SE22AC

VJR110



Date : 2010/01/12

## 前言

- 本零件型錄適用於 SE22AC 機種，訂購零件時，請參照本冊。
- 本冊之配色表僅供參考，若與實車不符之處，以實車為準。
- 配色記號(Color Mark)  
註明 "\*\*\*" 記號，表示訂購該零件時，請參照機種相片及配色表，並請在基本零件號碼最後加上色碼。
- 本冊若有錯誤或遺漏之處，敬請不吝賜教指正。

## ABOUT THIS PARTS LIST

- This parts list is compiled all service parts for model SE22AC.
- Any difference between color chart and motorcycle will be revised according to motorcycle.
- The sales mark:
  - 1.marking "\*\*\*" must add color code in the end before ordering parts.
- When modification or additions to this parts list are made a revised edition at an appropriate time.

## 目次

● 前言 .....	1
● SE22AC 配色表 .....	3
● 引擎結構圖 .....	6
● 車架結構圖 .....	7
● 引擎號碼表 .....	10
● 車架零件號碼表 .....	46
● 零件號碼索引 .....	118

## CONTENTS

● ABOUT THIS PARTS LIST .....	1
● COLOR CHART OF SE22AC .....	3
● CONTENTS-ENGINE GROUP .....	6
● CONTENTS-FRAME GROUP .....	7
● ENGINE PARTS LIST .....	10
● FRAME PARTS LIST .....	46
● PART NO. INDEX .....	118

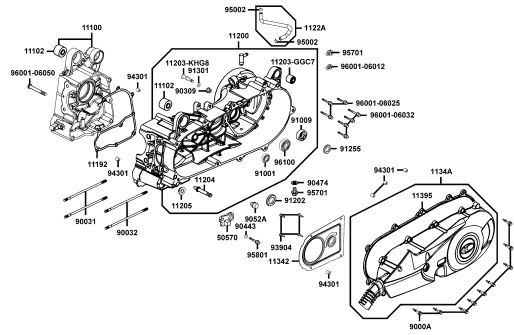
NO	MODEL			SE22AC COLOR CHART					
	PHOTO NO			NO. 1	NO. 2	NO. 3			
	BASIC COLOR			亮紅	黑	珍珠白			
	CODE			Bright Red	Black	Pearly White			
	PARTS NAME	PARTS NO.	VERSION	RR339PA	NH001SA	NH193PA			
1	FORK SET FR R	5140A-LKC6-900	1	A01					
2	FORK SET FR L	5150A-LKC6-900	1	A01					
3	LEVER R STRG HANDLE	53175-KFA1-900	1	M2A					
4	LEVER L STRG HANDLE	53178-KKE2-900	2	M2A					
5	HUB SUB COMP RR	42601-LCB4-70B	1	N1A					
6	WHEEL SET FR	44600-LCB4-306	0	N1A					
7	GEAR BOX ASSY	44800-KNBN-901	6	N1A					
8	BOTTOM CASE R	51420-KNBN-900	0	N1A					
9	BOTTOM CASE L	51520-KHC4-900	0	N1A					
10	COVER FR	64301-LEA1-345	0	N1A					
11	MOLDING FR	64302-LEA1-315	0	N1A					
12	TOP FR COVER A	64303-LEA1-900	3	EBP	N1P	NVP			
13	SKIRT R SIDE	64305-LEA1-325	0						
14	SKIRT L SIDE	64306-LEA1-325	0						
15	CARRIER REAR	81200-LEA1-900	4						
16	COVER FR HANDLE	53205-LEA1-900	3	N1P		NVP			
17	COVER ASSY L SIDE	1134A-LKC6-900	4	N1R					
18	PROTECTOR MUFFLER	18318-LEA1-90A	3	N1R					
19	PROTECTOR MUFFLER	18318-LEA1-90B	3	N1R					
20	COVER UNDER	50613-LEA1-900	2	N1R					
21	GRIP COMP THROT	53140-LCB4-700	2	N1R					
22	GRIP L HANDLE	53150-LCB4-700	3	N1R					
23	COVER HANDLE RR	53206-LEA1-900	2	N1R					
24	FENDER FR INNER	61100-LEA1-900	5	N1R					
25	SKIRT B ASSY R SIDE	6430B-LEA1-900	2	N1R					
DATE OF STARTING-SALES									
DATE OF END-SALES									

NO	MODEL			SE22AC COLOR CHART			
	PHOTO NO			NO. 1	NO. 2	NO. 3	
	BASIC COLOR			亮紅	黑	珍珠白	
	CODE			Bright Red	Black	Pearly White	
	PARTS NAME	PARTS NO.	VERSION	RR339PA	NH001SA	NH193PA	
26	SKIRT B ASSY L SIDE	6430C-LEA1-900	2	N1R			
27	FLOOR PANEL	64310-LEA1-900	7				
28	PLUG FLOOR	64316-KHE2-900	0				
29	FENDER RR UP	80105-LEA1-900	2				
30	FENDER RR INNER	80106-LEA1-900	4				
31	FENDER RR LOW	80107-LEA1-900	6				
32	FENDER RR ASSY	8010A-LEA1-900	3				
33	COVER CENTER	80151-LEA1-900	4				
34	LEG SHIELD UP	81131-LEA1-900	4				
35	HOOK LEG SHIELD	81134-LAB4-900	4				
36	LEG SHIELD LOW	81141-LEA1-900	2				
37	LID LEG SHIELD	81142-KUDU-900	1				
38	COVER R SIDE	83510-LEA1-900	1				
39	STEP COVER R SIDE	83520-LKC6-900	1				
40	COVER L SIDE	83610-LEA1-900	1				
41	BAND HARNESS WIRE	90656-KUDU-900	0				
42	RIM COMP FR WHEEL	44705-KHC4-900	2				N1S
43	FORK ASSY RR	52000-LEA1-900	7	N8A			
44	CALIPER ASSY FR	45200-LEA1-700	3	NJA			
45	CUSHION ASSY RR	52400-LEA1-900	4	R8S			
46	EMB K-LOGO 28.5MM	86102-KKC4-900	1	T01			
47	STRIPE FORK FR	86404-LFE2-900	2				
48	STRIPE FORK FR	86404-LGL9-710	0				
49	STRIPE RR FENDER	86409-LEA1-900	1				
50	STRIPE ENERGY LOGO	86700-LFG7-900	2				
DATE OF STARTING-SALES							
DATE OF END-SALES							

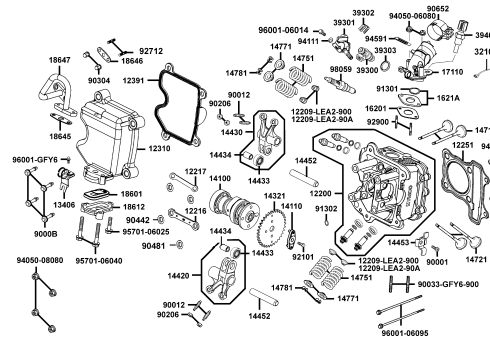
NO	MODEL			SE22AC COLOR CHART			
	PHOTO NO			NO. 1	NO. 2	NO. 3	
	BASIC COLOR			亮紅	黑	珍珠白	
	CODE			Bright Red	Black	Pearly White	
	PARTS NAME	PARTS NO.	VERSION	RR339PA	NH001SA	NH193PA	
51	MARK E/M 5th STAGE	87122-LKC6-950	1	T01			
52	CAUTION BATTERY	87502-LEB2-900	1				
53	CAUTION MUFFLER	87503-LEA1-900	1				
54	LABEL TIRE	87505-LAB4-900	2				
55	CAUTION SIDE STAND	87541-GGS7-901	2				
56	LABEL CAP	87541-LEA1-900	1				
57	MARK MAINT CAUTION	87542-GKM9-301	3				
58	CAUTION AFI	87546-LEB2-900	1				
59	MARK DRIVE CAUTION	87560-GFY6-900	3				
60	STRIPE R FR COVER	86121-LKC6-700	0				
61	STRIPE L FR COVER	86131-LKC6-700	0				
62	STRIPE R BODY COVER	86221-LKC6-700	0				
63	STRIPE L BODY COVER	86231-LKC6-700	0				
64	STRIPE R FR MOLD	86282-LKC6-700	0				
65	STRIPE L FR MOLD	86283-LKC6-700	0				
66	STRIPE B R FR MOLD	86284-LKC6-700	0				
67	STRIPE B L FR MOLD	86286-LKC6-700	0				
68	STRIPE R SKIRT	86341-LKC6-700	0				
69	STRIPE L SKIRT	86351-LKC6-700	0				
70	SEAT ASSY	77200-LKC6-900	2	T02			
71	TOP FR COVER A	64304-LEA1-900	5	NVP                      X4P                      N1P			
72	COVER R BODY	83500-LEA1-345	0				
73	COVER L BODY	83600-LEA1-345	0				
74	COVER RR CENTER	83750-LEA1-900	3				
75	STEP COVER L SIDE	83620-LKC6-900	1	N1R		N1R	
DATE OF STARTING-SALES							
DATE OF END-SALES							

# CONTENTS - ENGINE GROUP

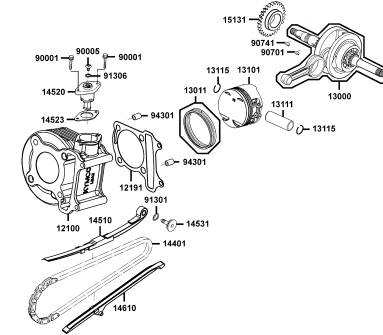
## E01 曲軸箱



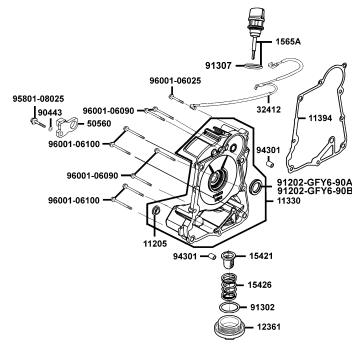
## E02 汽缸頭



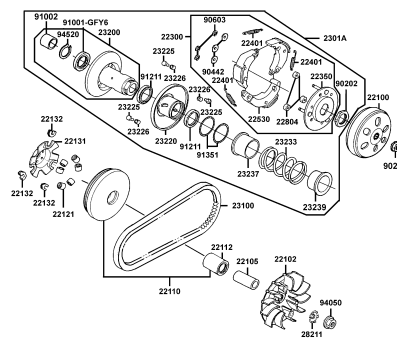
## E03 汽缸 活塞 曲軸



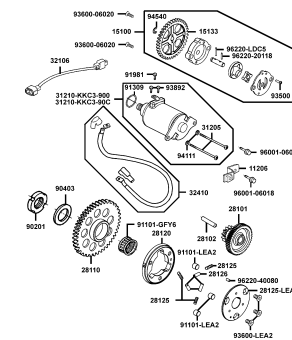
## E04 右曲軸箱蓋



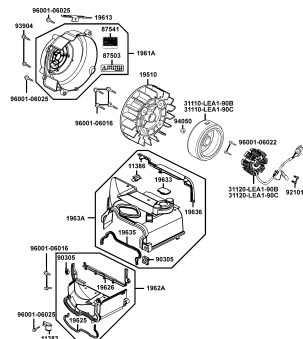
## E05 傳動皮帶輪



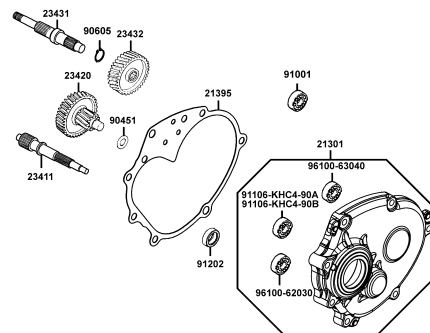
## E06 起動馬達 機油泵



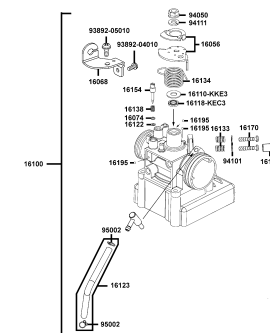
## E07 風扇蓋 發電機



## E08 傳動系

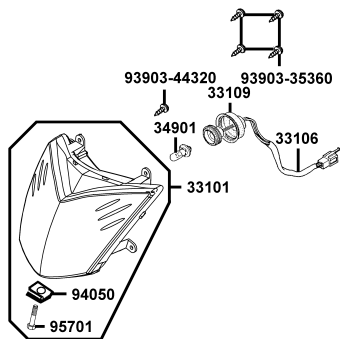


## E09 化油器

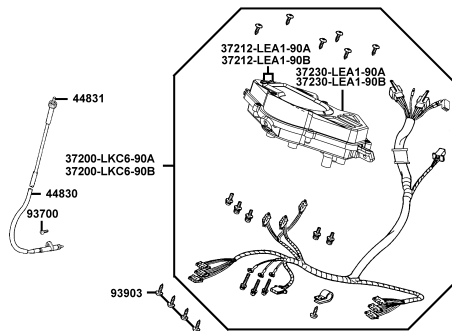


# CONTENTS - FRAME GROUP

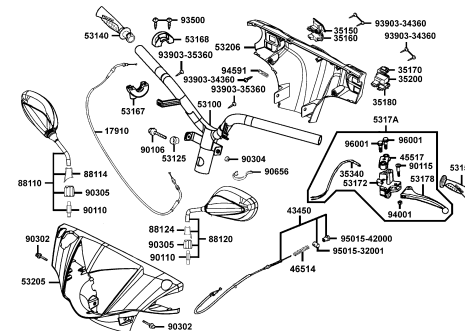
**F01 前燈**



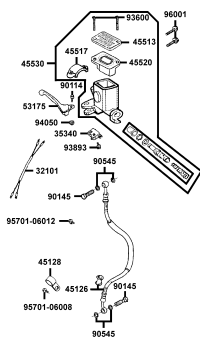
**F02 儀錶**



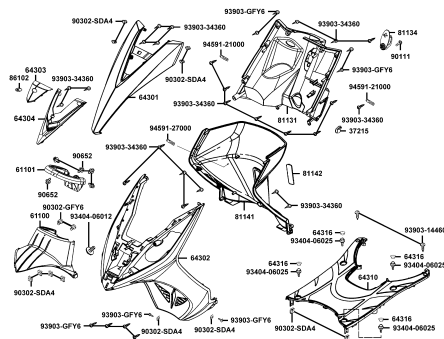
**F03 轉向手柄 手柄蓋**



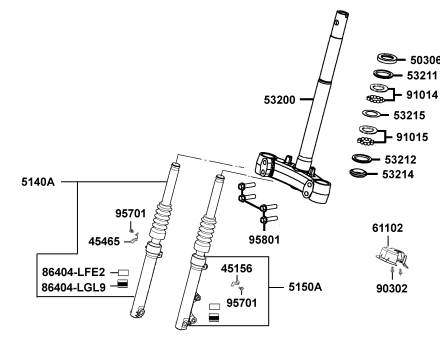
**F04 煞車主油缸**



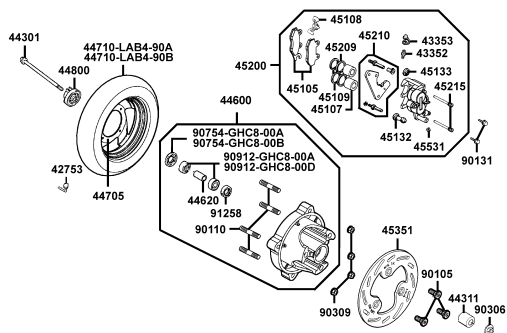
**F05 前蓋 前土除**



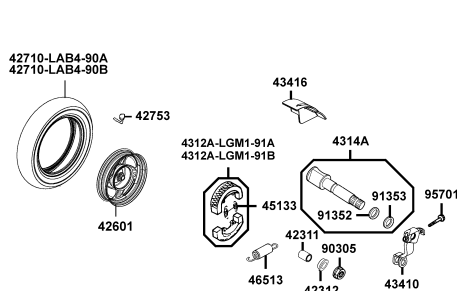
**F06 轉向桿 前避震器**



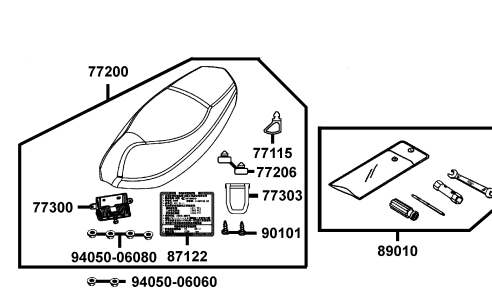
**F07 前輪**



**F08 後輪**



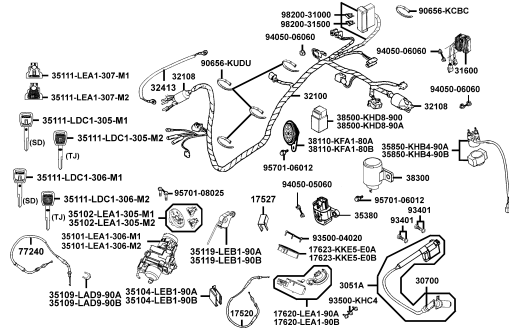
**F09 座墊**



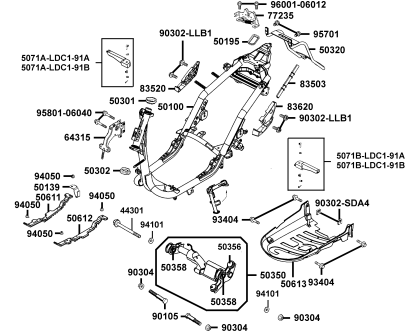


# CONTENTS - FRAME GROUP

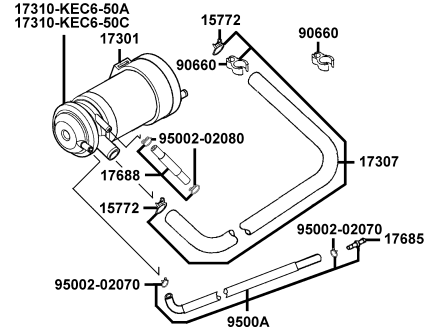
## F19 主電路配線



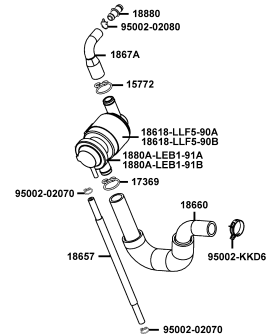
## F20 車體



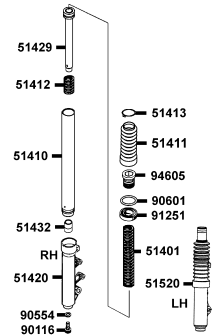
## F21 活性炭罐



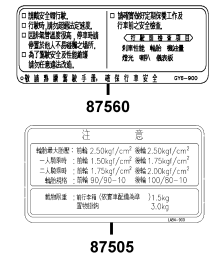
## F22 二次空氣濾清器



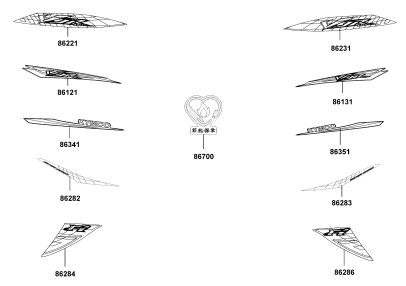
## F23 前叉附件



## F24 注意標籤

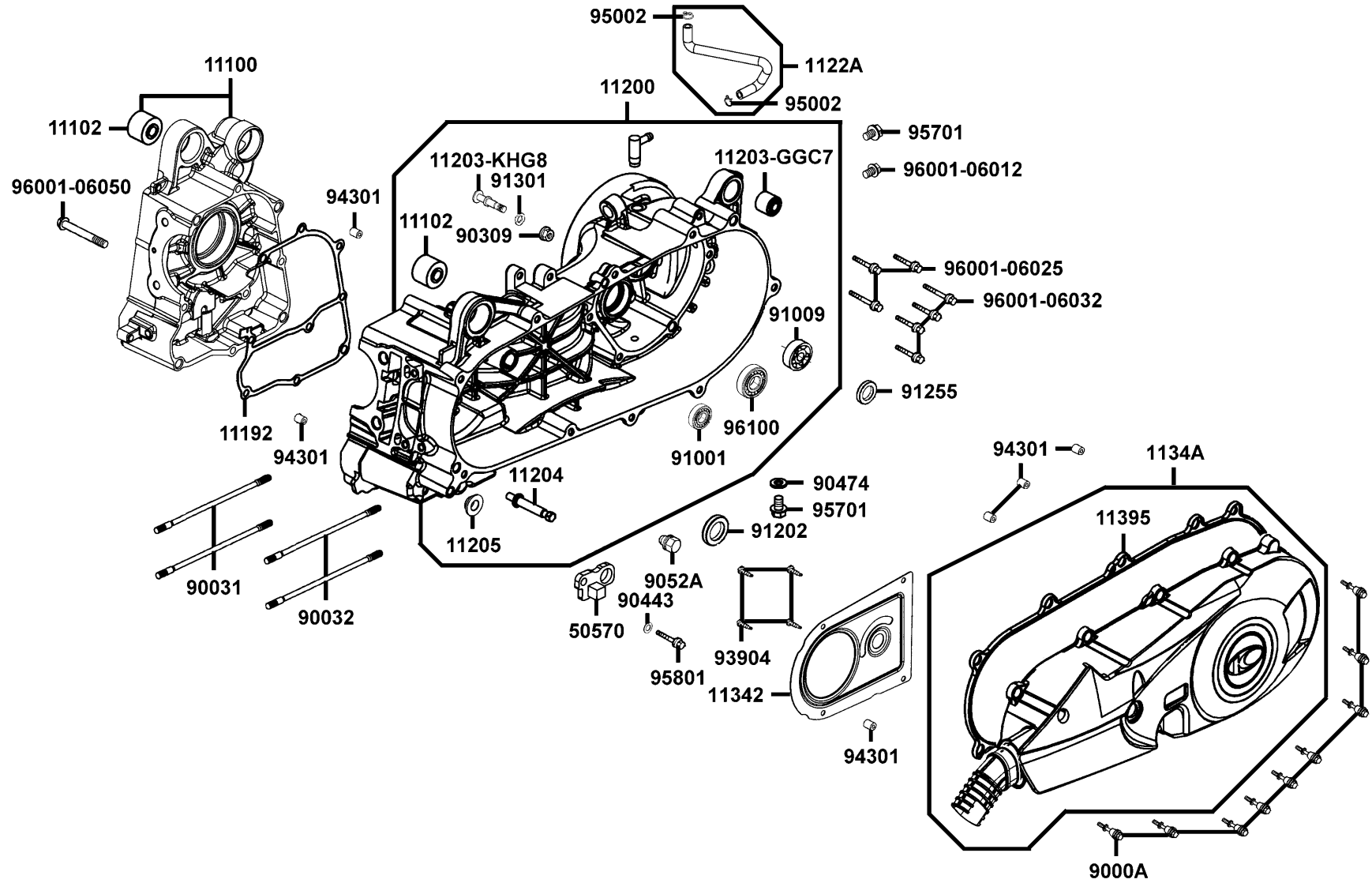


## F25 標徽 貼紙



E01

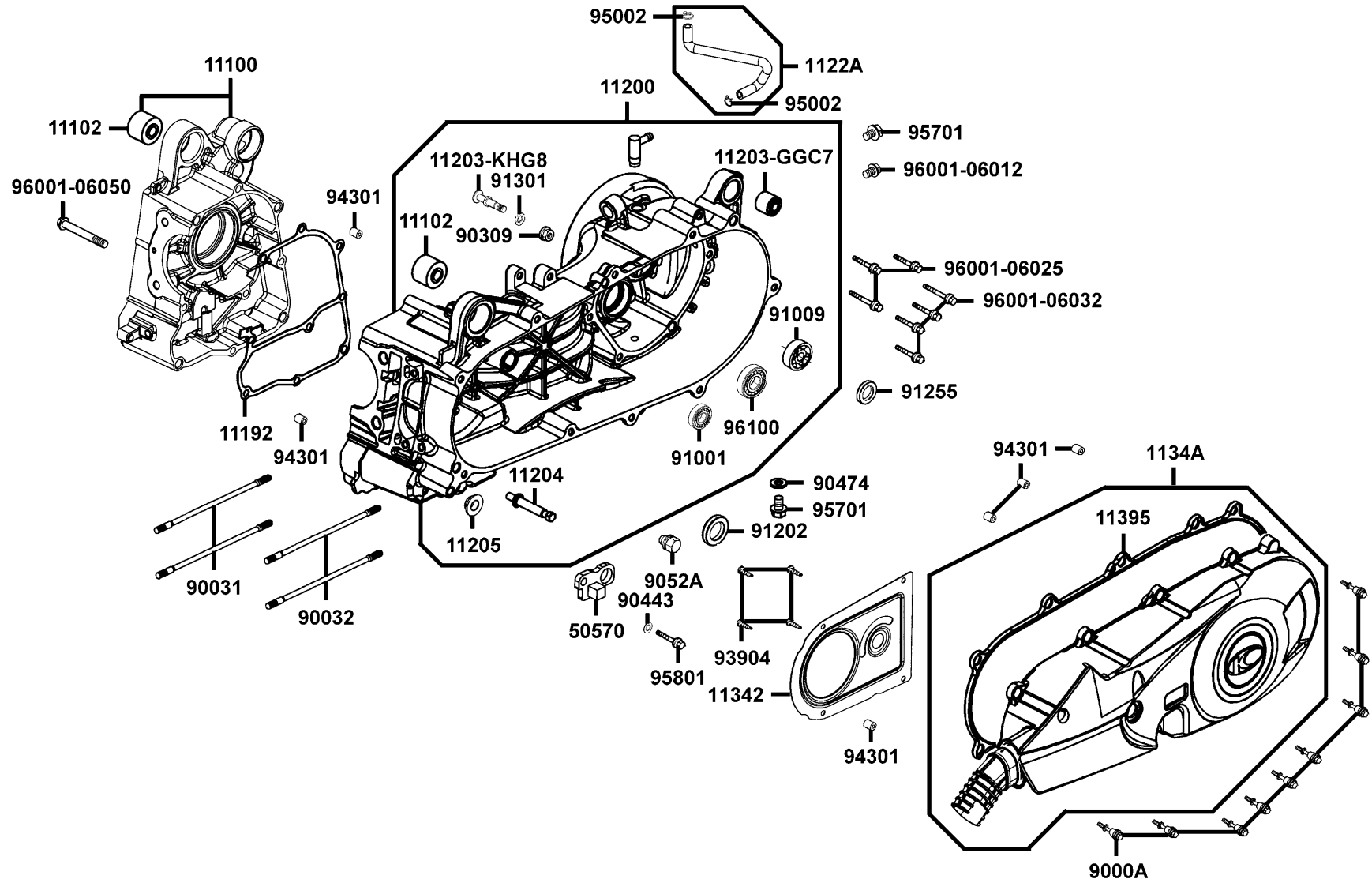
Crank Case 曲軸箱



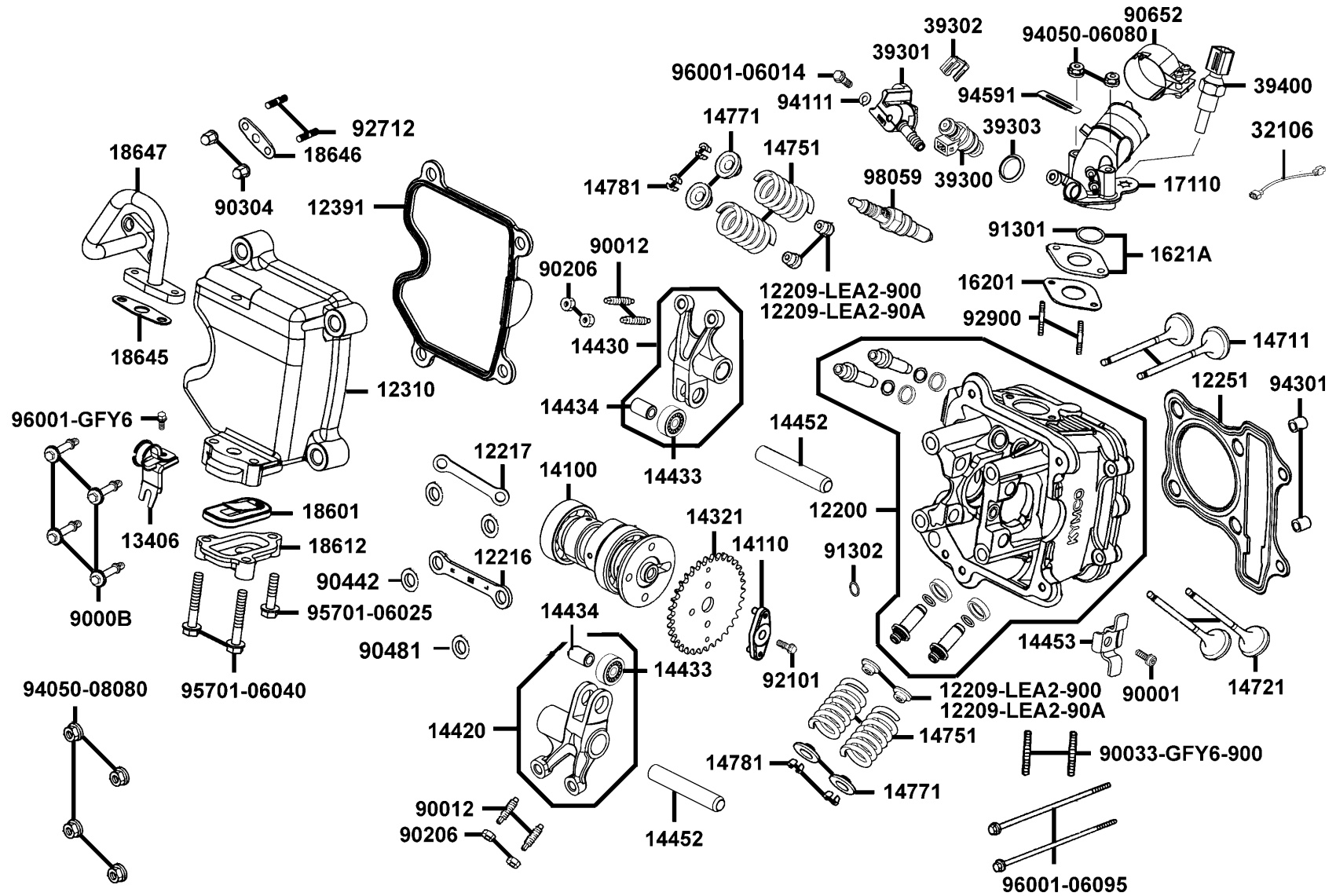
Sales mark 配色標註	Ref no 參考號碼	Part no 零件號碼	Description 英文名稱	Reg description 中文名稱	Regd no 需求用量	E01
	11100	11100-LEA2-305	CRANK CASE SET R	右曲軸箱組	1	
	11102	11102-1G87-004	RUB BUSH ENG HANGER	引擎吊架襯套	2	
	11192	11192-LEA2-900	GASKET CRANK CASE A	曲軸箱墊片 A	1	
	11200	11200-LEA2-305	CRANKCASE SET L	左曲軸箱組	1	
	11203-GGC7	11203-GGC7-301	UNDER RUBBER BUSH REAR CUSHION	後緩衝下襯套	1	
	11203-KHG8	11203-KHG8-301	PIN BRAKE SHOE ANCHOR	煞車鼓固定銷	1	
	11204	11204-LEA1-900	PIN SPG HOOK	定位銷	1	
	11205	11205-LEA2-900	BUSH M STAND	襯套	1	
	1122A	1122A-LEA1-900	TUBE ASSY BREATHER	通氣管	1	
	11342	11342-LEA1-900	PLATE L COVER	導流板	1	
**	1134A	1134A-LKC6-900	COVER ASSY L SIDE	通氣管總成	1	
	11395	11395-LKC6-900	GASKET L COVER	墊片	1	
	50570	50570-LEA1-900	STOPPER L MAIN STAND	主腳架左邊制止器	1	
	9000A	9000A-KTDT-900	BOLT ASSY SPECIAL 6*29.5	特殊螺絲6*29.5	9	
	90031	90031-KUDU-900	BOLT A STUD 8*200.5	雙頭螺絲 8*200.5	2	
	90032	90032-LEA1-900	BOLT B STUD 8*206	雙頭螺絲 8*206	2	
	90309	90309-KLF0-004-SY	NUT FLANGE 8MM	平螺帽	1	
	90443	90443-8D44-001	WASHER THRUST 8MM	華司 8MM	1	
	90474	90474-3C33-001	WASHER 8MM	華司	1	
	9052A	9052A-LEB1-900	BOLT ASSY DRAIN PLUG	洩油螺絲	1	

E01

Crank Case 曲軸箱



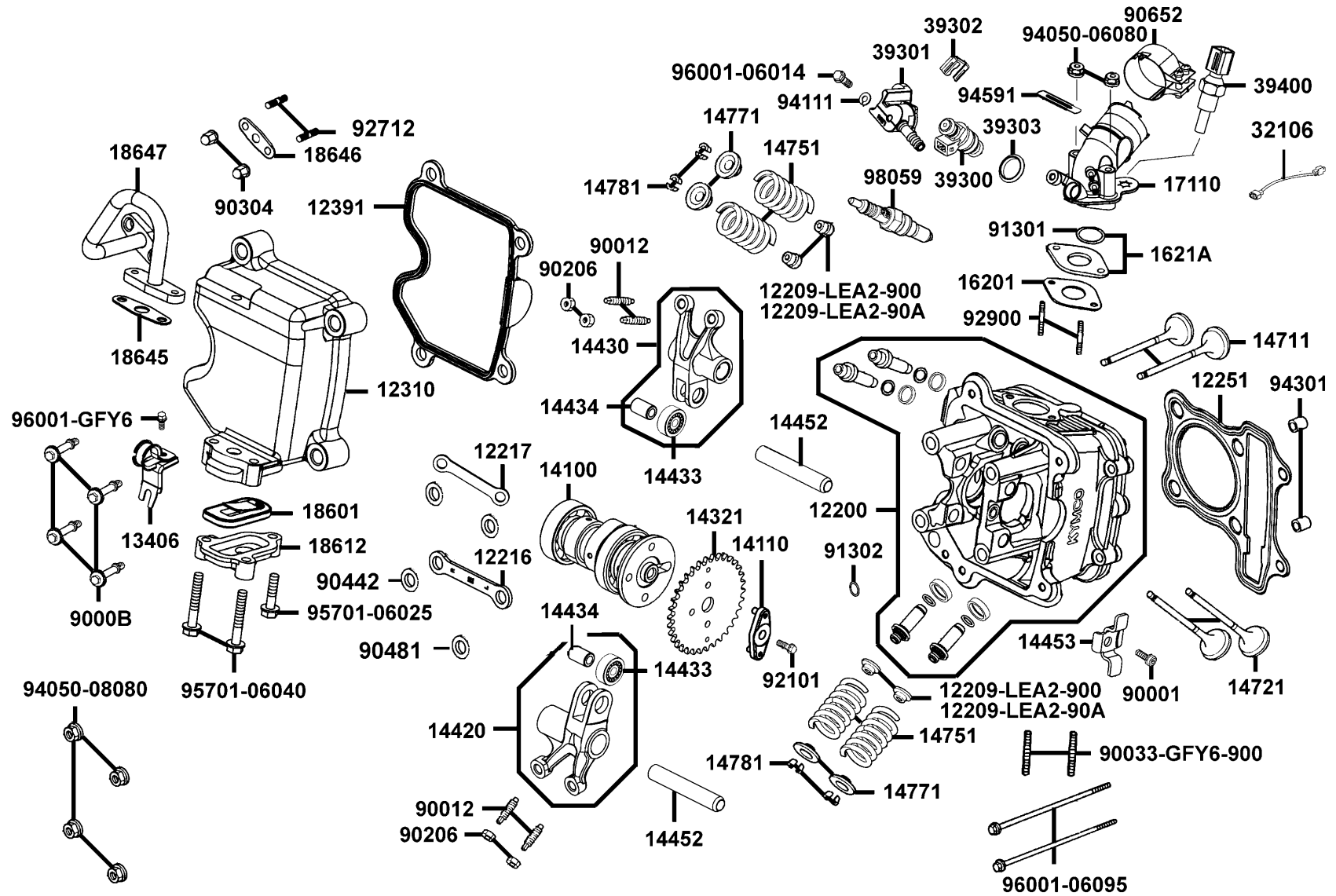
Sales mark 配色標註	Ref no 參考號碼	Part no 零件號碼	Description 英文名稱	Reg description 中文名稱	Regd no 需求用量	E01
	91001	91001-KGBG-90A	BRG BALL RADIAL TM-SC03A	軸承	1	
	91009	91009-GLE0-004	BRG BALL RADIAL 6004 UU	軸承	1	
	91202	91202-LEA2-900	OIL SEAL 22*32*5(2007.04.04~)	左曲軸箱油封 22*32*5	1	
	91255	91255-GLE0-006	OIL SEAL 27*42*7	油封	1	
	91301	91301-0C53-001	O RING 7.5*1.5	O環	1	
	93904	93904-35360	SCREW TAPPING 5*12	螺釘 5*12	4	
	94301	94301-08140	DOWEL PIN 8*14	定位銷 8X14	6	
	95002	95002-50000	CLIP C9 TUBE	管夾	2	
	95701	95701-08012-08	BOLT FLANGE 8*12	螺絲 8*12	2	
	95801	95801-08025-06	BOLT FLANGE 8x25 (G)	有邊緣螺絲8*25	1	
	96001-06012	96001-06012-08	BOLT FLANGE 6*12	螺絲 6*12	1	
	96001-06025	96001-06025-08	BOLT FLANGE SH 6*25	螺絲 6*25	3	
	96001-06032	96001-06032-08	BOLT FLANGE SH 6*32	螺栓 6*32	4	
	96001-06050	96001-06050-08	BOLT FLANGE 6*50	螺絲 6X50	1	
	96100	96100-60020-00	BRG BALL RADIAL 6002	軸承 6002	1	



Sales mark 配色標註	Ref no 參考號碼	Part no 零件號碼	Description 英文名稱	Reg description 中文名稱	Regd no 需求用量	E02
	12200	12200-LKC6-900	HEAD COMP CYLINDER	汽缸頭	1	
	12209-LEA2-900	12209-LEA2-900	SEAL VALVE STEM	門閥徑封	2	
	12209-LEA2-90A	12209-LEA2-90A	SEAL VALVE STEM	汽門導桿油封	2	
	12216	12216-LEB1-900	FORK A HOLDER	固定座前叉	1	
	12217	12217-LEA2-900	FORK B HOLDER	固定座前叉	1	
	12251	12251-LKC6-900	GASKET CYLINDER HEAD	汽缸頭墊片	1	
	12310	12310-LEA2-900	COVER COMP HEAD	汽缸頭蓋	1	
	12391	12391-LEA2-900	GASKET HEAD COVER	墊片	1	
	13406	13406-LEA2-900	PLATE FUEL INJECTOR	噴射進氣支板	1	
	14100	14100-LEA2-900	SHAFT COMP CAM	凸輪軸	1	
	14110	14110-LEB1-900	FIXTURE CAMSHAFT	凸輪軸固定件	1	
	14321	14321-LEB1-900	SPROCKET CAM	凸輪扣鏈齒輪	1	
	14420	14420-LEA2-900	ARM COMP EXH VALVE ROCKER	排氣閥搖臂	1	
	14430	14430-LEA2-900	ARM COMP IN VALVE ROCKER	進氣閥搖臂	1	
	14433	14433-LEB1-900	ROLLER ASSY ROCKER ARM	軸承	2	
	14434	14434-LEB1-900	PIN ROCKER ARM	套筒	2	
	14452	14452-LKC6-900	SHAFT EXH ROCKER ARM	排氣閥搖臂軸	1	
	14453	14453-LKC6-900	SET PLATE ROCKER ARM SHAFT	搖臂軸定位擋片	1	
	14711	14711-LEA2-900	VALVE INLET	進氣閥	2	
	14721	14721-LEA2-900	VALVE EXHAUST	排氣閥	2	



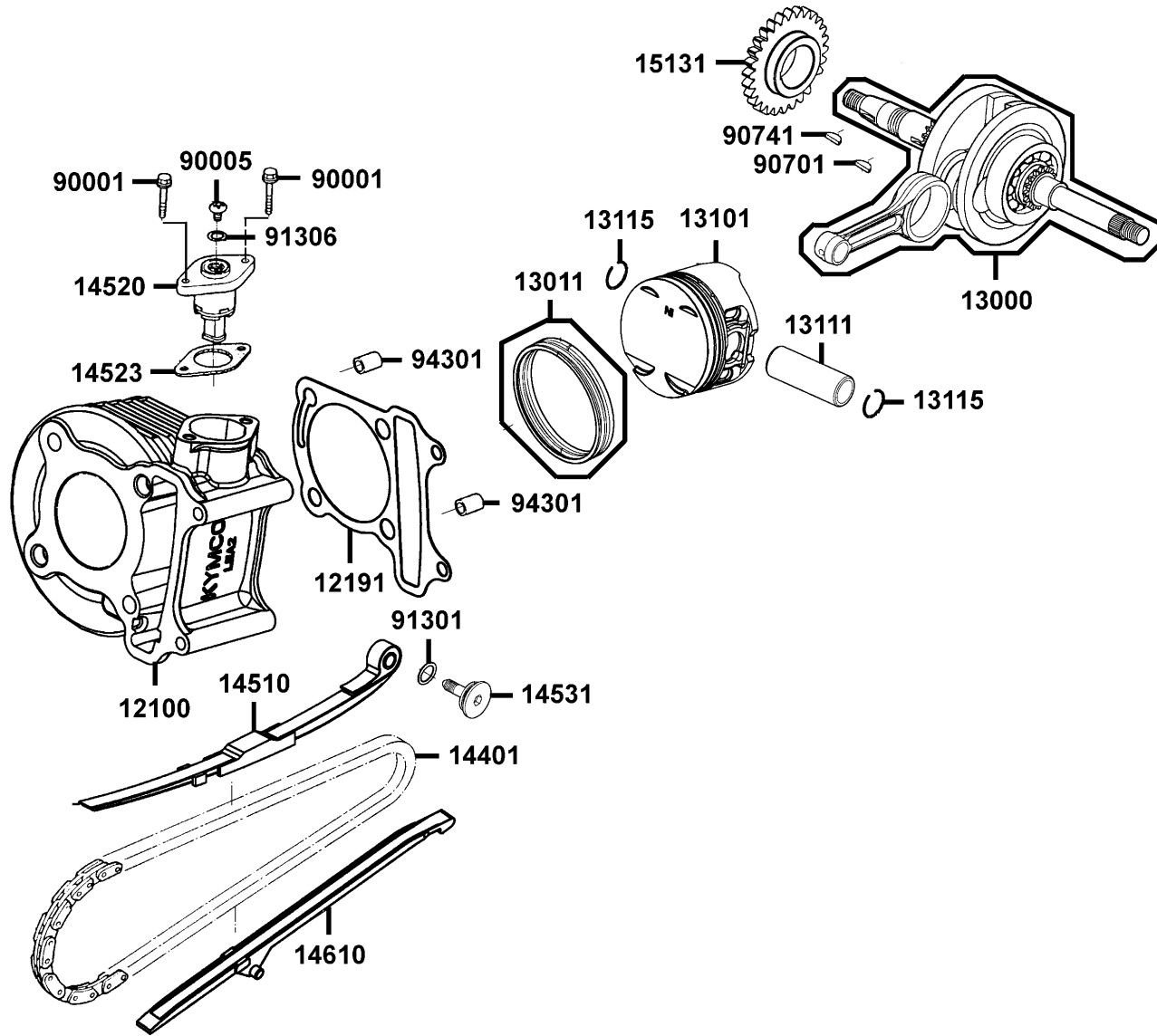
Sales mark 配色標註	Ref no 參考號碼	Part no 零件號碼	Description 英文名稱	Reg description 中文名稱	Regd no 需求用量	E02
	14751	14751-LEA2-900	SPG VALVE OUTER	門閥外彈簧	4	
	14771	14771-LEA2-900	RETAINER, UPPER SPRING	門閥彈簧扣環	4	
	14781	14781-KKE5-E00	COTTER VALVE	門閥扣環	8	
	16201	16201-GFY6-901	GASKET CARB INSULATOR @ A	隔熱板墊片	1	
	1621A	1621A-LEA1-900	INSULATOR CARB	化油器隔熱板	1	
	17110	17110-LEA1-900	PIPE ASSY INLET	進氣管	1	
	18601	18601-MAJ1-79A	REED VALVE COMP	簧片單向閥	1	
	18612	18612-GFY6-941	COVER REED VALVE	簧片單向閥蓋	1	
	18645	18645-GFY6-941	GSKT A/I PIPE	通氣管墊片	1	
	18646	18646-GFY6-941	GAKT A/I PIPE	通氣管墊片	1	
	18647	18647-KHD6-900	PIPE ASSY AIR	空氣管組	1	
	32106	32106-KKE3-900	SUB HARNESS A	汽缸頭溫度感應器配線	1	
	39300	39300-LEB2-800	FUEL INJECTOR	燃油噴嘴	1	
	39301	39301-LEA1-900	HOLDER ASSY FUEL	燃油噴嘴托蓋組	1	
	39302	39302-KKE3-900	CLIP SPRING FUEL INJECTOR	噴嘴彈簧夾	1	
	39303	39303-LEB2-900	SEAL HIGH TENSION FUEL INJECT	拉力封	1	
	39400	39400-KKE3-800	SENSOR HEAD TEMPERATURE	汽缸頭溫度感應器	1	
	90001	90001-GFY6-901	SOCKET BOLT 6*10	螺絲 6X10	1	
	9000B	9000B-KHD6-900	BOLT ASSY SPECIAL 6*41.5	螺絲 6*41.5	4	
	90012	90012-3C33-001	SCREW TAPPET ADJUSTING	樞軸調整螺絲	4	



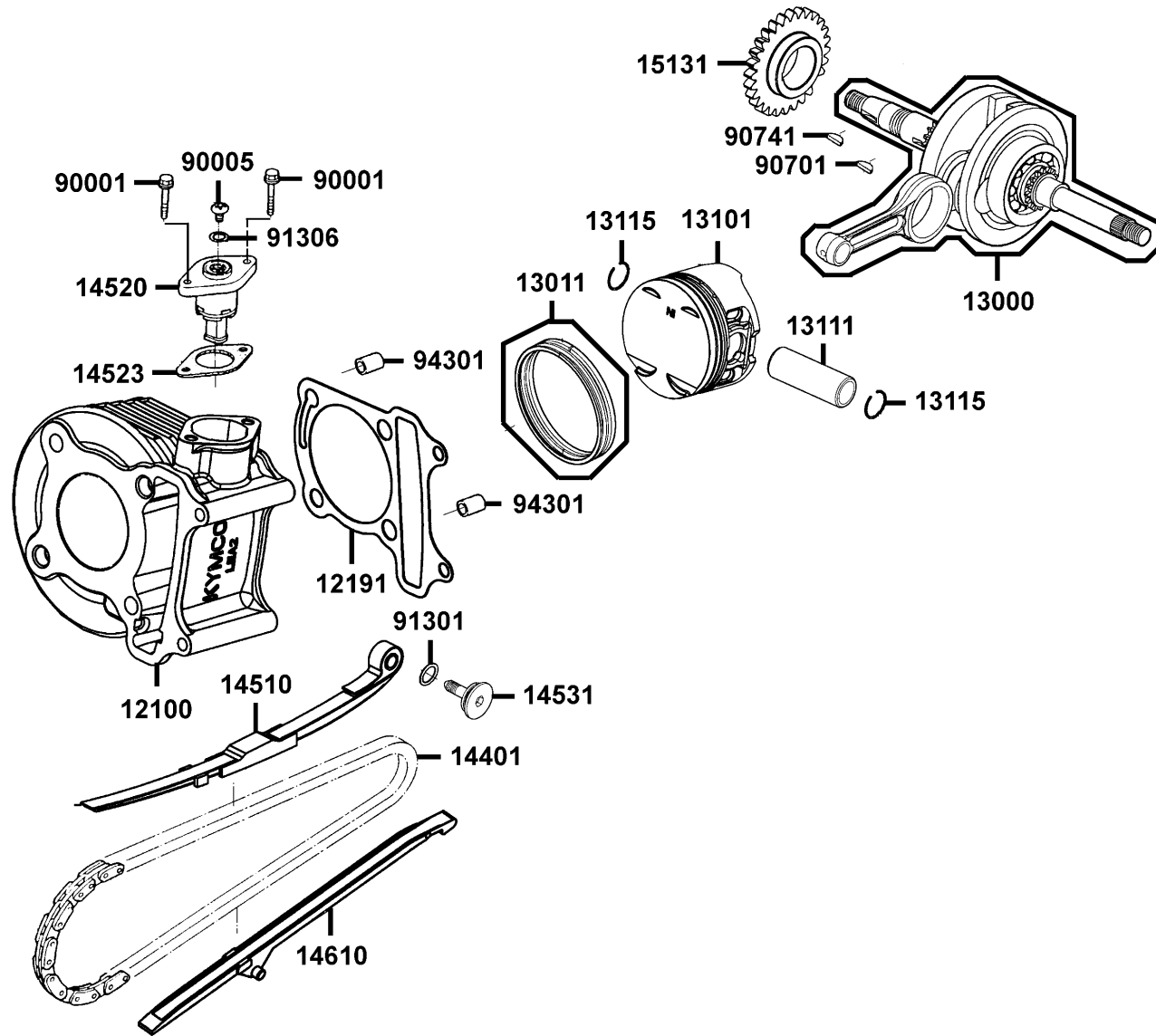
Sales mark 配色標註	Ref no 參考號碼	Part no 零件號碼	Description 英文名稱	Reg description 中文名稱	Regd no 需求用量	E02
	90033-GFY6-900	90033-GFY6-900	BOLT STUD 8*32	螺絲 8X32	2	
	90206	90206-0A01-001	NUT TAPPET ADJG	挺桿調整螺帽	4	
	90304	90304-4H38-001	NUT HEX CAP 6MM	螺帽 6MM	2	
	90442	90442-LEA1-900	WASHER SEALING 8MM	華司	3	
	90481	90481-LEA1-900	WASHER, PLAIN 8.1MM	平面墊圈	1	
	90652	90652-LGJ9-900	BAND 48, INLET-PIPE	進氣管夾	1	
	91301	91301-0H28-001	O RING 27*2	O環 27X2.0	1	
	91302	91302-KHD6-900	O-RING 6.0*1.78	O環	1	
	92101	92101-06014-0H	BOLT HEX 6*14	螺絲 6*14	1	
	92712	92712-06028-0B	BOLT STUD 6*28	螺絲 6X28	2	
	92900	92900-06060-0B	BOLT STUD 6*60	雙頭螺絲 6*60	2	
	94050-06080	94050-06080	NUT FLANGE 6MM	螺帽 6MM	2	
	94050-08080	94050-08080	NUT FLANGE 8MM	螺帽 8MM	4	
	94111	94111-06800	WASHER SPG 6MM	華司 6MM	1	
	94301	94301-10160	DOWEL PIN 10*16	定位銷 10X16	2	
	94591	94591-KFBF-900	CLIP 2*70	環夾	1	
	95701-06025	95701-06025-00	BOLT FLANGE 6*25	螺絲 6*25	1	
	95701-06040	95701-06040-00	BOLT FLANGE 6*40	螺絲 6*40	2	
	96001-06014	96001-06014-08	BOLT FLANGE 6*14	螺絲 6X14	1	
	96001-06095	96001-06095-08	BOLT FLANGE 6*95	螺絲 6*95	2	



Sales mark 配色標註	Ref no 參考號碼	Part no 零件號碼	Description 英文名稱	Reg description 中文名稱	Regd no 需求用量	E02
	96001-GFY6	96001-GFY6-900	BOLT SPECIAL 5*10	螺絲 5*10	1	
	98059	98059-57916-00	SPARK PLUG CR7E	火星塞	1	



Sales mark 配色標註	Ref no 參考號碼	Part no 零件號碼	Description 英文名稱	Reg description 中文名稱	Regd no 需求用量	E03
	12100	12100-LKC6-900	CYLINDER COMP	汽缸	1	
	12191	12191-LEA2-900	GASKET CYLINDER A	汽缸墊片 A	1	
	13000	13000-LKC6-900	CRANK SHAFT COMP.	曲軸	1	
	13011	13011-LKC6-90B	RING ASSY PISTON	活塞環	1	
	13101	13101-LKC6-900	PISTON	活塞	1	
	13111	13111-0G87-001	PIN PISTON	活塞銷	1	
	13115	13115-0A01-001	PISTON PIN CLIP	活塞銷夾	2	
	14401	14401-LEA2-900	CHAIN CAM	凸輪軸驅動鏈條	1	
	14510	14510-LEA2-900	TENSIONER CAM CHAIN	內鏈條拉力桿	1	
	14520	14520-GFY6-90A	LIFTER ASSY TENSIONER	內鏈條調整器	1	
	14523	14523-GFY6-901	GASKET TENSIONER LIFTER @ A	內鏈條調整器墊片	1	
	14531	14531-GLR0-001	PIVOT CAM CHAIN TENSIONER	拉力桿螺絲	1	
	14610	14610-LEA2-900	GUIDE COMP CAM CHAIN	鏈條導件	1	
	15131	15131-LEA2-900	GEAR OIL DRIVE	機油泵驅動齒輪	1	
	90001	90001-GBHB-661	BOLT FLANGE SH 6*22	螺絲 6*22	2	
	90005	90005-KAW1-901	SCREW PAN 6*6	螺絲 6*6	1	
	90701	90701-HFB6-011	KEY WOODRUFF 25*14*4	固定鍵 25X14X4	1	
	90741	90741-0E35-001	KEY WOODRUFF	固定鍵	1	
	91301	91301-GLR0-005	O RING 15.2*1.5	O環 15.2X1.5	1	
	91306	91306-1E05-691	O-RING 1.5*9.5	O環 1.5*9.5	1	

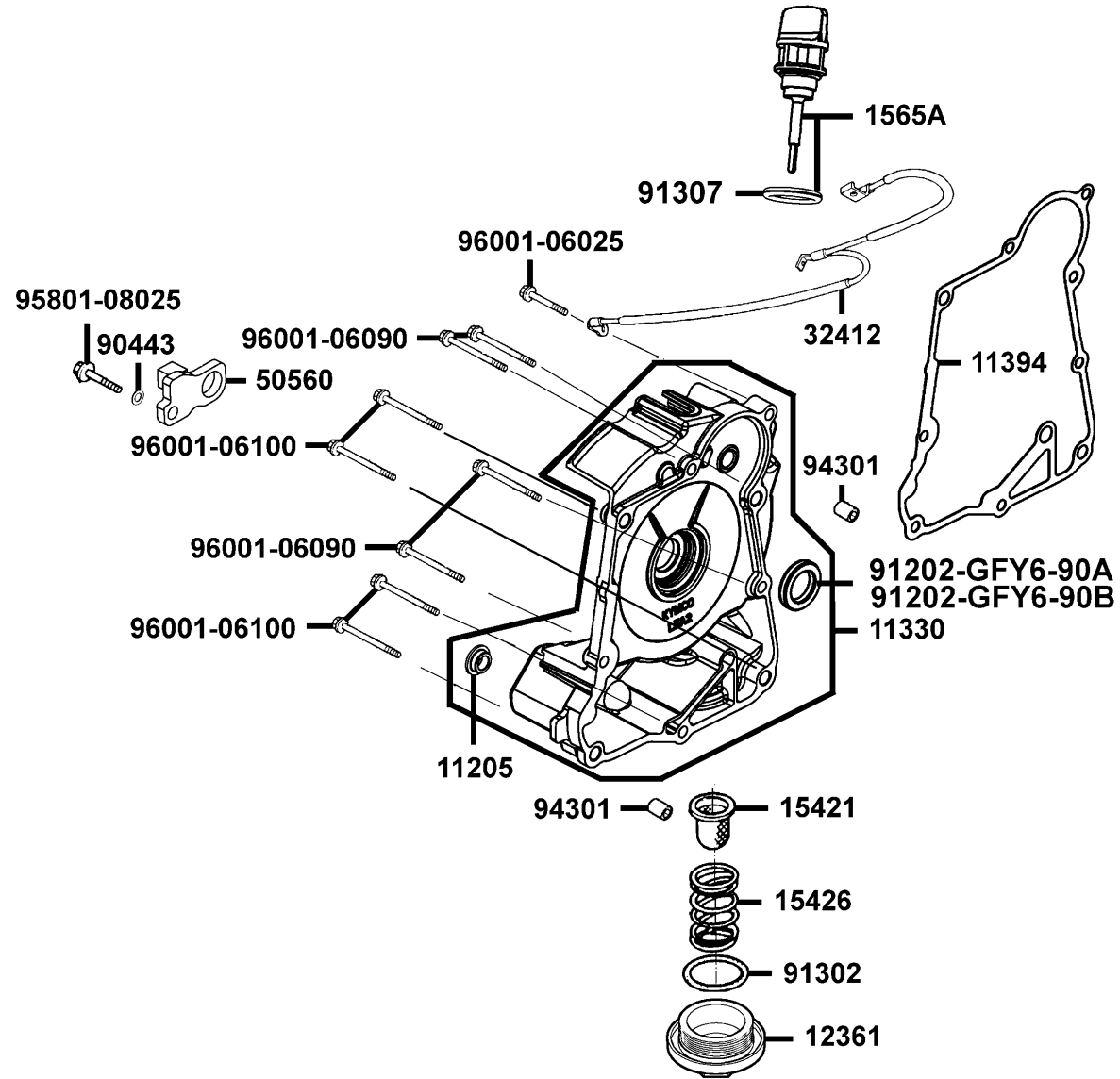


Sales mark 配色標註	Ref no 參考號碼	Part no 零件號碼	Description 英文名稱	Reg description 中文名稱	Regd no 需求用量
	94301	94301-10160	DOWEL PIN 10*16	定位銷 10X16	2

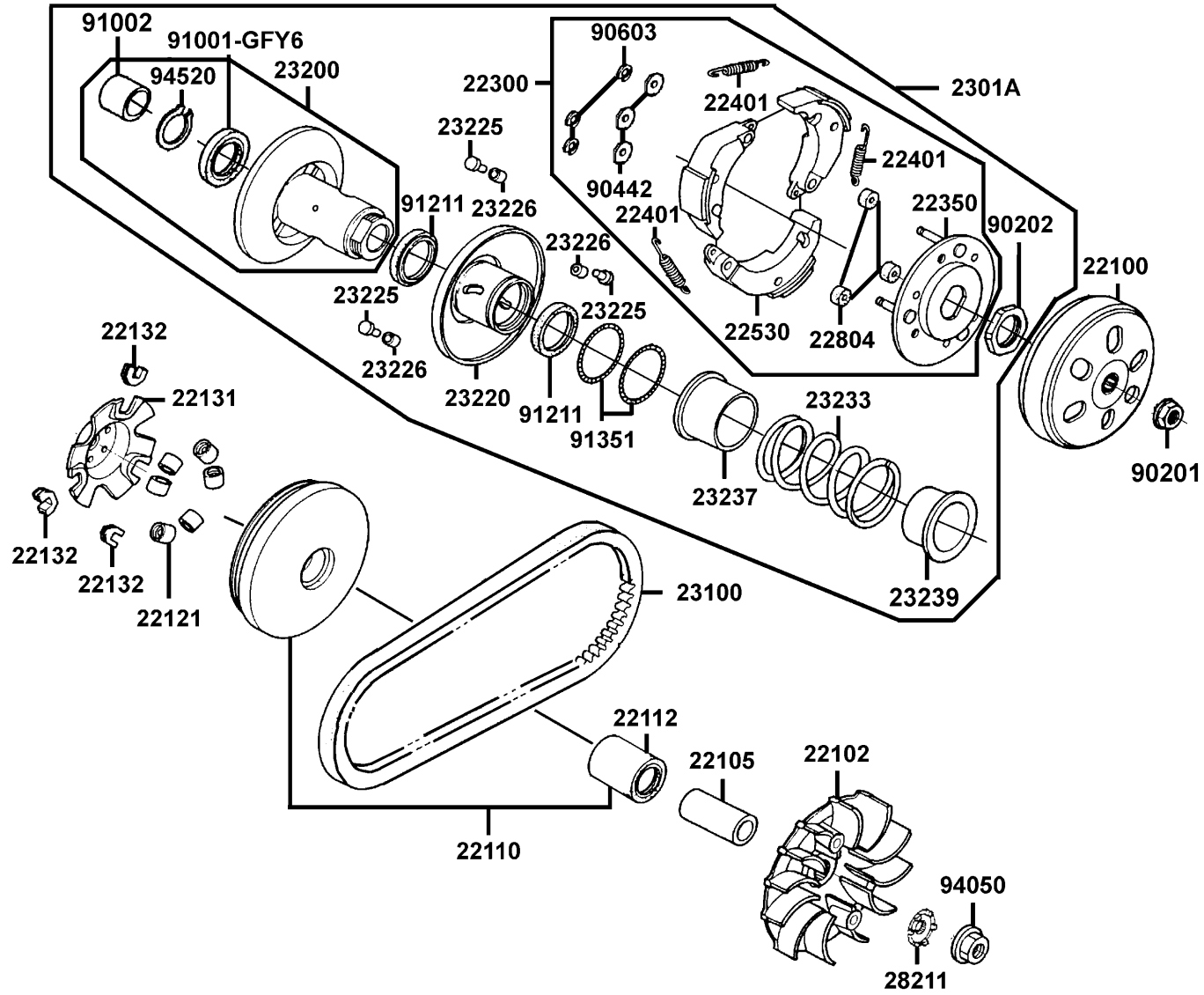
**E03**

E04

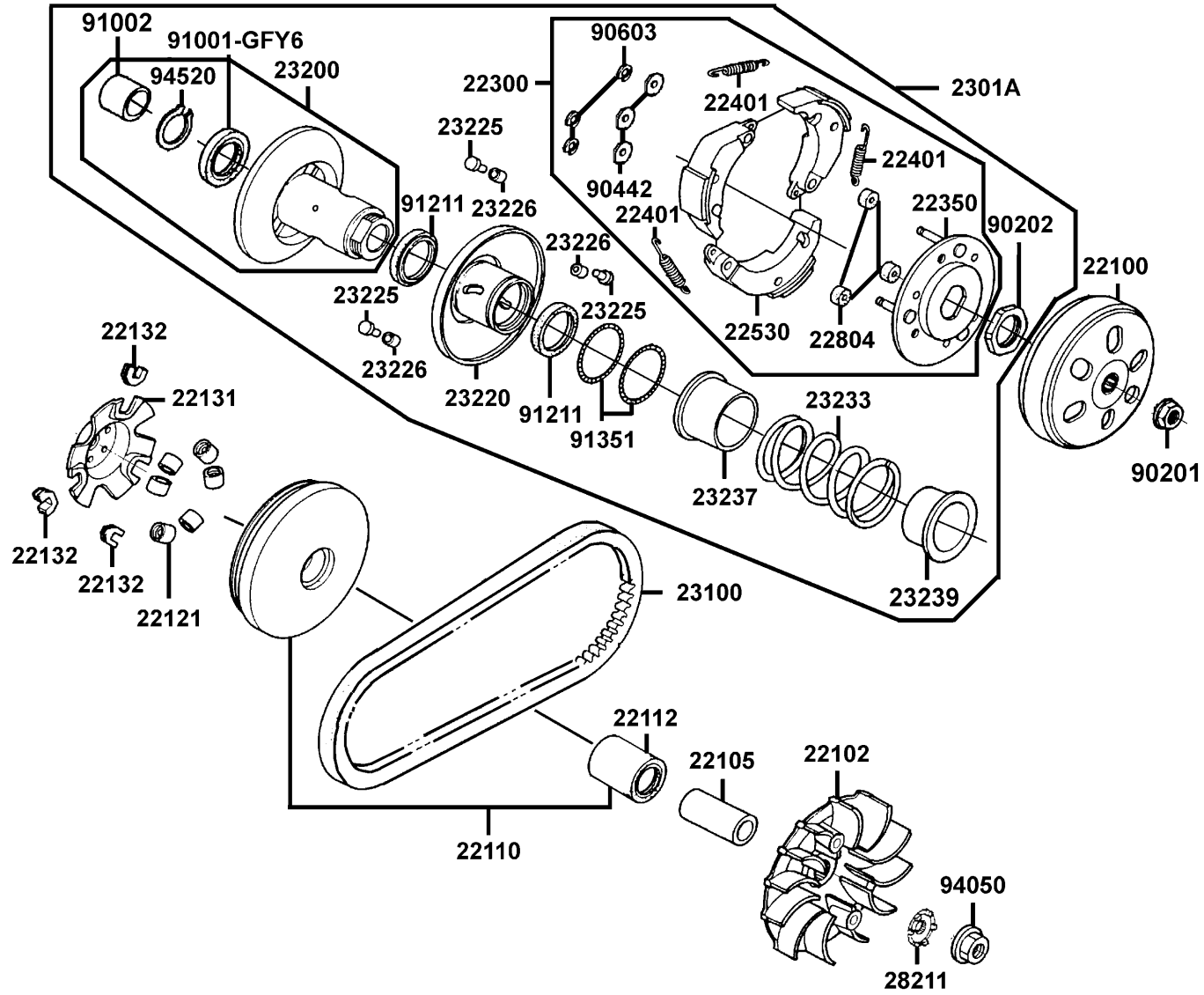
Right Crankcase Cover 右曲軸箱蓋



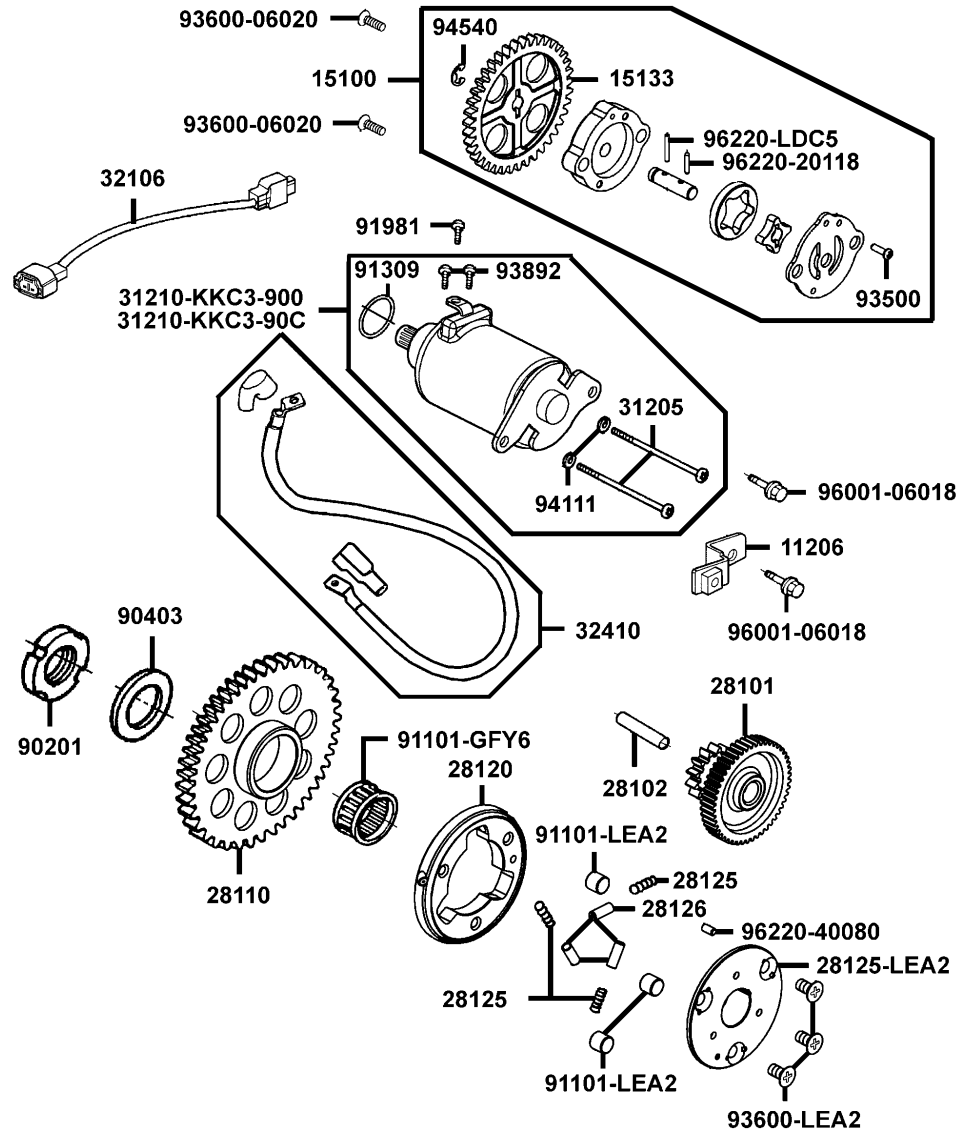
Sales mark 配色標註	Ref no 參考號碼	Part no 零件號碼	Description 英文名稱	Reg description 中文名稱	Regd no 需求用量	E04
	11205	11205-LEA2-900	BUSH M STAND	襯套	1	
	11330	11330-LEA2-900	COVER R CRANK CASE	右曲軸箱蓋	1	
	11394	11394-LEA2-900	GASKET R COVER	右曲軸箱蓋墊片	1	
	12361	12361-GFY6-901	HOLE CAP TAPPET ADJUSTING	調節螺帽	1	
	15421	15421-1G07-001	SCREEN OIL FILTER	濾油網	1	
	15426	15426-GAE1-921	SPG OIL FILTER SCREEN	濾油網彈簧	1	
	1565A	1565A-GFY6-900	GAUGE OIL LEVEL ASSY	機油尺組	1	
	32412	32412-LKC6-900	CABLE, EARTH	接地導線	1	
	50560	50560-LEA1-900	STOPPER R MAIN STAND	主腳架右止件	1	
	90443	90443-8D44-001	WASHER THRUST 8MM	華司 8MM	1	
	91202-GFY6-90A	91202-GFY6-90A	OIL SEAL 19.8*30*5	油封 19.8*30*5	1	
	91202-GFY6-90B	91202-GFY6-90B	OIL SEAL 19.8*30*5	油封 19.8*30*5	1	
	91302	91302-0A01-021	O-RING 30.8M/M	O環 30.8MM	1	
	91307	91307-0E35-001	O RING 18*3	O環 18X3	1	
	94301	94301-08140	DOWEL PIN 8*14	定位銷 8X14	2	
	95801-08025	95801-08025-06	BOLT FLANGE 8x25 (G)	有邊緣螺絲8*25	1	
	96001-06025	96001-06025-08	BOLT FLANGE SH 6*25	螺絲 6*25	1	
	96001-06090	96001-06090-08	BOLT FLANGE SH 6*90	螺絲 6*90	4	
	96001-06100	96001-06100-08	BOLT FLANGE SH 6*100	特殊螺絲 6*100	4	



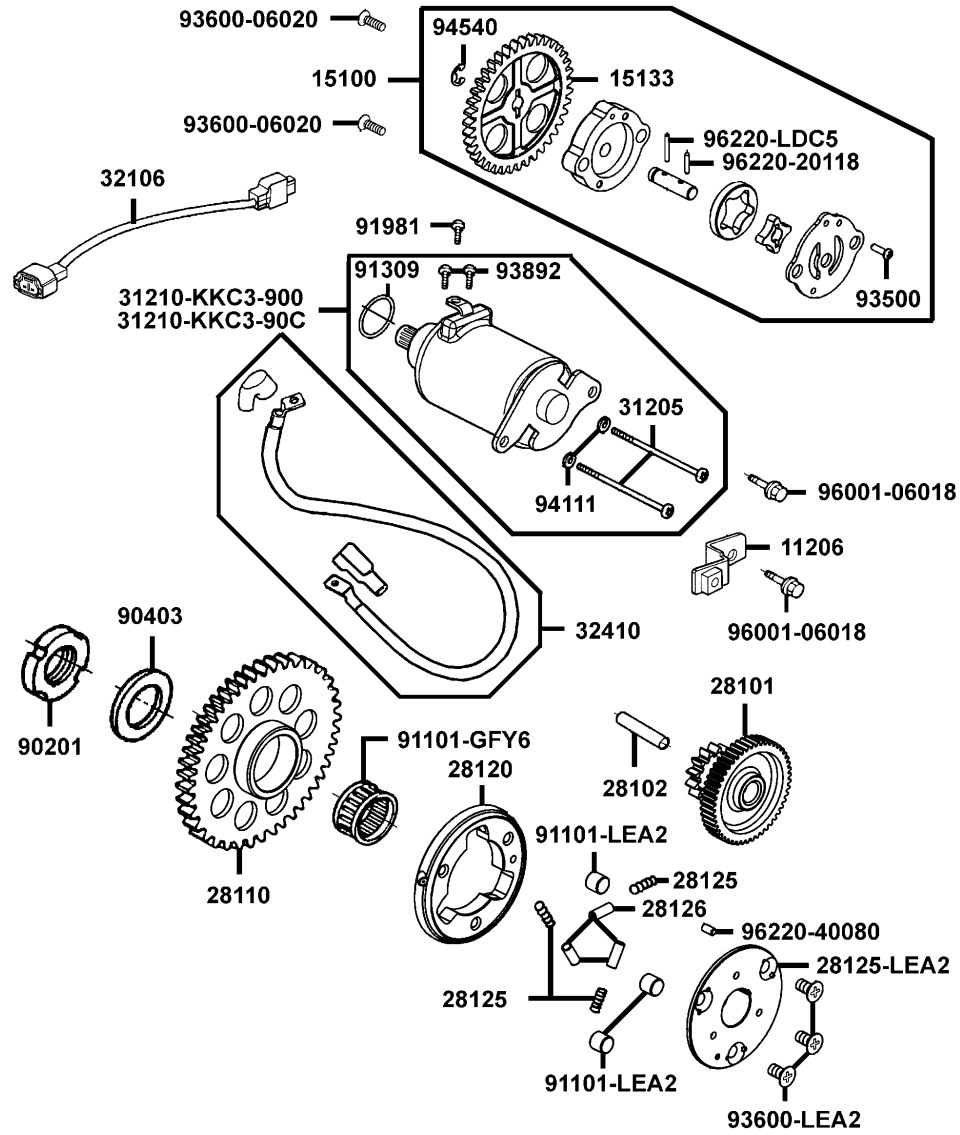
Sales mark 配色標註	Ref no 參考號碼	Part no 零件號碼	Description 英文名稱	Reg description 中文名稱	Regd no 需求用量	E05
	22100	22100-LKC6-900	OUTER COMP CLUTCH	外離合器總成	1	
	22102	22102-LEA2-900	FACE DRIVE	驅動皮帶扇葉盤	1	
	22105	22105-LEA2-900	BOSS DRIVE FACE	襯套	1	
	22110	22110-LEA2-900	FACE COMP MOVABLE DRIVE	滑動式驅動盤	1	
	22112	22112-GFY6-90A	BUSH 24*28*30	襯套	1	
	22121	22121-LEA2-900	ROLLER COMP WEIGHT	配重滾子	6	
	22131	22131-LEA2-900	PLATE RAMP	斜坡板	1	
	22132	22132-LEA2-900	PIECE SLIDE	斜板邊件	3	
	22300	22300-LEA2-900	PLATE ASSY DRIVE	驅動板組	1	
	22350	22350-KHC4-900	PLATE COMP DRIVE	驅動板	1	
	22401	22401-KEB8-900	SPRING CLUTCH	離合器彈簧	3	
	22530	22530-LBC6-900	WEIGHT SET CLUTCH	離合器配重組	3	
	22804	22804-1H48-001	RUBBER CLUTCH DUMPER	橡皮	3	
	2301A	2301A-LKC6-900	PULLY SUB ASSY DRIVEN	從動皮帶輪組	1	
	23100	23100-LKC6-900	BELT DRIVE	驅動皮帶	1	
	23200	23200-LKC6-900	FACE ASSY DRIVEN	平面轉動組	1	
	23220	23220-LKC6-900	FACE COMP MOVABLE DRIVEN	滑動式從動皮帶盤	1	
	23225	23225-GHC8-004	PIN ROLLER GUIDE	滾導銷	1	
	23226	23226-GHC8-004	ROLLER GUIDE	滾子	1	
	23233	23233-LKC6-900	SPG DRIVEN FACE	被驅動面盤彈簧	1	



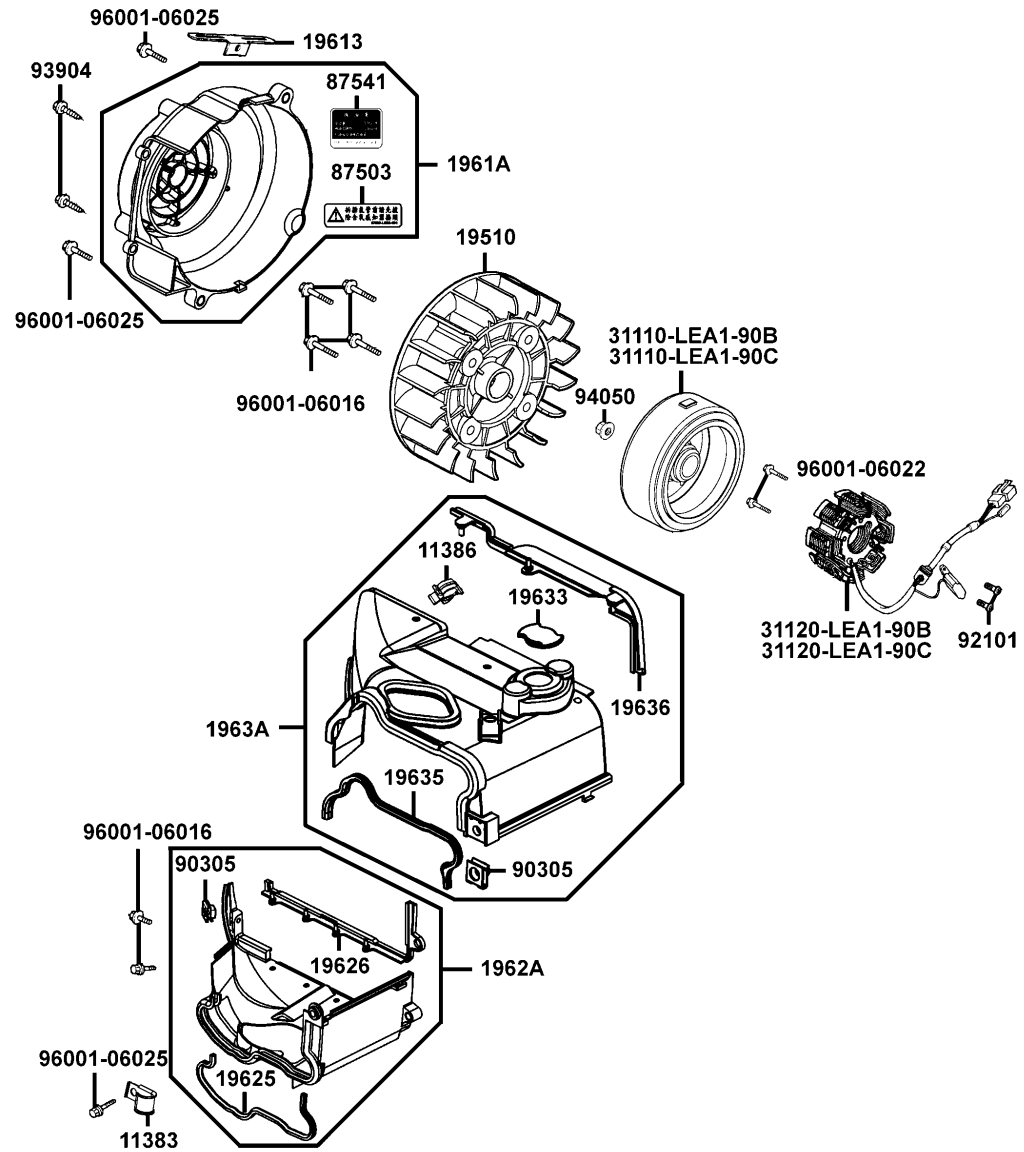
Sales mark 配色標註	Ref no 參考號碼	Part no 零件號碼	Description 英文名稱	Reg description 中文名稱	Regd no 需求用量	E05
	23237	23237-GFY6-941	COLLAR SEAL	套筒油封	1	
	23239	23239-LKC6-900	COLLAR SPG	彈簧套管	1	
	28211	28211-LBC6-900	RATCHET KICK STARTER	起動棘齒輪	1	
	90201	90201-PHB8-001	NUT C FLANGE M12	螺帽 12MM	1	
	90202	90202-1G87-001	NUT SPECIAL 28MM	螺帽	1	
	90442	90442-0D44-001	6M/M THRUST WASHER	華司	3	
	90603	90603-0D44-001	CIR CLIP 6MM	環夾 6MM	3	
	91001-GFY6	91001-GFY6-90A	BRG NDL 20*29*18	軸承 20X29X18	1	
	91002	91002-GGA7-70A	BRG BALL RADIAL 6902U	軸承 6902U	1	
	91211	91211-GHK8-014	OIL SEAL 34*39*3	驅動油封	2	
	91351	91351-6B42-000	O-RING PINION CAP	O環	2	
	94050	94050-12080	NUT C FLANGE 12MM	螺帽 12MM	1	
	94520	94520-28000	CIR CLIP IN 28	內環夾 28MM	1	



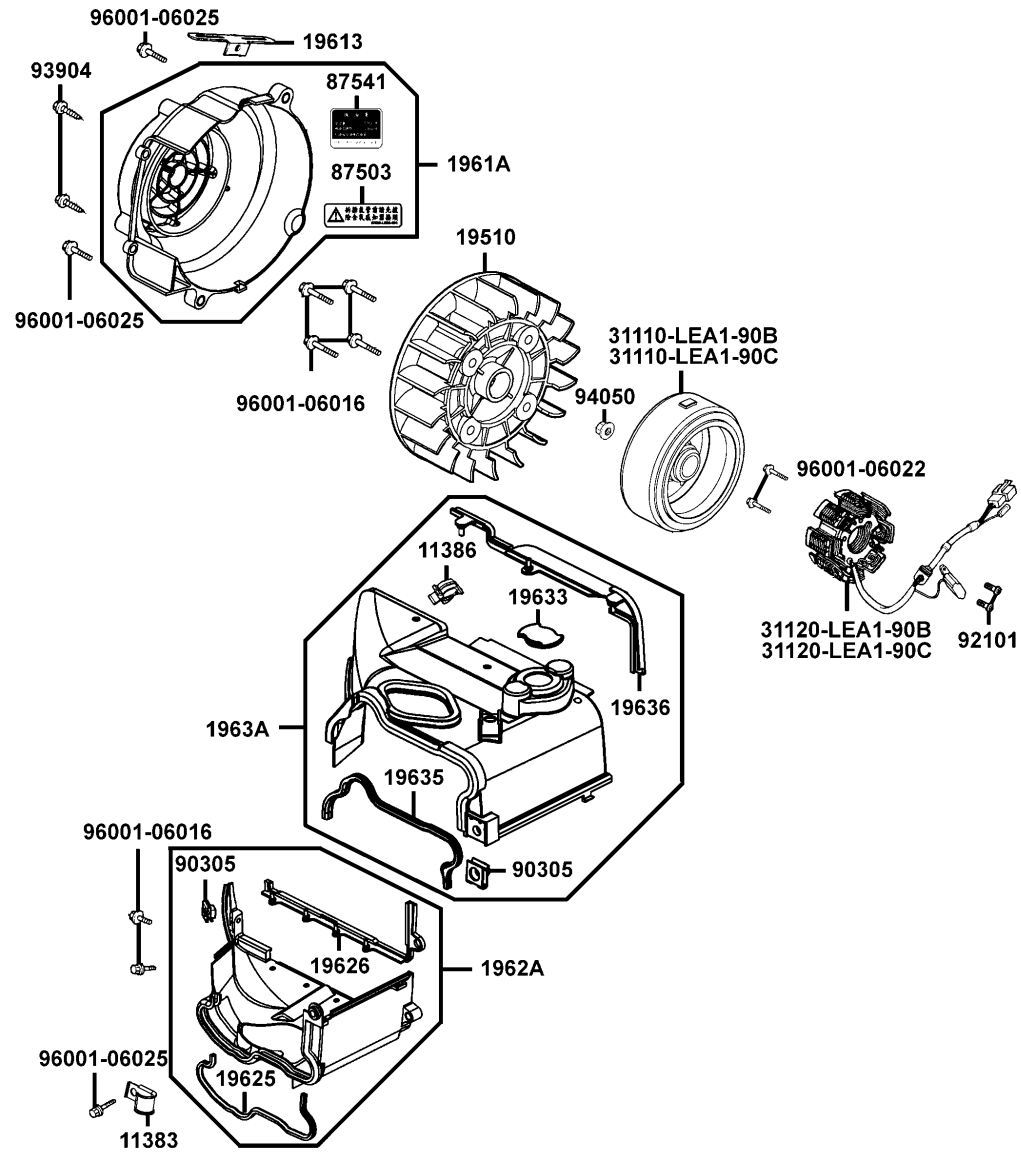
Sales mark 配色標註	Ref no 參考號碼	Part no 零件號碼	Description 英文名稱	Reg description 中文名稱	Regd no 需求用量	E06
	11206	11206-LEA1-900	STAY A RR FENDER	後土除支架 A	1	
	15100	15100-LEA2-900	PUMP ASSY OIL	機油泵浦	1	
	15133	15133-LEA2-900	SPRKT OIL PUMP DRIVEN 39T	機油泵驅動齒輪	1	
	28101	28101-LEA2-900	GEAR STARTER REDUCTION	起動減速齒輪	1	
	28102	28102-LEA2-900	SHAFT STARTER REDUCTION GEAR	減速齒輪軸	1	
	28110	28110-LEA2-900	GEAR COMP STARTING CLUTCH	起動齒輪	1	
	28120	28120-LEA2-900	OUTER COMP STARTING CLUTCH	離合器外套	1	
	28125	28125-4F26-001	SPRING ROLLER STARTER CLUTCH	離合器滾子彈簧	3	
	28125-LEA2	28125-LEA2-900	FLANGE STARTING CLUTCH	起動離合器凸緣	1	
	28126	28126-KNBN-901	CAP SPGING ROLLER SP	滾子彈簧蓋	3	
	31205	31205-KGN7-670	BOLT SET	螺絲	2	
	31210-KKC3-900	31210-KKC3-900	MOTOR UNIT START	起動馬達組	1	
	31210-KKC3-90C	31210-KKC3-90C	MOTOR UNIT START	起動馬達組	1	
	32106	32106-KKE3-900	SUB HARNESS A	汽缸頭溫度感應器配線	1	
	32410	32410-LEA1-900	CABLE START MOTOR	起動馬達配線	1	
	90201	90201-GFY6-901	NUT LOCK 22MM	螺帽 22MM	1	
	90403	90403-LEA2-900	WASHER THRUST 22. 2*31*2.5	華司 22.2*31*2.5	1	
	91101-GFY6	91101-GFY6-90A	BRG CON-ROD	軸承	1	
	91101-LEA2	91101-LEA2-900	ROLLER 10*9	滾子 10*9	3	
	91309	91309-4E25-004	O-RING 24.4*3.1	O環 24.4X3.1	1	



Sales mark 配色標註	Ref no 參考號碼	Part no 零件號碼	Description 英文名稱	Reg description 中文名稱	Regd no 需求用量	E06
	91981	91981-KGN7-670	SCREW WASH 5X8	螺絲 5X8	1	
	93500	93500-03010-1A	SCREW PAN 3*10	螺絲 3*10	1	
	93600-06020	93600-06020-06	SCREW FLAT 6*20	螺絲 6*20	2	
	93600-LEA2	93600-LEA2-900	SCREW PLAT 6*12	螺絲 6*12	3	
	93892	93892-04006-08	SCREW WASH 4*6	螺絲 4*6	2	
	94111	94111-05800	WASHER SPRING 5MM	華司 5MM	2	
	94540	94540-05018	E RING 5	E型環	1	
	96001-06018	96001-06018-08	BOLT FLANGE SH 6*18	螺絲 6X18	2	
	96220-20118	96220-20118	ROLLER 2*11.8	滾子	1	
	96220-40080	96220-40080	ROLLER 4*8	滾子 4*8	1	
	96220-LDC5	96220-LDC5-900	ROLLER 2*14.8	滾子 2*14.8	1	



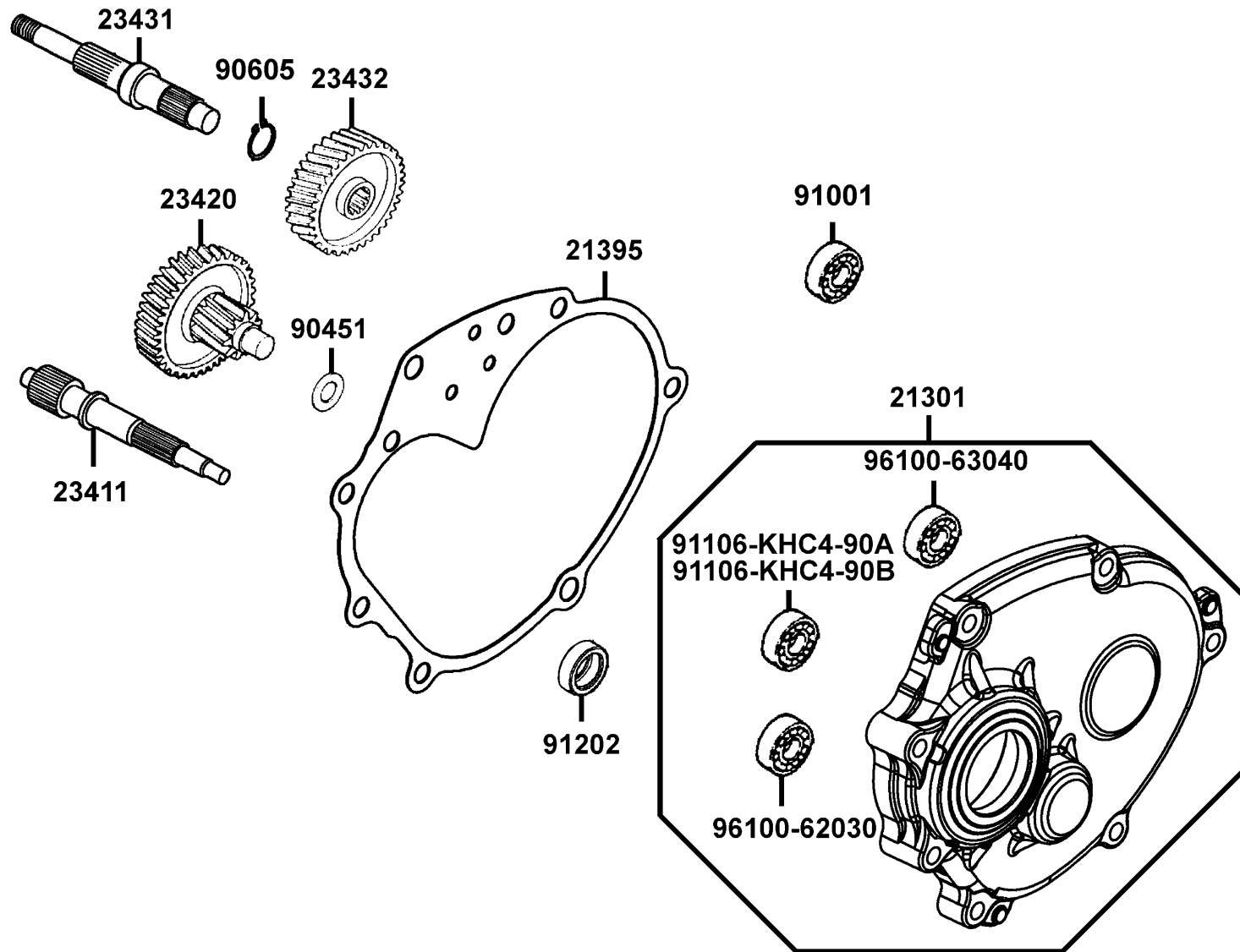
Sales mark 配色標註	Ref no 參考號碼	Part no 零件號碼	Description 英文名稱	Reg description 中文名稱	Regd no 需求用量	E07
	11383	11383-LEA1-900	CLAMPER DRAIN TUBE	通氣管夾	1	
	11386	11386-GFY6-900	CLIP VACUUM TUBE	管夾	1	
	19510	19510-GBW2-901	FAN COMP COOLING	冷卻風扇	1	
	19613	19613-GFY6-901	CLAMPER STARTER MOTOR	起動馬達導線夾	1	
	1961A	1961A-LEA2-900	COVER ASSY FAN	風扇蓋組	1	
	19625	19625-LEA2-900	SEAL SHROUD A	罩蓋油封 A	1	
	19626	19626-LEA2-900	SEAL SHROUD A	罩蓋油封 A	1	
	1962A	1962A-LEA2-900	SHROUD ASSY A	罩蓋 A	1	
	19633	19633-GFY6-901	GROMET SHROUD B	橡皮蓋	1	
	19635	19635-LEA2-900	SEAL SHROUD B	罩蓋油封 B	1	
	19636	19636-LEA2-900	SEAL SHROUD B	罩蓋油封 B	1	
	1963A	1963A-LEA1-900	SHROUD ASSY B	罩蓋B	1	
	31110-LEA1-90B	31110-LEA1-90B	FLYWHEEL COMP	飛輪	1	
	31110-LEA1-90C	31110-LEA1-90C	FLYWHEEL COMP	飛輪	1	
	31120-LEA1-90B	31120-LEA1-90B	STATOR COMP	轉子線圈	1	
	31120-LEA1-90C	31120-LEA1-90C	STATOR COMP	轉子線圈	1	
**	87503	87503-LEA1-900	CAUTION MUFFLER	標籤	1	
**	87541	87541-LEA1-900	LABEL CAP	機油量標籤	1	
	90305	90305-GHK8-001	NUT CLIP 6MM	夾螺帽	2	
	92101	92101-05012-0H	BOLT HEX 5*12	螺絲 5*12	2	



Sales mark 配色標註	Ref no 參考號碼	Part no 零件號碼	Description 英文名稱	Reg description 中文名稱	Regd no 需求用量	E07
	93904	93904-35360	SCREW TAPPING 5*12	螺釘 5*12	2	
	94050	94050-10080	NUT FLANGE 10MM	螺帽	1	
	96001-06016	96001-06016-08	BOLT FLANGE SH 6*16	凸緣螺栓	6	
	96001-06022	96001-06022-08	BOLT FLANGE SH 6*22	螺栓	2	
	96001-06025	96001-06025-08	BOLT FLANGE SH 6*25	螺絲 6*25	3	

E08

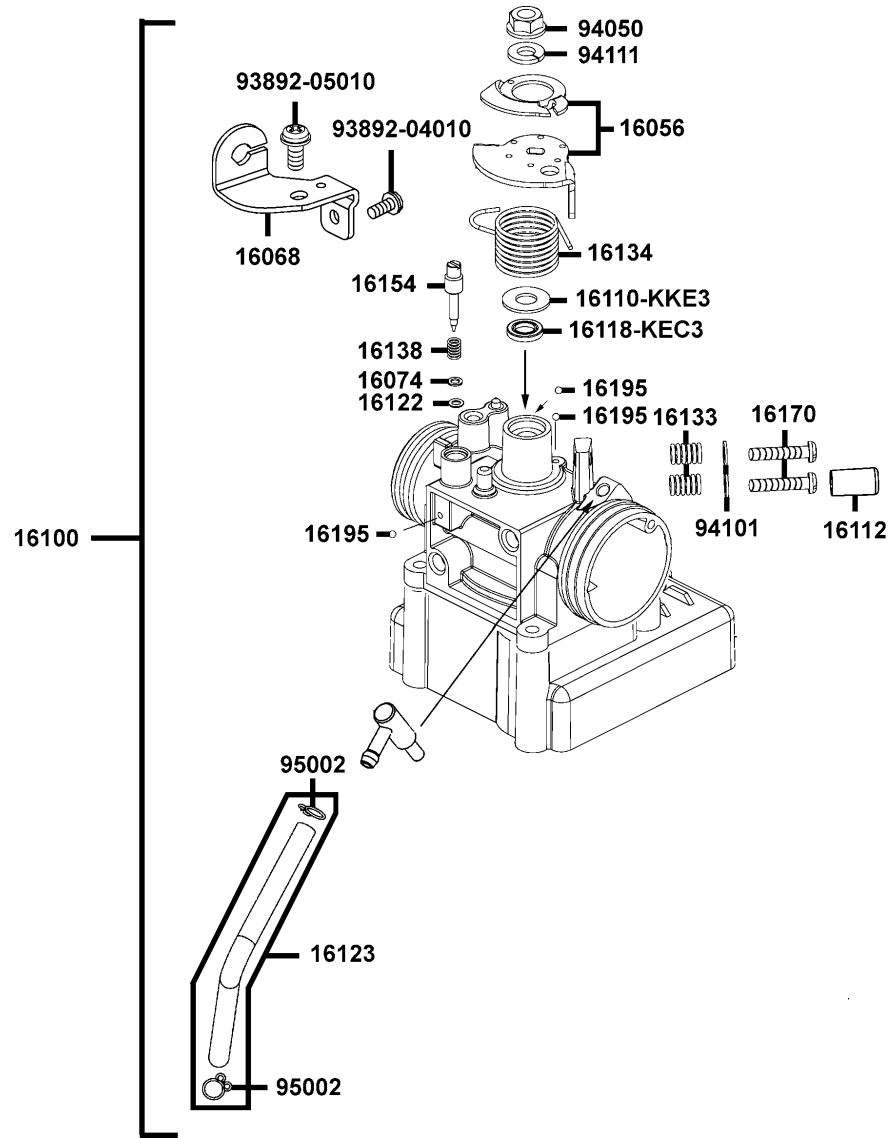
Transmission 傳動系



Sales mark 配色標註	Ref no 參考號碼	Part no 零件號碼	Description 英文名稱	Reg description 中文名稱	Regd no 需求用量	E08
	21301	21301-LEA2-305	COVER MISSION(2007.04.04)	變速箱蓋	1	
	21395	21395-LEA2-900	GASKET MISSION CASE	主軸蓋墊片	1	
	23411	23411-LKC6-900	SHAFT DRIVE	驅動軸	1	
	23420	23420-LKC6-900	SHAFT COMP, COUNTER	副軸組	1	
	23431	23431-LEA1-700	SHAFT FINAL	最終軸	1	
	23432	23432-LKC6-900	GEAR, FINAL	最終齒輪	1	
	90451	90451-KUDU-900	WASHER THRUST 15M/M	華司	1	
	90605	90605-2L00-001	SET RING 20MM	固定環 20MM	1	
	91001	91001-KHC4-90B	BRG BALL RADIAL	球型軸承	1	
	91106-KHC4-90A	91106-KHC4-90A	BRG NEEDLE 15MM	滾針軸承	1	
	91106-KHC4-90B	91106-KHC4-90B	BRG NEEDLE 15MM	滾針軸承	1	
	91202	91202-LEA1-90A	OIL SEAL 22*32*5	左曲軸箱油封 22*32*5	1	
	96100-62030	96100-62030-00	BRG BALL RADIAL 6203	軸承 6203	1	
	96100-63040	96100-63040-00	BRG BALL RADIAL 6304	軸承 6304	1	

E09

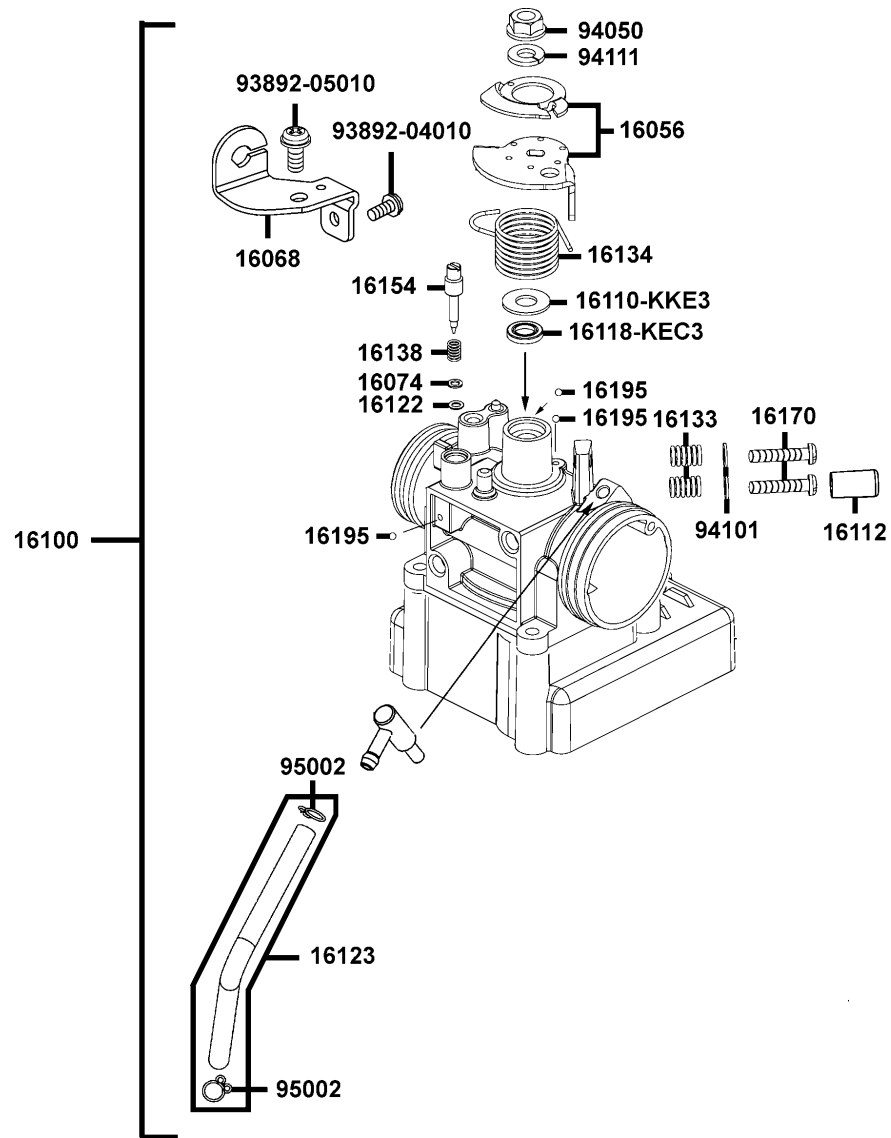
Carburetor 化油器



Sales mark 配色標註	Ref no 參考號碼	Part no 零件號碼	Description 英文名稱	Reg description 中文名稱	Regd no 需求用量	E09
	16056	16056-LEB2-900	LEVER ASSY THROTTLE	拉桿節流閥	1	
	16068	16068-LEB2-900	PLATE WIRE FIXED	節流導線固定板	1	
	16074	16074-KEC3-900	WASHER IDLE SCREW	華司	1	
	16100	16100-LKC6-900	THROTTLE BODY ASSY.	節流閥	1	
	16110-KKE3	16110-KKE3-900	WASHER THROTTLE COMP	華司	1	
	16112	16112-KKE3-900	COVER IDLE SCREW	蓋	1	
	16118-KEC3	16118-KEC3-900	SEAL THROTTLE SHAFT	節流閥封軸	1	
	16122	16122-KEC3-900	O-RING IDLE SCREW	O型環	1	
	16123	16123-LKC6-900	TUBE COMP 3.5*540	油管	1	
	16133	16133-KEC3-900	SPG THROTTLE ADJUST SCREW	彈簧	2	
	16134	16134-KKE3-900	SPG THROTTLE SHAFT	節流閥軸彈簧	1	
	16138	16138-KEC3-900	SPG IDLE ADJ SCREW	彈簧	1	
	16154	16154-KKE3-900	SCREW IDLE ADJUST	螺絲	1	
	16170	16170-KEC3-900	SCREW THROTTLE ADJUST	調整螺絲	2	
	16195	16195-KEC3-900	BALL 2.1	滾珠	3	
	93892-04010	93892-04010-08	SCREW WASHER 4*10	螺絲	1	
	93892-05010	93892-05010-08	SCREW WASH 5*10	螺絲	1	
	94050	94050-06080	NUT FLANGE 6MM	螺帽 6MM	1	
	94101	94101-KKE3-900	WASHER PLAN 4.5*8*0.8	墊圈	2	
	94111	94111-06800	WASHER SPG 6MM	華司 6MM	1	

E09

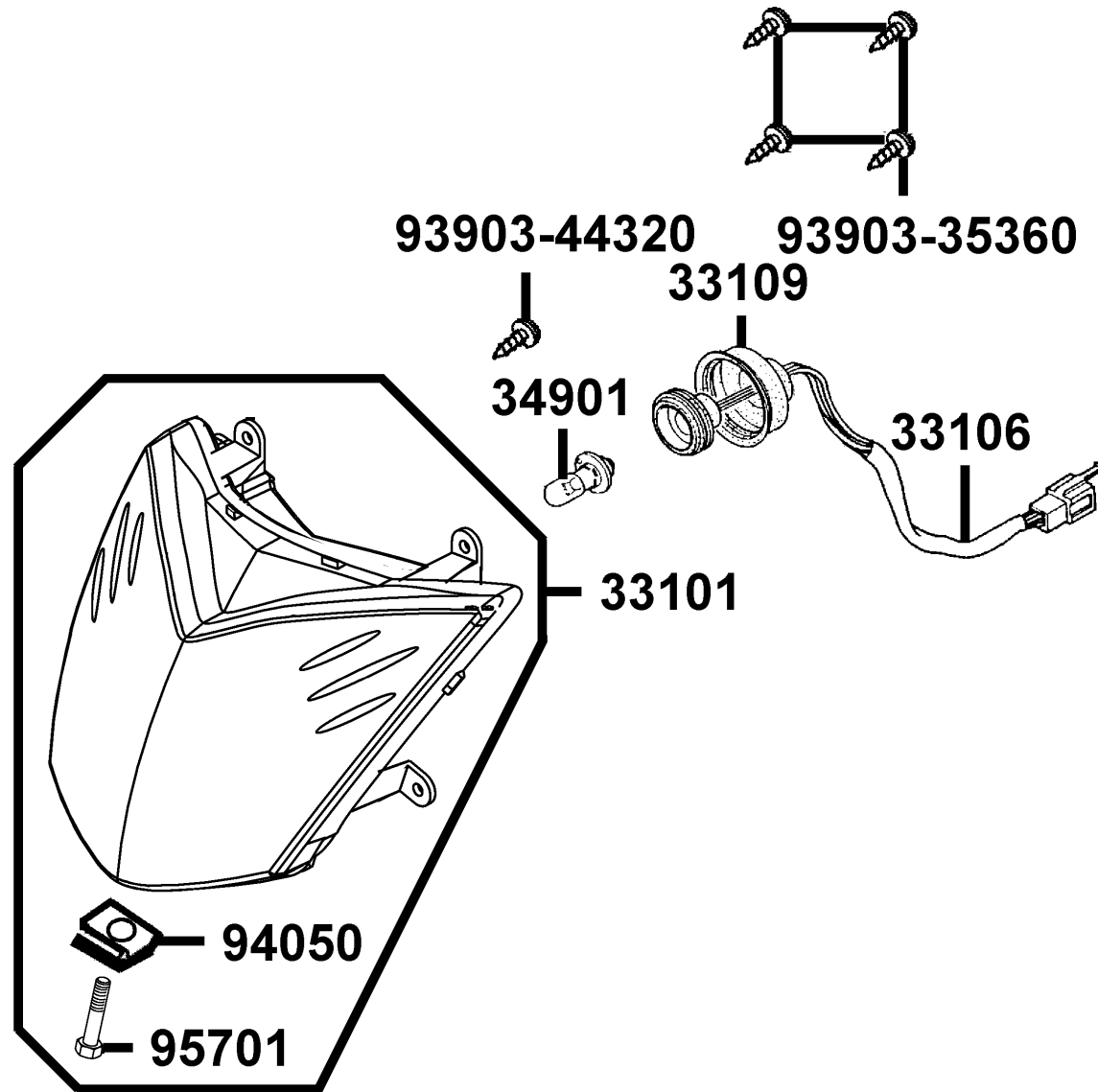
Carburetor 化油器



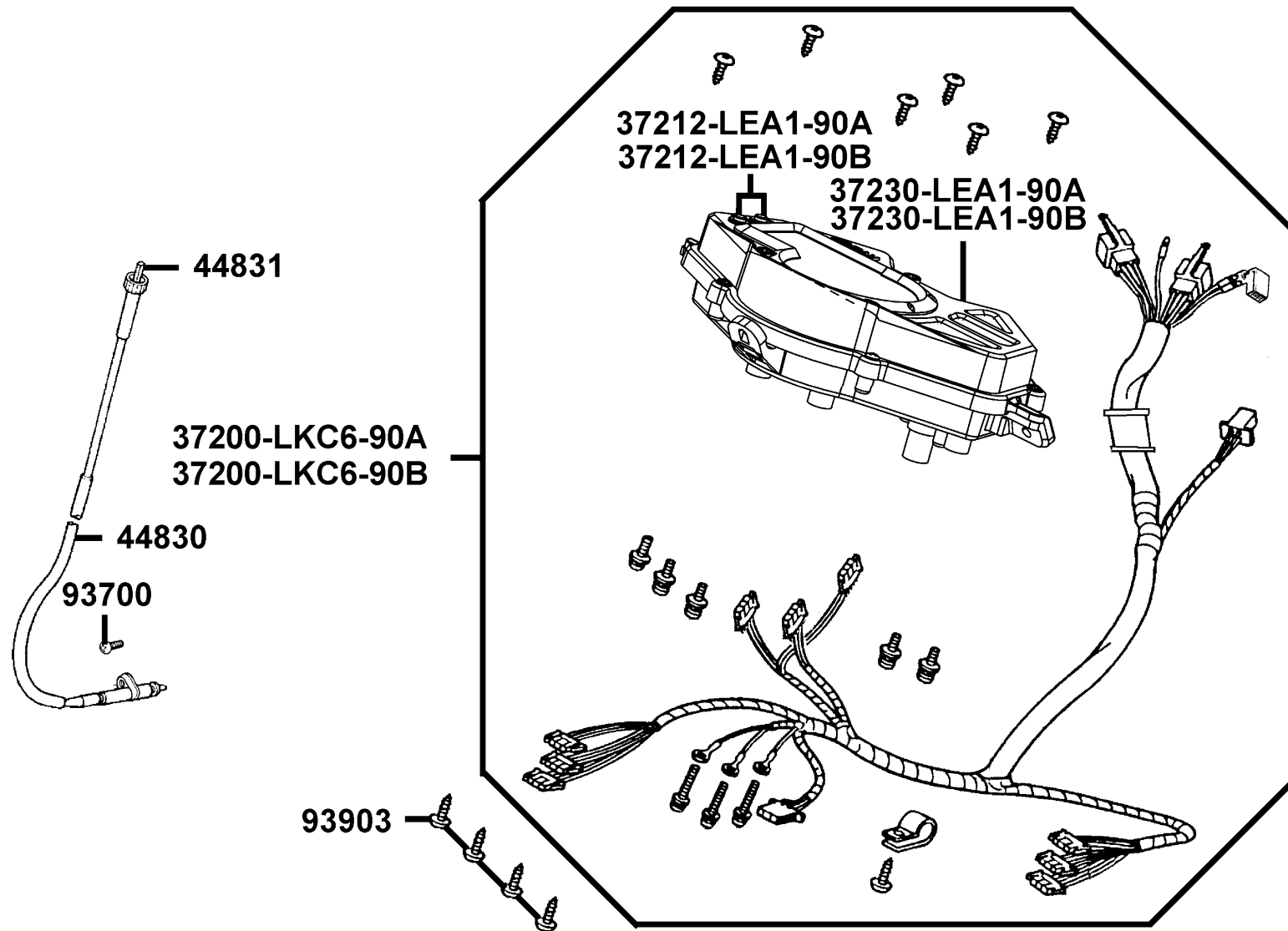
Sales mark 配色標註	Ref no 參考號碼	Part no 零件號碼	Description 英文名稱	Reg description 中文名稱	Regd no 需求用量	E09
95002	95002-02070	95002-02070	CLIP B7 TUBE	管夾	2	

F01

Head Light 前燈



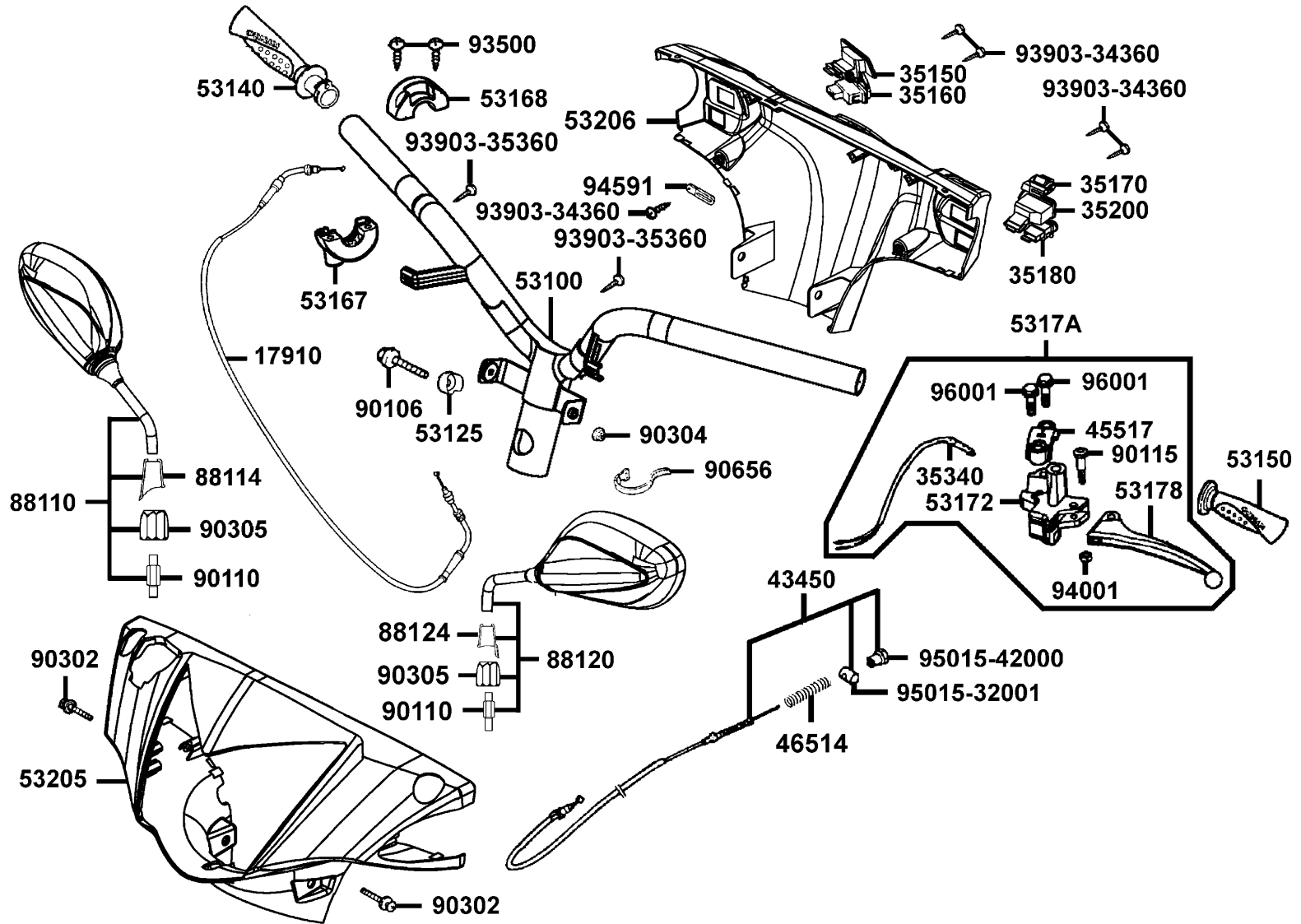
Sales mark 配色標註	Ref no 參考號碼	Part no 零件號碼	Description 英文名稱	Reg description 中文名稱	Regd no 需求用量	F01
	33101	33101-LEA1-305	COMB HEAD LIGHT	前燈殼組	1	
	33106	33106-LEA1-900	SOCKET COMP	前燈配線	1	
	33109	33109-LBE3-900	COVER RUBBER	防水橡皮	1	
	34901	34901-KED9-900	BULB HEAD LIGHT	前燈泡	1	
	93903-35360	93903-35360	SCREW TAPPING 5*16	螺釘 5*16	4	
	93903-44320	93903-44320	TAPPING SCREW	螺絲	1	
	94050	94050-LEA6-900	CLIP NUT M4	螺帽	1	
	95701	95701-LEA1-900	SCREW ADJ M4*35L	前燈調整螺絲	1	



Sales mark 配色標註	Ref no 參考號碼	Part no 零件號碼	Description 英文名稱	Reg description 中文名稱	Regd no 需求用量	F02
	37200-LKC6-90A	37200-LKC6-90A	METER ASS'Y SPEED	儀表組	1	
	37200-LKC6-90B	37200-LKC6-90B	METER ASS'Y SPEED	儀表組	1	
	37212-LEA1-90A	37212-LEA1-90A	PACKING(BUTTON-ADJ)	調整按鈕	1	
	37212-LEA1-90B	37212-LEA1-90B	PACKING(BUTTON-ADJ)	調整按鈕	1	
	37230-LEA1-90A	37230-LEA1-90A	LENS ASSY	儀錶蓋	1	
	37230-LEA1-90B	37230-LEA1-90B	LENS ASSY	儀錶蓋	1	
	44830	44830-KUDU-900	CABLE COMP SPDMT	碼錶導線	1	
	44831	44831-KUDU-900	CABLE INNER	速度錶內導線	1	
	93700	93700-05018-0H	SCREW OVAL 5*18	螺絲 5*18	1	
	93903	93903-35320	SCREW TAPPING 5*16	螺絲 5*16	4	

F03

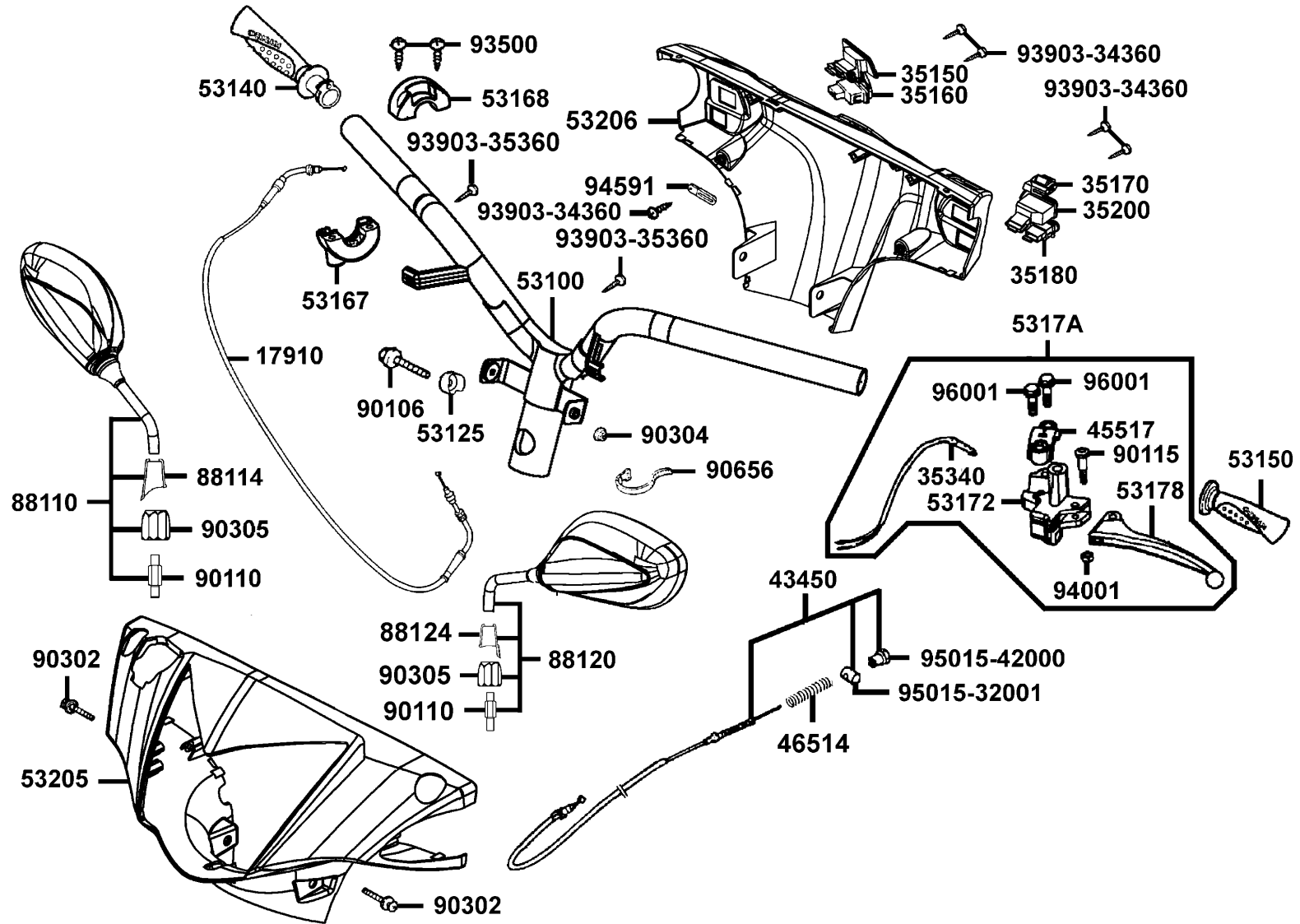
Handle Steering Handle Cover 轉向手柄 手柄蓋



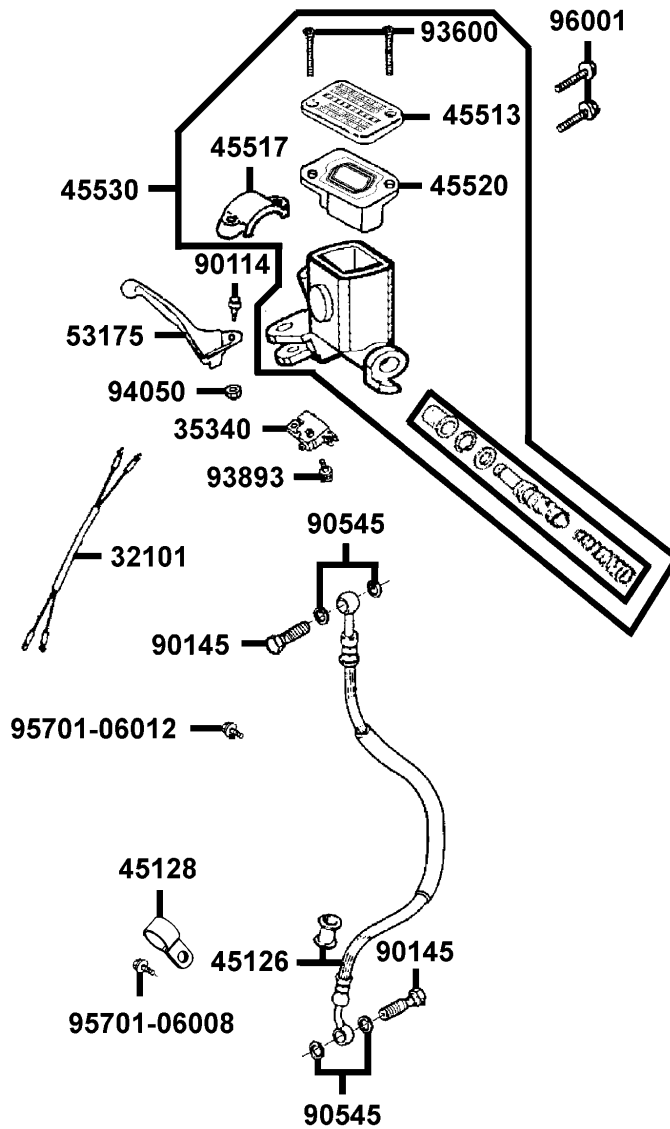
Sales mark 配色標註	Ref no 參考號碼	Part no 零件號碼	Description 英文名稱	Reg description 中文名稱	Regd no 需求用量	F03
	17910	17910-LEA1-900	CABLE COMP., THROT	加油導線	1	
	35150	35150-GFY6-900	SW UNIT LIGHTING	前燈開關	1	
	35160	35160-GGS7-900	SW UNIT STARTER	起動開關	1	
	35170	35170-KNBN-910	SW UNIT DIMMER	遠近燈開關	1	
	35180	35180-GGS7-900	SW UNIT HORN	喇叭開關	1	
	35200	35200-GFY6-910	SW UNIT WINKER	方向燈開關	1	
	35340	35340-GBN2-770	SW ASSY FR STOP	剎車燈前置開關	1	
	43450	43450-LEA1-900	CABLE COMP RR BRK	後煞車導線	1	
	45517	45517-GFY6-900	HOLDER HNDL BRKT	手柄固定座夾板	1	
	46514	46514-LEA1-900	SPG BRK ARM	後煞車導線回位彈簧	1	
	53100	53100-LBG7-900	HANDLE COMP STRG	轉向手柄	1	
	53125	53125-GEN5-901	COLLAR HANDLE SET	套筒	1	
**	53140	53140-LCB4-700	GRIP COMP THROT	節流管套組	1	
**	53150	53150-LCB4-700	GRIP COMP L HANDLE	手柄左橡皮套	1	
	53167	53167-KFA1-900	HOUSING UND THROT	節流管套下固定座	1	
	53168	53168-KFA1-900	HOUSING UP THROT	節流管套上固定座	1	
	53172	53172-KKE2-900	BRKT L STRG HANDLE	手柄左托架	1	
**	53178	53178-KKE2-900	LEVER L STRG HANDLE	左拉桿	1	
	5317A	5317A-KKE2-900	BRKT ASSY HNDL L	手柄左托架組	1	
**	53205	53205-LEA1-900	COVER FR HANDLE	手柄前蓋	1	

F03

Handle Steering Handle Cover 轉向手柄 手柄蓋



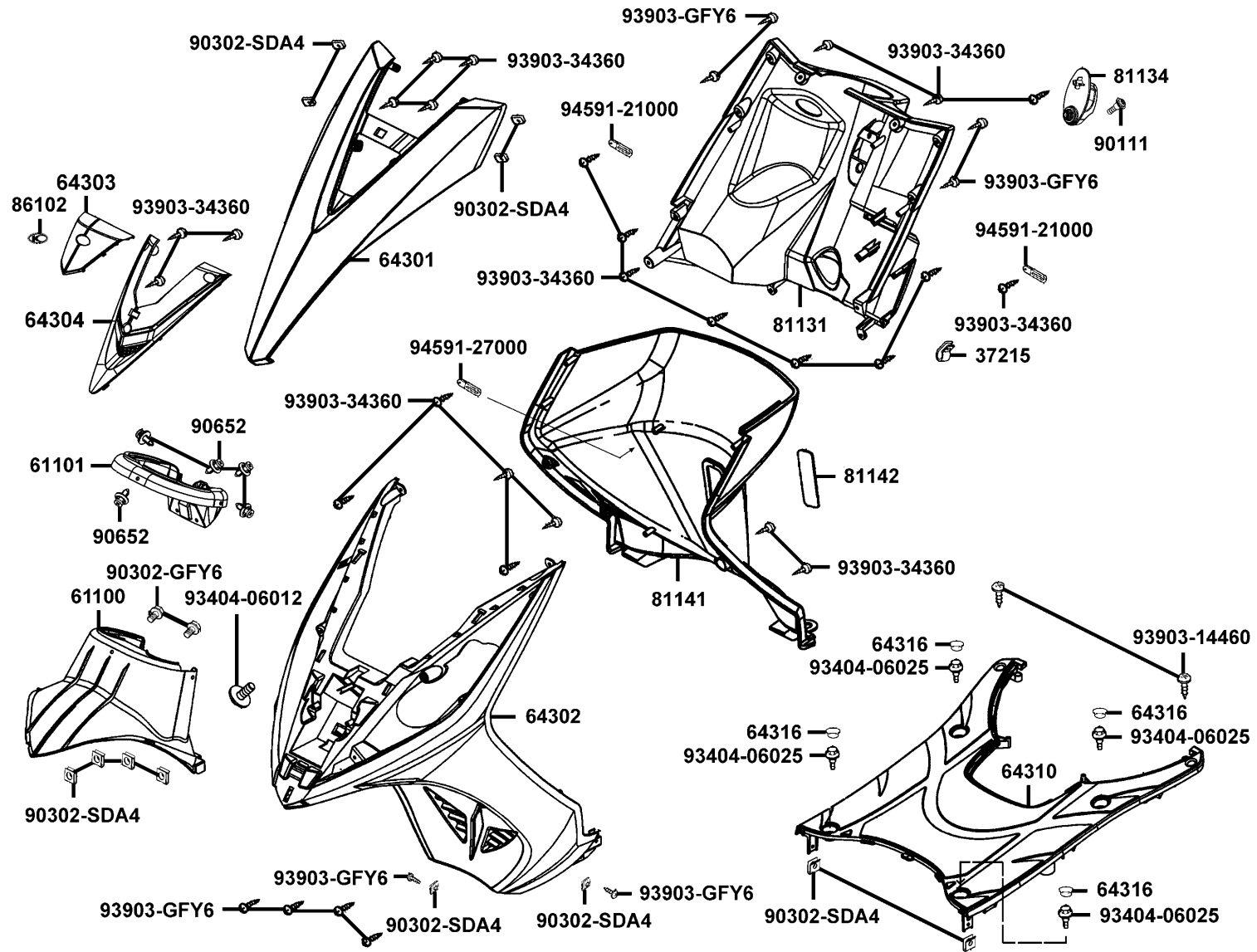
Sales mark 配色標註	Ref no 參考號碼	Part no 零件號碼	Description 英文名稱	Reg description 中文名稱	Regd no 需求用量	F03
**	53206	53206-LEA1-900	COVER HANDLE RR	手柄後蓋	1	
	88110	88110-LEA1-900	MIRROR ASSY R BACK	右後視鏡	1	
	88114	88114-LEA1-900	BOOT R MIRROR	右後視鏡護套	1	
	88120	88120-LEA1-900	MIRROR ASSY L BACK	左後視鏡	1	
	88124	88124-LEA1-900	BOOT L MIRROR	左後視鏡護套	1	
	90106	90106-GEN5-901	BOLT FLANGE 10*50	特殊螺絲 10*50	1	
	90110	90110-LFG6-900	BOLT SPECIAL	後視鏡固定特殊螺絲	2	
	90115	90115-GLE0-001	BOLT HNDL LEVER PIVOT	拉桿螺絲	1	
	90302	90302-LLB1-E00	BOLT-WASHER 5*12	螺絲 5X12	2	
	90304	90304-GLW0-90A	NUT U FLANGE 10MM	螺帽 10MM	1	
	90305	90305-KNCN-900	NUT SPECIAL 12MM	後視鏡特殊螺帽 12MM	2	
	90656	90656-KCBC-900	BAND OIL HOSE	油管束帶	1	
	93500	93500-05022-06	SCREW PAN 5*22	螺絲 5*22	2	
	93903-34360	93903-34360	SCREW TAPPING 4*12	螺絲 4*12	5	
	93903-35360	93903-35360	SCREW TAPPING 5*16	螺釘 5*16	2	
	94001	94001-05080-0S	NUT HEX 5MM	螺帽 5MM	1	
#	94591	94591-27000	CLIP 2*70	夾子 2*70	1	
	95015-32001	95015-32001	JOINT B BRAKE ARM	煞車導線接頭銷	1	
	95015-42000	95015-42000	NUT B ADJUST	調整螺帽	1	
	96001	96001-06025-06	BOLT FLANGE 6*25	螺絲 6*25	2	



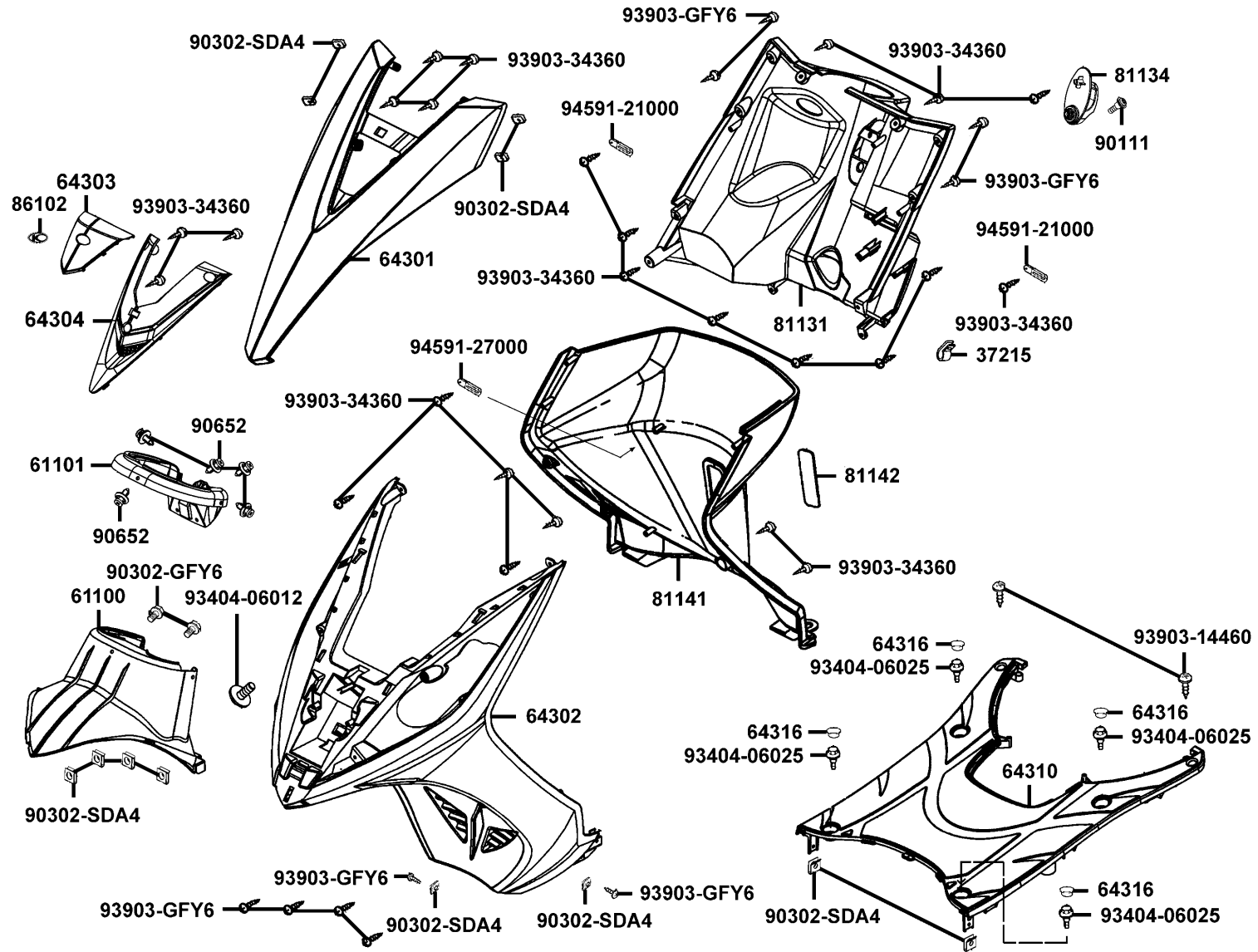
Sales mark 配色標註	Ref no 參考號碼	Part no 零件號碼	Description 英文名稱	Reg description 中文名稱	Regd no 需求用量	F04
	32101	32101-GFY6-901	SUB CORD R/H	煞車燈開關右配線	1	
	35340	35340-KNBN-901	SW ASSY FR STOP	煞車燈前置開關	1	
	45126	45126-LEA1-900	HOSE ASSY FR BRK	前煞車油管	1	
	45128	45128-LEA1-800	CLAMPER BRAKE HOSE	油管夾	1	
	45513	45513-GLW0-91A	CAP MASTER CYLINDER	煞車主油缸蓋	1	
	45517	45517-KFAF-900	HOLDER M/C	主油缸固定座	1	
	45520	45520-GLW0-91A	DIAPHRAGM	橫隔板	1	
	45530	45530-KHC4-305	CYLINDER SET MASTER	煞車主油缸	1	
**	53175	53175-KFA1-900	LEVER R STRG HANDLE	手柄右拉桿	1	
	90114	90114-1F66-007	BOLT HANDLE LEVER	右拉桿固定螺栓	1	
	90145	90145-MKS9-61A	OIL BOLT 10*22	油管螺絲 10*22	2	
	90545	90545-3L00-001	WASHER OIL BOLT	華司	4	
	93600	93600-04012-1A	SCREW FLAT 4*12	螺絲 4*12	2	
	93893	93893-04012-18	SCREW WASHER 4*12	螺絲 4*12	1	
	94050	94050-06060	NUT FLANGE 6MM	螺帽 6MM	1	
	95701-06008	95701-06008-06	BOLT FLANGE 6*8	螺絲 6*8	1	
	95701-06012	95701-06012-06	BOLT FLANGE 6*12	螺絲 6*12	1	
	96001	96001-06022-02	FLANGE BOLT 6*22	螺絲 6*22	2	

F05

COVER SET FRONT FENDER FRONT 前蓋 前土除



Sales mark 配色標註	Ref no 參考號碼	Part no 零件號碼	Description 英文名稱	Reg description 中文名稱	Regd no 需求用量	F05
#	37215	37215-LGM9-900	CLAMP	配線夾	0	
**	61100	61100-LEA1-900	FENDER FR INNER	前土除	1	
	61101	61101-LEA1-900	FENDER FRONT B INNER	前內土除B	1	
**	64301	64301-LEA1-345	COVER FR	前蓋組	1	
**	64302	64302-LEA1-315	MOLDING FR	前護板	1	
**	64303	64303-LEA1-900	TOP FR COVER A	前頂蓋A	1	
**	64304	64304-LEA1-900	TOP FR COVER A	前頂蓋A	1	
**	64310	64310-LEA1-900	FLOOR PANEL	腳踏板	1	
**	64316	64316-KHE2-900	PLUG FLOOR	踏板塞子	4	
**	81131	81131-LEA1-900	LEG SHIELD UP	內箱上殼	1	
**	81134	81134-LAB4-900	"HOOK,LEG SHIELD"	前置物箱掛鉤	1	
**	81141	81141-LEA1-900	LEG SHIELD LOW	內箱下殼	1	
**	81142	81142-KUDU-900	LID LEG SHIELD	內箱蓋	1	
**	86102	86102-KKC4-900	EMB K-LOGO 28.5MM	標誌 28.5MM	1	
	90111	90111-LGE3-900	BOLT,FLANGE 6MM	螺絲 6MM	1	
	90302-GFY6	90302-GFY6-901	BOLT WASH 5*12	螺絲 5*12	2	
	90302-SDA4	90302-SDA4-004	NUT SPRING 4MM	螺帽 4MM	12	
	90652	90652-LEA1-900	CLIP MUDGURAD	束夾	5	
	93404-06012	93404-06012-06	BOLT WASH 6*12	螺絲 6*12	1	
	93404-06025	93404-06025-06	BOLT WASHER 6*25	螺絲 6*25	4	



Sales mark 配色標註	Ref no 參考號碼	Part no 零件號碼	Description 英文名稱	Reg description 中文名稱	Regd no 需求用量	F05
	93903-14460	93903-14460	SCREW TAPPING 4*16	螺釘 4*16	2	
	93903-34360	93903-34360	SCREW TAPPING 4*12	螺絲 4*12	25	
	93903-GFY6	93903-GFY6-900	SCREW TAPPING 4*14	螺絲 4*14	10	
#	94591-21000	94591-21000	CLIP 2*100	導線夾	2	
#	94591-27000	94591-27000	CLIP 2*70	夾子 2*70	1	

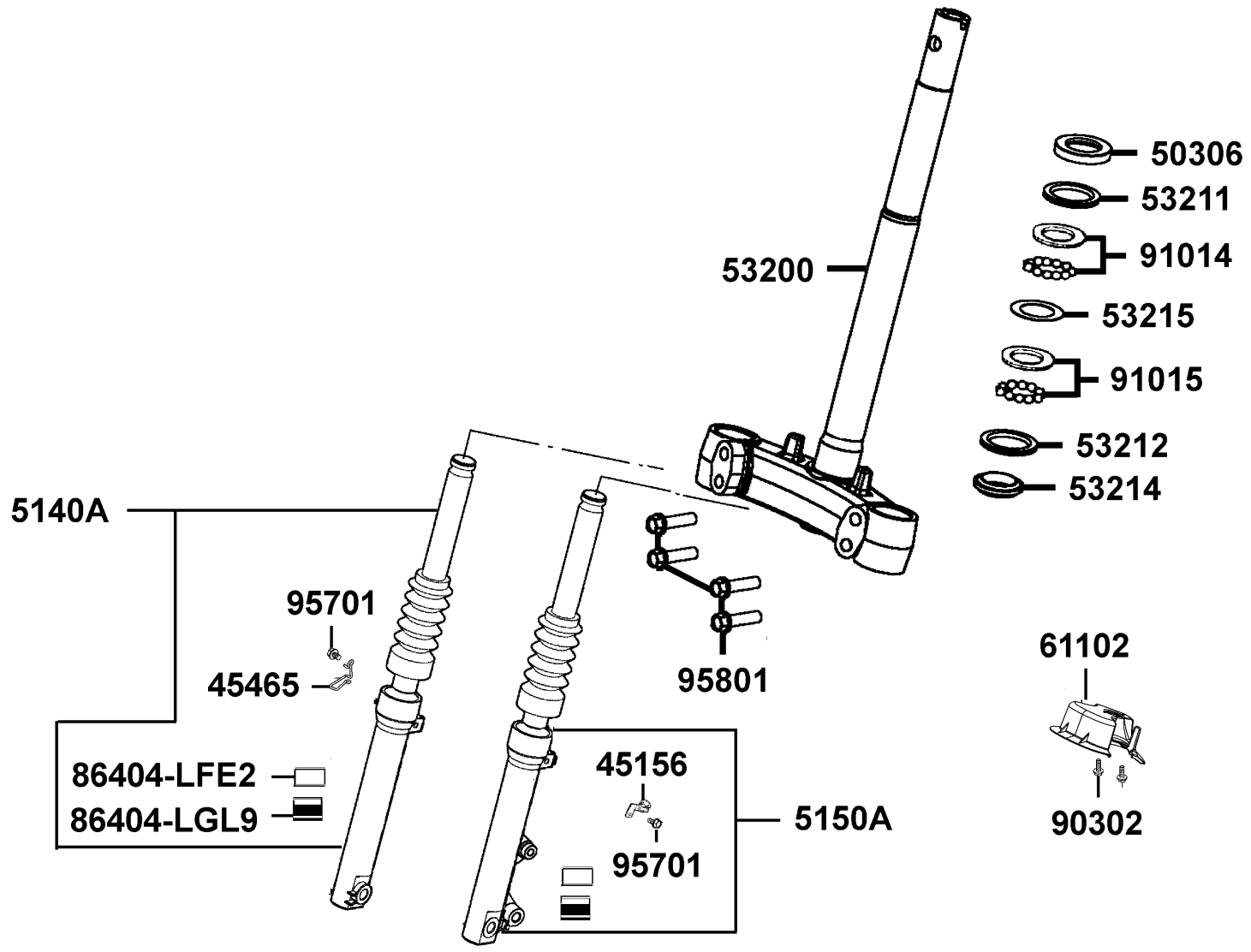
F06

Front Fork

Front Cushion

轉向桿

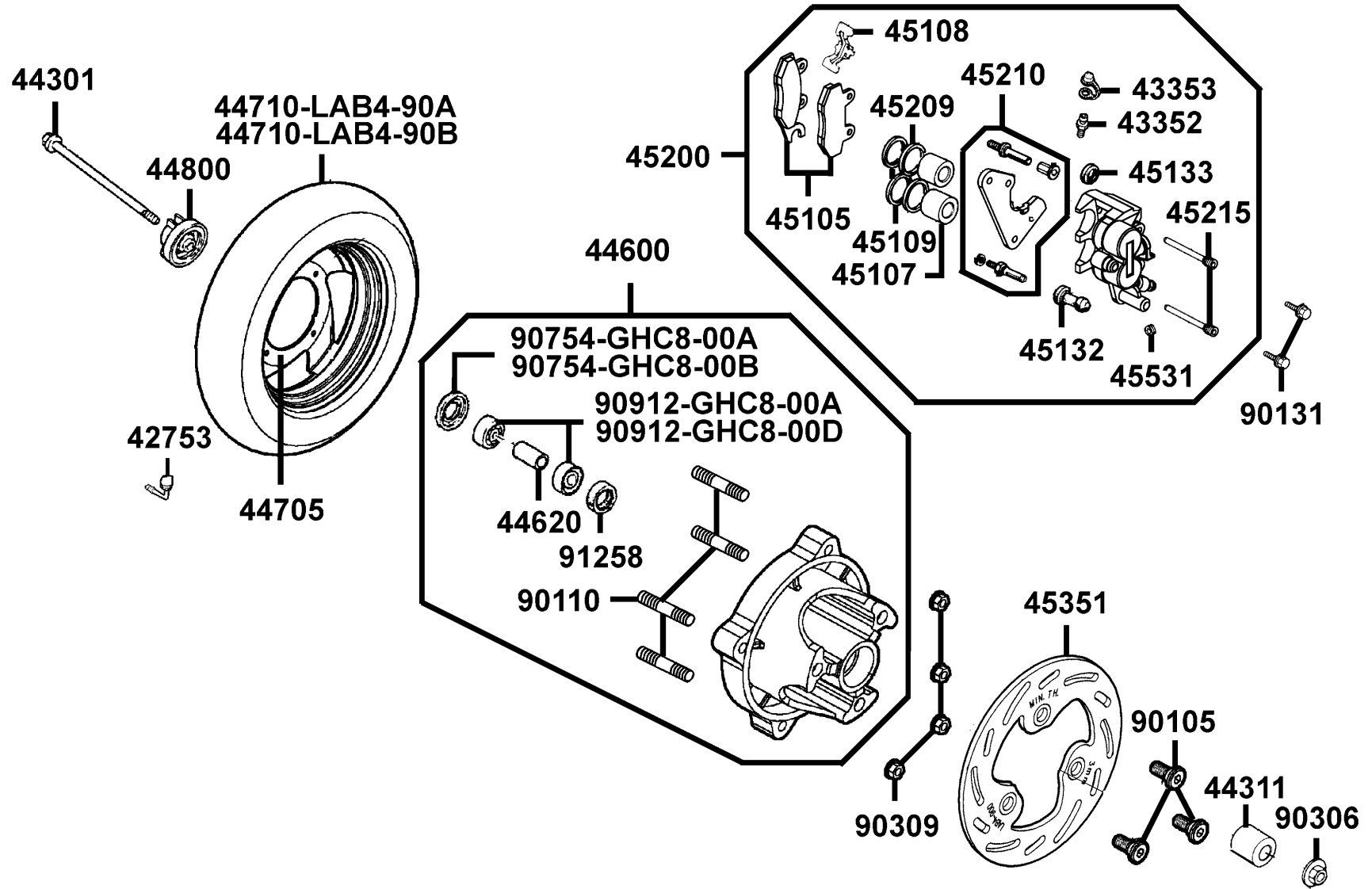
前避震器



Sales mark 配色標註	Ref no 參考號碼	Part no 零件號碼	Description 英文名稱	Reg description 中文名稱	Regd no 需求用量	F06
	45156	45156-KNBN-902	CLAMPER FR BRK HOSE	油管	1	
	45465	45465-LEA1-900	GUIDE CABLE	線夾	1	
	50306	50306-1F96-001	NUT STRG STEM LOCK	主幹螺帽	1	
**	5140A	5140A-LKC6-900	FORK SET FR R	右前叉	1	
**	5150A	5150A-LKC6-900	FORK SET FR L	左前叉	1	
	53200	53200-LEA1-900	STEM COMP STRG	轉向桿	1	
	53211	53211-GFY6-940	RACE STRG TOP CONE	上錐體座圈	1	
	53212	53212-2L50-011	RACE STRG BOT CONE	下錐體座圈	1	
	53214	53214-2L50-001	DUST SEAL STRG(HEAD)	墊片	1	
	53215	53215-2L50-001	WASH STRG HDL DUST-SEAL	轉向桿華司	1	
	61102	61102-LEA1-900	FENDER,FR C INNER	前內擋泥板C	1	
**	86404-LFE2	86404-LFE2-900	STRIPE FR FORK	前避震器貼紙	2	
**	86404-LGL9	86404-LGL9-710	STRIPE FORK FR	前叉貼紙	2	
	90302	90302-GFY6-940	BOLT-WASH 5*16	螺絲 5*16	2	
	91014	91014-LLJ3-E00	CAGE STEERING TOP	鋼珠座	1	
	91015	91015-LLJ3-E00	CAGE STEERING BOT	鋼珠座	1	
	95701	95701-06012-06	BOLT FLANGE 6*12	螺絲 6*12	2	
	95801	95801-08040-08	BOLT FLANGE 8*40	螺絲 8*40	4	

F07

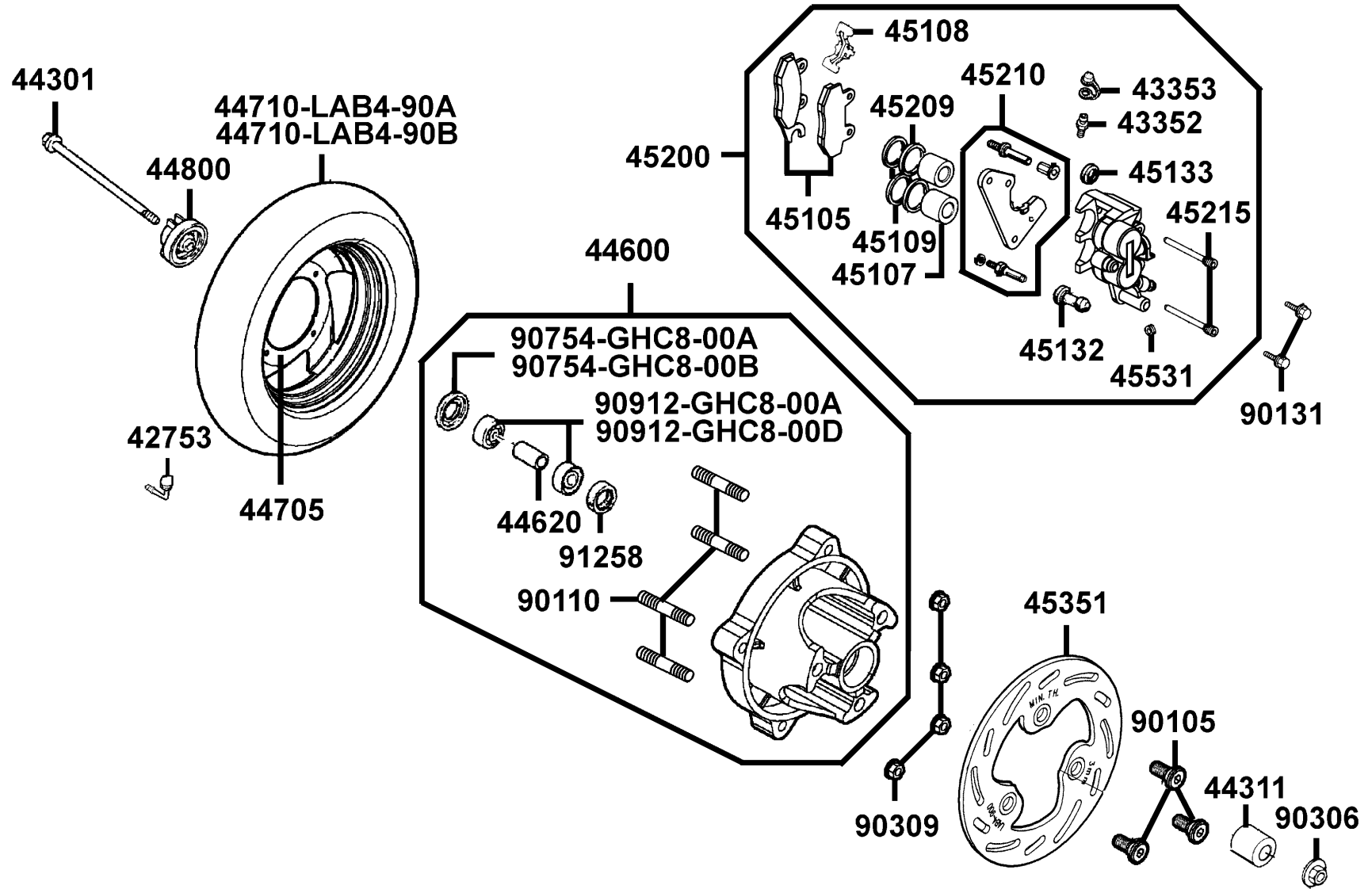
Front Wheel 前輪



Sales mark 配色標註	Ref no 參考號碼	Part no 零件號碼	Description 英文名稱	Reg description 中文名稱	Regd no 需求用量	F07
	42753	42753-KXCX-900	VALVE (PVR-70B) & CAP	打氣嘴	1	
	43352	43352-5H68-004	SCREW BLEEDER	加油嘴	1	
	43353	43353-4A61-77A	CAP BLEEDER	加油嘴蓋	1	
	44301	44301-LGE3-900	AXLE FR WHEEL	前輪軸	1	
	44311	44311-GLW0-911	COLLAR FR WHEEL SIDE	前輪邊套筒	1	
**	44600	44600-LCB4-306	WHEEL SET FR	前輪圈	1	
	44620	44620-KSBS-900	COLLAR FR DIST	套筒	1	
**	44705	44705-KHC4-900	RIM COMP FR WHEEL	前輪圈	1	
	44710-LAB4-90A	44710-LAB4-90A-G304	TIRE ASSY FR	前輪胎	1	
	44710-LAB4-90B	44710-LAB4-90B-G303	TIRE ASSY FR	前輪胎	1	
**	44800	44800-KNBN-901	GEAR BOX ASSY SPDMT	速度齒輪箱組	1	
	45105	45105-LEA1-306	PAD SET	前煞車摩擦板組	1	
	45107	45107-MEN5-007	PISTON	卡鉗活塞	2	
	45108	45108-MDL4-007	PAD SPG	摩擦板彈簧	1	
	45109	45109-GBE2-007	DUST SEAL	防塵封	2	
	45132	45132-1F66-017	BUSH BOOT PIN	襯套	1	
	45133	45133-MCA3-007	BOOT B	襯套 B	1	
**	45200	45200-LEA1-700	CALIPER ASSY FR	前煞車卡鉗	1	
	45209	45209-GBE2-007	SEAL PISTON	油封	2	
	45210	45210-LEA1-306	BRKT FR CALIPER	前煞車卡鉗托架	1	

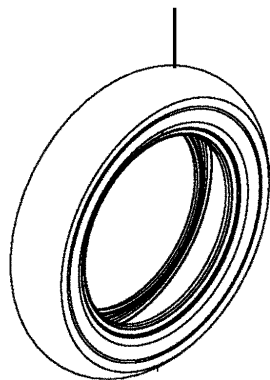
F07

Front Wheel 前輪

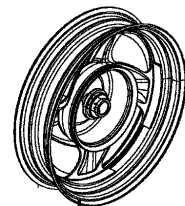


Sales mark 配色標註	Ref no 參考號碼	Part no 零件號碼	Description 英文名稱	Reg description 中文名稱	Regd no 需求用量	F07
	45215	45215-KECE-900	PIN HANGER	卡鉗吊架銷	2	
	45351	45351-LEA1-900	DISK FR BRAKE	前煞車圓盤	1	
	45531	45531-GAR1-951	PLUG	塞子	1	
	90105	90105-KCR3-001	BOLT FR DISK 8*24	前煞車圓盤螺絲 8*24	3	
	90110	90110-KHG8-901	BOLT STUD2 8*22	雙頭螺絲 8X22	4	
	90131	90131-LEB1-900	BOLT FLANGE 8*35	螺絲 8*35	2	
	90306	90306-LFE2-900	NUT FLANGE 12MM	螺帽 12MM	1	
	90309	90309-GLW0-90A	NUT U FLANGE 8MM	螺帽 8MM	4	
	90754-GHC8-00A	90754-GHC8-00A	SEAL DUST 20*32*5	油封 20*32*5	1	
	90754-GHC8-00B	90754-GHC8-00B	SEAL DUST 20*32*5	油封 20*32*5	1	
	90912-GHC8-00A	90912-GHC8-00A	BEARING 6201	軸承	2	
	90912-GHC8-00D	90912-GHC8-00D	BEARING 6201	軸承	2	
	91258	91258-KAM1-00A	SEAL SPDMT GEAR BOX	油封	1	

42710-LAB4-90A  
42710-LAB4-90B

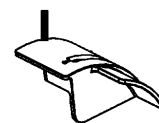


42753



42601

43416

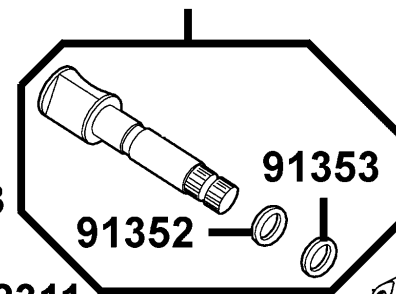


4312A-LGM1-91A  
4312A-LGM1-91B



45133

4314A



95701

91353

91352

42311

90305

46513

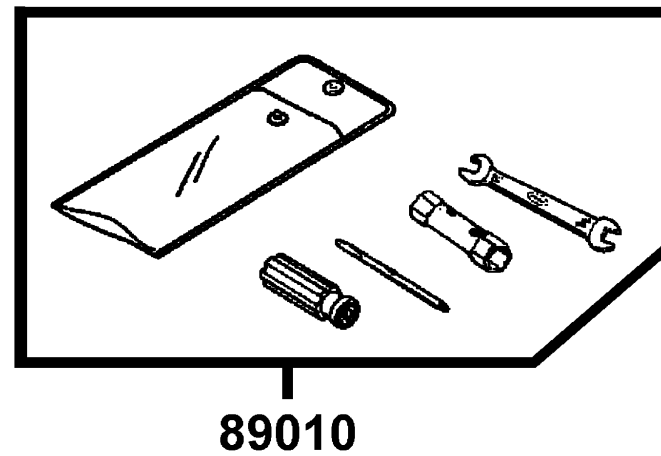
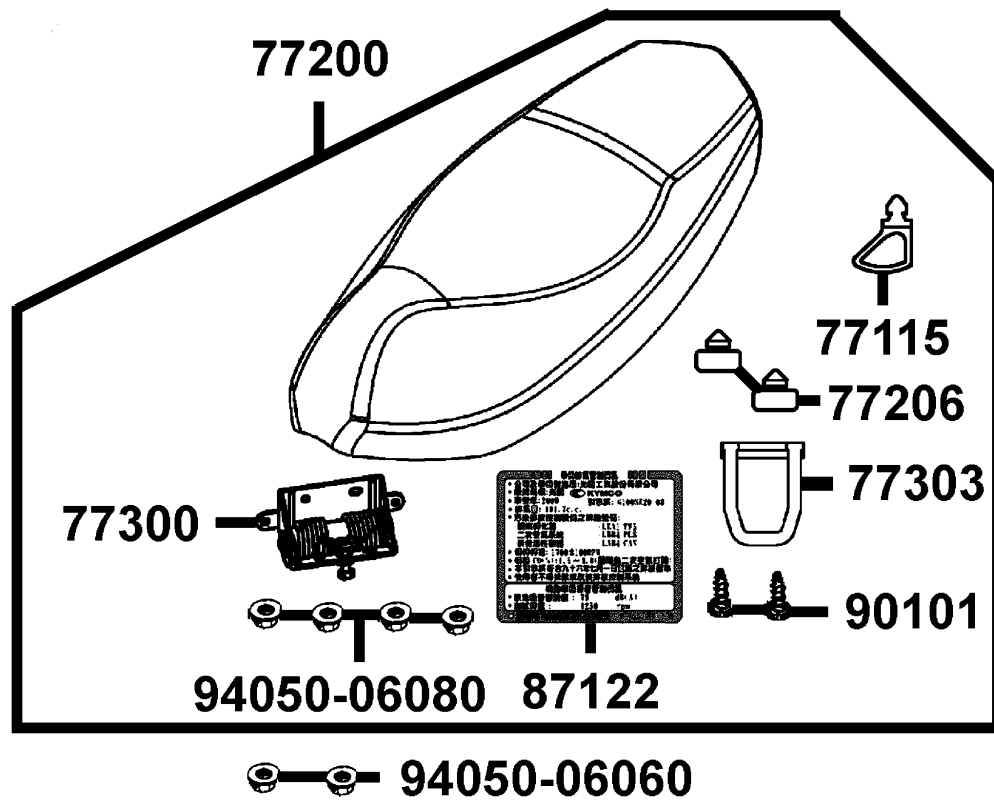
42312

43410

Sales mark 配色標註	Ref no 參考號碼	Part no 零件號碼	Description 英文名稱	Reg description 中文名稱	Regd no 需求用量	F08
	42311	42311-LEB1-900	COLLAR RR AXLE SIDE A	套筒	1	
	42312	42312-LEB1-900	COLLAR RR AXLE SIDE	套筒	1	
**	42601	42601-LCB4-70B	HUB SUB COMP RR	後輪轂	1	
	42710-LAB4-90A	42710-LAB4-90A-G304	TIRE ASSY RR	後輪胎	1	
	42710-LAB4-90B	42710-LAB4-90B-G303	TIRE ASSY RR	後輪胎	1	
	42753	42753-KXCX-900	VALVE (PVR-70B) & CAP	打氣嘴	1	
	4312A-LGM1-91A	4312A-LGM1-91A	SHOE ASSY BRAKE	煞車鞋組	1	
	4312A-LGM1-91B	4312A-LGM1-91B	SHOE ASSY BRAKE	煞車摩擦板組	1	
	4314A	4314A-LEA1-900	CAM RR BRAKE	後煞車凸輪	1	
	43410	43410-LEA1-910	ARM COMP RR BRAKE	後煞車臂	1	
	43416	43416-LEA1-900	GUARD RR BRK ARM	後煞車臂護蓋	1	
	45133	45133-LDA3-900	SPRING BRAKE SHOE REAR	彈簧	2	
	46513	46513-LEB1-900	SPG ASSY BRK ARM	煞車踏板彈簧	1	
	90305	90305-KNBN-90B	NUT U 16MM	螺帽 16MM	1	
	91352	91352-KHG8-83B	O-RING 11.3*1.3	O環 11.3*1.3	1	
	91353	91353-GFY6-900	O-RING 13.1*10	O環13.1*10	1	
	95701	95701-06025-08	BOLT FLANGE 6*25	螺絲 6*25	1	

F09

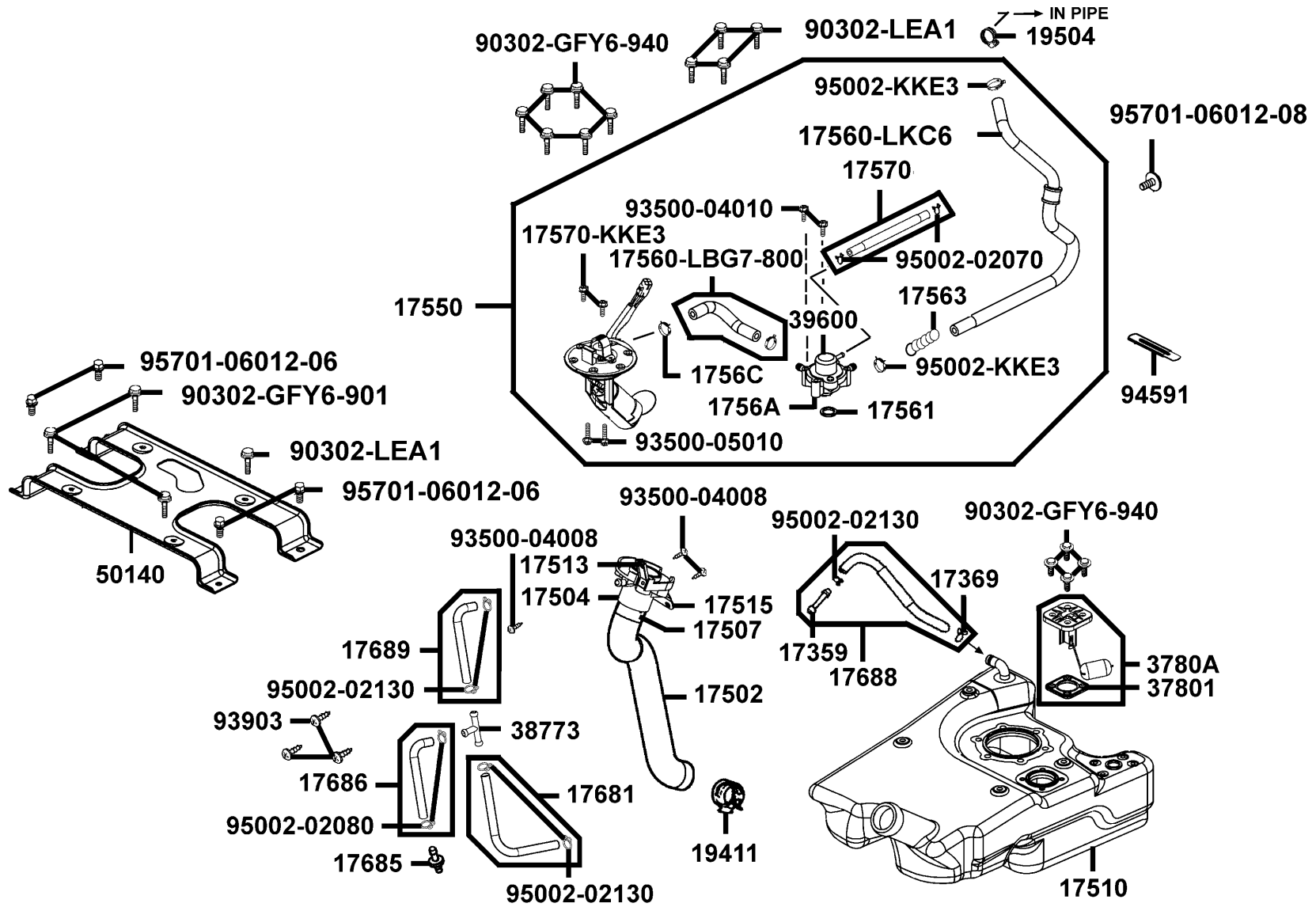
Seat 座墊



Sales mark 配色標註	Ref no 參考號碼	Part no 零件號碼	Description 英文名稱	Reg description 中文名稱	Regd no 需求用量	F09
	77115	77115-LEA1-900	RUBBER SEAL	橡皮	1	
**	77200	77200-LKC6-900	SEAT ASSY	座墊組	1	
	77206	77206-KEB7-900	RUBBER SEAT CUSH	橡皮	1	
	77300	77300-LEA1-900	HINGE ASSY SEAT	座墊鉸鍊	1	
	77303	77303-LEA1-900	HOOK SEAT LOCK	座墊鉤	1	
**	87122	87122-LKC6-950	MARK E/M 5th STAGE	E/M貼紙	1	
	89010	89010-LEA1-900	TOOL SET	工具包組	1	
	90101	90101-KGC4-E00	SCREW SPECIAL 6*15	特殊螺絲 6*15	2	
	94050-06060	94050-06060	NUT FLANGE 6MM	螺帽 6MM	2	
	94050-06080	94050-06080	NUT FLANGE 6MM	螺帽 6MM	4	

F10

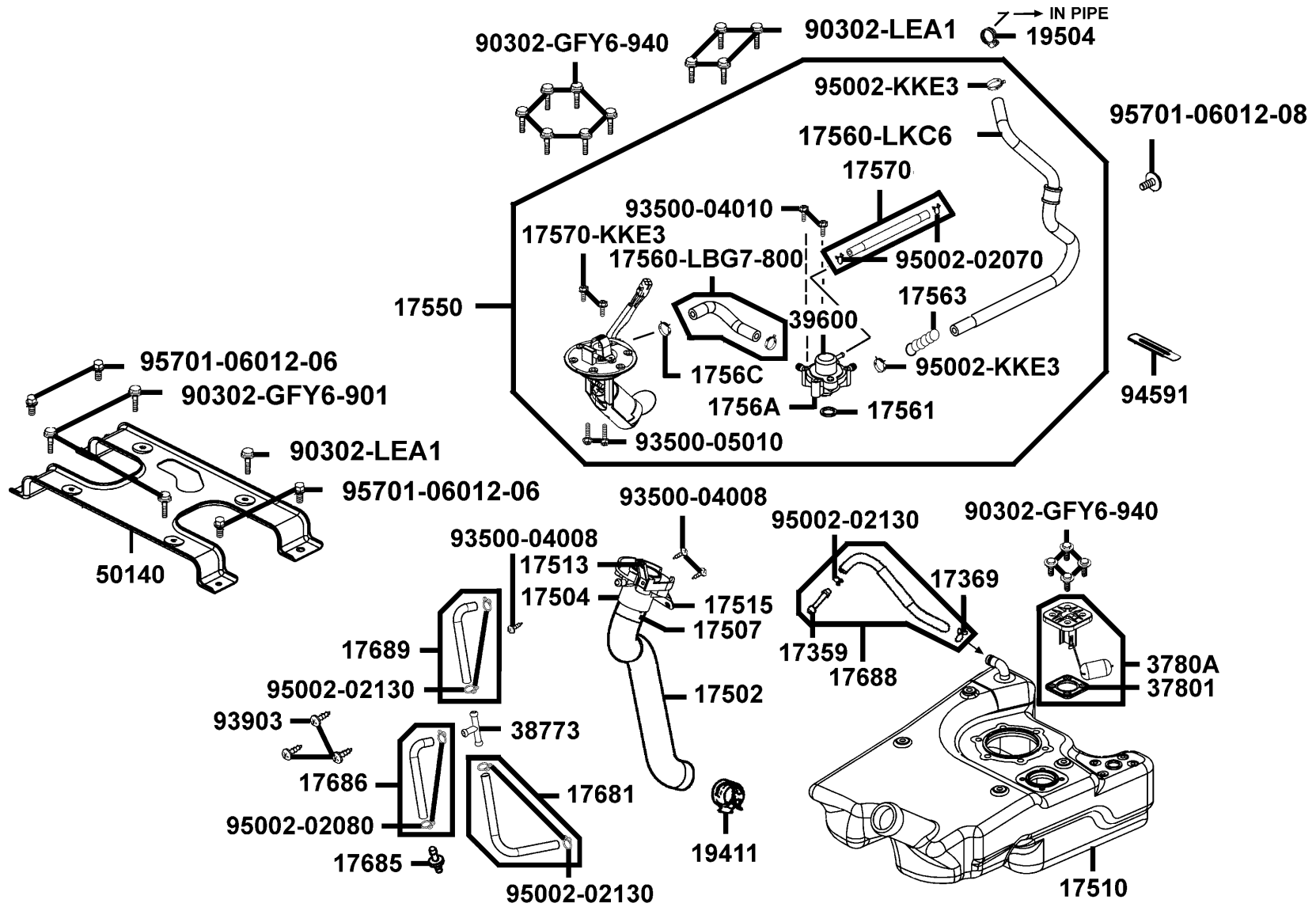
Fuel Tank 油箱



Sales mark 配色標註	Ref no 參考號碼	Part no 零件號碼	Description 英文名稱	Reg description 中文名稱	Regd no 需求用量	F10
	17359	17359-4K19-671	JOINT BREATHER TUBE	通氣管接頭	1	
	17369	17369-KHC4-900	CLIP BREATHER TUBE	通氣管夾	1	
	17502	17502-LEA1-900	TUBE FUEL	油管	1	
	17504	17504-LAB4-900	FUEL FILLER	加油漏斗	1	
	17507	17507-LAB4-900	BAND FUEL HOSE	油管束夾	1	
	17510	17510-LEA1-900	TANK COMP FUEL	油箱	1	
	17513	17513-LEA1-900	FUEL PIPE STAY A	加油漏斗支架 A	1	
	17515	17515-LEA1-900	FUEL PIPE STAY B	加油漏斗支架 B	1	
	17550	17550-LKC6-900	PUMP ASSY FUEL	汽油幫浦總成	1	
	17560-LBG7-800	17560-LBG7-800	TUBE REGULATOR ENGINE COMP	油管組	1	
	17560-LKC6	17560-LKC6-900	TUBE REGULATOR ENG COMP	油管	1	
	17561	17561-LBG7-900	PACKING REGULATOR	墊片	1	
	17563	17563-LEA1-900	SPRING TUBE	彈簧	1	
	1756A	1756A-LBG7-900	REUGLATOR COMP	汽油流量調整器	1	
	1756C	1756C-KKE2-900	CLIC R 89-115	高壓管夾	1	
	17570-KKE3	17570-KKE3-900	SCREW BOLT M 4*13	螺絲 4*13	2	
	17570	17570-LKC6-900	TUBE SET	通氣管組	1	
	17681	17681-KFA1-900	TUBE JOINT 3 WAY	油管	1	
	17685	17685-KZCZ-900	JOINT TUBE	油管接頭	1	
	17686	17686-LEA1-900	TUBE ASSY FUEL	油管(F.C.V.)	1	

F10

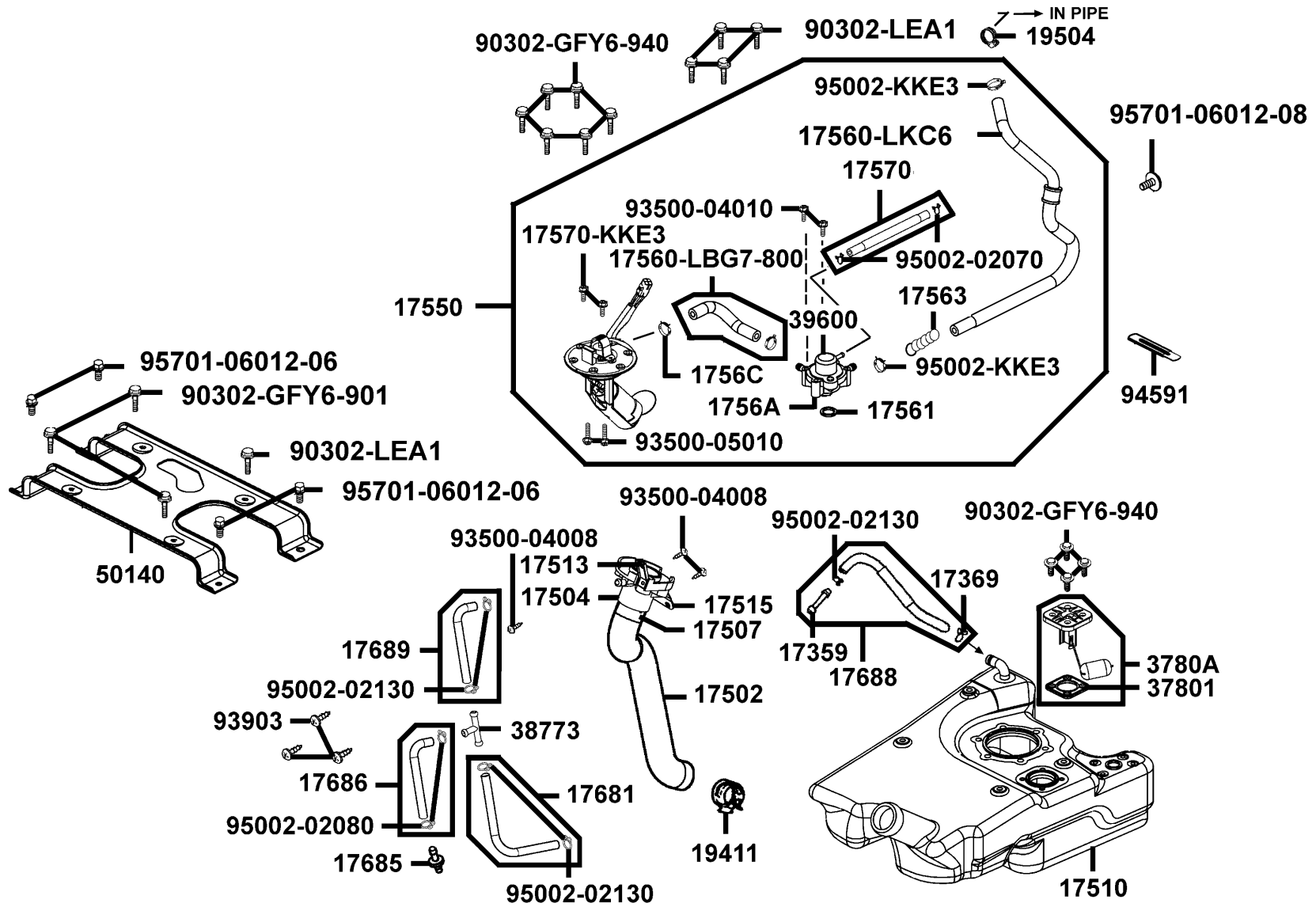
Fuel Tank 油箱



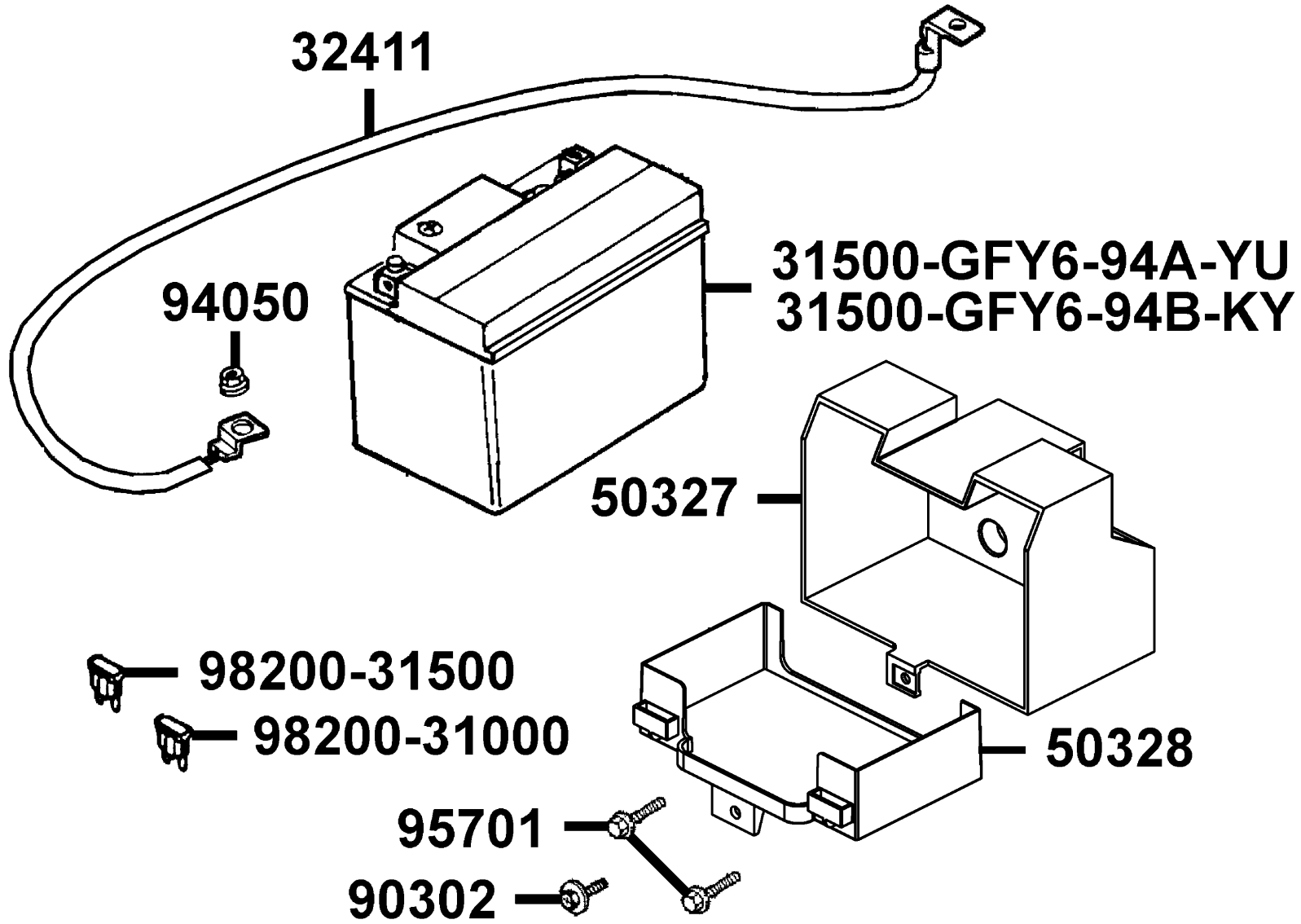
Sales mark 配色標註	Ref no 參考號碼	Part no 零件號碼	Description 英文名稱	Reg description 中文名稱	Regd no 需求用量	F10
	17688	17688-LEA1-900	TUBE TANK-FUEL FILLER	活性碳罐通氣管	1	
	17689	17689-LBG7-900	TUBE TANK-JOINT	油管	1	
	19411	19411-KHC4-900	CLIP HOSE	管夾	1	
	19504	19504-LBA2-E00	CLAMP D 16.8	管夾	1	
	37801	37801-LLJ3-E00	PACKING BASE	汽油量指示器墊圈	1	
	3780A	3780A-LEA1-900	FUEL UNIT ASSY	燃料量指示器組	1	
	38773	38773-KBCB-900	JOINT 3 WAY	3通管	1	
	39600	39600-KKE3-800	REGULATOR	油路壓力調諧器	1	
	50140	50140-LBG7-900	PLATE FLOOR	前踏板支板	1	
	90302-GFY6-901	90302-GFY6-901	BOLT WASH 5*12	螺絲 5*12	3	
	90302-GFY6-940	90302-GFY6-940	BOLT-WASH 5*16	螺絲 5*16	10	
	90302-LEA1	90302-LEA1-900	BOLT-WASH 5X30	螺絲 5X30	5	
	93500-04008	93500-04008-0G	SCREW PAN 4*8	螺絲 4*8	3	
	93500-04010	93500-04010-0G	SCREW PAN 4X10	螺絲 4X10	2	
	93500-05010	93500-05010-0G	SCREW PAN 5*10	螺絲 5*10	2	
	93903	93903-35360	SCREW TAPPING 5*16	螺釘 5*16	3	
	94591	94591-KFBF-900	CLIP 2*70	環夾	1	
	95002-02070	95002-02070	CLIP B7 TUBE	管夾	2	
	95002-02080	95002-02080	CLIP B8 TUBE	管夾	2	
	95002-02130	95002-02130	CLIP B 12.5 TURE	管夾	5	

F10

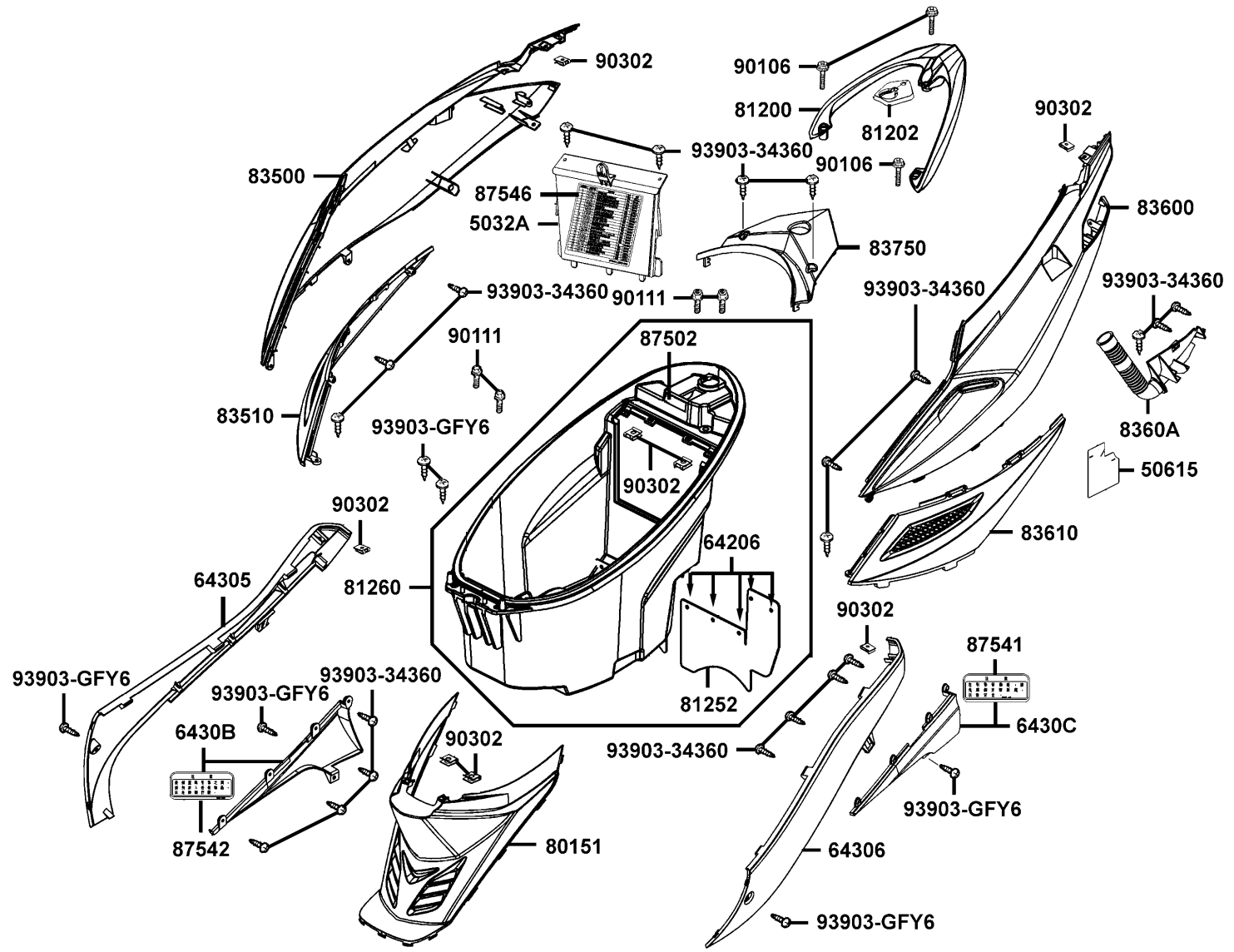
Fuel Tank 油箱



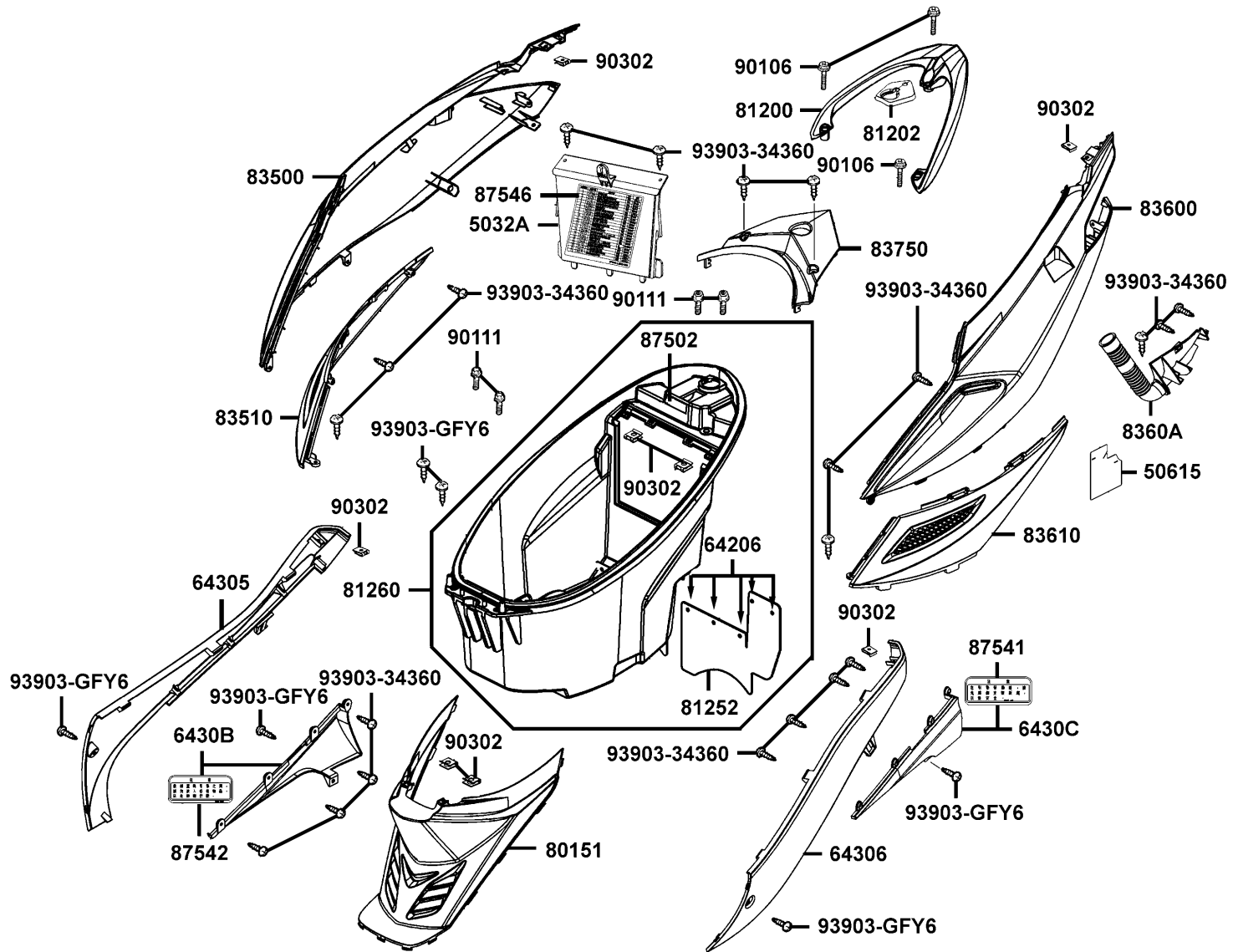
Sales mark 配色標註	Ref no 參考號碼	Part no 零件號碼	Description 英文名稱	Reg description 中文名稱	Regd no 需求用量	F10
	95002-KKE3	95002-KKE3-900	CLIP SPA 13	管夾	2	
	95701-06012-06	95701-06012-06	BOLT FLANGE 6*12	螺絲 6*12	4	
	95701-06012-08	95701-06012-08	BOLT FLANGE 6*12	螺絲 6*12	1	



Sales mark 配色標註	Ref no 參考號碼	Part no 零件號碼	Description 英文名稱	Reg description 中文名稱	Regd no 需求用量	F11
	31500-GFY6-94A-YU	31500-GFY6-94A-YU	BATTERY YTX7A-BS	電瓶	1	
	31500-GFY6-94B-KY	31500-GFY6-94B-KY	BATTERY GTX7A-BS	電瓶	1	
	32411	32411-LEA1-900	CABLE BATTERY	電瓶導線	1	
	50327	50327-LEA1-900	BATTERY CASE	電瓶盒	1	
	50328	50328-LEA1-900	BATTERY DRAWER	電瓶滑動底座	1	
	90302	90302-GFY6-940	BOLT-WASH 5*16	螺絲 5*16	1	
	94050	94050-06060	NUT FLANGE 6MM	螺帽 6MM	1	
	95701	95701-06010-06	BOLT FLANGE 6*10	螺絲 6*10	2	
	98200-31000	98200-31000	BLADE FUSE 10A	保險絲10A	1	
	98200-31500	98200-31500	BLADE FUSE 15A	保險絲15A	1	



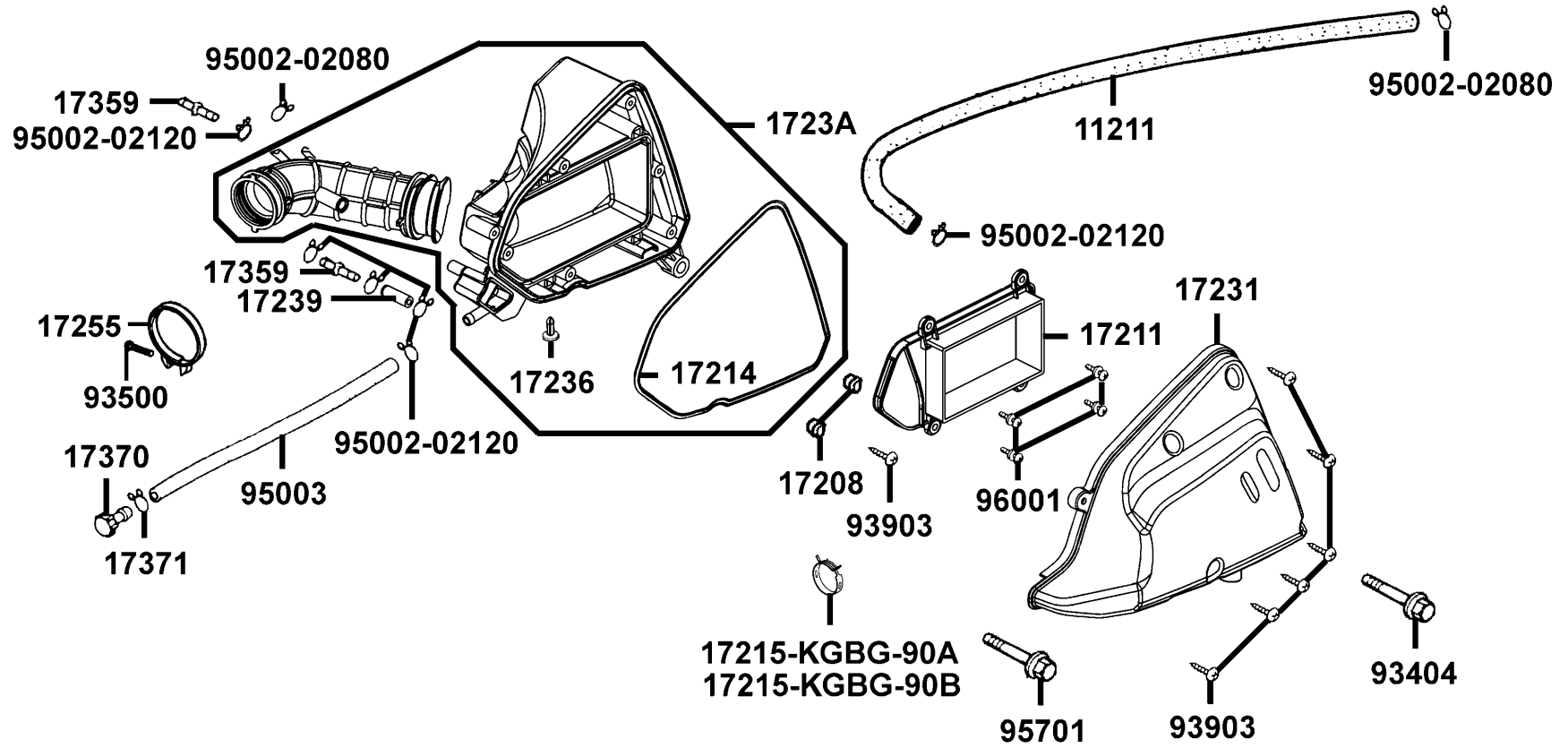
Sales mark 配色標註	Ref no 參考號碼	Part no 零件號碼	Description 英文名稱	Reg description 中文名稱	Regd no 需求用量	F12
	5032A	5032A-LEA1-900	COVER BATTERY ASSY	電瓶蓋	1	
	50615	50615-LEA1-900	PLATE B SPLASH GUARD	防濺板B	1	
	64206	64206-MLJ0-001	NUT SPEED 4MM	螺帽 4MM	5	
**	64305	64305-LEA1-325	SKIRT R SIDE	右邊軌	1	
**	64306	64306-LEA1-325	SKIRT L SIDE	左邊軌	1	
**	6430B	6430B-LEA1-900	SKIRT B ASSY R SIDE	右側小邊蓋	1	
**	6430C	6430C-LEA1-900	SKIRT B ASSY L SIDE	左側小邊蓋	1	
**	80151	80151-LEA1-900	COVER CENTER	中心蓋	1	
**	81200	81200-LEA1-900	CARRIER REAR	後架	1	
	81202	81202-LEA1-900	CAUTION RR GRIP	後架減震塊	1	
	81252	81252-LEA1-900	PLATE A SPLASH GUARD	防濺板A	1	
	81260	81260-LEA1-700	BOX ASSY LUGGAGE	置物箱	1	
**	83500	83500-LEA1-345	COVER R BODY	右邊蓋	1	
**	83510	83510-LEA1-900	COVER R SIDE	右側蓋	1	
**	83600	83600-LEA1-345	COVER L BODY	左邊蓋	1	
	8360A	8360A-LEA1-900	DUCT ASSY A/C	空氣室組	1	
**	83610	83610-LEA1-900	COVER L SIDE	左側蓋	1	
**	83750	83750-LEA1-900	COVER RR CENTER	中心蓋	1	
**	87502	87502-LEB2-900	CAUTION BATTERY	標籤	1	
**	87541	87541-GGS7-901	CAUTION SIDE STAND	標籤	1	



Sales mark 配色標註	Ref no 參考號碼	Part no 零件號碼	Description 英文名稱	Reg description 中文名稱	Regd no 需求用量	F12
**	87542	87542-GKM9-301	MARK MAINT CAUTION	標籤	1	
**	87546	87546-LEB2-900	CAUTION AFI	標籤	1	
	90106	90106-KFC2-900	BOLT WASH 8MM	螺絲 8MM	3	
	90111	90111-1G87-001	BOLT FLANGE 6MM	螺絲 6MM	4	
	90302	90302-SDA4-004	NUT SPRING 4MM	螺帽 4MM	8	
	93903-34360	93903-34360	SCREW TAPPING 4*12	螺絲 4*12	21	
	93903-GFY6	93903-GFY6-900	SCREW TAPPING 4*14	螺絲 4*14	6	

F13

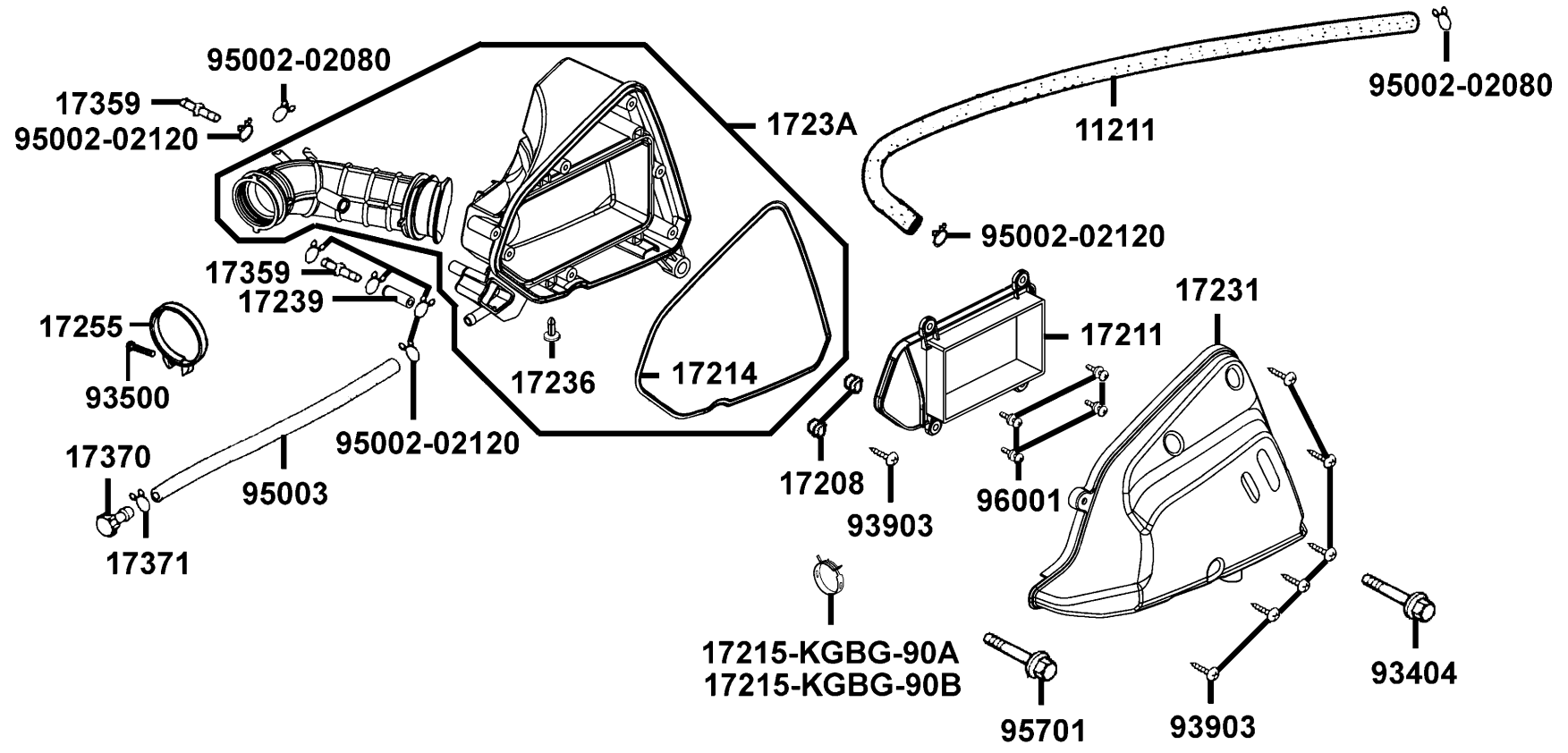
Air Cleaner 空氣濾清器



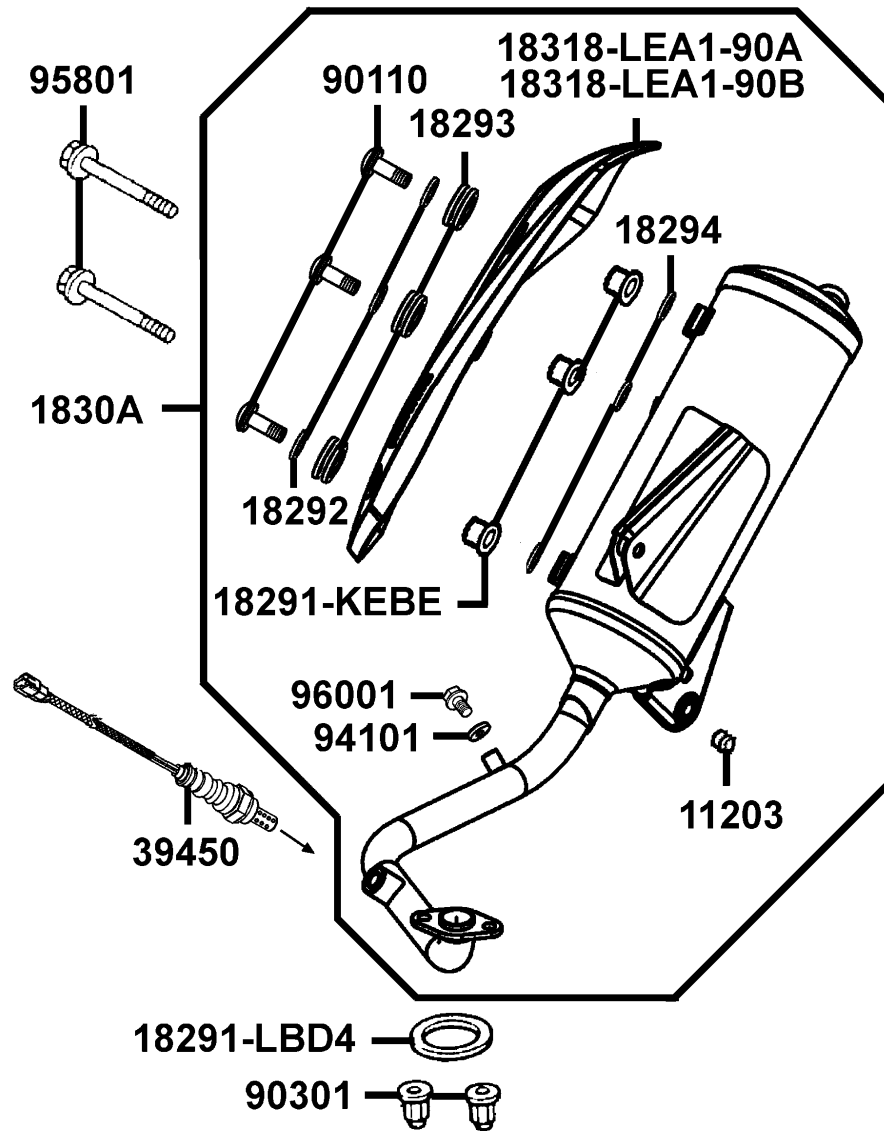
Sales mark 配色標註	Ref no 參考號碼	Part no 零件號碼	Description 英文名稱	Reg description 中文名稱	Regd no 需求用量	F13
11211	11211-LEA1-900	TUBE BRTHR	通氣管	1		
17208	17208-GAR1-011	COLLAR AIR/C SET	套筒	2		
17211	17211-LEA1-900	ELEMENT COMP AIR/C	空氣濾清器濾芯	1		
17214	17214-LEA1-900	SEAL AIR/C COVER	空氣濾清器箱蓋油封	1		
17215-KGBG-90A	17215-KGBG-90A	CLIP ASSY A/C DUCT	固定管夾	1		
17215-KGBG-90B	17215-KGBG-90B	CLIP ASSY AIR/C DUCT	固定管夾	1		
17231	17231-LEA1-900	COVER AIR/C	空氣濾清蓋	1		
17236	17236-KFBF-910	PLATE AIR/C CASE	隔板	1		
17239	17239-LEA1-900	TUBE AIR/C BLOW-BY	空氣濾清濾負壓管	1		
1723A	1723A-LEA1-900	CASE ASSY AIR/C	空氣濾清器箱組	1		
17255	17255-KGBG-900	BAND ASSY AIR/C CONN TUBE	連結管束帶	1		
17359	17359-4K19-671	JOINT BREATHER TUBE	通氣管接頭	2		
17370	17370-4K19-701	PLUG BREATHER TUBE	管塞	1		
17371	17371-1D74-671	CLIP BREATHER TUBE	通氣管夾	1		
93404	93404-06030-06	BOLT WASHER 6*30	螺絲6*30	1		
93500	93500-04025-0A	SCREW PAN 4*25	螺絲 4*25	1		
93903	93903-25460	SCREW TAPPING 4*12	螺釘 4*12	7		
95002-02080	95002-02080	CLIP B8 TUBE	管夾	2		
95002-02120	95002-02120	CLIP B12 TUBE	管夾 B12	6		
95003	95003-23024-60	V TUBE 8*12*240	通氣管	1		

F13

Air Cleaner 空氣濾清器



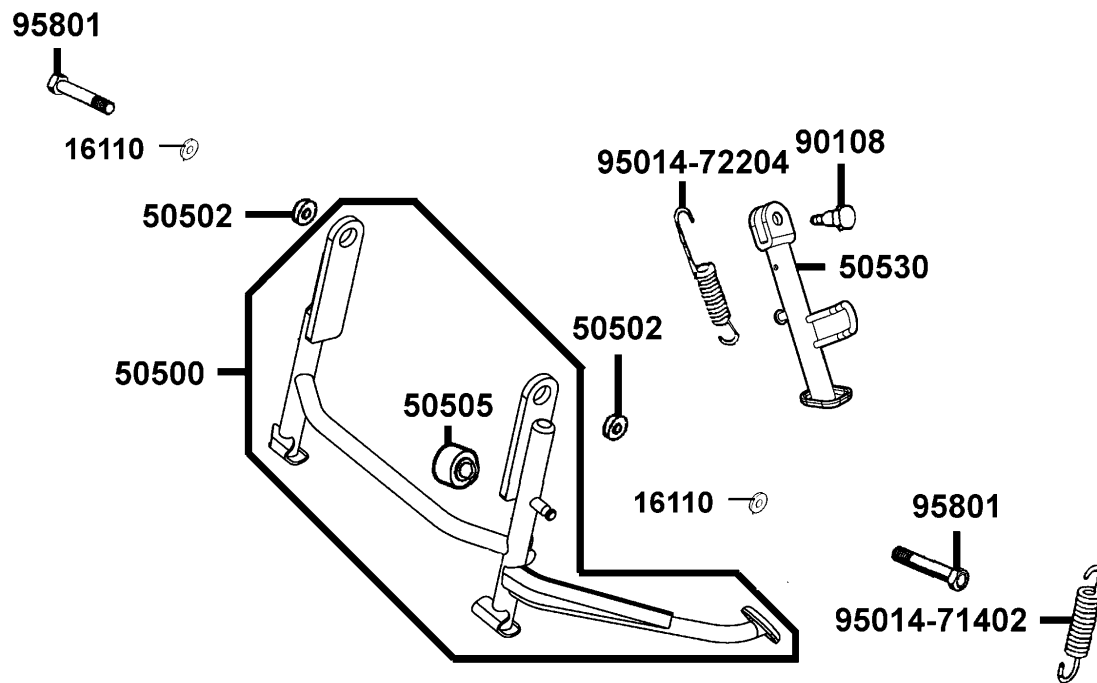
Sales mark 配色標註	Ref no 參考號碼	Part no 零件號碼	Description 英文名稱	Reg description 中文名稱	Regd no 需求用量	F13
	95701	95701-06032-08	BOLT FLANGE 6*32	螺絲 6*32	1	
	96001	96001-GFY6-900	BOLT SPECIAL 5*10	螺絲 5*10	4	



Sales mark 配色標註	Ref no 參考號碼	Part no 零件號碼	Description 英文名稱	Reg description 中文名稱	Regd no 需求用量	F14
	11203	11203-KKE2-900	RUBBER BUSH MUFFLER STAY	橡皮襯套	2	
	18291-KEBE	18291-KEBE-900	COLLAR	套筒	3	
	18291-LBD4	18291-LBD4-900	GASKET EXH PIPE	排氣管墊圈	1	
	18292	18292-KEBE-900	PACKING PROTECTOR	墊片	3	
	18293	18293-KEBE-900	RUBBER PKG PROTR	橡皮	3	
	18294	18294-KEBE-900	PACKING PROTECTOR	防熱墊片	3	
	1830A	1830A-LEA1-900	MUFFLER ASSY EXH	排氣管組	1	
**	18318-LEA1-90A	18318-LEA1-90A	PROTECTOR MUFFLER	排氣管護蓋	1	
**	18318-LEA1-90B	18318-LEA1-90B	PROTECTOR MUFFLER	排氣管護蓋	1	
	39450	39450-LEA6-800	O2 SENSOR	氧氣感測器	1	
	90110	90110-KHD8-900	SCREW SPECIAL 6*20	特殊螺絲 6*20	3	
	90301	90301-GFY6-901	NUT (HEX) CAP 8MM	圓螺帽 8MM	2	
	94101	94101-06200	WASHER PLAIN 6MM	平華司	1	
	95801	95801-08042-06	BOLT FLANGE 8*42	螺絲 8*42	2	
	96001	96001-06008-07	BOLT FLANGE SH 6*8	螺絲 6*8	1	

F15

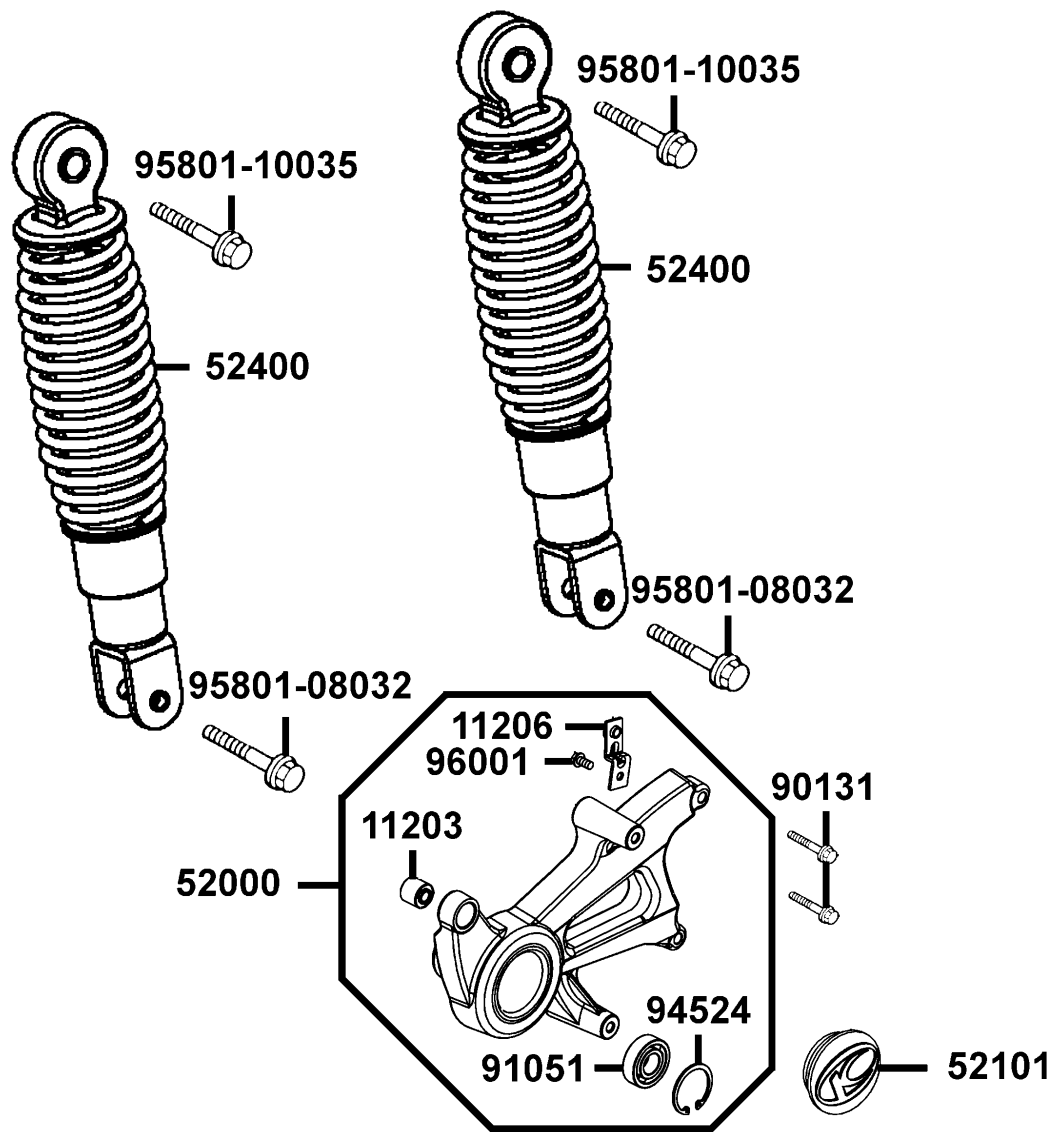
Stand Kick Starter Arm 腳架 起動踏桿



Sales mark 配色標註	Ref no 參考號碼	Part no 零件號碼	Description 英文名稱	Reg description 中文名稱	Regd no 需求用量	F15
#	16110	16110-LEA1-900	WAWASHER	華司	2	
	50500	50500-LEA1-910	STAND COMP MAIN	主腳架	1	
#	50502	50502-LEA1-900	COLLAR MAIN STAND	主腳架套環	2	
	50505	50505-LAD9-900	RUBBER STOPPER MAIN	主腳架橡皮	1	
	50530	50530-LEA1-900	SIDE STAND COMP	側腳架	1	
	90108	90108-KUDU-900	SCREW SIDE STAND PIVOT	側腳架螺絲	1	
	95014-71402	95014-71402	SPRING D MAIN STAND	主腳架彈簧	1	
	95014-72204	95014-72204	SPG B1 SIDE STAND	側腳架彈簧	1	
	95801	95801-LEA1-900	BOLT FLANGE 10*25	螺絲 10*25	2	

F16

Rear Cushion 後避震器

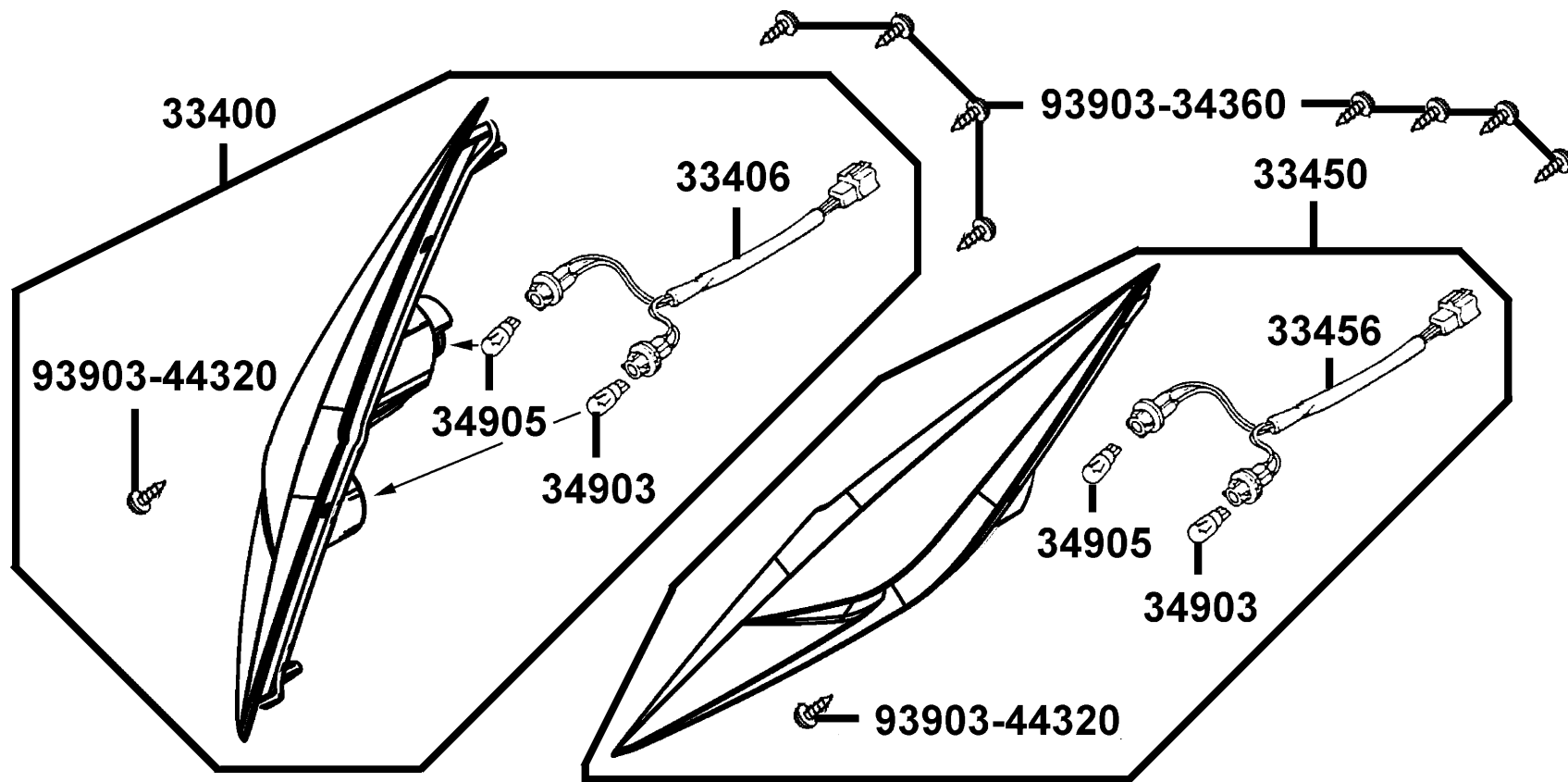


Sales mark 配色標註	Ref no 參考號碼	Part no 零件號碼	Description 英文名稱	Reg description 中文名稱	Regd no 需求用量	F16
	11203	11203-GGC7-301	UNDER RUBBER BUSH REAR CUSHION	後緩衝下襯套	1	
	11206	11206-LEA1-900	STAY A RR FENDER	後土除支架 A	1	
**	52000	52000-LEA1-900	FORK ASSY RR	後叉組	1	
	52101	52101-LEA1-900	FORK RR CAP	後叉小護蓋	1	
**	52400	52400-LEA1-900	CUSHION ASSY RR	後避震器	2	
	90131	90131-LEA5-E00	BOLT FLANGE 8*35	螺絲 8X35	2	
	91051	91051-KFBF-901	BRG BALL RAKIAL 6203LLU	軸承 6203	1	
	94524	94524-40000	CIR CLIP IN 40	環夾	1	
	95801-08032	95801-08032-06	BOLT FLANGE 8*32	螺絲 8*32	2	
	95801-10035	95801-10035-06	BOLT FLANGE 10*35	螺絲 10*35	2	
	96001	96001-06012-08	BOLT FLANGE 6*12	螺絲 6*12	1	

F17

Front Winker

前方向燈

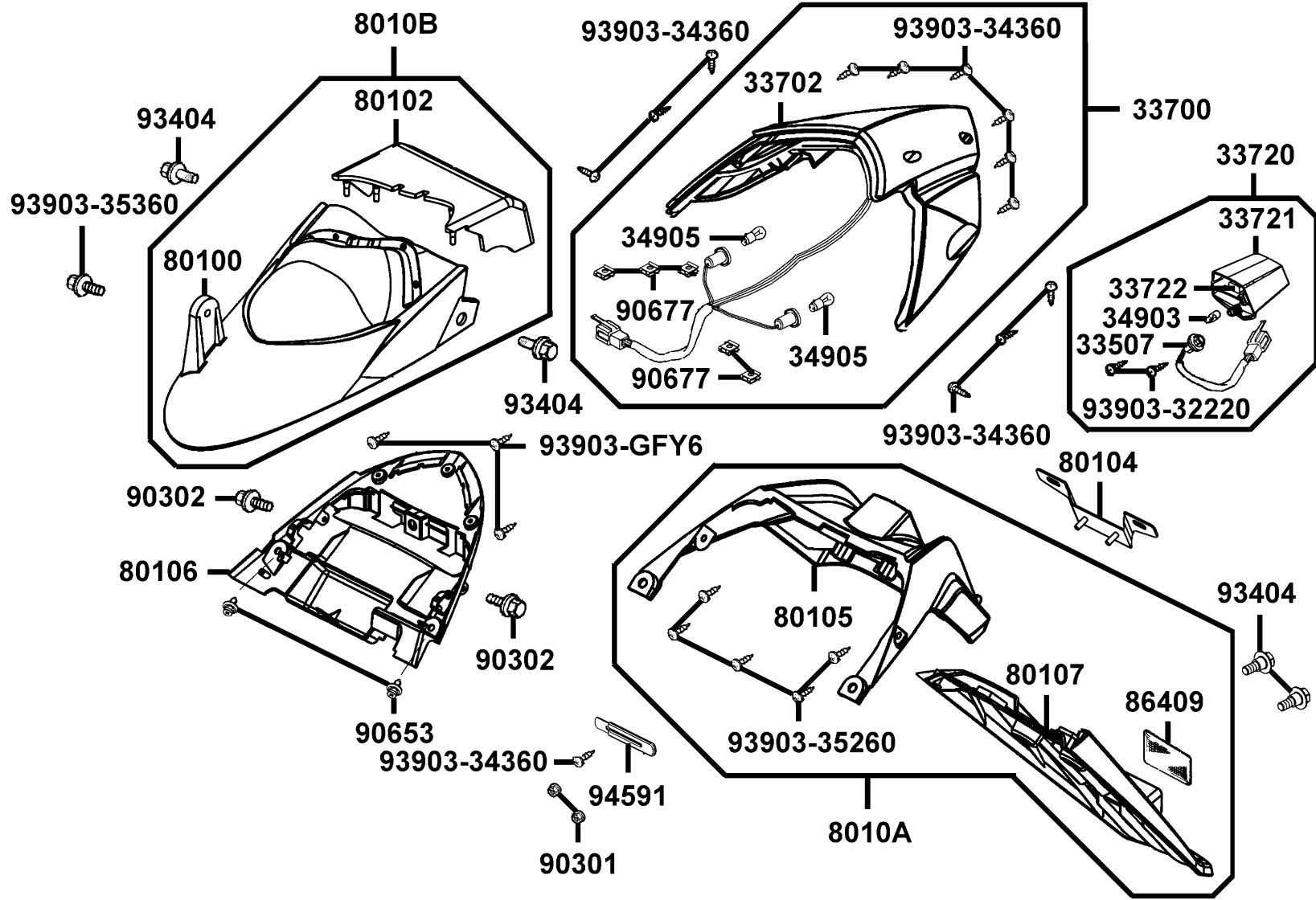


Sales mark 配色標註	Ref no 參考號碼	Part no 零件號碼	Description 英文名稱	Reg description 中文名稱	Regd no 需求用量	F17
	33400	33400-LEA1-900	WINKER ASSY RH FR	右前方向燈組	1	
	33406	33406-LEA1-900	SOCKET R FR WINKER	右前方向燈配線	1	
	33450	33450-LEA1-900	WINKER ASSY LH FR	左前方向燈組	1	
	33456	33456-LEA1-900	SOCKET L FR WINKER	左前方向燈配線	1	
	34903	34903-KALA-900	BULB POSITION	位置燈燈泡	2	
	34905	34905-KHC4-900	BULB WINKER	方向燈泡	2	
	93903-34360	93903-34360	SCREW TAPPING 4*12	螺絲 4*12	8	
	93903-44320	93903-44320	TAPPING SCREW	螺絲	2	

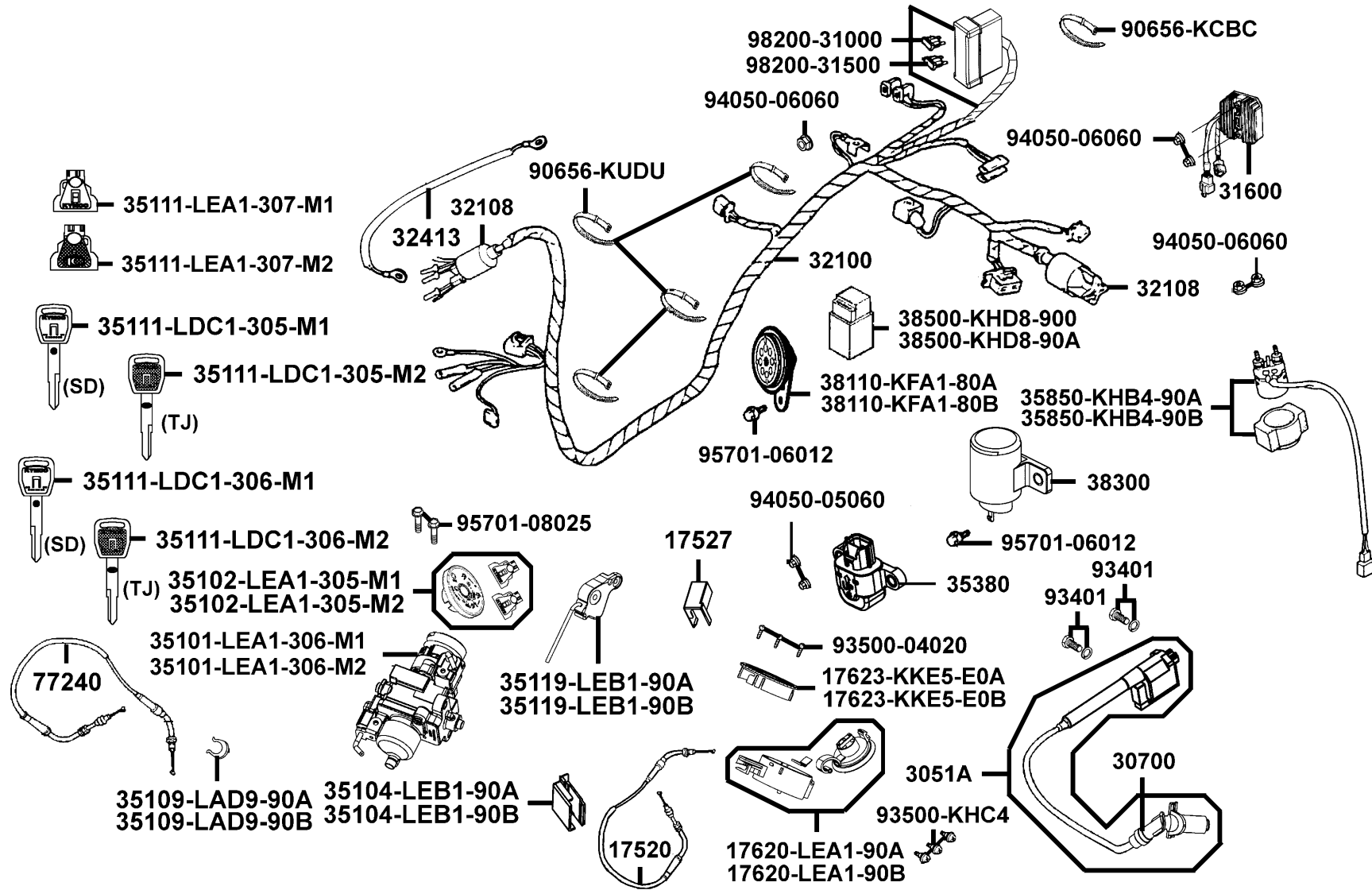


Sales mark 配色標註	Ref no 參考號碼	Part no 零件號碼	Description 英文名稱	Reg description 中文名稱	Regd no 需求用量
	33507	33507-LAD9-900	SOCKET COMP FR POSITION LIGHT	前位置燈配線	1
	33700	33700-LEA1-900	LIGHT SET RR COMB	後燈組	1
	33702	33702-LEA1-900	LENS ASSY TAIL LIGHT	後燈組前燈殼	1
	33720	33720-LEA1-900	LIGHT ASSY LICENSE	牌照燈組	1
	33721	33721-LEA1-900	BASE	牌照燈座	1
	33722	33722-LEA1-900	REFLECTOR	牌照燈殼	1
	34903	34903-KALA-900	BULB POSITION	位置燈燈泡	1
	34905	34905-KHC4-900	BULB WINKER	方向燈泡	2
	80100	80100-LEA1-900	FENDER RR TIRE	後輪上土除	1
	80102	80102-LEA1-900	MUDGUARD PLATE RR	後擋泥板	1
	80104	80104-LBC6-900	STAY LICENSE PLATE	牌照板支架	1
**	80105	80105-LEA1-900	FENDER RR UP	後上土除	1
**	80106	80106-LEA1-900	FENDER RR INNER	後內土除	1
**	80107	80107-LEA1-900	FENDER RR LOW	後下土除	1
**	8010A	8010A-LEA1-900	FENDER RR ASSY	後土除組	1
	8010B	8010B-LEA1-900	FENDER ASSY RR TIRE	後輪土除組	1
**	86409	86409-LEA1-900	STRIPE RR FENDER	後土除貼紙	1
	90301	90301-6D34-671	NUT FLANGE 6MM	螺帽 6MM	2
	90302	90302-LLB1-E00	BOLT-WASHER 5*12	螺絲 5X12	2
	90653	90653-LCA4-E00	CLIP MUDGUARD	束夾	2

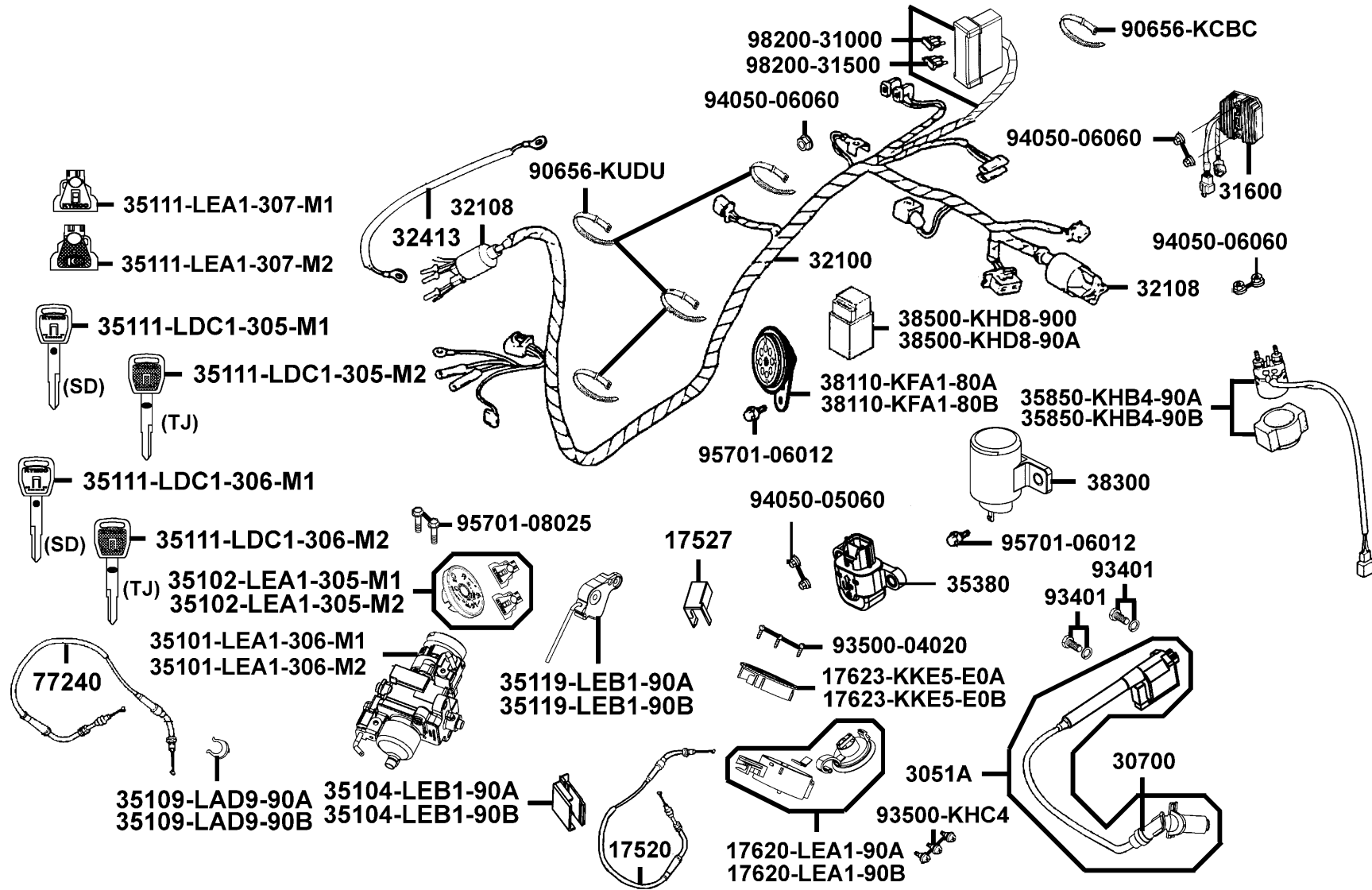
**F18**



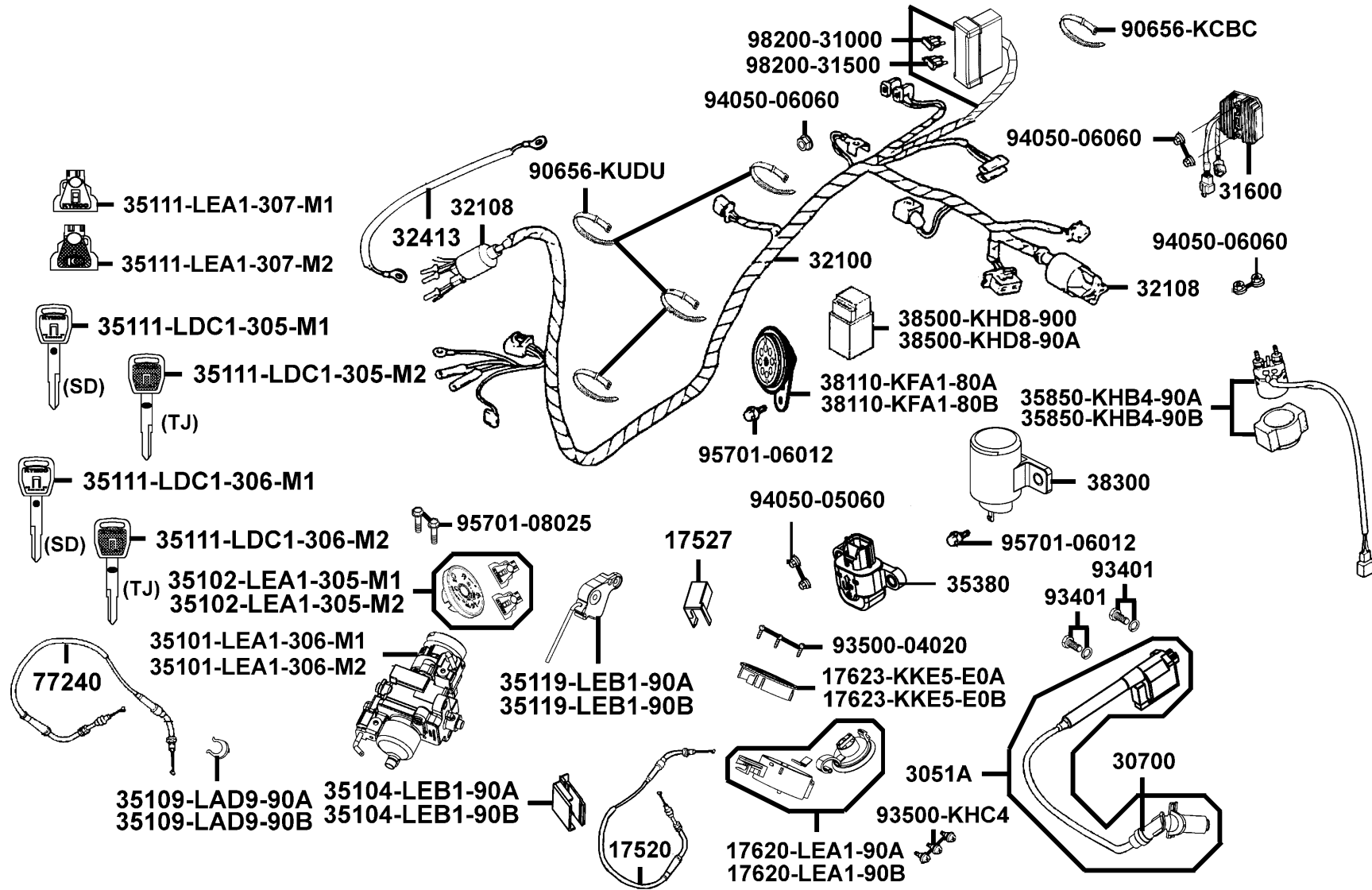
Sales mark 配色標註	Ref no 參考號碼	Part no 零件號碼	Description 英文名稱	Reg description 中文名稱	Regd no 需求用量	F18
	90677	90677-KFC9-900	NUT CLIP 4MM	螺帽夾	5	
	93404	93404-06012-06	BOLT WASH 6*12	螺絲 6*12	4	
	93903-32220	93903-32220	SCREW TAPPING 3*10 (C)	鐵釘牙(黃色)	2	
	93903-34360	93903-34360	SCREW TAPPING 4*12	螺絲 4*12	13	
	93903-35260	93903-35260	SCREW TAPPING 5*12	螺釘 5*12	5	
	93903-35360	93903-35360	SCREW TAPPING 5*16	螺釘 5*16	1	
	93903-GFY6	93903-GFY6-900	SCREW TAPPING 4*14	螺絲 4*14	3	
#	94591	94591-27000	CLIP 2*70	夾子 2*70	1	



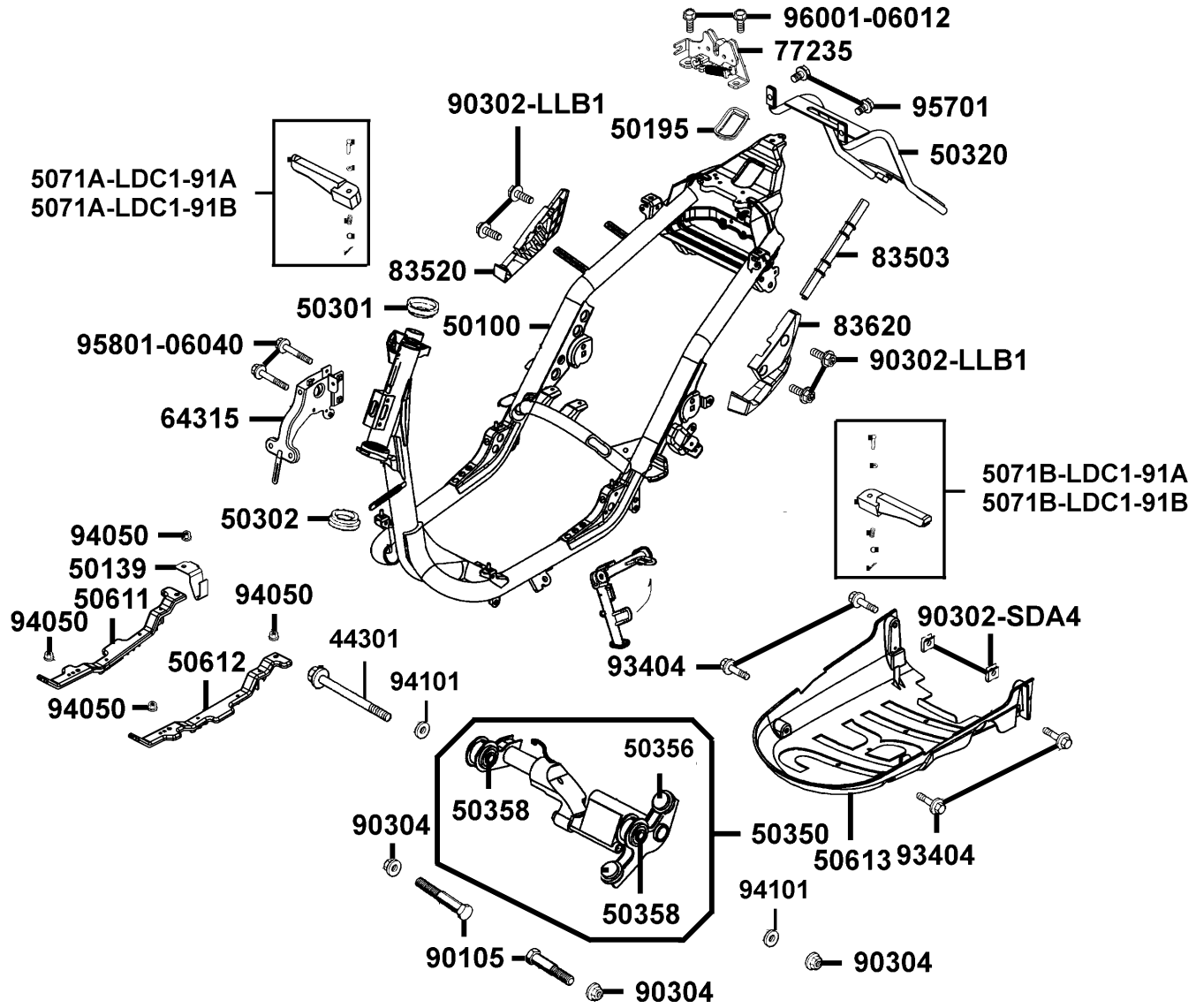
Sales mark 配色標註	Ref no 參考號碼	Part no 零件號碼	Description 英文名稱	Reg description 中文名稱	Regd no 需求用量	F19
	17520	17520-LEA1-900	CABLE COMP FUEL CAP	油箱蓋導線	1	
	17527	17527-LBA2-900	SLIDE COVER FUEL CAP	油箱蓋導線防塵蓋	1	
	17620-LEA1-90A	17620-LEA1-90A	CAP COMP FUEL FILLER	油箱蓋	1	
	17620-LEA1-90B	17620-LEA1-90B	CAP COMP FUEL FILLER	油箱蓋	1	
	17623-KKE5-E0A	17623-KKE5-E0A	COLLAR FUEL FILLER	油箱蓋套環	1	
	17623-KKE5-E0B	17623-KKE5-E0B	COLLAR FUEL FILLER	油箱蓋套環	1	
	3051A	3051A-LEA1-900	COIL ASSY IGN	點火線圈	1	
	30700	30700-LEA1-900	CAP ASSY NOISE SUPPRESOR	火星塞蓋	1	
	31600	31600-LEA5-E00	REG REC COMP	整流器	1	
	32100	32100-LKC6-700	HARNESS WIRE	主配線	1	
	32108	32108-GAR1-711	COVER HARNESS WIRE	主配線蓋	2	
	32413	32413-LEA1-900	CABLE BAT EARTH	電瓶接地線	1	
	35101-LEA1-306-M1	35101-LEA1-306-M1	KEY SET	鎖匙組	1	
	35101-LEA1-306-M2	35101-LEA1-306-M2	KEY SET	鎖匙組	1	
	35102-LEA1-305-M1	35102-LEA1-305-M1	SHUTIER SET MAGNETIC LOCK	磁石鎖組/SD	1	
	35102-LEA1-305-M2	35102-LEA1-305-M2	SHUTIER SET MAGNETIC LOCK	磁石鎖組/TJ	1	
	35104-LEB1-90A	35104-LEB1-90A	PLATE COVER FUEL CAP CABLE	油箱蓋導線防水蓋	1	
	35104-LEB1-90B	35104-LEB1-90B	PLATE COVER FUEL CAP CABLE	油箱蓋導線防水蓋	1	
	35109-LAD9-90A	35109-LAD9-90A	PROTECTOR COVER CABLE	防水蓋	1	
	35109-LAD9-90B	35109-LAD9-90B	PROTECTING COVER CABLE	防水蓋	1	



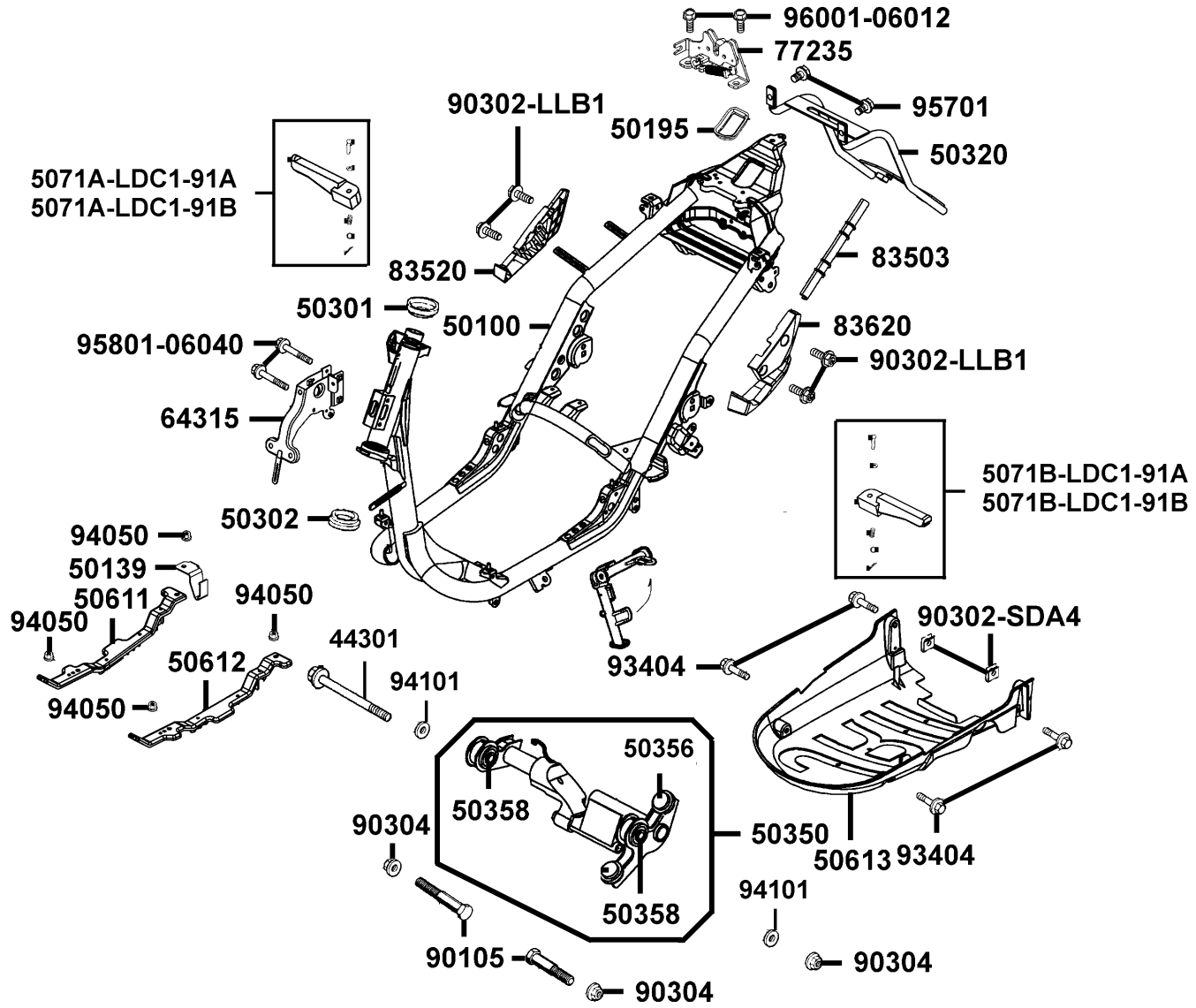
Sales mark 配色標註	Ref no 參考號碼	Part no 零件號碼	Description 英文名稱	Reg description 中文名稱	Regd no 需求用量	F19
	35111-LDC1-305-M1	35111-LDC1-305-M1	KEY COMP (R TANGENT PLANE/SD)	未加工主開關鑰匙/右切/SD	1	
	35111-LDC1-305-M2	35111-LDC1-305-M2	KEY COMP (R TANGENT PLANE/TJ)	未加工主開關鑰匙/右切/TJ	1	
	35111-LDC1-306-M1	35111-LDC1-306-M1	KEY COMP (L TANGENT PLANE/SD)	未加工主開關鑰匙/左切/SD	1	
	35111-LDC1-306-M2	35111-LDC1-306-M2	KEY COMP (L TANGENT PLANE/TJ)	未加工主開關鑰匙/左切/TJ	1	
	35111-LEA1-307-M1	35111-LEA1-307-M1	KEY COMP SHOTTER MAGNETIC (SD)	磁石鑰匙/SD	2	
	35111-LEA1-307-M2	35111-LEA1-307-M2	KEY COMP SHOTTER MAGNETIC (TJ)	磁石鑰匙/TJ	2	
	35119-LEB1-90A	35119-LEB1-90A	COVER SEAT CABLE	座墊導線防水蓋	1	
	35119-LEB1-90B	35119-LEB1-90B	COVER SEAT CABLE	座墊導線防水蓋	1	
	35380	35380-LEA2-900	SENSOR ANGLE DETECT	傾倒角度感知器	1	
	35850-KHB4-90A	35850-KHB4-90A	SET START MAG	起動開關組	1	
	35850-KHB4-90B	35850-KHB4-90B	SET START MAG	起動開關組	1	
	38110-KFA1-80A	38110-KFA1-80A	HORN COMP	喇叭	1	
	38110-KFA1-80B	38110-KFA1-80B	HORN COMP	喇叭	1	
	38300	38300-LEA5-E0A	RELAY ASSY WINKER	方向燈繼電器	1	
	38500-KHD8-900	38500-KHD8-900	RELAY ASSY LIGHT	繼電器	3	
	38500-KHD8-90A	38500-KHD8-90A	RELAY ASSY LIGHT	繼電器	3	
	77240	77240-LEA1-900	CABLE SEAT LOCK	座墊導線	1	
	90656-KCBC	90656-KCBC-900	BAND OIL HOSE	油管束帶	1	
**	90656-KUDU	90656-KUDU-900	BAND HARNESS WIRE	束帶	4	
	93401	93401-04025-08	BOLT WASHER 4*25	墊圈	2	



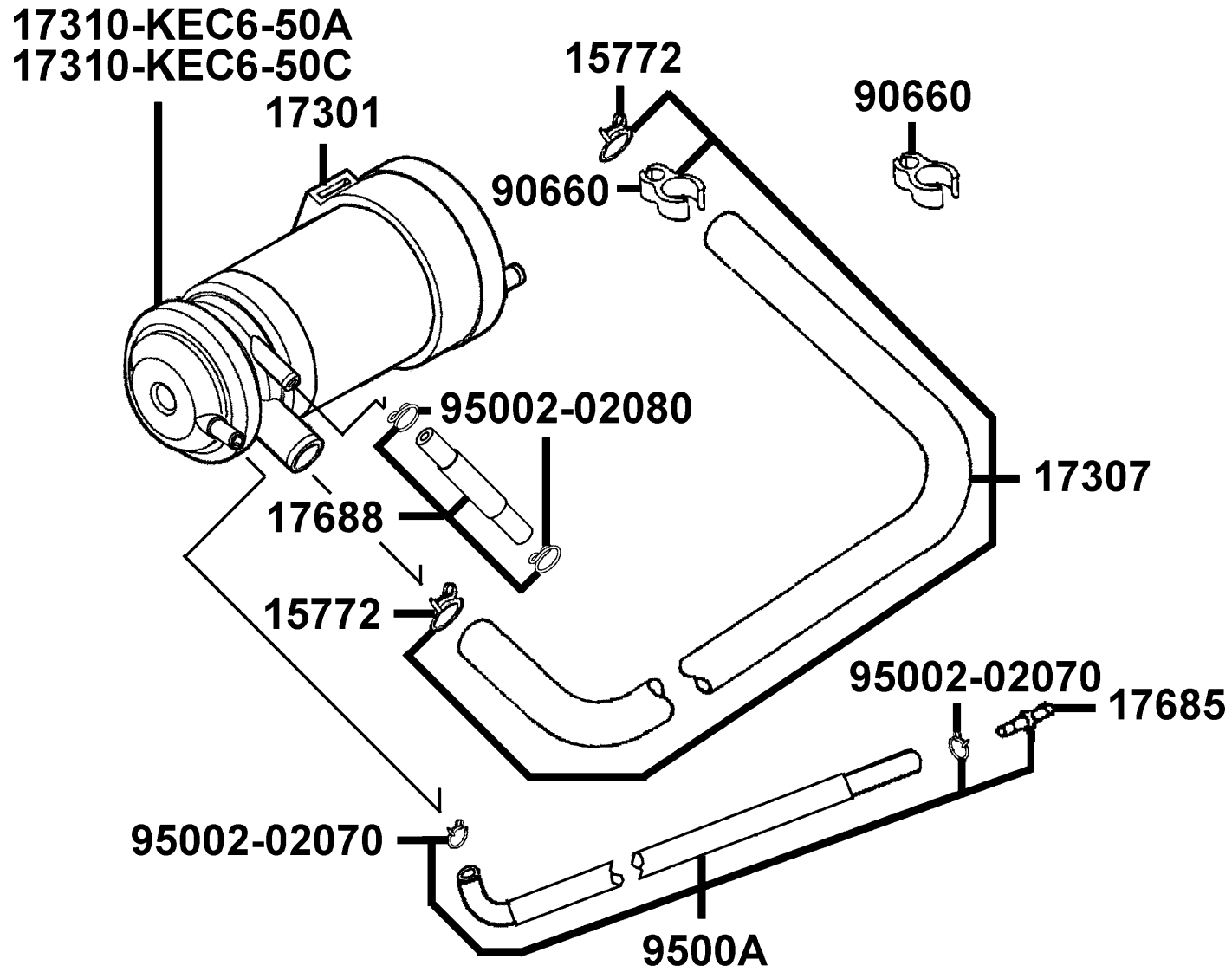
Sales mark 配色標註	Ref no 參考號碼	Part no 零件號碼	Description 英文名稱	Reg description 中文名稱	Regd no 需求用量	F19
	93500-04020	93500-04020-0G	SCREW PAN 4*20	螺絲 4*20	3	
	93500-KHC4	93500-KHC4-90A	SCREW PAN 5*10	螺絲 5*10	3	
	94050-05060	94050-05060	NUT FLANGE 5MM	螺帽 5MM	2	
	94050-06060	94050-06060	NUT FLANGE 6MM	螺帽 6MM	5	
	95701-06012	95701-06012-06	BOLT FLANGE 6*12	螺絲 6*12	2	
	95701-08025	95701-08025-06	BOLT FLANGE 8*25	螺絲 8*25	2	
	98200-31000	98200-31000	BLADE FUSE 10A	保險絲10A	1	
	98200-31500	98200-31500	BLADE FUSE 15A	保險絲15A	1	



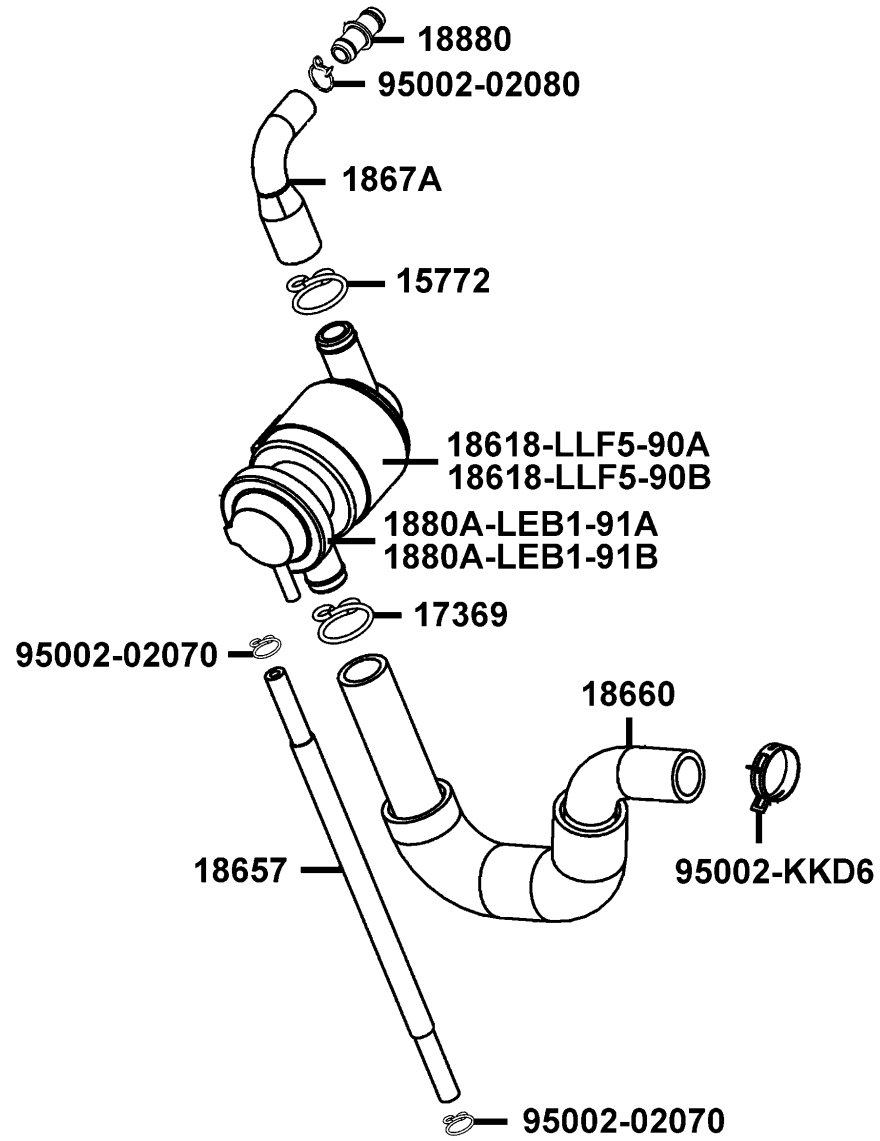
Sales mark 配色標註	Ref no 參考號碼	Part no 零件號碼	Description 英文名稱	Reg description 中文名稱	Regd no 需求用量	F20
	44301	44301-LKC6-900	BOLT FLANGE 10*200	螺絲 10*200	1	
	50100	50100-LKC6-900	BODY COMP FRAME	車台	1	
	50139	50139-LEA1-900	STAY AICV	汽油泵浦	1	
	50195	50195-LEA1-900	CAP SEAT CATCH BRKT	電源暗鎖橡皮蓋	1	
	50301	50301-KGN7-671	RACE UP STRG BALL	上珠碗	1	
	50302	50302-2H68-011	RACE STRG BOT BALL	下珠碗	1	
	50320	50320-LEA1-900	STAY RR FENDER	後土除支架	1	
	50350	50350-LKC6-900	HANGER ASSY ENG	引擎吊架	1	
	50356	50356-KNBN-200	RUBBER C ENG HANGE STPR	引擎吊架橡皮 C	2	
	50358	50358-KHC4-900	RUBBER BUSH ENG HANGER	引擎吊架橡皮襯套	2	
	50611	50611-LEA1-900	RNFCT R FLOOR	前踏板右底架	1	
	50612	50612-LEA1-900	RNFCT L FLOOR	前踏板左底架	1	
**	50613	50613-LEA1-900	COVER UNDER	電瓶底蓋	1	
	5071A-LDC1-91A	5071A-LDC1-91A	BAR STEP R ASSY	右後踏桿組	1	
	5071A-LDC1-91B	5071A-LDC1-91B	BAR STEP R ASSY	右後踏桿組	1	
	5071B-LDC1-91A	5071B-LDC1-91A	BAR STEP L ASSY	右後踏桿組	1	
	5071B-LDC1-91B	5071B-LDC1-91B	BAR STEP L ASSY	右後踏桿組	1	
	64315	64315-LGM2-900	STAY, FR COVER	前護蓋支架	1	
	77235	77235-LEA1-900	CATCH COMP SEAT	座墊掛鉤	1	
	83503	83503-KHD6-900	COVER PROTECTOR SEAT WIRE	座墊線保護蓋	1	



Sales mark 配色標註	Ref no 參考號碼	Part no 零件號碼	Description 英文名稱	Reg description 中文名稱	Regd no 需求用量	F20
**	83520	83520-LKC6-900	STEP COVER R SIDE	右踏桿蓋	1	
	90105	90105-KHC4-900	SQUARE BOLT M10X50	螺絲 10X50	2	
	90302-LLB1	90302-LLB1-E00	BOLT-WASHER 5*12	螺絲 5X12	4	
	90302-SDA4	90302-SDA4-004	NUT SPRING 4MM	螺帽 4MM	2	
	90304	90304-4H38-001	NUT HEX CAP 6MM	螺帽 6MM	2	
	93404	93404-06016-06	BOLT WASHER 6*16	螺絲 6*16	4	
	94050	94050-06060	NUT FLANGE 6MM	螺帽 6MM	4	
	94101	94101-LKC6-900	WASHER 10.5*38*3(G)	華司10.5X38X3 /墨綠	2	
	95701	95701-06012-08	BOLT FLANGE 6*12	螺絲 6*12	2	
	95801-06040	95801-06040-08	BOLT FLANGE 6*40	螺絲 6*40	2	
	96001-06012	96001-06012-06	BOLT FLANGE SH 6*12	螺絲 6*12	2	



Sales mark 配色標註	Ref no 參考號碼	Part no 零件號碼	Description 英文名稱	Reg description 中文名稱	Regd no 需求用量	F21
	15772	15772-5L00-013	CLIP B14.5 TUBE	管夾	2	
	17301	17301-KNBN-960	RUBBER CANISTER MOUNT	活性碳罐懸掛橡皮	1	
	17307	17307-LEA1-900	TUBE ASSY CANISTER-A/C	通氣管	1	
	17310-KEC6-50A	17310-KEC6-50A	CANISTER COMP	活性碳罐	1	
	17310-KEC6-50C	17310-KEC6-50C	CANISTER COMP	活性碳罐	1	
	17685	17685-GLE0-301	JOINT COCK-CARB TUBE	油管接頭	1	
	17688	17688-KHB4-900	TUBE ASSY CANISTER-FCV	活性碳罐通氣管	1	
	90660	90660-KNBN-921	CLAMP TUBE	管夾	2	
	95002-02070	95002-02070	CLIP B7 TUBE	管夾	2	
	95002-02080	95002-02080	CLIP B8 TUBE	管夾	2	
	9500A	9500A-LEA1-900	TUBE ASSY INLET PIPE-CANISTER	油管組	1	

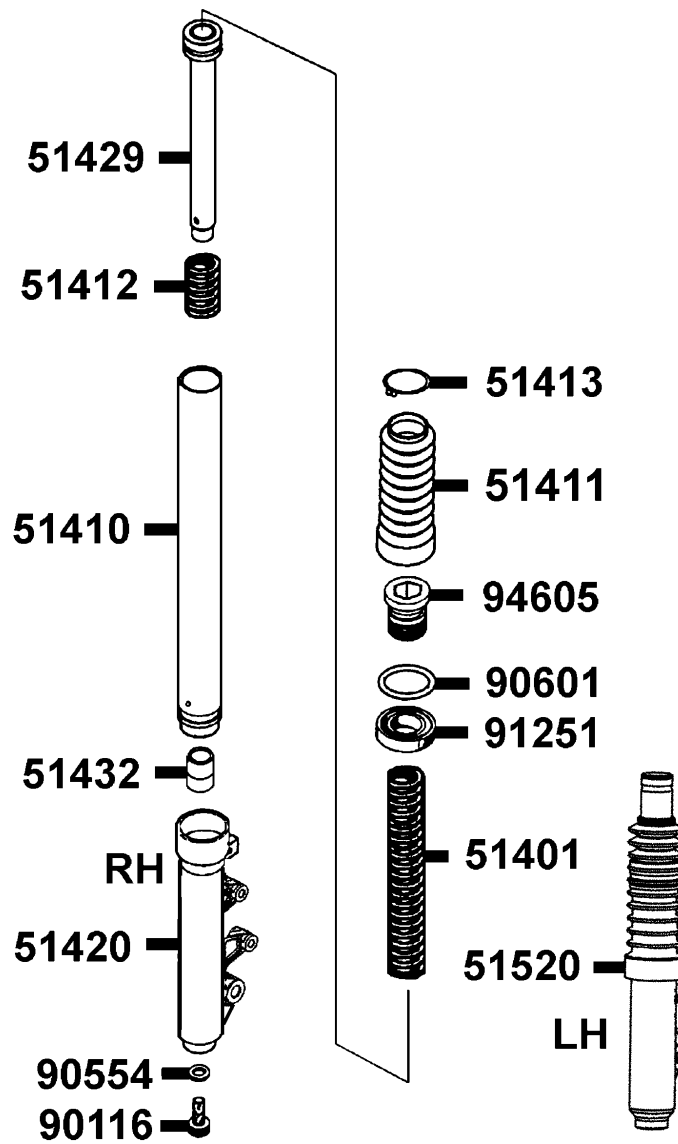


Sales mark 配色標註	Ref no 參考號碼	Part no 零件號碼	Description 英文名稱	Reg description 中文名稱	Regd no 需求用量	F22
	15772	15772-5A51-001	CLIP BREATHER TUBE	通氣管夾	1	
	17369	17369-KDB4-671	CLIP BREATHER TUBE	通氣管夾	1	
	18618-LLF5-90A	18618-LLF5-90A	RUBBER AICV MOUNT	ACV橡皮	1	
	18618-LLF5-90B	18618-LLF5-90B	RUBBER AICV MOUNT	橡皮	1	
	18657	18657-LKC6-900	TUBE ASSY AICV INLET PIPE	通氣管	1	
	18660	18660-LEB1-910	DUCT AICV-REED VALVE	通氣管	2	
	1867A	1867A-LEA1-900	DUCT ASSY AICV-AIR	通氣管	1	
	1880A-LEB1-91A	1880A-LEB1-91A	AI/C-AICV ASSY	空氣噴射控制閥	1	
	1880A-LEB1-91B	1880A-LEB1-91B	AI/C-AICV ASSY	空氣噴射控制閥	1	
	18880	18880-KKD7-E00	"BODY, FLOW CONTROL "	流量控制器	1	
	95002-02070	95002-02070	CLIP B7 TUBE	管夾	2	
	95002-02080	95002-02080	CLIP B8 TUBE	管夾	1	
	95002-KKD6	95002-KKD6-E05	CLAMP D18 TUBE	管夾	1	

F23

Separated Parts Of Fr Fork

前叉附件



Sales mark 配色標註	Ref no 參考號碼	Part no 零件號碼	Description 英文名稱	Reg description 中文名稱	Regd no 需求用量	F23
	51401	51401-LCB4-900	SPRING FR CUSHION	彈簧	2	
	51410	51410-KFA1-900	FORK PIPE COMP	前避震器管	2	
	51411	51411-KNBN-900	BOOT	護套	2	
	51412	51412-KFA1-900	REBOUND SPRING	回位彈簧	2	
	51413	51413-KNBN-900	BOOT BAND	護套夾	2	
**	51420	51420-KNBN-900	BOTTOM CASE R	右前避震器底管	1	
	51429	51429-LAB4-900	PIPE SEAT COMP	避震管座	2	
	51432	51432-KFA1-900	OIL LOCK PIECE	止油接頭	2	
**	51520	51520-KHC4-900	BOTTOM CASE L	左前避震器底管	1	
	90116	90116-3C83-72A	BOLT	螺絲	2	
	90554	90554-2C83-001	PACKING	墊片	2	
	90601	90601-GAR1-900	RING OIL SEAL STOPPER	油封止位環	2	
	91251	91251-LAB4-900	OIL SEAL	前避震器油封	2	
	94605	94605-KFA1-900	FORK BOLT	螺絲	2	

<ul style="list-style-type: none"> <li>□ 請戴安全帽行駛。</li> <li>□ 行駛時，請勿超過法定速度。</li> <li>□ 因排氣管溫度很高，停車時請停置於他人不易碰觸之場所。</li> <li>□ 為了駕駛安全及性能維護，請勿任意違法改造。</li> </ul>	<ul style="list-style-type: none"> <li>□ 請確實做好定期保養工作及行車前之安全檢查。</li> </ul> <p style="text-align: center;">◀ 行 駛 前 檢 查 項 目 ▶</p> <p>剎車性能 輪胎 機油量 燈光 喇叭 儀表板</p>
--	---

○ 敬請熟讀駕駛手冊，確保行車安全 GY6-900

87560

注 意

輪胎最大胎壓：	前輪 2.50kgf/cm <sup>2</sup>	後輪 2.50kgf/cm <sup>2</sup>
一人騎乘時：	前輪 1.50kgf/cm <sup>2</sup>	後輪 1.75kgf/cm <sup>2</sup>
二人騎乘時：	前輪 1.75kgf/cm <sup>2</sup>	後輪 2.00kgf/cm <sup>2</sup>
輪胎規格：	前輪 90/90-10	後輪 100/80-10

載物限重：	前行李箱 (依實車配備為準)	1.5kg
	置物掛鉤	3.0kg

LAB4-900

87505

Sales mark 配色標註	Ref no 參考號碼	Part no 零件號碼	Description 英文名稱	Reg description 中文名稱	Regd no 需求用量	F24
**	87505	87505-LAB4-900	LABEL TIRE	貼紙	1	
**	87560	87560-GFY6-900	MARK DRIVE CAUTION	標誌	1	



86221



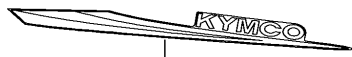
86231



86121



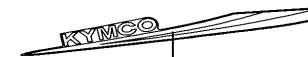
86131



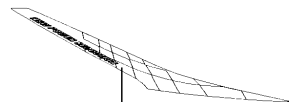
86341



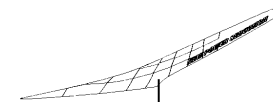
86700



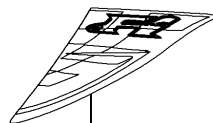
86351



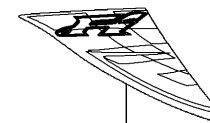
86282



86283



86284



86286

Sales mark 配色標註	Ref no 參考號碼	Part no 零件號碼	Description 英文名稱	Reg description 中文名稱	Regd no 需求用量	F25
**	86121	86121-LKC6-700	STRIPE R FR COVER	VJR110特仕版前蓋右側貼紙	1	
**	86131	86131-LKC6-700	STRIPE L FR COVER	VJR110特仕版前蓋左側貼紙	1	
**	86221	86221-LKC6-700	STRIPE R BODY COVER	VJR110特仕版車身右側貼紙	1	
**	86231	86231-LKC6-700	STRIPE L BODY COVER	VJR110特仕版車身左側貼紙	1	
**	86282	86282-LKC6-700	STRIPE R FR MOLD	VJR110特仕版前罩右側貼紙	1	
**	86283	86283-LKC6-700	STRIPE L FR MOLD	VJR110特仕版前罩左側貼紙	1	
**	86284	86284-LKC6-700	STRIPE B R FR MOLD	VJR110特仕版前罩右側貼紙B	1	
**	86286	86286-LKC6-700	STRIPE B L FR MOLD	VJR110特仕版前罩左側貼紙B	1	
**	86341	86341-LKC6-700	STRIPE R SKIRT	VJR110特仕版右側裙貼紙	1	
**	86351	86351-LKC6-700	STRIPE L SKIRT	VJR110特仕版左側裙貼紙	1	
**	86700	86700-LFG7-900	STRIPE ENERGY LOGO	節能標章	1	

## PART NO. INDEX

## 零件號碼索引

PART NO. 零件號碼	VERSION 版數	PAGE 頁次	PART NO. 零件號碼	VERSION 版數	PAGE 頁次	PART NO. 零件號碼	VERSION 版數	PAGE 頁次
<b>11000</b>			<b>12000</b>			<b>14000</b>		
11100-LEA2-305	0	E01	12100-LKC6-900	0	E03	14100-LEA2-900	8	E02
11102-1G87-004	3	E01	12191-LEA2-900	3	E03	14110-LEB1-900	3	E02
11192-LEA2-900	5	E01	12200-LKC6-900	1	E02	14321-LEB1-900	3	E02
11200-LEA2-305	0	E01	12209-LEA2-900	1	E02	14401-LEA2-900	2	E03
11203-GGC7-301	2	E01	12209-LEA2-90A	2	E02	14420-LEA2-900	3	E02
11203-GGC7-301	2	F16	12216-LEB1-900	2	E02	14430-LEA2-900	4	E02
11203-KHG8-301	2	E01	12217-LEA2-900	2	E02	14433-LEB1-900	1	E02
11203-KKE2-900	0	F14	12251-LKC6-900	1	E02	14434-LEB1-900	1	E02
11204-LEA1-900	1	E01	12310-LEA2-900	6	E02	14452-LKC6-900	0	E02
11205-LEA2-900	3	E01	12361-GFY6-901	1	E04	14453-LKC6-900	1	E02
11205-LEA2-900	3	E04	12391-LEA2-900	4	E02	14510-LEA2-900	2	E03
11206-LEA1-900	1	E06				14520-GFY6-90A	1	E03
11206-LEA1-900	1	F16	<b>13000</b>			14523-GFY6-901	0	E03
11211-LEA1-900	2	F13				14531-GLR0-001	1	E03
1122A-LEA1-900	2	E01	13000-LKC6-900	8	E03	14610-LEA2-900	5	E03
11330-LEA2-900	10	E04	13011-LKC6-90B	1	E03	14711-LEA2-900	3	E02
11342-LEA1-900	6	E01	13101-LKC6-900	3	E03	14721-LEA2-900	3	E02
1134A-LKC6-900	4	E01	13111-0G87-001	3	E03	14751-LEA2-900	3	E02
11383-LEA1-900	1	E07	13115-0A01-001	0	E03	14771-LEA2-900	2	E02
11386-GFY6-900	0	E07	13406-LEA2-900	0	E02	14781-KKE5-E00	1	E02
11394-LEA2-900	5	E04						
11395-LKC6-900	1	E01						

## PART NO. INDEX

## 零件號碼索引

PART NO. 零件號碼	VERSION 版數	PAGE 頁次	PART NO. 零件號碼	VERSION 版數	PAGE 頁次	PART NO. 零件號碼	VERSION 版數	PAGE 頁次
<b>15000</b>			16138-KEC3-900	1	E09	17369-KDB4-671	1	F22
			16154-KKE3-900	4	E09	17369-KHC4-900	0	F10
			16170-KEC3-900	0	E09	17370-4K19-701	0	F13
15100-LEA2-900	6	E06	16195-KEC3-900	0	E09	17371-1D74-671	0	F13
15131-LEA2-900	1	E03	16201-GFY6-901	0	E02	17502-LEA1-900	1	F10
15133-LEA2-900	5	E06	1621A-LEA1-900	1	E02	17504-LAB4-900	2	F10
15421-1G07-001	1	E04				17507-LAB4-900	2	F10
15426-GAE1-921	0	E04	<b>17000</b>			17510-LEA1-900	3	F10
1565A-GFY6-900	0	E04				17513-LEA1-900	1	F10
15772-5A51-001	1	F22	17110-LEA1-900	5	E02	17515-LEA1-900	1	F10
15772-5L00-013	1	F21	17208-GAR1-011	0	F13	17520-LEA1-900	0	F19
			17211-LEA1-900	2	F13	17527-LBA2-900	0	F19
<b>16000</b>			17214-LEA1-900	1	F13	17550-LKC6-900	3	F10
			17215-KGBG-90A	2	F13	17560-LBG7-800	0	F10
16056-LEB2-900	2	E09	17215-KGBG-90B	0	F13	17560-LKC6-900	0	F10
16068-LEB2-900	3	E09	17231-LEA1-900	3	F13	17561-LBG7-900	0	F10
16074-KEC3-900	4	E09	17236-KFBF-910	1	F13	17563-LEA1-900	0	F10
16100-LKC6-900	4	E09	17239-LEA1-900	1	F13	1756A-LBG7-900	0	F10
16110-KKE3-900	2	E09	1723A-LEA1-900	4	F13	1756C-KKE2-900	1	F10
16110-LEA1-900	0	F15	17255-KGBG-900	1	F13	17570-KKE3-900	0	F10
16112-KKE3-900	1	E09	17301-KNBN-960	0	F21	17570-LKC6-900	0	F10
16118-KEC3-900	0	E09	17307-LEA1-900	5	F21	17620-LEA1-90A	0	F19
16122-KEC3-900	0	E09	17310-KEC6-50A	4	F21	17620-LEA1-90B	0	F19
16123-LKC6-900	0	E09	17310-KEC6-50C	2	F21	17623-KKE5-E0A	0	F19
16133-KEC3-900	1	E09	17359-4K19-671	0	F10	17623-KKE5-E0B	0	F19
16134-KKE3-900	5	E09	17359-4K19-671	0	F13	17681-KFA1-900	0	F10

## PART NO. INDEX

## 零件號碼索引

PART NO. 零件號碼	VERSION 版數	PAGE 頁次	PART NO. 零件號碼	VERSION 版數	PAGE 頁次	PART NO. 零件號碼	VERSION 版數	PAGE 頁次
17685-GLE0-301	2	F21	18660-LEB1-910	2	F22			
17685-KZCZ-900	0	F10	1867A-LEA1-900	0	F22	<b>22000</b>		
17686-LEA1-900	1	F10	1880A-LEB1-91A	2	F22			
17688-KHB4-900	0	F21	1880A-LEB1-91B	2	F22	22100-LKC6-900	1	E05
17688-LEA1-900	1	F10	18880-KKD7-E00	2	F22	22102-LEA2-900	4	E05
17689-LBG7-900	2	F10				22105-LEA2-900	2	E05
17910-LEA1-900	2	F03	<b>19000</b>			22110-LEA2-900	2	E05
<b>18000</b>			19411-KHC4-900	0	F10	22112-GFY6-90A	0	E05
			19504-LBA2-E00	3	F10	22121-LEA2-900	2	E05
18291-KEBE-900	0	F14	19510-GBW2-901	3	E07	22131-LEA2-900	1	E05
18291-LBD4-900	2	F14	19613-GFY6-901	0	E07	22132-LEA2-900	2	E05
18292-KEBE-900	0	F14	1961A-LEA2-900	7	E07	22300-LEA2-900	3	E05
18293-KEBE-900	0	F14	19625-LEA2-900	1	E07	22350-KHC4-900	0	E05
18294-KEBE-900	0	F14	19626-LEA2-900	2	E07	22401-KEB8-900	0	E05
1830A-LEA1-900	5	F14	1962A-LEA2-900	7	E07	22530-LBC6-900	1	E05
18318-LEA1-90A	3	F14	19633-GFY6-901	0	E07	22804-1H48-001	0	E05
18318-LEA1-90B	3	F14	19635-LEA2-900	1	E07	<b>23000</b>		
18601-MAJ1-79A	0	E02	19636-LEA2-900	2	E07			
18612-GFY6-941	0	E02	1963A-LEA1-900	3	E07	2301A-LKC6-900	5	E05
18618-LLF5-90A	2	F22				23100-LKC6-900	1	E05
18618-LLF5-90B	1	F22	<b>21000</b>			23200-LKC6-900	3	E05
18645-GFY6-941	0	E02				23220-LKC6-900	3	E05
18646-GFY6-941	0	E02	21301-LEA2-305	0	E08	23225-GHC8-004	0	E05
18647-KHD6-900	0	E02	21395-LEA2-900	6	E08	23226-GHC8-004	0	E05
18657-LKC6-900	1	F22				23233-LKC6-900	0	E05

## PART NO. INDEX

## 零件號碼索引

PART NO. 零件號碼	VERSION 版數	PAGE 頁次	PART NO. 零件號碼	VERSION 版數	PAGE 頁次	PART NO. 零件號碼	VERSION 版數	PAGE 頁次	
23237-GFY6-941	0	E05	31110-LEA1-90C	2	E07	33109-LBE3-900	0	F01	
23239-LKC6-900	0	E05	31120-LEA1-90B	3	E07	33400-LEA1-900	1	F17	
23411-LKC6-900	2	E08	31120-LEA1-90C	2	E07	33406-LEA1-900	1	F17	
23420-LKC6-900	1	E08	31205-KGN7-670	0	E06	33450-LEA1-900	1	F17	
23431-LEA1-700	5	E08	31210-KKC3-900	3	E06	33456-LEA1-900	1	F17	
23432-LKC6-900	1	E08	31210-KKC3-90C	2	E06	33507-LAD9-900	0	F18	
<b>28000</b>			31500-GFY6-94A-YU	4	F11	33700-LEA1-900	1	F18	
			31500-GFY6-94B-KY	4	F11	33702-LEA1-900	0	F18	
			31600-LEA5-E00	2	F19	33720-LEA1-900	1	F18	
						33721-LEA1-900	0	F18	
28101-LEA2-900	1	E06	<b>32000</b>			33722-LEA1-900	0	F18	
28102-LEA2-900	2	E06							
28110-LEA2-900	2	E06							
28120-LEA2-900	5	E06		32100-LKC6-700	2	F19	<b>34000</b>		
28125-4F26-001	0	E06	32101-GFY6-901	1	F04				
28125-LEA2-900	2	E06	32106-KKE3-900	2	E02	34901-KED9-900	0	F01	
28126-KNBN-901	0	E06	32106-KKE3-900	2	E06	34903-KALA-900	0	F17	
28211-LBC6-900	2	E05	32108-GAR1-711	0	F19	34903-KALA-900	0	F18	
<b>30000</b>			32410-LEA1-900	3	E06	34905-KHC4-900	0	F17	
			32411-LEA1-900	5	F11	34905-KHC4-900	0	F18	
			32412-LKC6-900	1	E04				
			32413-LEA1-900	4	F19	<b>35000</b>			
3051A-LEA1-900	2	F19	<b>33000</b>			35101-LEA1-306-M1	0	F19	
30700-LEA1-900	2	F19				35101-LEA1-306-M2	0	F19	
<b>31000</b>							35102-LEA1-305-M1	0	F19
				33101-LEA1-305	0	F01	35102-LEA1-305-M2	0	F19
31110-LEA1-90B	2	E07	33106-LEA1-900	0	F01				

## PART NO. INDEX

## 零件號碼索引

PART NO. 零件號碼	VERSION 版數	PAGE 頁次	PART NO. 零件號碼	VERSION 版數	PAGE 頁次	PART NO. 零件號碼	VERSION 版數	PAGE 頁次
35104-LEB1-90A	0	F19	37200-LKC6-90B	3	F02	39600-KKE3-800	1	F10
35104-LEB1-90B	0	F19	37212-LEA1-90A	0	F02			
35109-LAD9-90A	0	F19	37212-LEA1-90B	0	F02	<b>42000</b>		
35109-LAD9-90B	0	F19	37215-LGM9-900	0	F05			
35111-LDC1-305-M1	0	F19	37230-LEA1-90A	0	F02	42311-LEB1-900	1	F08
35111-LDC1-305-M2	0	F19	37230-LEA1-90B	0	F02	42312-LEB1-900	2	F08
35111-LDC1-306-M1	0	F19	37801-LLJ3-E00	1	F10	42601-LCB4-70B	1	F08
35111-LDC1-306-M2	0	F19	3780A-LEA1-900	5	F10	42710-LAB4-90A-G304	3	F08
35111-LEA1-307-M1	0	F19				42710-LAB4-90B-G303	2	F08
35111-LEA1-307-M2	0	F19	<b>38000</b>			42753-KXCX-900	1	F07
35119-LEB1-90A	0	F19				42753-KXCX-900	1	F08
35119-LEB1-90B	0	F19	38110-KFA1-80A	1	F19			
35150-GFY6-900	4	F03	38110-KFA1-80B	1	F19	<b>43000</b>		
35160-GGS7-900	1	F03	38300-LEA5-E0A	1	F19			
35170-KNBN-910	1	F03	38500-KHD8-900	0	F19	4312A-LGM1-91A	0	F08
35180-GGS7-900	1	F03	38500-KHD8-90A	0	F19	4312A-LGM1-91B	0	F08
35200-GFY6-910	1	F03	38773-KBCB-900	0	F10	4314A-LEA1-900	3	F08
35340-GBN2-770	3	F03				43352-5H68-004	3	F07
35340-KNBN-901	0	F04	<b>39000</b>			43353-4A61-77A	0	F07
35380-LEA2-900	1	F19				43410-LEA1-910	5	F08
35850-KHB4-90A	0	F19	39300-LEB2-800	1	E02	43416-LEA1-900	3	F08
35850-KHB4-90B	1	F19	39301-LEA1-900	1	E02	43450-LEA1-900	4	F03
			39302-KKE3-900	2	E02			
<b>37000</b>			39303-LEB2-900	2	E02	<b>44000</b>		
			39400-KKE3-800	2	E02			
37200-LKC6-90A	3	F02	39450-LEA6-800	2	F14	44301-LGE3-900	1	F07

## PART NO. INDEX

## 零件號碼索引

PART NO. 零件號碼	VERSION 版數	PAGE 頁次	PART NO. 零件號碼	VERSION 版數	PAGE 頁次	PART NO. 零件號碼	VERSION 版數	PAGE 頁次
44301-LKC6-900	1	F20	45215-KECE-900	0	F07	50328-LEA1-900	1	F11
44311-GLW0-911	0	F07	45351-LEA1-900	1	F07	5032A-LEA1-900	1	F12
44600-LCB4-306	0	F07	45465-LEA1-900	1	F06	50350-LKC6-900	3	F20
44620-KSBS-900	0	F07	45513-GLW0-91A	0	F04	50356-KNBN-200	1	F20
44705-KHC4-900	2	F07	45517-GFY6-900	5	F03	50358-KHC4-900	1	F20
44710-LAB4-90A-G304	3	F07	45517-KFAF-900	0	F04	50500-LEA1-910	3	F15
44710-LAB4-90B-G303	2	F07	45520-GLW0-91A	0	F04	50502-LEA1-900	3	F15
44800-KNBN-901	6	F07	45530-KHC4-305	3	F04	50505-LAD9-900	3	F15
44830-KUDU-900	6	F02	45531-GAR1-951	0	F07	50530-LEA1-900	3	F15
44831-KUDU-900	0	F02				50560-LEA1-900	5	E04
			<b>46000</b>			50570-LEA1-900	5	E01
<b>45000</b>			46513-LEB1-900	1	F08	50611-LEA1-900	3	F20
45105-LEA1-306	0	F07	46514-LEA1-900	3	F03	50612-LEA1-900	3	F20
45107-MEN5-007	0	F07				50613-LEA1-900	2	F20
45108-MDL4-007	2	F07	<b>50000</b>			50615-LEA1-900	1	F12
45109-GBE2-007	0	F07				5071A-LDC1-91A	1	F20
45126-LEA1-900	8	F04	50100-LKC6-900	3	F20	5071A-LDC1-91B	1	F20
45128-LEA1-800	2	F04	50139-LEA1-900	1	F20	5071B-LDC1-91A	1	F20
45132-1F66-017	0	F07	50140-LBG7-900	6	F10	5071B-LDC1-91B	1	F20
45133-LDA3-900	1	F08	50195-LEA1-900	2	F20	<b>51000</b>		
45133-MCA3-007	0	F07	50301-KGN7-671	2	F20			
45156-KNBN-902	0	F06	50302-2H68-011	2	F20	51401-LCB4-900	0	F23
45200-LEA1-700	3	F07	50306-1F96-001	0	F06	5140A-LKC6-900	1	F06
45209-GBE2-007	0	F07	50320-LEA1-900	1	F20	51410-KFA1-900	0	F23
45210-LEA1-306	0	F07	50327-LEA1-900	1	F11	51411-KNBN-900	0	F23

## PART NO. INDEX

## 零件號碼索引

PART NO. 零件號碼	VERSION 版數	PAGE 頁次	PART NO. 零件號碼	VERSION 版數	PAGE 頁次	PART NO. 零件號碼	VERSION 版數	PAGE 頁次
51412-KFA1-900	0	F23	5317A-KKE2-900	3	F03	64310-LEA1-900	7	F05
51413-KNBN-900	0	F23	53200-LEA1-900	7	F06	64315-LGM2-900	2	F20
51420-KNBN-900	0	F23	53205-LEA1-900	3	F03	64316-KHE2-900	0	F05
51429-LAB4-900	0	F23	53206-LEA1-900	2	F03			
51432-KFA1-900	0	F23	53211-GFY6-940	1	F06	<b>77000</b>		
5150A-LKC6-900	1	F06	53212-2L50-011	1	F06			
51520-KHC4-900	0	F23	53214-2L50-001	0	F06	77115-LEA1-900	0	F09
			53215-2L50-001	0	F06	77200-LKC6-900	2	F09
<b>52000</b>						77206-KEB7-900	0	F09
			<b>61000</b>			77235-LEA1-900	3	F20
52000-LEA1-900	7	F16				77240-LEA1-900	2	F19
52101-LEA1-900	2	F16	61100-LEA1-900	5	F05	77300-LEA1-900	1	F09
52400-LEA1-900	4	F16	61101-LEA1-900	2	F05	77303-LEA1-900	1	F09
			61102-LEA1-900	3	F06			
<b>53000</b>						<b>80000</b>		
			<b>64000</b>					
53100-LBG7-900	5	F03				80100-LEA1-900	3	F18
53125-GEN5-901	0	F03	64206-MLJ0-001	1	F12	80102-LEA1-900	1	F18
53140-LCB4-700	1	F03	64301-LEA1-345	0	F05	80104-LBC6-900	1	F18
53140-LCB4-700	2	F03	64302-LEA1-315	0	F05	80105-LEA1-900	2	F18
53150-LCB4-700	3	F03	64303-LEA1-900	3	F05	80106-LEA1-900	4	F18
53167-KFA1-900	0	F03	64304-LEA1-900	5	F05	80107-LEA1-900	6	F18
53168-KFA1-900	1	F03	64305-LEA1-325	0	F12	8010A-LEA1-900	3	F18
53172-KKE2-900	2	F03	64306-LEA1-325	0	F12	8010B-LEA1-900	1	F18
53175-KFA1-900	1	F04	6430B-LEA1-900	2	F12	80151-LEA1-900	4	F12
53178-KKE2-900	2	F03	6430C-LEA1-900	2	F12			

## PART NO. INDEX

## 零件號碼索引

PART NO. 零件號碼	VERSION 版數	PAGE 頁次	PART NO. 零件號碼	VERSION 版數	PAGE 頁次	PART NO. 零件號碼	VERSION 版數	PAGE 頁次
<b>81000</b>			<b>86000</b>			87541-LEA1-900	1	E07
81131-LEA1-900	4	F05	86102-KKC4-900	1	F05	87542-GKM9-301	3	F12
81134-LAB4-900	4	F05	86121-LKC6-700	0	F25	87546-LEB2-900	1	F12
81141-LEA1-900	2	F05	86131-LKC6-700	0	F25	87560-GFY6-900	3	F24
81142-KUDU-900	1	F05	86221-LKC6-700	0	F25	<b>88000</b>		
81200-LEA1-900	4	F12	86231-LKC6-700	0	F25	88110-LEA1-900	2	F03
81202-LEA1-900	2	F12	86282-LKC6-700	0	F25	88114-LEA1-900	0	F03
81252-LEA1-900	2	F12	86283-LKC6-700	0	F25	88120-LEA1-900	2	F03
81260-LEA1-700	1	F12	86284-LKC6-700	0	F25	88124-LEA1-900	0	F03
			86286-LKC6-700	0	F25			
<b>83000</b>			86341-LKC6-700	0	F25	<b>89000</b>		
83500-LEA1-345	0	F12	86351-LKC6-700	0	F25	89010-LEA1-900	1	F09
83503-KHD6-900	2	F20	86404-LFE2-900	2	F06			
83510-LEA1-900	1	F12	86404-LGL9-710	0	F06	<b>90000</b>		
83520-LKC6-900	1	F20	86409-LEA1-900	1	F18			
83600-LEA1-345	0	F12	86700-LFG7-900	2	F25	90001-GBHB-661	0	E03
8360A-LEA1-900	3	F12				90001-GFY6-901	1	E02
83610-LEA1-900	1	F12	<b>87000</b>			90005-KAW1-901	1	E03
83620-LKC6-900	1	F20	87122-LKC6-950	1	F09	9000A-KTDT-900	1	E01
83750-LEA1-900	3	F12	87502-LEB2-900	1	F12	9000B-KHD6-900	2	E02
			87503-LEA1-900	1	E07	90012-3C33-001	0	E02
			87505-LAB4-900	2	F24	90031-KUDU-900	0	E01
			87541-GGS7-901	2	F12	90032-LEA1-900	2	E01

## PART NO. INDEX

## 零件號碼索引

PART NO. 零件號碼	VERSION 版數	PAGE 頁次	PART NO. 零件號碼	VERSION 版數	PAGE 頁次	PART NO. 零件號碼	VERSION 版數	PAGE 頁次
90033-GFY6-900	0	E02	90302-GFY6-940	1	F06	90481-LEA1-900	1	E02
90101-KGC4-E00	1	F09	90302-GFY6-940	1	F10	9052A-LEB1-900	1	E01
90105-KCR3-001	1	F07	90302-GFY6-940	1	F11	90545-3L00-001	2	F04
90105-KHC4-900	1	F20	90302-LEA1-900	1	F10	90554-2C83-001	0	F23
90106-GEN5-901	0	F03	90302-LLB1-E00	2	F03	90601-GAR1-900	0	F23
90106-KFC2-900	0	F12	90302-LLB1-E00	2	F18	90603-0D44-001	0	E05
90108-KUDU-900	1	F15	90302-LLB1-E00	2	F20	90605-2L00-001	0	E08
90110-KHD8-900	0	F14	90302-SDA4-004	2	F05	90652-LEA1-900	1	F05
90110-KHG8-901	0	F07	90302-SDA4-004	2	F12	90652-LGJ9-900	2	E02
90110-LFG6-900	3	F03	90302-SDA4-004	2	F20	90653-LCA4-E00	1	F18
90111-1G87-001	1	F12	90304-4H38-001	2	E02	90656-KCBC-900	0	F03
90111-LGE3-900	0	F05	90304-4H38-001	2	F20	90656-KCBC-900	0	F19
90114-1F66-007	2	F04	90304-GLW0-90A	1	F03	90656-KUDU-900	0	F19
90115-GLE0-001	0	F03	90305-GHK8-001	1	E07	90660-KNBN-921	0	F21
90116-3C83-72A	0	F23	90305-KNBN-90B	0	F08	90677-KFC9-900	0	F18
90131-LEA5-E00	1	F16	90305-KNCN-900	1	F03	90701-HFB6-011	1	E03
90131-LEB1-900	1	F07	90306-LFE2-900	1	F07	90741-0E35-001	0	E03
90145-MKS9-61A	1	F04	90309-GLW0-90A	1	F07	90754-GHC8-00A	1	F07
90201-GFY6-901	0	E06	90309-KLF0-004-SY	1	E01	90754-GHC8-00B	1	F07
90201-PHB8-001	0	E05	90403-LEA2-900	2	E06	90912-GHC8-00A	0	F07
90202-1G87-001	0	E05	90442-0D44-001	0	E05	90912-GHC8-00D	0	F07
90206-0A01-001	1	E02	90442-LEA1-900	1	E02			
90301-6D34-671	1	F18	90443-8D44-001	0	E01	<b>91000</b>		
90301-GFY6-901	2	F14	90443-8D44-001	0	E04			
90302-GFY6-901	1	F05	90451-KUDU-900	0	E08	91001-GFY6-90A	2	E05
90302-GFY6-901	1	F10	90474-3C33-001	1	E01	91001-KGBG-90A	0	E01

## PART NO. INDEX

## 零件號碼索引

PART NO. 零件號碼	VERSION 版數	PAGE 頁次	PART NO. 零件號碼	VERSION 版數	PAGE 頁次	PART NO. 零件號碼	VERSION 版數	PAGE 頁次
91001-KHC4-90B	0	E08	91351-6B42-000	0	E05	93500-05022-06	0	F03
91002-GGA7-70A	0	E05	91352-KHG8-83B	0	F08	93500-KHC4-90A	0	F19
91009-GLE0-004	1	E01	91353-GFY6-900	0	F08	93600-04012-1A	0	F04
91014-LLJ3-E00	1	F06	91981-KGN7-670	0	E06	93600-06020-06	0	E06
91015-LLJ3-E00	1	F06				93600-LEA2-900	1	E06
91051-KFBF-901	1	F16	<b>92000</b>			93700-05018-0H	0	F02
91101-GFY6-90A	0	E06				93892-04006-08	0	E06
91101-LEA2-900	1	E06	92101-05012-0H	0	E07	93892-04010-08	0	E09
91106-KHC4-90A	0	E08	92101-06014-0H	1	E02	93892-05010-08	0	E09
91106-KHC4-90B	0	E08	92712-06028-0B	0	E02	93893-04012-18	0	F04
91202-GFY6-90A	1	E04	92900-06060-0B	0	E02	93903-14460	0	F05
91202-GFY6-90B	1	E04				93903-25460	0	F13
91202-LEA1-90A	3	E08	<b>93000</b>			93903-32220	0	F18
91202-LEA2-900	3	E01				93903-34360	0	F03
91211-GHK8-014	0	E05	93401-04025-08	0	F19	93903-34360	0	F05
91251-LAB4-900	0	F23	93404-06012-06	0	F05	93903-34360	0	F12
91255-GLE0-006	0	E01	93404-06012-06	0	F18	93903-34360	0	F17
91258-KAM1-00A	1	F07	93404-06016-06	0	F20	93903-34360	0	F18
91301-0C53-001	0	E01	93404-06025-06	0	F05	93903-35260	0	F18
91301-0H28-001	0	E02	93404-06030-06	0	F13	93903-35320	0	F02
91301-GLR0-005	1	E03	93500-03010-1A	0	E06	93903-35360	0	F01
91302-0A01-021	0	E04	93500-04008-0G	0	F10	93903-35360	0	F03
91302-KHD6-900	0	E02	93500-04010-0G	0	F10	93903-35360	0	F10
91306-1E05-691	0	E03	93500-04020-0G	0	F19	93903-35360	0	F18
91307-0E35-001	0	E04	93500-04025-0A	0	F13	93903-44320	0	F01
91309-4E25-004	0	E06	93500-05010-0G	0	F10	93903-44320	0	F17

## PART NO. INDEX

## 零件號碼索引

PART NO. 零件號碼	VERSION 版數	PAGE 頁次	PART NO. 零件號碼	VERSION 版數	PAGE 頁次	PART NO. 零件號碼	VERSION 版數	PAGE 頁次
93903-GFY6-900	1	F05	94111-06800	0	E02	95002-02080	0	F22
93903-GFY6-900	1	F12	94111-06800	0	E09	95002-02120	0	F13
93903-GFY6-900	1	F18	94301-08140	0	E01	95002-02130	0	F10
93904-35360	0	E01	94301-08140	0	E04	95002-50000	0	E01
93904-35360	0	E07	94301-10160	0	E02	95002-KKD6-E05	0	F22
			94301-10160	0	E03	95002-KKE3-900	2	F10
<b>94000</b>			94520-28000	0	E05	95003-23024-60	0	F13
			94524-40000	0	F16	9500A-LEA1-900	1	F21
94001-05080-0S	0	F03	94540-05018	0	E06	95014-71402	0	F15
94050-05060	0	F19	94591-21000	0	F05	95014-72204	0	F15
94050-06060	0	F04	94591-27000	0	F03	95015-32001	0	F03
94050-06060	0	F09	94591-27000	0	F05	95015-42000	0	F03
94050-06060	0	F11	94591-27000	0	F18	95701-06008-06	1	F04
94050-06060	0	F19	94591-KFBF-900	2	E02	95701-06010-06	1	F11
94050-06060	0	F20	94591-KFBF-900	2	F10	95701-06012-06	1	F04
94050-06080	0	E02	94605-KFA1-900	0	F23	95701-06012-06	1	F06
94050-06080	0	E09				95701-06012-06	1	F10
94050-06080	0	F09	<b>95000</b>			95701-06012-06	1	F19
94050-08080	0	E02				95701-06012-08	0	F10
94050-10080	0	E07	95002-02070	0	E09	95701-06012-08	0	F20
94050-12080	0	E05	95002-02070	0	F10	95701-06025-00	0	E02
94050-LEA6-900	0	F01	95002-02070	0	F21	95701-06025-08	0	F08
94101-06200	0	F14	95002-02070	0	F22	95701-06032-08	0	F13
94101-KKE3-900	1	E09	95002-02080	0	F10	95701-06040-00	0	E02
94101-LKC6-900	0	F20	95002-02080	0	F13	95701-08012-08	0	E01
94111-05800	0	E06	95002-02080	0	F21	95701-08025-06	0	F19

# PART NO. INDEX

## 零件號碼索引

PART NO. 零件號碼	VERSION 版數	PAGE 頁次	PART NO. 零件號碼	VERSION 版數	PAGE 頁次	PART NO. 零件號碼	VERSION 版數	PAGE 頁次
95701-LEA1-900	0	F01	96001-06050-08	0	E01			
95801-06040-08	0	F20	96001-06090-08	0	E04			
95801-08025-06	0	E01	96001-06095-08	0	E02			
95801-08025-06	0	E04	96001-06100-08	0	E04			
95801-08032-06	1	F16	96001-GFY6-900	1	E02			
95801-08040-08	0	F06	96001-GFY6-900	1	F13			
95801-08042-06	0	F14	96100-60020-00	0	E01			
95801-10035-06	0	F16	96100-62030-00	0	E08			
95801-LEA1-900	1	F15	96100-63040-00	1	E08			
			96220-20118	0	E06			
<b>96000</b>			96220-40080	0	E06			
			96220-LDC5-900	1	E06			
96001-06008-07	0	F14						
96001-06012-06	0	F20	<b>98000</b>					
96001-06012-08	0	E01						
96001-06012-08	0	F16	98059-57916-00	2	E02			
96001-06014-08	0	E02	98200-31000	1	F11			
96001-06016-08	0	E07	98200-31000	1	F19			
96001-06018-08	0	E06	98200-31500	0	F11			
96001-06022-02	0	F04	98200-31500	0	F19			
96001-06022-08	0	E07						
96001-06025-06	0	F03						
96001-06025-08	0	E01						
96001-06025-08	0	E04						
96001-06025-08	0	E07						
96001-06032-08	0	E01						