

PARTS CATALOGUE



速克達

SK80AA

XCITING 400i



Release Date : 2013/01/07
Print Date : 2013/02/06

前言

- 本零件型錄適用於 SK80AA 機種，訂購零件時，請參照本冊。
- 本冊之配色表僅供參考，若與實車不符之處，以實車為準。
- 配色記號(Color Mark)
註明 "***" 記號，表示訂購該零件時，請參照機種相片及配色表，並請在基本零件號碼最後加上色碼。
- 本冊若有錯誤或遺漏之處，敬請不吝賜教指正。

ABOUT THIS PARTS LIST

- This parts list is compiled all service parts for model SK80AA.
- Any difference between color chart and motorcycle will be revised according to motorcycle.
- The Mark:
 1. Marking "***" must add color code in the end before ordering parts.
 2. Marking "#" are parts with modification, Please find the details from e-Parts system.
- When modification or additions to this parts list are made a revised edition at an appropriate time.

目次

| | |
|--------------------|-----|
| ● 前言 | 1 |
| ● SK80AA 配色表 | 3 |
| ● 引擎結構圖 | 8 |
| ● 車架結構圖 | 9 |
| ● 引擎號碼表 | 12 |
| ● 車架零件號碼表 | 44 |
| ● 零件號碼索引 | 124 |

CONTENTS

| | |
|-------------------------------|-----|
| ● ABOUT THIS PARTS LIST | 1 |
| ● COLOR CHART OF SK80AA | 3 |
| ● CONTENTS-ENGINE GROUP | 8 |
| ● CONTENTS-FRAME GROUP | 9 |
| ● ENGINE PARTS LIST | 12 |
| ● FRAME PARTS LIST | 44 |
| ● PART NO. INDEX | 124 |

| NO | 機種 | | | SK80AA 配色表 | | | |
|------|----------------|----------------|----|------------|-----------|---------|------------|
| | 相片NO | | | NO. 1 | NO. 2 | NO. 3 | NO. 4 |
| | 主體色 | | | 平光白 | 平光白 | 深棕 | 深棕 |
| | 色碼 | | | | Mat White | | Deep Brown |
| | 零件名稱 | 零件號碼 | 版次 | NH265FA | NH265FA | RR357MA | RR357MA |
| 1 | 排氣管保護蓋 | 18318-LKF5-900 | 0 | D1F | | | |
| 2 | 前擋泥板 | 61100-LGR2-305 | 1 | D2V | | DE5 | |
| 3 | 手柄下蓋 | 53206-LKF5-E00 | 2 | HUP | | | |
| 4 | 下內箱 | 81141-LKF5-E00 | 4 | | | | |
| 5 | 後載物架 | 81200-LGR2-E00 | 1 | | | | |
| 6 | 右邊側蓋 | 83510-LKF5-E00 | 2 | | | | |
| 7 | 左邊側蓋 | 83610-LKF5-E00 | 2 | | | | |
| 8 | 排氣管尾蓋 | 18306-LKF5-E00 | 1 | J2F | | | |
| 9 | 左曲軸箱蓋外蓋 | 1134B-LKF5-E00 | 0 | J2P | | | |
| 10 | 前護蓋 | 64301-LGR2-E00 | 1 | J8P | | | |
| 11 | 前護板 | 64302-LGR2-305 | 0 | | | | |
| 12 | 右邊護板 | 64305-LKF5-E00 | 1 | | | | |
| 13 | 左邊護板 | 64306-LKF5-E00 | 1 | | | | |
| 14 | 車體右邊蓋 | 83500-LKF5-305 | 0 | | | | |
| 15 | 左邊蓋 | 83600-LKF5-305 | 0 | | | | |
| 16 | 後中心蓋 | 83750-LKF5-E00 | 1 | | | | |
| 17 | 後避振器 | 52400-LKF5-E00 | 4 | M2S | | | |
| 18 | 左後避振器總成 | 52500-LKF5-E00 | 1 | M3A | | | |
| 19 | 右拉桿 | 53175-LKF5-E00 | 0 | | | | |
| 20 | 左拉桿 | 53178-LKF5-E00 | 0 | N1P | | | |
| 21 | 左曲軸箱外蓋 | 11345-LKF5-E00 | 0 | | | | |
| 22 | SKIRT A,R SIDE | 64205-LKF5-E00 | 1 | | | | |
| 23 | SKIRT A,L SIDE | 64206-LKF5-E00 | 1 | | | | |
| 24 | 前護板右下邊軌 | 64307-LGR2-305 | 0 | | | | |
| 25 | 前護板左下邊軌 | 64308-LGR2-305 | 0 | | | | |
| 生產日期 | | | | | | | |
| 停產日期 | | | | | | | |

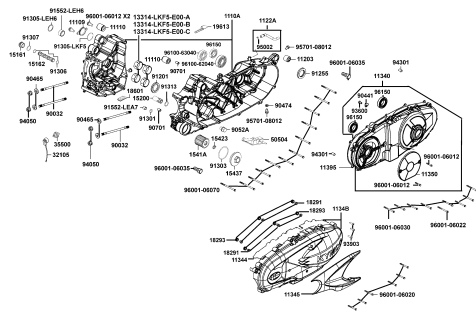
| NO | 機種 | | | SK80AA 配色表 | | | | | | |
|------|-----------|----------------|----|------------|-----------|---------|------------|--|--|--|
| | 相片NO | | | NO. 1 | NO. 2 | NO. 3 | NO. 4 | | | |
| | 主體色 | | | 平光白 | 平光白 | 深棕 | 深棕 | | | |
| | 色碼 | | | | Mat White | | Deep Brown | | | |
| | 零件名稱 | 零件號碼 | 版次 | NH265FA | NH265FA | RR357MA | RR357MA | | | |
| 26 | 右後視鏡組 | 88110-LKF5-E00 | 0 | N1P | | | | | | |
| 27 | 左後視鏡組 | 88120-LKF5-E00 | 0 | | | | | | | |
| 28 | 電瓶箱組 | 5032A-LKF5-E00 | 0 | N1R | | | | | | |
| 29 | 電瓶外蓋組 | 5032B-LKF5-E00 | 1 | | | | | | | |
| 30 | 下蓋 | 50613-LKF5-E00 | 1 | | | | | | | |
| 31 | 節流管套組 | 53140-KKC4-900 | 0 | | | | | | | |
| 32 | 手柄左橡皮套 | 53166-KGB5-900 | 0 | | | | | | | |
| 33 | 儀錶前蓋 | 53203-LBA2-E00 | 2 | | | | | | | |
| 34 | 儀錶後蓋 | 53204-LBA2-E00 | 3 | | | | | | | |
| 35 | 手柄前蓋 | 53205-LKF5-E00 | 3 | | | | | | | |
| 36 | 轉向手柄上蓋左小蓋 | 53208-LKF5-E00 | 1 | | | | | | | |
| 37 | 右遮陽板固定座 | 6413A-LGR2-E00 | 4 | | | | | | | |
| 38 | 右遮陽板前護蓋 | 64140-LKF5-E00 | 1 | | | | | | | |
| 39 | 左遮陽板固定座 | 6423A-LGR2-E00 | 4 | | | | | | | |
| 40 | 左遮陽板前護蓋 | 64240-LKF5-E00 | 1 | | | | | | | |
| 41 | 右腳踏板 | 64310-LKF5-E00 | 2 | | | | | | | |
| 42 | 腳踏板橡皮墊 | 64320-LKF5-E00 | 1 | | | | | | | |
| 43 | 左腳踏板 | 64330-LKF5-E00 | 2 | | | | | | | |
| 44 | 左腳踏板 | 64340-LKF5-E00 | 1 | | | | | | | |
| 45 | 下罩蓋 | 64400-LKF5-E00 | 2 | | | | | | | |
| 46 | 後內土除 | 80101-LKF5-E00 | 1 | | | | | | | |
| 47 | 上後土除 | 80105-LKF5-E00 | 2 | | | | | | | |
| 48 | 後土除下 | 80106-LKF5-E00 | 0 | | | | | | | |
| 49 | 牌照燈外蓋 | 80107-LKF5-E00 | 0 | | | | | | | |
| 50 | 後輪土除組 | 8010B-LKF5-E00 | 3 | | | | | | | |
| 生產日期 | | | | | | | | | | |
| 停產日期 | | | | | | | | | | |

| NO | 機種 | | | SK80AA 配色表 | | | | | | | |
|------|-----------------------|----------------|----|------------|-----------|---------|------------|-----|--|--|--|
| | 相片NO | | | NO. 1 | NO. 2 | NO. 3 | NO. 4 | | | | |
| | 主體色 | | | 平光白 | 平光白 | 深棕 | 深棕 | | | | |
| | 色碼 | | | | Mat White | | Deep Brown | | | | |
| | 零件名稱 | 零件號碼 | 版次 | NH265FA | NH265FA | RR357MA | RR357MA | | | | |
| 51 | 中心蓋 | 80151-LKF5-E00 | 3 | N1R | | | | | | | |
| 52 | 保養油箱蓋燃料 | 80152-LKF5-E00 | 4 | | | | | | | | |
| 53 | LID B,FUEL TANK MAINT | 80154-LKF5-E00 | 1 | | | | | | | | |
| 54 | 內箱 | 81131-LKF5-E00 | 5 | | | | | | | | |
| 55 | 前置物箱外蓋 | 81132-LKF5-E00 | 2 | | | | | | | | |
| 56 | 前置物箱內蓋 | 81134-LKF5-E00 | 3 | | | | | | | | |
| 57 | 前置物箱擋蓋 | 81135-LKF5-E00 | 1 | | | | | | | | |
| 58 | RUBBER,ADJUSTER | 81136-LKF5-E00 | 2 | | | | | | | | |
| 59 | COVER,RADIATOR | 81137-LKF5-E00 | 1 | | | | | | | | |
| 60 | 內箱蓋平板 | 81138-LKF5-E00 | 1 | | | | | | | | |
| 61 | 前置物箱組B | 8113A-LKF5-E00 | 2 | | | | | | | | |
| 62 | 右邊護蓋 | 83530-LKF5-E00 | 3 | | | | | | | | |
| 63 | 左邊護蓋 | 83630-LKF5-E00 | 3 | | | | | | | | |
| 64 | 配線束帶 | 90656-KUDU-900 | 0 | | | | | | | | |
| 65 | 右曲軸箱蓋組 | 11330-LKF5-E00 | 4 | | | | | NEA | | | |
| 66 | 水泵外蓋 | 19220-LKF5-305 | 0 | | | | | | | | |
| 67 | 水泵外蓋組 | 1922A-LKF5-E00 | 2 | | | | | | | | |
| 68 | 後煞車卡鉗組 | 43100-LKF5-E00 | 0 | | | | | | | | |
| 69 | 左前煞車卡鉗組 | 45100-LKF5-E00 | 3 | | | | | | | | |
| 70 | 右前煞車卡鉗組 | 45200-LKF5-E00 | 3 | | | | | | | | |
| 71 | 右前叉組 | 51400-LKF5-E00 | 5 | | | | | | | | |
| 72 | 右前避震器底管 | 51421-LKF5-E00 | 0 | | | | | | | | |
| 73 | 左前叉組 | 51500-LKF5-E00 | 5 | | | | | | | | |
| 74 | 左前避震器底管 | 51521-LKF5-E00 | 0 | | | | | | | | |
| 75 | 後叉組 | 52000-LKF5-E00 | 3 | | | | | | | | |
| 生產日期 | | | | | | | | | | | |
| 停產日期 | | | | | | | | | | | |

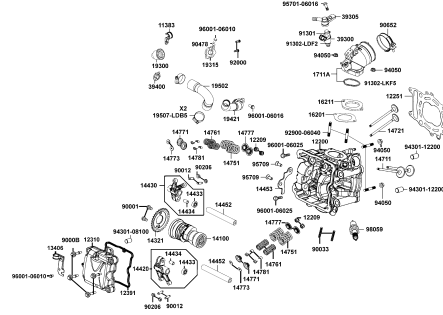
| NO | 機種 | | | SK80AA 配色表 | | | |
|------|---------------------|----------------|----|------------|-----------|---------|------------|
| | 相片NO | | | NO. 1 | NO. 2 | NO. 3 | NO. 4 |
| | 主體色 | | | 平光白 | 平光白 | 深棕 | 深棕 |
| | 色碼 | | | | Mat White | | Deep Brown |
| | 零件名稱 | 零件號碼 | 版次 | NH265FA | NH265FA | RR357MA | RR357MA |
| 76 | 後叉A | 52110-LKF5-E00 | 0 | NEA | | | |
| 77 | 右下邊蓋護條 | 83520-LKF5-E00 | 1 | NEP | | | |
| 78 | 左下邊蓋護條 | 83620-LKF5-E00 | 1 | | | | |
| 79 | 排氣管護蓋 | 18325-LKF5-E00 | 1 | NES | | | |
| 80 | 手柄左平衡端子 | 53102-LEA5-E00 | 3 | | | | |
| 81 | 手柄右平衡端子 | 53105-LEA5-E00 | 3 | | | | |
| 82 | 座墊 | 77200-LKF5-E00 | 4 | T01 | | | |
| 83 | EMB K-LOGO鋁製銘牌表 | 86102-LKJ1-900 | 0 | | | | |
| 84 | 前土除右側貼紙 | 86161-LGR2-E00 | 0 | | | | |
| 85 | 前土除左側貼紙 | 86171-LGR2-E00 | 0 | | | | |
| 86 | XCITING 400i車身主貼紙 | 86202-LKF5-E00 | 0 | | | | |
| 87 | 前罩右側貼紙 | 86282-LGR2-E00 | 0 | | | | |
| 88 | 前罩左側貼紙 | 86283-LGR2-E00 | 0 | | | | |
| 89 | 前罩右側貼紙B | 86284-LGR2-E00 | 0 | | | | |
| 90 | 前罩左側貼紙B | 86286-LGR2-E00 | 0 | | | | |
| 91 | STRIPE COVER TUNNEL | 86701-LKF5-E00 | 1 | | | | |
| 92 | 貼紙 | 87122-LKF5-900 | 0 | | | | |
| 93 | 光陽標誌 | 87206-LBA2-E00 | 2 | | | | |
| 94 | 胎壓貼紙 | 87505-LKF5-900 | 0 | | | | |
| 95 | 貼紙 | 87508-KFA1-S10 | 0 | | | | |
| 96 | 警告標示貼紙 | 87512-LBA2-900 | 0 | | | | |
| 97 | 側腳架標籤 | 87541-GGS7-901 | 2 | | | | |
| 98 | 貼紙 | 87541-KKC2-900 | 1 | | | | |
| 99 | 警告標籤 | 87542-GKM9-301 | 3 | | | | |
| 100 | 標誌 | 87560-GFY6-900 | 3 | | | | |
| 生產日期 | | | | | | | |
| 停產日期 | | | | | | | |

CONTENTS - ENGINE GROUP 引擎結構圖

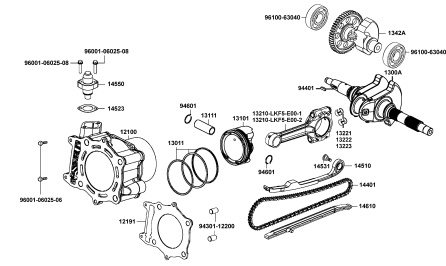
E01 曲軸箱



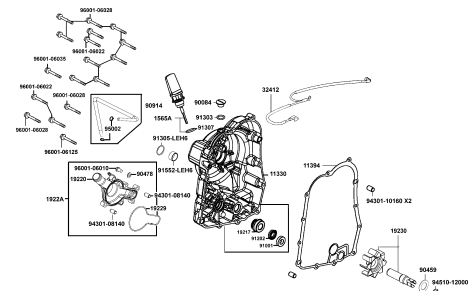
E02 汽缸頭蓋 汽缸頭



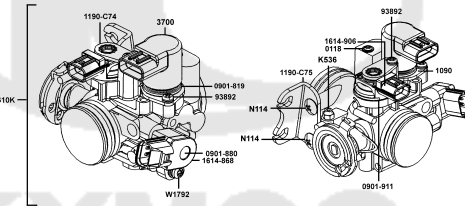
E03 汽缸 活塞 曲軸



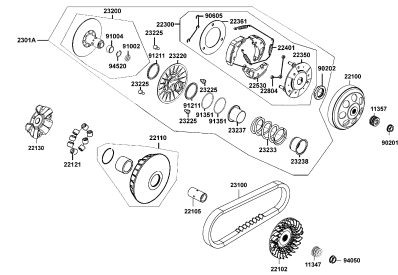
E04 右曲軸箱 水泵浦



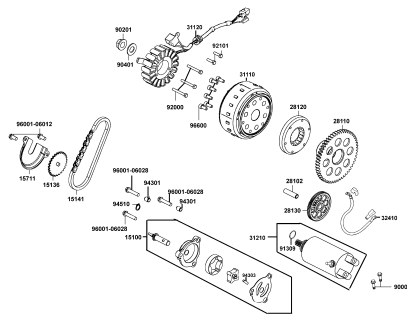
E05 節流閥



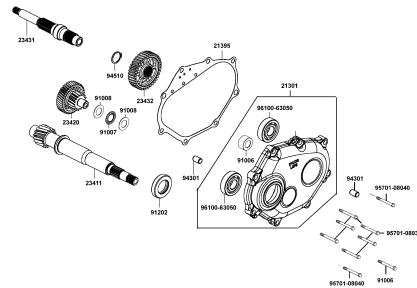
E06 傳動皮帶組



E07 起動馬達 發電機

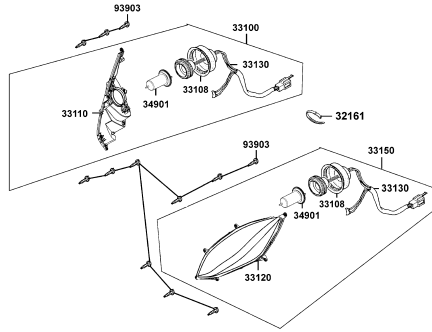


E08 傳動軸組

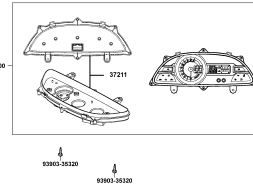


CONTENTS - FRAME GROUP 車架結構圖

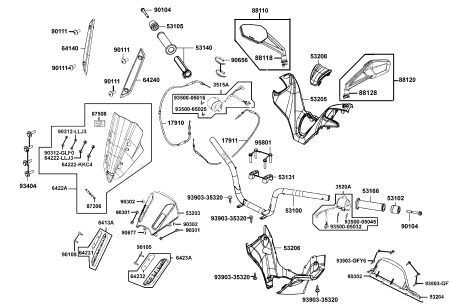
F01 前燈



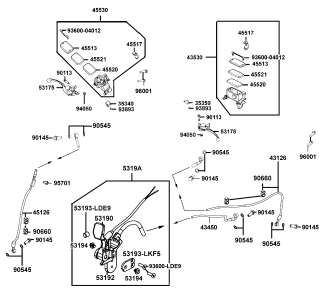
F02 儀錶



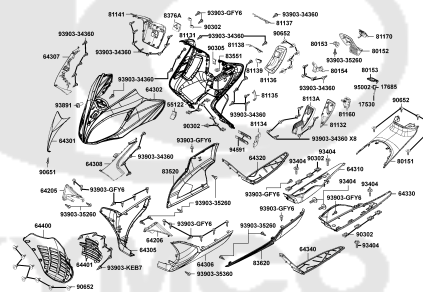
F03 轉向手柄



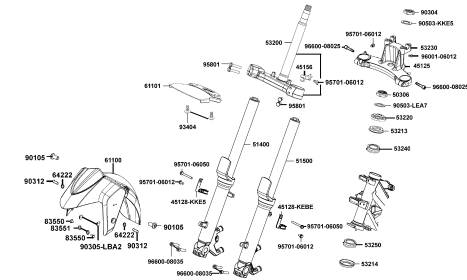
F04 煞車主油缸



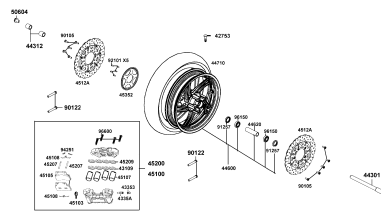
F05 前擋泥板



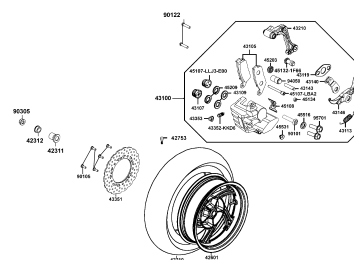
F06 轉向主桿



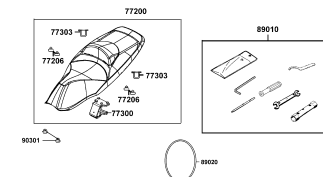
F07 前輪



F08 後輪

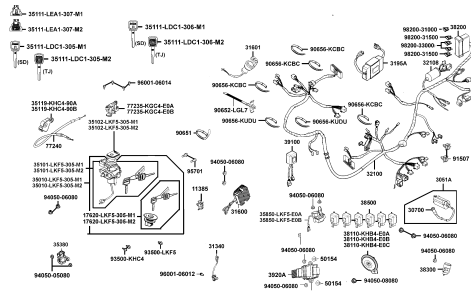


F09 座墊

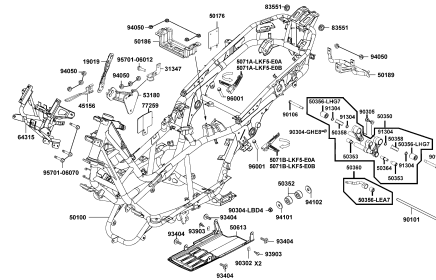


CONTENTS - FRAME GROUP 車架結構圖

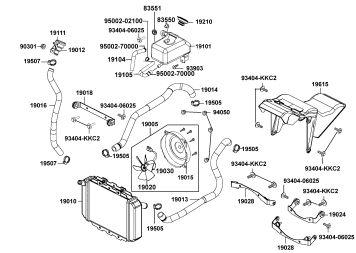
F19 主電路配線



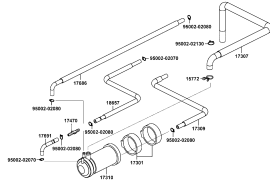
F20 車架



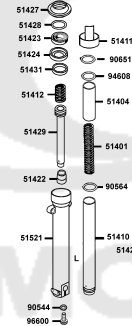
F21 水箱



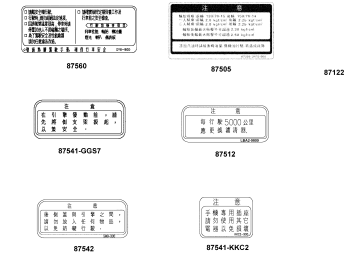
F22 活性炭罐



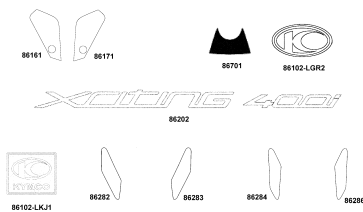
F23 前叉附件



F24 警示標籤

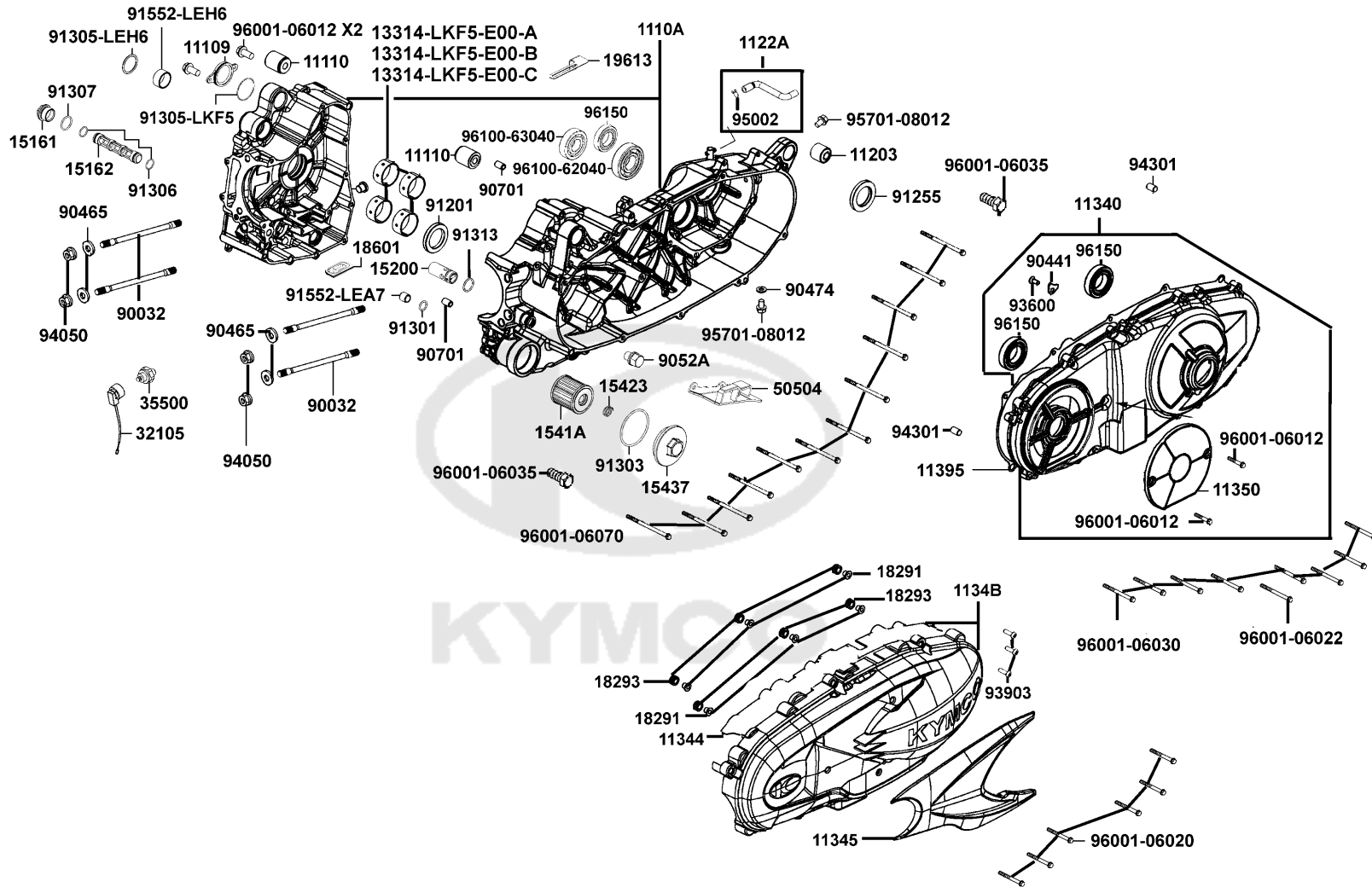


F25 標徽 貼紙



E01

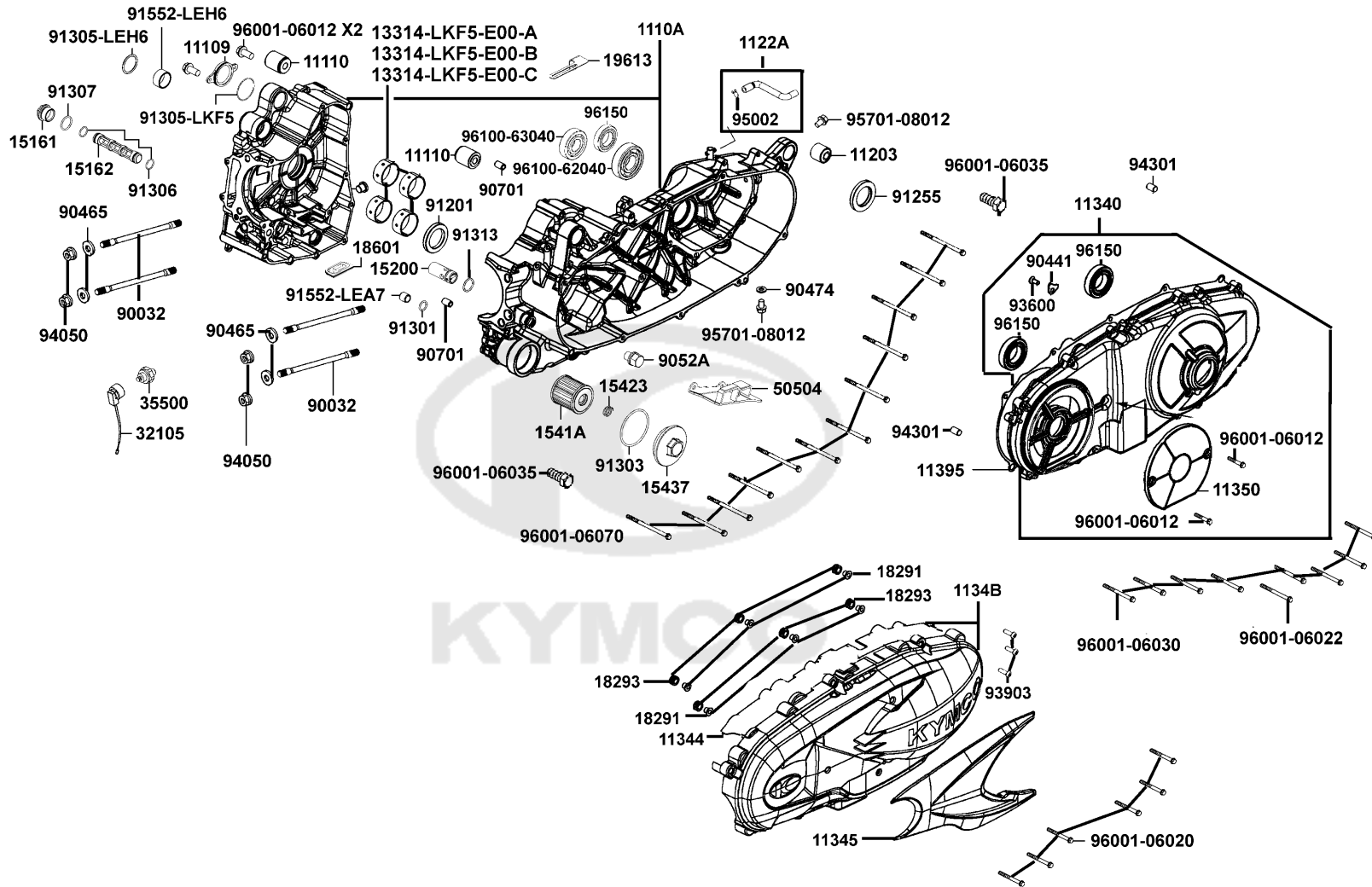
Crank Case 曲軸箱



| Sales mark | Ref no 參考號碼 | Part no 零件號碼 | Description 英文名稱 | Reg description 中文名稱 | Regd no 需求用量 | Ref Price 參考售價 | E01 |
|------------|------------------|------------------|----------------------------|-------------------------|-----------------|-------------------|-----|
| | 11109 | 11109-LKF5-E00 | COVER BLANCE SHAFT | 平衡軸側蓋 | 1 | 60 | |
| | 1110A | 1110A-LKF5-305 | CASE R/L ASSY | 右曲軸箱體 | 1 | 7580 | |
| | 11110 | 11110-LLJ3-E00 | RUB BUSH ENG HANGER | 引擎吊架右襯套組 | 2 | 98 | |
| | 11203 | 11203-LBA2-E00 | RUB BUSH L CASE | 襯套 | 1 | 60 | |
| | 1122A | 1122A-LEA7-E00 | TUBE ASSY BREATHER | 通氣管 | 1 | 32 | |
| | 11340 | 11340-LKF5-E00 | COVER COMP.. L. CRANK CASE | 左曲軸箱蓋總成 | 1 | 1501 | |
| | 11344 | 11344-LKF5-E00 | DUCT B L COVER | 左冷卻導 B | 1 | 197 | |
| ** | 11345 | 11345-LKF5-E00 | SIDE COVER L COVER | 左邊邊蓋 | 1 | 212 | |
| ** | 1134B | 1134B-LKF5-E00 | FRONT COVER COMP L COVER | 左曲軸箱蓋外蓋 | 1 | | |
| | 11350 | 11350-LKF5-E00 | ELEMENT DUCT. A L. COVER | A型左海綿輸送管外蓋 | 1 | 60 | |
| | 11395 | 11395-LKF5-E00 | GASKET. L. COVER @A | 左曲軸箱蓋墊片 | 1 | 210 | |
| | 13314-LKF5-E00-A | 13314-LKF5-E00-A | BEARING, CRANK SHAFT | 軸承 | 4 | 172 | |
| | 13314-LKF5-E00-B | 13314-LKF5-E00-B | BEARING, CRANK SHAFT | 軸承 | 4 | 172 | |
| | 13314-LKF5-E00-C | 13314-LKF5-E00-C | BEARING, CRANK SHAFT | 軸承 | 4 | 172 | |
| | 15161 | 15161-PUA5-E00 | PLUG SCREW SECTION FILTER | 濾油網蓋 | 1 | 125 | |
| | 15162 | 15162-PUA5-E00 | SUCTION FILTER CRANK SIDE | BMW-7707091-S5017W-C | 1 | 128 | |
| | 15200 | 15200-KED9-900 | OIL RELIEF VALVE ASSY | 油門閥組 | 1 | 258 | |
| | 1541A | 1541A-LEH6-E00 | ELEMENT ASSY.,OIL FILTER | 海綿濾清器油組 | 1 | 114 | |
| | 15423 | 15423-KKC3-900 | SPRING CAP OIL | 機油濾芯蓋彈簧 | 1 | 14 | |
| | 15437 | 15437-LEA7-E00 | CAP OIL FILTER | 濾油網蓋 | 1 | 100 | |

E01

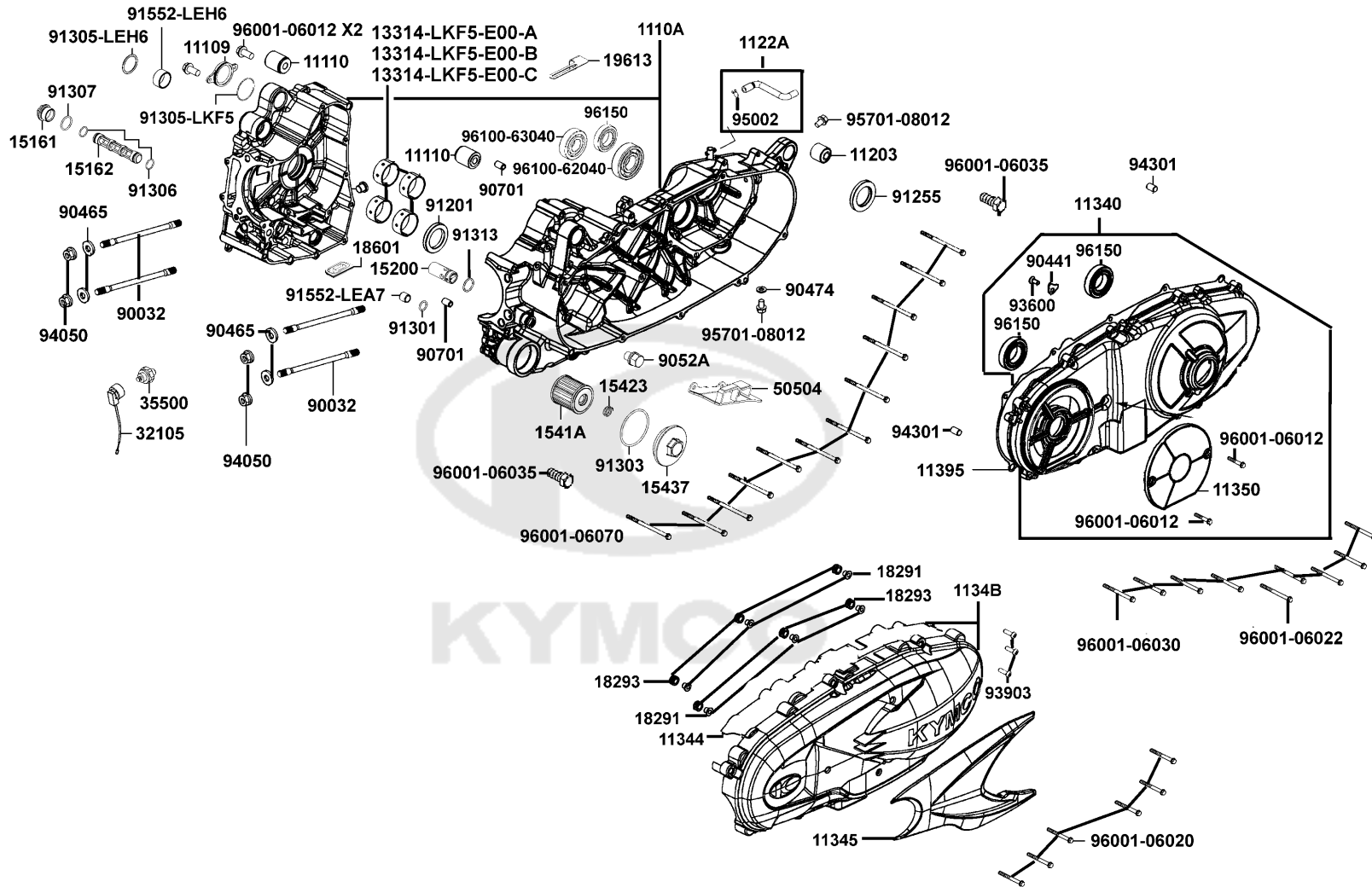
Crank Case 曲軸箱



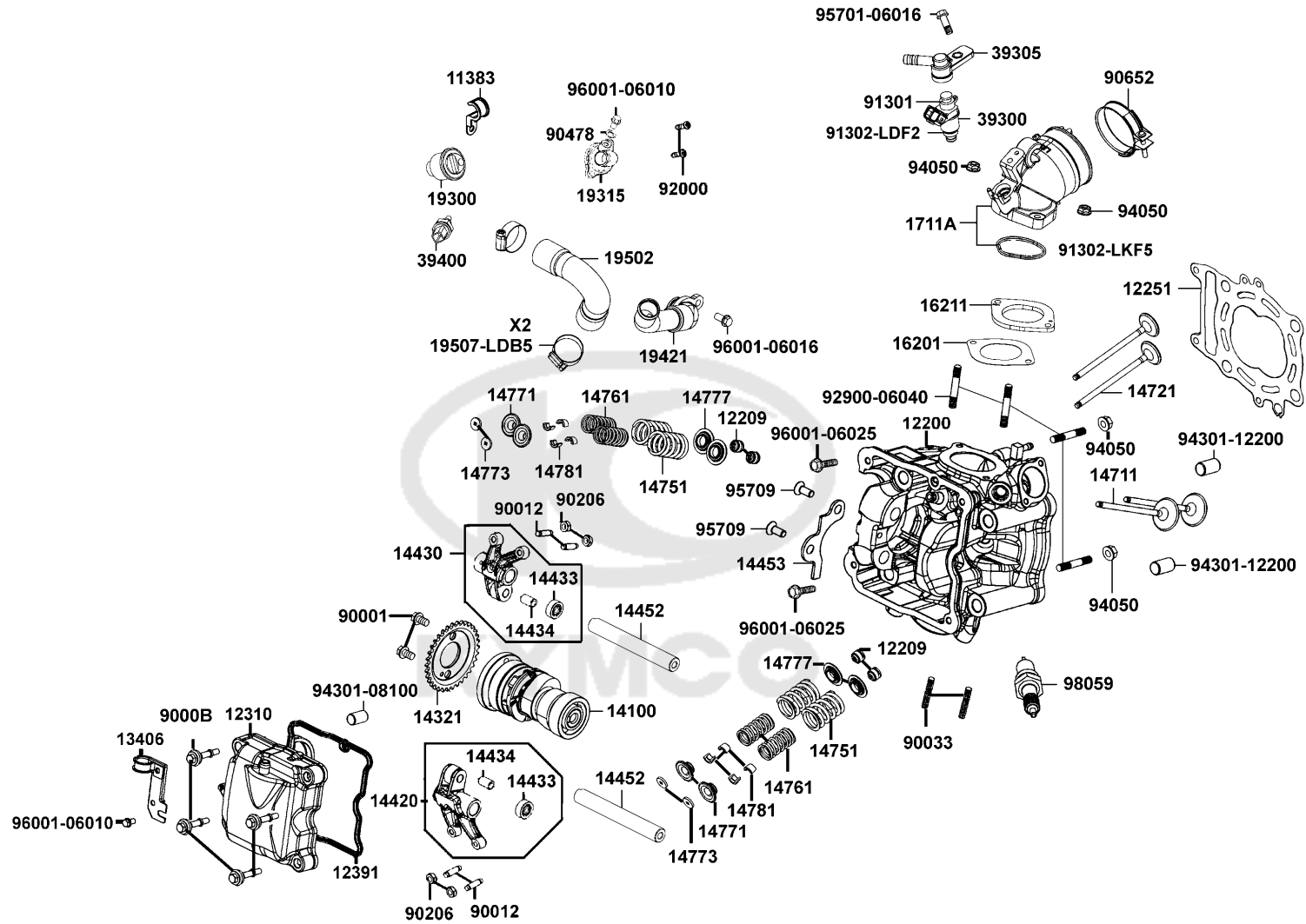
| Sales mark | Ref no 參考號碼 | Part no 零件號碼 | Description 英文名稱 | Reg description 中文名稱 | Regd no 需求用量 | Ref Price 參考售價 | E01 |
|------------|----------------|-----------------|----------------------------|-------------------------|-----------------|-------------------|-----|
| | 18291 | 18291-KKC4-900 | COLLAR | 套筒 | 6 | 17 | |
| | 18293 | 18293-KKC4-900 | RUBBER | 橡皮 | 6 | 17 | |
| | 18601 | 18601-LKF5-E00 | REED VALVE COMP. | 簧片單向閥 | 1 | 186 | |
| | 19613 | 19613-LEA7-E00 | CLAMPER STARTER MOTOR CORD | 起動馬達導線夾 | 1 | 24 | |
| | 32105 | 32105-LLJ3-E00 | SUB HARNESS | 配線 | 1 | 58 | |
| | 35500 | 35500-KED9-900 | SW ASSY OIL PRESSURE | 機油壓力感知開關 | 1 | 300 | |
| | 50504 | 50504-LKF5-E00 | STOPPER PLATE,MAIN STAND | 主腳架支架 | 1 | 96 | |
| | 90032 | 90032-LEA7-E00 | BOLT B STUD 10*180 | 螺絲 10*180 | 4 | 92 | |
| | 90441 | 90441-LKF5-E00 | PLATE, BRG. HOLD | 華司 | 1 | 34 | |
| | 90465 | 90465-LBA2-E00 | WASHER 10.2 MM | 華司10.2MM | 4 | 15 | |
| | 90474 | 90474-3C33-001 | WASHER 8MM | 華司 8MM | 1 | 15 | |
| | 9052A | 9052A-LEB1-900 | BOLT ASSY DRAIN PLUG | 洩油螺絲 | 1 | 72 | |
| | 90701 | 90701-9E65-001 | PIN DOWEL 10*16 | 定位銷 10*16 | 2 | 17 | |
| | 91201 | 91201-LEA7-E00 | OIL SEAL 35*50*7 | 油封 35*50*7 | 1 | 95 | |
| | 91255 | 91255-LKF5-E00 | OIL SEAL 38X56X7 | 油封 | 1 | 40 | |
| | 91301 | 91301-2L00-001 | O-RING 6.8*1.9 | O環 10X1.6 | 1 | 13 | |
| | 91303 | 91303-LEA7-E00 | O-RING 52.5x2.5 | O型環 | 1 | 12 | |
| | 91305-LEH6 | 91305-LEH6-E00 | O RING 19.8x1.9 | O型環 | 1 | 14 | |
| | 91305-LKF5 | 91305-LKF5-E00 | O-RING 48*1.8 | O型環 | 1 | 21 | |
| | 91306 | 91306-PUA5-E00 | O-RING 13*1.5 | O環 13*1.5 | 2 | 17 | |

E01

Crank Case 曲軸箱



| Sales mark | Ref no 參考號碼 | Part no 零件號碼 | Description 英文名稱 | Reg description 中文名稱 | Regd no 需求用量 | Ref Price 參考售價 | E01 |
|------------|----------------|-----------------|--------------------------|-------------------------|-----------------|-------------------|-----|
| | 91307 | 91307-PUA5-E00 | O-RING 18*2 | O環 18*2 | 1 | 20 | |
| | 91313 | 91313-KED9-900 | O-RING 15.5*1.5 | 油環 15.5*1.5 | 1 | 14 | |
| | 91552-LEA7 | 91552-LEA7-E00 | COLLAR.10.5MM | 軸環 | 1 | 21 | |
| | 91552-LEH6 | 91552-LEH6-E00 | COLLAR 20mm | 軸環 | 1 | 22 | |
| | 93600 | 93600-LKF5-E00 | BOLT FLAT SOCKET | 內六角型 蝶狀小螺絲 | 1 | 15 | |
| | 93903 | 93903-25380 | SCREW TAPPING 5*16 | 螺釘 5*16 | 3 | 17 | |
| | 94050 | 94050-10060 | NUT FLANGE 10MM | 螺帽 10MM | 4 | 13 | |
| | 94301 | 94301-10160 | DOWEL PIN 10*16 | 定位銷 10X16 | 2 | 15 | |
| | 95002 | 95002-50000 | CLIP C9 TUBE | 油管夾 | 2 | 8 | |
| | 95701 | 95701-08012-06 | BOLT FLANGE 8*12 | 螺絲 8*12 | 2 | 13 | |
| | 96001-06012 | 96001-06012-08 | BOLT FLANGE 6*12 | 螺絲 6X12 | 4 | 13 | |
| | 96001-06020 | 96001-06020-06 | BOLT FLANGE SH 6*20 | 螺絲 6*20 | 6 | 6 | |
| | 96001-06022 | 96001-06022-08 | BOLT FLANGE SH 6*22 | 螺絲 6X22 | 1 | 13 | |
| | 96001-06030 | 96001-06030-08 | BOLT FLANGE SH 6*30 | 螺絲 6X30 | 8 | 6 | |
| | 96001-06035 | 96001-06035-08 | BOLT FLANGE SH 6*35 (G) | 螺絲 6X35 | 2 | 13 | |
| | 96001-06070 | 96001-06070-06 | BOLT FLANGE SH 6*70 | 螺絲 6*70/墨綠 | 12 | 8 | |
| | 96100-62040 | 96100-62040-00 | BEARING BALL RADIAL 6204 | 軸承 6204 | 1 | 103 | |
| | 96100-63040 | 96100-63040-00 | BRG BALL RADIAL 6304 | 左曲軸箱軸承 6304/20*52*15 | 1 | 120 | |
| | 96150 | 96150-60060-10 | BEARING BALL RADIAL 6006 | 軸承 6006 | 4 | 207 | |



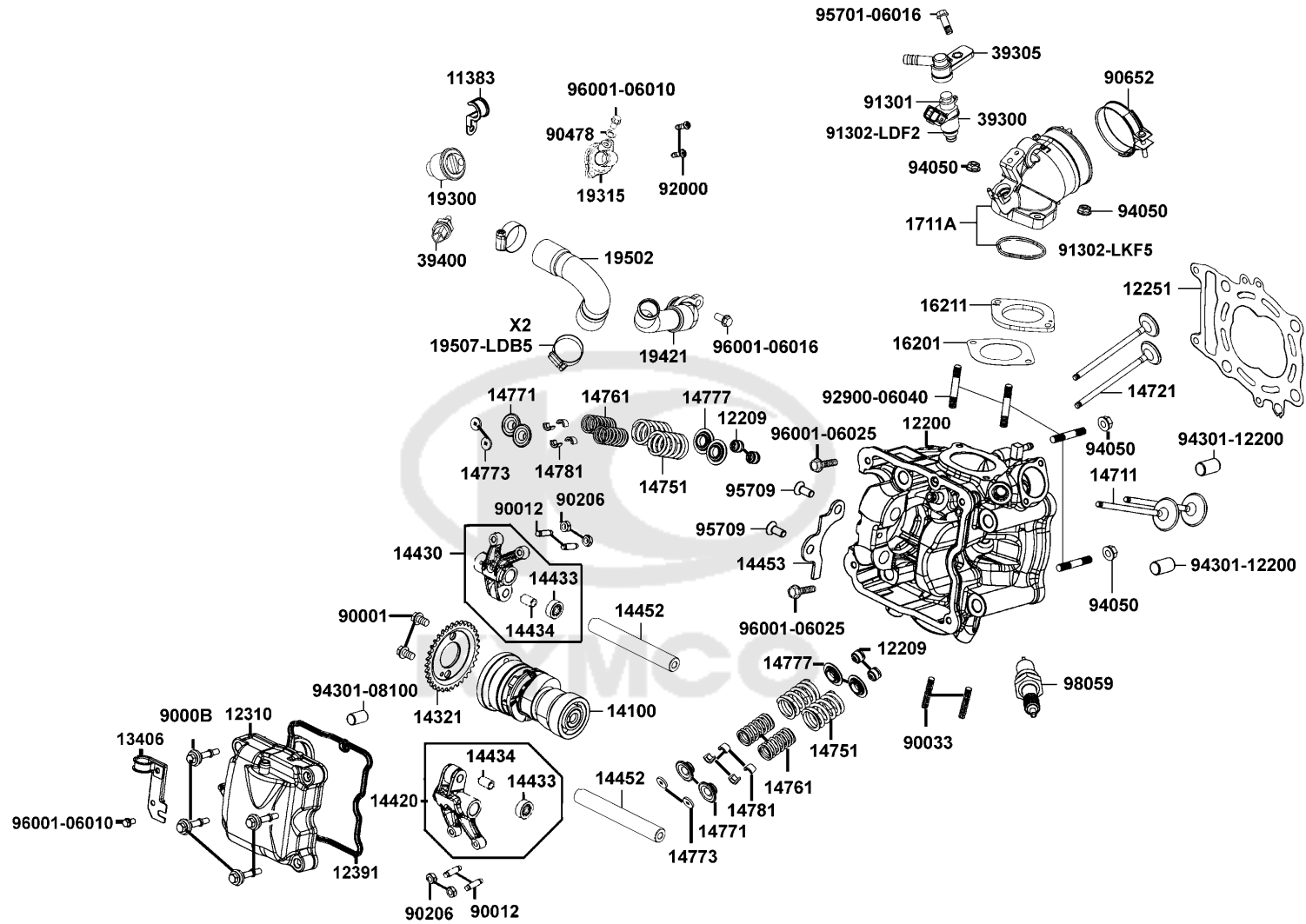
| Sales mark | Ref no 參考號碼 | Part no 零件號碼 | Description 英文名稱 | Reg description 中文名稱 | Regd no 需求用量 | Ref Price 參考售價 | E02 |
|------------|----------------|-----------------|------------------------------|-------------------------|-----------------|-------------------|-----|
| | 11383 | 11383-KHE7-900 | CLAMPER RR BRK HOSE | 後煞車油管夾 | 1 | 24 | |
| | 12200 | 12200-LKF5-E00 | HEAD COMP.. CYLINDER | 汽缸頭總成 | 1 | 4960 | |
| | 12209 | 12209-GDB4-68A | SEAL VALVE STEM | 門閥徑封 | 4 | 42 | |
| | 12251 | 12251-LKF5-E00 | GASKET. CYLINDER HEAD | 汽缸頭墊片 | 1 | 420 | |
| | 12310 | 12310-LKF5-E00 | COVER COMP.. HEAD | 汽缸頭蓋總成 | 1 | 521 | |
| | 12391 | 12391-LKF5-E00 | GASKET. CYLINDER HEAD COVER | 汽缸頭蓋墊片 | 1 | 388 | |
| | 13406 | 13406-LEA7-E00 | PLATE FUEL INJECTOR | 噴射進氣支板 | 1 | 25 | |
| | 14100 | 14100-LKF5-E00 | SHAFT COMP.. CAM | 凸輪軸總成 | 1 | 2428 | |
| | 14321 | 14321-LEA7-E00 | SPROCKET CAMSHAFT | 凸輪軸內鏈輪 | 1 | 285 | |
| | 14420 | 14420-LKF5-E00 | ARM COMP. EXH VALVE ROCKER | 排氣閥門搖臂組 | 1 | 992 | |
| | 14430 | 14430-LKF5-E00 | ARM COMP. IN VALVE ROCKER | 進氣閥門搖臂組 | 1 | 992 | |
| | 14433 | 14433-PTA1-900 | ROCKER ASSY ROCKER ARM | 搖臂軸承 | 2 | 413 | |
| | 14434 | 14434-PTA1-900 | PIN ROCKER ARM | 搖臂插銷 | 2 | 127 | |
| | 14452 | 14452-LKF5-E00 | SHAFT, ROCKER ARM | 搖桿臂軸 | 2 | 68 | |
| | 14453 | 14453-LKF5-E00 | SET. PLATE. ROCKER ARM SHAFT | 搖桿臂軸組薄板 | 1 | 31 | |
| | 14711 | 14711-LKF5-E00 | VALVE. INLET | 進氣門閥 | 2 | 380 | |
| | 14721 | 14721-LKF5-E00 | VALVE. EXHAUST | 排氣門閥 | 2 | 361 | |
| | 14751 | 14751-LKF5-E00 | SPRING. VALVE OUTER | 閥門外彈簧 | 4 | 34 | |
| | 14761 | 14761-LKF5-E00 | SPRING. VALVE INNER | 閥門內彈簧 | 4 | 45 | |
| | 14771 | 14771-LKF5-E00 | RETAINER. VALVE SPRING | 閥門彈簧定位器 | 4 | 69 | |

E02

Cylinder Head Cover

Cylinder Head

汽缸頭蓋 汽缸頭



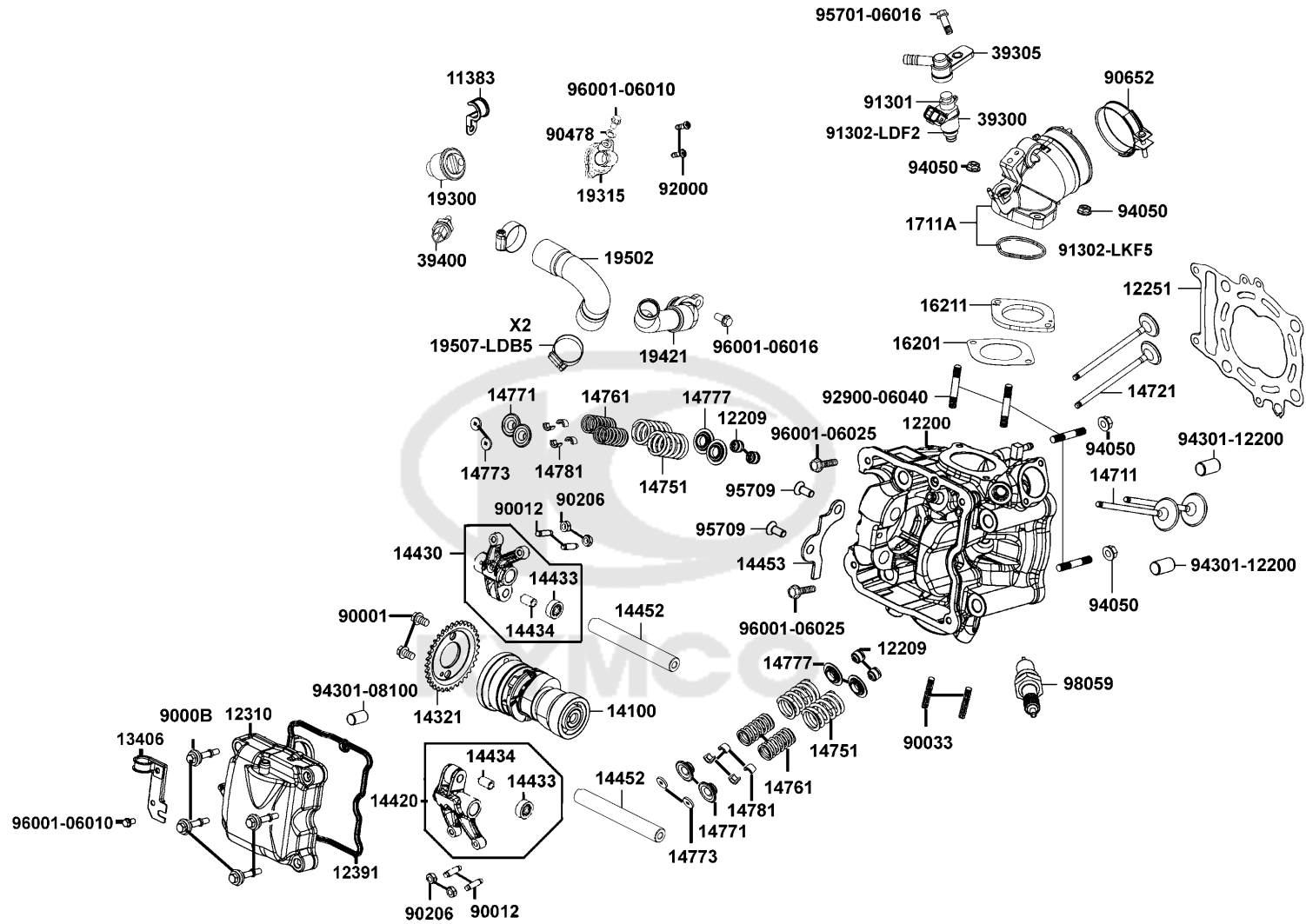
| Sales mark | Ref no 參考號碼 | Part no 零件號碼 | Description 英文名稱 | Reg description 中文名稱 | Regd no 需求用量 | Ref Price 參考售價 | E02 |
|------------|----------------|-----------------|---------------------------|-------------------------|-----------------|-------------------|-----|
| | 14773 | 14773-LKF5-E00 | SHIM | 汽門墊片 | 4 | 69 | |
| | 14777 | 14777-LBA2-E00 | SEAT VALVE SPG | 門閥彈簧座 | 4 | 25 | |
| | 14781 | 14781-MFA6-001 | COTTER VALVE | 閥門鎖扣 | 8 | 33 | |
| | 16201 | 16201-LKF5-E00 | GASKET. CARB INSULATOR @A | A型化油器墊片 | 1 | 18 | |
| | 16211 | 16211-LKF5-E00 | INSULATOR. CARB | 化油器隔熱板 | 1 | 31 | |
| | 1711A | 1711A-LKF5-E00 | PIPE ASSY.. INLET | 進氣管組 | 1 | 500 | |
| | 19300 | 19300-KAE1-004 | THERMOSTAT ASSY | 恆溫器 | 1 | 391 | |
| | 19315 | 19315-LKF5-E00 | COVER, THERMOSTAT | COVER, THERMOSTAT | 1 | 103 | |
| | 19421 | 19421-LKF5-E00 | JOINT WATER HOSE | 冷卻水連接管 | 1 | 153 | |
| | 19502 | 19502-LKF5-E00 | HOSE , B WATER | 水管 | 1 | 47 | |
| | 19507 | 19507-LDB5-E00 | CLAMP D 28 | 水管夾 | 2 | 27 | |
| | 39300 | 39300-LDG7-M90 | INJECTOR UNIT FUEL | 燃油噴嘴 | 1 | 1512 | |
| | 39305 | 39305-LKF5-E00 | HOLDER. FUEL INJECTOR | 燃油噴嘴油保持器 | 1 | 83 | |
| | 39400 | 39400-LDF2-800 | WATER TEMP SENSOR | 水溫感知器 | 1 | 218 | |
| | 90001 | 90001-GFY6-901 | SOCKET BOLT 6*10 | 內六角螺絲 6X10 | 2 | 15 | |
| | 9000B | 9000B-KHD6-900 | BOLT ASSY SPECIAL 6*41.5 | 螺絲 6X41.5 | 4 | 39 | |
| | 90012 | 90012-LKF5-E00 | SCREW TAPPET ADJUSTING | 樞軸調整螺帽 | 4 | 37 | |
| | 90033 | 90033-GFY6-900 | BOLT STUD 8*32 | 螺絲 8X32 | 2 | 15 | |
| | 90206 | 90206-OA01-001 | NUT TAPPET ADJG | 挺桿調整螺帽 | 4 | 15 | |
| | 90478 | 90478-7L00-001 | WASHER A 6MM | 華司 A 6MM | 1 | 6 | |

E02

Cylinder Head Cover

Cylinder Head

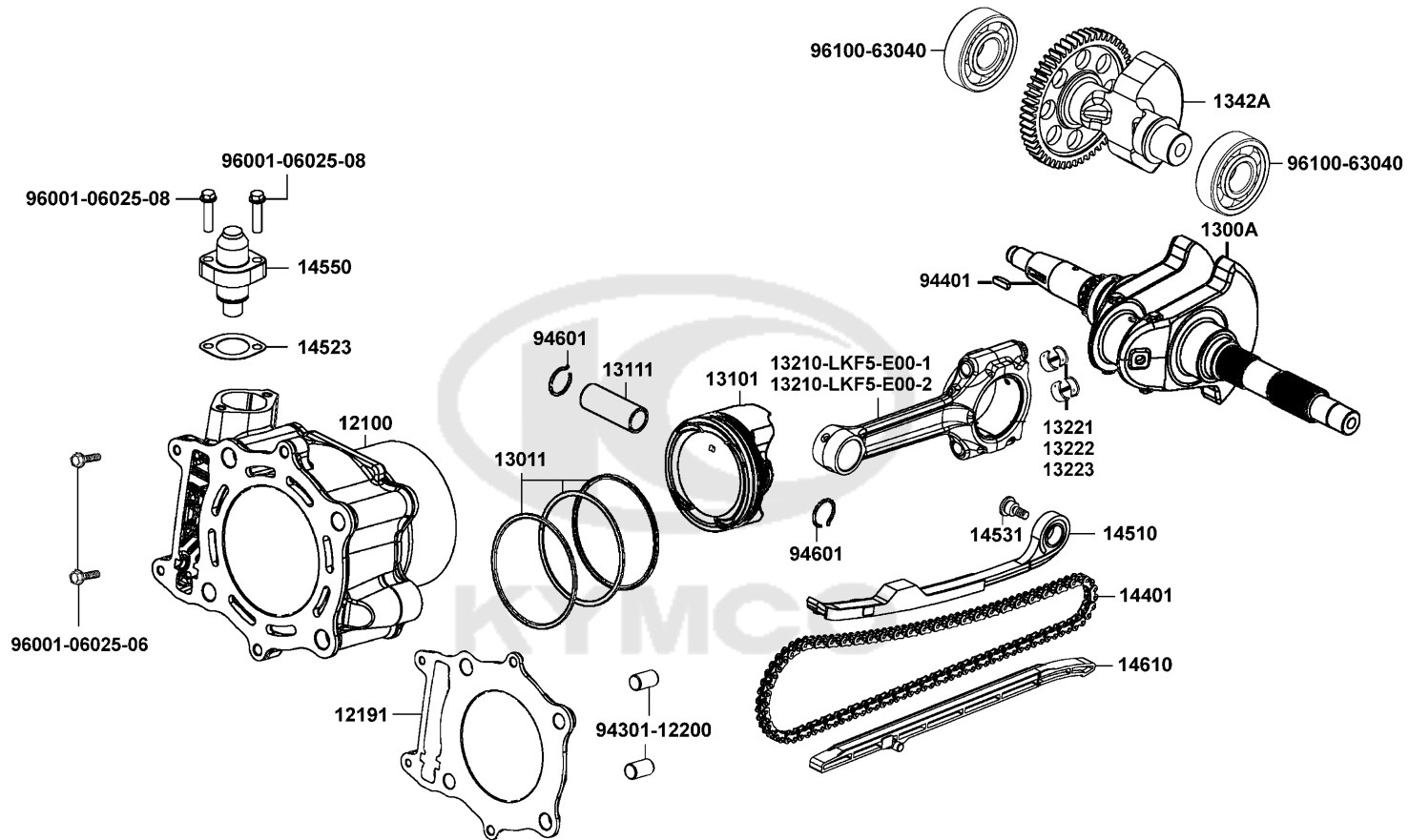
汽缸頭蓋 汽缸頭



| Sales mark | Ref no 參考號碼 | Part no 零件號碼 | Description 英文名稱 | Reg description 中文名稱 | Regd no 需求用量 | Ref Price 參考售價 | E02 |
|------------|----------------|-----------------|-------------------------|-------------------------|-----------------|-------------------|-----|
| | 90652 | 90652-LDG7-900 | C-HOPE 10-59 | 管夾 | 1 | 76 | |
| | 91301 | 91301-LDF2-M90 | O-RING 7.3*2.2 | O環 7.3*2.2 | 1 | 35 | |
| | 91302-LDF2 | 91302-LDF2-M90 | SEAL RING | 油封 | 1 | 41 | |
| | 91302-LKF5 | 91302-LKF5-E00 | SET RUBBER. | 專用橡皮組 | 1 | 21 | |
| | 92000 | 92000-05016-0H | BOLT HEX 5*16 | 螺絲 5*16 | 2 | 3 | |
| | 92900 | 92900-06040-0E | BOLT STUD 6*40 | 雙頭螺絲 6*40 | 4 | 13 | |
| | 94050 | 94050-06080 | NUT FLANGE 6MM | 特殊螺帽 6MM | 4 | 15 | |
| | 94301-08100 | 94301-08100 | DOWEL PIN 8*10 | 銷 8X10 | 1 | 14 | |
| | 94301-12200 | 94301-12200 | DOWEL PIN 12*20 | 定位銷 12*20 | 2 | 14 | |
| | 95701 | 95701-06016-08 | BOLT FLANGE 6*16 | 螺絲 6X16 | 1 | 13 | |
| | 95709 | 95709-PRA1-E00 | SCREW COUNTERSUNK M6*12 | | 2 | 25 | |
| | 96001-06010 | 96001-06010-00 | BOLT FLANGE SH 6X10 | 螺絲 6X10 | 2 | 13 | |
| | 96001-06016 | 96001-06016-06 | BOLT FLANGE SH 6*16 | 螺絲 6*16 | 2 | 7 | |
| | 96001-06025 | 96001-06025-06 | BOLT FLANGE SH 6*25 | 螺絲 6X25 | 2 | 13 | |
| | 98059 | 98059-57916-00 | SPARK PLUG CR7E | 火星塞 | 1 | 256 | |

E03

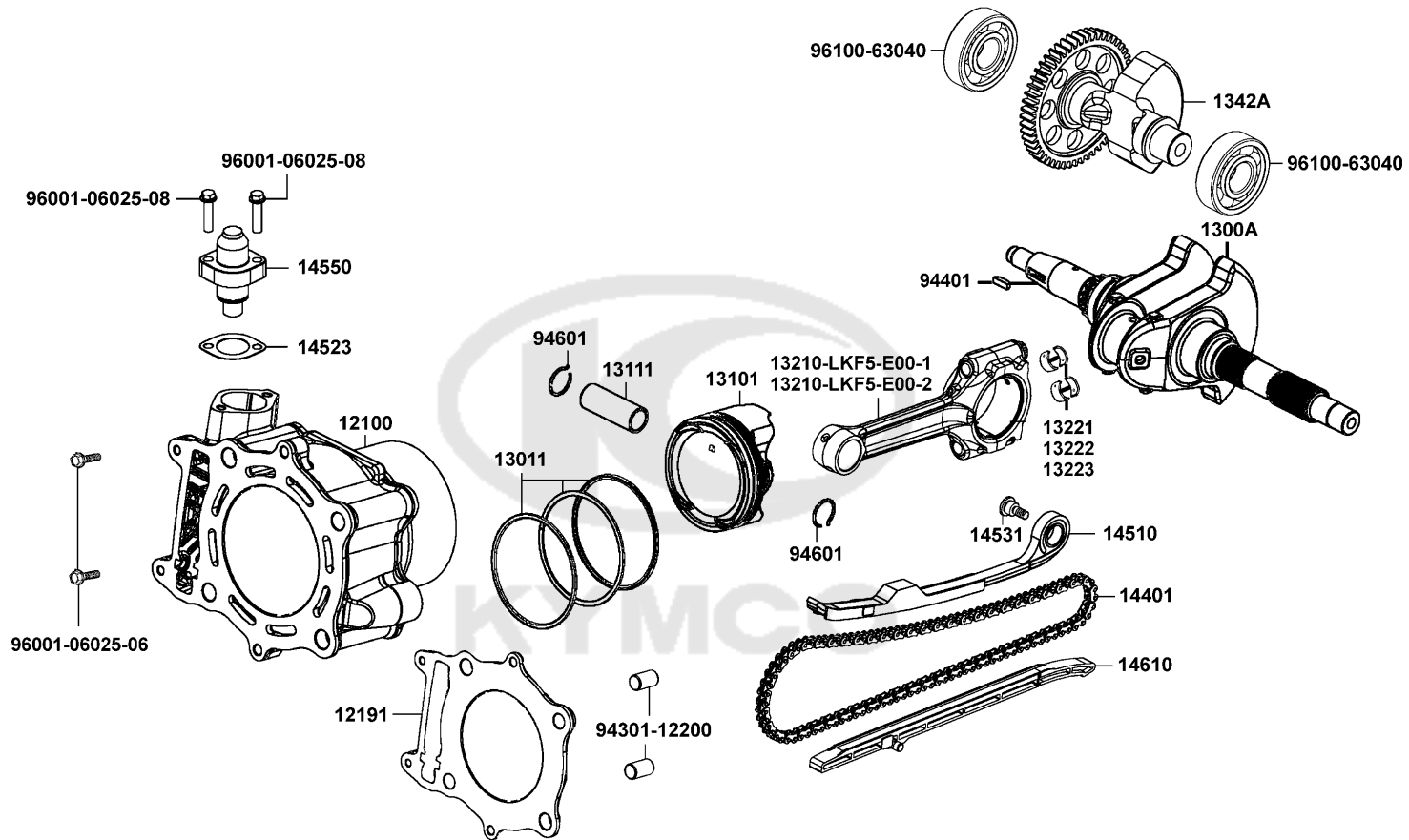
Cylinder Piston Crankshaft 汽缸 活塞 曲軸




| Sales mark | Ref no 參考號碼 | Part no 零件號碼 | Description 英文名稱 | Reg description 中文名稱 | Regd no 需求用量 | Ref Price 參考售價 | E03 |
|------------|------------------|------------------|---------------------------------|-------------------------|-----------------|-------------------|-----|
| | 12100 | 12100-LKF5-E00 | CYLINDER COMP. | 汽缸總成 | 1 | 3355 | |
| | 12191 | 12191-LKF5-E00 | GASKET. CYLINDER | 汽缸墊片 | 1 | 203 | |
| | 1300A | 1300A-LKF5-E00 | CRANK SHAFT COMP. | 曲軸組 | 1 | 8200 | |
| | 13011 | 13011-LKF5-E00 | RING SET, PISTON | 活塞環組 | 1 | 310 | |
| | 13101 | 13101-LKF5-E00 | PISTON | 活塞 | 1 | 1460 | |
| | 13111 | 13111-LKF5-E00 | PIN. PISTON | 活塞梢 | 1 | 83 | |
| | 13210-LKF5-E00-1 | 13210-LKF5-E00-1 | CONN. ROD ASSY | 連桿 | 1 | 1196 | |
| | 13210-LKF5-E00-2 | 13210-LKF5-E00-2 | CONN. ROD ASSY | 連桿 | 1 | 1196 | |
| | 13221 | 13221-LKF5-E00 | BEARING, CONN. ROD(1.495~1.498) | 連桿軸承片/紅 | 2 | 190 | |
| | 13222 | 13222-LKF5-E00 | BEARING, CONN. ROD(1.491~1.494) | 連桿軸承片/綠 | 1 | 190 | |
| | 13223 | 13223-LKF5-E00 | BEARING, CONN. ROD(1.486~1.490) | 連桿軸承片/黑 | 2 | 190 | |
| | 1342A | 1342A-LKF5-E01 | SHAFT COMP.. BALANCER | 平衡軸總成 | 1 | 1985 | |
| | 14401 | 14401-PWB1-900 | CHAIN CAM | 凸輪軸驅動鏈條 | 1 | 724 | |
| | 14510 | 14510-LKF5-E01 | TENSIONER. CAM CHAIN | 內鏈條拉力桿 | 1 | 283 | |
| | 14523 | 14523-PRA1-E00 | GASKET CHAIN TENSIONER | 內鏈條調整器墊片 | 1 | 15 | |
| | 14531 | 14531-KHE7-900 | PIVOT CAM CHAIN TENSIONER | 拉力桿螺絲 | 1 | 33 | |
| | 14550 | 14550-LKF5-E00 | CHAIN TENSIONER | 鏈條張力調整器 | 1 | 510 | |
| | 14610 | 14610-LEA7-E00 | GUIDE COMP CAM CHAIN | 內鏈條拉力桿導件 | 1 | 83 | |
| | 94301 | 94301-12200 | DOWEL PIN 12*20 | 定位銷 12*20 | 2 | 14 | |
| | 94401 | 94401-25140 | WOODRUFF KEY 25*14 | 月形固定片 | 1 | 14 | |

E03

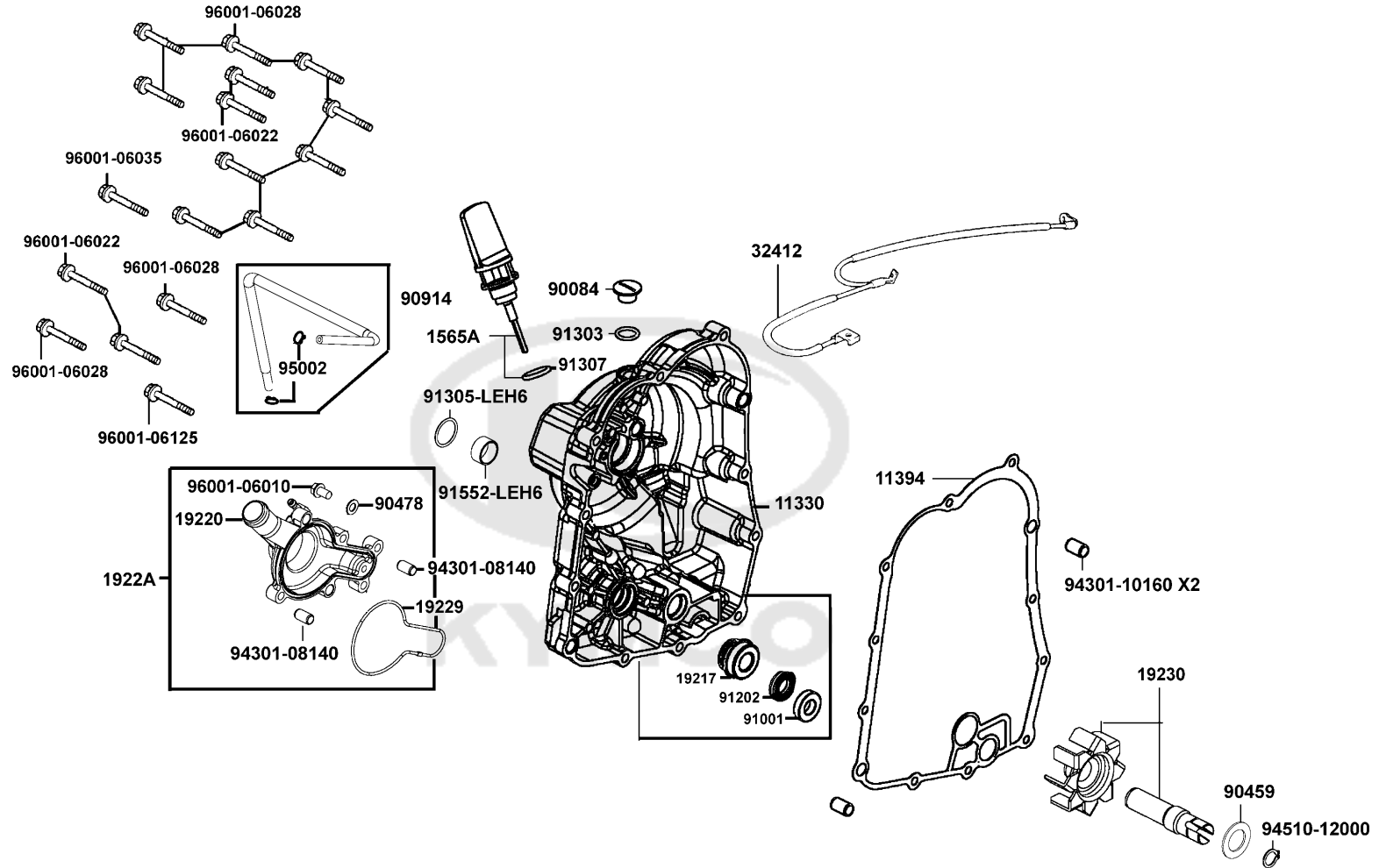
Cylinder Piston Crankshaft 汽缸 活塞 曲軸



| Sales mark | Ref no 參考號碼 | Part no 零件號碼 | Description 英文名稱 | Reg description 中文名稱 | Regd no 需求用量 | Ref Price 參考售價 | E03 |
|---|----------------|-----------------|-------------------------|-------------------------|-----------------|-------------------|-----|
| | 94601 | 94601-PSA6-E00 | CIRCLIP PISTON PIN 20MM | CIRCLIP PISTON PIN 20MM | 2 | 21 | |
| | 96001-06025-06 | 96001-06025-06 | BOLT FLANGE SH 6*25 | 螺絲 6X25 | 2 | 13 | |
| | 96001-06025-08 | 96001-06025-08 | BOLT FLANGE SH 6*25 | 螺絲 6X25 | 2 | 13 | |
| | 96100 | 96100-63040-00 | BRG BALL RADIAL 6304 | 左曲軸箱軸承 6304/20*52*15 | 2 | 120 | |
|  | | | | | | | |

E04

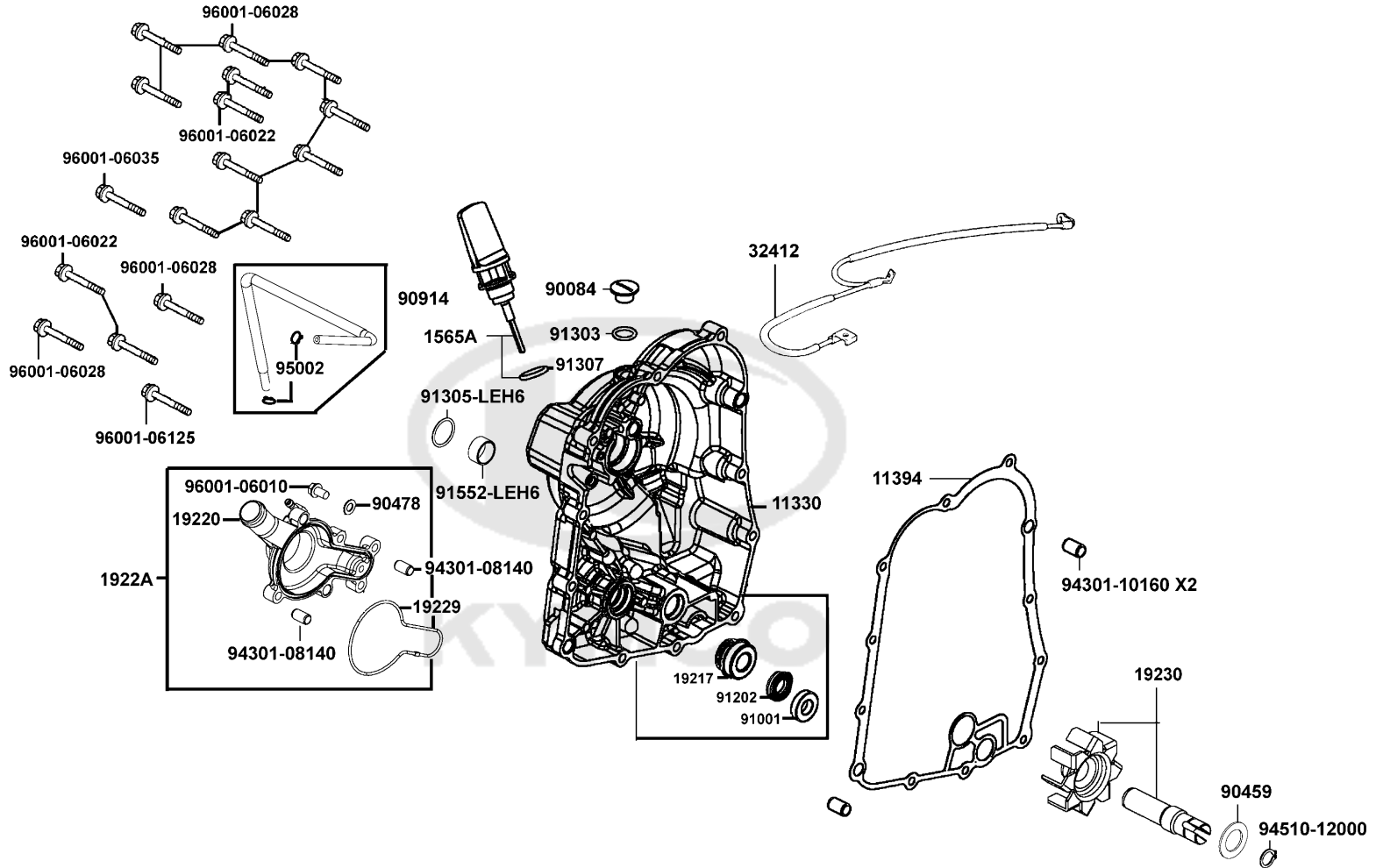
Right Crankcase Cover Water Pump 右曲軸箱 水泵浦



| Sales mark | Ref no 參考號碼 | Part no 零件號碼 | Description 英文名稱 | Reg description 中文名稱 | Regd no 需求用量 | Ref Price 參考售價 | E04 |
|------------|----------------|-----------------|---------------------------|-------------------------|-----------------|-------------------|-----|
| ** | 11330 | 11330-LKF5-E00 | COVER COMP., R CRANK CASE | 右曲軸箱蓋組 | 1 | | |
| | 11394 | 11394-LKF5-E00 | GASKET, R COVER | 右曲軸箱蓋墊片 | 1 | 157 | |
| | 1565A | 1565A-LBA2-E00 | GAUGE OIL LEVEL ASSY | 機油尺組 | 1 | 42 | |
| | 19217 | 19217-6G57-024 | SEAL MECHANICAL | 機械油封 | 1 | 120 | |
| ** | 19220 | 19220-LKF5-305 | COVER, WATER PUMP | 水泵外蓋 | 1 | | |
| | 19229 | 19229-LKF5-E00 | O-RING, WATER PUMP | 水泵墊片 | 1 | 17 | |
| ** | 1922A | 1922A-LKF5-E00 | COVER ASSY., WATER PUMP | 水泵外蓋組 | 1 | | |
| | 19230 | 19230-LKF5-E00 | ASSY WATER PUMP | 輪葉軸組 | 1 | 175 | |
| | 32412 | 32412-LKF5-E00 | CABLE. EARTH | 接地導線 | 1 | 203 | |
| | 90084 | 90084-KKF9-901 | CAP AC GENERATOR | A.C.G 蓋 | 1 | 26 | |
| | 90459 | 90459-LKF5-E00 | WASHER 12MM | 墊圈 | 1 | 19 | |
| | 90478 | 90478-7L00-001 | WASHER A 6MM | 華司 A 6MM | 1 | 6 | |
| | 90914 | 90914-LKF5-E00 | TUBE ASSY,WATER | 水管組 | 1 | 42 | |
| | 91001 | 91001-KKJ9-006 | BRG BALL RADIAL 6901 | 軸承 6901 | 1 | 190 | |
| | 91202 | 91202-KGB4-C00 | OIL SEAL 13.7*24*5 | 油封 13.7*24*5 | 1 | 19 | |
| | 91303 | 91303-3G77-001 | O-RING 13.8*2.5 | O環 13.8X2.5 | 1 | 13 | |
| | 91305 | 91305-LEH6-E00 | O RING 19.8x1.9 | O型環 | 1 | 14 | |
| | 91307 | 91307-0E35-001 | O RING 18*3 | O環 18X3 | 1 | 11 | |
| | 91552 | 91552-LEH6-E00 | COLLAR 20mm | 軸環 | 1 | 22 | |
| | 94301-08140 | 94301-08140 | DOWEL PIN 8*14 | 定位銷 8X14 | 2 | 15 | |

E04

Right Crankcase Cover Water Pump 右曲軸箱 水泵浦

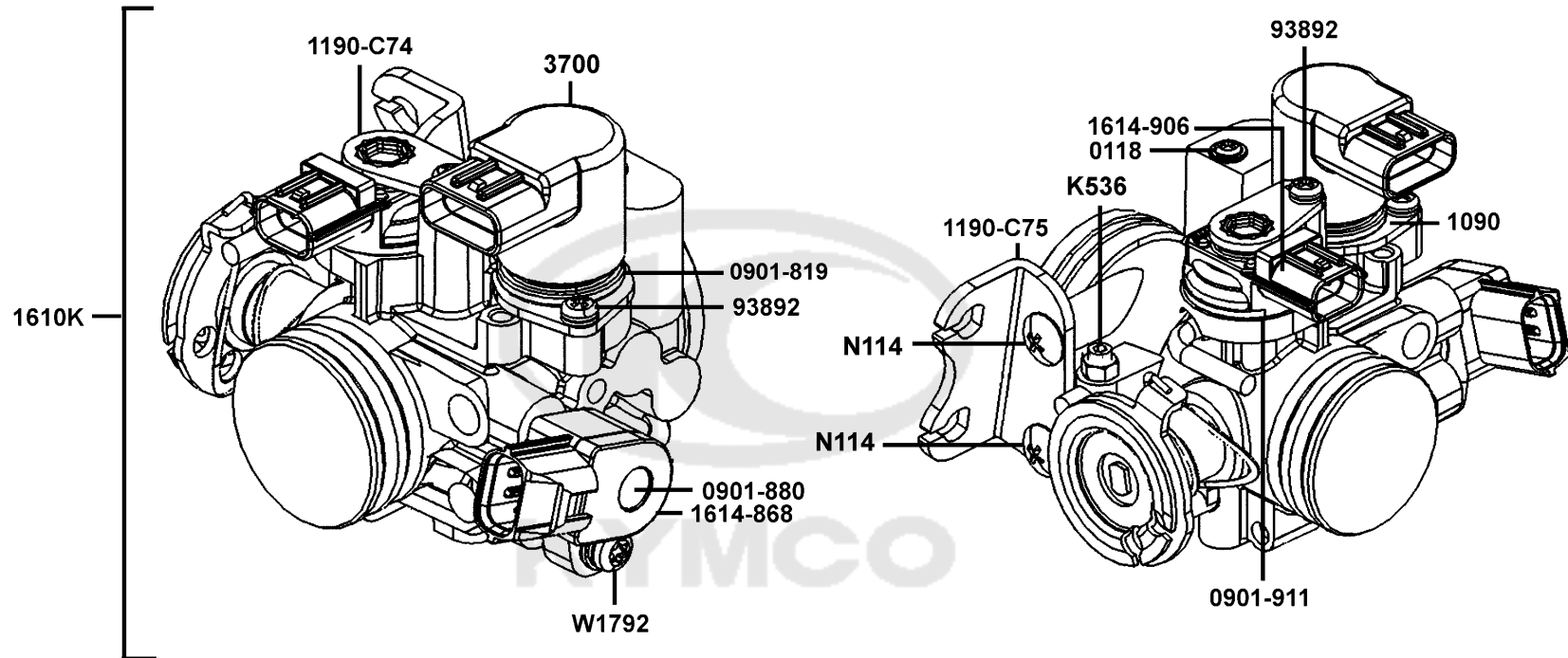


| Sales mark | Ref no 參考號碼 | Part no 零件號碼 | Description 英文名稱 | Reg description 中文名稱 | Regd no 需求用量 | Ref Price 參考售價 | E04 |
|------------|----------------|-----------------|-------------------------|-------------------------|-----------------|-------------------|-----|
| | 94301-10160 | 94301-10160 | DOWEL PIN 10*16 | 定位銷 10X16 | 2 | 15 | |
| | 94510 | 94510-12000 | CIR CLIP EXTERNAL 12 | 外環夾 12MM | 1 | 6 | |
| | 95002 | 95002-02070 | CLIP B7 TUBE | 管夾 | 2 | 14 | |
| | 96001-06010 | 96001-06010-00 | BOLT FLANGE SH 6X10 | 螺絲 6X10 | 1 | 13 | |
| | 96001-06022 | 96001-06022-06 | BOLT FLANGE SH 6*22 (G) | 螺絲 6X22 | 4 | 13 | |
| | 96001-06028 | 96001-06028-06 | BOLT FLANGE SH 6*28 | 螺絲 6*28 | 12 | 6 | |
| | 96001-06035 | 96001-06035-06 | BOLT FLANGE SH 6*35 | 螺絲 6*35 | 1 | 13 | |
| | 96001-06125 | 96001-06125-06 | BOLT FLANGE SH 6*125 | 螺絲 6*125 | 1 | 15 | |

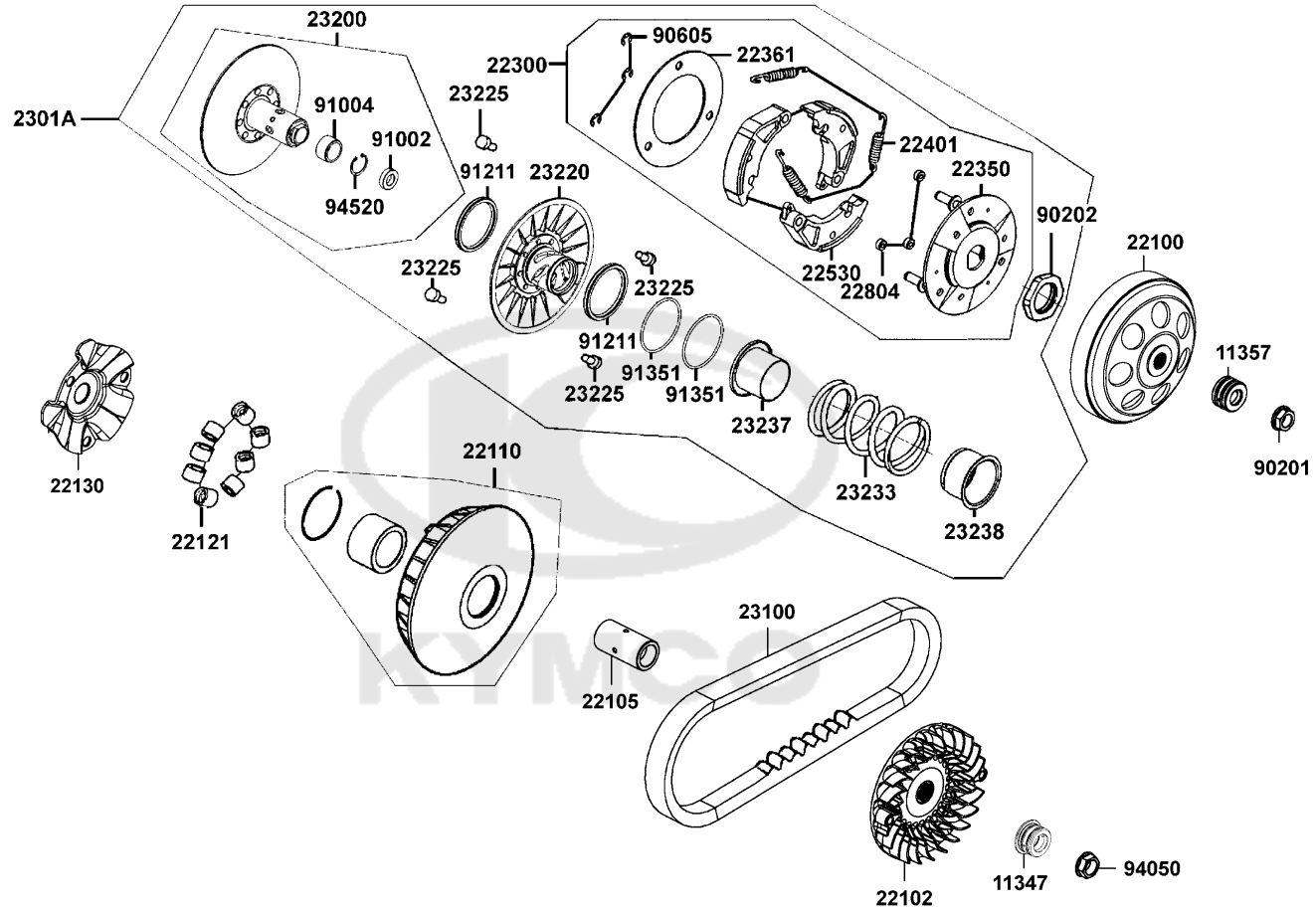


E05

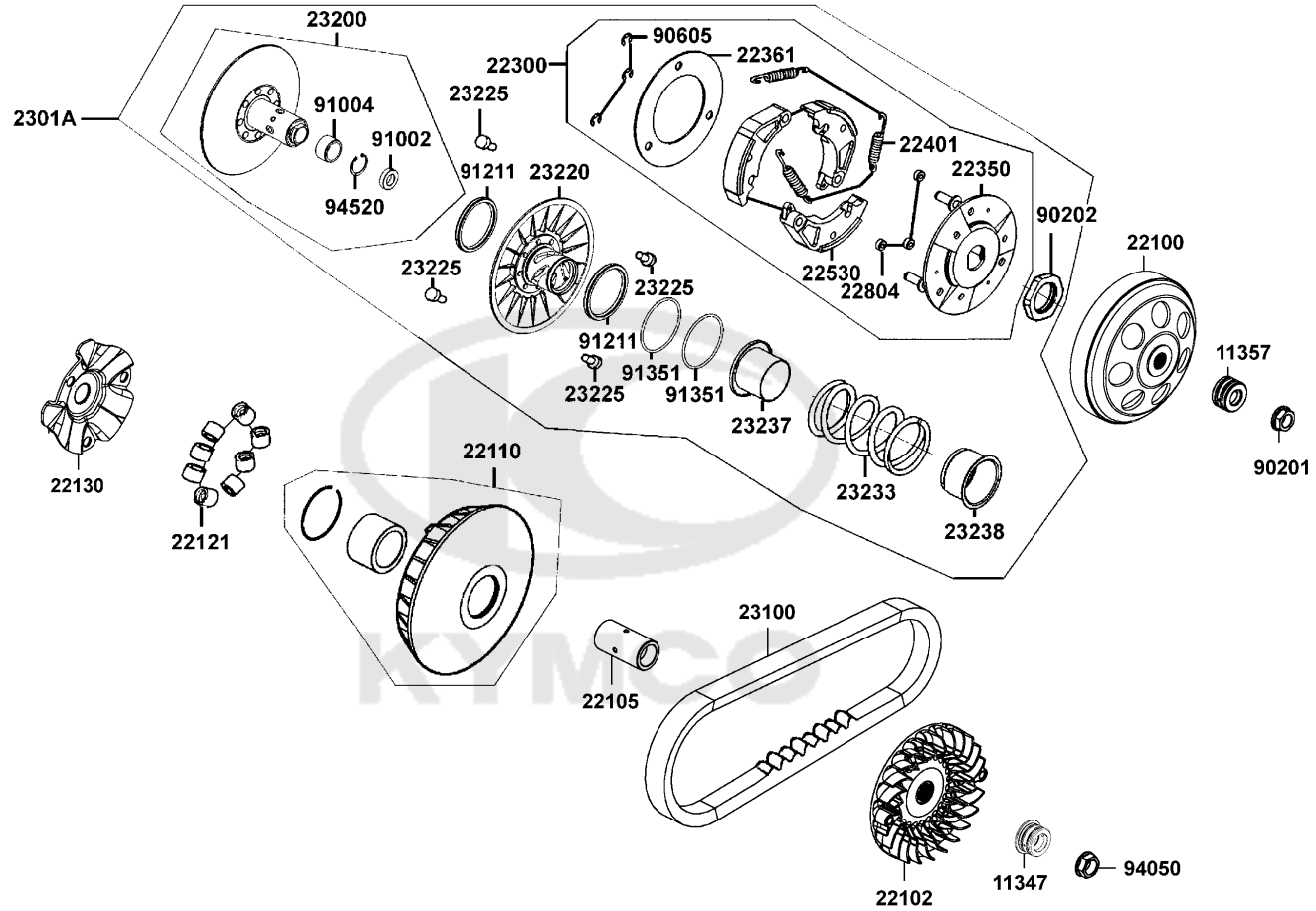
Throttle Body Assy 節流閥



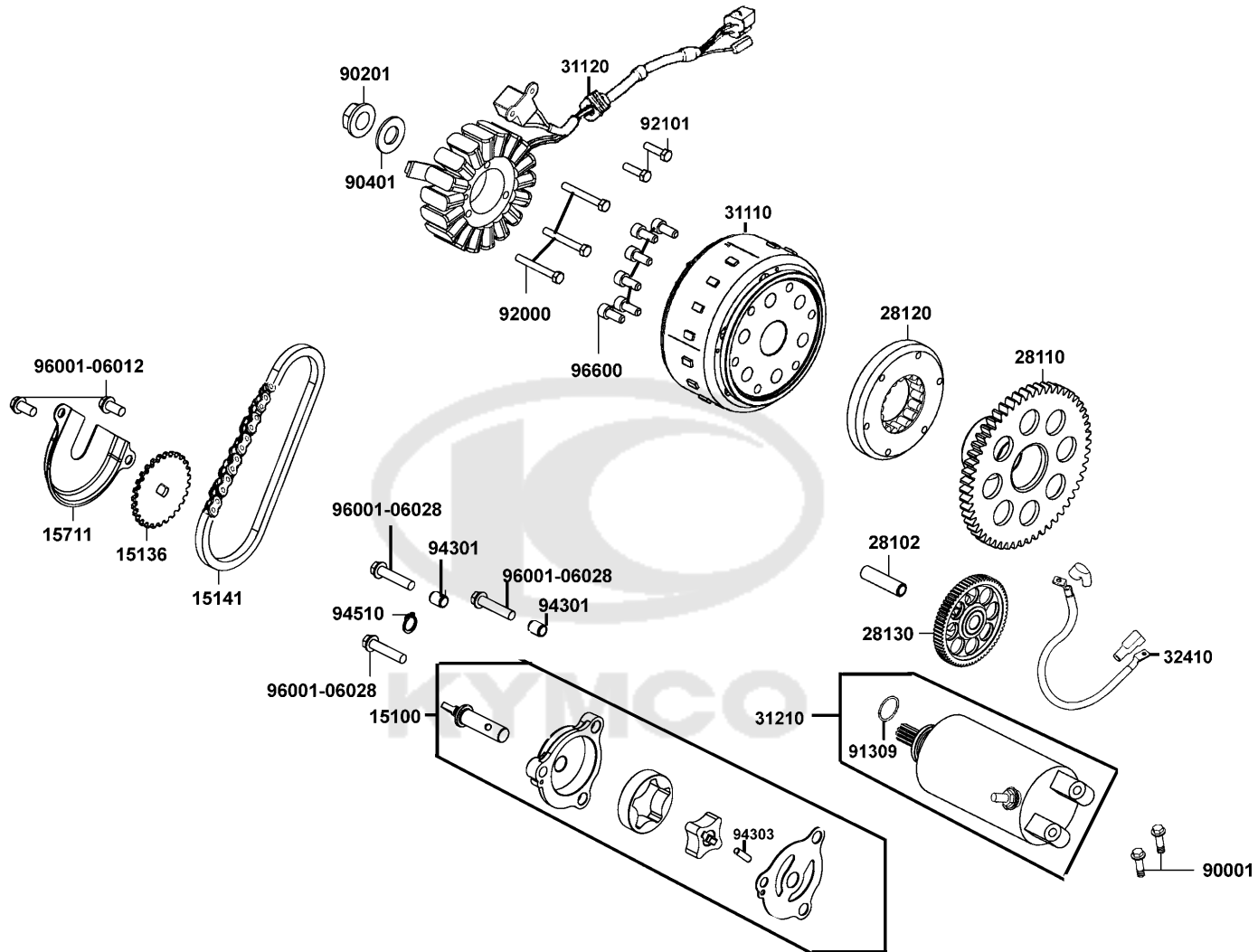
| Sales mark | Ref no 參考號碼 | Part no 零件號碼 | Description 英文名稱 | Reg description 中文名稱 | Regd no 需求用量 | Ref Price 參考售價 | E05 |
|------------|----------------|-----------------|--------------------------|-------------------------|-----------------|-------------------|-----|
| | 0118 | 0118-814-1100 | SCREW SET | 螺絲 | 1 | 14 | |
| | 0901-819 | 0901-819-6001 | O-RING | O環 | 1 | 31 | |
| | 0901-880 | 0901-880-6000 | O-RING/TPS | O環 | 1 | 5 | |
| | 0901-911 | 0901-911-6000 | O-RING | O環 | 1 | 9 | |
| | 1090 | 1090-873-2001 | SET PLATE | 固定板 | 1 | 14 | |
| | 1190-C74 | 1190-C74-2000 | STAY PLATE | 固定板支架 | 1 | 86 | |
| | 1190-C75 | 1190-C75-2000 | BRACKET / THROTTLE CABLE | 節流閥導絲支架 | 1 | 85 | |
| | 1610K | 1610K-LKF5-900 | THROTTLE BODY ASSY | 噴射節流閥組 | 1 | 3753 | |
| | 1614-868 | 1614-868-0000 | THROTTLE POSITION SENSER | 節流閥感知器 | 1 | 859 | |
| | 1614-906 | 1614-906-0002 | MAP SENSOR | 負壓感知器 | 1 | 1701 | |
| | 3700 | 3700-A35B-0110 | ISC VALVE | 怠速控制閥 | 1 | 2356 | |
| | 93892 | 93892-04008-18 | SCREW WASHER 4*8 | 螺絲 4X8 | 2 | 6 | |
| | K536 | K536-174-0200 | SCREW SET | 螺絲組 | 1 | 52 | |
| | N114 | N114-05103-3 | SCREW WASHER | 螺絲 | 2 | 23 | |
| | W1792 | W1792-048-9901 | SCREW TORX M5*0.8/TPS | 螺絲 | 1 | 15 | |



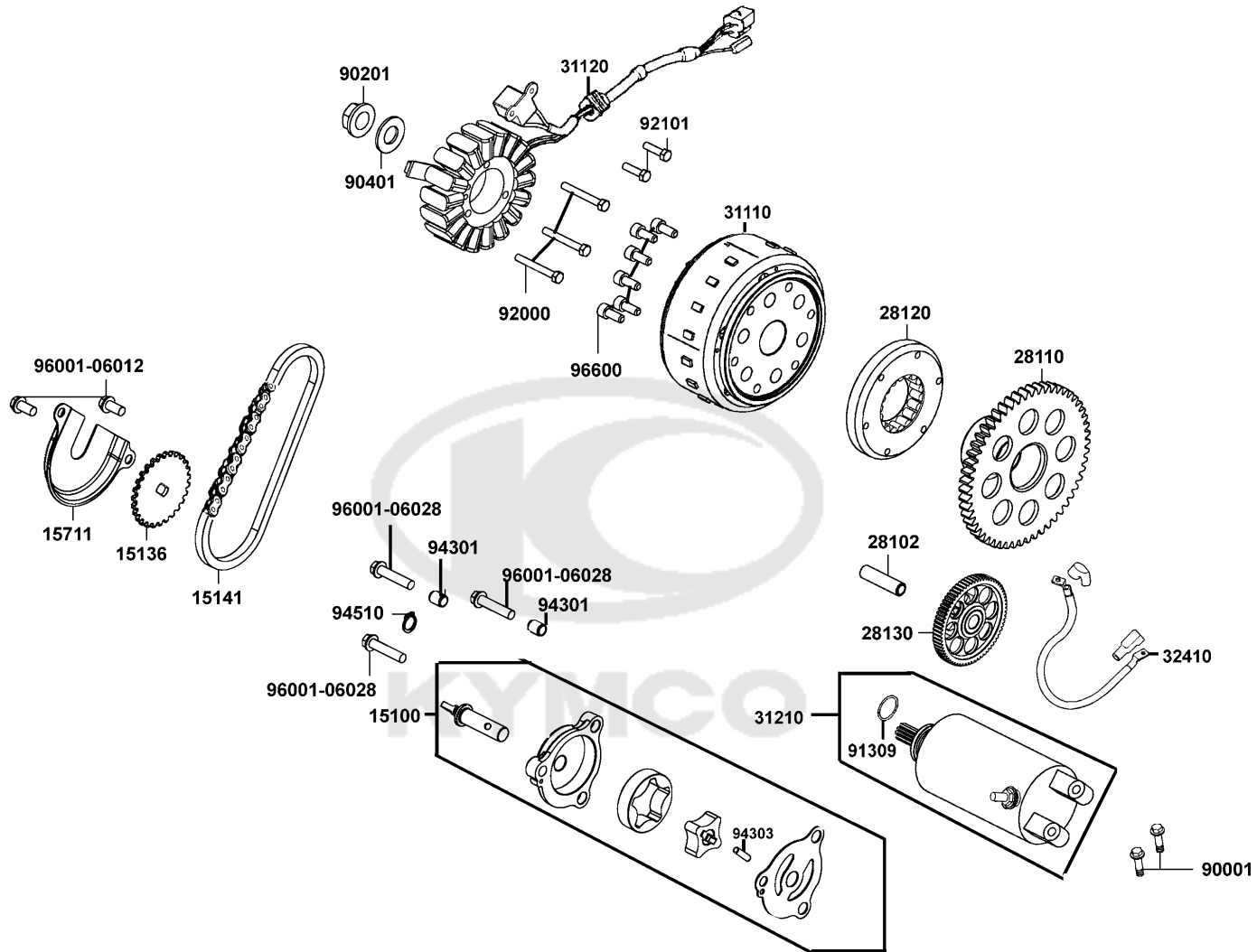
| Sales mark | Ref no 參考號碼 | Part no 零件號碼 | Description 英文名稱 | Reg description 中文名稱 | Regd no 需求用量 | Ref Price 參考售價 | E06 |
|------------|----------------|-----------------|----------------------------|-------------------------|-----------------|-------------------|-----|
| | 11347 | 11347-LKF5-E00 | BOSS. DRIVE SHAFT | 驅動軸套筒 | 1 | 153 | |
| | 11357 | 11357-LKF5-E00 | BOSS. DRIVE SHAFT | 驅動軸套筒 | 1 | 138 | |
| | 22100 | 22100-LKF5-E00 | OUTER COMP.. CLUTCH | 離合器驅動盤總成 | 1 | 698 | |
| | 22102 | 22102-LKF5-E00 | FACE COMP.. DRIVE | 驅動皮帶扇葉盤總成 | 1 | 458 | |
| | 22105 | 22105-LKF5-E00 | BOSS. DRIVE FACE | 滑動式驅動盤襯套 | 1 | 327 | |
| | 22110 | 22110-LKF5-E00 | FACE COMP.. MOVABLE DRIVE | 滑動式驅動盤總成 | 1 | 1080 | |
| | 22121 | 22121-LKF5-E00 | ROLLER COMP.. WEIGHT | 配重滾子總成 | 8 | 41 | |
| | 22130 | 22130-LKF5-E00 | RAMP PLATE COMP. | 斜坡板 | 1 | 345 | |
| | 22300 | 22300-LKF5-E00 | PLATE ASSY.. DRIVE | 驅動板組 | 1 | 1163 | |
| | 22350 | 22350-LKF5-E00 | PLATE COMP.. DRIVE | 驅動板總成 | 1 | 155 | |
| | 22361 | 22361-LKF5-E00 | PLATE. CLUTCH SIDE | 離合器邊薄板 | 1 | 62 | |
| | 22401 | 22401-LKF5-E00 | SPRING. CLUTCH | 離合器彈簧 | 3 | 43 | |
| | 22530 | 22530-LKF5-E00 | WEIGHT. CLUTCH | 離合器配重組 | 3 | 190 | |
| | 22804 | 22804-GBB2-001 | RUBBER CLUTCH DAMPER | 離合器橡皮 | 3 | 17 | |
| | 2301A | 2301A-LKF5-E00 | PULLEY SUB ASSY.. DRIVEN | 從動皮帶輪組 | 1 | 6045 | |
| | 23100 | 23100-LKF5-E00 | BELT DRIVE(N-5U) | 驅動皮帶 | 1 | 2330 | |
| | 23100 | 23100-LKF5-E01 | BELT DRIVE(E100)/(N-6M) | 驅動皮帶 | 1 | 2985 | |
| | 23200 | 23200-LKF5-E00 | FACE ASSY.. DRIVEN | 平面轉動組 | 1 | 2826 | |
| | 23220 | 23220-LKF5-E00 | FACE COMP.. MOVABLE DRIVEN | 滑動式驅動盤總成 | 1 | 2041 | |
| | 23225 | 23225-LKF5-E00 | PIN ROLLER GUIDE | 滾子導管梢 | 4 | 103 | |




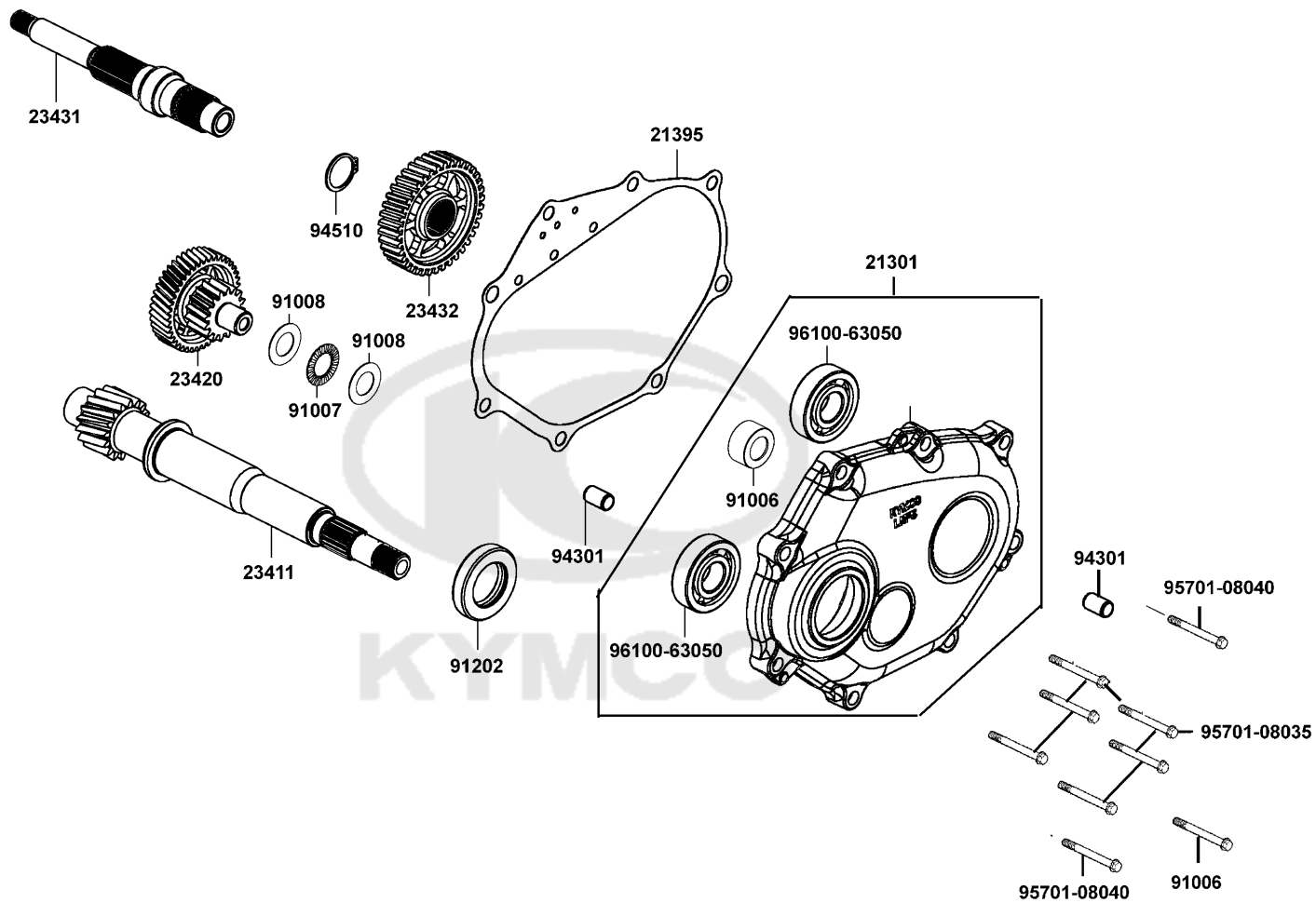
| Sales mark | Ref no 參考號碼 | Part no 零件號碼 | Description 英文名稱 | Reg description 中文名稱 | Regd no 需求用量 | Ref Price 參考售價 | E06 |
|------------|----------------|-----------------|----------------------------|-------------------------|-----------------|-------------------|-----|
| | 23233 | 23233-LKF5-E00 | SPG.. DRIVEN FACE | 驅動彈簧 | 1 | 207 | |
| | 23237 | 23237-LKF5-E00 | COLLAR SEAL | 封軸環 | 1 | 103 | |
| | 23238 | 23238-LKF5-E01 | COLLAR SPG | 彈簧B環 | 1 | 86 | |
| | 90201 | 90201-LKF5-E00 | NUT. HEX | 專用六角普通螺帽 | 1 | 90 | |
| | 90202 | 90202-LDB5-E00 | NUT SPECIAL 36MM | 螺帽 36MM | 1 | 58 | |
| | 90605 | 90605-1F66-721 | CIR CLIP 7MM | 環夾 7MM | 3 | 9 | |
| | 91002 | 91002-LKF5-E00 | SET RING | 專用油環組 | 1 | 241 | |
| | 91004 | 91004-LBA2-E00 | BRG NDL 25*33*18 | 軸承 25*33*18 | 1 | 366 | |
| | 91211 | 91211-LDB5-E00 | SEAL DRIVEN FACE 40.2*47*4 | 墊片 40.2*47*4 | 2 | 66 | |
| | 91351 | 91351-LDB5-E00 | O-RING PINION CAP | O環 | 2 | 21 | |
| | 94050 | 94050-LKF5-E00 | NUT FLANGE 18MM | 螺帽18MM | 1 | 76 | |
| | 94520 | 94520-30000 | CIR CLIP IN 30 | 夾環 | 1 | 34 | |



| Sales mark | Ref no 參考號碼 | Part no 零件號碼 | Description 英文名稱 | Reg description 中文名稱 | Regd no 需求用量 | Ref Price 參考售價 | E07 |
|------------|----------------|-----------------|------------------------------|-------------------------|-----------------|-------------------|-----|
| | 15100 | 15100-LKF5-E00 | PUMP ASSY., OIL | 機油泵浦組 | 1 | 448 | |
| | 15136 | 15136-KKE5-E00 | SPROCKET W/P DRIVE | 機油泵驅動齒輪 | 1 | 85 | |
| | 15141 | 15141-LKF5-E00 | CHAIN, OIL PUMP | 油泵鍊條 | 1 | 155 | |
| | 15711 | 15711-LKF5-E00 | SEPARATOR OIL | 油分隔 | 1 | 34 | |
| | 28102 | 28102-LEA7-E00 | SHAFT STARTER REDUCTION | 起動減速齒輪軸 | 1 | 50 | |
| | 28110 | 28110-LKF5-E00 | GEAR COMP., STARTING CLUTCH | 起動齒輪 | 1 | 924 | |
| | 28120 | 28120-LKF5-E00 | OUTER COMP.. STARTING CLUTCH | 起動離合器外套總成 | 1 | 1495 | |
| | 28130 | 28130-LKF5-E00 | GEAR COMP.. REDUCTION | 起動減速齒輪總成 | 1 | 646 | |
| | 31110 | 31110-LKF5-E00 | FLYWHEEL COMP. | 發電機飛輪總成 | 1 | 1163 | |
| | 31120 | 31120-LKF5-E00 | STATOR COMP. | 發電機線圈 | 1 | 2293 | |
| | 31210 | 31210-LKF5-E00 | MOTOR UNIT. STARTER | 起動馬達單體 | 1 | 2120 | |
| | 32410 | 32410-LKF5-E00 | CABLE. START MOTOR | 啟動馬達配線 | 1 | 224 | |
| | 90001 | 90001-GBHB-661 | BOLT FLANGE SH 6*22 | 螺絲 6X22 | 2 | 15 | |
| | 90201 | 90201-KHR8-75A | NUT FLANGE 14MM | 螺帽 14MM | 1 | 14 | |
| | 90401 | 90401-KKJ9-001 | WASHER THRUST 14*28*2 | 華司 14X28X2 | 1 | 14 | |
| | 91309 | 91309-4E25-004 | O-RING 24.4*3.1 | O環 24.4X3.1 | 1 | 6 | |
| | 92000 | 92000-LEA6-900 | BOLT HEX 5*40 | 螺絲 5*40 | 3 | 16 | |
| | 92101 | 92101-05012-0H | BOLT HEX 5*12 | 螺絲 5X12 | 2 | 13 | |
| | 94301 | 94301-08100 | DOWEL PIN 8*10 | 銷 8X10 | 2 | 14 | |
| | 94303 | 94303-04160 | PIN 4x16 | 定位銷 4*16 | 1 | 8 | |



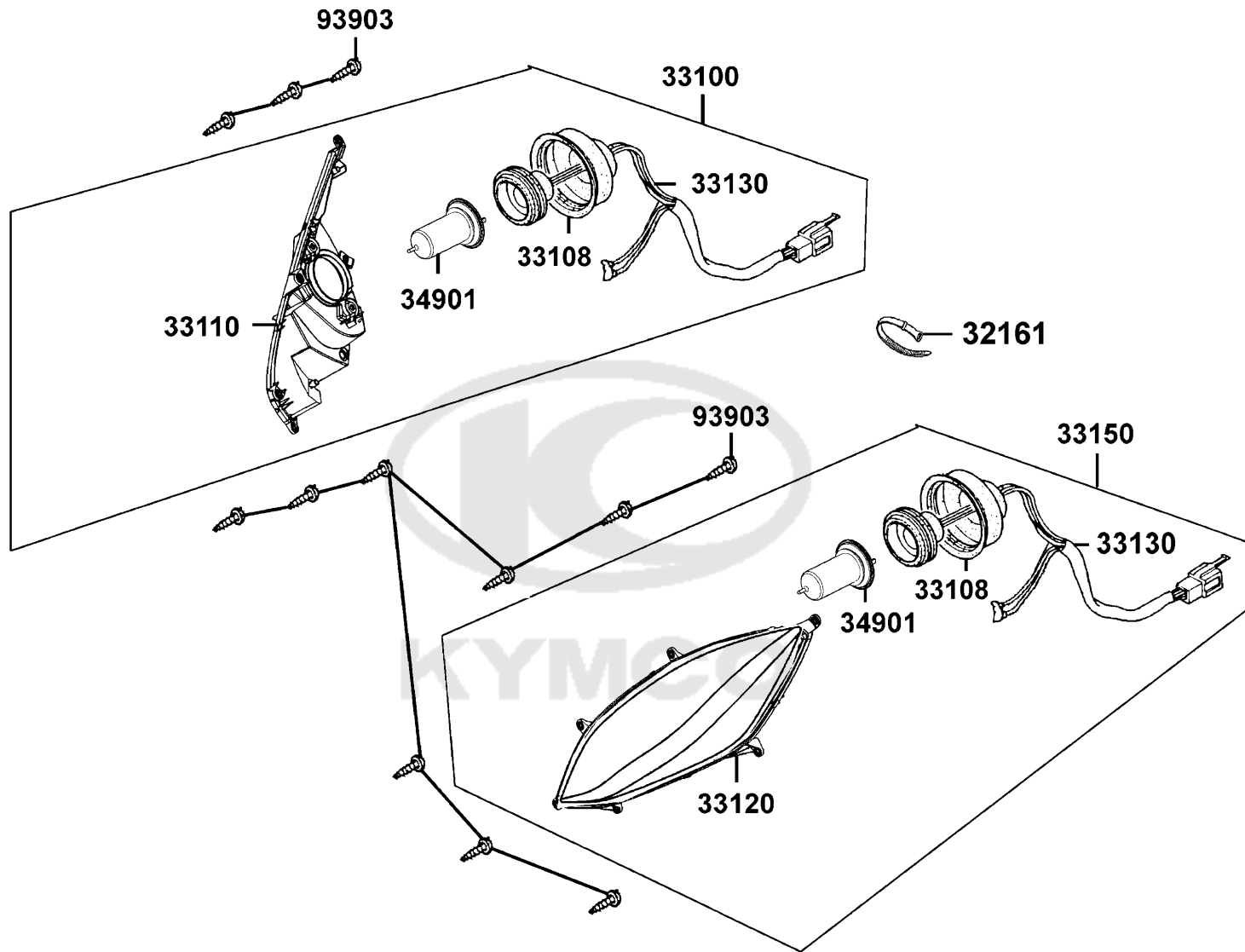
| Sales mark | Ref no 參考號碼 | Part no 零件號碼 | Description 英文名稱 | Reg description 中文名稱 | Regd no 需求用量 | Ref Price 參考售價 | E07 |
|---|----------------|-----------------|---------------------|-------------------------|-----------------|-------------------|-----|
| 94510 | 94510-10000 | 94510-10000 | CIR CLIP EX 10MM | 外環夾 10MM | 1 | 6 | |
| 96001-06012 | 96001-06012-08 | 96001-06012-08 | BOLT FLANGE 6*12 | 螺絲 6X12 | 2 | 13 | |
| 96001-06028 | 96001-06028-06 | 96001-06028-06 | BOLT FLANGE SH 6*28 | 螺絲 6*28 | 3 | 6 | |
| 96600 | 96600-06015-10 | 96600-06015-10 | SOCKET BOLT 6*15 | 螺絲 6*15 | 6 | 15 | |
|  | | | | | | | |



| Sales mark | Ref no 參考號碼 | Part no 零件號碼 | Description 英文名稱 | Reg description 中文名稱 | Regd no 需求用量 | Ref Price 參考售價 | E08 |
|------------|----------------|-----------------|----------------------|-------------------------|-----------------|-------------------|-----|
| | 21301 | 21301-LKF5-305 | COVER. MISSION | 變速箱 | 1 | 1925 | |
| | 21395 | 21395-LKF5-E00 | GASKET. MISSION CASE | 變速箱墊片 | 1 | 102 | |
| | 23411 | 23411-LKF5-E00 | SHAFT. DRIVE | 驅動軸 | 1 | 2468 | |
| | 23420 | 23420-LKF5-E00 | SHAFT COMP.. COUNTER | 副軸組 | 1 | 1491 | |
| | 23431 | 23431-LKF5-E00 | SHAFT. FINAL | 最終軸 | 1 | 1591 | |
| | 23432 | 23432-LKF5-E00 | GEAR. FINAL | 最終齒輪 | 1 | 1075 | |
| | 91006 | 91006-LKF5-E00 | BEARING NK20X34X18 | 軸承NK20X34X18 | 1 | 593 | |
| | 91007 | 91007-LKF5-E00 | BEARING AXK1104 | 軸承AXK1104 | 1 | 155 | |
| | 91008 | 91008-LKF5-E00 | PLATE ,BEARING | 軸承 | 2 | 47 | |
| | 91202 | 91202-LEA7-E00 | OIL SEAL 25*35*6 | 油封 25*35*6 | 1 | 71 | |
| | 94301 | 94301-10160 | DOWEL PIN 10*16 | 定位銷 10X16 | 2 | 15 | |
| | 94510 | 94510-29000 | CIR CLIP EX 29 | 環夾 | 1 | 31 | |
| | 95701-08035 | 95701-08035-08 | BOLT FLANGE 8*35 | 特殊螺絲 8X35 | 6 | 13 | |
| | 95701-08040 | 95701-08040-08 | BOLT FLANGE 8*40 | 螺絲 8X40 | 2 | 24 | |
| | 96100-63050 | 96100-63050-00 | BRG BALL RADIAL 6305 | 球型軸承 | 2 | 230 | |

F01

Head Light 前燈

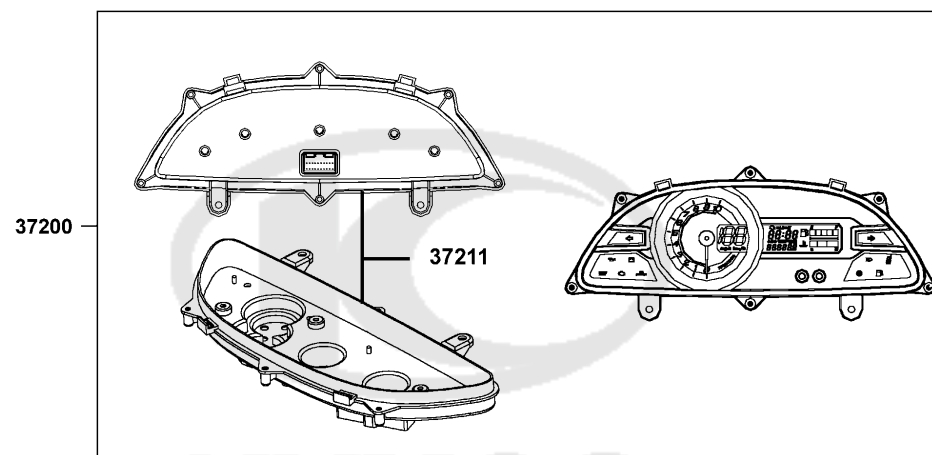


| Sales mark | Ref no 參考號碼 | Part no 零件號碼 | Description 英文名稱 | Reg description 中文名稱 | Regd no 需求用量 | Ref Price 參考售價 | F01 |
|------------|----------------|-----------------|---------------------|-------------------------|-----------------|-------------------|-----|
| | 32161 | 32161-LBA7-900 | BAND WIRE | 束帶 | 1 | 14 | |
| | 33100 | 33100-LGR2-E00 | LIGHT ASSY HEAD RH | 右前大燈 | 1 | 4906 | |
| | 33108 | 33108-KHE7-E00 | COVER A RUBBER | 前燈泡座橡皮護蓋 | 2 | 32 | |
| | 33110 | 33110-LGR2-E00 | UNIT HEAD LIGHT R | 右前燈殼 | 1 | 4088 | |
| | 33120 | 33120-LGR2-E00 | UNIT HEAD LIGHT L | 左前燈殼 | 1 | 4088 | |
| | 33130 | 33130-LGR2-E00 | SOCKET COMP | 前燈配線 | 2 | 410 | |
| | 33150 | 33150-LGR2-E00 | LIGHT ASSY HEAD LH | 左前大燈 | 1 | 4906 | |
| | 34901 | 34901-KFA6-900 | BULB HEAD LIGHT | 前燈泡 | 2 | 333 | |
| | 93903 | 93903-35320 | SCREW TAPPING 5*16 | 螺釘 5*16 | 12 | 13 | |



F02

Speed meter 儀錶



93903-35320

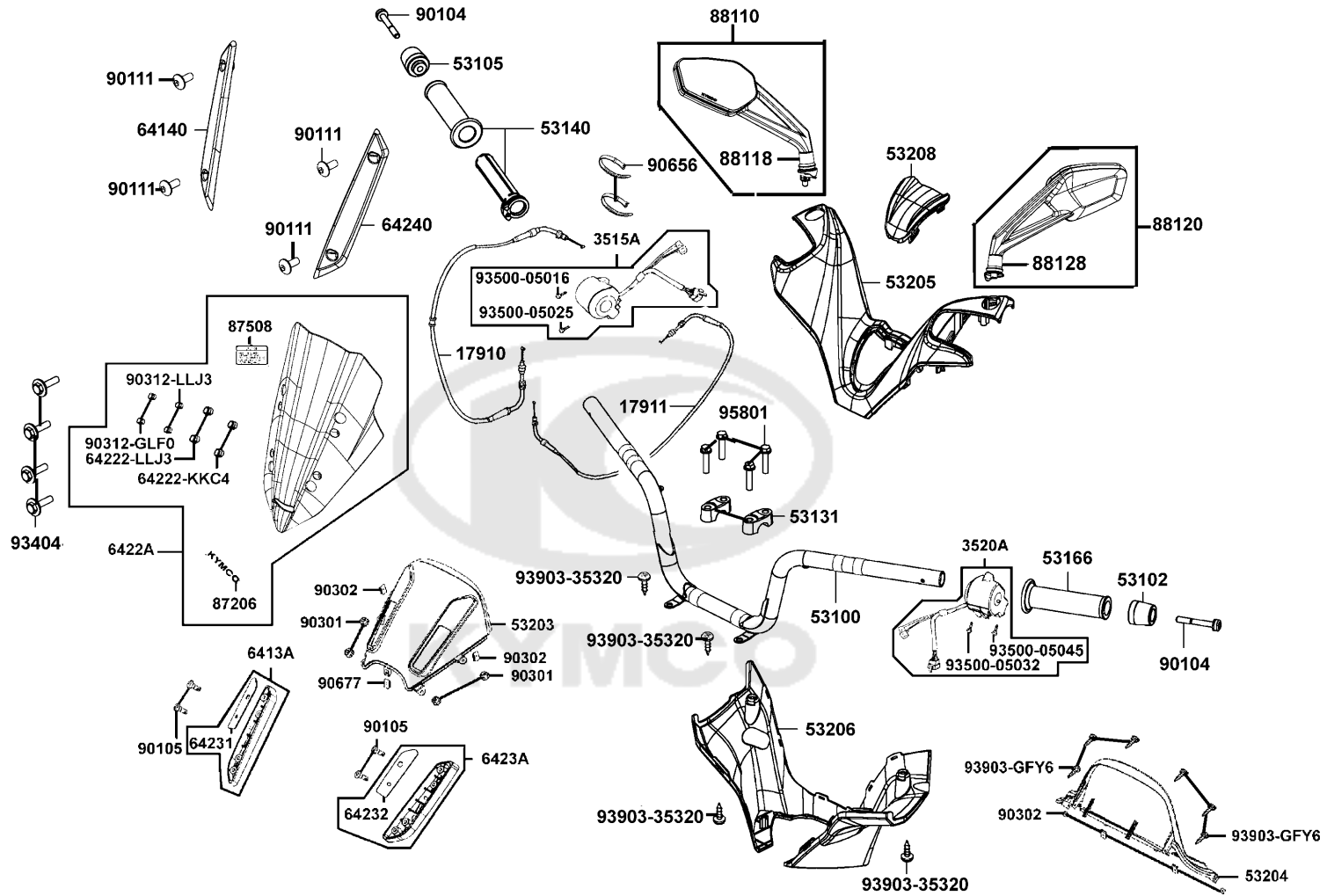
93903-35320

| Sales mark | Ref no 參考號碼 | Part no 零件號碼 | Description 英文名稱 | Reg description 中文名稱 | Regd no 需求用量 | Ref Price 參考售價 | F02 |
|------------|----------------|-----------------|---------------------|-------------------------|-----------------|-------------------|-----|
| 37200 | 37200-LKF5-900 | 37200-LKF5-900 | METER ASSY.. SPEED | 儀錶組 | 1 | 3580 | |
| 37211 | 37211-LKF5-E00 | 37211-LKF5-E00 | LENSASSY | 儀錶蓋 | 1 | 255 | |
| 93903 | 93903-35320 | 93903-35320 | SCREW TAPPING 5*16 | 螺釘 5*16 | 2 | 13 | |



F03

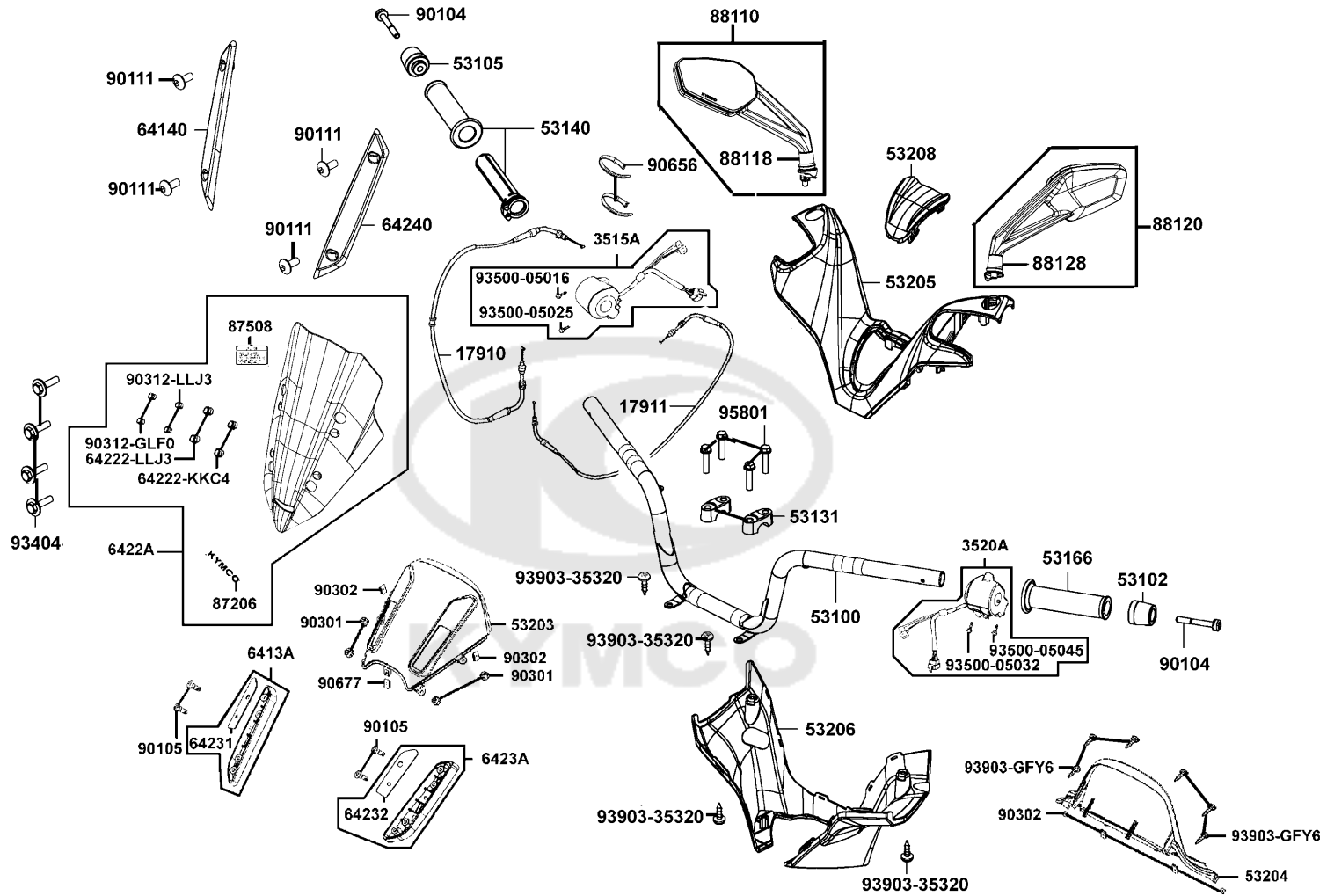
Handle Steering 轉向手柄



| Sales mark | Ref no 參考號碼 | Part no 零件號碼 | Description 英文名稱 | Reg description 中文名稱 | Regd no 需求用量 | Ref Price 參考售價 | F03 |
|------------|----------------|-----------------|----------------------------|-------------------------|-----------------|-------------------|-----|
| | 17910 | 17910-LKF5-E00 | CABLE A,THROT | 節流閥線A | 1 | 155 | |
| | 17911 | 17911-LKF5-E00 | CABLE B,THROT | 節流閥線 B | 1 | 155 | |
| | 3515A | 3515A-LBA2-E01 | SW ASSY RH HNDL COMP | 右邊開關組 | 1 | 454 | |
| | 3520A | 3520A-KEBE-900 | SW ASSY L HNDL COMP | 左邊開關組 | 1 | 457 | |
| | 53100 | 53100-LKF5-E00 | HANDLE COMP.,STRG. | 轉向手柄 | 1 | 652 | |
| ** | 53102 | 53102-LEA5-E00 | END HANDLE | 手柄左平衡端子 | 1 | | |
| ** | 53105 | 53105-LEA5-E00 | END R STRG HANDLE | 手柄右平衡端子 | 1 | | |
| | 53131 | 53131-3H98-941 | HOLDER HANDLE PIPE | 轉向手柄固定上座 | 2 | 85 | |
| ** | 53140 | 53140-KKC4-900 | GRIP COMP THROT | 節流管套組 | 1 | | |
| ** | 53166 | 53166-KGB5-900 | GRIP L HANDLE | 手柄左橡皮套 | 1 | | |
| ** | 53203 | 53203-LBA2-E00 | COVER METER FR | 儀錶前蓋 | 1 | | |
| ** | 53204 | 53204-LBA2-E00 | COVER METER RR | 儀錶後蓋 | 1 | | |
| ** | 53205 | 53205-LKF5-E00 | HANDLE COVER UP | 手柄前蓋 | 1 | | |
| ** | 53206 | 53206-LKF5-E00 | HANDLE COVER LOW | 手柄下蓋 | 1 | | |
| ** | 53208 | 53208-LKF5-E00 | LID,HANDLE UP | 轉向手柄上蓋左小蓋 | 1 | | |
| ** | 6413A | 6413A-LGR2-E00 | HOLDER ASSY..R WIND SCREEN | 右遮陽板固定座 | 1 | | |
| ** | 64140 | 64140-LKF5-E00 | COVER R WIND SCREEN | 右遮陽板前護蓋 | 1 | | |
| | 64222-KKC4 | 64222-KKC4-900 | RUBBER WIND SCREEN | 遮陽板橡皮 | 2 | 14 | |
| | 64222-LLJ3 | 64222-LLJ3-E00 | RUBBER WIND SCREEN | 遮陽板橡皮 | 2 | 11 | |
| ** | 6422A | 6422A-LKF5-900 | ASSY.,WIND SCREEN | ASSY.,WIND SCREEN | 1 | | |

F03

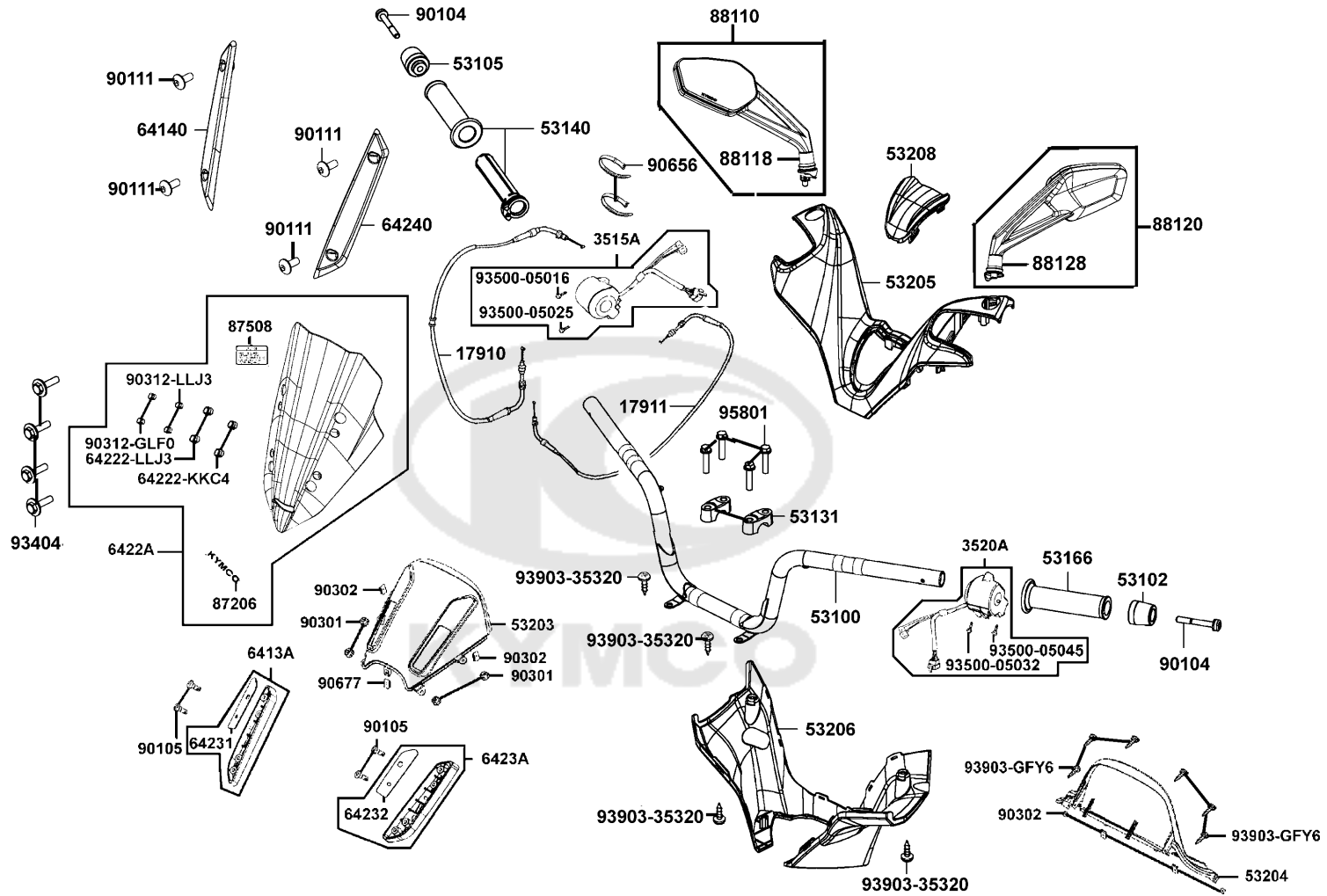
Handle Steering 轉向手柄




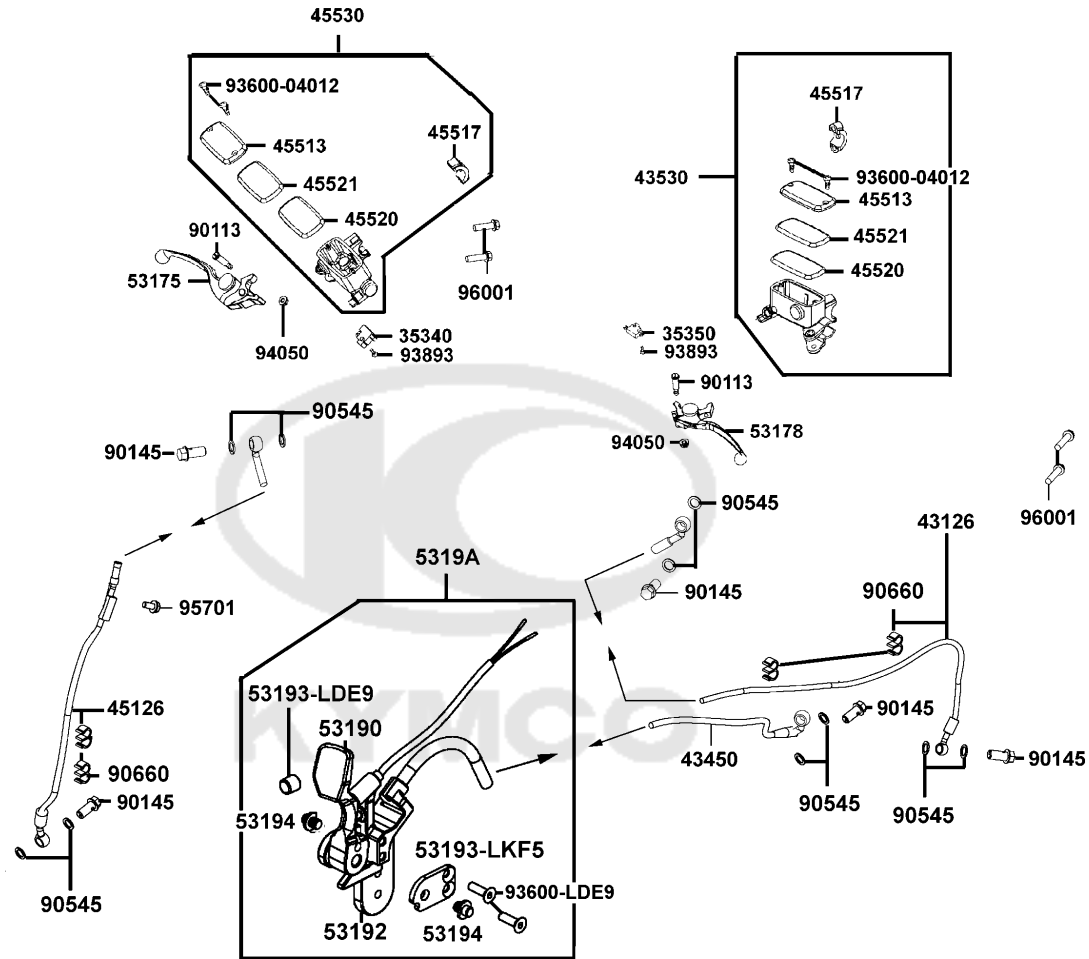
| Sales mark | Ref no 參考號碼 | Part no 零件號碼 | Description 英文名稱 | Reg description 中文名稱 | Regd no 需求用量 | Ref Price 參考售價 | F03 |
|------------|----------------|-----------------|----------------------------|-------------------------|-----------------|-------------------|-----|
| | 64231 | 64231-LBA2-E00 | SPONGE TAPE R HOLDER | 右側固定海綿 | 1 | 56 | |
| | 64232 | 64232-LBA2-E00 | SPONGE TAPE L HOLDER | 左側固定海綿 | 1 | 56 | |
| ** | 6423A | 6423A-LGR2-E00 | HOLDER ASSY..L WIND SCREEN | 左遮陽板固定座 | 1 | | |
| ** | 64240 | 64240-LKF5-E00 | COVER L WIND SCREEN | 左遮陽板前護蓋 | 1 | | |
| ** | 87206 | 87206-LBA2-E00 | EMB MARK KYMCO | 光陽標誌 | 1 | | |
| ** | 87508 | 87508-KFA1-S10 | LABEL CLEANNESS CAUYION | 貼紙 | 1 | | |
| ** | 88110 | 88110-LKF5-E00 | MIRROR ASSY R BACK | 右後視鏡組 | 1 | | |
| | 88118 | 88118-LKF5-E00 | COVER R STEM MIRROR | 右後視鏡下橡皮 | 1 | 27 | |
| ** | 88120 | 88120-LKF5-E00 | MIRROR ASSY L BACK | 左後視鏡組 | 1 | | |
| | 88128 | 88128-LKF5-E00 | COVER L STEM MIRROR | 左後視鏡下橡皮 | 1 | 27 | |
| | 90104 | 90104-LEA7-E00 | BOLT WASH M8*60 | 螺絲 M8*60 | 2 | 44 | |
| | 90105 | 90105-LLJ3-E00 | BOLT SPECIAL 8MM | 特殊螺絲 8MM | 4 | 14 | |
| | 90111 | 90111-KED9-900 | SCREW PAN 6*14 | 螺絲 6*14 | 4 | 16 | |
| | 90301 | 90301-6D34-671 | NUT FLANGE 6MM | 螺帽 | 4 | 6 | |
| | 90302 | 90302-SDA4-004 | NUT SPRING 4MM | 彈簧螺帽 4MM | 6 | 6 | |
| | 90312-GLF0 | 90312-GLF0-001 | COLLAR BODY COVER | 套筒 | 2 | 6 | |
| | 90312-LLJ3 | 90312-LLJ3-E00 | COLLAR WIND SCREEN | 套筒 | 2 | 18 | |
| | 90656 | 90656-KCBC-900 | BAND OIL HANDLE | 油管束帶 | 2 | 14 | |
| | 90677 | 90677-GAR1-004 | NUT CLIP 5MM | 螺帽夾 5MM | 1 | 13 | |
| | 93404 | 93404-06020-06 | BOLT WASHER 6*20 (G) | 螺絲 6X20 | 4 | 6 | |

F03

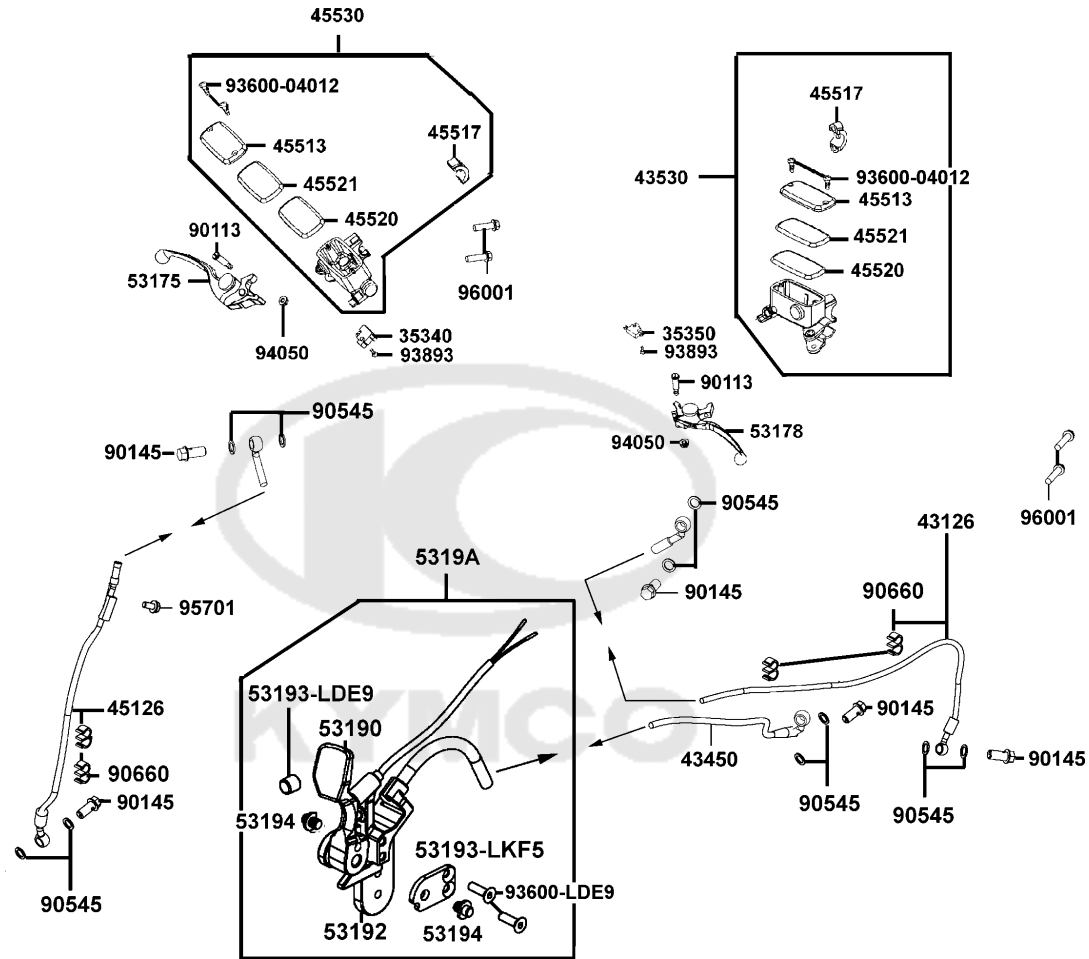
Handle Steering 轉向手柄



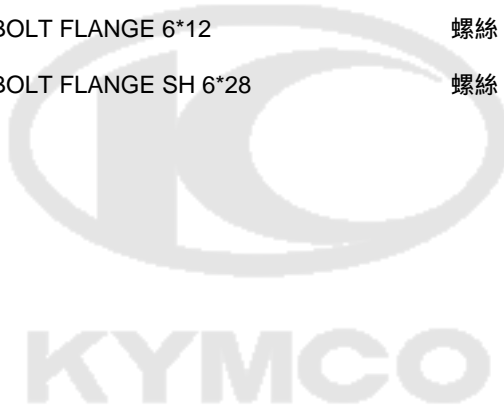
| Sales mark | Ref no 參考號碼 | Part no 零件號碼 | Description 英文名稱 | Reg description 中文名稱 | Regd no 需求用量 | Ref Price 參考售價 | F03 |
|---|----------------|-----------------|---------------------|-------------------------|-----------------|-------------------|-----|
| | 93500-05016 | 93500-05016-1B | SCREW PAN 5*16 | 螺絲 5*16 | 1 | 13 | |
| | 93500-05025 | 93500-05025-1B | SCREW PAN 5*25 | 螺絲 5X25 | 1 | 6 | |
| | 93500-05032 | 93500-05032-1B | SCREW PAN 5*32 | 螺絲 5X32 | 1 | 6 | |
| | 93500-05045 | 93500-05045-1B | SCREW PAN 5*45 | 螺絲 5X45 | 1 | 6 | |
| | 93903 | 93903-35320 | SCREW TAPPING 5*16 | 螺釘 5*16 | 4 | 13 | |
| | 93903-GFY6 | 93903-GFY6-900 | SCREW TAPPING 4*14 | 螺釘 4X14 | 6 | 6 | |
| | 95801 | 95801-08035-06 | BOLT FLANGE 8*35 | 螺絲 8X35 | 4 | 16 | |
|  | | | | | | | |

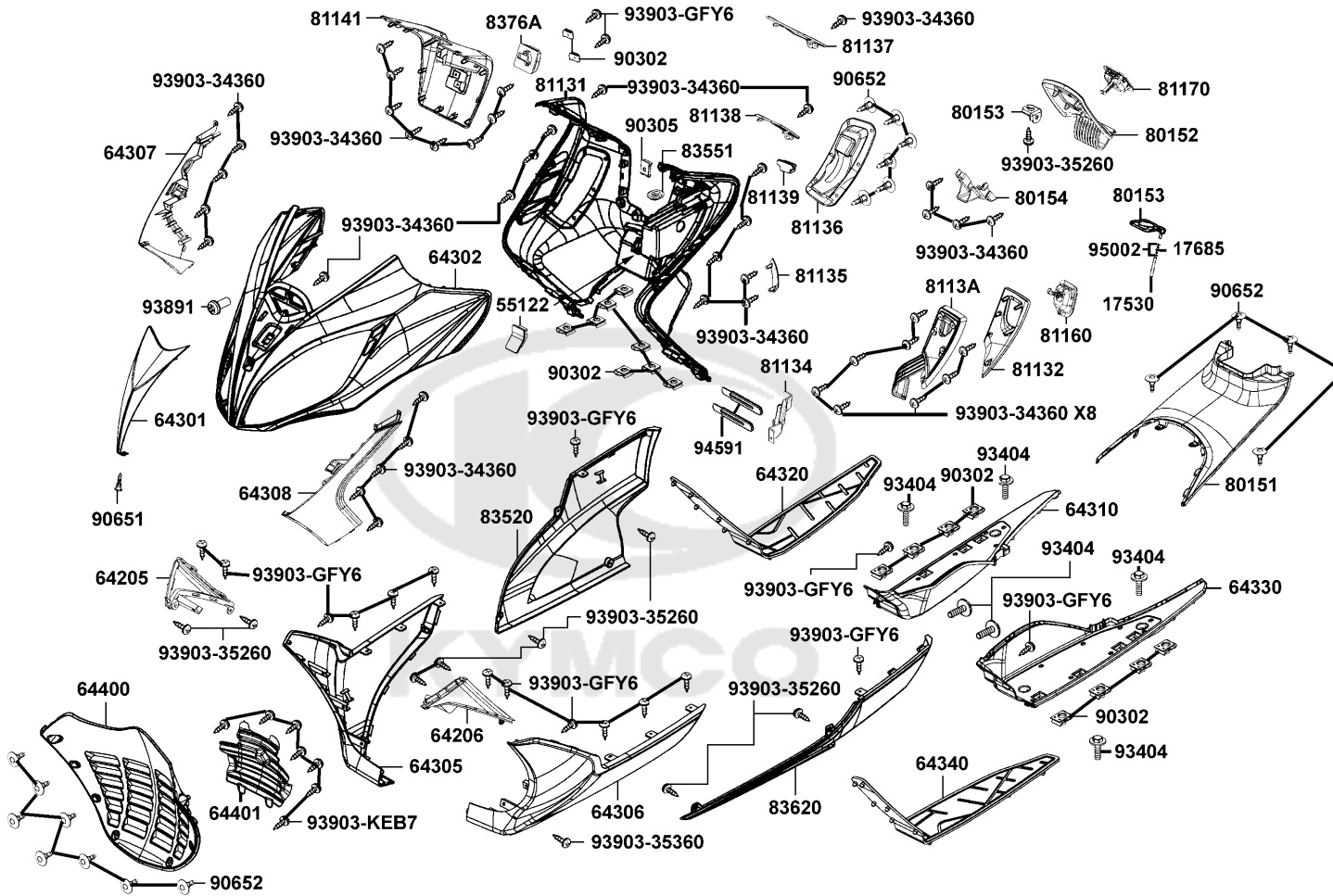


| Sales mark | Ref no 參考號碼 | Part no 零件號碼 | Description 英文名稱 | Reg description 中文名稱 | Regd no 需求用量 | Ref Price 參考售價 | F04 |
|------------|----------------|-----------------|------------------------|-------------------------|-----------------|-------------------|-----|
| | 35340 | 35340-KNBN-901 | SW ASSY FR STOP | 煞車燈前置開關組 | 1 | 74 | |
| | 35350 | 35350-KNBN-901 | SW ASSY RR STOP | 煞車燈後置開關 | 1 | 74 | |
| | 43126 | 43126-LKF5-E00 | HOSE ASSY, RR BRK | 後煞車油管 | 1 | 1542 | |
| | 43450 | 43450-LKF5-E00 | CABLE COMP., PARKING | 駐車導線 | 1 | 201 | |
| | 43530 | 43530-LKF5-305 | CYLINDER SET RR MASTER | 後煞車主油缸 | 1 | 1329 | |
| | 45126 | 45126-LKF5-E00 | HOSE ASSY, FR BRK(RH) | 前煞車油管 | 1 | 1680 | |
| | 45513 | 45513-LEA7-E00 | CAP MASTER CYLINDER | 煞車主油缸蓋 | 2 | 80 | |
| | 45517 | 45517-LKF5-E00 | HOLDER M/C | 主油缸固定座 | 2 | 92 | |
| | 45520 | 45520-KKA8-900 | DIAPHRAGM | 橫隔板 | 2 | 70 | |
| | 45521 | 45521-LEA7-E00 | PLATE DIAPHRAGM | 隔膜固定板 | 2 | 59 | |
| | 45530 | 45530-LKF5-305 | CYLINDER SET FR MASTER | 前煞車主油缸 | 1 | 1329 | |
| ** | 53175 | 53175-LKF5-E00 | LEVER R STRG HANDLE | 右拉桿 | 1 | | |
| ** | 53178 | 53178-LKF5-E00 | LEVER L STRG HANDLE | 左拉桿 | 1 | | |
| | 53190 | 53190-LKF5-305 | LEVER, PARKING BRAKE | 剎車臂 | 1 | 276 | |
| | 53192 | 53192-LKF5-E00 | BRCKET, PARKING BRAKE | 剎車托架 | 1 | 207 | |
| | 53193-LDE9 | 53193-LDE9-E00 | STOPPER | 制動閘 | 1 | 25 | |
| | 53193-LKF5 | 53193-LKF5-E00 | PLATE, PARKING BRAKE | PLATE, PARKING BRAKE | 1 | 69 | |
| | 53194 | 53194-LDE9-E00 | PIVOT | 樞軸 | 1 | 22 | |
| | 5319A | 5319A-LKF5-E00 | BRAKE ASSY, PARKING | 駐車機構總成 | 1 | 413 | |
| | 90113 | 90113-KKA8-900 | BOLT L STEERING HANDLE | 螺絲 | 2 | 20 | |

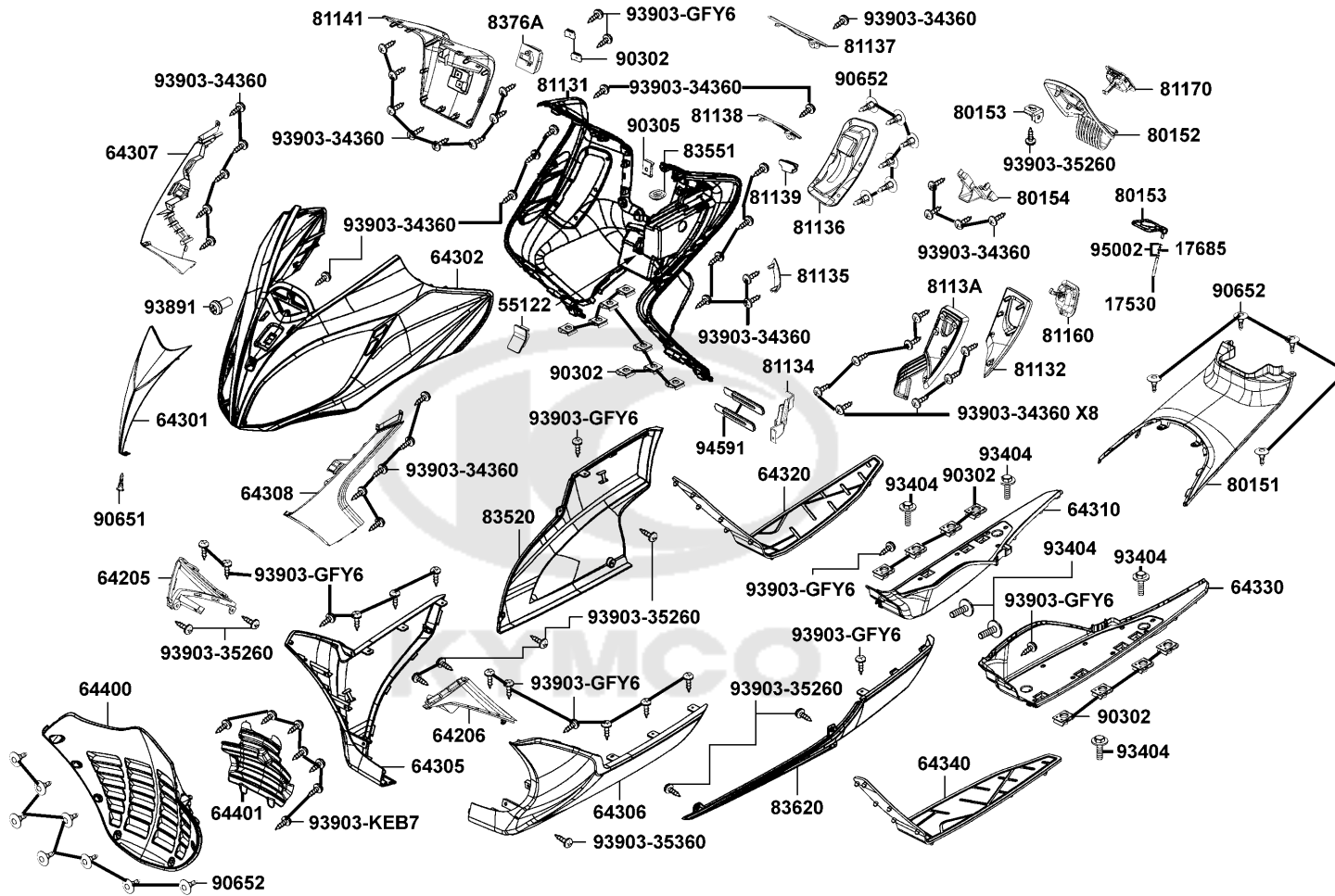


| Sales mark | Ref no 參考號碼 | Part no 零件號碼 | Description 英文名稱 | Reg description 中文名稱 | Regd no 需求用量 | Ref Price 參考售價 | F04 |
|------------|----------------|-----------------|---------------------|-------------------------|-----------------|-------------------|-----|
| | 90145 | 90145-MKS9-61A | OIL BOLT 10*22 | 油管螺絲 10X22 | 5 | 24 | |
| | 90545 | 90545-3L00-001 | WASHER OIL BOLT | 華司 | 10 | 15 | |
| | 90660 | 90660-PWA2-900 | CLAMP TUBE | 油管夾 | 2 | 14 | |
| | 93600-04012 | 93600-04012-1G | SCREW FLAT 4*12 | 螺絲 4X12 | 4 | 15 | |
| | 93600-LDE9 | 93600-LDE9-E00 | SCREW FLAT M6 | 螺絲 | 2 | 15 | |
| | 93893 | 93893-04012-18 | SCREW WASHER 4*12 | 螺絲 4X12 | 2 | 8 | |
| | 94050 | 94050-06060 | NUT FLANGE 6MM | 特殊螺帽 6MM | 2 | 10 | |
| | 95701 | 95701-06012-06 | BOLT FLANGE 6*12 | 螺絲 6X12 | 1 | 15 | |
| | 96001 | 96001-06028-06 | BOLT FLANGE SH 6*28 | 螺絲 6*28 | 4 | 6 | |

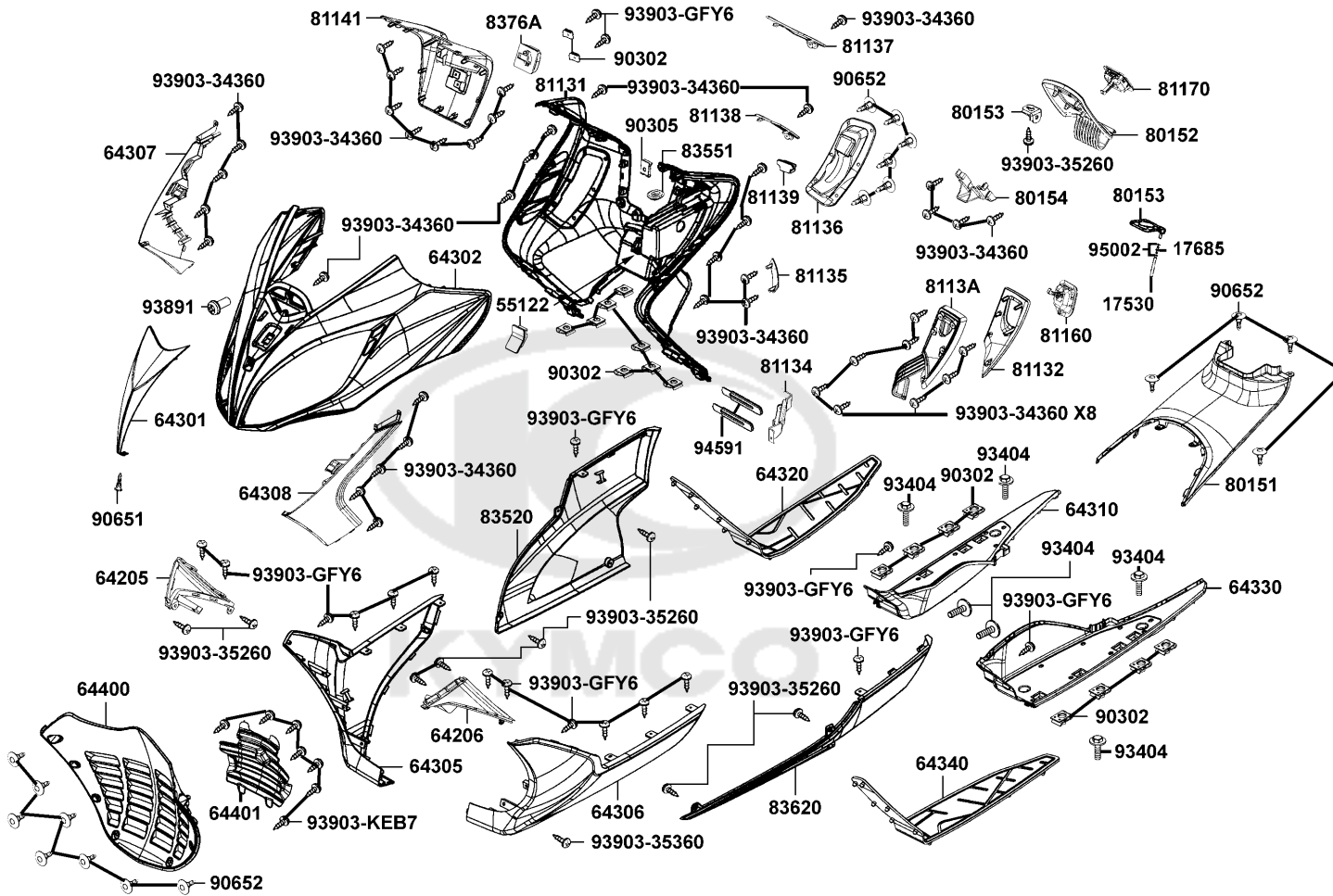




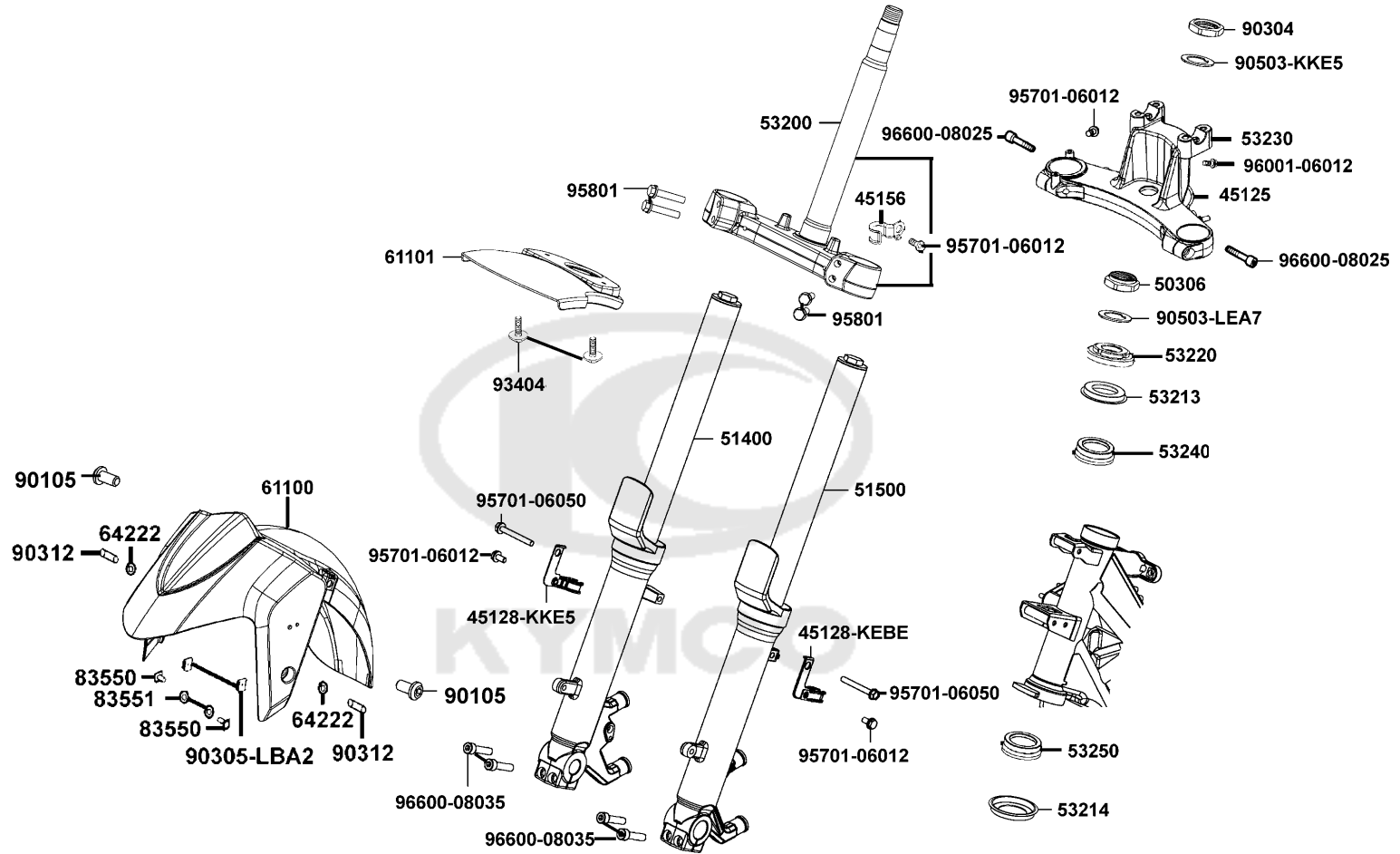
| Sales mark | Ref no 參考號碼 | Part no 零件號碼 | Description 英文名稱 | Reg description 中文名稱 | Regd no 需求用量 | Ref Price 參考售價 | F05 |
|------------|----------------|-----------------|----------------------|-------------------------|-----------------|-------------------|-----|
| | 17530 | 17530-KGB5-900 | TUBE ASSY DRAIN | 油管組 | 1 | 29 | |
| | 17685 | 17685-KZCZ-900 | JOINT TUBE | 通氣管接頭 | 1 | 17 | |
| | 55122 | 55122-LKF5-E00 | PLUG FUEL TANK MAINT | 保養油箱塞 | 1 | 21 | |
| ** | 64205 | 64205-LKF5-E00 | SKIRT A,R SIDE | SKIRT A,R SIDE | 1 | | |
| ** | 64206 | 64206-LKF5-E00 | SKIRT A,L SIDE | SKIRT A,L SIDE | 1 | | |
| ** | 64301 | 64301-LGR2-E00 | COVER FR TOP | 前護蓋 | 1 | | |
| ** | 64302 | 64302-LGR2-305 | MOLDING FR | 前護板 | 1 | | |
| ** | 64305 | 64305-LKF5-E00 | SKIRT,R/L SIDE | 右邊護板 | 1 | | |
| ** | 64306 | 64306-LKF5-E00 | SKIRT,L SIDE | 左邊護板 | 1 | | |
| ** | 64307 | 64307-LGR2-305 | SKIRT FR R SIDE | 前護板右下邊軌 | 1 | | |
| ** | 64308 | 64308-LGR2-305 | SKIRT FR L SIDE | 前護板左下邊軌 | 1 | | |
| ** | 64310 | 64310-LKF5-E00 | FLOOR.PANEL R | 右腳踏板 | 1 | | |
| ** | 64320 | 64320-LKF5-E00 | MAT FLOOR,R | 腳踏板橡皮墊 | 1 | | |
| ** | 64330 | 64330-LKF5-E00 | FLOOR.PANEL L | 左腳踏板 | 1 | | |
| ** | 64340 | 64340-LKF5-E00 | MAT FLOOR,L | 左腳踏板 | 1 | | |
| ** | 64400 | 64400-LKF5-E00 | COWL,UNDER | 下罩蓋 | 1 | | |
| | 64401 | 64401-LKF5-E00 | MESH,UNDER COWL | 下罩蓋 | 1 | 155 | |
| ** | 80151 | 80151-LKF5-E00 | COVER CENTER | 中心蓋 | 1 | | |
| ** | 80152 | 80152-LKF5-E00 | LID,FUEL TANK MAINT | 保養油箱蓋燃料 | 1 | | |
| | 80153-LEA7 | 80153-LEA7-E00 | RUBBER FUEL CAP | 油箱蓋托盤 | 1 | 95 | |



| Sales mark | Ref no 參考號碼 | Part no 零件號碼 | Description 英文名稱 | Reg description 中文名稱 | Regd no 需求用量 | Ref Price 參考售價 | F05 |
|------------|----------------|-----------------|--------------------------------|-------------------------|-----------------|-------------------|-----|
| | 80153-LKF5 | 80153-LKF5-E00 | STAY,FUEL COVER | STAY,FUEL COVER | 1 | 23 | |
| ** | 80154 | 80154-LKF5-E00 | LID B,FUEL TANK MAINT | LID B,FUEL TANK MAINT | 1 | | |
| ** | 81131 | 81131-LKF5-E00 | LEG SHIELD | 內箱 | 1 | | |
| ** | 81132 | 81132-LKF5-E00 | LID,FR. INNER BOX | 前置物箱外蓋 | 1 | | |
| ** | 81134 | 81134-LKF5-E00 | COVER,INNER CAP,LID | 前置物箱內蓋 | 1 | | |
| ** | 81135 | 81135-LKF5-E00 | RETAIN PLATE,INNER BOX | 前置物箱擋蓋 | 1 | | |
| ** | 81136 | 81136-LKF5-E00 | RUBBER,ADJUSTER HANDLE | RUBBER,ADJUSTER HANDLE | 1 | | |
| ** | 81137 | 81137-LKF5-E00 | COVER,RADIATOR MAINT | COVER,RADIATOR MAINT | 1 | | |
| ** | 81138 | 81138-LKF5-E00 | LID RESERVE TANK | 內箱蓋平板 | 1 | | |
| | 81139 | 81139-LKF5-E00 | PLUG INNER BOX | 內箱飾條 | 1 | 21 | |
| ** | 8113A | 8113A-LKF5-E00 | LID FR.ASSY.,INNER BOX B | 前置物箱組B | 1 | | |
| ** | 81141 | 81141-LKF5-E00 | TUNNEL LEG SHIELD | 下內箱 | 1 | | |
| | 81160 | 81160-LKF5-E00 | LOCK ASSY.,FR INNER BOX | 前置物盒扣具開關 | 1 | 107 | |
| | 81170 | 81170-LKF5-E00 | LOCK ASSY.,FUEL TANK MAINT.LID | 油箱維修蓋扣具 | 1 | 107 | |
| ** | 83520 | 83520-LKF5-E00 | MOLD,R SIDE | 右下邊蓋護條 | 1 | | |
| | 83551 | 83551-KKAK-900 | GROMMET AIR CLEANER CASE | 橡皮 | 1 | 13 | |
| ** | 83620 | 83620-LKF5-E00 | MOLD,L SIDE | 左下邊蓋護條 | 1 | | |
| | 8376A | 8376A-KEBE-900 | CLIP ASSY CENTER | 中心掛鉤夾 | 1 | 91 | |
| | 90302 | 90302-SDA4-004 | NUT SPRING 4MM | 彈簧螺帽 4MM | 18 | 6 | |
| | 90305 | 90305-LBA2-E00 | NUT CLIP 6MM | 夾螺帽 6MM | 2 | 15 | |



| Sales mark | Ref no 參考號碼 | Part no 零件號碼 | Description 英文名稱 | Reg description 中文名稱 | Regd no 需求用量 | Ref Price 參考售價 | F05 |
|------------|----------------|-------------------|------------------------|-------------------------|-----------------|-------------------|-----|
| | 90651 | 90651-LCA5-E00 | CLIP FENDER | 束夾 | 1 | 6 | |
| | 90652 | 90652-LFB5-900 | CLIP MUDGUARD | 塑膠螺絲 | 14 | 15 | |
| | 93404 | 93404-06016-06 | BOLT WASHER 6*16 | 螺絲 6X16 | 6 | 15 | |
| | 93891 | 93891-05016-06 | SCREW WASHER 5* 16 | 螺絲 5X16 | 1 | 6 | |
| | 93903-34360 | 93903-34360 | SCREW TAPPING 4*12 (G) | 螺釘 4X12 | 43 | 6 | |
| | 93903-35260 | 93903-35260 | SCREW TAPPING 5*12 | 螺釘 5*12 | 9 | 8 | |
| | 93903-35360 | 93903-35360 | SCREW TAPPING 5*16 | 螺釘 5X16 | 1 | 8 | |
| | 93903-GFY6 | 93903-GFY6-900 | SCREW TAPPING 4*14 | 螺釘 4X14 | 18 | 6 | |
| | 93903-KEB7 | 93903-KEB7-900-06 | SCREW WASHER 4*12 (G) | 螺絲 4MM | 7 | 14 | |
| | 94591 | 94591-27000 | CLIP 2*70 | 導線夾 | 2 | 13 | |
| | 95002 | 95002-02080 | CLIP B8 TUBE | 管夾 | 2 | 8 | |

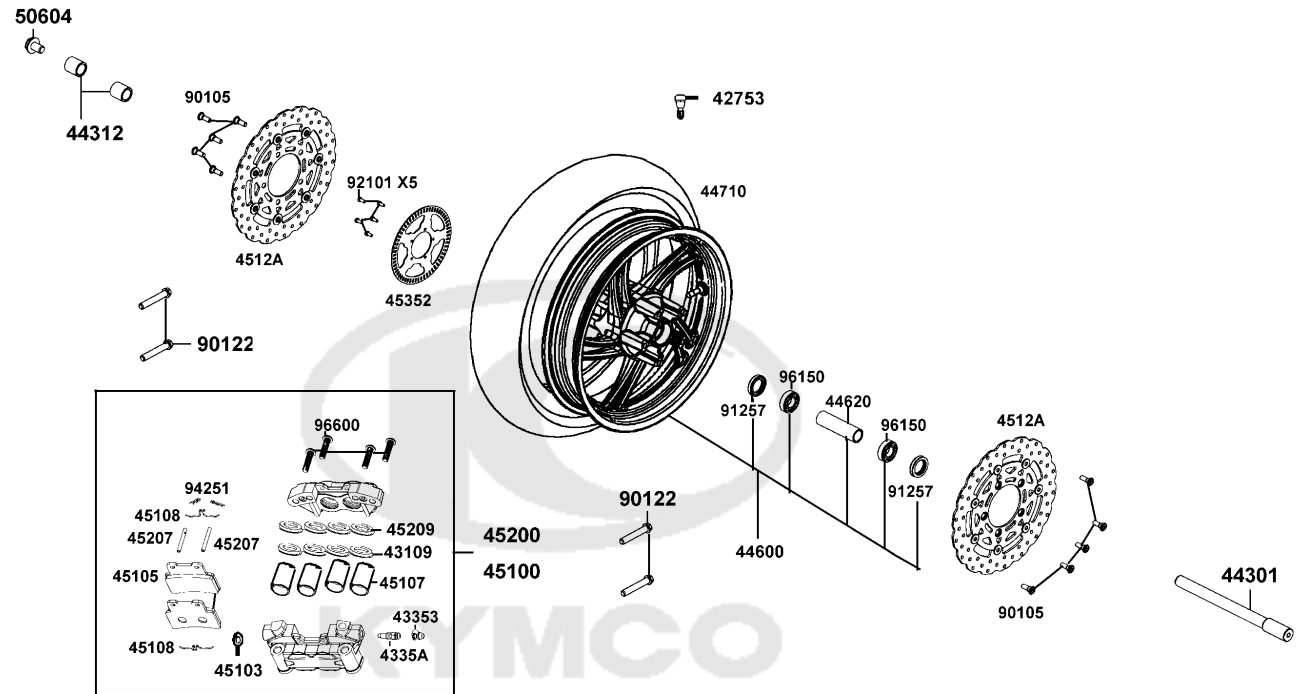


| Sales mark | Ref no 參考號碼 | Part no 零件號碼 | Description 英文名稱 | Reg description 中文名稱 | Regd no 需求用量 | Ref Price 參考售價 | F06 |
|------------|----------------|-----------------|------------------------------|------------------------------|-----------------|-------------------|-----|
| | 45125 | 45125-LKF5-E00 | CLIP, BRAKE HOSE(TOP BRIDGE) | CLIP, BRAKE HOSE(TOP BRIDGE) | 1 | 132 | |
| | 45128-KEBE | 45128-KEBE-900 | CLAMPER FR BRAKE HOSE | 管夾 | 1 | 34 | |
| | 45128-KKE5 | 45128-KKE5-E00 | CLAMPER FR BRK HOSE | 前煞車油管夾 | 1 | 48 | |
| | 45156 | 45156-LKF5-E00 | CLIP, SENSOR WIRE | 速度導線鉤 | 1 | 34 | |
| | 50306 | 50306-1F96-001 | NUT STRG STEM LOCK | 主幹螺帽 | 1 | 20 | |
| ** | 51400 | 51400-LKF5-E00 | FORK ASSY, FR R | 右前叉組 | 1 | | |
| ** | 51500 | 51500-LKF5-E00 | FORK ASSY, FR L | 左前叉組 | 1 | | |
| | 53200 | 53200-LKF5-E01 | STEM COMP., STRG | 轉向桿 | 1 | 2192 | |
| | 53213 | 53213-LBA2-E00 | DUST SEAL STRG HEAD TOP | 轉向桿上防塵封 | 1 | 20 | |
| | 53214 | 53214-LBA2-E00 | DUST SEAL STRG (HEAD) | 防塵油封 | 1 | 25 | |
| | 53220 | 53220-LBA2-E00 | THREAD COMP STRG HEAD TOP | 轉向桿頂螺絲 | 1 | 87 | |
| | 53230 | 53230-LKF5-E00 | BRIDGE, FORK TOP | 上前叉頂樑 | 1 | 1423 | |
| | 53240 | 53240-LEA7-90A | BEARING TOP STRG | 前避震器頂上軸承 | 1 | 362 | |
| | 53250 | 53250-LEA7-90A | BEARING BOT STRG | 前避震器頂下軸承 | 1 | 362 | |
| ** | 61100 | 61100-LGR2-305 | FENDER FR | 前擋泥板 | 1 | | |
| | 61101 | 61101-LBA2-E00 | FENDER FR INNER | 前內擋泥板 | 1 | 85 | |
| | 64222 | 64222-LLJ3-E00 | RUBBER WIND SCREEN | 遮陽板橡皮 | 2 | 11 | |
| | 83550 | 83550-KEC8-900 | COLLAR | 套筒 | 2 | 15 | |
| | 83551 | 83551-KEC8-900 | GROMMET COVER | 邊蓋固定扣環 | 2 | 15 | |
| | 90105 | 90105-LLJ3-E00 | BOLT SPECAL 8MM | 特殊螺絲 8MM | 2 | 14 | |

| Sales mark | Ref no 參考號碼 | Part no 零件號碼 | Description 英文名稱 | Reg description 中文名稱 | Regd no 需求用量 | Ref Price 參考售價 | F06 |
|------------|----------------|-----------------|--------------------------|-------------------------|-----------------|-------------------|-----|
| | 90304 | 90304-KKE5-E00 | NUT. STRG. STEM | 轉向主桿螺帽 | 1 | 102 | |
| | 90305 | 90305-LBA2-E00 | NUT CLIP 6MM | 夾螺帽 6MM | 2 | 15 | |
| | 90312 | 90312-LLJ3-E01 | COLLAR WIND SCREEN | 套筒 | 2 | 15 | |
| | 90503-KKE5 | 90503-KKE5-E00 | WASHER STEERING STEM NUT | 鎖華司 | 1 | 16 | |
| | 90503-LEA7 | 90503-LEA7-E00 | WASHER STRG STEM NUT | 轉向主桿華司 | 1 | 30 | |
| | 93404 | 93404-06012-06 | BOLT WASHER 6*12 (G) | 螺絲 6X12 | 2 | 6 | |
| | 95701-06012 | 95701-06012-06 | BOLT FLANGE 6*12 | 螺絲 6X12 | 4 | 15 | |
| | 95701-06050 | 95701-06050-06 | BOLT FLANGE 6*50 | 螺絲 6*50/墨綠 | 2 | 23 | |
| | 95801 | 95801-08040-08 | BOLT FLANGE 8*40 | 螺絲 8X40 | 4 | 16 | |
| | 96001 | 96001-06012-08 | BOLT FLANGE 6*12 | 螺絲 6X12 | 1 | 13 | |
| | 96600-08025 | 96600-08025-06 | SOCKET BOLT 8*25 | 螺絲 8*25 | 2 | 10 | |
| | 96600-08035 | 96600-08035-06 | SOCKET BOLT 8*35 | 螺絲 8*35 | 4 | 11 | |

F07

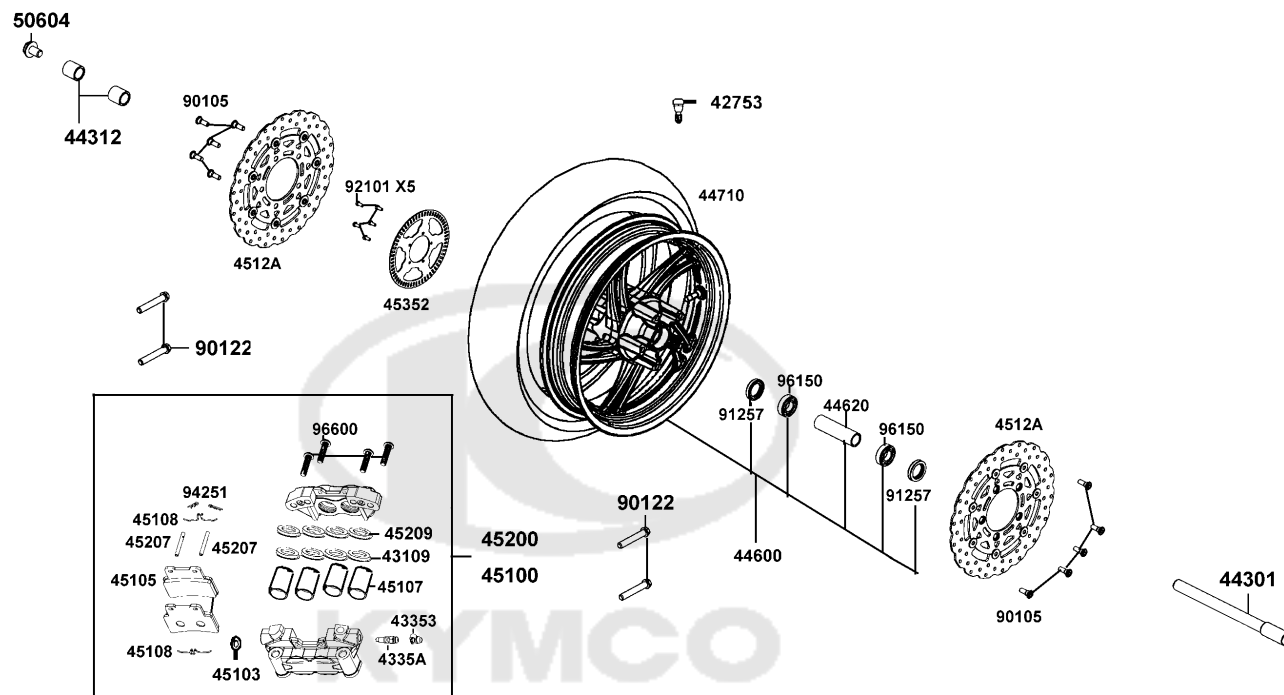
Front Wheel 前輪



| Sales mark | Ref no 參考號碼 | Part no 零件號碼 | Description 英文名稱 | Reg description 中文名稱 | Regd no 需求用量 | Ref Price 參考售價 | F07 |
|------------|----------------|-------------------|-------------------------|-------------------------|-----------------|-------------------|-----|
| | 42753 | 42753-KNBN-90B | VALAE RIM (TR412) | 打氣嘴 | 1 | 40 | |
| | 43109 | 43109-GBE2-007 | SEAL PISTON | 油封 | 8 | 26 | |
| | 43353 | 43353-KED9-900 | CAP BLEEDER | 煞車卡鉗黃油嘴蓋 | 2 | 14 | |
| | 4335A | 4335A-LBA2-E01 | BLEEDER ASSY | 加油嘴 | 2 | 57 | |
| | 44301 | 44301-LKF5-E00 | AXLE, FR WHEEL | 前輪軸 | 1 | 400 | |
| | 44312 | 44312-LKF5-E00 | COLLAR, FR WHEEL SIDE L | 前輪軸襯套 | 2 | 49 | |
| ** | 44600 | 44600-LKF5-305 | WHEEL SET FR | 前輪圈 | 1 | | |
| | 44620 | 44620-LBA2-E00 | COLLAR FR AXLE DISTANCE | 前輪軸距套筒 | 1 | 72 | |
| | 44710 | 44710-LKF5-E00-CS | TIRE ASSY, FR | 前輪胎總成 | 1 | 2593 | |
| ** | 45100 | 45100-LKF5-E00 | CALIPER ASSY, FR L/H | 左前煞車卡鉗組 | 1 | | |
| | 45103 | 45103-MGR7-007 | SEAL JOINT | 油封 | 2 | 34 | |
| | 45105 | 45105-LKF5-305 | PAD SET | 煞車摩擦板組 | 2 | 534 | |
| | 45107 | 45107-LKF5-E00 | PISTON C/P | 吊架銷 | 8 | 21 | |
| | 45108 | 45108-LKF5-E00 | SPRING PAD | 摩擦板彈簧 | 8 | 30 | |
| | 4512A | 4512A-LKF5-E00 | DISK COMP., FR BRAKE | 浮動式碟盤組 | 2 | 1979 | |
| ** | 45200 | 45200-LKF5-E00 | CALIPER ASSY, FR R/H | 右前煞車卡鉗組 | 1 | | |
| | 45207 | 45207-LKF5-E00 | PIN HANGER | 吊架銷 | 2 | 21 | |
| | 45209 | 45209-GBE2-007 | SEAL PISTON | 活塞油封 | 8 | 32 | |
| | 45352 | 45352-LKF5-E00 | TOOTHED RING, SENSOR | ABS讀取盤 | 1 | 78 | |
| | 50604 | 50604-KED9-950 | BOLT FR AXLE | 前輪軸螺絲 | 1 | 28 | |

F07

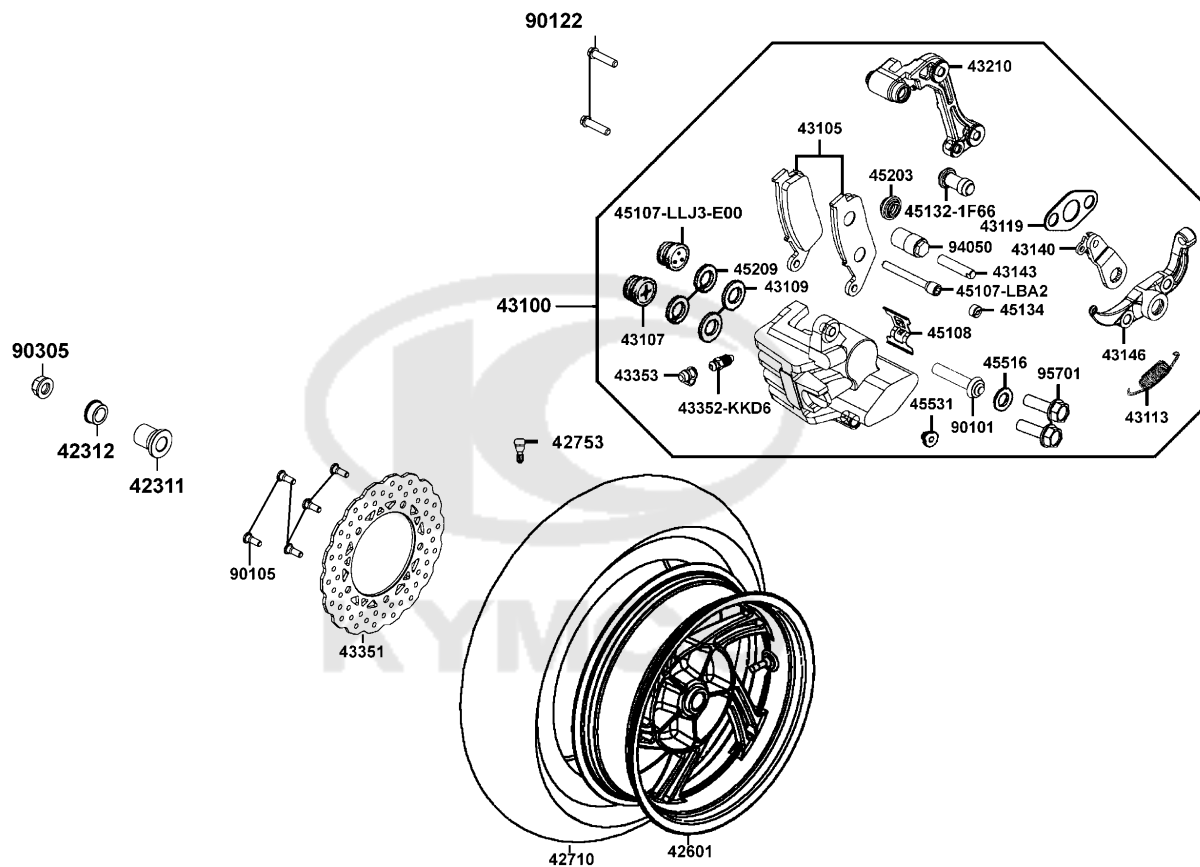
Front Wheel 前輪



| Sales mark | Ref no 參考號碼 | Part no 零件號碼 | Description 英文名稱 | Reg description 中文名稱 | Regd no 需求用量 | Ref Price 參考售價 | F07 |
|---|----------------|-----------------|--------------------------|-------------------------|-----------------|-------------------|-----|
| 90105 | 90105-KCR3-001 | | BOLT FR DISK 8*24 | 前煞車圓盤螺絲 | 10 | 24 | |
| 90122 | 90122-LKF5-E00 | | BOLT FLANGE 10x58(G) | 有邊緣螺絲 BF 10*58(墨綠) | 4 | 41 | |
| 91257 | 91257-KED9-900 | | DUST SEAL 28*42*8 | 防塵封 28*42*8 | 2 | 20 | |
| 92101 | 92101-05012-0A | | BOLT HEX 5*12 | 螺絲 5*12 | 5 | 13 | |
| 94251 | 94251-08400 | | PIN LOCK 8MM | 銷 8MM | 4 | 14 | |
| 96150 | 96150-60040-10 | | BEARING BALL RADIAL 6004 | 軸承 6004/20*42*12 | 2 | 135 | |
| 96600 | 96600-KKC4-900 | | SOCKET BOLT | 螺栓 | 8 | 29 | |
|  | | | | | | | |

F08

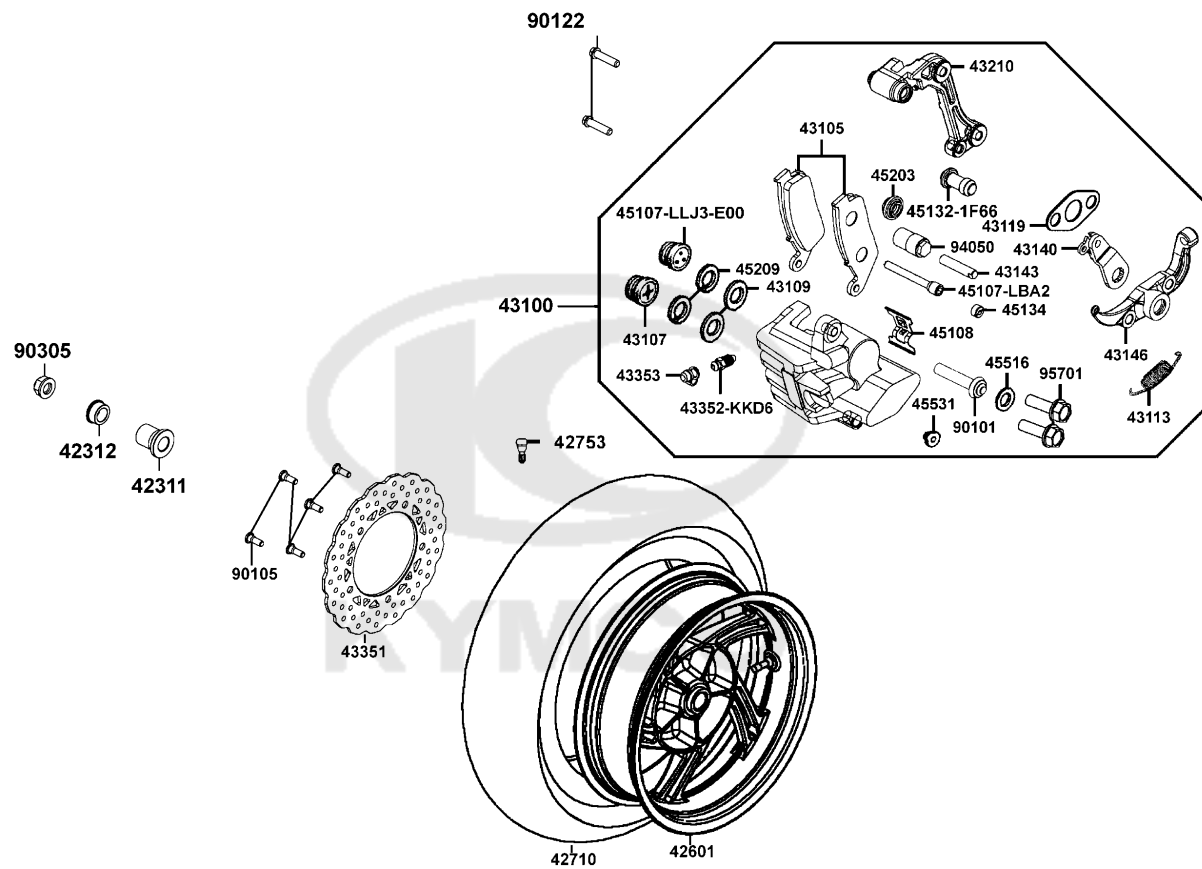
Rear Wheel 後輪



| Sales mark | Ref no 參考號碼 | Part no 零件號碼 | Description 英文名稱 | Reg description 中文名稱 | Regd no 需求用量 | Ref Price 參考售價 | F08 |
|------------|----------------|-------------------|-----------------------|-------------------------|-----------------|-------------------|-----|
| | 42311 | 42311-LEA7-950 | COLLAR RR AXLE SIDE A | A型後輪軸邊軸環 30X42 | 1 | 141 | |
| | 42312 | 42312-LEA7-950 | COLLAR, RR AXLE SIDE | 後轂邊軸環 | 1 | 57 | |
| ** | 42601 | 42601-LKF5-E00 | WHEEL COMP. , RR | 後輪圈組 | 1 | | |
| | 42710 | 42710-LKF5-E00-CS | TIRE ASSY, RR | 後輪胎總成 | 1 | 3168 | |
| | 42753 | 42753-KNBN-90B | VALAE RIM (TR412) | 打氣嘴 | 1 | 40 | |
| ** | 43100 | 43100-LKF5-E00 | CALIPER ASSY, RR | 後煞車卡鉗組 | 1 | | |
| | 43105 | 43105-LKF5-305 | PAD SET | 後煞車摩擦板組 | 1 | 551 | |
| | 43107 | 43107-LBA2-E00 | PISTON ASSY | 卡鉗活塞 | 1 | 167 | |
| | 43109 | 43109-MCA3-007 | SEAL PISTON | 活塞油封 | 2 | 17 | |
| | 43113 | 43113-LBA2-E00 | SPRING BRAKE ARM | 煞車臂彈簧 | 1 | 56 | |
| | 43119 | 43119-LBA2-E00 | GASKET WATER PROOF | 墊片 | 1 | 42 | |
| | 43140 | 43140-LKF5-E00 | ARM BRAKE ASSY | 煞車臂 | 1 | 62 | |
| | 43143 | 43143-LBA2-E00 | BOLT DRIVE | 螺絲 | 1 | 85 | |
| | 43146 | 43146-LKF5-E00 | BRACKET CABLE | 托架 | 1 | 310 | |
| | 43210 | 43210-LKF5-305 | BRACKET RR | 後煞卡鉗托架組 | 1 | 345 | |
| | 43351 | 43351-LKF5-E00 | DISK, RR BRAKE | 後碟盤 | 1 | 980 | |
| | 43352 | 43352-KKD6-E90 | SCREW BLEEDER | 加油嘴 | 1 | 25 | |
| | 43353 | 43353-KED9-900 | CAP BLEEDER | 煞車卡鉗黃油嘴蓋 | 1 | 14 | |
| | 45107-LBA2 | 45107-LBA2-E00 | PISTON | 卡鉗活塞 | 1 | 167 | |
| | 45107-LLJ3 | 45107-LLJ3-E00 | PISTON | 卡鉗活塞 | 1 | 42 | |

F08

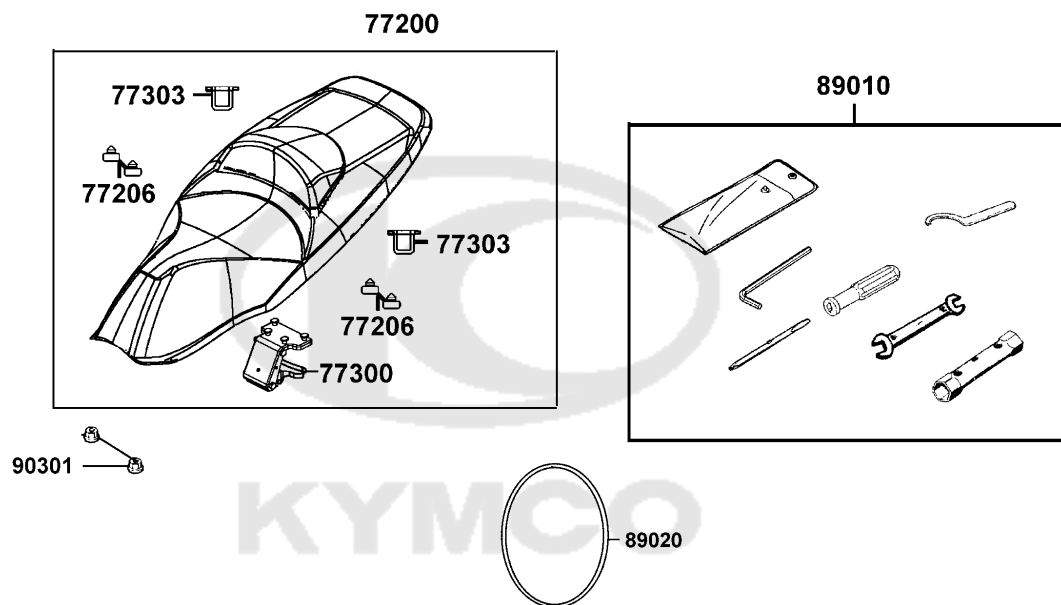
Rear Wheel 後輪



| Sales mark | Ref no 參考號碼 | Part no 零件號碼 | Description 英文名稱 | Reg description 中文名稱 | Regd no 需求用量 | Ref Price 參考售價 | F08 |
|------------|----------------|-----------------|-----------------------|-------------------------|-----------------|-------------------|-----|
| | 45108 | 45108-KED9-900 | SPRING PAD | 煞車摩擦片彈簧 | 1 | 26 | |
| | 45132 | 45132-1F66-017 | BUSH BOOT PIN | 襯套 | 1 | 69 | |
| | 45134 | 45134-KED9-900 | BOOT B | 襯套 B | 1 | 37 | |
| | 45203 | 45203-KED9-900 | PLUG PIN | 塞蓋 | 1 | 24 | |
| | 45209 | 45209-KED9-900 | SEAL PISTON | 煞車卡鉗油封 | 2 | 70 | |
| | 45516 | 45516-LBA2-E00 | O RING | O環 | 1 | 14 | |
| | 45531 | 45531-KED9-900 | PLUG | 吊架銷塞蓋 | 1 | 15 | |
| | 90101 | 90101-LBA2-E00 | BOLT BUSH ROD | 螺絲 | 1 | 20 | |
| | 90105 | 90105-KCR3-001 | BOLT FR DISK 8*24 | 前煞車圓盤螺絲 | 5 | 24 | |
| | 90122 | 90122-LEA7-E00 | BOLT FLANGE 10x42(Cr) | 螺絲 10*42 | 2 | 32 | |
| | 90305 | 90305-KKAK-900 | NUT U 16MM | 螺帽 16MM | 1 | 76 | |
| | 94050 | 94050-86000 | FLANGE NUT M6*1.0 | 螺帽 | 1 | 17 | |
| | 95701 | 95701-LBA2-E00 | BOLT FLANGE | 螺絲 | 1 | 17 | |

F09

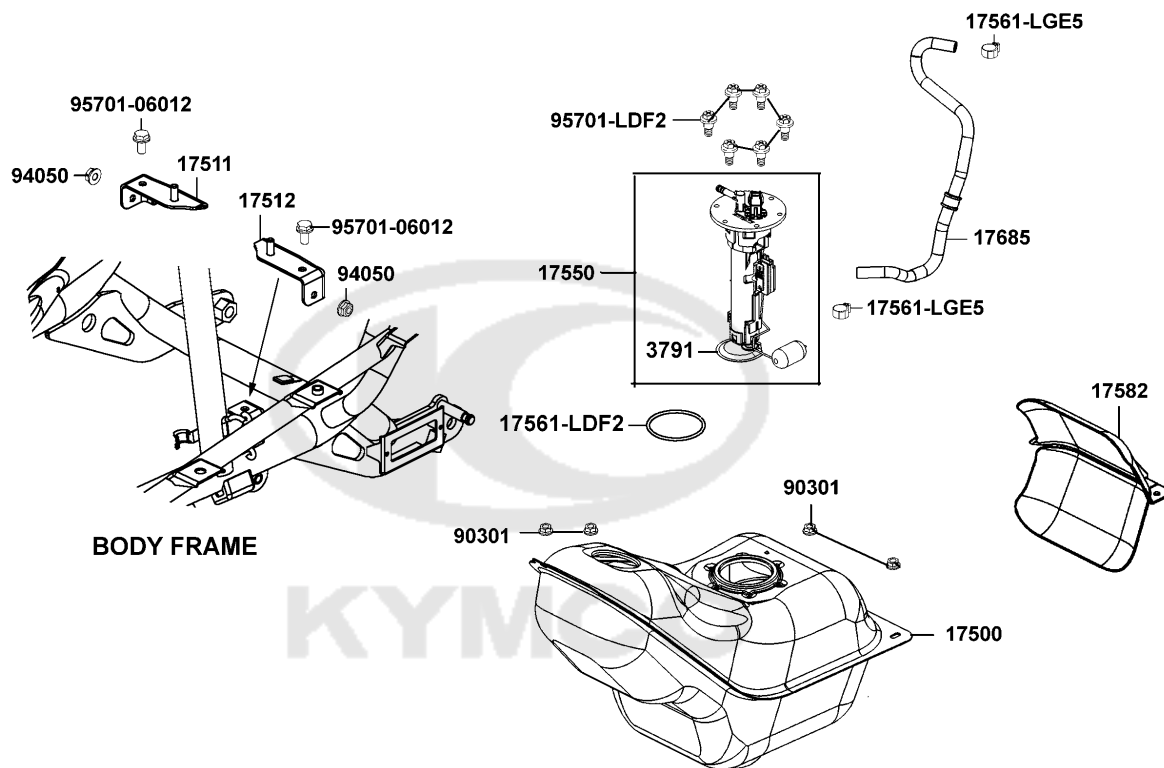
Seat 座墊



| Sales mark | Ref no 參考號碼 | Part no 零件號碼 | Description 英文名稱 | Reg description 中文名稱 | Regd no 需求用量 | Ref Price 參考售價 | F09 |
|---|----------------|-----------------|---------------------|-------------------------|-----------------|-------------------|-----|
| ** | 77200 | 77200-LKF5-E00 | SEAT,ASSY. | 座墊 | 1 | | |
| | 77206 | 77206-KEB7-900 | RUBBER SEAT CUSH | 橡皮 | 4 | 13 | |
| | 77300 | 77300-LKF5-E00 | HINGE ASSY.,SEAT | 座墊轉軸支架組 | 1 | 1263 | |
| | 77303 | 77303-LEA7-E00 | HOOK SEAT LOCK | 座墊鎖鉤 | 2 | 48 | |
| | 89010 | 89010-LKF5-E00 | TOOL SET | 工具包組 | 1 | 307 | |
| | 89020 | 89020-KKC4-900 | BAND TOOL SET | 束帶 | 1 | 13 | |
| | 90301 | 90301-6D34-671 | NUT FLANGE 6MM | 螺帽 | 2 | 6 | |
|  | | | | | | | |

F10

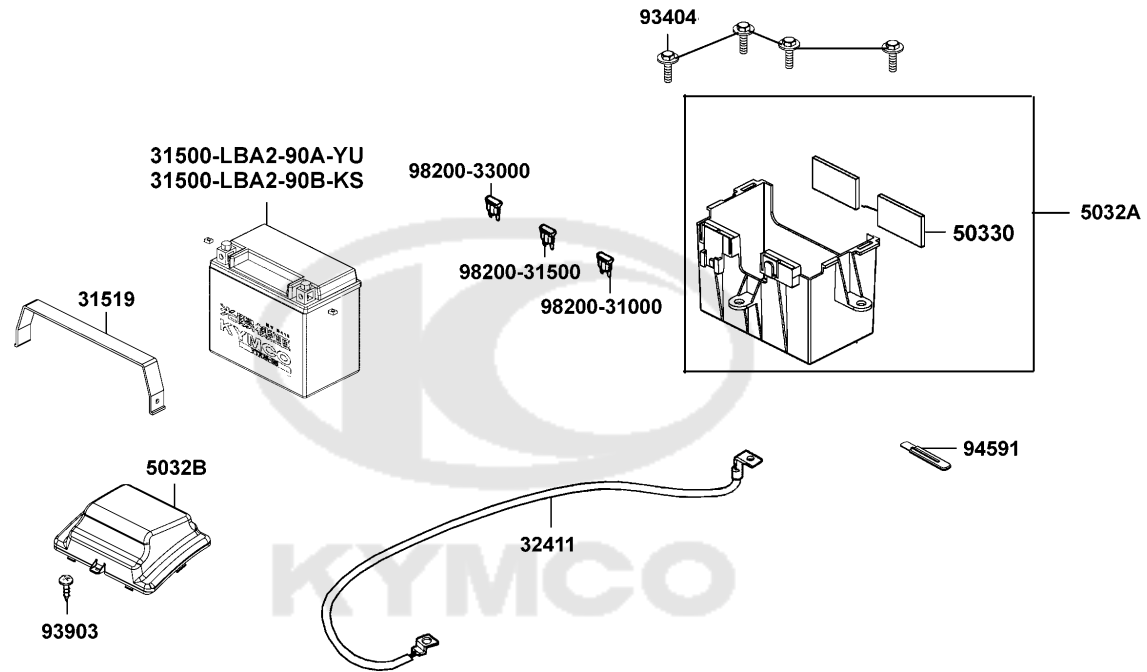
Fuel Tank 油箱



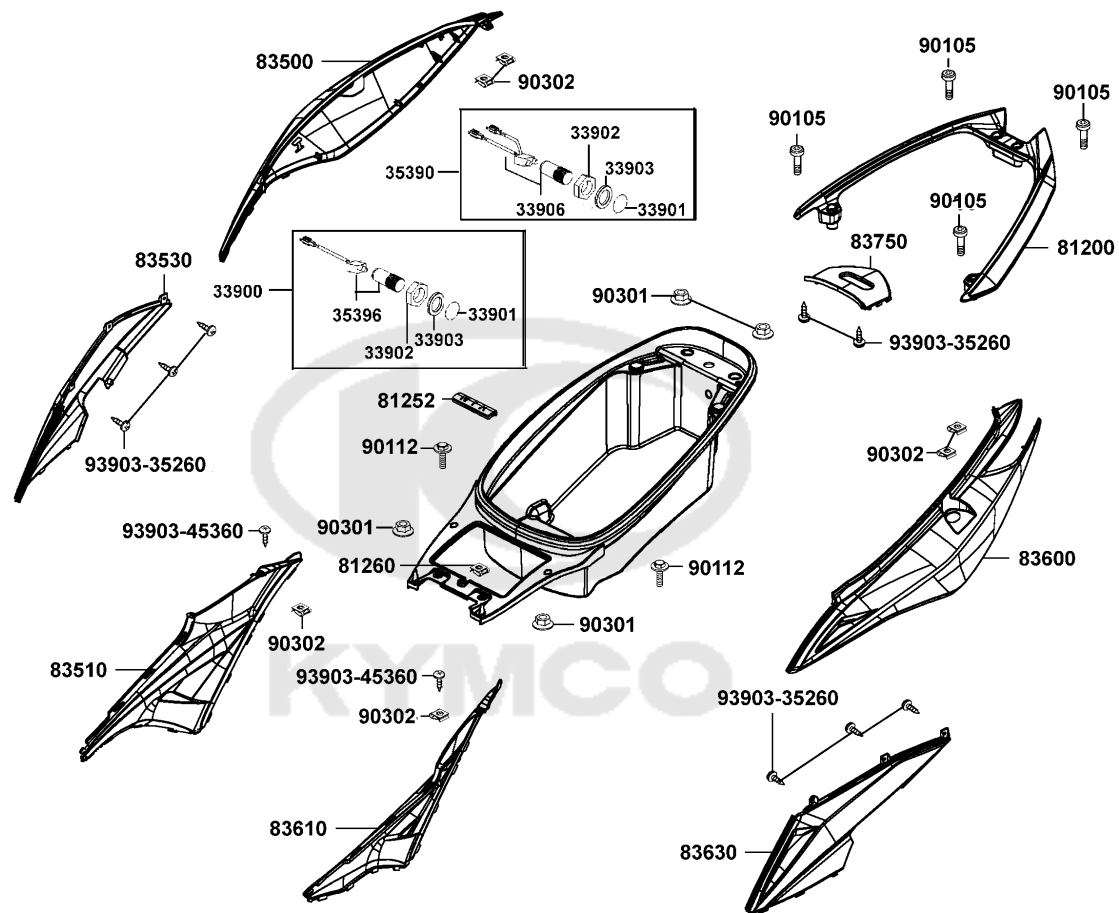
| Sales mark | Ref no 參考號碼 | Part no 零件號碼 | Description 英文名稱 | Reg description 中文名稱 | Regd no 需求用量 | Ref Price 參考售價 | F10 |
|------------|----------------|-----------------|---------------------|-------------------------|-----------------|-------------------|-----|
| | 17500 | 17500-LEA7-900 | TANK COMP.,FUEL | 油箱 | 1 | 3027 | |
| | 17511 | 17511-LKF5-E00 | STAY R,FUEL TANK | 油箱右支架 | 1 | 34 | |
| | 17512 | 17512-LKF5-E00 | STAY L,FUEL TANK | 油箱支架 | 1 | 34 | |
| | 17550 | 17550-LKF5-E00 | PUMP ASSY.. FUEL | 燃料泵組 | 1 | 3900 | |
| | 17561-LDF2 | 17561-LDF2-900 | O-RING | O環 | 1 | 18 | |
| | 17561-LGE5 | 17561-LGE5-E00 | CLIP 13.5 | 環夾13.5 | 1 | 24 | |
| | 17582 | 17582-LKF5-E00 | HEAD GUARD COVER | 保護高溫外蓋 | 1 | 55 | |
| | 17685 | 17685-LKF5-E00 | TUBE,FUEL PUMP | 油管 | 1 | 307 | |
| | 3791 | 3791-HN80-0000 | FILTER COMP | 汽油泵濾油網 | 1 | 573 | |
| | 90301 | 90301-6D34-671 | NUT FLANGE 6MM | 螺帽 | 4 | 6 | |
| | 94050 | 94050-06080 | NUT FLANGE 6MM | 特殊螺帽 6MM | 2 | 15 | |
| | 95701-06012 | 95701-06012-08 | BOLT FLANGE 6*12 | 螺絲 6X12 | 2 | 6 | |
| | 95701-LDF2 | 95701-LDF2-800 | BOLT FLANGE 5*6.5 | 螺絲 M5*6.5 | 6 | 21 | |

F11

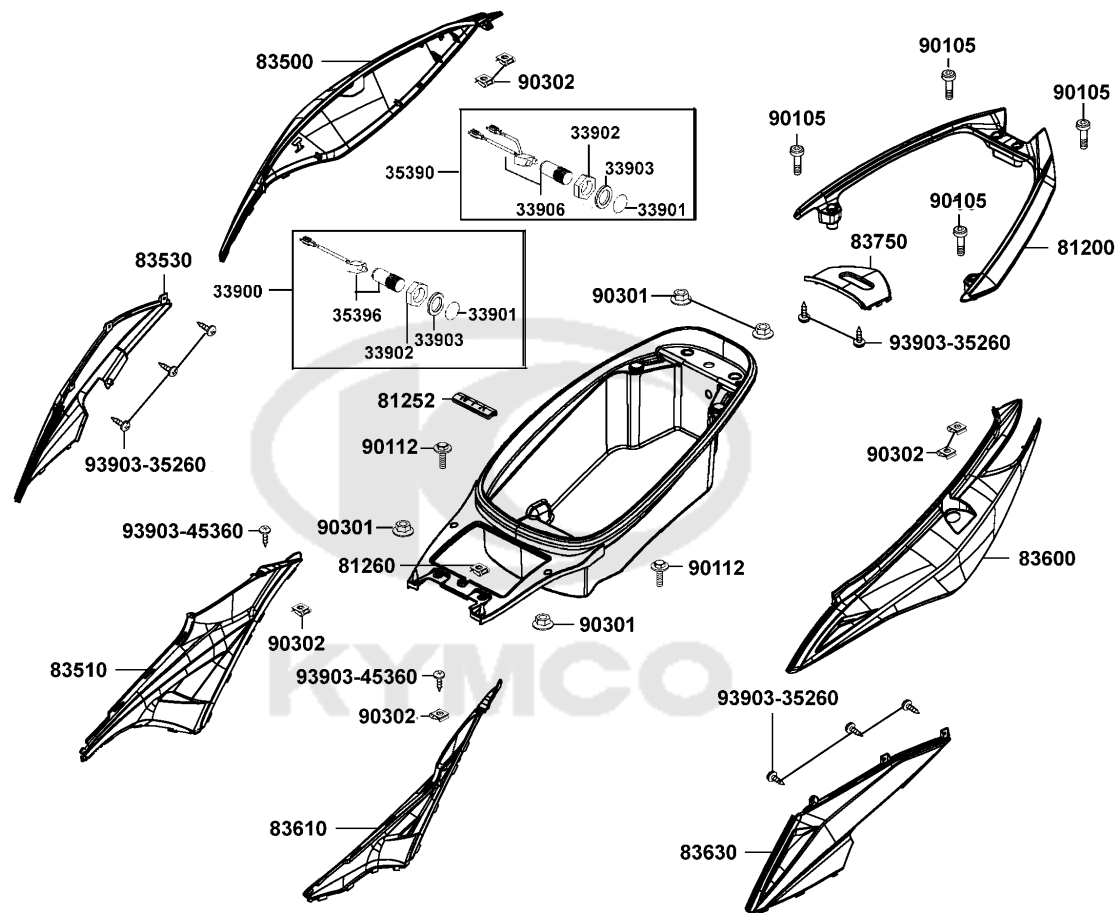
Battery 電瓶




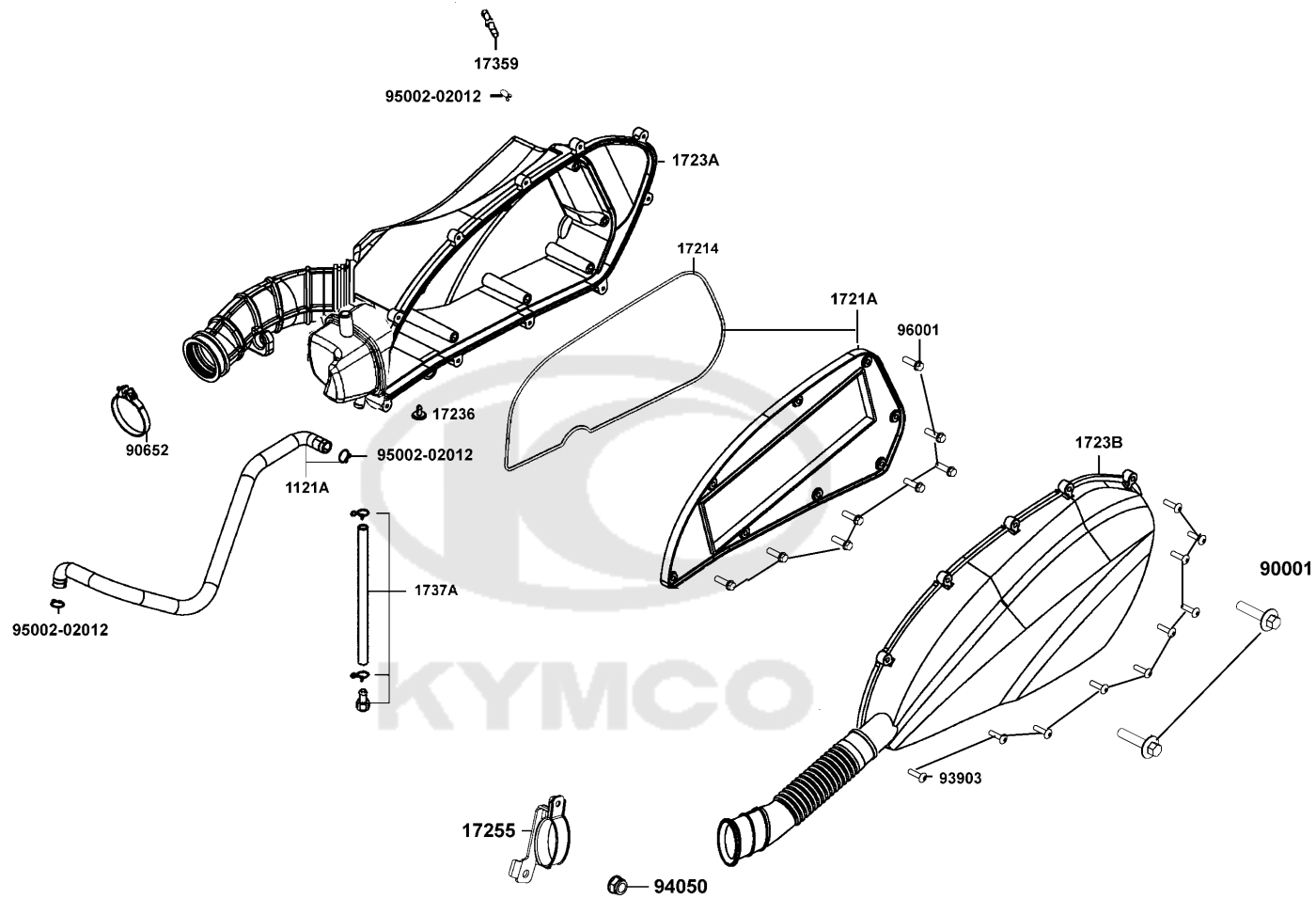
| Sales mark | Ref no 參考號碼 | Part no 零件號碼 | Description 英文名稱 | Reg description 中文名稱 | Regd no 需求用量 | Ref Price 參考售價 | F11 |
|------------|----------------|-------------------|---------------------|-------------------------|-----------------|-------------------|-----|
| | 31500-LBA2-90A | 31500-LBA2-90A-YU | BATTERY YTX14-BS | 電瓶 | 1 | 1350 | |
| | 31500-LBA2-90B | 31500-LBA2-90B-KS | BATTERY GTX14-BS | 電瓶 | 1 | 1350 | |
| | 31519 | 31519-LKF5-E00 | FIX STAY. BATTERY | 電瓶壓條 | 1 | 40 | |
| | 32411 | 32411-KHD8-900 | CABLE BATTERY | 電瓶導線 | 1 | 124 | |
| ** | 5032A | 5032A-LKF5-E00 | CASE ASSY BATTERY | 電瓶箱組 | 1 | | |
| ** | 5032B | 5032B-LKF5-E00 | BATTERY COVER,ASSY. | 電瓶外蓋組 | 1 | | |
| | 50330 | 50330-LKF5-E00 | SPONGE BATTERY CASE | 電瓶箱海綿 | 2 | 26 | |
| | 93404 | 93404-06012-08 | BOLT WASHER 6*12 | 螺絲 6X12 | 4 | 6 | |
| | 93903 | 93903-45260 | SCREW TAPPING 5*12 | 螺釘 5*12 | 1 | 15 | |
| | 94591 | 94591-KFBBF-900 | CLIP 2*70 | 線夾 2X70 | 1 | 13 | |
| | 98200-31000 | 98200-31000 | BLADE FUSE 10A | 保險絲/插片形 10A | 1 | 15 | |
| | 98200-31500 | 98200-31500 | BLADE FUSE 15A | 保險絲/插片形 15A | 1 | 15 | |
| | 98200-33000 | 98200-33000 | BLADE FUSE 30A | 保險絲/插片形 30A | 1 | 6 | |



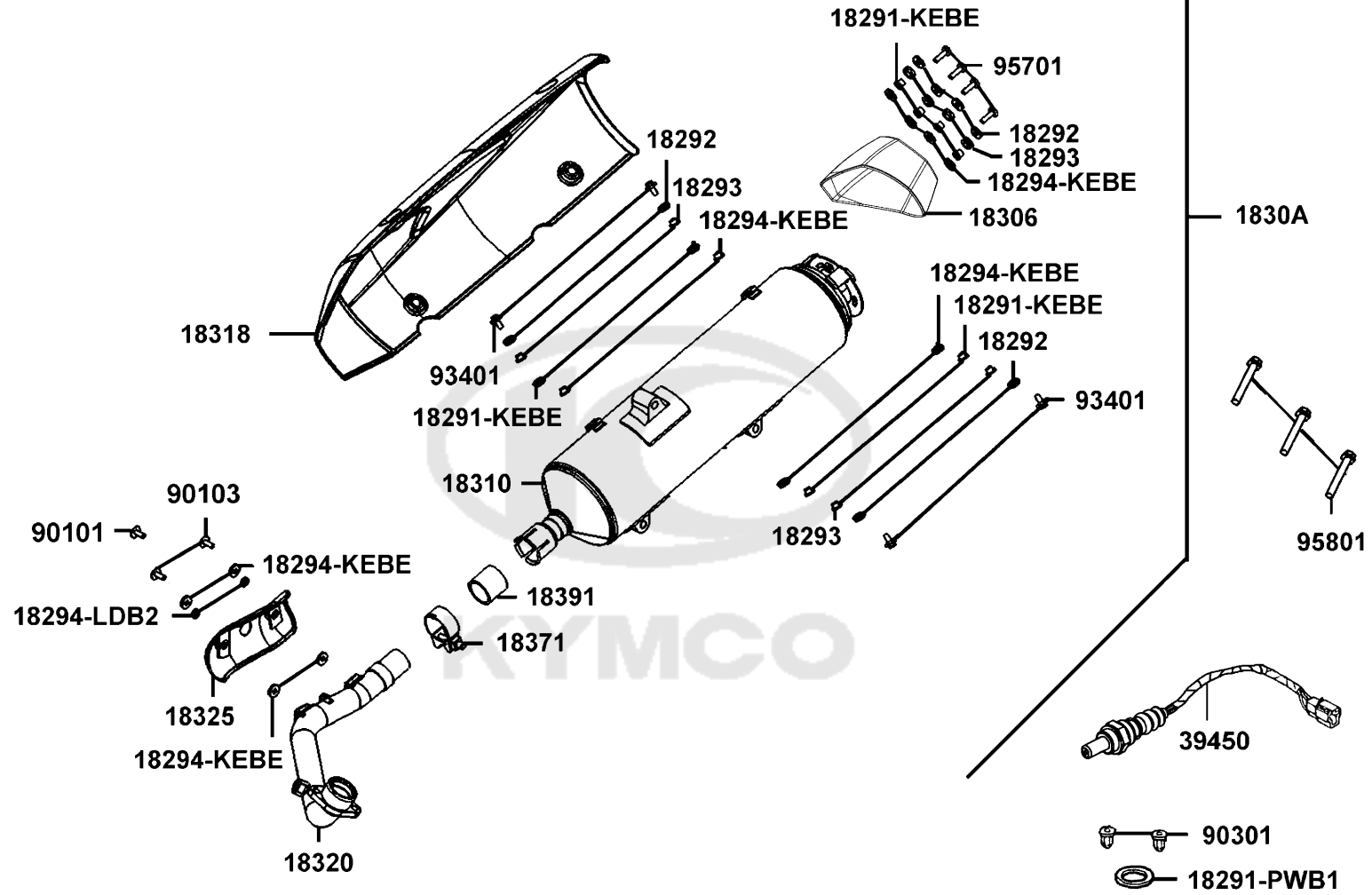
| Sales mark | Ref no 參考號碼 | Part no 零件號碼 | Description 英文名稱 | Reg description 中文名稱 | Regd no 需求用量 | Ref Price 參考售價 | F12 |
|------------|----------------|-----------------|--------------------------|-------------------------|-----------------|-------------------|-----|
| | 33900 | 33900-LKF5-E00 | LIGHT ASSY LUGGAGE BOX | 行李箱燈盒組 | 1 | 172 | |
| | 33901 | 33901-LHG7-E00 | LENS | 燈殼 | 2 | 52 | |
| | 33902 | 33902-LHG7-E00 | NUT SCREW | 螺帽 | 2 | 24 | |
| | 33903 | 33903-LHG7-E00 | PACKING BASE | 墊圈盤 | 2 | 20 | |
| | 33906 | 33906-LKF5-E00 | SOCKET ASSY | 配線 | 1 | 105 | |
| | 35390 | 35390-LKF5-E00 | SENSOR LUGGAGE BOX LIGHT | 行李箱燈感應器 | 1 | 358 | |
| | 35396 | 35396-LKF5-E00 | SOCKET ASSY | 配線 | 1 | 172 | |
| ** | 81200 | 81200-LGR2-E00 | CARRIER RR | 後載物架 | 1 | | |
| | 81252 | 81252-KKE5-E00 | PLUG LUGGAGE BOX | 置物箱塞蓋 | 1 | 24 | |
| | 81260 | 81260-LKF5-E00 | "BOX,COMP. LUGGAGE" | "BOX,COMP. LUGGAGE" | 1 | 1029 | |
| ** | 83500 | 83500-LKF5-305 | COVER R.. BODY | 車體右邊蓋 | 1 | | |
| ** | 83510 | 83510-LKF5-E00 | BOARD,R SIDE COVER | 右邊側蓋 | 1 | | |
| ** | 83530 | 83530-LKF5-E00 | COVER,R SIDE | 右邊護蓋 | 1 | | |
| ** | 83600 | 83600-LKF5-305 | COVER L.. BODY | 左邊蓋 | 1 | | |
| ** | 83610 | 83610-LKF5-E00 | BOARD,L SIDE COVER | 左邊側蓋 | 1 | | |
| ** | 83630 | 83630-LKF5-E00 | COVER,L SIDE | 左邊護蓋 | 1 | | |
| ** | 83750 | 83750-LKF5-E00 | COVER RR CENTER | 後中心蓋 | 1 | | |
| | 90105 | 90105-KHB4-900 | BOLT WASH M8*60 | 螺絲 M8*60 | 4 | 92 | |
| | 90112 | 90112-KFA1-900 | BOLT FLANGE 6MM | 螺絲 6MM | 2 | 20 | |
| | 90301 | 90301-6C93-001 | NUT 6MM OPENSTAY | 螺帽 6MM | 4 | 13 | |



| Sales mark | Ref no 參考號碼 | Part no 零件號碼 | Description 英文名稱 | Reg description 中文名稱 | Regd no 需求用量 | Ref Price 參考售價 | F12 |
|---|----------------|-----------------|---------------------|-------------------------|-----------------|-------------------|-----|
| | 90302 | 90302-LKB9-900 | NUT SPRING 5MM | 螺帽 5MM | 4 | 8 | |
| | 93903-35260 | 93903-35260 | SCREW TAPPING 5*12 | 螺釘 5*12 | 8 | 8 | |
| | 93903-45360 | 93903-45360 | SCREW TAPPING 5*16 | 螺釘 5*16 | 2 | 13 | |
|  | | | | | | | |

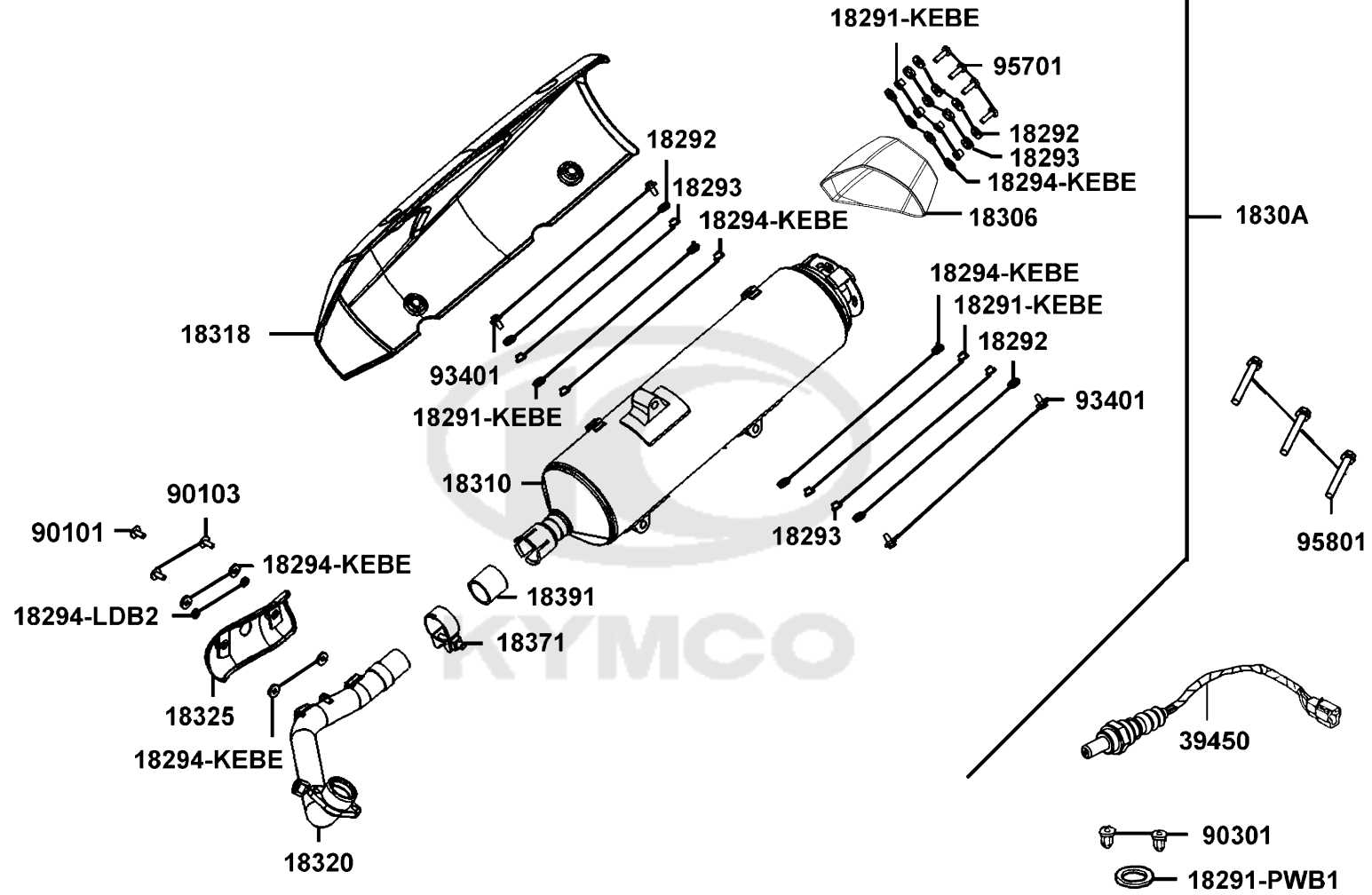


| Sales mark | Ref no 參考號碼 | Part no 零件號碼 | Description 英文名稱 | Reg description 中文名稱 | Regd no 需求用量 | Ref Price 參考售價 | F13 |
|------------|----------------|-----------------|----------------------|-------------------------|-----------------|-------------------|-----|
| | 1121A | 1121A-LKF5-E00 | TUBE ASSY.. AIR/C | 空氣濾清器管組 | 1 | 172 | |
| | 17214 | 17214-LDB2-E00 | SEAL CASE | 空氣濾清器箱油封 | 1 | 42 | |
| | 1721A | 1721A-LKF5-E00 | ELEMENT COMP.. AIR/C | 空氣濾清器海綿總成 | 1 | 278 | |
| | 17236 | 17236-KFBF-910 | PLATE | 隔板 | 1 | 17 | |
| | 1723A | 1723A-LKF5-E00 | CASE. AIR/C | 空氣濾清器箱蓋 | 1 | 710 | |
| | 1723B | 1723B-LKF5-E00 | COVER COMP.. AIR/C | 空氣濾清器外蓋總成 | 1 | 347 | |
| | 17255 | 17255-LKF5-E00 | STAY. AIR/C. DUCT | 空氣濾清器前導管支架 | 1 | 104 | |
| | 17359 | 17359-4K19-671 | JOINT BREATHER TUBE | 通氣管接頭 | 1 | 13 | |
| | 1737A | 1737A-KUDU-900 | V TUBE ASSY | 通氣管組 | 1 | 75 | |
| | 90001 | 90001-GBHB-681 | BOLT FLANGE SHF 6*28 | 螺絲 6X28 | 2 | 15 | |
| | 90652-LKF5-E00 | 90652-LKF5-E00 | CLAMP (54) | 環夾 | 1 | 47 | |
| | 93903 | 93903-25460 | SCREW TAPPING 5*20 | 螺釘 5*20 | 9 | 14 | |
| | 94050 | 94050-06060 | NUT FLANGE 6MM | 特殊螺帽 6MM | 1 | 10 | |
| | 95002 | 95002-02120 | CLIP B12 TUBE | 管夾 | 3 | 14 | |
| | 96001 | 96001-GFY6-900 | BOLT SPECIAL 5*10 | 特殊螺絲 5X10 | 7 | 6 | |



| Sales mark | Ref no 參考號碼 | Part no 零件號碼 | Description 英文名稱 | Reg description 中文名稱 | Regd no 需求用量 | Ref Price 參考售價 |
|------------|----------------|-----------------|-------------------------|-------------------------|-----------------|-------------------|
| | 18291-KEBE | 18291-KEBE-900 | COLLAR | 套筒 | 9 | 23 |
| | 18291-PWB1 | 18291-PWB1-900 | SEAL EXHAUST PIPE | 排氣管墊圈 | 1 | 34 |
| | 18292 | 18292-KEBE-900 | PACKING PROTECTOR | 防熱墊片 | 9 | 6 |
| | 18293 | 18293-KEBE-900 | RUBBER PKG PROTR | 隔熱橡皮 | 9 | 6 |
| | 18294-KEBE | 18294-KEBE-900 | PACKING PROTECTOR | 防熱墊片 | 13 | 19 |
| | 18294-LDB2 | 18294-LDB2-900 | PACKING INNER PROTECTOR | 墊片 | 2 | 13 |
| ** | 18306 | 18306-LKF5-E00 | TAIL CAP. MUFFLER | 排氣管尾蓋 | 1 | |
| | 1830A | 1830A-LKF5-900 | MUFFLER ASSY.. EXHAUST | 排氣管組 | 1 | 13277 |
| | 18310 | 18310-LKF5-900 | MUFFLER COMP. | 排氣管總成 | 1 | 10058 |
| ** | 18318 | 18318-LKF5-900 | MUFF. PROTECTOR | 排氣管保護蓋 | 1 | |
| | 18320 | 18320-LKF5-E00 | PIPE COMP.. EXHAUST | 排氣管總成 | 1 | 1376 |
| ** | 18325 | 18325-LKF5-E00 | PROTECTOR. EXH PIPE | 排氣管護蓋 | 1 | |
| | 18371 | 18371-LBA2-E00 | BAND MUFFLER | 排氣管束環 | 1 | 173 |
| | 18391 | 18391-LKF5-E00 | PACKING. MUFFLER | 排氣管襯墊 | 1 | 324 |
| | 39450 | 39450-LEA6-800 | O2 SENSOR | 含氧感知器 | 1 | 2058 |
| | 90101 | 90101-LEA7-E00 | BOLT FLANGE SH 6X8 | 螺絲 6X8 | 1 | 18 |
| | 90103 | 90103-LEA7-E00 | BOLT FLANGE SH 6X16 | 螺絲 6X16 | 2 | 20 |
| | 90301 | 90301-GFY6-901 | NUT (HEX) CAP 8MM | 圓螺帽 6MM | 2 | 30 |
| | 93401 | 93401-06020-07 | BOLT WASHER 6*20 | 螺絲 6x20 | 4 | 23 |
| | 95701 | 95701-06022-06 | BOLT FLANGE 6*22 | 螺絲 6X22 | 4 | 15 |

F14



| Sales mark | Ref no 參考號碼 | Part no 零件號碼 | Description 英文名稱 | Reg description 中文名稱 | Regd no 需求用量 | Ref Price 參考售價 | F14 |
|------------|----------------|-----------------|---------------------|-------------------------|-----------------|-------------------|-----|
|------------|----------------|-----------------|---------------------|-------------------------|-----------------|-------------------|-----|

95801

95801-10060-06

BOLT FLANGE 10*60

螺絲 10*60

3

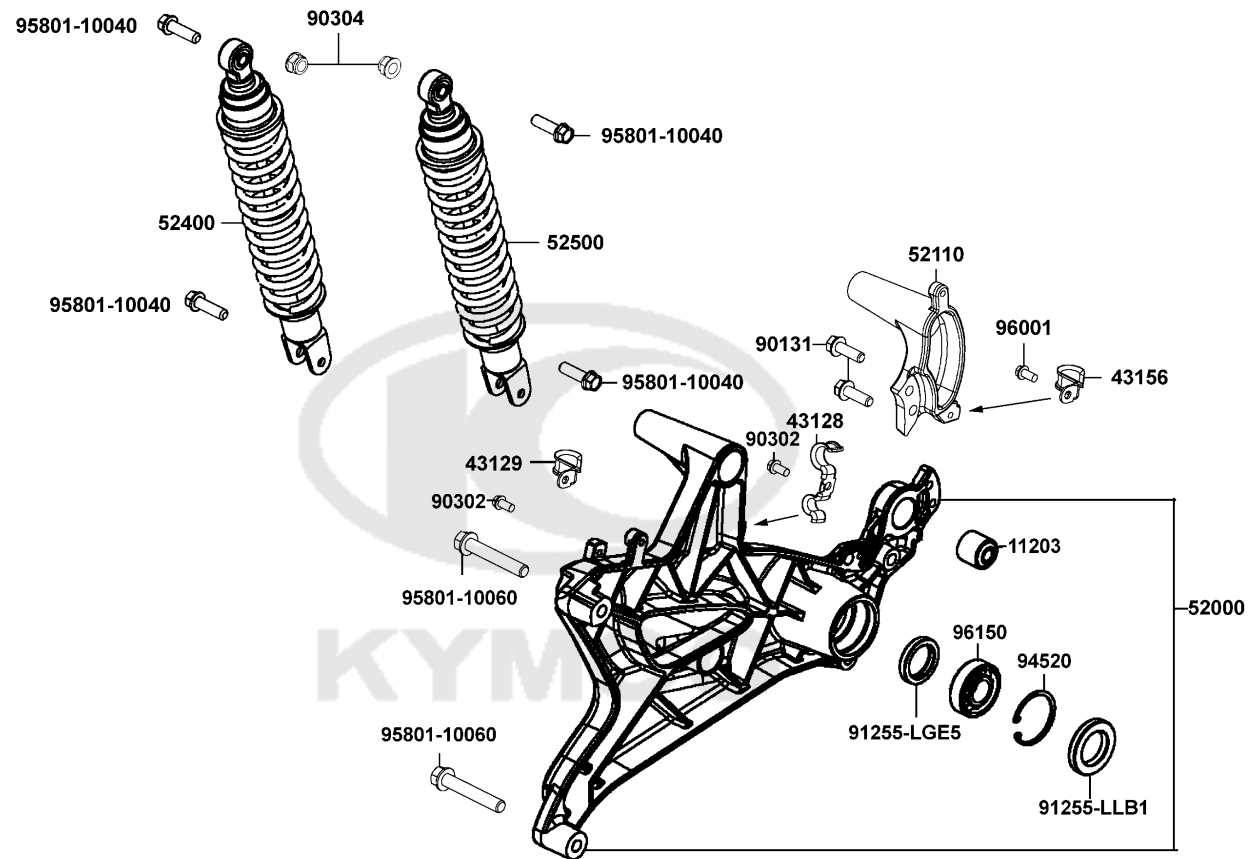
24



| Sales mark | Ref no 參考號碼 | Part no 零件號碼 | Description 英文名稱 | Reg description 中文名稱 | Regd no 需求用量 | Ref Price 參考售價 | F15 |
|------------|----------------|-----------------|------------------------|-------------------------|-----------------|-------------------|-----|
| | 35370 | 35370-LLJ3-E00 | SW UNIT SIDE STAND | 側腳架開關 | 1 | 279 | |
| | 50500 | 50500-LKF5-E00 | STAND COMP.,MAIN | 主腳架 | 1 | 667 | |
| | 50502 | 50502-GFY6-901 | COLLAR MAIN STAND | 主腳架套環 | 2 | 14 | |
| | 50505-KUDU | 50505-KUDU-900 | STOPPER RUBBER STAND | 主腳架橡皮 | 1 | 13 | |
| | 50505-LEA7 | 50505-LEA7-E00 | STOPPER RUBBER | 橡皮 | 1 | 24 | |
| | 50506 | 50506-KHE7-E00 | COLLAR STOPPER RUBBER | 套筒 | 1 | 13 | |
| | 50530 | 50530-LKF5-E00 | STAND COMP.,SIDE | 側腳架 | 1 | 152 | |
| | 50550 | 50550-KKC2-E00 | SPG ASSY MAIN STAND | 主腳架彈簧 | 1 | 66 | |
| | 90108 | 90108-KKC4-900 | SCREW SIDE STAND PIVOT | 側腳架螺絲 | 1 | 32 | |
| | 90304 | 90304-LEA1-900 | NUT U FLANGE 10MM | 螺帽 10MM | 2 | 13 | |
| | 93404 | 93404-06016-06 | BOLT WASHER 6*16 | 螺絲 6X16 | 1 | 15 | |
| | 94101 | 94101-08600 | WASH PLAIN 8MM | 平華司 8MM | 2 | 3 | |
| | 94201 | 94201-20180 | PIN SPLIT 2.0*18 | 開口銷 2.0*18 | 1 | 3 | |
| | 95014 | 95014-72204 | SPG B1 SIDE STAND | 側腳架彈簧 | 1 | 30 | |
| | 95801 | 95801-10025-06 | BOLT FLANGE 10*25 | 螺絲 | 2 | 17 | |

F16

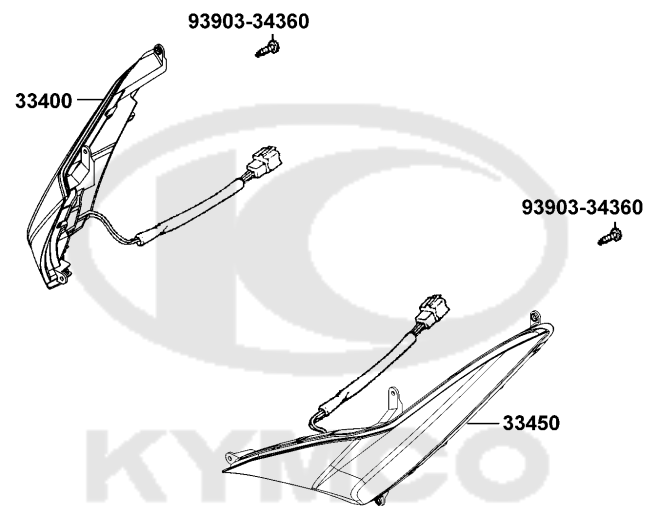
Rr Cushion 後避震器



| Sales mark | Ref no 參考號碼 | Part no 零件號碼 | Description 英文名稱 | Reg description 中文名稱 | Regd no 需求用量 | Ref Price 參考售價 | F16 |
|------------|----------------|-----------------|--------------------------------|-------------------------|-----------------|-------------------|-----|
| | 11203 | 11203-LBA2-E00 | RUB BUSH L CASE | 襯套 | 1 | 60 | |
| | 43128 | 43128-LKF5-E00 | CLAMPER, RR BRK HOSE AND CABLE | 後剎車與夾管導線 | 1 | 32 | |
| | 43129 | 43129-LKF5-E00 | CLAMPER, RR BRK HOSE & CABLE, | 後煞車管夾 | 1 | 38 | |
| | 43156 | 43156-LDB2-900 | CLAMPER HOSE RR | 後煞車管夾 | 1 | 17 | |
| ** | 52000 | 52000-LKF5-E00 | FORK ASSY, RR | 後叉組 | 1 | | |
| ** | 52110 | 52110-LKF5-E00 | FORK A RR CAST | 後叉A | 1 | | |
| ** | 52400 | 52400-LKF5-E00 | CUSHION ASSY., RR. | 後避振器 | 1 | | |
| ** | 52500 | 52500-LKF5-E00 | CUSHION ASSY, RR L/H | 左後避振器總成 | 1 | | |
| | 90131 | 90131-KEBE-900 | BOLT FLANGE 8*24 | 螺絲 8X24 | 2 | 24 | |
| | 90302 | 90302-LLB1-E00 | BOLT-WASHER 5*12 | 螺絲 5X12 | 2 | 3 | |
| | 90304 | 90304-GLW0-90A | NUT U FLANGE 10MM | 螺帽 10MM | 2 | 20 | |
| | 91255-LGE5 | 91255-LGE5-E00 | OIL SEAL 30*48*7 | 油封30*48*7 | 1 | 26 | |
| | 91255-LLB1 | 91255-LLB1-900 | OIL SEAL 30*40*7 | 油封 30X40X7 | 1 | 14 | |
| | 94520 | 94520-47000 | CIR CLIP IN 47 | 環夾 | 1 | 25 | |
| | 95801-10040 | 95801-10040-06 | BOLT FLANGE 10*40 | 螺絲 BF 10*40 | 4 | 23 | |
| | 95801-10060 | 95801-10060-06 | BOLT FLANGE 10*60 | 螺絲 10*60 | 2 | 24 | |
| | 96001 | 96001-06012-06 | BOLT FLANGE SH 6*12 | 螺絲 6X12 | 3 | 13 | |
| | 96150 | 96150-62040-10 | BEARING BALL RADIAL 6204 | 後叉軸承 | 1 | 120 | |

F17

Winker 方向燈



| Sales mark | Ref no 參考號碼 | Part no 零件號碼 | Description 英文名稱 | Reg description 中文名稱 | Regd no 需求用量 | Ref Price 參考售價 | F17 |
|------------|----------------|-----------------|------------------------|-------------------------|-----------------|-------------------|-----|
| 33400 | 33400-LKF5-E00 | 33400-LKF5-E00 | WINKER ASSY.. R. FR | 右前方向燈組 | 1 | 1329 | |
| 33450 | 33450-LKF5-E00 | 33450-LKF5-E00 | WINKER ASSY.. R. FR | 右前方向燈組 | 1 | 1329 | |
| 93903 | 93903-34360 | 93903-34360 | SCREW TAPPING 4*12 (G) | 螺釘 4X12 | 2 | 6 | |



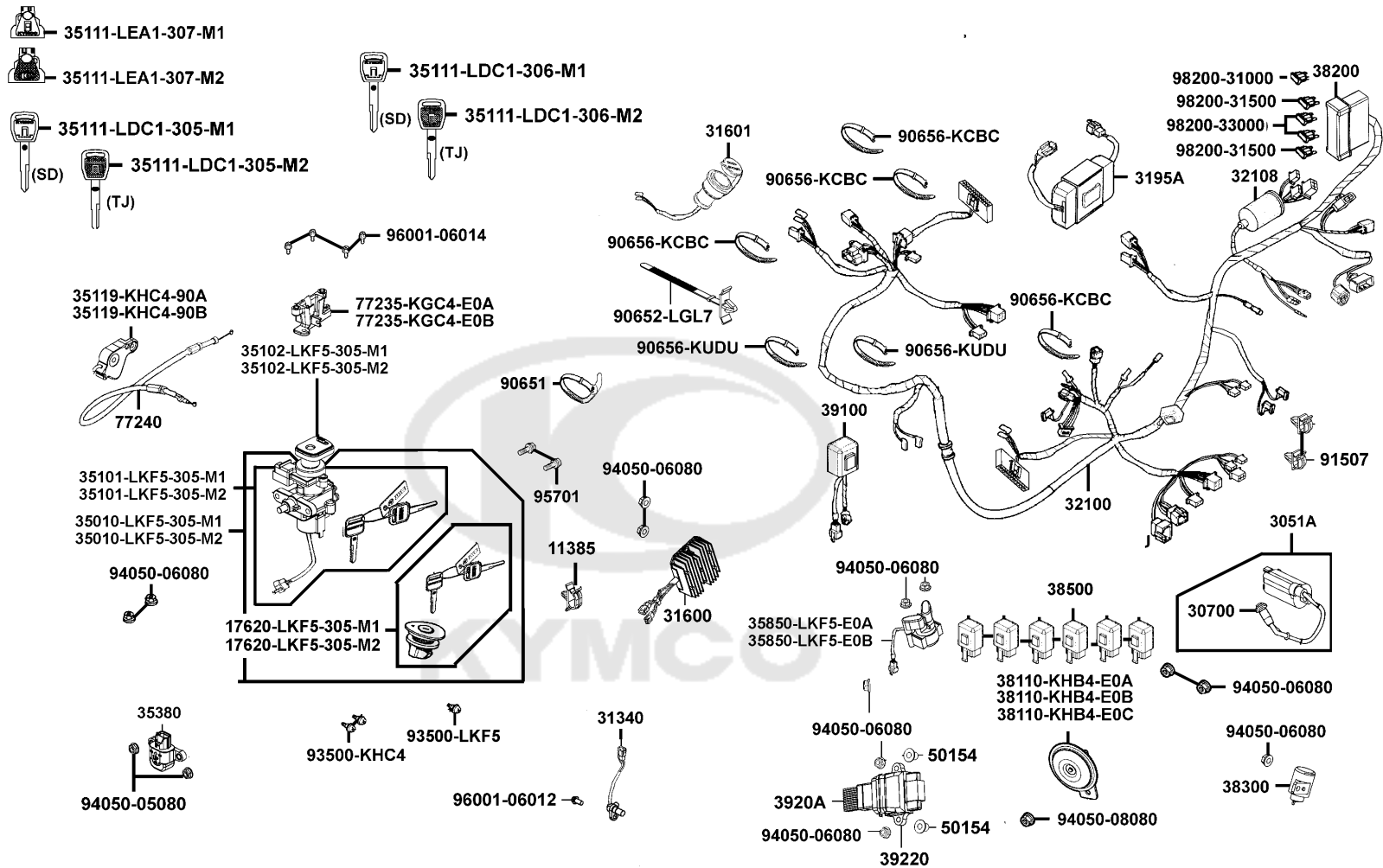
| Sales mark | Ref no 參考號碼 | Part no 零件號碼 | Description 英文名稱 | Reg description 中文名稱 | Regd no 需求用量 | Ref Price 參考售價 | F18 |
|------------|----------------|-----------------|------------------------|-------------------------|-----------------|-------------------|-----|
| | 33700 | 33700-LKF5-E00 | LIGHT ASSY.. RR. COMB. | 後燈組 | 1 | 6087 | |
| | 33704 | 33704-LKF5-E00 | PCB ASSY TAIL LIGHT | LED燈固定座組 | 1 | 5097 | |
| | 33705 | 33705-LKF5-E00 | COVER COMP R | 右後燈LED固定座 | 1 | 689 | |
| | 33706 | 33706-LKF5-E00 | PCB R RR WINKER | 右後方向燈LED電路板組 | 1 | 689 | |
| | 33708 | 33708-KHE7-E00 | LENS LICENSE | 牌照燈殼 | 1 | 14 | |
| | 33709-KHE7 | 33709-KHE7-E00 | BASE LICENSE | 牌照燈座 | 1 | 10 | |
| | 33709-LKF5 | 33709-LKF5-315 | LIGHT TAAY | 後燈電路板組 | 1 | 4947 | |
| | 33710 | 33710-LKF5-E00 | SOCKET COMP | 配線 | 1 | 276 | |
| | 33720 | 33720-LBB5-E00 | LIGHT ASSY LICENSE | 牌照燈組 | 1 | 115 | |
| | 33726 | 33726-LBB5-E00 | SCOKET COMP | 牌照燈配線 | 1 | 69 | |
| | 33741 | 33741-KHC5-M00 | REFLEX REFLECTOR | 反射片 | 1 | 79 | |
| | 33755 | 33755-LKF5-E00 | COVER COMP L | 左後燈LED固定座 | 1 | 689 | |
| | 33756 | 33756-LKF5-E00 | PCB L RR WINKER | 左後方向燈LDE電路板組 | 1 | 689 | |
| | 33771-LKF5-E00 | 33771-LKF5-E00 | PACKING. TAIL LIGHT | 尾燈襯墊 | 2 | 21 | |
| | 33771-LKF5-E01 | 33771-LKF5-E01 | PACKING. TAIL LIGHT | 尾燈襯墊 | 2 | 21 | |
| | 34903 | 34903-KPCP-900 | BULB POSITION | 位置燈燈泡 12V5W | 1 | 33 | |
| ** | 80101 | 80101-LKF5-E00 | FENDER,RR. INNER | 後內土除 | 1 | | |
| | 80104 | 80104-LKF5-E00 | STAY,NO.PLATE | 牌照板支架 | 1 | 43 | |
| ** | 80105 | 80105-LKF5-E00 | RR FRNDER,UP | 上後土除 | 1 | | |
| ** | 80106 | 80106-LKF5-E00 | RR FENDER LOW | 後土除下 | 1 | | |

| Sales mark | Ref no 參考號碼 | Part no 零件號碼 | Description 英文名稱 | Reg description 中文名稱 | Regd no 需求用量 | Ref Price 參考售價 |
|------------|----------------|-----------------|------------------------|-------------------------|-----------------|-------------------|
| ** | 80107 | 80107-LKF5-E00 | COVER LICENSE LIGHT | 牌照燈外蓋 | 1 | |
| | 80108 | 80108-LKG7-E00 | STAY RR FENDER | 后土除支架 | 1 | 47 |
| ** | 8010B | 8010B-LKF5-E00 | FENDER ASSY.RR TIRE | 後輪土除組 | 1 | |
| | 90111 | 90111-LEB1-900 | BOLT FLANGE 6MM | 螺絲 6MM | 4 | 16 |
| | 90301 | 90301-6C93-001 | NUT 6MM OPENSTAY | 螺帽 6MM | 4 | 13 |
| | 93404-06012 | 93404-06012-06 | BOLT WASHER 6*12 (G) | 螺絲 6X12 | 5 | 6 |
| | 93404-06016 | 93404-06016-06 | BOLT WASHER 6*16 | 螺絲 6X16 | 5 | 15 |
| | 93903-34360 | 93903-34360 | SCREW TAPPING 4*12 (G) | 螺釘 4X12 | 2 | 6 |
| | 93903-35260 | 93903-35260 | SCREW TAPPING 5*12 | 螺釘 5*12 | 21 | 8 |
| | 93903-45260 | 93903-45260 | SCREW TAPPING 5*12 | 螺釘 5*12 | 4 | 15 |
| | 94050 | 94050-05080 | NUT FLANGE 5MM | 特殊螺帽 5MM | 1 | 13 |

F18

| Sales mark | Ref no 參考號碼 | Part no 零件號碼 | Description 英文名稱 | Reg description 中文名稱 | Regd no 需求用量 | Ref Price 參考售價 |
|------------|-----------------|-------------------|-------------------------------|-------------------------|-----------------|-------------------|
| | 11385 | 11385-KGBG-900 | CLIP VACUUM TUBE | 管夾 | 1 | 17 |
| | 17620-LKF5-305- | 17620-LKF5-305-M1 | CAP COMP FUEL FILLER | 油箱鎖 | 1 | 620 |
| | 17620-LKF5-305- | 17620-LKF5-305-M2 | CAP COMP FUEL FILLER | 油箱鎖 | 1 | 620 |
| | 3051A | 3051A-LKF5-E00 | COIL ASSY IGN | 點火線圈組 | 1 | 658 |
| | 30700 | 30700-LDB5-E00 | CAP ASSY NOISE SUPPRESOR | 火星塞蓋 | 1 | 124 |
| | 31340 | 31340-LFH1-E00 | SENSOR RR WHEEL SPEED | 後輪轉速感應器 | 1 | 1143 |
| | 31600 | 31600-LKF5-E00 | REG REC COMP | 穩壓器 | 1 | 1555 |
| | 31601 | 31601-LKF5-E00 | SOCKET COMP. DC 12V | 直流12V插座 | 1 | 310 |
| | 3195A | 3195A-LKF5-E00 | CONTROL ASSY..HAZARD | 警示燈控制器組 | 1 | 997 |
| | 32100 | 32100-LKF5-E00 | HARNESS WIRE | 主配線 | 1 | 4386 |
| | 32108 | 32108-GAR1-711 | COVER HARNESS WIRE | 配線蓋 | 1 | 49 |
| | 35010-LKF5-305- | 35010-LKF5-305-M1 | KEY SET | 主開關組 | 1 | 2513 |
| | 35010-LKF5-305- | 35010-LKF5-305-M2 | KEY SET | 主開關組 | 1 | 2513 |
| | 35101-LKF5-305- | 35101-LKF5-305-M1 | SW COMB & LOCK | 主開關組 | 1 | 1570 |
| | 35101-LKF5-305- | 35101-LKF5-305-M2 | SW COMB & LOCK | 主開關組 | 1 | 1570 |
| | 35102-LKF5-305- | 35102-LKF5-305-M1 | SHUTTER MAGNETIC LOCK | 磁石鎖 | 1 | 448 |
| | 35102-LKF5-305- | 35102-LKF5-305-M2 | SHUTTER MAGNETIC LOCK | 磁石鎖 | 1 | 448 |
| | 35111-LDC1-305- | 35111-LDC1-305-M1 | KEY COMP (R TANGENT PLANE/SD) | 未加工開關鑰匙/右切/SD | 1 | 95 |
| | 35111-LDC1-305- | 35111-LDC1-305-M2 | KEY COMP (R TANGENT PLANE/TJ) | 未加工開關鑰匙/右切/TJ | 1 | 95 |
| | 35111-LDC1-306- | 35111-LDC1-306-M1 | KEY COMP (L TANGENT PLANE/SD) | 未加工開關鑰匙/左切/SD | 1 | 95 |

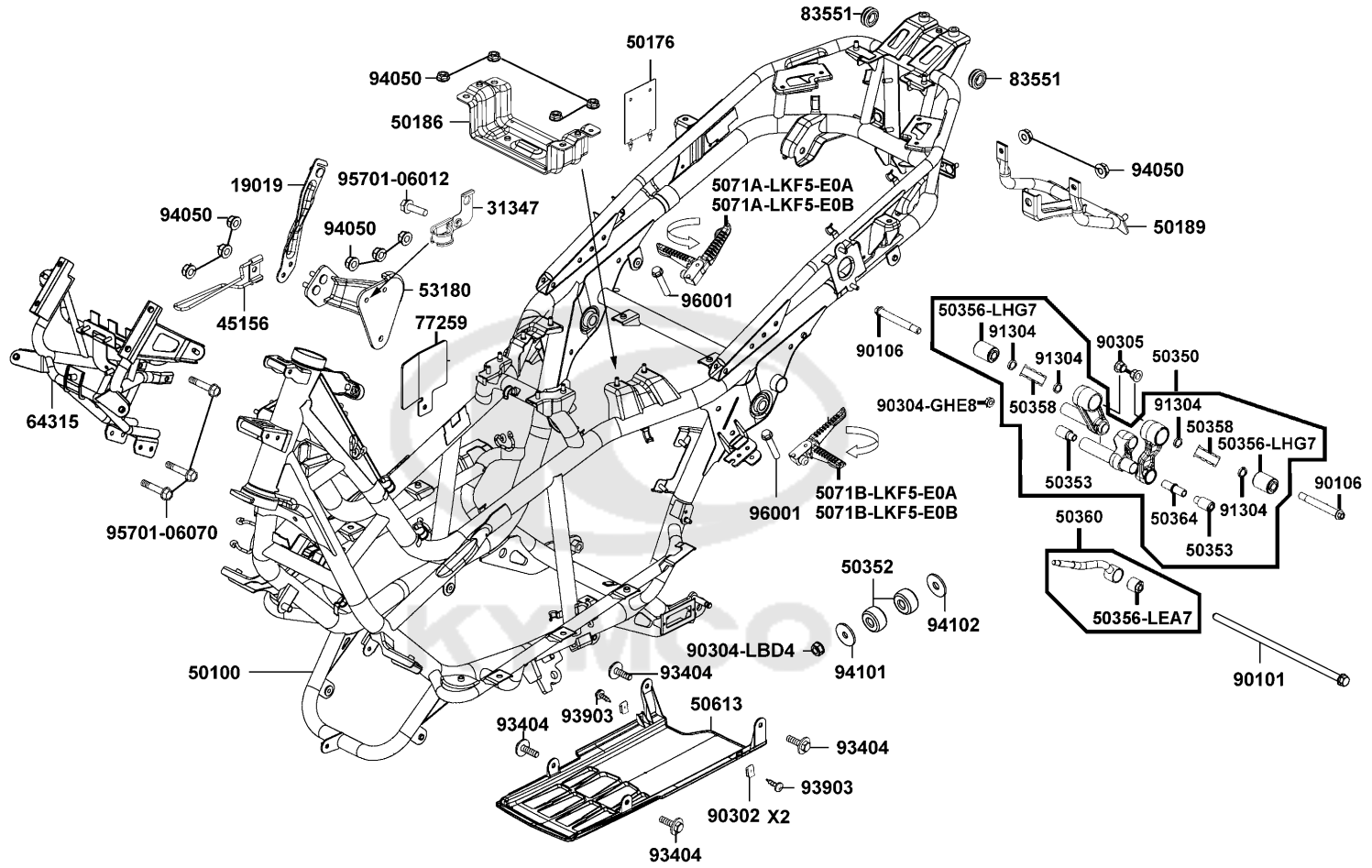
F19



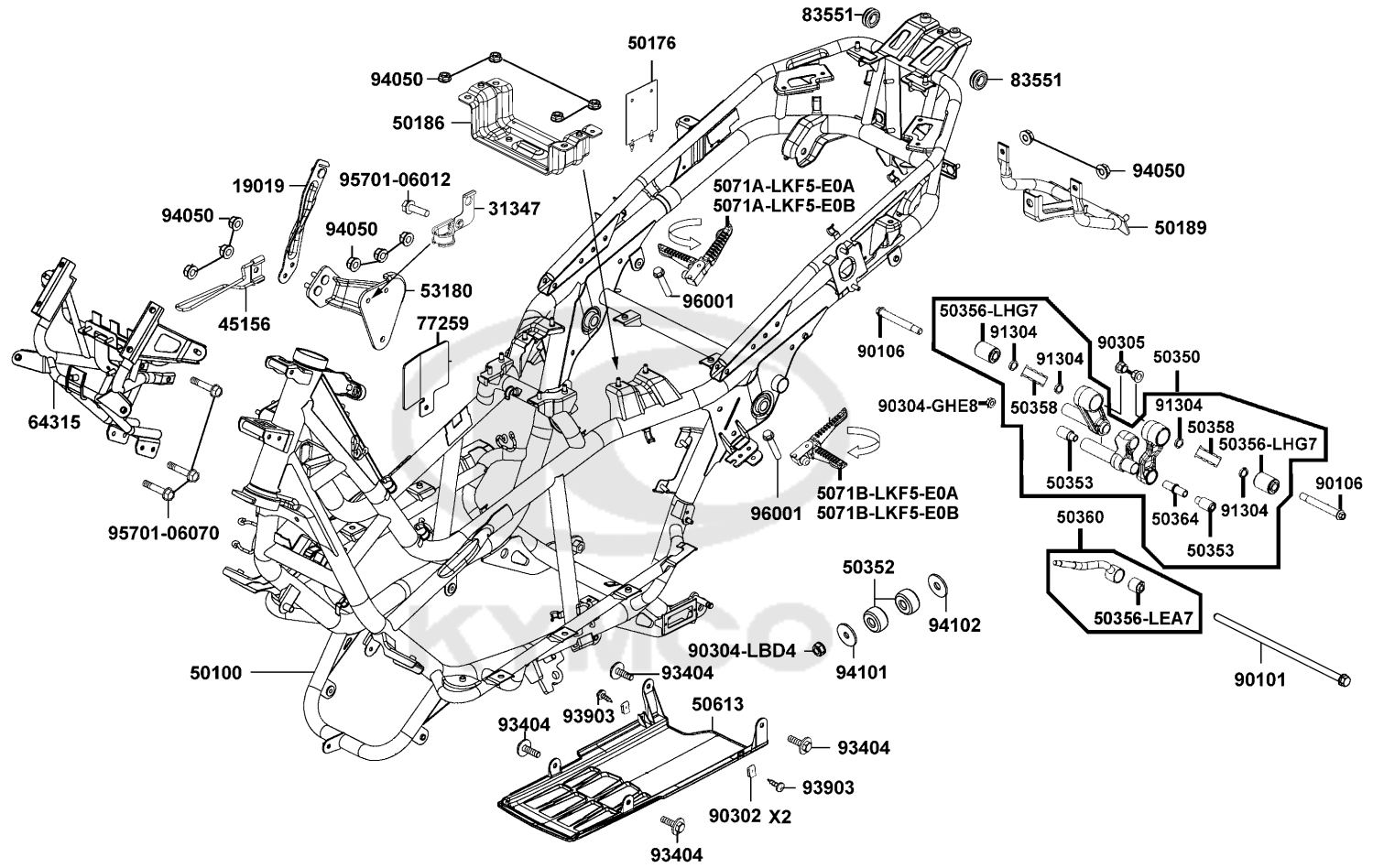
| Sales mark | Ref no 參考號碼 | Part no 零件號碼 | Description 英文名稱 | Reg description 中文名稱 | Regd no 需求用量 | Ref Price 參考售價 |
|------------|-----------------|-------------------|--------------------------------|-------------------------|-----------------|-------------------|
| | 35111-LDC1-306- | 35111-LDC1-306-M2 | KEY COMP (L TANGENT PLANE/TJ) | 未加工開關鑰匙/左切/TJ | 1 | 95 |
| | 35111-LEA1-307- | 35111-LEA1-307-M1 | KEY COMP SHOTTER MAGNETIC (SD) | 磁石鑰匙/SD | 1 | 295 |
| | 35111-LEA1-307- | 35111-LEA1-307-M2 | KEY COMP SHOTTER MAGNETIC (TJ) | 磁石鑰匙/TJ | 1 | 295 |
| | 35119-KHC4-90A | 35119-KHC4-90A | COVER SEAT CABLE | 坐墊導線防水蓋/白 | 1 | 16 |
| | 35119-KHC4-90B | 35119-KHC4-90B | COVER SEAT CABLE | 坐墊導線防水蓋/黑 | 1 | 16 |
| | 35380 | 35380-LKG2-900 | SENSOR ANGLE DETECT | 傾倒角度感知器 | 1 | 476 |
| | 35850-LKF5-E0A | 35850-LKF5-E0A | SW ASSY. START MAG. | 起動電磁開關組 | 1 | 276 |
| | 35850-LKF5-E0B | 35850-LKF5-E0B | SW ASSY. START MAG. | SW ASSY. START MAG. | 1 | 1570 |
| | 38110-KHB4-E0A | 38110-KHB4-E0A | HORN COMP | 喇叭 | 1 | 229 |
| | 38110-KHB4-E0B | 38110-KHB4-E0B | HORN COMP | 喇叭 | 1 | 236 |
| | 38110-KHB4-E0C | 38110-KHB4-E0C | HORN COMP | 喇叭 | 1 | 229 |
| | 38200 | 38200-KHE7-900 | BOX COMP FUSE | 保險絲空盒 | 1 | 41 |
| | 38300 | 38300-KKE5-E00 | RELAY COMP WINKER | 方向燈繼電器 | 1 | 239 |
| | 38500 | 38500-LGL3-90B | RELAY ASSY LIGHT/D106 | 大燈繼電器 | 6 | 207 |
| | 39100 | 39100-LKF5-E00 | EMI FILTER. FAN MOTOR | 風扇馬達濾波器 | 1 | 196 |
| | 3920A | 3920A-LKF5-E00 | ASSY ECU | 控制器組 | 1 | 4200 |
| | 39220 | 39220-LKG2-900 | CUSHION ECU | ECU固定橡膠套 | 1 | 48 |
| | 50154 | 50154-KKE3-900 | COLLAR ECU | ECU套筒 | 2 | 14 |
| | 77235-KGC4-E0A | 77235-KGC4-E0A | SEAT CATCH | 座墊擋器 | 1 | 176 |
| | 77235-KGC4-E0B | 77235-KGC4-E0B | SEAT CATCH | 座墊擋器 | 1 | 176 |

F19

| Sales mark | Ref no 參考號碼 | Part no 零件號碼 | Description 英文名稱 | Reg description 中文名稱 | Regd no 需求用量 | Ref Price 參考售價 | F19 |
|------------|----------------|-----------------|------------------------|-------------------------|-----------------|-------------------|-----|
| | 77240 | 77240-LKF5-E00 | CABLE ASSY.. SEAT LOCK | 座墊鎖導線 | 1 | 325 | |
| | 90651 | 90651-LKF5-E00 | CLIP WIRE HARN | 配線夾 | 1 | 15 | |
| | 90652 | 90652-LGL7-E00 | CLIP 8*120 | 束夾 8*120 | 1 | 10 | |
| ** | 90656 | 90656-KUDU-900 | BAND HARNESS WIRE | 配線束帶 | 6 | | |
| | 91507 | 91507-LKE6-900 | CLIP | 夾扣 | 2 | 17 | |
| | 93500-KHC4 | 93500-KHC4-90A | SCREW PAN 5*10 | 螺絲 5X10 | 1 | 16 | |
| | 93500-LKF5 | 93500-LKF5-E00 | SCREW PAN 5X15 (G) | 螺絲 | 1 | 14 | |
| | 94050-05080 | 94050-05080 | NUT FLANGE 5MM | 特殊螺帽 5MM | 2 | 13 | |
| | 94050-06080 | 94050-06080 | NUT FLANGE 6MM | 特殊螺帽 6MM | 10 | 15 | |
| | 94050-08080 | 94050-08080 | NUT FLANGE 8MM | 螺帽 8MM | 1 | 15 | |
| | 95701 | 95701-08025-08 | BOLT FLANGE 8*25 | 螺絲 8X25 | 2 | 13 | |
| | 96001-06012 | 96001-06012-06 | BOLT FLANGE SH 6*12 | 螺絲 6X12 | 1 | 13 | |
| | 96001-06014 | 96001-06014-08 | BOLT FLANGE 6*14 | 螺絲 6X14 | 4 | 6 | |
| | 98200-31000 | 98200-31000 | BLADE FUSE 10A | 保險絲/插片形 10A | 1 | 15 | |
| | 98200-31500 | 98200-31500 | BLADE FUSE 15A | 保險絲/插片形 15A | 2 | 15 | |
| | 98200-33000 | 98200-33000 | BLADE FUSE 30A | 保險絲/插片形 30A | 2 | 6 | |

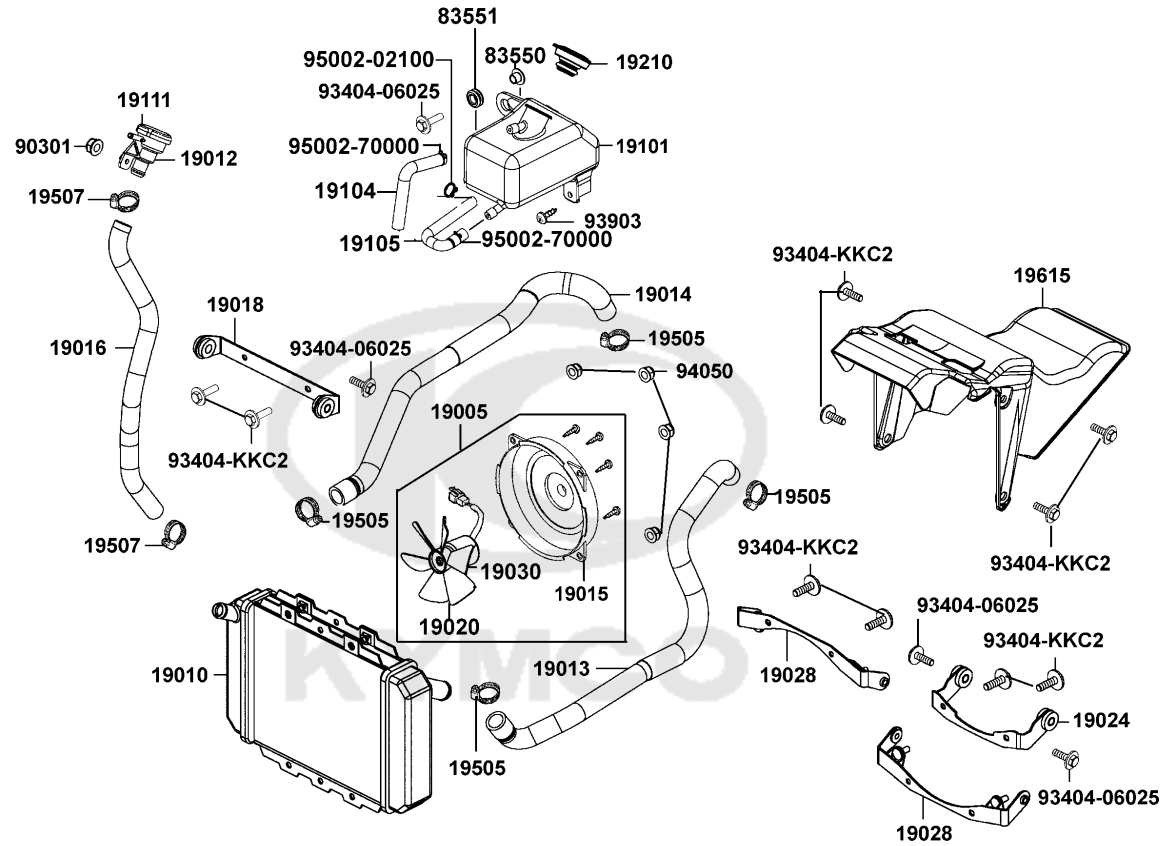


| Sales mark | Ref no 參考號碼 | Part no 零件號碼 | Description 英文名稱 | Reg description 中文名稱 | Regd no 需求用量 | Ref Price 參考售價 | F20 |
|------------|----------------|-----------------|--------------------------|-------------------------|-----------------|-------------------|-----|
| | 19019 | 19019-LKF5-E00 | STAY,RADIATOR UNIT | 水箱支架 | 1 | 34 | |
| | 31347 | 31347-LKF5-E00 | CLAMPER. SPEED SENSOR | 管夾 | 1 | 23 | |
| | 45156 | 45156-KECE-900 | CLAMPER FR BRK CABLE | 煞車導線夾 | 1 | 38 | |
| | 50100 | 50100-LKF5-E00 | BODY COMP.,FRAME | 車體 | 1 | 12073 | |
| | 50176 | 50176-LGE5-E00 | PLATE FRAME GUARD | 車台隔板 | 1 | 18 | |
| | 50186 | 50186-LKF5-E00 | BRKT.,BATTERY | BRKT.,BATTERY | 1 | 165 | |
| | 50189 | 50189-LKF5-E00 | STAY,RR FENDER | 後擋泥板支架 | 1 | 186 | |
| | 50350 | 50350-LKF5-E00 | HANGER ASSY, ENG | 引擎吊架總成 | 1 | 1296 | |
| | 50352 | 50352-LBA2-E00 | RUBBER STOPPER | 引擎吊架止滑橡皮 | 2 | 32 | |
| | 50353 | 50353-KGN7-901 | BUSH A ENG HANGER | 引擎吊架襯套A | 2 | 48 | |
| | 50356-LEA7 | 50356-LEA7-E01 | RUB BUSH ENG HANGER | 橡皮襯套 | 1 | 108 | |
| | 50356-LHG7 | 50356-LHG7-E00 | RUBBER BUSH ENG HANGER | 橡皮襯套 | 2 | 152 | |
| | 50358 | 50358-LGE5-E00 | BUSH INNER ENG HANGER | 引擎吊架內襯套 | 2 | 90 | |
| | 50360 | 50360-LKF5-E00 | TIE-ROD ASSY, ENG HANGER | 引擎吊耳拴連桿組 | 1 | 303 | |
| | 50364 | 50364-KHE7-E00 | COLLAR B ENG HANGER | 引擎吊架套筒 B | 1 | 25 | |
| ** | 50613 | 50613-LKF5-E00 | COVER,UNDER | 下蓋 | 1 | | |
| | 5071A-LKF5-E0A | 5071A-LKF5-E0A | BAR R ASSY RR STEP | 後右踏橫條組 | 1 | 238 | |
| | 5071A-LKF5-E0B | 5071A-LKF5-E0B | BAR R ASSY RR STEP | 後右踏橫條組 | 1 | 238 | |
| | 5071B-LKF5-E0A | 5071B-LKF5-E0A | BAR L ASSY RR STEP | 左踏橫條組 | 1 | 238 | |
| | 5071B-LKF5-E0B | 5071B-LKF5-E0B | BAR L ASSY RR STEP | 左踏橫條組 | 1 | 238 | |

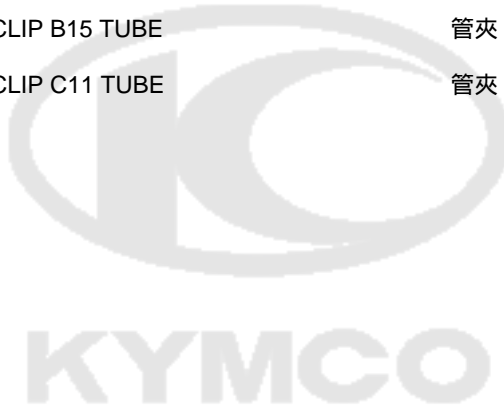


| Sales mark | Ref no 參考號碼 | Part no 零件號碼 | Description 英文名稱 | Reg description 中文名稱 | Regd no 需求用量 | Ref Price 參考售價 | F20 |
|------------|----------------|-----------------|---------------------------|---------------------------|-----------------|-------------------|-----|
| | 53180 | 53180-LKF5-E00 | STAY COMP., PARKING BRAKE | STAY COMP., PARKING BRAKE | 1 | 165 | |
| | 64315 | 64315-LKF5-E00 | BRKT,FR COVER | 前蓋支架 | 1 | 931 | |
| | 77259 | 77259-LKF5-E00 | PLATE. ANTI THIEF | 防盜板 | 1 | 39 | |
| | 83551 | 83551-KEC8-900 | GROMMET COVER | 邊蓋固定扣環 | 2 | 15 | |
| | 90101 | 90101-LKF5-E00 | BOLT FLANGE 10x275(G) | 有緣螺絲 | 1 | 119 | |
| | 90106 | 90106-LEA7-E00 | BOLT FLANGE 15*118 | 螺絲 15*118 | 2 | 135 | |
| | 90302 | 90302-SDA4-004 | NUT SPRING 4MM | 彈簧螺帽 4MM | 2 | 6 | |
| | 90304-GHE8 | 90304-GHE8-004 | NUT U 10MM | 螺帽 10MM | 1 | 16 | |
| | 90304-LBD4 | 90304-LBD4-900 | NUT U FLANGE 10MM | 螺帽 10MM | 1 | 10 | |
| | 90305 | 90305-LBD4-900 | NUT U 14MM | 螺帽 14MM | 2 | 46 | |
| | 91304 | 91304-LGE5-E00 | O-RING 17.8x2.4 | O形環 | 4 | 14 | |
| | 93404 | 93404-06012-06 | BOLT WASHER 6*12 (G) | 螺絲 6X12 | 4 | 6 | |
| | 93903 | 93903-GFY6-900 | SCREW TAPPING 4*14 | 螺釘 4X14 | 2 | 6 | |
| | 94050 | 94050-06080 | NUT FLANGE 6MM | 特殊螺帽 6MM | 12 | 15 | |
| | 94101 | 94101-LBA2-E00 | WASHER PLATE 10.5*38*3.0 | 平華司 10.5*38*3 | 1 | 14 | |
| | 94102 | 94102-LBA2-E00 | WASHER PLAIN 38*12.5*3 | 平華司 38*12.5*3 | 1 | 8 | |
| | 95701-06012 | 95701-06012-08 | BOLT FLANGE 6*12 | 螺絲 6X12 | 1 | 6 | |
| | 95701-06070 | 95701-06070-08 | BOLT FLANGE 6*70 | 螺絲 BF 6*70 | 3 | 24 | |
| | 96001 | 96001-06032-06 | BOLT FLANGE 6*32 | 螺絲 6X32 | 2 | 13 | |

| Sales mark | Ref no 參考號碼 | Part no 零件號碼 | Description 英文名稱 | Reg description 中文名稱 | Regd no 需求用量 | Ref Price 參考售價 | F21 |
|------------|----------------|-----------------|------------------------|-------------------------|-----------------|-------------------|-----|
| | 19005 | 19005-LKF5-E01 | SHROUD ASSY. | 護罩組 | 1 | 1822 | |
| | 19010 | 19010-LKF5-E00 | RADIATOR COMP | 水箱組 | 1 | 1570 | |
| | 19012 | 19012-LEA7-E05 | UNIT RADIATOR | 加水漏斗 | 1 | 145 | |
| | 19013 | 19013-LKF5-E00 | HOSE,WATER INLET | 進水管 | 1 | 269 | |
| | 19014 | 19014-LKF5-E00 | HOSE,WATER OUTLET | 出水管 | 1 | 305 | |
| | 19015 | 19015-LBA2-E00 | SHROUD COMP | 風扇覆環 | 1 | 212 | |
| | 19016 | 19016-LKF5-E00 | HOSE,WATER-UNIT CAP | 水管 | 1 | 196 | |
| | 19018 | 19018-LKF5-E00 | HOLDER UPPER,RADIATOR | 水箱支架 | 1 | 67 | |
| | 19020 | 19020-LBA2-E00 | FAN COOLING | 風扇 | 1 | 170 | |
| | 19024 | 19024-LKF5-E00 | HOLDER LOWER,RADIATOR | HOLDER LOWER,RADIATOR | 1 | 100 | |
| | 19028 | 19028-LKF5-E00 | STAY,RADIATOR FAN | STAY,RADIATOR FAN | 2 | 111 | |
| | 19030 | 19030-LBA2-E00 | MOTOR ASSY FAN | 風扇馬達 | 1 | 1390 | |
| | 19101 | 19101-LKF5-E00 | TANK,RESERVE | TANK,RESERVE | 1 | 207 | |
| | 19104 | 19104-LGE5-E00 | HOSE RESERVE TANK | 副水箱水管 | 1 | 277 | |
| | 19105 | 19105-LKF5-E00 | HOSE ASSY RESERVE TANK | 預備水箱軟管組 | 1 | 121 | |
| | 19111 | 19111-PRB3-900 | CAP COMP RADIATOR | 水箱蓋 | 1 | 127 | |
| | 19210 | 19210-KKC4-900 | CAP RESERVE TANK | 預備水箱蓋 | 1 | 19 | |
| | 19505 | 19505-LKF5-E00 | CLAMP,D31 | 水管夾 | 4 | 29 | |
| | 19507 | 19507-LDB5-E00 | CLAMP D 28 | 水管夾 | 2 | 27 | |
| | 19615 | 19615-LKF5-E00 | COVER,RADLATOR | 化油器冷卻導管 | 1 | 78 | |



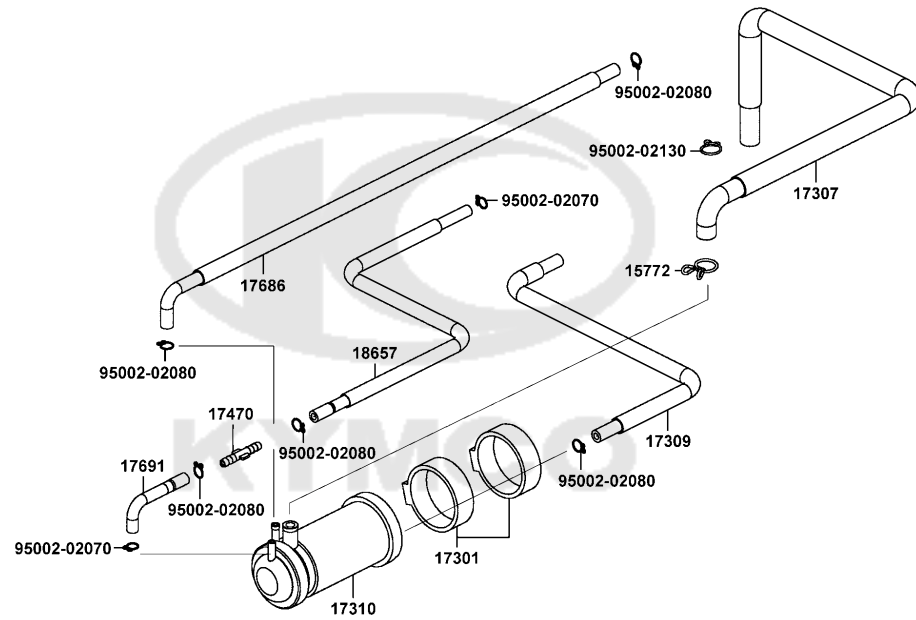
| Sales mark | Ref no 參考號碼 | Part no 零件號碼 | Description 英文名稱 | Reg description 中文名稱 | Regd no 需求用量 | Ref Price 參考售價 | F21 |
|------------|----------------|-----------------|---------------------|-------------------------|-----------------|-------------------|-----|
| | 83550 | 83550-KEC8-900 | COLLAR | 套筒 | 1 | 15 | |
| | 83551 | 83551-KEC8-900 | GROMMET COVER | 邊蓋固定扣環 | 1 | 15 | |
| | 90301 | 90301-6D34-671 | NUT FLANGE 6MM | 螺帽 | 1 | 6 | |
| | 93404-06025 | 93404-06025-06 | BOLT WASHER 6*25 | 螺絲 6X25 | 4 | 8 | |
| | 93404-KKC2 | 93404-KKC2-900 | BOLT WASH 6*16 | 螺絲 6X16 | 10 | 13 | |
| | 93903 | 93903-35260 | SCREW TAPPING 5*12 | 螺釘 5*12 | 1 | 8 | |
| | 94050 | 94050-06060 | NUT FLANGE 6MM | 特殊螺帽 6MM | 4 | 10 | |
| | 95002-02100 | 95002-02100 | CLIP B15 TUBE | 管夾 | 1 | 8 | |
| | 95002-70000 | 95002-70000 | CLIP C11 TUBE | 管夾 C11 | 2 | 14 | |



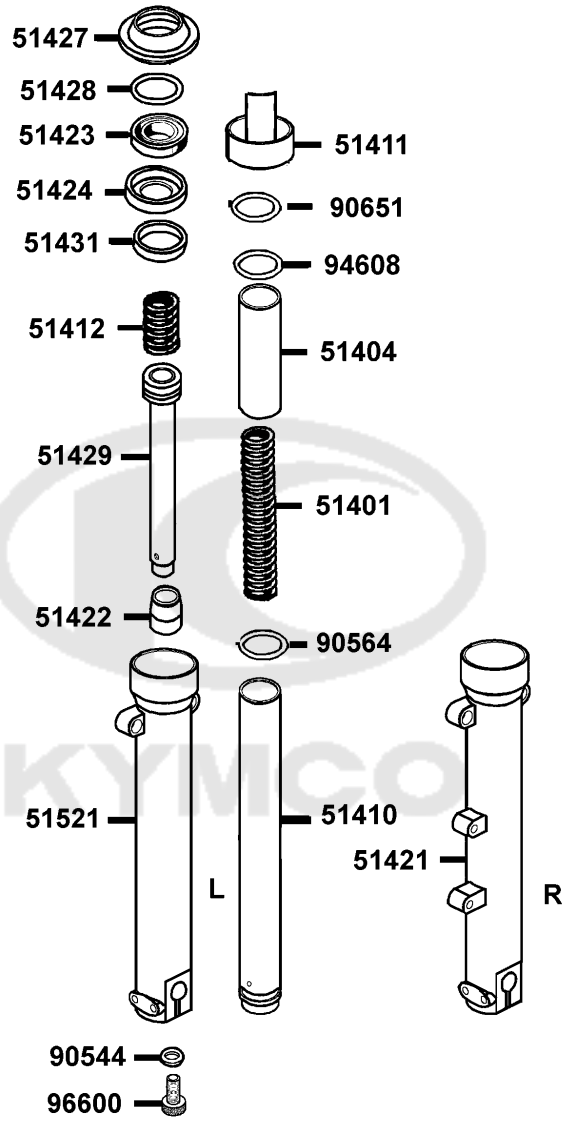
F22

Canister

活性炭罐



| Sales mark | Ref no 參考號碼 | Part no 零件號碼 | Description 英文名稱 | Reg description 中文名稱 | Regd no 需求用量 | Ref Price 參考售價 | F22 |
|------------|----------------|-----------------|------------------------------|-------------------------|-----------------|-------------------|-----|
| | 15772 | 15772-5L00-013 | CLIP B14.5 TUBE | 通氣管夾 | 1 | 14 | |
| | 17301 | 17301-KNBN-960 | RUBBER CANISTER MOUNT | 活性碳罐懸掛橡皮 | 1 | 19 | |
| | 17307 | 17307-LKF5-900 | TUBE ASSY. | 油管組 | 1 | 121 | |
| | 17309 | 17309-LKF5-900 | TUBE, ASSY | 油管組 | 1 | 69 | |
| | 17310 | 17310-LBA2-90A | CANISTER COMP | 活性碳罐 | 1 | 278 | |
| | 17470 | 17470-KED9-M30 | JOINT COMP FLOW CONTROL | 流量控制器 | 1 | 64 | |
| | 17686 | 17686-LKF5-900 | TUBE,FUEL FILLER / CANISTER, | 油管組件 | 1 | 77 | |
| | 17691 | 17691-LGE5-900 | TUBE FUEL,FLOW-ACV | 燃油管 | 1 | 24 | |
| | 18657 | 18657-LKF5-900 | TUBE, ASSY. | 油管組 | 1 | 69 | |
| | 95002-02070 | 95002-02070 | CLIP B7 TUBE | 管夾 | 2 | 14 | |
| | 95002-02080 | 95002-02080 | CLIP B8 TUBE | 管夾 | 5 | 8 | |
| | 95002-02130 | 95002-02130 | CLIP B12.5 TUBE | 管夾 | 1 | 8 | |



| Sales mark | Ref no 參考號碼 | Part no 零件號碼 | Description 英文名稱 | Reg description 中文名稱 | Regd no 需求用量 | Ref Price 參考售價 |
|------------|----------------|-----------------|-----------------------|-------------------------|-----------------|-------------------|
| | 51401 | 51401-LKF5-E00 | SPRING | 彈簧 | 4 | 252 |
| | 51404 | 51404-LKF5-E00 | SPRING COLLAR | 套筒 | 2 | 139 |
| | 51410 | 51410-LKF5-E00 | FORK PIPE COMP | 前避震器管 | 2 | 2387 |
| | 51411 | 51411-KKE5-E00 | FORK FENDER | 前避震器土除 | 2 | 71 |
| | 51412 | 51412-LKF5-E00 | REBOUND SPRING | 回位彈簧 | 2 | 39 |
| ** | 51421 | 51421-LKF5-E00 | BOTTOM CASE R | 右前避震器底管 | 1 | |
| | 51422 | 51422-LBA2-E00 | OIL LOCK PIECE | 止油接頭 | 2 | 67 |
| | 51423 | 51423-KED9-900 | OIL SEAL | 油封 | 2 | 231 |
| | 51424 | 51424-KED9-900 | SPACER | 座 | 2 | 11 |
| | 51427 | 51427-KED9-900 | DUST SEAL | 防塵封 | 2 | 69 |
| | 51428 | 51428-KED9-900 | OIL SEAL STOPPER RING | 油封止位環 | 2 | 10 |
| | 51429 | 51429-LKF5-E00 | PIPE SEAT COMP | PIPE SEAT COMP | 2 | 385 |
| | 51431 | 51431-KED9-900 | GUIDE BUSH | 襯套 | 2 | 47 |
| ** | 51521 | 51521-LKF5-E00 | BOTTOM CASE L | 左前避震器底管 | 1 | |
| | 90544 | 90544-KEC8-900 | PACKING | 墊片 | 2 | 13 |
| | 90564 | 90564-KED9-900 | PLANE WASHER | 平華司 | 2 | 14 |
| | 90651 | 90651-LKF5-E00 | CLIP WIRE HARN | 配線夾 | 2 | 15 |
| | 94608 | 94608-LKF5-E00 | O-RING | O環 | 2 | 16 |
| | 96600 | 96600-LKF5-E00 | BOLT | 六角螺絲 | 2 | 39 |

F23

| | |
|---|--|
| <p>請安全駕駛。</p> <p>行駛時，請勿超過法定速度。</p> <p>因排氣管溫度很高，停車時請停置於他人不易碰觸之場所。</p> <p>為了駕駛安全及性能維護，請勿任意違法改裝。</p> | <p>請確實做好定期保養工作及行車前之安全檢查。</p> <p>◀ 行車前檢查項目 ▶</p> <p>剎車性能 輪胎 機油量 燈光 喇叭 儀表板</p> |
|---|--|

敬請熟讀駕駛手冊，確保行車安全 CYS-900

87560

注 意

輪胎規格: 前輪 120/70-15 後輪 150/70-14
 一人騎乘: 前輪 2.0 kg/cm² 後輪 2.25 kg/cm²
 二人騎乘: 前輪 2.0 kg/cm² 後輪 2.25 kg/cm²
 輪胎前輪最大載重不可超過 2.30 kg/cm²
 輪胎後輪最大載重不可超過 2.50 kg/cm²

添加汽油時請檢查機油量，無機油行駛，易造成故障

87205 LKTB-900

87505

87122

注 意

在引擎發動前，請先將側支架扳起，以策安全。

87541-GGS7

注 意

每行駛 5000 公里應更換濾清器。

LBA2-9000

87512

注 意

後側蓋與引擎之間，請勿放入任何物品，以免妨礙行駛。

GMS-300

87542

注 意

手機專用插座，請勿使用其它電器，以免損壞。

KKC2-900

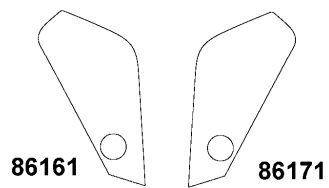
87541-KKC2

| Sales mark | Ref no 參考號碼 | Part no 零件號碼 | Description 英文名稱 | Reg description 中文名稱 | Regd no 需求用量 | Ref Price 參考售價 | F24 |
|------------|----------------|-----------------|----------------------|-------------------------|-----------------|-------------------|-----|
| ** | 87122 | 87122-LKF5-900 | MARK E/M 5th STAGE | 貼紙 | 1 | | |
| ** | 87505 | 87505-LKF5-900 | LABEL TIRE | 胎壓貼紙 | 1 | | |
| ** | 87512 | 87512-LBA2-900 | CAUTION FILTER | 警告標示貼紙 | 1 | | |
| ** | 87541-GGS7 | 87541-GGS7-901 | CAUTION SIDE STAND | 側腳架標籤 | 1 | | |
| ** | 87541-KKC2 | 87541-KKC2-900 | CAUTION MOBILE PHONE | 貼紙 | 1 | | |
| ** | 87542 | 87542-GKM9-301 | MARK MAINT CAUTION | 警告標籤 | 1 | | |
| ** | 87560 | 87560-GFY6-900 | MARK DRIVE CAUTION | 標誌 | 1 | | |

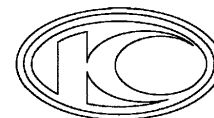


F25

Emblem Stripe 標徽 貼紙



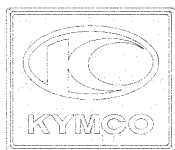
86701



86102-LGR2



86202



86102-LKJ1



86282



86283



86284



86286

| Sales mark | Ref no 參考號碼 | Part no 零件號碼 | Description 英文名稱 | Reg description 中文名稱 | Regd no 需求用量 | Ref Price 參考售價 | F25 |
|------------|----------------|-----------------|---------------------|-------------------------|-----------------|-------------------|-----|
| ** | 86102-LGR2 | 86102-LGR2-E00 | EMB K-LOGO'38mm | K-LOGO商標38mm | 2 | | |
| ** | 86102-LKJ1 | 86102-LKJ1-900 | EMB K-LOGO | EMB K-LOGO鋁製銘牌表面灌PU | 1 | | |
| ** | 86161 | 86161-LGR2-E00 | STRIPE R FR FENDER | 前土除右側貼紙 | 1 | | |
| ** | 86171 | 86171-LGR2-E00 | STRIPE L FR FENDER | 前土除左側貼紙 | 1 | | |
| ** | 86202 | 86202-LKF5-E00 | EMB BODY COVER | XCITING 400i車身主貼紙 | 2 | | |
| ** | 86282 | 86282-LGR2-E00 | STRIPE R FR MOLD | 前罩右側貼紙 | 1 | | |
| ** | 86283 | 86283-LGR2-E00 | STRIPE L FR MOLD | 前罩左側貼紙 | 1 | | |
| ** | 86284 | 86284-LGR2-E00 | STRIPE B R FR MOLD | 前罩右側貼紙B | 1 | | |
| ** | 86286 | 86286-LGR2-E00 | STRIPE B L FR MOLD | 前罩左側貼紙B | 1 | | |
| ** | 86701 | 86701-LKF5-E00 | STRIPE COVER TUNNEL | STRIPE COVER TUNNEL色塊貼紙 | 1 | | |

PART NO. INDEX

零件號碼索引

| PART NO. 零件號碼 | VERSION 版數 | PAGE 頁次 | PART NO. 零件號碼 | VERSION 版數 | PAGE 頁次 | PART NO. 零件號碼 | VERSION 版數 | PAGE 頁次 |
|------------------|---------------|------------|------------------|---------------|------------|------------------|---------------|------------|
| 0000 | | | 11203-LBA2-E00 | 2 | E01 | 13000 | | |
| | | | 11203-LBA2-E00 | 2 | F16 | | | |
| | | | 1121A-LKF5-E00 | 1 | F13 | | | |
| 0118-814-1100 | 0 | E05 | 1122A-LEA7-E00 | 2 | E01 | 1300A-LKF5-E00 | 10 | E03 |
| 0901-819-6001 | 0 | E05 | 11330-LKF5-E00 | 4 | E04 | 13011-LKF5-E00 | 0 | E03 |
| 0901-880-6000 | 0 | E05 | 11340-LKF5-E00 | 2 | E01 | 13101-LKF5-E00 | 6 | E03 |
| 0901-911-6000 | 0 | E05 | 11344-LKF5-E00 | 0 | E01 | 13111-LKF5-E00 | 2 | E03 |
| | | | 11345-LKF5-E00 | 0 | E01 | 13210-LKF5-E00-1 | 8 | E03 |
| 1000 | | | 11347-LKF5-E00 | 1 | E06 | 13210-LKF5-E00-2 | 8 | E03 |
| | | | 1134B-LKF5-E00 | 0 | E01 | 13221-LKF5-E00 | 0 | E03 |
| 1090-873-2001 | 0 | E05 | 11350-LKF5-E00 | 1 | E01 | 13222-LKF5-E00 | 0 | E03 |
| 1190-C74-2000 | 0 | E05 | 11357-LKF5-E00 | 1 | E06 | 13223-LKF5-E00 | 0 | E03 |
| 1190-C75-2000 | 0 | E05 | 11383-KHE7-900 | 0 | E02 | 13314-LKF5-E00-A | 0 | E01 |
| 1614-868-0000 | 0 | E05 | 11385-KGBG-900 | 0 | F19 | 13314-LKF5-E00-B | 0 | E01 |
| 1614-906-0002 | 0 | E05 | 11394-LKF5-E00 | 0 | E04 | 13314-LKF5-E00-C | 0 | E01 |
| | | | 11395-LKF5-E00 | 0 | E01 | 13406-LEA7-E00 | 2 | E02 |
| 3000 | | | 12000 | | | 1342A-LKF5-E01 | 3 | E03 |
| | | | | | | 14000 | | |
| 3700-A35B-0110 | 0 | E05 | 12100-LKF5-E00 | 4 | E03 | | | |
| 3791-HN80-0000 | 0 | F10 | 12191-LKF5-E00 | 1 | E03 | 14100-LKF5-E00 | 10 | E02 |
| 11000 | | | 12200-LKF5-E00 | 4 | E02 | 14321-LEA7-E00 | 6 | E02 |
| | | | 12209-GDB4-68A | 0 | E02 | 14401-PWB1-900 | 2 | E03 |
| 11109-LKF5-E00 | 2 | E01 | 12251-LKF5-E00 | 0 | E02 | 14420-LKF5-E00 | 1 | E02 |
| 1110A-LKF5-305 | 0 | E01 | 12310-LKF5-E00 | 0 | E02 | 14430-LKF5-E00 | 1 | E02 |
| 11110-LLJ3-E00 | 1 | E01 | 12391-LKF5-E00 | 1 | E02 | 14433-PTA1-900 | 3 | E02 |

PART NO. INDEX

零件號碼索引

| PART NO. 零件號碼 | VERSION 版數 | PAGE 頁次 | PART NO. 零件號碼 | VERSION 版數 | PAGE 頁次 | PART NO. 零件號碼 | VERSION 版數 | PAGE 頁次 |
|------------------|---------------|------------|------------------|---------------|------------|-------------------|---------------|------------|
| 14434-PTA1-900 | 2 | E02 | 15423-KKC3-900 | 1 | E01 | 1737A-KUDU-900 | 0 | F13 |
| 14452-LKF5-E00 | 0 | E02 | 15437-LEA7-E00 | 1 | E01 | 17470-KED9-M30 | 1 | F22 |
| 14453-LKF5-E00 | 1 | E02 | 1565A-LBA2-E00 | 2 | E04 | 17500-LEA7-900 | 1 | F10 |
| 14510-LKF5-E01 | 2 | E03 | 15711-LKF5-E00 | 1 | E07 | 17511-LKF5-E00 | 2 | F10 |
| 14523-PRA1-E00 | 2 | E03 | 15772-5L00-013 | 1 | F22 | 17512-LKF5-E00 | 2 | F10 |
| 14531-KHE7-900 | 1 | E03 | | | | 17530-KGB5-900 | 1 | F05 |
| 14550-LKF5-E00 | 0 | E03 | 16000 | | | 17550-LKF5-E00 | 0 | F10 |
| 14610-LEA7-E00 | 2 | E03 | | | | 17561-LDF2-900 | 0 | F10 |
| 14711-LKF5-E00 | 2 | E02 | 1610K-LKF5-900 | 0 | E05 | 17561-LGE5-E00 | 1 | F10 |
| 14721-LKF5-E00 | 2 | E02 | 16201-LKF5-E00 | 0 | E02 | 17582-LKF5-E00 | 2 | F10 |
| 14751-LKF5-E00 | 3 | E02 | 16211-LKF5-E00 | 0 | E02 | 17620-LKF5-305-M1 | 0 | F19 |
| 14761-LKF5-E00 | 1 | E02 | | | | 17620-LKF5-305-M2 | 0 | F19 |
| 14771-LKF5-E00 | 0 | E02 | 17000 | | | 17685-KZCZ-900 | 0 | F05 |
| 14773-LKF5-E00 | 1 | E02 | | | | 17685-LKF5-E00 | 3 | F10 |
| 14777-LBA2-E00 | 3 | E02 | 1711A-LKF5-E00 | 1 | E02 | 17686-LKF5-900 | 1 | F22 |
| 14781-MFA6-001 | 0 | E02 | 17214-LDB2-E00 | 1 | F13 | 17691-LGE5-900 | 1 | F22 |
| | | | 1721A-LKF5-E00 | 0 | F13 | 17910-LKF5-E00 | 1 | F03 |
| 15000 | | | 17236-KFBF-910 | 1 | F13 | 17911-LKF5-E00 | 1 | F03 |
| | | | 1723A-LKF5-E00 | 0 | F13 | | | |
| 15100-LKF5-E00 | 2 | E07 | 1723B-LKF5-E00 | 0 | F13 | 18000 | | |
| 15136-KKE5-E00 | 6 | E07 | 17255-LKF5-E00 | 2 | F13 | | | |
| 15141-LKF5-E00 | 1 | E07 | 17301-KNBN-960 | 0 | F22 | 18291-KEBE-900 | 0 | F14 |
| 15161-PUA5-E00 | 5 | E01 | 17307-LKF5-900 | 0 | F22 | 18291-KKC4-900 | 1 | E01 |
| 15162-PUA5-E00 | 7 | E01 | 17309-LKF5-900 | 0 | F22 | 18291-PWB1-900 | 2 | F14 |
| 15200-KED9-900 | 7 | E01 | 17310-LBA2-90A | 1 | F22 | 18292-KEBE-900 | 0 | F14 |
| 1541A-LEH6-E00 | 2 | E01 | 17359-4K19-671 | 0 | F13 | 18293-KEBE-900 | 0 | F14 |

PART NO. INDEX

零件號碼索引

| PART NO. 零件號碼 | VERSION 版數 | PAGE 頁次 | PART NO. 零件號碼 | VERSION 版數 | PAGE 頁次 | PART NO. 零件號碼 | VERSION 版數 | PAGE 頁次 |
|------------------|---------------|------------|------------------|---------------|------------|------------------|---------------|------------|
| 18293-KKC4-900 | 0 | E01 | 19024-LKF5-E00 | 0 | F21 | 21395-LKF5-E00 | 0 | E08 |
| 18294-KEBE-900 | 0 | F14 | 19028-LKF5-E00 | 0 | F21 | | | |
| 18294-LDB2-900 | 0 | F14 | 19030-LBA2-E00 | 0 | F21 | 22000 | | |
| 18306-LKF5-E00 | 1 | F14 | 19101-LKF5-E00 | 0 | F21 | | | |
| 1830A-LKF5-900 | 3 | F14 | 19104-LGE5-E00 | 1 | F21 | 22100-LKF5-E00 | 0 | E06 |
| 18310-LKF5-900 | 0 | F14 | 19105-LKF5-E00 | 2 | F21 | 22102-LKF5-E00 | 1 | E06 |
| 18318-LKF5-900 | 0 | F14 | 19111-PRB3-900 | 2 | F21 | 22105-LKF5-E00 | 3 | E06 |
| 18320-LKF5-E00 | 2 | F14 | 19210-KKC4-900 | 0 | F21 | 22110-LKF5-E00 | 4 | E06 |
| 18325-LKF5-E00 | 1 | F14 | 19217-6G57-024 | 0 | E04 | 22121-LKF5-E00 | 6 | E06 |
| 18371-LBA2-E00 | 2 | F14 | 19220-LKF5-305 | 0 | E04 | 22130-LKF5-E00 | 7 | E06 |
| 18391-LKF5-E00 | 0 | F14 | 19229-LKF5-E00 | 3 | E04 | 22300-LKF5-E00 | 6 | E06 |
| 18601-LKF5-E00 | 0 | E01 | 1922A-LKF5-E00 | 2 | E04 | 22350-LKF5-E00 | 4 | E06 |
| 18657-LKF5-900 | 0 | F22 | 19230-LKF5-E00 | 1 | E04 | 22361-LKF5-E00 | 1 | E06 |
| | | | 19300-KAE1-004 | 1 | E02 | 22401-LKF5-E00 | 2 | E06 |
| 19000 | | | 19315-LKF5-E00 | 0 | E02 | 22530-LKF5-E00 | 3 | E06 |
| | | | 19421-LKF5-E00 | 3 | E02 | 22804-GBB2-001 | 0 | E06 |
| 19005-LKF5-E01 | 1 | F21 | 19502-LKF5-E00 | 1 | E02 | | | |
| 19010-LKF5-E00 | 1 | F21 | 19505-LKF5-E00 | 0 | F21 | 23000 | | |
| 19012-LEA7-E05 | 1 | F21 | 19507-LDB5-E00 | 1 | E02 | | | |
| 19013-LKF5-E00 | 2 | F21 | 19507-LDB5-E00 | 1 | F21 | 2301A-LKF5-E00 | 9 | E06 |
| 19014-LKF5-E00 | 2 | F21 | 19613-LEA7-E00 | 1 | E01 | 23100-LKF5-E00 | 0 | E06 |
| 19015-LBA2-E00 | 0 | F21 | 19615-LKF5-E00 | 2 | F21 | 23100-LKF5-E01 | 1 | E06 |
| 19016-LKF5-E00 | 0 | F21 | | | | 23200-LKF5-E00 | 3 | E06 |
| 19018-LKF5-E00 | 1 | F21 | 21000 | | | 23220-LKF5-E00 | 3 | E06 |
| 19019-LKF5-E00 | 2 | F20 | | | | 23225-LKF5-E00 | 2 | E06 |
| 19020-LBA2-E00 | 0 | F21 | 21301-LKF5-305 | 2 | E08 | 23233-LKF5-E00 | 2 | E06 |

PART NO. INDEX

零件號碼索引

| PART NO. 零件號碼 | VERSION 版數 | PAGE 頁次 | PART NO. 零件號碼 | VERSION 版數 | PAGE 頁次 | PART NO. 零件號碼 | VERSION 版數 | PAGE 頁次 |
|------------------|---------------|------------|-------------------|---------------|------------|------------------|---------------|------------|
| 23237-LKF5-E00 | 1 | E06 | 31500-LBA2-90A-YU | 2 | F11 | 33450-LKF5-E00 | 0 | F17 |
| 23238-LKF5-E01 | 1 | E06 | 31500-LBA2-90B-KS | 1 | F11 | 33700-LKF5-E00 | 0 | F18 |
| 23411-LKF5-E00 | 4 | E08 | 31519-LKF5-E00 | 0 | F11 | 33704-LKF5-E00 | 0 | F18 |
| 23420-LKF5-E00 | 4 | E08 | 31600-LKF5-E00 | 0 | F19 | 33705-LKF5-E00 | 0 | F18 |
| 23431-LKF5-E00 | 4 | E08 | 31601-LKF5-E00 | 1 | F19 | 33706-LKF5-E00 | 0 | F18 |
| 23432-LKF5-E00 | 3 | E08 | 3195A-LKF5-E00 | 2 | F19 | 33708-KHE7-E00 | 0 | F18 |
| | | | | | | 33709-KHE7-E00 | 0 | F18 |
| 28000 | | | 32000 | | | 33709-LKF5-315 | 0 | F18 |
| 28102-LEA7-E00 | 2 | E07 | 32100-LKF5-E00 | 5 | F19 | 33710-LKF5-E00 | 0 | F18 |
| 28110-LKF5-E00 | 1 | E07 | 32105-LLJ3-E00 | 2 | E01 | 33720-LBB5-E00 | 3 | F18 |
| 28120-LKF5-E00 | 1 | E07 | 32108-GAR1-711 | 1 | F19 | 33726-LBB5-E00 | 1 | F18 |
| 28130-LKF5-E00 | 2 | E07 | 32161-LBA7-900 | 0 | F01 | 33741-KHC5-M00 | 0 | F18 |
| | | | 32410-LKF5-E00 | 0 | E07 | 33755-LKF5-E00 | 0 | F18 |
| 30000 | | | 32411-KHD8-900 | 2 | F11 | 33756-LKF5-E00 | 0 | F18 |
| 3051A-LKF5-E00 | 1 | F19 | 32412-LKF5-E00 | 0 | E04 | 33771-LKF5-E00 | 0 | F18 |
| 30700-LDB5-E00 | 2 | F19 | | | | 33771-LKF5-E01 | 0 | F18 |
| | | | 33000 | | | 33900-LKF5-E00 | 0 | F12 |
| 31000 | | | 33100-LGR2-E00 | 3 | F01 | 33901-LHG7-E00 | 0 | F12 |
| 31110-LKF5-E00 | 1 | E07 | 33108-KHE7-E00 | 0 | F01 | 33902-LHG7-E00 | 0 | F12 |
| 31120-LKF5-E00 | 3 | E07 | 33110-LGR2-E00 | 0 | F01 | 33903-LHG7-E00 | 0 | F12 |
| 31210-LKF5-E00 | 2 | E07 | 33120-LGR2-E00 | 0 | F01 | 33906-LKF5-E00 | 0 | F12 |
| 31340-LFH1-E00 | 1 | F19 | 33130-LGR2-E00 | 0 | F01 | | | |
| 31347-LKF5-E00 | 0 | F20 | 33150-LGR2-E00 | 0 | F01 | 34000 | | |
| | | | 33400-LKF5-E00 | 0 | F17 | 34901-KFA6-900 | 0 | F01 |
| | | | | | | 34903-KPCP-900 | 0 | F18 |

PART NO. INDEX

零件號碼索引

| PART NO. 零件號碼 | VERSION 版數 | PAGE 頁次 | PART NO. 零件號碼 | VERSION 版數 | PAGE 頁次 | PART NO. 零件號碼 | VERSION 版數 | PAGE 頁次 |
|-------------------|---------------|------------|------------------|---------------|------------|-------------------|---------------|------------|
| 35000 | | | 35850-LKF5-E0A | 0 | F19 | 42000 | | |
| | | | 35850-LKF5-E0B | 0 | F19 | | | |
| 35010-LKF5-305-M1 | 0 | F19 | 37000 | | | 42311-LEA7-950 | 0 | F08 |
| 35010-LKF5-305-M2 | 0 | F19 | | | | 42312-LEA7-950 | 0 | F08 |
| 35101-LKF5-305-M1 | 0 | F19 | 37200-LKF5-900 | 0 | F02 | 42601-LKF5-E00 | 2 | F08 |
| 35101-LKF5-305-M2 | 0 | F19 | 37211-LKF5-E00 | 0 | F02 | 42710-LKF5-E00-CS | 1 | F08 |
| 35102-LKF5-305-M1 | 0 | F19 | | | | 42753-KNBN-90B | 1 | F07 |
| 35102-LKF5-305-M2 | 0 | F19 | 38000 | | | 42753-KNBN-90B | 1 | F08 |
| 35111-LDC1-305-M1 | 0 | F19 | | | | 43000 | | |
| 35111-LDC1-305-M2 | 0 | F19 | 38110-KHB4-E0A | 0 | F19 | | | |
| 35111-LDC1-306-M1 | 0 | F19 | 38110-KHB4-E0B | 1 | F19 | | | |
| 35111-LDC1-306-M2 | 0 | F19 | 38110-KHB4-E0C | 1 | F19 | 43100-LKF5-E00 | 0 | F08 |
| 35111-LEA1-307-M1 | 0 | F19 | 38200-KHE7-900 | 0 | F19 | 43105-LKF5-305 | 0 | F08 |
| 35111-LEA1-307-M2 | 0 | F19 | 38300-KKE5-E00 | 2 | F19 | 43107-LBA2-E00 | 0 | F08 |
| 35119-KHC4-90A | 0 | F19 | 38500-LGL3-90B | 2 | F19 | 43109-GBE2-007 | 0 | F07 |
| 35119-KHC4-90B | 0 | F19 | | | | 43109-MCA3-007 | 0 | F08 |
| 3515A-LBA2-E01 | 1 | F03 | 39000 | | | 43113-LBA2-E00 | 0 | F08 |
| 3520A-KEBE-900 | 2 | F03 | | | | 43119-LBA2-E00 | 0 | F08 |
| 35340-KNBN-901 | 0 | F04 | 39100-LKF5-E00 | 0 | F19 | 43126-LKF5-E00 | 4 | F04 |
| 35350-KNBN-901 | 0 | F04 | 3920A-LKF5-E00 | 1 | F19 | 43128-LKF5-E00 | 1 | F16 |
| 35370-LLJ3-E00 | 3 | F15 | 39220-LKG2-900 | 1 | F19 | 43129-LKF5-E00 | 1 | F16 |
| 35380-LKG2-900 | 1 | F19 | 39300-LDG7-M90 | 2 | E02 | 43140-LKF5-E00 | 0 | F08 |
| 35390-LKF5-E00 | 0 | F12 | 39305-LKF5-E00 | 2 | E02 | 43143-LBA2-E00 | 0 | F08 |
| 35396-LKF5-E00 | 0 | F12 | 39400-LDF2-800 | 2 | E02 | 43146-LKF5-E00 | 0 | F08 |
| 35500-KED9-900 | 6 | E01 | 39450-LEA6-800 | 3 | F14 | 43156-LDB2-900 | 2 | F16 |

PART NO. INDEX

零件號碼索引

| PART NO. 零件號碼 | VERSION 版數 | PAGE 頁次 | PART NO. 零件號碼 | VERSION 版數 | PAGE 頁次 | PART NO. 零件號碼 | VERSION 版數 | PAGE 頁次 | |
|-------------------|---------------|------------|------------------|---------------|------------|------------------|----------------|------------|-----|
| 43210-LKF5-305 | 0 | F08 | 45108-LKF5-E00 | 0 | F07 | 50000 | | | |
| 43351-LKF5-E00 | 1 | F08 | 45125-LKF5-E00 | 1 | F06 | | | | |
| 43352-KKD6-E90 | 1 | F08 | 45126-LKF5-E00 | 4 | F04 | | | | |
| 43353-KED9-900 | 0 | F07 | 45128-KEBE-900 | 0 | F06 | | 50100-LKF5-E00 | 3 | F20 |
| 43353-KED9-900 | 0 | F08 | 45128-KKE5-E00 | 2 | F06 | | 50154-KKE3-900 | 2 | F19 |
| 4335A-LBA2-E01 | 2 | F07 | 4512A-LKF5-E00 | 1 | F07 | | 50176-LGE5-E00 | 2 | F20 |
| 43450-LKF5-E00 | 3 | F04 | 45132-1F66-017 | 0 | F08 | | 50186-LKF5-E00 | 1 | F20 |
| 43530-LKF5-305 | 0 | F04 | 45134-KED9-900 | 0 | F08 | | 50189-LKF5-E00 | 2 | F20 |
| 44000 | | | 45156-KECE-900 | 2 | F20 | 50306-1F96-001 | 0 | F06 | |
| | | | 45156-LKF5-E00 | 1 | F06 | 5032A-LKF5-E00 | 0 | F11 | |
| | | | 45200-LKF5-E00 | 3 | F07 | 5032B-LKF5-E00 | 1 | F11 | |
| | | | 45203-KED9-900 | 0 | F08 | 50330-LKF5-E00 | 0 | F11 | |
| 44301-LKF5-E00 | 1 | F07 | 45207-LKF5-E00 | 0 | F07 | 50350-LKF5-E00 | 1 | F20 | |
| 44312-LKF5-E00 | 0 | F07 | 45209-GBE2-007 | 0 | F07 | 50352-LBA2-E00 | 1 | F20 | |
| 44600-LKF5-305 | 0 | F07 | 45209-KED9-900 | 0 | F08 | 50353-KGN7-901 | 0 | F20 | |
| 44620-LBA2-E00 | 3 | F07 | 45352-LKF5-E00 | 0 | F07 | 50356-LEA7-E01 | 1 | F20 | |
| 44710-LKF5-E00-CS | 0 | F07 | 45513-LEA7-E00 | 1 | F04 | 50356-LHG7-E00 | 2 | F20 | |
| 45000 | | | 45516-LBA2-E00 | 0 | F08 | 50358-LGE5-E00 | 3 | F20 | |
| | | | 45517-LKF5-E00 | 2 | F04 | 50360-LKF5-E00 | 0 | F20 | |
| | | | 45520-KKA8-900 | 0 | F04 | 50364-KHE7-E00 | 0 | F20 | |
| | | | 45521-LEA7-E00 | 1 | F04 | 50500-LKF5-E00 | 3 | F15 | |
| 45100-LKF5-E00 | 3 | F07 | 45530-LKF5-305 | 0 | F04 | 50502-GFY6-901 | 3 | F15 | |
| 45103-MGR7-007 | 0 | F07 | 45531-KED9-900 | 0 | F08 | 50504-LKF5-E00 | 1 | E01 | |
| 45105-LKF5-305 | 0 | F07 | | | | 50505-KUDU-900 | 1 | F15 | |
| 45107-LBA2-E00 | 0 | F08 | | | | 50505-LEA7-E00 | 1 | F15 | |
| 45107-LKF5-E00 | 0 | F07 | | | | 50506-KHE7-E00 | 0 | F15 | |
| 45107-LLJ3-E00 | 0 | F08 | | | | | | | |
| 45108-KED9-900 | 0 | F08 | | | | | | | |

PART NO. INDEX

零件號碼索引

| PART NO. 零件號碼 | VERSION 版數 | PAGE 頁次 | PART NO. 零件號碼 | VERSION 版數 | PAGE 頁次 | PART NO. 零件號碼 | VERSION 版數 | PAGE 頁次 |
|------------------|---------------|------------|------------------|---------------|------------|------------------|---------------|------------|
| 50530-LKF5-E00 | 3 | F15 | 51521-LKF5-E00 | 0 | F23 | 53200-LKF5-E01 | 1 | F06 |
| 50550-KKC2-E00 | 0 | F15 | | | | 53203-LBA2-E00 | 2 | F03 |
| 50604-KED9-950 | 0 | F07 | 52000 | | | 53204-LBA2-E00 | 3 | F03 |
| 50613-LKF5-E00 | 1 | F20 | | | | 53205-LKF5-E00 | 3 | F03 |
| 5071A-LKF5-E0A | 1 | F20 | 52000-LKF5-E00 | 3 | F16 | 53206-LKF5-E00 | 2 | F03 |
| 5071A-LKF5-E0B | 0 | F20 | 52110-LKF5-E00 | 0 | F16 | 53208-LKF5-E00 | 1 | F03 |
| 5071B-LKF5-E0A | 1 | F20 | 52400-LKF5-E00 | 4 | F16 | 53213-LBA2-E00 | 2 | F06 |
| 5071B-LKF5-E0B | 0 | F20 | 52500-LKF5-E00 | 1 | F16 | 53214-LBA2-E00 | 2 | F06 |
| 51000 | | | 53000 | | | 53220-LBA2-E00 | 2 | F06 |
| 51400-LKF5-E00 | 5 | F06 | 53100-LKF5-E00 | 4 | F03 | 53230-LKF5-E00 | 0 | F06 |
| 51401-LKF5-E00 | 0 | F23 | 53102-LEA5-E00 | 3 | F03 | 53240-LEA7-90A | 2 | F06 |
| 51404-LKF5-E00 | 0 | F23 | 53105-LEA5-E00 | 3 | F03 | 53250-LEA7-90A | 2 | F06 |
| 51410-LKF5-E00 | 0 | F23 | 53131-3H98-941 | 0 | F03 | 55000 | | |
| 51411-KKE5-E00 | 0 | F23 | 53140-KKC4-900 | 0 | F03 | 55122-LKF5-E00 | 0 | F05 |
| 51412-LKF5-E00 | 0 | F23 | 53166-KGB5-900 | 0 | F03 | 61000 | | |
| 51421-LKF5-E00 | 0 | F23 | 53175-LKF5-E00 | 0 | F04 | 64000 | | |
| 51422-LBA2-E00 | 0 | F23 | 53178-LKF5-E00 | 0 | F04 | 61100-LGR2-305 | 1 | F06 |
| 51423-KED9-900 | 0 | F23 | 53180-LKF5-E00 | 1 | F20 | 61101-LBA2-E00 | 1 | F06 |
| 51424-KED9-900 | 0 | F23 | 53190-LKF5-305 | 0 | F04 | | | |
| 51427-KED9-900 | 0 | F23 | 53192-LKF5-E00 | 1 | F04 | | | |
| 51428-KED9-900 | 0 | F23 | 53193-LDE9-E00 | 0 | F04 | | | |
| 51429-LKF5-E00 | 0 | F23 | 53193-LKF5-E00 | 0 | F04 | | | |
| 51431-KED9-900 | 0 | F23 | 53194-LDE9-E00 | 0 | F04 | 6413A-LGR2-E00 | 4 | F03 |
| 51500-LKF5-E00 | 5 | F06 | 5319A-LKF5-E00 | 3 | F04 | 64140-LKF5-E00 | 1 | F03 |

PART NO. INDEX

零件號碼索引

| PART NO. 零件號碼 | VERSION 版數 | PAGE 頁次 | PART NO. 零件號碼 | VERSION 版數 | PAGE 頁次 | PART NO. 零件號碼 | VERSION 版數 | PAGE 頁次 |
|------------------|---------------|------------|------------------|---------------|------------|------------------|---------------|------------|
| 64205-LKF5-E00 | 1 | F05 | | | | | | |
| 64206-LKF5-E00 | 1 | F05 | 77000 | | | 81000 | | |
| 64222-KKC4-900 | 3 | F03 | | | | | | |
| 64222-LLJ3-E00 | 1 | F03 | 77200-LKF5-E00 | 4 | F09 | 81131-LKF5-E00 | 5 | F05 |
| 64222-LLJ3-E00 | 1 | F06 | 77206-KEB7-900 | 0 | F09 | 81132-LKF5-E00 | 2 | F05 |
| 6422A-LKF5-900 | 0 | F03 | 77235-KGC4-E0A | 2 | F19 | 81134-LKF5-E00 | 3 | F05 |
| 64231-LBA2-E00 | 1 | F03 | 77235-KGC4-E0B | 2 | F19 | 81135-LKF5-E00 | 1 | F05 |
| 64232-LBA2-E00 | 1 | F03 | 77240-LKF5-E00 | 2 | F19 | 81136-LKF5-E00 | 2 | F05 |
| 6423A-LGR2-E00 | 4 | F03 | 77259-LKF5-E00 | 0 | F20 | 81137-LKF5-E00 | 1 | F05 |
| 64240-LKF5-E00 | 1 | F03 | 77300-LKF5-E00 | 1 | F09 | 81138-LKF5-E00 | 1 | F05 |
| 64301-LGR2-E00 | 1 | F05 | 77303-LEA7-E00 | 1 | F09 | 81139-LKF5-E00 | 0 | F05 |
| 64302-LGR2-305 | 0 | F05 | | | | 8113A-LKF5-E00 | 2 | F05 |
| 64305-LKF5-E00 | 1 | F05 | 80000 | | | 81141-LKF5-E00 | 4 | F05 |
| 64306-LKF5-E00 | 1 | F05 | | | | 81160-LKF5-E00 | 2 | F05 |
| 64307-LGR2-305 | 0 | F05 | 80101-LKF5-E00 | 1 | F18 | 81170-LKF5-E00 | 1 | F05 |
| 64308-LGR2-305 | 0 | F05 | 80104-LKF5-E00 | 0 | F18 | 81200-LGR2-E00 | 1 | F12 |
| 64310-LKF5-E00 | 2 | F05 | 80105-LKF5-E00 | 2 | F18 | 81252-KKE5-E00 | 2 | F12 |
| 64315-LKF5-E00 | 1 | F20 | 80106-LKF5-E00 | 0 | F18 | 81260-LKF5-E00 | 1 | F12 |
| 64320-LKF5-E00 | 1 | F05 | 80107-LKF5-E00 | 0 | F18 | | | |
| 64330-LKF5-E00 | 2 | F05 | 80108-LKG7-E00 | 0 | F18 | 83000 | | |
| 64340-LKF5-E00 | 1 | F05 | 8010B-LKF5-E00 | 3 | F18 | | | |
| 64400-LKF5-E00 | 2 | F05 | 80151-LKF5-E00 | 3 | F05 | 83500-LKF5-305 | 0 | F12 |
| 64401-LKF5-E00 | 1 | F05 | 80152-LKF5-E00 | 4 | F05 | 83510-LKF5-E00 | 2 | F12 |
| | | | 80153-LEA7-E00 | 3 | F05 | 83520-LKF5-E00 | 1 | F05 |
| | | | 80153-LKF5-E00 | 1 | F05 | 83530-LKF5-E00 | 3 | F12 |
| | | | 80154-LKF5-E00 | 1 | F05 | 83550-KEC8-900 | 0 | F06 |

PART NO. INDEX

零件號碼索引

| PART NO. 零件號碼 | VERSION 版數 | PAGE 頁次 | PART NO. 零件號碼 | VERSION 版數 | PAGE 頁次 | PART NO. 零件號碼 | VERSION 版數 | PAGE 頁次 |
|------------------|---------------|------------|------------------|---------------|------------|------------------|---------------|------------|
| 83550-KEC8-900 | 0 | F21 | | | | | | |
| 83551-KEC8-900 | 0 | F06 | 87000 | | | 90000 | | |
| 83551-KEC8-900 | 0 | F20 | | | | | | |
| 83551-KEC8-900 | 0 | F21 | 87122-LKF5-900 | 0 | F24 | 90001-GBHB-661 | 2 | E07 |
| 83551-KKAK-900 | 0 | F05 | 87206-LBA2-E00 | 2 | F03 | 90001-GBHB-681 | 2 | F13 |
| 83600-LKF5-305 | 0 | F12 | 87505-LKF5-900 | 0 | F24 | 90001-GFY6-901 | 4 | E02 |
| 83610-LKF5-E00 | 2 | F12 | 87508-KFA1-S10 | 0 | F03 | 9000B-KHD6-900 | 2 | E02 |
| 83620-LKF5-E00 | 1 | F05 | 87512-LBA2-900 | 0 | F24 | 90012-LKF5-E00 | 2 | E02 |
| 83630-LKF5-E00 | 3 | F12 | 87541-GGS7-901 | 2 | F24 | 90032-LEA7-E00 | 2 | E01 |
| 83750-LKF5-E00 | 1 | F12 | 87541-KKC2-900 | 1 | F24 | 90033-GFY6-900 | 0 | E02 |
| 8376A-KEBE-900 | 4 | F05 | 87542-GKM9-301 | 3 | F24 | 90084-KKF9-901 | 0 | E04 |
| | | | 87560-GFY6-900 | 3 | F24 | 90101-LBA2-E00 | 0 | F08 |
| 86000 | | | 88000 | | | 90101-LEA7-E00 | 1 | F14 |
| 86102-LGR2-E00 | 0 | F25 | | | | 90101-LKF5-E00 | 0 | F20 |
| 86102-LKJ1-900 | 0 | F25 | 88110-LKF5-E00 | 0 | F03 | 90103-LEA7-E00 | 1 | F14 |
| 86161-LGR2-E00 | 0 | F25 | 88118-LKF5-E00 | 0 | F03 | 90104-LEA7-E00 | 2 | F03 |
| 86171-LGR2-E00 | 0 | F25 | 88120-LKF5-E00 | 0 | F03 | 90105-KCR3-001 | 1 | F07 |
| 86202-LKF5-E00 | 0 | F25 | 88128-LKF5-E00 | 0 | F03 | 90105-KCR3-001 | 1 | F08 |
| 86282-LGR2-E00 | 0 | F25 | | | | 90105-KHB4-900 | 0 | F12 |
| 86283-LGR2-E00 | 0 | F25 | 89000 | | | 90105-LLJ3-E00 | 3 | F03 |
| 86284-LGR2-E00 | 0 | F25 | | | | 90105-LLJ3-E00 | 3 | F06 |
| 86286-LGR2-E00 | 0 | F25 | 89010-LKF5-E00 | 0 | F09 | 90106-LEA7-E00 | 1 | F20 |
| 86701-LKF5-E00 | 1 | F25 | 89020-KKC4-900 | 1 | F09 | 90108-KKC4-900 | 1 | F15 |
| | | | | | | 90111-KED9-900 | 0 | F03 |
| | | | | | | 90111-LEB1-900 | 1 | F18 |
| | | | | | | 90112-KFA1-900 | 1 | F12 |

PART NO. INDEX

零件號碼索引

| PART NO. 零件號碼 | VERSION 版數 | PAGE 頁次 | PART NO. 零件號碼 | VERSION 版數 | PAGE 頁次 | PART NO. 零件號碼 | VERSION 版數 | PAGE 頁次 |
|------------------|---------------|------------|------------------|---------------|------------|------------------|---------------|------------|
| 90113-KKA8-900 | 0 | F04 | 90305-KKAK-900 | 0 | F08 | 90652-LGL7-E00 | 1 | F19 |
| 90122-LEA7-E00 | 1 | F08 | 90305-LBA2-E00 | 1 | F05 | 90652-LKF5-E00 | 0 | F13 |
| 90122-LKF5-E00 | 1 | F07 | 90305-LBA2-E00 | 1 | F06 | 90656-KCBC-900 | 0 | F03 |
| 90131-KEBE-900 | 2 | F16 | 90305-LBD4-900 | 1 | F20 | 90656-KUDU-900 | 0 | F19 |
| 90145-MKS9-61A | 1 | F04 | 90312-GLF0-001 | 0 | F03 | 90660-PWA2-900 | 1 | F04 |
| 90201-KHR8-75A | 1 | E07 | 90312-LLJ3-E00 | 1 | F03 | 90677-GAR1-004 | 1 | F03 |
| 90201-LKF5-E00 | 1 | E06 | 90312-LLJ3-E01 | 0 | F06 | 90701-9E65-001 | 0 | E01 |
| 90202-LDB5-E00 | 1 | E06 | 90401-KKJ9-001 | 0 | E07 | 90914-LKF5-E00 | 2 | E04 |
| 90206-0A01-001 | 2 | E02 | 90441-LKF5-E00 | 0 | E01 | | | |
| 90301-6C93-001 | 1 | F12 | 90459-LKF5-E00 | 0 | E04 | 91000 | | |
| 90301-6C93-001 | 1 | F18 | 90465-LBA2-E00 | 1 | E01 | | | |
| 90301-6D34-671 | 1 | F03 | 90474-3C33-001 | 1 | E01 | 91001-KKJ9-006 | 0 | E04 |
| 90301-6D34-671 | 1 | F09 | 90478-7L00-001 | 0 | E02 | 91002-LKF5-E00 | 1 | E06 |
| 90301-6D34-671 | 1 | F10 | 90478-7L00-001 | 0 | E04 | 91004-LBA2-E00 | 1 | E06 |
| 90301-6D34-671 | 1 | F21 | 90503-KKE5-E00 | 1 | F06 | 91006-LKF5-E00 | 0 | E08 |
| 90301-GFY6-901 | 2 | F14 | 90503-LEA7-E00 | 2 | F06 | 91007-LKF5-E00 | 0 | E08 |
| 90302-LKB9-900 | 1 | F12 | 9052A-LEB1-900 | 1 | E01 | 91008-LKF5-E00 | 0 | E08 |
| 90302-LLB1-E00 | 2 | F16 | 90544-KEC8-900 | 0 | F23 | 91201-LEA7-E00 | 1 | E01 |
| 90302-SDA4-004 | 2 | F03 | 90545-3L00-001 | 2 | F04 | 91202-KGB4-C00 | 1 | E04 |
| 90302-SDA4-004 | 2 | F05 | 90564-KED9-900 | 0 | F23 | 91202-LEA7-E00 | 4 | E08 |
| 90302-SDA4-004 | 2 | F20 | 90605-1F66-721 | 0 | E06 | 91211-LDB5-E00 | 1 | E06 |
| 90304-GHE8-004 | 0 | F20 | 90651-LCA5-E00 | 1 | F05 | 91255-LGE5-E00 | 1 | F16 |
| 90304-GLW0-90A | 1 | F16 | 90651-LKF5-E00 | 0 | F19 | 91255-LKF5-E00 | 1 | E01 |
| 90304-KKE5-E00 | 1 | F06 | 90651-LKF5-E00 | 0 | F23 | 91255-LLB1-900 | 1 | F16 |
| 90304-LBD4-900 | 2 | F20 | 90652-LDG7-900 | 1 | E02 | 91257-KED9-900 | 2 | F07 |
| 90304-LEA1-900 | 1 | F15 | 90652-LFB5-900 | 2 | F05 | 91301-2L00-001 | 0 | E01 |

PART NO. INDEX

零件號碼索引

| PART NO. 零件號碼 | VERSION 版數 | PAGE 頁次 | PART NO. 零件號碼 | VERSION 版數 | PAGE 頁次 | PART NO. 零件號碼 | VERSION 版數 | PAGE 頁次 |
|------------------|---------------|------------|------------------|---------------|------------|-------------------|---------------|------------|
| 91301-LDF2-M90 | 2 | E02 | 92900-06040-0E | 2 | E02 | 93893-04012-18 | 0 | F04 |
| 91302-LDF2-M90 | 2 | E02 | | | | 93903-25380 | 0 | E01 |
| 91302-LKF5-E00 | 0 | E02 | 93000 | | | 93903-25460 | 0 | F13 |
| 91303-3G77-001 | 0 | E04 | | | | 93903-34360 | 0 | F05 |
| 91303-LEA7-E00 | 1 | E01 | 93401-06020-07 | 0 | F14 | 93903-34360 | 0 | F17 |
| 91304-LGE5-E00 | 1 | F20 | 93404-06012-06 | 0 | F06 | 93903-34360 | 0 | F18 |
| 91305-LEH6-E00 | 0 | E01 | 93404-06012-06 | 0 | F18 | 93903-35260 | 0 | F05 |
| 91305-LEH6-E00 | 0 | E04 | 93404-06012-06 | 0 | F20 | 93903-35260 | 0 | F12 |
| 91305-LKF5-E00 | 0 | E01 | 93404-06012-08 | 0 | F11 | 93903-35260 | 0 | F18 |
| 91306-PUA5-E00 | 3 | E01 | 93404-06016-06 | 0 | F05 | 93903-35260 | 0 | F21 |
| 91307-0E35-001 | 0 | E04 | 93404-06016-06 | 0 | F15 | 93903-35320 | 0 | F01 |
| 91307-PUA5-E00 | 3 | E01 | 93404-06016-06 | 0 | F18 | 93903-35320 | 0 | F02 |
| 91309-4E25-004 | 0 | E07 | 93404-06020-06 | 1 | F03 | 93903-35320 | 0 | F03 |
| 91313-KED9-900 | 3 | E01 | 93404-06025-06 | 0 | F21 | 93903-35360 | 0 | F05 |
| 91351-LDB5-E00 | 1 | E06 | 93404-KKC2-900 | 1 | F21 | 93903-45260 | 0 | F11 |
| 91507-LKE6-900 | 1 | F19 | 93500-05016-1B | 0 | F03 | 93903-45260 | 0 | F18 |
| 91552-LEA7-E00 | 1 | E01 | 93500-05025-1B | 0 | F03 | 93903-45360 | 0 | F12 |
| 91552-LEH6-E00 | 0 | E01 | 93500-05032-1B | 0 | F03 | 93903-GFY6-900 | 1 | F03 |
| 91552-LEH6-E00 | 0 | E04 | 93500-05045-1B | 0 | F03 | 93903-GFY6-900 | 1 | F05 |
| | | | 93500-KHC4-90A | 0 | F19 | 93903-GFY6-900 | 1 | F20 |
| 92000 | | | 93500-LKF5-E00 | 0 | F19 | 93903-KEB7-900-06 | 1 | F05 |
| | | | 93600-04012-1G | 0 | F04 | | | |
| 92000-05016-0H | 0 | E02 | 93600-LDE9-E00 | 0 | F04 | 94000 | | |
| 92000-LEA6-900 | 1 | E07 | 93600-LKF5-E00 | 0 | E01 | | | |
| 92101-05012-0A | 0 | F07 | 93891-05016-06 | 0 | F05 | 94050-05080 | 0 | F18 |
| 92101-05012-0H | 0 | E07 | 93892-04008-18 | 0 | E05 | 94050-05080 | 0 | F19 |

PART NO. INDEX

零件號碼索引

| PART NO. 零件號碼 | VERSION 版數 | PAGE 頁次 | PART NO. 零件號碼 | VERSION 版數 | PAGE 頁次 | PART NO. 零件號碼 | VERSION 版數 | PAGE 頁次 |
|------------------|---------------|------------|------------------|---------------|------------|------------------|---------------|------------|
| 94050-06060 | 0 | F04 | 94510-10000 | 0 | E07 | 95701-06016-08 | 0 | E02 |
| 94050-06060 | 0 | F13 | 94510-12000 | 0 | E04 | 95701-06022-06 | 1 | F14 |
| 94050-06060 | 0 | F21 | 94510-29000 | 0 | E08 | 95701-06050-06 | 0 | F06 |
| 94050-06080 | 0 | E02 | 94520-30000 | 0 | E06 | 95701-06070-08 | 0 | F20 |
| 94050-06080 | 0 | F10 | 94520-47000 | 0 | F16 | 95701-08012-06 | 0 | E01 |
| 94050-06080 | 0 | F19 | 94591-27000 | 0 | F05 | 95701-08025-08 | 0 | F19 |
| 94050-06080 | 0 | F20 | 94591-KFBF-900 | 2 | F11 | 95701-08035-08 | 0 | E08 |
| 94050-08080 | 0 | F19 | 94601-PSA6-E00 | 3 | E03 | 95701-08040-08 | 0 | E08 |
| 94050-10060 | 0 | E01 | 94608-LKF5-E00 | 0 | F23 | 95701-LBA2-E00 | 0 | F08 |
| 94050-86000 | 0 | F08 | | | | 95701-LDF2-800 | 2 | F10 |
| 94050-LKF5-E00 | 1 | E06 | 95000 | | | 95709-PRA1-E00 | 3 | E02 |
| 94101-08600 | 0 | F15 | | | | 95801-08035-06 | 1 | F03 |
| 94101-LBA2-E00 | 1 | F20 | 95002-02070 | 0 | E04 | 95801-08040-08 | 0 | F06 |
| 94102-LBA2-E00 | 1 | F20 | 95002-02070 | 0 | F22 | 95801-10025-06 | 0 | F15 |
| 94201-20180 | 0 | F15 | 95002-02080 | 0 | F05 | 95801-10040-06 | 0 | F16 |
| 94251-08400 | 0 | F07 | 95002-02080 | 0 | F22 | 95801-10060-06 | 0 | F14 |
| 94301-08100 | 1 | E02 | 95002-02100 | 0 | F21 | 95801-10060-06 | 0 | F16 |
| 94301-08100 | 1 | E07 | 95002-02120 | 1 | F13 | | | |
| 94301-08140 | 0 | E04 | 95002-02130 | 0 | F22 | 96000 | | |
| 94301-10160 | 0 | E01 | 95002-50000 | 0 | E01 | | | |
| 94301-10160 | 0 | E04 | 95002-70000 | 0 | F21 | 96001-06010-00 | 0 | E02 |
| 94301-10160 | 0 | E08 | 95014-72204 | 0 | F15 | 96001-06010-00 | 0 | E04 |
| 94301-12200 | 1 | E02 | 95701-06012-06 | 1 | F04 | 96001-06012-06 | 0 | F16 |
| 94301-12200 | 1 | E03 | 95701-06012-06 | 1 | F06 | 96001-06012-06 | 0 | F19 |
| 94303-04160 | 0 | E07 | 95701-06012-08 | 0 | F10 | 96001-06012-08 | 0 | E01 |
| 94401-25140 | 4 | E03 | 95701-06012-08 | 0 | F20 | 96001-06012-08 | 0 | E07 |

PART NO. INDEX
零件號碼索引

| PART NO. 零件號碼 | VERSION 版數 | PAGE 頁次 | PART NO. 零件號碼 | VERSION 版數 | PAGE 頁次 | PART NO. 零件號碼 | VERSION 版數 | PAGE 頁次 |
|------------------|---------------|------------|------------------|---------------|------------|-------------------------|---------------|------------|
| 96001-06012-08 | 0 | F06 | 96600-06015-10 | 0 | E07 | W W1792-048-9901 | 0 | E05 |
| 96001-06014-08 | 0 | F19 | 96600-08025-06 | 0 | F06 | | | |
| 96001-06016-06 | 0 | E02 | 96600-08035-06 | 0 | F06 | | | |
| 96001-06020-06 | 0 | E01 | 96600-KKC4-900 | 0 | F07 | | | |
| 96001-06022-06 | 1 | E04 | 96600-LKF5-E00 | 0 | F23 | | | |
| 96001-06022-08 | 0 | E01 | | | | | | |
| 96001-06025-06 | 0 | E02 | 98000 | | | | | |
| 96001-06025-06 | 0 | E03 | | | | | | |
| 96001-06025-08 | 0 | E03 | 98059-57916-00 | 2 | E02 | | | |
| 96001-06028-06 | 0 | E04 | 98200-31000 | 1 | F11 | | | |
| 96001-06028-06 | 0 | E07 | 98200-31000 | 1 | F19 | | | |
| 96001-06028-06 | 0 | F04 | 98200-31500 | 0 | F11 | | | |
| 96001-06030-08 | 0 | E01 | 98200-31500 | 0 | F19 | | | |
| 96001-06032-06 | 0 | F20 | 98200-33000 | 0 | F11 | | | |
| 96001-06035-06 | 0 | E04 | 98200-33000 | 0 | F19 | | | |
| 96001-06035-08 | 0 | E01 | | | | | | |
| 96001-06070-06 | 0 | E01 | K | | | | | |
| 96001-06125-06 | 1 | E04 | | | | | | |
| 96001-GFY6-900 | 1 | F13 | K536-174-0200 | 0 | E05 | | | |
| 96100-62040-00 | 0 | E01 | | | | | | |
| 96100-63040-00 | 1 | E01 | N | | | | | |
| 96100-63040-00 | 1 | E03 | | | | | | |
| 96100-63050-00 | 0 | E08 | N114-05103-3 | 0 | E05 | | | |
| 96150-60040-10 | 0 | F07 | | | | | | |
| 96150-60060-10 | 0 | E01 | | | | | | |
| 96150-62040-10 | 0 | F16 | | | | | | |