



CATALOGO RICAMBI

MAXSYM 400 i ABS (LX40A2-6) MY 2012



Colori



BIANCO



NERO

Descrizione Codice

WH-300P

QU

BK-231P

KX

Indice Colori MAXSYM 400 i ABS (LX40A2-6) MY 2012

N O	MODEL			BLACK		WHITE	
	BASIC COLOR			BK		W	
	CODE			BK-231P		WH-300P	
Item	Parts Number	Description	Basic Color	Code	Basic Color	Code	Code
1	42601-L4A-000	RR. CAST WHEEL.	BK-001C	KB	BK-001C	KB	
2	43100-L4A-000	RR.CALIPER ASSY	GD-7403S	DM	GD-7403S	DM	
3	43121-L4A-000	RR.BRAKE DISK	BK-001C	KB	BK-001C	KB	
4	44601-L4A-000	FR.CAST WHEEL COMP	BK-001C	KB	BK-001C	KB	
5	45100-L4A-000	RH.FR.CALIPER ASSY	GD-7403S	DM	GD-7403S	DM	
6	45121-L4A-000	R FRONT BRAKE DISK	BK-001C	KB	BK-001C	KB	
7	45122-L4A-000	L FRONT BRAKE DISK	BK-001C	KB	BK-001C	KB	
8	51400-L4A-000	RH.FR.CUSHION COMP	BK-001C	KB	BK-001C	KB	
9	51500-L4A-000	LH.FR.CUSHION COMP	BK-001C	KB	BK-001C	KB	
10	52400-L4A-000	RR. CUSHION ASSY	BK-001C	KB	BK-001C	KB	
11	5311A-L4A-000	UPPER HANDLE COVER ASSY	BK-231P	KX	WH-300P	QU	
11-1	87553-VS1-100	FR.COVER LID EMBLEM		●		●	
12	5312A-L4A-000	LOWER R HANDLE COVER ASSY	BK-001U	●	BK-001U	●	
13	5312B-L4A-000	LOWER L HANDLE COVER ASSY	BK-001U	●	BK-001U	●	
14	53208-L4A-000	METER PANEL	BK-001U	KA	BK-001U	KA	
15	5320G-L4A-000	FR. UP COVER ASSY	BK-231P	KX	WH-300P	QU	
15-1	87553-L4A-000	S LOGO EMBLEM		●		●	
16	61100-L4A-000	FR. FENDER	BK-231P	KX	WH-300P	QU	
17	64301-L4A-000	FR UNDER SPOILER	BK-231P	KX	WH-300P	QU	
18	64315-L4A-000	MAINTENANCE COVER	BK-001U	KA	BK-001U	KA	
19	6431A-L4A-000	RH. FLOOR PANEL ASSY.	BK-001U	KA	BK-001U	KA	
20	6433A-L4A-000	LH. FLOOR PANEL ASSY.	BK-001U	●	BK-001U	●	
21	67110-L4A-000	WIND SCREEN GARNISH	BK-001U	KA	BK-001U	KA	
22	77406-L4A-000	BACK SEAT FR. COVER	BK-231P	KX	WH-300P	QU	
23	7741A-L4A-000	BACK SEAT RR. COVER ASSY	BK-231P	KX1	WH-300P	QU1	
24	8010A-L4A-000	RR. FENDER ASSY.	BK-001U	KA	BK-001U	KA	
25	81141-L4A-000	INNER BOX LID	BK-231P	KX	WH-300P	QU	
26	81231-L4A-010	FR. INNER BOX	BK-001U	KA	BK-001U	KA	
27	81310-L4A-000	RH. RR GRIP	BK-231P	KX	WH-300P	QU	
28	81320-L4A-000	LH. RR GRIP	BK-231P	KX	WH-300P	QU	
29	8350G-L4A-000	RH BODY COVER ASSY	BK-231P	KX	WH-300P	QU	
29-1	87129-HML-000	I MARK		●		●	
29-2	87131-L4A-000	RH BODY COVER EMBLEM		●		●	
29-3	83501-L4C-000	ABS EMBLEM		●		●	
30	8352A-L4A-000	R SIDE COVER ASSY	BK-231P	KX	WH-300P	QU	
31	8360G-L4A-000	LH BODY COVER ASSY	BK-231P	KX	WH-300P	QU	
31-1	87129-HML-000	I MARK		●		●	
31-2	87132-L4A-000	LH BODY COVER EMBLEM		●		●	
31-2	83501-L4C-000	ABS EMBLEM		●		●	
32	8362A-L4A-000	L.SIDE COVER ASSY	BK-231P	KX	WH-300P	QU	
33	8365G-L4A-000	RR. COVER ASSY	BK-231P	KX	WH-300P	QU	
33-1	87553-VS1-100	FR. COVER LID EMBLEM		●		●	

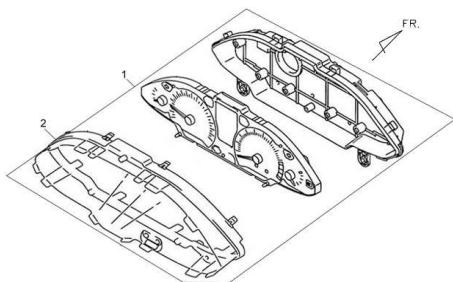


STRIPE			
11-1 	15-1 	29-1/31-1 	29-2 
31-2 	33-1 	29-3	

TELAIO

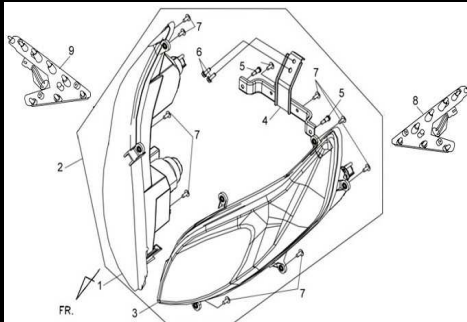
F01

SPEEDMETER ASSY.



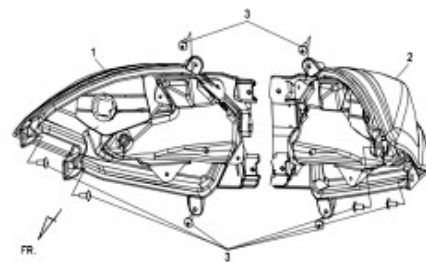
F02

HEAD LIGHT SET



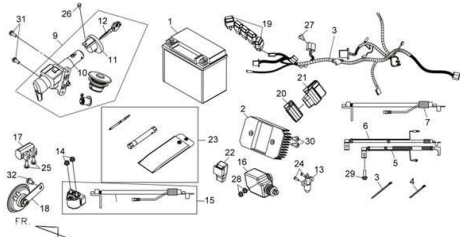
F03

TAIL LIGHT ASSY



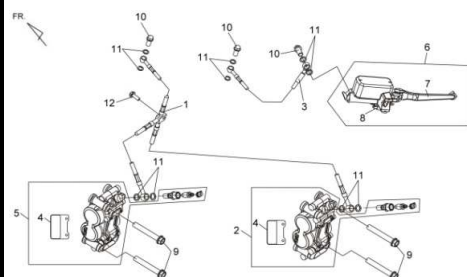
F04

WIRE HARNESS



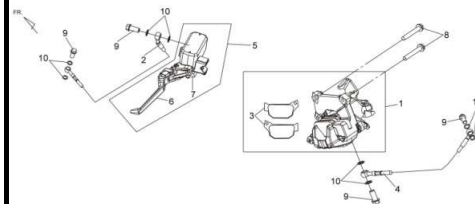
F05

FR BRAKE ASSY



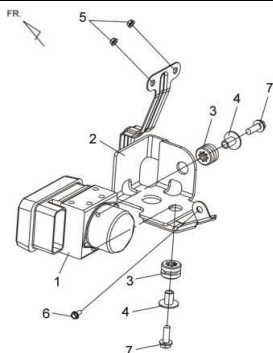
F06

RR. BRAKE ASSY



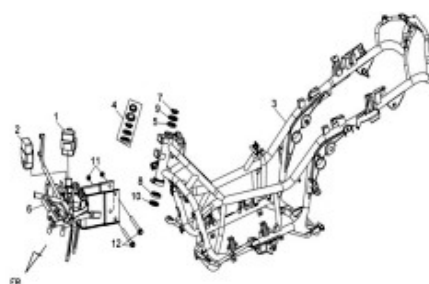
F07

ABS. HYDRAULIC CIRCUIT UNIT ASSY



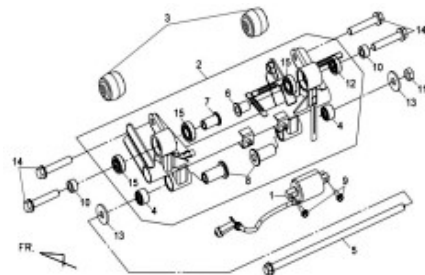
F08

FRAME BODY SET



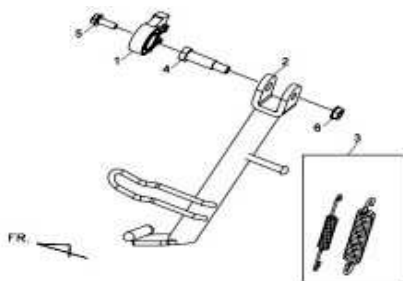
F09

ENG. HANGER LINK SET



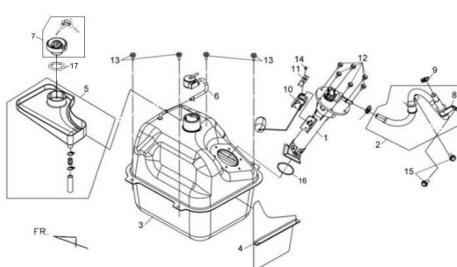
F10

SIDE STAND COMP



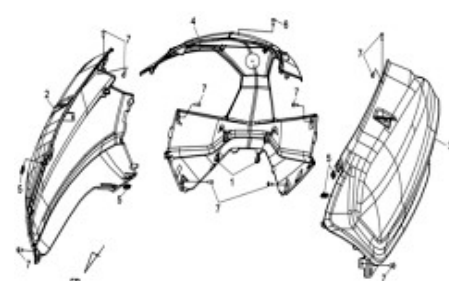
F11

FUEL TANK ASSY



F12

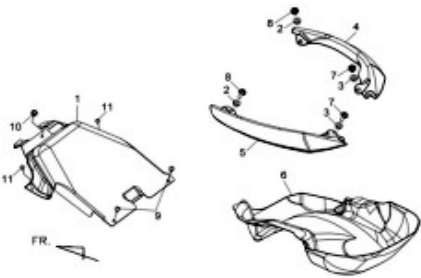
BODY COVER



TELAIO

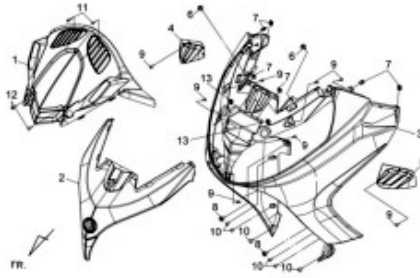
F13

RR GRIP



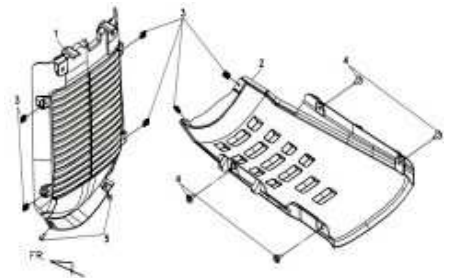
F14

FR UNDER SPOILER ASSY



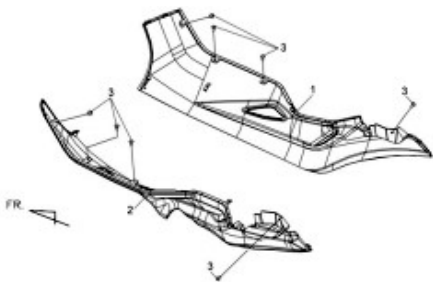
F15

UNDER COVER ASSY



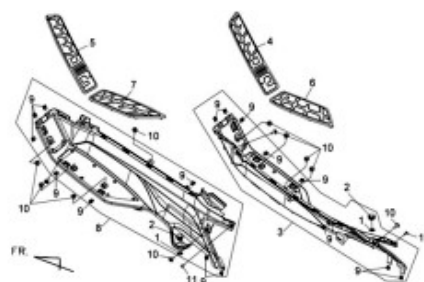
F16

SIDE COVER ASSY



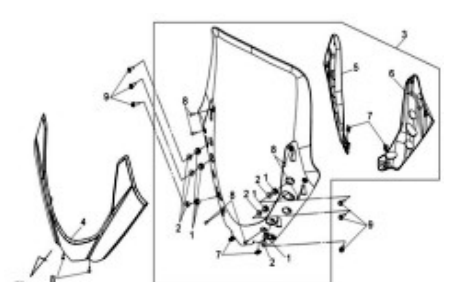
F17

FLOOR PANEL ASSY



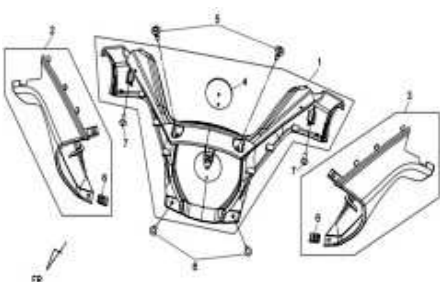
F18

WIND SCREEN ASSY



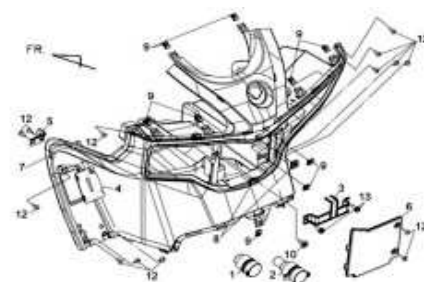
F19

UPPER HANDLE COVER ASSY



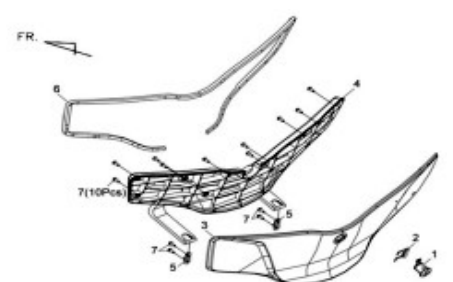
F20

FR. INNER BOX



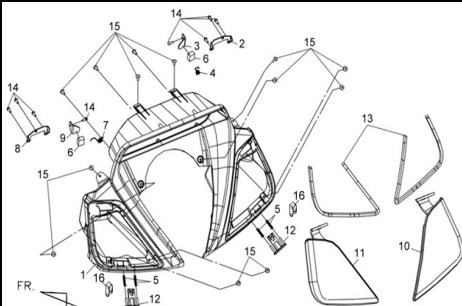
F21

INNER BOX LID



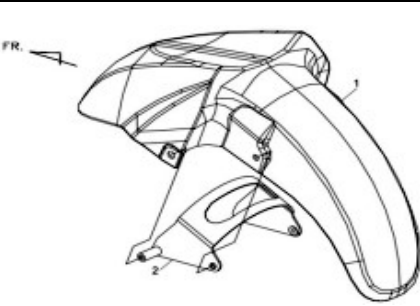
F22

METER PANEL



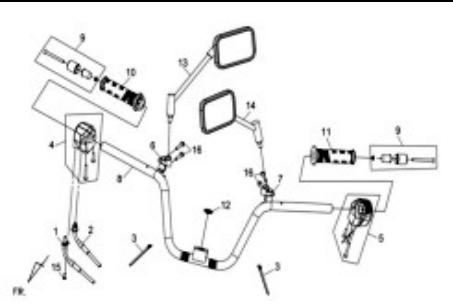
F23

FR. FENDER



F24

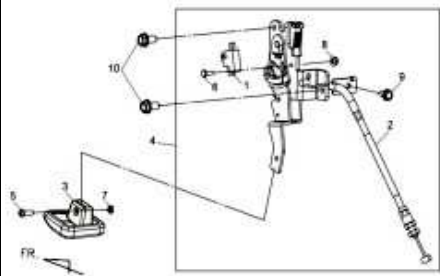
HANDLE ASSY



TELAIO

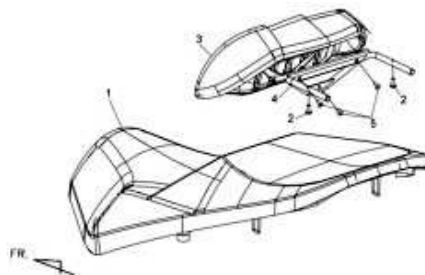
F25

PARKING LEVER ASSY



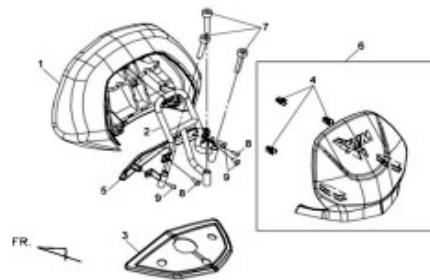
F26

DOUBLE SEAT ASSY



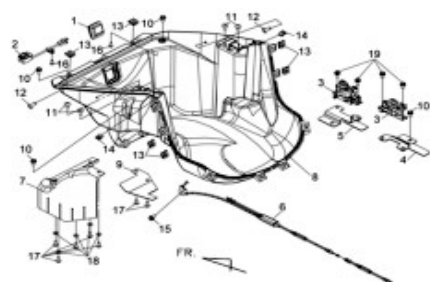
F27

BACK SEAT ASSY



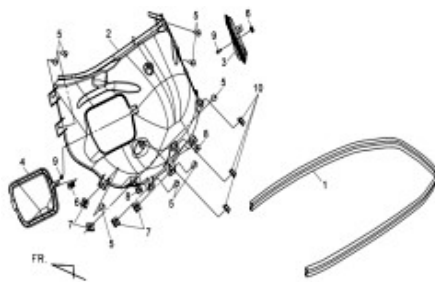
F28

LUGGAGE BOX



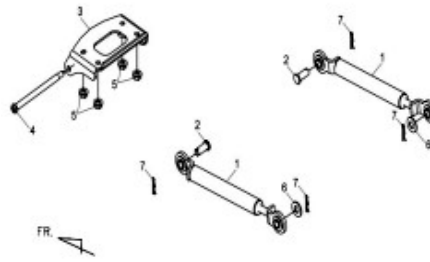
F29

RR. LUGGAGE BOX



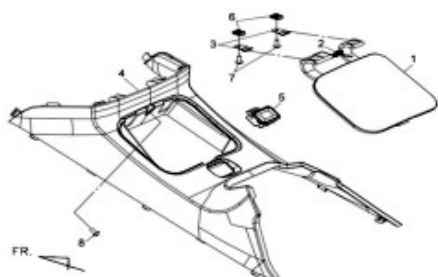
F30

OPEN STAY



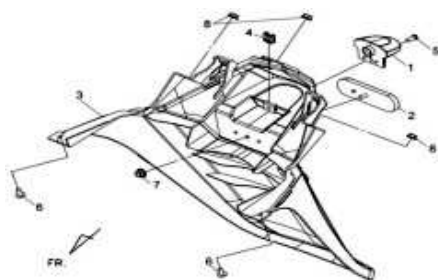
F31

MAINTENANCE COVER ASSY



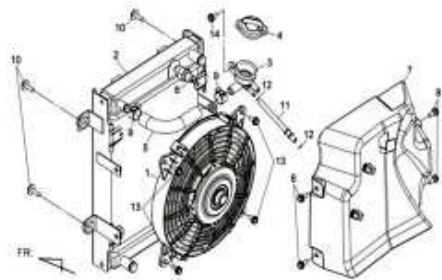
F32

RR. FENDER ASSY



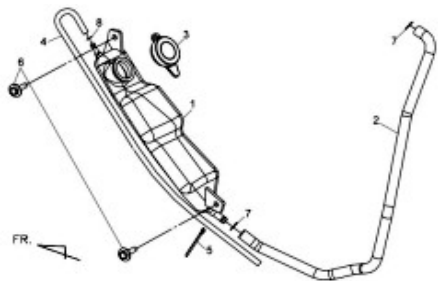
F33

RADIATOR ASSY



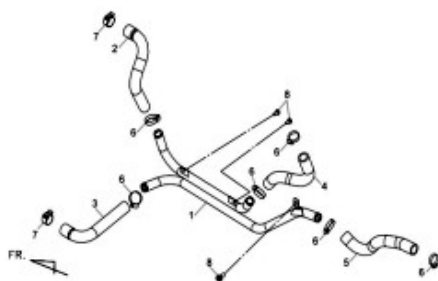
F34

RESERVE TANK ASSY.



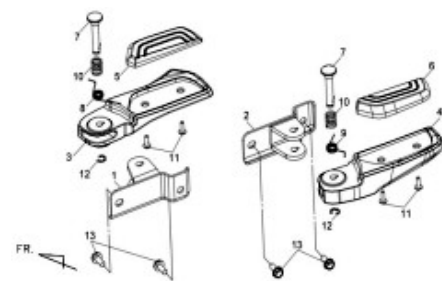
F35

WATER HOSE ASSY



F36

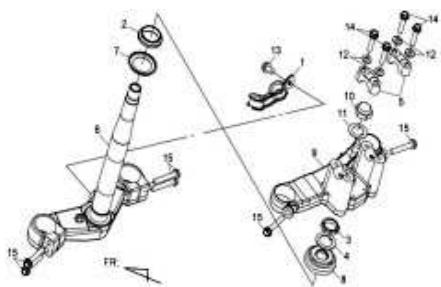
PILLION STEP ASSY



TELAIO

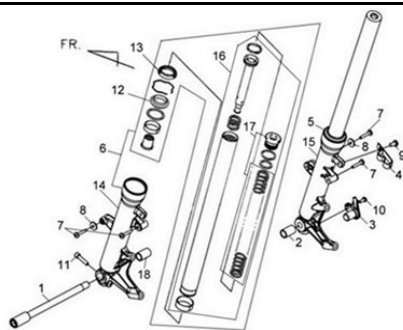
F37

STRG. STEM COMP.



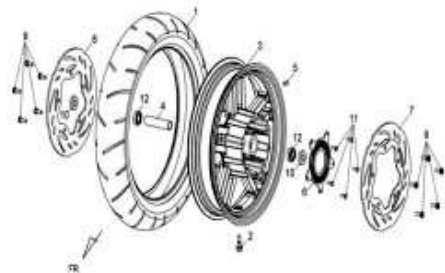
F38

FR. CUSHION COMP.



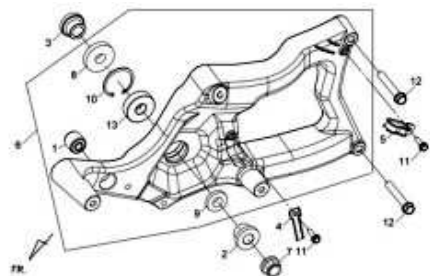
F39

FR. WHEEL ASSY



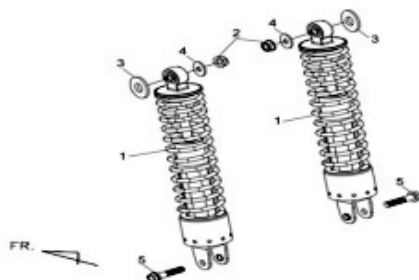
F40

RR. FORK ASSY.



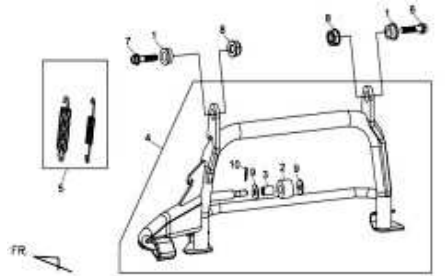
F41

RR CUSHION ASSY



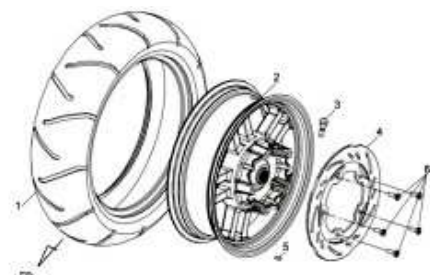
F42

MAIN STAND ASSY.



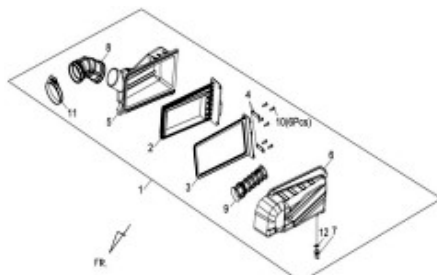
F43

RR. WHEEL ASSY



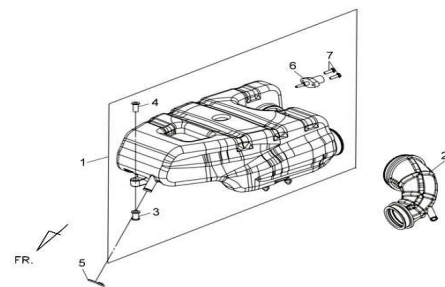
F44

AIR/C ASSY.



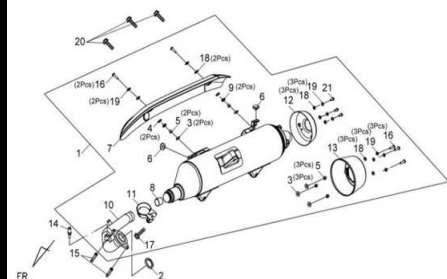
F45

AIR/C BOX ASSY.



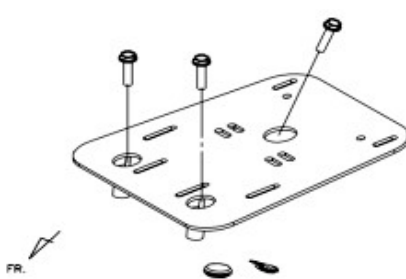
F46

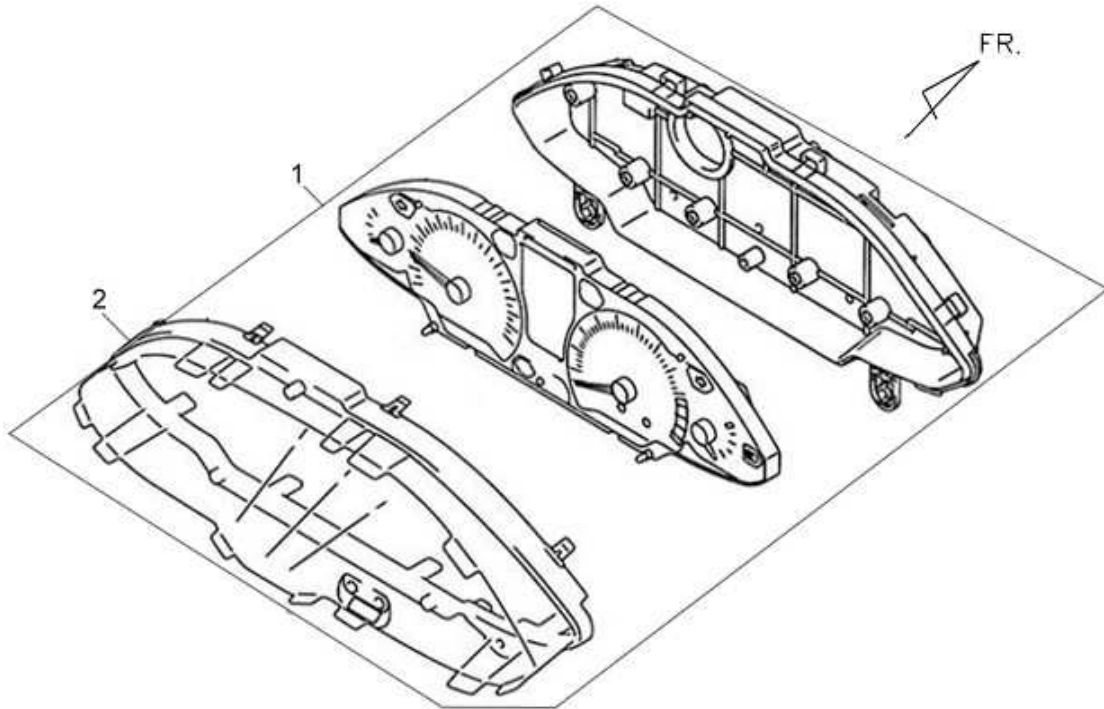
EXH. MUFFLER ASSY.



F47

TRUNK BOX BRKT. ASSY [OPTIONAL]





Pictures reference only

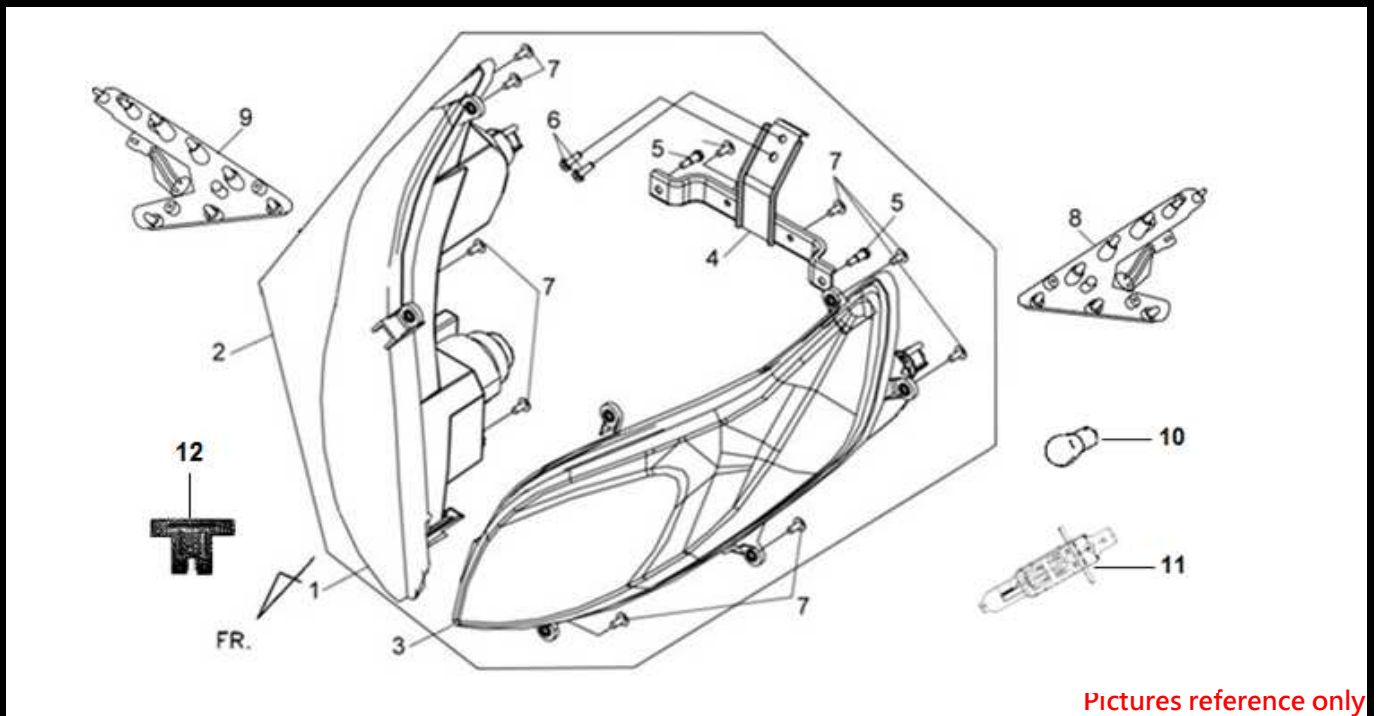
PARTS NUMBER		DESCRIPTION	QTY	EFFECTIVE DATE
1	37200-L4C-000	CRUSCOTTO STRUMENTI COMPLETO	1	
2	37119-L4C-000	VETRO CRUSCOTTO	1	

※ Please check the color & stripe information according to the color index !

※N/A = SUBSTITUTE

※Y = EXCHANGEABLE

※N =NOT EXCHANGEABLE



Pictures reference only

PARTS NUMBER	DESCRIPTION	QTY	EFFECTIVE DATE
1 33100-L4A-000	FANALE ANTERIORE DX	1	
2 3310A-L4A-000	FANALE ANTERIORE COMPLETO	1	
3 33150-L4A-000	FANALE ANTERIORE SX	1	
4 50310-L4A-000	TELAIETTO	1	
5 90111-N24-000	VITE FLANGIATA 6MM	2	
6 93903-24380	VITE AUTOFILETTANTE 4X12	4	
7 93903-35280	VITE AUTOFILETTANTE 5X12	10	
8 33415-L4A-000	KIT LED POSIZIONE FARO DX ANT.	1	
9 33455-L4A-000	KIT LED POSIZIONE FARO SX ANT.	1	
10 34905-T6R-000	LAMPADINA LAMPEG.12V-10W(E)	2	
11 34901-HMC-000	LAMPADINA 12V-55W (H1)	2	
12 33124-HWA-000	PIASTRINA FARI ANTERIORI	1	

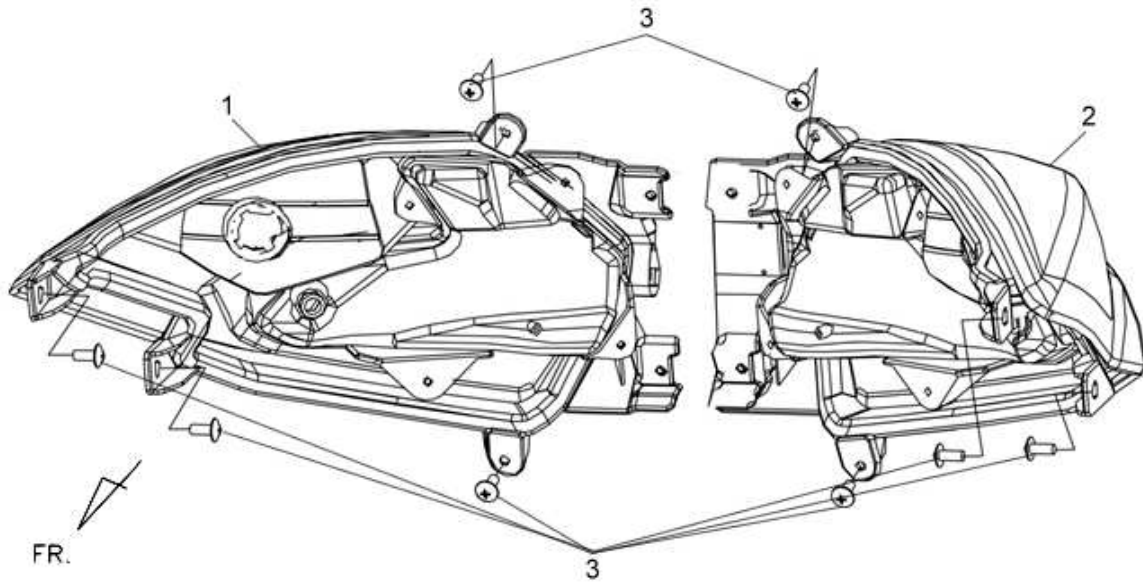
※ Please check the color & stripe information according to the color index !

TEAMWORLD IND. 2012.02

※N/A = SUBSTITUTE

※Y = EXCHANGEABLE

※N = NOT EXCHANGEABLE



Pictures reference only

PARTS NUMBER		DESCRIPTION	QTY	EFFECTIVE DATE
1	33700-L4A-000	FANALE POSTERIORE DX	1	
1-1	33705-L4A-000	LENTE FARO POST.DX	1	
1-2	33706-L4A-000	KIT LED POSIZIONE DX FARO POST.	1	
1-3	34905-A8D-000	LAMPADINA LAMPEG. 12V-10W	1	
2	33750-L4A-000	FANALE POSTERIORE SX	1	
2-1	33755-L4A-000	LENTE FARO POST.SX	1	
2-2	33756-L4A-000	KIT LED POSIZIONE SX FARO POST.	1	
2-3	34905-A8D-000	LAMPADINA LAMPEG. 12V-10W	1	
3	93903-35280	VITE AUTOFILETTANTE 5X12	8	

※ Please check the color & stripe information according to the color index !

 TEAMWORLD IND. 2012.02

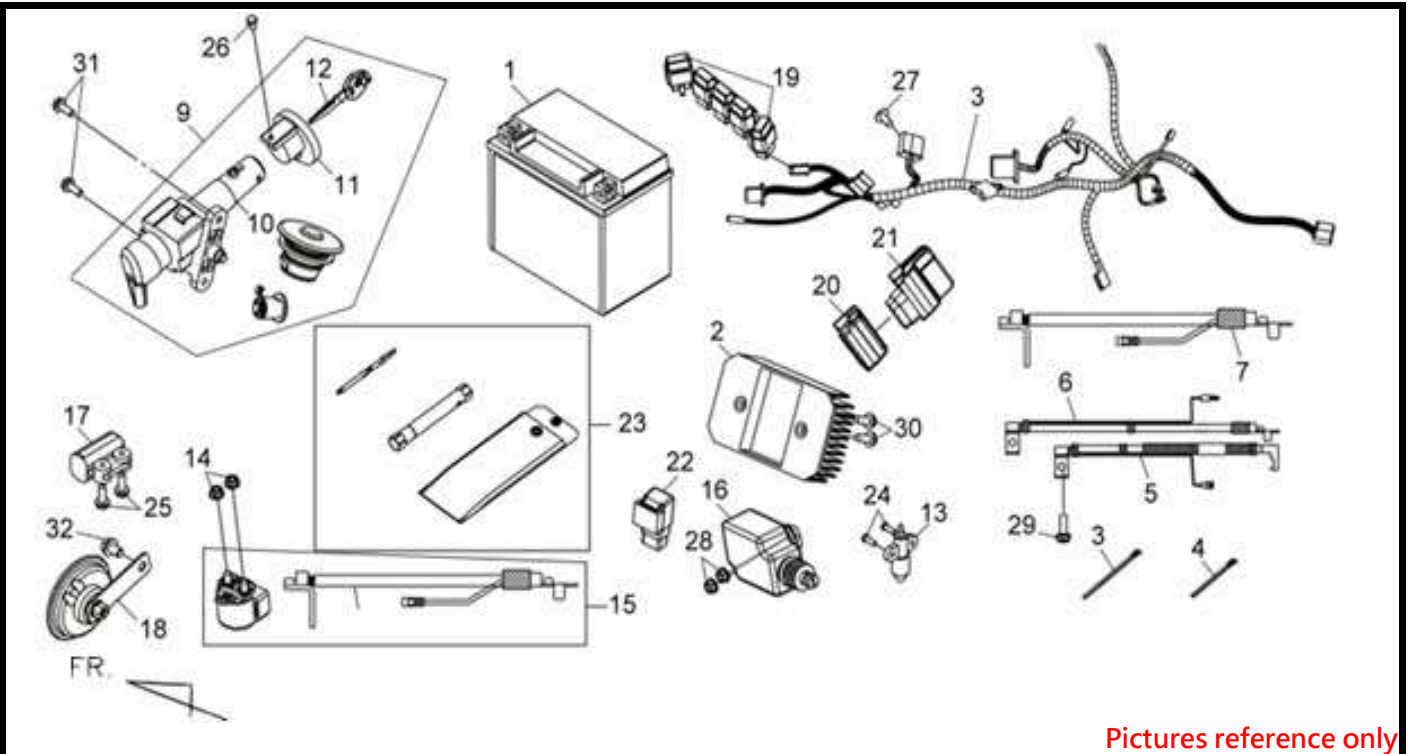
※N/A = SUBSTITUTE

※Y = EXCHANGEABLE

※N =NOT EXCHANGEABLE

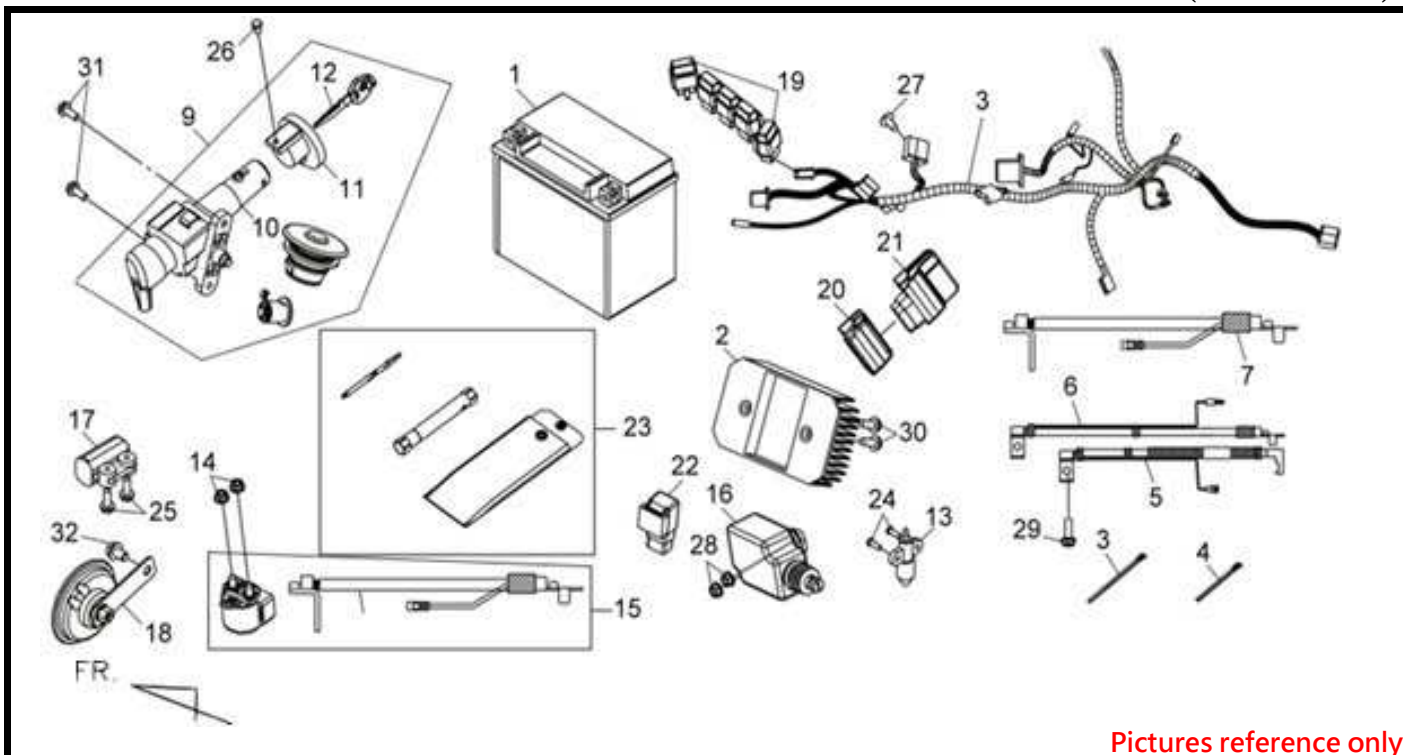
F04 WIRE HARNESS

MAXSYM 400 ABS (LX40A2-6)



Pictures reference only

PARTS NUMBER	DESCRIPTION	QTY	EFFECTIVE DATE
1 1Y01L4A01-Y	BATTERIA TTZ14-S	1	
2 31600-L4A-000	REGOLATORE DI TENSIONE	1	
3 32100-L4C-000	IMPIANTO ELETTRICO	1	
4 32160-A3A-900	WIRE BAND 200X8	9	
5 32161-T15-000	FASCETTA	2	
6 32411-L4A-000	CAVO BATTERIA	1	
7 32412-L4A-000	CAVO MASSA BATTERIA A	1	
8 32415-L4A-000	CAVO MASSA BATTERIA B	1	
9 35010-L4A-000	GRUPPO SERRATURE	1	
10 35100-L4A-000	BLOCCO AVVIAMENTO	1	
11 35110-L4A-000	GHIERA ACCENSIONE	1	
12 35111-L4A-000-B01/20**	CHIAVE	1	
13 35380-L4A-000	INTERRUTTORE LUCE SELLA	1	
14 35859-M9Q-000	STAR MAG. SW NUT	2	
15 3585A-L4A-000	TELERUTTORE AVVIAMENTO	1	
16 35880-HMB-000	SOLENOIDE APERTURA SELLA	1	
17 36100-MMA-100	ROLL OVER SENSOR ASSY	1	
18 38110-L4A-000	CLAXON	1	
19 3850A-HLA-010	RELE' AVVIAMENTO	5	
20 38700-L4A-000	GOMMINO E.C.U.	1	
21 38710-L4A-000	CENTRALINA E.C.U.	1	
22 38800-H5B-000	ELECTRIC RELAY UNIT	1	
23 89010-M92-000	SERIE UTENSILI	1	
24 93500-04012-0H	VITE 4X12	2	
25 93891-04022-08	SCREW WASHER 4X22	2	

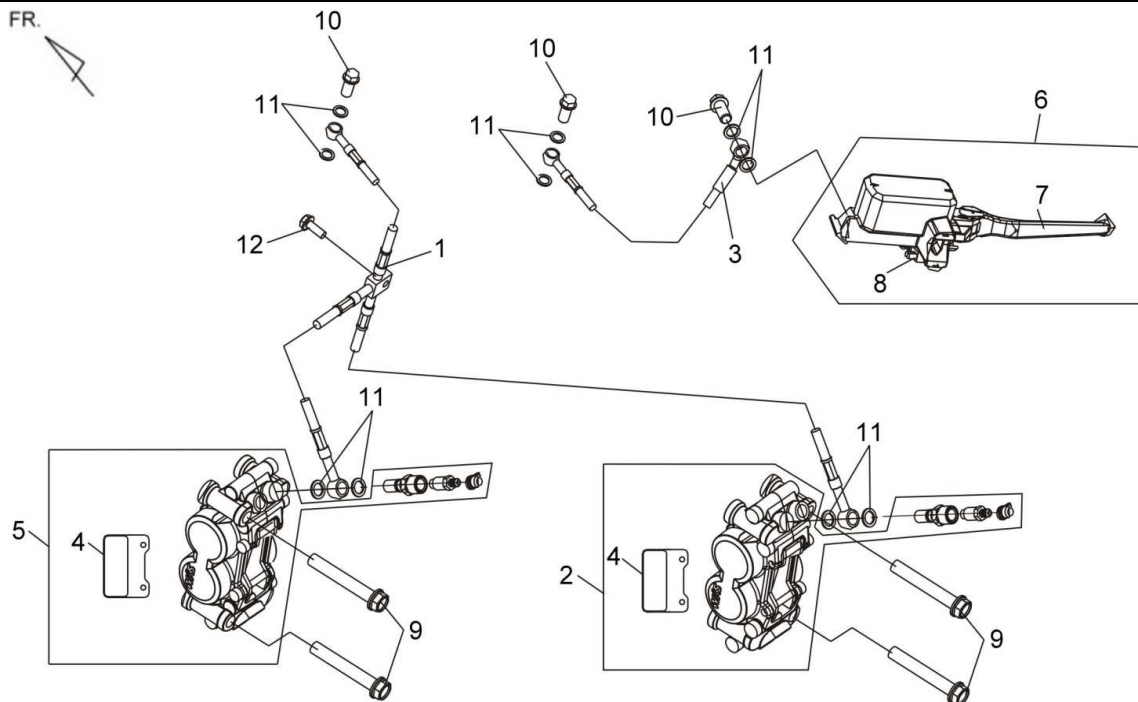


Pictures reference only

PARTS NUMBER	DESCRIPTION	QTY	EFFECTIVE DATE
27	93903-24380	1	
28	94050-06070	2	
29	95801-06012-08	1	
30	95801-06016-08	2	
31	95801-06018-07	2	
32	95801-08012-07	1	

F05 FR BRAKE ASSY

MAXSYM 400 ABS (LX40A2-6)



Pictures reference only

PARTS NUMBER	DESCRIPTION	QTY	EFFECTIVE DATE
1 43315-L4C-000	FR CALIPER HOSE	1	
2 45100-L4C-000-DM	PINZA FRENO ANTERIORE DX	1	
3 45126-L4C-000	TUBO OLIO FRENO ANTERIORE	1	
4 45130-L4A-300	COPPIA PAST.FRENO ANT.SX	2	
5 45200-L4C-000-DM	PINZA FRENO ANTERIORE SX	1	
6 45500-L4A-000	POMPA FRENO ANTERIORE DX	1	
7 45509-L4A-300	LEVA FRENO ANT.DX COMPLETA	1	
8 45514-L4A-300	INTERRUTTORE STOP DX	1	
9 90102-L4A-000	BULLONE 10X22	4	
10 90145-M9Q-000	VITE 10X22 RACCORDO TUBO OLIO	3	
11 90545-M9Q-000	RONDELLA TUBO OLIO	10	
12 95801-06016-07	VITE FLANGIATA 6X16	1	

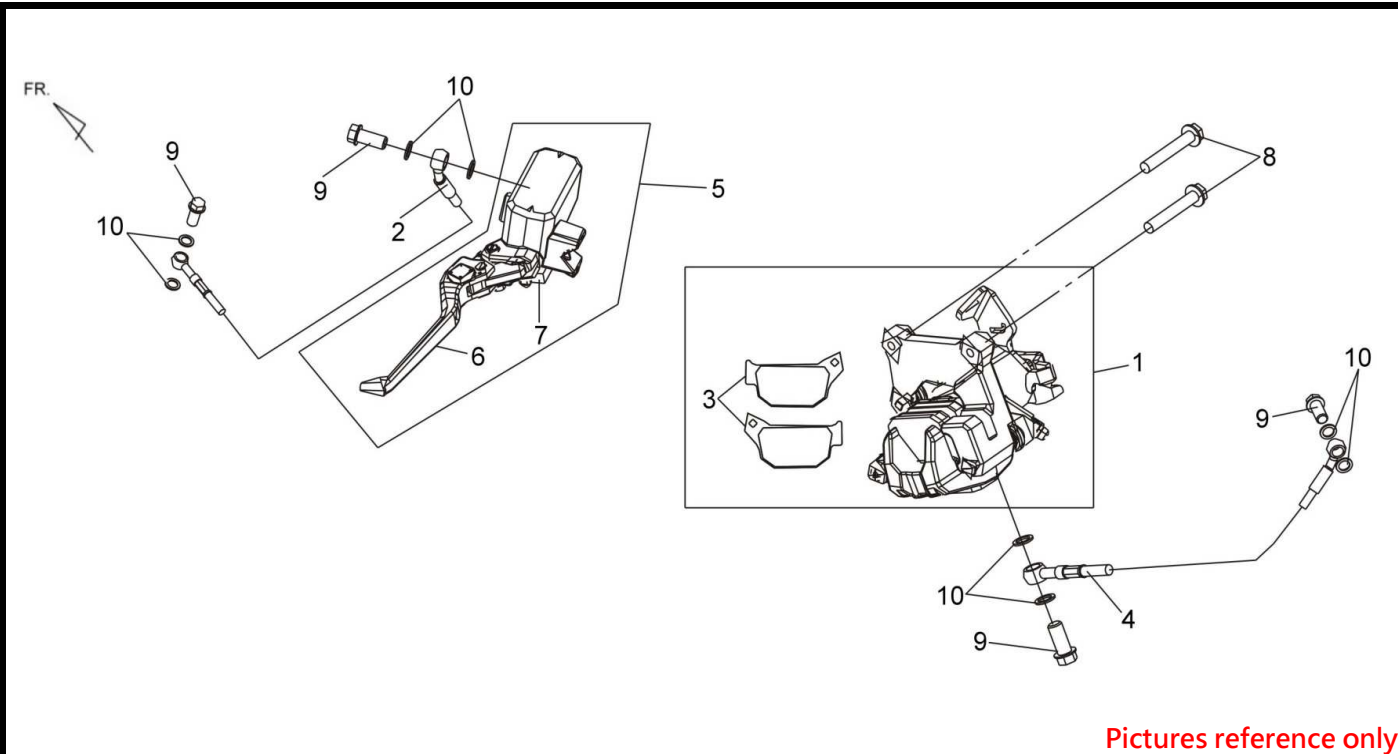
※ Please check the color & stripe information according to the color index !

TEAMWORLD IND. 2012.02

※N/A = SUBSTITUTE

※Y = EXCHANGEABLE

※N =NOT EXCHANGEABLE



Pictures reference only

PARTS NUMBER	DESCRIPTION	QTY	EFFECTIVE DATE
1 43100-L4A-000-DM	PINZA FRENO POSTERIORE	1	
2 43126-L4C-000	TUBO OLIO FRENO POSTERIORE	1	
3 43140-L4A-300	COPPIA PAST.FRENO POST.	1	
4 43313-L4C-000	RR CALIPER HOSE	1	
5 43500-L4C-000	POMPA FRENO ANTERIORE SX	1	
6 43509-L4A-300	LEVA FRENO ANT.SX COMPLETA	1	
7 43514-L4A-300	INTERRUTTORE STOP SX	1	
8 90104-LEA-000	VITE FLANGIATA 8X50	2	
9 90145-M9Q-000	VITE 10X22 RACCORDO TUBO OLIO	4	
10 90545-M9Q-000	RONDELLA TUBO OLIO	8	

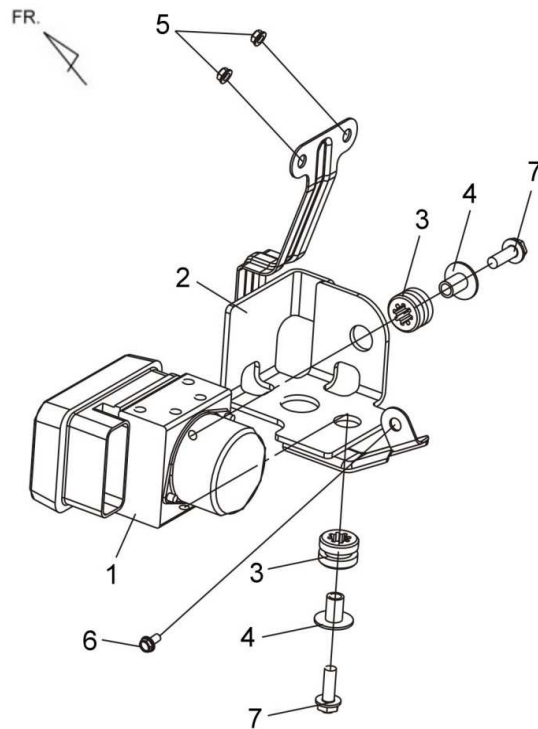
※ Please check the color & stripe information according to the color index !

 TEAMWORLD IND. 2011.05

※N/A = SUBSTITUTE

※Y = EXCHANGEABLE

※N =NOT EXCHANGEABLE



Pictures reference only

PARTS NUMBER	DESCRIPTION	QTY	EFFECTIVE DATE
1 38730-L4C-000	ABS.HYDRAULIC CIRCUIT UNIT	1	
2 38731-L4C-000	ABS. HYDRAULIC UNIT STAY	1	
3 80103-X01-000	SILENTBLOCK	2	
4 80104-X01-000	RR. FENDER COLLAR	2	
5 94050-06070	DADO FLANGIATO 6MM	2	
6 95801-06012-07	VITE FLANGIATA 6X12	1	
7 95801-06020-07	FLANGE BOLT 6*20	2	

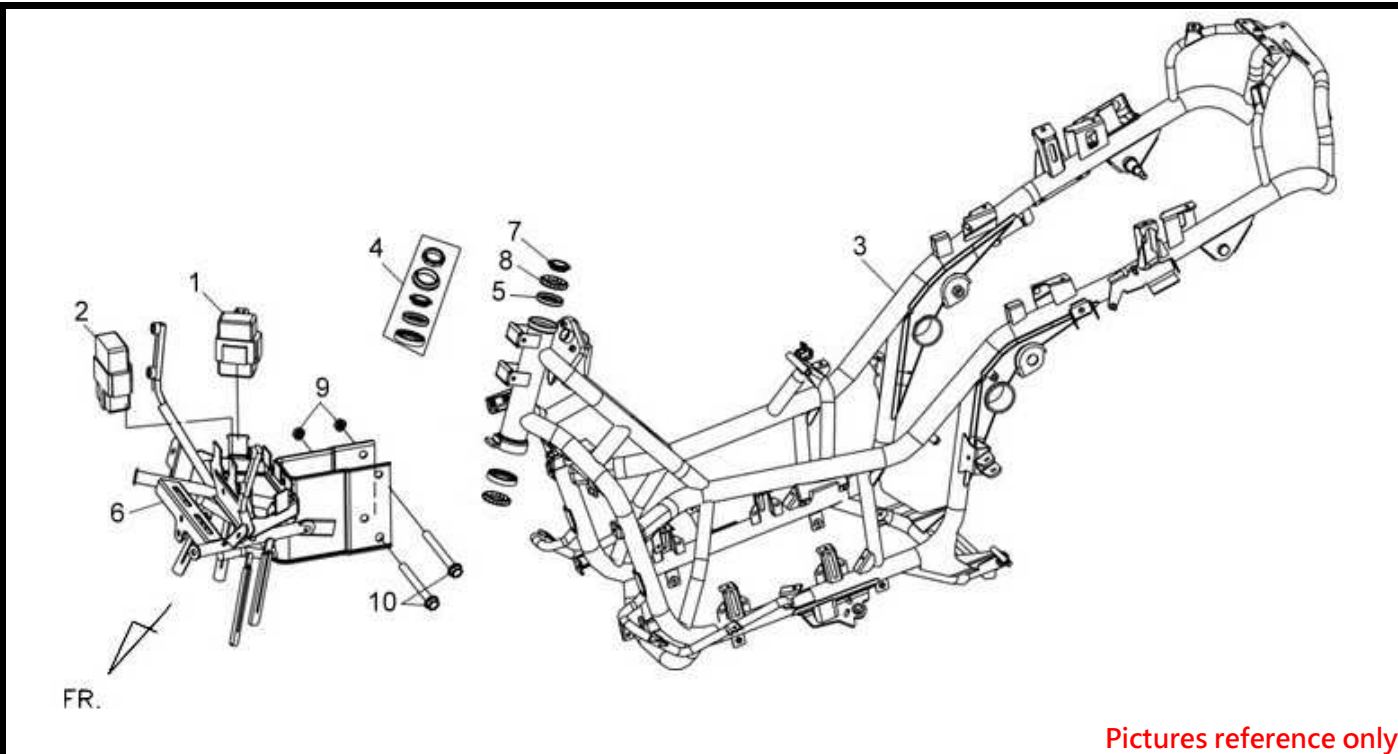
※ Please check the color & stripe information according to the color index !

TEAMWORLD IND. 2011.05

※N/A = SUBSTITUTE

※Y = EXCHANGEABLE

※N =NOT EXCHANGEABLE



Pictures reference only

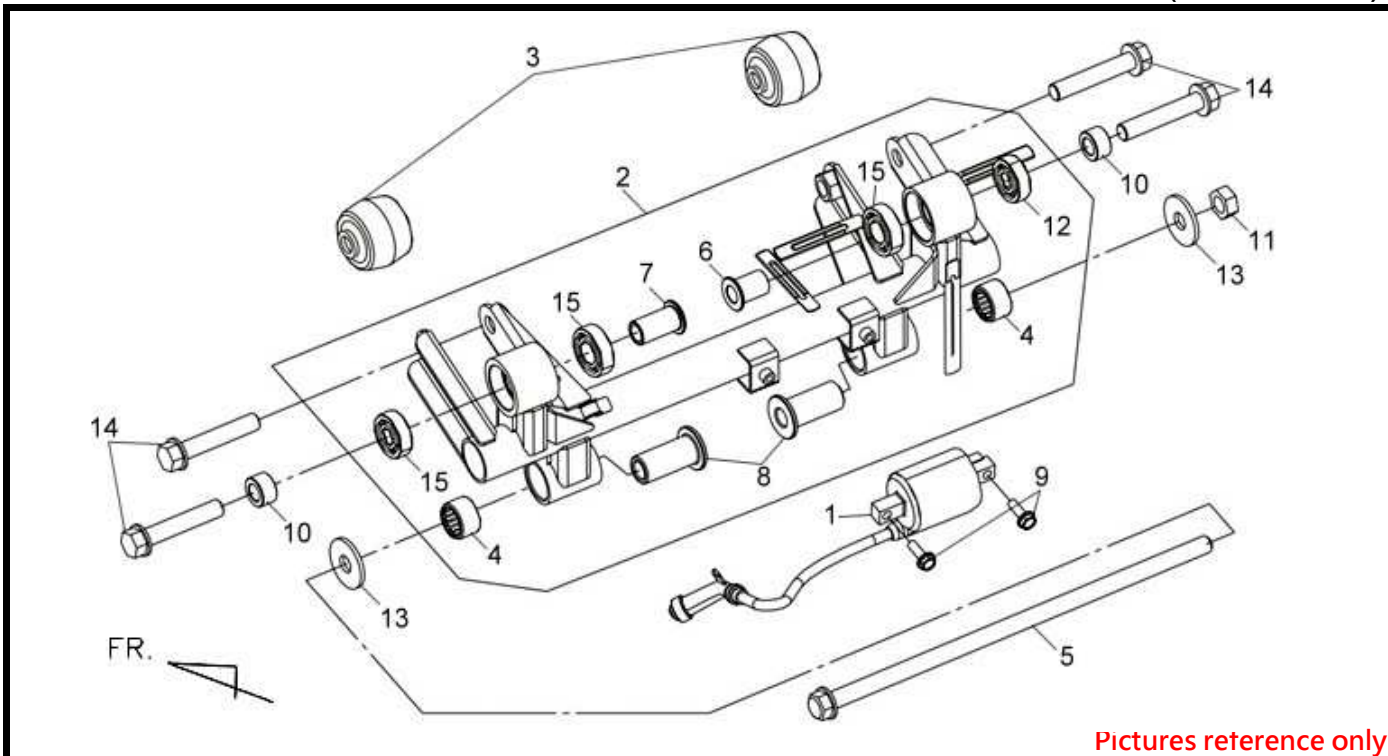
PARTS NUMBER	DESCRIPTION	QTY	EFFECTIVE DATE
1 3043A-REA-000	BATTERY OPEN CONTROL ASSY	1	
2 3872A-L4A-000	CENTRALINA HAZARD	1	
3 5010N-L4A-001	TELAIO LX40A1-6	1	
4 50300-L4A-000	SERIE STERZO	1	
5 50301-HMA-000	STRG. UP. BALL RACE	1	
6 50315-L4C-000	SUPPORTO SCUDO ANT.	1	
7 53211-HMA-000	CALOTTA STERZO SUPERIORE	1	
8 53215-HMA-000	STEEL BALL UP ASSY.	1	
9 94050-08080	DADO FLANGIATO 8MM	2	
10 95801-08065-08	VITE FLANGIATA 8X65	2	

※ Please check the color & stripe information according to the color index !

※N/A = SUBSTITUTE

※Y = EXCHANGEABLE

※N =NOT EXCHANGEABLE



Pictures reference only

PARTS NUMBER	DESCRIPTION	QTY	EFFECTIVE DATE
1 3051A-L4C-000	BOBINA ACCENSIONE+PIPETTA	1	
2 50350-L4A-000	SUPPORTO MOTORE COMPL.	1	
3 50356-L4A-000	STOPPER RUBBER BUSH	2	
4 50367-L4A-000	NEEDLE ROLLER BRG.	2	
5 90105-L4A-000	ENG HANGER AXLE	1	
6 90107-L4A-000	HANGER COLLAR	1	
7 90108-L4A-000	FR.HANGER COLLAR	1	
8 90109-L4A-000	HANGER UNDER COLLAR	2	
9 90112-M9Q-000	VITE FLANGIATA 6MM	2	
10 90121-L4A-000	DISTANZIALE	2	
11 90306-M9Q-000	DADO 12MM	1	
12 90912-M9Q-000-M1	CUSCINETTO A SFERE 6201TU/2A	1	
13 94103-12800	PLAIN WASHER	2	
14 95801-12065-07	VITE FLANGIATA 12X65	4	
15 96150-60033-10	CUSCINETTO A SFERE 6003UU	3	

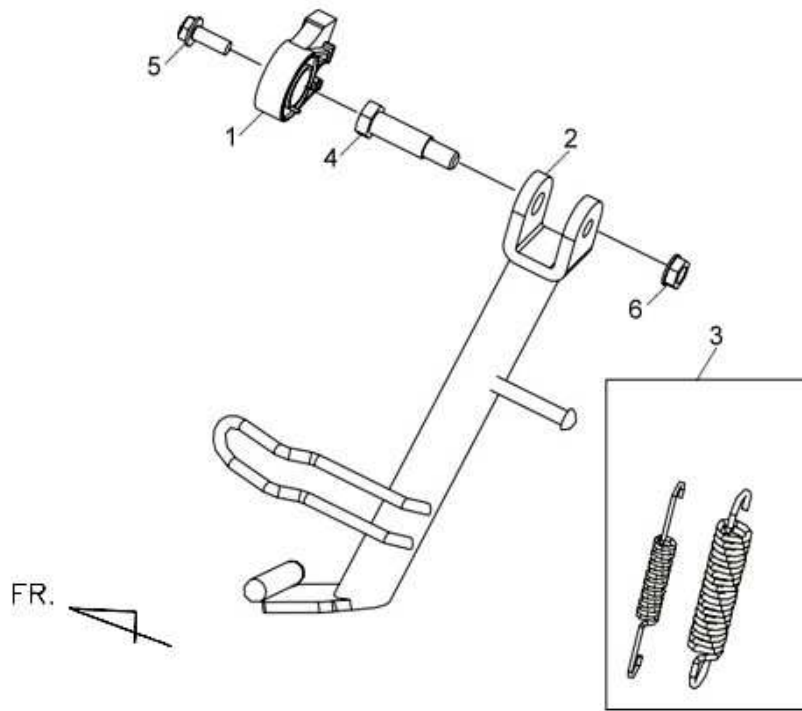
※ Please check the color & stripe information according to the color index !

TEAMWORLD IND. 2011.05

※N/A = SUBSTITUTE

※Y = EXCHANGEABLE

※N = NOT EXCHANGEABLE



Pictures reference only

PARTS NUMBER		DESCRIPTION	QTY	EFFECTIVE DATE
1	36500-HMA-000	INTERRUPTORE CAVALLETTO LATERALE	1	
2	50530-L4A-000	CAVALLETTO LATERALE	1	
3	5053A-HMA-000	MOLLA CAVALLETTO LATERALE	1	
4	90108-HMA-000	VITE CAVALLETTO LATERALE	1	
5	93404-06016-07	BOLT WASHER 6X16	1	
6	94030-08080	DADO 8MM	1	

※ Please check the color & stripe information according to the color index !

 TEAMWORLD IND. 2011.05

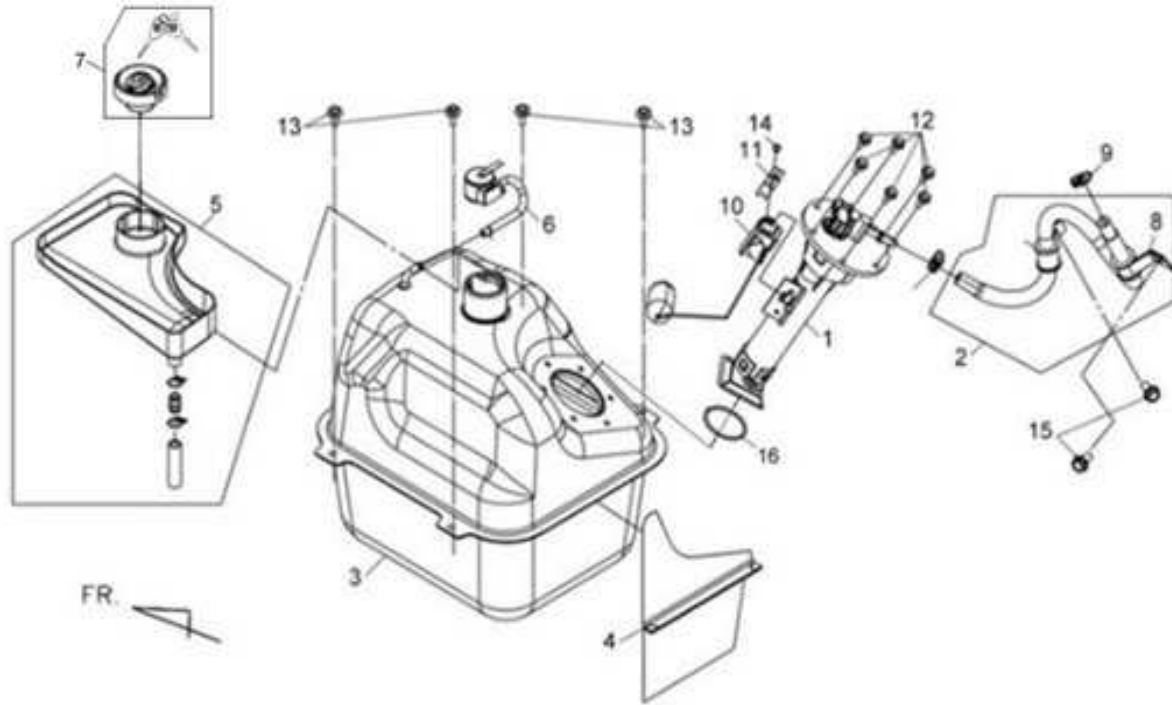
※N/A = SUBSTITUTE

※Y = EXCHANGEABLE

※N =NOT EXCHANGEABLE

F11 FUEL TANK ASSY

MAXSYM 400 ABS (LX40A2-6)



Pictures reference only

PARTS NUMBER	DESCRIPTION	QTY	EFFECTIVE DATE
1 1670A-L4A-000	POMPA CARBURANTE	1	
2 16730-L4A-000	TUBO CARBURANTE	1	
3 17500-L4A-000	SERBATOIO CARBURANTE	1	
4 17506-L4A-000	PANNELLO CALORE	1	
5 17510-L4A-000	FUEL TANK CAP RUBBER ASSYBK-001U	1	
6 17580-L4C-000	VALVOLA SFIATO SERBATOIO	1	
7 17620-L4A-000	TAPPO SERBATOIO CARBURANTE	1	
8 17788-L4A-000	FUEL TUBE CLAMP B	2	
9 19505-H5D-000	FASCETTA TUBO RADIATORE	2	
10 37800-L4A-000	SONDA LIVELLO CARBURANTE	1	
11 37804-LEA-000	FUEL UNIT STAY	1	
12 90106-LEA-000	FUEL PUMP BOLT	6	
13 93404-06012-07	WASHER BOLT 6X12	4	
14 93903-HGC-000	TAPPING SCREW	1	
15 95801-06012-08	FLANGE BOLT	2	
16 37801-A5L-000	FUEL FILTER PACKING	1	

※ Please check the color & stripe information according to the color index !

TEAMWORLD IND. 2011.05

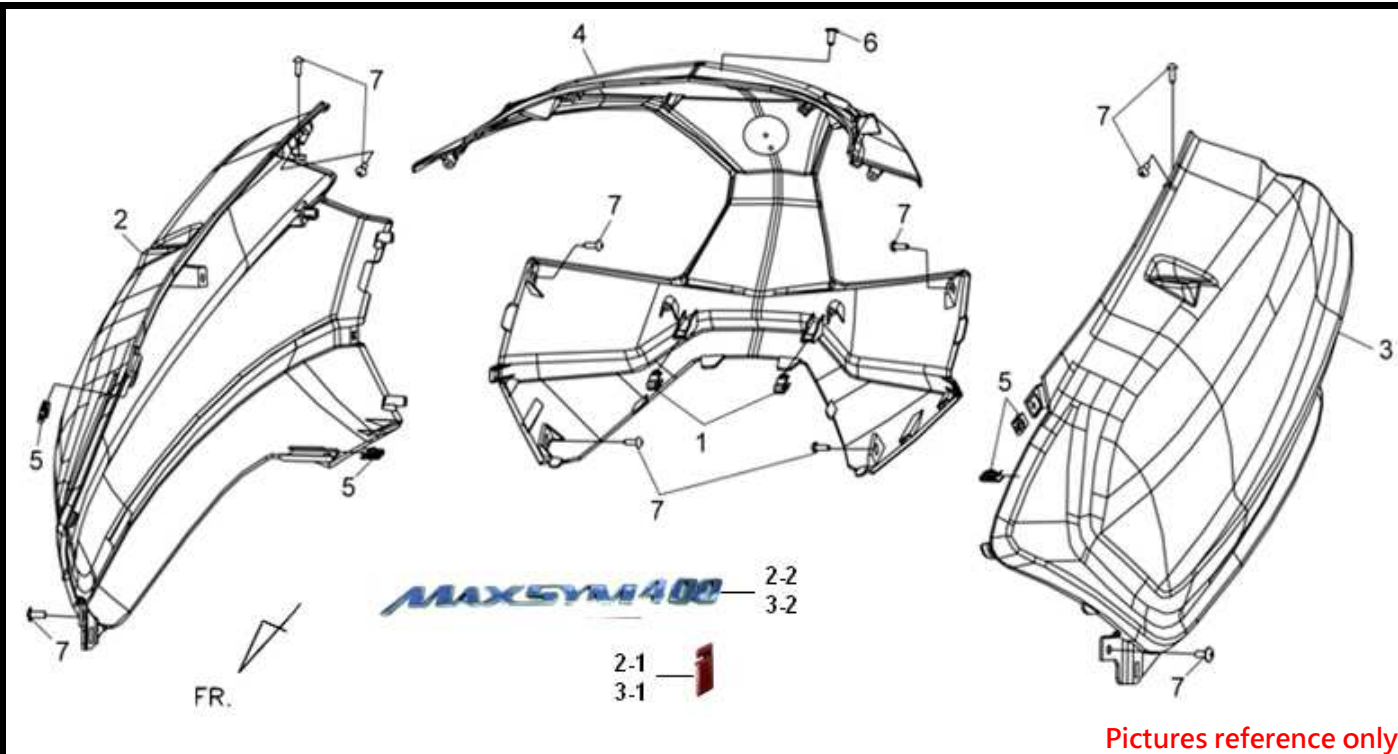
※N/A = SUBSTITUTE

※Y = EXCHANGEABLE

※N =NOT EXCHANGEABLE

F12 BODY COVER

MAXSYM 400 ABS (LX40A2-6)



Pictures reference only

PARTS NUMBER	DESCRIPTION	QTY	EFFECTIVE DATE
1 77405-L4A-000	CLIP	2	
2 8350G-L4C-000-KX	FIANCHETTO DX NERO BK-231P	1	
2 8350G-L4C-000-QU	FIANCHETTO DX BIANCO WH-300P	1	
2-1 87129-HML-000	ADESIVO "Iniezione"	1	
2-2 87131-L4A-000	ADESIVO MAXSYM 400 (DX/SX)	1	
2-3 83501-L4C-000	ADESIVO "ABS"		
3 8360G-L4C-000-KX	FIANCHETTO SX NERO BK-231P	1	
3 8360G-L4C-000-QU	FIANCHETTO SX BIANCO WH-300P	1	
3-1 87129-HML-000	ADESIVO "Iniezione"	1	
3-2 87132-L4A-000	ADESIVO MAXSYM 400 (DX/SX)	1	
3-3 83501-L4C-000	ADESIVO "ABS"		
4 8365G-L4A-000-KX	COPER.FIANC.POST. NERO BK-231P	1	
4-1 87553-VS1-100	FR.COVER LID EMBLEM	1	
4 8365G-L4A-000-QU	COPER.FIANC.POST.BIANCO WH-300P	1	
4-1 87553-VS1-100	FR.COVER LID EMBLEM	1	
5 90308-X04-000	FLANGE SPECIAL NUT 10MM	4	
6 93891-05012-08	WASHER SCREW 5X12	1	
7 93903-35280	TAPPING SCREW 5*12	10	

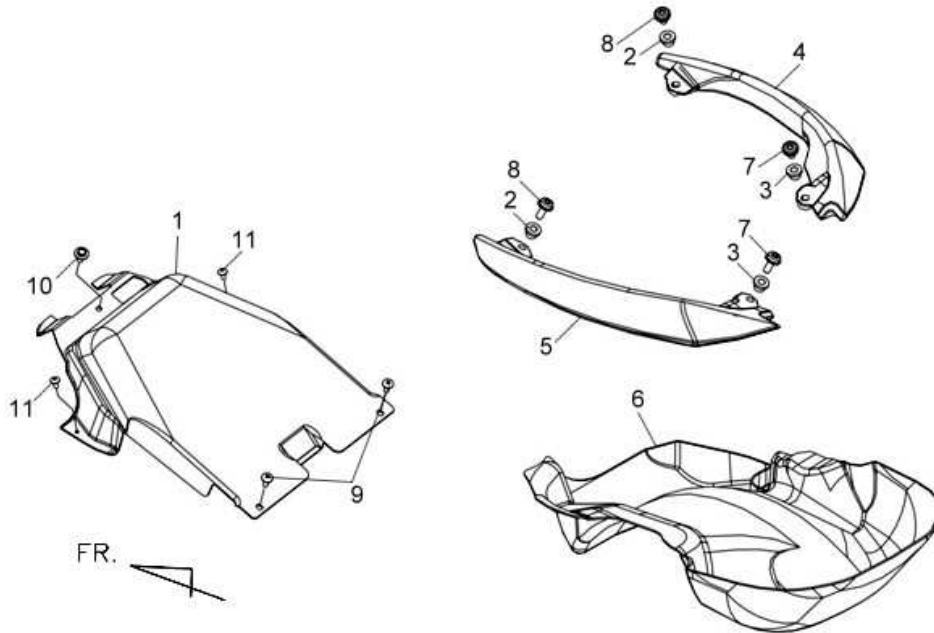
※ Please check the color & stripe information according to the color index !

TEAMWORLD IND. 2011.05

※N/A = SUBSTITUTE

※Y = EXCHANGEABLE

※N =NOT EXCHANGEABLE



Pictures reference only

PARTS NUMBER	DESCRIPTION	QTY	EFFECTIVE DATE
1 64316-L4A-000	COPERCHIO AIR BOX	1	
2 81204-L4A-000	RR. GRIP COLLAR A	2	
3 81205-L4A-000	RR. GRIP COLLAR B	2	
4 81310-L4A-000-KX	MANIGLIA DX POST.NERA BK-231P	1	
4 81310-L4A-000-QU	MANIGLIA DX POST.BIANCA WH-300P	1	
5 81320-L4A-000-KX	MANIGLIA SX POST.NERA BK-231P	1	
5 81320-L4A-000-QU	MANIGLIA SX POST.BIANCA WH-300P	1	
6 83630-L4A-000	LUGGAGE BOX MAT	1	
7 90101-L4A-000	VITE SPECIALE 8MM	2	
8 90105-G19-000	VITE SPECIALE 8MM	2	
9 90115-G02-000	VITE FLANGIATA 6X16	2	
10 93404-06016-07	BOLT WASHER 6X16	1	
11 93903-35220	SCREW TAPPING	2	

※ Please check the color & stripe information according to the color index !

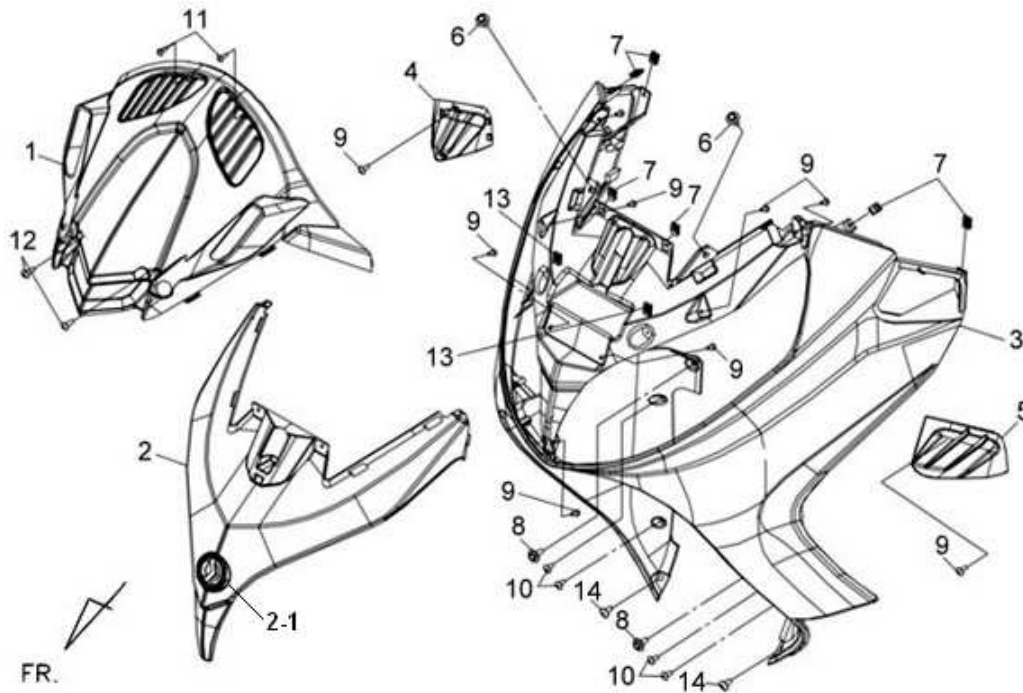
※N/A = SUBSTITUTE

※Y = EXCHANGEABLE

※N =NOT EXCHANGEABLE

F14 FR UNDER SPOILER ASSY

MAXSYM 400 ABS (LX40A2-6)



Pictures reference only

PARTS NUMBER	DESCRIPTION	QTY	EFFECTIVE DATE
1 53209-L4A-010	METER VISOR BK-001U	1	
2 5320G-L4A-000-KX	COPERCHIO SCUDO ANT.NERO BK-231P	1	
2 5320G-L4A-000-QU	COPERCHIO SCUDO ANT.BIANCO WH-300P	1	
2-1 87553-L4A-000	LOGO SYM	1	
3 64301-L4A-000-KX	SCUDO ANT.NERO BK-231P	1	
3 64301-L4A-000-QU	SCUDO ANT.BIANCO WH-300P	1	
4 64306-L4A-000-KA	GRIGLIA DX	1	
5 64308-L4A-000-KA	GRIGLIA SX	1	
6 90112-N01-000	FLANGE BOLT 6MM	2	
7 90308-X04-000	FLANGE SPECIAL NUT 10MM	6	
8 93404-06016-07	BOLT WASHER 6X16	2	
9 93903-34380	VITE AUTOFILETTANTE 4X12	7	
10 93903-35280	VITE AUTOFILETTANTE 5X12	4	
11 93903-44380	VITE AUTOFILETTANTE 4X12	2	
12 93903-45380	VITE AUTOFILETTANTE 5X16	2	
13 95801-06012-08	FLANGE BOLT	2	
14 90115-REA-000	PLASTIC UNT 6MM	2	

※ Please check the color & stripe information according to the color index !

TEAMWORLD IND. 2011.05

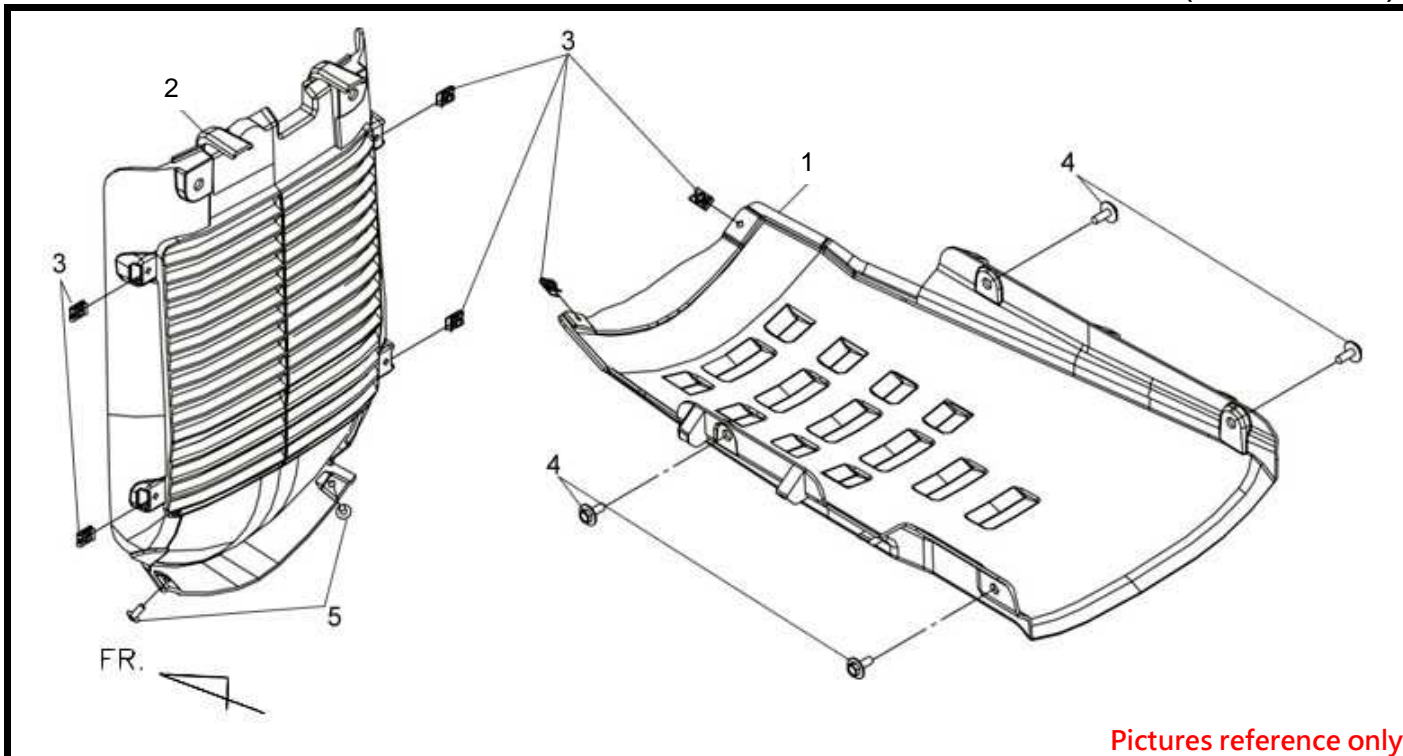
※N/A = SUBSTITUTE

※Y = EXCHANGEABLE

※N =NOT EXCHANGEABLE

F15 UNDER COVER ASSY

MAXSYM 400 ABS (LX40A2-6)



Pictures reference only

PARTS NUMBER		DESCRIPTION	QTY	EFFECTIVE DATE
1	64300-L4A-000	COPERCHIO INFERIORE BK-001U	1	
2	64305-L4A-000	COPERCHIO RADIATORE BK-001U	1	
3	90308-X04-000	FLANGE SPECIAL NUT 10MM	6	
4	93404-06016-07	BOLT WASHER 6X16	4	
5	93903-35280	TAPPING SCREW 5*12	2	

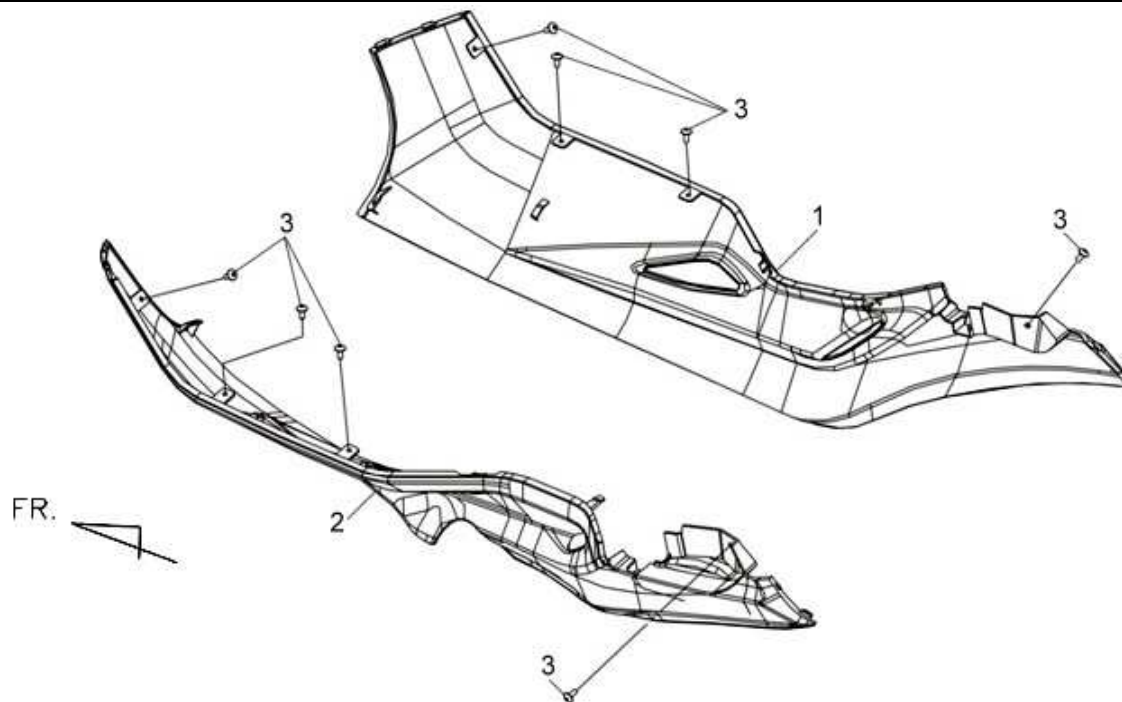
※ Please check the color & stripe information according to the color index !

 TEAMWORLD IND. 2011.05

※N/A = SUBSTITUTE

※Y = EXCHANGEABLE

※N =NOT EXCHANGEABLE



Pictures reference only

PARTS NUMBER		DESCRIPTION	QTY	EFFECTIVE DATE
1	8352A-L4C-000-KX	FIANCHETTO INF.DX NERO BK-231P	1	
1	8352A-L4C-000-QU	FIANCHETTO INF.DX BIANCO WH-300P	1	
2	8362A-L4C-000-KX	FIANCHETTO INF.SX NERO BK-231P	1	
2	8362A-L4C-000-QU	FIANCHETTO INF.SX BIANCO WH-300P	1	
3	93903-35280	VITE AUTOFILETTANTE 5X12	8	

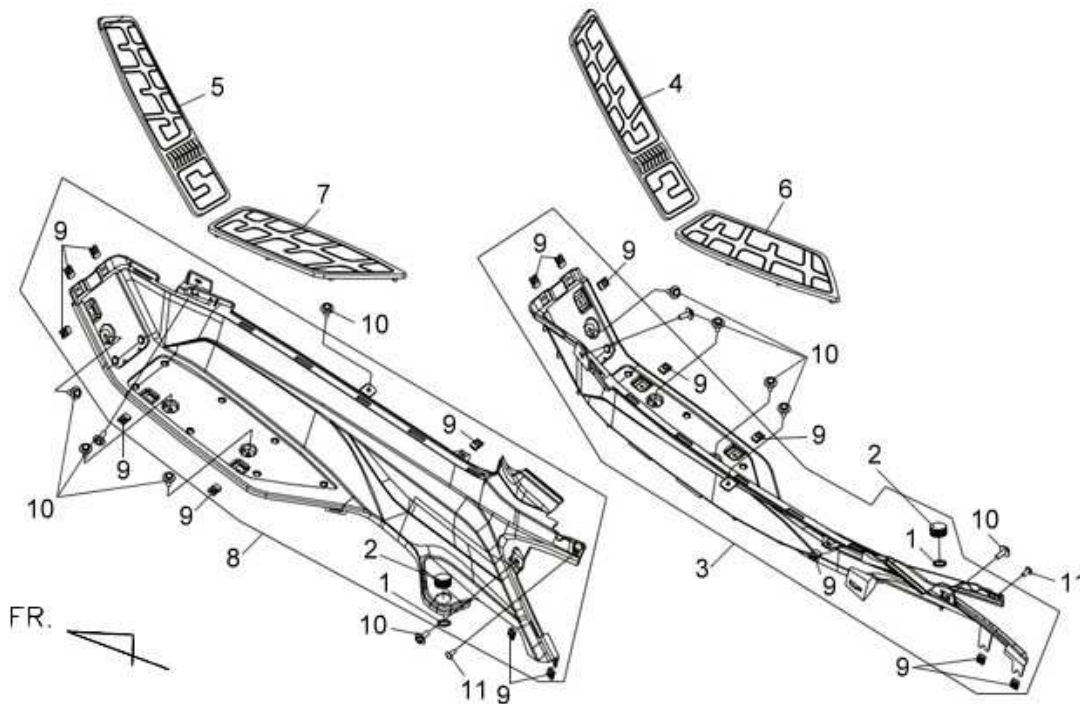
※ Please check the color & stripe information according to the color index !

 TEAMWORLD IND. 2011.05

※N/A = SUBSTITUTE

※Y = EXCHANGEABLE

※N =NOT EXCHANGEABLE



Pictures reference only

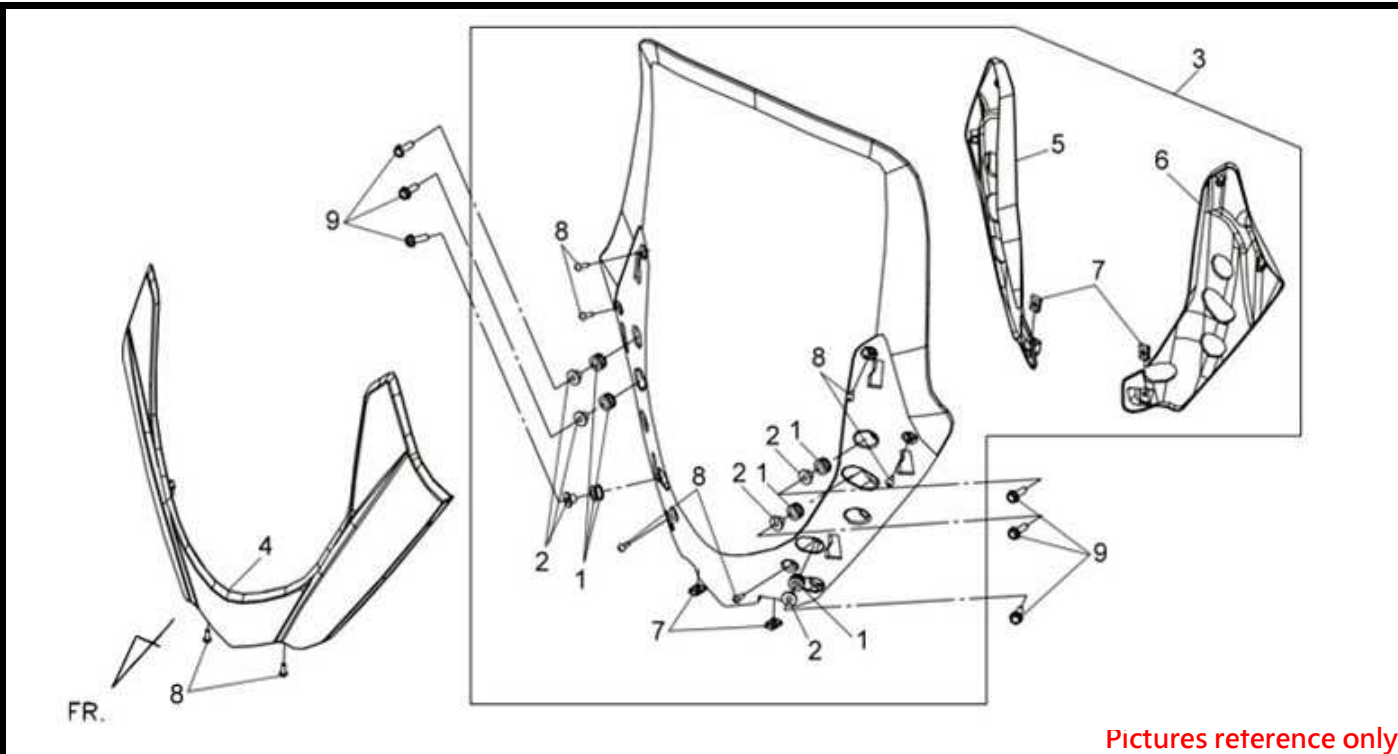
PARTS NUMBER	DESCRIPTION	QTY	EFFECTIVE DATE
1 64303-LEA-000	DISTANZIALE	2	
2 64306-LEA-000	PILLION STEP CAP	2	
3 6431A-L4A-000-KA	PAVIMENTO DX COMPL.	1	
4 64321-L4A-000-KA	TAPPETINO DX SUP.	1	
5 64322-L4A-000-KA	TAPPETINO SX SUP.	1	
6 64323-L4A-000-KA	TAPPETINO DX INF.	1	
7 64324-L4A-000-KA	TAPPETINO SX INF.	1	
8 6433A-L4A-000	PAVIMENTO SX COMPL.	1	
9 90308-X04-000	FLANGE SPECIAL NUT 10MM	16	
10 93404-06016-07	BOLT WASHER 6X16	12	
11 93903-35220	SCREW TAPPING	2	

※ Please check the color & stripe information according to the color index !

※N/A = SUBSTITUTE

※Y = EXCHANGEABLE

※N = NOT EXCHANGEABLE



Pictures reference only

PARTS NUMBER		DESCRIPTION	QTY	EFFECTIVE DATE
1	61104-APA-000	FR. FENDER RUBBER	6	
2	61201-APA-000	DISTANZIALE	6	
3	6710A-L4C-000	PARABREZZA COMPLETO	1	
4	67110-L4A-000-KA	COPERCHIO PARABREZZA	1	
5	67112-L4A-000	COPER.DX PARABREZZA	1	
6	67114-L4A-000	COPER.SX PARABREZZA	1	
7	90302-M92-000	SPRING NUT	4	
8	93903-34380	VITE AUTOFILETTANTE 4X12	8	
9	95801-06025-07	VITE FLANGIATA 6X25	6	

※ Please check the color & stripe information according to the color index !

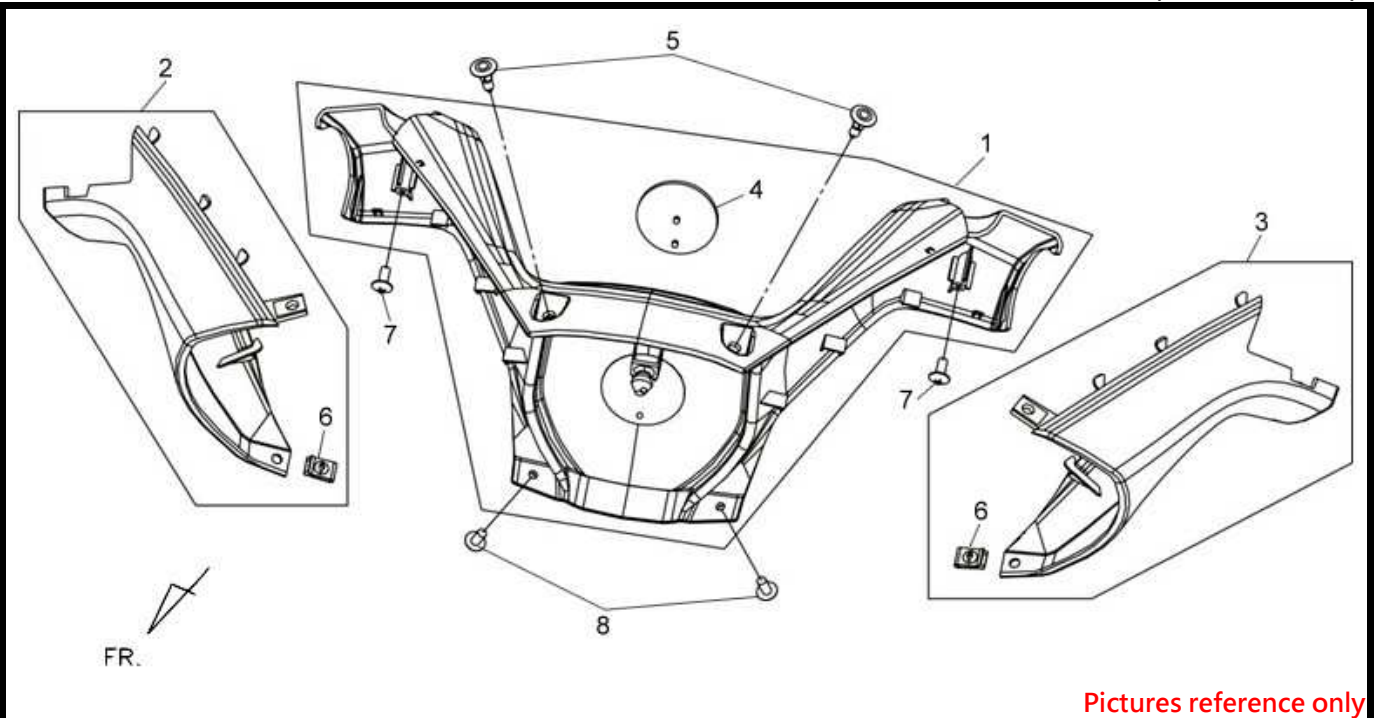
※N/A = SUBSTITUTE

※Y = EXCHANGEABLE

※N =NOT EXCHANGEABLE

F19 UPPER HANDLE COVER ASSY

MAXSYM 400 ABS (LX40A2-6)



Pictures reference only

PARTS NUMBER		DESCRIPTION	QTY	EFFECTIVE DATE
1	5311A-L4A-000-KX	COPRIMANUBRIO SUP.BK-231P	1	
1-1	87553-VS1-100	FR.COVER LID EMBLEM	1	
1	5311A-L4A-000-QU	COPRIMANUBRIO SUP.WH-300P	1	
1-1	87553-VS1-100	FR.COVER LID EMBLEM	1	
2	5312A-L4A-000	COPRIMANUBRIO INF.DX	1	
3	5312B-L4A-000	COPRIMANUBRIO INF.SX	1	
4	87553-VS1-100	FR.COVER LID EMBLEM	1	
5	90115-REA-000	PLASTIC UNT 6MM	2	
6	90308-X04-000	FLANGE SPECIAL NUT 10MM	2	
7	93903-35280	TAPPING SCREW 5*12	2	
8	93903-35380	VITE AUTOFILETTANTE 5X16	2	

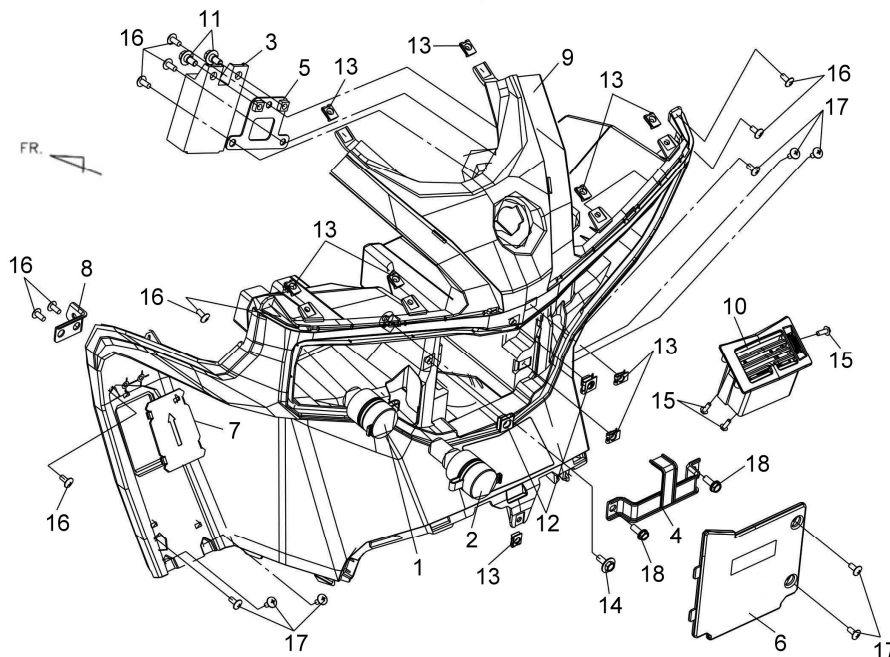
※ Please check the color & stripe information according to the color index !

TEAMWORLD IND. 2011.05

※N/A = SUBSTITUTE

※Y = EXCHANGEABLE

※N = NOT EXCHANGEABLE



pictures reference only

PARTS NUMBER	DESCRIPTION	QTY	EFFECTIVE DATE
1 38600-L4A-000	PRESA 12V	1	
2 38650-L4A-000	PRESA USB	1	
3 38901-L4C-000	AUTO LIGHT UNIT	1	
4 50548-L4A-000	BATTERY BAND	1	
5 53216-L4C-000	LIGHT SYSTEM STAY	1	
6 8114A-L4A-000	COPERCHIO BATTERIA	1	
7 81145-L4A-000	SPORTELLINO	1	
8 81147-L4A-000	SUPPORTO	1	
9 81231-L4A-010-KA	FR. INNER BOX BK-001U	1	
10 8124A-L4C-000	AIR DUCT ASSY	1	
11 90111-M9Q-900	VITE FLANGIATA 6MM	2	
12 90305-M9Q-000	DADO A CLIP 6MM	2	
13 90308-X04-000	FLANGE SPECIAL NUT 10MM	9	
14 93404-06016-08	BOLT WASHER 6X16	1	
15 93903-34380	VITE AUTOFILETTANTE 4X12	3	
16 93903-35280	TAPPING SCREW 5*12	9	
17 93903-45280	VITE AUTOFILETTANTE 5X12	8	
18 95801-06016-08	FLANGE BOLT 6X16	2	

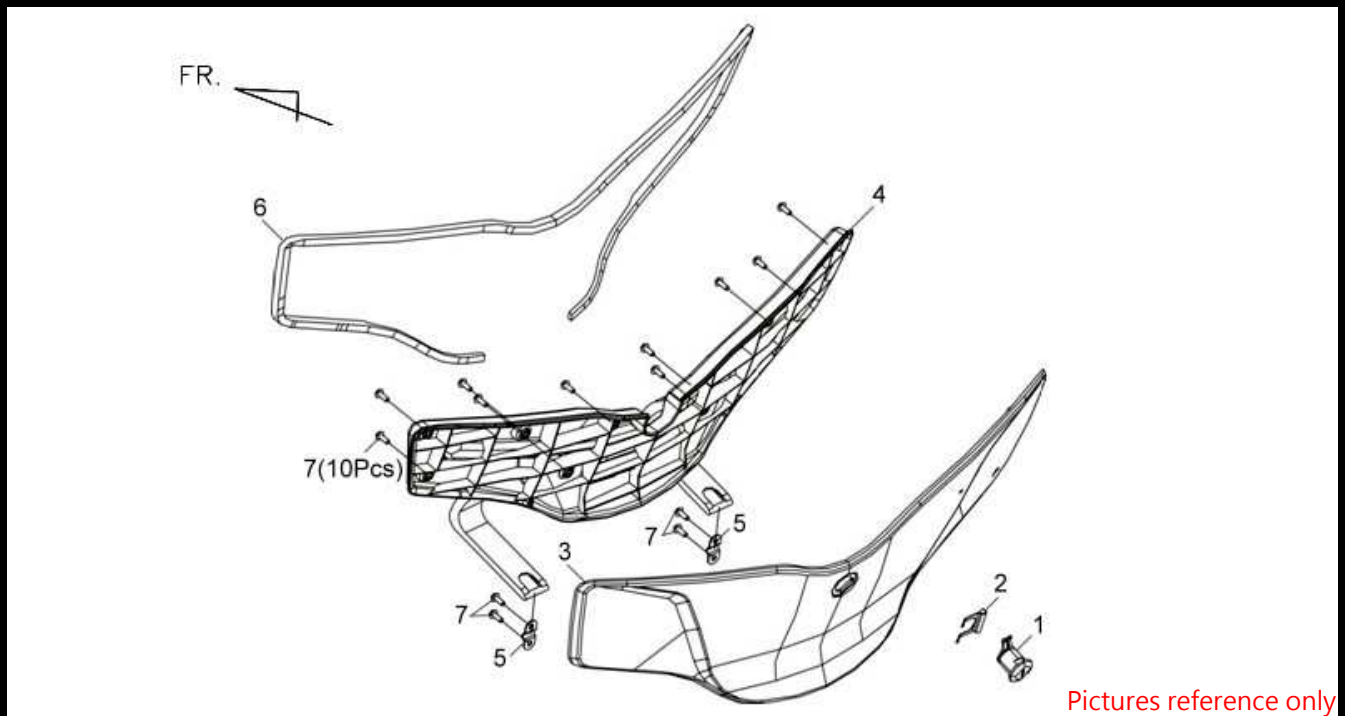
※ Please check the color & stripe information according to the color index !

TEAMWORLD IND. 2011.05

※N/A = SUBSTITUTE

※Y = EXCHANGEABLE

※N =NOT EXCHANGEABLE



Pictures reference only

PARTS NUMBER	DESCRIPTION	QTY	EFFECTIVE DATE
1 77233-L4A-000	SERRATURA SPORTELLO BAULETTO	1	
2 75581-A16-000	MOLLA SERRATURA	1	
3 81141-L4A-000-KX	SPORTELLO SCUDO INT.NERO BK-231P	1	
3 81141-L4A-000-QU	SPORTELLO SCUDO INT.BIANCO WH-300P	1	
4 81142-L4A-000	INNER BOX LID STIFFENER(BK-001U)	1	
5 81146-L4A-000	INNER BOX LID HANGE STAY	2	
6 81148-L4A-000	GUARNIZIONE SPORTELLO BAULETTO	1	
7 93903-34380	VITE AUTOFILETTANTE 4X12	14	

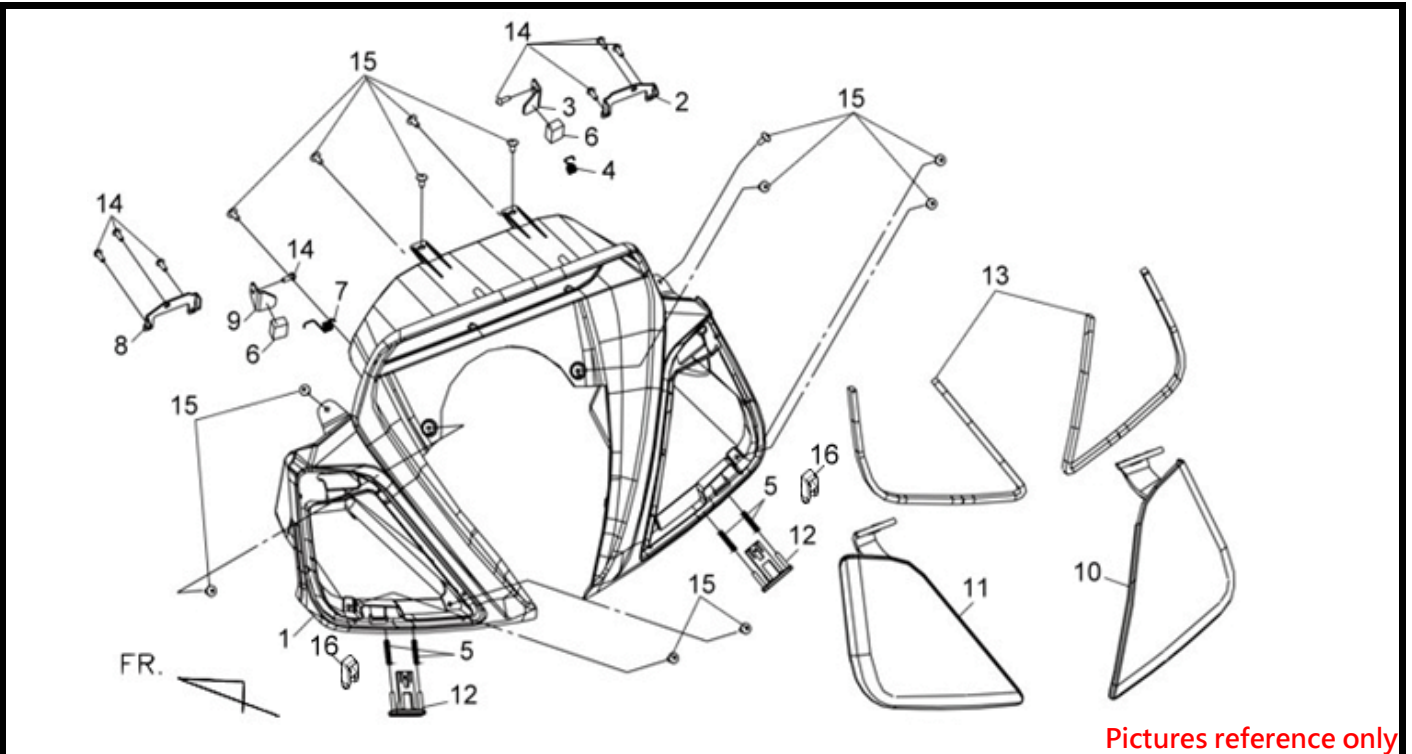
※ Please check the color & stripe information according to the color index !

TEAMWORLD IND. 2011.05

※N/A = SUBSTITUTE

※Y = EXCHANGEABLE

※N =NOT EXCHANGEABLE



Pictures reference only

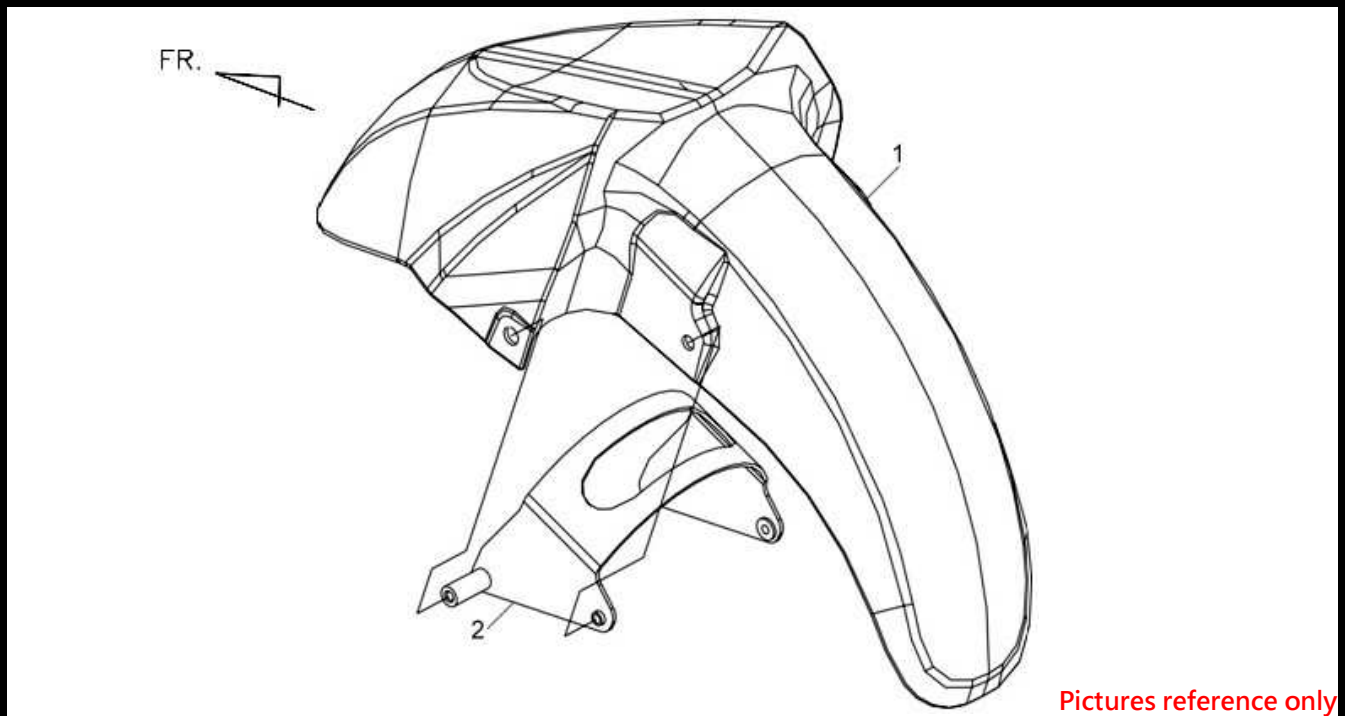
PARTS NUMBER	DESCRIPTION	QTY	EFFECTIVE DATE
1 53208-L4A-000-KA	CORNICE STRUMENTI	1	
2 53222-L4A-000	COIN BOX LID HINGE STAY	1	
3 53223-L4A-000	STOPPER RUBBER STAY	1	
4 53224-L4A-000	R.SPRING A	1	
5 53228-L4A-000	SPRING B	4	
6 53229-L4A-000	STOPPER RUBBER	2	
7 53230-L4A-000	L.SPRING A	1	
8 53232-L4A-000	L.COIN BOX LID HINGE STAY	1	
9 53233-L4A-000	L.STOPPER RUBBER STAY	1	
10 81151-L4A-000	SPORTELLLO DX	1	
11 81152-L4A-000	SPORTELLLO SX	1	
12 81153-L4A-000	TASTO APERTURA SPORTELLLO	2	
13 81156-L4A-000	GUARNIZIONE SPORTELLLO	2	
14 93903-34280	TAPPING SCREW	8	
15 93903-35280	TAPPING SCREW 5*12	13	
16 81155-L4A-000	COIN BOX HOOK	2	

※ Please check the color & stripe information according to the color index !

※N/A = SUBSTITUTE

※Y = EXCHANGEABLE

※N =NOT EXCHANGEABLE



Pictures reference only

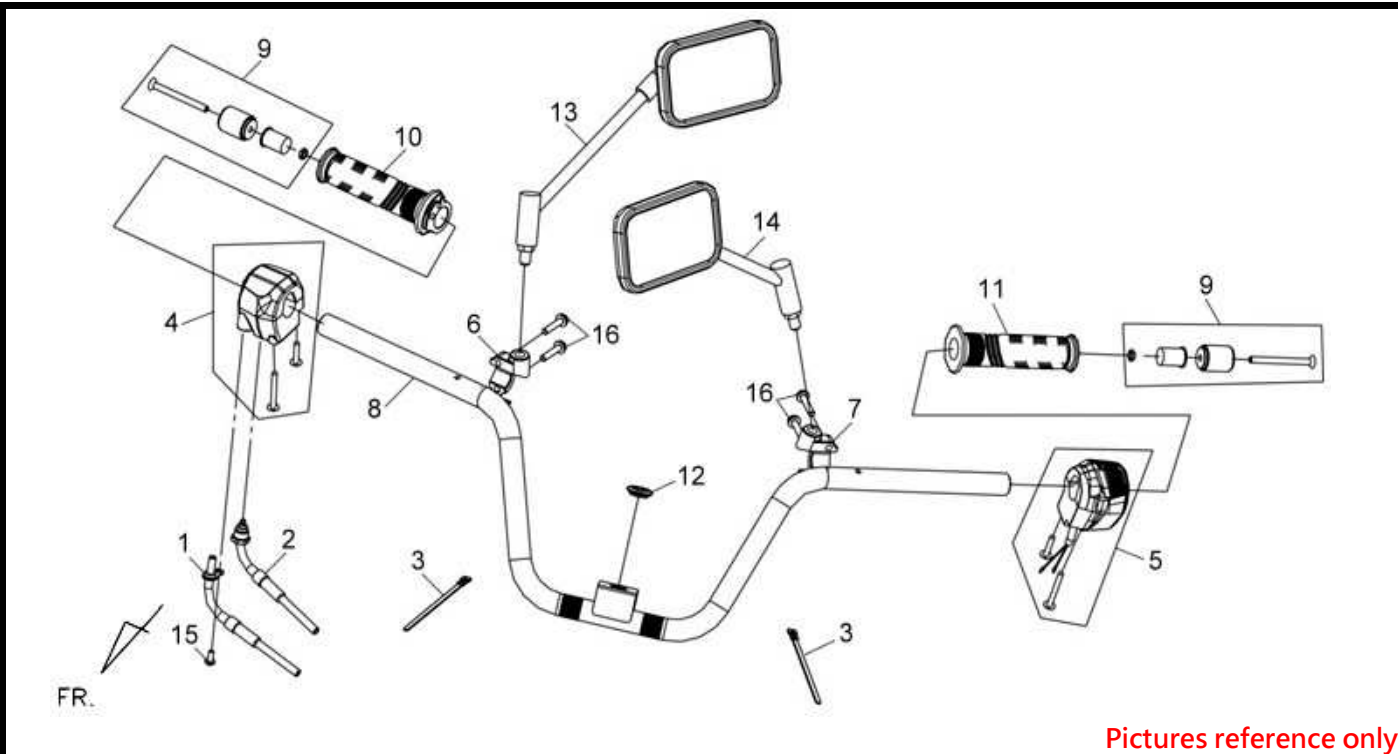
PARTS NUMBER		DESCRIPTION	QTY	EFFECTIVE DATE
1	61100-L4A-000-KX	PARAFANGO ANT.NERO BK-231P	1	
1	61100-L4A-000-QU	PARAFANGO ANT.BIANCO WH-300P	1	
2	61105-L4A-000	SUPPORTO PARAFANGO ANT.	1	

※ Please check the color & stripe information according to the color index !

※N/A = SUBSTITUTE

※Y = EXCHANGEABLE

※N =NOT EXCHANGEABLE



Pictures reference only

PARTS NUMBER	DESCRIPTION	QTY	EFFECTIVE DATE
1 17910-L4A-000	TRASMISSIONE GAS CHIUSURA	1	
2 17920-L4A-000	TRASMISSIONE GAS APERTURA	1	
3 32160-A3A-900	WIRE BAND 200X8	2	
4 35150-L4C-000	COMANDO DX COMPLETO	1	
5 35200-L4C-000	COMANDO SX COMPLETO	1	
6 45517-L4A-000	SUPPORTO DX POMPA FRENI	1	
7 45518-L4A-000	SUPPORTO SX POMPA FRENI	1	
8 53100-L4A-000	MANUBRIO	1	
9 53104-N02-000	CONTRAPPESO MANUBRIO COMPLETO	2	
10 53140-L4A-000	COMANDO GAS	1	
11 53166-L4A-000	MANOPOLA SX	1	
12 61105-RCA-000	FR.FENDER GROMMET	1	
13 88110-L4A-002	SPECCHIO DX	1	
14 88120-L4A-002	SPECCHIO SX	1	
15 93891-05012-07	WASHER SCREW 5X12	1	
16 95801-06022-07	FLANGE BOLT 6X22	4	

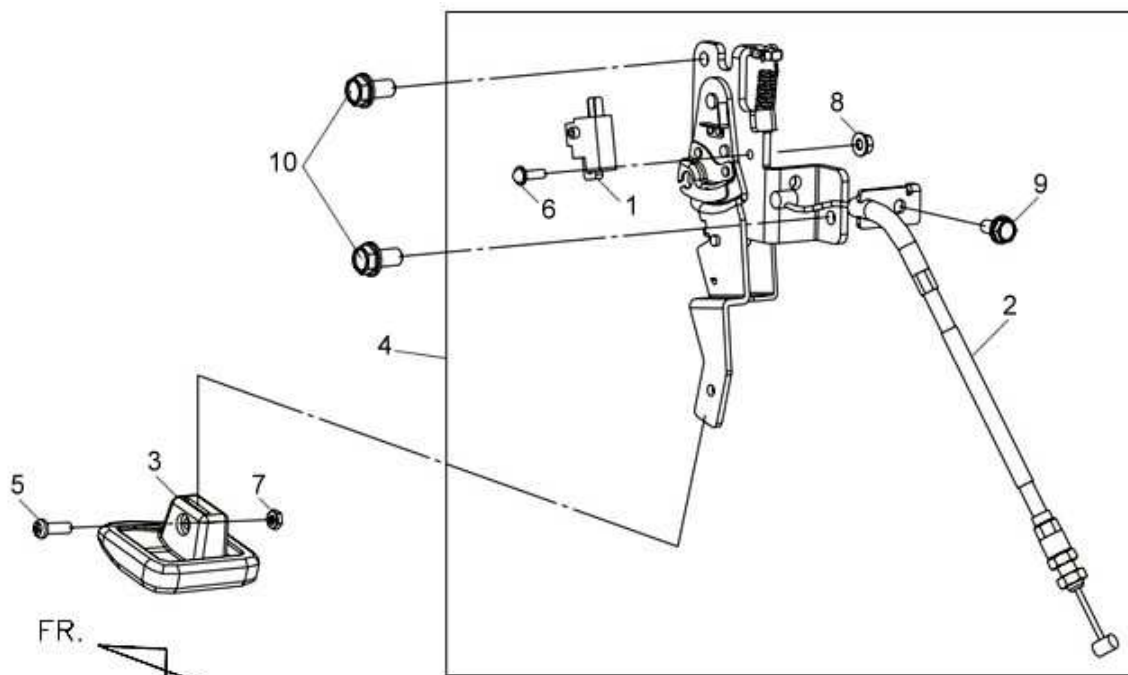
※ Please check the color & stripe information according to the color index !

TEAMWORLD IND. 2011.05

※N/A = SUBSTITUTE

※Y = EXCHANGEABLE

※N =NOT EXCHANGEABLE



Pictures reference only

PARTS NUMBER	DESCRIPTION	QTY	EFFECTIVE DATE
1 35350-KBN-900	INTERRUTTORE STOP SX (SWITCH)	1	
2 45450-L4A-000	CAVO FRENO DI STAZIONAMENTO	1	
3 53171-L4A-000	LEVA PARCHEGGIO	1	
4 5317A-L4A-000	COMANDO PARCHEGGIO COMPL.	1	
5 93500-05014-0G	PAN SCREW 5*14	1	
6 93892-04016-08	WASHER SCREW 4X16	1	
7 94001-05070-0S	DADO 5MM	1	
8 94050-04080	FLANGE NUT 4MM	1	
9 95801-06012-08	FLANGE BOLT	1	
10 93892-04016-08	WASHER SCREW 4X16	2	

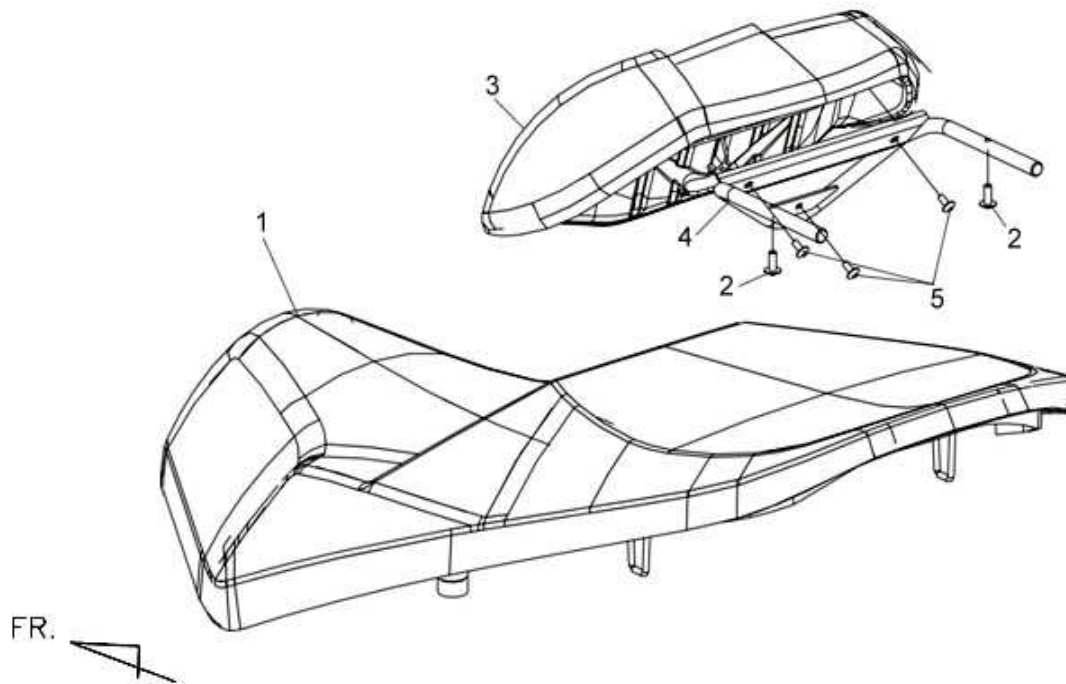
※ Please check the color & stripe information according to the color index !

TEAMWORLD IND. 2011.05

※N/A = SUBSTITUTE

※Y = EXCHANGEABLE

※N =NOT EXCHANGEABLE



Pictures reference only

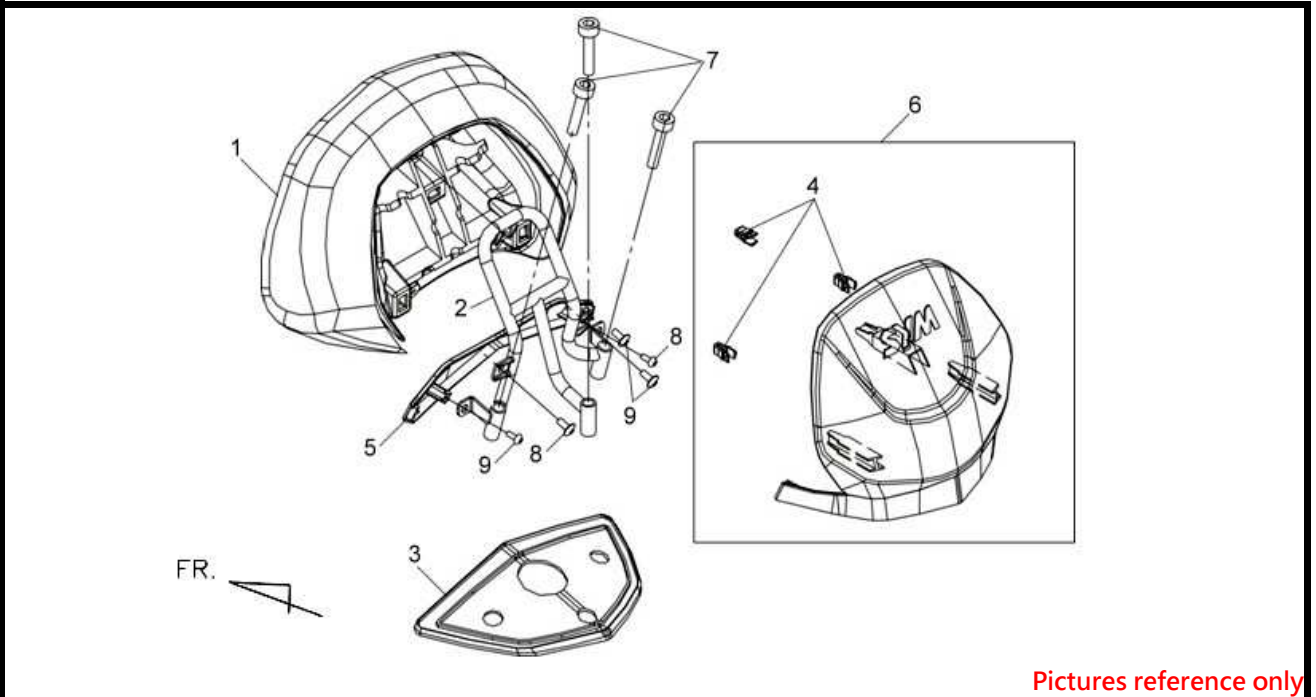
PARTS NUMBER		DESCRIPTION	QTY	EFFECTIVE DATE
1	77100-L4A-000	SELLA	1	
2	77203-HMA-010	BACK SEAT SET BOLT	2	
3	77300-L4A-000	SCHIENALINO SELLA ANTERIORE	1	
4	77302-L4A-000	BACK SEAT ADJUST BAR	1	
5	93903-35280	TAPPING SCREW 5*12	3	

※ Please check the color & stripe information according to the color index !

※N/A = SUBSTITUTE

※Y = EXCHANGEABLE

※N =NOT EXCHANGEABLE



Pictures reference only

PARTS NUMBER	DESCRIPTION	QTY	EFFECTIVE DATE
1 77401-L4A-000	BACK SEAT INNER BASE BK-001U	1	
2 77402-L4A-000	TELAJETTO SCHIENALINO	1	
3 77403-L4A-000	BACK SEAT RUBBER BK-001U	1	
4 77405-L4A-000	CLIP	3	
5 77406-L4A-000-KX	COPERCHIO SCHIENAL.NERO BK-231P	1	
5 77406-L4A-000-QU	COPERCHIO SCHIENAL.BIANCO WH-300P	1	
6 7741A-L4A-000-KX1	SCHIENALINO NERO BK-231P	1	
6 7741A-L4A-000-QU1	SCHIENALINO BIANCO WH-300P	1	
7 90103-L4A-000	SOCKET BOLT 8*45	3	
8 93903-34380	VITE AUTOFILETTANTE 4X12	2	
9 93903-35280	TAPPING SCREW 5*12	3	

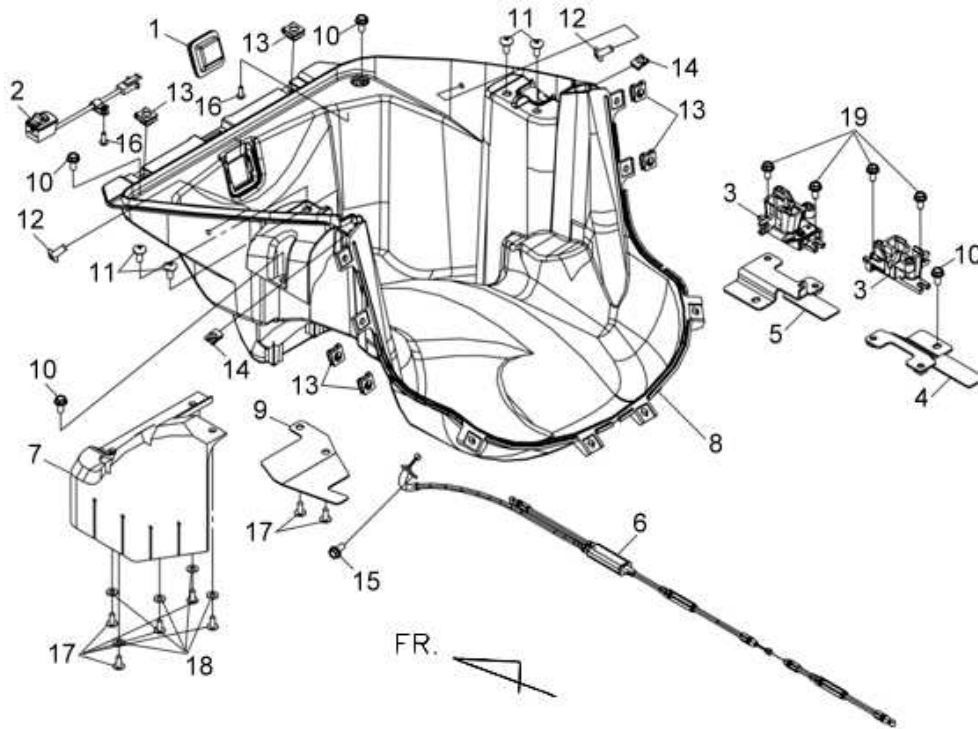
※ Please check the color & stripe information according to the color index !

TEAMWORLD IND. 2011.05

※N/A = SUBSTITUTE

※Y = EXCHANGEABLE

※N =NOT EXCHANGEABLE



Pictures reference only

PARTS NUMBER	DESCRIPTION	QTY	EFFECTIVE DATE
1 35370-L4A-000	LUCE VANO SOTTOSELLA	1	
2 36600-L4A-000	INTERRUTTORE ANTIFURTO	1	
3 77230-L4A-000	SEAT CATCH COMP	1	
4 77236-L4A-000	RH. SEAT CATCH STAY	1	
5 77238-L4A-000	LH. SEAT CATCH STAY	1	
6 77240-L4A-000	CAVO APERTURA SELLA	1	
7 80104-L4A-000	LUGGAGE BOX PLATE BK-001U	1	
8 81250-L4A-000	VANO SOTTOSELLA	1	
9 81251-L4A-000	LUGGAGE BOX STAY	1	
10 90112-N01-000	FLANGE BOLT 6MM	4	
11 90115-G02-000	VITE FLANGIATA 6X16	4	
12 90115-REA-000	PLASTIC UNT 6MM	2	
13 90305-M9Q-000	DADO A CLIP 6MM	6	
14 90308-X04-000	FLANGE SPECIAL NUT 10MM	2	
15 93891-05012-08	WASHER SCREW 5X12	1	
16 93903-24380	VITE AUTOFILETTANTE 4X12	2	
17 93903-35220	SCREW TAPPING	7	
18 94103-05800	PLAIN WASHER 5MM	5	
19 95801-06012-07	VITE FLANGIATA 6X12	4	

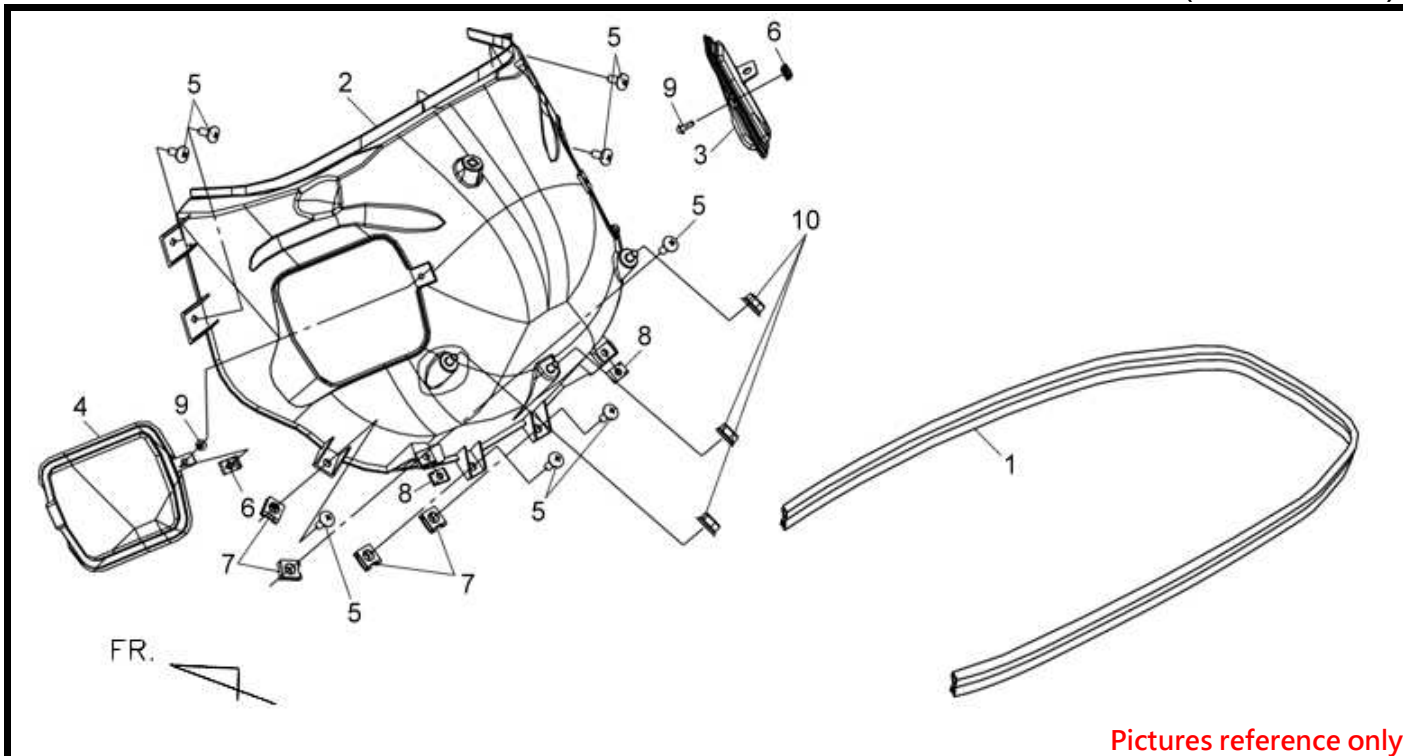
※ Please check the color & stripe information according to the color index !

TEAMWORLD IND. 2011.05

※N/A = SUBSTITUTE

※Y = EXCHANGEABLE

※N =NOT EXCHANGEABLE



Pictures reference only

PARTS NUMBER		DESCRIPTION	QTY	EFFECTIVE DATE
1	77115-L4A-000	GUARNIZIONE SELLA	1	
2	81254-L4A-000	VANO SOTTOSELLA POST.	1	
3	81256-L4A-000	COPERCHIO DX	1	
4	81258-L4A-000	COPERCHIO SX	1	
5	90115-G02-000	VITE FLANGIATA 6X16	8	
6	90302-M92-000	SPRING NUT	2	
7	90305-M9Q-000	DADO A CLIP 6MM	4	
8	90308-X04-000	FLANGE SPECIAL NUT 10MM	2	
9	93903-24380	VITE AUTOFILETTANTE 4X12	2	
10	94050-06070	DADO FLANGIATO 6MM	3	

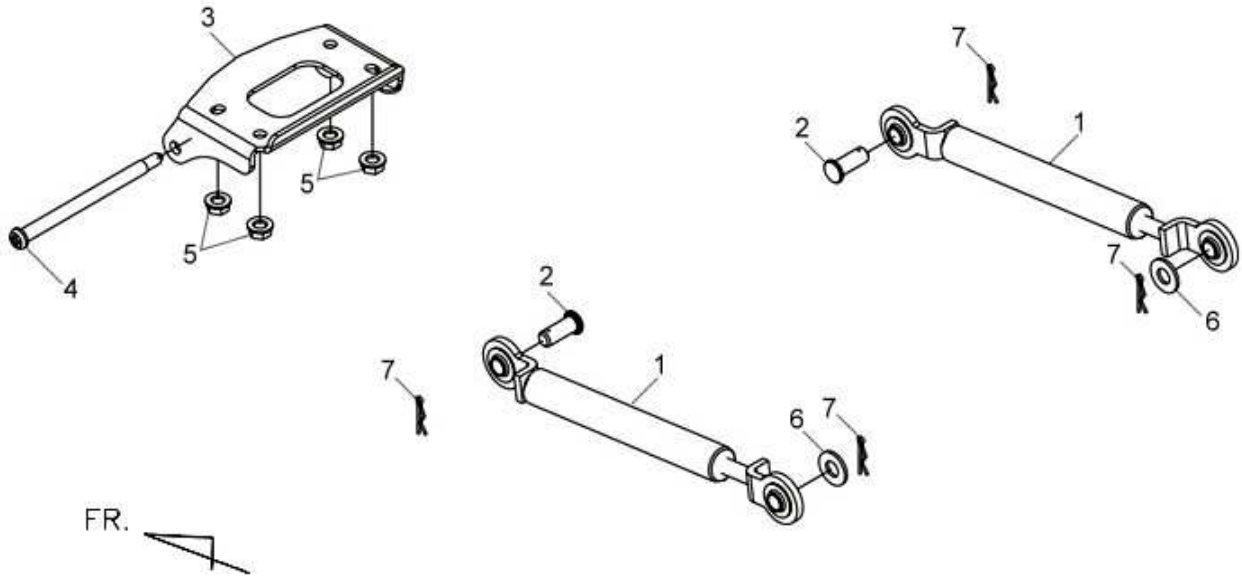
※ Please check the color & stripe information according to the color index !

 TEAMWORLD IND. 2011.05

※N/A = SUBSTITUTE

※Y = EXCHANGEABLE

※N = NOT EXCHANGEABLE



Pictures reference only

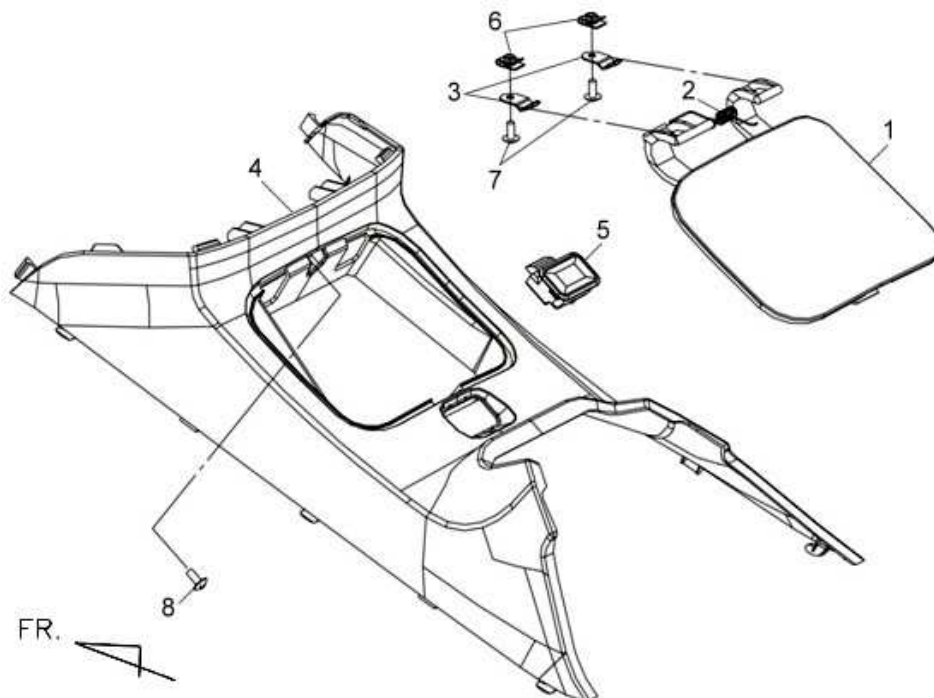
PARTS NUMBER		DESCRIPTION	QTY	EFFECTIVE DATE
1	74480-L4A-000	AMMORTIZZATORE VANO SELLA	2	
2	74481-L4A-000	PERNO	2	
3	77201-L4A-000	CERNIERA	1	
4	90106-L4A-000	PERNO	1	
5	94050-06070	DADO FLANGIATO 6MM	4	
6	94101-08800	RONDELLA 8MM	2	
7	94251-08400	LOCK PIN 8MM (LATCH PIN)	4	

※ Please check the color & stripe information according to the color index !

※N/A = SUBSTITUTE

※Y = EXCHANGEABLE

※N =NOT EXCHANGEABLE



Pictures reference only

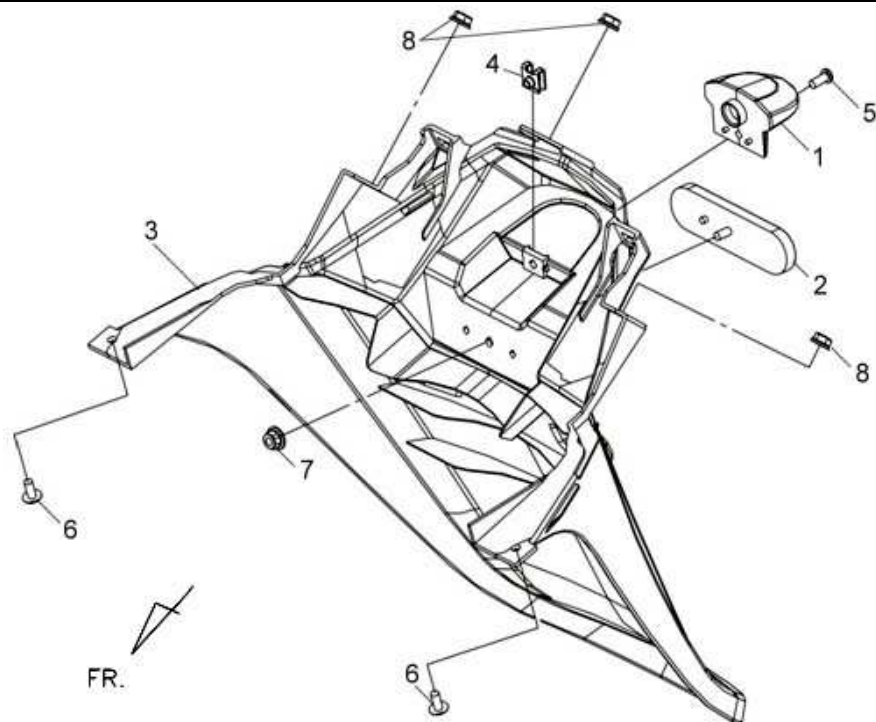
PARTS NUMBER	DESCRIPTION	QTY	EFFECTIVE DATE
1 64311-L4A-000-KA	SPORTELLLO BENZINA	1	
2 64313-L4A-000	MOLLA	1	
3 64314-L4A-000	FUEL TANK COVER HANGE STAY	2	
4 64315-L4A-000-KA	TUNNEL CENTRALE	1	
5 64320-L4A-000	FUEL TANK COVER LOCK	1	
6 90308-X04-000	FLANGE SPECIAL NUT 10MM	2	
7 93901-25180	TAPPING SCREW 5X10	2	
8 93903-35280	TAPPING SCREW 5*12	1	

※ Please check the color & stripe information according to the color index !

※N/A = SUBSTITUTE

※Y = EXCHANGEABLE

※N =NOT EXCHANGEABLE



Pictures reference only

PARTS NUMBER		DESCRIPTION	QTY	EFFECTIVE DATE
1	33740-E4D-010	LUCE TARGA COMPL.	1	
2	33743-REC-000	CATADIOTTRO	1	
3	80100-L4A-000	PARAFANGO POSTERIORE	1	
4	90303-RCA-000	SUS NUT 5MM	1	
5	93500-05016-0H	PAN SCREW 5X16	1	
6	93903-35220	SCREW TAPPING	2	
7	94050-05080	DADO FLANGIATO 5MM	1	
8	94050-06070	DADO FLANGIATO 6MM	3	

※ Please check the color & stripe information according to the color index !

 TEAMWORLD IND. 2011.05

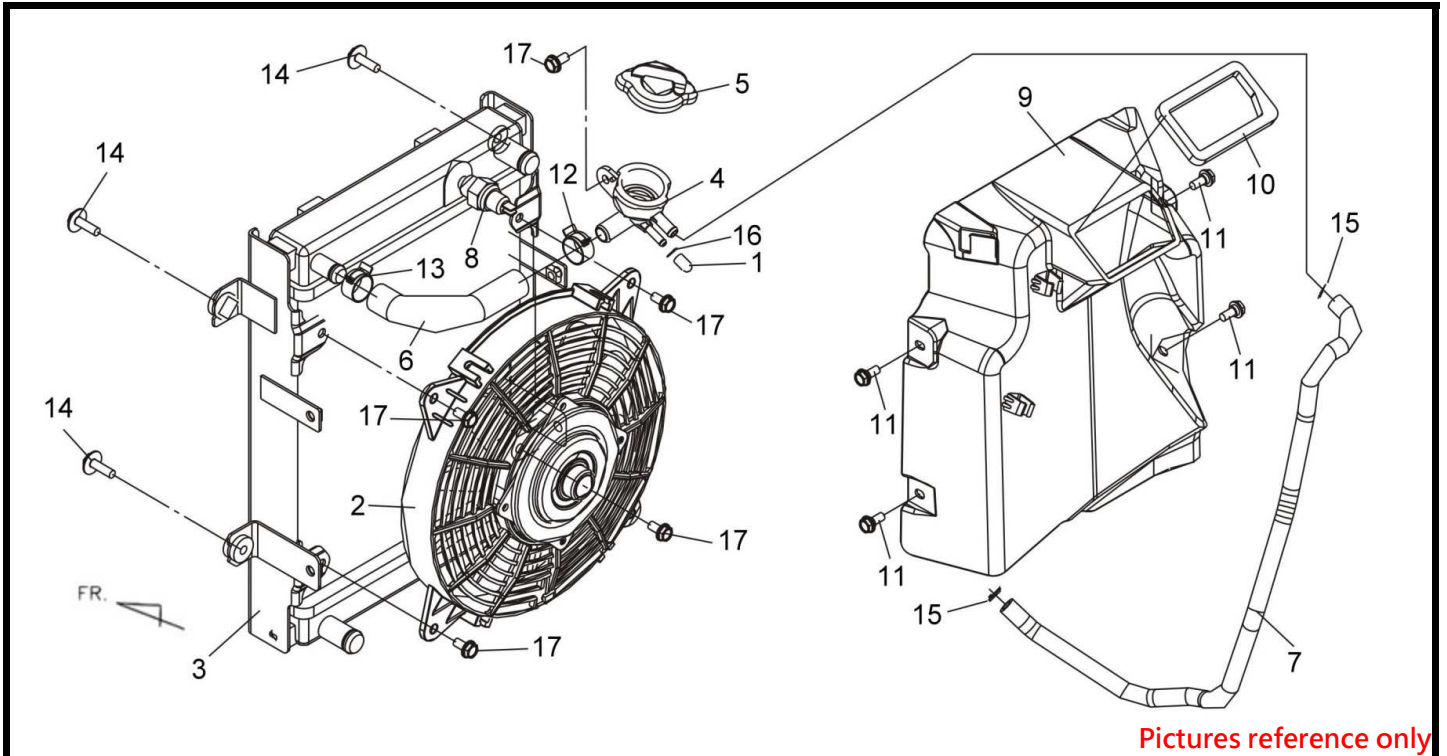
※N/A = SUBSTITUTE

※Y = EXCHANGEABLE

※N =NOT EXCHANGEABLE

F33 RADIATOR ASSY

MAXSYM 400 ABS (LX40A2-6)



Pictures reference only

PARTS NUMBER	DESCRIPTION	QTY	EFFECTIVE DATE
1 17236-FWA-000	TUBE PLUG	1	
2 19005-L4A-000	ELETTOVENTOLA	1	
3 19010-L4A-000	RADIATORE ACQUA	1	
4 19039-LVA-000	BOCCHETTONE RADIATORE	1	
5 19111-H9A-000	TAPPO RADIATORE	1	
6 19125-L4A-000	MANICOTTO	1	
7 19126-L4C-000	RESERVE TANK TUBE	1	
8 37760-HMA-000	BULBO TEMPARATURA (RADIATORE)	1	
9 64312-L4C-000	FUEL TANK PROTECTOR BK-001U	1	
10 81245-L4C-000	AIR DUCT SPONGE A	1	
11 90111-N01-000	VITE FLANGIATA 6MM	4	
12 90682-SB0-671	FASCETTA	1	
13 91405-SS0-003	WATER HOSE CLAMP	1	
14 93404-06020-07	BOLT WASHER	4	
15 95002-02130	TUBE CLIP B 12.5	2	
16 95002-40800-08	FASCETTA TUBO D8.0	1	
17 95801-06012-07	VITE FLANGIATA 6X12	4	

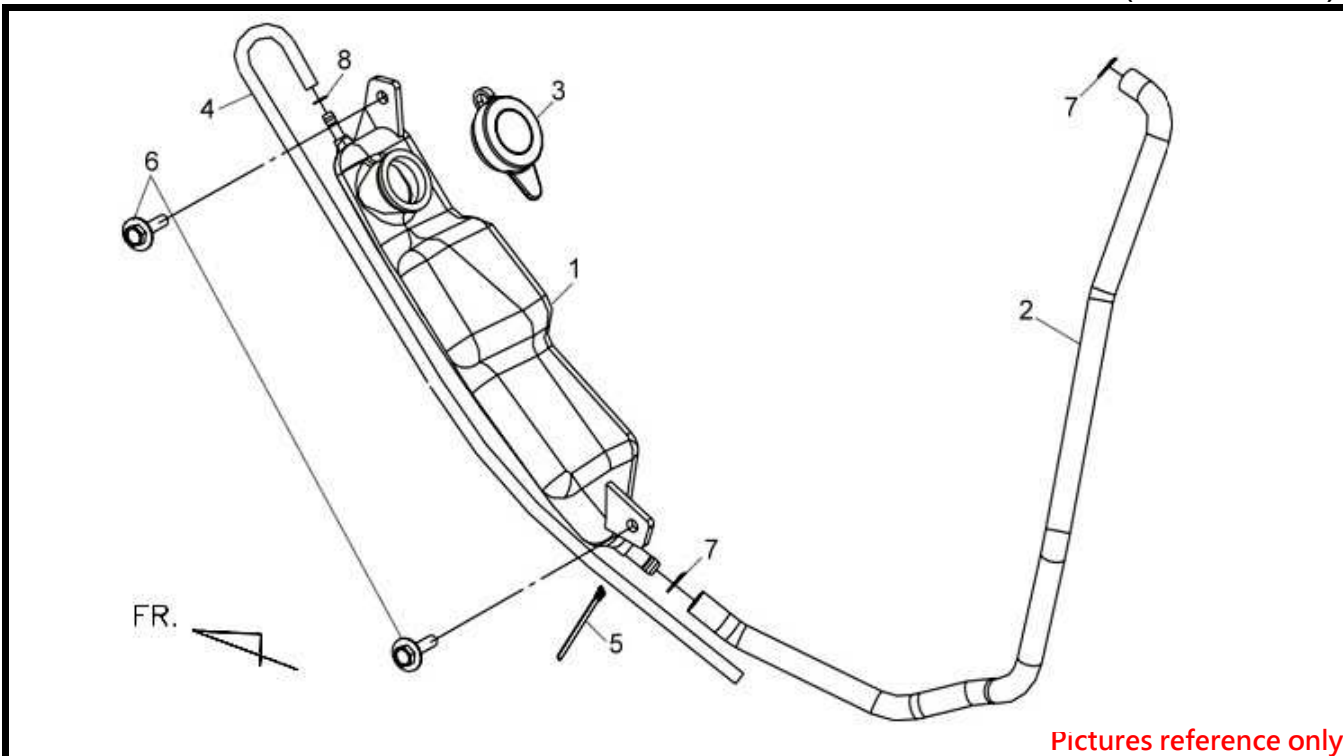
※ Please check the color & stripe information according to the color index !

TEAMWORLD IND. 2011.05

※N/A = SUBSTITUTE


※Y = EXCHANGEABLE

※N = NOT EXCHANGEABLE



Pictures reference only

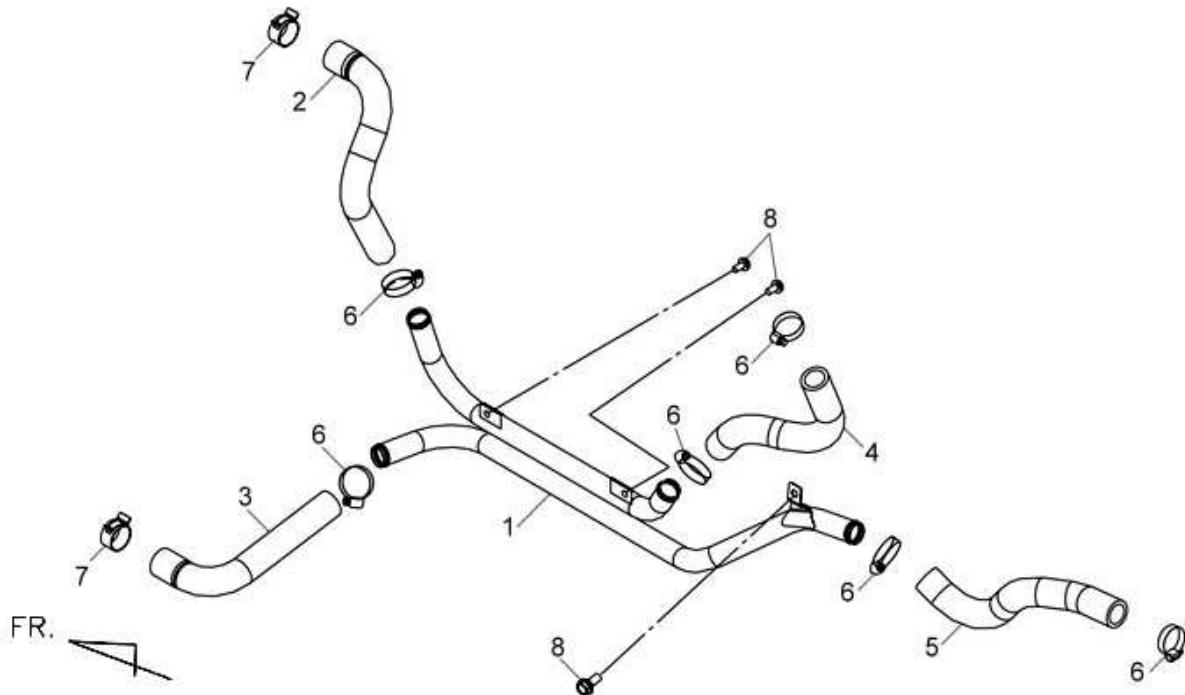
PARTS NUMBER		DESCRIPTION	QTY	EFFECTIVE DATE
1	19101-L4A-000	VASO ESPANSIONE	1	
2	19102-REA-000	RESERVE TANK TUBE B	1	
3	19104-MBO-700	TAPPO VASO ESPANSIONE	1	
4	19109-H9A-010	TUBO	1	
5	32161-T15-000	FASCETTA	1	
6	93404-06012-07	WASHER BOLT 6X12	2	
7	95002-02130	TUBE CLIP B 12.5	2	
8	95002-02080	FASCETTA TUBO B8	1	

※ Please check the color & stripe information according to the color index !  TEAMWORLD IND. 2011.05

※N/A = SUBSTITUTE

※Y = EXCHANGEABLE

※N =NOT EXCHANGEABLE



Pictures reference only

PARTS NUMBER		DESCRIPTION	QTY	EFFECTIVE DATE
1	19110-L4A-000	WATER PIPE COMP	1	
2	19121-L4C-000	RADIATOR INLET HOSE	1	
3	19123-L4A-000	RADIATOR OUTLET HOSE	1	
4	19501-L4A-000	WATER HOSE A	1	
5	19503-L4A-000	WATER HOSE C	1	
6	19505-REA-000	HOSE CLAMP	6	
7	19511-REA-000	CLIP WATER HOSE	2	
8	95801-06012-08	FLANGE BOLT 6X12	3	

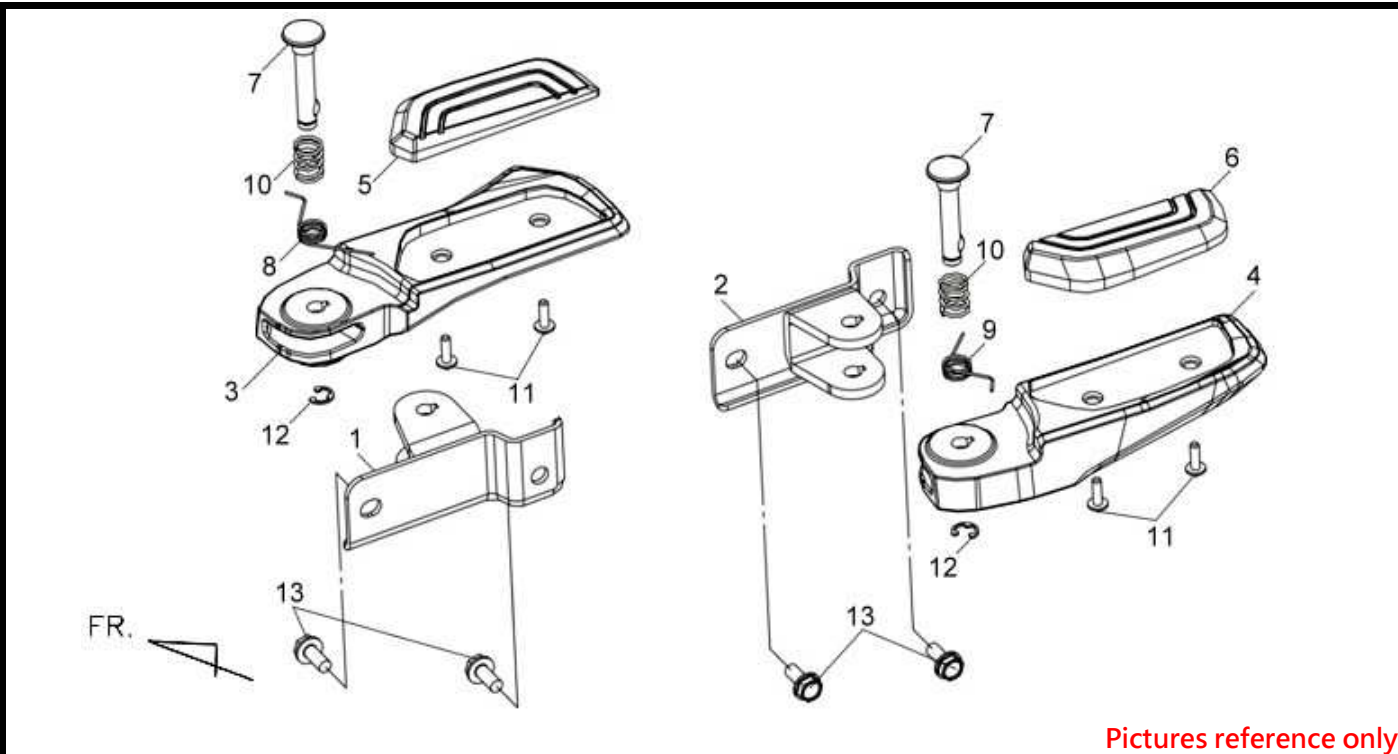
※ Please check the color & stripe information according to the color index !

TEAMWORLD IND. 2011.05

※N/A = SUBSTITUTE

※Y = EXCHANGEABLE

※N =NOT EXCHANGEABLE



Pictures reference only

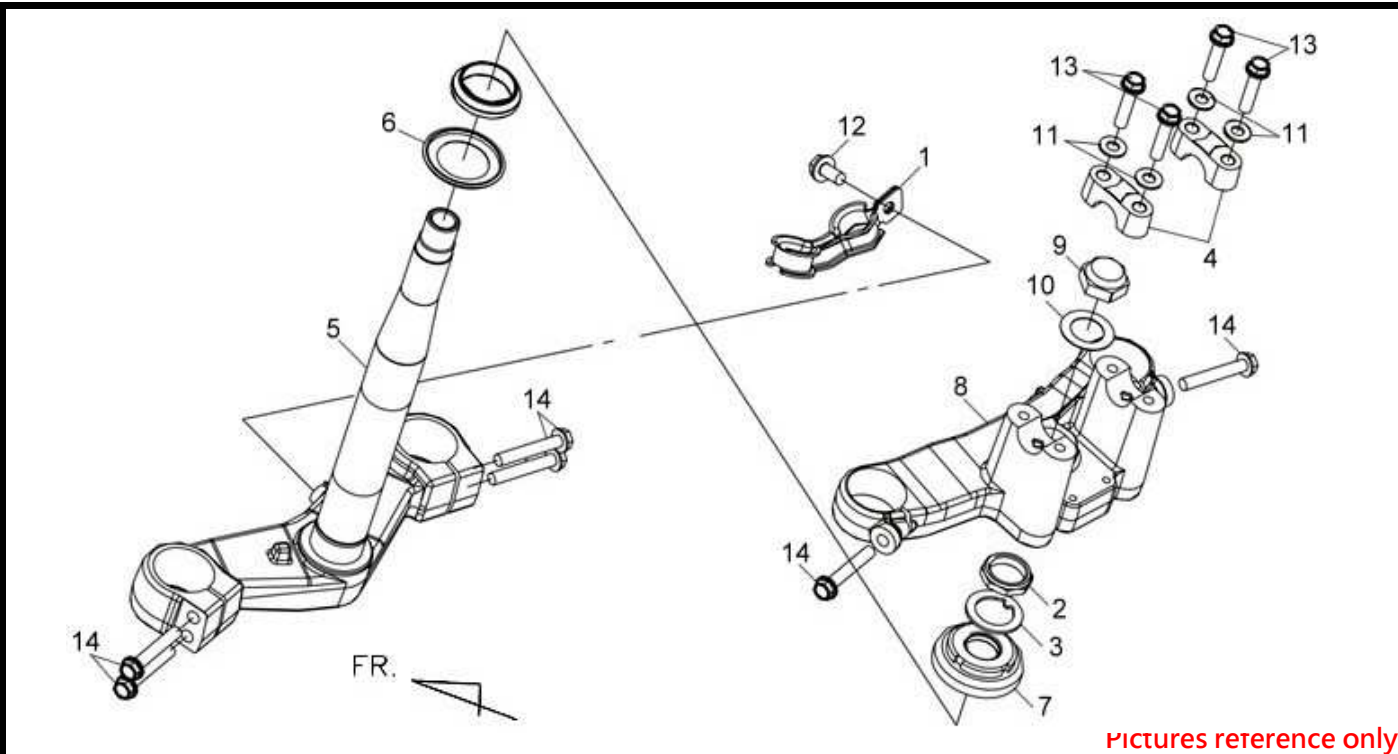
PARTS NUMBER	DESCRIPTION	QTY	EFFECTIVE DATE
1 50613-L4A-300	SUPPORTO PEDANA DX POST.	1	
2 50614-L4A-300	SUPPORTO PEDANA SX POST.	1	
3 50621-L4A-000	PEDANA DX POST.	1	
4 50622-L4A-000	PEDANA SX POST.	1	
5 50623-L4A-000	GOMMINO PEDANA DX POST.	1	
6 50624-L4A-000	GOMMINO PEDANA SX POST.	1	
7 50625-L4A-000	PERNO	2	
8 50626-HMA-000	MOLLA PEDANA DX	1	
9 50627-HMA-000	MOLLA SX	1	
10 50629-HMA-000	MOLLA	2	
11 93892-05012-08	WASHER SCREW 5X12	4	
12 90605-166-720	ANELLO SEEGER 7MM	2	
13 95801-08016-07	FLANGE BOLT 8X16	4	

※ Please check the color & stripe information according to the color index !

※N/A = SUBSTITUTE

※Y = EXCHANGEABLE

※N =NOT EXCHANGEABLE



Pictures reference only

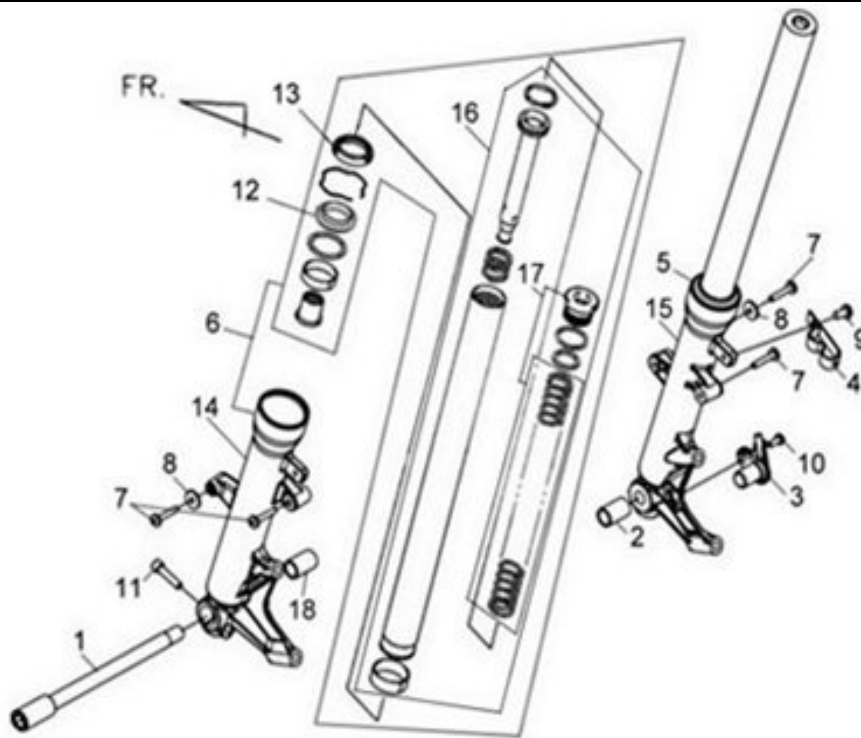
PARTS NUMBER	DESCRIPTION	QTY	EFFECTIVE DATE
1 45145-L4C-000	SUPPORTO TUBO OLIO FRENO ANT.	1	
2 50306-M9Q-000	DADO CANNOTTO	1	
3 50308-HMA-000	STRG STEM WASHER	1	
4 53131-RCA-010	HANDLE PIPE UP. HOLDER	2	
5 53200-L4A-000	PIASTRA FORCELLA INFERIORE	1	
6 53214-L4A-000	PARAPOLVERE	1	
7 53220-HMA-000	GHIERA CANNOTTO STERZO	1	
8 53231-L4A-000	FORK TOP BRIDGE	1	
9 90304-L4A-000	STEERING STEM NUT	1	
10 90503-B06-000	RONDELLA	1	
11 94101-08800	RONDELLA 8MM	4	
12 95801-06012-08	FLANGE BOLT	1	
13 95801-08035-07	FLANGE BOLT M8X35	4	
14 95801-08045-08	FLANGE BOLT 8X45	6	

※ Please check the color & stripe information according to the color index !

※N/A = SUBSTITUTE

※Y = EXCHANGEABLE

※N =NOT EXCHANGEABLE



Picture reference only

PARTS NUMBER	DESCRIPTION	QTY	EFFECTIVE DATE
1 44301-L4A-000	PERNO RUOTA ANTERIORE	1	
2 44312-L4A-000	DISTANZIALE	1	
3 44870-L4C-000	ABS. SPEED SENSOR	1	
4 45156-L4C-000	PASSACAVO	1	
5 51400-L4A-000-KB	GAMBA FORCELLA DX COMPLETA	1	
6 51500-L4A-000-KB	GAMBA FORCELLA SX COMPLETA	1	
7 90114-A5L-000	SPECIAL SCREW 6X35	4	
8 94103-06700	PLAIN WASHER 6MM	2	
9 95801-06012-08	FLANGE BOLT	1	
10 96001-06012-00	VITE FLANGIATA 6X12	1	
11 96700-08035-00	VITE BRUGOLA 8X35	1	
12 91255-L4A-000	PARAOLIO	1	
13 91256-L4A-000	PARAPOLVERE	1	
14 FE881-283-03	FODERO FORCELLA SX	1	
15 FE881-284-03	FODERO FORCELLA DX	1	
16 FE881-303-00	STELO FORCELLA	1	
17 FF501-380-00	MOLLE STELO FORCELLA	1	
18 44313-L4A-000	DISTANZIALE	1	

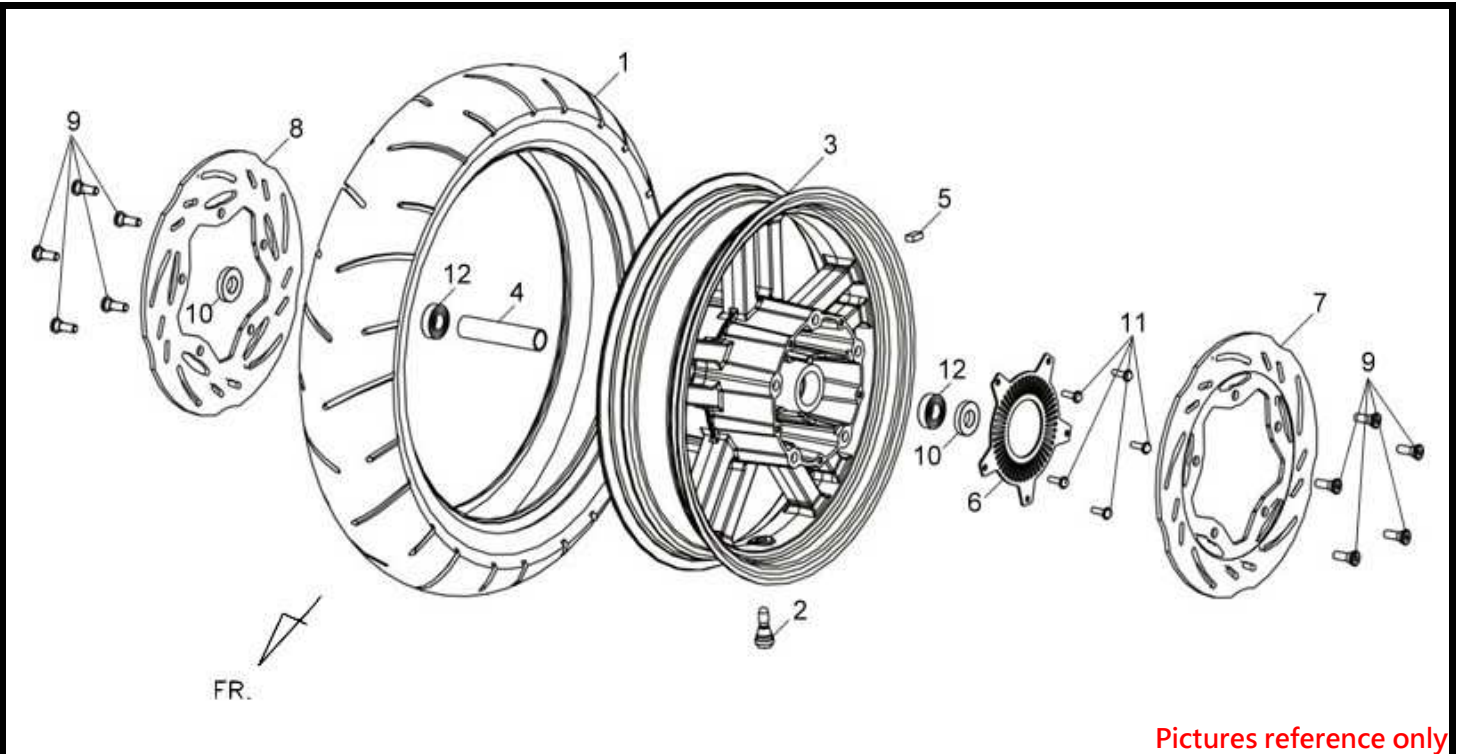
※ Please check the color & stripe information according to the color index !

TEAMWORLD IND. 2011.05

※N/A = SUBSTITUTE

※Y = EXCHANGEABLE

※N = NOT EXCHANGEABLE



Pictures reference only

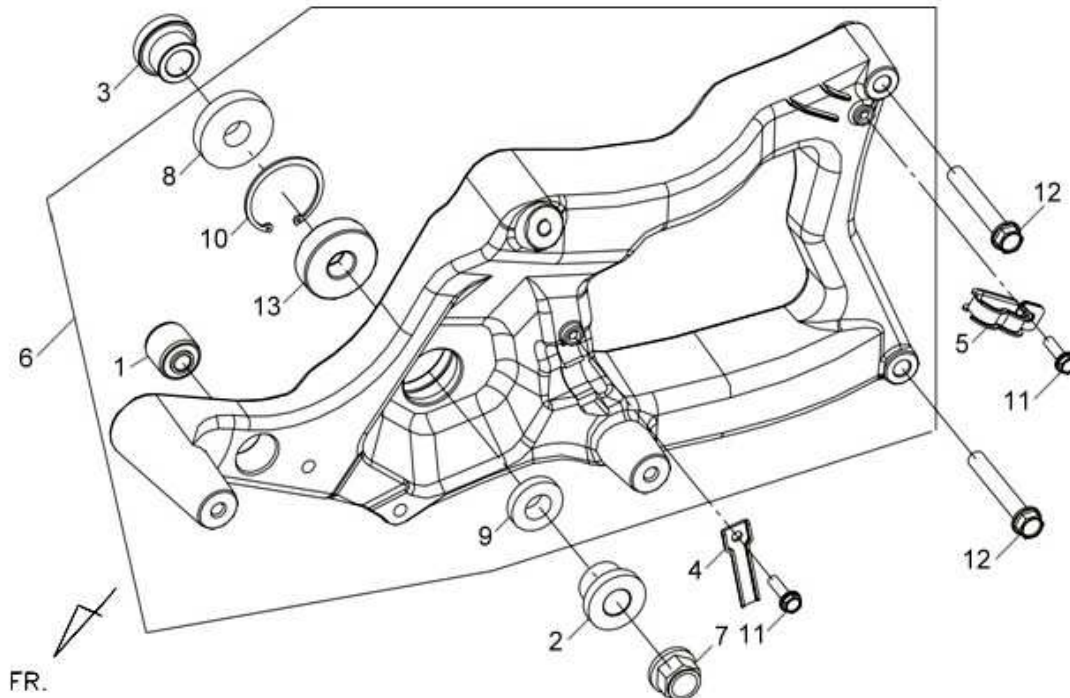
PARTS NUMBER	DESCRIPTION	QTY	EFFECTIVE DATE
1 1T011207015-6135	PNEUMATICO 120/70-15 (56S)	1	
2 42753-KJ9-000	VALVOLA PNEUMATICO TUBELESS	1	
3 44601-L4A-000-KB	CERCHIO RUOTA ANTER.NERO	1	
4 44620-L4A-000	DISTANZIALE	1	
5 44720-H9A-000	BALANCE WEIGHT	1	
6 45120-L4A-000	FLANGIA ABS	1	
7 45121-L4A-000-KB	DISCO FRENO ANT.DX	1	
8 45122-L4A-000-KB	DISCO FRENO ANT.SX	1	
9 90105-KR3-000	VITE BRUGOLA 8X24 DISCO FRENO	10	
10 91211-RCA-000	PARAOLIO (22*35*7)	2	
11 93500-05012-0A	PAN SCREW 5*12mm	5	
12 96150-60033-10	CUSCINETTO A SFERE 6003UU	2	

※ Please check the color & stripe information according to the color index !

※N/A = SUBSTITUTE

※Y = EXCHANGEABLE

※N =NOT EXCHANGEABLE



Pictures reference only

PARTS NUMBER	DESCRIPTION	QTY	EFFECTIVE DATE
1 11203-L4A-000	SILENT BLOCK	1	
2 42311-H9A-000	DISTANZIALE	1	
3 42311-L4A-000	DISTANZIALE	1	
4 43146-L4A-000	PASSACAVO	1	
5 45125-L4A-000	PASSACAVO	1	
6 5210A-L4A-000	BRACCIO OSCILLANTE POST.COMPL.	1	
7 90305-M9Q-900	DADO 16MM	1	
8 90754-H9A-000	PARAPOLVERE 26X47X7	1	
9 90755-H3C-000	PARAPOLVERE 26X35X7	1	
10 94524-47000	CIR CLIP IN47	1	
11 95801-06012-07	VITE FLANGIATA 6X12	2	
12 95801-10075-07	FLANGE BOLT	2	
13 96150-63033-10	CUSCINETTO A SFERE 6303U	1	

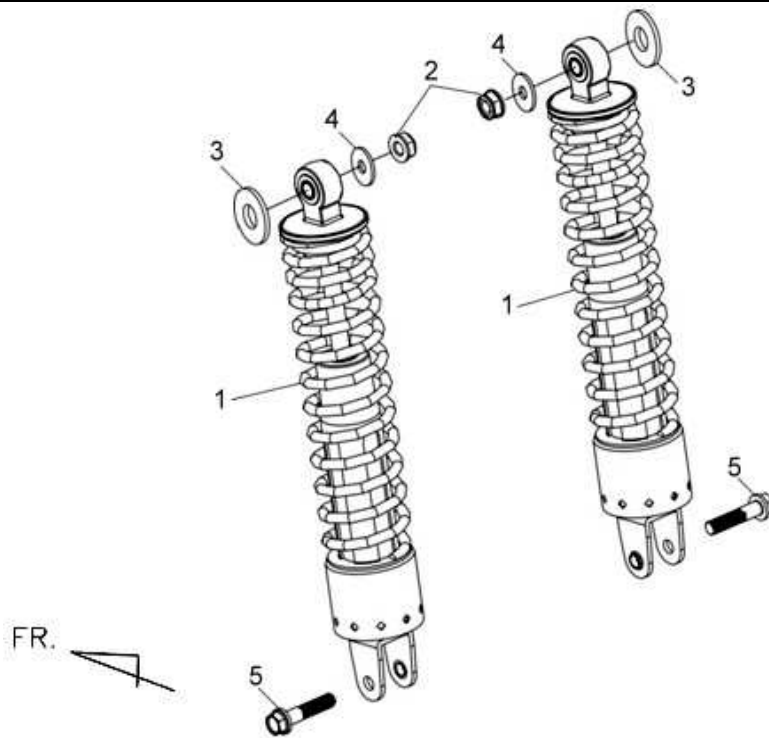
※ Please check the color & stripe information according to the color index !

 TEAMWORLD IND. 2011.05

※N/A = SUBSTITUTE

※Y = EXCHANGEABLE

※N =NOT EXCHANGEABLE



Pictures reference only

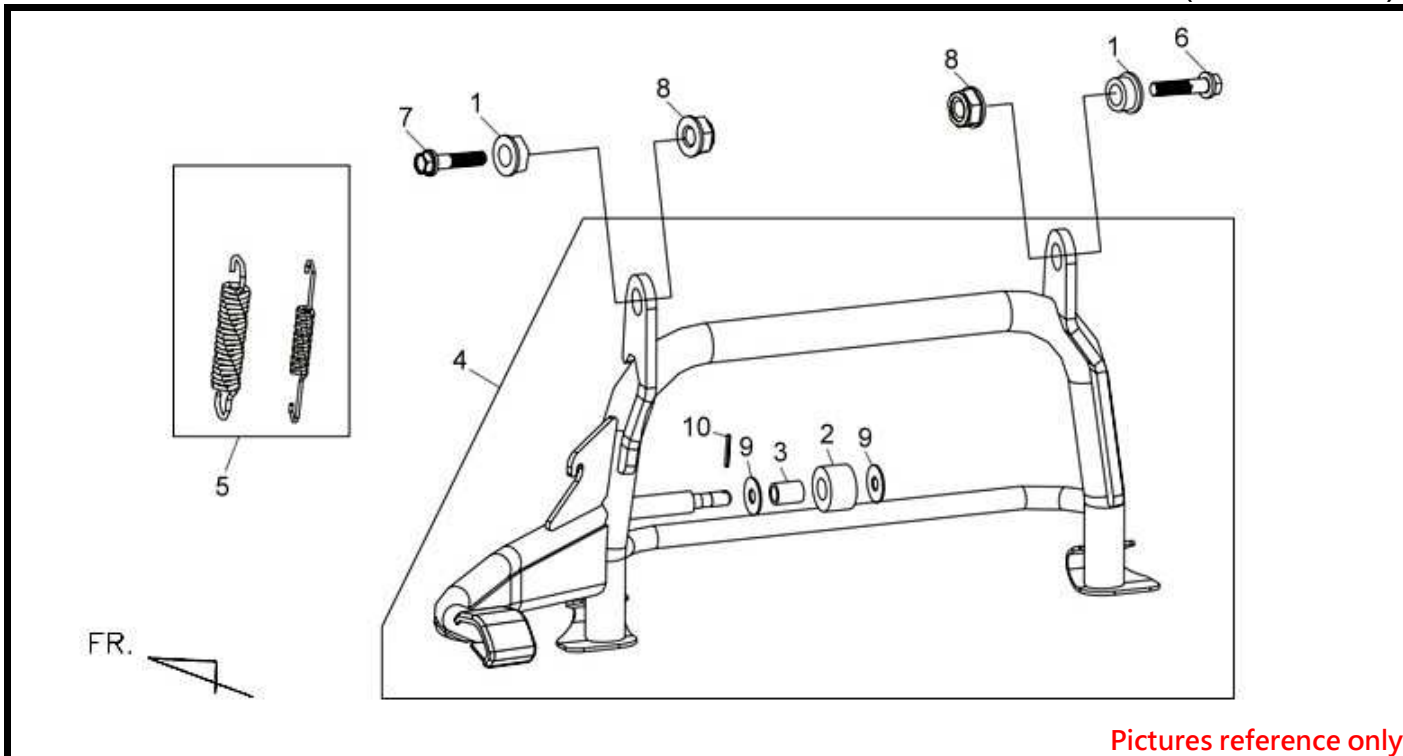
PARTS NUMBER	DESCRIPTION	QTY	EFFECTIVE DATE
1 52400-L4A-000-KB	AMMORTIZZATORE POST.	2	
2 90304-M9Q-000	DADO AUTOBLOCCANTE 10MM	2	
3 94101-12800	RONDELLA PIANA 12MM	2	
4 94103-10000	RONDELLA	2	
5 95801-10045-07	BOLT FLANGE 10X45	2	

※ Please check the color & stripe information according to the color index !

※N/A = SUBSTITUTE

※Y = EXCHANGEABLE

※N =NOT EXCHANGEABLE



Pictures reference only

PARTS NUMBER	DESCRIPTION	QTY	EFFECTIVE DATE
1 50502-GY6-900	BOCCOLA CAVALLETTO CENTR.	2	
2 50505-H3A-000	TAMPONE CAVALLETTO	1	
3 50506-H3A-000	STOP RUBBER COLLAR	1	
4 5050A-L4A-000	CAVALLETTO CENTRALE	1	
5 5052A-H9A-000	MOLLA CAVALLETTO CENTRALE	1	
6 90116-HHA-000	PERNO CAVALLETTO CENTRALE	2	
7 90117-L4A-000	VITE FLANGIATA 10X40	2	
8 90304-M9Q-000	DADO AUTOBLOCCANTE 10MM	2	
9 94102-08800	PLAIN WASHER 8mm	2	
10 94201-25200	COPIGLIA 2.5X20	1	

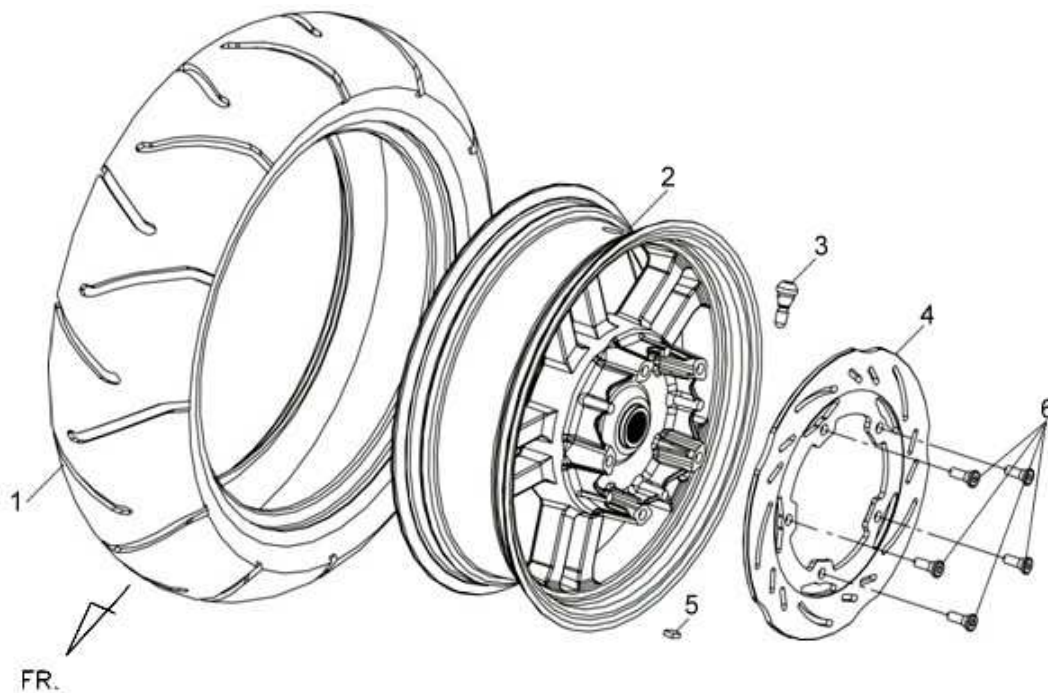
※ Please check the color & stripe information according to the color index !

TEAMWORLD IND. 2011.05

※N/A = SUBSTITUTE

※Y = EXCHANGEABLE

※N =NOT EXCHANGEABLE



Pictures reference only

PARTS NUMBER	DESCRIPTION	QTY	EFFECTIVE DATE
1 1T011606014-6135	PNEUMATICO 160/60-14	1	
2 42601-L4C-000-KB	CERCHIO RUOTA POST.	1	
3 42753-KJ9-000	VALVOLA PNEUMATICO TUBELESS	1	
4 43121-L4A-000-KB	DISCO FRENO POST.	1	
5 44720-H9A-000	BALANCE WEIGHT	1	
6 90105-KR3-000	VITE BRUGOLA 8X24 DISCO FRENO	5	

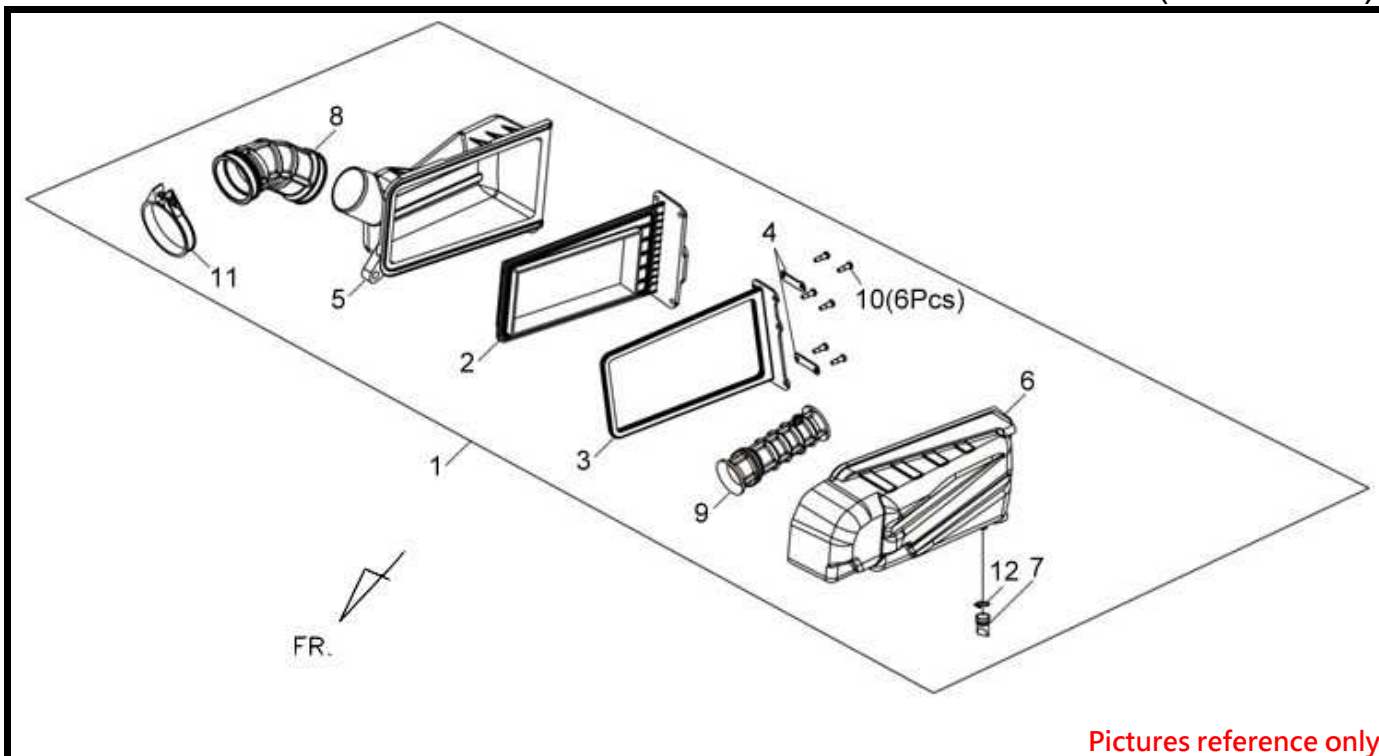
※ Please check the color & stripe information according to the color index !

 TEAMWORLD IND. 2011.05

※N/A = SUBSTITUTE

※Y = EXCHANGEABLE

※N =NOT EXCHANGEABLE



Pictures reference only

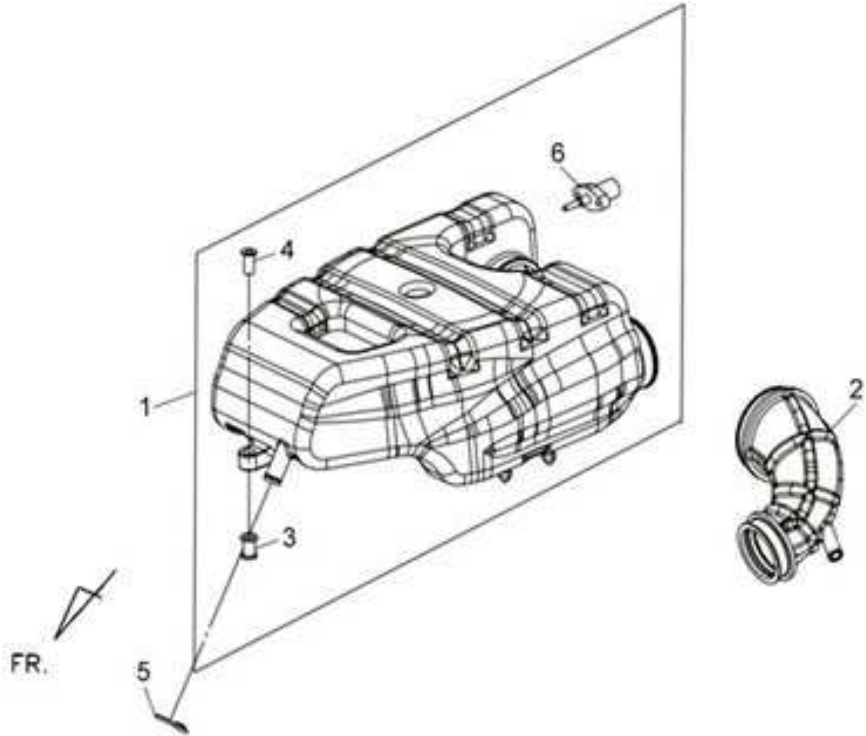
PARTS NUMBER	DESCRIPTION	QTY	EFFECTIVE DATE
1 17200-L4A-000	SCATOLA FILTRO ARIA COMPLETA	1	
2 17211-L4A-000	FILTRO ARIA	1	
3 17215-L4A-000	AIR/C ELEMENT RUBBER	1	
4 17219-L4A-000	ELEMENT SETTING PLATE	2	
5 17230-L4A-000	BASE SCATOLA FILTRO ARIA	1	
6 17231-L4A-000	COPERCHIO SCATOLA FILTRO ARIA	1	
7 17234-M51-000	TUBO DRENAGGIO	1	
8 17253-L4A-000	AIR/C CONN.TUBE A	1	
9 17255-L4A-000	AIR/C.INLET DUCT	1	
10 90001-L4A-000	SPECIAL BOLT 5*19	6	
11 90652-REA-000	A/C CONNECTING TUBE BAND 62	1	
12 95002-80000	TUBE CLIP C12	1	

※ Please check the color & stripe information according to the color index !

※N/A = SUBSTITUTE

※Y = EXCHANGEABLE

※N =NOT EXCHANGEABLE



Pictures reference only

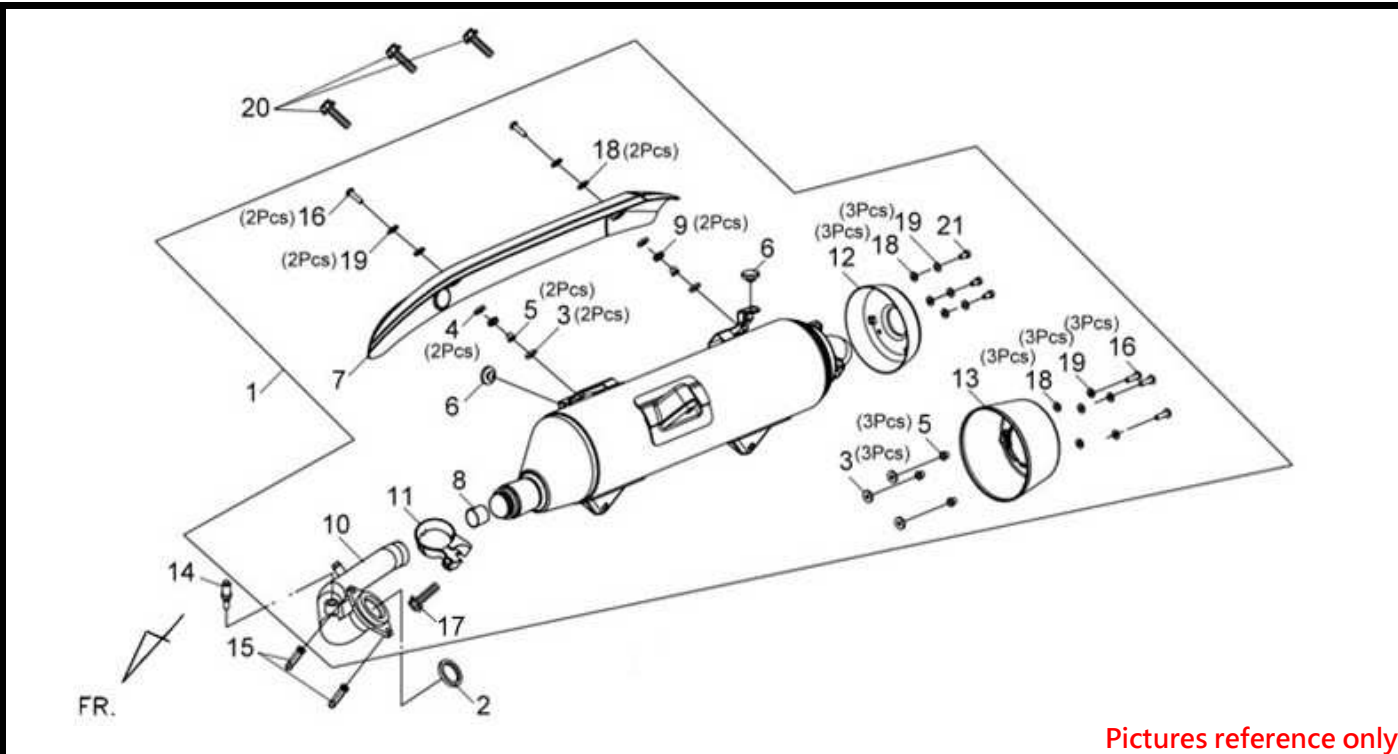
PARTS NUMBER		DESCRIPTION	QTY	EFFECTIVE DATE	
1	1723A-L4A-000	AIR/C BOX ASSY	1		
2	17254-L4A-000	AIR/C CONNECTING TUBE B	1		
3	17258-L4A-000	AIR BOX RUBBER	1		
4	17257-L4A-000	AIR BOX COLLAR	1		
5	18533-M7Q-000	AIR HOSE CLIP 19	1		
6	37830-HMC-000	SENSORE TEMPERATURA ARIA	1		

※ Please check the color & stripe information according to the color index !

※N/A = SUBSTITUTE

※Y = EXCHANGEABLE

※N =NOT EXCHANGEABLE



Pictures reference only

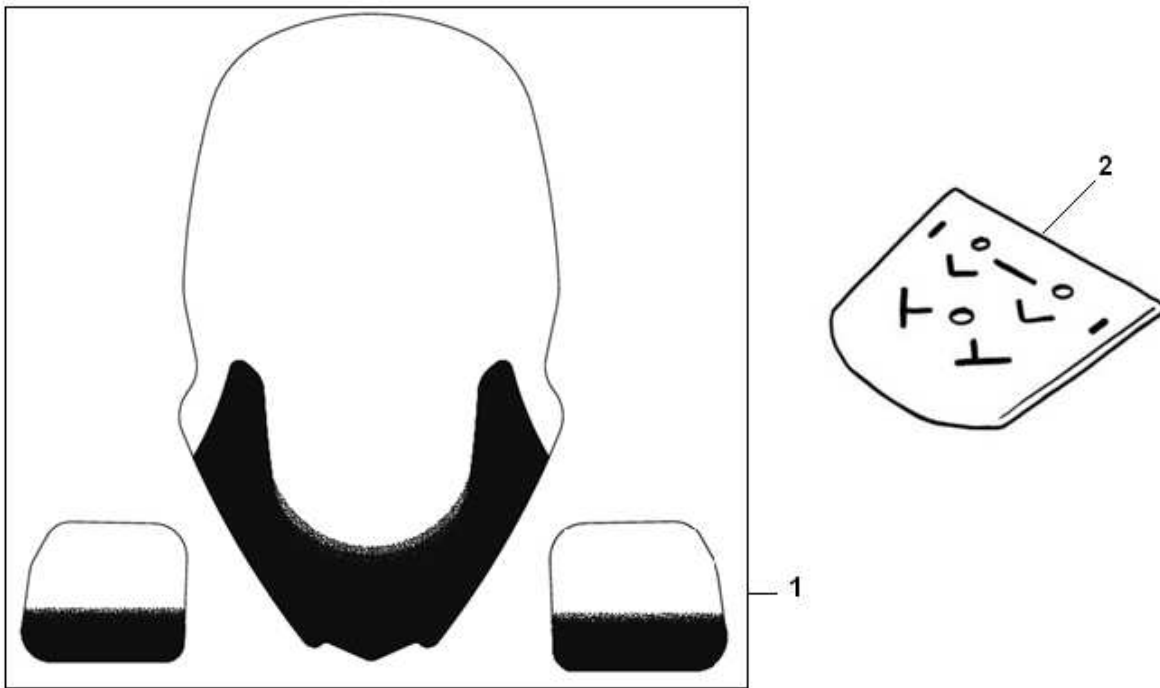
PARTS NUMBER	DESCRIPTION	QTY	EFFECTIVE DATE
1 18000-L4A-000	MARMITTA COMPLETA	1	
2 18291-REA-000	GUARNIZIONE SCARICO	1	
3 18292-F3E-000	RONDELLA ISOLANTE	5	
4 18293-F3E-000	RONDELLA ISOLANTE	2	
5 18295-F3E-000	BOCCOLA 6MM	5	
6 18316-L4A-000	MUFF.PROTECTOR STAY A RUBBER	2	
7 18318-L4A-000	PROTEZIONE MARMITTA	1	
8 18319-REA-300	GUARNIZIONE COLLETTORE/TERMINALE	1	
9 18320-F3E-000	GOMMINO	2	
10 18320-L4A-300	COLLETTORE SCARICO MARMITTA	1	
11 18321-REA-000	MUFFLER BAND	1	
12 18324-L4A-000	OUTER TAIL CAP COMP	1	
13 18328-L4A-000	FONDELLO MARMITTA	1	
14 37890-A5L-000	O2 SENSOR	1	
15 90043-HMA-000	CAP NUT	2	
16 90116-L4A-000	SPECIAL BOLT M6*22	5	
17 93401-06010-07	WASHER BOLT 6*10	1	
18 94101-06700	PLAIN WASHER 6MM	8	
19 94111-06700	SPRING WASHER 6MM	8	
20 95801-08065-07	FLANGE BOLT 8X65	3	
21 96700-06012-08	VITE BRUGOLA 6X12	3	

※ Please check the color & stripe information according to the color index !

※N/A = SUBSTITUTE

※Y = EXCHANGEABLE

※N =NOT EXCHANGEABLE



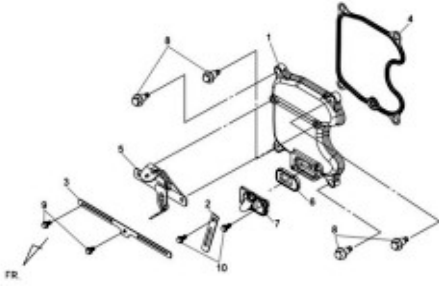
Pictures reference only

PARTS NUMBER	DESCRIPTION	Q T Y	EFFECTIVE DATE	
1 53270LX40	PARABREZZA COMPLETO+KIT PARAMANI			
2 81300LX40	PORTABAULETTO COMPLETO			

MOTORE

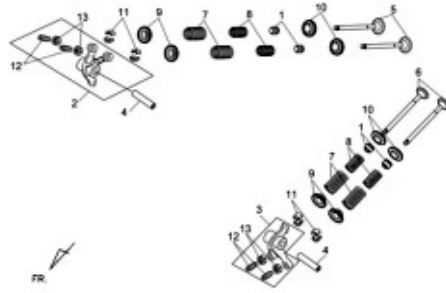
E01

CYLINDER HEAD COVER



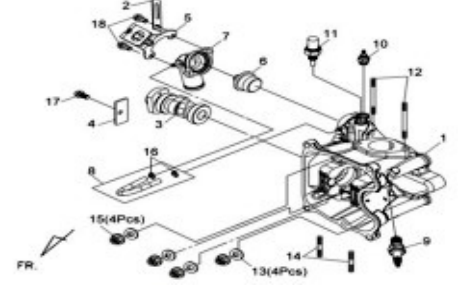
E02

IN.VALVE/EX.VALVE



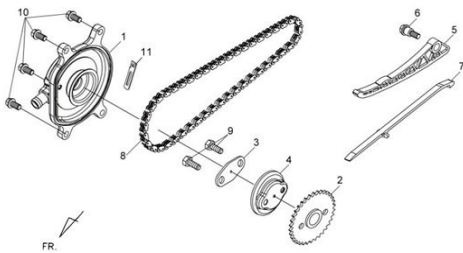
E03

CYLINDER COMP.



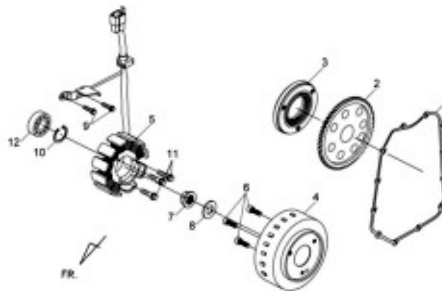
E04

CYLINDER HEAD SIDE COVER



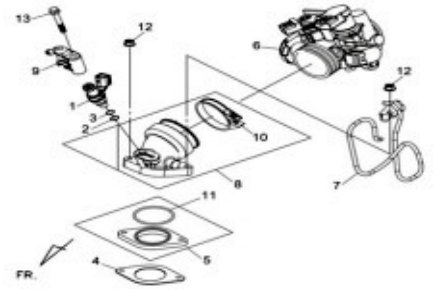
E05

A.C.G. ASSY



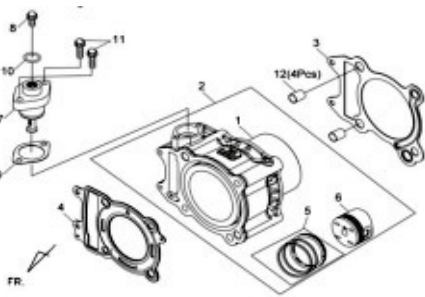
E06

INLET PIPE ASSY.



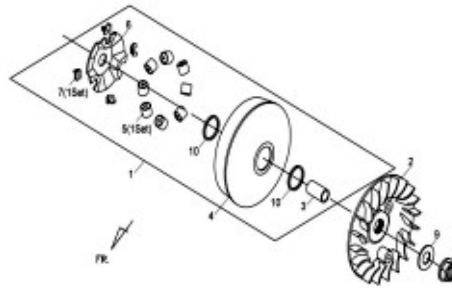
E07

CYLINDER SET



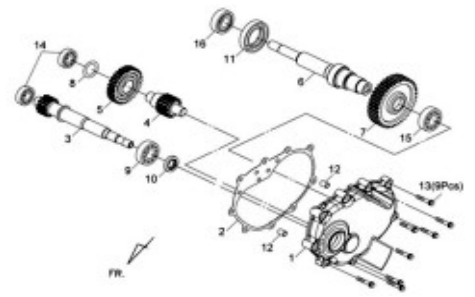
E08

MOVABLE DRIVE FACE ASSY.



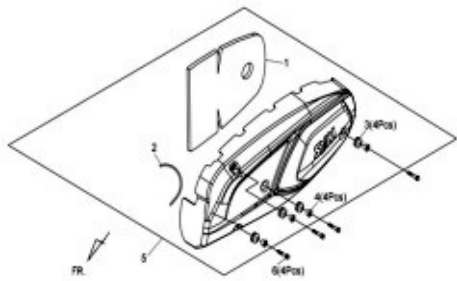
E09

MISSION COVER



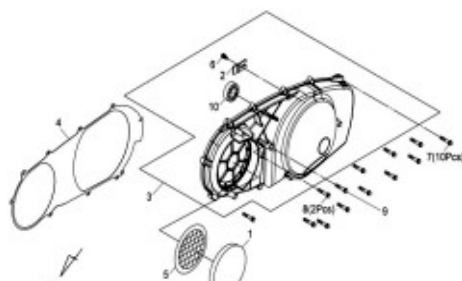
E10

L OUTER COVER ASSY



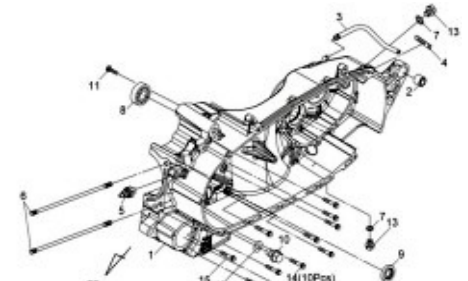
E11

L. CRANK CASE COVER ASSY.



E12

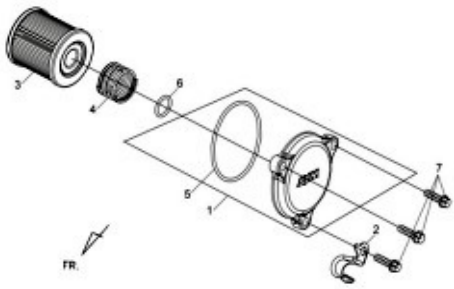
L CRANK CASE COMP



MOTORE

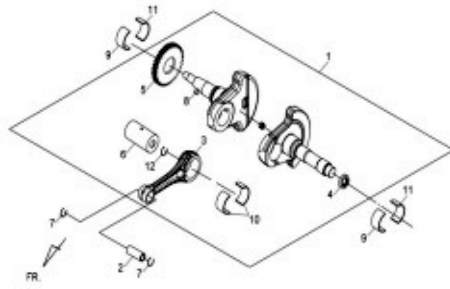
E13

OIL FILTER COVER COMP



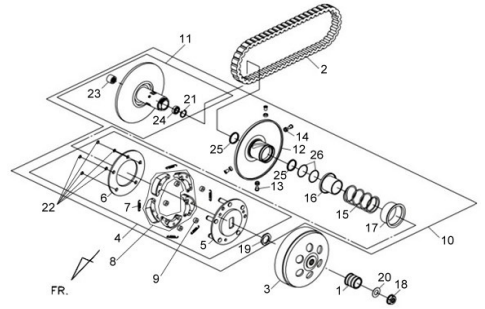
E14

CRANK SHAFT COMP



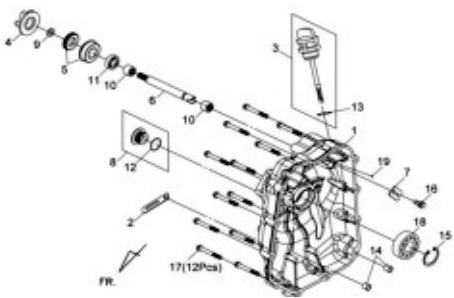
E15

DRIVEN PULLEY ASSY



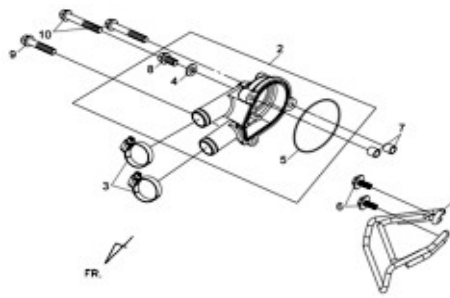
E16

R. CRANK CASE COVER



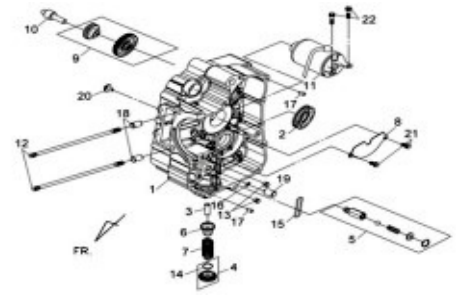
E17

DRIVEN PULLEY ASSY



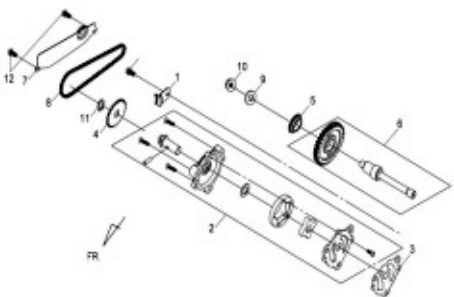
E18

R CRANK CASE COMP



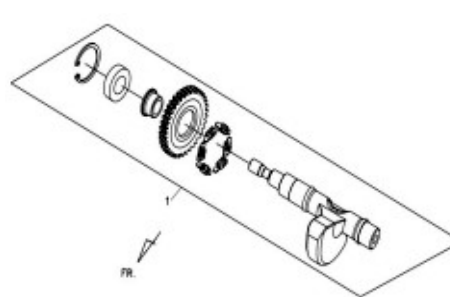
E19

OIL PUMP ASSY.



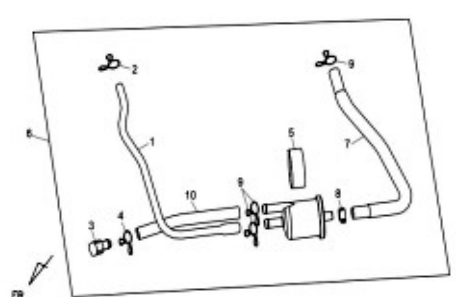
E20

BALANCE SHAFT COMP



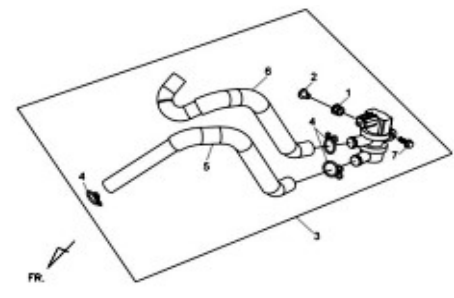
E21

BREATHER CHAMBER ASSY.



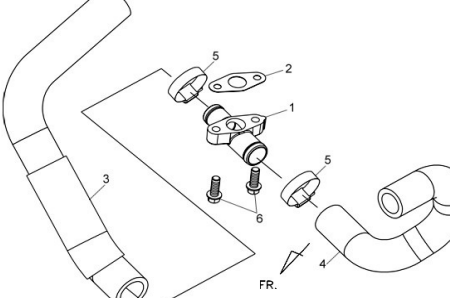
E22

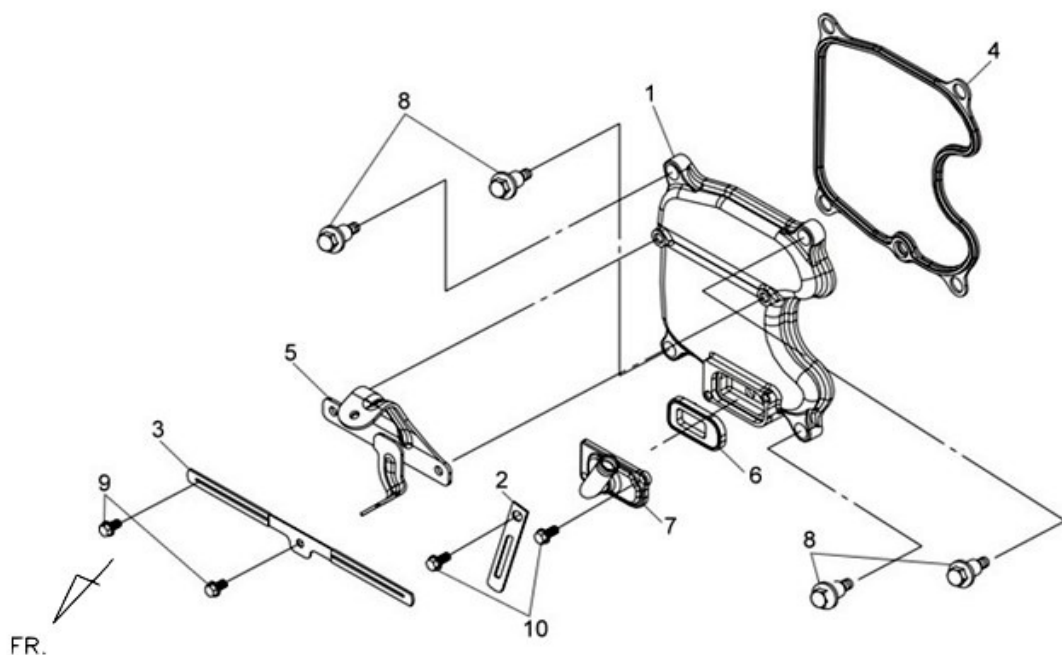
A.I.S.V. SET



E23

3 WAY JOINT





Pictures reference only

PARTS NUMBER		DESCRIPTION	QTY	EFFECTIVE DATE
1	12301-L4A-000	COPERCHIO VALVOLE	1	
2	12342-G02-000	FASCETTA	1	
3	12342-L4A-000	FASCETTA	1	
4	12391-L4A-000	GUARNIZIONE COPERCHIO VALVOLE	1	
5	15714-L4A-000	AIR BOX STAY A COMP	1	
6	18601-HEB-000	VALVOLA LAMELLARE	1	
7	18610-L4A-010	COPERCHIO VALVOLA LAMELLARE	1	
8	90002-HMA-000	CYLINDER HEAD COVER BOLT	4	
9	96001-06012-00	VITE FLANGIATA 6X12	2	
10	96001-06016-00	VITE FLANGIATA 6X16	2	

※ Please check the color & stripe information according to the color index !

 **TEAMWORLD IND. 2012.02**

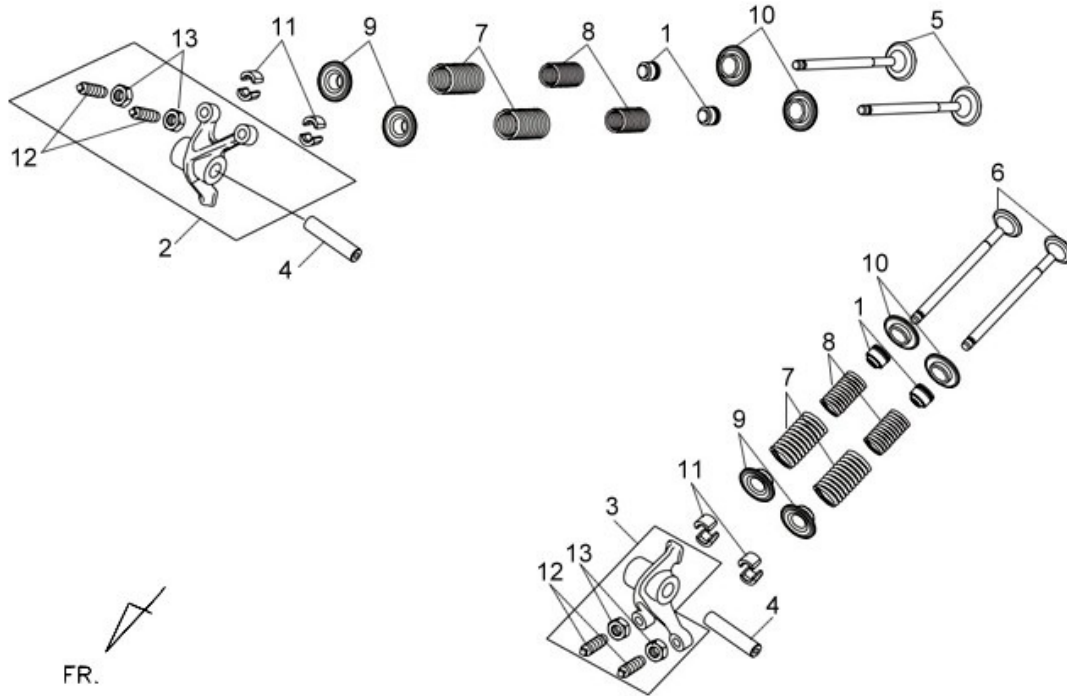
※N/A = SUBSTITUTE

※Y = EXCHANGEABLE

※N =NOT EXCHANGEABLE

E02 IN. VALVE/EX. VALVE

MAXSYM 400 ABS (LX40A2-6)



Pictures reference only

PARTS NUMBER	DESCRIPTION	QTY	EFFECTIVE DATE
1 12209-H6B-900	PARAOLIO VALVOLA 4.3mm	4	
2 1443A-L4A-000	BILANCERE ASPIRAZIONE COMPLETO	1	
3 1444A-L4A-000	BILANCERE SCARICO COMPLETO	1	
4 14451-L4A-000	PERNO BILANCERE	2	
5 14711-L4A-000	VALVOLA ASPIRAZIONE	2	
6 14721-L4A-000	VALVOLA SCARICO	2	
7 14751-REA-000	MOLLA VALVOLA ESTERNA	4	
8 14761-REA-000	MOLLA VALVOLA INTERNA	4	
9 14771-GB4-680	SCODELLINO MOLLA VALVOLA	4	
10 14777-REA-000	VALVE SPRING SEAT	4	
11 14781-M9Q-000-A	SEMICONO VALVOLA (SET)	8	
12 90012-HLK-000	VITE REGISTRO VALVOLE	4	
13 90206-HLK-000	DADO REGISTRO VALVOLA	4	

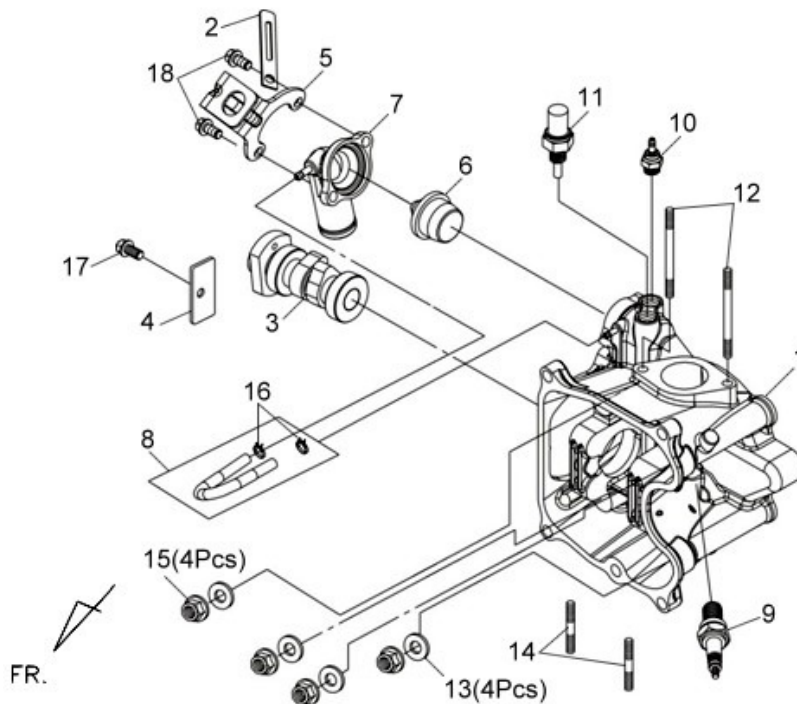
※ Please check the color & stripe information according to the color index !

TEAMWORLD IND. 2012.02

※N/A = SUBSTITUTE

※Y = EXCHANGEABLE

※N =NOT EXCHANGEABLE



Pictures reference only

PARTS NUMBER	DESCRIPTION	QTY	EFFECTIVE DATE
1 12200-L4A-000	TESTA CILINDRO	1	
2 12342-X01-000	FASCETTA	1	
3 14100-L4A-000	ALBERO A CAMME	1	
4 14457-L4A-000	PIASTRINA	1	
5 1571A-L4A-000	AIR BOX STAY B COMP	1	
6 19300-HMA-000	TERMOSTATO	1	
7 19315-L4A-000	COPERCHIO TERMOSTATO	1	
8 19320-L4A-000	TUBO TERMOSTATO	1	
9 1PCR8E-3	CANDELA NGK CR8E	1	
10 37750-PC1-004	BULBO TEMPARATURA (TESTA)	1	
11 37880-HMC-000	SENSORE TEMPERATURA LIQ.RAFREDDAMENT	1	
12 90034-HMA-000	SPECIAL STUD BOLT	2	
13 90442-HMA-000	SEALING WASHER	4	
14 92900-06032-0B	STUD BOLT 2.6*32	2	
15 94050-10080	DADO FLANGIATO 10mm	4	
16 95002-40730-08	TUBE CLAMP D7.3	2	
17 96001-06016-00	VITE FLANGIATA 6X16	1	
18 96001-06025-00	VITE FLANGIATA 6X25	2	

※ Please check the color & stripe information according to the color index !

TEAMWORLD IND. 2012.02

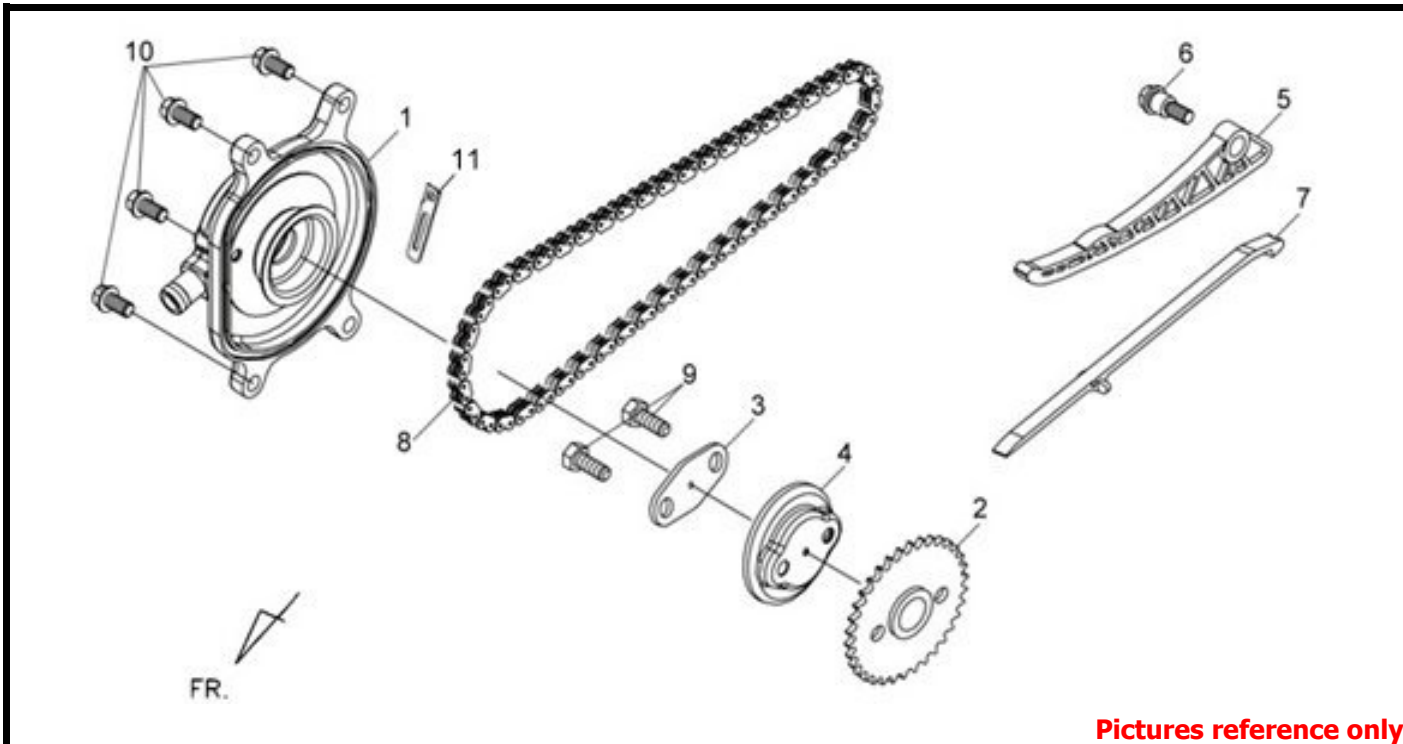
※N/A = SUBSTITUTE

※Y = EXCHANGEABLE

※N =NOT EXCHANGEABLE

E04 CYLINDER HEAD SIDE COVER

MAXSYM 400 ABS (LX40A2-6)



Pictures reference only

PARTS NUMBER	DESCRIPTION	QTY	EFFECTIVE DATE
1 1231A-L4A-000	COPERCHIO	1	
2 14105-L4A-000	INGRANAGGIO ALBERO A CAMME	1	
3 14105-REA-000	CAM SPROCKET WASHER	1	
4 14108-REA-000	DISCO ALBERO A CAMME	1	
5 14510-L4A-000	PATTINO TENDICATENA	1	
6 14531-REA-000	CAM CHAIN TENSIONERPIVOT	1	
7 14610-L4A-000	PATTINO GUIDA CATENA DISTRIB.	1	
8 1C14401-L4A-000	CATENA DISTRIBUZIONE	1	
9 92101-06016-0H	BOLT HEX 6*16	2	
10 96001-06018-00	VITE FLANGIATA 6X18	4	
11 12342-G02-000	FASCETTA	1	

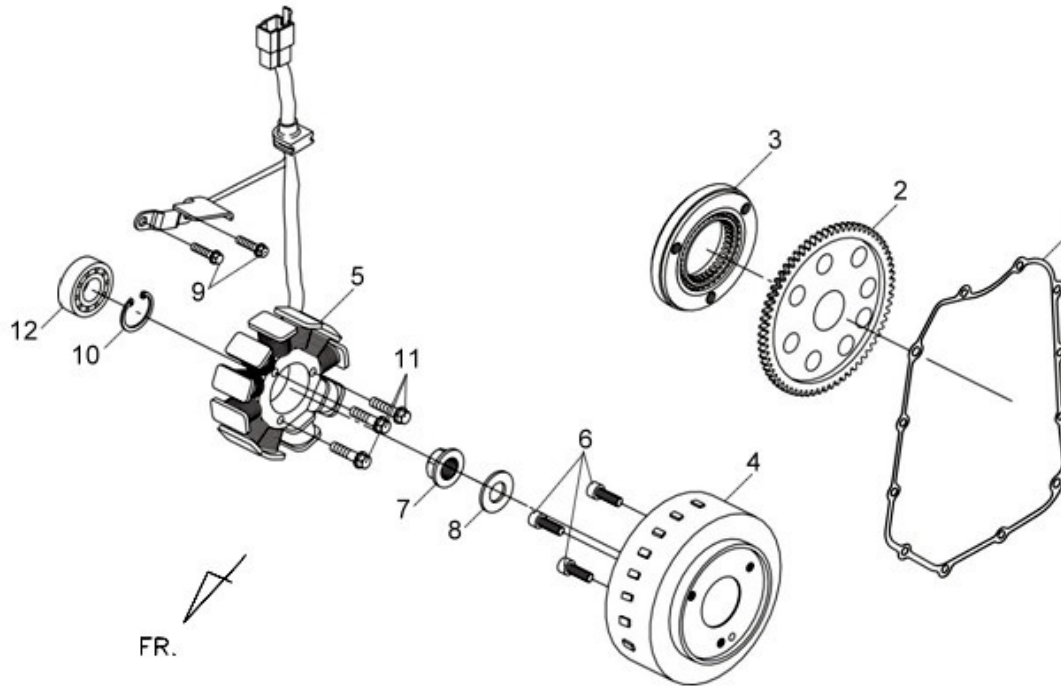
※ Please check the color & stripe information according to the color index !

 **TEAMWORLD IND. 2012.02**

※N/A = SUBSTITUTE

※Y = EXCHANGEABLE

※N =NOT EXCHANGEABLE



Pictures reference only

PARTS NUMBER	DESCRIPTION	QTY	EFFECTIVE DATE
1	11394-L4A-000	1	
2	28110-L4A-000	1	
3	2812A-HMA-000	1	
4	31110-L4A-000	1	
5	31120-L4A-000	1	
6	90157-F3G-000	3	
7	90201-KR8-751-M1	1	
8	90401-KJ9-000	1	
9	92101-05016-0H	2	
10	94520-32000	1	
11	96001-06030-00	3	
12	96100-62013-00	1	

※ Please check the color & stripe information according to the color index !

 TEAMWORLD IND. 2012.02

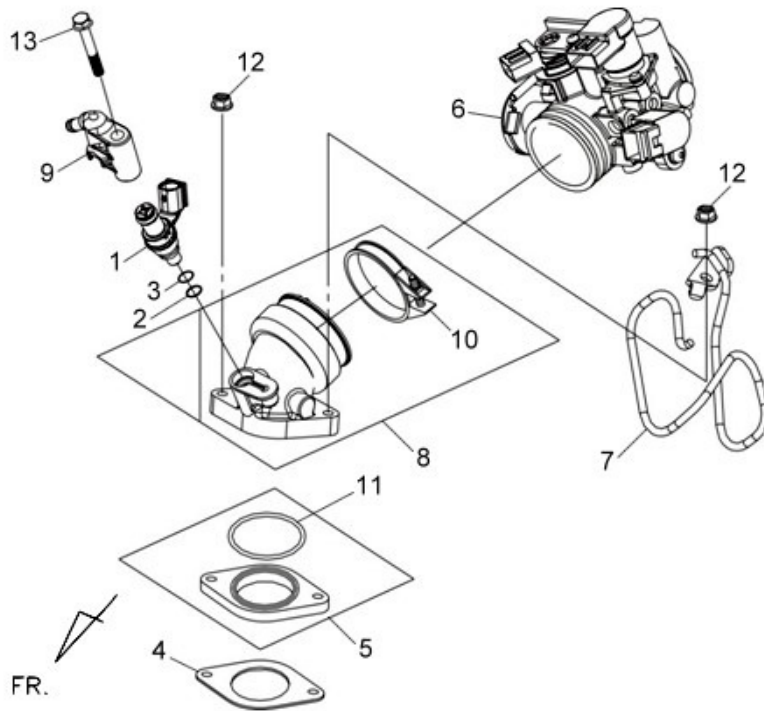
※N/A = SUBSTITUTE

※Y = EXCHANGEABLE

※N =NOT EXCHANGEABLE

E06 INLET PIPE ASSY.

MAXSYM 400 ABS (LX40A2-6)



Pictures reference only

PARTS NUMBER		DESCRIPTION	QTY	EFFECTIVE DATE
1	06414-L4A-000	INIETTORE	1	
2	06415-HNS-000	O-RING	1	
3	06416-HNS-000	SEAL-RING	1	
4	16201-L4A-000	GUARNIZIONE COLLETTORE	1	
5	1621A-L4A-000	ISOLANTE	1	
6	16401-L4A-000	CORPO FARFALLATO COMPLETO	1	
7	17114-L4A-000	CLAMP COMP	1	
8	1711A-L4A-000	COLLETTORE ASPIRAZIONE	1	
9	17120-L4A-000	COPERCHIO INIETTORE	1	
10	90652-L4A-000	FASCETTA	1	
11	91308-L4A-000	ANELLO O-RING 43X2.0	1	
12	94050-06000	DADO FLANGIATO 6MM	2	
13	96001-06050-00	VITE FLANGIATA 6X50	1	

※ Please check the color & stripe information according to the color index !

 **TEAMWORLD IND. 2012.02**

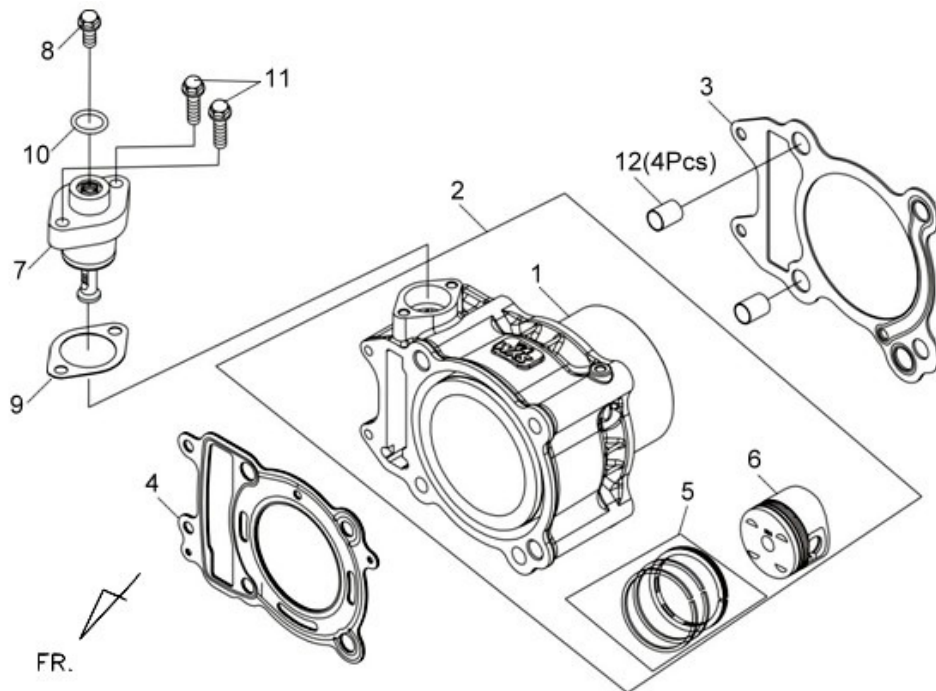
※N/A = SUBSTITUTE

※Y = EXCHANGEABLE

※N =NOT EXCHANGEABLE

E07 CYLINDER SET

MAXSYM 400 ABS (LX40A2-6)



Pictures reference only

PARTS NUMBER	DESCRIPTION	QTY	EFFECTIVE DATE
1 12100-L4A-000	CILINDRO	1	
2 12100-L4A-000-A	CILINDRO+PISTONE+FASCE	1	
3 12191-L4A-000	GUARNIZIONE BASE CILINDRO	1	
4 12251-L4A-000	GUARNIZIONE TESTA	1	
5 13010-L4A-000	SERIE SEGMENTI	1	
6 13101-L4A-000	PISTONE	1	
7 14520-H6T-000	TENDICATENA DISTRIBUZIONE	1	
8 14522-H6T-000	VITE TENDICATENA	1	
9 14523-M9Q-000	GUARNIZIONE TENDICATENA DISTR.	1	
10 14524-H6T-000	O-RING	1	
11 90001-M9Q-000	VITE FLANGIATA 6X22	2	
12 94301-12200	GRANO RIFERIMENTO 12X20	4	

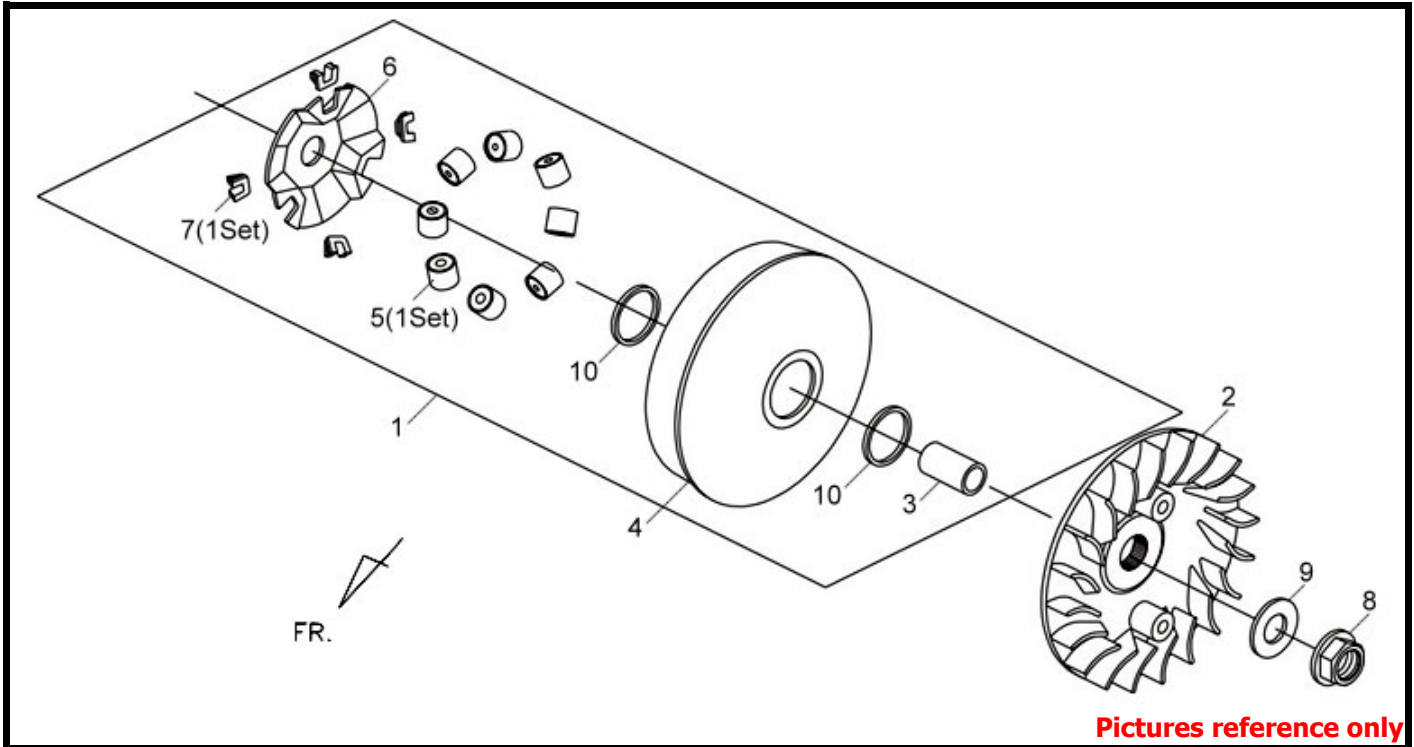
※ Please check the color & stripe information according to the color index !

 TEAMWORLD IND. 2012.02

※N/A = SUBSTITUTE

※Y = EXCHANGEABLE

※N =NOT EXCHANGEABLE



Pictures reference only

PARTS NUMBER	DESCRIPTION	QTY	EFFECTIVE DATE
1 22000-L4A-000	VARIATORE COMPLETO	1	
2 22102-L4A-000	PULEGGIA PRIMARIA FISSA	1	
3 22105-L4A-000	BOCCOLA PULEGG. PRIMARIA	1	
4 22110-L4A-003	PULEGGIA PRIMARIA MOBILE	1	
5 22121-L4A-000-A	SERIE RULLI VARIATORE	1	
6 22131-L4A-000	RAMPA RULLI PORTA TASSELLI	1	
7 22132-L4A-000-A	SERIE TASSELLI (5 pz = 1 set)	1	
8 90201-KR8-751-M1	DADO FLANGIATO 14MM	1	
9 90401-KJ9-000	RONDELLA RASAMENTO 14X28X2	1	
10 91206-L4A-000	PARAOLIO	2	

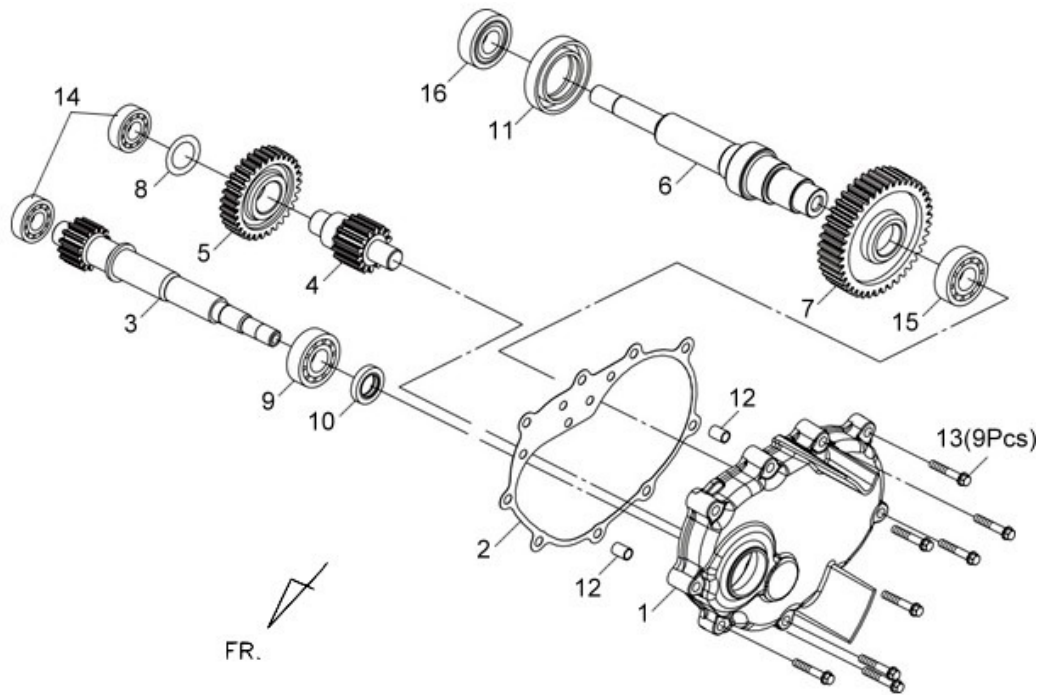
※ Please check the color & stripe information according to the color index !

TEAMWORLD IND. 2012.02

※N/A = SUBSTITUTE

※Y = EXCHANGEABLE

※N =NOT EXCHANGEABLE



Pictures reference only

PARTS NUMBER	DESCRIPTION	QTY	EFFECTIVE DATE
1 21301-L4A-000	COPERCHIO INGR.TRASMISSIONE	1	
2 21395-L4A-000	GUARNIZIONE COPERC. TRASM.	1	
3 23411-L4A-010	DRIVE SHAFT	1	
4 23421-L4A-000	ALBERO INTERMEDIO	1	
5 23422-L4A-010	COUNTER GEAR	1	
6 23431-L4A-000	ALBERO USCITA RUOTA	1	
7 23432-L4A-000	INGRANAGGIO	1	
8 90401-L4A-000	THRUST WASHER 18MM	1	
9 91001-X06-911-M1	CUSCINETTO A SFERE TMB-305C	1	
10 91204-HMA-000	PARAOLIO	1	
11 91204-L4A-000	PARAOLIO TC 45*65*10	1	
12 90703-M8Q-000	GRANO RIFERIMENTO 10X14	2	
13 95701-08040-00	FLANGE BOLT 8X40	9	
14 96100-62040-00	CUSCINETTO A SFERE 6204T	2	
15 96100-62050-00	CUSCINETTO A SFERE 6205T	1	
16 96150-62060-10	CUSCINETTO A SFERE 6206UU	1	

※ Please check the color & stripe information according to the color index !

 TEAMWORLD IND. 2012.02

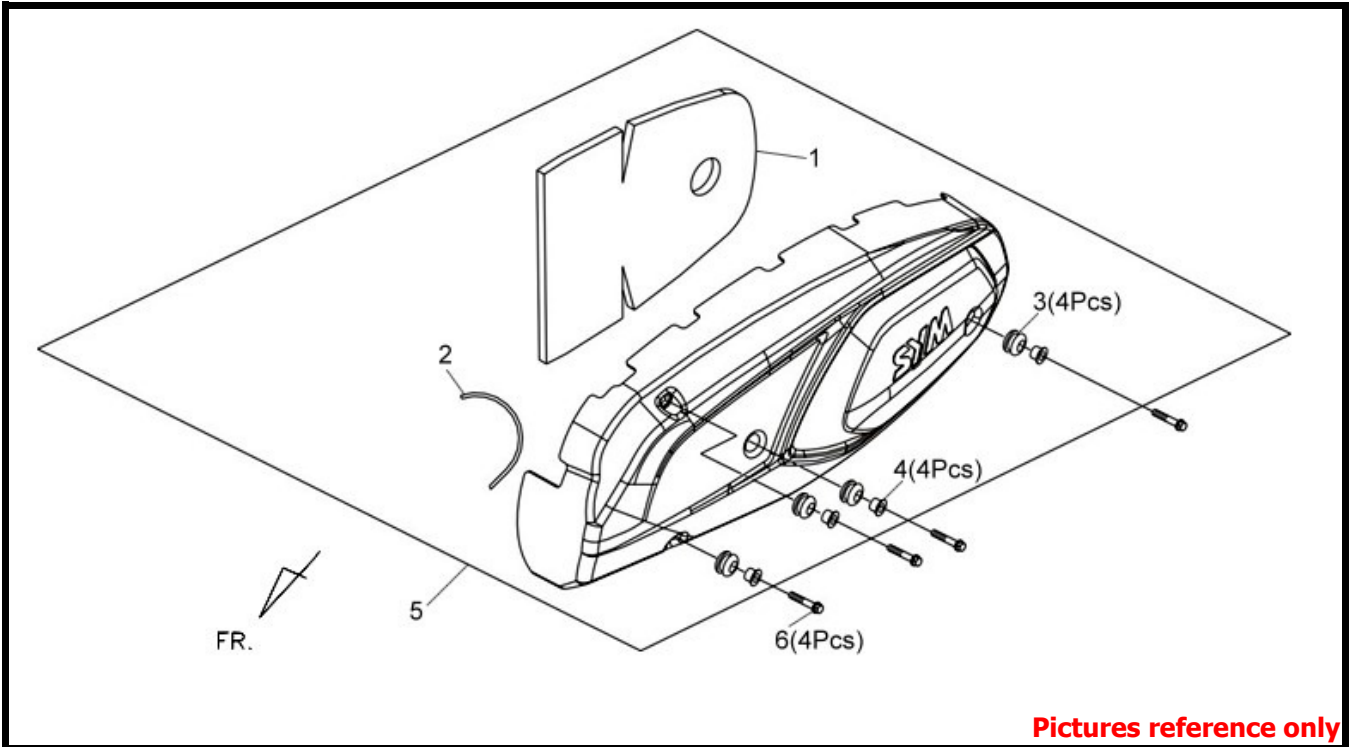
※N/A = SUBSTITUTE

※Y = EXCHANGEABLE

※N = NOT EXCHANGEABLE

E10 L OUTER COVER ASSY

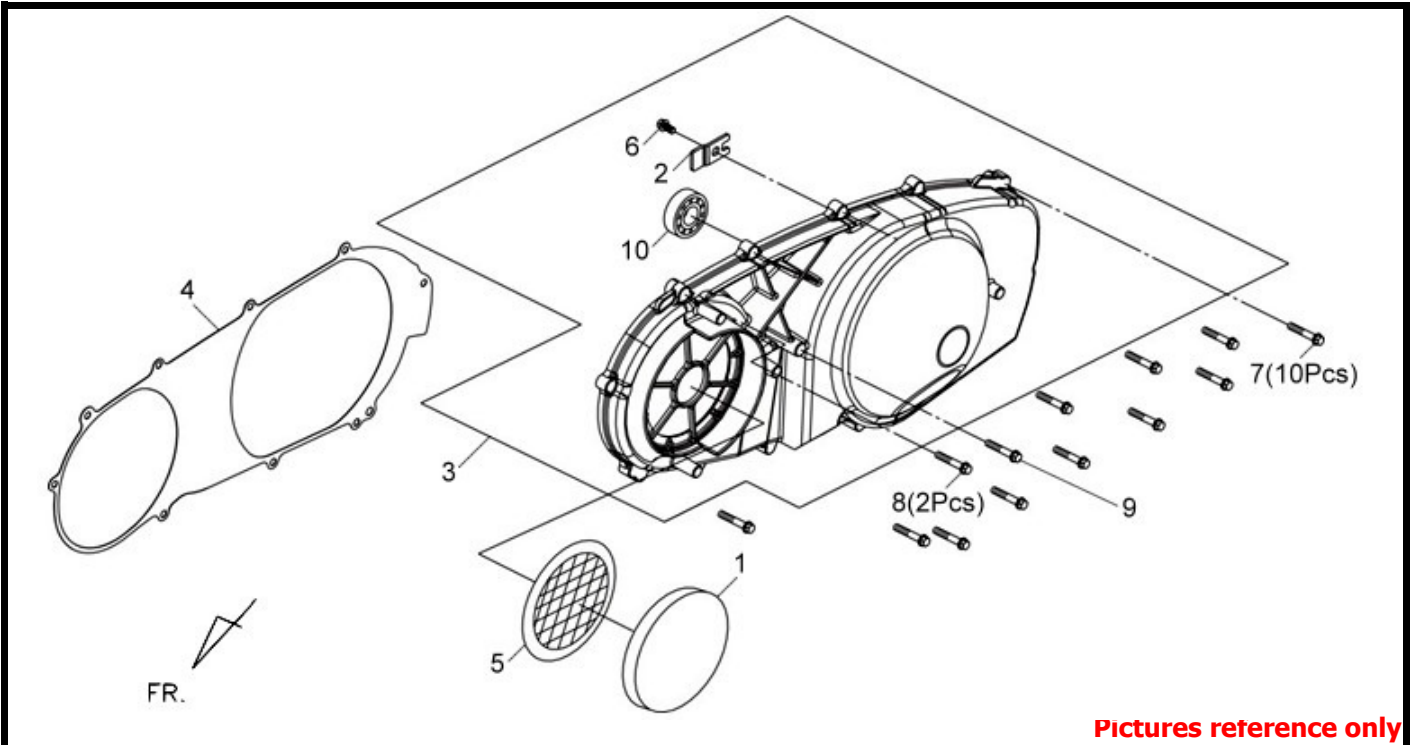
MAXSYM 400 ABS (LX40A2-6)



PARTS NUMBER	DESCRIPTION	QTY	EFFECTIVE DATE
1 11352-L4A-000	FILTRO SPUGNA	1	
2 11353-L4A-000	GUARNIZIONE COPER.ESTERNO	1	
3 11354-H3A-000	MOUNT RUBBER	4	
4 11356-H3A-000	COLLAR	4	
5 1135A-L4A-000	COPERCHIO FRIZIONE COMPLETO BK-001U	1	
6 90115-G02-000	VITE FLANGIATA 6X16	4	

E11 L. CRANK CASE COVER ASSY.

MAXSYM 400 ABS (LX40A2-6)



Pictures reference only

PARTS NUMBER	DESCRIPTION	QTY	EFFECTIVE DATE
1 11344-L4A-000	COPERCHIO	1	
2 11346-L4A-000	L.BEARING SETTING PLATE	1	
3 1134A-L4A-000	COPERCHIO FRIZIONE COMPLETO	1	
4 11395-L4A-000	GUARNIZIONE COPERCHIO FRIZIONE	1	
5 17221-L4A-000	GRIGLIA CARTER FRIZIONE	1	
6 96001-06014-00	FLANGE BOLT SH 6X14	1	
7 96001-06025-00	VITE FLANGIATA 6X25	10	
8 96001-06035-00	VITE FLANGIATA 6X35	2	
9 96001-06060-00	VITE FLANGIATA 6X60	1	
10 96150-60060-10	CUSCINETTO A SFERE 6006LLU	1	

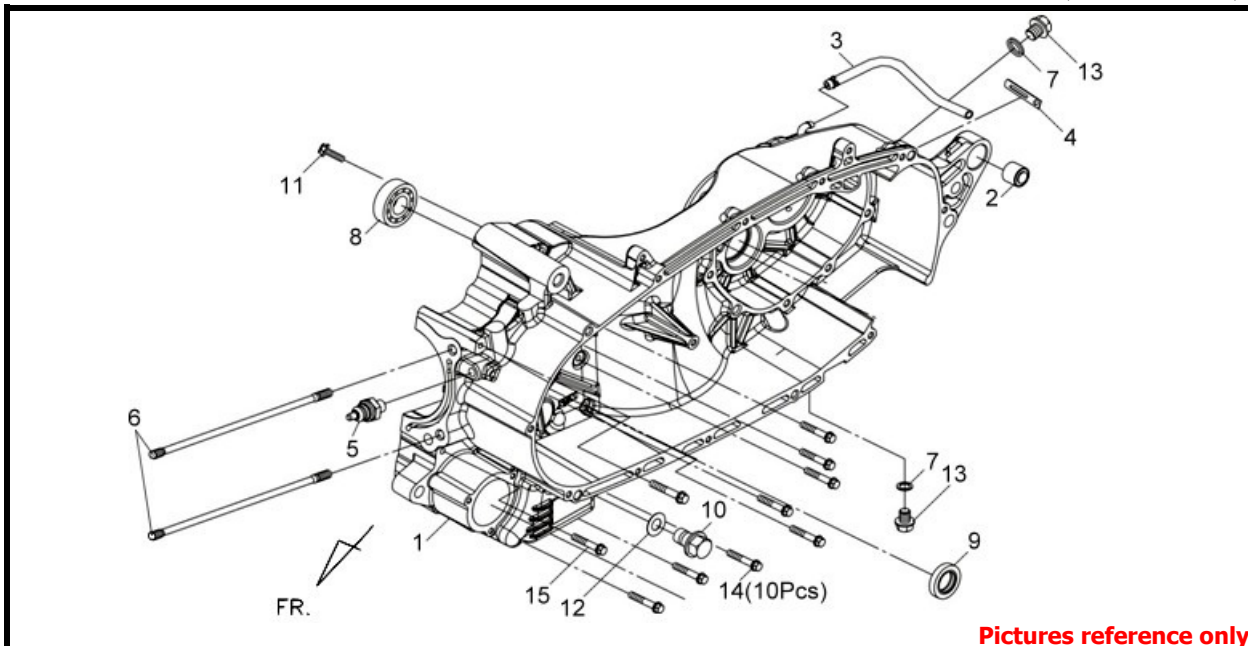
※ Please check the color & stripe information according to the color index !

 **TEAMWORLD IND. 2012.02**

※N/A = SUBSTITUTE

※Y = EXCHANGEABLE

※N =NOT EXCHANGEABLE



Pictures reference only

PARTS NUMBER	DESCRIPTION	QTY	EFFECTIVE DATE
1 11200-L4A-010	SEMICARTER MOTORE SX	1	
2 11203-L4A-000	SILENT BLOCK	1	
3 1122A-L4A-000	TUBO SFIATO COMPLETO	1	
4 12342-G02-000	FASCETTA	1	
5 37240-L4A-000	INTERRUTTORE PRESSIONE OLIO	1	
6 90031-L4A-000	PRIGIONIERO CILINDRO A	2	
7 90481-M9Q-000	RONDELLA PIANA 10.2MM	2	
8 91104-BAA-000	CUSCINETTO A SFERE CSB304	2	
9 91209-L4A-000	PARAOLIO TC 35X55X7.5	1	
10 92800-12000	TAPPO DRENAGGIO OLIO 12MM	1	
11 96001-06012-00	VITE FLANGIATA 6X12	1	
12 94109-12000	GUARNIZIONE TAPPO DRENAGGIO OLIO M12	1	
13 90035-KZ1-000	VITE LIVELLO OLIO	2	
14 96001-06060-00	VITE FLANGIATA 6X60	10	
15 96001-06075-00	VITE FLANGIATA 6X75	3	

※ Please check the color & stripe information according to the color index !

 TEAMWORLD IND. 2012.02

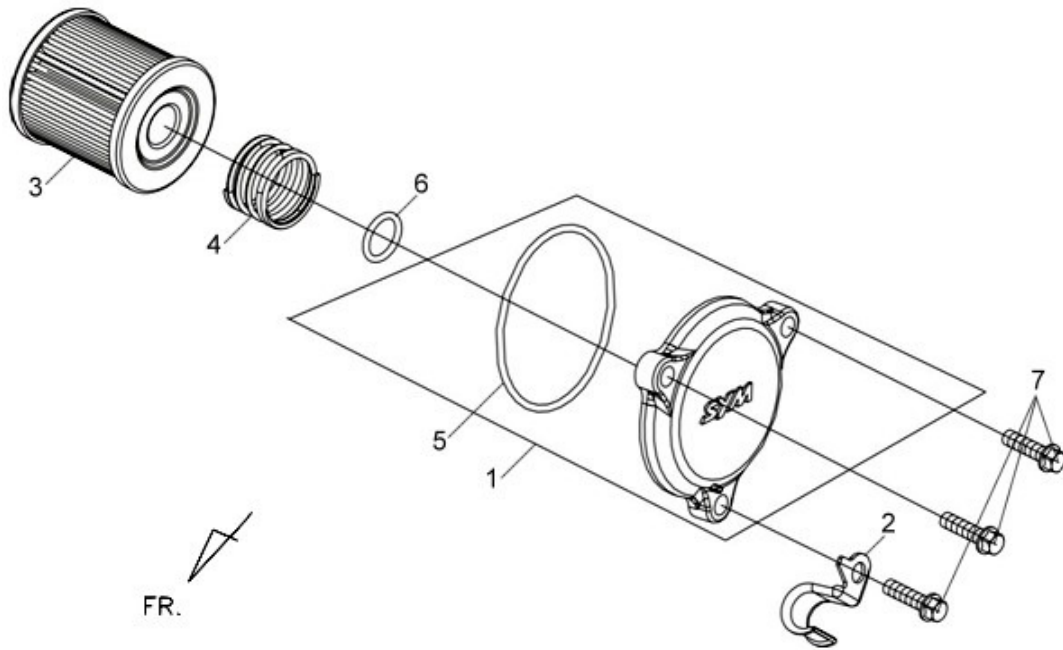
※N/A = SUBSTITUTE

※Y = EXCHANGEABLE

※N = NOT EXCHANGEABLE

E13 OIL FILTER COVER COMP

MAXSYM 400 ABS (LX40A2-6)



Pictures reference only

PARTS NUMBER	DESCRIPTION	QTY	EFFECTIVE DATE
1 1136A-L4A-000	COPERCHIO FILTRO OLIO	1	
2 11383-ADB-000	BREATHER DRAIN TUBE CLAMP	1	
3 15400-L4A-000	FILTRO OLIO (CARTUCCIA)	1	
4 15414-N01-000	MOLLA FILTRO OLIO	1	
5 91303-L4A-000	O-RING COPERCHIO FILTRO OLIO	1	
6 91310-REA-000	L.CASE OIL HOLE O-RING	2	
7 96001-06018-00	VITE FLANGIATA 6X18	3	

※ Please check the color & stripe information according to the color index !

 **TEAMWORLD IND. 2012.02**

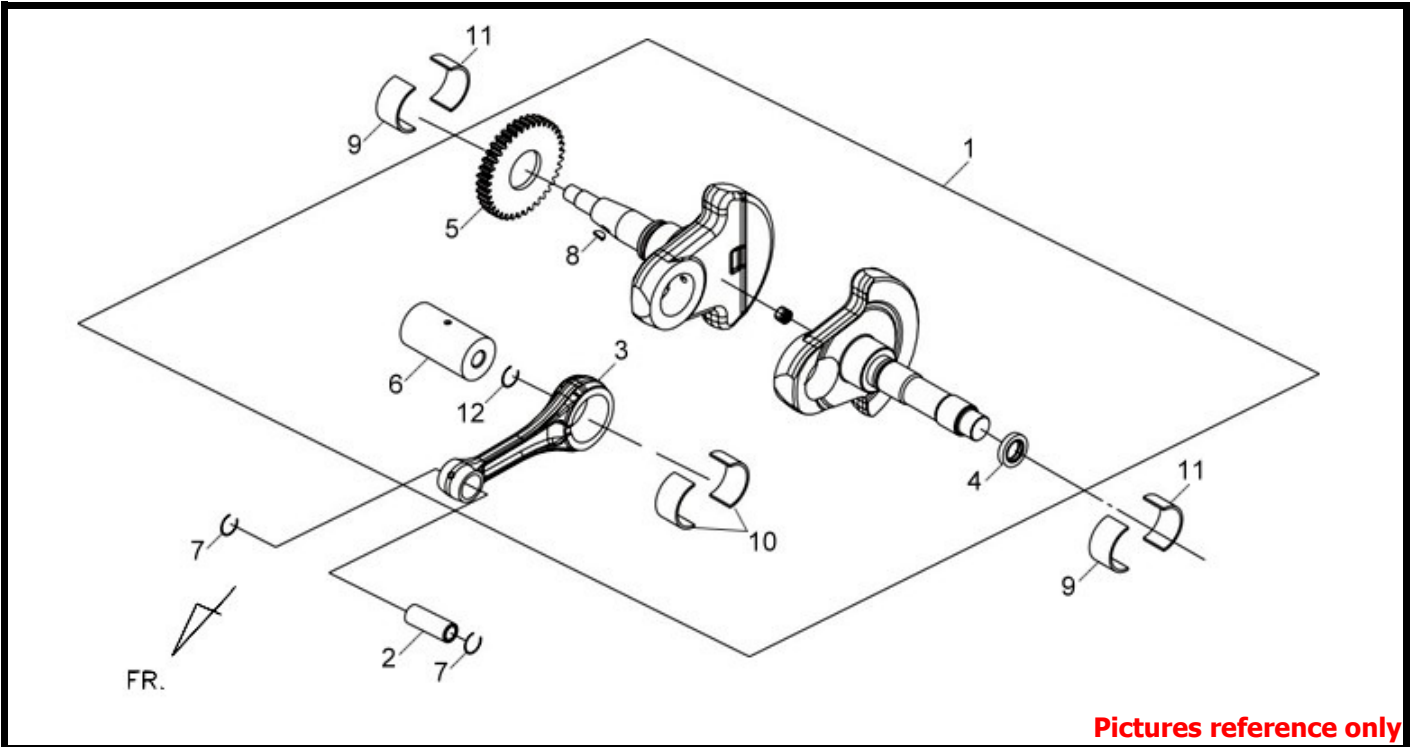
※N/A = SUBSTITUTE

※Y = EXCHANGEABLE

※N =NOT EXCHANGEABLE

E14 CRANK SHAFT COMP

MAXSYM 400 ABS (LX40A2-6)



Pictures reference only

PARTS NUMBER	DESCRIPTION	QTY	EFFECTIVE DATE
1 13000-L4A-000	ALBERO MOTORE	1	
2 13111-L4A-000	SPINOTTO PISTONE	1	
3 13201-L4A-000	BIELLA	1	
4 13322-L4A-000	DISTANZIALE SX ALB.MOTORE	1	
5 13331-L4A-310	INGRANAGGIO 39T	1	
6 13380-L4A-000	ASSE BIELLA	1	
7 90601-L4A-000	ANELLINO FERMA SPINOTTO 20MM	2	
8 90701-HB6-010	CHIAVELLA VOLANO 25X14X4	1	
9 91001-L4A-000	BRONZINA (37X41X20)	2	
10 91003-L4A-000	BRONZINA (35X39X21)	2	
11 91003-REA-000	CON-ROD BRG.(37*44*20)	2	
12 96205-12012	CONE TYPE PLUG 12*12	1	

※ Please check the color & stripe information according to the color index !

TEAMWORLD IND. 2012.02

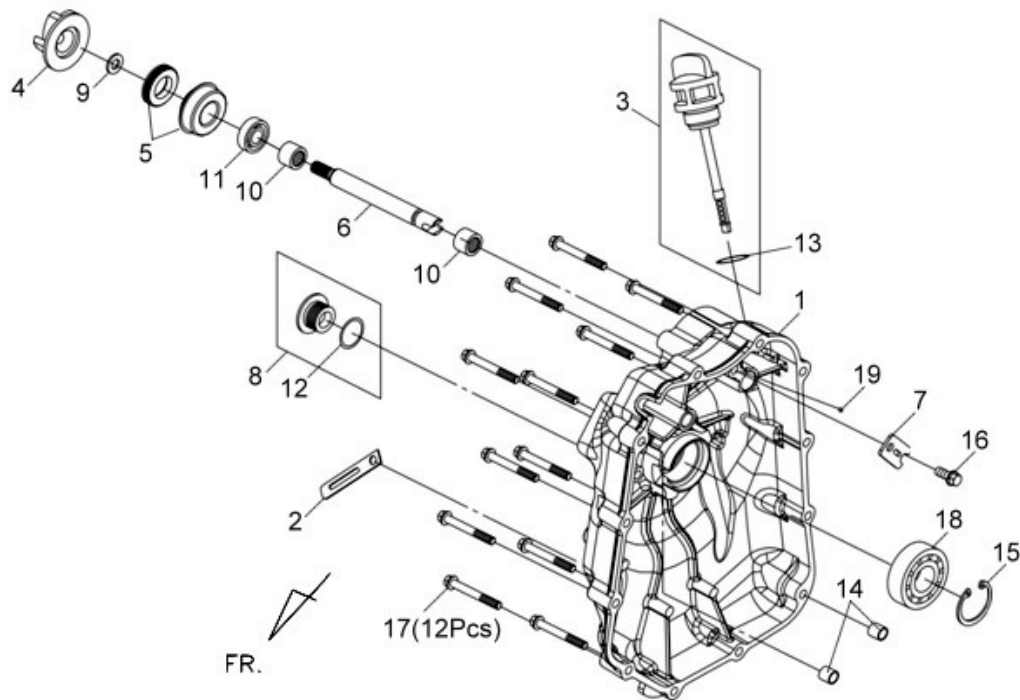
※N/A = SUBSTITUTE

※Y = EXCHANGEABLE

※N =NOT EXCHANGEABLE

E16 R. CRANK CASE COVER

MAXSYM 400 ABS (LX40A2-6)



Pictures reference only

PARTS NUMBER	DESCRIPTION	QTY	EFFECTIVE DATE
1 11330-L4A-000	COPPA OLIO S-877C	1	
2 12342-G02-000	FASCETTA	1	
3 1565A-L4A-000	TAPPO ALIMENTAZIONE OLIO	1	
4 19215-L4A-000	GIRANTE POMPA ACQUA	1	
5 19217-H9A-300	GUARNIZIONE MECCANICA	1	
6 19231-L4A-000	ALBERO POMPA ACQUA	1	
7 19233-L4A-000	WATER PUMP SETTING PLATE	1	
8 9008A-H9A-000	TAPPO+O-RNG 14MM	1	
9 90423-KJ9-000	RONDELLA 7.2X13X1.2	1	
10 91004-L4A-000	CUSCINETTO HK1010FM	2	
11 91203-L4A-010	PARAOLIO SC 10X18X5	1	
12 91303-377-000	O-RING 13.8x2.5	1	
13 91307-035-000	O-RING 18X3	1	
14 94301-08140	GRANO REIFERIMENTO 8X14	2	
15 94520-32000	IN. CIR. CLIP	1	
16 96001-06016-00	VITE FLANGIATA 6X16	1	
17 96001-06035-00	VITE FLANGIATA 6X35	12	
18 96100-62013-00	CUSCINETTO A SFERE 6201T/C3	1	
19 96220-30085	RULLO 3X8.5	1	

※ Please check the color & stripe information according to the color index !

 TEAMWORLD IND. 2012.02

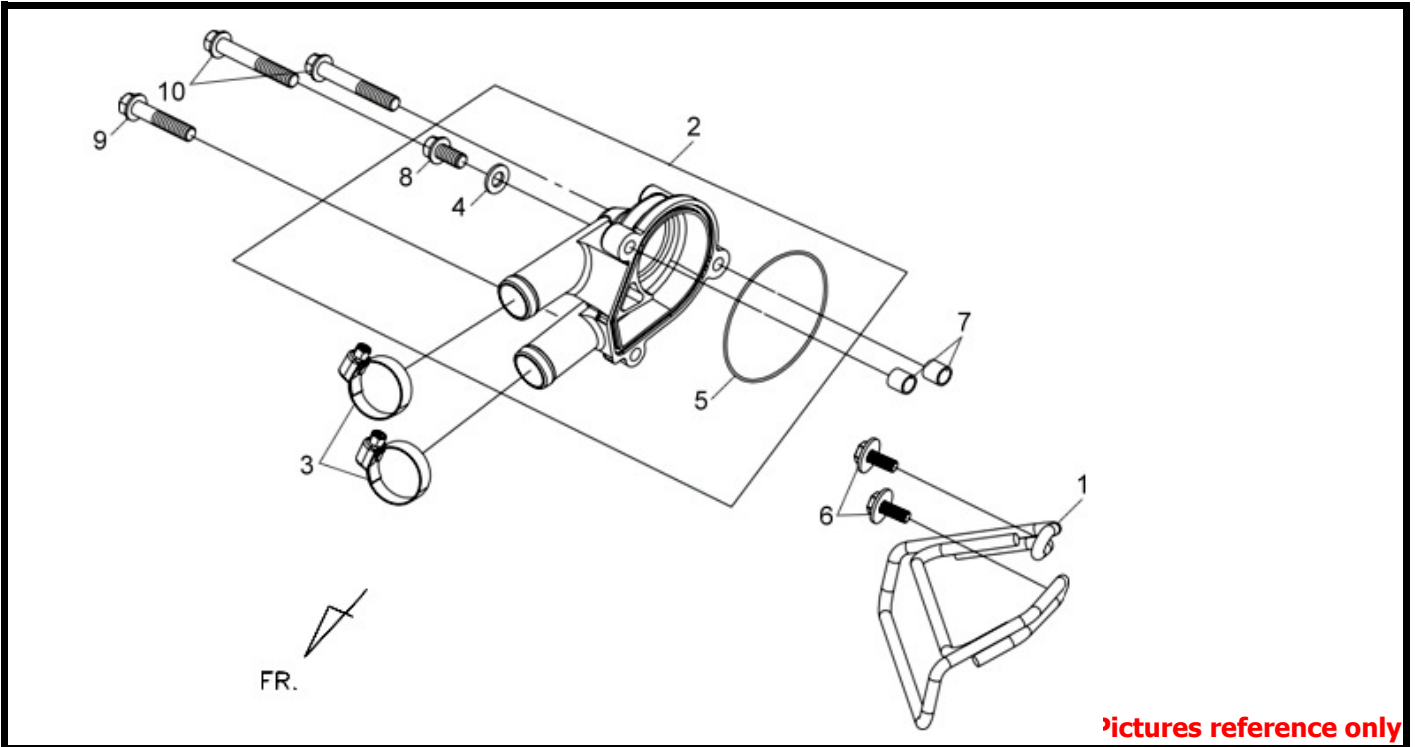
※N/A = SUBSTITUTE

※Y = EXCHANGEABLE

※N =NOT EXCHANGEABLE

E17 DRIVEN PULLEY ASSY

MAXSYM 400 ABS (LX40A2-6)



Pictures reference only

PARTS NUMBER	DESCRIPTION	QTY	EFFECTIVE DATE
1	18241-L4A-000	1	
2	1922A-L4A-000	1	
3	19505-REA-000	2	
4	90481-B04-010	1	
5	91302-L4A-000	1	
6	93401-06020-07	2	
7	94301-08140	2	
8	95701-08012-00	1	
9	96001-06025-00	1	
10	96001-06030-00	2	

※ Please check the color & stripe information according to the color index !

 **TEAMWORLD IND. 2012.02**

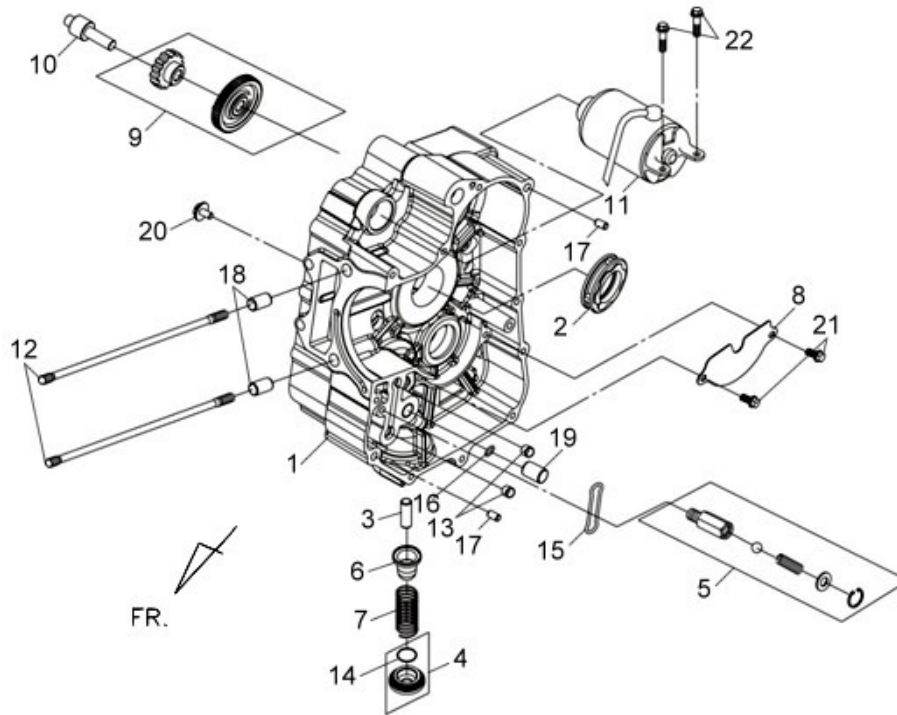
※N/A = SUBSTITUTE

※Y = EXCHANGEABLE

※N =NOT EXCHANGEABLE

E18 R CRANK CASE COMP

MAXSYM 400 ABS (LX40A2-6)



Pictures reference only

PARTS NUMBER	DESCRIPTION	QTY	EFFECTIVE DATE
1 11100-L4A-010	CARTER MOTORE DX	1	
2 11102-L4A-300	SILENT BLOCK MOTORE	1	
3 11106-REA-000	OIL FILTER JOINT	1	
4 1236A-B04-000	TAPPO SCARICO OLIO + GUARNIZIONE	1	
5 15230-REA-000	OIL RELIEF ASSY	1	
6 15421-REA-000	FILTRO OLIO (RETE)	1	
7 15426-REA-000	MOLLA FILTRO OLIO	1	
8 15711-L4A-000	OIL SEPARATOR A	1	
9 28100-L4A-000	INGRANAGGIO RIDUZIONE AVVIAM.	1	
10 28102-L4A-000	ALBERO RIDUZIONE AVVIAM.	1	
11 31200-L4A-000	MOTORINO AVVIAMENTO	1	
12 90031-L4A-000	PRIGIONIERO CILINDRO A	2	
13 90701-L4A-000	GRANO RIFERIMENTO 12X9	2	
14 91303-B08-000	O-RING 35x3	1	
15 91310-REA-000	L.CASE OIL HOLE O-RING	1	
16 91306-N01-010	O-RING 12.5x2	1	
17 94301-08140	GRANO REIFERIMENTO 8X14	2	
18 94301-12200	GRANO RIFERIMENTO 12X20	2	
19 94301-14200	GRANO REIFERIMENTO 14X20	1	
20 96001-06012-00	VITE FLANGIATA 6X12	1	
21 96001-06014-00	FLANGE BOLT SH 6X14	2	
22 96001-06025-00	VITE FLANGIATA 6X25	2	

※ Please check the color & stripe information according to the color index !

 **TEAMWORLD IND. 2012.02**

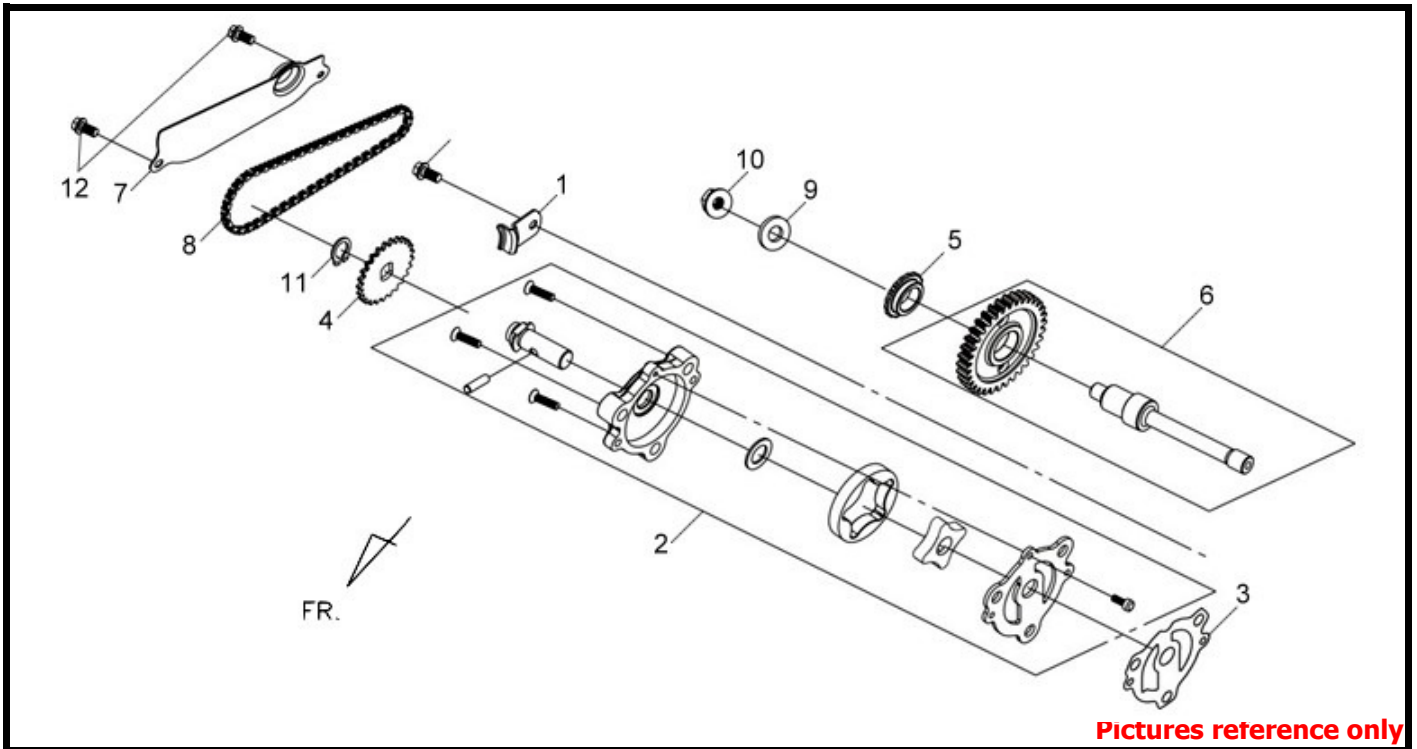
※N/A = SUBSTITUTE

※Y = EXCHANGEABLE

※N =NOT EXCHANGEABLE

E19 OIL PUMP ASSY.

MAXSYM 400 ABS (LX40A2-6)



Pictures reference only

PARTS NUMBER	DESCRIPTION	QTY	EFFECTIVE DATE
1	14151-L4A-000	CAM CHAIN SETTING PLATE	1
2	15100-L4A-000	POMPA OLIO	1
3	15126-L4A-000	GUARNIZIONE POMPA OLIO	1
4	15133-HMA-000	PIGNONE CATENA POMPA OLIO	1
5	15134-L4A-000	PIGNONE POMPA OLIO	1
6	1513A-L4A-000	ALBERO POMPA OLIO	1
7	15712-L4A-000	OIL SEPARATOR B	1
8	1C15141-V02-000	CATENA POMPA OLIO	1
9	90442-HMA-000	SEALING WASHER	1
10	94050-10080	DADO FLANGIATO 10mm	1
11	94510-10000	ANELLO SEEGER 10MM	1
12	96001-06014-00	FLANGE BOLT SH 6X14	3

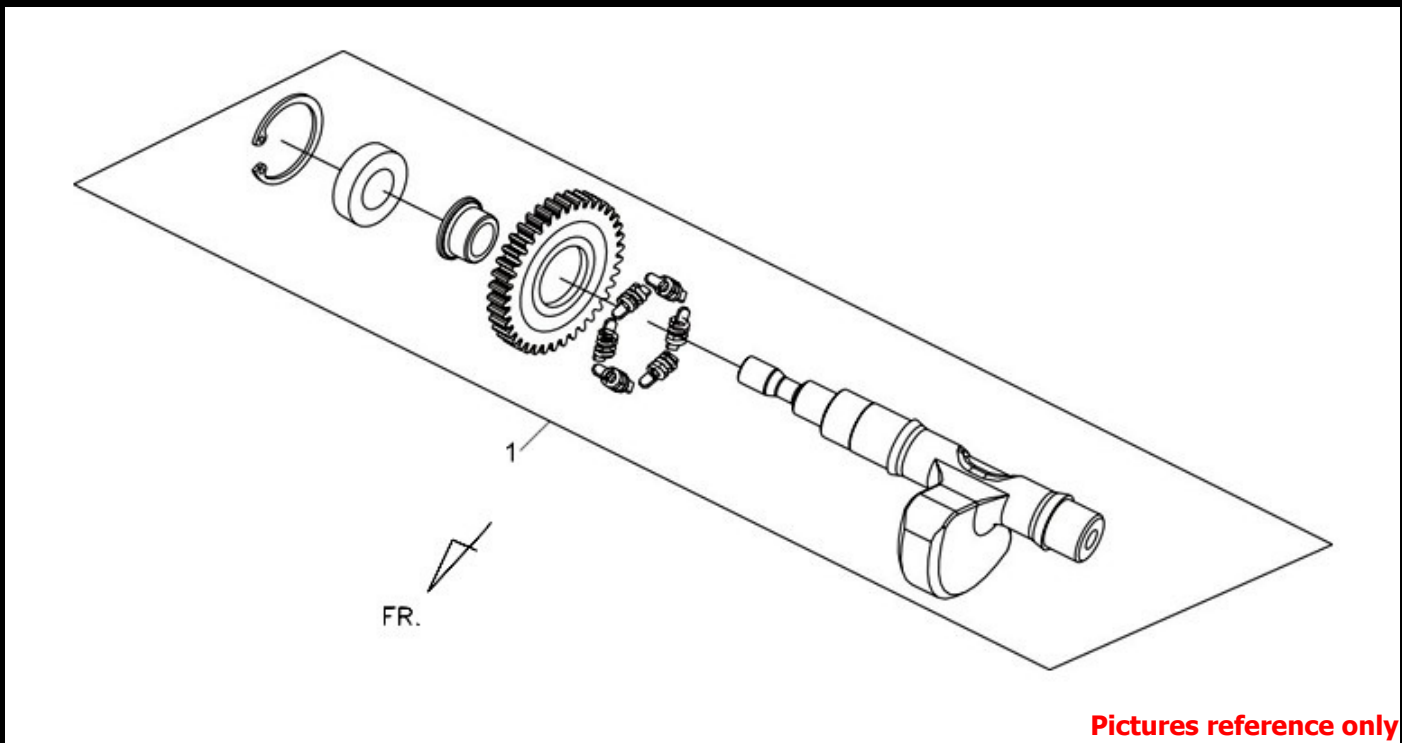
※ Please check the color & stripe information according to the color index !

TEAMWORLD IND. 2012.02

※N/A = SUBSTITUTE

※Y = EXCHANGEABLE

※N =NOT EXCHANGEABLE



Pictures reference only

PARTS NUMBER	DESCRIPTION	QTY	EFFECTIVE DATE	
1 13300-L4A-000	ALBERO BILANCIAMENTO	1		

※ Please check the color & stripe information according to the color index !

 TEAMWORLD IND. 2012.02

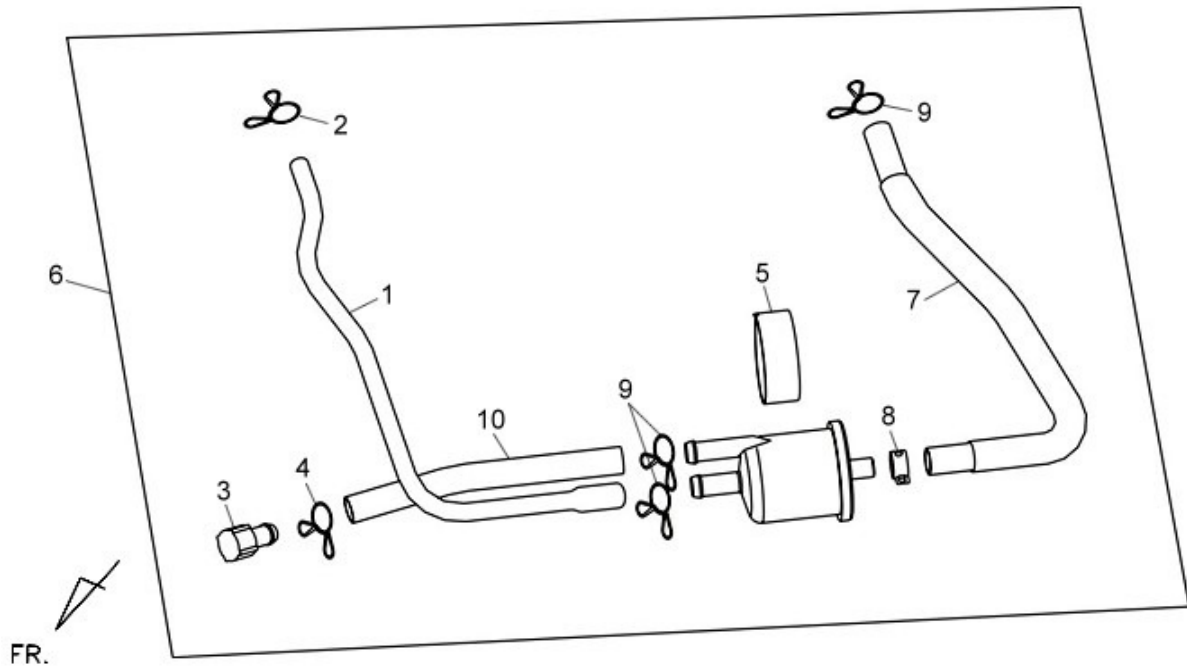
※N/A = SUBSTITUTE

※Y = EXCHANGEABLE

※N =NOT EXCHANGEABLE

E21 BREATHER CHAMBER ASSY.

MAXSYM 400 ABS (LX40A2-6)



Pictures reference only

PARTS NUMBER	DESCRIPTION	QTY	EFFECTIVE DATE
1 11211-L4A-000	TUBO SFIATO	1	
2 15772-500-013	MORSETTO	1	
3 17370-M9Q-000	PLUG,BREATHER TUBE.	1	
4 17371-M9Q-000	BREATHER TUBE CLIP	1	
5 17385-H6A-000	CHAMBER SETTING BAND	1	
6 1738A-L4A-000	BREATHER CHAMPER ASSY	1	
7 17562-L4A-000	BRE.C/CON.T. TUBE	1	
8 90682-V02-900	FASCETTA 11.5	1	
9 95002-80000	TUBE CLIP C12	3	
10 95003-23028-60	V TUBE 8x12x280	1	

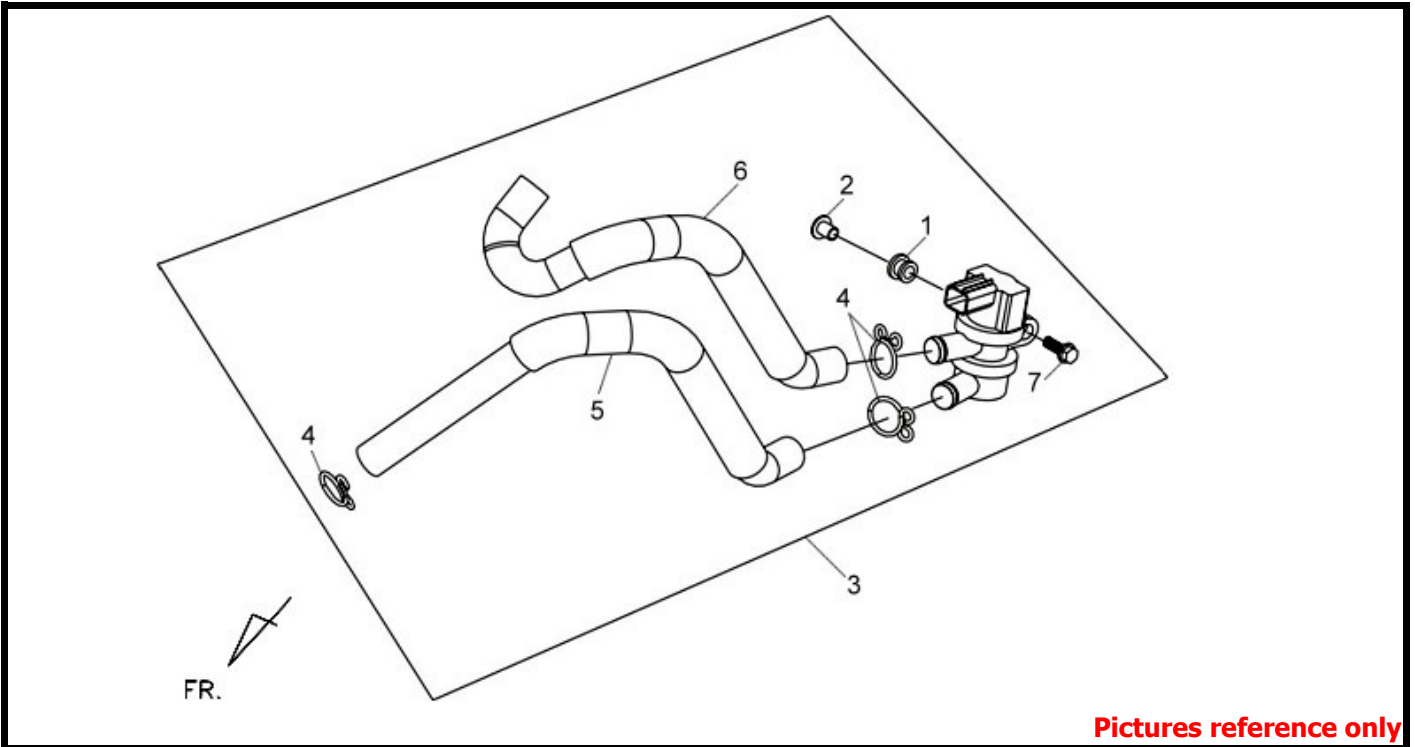
※ Please check the color & stripe information according to the color index !

 **TEAMWORLD IND. 2012.02**

※N/A = SUBSTITUTE

※Y = EXCHANGEABLE

※N =NOT EXCHANGEABLE



Pictures reference only

PARTS NUMBER	DESCRIPTION	QTY	EFFECTIVE DATE
1 17591-HMC-000	A.I.S.V.RUBBER	1	
2 17592-HMC-000	A.I.S.V.COLLAR	1	
3 1759A-L4A-000	A.I.S.V.SET	1	
4 18533-M7Q-000	AIR HOSE CLIP 19	3	
5 18655-L4A-000	A.I.S.V.REED VALVE TUBE	1	
6 18659-L4A-000	A.I.S.V.AIR TUBE	1	
7 96001-06020-00	VITE FLANGIATA 6X20	1	

※ Please check the color & stripe information according to the color index !

 TEAMWORLD IND. 2012.02

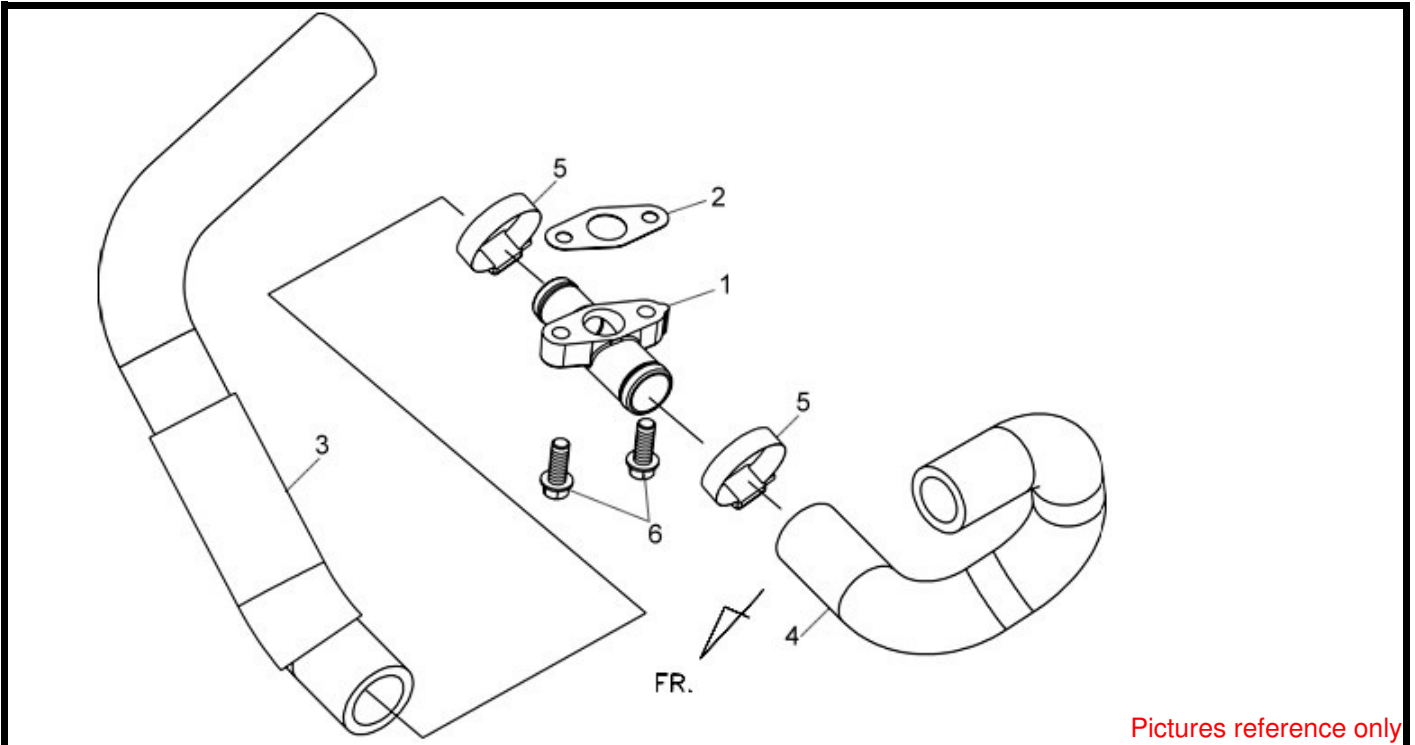
※N/A = SUBSTITUTE

※Y = EXCHANGEABLE

※N =NOT EXCHANGEABLE

E23 3 WAY JOINT

MAXSYM 400 ABS (LX40A2-6)



Pictures reference only

PARTS NUMBER	DESCRIPTION	QTY	EFFECTIVE DATE
1 19234-L4A-000	3 WAY JOINT	1	
2 19253-L4A-000	3 WAY JOINT GASKET	1	
3 19502-L4A-000	WATER HOSE B	1	
4 19504-L4A-000	WATER HOSE D	1	
5 19505-REA-000	HOSE CLAMP	2	
6 90001-M9Q-000	VITE FLANGIATA 6X22	2	

※ Please check the color & stripe information according to the color index !

 **TEAMWORLD IND. 2012.02**

※N/A = SUBSTITUTE

※Y = EXCHANGEABLE

※N =NOT EXCHANGEABLE