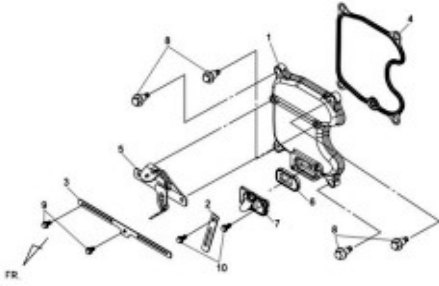


MOTORE

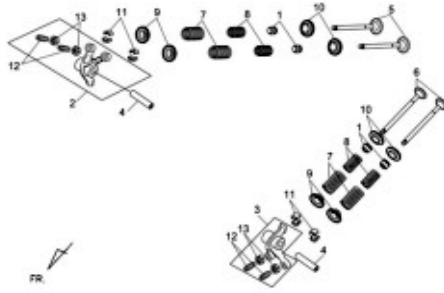
E01

CYLINDER HEAD COVER



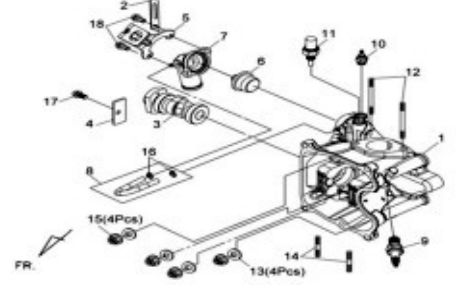
E02

IN.VALVE/EX.VALVE



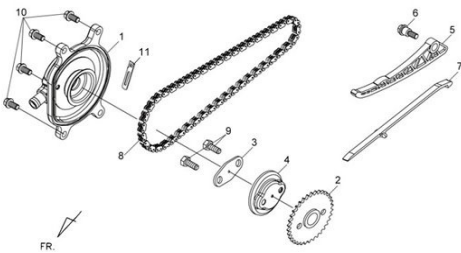
E03

CYLINDER COMP.



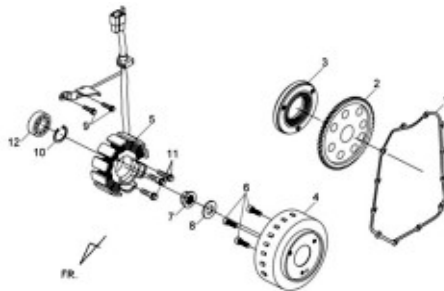
E04

CYLINDER HEAD SIDE COVER



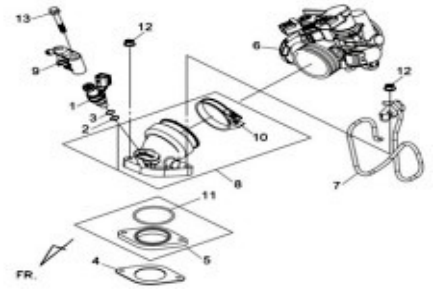
E05

A.C.G. ASSY



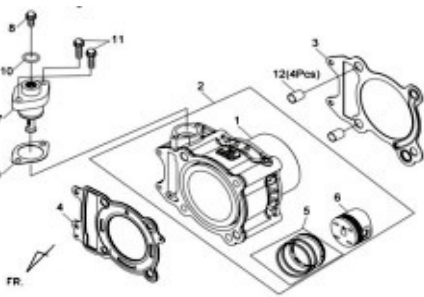
E06

INLET PIPE ASSY.



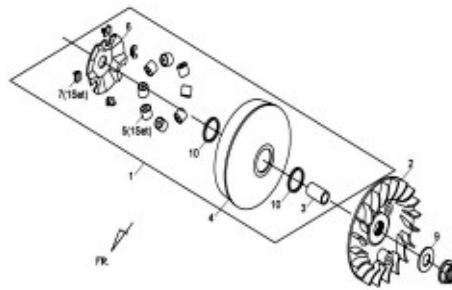
E07

CYLINDER SET



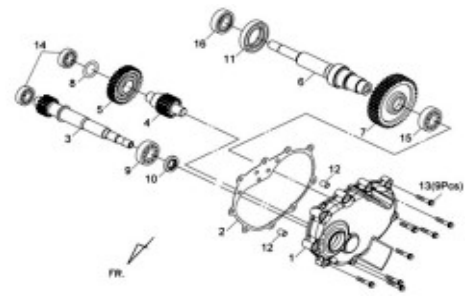
E08

MOVABLE DRIVE FACE ASSY.



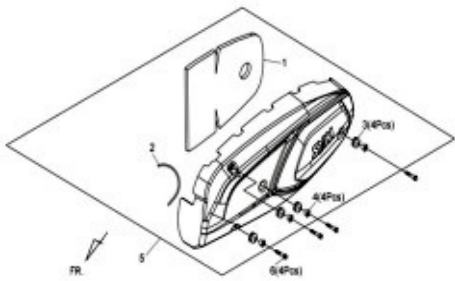
E09

MISSION COVER



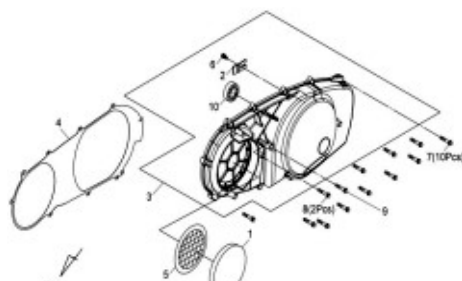
E10

L OUTER COVER ASSY



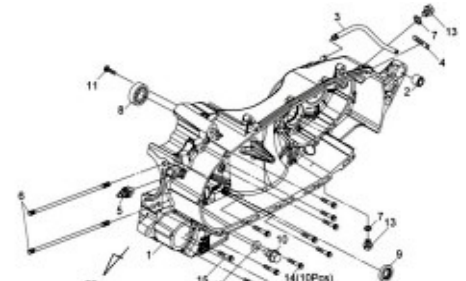
E11

L. CRANK CASE COVER ASSY.



E12

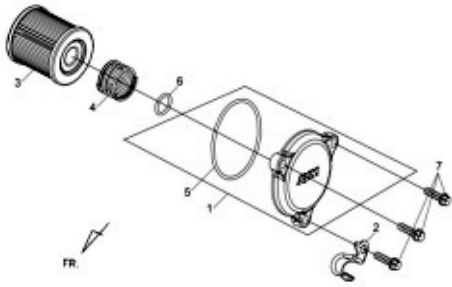
L CRANK CASE COMP



MOTORE

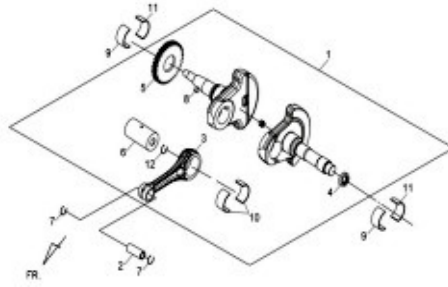
E13

OIL FILTER COVER COMP



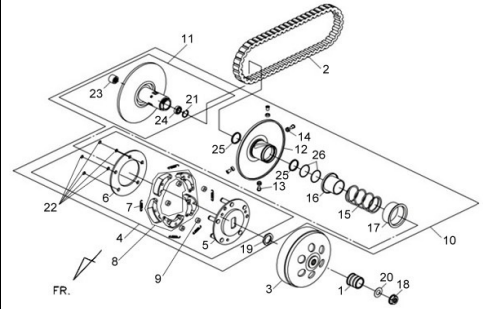
E14

CRANK SHAFT COMP



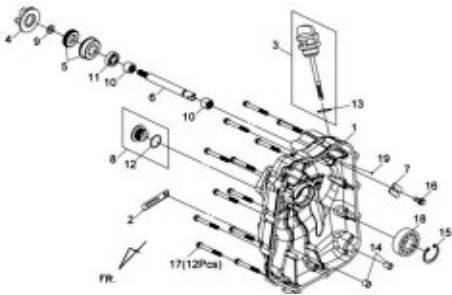
E15

DRIVEN PULLEY ASSY



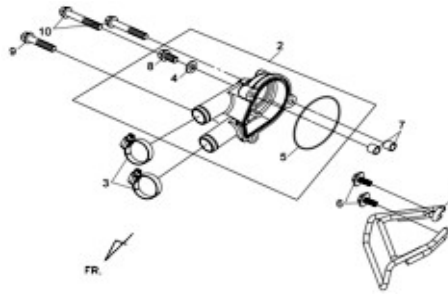
E16

R. CRANK CASE COVER



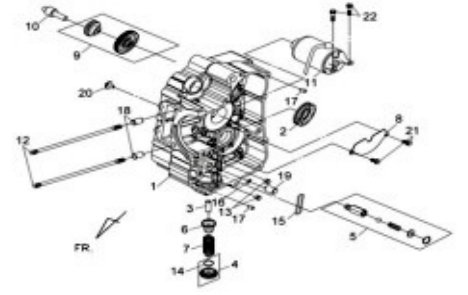
E17

DRIVEN PULLEY ASSY



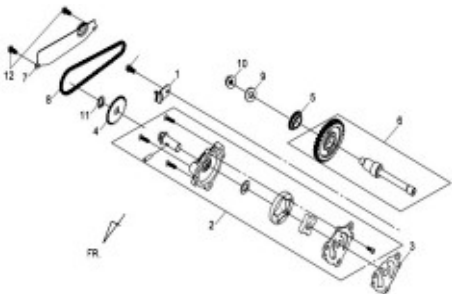
E18

R CRANK CASE COMP



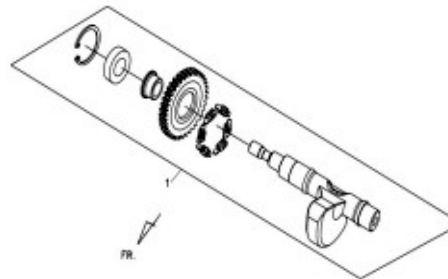
E19

OIL PUMP ASSY.



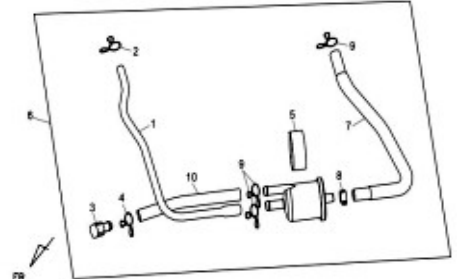
E20

BALANCE SHAFT COMP



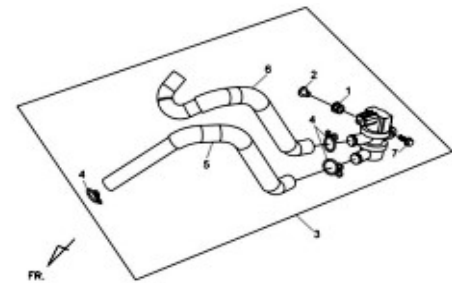
E21

BREATHER CHAMBER ASSY.



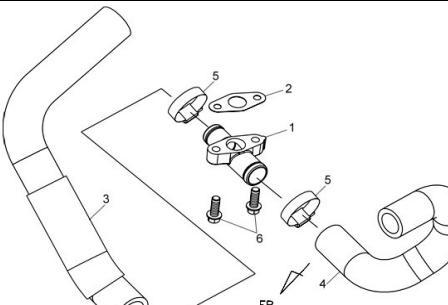
E22

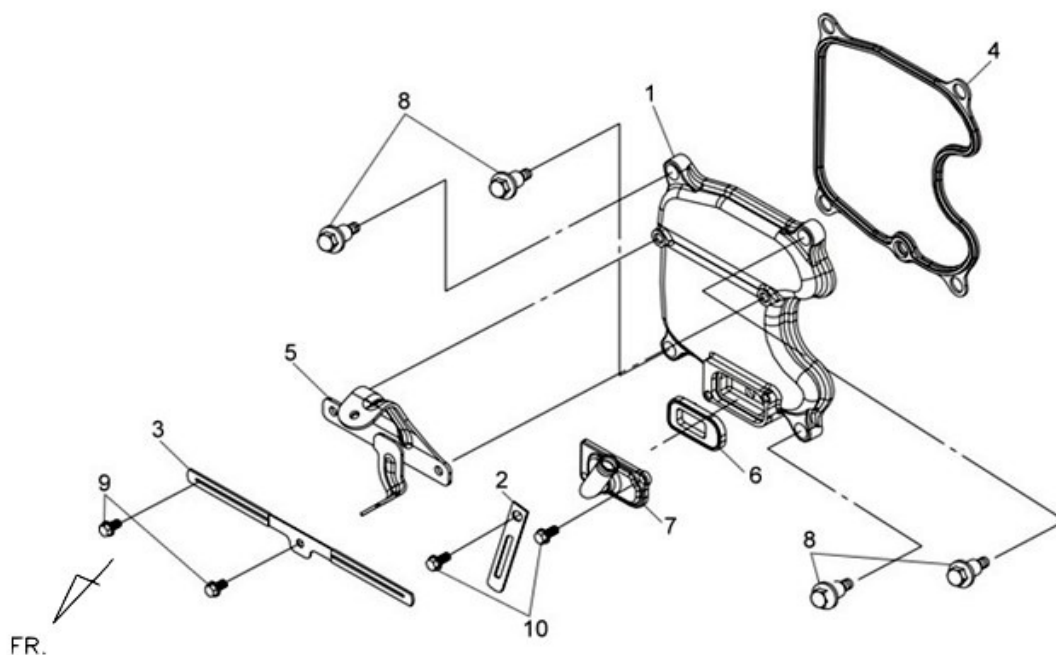
A.I.S.V. SET



E23

3 WAY JOINT





Pictures reference only

PARTS NUMBER		DESCRIPTION	QTY	EFFECTIVE DATE
1	12301-L4A-000	COPERCHIO VALVOLE	1	
2	12342-G02-000	FASCETTA	1	
3	12342-L4A-000	FASCETTA	1	
4	12391-L4A-000	GUARNIZIONE COPERCHIO VALVOLE	1	
5	15714-L4A-000	AIR BOX STAY A COMP	1	
6	18601-HEB-000	VALVOLA LAMELLARE	1	
7	18610-L4A-010	COPERCHIO VALVOLA LAMELLARE	1	
8	90002-HMA-000	CYLINDER HEAD COVER BOLT	4	
9	96001-06012-00	VITE FLANGIATA 6X12	2	
10	96001-06016-00	VITE FLANGIATA 6X16	2	

※ Please check the color & stripe information according to the color index !

 **TEAMWORLD IND. 2012.02**

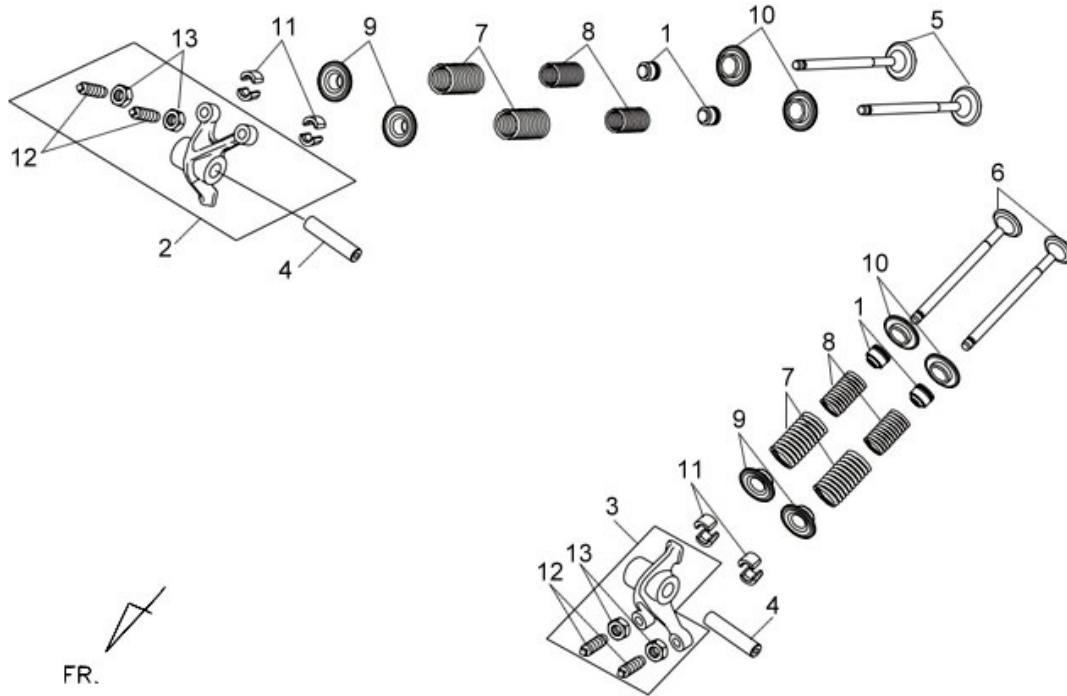
※N/A = SUBSTITUTE

※Y = EXCHANGEABLE

※N =NOT EXCHANGEABLE

E02 IN. VALVE/EX. VALVE

MAXSYM 400 ABS (LX40A2-6)



Pictures reference only

PARTS NUMBER		DESCRIPTION	QTY	EFFECTIVE DATE
1	12209-H6B-900	PARAOLIO VALVOLA 4.3mm	4	
2	1443A-L4A-000	BILANCERE ASPIRAZIONE COMPLETO	1	
3	1444A-L4A-000	BILANCERE SCARICO COMPLETO	1	
4	14451-L4A-000	PERNO BILANCERE	2	
5	14711-L4A-000	VALVOLA ASPIRAZIONE	2	
6	14721-L4A-000	VALVOLA SCARICO	2	
7	14751-REA-000	MOLLA VALVOLA ESTERNA	4	
8	14761-REA-000	MOLLA VALVOLA INTERNA	4	
9	14771-GB4-680	SCODELLINO MOLLA VALVOLA	4	
10	14777-REA-000	VALVE SPRING SEAT	4	
11	14781-M9Q-000-A	SEMICONO VALVOLA (SET)	8	
12	90012-HLK-000	VITE REGISTRO VALVOLE	4	
13	90206-HLK-000	DADO REGISTRO VALVOLA	4	

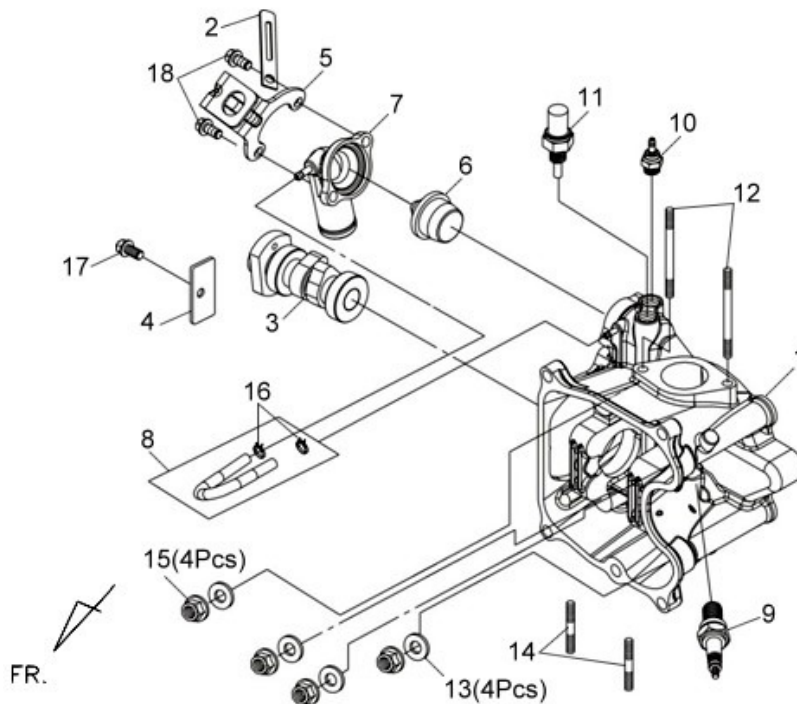
※ Please check the color & stripe information according to the color index !

 **TEAMWORLD IND. 2012.02**

※N/A = SUBSTITUTE

※Y = EXCHANGEABLE

※N =NOT EXCHANGEABLE



Pictures reference only

PARTS NUMBER	DESCRIPTION	QTY	EFFECTIVE DATE
1 12200-L4A-000	TESTA CILINDRO	1	
2 12342-X01-000	FASCETTA	1	
3 14100-L4A-000	ALBERO A CAMME	1	
4 14457-L4A-000	PIASTRINA	1	
5 1571A-L4A-000	AIR BOX STAY B COMP	1	
6 19300-HMA-000	TERMOSTATO	1	
7 19315-L4A-000	COPERCHIO TERMOSTATO	1	
8 19320-L4A-000	TUBO TERMOSTATO	1	
9 1PCR8E-3	CANDELA NGK CR8E	1	
10 37750-PC1-004	BULBO TEMPARATURA (TESTA)	1	
11 37880-HMC-000	SENSORE TEMPERATURA LIQ.RAFREDDAMENT	1	
12 90034-HMA-000	SPECIAL STUD BOLT	2	
13 90442-HMA-000	SEALING WASHER	4	
14 92900-06032-0B	STUD BOLT 2.6*32	2	
15 94050-10080	DADO FLANGIATO 10mm	4	
16 95002-40730-08	TUBE CLAMP D7.3	2	
17 96001-06016-00	VITE FLANGIATA 6X16	1	
18 96001-06025-00	VITE FLANGIATA 6X25	2	

※ Please check the color & stripe information according to the color index !

TEAMWORLD IND. 2012.02

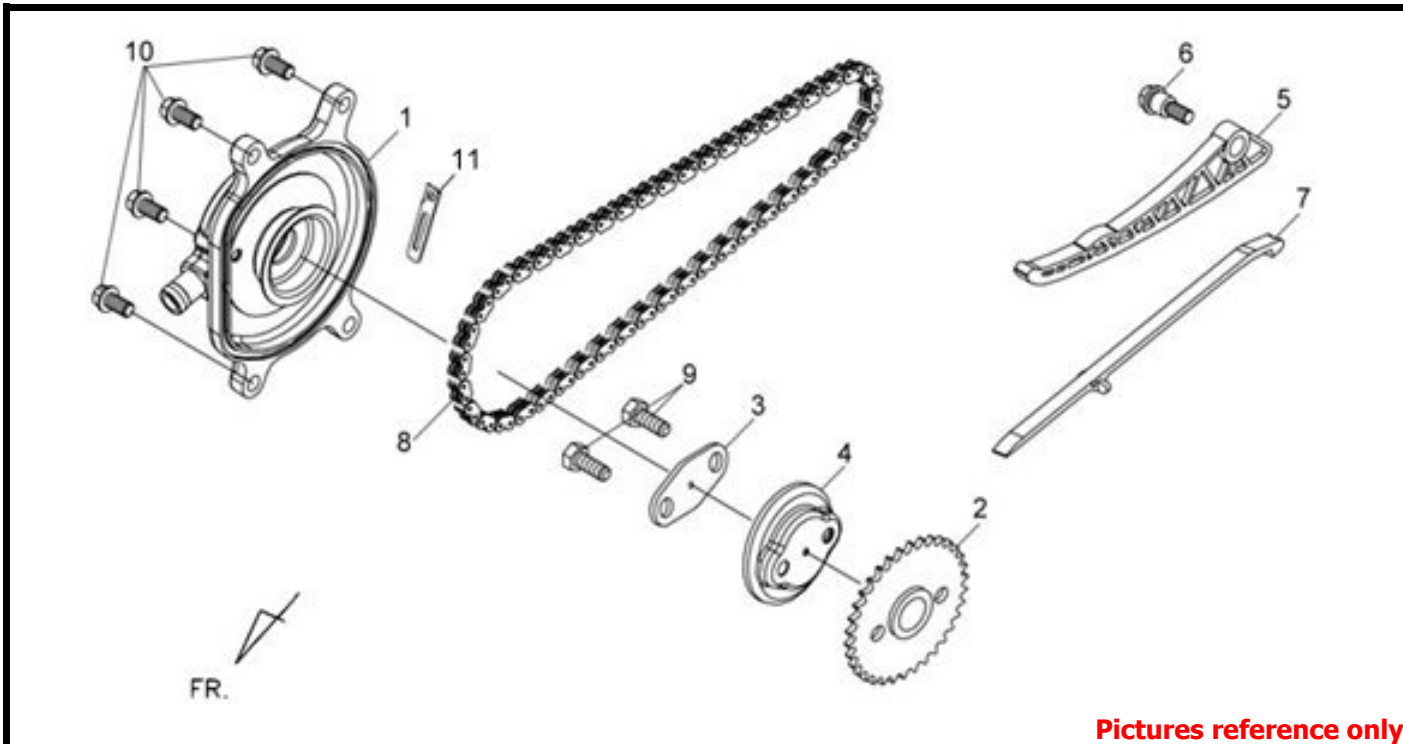
※N/A = SUBSTITUTE

※Y = EXCHANGEABLE

※N =NOT EXCHANGEABLE

E04 CYLINDER HEAD SIDE COVER

MAXSYM 400 ABS (LX40A2-6)



Pictures reference only

PARTS NUMBER	DESCRIPTION	QTY	EFFECTIVE DATE
1 1231A-L4A-000	COPERCHIO	1	
2 14105-L4A-000	INGRANAGGIO ALBERO A CAMME	1	
3 14105-REA-000	CAM SPROCKET WASHER	1	
4 14108-REA-000	DISCO ALBERO A CAMME	1	
5 14510-L4A-000	PATTINO TENDICATENA	1	
6 14531-REA-000	CAM CHAIN TENSIONERPIVOT	1	
7 14610-L4A-000	PATTINO GUIDA CATENA DISTRIB.	1	
8 1C14401-L4A-000	CATENA DISTRIBUZIONE	1	
9 92101-06016-0H	BOLT HEX 6*16	2	
10 96001-06018-00	VITE FLANGIATA 6X18	4	
11 12342-G02-000	FASCETTA	1	

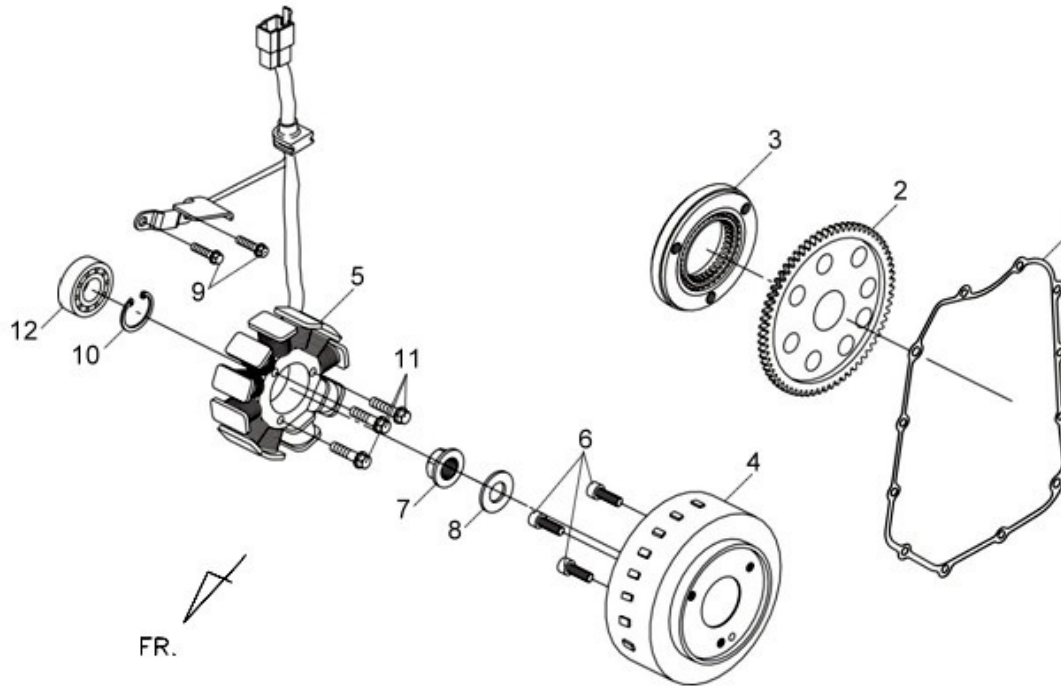
※ Please check the color & stripe information according to the color index !

TEAMWORLD IND. 2012.02

※N/A = SUBSTITUTE

※Y = EXCHANGEABLE

※N =NOT EXCHANGEABLE



Pictures reference only

PARTS NUMBER	DESCRIPTION	QTY	EFFECTIVE DATE
1	11394-L4A-000	1	
2	28110-L4A-000	1	
3	2812A-HMA-000	1	
4	31110-L4A-000	1	
5	31120-L4A-000	1	
6	90157-F3G-000	3	
7	90201-KR8-751-M1	1	
8	90401-KJ9-000	1	
9	92101-05016-0H	2	
10	94520-32000	1	
11	96001-06030-00	3	
12	96100-62013-00	1	

※ Please check the color & stripe information according to the color index !

 TEAMWORLD IND. 2012.02

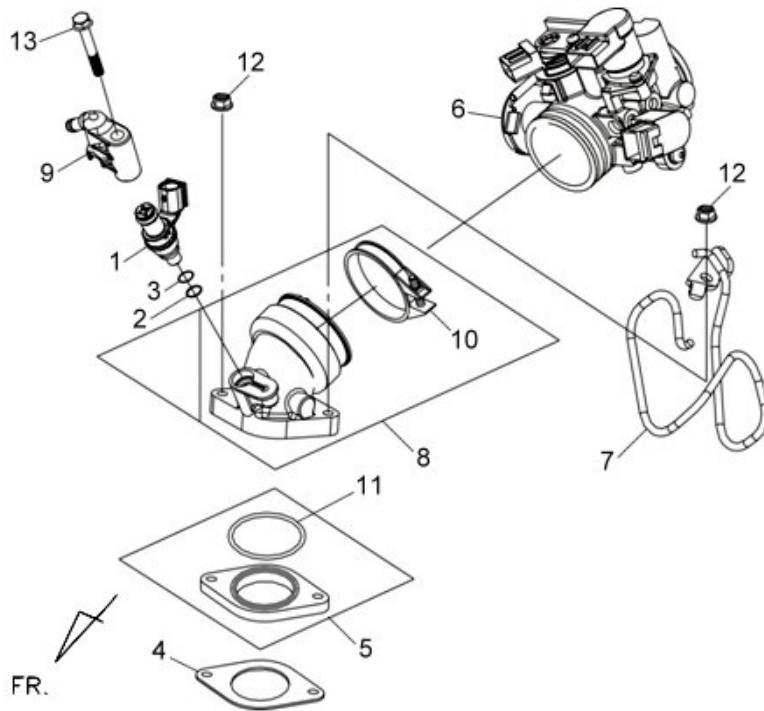
※N/A = SUBSTITUTE

※Y = EXCHANGEABLE

※N =NOT EXCHANGEABLE

E06 INLET PIPE ASSY.

MAXSYM 400 ABS (LX40A2-6)



Pictures reference only

PARTS NUMBER		DESCRIPTION	QTY	EFFECTIVE DATE
1	06414-L4A-000	INIETTORE	1	
2	06415-HNS-000	O-RING	1	
3	06416-HNS-000	SEAL-RING	1	
4	16201-L4A-000	GUARNIZIONE COLLETTORE	1	
5	1621A-L4A-000	ISOLANTE	1	
6	16401-L4A-000	CORPO FARFALLATO COMPLETO	1	
7	17114-L4A-000	CLAMP COMP	1	
8	1711A-L4A-000	COLLETTORE ASPIRAZIONE	1	
9	17120-L4A-000	COPERCHIO INIETTORE	1	
10	90652-L4A-000	FASCETTA	1	
11	91308-L4A-000	ANELLO O-RING 43X2.0	1	
12	94050-06000	DADO FLANGIATO 6MM	2	
13	96001-06050-00	VITE FLANGIATA 6X50	1	

※ Please check the color & stripe information according to the color index !

 **TEAMWORLD IND. 2012.02**

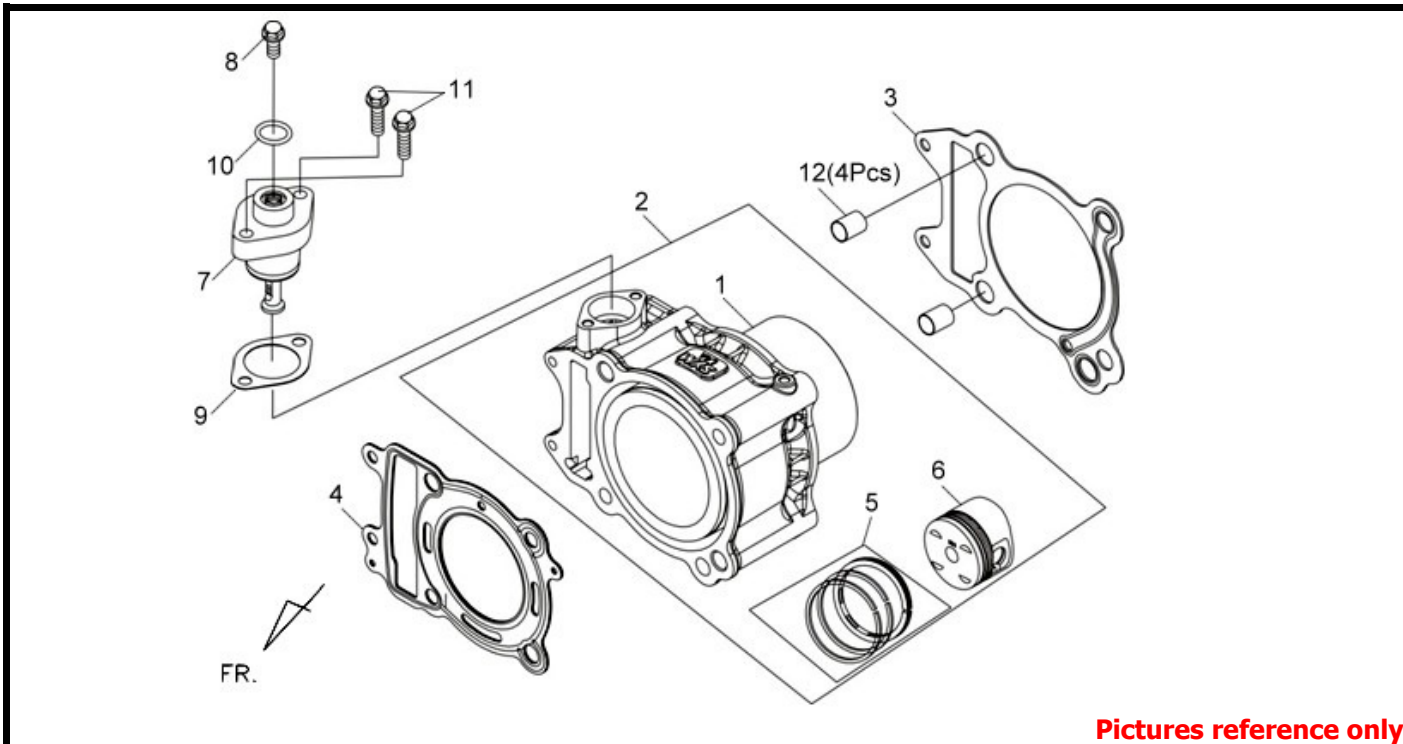
※N/A = SUBSTITUTE

※Y = EXCHANGEABLE

※N =NOT EXCHANGEABLE

E07 CYLINDER SET

MAXSYM 400 ABS (LX40A2-6)



Pictures reference only

PARTS NUMBER	DESCRIPTION	QTY	EFFECTIVE DATE
1 12100-L4A-000	CILINDRO	1	
2 12100-L4A-000-A	CILINDRO+PISTONE+FASCE	1	
3 12191-L4A-000	GUARNIZIONE BASE CILINDRO	1	
4 12251-L4A-000	GUARNIZIONE TESTA	1	
5 13010-L4A-000	SERIE SEGMENTI	1	
6 13101-L4A-000	PISTONE	1	
7 14520-H6T-000	TENDICATENA DISTRIBUZIONE	1	
8 14522-H6T-000	VITE TENDICATENA	1	
9 14523-M9Q-000	GUARNIZIONE TENDICATENA DISTR.	1	
10 14524-H6T-000	O-RING	1	
11 90001-M9Q-000	VITE FLANGIATA 6X22	2	
12 94301-12200	GRANO RIFERIMENTO 12X20	4	

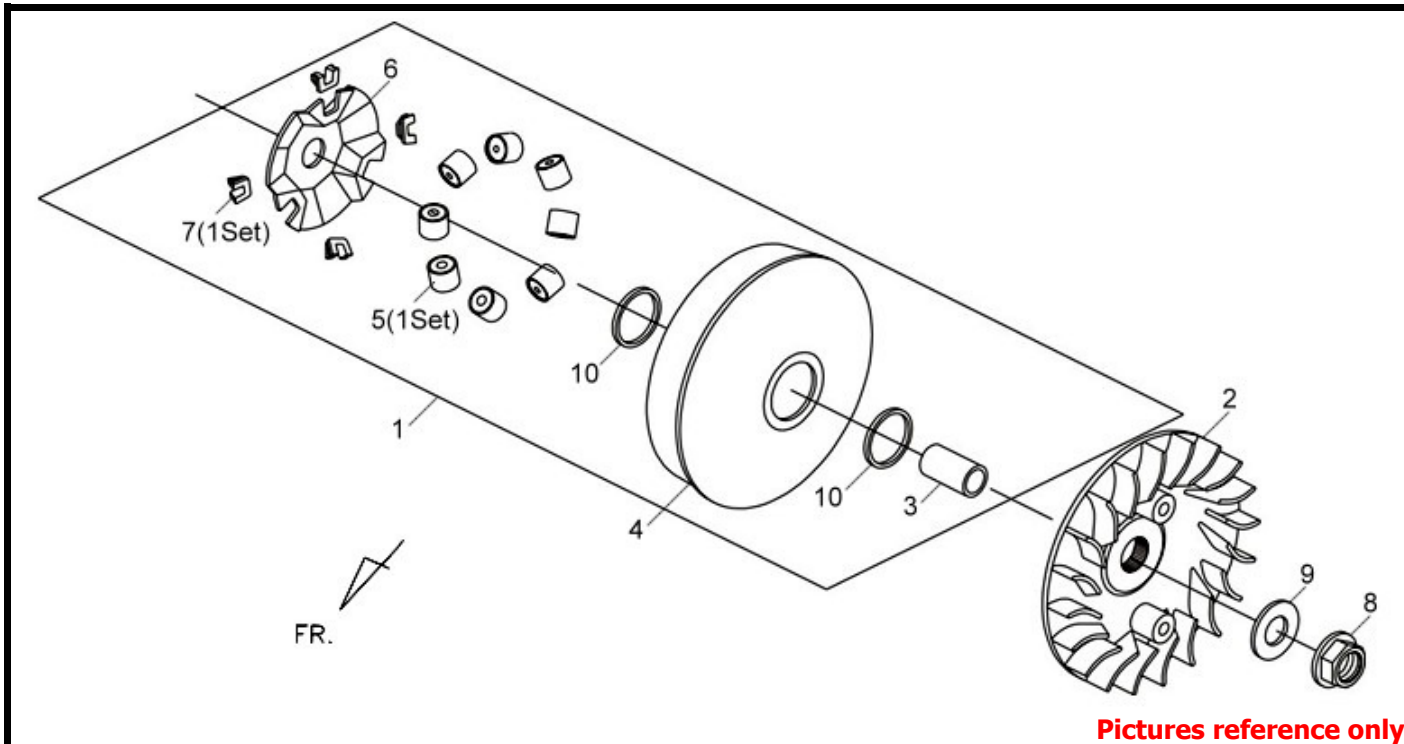
※ Please check the color & stripe information according to the color index !

TEAMWORLD IND. 2012.02

※N/A = SUBSTITUTE

※Y = EXCHANGEABLE

※N =NOT EXCHANGEABLE



Pictures reference only

PARTS NUMBER	DESCRIPTION	QTY	EFFECTIVE DATE
1 22000-L4A-000	VARIATORE COMPLETO	1	
2 22102-L4A-000	PULEGGIA PRIMARIA FISSA	1	
3 22105-L4A-000	BOCCOLA PULEGG. PRIMARIA	1	
4 22110-L4A-003	PULEGGIA PRIMARIA MOBILE	1	
5 22121-L4A-000-A	SERIE RULLI VARIATORE	1	
6 22131-L4A-000	RAMPA RULLI PORTA TASSELLI	1	
7 22132-L4A-000-A	SERIE TASSELLI (5 pz = 1 set)	1	
8 90201-KR8-751-M1	DADO FLANGIATO 14MM	1	
9 90401-KJ9-000	RONDELLA RASAMENTO 14X28X2	1	
10 91206-L4A-000	PARAOLIO	2	

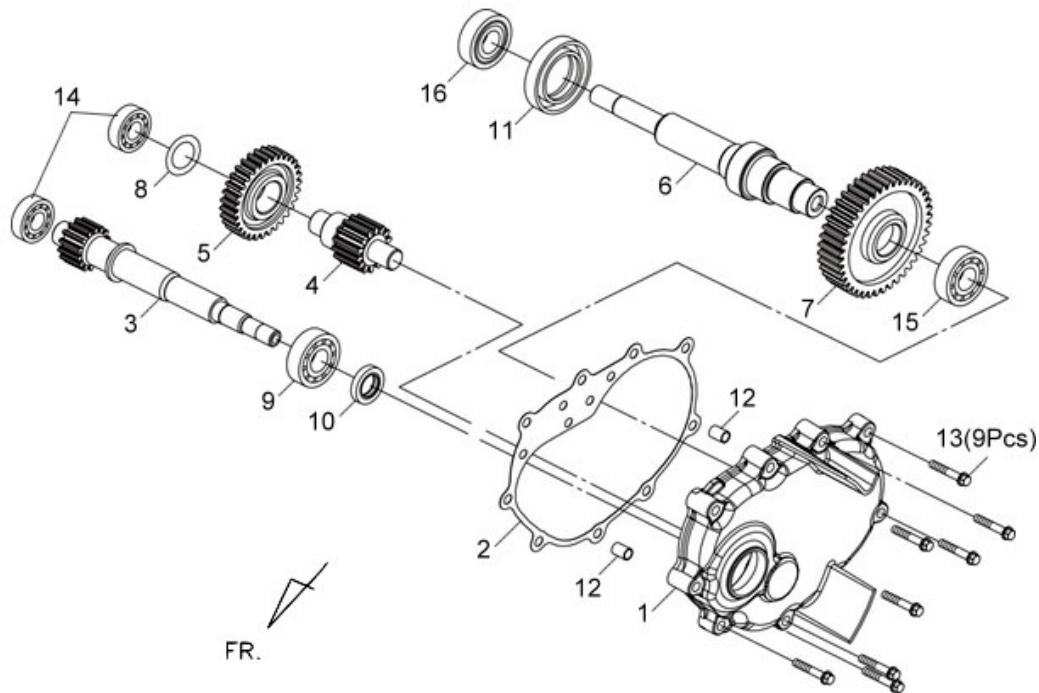
※ Please check the color & stripe information according to the color index !

 TEAMWORLD IND. 2012.02

※N/A = SUBSTITUTE

※Y = EXCHANGEABLE

※N =NOT EXCHANGEABLE



Pictures reference only

PARTS NUMBER	DESCRIPTION	QTY	EFFECTIVE DATE
1 21301-L4A-000	COPERCHIO INGR.TRASMISSIONE	1	
2 21395-L4A-000	GUARNIZIONE COPERC. TRASM.	1	
3 23411-L4A-010	DRIVE SHAFT	1	
4 23421-L4A-000	ALBERO INTERMEDIO	1	
5 23422-L4A-010	COUNTER GEAR	1	
6 23431-L4A-000	ALBERO USCITA RUOTA	1	
7 23432-L4A-000	INGRANAGGIO	1	
8 90401-L4A-000	THRUST WASHER 18MM	1	
9 91001-X06-911-M1	CUSCINETTO A SFERE TMB-305C	1	
10 91204-HMA-000	PARAOLIO	1	
11 91204-L4A-000	PARAOLIO TC 45*65*10	1	
12 90703-M8Q-000	GRANO RIFERIMENTO 10X14	2	
13 95701-08040-00	FLANGE BOLT 8X40	9	
14 96100-62040-00	CUSCINETTO A SFERE 6204T	2	
15 96100-62050-00	CUSCINETTO A SFERE 6205T	1	
16 96150-62060-10	CUSCINETTO A SFERE 6206UU	1	

※ Please check the color & stripe information according to the color index !

TEAMWORLD IND. 2012.02

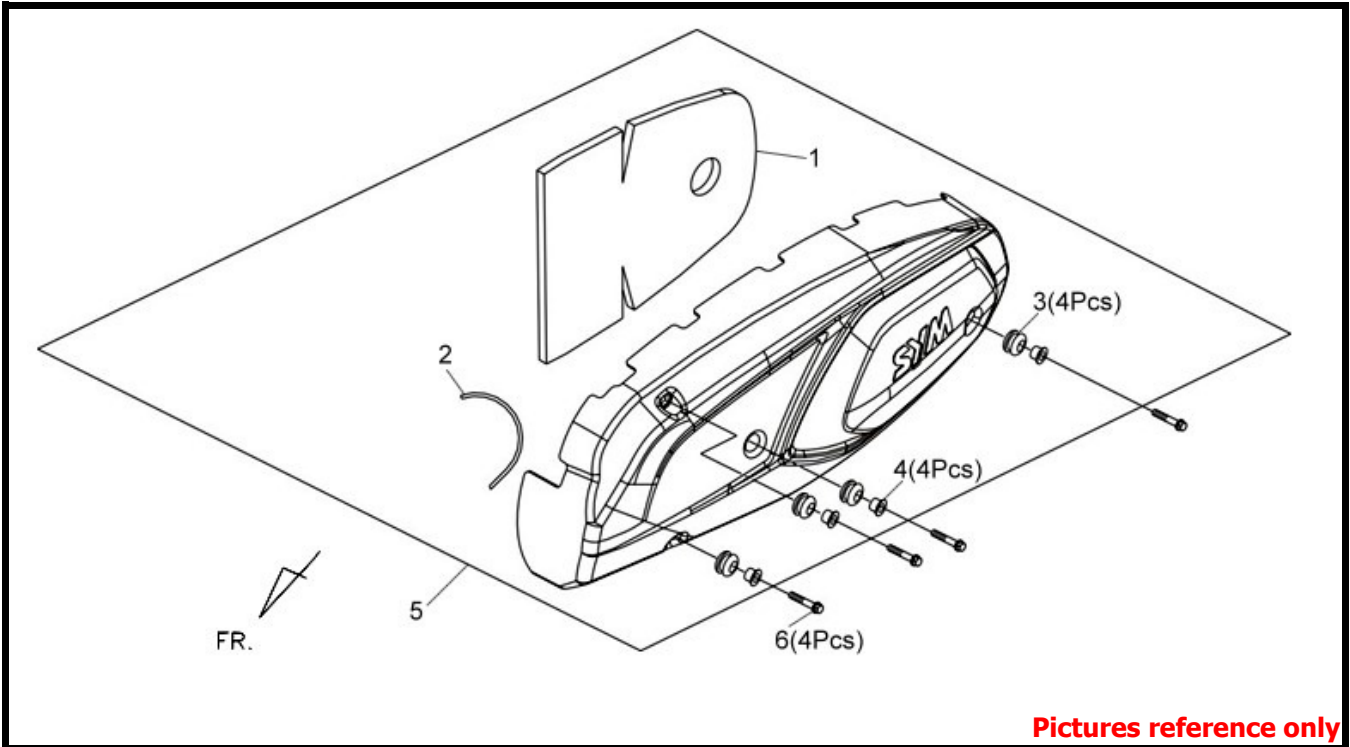
※N/A = SUBSTITUTE

※Y = EXCHANGEABLE

※N =NOT EXCHANGEABLE

E10 L OUTER COVER ASSY

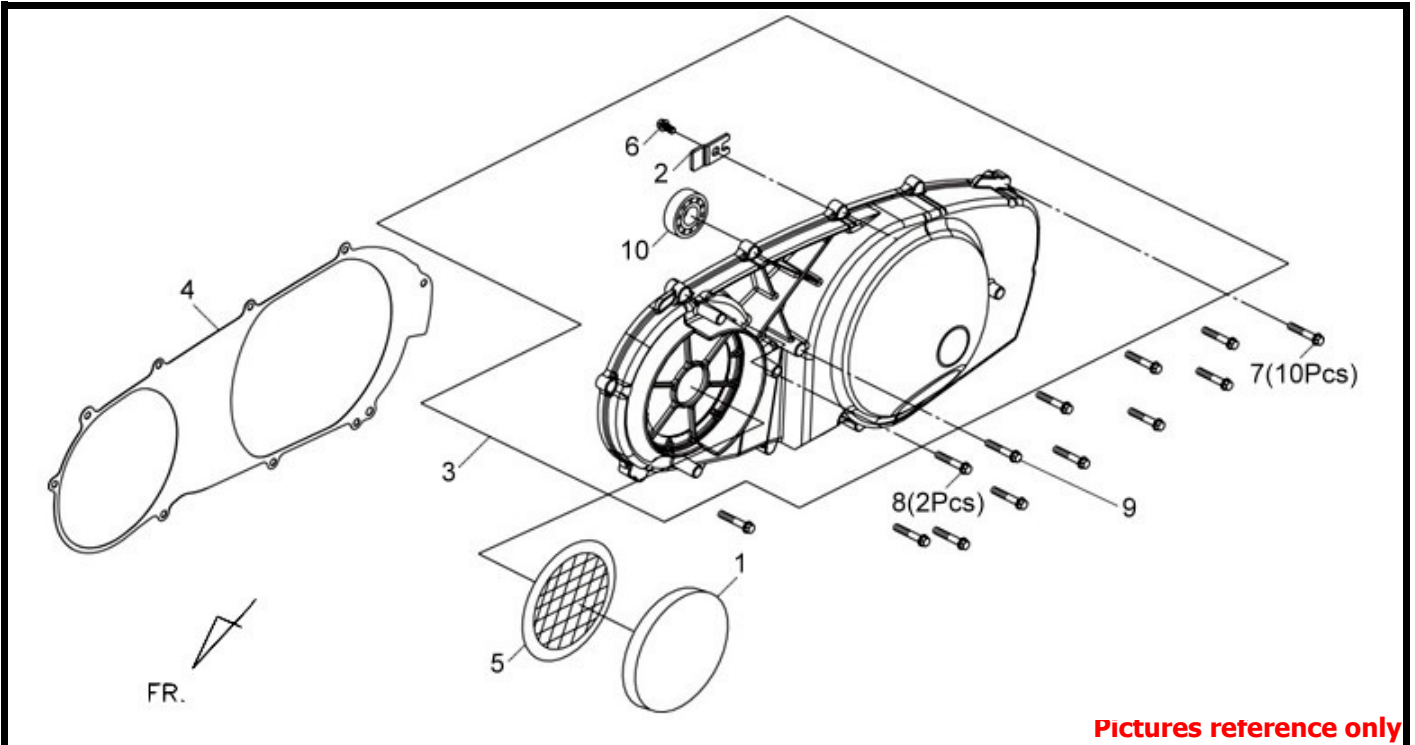
MAXSYM 400 ABS (LX40A2-6)



PARTS NUMBER		DESCRIPTION	QTY	EFFECTIVE DATE
1	11352-L4A-000	FILTRO SPUGNA	1	
2	11353-L4A-000	GUARNIZIONE COPER.ESTERNO	1	
3	11354-H3A-000	MOUNT RUBBER	4	
4	11356-H3A-000	COLLAR	4	
5	1135A-L4A-000	COPERCHIO FRIZIONE COMPLETO BK-001U	1	
6	90115-G02-000	VITE FLANGIATA 6X16	4	

E11 L. CRANK CASE COVER ASSY.

MAXSYM 400 ABS (LX40A2-6)



Pictures reference only

PARTS NUMBER	DESCRIPTION	QTY	EFFECTIVE DATE
1 11344-L4A-000	COPERCHIO	1	
2 11346-L4A-000	L.BEARING SETTING PLATE	1	
3 1134A-L4A-000	COPERCHIO FRIZIONE COMPLETO	1	
4 11395-L4A-000	GUARNIZIONE COPERCHIO FRIZIONE	1	
5 17221-L4A-000	GRIGLIA CARTER FRIZIONE	1	
6 96001-06014-00	FLANGE BOLT SH 6X14	1	
7 96001-06025-00	VITE FLANGIATA 6X25	10	
8 96001-06035-00	VITE FLANGIATA 6X35	2	
9 96001-06060-00	VITE FLANGIATA 6X60	1	
10 96150-60060-10	CUSCINETTO A SFERE 6006LLU	1	

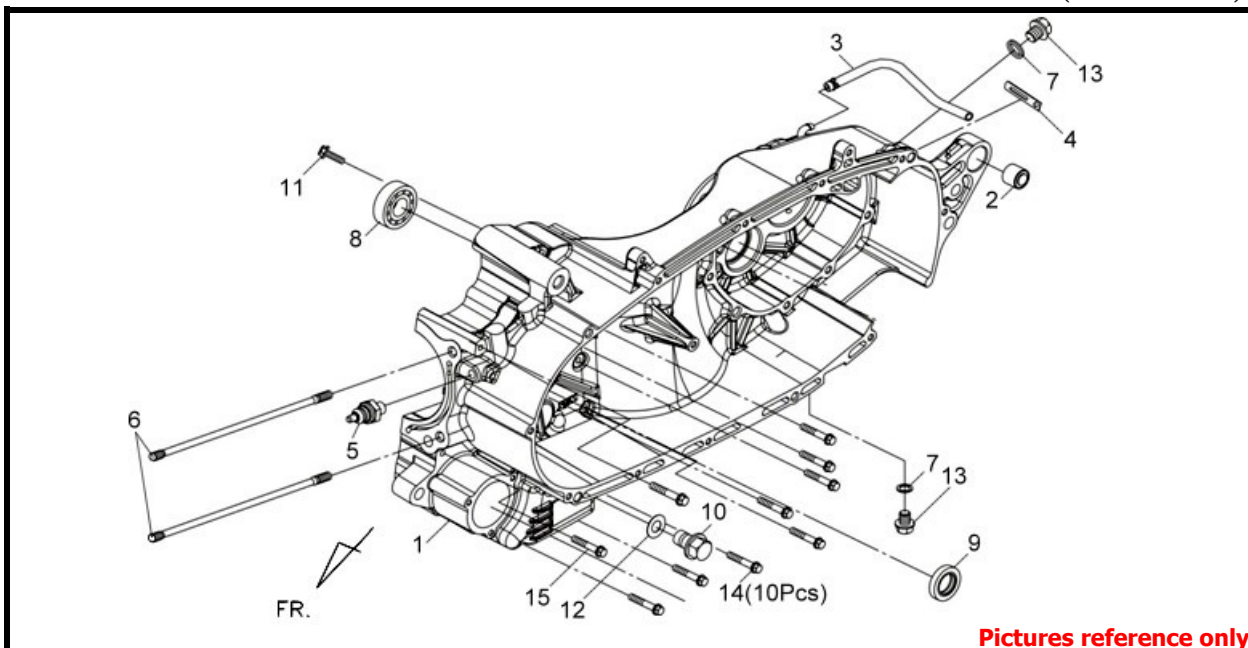
※ Please check the color & stripe information according to the color index !

 **TEAMWORLD IND. 2012.02**

※N/A = SUBSTITUTE

※Y = EXCHANGEABLE

※N =NOT EXCHANGEABLE



Pictures reference only

PARTS NUMBER	DESCRIPTION	QTY	EFFECTIVE DATE
1 11200-L4A-010	SEMICARTER MOTORE SX	1	
2 11203-L4A-000	SILENT BLOCK	1	
3 1122A-L4A-000	TUBO SFIATO COMPLETO	1	
4 12342-G02-000	FASCETTA	1	
5 37240-L4A-000	INTERRUTTORE PRESSIONE OLIO	1	
6 90031-L4A-000	PRIGIONIERO CILINDRO A	2	
7 90481-M9Q-000	RONDELLA PIANA 10.2MM	2	
8 91104-BAA-000	CUSCINETTO A SFERE CSB304	2	
9 91209-L4A-000	PARAOLIO TC 35X55X7.5	1	
10 92800-12000	TAPPO DRENAGGIO OLIO 12MM	1	
11 96001-06012-00	VITE FLANGIATA 6X12	1	
12 94109-12000	GUARNIZIONE TAPPO DRENAGGIO OLIO M12	1	
13 90035-KZ1-000	VITE LIVELLO OLIO	2	
14 96001-06060-00	VITE FLANGIATA 6X60	10	
15 96001-06075-00	VITE FLANGIATA 6X75	3	

※ Please check the color & stripe information according to the color index !

 TEAMWORLD IND. 2012.02

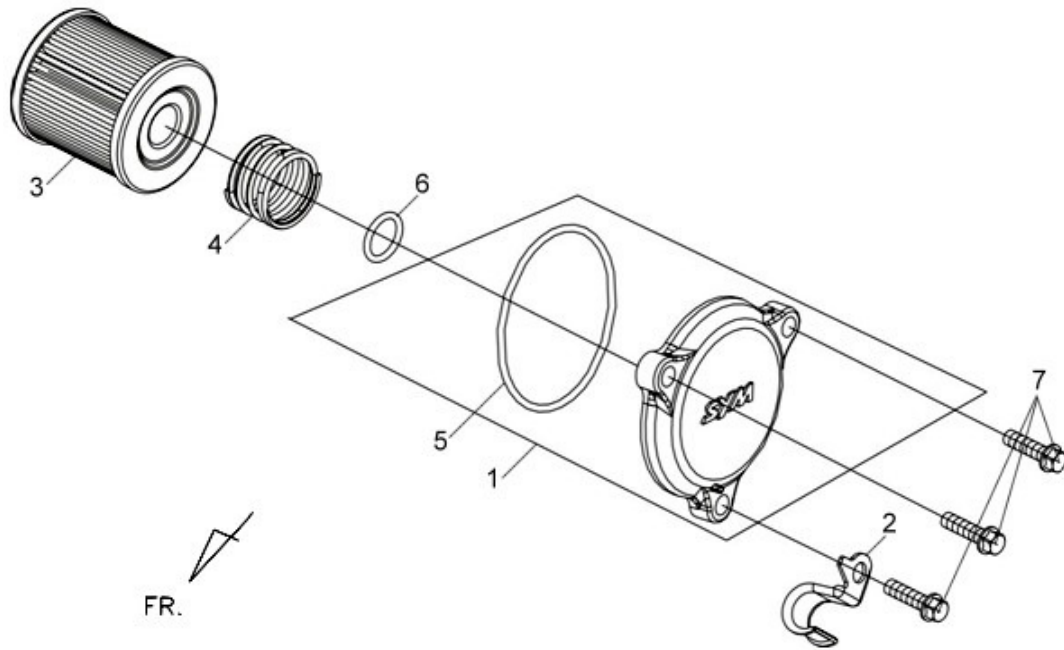
※N/A = SUBSTITUTE

※Y = EXCHANGEABLE

※N = NOT EXCHANGEABLE

E13 OIL FILTER COVER COMP

MAXSYM 400 ABS (LX40A2-6)



Pictures reference only

PARTS NUMBER	DESCRIPTION	QTY	EFFECTIVE DATE
1 1136A-L4A-000	COPERCHIO FILTRO OLIO	1	
2 11383-ADB-000	BREATHER DRAIN TUBE CLAMP	1	
3 15400-L4A-000	FILTRO OLIO (CARTUCCIA)	1	
4 15414-N01-000	MOLLA FILTRO OLIO	1	
5 91303-L4A-000	O-RING COPERCHIO FILTRO OLIO	1	
6 91310-REA-000	L.CASE OIL HOLE O-RING	2	
7 96001-06018-00	VITE FLANGIATA 6X18	3	

※ Please check the color & stripe information according to the color index !

 **TEAMWORLD IND. 2012.02**

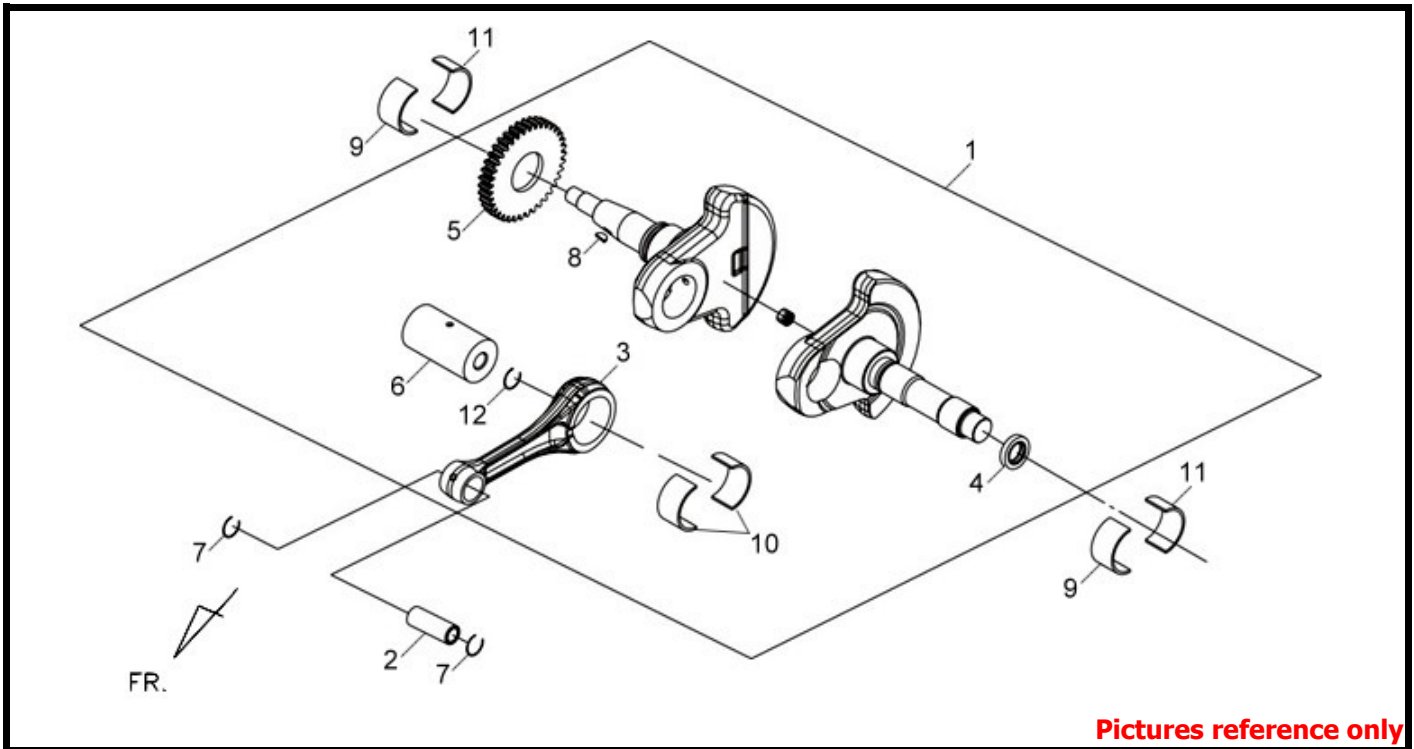
※N/A = SUBSTITUTE

※Y = EXCHANGEABLE

※N =NOT EXCHANGEABLE

E14 CRANK SHAFT COMP

MAXSYM 400 ABS (LX40A2-6)



Pictures reference only

PARTS NUMBER	DESCRIPTION	QTY	EFFECTIVE DATE
1	13000-L4A-000	1	
2	13111-L4A-000	1	
3	13201-L4A-000	1	
4	13322-L4A-000	1	
5	13331-L4A-310	1	
6	13380-L4A-000	1	
7	90601-L4A-000	2	
8	90701-HB6-010	1	
9	91001-L4A-000	2	
10	91003-L4A-000	2	
11	91003-REA-000	2	
12	96205-12012	1	

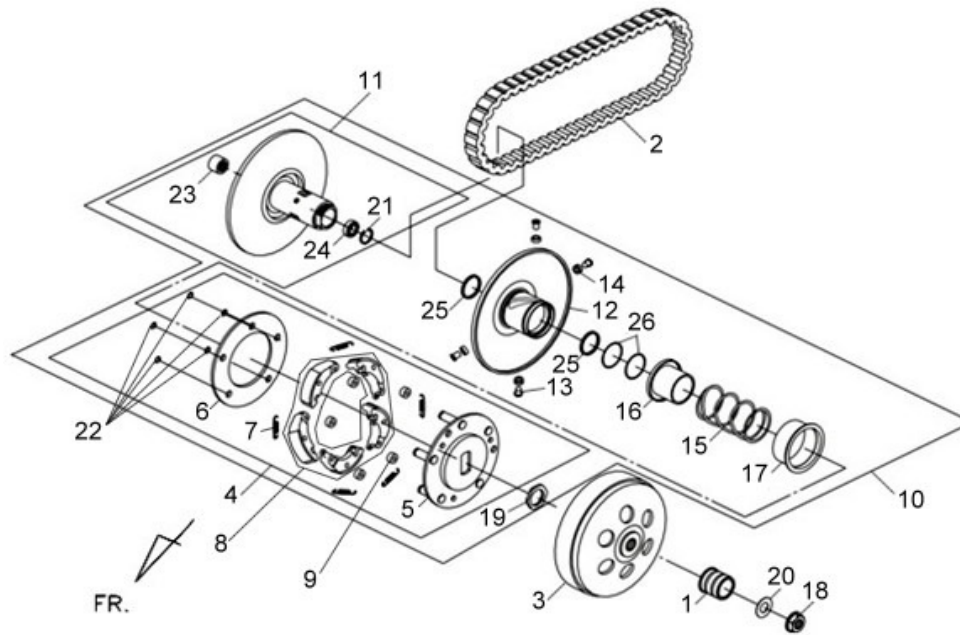
※ Please check the color & stripe information according to the color index !

TEAMWORLD IND. 2012.02

※N/A = SUBSTITUTE

※Y = EXCHANGEABLE

※N =NOT EXCHANGEABLE



Pictures reference only

PARTS NUMBER	DESCRIPTION	QTY	EFFECTIVE DATE
1	1137A-HMA-000	1	
2	1B01L4A01	1	
3	22101-L4A-000	1	
4	22300-L4A-000	1	
5	22350-L4A-000	1	
6	22361-L4A-000	1	
7	22401-L4A-000	5	
8	22530-L4A-000-A	1	
9	22804-L4A-000	5	
10	23010-L4A-000	1	
11	23200-L4A-000	1	
12	23220-L4A-000	1	
13	23225-HMA-000	4	
14	23226-HMA-000	4	
15	23233-L4A-000	1	
16	23237-L4A-000	1	
17	23238-L4A-000	1	
18	90201-KR8-751-M1	1	
19	90202-HMA-000	1	
20	90401-KJ9-000	1	
21	90602-HMA-000	1	
22	90603-L4A-000	5	
23	91006-L4A-300	1	
24	91007-HMA-300	1	
25	91211-HMA-000	2	
26	91305-HMA-000	2	

※ Please check the color & stripe information according to the color index !

 TEAMWORLD IND. 2012.02

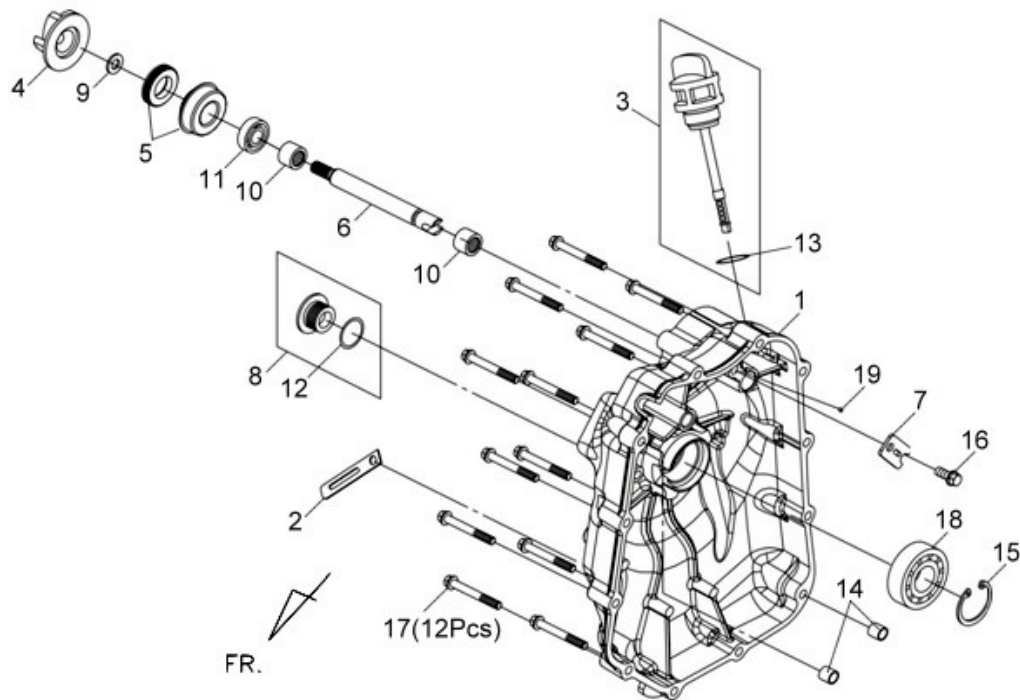
※N/A = SUBSTITUTE

※Y = EXCHANGEABLE

※N =NOT EXCHANGEABLE

E16 R. CRANK CASE COVER

MAXSYM 400 ABS (LX40A2-6)



Pictures reference only

PARTS NUMBER	DESCRIPTION	QTY	EFFECTIVE DATE
1 11330-L4A-000	COPPA OLIO S-877C	1	
2 12342-G02-000	FASCETTA	1	
3 1565A-L4A-000	TAPPO ALIMENTAZIONE OLIO	1	
4 19215-L4A-000	GIRANTE POMPA ACQUA	1	
5 19217-H9A-300	GUARNIZIONE MECCANICA	1	
6 19231-L4A-000	ALBERO POMPA ACQUA	1	
7 19233-L4A-000	WATER PUMP SETTING PLATE	1	
8 9008A-H9A-000	TAPPO+O-RNG 14MM	1	
9 90423-KJ9-000	RONDELLA 7.2X13X1.2	1	
10 91004-L4A-000	CUSCINETTO HK1010FM	2	
11 91203-L4A-010	PARAOLIO SC 10X18X5	1	
12 91303-377-000	O-RING 13.8x2.5	1	
13 91307-035-000	O-RING 18X3	1	
14 94301-08140	GRANO REIFERIMENTO 8X14	2	
15 94520-32000	IN. CIR. CLIP	1	
16 96001-06016-00	VITE FLANGIATA 6X16	1	
17 96001-06035-00	VITE FLANGIATA 6X35	12	
18 96100-62013-00	CUSCINETTO A SFERE 6201T/C3	1	
19 96220-30085	RULLO 3X8.5	1	

※ Please check the color & stripe information according to the color index !

 TEAMWORLD IND. 2012.02

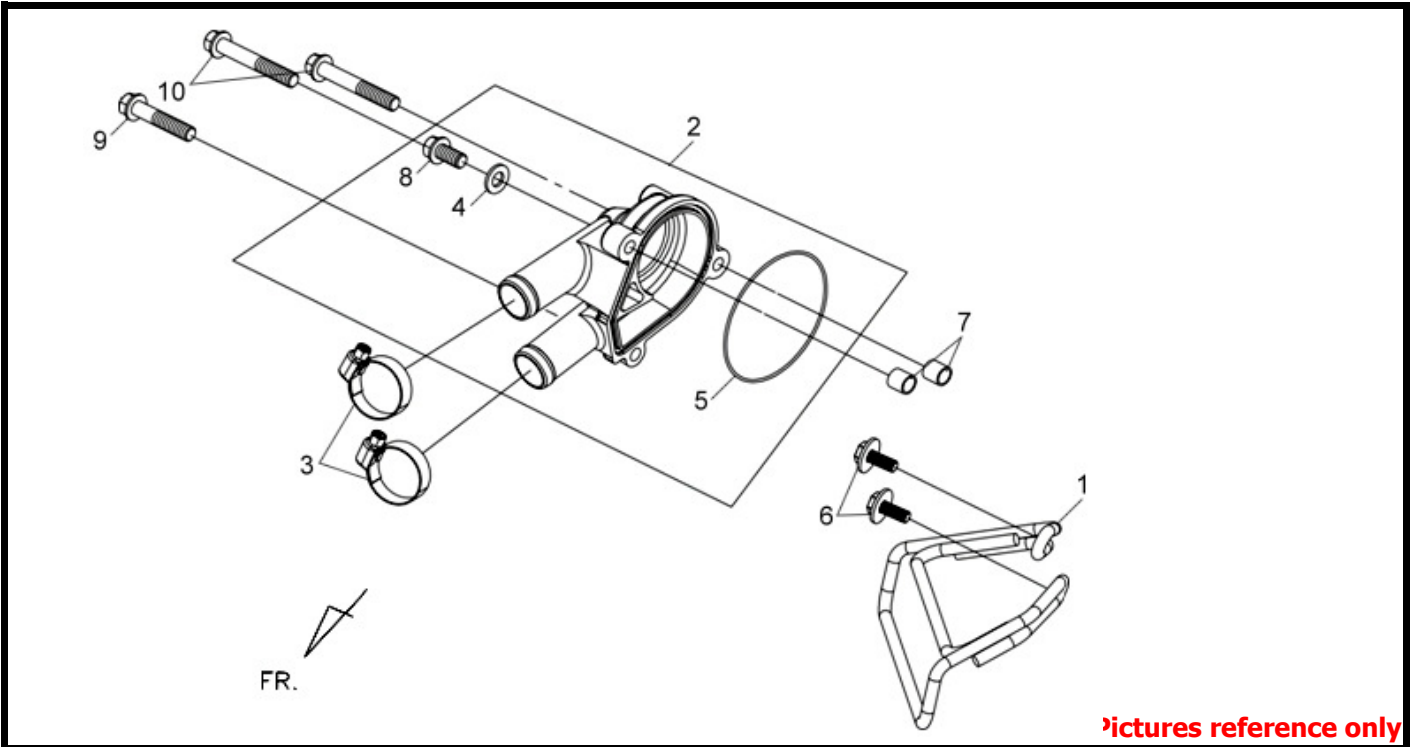
※N/A = SUBSTITUTE

※Y = EXCHANGEABLE

※N =NOT EXCHANGEABLE

E17 DRIVEN PULLEY ASSY

MAXSYM 400 ABS (LX40A2-6)



Pictures reference only

PARTS NUMBER	DESCRIPTION	QTY	EFFECTIVE DATE
1	18241-L4A-000	1	
2	1922A-L4A-000	1	
3	19505-REA-000	2	
4	90481-B04-010	1	
5	91302-L4A-000	1	
6	93401-06020-07	2	
7	94301-08140	2	
8	95701-08012-00	1	
9	96001-06025-00	1	
10	96001-06030-00	2	

※ Please check the color & stripe information according to the color index !

TEAMWORLD IND. 2012.02

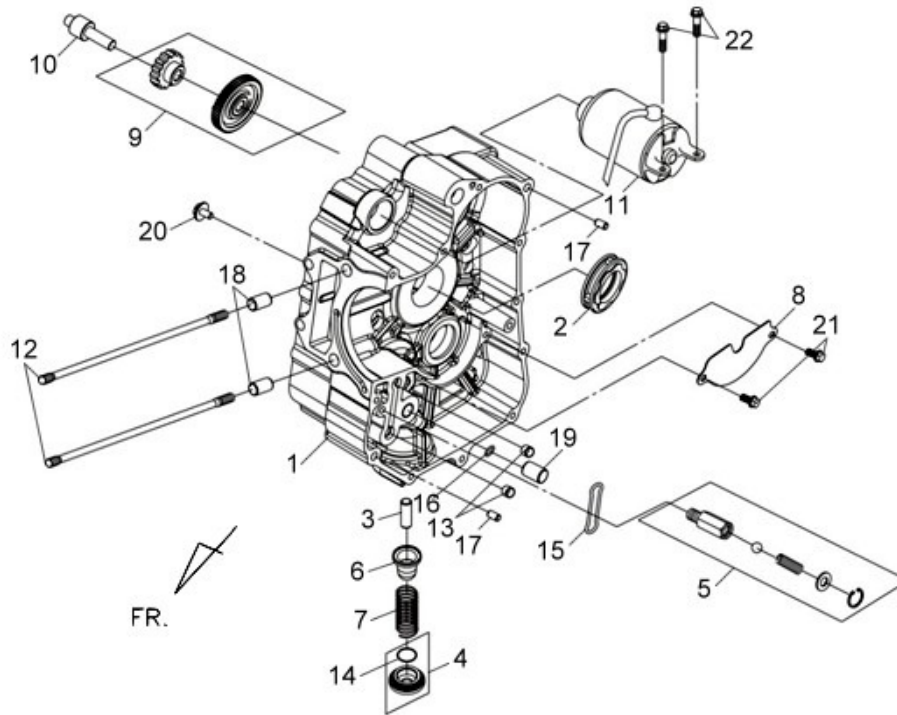
※N/A = SUBSTITUTE

※Y = EXCHANGEABLE

※N =NOT EXCHANGEABLE

E18 R CRANK CASE COMP

MAXSYM 400 ABS (LX40A2-6)



Pictures reference only

PARTS NUMBER	DESCRIPTION	QTY	EFFECTIVE DATE
1	11100-L4A-010	1	
2	11102-L4A-300	1	
3	11106-REA-000	1	
4	1236A-B04-000	1	
5	15230-REA-000	1	
6	15421-REA-000	1	
7	15426-REA-000	1	
8	15711-L4A-000	1	
9	28100-L4A-000	1	
10	28102-L4A-000	1	
11	31200-L4A-000	1	
12	90031-L4A-000	2	
13	90701-L4A-000	2	
14	91303-B08-000	1	
15	91310-REA-000	1	
16	91306-N01-010	1	
17	94301-08140	2	
18	94301-12200	2	
19	94301-14200	1	
20	96001-06012-00	1	
21	96001-06014-00	2	
22	96001-06025-00	2	

※ Please check the color & stripe information according to the color index !

 TEAMWORLD IND. 2012.02

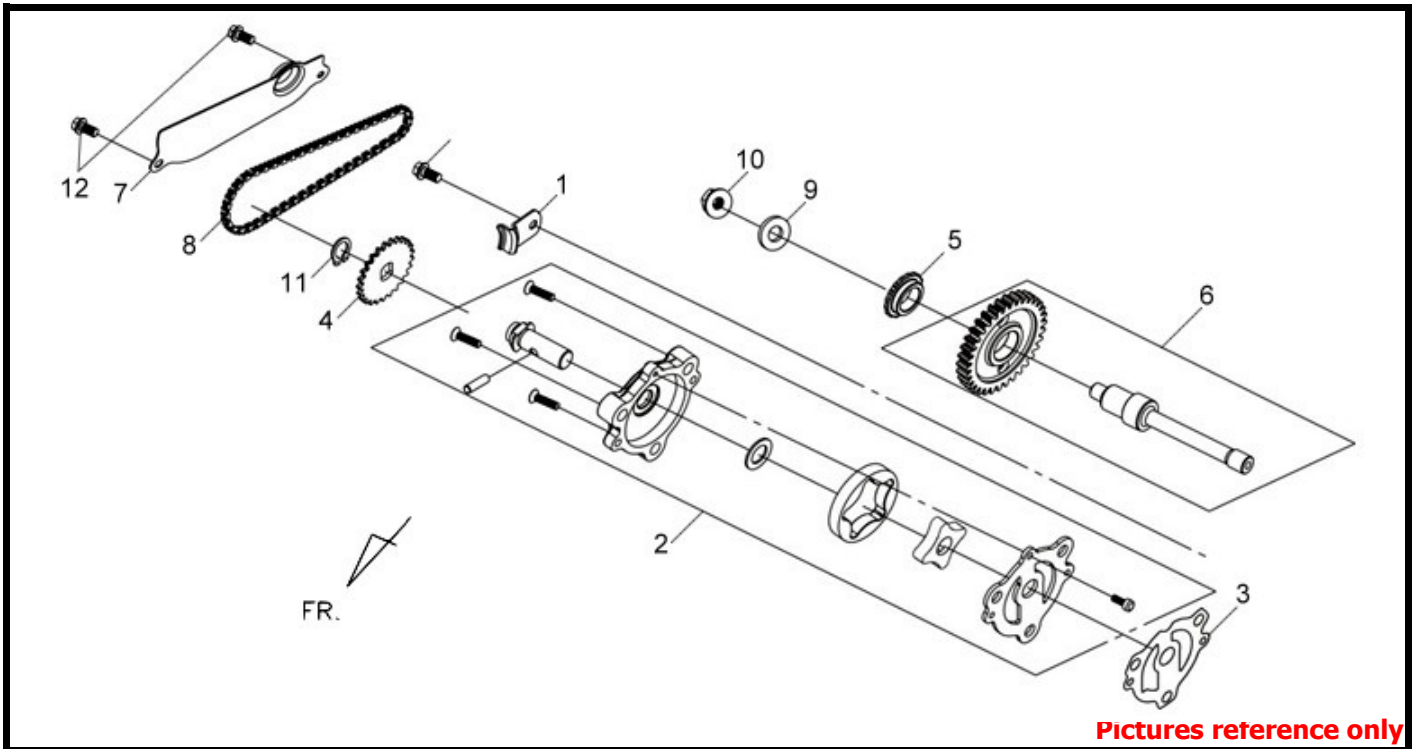
※N/A = SUBSTITUTE

※Y = EXCHANGEABLE

※N =NOT EXCHANGEABLE

E19 OIL PUMP ASSY.

MAXSYM 400 ABS (LX40A2-6)



Pictures reference only

PARTS NUMBER	DESCRIPTION	QTY	EFFECTIVE DATE
1 14151-L4A-000	CAM CHAIN SETTING PLATE	1	
2 15100-L4A-000	POMPA OLIO	1	
3 15126-L4A-000	GUARNIZIONE POMPA OLIO	1	
4 15133-HMA-000	PIGNONE CATENA POMPA OLIO	1	
5 15134-L4A-000	PIGNONE POMPA OLIO	1	
6 1513A-L4A-000	ALBERO POMPA OLIO	1	
7 15712-L4A-000	OIL SEPARATOR B	1	
8 1C15141-V02-000	CATENA POMPA OLIO	1	
9 90442-HMA-000	SEALING WASHER	1	
10 94050-10080	DADO FLANGIATO 10mm	1	
11 94510-10000	ANELLO SEEGER 10MM	1	
12 96001-06014-00	FLANGE BOLT SH 6X14	3	

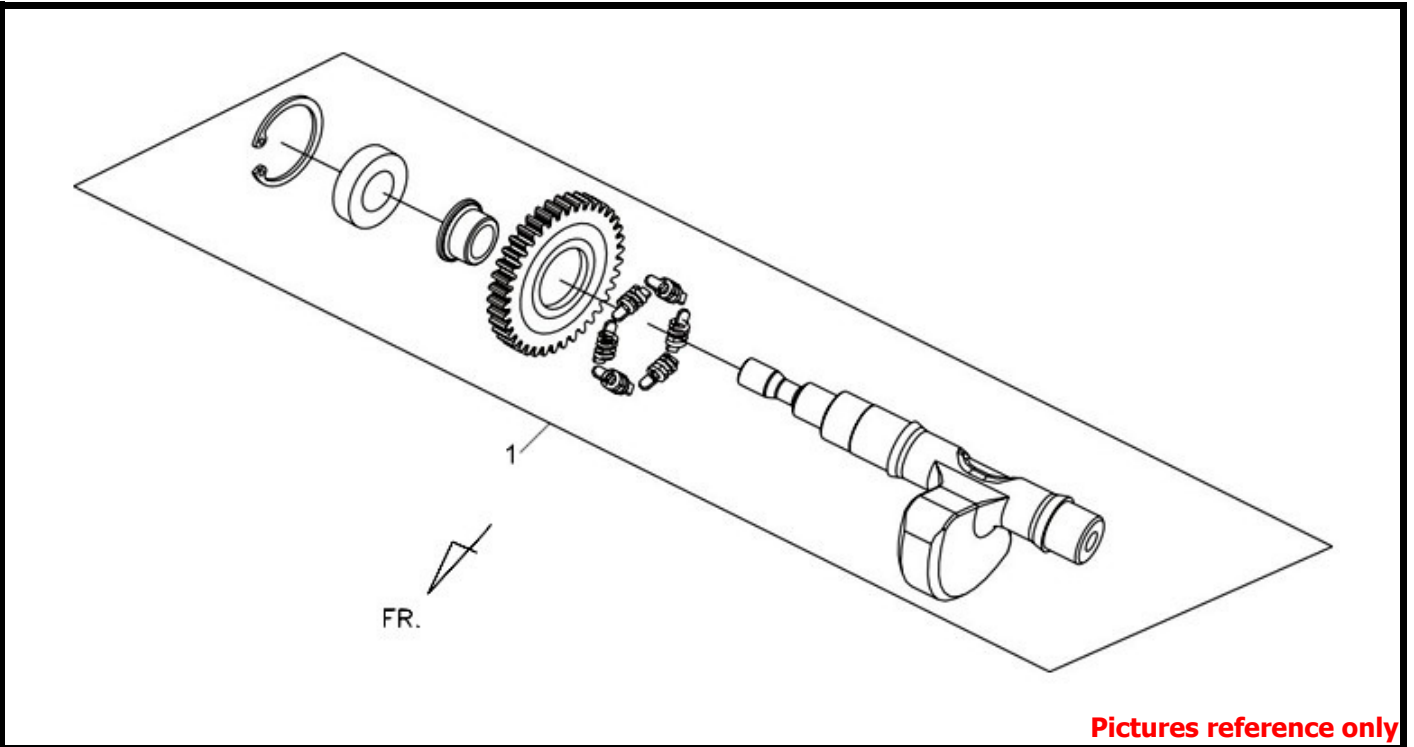
※ Please check the color & stripe information according to the color index !

TEAMWORLD IND. 2012.02

※N/A = SUBSTITUTE

※Y = EXCHANGEABLE

※N =NOT EXCHANGEABLE



Pictures reference only

PARTS NUMBER	DESCRIPTION	QTY	EFFECTIVE DATE	
1 13300-L4A-000	ALBERO BILANCIAMENTO	1		

※ Please check the color & stripe information according to the color index !

 TEAMWORLD IND. 2012.02

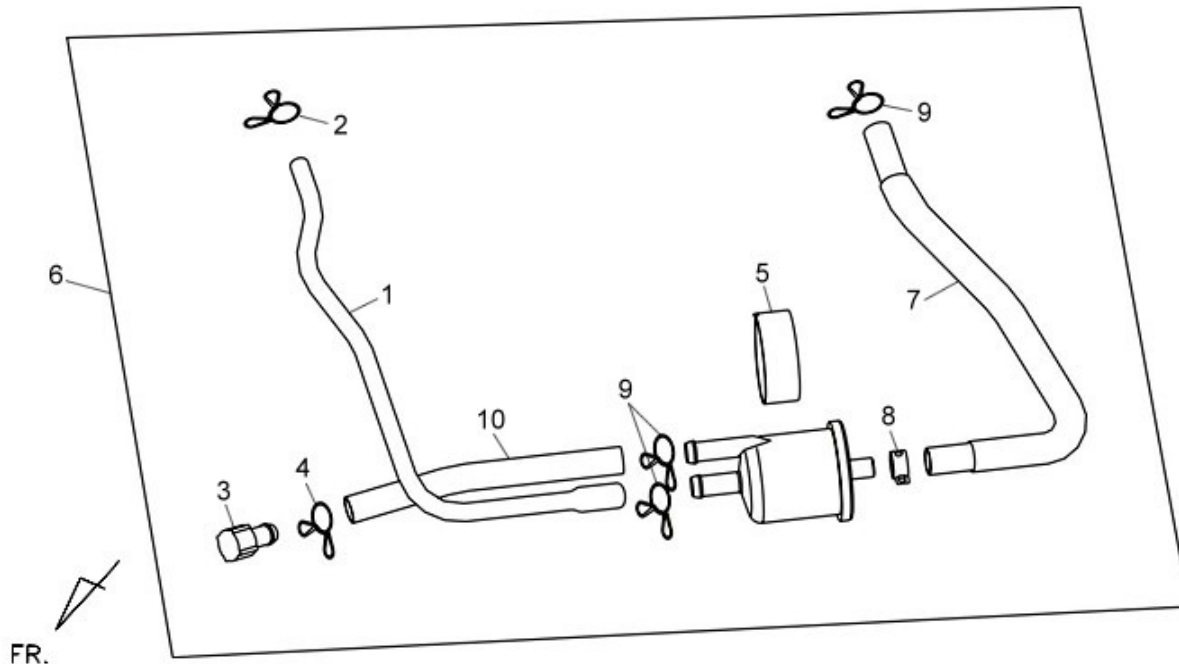
※N/A = SUBSTITUTE

※Y = EXCHANGEABLE

※N =NOT EXCHANGEABLE

E21 BREATHER CHAMBER ASSY.

MAXSYM 400 ABS (LX40A2-6)



Pictures reference only

PARTS NUMBER		DESCRIPTION	QTY	EFFECTIVE DATE
1	11211-L4A-000	TUBO SFIATO	1	
2	15772-500-013	MORSETTO	1	
3	17370-M9Q-000	PLUG,BREATHER TUBE.	1	
4	17371-M9Q-000	BREATHER TUBE CLIP	1	
5	17385-H6A-000	CHAMBER SETTING BAND	1	
6	1738A-L4A-000	BREATHER CHAMPER ASSY	1	
7	17562-L4A-000	BRE.C/CON.T. TUBE	1	
8	90682-V02-900	FASCETTA 11.5	1	
9	95002-80000	TUBE CLIP C12	3	
10	95003-23028-60	V TUBE 8x12x280	1	

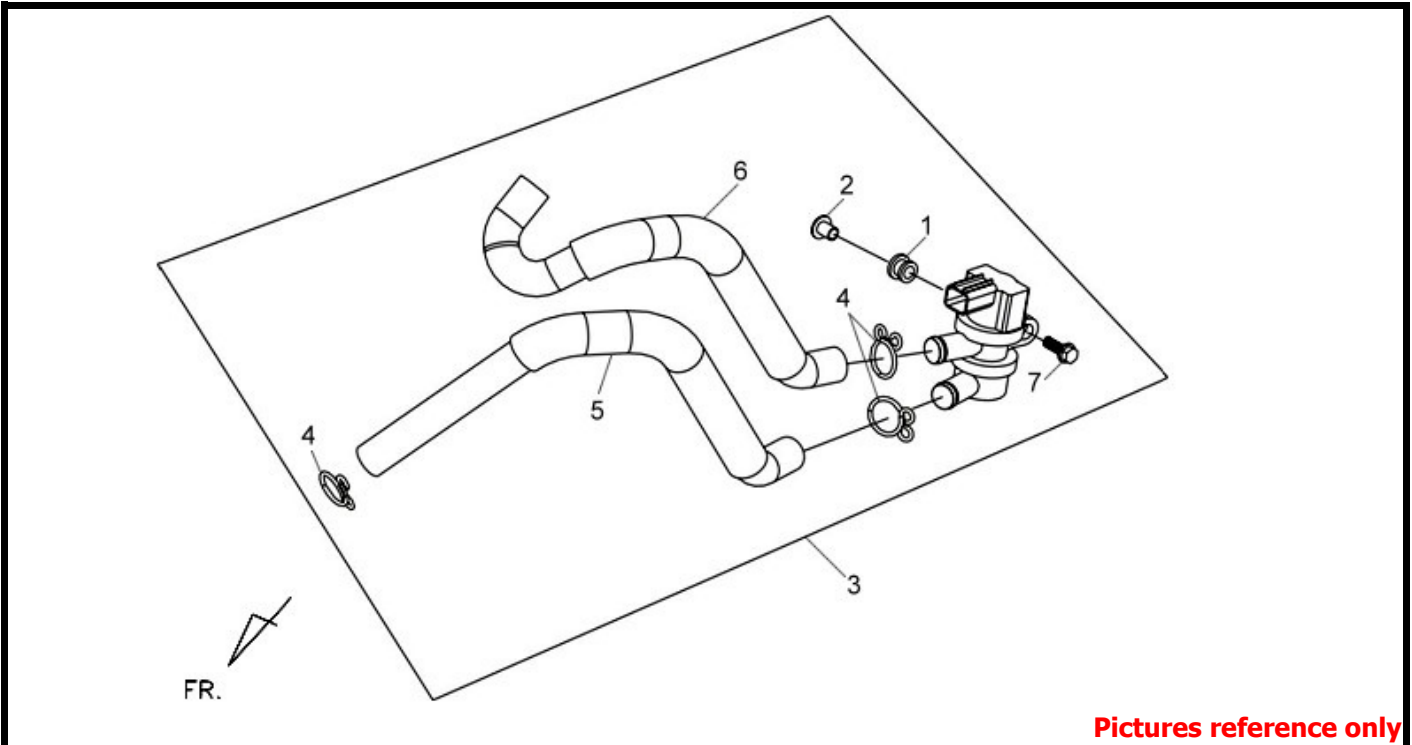
※ Please check the color & stripe information according to the color index !

 **TEAMWORLD IND. 2012.02**

※N/A = SUBSTITUTE

※Y = EXCHANGEABLE

※N =NOT EXCHANGEABLE



Pictures reference only

PARTS NUMBER	DESCRIPTION	QTY	EFFECTIVE DATE
1 17591-HMC-000	A.I.S.V.RUBBER	1	
2 17592-HMC-000	A.I.S.V.COLLAR	1	
3 1759A-L4A-000	A.I.S.V.SET	1	
4 18533-M7Q-000	AIR HOSE CLIP 19	3	
5 18655-L4A-000	A.I.S.V.REED VALVE TUBE	1	
6 18659-L4A-000	A.I.S.V.AIR TUBE	1	
7 96001-06020-00	VITE FLANGIATA 6X20	1	

※ Please check the color & stripe information according to the color index !

 TEAMWORLD IND. 2012.02

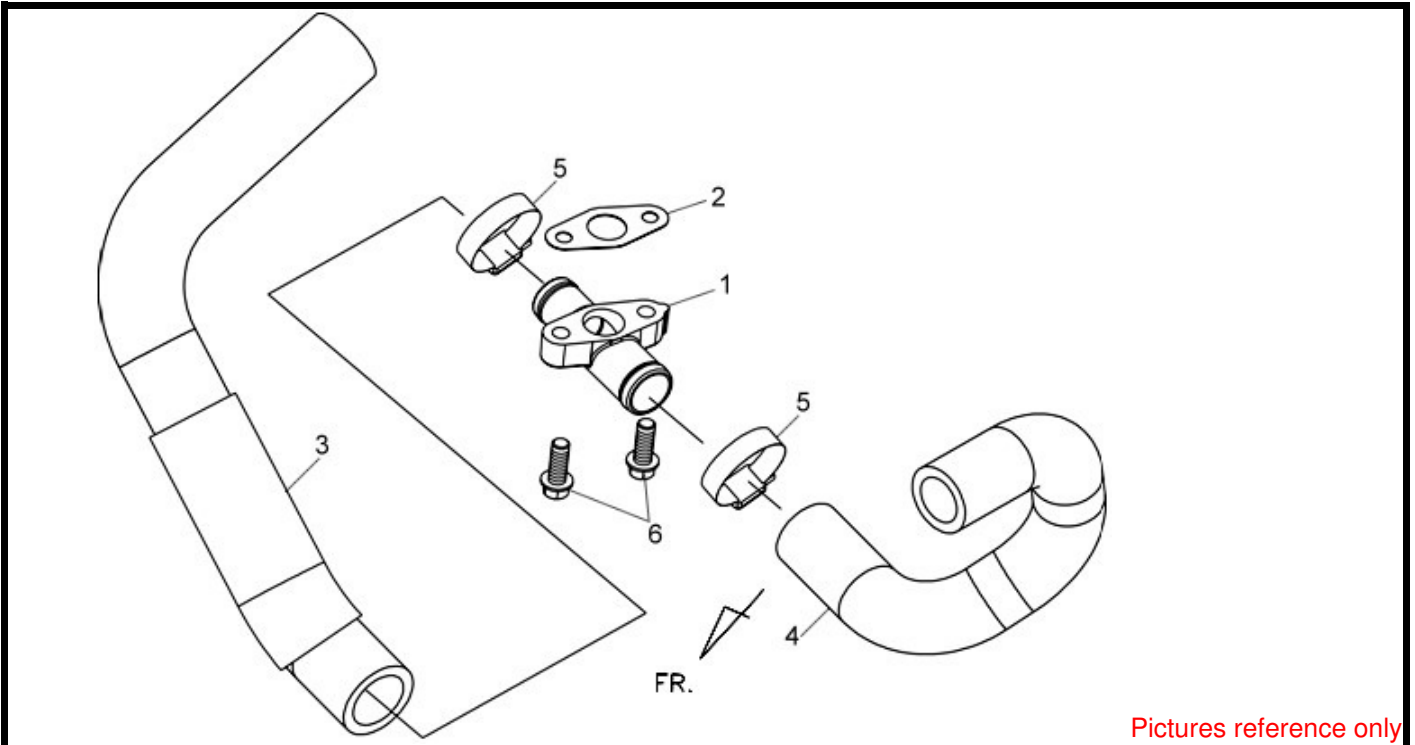
※N/A = SUBSTITUTE

※Y = EXCHANGEABLE

※N =NOT EXCHANGEABLE

E23 3 WAY JOINT

MAXSYM 400 ABS (LX40A2-6)



Pictures reference only

PARTS NUMBER	DESCRIPTION	QTY	EFFECTIVE DATE	
1 19234-L4A-000	3 WAY JOINT	1		
2 19253-L4A-000	3 WAY JOINT GASKET	1		
3 19502-L4A-000	WATER HOSE B	1		
4 19504-L4A-000	WATER HOSE D	1		
5 19505-REA-000	HOSE CLAMP	2		
6 90001-M9Q-000	VITE FLANGIATA 6X22	2		

※ Please check the color & stripe information according to the color index !

 **TEAMWORLD IND. 2012.02**

※N/A = SUBSTITUTE

※Y = EXCHANGEABLE

※N =NOT EXCHANGEABLE