

# PARTS CATALOGUE



## SCOOTERS

SR30BB(JP)

RACING 150 FI



Release Date : 2009/10/23  
Print Date : 2010/03/03

## ABOUT THIS PARTS LIST

- This parts list is compiled all service parts for model SR30BB(JP).
- Any difference between color chart and motorcycle will be revised according to motorcycle.
- The Mark:
  1. Marking "\*" must add color code in the end before ordering parts.
  2. Marking "#" are parts with modification, Please find the details from e-Parts system.
- When modification or additions to this parts list are made a revised edition at an appropriate time.

# CONTENTS

● ABOUT THIS PARTS LIST .....	1
● COLOR CHART OF SR30BB(JP) .....	3
● CONTENTS-ENGINE GROUP .....	11
● CONTENTS-FRAME GROUP .....	12
● ENGINE PARTS LIST .....	15
● FRAME PARTS LIST .....	45
● PART NO. INDEX .....	111

NO	MODEL			SR30BB(JP) COLOR CHART			
	PHOTO NO			NO. 1	NO. 2	NO. 3	NO. 4
	BASIC COLOR						
	CODE			Bright Red	Silver Crystal	Black	Pearly White
	PARTS NAME	PARTS NO.	VERSION	RR339PA	NH263MA	NH001SA	NH193PA
1	GRIP COMP THROT	53140-LFB6-800	3	E4R			
2	GRIP COMP.,L HANDLE	53150-LEA6-900	3				
3	END HANDLE	53102-KEC8-900	0	F1S			
4	END R STRGHANDLE	53105-LBB5-E00	2				
5	CLAMPER TUBE	90660-KGBG-900	0	H4R			
6	WHEEL COMP RR CAST	42601-LFB5-900	2				
7	WHEEL SET FR	44650-LFE2-305	4	HUA			
8	LEVER R STRG	53175-KFA5-E10	0				
9	LEVER L STRG HANDLE	53178-KFC8-E10	0	M5A			
10	COVER FR HANDLE	53205-LFB5-900	1				
11	FENDER FR INNER	61100-LFB5-900	1	EBP			
12	SKIRT , R SIDE	64305-LFB6-800	2				
13	SKIRT , L SIDE	64306-LFB6-800	2				
14	CARRIER REAR	81200-LFB5-900	2				
15	COVER , R BODY	83500-LFB5-900	2				
16	COVER , L BODY	83600-LFB5-900	2				
17	MIRROR R. ASSY..BACK	88110-LFB5-900	2				
18	MIRROR ASSY.L BACK	88120-LFB5-900	2				
19	MOLDING. FR.	64302-LFB5-900	3				
20	COVER COMP.,L COVER	11344-LGH6-900	0				
21	MUFFLER ASSY EXH	1830A-LFB6-E00	0	N1R			
22	PROTECTOR,MUFF.	18318-LFB5-E00	0				
23	COVER BATTERY	5032A-LEB1-900	2				
24	COVER. UNDER	50613-LFB5-900	3				
25	COVER HANDLE RR	53206-LFB5-900	0				
DATE OF STARTING-SALES							
DATE OF END-SALES							

NO	MODEL			SR30BB(JP) COLOR CHART			
	PHOTO NO			NO. 5			
	BASIC COLOR						
	CODE			Shining Orange			
	PARTS NAME	PARTS NO.	VERSION	YR177MA			
1	GRIP COMP THROT	53140-LFB6-800	3	E4R			
2	GRIP COMP.,L HANDLE	53150-LEA6-900	3				
3	END HANDLE	53102-KEC8-900	0	F1S			
4	END R STRGHANDLE	53105-LBB5-E00	2				
5	CLAMPER TUBE	90660-KGBG-900	0	H4R			
6	WHEEL COMP RR CAST	42601-LFB5-900	2	HUA			
7	WHEEL SET FR	44650-LFE2-305	4				
8	LEVER R STRG	53175-KFA5-E10	0	M5A			
9	LEVER L STRG HANDLE	53178-KFC8-E10	0				
10	COVER FR HANDLE	53205-LFB5-900	1	X4P			
11	FENDER FR INNER	61100-LFB5-900	1				
12	SKIRT , R SIDE	64305-LFB6-800	2				
13	SKIRT , L SIDE	64306-LFB6-800	2				
14	CARRIER REAR	81200-LFB5-900	2				
15	COVER , R BODY	83500-LFB5-900	2				
16	COVER , L BODY	83600-LFB5-900	2				
17	MIRROR R. ASSY..BACK	88110-LFB5-900	2				
18	MIRROR ASSY.L BACK	88120-LFB5-900	2				
19	MOLDING. FR.	64302-LFB5-900	3				
20	COVER COMP.,L COVER	11344-LGH6-900	0	N1R			
21	MUFFLER ASSY EXH	1830A-LFB6-E00	0				
22	PROTECTOR,MUFF.	18318-LFB5-E00	0				
23	COVER BATTERY	5032A-LEB1-900	2				
24	COVER. UNDER	50613-LFB5-900	3				
25	COVER HANDLE RR	53206-LFB5-900	0				
DATE OF STARTING-SALES							
DATE OF END-SALES							

NO	MODEL			SR30BB(JP) COLOR CHART			
	PHOTO NO			NO. 1	NO. 2	NO. 3	NO. 4
	BASIC COLOR						
	CODE			Bright Red	Silver Crystal	Black	Pearly White
	PARTS NAME	PARTS NO.	VERSION	RR339PA	NH263MA	NH001SA	NH193PA
26	COVER SWITCH	53207-KKD9-B00	3				
27	COVER L WINKER	53208-LFB5-900	0				
28	"GRILLE,R FENDER TIRE,	61101-LFB5-900	0				
29	"GRILLE,L FENDER TIRE,	61102-LFB5-900	0				
30	FENDER B. FR.	6110B-LFB5-900	4				
31	"GRILLE,R FR.	64303-LFB5-900	0				
32	"GRILLE,L FR.	64304-LFB5-900	0				
33	"GRILLER,COVER , FR."	64307-LFB5-900	1				
34	FLOOR PANEL	64310-LFB5-900	0				
35	PLUG FLOOR	64316-KHD6-900	0				
36	PLUG FLOOR	64316-KHE2-900	0				
37	"COWL, UNDER"	64400-LFB5-900	1				
38	FENDER RR TIRE	80100-LFB5-910	0			N1R	
39	FENDER . RR. UP	80105-LFB5-900	4				
40	FENDER RR INNER	80107-LFB5-900	1				
41	COVER CENTER	80151-LFB5-900	2				
42	LEG SHIELD UP	81131-LFB5-910	0				
43	CAP LEG SHIELD UP	81132-LFB5-900	0				
44	HOOK,LEG SHIELD	81134-LGH6-B20	1				
45	LEG SHIELD LOW	81141-LFB5-900	0				
46	LID LEG SHIELD	81142-KUDU-900	1				
47	LEG SHIELD UP B	81142-LFB6-800	1				
48	"COVER , R SIDE"	83520-LFB5-900	0				
49	"COVER , L SIDE"	83620-LFB5-900	0				
50	BAND HARNESS WIRE	90656-KUDU-900	0				
DATE OF STARTING-SALES							
DATE OF END-SALES							

NO	MODEL			SR30BB(JP) COLOR CHART						
	PHOTO NO			NO. 5						
	BASIC COLOR									
	CODE			Shining Orange						
	PARTS NAME	PARTS NO.	VERSION	YR177MA						
26	COVER SWITCH	53207-KKD9-B00	3	N1R						
27	COVER L WINKER	53208-LFB5-900	0							
28	"GRILLE,R FENDER TIRE,	61101-LFB5-900	0							
29	"GRILLE,L FENDER TIRE,	61102-LFB5-900	0							
30	FENDER B. FR.	6110B-LFB5-900	4							
31	"GRILLE,R FR.	64303-LFB5-900	0							
32	"GRILLE,L FR.	64304-LFB5-900	0							
33	"GRILLER,COVER , FR."	64307-LFB5-900	1							
34	FLOOR PANEL	64310-LFB5-900	0							
35	PLUG FLOOR	64316-KHD6-900	0							
36	PLUG FLOOR	64316-KHE2-900	0							
37	"COWL, UNDER"	64400-LFB5-900	1							
38	FENDER RR TIRE	80100-LFB5-910	0							
39	FENDER . RR. UP	80105-LFB5-900	4							
40	FENDER RR INNER	80107-LFB5-900	1							
41	COVER CENTER	80151-LFB5-900	2							
42	LEG SHIELD UP	81131-LFB5-910	0							
43	CAP LEG SHIELD UP	81132-LFB5-900	0							
44	HOOK,LEG SHIELD	81134-LGH6-B20	1							
45	LEG SHIELD LOW	81141-LFB5-900	0							
46	LID LEG SHIELD	81142-KUDU-900	1							
47	LEG SHIELD UP B	81142-LFB6-800	1							
48	"COVER , R SIDE"	83520-LFB5-900	0							
49	"COVER , L SIDE"	83620-LFB5-900	0							
50	BAND HARNESS WIRE	90656-KUDU-900	0							
DATE OF STARTING-SALES										
DATE OF END-SALES										

NO	MODEL			SR30BB(JP) COLOR CHART			
	PHOTO NO			NO. 1	NO. 2	NO. 3	NO. 4
	BASIC COLOR						
	CODE			Bright Red	Silver Crystal	Black	Pearly White
	PARTS NAME	PARTS NO.	VERSION	RR339PA	NH263MA	NH001SA	NH193PA
51	FORK ASSY RR	52000-LFB5-900	1	N8A			
52	COLLAR FUEL FILLER	17623-KKE5-E1A	0	N8P			
53	COLLAR FUEL CILLER	17623-KKE5-E1B	0				
54	CUSHION ASSY RR R	52400-LFB5-900	3	NMS			
55	"CUSHION ASSY ,RR L"	52500-LFB5-900	2				
56	CALIPER ASSY FR	43100-LFB5-900	1	R8A			
57	CALIPER ASSY FR	45200-LFB5-900	1				
58	DISK, FR BRK	45351-LFB6-900	0	R8S			
59	FAN COMP COOLING	19510-LEB1-900	1	RAR			
60	EMB K-LOGO 28.5MM	86102-KKC4-900	1				
61	EMB BODY COVER	86202-LFB6-900	0				
62	STRIPE RR FENDER	86409-LBE8-B20	1				
63	STRIPE R MARK	87311-LAD9-B20	1				
64	STRIPE MARK Fi	87311-LEA1-900	1				
65	CAUTION BATTERY	87502-LEB2-E00	1	T01			
66	CAUTION MUFFLER	87503-LEB2-E00	0				
67	LABEL TIRE	87505-LFB6-E00	1				
68	CAUTION SIDE STAND	87541-GAR1-E00	1				
69	LABEL OIL CAP	87541-KUDU-E00	0				
70	MARK MAINT CAUTION	87542-GAR1-E00	2				
71	MARK DRIVE CAUTION	87560-GFY6-E00	3				
72	SEAT ASSY.	77200-LFB6-E00	1	T02	T01		
73	EMB B BODY COVER	86212-LFB6-900	0				
74	COVER ASSY., FR.	6430A-LFB6-800	1	T01			T02
75	STRIPE FR FENDER	86408-KKC8-B20	2				
DATE OF STARTING-SALES							
DATE OF END-SALES							

NO	MODEL			SR30BB(JP) COLOR CHART				
	PHOTO NO			NO. 5				
	BASIC COLOR							
	CODE			Shining Orange				
	PARTS NAME	PARTS NO.	VERSION	YR177MA				
51	FORK ASSY RR	52000-LFB5-900	1	N8A				
52	COLLAR FUEL FILLER	17623-KKE5-E1A	0	N8P				
53	COLLAR FUEL CILLER	17623-KKE5-E1B	0					
54	CUSHION ASSY RR R	52400-LFB5-900	3	NMS				
55	"CUSHION ASSY ,RR L"	52500-LFB5-900	2					
56	CALIPER ASSY FR	43100-LFB5-900	1	R8A				
57	CALIPER ASSY FR	45200-LFB5-900	1					
58	DISK, FR BRK	45351-LFB6-900	0	R8S				
59	FAN COMP COOLING	19510-LEB1-900	1	RAR				
60	EMB K-LOGO 28.5MM	86102-KKC4-900	1	T01				
61	EMB BODY COVER	86202-LFB6-900	0					
62	STRIPE RR FENDER	86409-LBE8-B20	1					
63	STRIPE R MARK	87311-LAD9-B20	1					
64	STRIPE MARK Fi	87311-LEA1-900	1					
65	CAUTION BATTERY	87502-LEB2-E00	1					
66	CAUTION MUFFLER	87503-LEB2-E00	0					
67	LABEL TIRE	87505-LFB6-E00	1					
68	CAUTION SIDE STAND	87541-GAR1-E00	1					
69	LABEL OIL CAP	87541-KUDU-E00	0					
70	MARK MAINT CAUTION	87542-GAR1-E00	2					
71	MARK DRIVE CAUTION	87560-GFY6-E00	3					
72	SEAT ASSY.	77200-LFB6-E00	1		T02			
73	EMB B BODY COVER	86212-LFB6-900	0		T01			
74	COVER ASSY., FR.	6430A-LFB6-800	1					
75	STRIPE FR FENDER	86408-KKC8-B20	2					
DATE OF STARTING-SALES								
DATE OF END-SALES								





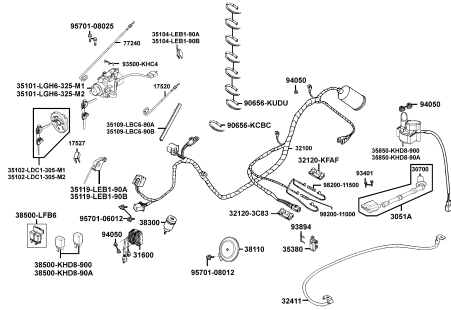




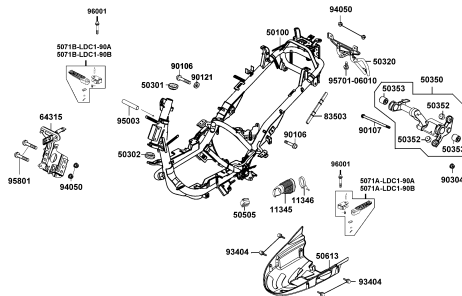


# CONTENTS - FRAME GROUP

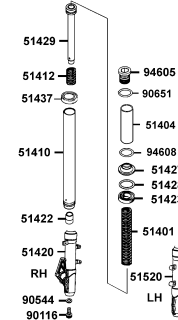
## F19 Wire Harness



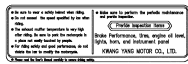
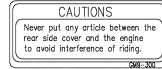
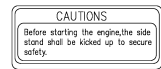
## F20 Frame Body



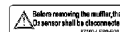
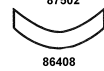
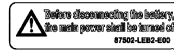
## F21 Separated Parts Of Fr Fork



## F22 Caution Label



## F23 Emblem Stripe



## F24 KEY

35111-LDC1-305-M1



35111-LDC1-307-M1



35111-LDC1-306-M2



35111-LDC1-305-M2



35111-LDC1-307-M2

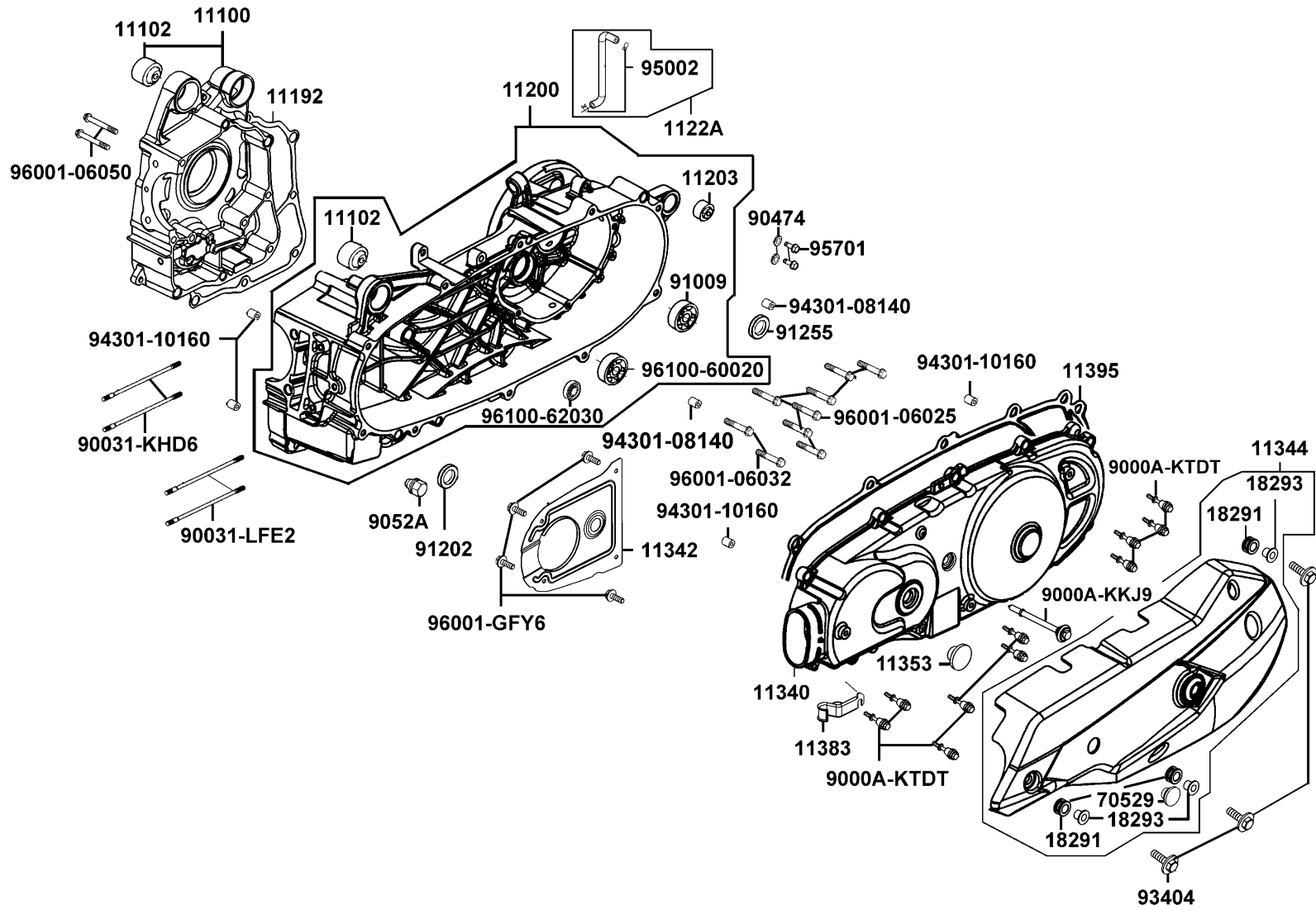


35111-LDC1-306-M1



E01

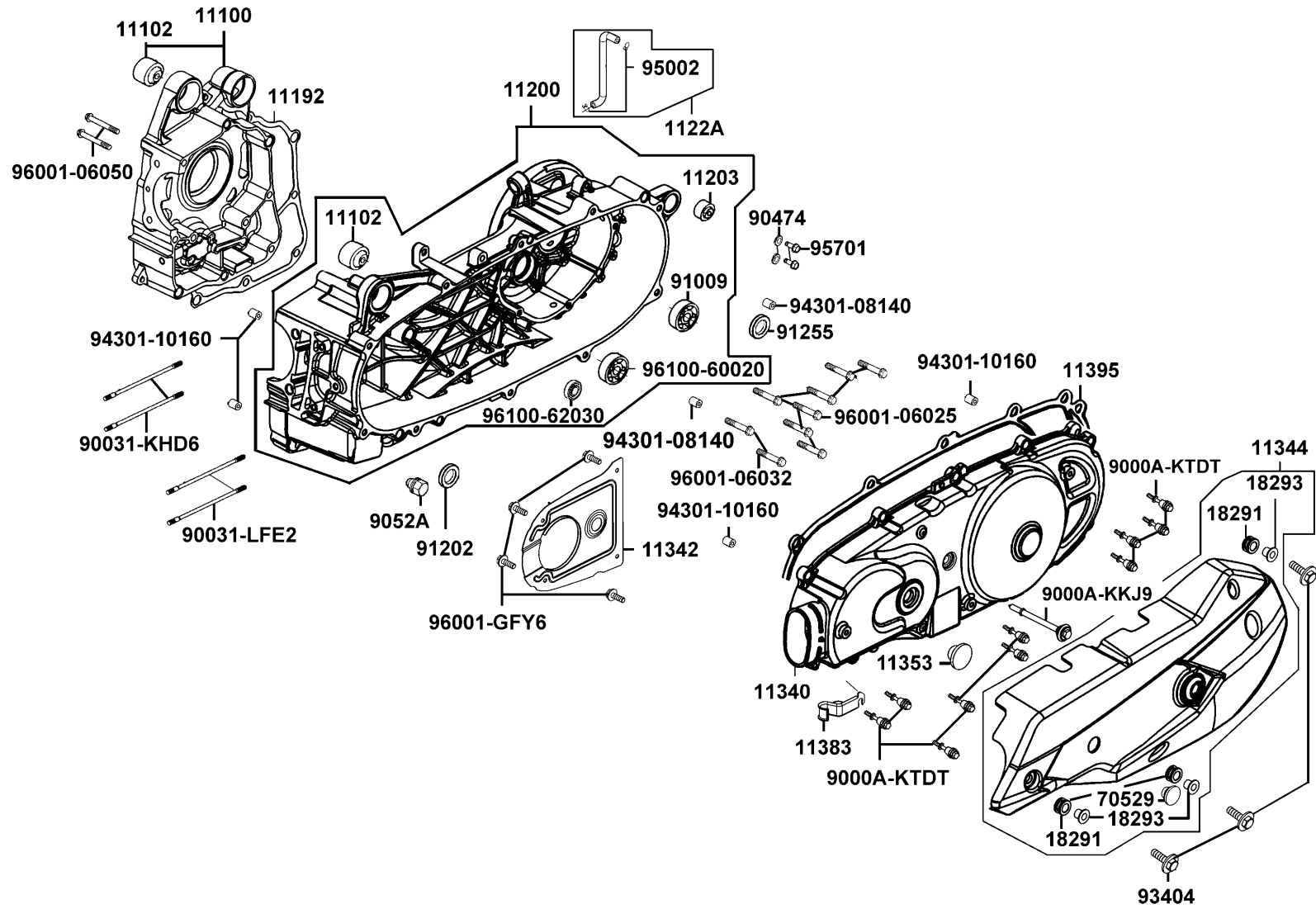
Crank Case



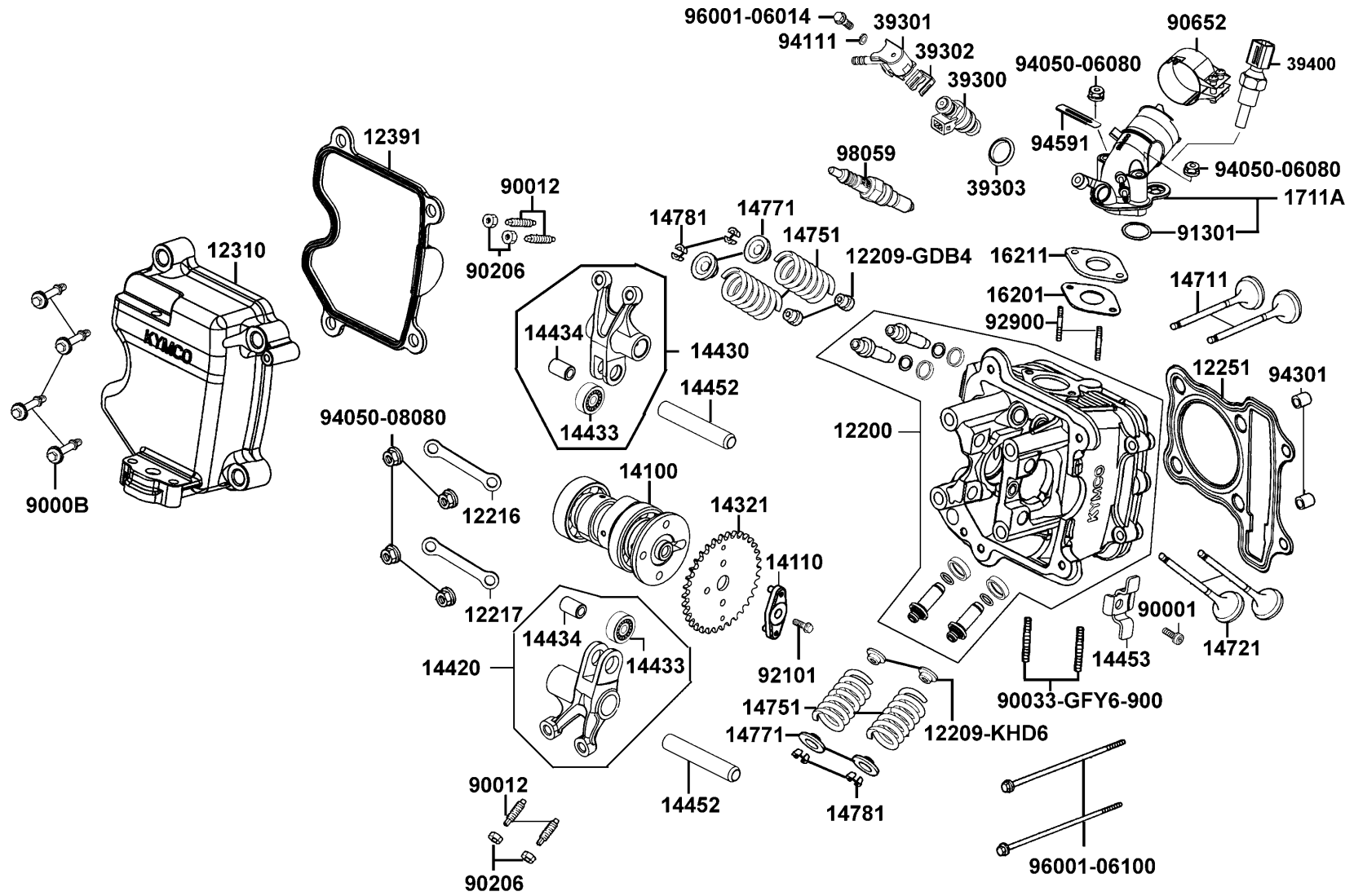
Sales mark	Ref no	Part no	Description	Reg description	Regd no	E01
	11100	11100-LEB1-306	CRANK CASE SET R	CRANK CASE SET R	1	
	11102	11102-1G87-004	RUB BUSH ENG HANGER	RUB BUSH ENG HANGER	2	
	11192	11192-LEB1-900	GASKET CRANK CASE A	GASKET CRANK CASE A	1	
	11200	11200-LFB5-306	CRANKCASE SET L	CRANKCASE SET L	1	
	11203	11203-GGC7-301	UNDER RUBBER BUSH REAR CUSHION	UNDER RUBBER BUSH REAR CUSHION	1	
	1122A	1122A-LFB5-900	TUBE ASSY BREATHER	TUBE ASSY BREATHER	1	
	11340	11340-LFB5-910	COVER COMP L SIDE	COVER COMP L SIDE	1	
	11342	11342-LFB5-900	PLATE L COVER	PLATE L COVER	1	
**	11344	11344-LGH6-900	COVER COMP.,L COVER	COVER COMP.,L COVER	0	
	11353	11353-LEA6-900	RUBBER PLUG L COVER KICK	RUBBER PLUG L COVER KICK	1	
	11383	11383-LFB5-900	CLAMPER DRAIN TUBE	CLAMPER DRAIN TUBE	1	
	11395	11395-LFB5-900	GASKET L COVER	GASKET L COVER	1	
	18291	18291-KKC4-900	COLLAR	COLLAR	3	
	18293	18293-KKC4-900	RUBBER	RUBBER	3	
	70529	70529-6G57-671	GROM B SIDE PNL	GROM B SIDE PNL	1	
	9000A-KKJ9	9000A-KKJ9-001	BOLT SPECIAL COMP	BOLT SPECIAL COMP	1	
	9000A-KTDT	9000A-KTDT-900	BOLT ASSY SPECIAL 6*29.5	BOLT ASSY SPECIAL 6*29.5	10	
	90031-KHD6	90031-KHD6-900	BOLT A STUD 8*218	BOLT A STUD 8*218	2	
	90031-LFE2	90031-LFE2-900	BOLT B STUD 8*225	BOLT B STUD 8*225	2	
	90474	90474-3C33-001	WASHER 8MM	WASHER 8MM	2	

E01

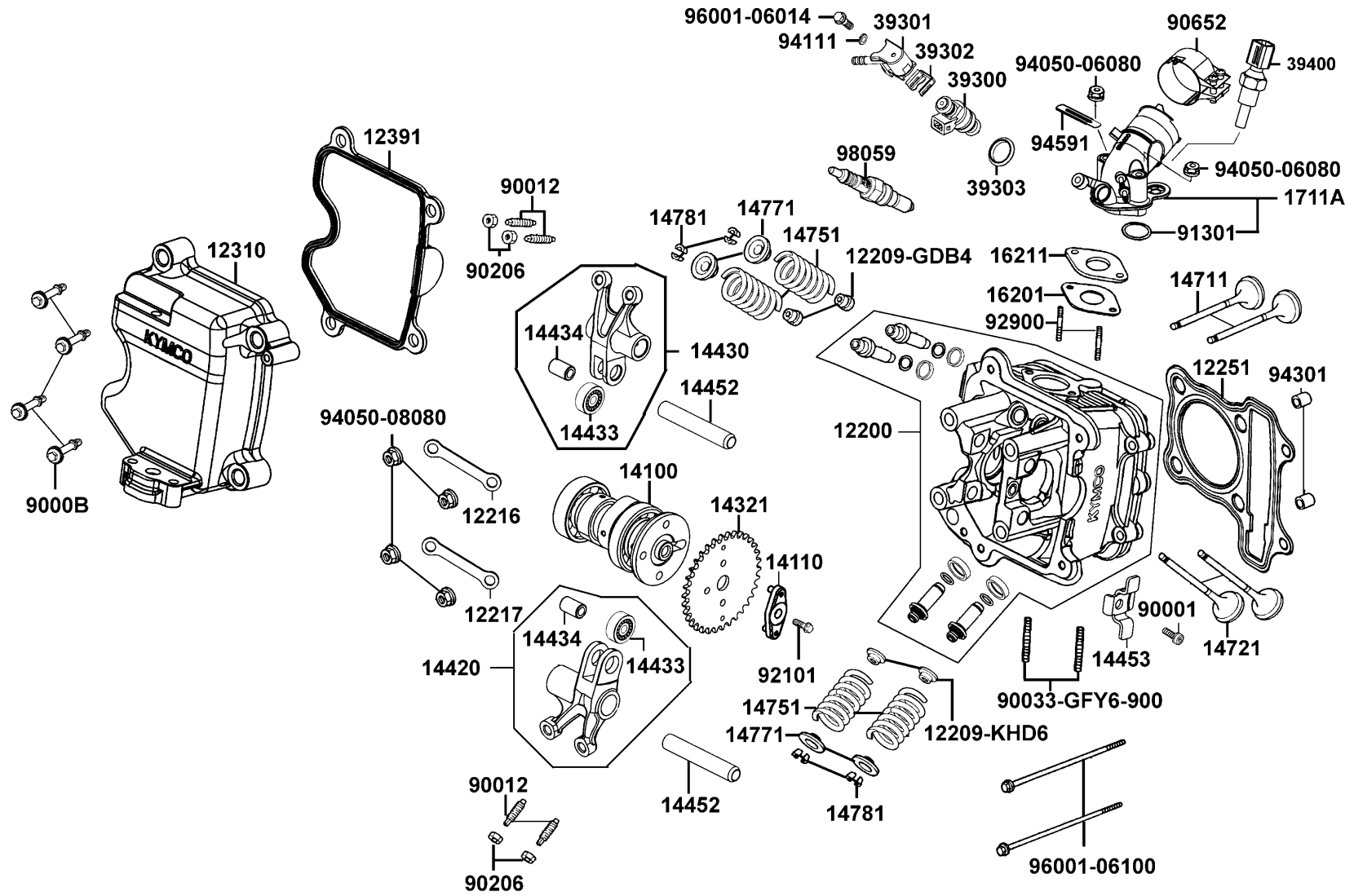
Crank Case



Sales mark	Ref no	Part no	Description	Reg description	Regd no	E01
9052A		9052A-LEB1-900	BOLT ASSY DRAIN PLUG	BOLT ASSY DRAIN PLUG	1	
91009		91009-GLE0-004	BRG BALL RADIAL 6004 UU	BRG BALL RADIAL 6004 UU	1	
91202		91202-LEB1-900	OIL SEAL 25*35*5	OIL SEAL 25*35*5	1	
91255		91255-GLE0-006	OIL SEAL 27*42*7	OIL SEAL 27*42*7	1	
93404		93404-06025-06	BOLT WASHER 6*25	BOLT WASHER 6*25	0	
94301-08140		94301-08140	DOWEL PIN 8*14	DOWEL PIN 8*14	2	
94301-10160		94301-10160	DOWEL PIN 10*16	DOWEL PIN 10*16	4	
95002		95002-50000	CLIP C9 TUBE	CLIP C9 TUBE	0	
95701		95701-08012-08	BOLT FLANGE 8*12	BOLT FLANGE 8*12	2	
96001-06025		96001-06025-08	BOLT FLANGE SH 6*25	BOLT FLANGE SH 6*25	8	
96001-06032		96001-06032-08	BOLT FLANGE SH 6*32	BOLT FLANGE SH 6*32	2	
96001-06050		96001-06050-08	BOLT FLANGE 6*50	BOLT FLANGE 6*50	2	
96001-GFY6		96001-GFY6-900	BOLT SPECIAL 5*10	BOLT SPECIAL 5*10	4	
96100-60020		96100-60020-00	BRG BALL RADIAL 6002	BRG BALL RADIAL 6002	0	
96100-62030		96100-62030-00	BRG BALL RADIAL 6203	BRG BALL RADIAL 6203	1	



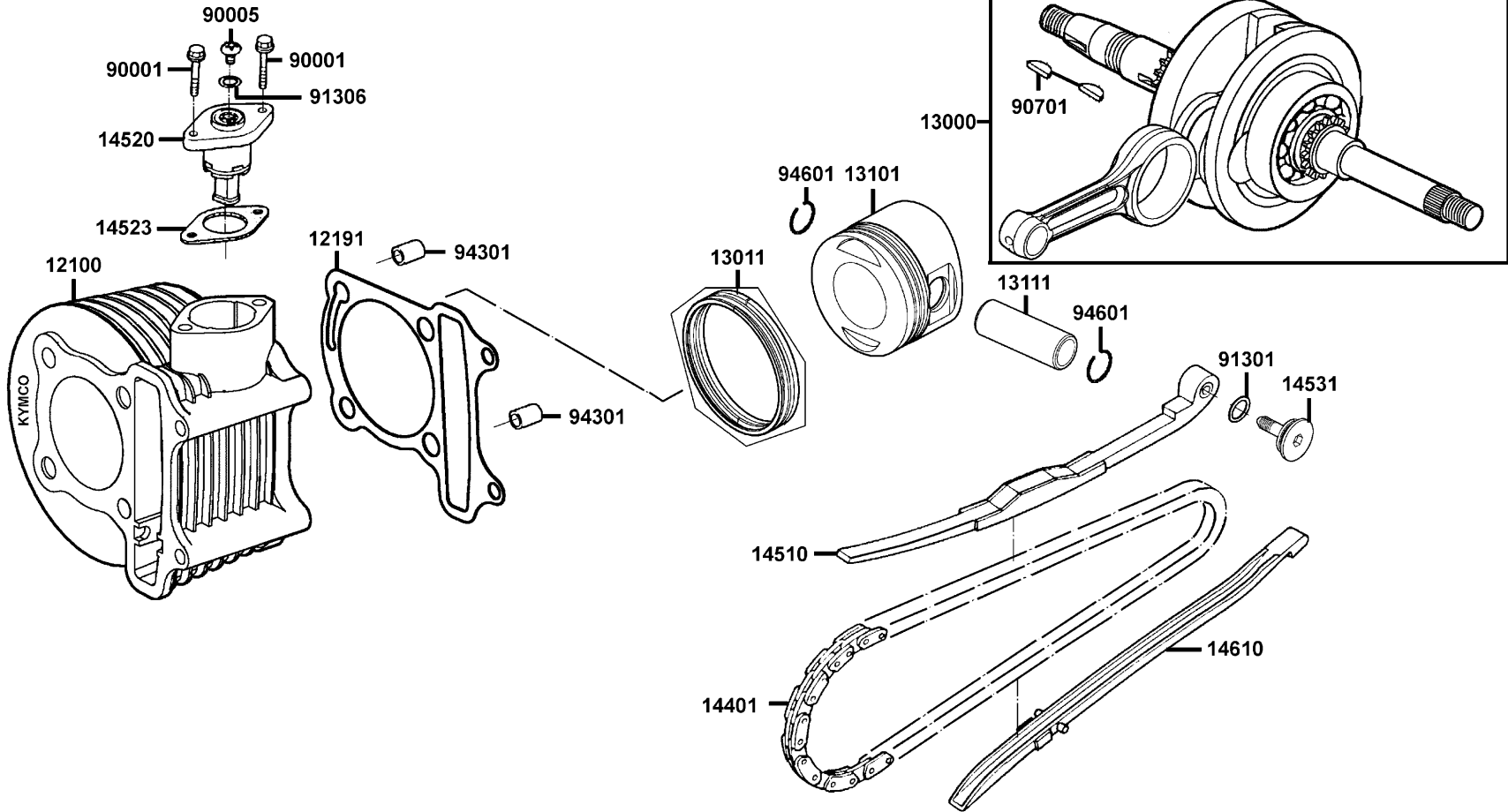
Sales mark	Ref no	Part no	Description	Reg description	Regd no	E02
	12200	12200-LFE2-E00	HEAD COMP CYLN	HEAD COMP CYLN	1	
	12209-GDB4	12209-GDB4-68A	SEAL VALVE STEM	SEAL VALVE STEM	2	
	12209-KHD6	12209-KHD6-900	SEAL VALVE STEM	SEAL VALVE STEM	2	
	12216	12216-LEB1-900	FORK A HOLDER	FORK A HOLDER	1	
	12217	12217-LEB1-900	FORK B HOLDER	FORK B HOLDER	1	
	12251	12251-LFE2-900	GASKET CYLINDER HEAD	GASKET CYLINDER HEAD	1	
	12310	12310-LFB5-900	COVER COMP HEAD	COVER COMP HEAD	1	
	12391	12391-LFE2-900	GASKET HEAD COVER	GASKET HEAD COVER	1	
	14100	14100-LFE2-900	SHAFT COMP CAM	SHAFT COMP CAM	1	
	14110	14110-LEB1-900	FIXTURE CAMSHAFT	FIXTURE CAMSHAFT	1	
	14321	14321-LEB1-900	SPROCKET CAM	SPROCKET CAM	1	
	14420	14420-LFE2-900	ARM COMP EXH VALVE ROCKER	ARM COMP EXH VALVE ROCKER	1	
	14430	14430-LFE2-900	ARM COMP IN VALVE ROCKER	ARM COMP IN VALVE ROCKER	1	
	14433	14433-LEB1-900	ROLLER ASSY ROCKER ARM	ROLLER ASSY ROCKER ARM	2	
	14434	14434-LEB1-900	PIN ROCKER ARM	PIN ROCKER ARM	2	
	14452	14452-LEB1-900	SHAFT EXH ROCKER ARM	SHAFT EXH ROCKER ARM	2	
	14453	14453-LEB1-910	SET PLATE ROCKER ARM SHAFT	SET PLATE ROCKER ARM SHAFT	1	
	14711	14711-LFE2-900	VALVE INLET	VALVE INLET	2	
	14721	14721-LGL9-900	VALVE EXHAUST	VALVE EXHAUST	2	
	14751	14751-KHD6-900	SPG VALVE OUTER	SPG VALVE OUTER	4	



Sales mark	Ref no	Part no	Description	Reg description	Regd no	E02
	14771	14771-KHD6-900	RETAINER VALVE SRINPG	RETAINER VALVE SRINPG	4	
	14781	14781-MFA6-001	COTTER VALVE	COTTER VALVE	8	
	16201	16201-LFE2-900	GASKET CARB INSULATOR A	GASKET CARB INSULATOR A	1	
	16211	16211-LFE2-900	INSULATOR CARB	INSULATOR CARB	1	
	1711A	1711A-LFB6-810	PIPE ASS'Y,INLET	PIPE ASS'Y,INLET	1	
	39300	39300-LEB2-800	FUEL INJECTOR	FUEL INJECTOR	1	
	39301	39301-LGL9-900	HOLDER ASS'Y,FUEL	HOLDER ASS'Y,FUEL	1	
	39302	39302-KKE3-900	CLIP SPRING FUEL INJECTOR	CLIP SPRING FUEL INJECTOR	1	
	39303	39303-LEB2-900	SEAL HIGH TENSION FUEL INJECT	SEAL HIGH TENSION FUEL INJECT	1	
	39400	39400-KKE3-800	SENSOR HEAD TEMPERATURE	SENSOR HEAD TEMPERATURE	1	
	90001	90001-GFY6-901	SOCKET BOLT 6*10	SOCKET BOLT 6*10	1	
	9000B	9000B-KHD6-900	BOLT ASSY SPECIAL 6*41.5	BOLT ASSY SPECIAL 6*41.5	4	
	90012	90012-3C33-001	SCREW TAPPET ADJUSTING	SCREW TAPPET ADJUSTING	4	
	90033-GFY6-900	90033-GFY6-900	BOLT STUD 8*32	BOLT STUD 8*32	2	
	90206	90206-0A01-001	NUT TAPPET ADJG	NUT TAPPET ADJG	4	
	90652	90652-LGJ9-900	BAND 48, INLET-PIPE	BAND 48, INLET-PIPE	1	
	91301	91301-LEB1-900	O-RING 30*2	O-RING 30*2	1	
	92101	92101-06014-0H	BOLT HEX 6*14	BOLT HEX 6*14	1	
	92900	92900-06060-0B	BOLT STUD 6*60	BOLT STUD 6*60	2	
	94050-06080	94050-06080	NUT FLANGE 6MM	NUT FLANGE 6MM	2	



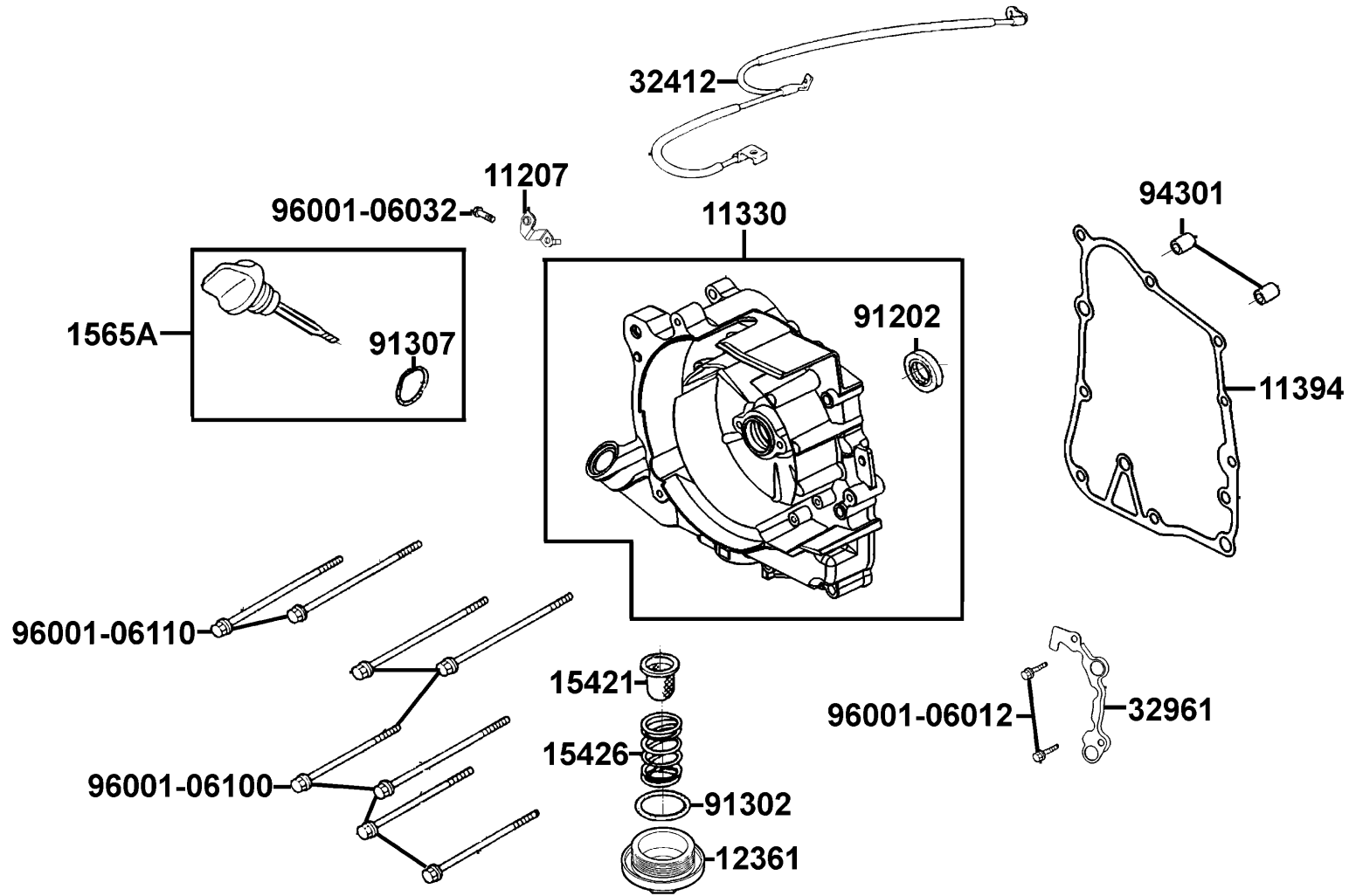
Sales mark	Ref no	Part no	Description	Reg description	Regd no	E02
	94050-08080	94050-08080	NUT FLANGE 8MM	NUT FLANGE 8MM	4	
	94111	94111-06800	WASHER SPG 6MM	WASHER SPG 6MM	1	
	94301	94301-10160	DOWEL PIN 10*16	DOWEL PIN 10*16	2	
	94591	94591-KFBB-900	CLIP 2*70	CLIP 2*70	1	
	96001-06014	96001-06014-08	BOLT FLANGE 6*14	BOLT FLANGE 6*14	1	
	96001-06100	96001-06100-08	BOLT FLANGE SH 6*100	BOLT FLANGE SH 6*100	2	
	98059	98059-58916-00	PLUG SPARK(CR8E)	PLUG SPARK(CR8E)	1	



Sales mark	Ref no	Part no	Description	Reg description	Regd no	E03
12100		12100-LFE2-900	CYLINDER COMP	CYLINDER COMP	1	
12191		12191-LFE2-900	GASKET CYLINDER A	GASKET CYLINDER A	1	
13000		13000-LFB5-900	CRANK SHAFT COMP	CRANK SHAFT COMP	1	
13011		13011-LFE2-90B	RING ASSY PISTON	RING ASSY PISTON	1	
13101		13101-LFE2-900	PISTON	PISTON	1	
13111		13111-KKJ9-001	PIN PISTON	PIN PISTON	1	
14401		14401-LFE2-900	CHAIN CAM	CHAIN CAM	1	
14510		14510-LEB1-900	TENSIONER CAM CHAIN	TENSIONER CAM CHAIN	1	
14523		14523-KED9-900	GASKET TENSIONER LIFTER @A	GASKET TENSIONER LIFTER @A	1	
14531		14531-GLR0-001	PIVOT CAM CHAIN TENSIONER	PIVOT CAM CHAIN TENSIONER	1	
14610		14610-LEB1-900	GUIDE COMP CAM CHAIN	GUIDE COMP CAM CHAIN	1	
90001		90001-GBHB-661	BOLT FLANGE SH 6*22	BOLT FLANGE SH 6*22	2	
90005		90005-KAW1-901	SCREW PAN 6*6	SCREW PAN 6*6	1	
90701		90701-HFB6-011	KEY WOODRUFF 25*14*4	KEY WOODRUFF 25*14*4	1	
91301		91301-GLR0-005	O RING 15.2*1.5	O RING 15.2*1.5	1	
91306		91306-1E05-691	O-RING 1.5*9.5	O-RING 1.5*9.5	1	
94301		94301-10160	DOWEL PIN 10*16	DOWEL PIN 10*16	2	
94601		94601-15000	CLIP PISTON PIN 15MM	CLIP PISTON PIN 15MM	2	

E04

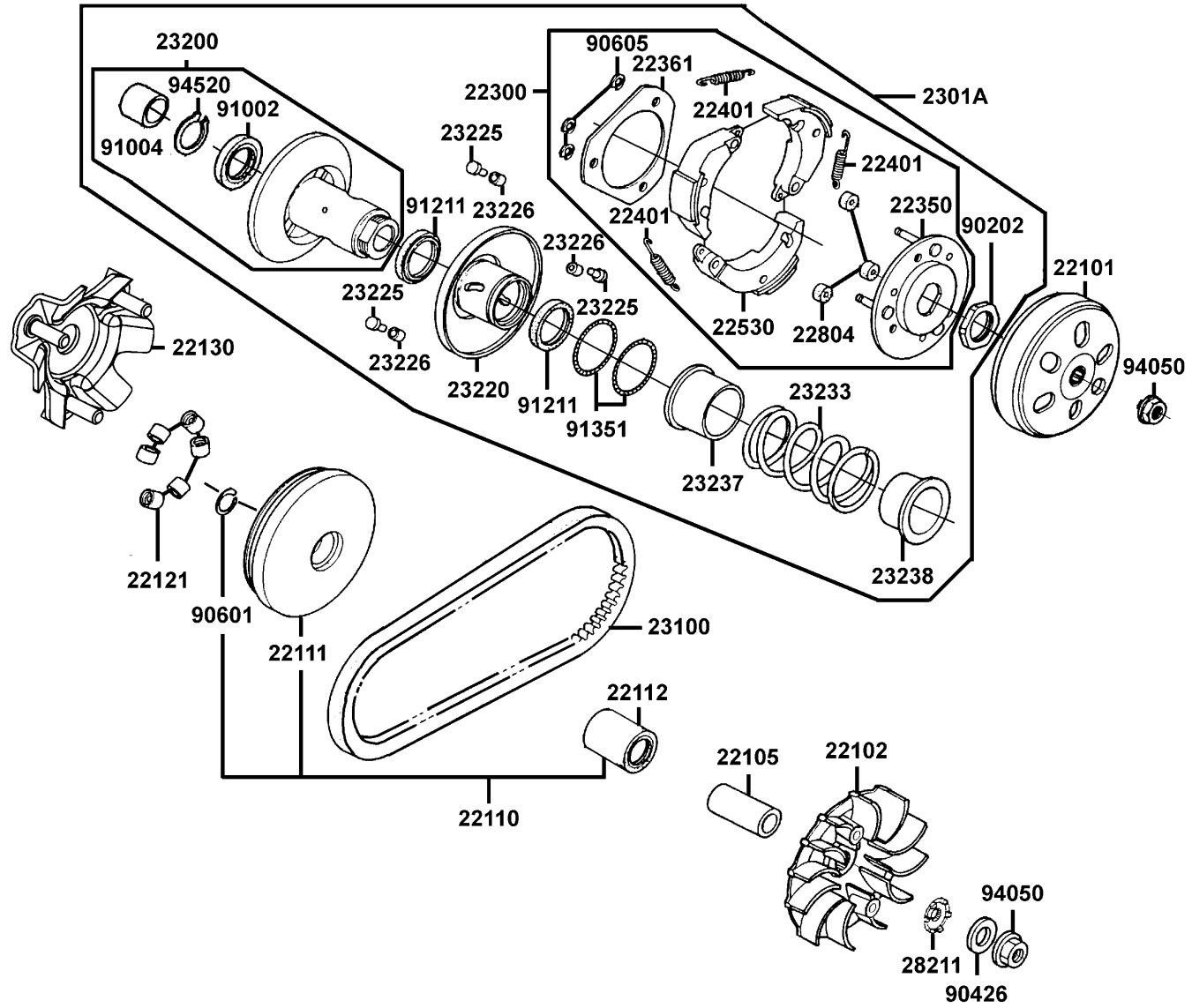
Right Crankcase Cover



Sales mark	Ref no	Part no	Description	Reg description	Regd no	E04
	11207	11207-LFB5-900	STAY B RR FENDER	STAY B RR FENDER	1	
	11330	11330-LEB1-900	COVER R CRANK CASE	COVER R CRANK CASE	1	
	11394	11394-LEB1-900	GASKET R COVER	GASKET R COVER	1	
	12361	12361-GFY6-901	HOLE CAP TAPPET ADJUSTING	HOLE CAP TAPPET ADJUSTING	1	
	15421	15421-1G07-001	SCREEN OIL FILTER	SCREEN OIL FILTER	1	
	15426	15426-GAE1-921	SPG OIL FILTER SCREEN	SPG OIL FILTER SCREEN	1	
	1565A	1565A-KUDU-900	GAUGE OIL LEVEL ASSY	GAUGE OIL LEVEL ASSY	1	
	32412	32412-LEB1-900	CABLE EARTH	CABLE EARTH	1	
	32961	32961-LEB1-900	CLAMPER ACG CORD	CLAMPER ACG CORD	1	
	91202	91202-GFY6-90B	OIL SEAL 19.8*30*5	OIL SEAL 19.8*30*5	1	
	91302	91302-0A01-021	O-RING 30.8M/M	O-RING 30.8M/M	1	
	91307	91307-0E35-001	O RING 18*3	O RING 18*3	1	
	94301	94301-10160	DOWEL PIN 10*16	DOWEL PIN 10*16	2	
	96001-06012	96001-06012-08	BOLT FLANGE 6*12	BOLT FLANGE 6*12	2	
	96001-06032	96001-06032-08	BOLT FLANGE SH 6*32	BOLT FLANGE SH 6*32	1	
	96001-06100	96001-06100-08	BOLT FLANGE SH 6*100	BOLT FLANGE SH 6*100	6	
	96001-06110	96001-06110-08	BOLT FLANGE SH 6*110	BOLT FLANGE SH 6*110	2	

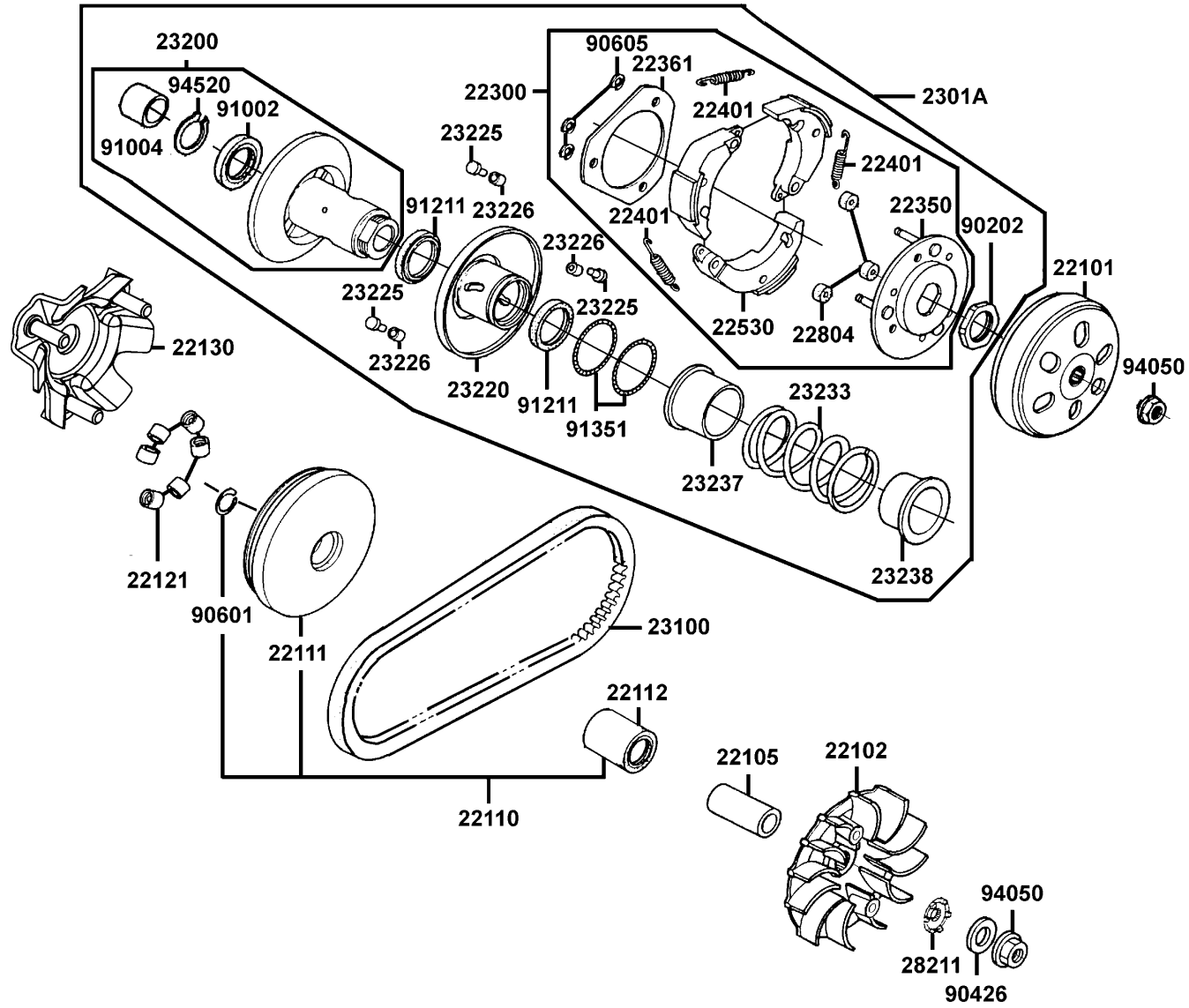
E05

# Pulley

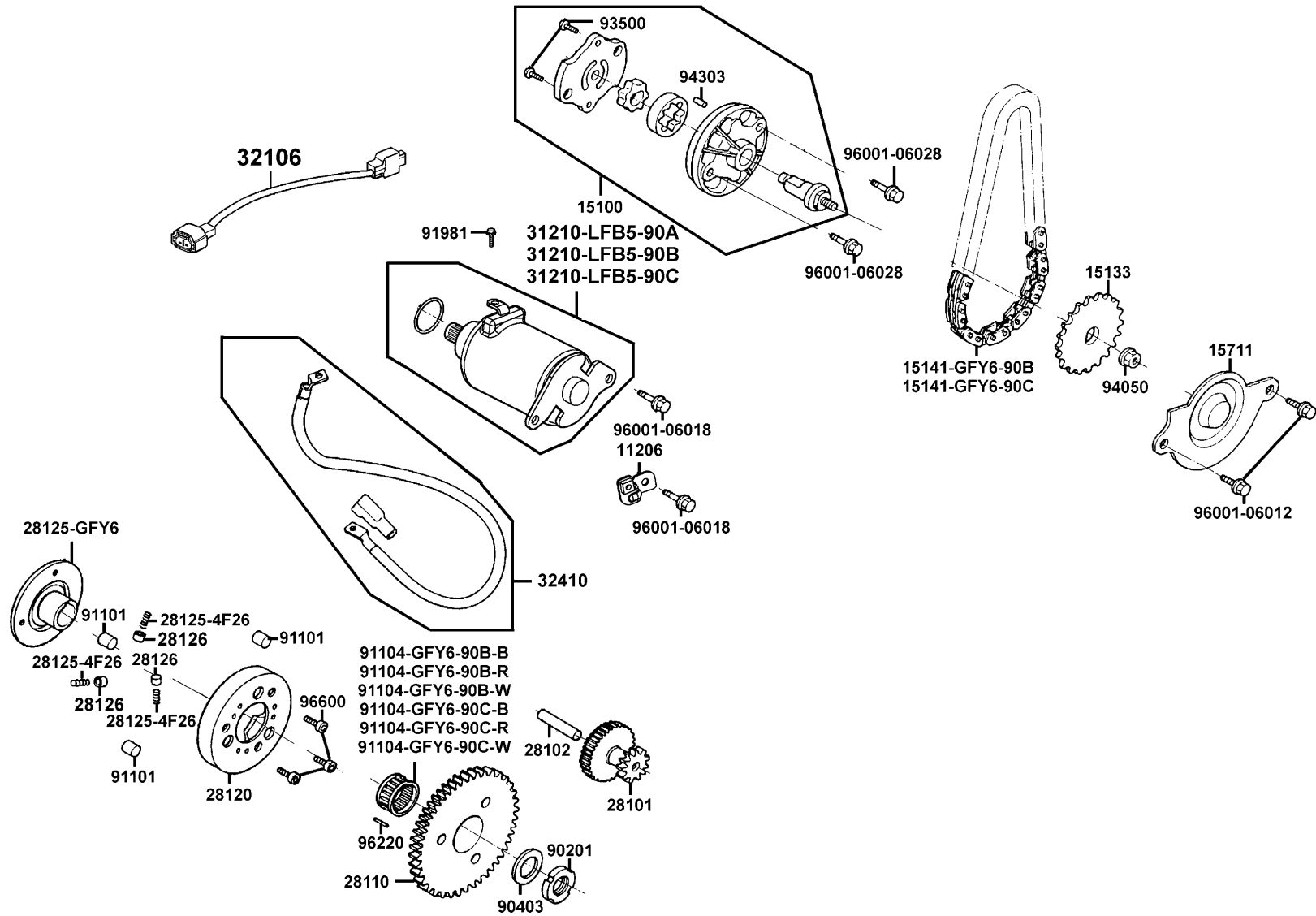


Sales mark	Ref no	Part no	Description	Reg description	Regd no	E05
	22101	22101-KEBE-900	OUTER CLUTCH	OUTER CLUTCH	1	
	22102	22102-LEB1-900	FACE DRIVE	FACE DRIVE	1	
	22105	22105-LFE2-900	BOSS DRIVE FACE	BOSS DRIVE FACE	1	
	22110	22110-LEB1-800	FACE COMP MOVABLE DRIVE	FACE COMP MOVABLE DRIVE	1	
	22111	22111-LEB1-800	FACE MOVABLE DRIVE	FACE MOVABLE DRIVE	1	
	22112	22112-GFY6-90A	BUSH 24*28*30	BUSH 24*28*30	1	
	22121	22121-GFY6-92A	ROLLER COMP WEIGHT 13gr	ROLLER COMP WEIGHT 13gr	6	
	22130	22130-LEB1-800	PLATE RAMP	PLATE RAMP	1	
	22300	22300-LFB6-910	PLATE ASSY DRIVE	PLATE ASSY DRIVE	1	
	22350	22350-KGN7-671	PLATE COMP DRIVE	PLATE COMP DRIVE	1	
	22361	22361-KGN7-671	PLATE CLUTCH SIDE	PLATE CLUTCH SIDE	1	
	22401	22401-GFY6-94A	SPRING CLUTCH	SPRING CLUTCH	3	
	22530	22530-LFB6-910	WEIGHT CLUTCH	WEIGHT CLUTCH	1	
	22804	22804-GBB2-001	RUBBER CLUTCH DUMPER	RUBBER CLUTCH DUMPER	1	
	2301A	2301A-LFB6-910	PULLEY SUB ASSY	PULLEY SUB ASSY	1	
	23100	23100-LFB6-900	BELT DRIVE	BELT DRIVE	1	
	23200	23200-LFE2-900	FACE ASSY DRIVEN(2007.04.04-)	FACE ASSY DRIVEN(2007.04.04-)	1	
	23220	23220-GFY6-921	FACE COMP MOVABLE DRIVEN	FACE COMP MOVABLE DRIVEN	1	
	23225	23225-GHC8-004	PIN ROLLER GUIDE	PIN ROLLER GUIDE	3	
	23226	23226-GHC8-004	ROLLER GUIDE	ROLLER GUIDE	3	

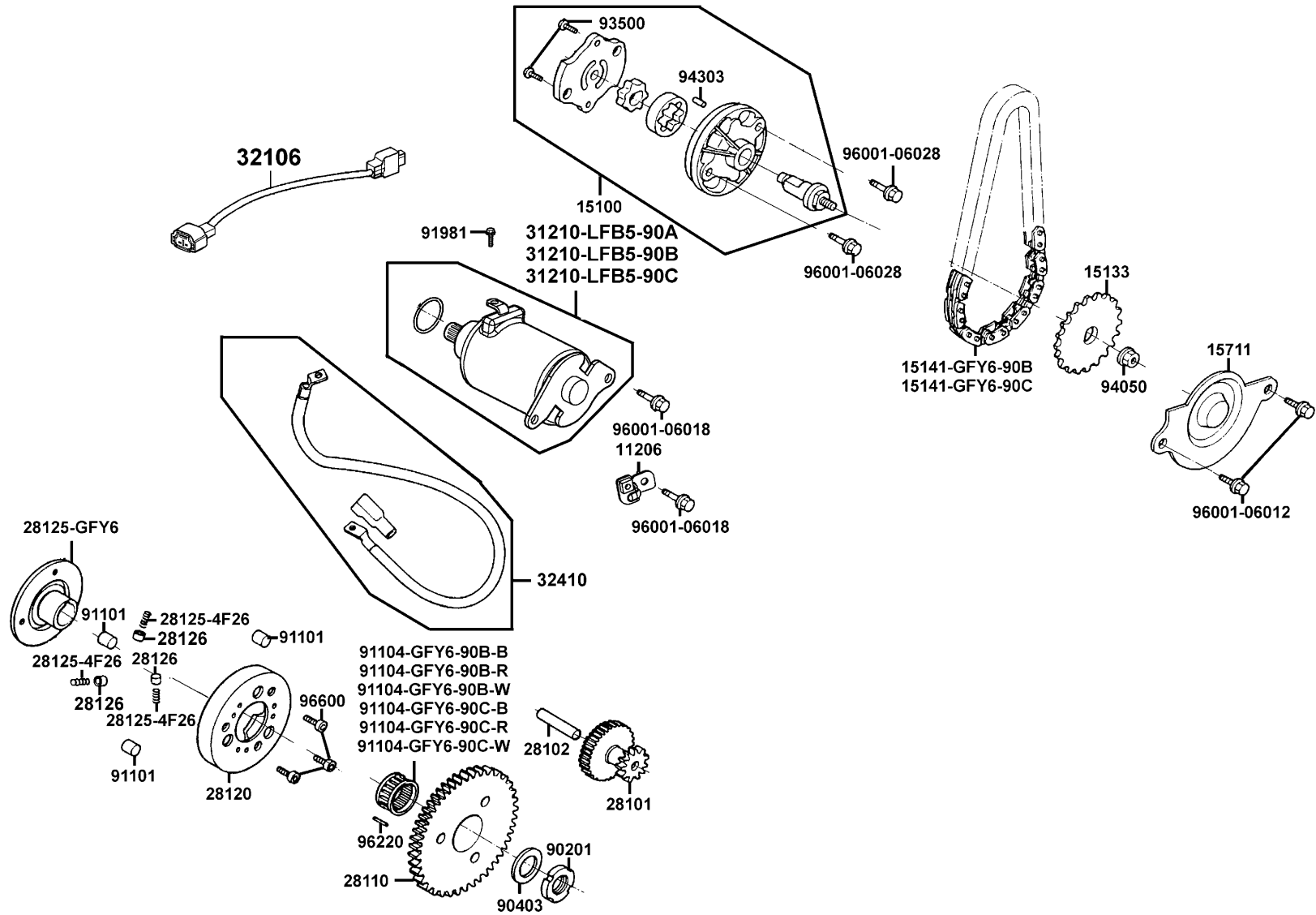
Pulley



Sales mark	Ref no	Part no	Description	Reg description	Regd no	E05
	23233	23233-LFB6-910	SPG DRIVEN FACE	SPG DRIVEN FACE	1	
	23237	23237-GFY6-941	COLLAR SEAL	COLLAR SEAL	1	
	23238	23238-LEB1-910	COLLAR,SPRING	COLLAR,SPRING	1	
	28211	28211-KFC8-900	RATCHET KICK STARTER	RATCHET KICK STARTER	1	
	90202	90202-1G87-001	NUT SPECIAL 28MM	NUT SPECIAL 28MM	1	
	90426	90426-KNBN-901	WASHER SPECIAL 12MM	WASHER SPECIAL 12MM	1	
	90601	90601-GFY6-901	CLIP 28MM	CLIP 28MM	1	
	90605	90605-1F66-721	CIR CLIP 7MM	CIR CLIP 7MM	3	
	91002	91002-GGA7-70A	BRG BALL RADIAL 6902U	BRG BALL RADIAL 6902U	1	
	91004	91004-KHE7-900	BRG NDL 22*29*18	BRG NDL 22*29*18	1	
	91211	91211-KEBE-900	SEAL DRIVEN FACE 34*41*4	SEAL DRIVEN FACE 34*41*4	2	
	91351	91351-6B42-000	O-RING PINION CAP	O-RING PINION CAP	1	
	94050	94050-12080	NUT C FLANGE 12MM	NUT C FLANGE 12MM	2	
	94520	94520-28000	CIR CLIP IN 28	CIR CLIP IN 28	1	



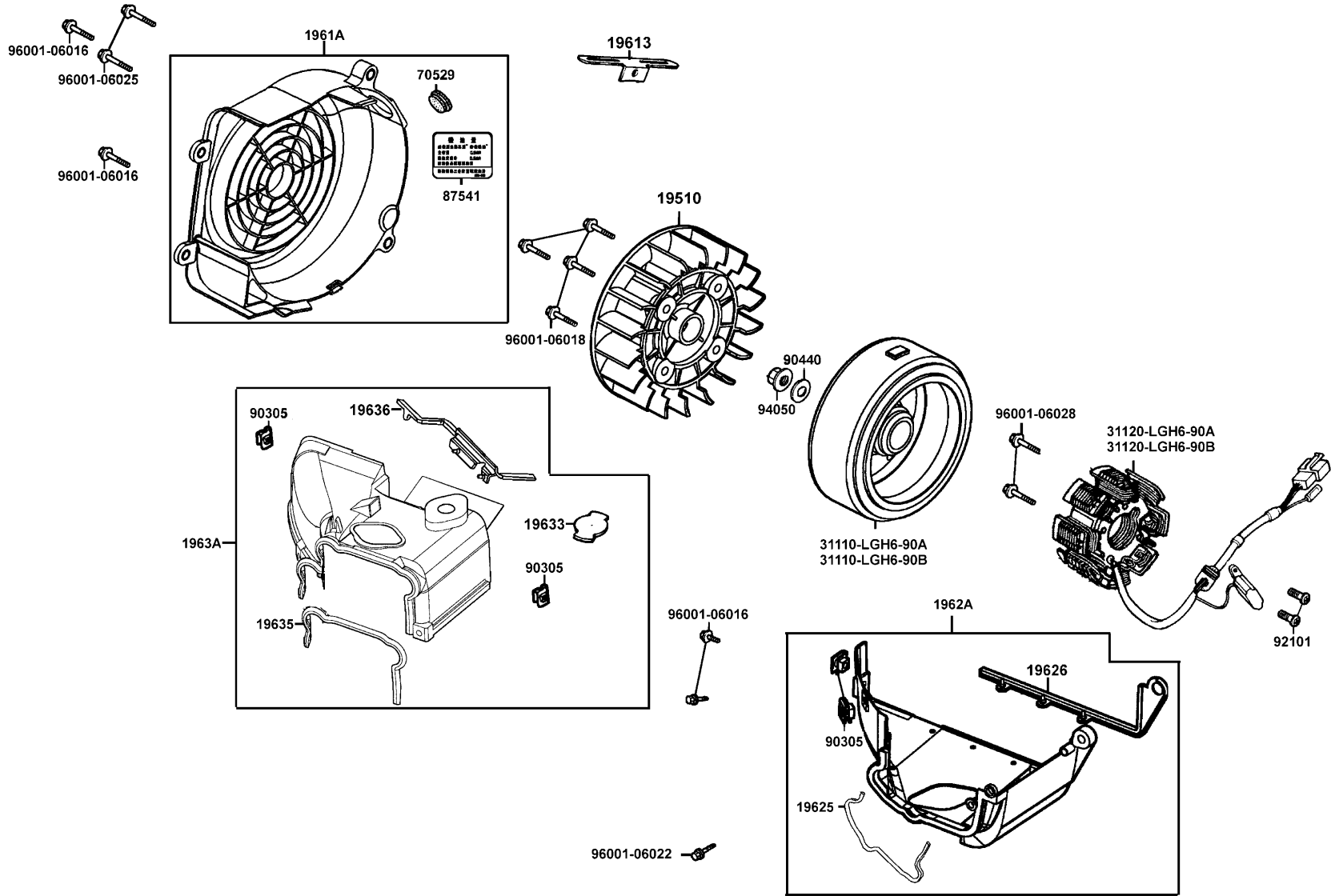
Sales mark	Ref no	Part no	Description	Reg description	Regd no	E06
11206		11206-LFB5-900	STAY A RR FENDER	STAY A RR FENDER	1	
15100		15100-KFB7-900	PUMP ASSY OIL	PUMP ASSY OIL	1	
15133		15133-GFY6-901	SPRKT OIL PUMP DRIVEN	SPRKT OIL PUMP DRIVEN	1	
15141-GFY6-90B		15141-GFY6-90B	CHAIN OIL PUMP	CHAIN OIL PUMP	1	
15141-GFY6-90C		15141-GFY6-90C	CHAIN OIL PUMP	CHAIN OIL PUMP	1	
15711		15711-GFY6-901	SEPARATER OIL	SEPARATER OIL	1	
28101		28101-GFY6-200	GEAR STARTER REDUCTION	GEAR STARTER REDUCTION	1	
28102		28102-GFY6-901	SHAFT STARTER REDUCTION GEAR	SHAFT STARTER REDUCTION GEAR	1	
28110		28110-LEB1-900	GEAR COMP STARTING CLUTCH	GEAR COMP STARTING CLUTCH	1	
28120		28120-GFY6-315	OUTER COMP STARTING CLUTCH	OUTER COMP STARTING CLUTCH	1	
28125-4F26		28125-4F26-001	SPRING ROLLER STARTER CLUTCH	SPRING ROLLER STARTER CLUTCH	3	
28125-GFY6		28125-GFY6-960	FLANGE STARTING CLUTCH	FLANGE STARTING CLUTCH	1	
28126		28126-KUDU-900	CAP STARTING ROLLER SPRING	CAP STARTING ROLLER SPRING	3	
31210-LFB5-90A		31210-LFB5-90A	MOTOR UNIT START	MOTOR UNIT START	0	
31210-LFB5-90B		31210-LFB5-90B	MOTOR UNIT START	MOTOR UNIT START	1	
31210-LFB5-90C		31210-LFB5-90C	MOTOR UNIT START	MOTOR UNIT START	1	
32106		32106-KKE3-900	SUB HARNESS A	SUB HARNESS A	1	
32410		32410-LEB1-900	CABLE START MOTOR	CABLE START MOTOR	0	
90201		90201-GFY6-901	NUT LOCK 22MM	NUT LOCK 22MM	1	
90403		90403-GFY6-901	WASHER THRUST 22. 2*31*2.5	WASHER THRUST 22. 2*31*2.5	1	



Sales mark	Ref no	Part no	Description	Reg description	Regd no	E06
	91101	91101-1K79-711	ROLLER 10*10	ROLLER 10*10	3	
	91104-GFY6-90B-B	91104-GFY6-90B-B	BRG NEEDLE 28*32*17	BRG NEEDLE 28*32*17	1	
	91104-GFY6-90B-R	91104-GFY6-90B-R	BRG NEEDLE 28*32*17	BRG NEEDLE 28*32*17	1	
	91104-GFY6-90B-W	91104-GFY6-90B-W	BRG NEEDLE 28*32*17	BRG NEEDLE 28*32*17	1	
	91104-GFY6-90C-B	91104-GFY6-90C-B	BRG NEEDLE 28*32*17	BRG NEEDLE 28*32*17	0	
	91104-GFY6-90C-R	91104-GFY6-90C-R	BRG NEEDLE 28*32*17	BRG NEEDLE 28*32*17	1	
	91104-GFY6-90C-W	91104-GFY6-90C-W	BRG NEEDLE 28*32*17	BRG NEEDLE 28*32*17	1	
	91981	91981-KGN7-670	SCREW WASH 5X8	SCREW WASH 5X8	0	
	93500	93500-03010-1A	SCREW PAN 3*10	SCREW PAN 3*10	0	
	94050	94050-06080	NUT FLANGE 6MM	NUT FLANGE 6MM	1	
	94303	94303-04065	PIN DOWEL 4*6.5	PIN DOWEL 4*6.5	0	
	96001-06012	96001-06012-08	BOLT FLANGE 6*12	BOLT FLANGE 6*12	2	
	96001-06018	96001-06018-08	BOLT FLANGE SH 6*18	BOLT FLANGE SH 6*18	2	
	96001-06028	96001-06028-08	BOLT FLANGE SH 6*28	BOLT FLANGE SH 6*28	2	
	96220	96220-60100	ROLLER 6*10	ROLLER 6*10	1	
	96600	96600-08010-10	SOCKET BOLT 8*10	SOCKET BOLT 8*10	3	

E07

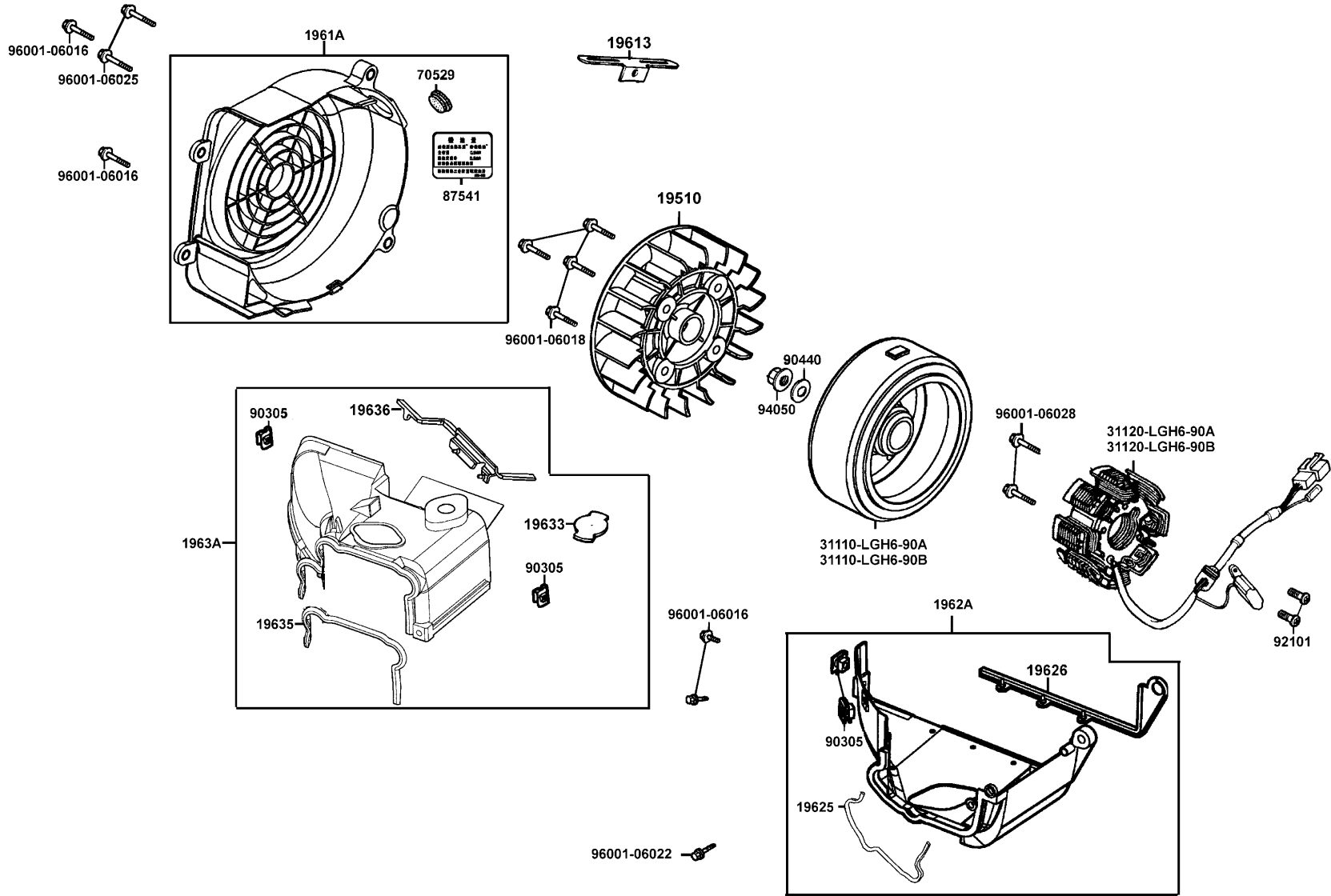
Generator Water Pump



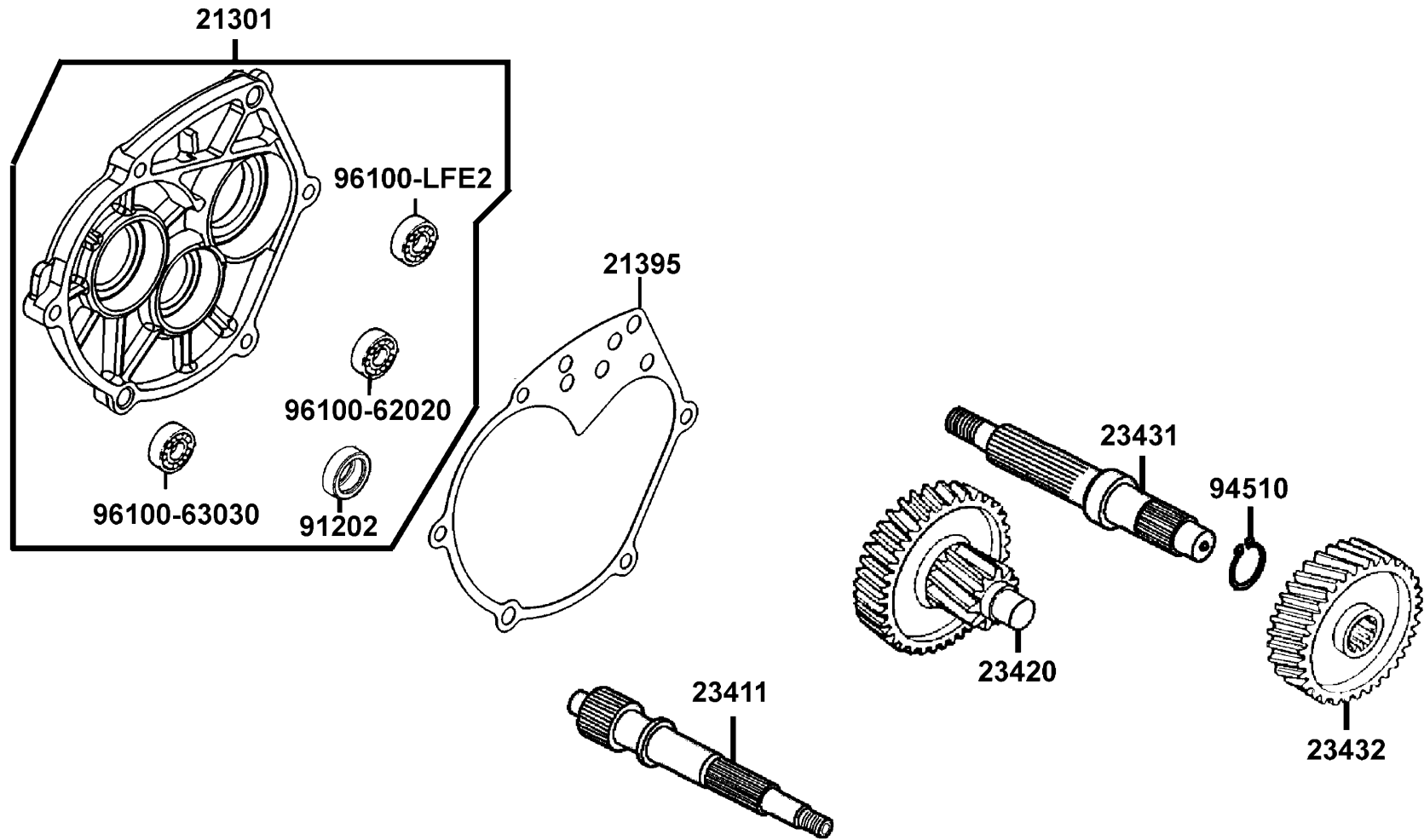
Sales mark	Ref no	Part no	Description	Reg description	Regd no	E07
**	19510	19510-LEB1-900	FAN COMP COOLING	FAN COMP COOLING	1	
	19613	19613-GFY6-901	CLAMPER STARTER MOTOR	CLAMPER STARTER MOTOR	1	
	1961A	1961A-LGH6-E00	COVER ASS'Y,FAN	COVER ASS'Y,FAN	1	
	19625	19625-LFE2-900	SEAL SHROUD A	SEAL SHROUD A	1	
	19626	19626-LEB1-900	SEAL SHROUD A	SEAL SHROUD A	1	
	1962A	1962A-LFE2-900	SHROUD ASSY A	SHROUD ASSY A	1	
	19633	19633-GFY6-901	GROMET SHROUD B	GROMET SHROUD B	1	
	19635	19635-LFE2-900	SEAL SHROUD B	SEAL SHROUD B	1	
	19636	19636-LEB1-900	SEAL SHROUD B	SEAL SHROUD B	1	
	1963A	1963A-LFB6-900	SHROUD ASS'Y,B	SHROUD ASS'Y,B	1	
	31110-LGH6-90A	31110-LGH6-90A	FLYWHEEL COMP.	FLYWHEEL COMP.	1	
	31110-LGH6-90B	31110-LGH6-90B	FLYWHEEL COMP	FLYWHEEL COMP	1	
	31120-LGH6-90A	31120-LGH6-90A	STATOR COMP.	STATOR COMP.	1	
	31120-LGH6-90B	31120-LGH6-90B	STATOR COMP	STATOR COMP	1	
	70529	70529-6G57-671	GROM B SIDE PNL	GROM B SIDE PNL	1	
	**	87541	87541-KUDU-E00	LABEL OIL CAP	1	
	90305	90305-GHK8-001	NUT CLIP 6MM	NUT CLIP 6MM	4	
	90440	90440-1F66-001	WASHER PLAIN 12MM	WASHER PLAIN 12MM	1	
	92101	92101-05012-0H	BOLT HEX 5*12	BOLT HEX 5*12	2	
	94050	94050-12080	NUT C FLANGE 12MM	NUT C FLANGE 12MM	1	

E07

# Generator Water Pump



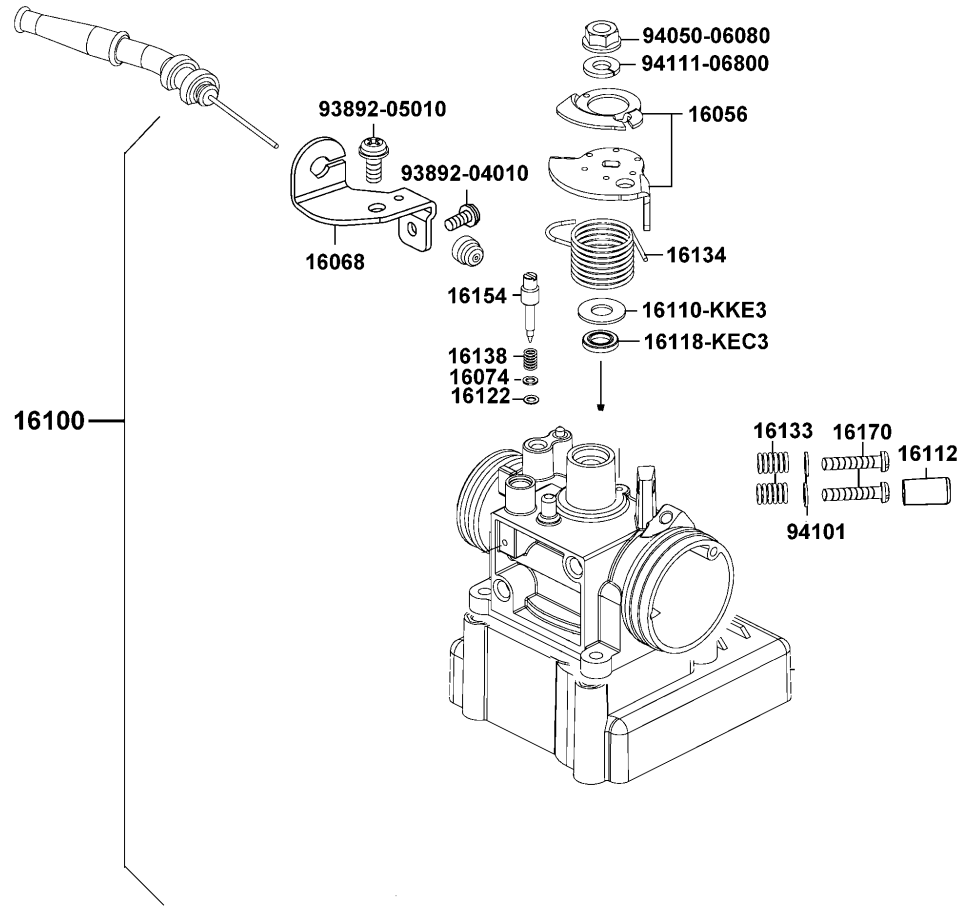
Sales mark	Ref no	Part no	Description	Reg description	Regd no	E07
	96001-06016	96001-06016-08	BOLT FLANGE SH 6*16	BOLT FLANGE SH 6*16	4	
	96001-06018	96001-06018-08	BOLT FLANGE SH 6*18	BOLT FLANGE SH 6*18	4	
	96001-06022	96001-06022-08	BOLT FLANGE SH 6*22	BOLT FLANGE SH 6*22	2	
	96001-06025	96001-06025-08	BOLT FLANGE SH 6*25	BOLT FLANGE SH 6*25	2	
	96001-06028	96001-06028-08	BOLT FLANGE SH 6*28	BOLT FLANGE SH 6*28	2	



Sales mark	Ref no	Part no	Description	Reg description	Regd no	E08
	21301	21301-LFB5-305	COVER MISSION(2007.04.04)	COVER MISSION(2007.04.04)	1	
	21395	21395-LFB5-900	GASKET MISSION CASE	GASKET MISSION CASE	1	
	23411	23411-LFB5-900	SHAFT DRIVE(2007.04.03)	SHAFT DRIVE(2007.04.03)	1	
	23420	23420-LGH5-900	SHAFT COMP COUNTER	SHAFT COMP COUNTER	1	
	23431	23431-LFB5-910	SHAFT FINAL	SHAFT FINAL	1	
	23432	23432-LGH5-910	GEAR FINAL	GEAR FINAL	1	
	91202	91202-LFE2-90A	OIL SEAL 22*32*5	OIL SEAL 22*32*5	1	
	94510	94510-25000	CIR CLIP EXTERNAL 25	CIR CLIP EXTERNAL 25	1	
	96100-62020	96100-62020-00	BEARING BALL RADIAL 6202	BEARING BALL RADIAL 6202	0	
	96100-63030	96100-63030-00	BEARING BALL RADIAL 6303	BEARING BALL RADIAL 6303	1	
	96100-LFE2	96100-LFE2-900	BRG BALL RADIAL TMB2/22CC4	BRG BALL RADIAL TMB2/22CC4	1	

E09

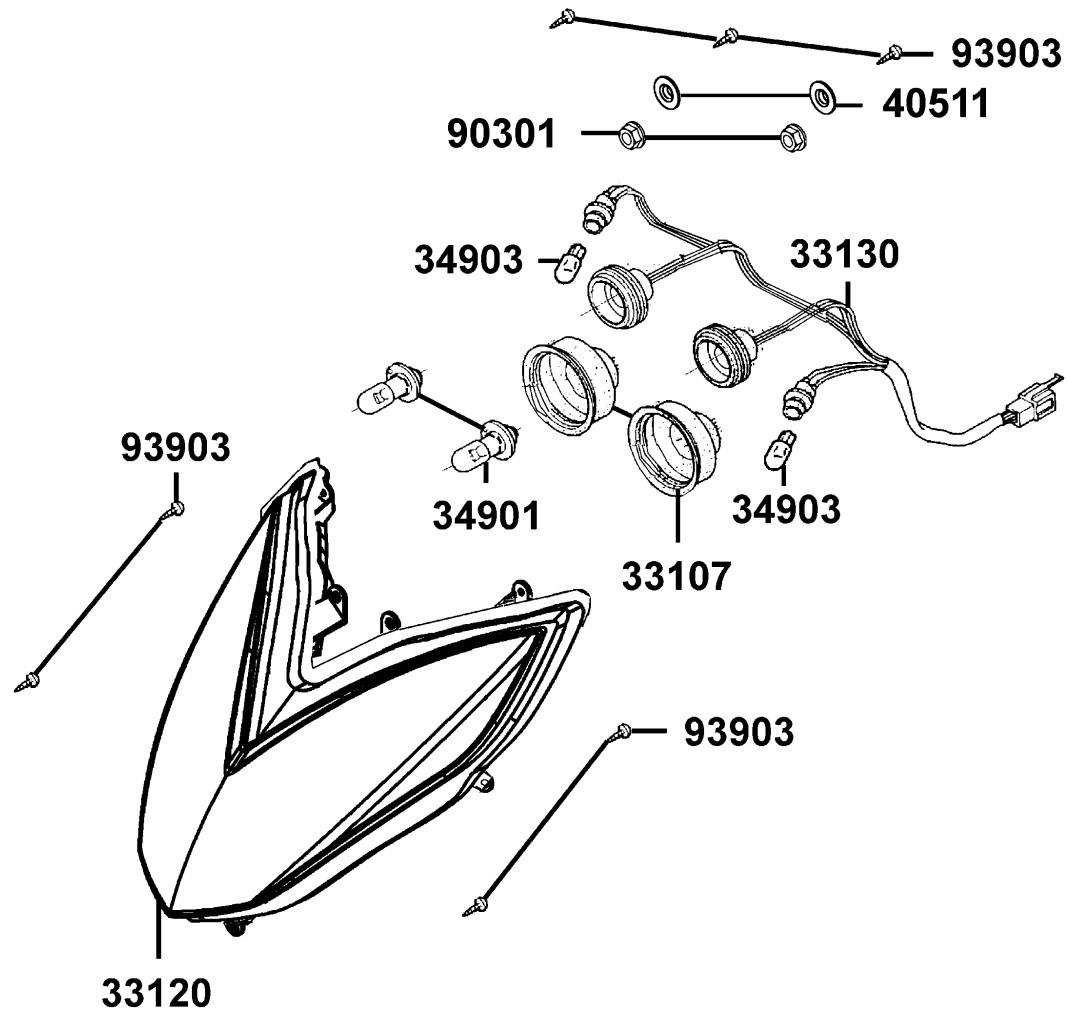
# Throttle Body Assy



Sales mark	Ref no	Part no	Description	Reg description	Regd no	E09
	16056	16056-LEB2-900	LEVER ASSY THROTTLE	LEVER ASSY THROTTLE	1	
	16068	16068-LEB2-900	PLATE WIRE FIXED	PLATE WIRE FIXED	1	
	16074	16074-KEC3-900	WASHER IDLE SCREW	WASHER IDLE SCREW	1	
	16100	16100-LFB6-B20	THROTTLE BODY ASSY	THROTTLE BODY ASSY	1	
	16110	16110-KKE3-900	WASHER THROTTLE COMP	WASHER THROTTLE COMP	2	
	16112	16112-KKE3-900	COVER IDLE SCREW	COVER IDLE SCREW	1	
	16118	16118-KEC3-900	SEAL THROTTLE SHAFT	SEAL THROTTLE SHAFT	1	
	16122	16122-KEC3-900	O-RING IDLE SCREW	O-RING IDLE SCREW	1	
	16133	16133-KEC3-900	SPG THROTTLE ADJUST SCREW	SPG THROTTLE ADJUST SCREW	2	
	16134	16134-KKE3-900	SPG THROTTLE SHAFT	SPG THROTTLE SHAFT	1	
	16138	16138-KEC3-900	SPG IDLE ADJ SCREW	SPG IDLE ADJ SCREW	1	
	16154	16154-KKE3-900	SCREW IDLE ADJUST	SCREW IDLE ADJUST	1	
	16170	16170-KEC3-900	SCREW THROTTLE ADJUST	SCREW THROTTLE ADJUST	2	
	93892-04010	93892-04010-08	SCREW WASHER 4*10	SCREW WASHER 4*10	1	
	93892-05010	93892-05010-08	SCREW WASH 5*10	SCREW WASH 5*10	1	
	94050	94050-06080	NUT FLANGE 6MM	NUT FLANGE 6MM	1	
	94101	94101-KKE3-900	WASHER PLAN 4.5*8*0.8	WASHER PLAN 4.5*8*0.8	2	
	94111	94111-06800	WASHER SPG 6MM	WASHER SPG 6MM	1	

F01

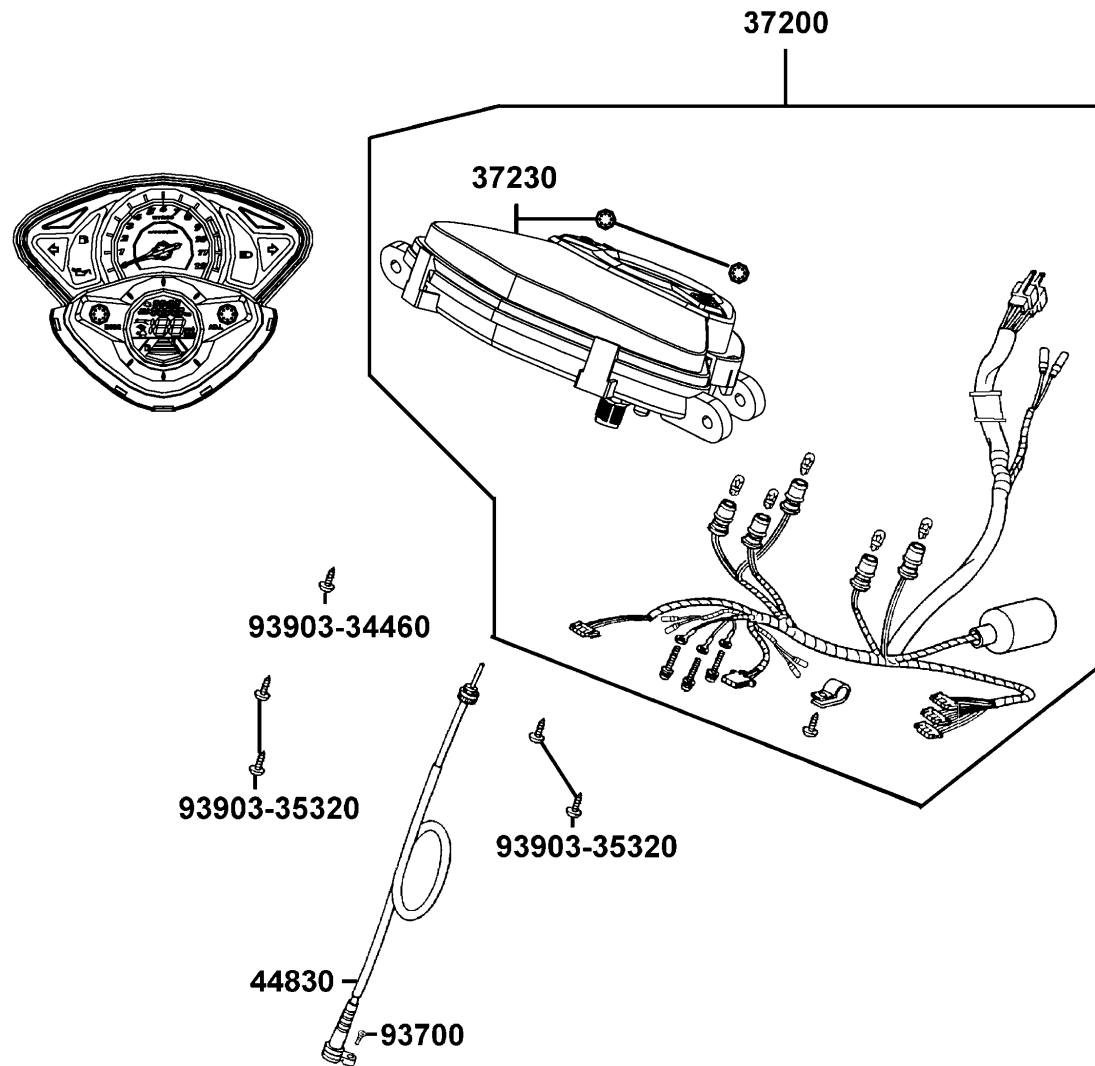
Head Light



Sales mark	Ref no	Part no	Description	Reg description	Regd no	F01
	33107	33107-KKC4-E00	COVER RUBBER	COVER RUBBER	2	
	33120	33120-LGH6-900	COMB HEAD LIGHT	COMB HEAD LIGHT	1	
	33130	33130-LFB5-900	SOCKET COMP	SOCKET COMP	1	
	34901	34901-KFA6-900	BULB HEAD LIGHT	BULB HEAD LIGHT	0	
	34903	34903-KPCP-900	BULB POSITION	BULB POSITION	0	
	40511	40511-LFB5-900	COLLAR	COLLAR	2	
	90301	90301-6D34-671	NUT FLANGE 6MM	NUT FLANGE 6MM	2	
	93903	93903-35360	SCREW TAPPING 5*16	SCREW TAPPING 5*16	7	

F02

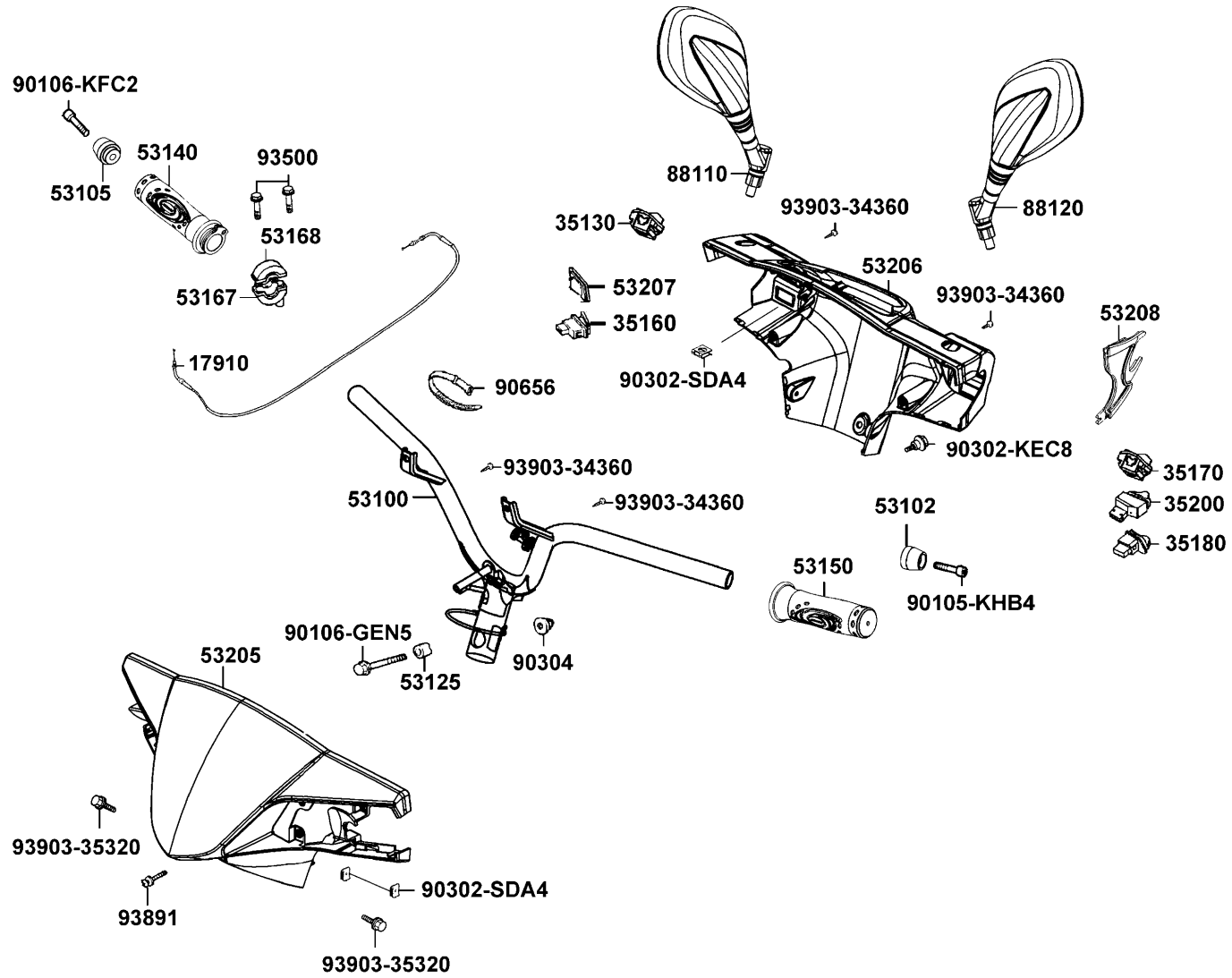
Speedometer



Sales mark	Ref no	Part no	Description	Reg description	Regd no	F02
	37200	37200-LGH6-B20	METER ASSY SPEED	METER ASSY SPEED	1	
	37230-LFB5-90B	37230-LFB5-90B	LENS ASSY	LENS ASSY	1	
	44830	44830-KXCX-901	CABLE COMP SPDMT	CABLE COMP SPDMT	1	
	93700	93700-05018-0H	SCREW OVAL 5*18	SCREW OVAL 5*18	1	
	93903-34460	93903-34460	SCREW TAPPING 4*16	SCREW TAPPING 4*16	1	
	93903-35320	93903-35320	SCREW TAPPING 5*16	SCREW TAPPING 5*16	4	

F03

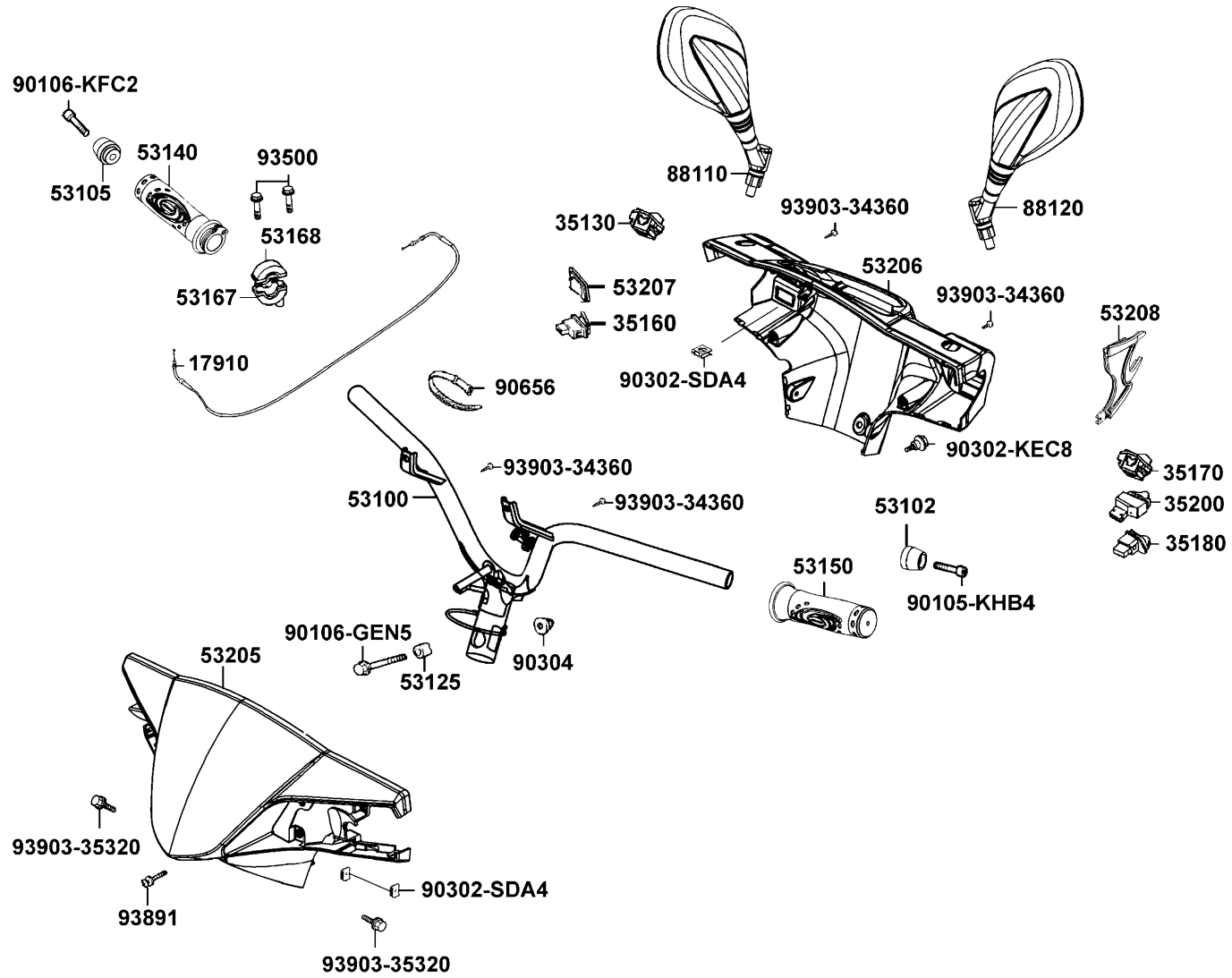
Handle Steering Handle Cover



Sales mark	Ref no	Part no	Description	Reg description	Regd no	F03
	17910	17910-LGH6-900	CABLE COMP THROT	CABLE COMP THROT	1	
	35130	35130-KXCX-M00	SW UNIT KILL	SW UNIT KILL	1	
	35160	35160-GFY6-900	SW UNIT STARTER	SW UNIT STARTER	1	
	35170	35170-KNBN-910	SW UNIT DIMMER	SW UNIT DIMMER	1	
	35180	35180-GFY6-900	SW UNIT HORN	SW UNIT HORN	1	
	35200	35200-GFY6-910	SW UNIT WINKER	SW UNIT WINKER	1	
	53100	53100-LGH6-900	HANDLE COMP.,STRG.	HANDLE COMP.,STRG.	1	
**	53102	53102-KEC8-900	END R STRG HANDLE	END R STRG HANDLE	1	
**	53105	53105-LBB5-E00	END R STRG HANDLE	END R STRG HANDLE	1	
	53125	53125-GEN5-901	COLLAR HANDLE SET	COLLAR HANDLE SET	1	
**	53140	53140-LFB6-800	GRIP COMP THROT	GRIP COMP THROT	1	
**	53150	53150-LEA6-900	GRIP COMP.,L HANDLE	GRIP COMP.,L HANDLE	1	
	53167	53167-KFA1-900	HOUSING UND THROT	HOUSING UND THROT	1	
	53168	53168-KFA1-900	HOUSING UP THROT	HOUSING UP THROT	1	
**	53205	53205-LFB5-900	COVER FR HANDLE	COVER FR HANDLE	1	
**	53206	53206-LFB5-900	COVER HANDLE RR	COVER HANDLE RR	1	
**	53207	53207-KKD9-B00	COVER SWITCH	COVER SWITCH	1	
**	53208	53208-LFB5-900	COVER L WINKER	COVER L WINKER	1	
**	88110	88110-LFB5-900	MIRROR ASSY R BACK	MIRROR ASSY R BACK	1	
**	88120	88120-LFB5-900	MIRROR ASSY L BACK	MIRROR ASSY L BACK	1	

F03

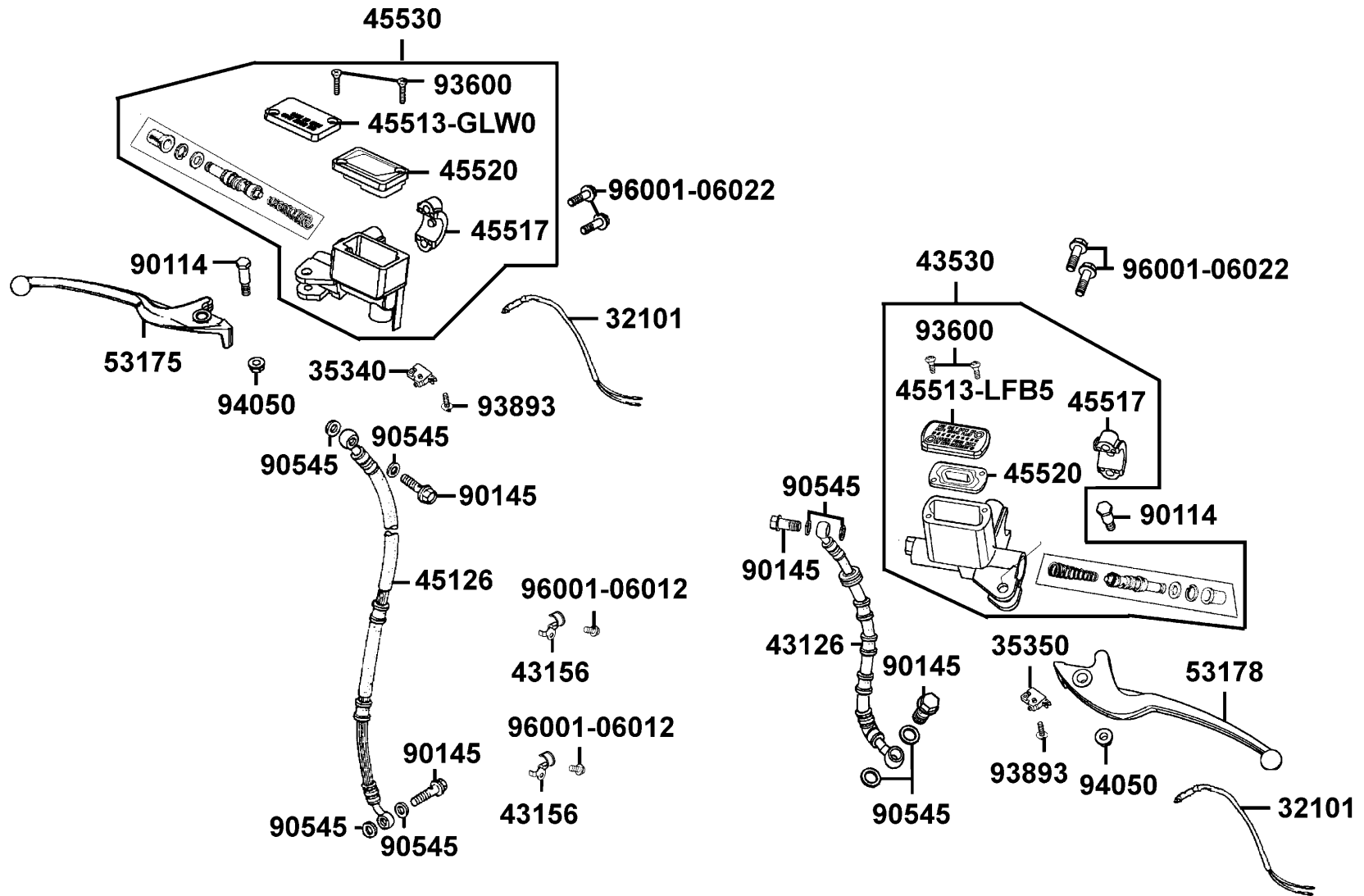
Handle Steering Handle Cover



Sales mark	Ref no	Part no	Description	Reg description	Regd no	F03
	90105	90105-KHB4-900	BOLT WASH M8*60	BOLT WASH M8*60	1	
	90106-GEN5	90106-GEN5-901	BOLT FLANGE 10*50	BOLT FLANGE 10*50	1	
	90106-KFC2	90106-KFC2-900	BOLT WASH 8MM	BOLT WASH 8MM	1	
	90302-KEC8	90302-KEC8-900	BOLT PAN 5*9	BOLT PAN 5*9	1	
	90302-SDA4	90302-SDA4-004	NUT SPRING 4MM	NUT SPRING 4MM	3	
	90304	90304-GHE8-004	NUT U 10MM	NUT U 10MM	1	
	90656	90656-KCBC-900	BAND OIL HOSE	BAND OIL HOSE	1	
	93500	93500-05022-06	SCREW PAN 5*22	SCREW PAN 5*22	2	
	93891	93891-05025-06	SCREW WASH 5*25	SCREW WASH 5*25	1	
	93903-34360	93903-34360	SCREW TAPPING 4*12	SCREW TAPPING 4*12	4	
	93903-35320	93903-35320	SCREW TAPPING 5*16	SCREW TAPPING 5*16	2	

F04

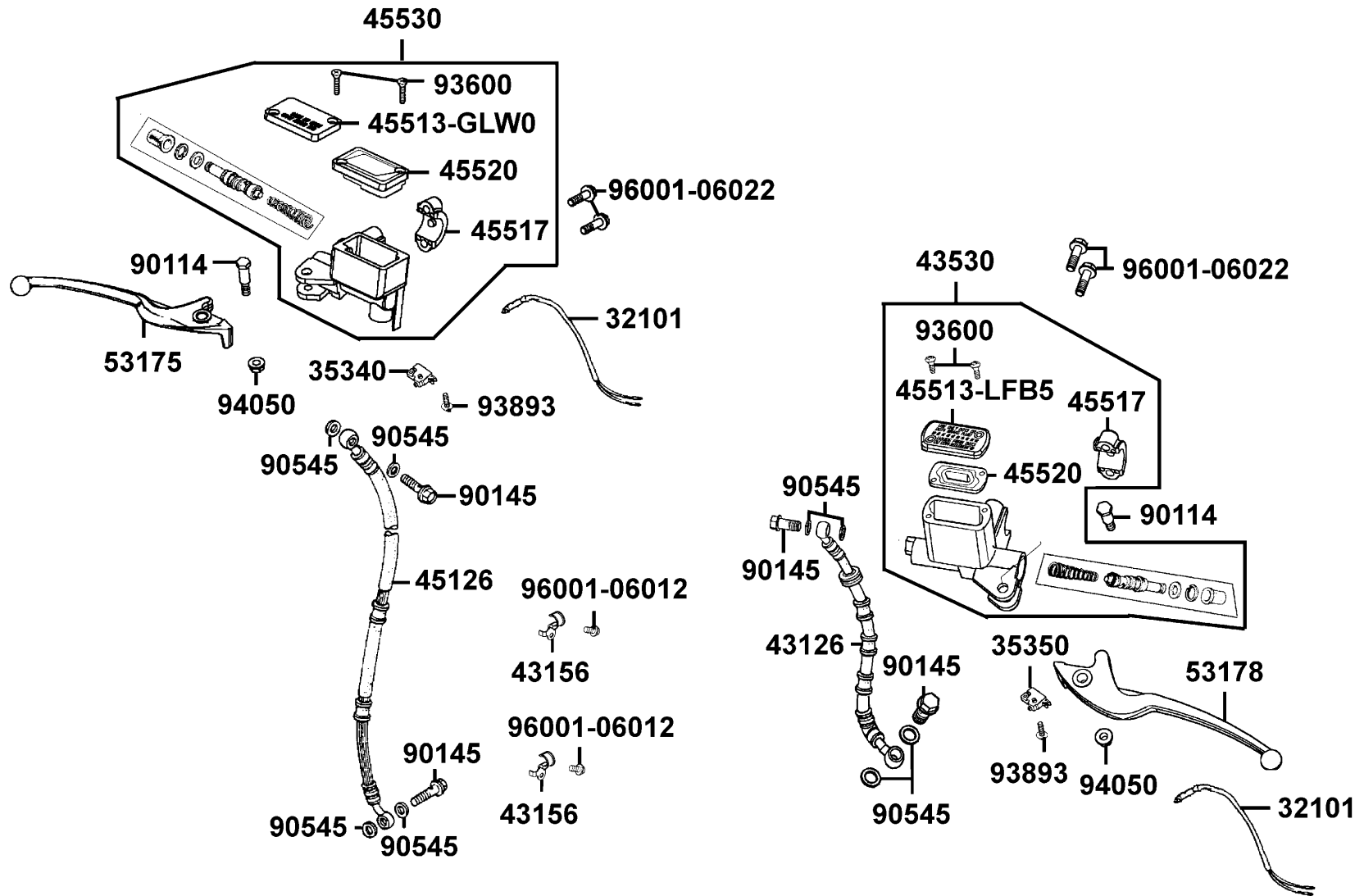
Brake Master Cylinder



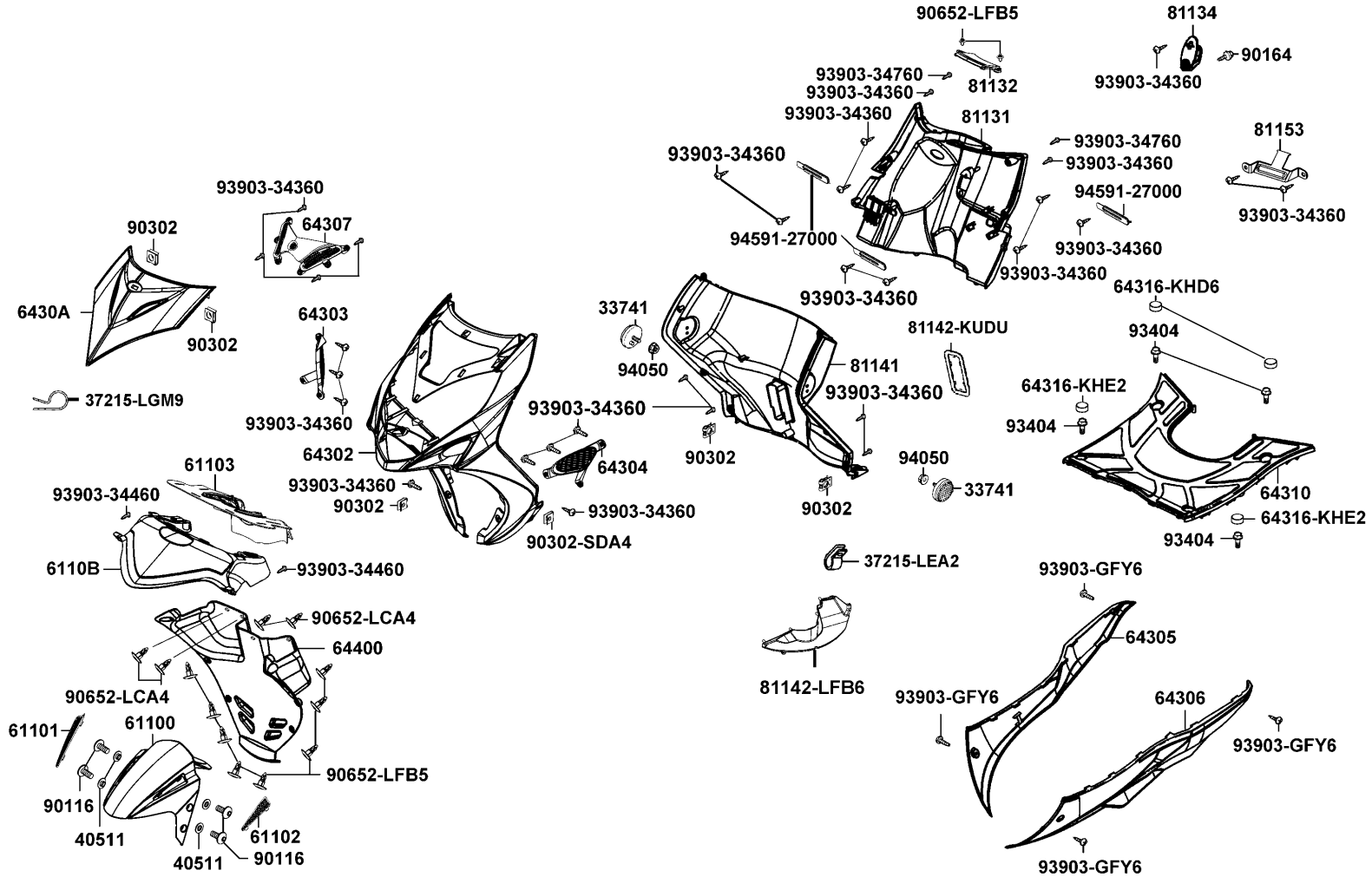
Sales mark	Ref no	Part no	Description	Reg description	Regd no	F04
	32101	32101-GFY6-901	SUB CORD R/H	SUB CORD R/H	2	
	35340	35340-KNBN-901	SW ASSY FR STOP	SW ASSY FR STOP	1	
	35350	35350-KNBN-901	SW ASSY RR STOP	SW ASSY RR STOP	1	
	43126	43126-LFB5-900	"HOSE ASSY ,RR BRAKE"	"HOSE ASSY ,RR BRAKE"	1	
	43156	43156-LFB5-900	CLAMPER ,METER CABLE	CLAMPER ,METER CABLE	1	
	43530	43530-LFB5-305	CYLINDER SET MASTER	CYLINDER SET MASTER	1	
	45126	45126-LFB5-900	HOSE ASSY FR BRK	HOSE ASSY FR BRK	1	
	45513-GLW0	45513-GLW0-91A	CAP MASTER CYLINDER	CAP MASTER CYLINDER	1	
	45513-LFB5	45513-LFB5-900	CAP MASTER CYLINDER	CAP MASTER CYLINDER	1	
	45517	45517-KFAF-910	HOLDER M/C	HOLDER M/C	2	
	45520	45520-GLW0-91A	DIAPHRAGM	DIAPHRAGM	2	
	45530	45530-LFB5-305	CYLINDER SET MASTER	CYLINDER SET MASTER	1	
**	53175	53175-KFA5-E10	LEVER R STRG HANDLE	LEVER R STRG HANDLE	1	
**	53178	53178-KFC8-E10	LEVER L STRG HANDLE	LEVER L STRG HANDLE	1	
	90114	90114-1F66-007	BOLT HANDLE LEVER	BOLT HANDLE LEVER	2	
	90145	90145-MKS9-61A	OIL BOLT 10*22	OIL BOLT 10*22	4	
	90545	90545-3L00-001	WASHER OIL BOLT	WASHER OIL BOLT	8	
	93600	93600-04012-1G	SCREW FLAT 4*12	SCREW FLAT 4*12	4	
	93893	93893-04012-18	SCREW WASHER 4*12	SCREW WASHER 4*12	2	
	94050	94050-06060	NUT FLANGE 6MM	NUT FLANGE 6MM	2	

F04

Brake Master Cylinder



Sales mark	Ref no	Part no	Description	Reg description	Regd no	F04
	96001-06012	96001-06012-00	BOLT FLANGE SH 6*12	BOLT FLANGE SH 6*12	2	
	96001-06022	96001-06022-06	BOLT FLANGE 6*20	BOLT FLANGE 6*20	4	



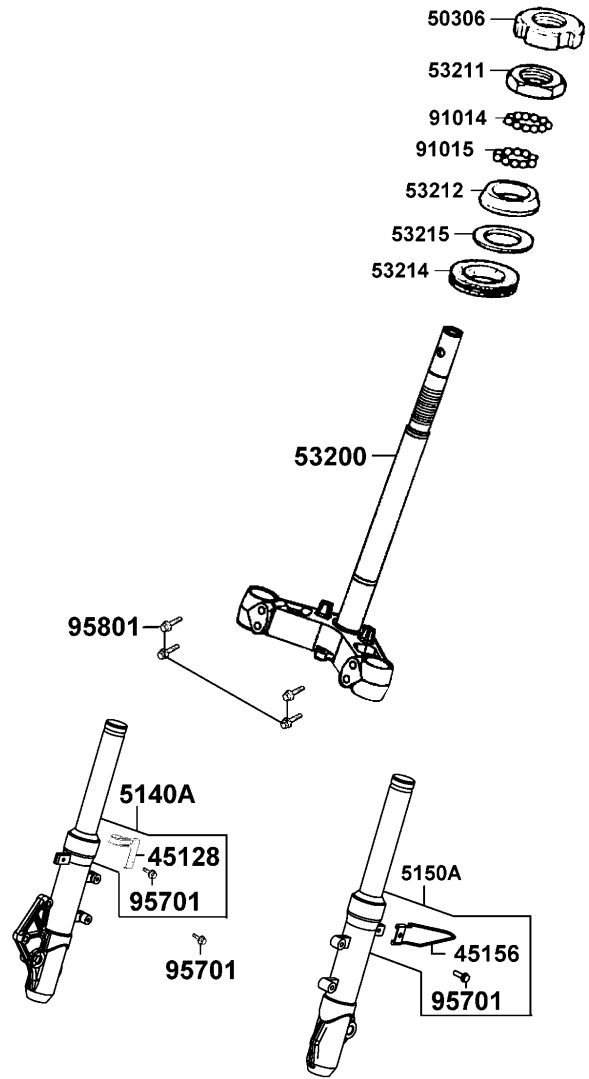
Sales mark	Ref no	Part no	Description	Reg description	Regd no	F05
	33741	33741-GFY6-C30	REFLEX REFLECTOR	REFLEX REFLECTOR	2	
	37215-LEA2	37215-LEA2-900	CLAMP	CLAMP	1	
	37215-LGM9	37215-LGM9-900	CLAMP	CLAMP	1	
	40511	40511-LEC8-E00	COLLAR	COLLAR	4	
**	61100	61100-LFB5-900	FENDER FR INNER	FENDER FR INNER	1	
**	61101	61101-LFB5-900	"GRILLE,R FENDER TIRE, FR. "	"GRILLE,R FENDER TIRE, FR. "	1	
**	61102	61102-LFB5-900	"GRILLE,L FENDER TIRE, FR. "	"GRILLE,L FENDER TIRE, FR. "	1	
	61103	61103-LFB5-900	"RUBBER,FENDER FR."	"RUBBER,FENDER FR."	1	
**	6110B	6110B-LFB5-900	"FENDER B, FR."	"FENDER B, FR."	1	
**	64302	64302-LFB5-900	MOLD FR	MOLD FR	1	
**	64303	64303-LFB5-900	"GRILLE,R FR. MOLDING"	"GRILLE,R FR. MOLDING"	1	
**	64304	64304-LFB5-900	"GRILLE,L FR. MOLDING"	"GRILLE,L FR. MOLDING"	1	
**	64305	64305-LFB6-800	SKIRT , R SIDE	SKIRT , R SIDE	1	
**	64306	64306-LFB6-800	SKIRT , L SIDE	SKIRT , L SIDE	1	
**	64307	64307-LFB5-900	"GRILLER,COVER , FR."	"GRILLER,COVER , FR."	1	
**	6430A	6430A-LFB6-800	COVER ASSY., FR.	COVER ASSY., FR.	1	
**	64310	64310-LFB5-900	FLOOR PANEL	FLOOR PANEL	1	
**	64316-KHD6	64316-KHD6-900	PLUG FLOOR	PLUG FLOOR	2	
**	64316-KHE2	64316-KHE2-900	PLUG FLOOR	PLUG FLOOR	2	
**	64400	64400-LFB5-900	"COWL, UNDER"	"COWL, UNDER"	1	



Sales mark	Ref no	Part no	Description	Reg description	Regd no	F05
**	81131	81131-LFB5-910	LEG SHIELD UP	LEG SHIELD UP	1	
**	81132	81132-LFB5-900	CAP LEG SHIELD UP	CAP LEG SHIELD UP	1	
**	81134	81134-LGH6-B20	HOOK,LEG SHIELD	HOOK,LEG SHIELD	1	
**	81141	81141-LFB5-900	LEG SHIELD LOW	LEG SHIELD LOW	1	
**	81142-KUDU	81142-KUDU-900	LID LEG SHIELD	LID LEG SHIELD	1	
**	81142-LFB6	81142-LFB6-800	LEG SHIELD UP B	LEG SHIELD UP B	1	
	81153	81153-LFB6-900	STAY, RELAY	STAY, RELAY	1	
	90116	90116-KED9-900	SCREW PAN 6*24	SCREW PAN 6*24	4	
	90164	90164-MDR4-901	SCREW SPECIAL 6MM	SCREW SPECIAL 6MM	1	
	90302	90302-SDA4-004	NUT SPRING 4MM	NUT SPRING 4MM	6	
	90652-LCA4	90652-LCA4-E00	CLIP MUDGUARD	CLIP MUDGUARD	4	
	90652-LFB5	90652-LFB5-900	CLIP MUDGUARD	CLIP MUDGUARD	10	
	93404	93404-06030-06	BOLT WASHER 6*30	BOLT WASHER 6*30	4	
	93903-34360	93903-34360	SCREW TAPPING 4*12	SCREW TAPPING 4*12	31	
	93903-34460	93903-34460	SCREW TAPPING 4*16	SCREW TAPPING 4*16	2	
	93903-34760	93903-34760	SCREW TAPPING 4*30	SCREW TAPPING 4*30	2	
	93903-GFY6	93903-GFY6-900	SCREW TAPPING 4*14	SCREW TAPPING 4*14	4	
	94050	94050-06080	NUT FLANGE 6MM	NUT FLANGE 6MM	2	
	94591-27000	94591-27000	CLIP 2*70	CLIP 2*70	2	

F06

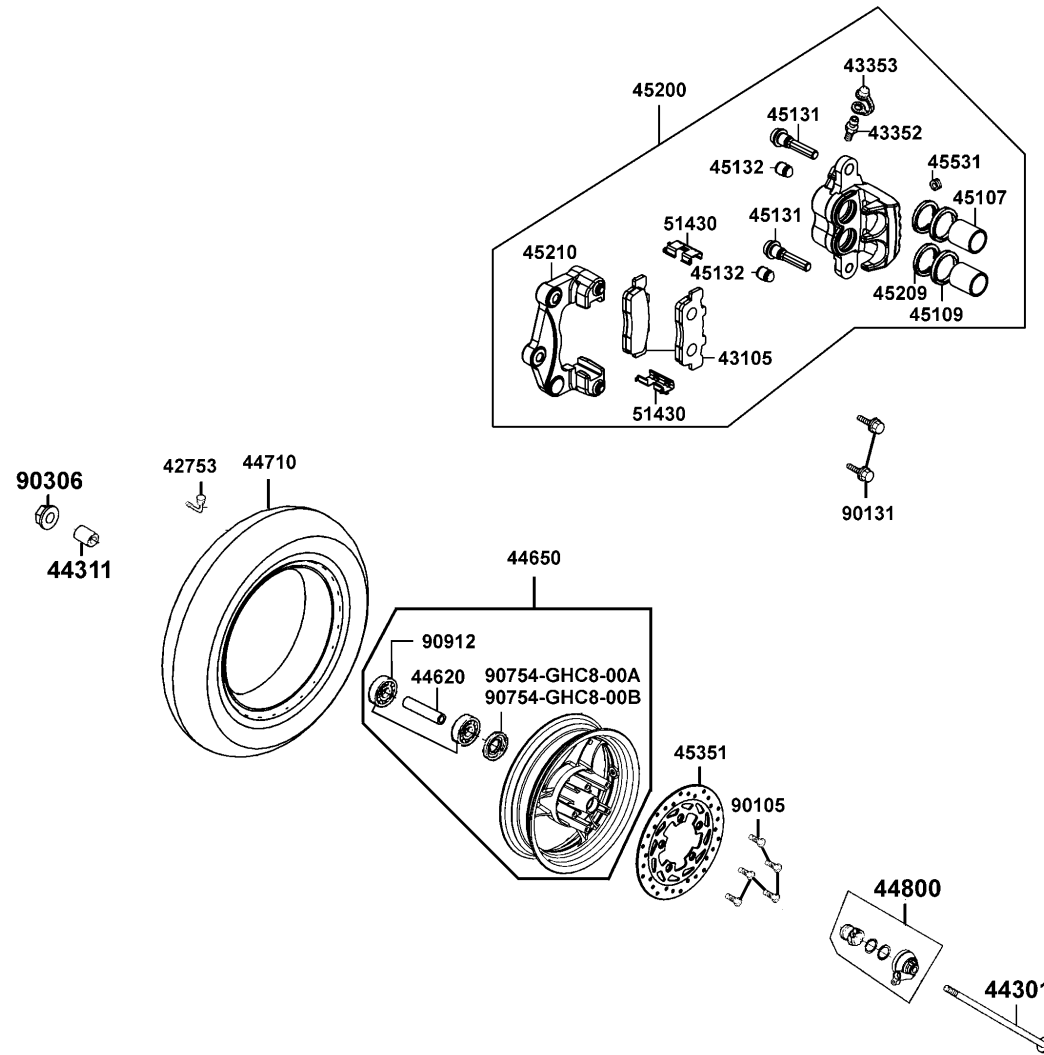
Front Cushion



Sales mark	Ref no	Part no	Description	Reg description	Regd no	F06
	45128	45128-LFB5-900	CLAMPER ,FR BRAKE HOSE	CLAMPER ,FR BRAKE HOSE	1	
	45156	45156-KEC6-900	CLAMPER RR BRAKE HOSE	CLAMPER RR BRAKE HOSE	1	
	50306	50306-1F96-001	NUT STRG STEM LOCK	NUT STRG STEM LOCK	1	
**	5140A	5140A-LFB6-E00	FORK SET FR R	FORK SET FR R	1	
**	5150A	5150A-LFB6-E00	FORK SET FR L	FORK SET FR L	1	
	53200	53200-LFB5-900	STEM COMP STRG	STEM COMP STRG	1	
	53211	53211-GFY6-940	RACE STRG TOP CONE	RACE STRG TOP CONE	1	
	53212	53212-2L50-011	RACE STRG BOT CONE	RACE STRG BOT CONE	1	
	53214	53214-2L50-001	DUST SEAL STRG(HEAD)	DUST SEAL STRG(HEAD)	1	
	53215	53215-2L50-001	WASH STRG HDL DUST-SEAL	WASH STRG HDL DUST-SEAL	1	
	91014	91014-LLJ3-E00	CAGE STEERING TOP	CAGE STEERING TOP	1	
	91015	91015-LLJ3-E00	CAGE STEERING BOT	CAGE STEERING BOT	1	
	95701	95701-06012-06	BOLT FLANGE 6*12	BOLT FLANGE 6*12	3	
	95801	95801-08040-08	BOLT FLANGE 8*40	BOLT FLANGE 8*40	4	

F07

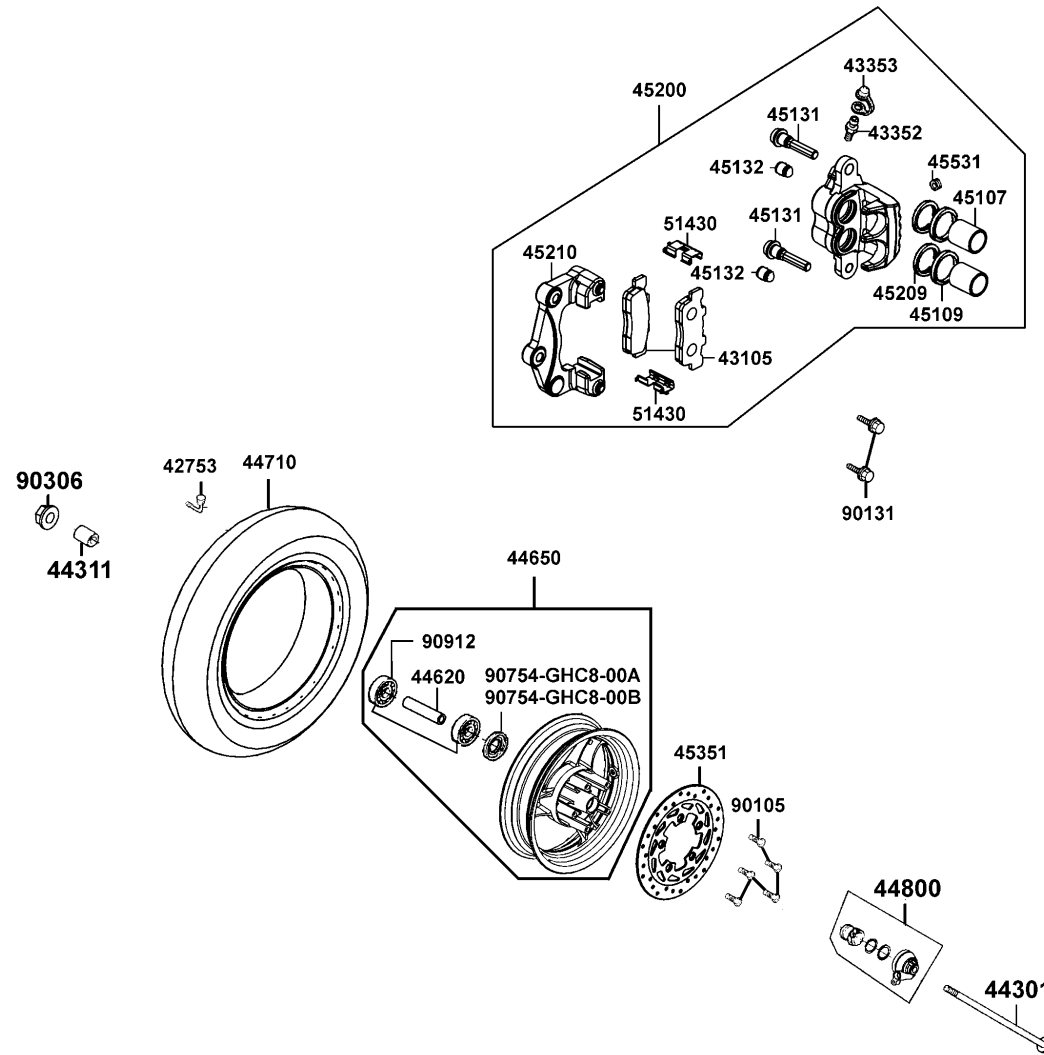
Front Wheel



Sales mark	Ref no	Part no	Description	Reg description	Regd no	F07
	42753	42753-0D04-900	RIM VALVE (PVR 70)	RIM VALVE (PVR 70)	1	
	43105	43105-LFB5-305	PAD COMP A	PAD COMP A	1	
	43352	43352-KKD6-E90	SCREW BLEEDER	SCREW BLEEDER	1	
	43353	43353-4A61-77A	CAP BLEEDER	CAP BLEEDER	1	
	44301	44301-LFE2-900	AXLE FR WHEEL	AXLE FR WHEEL	1	
	44311	44311-KEBE-900	COLLAR FR WHEEL SIDE	COLLAR FR WHEEL SIDE	1	
	44620	44620-KHD8-900	COLLAR FR AXLE DISTANCE	COLLAR FR AXLE DISTANCE	1	
**	44650	44650-LFE2-305	WHEEL SET FR	WHEEL SET FR	1	
	44710	44710-LFB6-E0A	TIRE ASSY, FR	TIRE ASSY, FR	1	
	44800	44800-KFA5-900	GEAR BOX ASSY	GEAR BOX ASSY	1	
	45107	45107-LFB5-900	PISTON	PISTON	2	
	45109	45109-GBE2-007	DUST SEAL	DUST SEAL	2	
	45131	45131-LDH1-E00	PIN BOLT	PIN BOLT	2	
	45132	45132-LDH1-E00	BUSH BOOT PIN	BUSH BOOT PIN	2	
**	45200	45200-LFB5-900	CALIPER ASSY FR	CALIPER ASSY FR	1	
	45209	45209-GBE2-007	SEAL PISTON	SEAL PISTON	2	
	45210	45210-LFB5-305	BRACKET FR CALIPER	BRACKET FR CALIPER	1	
**	45351	45351-LFB6-900	DISK, FR BRK	DISK, FR BRK	1	
	45531	45531-GAR1-951	PLUG	PLUG	1	
	51430	51430-LDH1-E00	SLIDE PAD	SLIDE PAD	2	

F07

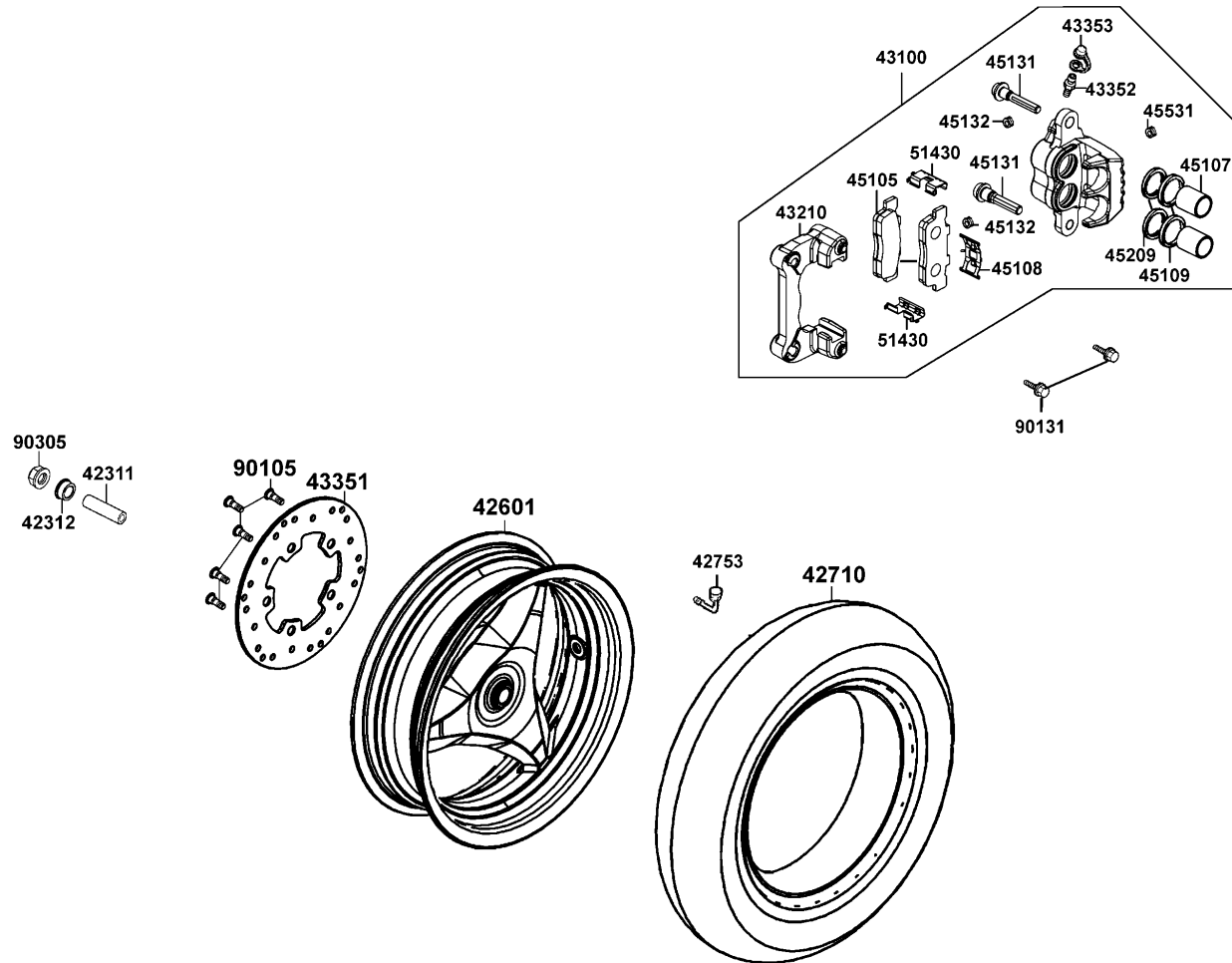
Front Wheel



Sales mark	Ref no	Part no	Description	Reg description	Regd no	F07
	90105	90105-KCR3-001	BOLT FR DISK 8*24	BOLT FR DISK 8*24	5	
	90131	90131-LEB1-900	BOLT FLANGE 8*35	BOLT FLANGE 8*35	2	
	90306	90306-LFE2-900	NUT FLANGE 12MM	NUT FLANGE 12MM	1	
	90754-GHC8-00A	90754-GHC8-00A	SEAL DUST 20*32*5	SEAL DUST 20*32*5	1	
	90754-GHC8-00B	90754-GHC8-00B	SEAL DUST 20*32*5	SEAL DUST 20*32*5	1	
	90912	90912-KFLF-00A	BEARING 6201 LLU	BEARING 6201 LLU	2	

F08

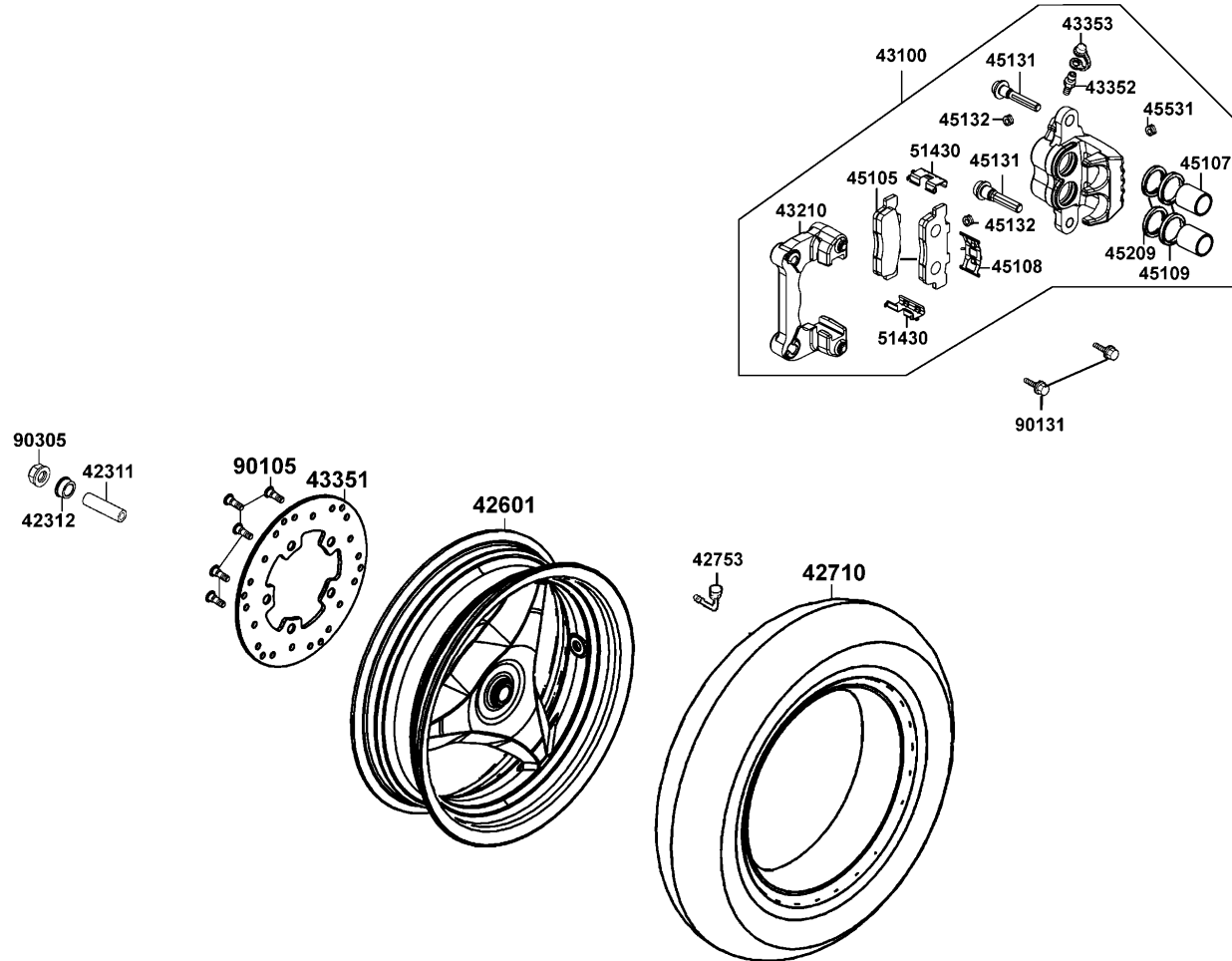
Rear Wheel



Sales mark	Ref no	Part no	Description	Reg description	Regd no	F08
	42311	42311-LFB5-900	COLLAR RR AXLE SIDE A	COLLAR RR AXLE SIDE A	1	
	42312	42312-KHB4-900	COLLAR RR AXLE SIDE	COLLAR RR AXLE SIDE	1	
**	42601	42601-LFB5-900	WHEEL COMP RR CAST	WHEEL COMP RR CAST	1	
	42710	42710-LFB6-E0A	TIRE ASSY, RR	TIRE ASSY, RR	1	
	42753	42753-KNBN-90B	VALVE (TR 412) & CAP (E)	VALVE (TR 412) & CAP (E)	1	
**	43100	43100-LFB5-900	CALIPER ASSY FR	CALIPER ASSY FR	1	
	43210	43210-LFB5-305	BRKT RR CALIPER	BRKT RR CALIPER	1	
	43351	43351-LFB5-900	DISK FR BRAKE	DISK FR BRAKE	1	
	43352	43352-KKD6-E90	SCREW BLEEDER	SCREW BLEEDER	1	
	43353	43353-4A61-77A	CAP BLEEDER	CAP BLEEDER	0	
	45105	45105-LFB5-900	PAD COMP	PAD COMP	1	
	45107	45107-LFB5-900	PISTON	PISTON	2	
	45108	45108-LDH1-E00	SPRING PAD	SPRING PAD	1	
	45109	45109-GBE2-007	DUST SEAL	DUST SEAL	2	
	45131	45131-LDH1-E00	PIN BOLT	PIN BOLT	2	
	45132	45132-LDH1-E00	BUSH BOOT PIN	BUSH BOOT PIN	2	
	45209	45209-GBE2-007	SEAL PISTON	SEAL PISTON	2	
	45531	45531-GAR1-951	PLUG	PLUG	1	
	51430	51430-LDH1-E00	SLIDE PAD	SLIDE PAD	2	
	90105	90105-KCR3-001	BOLT FR DISK 8*24	BOLT FR DISK 8*24	5	

F08

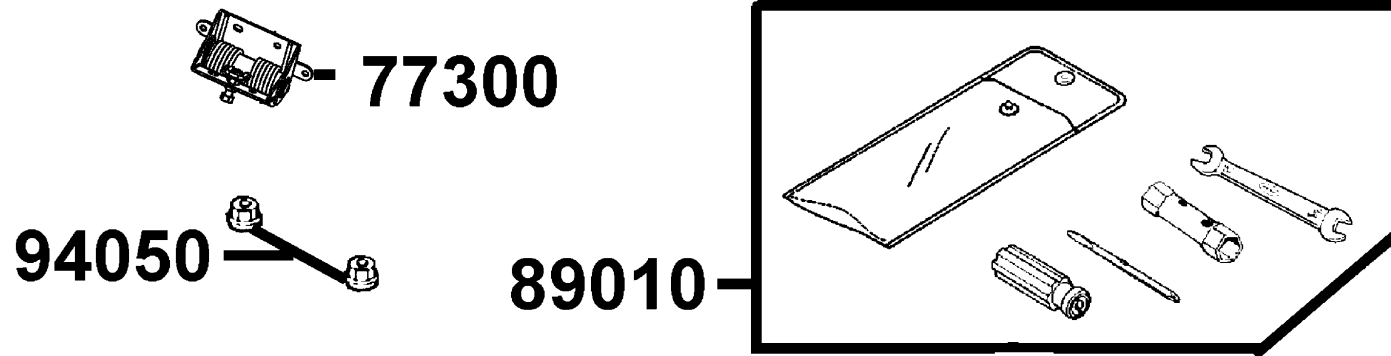
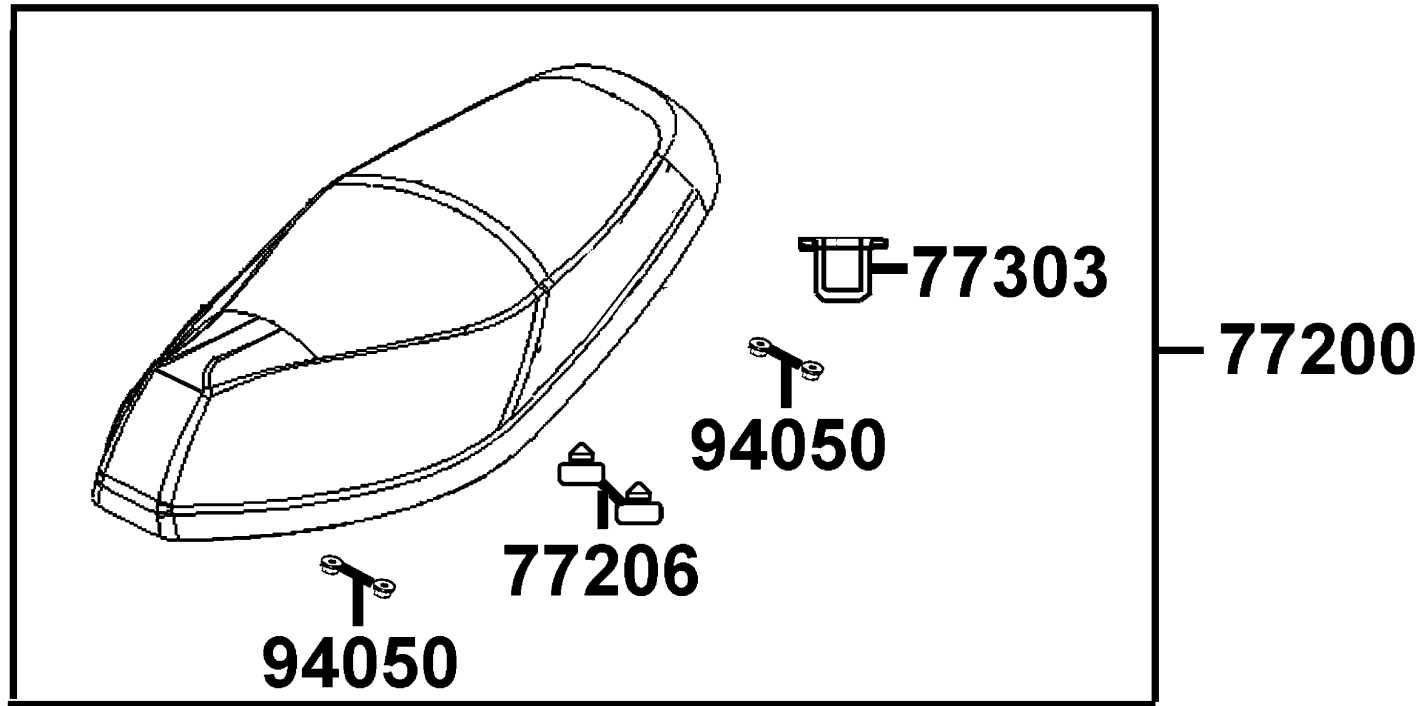
Rear Wheel



Sales mark	Ref no	Part no	Description	Reg description	Regd no	F08
	90131	90131-LEA5-E00	BOLT FLANGE 8*35	BOLT FLANGE 8*35	2	
#	90305	90305-KFW6-91A	NUT U FLANGE 16MM	NUT U FLANGE 16MM	0	

F09

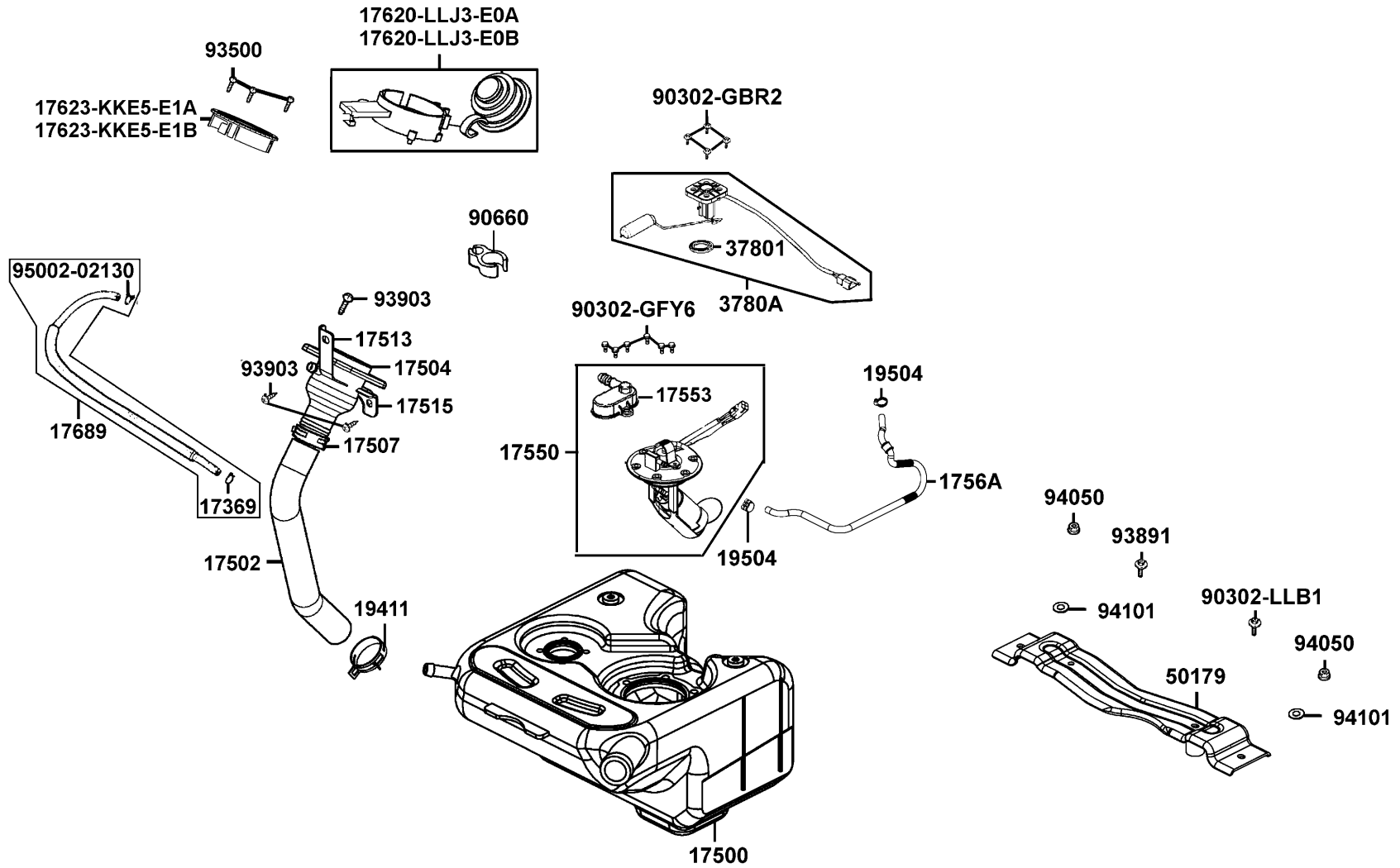
Seat



Sales mark	Ref no	Part no	Description	Reg description	Regd no	F09
**	77200	77200-LFB6-E00	SEAT ASSY.	SEAT ASSY.	1	
	77206	77206-KEB7-900	RUBBER SEAT CUSH	RUBBER SEAT CUSH	0	
	77300	77300-LBE3-900	HINGE COMP SEAT	HINGE COMP SEAT	0	
	77303	77303-KKC4-800	HOOK SEAT LOCK	HOOK SEAT LOCK	0	
	89010	89010-LEB1-900	TOOL SET	TOOL SET	1	
	94050	94050-06080	NUT FLANGE 6MM	NUT FLANGE 6MM	6	

F10

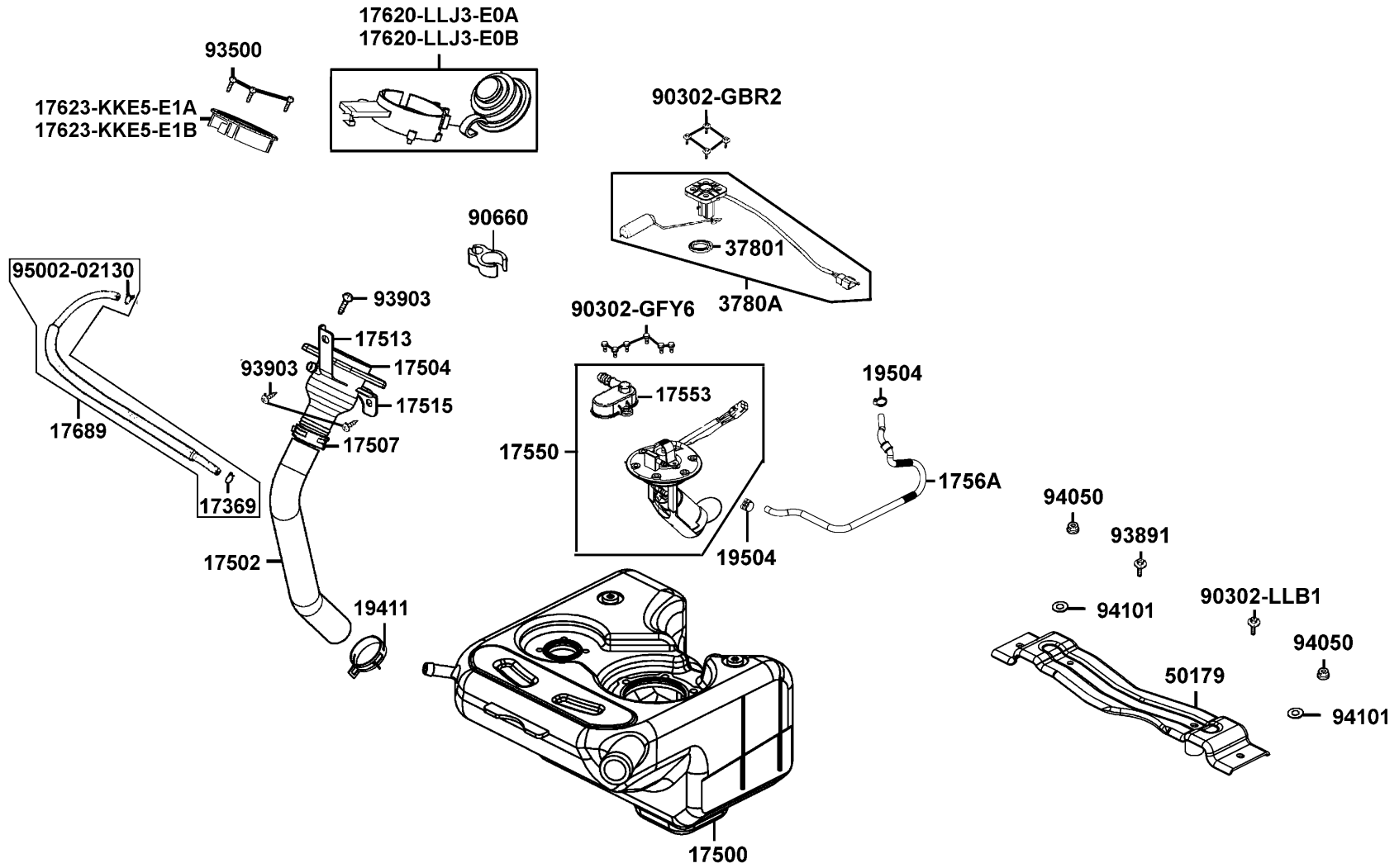
Fuel Tank



Sales mark	Ref no	Part no	Description	Reg description	Regd no	F10
	17369	17369-KHC4-900	CLIP BREATHER TUBE	CLIP BREATHER TUBE	1	
	17500	17500-LGH6-900	TANK COMP.,FUEL	TANK COMP.,FUEL	1	
	17502	17502-LEB1-900	TUBE FUEL	TUBE FUEL	1	
	17504	17504-LAB4-900	FUEL FILLER	FUEL FILLER	1	
	17507	17507-LAB4-900	BAND FUEL HOSE	BAND FUEL HOSE	1	
	17513	17513-LAD9-900	FUEL PIPE STAY A	FUEL PIPE STAY A	1	
	17515	17515-LAD9-900	FUEL PIPE STAY B	FUEL PIPE STAY B	1	
	17550	17550-LGH6-900	PUMP ASSY., FUEL	PUMP ASSY., FUEL	1	
	17553	17553-LGH6-900	OUT FUEL COVER	OUT FUEL COVER	1	
	1756A	1756A-LGH6-900	TUBE ASSY.,FUEL PUMP-INJECTOR	TUBE ASSY.,FUEL PUMP-INJECTOR	1	
	17620-LLJ3-E0A	17620-LLJ3-E0A	CAP COMP FUEL FILLER	CAP COMP FUEL FILLER	1	
	17620-LLJ3-E0B	17620-LLJ3-E0B	CAP COMP FUEL FILLER	CAP COMP FUEL FILLER	1	
**	17623-KKE5-E1A	17623-KKE5-E1A	COLLAR FUEL FILLER	COLLAR FUEL FILLER	1	
**	17623-KKE5-E1B	17623-KKE5-E1B	COLLAR FUEL CILLER	COLLAR FUEL CILLER	1	
	17689	17689-LAD9-B20	TUBE ASSY FILLER	TUBE ASSY FILLER	1	
	19411	19411-KBCB-900	CLIP HOSE	CLIP HOSE	1	
	19504	19504-LBA2-E00	CLAMP D 16.8	CLAMP D 16.8	2	
	37801	37801-LAB4-910	PACKING BASE	PACKING BASE	1	
	3780A	3780A-LFB5-900	FUEL UNIT ASSY	FUEL UNIT ASSY	1	
	50179	50179-LEB2-900	BRKT FLOOR PANEL	BRKT FLOOR PANEL	1	

F10

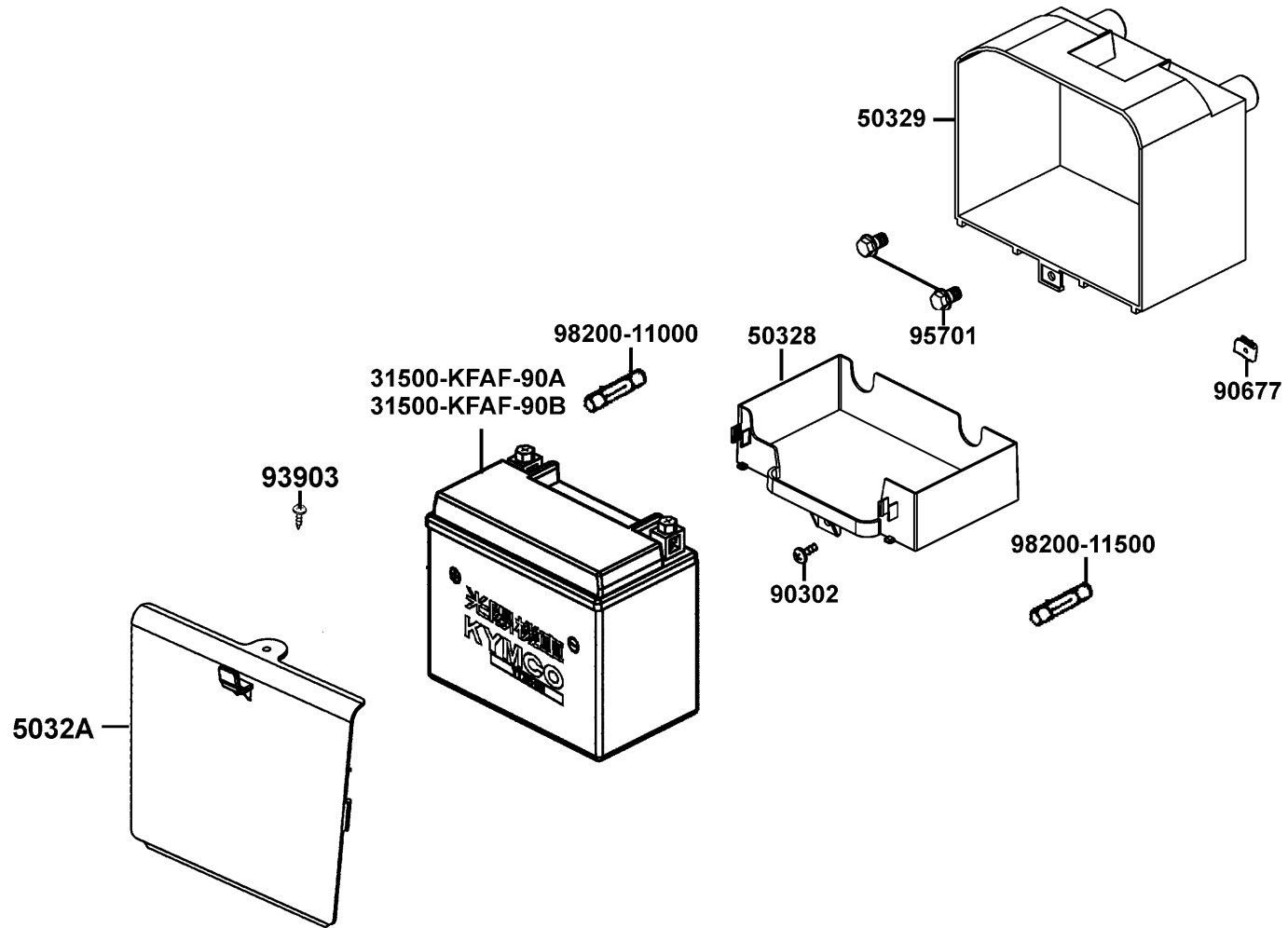
Fuel Tank



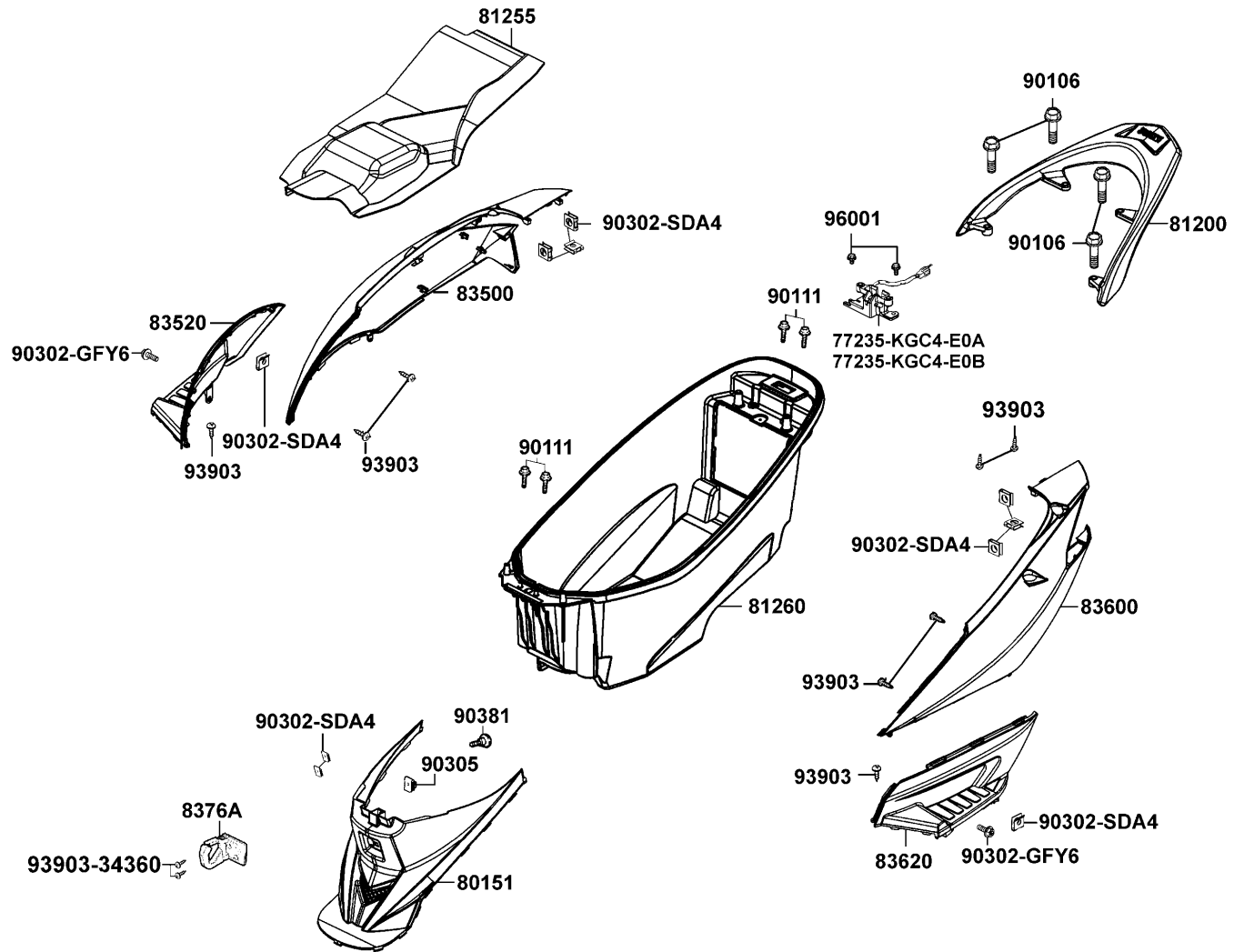
Sales mark	Ref no	Part no	Description	Reg description	Regd no	F10
	90302-GBR2	90302-GBR2-001	BOLT WASH 5*16	BOLT WASH 5*16	4	
	90302-GFY6	90302-GFY6-940	BOLT-WASH 5*16	BOLT-WASH 5*16	6	
	90302-LLB1	90302-LLB1-E00	BOLT-WASHER 5*12	BOLT-WASHER 5*12	1	
**	90660	90660-KGBG-900	CLAMP TUBE	CLAMP TUBE	1	
	93500	93500-04008-0G	SCREW PAN 4*8	SCREW PAN 4*8	3	
	93891	93891-05040-06	SCREW WASHER 5*340	SCREW WASHER 5*340	1	
	93903	93903-35360	SCREW TAPPING 5*16	SCREW TAPPING 5*16	3	
	94050	94050-06080	NUT FLANGE 6MM	NUT FLANGE 6MM	2	
	94101	94101-08800	WASHER PLAIN 8MM	WASHER PLAIN 8MM	2	
	95002	95002-02130	CLIP B 12.5 TURE	CLIP B 12.5 TURE	1	

F11

Battery



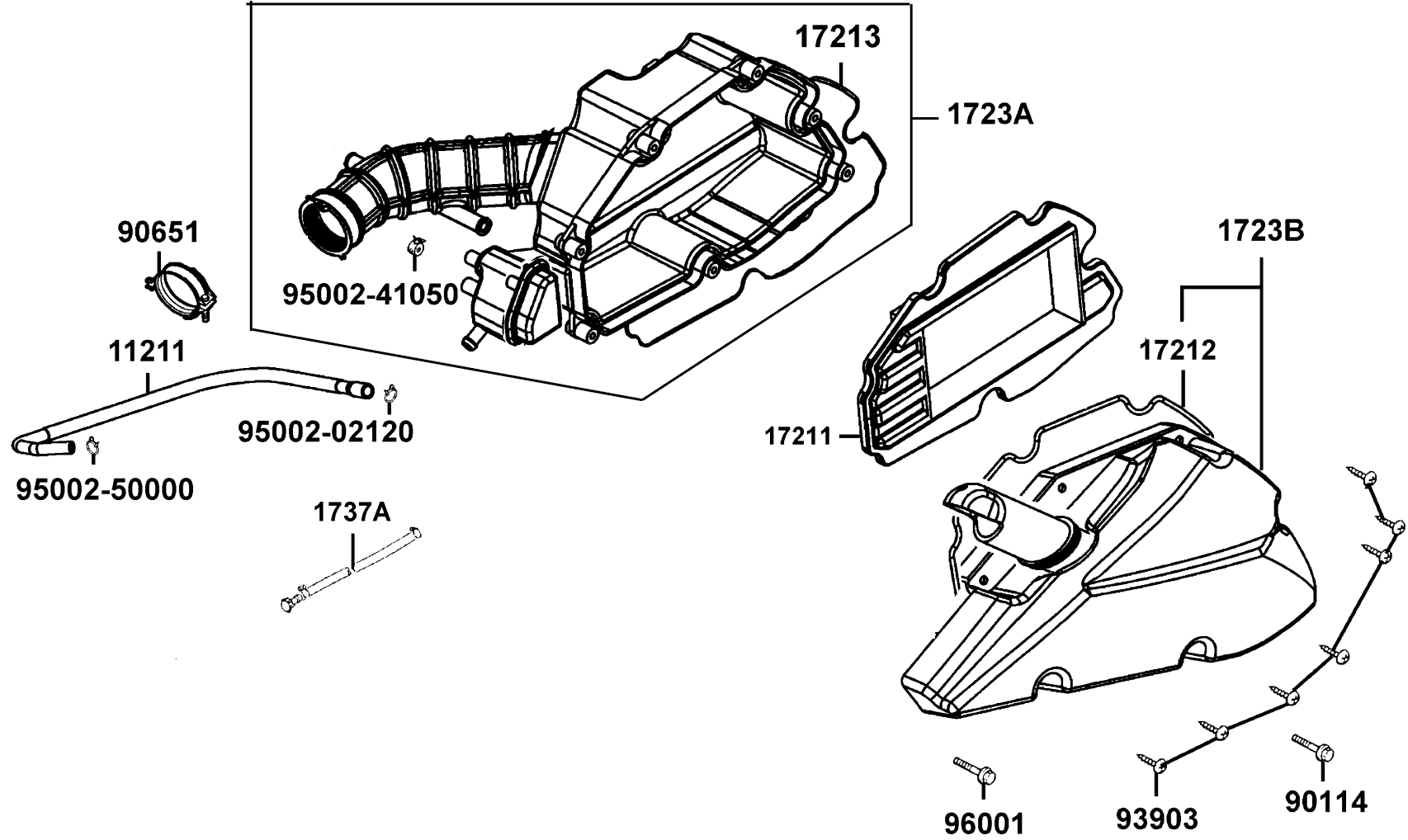
Sales mark	Ref no	Part no	Description	Reg description	Regd no	F11
	31500-KFAF-90A	31500-KFAF-90A	BATTERY YTX9-BS	BATTERY YTX9-BS	1	
	31500-KFAF-90B	31500-KFAF-90B	BATTERY YTX9-BS	BATTERY YTX9-BS	1	
	50328	50328-LBB8-900	BATTERY DRAWER	BATTERY DRAWER	1	
	50329	50329-LEB1-900	BATTERY CASE	BATTERY CASE	1	
**	5032A	5032A-LEB1-900	COVER BATTERY	COVER BATTERY	1	
	90302	90302-GFY6-940	BOLT-WASH 5*16	BOLT-WASH 5*16	1	
	90677	90677-GAR1-004	NUT CLIP 5MM	NUT CLIP 5MM	1	
	93903	93903-34360	SCREW TAPPING 4*12	SCREW TAPPING 4*12	1	
	95701	95701-06022-06	BOLT FLANGE 6*22	BOLT FLANGE 6*22	2	
	98200-11000	98200-11000	FUSE 10A	FUSE 10A	1	
	98200-11500	98200-11500	FUSE A15	FUSE A15	1	



Sales mark	Ref no	Part no	Description	Reg description	Regd no	F12
	77235-KGC4-E0A	77235-KGC4-E0A	SEAT CATCH	SEAT CATCH	1	
	77235-KGC4-E0B	77235-KGC4-E0B	SEAT CATCH	SEAT CATCH	1	
**	80151	80151-LFB5-900	COVER CENTER	COVER CENTER	1	
**	81200	81200-LFB5-900	CARRIER REAR	CARRIER REAR	1	
	81255	81255-LGL9-900	BAG,LUGGAGE	BAG,LUGGAGE	1	
	81260	81260-LEB2-900	BOX ASSY.,LUG	BOX ASSY.,LUG	1	
**	83500	83500-LFB5-900	COVER , R BODY	COVER , R BODY	1	
**	83520	83520-LFB5-900	"COVER , R SIDE"	"COVER , R SIDE"	1	
**	83600	83600-LFB5-900	COVER , L BODY	COVER , L BODY	1	
**	83620	83620-LFB5-900	"COVER , L SIDE"	"COVER , L SIDE"	1	
	8376A	8376A-KECE-901	CLIP ASSY CENTER	CLIP ASSY CENTER	1	
	90106	90106-KFAF-900	BOLT SPECIAL	BOLT SPECIAL	4	
	90111	90111-1G87-001	BOLT FLANGE 6MM	BOLT FLANGE 6MM	4	
	90302-GFY6	90302-GFY6-901	BOLT WASH 5*12	BOLT WASH 5*12	2	
	90302-SDA4	90302-SDA4-004	NUT SPRING 4MM	NUT SPRING 4MM	10	
	90305	90305-GHK8-001	NUT CLIP 6MM	NUT CLIP 6MM	1	
	90381	90381-GEZ5-001	SCREW SPECIAL 6*17	SCREW SPECIAL 6*17	1	
	93903	93903-34360	SCREW TAPPING 4*12	SCREW TAPPING 4*12	10	
	96001	96001-06012-08	BOLT FLANGE 6*12	BOLT FLANGE 6*12	2	

F13

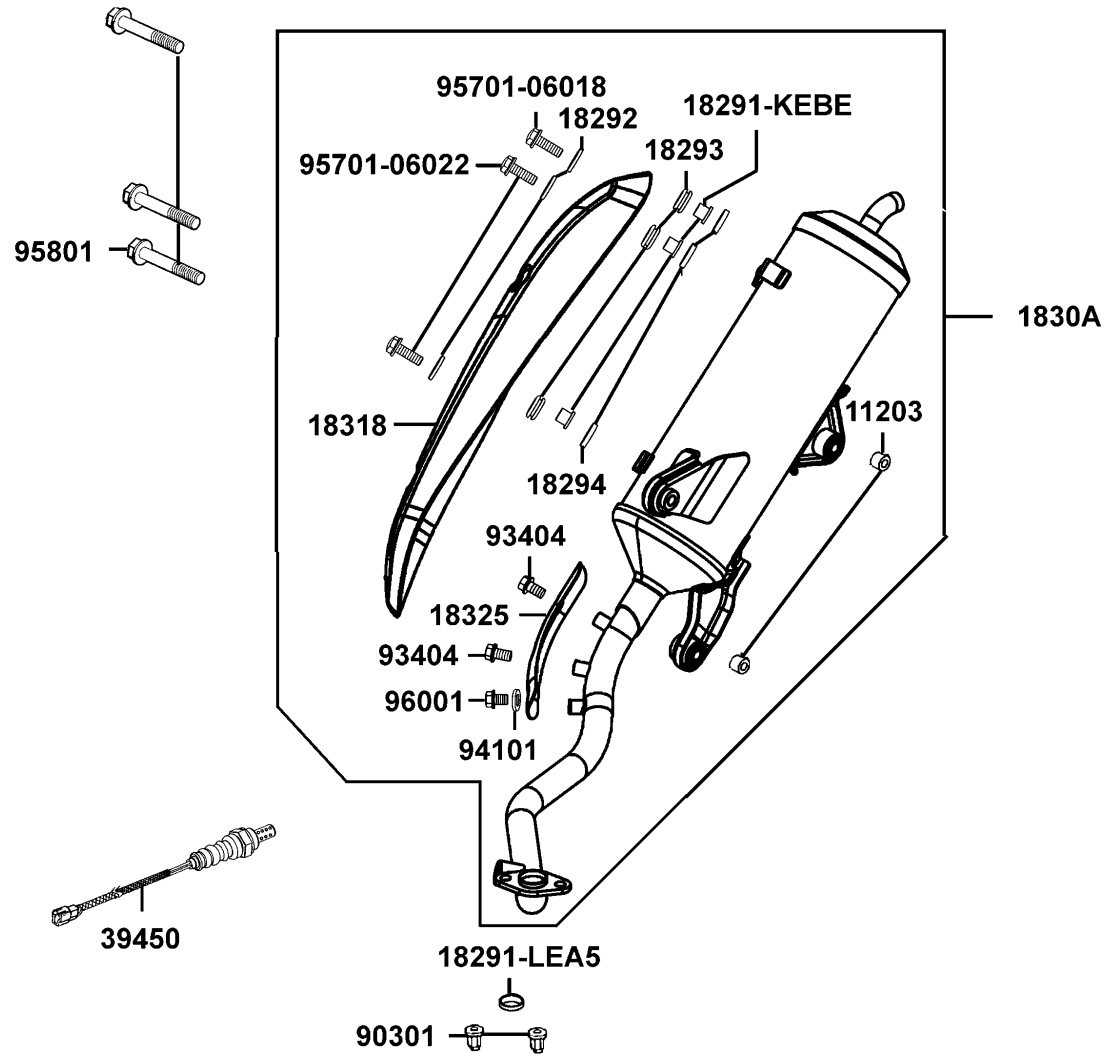
Air Cleaner



Sales mark	Ref no	Part no	Description	Reg description	Regd no	F13
	11211	11211-LFB5-900	TUBE BRTHER	TUBE BRTHER	0	
	17211	17211-LFB5-900	ELEMENT COMP AIR/C	ELEMENT COMP AIR/C	0	
	17212	17212-LDA6-900	SEAL AIR/C COVER	SEAL AIR/C COVER	1	
	17213	17213-LBD6-E00	SEAL AIR/C CASE	SEAL AIR/C CASE	1	
	1723A	1723A-LGH6-E00	CASE COMP.,AIR/C	CASE COMP.,AIR/C	1	
	1723B	1723B-LGH6-900	COVER COMP AIR/C	COVER COMP AIR/C	1	
	1737A	1737A-KUDU-900	V TUBE ASSY	V TUBE ASSY	1	
	90114	90114-GDM4-011	BOLT FLANGE 6*28	BOLT FLANGE 6*28	1	
	90651	90651-LFB5-900	BAND 47.5 AIR/C CONNECTING TUBE	BAND 47.5 AIR/C CONNECTING TUBE	1	
	93903	93903-25460	SCREW TAPPING 4*12	SCREW TAPPING 4*12	7	
	95002-02120	95002-02120	CLIP B12 TUBE	CLIP B12 TUBE	1	
	95002-41050	95002-41050-00	CLIP D10.5 TUBE	CLIP D10.5 TUBE	1	
	95002-50000	95002-50000	CLIP C9 TUBE	CLIP C9 TUBE	1	
	96001	96001-06035-08	BOLT FLANGE 6*35	BOLT FLANGE 6*35	1	

F14

Exhaust Muffler

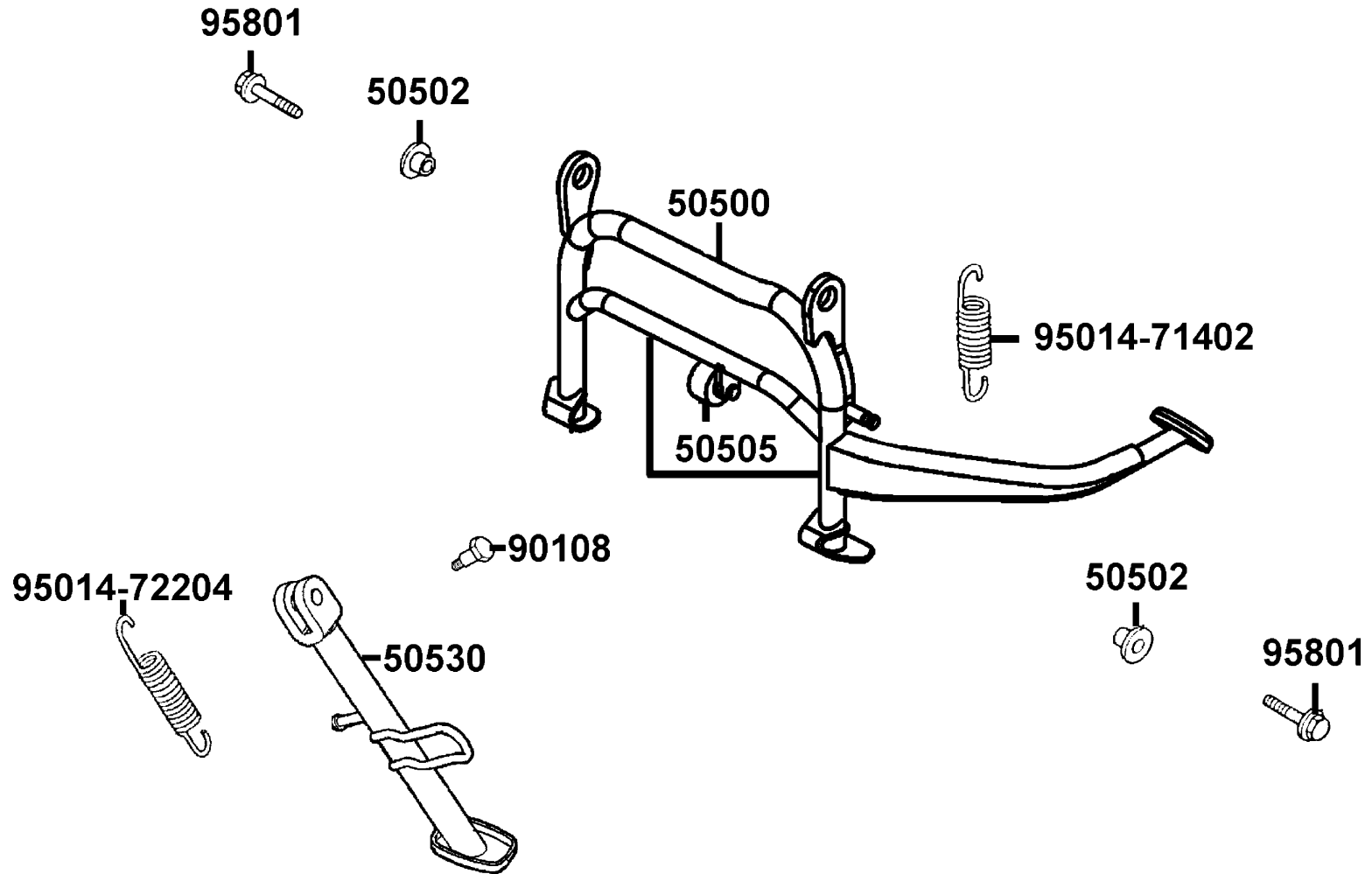


Sales mark	Ref no	Part no	Description	Reg description	Regd no	F14
	11203	11203-GFY6-901	RUBBER BUSH MUFFER STAY	RUBBER BUSH MUFFER STAY	2	
	18291-KEBE	18291-KEBE-900	COLLAR	COLLAR	3	
	18291-LEA5	18291-LEA5-E00	GASKET EXH PIPE	GASKET EXH PIPE	1	
	18292	18292-KEBE-900	PACKING PROTECTOR	PACKING PROTECTOR	3	
	18293	18293-KEBE-900	RUBBER PKG PROTR	RUBBER PKG PROTR	3	
	18294	18294-KEBE-900	PACKING PROTECTOR	PACKING PROTECTOR	9	
**	1830A	1830A-LFB6-E00	MUFFLER ASSY EXH	MUFFLER ASSY EXH	1	
**	18318	18318-LFB5-E00	PROTECTOR,MUFF.	PROTECTOR,MUFF.	1	
	18325	18325-LFB6-E00	PROTECTOR,EXH.PIPE	PROTECTOR,EXH.PIPE	1	
	39450	39450-LEA6-800	O2 SENSOR	O2 SENSOR	1	
	90301	90301-GFY6-901	NUT (HEX) CAP 8MM	NUT (HEX) CAP 8MM	2	
	93404	93404-06012-06	BOLT WASH 6*12	BOLT WASH 6*12	2	
	94101	94101-06700	WASHER PLAIN 6MM	WASHER PLAIN 6MM	1	
	95701-06018	95701-06018-08	BOLT FLANGE 6*18	BOLT FLANGE 6*18	1	
	95701-06022	95701-06022-06	BOLT FLANGE 6*22	BOLT FLANGE 6*22	2	
	95801	95801-08042-06	BOLT FLANGE 8*42	BOLT FLANGE 8*42	3	
	96001	96001-06008-07	BOLT FLANGE SH 6*8	BOLT FLANGE SH 6*8	0	

F15

Stand

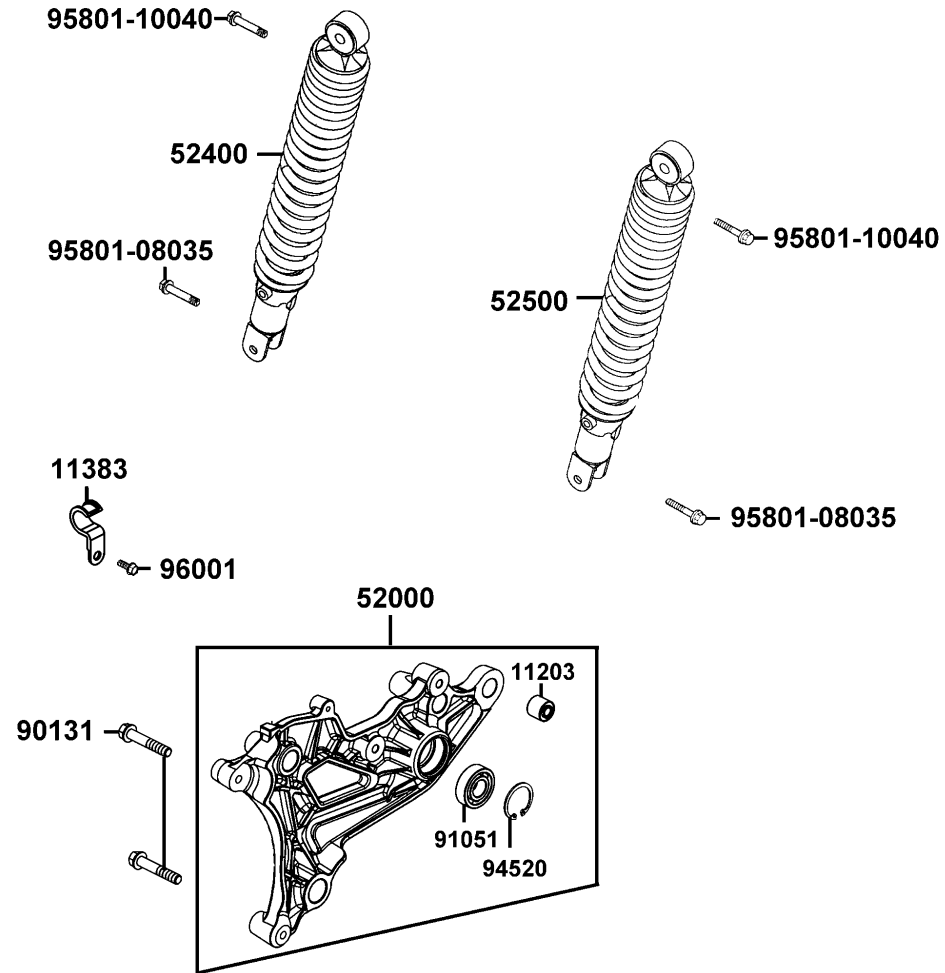
Kick Starter Arm



Sales mark	Ref no	Part no	Description	Reg description	Regd no	F15
	50500	50500-LFB5-900	STAND COMP MAIN	STAND COMP MAIN	1	
	50502	50502-GFY6-901	COLLAR MAIN STAND	COLLAR MAIN STAND	2	
	50505	50505-LAD9-900	RUBBER STOPPER MAIN	RUBBER STOPPER MAIN	0	
	50530	50530-LFB5-900	SIDE STAND COMP	SIDE STAND COMP	1	
	90108	90108-KUDU-900	SCREW SIDE STAND PIVOT	SCREW SIDE STAND PIVOT	1	
	95014-71402	95014-71402	SPRING D MAIN STAND	SPRING D MAIN STAND	1	
	95014-72204	95014-72204	SPG B1 SIDE STAND	SPG B1 SIDE STAND	1	
	95801	95801-10025-08	BOLT FLANGE 10*25	BOLT FLANGE 10*25	2	

F16

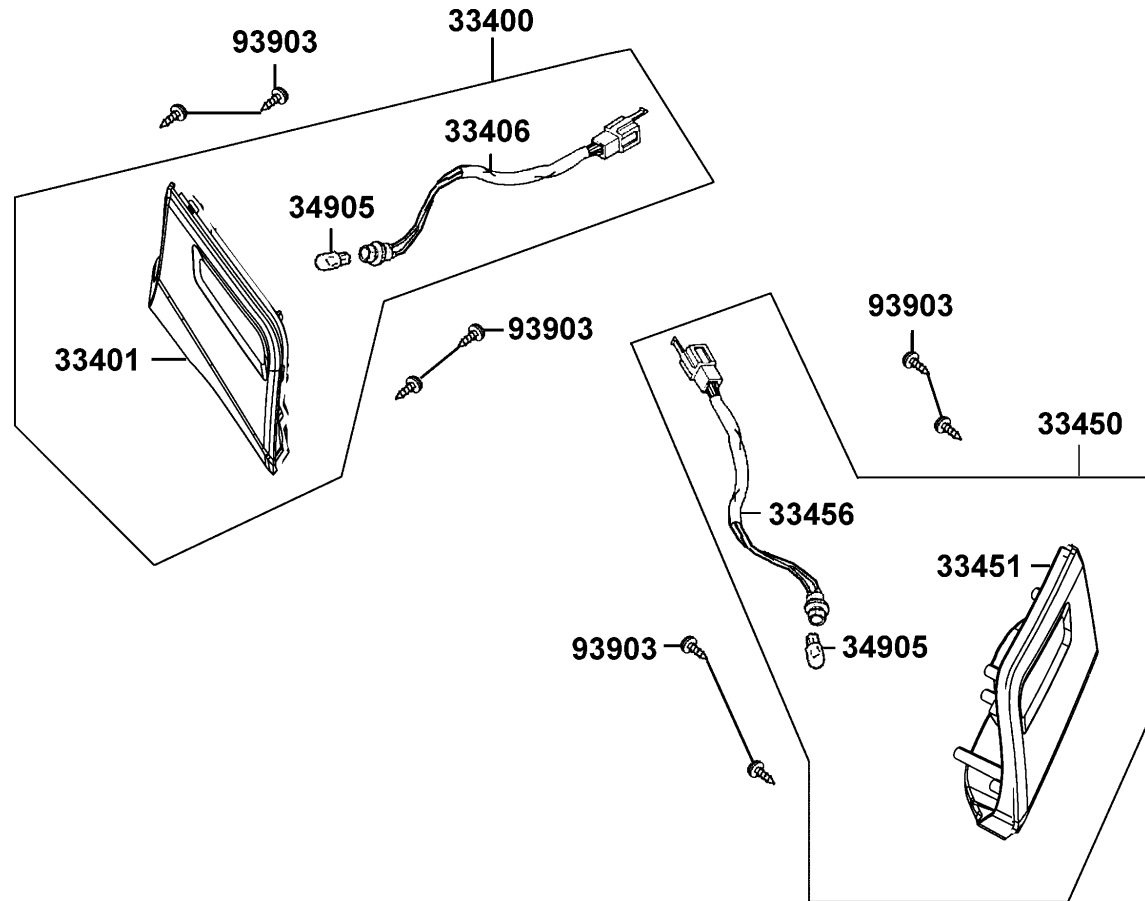
Rear Cushion



Sales mark	Ref no	Part no	Description	Reg description	Regd no	F16
	11203	11203-GGC7-301	UNDER RUBBER BUSH REAR CUSHION	UNDER RUBBER BUSH REAR CUSHION	1	
	11383	11383-KHE7-900	CLAMPER RR BRK HOSE	CLAMPER RR BRK HOSE	1	
**	52000	52000-LFB5-900	FORK ASSY RR	FORK ASSY RR	0	
**	52400	52400-LFB5-900	CUSHION ASSY RR R	CUSHION ASSY RR R	1	
# **	52500	52500-LFB5-900	"CUSHION ASSY ,RR L"	"CUSHION ASSY ,RR L"	1	
	90131	90131-LFB5-900	BOLT FLANGE 8*35	BOLT FLANGE 8*35	2	
	91051	91051-KFBF-901	BRG BALL RAKIAL 6203LLU	BRG BALL RAKIAL 6203LLU	0	
	94520	94520-40000	CIR CLIP IN 40	CIR CLIP IN 40	0	
	95801-08035	95801-08035-06	BOLT FLANGE 8*35	BOLT FLANGE 8*35	2	
	95801-10040	95801-10040-08	BOLT FLANGE 10*40	BOLT FLANGE 10*40	1	
	96001	96001-06012-00	BOLT FLANGE SH 6*12	BOLT FLANGE SH 6*12	0	

F17

Front Winker



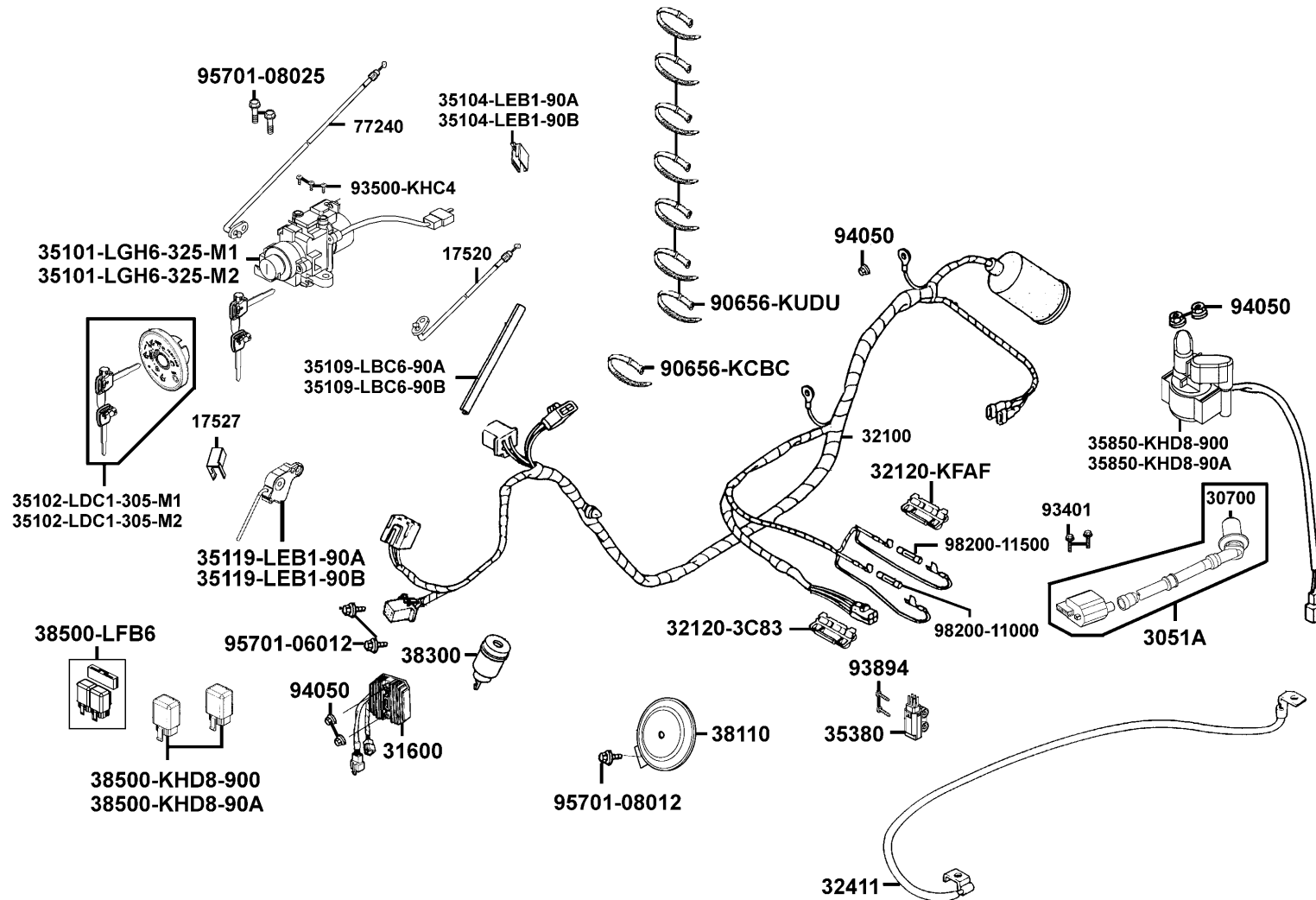
Sales mark	Ref no	Part no	Description	Reg description	Regd no	F17
	33400	33400-LFB5-900	WINKER ASSY RH FR	WINKER ASSY RH FR	1	
	33401	33401-LFB5-900	WINKER COMP R FR	WINKER COMP R FR	1	
	33406	33406-LFB5-900	SOCKET COMP R WINKER	SOCKET COMP R WINKER	1	
	33450	33450-LFB5-900	WINKER ASSY LH FR	WINKER ASSY LH FR	1	
	33451	33451-LFB5-900	WINKER COMP L FR	WINKER COMP L FR	1	
	33456	33456-LFB5-900	SOCKET COMP L WINKER	SOCKET COMP L WINKER	1	
	34905	34905-LBA7-E00	BULB WINKER 12V10W	BULB WINKER 12V10W	2	
	93903	93903-34360	SCREW TAPPING 4*12	SCREW TAPPING 4*12	8	



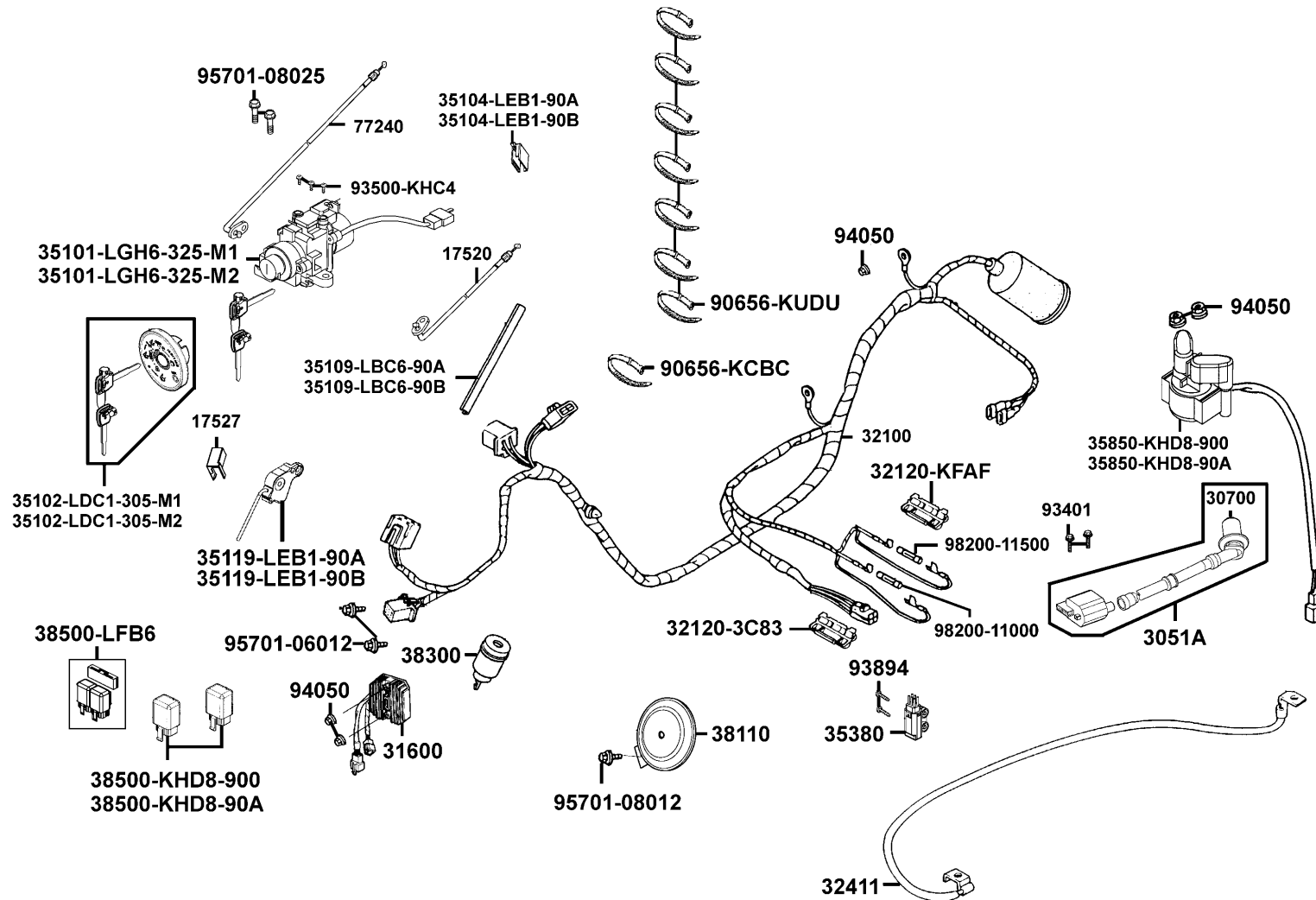
Sales mark	Ref no	Part no	Description	Reg description	Regd no	F18
	32161	32161-LBA7-900	BAND WIRE	BAND WIRE	1	
	33700	33700-LFB5-900	LIGHT SET RR COMB	LIGHT SET RR COMB	1	
	33701	33701-LFB5-900	LIGHT SET RR COMB	LIGHT SET RR COMB	1	
	33706	33706-KHB4-E01	COVER LICENSE	COVER LICENSE	1	
	33709-KBAB	33709-KBAB-003	PACKING LICENSE	PACKING LICENSE	1	
	33709-LFB5	33709-LFB5-900	PCB TAIL LIGHT	PCB TAIL LIGHT	1	
	33717	33717-LFB5-900	SOCKET COMP RR COMB	SOCKET COMP RR COMB	1	
	33720	33720-KHB4-E00	LIGHT ASSY LICENSE	LIGHT ASSY LICENSE	1	
	33722	33722-KHB4-E00	BASE LICENSE	BASE LICENSE	1	
	33725	33725-KHB4-E00	LENS LICENSE	LENS LICENSE	1	
	33726	33726-KHB4-E00	SOCKET COMP	SOCKET COMP	1	
	33741	33741-KEC8-900	REFLEX REFLECTOR	REFLEX REFLECTOR	1	
	34903	34903-KPCP-900	BULB POSITION	BULB POSITION	1	
	34905	34905-LCA5-E00	BULB WINKER 12C5W	BULB WINKER 12C5W	2	
**	80100	80100-LFB5-910	FENDER RR TIRE	FENDER RR TIRE	1	
	80102	80102-LFB5-900	PLATE SPLASH BOARD	PLATE SPLASH BOARD	1	
	80103	80103-LFB5-900	"PLATE A, SPLASH BOARD"	"PLATE A, SPLASH BOARD"	1	
**	80105	80105-LFB5-900	FENDER RR	FENDER RR	1	
**	80107	80107-LFB5-900	FENDER RR INNER	FENDER RR INNER	1	
	90111	90111-LEB1-900	BOLT FLANGE 6MM	BOLT FLANGE 6MM	2	



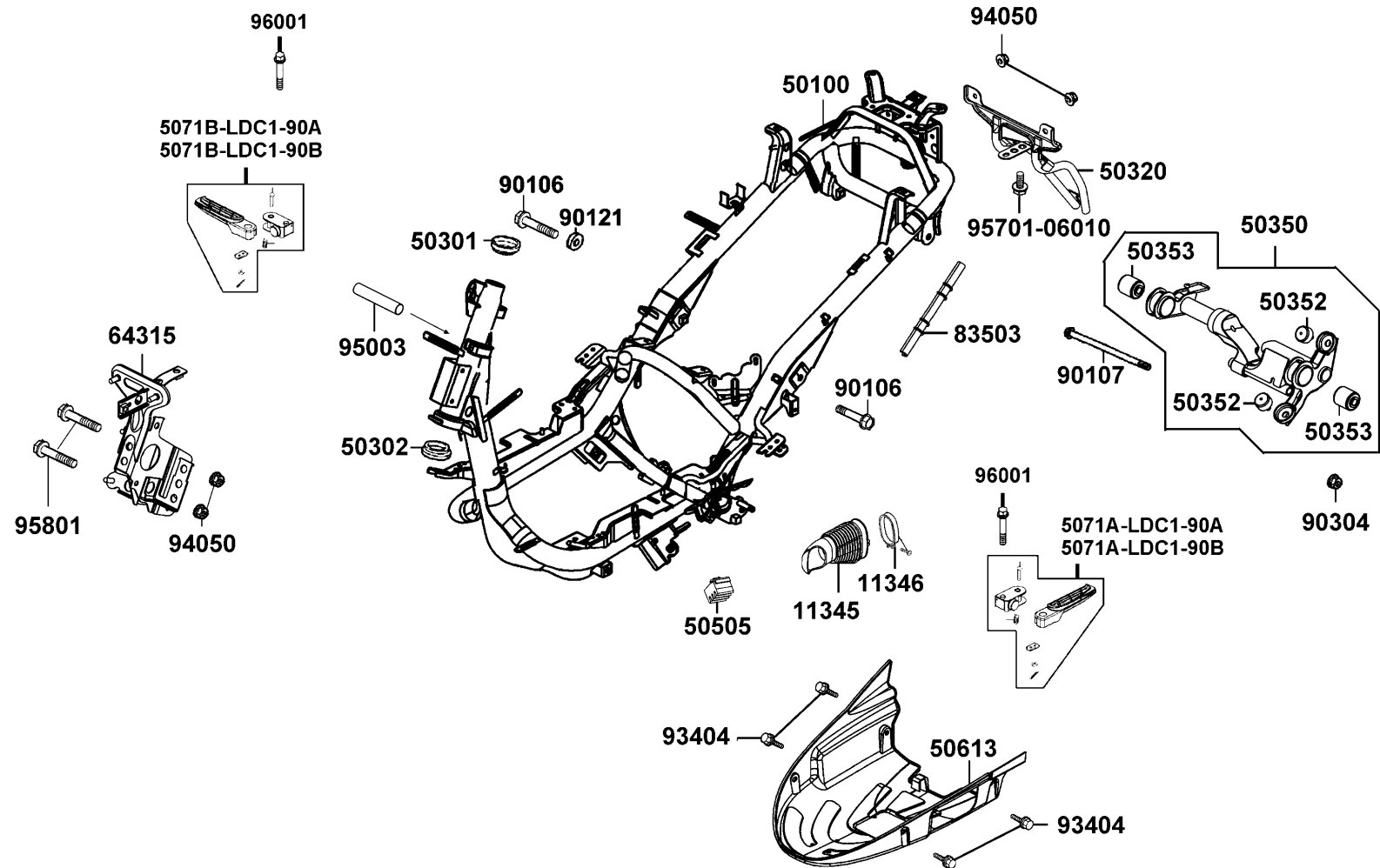
Sales mark	Ref no	Part no	Description	Reg description	Regd no	F18
	90215	90215-GLM0-910	NUT CAP 6MM	NUT CAP 6MM	1	
	90302	90302-LLB1-E00	BOLT-WASHER 5*12	BOLT-WASHER 5*12	1	
	91508	91508-KGV7-67A	SCREW TAPPING 4*14	SCREW TAPPING 4*14	2	
	93404	93404-06012-06	BOLT WASH 6*12	BOLT WASH 6*12	1	
	93903-34260	93903-34260	SCREW TAPPING 4*12	SCREW TAPPING 4*12	3	
	93903-34360	93903-34360	SCREW TAPPING 4*12	SCREW TAPPING 4*12	16	



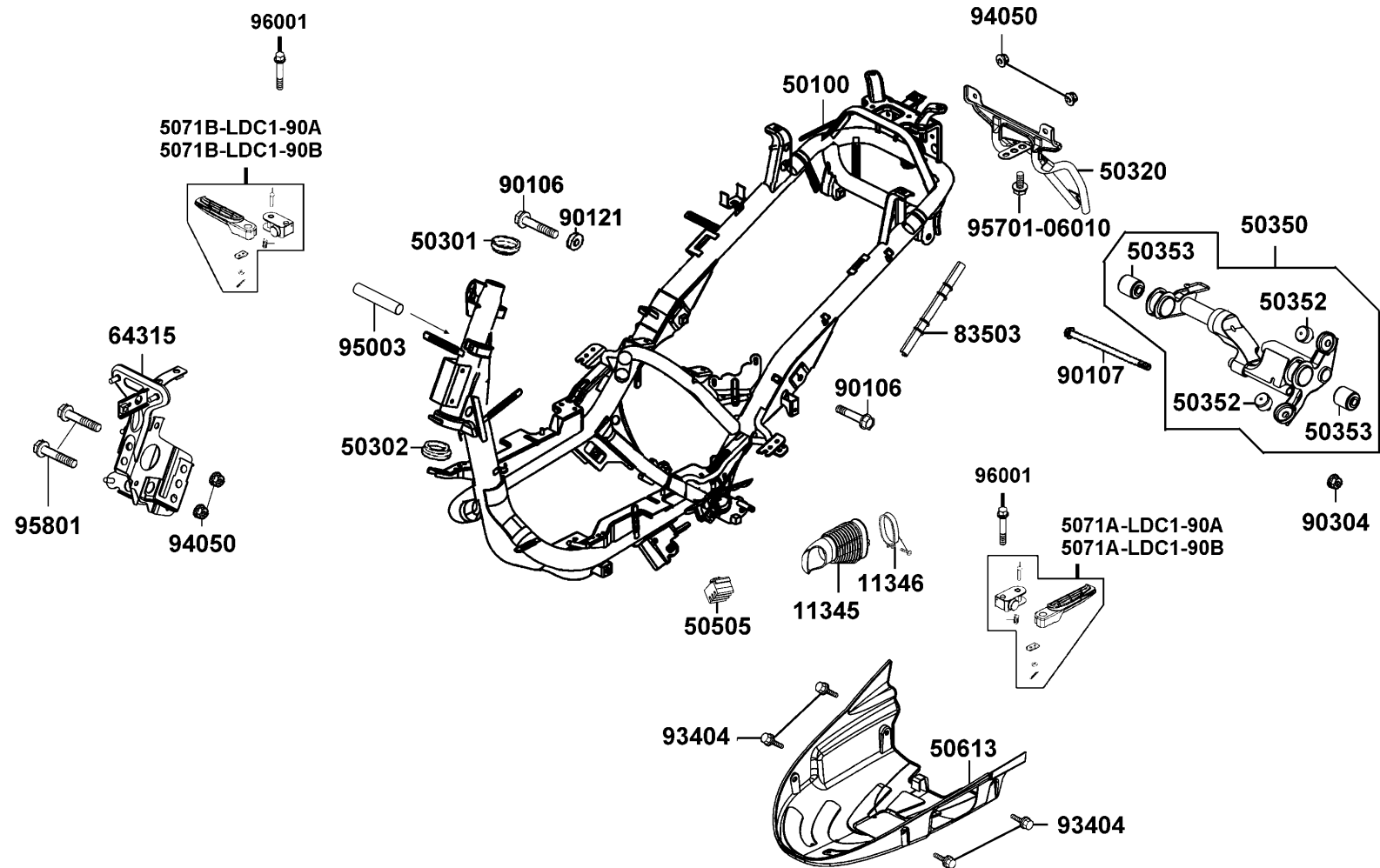
Sales mark	Ref no	Part no	Description	Reg description	Regd no	F19
	17520	17520-LEB1-900	CABLE COMP FUEL CAP	CABLE COMP FUEL CAP	0	
	17527	17527-LBA2-900	SLIDE COVER FUEL CAP	SLIDE COVER FUEL CAP	0	
	3051A	3051A-LGL9-900	COIL ASS'Y IGNITION	COIL ASS'Y IGNITION	1	
	30700	30700-LGL9-900	CAP ASS'Y,NOISE SUPPR	CAP ASS'Y,NOISE SUPPR	0	
	31600	31600-KED9-900	REG REC COMP	REG REC COMP	1	
	32100	32100-LGH6-900	HARNESS WIRE	HARNESS WIRE	1	
	32120-3C83	32120-3C83-831	CASE 10A FUSE	CASE 10A FUSE	1	
	32120-KFAK	32120-KFAF-900	CASE 15A FUSE	CASE 15A FUSE	0	
	32411	32411-LEB1-900	CABLE BAT	CABLE BAT	1	
	35101-LGH6-325-M1	35101-LGH6-325-M1	KEY SET	KEY SET	1	
	35101-LGH6-325-M2	35101-LGH6-325-M2	KEY SET	KEY SET	1	
	35102-LDC1-305-M1	35102-LDC1-305-M1	SHUTIER SET MAGNETIC LOCK	SHUTIER SET MAGNETIC LOCK	1	
	35102-LDC1-305-M2	35102-LDC1-305-M2	SHUTIER SET MAGNETIC LOCK	SHUTIER SET MAGNETIC LOCK	1	
	35104-LEB1-90A	35104-LEB1-90A	PLATE COVER FUEL CAP CABLE	PLATE COVER FUEL CAP CABLE	1	
	35104-LEB1-90B	35104-LEB1-90B	PLATE COVER FUEL CAP CABLE	PLATE COVER FUEL CAP CABLE	1	
	35109-LBC6-90A	35109-LBC6-90A	PROTECTING COVER CABLE	PROTECTING COVER CABLE	1	
	35109-LBC6-90B	35109-LBC6-90B	PROTECTING COVER CABLE	PROTECTING COVER CABLE	1	
	35119-LEB1-90A	35119-LEB1-90A	COVER SEAT CABLE	COVER SEAT CABLE	1	
	35119-LEB1-90B	35119-LEB1-90B	COVER SEAT CABLE	COVER SEAT CABLE	1	
	35380	35380-LDF2-900	SENSOR ANGLE DETECT	SENSOR ANGLE DETECT	1	



Sales mark	Ref no	Part no	Description	Reg description	Regd no	F19
	35850-KHD8-900	35850-KHD8-900	SET START MAG	SET START MAG	1	
	35850-KHD8-90A	35850-KHD8-90A	SET START MAG	SET START MAG	1	
	38110	38110-LEA5-E00	HORN COMP	HORN COMP	1	
	38300	38300-LEA5-E0A	RELAY ASSY WINKER	RELAY ASSY WINKER	1	
	38500-KHD8-900	38500-KHD8-900	RELAY ASSY LIGHT	RELAY ASSY LIGHT	2	
	38500-KHD8-90A	38500-KHD8-90A	RELAY ASSY LIGHT	RELAY ASSY LIGHT	1	
	38500-LFB6	38500-LFB6-90A	RELAY ASS'Y.,LIGHT	RELAY ASS'Y.,LIGHT	1	
	77240	77240-LFB5-900	CABLE SEAT LOCK	CABLE SEAT LOCK	0	
	90656-KCBC	90656-KCBC-900	BAND OIL HOSE	BAND OIL HOSE	1	
**	90656-KUDU	90656-KUDU-900	BAND HARNESS WIRE	BAND HARNESS WIRE	7	
	93401	93401-04025-08	BOLT WASHER 4*25	BOLT WASHER 4*25	2	
	93500	93500-KHC4-90A	SCREW PAN 5*10	SCREW PAN 5*10	1	
	93894	93894-04022-08	SCREW PLAIN WASHER 4*22	SCREW PLAIN WASHER 4*22	2	
	94050	94050-06080	NUT FLANGE 6MM	NUT FLANGE 6MM	5	
	95701-06012	95701-06012-08	BOLT FLANGE 6*12	BOLT FLANGE 6*12	1	
	95701-08012	95701-08012-08	BOLT FLANGE 8*12	BOLT FLANGE 8*12	1	
	95701-08025	95701-08025-08	BOLT FLANGE 8*25	BOLT FLANGE 8*25	2	
	98200-11000	98200-11000	FUSE 10A	FUSE 10A	1	
	98200-11500	98200-11500	FUSE A15	FUSE A15	1	



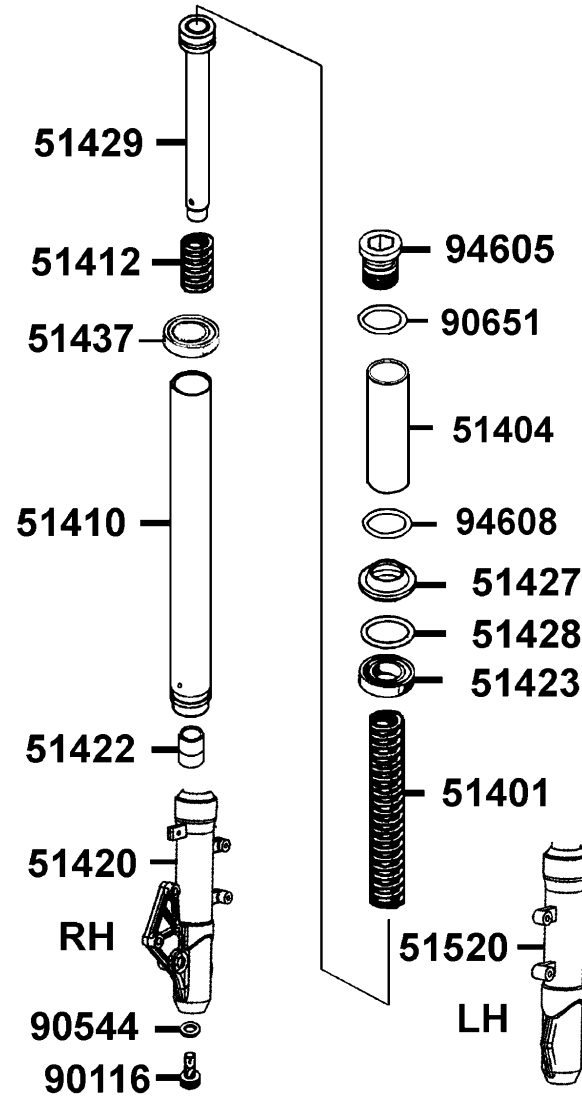
Sales mark	Ref no	Part no	Description	Reg description	Regd no	F20
	11345	11345-LFB5-900	DUCT L COVER	DUCT L COVER	1	
	11346	11346-GFY6-901	BAND L COVER DUCT	BAND L COVER DUCT	1	
	50100	50100-LGH6-800	BODY COMP.,FRAME	BODY COMP.,FRAME	1	
	50301	50301-KGN7-671	RACE UP STRG BALL	RACE UP STRG BALL	1	
	50302	50302-2H68-011	RACE STRG BOT BALL	RACE STRG BOT BALL	1	
	50320	50320-LFB5-900	STAY RR FENDER	STAY RR FENDER	1	
	50350	50350-LFB5-900	ENG HANGER ASSY	ENG HANGER ASSY	1	
	50352	50352-GFY6-901	RUBBER STOPPER	RUBBER STOPPER	2	
	50353	50353-LEB1-900	BUSH SWING LOCK	BUSH SWING LOCK	2	
	50505	50505-KEBE-900	STOPPER RUBBER	STOPPER RUBBER	1	
**	50613	50613-LFB5-900	COVER UNDER	COVER UNDER	1	
	5071A-LDC1-90A	5071A-LDC1-91A	BAR STEP R ASSY	BAR STEP R ASSY	1	
	5071A-LDC1-90B	5071A-LDC1-91B	BAR STEP R ASSY	BAR STEP R ASSY	1	
	5071B-LDC1-90A	5071B-LDC1-91A	BAR STEP L ASSY	BAR STEP L ASSY	1	
	5071B-LDC1-90B	5071B-LDC1-91B	BAR STEP L ASSY	BAR STEP L ASSY	1	
	64315	64315-LFB6-900	STAY COMP.,FR. COVER	STAY COMP.,FR. COVER	1	
	83503	83503-KHD6-900	COVER PROTECTOR SEAT WIRE	COVER PROTECTOR SEAT WIRE	1	
	90106	90106-GFY6-901	BOLT FLANGE 10*55	BOLT FLANGE 10*55	2	
	90107	90107-KUDU-900	BOLT FLANGE 10*188	BOLT FLANGE 10*188	1	
	90121	90121-GFY6-901	COLLAR DISTANCE	COLLAR DISTANCE	1	



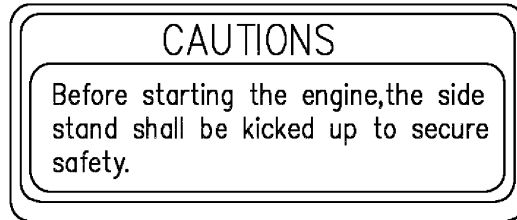
Sales mark	Ref no	Part no	Description	Reg description	Regd no	F20
	90304	90304-GHE8-004	NUT U 10MM	NUT U 10MM	1	
	93404	93404-06016-06	BOLT WASHER 6*16	BOLT WASHER 6*16	4	
	94050	94050-06080	NUT FLANGE 6MM	NUT FLANGE 6MM	4	
	95003	95003-LEB1-900	"TUBE, CLAMP"	"TUBE, CLAMP"	1	
	95701-06010	95701-06010-08	BOLT FLANGE 6*10	BOLT FLANGE 6*10	1	
	95801	95801-06050-08	BOLT FLANGE 6*50	BOLT FLANGE 6*50	2	
	96001	96001-06032-06	BOLT FLANGE 6*32	BOLT FLANGE 6*32	2	

F21

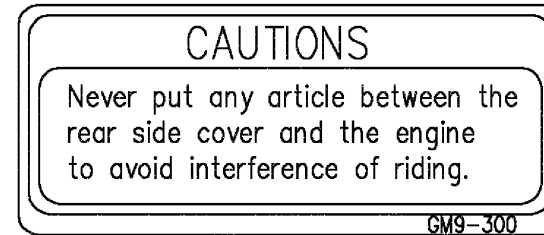
Separated Parts Of Fr Fork



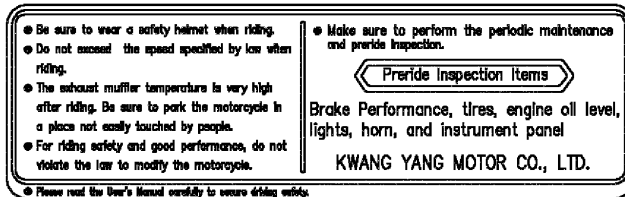
Sales mark	Ref no	Part no	Description	Reg description	Regd no	F21
	51401	51401-LFB5-900	SPRING FR CUSHION	SPRING FR CUSHION	1	
	51404	51404-LFB6-E00	SPRING COLLAR	SPRING COLLAR	2	
	51410	51410-LFB5-900	FORK PIPE COMP	FORK PIPE COMP	1	
	51412	51412-KHD8-900	REBOUND SPRING	REBOUND SPRING	1	
**	51420	51420-LFB5-900	BOTTOM CASE R	BOTTOM CASE R	1	
	51422	51422-LFB5-900	OIL LOCK PIECE	OIL LOCK PIECE	1	
	51423	51423-KKAK-900	OIL SEAL	OIL SEAL	1	
	51427	51427-KKAK-900	DUST SEAL	DUST SEAL	1	
	51428	51428-KKAK-900	OIL SEAL STOPPER RING	OIL SEAL STOPPER RING	1	
	51429	51429-LFB6-E00	PIPE SEAT COMP	PIPE SEAT COMP	2	
	51437	51437-LFB6-E00	PISTON RING	PISTON RING	2	
**	51520	51520-LFB5-900	BOTTOM CASE L	BOTTOM CASE L	1	
	90116	90116-KHD8-900	BOLT	BOLT	1	
	90544	90544-KEC8-900	PACKING	PACKING	1	
	90651	90651-LFB6-E00	STOPPER RING	STOPPER RING	2	
	94605	94605-LFB5-900	FORK BOLT	FORK BOLT	1	
	94608	94608-LFB6-E00	O-RING	O-RING	2	



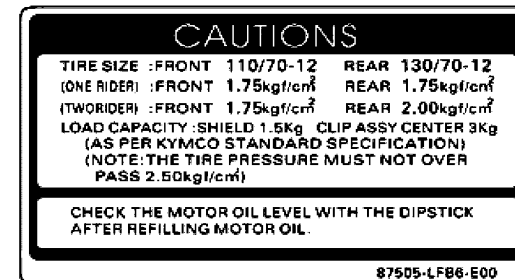
87541



87542

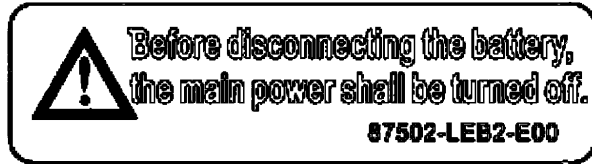


87560



87505

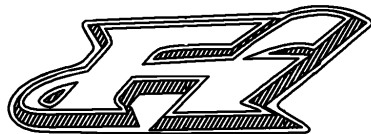
Sales mark	Ref no	Part no	Description	Reg description	Regd no	F22
**	87505	87505-LFB6-E00	LABEL TIRE	LABEL TIRE	1	
**	87541	87541-GAR1-E00	CAUTION SIDE STAND	CAUTION SIDE STAND	1	
**	87542	87542-GAR1-E00	MARK MAINT CAUTION	MARK MAINT CAUTION	1	
**	87560	87560-GFY6-E00	MARK DRIVE CAUTION	MARK DRIVE CAUTION	1	



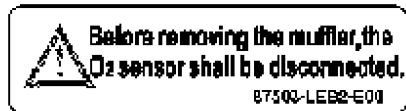
87502



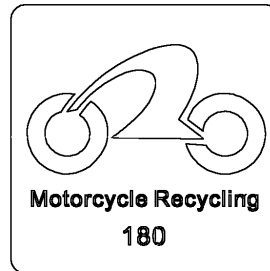
86408



87311-LEA1-900



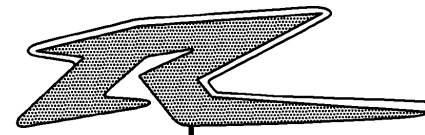
87503



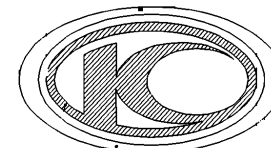
87311-LAD9-B20



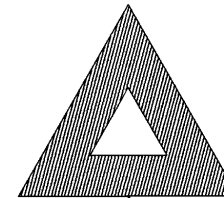
86202



86212



86102



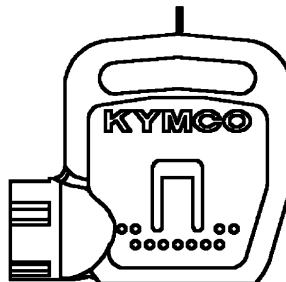
86409

Sales mark	Ref no	Part no	Description	Reg description	Regd no	F23
**	86102	86102-KKC4-900	EMB K-LOGO 28.5MM	EMB K-LOGO 28.5MM	1	
**	86202	86202-LFB6-900	EMB BODY COVER	EMB BODY COVER	2	
**	86212	86212-LFB6-900	EMB B BODY COVER	EMB B BODY COVER	2	
**	86408	86408-KKC8-B20	STRIPE FR FENDER	STRIPE FR FENDER	1	
**	86409	86409-LBE8-B20	STRIPE RR FENDER	STRIPE RR FENDER	1	
**	87311-LAD9	87311-LAD9-B20	STRIPE R MARK	STRIPE R MARK	1	
**	87311-LEA1	87311-LEA1-900	STRIPE MARK Fi	STRIPE MARK Fi	2	
**	87502	87502-LEB2-E00	CAUTION BATTERY	CAUTION BATTERY	1	
**	87503	87503-LEB2-E00	CAUTION MUFFLER	CAUTION MUFFLER	1	

**35111-LDC1-305-M1**



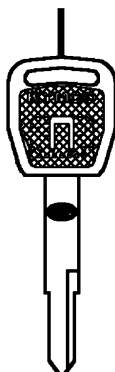
**35111-LDC1-307-M1**



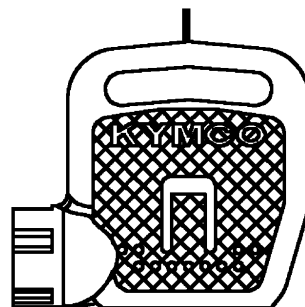
**35111-LDC1-306-M2**



**35111-LDC1-305-M2**



**35111-LDC1-307-M2**



**35111-LDC1-306-M1**



Sales mark	Ref no	Part no	Description	Reg description	Regd no	F24
	35111-LDC1-305-M1	35111-LDC1-305-M1	KEY COMP (R TANGENT PLANE/SD)	KEY COMP (R TANGENT PLANE/SD)	1	
	35111-LDC1-305-M2	35111-LDC1-305-M2	KEY COMP (R TANGENT PLANE/TJ)	KEY COMP (R TANGENT PLANE/TJ)	1	
	35111-LDC1-306-M1	35111-LDC1-306-M1	KEY COMP (L TANGENT PLANE/SD)	KEY COMP (L TANGENT PLANE/SD)	1	
	35111-LDC1-306-M2	35111-LDC1-306-M2	KEY COMP (L TANGENT PLANE/TJ)	KEY COMP (L TANGENT PLANE/TJ)	1	
	35111-LDC1-307-M1	35111-LDC1-307-M1	KEY COMP SHOTTER MAGNETIC (SD)	KEY COMP SHOTTER MAGNETIC (SD)	1	
	35111-LDC1-307-M2	35111-LDC1-307-M2	KEY COMP SHOTTER MAGNETIC (TJ)	KEY COMP SHOTTER MAGNETIC (TJ)	1	

## PART NO. INDEX

PART NO.	VERSION	PAGE	PART NO.	VERSION	PAGE	PART NO.	VERSION	PAGE
<b>11000</b>			<b>12000</b>			14321-LEB1-900	3	E02
11100-LEB1-306	1	E01	12100-LFE2-900	4	E03	14401-LFE2-900	2	E03
11102-1G87-004	3	E01	12191-LFE2-900	1	E03	14420-LFE2-900	1	E02
11192-LEB1-900	5	E01	12200-LFE2-E00	0	E02	14430-LFE2-900	1	E02
11200-LFB5-306	0	E01	12209-GDB4-68A	0	E02	14433-LEB1-900	1	E02
11203-GFY6-901	0	F14	12209-KHD6-900	0	E02	14434-LEB1-900	1	E02
11203-GGC7-301	2	E01	12216-LEB1-900	2	E02	14452-LEB1-900	4	E02
11203-GGC7-301	2	F16	12217-LEB1-900	1	E02	14453-LEB1-910	1	E02
11206-LFB5-900	2	E06	12251-LFE2-900	5	E02	14510-LEB1-900	2	E03
11207-LFB5-900	2	E04	12310-LFB5-900	2	E02	14520-GFY6-90A	1	E03
11211-LFB5-900	2	F13	12361-GFY6-901	1	E04	14523-KED9-900	0	E03
1122A-LFB5-900	2	E01	12391-LFE2-900	3	E02	14531-GLR0-001	1	E03
11330-LEB1-900	9	E04				14610-LEB1-900	1	E03
11340-LFB5-910	1	E01	<b>13000</b>			14711-LFE2-900	1	E02
11342-LFB5-900	4	E01				14721-LGL9-900	2	E02
11344-LGH6-900	0	E01	13000-LFB5-900	3	E03	14751-KHD6-900	1	E02
11345-LFB5-900	2	F20	13011-LFE2-90B	2	E03	14771-KHD6-900	0	E02
11346-GFY6-901	0	F20	13101-LFE2-900	7	E03	14781-MFA6-001	0	E02
11353-LEA6-900	1	E01	13111-KKJ9-001	3	E03	<b>15000</b>		
11383-KHE7-900	0	F16				15100-KFB7-900	0	E06
11383-LFB5-900	1	E01	<b>14000</b>			15133-GFY6-901	0	E06
11394-LEB1-900	4	E04				15141-GFY6-90B	0	E06
11395-LFB5-900	3	E01	14100-LFE2-900	4	E02	15141-GFY6-90C	1	E06
			14110-LEB1-900	3	E02	15421-1G07-001	1	E04

## PART NO. INDEX

PART NO.	VERSION	PAGE	PART NO.	VERSION	PAGE	PART NO.	VERSION	PAGE
15426-GAE1-921	0	E04	17212-LDA6-900	0	F13			
1565A-KUDU-900	0	E04	17213-LBD6-E00	1	F13	<b>18000</b>		
15711-GFY6-901	0	E06	1723A-LGH6-E00	1	F13			
<b>16000</b>			1723B-LGH6-900	0	F13	18291-KEBE-900	0	F14
			17369-KHC4-900	0	F10	18291-KKC4-900	0	E01
			1737A-KUDU-900	0	F13	18291-LEA5-E00	1	F14
16056-LEB2-900	2	E09	17500-LGH6-900	2	F10	18292-KEBE-900	0	F14
16068-LEB2-900	3	E09	17502-LEB1-900	2	F10	18293-KEBE-900	0	F14
16074-KEC3-900	4	E09	17504-LAB4-900	2	F10	18293-KKC4-900	0	E01
16100-LFB6-B20	1	E09	17507-LAB4-900	2	F10	18294-KEBE-900	0	F14
16110-KKE3-900	2	E09	17513-LAD9-900	1	F10	1830A-LFB6-E00	0	F14
16112-KKE3-900	1	E09	17515-LAD9-900	1	F10	18318-LFB5-E00	0	F14
16118-KEC3-900	0	E09	17520-LEB1-900	0	F19	18325-LFB6-E00	1	F14
16122-KEC3-900	0	E09	17527-LBA2-900	0	F19			
16133-KEC3-900	1	E09	17550-LGH6-900	2	F10	<b>19000</b>		
16134-KKE3-900	5	E09	17553-LGH6-900	0	F10			
16138-KEC3-900	1	E09	1756A-LGH6-900	0	F10	19411-KBCB-900	0	F10
16154-KKE3-900	4	E09	17620-LLJ3-E0A	3	F10	19504-LBA2-E00	3	F10
16170-KEC3-900	0	E09	17620-LLJ3-E0B	3	F10	19510-LEB1-900	1	E07
16201-LFE2-900	2	E02	17623-KKE5-E1A	0	F10	19613-GFY6-901	0	E07
16211-LFE2-900	2	E02	17623-KKE5-E1B	0	F10	1961A-LGH6-E00	1	E07
<b>17000</b>			17689-LAD9-B20	0	F10	19625-LFE2-900	1	E07
			17910-LGH6-900	0	F03	19626-LEB1-900	1	E07
						1962A-LFE2-900	3	E07
1711A-LFB6-810	1	E02				19633-GFY6-901	0	E07
17211-LFB5-900	0	F13				19635-LFE2-900	2	E07

## PART NO. INDEX

PART NO.	VERSION	PAGE	PART NO.	VERSION	PAGE	PART NO.	VERSION	PAGE
19636-LEB1-900	1	E07				28211-KFC8-900	0	E05
1963A-LFB6-900	2	E07	<b>23000</b>					
<b>21000</b>						<b>30000</b>		
			2301A-LFB6-910	2	E05			
			23100-LFB6-900	0	E05	3051A-LGL9-900	3	F19
21301-LFB5-305	1	E08	23200-LFE2-900	1	E05	30700-LGL9-900	3	F19
21395-LFB5-900	4	E08	23220-GFY6-921	1	E05			
			23225-GHC8-004	0	E05	<b>31000</b>		
<b>22000</b>			23226-GHC8-004	0	E05			
			23233-LFB6-910	1	E05	31110-LGH6-90A	1	E07
22101-KEBE-900	1	E05	23237-GFY6-941	0	E05	31110-LGH6-90B	1	E07
22102-LEB1-900	2	E05	23238-LEB1-910	0	E05	31120-LGH6-90A	1	E07
22105-LFE2-900	1	E05	23411-LFB5-900	2	E08	31120-LGH6-90B	1	E07
22110-LEB1-800	7	E05	23420-LGH5-900	1	E08	31210-LFB5-90A	0	E06
22111-LEB1-800	5	E05	23431-LFB5-910	0	E08	31210-LFB5-90B	0	E06
22112-GFY6-90A	0	E05	23432-LGH5-910	0	E08	31210-LFB5-90C	2	E06
22121-GFY6-92A	2	E05				31500-KFAF-90A	4	F11
22130-LEB1-800	5	E05	<b>28000</b>			31500-KFAF-90B	6	F11
22300-LFB6-910	2	E05				31600-KED9-900	4	F19
22350-KGN7-671	0	E05	28101-GFY6-200	2	E06			
22361-KGN7-671	1	E05	28102-GFY6-901	0	E06	<b>32000</b>		
22401-GFY6-94A	0	E05	28110-LEB1-900	3	E06			
22530-LFB6-910	0	E05	28120-GFY6-315	6	E06	32100-LGH6-900	3	F19
22804-GBB2-001	0	E05	28125-4F26-001	0	E06	32101-GFY6-901	1	F04
			28125-GFY6-960	3	E06	32106-KKE3-900	2	E06
			28126-KUDU-900	1	E06	32120-3C83-831	0	F19

## PART NO. INDEX

PART NO.	VERSION	PAGE	PART NO.	VERSION	PAGE	PART NO.	VERSION	PAGE
32120-KFAF-900	0	F19	33725-KHB4-E00	0	F18	35111-LDC1-306-M2	0	F24
32161-LBA7-900	0	F18	33726-KHB4-E00	0	F18	35111-LDC1-307-M1	0	F24
32410-LEB1-900	1	E06	33741-GFY6-C30	1	F05	35111-LDC1-307-M2	0	F24
32411-LEB1-900	4	F19	33741-KEC8-900	0	F18	35119-LEB1-90A	0	F19
32412-LEB1-900	4	E04				35119-LEB1-90B	0	F19
32961-LEB1-900	2	E04	<b>34000</b>			35130-KXCX-M00	0	F03
<b>33000</b>			34901-KFA6-900	0	F01	35160-GFY6-900	2	F03
			34903-KPCP-900	0	F01	35170-KNBN-910	1	F03
33107-KKC4-E00	0	F01	34903-KPCP-900	0	F18	35180-GFY6-900	2	F03
33120-LGH6-900	0	F01	34905-LBA7-E00	0	F17	35200-GFY6-910	1	F03
33130-LFB5-900	0	F01	34905-LCA5-E00	0	F18	35340-KNBN-901	0	F04
33400-LFB5-900	1	F17				35350-KNBN-901	0	F04
33401-LFB5-900	0	F17	<b>35000</b>			35380-LDF2-900	2	F19
33406-LFB5-900	0	F17				35850-KHD8-900	1	F19
33450-LFB5-900	1	F17	35101-LGH6-325-M1	0	F19	35850-KHD8-90A	0	F19
33451-LFB5-900	0	F17	35101-LGH6-325-M2	0	F19	<b>37000</b>		
33456-LFB5-900	0	F17	35102-LDC1-305-M1	0	F19			
33700-LFB5-900	3	F18	35102-LDC1-305-M2	0	F19	37200-LGH6-B20	0	F02
33701-LFB5-900	0	F18	35104-LEB1-90A	0	F19	37215-LEA2-900	0	F05
33706-KHB4-E01	0	F18	35104-LEB1-90B	0	F19	37215-LGM9-900	0	F05
33709-KBAB-003	0	F18	35109-LBC6-90A	1	F19	37230-LFB5-90B	0	F02
33709-LFB5-900	0	F18	35109-LBC6-90B	1	F19	37801-LAB4-910	1	F10
33717-LFB5-900	0	F18	35111-LDC1-305-M1	0	F24	3780A-LFB5-900	0	F10
33720-KHB4-E00	3	F18	35111-LDC1-305-M2	0	F24			
33722-KHB4-E00	0	F18	35111-LDC1-306-M1	0	F24			

## PART NO. INDEX

PART NO.	VERSION	PAGE	PART NO.	VERSION	PAGE	PART NO.	VERSION	PAGE
			42312-KHB4-900	0	F08	44650-LFE2-305	4	F07
			42601-LFB5-900	2	F08	44710-LFB6-E0A	1	F07
			42710-LFB6-E0A	1	F08	44800-KFA5-900	1	F07
38110-LEA5-E00	1	F19	42753-0D04-900	1	F07	44830-KXCX-901	4	F02
38300-LEA5-E0A	1	F19	42753-KNBN-90B	1	F08			
38500-KHD8-900	0	F19				<b>45000</b>		
38500-KHD8-90A	0	F19	<b>43000</b>			45105-LFB5-900	0	F08
38500-LFB6-90A	0	F19				45107-LFB5-900	0	F07
			43100-LFB5-900	1	F08	45107-LFB5-900	0	F08
			43105-LFB5-305	0	F07	45108-LDH1-E00	0	F08
<b>39000</b>			43126-LFB5-900	4	F04	45109-GBE2-007	0	F07
39300-LEB2-800	1	E02	43156-LFB5-900	1	F04	45109-GBE2-007	0	F08
39301-LGL9-900	1	E02	43210-LFB5-305	0	F08	45126-LFB5-900	1	F04
39302-KKE3-900	2	E02	43351-LFB5-900	2	F08	45128-LFB5-900	1	F06
39303-LEB2-900	2	E02	43352-KKD6-E90	1	F07	45131-LDH1-E00	0	F07
39400-KKE3-800	2	E02	43352-KKD6-E90	1	F08	45131-LDH1-E00	0	F08
39450-LEA6-800	2	F14	43353-4A61-77A	0	F07	45132-LDH1-E00	0	F07
			43353-4A61-77A	0	F08	45132-LDH1-E00	0	F08
<b>40000</b>			43530-LFB5-305	0	F04	45156-KEC6-900	2	F06
						45200-LFB5-900	1	F07
40511-LEC8-E00	1	F05	<b>44000</b>			45209-GBE2-007	0	F07
40511-LFB5-900	0	F01				45209-GBE2-007	0	F08
			44301-LFE2-900	1	F07	45210-LFB5-305	0	F07
			44311-KEBE-900	0	F07	45351-LFB6-900	0	F07
			44620-KHD8-900	1	F07	45513-GLW0-91A	0	F04
42311-LFB5-900	0	F08	44650-LFE2-305	0	F07			

## PART NO. INDEX

PART NO.	VERSION	PAGE	PART NO.	VERSION	PAGE	PART NO.	VERSION	PAGE
45513-LFB5-900	0	F04	50613-LFB5-900	3	F20			
45517-KFAF-910	0	F04	5071A-LDC1-91A	1	F20	<b>52000</b>		
45520-GLW0-91A	0	F04	5071A-LDC1-91B	1	F20			
45530-LFB5-305	0	F04	5071B-LDC1-91A	1	F20	52000-LFB5-900	1	F16
45531-GAR1-951	0	F07	5071B-LDC1-91B	1	F20	52400-LFB5-900	3	F16
45531-GAR1-951	0	F08				52500-LFB5-900	2	F16
<b>50000</b>			<b>51000</b>			<b>53000</b>		
			51401-LFB5-900	0	F21			
50100-LGH6-800	1	F20	51404-LFB6-E00	0	F21	53100-LGH6-900	1	F03
50179-LEB2-900	2	F10	5140A-LFB6-E00	3	F06	53102-KEC8-900	0	F03
50301-KGN7-671	2	F20	51410-LFB5-900	0	F21	53105-LBB5-E00	2	F03
50302-2H68-011	2	F20	51412-KHD8-900	0	F21	53125-GEN5-901	0	F03
50306-1F96-001	0	F06	51420-LFB5-900	0	F21	53140-LFB6-800	3	F03
50320-LFB5-900	1	F20	51422-LFB5-900	0	F21	53150-LEA6-900	3	F03
50328-LBB8-900	1	F11	51423-KKAK-900	0	F21	53167-KFA1-900	0	F03
50329-LEB1-900	2	F11	51427-KKAK-900	0	F21	53168-KFA1-900	1	F03
5032A-LEB1-900	2	F11	51428-KKAK-900	0	F21	53175-KFA5-E10	0	F04
50350-LFB5-900	3	F20	51429-LFB6-E00	0	F21	53178-KFC8-E10	0	F04
50352-GFY6-901	0	F20	51430-LDH1-E00	0	F07	53200-LFB5-900	3	F06
50353-LEB1-900	1	F20	51430-LDH1-E00	0	F08	53205-LFB5-900	1	F03
50500-LFB5-900	7	F15	51437-LFB6-E00	0	F21	53206-LFB5-900	0	F03
50502-GFY6-901	3	F15	5150A-LFB6-E00	3	F06	53207-KKD9-B00	3	F03
50505-KEBE-900	0	F20	51520-LFB5-900	0	F21	53208-LFB5-900	0	F03
50505-LAD9-900	3	F15				53211-GFY6-940	1	F06
50530-LFB5-900	2	F15				53212-2L50-011	1	F06

## PART NO. INDEX

PART NO.	VERSION	PAGE	PART NO.	VERSION	PAGE	PART NO.	VERSION	PAGE
53214-2L50-001	0	F06						
53215-2L50-001	0	F06	<b>70000</b>			<b>81000</b>		
<b>61000</b>			70529-6G57-671	0	E01	81131-LFB5-910	0	F05
			70529-6G57-671	0	E07	81132-LFB5-900	0	F05
61100-LFB5-900	1	F05				81134-LGH6-B20	1	F05
61101-LFB5-900	0	F05	<b>77000</b>			81141-LFB5-900	0	F05
61102-LFB5-900	0	F05				81142-KUDU-900	1	F05
61103-LFB5-900	3	F05	77200-LFB6-E00	1	F09	81142-LFB6-800	1	F05
6110B-LFB5-900	4	F05	77206-KEB7-900	0	F09	81153-LFB6-900	0	F05
			77235-KGC4-E0A	2	F12	81200-LFB5-900	2	F12
<b>64000</b>			77235-KGC4-E0B	2	F12	81255-LGL9-900	1	F12
			77240-LFB5-900	0	F19	81260-LEB2-900	2	F12
64302-LFB5-900	3	F05	77300-LBE3-900	0	F09			
64303-LFB5-900	0	F05	77303-KKC4-800	1	F09	<b>83000</b>		
64304-LFB5-900	0	F05						
64305-LFB6-800	2	F05	<b>80000</b>			83500-LFB5-900	2	F12
64306-LFB6-800	2	F05				83503-KHD6-900	2	F20
64307-LFB5-900	0	F05	80100-LFB5-910	0	F18	83520-LFB5-900	0	F12
64307-LFB5-900	1	F05	80102-LFB5-900	2	F18	83600-LFB5-900	2	F12
6430A-LFB6-800	1	F05	80103-LFB5-900	0	F18	83620-LFB5-900	0	F12
64310-LFB5-900	0	F05	80105-LFB5-900	4	F18	8376A-KECE-901	2	F12
64315-LFB6-900	1	F20	80107-LFB5-900	1	F18			
64316-KHD6-900	0	F05	80151-LFB5-900	2	F12	<b>86000</b>		
64316-KHE2-900	0	F05						
64400-LFB5-900	1	F05				86102-KKC4-900	1	F23

## PART NO. INDEX

PART NO.	VERSION	PAGE	PART NO.	VERSION	PAGE	PART NO.	VERSION	PAGE
86202-LFB6-900	0	F23				90116-KED9-900	2	F05
86212-LFB6-900	0	F23	<b>90000</b>			90116-KHD8-900	0	F21
86408-KKC8-B20	2	F23				90121-GFY6-901	1	F20
86409-LBE8-B20	1	F23	90001-GBHB-661	0	E03	90131-LEA5-E00	1	F08
			90001-GFY6-901	1	E02	90131-LEB1-900	1	F07
<b>87000</b>			90005-KAW1-901	1	E03	90131-LFB5-900	0	F16
			9000A-KKJ9-001	0	E01	90145-MKS9-61A	1	F04
87311-LAD9-B20	1	F23	9000A-KTDT-900	1	E01	90164-MDR4-901	0	F05
87311-LEA1-900	1	F23	9000B-KHD6-900	2	E02	90201-GFY6-901	0	E06
87502-LEB2-E00	1	F23	90012-3C33-001	0	E02	90202-1G87-001	0	E05
87503-LEB2-E00	0	F23	90031-KHD6-900	2	E01	90206-0A01-001	1	E02
87505-LFB6-E00	1	F22	90031-LFE2-900	2	E01	90215-GLM0-910	1	F18
87541-GAR1-E00	1	F22	90033-GFY6-900	0	E02	90301-6D34-671	1	F01
87541-KUDU-E00	0	E07	90105-KCR3-001	1	F07	90301-GFY6-901	2	F14
87542-GAR1-E00	2	F22	90105-KCR3-001	1	F08	90302-GBR2-001	1	F10
87560-GFY6-E00	3	F22	90105-KHB4-900	0	F03	90302-GFY6-901	1	F12
			90106-GEN5-901	0	F03	90302-GFY6-940	1	F10
<b>88000</b>			90106-GFY6-901	0	F20	90302-GFY6-940	1	F11
			90106-KFAF-900	2	F12	90302-KEC8-900	1	F03
88110-LFB5-900	2	F03	90106-KFC2-900	0	F03	90302-LLB1-E00	2	F10
88120-LFB5-900	2	F03	90107-KUDU-900	2	F20	90302-LLB1-E00	2	F18
			90108-KUDU-900	1	F15	90302-SDA4-004	2	F03
<b>89000</b>			90111-1G87-001	1	F12	90302-SDA4-004	2	F05
			90111-LEB1-900	1	F18	90302-SDA4-004	2	F12
89010-LEB1-900	2	F09	90114-1F66-007	2	F04	90304-GHE8-004	0	F03
			90114-GDM4-011	1	F13	90304-GHE8-004	0	F20

## PART NO. INDEX

PART NO.	VERSION	PAGE	PART NO.	VERSION	PAGE	PART NO.	VERSION	PAGE
90305-GHK8-001	1	E07	90754-GHC8-00B	1	F07	91306-1E05-691	0	E03
90305-GHK8-001	1	F12	90912-KFLF-00A	0	F07	91307-0E35-001	0	E04
90305-KFW6-91A	0	F08				91351-6B42-000	0	E05
90306-LFE2-900	1	F07	<b>91000</b>			91508-KGV7-67A	0	F18
90381-GEZ5-001	1	F12				91981-KGN7-670	0	E06
90403-GFY6-901	0	E06	91002-GGA7-70A	0	E05			
90426-KNBN-901	0	E05	91004-KHE7-900	1	E05	<b>92000</b>		
90440-1F66-001	0	E07	91009-GLE0-004	1	E01			
90474-3C33-001	1	E01	91014-LLJ3-E00	1	F06	92101-05012-0H	0	E07
9052A-LEB1-900	1	E01	91015-LLJ3-E00	1	F06	92101-06014-0H	1	E02
90544-KEC8-900	0	F21	91051-KFBF-901	1	F16	92900-06060-0B	0	E02
90545-3L00-001	2	F04	91101-1K79-711	1	E06			
90601-GFY6-901	0	E05	91104-GFY6-90B-B	1	E06	<b>93000</b>		
90605-1F66-721	0	E05	91104-GFY6-90B-R	1	E06			
90651-LFB5-900	0	F13	91104-GFY6-90B-W	1	E06	93401-04025-08	0	F19
90651-LFB6-E00	0	F21	91104-GFY6-90C-B	0	E06	93404-06012-06	0	F14
90652-LCA4-E00	1	F05	91104-GFY6-90C-R	0	E06	93404-06012-06	0	F18
90652-LFB5-900	0	F05	91104-GFY6-90C-W	0	E06	93404-06016-06	0	F20
90652-LGJ9-900	2	E02	91202-GFY6-90B	1	E04	93404-06025-06	0	E01
90656-KCBC-900	0	F03	91202-LEB1-900	2	E01	93404-06030-06	0	F05
90656-KCBC-900	0	F19	91202-LFE2-90A	1	E08	93500-03010-1A	0	E06
90656-KUDU-900	0	F19	91211-KEBE-900	0	E05	93500-04008-0G	0	F10
90660-KGBG-900	0	F10	91255-GLE0-006	0	E01	93500-05022-06	0	F03
90677-GAR1-004	1	F11	91301-GLR0-005	1	E03	93500-KHC4-90A	0	F19
90701-HFB6-011	1	E03	91301-LEB1-900	1	E02	93600-04012-1G	0	F04
90754-GHC8-00A	1	F07	91302-0A01-021	0	E04	93700-05018-0H	0	F02

## PART NO. INDEX

PART NO.	VERSION	PAGE	PART NO.	VERSION	PAGE	PART NO.	VERSION	PAGE
93891-05025-06	0	F03	94050-06080	0	E02	94591-KFBF-900	2	E02
93891-05040-06	0	F10	94050-06080	0	E06	94601-15000	0	E03
93892-04010-08	0	E09	94050-06080	0	E09	94605-LFB5-900	1	F21
93892-05010-08	0	E09	94050-06080	0	F05	94608-LFB6-E00	0	F21
93893-04012-18	0	F04	94050-06080	0	F09			
93894-04022-08	1	F19	94050-06080	0	F10	<b>95000</b>		
93903-25460	0	F13	94050-06080	0	F19			
93903-34260	0	F18	94050-06080	0	F20	95002-02120	0	F13
93903-34360	0	F03	94050-08080	0	E02	95002-02130	0	F10
93903-34360	0	F05	94050-12080	0	E05	95002-41050-00	0	F13
93903-34360	0	F11	94050-12080	0	E07	95002-50000	0	E01
93903-34360	0	F12	94101-06700	0	F14	95002-50000	0	F13
93903-34360	0	F17	94101-08800	0	F10	95003-LEB1-900	0	F20
93903-34360	0	F18	94101-KKE3-900	1	E09	95014-71402	0	F15
93903-34460	0	F02	94111-06800	0	E02	95014-72204	0	F15
93903-34460	0	F05	94111-06800	0	E09	95701-06010-08	1	F20
93903-34760	0	F05	94301-08140	0	E01	95701-06012-06	1	F06
93903-35320	0	F02	94301-10160	0	E01	95701-06012-08	0	F19
93903-35320	0	F03	94301-10160	0	E02	95701-06018-08	1	F14
93903-35360	0	F01	94301-10160	0	E03	95701-06022-06	1	F11
93903-35360	0	F10	94301-10160	0	E04	95701-06022-06	1	F14
93903-GFY6-900	1	F05	94303-04065	0	E06	95701-08012-08	0	E01
			94510-25000	0	E08	95701-08012-08	0	F19
<b>94000</b>			94520-28000	0	E05	95701-08025-08	0	F19
			94520-40000	0	F16	95801-06050-08	0	F20
94050-06060	0	F04	94591-27000	0	F05	95801-08035-06	1	F16

## PART NO. INDEX

PART NO.	VERSION	PAGE	PART NO.	VERSION	PAGE	PART NO.	VERSION	PAGE
95801-08040-08	0	F06	96001-06035-08	0	F13			
95801-08042-06	0	F14	96001-06050-08	0	E01			
95801-10025-08	0	F15	96001-06100-08	0	E02			
95801-10040-08	0	F16	96001-06100-08	0	E04			
			96001-06110-08	0	E04			
<b>96000</b>			96001-GFY6-900	1	E01			
			96100-60020-00	0	E01			
96001-06008-07	0	F14	96100-62020-00	0	E08			
96001-06012-00	0	F04	96100-62030-00	0	E01			
96001-06012-00	0	F16	96100-63030-00	0	E08			
96001-06012-08	0	E04	96100-LFE2-900	1	E08			
96001-06012-08	0	E06	96220-60100	0	E06			
96001-06012-08	0	F12	96600-08010-10	1	E06			
96001-06014-08	0	E02						
96001-06016-08	0	E07	<b>98000</b>					
96001-06018-08	0	E06						
96001-06018-08	0	E07	98059-58916-00	2	E02			
96001-06022-06	1	F04	98200-11000	0	F11			
96001-06022-08	0	E07	98200-11000	0	F19			
96001-06025-08	0	E01	98200-11500	0	F11			
96001-06025-08	0	E07	98200-11500	0	F19			
96001-06028-08	0	E06						
96001-06028-08	0	E07						
96001-06032-06	0	F20						
96001-06032-08	0	E01						
96001-06032-08	0	E04						