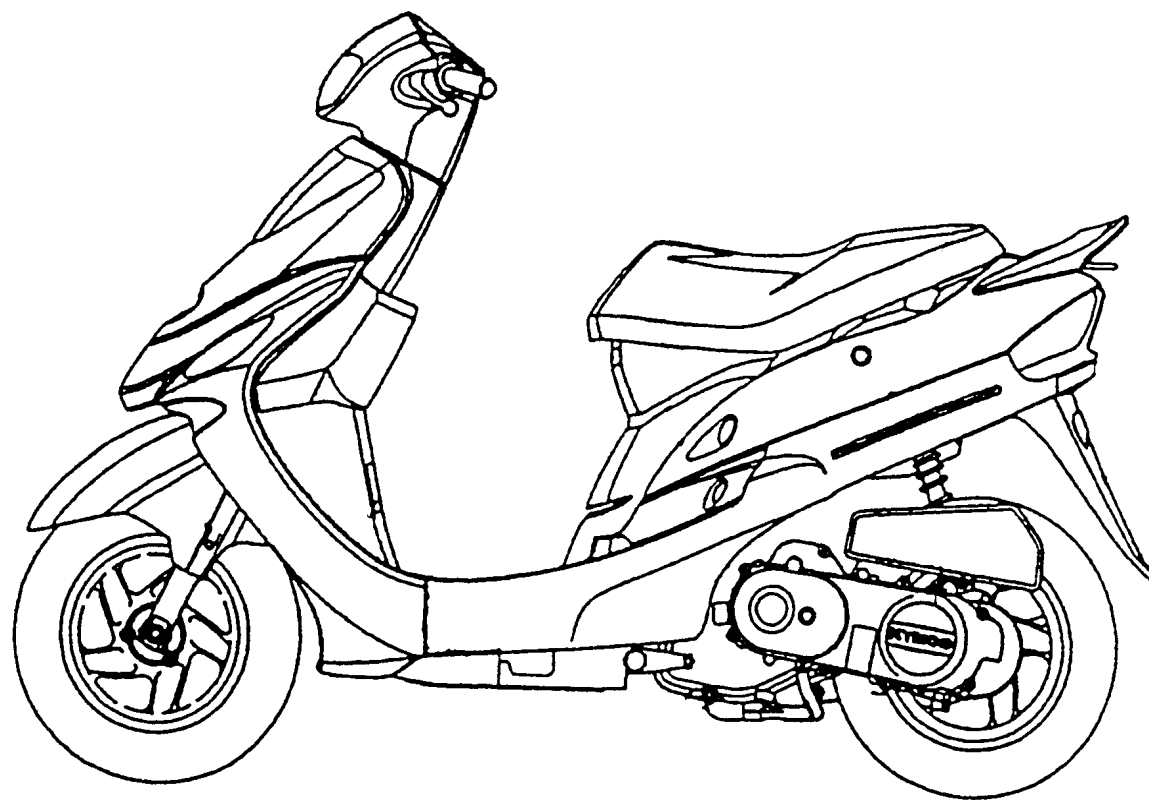


# 零件型錄

## PARTS CATALOGUE

**SD10AC(SD) : MAY /29 /'99 制訂**



光陽機車

**KYMCO**

光陽機車

**KYMCO**

光陽機車

**KYMCO**

## 前 言

- 本零件目錄適用於 SD10AC(SD) 機種，訂購零件時，請參照本冊。
- 本冊之配色表僅供參考，若與實車不符之處，以實車為準。
- 販賣記號(Sales mark)：
  - 1、註明 ★★ 記號，表示訂購該零件時，請參照機車相片及配色表，並請在基本零件號碼最後加上色碼。
  - 2、註明 ★ 記號，表示該零件為補修零件。
- 本冊付梓印刷倉促，倘有錯誤或遺漏之處，敬請不吝賜教指正。

## ABOUT THIS PARTS LIST

- This parts list is compiled all service parts for model SD10AC(SD)。
- Any difference between color chart and motorcycle will be revised according to motorcycle。
- The sales mark：
  - 1、marking "★★" must add color code in the end before ordering parts。
  - 2、marking "★" is a saleable item。
- When modification or additions to this parts list are made a revised edition at an appropriate time。

## 目 次

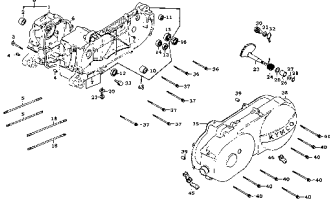
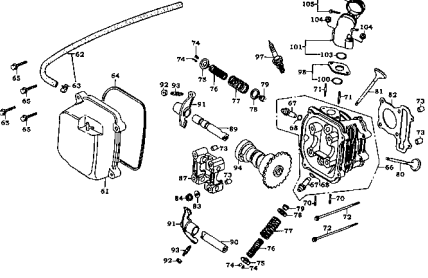
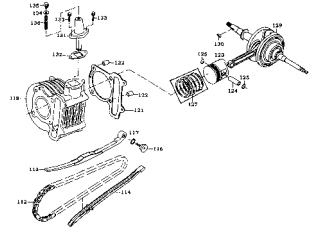
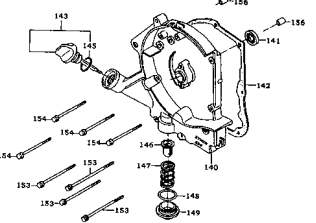
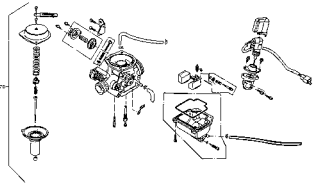
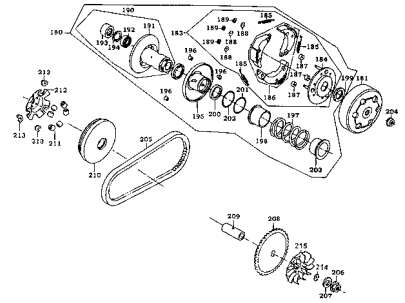
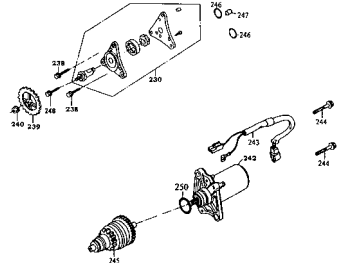
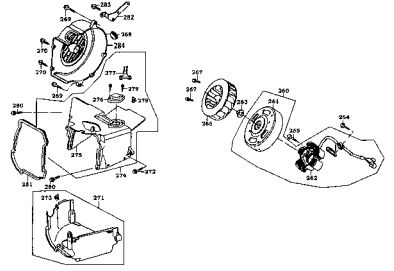
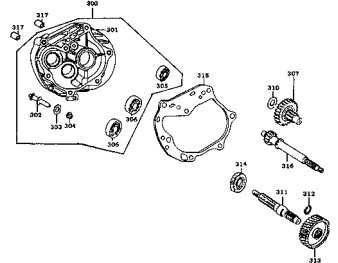
|                      |    |
|----------------------|----|
| ●前言 .....            | 1  |
| ●SD10AC(SD) 配色表..... | 5  |
| ●引擎分組圖 .....         | 7  |
| ●車架分組圖 .....         | 8  |
| ●引擎零件號碼表.....        | 11 |
| ●車架零件號碼表.....        | 39 |
| ●零件號碼索引 .....        | 95 |

## CONTENTS

|                                 |    |
|---------------------------------|----|
| ●ABOUT THIS PARTS LIST.....     | 1  |
| ●COLOR CHART OF SD10AC(SD)..... | 5  |
| ●CONTENTS-ENGINE GROUP .....    | 7  |
| ●CONTENTS-FRAME GROUP .....     | 8  |
| ●ENGINE PARTS LIST .....        | 11 |
| ●FRAME PARTS LIST .....         | 39 |
| ●PART NO. INDEX .....           | 95 |

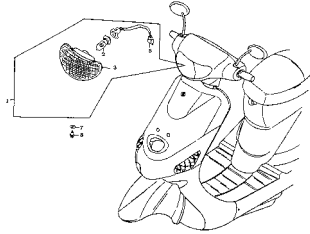
| 項次<br>NO                      | 機種名稱 (MODEL)        |                    |             | SD10AC(SD) COLOR CHART |              |                    |
|-------------------------------|---------------------|--------------------|-------------|------------------------|--------------|--------------------|
|                               | 相片號碼 (PHOTO NO)     |                    |             | NO.1                   | NO.2         | NO.3               |
|                               | 主體色 (BASIC COLOR)   |                    |             | 淺綠                     | 米黃           | 深藍                 |
|                               | 色碼 (CODE)           |                    |             | Light Green            | Paddy Yellow | Deep Blue Metallic |
|                               | 色別零件名稱(PARTS NAME)  | 基本零件號碼(PARTS NO)   | 版數(VERSION) | GG231SA                | YR034SA      | PB183MA            |
| 1                             | COVER ASSY FRONT    | 64301-KGBG-3250    | 0           | GG231P                 | YR034SP      | PB184P             |
| 2                             | COVER ASSY R BODY   | 83500-KGBG-3050-IT | 0           |                        |              |                    |
| 3                             | COVER ASSY L BODY   | 83600-KGBG-3050-IT | 0           |                        |              |                    |
| 4                             | COVER FRONT HANDLE  | 53205-KBG-9000     | 0           |                        |              |                    |
| 5                             | COVER REAR CENTER   | 83750-KBG-9000     | 1           |                        |              |                    |
| 6                             | COVER CARRIER       | 81200-KBG-9000     | 0           |                        |              |                    |
| 7                             | FENDER FR A         | 61100-KBG-9000     | 0           |                        |              |                    |
| 8                             | FRONT MOLD          | 64302-KBG-E000     | 0           | GG231R                 | YR034R       | PB184MP            |
| 9                             | MOLD RR CENTER      | 83751-KBG-9000     | 1           |                        |              |                    |
| 10                            | FENDER FR B         | 61101-KBG-9000     | 0           |                        |              |                    |
| 11                            | SIDE MOLD R         | 83501-KBG-9100     | 0           |                        |              |                    |
| 12                            | SIDE MOLD L         | 83601-KBG-9100     | 0           |                        |              |                    |
| 13                            | COVER HANDER RR     | 53206-KBG-9000     | 0           | NH001SR                |              | PB181P             |
| 14                            | COVER FR INNER UP   | 81131-KBG-9000     | 1           |                        |              |                    |
| 15                            | COVER FR INNER LOW  | 81141-KBG-9000     | 0           |                        |              |                    |
| 16                            | LID LEG SHIELD      | 81132-KBG-9000     | 0           |                        |              |                    |
| 17                            | PANEL FLOOR         | 64310-KBG-9000     | 0           |                        |              |                    |
| 18                            | BOX BATTERY         | 50325-KBG-9000     | 0           |                        |              |                    |
| 19                            | COVER BATTERY       | 50326-KBG-9000     | 0           |                        |              |                    |
| 20                            | COVER CENTER        | 80151-KBG-9000     | 0           |                        |              |                    |
| 21                            | MAT FLOOR           | 64320-KBG-9000     | 0           |                        |              |                    |
| 22                            | COVER UNDER         | 50613-KBG-9000     | 0           |                        |              |                    |
| 23                            | LID CARRIER COVER   | 81201-KBG-9000     | 0           |                        |              |                    |
| 24                            | FENDER RR           | 80105-KBG-9000     | 0           |                        |              | NH131MA            |
| 25                            | PANEL ASSY FR BRAKE | 45000-GW0-3050     | 0           |                        |              |                    |
| 26                            | HUB SUB COMP RR     | 42610-GAK-9010     | 1           |                        |              |                    |
| 27                            | WHEEL SET FR        | 44650-GR1-3050     | 1           | NH131MS                |              |                    |
| 28                            | RIM COMP WHEEL      | 42705-GAK-9110     | 4           |                        |              |                    |
| 29                            | SEAT COMP           | 77200-KBG-E000     | 1           | TYPE D                 |              | TYPE C             |
| 30                            | COVER ENG L SIDE    | 11340-KBG-9000     | 2           | NH147MA                |              |                    |
| 31                            | MIRROR ASSY R BACK  | 88110-KEB7-E000    | 0           | NH001SR                |              |                    |
| 32                            | MIRROR ASSY L BACK  | 88120-KEB7-E000    | 0           | NH001SR                |              |                    |
| 33                            | GRIP L HANDLE       | 53166-KDH-9000     | 0           | RR335R                 |              | NH001R             |
| 34                            | GRIP COMP THROT     | 53140-KDH-9000     | 0           | NH001SR                |              |                    |
| 35                            | EMB FRONT COVER     | 87311-KGBG-E000-IT | 0           | TYPE B                 |              | TYPE A             |
| 36                            | MARK MODEL          | 87503-KGBG-E000-SD | 0           | TYPE A                 |              |                    |
| 37                            |                     |                    |             |                        |              |                    |
| 38                            |                     |                    |             |                        |              |                    |
| 39                            |                     |                    |             |                        |              |                    |
| 40                            |                     |                    |             |                        |              |                    |
| 生產日期 (DATE OF STARTING-SALES) |                     |                    | 1999.05.29  |                        |              | 1999.05.29         |
| 停產日期 (DATE OF ENDING-SALES)   |                     |                    |             |                        |              |                    |

## CONTENTS-ENGINE GROUP

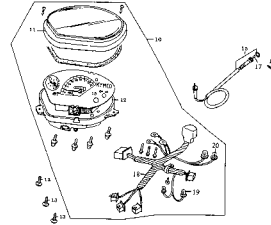
|   |  |   |
|---|--|---|
| <b>E1</b> 曲軸箱<br>Crank Case -13-  | <b>E2</b> 汽缸頭蓋●汽缸頭<br>Cylinder Head Cover●Cylinder Head -17-                         | <b>E3</b> 汽缸●活塞●曲軸<br>Cylinder●Piston●Crankcase -21-                                  |
|    |    |    |
| <b>E4</b> 右曲軸箱蓋<br>Right Crankcase Cover -23-                                       | <b>E5</b> 化油器<br>Carburetor -25-   | <b>E6</b> 皮帶輪<br>Pulley -27-  |
|    |   |   |
| <b>E7</b> 起動馬達●機油泵<br>Starting Motor●Oil Pump -31-                                  | <b>E8</b> 風扇蓋●發電機<br>Fan Cover●Generator -33-  | <b>E9</b> 傳動系<br>Transmission -37-  |
|  |  |  |

# CONTENTS-FRAME GROUP

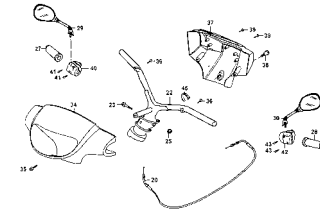
**F1 前燈** -41-  
**Head Light**



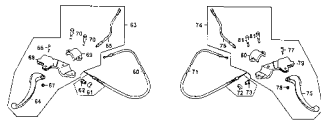
**F2 儀錶** -43-  
**Speedometer**



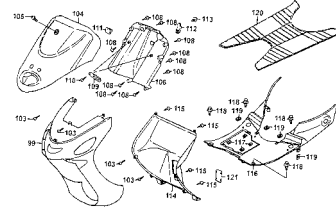
**F3 轉向手柄●手柄蓋** -45-  
**Handle Steering●Handle Cover**



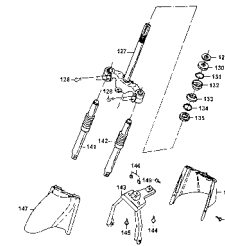
**F4 導線●開關** -47-  
**Cable● Switch**



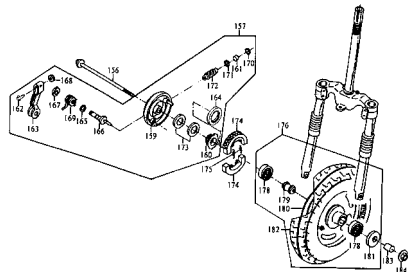
**F5 前護蓋●腳踏板** -51-  
**Front Cover●Floor Panel**



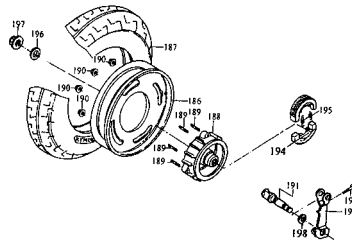
**F6 前避震器** -53-  
**Front Fork**



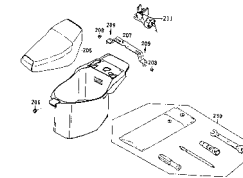
**F7 前輪** -55-  
**Front Wheel**



**F8 後輪** -59-  
**Rear Wheel**

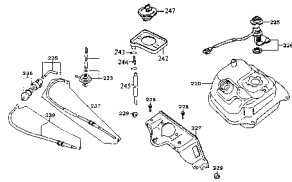


**F9 座墊** -61-  
**Seat**

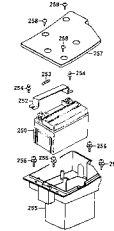


# CONTENTS-FRAME GROUP

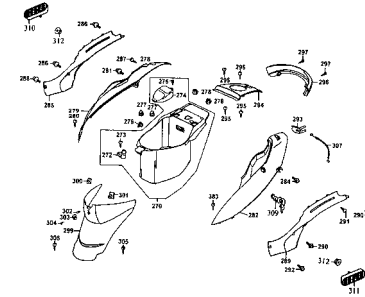
**F10** 油箱  
Fuel Tank -63-



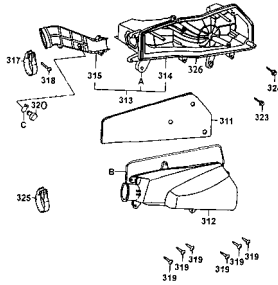
**F11** 電瓶  
Battery -65-



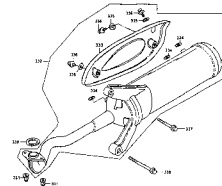
**F12** 車邊體蓋●行李箱  
Body Cover●Luggage Box -67-



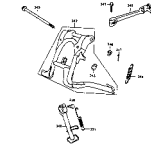
**F13** 空氣濾清器  
Air Cleaner -71-



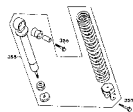
**F14** 排氣管  
Exhaust Muffler -73-



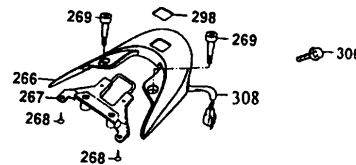
**F15** 腳架●起動踏桿  
Stand●Kick Starter Arm -75-



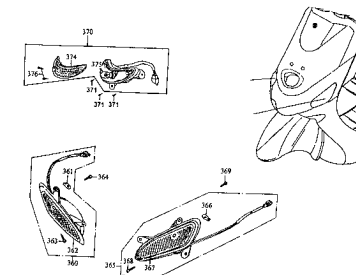
**F16** 後避震器  
Rear Cushion -77-



**F17** 輔助煞車燈  
2nd Stop Light -79-

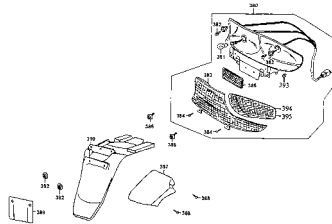


**F18** 前方向燈●位置燈  
Tail Light●Position Light -81-

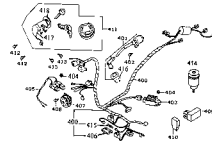


## CONTENTS-FRAME GROUP

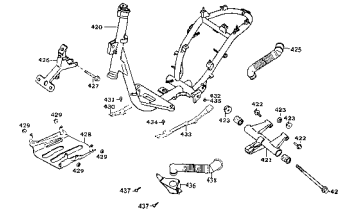
**F19** 後燈  
Tail Light -83-



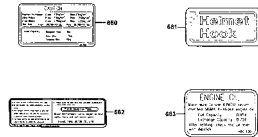
**F20** 主電路配線  
Wire Harness -85-



**F21** 車體  
Frame Body -89-



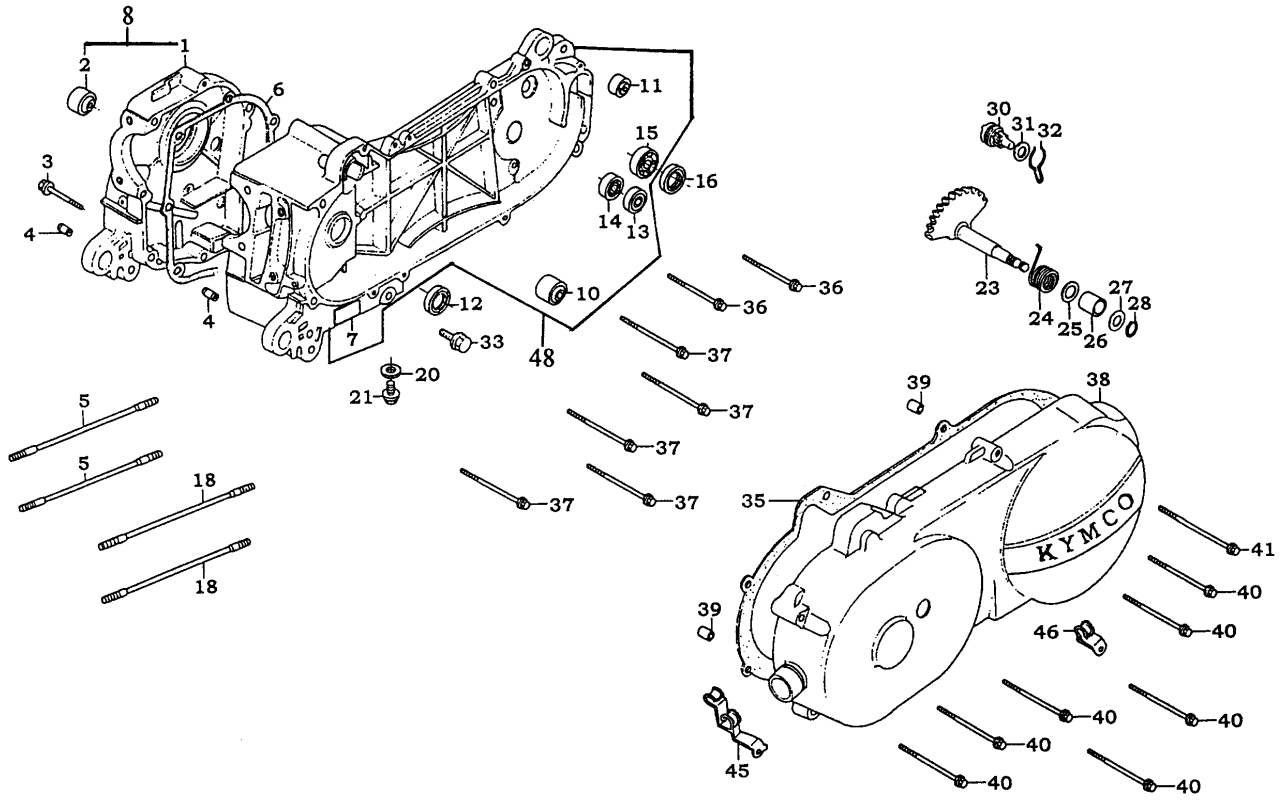
**F22** 注意標籤  
Caution Label -91-



**F23** 標徽●貼紙  
Emblem●Stripe -93-



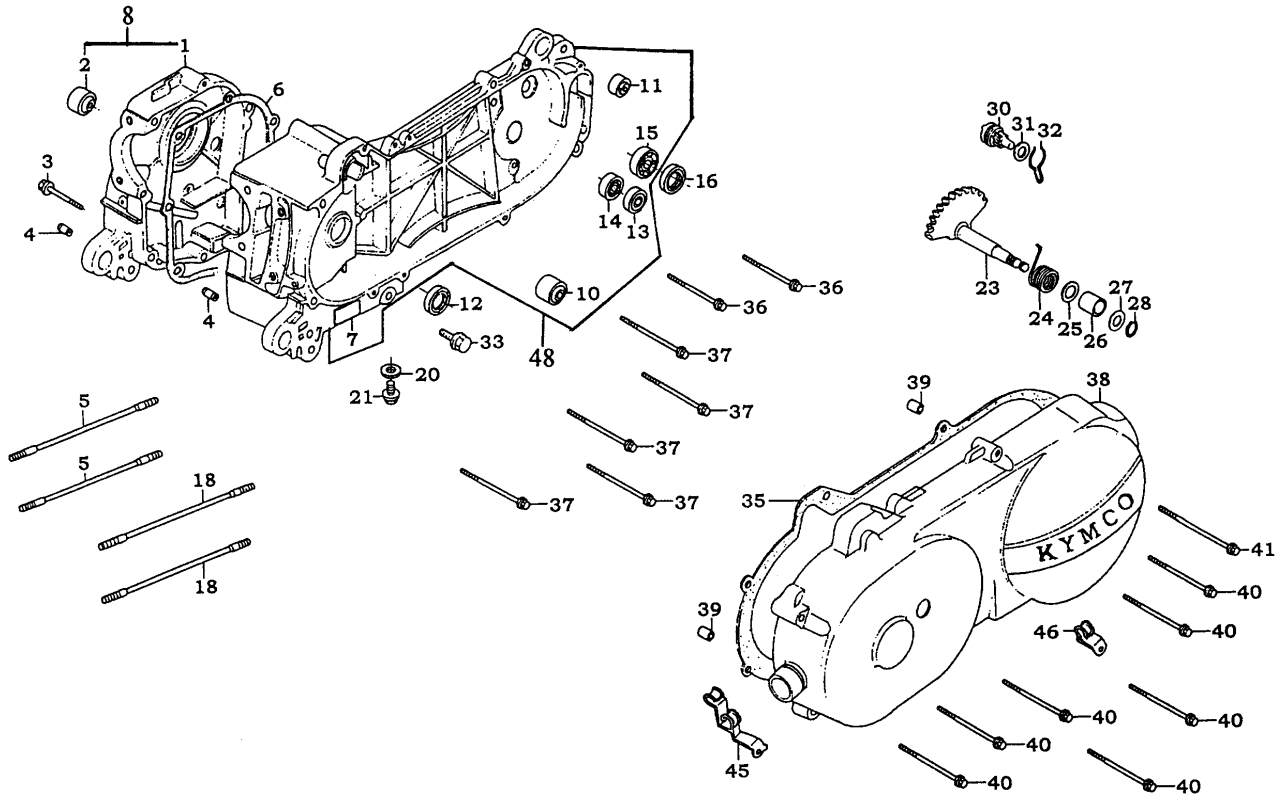
**E 1 Crank Case**



| 販賣記號       | 項目     | 零件號碼              | 版數  | 英文名稱                         | 中文名稱         | 需要用量    | 參考價       |
|------------|--------|-------------------|-----|------------------------------|--------------|---------|-----------|
| Sales mark | Ref no | Part no           | Ver | Description                  | Chinese      | Regd no | Ref Price |
|            | 1      | 11100-KBG-9000    | 0   | CRANK CASE COMP RIGHT        | 右曲軸箱         | 1       |           |
| *          | 2      | 11102-187-0030    | 3   | RUB BUSH ENG HANGER          | 引擎吊架襯套       | 1       |           |
| *          | 3      | 96001-06045-08    | 0   | BOLT FLANGE SH 6X45          | 螺絲 6X45      | 1       |           |
| *          | 4      | 94301-08140       | 0   | DOWEL PIN 8X14               | 銷 8X14       | 2       |           |
| *          | 5      | 90031-KGBG-9010   | 0   | BOLT A STUD 7X168            | 雙頭螺絲 7X168   | 2       |           |
| *          | 6      | 11192-KBG-9000    | 0   | GASTER CRANK CASE @ A        | 曲軸箱墊片        | 1       |           |
|            | 7      | 11200-KBG-9000    | 0   | CRANK CASE COMP LEFT         | 左曲軸箱         | 1       |           |
| *          | 8      | 11100-KBG-3050    | 1   | CASE SET R CRANK             | 右曲軸箱組        | 1       |           |
| *          | 10     | 11102-187-0030    | 3   | RUB BUSH ENG HANGER          | 引擎吊架襯套       | 1       |           |
| *          | 11     | 11203-GC7-3010    | 2   | UNDER RUBBER BUSH RR CUSHION | 後緩衝下襯套       | 1       |           |
| *          | 12     | 91201-GY6-9040-M2 | 0   | OIL SEAL 19.8X30X5           | 油封 19.8X30X5 | 1       |           |
| *          | 13     | 96100-62033-00    | 0   | BEARING BALL RADIAL 6203     | 軸承 6203      | 1       |           |
| *          | 14     | 91004-KN2-9020-M1 | 0   | BRG BALL RADIAL 6201         | 軸承 6201      | 1       |           |
| *          | 15     | 91004-KBN-9220-M1 | 0   | BRG BALL RADIAL 6203 SPC     | 軸承 6203      | 1       |           |
| *          | 16     | 91204-KBN-9020-M1 | 0   | OIL SEAL 17X30X6             | 油封 17X30X6   | 1       |           |
| *          | 18     | 90032-KGBG-9010   | 0   | BOLT B STUD 7X176            | 雙頭螺絲 7X176   | 2       |           |
| *          | 20     | 90488-700-0000    | 1   | 8M/M WASHER A                | 華司8M/M       | 1       |           |
| *          | 21     | 90035-KBN-9010    | 0   | BOLT OIL DRAIN               | 螺絲           | 1       |           |
| *          | 23     | 28250-KBN-9010    | 0   | SPINDLE COMP KICK STARTER    | 起動軸          | 1       |           |
| *          | 24     | 28281-GN2-6030-M1 | 0   | SPRING KICK RETURN           | 起動軸彈簧        | 1       |           |

E 1

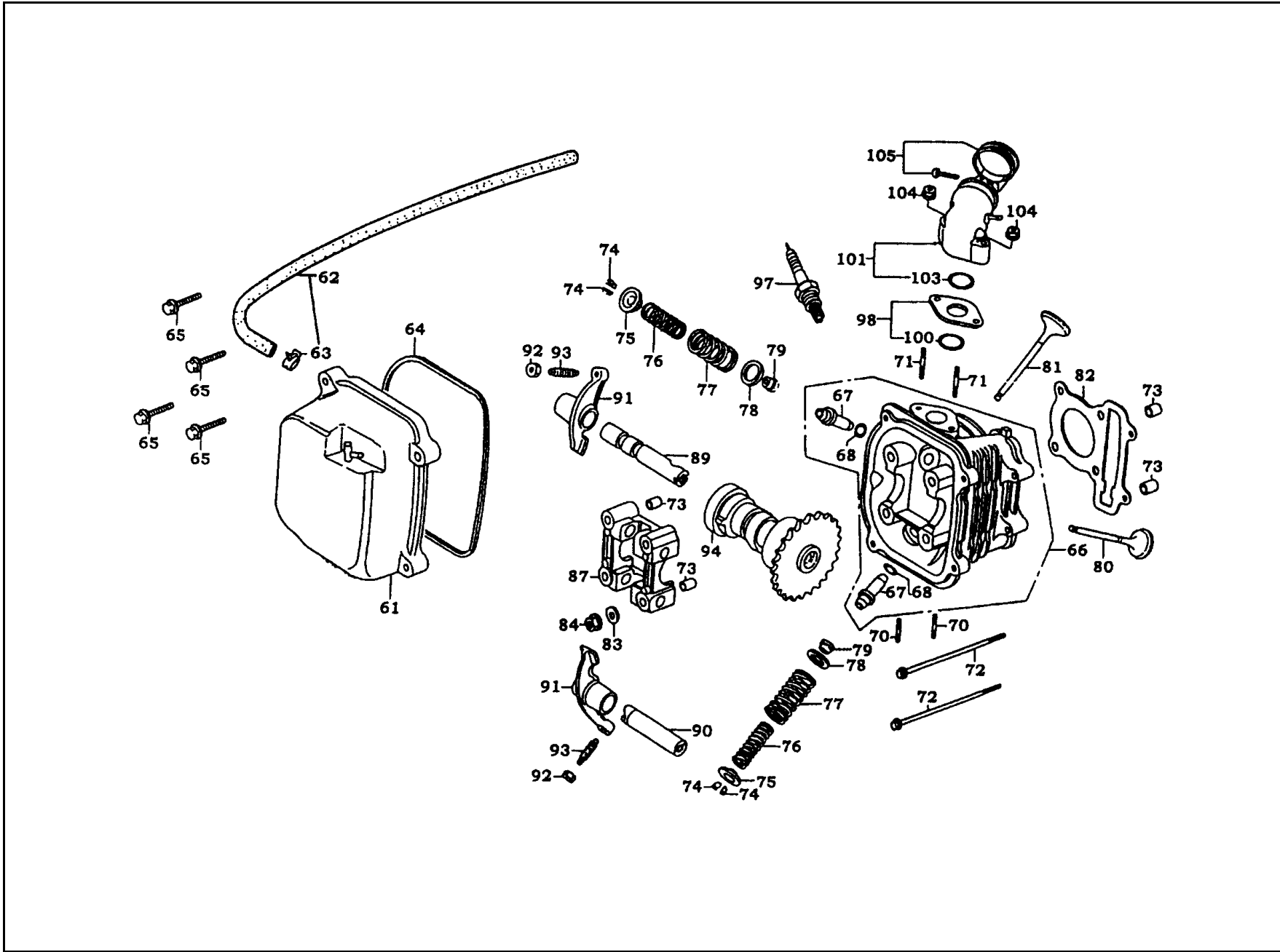
**E 1 Crank Case**



| 販賣記號       | 項目     | 零件號碼              | 版數  | 英文名稱                   | 中文名稱    | 需要用量    | 參考價       |
|------------|--------|-------------------|-----|------------------------|---------|---------|-----------|
| Sales mark | Ref no | Part no           | Ver | Description            | Chinese | Regd no | Ref Price |
| *          | 25     | 28255-GS6-0010    | 0   | COLLAR KICK BOSS       | 套筒      | 1       |           |
| *          | 26     | 28253-GN2-6020-M1 | 0   | BUSH KICK SPINDLE      | 起動臂軸襯套  | 1       |           |
| *          | 27     | 90451-GN2-6010    | 0   | WASHER KICK SPINDLE    | 華司      | 1       |           |
| *          | 28     | 94511-14000       | 0   | CIRCLIP EX 14          | 夾環 14MM | 1       |           |
| *          | 30     | 28230-GAK-9210    | 0   | GEAR COMP KICK DRIVEN  | 起動惰齒輪   | 1       |           |
| *          | 31     | 90412-329-0000    | 0   | WASHER THRUST 10M/M    | 華司 10MM | 1       |           |
| *          | 32     | 28223-KBN-9010    | 0   | SPG KICK DRIVEN GEAR   | 起動惰齒輪彈簧 | 1       |           |
| *          | 33     | 9052A-GY6-9500    | 0   | BOLT ASSY DRAIN PLUG   | 洩油螺絲    | 1       |           |
| *          | 35     | 11395-KBG-9000    | 0   | GASKET L COVER @A      | 左曲軸箱蓋墊片 | 1       |           |
| *          | 36     | 95701-08035-08    | 0   | BOLT FLANGE 8X35       | 螺絲 8X35 | 2       |           |
| *          | 37     | 95701-08040-08    | 0   | BOLT FLANGE 8X40       | 螺絲 8X40 | 5       |           |
| *          | 38     | 11340-KBG-9000    | 2   | COVER COMP L SIDE      | 左曲軸箱蓋   | 1       |           |
| *          | 39     | 94301-08140       | 0   | DOWEL PIN 8X14         | 銷 8X14  | 2       |           |
| *          | 40     | 96001-06035-08    | 0   | BOLT FLANGE 6X35       | 螺絲 6X35 | 8       |           |
| *          | 41     | 90103-KN8-0010    | 0   | BOLT SPECIAL 8MM       | 螺絲 8MM  | 1       |           |
| *          | 45     | 11381-KBG-9000    | 0   | CLAMPER THROTTLE CABLE | 節流導線夾   | 1       |           |
| *          | 46     | 11382-KBG-9000    | 0   | CLAMPER BRAKE CABLE    | 煞車導線夾   | 1       |           |
| *          | 48     | 11200-KBG-3050    | 1   | CRANK CASE SET L       | 左曲軸箱組   | 1       |           |

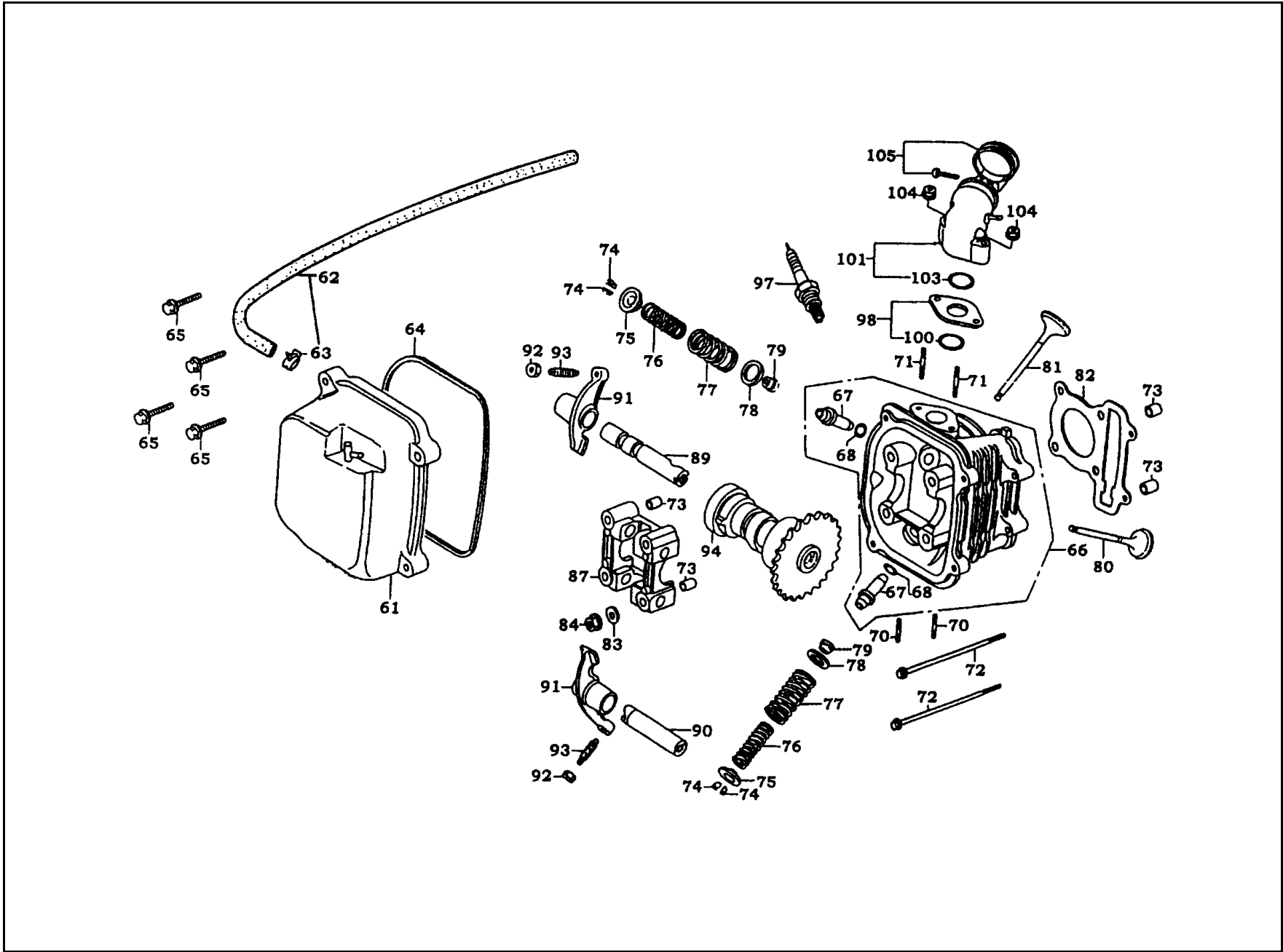
E 1

**E 2** Cylinder Head Cover ● Cylinder Head



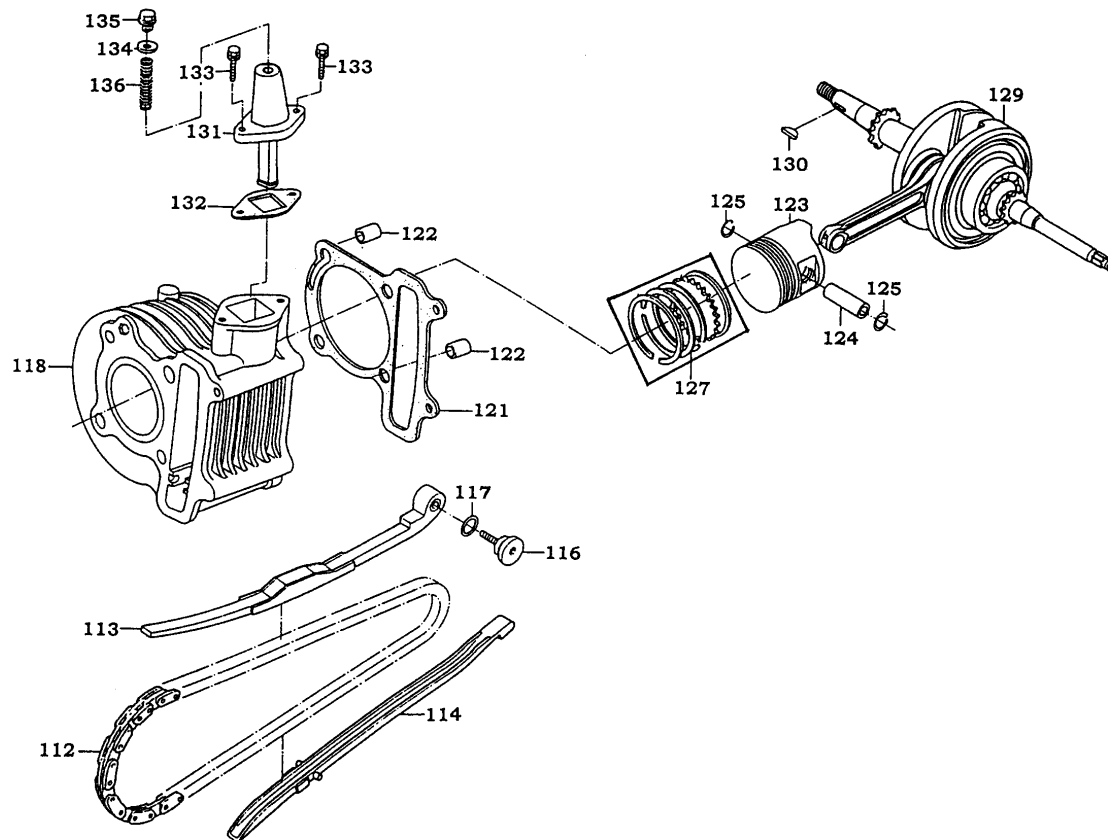
| 販賣記號       | 項目     | 零件號碼              | 版數  | 英文名稱                   | 中文名稱      | 需要用量    | 參考價       |
|------------|--------|-------------------|-----|------------------------|-----------|---------|-----------|
| Sales mark | Ref no | Part no           | Ver | Description            | Chinese   | Regd no | Ref Price |
| *          | 61     | 12310-KGBG-9000   | 2   | COVER COMP HEAD        | 汽缸頭蓋      | 1       |           |
| *          | 62     | 1121A-KBG-9000    | 0   | TUBE BREATHER          | 通氣管       | 1       |           |
| *          | 63     | 95002-02080       | 0   | CLIP B8 TUBE           | 管夾        | 1       |           |
| *          | 64     | 12391-KBG-9000    | 0   | GASKET HEAD COVER      | 汽缸頭蓋墊片    | 1       |           |
| *          | 65     | 96001-06025-08    | 0   | BOLT FLANGE SH 6X25    | 螺絲 6X25   | 4       |           |
| *          | 66     | 12200-KGBG-9000   | 2   | HEAD COMP CYLN         | 汽缸頭       | 1       |           |
| *          | 67     | 12237-KBG-9000-H1 | 0   | GUIDE VALVE            | 汽門導管      | 2       |           |
| *          | 68     | 91305-028-1590    | 0   | O-RING 9X1.6           | O環 9X1.6  | 2       |           |
| *          | 70     | 90033-041-0210    | 0   | BOLT STUD 6X32         | 雙頭螺絲 6X32 | 2       |           |
| *          | 71     | 92900-06050-0B    | 0   | BOLT STUD II 6X50      | 雙頭螺絲 6X50 | 2       |           |
| *          | 72     | 96001-06085-07    | 0   | BOLT FLANGE 6X85       | 雙頭螺絲 6X85 | 2       |           |
| *          | 73     | 90701-GF6-0010    | 0   | PIN DOWEL SPECIAL 8X14 | 銷 8X14    | 4       |           |
| *          | 74     | 14781-MA6-0000-M1 | 0   | COTTER VALVE           | 閥門鎖扣      | 4       |           |
| *          | 75     | 14771-GB4-6800    | 2   | RETAINER VALVE SPRING  | 閥門彈簧保持器   | 2       |           |
| *          | 76     | 14761-KBG-9000    | 0   | SPG VALVE INNER        | 門閥內彈簧     | 2       |           |
| *          | 77     | 14751-KBG-9000    | 0   | SPRING VALVE OUTER     | 門閥外彈簧     | 2       |           |
| *          | 78     | 14775-MA6-0000    | 0   | SEAT VALVE SPG OUTER   | 門閥彈簧外座    | 2       |           |
| *          | 79     | 12209-GB4-6820-M1 | 0   | SEAL VALVE STEM        | 門閥徑封      | 2       |           |
| *          | 80     | 14721-KBG-9000    | 0   | VALVE EXHAUST          | 排氣門閥      | 1       |           |
| *          | 81     | 14711-KBG-9000    | 0   | VALVE INLET            | 進氣門閥      | 1       |           |

**E 2** Cylinder Head Cover ● Cylinder Head



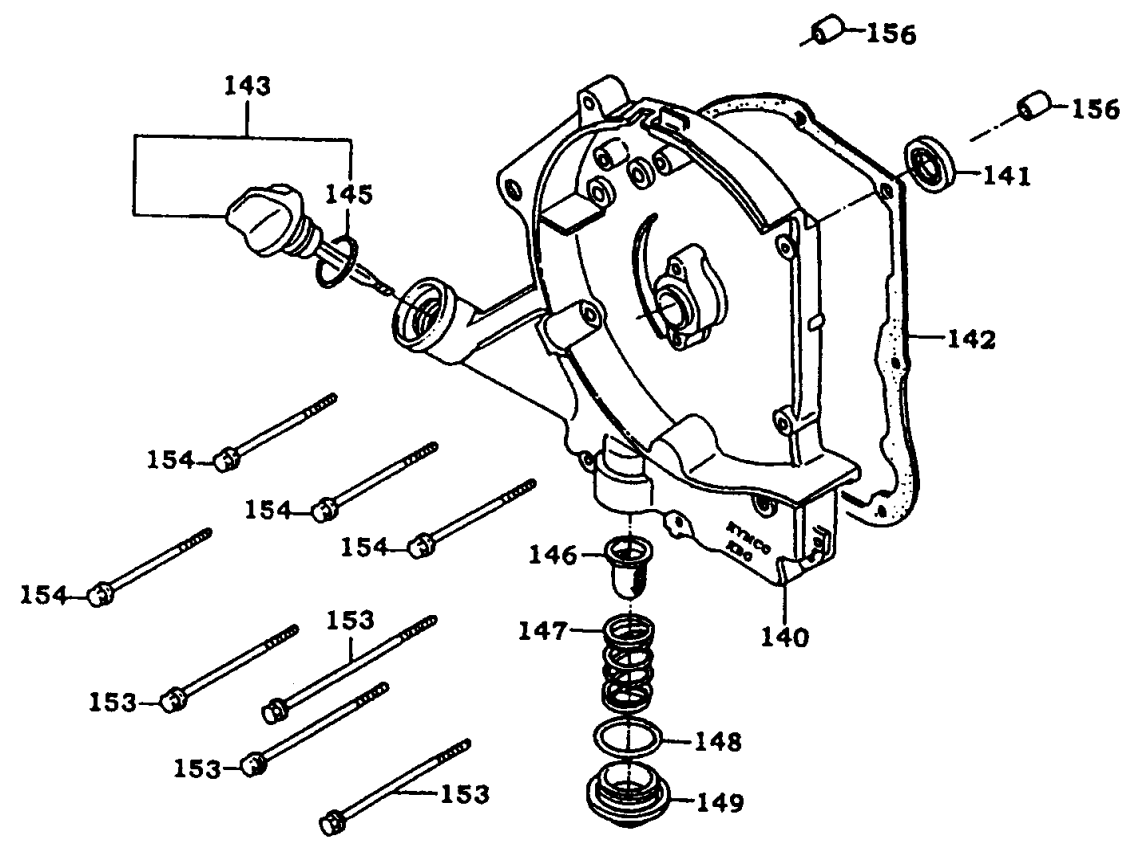
| 販賣記號       | 項目     | 零件號碼            | 版數  | 英文名稱                     | 中文名稱        | 需要用量    | 參考價       |
|------------|--------|-----------------|-----|--------------------------|-------------|---------|-----------|
| Sales mark | Ref no | Part no         | Ver | Description              | Chinese     | Regd no | Ref Price |
| *          | 82     | 12251-KBG-9000  | 0   | GASKET CYLINDER HEAD     | 汽缸頭墊片       | 1       |           |
| *          | 83     | 90442-GF6-0110  | 0   | WASHER SEALING 7MM       | 華司 7MM      | 4       |           |
| *          | 84     | 90202-GF6-0110  | 1   | NUT FLANGE 7M/M          | 螺帽 7MM      | 4       |           |
| *          | 87     | 12211-KGBG-9000 | 2   | HOLDER CAM SHAFT         | 凸輪軸固定座      | 1       |           |
| *          | 89     | 14450-KBG-9000  | 0   | SHAFT COMP IN ROCKER ARM | 進氣閥搖臂軸      | 1       |           |
| *          | 90     | 14452-KBG-9000  | 0   | SHAFT EXH ROCKER ARM     | 排氣閥搖臂軸      | 1       |           |
| *          | 91     | 14431-KBG-9000  | 0   | ARM VALVE ROCKER         | 門閥搖臂        | 2       |           |
| *          | 92     | 90206-001-0010  | 0   | NUT TAPPET ADJG          | 挺桿調整螺帽      | 2       |           |
| *          | 93     | 90012-333-0010  | 0   | SCREW TAPPET ADJUSTING   | 樞軸調整螺帽      | 2       |           |
| *          | 94     | 14100-KGBG-9010 | 3   | SHAFT COMP CAM           | 凸輪軸         | 1       |           |
| *          | 97     | 98056-5771R-00  | 0   | SPARK PLUG (CR7HSA)      | 火星塞(CR7HSA) | 1       |           |
| *          | 98     | 1621A-KBG-9000  | 1   | INSULATOR CARB ASSY      | 汽化器隔熱板組     | 1       |           |
| *          | 100    | 91304-GB0-9110  | 1   | O RING 20.6X1.9          | O環 20.6X1.9 | 1       |           |
| *          | 101    | 1711A-KBG-9000  | 3   | PIPE ASSY INLET          | 進氣管組        | 1       |           |
| *          | 103    | 91304-GB0-9110  | 1   | O RING 20.6X1.9          | O環 20.6X1.9 | 1       |           |
| *          | 104    | 94050-06080     | 0   | NUT FLANGE 6MM           | 螺帽 6MM      | 2       |           |
| *          | 105    | 17256-KBG-9000  | 0   | BAND INSULATOR           | 進氣管夾        | 1       |           |

**E 3** Cylinder●Piston●Crankcase



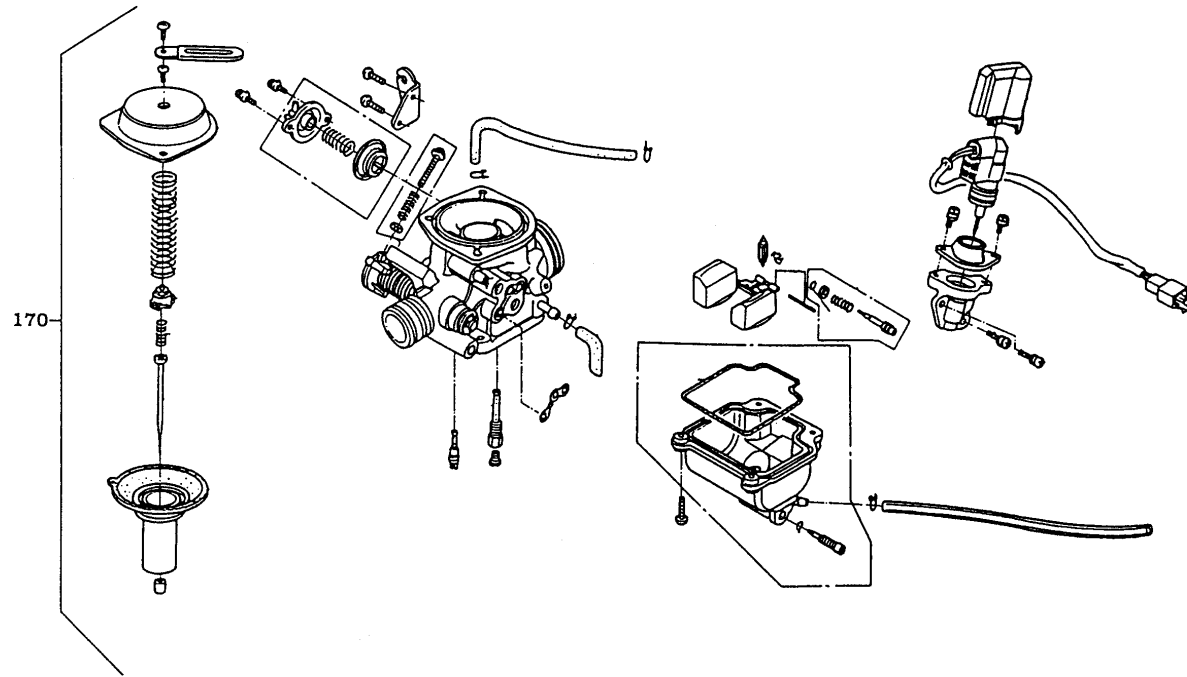
| 販賣記號       | 項目     | 零件號碼              | 版數  | 英文名稱                         | 中文名稱        | 需要用量    | 參考價       |
|------------|--------|-------------------|-----|------------------------------|-------------|---------|-----------|
| Sales mark | Ref no | Part no           | Ver | Description                  | Chinese     | Regd no | Ref Price |
| *          | 112    | 14401-KBG-9000    | 0   | CHAIN CAM                    | 凸輪軸內鏈條      | 1       |           |
| *          | 113    | 14510-KBG-9000    | 0   | TENSIONER CAM CHAIN          | 內鏈條拉力桿      | 1       |           |
| *          | 114    | 14610-KBG-9000    | 0   | GUIDE COMP CAM CHAIN         | 鏈條導件        | 1       |           |
| *          | 116    | 14531-GR0-0000    | 1   | PIVOT CAM CHAIN TENSIONER    | 拉力桿螺絲       | 1       |           |
| *          | 117    | 91301-GR0-0040    | 0   | O-RING 15.5X1.5              | O環 15.5X1.5 | 1       |           |
| *          | 118    | 12100-KGBG-9000   | 21  | CYLINDER COMP                | 汽缸          | 1       |           |
| *          | 121    | 12191-KBG-9000    | 0   | GASTET CYLINDER @ A          | 汽缸墊片        | 1       |           |
| *          | 122    | 90701-GF6-0010    | 0   | PIN DOWEL SPECIAL 8X14       | 銷 8X14      | 2       |           |
| *          | 123    | 13101-KGBG-9010   | 0   | PISTON                       | 活塞          | 1       |           |
| *          | 124    | 13111-KBG-9000    | 0   | PIN PISTON                   | 活塞銷         | 1       |           |
| *          | 125    | 13115-001-0010    | 0   | PISTON PIN CLIP              | 活塞銷夾        | 2       |           |
| *          | 127    | 13011-KGBG-9010   | 0   | RING SET PISTON              | 活塞環組        | 1       |           |
| *          | 129    | 13000-KBG-9000    | 3   | CRANK SHAFT COMP             | 曲軸          | 1       |           |
| *          | 130    | 90741-035-0000-M1 | 3   | KEY WOODRUFF                 | 固定鍵         | 1       |           |
| *          | 131    | 14550-KS4-0040-M2 | 0   | ADJUSTER CAM CHAIN           | 鏈條調整器       | 1       |           |
| *          | 132    | 14555-KJ9-0000    | 2   | GASKET CAM CHAIN<br>ADJUSTER | 調整器墊片       | 1       |           |
| *          | 133    | 96001-06018-08    | 0   | BOLT FLANGE 6X18             | 螺絲 6X18     | 2       |           |
| *          | 134    | 90421-KM1-0030    | 0   | WASHER SEALING 8X16X1.6      | 華司 8X16X1.6 | 1       |           |
| *          | 135    | 14552-KS4-0030    | 0   | PLUG ADJUSTER                | 調整螺絲        | 1       |           |
| *          | 136    | 14553-KS4-0030    | 0   | SPRING CAM CHAIN ADJUSTER    | 鏈條調整彈簧      | 1       |           |

**E 4** Right Crankcase Cover



| 販賣記號       | 項目     | 零件號碼              | 版數  | 英文名稱                      | 中文名稱         | 需要用量    | 參考價       |
|------------|--------|-------------------|-----|---------------------------|--------------|---------|-----------|
| Sales mark | Ref no | Part no           | Ver | Description               | Chinese      | Regd no | Ref Price |
| *          | 140    | 11330-KGBG-9000   | 4   | COVER R CRANK CASE        | 右曲軸箱蓋        | 1       |           |
| *          | 141    | 91201-KBG-9000-M1 | 0   | OIL SEAL 16.4X30X5        | 油封 16.4X30X5 | 1       |           |
| *          | 142    | 11394-KBG-9000    | 0   | GASTER R COVER @ A        | 右曲軸箱蓋墊片      | 1       |           |
| *          | 143    | 1565A-GY6-9000    | 0   | GAUGE OIL LEVEL ASSY      | 量油尺組         | 1       |           |
| *          | 145    | 91307-035-0010    | 0   | O RING 18X3               | O環 18X3      | 1       |           |
| *          | 146    | 15421-107-0000    | 1   | SCREEN OIL FILTER         | 濾油網          | 1       |           |
| *          | 147    | 15426-GE1-9200    | 0   | SPG OIL FILTER SCREEN     | 濾油網彈簧        | 1       |           |
| *          | 148    | 91302-001-0210    | 0   | O-RING 30.8M/M            | O環 30X8MM    | 1       |           |
| *          | 149    | 12361-GY6-9010    | 0   | HOLE CAP TAPPET ADJUSTING | 調節螺帽         | 1       |           |
| *          | 153    | 96001-06100-08    | 0   | BOLT FLANGE SH 6X100      | 螺絲 6X100     | 4       |           |
| *          | 154    | 96001-06085-07    | 0   | BOLT FLANGE 6X85          | 螺絲 6X85      | 4       |           |
| *          | 156    | 94301-08140       | 0   | DOWEL PIN 8X14            | 銷 8X14       | 2       |           |

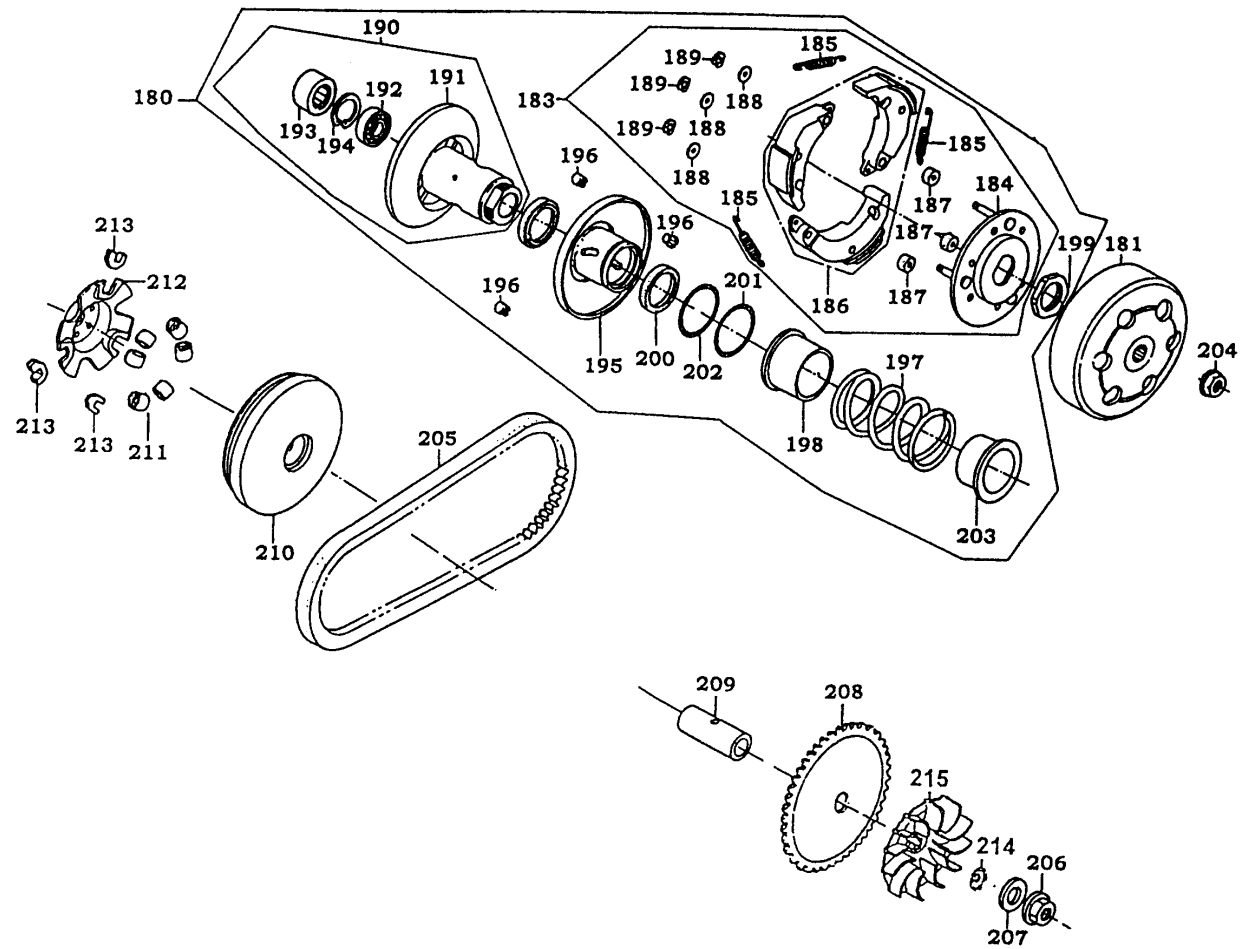
**E 5** Carburetor



| 販賣記號       | 項目     | 零件號碼            | 版數  | 英 文 名 稱         | 中 文 名 稱 | 需要用量    | 參考價       |
|------------|--------|-----------------|-----|-----------------|---------|---------|-----------|
| Sales mark | Ref no | Part no         | Ver | Description     | Chinese | Regd no | Ref Price |
| *          | 170    | 1610K-KGBG-E050 | 0   | CARBURETOR ASSY | 化油器     | 1       |           |

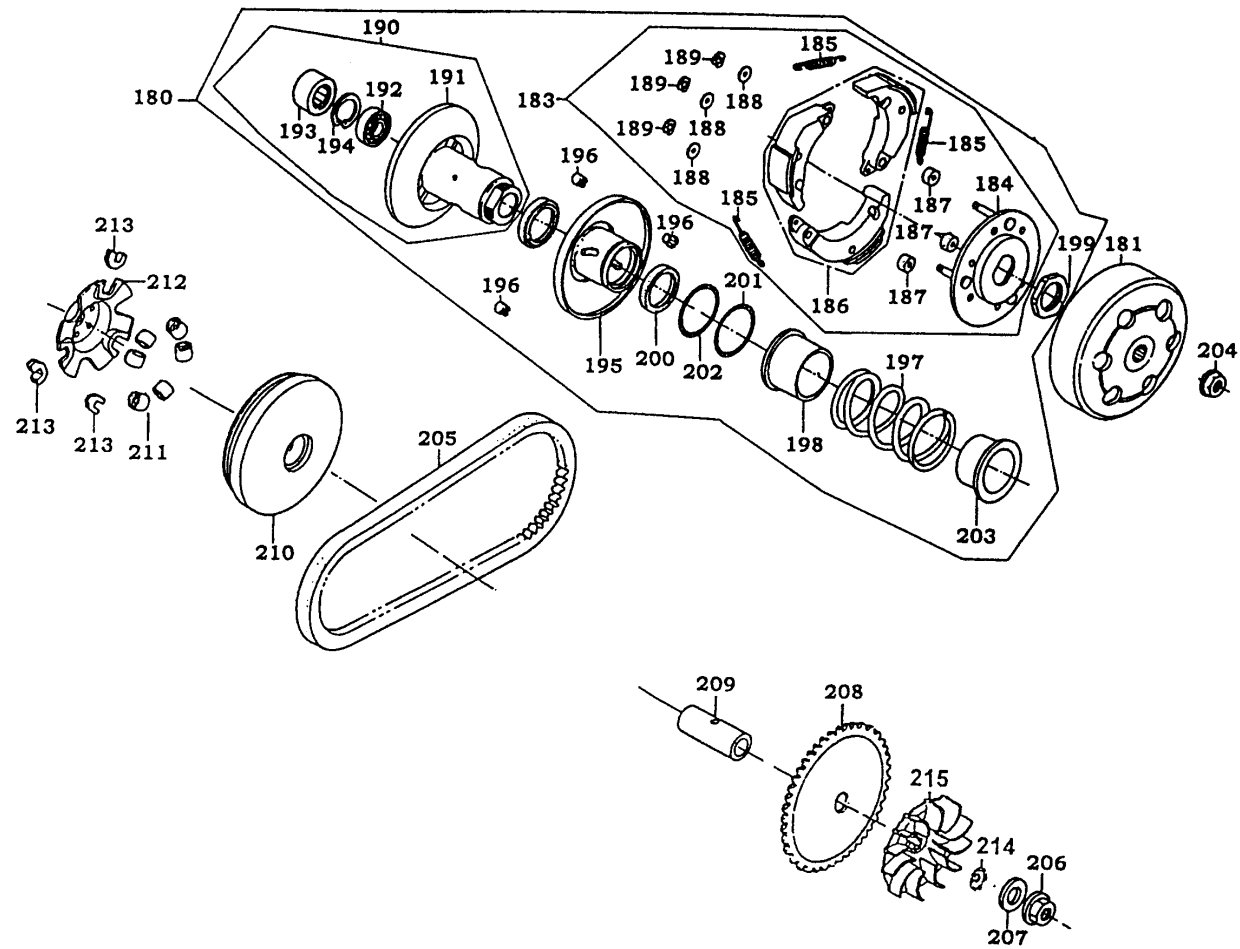
E 5

**E 6 Pulley**



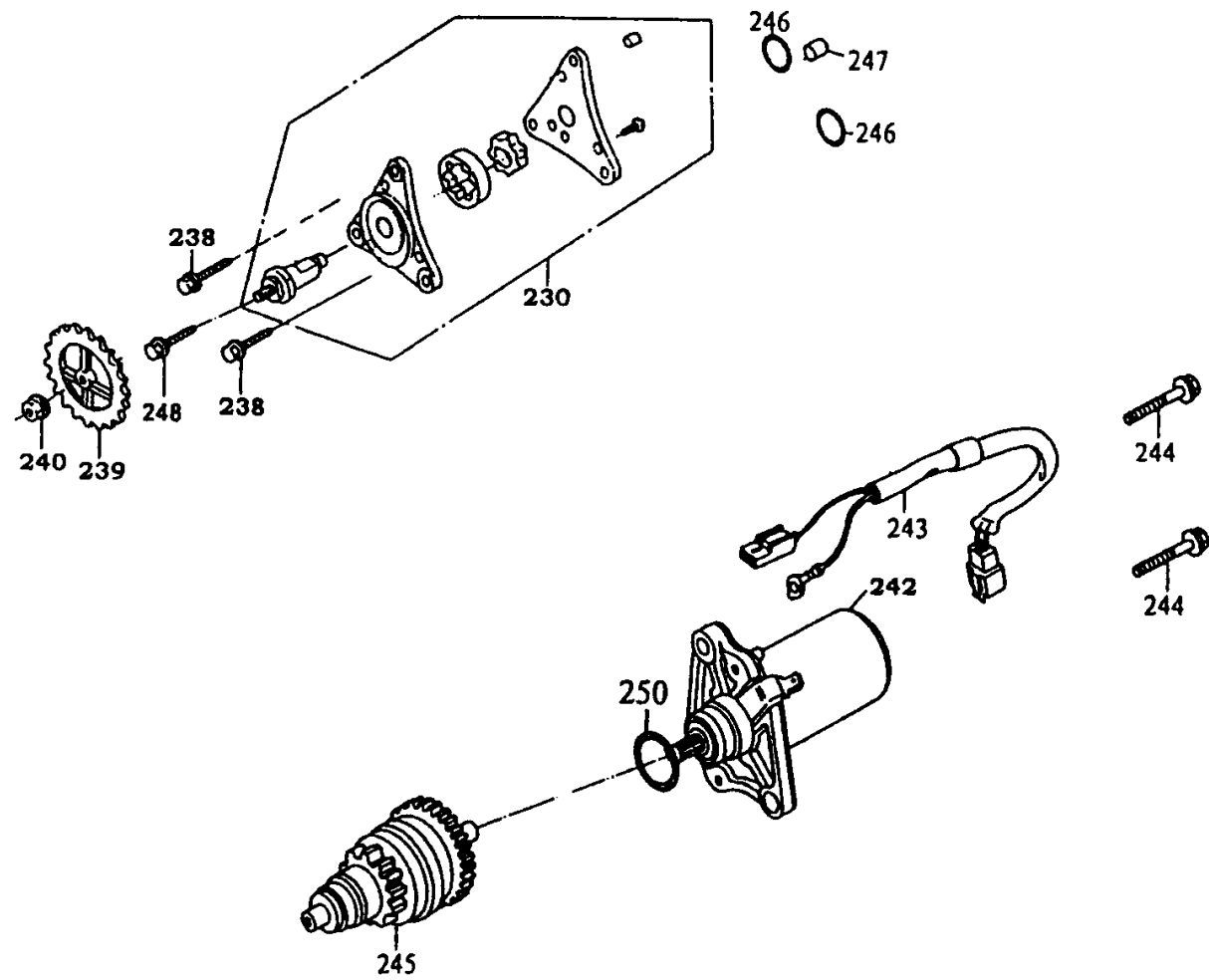
| 販賣記號       | 項目     | 零件號碼              | 版數  | 英文名稱                     | 中文名稱          | 需要用量    | 參考價       |
|------------|--------|-------------------|-----|--------------------------|---------------|---------|-----------|
| Sales mark | Ref no | Part no           | Ver | Description              | Chinese       | Regd no | Ref Price |
| *          | 180    | 2301A-KBG-9000    | 0   | PLATE SUB ASSY DRIVE     | 從動皮帶輪組        | 1       |           |
| *          | 181    | 22100-GR1-7510    | 0   | CLUTCH OUTER             | 離合器外套         | 1       |           |
| *          | 183    | 22300-KBG-9000    | 0   | PLATE ASSY DRIVE         | 驅動板組          | 1       |           |
|            | 184    | 22350-GAK-9300    | 1   | PLATE COMP DRIVE         | 驅動板           | 1       |           |
|            | 185    | 22401-GAK-9310    | 0   | SPRING CLUTCH            | 離合器彈簧         | 3       |           |
|            | 186    | 22535-KBG-9000    | 1   | WEIGHT SET CLUTCH        | 離合器配重         | 1       |           |
| *          | 187    | 22804-148-0010    | 0   | RUBBER CLUTCH DUMPER     | 橡皮            | 3       |           |
|            | 188    | 90442-044-0000    | 0   | 6M/M THRUST WASHER       | 華司 6MM        | 3       |           |
|            | 189    | 90454-GB2-0000    | 0   | CIRCLIP 6MM              | 環扣 6MM        | 3       |           |
| *          | 190    | 23200-GR1-7510    | 0   | FACE ASSY DRIVEN         | 從動皮帶盤組        | 1       |           |
| *          | 191    | 23210-GR1-7510    | 0   | FACE COMP DRIVEN H1      | 皮帶盤           | 1       |           |
| *          | 192    | 91001-GA7-7020-M1 | 0   | BRG RADIAL BALL 6901U    | 軸承 6901U      | 1       |           |
| *          | 193    | 91103-GR1-0040    | 0   | BRG NEEDLE 17X25X18 WS   | 滾針軸承 17X25X18 | 1       |           |
| *          | 194    | 94520-24000       | 0   | CIRCLIP IN 24            | 內環扣           | 1       |           |
| *          | 195    | 23220-KCX-9000    | 0   | FACE COMP MOVABLE DRIVEN | 滑動式從動皮帶盤      | 1       |           |
| *          | 196    | 23225-GR1-7510    | 0   | PIN GUIDE                | 導銷            | 3       |           |
| *          | 197    | 23233-GE8-0000    | 1   | SPG DRIVEN FACE          | 驅動彈簧          | 1       |           |
| *          | 198    | 23237-GR1-8810    | 0   | COLLAR SEAL              | 油封套筒          | 1       |           |
| *          | 199    | 90202-187-0010    | 0   | NUT SPECIAL 28MM         | 螺帽 28MM       | 1       |           |
| *          | 200    | 91211-GK8-0130    | 0   | OIL SEAL 34X39X3         | 驅動油封 34X39X3  | 2       |           |

**E 6 Pulley**



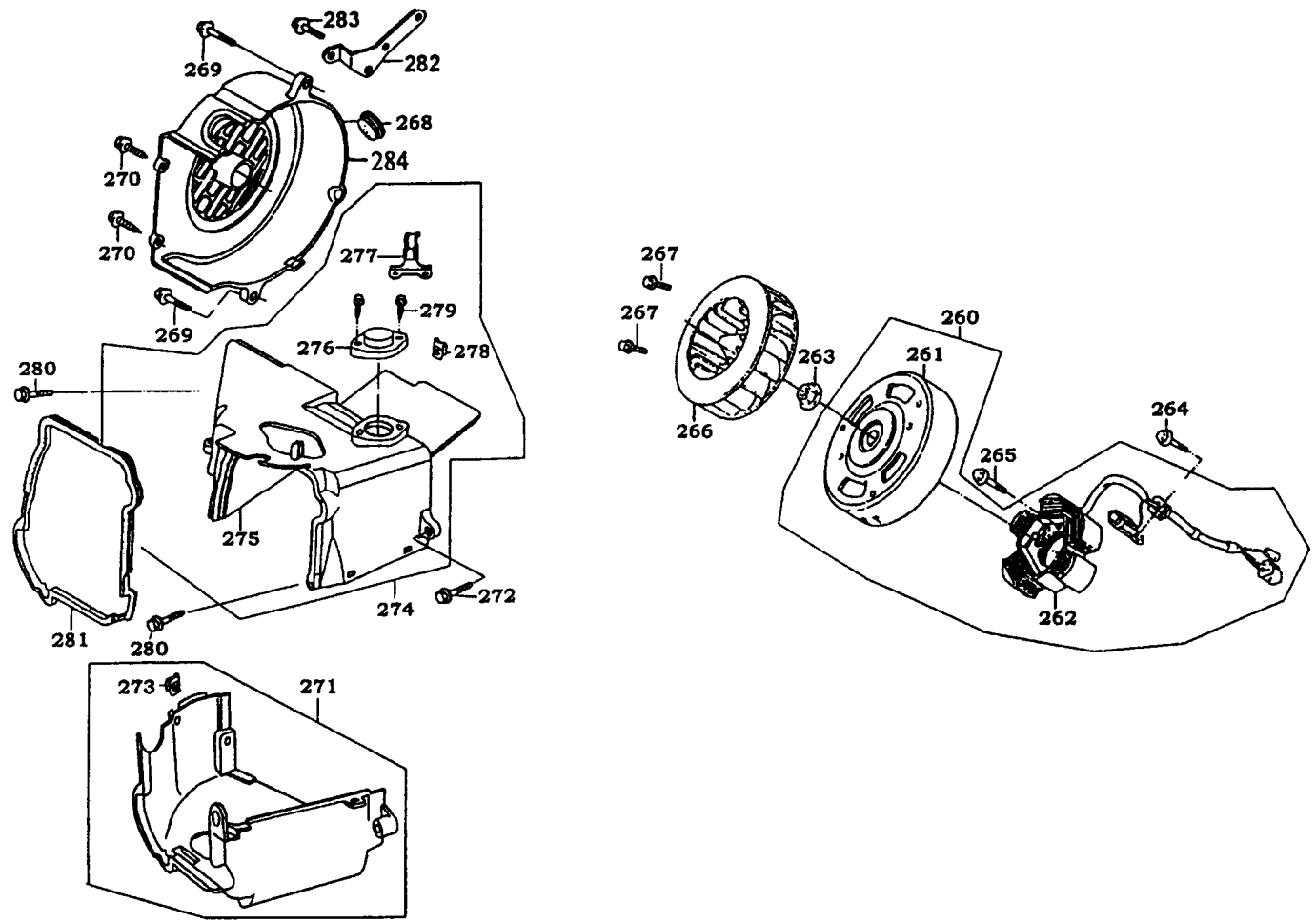
| 販賣記號       | 項目     | 零件號碼              | 版數  | 英文名稱                      | 中文名稱        | 需要用量    | 參考價       |
|------------|--------|-------------------|-----|---------------------------|-------------|---------|-----------|
| Sales mark | Ref no | Part no           | Ver | Description               | Chinese     | Regd no | Ref Price |
| *          | 201    | 91301-KA5-7420-Y1 | 0   | O-RING 36X1.5             | O環 36X1.5   | 1       |           |
| *          | 202    | 91302-PA9-0030    | 1   | O-RING 39.8X2.2           | O環 39.8X2.2 | 1       |           |
| *          | 203    | 23238-GS7-0110    | 0   | COLLAR SPG                | 套筒          | 1       |           |
| *          | 204    | 94050-10080       | 0   | NUT FLANGE 10MM           | 螺帽 10MM     | 1       |           |
| *          | 205    | 23100-GAK-9010    | 0   | BELT DRIVE                | 驅動皮帶        | 1       |           |
| *          | 206    | 94001-12200-0S    | 0   | NUT HEX 12MM              | 螺帽 12MM     | 1       |           |
| *          | 207    | 90426-KBN-9010    | 0   | WASHER SPECIAL 12MM       | 華司 12MM     | 1       |           |
| *          | 208    | 22102-KEB7-9000   | 0   | FACE DRIVE                | 驅動皮帶扇葉盤     | 1       |           |
| *          | 209    | 22105-KBG-E000    | 0   | BOSS DRIVE FACE           | 襯套          | 1       |           |
| *          | 210    | 22110-GR1-8810    | 0   | FACE COMP MOVABLE DRIVE   | 滑動式驅動盤      | 1       |           |
| *          | 211    | 22121-KBG-9000    | 0   | ROLLER COMP WEIGHT 6.5 gr | 配重滾子        | 6       |           |
| *          | 212    | 22131-GAH-7810    | 0   | PLATE RAMP                | 斜坡板         | 1       |           |
| *          | 213    | 22132-GW0-0010    | 1   | PIECE SLIDE               | 斜板邊件        | 3       |           |
| *          | 214    | 28211-KEB7-9000   | 0   | RATCHET KICK STARTER      | 起動棘齒輪       | 1       |           |
| *          | 215    | 22103-KEB7-9000   | 0   | FAN CVT COOLING           | 冷卻風扇        | 1       |           |

**E 7** Starting Motor ● Oil Pump



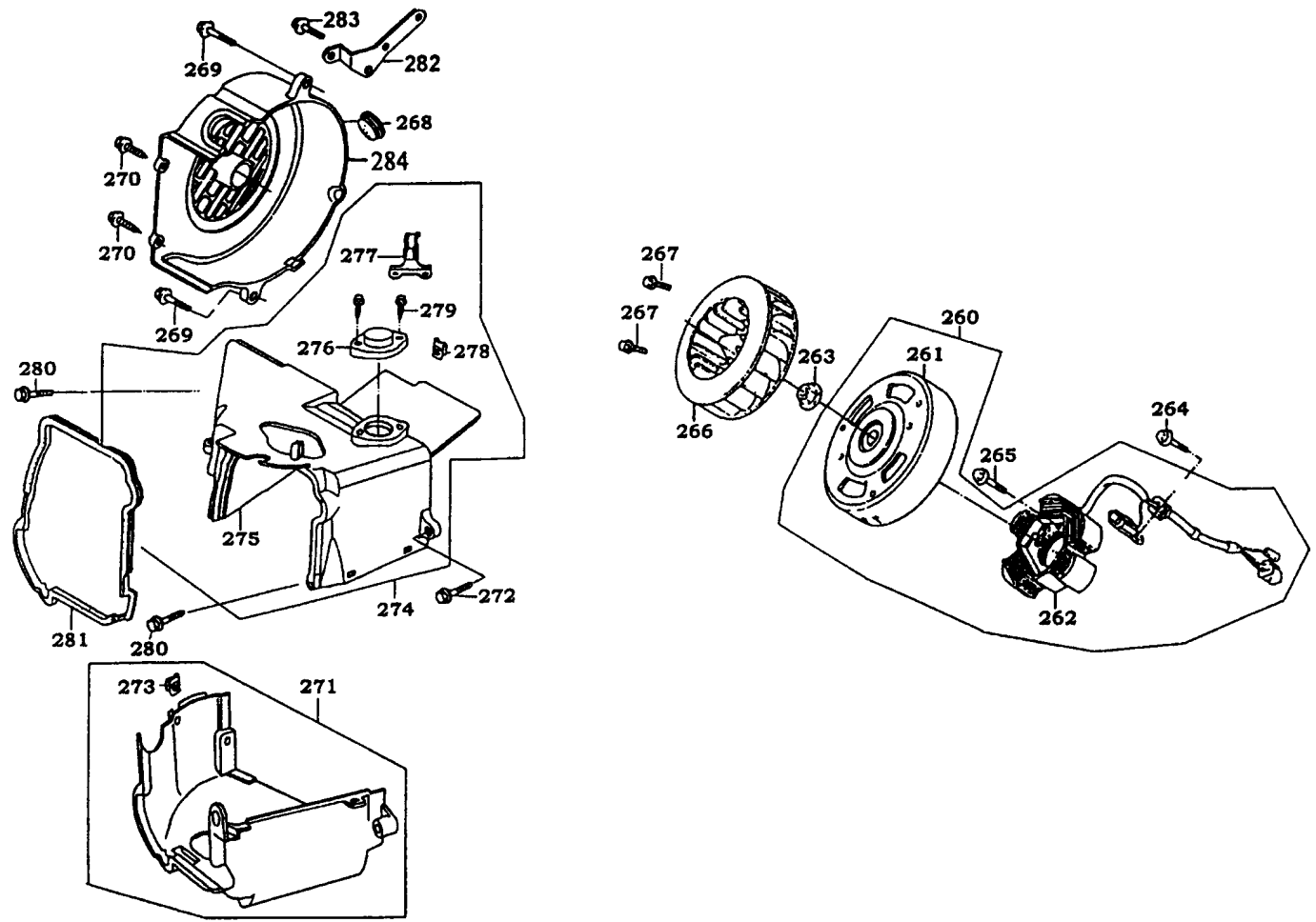
| 販賣記號       | 項目     | 零件號碼               | 版數  | 英文名稱                 | 中文名稱     | 需要用量    | 參考價       |
|------------|--------|--------------------|-----|----------------------|----------|---------|-----------|
| Sales mark | Ref no | Part no            | Ver | Description          | Chinese  | Regd no | Ref Price |
| *          | 230    | 15100-KGBG-9000    | 2   | PUMP ASSY OIL        | 機油泵浦組    | 1       |           |
|            | 231    | 15132-KBG-9000     | 0   | SHAFT OIL PUMP       | 機油泵軸     | 1       |           |
|            | 232    | 15101-KBG-9000     | 0   | BODY OIL PUMP        | 機油泵浦本體   | 1       |           |
|            | 233    | 15332-GF6-0010     | 1   | ROTOR OIL PUMP OUTER | 機泵外轉子    | 1       |           |
|            | 234    | 15331-KBG-9000     | 0   | ROTER OIL PUMP INNER | 機泵內轉子    | 1       |           |
|            | 235    | 15116-KBG-9000     | 0   | PLATE OIL PUMP       | 平板       | 1       |           |
|            | 236    | 93500-04010-1A     | 0   | SCREW 4X10           | 螺絲 4X10  | 3       |           |
|            | 237    | 94303-04065        | 0   | DOWEL PIN 4X6.5      | 銷 4X6.5  | 1       |           |
| *          | 238    | 96001-06020-08     | 0   | BOLT FLANGE SH 6X20  | 螺絲 6X20  | 2       |           |
| *          | 239    | 15133-KBG-9000-H1  | 0   | GEAR OIL PUMP DRIVEN | 機油泵驅動齒輪  | 1       |           |
| *          | 240    | 94050-06080        | 0   | NUT FLANGE 6MM       | 螺帽 6MM   | 1       |           |
| *          | 242    | 31210-KEE1-9000-M1 | 0   | MOTOR UNIT START     | 起動馬達     | 1       |           |
| *          | 243    | 32105-KEE1-9000    | 0   | SUB HARNESS          | 起動馬達配線   | 1       |           |
| *          | 244    | 96001-06025-08     | 0   | BOLT FLANGE SH 6X25  | 螺絲 6X25  | 2       |           |
| *          | 245    | 31209-GAK-9010     | 0   | PINION ASSY STARTER  | 起動齒輪組    | 1       |           |
| *          | 246    | 91305-028-1590     | 0   | O-RING 9X1.6         | O環 9X1.6 | 2       |           |
| *          | 247    | 94301-08100        | 0   | PIN DOWELL 8X10      | 銷 8X10   | 1       |           |
| *          | 248    | 96001-06025-08     | 0   | BOLT FLANGE SH 6X25  | 螺絲 6X25  | 1       |           |
| *          | 250    | 91309-GAK-9010     | 0   | O RING               | O環       | 1       |           |

**E 8 Fan Cover Generator**



| 販賣記號       | 項目     | 零件號碼               | 版數  | 英文名稱                 | 中文名稱    | 需要用量    | 參考價       |
|------------|--------|--------------------|-----|----------------------|---------|---------|-----------|
| Sales mark | Ref no | Part no            | Ver | Description          | Chinese | Regd no | Ref Price |
|            | 260    | 31100-KBG-9000-M1  | 0   | AC GEN ASSY          | 交流發電機   | 1       |           |
|            | 260    | 31100-KBG-9000-M2  | 0   | AC GEN ASSY          | 交流發電機   | 1       |           |
| *          | 261    | 31110-KGBG-9000-M1 | 2   | FLYWHEEL COMP        | 飛輪蓋     | 1       |           |
| *          | 261    | 31110-KGBG-9000-M2 | 1   | FLYWHEEL COMP        | 飛輪蓋     | 1       |           |
| *          | 262    | 31120-KGBG-9010-M1 | 1   | STATOR COMP          | 轉子線圈    | 1       |           |
| *          | 262    | 31120-KGBG-9010-M2 | 0   | STATOR COMP          | 轉子線圈    | 1       |           |
| *          | 263    | 94050-10080        | 0   | NUT FLANGE 10MM      | 螺帽 10MM | 1       |           |
| *          | 264    | 92101-05012-0H     | 0   | BOLT HEX 5X12        | 螺絲 5X12 | 2       |           |
| *          | 265    | 96001-06022-08     | 0   | BOLT FLANGE SH 6X22  | 螺絲 6X22 | 2       |           |
| *          | 266    | 19510-KGBG-9000    | 1   | FAN COMP COOLING     | 冷卻風扇    | 1       |           |
| *          | 267    | 96001-06018-08     | 0   | BOLT FLANGE SH 6X18  | 螺絲 6X18 | 4       |           |
| *          | 268    | 70529-657-6710     | 0   | GROM B SIDE PNL      | 橡皮塞     | 1       |           |
| *          | 269    | 96001-06025-08     | 0   | BOLT FLANGE SH 6X25  | 螺絲 6X25 | 3       |           |
| *          | 270    | 93904-35380        | 0   | SCREW TAPPING 5X16   | 螺絲 5X16 | 2       |           |
| *          | 271    | 1962A-KBG-9000     | 0   | SHROUD ASSY A        | 罩蓋 A組   | 1       |           |
| *          | 273    | 90305-GK8-0000     | 1   | NUT CLIP 6MM         | 螺帽夾 6MM | 2       |           |
| *          | 274    | 1963A-KBG-9000     | 0   | SHROUD ASSY B        | 罩蓋 B組   | 1       |           |
| *          | 275    | 19630-KBG-9000     | 0   | SHROUD COMP B        | 罩蓋 B    | 1       |           |
| *          | 276    | 19636-KBG-9000     | 0   | BOX TENSIONER LIFTER | 塞蓋      | 1       |           |
| *          | 277    | 11385-KBG-9000     | 0   | CLIP VACUUM TUBE     | 管夾      | 1       |           |

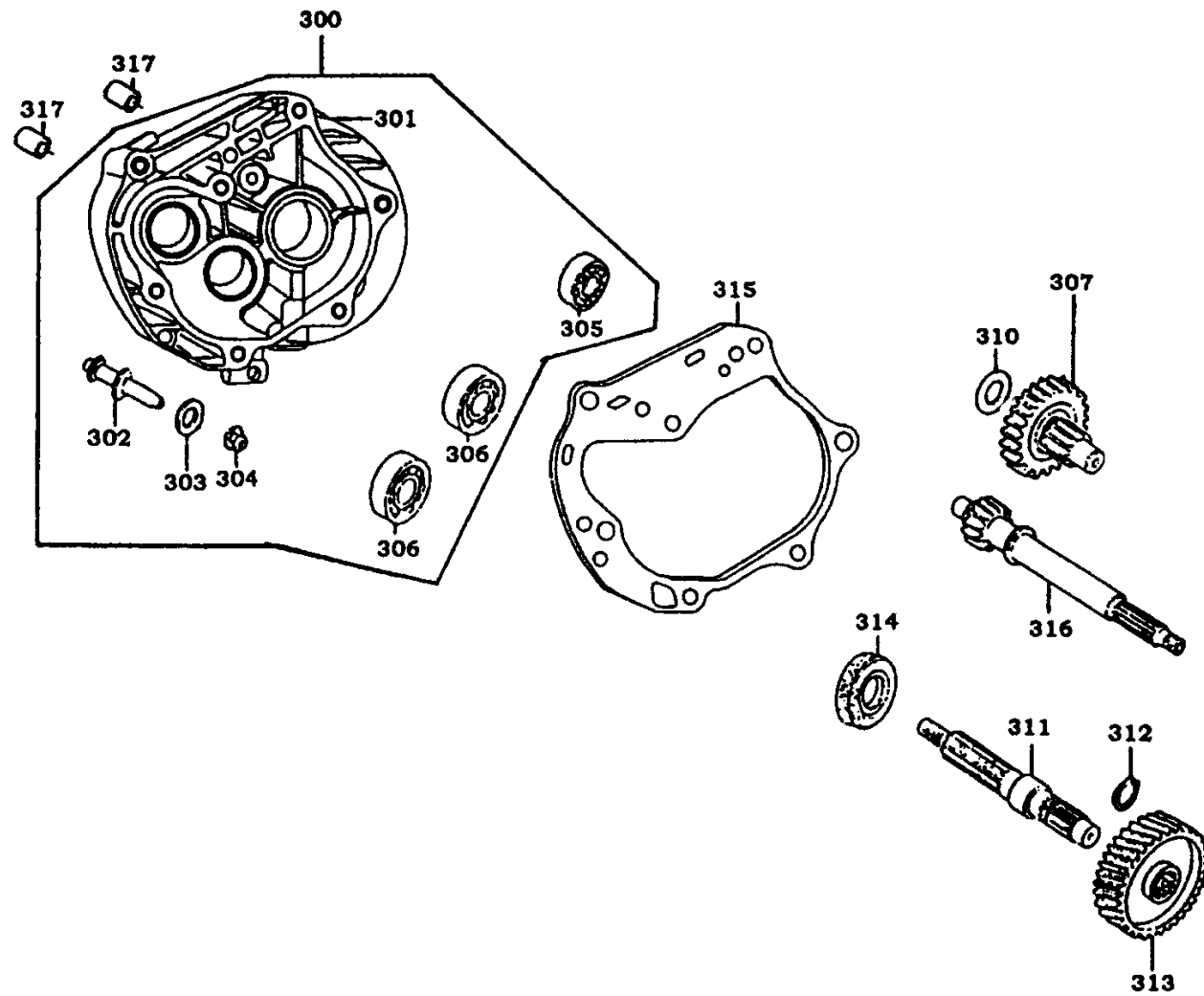
**E 8 Fan Cover Generator**



| 販賣記號       | 項目     | 零件號碼            | 版數  | 英文名稱                | 中文名稱    | 需要用量    | 參考價       |
|------------|--------|-----------------|-----|---------------------|---------|---------|-----------|
| Sales mark | Ref no | Part no         | Ver | Description         | Chinese | Regd no | Ref Price |
| *          | 278    | 90305-GK8-0010  | 0   | NUT CLIP 6MM        | 螺帽夾 6MM | 1       |           |
| *          | 279    | 93903-24380     | 0   | SCREW TAPPING 4X12  | 螺釘 4X12 | 2       |           |
| *          | 280    | 96001-06016-08  | 0   | BOLT FLANGE SH 6X16 | 螺絲 6X16 | 2       |           |
| *          | 281    | 19625-KBG-9000  | 0   | SEAL SHROUD         | 罩蓋油封    | 1       |           |
| *          | 282    | 11386-KBG-9000  | 0   | STAY FENDER         | 土除座     | 1       |           |
| *          | 283    | 96001-06012-08  | 0   | BOLT FLANGE SH 6X12 | 螺絲 6X12 | 1       |           |
| *          | 284    | 1961A-KGBG-9010 | 0   | COVER ASSY FAN      | 冷卻風扇蓋   | 1       |           |

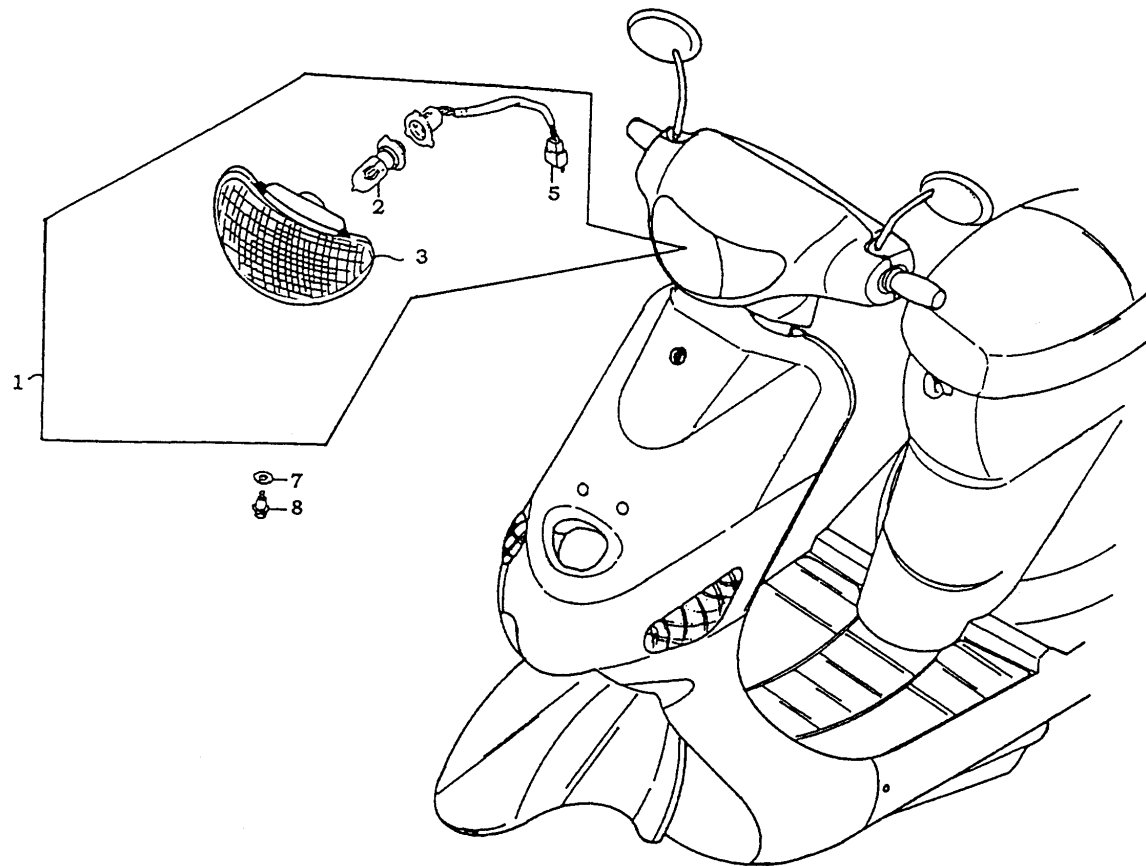
E 8

**E 9** Transmission



| 販賣記號       | 項目     | 零件號碼              | 版數  | 英文名稱                    | 中文名稱       | 需要用量    | 參考價       |
|------------|--------|-------------------|-----|-------------------------|------------|---------|-----------|
| Sales mark | Ref no | Part no           | Ver | Description             | Chinese    | Regd no | Ref Price |
| *          | 300    | 21200-KBG-3050    | 0   | CASE SET MISSION        | 主軸箱蓋組      | 1       |           |
|            | 301    | 21201-KBG-9000    | 0   | MISSION CASE BODY       | 主軸箱蓋       | 1       |           |
| *          | 302    | 11203-KG8-3010    | 1   | PIN BRAKE SHOE ANCHOR   | 煞車鼓固定銷     | 1       |           |
| *          | 303    | 91301-053-0000    | 0   | O RING 7.5X1.5          | O環 7.5X1.5 | 1       |           |
| *          | 304    | 94050-08080       | 0   | NUT FLANGE 8MM          | 螺帽 8MM     | 1       |           |
| *          | 305    | 91009-GE0-0040    | 0   | BRG BALL RADIAL 6004 UU | 軸承 6004    | 1       |           |
| *          | 306    | 91004-KN2-9020-M1 | 0   | BRG BALL RADIAL 6201    | 軸承 6201    | 2       |           |
| *          | 307    | 23420-KEB7-9000   | 0   | SHAFT COMP COUNTER      | 副軸組        | 1       |           |
| *          | 310    | 90429-KBN-9000    | 0   | WASHER SIDE 12MM        | 華司 12MM    | 1       |           |
| *          | 311    | 23431-KEB7-9000   | 0   | SHAFT FINAL             | 最終軸        | 1       |           |
| *          | 312    | 94510-20000       | 0   | CIRCLIP EX 20           | 環夾 20MM    | 1       |           |
| *          | 313    | 23432-KBN-9010    | 0   | GEAR FINAL              | 最終齒輪       | 1       |           |
| *          | 314    | 91255-GE0-0060    | 0   | OIL SEAL 27X42X7        | 油封 27X42X7 | 1       |           |
| *          | 315    | 21395-KBN-9010    | 1   | GASKET MISSION CASE @A  | 主軸蓋墊片      | 1       |           |
| *          | 316    | 23411-KEB7-9000   | 0   | SHAFT DRIVE             | 驅動軸        | 1       |           |
| *          | 317    | 94301-10200       | 0   | DOWEL PIN 10X20         | 插銷 10X20   | 2       |           |

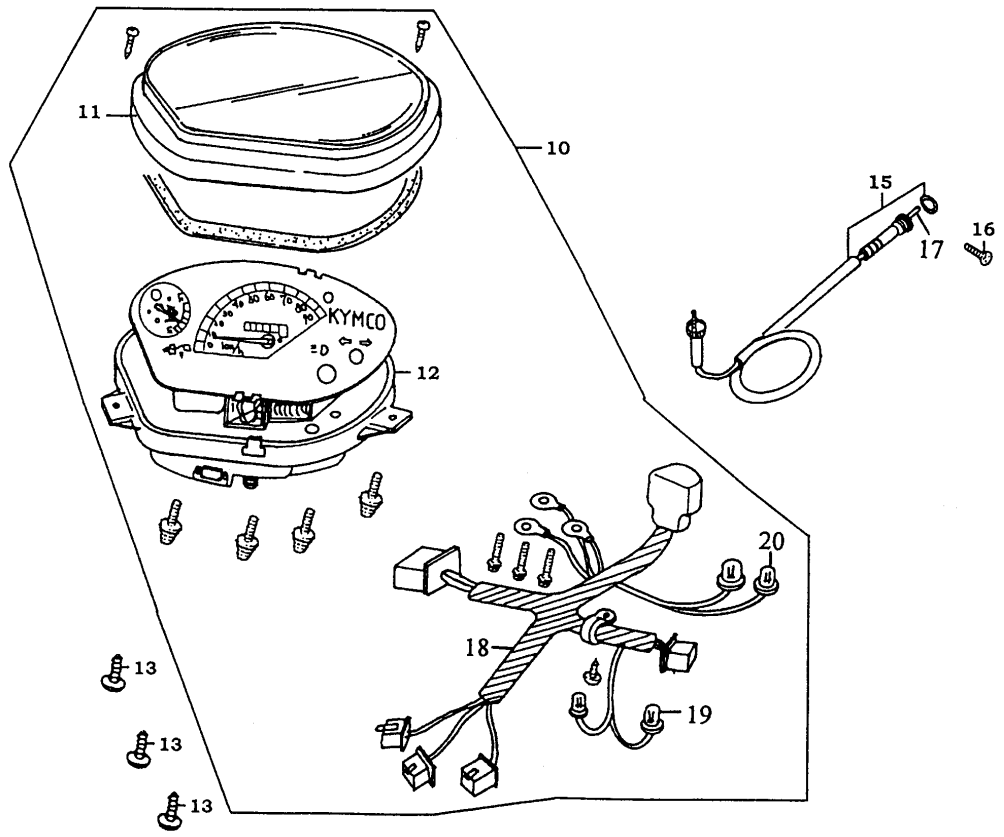
**F 1** Head Light



| 販賣記號       | 項目     | 零件號碼            | 版數  | 英文名稱            | 中文名稱    | 需要用量    | 參考價       |
|------------|--------|-----------------|-----|-----------------|---------|---------|-----------|
| Sales mark | Ref no | Part no         | Ver | Description     | Chinese | Regd no | Ref Price |
| *          | 1      | 33100-KGBG-E000 | 0   | LIGHT ASSY HEAD | 前燈總成    | 1       |           |
| *          | 2      | 34901-KAB-9000  | 0   | BULB HEAD LIGHT | 前燈燈泡    | 1       |           |
| *          | 3      | 33120-KBG-E000  | 0   | UNIT HEAD LIGHT | 前燈      | 1       |           |
| *          | 5      | 33130-KBG-E000  | 0   | SOCKET COMP     | 前燈配線    | 1       |           |
| *          | 7      | 90307-GJ6-0040  | 0   | WASHER LOCK 6MM | 鎖華司 6MM | 1       |           |
| *          | 8      | 90101-GR1-0010  | 0   | BOLT ADJUST     | 螺絲      | 1       |           |

F 1

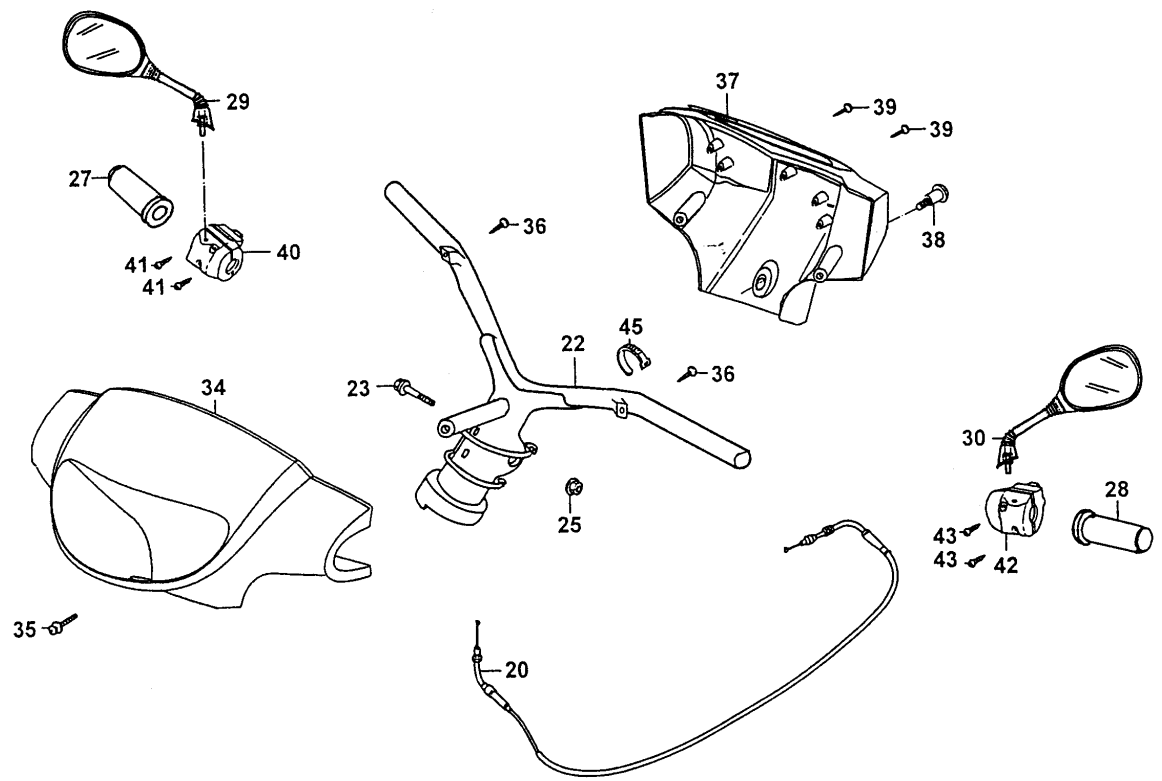
**F 2** Speedometer



F 2

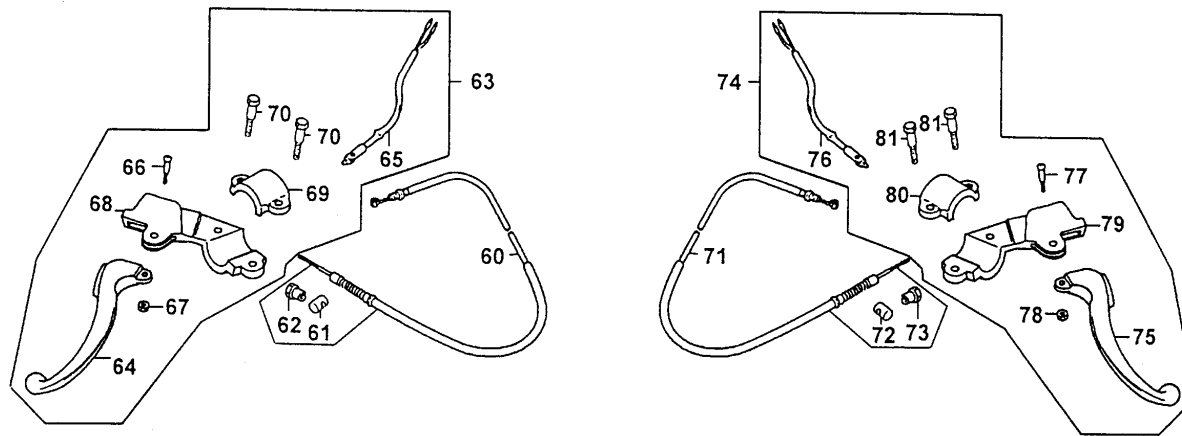
| 販賣記號       | 項目     | 零件號碼               | 版數  | 英文名稱                      | 中文名稱    | 需要用量    | 參考價       |
|------------|--------|--------------------|-----|---------------------------|---------|---------|-----------|
| Sales mark | Ref no | Part no            | Ver | Description               | Chinese | Regd no | Ref Price |
| *          | 10     | 37200-KGBG-E100-M1 | 1   | SPEED METER ASSY          | 儀錶組     | 1       |           |
| *          | 10     | 37200-KGBG-E100-M2 | 1   | SPEED METER ASSY          | 儀錶組     | 1       |           |
| *          | 11     | 37211-KCT-9000-M1  | 0   | LENS                      | 儀錶蓋     | 1       |           |
| *          | 11     | 37211-KCT-9000-M2  | 0   | LENS                      | 儀錶蓋     | 1       |           |
|            | 12     | 37220-KBG-9000     | 0   | CASE ASSY                 | 儀錶箱     | 1       |           |
| *          | 13     | 93903-35320        | 0   | SCREW TAPPING 5X16        | 螺釘 5X16 | 3       |           |
| *          | 15     | 44830-KBG-9000     | 0   | CABLE COMP SPDMT          | 速度錶導線   | 1       |           |
| *          | 16     | 93700-05018-0H     | 0   | SCREW OVAL 5X18           | 螺絲 5X18 | 1       |           |
| *          | 17     | 44831-KBG-9000     | 0   | CABLE INNER               | 速度錶內導線  | 1       |           |
|            | 18     | 37224-KBG-E000     | 0   | SOCKET COMP METER         | 儀錶配線    | 1       |           |
| *          | 19     | 34908-GA7-7010-M1  | 1   | BULB WEDGE BASE 12V 3.4WW | 燈泡      | 1       |           |
| *          | 20     | 34908-MB9-8710-M1  | 0   | BULB WEDGE BASE           | 燈泡      | 3       |           |

**F 3** Handle Steering ● Handle Cover



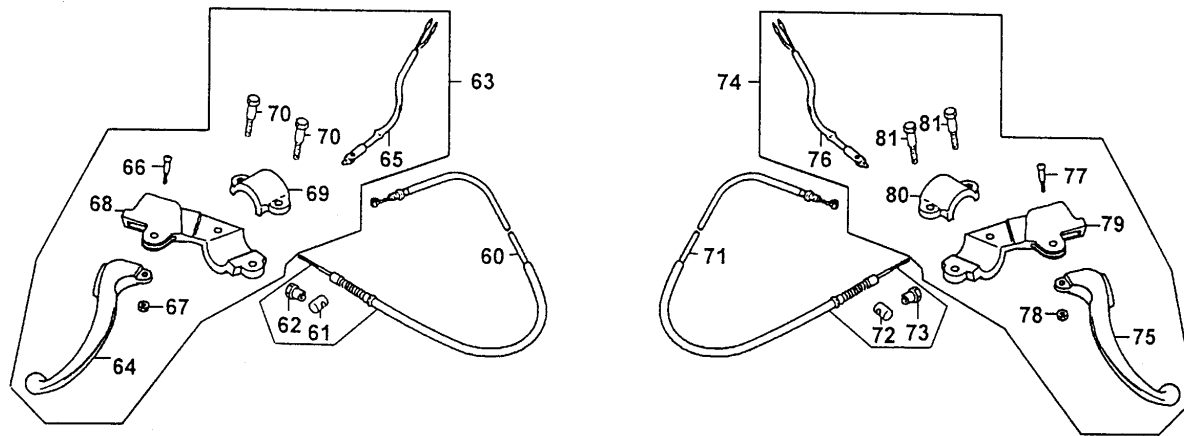
| 販賣記號       | 項目     | 零件號碼               | 版數  | 英文名稱                 | 中文名稱     | 需要用量    | 參考價       |
|------------|--------|--------------------|-----|----------------------|----------|---------|-----------|
| Sales mark | Ref no | Part no            | Ver | Description          | Chinese  | Regd no | Ref Price |
| *          | 20     | 17910-KBG-9000     | 0   | CABLE COMP THROT     | 加油導線     | 1       |           |
| *          | 22     | 53100-KGBG-9000    | 1   | HANDLE COMP STRG     | 轉向手柄     | 1       |           |
| *          | 23     | 95801-10040-08     | 0   | BOLT FLANGE 10X40    | 螺絲 10X40 | 1       |           |
| *          | 25     | 90304-GE8-0030     | 1   | NUT U 10MM           | 螺帽 10MM  | 1       |           |
| **         | 27     | 53140-KGBG-E000-IT | 0   | GRIP COMP THROT      | 節流管套組    | 1       |           |
| **         | 28     | 53166-KGBG-E000-IT | 0   | GRIP L HANDLE        | 手柄左橡皮套   | 1       |           |
| *          | 29     | 88110-KEB7-E000    | 0   | MIRROR ASSY R BACK   | 右後視鏡     | 1       |           |
| *          | 30     | 88120-KEB7-E000    | 0   | MIRROR ASSY L BACK   | 左後視鏡     | 1       |           |
| **         | 34     | 53205-KBG-9000     | 0   | COVER FR HANDLE      | 手柄前蓋     | 1       |           |
| *          | 35     | 93891-05020-07     | 0   | SCREW WASHER 5X20    | 螺釘 5X20  | 1       |           |
| *          | 36     | 93903-34380        | 0   | SCREW TAPPING 4X12   | 螺釘 4X12  | 2       |           |
| **         | 37     | 53206-KBG-9000     | 0   | COVER HANDLE RR      | 手柄後蓋     | 1       |           |
| *          | 38     | 90302-KBN-9000     | 0   | BOLT PAN 5X10        | 螺絲 5X10  | 1       |           |
|            | 39     | 93903-34380        | 0   | SCREW TAPPING 4X12   | 螺釘 4X12  | 2       |           |
| *          | 40     | 3515A-KGBG-E000    | 2   | SW ASSY RH HNDL COMP | 手柄右開關組   | 1       |           |
| *          | 41     | 93500-05022-0G     | 0   | SCREW PAN 5X22       | 螺釘 5X22  | 2       |           |
| *          | 42     | 3520A-KGBG-E000    | 2   | SW ASSY LH HNDL COMP | 手柄左開關組   | 1       |           |
| *          | 43     | 93500-05025-0H     | 0   | SCREW PAN 5X25       | 螺釘 5X25  | 2       |           |
| *          | 45     | 90656-GY6-9110     | 0   | BAND OIL HOSE        | 油管束帶     | 2       |           |

**F 4 Cable Switch**



| 販賣記號       | 項目     | 零件號碼               | 版數  | 英文名稱                  | 中文名稱    | 需要用量    | 參考價       |
|------------|--------|--------------------|-----|-----------------------|---------|---------|-----------|
| Sales mark | Ref no | Part no            | Ver | Description           | Chinese | Regd no | Ref Price |
| *          | 60     | 45450-KGBG-9000    | 1   | CABLE COMP FR BRK     | 前剎車導線組  | 1       |           |
| *          | 61     | 95015-31001        | 0   | JOINT A BRAKE ARM     | 接頭      | 1       |           |
| *          | 62     | 95015-41000        | 0   | NUT A ADJUST          | 調整螺帽    | 1       |           |
| *          | 63     | 5317A-KGBG-E000-IT | 0   | BRKT ASSY HNDL R      | 手柄右托架組  | 1       |           |
| *          | 64     | 53175-KGBG-E000-IT | 0   | LEVER R STRG HNDL     | 右拉桿     | 1       |           |
| *          | 65     | 35340-KJ9-0100     | 4   | SW ASSY FR STOP       | 剎車燈前置開關 | 1       |           |
| *          | 66     | 90115-GE0-0010     | 0   | BOLT HNDL LEVER PIVOT | 拉桿螺絲    | 1       |           |
| *          | 67     | 94001-05080-0S     | 0   | NUT HEX 5MM           | 螺帽 5MM  | 1       |           |
| *          | 68     | 53170-KCT-8000     | 0   | BRKT HNDL R           | 手柄右托架   | 1       |           |
| *          | 69     | 45517-GY6-9000     | 4   | HOLDER HNDL BRKT      | 固定座夾板   | 1       |           |
| *          | 70     | 95701-06028-08     | 0   | BOLT FLANGE 6X28      | 螺絲 6X28 | 2       |           |
| *          | 71     | 43450-KGBG-9000    | 1   | CABLE COMP RR BRK     | 後剎車導線組  | 1       |           |
| *          | 72     | 95015-32001        | 0   | JOINT B BRAKE ARM     | 接頭      | 1       |           |
| *          | 73     | 95015-42000        | 0   | NUT B ADJUST          | 調整螺帽    | 1       |           |
| *          | 74     | 5317B-KGBG-E000-IT | 0   | BRKT ASSY HNDL L      | 手柄左托架組  | 1       |           |
| *          | 75     | 53178-KGBG-E000-IT | 0   | LEVER L STRG HNDL     | 左拉桿     | 1       |           |
| *          | 76     | 35340-KJ9-0100     | 4   | SW ASSY FR STOP       | 剎車燈前置開關 | 1       |           |
| *          | 77     | 90115-GE0-0010     | 0   | BOLT HNDL LEVER PIVOT | 拉桿螺絲    | 1       |           |
| *          | 78     | 94001-05080-0S     | 0   | NUT HEX 5MM           | 螺帽 5MM  | 1       |           |
| *          | 79     | 53172-KCT-9000     | 0   | BRKT HNDL L           | 手柄左托架   | 1       |           |

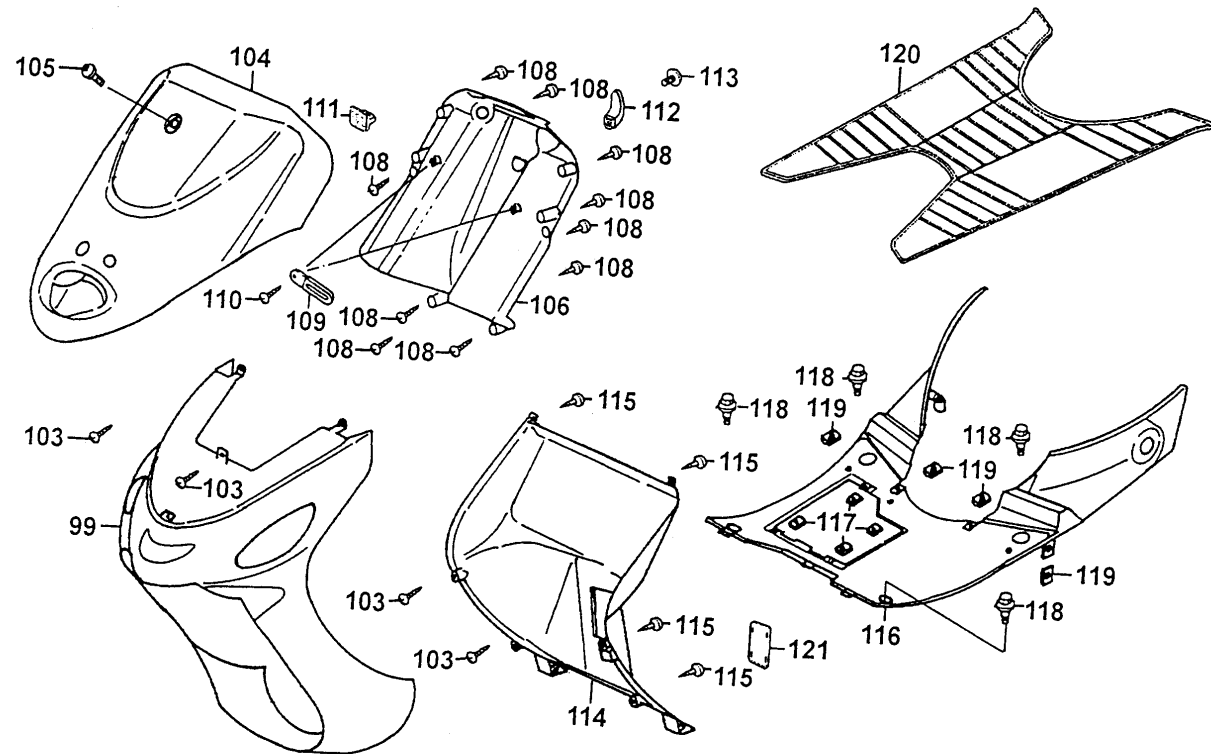
**F 4 Cable Switch**



| 販賣記號       | 項目     | 零件號碼           | 版數  | 英文名稱             | 中文名稱    | 需要用量    | 參考價       |
|------------|--------|----------------|-----|------------------|---------|---------|-----------|
| Sales mark | Ref no | Part no        | Ver | Description      | Chinese | Regd no | Ref Price |
| *          | 80     | 45517-GY6-9000 | 4   | HOLDER HNDL BRKT | 固定座夾板   | 1       |           |
| *          | 81     | 95701-06028-08 | 0   | BOLT FLANGE 6X28 | 螺絲 6X28 | 2       |           |

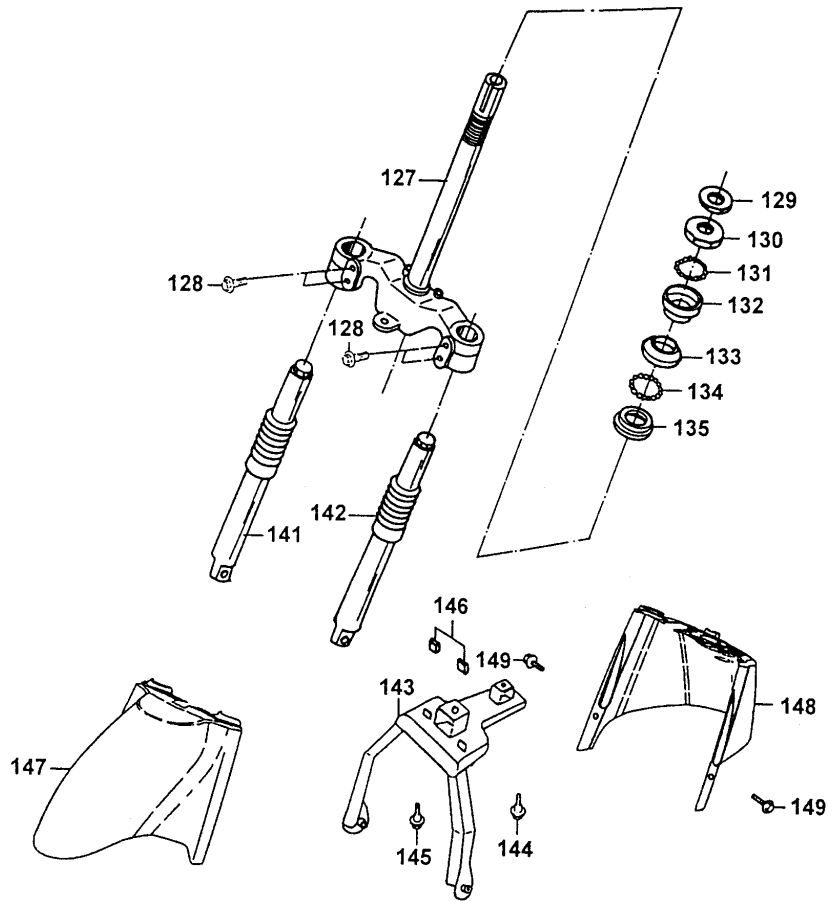
**F 4**

**F 5** Front Cover●Floor Panel



| 販賣記號       | 項目     | 零件號碼            | 版數  | 英文名稱               | 中文名稱     | 需要用量    | 參考價       |
|------------|--------|-----------------|-----|--------------------|----------|---------|-----------|
| Sales mark | Ref no | Part no         | Ver | Description        | Chinese  | Regd no | Ref Price |
| **         | 99     | 64302-KBG-E000  | 0   | FRONT MOLD         | 前護條      | 1       |           |
| *          | 103    | 93903-34380     | 0   | SCREW TAPPING 4X12 | 螺釘 4X12  | 4       |           |
| **         | 104    | 64301-KGBG-3250 | 0   | COVER SET FRONT    | 前護蓋      | 1       |           |
| *          | 105    | 90110-GW0-0010  | 0   | SCREW SPECIAL 6X14 | 螺絲 6X14  | 1       |           |
| **         | 106    | 81131-KBG-9000  | 1   | COVER FR INNER UP  | 內箱上蓋     | 1       |           |
| *          | 108    | 93903-34380     | 0   | SCREW TAPPING 4X12 | 螺釘 4X12  | 10      |           |
| *          | 109    | 94591-27000     | 0   | CLIP 2X70          | 線夾 2X70  | 2       |           |
| *          | 110    | 93903-34380     | 0   | SCREW TAPPING 4X12 | 螺釘 4X12  | 2       |           |
| *          | 111    | 81133-KBN-9010  | 0   | STOPPER LUGGAGE    | 內箱附件     | 1       |           |
| *          | 112    | 81132-GAH-0010  | 1   | HOOK LUGGAGE       | 安全帽掛鉤    | 1       |           |
| *          | 113    | 90164-MR4-9010  | 0   | SCREW SPECIAL 6MM  | 螺釘 6MM   | 1       |           |
| **         | 114    | 81141-KBG-9000  | 0   | COVER FR INNER LOW | 內箱下蓋     | 1       |           |
| *          | 115    | 93903-34380     | 0   | SCREW TAPPING 4X12 | 螺釘 4X12  | 4       |           |
| **         | 116    | 64310-KBG-9000  | 0   | PANEL FLOOR        | 腳踏板      | 1       |           |
| *          | 117    | 90677-GR1-0030  | 1   | NUT CLIP 5MM       | 彈簧螺帽 5MM | 4       |           |
| *          | 118    | 93404-06020-08  | 0   | BOLT WASHER 6X20   | 螺絲 6X20  | 4       |           |
| *          | 119    | 90677-GR1-0030  | 1   | NUT CLIP 5MM       | 彈簧螺帽 5MM | 4       |           |
| **         | 120    | 64320-KBG-9000  | 0   | MAT FLOOR          | 腳踏板橡皮墊   | 1       |           |
| **         | 121    | 81132-KBG-9000  | 0   | LID LEG SHIELD     | 內箱小蓋     | 1       |           |

**F 6** Front Fork

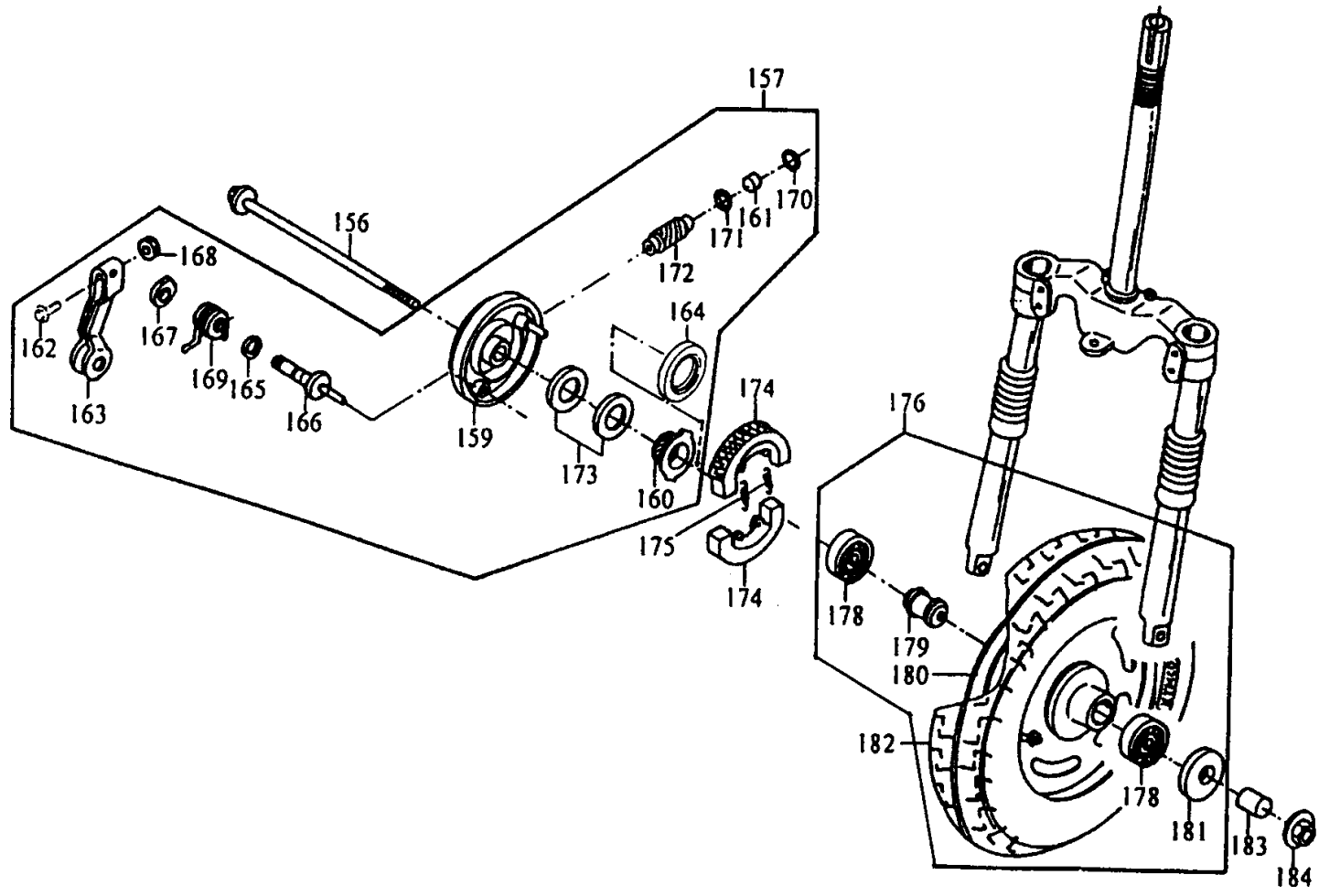


| 販賣記號       | 項目     | 零件號碼            | 版數  | 英文名稱                 | 中文名稱     | 需要用量    | 參考價       |
|------------|--------|-----------------|-----|----------------------|----------|---------|-----------|
| Sales mark | Ref no | Part no         | Ver | Description          | Chinese  | Regd no | Ref Price |
| *          | 127    | 53200-KGBG-9000 | 4   | STEM COMP STRG       | 轉向主桿     | 1       |           |
| *          | 128    | 95801-08040-08  | 0   | BOLT FLANGE 8X40     | 螺絲 8X40  | 4       |           |
| *          | 129    | 50306-196-0010  | 0   | NUT STRG STEM LOCK   | 主幹螺帽     | 1       |           |
| *          | 130    | 53211-GY6-9400  | 0   | RACE STRG TOP CONE   | 頂珠碗      | 1       |           |
| *          | 131    | 96211-05000     | 0   | BALL STEEL 5         | 鋼珠 5#    | 26      |           |
| *          | 132    | 50301-GM0-0010  | 0   | RACE UPPER STRG BALL | 上珠碗      | 1       |           |
| *          | 133    | 50305-GC8-0040  | 0   | RACE UNDER STRG BALL | 下珠碗      | 1       |           |
| *          | 134    | 96211-05000     | 0   | BALL STEEL 5         | 鋼珠 5#    | 29      |           |
| *          | 135    | 53212-GC8-0030  | 2   | RACE STRG BOT CONE   | 底珠碗      | 1       |           |
| *          | 141    | 51400-KBG-E000  | 2   | FORK ASSY R FR       | 右前避震器    | 1       |           |
| *          | 142    | 51500-KGBG-E000 | 2   | FORK ASSY L FR       | 左前避震器    | 1       |           |
| *          | 143    | 51409-KBG-9000  | 0   | STAY FR FENDER       | 前土除支架    | 1       |           |
| *          | 144    | 90112-KLC-9000  | 0   | BOLT SPECIAL 5MM     | 特殊螺絲 5MM | 1       |           |
| *          | 145    | 90112-GC3-0000  | 0   | BOLT SPECIAL 5MM     | 特殊螺絲 5MM | 1       |           |
| *          | 146    | 81142-KLC-9000  | 0   | RUBBER LID STOPPER   | 橡皮       | 2       |           |
| **         | 147    | 61100-KBG-9000  | 0   | FENDER FR A          | 前土除 A    | 1       |           |
| **         | 148    | 61101-KBG-9000  | 0   | FENDER FR B          | 前土除 B    | 1       |           |
| *          | 149    | 93891-06016-07  | 0   | SCREW WASHER 6X16    | 螺絲 6X16  | 2       |           |



| 販賣記號       | 項目     | 零件號碼              | 版數  | 英文名稱                   | 中文名稱       | 需要用量    | 參考價       |
|------------|--------|-------------------|-----|------------------------|------------|---------|-----------|
| Sales mark | Ref no | Part no           | Ver | Description            | Chinese    | Regd no | Ref Price |
| *          | 156    | 44301-KE2-9800    | 2   | AXLE FR WHEEL          | 前輪軸        | 1       |           |
| **         | 157    | 45000-GW0-3050    | 0   | PANEL SET FR BRK       | 前煞車板組      | 1       |           |
|            | 159    | 45100-GW0-9010    | 1   | PANEL COMP FR BRK      | 前煞車板       | 1       |           |
| *          | 160    | 44806-GC7-0040    | 2   | GEAR SPEEDOMETER       | 碼錶齒輪       | 1       |           |
| *          | 161    | 44803-150-0030-H1 | 0   | BUSH PINION            | 襯套         | 1       |           |
| *          | 162    | 95701-06028-08    | 0   | BOLT FLANGE 6X28       | 螺絲 6X28    | 1       |           |
| *          | 163    | 45410-GB2-0000    | 1   | ARM FRONT BRAKE        | 前煞車臂       | 1       |           |
| *          | 164    | 91251-GC8-0060    | 0   | SEAL OIL 41X51X5       | 油封 41X51X5 | 1       |           |
| *          | 165    | 45134-250-0000    | 0   | BRAKE CAM DUST SEAL    | 凸輪防塵封      | 1       |           |
| *          | 166    | 43141-400-0110    | 1   | CAM REAR BRAKE         | 前煞車凸輪      | 1       |           |
| *          | 167    | 45145-096-6500    | 2   | INDICATOR FRONT BRAKE  | 前剎車指示器     | 1       |           |
| *          | 168    | 94050-06080       | 0   | NUT FLANGE 6MM         | 螺帽 6MM     | 1       |           |
| *          | 169    | 45435-GB2-7200    | 1   | SPG BRK ARM RETURN     | 彈簧         | 1       |           |
| *          | 170    | 91256-GC1-0030    | 0   | SEAL DUST              | 防塵封        | 1       |           |
| *          | 171    | 44807-001-0030-30 | 1   | WASHER GEAR BOX PINION | 華司         | 1       |           |
| *          | 172    | 44805-GC7-0040-H1 | 3   | PINION SPDMT           | 碼錶小齒輪      | 1       |           |
| *          | 173    | 44809-170-0030-H1 | 1   | WASHER SPDMT GEAR      | 華司         | 2       |           |
| *          | 174    | 45120-KCX-9100    | 1   | SHOE COMP BRAKE        | 剎車鞋        | 2       |           |
| *          | 175    | 45133-028-0000    | 1   | SPRING BRAKE SHOE      | 剎車鞋彈簧      | 2       |           |
| **         | 176    | 44650-GR1-3050    | 2   | WHEEL SET FR           | 前輪圈組       | 1       |           |

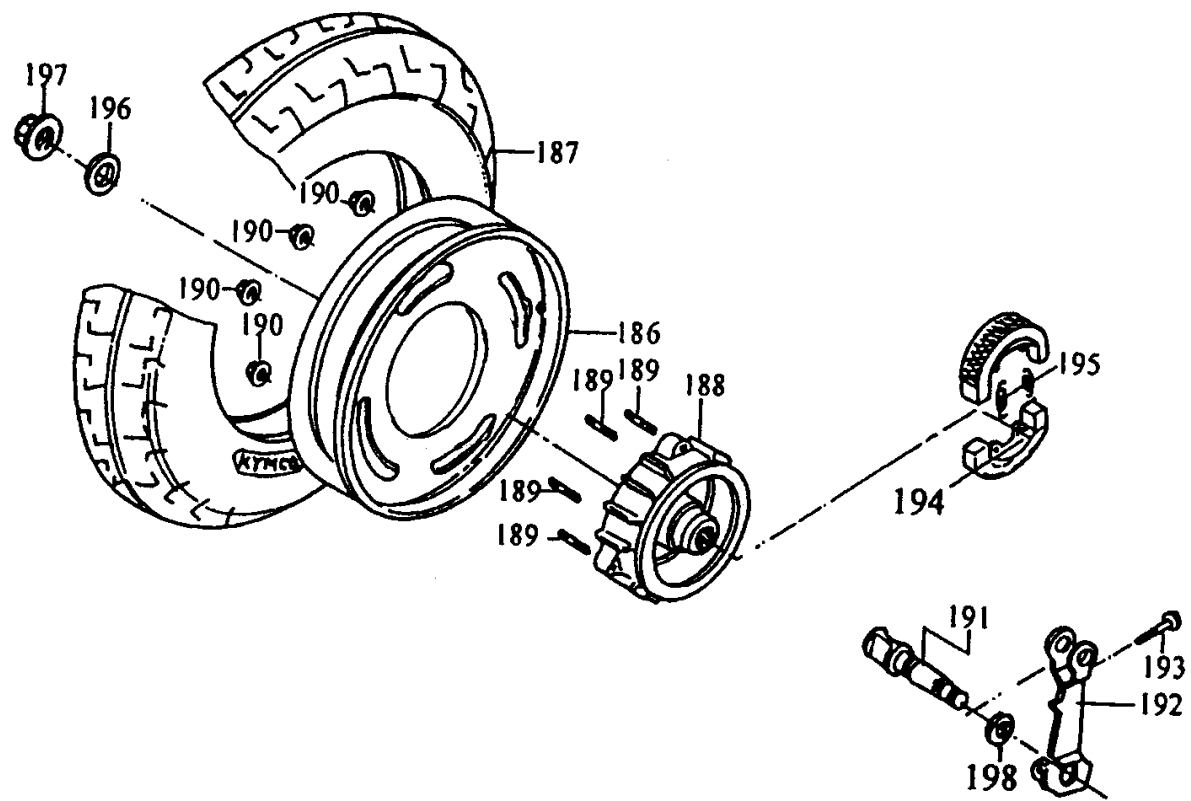
**F 7 Front Wheel**



| 販賣記號       | 項目     | 零件號碼              | 版數  | 英文名稱                   | 中文名稱       | 需要用量    | 參考價       |
|------------|--------|-------------------|-----|------------------------|------------|---------|-----------|
| Sales mark | Ref no | Part no           | Ver | Description            | Chinese    | Regd no | Ref Price |
| *          | 178    | 90912-GC8-0000    | 0   | BEARING 6201 (U) (NTN) | 軸承 6201U   | 2       |           |
| *          | 179    | 44620-030-0010    | 0   | COLLAR FR AXLE DIST    | 前輪軸距套筒     | 1       |           |
|            | 180    | 44650-GR1-9310    | 2   | WHEEL COMP FR          | 前輪圈        | 1       |           |
| *          | 181    | 90754-GC8-0000    | 0   | SEAL DUST 20X32X5      | 油封 20X32X5 | 1       |           |
| *          | 182    | 44710-KBG-9010-M1 | 1   | TIRE ASSY              | 輪胎         | 1       |           |
| *          | 182    | 44710-KDR-9000-M2 | 0   | TIRE ASSY              | 輪胎         | 1       |           |
| *          | 183    | 44311-GW0-9000    | 0   | COLLAR FR WHEEL SIDE   | 前輪邊套筒      | 1       |           |
| *          | 184    | 90306-KF0-0040    | 0   | NUT FLANGE 12MM        | 螺帽 12MM    | 1       |           |

F 7

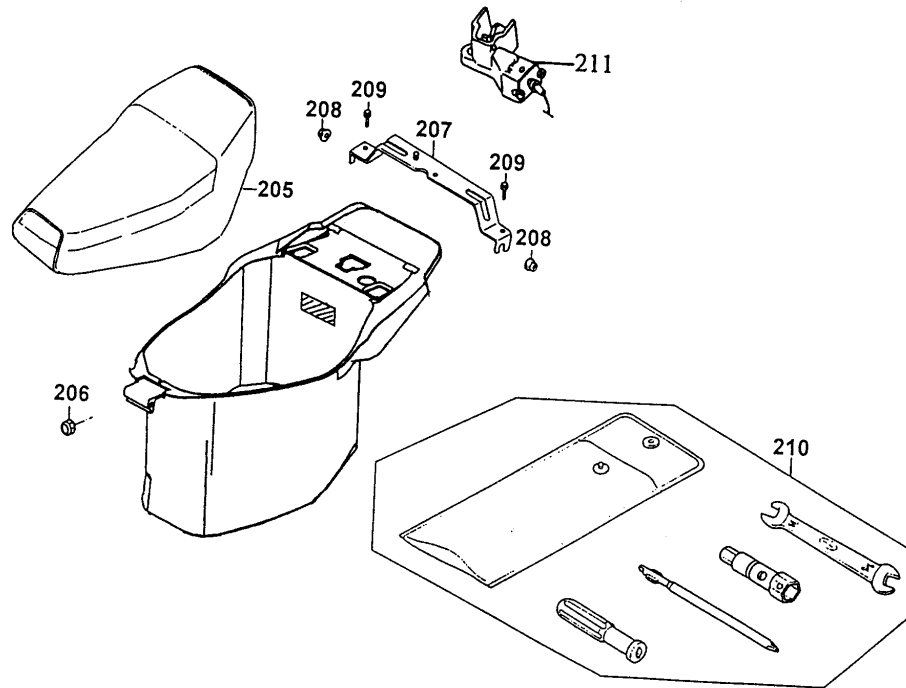
**F 8 Rear Wheel**



F 8

| 販賣記號       | 項目     | 零件號碼              | 版數  | 英文名稱               | 中文名稱        | 需要用量    | 參考價       |
|------------|--------|-------------------|-----|--------------------|-------------|---------|-----------|
| Sales mark | Ref no | Part no           | Ver | Description        | Chinese     | Regd no | Ref Price |
| *          | 186    | 42705-GAK-9110    | 4   | RIM COMP WHEEL     | 後輪鋼圈        | 1       |           |
| *          | 187    | 44710-KBG-9010-M1 | 1   | TIRE ASSY          | 輪胎          | 1       |           |
| *          | 187    | 44710-KDR-9000-M2 | 0   | TIRE ASSY          | 輪胎          | 1       |           |
| *          | 188    | 42610-GAK-9010    | 1   | HUB SUB COMP RR    | 後輪轂         | 1       |           |
| *          | 189    | 90110-KG8-9010    | 0   | BOLT STUD 8X22     | 雙頭螺絲 8X22   | 4       |           |
| *          | 190    | 90309-GW0-9010-M1 | 0   | NUT U FLANGE 8MM   | 螺帽 8MM      | 4       |           |
| *          | 191    | 43141-GAK-9000    | 0   | CAM RR BRK         | 後剎車凸輪       | 1       |           |
| *          | 192    | 43410-GAK-9000    | 0   | ARM COMP RR BRAKE  | 後剎車臂        | 1       |           |
| *          | 193    | 95701-06032-08    | 0   | BOLT FLANGE 6X32   | 螺絲 6X32     | 1       |           |
| *          | 194    | 43120-KCX-9000    | 1   | SHOE COMP RR BRAKE | 後煞車鞋        | 2       |           |
| *          | 195    | 45133-028-0000    | 1   | SPRING BRAKE SHOE  | 剎車鞋彈簧       | 2       |           |
| *          | 196    | 90501-KBN-9010    | 0   | WASHER 16MM        | 華司 16MM     | 1       |           |
| *          | 197    | 90305-KBN-9030-M2 | 0   | NUT U 16MM         | 螺帽 16MM     | 1       |           |
| *          | 198    | 91352-KG8-8330-M2 | 0   | O RING 11.3X1.3    | O環 11.3X1.3 | 1       |           |

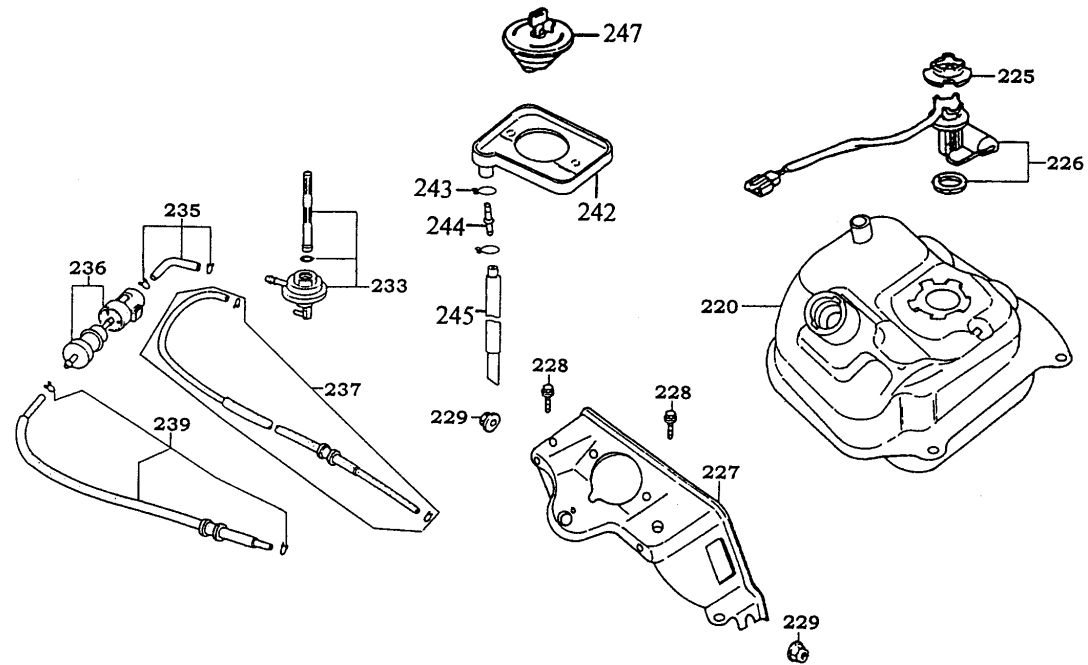
**F 9** Seat



F 9

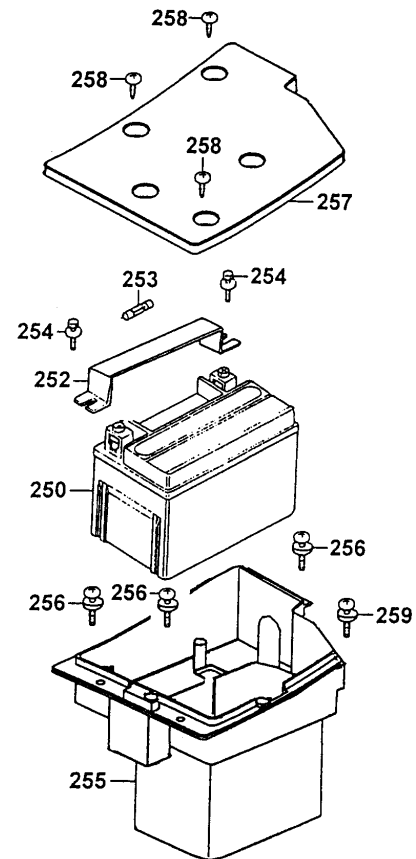
| 販賣記號       | 項目     | 零件號碼               | 版數  | 英文名稱             | 中文名稱    | 需要用量    | 參考價       |
|------------|--------|--------------------|-----|------------------|---------|---------|-----------|
| Sales mark | Ref no | Part no            | Ver | Description      | Chinese | Regd no | Ref Price |
| **         | 205    | 77200-KBG-E000     | 1   | SEAT COMP        | 座墊      | 1       |           |
| *          | 206    | 94050-06080        | 0   | NUT FLANGE 6MM   | 螺帽 6MM  | 2       |           |
| *          | 207    | 77230-KGBG-9000    | 2   | BRKT SEAT CATCH  | 座墊鉤座    | 1       |           |
| *          | 208    | 94050-06080        | 0   | NUT FLANGE 6MM   | 螺帽 6MM  | 2       |           |
| *          | 209    | 95701-06014-08     | 0   | BOLT PLANGE 6X14 | 螺絲 6X14 | 2       |           |
| *          | 210    | 89010-KBG-9000     | 0   | TOOL SET         | 工具包     | 1       |           |
| *          | 211    | 77235-KGBG-9000-M1 | 1   | SEAT CATCH       | 座墊鉤     | 1       |           |
| *          | 211    | 77235-KGBG-9000-M2 | 2   | SEAT CATCH       | 座墊鉤     | 1       |           |

**F 10 Fuel Tank**



| 販賣記號       | 項目     | 零件號碼               | 版數  | 英文名稱                    | 中文名稱    | 需要用量    | 參考價       |
|------------|--------|--------------------|-----|-------------------------|---------|---------|-----------|
| Sales mark | Ref no | Part no            | Ver | Description             | Chinese | Regd no | Ref Price |
| *          | 220    | 17500-KGBG-E000    | 2   | TANK COMP FUEL          | 油箱      | 1       |           |
| *          | 225    | 37802-GA7-7000     | 2   | RET FUEL UNIT           | 浮筒計承件   | 1       |           |
| *          | 226    | 3780A-KBG-9000     | 0   | FUEL UNIT ASSY          | 浮筒開關    | 1       |           |
| *          | 227    | 77332-KBG-9000     | 2   | STAY RR GRIP            | 後握桿支架   | 1       |           |
| *          | 228    | 95701-06014-08     | 0   | BOLT PLANGE 6X14        | 螺絲 6X14 | 2       |           |
| *          | 229    | 94050-06080        | 0   | NUT FLANGE 6MM          | 螺帽 6MM  | 2       |           |
| *          | 233    | 16950-KJ9-7520-M1  | 1   | AUTO COCK ASSY FUEL     | 自動油杯組   | 1       |           |
| *          | 235    | 17682-KBG-9000     | 1   | TUBE FUEL COCK-STR      | 油管組     | 1       |           |
| *          | 236    | 1691A-GY6-9000-M1  | 0   | STRAINER ASSY FUEL      | 濾油器組    | 1       |           |
| *          | 236    | 1691A-GY6-9010-M2  | 0   | STRAINER ASSY FUEL      | 濾油器組    | 1       |           |
| *          | 237    | 17688-KBG-9210     | 2   | TUBE FILTER/CARBURETOR  | 油管組     | 1       |           |
| *          | 239    | 17308-KBG-9000     | 0   | TUBE FUEL COCK-INT PIPE | 油管組     | 1       |           |
| *          | 242    | 17550-KGBG-9000    | 1   | TRAY FUEL CAP           | 油箱蓋托盤   | 1       |           |
| *          | 243    | 95002-02080        | 0   | CLIP B8 TUBE            | 管夾      | 2       |           |
| *          | 245    | 17560-KGBG-9000    | 3   | TUBE FUEL CAP           | 油管      | 1       |           |
| *          | 247    | 17620-KGBG-3150-M1 | 0   | CAP SET FILLER          | 油箱蓋     | 1       |           |
| *          | 247    | 17620-KGBG-3150-M2 | 0   | CAP SET FILLER          | 油箱蓋     | 1       |           |

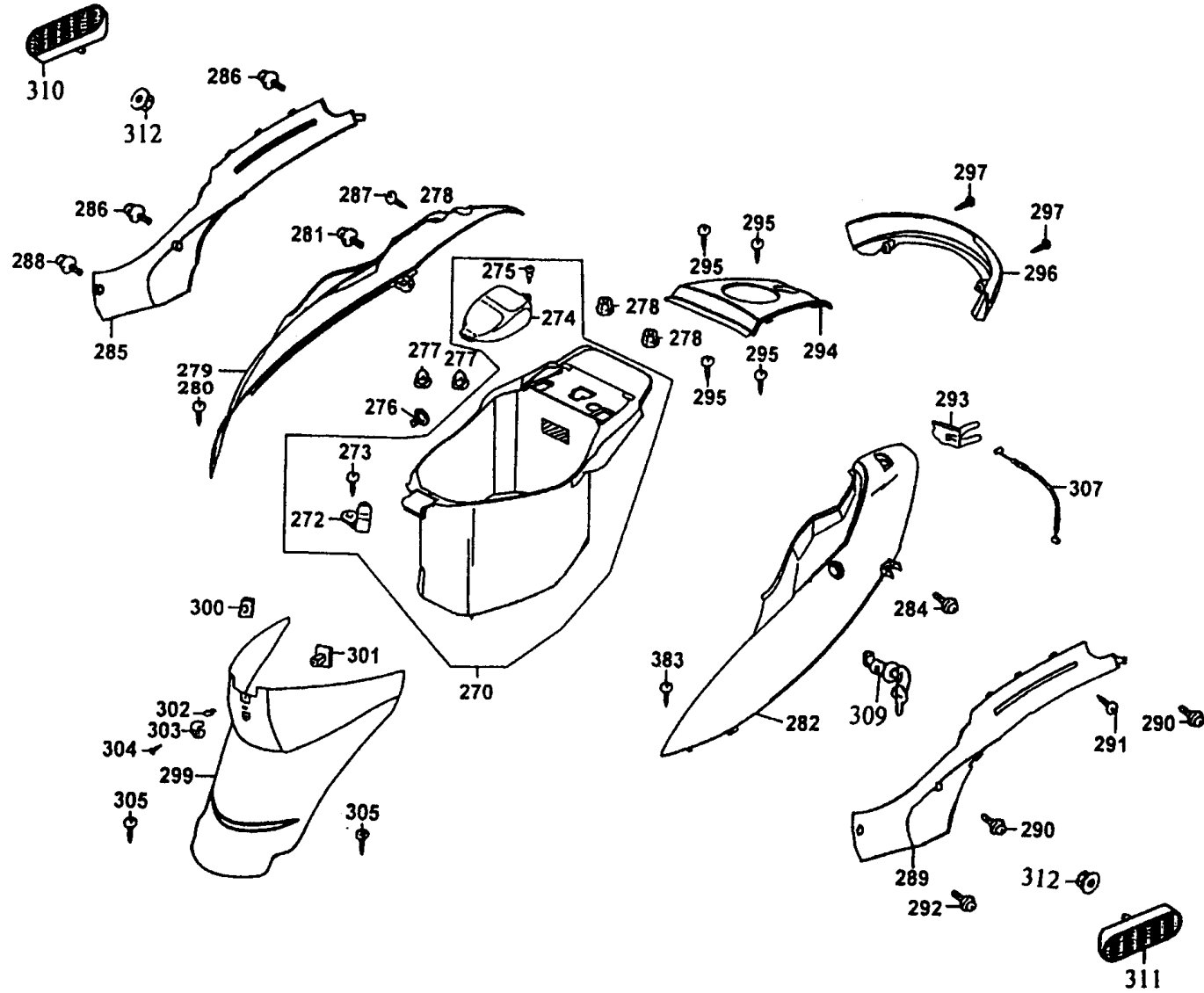
**F 11** Battery



| 販賣記號       | 項目     | 零件號碼              | 版數  | 英文名稱               | 中文名稱    | 需要用量    | 參考價       |
|------------|--------|-------------------|-----|--------------------|---------|---------|-----------|
| Sales mark | Ref no | Part no           | Ver | Description        | Chinese | Regd no | Ref Price |
| *          | 250    | 31500-KBN-9210-M1 | 2   | BATTERY YTX5L-BS   | 電瓶      | 1       |           |
| *          | 252    | 50328-KBG-9000    | 0   | BAND BATTERY       | 電瓶固定板   | 1       |           |
| *          | 253    | 98200-10700       | 0   | FUSE A7            | 保險絲 A7  | 1       |           |
| *          | 254    | 90302-KBG-9000    | 0   | BOLT WASHER 5X12   | 螺絲 5X12 | 2       |           |
| **         | 255    | 50325-KBG-9000    | 0   | BOX BATTERY        | 電瓶盒     | 1       |           |
| *          | 256    | 93891-05016-07    | 0   | SCREW WASHER 5X16  | 螺釘 5X16 | 4       |           |
| **         | 257    | 50326-KBG-9000    | 0   | COVER BATTERY      | 電瓶蓋     | 1       |           |
| *          | 258    | 93903-45380       | 0   | SCREW TAPPING 5X16 | 螺釘 5X16 | 3       |           |
| *          | 259    | 93891-05020-07    | 0   | SCREW TAPPING 5X20 | 螺絲 5X20 | 1       |           |

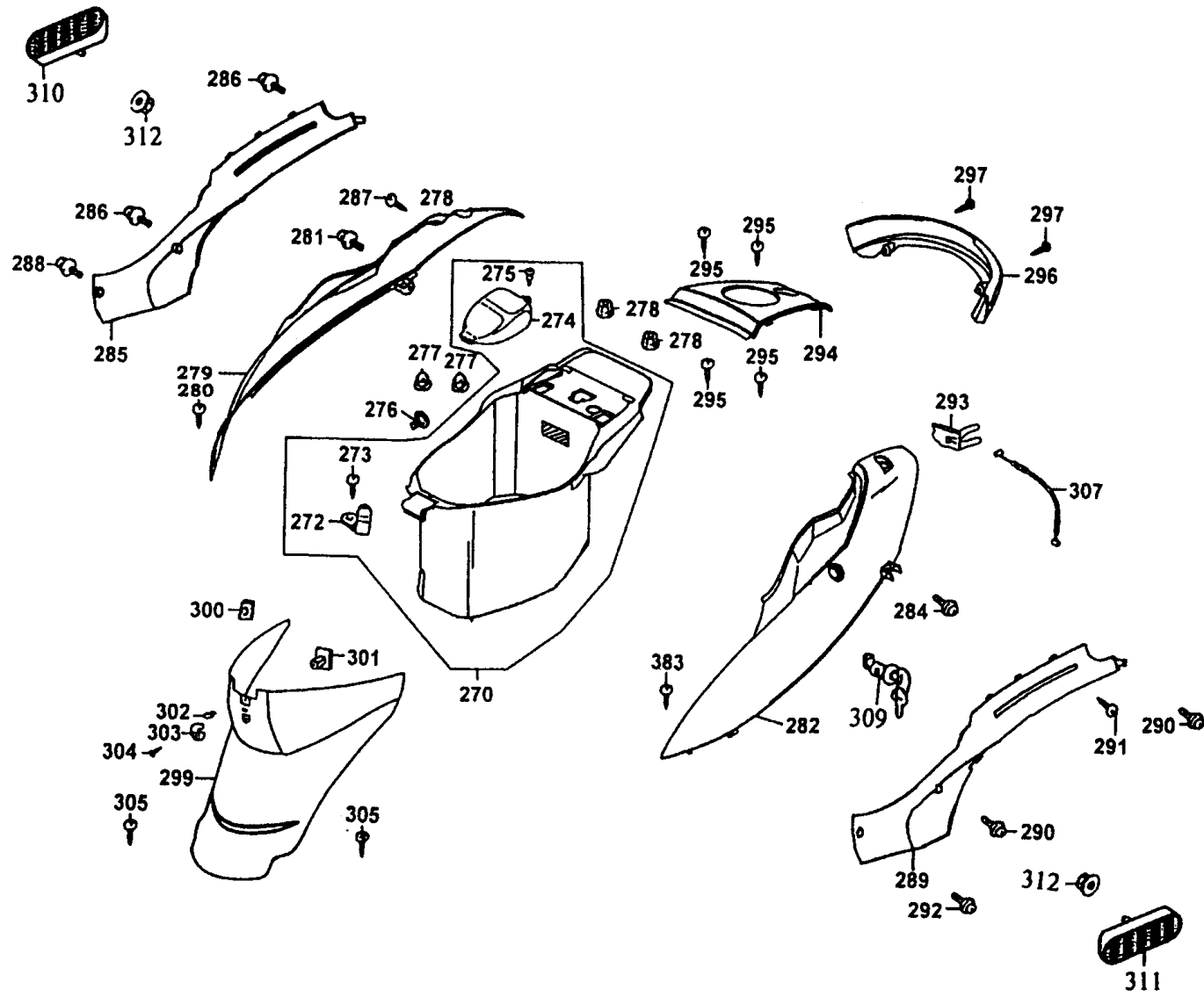
F 11

F 12 Body Cover●Luggage Box



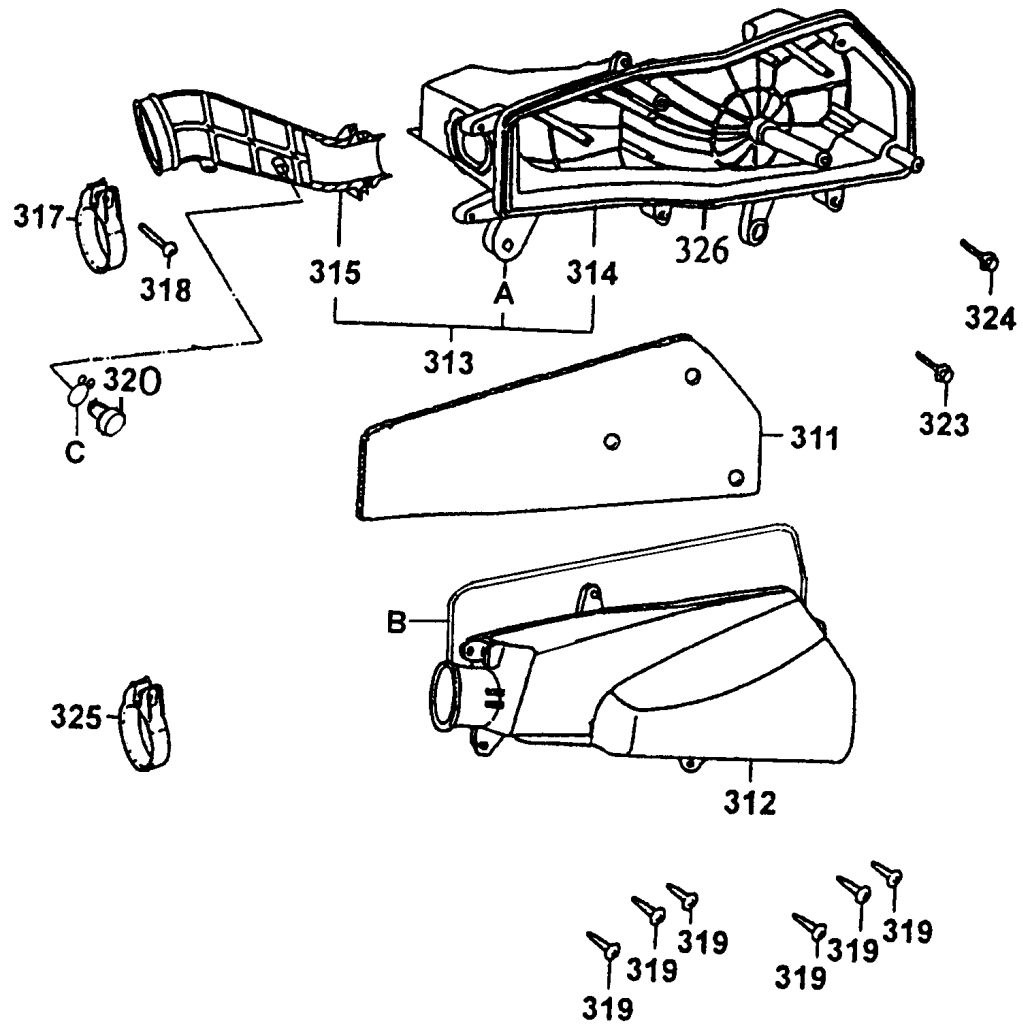
| 販賣記號       | 項目     | 零件號碼               | 版數  | 英文名稱               | 中文名稱      | 需要用量    | 參考價       |
|------------|--------|--------------------|-----|--------------------|-----------|---------|-----------|
| Sales mark | Ref no | Part no            | Ver | Description        | Chinese   | Regd no | Ref Price |
| *          | 270    | 81260-KGBG-E000    | 4   | BOX ASSY LUGGAGE   | 置物箱組      | 1       |           |
| *          | 272    | 77106-GS6-0010     | 1   | HOOK HELMET        | 安全帽掛      | 1       |           |
| *          | 273    | 93891-06010-07     | 0   | SCREW WASHER 6X10  | 螺絲 6X10   | 1       |           |
| **         | 274    | 81251-KBG-9000     | 0   | COVER CARB MAINT   | 化油器保養蓋    | 1       |           |
| *          | 275    | 90381-GS7-0010     | 0   | SCREW SPECIAL 6X17 | 特殊螺絲 6X17 | 1       |           |
| *          | 276    | 90381-GZ5-0010     | 0   | SCREW SPECIAL 6X17 | 特殊螺絲 6X17 | 1       |           |
| *          | 277    | 90215-GM0-9100     | 0   | NUT CAP 6MM        | 圓螺帽 6MM   | 2       |           |
| *          | 278    | 90301-634-6700     | 0   | NUT FLANGE 6MM     | 螺帽 6MM    | 2       |           |
| **         | 279    | 83500-KGBG-3050-IT | 0   | COVER SET R BODY   | 右邊蓋組      | 1       |           |
| *          | 280    | 93903-45480        | 0   | SCREW TAPPING 5X20 | 螺釘 5X20   | 1       |           |
| *          | 281    | 93891-05016-07     | 0   | SCREW WASHER 5X16  | 螺絲 5X16   | 1       |           |
| **         | 282    | 83600-KGBG-3050-IT | 0   | COVER SET L BODY   | 左邊蓋組      | 1       |           |
| *          | 283    | 93903-45480        | 0   | SCREW TAPPING 5X20 | 螺釘 5X20   | 1       |           |
| *          | 284    | 93891-05016-07     | 0   | SCREW WASHER 5X16  | 螺絲 5X16   | 1       |           |
| **         | 285    | 83501-KBG-9100     | 0   | SIDE MOLD R        | 右邊條       | 1       |           |
| *          | 286    | 93891-05016-07     | 0   | SCREW WASHER 5X16  | 螺絲 5X16   | 2       |           |
| *          | 287    | 93913-14220        | 0   | SCREW TAPPING 4X12 | 螺釘 4X12   | 1       |           |
| *          | 288    | 90110-GW0-0010     | 0   | SCREW SPECIAL 6X14 | 螺絲 6X14   | 1       |           |
| **         | 289    | 83601-KBG-9100     | 0   | SIDE MOLD L        | 左邊條       | 1       |           |
| *          | 290    | 93891-05016-07     | 0   | SCREW WASHER 5X16  | 螺絲 5X16   | 2       |           |

F 12 Body Cover●Luggage Box



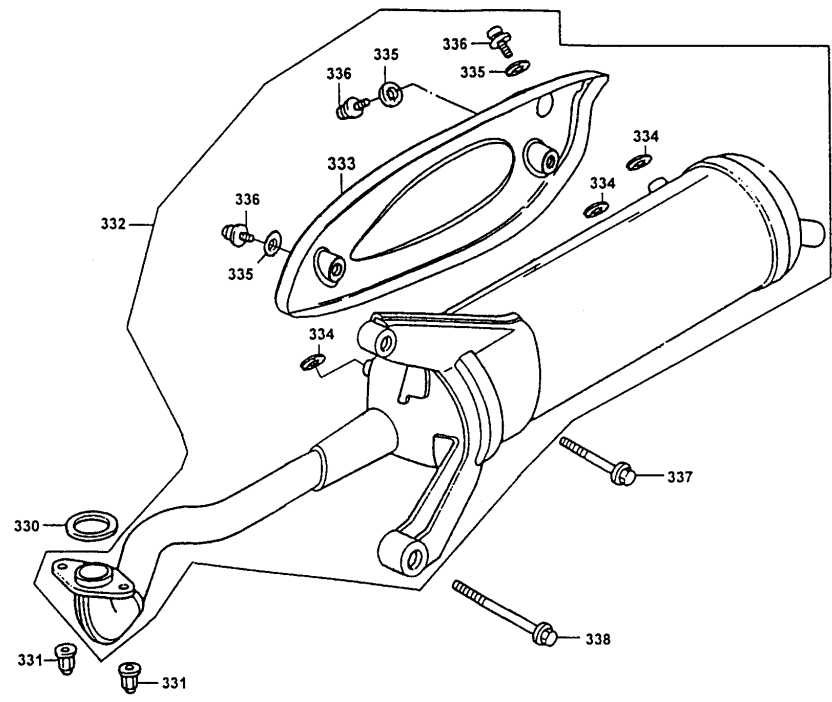
| 販賣記號       | 項目     | 零件號碼              | 版數  | 英文名稱                    | 中文名稱    | 需要用量    | 參考價       |
|------------|--------|-------------------|-----|-------------------------|---------|---------|-----------|
| Sales mark | Ref no | Part no           | Ver | Description             | Chinese | Regd no | Ref Price |
| *          | 291    | 93913-14220       | 0   | SCREW TAPPING 4X12      | 螺釘 4X12 | 1       |           |
| *          | 292    | 90110-GW0-0010    | 0   | SCREW SPECIAL 6X14      | 螺絲 6X14 | 1       |           |
| *          | 293    | 77232-KAC-9010    | 0   | SET SPG SEAT LOCK       | 座墊鎖彈簧   | 1       |           |
| **         | 294    | 83750-KBG-9000    | 1   | COVER RR CENTER         | 後中心蓋    | 1       |           |
| *          | 295    | 93913-14220       | 0   | SCREW TAPPING 4X12      | 螺釘 4X12 | 4       |           |
| **         | 296    | 83751-KBG-9000    | 1   | MOLD RR CENTER          | 後中心護條   | 1       |           |
| *          | 297    | 93903-34280       | 0   | SCREW TAPPING 4X10      | 螺釘 4X10 | 2       |           |
| **         | 299    | 80151-KBG-9000    | 0   | COVER CENTER            | 中心蓋     | 1       |           |
| *          | 300    | 90305-GK8-0010    | 0   | NUT CLIP 6MM            | 夾螺帽 6MM | 1       |           |
| *          | 301    | 81135-KBG-9000    | 0   | STAY LUGGAGE HOOK       | 置物箱掛鉤座  | 1       |           |
| *          | 302    | 81133-KBG-9000    | 0   | STOPPER LUGGAGE         | 內箱襯蓋    | 1       |           |
| *          | 303    | 81134-KBG-9000    | 0   | HOOK LUGGAGE            | 置物箱掛鉤   | 1       |           |
| *          | 304    | 90164-KBG-9010    | 0   | SCREW SPECIAL 6MM       | 螺釘 6MM  | 1       |           |
| *          | 305    | 93891-05016-07    | 0   | SCREW WASHER 5X16       | 螺絲 5X16 | 2       |           |
| *          | 307    | 77240-KBG-9000    | 0   | CABLE SEAT LOCK         | 座墊鉤導線   | 1       |           |
| *          | 309    | 77239-GY6-3350-M1 | 0   | KEY SEAT SET            | 座墊鎖     | 1       |           |
| *          | 309    | 77239-GY6-3350-M2 | 0   | KEY SEAT SET            | 座墊鎖     | 1       |           |
| *          | 310    | 33730-KBG-9100    | 0   | REFLEX REFLECTOR R SIDE | 右反射片    | 1       |           |
| *          | 311    | 33735-KBG-9100    | 0   | REFLEX REFLECTOR L SIDE | 左反射片    | 1       |           |
| *          | 312    | 94050-06080       | 0   | NUT FLANGE 6MM          | 螺帽 6MM  | 2       |           |

**F 13** Air Cleaner



| 販賣記號       | 項目     | 零件號碼            | 版數  | 英文名稱                   | 中文名稱     | 需要用量    | 參考價       |
|------------|--------|-----------------|-----|------------------------|----------|---------|-----------|
| Sales mark | Ref no | Part no         | Ver | Description            | Chinese  | Regd no | Ref Price |
| *          | 311    | 17205-KBG-9000  | 0   | ELEMENT AIR/C          | 海綿       | 1       |           |
| *          | 312    | 17210-KBG-9000  | 1   | COVER COMP AIR/C       | 空氣濾清箱蓋   | 1       |           |
| *          | 313    | 1720A-KGBG-E000 | 1   | CASE ASSY AIR/C        | 空氣濾清器箱組  | 1       |           |
| *          | 314    | 17206-KBG-9000  | 0   | CASE AIR/C             | 空氣濾清器箱   | 1       |           |
| *          | 315    | 17253-KBG-9000  | 1   | TUBE AIR/C CONN        | 連接管      | 1       |           |
| *          | 317    | 17255-KBG-9000  | 1   | BAND A CONNECTING TUBE | 連接管固定帶   | 1       |           |
| *          | 318    | 93500-04025-0H  | 0   | SCREW PAN 4X25         | 螺釘 4X25  | 1       |           |
| *          | 319    | 93903-25480     | 0   | SCREW TAPPING 5X20     | 螺釘 5X20  | 6       |           |
| *          | 320    | 17254-KCA-P000  | 0   | PLUG AIR/C CONN TUBE   | 空氣濾清連接管塞 | 1       |           |
| *          | 323    | 93494-06025-07  | 0   | BOLT WASHER 6X25       | 螺絲 6X25  | 1       |           |
| *          | 324    | 95801-06025-08  | 0   | BOLT WASH 6X25         | 螺絲 6X25  | 1       |           |
| *          | 325    | 17215-KBG-9000  | 0   | CLIP ASSY AIR/C DUCT   | 固定管夾     | 1       |           |
| *          | 326    | 17212-KBG-9000  | 0   | SEAL AIR/C CASE        | 空氣濾清箱蓋塵封 | 1       |           |

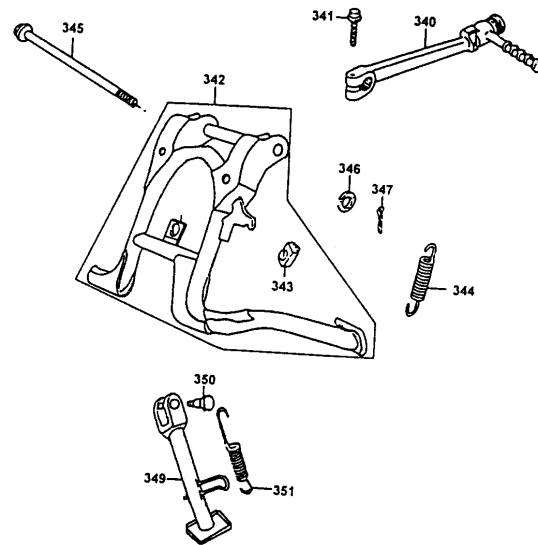
**F 14 Exhaust Muffler**



| 販賣記號       | 項目     | 零件號碼               | 版數  | 英文名稱                 | 中文名稱     | 需要用量    | 參考價       |
|------------|--------|--------------------|-----|----------------------|----------|---------|-----------|
| Sales mark | Ref no | Part no            | Ver | Description          | Chinese  | Regd no | Ref Price |
| *          | 330    | 18291-GA7-0010     | 0   | GASKET EXH PIPE      | 排氣管墊圈    | 1       |           |
| *          | 331    | 90301-KGBG-9000    | 1   | NUT (HEX) CAP 6MM    | 圓螺帽 6MM  | 2       |           |
| *          | 332    | 1830A-KGBG-E000-M1 | 1   | MUFFLER ASSY EXHAUST | 排氣管組     | 1       |           |
| *          | 332    | 1830A-KGBG-E000-M2 | 1   | MUFFLER ASSY EXHAUST | 排氣管組     | 1       |           |
| *          | 333    | 18318-KGBG-E000    | 0   | PROTECTOR MUFFLER    | 排氣管護板    | 1       |           |
| *          | 334    | 18294-KCT-9000     | 0   | PACKING PROTECTOR    | 護板墊圈     | 6       |           |
| *          | 335    | 94111-06800        | 0   | WASHER SPG 6MM       | 彈簧華司 6MM | 3       |           |
| *          | 336    | 96001-06012-08     | 0   | BOLT FLANGE SH 6X12  | 螺絲 6X12  | 3       |           |
| *          | 337    | 95801-08038-07     | 0   | BOLT FLANGE 8X38     | 螺絲 8X38  | 1       |           |
| *          | 338    | 95801-08042-07     | 0   | BOLT FLANGE 8X42     | 螺絲 8X42  | 1       |           |

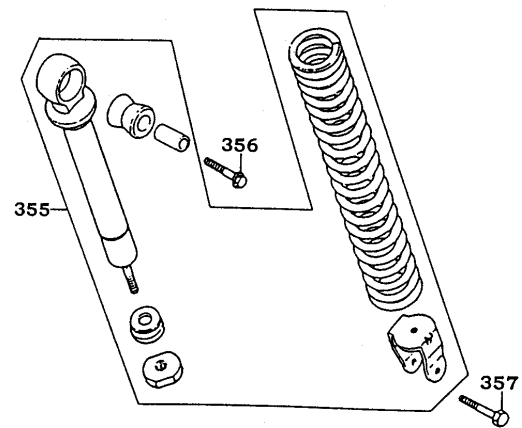
F 14

**F 15** Stand●Kick Starter Arm



| 販賣記號       | 項目     | 零件號碼            | 版數  | 英文名稱                   | 中文名稱    | 需要用量    | 參考價       |
|------------|--------|-----------------|-----|------------------------|---------|---------|-----------|
| Sales mark | Ref no | Part no         | Ver | Description            | Chinese | Regd no | Ref Price |
| *          | 340    | 28300-KBN-9010  | 1   | ARM ASSY KICK STARTER  | 起動踏桿組   | 1       |           |
| *          | 341    | 95701-06022-07  | 0   | BOLT FLANGE 6X22       | 螺絲 6X22 | 1       |           |
| *          | 342    | 5050A-KGBG-9000 | 2   | STAND ASSY MAIN        | 主腳架組    | 1       |           |
| *          | 343    | 50505-KBE-9000  | 0   | STOPPER RUBBER         | 橡皮      | 1       |           |
| *          | 344    | 50550-KLE-J000  | 2   | SPG ASSY MAIN STAND    | 主腳架彈簧   | 1       |           |
| *          | 345    | 50503-KBG-9000  | 0   | SHAFT MAIN STAND       | 主腳架軸    | 1       |           |
| *          | 346    | 94101-08700     | 0   | WASHER PLAIN 8MM       | 華司 MM   | 1       |           |
| *          | 347    | 94251-08400     | 0   | PIN LOCK 8MM           | 插銷 8MM  | 1       |           |
| *          | 349    | 50530-KBG-E000  | 0   | BAR SIDE STAND         | 側支架     | 1       |           |
| *          | 350    | 90108-KEB7-E000 | 0   | SCREW SIDE STAND PIVOT | 側支架螺絲   | 1       |           |
| *          | 351    | 50532-KBG-E000  | 0   | SPG COMP SIDE STAND    | 側支架彈簧   | 1       |           |

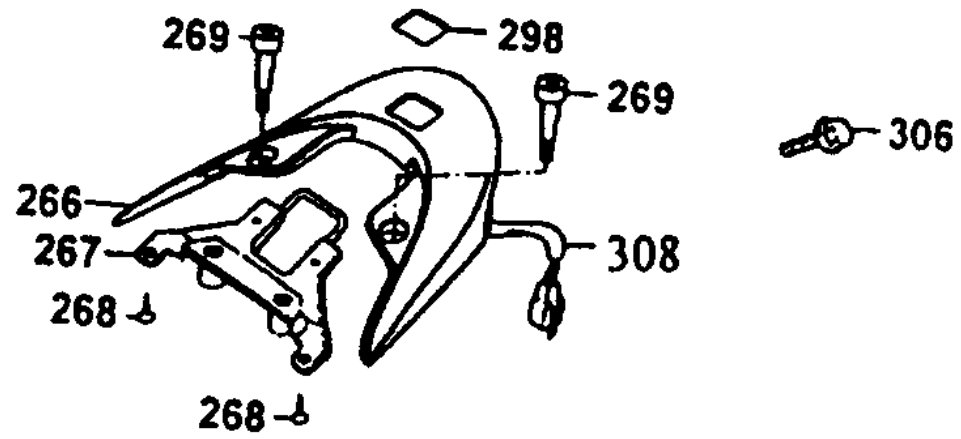
**F 16** Rear Cushion



| 販賣記號       | 項目     | 零件號碼              | 版數  | 英文名稱              | 中文名稱     | 需要用量    | 參考價       |
|------------|--------|-------------------|-----|-------------------|----------|---------|-----------|
| Sales mark | Ref no | Part no           | Ver | Description       | Chinese  | Regd no | Ref Price |
| **         | 355    | 52400-KBN-E000-M1 | 2   | CUSHION ASSY REAR | 後避震器組    | 1       |           |
| *          | 356    | 95801-10070-08    | 0   | BOLT FLANGE 10X70 | 螺絲 10X70 | 1       |           |
| *          | 357    | 93201-08032-0H    | 0   | BOLT HEX 8X32     | 螺絲 8X32  | 1       |           |

F 16

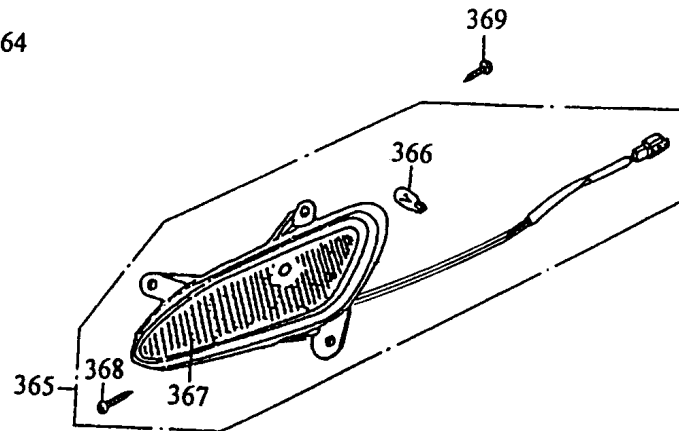
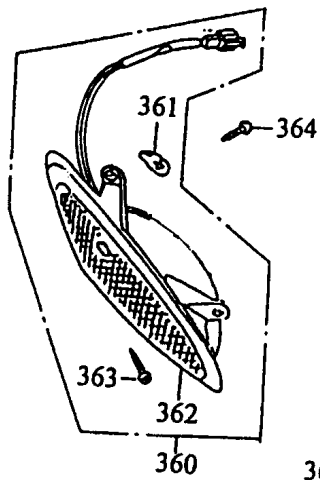
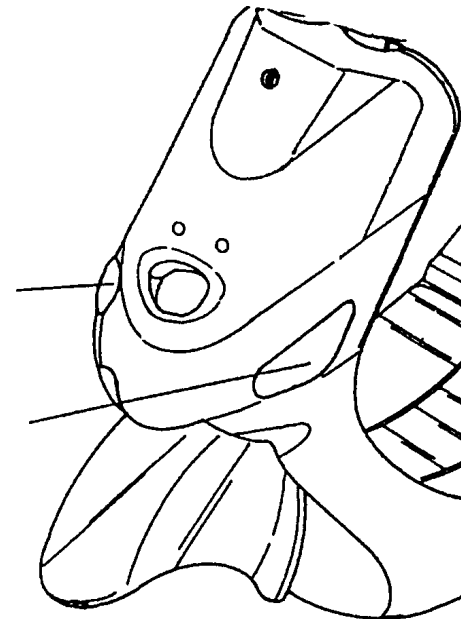
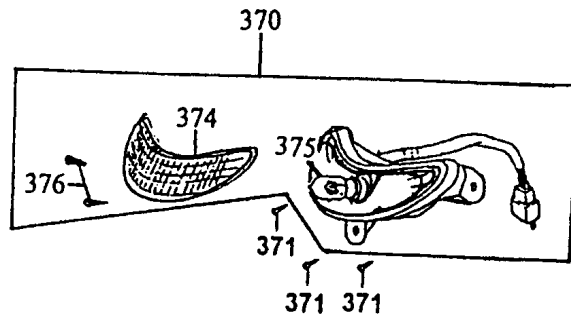
F 17 2nd Stop Light



| 販賣記號       | 項目     | 零件號碼           | 版數  | 英文名稱                | 中文名稱     | 需要用量    | 參考價       |
|------------|--------|----------------|-----|---------------------|----------|---------|-----------|
| Sales mark | Ref no | Part no        | Ver | Description         | Chinese  | Regd no | Ref Price |
| **         | 266    | 81200-KBG-9000 | 0   | COVER CARRIER       | 後架蓋      | 1       |           |
| *          | 267    | 77330-KBG-E000 | 0   | BRKT CARRIER        | 後架       | 1       |           |
| *          | 268    | 93903-34280    | 0   | SCREW TAPPING 4X10  | 螺釘 4X10  | 4       |           |
| *          | 269    | 90106-KAF-9000 | 0   | BOLT SPECIAL 8MM    | 後架螺絲 8MM | 2       |           |
| **         | 298    | 81201-KBG-9000 | 0   | LID CARRIER COVER   | 後架小蓋     | 1       |           |
| *          | 306    | 95801-08075-07 | 0   | BOLT FLANGE 8X85    | 螺絲 8X85  | 1       |           |
| *          | 308    | 33801-KBG-E000 | 0   | UNIT 2ND STOP LIGHT | 輔助煞車燈    | 1       |           |

F 17

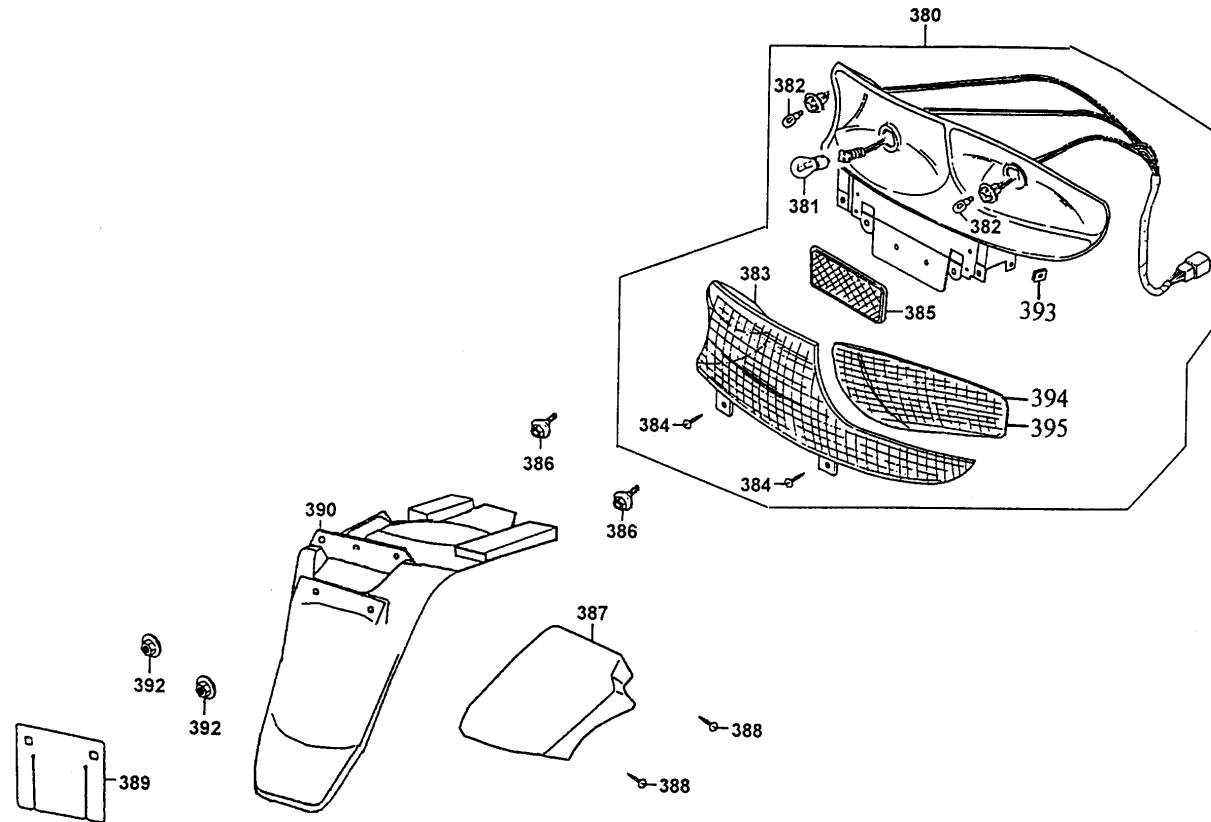
**F 18** Tail Light●Position Light



| 販賣記號       | 項目     | 零件號碼           | 版數  | 英文名稱                   | 中文名稱    | 需要用量    | 參考價       |
|------------|--------|----------------|-----|------------------------|---------|---------|-----------|
| Sales mark | Ref no | Part no        | Ver | Description            | Chinese | Regd no | Ref Price |
| *          | 360    | 33400-KBG-E000 | 0   | LIGHT ASSY R FR WINKER | 右前方向燈組  | 1       |           |
| *          | 361    | 34905-KCP-9000 | 0   | BULB WINKER            | 方向燈泡    | 1       |           |
| *          | 362    | 33402-KBG-9000 | 0   | LENS R FR WINKER       | 右前方向燈殼  | 1       |           |
| *          | 363    | 93901-32320    | 0   | SCREW TAPPING 3X12     | 螺釘 3X12 | 2       |           |
| *          | 364    | 93903-34380    | 0   | SCREW TAPPING 4X12     | 螺釘4X12  | 3       |           |
| *          | 365    | 33450-KBG-E000 | 0   | LIGHT ASSY L FR WINKER | 左前方向燈組  | 1       |           |
| *          | 366    | 34905-KCP-9000 | 0   | BULB WINKER            | 方向燈泡    | 1       |           |
| *          | 367    | 33452-KBG-9000 | 0   | LENS L FR WINKER       | 左前方向燈殼  | 1       |           |
| *          | 368    | 93901-32320    | 0   | SCREW TAPPING 3X12     | 螺釘 3X12 | 2       |           |
| *          | 369    | 93903-34380    | 0   | SCREW TAPPING 4X12     | 螺釘4X12  | 3       |           |
| *          | 370    | 33500-KBG-E000 | 0   | LIGHT ASSY FR POSITION | 前位置燈組   | 1       |           |
| *          | 371    | 93903-34380    | 0   | SCREW TAPPING 4X12     | 螺釘4X12  | 3       |           |
| *          | 374    | 33501-KBG-9000 | 0   | LENS POSITION LIGHT    | 前位置燈殼   | 1       |           |
| *          | 375    | 34908-KCP-9000 | 0   | BULB POSITION          | 前位置燈泡   | 1       |           |
| *          | 376    | 93901-32380    | 0   | SCREW TAPPING 3X12     | 螺釘 3X12 | 3       |           |

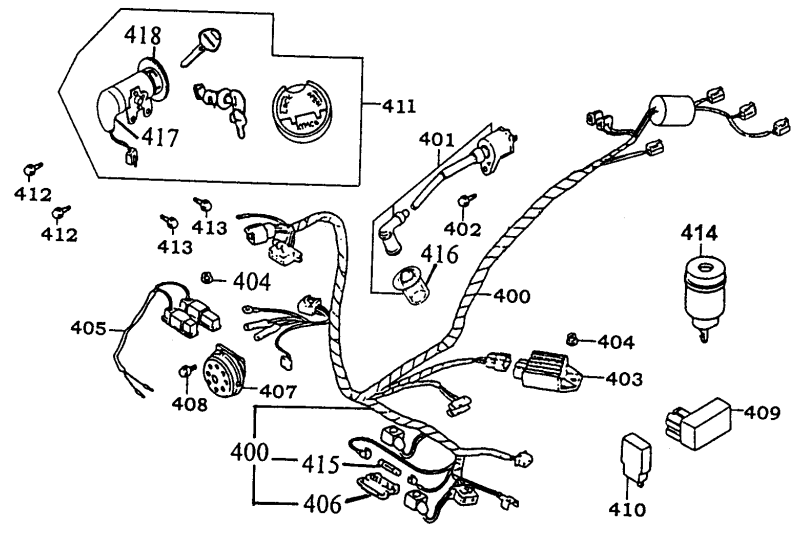
F 18

**F 19** Tail Light



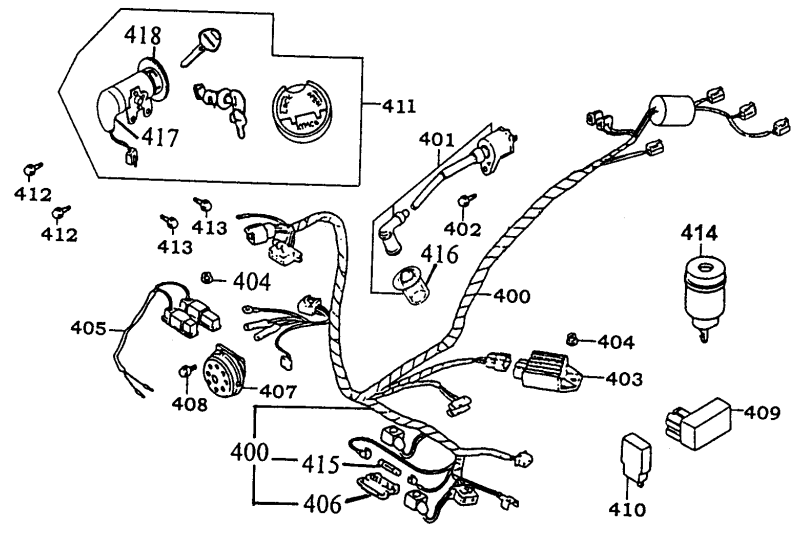
| 販賣記號       | 項目     | 零件號碼            | 版數  | 英文名稱                 | 中文名稱    | 需要用量    | 參考價       |
|------------|--------|-----------------|-----|----------------------|---------|---------|-----------|
| Sales mark | Ref no | Part no         | Ver | Description          | Chinese | Regd no | Ref Price |
| *          | 380    | 33700-KGBG-E000 | 4   | LIGHT ASSY RR COMB   | 後燈組     | 1       |           |
| *          | 381    | 34906-KCP-9000  | 0   | BULB TAIL & STOP     | 後燈泡     | 1       |           |
| *          | 382    | 34905-KCP-9000  | 0   | BULB WINKER          | 後方向燈泡   | 2       |           |
| *          | 383    | 33702-KBG-E000  | 0   | LENS COMP TAIL LIGHT | 後燈殼     | 1       |           |
| *          | 384    | 93901-24480     | 0   | SCREW TAPP 4X16      | 螺釘 4X16 | 2       |           |
| *          | 385    | 33741-KBE-9000  | 0   | REFLEX REFLECTOR     | 反光鏡     | 1       |           |
| *          | 386    | 90101-087-7200  | 2   | SCREW HD LT SET      | 螺絲      | 2       |           |
| *          | 387    | 8020A-KBG-9000  | 0   | FENDER B RR ASSY     | 後土除 B   | 1       |           |
| *          | 388    | 93891-05016-07  | 0   | SCREW WASHER 5X16    | 螺絲 5X16 | 2       |           |
| *          | 389    | 80104-KBG-9000  | 0   | PLATE SPLASH GUARD   | 防濺板     | 1       |           |
| **         | 390    | 80105-KBG-9000  | 6   | FENDER RR            | 後土除     | 1       |           |
| *          | 392    | 94050-06080     | 0   | NUT FLANGE 6MM       | 螺帽 6MM  | 2       |           |
| *          | 393    | 90677-GR1-0030  | 1   | NUT CUP 5MM          | 螺帽夾 5MM | 2       |           |
| *          | 394    | 33703-KBG-E000  | 0   | LENS R RR WINKER     | 右後方向燈殼  | 1       |           |
| *          | 395    | 33753-KBG-E000  | 0   | LENS L RR WINKER     | 左後方向燈殼  | 1       |           |

**F 20** Wire Harness



| 販賣記號       | 項目     | 零件號碼               | 版數  | 英文名稱                     | 中文名稱    | 需要用量    | 參考價       |
|------------|--------|--------------------|-----|--------------------------|---------|---------|-----------|
| Sales mark | Ref no | Part no            | Ver | Description              | Chinese | Regd no | Ref Price |
| *          | 400    | 32100-KEE1-9000    | 0   | HARNESS WIRE             | 主配線     | 1       |           |
| *          | 401    | 3051A-KBG-9000     | 0   | COIL ASSY IGN            | 高壓線圈    | 1       |           |
| *          | 402    | 92201-05020-0H     | 0   | BOLT HEX 5X20            | 螺絲 5X20 | 1       |           |
| *          | 403    | 31600-KDU-9000     | 0   | REG REC COMP             | 整流器     | 1       |           |
| *          | 404    | 94050-06080        | 0   | NUT FLANGE 6MM           | 螺帽 6MM  | 2       |           |
| *          | 405    | 35400-KBG-9000     | 1   | RESISTOR COMP            | 電阻器組    | 1       |           |
| *          | 406    | 32120-155-0010     | 0   | CASE FUSE                | 保險絲盒    | 1       |           |
| *          | 407    | 38110-GS7-E000     | 0   | HORN COMP                | 喇叭      | 1       |           |
| *          | 408    | 95701-06012-08     | 0   | BOLT FLANGE 6X12         | 螺絲 6X12 | 1       |           |
| *          | 409    | 30410-KGBG-E000-M1 | 1   | UNIT COMP CDI            | CDI 組   | 1       |           |
| *          | 410    | 38500-KDK-9000-M1  | 1   | RELAY COMP START         | 啓動繼電器   | 1       |           |
| *          | 410    | 38500-KDK-9000-M2  | 1   | RELAY COMP START         | 啓動繼電器   | 1       |           |
| *          | 411    | 35010-KBG-E000-M1  | 1   | KEY SET                  | 開關組     | 1       |           |
| *          | 411    | 35010-KBG-E000-M2  | 1   | KEY SET                  | 開關組     | 1       |           |
| *          | 412    | 95701-KEB7-E000    | 0   | BOLT FLANGE 6X16         | 螺絲 6X16 | 2       |           |
| *          | 413    | 96001-06016-08     | 0   | BOLT FLANGE SH 6X16      | 螺絲 6X16 | 2       |           |
| *          | 414    | 38300-KCE-9000     | 0   | RELAY ASSY WINKER        | 方向燈繼電器  | 1       |           |
| *          | 415    | 98200-10700        | 0   | FUSE A7                  | 保險絲 A7  | 1       |           |
| *          | 416    | 30700-GY6-9010     | 0   | CAP ASSY NOISE SUPPRESOR | 火星塞蓋    | 1       |           |
| *          | 417    | 35100-KGBG-3150-M1 | 0   | SW SET COMB & LOCK       | 主開關     | 1       |           |

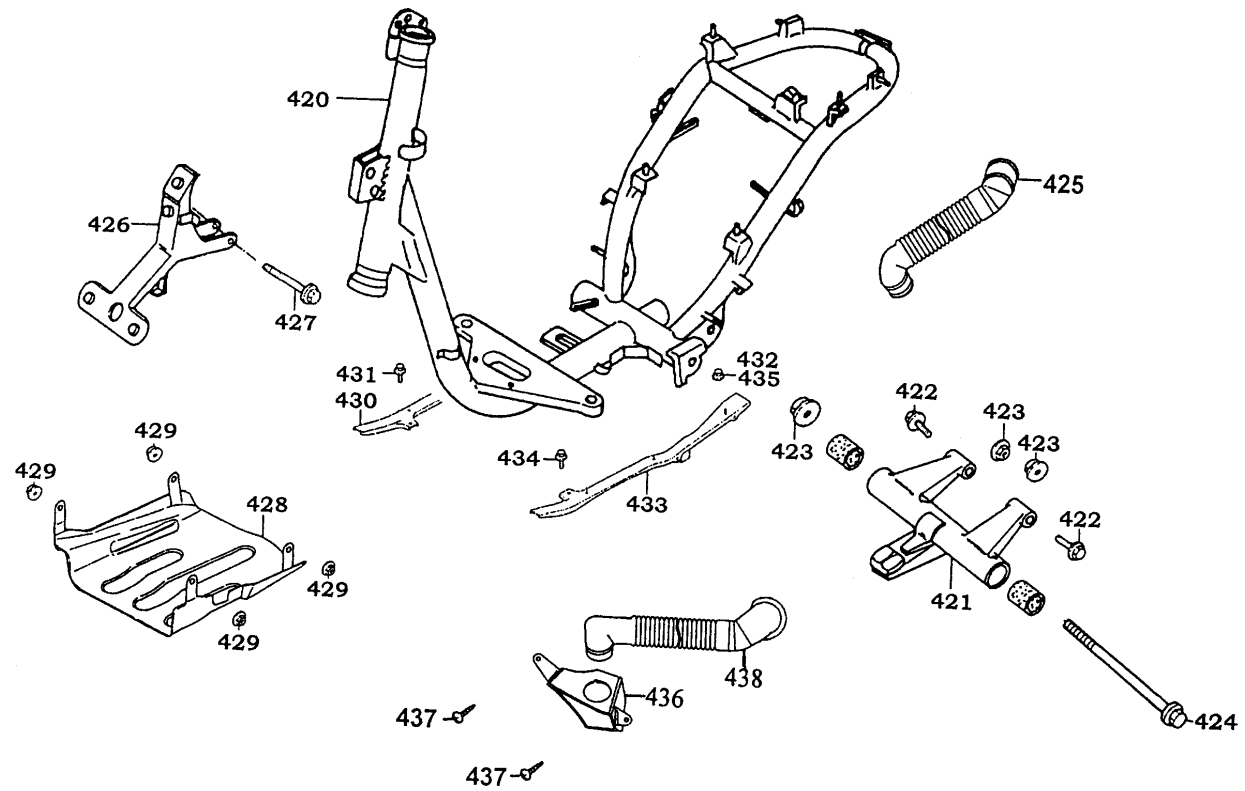
**F 20** Wire Harness



| 販賣記號       | 項目     | 零件號碼               | 版數  | 英文名稱               | 中文名稱    | 需要用量    | 參考價       |
|------------|--------|--------------------|-----|--------------------|---------|---------|-----------|
| Sales mark | Ref no | Part no            | Ver | Description        | Chinese | Regd no | Ref Price |
| *          | 417    | 35100-KGBG-3150-M2 | 0   | SW SET COMB & LOCK | 主開關     | 1       |           |
| *          | 418    | 35102-KBG-9000-M1  | 0   | COLLAR MAIN SW     | 主開關套筒   | 1       |           |

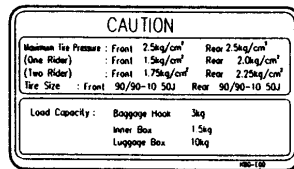
F 20

**F 21** Frame Body

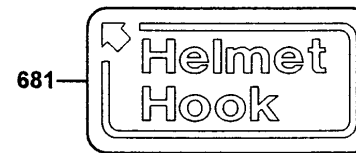


| 販賣記號       | 項目     | 零件號碼               | 版數  | 英文名稱                 | 中文名稱      | 需要用量    | 參考價       |
|------------|--------|--------------------|-----|----------------------|-----------|---------|-----------|
| Sales mark | Ref no | Part no            | Ver | Description          | Chinese   | Regd no | Ref Price |
| *          | 420    | 50100-KGBG-E000    | 0   | BODY COMP FRAME      | 車體        | 1       |           |
| *          | 421    | 50350-KBG-9000     | 0   | LINK ASSY ENG HANGER | 引擎吊版      | 1       |           |
| *          | 422    | 95801-10070-08     | 0   | BOLT FLANGE 10X70    | 螺絲 10X70  | 2       |           |
| *          | 423    | 90304-GE8-0030     | 1   | NUT U 10MM           | 螺帽 10MM   | 3       |           |
| *          | 424    | 90104-KEE2-9000    | 0   | BOLT FLANGE 10X245   | 螺絲 10X245 | 1       |           |
| *          | 425    | 19410-KGBG-9000    | 2   | DUCT COOLING         | 空氣管       | 1       |           |
| *          | 426    | 64315-KBG-9000     | 0   | STAY FR COVER        | 前護蓋支柱     | 1       |           |
| *          | 427    | 90001-GHB-6800     | 0   | BOLT FLANGE SHF 6X28 | 螺絲 6X28   | 2       |           |
| *          | 428    | 50613-KBG-9000     | 0   | COVER UNDER          | 下罩        | 1       |           |
| *          | 429    | 94050-06080        | 0   | NUT FLANGE 6MM       | 螺帽 6MM    | 4       |           |
| *          | 430    | 50611-KGBG-9000-H1 | 1   | RNFCT R FLOOR        | 右踏板支架     | 1       |           |
| *          | 431    | 95701-06016-08     | 0   | BOLT FLANGE 6X16     | 螺絲 6X16   | 1       |           |
| *          | 432    | 94050-06080        | 0   | NUT FLANGE 6MM       | 螺帽 6MM    | 1       |           |
| *          | 433    | 50612-KGBG-9000-H1 | 1   | RNFCT L FLOOR        | 左踏板支架     | 1       |           |
| *          | 434    | 95701-06016-08     | 0   | BOLT FLANGE 6X16     | 螺絲 6X16   | 1       |           |
| *          | 435    | 94050-06080        | 0   | NUT FLANGE 6MM       | 螺帽 6MM    | 1       |           |
| *          | 436    | 83605-KBG-9000     | 0   | DUCT AIR/C INT       | 進氣管口      | 1       |           |
| *          | 437    | 93903-34380        | 0   | SCREW TAPPING 4X12   | 螺釘 4X12   | 2       |           |
| *          | 438    | 17214-KGBG-9000    | 1   | DUCT AIR/C CASE      | 空氣濾清導管    | 1       |           |

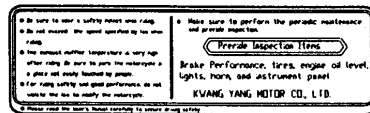
**F 22 Caution Label**



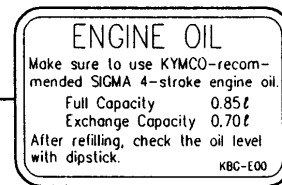
680



681



682

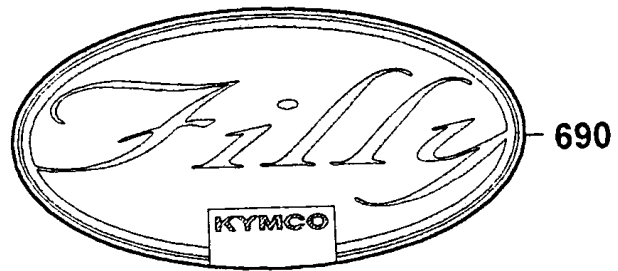


683

| 販賣記號       | 項目     | 零件號碼            | 版數  | 英文名稱               | 中文名稱    | 需要用量    | 參考價       |
|------------|--------|-----------------|-----|--------------------|---------|---------|-----------|
| Sales mark | Ref no | Part no         | Ver | Description        | Chinese | Regd no | Ref Price |
|            | 680    | 87505-KGBG-E000 | 0   | LABEL TIRE         | 胎壓標籤    | 1       |           |
|            | 682    | 87560-GY6-E000  | 0   | MARK DRIVE CAUTION | 標誌      | 1       |           |
|            | 683    | 87541-KGBG-E000 | 0   | LABEL OIL CAP      | 機油標籤    | 1       |           |

F 22

F 23 Emblem●Stripe



| 販賣記號       | 項目     | 零件號碼               | 版數  | 英文名稱         | 中文名稱    | 需要用量    | 參考價       |
|------------|--------|--------------------|-----|--------------|---------|---------|-----------|
| Sales mark | Ref no | Part no            | Ver | Description  | Chinese | Regd no | Ref Price |
|            | 690    | 87311-KGBG-E000-IT | 0   | EMB FR COVER | 前護蓋標誌   | 3       |           |
|            | 691    | 87503-KGBG-E000-SD | 0   | MARK MODEL   | 機種貼紙    | 1       |           |

F 23

零件號碼索引

PART NO. INDEX

| 零件號碼<br>PART NO.  | 版數<br>VERSION | 頁次<br>PAGE | 零件號碼<br>PART NO.  | 版數<br>VERSION | 頁次<br>PAGE | 零件號碼<br>PART NO.  | 版數<br>VERSION | 頁次<br>PAGE |
|-------------------|---------------|------------|-------------------|---------------|------------|-------------------|---------------|------------|
| 11000             |               |            | 13000             |               |            | 15116-KBG-9000    | 0             | P-31       |
| 11100-KBG-3050    | 1             | P-13       | 13000-KBG-9000    | 3             | P-21       | 15132-KBG-9000    | 0             | P-31       |
| 11100-KBG-9000    | 0             | P-13       | 13011-KGBG-9010   | 0             | P-21       | 15133-KBG-9000-H1 | 0             | P-31       |
| 11102-187-0030    | 3             | P-13       | 13101-KGBG-9010   | 0             | P-21       | 15331-KBG-9000    | 0             | P-31       |
| 11102-187-0030    | 3             | P-13       | 13111-KBG-9000    | 0             | P-21       | 15332-GF6-0010    | 1             | P-31       |
| 11192-KBG-9000    | 0             | P-13       | 13115-001-0010    | 0             | P-21       | 15421-107-0000    | 1             | P-23       |
| 11200-KBG-3050    | 1             | P-15       |                   |               |            | 15426-GE1-9200    | 0             | P-23       |
| 11200-KBG-9000    | 0             | P-13       | 14000             |               |            | 1565A-GY6-9000    | 0             | P-23       |
| 11203-GC7-3010    | 2             | P-13       |                   |               |            | 16000             |               |            |
| 11203-KG8-3010    | 1             | P-37       | 14100-KGBG-9000   | 3             | P-19       | 1610K-KGBG-E050   | 0             | P-25       |
| 1121A-KBG-9000    | 0             | P-17       | 14401-KBG-9000    | 0             | P-21       | 1621A-KBG-9000    | 1             | P-19       |
| 11330-KGBG-9000   | 4             | P-23       | 14431-KBG-9000    | 0             | P-19       | 1691A-GY6-9000-M1 | 0             | P-63       |
| 11340-KBG-9000    | 2             | P-15       | 14450-KBG-9000    | 0             | P-19       | 1691A-GY6-9010-M2 | 0             | P-63       |
| 11381-KBG-9000    | 0             | P-15       | 14452-KBG-9000    | 0             | P-19       | 16950-KJ9-7520-M1 | 1             | P-63       |
| 11382-KBG-9000    | 0             | P-15       | 14510-KBG-9000    | 0             | P-21       |                   |               |            |
| 11385-KBG-9000    | 0             | P-33       | 14531-GR0-0000    | 1             | P-21       | 17000             |               |            |
| 11386-KBG-9000    | 0             | P-35       | 14550-KS4-0040-M2 | 0             | P-21       |                   |               |            |
| 11394-KBG-9000    | 0             | P-23       | 14552-KS4-0030    | 0             | P-21       | 1711A-KBG-9000    | 3             | P-19       |
| 11395-KBG-9000    | 0             | P-15       | 14553-KS4-0030    | 0             | P-21       | 17205-KBG-9000    | 0             | P-71       |
|                   |               |            | 14555-KJ9-0000    | 2             | P-21       | 17206-KBG-9000    | 0             | P-71       |
| 12000             |               |            | 14610-KBG-9000    | 0             | P-21       | 1720A-KGBG-E000   | 0             | P-71       |
|                   |               |            | 14711-KBG-9000    | 0             | P-17       | 17210-KBG-9000    | 1             | P-71       |
| 12100-KGBG-9000   | 2             | P-21       | 14721-KBG-9000    | 0             | P-17       | 17212-KBG-9000    | 0             | P-71       |
| 12191-KBG-9000    | 0             | P-21       | 14751-KBG-9000    | 0             | P-17       | 17214-KGBG-9000   | 1             | P-89       |
| 12200-KGBG-9000   | 2             | P-17       | 14761-KBG-9000    | 0             | P-17       | 17215-KBG-9000    | 0             | P-71       |
| 12209-GB4-6820-M1 | 0             | P-17       | 14771-GB4-6800    | 2             | P-17       | 17253-KBG-9000    | 1             | P-71       |
| 12211-KGBG-9000   | 2             | P-19       | 14775-MA6-0000    | 0             | P-17       | 17254-KCA-P000    | 0             | P-71       |
| 12237-KBG-9000-H1 | 0             | P-17       | 14781-MA6-0000-M1 | 0             | P-17       | 17255-KBG-9000    | 1             | P-71       |
| 12251-KBG-9000    | 0             | P-19       |                   |               |            | 17256-KBG-9000    | 0             | P-19       |
| 12310-KGBG-9000   | 2             | P-17       | 15000             |               |            | 17308-KBG-9000    | 0             | P-63       |
| 12361-GY6-9010    | 0             | P-23       |                   |               |            | 17500-KGBG-E000   | 2             | P-63       |
| 12391-KBG-9000    | 0             | P-17       | 15100-KGBG-9000   | 2             | P-31       | 17550-KGBG-9000   | 1             | P-63       |
|                   |               |            | 15101-KBG-9000    | 0             | P-31       | 17560-KGBG-9000   | 3             | P-63       |

零件號碼索引

PART NO. INDEX

| 零件號碼<br>PART NO.   | 版數<br>VERSION | 頁次<br>PAGE | 零件號碼<br>PART NO.  | 版數<br>VERSION | 頁次<br>PAGE | 零件號碼<br>PART NO.   | 版數<br>VERSION | 頁次<br>PAGE |
|--------------------|---------------|------------|-------------------|---------------|------------|--------------------|---------------|------------|
| 17620-KGBG-3150-M1 | 0             | P-63       | 22103-KEB7-9000   | 0             | P-29       | 28255-GS6-0010     | 0             | P-15       |
| 17620-KGBG-3150-M2 | 0             | P-63       | 22105-KGBG-E000   | 0             | P-29       | 28281-GN2-6030-M1  | 0             | P-13       |
| 17682-KBG-9000     | 1             | P-63       | 22110-GR1-8810    | 0             | P-29       | 28300-KBN-9010     | 0             | P-75       |
| 17688-KBG-9210     | 2             | P-63       | 22121-KBG-9000    | 0             | P-29       |                    |               |            |
| 17910-KBG-9000     | 0             | P-45       | 22131-GAH-7810    | 0             | P-29       | 30000              |               |            |
| 18000              |               |            | 22132-GW0-0010    | 1             | P-29       |                    |               |            |
|                    |               |            | 22300-KBG-9000    | 0             | P-27       | 30410-KGBG-E100-M1 | 0             | P-85       |
|                    |               |            | 22350-GAK-9300    | 1             | P-27       | 3051A-KBG-9000     | 0             | P-85       |
| 18291-GA7-0010     | 0             | P-73       | 22401-GAK-9310    | 0             | P-27       | 30700-GY6-9010     | 0             | P-85       |
| 18294-KCT-9000     | 0             | P-73       | 22535-KBG-9000    | 1             | P-27       |                    |               |            |
| 1830A-KGBG-E000-M1 | 1             | P-73       | 22804-148-0010    | 0             | P-27       | 31000              |               |            |
| 1830A-KGBG-E000-M2 | 1             | P-73       |                   |               |            |                    |               |            |
| 18318-KGBG-E000    | 0             | P-73       | 23000             |               |            | 31100-KBG-9000-M1  | 0             | P-33       |
| 19000              |               |            | 2301A-KBG-9000    | 0             | P-27       | 31100-KBG-9000-M2  | 0             | P-33       |
|                    |               |            | 23100-GAK-9010    | 0             | P-29       | 31110-KGBG-9000-M1 | 2             | P-33       |
| 19410-KGBG-9000    | 2             | P-89       | 23200-GR1-7510    | 0             | P-27       | 31110-KGBG-9000-M2 | 1             | P-33       |
| 19510-KGBG-9000    | 1             | P-33       | 23210-GR1-7510    | 0             | P-27       | 31120-KGBG-9010-M1 | 1             | P-33       |
| 1961A-KGBG-9010    | 0             | P-35       | 23220-KCX-9000    | 0             | P-27       | 31120-KGBG-9010-M2 | 0             | P-33       |
| 19625-KBG-9000     | 0             | P-35       | 23225-GR1-7510    | 0             | P-27       | 31209-GAK-9010     | 0             | P-31       |
| 1962A-KBG-9000     | 0             | P-33       | 23233-GE8-0000    | 1             | P-27       | 31210-KEE1-9000-M1 | 0             | P-31       |
| 19630-KBG-9000     | 0             | P-33       | 23237-GR1-8810    | 0             | P-27       | 31500-KBN-9210-M1  | 2             | P-65       |
| 19636-KBG-9000     | 0             | P-33       | 23238-GS7-0110    | 0             | P-29       | 31600-KDU-9000     | 0             | P-85       |
| 1963A-KBG-9000     | 0             | P-33       | 23411-KEB7-9000   | 0             | P-37       |                    |               |            |
| 21000              |               |            | 23420-KEB7-9000   | 0             | P-37       | 32000              |               |            |
|                    |               |            | 23431-KEB7-9000   | 0             | P-37       | 32100-KEE1-9000    | 0             | P-85       |
|                    |               |            | 23432-KBN-9010    | 0             | P-37       | 32105-KEE1-9000    | 0             | P-31       |
| 21200-KBG-3050     | 0             | P-37       |                   |               |            | 32120-155-0010     | 0             | P-85       |
| 21201-KBG-9000     | 0             | P-37       | 28000             |               |            |                    |               |            |
| 21395-KBN-9010     | 1             | P-37       |                   |               |            | 33000              |               |            |
| 22000              |               |            | 28211-KEB7-9000   | 0             | P-29       |                    |               |            |
|                    |               |            | 28223-KBN-9010    | 0             | P-15       | 33100-KGBG-E000    | 0             | P-41       |
|                    |               |            | 28230-GAK-9210    | 0             | P-15       | 33120-KBG-E000     | 0             | P-41       |
| 22100-GR1-7510     | 0             | P-27       | 28250-KBN-9010    | 0             | P-13       | 33130-KBG-E000     | 0             | P-41       |
| 22102-KEB7-9000    | 0             | P-29       | 28253-GN2-6020-M1 | 0             | P-15       | 33400-KBG-E000     | 0             | P-81       |

零件號碼索引

PART NO. INDEX

| 零件號碼<br>PART NO.   | 版數<br>VERSION | 頁次<br>PAGE | 零件號碼<br>PART NO.   | 版數<br>VERSION | 頁次<br>PAGE | 零件號碼<br>PART NO.  | 版數<br>VERSION | 頁次<br>PAGE |
|--------------------|---------------|------------|--------------------|---------------|------------|-------------------|---------------|------------|
| 33402-KBG-9000     | 0             | P-81       | 35102-KBG-9000-M1  | 0             | P-87       |                   |               |            |
| 33403-KBG-E000     | 0             | P-81       | 3515A-KGBG-E000    | 2             | P-45       | 43410-GAK-9000    | 0             | P-59       |
| 33406-KBG-E000     | 0             | P-81       | 3520A-KGBG-E000    | 2             | P-45       | 43450-KGBG-9000   | 1             | P-47       |
| 33450-KBG-E000     | 0             | P-81       | 35340-KJ9-0100     | 4             | P-47       |                   |               |            |
| 33452-KBG-9000     | 0             | P-81       | 35340-KJ9-0100     | 4             | P-47       | 44000             |               |            |
| 33453-KBG-E000     | 0             | P-81       | 35400-KBG-9000     | 1             | P-85       |                   |               |            |
| 33456-KBG-E000     | 0             | P-81       |                    |               |            | 44301-KE2-9800    | 2             | P-55       |
| 33500-KBG-E000     | 0             | P-81       | 37000              |               |            | 44311-GW0-9000    | 0             | P-57       |
| 33501-KBG-9000     | 0             | P-81       |                    |               |            | 44620-030-0010    | 0             | P-57       |
| 33700-KGBG-E000    | 4             | P-83       | 37200-KGBG-E100-M1 | 1             | P-43       | 44650-GR1-3050    | 1             | P-55       |
| 33702-KBG-E000     | 0             | P-83       | 37200-KGBG-E100-M2 | 1             | P-43       | 44650-GR1-9310    | 2             | P-57       |
| 33703-KBG-E000     | 0             | P-83       | 37211-KCT-9000-M1  | 0             | P-43       | 44710-KBG-9010-M1 | 1             | P-57       |
| 33730-KBG-9100     | 0             | P-69       | 37211-KCT-9000-M2  | 0             | P-43       | 44710-KBG-9010-M1 | 1             | P-59       |
| 33735-KBG-9100     | 0             | P-69       | 37220-KBG-9000     | 0             | P-43       | 44710-KDR-9000-M2 | 0             | P-57       |
| 33741-KBE-9000     | 0             | P-83       | 37224-KBG-E000     | 0             | P-43       | 44710-KDR-9000-M2 | 0             | P-59       |
| 33753-KBG-E000     | 0             | P-83       | 37802-GA7-7000     | 2             | P-63       | 44803-150-0030-H1 | 0             | P-55       |
| 33801-KBG-E000     | 0             | P-79       | 3780A-KBG-9000     | 0             | P-63       | 44805-GC7-0040-H1 | 3             | P-55       |
|                    |               |            |                    |               |            | 44806-GC7-0040    | 2             | P-55       |
| 34000              |               |            | 38000              |               |            | 44807-001-0030-30 | 1             | P-55       |
|                    |               |            |                    |               |            | 44809-170-0030-H1 | 1             | P-55       |
| 34901-KAB-9000     | 0             | P-41       | 38110-GS7-E000     | 0             | P-85       | 44830-KBG-9000    | 0             | P-43       |
| 34905-KCP-9000     | 0             | P-81       | 38300-KCE-9000     | 0             | P-85       | 44831-KBG-9000    | 0             | P-43       |
| 34905-KCP-9000     | 0             | P-81       | 38500-KDK-9000-M1  | 1             | P-85       |                   |               |            |
| 34905-KCP-9000     | 0             | P-83       | 38500-KDK-9000-M2  | 1             | P-85       | 45000             |               |            |
| 34906-KCP-9000     | 0             | P-83       |                    |               |            |                   |               |            |
| 34908-GA7-7010-M1  | 1             | P-43       | 42000              |               |            | 45000-GW0-3050    | 0             | P-55       |
| 34908-KCP-9000     | 0             | P-81       |                    |               |            | 45100-GW0-9010    | 1             | P-55       |
| 34908-MB9-8710-M1  | 0             | P-43       | 42610-GAK-9010     | 1             | P-59       | 45120-KCX-9100    | 1             | P-55       |
|                    |               |            | 42705-GAK-9110     | 4             | P-59       | 45133-028-0000    | 1             | P-55       |
| 35000              |               |            | 43000              |               |            | 45133-028-0000    | 1             | P-59       |
|                    |               |            |                    |               |            | 45134-250-0000    | 0             | P-55       |
| 35010-KBG-E000-M1  | 1             | P-85       |                    |               |            | 45145-096-6500    | 2             | P-55       |
| 35010-KBG-E000-M2  | 1             | P-85       | 43120-KCX-9000     | 1             | P-59       | 45410-GB2-0000    | 1             | P-55       |
| 35100-KGBG-3150-M1 | 0             | P-85       | 43141-400-0110     | 1             | P-55       | 45435-GB2-7200    | 1             | P-55       |
| 35100-KGBG-3150-M2 | 0             | P-87       | 43141-GAK-9000     | 0             | P-59       | 45450-KGBG-9000   | 1             | P-47       |

零件號碼索引

PART NO. INDEX

| 零件號碼<br>PART NO.   | 版數<br>VERSION | 頁次<br>PAGE | 零件號碼<br>PART NO.   | 版數<br>VERSION | 頁次<br>PAGE | 零件號碼<br>PART NO.   | 版數<br>VERSION | 頁次<br>PAGE |
|--------------------|---------------|------------|--------------------|---------------|------------|--------------------|---------------|------------|
| 45517-GY6-9000     | 4             | P-47       | 53000              |               |            | 77000              |               |            |
| 45517-GY6-9000     | 4             | P-49       |                    |               |            |                    |               |            |
| 50000              |               |            | 53100-KGBG-9000    | 1             | P-45       | 77106-GS6-0010     | 1             | P-67       |
|                    |               |            | 53140-KGBG-E000-IT | 0             | P-45       | 77200-KBG-E000     | 1             | P-61       |
|                    |               |            | 53166-KGBG-E000-IT | 0             | P-45       | 77230-KGBG-9000    | 2             | P-61       |
| 50100-KGBG-E000    | 0             | P-89       | 53170-KCT-8000     | 0             | P-47       | 77232-KAC-9010     | 0             | P-69       |
| 50301-GM0-0010     | 0             | P-53       | 53172-KCT-9000     | 0             | P-47       | 77235-KGBG-9000-M1 | 1             | P-61       |
| 50305-GC8-0040     | 0             | P-53       | 53175-KGBG-E000-IT | 0             | P-47       | 77235-KGBG-9000-M2 | 2             | P-61       |
| 50306-196-0010     | 0             | P-53       | 53178-KGBG-E000-IT | 0             | P-47       | 77239-GY6-3350-M1  | 0             | P-69       |
| 50325-KBG-9000     | 0             | P-65       | 5317A-KGBG-E000-IT | 0             | P-47       | 77239-GY6-3350-M2  | 0             | P-69       |
| 50326-KBG-9000     | 0             | P-65       | 5317B-KGBG-E000-IT | 0             | P-47       | 77240-KBG-9000     | 0             | P-69       |
| 50328-KBG-9000     | 0             | P-65       | 53200-KGBG-9000    | 4             | P-53       | 77330-KBG-E000     | 0             | P-79       |
| 50350-KBG-9000     | 0             | P-89       | 53205-KBG-9000     | 0             | P-45       | 77332-KBG-9000     | 2             | P-63       |
| 50503-KBG-9000     | 0             | P-75       | 53206-KBG-9000     | 0             | P-45       |                    |               |            |
| 50505-KBE-9000     | 0             | P-75       | 53211-GY6-9400     | 0             | P-53       | 80000              |               |            |
| 5050A-KGBG-9000    | 2             | P-75       | 53212-GC8-0030     | 2             | P-53       |                    |               |            |
| 50530-KBG-E000     | 0             | P-75       |                    |               |            | 80104-KBG-9000     | 0             | P-83       |
| 50532-KBG-E000     | 0             | P-75       | 61000              |               |            | 80105-KBG-9000     | 6             | P-83       |
| 50550-KLE-J000     | 2             | P-75       |                    |               |            | 80151-KBG-9000     | 0             | P-69       |
| 50611-KGBG-9000-H1 | 1             | P-89       | 61100-KBG-9000     | 0             | P-53       | 8020A-KBG-9000     | 0             | P-83       |
| 50612-KGBG-9000-H1 | 1             | P-89       | 61101-KBG-9000     | 0             | P-53       |                    |               |            |
| 50613-KBG-9000     | 0             | P-89       |                    |               |            | 81000              |               |            |
| 51000              |               |            | 64000              |               |            |                    |               |            |
|                    |               |            | 64301-KGBG-3250    | 0             | P-51       | 81131-KBG-9000     | 1             | P-51       |
| 51400-KGBG-E000    | 2             | P-53       | 64302-KBG-E000     | 0             | P-51       | 81132-GAH-0010     | 1             | P-51       |
| 51409-KBG-9000     | 0             | P-53       | 64310-KBG-9000     | 0             | P-51       | 81132-KBG-9000     | 0             | P-51       |
| 51500-KGBG-E000    | 2             | P-53       | 64315-KBG-9000     | 0             | P-89       | 81133-KBG-9000     | 0             | P-69       |
| 52000              |               |            | 64320-KBG-9000     | 0             | P-51       | 81133-KBN-9010     | 0             | P-51       |
|                    |               |            |                    |               |            | 81134-KBG-9000     | 0             | P-69       |
|                    |               |            | 70000              |               |            | 81135-KBG-9000     | 0             | P-69       |
| 52400-KBN-E000-M1  | 2             | P-77       |                    |               |            | 81141-KBG-9000     | 0             | P-51       |
|                    |               |            | 70529-657-6710     | 0             | P-33       | 81142-KLC-9000     | 0             | P-53       |
|                    |               |            |                    |               |            | 81200-KBG-9000     | 0             | P-79       |
|                    |               |            |                    |               |            | 81201-KBG-9000     | 0             | P-79       |

零件號碼索引

PART NO. INDEX

| 零件號碼<br>PART NO.   | 版數<br>VERSION | 頁次<br>PAGE | 零件號碼<br>PART NO. | 版數<br>VERSION | 頁次<br>PAGE | 零件號碼<br>PART NO.  | 版數<br>VERSION | 頁次<br>PAGE |
|--------------------|---------------|------------|------------------|---------------|------------|-------------------|---------------|------------|
| 81251-KBG-9000     | 0             | P-67       | 90000            |               |            | 90305-GK8-0000    | 1             | P-33       |
| 81260-KGBG-E000    | 4             | P-67       |                  |               |            | 90305-GK8-0010    | 0             | P-35       |
| 83000              |               |            | 90001-GHB-6800   | 0             | P-89       | 90305-GK8-0010    | 0             | P-69       |
|                    |               |            | 90012-333-0010   | 0             | P-19       | 90305-KBN-9030-M2 | 0             | P-59       |
| 83500-KGBG-3050-IT | 0             | P-67       | 90031-KGBG-9010  | 0             | P-13       | 90306-KF0-0040    | 0             | P-57       |
| 83501-KBG-9100     | 0             | P-67       | 90032-KGBG-9010  | 0             | P-13       | 90307-GJ6-0040    | 0             | P-41       |
| 83600-KGBG-3050-IT | 0             | P-67       | 90033-041-0210   | 0             | P-17       | 90309-GW0-9010-M1 | 0             | P-59       |
| 83601-KBG-9100     | 0             | P-67       | 90035-KBN-9010   | 0             | P-13       | 90381-GS7-0010    | 0             | P-67       |
| 83605-KBG-9000     | 0             | P-89       | 90101-087-7200   | 2             | P-83       | 90381-GZ5-0010    | 0             | P-67       |
| 83750-KBG-9000     | 1             | P-69       | 90101-GR1-0010   | 0             | P-41       | 90412-329-0000    | 0             | P-15       |
| 83751-KBG-9000     | 1             | P-69       | 90103-KN8-0010   | 0             | P-15       | 90421-KM1-0030    | 0             | P-21       |
| 87000              |               |            | 90104-KEE2-9000  | 0             | P-89       | 90426-KBN-9010    | 0             | P-29       |
|                    |               |            | 90106-KAF-9000   | 0             | P-79       | 90429-KBN-9000    | 0             | P-37       |
| 87311-KGBG-E000-IT | 0             | P-93       | 90108-KEB7-E000  | 0             | P-75       | 90442-044-0000    | 0             | P-27       |
| 87503-KGBG-E000-SD | 0             | P-93       | 90110-GW0-0010   | 0             | P-51       | 90442-GF6-0110    | 0             | P-19       |
| 87505-KGBG-E000    | 0             | P-91       | 90110-GW0-0010   | 0             | P-67       | 90451-GN2-6010    | 0             | P-15       |
| 87532-KAG-V000     | 0             | P-93       | 90110-GW0-0010   | 0             | P-69       | 90454-GB2-0000    | 0             | P-27       |
| 87541-KGBG-E000    | 0             | P-91       | 90110-KG8-9010   | 0             | P-59       | 90488-700-0000    | 1             | P-13       |
| 87560-GY6-E000     | 0             | P-91       | 90112-GC3-0000   | 0             | P-53       | 90501-KBN-9010    | 0             | P-59       |
| 88000              |               |            | 90112-KLC-9000   | 0             | P-53       | 9052A-GY6-9500    | 0             | P-15       |
|                    |               |            | 90115-GE0-0010   | 0             | P-47       | 90656-GY6-9110    | 0             | P-45       |
| 88110-KEB7-E000    | 0             | P-45       | 90115-GE0-0010   | 0             | P-47       | 90677-GR1-0030    | 1             | P-51       |
| 88120-KEB7-E000    | 0             | P-45       | 90164-KBG-9010   | 0             | P-69       | 90677-GR1-0030    | 1             | P-51       |
| 89000              |               |            | 90164-MR4-9010   | 0             | P-51       | 90677-GR1-0030    | 1             | P-83       |
|                    |               |            | 90202-187-0010   | 0             | P-27       | 90701-GF6-0010    | 0             | P-17       |
|                    |               |            | 90202-GF6-0110   | 1             | P-19       | 90701-GF6-0010    | 0             | P-21       |
|                    |               |            | 90206-001-0010   | 0             | P-19       | 90741-035-0000-M1 | 3             | P-21       |
|                    |               |            | 90215-GM0-9100   | 0             | P-67       | 90754-GC8-0000    | 0             | P-57       |
|                    |               |            | 90301-634-6700   | 0             | P-67       | 90912-GC8-0000    | 0             | P-57       |
|                    |               |            | 90301-KGBG-9000  | 1             | P-73       |                   |               |            |
| 89010-KBG-9000     | 0             | P-61       | 90302-KBG-9000   | 0             | P-65       |                   |               |            |
|                    |               |            | 90302-KBN-9000   | 0             | P-45       |                   |               |            |
|                    |               |            | 90304-GE8-0030   | 1             | P-45       |                   |               |            |
|                    |               |            | 90304-GE8-0030   | 1             | P-89       |                   |               |            |

零件號碼索引

PART NO. INDEX

| 零件號碼<br>PART NO.  | 版數<br>VERSION | 頁次<br>PAGE | 零件號碼<br>PART NO. | 版數<br>VERSION | 頁次<br>PAGE | 零件號碼<br>PART NO. | 版數<br>VERSION | 頁次<br>PAGE |
|-------------------|---------------|------------|------------------|---------------|------------|------------------|---------------|------------|
| 91000             |               |            | 93000            |               |            | 93903-34380      | 0             | P-51       |
| 91001-GA7-7020-M1 | 0             | P-27       | 93201-08032-0H   | 0             | P-77       | 93903-34380      | 0             | P-81       |
| 91004-KBN-9220-M1 | 0             | P-13       | 93404-06020-08   | 0             | P-51       | 93903-34380      | 0             | P-81       |
| 91004-KN2-9020-M1 | 0             | P-13       | 93494-06025-07   | 0             | P-71       | 93903-34380      | 0             | P-89       |
| 91004-KN2-9020-M1 | 0             | P-37       | 93500-04010-1A   | 0             | P-31       | 93903-35320      | 0             | P-43       |
| 91009-GE0-0040    | 0             | P-37       | 93500-04025-0H   | 0             | P-71       | 93903-45380      | 0             | P-65       |
| 91103-GR1-0040    | 0             | P-27       | 93500-04025-0H   | 0             | P-71       | 93903-45480      | 0             | P-67       |
| 91201-GY6-9040-M2 | 0             | P-13       | 93500-05022-0G   | 0             | P-45       | 93903-45480      | 0             | P-67       |
| 91201-KBG-9000-M1 | 0             | P-23       | 93500-05025-0H   | 0             | P-45       | 93904-35380      | 0             | P-33       |
| 91204-KBN-9020-M1 | 0             | P-13       | 93700-05018-0H   | 0             | P-43       | 93913-14220      | 0             | P-67       |
| 91211-GK8-0130    | 0             | P-27       | 93891-05016-07   | 0             | P-65       | 93913-14220      | 0             | P-69       |
| 91251-GC8-0060    | 0             | P-55       | 93891-05016-07   | 0             | P-67       | 93913-14220      | 0             | P-69       |
| 91255-GE0-0060    | 0             | P-37       | 93891-05016-07   | 0             | P-67       | 94000            |               |            |
| 91256-GC1-0030    | 0             | P-55       | 93891-05016-07   | 0             | P-67       |                  |               |            |
| 91301-053-0000    | 0             | P-37       | 93891-05016-07   | 0             | P-69       | 94001-05080-0S   | 0             | P-47       |
| 91301-GR0-0040    | 0             | P-21       | 93891-05016-07   | 0             | P-83       | 94001-05080-0S   | 0             | P-47       |
| 91301-KA5-7420-Y1 | 0             | P-29       | 93891-05020-07   | 0             | P-45       | 94001-12200-0S   | 0             | P-29       |
| 91302-001-0210    | 0             | P-23       | 93891-05020-07   | 0             | P-65       | 94050-06080      | 0             | P-19       |
| 91302-PA9-0030    | 1             | P-29       | 93891-06010-07   | 0             | P-67       | 94050-06080      | 0             | P-31       |
| 91304-GB0-9110    | 1             | P-19       | 93891-06016-07   | 0             | P-53       | 94050-06080      | 0             | P-55       |
| 91304-GB0-9110    | 1             | P-19       | 93901-24480      | 0             | P-83       | 94050-06080      | 0             | P-61       |
| 91305-028-1590    | 0             | P-17       | 93901-32320      | 0             | P-81       | 94050-06080      | 0             | P-61       |
| 91305-028-1590    | 0             | P-31       | 93901-32320      | 0             | P-81       | 94050-06080      | 0             | P-63       |
| 91307-035-0010    | 0             | P-23       | 93901-32380      | 0             | P-81       | 94050-06080      | 0             | P-69       |
| 91309-GAK-9010    | 0             | P-31       | 93903-24380      | 0             | P-35       | 94050-06080      | 0             | P-83       |
| 91352-KG8-8330-M2 | 0             | P-59       | 93903-25480      | 0             | P-71       | 94050-06080      | 0             | P-85       |
| 92000             |               |            | 93903-34280      | 0             | P-69       | 94050-06080      | 0             | P-89       |
|                   |               |            | 93903-34280      | 0             | P-79       | 94050-06080      | 0             | P-89       |
|                   |               |            | 93903-34380      | 0             | P-45       | 94050-06080      | 0             | P-89       |
| 92101-05012-0H    | 0             | P-33       | 93903-34380      | 0             | P-45       | 94050-08080      | 0             | P-37       |
| 92201-05020-0H    | 0             | P-85       | 93903-34380      | 0             | P-51       | 94050-10080      | 0             | P-29       |
| 92900-06050-0B    | 0             | P-17       | 93903-34380      | 0             | P-51       | 94050-10080      | 0             | P-33       |
|                   |               |            | 93903-34380      | 0             | P-51       | 94101-08700      | 0             | P-75       |

零件號碼索引

PART NO. INDEX

| 零件號碼<br>PART NO. | 版數<br>VERSION | 頁次<br>PAGE | 零件號碼<br>PART NO. | 版數<br>VERSION | 頁次<br>PAGE | 零件號碼<br>PART NO. | 版數<br>VERSION  | 頁次<br>PAGE |      |
|------------------|---------------|------------|------------------|---------------|------------|------------------|----------------|------------|------|
| 94111-06800      | 0             | P-73       | 95801-06025-08   | 0             | P-71       | 98000            |                |            |      |
| 94251-08400      | 0             | P-75       | 95801-08038-07   | 0             | P-73       |                  |                |            |      |
| 94301-08100      | 0             | P-31       | 95801-08040-08   | 0             | P-53       |                  |                |            |      |
| 94301-08140      | 0             | P-13       | 95801-08042-07   | 0             | P-73       |                  | 98056-5771R-00 | 0          | P-19 |
| 94301-08140      | 0             | P-15       | 95801-08075-07   | 0             | P-79       |                  | 98200-10700    | 0          | P-65 |
| 94301-08140      | 0             | P-23       | 95801-10040-08   | 0             | P-45       |                  | 98200-10700    | 0          | P-85 |
| 94301-08140      | 0             | P-23       | 95801-10070-08   | 0             | P-77       |                  |                |            |      |
| 94301-10200      | 0             | P-37       | 95801-10070-08   | 0             | P-89       |                  |                |            |      |
| 94303-04065      | 0             | P-31       |                  |               |            |                  |                |            |      |
| 94510-20000      | 0             | P-37       | 96000            |               |            |                  |                |            |      |
| 94511-14000      | 0             | P-15       |                  |               |            |                  |                |            |      |
| 94520-24000      | 0             | P-27       | 96001-06012-08   | 0             | P-35       |                  |                |            |      |
| 94591-27000      | 0             | P-51       | 96001-06012-08   | 0             | P-73       |                  |                |            |      |
|                  |               |            | 96001-06016-08   | 0             | P-35       |                  |                |            |      |
| 95000            |               |            | 96001-06016-08   | 0             | P-85       |                  |                |            |      |
|                  |               |            | 96001-06018-08   | 0             | P-21       |                  |                |            |      |
| 95002-02080      | 0             | P-17       | 96001-06018-08   | 0             | P-33       |                  |                |            |      |
| 95002-02080      | 0             | P-63       | 96001-06020-08   | 0             | P-31       |                  |                |            |      |
| 95015-31001      | 0             | P-47       | 96001-06022-08   | 0             | P-33       |                  |                |            |      |
| 95015-32001      | 0             | P-47       | 96001-06025-08   | 0             | P-17       |                  |                |            |      |
| 95015-41000      | 0             | P-47       | 96001-06025-08   | 0             | P-31       |                  |                |            |      |
| 95015-42000      | 0             | P-47       | 96001-06025-08   | 0             | P-31       |                  |                |            |      |
| 95701-06012-08   | 0             | P-85       | 96001-06025-08   | 0             | P-33       |                  |                |            |      |
| 95701-06014-08   | 0             | P-61       | 96001-06035-08   | 0             | P-15       |                  |                |            |      |
| 95701-06014-08   | 0             | P-63       | 96001-06045-08   | 0             | P-13       |                  |                |            |      |
| 95701-06016-08   | 0             | P-89       | 96001-06085-07   | 0             | P-17       |                  |                |            |      |
| 95701-06016-08   | 0             | P-89       | 96001-06085-07   | 0             | P-23       |                  |                |            |      |
| 95701-06022-07   | 0             | P-75       | 96001-06100-08   | 0             | P-23       |                  |                |            |      |
| 95701-06028-08   | 0             | P-47       | 96100-62033-00   | 0             | P-13       |                  |                |            |      |
| 95701-06028-08   | 0             | P-49       | 96211-05000      | 0             | P-53       |                  |                |            |      |
| 95701-06028-08   | 0             | P-55       | 96211-05000      | 0             | P-53       |                  |                |            |      |
| 95701-06032-08   | 0             | P-59       |                  |               |            |                  |                |            |      |
| 95701-08035-08   | 0             | P-15       |                  |               |            |                  |                |            |      |
| 95701-08040-08   | 0             | P-15       |                  |               |            |                  |                |            |      |
| 95701-KEB7-E000  | 0             | P-85       |                  |               |            |                  |                |            |      |