

零件目錄



SCOOTERS

SR30BB

RACING 150 FI



Translate : MiniCaesar
Release Date : 2009/10/23
Print Date : 2010/03/03

前言

- 本零件型錄適用於 SR30BB(JP) 機種，訂購零件時，請參照本冊。
- 本冊之配色表僅供參考，若與實車不符之處，以實車為準。
- 配色記號(Color Mark)：
 - 1.註明 "*" 記號，表示訂購該零件時，請參照機種相片及配色表，並請在基本零件號碼最後加上色碼。
 2. Marking "#" are parts with modification, Please find the details from e-Parts system.
- 本冊若有錯誤或遺漏之處，敬請不吝賜教指正。
- 本零件型錄是經過翻譯，若有錯誤之處以原廠為主。

目次

● 前言	1
● SR30BB 配色表	3
● 引擎結構圖	11
● 車架結構圖	12
● 引擎號碼表	15
● 車架零件號碼表	45
● 零件號碼索引	111

NO	MODEL(機種名稱)			SR30BB COLOR CHART			
	PHOTO NO(相片號碼)			NO. 1	NO. 2	NO. 3	NO. 4
	BASIC COLOR(主體色)			你要紅	晶鑽銀	寶石黑	閃電白
	CODE(色碼)			Bright Red	Silver Crystal	Black	Pearly White
	PARTS NAME(色別零件名稱)	PARTS NO.(基本零件號碼)	VERSION(版數)	RR339PA	NH263MA	NH001SA	NH193PA
1	GRIP COMP THROT	53140-LFB6-800	3	E4R			
2	GRIP COMP.,L HANDLE	53150-LEA6-900	3				
3	END HANDLE	53102-KEC8-900	0	F1S			
4	END R STRGHANDLE	53105-LBB5-E00	2				
5	CLAMPER TUBE	90660-KGBG-900	0	H4R			
6	WHEEL COMP RR CAST	42601-LFB5-900	2				
7	WHEEL SET FR	44650-LFE2-305	4	HUA			
8	LEVER R STRG	53175-KFA5-E10	0				
9	LEVER L STRG HANDLE	53178-KFC8-E10	0	M5A			
10	COVER FR HANDLE	53205-LFB5-900	1				
11	FENDER FR INNER	61100-LFB5-900	1	EBP			
12	SKIRT , R SIDE	64305-LFB6-800	2				
13	SKIRT , L SIDE	64306-LFB6-800	2				
14	CARRIER REAR	81200-LFB5-900	2				
15	COVER , R BODY	83500-LFB5-900	2				
16	COVER , L BODY	83600-LFB5-900	2				
17	MIRROR R. ASSY..BACK	88110-LFB5-900	2				
18	MIRROR ASSY.L BACK	88120-LFB5-900	2				
19	MOLDING. FR.	64302-LFB5-900	3				
20	COVER COMP.,L COVER	11344-LGH6-900	0				
21	MUFFLER ASSY EXH	1830A-LFB6-E00	0				
22	PROTECTOR,MUFF.	18318-LFB5-E00	0				
23	COVER BATTERY	5032A-LEB1-900	2				
24	COVER. UNDER	50613-LFB5-900	3				
25	COVER HANDLE RR	53206-LFB5-900	0				
DATE OF STARTING-SALES(生產日期)				N1P		NVP	
DATE OF END-SALES(停產日期)				N1R			

NO	MODEL(機種名稱)			SR30BB COLOR CHART			
	PHOTO NO(相片號碼)			NO. 5			
	BASIC COLOR(主體色)			我戀橘			
	CODE(色碼)			Shining Orange			
	PARTS NAME(色別零件名稱)	PARTS NO.(基本零件號碼)	VERSION(版數)	YR177MA			
1	GRIP COMP THROT	53140-LFB6-800	3	E4R			
2	GRIP COMP.,L HANDLE	53150-LEA6-900	3				
3	END HANDLE	53102-KEC8-900	0	F1S			
4	END R STRGHANDLE	53105-LBB5-E00	2				
5	CLAMPER TUBE	90660-KGBG-900	0	H4R			
6	WHEEL COMP RR CAST	42601-LFB5-900	2	HUA			
7	WHEEL SET FR	44650-LFE2-305	4				
8	LEVER R STRG	53175-KFA5-E10	0	M5A			
9	LEVER L STRG HANDLE	53178-KFC8-E10	0				
10	COVER FR HANDLE	53205-LFB5-900	1				
11	FENDER FR INNER	61100-LFB5-900	1				
12	SKIRT , R SIDE	64305-LFB6-800	2				
13	SKIRT , L SIDE	64306-LFB6-800	2				
14	CARRIER REAR	81200-LFB5-900	2	X4P			
15	COVER , R BODY	83500-LFB5-900	2				
16	COVER , L BODY	83600-LFB5-900	2				
17	MIRROR R. ASSY..BACK	88110-LFB5-900	2				
18	MIRROR ASSY.L BACK	88120-LFB5-900	2				
19	MOLDING. FR.	64302-LFB5-900	3				
20	COVER COMP.,L COVER	11344-LGH6-900	0				
21	MUFFLER ASSY EXH	1830A-LFB6-E00	0				
22	PROTECTOR,MUFF.	18318-LFB5-E00	0				
23	COVER BATTERY	5032A-LEB1-900	2	N1R			
24	COVER. UNDER	50613-LFB5-900	3				
25	COVER HANDLE RR	53206-LFB5-900	0				
DATE OF STARTING-SALES(生產日期)							
DATE OF END-SALES(停產日期)							

NO	MODEL(機種名稱)			SR30BB COLOR CHART						
	PHOTO NO(相片號碼)			NO. 1	NO. 2	NO. 3	NO. 4			
	BASIC COLOR(主體色)			你要紅	晶鑽銀	寶石黑	閃電白			
	CODE(色碼)			Bright Red	Silver Crystal	Black	Pearly White			
	PARTS NAME(色別零件名稱)	PARTS NO.(基本零件號碼)	VERSION(版數)	RR339PA	NH263MA	NH001SA	NH193PA			
26	COVER SWITCH	53207-KKD9-B00	3	N1R						
27	COVER L WINKER	53208-LFB5-900	0							
28	"GRILLE,R FENDER TIRE,	61101-LFB5-900	0							
29	"GRILLE,L FENDER TIRE,	61102-LFB5-900	0							
30	FENDER B. FR.	6110B-LFB5-900	4							
31	"GRILLE,R FR.	64303-LFB5-900	0							
32	"GRILLE,L FR.	64304-LFB5-900	0							
33	"GRILLER,COVER , FR."	64307-LFB5-900	1							
34	FLOOR PANEL	64310-LFB5-900	0							
35	PLUG FLOOR	64316-KHD6-900	0							
36	PLUG FLOOR	64316-KHE2-900	0							
37	"COWL, UNDER"	64400-LFB5-900	1							
38	FENDER RR TIRE	80100-LFB5-910	0							
39	FENDER . RR. UP	80105-LFB5-900	4							
40	FENDER RR INNER	80107-LFB5-900	1							
41	COVER CENTER	80151-LFB5-900	2							
42	LEG SHIELD UP	81131-LFB5-910	0							
43	CAP LEG SHIELD UP	81132-LFB5-900	0							
44	HOOK,LEG SHIELD	81134-LGH6-B20	1							
45	LEG SHIELD LOW	81141-LFB5-900	0							
46	LID LEG SHIELD	81142-KUDU-900	1							
47	LEG SHIELD UP B	81142-LFB6-800	1							
48	"COVER , R SIDE"	83520-LFB5-900	0							
49	"COVER , L SIDE"	83620-LFB5-900	0							
50	BAND HARNESS WIRE	90656-KUDU-900	0							
DATE OF STARTING-SALES(生產日期)										
DATE OF END-SALES(停產日期)										

NO	MODEL(機種名稱)			SR30BB COLOR CHART						
	PHOTO NO(相片號碼)			NO. 5						
	BASIC COLOR(主體色)			我戀橘						
	CODE(色碼)			Shining Orange						
	PARTS NAME(色別零件名稱)	PARTS NO.(基本零件號碼)	VERSION(版數)	YR177MA						
26	COVER SWITCH	53207-KKD9-B00	3	N1R						
27	COVER L WINKER	53208-LFB5-900	0							
28	"GRILLE,R FENDER TIRE,	61101-LFB5-900	0							
29	"GRILLE,L FENDER TIRE,	61102-LFB5-900	0							
30	FENDER B. FR.	6110B-LFB5-900	4							
31	"GRILLE,R FR.	64303-LFB5-900	0							
32	"GRILLE,L FR.	64304-LFB5-900	0							
33	"GRILLER,COVER , FR."	64307-LFB5-900	1							
34	FLOOR PANEL	64310-LFB5-900	0							
35	PLUG FLOOR	64316-KHD6-900	0							
36	PLUG FLOOR	64316-KHE2-900	0							
37	"COWL, UNDER"	64400-LFB5-900	1							
38	FENDER RR TIRE	80100-LFB5-910	0							
39	FENDER . RR. UP	80105-LFB5-900	4							
40	FENDER RR INNER	80107-LFB5-900	1							
41	COVER CENTER	80151-LFB5-900	2							
42	LEG SHIELD UP	81131-LFB5-910	0							
43	CAP LEG SHIELD UP	81132-LFB5-900	0							
44	HOOK,LEG SHIELD	81134-LGH6-B20	1							
45	LEG SHIELD LOW	81141-LFB5-900	0							
46	LID LEG SHIELD	81142-KUDU-900	1							
47	LEG SHIELD UP B	81142-LFB6-800	1							
48	"COVER , R SIDE"	83520-LFB5-900	0							
49	"COVER , L SIDE"	83620-LFB5-900	0							
50	BAND HARNESS WIRE	90656-KUDU-900	0							
DATE OF STARTING-SALES(生產日期)										
DATE OF END-SALES(停產日期)										

NO	MODEL(機種名稱)			SR30BB COLOR CHART			
	PHOTO NO(相片號碼)			NO. 1	NO. 2	NO. 3	NO. 4
	BASIC COLOR(主體色)			你要紅	晶鑽銀	寶石黑	閃電白
	CODE(色碼)			Bright Red	Silver Crystal	Black	Pearly White
	PARTS NAME(色別零件名稱)	PARTS NO.(基本零件號碼)	VERSION(版數)	RR339PA	NH263MA	NH001SA	NH193PA
51	FORK ASSY RR	52000-LFB5-900	1	N8A			
52	COLLAR FUEL FILLER	17623-KKE5-E1A	0	N8P			
53	COLLAR FUEL CILLER	17623-KKE5-E1B	0	N8P			
54	CUSHION ASSY RR R	52400-LFB5-900	3	NMS			
55	"CUSHION ASSY ,RR L"	52500-LFB5-900	2	NMS			
56	CALIPER ASSY FR	43100-LFB5-900	1	R8A			
57	CALIPER ASSY FR	45200-LFB5-900	1	R8A			
58	DISK, FR BRK	45351-LFB6-900	0	R8S			
59	FAN COMP COOLING	19510-LEB1-900	1	RAR			
60	EMB K-LOGO 28.5MM	86102-KKC4-900	1	T01			
61	EMB BODY COVER	86202-LFB6-900	0	T01			
62	STRIPE RR FENDER	86409-LBE8-B20	1	T01			
63	STRIPE R MARK	87311-LAD9-B20	1	T01			
64	STRIPE MARK Fi	87311-LEA1-900	1	T01			
65	CAUTION BATTERY	87502-LEB2-E00	1	T01			
66	CAUTION MUFFLER	87503-LEB2-E00	0	T01			
67	LABEL TIRE	87505-LFB6-E00	1	T01			
68	CAUTION SIDE STAND	87541-GAR1-E00	1	T01			
69	LABEL OIL CAP	87541-KUDU-E00	0	T01			
70	MARK MAINT CAUTION	87542-GAR1-E00	2	T01			
71	MARK DRIVE CAUTION	87560-GFY6-E00	3	T01			
72	SEAT ASSY.	77200-LFB6-E00	1	T02	T01		
73	EMB B BODY COVER	86212-LFB6-900	0	T01			
74	COVER ASSY., FR.	6430A-LFB6-800	1	T01			T02
75	STRIPE FR FENDER	86408-KKC8-B20	2	T01			
DATE OF STARTING-SALES(生產日期)							
DATE OF END-SALES(停產日期)							

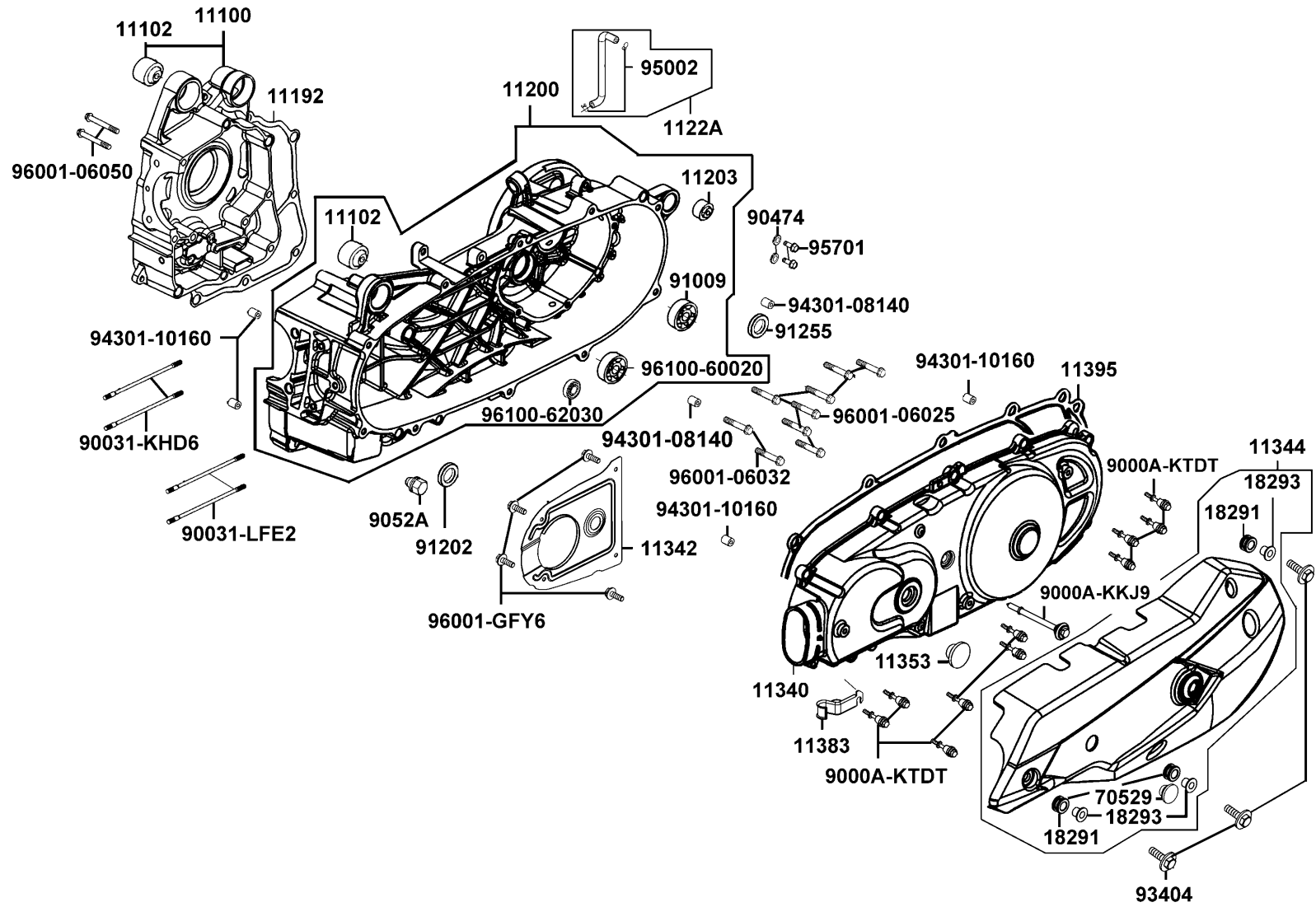
NO	MODEL(機種名稱)			SR30BB COLOR CHART				
	PHOTO NO(相片號碼)			NO. 5				
	BASIC COLOR(主體色)			我戀橘				
	CODE(色碼)			Shining Orange				
	PARTS NAME(色別零件名稱)	PARTS NO.(基本零件號碼)	VERSION(版數)	YR177MA				
51	FORK ASSY RR	52000-LFB5-900	1	N8A				
52	COLLAR FUEL FILLER	17623-KKE5-E1A	0	N8P				
53	COLLAR FUEL CILLER	17623-KKE5-E1B	0					
54	CUSHION ASSY RR R	52400-LFB5-900	3	NMS				
55	"CUSHION ASSY ,RR L"	52500-LFB5-900	2					
56	CALIPER ASSY FR	43100-LFB5-900	1	R8A				
57	CALIPER ASSY FR	45200-LFB5-900	1					
58	DISK, FR BRK	45351-LFB6-900	0	R8S				
59	FAN COMP COOLING	19510-LEB1-900	1	RAR				
60	EMB K-LOGO 28.5MM	86102-KKC4-900	1	T01				
61	EMB BODY COVER	86202-LFB6-900	0					
62	STRIPE RR FENDER	86409-LBE8-B20	1					
63	STRIPE R MARK	87311-LAD9-B20	1					
64	STRIPE MARK Fi	87311-LEA1-900	1					
65	CAUTION BATTERY	87502-LEB2-E00	1					
66	CAUTION MUFFLER	87503-LEB2-E00	0					
67	LABEL TIRE	87505-LFB6-E00	1					
68	CAUTION SIDE STAND	87541-GAR1-E00	1					
69	LABEL OIL CAP	87541-KUDU-E00	0					
70	MARK MAINT CAUTION	87542-GAR1-E00	2					
71	MARK DRIVE CAUTION	87560-GFY6-E00	3					
72	SEAT ASSY.	77200-LFB6-E00	1		T02			
73	EMB B BODY COVER	86212-LFB6-900	0					
74	COVER ASSY., FR.	6430A-LFB6-800	1	T01				
75	STRIPE FR FENDER	86408-KKC8-B20	2					
DATE OF STARTING-SALES(生產日期)								
DATE OF END-SALES(停產日期)								

CONTENTS - ENGINE GROUP

E01 曲軸箱	E02 汽缸頭蓋 汽缸頭	E03 汽缸 活塞 曲軸
E04 右曲軸箱蓋	E05 傳動皮帶輪	E06 起動馬達 機油泵
E07 發電機 水泵	E08 傳動系	E09 噴射節流閥組

E01

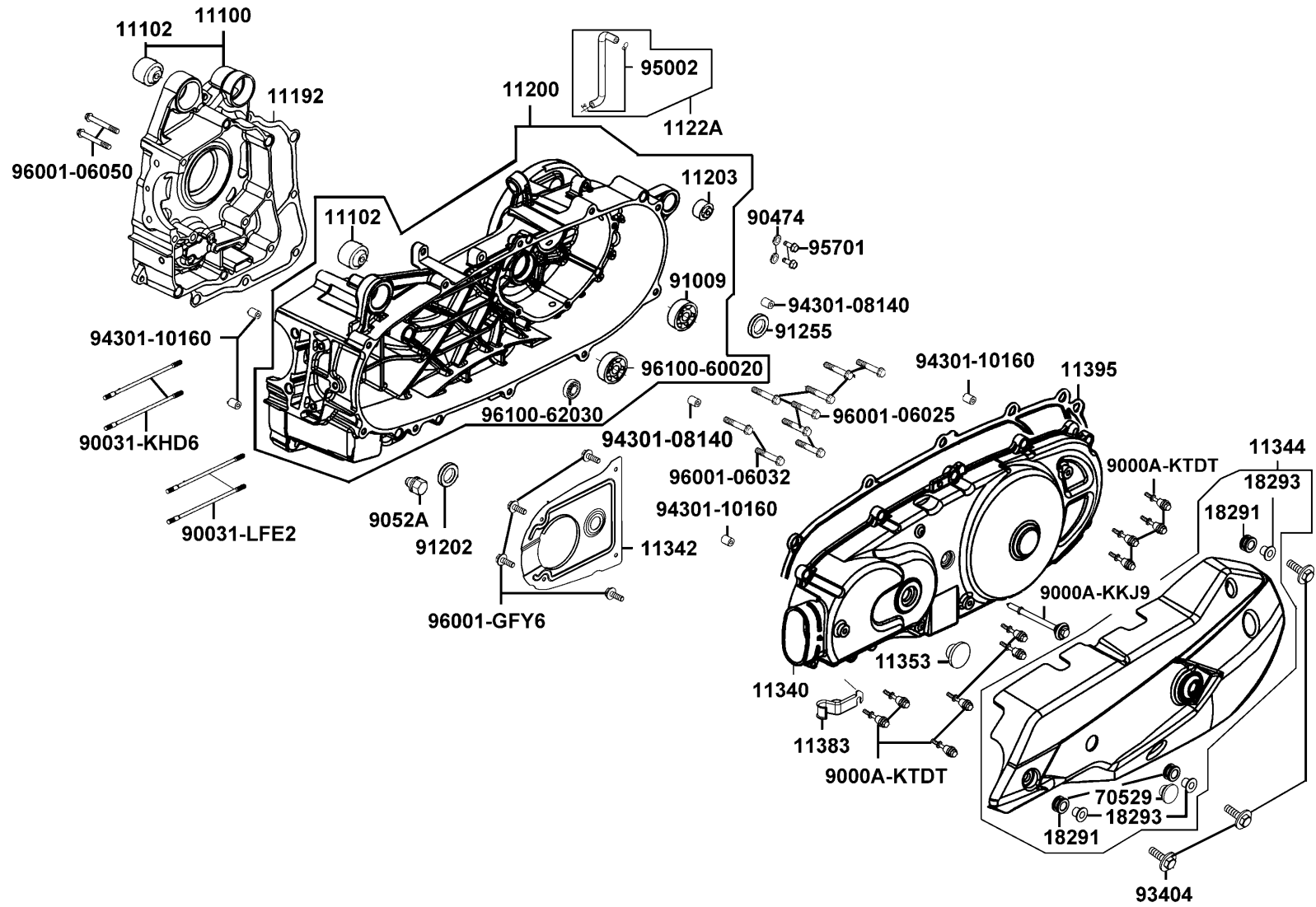
Crank Case 曲軸箱



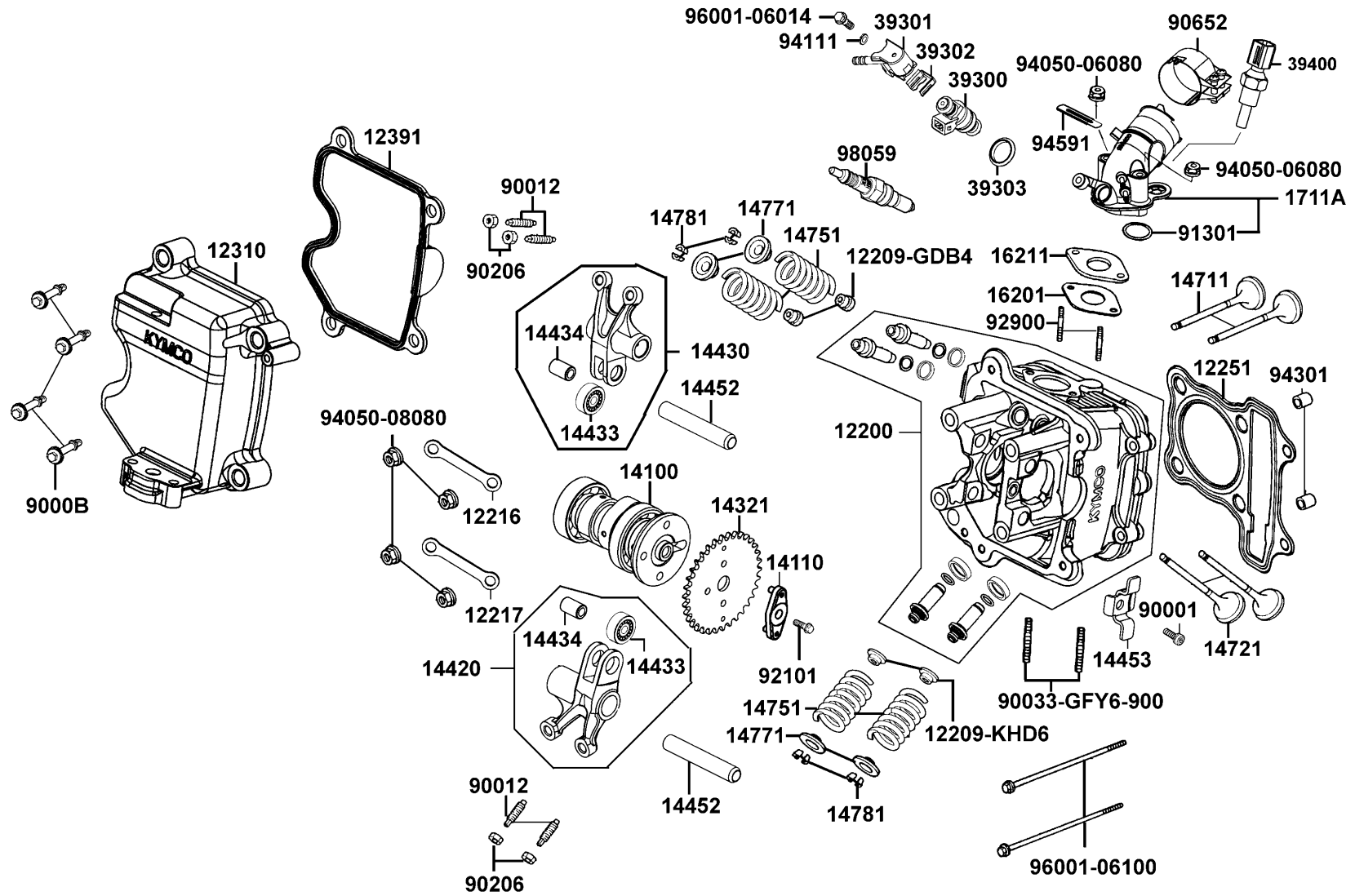
Sales mark 販賣記號	Ref no 項 目	Part no 零 件 號 碼	Description 英 文 名 稱	Chinese 中 文 名 稱	Regd no 需要用量	E01
	11100	11100-LEB1-306	CRANK CASE SET R	右曲軸箱組	1	
	11102	11102-1G87-004	RUB BUSH ENG HANGER	引擎吊架襯套	2	
	11192	11192-LEB1-900	GASKET CRANK CASE A	曲軸箱墊片 A	1	
	11200	11200-LFB5-306	CRANKCASE SET L	左曲軸箱組	1	
	11203	11203-GGC7-301	UNDER RUBBER BUSH REAR CUSHION	後緩衝下襯套	1	
	1122A	1122A-LFB5-900	TUBE ASSY BREATHER	通氣管	1	
	11340	11340-LFB5-910	COVER COMP L SIDE	左曲軸箱蓋	1	
	11342	11342-LFB5-900	PLATE L COVER	導流板	1	
**	11344	11344-LGH6-900	COVER COMP.,L COVER	左側外蓋總成	0	
	11353	11353-LEA6-900	RUBBER PLUG L COVER KICK	橡皮塞蓋	1	
	11383	11383-LFB5-900	CLAMPER DRAIN TUBE	油管鉤	1	
	11395	11395-LFB5-900	GASKET L COVER	左曲軸箱蓋墊片	1	
	18291	18291-KKC4-900	COLLAR	套筒	3	
	18293	18293-KKC4-900	RUBBER	橡皮	3	
	70529	70529-6G57-671	GROM B SIDE PNL	橡皮塞	1	
	9000A-KKJ9	9000A-KKJ9-001	BOLT SPECIAL COMP	特殊螺絲	1	
	9000A-KTDT	9000A-KTDT-900	BOLT ASSY SPECIAL 6*29.5	特殊螺絲 6*29.5	10	
	90031-KHD6	90031-KHD6-900	BOLT A STUD 8*218	雙頭螺絲 8*218	2	
	90031-LFE2	90031-LFE2-900	BOLT B STUD 8*225	雙頭螺絲 8*225	2	
	90474	90474-3C33-001	WASHER 8MM	華司 8MM	2	

E01

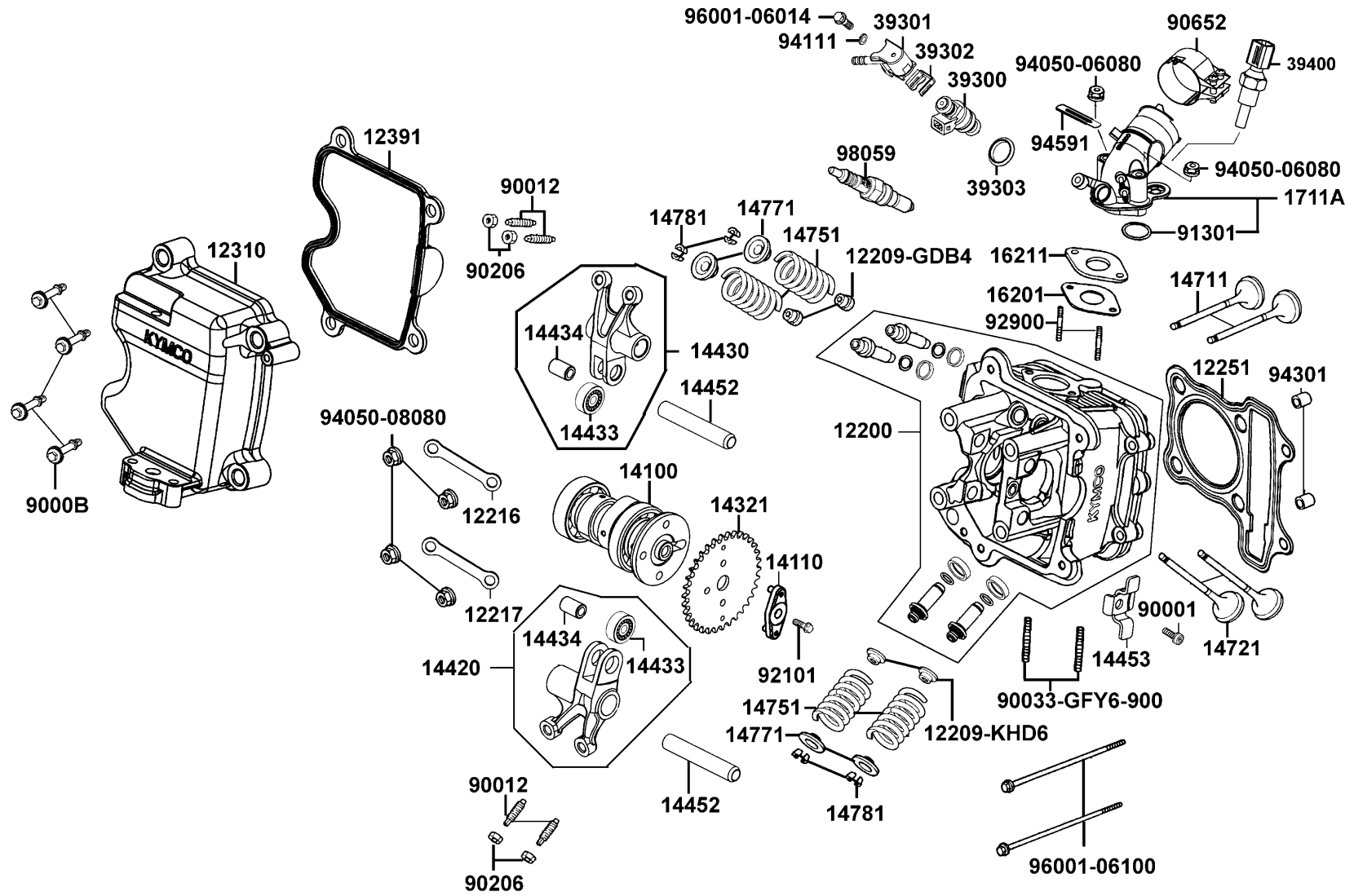
Crank Case 曲軸箱



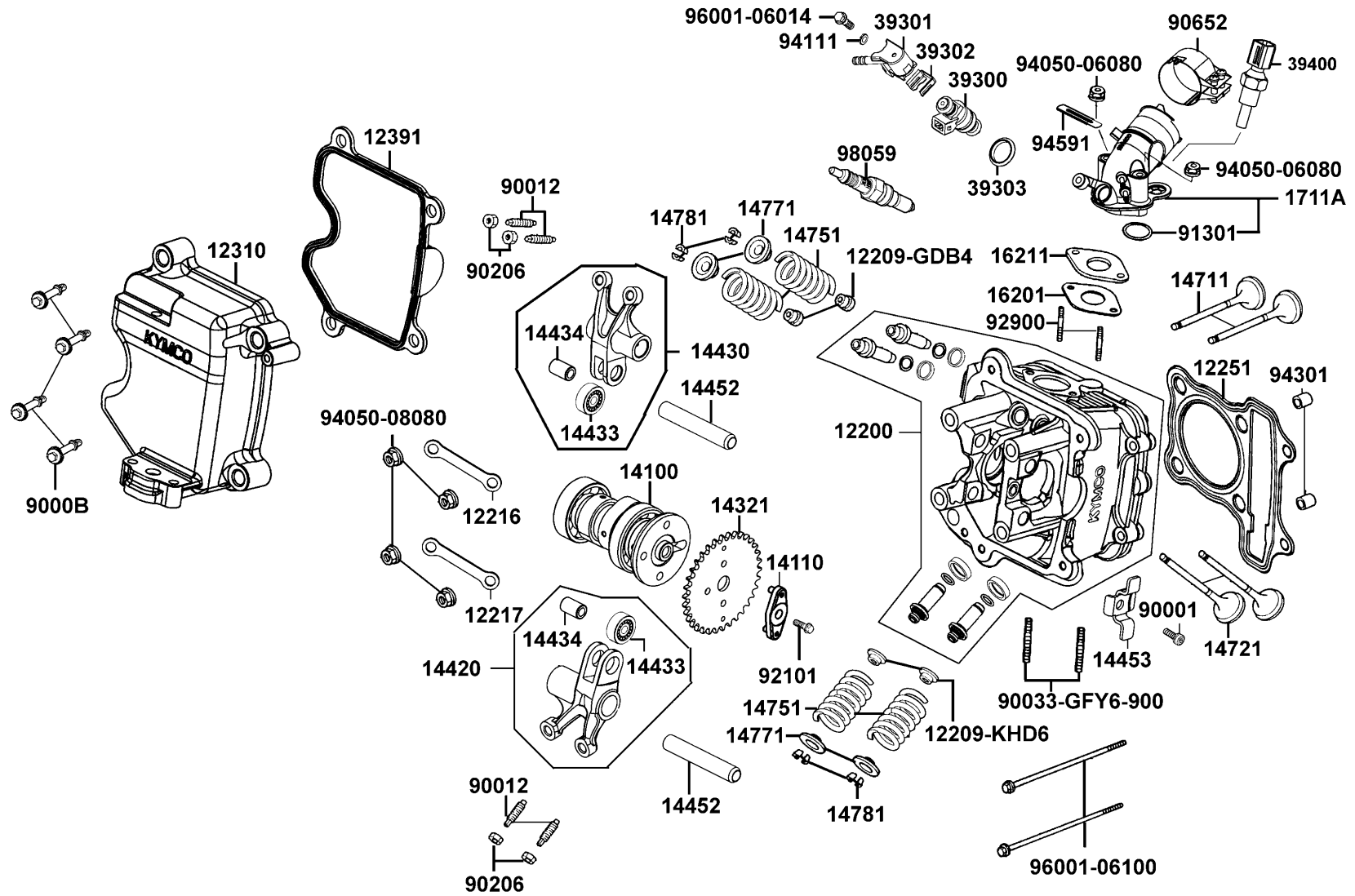
Sales mark	Ref no	Part no	Description	Chinese	Regd no	E01
	9052A	9052A-LEB1-900	BOLT ASSY DRAIN PLUG	洩油螺絲	1	
	91009	91009-GLE0-004	BRG BALL RADIAL 6004 UU	軸承 6004 UU	1	
	91202	91202-LEB1-900	OIL SEAL 25*35*5	油封 25*35*5	1	
	91255	91255-GLE0-006	OIL SEAL 27*42*7	油封 27*42*7	1	
	93404	93404-06025-06	BOLT WASHER 6*25	螺絲 6*25	0	
	94301-08140	94301-08140	DOWEL PIN 8*14	定位銷 8*14	2	
	94301-10160	94301-10160	DOWEL PIN 10*16	定位銷 10*16	4	
	95002	95002-50000	CLIP C9 TUBE	管夾	0	
	95701	95701-08012-08	BOLT FLANGE 8*12	螺絲 8*12	2	
	96001-06025	96001-06025-08	BOLT FLANGE SH 6*25	螺絲 6*25	8	
	96001-06032	96001-06032-08	BOLT FLANGE SH 6*32	螺絲 6*32	2	
	96001-06050	96001-06050-08	BOLT FLANGE 6*50	螺絲 6*50	2	
	96001-GFY6	96001-GFY6-900	BOLT SPECIAL 5*10	螺絲 5*10	4	
	96100-60020	96100-60020-00	BRG BALL RADIAL 6002	軸承 6002	0	
	96100-62030	96100-62030-00	BRG BALL RADIAL 6203	軸承 6203	1	



Sales mark	Ref no	Part no	Description	Chinese	Regd no	E02
	12200	12200-LFE2-E00	HEAD COMP CYLN	汽缸頭	1	
	12209-GDB4	12209-GDB4-68A	SEAL VALVE STEM	門閥徑封	2	
	12209-KHD6	12209-KHD6-900	SEAL VALVE STEM	門閥徑封	2	
	12216	12216-LEB1-900	FORK A HOLDER	固定座前叉	1	
	12217	12217-LEB1-900	FORK B HOLDER	固定座前叉	1	
	12251	12251-LFE2-900	GASKET CYLINDER HEAD	汽缸頭墊片	1	
	12310	12310-LFB5-900	COVER COMP HEAD	汽缸頭蓋	1	
	12391	12391-LFE2-900	GASKET HEAD COVER	墊片	1	
	14100	14100-LFE2-900	SHAFT COMP CAM	凸輪軸	1	
	14110	14110-LEB1-900	FIXTURE CAMSHAFT	凸輪軸固定件	1	
	14321	14321-LEB1-900	SPROCKET CAM	凸輪扣鏈齒輪	1	
	14420	14420-LFE2-900	ARM COMP EXH VALVE ROCKER	排氣閥搖臂	1	
	14430	14430-LFE2-900	ARM COMP IN VALVE ROCKER	進氣閥搖臂	1	
	14433	14433-LEB1-900	ROLLER ASSY ROCKER ARM	軸承	2	
	14434	14434-LEB1-900	PIN ROCKER ARM	套筒	2	
	14452	14452-LEB1-900	SHAFT EXH ROCKER ARM	排氣閥搖臂軸	2	
	14453	14453-LEB1-910	SET PLATE ROCKER ARM SHAFT	搖臂托架	1	
	14711	14711-LFE2-900	VALVE INLET	進氣閥	2	
	14721	14721-LGL9-900	VALVE EXHAUST	排氣閥	2	
	14751	14751-KHD6-900	SPG VALVE OUTER	門閥外彈簧	4	



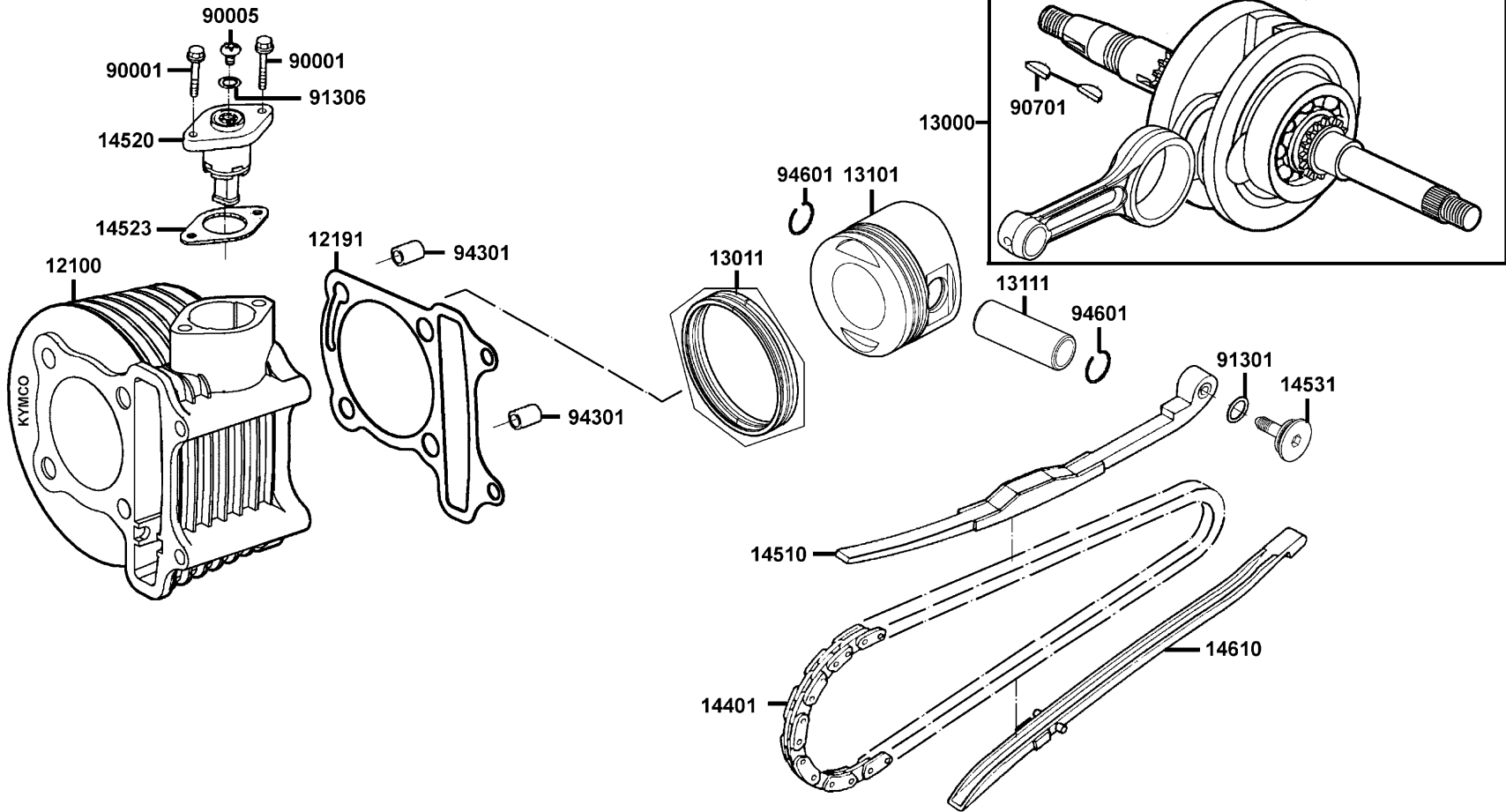
Sales mark	Ref no	Part no	Description	Chinese	Regd no	E02
	14771	14771-KHD6-900	RETAINER VALVE SRINPG	門閥彈簧扣環	4	
	14781	14781-MFA6-001	COTTER VALVE	閥門鎖扣	8	
	16201	16201-LFE2-900	GASKET CARB INSULATOR A	隔熱板墊片 A	1	
	16211	16211-LFE2-900	INSULATOR CARB	化油器隔熱板	1	
	1711A	1711A-LFB6-810	PIPE ASS'Y,INLET	進氣管	1	
	39300	39300-LEB2-800	FUEL INJECTOR	燃油噴嘴	1	
	39301	39301-LGL9-900	HOLDER ASS'Y,FUEL	燃油噴嘴托蓋組	1	
	39302	39302-KKE3-900	CLIP SPRING FUEL INJECTOR	噴嘴彈簧夾	1	
	39303	39303-LEB2-900	SEAL HIGH TENSION FUEL INJECT	拉力封	1	
	39400	39400-KKE3-800	SENSOR HEAD TEMPERATURE	汽缸頭溫度感應器	1	
	90001	90001-GFY6-901	SOCKET BOLT 6*10	螺絲 6*10	1	
	9000B	9000B-KHD6-900	BOLT ASSY SPECIAL 6*41.5	特殊螺絲 6*41.5	4	
	90012	90012-3C33-001	SCREW TAPPET ADJUSTING	曲軸調整螺絲	4	
	90033-GFY6-900	90033-GFY6-900	BOLT STUD 8*32	螺絲 8*32	2	
	90206	90206-0A01-001	NUT TAPPET ADJG	挺桿調整螺帽	4	
	90652	90652-LGJ9-900	BAND 48, INLET-PIPE	進氣管夾	1	
	91301	91301-LEB1-900	O-RING 30*2	O環 30*2	1	
	92101	92101-06014-0H	BOLT HEX 6*14	螺絲 6*14	1	
	92900	92900-06060-0B	BOLT STUD 6*60	螺絲 6*60	2	
	94050-06080	94050-06080	NUT FLANGE 6MM	螺帽 6MM	2	



Sales mark	Ref no	Part no	Description	Chinese	Regd no	E02
	94050-08080	94050-08080	NUT FLANGE 8MM	螺帽 8MM	4	
	94111	94111-06800	WASHER SPG 6MM	華司 6MM	1	
	94301	94301-10160	DOWEL PIN 10*16	定位銷 10*16	2	
	94591	94591-KFBF-900	CLIP 2*70	環夾 2*70	1	
	96001-06014	96001-06014-08	BOLT FLANGE 6*14	螺絲 6*14	1	
	96001-06100	96001-06100-08	BOLT FLANGE SH 6*100	特殊螺絲 6*100	2	
	98059	98059-58916-00	PLUG SPARK(CR8E)	火星塞(CR8E)	1	

E03

Cylinder Piston Crankshaft 汽缸 活塞 曲軸

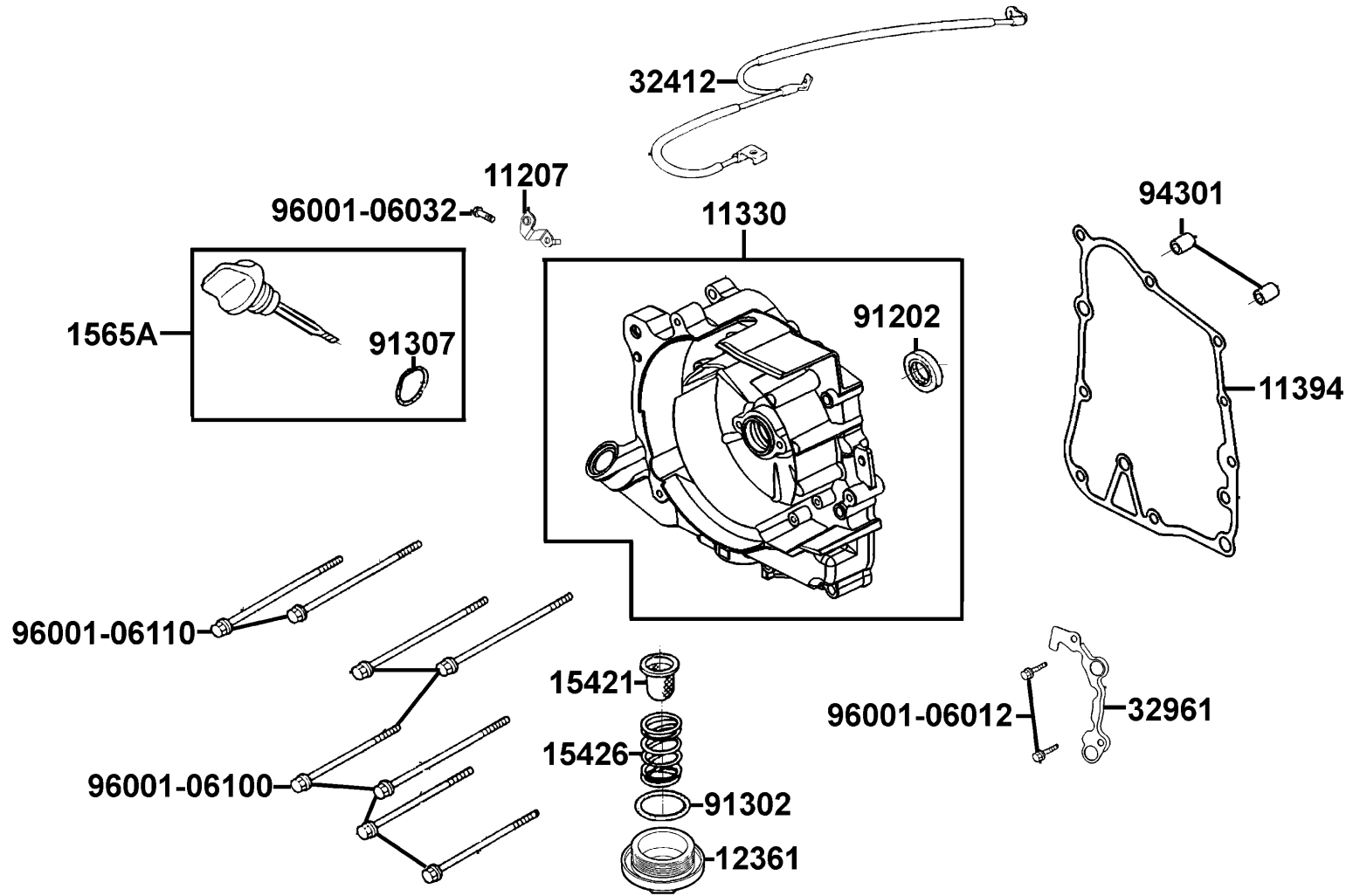


Sales mark	Ref no	Part no	Description	Chinese	Regd no	E03
	12100	12100-LFE2-900	CYLINDER COMP	汽缸	1	
	12191	12191-LFE2-900	GASKET CYLINDER A	汽缸墊片 A	1	
	13000	13000-LFB5-900	CRANK SHAFT COMP	曲軸	1	
	13011	13011-LFE2-90B	RING ASSY PISTON	活塞環組	1	
	13101	13101-LFE2-900	PISTON	活塞	1	
	13111	13111-KKJ9-001	PIN PISTON	活塞銷	1	
	14401	14401-LFE2-900	CHAIN CAM	凸輪軸驅動鏈條	1	
	14510	14510-LEB1-900	TENSIONER CAM CHAIN	內鏈條拉力桿	1	
	14523	14523-KED9-900	GASKET TENSIONER LIFTER @A	內鏈條調整器墊片	1	
	14531	14531-GLR0-001	PIVOT CAM CHAIN TENSIONER	拉力桿螺絲	1	
	14610	14610-LEB1-900	GUIDE COMP CAM CHAIN	鏈條導件	1	
	90001	90001-GBHB-661	BOLT FLANGE SH 6*22	螺絲 6*22	2	
	90005	90005-KAW1-901	SCREW PAN 6*6	螺絲 6*6	1	
	90701	90701-HFB6-011	KEY WOODRUFF 25*14*4	固定鍵 25*14*4	1	
	91301	91301-GLR0-005	O RING 15.2*1.5	O環 15.2*1.5	1	
	91306	91306-1E05-691	O-RING 1.5*9.5	O環 1.5*9.5	1	
	94301	94301-10160	DOWEL PIN 10*16	定位銷 10*16	2	
	94601	94601-15000	CLIP PISTON PIN 15MM	活塞銷環夾 15MM	2	

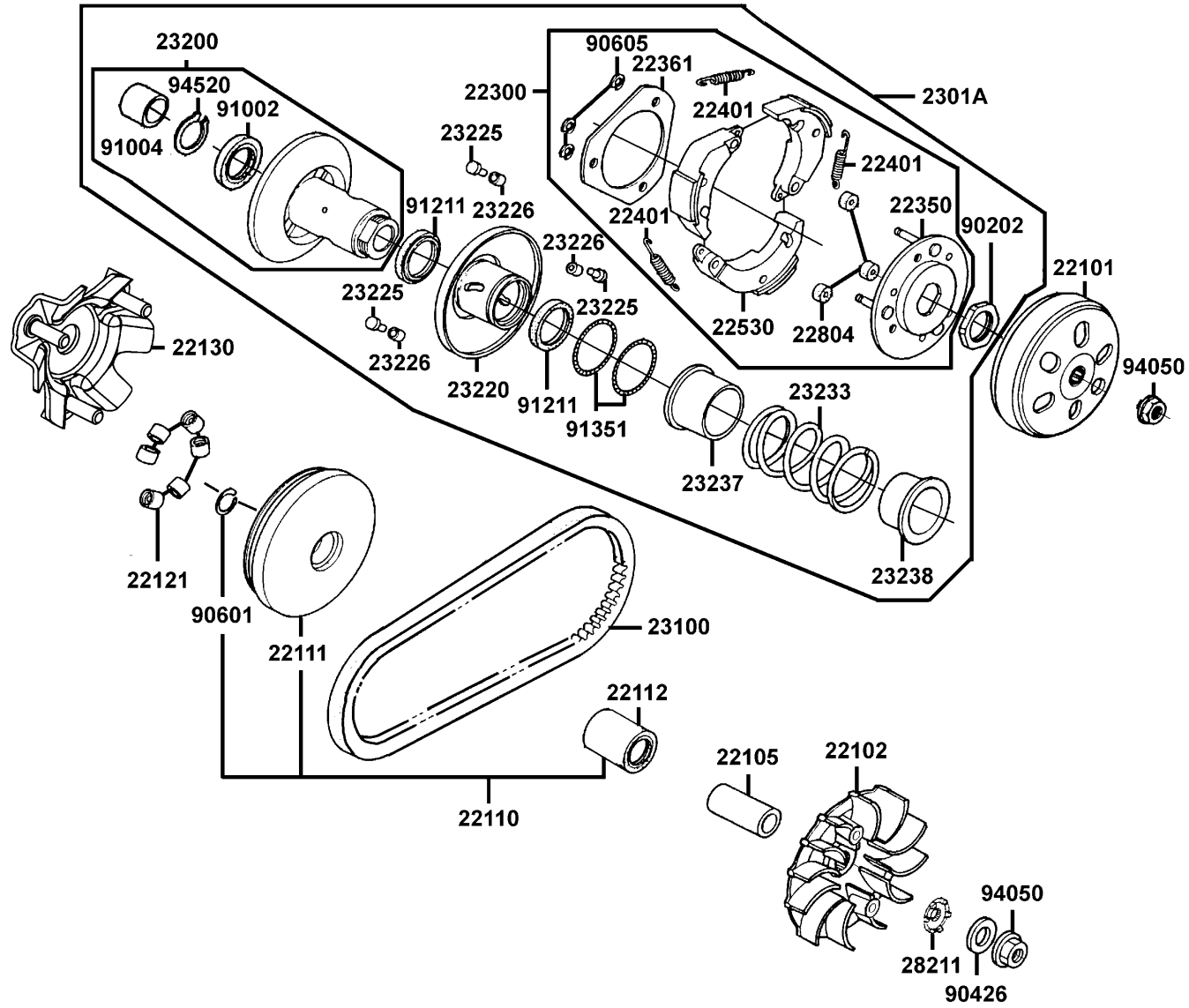
E04

Right Crankcase Cover

右曲軸箱蓋

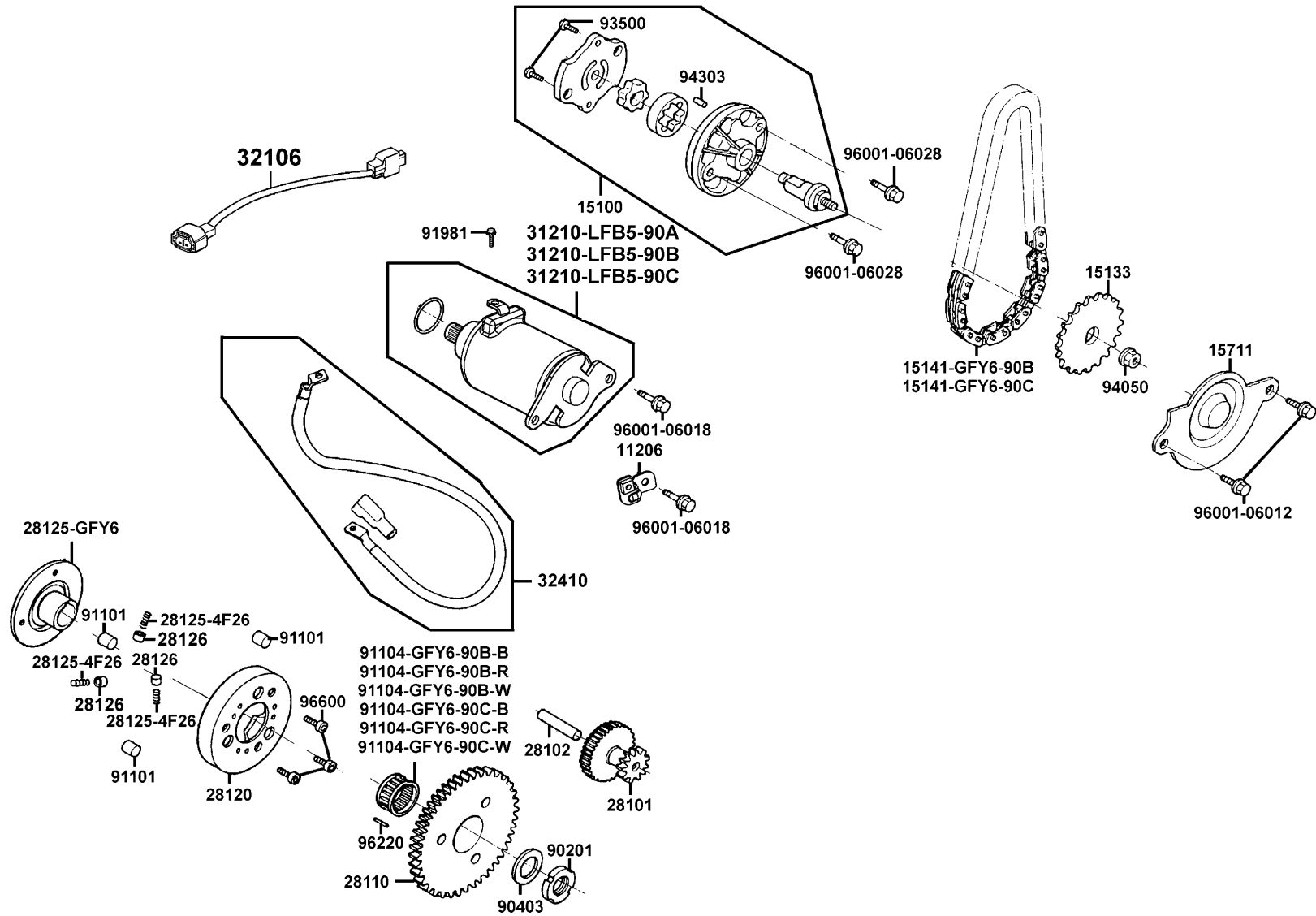


Sales mark	Ref no	Part no	Description	Chinese	Regd no	E04
	11207	11207-LFB5-900	STAY B RR FENDER	後土除支架 B	1	
	11330	11330-LEB1-900	COVER R CRANK CASE	右曲軸箱蓋	1	
	11394	11394-LEB1-900	GASKET R COVER	右曲軸箱蓋墊片	1	
	12361	12361-GFY6-901	HOLE CAP TAPPET ADJUSTING	調節螺帽	1	
	15421	15421-1G07-001	SCREEN OIL FILTER	濾油網	1	
	15426	15426-GAE1-921	SPG OIL FILTER SCREEN	濾油網彈簧	1	
	1565A	1565A-KUDU-900	GAUGE OIL LEVEL ASSY	機油尺組	1	
	32412	32412-LEB1-900	CABLE EARTH	接地導線	1	
	32961	32961-LEB1-900	CLAMPER ACG CORD	A.C.G 線夾	1	
	91202	91202-GFY6-90B	OIL SEAL 19.8*30*5	油封 19.8*30*5	1	
	91302	91302-0A01-021	O-RING 30.8M/M	O環 30.8M/M	1	
	91307	91307-0E35-001	O RING 18*3	O環 18*3	1	
	94301	94301-10160	DOWEL PIN 10*16	定位銷 10*16	2	
	96001-06012	96001-06012-08	BOLT FLANGE 6*12	螺絲 6*12	2	
	96001-06032	96001-06032-08	BOLT FLANGE SH 6*32	螺栓 6*32	1	
	96001-06100	96001-06100-08	BOLT FLANGE SH 6*100	特殊螺絲 6*100	6	
	96001-06110	96001-06110-08	BOLT FLANGE SH 6*110	螺絲 6*110	2	

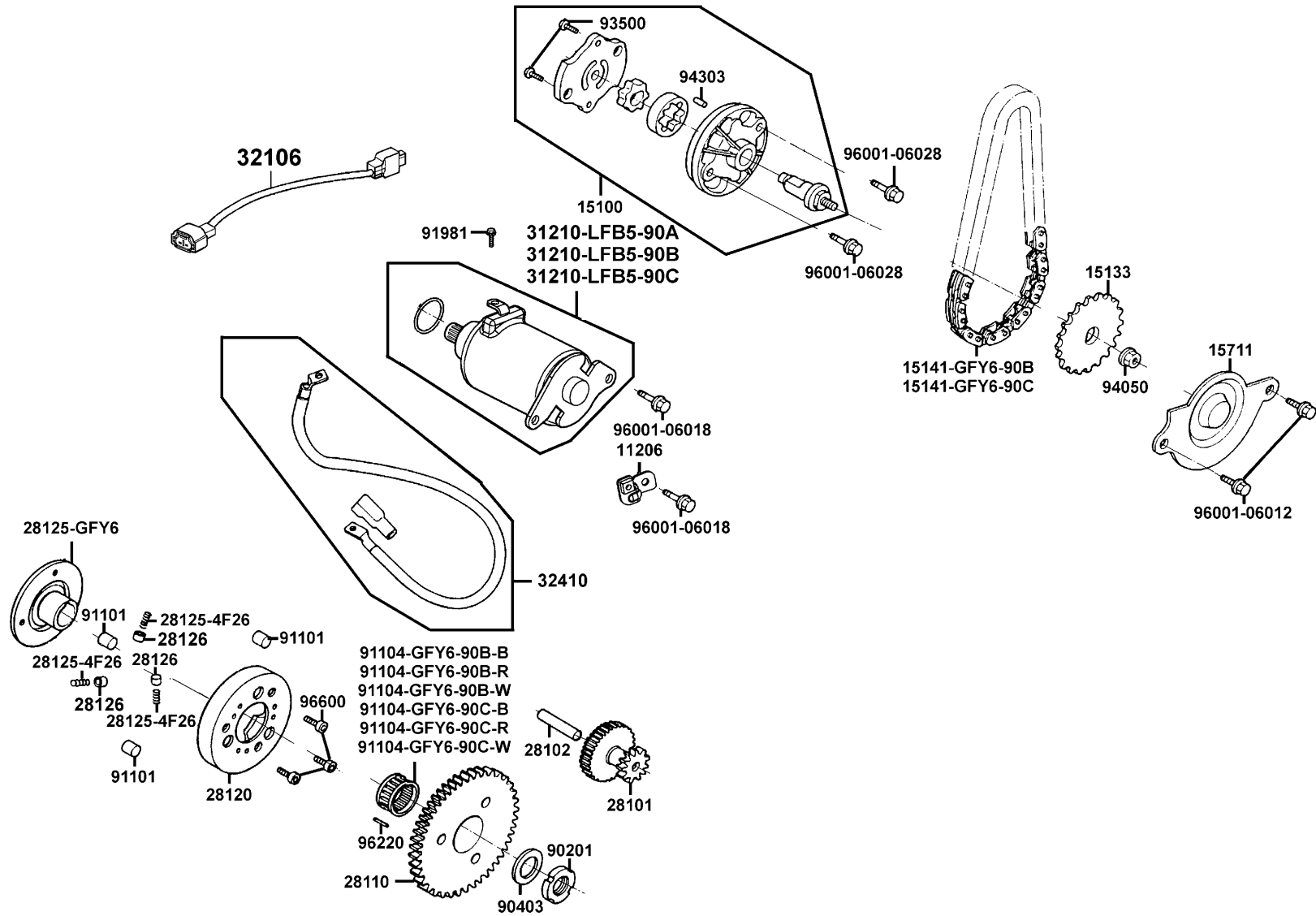


Sales mark	Ref no	Part no	Description	Chinese	Regd no	E05
	22101	22101-KEBE-900	OUTER CLUTCH	離合器外套	1	
	22102	22102-LEB1-900	FACE DRIVE	驅動皮帶扇葉盤	1	
	22105	22105-LFE2-900	BOSS DRIVE FACE	襯套	1	
	22110	22110-LEB1-800	FACE COMP MOVABLE DRIVE	滑動式驅動盤	1	
	22111	22111-LEB1-800	FACE MOVABLE DRIVE	滑動式驅動盤	1	
	22112	22112-GFY6-90A	BUSH 24*28*30	襯套 24*28*30	1	
	22121	22121-GFY6-92A	ROLLER COMP WEIGHT 13gr	配重滾子 13gr	6	
	22130	22130-LEB1-800	PLATE RAMP	斜坡板	1	
	22300	22300-LFB6-910	PLATE ASSY DRIVE	驅動板組	1	
	22350	22350-KGN7-671	PLATE COMP DRIVE	驅動板	1	
	22361	22361-KGN7-671	PLATE CLUTCH SIDE	離合器舉升板	1	
	22401	22401-GFY6-94A	SPRING CLUTCH	離合器彈簧	3	
	22530	22530-LFB6-910	WEIGHT CLUTCH	離合配重	1	
	22804	22804-GBB2-001	RUBBER CLUTCH DUMPER	橡皮	1	
	2301A	2301A-LFB6-910	PULLEY SUB ASSY	從動皮帶輪組	1	
	23100	23100-LFB6-900	BELT DRIVE	驅動皮帶	1	
	23200	23200-LFE2-900	FACE ASSY DRIVEN(2007.04.04-)	平面傳動盤組	1	
	23220	23220-GFY6-921	FACE COMP MOVABLE DRIVEN	滑動式從動皮帶盤	1	
	23225	23225-GHC8-004	PIN ROLLER GUIDE	滾導銷	3	
	23226	23226-GHC8-004	ROLLER GUIDE	滾子	3	

Sales mark	Ref no	Part no	Description	Chinese	Regd no	E05
	23233	23233-LFB6-910	SPG DRIVEN FACE	驅動彈簧	1	
	23237	23237-GFY6-941	COLLAR SEAL	套筒油封	1	
	23238	23238-LEB1-910	COLLAR,SPRING	套筒	1	
	28211	28211-KFC8-900	RATCHET KICK STARTER	起動齒盤	1	
	90202	90202-1G87-001	NUT SPECIAL 28MM	螺帽 28MM	1	
	90426	90426-KNBN-901	WASHER SPECIAL 12MM	華司 12MM	1	
	90601	90601-GFY6-901	CLIP 28MM	夾子 28MM	1	
	90605	90605-1F66-721	CIR CLIP 7MM	環夾 7MM	3	
	91002	91002-GGA7-70A	BRG BALL RADIAL 6902U	軸承 6902U	1	
	91004	91004-KHE7-900	BRG NDL 22*29*18	軸承 22*29*18	1	
	91211	91211-KEBE-900	SEAL DRIVEN FACE 34*41*4	驅動油封 34*41*4	2	
	91351	91351-6B42-000	O-RING PINION CAP	O環	1	
	94050	94050-12080	NUT C FLANGE 12MM	螺帽 12MM	2	
	94520	94520-28000	CIR CLIP IN 28	內環夾 28MM	1	



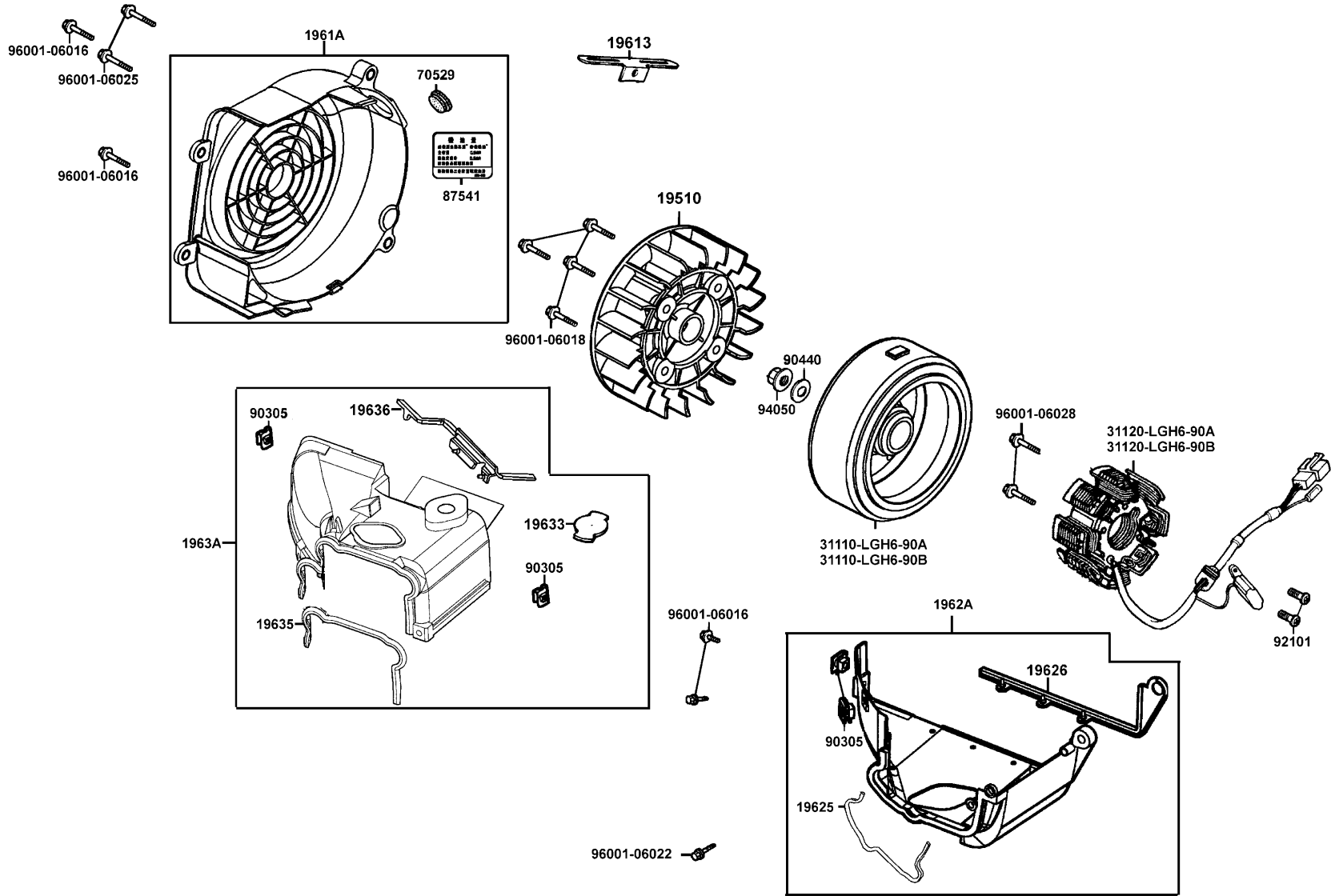
Sales mark	Ref no	Part no	Description	Chinese	Regd no	E06
	11206	11206-LFB5-900	STAY A RR FENDER	後土除支架 A	1	
	15100	15100-KFB7-900	PUMP ASSY OIL	機油泵浦	1	
	15133	15133-GFY6-901	SPRKT OIL PUMP DRIVEN	機油泵驅動齒輪	1	
	15141-GFY6-90B	15141-GFY6-90B	CHAIN OIL PUMP	機油泵驅動鏈條	1	
	15141-GFY6-90C	15141-GFY6-90C	CHAIN OIL PUMP	機油泵驅動鏈條	1	
	15711	15711-GFY6-901	SEPARATER OIL	機油分隔板	1	
	28101	28101-GFY6-200	GEAR STARTER REDUCTION	起動減速齒輪	1	
	28102	28102-GFY6-901	SHAFT STARTER REDUCTION GEAR	起動減速齒輪軸	1	
	28110	28110-LEB1-900	GEAR COMP STARTING CLUTCH	起動齒輪	1	
	28120	28120-GFY6-315	OUTER COMP STARTING CLUTCH	離合器外套	1	
	28125-4F26	28125-4F26-001	SPRING ROLLER STARTER CLUTCH	離合器滾子彈簧	3	
	28125-GFY6	28125-GFY6-960	FLANGE STARTING CLUTCH	起動離合器盤	1	
	28126	28126-KUDU-900	CAP STARTING ROLLER SPRING	滾子彈簧蓋	3	
	31210-LFB5-90A	31210-LFB5-90A	MOTOR UNIT START	起動馬達組	0	
	31210-LFB5-90B	31210-LFB5-90B	MOTOR UNIT START	起動馬達組	1	
	31210-LFB5-90C	31210-LFB5-90C	MOTOR UNIT START	起動馬達組	1	
	32106	32106-KKE3-900	SUB HARNESS A	汽缸頭溫度感應器配線	1	
	32410	32410-LEB1-900	CABLE START MOTOR	起動馬達配線	0	
	90201	90201-GFY6-901	NUT LOCK 22MM	螺帽 22MM	1	
	90403	90403-GFY6-901	WASHER THRUST 22. 2*31*2.5	華司 22. 2*31*2.5	1	



Sales mark	Ref no	Part no	Description	Chinese	Regd no	E06
	91101	91101-1K79-711	ROLLER 10*10	滾子 10*10	3	
	91104-GFY6-90B-B	91104-GFY6-90B-B	BRG NEEDLE 28*32*17	滾針軸承 28*32*17	1	
	91104-GFY6-90B-R	91104-GFY6-90B-R	BRG NEEDLE 28*32*17	滾針軸承 28*32*17	1	
	91104-GFY6-90B-W	91104-GFY6-90B-W	BRG NEEDLE 28*32*17	滾針軸承 28*32*17	1	
	91104-GFY6-90C-B	91104-GFY6-90C-B	BRG NEEDLE 28*32*17	滾針軸承 28*32*17	0	
	91104-GFY6-90C-R	91104-GFY6-90C-R	BRG NEEDLE 28*32*17	滾針軸承 28*32*17	1	
	91104-GFY6-90C-W	91104-GFY6-90C-W	BRG NEEDLE 28*32*17	滾針軸承 28*32*17	1	
	91981	91981-KGN7-670	SCREW WASH 5X8	滾針軸承 5X8	0	
	93500	93500-03010-1A	SCREW PAN 3*10	螺絲 3*10	0	
	94050	94050-06080	NUT FLANGE 6MM	螺帽 6MM	1	
	94303	94303-04065	PIN DOWEL 4*6.5	定位銷 4*6.5	0	
	96001-06012	96001-06012-08	BOLT FLANGE 6*12	螺絲 6*12	2	
	96001-06018	96001-06018-08	BOLT FLANGE SH 6*18	螺絲 6*18	2	
	96001-06028	96001-06028-08	BOLT FLANGE SH 6*28	螺絲 6*28	2	
	96220	96220-60100	ROLLER 6*10	定位銷 6*10	1	
	96600	96600-08010-10	SOCKET BOLT 8*10	內六角螺絲 8*10	3	

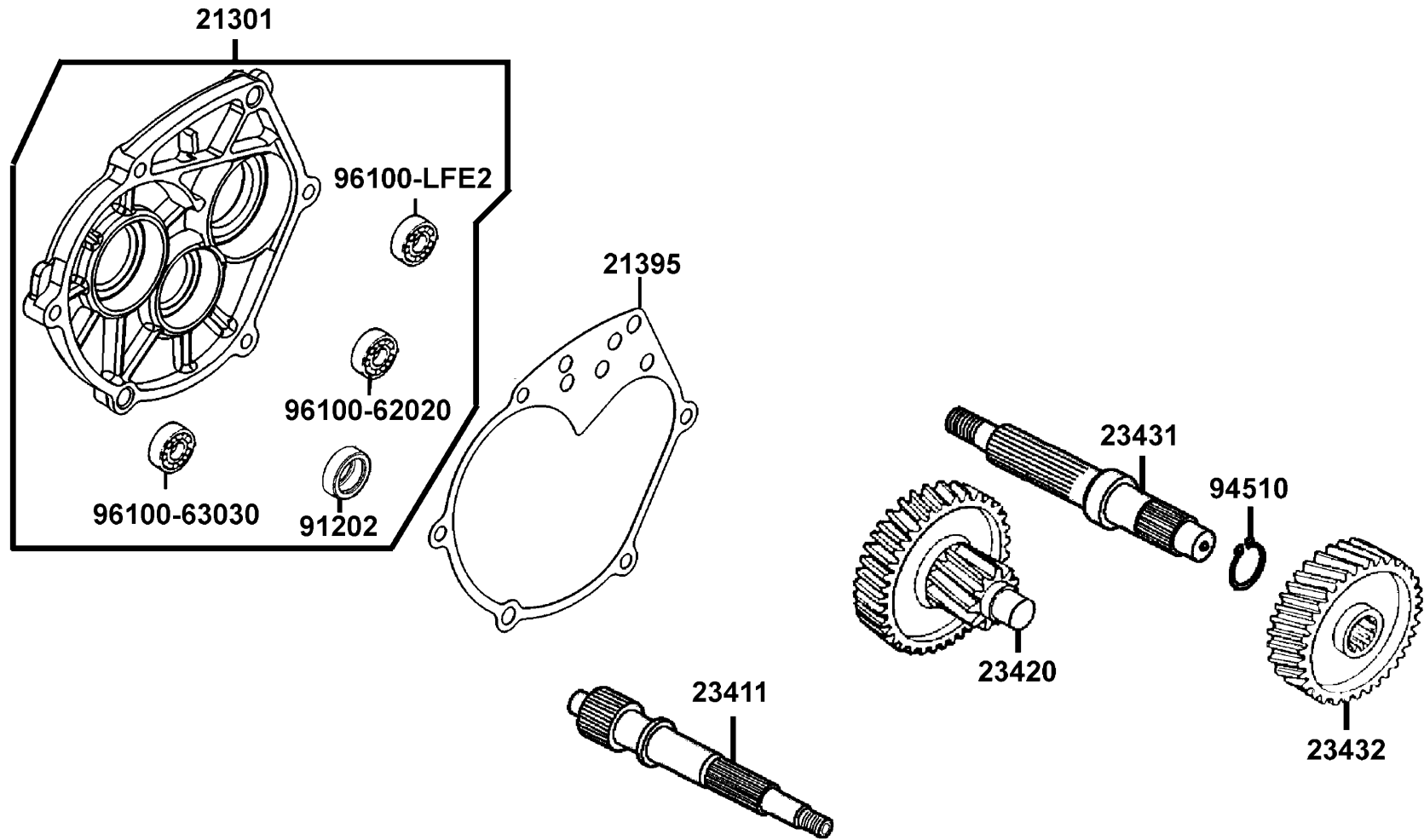
E07

Generator Water Pump 發電機 水泵



Sales mark	Ref no	Part no	Description	Chinese	Regd no	E07
**	19510	19510-LEB1-900	FAN COMP COOLING	冷卻風扇	1	
	19613	19613-GFY6-901	CLAMPER STARTER MOTOR	起動馬達導線夾	1	
	1961A	1961A-LGH6-E00	COVER ASS'Y,FAN	風扇蓋組	1	
	19625	19625-LFE2-900	SEAL SHROUD A	罩蓋油封 A	1	
	19626	19626-LEB1-900	SEAL SHROUD A	罩蓋油封 A	1	
	1962A	1962A-LFE2-900	SHROUD ASSY A	罩蓋 A	1	
	19633	19633-GFY6-901	GROMET SHROUD B	橡皮蓋	1	
	19635	19635-LFE2-900	SEAL SHROUD B	罩蓋油封 B	1	
	19636	19636-LEB1-900	SEAL SHROUD B	罩蓋油封 B	1	
	1963A	1963A-LFB6-900	SHROUD ASS'Y,B	罩蓋 B	1	
	31110-LGH6-90A	31110-LGH6-90A	FLYWHEEL COMP.	飛輪	1	
	31110-LGH6-90B	31110-LGH6-90B	FLYWHEEL COMP	飛輪	1	
	31120-LGH6-90A	31120-LGH6-90A	STATOR COMP.	轉子線圈	1	
	31120-LGH6-90B	31120-LGH6-90B	STATOR COMP	轉子線圈	1	
	70529	70529-6G57-671	GROM B SIDE PNL	橡皮塞	1	
**	87541	87541-KUDU-E00	LABEL OIL CAP	機油量標籤	1	
	90305	90305-GHK8-001	NUT CLIP 6MM	夾螺帽 6MM	4	
	90440	90440-1F66-001	WASHER PLAIN 12MM	華司 12MM	1	
	92101	92101-05012-0H	BOLT HEX 5*12	螺絲 5*12	2	
	94050	94050-12080	NUT C FLANGE 12MM	螺帽 12MM	1	

Sales mark	Ref no	Part no	Description	Chinese	Regd no	E07
	96001-06016	96001-06016-08	BOLT FLANGE SH 6*16	凸緣螺栓 6*16	4	
	96001-06018	96001-06018-08	BOLT FLANGE SH 6*18	螺絲 6*18	4	
	96001-06022	96001-06022-08	BOLT FLANGE SH 6*22	螺絲 6*22	2	
	96001-06025	96001-06025-08	BOLT FLANGE SH 6*25	螺絲 6*25	2	
	96001-06028	96001-06028-08	BOLT FLANGE SH 6*28	螺絲 6*28	2	

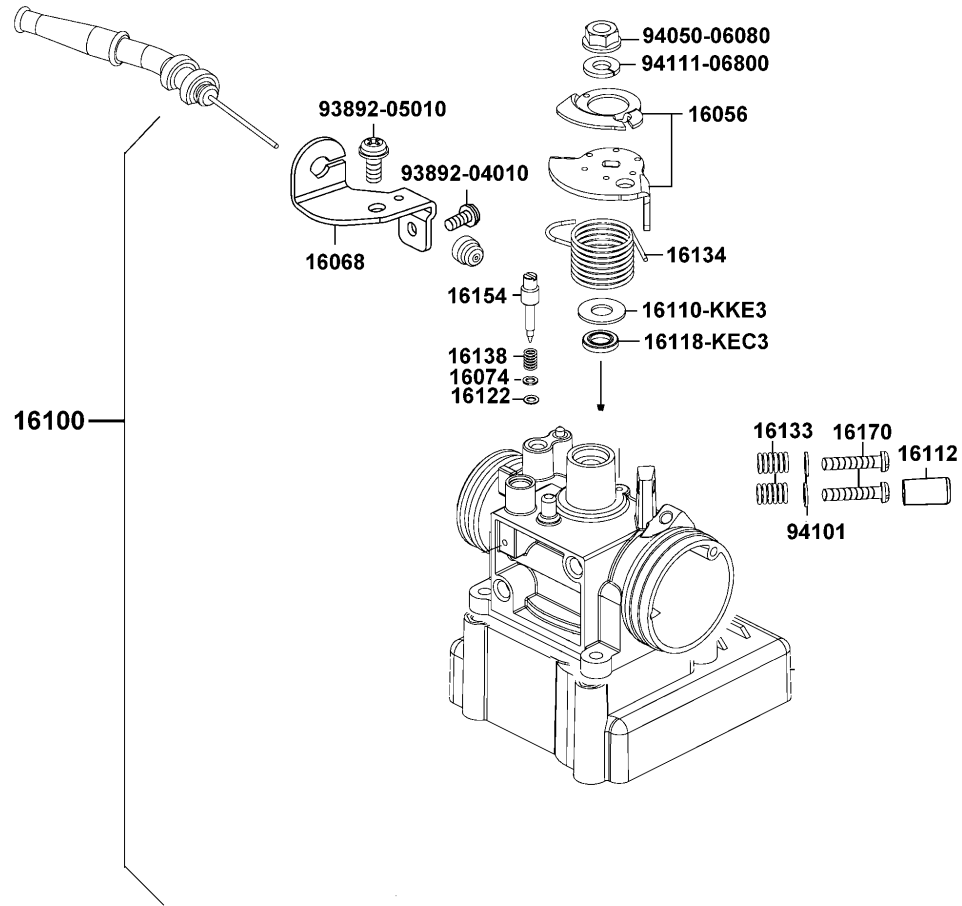


Sales mark	Ref no	Part no	Description	Chinese	Regd no	E08
	21301	21301-LFB5-305	COVER MISSION(2007.04.04)	變速箱蓋	1	
	21395	21395-LFB5-900	GASKET MISSION CASE	主軸蓋墊片	1	
	23411	23411-LFB5-900	SHAFT DRIVE(2007.04.03)	驅動軸	1	
	23420	23420-LGH5-900	SHAFT COMP COUNTER	副軸組	1	
	23431	23431-LFB5-910	SHAFT FINAL	最終軸	1	
	23432	23432-LGH5-910	GEAR FINAL	最終齒輪	1	
	91202	91202-LFE2-90A	OIL SEAL 22*32*5	左曲軸箱油封 22*32*5	1	
	94510	94510-25000	CIR CLIP EXTERNAL 25	夾環 25	1	
	96100-62020	96100-62020-00	BEARING BALL RADIAL 6202	軸承 6202	0	
	96100-63030	96100-63030-00	BEARING BALL RADIAL 6303	軸承 6303	1	
	96100-LFE2	96100-LFE2-900	BRG BALL RADIAL TMB2/22CC4	軸承 22CC4	1	

E09

Throttle Body Assy

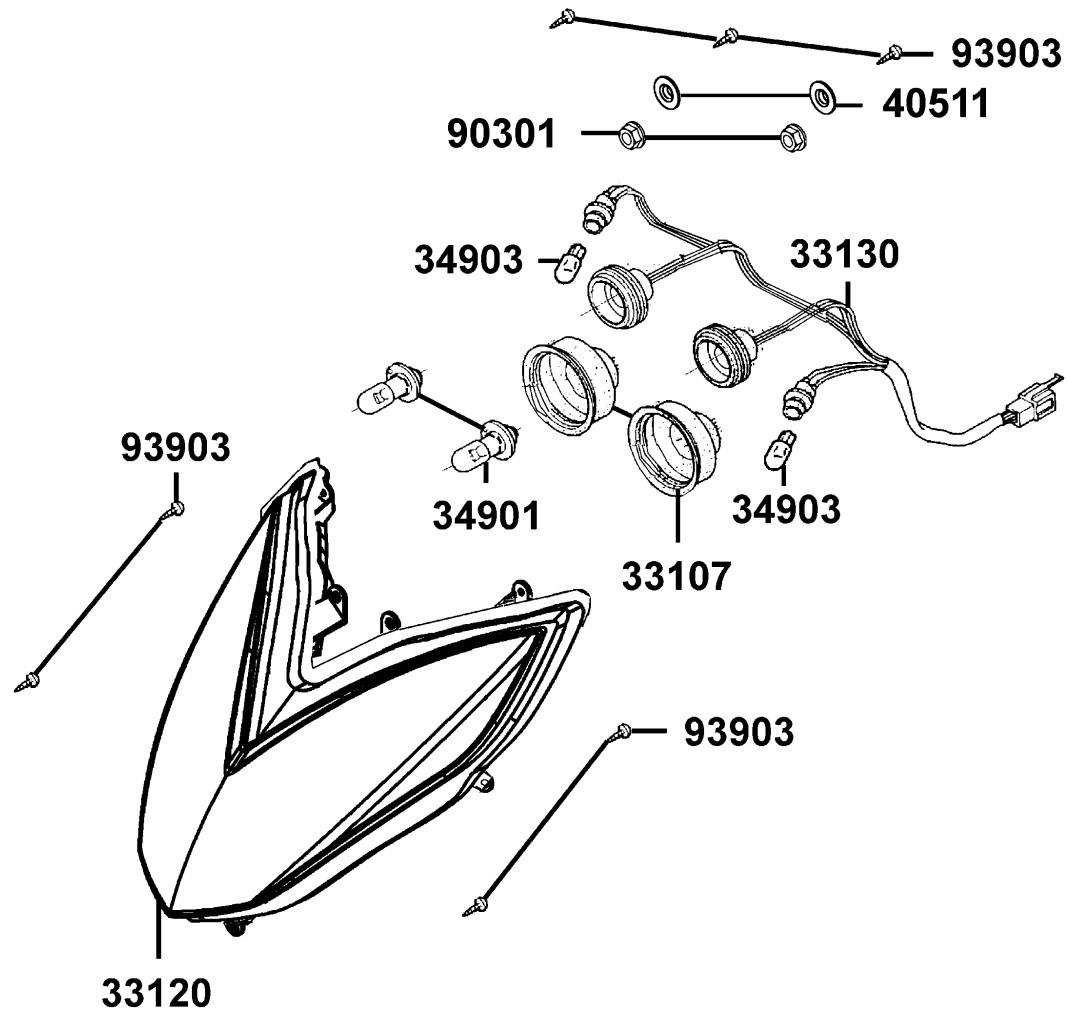
噴射節流閥



Sales mark	Ref no	Part no	Description	Chinese	Regd no	E09
	16056	16056-LEB2-900	LEVER ASSY THROTTLE	節流閥拉桿組	1	
	16068	16068-LEB2-900	PLATE WIRE FIXED	節流導線固定板	1	
	16074	16074-KEC3-900	WASHER IDLE SCREW	華司	1	
	16100	16100-LFB6-B20	THROTTLE BODY ASSY	噴射節流閥組	1	
	16110	16110-KKE3-900	WASHER THROTTLE COMP	華司	2	
	16112	16112-KKE3-900	COVER IDLE SCREW	蓋	1	
	16118	16118-KEC3-900	SEAL THROTTLE SHAFT	節流閥軸封	1	
	16122	16122-KEC3-900	O-RING IDLE SCREW	O環	1	
	16133	16133-KEC3-900	SPG THROTTLE ADJUST SCREW	彈簧	2	
	16134	16134-KKE3-900	SPG THROTTLE SHAFT	節流閥軸彈簧	1	
	16138	16138-KEC3-900	SPG IDLE ADJ SCREW	彈簧	1	
	16154	16154-KKE3-900	SCREW IDLE ADJUST	螺絲	1	
	16170	16170-KEC3-900	SCREW THROTTLE ADJUST	調整螺絲	2	
	93892-04010	93892-04010-08	SCREW WASHER 4*10	螺絲 4*10	1	
	93892-05010	93892-05010-08	SCREW WASH 5*10	螺絲 5*10	1	
	94050	94050-06080	NUT FLANGE 6MM	螺帽 6MM	1	
	94101	94101-KKE3-900	WASHER PLAN 4.5*8*0.8	墊圈 4.5*8*0.8	2	
	94111	94111-06800	WASHER SPG 6MM	華司 6MM	1	

F01

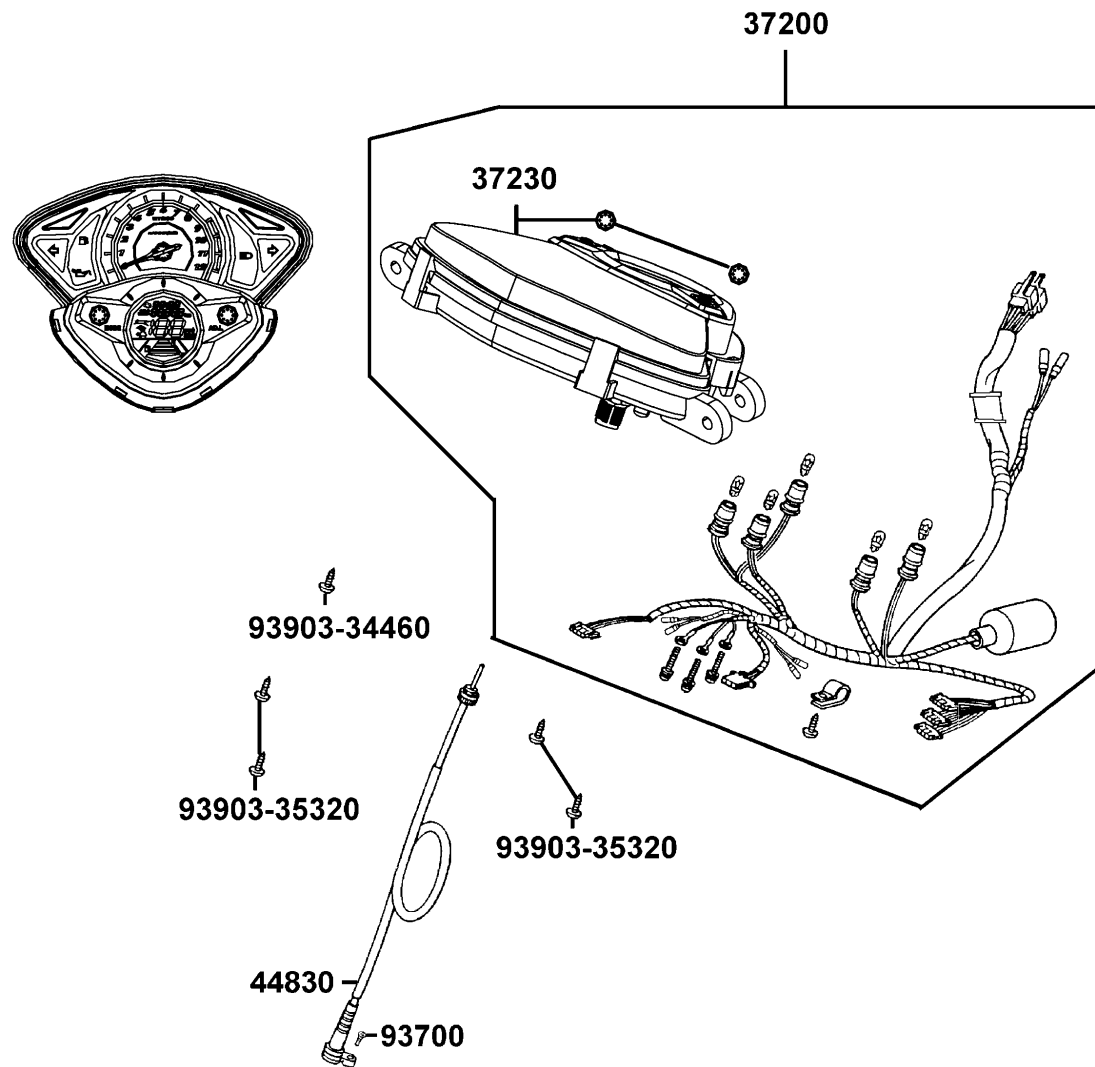
Head Light 前燈



Sales mark 販賣記號	Ref no 項 目	Part no 零 件 號 碼	Description 英 文 名 稱	Chinese 中 文 名 稱	Regd no 需要用量	F01
	33107	33107-KKC4-E00	COVER RUBBER	前燈配線橡皮護蓋	2	
	33120	33120-LGH6-900	COMB HEAD LIGHT	前燈殼	1	
	33130	33130-LFB5-900	SOCKET COMP	前燈配線/雙燈	1	
	34901	34901-KFA6-900	BULB HEAD LIGHT	前燈泡	0	
	34903	34903-KPCP-900	BULB POSITION	位置燈燈泡	0	
	40511	40511-LFB5-900	COLLAR	套筒	2	
	90301	90301-6D34-671	NUT FLANGE 6MM	螺帽 6MM	2	
	93903	93903-35360	SCREW TAPPING 5*16	螺釘 5*16	7	

F02

Speedometer 儀錶



Sales mark	Ref no	Part no	Description	Chinese	Regd no	F02
	37200	37200-LGH6-B20	METER ASSY SPEED	儀錶組	1	
	37230-LFB5-90B	37230-LFB5-90B	LENS ASSY	儀錶蓋	1	
	44830	44830-KXCX-901	CABLE COMP SPDMT	速度錶導線	1	
	93700	93700-05018-0H	SCREW OVAL 5*18	螺絲 5*18	1	
	93903-34460	93903-34460	SCREW TAPPING 4*16	螺絲 4*16	1	
	93903-35320	93903-35320	SCREW TAPPING 5*16	螺絲 5*16	4	

Sales mark	Ref no	Part no	Description	Chinese	Regd no	F03
	17910	17910-LGH6-900	CABLE COMP THROT	節流導線	1	
	35130	35130-KXCX-M00	SW UNIT KILL	單位開關	1	
	35160	35160-GFY6-900	SW UNIT STARTER	起動開關	1	
	35170	35170-KNBN-910	SW UNIT DIMMER	遠近燈開關	1	
	35180	35180-GFY6-900	SW UNIT HORN	喇叭開關	1	
	35200	35200-GFY6-910	SW UNIT WINKER	方向燈開關	1	
	53100	53100-LGH6-900	HANDLE COMP.,STRG.	轉向手柄	1	
**	53102	53102-KEC8-900	END L STRG HANDLE	手柄左平衡端子	1	
**	53105	53105-LBB5-E00	END R STRG HANDLE	手柄右平衡端子	1	
	53125	53125-GEN5-901	COLLAR HANDLE SET	套筒	1	
**	53140	53140-LFB6-800	GRIP COMP THROT	節流管套組	1	
**	53150	53150-LEA6-900	GRIP COMP.,L HANDLE	手柄左橡皮套	1	
	53167	53167-KFA1-900	HOUSING UND THROT	節流管套下固定座	1	
	53168	53168-KFA1-900	HOUSING UP THROT	節流管套上固定座	1	
**	53205	53205-LFB5-900	COVER FR HANDLE	手柄前蓋	1	
**	53206	53206-LFB5-900	COVER HANDLE RR	手柄後蓋	1	
**	53207	53207-KKD9-B00	COVER SWITCH	開關小蓋	1	
**	53208	53208-LFB5-900	COVER L WINKER	COVER L WINKER	1	
**	88110	88110-LFB5-900	MIRROR ASSY R BACK	右後視鏡	1	
**	88120	88120-LFB5-900	MIRROR ASSY L BACK	左後視鏡	1	

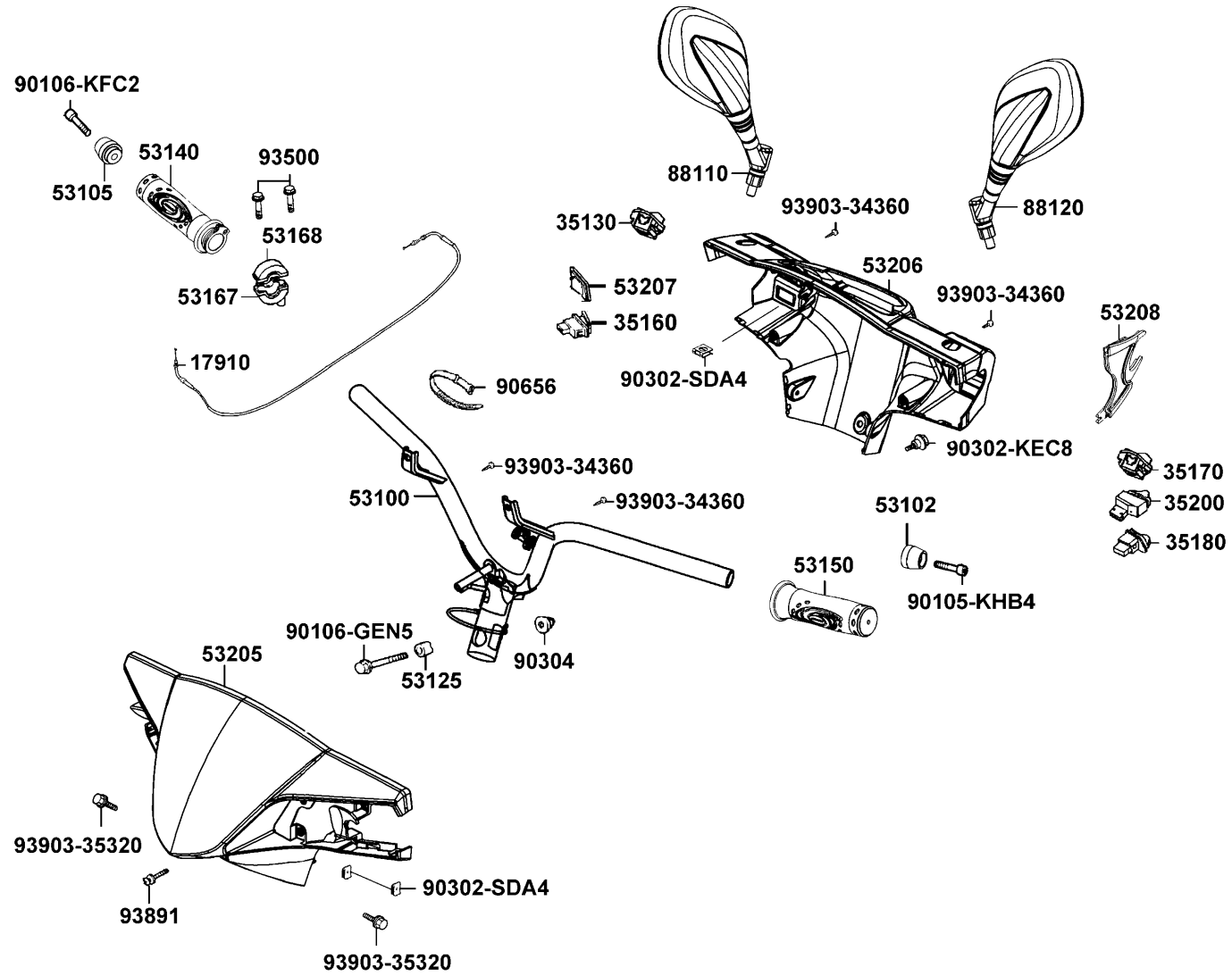
F03

Handle Steering

Handle Cover

轉向手柄

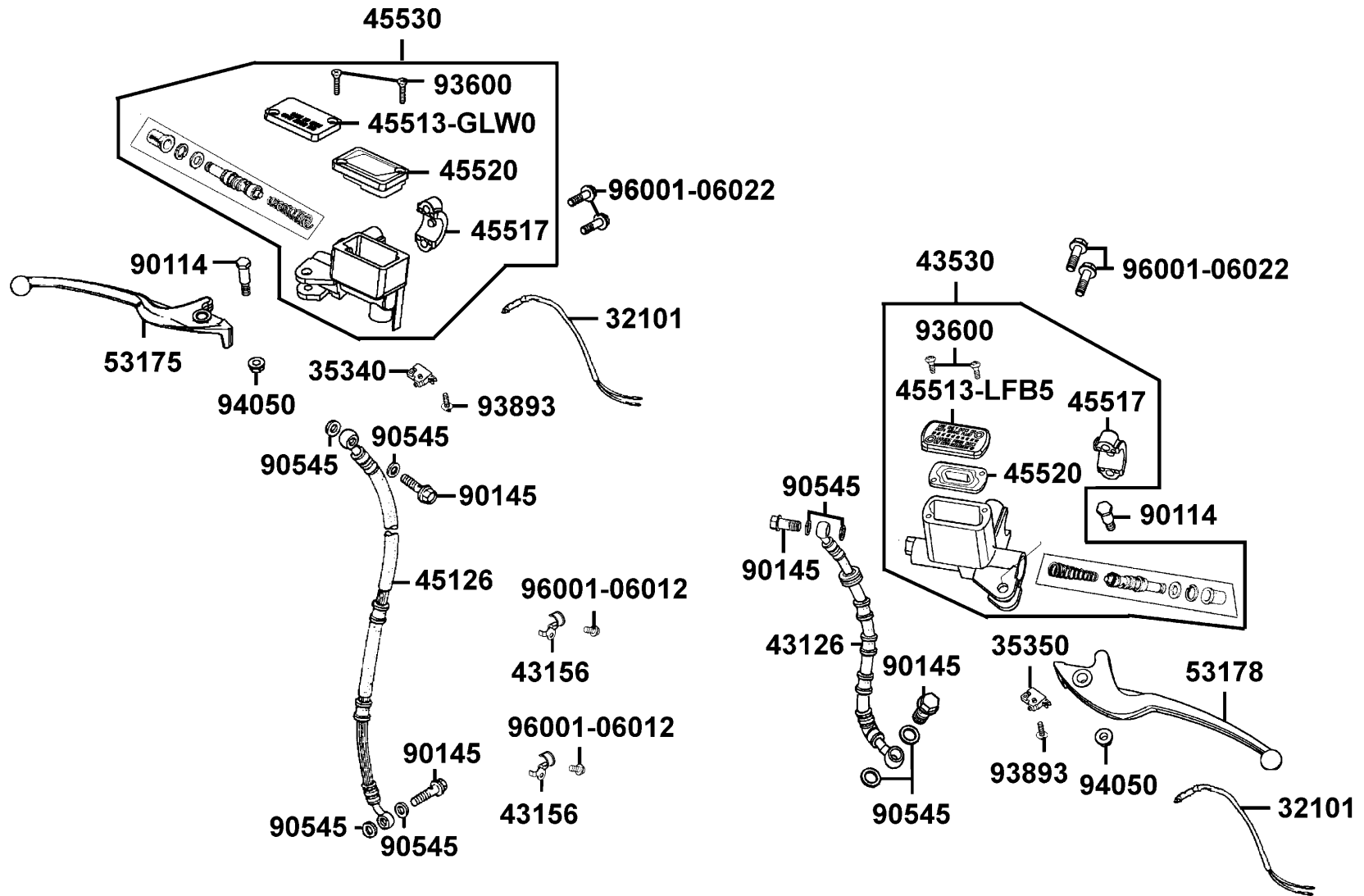
手柄蓋



Sales mark	Ref no	Part no	Description	Chinese	Regd no	F03
	90105	90105-KHB4-900	BOLT WASH M8*60	螺絲 M8*60	1	
	90106-GEN5	90106-GEN5-901	BOLT FLANGE 10*50	特殊螺絲 10*50	1	
	90106-KFC2	90106-KFC2-900	BOLT WASH 8MM	螺絲 8MM	1	
	90302-KEC8	90302-KEC8-900	BOLT PAN 5*9	螺釘 5*9	1	
	90302-SDA4	90302-SDA4-004	NUT SPRING 4MM	螺帽 4MM	3	
	90304	90304-GHE8-004	NUT U 10MM	螺帽 10MM	1	
	90656	90656-KCBC-900	BAND OIL HOSE	油管束帶	1	
	93500	93500-05022-06	SCREW PAN 5*22	螺絲 5*22	2	
	93891	93891-05025-06	SCREW WASH 5*25	螺絲 5*25	1	
	93903-34360	93903-34360	SCREW TAPPING 4*12	螺絲 4*12	4	
	93903-35320	93903-35320	SCREW TAPPING 5*16	螺絲 5*16	2	

F04

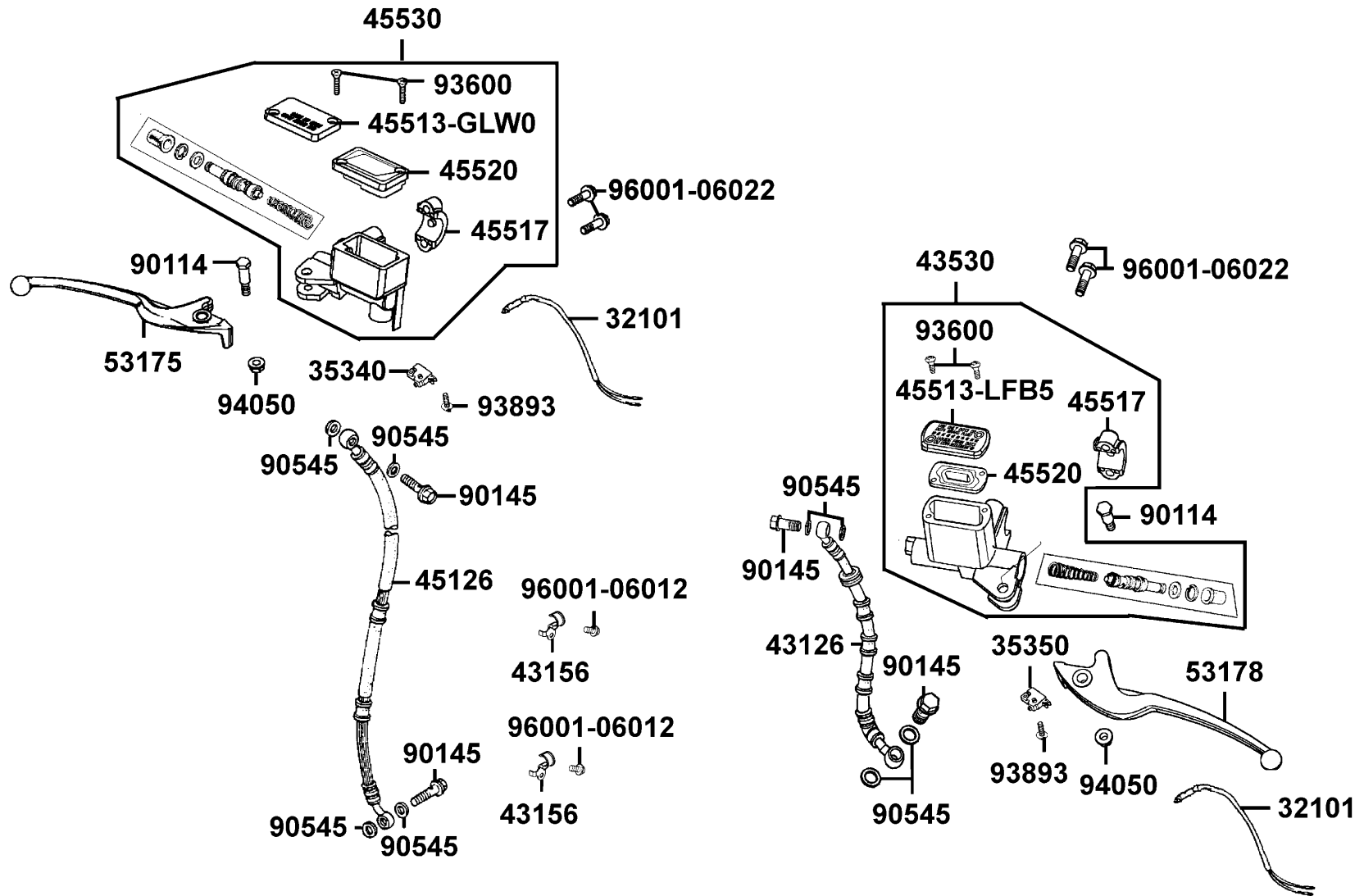
Brake Master Cylinder 煞車主油缸



Sales mark	Ref no	Part no	Description	Chinese	Regd no	F04
	32101	32101-GFY6-901	SUB CORD R/H	煞車燈開關右配線	2	
	35340	35340-KNBN-901	SW ASSY FR STOP	煞車燈前置開關	1	
	35350	35350-KNBN-901	SW ASSY RR STOP	煞車燈後置開關	1	
	43126	43126-LFB5-900	"HOSE ASSY ,RR BRAKE"	後煞車油管	1	
	43156	43156-LFB5-900	CLAMPER ,METER CABLE	導線鉤	1	
	43530	43530-LFB5-305	CYLINDER SET MASTER	後煞車主油缸	1	
	45126	45126-LFB5-900	HOSE ASSY FR BRK	前煞車油管	1	
	45513-GLW0	45513-GLW0-91A	CAP MASTER CYLINDER	煞車主油缸蓋	1	
	45513-LFB5	45513-LFB5-900	CAP MASTER CYLINDER	煞車主油缸蓋	1	
	45517	45517-KFAF-910	HOLDER M/C	煞車主油缸固定座	2	
	45520	45520-GLW0-91A	DIAPHRAGM	橫隔板	2	
	45530	45530-LFB5-305	CYLINDER SET MASTER	前煞車主油缸	1	
**	53175	53175-KFA5-E10	LEVER R STRG HANDLE	手柄右拉桿	1	
**	53178	53178-KFC8-E10	LEVER L STRG HANDLE	手柄左拉桿	1	
	90114	90114-1F66-007	BOLT HANDLE LEVER	拉桿固定螺栓	2	
	90145	90145-MKS9-61A	OIL BOLT 10*22	油管螺絲 10*22	4	
	90545	90545-3L00-001	WASHER OIL BOLT	華司	8	
	93600	93600-04012-1G	SCREW FLAT 4*12	螺絲 4*12	4	
	93893	93893-04012-18	SCREW WASHER 4*12	螺絲 4*12	2	
	94050	94050-06060	NUT FLANGE 6MM	螺帽 6MM	2	

F04

Brake Master Cylinder 煞車主油缸



Sales mark	Ref no	Part no	Description	Chinese	Regd no	F04
	96001-06012	96001-06012-00	BOLT FLANGE SH 6*12	螺絲 6*12	2	
	96001-06022	96001-06022-06	BOLT FLANGE 6*20	螺絲 6*20	4	

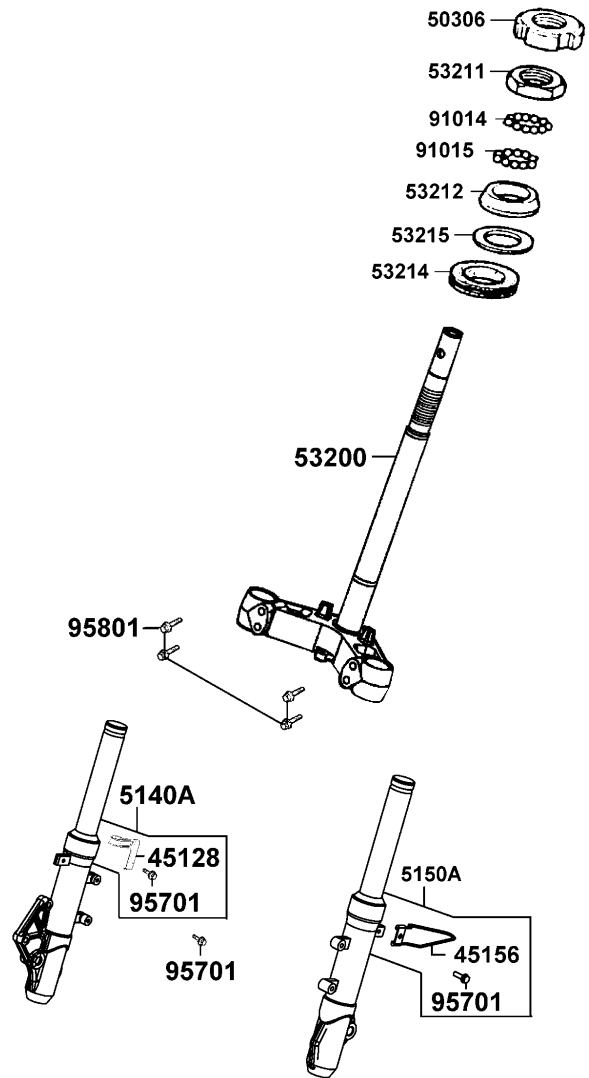
Sales mark 販賣記號	Ref no 項 目	Part no 零 件 號 碼	Description 英 文 名 稱	Chinese 中 文 名 稱	Regd no 需要用量	F05
	33741	33741-GFY6-C30	REFLEX REFLECTOR	反光鏡片	2	
	37215-LEA2	37215-LEA2-900	CLAMP	管夾	1	
	37215-LGM9	37215-LGM9-900	CLAMP	管夾	1	
	40511	40511-LEC8-E00	COLLAR	軸環	4	
**	61100	61100-LFB5-900	FENDER FR INNER	前土除	1	
**	61101	61101-LFB5-900	"GRILLE,R FENDER TIRE, FR. "	右前土除護網	1	
**	61102	61102-LFB5-900	"GRILLE,L FENDER TIRE, FR. "	左前土除護網	1	
	61103	61103-LFB5-900	"RUBBER,FENDER FR."	前土除橡皮	1	
**	6110B	6110B-LFB5-900	"FENDER B, FR."	前土除	1	
**	64302	64302-LFB5-900	MOLD FR	前護板	1	
**	64303	64303-LFB5-900	"GRILLE,R FR. MOLDING"	右前護網	1	
**	64304	64304-LFB5-900	"GRILLE,L FR. MOLDING"	左前護網	1	
**	64305	64305-LFB6-800	SKIRT , R SIDE	右邊軌	1	
**	64306	64306-LFB6-800	SKIRT , L SIDE	左邊軌	1	
**	64307	64307-LFB5-900	"GRILLER,COVER , FR."	前護網	1	
**	6430A	6430A-LFB6-800	COVER ASSY., FR.	前頂蓋	1	
**	64310	64310-LFB5-900	FLOOR PANEL	腳踏板	1	
**	64316-KHD6	64316-KHD6-900	PLUG FLOOR	踏板塞	2	
**	64316-KHE2	64316-KHE2-900	PLUG FLOOR	踏板塞	2	
**	64400	64400-LFB5-900	"COWL, UNDER"	下罩蓋	1	

Sales mark	Ref no	Part no	Description	Chinese	Regd no	F05
**	81131	81131-LFB5-910	LEG SHIELD UP	內箱上殼	1	
**	81132	81132-LFB5-900	CAP LEG SHIELD UP	內箱上套蓋	1	
**	81134	81134-LGH6-B20	HOOK,LEG SHIELD	前置物箱掛鉤	1	
**	81141	81141-LFB5-900	LEG SHIELD LOW	內箱下殼	1	
**	81142-KUDU	81142-KUDU-900	LID LEG SHIELD	內箱蓋	1	
**	81142-LFB6	81142-LFB6-800	LEG SHIELD UP B	LEG SHIELD UP B	1	
	81153	81153-LFB6-900	STAY, RELAY	繼電器支架	1	
	90116	90116-KED9-900	SCREW PAN 6*24	螺絲 6*24	4	
	90164	90164-MDR4-901	SCREW SPECIAL 6MM	特殊螺絲 6MM	1	
	90302	90302-SDA4-004	NUT SPRING 4MM	螺帽 4MM	6	
	90652-LCA4	90652-LCA4-E00	CLIP MUDGUARD	踏板架	4	
	90652-LFB5	90652-LFB5-900	CLIP MUDGUARD	塑膠螺絲	10	
	93404	93404-06030-06	BOLT WASHER 6*30	螺絲 6*30	4	
	93903-34360	93903-34360	SCREW TAPPING 4*12	螺釘 4*12	31	
	93903-34460	93903-34460	SCREW TAPPING 4*16	螺釘 4*16	2	
	93903-34760	93903-34760	SCREW TAPPING 4*30	螺釘 4*30	2	
	93903-GFY6	93903-GFY6-900	SCREW TAPPING 4*14	螺釘 4*14	4	
	94050	94050-06080	NUT FLANGE 6MM	螺帽 6MM	2	
	94591-27000	94591-27000	CLIP 2*70	夾子 2*70	2	

F06

Front Cushion

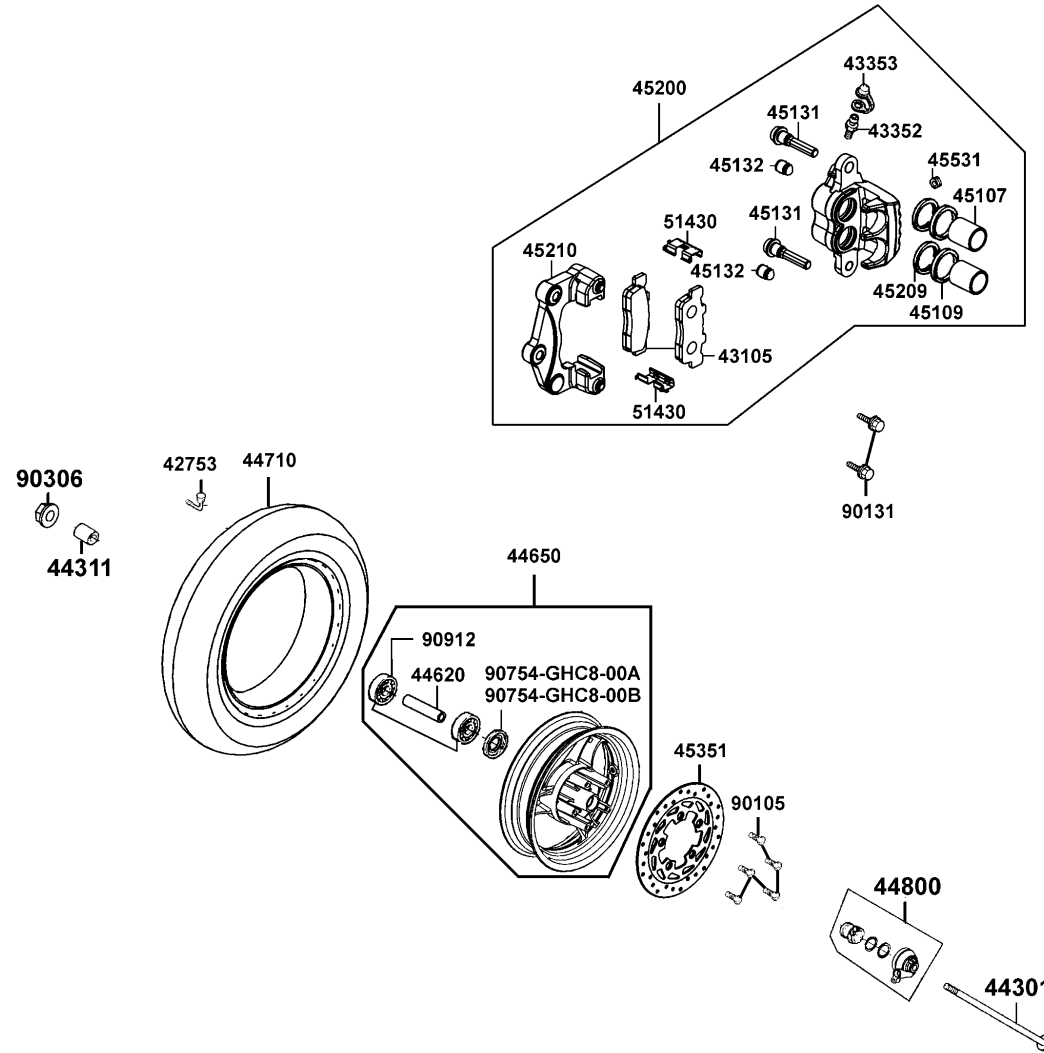
前避震器



Sales mark	Ref no	Part no	Description	Chinese	Regd no	F06
	45128	45128-LFB5-900	CLAMPER ,FR BRAKE HOSE	前煞車油管夾	1	
	45156	45156-KEC6-900	CLAMPER RR BRAKE HOSE	後煞車油管夾	1	
	50306	50306-1F96-001	NUT STRG STEM LOCK	主幹螺帽	1	
**	5140A	5140A-LFB6-E00	FORK SET FR R	右前避震器	1	
**	5150A	5150A-LFB6-E00	FORK SET FR L	左前避震器	1	
	53200	53200-LFB5-900	STEM COMP STRG	轉向桿	1	
	53211	53211-GFY6-940	RACE STRG TOP CONE	上錐體座圈	1	
	53212	53212-2L50-011	RACE STRG BOT CONE	下錐體座圈	1	
	53214	53214-2L50-001	DUST SEAL STRG(HEAD)	墊片	1	
	53215	53215-2L50-001	WASH STRG HDL DUST-SEAL	轉向桿華司	1	
	91014	91014-LLJ3-E00	CAGE STEERING TOP	鋼珠座	1	
	91015	91015-LLJ3-E00	CAGE STEERING BOT	鋼珠座	1	
	95701	95701-06012-06	BOLT FLANGE 6*12	螺絲 6*12	3	
	95801	95801-08040-08	BOLT FLANGE 8*40	螺絲 8*40	4	

F07

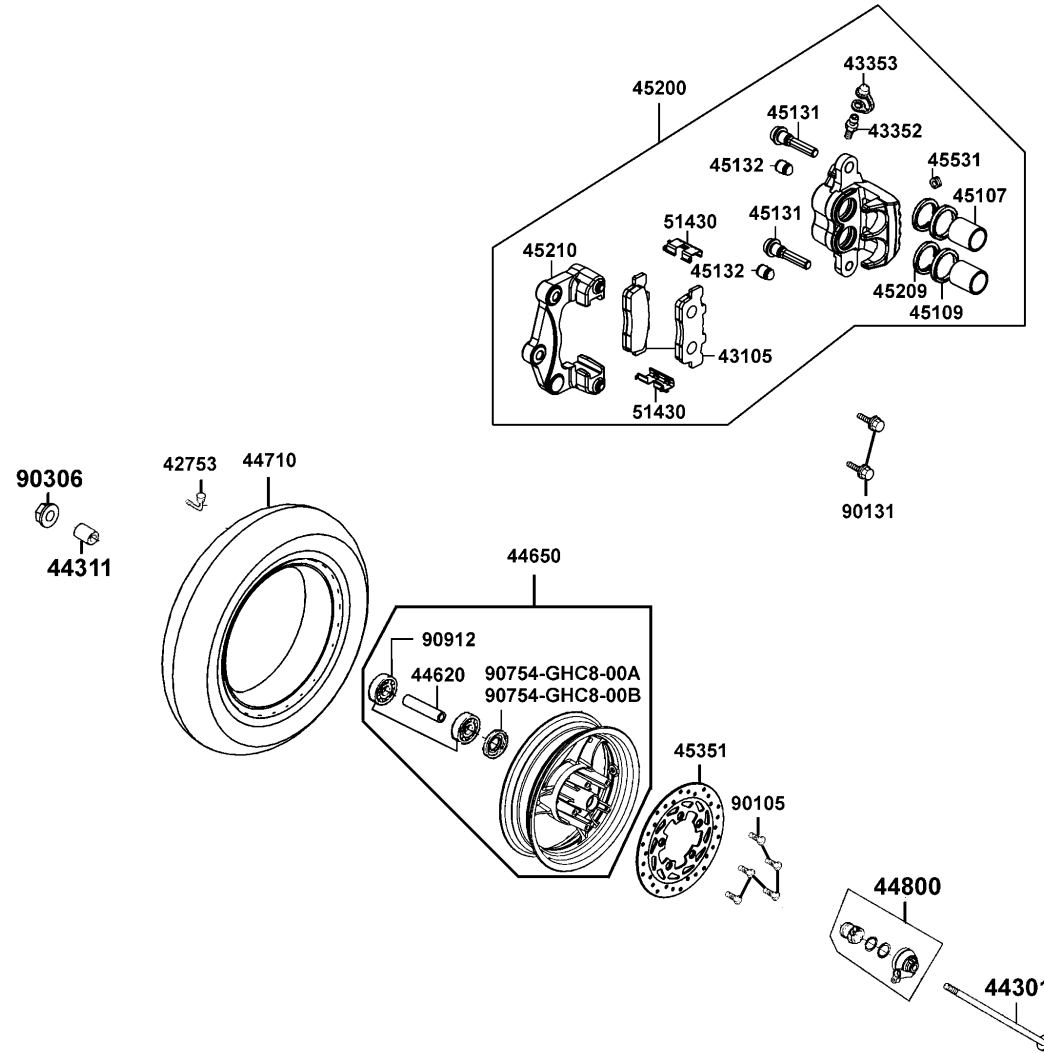
Front Wheel 前輪



Sales mark	Ref no	Part no	Description	Chinese	Regd no	F07
	42753	42753-0D04-900	RIM VALVE (PVR 70)	打氣嘴	1	
	43105	43105-LFB5-305	PAD COMP A	前煞車摩擦板組	1	
	43352	43352-KKD6-E90	SCREW BLEEDER	加油嘴	1	
	43353	43353-4A61-77A	CAP BLEEDER	加油嘴蓋	1	
	44301	44301-LFE2-900	AXLE FR WHEEL	前輪軸	1	
	44311	44311-KEBE-900	COLLAR FR WHEEL SIDE	前輪邊套筒	1	
	44620	44620-KHD8-900	COLLAR FR AXLE DISTANCE	前輪軸距套筒	1	
**	44650	44650-LFE2-305	WHEEL SET FR	前輪圈	1	
	44710	44710-LFB6-E0A	TIRE ASSY, FR	前輪胎	1	
	44800	44800-KFA5-900	GEAR BOX ASSY	速度齒輪箱組	1	
	45107	45107-LFB5-900	PISTON	卡鉗活賽塞	2	
	45109	45109-GBE2-007	DUST SEAL	防塵封	2	
	45131	45131-LDH1-E00	PIN BOLT	卡鉗螺絲銷	2	
	45132	45132-LDH1-E00	BUSH BOOT PIN	卡鉗襯套	2	
**	45200	45200-LFB5-900	CALIPER ASSY FR	前煞車卡鉗	1	
	45209	45209-GBE2-007	SEAL PISTON	油封	2	
	45210	45210-LFB5-305	BRACKET FR CALIPER	前煞車卡鉗托架	1	
**	45351	45351-LFB6-900	DISK, FR BRK	前煞車圓盤	1	
	45531	45531-GAR1-951	PLUG	塞蓋	1	
	51430	51430-LDH1-E00	SLIDE PAD	襯套滑件	2	

F07

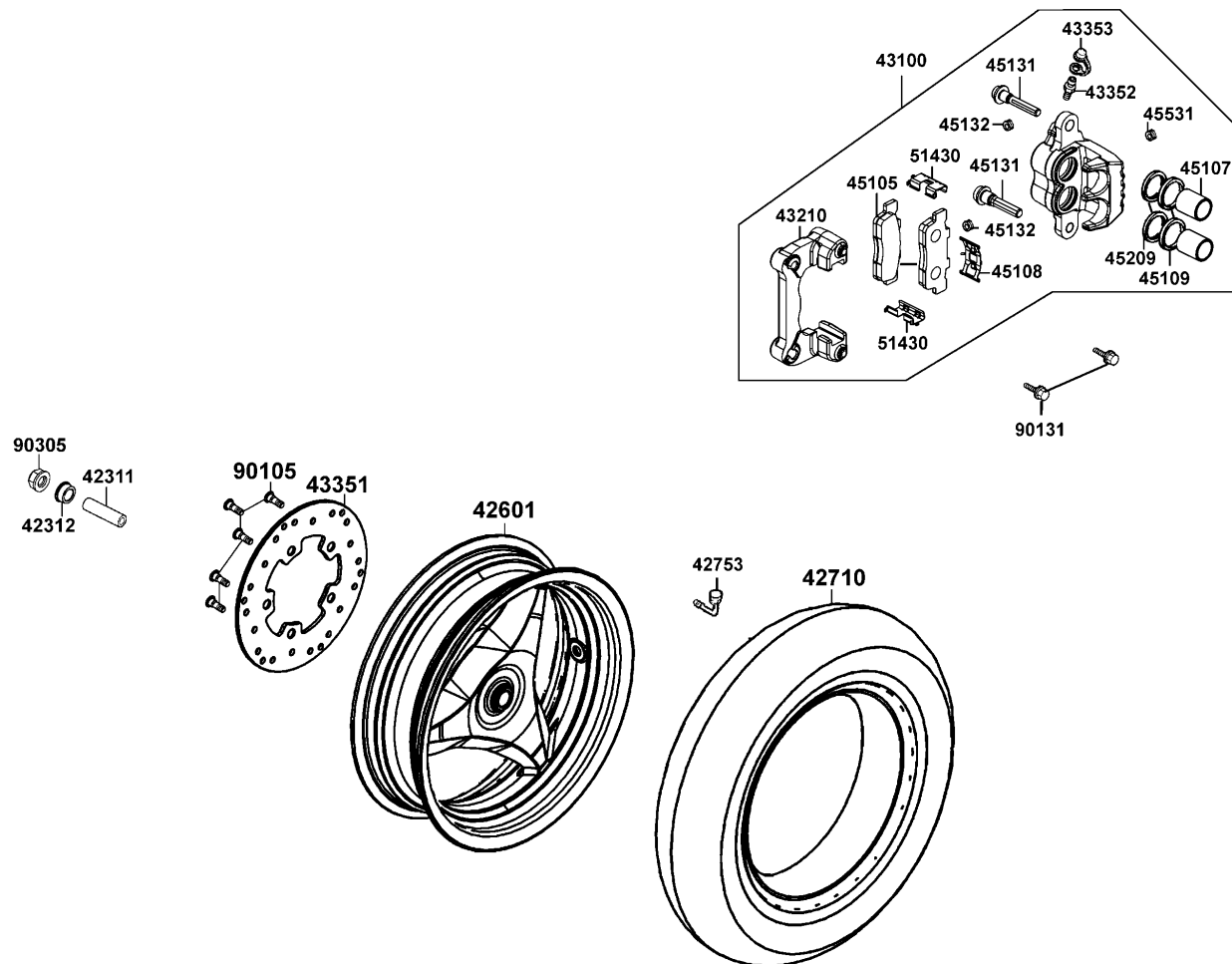
Front Wheel 前輪



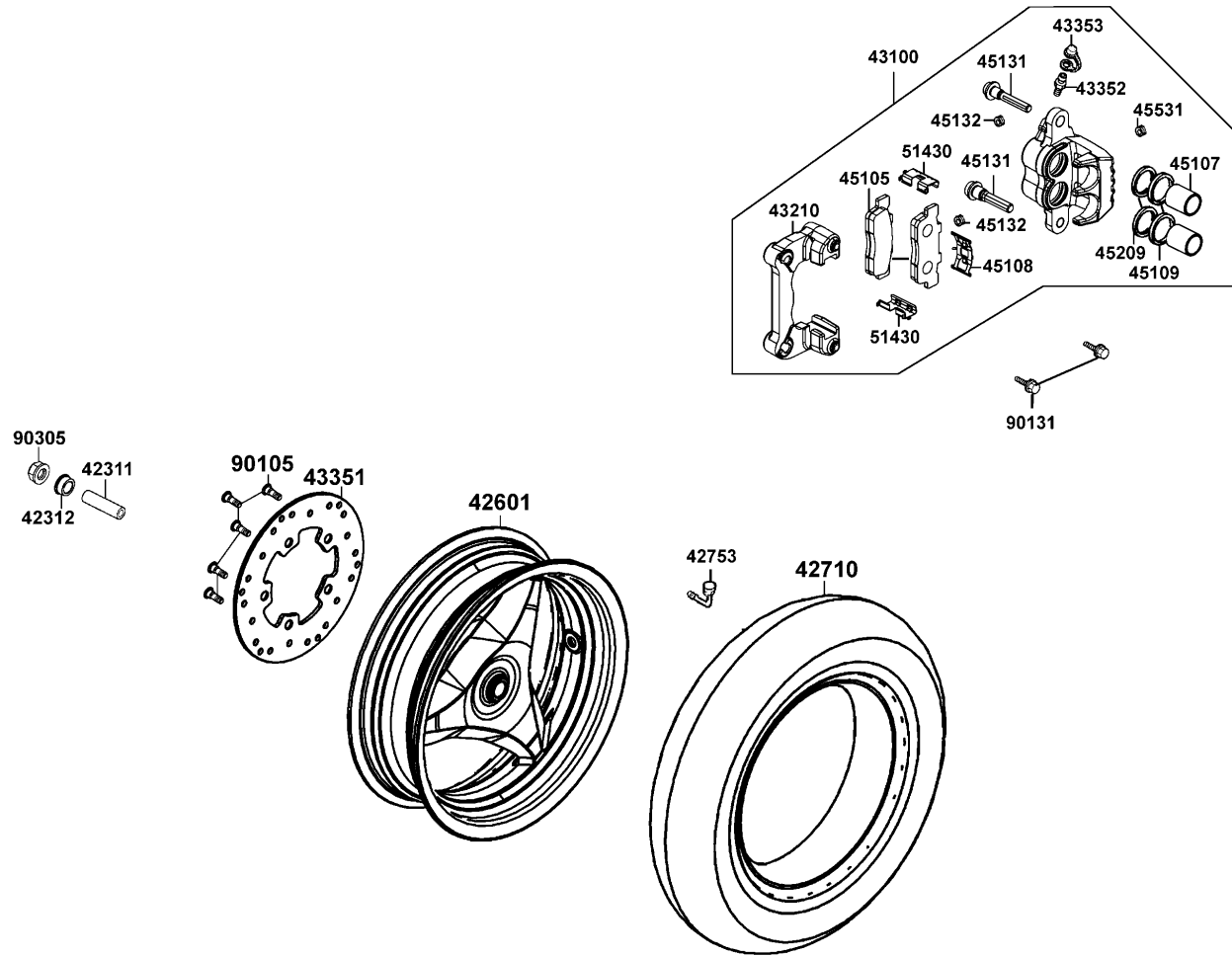
Sales mark	Ref no	Part no	Description	Chinese	Regd no	F07
	90105	90105-KCR3-001	BOLT FR DISK 8*24	前煞車圓盤螺絲 8*24	5	
	90131	90131-LEB1-900	BOLT FLANGE 8*35	螺絲 8*35	2	
	90306	90306-LFE2-900	NUT FLANGE 12MM	螺帽 12MM	1	
	90754-GHC8-00A	90754-GHC8-00A	SEAL DUST 20*32*5	油封 20*32*5	1	
	90754-GHC8-00B	90754-GHC8-00B	SEAL DUST 20*32*5	油封 20*32*5	1	
	90912	90912-KFLF-00A	BEARING 6201 LLU	軸承 6201 LLU	2	

F08

Rear Wheel 後輪



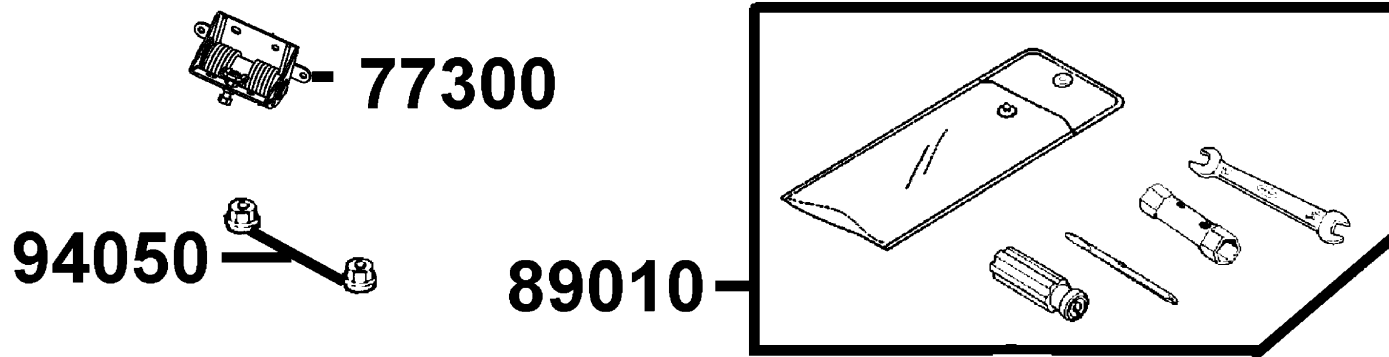
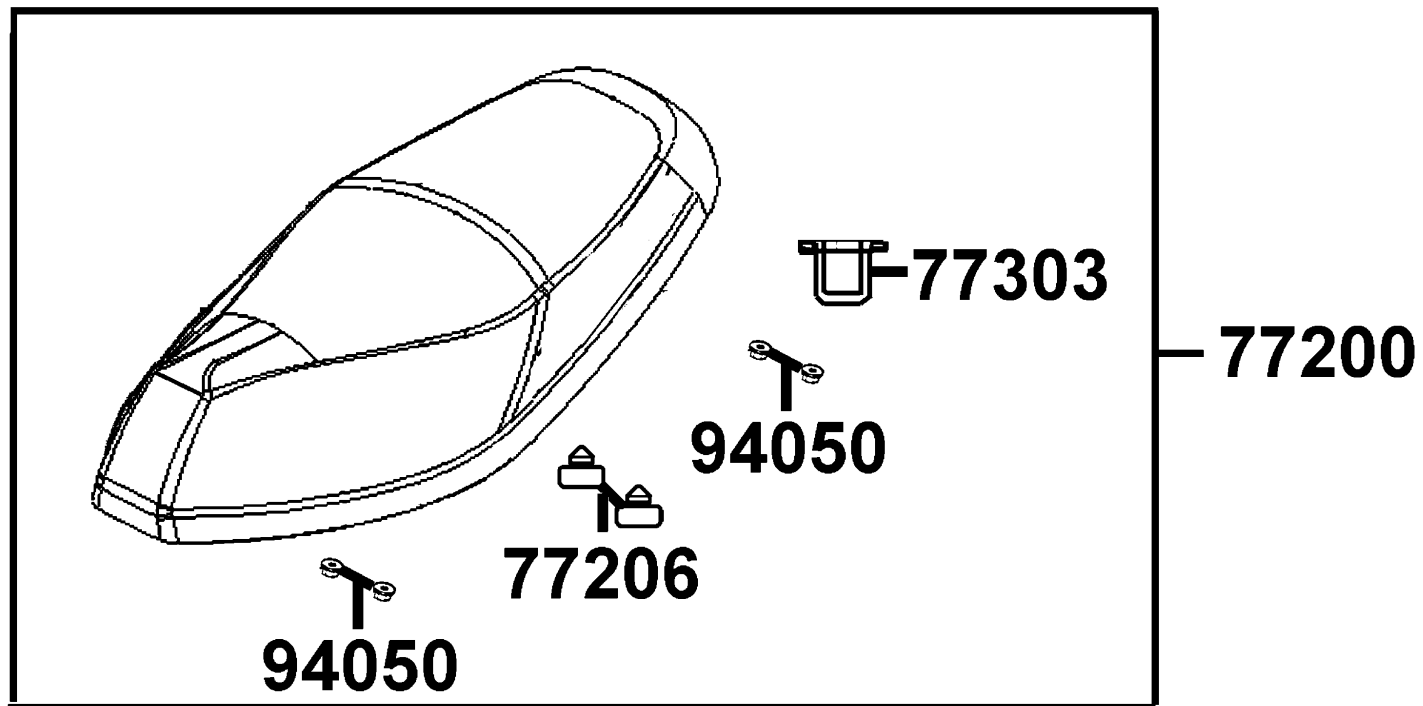
Sales mark	Ref no	Part no	Description	Chinese	Regd no	F08
	42311	42311-LFB5-900	COLLAR RR AXLE SIDE A	套筒	1	
	42312	42312-KHB4-900	COLLAR RR AXLE SIDE	後輪軸邊套筒	1	
**	42601	42601-LFB5-900	WHEEL COMP RR CAST	後輪圈	1	
	42710	42710-LFB6-E0A	TIRE ASSY, RR	後輪胎	1	
	42753	42753-KNBN-90B	VALVE (TR 412) & CAP (E)	打氣嘴 (TR 412) & CAP (E)	1	
**	43100	43100-LFB5-900	CALIPER ASSY FR	後煞車卡鉗	1	
	43210	43210-LFB5-305	BRKT RR CALIPER	後煞車卡鉗托架	1	
	43351	43351-LFB5-900	DISK FR BRAKE	後煞車圓盤	1	
	43352	43352-KKD6-E90	SCREW BLEEDER	加油嘴	1	
	43353	43353-4A61-77A	CAP BLEEDER	加油嘴蓋	0	
	45105	45105-LFB5-900	PAD COMP	後煞車摩擦板組	1	
	45107	45107-LFB5-900	PISTON	卡鉗活賽塞	2	
	45108	45108-LDH1-E00	SPRING PAD	摩擦板彈簧	1	
	45109	45109-GBE2-007	DUST SEAL	防塵封	2	
	45131	45131-LDH1-E00	PIN BOLT	卡鉗螺絲銷	2	
	45132	45132-LDH1-E00	BUSH BOOT PIN	卡鉗襯套	2	
	45209	45209-GBE2-007	SEAL PISTON	油封	2	
	45531	45531-GAR1-951	PLUG	塞蓋	1	
	51430	51430-LDH1-E00	SLIDE PAD	襯套滑件	2	
	90105	90105-KCR3-001	BOLT FR DISK 8*24	煞車圓盤螺絲 8*24	5	



Sales mark	Ref no	Part no	Description	Chinese	Regd no	F08
	90131	90131-LEA5-E00	BOLT FLANGE 8*35	螺絲 8*35	2	
#	90305	90305-KFW6-91A	NUT U FLANGE 16MM	螺帽 16MM	0	

F09

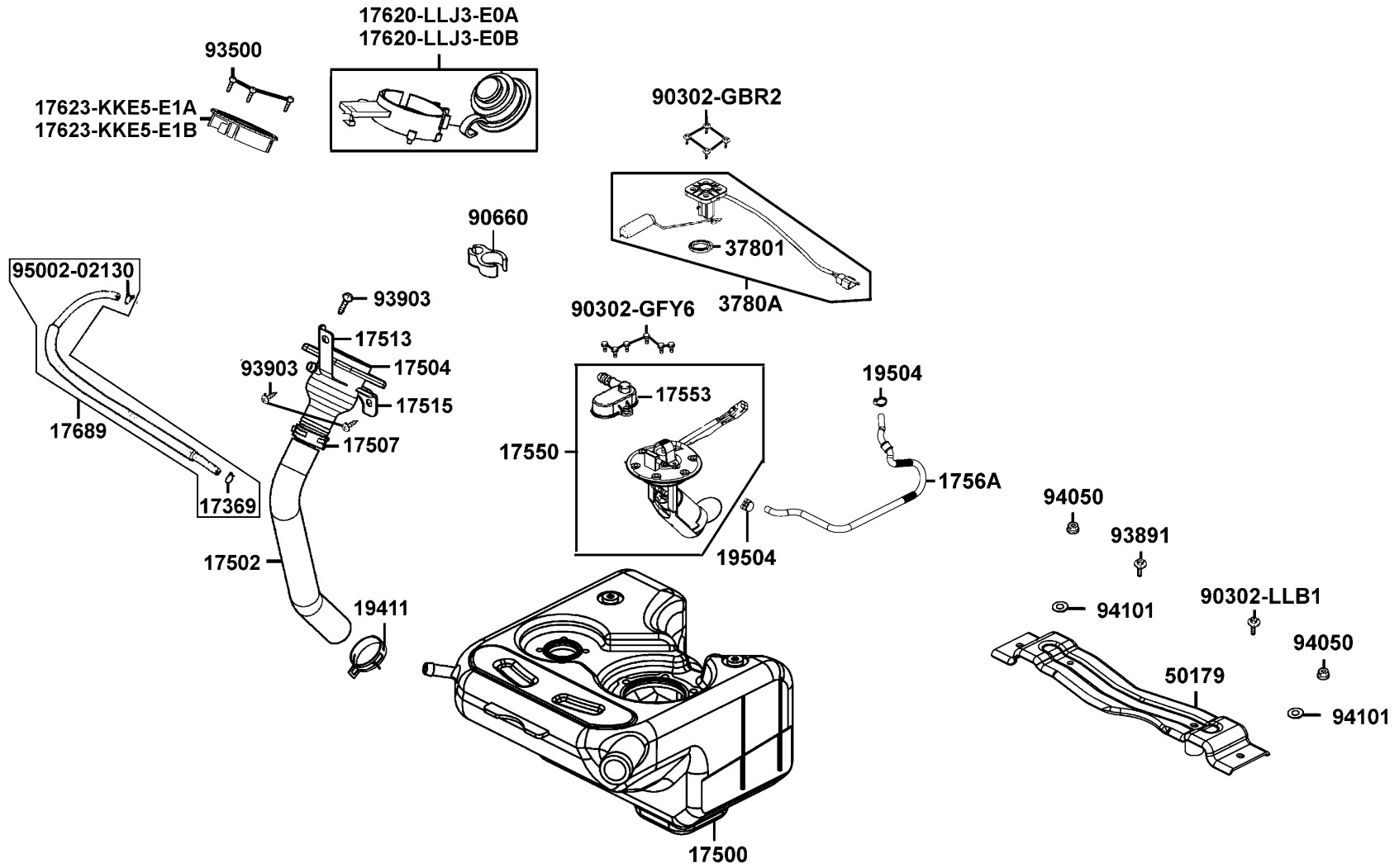
Seat 座墊



Sales mark	Ref no	Part no	Description	Chinese	Regd no	F09
**	77200	77200-LFB6-E00	SEAT ASSY.	座墊組	1	
	77206	77206-KEB7-900	RUBBER SEAT CUSH	橡皮	0	
	77300	77300-LBE3-900	HINGE COMP SEAT	坐墊自動彈起鉸鏈	0	
	77303	77303-KKC4-800	HOOK SEAT LOCK	座墊鉤	0	
	89010	89010-LEB1-900	TOOL SET	工具包組	1	
	94050	94050-06080	NUT FLANGE 6MM	螺帽 6MM	6	

F10

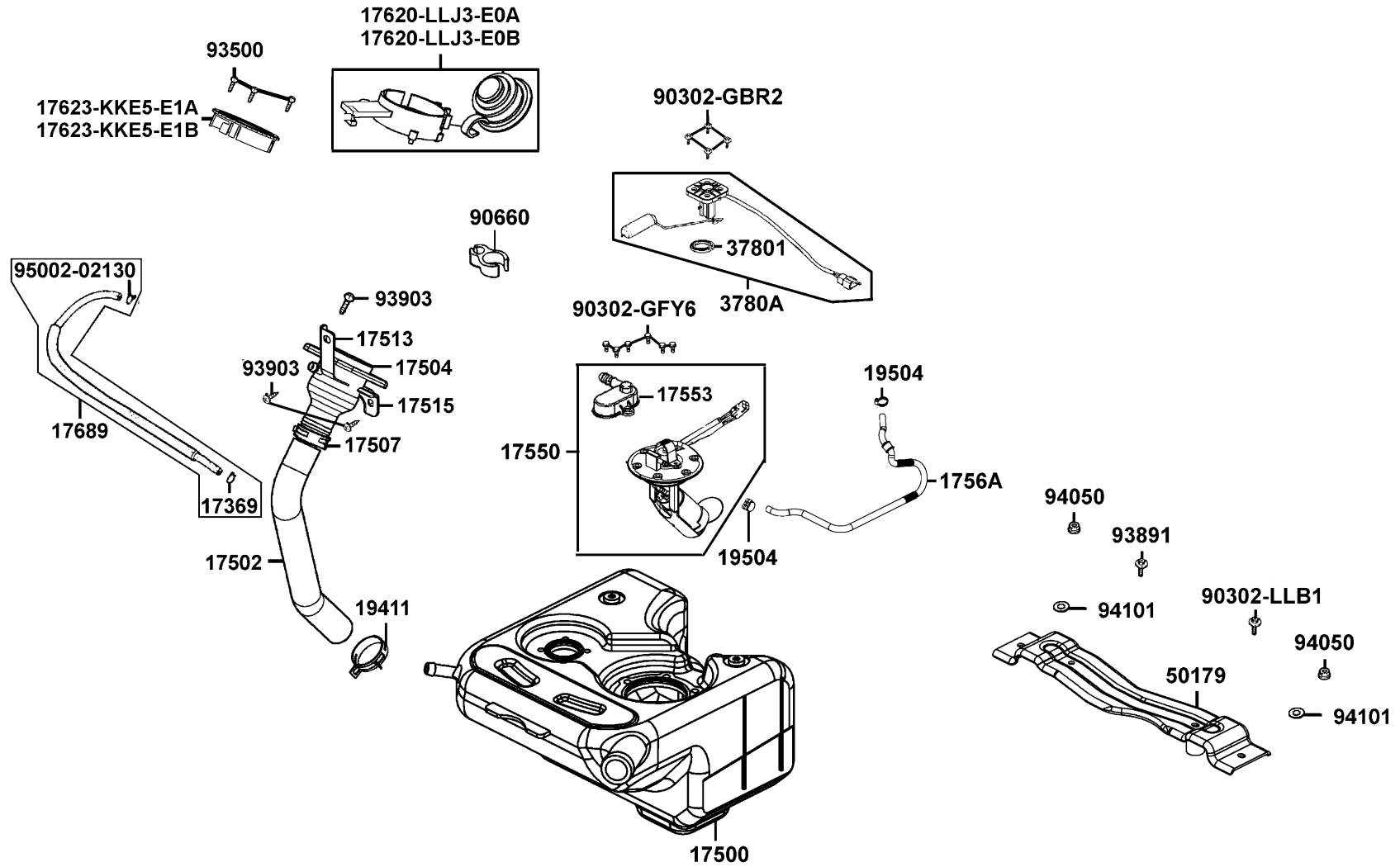
Fuel Tank 油箱



Sales mark	Ref no	Part no	Description	Chinese	Regd no	F10
	17369	17369-KHC4-900	CLIP BREATHER TUBE	通氣管夾	1	
	17500	17500-LGH6-900	TANK COMP.,FUEL	油箱	1	
	17502	17502-LEB1-900	TUBE FUEL	油管	1	
	17504	17504-LAB4-900	FUEL FILLER	加油漏斗	1	
	17507	17507-LAB4-900	BAND FUEL HOSE	油管束夾	1	
	17513	17513-LAD9-900	FUEL PIPE STAY A	加油漏斗支架 A	1	
	17515	17515-LAD9-900	FUEL PIPE STAY B	加油漏斗支架 B	1	
	17550	17550-LGH6-900	PUMP ASSY., FUEL	汽油泵浦	1	
	17553	17553-LGH6-900	OUT FUEL COVER	OUT FUEL COVER	1	
	1756A	1756A-LGH6-900	TUBE ASSY.,FUEL PUMP-INJECTOR	TUBE ASSY.,FUEL PUMP-INJECTOR	1	
	17620-LLJ3-E0A	17620-LLJ3-E0A	CAP COMP FUEL FILLER	油箱蓋	1	
	17620-LLJ3-E0B	17620-LLJ3-E0B	CAP COMP FUEL FILLER	油箱蓋	1	
**	17623-KKE5-E1A	17623-KKE5-E1A	COLLAR FUEL FILLER	COLLAR FUEL FILLER	1	
**	17623-KKE5-E1B	17623-KKE5-E1B	COLLAR FUEL CILLER	COLLAR FUEL CILLER	1	
	17689	17689-LAD9-B20	TUBE ASSY FILLER	油管	1	
	19411	19411-KBCB-900	CLIP HOSE	油管鎖環	1	
	19504	19504-LBA2-E00	CLAMP D 16.8	CLAMP D 16.8	2	
	37801	37801-LAB4-910	PACKING BASE	墊圈	1	
	3780A	3780A-LFB5-900	FUEL UNIT ASSY	燃料量指示器組	1	
	50179	50179-LEB2-900	BRKT FLOOR PANEL	腳踏板支架	1	

F10

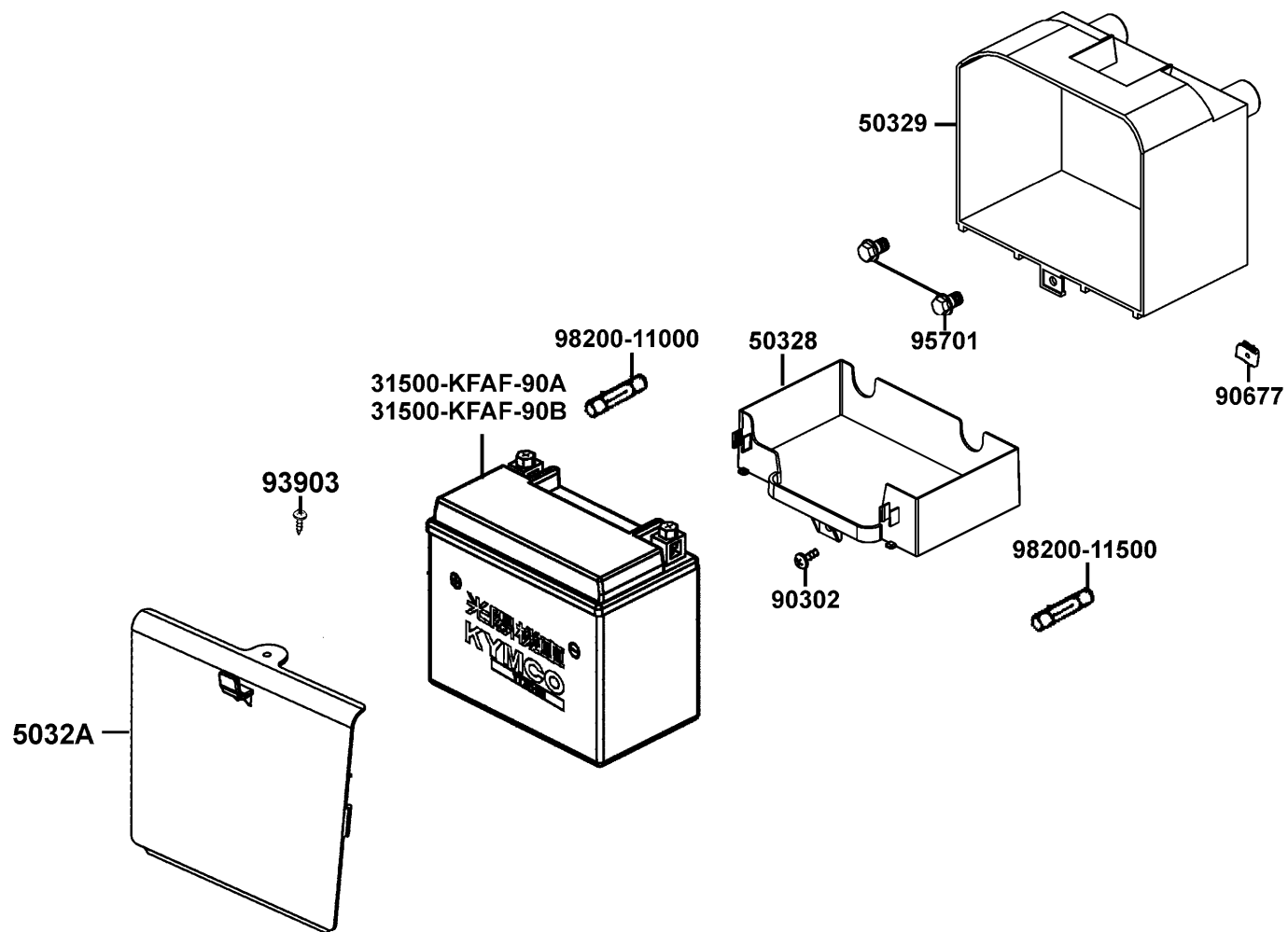
Fuel Tank 油箱



Sales mark	Ref no	Part no	Description	Chinese	Regd no	F10
	90302-GBR2	90302-GBR2-001	BOLT WASH 5*16	螺絲 5*16	4	
	90302-GFY6	90302-GFY6-940	BOLT-WASH 5*16	螺絲 5*16	6	
	90302-LLB1	90302-LLB1-E00	BOLT-WASHER 5*12	螺絲 5*12	1	
**	90660	90660-KGBG-900	CLAMP TUBE	管夾	1	
	93500	93500-04008-0G	SCREW PAN 4*8	螺絲 4*8	3	
	93891	93891-05040-06	SCREW WASHER 5*340	螺絲 5*340	1	
	93903	93903-35360	SCREW TAPPING 5*16	螺釘 5*16	3	
	94050	94050-06080	NUT FLANGE 6MM	螺帽 6MM	2	
	94101	94101-08800	WASHER PLAIN 8MM	華司 8MM	2	
	95002	95002-02130	CLIP B 12.5 TURE	管夾 12.5	1	

F11

Battery 电瓶



Sales mark	Ref no	Part no	Description	Chinese	Regd no	F11
	31500-KFAF-90A	31500-KFAF-90A	BATTERY YTX9-BS	電瓶	1	
	31500-KFAF-90B	31500-KFAF-90B	BATTERY YTX9-BS	電瓶	1	
	50328	50328-LBB8-900	BATTERY DRAWER	電瓶滑動底座	1	
	50329	50329-LEB1-900	BATTERY CASE	電瓶盒	1	
**	5032A	5032A-LEB1-900	COVER BATTERY	電瓶蓋	1	
	90302	90302-GFY6-940	BOLT-WASH 5*16	螺絲 5*16	1	
	90677	90677-GAR1-004	NUT CLIP 5MM	彈簧螺帽 5MM	1	
	93903	93903-34360	SCREW TAPPING 4*12	螺絲 4*12	1	
	95701	95701-06022-06	BOLT FLANGE 6*22	螺絲 6*22	2	
	98200-11000	98200-11000	FUSE 10A	保險絲 10A	1	
	98200-11500	98200-11500	FUSE A15	保險絲 A15	1	

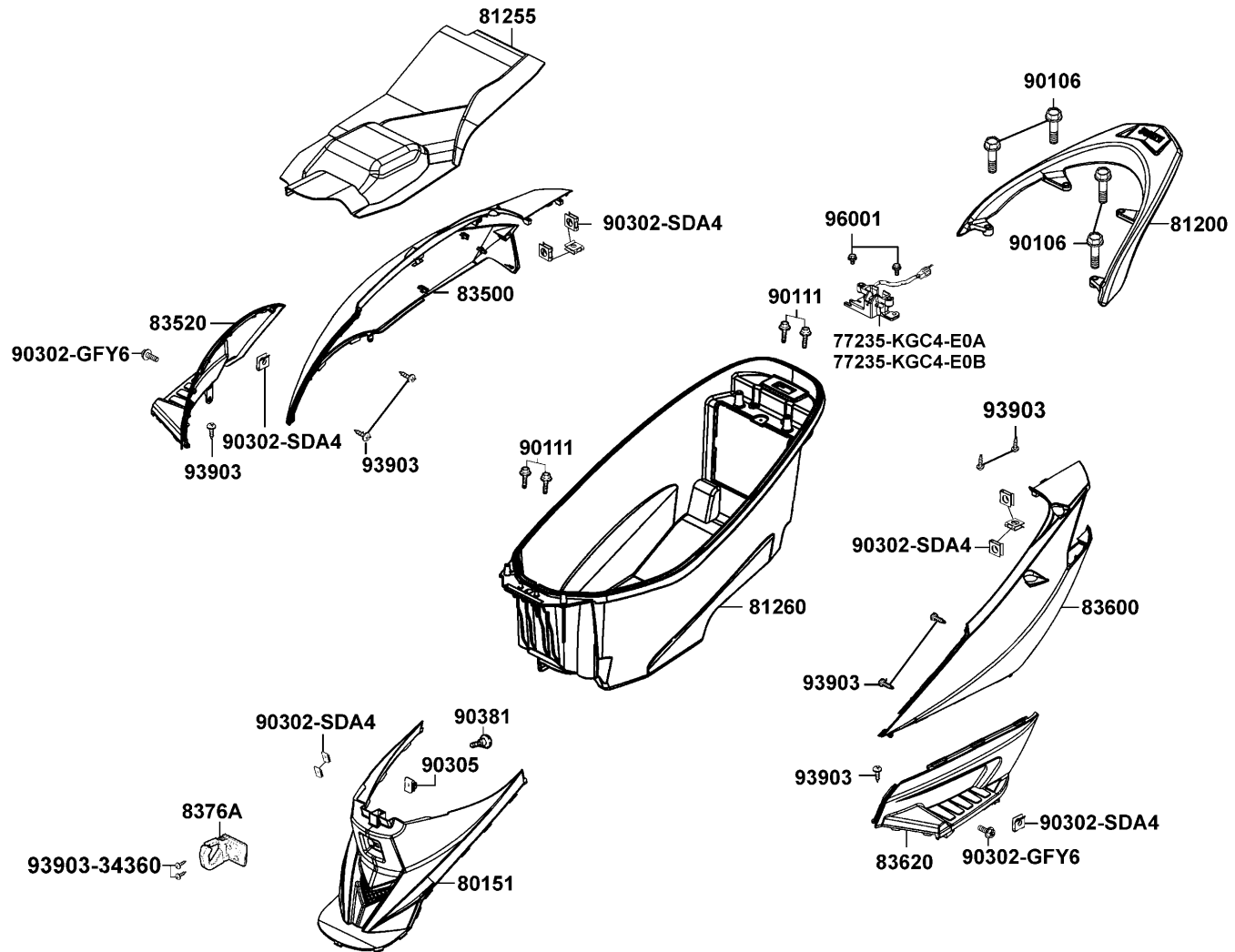
F12

Body Cover

Luggage Box

車體蓋

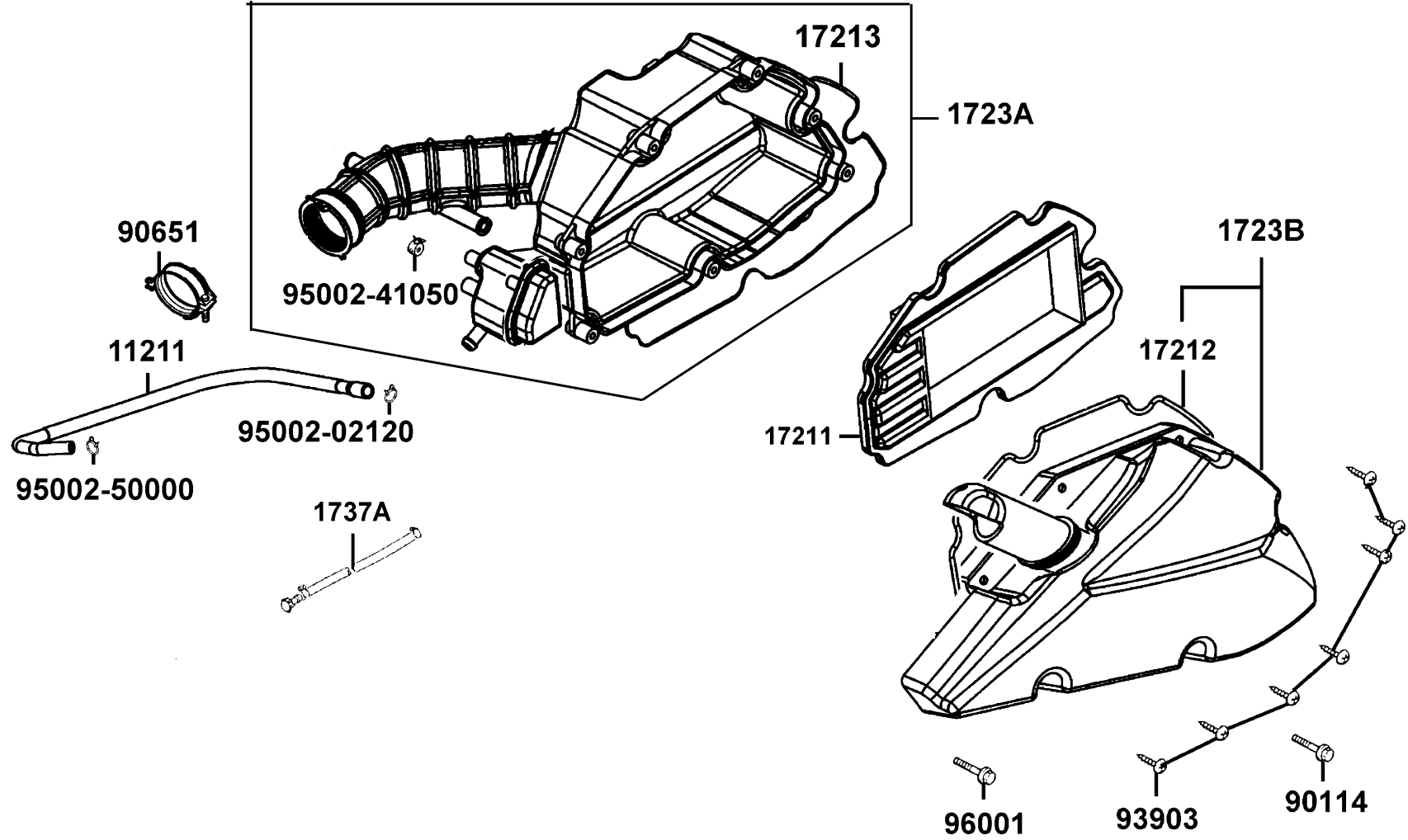
行李箱



Sales mark	Ref no	Part no	Description	Chinese	Regd no	F12
	77235-KGC4-E0A	77235-KGC4-E0A	SEAT CATCH	座墊檔器	1	
	77235-KGC4-E0B	77235-KGC4-E0B	SEAT CATCH	座墊檔器	1	
**	80151	80151-LFB5-900	COVER CENTER	中心蓋	1	
**	81200	81200-LFB5-900	CARRIER REAR	後架	1	
	81255	81255-LGL9-900	BAG,LUGGAGE	置物箱袋	1	
	81260	81260-LEB2-900	BOX ASSY.,LUG	置物箱	1	
**	83500	83500-LFB5-900	COVER , R BODY	車體右邊蓋組	1	
**	83520	83520-LFB5-900	"COVER , R SIDE"	右後邊把	1	
**	83600	83600-LFB5-900	COVER , L BODY	車體左邊蓋組	1	
**	83620	83620-LFB5-900	"COVER , L SIDE"	左後邊把	1	
	8376A	8376A-KECE-901	CLIP ASSY CENTER	中心掛鉤	1	
	90106	90106-KFAF-900	BOLT SPECIAL	後握桿螺絲	4	
	90111	90111-1G87-001	BOLT FLANGE 6MM	螺絲 6MM	4	
	90302-GFY6	90302-GFY6-901	BOLT WASH 5*12	螺絲 5*12	2	
	90302-SDA4	90302-SDA4-004	NUT SPRING 4MM	螺帽 4MM	10	
	90305	90305-GHK8-001	NUT CLIP 6MM	夾螺帽 6MM	1	
	90381	90381-GEZ5-001	SCREW SPECIAL 6*17	螺絲 6*17	1	
	93903	93903-34360	SCREW TAPPING 4*12	螺絲 4*12	10	
	96001	96001-06012-08	BOLT FLANGE 6*12	螺絲 6*12	2	

F13

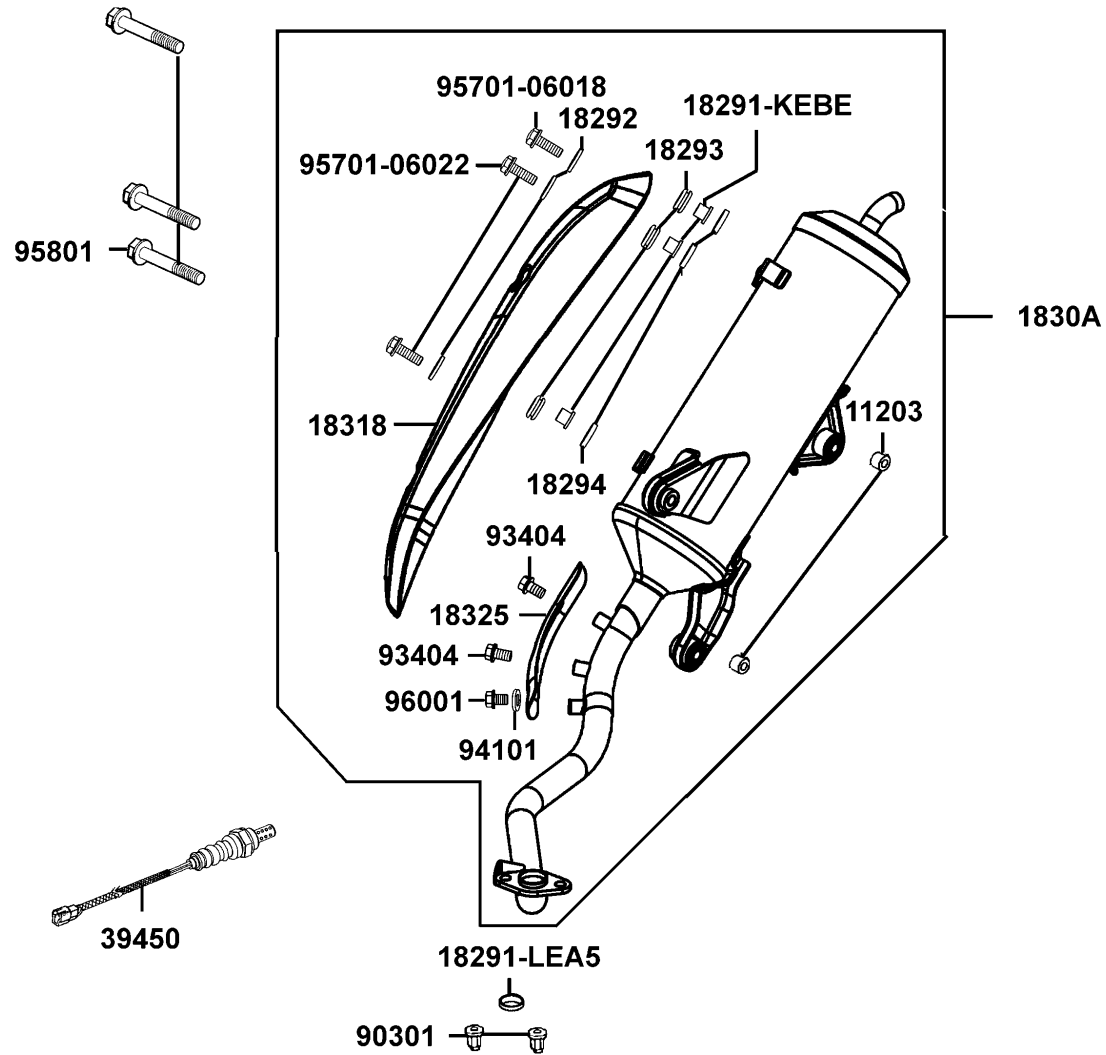
Air Cleaner 空氣濾清器



Sales mark	Ref no	Part no	Description	Chinese	Regd no	F13
11211		11211-LFB5-900	TUBE BRTHER	通氣管	0	
17211		17211-LFB5-900	ELEMENT COMP AIR/C	空氣濾清器	0	
17212		17212-LDA6-900	SEAL AIR/C COVER	空氣濾清器箱蓋油封	1	
17213		17213-LBD6-E00	SEAL AIR/C CASE	空氣濾清器箱蓋塵封	1	
1723A		1723A-LGH6-E00	CASE COMP.,AIR/C	空氣濾清器箱組	1	
1723B		1723B-LGH6-900	COVER COMP AIR/C	空氣濾清器蓋	1	
1737A		1737A-KUDU-900	V TUBE ASSY	通氣管	1	
90114		90114-GDM4-011	BOLT FLANGE 6*28	螺絲 6*28	1	
90651		90651-LFB5-900	BAND 47.5 AIR/C CONNECTING TUBE	連接管固定帶	1	
93903		93903-25460	SCREW TAPPING 4*12	螺釘 4*12	7	
95002-02120		95002-02120	CLIP B12 TUBE	管夾 B12	1	
95002-41050		95002-41050-00	CLIP D10.5 TUBE	管夾 D10.5	1	
95002-50000		95002-50000	CLIP C9 TUBE	管夾 C9	1	
96001		96001-06035-08	BOLT FLANGE 6*35	螺絲 6*35	1	

F14

Exhaust Muffler 排氣管



Sales mark	Ref no	Part no	Description	Chinese	Regd no	F14
	11203	11203-GFY6-901	RUBBER BUSH MUFFER STAY	橡皮襯套	2	
	18291-KEBE	18291-KEBE-900	COLLAR	套筒	3	
	18291-LEA5	18291-LEA5-E00	GASKET EXH PIPE	排氣管墊圈	1	
	18292	18292-KEBE-900	PACKING PROTECTOR	墊片	3	
	18293	18293-KEBE-900	RUBBER PKG PROTR	橡皮	3	
	18294	18294-KEBE-900	PACKING PROTECTOR	防熱墊片	9	
**	1830A	1830A-LFB6-E00	MUFFLER ASSY EXH	排氣管組	1	
**	18318	18318-LFB5-E00	PROTECTOR,MUFF.	排氣管護蓋	1	
	18325	18325-LFB6-E00	PROTECTOR,EXH.PIPE	PROTECTOR,EXH.PIPE	1	
	39450	39450-LEA6-800	O2 SENSOR	含氧感知器	1	
	90301	90301-GFY6-901	NUT (HEX) CAP 8MM	圓螺帽 8MM	2	
	93404	93404-06012-06	BOLT WASH 6*12	螺絲 6*12	2	
	94101	94101-06700	WASHER PLAIN 6MM	平華司 6MM	1	
	95701-06018	95701-06018-08	BOLT FLANGE 6*18	螺絲 6*18	1	
	95701-06022	95701-06022-06	BOLT FLANGE 6*22	螺絲 6*22	2	
	95801	95801-08042-06	BOLT FLANGE 8*42	螺絲 8*42	3	
	96001	96001-06008-07	BOLT FLANGE SH 6*8	螺絲 6*8	0	

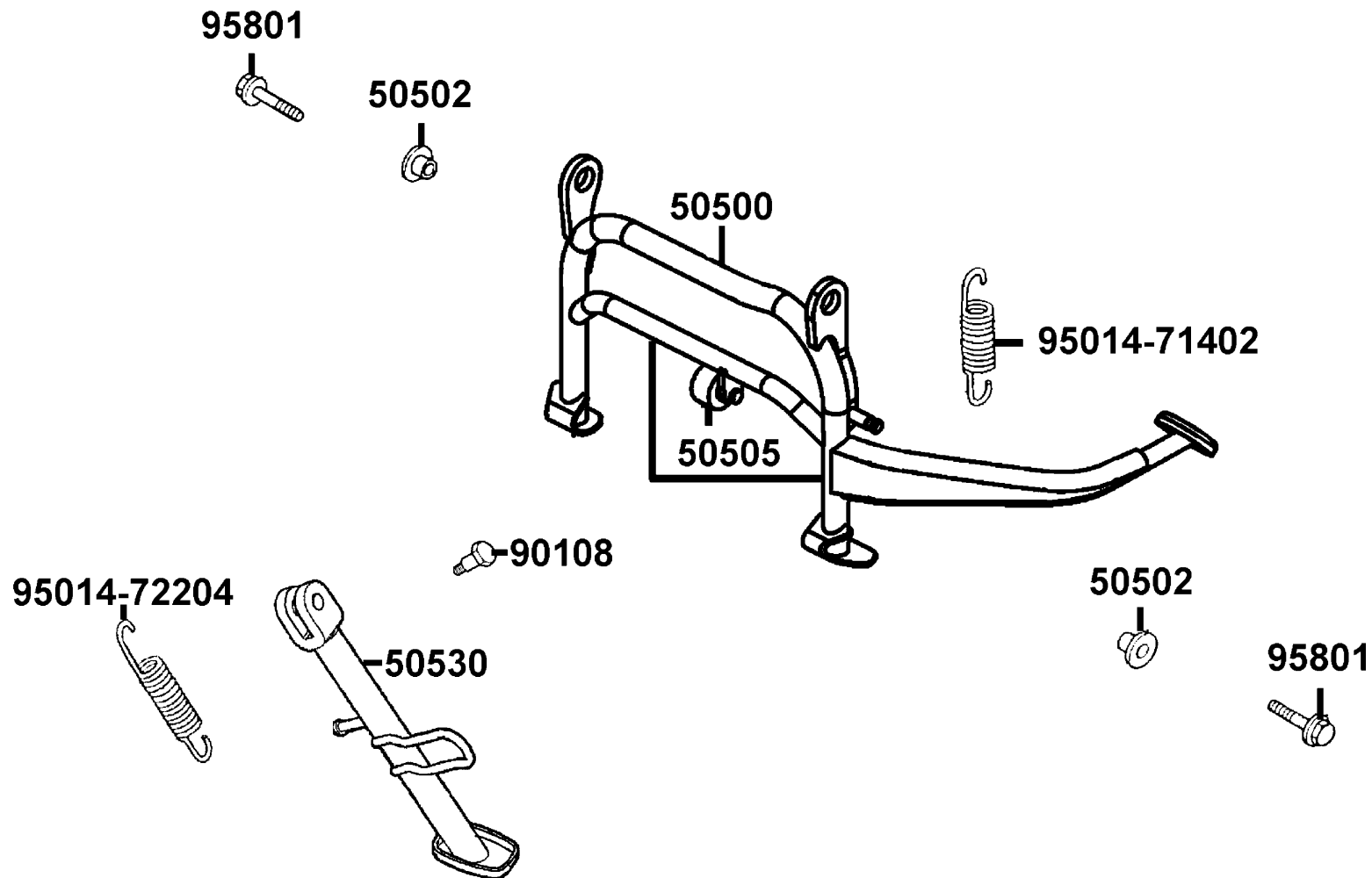
F15

Stand

Kick Starter Arm

腳架

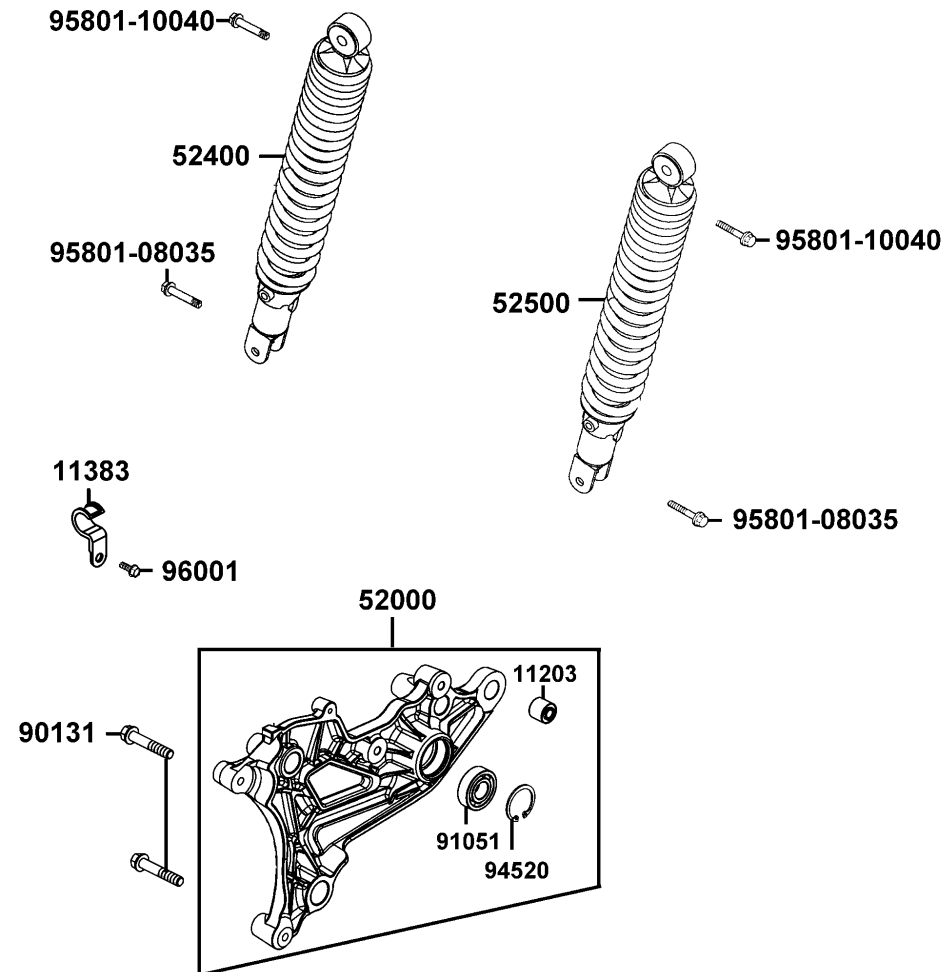
起動踏桿



Sales mark	Ref no	Part no	Description	Chinese	Regd no	F15
	50500	50500-LFB5-900	STAND COMP MAIN	主腳架	1	
	50502	50502-GFY6-901	COLLAR MAIN STAND	主腳架套環	2	
	50505	50505-LAD9-900	RUBBER STOPPER MAIN	RUBBER STOPPER MAIN	0	
	50530	50530-LFB5-900	SIDE STAND COMP	側腳架	1	
	90108	90108-KUDU-900	SCREW SIDE STAND PIVOT	側腳架螺絲	1	
	95014-71402	95014-71402	SPRING D MAIN STAND	主腳架彈簧	1	
	95014-72204	95014-72204	SPG B1 SIDE STAND	側腳架彈簧	1	
	95801	95801-10025-08	BOLT FLANGE 10*25	螺絲 10*25	2	

F16

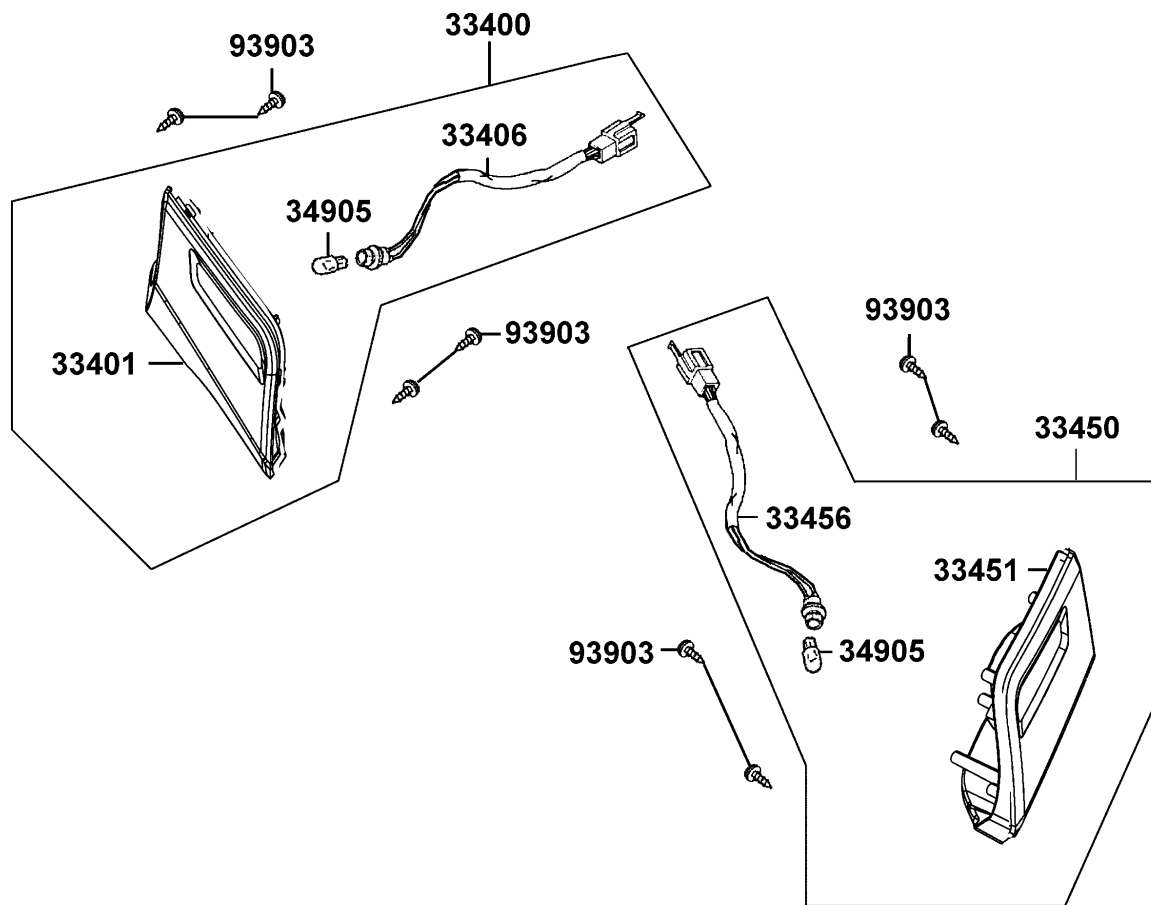
Rear Cushion 後避震器



Sales mark 販賣記號	Ref no 項 目	Part no 零 件 號 碼	Description 英 文 名 稱	Chinese 中 文 名 稱	Regd no 需要用量	F16
	11203	11203-GGC7-301	UNDER RUBBER BUSH REAR CUSHION	後緩衝下襯套	1	
	11383	11383-KHE7-900	CLAMPER RR BRK HOSE	後煞車管夾	1	
**	52000	52000-LFB5-900	FORK ASSY RR	後叉組	0	
**	52400	52400-LFB5-900	CUSHION ASSY RR R	後避震器	1	
# **	52500	52500-LFB5-900	"CUSHION ASSY ,RR L"	後避震器	1	
	90131	90131-LFB5-900	BOLT FLANGE 8*35	螺絲 8*35	2	
	91051	91051-KFBF-901	BRG BALL RAKIAL 6203LLU	軸承 6203LLU	0	
	94520	94520-40000	CIR CLIP IN 40	內環夾	0	
	95801-08035	95801-08035-06	BOLT FLANGE 8*35	螺絲 8*35	2	
	95801-10040	95801-10040-08	BOLT FLANGE 10*40	特殊螺絲 10*40	1	
	96001	96001-06012-00	BOLT FLANGE SH 6*12	螺絲 6*12	0	

F17

Front Winker 前方向燈

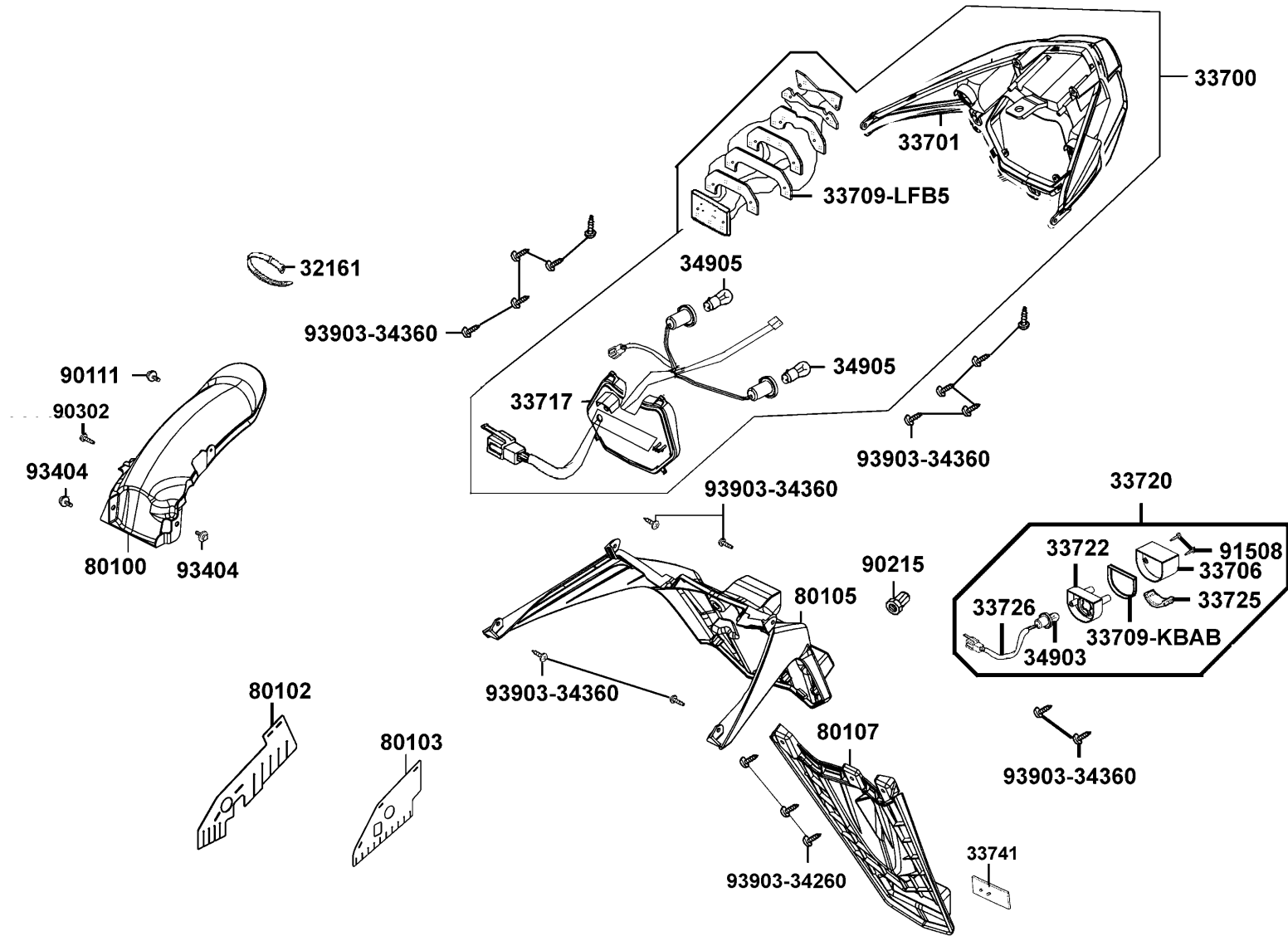


Sales mark 販賣記號	Ref no 項 目	Part no 零 件 號 碼	Description 英 文 名 稱	Chinese 中 文 名 稱	Regd no 需要用量
	33400	33400-LFB5-900	WINKER ASSY RH FR	右前方向燈組	1
	33401	33401-LFB5-900	WINKER COMP R FR	右前方向燈殼組	1
	33406	33406-LFB5-900	SOCKET COMP R WINKER	右前方向燈配線	1
	33450	33450-LFB5-900	WINKER ASSY LH FR	左前方向燈組	1
	33451	33451-LFB5-900	WINKER COMP L FR	左前方向燈殼組	1
	33456	33456-LFB5-900	SOCKET COMP L WINKER	左前方向燈配線	1
	34905	34905-LBA7-E00	BULB WINKER 12V10W	方向燈燈泡	2
	93903	93903-34360	SCREW TAPPING 4*12	螺絲 4*12	8

F17

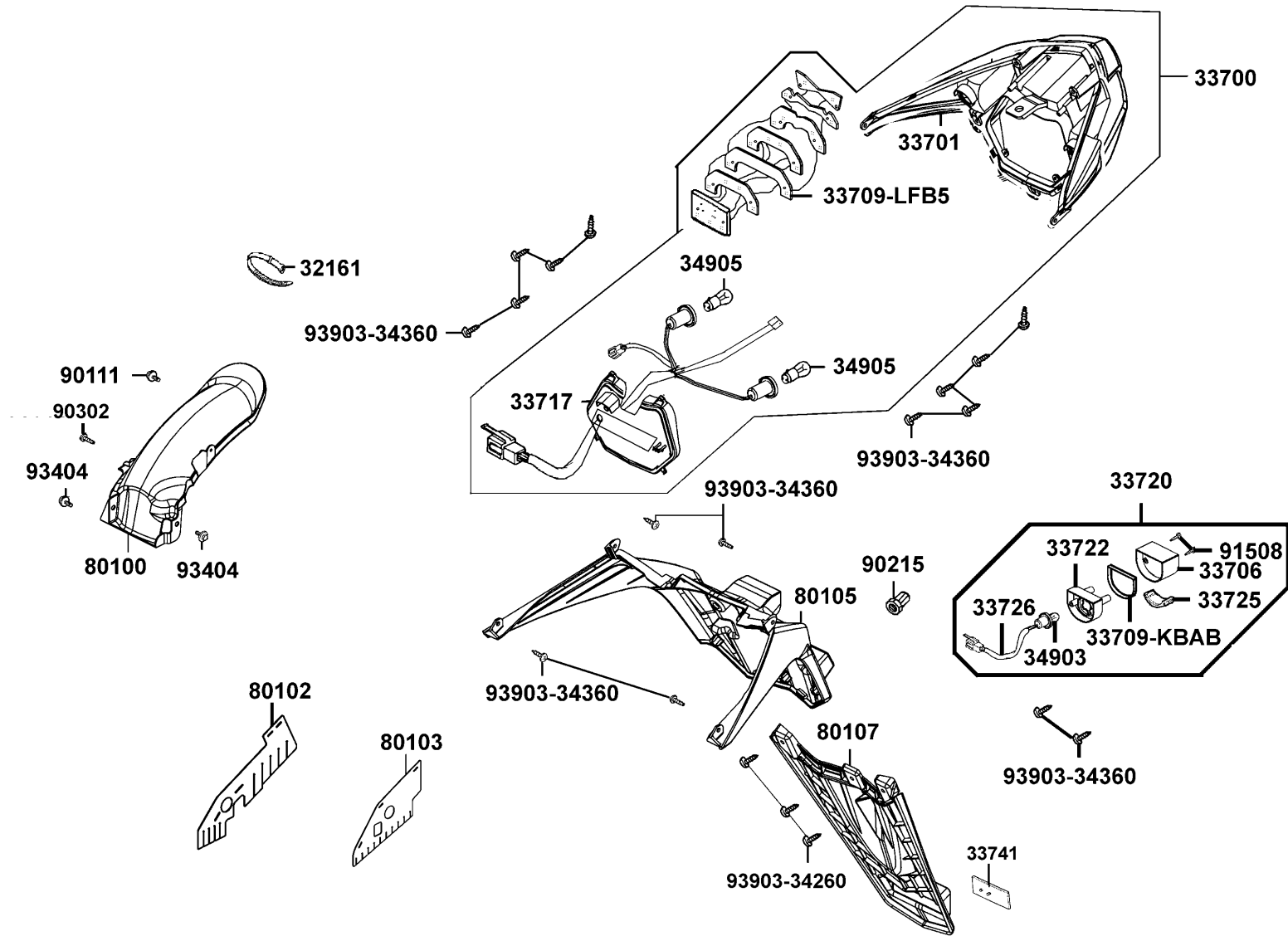
F18

Tail Light Rear Fender 後燈 後土除

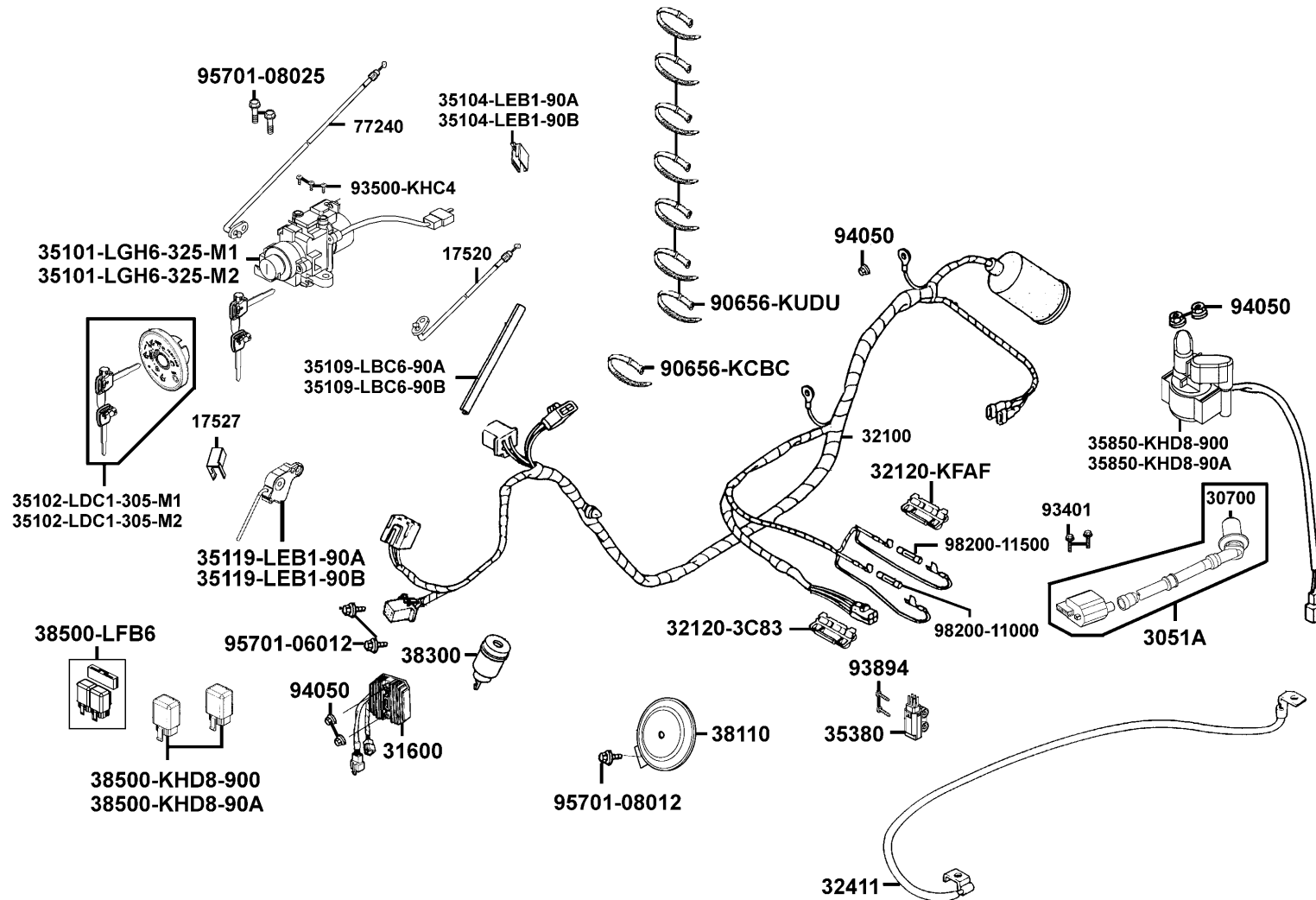


Sales mark 販賣記號	Ref no 項 目	Part no 零 件 號 碼	Description 英 文 名 稱	Chinese 中 文 名 稱	Regd no 需要用量
	32161	32161-LBA7-900	BAND WIRE	束帶	1
	33700	33700-LFB5-900	LIGHT SET RR COMB	後燈組	1
	33701	33701-LFB5-900	LIGHT SET RR COMB	後燈組	1
	33706	33706-KHB4-E01	COVER LICENSE	牌照燈蓋	1
	33709-KBAB	33709-KBAB-003	PACKING LICENSE	牌照燈墊圈	1
	33709-LFB5	33709-LFB5-900	PCB TAIL LIGHT	後燈LED燈電路板組	1
	33717	33717-LFB5-900	SOCKET COMP RR COMB	後燈配線	1
	33720	33720-KHB4-E00	LIGHT ASSY LICENSE	牌照燈組	1
	33722	33722-KHB4-E00	BASE LICENSE	牌照燈座	1
	33725	33725-KHB4-E00	LENS LICENSE	牌照燈殼	1
	33726	33726-KHB4-E00	SOCKET COMP	牌照燈配線	1
	33741	33741-KEC8-900	REFLEX REFLECTOR	反光鏡片	1
	34903	34903-KPCP-900	BULB POSITION	位置燈燈泡	1
	34905	34905-LCA5-E00	BULB WINKER 12C5W	方向燈泡	2
**	80100	80100-LFB5-910	FENDER RR TIRE	後輪上土除	1
	80102	80102-LFB5-900	PLATE SPLASH BOARD	防塵橡皮片	1
	80103	80103-LFB5-900	"PLATE A, SPLASH BOARD"	防濺橡皮	1
**	80105	80105-LFB5-900	FENDER RR	後土除	1
**	80107	80107-LFB5-900	FENDER RR INNER	後內擋泥板	1
	90111	90111-LEB1-900	BOLT FLANGE 6MM	螺絲 6MM	2

F18

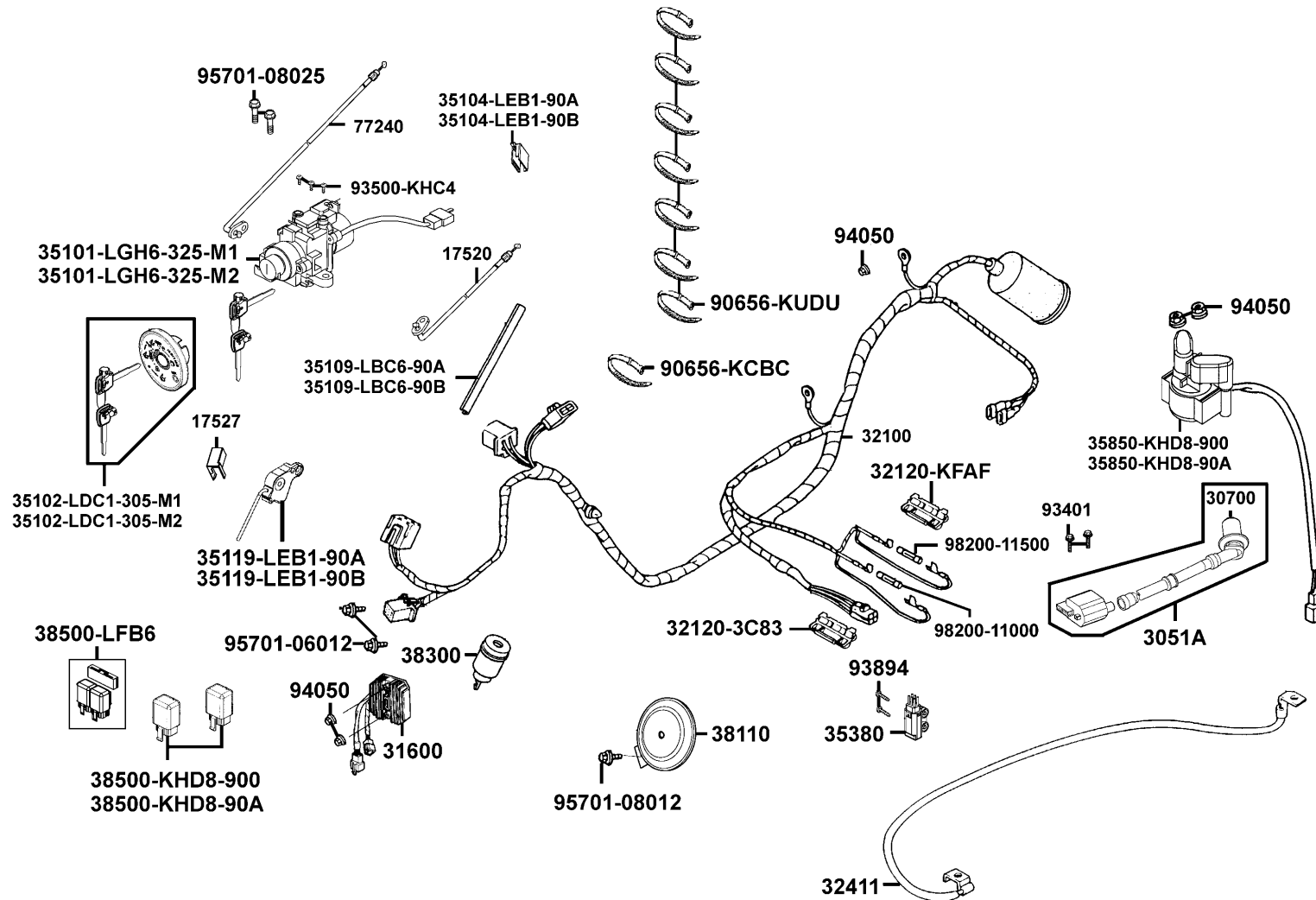


Sales mark 販賣記號	Ref no 項 目	Part no 零 件 號 碼	Description 英 文 名 稱	Chinese 中 文 名 稱	Regd no 需要用量	F18
	90215	90215-GLM0-910	NUT CAP 6MM	螺帽 6MM	1	
	90302	90302-LLB1-E00	BOLT-WASHER 5*12	螺絲 5*12	1	
	91508	91508-KGV7-67A	SCREW TAPPING 4*14	螺絲 4*14	2	
	93404	93404-06012-06	BOLT WASH 6*12	螺絲 6*12	1	
	93903-34260	93903-34260	SCREW TAPPING 4*12	螺絲 4*12	3	
	93903-34360	93903-34360	SCREW TAPPING 4*12	螺絲 4*12	16	

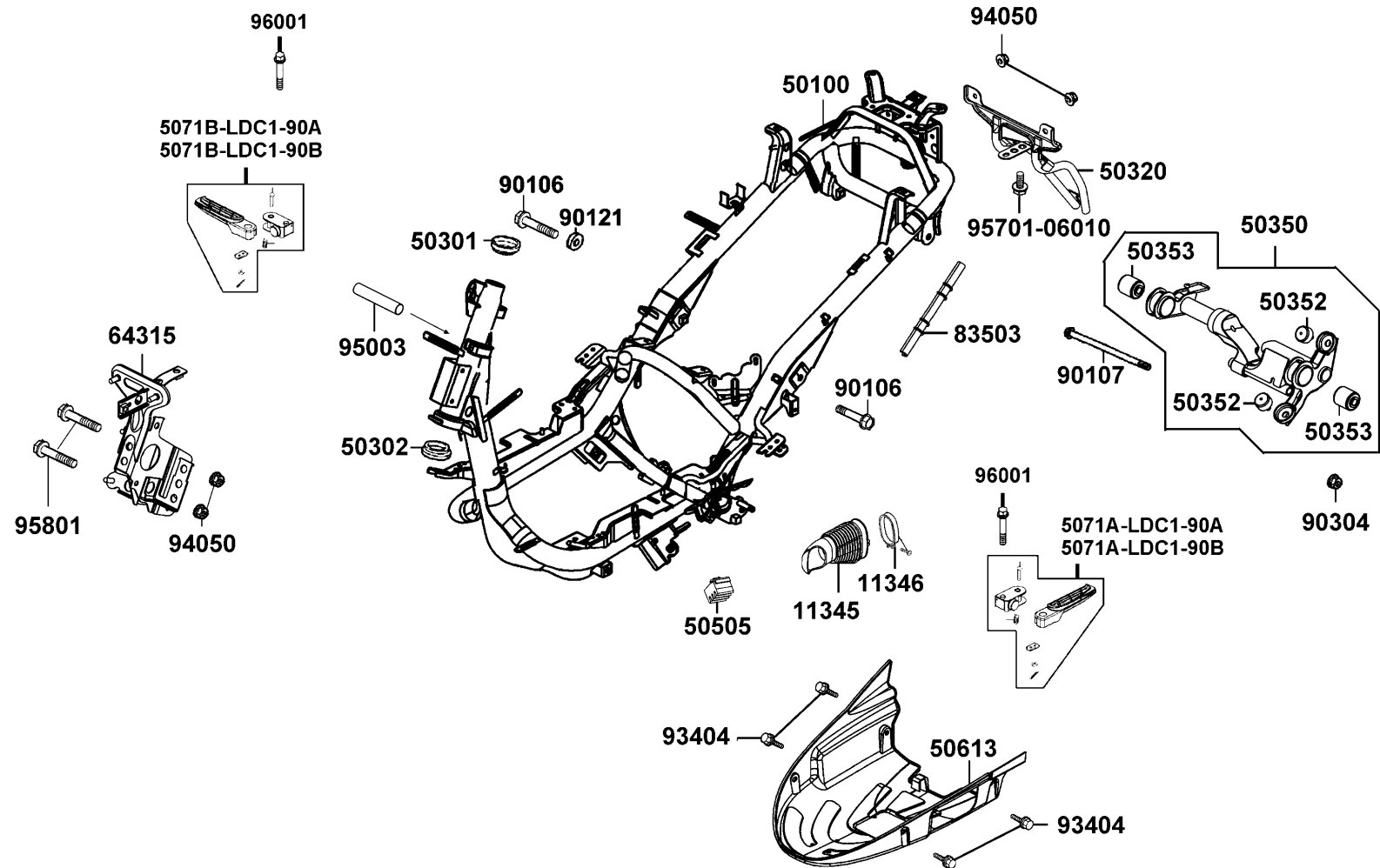


Sales mark 販賣記號	Ref no 項 目	Part no 零 件 號 碼	Description 英 文 名 稱	Chinese 中 文 名 稱	Regd no 需要用量
	17520	17520-LEB1-900	CABLE COMP FUEL CAP	油箱蓋導線	0
	17527	17527-LBA2-900	SLIDE COVER FUEL CAP	油箱蓋導線防塵蓋	0
	3051A	3051A-LGL9-900	COIL ASS'Y IGNITION	點火線圈	1
	30700	30700-LGL9-900	CAP ASS'Y,NOISE SUPPR	火星塞蓋	0
	31600	31600-KED9-900	REG REC COMP	整流器	1
	32100	32100-LGH6-900	HARNESS WIRE	主配線	1
	32120-3C83	32120-3C83-831	CASE 10A FUSE	保險絲盒	1
	32120-KFAK	32120-KFAF-900	CASE 15A FUSE	保險絲盒	0
	32411	32411-LEB1-900	CABLE BAT	電瓶導線	1
	35101-LGH6-325-M1	35101-LGH6-325-M1	KEY SET	鎖匙組	1
	35101-LGH6-325-M2	35101-LGH6-325-M2	KEY SET	鎖匙組	1
	35102-LDC1-305-M1	35102-LDC1-305-M1	SHUTIER SET MAGNETIC LOCK	磁石鎖組/2合1KEY	1
	35102-LDC1-305-M2	35102-LDC1-305-M2	SHUTIER SET MAGNETIC LOCK	磁石鎖組/2合1KEY	1
	35104-LEB1-90A	35104-LEB1-90A	PLATE COVER FUEL CAP CABLE	油箱蓋導線防水蓋	1
	35104-LEB1-90B	35104-LEB1-90B	PLATE COVER FUEL CAP CABLE	油箱蓋導線防水蓋	1
	35109-LBC6-90A	35109-LBC6-90A	PROTECTING COVER CABLE	防水蓋	1
	35109-LBC6-90B	35109-LBC6-90B	PROTECTING COVER CABLE	防水蓋	1
	35119-LEB1-90A	35119-LEB1-90A	COVER SEAT CABLE	座墊導線防水蓋	1
	35119-LEB1-90B	35119-LEB1-90B	COVER SEAT CABLE	座墊導線防水蓋	1
	35380	35380-LDF2-900	SENSOR ANGLE DETECT	檢測角度感應器	1

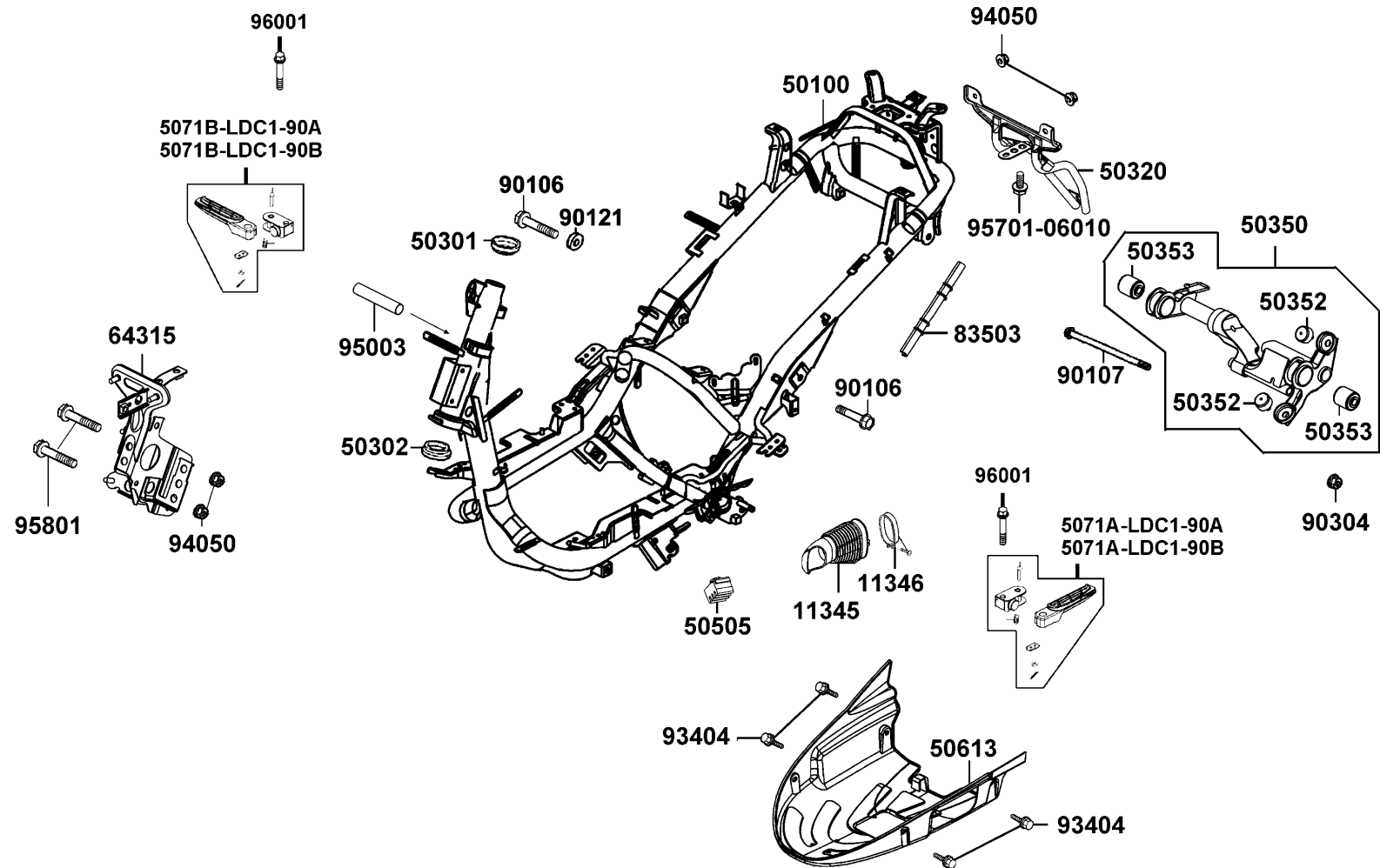
F19



Sales mark 販賣記號	Ref no 項 目	Part no 零 件 號 碼	Description 英 文 名 稱	Chinese 中 文 名 稱	Regd no 需要用量	F19
	35850-KHD8-900	35850-KHD8-900	SET START MAG	起動開關組	1	
	35850-KHD8-90A	35850-KHD8-90A	SET START MAG	起動開關組	1	
	38110	38110-LEA5-E00	HORN COMP	喇叭	1	
	38300	38300-LEA5-E0A	RELAY ASSY WINKER	方向燈繼電器	1	
	38500-KHD8-900	38500-KHD8-900	RELAY ASSY LIGHT	繼電器	2	
	38500-KHD8-90A	38500-KHD8-90A	RELAY ASSY LIGHT	繼電器	1	
	38500-LFB6	38500-LFB6-90A	RELAY ASS'Y.,LIGHT	繼電器	1	
	77240	77240-LFB5-900	CABLE SEAT LOCK	座墊導線	0	
	90656-KCBC	90656-KCBC-900	BAND OIL HOSE	油管束帶	1	
**	90656-KUDU	90656-KUDU-900	BAND HARNESS WIRE	束帶	7	
	93401	93401-04025-08	BOLT WASHER 4*25	螺絲 4*25	2	
	93500	93500-KHC4-90A	SCREW PAN 5*10	螺絲 5*10	1	
	93894	93894-04022-08	SCREW PLAIN WASHER 4*22	螺絲 4*22	2	
	94050	94050-06080	NUT FLANGE 6MM	螺帽 6MM	5	
	95701-06012	95701-06012-08	BOLT FLANGE 6*12	螺絲 6*12	1	
	95701-08012	95701-08012-08	BOLT FLANGE 8*12	螺絲 8*12	1	
	95701-08025	95701-08025-08	BOLT FLANGE 8*25	螺絲 8*25	2	
	98200-11000	98200-11000	FUSE 10A	保險絲 10A	1	
	98200-11500	98200-11500	FUSE A15	保險絲 A15	1	



Sales mark 販賣記號	Ref no 項 目	Part no 零 件 號 碼	Description 英 文 名 稱	Chinese 中 文 名 稱	Regd no 需要用量	F20
	11345	11345-LFB5-900	DUCT L COVER	冷卻導管	1	
	11346	11346-GFY6-901	BAND L COVER DUCT	導管束帶	1	
	50100	50100-LGH6-800	BODY COMP.,FRAME	車體	1	
	50301	50301-KGN7-671	RACE UP STRG BALL	上珠碗	1	
	50302	50302-2H68-011	RACE STRG BOT BALL	下珠碗	1	
	50320	50320-LFB5-900	STAY RR FENDER	後土除支架	1	
	50350	50350-LFB5-900	ENG HANGER ASSY	引擎吊架	1	
	50352	50352-GFY6-901	RUBBER STOPPER	吊架橡皮	2	
	50353	50353-LEB1-900	BUSH SWING LOCK	襯套	2	
	50505	50505-KEBE-900	STOPPER RUBBER	主腳架橡皮	1	
**	50613	50613-LFB5-900	COVER UNDER	電瓶底蓋	1	
	5071A-LDC1-90A	5071A-LDC1-91A	BAR STEP R ASSY	右後踏桿組	1	
	5071A-LDC1-90B	5071A-LDC1-91B	BAR STEP R ASSY	右後踏桿組	1	
	5071B-LDC1-90A	5071B-LDC1-91A	BAR STEP L ASSY	右後踏桿組	1	
	5071B-LDC1-90B	5071B-LDC1-91B	BAR STEP L ASSY	右後踏桿組	1	
	64315	64315-LFB6-900	STAY COMP.,FR. COVER	前罩支架	1	
	83503	83503-KHD6-900	COVER PROTECTOR SEAT WIRE	座墊導線護蓋	1	
	90106	90106-GFY6-901	BOLT FLANGE 10*55	螺絲 10*55	2	
	90107	90107-KUDU-900	BOLT FLANGE 10*188	螺絲 10*188	1	
	90121	90121-GFY6-901	COLLAR DISTANCE	套筒	1	

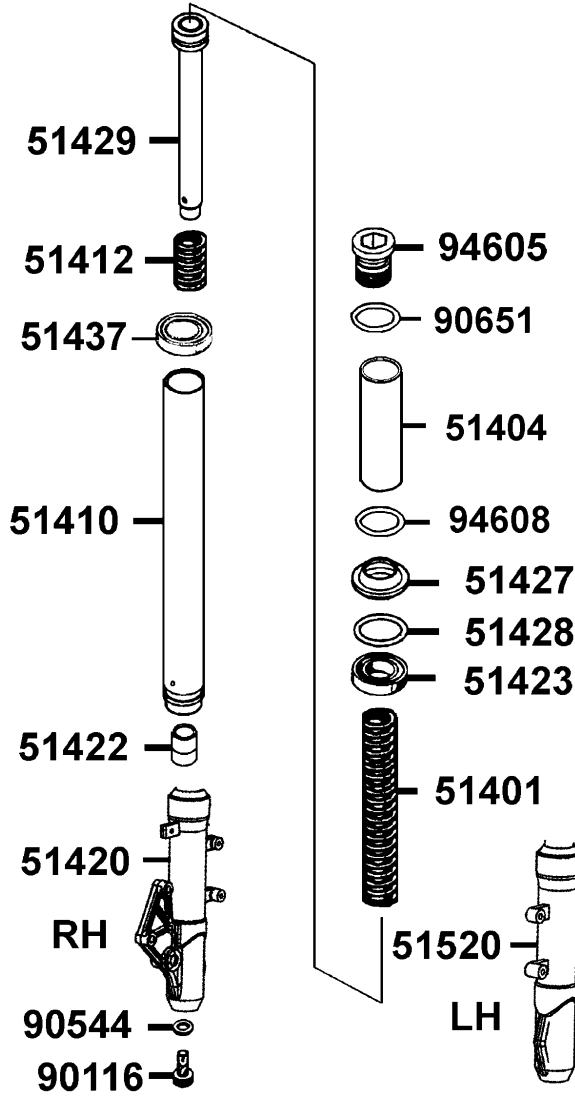


Sales mark 販賣記號	Ref no 項 目	Part no 零 件 號 碼	Description 英 文 名 稱	Chinese 中 文 名 稱	Regd no 需要用量	F20
	90304	90304-GHE8-004	NUT U 10MM	螺帽 10MM	1	
	93404	93404-06016-06	BOLT WASHER 6*16	螺絲 6*16	4	
	94050	94050-06080	NUT FLANGE 6MM	螺帽 6MM	4	
	95003	95003-LEB1-900	"TUBE, CLAMP"	管夾	1	
	95701-06010	95701-06010-08	BOLT FLANGE 6*10	螺絲 6*10	1	
	95801	95801-06050-08	BOLT FLANGE 6*50	螺絲 6*50	2	
	96001	96001-06032-06	BOLT FLANGE 6*32	螺絲 6*32	2	

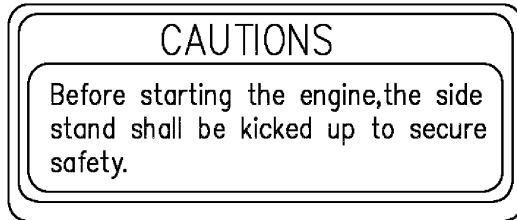
F21

Separated Parts Of Fr Fork

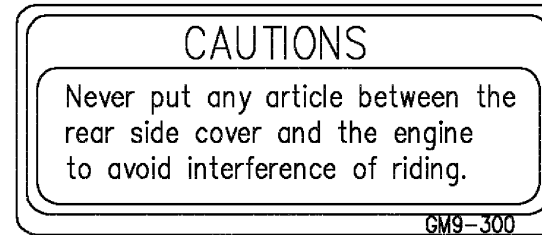
前叉附件



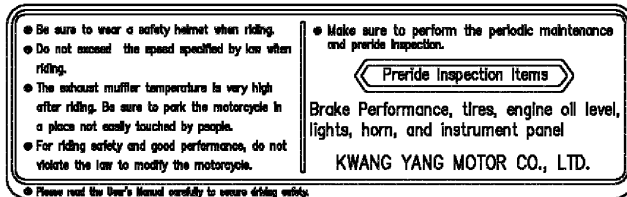
Sales mark 販賣記號	Ref no 項 目	Part no 零 件 號 碼	Description 英 文 名 稱	Chinese 中 文 名 稱	Regd no 需要用量	F21
	51401	51401-LFB5-900	SPRING FR CUSHION	彈簧	1	
	51404	51404-LFB6-E00	SPRING COLLAR	套筒	2	
	51410	51410-LFB5-900	FORK PIPE COMP	前避震器管	1	
	51412	51412-KHD8-900	REBOUND SPRING	回位彈簧	1	
**	51420	51420-LFB5-900	BOTTOM CASE R	右前避震器底管	1	
	51422	51422-LFB5-900	OIL LOCK PIECE	止油接頭	1	
	51423	51423-KKAK-900	OIL SEAL	前避震器油封	1	
	51427	51427-KKAK-900	DUST SEAL	防塵封	1	
	51428	51428-KKAK-900	OIL SEAL STOPPER RING	油封止位環	1	
	51429	51429-LFB6-E00	PIPE SEAT COMP	避震管座	2	
	51437	51437-LFB6-E00	PISTON RING	活塞環	2	
**	51520	51520-LFB5-900	BOTTOM CASE L	左前避震器底管	1	
	90116	90116-KHD8-900	BOLT	螺絲	1	
	90544	90544-KEC8-900	PACKING	墊片	1	
	90651	90651-LFB6-E00	STOPPER RING	油封止位環	2	
	94605	94605-LFB5-900	FORK BOLT	螺絲	1	
	94608	94608-LFB6-E00	O-RING	O環	2	



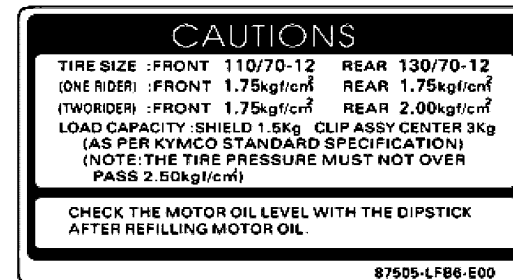
87541



87542



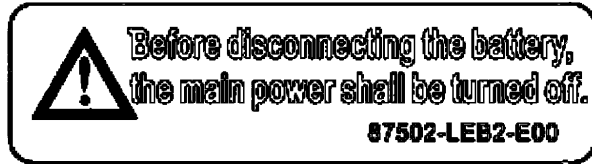
87560



87505

Sales mark 販賣記號	Ref no 項 目	Part no 零 件 號 碼	Description 英 文 名 稱	Chinese 中 文 名 稱	Regd no 需要用量
**	87505	87505-LFB6-E00	LABEL TIRE	標籤	1
**	87541	87541-GAR1-E00	CAUTION SIDE STAND	標籤	1
**	87542	87542-GAR1-E00	MARK MAINT CAUTION	標籤	1
**	87560	87560-GFY6-E00	MARK DRIVE CAUTION	標誌	1

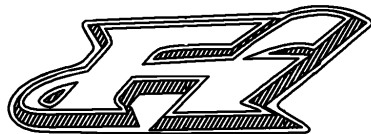
F22



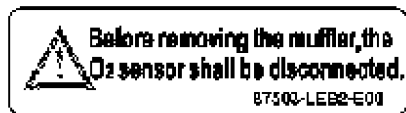
87502



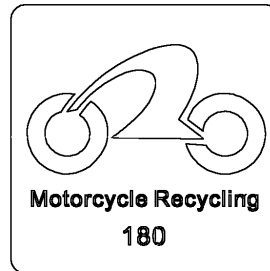
86408



87311-LEA1-900



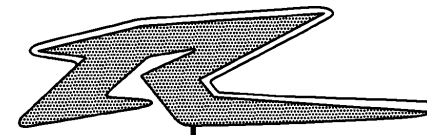
87503



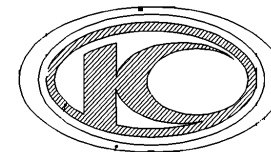
87311-LAD9-B20



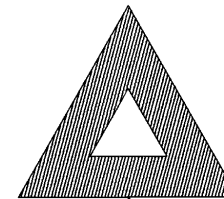
86202



86212



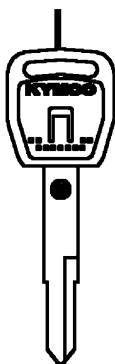
86102



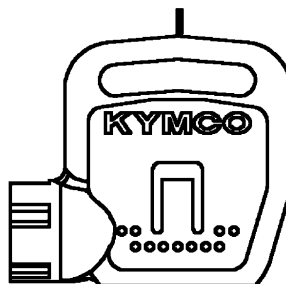
86409

Sales mark 販賣記號	Ref no 項 目	Part no 零 件 號 碼	Description 英 文 名 稱	Chinese 中 文 名 稱	Regd no 需要用量	F23
**	86102	86102-KKC4-900	EMB K-LOGO 28.5MM	標誌 28.5MM	1	
**	86202	86202-LFB6-900	EMB BODY COVER	貼紙	2	
**	86212	86212-LFB6-900	EMB B BODY COVER	貼紙	2	
**	86408	86408-KKC8-B20	STRIPE FR FENDER	貼紙	1	
**	86409	86409-LBE8-B20	STRIPE RR FENDER	貼紙	1	
**	87311-LAD9	87311-LAD9-B20	STRIPE R MARK	貼紙	1	
**	87311-LEA1	87311-LEA1-900	STRIPE MARK Fi	貼紙	2	
**	87502	87502-LEB2-E00	CAUTION BATTERY	貼紙	1	
**	87503	87503-LEB2-E00	CAUTION MUFFLER	貼紙	1	

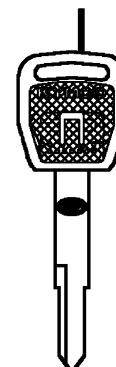
35111-LDC1-305-M1



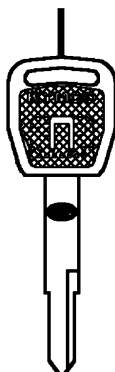
35111-LDC1-307-M1



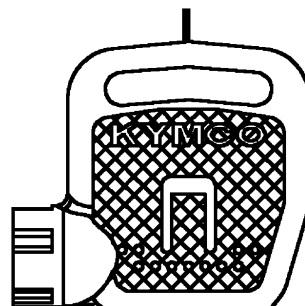
35111-LDC1-306-M2



35111-LDC1-305-M2



35111-LDC1-307-M2



35111-LDC1-306-M1



Sales mark 販賣記號	Ref no 項 目	Part no 零 件 號 碼	Description 英 文 名 稱	Chinese 中 文 名 稱	Regd no 需要用量
	35111-LDC1-305-M1	35111-LDC1-305-M1	KEY COMP (R TANGENT PLANE/SD)	未加工主開關鑰匙/右切/SD	1
	35111-LDC1-305-M2	35111-LDC1-305-M2	KEY COMP (R TANGENT PLANE/TJ)	未加工主開關鑰匙/右切/TJ	1
	35111-LDC1-306-M1	35111-LDC1-306-M1	KEY COMP (L TANGENT PLANE/SD)	未加工主開關鑰匙/左切/SD	1
	35111-LDC1-306-M2	35111-LDC1-306-M2	KEY COMP (L TANGENT PLANE/TJ)	未加工主開關鑰匙/左切/TJ	1
	35111-LDC1-307-M1	35111-LDC1-307-M1	KEY COMP SHOTTER MAGNETIC (SD)	磁石鑰匙/SD	1
	35111-LDC1-307-M2	35111-LDC1-307-M2	KEY COMP SHOTTER MAGNETIC (TJ)	磁石鑰匙/TJ	1

F24

PART NO. INDEX
零件號碼索引

PART NO. 零件號碼	VERSION 版數	PAGE 頁次	PART NO. 零件號碼	VERSION 版數	PAGE 頁次	PART NO. 零件號碼	VERSION 版數	PAGE 頁次
11000			12000			14321-LEB1-900	3	E02
11100-LEB1-306	1	E01	12100-LFE2-900	4	E03	14401-LFE2-900	2	E03
11102-1G87-004	3	E01	12191-LFE2-900	1	E03	14420-LFE2-900	1	E02
11192-LEB1-900	5	E01	12200-LFE2-E00	0	E02	14430-LFE2-900	1	E02
11200-LFB5-306	0	E01	12209-GDB4-68A	0	E02	14433-LEB1-900	1	E02
11203-GFY6-901	0	F14	12209-KHD6-900	0	E02	14434-LEB1-900	1	E02
11203-GGC7-301	2	E01	12216-LEB1-900	2	E02	14452-LEB1-900	4	E02
11203-GGC7-301	2	F16	12217-LEB1-900	1	E02	14453-LEB1-910	1	E02
11206-LFB5-900	2	E06	12251-LFE2-900	5	E02	14510-LEB1-900	2	E03
11207-LFB5-900	2	E04	12310-LFB5-900	2	E02	14520-GFY6-90A	1	E03
11211-LFB5-900	2	F13	12361-GFY6-901	1	E04	14523-KED9-900	0	E03
1122A-LFB5-900	2	E01	12391-LFE2-900	3	E02	14531-GLR0-001	1	E03
11330-LEB1-900	9	E04				14610-LEB1-900	1	E03
11340-LFB5-910	1	E01	13000			14711-LFE2-900	1	E02
11342-LFB5-900	4	E01				14721-LGL9-900	2	E02
11344-LGH6-900	0	E01	13000-LFB5-900	3	E03	14751-KHD6-900	1	E02
11345-LFB5-900	2	F20	13011-LFE2-90B	2	E03	14771-KHD6-900	0	E02
11346-GFY6-901	0	F20	13101-LFE2-900	7	E03	14781-MFA6-001	0	E02
11353-LEA6-900	1	E01	13111-KKJ9-001	3	E03	15000		
11383-KHE7-900	0	F16				15100-KFB7-900	0	E06
11383-LFB5-900	1	E01	14000			15133-GFY6-901	0	E06
11394-LEB1-900	4	E04				15141-GFY6-90B	0	E06
11395-LFB5-900	3	E01	14100-LFE2-900	4	E02	15141-GFY6-90C	1	E06
			14110-LEB1-900	3	E02	15421-1G07-001	1	E04

PART NO. INDEX

PART NO.	VERSION	PAGE	PART NO.	VERSION	PAGE	PART NO.	VERSION	PAGE
15426-GAE1-921	0	E04	17212-LDA6-900	0	F13			
1565A-KUDU-900	0	E04	17213-LBD6-E00	1	F13	18000		
15711-GFY6-901	0	E06	1723A-LGH6-E00	1	F13			
16000			1723B-LGH6-900	0	F13	18291-KEBE-900	0	F14
			17369-KHC4-900	0	F10	18291-KKC4-900	0	E01
			1737A-KUDU-900	0	F13	18291-LEA5-E00	1	F14
16056-LEB2-900	2	E09	17500-LGH6-900	2	F10	18292-KEBE-900	0	F14
16068-LEB2-900	3	E09	17502-LEB1-900	2	F10	18293-KEBE-900	0	F14
16074-KEC3-900	4	E09	17504-LAB4-900	2	F10	18293-KKC4-900	0	E01
16100-LFB6-B20	1	E09	17507-LAB4-900	2	F10	18294-KEBE-900	0	F14
16110-KKE3-900	2	E09	17513-LAD9-900	1	F10	1830A-LFB6-E00	0	F14
16112-KKE3-900	1	E09	17515-LAD9-900	1	F10	18318-LFB5-E00	0	F14
16118-KEC3-900	0	E09	17520-LEB1-900	0	F19	18325-LFB6-E00	1	F14
16122-KEC3-900	0	E09	17527-LBA2-900	0	F19			
16133-KEC3-900	1	E09	17550-LGH6-900	2	F10	19000		
16134-KKE3-900	5	E09	17553-LGH6-900	0	F10			
16138-KEC3-900	1	E09	1756A-LGH6-900	0	F10	19411-KBCB-900	0	F10
16154-KKE3-900	4	E09	17620-LLJ3-E0A	3	F10	19504-LBA2-E00	3	F10
16170-KEC3-900	0	E09	17620-LLJ3-E0B	3	F10	19510-LEB1-900	1	E07
16201-LFE2-900	2	E02	17623-KKE5-E1A	0	F10	19613-GFY6-901	0	E07
16211-LFE2-900	2	E02	17623-KKE5-E1B	0	F10	1961A-LGH6-E00	1	E07
17000			17689-LAD9-B20	0	F10	19625-LFE2-900	1	E07
			17910-LGH6-900	0	F03	19626-LEB1-900	1	E07
						1962A-LFE2-900	3	E07
1711A-LFB6-810	1	E02				19633-GFY6-901	0	E07
17211-LFB5-900	0	F13				19635-LFE2-900	2	E07

PART NO. INDEX

PART NO.	VERSION	PAGE	PART NO.	VERSION	PAGE	PART NO.	VERSION	PAGE
19636-LEB1-900	1	E07				28211-KFC8-900	0	E05
1963A-LFB6-900	2	E07	23000					
21000			2301A-LFB6-910	2	E05	30000		
			23100-LFB6-900	0	E05	3051A-LGL9-900	3	F19
21301-LFB5-305	1	E08	23200-LFE2-900	1	E05	30700-LGL9-900	3	F19
21395-LFB5-900	4	E08	23220-GFY6-921	1	E05			
22000			23225-GHC8-004	0	E05	31000		
			23226-GHC8-004	0	E05			
			23233-LFB6-910	1	E05	31110-LGH6-90A	1	E07
22101-KEBE-900	1	E05	23237-GFY6-941	0	E05	31110-LGH6-90B	1	E07
22102-LEB1-900	2	E05	23238-LEB1-910	0	E05	31120-LGH6-90A	1	E07
22105-LFE2-900	1	E05	23411-LFB5-900	2	E08	31120-LGH6-90B	1	E07
22110-LEB1-800	7	E05	23420-LGH5-900	1	E08	31210-LFB5-90A	0	E06
22111-LEB1-800	5	E05	23431-LFB5-910	0	E08	31210-LFB5-90B	0	E06
22112-GFY6-90A	0	E05	23432-LGH5-910	0	E08	31210-LFB5-90C	2	E06
22121-GFY6-92A	2	E05				31500-KFAF-90A	4	F11
22130-LEB1-800	5	E05	28000			31500-KFAF-90B	6	F11
22300-LFB6-910	2	E05				31600-KED9-900	4	F19
22350-KGN7-671	0	E05	28101-GFY6-200	2	E06			
22361-KGN7-671	1	E05	28102-GFY6-901	0	E06	32000		
22401-GFY6-94A	0	E05	28110-LEB1-900	3	E06			
22530-LFB6-910	0	E05	28120-GFY6-315	6	E06	32100-LGH6-900	3	F19
22804-GBB2-001	0	E05	28125-4F26-001	0	E06	32101-GFY6-901	1	F04
			28125-GFY6-960	3	E06	32106-KKE3-900	2	E06
			28126-KUDU-900	1	E06	32120-3C83-831	0	F19

PART NO. INDEX

PART NO.	VERSION	PAGE	PART NO.	VERSION	PAGE	PART NO.	VERSION	PAGE
32120-KFAF-900	0	F19	33725-KHB4-E00	0	F18	35111-LDC1-306-M2	0	F24
32161-LBA7-900	0	F18	33726-KHB4-E00	0	F18	35111-LDC1-307-M1	0	F24
32410-LEB1-900	1	E06	33741-GFY6-C30	1	F05	35111-LDC1-307-M2	0	F24
32411-LEB1-900	4	F19	33741-KEC8-900	0	F18	35119-LEB1-90A	0	F19
32412-LEB1-900	4	E04				35119-LEB1-90B	0	F19
32961-LEB1-900	2	E04	34000			35130-KXCX-M00	0	F03
33000			34901-KFA6-900	0	F01	35160-GFY6-900	2	F03
			34903-KPCP-900	0	F01	35170-KNBN-910	1	F03
33107-KKC4-E00	0	F01	34903-KPCP-900	0	F18	35180-GFY6-900	2	F03
33120-LGH6-900	0	F01	34905-LBA7-E00	0	F17	35200-GFY6-910	1	F03
33130-LFB5-900	0	F01	34905-LCA5-E00	0	F18	35340-KNBN-901	0	F04
33400-LFB5-900	1	F17				35350-KNBN-901	0	F04
33401-LFB5-900	0	F17	35000			35380-LDF2-900	2	F19
33406-LFB5-900	0	F17				35850-KHD8-900	1	F19
33450-LFB5-900	1	F17	35101-LGH6-325-M1	0	F19	35850-KHD8-90A	0	F19
33451-LFB5-900	0	F17	35101-LGH6-325-M2	0	F19	37000		
33456-LFB5-900	0	F17	35102-LDC1-305-M1	0	F19			
33700-LFB5-900	3	F18	35102-LDC1-305-M2	0	F19	37200-LGH6-B20	0	F02
33701-LFB5-900	0	F18	35104-LEB1-90A	0	F19	37215-LEA2-900	0	F05
33706-KHB4-E01	0	F18	35104-LEB1-90B	0	F19	37215-LGM9-900	0	F05
33709-KBAB-003	0	F18	35109-LBC6-90A	1	F19	37230-LFB5-90B	0	F02
33709-LFB5-900	0	F18	35109-LBC6-90B	1	F19	37801-LAB4-910	1	F10
33717-LFB5-900	0	F18	35111-LDC1-305-M1	0	F24	3780A-LFB5-900	0	F10
33720-KHB4-E00	3	F18	35111-LDC1-305-M2	0	F24			
33722-KHB4-E00	0	F18	35111-LDC1-306-M1	0	F24			

PART NO. INDEX

PART NO.	VERSION	PAGE	PART NO.	VERSION	PAGE	PART NO.	VERSION	PAGE
			42312-KHB4-900	0	F08	44650-LFE2-305	4	F07
			42601-LFB5-900	2	F08	44710-LFB6-E0A	1	F07
			42710-LFB6-E0A	1	F08	44800-KFA5-900	1	F07
38110-LEA5-E00	1	F19	42753-0D04-900	1	F07	44830-KXCX-901	4	F02
38300-LEA5-E0A	1	F19	42753-KNBN-90B	1	F08			
38500-KHD8-900	0	F19				45000		
38500-KHD8-90A	0	F19	43000			45105-LFB5-900	0	F08
38500-LFB6-90A	0	F19				45107-LFB5-900	0	F07
			43100-LFB5-900	1	F08	45107-LFB5-900	0	F08
			43105-LFB5-305	0	F07	45108-LDH1-E00	0	F08
			43126-LFB5-900	4	F04	45109-GBE2-007	0	F07
39300-LEB2-800	1	E02	43156-LFB5-900	1	F04	45109-GBE2-007	0	F08
39301-LGL9-900	1	E02	43210-LFB5-305	0	F08	45126-LFB5-900	1	F04
39302-KKE3-900	2	E02	43351-LFB5-900	2	F08	45128-LFB5-900	1	F06
39303-LEB2-900	2	E02	43352-KKD6-E90	1	F07	45131-LDH1-E00	0	F07
39400-KKE3-800	2	E02	43352-KKD6-E90	1	F08	45131-LDH1-E00	0	F08
39450-LEA6-800	2	F14	43353-4A61-77A	0	F07	45132-LDH1-E00	0	F07
			43353-4A61-77A	0	F08	45132-LDH1-E00	0	F08
			43530-LFB5-305	0	F04	45156-KEC6-900	2	F06
						45200-LFB5-900	1	F07
			44000			45209-GBE2-007	0	F07
40511-LEC8-E00	1	F05				45209-GBE2-007	0	F08
40511-LFB5-900	0	F01	44301-LFE2-900	1	F07	45210-LFB5-305	0	F07
			44311-KEBE-900	0	F07	45351-LFB6-900	0	F07
			44620-KHD8-900	1	F07	45513-GLW0-91A	0	F04
42311-LFB5-900	0	F08	44650-LFE2-305	0	F07			

PART NO. INDEX

PART NO.	VERSION	PAGE	PART NO.	VERSION	PAGE	PART NO.	VERSION	PAGE
45513-LFB5-900	0	F04	50613-LFB5-900	3	F20			
45517-KFAF-910	0	F04	5071A-LDC1-91A	1	F20	52000		
45520-GLW0-91A	0	F04	5071A-LDC1-91B	1	F20			
45530-LFB5-305	0	F04	5071B-LDC1-91A	1	F20	52000-LFB5-900	1	F16
45531-GAR1-951	0	F07	5071B-LDC1-91B	1	F20	52400-LFB5-900	3	F16
45531-GAR1-951	0	F08				52500-LFB5-900	2	F16
50000			51000			53000		
			51401-LFB5-900	0	F21			
50100-LGH6-800	1	F20	51404-LFB6-E00	0	F21	53100-LGH6-900	1	F03
50179-LEB2-900	2	F10	5140A-LFB6-E00	3	F06	53102-KEC8-900	0	F03
50301-KGN7-671	2	F20	51410-LFB5-900	0	F21	53105-LBB5-E00	2	F03
50302-2H68-011	2	F20	51412-KHD8-900	0	F21	53125-GEN5-901	0	F03
50306-1F96-001	0	F06	51420-LFB5-900	0	F21	53140-LFB6-800	3	F03
50320-LFB5-900	1	F20	51422-LFB5-900	0	F21	53150-LEA6-900	3	F03
50328-LBB8-900	1	F11	51423-KKAK-900	0	F21	53167-KFA1-900	0	F03
50329-LEB1-900	2	F11	51427-KKAK-900	0	F21	53168-KFA1-900	1	F03
5032A-LEB1-900	2	F11	51428-KKAK-900	0	F21	53175-KFA5-E10	0	F04
50350-LFB5-900	3	F20	51429-LFB6-E00	0	F21	53178-KFC8-E10	0	F04
50352-GFY6-901	0	F20	51430-LDH1-E00	0	F07	53200-LFB5-900	3	F06
50353-LEB1-900	1	F20	51430-LDH1-E00	0	F08	53205-LFB5-900	1	F03
50500-LFB5-900	7	F15	51437-LFB6-E00	0	F21	53206-LFB5-900	0	F03
50502-GFY6-901	3	F15	5150A-LFB6-E00	3	F06	53207-KKD9-B00	3	F03
50505-KEBE-900	0	F20	51520-LFB5-900	0	F21	53208-LFB5-900	0	F03
50505-LAD9-900	3	F15				53211-GFY6-940	1	F06
50530-LFB5-900	2	F15				53212-2L50-011	1	F06

PART NO. INDEX

PART NO.	VERSION	PAGE	PART NO.	VERSION	PAGE	PART NO.	VERSION	PAGE
53214-2L50-001	0	F06						
53215-2L50-001	0	F06	70000			81000		
61000			70529-6G57-671	0	E01	81131-LFB5-910	0	F05
			70529-6G57-671	0	E07	81132-LFB5-900	0	F05
61100-LFB5-900	1	F05				81134-LGH6-B20	1	F05
61101-LFB5-900	0	F05	77000			81141-LFB5-900	0	F05
61102-LFB5-900	0	F05				81142-KUDU-900	1	F05
61103-LFB5-900	3	F05	77200-LFB6-E00	1	F09	81142-LFB6-800	1	F05
6110B-LFB5-900	4	F05	77206-KEB7-900	0	F09	81153-LFB6-900	0	F05
			77235-KGC4-E0A	2	F12	81200-LFB5-900	2	F12
64000			77235-KGC4-E0B	2	F12	81255-LGL9-900	1	F12
			77240-LFB5-900	0	F19	81260-LEB2-900	2	F12
64302-LFB5-900	3	F05	77300-LBE3-900	0	F09			
64303-LFB5-900	0	F05	77303-KKC4-800	1	F09	83000		
64304-LFB5-900	0	F05						
64305-LFB6-800	2	F05	80000			83500-LFB5-900	2	F12
64306-LFB6-800	2	F05				83503-KHD6-900	2	F20
64307-LFB5-900	0	F05	80100-LFB5-910	0	F18	83520-LFB5-900	0	F12
64307-LFB5-900	1	F05	80102-LFB5-900	2	F18	83600-LFB5-900	2	F12
6430A-LFB6-800	1	F05	80103-LFB5-900	0	F18	83620-LFB5-900	0	F12
64310-LFB5-900	0	F05	80105-LFB5-900	4	F18	8376A-KECE-901	2	F12
64315-LFB6-900	1	F20	80107-LFB5-900	1	F18			
64316-KHD6-900	0	F05	80151-LFB5-900	2	F12	86000		
64316-KHE2-900	0	F05						
64400-LFB5-900	1	F05				86102-KKC4-900	1	F23

PART NO. INDEX

PART NO.	VERSION	PAGE	PART NO.	VERSION	PAGE	PART NO.	VERSION	PAGE
86202-LFB6-900	0	F23				90116-KED9-900	2	F05
86212-LFB6-900	0	F23	90000			90116-KHD8-900	0	F21
86408-KKC8-B20	2	F23				90121-GFY6-901	1	F20
86409-LBE8-B20	1	F23	90001-GBHB-661	0	E03	90131-LEA5-E00	1	F08
			90001-GFY6-901	1	E02	90131-LEB1-900	1	F07
87000			90005-KAW1-901	1	E03	90131-LFB5-900	0	F16
			9000A-KKJ9-001	0	E01	90145-MKS9-61A	1	F04
87311-LAD9-B20	1	F23	9000A-KTDT-900	1	E01	90164-MDR4-901	0	F05
87311-LEA1-900	1	F23	9000B-KHD6-900	2	E02	90201-GFY6-901	0	E06
87502-LEB2-E00	1	F23	90012-3C33-001	0	E02	90202-1G87-001	0	E05
87503-LEB2-E00	0	F23	90031-KHD6-900	2	E01	90206-0A01-001	1	E02
87505-LFB6-E00	1	F22	90031-LFE2-900	2	E01	90215-GLM0-910	1	F18
87541-GAR1-E00	1	F22	90033-GFY6-900	0	E02	90301-6D34-671	1	F01
87541-KUDU-E00	0	E07	90105-KCR3-001	1	F07	90301-GFY6-901	2	F14
87542-GAR1-E00	2	F22	90105-KCR3-001	1	F08	90302-GBR2-001	1	F10
87560-GFY6-E00	3	F22	90105-KHB4-900	0	F03	90302-GFY6-901	1	F12
			90106-GEN5-901	0	F03	90302-GFY6-940	1	F10
88000			90106-GFY6-901	0	F20	90302-GFY6-940	1	F11
			90106-KFAF-900	2	F12	90302-KEC8-900	1	F03
88110-LFB5-900	2	F03	90106-KFC2-900	0	F03	90302-LLB1-E00	2	F10
88120-LFB5-900	2	F03	90107-KUDU-900	2	F20	90302-LLB1-E00	2	F18
			90108-KUDU-900	1	F15	90302-SDA4-004	2	F03
89000			90111-1G87-001	1	F12	90302-SDA4-004	2	F05
			90111-LEB1-900	1	F18	90302-SDA4-004	2	F12
89010-LEB1-900	2	F09	90114-1F66-007	2	F04	90304-GHE8-004	0	F03
			90114-GDM4-011	1	F13	90304-GHE8-004	0	F20

PART NO. INDEX

PART NO.	VERSION	PAGE	PART NO.	VERSION	PAGE	PART NO.	VERSION	PAGE
90305-GHK8-001	1	E07	90754-GHC8-00B	1	F07	91306-1E05-691	0	E03
90305-GHK8-001	1	F12	90912-KFLF-00A	0	F07	91307-0E35-001	0	E04
90305-KFW6-91A	0	F08				91351-6B42-000	0	E05
90306-LFE2-900	1	F07	91000			91508-KGV7-67A	0	F18
90381-GEZ5-001	1	F12				91981-KGN7-670	0	E06
90403-GFY6-901	0	E06	91002-GGA7-70A	0	E05			
90426-KNBN-901	0	E05	91004-KHE7-900	1	E05	92000		
90440-1F66-001	0	E07	91009-GLE0-004	1	E01			
90474-3C33-001	1	E01	91014-LLJ3-E00	1	F06	92101-05012-0H	0	E07
9052A-LEB1-900	1	E01	91015-LLJ3-E00	1	F06	92101-06014-0H	1	E02
90544-KEC8-900	0	F21	91051-KFBF-901	1	F16	92900-06060-0B	0	E02
90545-3L00-001	2	F04	91101-1K79-711	1	E06			
90601-GFY6-901	0	E05	91104-GFY6-90B-B	1	E06	93000		
90605-1F66-721	0	E05	91104-GFY6-90B-R	1	E06			
90651-LFB5-900	0	F13	91104-GFY6-90B-W	1	E06	93401-04025-08	0	F19
90651-LFB6-E00	0	F21	91104-GFY6-90C-B	0	E06	93404-06012-06	0	F14
90652-LCA4-E00	1	F05	91104-GFY6-90C-R	0	E06	93404-06012-06	0	F18
90652-LFB5-900	0	F05	91104-GFY6-90C-W	0	E06	93404-06016-06	0	F20
90652-LGJ9-900	2	E02	91202-GFY6-90B	1	E04	93404-06025-06	0	E01
90656-KCBC-900	0	F03	91202-LEB1-900	2	E01	93404-06030-06	0	F05
90656-KCBC-900	0	F19	91202-LFE2-90A	1	E08	93500-03010-1A	0	E06
90656-KUDU-900	0	F19	91211-KEBE-900	0	E05	93500-04008-0G	0	F10
90660-KGBG-900	0	F10	91255-GLE0-006	0	E01	93500-05022-06	0	F03
90677-GAR1-004	1	F11	91301-GLR0-005	1	E03	93500-KHC4-90A	0	F19
90701-HFB6-011	1	E03	91301-LEB1-900	1	E02	93600-04012-1G	0	F04
90754-GHC8-00A	1	F07	91302-0A01-021	0	E04	93700-05018-0H	0	F02

PART NO. INDEX

PART NO.	VERSION	PAGE	PART NO.	VERSION	PAGE	PART NO.	VERSION	PAGE
93891-05025-06	0	F03	94050-06080	0	E02	94591-KFBF-900	2	E02
93891-05040-06	0	F10	94050-06080	0	E06	94601-15000	0	E03
93892-04010-08	0	E09	94050-06080	0	E09	94605-LFB5-900	1	F21
93892-05010-08	0	E09	94050-06080	0	F05	94608-LFB6-E00	0	F21
93893-04012-18	0	F04	94050-06080	0	F09			
93894-04022-08	1	F19	94050-06080	0	F10	95000		
93903-25460	0	F13	94050-06080	0	F19			
93903-34260	0	F18	94050-06080	0	F20	95002-02120	0	F13
93903-34360	0	F03	94050-08080	0	E02	95002-02130	0	F10
93903-34360	0	F05	94050-12080	0	E05	95002-41050-00	0	F13
93903-34360	0	F11	94050-12080	0	E07	95002-50000	0	E01
93903-34360	0	F12	94101-06700	0	F14	95002-50000	0	F13
93903-34360	0	F17	94101-08800	0	F10	95003-LEB1-900	0	F20
93903-34360	0	F18	94101-KKE3-900	1	E09	95014-71402	0	F15
93903-34460	0	F02	94111-06800	0	E02	95014-72204	0	F15
93903-34460	0	F05	94111-06800	0	E09	95701-06010-08	1	F20
93903-34760	0	F05	94301-08140	0	E01	95701-06012-06	1	F06
93903-35320	0	F02	94301-10160	0	E01	95701-06012-08	0	F19
93903-35320	0	F03	94301-10160	0	E02	95701-06018-08	1	F14
93903-35360	0	F01	94301-10160	0	E03	95701-06022-06	1	F11
93903-35360	0	F10	94301-10160	0	E04	95701-06022-06	1	F14
93903-GFY6-900	1	F05	94303-04065	0	E06	95701-08012-08	0	E01
			94510-25000	0	E08	95701-08012-08	0	F19
94000			94520-28000	0	E05	95701-08025-08	0	F19
			94520-40000	0	F16	95801-06050-08	0	F20
94050-06060	0	F04	94591-27000	0	F05	95801-08035-06	1	F16

PART NO. INDEX
零件號碼索引

PART NO.	VERSION	PAGE	PART NO.	VERSION	PAGE	PART NO.	VERSION	PAGE
95801-08040-08	0	F06	96001-06035-08	0	F13			
95801-08042-06	0	F14	96001-06050-08	0	E01			
95801-10025-08	0	F15	96001-06100-08	0	E02			
95801-10040-08	0	F16	96001-06100-08	0	E04			
			96001-06110-08	0	E04			
96000			96001-GFY6-900	1	E01			
			96100-60020-00	0	E01			
96001-06008-07	0	F14	96100-62020-00	0	E08			
96001-06012-00	0	F04	96100-62030-00	0	E01			
96001-06012-00	0	F16	96100-63030-00	0	E08			
96001-06012-08	0	E04	96100-LFE2-900	1	E08			
96001-06012-08	0	E06	96220-60100	0	E06			
96001-06012-08	0	F12	96600-08010-10	1	E06			
96001-06014-08	0	E02						
96001-06016-08	0	E07	98000					
96001-06018-08	0	E06						
96001-06018-08	0	E07	98059-58916-00	2	E02			
96001-06022-06	1	F04	98200-11000	0	F11			
96001-06022-08	0	E07	98200-11000	0	F19			
96001-06025-08	0	E01	98200-11500	0	F11			
96001-06025-08	0	E07	98200-11500	0	F19			
96001-06028-08	0	E06						
96001-06028-08	0	E07						
96001-06032-06	0	F20						
96001-06032-08	0	E01						
96001-06032-08	0	E04						