

# PARTS CATALOGUE



## SCOOTERS

SR25BA

RACING 125 FI



Date : 2010/01/12

## 前言

- 本零件型錄適用於 SR25BA 機種，訂購零件時，請參照本冊。
- 本冊之配色表僅供參考，若與實車不符之處，以實車為準。
- 配色記號(Color Mark)  
註明 "\*\*\*" 記號，表示訂購該零件時，請參照機種相片及配色表，並請在基本零件號碼最後加上色碼。
- 本冊若有錯誤或遺漏之處，敬請不吝賜教指正。

## ABOUT THIS PARTS LIST

- This parts list is compiled all service parts for model SR25BA.
- Any difference between color chart and motorcycle will be revised according to motorcycle.
- The sales mark:
  - 1.marking "\*\*\*" must add color code in the end before ordering parts.
- When modification or additions to this parts list are made a revised edition at an appropriate time.

## 目次

|                    |     |
|--------------------|-----|
| ● 前言 .....         | 1   |
| ● SR25BA 配色表 ..... | 3   |
| ● 引擎結構圖 .....      | 6   |
| ● 車架結構圖 .....      | 7   |
| ● 引擎號碼表 .....      | 10  |
| ● 車架零件號碼表 .....    | 42  |
| ● 零件號碼索引 .....     | 110 |

## CONTENTS

|                               |     |
|-------------------------------|-----|
| ● ABOUT THIS PARTS LIST ..... | 1   |
| ● COLOR CHART OF SR25BA ..... | 3   |
| ● CONTENTS-ENGINE GROUP ..... | 6   |
| ● CONTENTS-FRAME GROUP .....  | 7   |
| ● ENGINE PARTS LIST .....     | 10  |
| ● FRAME PARTS LIST .....      | 42  |
| ● PART NO. INDEX .....        | 110 |

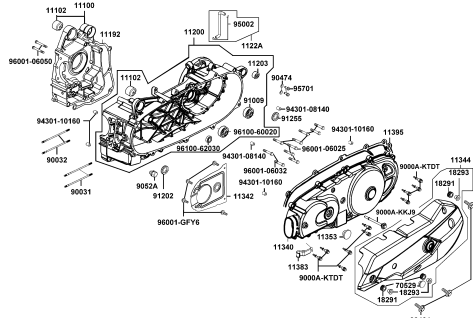
| NO                     | MODEL                |                |         | SR25BA COLOR CHART |                |              |  |
|------------------------|----------------------|----------------|---------|--------------------|----------------|--------------|--|
|                        | PHOTO NO             |                |         | NO. 1              | NO. 2          | NO. 3        |  |
|                        | BASIC COLOR          |                |         | 寶石黑                | 晶鑽銀            | 珍珠白          |  |
|                        | CODE                 |                |         | Black Diamond      | Silver Crystal | Pearly White |  |
|                        | PARTS NAME           | PARTS NO.      | VERSION | NH191MA            | NH263MA        | NH193PA      |  |
| 1                      | GRIP COMP THROT      | 53140-LFB6-800 | 3       | E4R                |                |              |  |
| 2                      | GRIP COMP L HANDLE   | 53150-LFB6-800 | 0       | F1S                |                |              |  |
| 3                      | END HANDLE           | 53102-KEC8-900 | 0       | HTP                |                |              |  |
| 4                      | END R STRGHANDLE     | 53105-LBB5-E00 | 2       | NVP                |                |              |  |
| 5                      | COVER FR HANDLE      | 53205-LFB5-900 | 1       | HTP                |                |              |  |
| 6                      | FENDER FR INNER      | 61100-LFB5-900 | 1       | HUP                |                |              |  |
| 7                      | MOLDING. FR.         | 64302-LFB5-900 | 3       | NVP                |                |              |  |
| 8                      | SKIRT R SIDE         | 64305-LFB5-900 | 0       | HTP                |                |              |  |
| 9                      | SKIRT L SIDE         | 64306-LFB5-900 | 0       | HUP                |                |              |  |
| 10                     | CARRIER REAR         | 81200-LFB5-900 | 2       | NVP                |                |              |  |
| 11                     | COVER R BODY         | 83500-LGH5-305 | 0       | HTP                |                |              |  |
| 12                     | COVER L BODY         | 83600-LGH5-305 | 0       | HUP                |                |              |  |
| 13                     | MIRROR R. ASSY..BACK | 88110-LFB5-900 | 2       | NVP                |                |              |  |
| 14                     | MIRROR ASSY.L BACK   | 88120-LFB5-900 | 2       | HTP                |                |              |  |
| 15                     | WHEEL COMP RR CAST   | 42601-LFE2-900 | 4       | HUA                |                |              |  |
| 16                     | WHEEL SET FR         | 44650-LFE2-305 | 4       | M5A                |                |              |  |
| 17                     | LEVER L STRG HANDLE  | 53178-LCD1-E00 | 1       | N1R                |                |              |  |
| 18                     | COVER COMP.,L COVER  | 11344-LGH6-900 | 0       | N1R                |                |              |  |
| 19                     | PROTECTOR.MUFF.      | 18318-LFB5-900 | 1       | N1R                |                |              |  |
| 20                     | COVER HANDLE RR      | 53206-LFB5-900 | 0       | N1R                |                |              |  |
| 21                     | COVER L WINKER       | 53208-LFB5-900 | 0       | N1R                |                |              |  |
| 22                     | "GRILLE,R FENDER     | 61101-LFB5-900 | 0       | N1R                |                |              |  |
| 23                     | "GRILLE,L FENDER     | 61102-LFB5-900 | 0       | N1R                |                |              |  |
| 24                     | "GRILLE,R FR.        | 64303-LFB5-900 | 0       | N1R                |                |              |  |
| 25                     | "GRILLE,L FR.        | 64304-LFB5-900 | 0       | N1R                |                |              |  |
| DATE OF STARTING-SALES |                      |                |         |                    |                |              |  |
| DATE OF END-SALES      |                      |                |         |                    |                |              |  |

| NO                     | MODEL                 |                |         | SR25BA COLOR CHART |                |              |  |     |     |     |  |
|------------------------|-----------------------|----------------|---------|--------------------|----------------|--------------|--|-----|-----|-----|--|
|                        | PHOTO NO              |                |         | NO. 1              | NO. 2          | NO. 3        |  |     |     |     |  |
|                        | BASIC COLOR           |                |         | 寶石黑                | 晶鑽銀            | 珍珠白          |  |     |     |     |  |
|                        | CODE                  |                |         | Black Diamond      | Silver Crystal | Pearly White |  |     |     |     |  |
|                        | PARTS NAME            | PARTS NO.      | VERSION | NH191MA            | NH263MA        | NH193PA      |  |     |     |     |  |
| 26                     | "GRILLER,COVER , FR." | 64307-LFB5-900 | 1       | N1R                |                |              |  |     |     |     |  |
| 27                     | FLOOR PANEL           | 64310-LFB5-900 | 0       |                    |                |              |  |     |     |     |  |
| 28                     | PLUG FLOOR            | 64316-KHD6-900 | 0       |                    |                |              |  |     |     |     |  |
| 29                     | PLUG FLOOR            | 64316-KHE2-900 | 0       |                    |                |              |  |     |     |     |  |
| 30                     | "COWL, UNDER"         | 64400-LFB5-900 | 1       |                    |                |              |  |     |     |     |  |
| 31                     | FENDER RR TIRE        | 80100-LFB5-900 | 2       |                    |                |              |  |     |     |     |  |
| 32                     | FENDER . RR. UP       | 80105-LFB5-900 | 4       |                    |                |              |  |     |     |     |  |
| 33                     | FENDER RR INNER       | 80107-LFB5-900 | 1       |                    |                |              |  |     |     |     |  |
| 34                     | COVER CENTER          | 80151-LFB5-900 | 2       |                    |                |              |  |     |     |     |  |
| 35                     | LEG SHIELD UP         | 81131-LFB5-900 | 0       |                    |                |              |  |     |     |     |  |
| 36                     | CAP LEG SHIELD UP     | 81132-LFB5-900 | 0       |                    |                |              |  |     |     |     |  |
| 37                     | LEG SHIELD LOW        | 81141-LFB5-900 | 0       |                    |                |              |  |     |     |     |  |
| 38                     | LID LEG SHIELD        | 81142-KUDU-900 | 1       |                    |                |              |  |     |     |     |  |
| 39                     | "COVER , R SIDE"      | 83520-LFB5-900 | 0       |                    |                |              |  |     |     |     |  |
| 40                     | "COVER , L SIDE"      | 83620-LFB5-900 | 0       |                    |                |              |  |     |     |     |  |
| 41                     | FORK ASSY RR          | 52000-LFB5-900 | 1       |                    |                |              |  | N8A |     |     |  |
| 42                     | COLLAR FUEL FILLER    | 17623-KKE5-E0A | 0       |                    |                |              |  | N8P |     |     |  |
| 43                     | COLLAR FUEL FILLER    | 17623-KKE5-E0B | 0       |                    |                |              |  |     |     |     |  |
| 44                     | COVER SET FR          | 6430A-LGH5-305 | 0       |                    |                |              |  | NVP | HUP | NVP |  |
| 45                     | CALIPER ASSY FR       | 45200-LFB5-900 | 1       | R8A                |                |              |  |     |     |     |  |
| 46                     | DISK, FR BRK          | 45351-LFB6-900 | 0       | R8S                |                |              |  |     |     |     |  |
| 47                     | CUSHION ASSY RR R     | 52400-LFB5-900 | 3       |                    |                |              |  |     |     |     |  |
| 48                     | "CUSHION ASSY ,RR L"  | 52500-LFB5-900 | 2       |                    |                |              |  |     |     |     |  |
| 49                     | FAN COMP COOLING      | 19510-LEB1-900 | 1       | RAR                |                |              |  |     |     |     |  |
| 50                     | SEAT ASSY.            | 77200-LGH6-900 | 2       | T01                |                |              |  |     |     |     |  |
| DATE OF STARTING-SALES |                       |                |         |                    |                |              |  |     |     |     |  |
| DATE OF END-SALES      |                       |                |         |                    |                |              |  |     |     |     |  |

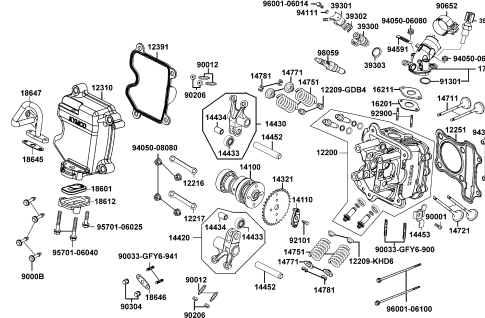


# CONTENTS - ENGINE GROUP

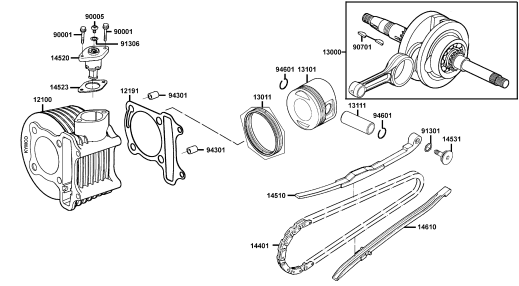
## E01 曲軸箱



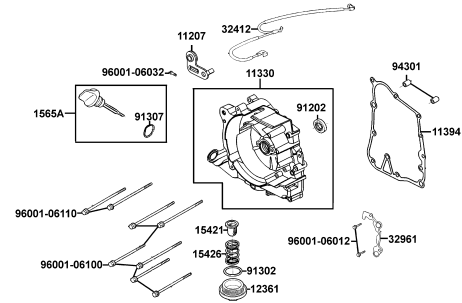
## E02 汽缸頭蓋 汽缸頭



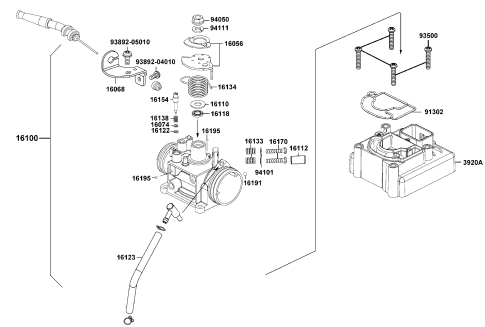
## E03 汽缸 活塞 曲軸



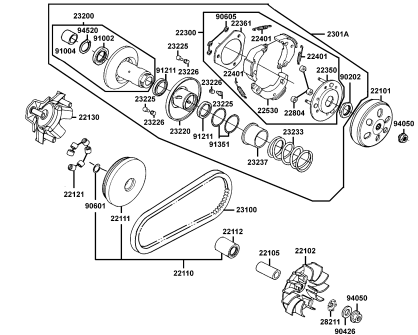
## E04 右曲軸箱蓋



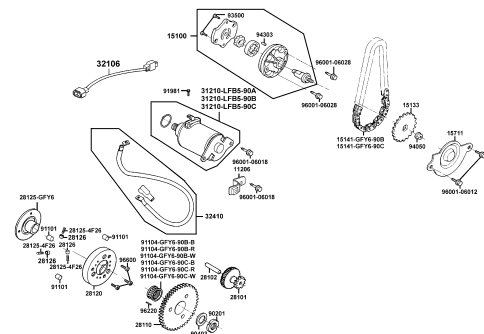
## E05 噴射節流閥



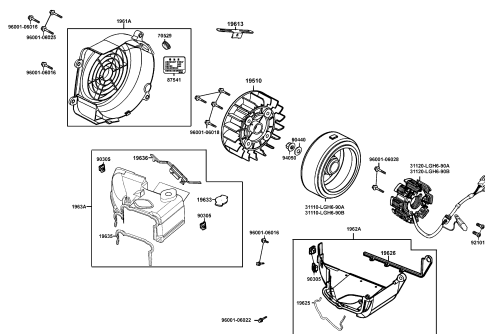
## E06 傳動皮帶輪



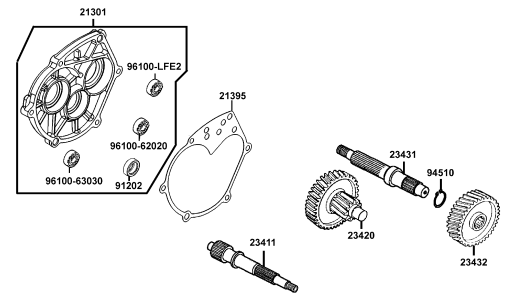
## E07 起動馬達 機油泵



## E08 風扇蓋 發電機



## E09 傳動系



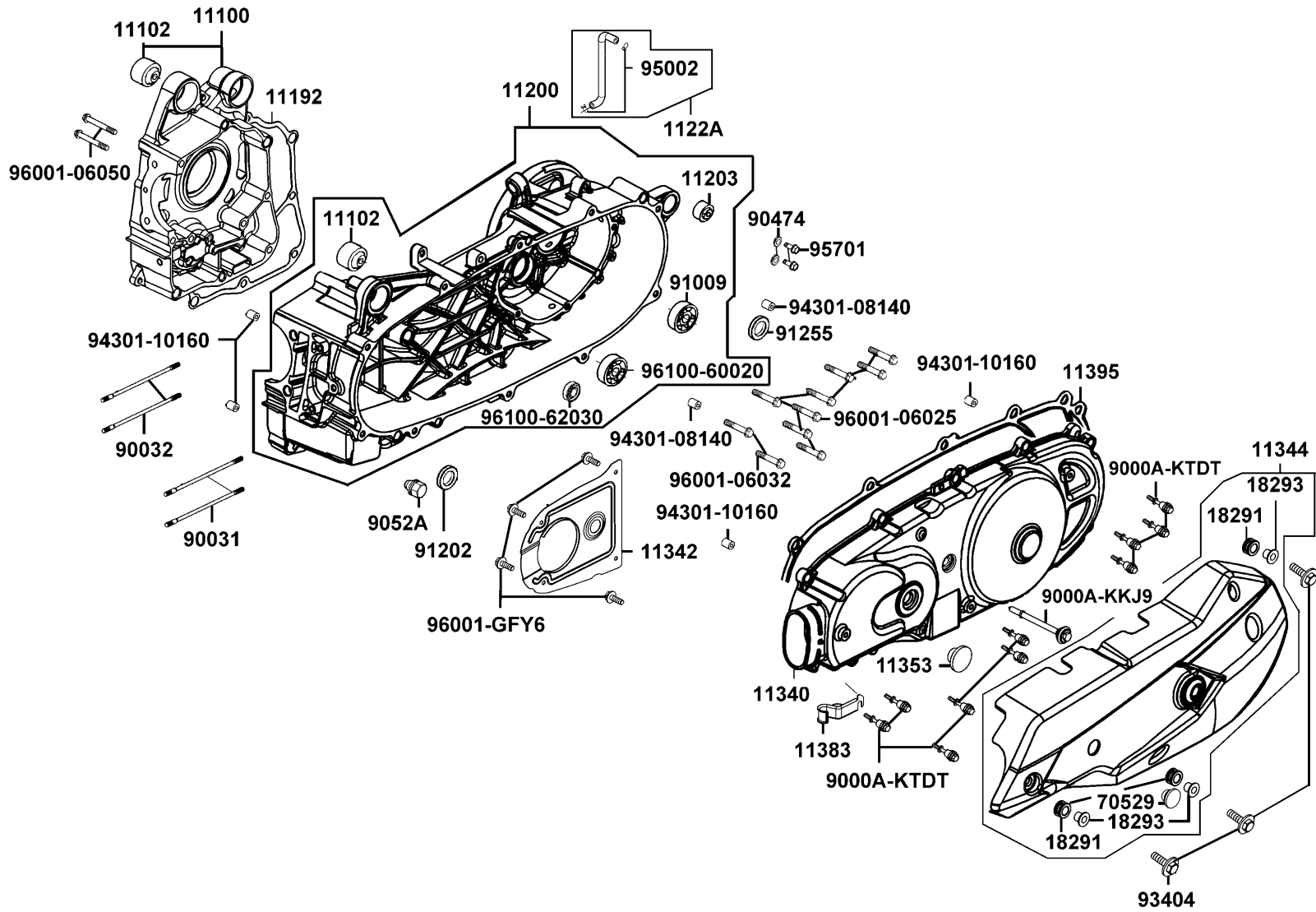






E01

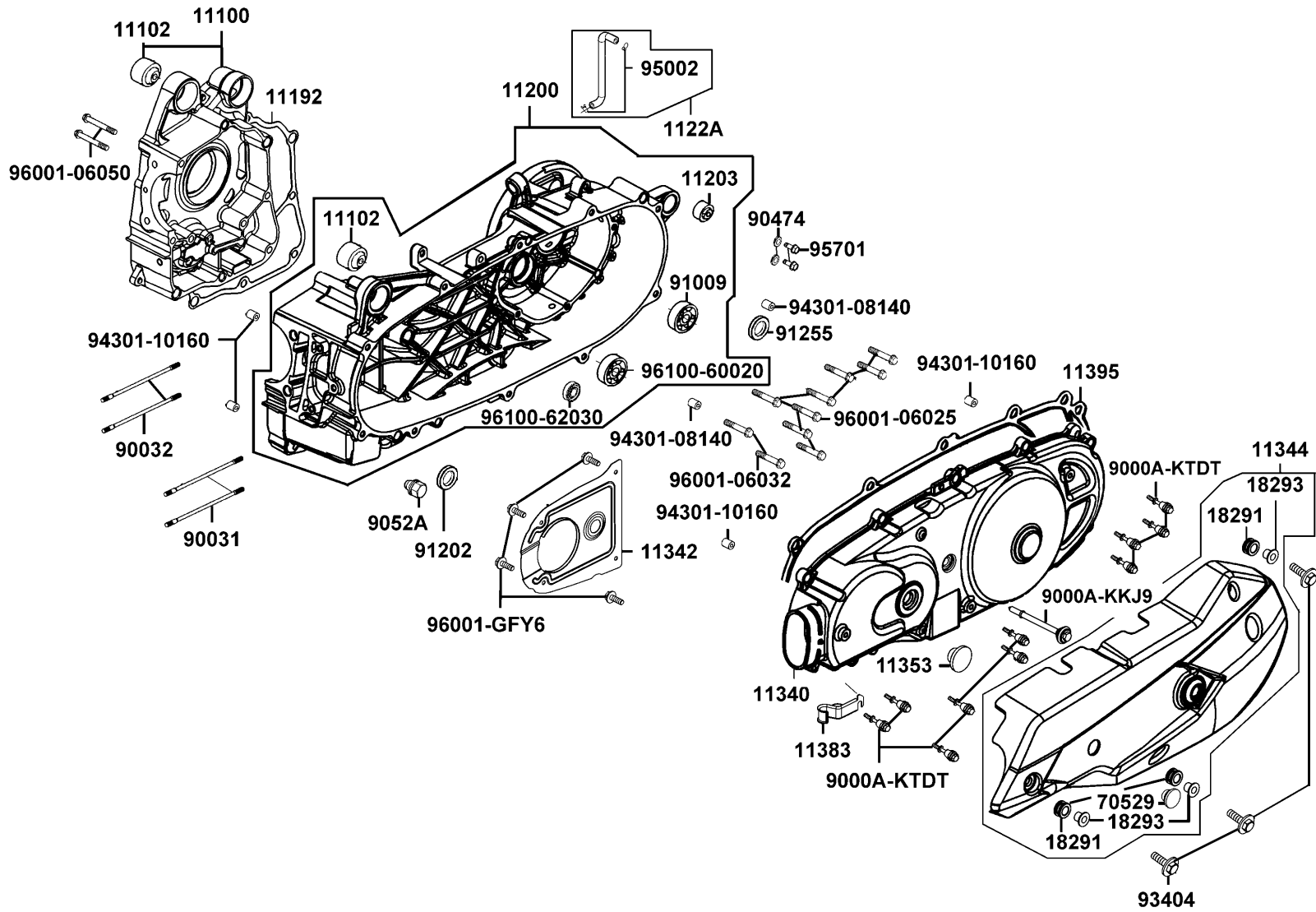
Crank Case 曲軸箱



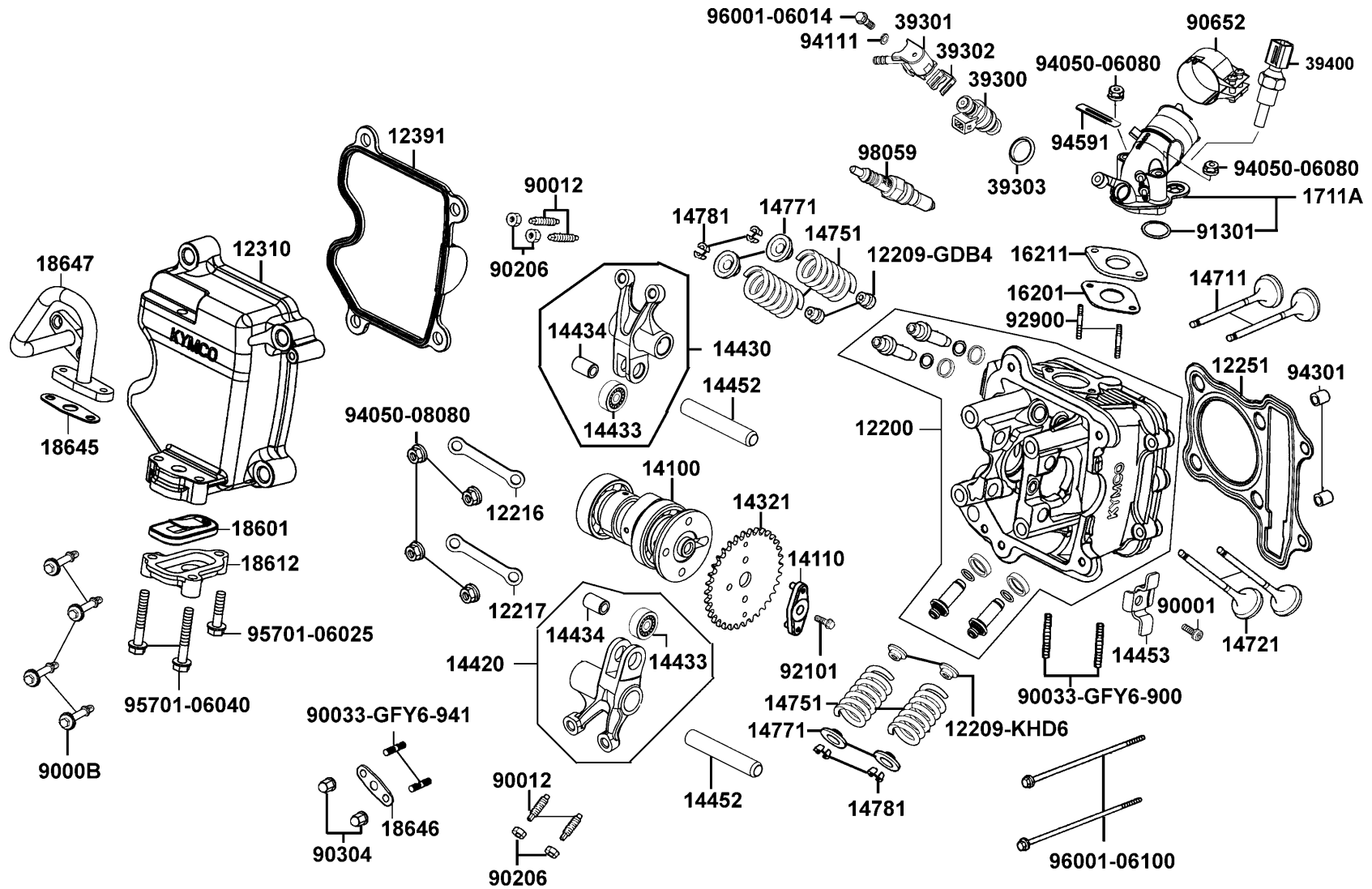
| Sales mark<br>配色標註 | Ref no<br>參考號碼 | Part no<br>零件號碼 | Description<br>英文名稱            | Reg description<br>中文名稱 | Regd no<br>需求用量 | E01 |
|--------------------|----------------|-----------------|--------------------------------|-------------------------|-----------------|-----|
|                    | 11100          | 11100-LEB1-306  | CRANK CASE SET R               | 右曲軸箱組                   | 1               |     |
|                    | 11102          | 11102-1G87-004  | RUB BUSH ENG HANGER            | 引擎吊架襯套                  | 2               |     |
|                    | 11192          | 11192-LEB1-900  | GASKET CRANK CASE A            | 曲軸箱墊片 A                 | 1               |     |
|                    | 11200          | 11200-LFB5-307  | CRANK CASE COMP.,LEFT          | 左曲軸箱組                   | 1               |     |
|                    | 11203          | 11203-GGC7-301  | UNDER RUBBER BUSH REAR CUSHION | 後緩衝下襯套                  | 1               |     |
|                    | 1122A          | 1122A-LFB5-900  | TUBE ASSY BREATHER             | 通氣管                     | 1               |     |
| #                  | 11340          | 11340-LFB5-900  | COVER LEFT                     | 左曲軸箱蓋                   | 1               |     |
|                    | 11342          | 11342-LFB5-900  | PLATE L COVER                  | 導流板                     | 1               |     |
| **                 | 11344          | 11344-LGH6-900  | COVER COMP.,L COVER            | 左外蓋總成                   | 1               |     |
|                    | 11353          | 11353-LEA6-900  | RUBBER PLUG L COVER KICK       | 橡皮塞蓋                    | 1               |     |
|                    | 11383          | 11383-LFB5-900  | CLAMPER DRAIN TUBE             | 油管鉤                     | 1               |     |
|                    | 11395          | 11395-LFB5-900  | GASKET L COVER                 | 左曲軸箱蓋墊片                 | 1               |     |
|                    | 18291          | 18291-KKC4-900  | COLLAR                         | 套筒                      | 3               |     |
|                    | 18293          | 18293-KKC4-900  | RUBBER                         | 橡皮                      | 3               |     |
|                    | 70529          | 70529-6G57-671  | GROM B SIDE PNL                | 橡皮塞                     | 1               |     |
|                    | 9000A-KKJ9     | 9000A-KKJ9-001  | BOLT SPECIAL COMP              | 特殊螺絲                    | 1               |     |
|                    | 9000A-KTDT     | 9000A-KTDT-900  | BOLT ASSY SPECIAL 6*29.5       | 特殊螺絲6*29.5              | 10              |     |
|                    | 90031          | 90031-KHD6-900  | BOLT A STUD 8*218              | 雙頭螺絲 8*218              | 2               |     |
|                    | 90032          | 90032-KHD6-900  | BOLT B STUD 8*210              | 雙頭螺絲 8*210              | 2               |     |
|                    | 90474          | 90474-3C33-001  | WASHER 8MM                     | 華司                      | 2               |     |

E01

Crank Case 曲軸箱



| Sales mark<br>配色標註 | Ref no<br>參考號碼 | Part no<br>零件號碼 | Description<br>英文名稱     | Reg description<br>中文名稱 | Regd no<br>需求用量 | E01 |
|--------------------|----------------|-----------------|-------------------------|-------------------------|-----------------|-----|
|                    | 9052A          | 9052A-LEB1-900  | BOLT ASSY DRAIN PLUG    | 洩油螺絲                    | 1               |     |
|                    | 91009          | 91009-GLE0-004  | BRG BALL RADIAL 6004 UU | 軸承                      | 1               |     |
|                    | 91202          | 91202-LEB1-900  | OIL SEAL 25*35*5        | 油封 25*35*5              | 1               |     |
| #                  | 91255          | 91255-GLE0-006  | OIL SEAL 27*42*7        | 油封                      | 1               |     |
|                    | 93404          | 93404-06025-06  | BOLT WASHER 6*25        | 螺絲 6*25                 | 0               |     |
|                    | 94301-08140    | 94301-08140     | DOWEL PIN 8*14          | 定位銷 8X14                | 2               |     |
|                    | 94301-10160    | 94301-10160     | DOWEL PIN 10*16         | 定位銷 10X16               | 4               |     |
|                    | 95002          | 95002-50000     | CLIP C9 TUBE            | 管夾                      | 2               |     |
|                    | 95701          | 95701-08012-08  | BOLT FLANGE 8*12        | 螺絲 8*12                 | 2               |     |
| #                  | 96001-06025    | 96001-06022-08  | BOLT FLANGE SH 6*22     | 螺栓                      | 1               |     |
| #                  | 96001-06032    | 96001-06032-08  | BOLT FLANGE SH 6*32     | 螺栓 6*32                 | 2               |     |
|                    | 96001-06050    | 96001-06050-08  | BOLT FLANGE 6*50        | 螺絲 6X50                 | 2               |     |
|                    | 96001-GFY6     | 96001-GFY6-900  | BOLT SPECIAL 5*10       | 螺絲 5*10                 | 4               |     |
|                    | 96100-60020    | 96100-60020-00  | BRG BALL RADIAL 6002    | 軸承 6002                 | 1               |     |
|                    | 96100-62030    | 96100-62030-00  | BRG BALL RADIAL 6203    | 軸承 6203                 | 1               |     |



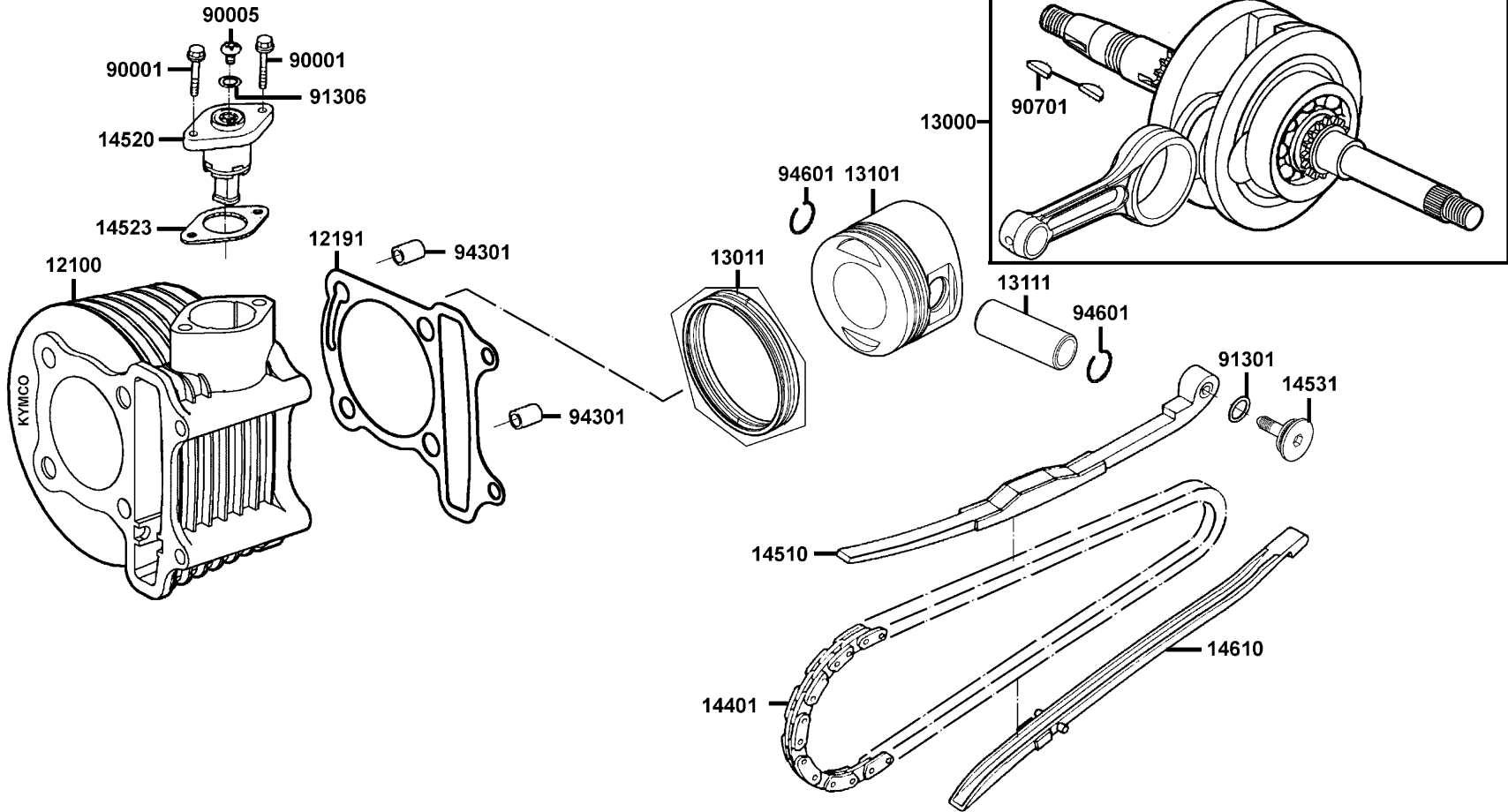
| Sales mark<br>配色標註 | Ref no<br>參考號碼 | Part no<br>零件號碼 | Description<br>英文名稱        | Reg description<br>中文名稱 | Regd no<br>需求用量 | E02 |
|--------------------|----------------|-----------------|----------------------------|-------------------------|-----------------|-----|
|                    | 12200          | 12200-LGH6-900  | HEAD COMP CYLINDER         | 汽缸頭                     | 1               |     |
|                    | 12209-GDB4     | 12209-GDB4-68A  | SEAL VALVE STEM            | 門閥徑封                    | 2               |     |
|                    | 12209-KHD6     | 12209-KHD6-900  | SEAL VALVE STEM            | 門閥徑封                    | 2               |     |
|                    | 12216          | 12216-LEB1-900  | FORK A HOLDER              | 固定座前叉                   | 1               |     |
|                    | 12217          | 12217-LEB1-900  | FORK B HOLDER              | 固定座前叉                   | 1               |     |
|                    | 12251          | 12251-LEB1-900  | GASKET CYLINDER HEAD       | 汽缸頭墊片                   | 1               |     |
|                    | 12310          | 12310-LGH5-900  | COVER COMP HEAD            | 汽缸頭蓋                    | 0               |     |
|                    | 12391          | 12391-LEB1-900  | GASKET HEAD COVER          | 墊片                      | 0               |     |
| #                  | 14100          | 14100-LEB1-910  | SHAFT COMP CAM             | 凸輪軸                     | 1               |     |
|                    | 14110          | 14110-LEB1-900  | FIXTURE CAMSHAFT           | 凸輪軸固定件                  | 1               |     |
|                    | 14321          | 14321-LEB1-900  | SPROCKET CAM               | 凸輪扣鏈齒輪                  | 1               |     |
|                    | 14420          | 14420-LEB1-900  | ARM COMP EXH VALVE ROCKER  | 排氣閥搖臂                   | 1               |     |
|                    | 14430          | 14430-LEB1-900  | ARM COMP IN VALVE ROCKER   | 進氣閥搖臂                   | 1               |     |
|                    | 14433          | 14433-LEB1-900  | ROLLER ASSY ROCKER ARM     | 軸承                      | 2               |     |
|                    | 14434          | 14434-LEB1-900  | PIN ROCKER ARM             | 套筒                      | 2               |     |
|                    | 14452          | 14452-LEB1-900  | SHAFT EXH ROCKER ARM       | 排氣閥搖臂軸                  | 2               |     |
|                    | 14453          | 14453-LEB1-910  | SET PLATE ROCKER ARM SHAFT | 搖臂托架                    | 1               |     |
|                    | 14711          | 14711-LEB1-900  | VALVE INLET                | 進氣閥                     | 2               |     |
|                    | 14721          | 14721-LEB1-900  | VALVE EXHAUST              | 排氣閥                     | 2               |     |
|                    | 14751          | 14751-KHD6-900  | SPG VALVE OUTER            | 門閥外彈簧                   | 4               |     |



| Sales mark<br>配色標註 | Ref no<br>參考號碼 | Part no<br>零件號碼 | Description<br>英文名稱           | Reg description<br>中文名稱 | Regd no<br>需求用量 | E02 |
|--------------------|----------------|-----------------|-------------------------------|-------------------------|-----------------|-----|
|                    | 14771          | 14771-KHD6-900  | RETAINER VALVE SRINPG         | 門閥彈簧扣環                  | 4               |     |
|                    | 14781          | 14781-MFA6-001  | COTTER VALVE                  | 閥門鎖扣                    | 8               |     |
|                    | 16201          | 16201-LEB1-900  | GASKET CARB INSULATOR A       | 隔熱板墊片 A                 | 1               |     |
|                    | 16211          | 16211-LEB1-900  | INSULATOR CARB                | 化油器隔熱板                  | 1               |     |
|                    | 1711A          | 1711A-LGH6-900  | PIPE ASS'Y,INLET              | 進氣管組立                   | 1               |     |
|                    | 18601          | 18601-MAJ1-79A  | REED VALVE COMP               | 簧片單向閥                   | 0               |     |
|                    | 18612          | 18612-GFY6-941  | COVER REED VALVE              | 簧片單向閥蓋                  | 0               |     |
|                    | 18645          | 18645-GFY6-941  | GSKT A/I PIPE                 | 通氣管墊片                   | 0               |     |
|                    | 18646          | 18646-GFY6-941  | GAKT A/I PIPE                 | 通氣管墊片                   | 1               |     |
|                    | 18647          | 18647-KHD6-900  | PIPE ASSY AIR                 | 空氣管組                    | 0               |     |
|                    | 39300          | 39300-LEB2-800  | FUEL INJECTOR                 | 燃油噴嘴                    | 1               |     |
|                    | 39301          | 39301-LEB2-900  | HOLDER ASSY FUEL              | 燃油噴嘴托蓋組                 | 1               |     |
|                    | 39302          | 39302-KKE3-900  | CLIP SPRING FUEL INJECTOR     | 噴嘴彈簧夾                   | 1               |     |
|                    | 39303          | 39303-LEB2-900  | SEAL HIGH TENSION FUEL INJECT | 拉力封                     | 1               |     |
|                    | 39400          | 39400-KKE3-800  | SENSOR HEAD TEMPERATURE       | 汽缸頭溫度感應器                | 1               |     |
|                    | 90001          | 90001-GFY6-901  | SOCKET BOLT 6*10              | 螺絲 6X10                 | 1               |     |
|                    | 9000B          | 9000B-KHD6-900  | BOLT ASSY SPECIAL 6*41.5      | 螺絲 6*41.5               | 4               |     |
|                    | 90012          | 90012-3C33-001  | SCREW TAPPET ADJUSTING        | 樞軸調整螺絲                  | 0               |     |
|                    | 90033-GFY6-900 | 90033-GFY6-900  | BOLT STUD 8*32                | 螺絲 8X32                 | 2               |     |
|                    | 90033-GFY6-941 | 90033-GFY6-941  | BOLT STUD 6*16                | 特殊螺絲 6*16               | 2               |     |



| Sales mark<br>配色標註 | Ref no<br>參考號碼 | Part no<br>零件號碼 | Description<br>英文名稱  | Reg description<br>中文名稱 | Regd no<br>需求用量 | E02 |
|--------------------|----------------|-----------------|----------------------|-------------------------|-----------------|-----|
|                    | 90206          | 90206-0A01-001  | NUT TAPPET ADJG      | 挺桿調整螺帽                  | 4               |     |
|                    | 90304          | 90304-4H38-001  | NUT HEX CAP 6MM      | 螺帽 6MM                  | 2               |     |
| #                  | 90652          | 90652-LGJ9-900  | BAND 48, INLET-PIPE  | 進氣管夾                    | 0               |     |
|                    | 91301          | 91301-LEB1-900  | O-RING 30*2          | O環 30*2                 | 1               |     |
|                    | 92101          | 92101-06014-0H  | BOLT HEX 6*14        | 螺絲 6*14                 | 1               |     |
|                    | 92900          | 92900-06060-0B  | BOLT STUD 6*60       | 雙頭螺絲 6*60               | 2               |     |
|                    | 94050-06080    | 94050-06080     | NUT FLANGE 6MM       | 螺帽 6MM                  | 2               |     |
|                    | 94050-08080    | 94050-08080     | NUT FLANGE 8MM       | 螺帽 8MM                  | 4               |     |
|                    | 94111          | 94111-06800     | WASHER SPG 6MM       | 華司 6MM                  | 1               |     |
|                    | 94301          | 94301-10160     | DOWEL PIN 10*16      | 定位銷 10X16               | 2               |     |
|                    | 94591          | 94591-KFBF-900  | CLIP 2*70            | 環夾                      | 1               |     |
|                    | 95701-06025    | 95701-06025-00  | BOLT FLANGE 6*25     | 螺絲 6*25                 | 1               |     |
|                    | 95701-06040    | 95701-06040-00  | BOLT FLANGE 6*40     | 螺絲 6*40                 | 2               |     |
|                    | 96001-06014    | 96001-06014-08  | BOLT FLANGE 6*14     | 螺絲 6X14                 | 1               |     |
|                    | 96001-06100    | 96001-06100-08  | BOLT FLANGE SH 6*100 | 特殊螺絲 6*100              | 2               |     |
|                    | 98059          | 98059-58916-00  | PLUG SPARK(CR8E)     | 火星塞                     | 1               |     |

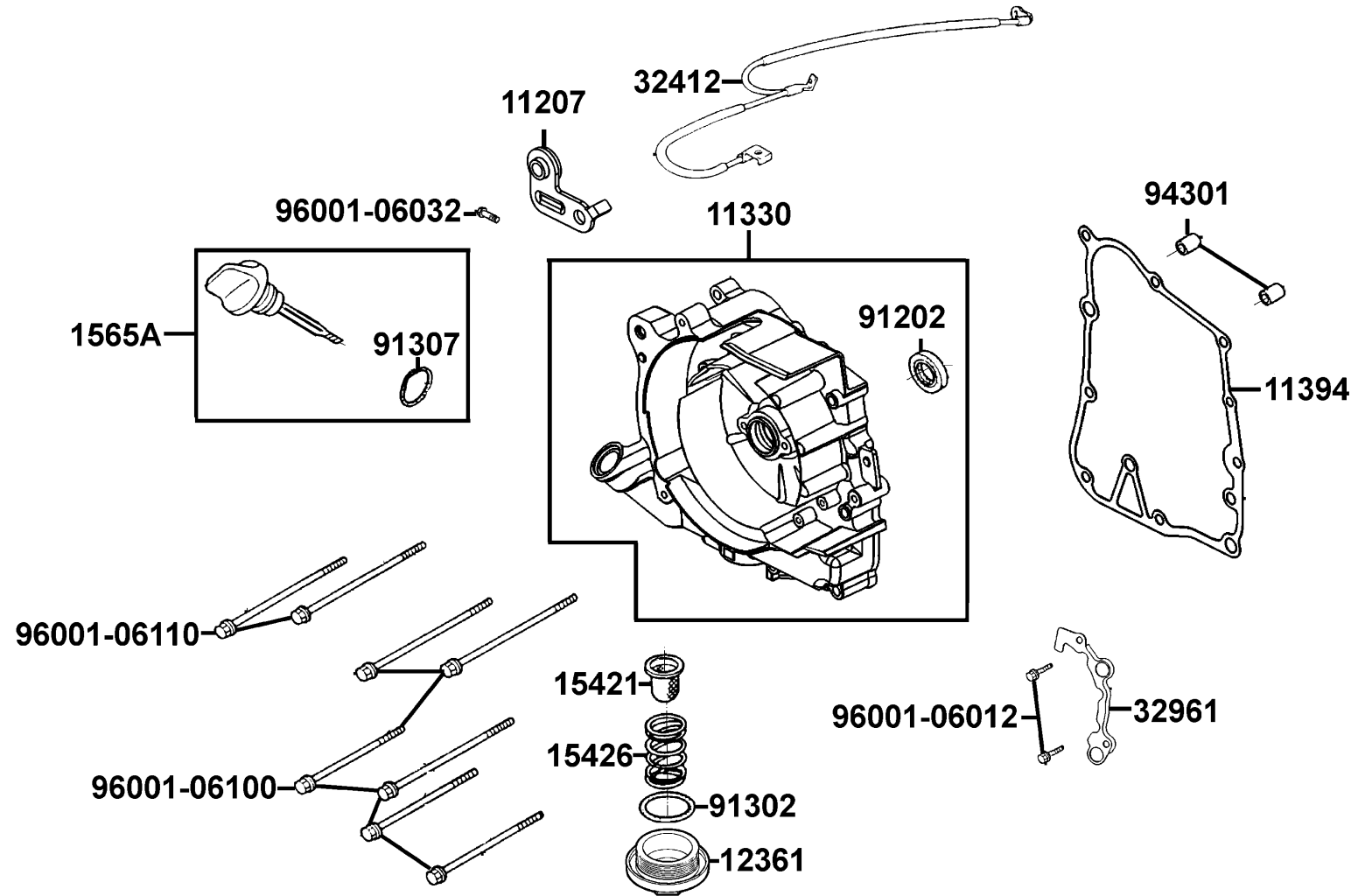


| Sales mark<br>配色標註 | Ref no<br>參考號碼 | Part no<br>零件號碼 | Description<br>英文名稱        | Reg description<br>中文名稱 | Regd no<br>需求用量 | E03 |
|--------------------|----------------|-----------------|----------------------------|-------------------------|-----------------|-----|
|                    | 12100          | 12100-LEB1-900  | CYLINDER COMP              | 汽缸                      | 1               |     |
|                    | 12191          | 12191-LEB1-900  | GASKET CYLINDER A          | 汽缸墊片 A                  | 1               |     |
|                    | 13000          | 13000-LGH5-900  | CRANK SHAFT COMP           | 曲軸                      | 1               |     |
|                    | 13011          | 13011-LFE2-90B  | RING ASSY PISTON           | 活塞環組                    | 1               |     |
|                    | 13101          | 13101-LEB1-90A  | PISTON                     | 活塞                      | 1               |     |
|                    | 13111          | 13111-3D84-001  | PIN PISTON                 | 活塞銷                     | 1               |     |
|                    | 14401          | 14401-KUDU-900  | CHAIN CAM                  | 凸輪軸驅動鏈條                 | 1               |     |
|                    | 14510          | 14510-LEB1-900  | TENSIONER CAM CHAIN        | 內鏈條拉力桿                  | 1               |     |
|                    | 14523          | 14523-KED9-900  | GASKET TENSIONER LIFTER @A | 內鏈條調整器墊片                | 1               |     |
|                    | 14531          | 14531-GLR0-001  | PIVOT CAM CHAIN TENSIONER  | 拉力桿螺絲                   | 1               |     |
|                    | 14610          | 14610-LEB1-900  | GUIDE COMP CAM CHAIN       | 鏈條導件                    | 1               |     |
|                    | 90001          | 90001-GBHB-661  | BOLT FLANGE SH 6*22        | 螺絲 6*22                 | 2               |     |
|                    | 90005          | 90005-KAW1-901  | SCREW PAN 6*6              | 螺絲 6*6                  | 1               |     |
|                    | 90701          | 90701-HFB6-011  | KEY WOODRUFF 25*14*4       | 固定鍵 25X14X4             | 1               |     |
|                    | 91301          | 91301-GLR0-005  | O RING 15.2*1.5            | O環 15.2X1.5             | 0               |     |
|                    | 91306          | 91306-1E05-691  | O-RING 1.5*9.5             | O環 1.5*9.5              | 1               |     |
|                    | 94301          | 94301-10160     | DOWEL PIN 10*16            | 定位銷 10X16               | 2               |     |
|                    | 94601          | 94601-15000     | CLIP PISTON PIN 15MM       | 活塞銷環夾 15MM              | 2               |     |

E04

Right Crankcase Cover

右曲軸箱蓋

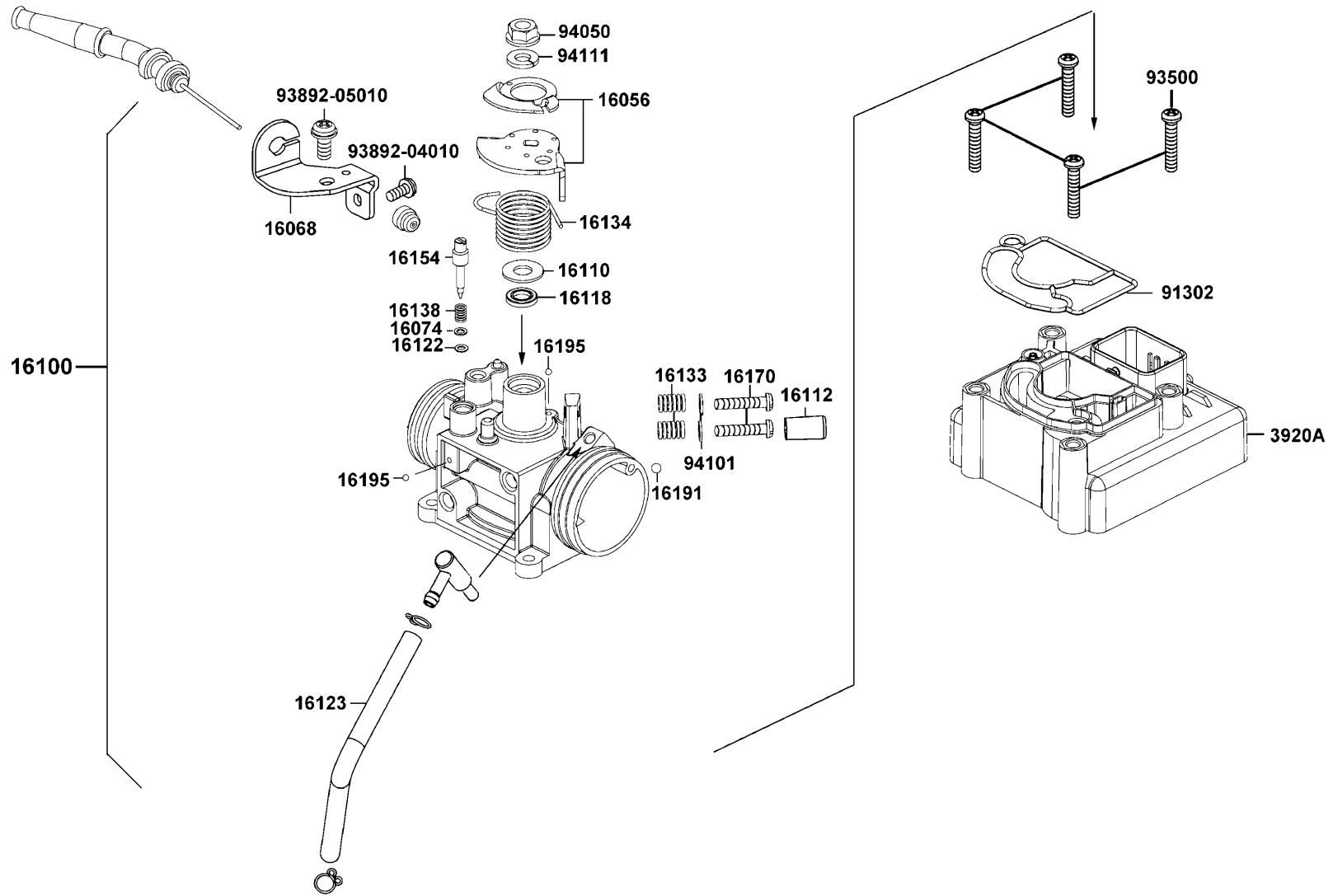


| Sales mark<br>配色標註 | Ref no<br>參考號碼 | Part no<br>零件號碼 | Description<br>英文名稱       | Reg description<br>中文名稱 | Regd no<br>需求用量 | E04 |
|--------------------|----------------|-----------------|---------------------------|-------------------------|-----------------|-----|
|                    | 11207          | 11207-LFB5-900  | STAY B RR FENDER          | 後土除支架 B                 | 1               |     |
|                    | 11330          | 11330-LEB1-900  | COVER R CRANK CASE        | 右曲軸箱蓋                   | 1               |     |
|                    | 11394          | 11394-LEB1-900  | GASKET R COVER            | 右曲軸箱蓋墊片                 | 1               |     |
|                    | 12361          | 12361-GFY6-901  | HOLE CAP TAPPET ADJUSTING | 調節螺帽                    | 1               |     |
|                    | 15421          | 15421-1G07-001  | SCREEN OIL FILTER         | 濾油網                     | 1               |     |
|                    | 15426          | 15426-GAE1-921  | SPG OIL FILTER SCREEN     | 濾油網彈簧                   | 1               |     |
|                    | 1565A          | 1565A-KUDU-900  | GAUGE OIL LEVEL ASSY      | 機油尺組                    | 1               |     |
|                    | 32412          | 32412-LEB1-900  | CABLE EARTH               | 接地導線                    | 1               |     |
|                    | 32961          | 32961-LEB1-900  | CLAMPER ACG CORD          | A.C.G 線夾                | 1               |     |
|                    | 91202          | 91202-GFY6-90B  | OIL SEAL 19.8*30*5        | 油封 19.8*30*5            | 1               |     |
|                    | 91302          | 91302-0A01-021  | O-RING 30.8M/M            | O環 30.8MM               | 1               |     |
|                    | 91307          | 91307-0E35-001  | O RING 18*3               | O環 18X3                 | 0               |     |
|                    | 94301          | 94301-10160     | DOWEL PIN 10*16           | 定位銷 10X16               | 2               |     |
|                    | 96001-06012    | 96001-06012-08  | BOLT FLANGE 6*12          | 螺絲 6*12                 | 2               |     |
| #                  | 96001-06032    | 96001-06032-08  | BOLT FLANGE SH 6*32       | 螺栓 6*32                 | 1               |     |
|                    | 96001-06100    | 96001-06100-08  | BOLT FLANGE SH 6*100      | 特殊螺絲 6*100              | 6               |     |
|                    | 96001-06110    | 96001-06110-08  | BOLT FLANGE SH 6*110      | 螺絲 6X110                | 2               |     |

E05

Throttle Body Assy

噴射節流閥

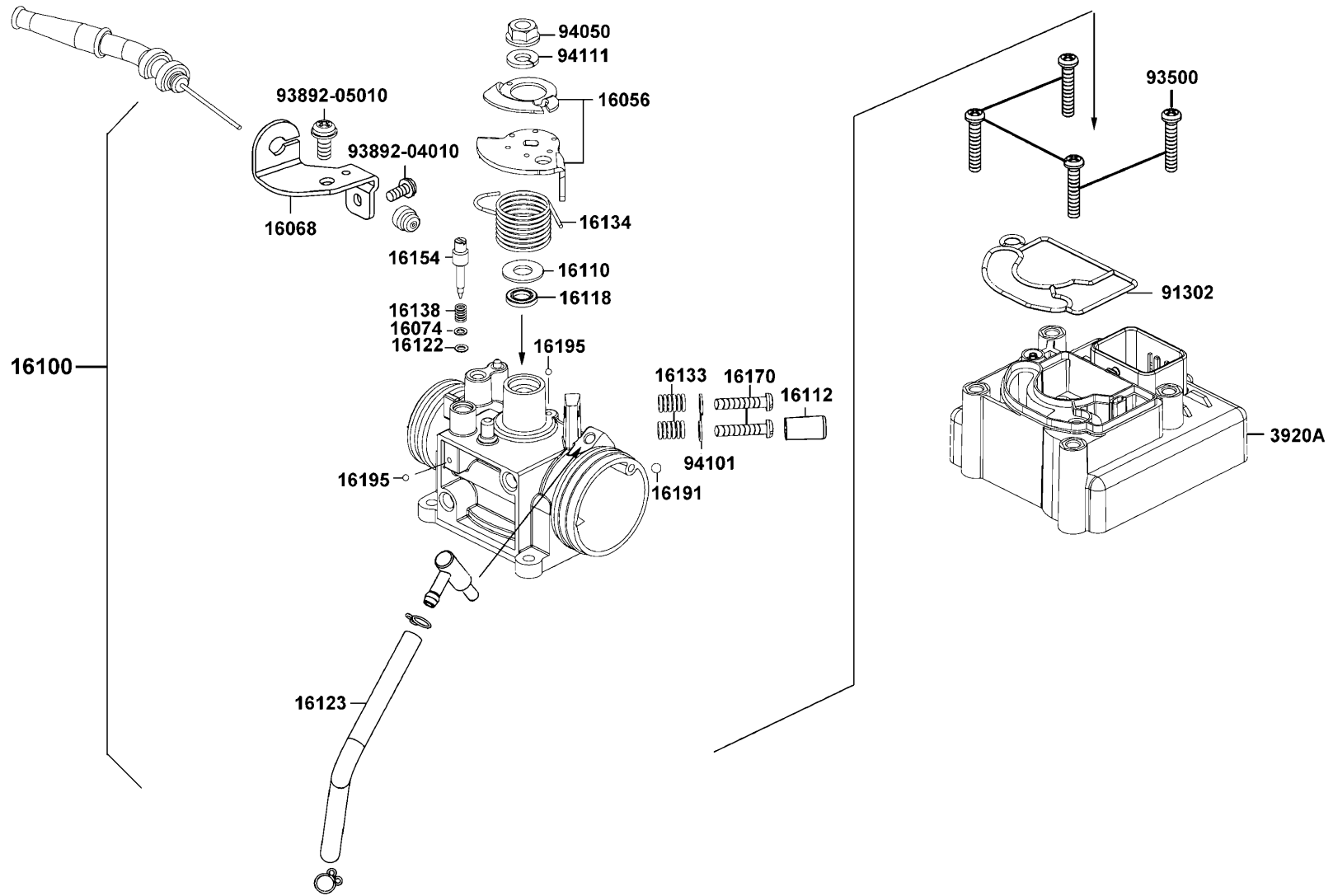


| Sales mark<br>配色標註 | Ref no<br>參考號碼 | Part no<br>零件號碼 | Description<br>英文名稱       | Reg description<br>中文名稱 | Regd no<br>需求用量 | E05 |
|--------------------|----------------|-----------------|---------------------------|-------------------------|-----------------|-----|
|                    | 16056          | 16056-LEB2-900  | LEVER ASSY THROTTLE       | 拉桿節流閥                   | 1               |     |
|                    | 16068          | 16068-LEB2-900  | PLATE WIRE FIXED          | 節流導線固定板                 | 1               |     |
|                    | 16074          | 16074-KEC3-900  | WASHER IDLE SCREW         | 華司                      | 1               |     |
|                    | 16100          | 16100-LGH6-900  | THROTTLE BODY ASS'Y       | 節流本體組立                  | 1               |     |
|                    | 16110          | 16110-KKE3-900  | WASHER THROTTLE COMP      | 華司                      | 2               |     |
|                    | 16112          | 16112-KKE3-900  | COVER IDLE SCREW          | 蓋                       | 1               |     |
|                    | 16118          | 16118-KEC3-900  | SEAL THROTTLE SHAFT       | 節流閥封軸                   | 1               |     |
|                    | 16122          | 16122-KEC3-900  | O-RING IDLE SCREW         | O型環                     | 1               |     |
|                    | 16123          | 16123-LGH6-900  | TUBE COMPL.,3.5X1200      | 壓力管3.5X1200             | 1               |     |
|                    | 16133          | 16133-KEC3-900  | SPG THROTTLE ADJUST SCREW | 彈簧                      | 2               |     |
|                    | 16134          | 16134-KKE3-900  | SPG THROTTLE SHAFT        | 節流閥軸彈簧                  | 1               |     |
|                    | 16138          | 16138-KGC5-900  | SPRING IDLE ADJUST SCREW  | 彈簧                      | 1               |     |
|                    | 16154          | 16154-KKE3-900  | SCREW IDLE ADJUST         | 螺絲                      | 1               |     |
|                    | 16170          | 16170-KEC3-900  | SCREW THROTTLE ADJUST     | 調整螺絲                    | 2               |     |
|                    | 16191          | 16191-KEC3-900  | BALL 3.2                  | 滾珠                      | 1               |     |
|                    | 16195          | 16195-KEC3-900  | BALL 2.1                  | 滾珠                      | 3               |     |
|                    | 3920A          | 3920A-LGH6-800  | MODULE ASS'Y,ECU          | ECU 控制器組                | 1               |     |
|                    | 91302          | 91302-LEB2-900  | SEAL THROTTLE-ECU         | ECU墊片                   | 1               |     |
| #                  | 93500          | 93500-04020-0H  | SCREW PAN 4*20            | 螺絲 4*20                 | 4               |     |
|                    | 93892-04010    | 93892-04010-08  | SCREW WASHER 4*10         | 螺絲                      | 1               |     |

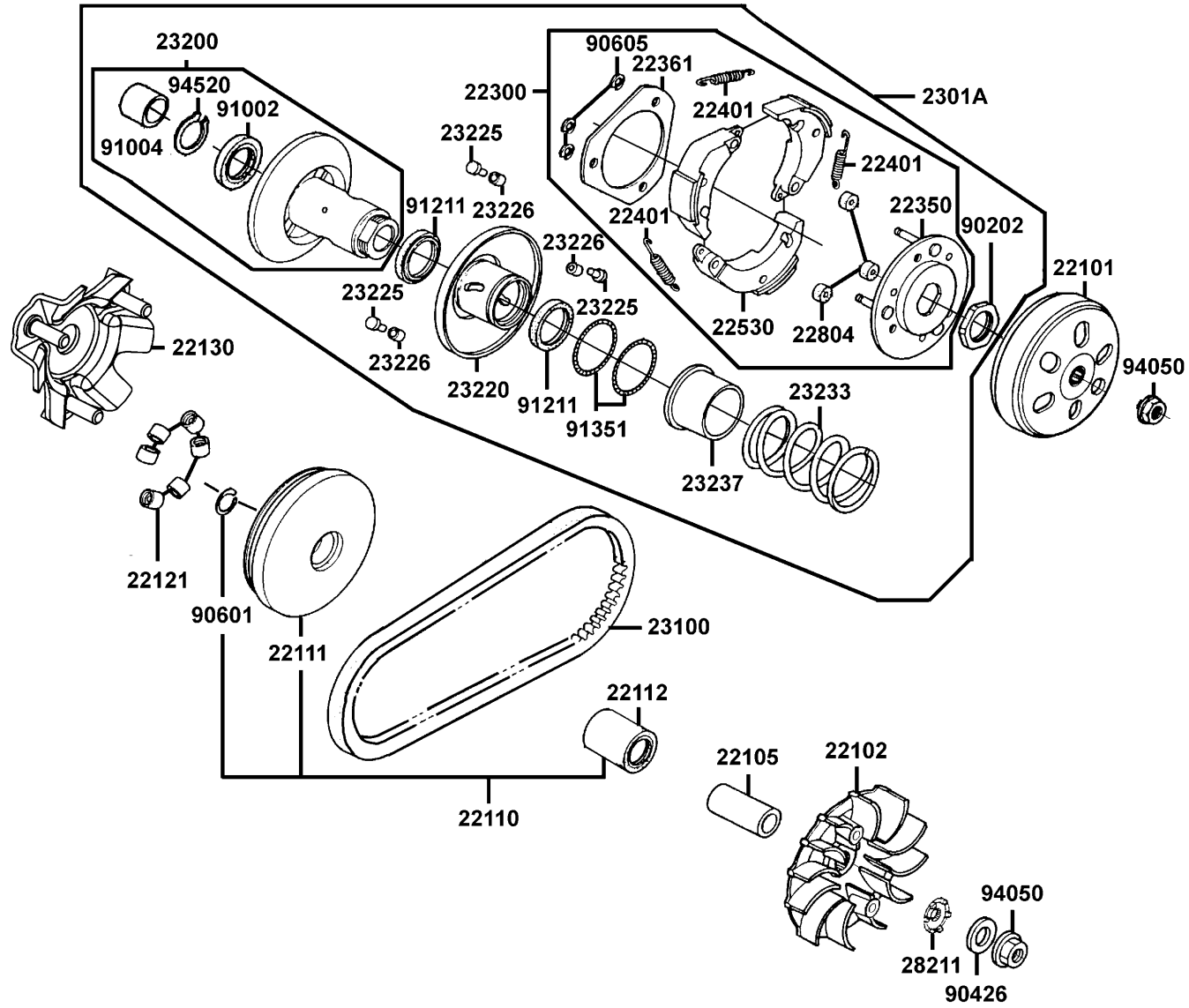
E05

Throttle Body Assy

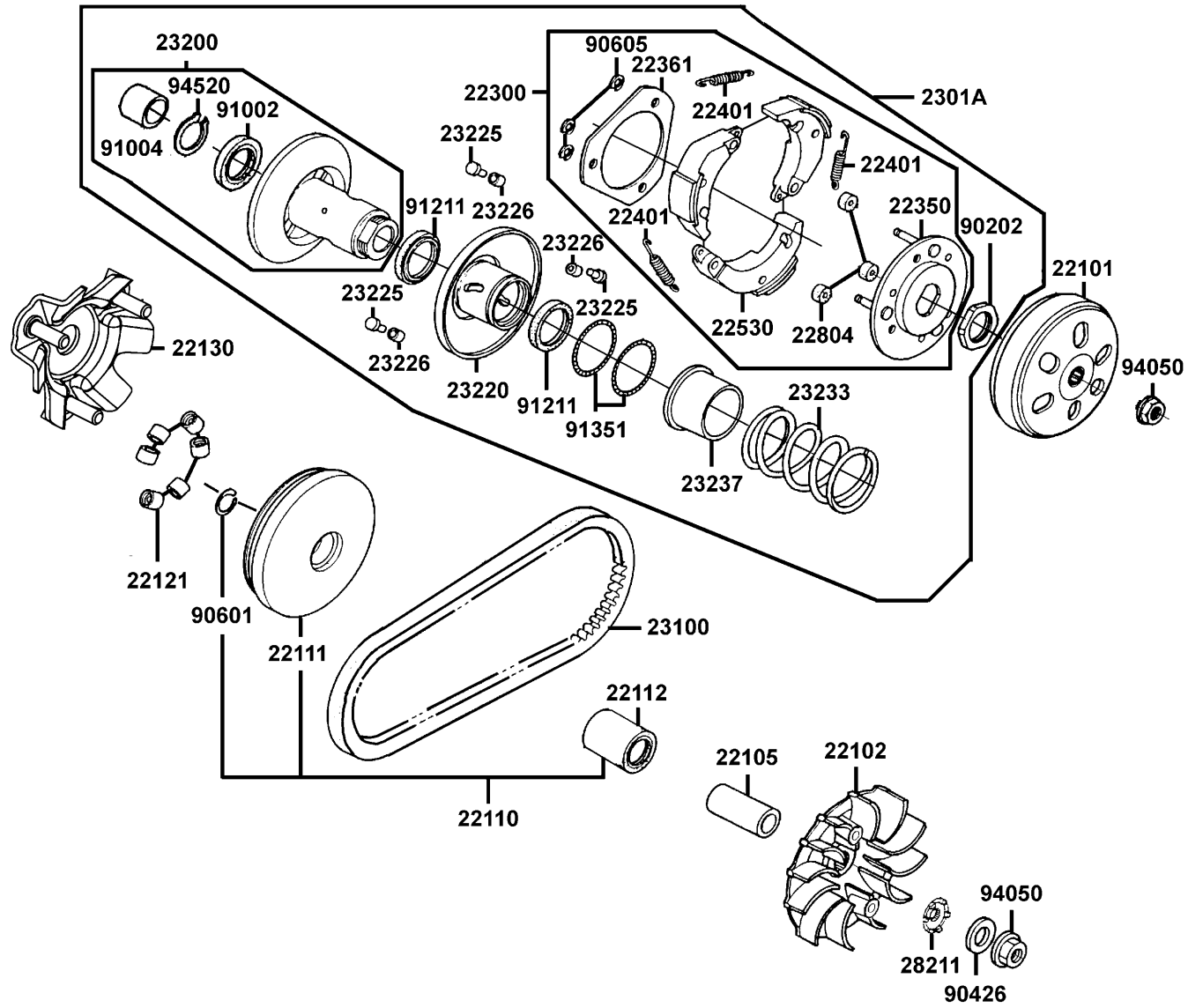
噴射節流閥



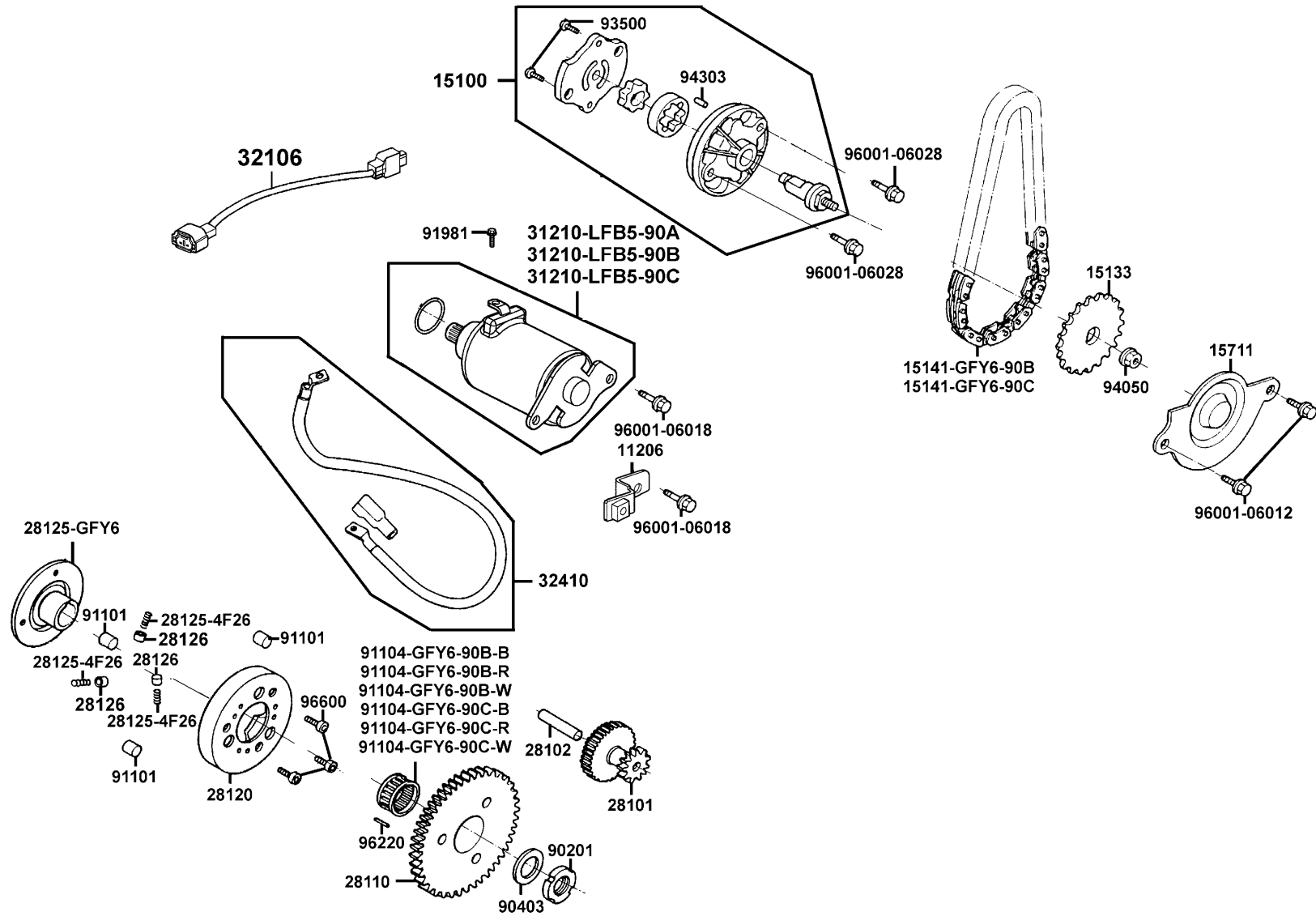
| Sales mark<br>配色標註 | Ref no<br>參考號碼 | Part no<br>零件號碼 | Description<br>英文名稱   | Reg description<br>中文名稱 | Regd no<br>需求用量 | E05 |
|--------------------|----------------|-----------------|-----------------------|-------------------------|-----------------|-----|
|                    | 93892-05010    | 93892-05010-08  | SCREW WASH 5*10       | 螺絲                      | 1               |     |
|                    | 94050          | 94050-06080     | NUT FLANGE 6MM        | 螺帽 6MM                  | 1               |     |
|                    | 94101          | 94101-KKE3-900  | WASHER PLAN 4.5*8*0.8 | 墊圈                      | 2               |     |
|                    | 94111          | 94111-06800     | WASHER SPG 6MM        | 華司 6MM                  | 1               |     |



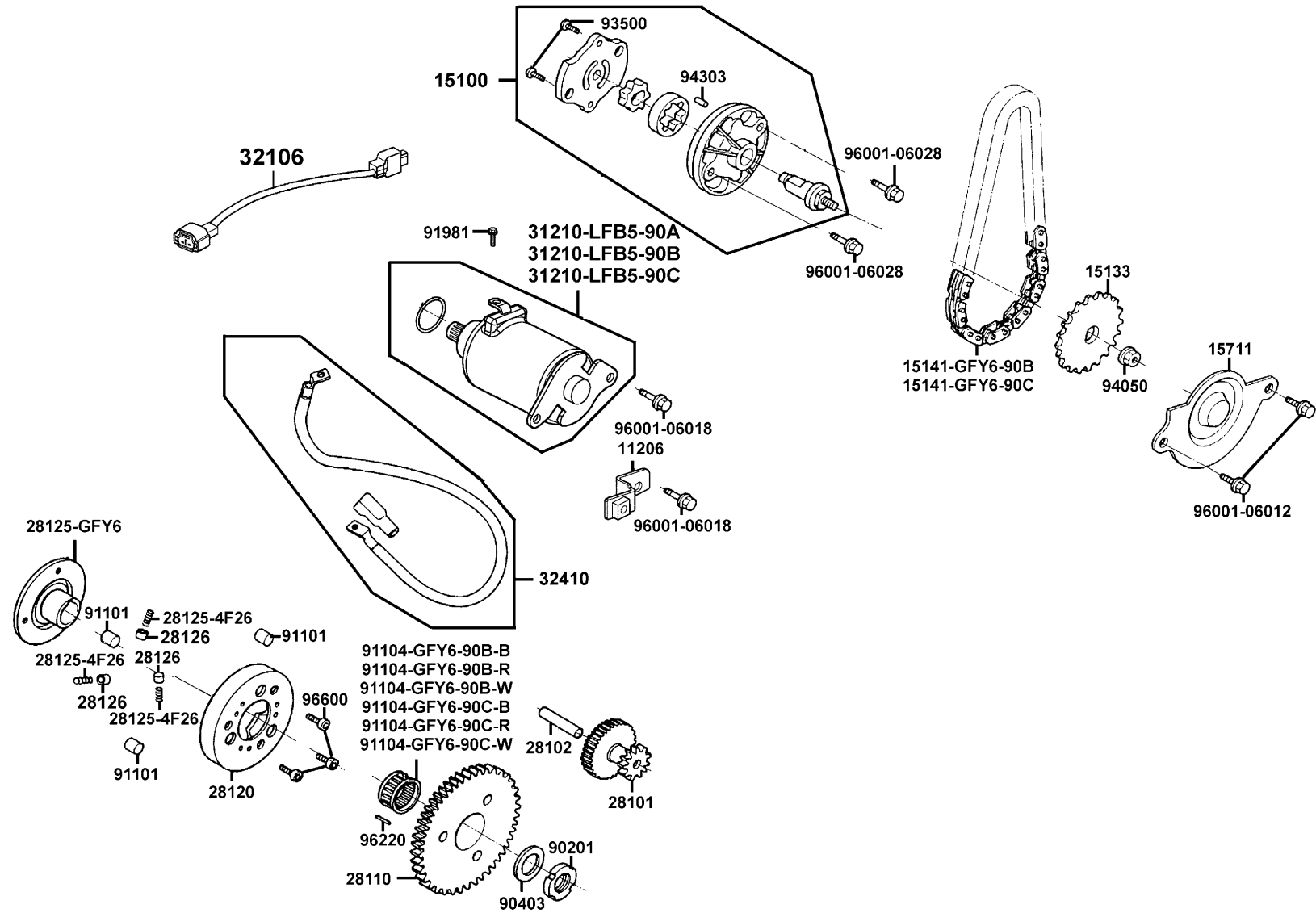
| Sales mark<br>配色標註 | Ref no<br>參考號碼 | Part no<br>零件號碼 | Description<br>英文名稱           | Reg description<br>中文名稱 | Regd no<br>需求用量 | E06 |
|--------------------|----------------|-----------------|-------------------------------|-------------------------|-----------------|-----|
| #                  | 22101          | 22101-KEBE-900  | OUTER CLUTCH                  | 離合器外套                   | 1               |     |
|                    | 22102          | 22102-LEB1-900  | FACE DRIVE                    | 驅動皮帶扇葉盤                 | 1               |     |
|                    | 22105          | 22105-LEB2-900  | BOSS,DRIVE FACE               | 驅動盤柱                    | 1               |     |
|                    | 22110          | 22110-LEB1-800  | FACE COMP MOVABLE DRIVE       | 滑動式驅動盤                  | 1               |     |
|                    | 22111          | 22111-LEB1-800  | FACE MOVABLE DRIVE            | 滑動式驅動盤                  | 1               |     |
|                    | 22112          | 22112-GFY6-90A  | BUSH 24*28*30                 | 襯套                      | 1               |     |
|                    | 22121          | 22121-GFY6-90A  | ROLLER COMP WEIGHT            | 配重滾子                    | 6               |     |
|                    | 22130          | 22130-LEB1-800  | PLATE RAMP                    | 斜坡板                     | 1               |     |
|                    | 22300          | 22300-LFB6-900  | PLATE ASS'Y,DRIVE             | 離合器驅動盤組                 | 1               |     |
|                    | 22350          | 22350-KGN7-671  | PLATE COMP DRIVE              | 驅動板                     | 1               |     |
|                    | 22361          | 22361-KGN7-671  | PLATE CLUTCH SIDE             | 離合器舉升板                  | 1               |     |
|                    | 22401          | 22401-KHD4-E00  | SPRING CLUTCH                 | 離合器彈簧                   | 3               |     |
| #                  | 22530          | 22530-LFB5-900  | WEIGHT,CLUTCH                 | 離合器配重                   | 1               |     |
|                    | 22804          | 22804-GBB2-001  | RUBBER CLUTCH DUMPER          | 橡皮                      | 3               |     |
|                    | 2301A          | 2301A-LFB6-900  | PULLEY SUB.ASS'Y              | 副滑輪組                    | 1               |     |
|                    | 23100          | 23100-LCD4-E0A  | BELT DRIVE                    | 驅動皮帶                    | 1               |     |
|                    | 23200          | 23200-LFE2-900  | FACE ASSY DRIVEN(2007.04.04~) | 平面傳動盤組                  | 1               |     |
|                    | 23220          | 23220-GFY6-921  | FACE COMP MOVABLE DRIVEN      | 滑動式從動皮帶盤                | 1               |     |
|                    | 23225          | 23225-GHC8-004  | PIN ROLLER GUIDE              | 滾導銷                     | 3               |     |
|                    | 23226          | 23226-GHC8-004  | ROLLER GUIDE                  | 滾子                      | 3               |     |



| Sales mark<br>配色標註 | Ref no<br>參考號碼 | Part no<br>零件號碼 | Description<br>英文名稱      | Reg description<br>中文名稱 | Regd no<br>需求用量 | E06 |
|--------------------|----------------|-----------------|--------------------------|-------------------------|-----------------|-----|
|                    | 23233          | 23233-LFE2-910  | SPG DRIVEN FACE          | 驅動彈簧                    | 1               |     |
|                    | 23237          | 23237-GFY6-941  | COLLAR SEAL              | 套筒油封                    | 1               |     |
|                    | 28211          | 28211-KFC8-900  | RATCHET KICK STARTER     | 起動齒盤                    | 1               |     |
|                    | 90202          | 90202-1G87-001  | NUT SPECIAL 28MM         | 螺帽                      | 1               |     |
|                    | 90426          | 90426-KNBN-901  | WASHER SPECIAL 12MM      | 華司                      | 1               |     |
|                    | 90601          | 90601-GFY6-901  | CLIP 28MM                | 夾子 28MM                 | 1               |     |
|                    | 90605          | 90605-1F66-721  | CIR CLIP 7MM             | 環夾 7MM                  | 3               |     |
|                    | 91002          | 91002-GGA7-70A  | BRG BALL RADIAL 6902U    | 軸承 6902U                | 1               |     |
|                    | 91004          | 91004-KHE7-900  | BRG NDL 22*29*18         | 軸承 22*29*18             | 1               |     |
|                    | 91211          | 91211-KEBE-900  | SEAL DRIVEN FACE 34*41*4 | 驅動油封 34X41X4            | 2               |     |
|                    | 91351          | 91351-6B42-000  | O-RING PINION CAP        | O環                      | 2               |     |
|                    | 94050          | 94050-12080     | NUT C FLANGE 12MM        | 螺帽 12MM                 | 2               |     |
|                    | 94520          | 94520-28000     | CIR CLIP IN 28           | 內環夾 28MM                | 1               |     |



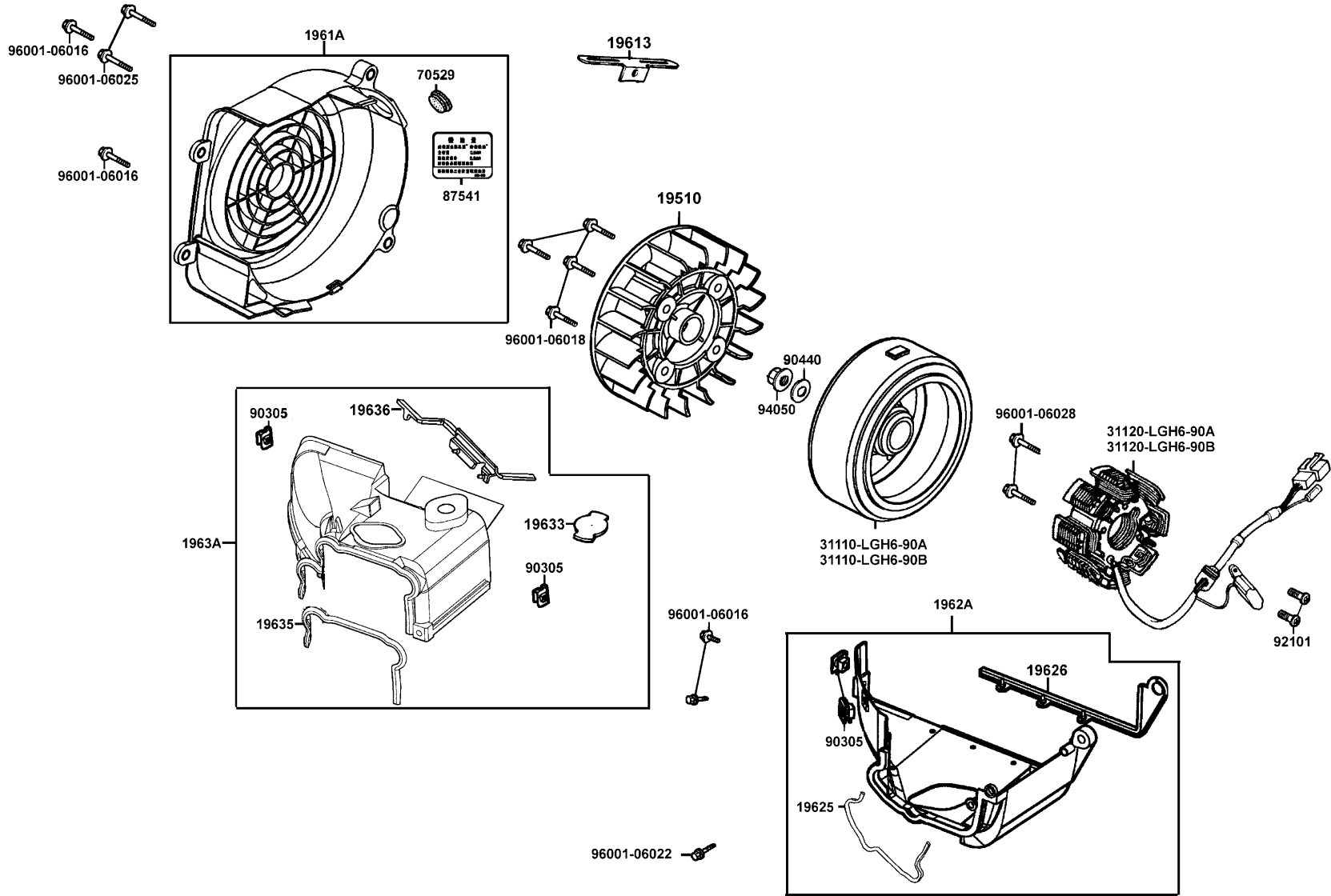
| Sales mark<br>配色標註 | Ref no<br>參考號碼 | Part no<br>零件號碼 | Description<br>英文名稱          | Reg description<br>中文名稱 | Regd no<br>需求用量 | E07 |
|--------------------|----------------|-----------------|------------------------------|-------------------------|-----------------|-----|
|                    | 11206          | 11206-LFB5-900  | STAY A RR FENDER             | 後土除支架 A                 | 1               |     |
| #                  | 15100          | 15100-KFB7-900  | PUMP ASSY OIL                | 機油泵浦                    | 1               |     |
|                    | 15133          | 15133-GFY6-901  | SPRKT OIL PUMP DRIVEN        | 機油泵驅動齒輪                 | 1               |     |
|                    | 15141-GFY6-90B | 15141-GFY6-90B  | CHAIN OIL PUMP               | 機油泵驅動鏈條                 | 1               |     |
|                    | 15141-GFY6-90C | 15141-GFY6-90C  | CHAIN OIL PUMP               | 機油泵驅動鏈條                 | 1               |     |
|                    | 15711          | 15711-GFY6-901  | SEPARATER OIL                | 機油分隔板                   | 1               |     |
|                    | 28101          | 28101-GFY6-200  | GEAR STARTER REDUCTION       | 起動減速齒輪                  | 1               |     |
|                    | 28102          | 28102-GFY6-901  | SHAFT STARTER REDUCTION GEAR | 起動減速齒輪軸                 | 1               |     |
|                    | 28110          | 28110-LEB1-900  | GEAR COMP STARTING CLUTCH    | 起動齒輪                    | 1               |     |
|                    | 28120          | 28120-GFY6-315  | OUTER COMP STARTING CLUTCH   | 離合器外套                   | 1               |     |
|                    | 28125-4F26     | 28125-4F26-001  | SPRING ROLLER STARTER CLUTCH | 離合器滾子彈簧                 | 3               |     |
|                    | 28125-GFY6     | 28125-GFY6-960  | FLANGE STARTING CLUTCH       | 起動離合器盤                  | 1               |     |
|                    | 28126          | 28126-KUDU-900  | CAP STARTING ROLLER SPRING   | 滾子彈簧蓋                   | 3               |     |
| #                  | 31210-LFB5-90A | 31210-LFB5-90A  | MOTOR UNIT START             | 起動馬達組                   | 1               |     |
| #                  | 31210-LFB5-90B | 31210-LFB5-90B  | MOTOR UNIT START             | 起動馬達組                   | 1               |     |
| #                  | 31210-LFB5-90C | 31210-LFB5-90C  | MOTOR UNIT START             | 起動馬達組                   | 1               |     |
|                    | 32106          | 32106-KKE3-900  | SUB HARNESS A                | 汽缸頭溫度感應器配線              | 1               |     |
|                    | 32410          | 32410-LEB1-900  | CABLE START MOTOR            | 起動馬達配線                  | 1               |     |
|                    | 90201          | 90201-GFY6-901  | NUT LOCK 22MM                | 螺帽 22MM                 | 1               |     |
|                    | 90403          | 90403-GFY6-901  | WASHER THRUST 22. 2*31*2.5   | 華司 22.2*31*2.5          | 1               |     |



| Sales mark<br>配色標註 | Ref no<br>參考號碼   | Part no<br>零件號碼  | Description<br>英文名稱 | Reg description<br>中文名稱 | Regd no<br>需求用量 | E07 |
|--------------------|------------------|------------------|---------------------|-------------------------|-----------------|-----|
|                    | 91101            | 91101-1K79-711   | ROLLER 10*10        | 滾子 10X10                | 3               |     |
|                    | 91104-GFY6-90B-B | 91104-GFY6-90B-B | BRG NEEDLE 28*32*17 | 滾針軸承                    | 1               |     |
|                    | 91104-GFY6-90B-R | 91104-GFY6-90B-R | BRG NEEDLE 28*32*17 | 滾針軸承                    | 1               |     |
|                    | 91104-GFY6-90B-W | 91104-GFY6-90B-W | BRG NEEDLE 28*32*17 | 滾針軸承                    | 1               |     |
|                    | 91104-GFY6-90C-B | 91104-GFY6-90C-B | BRG NEEDLE 28*32*17 | 滾針軸承                    | 1               |     |
|                    | 91104-GFY6-90C-R | 91104-GFY6-90C-R | BRG NEEDLE 28*32*17 | 滾針軸承                    | 1               |     |
|                    | 91104-GFY6-90C-W | 91104-GFY6-90C-W | BRG NEEDLE 28*32*17 | 滾針軸承                    | 1               |     |
|                    | 91981            | 91981-KGN7-670   | SCREW WASH 5X8      | 螺絲 5X8                  | 1               |     |
|                    | 93500            | 93500-03010-1A   | SCREW PAN 3*10      | 螺絲 3*10                 | 1               |     |
|                    | 94050            | 94050-06080      | NUT FLANGE 6MM      | 螺帽 6MM                  | 1               |     |
|                    | 94303            | 94303-04065      | PIN DOWEL 4*6.5     | 定位銷4*6.5                | 1               |     |
|                    | 96001-06012      | 96001-06012-08   | BOLT FLANGE 6*12    | 螺絲 6*12                 | 2               |     |
|                    | 96001-06018      | 96001-06018-08   | BOLT FLANGE SH 6*18 | 螺絲 6X18                 | 2               |     |
| #                  | 96001-06028      | 96001-06028-08   | BOLT FLANGE SH 6*28 | 螺絲 6*28                 | 2               |     |
|                    | 96220            | 96220-60100      | ROLLER 6*10         | 定位銷 6X10                | 1               |     |
|                    | 96600            | 96600-08010-10   | SOCKET BOLT 8*10    | 內六角螺絲 8X10              | 3               |     |

E08

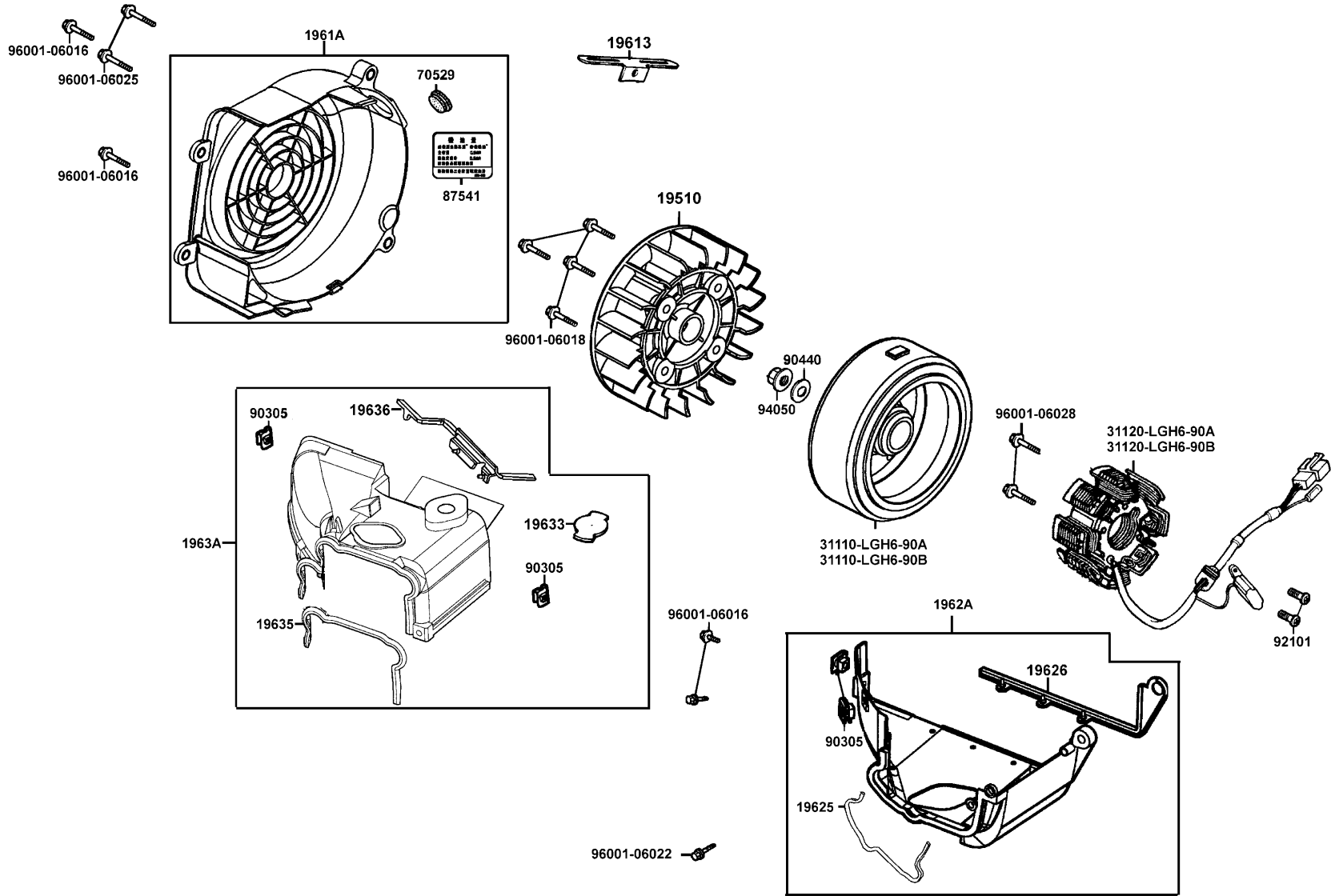
Fan cover Generator 風扇蓋 發電機



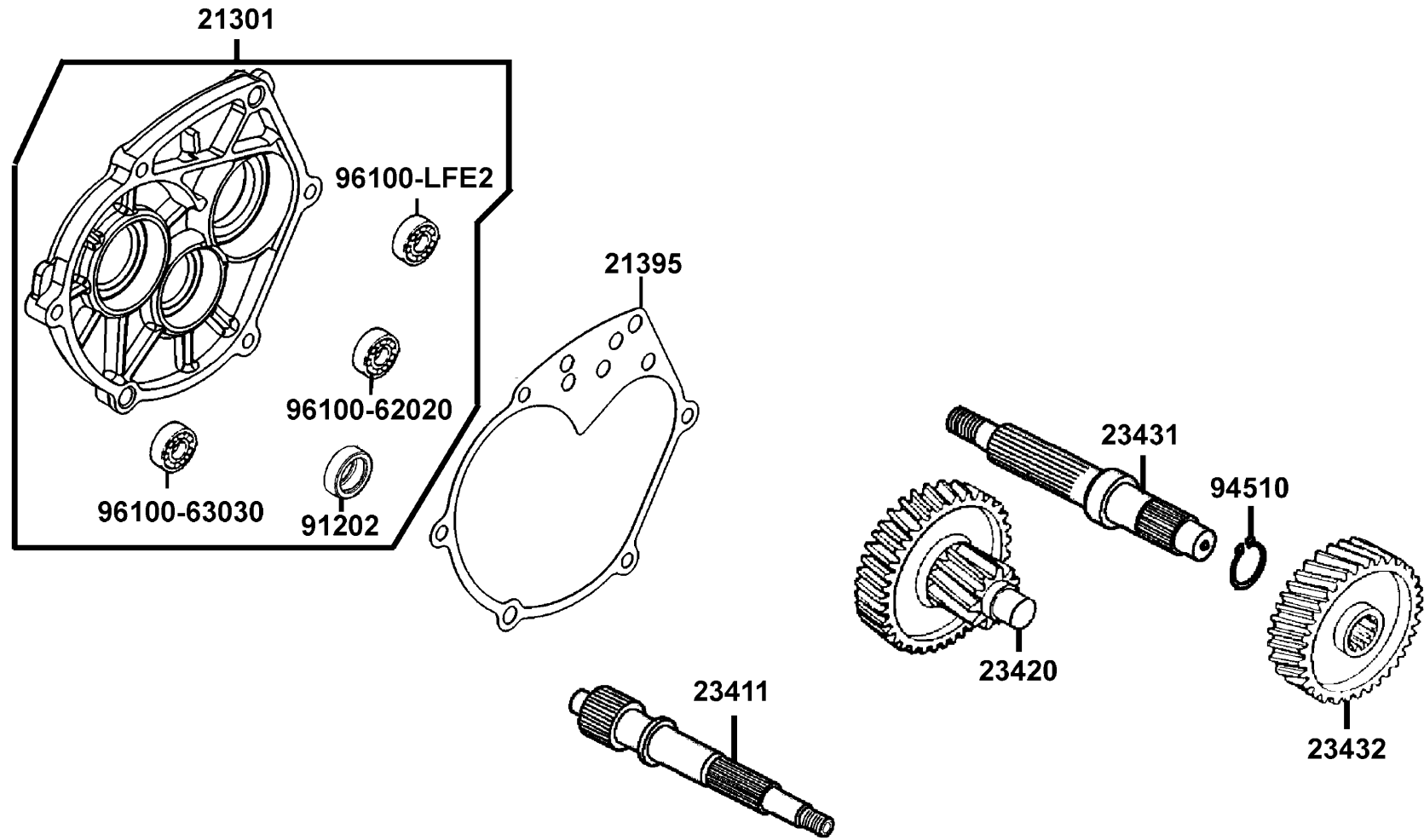
| Sales mark<br>配色標註 | Ref no<br>參考號碼 | Part no<br>零件號碼 | Description<br>英文名稱   | Reg description<br>中文名稱 | Regd no<br>需求用量 | E08 |
|--------------------|----------------|-----------------|-----------------------|-------------------------|-----------------|-----|
| **                 | 19510          | 19510-LEB1-900  | FAN COMP COOLING      | 冷卻風扇                    | 1               |     |
|                    | 19613          | 19613-GFY6-901  | CLAMPER STARTER MOTOR | 起動馬達導線夾                 | 1               |     |
|                    | 1961A          | 1961A-LEB1-900  | COVER ASSY FAN        | 風扇蓋組                    | 1               |     |
|                    | 19625          | 19625-LEB1-900  | SEAL SHROUD A         | 罩蓋油封 A                  | 1               |     |
|                    | 19626          | 19626-LEB1-900  | SEAL SHROUD A         | 罩蓋油封 A                  | 1               |     |
|                    | 1962A          | 1962A-LEB2-900  | SHROUD ASSY A         | 罩蓋 A                    | 1               |     |
|                    | 19633          | 19633-GFY6-901  | GROMET SHROUD B       | 橡皮蓋                     | 1               |     |
|                    | 19635          | 19635-LEB1-900  | SEAL SHROUD B         | 罩蓋油封 B                  | 1               |     |
|                    | 19636          | 19636-LEB1-900  | SEAL SHROUD B         | 罩蓋油封 B                  | 1               |     |
|                    | 1963A          | 1963A-LGH6-900  | SHROUD ASS'Y,B        | 風罩蓋組立B                  | 1               |     |
|                    | 31110-LGH6-90A | 31110-LGH6-90A  | FLYWHEEL COMP.        | 飛輪                      | 1               |     |
|                    | 31110-LGH6-90B | 31110-LGH6-90B  | FLYWHEEL COMP         | 飛輪                      | 1               |     |
|                    | 31120-LGH6-90A | 31120-LGH6-90A  | STATOR COMP.          | 定子線圈                    | 1               |     |
|                    | 31120-LGH6-90B | 31120-LGH6-90B  | STATOR COMP           | 轉子線圈                    | 1               |     |
|                    | 70529          | 70529-6G57-671  | GROM B SIDE PNL       | 橡皮塞                     | 1               |     |
| **                 | 87541          | 87541-KUDU-900  | LABEL OIL CAP         | 標籤                      | 1               |     |
|                    | 90305          | 90305-GHK8-001  | NUT CLIP 6MM          | 夾螺帽                     | 3               |     |
|                    | 90440          | 90440-1F66-001  | WASHER PLAIN 12MM     | 華司 12MM                 | 1               |     |
|                    | 92101          | 92101-05012-0H  | BOLT HEX 5*12         | 螺絲 5*12                 | 2               |     |
|                    | 94050          | 94050-12080     | NUT C FLANGE 12MM     | 螺帽 12MM                 | 1               |     |

E08

Fan cover Generator 風扇蓋 發電機



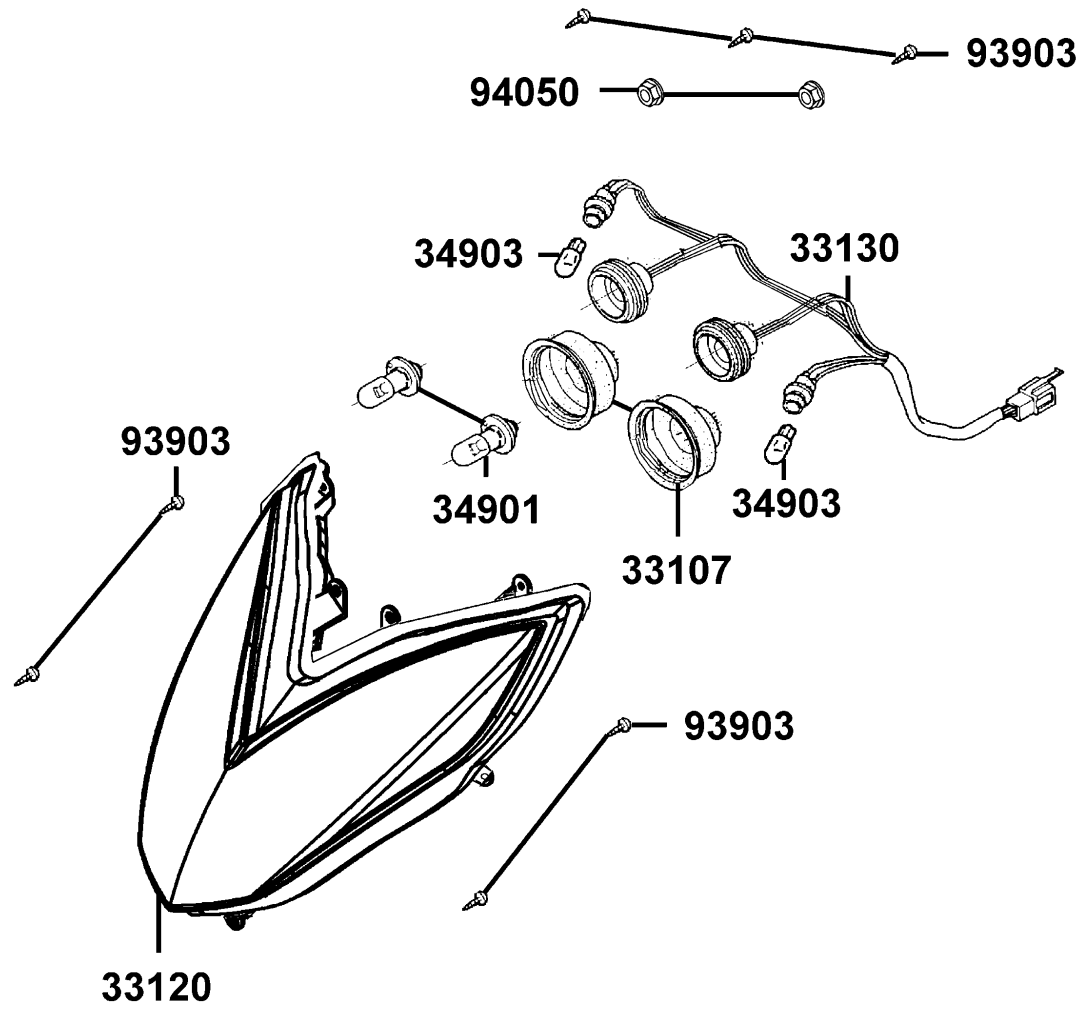
| Sales mark<br>配色標註 | Ref no<br>參考號碼 | Part no<br>零件號碼 | Description<br>英文名稱 | Reg description<br>中文名稱 | Regd no<br>需求用量 | E08 |
|--------------------|----------------|-----------------|---------------------|-------------------------|-----------------|-----|
|                    | 96001-06016    | 96001-06016-08  | BOLT FLANGE SH 6*16 | 凸緣螺栓                    | 4               |     |
|                    | 96001-06018    | 96001-06018-08  | BOLT FLANGE SH 6*18 | 螺絲 6X18                 | 4               |     |
| #                  | 96001-06022    | 96001-06022-08  | BOLT FLANGE SH 6*22 | 螺栓                      | 2               |     |
| #                  | 96001-06028    | 96001-06028-08  | BOLT FLANGE SH 6*28 | 螺絲 6*28                 | 2               |     |



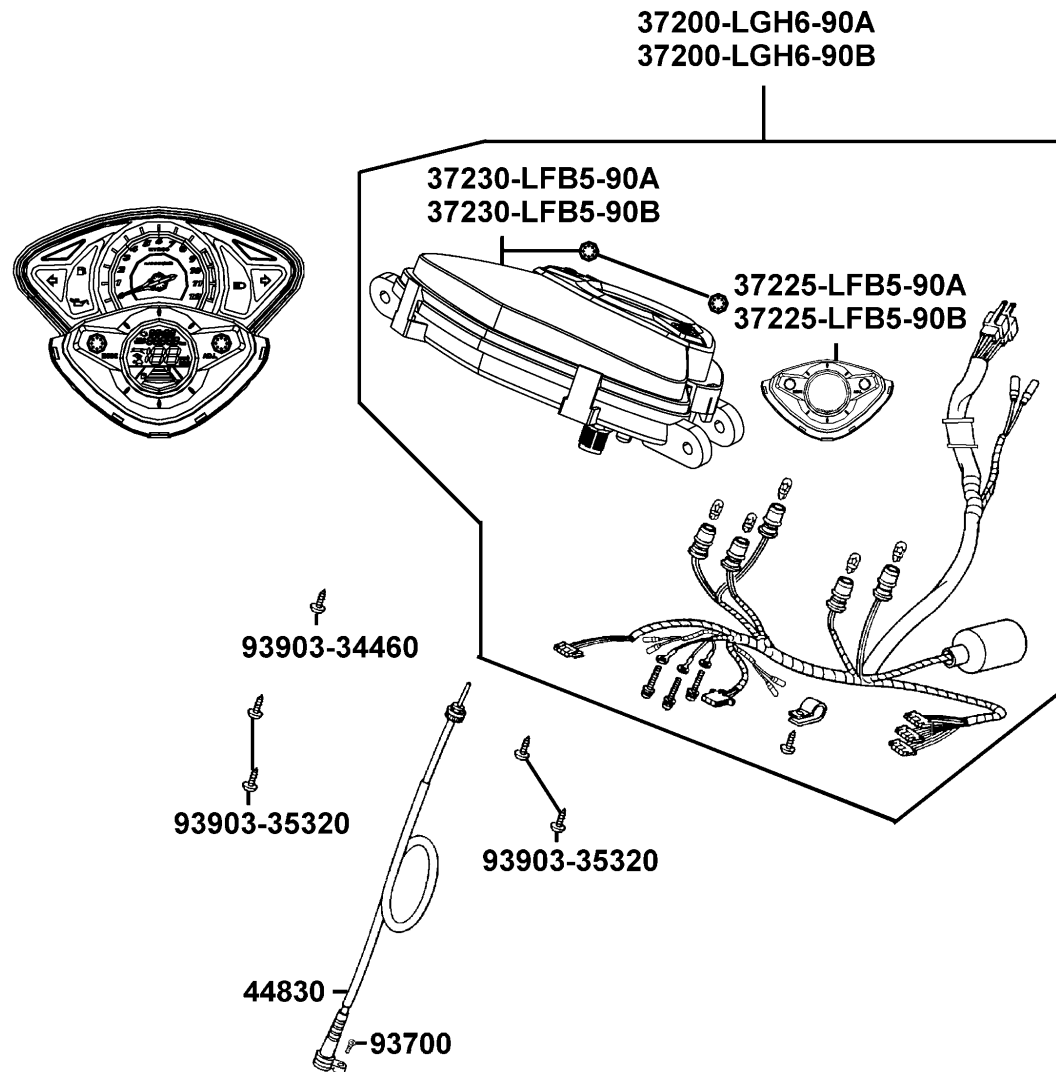
| Sales mark<br>配色標註 | Ref no<br>參考號碼 | Part no<br>零件號碼 | Description<br>英文名稱        | Reg description<br>中文名稱 | Regd no<br>需求用量 | E09 |
|--------------------|----------------|-----------------|----------------------------|-------------------------|-----------------|-----|
|                    | 21301          | 21301-LFB5-305  | COVER MISSION(2007.04.04)  | 變速箱蓋                    | 1               |     |
|                    | 21395          | 21395-LFB5-900  | GASKET MISSION CASE        | 主軸蓋墊片                   | 1               |     |
|                    | 23411          | 23411-LFB5-900  | SHAFT DRIVE(2007.04.03)    | 驅動軸                     | 1               |     |
|                    | 23420          | 23420-LGH5-900  | SHAFT COMP COUNTER         | 副軸組                     | 1               |     |
|                    | 23431          | 23431-LFB5-900  | SHAFT FINAL                | 最終軸                     | 1               |     |
|                    | 23432          | 23432-LGH5-900  | GEAR FINAL                 | 最終齒輪                    | 1               |     |
| #                  | 91202          | 91202-LFE2-90A  | OIL SEAL 22*32*5           | 左曲軸箱油封 22*32*5          | 1               |     |
| #                  | 94510          | 94510-20000     | CIR CLIP EX 20             | 夾環                      | 1               |     |
|                    | 96100-62020    | 96100-62020-00  | BEARING BALL RADIAL 6202   | 軸承 6202                 | 1               |     |
|                    | 96100-63030    | 96100-63030-00  | BEARING BALL RADIAL 6303   | 軸承 6303                 | 1               |     |
|                    | 96100-LFE2     | 96100-LFE2-900  | BRG BALL RADIAL TMB2/22CC4 | 軸承 22CC4                | 1               |     |

F01

Head Light 前燈



| Sales mark<br>配色標註 | Ref no<br>參考號碼 | Part no<br>零件號碼 | Description<br>英文名稱 | Reg description<br>中文名稱 | Regd no<br>需求用量 | F01 |
|--------------------|----------------|-----------------|---------------------|-------------------------|-----------------|-----|
|                    | 33107          | 33107-KKC4-E00  | COVER RUBBER        | 前燈配線橡皮護蓋                | 1               |     |
|                    | 33120          | 33120-LGH6-900  | COMB HEAD LIGHT     | 前燈殼                     | 1               |     |
|                    | 33130          | 33130-LFB5-900  | SOCKET COMP         | 前燈配線/雙燈                 | 1               |     |
|                    | 34901          | 34901-KFA6-900  | BULB HEAD LIGHT     | 前燈泡                     | 2               |     |
|                    | 34903          | 34903-KPCP-900  | BULB POSITION       | 位置燈燈泡                   | 2               |     |
|                    | 93903          | 93903-35360     | SCREW TAPPING 5*16  | 螺釘 5*16                 | 7               |     |
|                    | 94050          | 94050-06060     | NUT FLANGE 6MM      | 螺帽 6MM                  | 2               |     |



| Sales mark<br>配色標註 | Ref no<br>參考號碼 | Part no<br>零件號碼 | Description<br>英文名稱          | Reg description<br>中文名稱 | Regd no<br>需求用量 | F02 |
|--------------------|----------------|-----------------|------------------------------|-------------------------|-----------------|-----|
|                    | 37200-LGH6-90A | 37200-LGH6-90A  | METER ASS'Y, SPEED           | 儀表組                     | 1               |     |
|                    | 37200-LGH6-90B | 37200-LGH6-90B  | METER ASSY SPEED             | 儀錶組                     | 1               |     |
|                    | 37225-LFB5-90A | 37225-LFB5-90A  | METER SPEED DECORATION COVER | 哩程表裝飾蓋                  | 1               |     |
|                    | 37225-LFB5-90B | 37225-LFB5-90B  | METER SPEED DECORATION COVER | 哩程表裝飾蓋                  | 1               |     |
|                    | 37230-LFB5-90A | 37230-LFB5-90A  | LENS ASSY                    | 儀錶蓋                     | 1               |     |
|                    | 37230-LFB5-90B | 37230-LFB5-90B  | LENS ASSY                    | 儀錶蓋                     | 1               |     |
|                    | 44830          | 44830-KXCX-901  | CABLE COMP SPDMT             | 速度錶導線                   | 1               |     |
|                    | 93700          | 93700-05018-0H  | SCREW OVAL 5*18              | 螺絲 5*18                 | 1               |     |
|                    | 93903-34460    | 93903-34460     | SCREW TAPPING 4*16           | 螺釘 4*16                 | 1               |     |
|                    | 93903-35320    | 93903-35320     | SCREW TAPPING 5*16           | 螺絲 5*16                 | 4               |     |



| Sales mark<br>配色標註 | Ref no<br>參考號碼 | Part no<br>零件號碼 | Description<br>英文名稱    | Reg description<br>中文名稱 | Regd no<br>需求用量 | F03 |
|--------------------|----------------|-----------------|------------------------|-------------------------|-----------------|-----|
| #                  | 17910          | 17910-KKE3-900  | CABLE COMP THROT       | 節流導線                    | 1               |     |
|                    | 35130          | 35130-KXCX-M00  | SW UNIT KILL           | 單位開關                    | 1               |     |
|                    | 35150          | 35150-GFY6-900  | SW UNIT LIGHTING       | 前燈開關                    | 1               |     |
|                    | 35160          | 35160-GFY6-900  | SW UNIT STARTER        | 起動開關                    | 1               |     |
|                    | 35170          | 35170-KNBN-910  | SW UNIT DIMMER         | 遠近燈開關                   | 1               |     |
|                    | 35180          | 35180-GFY6-900  | SW UNIT HORN           | 喇叭開關                    | 1               |     |
|                    | 35200          | 35200-GFY6-910  | SW UNIT WINKER         | 方向燈開關                   | 1               |     |
|                    | 35340          | 35340-KFLF-900  | SW ASSY FR STOP        | 煞車燈前置開關                 | 1               |     |
|                    | 43450          | 43450-LFB5-800  | "CABLE COMP ,RR BRAKE" | 後剎車導線                   | 1               |     |
|                    | 45517          | 45517-LFB5-800  | "HOLDER HNDL., BRKT."  | 手柄固定座夾板                 | 1               |     |
|                    | 53100          | 53100-LGH6-900  | HANDLE COMP.,STRG.     | HANDLE COMP.,STRG.      | 1               |     |
| **                 | 53102          | 53102-KEC8-900  | END R STRG HANDLE      | 手柄端子                    | 1               |     |
| **                 | 53105          | 53105-LBB5-E00  | END R STRG HANDLE      | 手柄右平衡端子                 | 1               |     |
|                    | 53125          | 53125-GEN5-901  | COLLAR HANDLE SET      | 套筒                      | 1               |     |
| **                 | 53140          | 53140-LFB6-800  | GRIP COMP THROT        | 節流管套組                   | 1               |     |
| **                 | 53150          | 53150-LFB6-800  | GRIP COMP L HANDLE     | 手柄左橡皮套                  | 1               |     |
|                    | 53167          | 53167-KFA1-900  | HOUSING UND THROT      | 節流管套下固定座                | 1               |     |
|                    | 53168          | 53168-KFA1-900  | HOUSING UP THROT       | 節流管套上固定座                | 1               |     |
|                    | 53172          | 53172-KTCT-900  | BRKT HANDLE L          | 手柄左托架                   | 1               |     |
| **                 | 53178          | 53178-LCD1-E00  | LEVER STEERING HANDLE  | 手柄左拉桿                   | 1               |     |

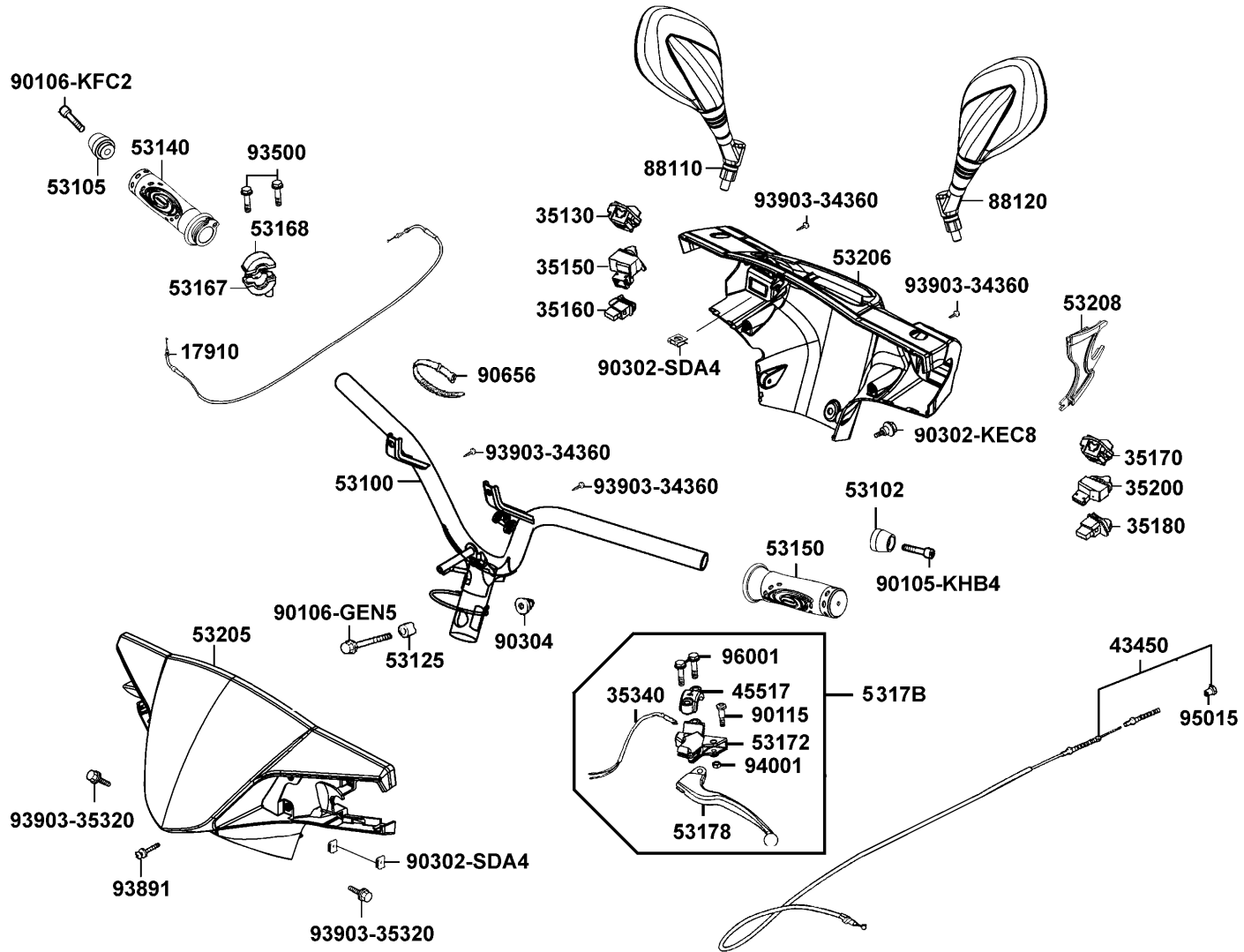
F03

Handle Steering

Handle Cover

轉向手柄

手柄蓋



| Sales mark<br>配色標註 | Ref no<br>參考號碼 | Part no<br>零件號碼 | Description<br>英文名稱    | Reg description<br>中文名稱 | Regd no<br>需求用量 | F03 |
|--------------------|----------------|-----------------|------------------------|-------------------------|-----------------|-----|
| #                  | 5317B          | 5317B-LFB5-900  | "BRKT. ASSY , HNDL LH" | 手柄左拉桿組                  | 1               |     |
| **                 | 53205          | 53205-LFB5-900  | COVER FR HANDLE        | 手柄前蓋                    | 1               |     |
| **                 | 53206          | 53206-LFB5-900  | COVER HANDLE RR        | 手柄後蓋                    | 1               |     |
| **                 | 53208          | 53208-LFB5-900  | COVER L WINKER         | 左飾蓋                     | 1               |     |
| **                 | 88110          | 88110-LFB5-900  | MIRROR ASSY R BACK     | 右後視鏡                    | 1               |     |
| **                 | 88120          | 88120-LFB5-900  | MIRROR ASSY L BACK     | 左後視鏡                    | 1               |     |
|                    | 90105          | 90105-KHB4-900  | BOLT WASH M8*60        | 螺絲 M8*60                | 1               |     |
|                    | 90106-GEN5     | 90106-GEN5-901  | BOLT FLANGE 10*50      | 特殊螺絲 10*50              | 1               |     |
|                    | 90106-KFC2     | 90106-KFC2-900  | BOLT WASH 8MM          | 螺絲 8MM                  | 1               |     |
|                    | 90115          | 90115-GLE0-001  | BOLT HNDL LEVER PIVOT  | 拉桿螺絲                    | 1               |     |
|                    | 90302-KEC8     | 90302-KEC8-900  | BOLT PAN 5*9           | 螺釘 5*9                  | 1               |     |
|                    | 90302-SDA4     | 90302-SDA4-004  | NUT SPRING 4MM         | 螺帽 4MM                  | 3               |     |
|                    | 90304          | 90304-GHE8-004  | NUT U 10MM             | 螺帽 10MM                 | 1               |     |
|                    | 90656          | 90656-KCBC-900  | BAND OIL HOSE          | 油管束帶                    | 1               |     |
|                    | 93500          | 93500-05022-06  | SCREW PAN 5*22         | 螺絲 5*22                 | 2               |     |
|                    | 93891          | 93891-05025-06  | SCREW WASH 5*25        | 螺絲 5*25                 | 1               |     |
|                    | 93903-34360    | 93903-34360     | SCREW TAPPING 4*12     | 螺絲 4*12                 | 4               |     |
|                    | 93903-35320    | 93903-35320     | SCREW TAPPING 5*16     | 螺絲 5*16                 | 2               |     |
|                    | 94001          | 94001-05080-0S  | NUT HEX 5MM            | 螺帽 5MM                  | 1               |     |
|                    | 95015          | 95015-LEB1-900  | NUT B ADJUST           | 調整螺帽                    | 1               |     |

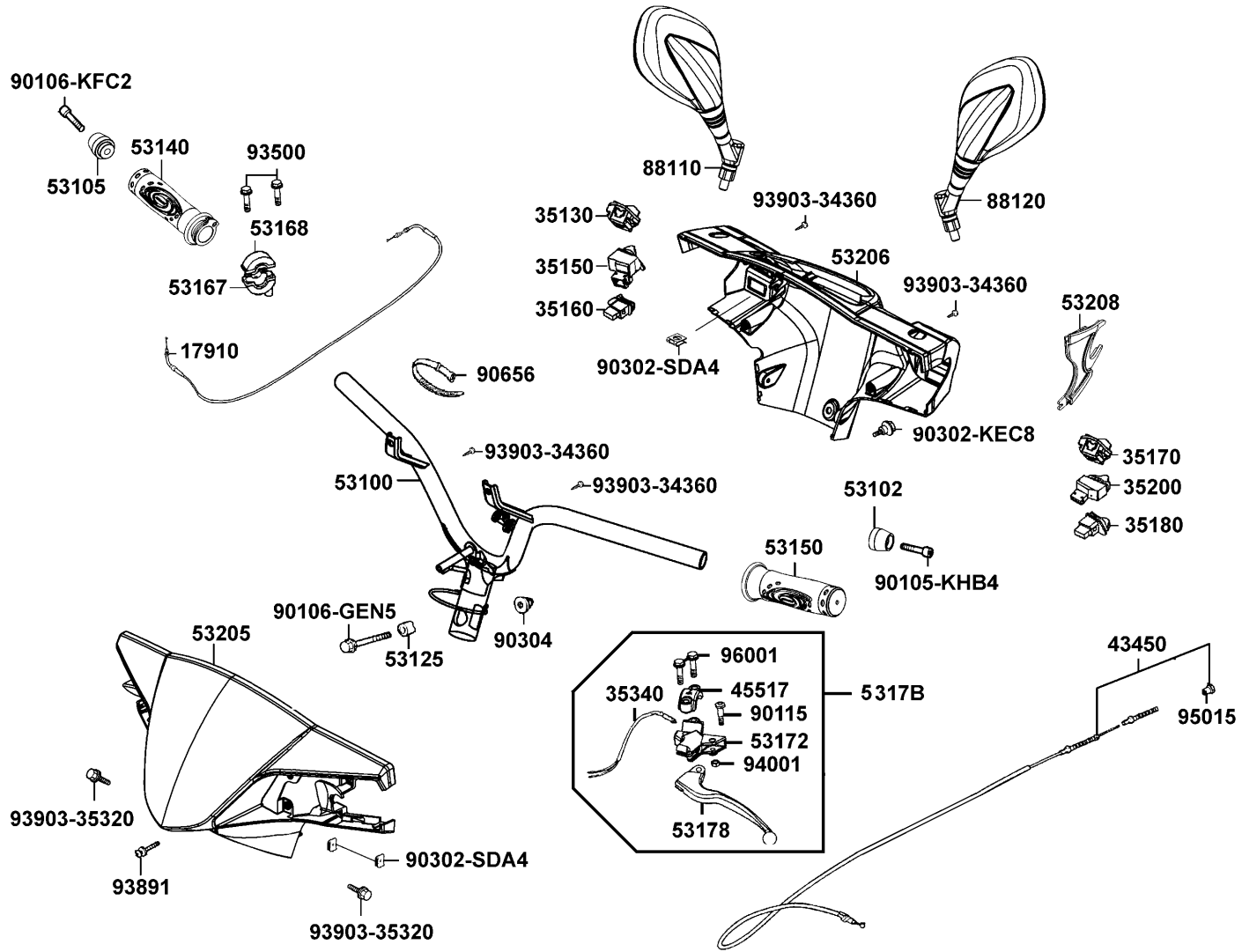
F03

Handle Steering

Handle Cover

轉向手柄

手柄蓋

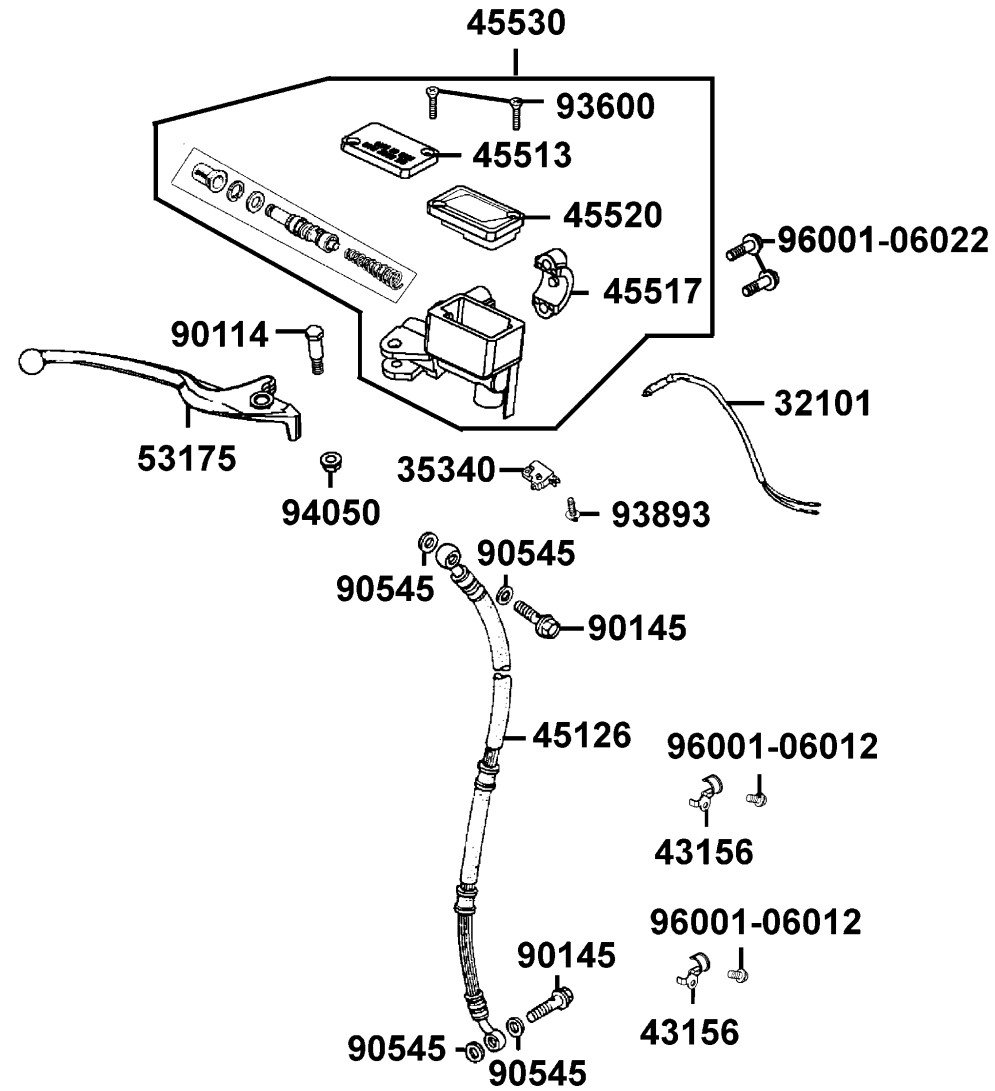


| Sales mark<br>配色標註 | Ref no<br>參考號碼 | Part no<br>零件號碼  | Description<br>英文名稱 | Reg description<br>中文名稱 | Regd no<br>需求用量 |
|--------------------|----------------|------------------|---------------------|-------------------------|-----------------|
| 96001              | 96001-06025-06 | BOLT FLANGE 6*25 | 螺絲 6*25             | 2                       |                 |

**F03**

F04

Brake Master Cylinder 煞車主油缸



| Sales mark<br>配色標註 | Ref no<br>參考號碼 | Part no<br>零件號碼 | Description<br>英文名稱  | Reg description<br>中文名稱 | Regd no<br>需求用量 | F04 |
|--------------------|----------------|-----------------|----------------------|-------------------------|-----------------|-----|
|                    | 32101          | 32101-GFY6-901  | SUB CORD R/H         | 煞車燈開關右配線                | 1               |     |
|                    | 35340          | 35340-KNBN-901  | SW ASSY FR STOP      | 煞車燈前置開關                 | 1               |     |
| #                  | 43156          | 43156-LFB5-900  | CLAMPER ,METER CABLE | CLAMPER ,METER CABLE    | 2               |     |
|                    | 45126          | 45126-LFB5-900  | HOSE ASSY FR BRK     | 前煞車油管                   | 1               |     |
|                    | 45513          | 45513-GLW0-91A  | CAP MASTER CYLINDER  | 煞車主油缸蓋                  | 1               |     |
|                    | 45517          | 45517-KFAF-910  | HOLDER M/C           | 煞車主油缸固定座                | 1               |     |
|                    | 45520          | 45520-GLW0-91A  | DIAPHRAGM            | 橫隔板                     | 1               |     |
|                    | 45530          | 45530-LFB5-305  | CYLINDER SET MASTER  | 煞車主油缸                   | 1               |     |
|                    | 53175          | 53175-KFA5-E10  | LEVER R STRG HANDLRE | 右拉桿                     | 1               |     |
|                    | 90114          | 90114-1F66-007  | BOLT HANDLE LEVER    | 右拉桿固定螺栓                 | 1               |     |
|                    | 90145          | 90145-MKS9-61A  | OIL BOLT 10*22       | 油管螺絲 10*22              | 2               |     |
|                    | 90545          | 90545-3L00-001  | WASHER OIL BOLT      | 華司                      | 4               |     |
|                    | 93600          | 93600-04012-1G  | SCREW FLAT 4*12      | 螺絲 4*12                 | 2               |     |
|                    | 93893          | 93893-04012-18  | SCREW WASHER 4*12    | 螺絲 4*12                 | 1               |     |
|                    | 94050          | 94050-06060     | NUT FLANGE 6MM       | 螺帽 6MM                  | 1               |     |
|                    | 96001-06012    | 96001-06012-06  | BOLT FLANGE SH 6*12  | 螺絲 6*12                 | 2               |     |
|                    | 96001-06022    | 96001-06022-06  | BOLT FLANGE 6*20     | 螺絲 6*20                 | 2               |     |



| Sales mark<br>配色標註 | Ref no<br>參考號碼 | Part no<br>零件號碼 | Description<br>英文名稱          | Reg description<br>中文名稱 | Regd no<br>需求用量 | F05 |
|--------------------|----------------|-----------------|------------------------------|-------------------------|-----------------|-----|
|                    | 33741          | 33741-GFY6-C30  | REFLEX REFLECTOR             | 反光鏡片                    | 2               |     |
|                    | 40511          | 40511-LEC8-E00  | COLLAR                       | 軸環                      | 4               |     |
| **                 | 61100          | 61100-LFB5-900  | FENDER FR INNER              | 前土除                     | 1               |     |
| **                 | 61101          | 61101-LFB5-900  | "GRILLE,R FENDER TIRE, FR. " | 右前土除護網                  | 1               |     |
| **                 | 61102          | 61102-LFB5-900  | "GRILLE,L FENDER TIRE, FR. " | 左前土除護網                  | 1               |     |
|                    | 61103          | 61103-LFB5-900  | "RUBBER,FENDER FR."          | 前土除橡皮                   | 1               |     |
|                    | 6110B          | 6110B-LFB5-900  | FENDER B. FR.                | 前土除                     | 1               |     |
| **                 | 64302          | 64302-LFB5-900  | MOLD FR                      | 前護板                     | 1               |     |
| **                 | 64303          | 64303-LFB5-900  | "GRILLE,R FR. MOLDING"       | 右前護網                    | 1               |     |
| **                 | 64304          | 64304-LFB5-900  | "GRILLE,L FR. MOLDING"       | 左前護網                    | 1               |     |
| **                 | 64305          | 64305-LFB5-900  | SKIRT R SIDE                 | 右邊軌                     | 1               |     |
| **                 | 64306          | 64306-LFB5-900  | SKIRT L SIDE                 | 左邊軌                     | 1               |     |
| **                 | 64307          | 64307-LFB5-900  | "GRILLER,COVER , FR."        | 前護網                     | 1               |     |
| **                 | 6430A          | 6430A-LGH5-305  | COVER SET FR                 | 前護蓋組                    | 1               |     |
| **                 | 64310          | 64310-LFB5-900  | FLOOR PANEL                  | 腳踏板                     | 1               |     |
| **                 | 64316-KHD6     | 64316-KHD6-900  | PLUG FLOOR                   | 踏板塞                     | 2               |     |
| **                 | 64316-KHE2     | 64316-KHE2-900  | PLUG FLOOR                   | 踏板塞子                    | 2               |     |
| **                 | 64400          | 64400-LFB5-900  | "COWL, UNDER"                | 下罩蓋                     | 1               |     |
| **                 | 81131          | 81131-LFB5-900  | LEG SHIELD UP                | 內箱上殼                    | 1               |     |
| **                 | 81132          | 81132-LFB5-900  | CAP LEG SHIELD UP            | 內箱上套蓋                   | 1               |     |

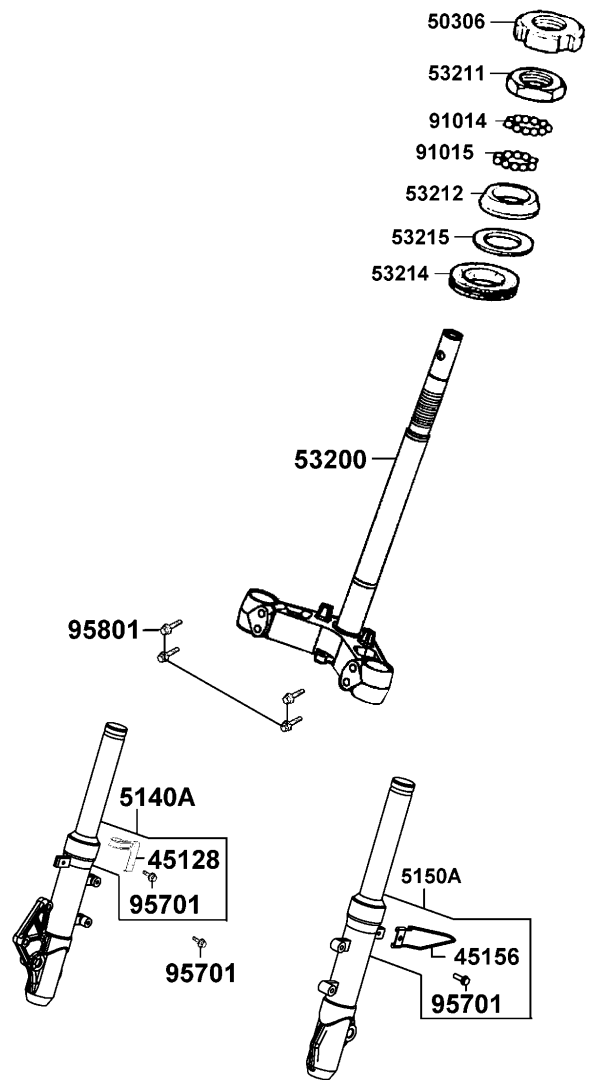


| Sales mark<br>配色標註 | Ref no<br>參考號碼 | Part no<br>零件號碼 | Description<br>英文名稱 | Reg description<br>中文名稱 | Regd no<br>需求用量 | F05 |
|--------------------|----------------|-----------------|---------------------|-------------------------|-----------------|-----|
|                    | 81134          | 81134-LAB4-900  | HOOK LEG SHIELD     | 前置物箱掛鉤                  | 1               |     |
| **                 | 81141          | 81141-LFB5-900  | LEG SHIELD LOW      | 內箱下殼                    | 1               |     |
| **                 | 81142          | 81142-KUDU-900  | LID LEG SHIELD      | 內箱蓋                     | 1               |     |
|                    | 81153          | 81153-LFB6-900  | STAY, RELAY         | 支架                      | 1               |     |
|                    | 90116          | 90116-KED9-900  | SCREW PAN 6*24      | 螺絲 6*24                 | 4               |     |
|                    | 90164          | 90164-MDR4-901  | SCREW SPECIAL 6MM   | 特殊螺絲 6MM                | 1               |     |
|                    | 90302          | 90302-SDA4-004  | NUT SPRING 4MM      | 螺帽 4MM                  | 6               |     |
|                    | 90652-LCA4     | 90652-LCA4-E00  | CLIP MUDGUARD       | 踏板架                     | 4               |     |
|                    | 90652-LFB5     | 90652-LFB5-900  | CLIP MUDGUARD       | 塑膠螺絲                    | 10              |     |
|                    | 93404          | 93404-06030-06  | BOLT WASHER 6*30    | 螺絲6*30                  | 4               |     |
|                    | 93903-34360    | 93903-34360     | SCREW TAPPING 4*12  | 螺絲 4*12                 | 31              |     |
|                    | 93903-34460    | 93903-34460     | SCREW TAPPING 4*16  | 螺釘 4*16                 | 2               |     |
|                    | 93903-34760    | 93903-34760     | SCREW TAPPING 4*30  | 螺釘4X30                  | 2               |     |
|                    | 93903-GFY6     | 93903-GFY6-900  | SCREW TAPPING 4*14  | 螺絲 4*14                 | 4               |     |
|                    | 94050          | 94050-06080     | NUT FLANGE 6MM      | 螺帽 6MM                  | 2               |     |
| #                  | 94591-21000    | 94591-21000     | CLIP 2*100          | 導線夾                     | 2               |     |
| #                  | 94591-27000    | 94591-27000     | CLIP 2*70           | 夾子 2*70                 | 2               |     |

F06

Front Cushion

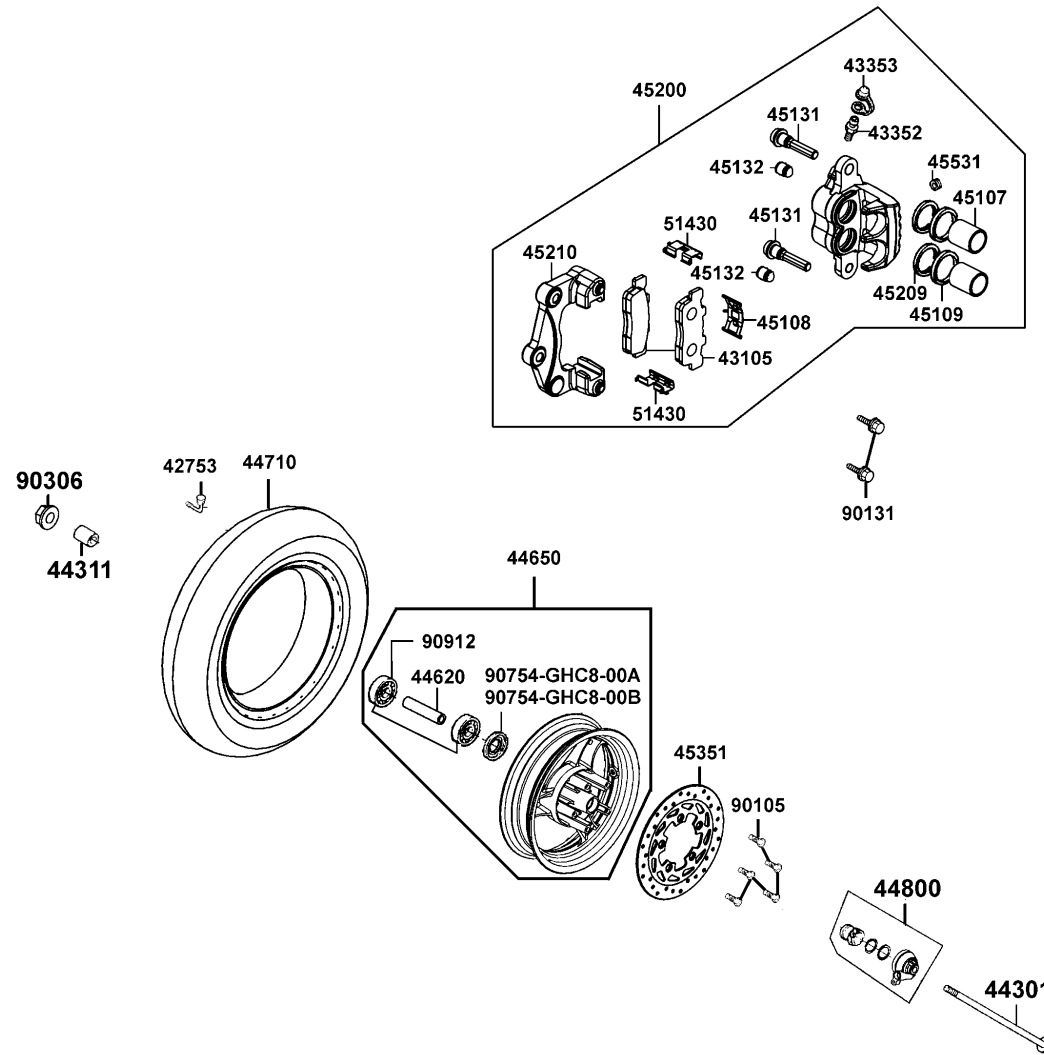
前避震器



| Sales mark<br>配色標註 | Ref no<br>參考號碼 | Part no<br>零件號碼 | Description<br>英文名稱     | Reg description<br>中文名稱 | Regd no<br>需求用量 | F06 |
|--------------------|----------------|-----------------|-------------------------|-------------------------|-----------------|-----|
| #                  | 45128          | 45128-KEBE-900  | CLAMPER FR BRAKE HOSE   | 煞車油管夾                   | 1               |     |
|                    | 45156          | 45156-KEC6-900  | CLAMPER RR BRAKE HOSE   | 後煞車油管夾                  | 0               |     |
|                    | 50306          | 50306-1F96-001  | NUT STRG STEM LOCK      | 主幹螺帽                    | 1               |     |
| **                 | 5140A          | 5140A-LFB5-900  | FORK SET R FR           | 右前避震器                   | 1               |     |
| **                 | 5150A          | 5150A-LFB5-900  | FORK SET L FR           | 左前避震器                   | 1               |     |
|                    | 53200          | 53200-LFB5-900  | STEM COMP STRG          | 轉向桿                     | 1               |     |
|                    | 53211          | 53211-GFY6-940  | RACE STRG TOP CONE      | 上錐體座圈                   | 1               |     |
|                    | 53212          | 53212-2L50-011  | RACE STRG BOT CONE      | 下錐體座圈                   | 1               |     |
|                    | 53214          | 53214-2L50-001  | DUST SEAL STRG(HEAD)    | 墊片                      | 1               |     |
|                    | 53215          | 53215-2L50-001  | WASH STRG HDL DUST-SEAL | 轉向桿華司                   | 1               |     |
|                    | 91014          | 91014-LLJ3-E00  | CAGE STEERING TOP       | 鋼珠座                     | 1               |     |
|                    | 91015          | 91015-LLJ3-E00  | CAGE STEERING BOT       | 鋼珠座                     | 1               |     |
|                    | 95701          | 95701-06012-06  | BOLT FLANGE 6*12        | 螺絲 6*12                 | 3               |     |
|                    | 95801          | 95801-08040-08  | BOLT FLANGE 8*40        | 螺絲 8*40                 | 4               |     |

F07

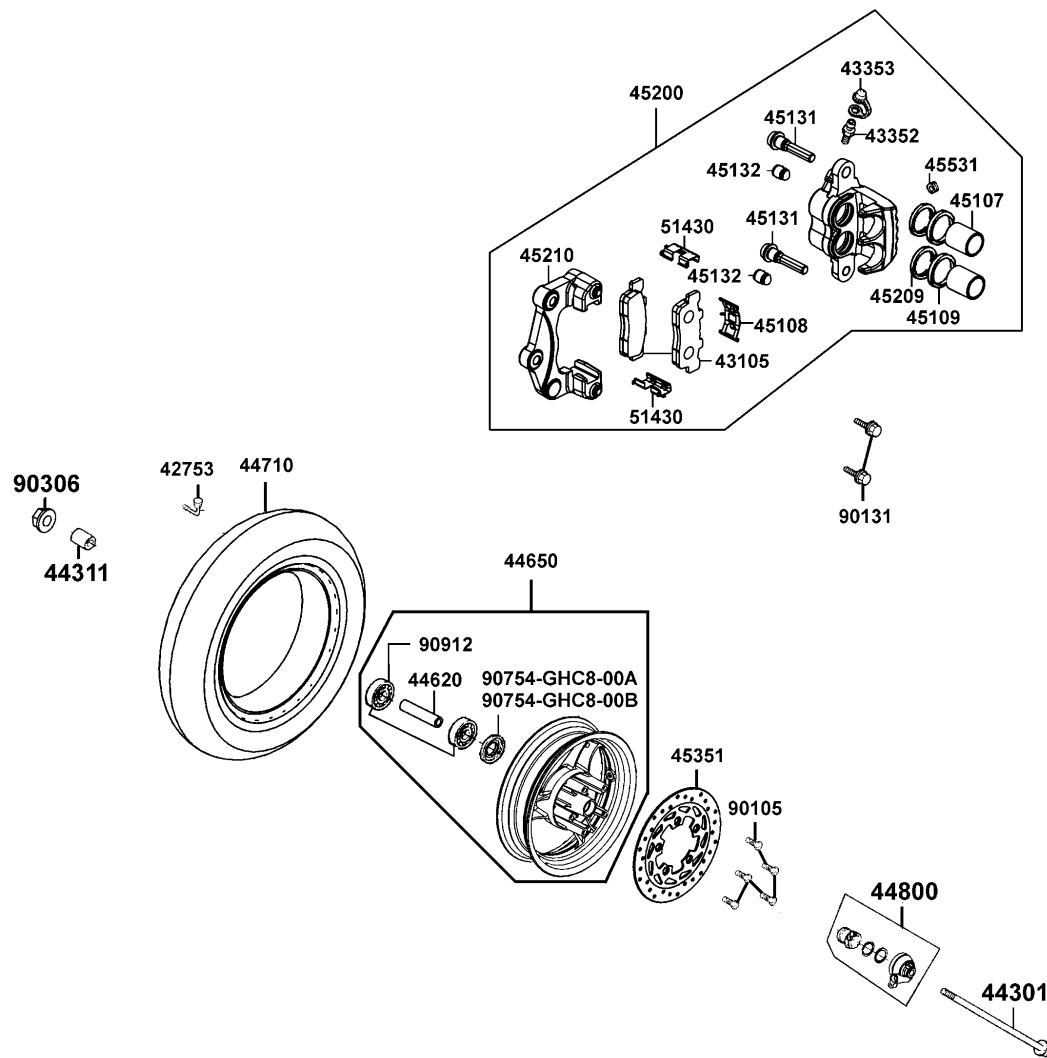
Front Wheel 前輪



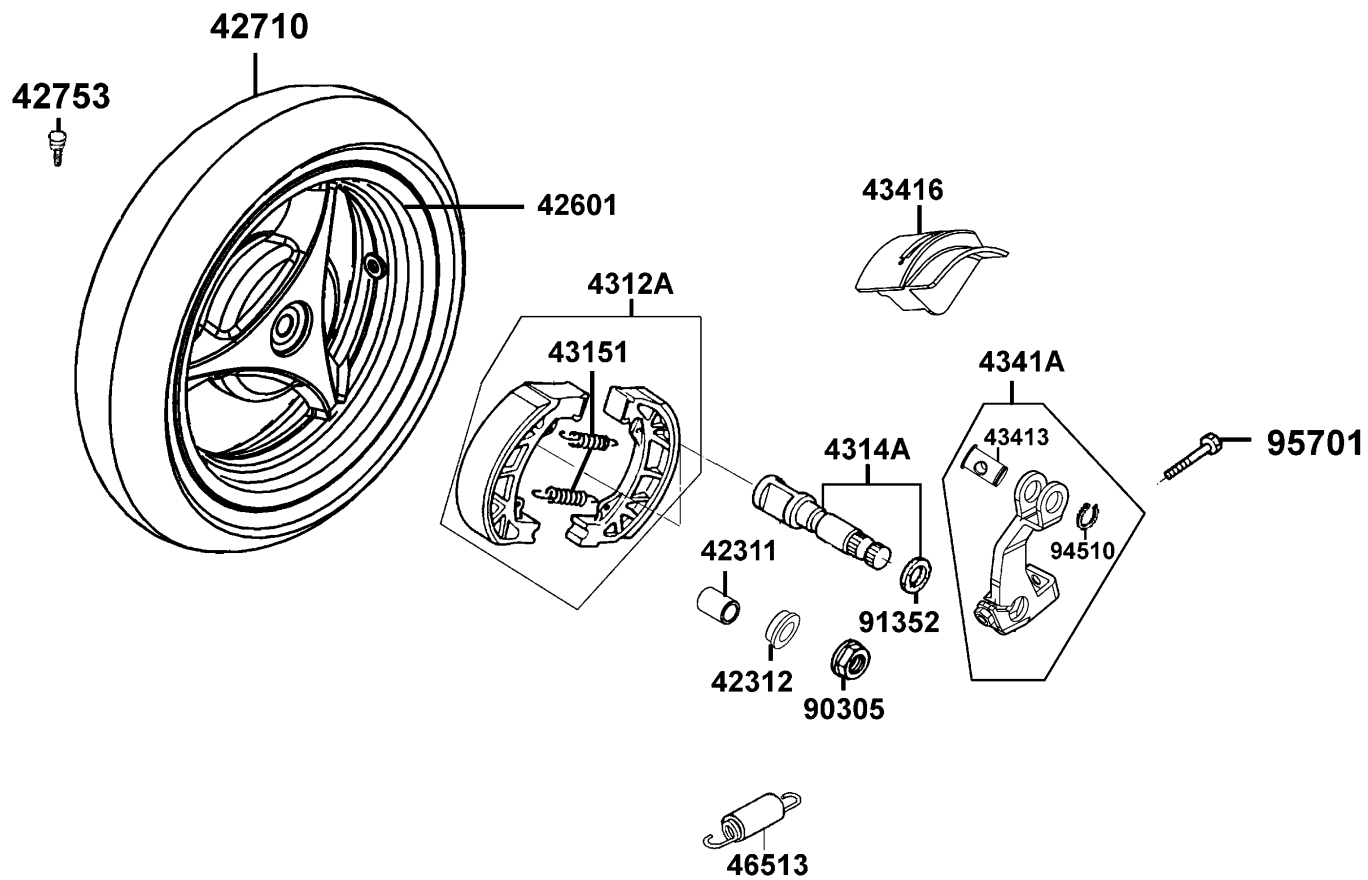
| Sales mark<br>配色標註 | Ref no<br>參考號碼 | Part no<br>零件號碼 | Description<br>英文名稱     | Reg description<br>中文名稱 | Regd no<br>需求用量 | F07 |
|--------------------|----------------|-----------------|-------------------------|-------------------------|-----------------|-----|
|                    | 42753          | 42753-0D04-900  | RIM VALVE (PVR 70)      | 打氣嘴                     | 0               |     |
|                    | 43105          | 43105-LFB5-900  | PAD COMP                | 前煞車摩擦板組                 | 2               |     |
|                    | 43352          | 43352-KKD6-E90  | SCREW BLEEDER           | 加油嘴                     | 0               |     |
|                    | 43353          | 43353-4A61-77A  | CAP BLEEDER             | 加油嘴蓋                    | 0               |     |
|                    | 44301          | 44301-LFE2-900  | AXLE FR WHEEL           | 前輪軸                     | 1               |     |
|                    | 44311          | 44311-KEBE-900  | COLLAR FR WHEEL SIDE    | 前輪邊套筒                   | 1               |     |
|                    | 44620          | 44620-KHD8-900  | COLLAR FR AXLE DISTANCE | 前輪軸距套筒                  | 1               |     |
| **                 | 44650          | 44650-LFE2-305  | WHEEL SET FR            | 前輪圈                     | 1               |     |
|                    | 44710          | 44710-KFA5-90B  | TIRE ASSY               | 後輪胎                     | 0               |     |
|                    | 44800          | 44800-KFA5-900  | GEAR BOX ASSY           | 速度齒輪箱組                  | 1               |     |
|                    | 45107          | 45107-LFB5-900  | PISTON                  | 卡鉗活賽塞                   | 1               |     |
|                    | 45108          | 45108-LDH1-E00  | SPRING PAD              | 摩擦板彈簧                   | 1               |     |
|                    | 45109          | 45109-GBE2-007  | DUST SEAL               | 防塵封                     | 0               |     |
|                    | 45131          | 45131-LDH1-E00  | PIN BOLT                | 卡鉗螺絲銷                   | 1               |     |
|                    | 45132          | 45132-LDH1-E00  | BUSH BOOT PIN           | 卡鉗襯套                    | 2               |     |
| **                 | 45200          | 45200-LFB5-900  | CALIPER ASSY FR         | 前煞車卡鉗                   | 1               |     |
|                    | 45209          | 45209-GBE2-007  | SEAL PISTON             | 油封                      | 0               |     |
|                    | 45210          | 45210-LFB5-900  | BRKT FR CALIPER         | 前煞車卡鉗托架                 | 1               |     |
| **                 | 45351          | 45351-LFB6-900  | DISK, FR BRK            | 煞車碟盤                    | 1               |     |
|                    | 45531          | 45531-GAR1-951  | PLUG                    | 塞子                      | 0               |     |

F07

Front Wheel 前輪



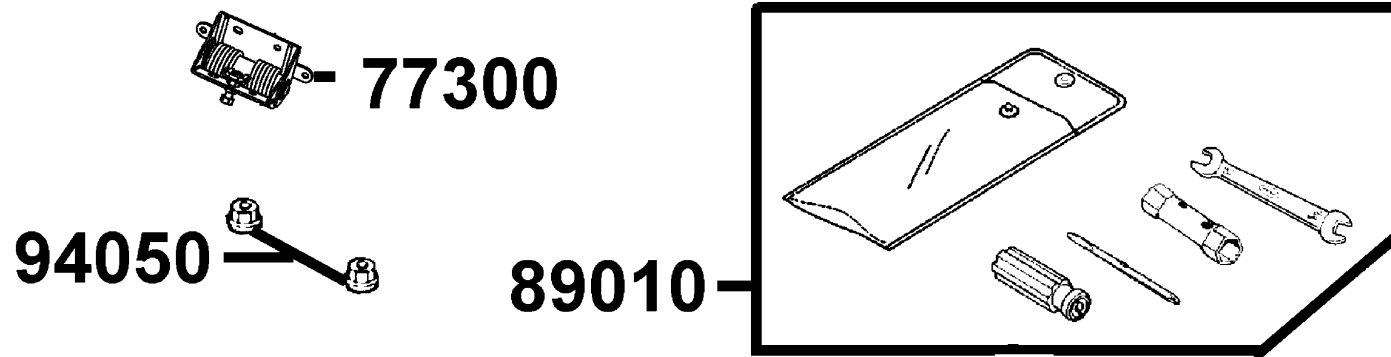
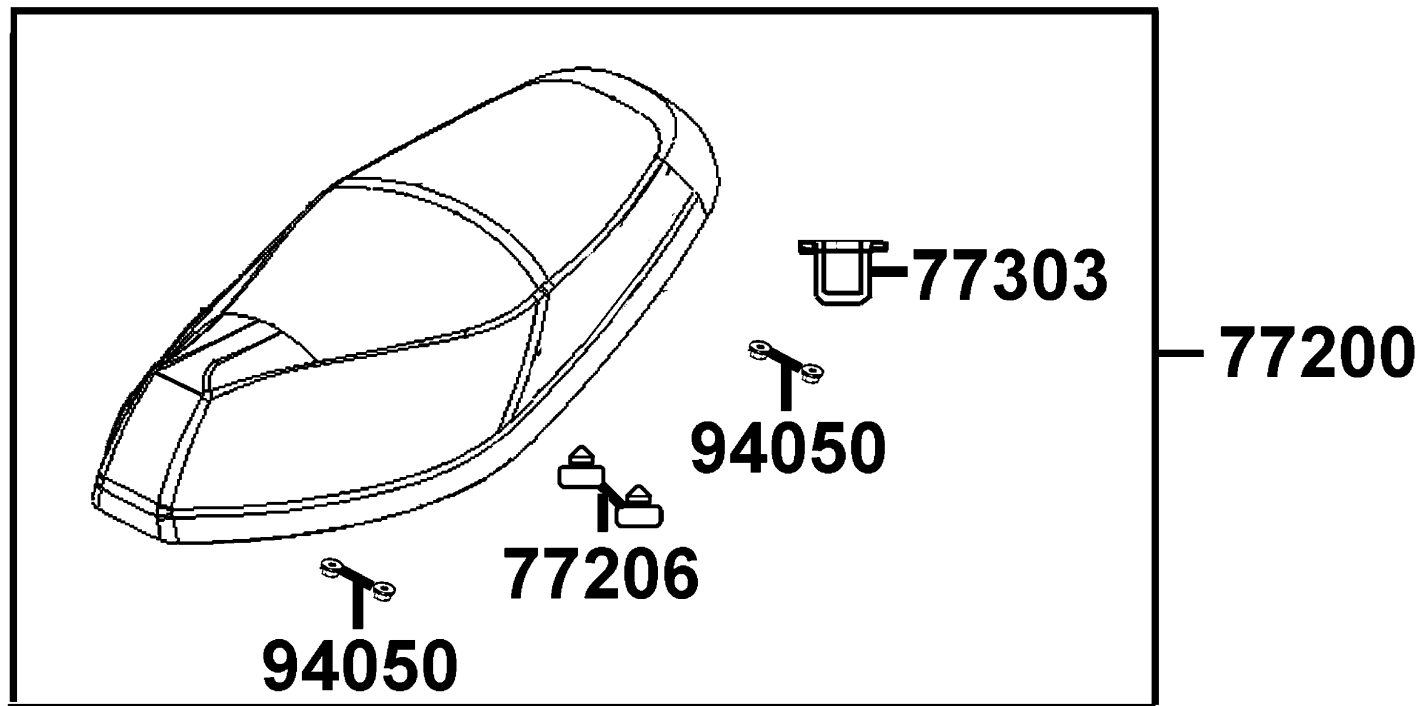
| Sales mark<br>配色標註 | Ref no<br>參考號碼 | Part no<br>零件號碼 | Description<br>英文名稱 | Reg description<br>中文名稱 | Regd no<br>需求用量 | F07 |
|--------------------|----------------|-----------------|---------------------|-------------------------|-----------------|-----|
|                    | 51430          | 51430-LDH1-E00  | SLIDE PAD           | 襯套滑件                    | 2               |     |
|                    | 90105          | 90105-KCR3-001  | BOLT FR DISK 8*24   | 前煞車圓盤螺絲 8*24            | 5               |     |
|                    | 90131          | 90131-LEB1-900  | BOLT FLANGE 8*35    | 螺絲 8*35                 | 2               |     |
|                    | 90306          | 90306-LFE2-900  | NUT FLANGE 12MM     | 螺帽 12MM                 | 1               |     |
|                    | 90754-GHC8-00A | 90754-GHC8-00A  | SEAL DUST 20*32*5   | 油封 20*32*5              | 1               |     |
|                    | 90754-GHC8-00B | 90754-GHC8-00B  | SEAL DUST 20*32*5   | 油封 20*32*5              | 0               |     |
|                    | 90912          | 90912-KFLF-00A  | BEARING 6201 LLU    | 軸承 6201                 | 2               |     |



| Sales mark<br>配色標註 | Ref no<br>參考號碼 | Part no<br>零件號碼 | Description<br>英文名稱      | Reg description<br>中文名稱 | Regd no<br>需求用量 | F08 |
|--------------------|----------------|-----------------|--------------------------|-------------------------|-----------------|-----|
|                    | 42311          | 42311-LFB5-900  | COLLAR RR AXLE SIDE A    | 套筒                      | 1               |     |
|                    | 42312          | 42312-KHB4-900  | COLLAR RR AXLE SIDE      | 後輪軸邊套筒                  | 1               |     |
| **                 | 42601          | 42601-LFE2-900  | WHEEL COMP RR CAST       | 後輪圈                     | 1               |     |
|                    | 42710          | 42710-KEB7-E1A  | TIRE ASSY RR             | 後輪胎                     | 1               |     |
|                    | 42753          | 42753-KNBN-90B  | VALVE (TR 412) & CAP (E) | 打氣嘴                     | 1               |     |
|                    | 4312A          | 4312A-LFB5-800  | "SHOE ASSY ,RR BRAKE"    | 後煞車片                    | 0               |     |
| #                  | 4314A          | 4314A-LFB5-800  | "CAM ASSY ,RR BRAKE"     | 後煞車凸輪組                  | 0               |     |
|                    | 43151          | 43151-LEB1-900  | SPRING BRAKE SHOE REAR   | 彈簧                      | 0               |     |
|                    | 43413          | 43413-LBE1-900  | BREAK ARM JOINT          | 煞車導線接頭銷                 | 0               |     |
|                    | 43416          | 43416-LEB1-900  | GUARD RR BRK ARM         | 後煞車臂護蓋                  | 0               |     |
| #                  | 4341A          | 4341A-LFB5-800  | "ARM ASSY ,RR BRAKE"     | 後煞車臂                    | 0               |     |
|                    | 46513          | 46513-LEB1-900  | SPG ASSY BRK ARM         | 煞車踏板彈簧                  | 0               |     |
| #                  | 90305          | 90305-KFW6-91A  | NUT U FLANGE 16MM        | 螺帽 16MM                 | 0               |     |
|                    | 91352          | 91352-KHG8-83B  | O-RING 11.3*1.3          | O環 11.3*1.3             | 0               |     |
|                    | 94510          | 94510-12000     | CIR CLIP EXTERNAL 12     | 外環夾 12MM                | 0               |     |
|                    | 95701          | 95701-06035-08  | BOLT FLANGE SH 6*35      | 螺絲 6*35                 | 0               |     |

F09

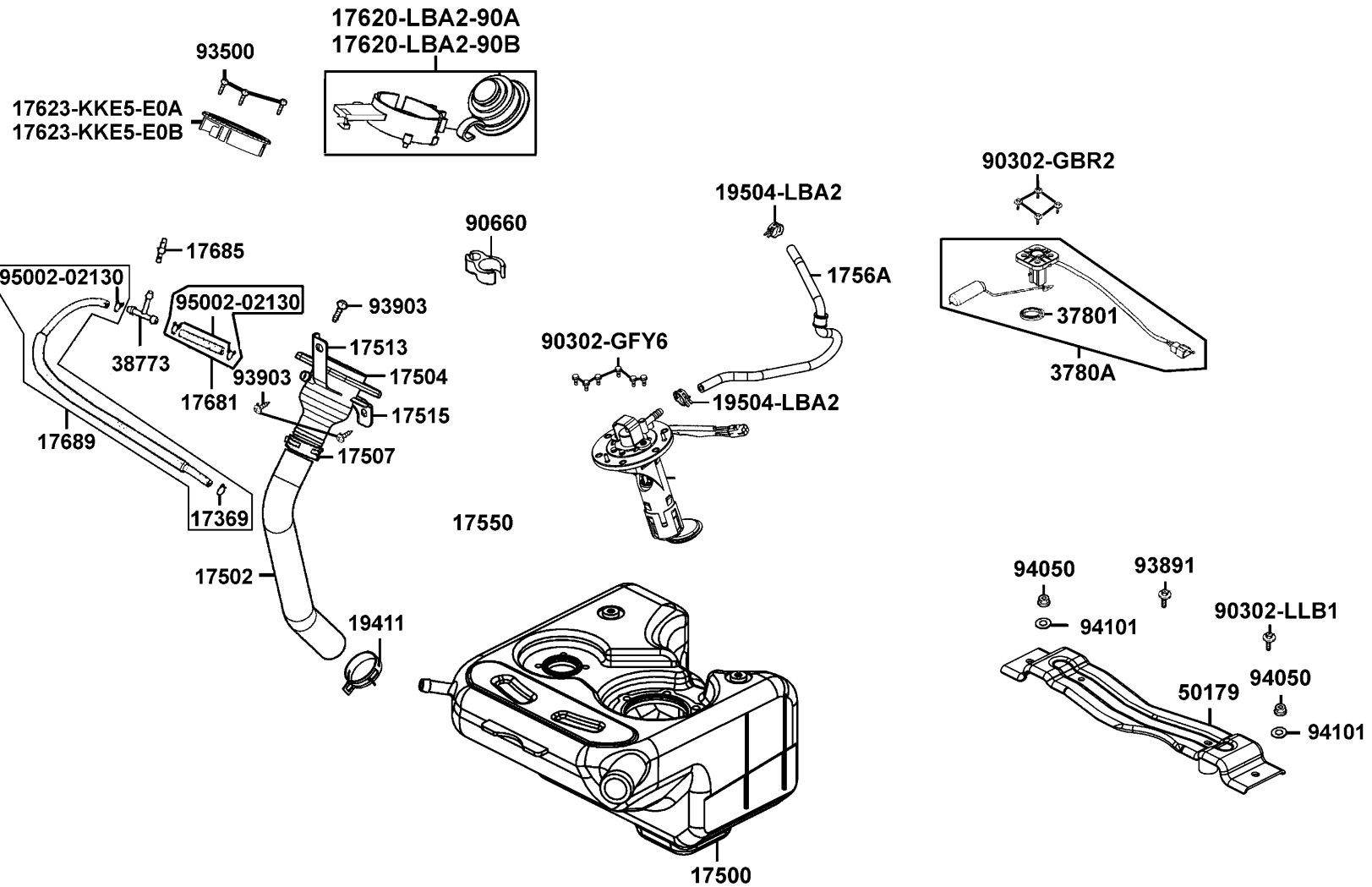
Seat 座墊



| Sales mark<br>配色標註 | Ref no<br>參考號碼 | Part no<br>零件號碼 | Description<br>英文名稱 | Reg description<br>中文名稱 | Regd no<br>需求用量 | F09 |
|--------------------|----------------|-----------------|---------------------|-------------------------|-----------------|-----|
| **                 | 77200          | 77200-LGH6-900  | SEAT ASSY.          | 座墊組                     | 1               |     |
|                    | 77206          | 77206-KEB7-900  | RUBBER SEAT CUSH    | 橡皮                      | 1               |     |
|                    | 77300          | 77300-LBE3-900  | HINGE COMP SEAT     | 坐墊自動彈起鉸鏈                | 1               |     |
|                    | 77303          | 77303-KKC4-800  | HOOK SEAT LOCK      | 座墊鉤                     | 1               |     |
|                    | 89010          | 89010-LEB1-900  | TOOL SET            | 工具包組                    | 1               |     |
|                    | 94050          | 94050-06080     | NUT FLANGE 6MM      | 螺帽 6MM                  | 6               |     |

F10

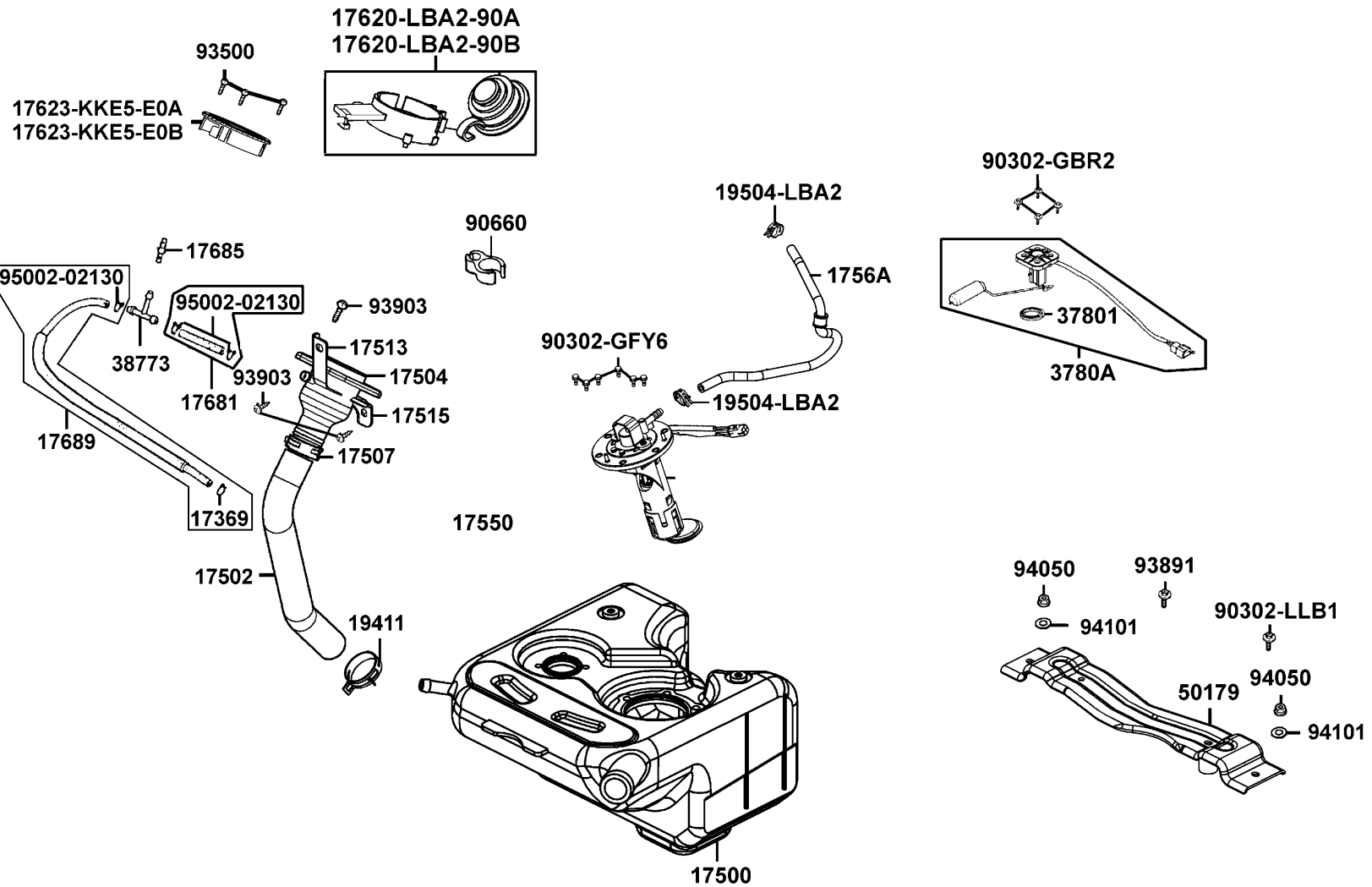
Fuel Tank 油箱



| Sales mark<br>配色標註 | Ref no<br>參考號碼 | Part no<br>零件號碼 | Description<br>英文名稱           | Reg description<br>中文名稱       | Regd no<br>需求用量 | F10 |
|--------------------|----------------|-----------------|-------------------------------|-------------------------------|-----------------|-----|
|                    | 17369          | 17369-KHC4-900  | CLIP BREATHER TUBE            | 通氣管夾                          | 1               |     |
|                    | 17500          | 17500-LGH6-900  | TANK COMP.,FUEL               | TANK COMP.,FUEL               | 1               |     |
|                    | 17502          | 17502-LEB1-900  | TUBE FUEL                     | 油管                            | 1               |     |
|                    | 17504          | 17504-LAB4-900  | FUEL FILLER                   | 加油漏斗                          | 1               |     |
|                    | 17507          | 17507-LAB4-900  | BAND FUEL HOSE                | 油管束夾                          | 1               |     |
|                    | 17513          | 17513-LAD9-900  | FUEL PIPE STAY A              | 加油漏斗支架 A                      | 1               |     |
|                    | 17515          | 17515-LAD9-900  | FUEL PIPE STAY B              | 加油漏斗支架 B                      | 1               |     |
|                    | 17550          | 17550-LGH6-900  | PUMP ASSY., FUEL              | 汽油幫浦總成                        | 1               |     |
|                    | 1756A          | 1756A-LGH6-900  | TUBE ASSY.,FUEL PUMP-INJECTOR | TUBE ASSY.,FUEL PUMP-INJECTOR | 1               |     |
|                    | 17620-LBA2-90A | 17620-LBA2-90A  | CAP COMP FUEL FILLER          | 油箱蓋                           | 1               |     |
|                    | 17620-LBA2-90B | 17620-LBA2-90B  | CAP COMP FUEL FILLER          | 油箱蓋                           | 1               |     |
| **                 | 17623-KKE5-E0A | 17623-KKE5-E0A  | COLLAR FUEL FILLER            | 油箱蓋套環                         | 1               |     |
| **                 | 17623-KKE5-E0B | 17623-KKE5-E0B  | COLLAR FUEL FILLER            | 油箱蓋套環                         | 1               |     |
|                    | 17681          | 17681-KFA1-900  | TUBE JOINT 3 WAY              | 油管                            | 1               |     |
|                    | 17685          | 17685-LFB5-900  | JOINT TUBE                    | 通氣管                           | 1               |     |
|                    | 17689          | 17689-LFB5-900  | TUBE ASSY FILLER              | 油管                            | 1               |     |
|                    | 19411          | 19411-KBCB-900  | CLIP HOSE                     | 油管鎖環                          | 1               |     |
|                    | 19504          | 19504-LBA2-E00  | CLAMP D 16.8                  | 管夾                            | 2               |     |
|                    | 37801          | 37801-LAB4-910  | PACKING BASE                  | 墊圈                            | 1               |     |
|                    | 3780A          | 3780A-LFB5-900  | FUEL UNIT ASSY                | 燃料量指示器組                       | 1               |     |

F10

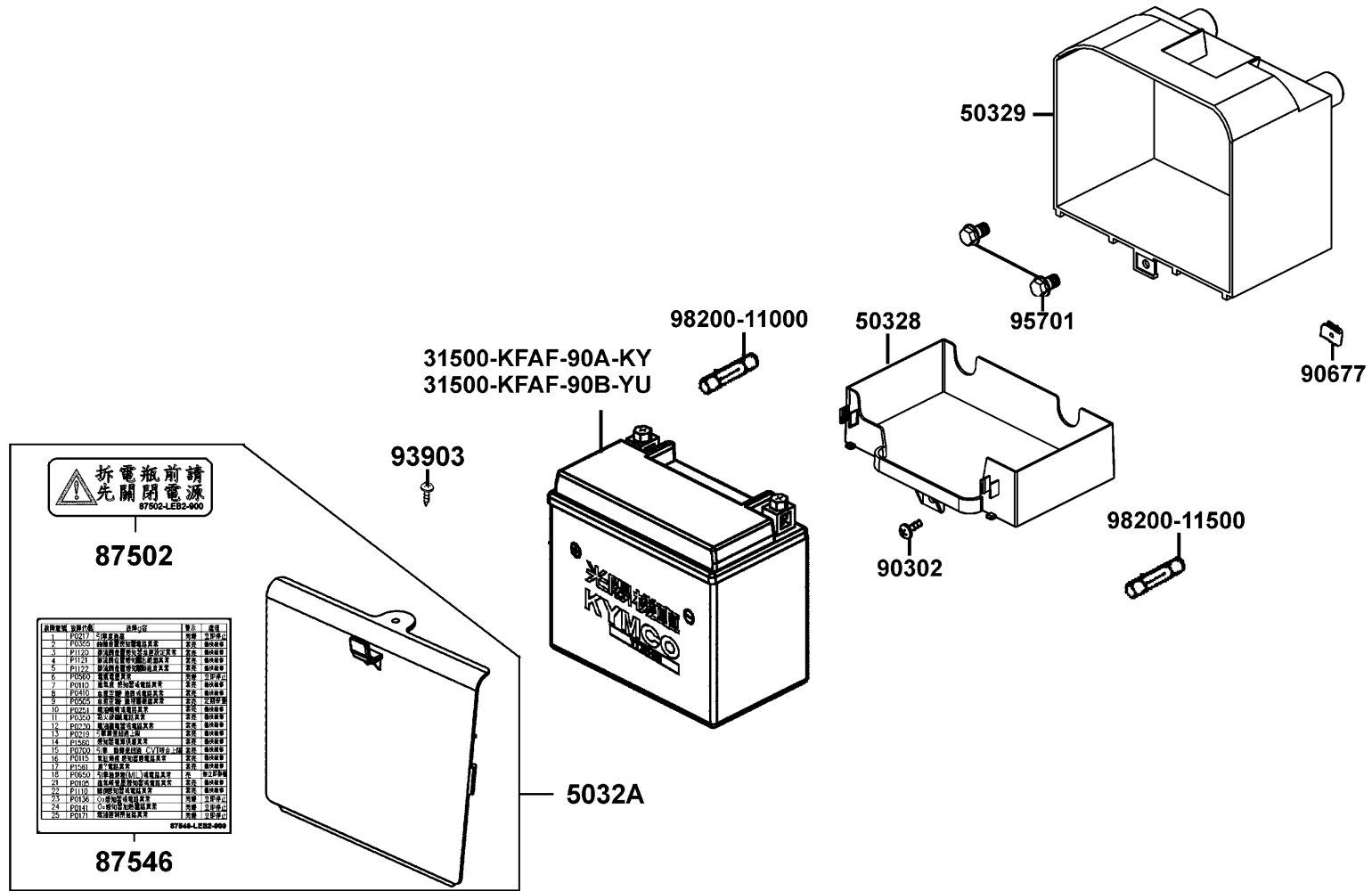
Fuel Tank 油箱



| Sales mark<br>配色標註 | Ref no<br>參考號碼 | Part no<br>零件號碼 | Description<br>英文名稱 | Reg description<br>中文名稱 | Regd no<br>需求用量 | F10 |
|--------------------|----------------|-----------------|---------------------|-------------------------|-----------------|-----|
|                    | 38773          | 38773-KBCB-900  | JOINT 3 WAY         | 3通管                     | 1               |     |
|                    | 50179          | 50179-LEB2-900  | BRKT FLOOR PANEL    | 腳踏板支架                   | 1               |     |
|                    | 90302-GBR2     | 90302-GBR2-001  | BOLT WASH 5*16      | 螺絲 5*16                 | 4               |     |
|                    | 90302-GFY6     | 90302-GFY6-940  | BOLT-WASH 5*16      | 螺絲 5*16                 | 6               |     |
|                    | 90302-LLB1     | 90302-LLB1-E00  | BOLT-WASHER 5*12    | 螺絲 5X12                 | 1               |     |
|                    | 90660          | 90660-KGBG-900  | CLAMPER TUBE        | 管夾                      | 1               |     |
|                    | 93500          | 93500-04020-0G  | SCREW PAN 4*20      | 螺絲 4*20                 | 3               |     |
|                    | 93891          | 93891-05040-06  | SCREW WASHER 5*340  | 螺絲 5*40                 | 1               |     |
|                    | 93903          | 93903-35360     | SCREW TAPPING 5*16  | 螺釘 5*16                 | 3               |     |
|                    | 94050          | 94050-06080     | NUT FLANGE 6MM      | 螺帽 6MM                  | 2               |     |
|                    | 94101          | 94101-08800     | WASHER PLAIN 8MM    | 華司                      | 2               |     |
|                    | 95002          | 95002-02130     | CLIP B 12.5 TURE    | 管夾                      | 2               |     |

F11

Battery 電瓶

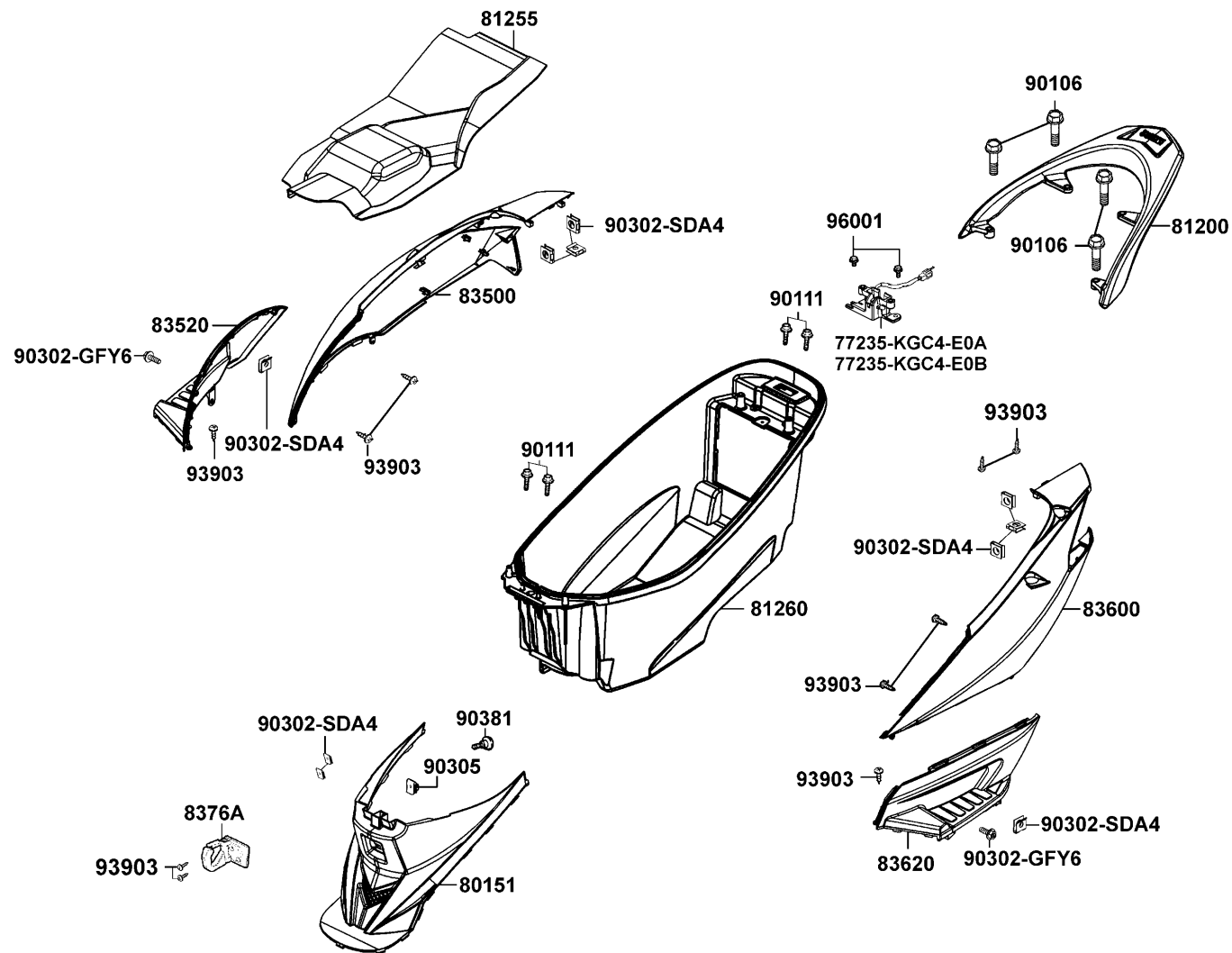


拆電瓶前請  
先關閉電源  
87502-LEB2-000

| 料號 | 名稱    | 規格   | 單位 | 備註   |
|----|-------|------|----|------|
| 1  | P0001 | 凸緣螺絲 | 支  | 立即可見 |
| 2  | P0002 | 凸緣螺絲 | 支  | 立即可見 |
| 3  | P0003 | 凸緣螺絲 | 支  | 立即可見 |
| 4  | P0004 | 凸緣螺絲 | 支  | 立即可見 |
| 5  | P0005 | 凸緣螺絲 | 支  | 立即可見 |
| 6  | P0006 | 凸緣螺絲 | 支  | 立即可見 |
| 7  | P0007 | 凸緣螺絲 | 支  | 立即可見 |
| 8  | P0008 | 凸緣螺絲 | 支  | 立即可見 |
| 9  | P0009 | 凸緣螺絲 | 支  | 立即可見 |
| 10 | P0010 | 凸緣螺絲 | 支  | 立即可見 |
| 11 | P0011 | 凸緣螺絲 | 支  | 立即可見 |
| 12 | P0012 | 凸緣螺絲 | 支  | 立即可見 |
| 13 | P0013 | 凸緣螺絲 | 支  | 立即可見 |
| 14 | P0014 | 凸緣螺絲 | 支  | 立即可見 |
| 15 | P0015 | 凸緣螺絲 | 支  | 立即可見 |
| 16 | P0016 | 凸緣螺絲 | 支  | 立即可見 |
| 17 | P0017 | 凸緣螺絲 | 支  | 立即可見 |
| 18 | P0018 | 凸緣螺絲 | 支  | 立即可見 |
| 19 | P0019 | 凸緣螺絲 | 支  | 立即可見 |
| 20 | P0020 | 凸緣螺絲 | 支  | 立即可見 |
| 21 | P0021 | 凸緣螺絲 | 支  | 立即可見 |
| 22 | P0022 | 凸緣螺絲 | 支  | 立即可見 |
| 23 | P0023 | 凸緣螺絲 | 支  | 立即可見 |
| 24 | P0024 | 凸緣螺絲 | 支  | 立即可見 |
| 25 | P0025 | 凸緣螺絲 | 支  | 立即可見 |
| 26 | P0026 | 凸緣螺絲 | 支  | 立即可見 |
| 27 | P0027 | 凸緣螺絲 | 支  | 立即可見 |
| 28 | P0028 | 凸緣螺絲 | 支  | 立即可見 |
| 29 | P0029 | 凸緣螺絲 | 支  | 立即可見 |
| 30 | P0030 | 凸緣螺絲 | 支  | 立即可見 |

87546-LEB2-000

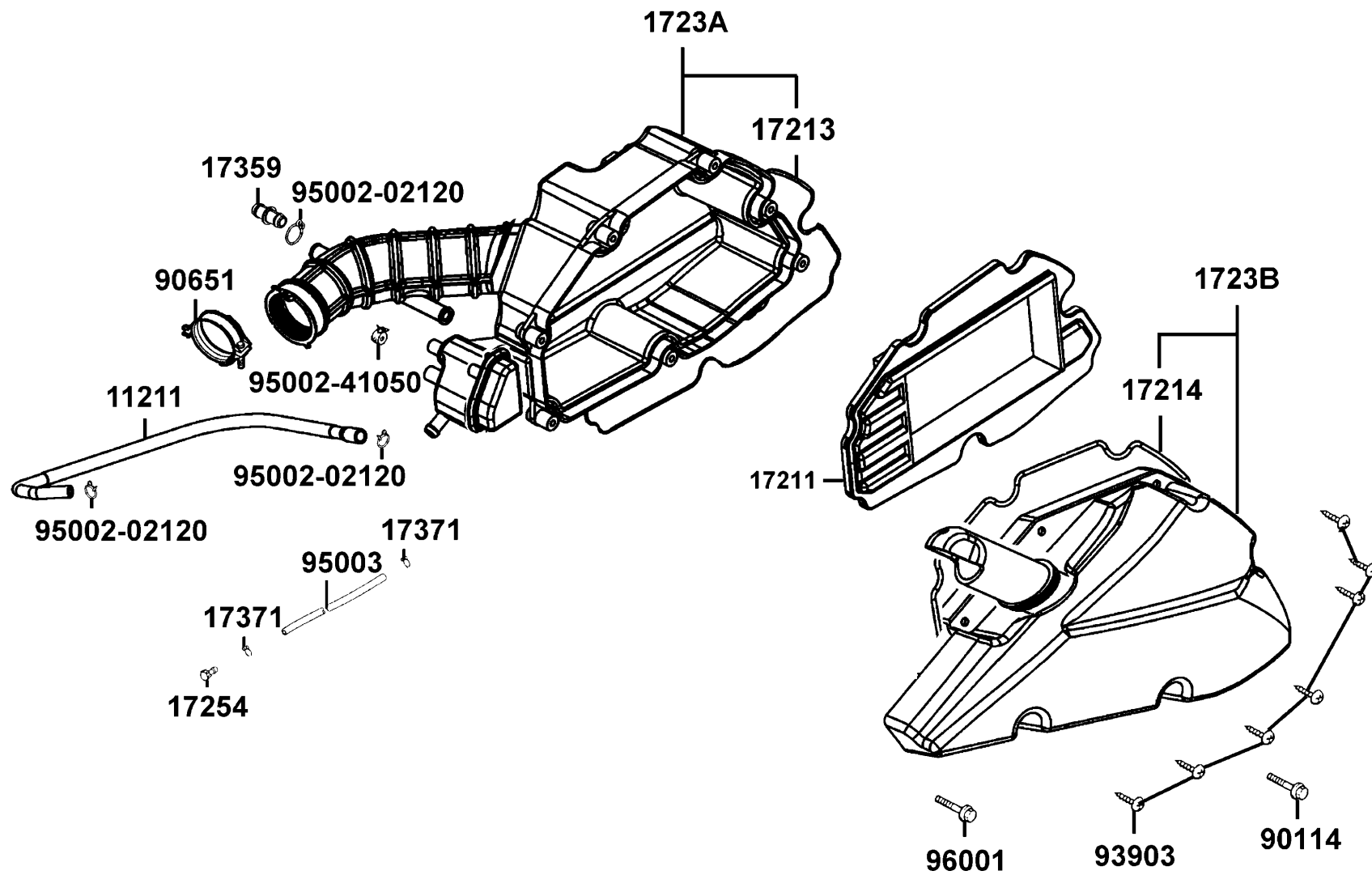
| Sales mark<br>配色標註 | Ref no<br>參考號碼 | Part no<br>零件號碼   | Description<br>英文名稱 | Reg description<br>中文名稱 | Regd no<br>需求用量 | F11 |
|--------------------|----------------|-------------------|---------------------|-------------------------|-----------------|-----|
|                    | 31500-KFAF-90A | 31500-KFAF-90A-YU | BATTERY YTX9-BS     | 電瓶                      | 1               |     |
|                    | 31500-KFAF-90B | 31500-KFAF-90B-KY | BATTERY GTX7-BS     | 電瓶                      | 1               |     |
|                    | 50328          | 50328-LBB8-900    | BATTERY DRAWER      | 電瓶滑動底座                  | 0               |     |
|                    | 50329          | 50329-LEB1-900    | BATTERY CASE        | 電瓶盒                     | 1               |     |
|                    | 5032A          | 5032A-LEB2-900    | COVER ASSY.BATTERY  | COVER ASSY.BATTERY      | 1               |     |
| **                 | 87502          | 87502-LEB2-900    | CAUTION BATTERY     | 標籤                      | 0               |     |
| **                 | 87546          | 87546-LEB2-900    | CAUTION AFI         | 標籤                      | 0               |     |
|                    | 90302          | 90302-GFY6-940    | BOLT-WASH 5*16      | 螺絲 5*16                 | 0               |     |
|                    | 90677          | 90677-GAR1-004    | NUT CLIP 5MM        | 彈簧螺帽 5MM                | 0               |     |
|                    | 93903          | 93903-34360       | SCREW TAPPING 4*12  | 螺絲 4*12                 | 1               |     |
|                    | 95701          | 95701-06022-06    | BOLT FLANGE 6*22    | 螺絲 6X22                 | 2               |     |
|                    | 98200-11000    | 98200-11000       | FUSE 10A            | 保險絲 10A                 | 1               |     |
|                    | 98200-11500    | 98200-11500       | FUSE A15            | 保險絲 A15                 | 1               |     |



| Sales mark<br>配色標註 | Ref no<br>參考號碼 | Part no<br>零件號碼 | Description<br>英文名稱 | Reg description<br>中文名稱 | Regd no<br>需求用量 | F12 |
|--------------------|----------------|-----------------|---------------------|-------------------------|-----------------|-----|
|                    | 77235-KGC4-E0A | 77235-KGC4-E0A  | SEAT CATCH          | 座墊檔器                    | 1               |     |
|                    | 77235-KGC4-E0B | 77235-KGC4-E0B  | SEAT CATCH          | 座墊檔器                    | 1               |     |
| **                 | 80151          | 80151-LFB5-900  | COVER CENTER        | 中心蓋                     | 1               |     |
| **                 | 81200          | 81200-LFB5-900  | CARRIER REAR        | 後架                      | 1               |     |
|                    | 81255          | 81255-LGL9-900  | BAG,LUGGAGE         | 置物箱襯墊                   | 1               |     |
|                    | 81260          | 81260-LEB2-900  | BOX ASSY.,LUG       | BOX ASSY.,LUG           | 1               |     |
| **                 | 83500          | 83500-LGH5-305  | COVER R BODY        | 車體右邊蓋組                  | 1               |     |
| **                 | 83520          | 83520-LFB5-900  | "COVER , R SIDE"    | 右後邊把                    | 1               |     |
| **                 | 83600          | 83600-LGH5-305  | COVER L BODY        | 車體左邊蓋組                  | 1               |     |
| **                 | 83620          | 83620-LFB5-900  | "COVER , L SIDE"    | 左後邊把                    | 1               |     |
|                    | 8376A          | 8376A-KECE-901  | CLIP ASSY CENTER    | 中心掛鉤                    | 1               |     |
|                    | 90106          | 90106-KFAF-900  | BOLT SPECIAL        | 後握桿螺絲                   | 4               |     |
|                    | 90111          | 90111-1G87-001  | BOLT FLANGE 6MM     | 螺絲 6MM                  | 4               |     |
|                    | 90302-GFY6     | 90302-GFY6-901  | BOLT WASH 5*12      | 螺絲 5*12                 | 2               |     |
|                    | 90302-SDA4     | 90302-SDA4-004  | NUT SPRING 4MM      | 螺帽 4MM                  | 10              |     |
|                    | 90305          | 90305-GHK8-001  | NUT CLIP 6MM        | 夾螺帽                     | 1               |     |
|                    | 90381          | 90381-GEZ5-001  | SCREW SPECIAL 6*17  | 螺絲 6*17                 | 1               |     |
|                    | 93903          | 93903-34360     | SCREW TAPPING 4*12  | 螺絲 4*12                 | 10              |     |
|                    | 96001          | 96001-06012-08  | BOLT FLANGE 6*12    | 螺絲 6*12                 | 2               |     |

F13

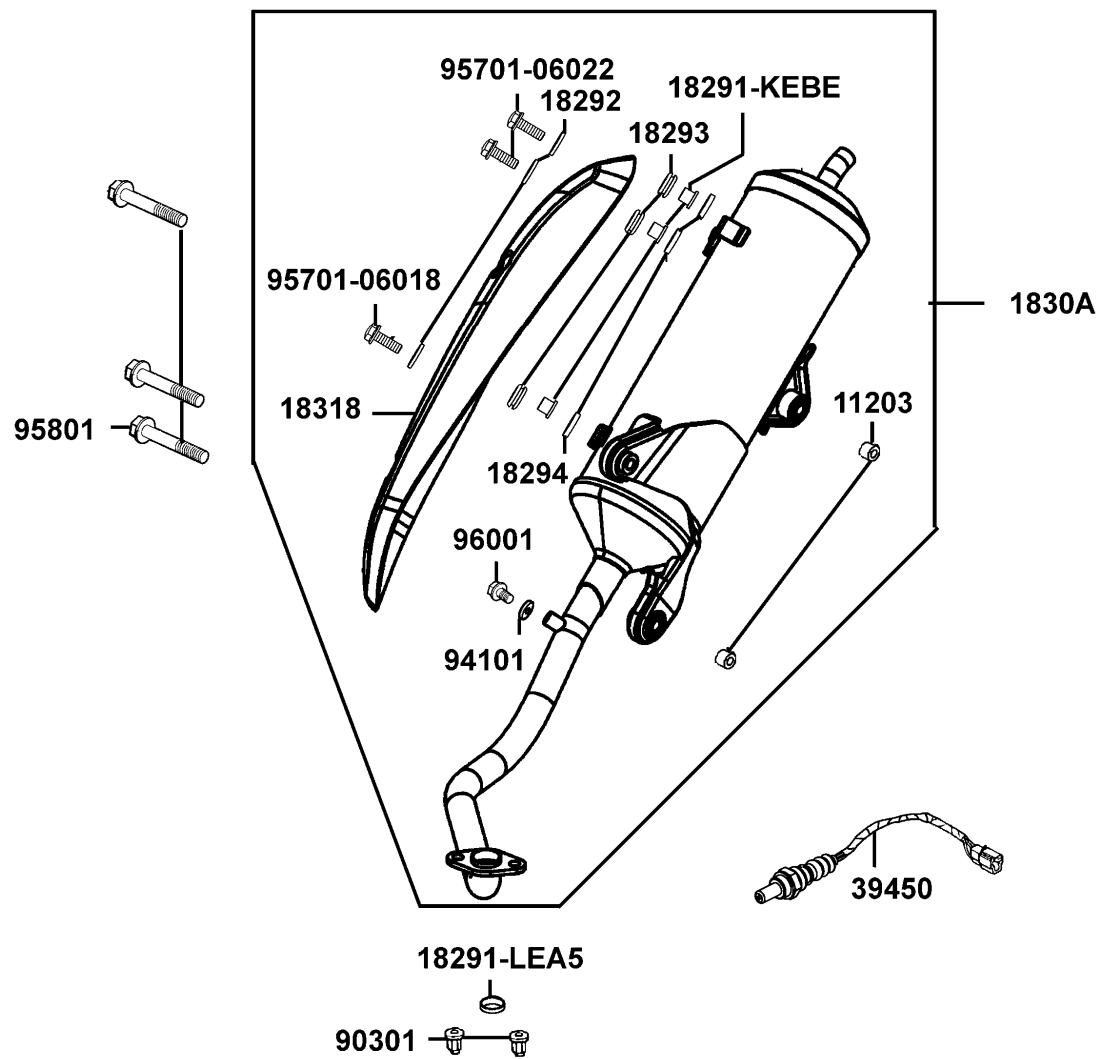
Air Cleaner 空氣濾清器



| Sales mark<br>配色標註 | Ref no<br>參考號碼 | Part no<br>零件號碼                 | Description<br>英文名稱             | Reg description<br>中文名稱 | Regd no<br>需求用量 | F13 |
|--------------------|----------------|---------------------------------|---------------------------------|-------------------------|-----------------|-----|
| 11211              | 11211-LFB5-900 | TUBE BRTHR                      | TUBE BRTHR                      | 通氣管                     | 0               |     |
| 17211              | 17211-LFB5-900 | ELEMENT COMP AIR/C              | ELEMENT COMP AIR/C              | 空氣濾清器                   | 0               |     |
| 17213              | 17213-LBD6-E00 | SEAL AIR/C CASE                 | SEAL AIR/C CASE                 | 油封                      | 1               |     |
| 17214              | 17214-LFB5-900 | SEAL AIR/C CASE                 | SEAL AIR/C CASE                 | 空氣濾清器箱蓋塵封               | 0               |     |
| 1723A              | 1723A-LGH6-900 | CASE ASSY AIR/C                 | CASE ASSY AIR/C                 | 空氣濾清器箱組                 | 0               |     |
| 1723B              | 1723B-LGH6-900 | COVER COMP AIR/C                | COVER COMP AIR/C                | 空氣濾清器蓋                  | 1               |     |
| 17254              | 17254-KACA-P00 | JOINT PURGE TUBE                | JOINT PURGE TUBE                | 管塞                      | 1               |     |
| 17359              | 17359-4K19-671 | JOINT BREATHER TUBE             | JOINT BREATHER TUBE             | 通氣管接頭                   | 0               |     |
| 17371              | 17371-1D74-671 | CLIP BREATHER TUBE              | CLIP BREATHER TUBE              | 通氣管夾                    | 2               |     |
| 90114              | 90114-GDM4-011 | BOLT FLANGE 6*28                | BOLT FLANGE 6*28                | 螺絲 6*28                 | 1               |     |
| 90651              | 90651-LFB5-900 | BAND 47.5 AIR/C CONNECTING TUBE | BAND 47.5 AIR/C CONNECTING TUBE | 連接管固定帶                  | 1               |     |
| 93903              | 93903-25460    | SCREW TAPPING 4*12              | SCREW TAPPING 4*12              | 螺釘 4*12                 | 7               |     |
| 95002-02120        | 95002-02120    | CLIP B12 TUBE                   | CLIP B12 TUBE                   | 管夾 B12                  | 3               |     |
| 95002-41050        | 95002-41050-00 | CLIP D10.5 TUBE                 | CLIP D10.5 TUBE                 | 管夾                      | 1               |     |
| 95003              | 95003-23024-60 | V TUBE 8*12*240                 | V TUBE 8*12*240                 | 通氣管                     | 1               |     |
| 96001              | 96001-06035-08 | BOLT FLANGE 6*35                | BOLT FLANGE 6*35                | 螺絲 6*35                 | 1               |     |

F14

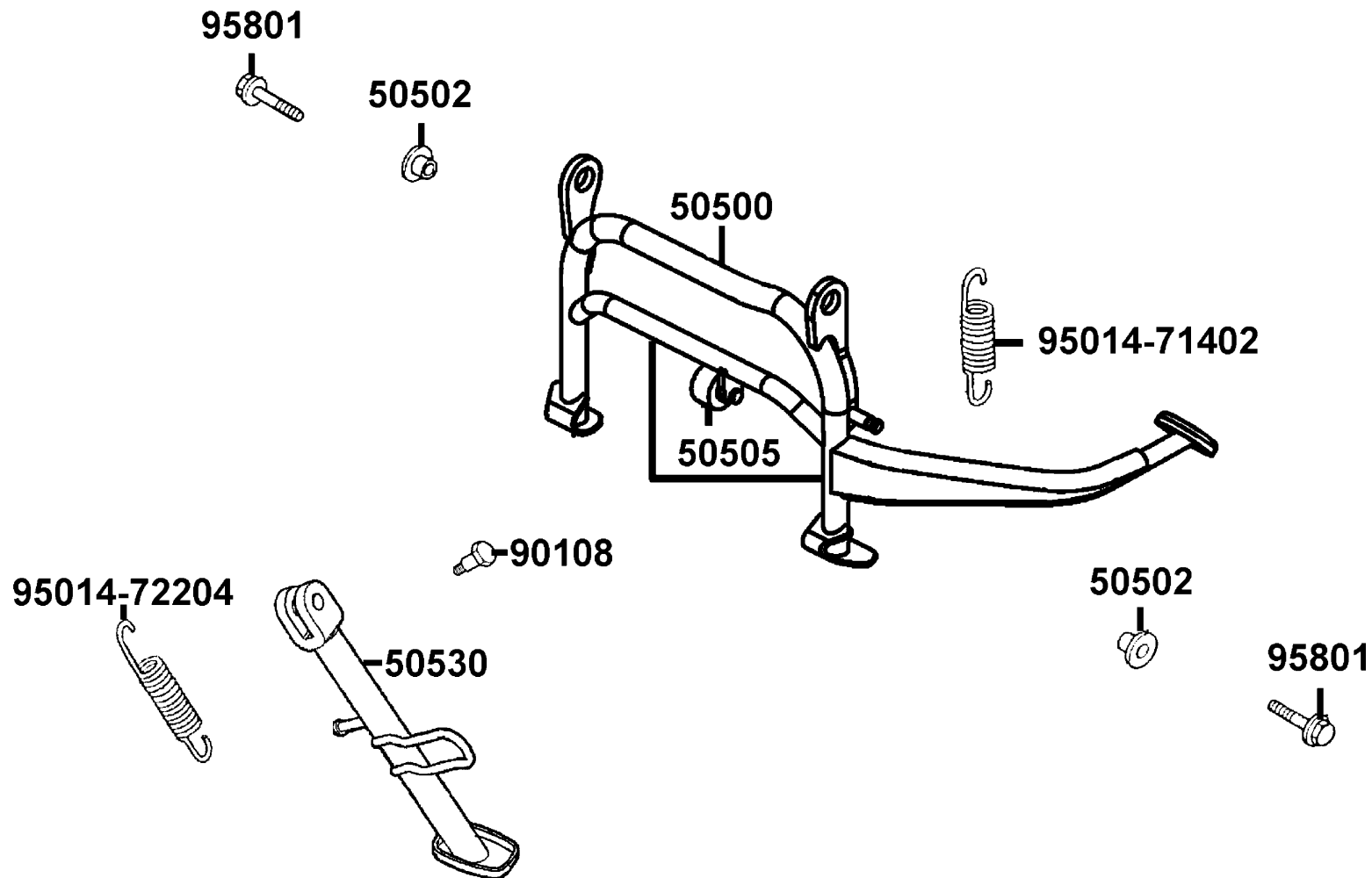
Exhaust Muffler 排氣管



| Sales mark<br>配色標註 | Ref no<br>參考號碼 | Part no<br>零件號碼 | Description<br>英文名稱     | Reg description<br>中文名稱 | Regd no<br>需求用量 | F14 |
|--------------------|----------------|-----------------|-------------------------|-------------------------|-----------------|-----|
|                    | 11203          | 11203-GFY6-901  | RUBBER BUSH MUFFER STAY | 橡皮襯套                    | 2               |     |
|                    | 18291-KEBE     | 18291-KEBE-900  | COLLAR                  | 套筒                      | 3               |     |
|                    | 18291-LEA5     | 18291-LEA5-E00  | GASKET EXH PIPE         | 排氣管墊圈                   | 1               |     |
|                    | 18292          | 18292-KEBE-900  | PACKING PROTECTOR       | 墊片                      | 3               |     |
|                    | 18293          | 18293-KEBE-900  | RUBBER PKG PROTR        | 橡皮                      | 3               |     |
|                    | 18294          | 18294-KEBE-900  | PACKING PROTECTOR       | 防熱墊片                    | 3               |     |
|                    | 1830A          | 1830A-LGH6-90A  | MUFFLER ASS'Y           | MUFFLER ASS'Y           | 1               |     |
| **                 | 18318          | 18318-LFB5-900  | PROTECTOR MUFFLER       | 排氣管護蓋                   | 1               |     |
|                    | 39450          | 39450-LEA6-800  | O2 SENSOR               | 氧氣感測器                   | 1               |     |
|                    | 90301          | 90301-GFY6-901  | NUT (HEX) CAP 8MM       | 圓螺帽 8MM                 | 2               |     |
|                    | 94101          | 94101-06700     | WASHER PLAIN 6MM        | 平華司                     | 0               |     |
|                    | 95701-06018    | 95701-06018-07  | BOLT FLANGE 6*18        | 螺絲 6*18                 | 0               |     |
|                    | 95701-06022    | 95701-06022-07  | BOLT FLANGE 6*22 (K)    | 有邊緣螺絲 BF 6*22(黑色)       | 0               |     |
|                    | 95801          | 95801-08042-06  | BOLT FLANGE 8*42        | 螺絲 8*42                 | 3               |     |
|                    | 96001          | 96001-06008-07  | BOLT FLANGE SH 6*8      | 螺絲 6*8                  | 0               |     |

F15

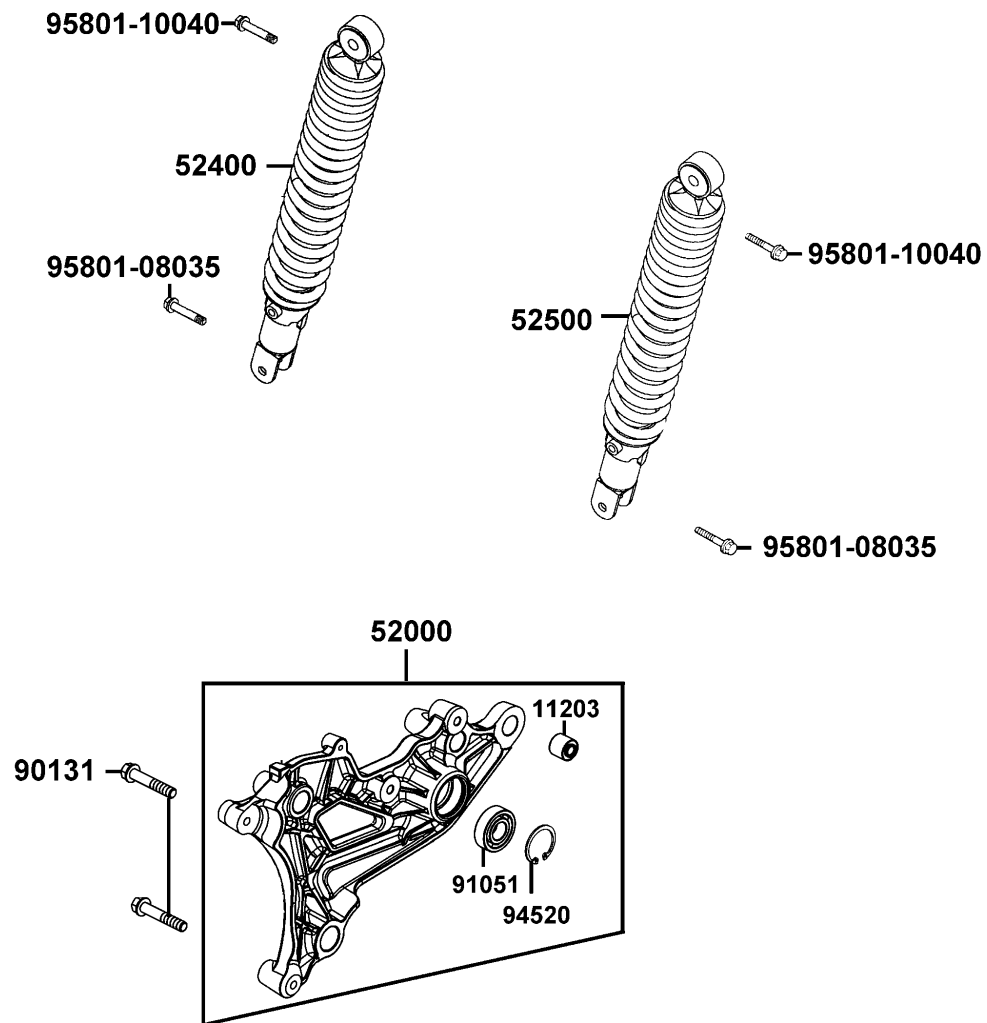
Stand 腳架



| Sales mark<br>配色標註 | Ref no<br>參考號碼 | Part no<br>零件號碼 | Description<br>英文名稱    | Reg description<br>中文名稱 | Regd no<br>需求用量 | F15 |
|--------------------|----------------|-----------------|------------------------|-------------------------|-----------------|-----|
|                    | 50500          | 50500-LFB5-900  | STAND COMP MAIN        | 主腳架                     | 1               |     |
|                    | 50502          | 50502-GFY6-901  | COLLAR MAIN STAND      | 主腳架套環                   | 2               |     |
|                    | 50505          | 50505-LAD9-900  | RUBBER STOPPER MAIN    | 主腳架橡皮                   | 0               |     |
|                    | 50530          | 50530-LFB5-900  | SIDE STAND COMP        | 側腳架                     | 1               |     |
|                    | 90108          | 90108-KUDU-900  | SCREW SIDE STAND PIVOT | 側腳架螺絲                   | 1               |     |
|                    | 95014-71402    | 95014-71402     | SPRING D MAIN STAND    | 主腳架彈簧                   | 1               |     |
|                    | 95014-72204    | 95014-72204     | SPG B1 SIDE STAND      | 側腳架彈簧                   | 1               |     |
|                    | 95801          | 95801-10025-08  | BOLT FLANGE 10*25      | 螺絲 10*25                | 2               |     |

F16

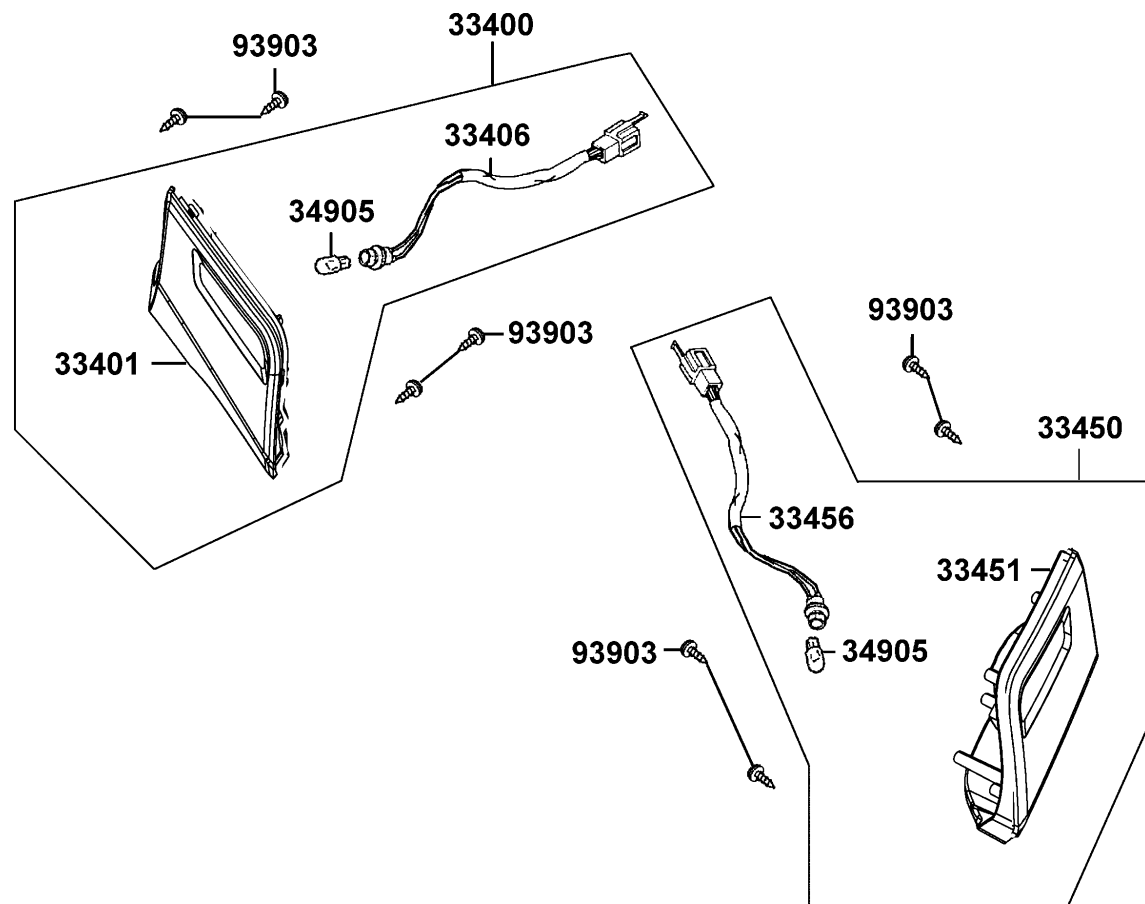
Rear Cushion 後避震器



| Sales mark<br>配色標註 | Ref no<br>參考號碼 | Part no<br>零件號碼 | Description<br>英文名稱            | Reg description<br>中文名稱 | Regd no<br>需求用量 | F16 |
|--------------------|----------------|-----------------|--------------------------------|-------------------------|-----------------|-----|
|                    | 11203          | 11203-GGC7-301  | UNDER RUBBER BUSH REAR CUSHION | 後緩衝下襯套                  | 1               |     |
| **                 | 52000          | 52000-LFB5-900  | FORK ASSY RR                   | 後叉組                     | 1               |     |
| **                 | 52400          | 52400-LFB5-900  | CUSHION ASSY RR R              | 後避震器                    | 1               |     |
| **                 | 52500          | 52500-LFB5-900  | "CUSHION ASSY ,RR L"           | 後避震器                    | 1               |     |
|                    | 90131          | 90131-LFB5-900  | BOLT FLANGE 8*35               | 螺絲 8*35                 | 2               |     |
|                    | 91051          | 91051-KFBF-901  | BRG BALL RAKIAL 6203LLU        | 軸承 6203                 | 1               |     |
|                    | 94520          | 94520-40000     | CIR CLIP IN 40                 | 內環夾                     | 1               |     |
|                    | 95801-08035    | 95801-08035-06  | BOLT FLANGE 8*35               | 螺絲 8*35                 | 2               |     |
|                    | 95801-10040    | 95801-10040-08  | BOLT FLANGE 10*40              | 特殊螺絲 10*40              | 2               |     |

F17

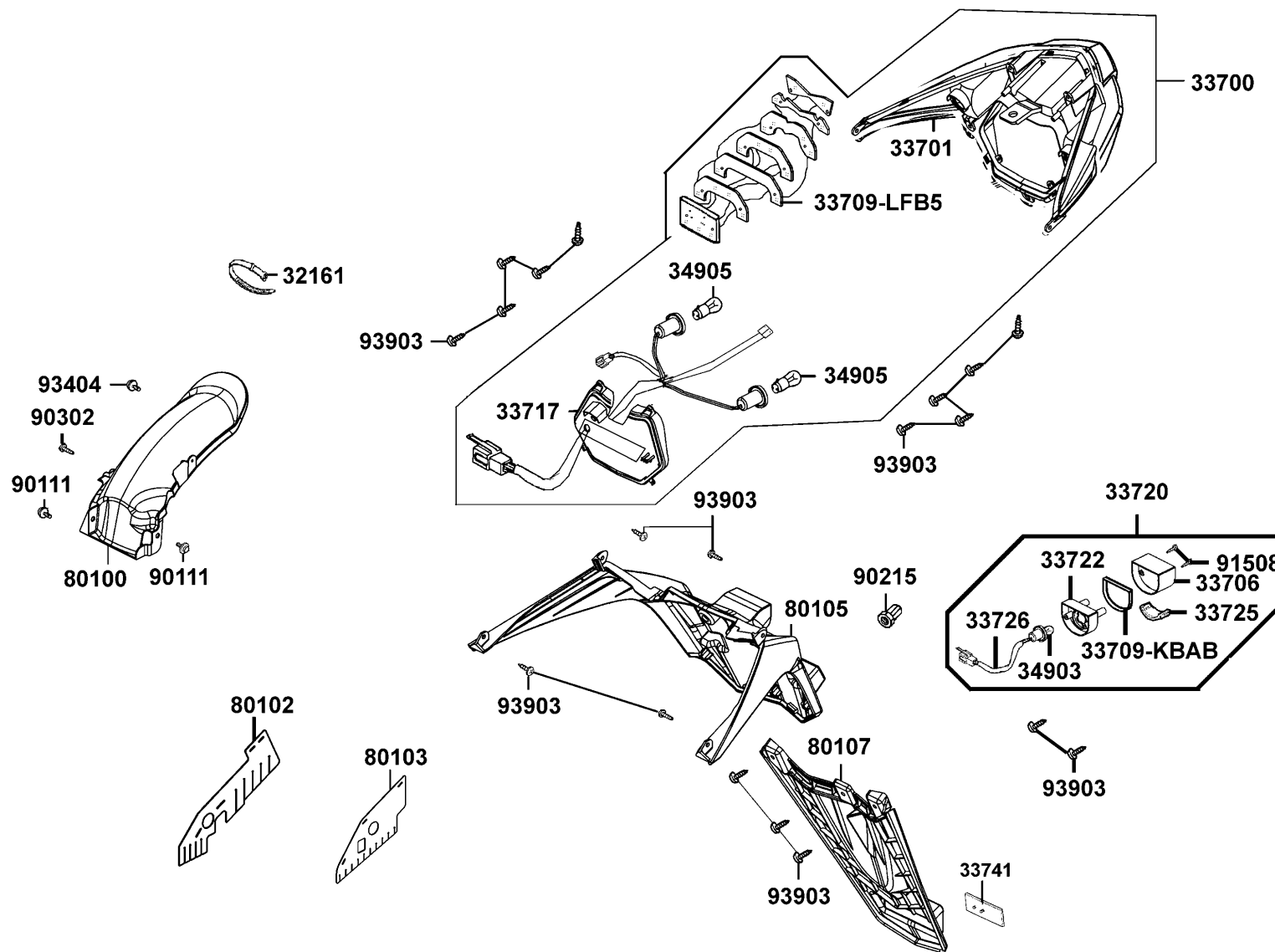
Front Winker 前方向燈



| Sales mark<br>配色標註 | Ref no<br>參考號碼 | Part no<br>零件號碼 | Description<br>英文名稱  | Reg description<br>中文名稱 | Regd no<br>需求用量 | F17 |
|--------------------|----------------|-----------------|----------------------|-------------------------|-----------------|-----|
|                    | 33400          | 33400-LFB5-900  | WINKER ASSY RH FR    | 右前方向燈組                  | 1               |     |
|                    | 33401          | 33401-LFB5-900  | WINKER COMP R FR     | 右前方向燈殼組                 | 1               |     |
|                    | 33406          | 33406-LFB5-900  | SOCKET COMP R WINKER | 右前方向燈配線                 | 1               |     |
|                    | 33450          | 33450-LFB5-900  | WINKER ASSY LH FR    | 左前方向燈組                  | 1               |     |
|                    | 33451          | 33451-LFB5-900  | WINKER COMP L FR     | 左前方向燈殼組                 | 1               |     |
|                    | 33456          | 33456-LFB5-900  | SOCKET COMP L WINKER | 左前方向燈配線                 | 1               |     |
|                    | 34905          | 34905-LBA7-E00  | BULB WINKER 12V10W   | 方向燈燈泡                   | 2               |     |
|                    | 93903          | 93903-34360     | SCREW TAPPING 4*12   | 螺絲 4*12                 | 8               |     |

F18

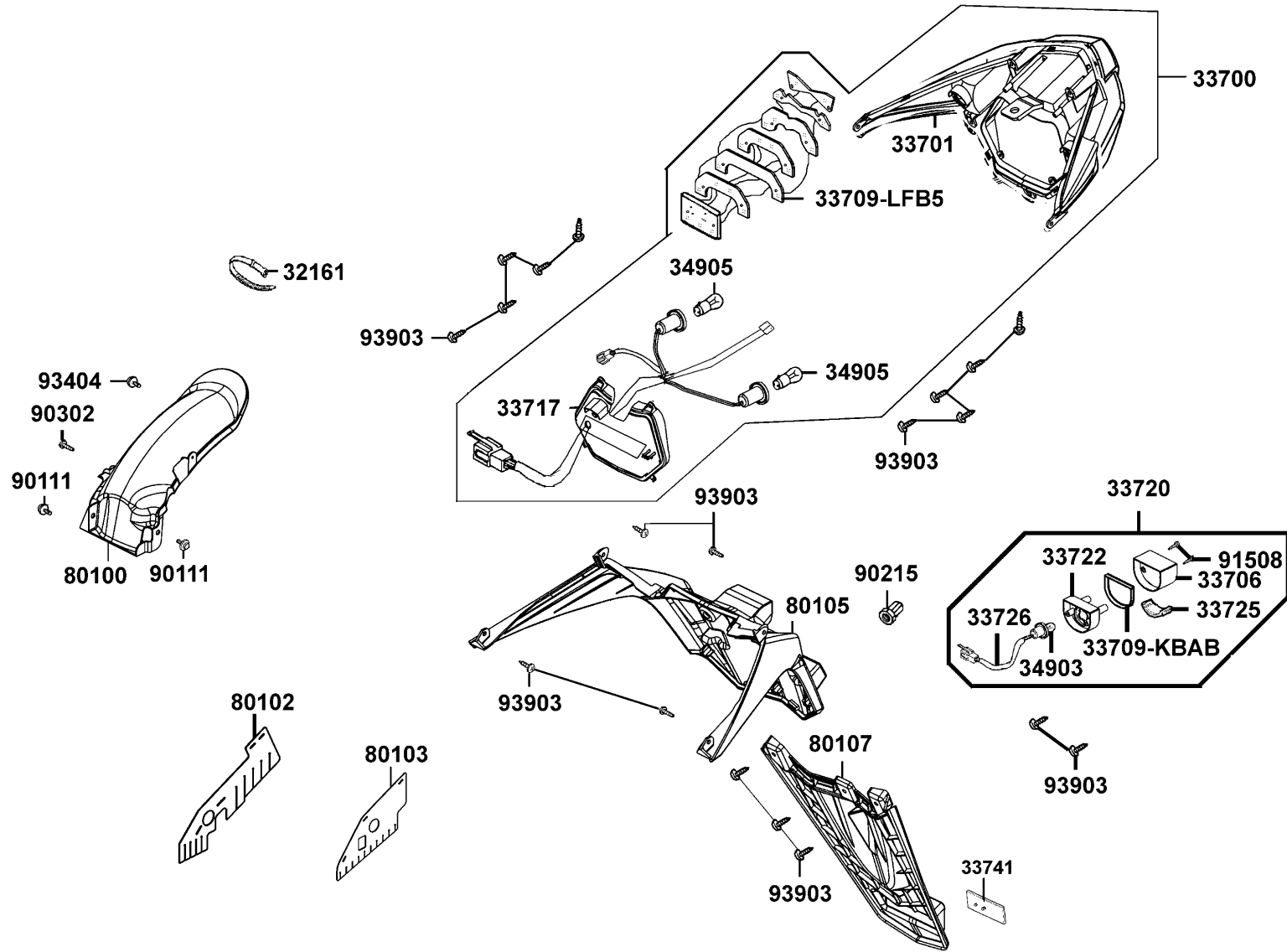
Tail Light Rear Fender 後燈 後土除



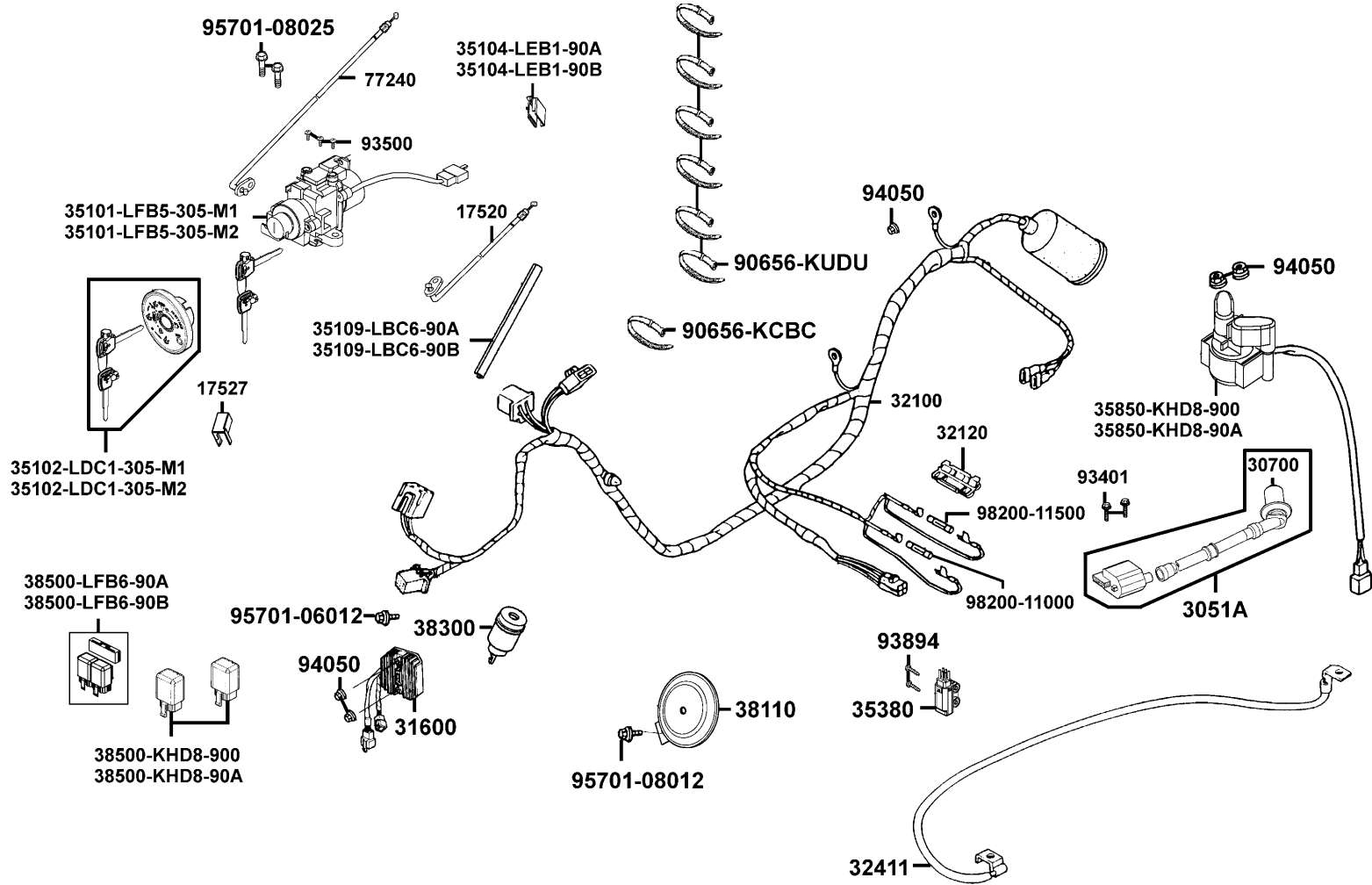
| Sales mark<br>配色標註 | Ref no<br>參考號碼 | Part no<br>零件號碼 | Description<br>英文名稱     | Reg description<br>中文名稱 | Regd no<br>需求用量 | F18 |
|--------------------|----------------|-----------------|-------------------------|-------------------------|-----------------|-----|
|                    | 32161          | 32161-LBA7-900  | BAND WIRE               | 束帶                      | 1               |     |
|                    | 33700          | 33700-LFB5-900  | LIGHT SET RR COMB       | 後燈組                     | 1               |     |
|                    | 33701          | 33701-LFB5-900  | LIGHT SET RR COMB       | 後燈組                     | 1               |     |
|                    | 33706          | 33706-KHB4-E01  | COVER LICENSE           | 牌照燈蓋                    | 0               |     |
|                    | 33709-KBAB     | 33709-KBAB-003  | PACKING LICENSE         | 牌照燈墊圈                   | 0               |     |
|                    | 33709-LFB5     | 33709-LFB5-900  | PCB TAIL LIGHT          | 後燈LED燈電路板組              | 1               |     |
|                    | 33717          | 33717-LFB5-900  | SOCKET COMP RR COMB     | 後燈配線                    | 1               |     |
|                    | 33720          | 33720-KHB4-E00  | LIGHT ASSY LICENSE      | 牌照燈組                    | 1               |     |
|                    | 33722          | 33722-KHB4-E00  | BASE LICENSE            | 牌照燈座                    | 0               |     |
|                    | 33725          | 33725-KHB4-E00  | LENS LICENSE            | 牌照燈殼                    | 0               |     |
|                    | 33726          | 33726-KHB4-E00  | SOCKET COMP             | 牌照燈配線                   | 0               |     |
|                    | 33741          | 33741-KEC8-900  | REFLEX REFLECTOR        | 反光鏡片                    | 0               |     |
|                    | 34903          | 34903-KPCP-900  | BULB POSITION           | 位置燈燈泡                   | 1               |     |
|                    | 34905          | 34905-KHC4-900  | BULB WINKER             | 方向燈泡                    | 2               |     |
| **                 | 80100          | 80100-LFB5-900  | FENDER RR TIRE          | 後輪上土除                   | 1               |     |
|                    | 80102          | 80102-LFB5-900  | PLATE SPLASH BOARD      | 防塵橡皮片                   | 1               |     |
|                    | 80103          | 80103-LFB5-900  | "PLATE A, SPLASH BOARD" | 防濺橡皮                    | 1               |     |
| **                 | 80105          | 80105-LFB5-900  | FENDER RR               | 後土除                     | 0               |     |
| **                 | 80107          | 80107-LFB5-900  | FENDER RR INNER         | 後內擋泥板                   | 0               |     |
| #                  | 90111          | 90111-LEB1-900  | BOLT FLANGE 6MM         | 螺絲 6MM                  | 2               |     |

F18

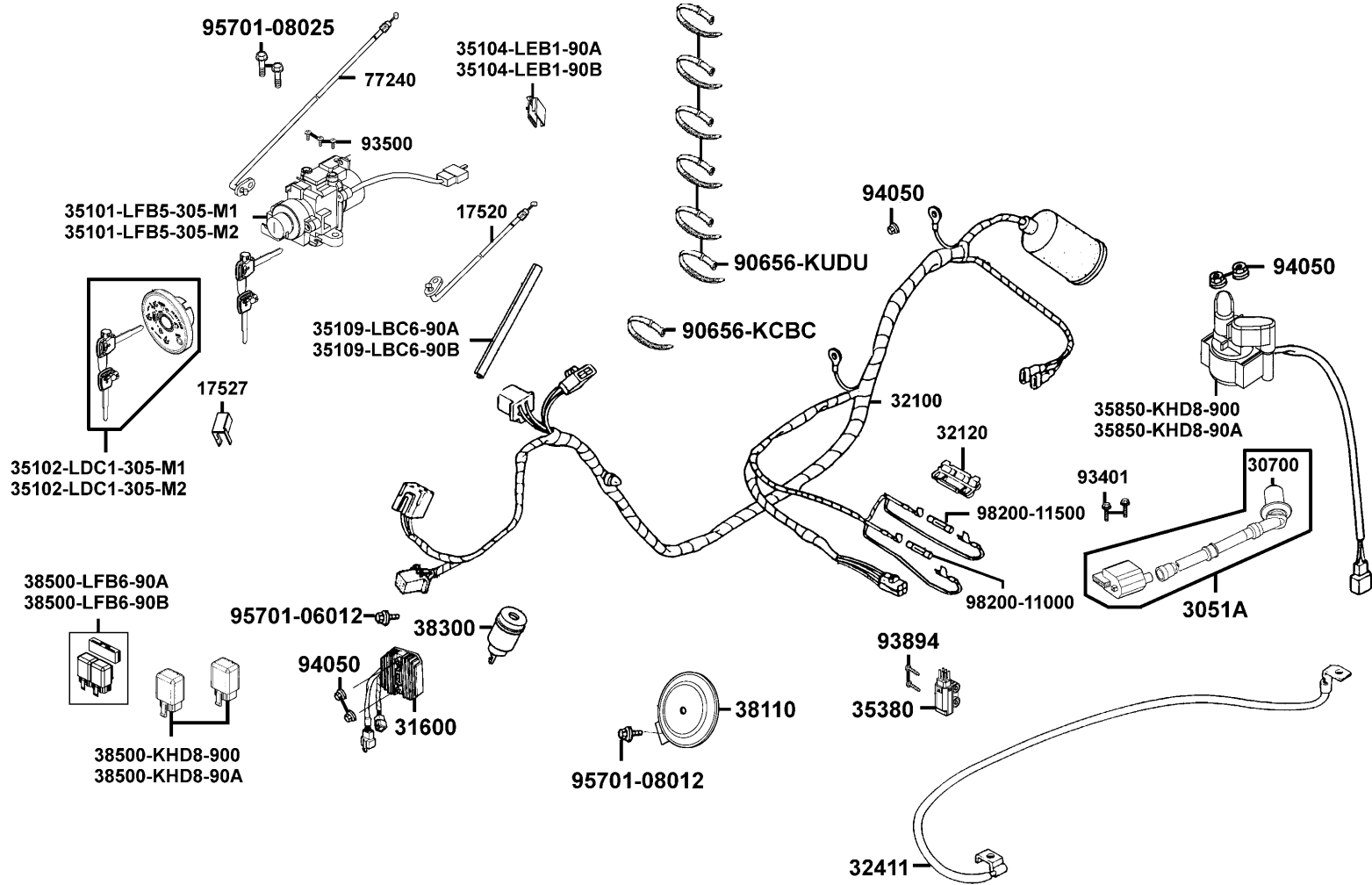
Tail Light Rear Fender 後燈 後土除



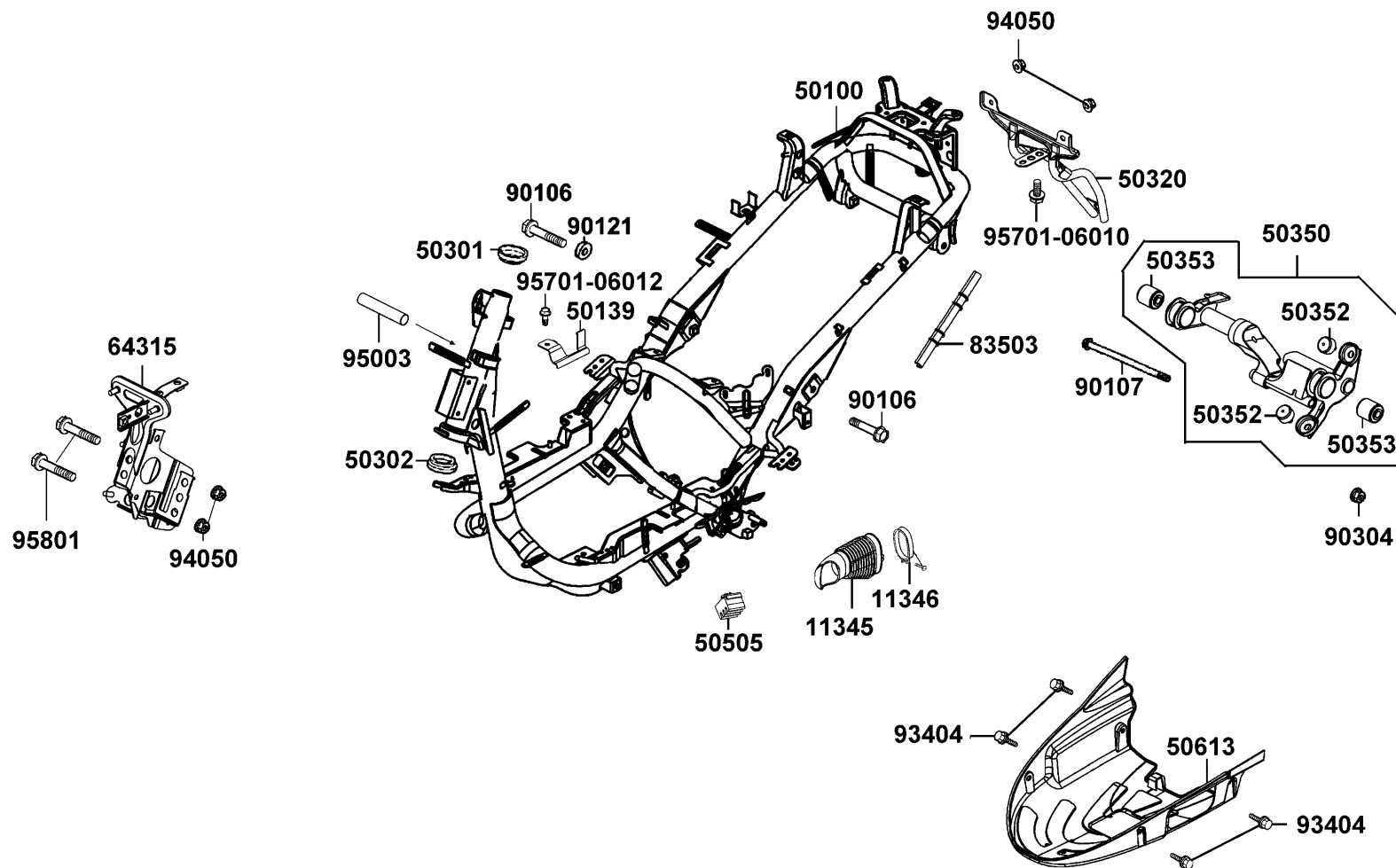
| Sales mark<br>配色標註 | Ref no<br>參考號碼 | Part no<br>零件號碼 | Description<br>英文名稱 | Reg description<br>中文名稱 | Regd no<br>需求用量 | F18 |
|--------------------|----------------|-----------------|---------------------|-------------------------|-----------------|-----|
|                    | 90215          | 90215-GLM0-910  | NUT CAP 6MM         | 螺帽 6MM                  | 1               |     |
|                    | 90302          | 90302-LLB1-E00  | BOLT-WASHER 5*12    | 螺絲 5X12                 | 1               |     |
|                    | 91508          | 91508-KGV7-67A  | SCREW TAPPING 4*14  | 螺絲 4*14                 | 0               |     |
| #                  | 93404          | 93404-06012-06  | BOLT WASH 6*12      | 螺絲 6*12                 | 1               |     |
|                    | 93903          | 93903-34360     | SCREW TAPPING 4*12  | 螺絲 4*12                 | 17              |     |



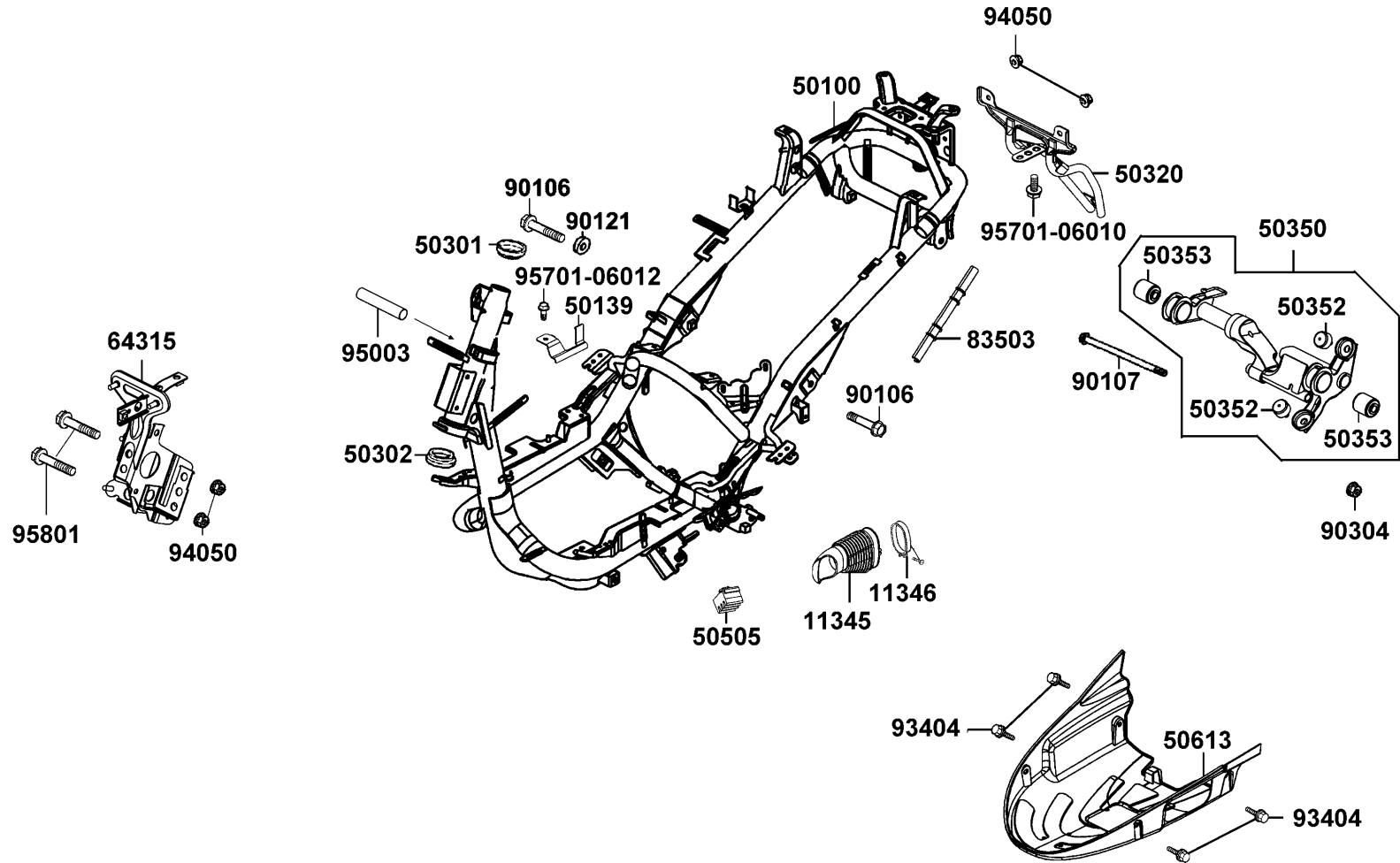
| Sales mark<br>配色標註 | Ref no<br>參考號碼    | Part no<br>零件號碼   | Description<br>英文名稱        | Reg description<br>中文名稱 | Regd no<br>需求用量 | F19 |
|--------------------|-------------------|-------------------|----------------------------|-------------------------|-----------------|-----|
|                    | 17520             | 17520-LEB1-900    | CABLE COMP FUEL CAP        | 油箱蓋導線                   | 1               |     |
|                    | 17527             | 17527-LBA2-900    | SLIDE COVER FUEL CAP       | 油箱蓋導線防塵蓋                | 1               |     |
|                    | 3051A             | 3051A-LEB2-910    | COIL ASS'Y IGNITION        | 點火線圈組                   | 1               |     |
|                    | 30700             | 30700-LEB2-910    | CAP ASS'Y, NOISE SUPPR     | 火星塞蓋組合                  | 1               |     |
|                    | 31600             | 31600-KED9-900    | REG REC COMP               | 整流器                     | 1               |     |
|                    | 32100             | 32100-LGH6-900    | HARNESS WIRE               | 主配線                     | 1               |     |
|                    | 32120             | 32120-KFAF-900    | CASE 15A FUSE              | 保險絲盒                    | 1               |     |
|                    | 32411             | 32411-LEB1-900    | CABLE BAT                  | 電瓶導線                    | 1               |     |
|                    | 35101-LFB5-305-M1 | 35101-LFB5-305-M1 | KEY SET                    | 鎖匙組                     | 1               |     |
|                    | 35101-LFB5-305-M2 | 35101-LFB5-305-M2 | KEY SET                    | 鎖匙組                     | 1               |     |
|                    | 35102-LDC1-305-M1 | 35102-LDC1-305-M1 | SHUTIER SET MAGNETIC LOCK  | 磁石鎖組/2合1KEY             | 1               |     |
|                    | 35102-LDC1-305-M2 | 35102-LDC1-305-M2 | SHUTIER SET MAGNETIC LOCK  | 磁石鎖組/2合1KEY             | 1               |     |
|                    | 35104-LEB1-90A    | 35104-LEB1-90A    | PLATE COVER FUEL CAP CABLE | 油箱蓋導線防水蓋                | 1               |     |
|                    | 35104-LEB1-90B    | 35104-LEB1-90B    | PLATE COVER FUEL CAP CABLE | 油箱蓋導線防水蓋                | 1               |     |
|                    | 35109-LBC6-90A    | 35109-LBC6-90A    | PROTECTING COVER CABLE     | 防水蓋                     | 1               |     |
|                    | 35109-LBC6-90B    | 35109-LBC6-90B    | PROTECTING COVER CABLE     | 防水蓋                     | 1               |     |
|                    | 35380             | 35380-LDF2-900    | SENSOR ANGLE DETECT        | 檢測角度感應組                 | 1               |     |
|                    | 35850-KHD8-900    | 35850-KHD8-900    | SET START MAG              | 起動開關組                   | 1               |     |
|                    | 35850-KHD8-90A    | 35850-KHD8-90A    | SET START MAG              | 起動開關組                   | 1               |     |
|                    | 38110             | 38110-LEA5-E00    | HORN COMP                  | 喇叭                      | 1               |     |



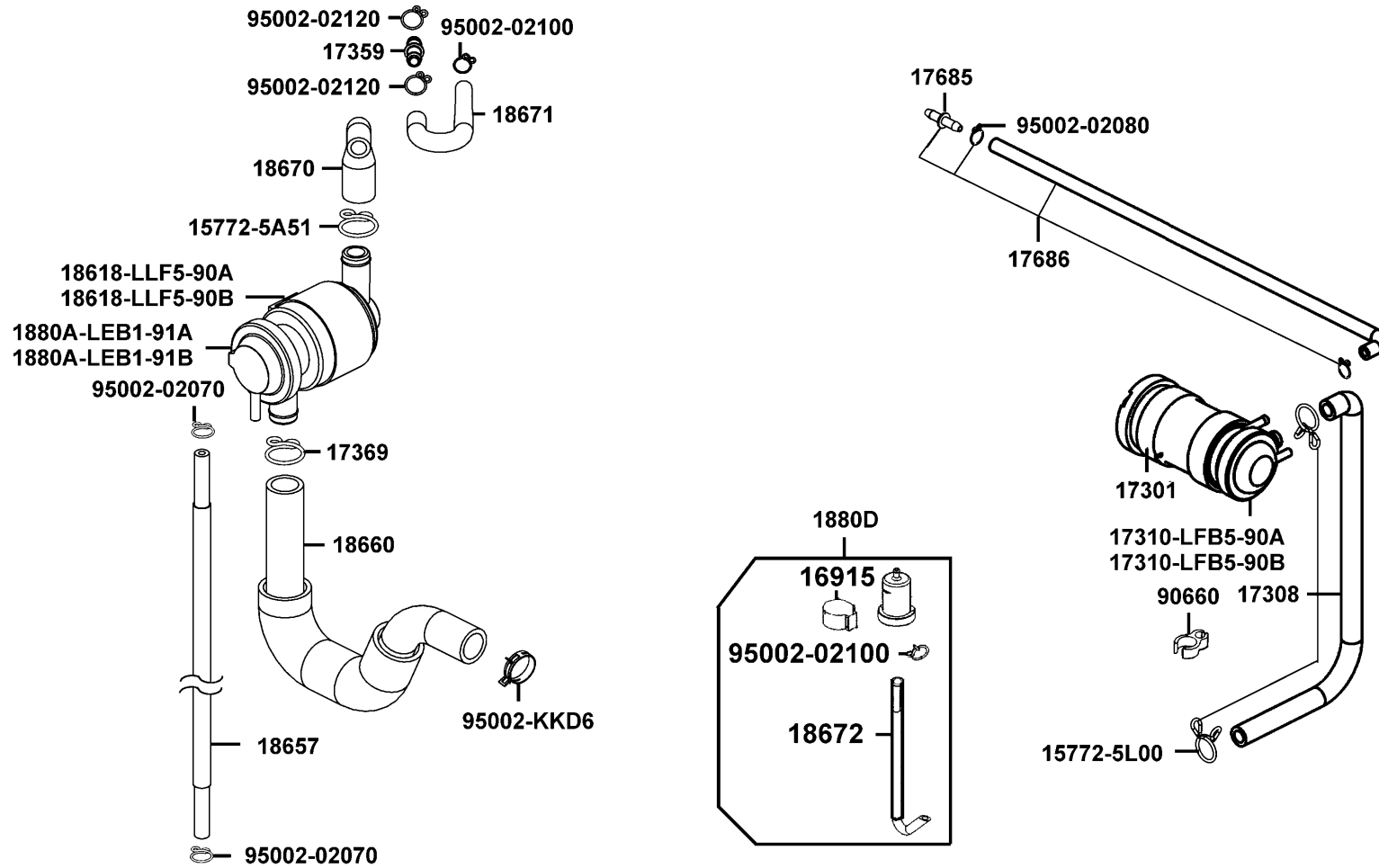
| Sales mark<br>配色標註 | Ref no<br>參考號碼 | Part no<br>零件號碼 | Description<br>英文名稱     | Reg description<br>中文名稱 | Regd no<br>需求用量 | F19 |
|--------------------|----------------|-----------------|-------------------------|-------------------------|-----------------|-----|
|                    | 38300          | 38300-LEA5-E0A  | RELAY ASSY WINKER       | 方向燈繼電器                  | 1               |     |
|                    | 38500-KHD8-900 | 38500-KHD8-900  | RELAY ASSY LIGHT        | 繼電器                     | 2               |     |
|                    | 38500-KHD8-90A | 38500-KHD8-90A  | RELAY ASSY LIGHT        | 繼電器                     | 1               |     |
|                    | 38500-LFB6-90A | 38500-LFB6-90A  | RELAY ASS'Y.,LIGHT      | 繼電器組                    | 1               |     |
|                    | 38500-LFB6-90B | 38500-LFB6-90B  | RELAY ASSY LIGHT        | 前燈繼電器                   | 1               |     |
|                    | 77240          | 77240-LFB5-900  | CABLE SEAT LOCK         | 座墊導線                    | 1               |     |
|                    | 90656-KCBC     | 90656-KCBC-900  | BAND OIL HOSE           | 油管束帶                    | 1               |     |
|                    | 90656-KUDU     | 90656-KUDU-900  | BAND HARNESS WIRE       | 束帶                      | 6               |     |
|                    | 93401          | 93401-04025-08  | BOLT WASHER 4*25        | 墊圈                      | 2               |     |
|                    | 93500          | 93500-KHC4-90A  | SCREW PAN 5*10          | 螺絲 5*10                 | 3               |     |
|                    | 93894          | 93894-04022-08  | SCREW PLAIN WASHER 4*22 | 螺絲 4*22                 | 2               |     |
|                    | 94050          | 94050-06080     | NUT FLANGE 6MM          | 螺帽 6MM                  | 5               |     |
|                    | 95701-06012    | 95701-06012-08  | BOLT FLANGE 6*12        | 螺絲 6*12                 | 1               |     |
|                    | 95701-08012    | 95701-08012-08  | BOLT FLANGE 8*12        | 螺絲 8*12                 | 1               |     |
|                    | 95701-08025    | 95701-08025-08  | BOLT FLANGE 8*25        | 螺絲 8*25                 | 2               |     |
|                    | 98200-11000    | 98200-11000     | FUSE 10A                | 保險絲 10A                 | 1               |     |
|                    | 98200-11500    | 98200-11500     | FUSE A15                | 保險絲 A15                 | 1               |     |



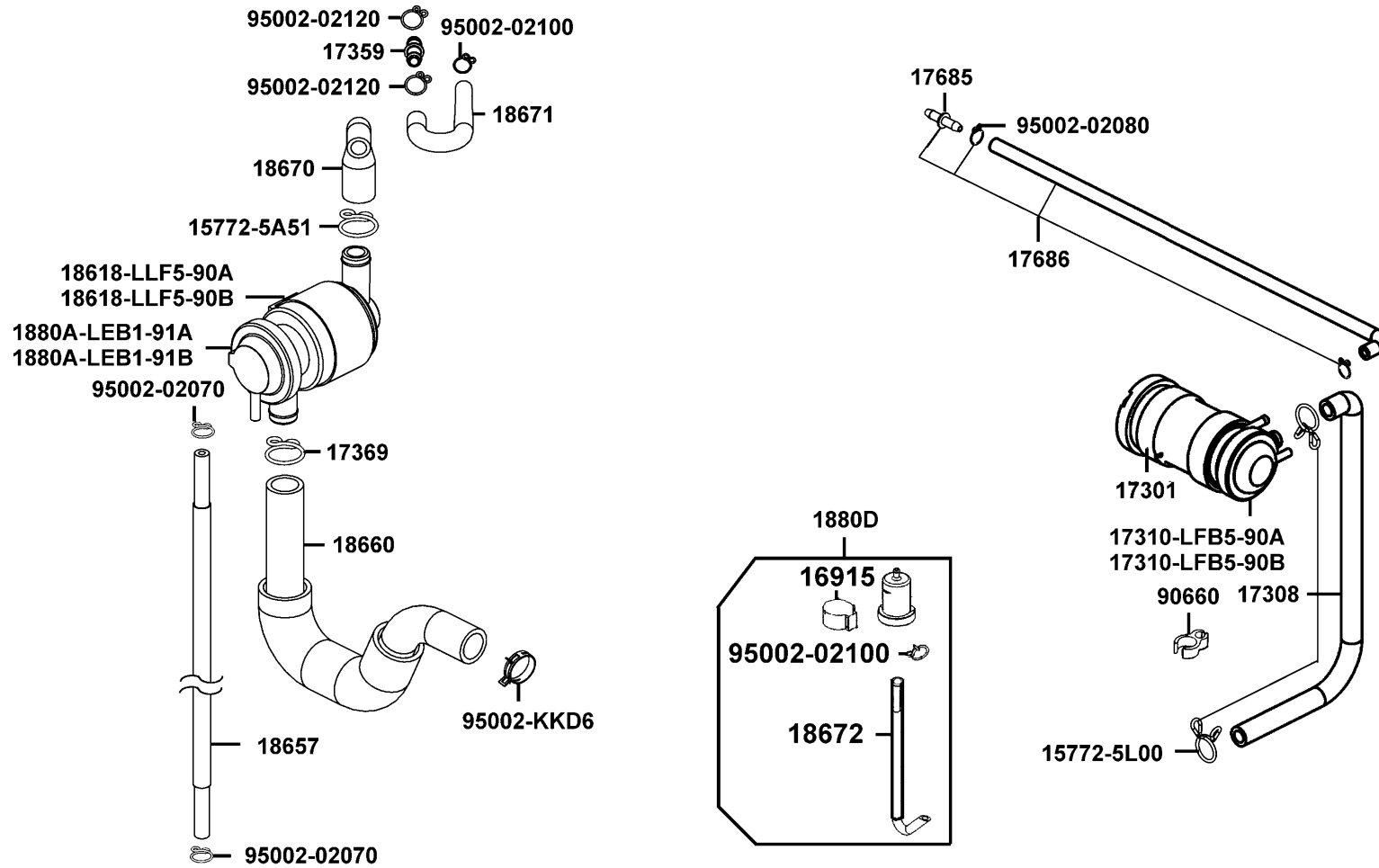
| Sales mark<br>配色標註 | Ref no<br>參考號碼 | Part no<br>零件號碼 | Description<br>英文名稱       | Reg description<br>中文名稱 | Regd no<br>需求用量 | F20 |
|--------------------|----------------|-----------------|---------------------------|-------------------------|-----------------|-----|
|                    | 11345          | 11345-LFB5-900  | DUCT L COVER              | 冷卻導管                    | 1               |     |
|                    | 11346          | 11346-GFY6-901  | BAND L COVER DUCT         | 導管束帶                    | 1               |     |
| #                  | 50100          | 50100-LGH6-900  | BODY COMP.,FRAME          | BODY COMP.,FRAME        | 1               |     |
|                    | 50139          | 50139-LEB1-900  | STAY AICV                 | AICV 支架                 | 1               |     |
|                    | 50301          | 50301-KGN7-671  | RACE UP STRG BALL         | 上珠碗                     | 1               |     |
|                    | 50302          | 50302-2H68-011  | RACE STRG BOT BALL        | 下珠碗                     | 1               |     |
|                    | 50320          | 50320-LFB5-900  | STAY RR FENDER            | 後土除支架                   | 1               |     |
|                    | 50350          | 50350-LFB5-900  | ENG HANGER ASSY           | 引擎吊架                    | 1               |     |
|                    | 50352          | 50352-GFY6-901  | RUBBER STOPPER            | 吊架橡皮                    | 2               |     |
|                    | 50353          | 50353-LEB1-900  | BUSH SWING LOCK           | 襯套                      | 2               |     |
|                    | 50505          | 50505-KEBE-900  | STOPPER RUBBER            | 主腳架橡皮                   | 1               |     |
|                    | 50613          | 50613-LFB5-900  | COVER. UNDER              | 電瓶底蓋                    | 1               |     |
|                    | 64315          | 64315-LFB6-900  | STAY COMP.,FR. COVER      | STAY COMP.,FR. COVER    | 1               |     |
|                    | 83503          | 83503-KHD6-900  | COVER PROTECTOR SEAT WIRE | 座墊線保護蓋                  | 1               |     |
|                    | 90106          | 90106-GFY6-901  | BOLT FLANGE 10*55         | 螺絲 10*55                | 2               |     |
|                    | 90107          | 90107-KUDU-900  | BOLT FLANGE 10*188        | 螺絲 10*188               | 1               |     |
|                    | 90121          | 90121-GFY6-901  | COLLAR DISTANCE           | 套筒                      | 1               |     |
|                    | 90304          | 90304-GHE8-004  | NUT U 10MM                | 螺帽 10MM                 | 1               |     |
|                    | 93404          | 93404-06016-06  | BOLT WASHER 6*16          | 螺絲 6*16                 | 4               |     |
|                    | 94050          | 94050-06080     | NUT FLANGE 6MM            | 螺帽 6MM                  | 4               |     |



| Sales mark<br>配色標註 | Ref no<br>參考號碼 | Part no<br>零件號碼 | Description<br>英文名稱 | Reg description<br>中文名稱 | Regd no<br>需求用量 | F20 |
|--------------------|----------------|-----------------|---------------------|-------------------------|-----------------|-----|
|                    | 95003          | 95003-LEB1-900  | "TUBE, CLAMP"       | 管夾                      | 1               |     |
|                    | 95701-06010    | 95701-06010-08  | BOLT FLANGE 6*10    | 螺絲 6*10                 | 1               |     |
|                    | 95701-06012    | 95701-06012-08  | BOLT FLANGE 6*12    | 螺絲 6*12                 | 1               |     |
|                    | 95801          | 95801-06050-08  | BOLT FLANGE 6*50    | 螺絲 6*50                 | 2               |     |



| Sales mark<br>配色標註 | Ref no<br>參考號碼 | Part no<br>零件號碼 | Description<br>英文名稱        | Reg description<br>中文名稱 | Regd no<br>需求用量 | F21 |
|--------------------|----------------|-----------------|----------------------------|-------------------------|-----------------|-----|
|                    | 15772-5A51     | 15772-5A51-001  | CLIP BREATHER TUBE         | 通氣管夾                    | 0               |     |
|                    | 15772-5L00     | 15772-5L00-013  | CLIP B14.5 TUBE            | 管夾                      | 0               |     |
|                    | 16915          | 16915-KEBE-910  | SUSP STRAINER              | 過濾暫停器                   | 0               |     |
|                    | 17301          | 17301-KNBN-960  | RUBBER CANISTER MOUNT      | 活性碳罐懸掛橡皮                | 2               |     |
|                    | 17308          | 17308-LFB5-900  | TUBE ASSY CANISTER-A/C     | 通氣管                     | 0               |     |
|                    | 17310-LFB5-90A | 17310-LFB5-90A  | CANISTER COMP.             | 活性碳罐總成                  | 0               |     |
|                    | 17310-LFB5-90B | 17310-LFB5-90B  | CANISTER COMP              | 活性碳罐                    | 1               |     |
|                    | 17359          | 17359-4K19-671  | JOINT BREATHER TUBE        | 通氣管接頭                   | 0               |     |
|                    | 17369          | 17369-KDB4-671  | CLIP BREATHER TUBE         | 通氣管夾                    | 0               |     |
|                    | 17685          | 17685-GFY6-940  | JOINT COCK CARB TUBE       | 油管接頭                    | 0               |     |
|                    | 17686          | 17686-LFB5-900  | TUBE TANK CANISTER         | 通氣管                     | 0               |     |
|                    | 18618-LLF5-90A | 18618-LLF5-90A  | RUBBER AICV MOUNT          | ACV橡皮                   | 0               |     |
|                    | 18618-LLF5-90B | 18618-LLF5-90B  | RUBBER AICV MOUNT          | 橡皮                      | 1               |     |
|                    | 18657          | 18657-LFB6-910  | TUBE ASSY,AICV- INLET PIPE | AICV進氣管管組               | 0               |     |
|                    | 18660          | 18660-LEB1-910  | DUCT AICV-REED VALVE       | 通氣管                     | 0               |     |
|                    | 18670          | 18670-LEB1-910  | DUCT AICV-JOINT            | 二次空氣濾清導管                | 0               |     |
|                    | 18671          | 18671-LFB5-910  | DUCT STRAINER AIR-JOINT    | 導管                      | 0               |     |
|                    | 18672          | 18672-LFB5-910  | DUCT AIR-STRAINER          | 導管                      | 1               |     |
|                    | 1880A-LEB1-91A | 1880A-LEB1-91A  | AI/C-AICV ASSY             | 空氣噴射控制閥                 | 0               |     |
|                    | 1880A-LEB1-91B | 1880A-LEB1-91B  | AI/C-AICV ASSY             | 空氣噴射控制閥                 | 1               |     |

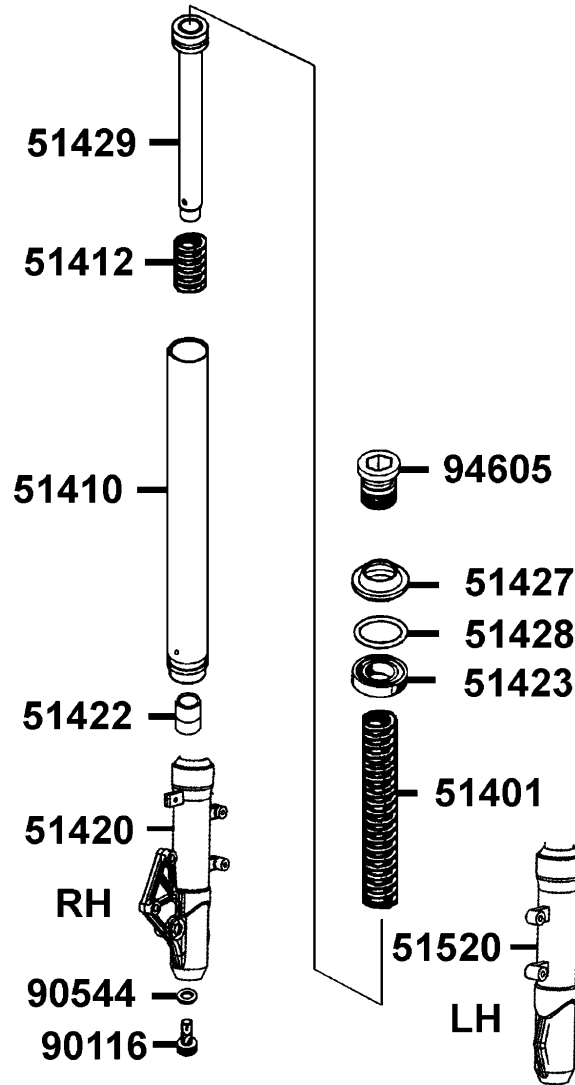


| Sales mark<br>配色標註 | Ref no<br>參考號碼 | Part no<br>零件號碼 | Description<br>英文名稱 | Reg description<br>中文名稱 | Regd no<br>需求用量 | F21 |
|--------------------|----------------|-----------------|---------------------|-------------------------|-----------------|-----|
|                    | 1880D          | 1880D-LGH6-910  | STRAINER ASSY.,AIR  | 空氣濾清器組                  | 1               |     |
|                    | 90660          | 90660-KNBN-921  | CLAMP TUBE          | 管夾                      | 0               |     |
|                    | 95002-02070    | 95002-02070     | CLIP B7 TUBE        | 管夾                      | 2               |     |
|                    | 95002-02080    | 95002-02080     | CLIP B8 TUBE        | 管夾                      | 2               |     |
|                    | 95002-02100    | 95002-02100     | CLIP B15 TUBE       | 管夾                      | 2               |     |
|                    | 95002-02120    | 95002-02120     | CLIP B12 TUBE       | 管夾 B12                  | 2               |     |
|                    | 95002-KKD6     | 95002-KKD6-E05  | CLAMP D18 TUBE      | 管夾                      | 0               |     |

F22

Separated Parts Of Fr Fork

前叉附件

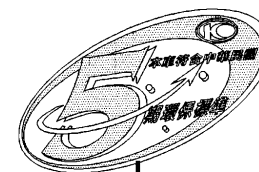


| Sales mark<br>配色標註 | Ref no<br>參考號碼 | Part no<br>零件號碼 | Description<br>英文名稱   | Reg description<br>中文名稱 | Regd no<br>需求用量 | F22 |
|--------------------|----------------|-----------------|-----------------------|-------------------------|-----------------|-----|
|                    | 51401          | 51401-LFB5-900  | SPRING FR CUSHION     | 彈簧                      | 1               |     |
|                    | 51410          | 51410-LFB5-900  | FORK PIPE COMP        | 前避震器管                   | 1               |     |
|                    | 51412          | 51412-KHD8-900  | REBOUND SPRING        | 回位彈簧                    | 1               |     |
| **                 | 51420          | 51420-LFB5-900  | BOTTOM CASE R         | 右前避震器底管                 | 1               |     |
|                    | 51422          | 51422-LFB5-900  | OIL LOCK PIECE        | 止油接頭                    | 1               |     |
|                    | 51423          | 51423-KKAK-900  | OIL SEAL              | 前避震器油封                  | 1               |     |
|                    | 51427          | 51427-KKAK-900  | DUST SEAL             | 防塵封                     | 1               |     |
|                    | 51428          | 51428-KKAK-900  | OIL SEAL STOPPER RING | 油封止位環                   | 1               |     |
|                    | 51429          | 51429-LFB5-900  | PIPE SEAT COMP        | 避震管座                    | 1               |     |
| **                 | 51520          | 51520-LFB5-900  | BOTTOM CASE L         | 左前避震器底管                 | 1               |     |
|                    | 90116          | 90116-KHD8-900  | BOLT                  | 螺絲                      | 1               |     |
|                    | 90544          | 90544-KEC8-900  | PACKING               | 墊片                      | 1               |     |
|                    | 94605          | 94605-LFB5-900  | FORK BOLT             | 螺絲                      | 1               |     |

|   |   |
|---|---|
| <ul style="list-style-type: none"> <li>□ 請戴安全帽行駛。</li> <li>□ 行駛時, 請勿超過法定速度。</li> <li>□ 因排氣管溫度很高, 停車時請停置於他人不易碰觸之場所。</li> <li>□ 為了駕駛安全及性能維護, 請勿任意違法改造。</li> </ul> | <ul style="list-style-type: none"> <li>□ 請確實做好定期保養工作及行車前之安全檢查。</li> </ul> <p style="text-align: center;">◀ 行 駛 前 檢 查 項 目 ▶</p> <p style="text-align: center;">剎車性能 輪胎 機油量<br/>燈光 喇叭 儀表板</p> |
|---|---|

○ 敬請熟讀駕駛手冊, 確保行車安全 GY6-900

87560



87501

**注 意**

|        |                            |                            |
|--------|----------------------------|----------------------------|
| 輪胎最大胎壓 | 前輪 2.30kgf/cm <sup>2</sup> | 後輪 2.50kgf/cm <sup>2</sup> |
| 一人騎乘時  | 前輪 1.75kgf/cm <sup>2</sup> | 後輪 1.75kgf/cm <sup>2</sup> |
| 二人騎乘時  | 前輪 1.75kgf/cm <sup>2</sup> | 後輪 4.00kgf/cm <sup>2</sup> |
| 輪胎規格   | 前輪 110/70-12               | 後輪 130/70-12               |

|      |               |       |
|------|---------------|-------|
| 載物限重 | 前行李箱(依買車配備為準) | 1.5kg |
|      | 置物掛鉤          | 3.0kg |

87505-LF85-900

87505

**注 意**

在引擎發動前, 請先將側支架扳起, 以策安全。

87541

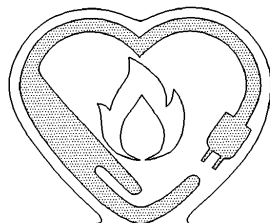
**注 意**

後側蓋與引擎之間, 請勿放入任何物品, 以免妨礙行駛。

GM9-300

87542

| Sales mark<br>配色標註 | Ref no<br>參考號碼 | Part no<br>零件號碼 | Description<br>英文名稱 | Reg description<br>中文名稱 | Regd no<br>需求用量 | F23 |
|--------------------|----------------|-----------------|---------------------|-------------------------|-----------------|-----|
| **                 | 87501          | 87501-LEB2-950  | LABEL E/M 5 MARK    | 標籤                      | 0               |     |
| **                 | 87505          | 87505-LFB5-900  | LABEL TIRE          | 標籤                      | 1               |     |
| **                 | 87541          | 87541-GGS7-901  | CAUTION SIDE STAND  | 標籤                      | 1               |     |
| **                 | 87542          | 87542-GKM9-301  | MARK MAINT CAUTION  | 標籤                      | 1               |     |
| **                 | 87560          | 87560-GFY6-900  | MARK DRIVE CAUTION  | 標誌                      | 1               |     |

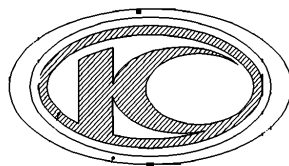


節能標章

86700



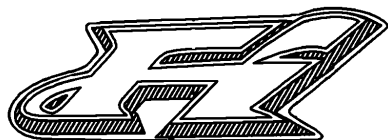
86202



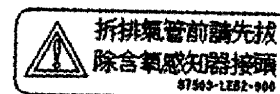
86102



87140



87311



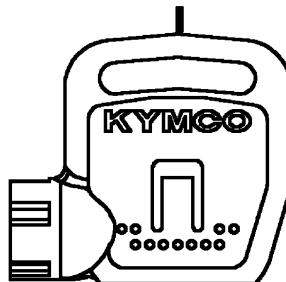
87503

| Sales mark<br>配色標註 | Ref no<br>參考號碼 | Part no<br>零件號碼 | Description<br>英文名稱 | Reg description<br>中文名稱 | Regd no<br>需求用量 | F24 |
|--------------------|----------------|-----------------|---------------------|-------------------------|-----------------|-----|
| **                 | 86102          | 86102-KKC4-900  | EMB K-LOGO 28.5MM   | 標誌 28.5MM               | 1               |     |
| **                 | 86202          | 86202-LFB5-900  | EMB BODY COVER      | 貼紙                      | 3               |     |
|                    | 86700          | 86700-LFG7-900  | STRIPE ENERGY LOGO  | 節能標章                    | 1               |     |
| **                 | 87140          | 87140-LGH5-900  | EMB MARK            | 貼紙                      | 3               |     |
| **                 | 87311          | 87311-LEA1-900  | STRIPE MARK Fi      | 噴射Fi貼紙                  | 2               |     |
| **                 | 87503          | 87503-LEB2-900  | CAUTION MUFFLER     | 標籤                      | 1               |     |

35111-LDC1-305-M1



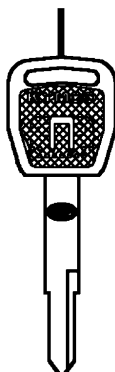
35111-LDC1-307-M1



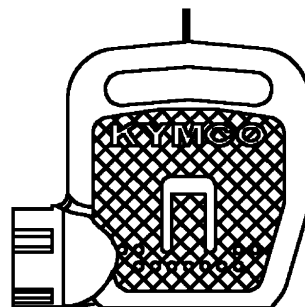
35111-LDC1-306-M2



35111-LDC1-305-M2



35111-LDC1-307-M2



35111-LDC1-306-M1



| Sales mark<br>配色標註 | Ref no<br>參考號碼    | Part no<br>零件號碼   | Description<br>英文名稱            | Reg description<br>中文名稱 | Regd no<br>需求用量 | F25 |
|--------------------|-------------------|-------------------|--------------------------------|-------------------------|-----------------|-----|
|                    | 35111-LDC1-305-M1 | 35111-LDC1-305-M1 | KEY COMP (R TANGENT PLANE/SD)  | 未加工主開關鑰匙/右切/SD          | 1               |     |
|                    | 35111-LDC1-305-M2 | 35111-LDC1-305-M2 | KEY COMP (R TANGENT PLANE/TJ)  | 未加工主開關鑰匙/右切/TJ          | 1               |     |
|                    | 35111-LDC1-306-M1 | 35111-LDC1-306-M1 | KEY COMP (L TANGENT PLANE/SD)  | 未加工主開關鑰匙/左切/SD          | 1               |     |
|                    | 35111-LDC1-306-M2 | 35111-LDC1-306-M2 | KEY COMP (L TANGENT PLANE/TJ)  | 未加工主開關鑰匙/左切/TJ          | 1               |     |
|                    | 35111-LDC1-307-M1 | 35111-LDC1-307-M1 | KEY COMP SHOTTER MAGNETIC (SD) | 磁石鑰匙/SD                 | 1               |     |
|                    | 35111-LDC1-307-M2 | 35111-LDC1-307-M2 | KEY COMP SHOTTER MAGNETIC (TJ) | 磁石鑰匙/TJ                 | 1               |     |

## PART NO. INDEX

## 零件號碼索引

| PART NO.<br>零件號碼 | VERSION<br>版數 | PAGE<br>頁次 | PART NO.<br>零件號碼 | VERSION<br>版數 | PAGE<br>頁次 | PART NO.<br>零件號碼 | VERSION<br>版數 | PAGE<br>頁次 |
|------------------|---------------|------------|------------------|---------------|------------|------------------|---------------|------------|
| <b>11000</b>     |               |            | <b>12000</b>     |               |            | 14321-LEB1-900   | 3             | E02        |
| 11100-LEB1-306   | 1             | E01        | 12100-LEB1-900   | 6             | E03        | 14401-KUDU-900   | 0             | E03        |
| 11102-1G87-004   | 3             | E01        | 12191-LEB1-900   | 2             | E03        | 14420-LEB1-900   | 4             | E02        |
| 11192-LEB1-900   | 5             | E01        | 12200-LGH6-900   | 0             | E02        | 14430-LEB1-900   | 4             | E02        |
| 11200-LFB5-307   | 1             | E01        | 12209-GDB4-68A   | 0             | E02        | 14433-LEB1-900   | 1             | E02        |
| 11203-GFY6-901   | 0             | F14        | 12209-KHD6-900   | 0             | E02        | 14434-LEB1-900   | 1             | E02        |
| 11203-GGC7-301   | 2             | E01        | 12216-LEB1-900   | 2             | E02        | 14452-LEB1-900   | 4             | E02        |
| 11203-GGC7-301   | 2             | F16        | 12217-LEB1-900   | 1             | E02        | 14453-LEB1-910   | 1             | E02        |
| 11206-LFB5-900   | 2             | E07        | 12251-LEB1-900   | 6             | E02        | 14510-LEB1-900   | 2             | E03        |
| 11207-LFB5-900   | 2             | E04        | 12310-LGH5-900   | 1             | E02        | 14520-GFY6-90A   | 1             | E03        |
| 11211-LFB5-900   | 2             | F13        | 12361-GFY6-901   | 1             | E04        | 14523-KED9-900   | 0             | E03        |
| 1122A-LFB5-900   | 2             | E01        | 12391-LEB1-900   | 4             | E02        | 14531-GLR0-001   | 1             | E03        |
| 11330-LEB1-900   | 9             | E04        |                  |               |            | 14610-LEB1-900   | 1             | E03        |
| 11340-LFB5-900   | 6             | E01        | <b>13000</b>     |               |            | 14711-LEB1-900   | 4             | E02        |
| 11342-LFB5-900   | 4             | E01        |                  |               |            | 14721-LEB1-900   | 4             | E02        |
| 11344-LGH6-900   | 0             | E01        | 13000-LGH5-900   | 3             | E03        | 14751-KHD6-900   | 1             | E02        |
| 11345-LFB5-900   | 2             | F20        | 13011-LFE2-90B   | 2             | E03        | 14771-KHD6-900   | 0             | E02        |
| 11346-GFY6-901   | 0             | F20        | 13101-LEB1-90A   | 5             | E03        | 14781-MFA6-001   | 0             | E02        |
| 11353-LEA6-900   | 1             | E01        | 13111-3D84-001   | 3             | E03        | <b>15000</b>     |               |            |
| 11383-LFB5-900   | 1             | E01        |                  |               |            | 15100-KFB7-900   | 0             | E07        |
| 11394-LEB1-900   | 4             | E04        | <b>14000</b>     |               |            | 15133-GFY6-901   | 0             | E07        |
| 11395-LFB5-900   | 3             | E01        |                  |               |            | 15141-GFY6-90B   | 0             | E07        |
|                  |               |            | 14100-LEB1-910   | 1             | E02        | 15141-GFY6-90C   | 1             | E07        |
|                  |               |            | 14110-LEB1-900   | 3             | E02        | 15421-1G07-001   | 1             | E04        |

## PART NO. INDEX

## 零件號碼索引

| PART NO.<br>零件號碼 | VERSION<br>版數 | PAGE<br>頁次 | PART NO.<br>零件號碼 | VERSION<br>版數 | PAGE<br>頁次 | PART NO.<br>零件號碼 | VERSION<br>版數 | PAGE<br>頁次 |
|------------------|---------------|------------|------------------|---------------|------------|------------------|---------------|------------|
| 15426-GAE1-921   | 0             | E04        | 16915-KEBE-910   | 0             | F21        | 17520-LEB1-900   | 0             | F19        |
| 1565A-KUDU-900   | 0             | E04        |                  |               |            | 17527-LBA2-900   | 0             | F19        |
| 15711-GFY6-901   | 0             | E07        | <b>17000</b>     |               |            | 17550-LGH6-900   | 2             | F10        |
| 15772-5A51-001   | 1             | F21        |                  |               |            | 1756A-LGH6-900   | 0             | F10        |
| 15772-5L00-013   | 1             | F21        | 1711A-LGH6-900   | 1             | E02        | 17620-LBA2-90A   | 0             | F10        |
|                  |               |            | 17211-LFB5-900   | 0             | F13        | 17620-LBA2-90B   | 0             | F10        |
| <b>16000</b>     |               |            | 17213-LBD6-E00   | 1             | F13        | 17623-KKE5-E0A   | 0             | F10        |
|                  |               |            | 17214-LFB5-900   | 0             | F13        | 17623-KKE5-E0B   | 0             | F10        |
| 16056-LEB2-900   | 2             | E05        | 1723A-LGH6-900   | 1             | F13        | 17681-KFA1-900   | 0             | F10        |
| 16068-LEB2-900   | 3             | E05        | 1723B-LGH6-900   | 0             | F13        | 17685-GFY6-940   | 0             | F21        |
| 16074-KEC3-900   | 4             | E05        | 17254-KACA-P00   | 0             | F13        | 17685-LFB5-900   | 0             | F10        |
| 16100-LGH6-900   | 2             | E05        | 17301-KNBN-960   | 0             | F21        | 17686-LFB5-900   | 3             | F21        |
| 16110-KKE3-900   | 2             | E05        | 17308-LFB5-900   | 3             | F21        | 17689-LFB5-900   | 1             | F10        |
| 16112-KKE3-900   | 1             | E05        | 17310-LFB5-90A   | 4             | F21        | 17910-KKE3-900   | 3             | F03        |
| 16118-KEC3-900   | 0             | E05        | 17310-LFB5-90B   | 0             | F21        |                  |               |            |
| 16122-KEC3-900   | 0             | E05        | 17359-4K19-671   | 0             | F13        | <b>18000</b>     |               |            |
| 16123-LGH6-900   | 2             | E05        | 17359-4K19-671   | 0             | F21        |                  |               |            |
| 16133-KEC3-900   | 1             | E05        | 17369-KDB4-671   | 1             | F21        | 18291-KEBE-900   | 0             | F14        |
| 16134-KKE3-900   | 5             | E05        | 17369-KHC4-900   | 0             | F10        | 18291-KKC4-900   | 0             | E01        |
| 16138-KGC5-900   | 1             | E05        | 17371-1D74-671   | 0             | F13        | 18291-LEA5-E00   | 1             | F14        |
| 16154-KKE3-900   | 4             | E05        | 17500-LGH6-900   | 2             | F10        | 18292-KEBE-900   | 0             | F14        |
| 16170-KEC3-900   | 0             | E05        | 17502-LEB1-900   | 2             | F10        | 18293-KEBE-900   | 0             | F14        |
| 16191-KEC3-900   | 0             | E05        | 17504-LAB4-900   | 2             | F10        | 18293-KKC4-900   | 0             | E01        |
| 16195-KEC3-900   | 0             | E05        | 17507-LAB4-900   | 2             | F10        | 18294-KEBE-900   | 0             | F14        |
| 16201-LEB1-900   | 3             | E02        | 17513-LAD9-900   | 1             | F10        | 1830A-LGH6-90A   | 0             | F14        |
| 16211-LEB1-900   | 4             | E02        | 17515-LAD9-900   | 1             | F10        | 18318-LFB5-900   | 1             | F14        |

## PART NO. INDEX

## 零件號碼索引

| PART NO.<br>零件號碼 | VERSION<br>版數 | PAGE<br>頁次 | PART NO.<br>零件號碼 | VERSION<br>版數 | PAGE<br>頁次 | PART NO.<br>零件號碼 | VERSION<br>版數  | PAGE<br>頁次 |     |
|------------------|---------------|------------|------------------|---------------|------------|------------------|----------------|------------|-----|
| 18601-MAJ1-79A   | 0             | E02        | 19633-GFY6-901   | 0             | E08        | <b>23000</b>     |                |            |     |
| 18612-GFY6-941   | 0             | E02        | 19635-LEB1-900   | 2             | E08        |                  |                |            |     |
| 18618-LLF5-90A   | 2             | F21        | 19636-LEB1-900   | 1             | E08        |                  |                |            |     |
| 18618-LLF5-90B   | 1             | F21        | 1963A-LGH6-900   | 2             | E08        |                  | 2301A-LFB6-900 | 1          | E06 |
| 18645-GFY6-941   | 0             | E02        |                  |               |            |                  | 23100-LCD4-E0A | 2          | E06 |
| 18646-GFY6-941   | 0             | E02        | <b>21000</b>     |               |            |                  | 23200-LFE2-900 | 1          | E06 |
| 18647-KHD6-900   | 0             | E02        |                  |               |            |                  | 23220-GFY6-921 | 1          | E06 |
| 18657-LFB6-910   | 2             | F21        | 21301-LFB5-305   | 1             | E09        |                  | 23225-GHC8-004 | 0          | E06 |
| 18660-LEB1-910   | 2             | F21        | 21395-LFB5-900   | 4             | E09        |                  | 23226-GHC8-004 | 0          | E06 |
| 18670-LEB1-910   | 2             | F21        |                  |               |            |                  | 23233-LFE2-910 | 1          | E06 |
| 18671-LFB5-910   | 0             | F21        | <b>22000</b>     |               |            |                  | 23237-GFY6-941 | 0          | E06 |
| 18672-LFB5-910   | 2             | F21        |                  |               |            |                  | 23411-LFB5-900 | 2          | E09 |
| 1880A-LEB1-91A   | 2             | F21        | 22101-KEBE-900   | 1             | E06        |                  | 23420-LGH5-900 | 1          | E09 |
| 1880A-LEB1-91B   | 2             | F21        | 22102-LEB1-900   | 2             | E06        | 23431-LFB5-900   | 4              | E09        |     |
| 1880D-LGH6-910   | 0             | F21        | 22105-LEB2-900   | 1             | E06        | 23432-LGH5-900   | 2              | E09        |     |
| <b>19000</b>     |               |            | 22110-LEB1-800   | 7             | E06        | <b>28000</b>     |                |            |     |
|                  |               |            | 22111-LEB1-800   | 5             | E06        |                  |                |            |     |
|                  |               |            | 22112-GFY6-90A   | 0             | E06        |                  |                |            |     |
|                  |               |            | 22121-GFY6-90A   | 0             | E06        |                  | 28101-GFY6-200 | 2          | E07 |
| 19411-KBCB-900   | 0             | F10        | 22130-LEB1-800   | 5             | E06        | 28102-GFY6-901   | 0              | E07        |     |
| 19504-LBA2-E00   | 3             | F10        | 22300-LFB6-900   | 1             | E06        | 28110-LEB1-900   | 3              | E07        |     |
| 19510-LEB1-900   | 1             | E08        | 22350-KGN7-671   | 0             | E06        | 28120-GFY6-315   | 6              | E07        |     |
| 19613-GFY6-901   | 0             | E08        | 22361-KGN7-671   | 1             | E06        | 28125-4F26-001   | 0              | E07        |     |
| 1961A-LEB1-900   | 4             | E08        | 22401-KHD4-E00   | 0             | E06        | 28125-GFY6-960   | 3              | E07        |     |
| 19625-LEB1-900   | 2             | E08        | 22530-LFB5-900   | 0             | E06        | 28126-KUDU-900   | 1              | E07        |     |
| 19626-LEB1-900   | 1             | E08        | 22804-GBB2-001   | 0             | E06        | 28211-KFC8-900   | 0              | E06        |     |
| 1962A-LEB2-900   | 3             | E08        |                  |               |            |                  |                |            |     |

## PART NO. INDEX

## 零件號碼索引

| PART NO.<br>零件號碼  | VERSION<br>版數 | PAGE<br>頁次 | PART NO.<br>零件號碼 | VERSION<br>版數 | PAGE<br>頁次 | PART NO.<br>零件號碼  | VERSION<br>版數 | PAGE<br>頁次 |
|-------------------|---------------|------------|------------------|---------------|------------|-------------------|---------------|------------|
| <b>30000</b>      |               |            | 32410-LEB1-900   | 1             | E07        | 33741-GFY6-C30    | 1             | F05        |
|                   |               |            | 32411-LEB1-900   | 4             | F19        | 33741-KEC8-900    | 0             | F18        |
|                   |               |            | 32412-LEB1-900   | 4             | E04        |                   |               |            |
| 3051A-LEB2-910    | 1             | F19        | 32961-LEB1-900   | 2             | E04        | <b>34000</b>      |               |            |
| 30700-LEB2-910    | 1             | F19        |                  |               |            |                   |               |            |
| <b>31000</b>      |               |            | <b>33000</b>     |               |            | 34901-KFA6-900    | 0             | F01        |
|                   |               |            |                  |               |            | 34903-KPCP-900    | 0             | F01        |
|                   |               |            | 33107-KKC4-E00   | 0             | F01        | 34903-KPCP-900    | 0             | F18        |
| 31110-LGH6-90A    | 1             | E08        | 33120-LGH6-900   | 0             | F01        | 34905-KHC4-900    | 0             | F18        |
| 31110-LGH6-90B    | 1             | E08        | 33130-LFB5-900   | 0             | F01        | 34905-LBA7-E00    | 0             | F17        |
| 31120-LGH6-90A    | 1             | E08        | 33400-LFB5-900   | 1             | F17        |                   |               |            |
| 31120-LGH6-90B    | 1             | E08        | 33401-LFB5-900   | 0             | F17        | <b>35000</b>      |               |            |
| 31210-LFB5-90A    | 0             | E07        | 33406-LFB5-900   | 0             | F17        |                   |               |            |
| 31210-LFB5-90B    | 0             | E07        | 33450-LFB5-900   | 1             | F17        | 35101-LFB5-305-M1 | 0             | F19        |
| 31210-LFB5-90C    | 2             | E07        | 33451-LFB5-900   | 0             | F17        | 35101-LFB5-305-M2 | 0             | F19        |
| 31500-KFAF-90A-YU | 4             | F11        | 33456-LFB5-900   | 0             | F17        | 35102-LDC1-305-M1 | 0             | F19        |
| 31500-KFAF-90B-KY | 6             | F11        | 33700-LFB5-900   | 3             | F18        | 35102-LDC1-305-M2 | 0             | F19        |
| 31600-KED9-900    | 4             | F19        | 33701-LFB5-900   | 0             | F18        | 35104-LEB1-90A    | 0             | F19        |
|                   |               |            | 33706-KHB4-E01   | 0             | F18        | 35104-LEB1-90B    | 0             | F19        |
| <b>32000</b>      |               |            | 33709-KBAB-003   | 0             | F18        | 35109-LBC6-90A    | 1             | F19        |
|                   |               |            | 33709-LFB5-900   | 0             | F18        | 35109-LBC6-90B    | 1             | F19        |
| 32100-LGH6-900    | 3             | F19        | 33717-LFB5-900   | 0             | F18        | 35111-LDC1-305-M1 | 0             | F25        |
| 32101-GFY6-901    | 1             | F04        | 33720-KHB4-E00   | 3             | F18        | 35111-LDC1-305-M2 | 0             | F25        |
| 32106-KKE3-900    | 2             | E07        | 33722-KHB4-E00   | 0             | F18        | 35111-LDC1-306-M1 | 0             | F25        |
| 32120-KFAF-900    | 0             | F19        | 33725-KHB4-E00   | 0             | F18        | 35111-LDC1-306-M2 | 0             | F25        |
| 32161-LBA7-900    | 0             | F18        | 33726-KHB4-E00   | 0             | F18        | 35111-LDC1-307-M1 | 0             | F25        |

## PART NO. INDEX

## 零件號碼索引

| PART NO.<br>零件號碼  | VERSION<br>版數 | PAGE<br>頁次 | PART NO.<br>零件號碼 | VERSION<br>版數 | PAGE<br>頁次 | PART NO.<br>零件號碼 | VERSION<br>版數 | PAGE<br>頁次 |
|-------------------|---------------|------------|------------------|---------------|------------|------------------|---------------|------------|
| 35111-LDC1-307-M2 | 0             | F25        |                  |               |            |                  |               |            |
| 35130-KXCX-M00    | 0             | F03        | <b>38000</b>     |               |            | <b>42000</b>     |               |            |
| 35150-GFY6-900    | 4             | F03        |                  |               |            |                  |               |            |
| 35160-GFY6-900    | 2             | F03        | 38110-LEA5-E00   | 1             | F19        | 42311-LFB5-900   | 0             | F08        |
| 35170-KNBN-910    | 1             | F03        | 38300-LEA5-E0A   | 1             | F19        | 42312-KHB4-900   | 0             | F08        |
| 35180-GFY6-900    | 2             | F03        | 38500-KHD8-900   | 0             | F19        | 42601-LFE2-900   | 3             | F08        |
| 35200-GFY6-910    | 1             | F03        | 38500-KHD8-90A   | 0             | F19        | 42601-LFE2-900   | 4             | F08        |
| 35340-KFLF-900    | 2             | F03        | 38500-LFB6-90A   | 0             | F19        | 42710-KEB7-E1A   | 3             | F08        |
| 35340-KNBN-901    | 0             | F04        | 38500-LFB6-90B   | 0             | F19        | 42753-0D04-900   | 1             | F07        |
| 35380-LDF2-900    | 2             | F19        | 38773-KBCB-900   | 0             | F10        | 42753-KNBN-90B   | 1             | F08        |
| 35850-KHD8-900    | 1             | F19        |                  |               |            |                  |               |            |
| 35850-KHD8-90A    | 0             | F19        | <b>39000</b>     |               |            | <b>43000</b>     |               |            |
| <b>37000</b>      |               |            | 3920A-LGH6-800   | 0             | E05        | 43105-LFB5-900   | 0             | F07        |
|                   |               |            | 39300-LEB2-800   | 1             | E02        | 4312A-LFB5-800   | 0             | F08        |
| 37200-LGH6-90A    | 0             | F02        | 39301-LEB2-900   | 3             | E02        | 4314A-LFB5-800   | 0             | F08        |
| 37200-LGH6-90B    | 0             | F02        | 39302-KKE3-900   | 2             | E02        | 43151-LEB1-900   | 2             | F08        |
| 37225-LFB5-90A    | 0             | F02        | 39303-LEB2-900   | 2             | E02        | 43156-LFB5-900   | 1             | F04        |
| 37225-LFB5-90B    | 0             | F02        | 39400-KKE3-800   | 2             | E02        | 43352-KKD6-E90   | 1             | F07        |
| 37230-LFB5-90A    | 0             | F02        | 39450-LEA6-800   | 2             | F14        | 43353-4A61-77A   | 0             | F07        |
| 37230-LFB5-90B    | 0             | F02        |                  |               |            | 43413-LBE1-900   | 1             | F08        |
| 37801-LAB4-910    | 1             | F10        | <b>40000</b>     |               |            | 43416-LEB1-900   | 1             | F08        |
| 3780A-LFB5-900    | 0             | F10        |                  |               |            | 4341A-LFB5-800   | 1             | F08        |
|                   |               |            | 40511-LEC8-E00   | 1             | F05        | 43450-LFB5-800   | 3             | F03        |

## PART NO. INDEX

## 零件號碼索引

| PART NO.<br>零件號碼 | VERSION<br>版數  | PAGE<br>頁次 | PART NO.<br>零件號碼 | VERSION<br>版數  | PAGE<br>頁次 | PART NO.<br>零件號碼 | VERSION<br>版數  | PAGE<br>頁次 |     |
|------------------|----------------|------------|------------------|----------------|------------|------------------|----------------|------------|-----|
| <b>44000</b>     |                |            | 45513-GLW0-91A   | 0              | F04        | 50500-LFB5-900   | 7              | F15        |     |
|                  |                |            | 45517-KFAF-910   | 0              | F04        | 50502-GFY6-901   | 3              | F15        |     |
|                  |                |            | 45517-LFB5-800   | 1              | F03        | 50505-KEBE-900   | 0              | F20        |     |
|                  | 44301-LFE2-900 | 1          | F07              | 45520-GLW0-91A | 0          | F04              | 50505-LAD9-900 | 3          | F15 |
|                  | 44311-KEBE-900 | 0          | F07              | 45530-LFB5-305 | 0          | F04              | 50530-LFB5-900 | 2          | F15 |
|                  | 44620-KHD8-900 | 1          | F07              | 45531-GAR1-951 | 0          | F07              | 50613-LFB5-900 | 3          | F20 |
|                  | 44650-LFE2-305 | 0          | F07              |                |            |                  |                |            |     |
|                  | 44650-LFE2-305 | 4          | F07              | <b>46000</b>   |            |                  | <b>51000</b>   |            |     |
|                  | 44710-KFA5-90B | 1          | F07              |                |            |                  |                |            |     |
|                  | 44800-KFA5-900 | 1          | F07              | 46513-LEB1-900 | 1          | F08              | 51401-LFB5-900 | 0          | F22 |
| 44830-KXCX-901   | 4              | F02        |                  |                |            | 5140A-LFB5-900   | 2              | F06        |     |
| <b>45000</b>     |                |            | <b>50000</b>     |                |            | 51410-LFB5-900   | 0              | F22        |     |
|                  |                |            |                  |                |            | 51412-KHD8-900   | 0              | F22        |     |
|                  |                |            | 50100-LGH6-900   | 1              | F20        | 51420-LFB5-900   | 0              | F22        |     |
|                  | 45107-LFB5-900 | 0          | F07              | 50139-LEB1-900 | 1          | F20              | 51422-LFB5-900 | 0          | F22 |
|                  | 45108-LDH1-E00 | 0          | F07              | 50179-LEB2-900 | 2          | F10              | 51423-KKAK-900 | 0          | F22 |
|                  | 45109-GBE2-007 | 0          | F07              | 50301-KGN7-671 | 2          | F20              | 51427-KKAK-900 | 0          | F22 |
|                  | 45126-LFB5-900 | 1          | F04              | 50302-2H68-011 | 2          | F20              | 51428-KKAK-900 | 0          | F22 |
|                  | 45128-KEBE-900 | 0          | F06              | 50306-1F96-001 | 0          | F06              | 51429-LFB5-900 | 0          | F22 |
|                  | 45131-LDH1-E00 | 0          | F07              | 50320-LFB5-900 | 1          | F20              | 51430-LDH1-E00 | 0          | F07 |
|                  | 45132-LDH1-E00 | 0          | F07              | 50328-LBB8-900 | 1          | F11              | 5150A-LFB5-900 | 2          | F06 |
| 45156-KEC6-900   | 2              | F06        | 50329-LEB1-900   | 2              | F11        | 51520-LFB5-900   | 0              | F22        |     |
| 45200-LFB5-900   | 1              | F07        | 5032A-LEB2-900   | 3              | F11        |                  |                |            |     |
| 45209-GBE2-007   | 0              | F07        | 50350-LFB5-900   | 3              | F20        | <b>52000</b>     |                |            |     |
| 45210-LFB5-900   | 0              | F07        | 50352-GFY6-901   | 0              | F20        |                  |                |            |     |
| 45351-LFB6-900   | 0              | F07        | 50353-LEB1-900   | 1              | F20        | 52000-LFB5-900   | 1              | F16        |     |

## PART NO. INDEX

## 零件號碼索引

| PART NO.<br>零件號碼 | VERSION<br>版數 | PAGE<br>頁次 | PART NO.<br>零件號碼 | VERSION<br>版數 | PAGE<br>頁次 | PART NO.<br>零件號碼 | VERSION<br>版數 | PAGE<br>頁次 |
|------------------|---------------|------------|------------------|---------------|------------|------------------|---------------|------------|
| 52400-LFB5-900   | 3             | F16        |                  |               |            |                  |               |            |
| 52500-LFB5-900   | 2             | F16        | <b>61000</b>     |               |            | <b>70000</b>     |               |            |
| <b>53000</b>     |               |            | 61100-LFB5-900   | 1             | F05        | 70529-6G57-671   | 0             | E01        |
|                  |               |            | 61101-LFB5-900   | 0             | F05        | 70529-6G57-671   | 0             | E08        |
| 53100-LGH6-900   | 1             | F03        | 61102-LFB5-900   | 0             | F05        |                  |               |            |
| 53102-KEC8-900   | 0             | F03        | 61103-LFB5-900   | 3             | F05        | <b>77000</b>     |               |            |
| 53105-LBB5-E00   | 2             | F03        | 6110B-LFB5-900   | 4             | F05        |                  |               |            |
| 53125-GEN5-901   | 0             | F03        |                  |               |            | 77200-LGH6-900   | 2             | F09        |
| 53140-LFB6-800   | 3             | F03        | <b>64000</b>     |               |            | 77206-KEB7-900   | 0             | F09        |
| 53150-LFB6-800   | 0             | F03        |                  |               |            | 77235-KGC4-E0A   | 2             | F12        |
| 53167-KFA1-900   | 0             | F03        | 64302-LFB5-900   | 3             | F05        | 77235-KGC4-E0B   | 2             | F12        |
| 53168-KFA1-900   | 1             | F03        | 64303-LFB5-900   | 0             | F05        | 77240-LFB5-900   | 0             | F19        |
| 53172-KTCT-900   | 0             | F03        | 64304-LFB5-900   | 0             | F05        | 77300-LBE3-900   | 0             | F09        |
| 53175-KFA5-E10   | 0             | F04        | 64305-LFB5-900   | 0             | F05        | 77303-KKC4-800   | 1             | F09        |
| 53178-LCD1-E00   | 1             | F03        | 64306-LFB5-900   | 0             | F05        |                  |               |            |
| 5317B-LFB5-900   | 3             | F03        | 64307-LFB5-900   | 0             | F05        | <b>80000</b>     |               |            |
| 53200-LFB5-900   | 3             | F06        | 64307-LFB5-900   | 1             | F05        |                  |               |            |
| 53205-LFB5-900   | 1             | F03        | 6430A-LGH5-305   | 0             | F05        | 80100-LFB5-900   | 2             | F18        |
| 53206-LFB5-900   | 0             | F03        | 64310-LFB5-900   | 0             | F05        | 80102-LFB5-900   | 2             | F18        |
| 53208-LFB5-900   | 0             | F03        | 64315-LFB6-900   | 1             | F20        | 80103-LFB5-900   | 0             | F18        |
| 53211-GFY6-940   | 1             | F06        | 64316-KHD6-900   | 0             | F05        | 80105-LFB5-900   | 4             | F18        |
| 53212-2L50-011   | 1             | F06        | 64316-KHE2-900   | 0             | F05        | 80107-LFB5-900   | 1             | F18        |
| 53214-2L50-001   | 0             | F06        | 64400-LFB5-900   | 1             | F05        | 80151-LFB5-900   | 2             | F12        |
| 53215-2L50-001   | 0             | F06        |                  |               |            |                  |               |            |

## PART NO. INDEX

## 零件號碼索引

| PART NO.<br>零件號碼 | VERSION<br>版數 | PAGE<br>頁次 | PART NO.<br>零件號碼 | VERSION<br>版數 | PAGE<br>頁次 | PART NO.<br>零件號碼 | VERSION<br>版數 | PAGE<br>頁次 |
|------------------|---------------|------------|------------------|---------------|------------|------------------|---------------|------------|
| <b>81000</b>     |               |            | 86700-LFG7-900   | 2             | F24        | <b>90000</b>     |               |            |
| 81131-LFB5-900   | 0             | F05        | <b>87000</b>     |               |            | 90001-GBHB-661   | 0             | E03        |
| 81132-LFB5-900   | 0             | F05        | 87140-LGH5-900   | 1             | F24        | 90001-GFY6-901   | 1             | E02        |
| 81134-LAB4-900   | 4             | F05        | 87311-LEA1-900   | 1             | F24        | 90005-KAW1-901   | 1             | E03        |
| 81141-LFB5-900   | 0             | F05        | 87501-LEB2-950   | 1             | F23        | 9000A-KKJ9-001   | 0             | E01        |
| 81142-KUDU-900   | 1             | F05        | 87502-LEB2-900   | 1             | F11        | 9000A-KTDT-900   | 1             | E01        |
| 81153-LFB6-900   | 0             | F05        | 87503-LEB2-900   | 2             | F24        | 9000B-KHD6-900   | 2             | E02        |
| 81200-LFB5-900   | 2             | F12        | 87505-LFB5-900   | 1             | F23        | 90012-3C33-001   | 0             | E02        |
| 81255-LGL9-900   | 1             | F12        | 87541-GGS7-901   | 2             | F23        | 90031-KHD6-900   | 2             | E01        |
| 81260-LEB2-900   | 2             | F12        | 87541-KUDU-900   | 2             | E08        | 90032-KHD6-900   | 2             | E01        |
| <b>83000</b>     |               |            | 87542-GKM9-301   | 3             | F23        | 90033-GFY6-900   | 0             | E02        |
| 83500-LGH5-305   | 0             | F12        | 87546-LEB2-900   | 1             | F11        | 90033-GFY6-941   | 0             | E02        |
| 83503-KHD6-900   | 2             | F20        | 87560-GFY6-900   | 3             | F23        | 90105-KCR3-001   | 1             | F07        |
| 83520-LFB5-900   | 0             | F12        | <b>88000</b>     |               |            | 90105-KHB4-900   | 0             | F03        |
| 83600-LGH5-305   | 0             | F12        | 88110-LFB5-900   | 2             | F03        | 90106-GEN5-901   | 0             | F03        |
| 83620-LFB5-900   | 0             | F12        | 88120-LFB5-900   | 2             | F03        | 90106-GFY6-901   | 0             | F20        |
| 8376A-KECE-901   | 2             | F12        | <b>89000</b>     |               |            | 90106-KFAF-900   | 2             | F12        |
| <b>86000</b>     |               |            | 89010-LEB1-900   | 2             | F09        | 90106-KFC2-900   | 0             | F03        |
| 86102-KKC4-900   | 1             | F24        |                  |               |            | 90107-KUDU-900   | 2             | F20        |
| 86202-LFB5-900   | 0             | F24        |                  |               |            | 90108-KUDU-900   | 1             | F15        |
|                  |               |            |                  |               |            | 90111-1G87-001   | 1             | F12        |
|                  |               |            |                  |               |            | 90111-LEB1-900   | 1             | F18        |
|                  |               |            |                  |               |            | 90114-1F66-007   | 2             | F04        |
|                  |               |            |                  |               |            | 90114-GDM4-011   | 1             | F13        |

## PART NO. INDEX

## 零件號碼索引

| PART NO.<br>零件號碼 | VERSION<br>版數 | PAGE<br>頁次 | PART NO.<br>零件號碼 | VERSION<br>版數 | PAGE<br>頁次 | PART NO.<br>零件號碼 | VERSION<br>版數 | PAGE<br>頁次 |
|------------------|---------------|------------|------------------|---------------|------------|------------------|---------------|------------|
| 90115-GLE0-001   | 0             | F03        | 90305-GHK8-001   | 1             | E08        | 90754-GHC8-00B   | 1             | F07        |
| 90116-KED9-900   | 2             | F05        | 90305-GHK8-001   | 1             | F12        | 90912-KFLF-00A   | 0             | F07        |
| 90116-KHD8-900   | 0             | F22        | 90305-KFW6-91A   | 0             | F08        |                  |               |            |
| 90121-GFY6-901   | 1             | F20        | 90306-LFE2-900   | 1             | F07        | <b>91000</b>     |               |            |
| 90131-LEB1-900   | 1             | F07        | 90381-GEZ5-001   | 1             | F12        |                  |               |            |
| 90131-LFB5-900   | 0             | F16        | 90403-GFY6-901   | 0             | E07        | 91002-GGA7-70A   | 0             | E06        |
| 90145-MKS9-61A   | 1             | F04        | 90426-KNBN-901   | 0             | E06        | 91004-KHE7-900   | 1             | E06        |
| 90164-MDR4-901   | 0             | F05        | 90440-1F66-001   | 0             | E08        | 91009-GLE0-004   | 1             | E01        |
| 90201-GFY6-901   | 0             | E07        | 90474-3C33-001   | 1             | E01        | 91014-LLJ3-E00   | 1             | F06        |
| 90202-1G87-001   | 0             | E06        | 9052A-LEB1-900   | 1             | E01        | 91015-LLJ3-E00   | 1             | F06        |
| 90206-0A01-001   | 1             | E02        | 90544-KEC8-900   | 0             | F22        | 91051-KFBF-901   | 1             | F16        |
| 90215-GLM0-910   | 1             | F18        | 90545-3L00-001   | 2             | F04        | 91101-1K79-711   | 1             | E07        |
| 90301-GFY6-901   | 2             | F14        | 90601-GFY6-901   | 0             | E06        | 91104-GFY6-90B-B | 1             | E07        |
| 90302-GBR2-001   | 1             | F10        | 90605-1F66-721   | 0             | E06        | 91104-GFY6-90B-R | 1             | E07        |
| 90302-GFY6-901   | 1             | F12        | 90651-LFB5-900   | 0             | F13        | 91104-GFY6-90B-W | 1             | E07        |
| 90302-GFY6-940   | 1             | F10        | 90652-LCA4-E00   | 1             | F05        | 91104-GFY6-90C-B | 0             | E07        |
| 90302-GFY6-940   | 1             | F11        | 90652-LFB5-900   | 0             | F05        | 91104-GFY6-90C-R | 0             | E07        |
| 90302-KEC8-900   | 1             | F03        | 90652-LGJ9-900   | 2             | E02        | 91104-GFY6-90C-W | 0             | E07        |
| 90302-LLB1-E00   | 2             | F10        | 90656-KCBC-900   | 0             | F03        | 91202-GFY6-90B   | 1             | E04        |
| 90302-LLB1-E00   | 2             | F18        | 90656-KCBC-900   | 0             | F19        | 91202-LEB1-900   | 2             | E01        |
| 90302-SDA4-004   | 2             | F03        | 90656-KUDU-900   | 0             | F19        | 91202-LFE2-90A   | 1             | E09        |
| 90302-SDA4-004   | 2             | F05        | 90660-KGBG-900   | 0             | F10        | 91211-KEBE-900   | 0             | E06        |
| 90302-SDA4-004   | 2             | F12        | 90660-KNBN-921   | 0             | F21        | 91255-GLE0-006   | 0             | E01        |
| 90304-4H38-001   | 2             | E02        | 90677-GAR1-004   | 1             | F11        | 91301-GLR0-005   | 1             | E03        |
| 90304-GHE8-004   | 0             | F03        | 90701-HFB6-011   | 1             | E03        | 91301-LEB1-900   | 1             | E02        |
| 90304-GHE8-004   | 0             | F20        | 90754-GHC8-00A   | 1             | F07        | 91302-0A01-021   | 0             | E04        |

## PART NO. INDEX

## 零件號碼索引

| PART NO.<br>零件號碼 | VERSION<br>版數 | PAGE<br>頁次 | PART NO.<br>零件號碼 | VERSION<br>版數 | PAGE<br>頁次 | PART NO.<br>零件號碼 | VERSION<br>版數  | PAGE<br>頁次 |     |
|------------------|---------------|------------|------------------|---------------|------------|------------------|----------------|------------|-----|
| 91302-LEB2-900   | 2             | E05        | 93600-04012-1G   | 0             | F04        | <b>94000</b>     |                |            |     |
| 91306-1E05-691   | 0             | E03        | 93700-05018-0H   | 0             | F02        |                  |                |            |     |
| 91307-0E35-001   | 0             | E04        | 93891-05025-06   | 0             | F03        |                  |                |            |     |
| 91351-6B42-000   | 0             | E06        | 93891-05040-06   | 0             | F10        |                  | 94001-05080-0S | 0          | F03 |
| 91352-KHG8-83B   | 0             | F08        | 93892-04010-08   | 0             | E05        |                  | 94050-06060    | 0          | F01 |
| 91508-KGV7-67A   | 0             | F18        | 93892-05010-08   | 0             | E05        |                  | 94050-06060    | 0          | F04 |
| 91981-KGN7-670   | 0             | E07        | 93893-04012-18   | 0             | F04        |                  | 94050-06080    | 0          | E02 |
|                  |               |            | 93894-04022-08   | 1             | F19        |                  | 94050-06080    | 0          | E05 |
| <b>92000</b>     |               |            | 93903-25460      | 0             | F13        |                  | 94050-06080    | 0          | E07 |
|                  |               |            | 93903-34360      | 0             | F03        |                  | 94050-06080    | 0          | F05 |
| 92101-05012-0H   | 0             | E08        | 93903-34360      | 0             | F05        | 94050-06080      | 0              | F09        |     |
| 92101-06014-0H   | 1             | E02        | 93903-34360      | 0             | F11        | 94050-06080      | 0              | F10        |     |
| 92900-06060-0B   | 0             | E02        | 93903-34360      | 0             | F12        | 94050-06080      | 0              | F19        |     |
|                  |               |            | 93903-34360      | 0             | F17        | 94050-06080      | 0              | F20        |     |
| <b>93000</b>     |               |            | 93903-34360      | 0             | F18        | 94050-08080      | 0              | E02        |     |
|                  |               |            | 93903-34460      | 0             | F02        | 94050-12080      | 0              | E06        |     |
| 93401-04025-08   | 0             | F19        | 93903-34460      | 0             | F05        | 94050-12080      | 0              | E08        |     |
| 93404-06012-06   | 0             | F18        | 93903-34760      | 0             | F05        | 94101-06700      | 0              | F14        |     |
| 93404-06016-06   | 0             | F20        | 93903-35320      | 0             | F02        | 94101-08800      | 0              | F10        |     |
| 93404-06025-06   | 0             | E01        | 93903-35320      | 0             | F03        | 94101-KKE3-900   | 1              | E05        |     |
| 93404-06030-06   | 0             | F05        | 93903-35360      | 0             | F01        | 94111-06800      | 0              | E02        |     |
| 93500-03010-1A   | 0             | E07        | 93903-35360      | 0             | F10        | 94111-06800      | 0              | E05        |     |
| 93500-04020-0G   | 0             | F10        | 93903-GFY6-900   | 1             | F05        | 94301-08140      | 0              | E01        |     |
| 93500-04020-0H   | 0             | E05        |                  |               |            | 94301-10160      | 0              | E01        |     |
| 93500-05022-06   | 0             | F03        |                  |               |            | 94301-10160      | 0              | E02        |     |
| 93500-KHC4-90A   | 0             | F19        |                  |               |            | 94301-10160      | 0              | E03        |     |

## PART NO. INDEX

## 零件號碼索引

| PART NO.<br>零件號碼 | VERSION<br>版數 | PAGE<br>頁次 | PART NO.<br>零件號碼 | VERSION<br>版數 | PAGE<br>頁次 | PART NO.<br>零件號碼 | VERSION<br>版數 | PAGE<br>頁次 |
|------------------|---------------|------------|------------------|---------------|------------|------------------|---------------|------------|
| 94301-10160      | 0             | E04        | 95014-72204      | 0             | F15        | 96001-06012-08   | 0             | E04        |
| 94303-04065      | 0             | E07        | 95015-LEB1-900   | 3             | F03        | 96001-06012-08   | 0             | E07        |
| 94510-12000      | 0             | F08        | 95701-06010-08   | 1             | F20        | 96001-06012-08   | 0             | F12        |
| 94510-20000      | 0             | E09        | 95701-06012-06   | 1             | F06        | 96001-06014-08   | 0             | E02        |
| 94520-28000      | 0             | E06        | 95701-06012-08   | 0             | F19        | 96001-06016-08   | 0             | E08        |
| 94520-40000      | 0             | F16        | 95701-06012-08   | 0             | F20        | 96001-06018-08   | 0             | E07        |
| 94591-21000      | 0             | F05        | 95701-06018-07   | 1             | F14        | 96001-06018-08   | 0             | E08        |
| 94591-27000      | 0             | F05        | 95701-06022-06   | 1             | F11        | 96001-06022-06   | 1             | F04        |
| 94591-KFBF-900   | 2             | E02        | 95701-06022-07   | 0             | F14        | 96001-06022-08   | 0             | E01        |
| 94601-15000      | 0             | E03        | 95701-06025-00   | 0             | E02        | 96001-06022-08   | 0             | E08        |
| 94605-LFB5-900   | 1             | F22        | 95701-06035-08   | 0             | F08        | 96001-06025-06   | 0             | F03        |
|                  |               |            | 95701-06040-00   | 0             | E02        | 96001-06028-08   | 0             | E07        |
| <b>95000</b>     |               |            | 95701-08012-08   | 0             | E01        | 96001-06028-08   | 0             | E08        |
|                  |               |            | 95701-08012-08   | 0             | F19        | 96001-06032-08   | 0             | E01        |
| 95002-02070      | 0             | F21        | 95701-08025-08   | 0             | F19        | 96001-06032-08   | 0             | E04        |
| 95002-02080      | 0             | F21        | 95801-06050-08   | 0             | F20        | 96001-06035-08   | 0             | F13        |
| 95002-02100      | 0             | F21        | 95801-08035-06   | 1             | F16        | 96001-06050-08   | 0             | E01        |
| 95002-02120      | 0             | F13        | 95801-08040-08   | 0             | F06        | 96001-06100-08   | 0             | E02        |
| 95002-02120      | 0             | F21        | 95801-08042-06   | 0             | F14        | 96001-06100-08   | 0             | E04        |
| 95002-02130      | 0             | F10        | 95801-10025-08   | 0             | F15        | 96001-06110-08   | 0             | E04        |
| 95002-41050-00   | 0             | F13        | 95801-10040-08   | 0             | F16        | 96001-GFY6-900   | 1             | E01        |
| 95002-50000      | 0             | E01        |                  |               |            | 96100-60020-00   | 0             | E01        |
| 95002-KKD6-E05   | 0             | F21        | <b>96000</b>     |               |            | 96100-62020-00   | 0             | E09        |
| 95003-23024-60   | 0             | F13        |                  |               |            | 96100-62030-00   | 0             | E01        |
| 95003-LEB1-900   | 0             | F20        | 96001-06008-07   | 0             | F14        | 96100-63030-00   | 0             | E09        |
| 95014-71402      | 0             | F15        | 96001-06012-06   | 0             | F04        | 96100-LFE2-900   | 1             | E09        |

## PART NO. INDEX

## 零件號碼索引

| PART NO.<br>零件號碼 | VERSION<br>版數 | PAGE<br>頁次 | PART NO.<br>零件號碼 | VERSION<br>版數 | PAGE<br>頁次 | PART NO.<br>零件號碼 | VERSION<br>版數 | PAGE<br>頁次 |
|------------------|---------------|------------|------------------|---------------|------------|------------------|---------------|------------|
| 96220-60100      | 0             | E07        |                  |               |            |                  |               |            |
| 96600-08010-10   | 1             | E07        |                  |               |            |                  |               |            |
| <b>98000</b>     |               |            |                  |               |            |                  |               |            |
| 98059-58916-00   | 2             | E02        |                  |               |            |                  |               |            |
| 98200-11000      | 0             | F11        |                  |               |            |                  |               |            |
| 98200-11000      | 0             | F19        |                  |               |            |                  |               |            |
| 98200-11500      | 0             | F11        |                  |               |            |                  |               |            |
| 98200-11500      | 0             | F19        |                  |               |            |                  |               |            |