

PARTS CATALOGUE



SCOOTERS

SE22BA

MANY 110



Date : 2010/01/12

前言

- 本零件型錄適用於 SE22BA 機種，訂購零件時，請參照本冊。
- 本冊之配色表僅供參考，若與實車不符之處，以實車為準。
- 配色記號(Color Mark)
註明 "***" 記號，表示訂購該零件時，請參照機種相片及配色表，並請在基本零件號碼最後加上色碼。
- 本冊若有錯誤或遺漏之處，敬請不吝賜教指正。

ABOUT THIS PARTS LIST

- This parts list is compiled all service parts for model SE22BA.
- Any difference between color chart and motorcycle will be revised according to motorcycle.
- The sales mark:
 - 1.marking "***" must add color code in the end before ordering parts.
- When modification or additions to this parts list are made a revised edition at an appropriate time.

目次

● 前言	1
● SE22BA 配色表	3
● 引擎結構圖	6
● 車架結構圖	7
● 引擎號碼表	10
● 車架零件號碼表	44
● 零件號碼索引	110

CONTENTS

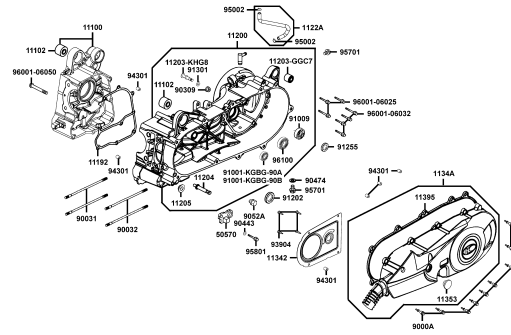
● ABOUT THIS PARTS LIST	1
● COLOR CHART OF SE22BA	3
● CONTENTS-ENGINE GROUP	6
● CONTENTS-FRAME GROUP	7
● ENGINE PARTS LIST	10
● FRAME PARTS LIST	44
● PART NO. INDEX	110

NO	MODEL			SE22BA COLOR CHART						
	PHOTO NO			NO. 1	NO. 2	NO. 3				
	BASIC COLOR			象牙白	黑	霧棕金				
	CODE			Ivory White	Black	Brown Crystal				
	PARTS NAME	PARTS NO.	VERSION	NH190PA	NH001SA	YR167MA				
1	LEVER R STRG HANDLE	53175-LEA2-910	0	M5A						
2	LEVER L STRG HANDLE	53178-LEA2-900	0							
3	COVER, UP HANDLE	53205-LEA2-900	1	HXP	N1P	YZP				
4	COVER, LOW HANDLE	53206-LEA2-900	2							
5	COVER, FR. HANDLE	53207-LEA2-900	2							
6	FENDER, FR. A INNER	61100-LEA2-900	0							
7	FENDER, FR. B INNER	61101-LEA2-900	0							
8	COVER FRONT	64301-LEA2-345	0							
9	COVER CENTER UP	80151-LEA2-900	1							
10	COVER R BODY	83500-LEA2-345	0							
11	COVER L BODY	83600-LEA2-345	0							
12	COVER CENTER RR	83750-LEA2-900	2							
13	GRIP COMP THROT	53140-LCB4-700	2				N1R			
14	GRIP L HANDLE	53150-LCB4-700	3							
15	FENDER, FR. C INNER	61102-LEA2-900	0							
16	MOLDING, LOW FR.	64308-LEA2-900	1							
17	FLOOR, PANEL	64310-LEA2-900	2							
18	PLUG FLOOR	64316-LEA2-900	1							
19	PLATE RR FENDER	80108-LEB1-900	0							
20	COVER CENTER LOW	80152-LEA2-900	2							
21	LEG SHIELD UP	81131-LEA2-910	0							
22	CAP LEG SHIELD	81132-LEA2-900	0							
23	HOOK LUGGAGE	81132-LFG6-900	2							
24	LEG SHIELD LOW	81141-LEA2-900	1							
25	LID LEG SHIELD	81142-KUDU-900	1							
DATE OF STARTING-SALES										
DATE OF END-SALES										

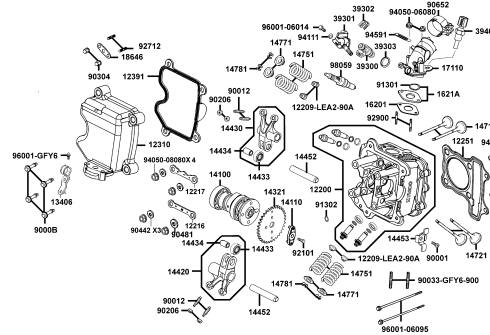
NO	MODEL			SE22BA COLOR CHART			
	PHOTO NO			NO. 1	NO. 2	NO. 3	
	BASIC COLOR			象牙白	黑	霧棕金	
	CODE			Ivory White	Black	Brown Crystal	
	PARTS NAME	PARTS NO.	VERSION	NH190PA	NH001SA	YR167MA	
26	COVER PROTR SEAT	83503-KHD6-900	2	N1R			
27	BAND HARNESS WIRE	90656-KUDU-900	0				
28	CUSHION ASSY,RR	52400-LEA2-900	1				
29	COLLAR FUEL FILLER	17623-KKE5-E1A	0	N1S			
30	COLLAR FUEL CILLER	17623-KKE5-E1B	0				
31	HUB SUB COMP RR	42610-GKAK-901	4				
32	HUB SUB SET FR	44610-KHC4-305	0	N8P			
33	GEAR BOX ASSY	44800-KNBN-901	6				
34	CALIPER ASSY FR	45200-LEA1-900	2				
35	FORK SET , FR R	5140A-LEA2-900	0				
36	BOTTOM CASE R	51420-LBC6-800	0				
37	FORK SET , FR L.	5150A-LEA2-900	0				
38	BOTTOM CASE L	51520-LBC6-800	0				
39	RIM COMP WHEEL	42705-KHC4-900	5	NJA			
40	RIM COMP FR WHEEL	44705-KHC4-900	2				
41	EMB FR COVER	86102-LKC7-900	2	NJS			
42	EMB BODY COVER	86202-LKC7-900	0				
43	STRIPE FR FORK	86404-LGE3-900	1				
44	STRIPE ENERGY LOGO	86700-LFG7-900	2				
45	MARK E/M 5th STAGE	87122-LKC7-950	1				
46	CAUTION BATTERY	87502-LEB2-900	1				
47	CAUTION MUFFLER	87503-LEA1-900	1				
48	LABEL TIRE	87505-KGBG-900	2				
49	CAUTION SIDE STAND	87541-GGS7-901	2				
50	LABEL CAP	87541-LEA1-900	1				
DATE OF STARTING-SALES							
DATE OF END-SALES							

CONTENTS - ENGINE GROUP

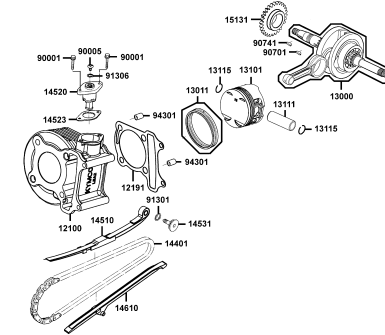
E01 曲軸箱



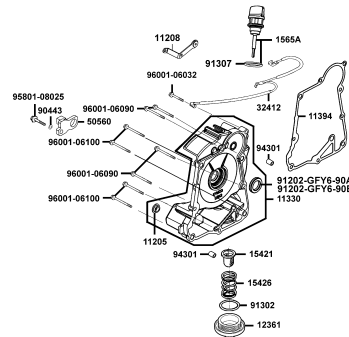
E02 汽缸頭



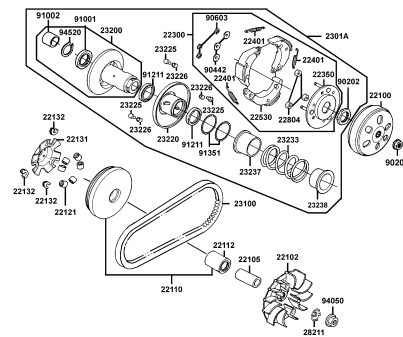
E03 汽缸 活塞 曲軸



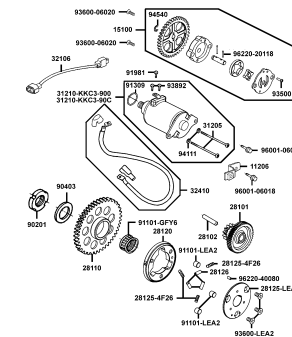
E04 右曲軸箱蓋



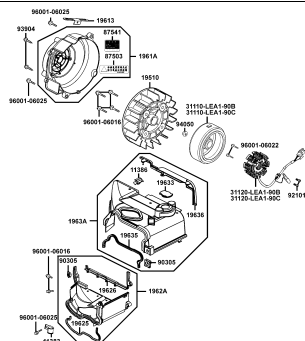
E05 傳動皮帶輪



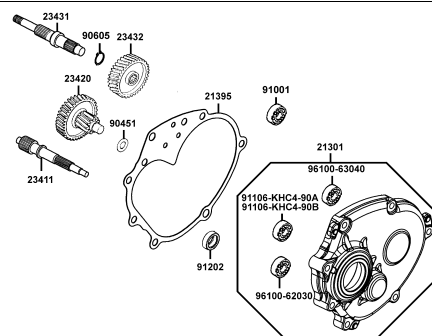
E06 起動馬達 機油泵



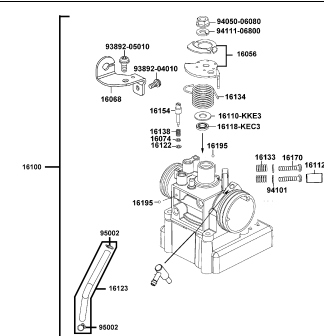
E07 風扇蓋 發電機



E08 傳動系

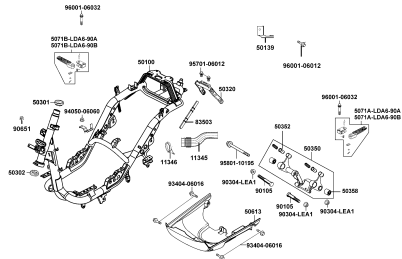


E09 化油器

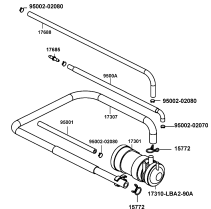


CONTENTS - FRAME GROUP

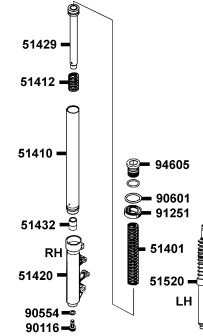
F19 車體



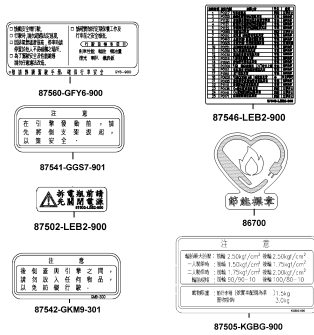
F20 活性炭罐



F21 前叉附件



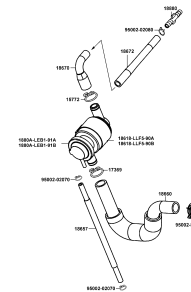
F22 注意標籤



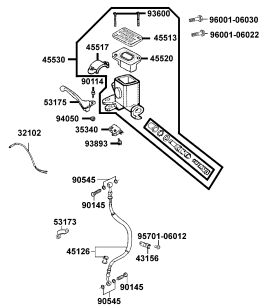
F23 標徽 貼紙



F24 空氣噴射控制閥

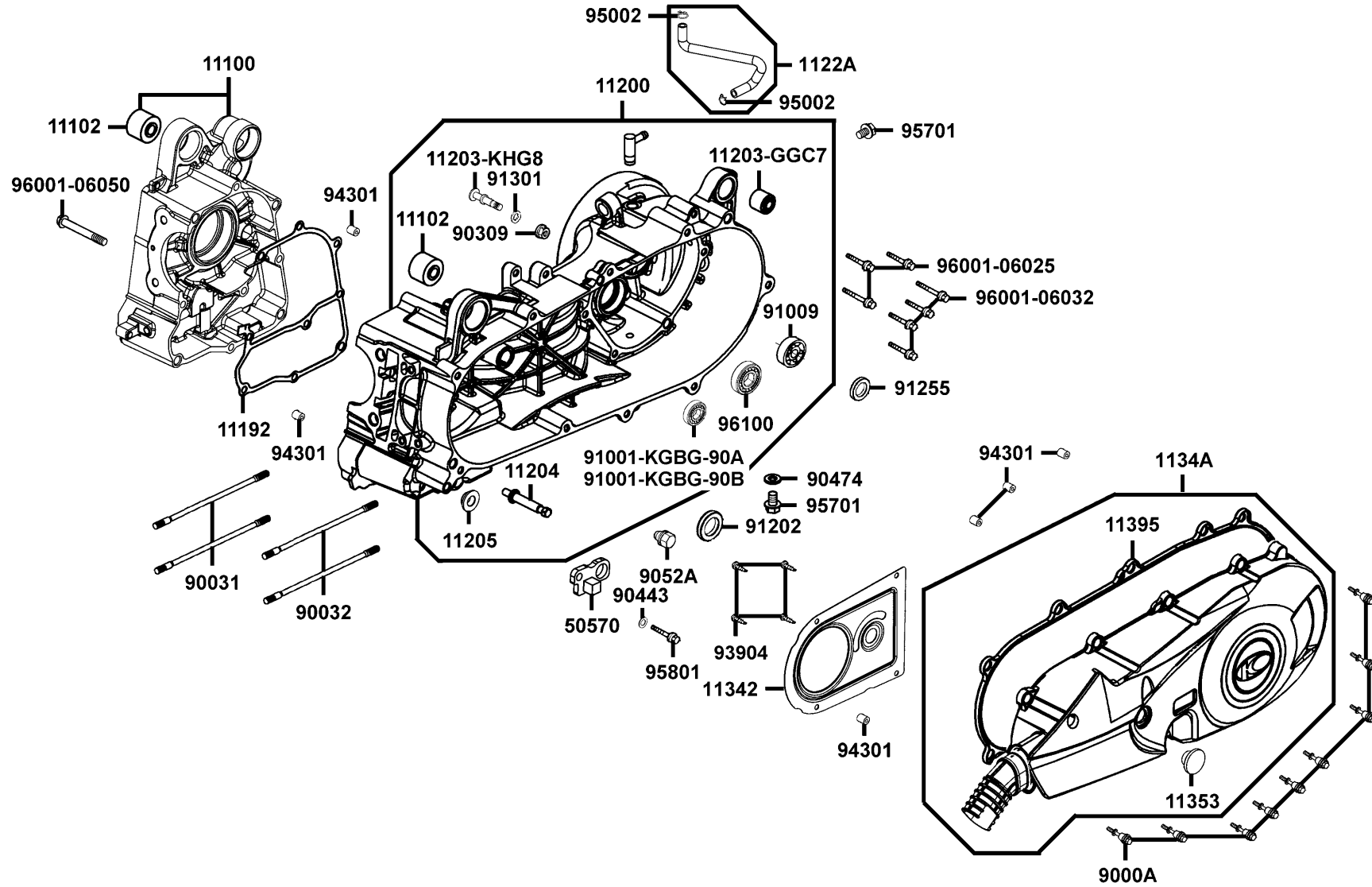


F25 前煞車主油缸



E01

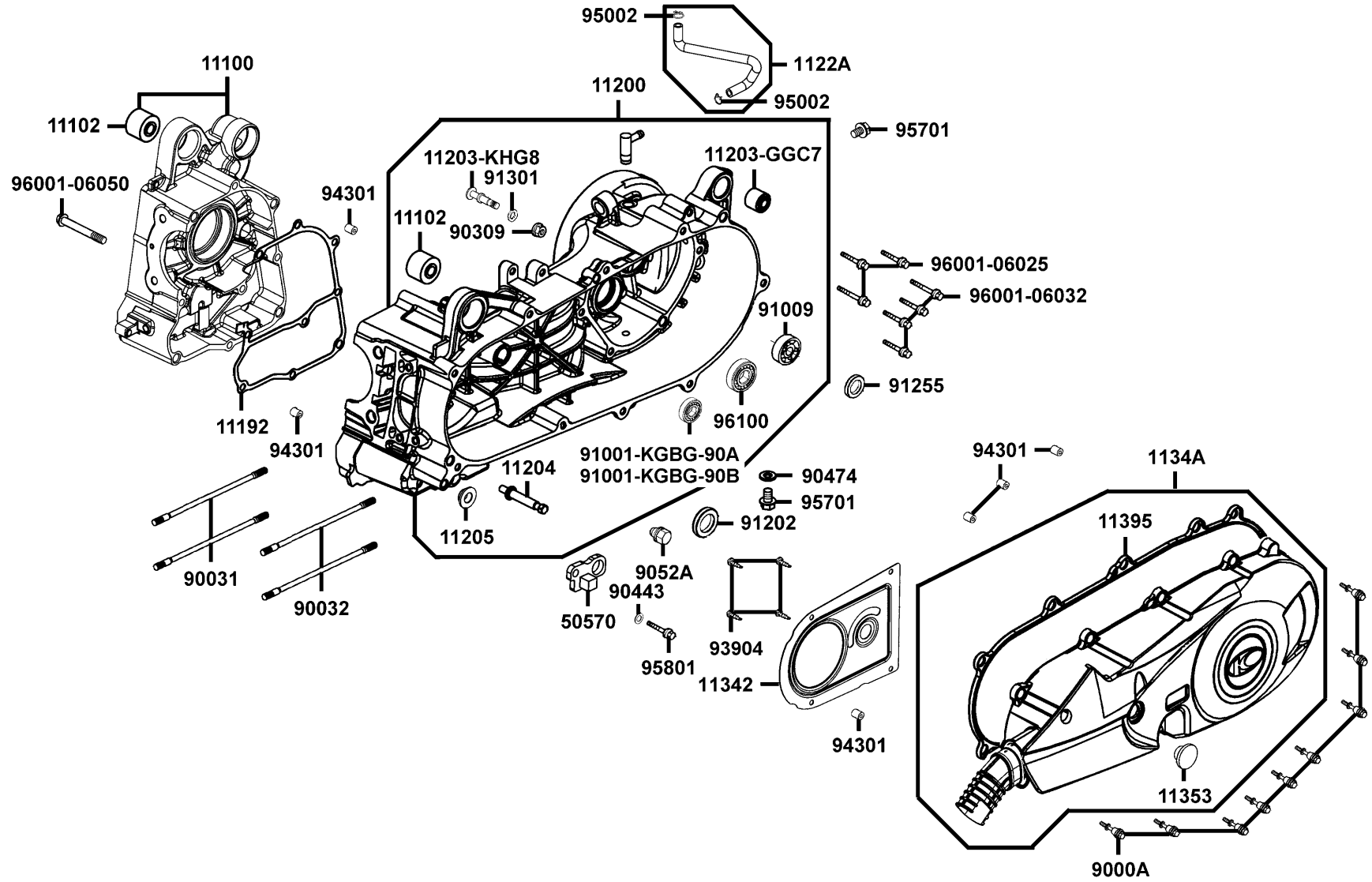
Crank Case 曲軸箱



Sales mark 配色標註	Ref no 參考號碼	Part no 零件號碼	Description 英文名稱	Reg description 中文名稱	Regd no 需求用量	E01
	11100	11100-LEA2-305	CRANK CASE SET R	右曲軸箱組	1	
	11102	11102-1G87-004	RUB BUSH ENG HANGER	引擎吊架襯套	2	
	11192	11192-LEA2-900	GASKET CRANK CASE A	曲軸箱墊片 A	1	
	11200	11200-LEA2-305	CRANKCASE SET L	左曲軸箱組	1	
	11203-GGC7	11203-GGC7-301	UNDER RUBBER BUSH REAR CUSHION	後緩衝下襯套	1	
	11203-KHG8	11203-KHG8-301	PIN BRAKE SHOE ANCHOR	煞車鼓固定銷	1	
	11204	11204-LEA1-900	PIN SPG HOOK	定位銷	1	
	11205	11205-LEA2-900	BUSH M STAND	襯套	1	
	1122A	1122A-LEA1-900	TUBE ASSY BREATHER	通氣管	1	
	11342	11342-LEA1-900	PLATE L COVER	導流板	1	
	1134A	1134A-LEA2-900	COVER ASSY., L SIDE	曲軸箱左蓋總成	1	
	11353	11353-LEB2-900	RUBBER PLUG, L COVER KICK	冷風入口蓋	1	
	11395	11395-LEA1-900	GASKET L COVER	左曲軸箱蓋墊片	1	
	50570	50570-LEA2-900	STOPPER L., MAIN STAND	主腳架左邊制止器	1	
	9000A	9000A-KTDT-900	BOLT ASSY SPECIAL 6*29.5	特殊螺絲6*29.5	9	
	90031	90031-KUDU-900	BOLT A STUD 8*200.5	雙頭螺絲 8*200.5	2	
	90032	90032-LEA1-900	BOLT B STUD 8*206	雙頭螺絲 8*206	2	
	90309	90309-KLF0-004-SY	NUT FLANGE 8MM	平螺帽	1	
	90443	90443-8D44-001	WASHER THRUST 8MM	華司 8MM	1	
	90474	90474-3C33-001	WASHER 8MM	華司	1	

E01

Crank Case 曲軸箱

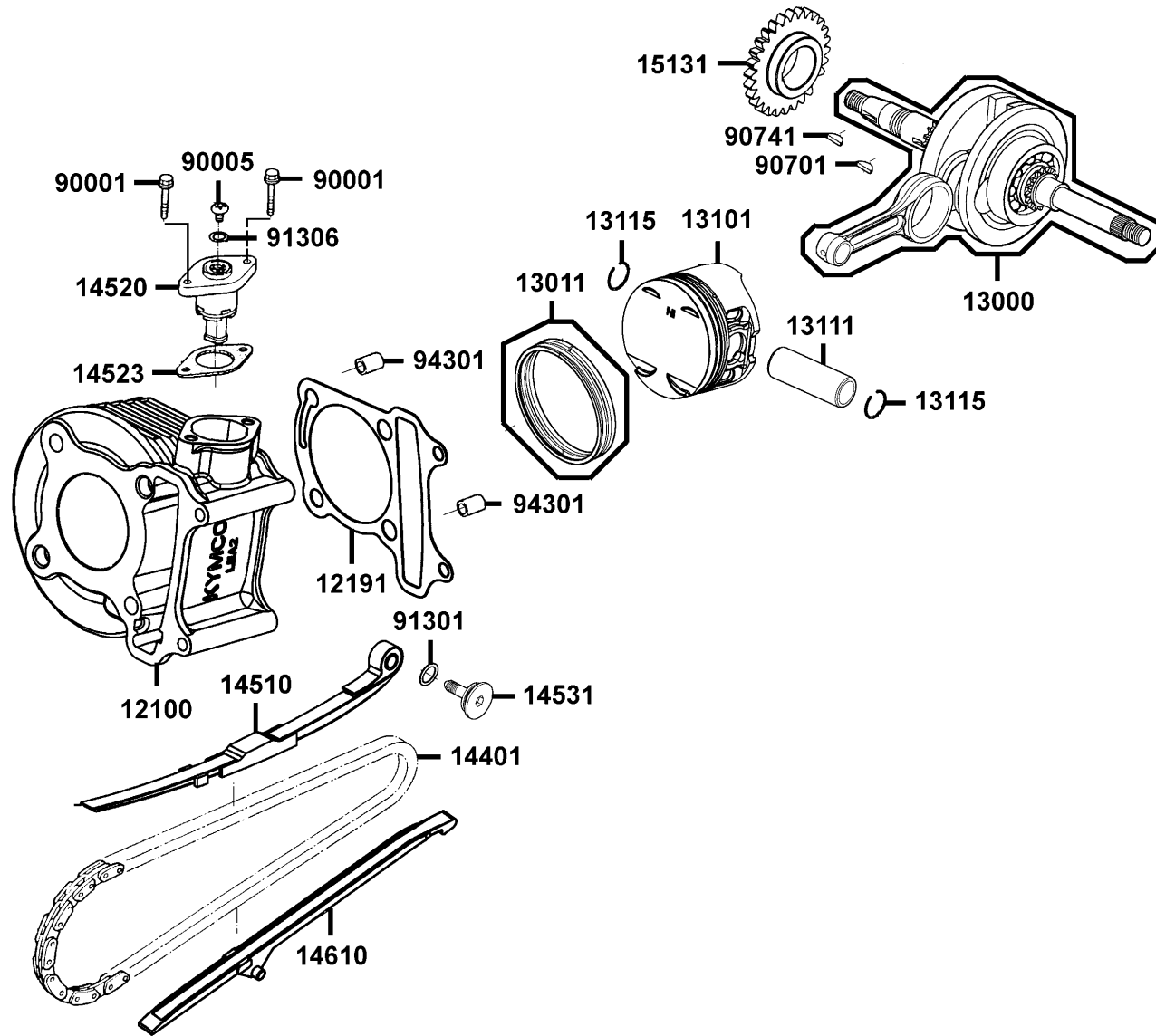


Sales mark 配色標註	Ref no 參考號碼	Part no 零件號碼	Description 英文名稱	Reg description 中文名稱	Regd no 需求用量	E01
	9052A	9052A-LEB1-900	BOLT ASSY DRAIN PLUG	洩油螺絲	1	
	91001-KGBG-90A	91001-KGBG-90A	BRG BALL RADIAL TM-SC03A	軸承	1	
	91001-KGBG-90B	91001-KGBG-90B	BRG BALL RADIAL TM-SC03A	軸承	1	
	91009	91009-GLE0-004	BRG BALL RADIAL 6004 UU	軸承	1	
	91202	91202-LEA2-900	OIL SEAL 22*32*5(2007.04.04~)	左曲軸箱油封 22*32*5	1	
	91255	91255-GLE0-006	OIL SEAL 27*42*7	油封	1	
	91301	91301-0C53-001	O RING 7.5*1.5	O環	1	
	93904	93904-35360	SCREW TAPPING 5*12	螺釘 5*12	4	
	94301	94301-08140	DOWEL PIN 8*14	定位銷 8X14	6	
	95002	95002-50000	CLIP C9 TUBE	管夾	2	
	95701	95701-08012-08	BOLT FLANGE 8*12	螺絲 8*12	2	
	95801	95801-08025-06	BOLT FLANGE 8x25 (G)	有邊緣螺絲8*25	1	
	96001-06025	96001-06025-08	BOLT FLANGE SH 6*25	螺絲 6*25	3	
	96001-06032	96001-06032-08	BOLT FLANGE SH 6*32	螺栓 6*32	4	
	96001-06050	96001-06050-08	BOLT FLANGE 6*50	螺絲 6X50	1	
	96100	96100-60020-00	BRG BALL RADIAL 6002	軸承 6002	1	

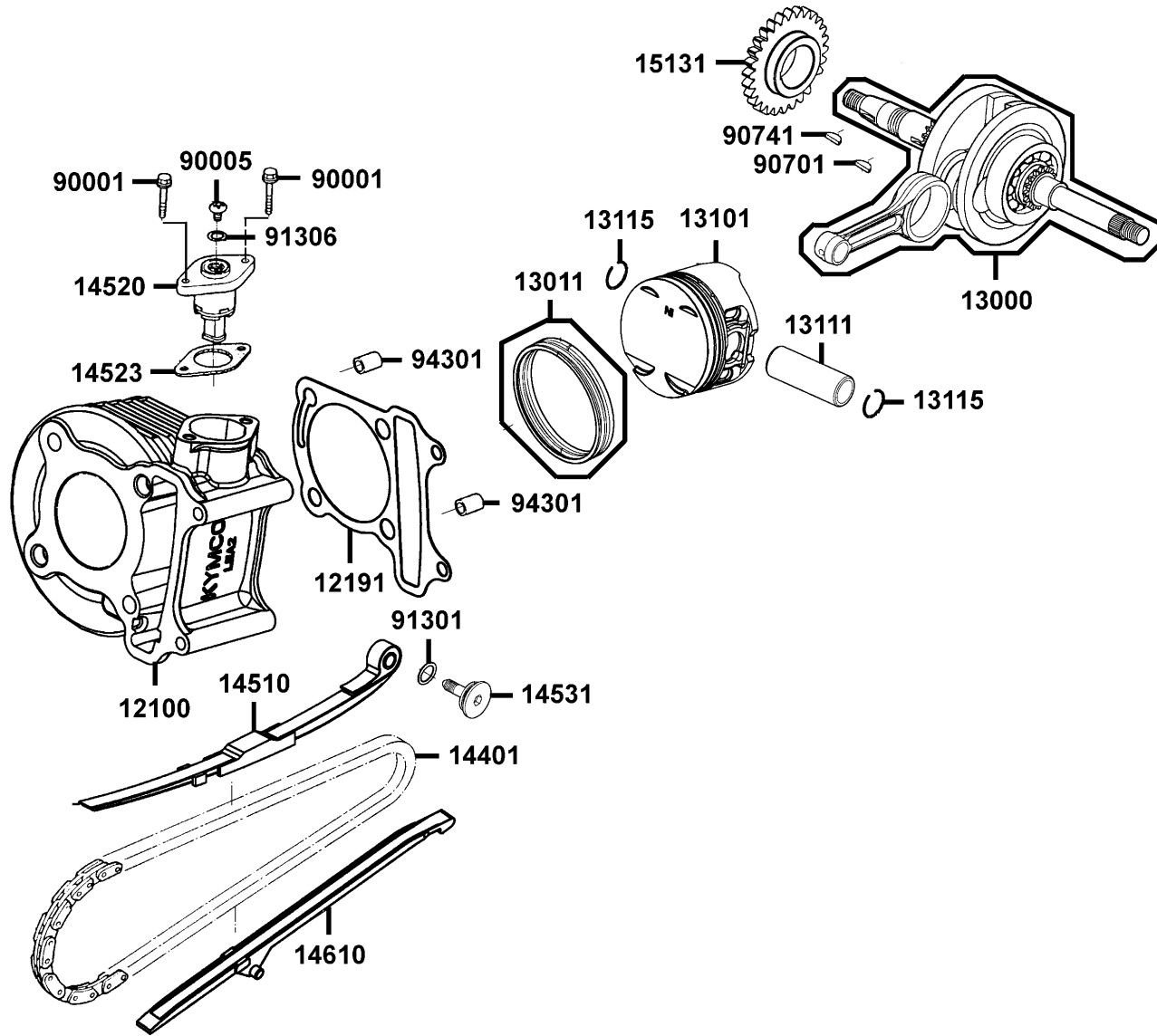
Sales mark 配色標註	Ref no 參考號碼	Part no 零件號碼	Description 英文名稱	Reg description 中文名稱	Regd no 需求用量	E02
	12200	12200-LKC6-900	HEAD COMP CYLINDER	汽缸頭	1	
	12209-LEA2-90A	12209-LEA2-90A	SEAL VALVE STEM	汽門導桿油封	4	
	12216	12216-LEB1-900	FORK A HOLDER	固定座前叉	1	
	12217	12217-LEA2-900	FORK B HOLDER	固定座前叉	1	
	12251	12251-LKC6-900	GASKET CYLINDER HEAD	汽缸頭墊片	1	
	12310	12310-LEA2-900	COVER COMP HEAD	汽缸頭蓋	1	
	12391	12391-LEA2-900	GASKET HEAD COVER	墊片	1	
	13406	13406-LEA2-900	PLATE FUEL INJECTOR	噴射進氣支板	1	
	14100	14100-LEA2-900	SHAFT COMP CAM	凸輪軸	1	
	14110	14110-LEB1-900	FIXTURE CAMSHAFT	凸輪軸固定件	1	
	14321	14321-LEB1-900	SPROCKET CAM	凸輪扣鏈齒輪	1	
	14420	14420-LEA2-900	ARM COMP EXH VALVE ROCKER	排氣閥搖臂	1	
	14430	14430-LEA2-900	ARM COMP IN VALVE ROCKER	進氣閥搖臂	1	
	14433	14433-LEB1-900	ROLLER ASSY ROCKER ARM	軸承	2	
	14434	14434-LEB1-900	PIN ROCKER ARM	套筒	2	
	14452	14452-LKC6-900	SHAFT EXH ROCKER ARM	排氣閥搖臂軸	2	
	14453	14453-LKC6-900	SET PLATE ROCKER ARM SHAFT	搖臂軸定位擋片	1	
	14711	14711-LEA2-900	VALVE INLET	進氣閥	2	
	14721	14721-LEA2-900	VALVE EXHAUST	排氣閥	2	
	14751	14751-LEA2-900	SPG VALVE OUTER	門閥外彈簧	4	

Sales mark 配色標註	Ref no 參考號碼	Part no 零件號碼	Description 英文名稱	Reg description 中文名稱	Regd no 需求用量	E02
	14771	14771-LEA2-900	RETAINER, UPPER SPRING	門閥彈簧扣環	4	
	14781	14781-KKE5-E00	COTTER VALVE	門閥扣環	8	
	16201	16201-GFY6-901	GASKET CARB INSULATOR @ A	隔熱板墊片	1	
	1621A	1621A-LEA1-900	INSULATOR CARB	化油器隔熱板	1	
	17110	17110-LEA1-900	PIPE ASSY INLET	進氣管	1	
	18646	18646-GFY6-941	GAKT A/I PIPE	通氣管墊片	1	
	39300	39300-LEB2-800	FUEL INJECTOR	燃油噴嘴	1	
	39301	39301-LEA1-900	HOLDER ASSY FUEL	燃油噴嘴托蓋組	1	
	39302	39302-KKE3-900	CLIP SPRING FUEL INJECTOR	噴嘴彈簧夾	1	
	39303	39303-LEB2-900	SEAL HIGH TENSION FUEL INJECT	拉力封	1	
	39400	39400-KKE3-800	SENSOR HEAD TEMPERATURE	汽缸頭溫度感應器	1	
	90001	90001-GFY6-901	SOCKET BOLT 6*10	螺絲 6X10	1	
	9000B	9000B-KHD6-900	BOLT ASSY SPECIAL 6*41.5	螺絲 6*41.5	4	
	90012	90012-3C33-001	SCREW TAPPET ADJUSTING	樞軸調整螺絲	4	
	90033-GFY6-900	90033-GFY6-900	BOLT STUD 8*32	螺絲 8X32	2	
	90206	90206-0A01-001	NUT TAPPET ADJG	挺桿調整螺帽	4	
	90304	90304-4H38-001	NUT HEX CAP 6MM	螺帽 6MM	2	
	90442	90442-LEA1-900	WASHER SEALING 8MM	華司	3	
	90481	90481-LEA1-900	WASHER, PLAIN 8.1MM	平面墊圈	1	
	90652	90652-LGJ9-900	BAND 48, INLET-PIPE	進氣管夾	1	

Sales mark 配色標註	Ref no 參考號碼	Part no 零件號碼	Description 英文名稱	Reg description 中文名稱	Regd no 需求用量	E02
	91301	91301-0H28-001	O RING 27*2	O環 27X2.0	1	
	91302	91302-KHD6-900	O-RING 6.0*1.78	O環	1	
	92101	92101-06014-0H	BOLT HEX 6*14	螺絲 6*14	1	
	92712	92712-06028-0B	BOLT STUD 6*28	螺絲 6X28	2	
	92900	92900-06060-0B	BOLT STUD 6*60	雙頭螺絲 6*60	2	
	94050-06080	94050-06080	NUT FLANGE 6MM	螺帽 6MM	2	
	94050-08080	94050-08080	NUT FLANGE 8MM	螺帽 8MM	4	
	94111	94111-06800	WASHER SPG 6MM	華司 6MM	1	
	94301	94301-10160	DOWEL PIN 10*16	定位銷 10X16	2	
	94591	94591-KFBF-900	CLIP 2*70	環夾	1	
	96001-06014	96001-06014-08	BOLT FLANGE 6*14	螺絲 6X14	1	
	96001-06095	96001-06095-08	BOLT FLANGE 6*95	螺絲 6*95	2	
	96001-GFY6	96001-GFY6-900	BOLT SPECIAL 5*10	螺絲 5*10	1	
	98059	98059-57916-00	SPARK PLUG CR7E	火星塞	1	



Sales mark 配色標註	Ref no 參考號碼	Part no 零件號碼	Description 英文名稱	Reg description 中文名稱	Regd no 需求用量	E03
	12100	12100-LKC6-900	CYLINDER COMP	汽缸	1	
	12191	12191-LEA2-900	GASKET CYLINDER A	汽缸墊片 A	1	
	13000	13000-LKC7-900	CRANK SHAFT COMP	曲軸	1	
	13011	13011-LKC6-90B	RING ASSY PISTON	活塞環	1	
	13101	13101-LKC6-900	PISTON	活塞	1	
	13111	13111-0G87-001	PIN PISTON	活塞銷	1	
	13115	13115-0A01-001	PISTON PIN CLIP	活塞銷夾	2	
	14401	14401-LEA2-900	CHAIN CAM	凸輪軸驅動鏈條	1	
	14510	14510-LEA2-900	TENSIONER CAM CHAIN	內鏈條拉力桿	1	
	14520	14520-GFY6-90A	LIFTER ASSY TENSIONER	內鏈條調整器	1	
	14523	14523-GFY6-901	GASKET TENSIONER LIFTER @ A	內鏈條調整器墊片	1	
	14531	14531-GLR0-001	PIVOT CAM CHAIN TENSIONER	拉力桿螺絲	1	
	14610	14610-LEA2-900	GUIDE COMP CAM CHAIN	鏈條導件	1	
	15131	15131-LEA2-900	GEAR OIL DRIVE	機油泵驅動齒輪	1	
	90001	90001-GBHB-661	BOLT FLANGE SH 6*22	螺絲 6*22	2	
	90005	90005-KAW1-901	SCREW PAN 6*6	螺絲 6*6	1	
	90701	90701-HFB6-011	KEY WOODRUFF 25*14*4	固定鍵 25X14X4	1	
	90741	90741-0E35-001	KEY WOODRUFF	固定鍵	1	
	91301	91301-GLR0-005	O RING 15.2*1.5	O環 15.2X1.5	1	
	91306	91306-1E05-691	O-RING 1.5*9.5	O環 1.5*9.5	1	

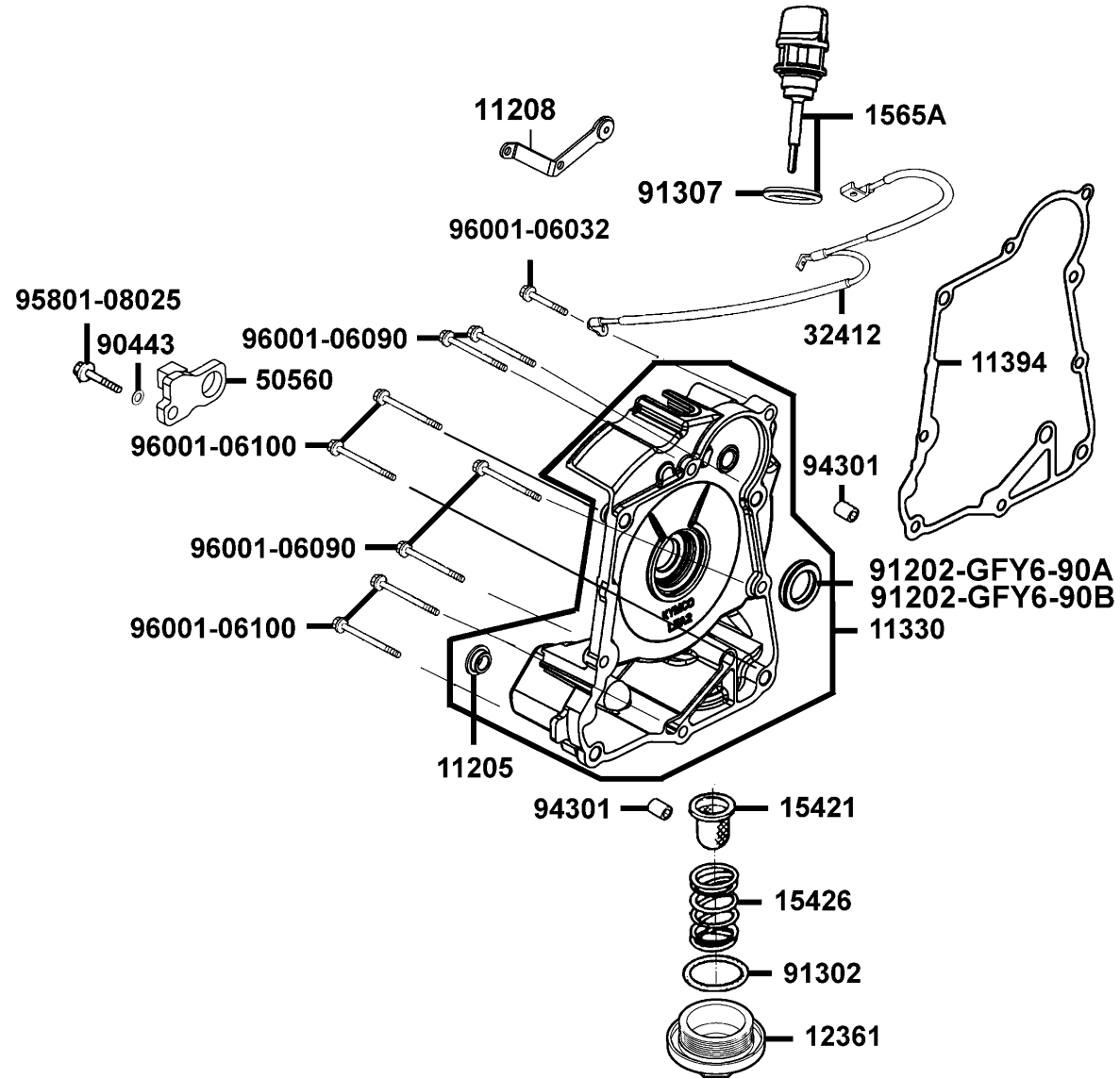


Sales mark 配色標註	Ref no 參考號碼	Part no 零件號碼	Description 英文名稱	Reg description 中文名稱	Regd no 需求用量	E03
	94301	94301-10160	DOWEL PIN 10*16	定位銷 10X16	2	

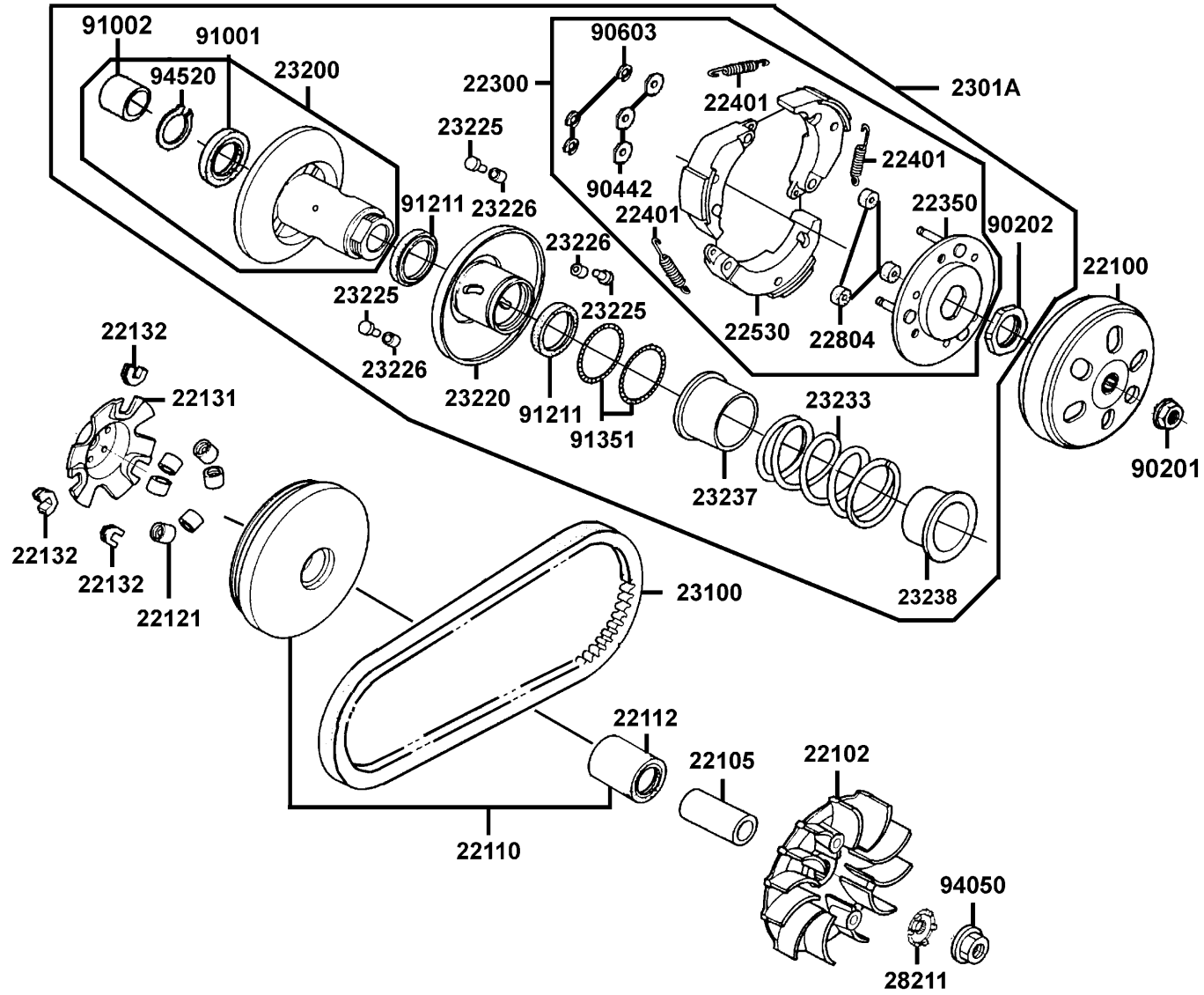
E04

Right Crankcase Cover

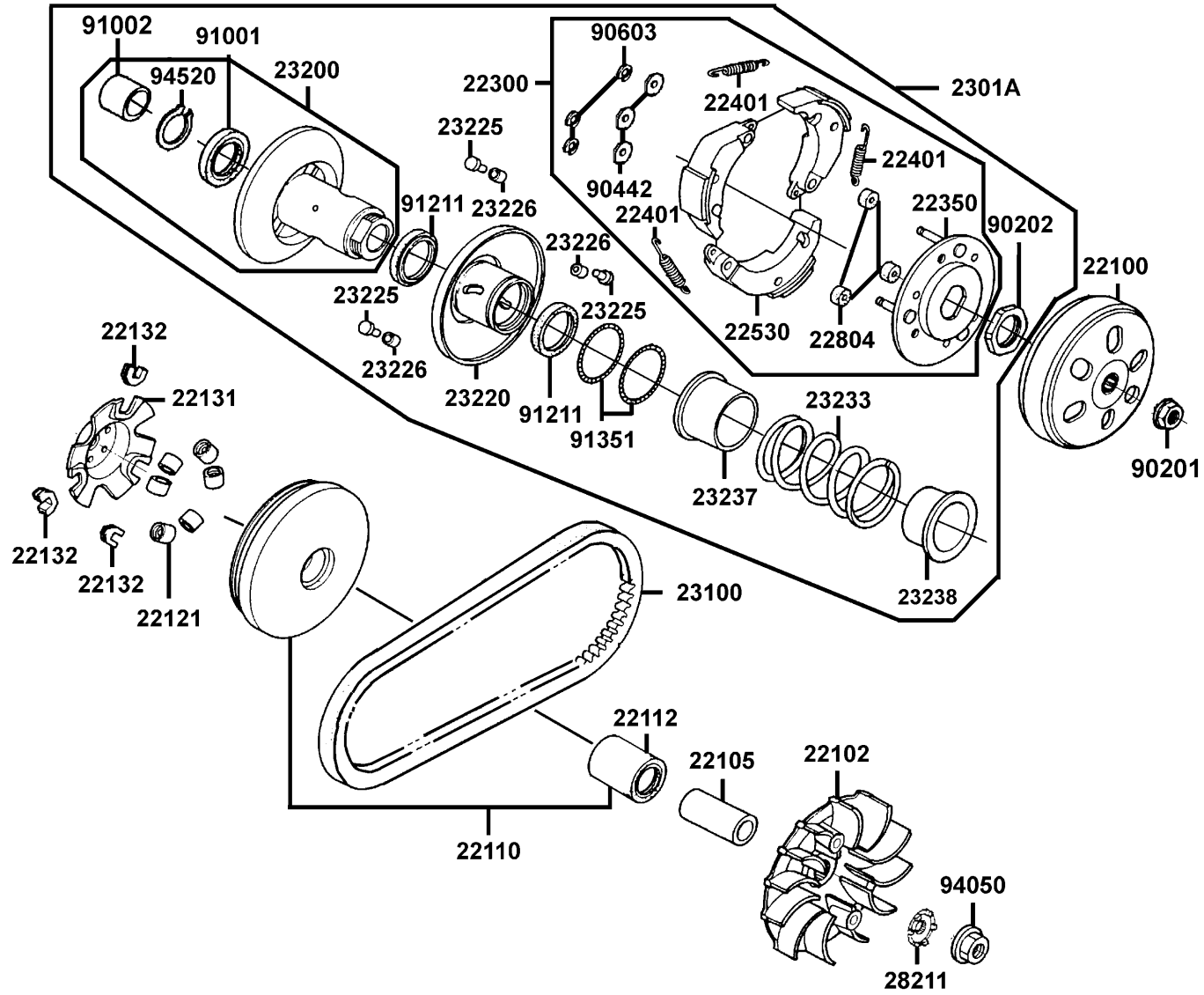
右曲軸箱蓋



Sales mark 配色標註	Ref no 參考號碼	Part no 零件號碼	Description 英文名稱	Reg description 中文名稱	Regd no 需求用量	E04
11205	11205-LEA2-900	BUSH M STAND	BUSH M STAND	襯套	1	
11208	11208-LEA2-900	STAY C, RR FENDER	STAY C, RR FENDER	C型後土除支架	1	
11330	11330-LEA2-900	COVER R CRANK CASE	COVER R CRANK CASE	右曲軸箱蓋	1	
11394	11394-LEA2-900	GASKET R COVER	GASKET R COVER	右曲軸箱蓋墊片	1	
12361	12361-GFY6-901	HOLE CAP TAPPET ADJUSTING	HOLE CAP TAPPET ADJUSTING	調節螺帽	1	
15421	15421-1G07-001	SCREEN OIL FILTER	SCREEN OIL FILTER	濾油網	1	
15426	15426-GAE1-921	SPG OIL FILTER SCREEN	SPG OIL FILTER SCREEN	濾油網彈簧	1	
1565A	1565A-GFY6-900	GAUGE OIL LEVEL ASSY	GAUGE OIL LEVEL ASSY	機油尺組	1	
32412	32412-LEA2-900	CABLE EARTH	CABLE EARTH	接地導線	1	
50560	50560-LEA2-900	STOPPER R MAIN STAND	STOPPER R MAIN STAND	主腳架右止件	1	
90443	90443-8D44-001	WASHER THRUST 8MM	WASHER THRUST 8MM	華司 8MM	1	
91202-GFY6-90A	91202-GFY6-90A	OIL SEAL 19.8*30*5	OIL SEAL 19.8*30*5	油封 19.8*30*5	1	
91202-GFY6-90B	91202-GFY6-90B	OIL SEAL 19.8*30*5	OIL SEAL 19.8*30*5	油封 19.8*30*5	1	
91302	91302-0A01-021	O-RING 30.8MM	O-RING 30.8MM	O環 30.8MM	1	
91307	91307-0E35-001	O RING 18*3	O RING 18*3	O環 18X3	1	
94301	94301-08140	DOWEL PIN 8*14	DOWEL PIN 8*14	定位銷 8X14	2	
95801-08025	95801-08025-06	BOLT FLANGE 8x25 (G)	BOLT FLANGE 8x25 (G)	有邊緣螺絲8*25	1	
96001-06032	96001-06032-08	BOLT FLANGE SH 6*32	BOLT FLANGE SH 6*32	螺栓 6*32	1	
96001-06090	96001-06090-08	BOLT FLANGE SH 6*90	BOLT FLANGE SH 6*90	螺絲 6*90	4	
96001-06100	96001-06100-08	BOLT FLANGE SH 6*100	BOLT FLANGE SH 6*100	特殊螺絲 6*100	4	

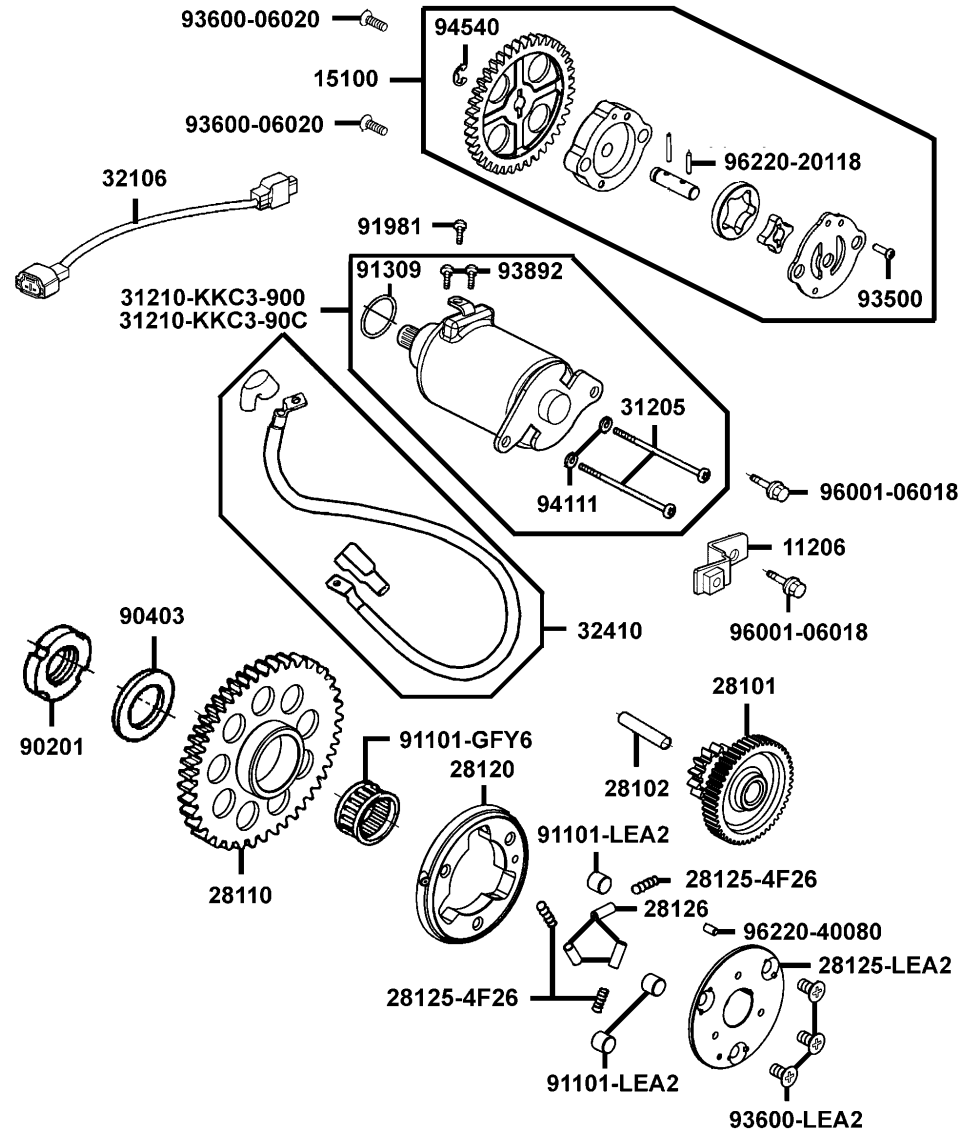


Sales mark 配色標註	Ref no 參考號碼	Part no 零件號碼	Description 英文名稱	Reg description 中文名稱	Regd no 需求用量	E05
	22100	22100-LKC6-900	OUTER COMP CLUTCH	外離合器總成	1	
	22102	22102-LEA2-900	FACE DRIVE	驅動皮帶扇葉盤	1	
	22105	22105-LEA2-900	BOSS DRIVE FACE	襯套	1	
	22110	22110-LEA2-900	FACE COMP MOVABLE DRIVE	滑動式驅動盤	1	
	22112	22112-GFY6-90A	BUSH 24*28*30	襯套	1	
	22121	22121-LEA2-900	ROLLER COMP WEIGHT	配重滾子	6	
	22131	22131-LEA2-900	PLATE RAMP	斜坡板	1	
	22132	22132-LEA2-900	PIECE SLIDE	斜板邊件	3	
	22300	22300-LEA2-900	PLATE ASSY DRIVE	驅動板組	1	
	22350	22350-KHC4-900	PLATE COMP DRIVE	驅動板	1	
	22401	22401-KEB8-900	SPRING CLUTCH	離合器彈簧	3	
	22530	22530-LBC6-900	WEIGHT SET CLUTCH	離合器配重組	3	
	22804	22804-1H48-001	RUBBER CLUTCH DUMPER	橡皮	3	
	2301A	2301A-LKC6-900	PULLY SUB ASSY DRIVEN	從動皮帶輪組	1	
	23100	23100-LKC6-900	BELT DRIVE	驅動皮帶	1	
	23200	23200-LKC6-900	FACE ASSY DRIVEN	平面轉動組	1	
	23220	23220-LKC6-900	FACE COMP MOVABLE DRIVEN	滑動式從動皮帶盤	1	
	23225	23225-GHC8-004	PIN ROLLER GUIDE	滾導銷	3	
	23226	23226-GHC8-004	ROLLER GUIDE	滾子	3	
	23233	23233-LFE2-910	SPG DRIVEN FACE	驅動彈簧	1	



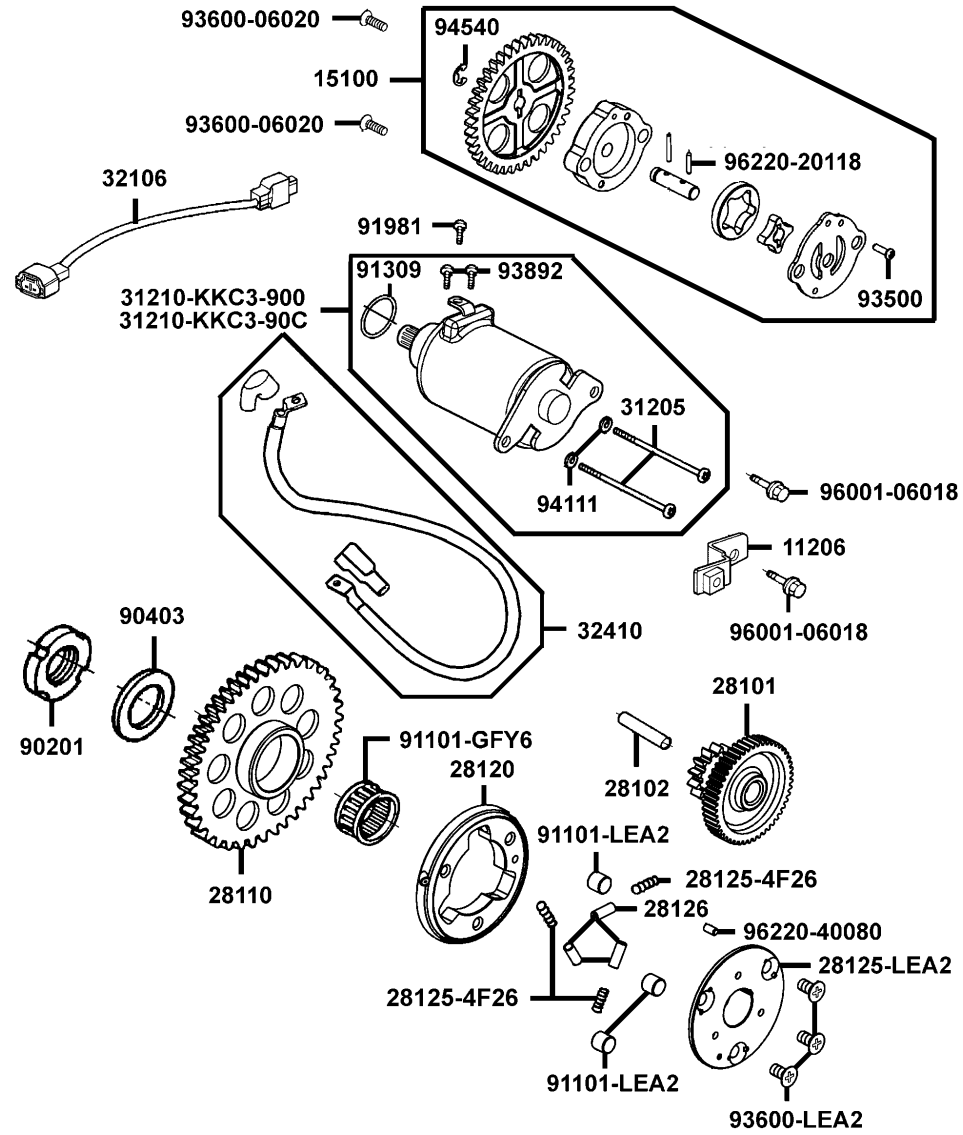
Sales mark 配色標註	Ref no 參考號碼	Part no 零件號碼	Description 英文名稱	Reg description 中文名稱	Regd no 需求用量	E05
	23237	23237-GFY6-941	COLLAR SEAL	套筒油封	1	
	23238	23238-LEA2-900	COLLAR SPRING	套筒	1	
	28211	28211-LBC6-900	RATCHET KICK STARTER	起動棘齒輪	1	
	90201	90201-PHB8-001	NUT C FLANGE M12	螺帽 12MM	1	
	90202	90202-1G87-001	NUT SPECIAL 28MM	螺帽	1	
	90442	90442-0D44-001	6M/M THRUST WASHER	華司	3	
	90603	90603-0D44-001	CIR CLIP 6MM	環夾 6MM	3	
	91001	91001-GFY6-90A	BRG NDL 20*29*18	軸承 20X29X18	1	
	91002	91002-GGA7-70A	BRG BALL RADIAL 6902U	軸承 6902U	1	
	91211	91211-GHK8-014	OIL SEAL 34*39*3	驅動油封	2	
	91351	91351-6B42-000	O-RING PINION CAP	O環	2	
	94050	94050-12080	NUT C FLANGE 12MM	螺帽 12MM	1	
	94520	94520-28000	CIR CLIP IN 28	內環夾 28MM	1	

Starting Motor Oil Pump 起動馬達 機油泵

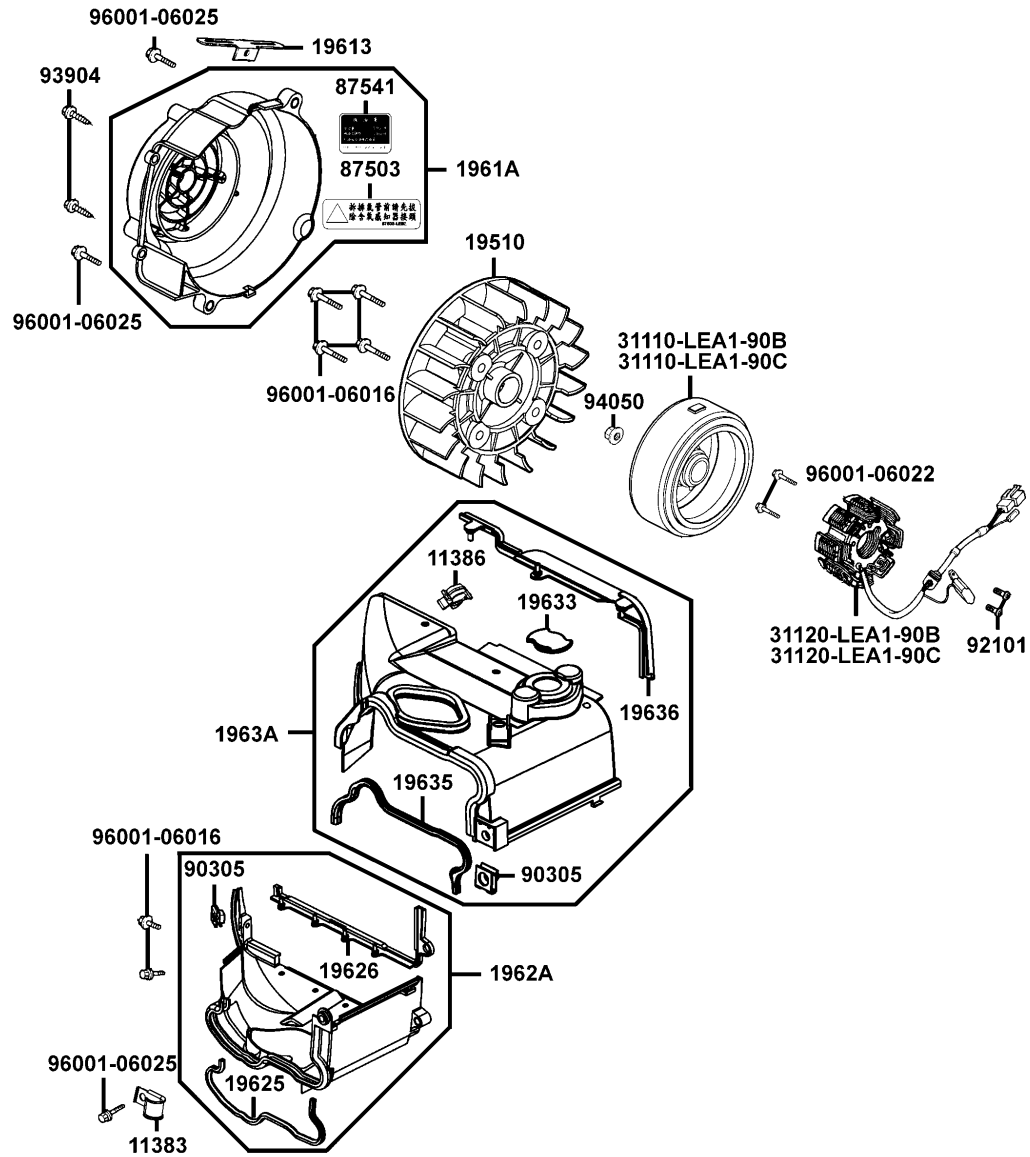


Sales mark 配色標註	Ref no 參考號碼	Part no 零件號碼	Description 英文名稱	Reg description 中文名稱	Regd no 需求用量	E06
	11206	11206-LEA1-900	STAY A RR FENDER	後土除支架 A	1	
	15100	15100-LEA2-900	PUMP ASSY OIL	機油泵浦	1	
	28101	28101-LEA2-900	GEAR STARTER REDUCTION	起動減速齒輪	1	
	28102	28102-LEA2-900	SHAFT STARTER REDUCTION GEAR	減速齒輪軸	1	
	28110	28110-LEA2-900	GEAR COMP STARTING CLUTCH	起動齒輪	1	
	28120	28120-LEA2-900	OUTER COMP STARTING CLUTCH	離合器外套	1	
	28125-4F26	28125-4F26-001	SPRING ROLLER STARTER CLUTCH	離合器滾子彈簧	3	
	28125-LEA2	28125-LEA2-900	FLANGE STARTING CLUTCH	起動離合器凸緣	1	
	28126	28126-KNBN-901	CAP SPGING ROLLER SP	滾子彈簧蓋	3	
	31205	31205-KGN7-670	BOLT SET	螺絲	2	
	31210-KKC3-900	31210-KKC3-900	MOTOR UNIT START	起動馬達組	1	
	31210-KKC3-90C	31210-KKC3-90C	MOTOR UNIT START	起動馬達組	1	
	32106	32106-KKE3-900	SUB HARNESS A	汽缸頭溫度感應器配線	1	
	32410	32410-LDA6-900	CABLE START MOTOR	起動馬達配線	1	
	90201	90201-GFY6-901	NUT LOCK 22MM	螺帽 22MM	1	
	90403	90403-LEA2-900	WASHER THRUST 22. 2*31*2.5	華司 22.2*31*2.5	1	
	91101-GFY6	91101-GFY6-90A	BRG CON-ROD	軸承	1	
	91101-LEA2	91101-LEA2-900	ROLLER 10*9	滾子 10*9	3	
	91309	91309-4E25-004	O-RING 24.4*3.1	O環 24.4X3.1	1	
	91981	91981-KGN7-670	SCREW WASH 5X8	螺絲 5X8	1	

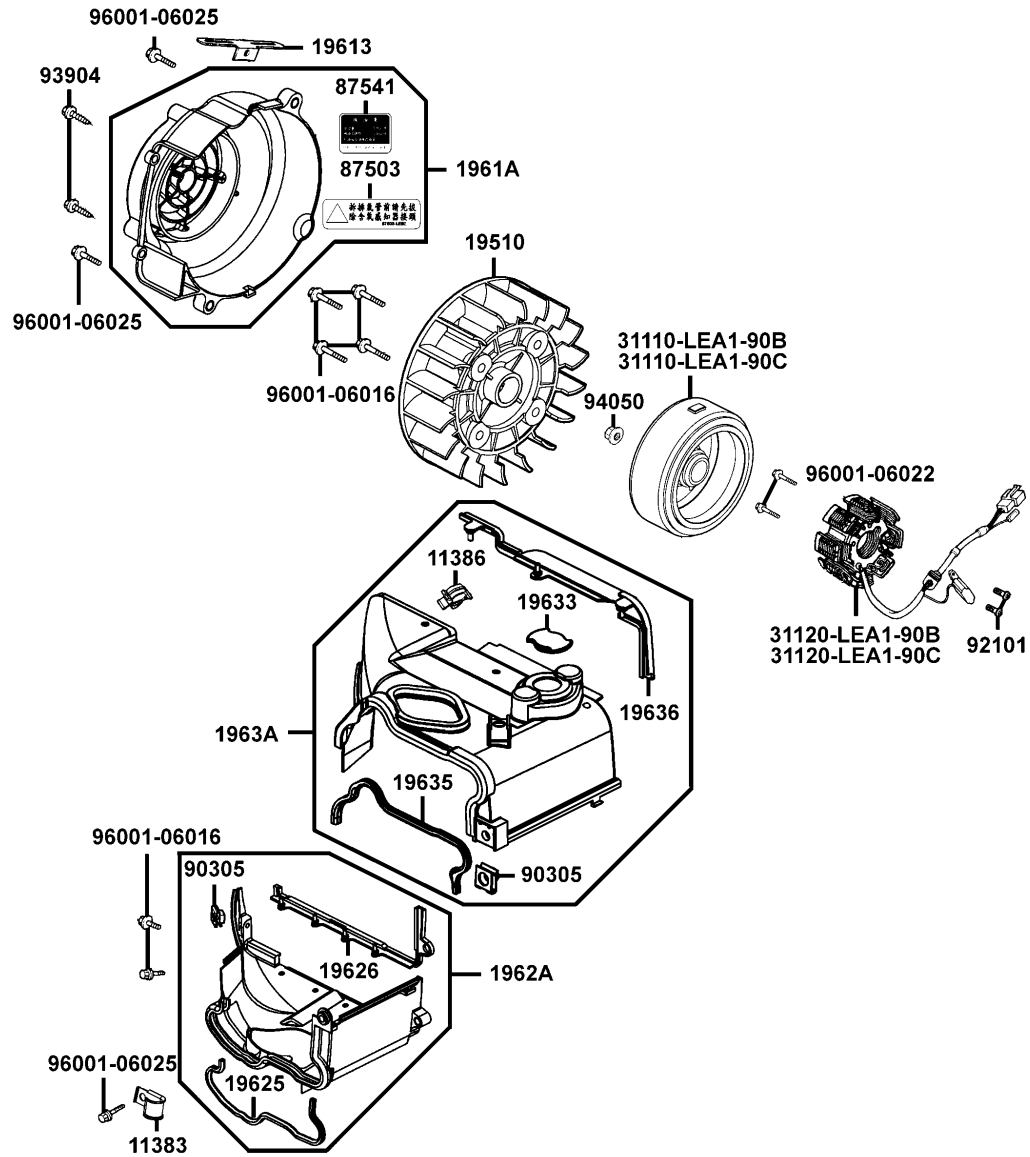
Starting Motor Oil Pump 起動馬達 機油泵



Sales mark 配色標註	Ref no 參考號碼	Part no 零件號碼	Description 英文名稱	Reg description 中文名稱	Regd no 需求用量	E06
	93500	93500-03010-1A	SCREW PAN 3*10	螺絲 3*10	1	
	93600-06020	93600-06020-06	SCREW FLAT 6*20	螺絲 6*20	2	
	93600-LEA2	93600-LEA2-900	SCREW PLAT 6*12	螺絲 6*12	3	
	93892	93892-04006-08	SCREW WASH 4*6	螺絲 4*6	2	
	94111	94111-05800	WASHER SPRING 5MM	華司 5MM	2	
	94540	94540-05018	E RING 5	E型環	1	
	96001-06018	96001-06018-08	BOLT FLANGE SH 6*18	螺絲 6X18	2	
	96220-20118	96220-20118	ROLLER 2*11.8	滾子	1	
	96220-40080	96220-40080	ROLLER 4*8	滾子 4*8	1	



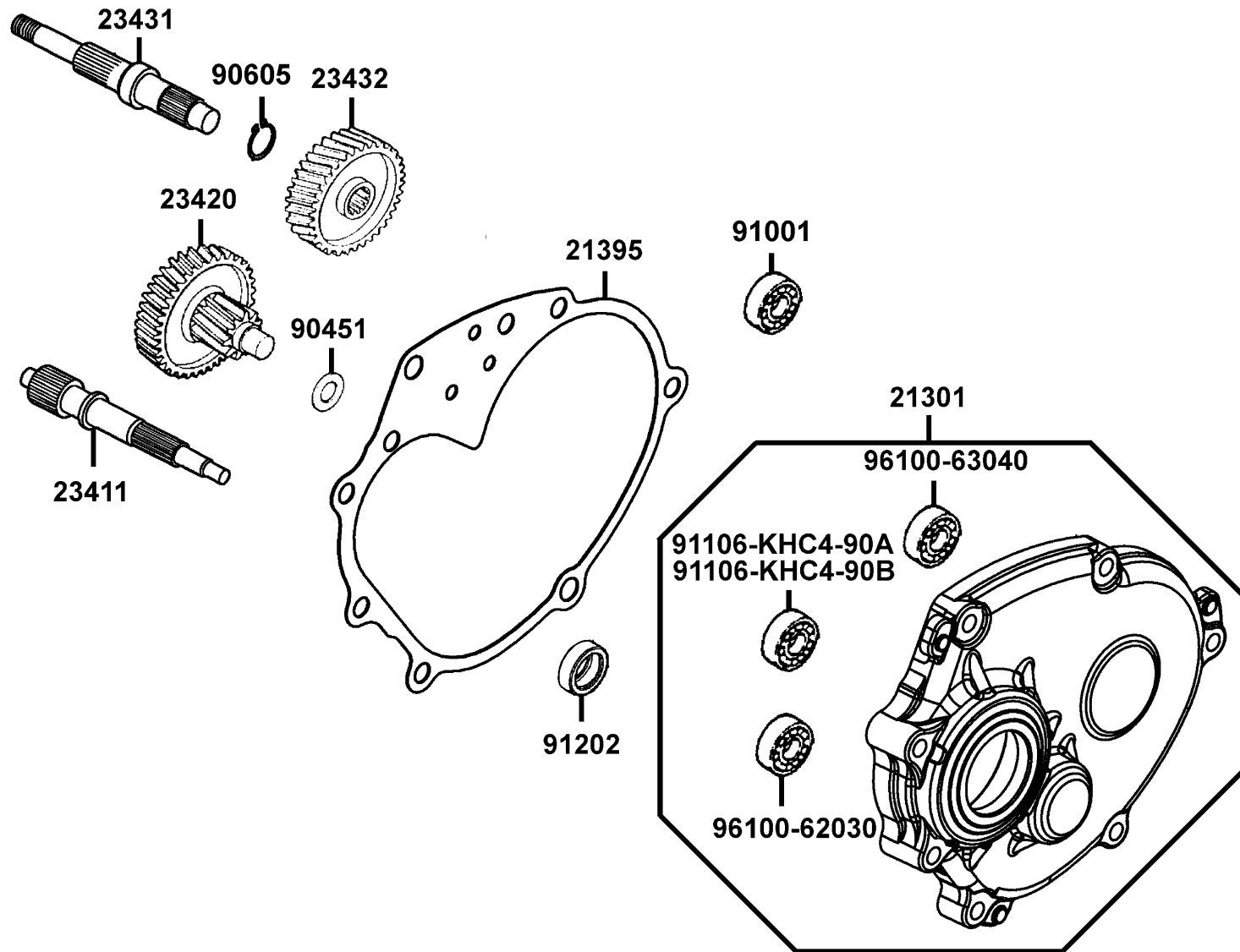
Sales mark 配色標註	Ref no 參考號碼	Part no 零件號碼	Description 英文名稱	Reg description 中文名稱	Regd no 需求用量	E07
	11383	11383-LEA1-900	CLAMPER DRAIN TUBE	通氣管夾	1	
	11386	11386-GFY6-900	CLIP VACUUM TUBE	管夾	1	
	19510	19510-GBW2-901	FAN COMP COOLING	冷卻風扇	1	
	19613	19613-GFY6-901	CLAMPER STARTER MOTOR	起動馬達導線夾	1	
	1961A	1961A-LEA2-900	COVER ASSY FAN	風扇蓋組	1	
	19625	19625-LEA2-900	SEAL SHROUD A	罩蓋油封 A	1	
	19626	19626-LEA2-900	SEAL SHROUD A	罩蓋油封 A	1	
	1962A	1962A-LEA2-900	SHROUD ASSY A	罩蓋 A	1	
	19633	19633-GFY6-901	GROMET SHROUD B	橡皮蓋	1	
	19635	19635-LEA2-900	SEAL SHROUD B	罩蓋油封 B	1	
	19636	19636-LEA2-900	SEAL SHROUD B	罩蓋油封 B	1	
	1963A	1963A-LEA1-900	SHROUD ASSY B	罩蓋B	1	
	31110-LEA1-90B	31110-LEA1-90B	FLYWHEEL COMP	飛輪	1	
	31110-LEA1-90C	31110-LEA1-90C	FLYWHEEL COMP	飛輪	1	
	31120-LEA1-90B	31120-LEA1-90B	STATOR COMP	轉子線圈	1	
	31120-LEA1-90C	31120-LEA1-90C	STATOR COMP	轉子線圈	1	
**	87503	87503-LEA1-900	CAUTION MUFFLER	標籤	1	
**	87541	87541-LEA1-900	LABEL CAP	機油量標籤	1	
	90305	90305-GHK8-001	NUT CLIP 6MM	夾螺帽	2	
	92101	92101-05012-0H	BOLT HEX 5*12	螺絲 5*12	2	



Sales mark 配色標註	Ref no 參考號碼	Part no 零件號碼	Description 英文名稱	Reg description 中文名稱	Regd no 需求用量	E07
	93904	93904-35360	SCREW TAPPING 5*12	螺釘 5*12	2	
	94050	94050-10080	NUT FLANGE 10MM	螺帽	1	
	96001-06016	96001-06016-08	BOLT FLANGE SH 6*16	凸緣螺栓	6	
	96001-06022	96001-06022-08	BOLT FLANGE SH 6*22	螺栓	2	
	96001-06025	96001-06025-08	BOLT FLANGE SH 6*25	螺絲 6*25	3	

E08

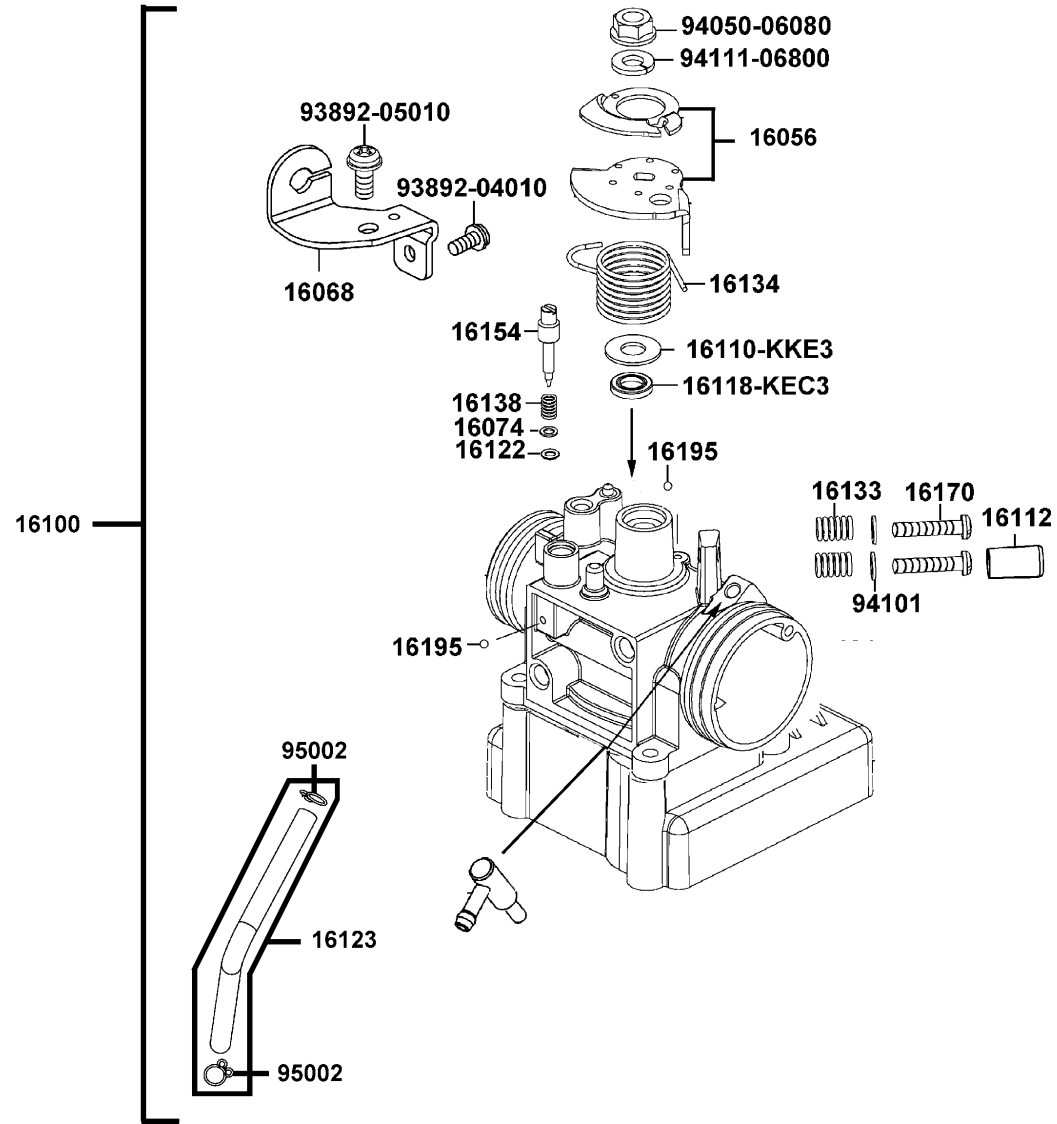
Transmission 傳動系



Sales mark 配色標註	Ref no 參考號碼	Part no 零件號碼	Description 英文名稱	Reg description 中文名稱	Regd no 需求用量	E08
	21301	21301-LEA2-305	COVER MISSION(2007.04.04)	變速箱蓋	1	
	21395	21395-LEA2-900	GASKET MISSION CASE	主軸蓋墊片	1	
	23411	23411-LKC6-900	SHAFT DRIVE	驅動軸	1	
	23420	23420-LKC6-900	SHAFT COMP, COUNTER	副軸組	1	
	23431	23431-LKC7-900	SHAFT FINAL	最終軸	1	
	23432	23432-LKC6-900	GEAR, FINAL	最終齒輪	1	
	90451	90451-KUDU-900	WASHER THRUST 15M/M	華司	1	
	90605	90605-2L00-001	SET RING 20MM	固定環 20MM	1	
	91001	91001-KHC4-90B	BRG BALL RADIAL	球型軸承	1	
	91106-KHC4-90A	91106-KHC4-90A	BRG NEEDLE 15MM	滾針軸承	1	
	91106-KHC4-90B	91106-KHC4-90B	BRG NEEDLE 15MM	滾針軸承	1	
	91202	91202-LEA1-90A	OIL SEAL 22*32*5	左曲軸箱油封 22*32*5	1	
	96100-62030	96100-62030-00	BRG BALL RADIAL 6203	軸承 6203	0	
	96100-63040	96100-63040-00	BRG BALL RADIAL 6304	軸承 6304	1	

E09

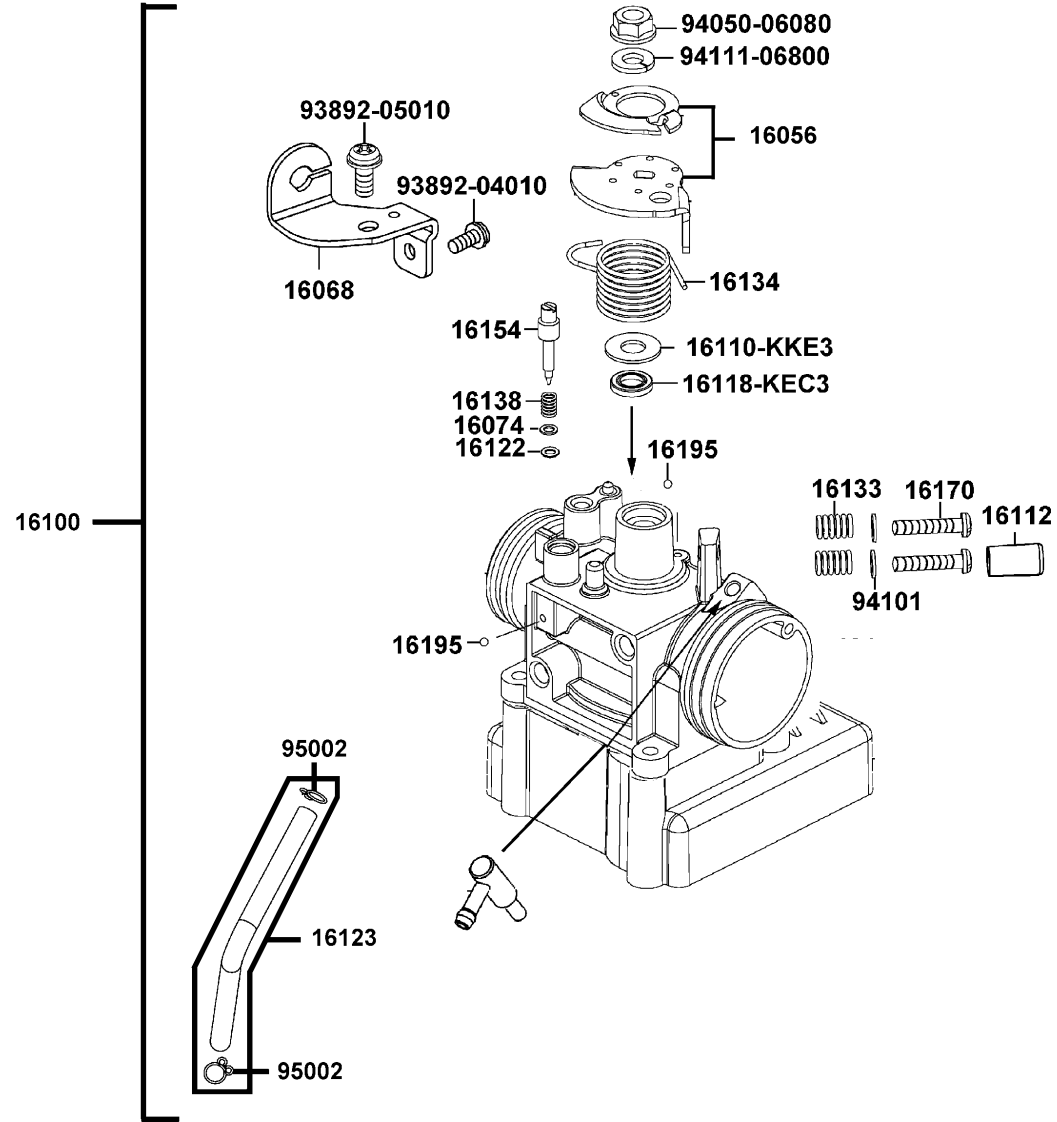
Carburetor 化油器



Sales mark 配色標註	Ref no 參考號碼	Part no 零件號碼	Description 英文名稱	Reg description 中文名稱	Regd no 需求用量	E09
	16056	16056-LEB2-900	LEVER ASSY THROTTLE	拉桿節流閥	1	
	16068	16068-LEB2-900	PLATE WIRE FIXED	節流導線固定板	1	
	16074	16074-KEC3-900	WASHER IDLE SCREW	華司	1	
	16100	16100-LKC7-900	THROTTLE BODY ASSY	節流閥組	1	
	16110-KKE3	16110-KKE3-900	WASHER THROTTLE COMP	華司	1	
	16112	16112-KKE3-900	COVER IDLE SCREW	蓋	1	
	16118-KEC3	16118-KEC3-900	SEAL THROTTLE SHAFT	節流閥封軸	1	
	16122	16122-KEC3-900	O-RING IDLE SCREW	O型環	1	
	16123	16123-LEA1-900	TUBE COMPL. 3.5x540	油管	1	
	16133	16133-KEC3-900	SPG THROTTLE ADJUST SCREW	彈簧	2	
	16134	16134-KKE3-900	SPG THROTTLE SHAFT	節流閥軸彈簧	1	
	16138	16138-KEC3-900	SPG IDLE ADJ SCREW	彈簧	1	
	16154	16154-KKE3-900	SCREW IDLE ADJUST	螺絲	1	
	16170	16170-KEC3-900	SCREW THROTTLE ADJUST	調整螺絲	2	
	16195	16195-KEC3-900	BALL 2.1	滾珠	3	
	93892-04010	93892-04010-08	SCREW WASHER 4*10	螺絲	1	
	93892-05010	93892-05010-08	SCREW WASH 5*10	螺絲	1	
	94050-06080	94050-06080	NUT FLANGE 6MM	螺帽 6MM	1	
	94101	94101-KKE3-900	WASHER PLAN 4.5*8*0.8	墊圈	2	
	94111-06800	94111-06800	WASHER SPG 6MM	華司 6MM	1	

E09

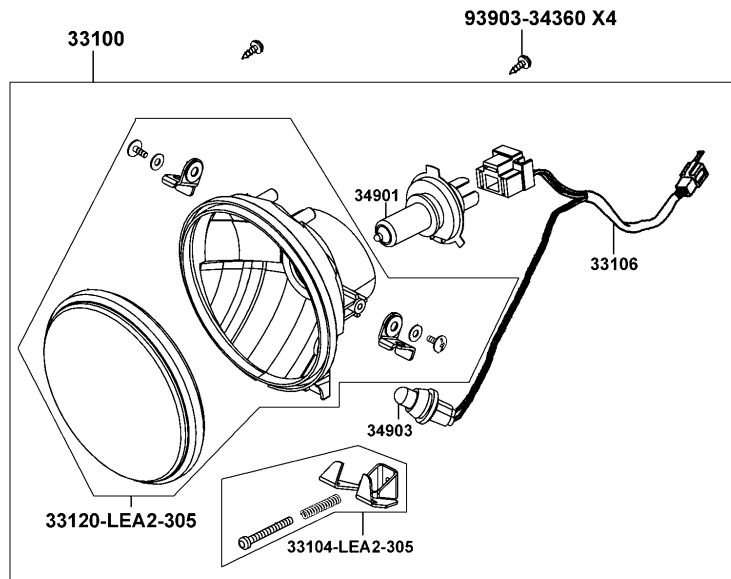
Carburetor 化油器



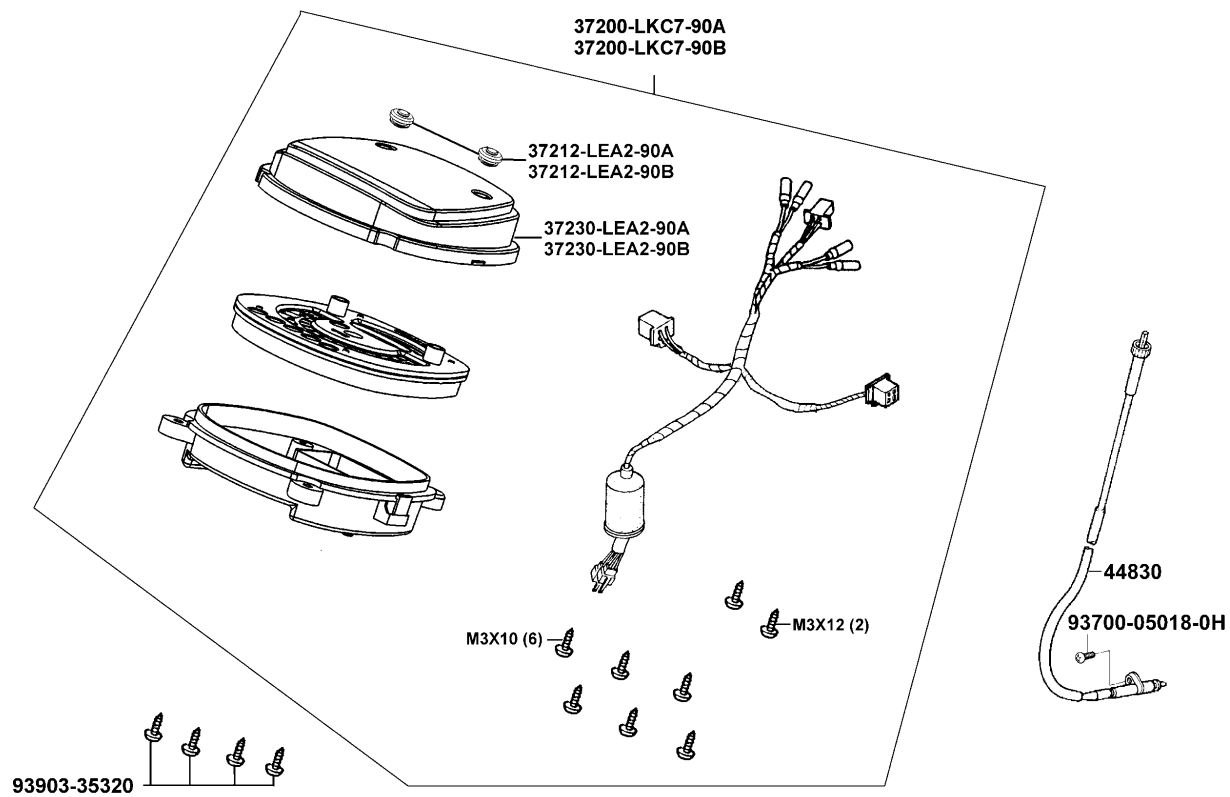
Sales mark 配色標註	Ref no 參考號碼	Part no 零件號碼	Description 英文名稱	Reg description 中文名稱	Regd no 需求用量	E09
95002	95002-02070	95002-02070	CLIP B7 TUBE	管夾	2	

F01

Head Light 前燈



Sales mark 配色標註	Ref no 參考號碼	Part no 零件號碼	Description 英文名稱	Reg description 中文名稱	Regd no 需求用量	F01
	33100	33100-LKC7-900	LIGHT ASSY HEAD	大燈	1	
	33104-LEA2-305	33104-LEA2-305	ASSY PLATE	固定版組	1	
	33106	33106-LEA2-900	SOCKET COMP	前燈配線	1	
	33120-LEA2-305	33120-LEA2-305	COMB HEAD LIGHT	前燈殼組	1	
	34901	34901-KTCT-900	BULB HEAD LIGHT	前燈泡	1	
	34903	34903-KALA-900	BULB POSITION	位置燈燈泡	1	
	93903-34360	93903-34360	SCREW TAPPING 4*12	螺絲 4*12	4	

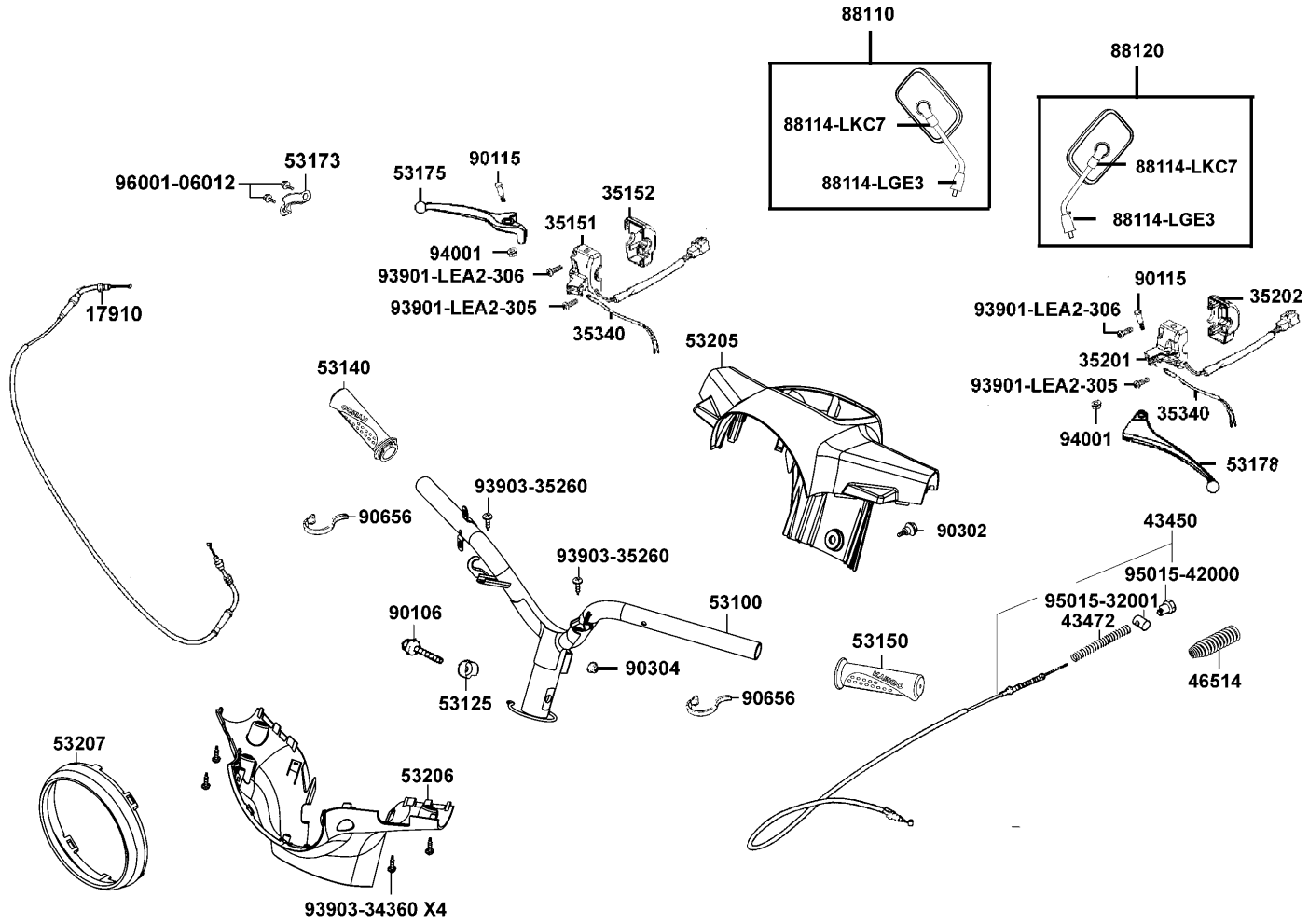


Sales mark 配色標註	Ref no 參考號碼	Part no 零件號碼	Description 英文名稱	Reg description 中文名稱	Regd no 需求用量	F02
	37200-LKC7-90A	37200-LKC7-90A	METER ASS'Y, SPEED	速度儀錶組	1	
	37200-LKC7-90B	37200-LKC7-90B	METER ASS'Y, SPEED	速度儀錶組	1	
	37212-LEA2-90A	37212-LEA2-90A	PACKING	PACKING	2	
	37212-LEA2-90B	37212-LEA2-90B	PACKING	調整按鈕	1	
	37230-LEA2-90A	37230-LEA2-90A	LENS ASSY	LENS ASSY	1	
	37230-LEA2-90B	37230-LEA2-90B	LENS ASSY	儀錶蓋	1	
	44830	44830-LEA2-900	CABLE COMP,SPDMT	CABLE COMP,SPDMT	1	
	93700-05018-0H	93700-05018-0H	SCREW OVAL 5*18	螺絲 5*18	1	
	93903-35320	93903-35320	SCREW TAPPING 5*16	螺絲 5*16	4	

F03

Handle Steering Handle Cover

轉向手柄 手柄蓋

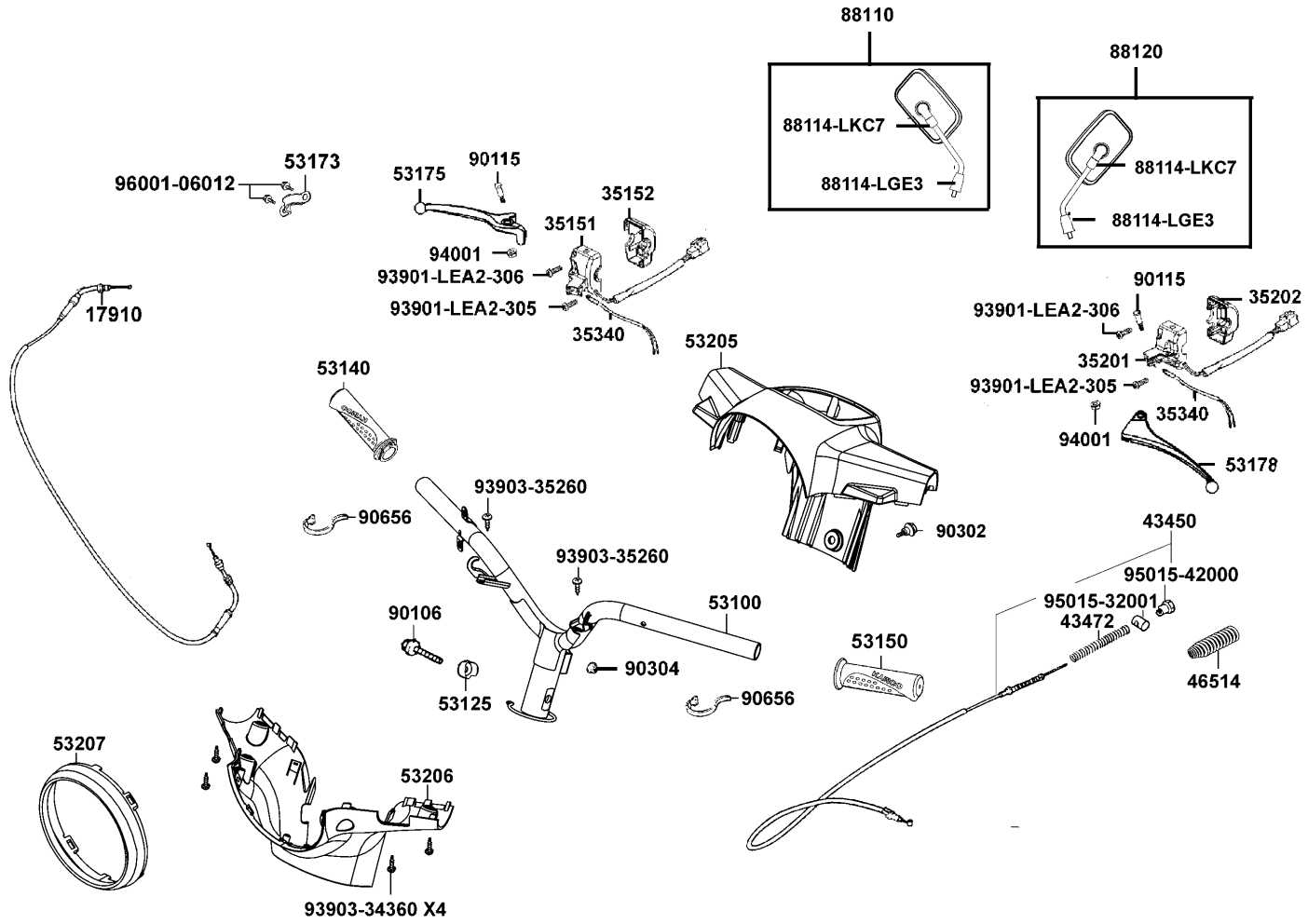


Sales mark 配色標註	Ref no 參考號碼	Part no 零件號碼	Description 英文名稱	Reg description 中文名稱	Regd no 需求用量	F03
	17910	17910-LEA2-900	CABLE COMP., THROT	CABLE COMP., THROT	1	
	35151	35151-LEA2-305	FR CASE COMP	手柄右開關前本體組	1	
	35152	35152-LEA2-910	RR CASE RH	手柄右開關後本體	1	
	35201	35201-LEA2-305	FR CASE COMP	手柄左開關前本體	1	
	35202	35202-LEA2-900	RR CASE LH	手柄左開關後本體	1	
	35340	35340-GBN2-770	SW ASSY FR STOP	剎車燈前置開關	2	
	43450	43450-LEA2-900	CABLE COMP,RR BRK	CABLE COMP,RR BRK	1	
	43472	43472-1A61-001	SPG RR BRK ARM	後煞車臂彈簧	1	
	46514	46514-LEA1-900	SPG BRK ARM	後煞車導線回位彈簧	1	
	53100	53100-LEA2-800	HANDLE COMP., STRG	轉向手柄	1	
	53125	53125-GEN5-901	COLLAR HANDLE SET	套筒	1	
**	53140	53140-LCB4-700	GRIP COMP THROT	節流管套組	1	
**	53150	53150-LCB4-700	GRIP COMP L HANDLE	手柄左橡皮套	1	
	53173	53173-LEA2-900	HOLDER , MASTER CYLINDER.	HOLDER , MASTER CYLINDER.	1	
**	53175	53175-LEA2-910	LEVER R STRG HANDLE	LEVER R STRG HANDLE	1	
**	53178	53178-LEA2-900	LEVER L STRG HANDLE	左拉桿	1	
**	53205	53205-LEA2-900	COVER, UP HANDLE	手柄上蓋	1	
**	53206	53206-LEA2-900	COVER, LOW HANDLE	手柄下蓋	1	
**	53207	53207-LEA2-900	COVER, FR. HANDLE	手柄前蓋	1	
	88110	88110-LKC7-900	MIRROR ASSY. R BACK	右後視鏡	1	

F03

Handle Steering Handle Cover

轉向手柄 手柄蓋

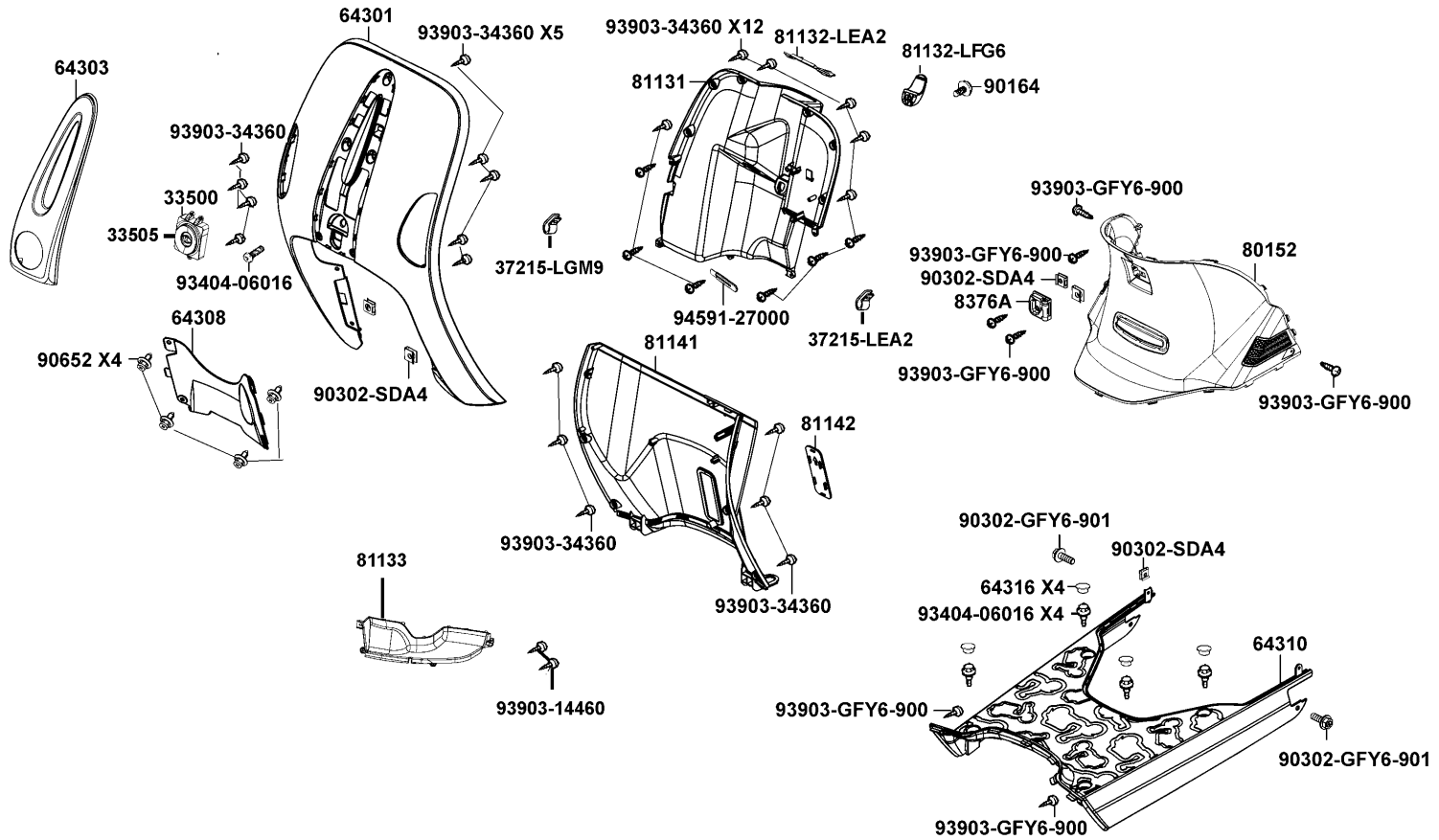


Sales mark 配色標註	Ref no 參考號碼	Part no 零件號碼	Description 英文名稱	Reg description 中文名稱	Regd no 需求用量	F03
	88114-LGE3	88114-LGE3-900	BOOTS MIRROR	後視鏡橡皮套	2	
	88114-LKC7	88114-LKC7-900	BOOTS MIRROR	橡皮護套	2	
	88120	88120-LKC7-900	MIRROR ASSY. L BACK	左後視鏡	1	
	90106	90106-GEN5-901	BOLT FLANGE 10*50	特殊螺絲 10*50	1	
	90115	90115-LBC6-900	BOLT HNDL LEVER PIVOT	拉桿螺絲	2	
	90302	90302-KEC8-900	BOLT PAN 5*9	螺釘 5*9	1	
	90304	90304-GHE8-004	NUT U 10MM	螺帽 10MM	1	
	90656	90656-KCBC-900	BAND OIL HOSE	油管束帶	2	
	93901-LEA2-305	93901-LEA2-305	SCREW PAN 5X32	螺絲 5X32	2	
	93901-LEA2-306	93901-LEA2-306	SCREW PAN 5*22	螺絲 5X22	2	
	93903-34360	93903-34360	SCREW TAPPING 4*12	螺絲 4*12	4	
	93903-35260	93903-35260	SCREW TAPPING 5*12	螺釘 5*12	2	
	94001	94001-05000-0S	NUT HEX 5MM	螺帽	2	
	95015-32001	95015-32001	JOINT B BRAKE ARM	煞車導線接頭銷	1	
	95015-42000	95015-42000	NUT B ADJUST	調整螺帽	1	
	96001-06012	96001-06012-06	BOLT FLANGE SH 6*12	螺絲 6*12	2	

F04

COVER SET FRONT FENDER FRONT

前蓋 前土除

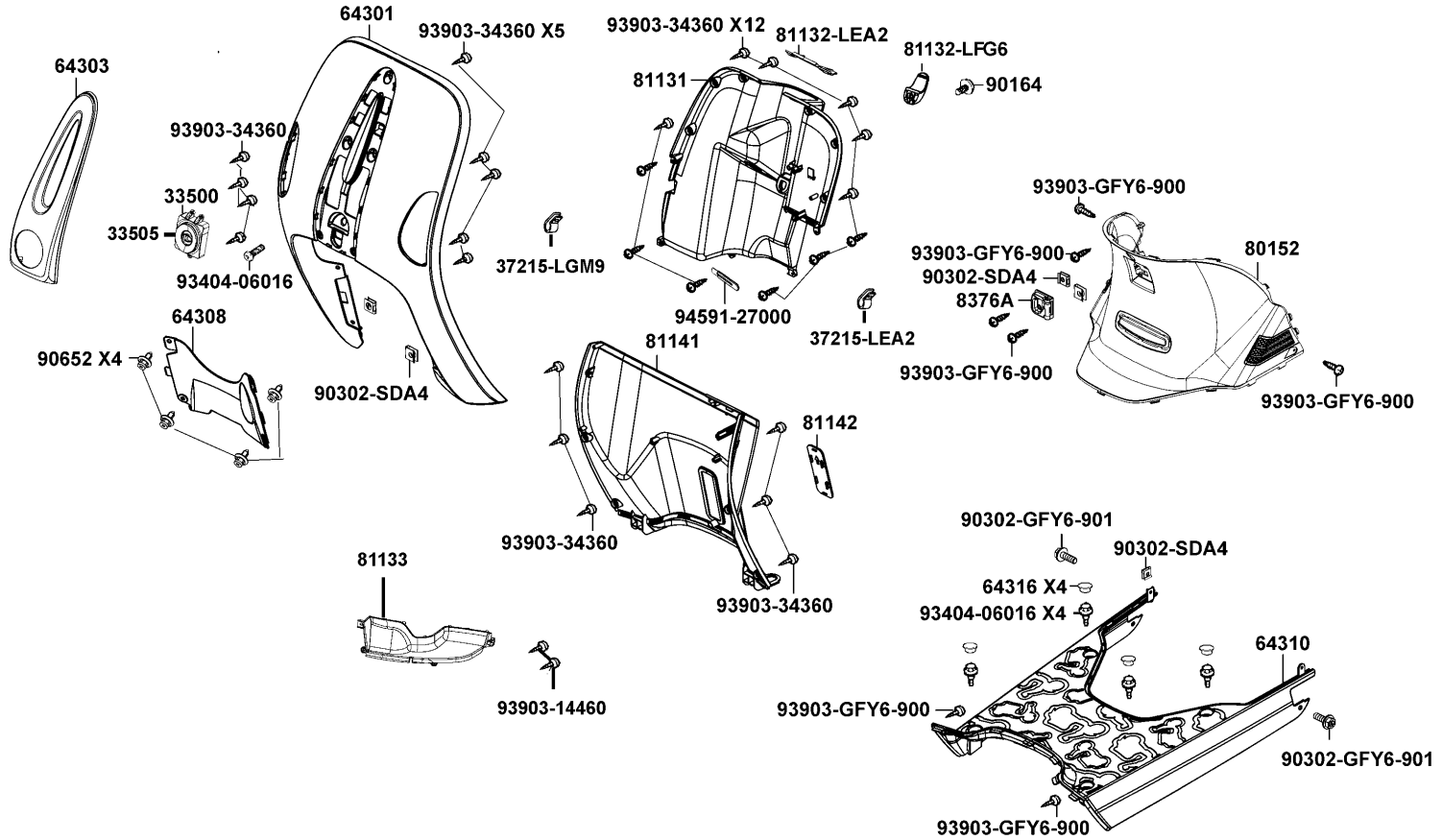


Sales mark 配色標註	Ref no 參考號碼	Part no 零件號碼	Description 英文名稱	Reg description 中文名稱	Regd no 需求用量	F04
	33500	33500-LKC7-900	LIGHT ASSY FR POSITION	前位置燈	1	
	33505	33505-LEA2-900	C0VER K LOGO	標誌蓋	1	
	37215-LEA2	37215-LEA2-900	CLAMP	夾子	1	
#	37215-LGM9	37215-LGM9-900	CLAMP	配線夾	1	
**	64301	64301-LEA2-345	COVER FRONT	前蓋	1	
**	64303	64303-LEA2-900	COVER, TOP FRONT	前上外蓋	1	
**	64308	64308-LEA2-900	MOLDING, LOW FR.	前下護條	1	
**	64310	64310-LEA2-900	FLOOR, PANEL	腳踏板	1	
**	64316	64316-LEA2-900	PLUG FLOOR	踏板塞	4	
**	80152	80152-LEA2-900	COVER CENTER LOW	中心蓋下蓋	1	
**	81131	81131-LEA2-910	LEG SHIELD UP	行李內箱	1	
**	81132-LEA2	81132-LEA2-900	CAP LEG SHIELD	cap leg shield	1	
**	81132-LFG6	81132-LFG6-900	HOOK LUGGAGE	安全帽掛鉤	1	
	81133	81133-LEA2-910	LEG SHIELD UP B	內蓋B	1	
**	81141	81141-LEA2-900	LEG SHIELD LOW	下內箱	1	
**	81142	81142-KUDU-900	LID LEG SHIELD	內箱蓋	1	
	8376A	8376A-KECE-901	CLIP ASSY CENTER	中心掛鉤	1	
	90164	90164-MDR4-901	SCREW SPECIAL 6MM	特殊螺絲 6MM	1	
	90302-GFY6-901	90302-GFY6-901	BOLT WASH 5*12	螺絲 5*12	2	
#	90302-SDA4	90302-SDA4-004	NUT SPRING 4MM	螺帽 4MM	3	

F04

COVER SET FRONT FENDER FRONT

前蓋 前土除



Sales mark 配色標註	Ref no 參考號碼	Part no 零件號碼	Description 英文名稱	Reg description 中文名稱	Regd no 需求用量	F04
	90652	90652-LFB5-900	CLIP MUDGUARD	塑膠螺絲	4	
	93404-06016	93404-06016-06	BOLT WASHER 6*16	螺絲 6*16	5	
	93903-14460	93903-14460	SCREW TAPPING 4*16	螺釘 4*16	2	
	93903-34360	93903-34360	SCREW TAPPING 4*12	螺絲 4*12	27	
#	93903-GFY6-900	93903-GFY6-900	SCREW TAPPING 4*14	螺絲 4*14	6	
#	94591-27000	94591-27000	CLIP 2*70	夾子 2*70	1	

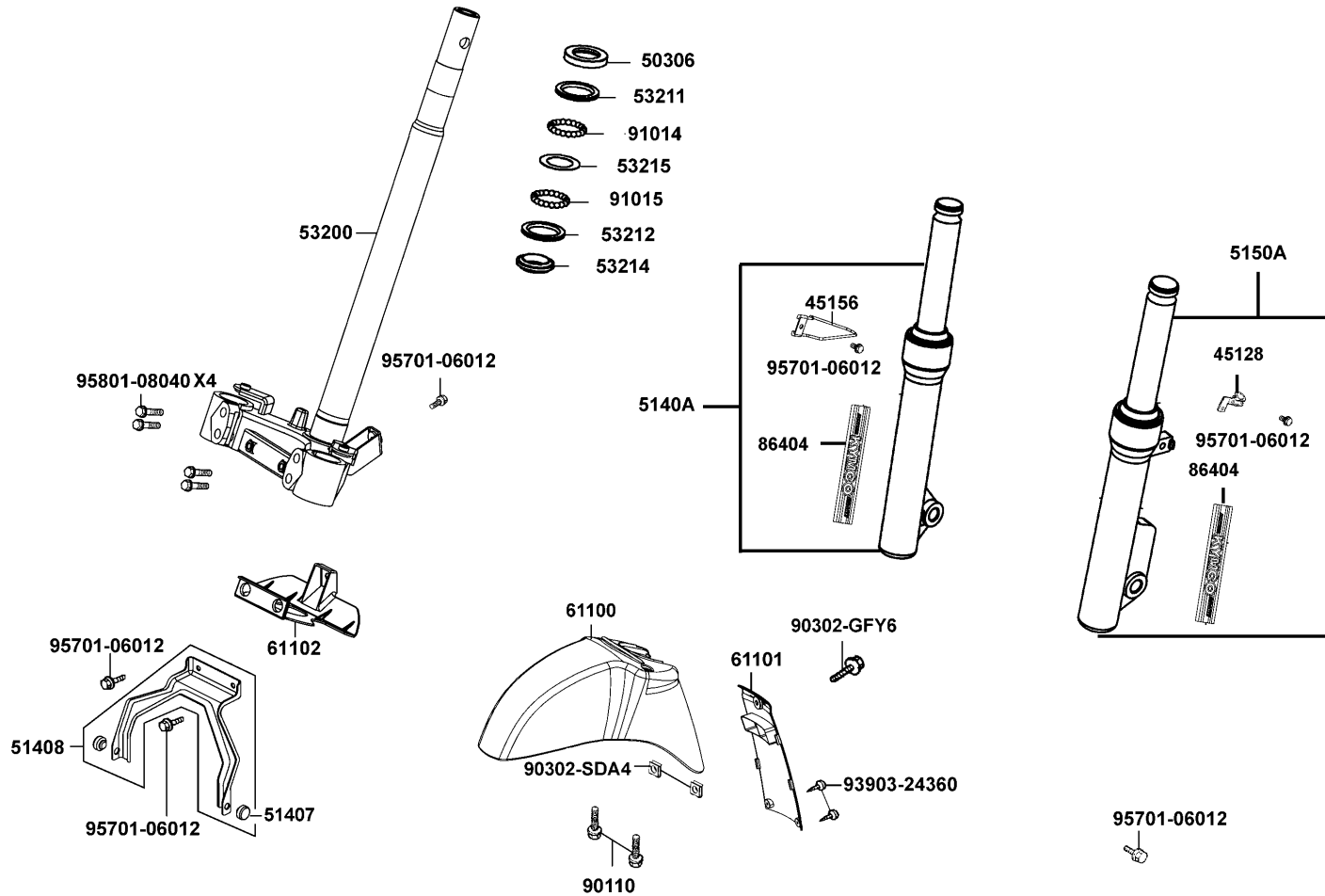
F05

Front Fork

Front Cushion

轉向桿

前避震器



Sales mark 配色標註	Ref no 參考號碼	Part no 零件號碼	Description 英文名稱	Reg description 中文名稱	Regd no 需求用量	F05
	45128	45128-KFC9-900	CLAMPER FR BRAKE HOSE	煞車油管夾	1	
	45156	45156-KEC6-900	CLAMPER RR BRAKE HOSE	後煞車油管夾	1	
	50306	50306-1F96-001	NUT STRG STEM LOCK	主幹螺帽	1	
	51407	51407-LBC6-900	RUBBER FR COVER STAY	前護蓋支架橡皮	2	
	51408	51408-LBC6-900	STAY FR COVER	前護蓋支架	1	
**	5140A	5140A-LEA2-900	FORK SET , FR R	FORK SET , FR R	1	
**	5150A	5150A-LEA2-900	FORK SET , FR L.	FORK SET , FR L.	1	
	53200	53200-LEA2-900	STEM,COMP,STRG	STEM,COMP,STRG	1	
	53211	53211-GFY6-940	RACE STRG TOP CONE	上錐體座圈	1	
	53212	53212-2L50-011	RACE STRG BOT CONE	下錐體座圈	1	
	53214	53214-2L50-001	DUST SEAL STRG(HEAD)	墊片	1	
	53215	53215-2L50-001	WASH STRG HDL DUST-SEAL	轉向桿華司	1	
**	61100	61100-LEA2-900	FENDER, FR. A INNER	前下外蓋	1	
**	61101	61101-LEA2-900	FENDER, FR. B INNER	B型前土除內	1	
**	61102	61102-LEA2-900	FENDER, FR. C INNER	FENDER, FR. C INNER	1	
**	86404	86404-LGE3-900	STRIPE FR FORK	前叉貼紙	2	
	90110	90110-LBC6-900	SCREW SPECIAL 6X8	螺絲 6X8	2	
	90302-GFY6	90302-GFY6-901	BOLT WASH 5*12	螺絲 5*12	1	
#	90302-SDA4	90302-SDA4-004	NUT SPRING 4MM	螺帽 4MM	2	
	91014	91014-LLJ3-E00	CAGE STEERING TOP	鋼珠座	1	

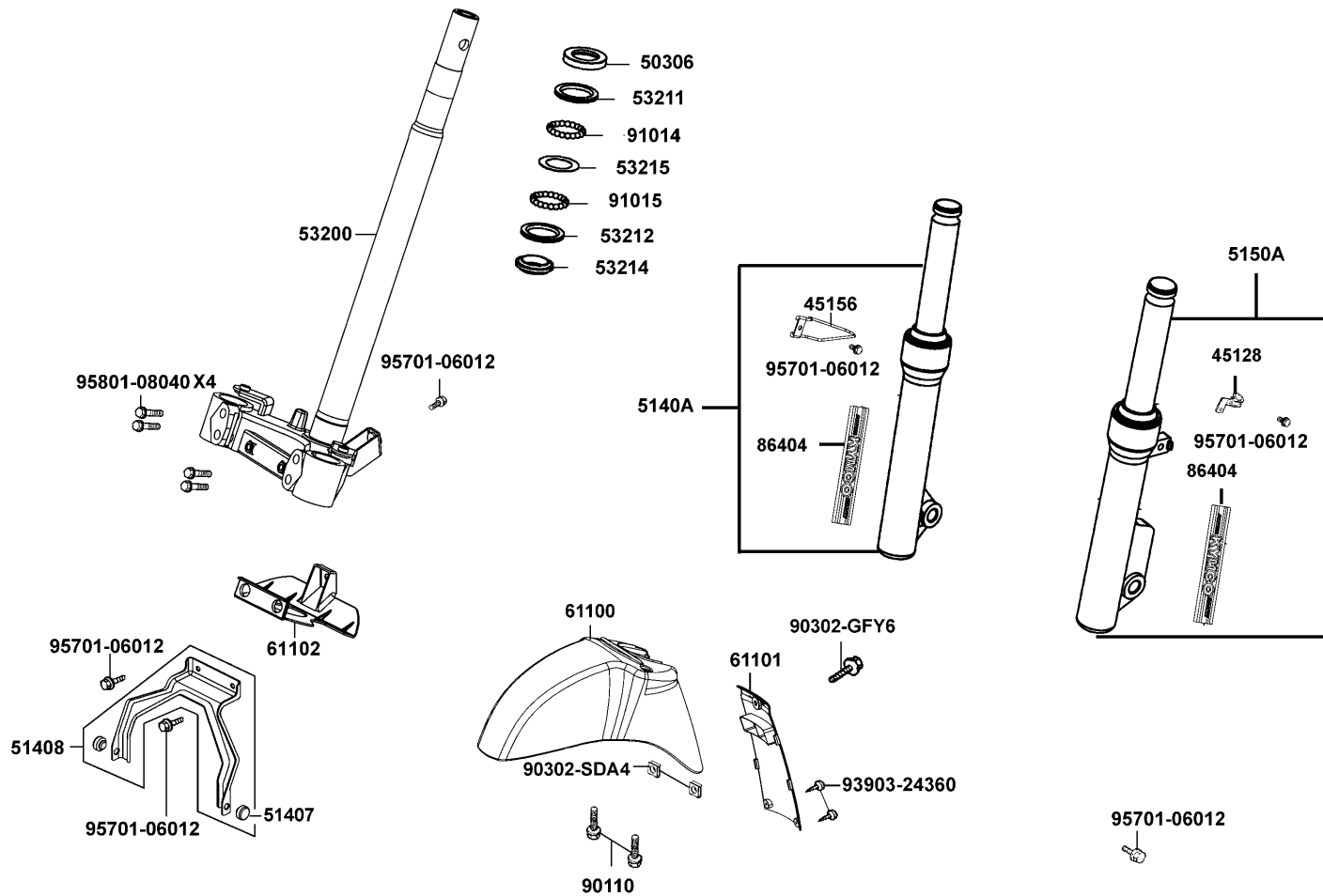
F05

Front Fork

Front Cushion

轉向桿

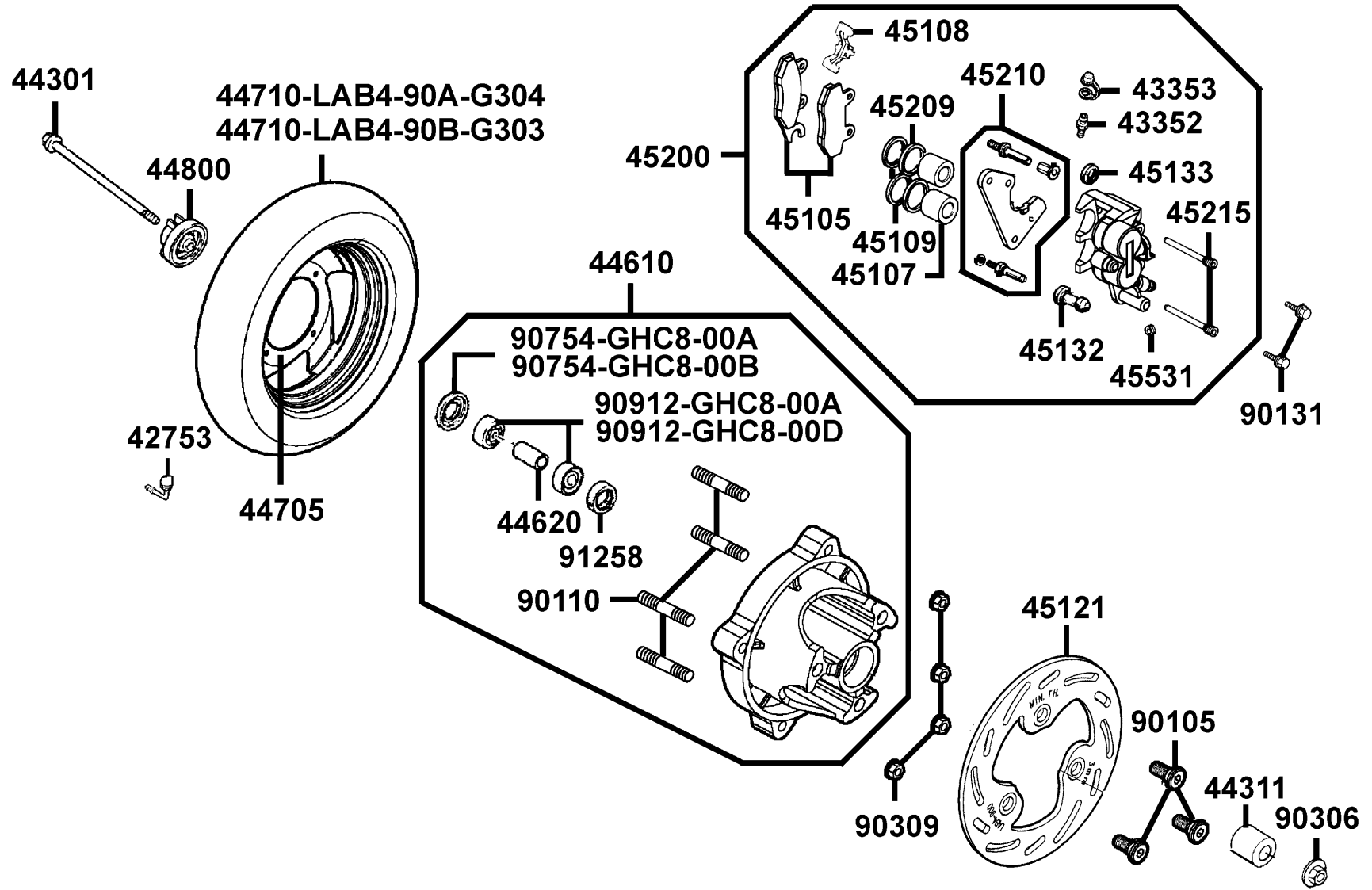
前避震器



Sales mark 配色標註	Ref no 參考號碼	Part no 零件號碼	Description 英文名稱	Reg description 中文名稱	Regd no 需求用量	F05
	91015	91015-LLJ3-E00	CAGE STEERING BOT	鋼珠座	1	
	93903-24360	93903-24360	SCREW TAPPING 4*12	螺釘 4*12	2	
	95701-06012	95701-06012-06	BOLT FLANGE 6*12	螺絲 6*12	3	
	95801-08040	95801-08040-08	BOLT FLANGE 8*40	螺絲 8*40	4	

F06

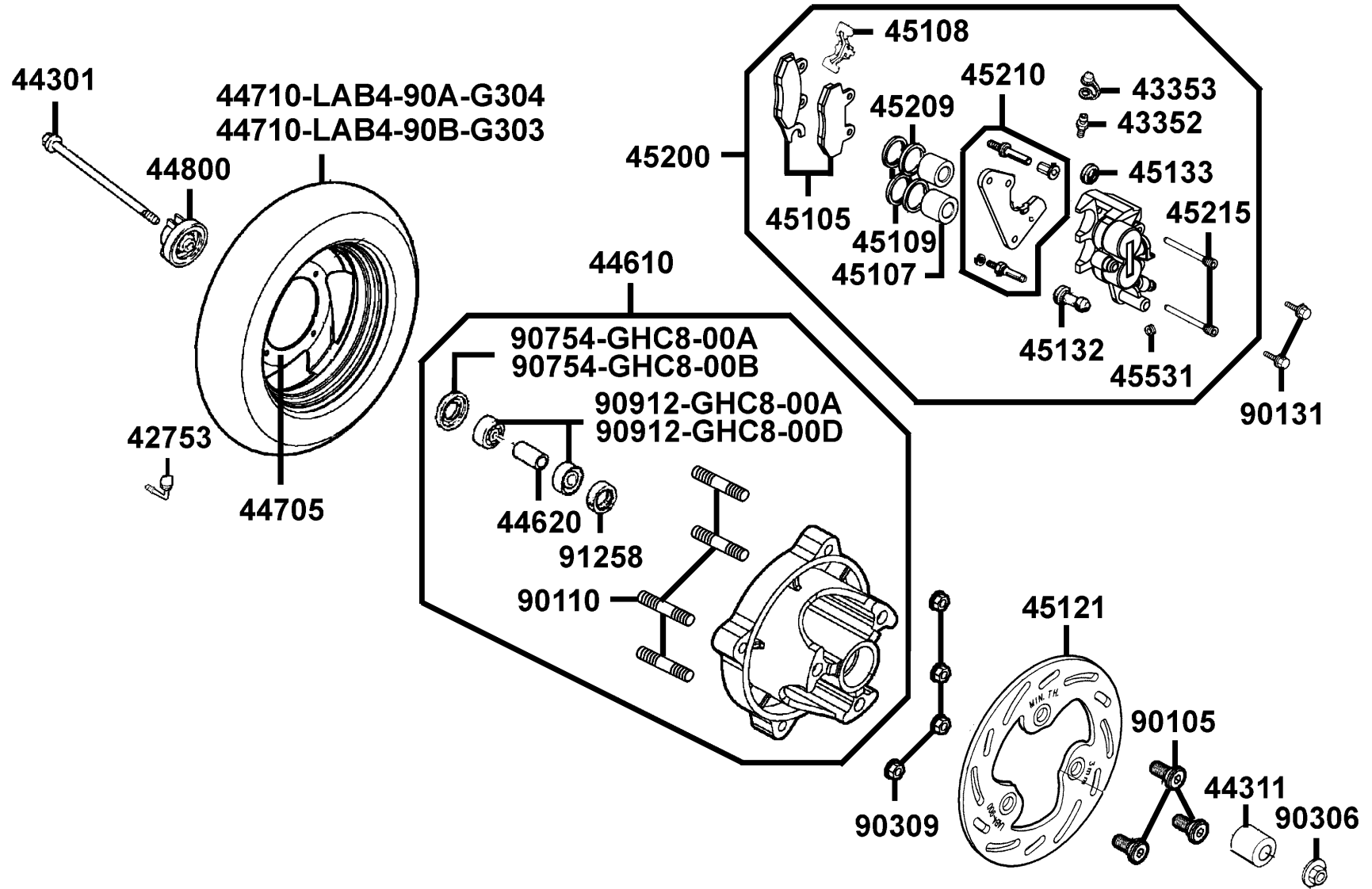
Front Wheel 前輪



Sales mark 配色標註	Ref no 參考號碼	Part no 零件號碼	Description 英文名稱	Reg description 中文名稱	Regd no 需求用量	F06
	42753	42753-KXCX-900	VALVE (PVR-70B) & CAP	打氣嘴	1	
	43352	43352-5H68-004	SCREW BLEEDER	加油嘴	1	
	43353	43353-4A61-77A	CAP BLEEDER	加油嘴蓋	1	
	44301	44301-LGE3-900	AXLE FR WHEEL	前輪軸	1	
	44311	44311-GLW0-901	COLLAR FR WHEEL SIDE	前輪邊套筒	1	
**	44610	44610-KHC4-305	HUB SUB SET FR	前輪轂組	1	
	44620	44620-KSBS-900	COLLAR FR DIST	套筒	1	
**	44705	44705-KHC4-900	RIM COMP FR WHEEL	前輪圈	1	
	44710-LAB4-90A-	44710-LAB4-90A-G304	TIRE ASSY FR	前輪胎	1	
	44710-LAB4-90B-	44710-LAB4-90B-G303	TIRE ASSY FR	前輪胎	1	
**	44800	44800-KNBN-901	GEAR BOX ASSY SPDMT	速度齒輪箱組	1	
	45105	45105-LEA1-306	PAD SET	前煞車摩擦板組	1	
	45107	45107-MEN5-007	PISTON	卡鉗活塞	2	
	45108	45108-MDL4-007	PAD SPG	摩擦板彈簧	1	
	45109	45109-GBE2-007	DUST SEAL	防塵封	2	
	45121	45121-GAR1-950	DISK FR BRK	前煞車圓盤	1	
	45132	45132-1F66-017	BUSH BOOT PIN	襯套	1	
	45133	45133-MCA3-007	BOOT B	襯套 B	1	
**	45200	45200-LEA1-900	CALIPER ASSY FR	前煞車卡鉗	1	
	45209	45209-GBE2-007	SEAL PISTON	油封	2	

F06

Front Wheel 前輪

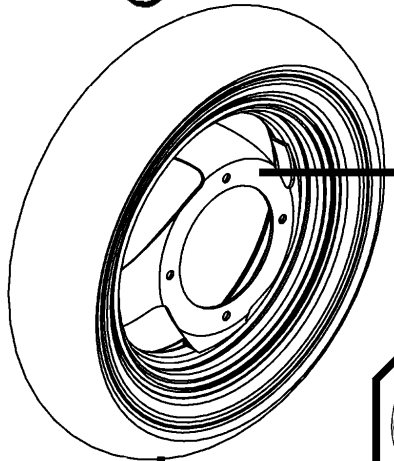
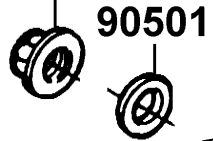


Sales mark 配色標註	Ref no 參考號碼	Part no 零件號碼	Description 英文名稱	Reg description 中文名稱	Regd no 需求用量	F06
	45210	45210-LEA1-306	BRKT FR CALIPER	前煞車卡鉗托架	1	
	45215	45215-KECE-900	PIN HANGER	卡鉗吊架銷	2	
	45531	45531-GAR1-951	PLUG	塞子	1	
	90105	90105-KCR3-001	BOLT FR DISK 8*24	前煞車圓盤螺絲 8*24	3	
	90110	90110-KHG8-901	BOLT STUD2 8*22	雙頭螺絲 8X22	4	
	90131	90131-LEB1-900	BOLT FLANGE 8*35	螺絲 8*35	2	
	90306	90306-LFE2-900	NUT FLANGE 12MM	螺帽 12MM	1	
	90309	90309-GLW0-90A	NUT U FLANGE 8MM	螺帽 8MM	4	
	90754-GHC8-00A	90754-GHC8-00A	SEAL DUST 20*32*5	油封 20*32*5	1	
	90754-GHC8-00B	90754-GHC8-00B	SEAL DUST 20*32*5	油封 20*32*5	1	
	90912-GHC8-00A	90912-GHC8-00A	BEARING 6201	軸承	2	
	90912-GHC8-00D	90912-GHC8-00D	BEARING 6201	軸承	1	
	91258	91258-KAM1-00A	SEAL SPDMT GEAR BOX	油封	1	

F07

Rear Wheel 後輪

90305-KNBN-90A
90305-KNBN-90B

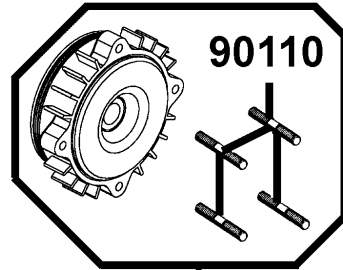


42705



42610

44710-LAB4-90A-G304
44710-LAB4-90B-G303



90110

90309



4512A

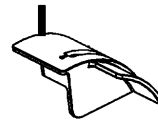


45133

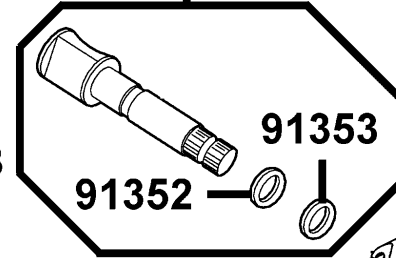


46513

43416



4314A



91352

91353

95701

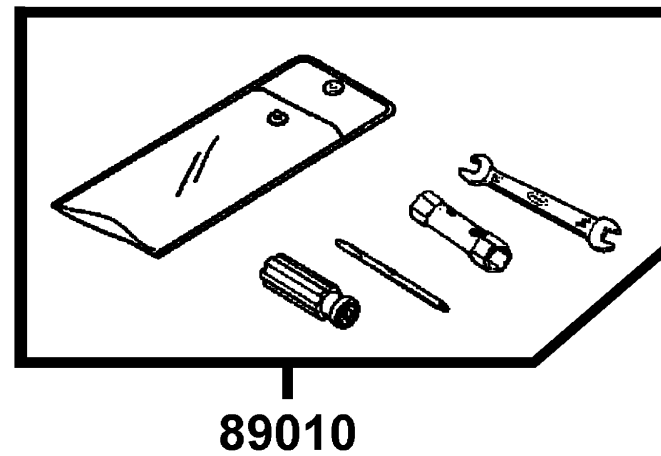
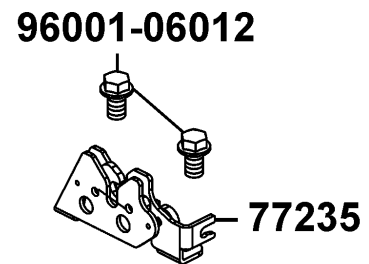
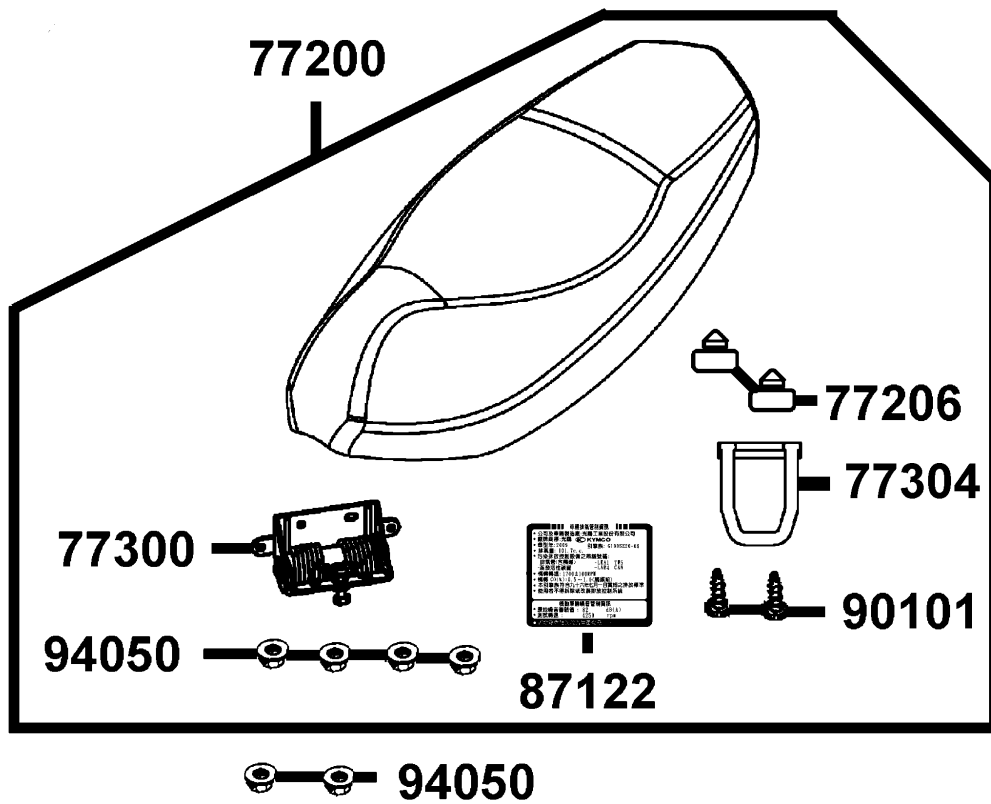
43410



Sales mark 配色標註	Ref no 參考號碼	Part no 零件號碼	Description 英文名稱	Reg description 中文名稱	Regd no 需求用量	F07
**	42610	42610-GKAK-901	HUB SUB COMP RR	後輪轂	1	
**	42705	42705-KHC4-900	RIM COMP WHEEL	後輪鋼圈	1	
	42753	42753-KXCX-900	VALVE (PVR-70B) & CAP	打氣嘴	1	
	4314A	4314A-LEA1-900	CAM RR BRAKE	後煞車凸輪	1	
	43410	43410-LEA2-900	ARM COMP , RR BRK.	後煞車臂	1	
	43416	43416-LEA1-900	GUARD RR BRK ARM	後煞車臂護蓋	1	
	44710-LAB4-90A-	44710-LAB4-90A-G304	TIRE ASSY FR	前輪胎	1	
	44710-LAB4-90B-	44710-LAB4-90B-G303	TIRE ASSY FR	前輪胎	1	
	4512A	4512A-LCB4-910	SHOE COMP RR BRAKE	後煞車鞋	1	
	45133	45133-LDA3-900	SPRING BRAKE SHOE REAR	彈簧	2	
	46513	46513-LEB1-900	SPG ASSY BRK ARM	煞車踏板彈簧	1	
	90110	90110-KHG8-901	BOLT STUD2 8*22	雙頭螺絲 8X22	4	
	90305-KNBN-90A	90305-KNBN-90A	NUT U 16MM(C)	安全螺帽 16MM	1	
	90305-KNBN-90B	90305-KNBN-90B	NUT U 16MM	螺帽 16MM	1	
	90309	90309-GLW0-90A	NUT U FLANGE 8MM	螺帽 8MM	4	
	90501	90501-KNBN-901	WASHER 16MM	華司 16MM	1	
	91352	91352-KHG8-83B	O-RING 11.3*1.3	O環 11.3*1.3	1	
	91353	91353-GFY6-900	O-RING 13.1*10	O環13.1*10	1	
	95701	95701-06025-08	BOLT FLANGE 6*25	螺絲 6*25	1	

F08

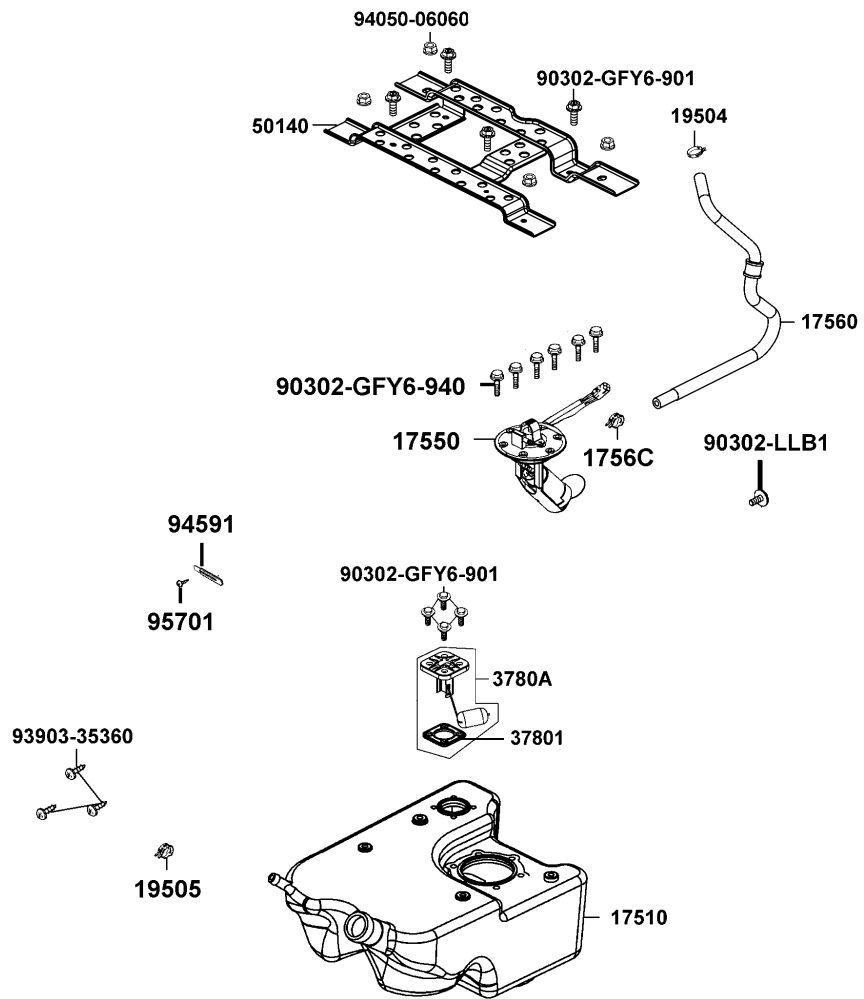
Seat 座墊



Sales mark 配色標註	Ref no 參考號碼	Part no 零件號碼	Description 英文名稱	Reg description 中文名稱	Regd no 需求用量	F08
**	77200	77200-LKC7-900	SEAT ASSY.	座墊組	1	
	77206	77206-KEB7-900	RUBBER SEAT CUSH	橡皮	2	
	77235	77235-LEA1-900	CATCH COMP SEAT	座墊掛鉤	1	
	77300	77300-LEA2-900	HINGE COMP.,SEAT	HINGE COMP.,SEAT	1	
	77304	77304-LEA2-900	HOOK SEAT LOCK	座墊鉤	1	
**	87122	87122-LKC7-950	MARK E/M 5th STAGE	E/M貼紙	1	
	89010	89010-LEA2-900	TOOL SET	TOOL SET	1	
	90101	90101-KGC4-E00	SCREW SPECIAL 6*15	特殊螺絲 6*15	2	
	94050	94050-06060	NUT FLANGE 6MM	螺帽 6MM	6	
	96001-06012	96001-06012-06	BOLT FLANGE SH 6*12	螺絲 6*12	2	

F09

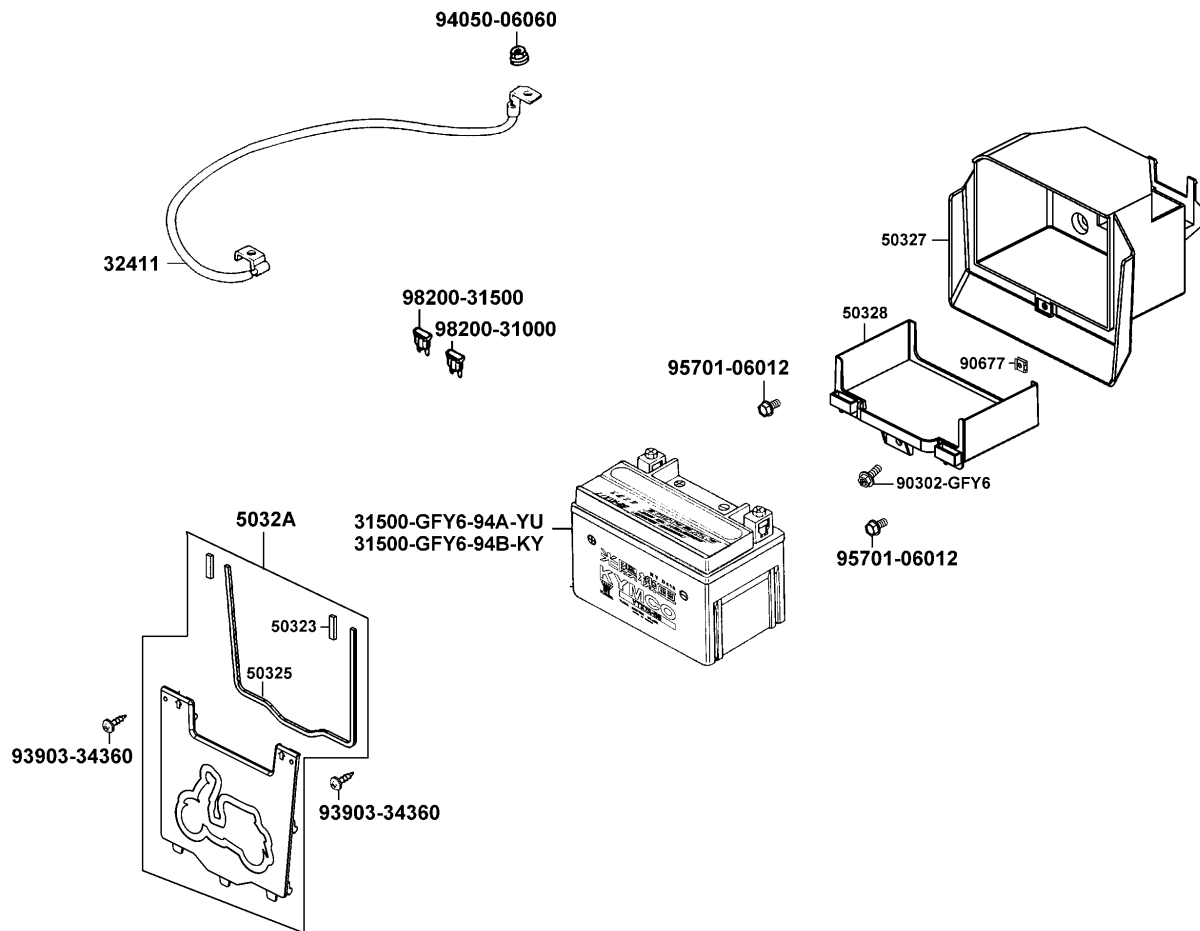
Fuel Tank 油箱



Sales mark 配色標註	Ref no 參考號碼	Part no 零件號碼	Description 英文名稱	Reg description 中文名稱	Regd no 需求用量	F09
	17510	17510-LEA2-900	TANK,FUEL	TANK,FUEL	1	
	17550	17550-LEA2-900	FUEL PUMP ASS'Y,	燃油幫浦組	1	
	17560	17560-LEA2-900	TUBE PUMP INJECTOR	TUBE PUMP INJECTOR	1	
	1756C	1756C-KKE2-900	CLIC R 89-115	高壓管夾	1	
	19504	19504-LBA2-E00	CLAMP D 16.8	管夾	1	
	19505	19505-LEA2-900	CLAMP., HOSE	CLAMP., HOSE	1	
	37801	37801-LLJ3-E00	PACKING BASE	汽油量指示器墊圈	1	
	3780A	3780A-LEA2-900	FUEL UNIT ASS'Y,	燃油計組	1	
	50140	50140-LEA2-900	BRKT., FLOOR	BRKT., FLOOR	1	
	90302-GFY6-901	90302-GFY6-901	BOLT WASH 5*12	螺絲 5*12	8	
	90302-GFY6-940	90302-GFY6-940	BOLT-WASH 5*16	螺絲 5*16	6	
#	90302-LLB1	90302-LLB1-E00	BOLT-WASHER 5*12	螺絲 5X12	1	
	93903-35360	93903-35360	SCREW TAPPING 5*16	螺釘 5*16	3	
	94050-06060	94050-06060	NUT FLANGE 6MM	螺帽 6MM	2	
	94591	94591-KFBF-900	CLIP 2*70	環夾	1	
	95701	95701-06012-08	BOLT FLANGE 6*12	螺絲 6*12	1	

F10

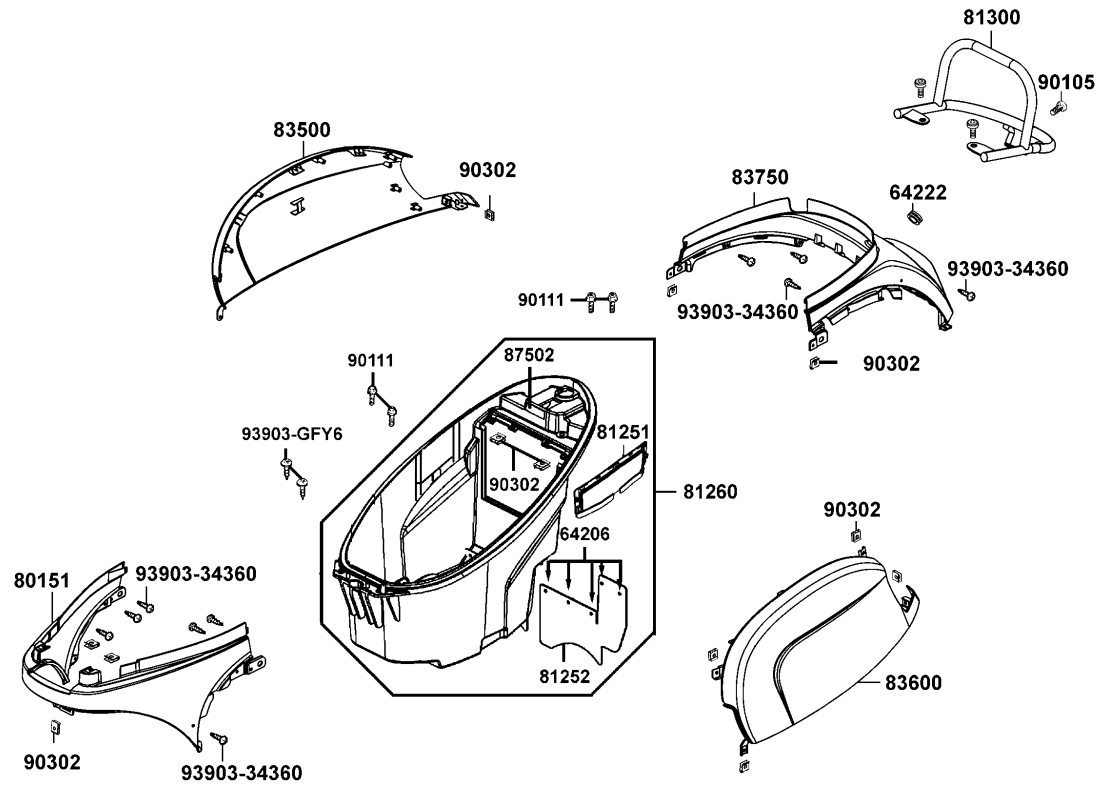
Battery 電瓶



Sales mark 配色標註	Ref no 參考號碼	Part no 零件號碼	Description 英文名稱	Reg description 中文名稱	Regd no 需求用量	F10
	31500-GFY6-94A-YU	31500-GFY6-94A-YU	BATTERY YTX7A-BS	電瓶	1	
	31500-GFY6-94B-KY	31500-GFY6-94B-KY	BATTERY GTX7A-BS	電瓶	1	
	32411	32411-LEA2-900	CABLE, BATTERY	電池正極導線	1	
	50323	50323-LEB1-900	SEAL C,COVER BATTERY	SEAL C,COVER BATTERY	2	
	50325	50325-LEA2-900	SEAL A ,COVER BATTERY	SEAL A ,COVER BATTERY	1	
	50327	50327-LEA2-900	BATTEY CASE	電池盒	1	
	50328	50328-LEA2-900	BATTERY DRAWER	電池抽屜	1	
	5032A	5032A-LEA2-900	ASSY.COVER BATTERY	ASSY.COVER BATTERY	1	
	90302-GFY6	90302-GFY6-940	BOLT-WASH 5*16	螺絲 5*16	1	
#	90677	90677-GAR1-004	NUT CLIP 5MM	彈簧螺帽 5MM	1	
	93903-34360	93903-34360	SCREW TAPPING 4*12	螺絲 4*12	2	
	94050-06060	94050-06060	NUT FLANGE 6MM	螺帽 6MM	1	
	95701-06012	95701-06012-06	BOLT FLANGE 6*12	螺絲 6*12	2	
	98200-31000	98200-31000	BLADE FUSE 10A	保險絲10A	1	
	98200-31500	98200-31500	BLADE FUSE 15A	保險絲15A	1	

F11

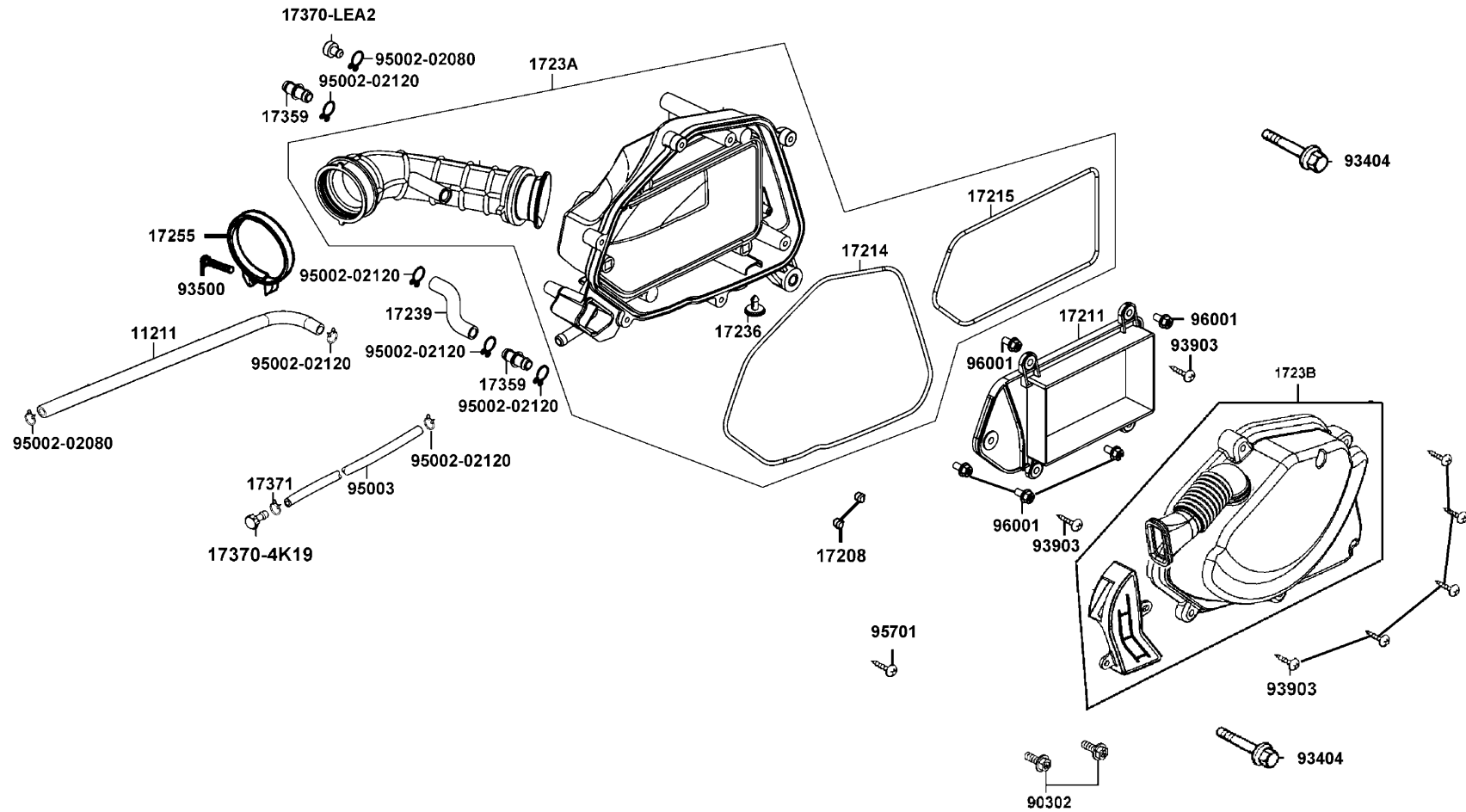
Body Cover Luggage Box 車體邊蓋 置物箱



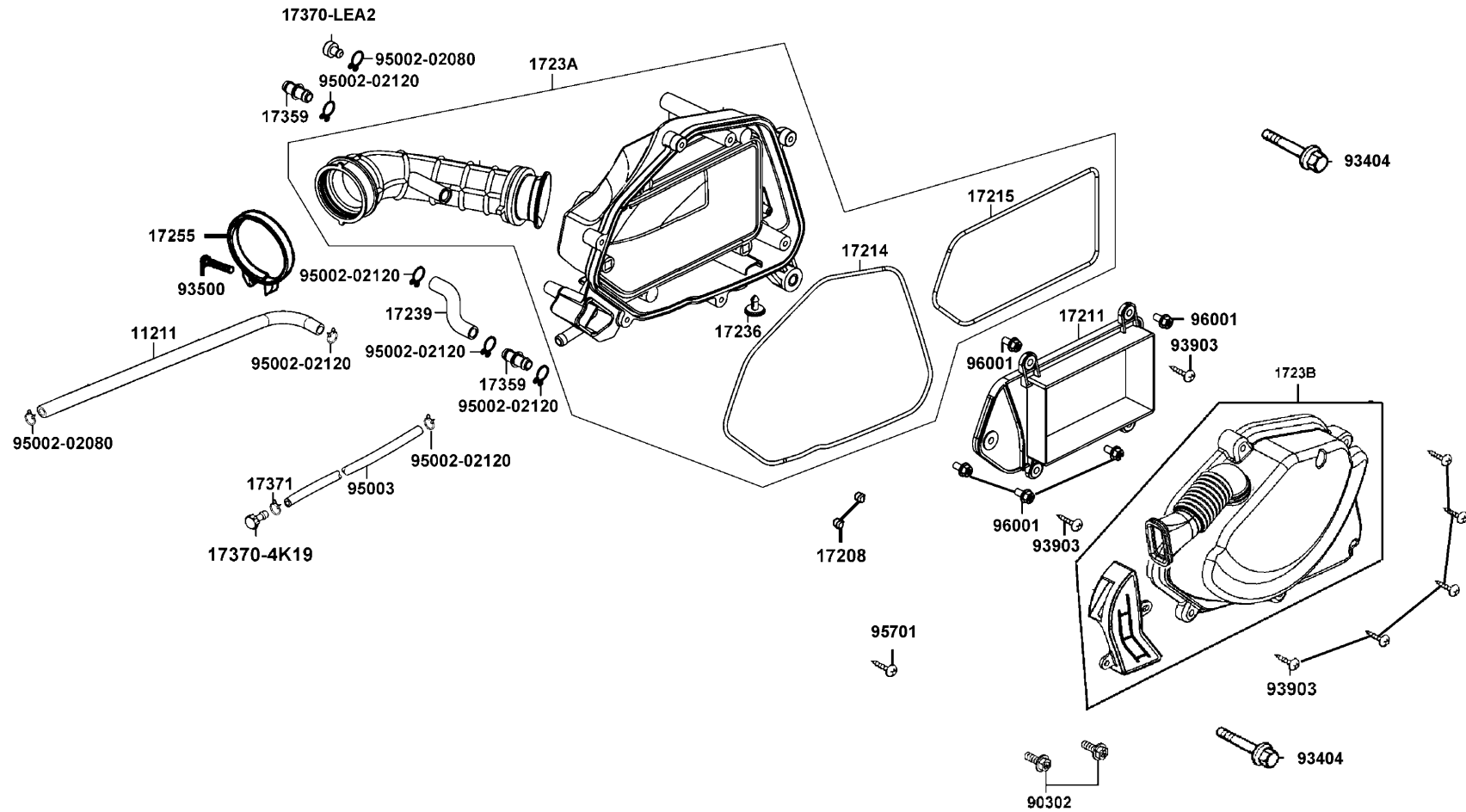
Sales mark 配色標註	Ref no 參考號碼	Part no 零件號碼	Description 英文名稱	Reg description 中文名稱	Regd no 需求用量	F11
	64206	64206-MLJ0-001	NUT SPEED 4MM	螺帽 4MM	4	
	64222	64222-LBC6-900	CUSHION RR GRIP	後握桿減震橡皮環	1	
**	80151	80151-LEA2-900	COVER CENTER UP	中心蓋上蓋	1	
	81251	81251-LEA2-900	COVER L BODY MAINT	左邊蓋維修蓋	1	
	81252	81252-LEA2-900	PLATE C SPLASH GUARD	PLATE C SPLASH GUARD	1	
	81260	81260-LEA2-900	ASSY.BOX,LUGGAGE	ASSY.BOX,LUGGAGE	1	
	81300	81300-LEA2-900	GRIP REAR	GRIP REAR	1	
**	83500	83500-LEA2-345	COVER R BODY	右外蓋本體	1	
**	83600	83600-LEA2-345	COVER L BODY	左外蓋本體	1	
**	83750	83750-LEA2-900	COVER CENTER RR	後中心蓋	1	
	90105	90105-LBC6-900	BOLT-WASH 8MM	螺絲 8MM	3	
	90111	90111-1G87-001	BOLT FLANGE 6MM	螺絲 6MM	4	
#	90302	90302-SDA4-004	NUT SPRING 4MM	螺帽 4MM	12	
	93903-34360	93903-34360	SCREW TAPPING 4*12	螺絲 4*12	10	
#	93903-GFY6	93903-GFY6-900	SCREW TAPPING 4*14	螺絲 4*14	2	

F12

Air Cleaner 空氣濾清器



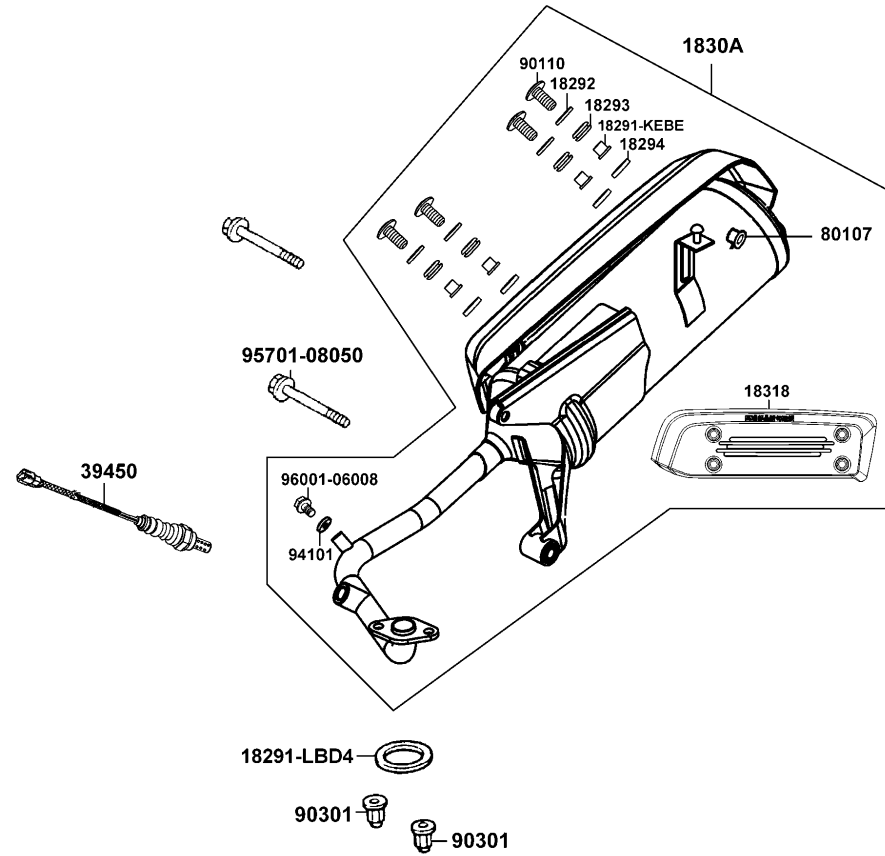
Sales mark 配色標註	Ref no 參考號碼	Part no 零件號碼	Description 英文名稱	Reg description 中文名稱	Regd no 需求用量	F12
	11211	11211-LEA1-900	TUBE BRTHR	通氣管	1	
	17208	17208-GAR1-011	COLLAR AIR/C SET	套筒	2	
	17211	17211-LEA1-900	ELEMENT COMP AIR/C	空氣濾清器濾芯	1	
	17214	17214-LEA2-900	SEAL, AIR/C	墊圈	1	
	17215	17215-LEA1-900	SEAL, ELEMENT	墊圈	1	
	17236	17236-KFBF-910	PLATE AIR/C CASE	隔板	1	
	17239	17239-LEA1-900	TUBE AIR/C BLOW-BY	空氣濾清濾負壓管	1	
	1723A	1723A-LEA2-900	CASE ASSY., AIR/C	空氣濾清器箱體	1	
	1723B	1723B-LEA2-900	COVER, AIR/C	空氣濾清器箱蓋	1	
	17255	17255-KGBG-900	BAND ASSY AIR/C CONN TUBE	連結管束帶	1	
	17359	17359-4K19-671	JOINT BREATHER TUBE	通氣管接頭	2	
	17370-4K19	17370-4K19-701	PLUG BREATHER TUBE	管塞	1	
	17370-LEA2	17370-LEA2-900	PLUG BREATHER TUBE	通氣管塞	1	
	17371	17371-1D74-671	CLIP BREATHER TUBE	通氣管夾	2	
	90302	90302-KNBN-900	BOLT PAN 5*10	螺釘 5*10	2	
	93404	93404-06030-06	BOLT WASHER 6*30	螺絲6*30	2	
	93500	93500-04025-0A	SCREW PAN 4*25	螺絲 4*25	1	
	93903	93903-25460	SCREW TAPPING 4*12	螺釘 4*12	7	
	95002-02080	95002-02080	CLIP B8 TUBE	管夾	2	
	95002-02120	95002-02120	CLIP B12 TUBE	管夾 B12	6	



Sales mark 配色標註	Ref no 參考號碼	Part no 零件號碼	Description 英文名稱	Reg description 中文名稱	Regd no 需求用量	F12
	95003	95003-23024-60	V TUBE 8*12*240	通氣管	1	
	95701	95701-06032-06	BOLT FLANGE 6*32	螺絲 6*32	1	
	96001	96001-GFY6-900	BOLT SPECIAL 5*10	螺絲 5*10	5	

F13

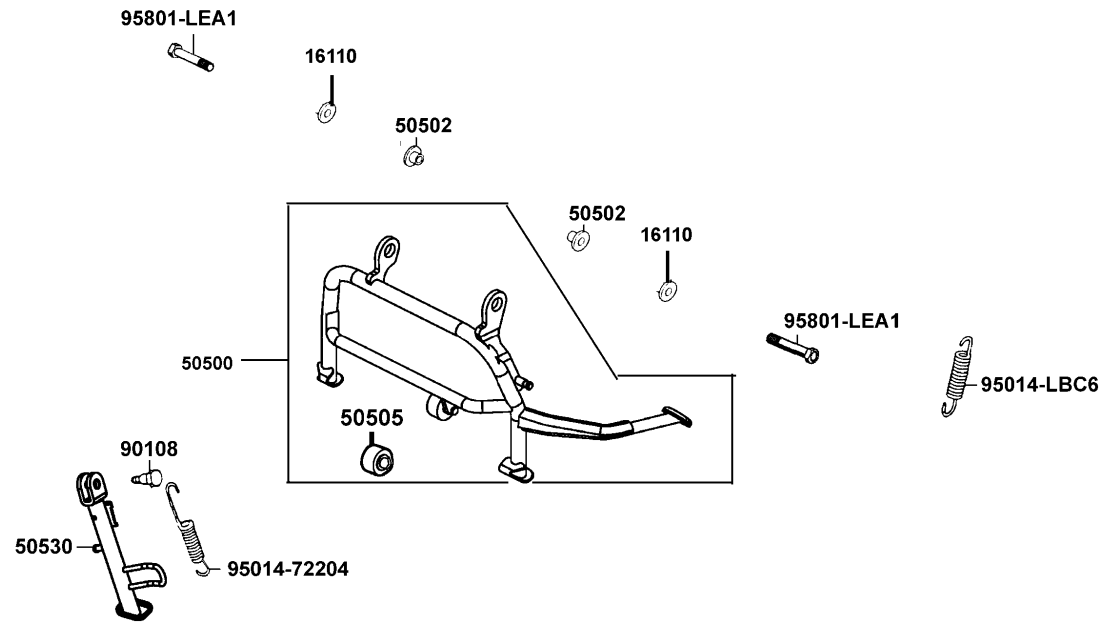
Exhaust Muffler 排氣管



Sales mark 配色標註	Ref no 參考號碼	Part no 零件號碼	Description 英文名稱	Reg description 中文名稱	Regd no 需求用量	F13
	18291-KEBE	18291-KEBE-900	COLLAR	套筒	4	
	18291-LBD4	18291-LBD4-900	GASKET EXH PIPE	排氣管墊圈	1	
	18292	18292-KEBE-900	PACKING PROTECTOR	墊片	4	
	18293	18293-KEBE-900	RUBBER PKG PROTR	橡皮	4	
	18294	18294-KEBE-900	PACKING PROTECTOR	防熱墊片	4	
	1830A	1830A-LEA2-900	MUFFLER ASSY.	排氣管總成	1	
#	18318	18318-LEA2-910	PROTECTOR MUFF	護熱蓋	1	
	39450	39450-LEA6-800	O2 SENSOR	氧氣感測器	1	
	80107	80107-KHLH-900	RUBBER A RR FENDER	後土除橡皮	1	
	90110	90110-KHD8-900	SCREW SPECIAL 6*20	特殊螺絲 6*20	4	
	90301	90301-GFY6-901	NUT (HEX) CAP 8MM	圓螺帽 8MM	2	
	94101	94101-06200	WASHER PLAIN 6MM	平華司	1	
	95701-08050	95701-08050-06	BOLT FLANGE 8*50	螺絲	1	
	96001-06008	96001-06008-07	BOLT FLANGE SH 6*8	螺絲 6*8	1	

F14

Stand Kick Starter Arm 腳架 起動踏桿

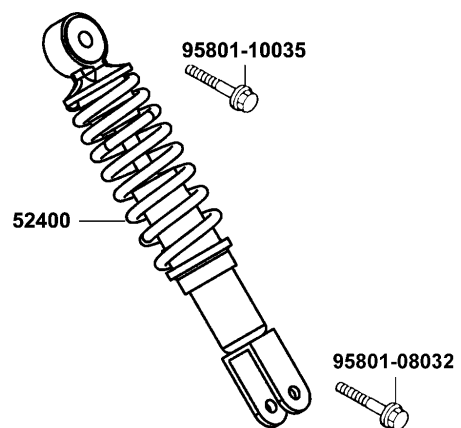


Sales mark 配色標註	Ref no 參考號碼	Part no 零件號碼	Description 英文名稱	Reg description 中文名稱	Regd no 需求用量	F14
#	16110	16110-LEA1-900	WAWASHER	華司	2	
	50500	50500-LEA2-900	STAND COMP., MAIN	STAND COMP., MAIN	1	
#	50502	50502-LEA1-910	COLLAR, MAIN STAND	主腳架套筒	1	
	50505	50505-LAD9-900	RUBBER STOPPER MAIN	主腳架橡皮	1	
	50530	50530-LEA2-900	STAND COMP., SIDE	STAND COMP., SIDE	1	
	90108	90108-KUDU-900	SCREW SIDE STAND PIVOT	側腳架螺絲	1	
	95014-72204	95014-72204	SPG B1 SIDE STAND	側腳架彈簧	1	
	95014-LBC6	95014-LBC6-900	SPG D MAIN STAND	主腳架彈簧	1	
	95801-LEA1	95801-LEA1-900	BOLT FLANGE 10*25	螺絲 10*25	2	

F15

Rear Cushion

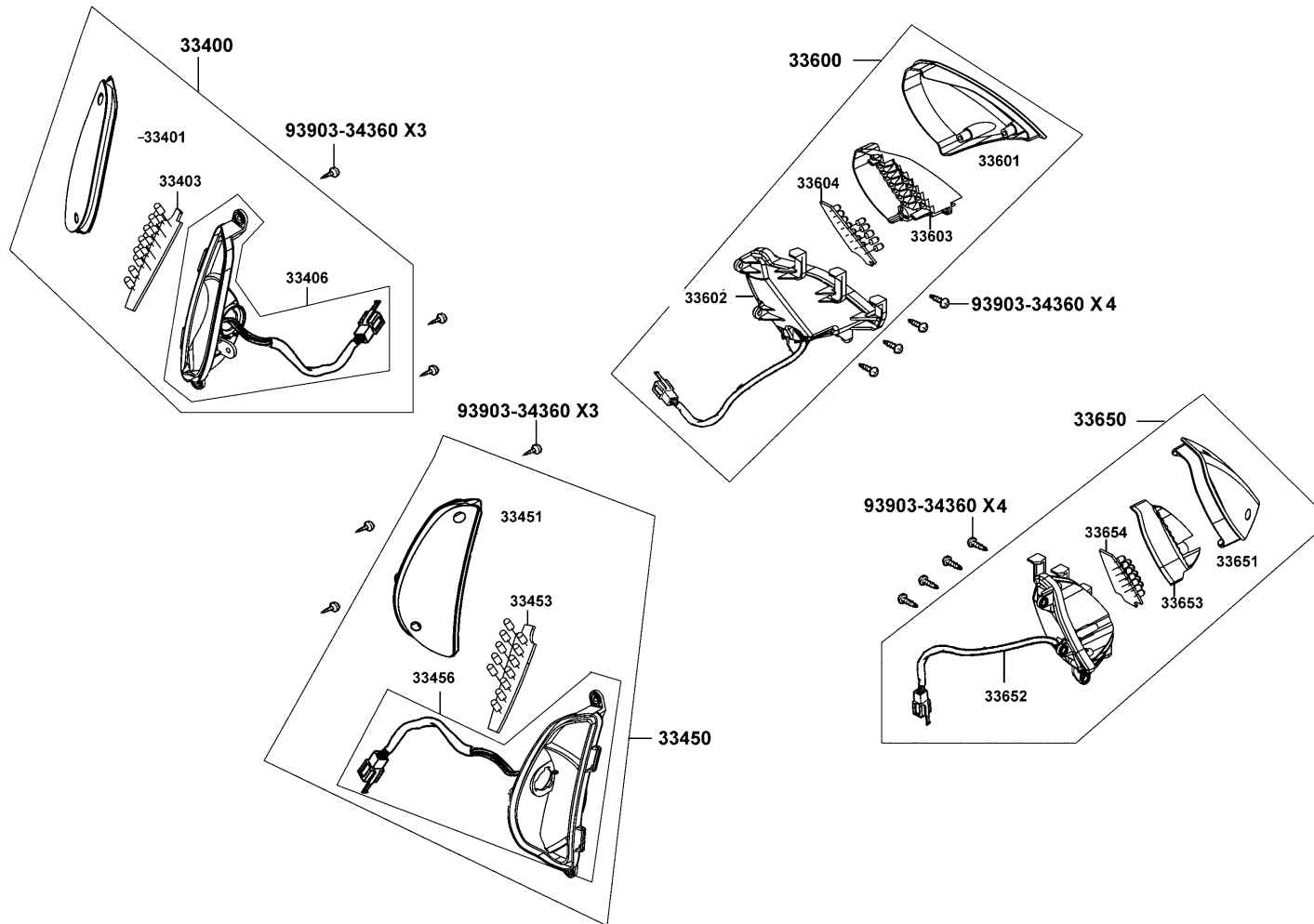
後避震器



Sales mark 配色標註	Ref no 參考號碼	Part no 零件號碼	Description 英文名稱	Reg description 中文名稱	Regd no 需求用量	F15
**	52400	52400-LEA2-900	CUSHION ASSY,RR	52400-LEA2-9000	1	
	95801-08032	95801-08032-06	BOLT FLANGE 8*32	螺絲 8*32	1	
	95801-10035	95801-10035-06	BOLT FLANGE 10*35	螺絲 10*35	1	

F16

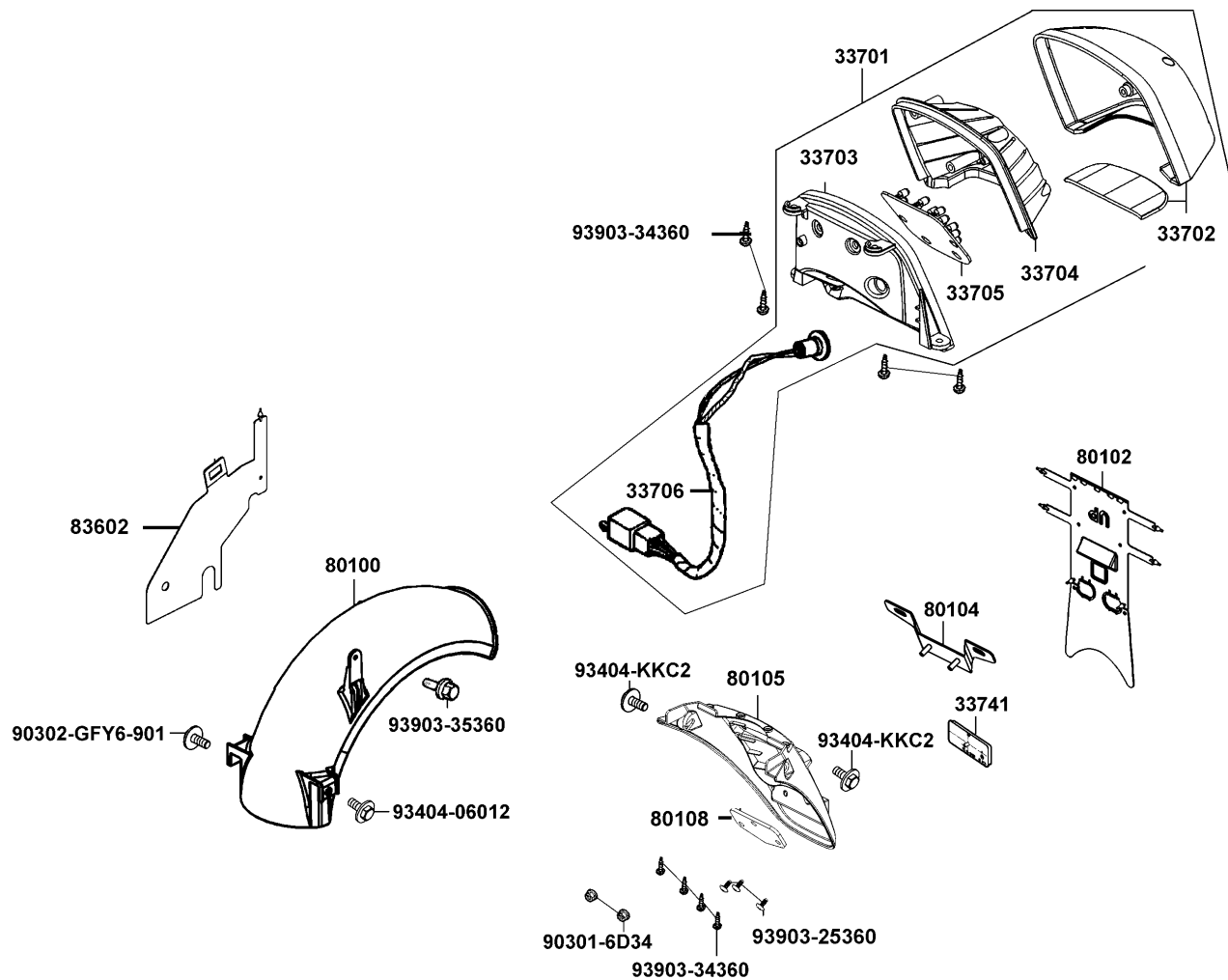
Front Winker 前方向燈



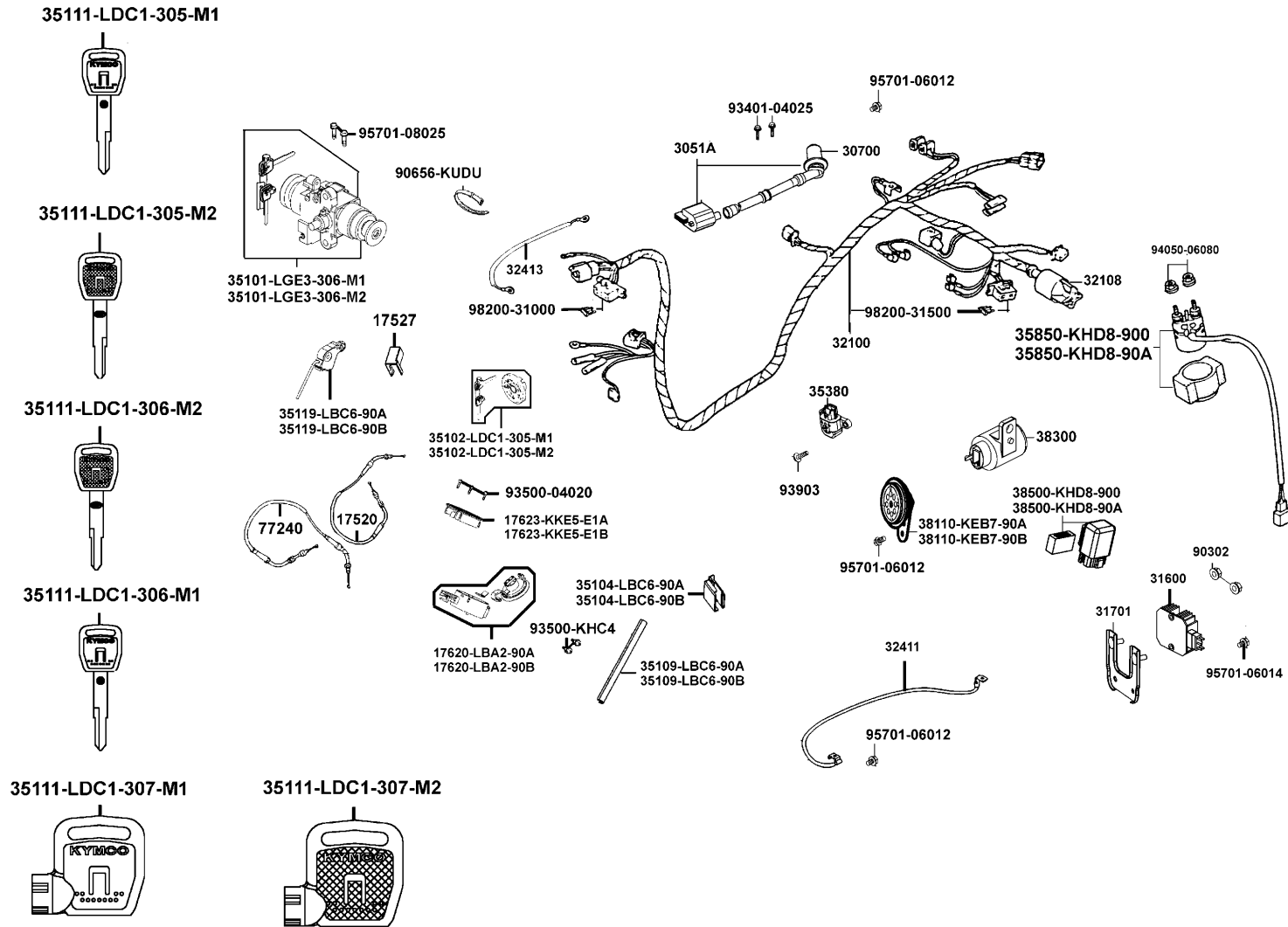
Sales mark 配色標註	Ref no 參考號碼	Part no 零件號碼	Description 英文名稱	Reg description 中文名稱	Regd no 需求用量	F16
	33400	33400-LEA2-900	WINKER ASSY FR R	右方向燈	1	
	33401	33401-LEA2-900	LENS R FR WINKER	右前方向燈殼	1	
	33403	33403-LEA2-900	LED COMP	右前方向燈泡/LED	1	
	33406	33406-LEA2-305	BASE COMP R FR WINKER	右前方向燈座組	1	
	33450	33450-LEA2-900	WINKER ASSY FR L	左方向燈	1	
	33451	33451-LEA2-900	LENS L FR WINKER	左前方向燈殼	1	
	33453	33453-LEA2-900	LED COMP	左前方向燈泡/LED	1	
	33456	33456-LEA2-305	BASE COMP L FR WINKER	左前方向燈座組	1	
	33600	33600-LEA2-900	WINKER ASSY RR R	右后方向燈	1	
	33601	33601-LEA2-900	LENS R RR WINKER	右後方向燈殼	1	
	33602	33602-LEA2-305	BASE L RR WINKER	右後方向燈座組	1	
	33603	33603-LEA2-900	BASE R RR WINKER	右後方向燈座	1	
	33604	33604-LEA2-900	LED PLATE COMP	右後方向LED燈版組	1	
	33650	33650-LEA2-900	WINKER ASSY RR L	左后方向燈	1	
	33651	33651-LEA2-900	LENS L RR WINKER	左後方向燈殼	1	
	33652	33652-LEA2-305	WINKER ASSY L RR	左後方向燈座組	1	
	33653	33653-LEA2-900	BASE L RR WINKER	左後方向燈座	1	
	33654	33654-LEA2-900	LED PLATE COMP	左後方向LED燈版組	1	
	93903-34360	93903-34360	SCREW TAPPING 4*12	螺絲 4*12	14	

F17

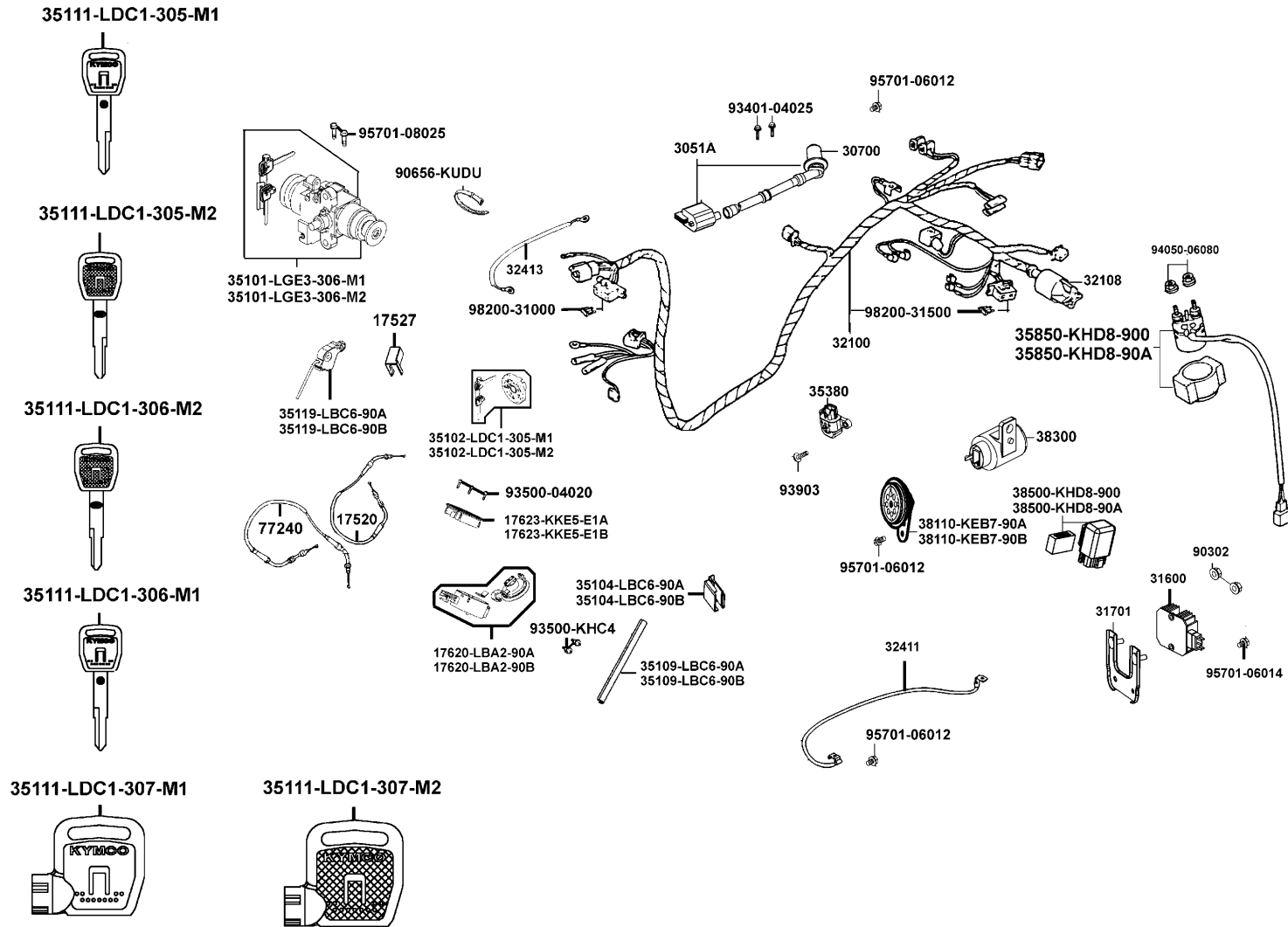
Tail Light 後燈



Sales mark 配色標註	Ref no 參考號碼	Part no 零件號碼	Description 英文名稱	Reg description 中文名稱	Regd no 需求用量	F17
	33701	33701-LKC7-900	UNIT TAIL LIGHT	后燈	1	
	33702	33702-LEA2-900	LENS TAIL LIGHT	後燈殼	1	
	33703	33703-LEA2-900	BASE	後燈板組	1	
	33704	33704-LEA2-900	RS TALL LIGHT	內飾板	1	
	33705	33705-LEA2-900	BASE COMP TAIL LIGHT	後燈座	1	
	33706	33706-LEA2-900	COMP ASSY	後燈配線	1	
	33741	33741-KEC8-900	REFLEX REFLECTOR	反光鏡片	1	
	80100	80100-LEA2-900	FENDER TIRE , RR.	後土除輪胎	1	
	80102	80102-LEA2-900	PLATE A SPLASH GUARD	PLATE A SPLASH GUARD	1	
	80104	80104-LEA2-900	STAY LICENSE PLATE	牌照板支架	1	
	80105	80105-LEA2-900	FENDER , RR.	後土除	1	
**	80108	80108-LEB1-900	PLATE, RR FENDER	固定鐵片	1	
	83602	83602-LEA2-900	PLATE B SPLASH GUARD	PLATE B SPLASH GUARD	1	
	90301-6D34	90301-6D34-671	NUT FLANGE 6MM	螺帽 6MM	2	
	90302-GFY6-901	90302-GFY6-901	BOLT WASH 5*12	螺絲 5*12	1	
	93404-06012	93404-06012-06	BOLT WASH 6*12	螺絲 6*12	1	
	93404-KKC2	93404-KKC2-900	BOLT WASH 6*16	螺絲6*16	2	
	93903-25360	93903-25360	SCREW TAPPING 5*16	螺絲釘 5*16	3	
	93903-34360	93903-34360	SCREW TAPPING 4*12	螺絲 4*12	8	
	93903-35360	93903-35360	SCREW TAPPING 5*16	螺釘 5*16	1	

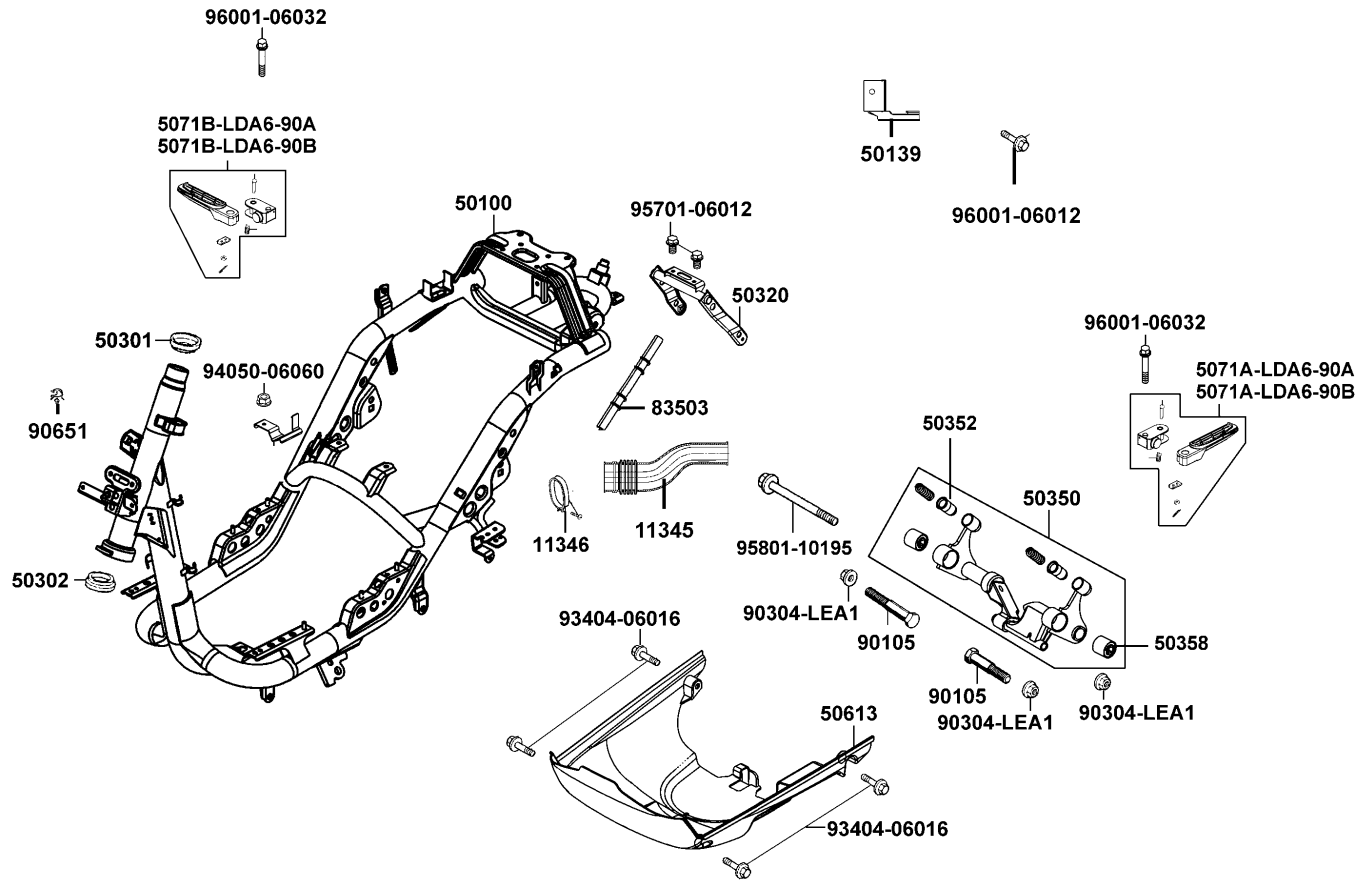


Sales mark 配色標註	Ref no 參考號碼	Part no 零件號碼	Description 英文名稱	Reg description 中文名稱	Regd no 需求用量	F18
	17520	17520-LEA2-900	CABLE COMP FUEL CAP	油箱蓋導線	1	
	17527	17527-LBA2-900	SLIDE COVER FUEL CAP	油箱蓋導線防塵蓋	1	
	17620-LBA2-90A	17620-LBA2-90A	CAP COMP FUEL FILLER	油箱蓋	1	
	17620-LBA2-90B	17620-LBA2-90B	CAP COMP FUEL FILLER	油箱蓋	1	
**	17623-KKE5-E1A	17623-KKE5-E1A	COLLAR FUEL FILLER	油箱蓋套環	1	
**	17623-KKE5-E1B	17623-KKE5-E1B	COLLAR FUEL CILLER	油箱蓋套環	1	
	3051A	3051A-LEA1-900	COIL ASSY IGN	點火線圈	1	
	30700	30700-LEA1-900	CAP ASSY NOISE SUPPRESOR	火星塞蓋	1	
	31600	31600-LEA2-900	REG. REC. COMP.	穩壓整流器	1	
	31701	31701-LEA2-700	STAY RECTIFIRE	整流器固定座	1	
	32100	32100-LEA2-900	HARNESS WIRE	車體主配線	1	
	32108	32108-GAR1-711	COVER HARNESS WIRE	主配線蓋	1	
	32411	32411-LEA2-900	CABLE, BATTERY	電池正極導線	1	
	32413	32413-LEA1-900	CABLE BAT EARTH	電瓶接地線	1	
	35101-LGE3-306-M1	35101-LGE3-306-M1	SW COMP LOCK	主開關鎖	1	
	35101-LGE3-306-M2	35101-LGE3-306-M2	SW COMP LOCK	主開關鎖	1	
	35102-LDC1-305-M1	35102-LDC1-305-M1	SHUTIER SET MAGNETIC LOCK	磁石鎖組/2合1KEY	1	
	35102-LDC1-305-M2	35102-LDC1-305-M2	SHUTIER SET MAGNETIC LOCK	磁石鎖組/2合1KEY	1	
	35104-LBC6-90A	35104-LBC6-90A	PLATE COVER FUEL CAP CABLE	油箱蓋導線防水蓋	1	
	35104-LBC6-90B	35104-LBC6-90B	PLATE COVER FUEL CAP CABLE	蓋燃料外蓋薄板導線	1	

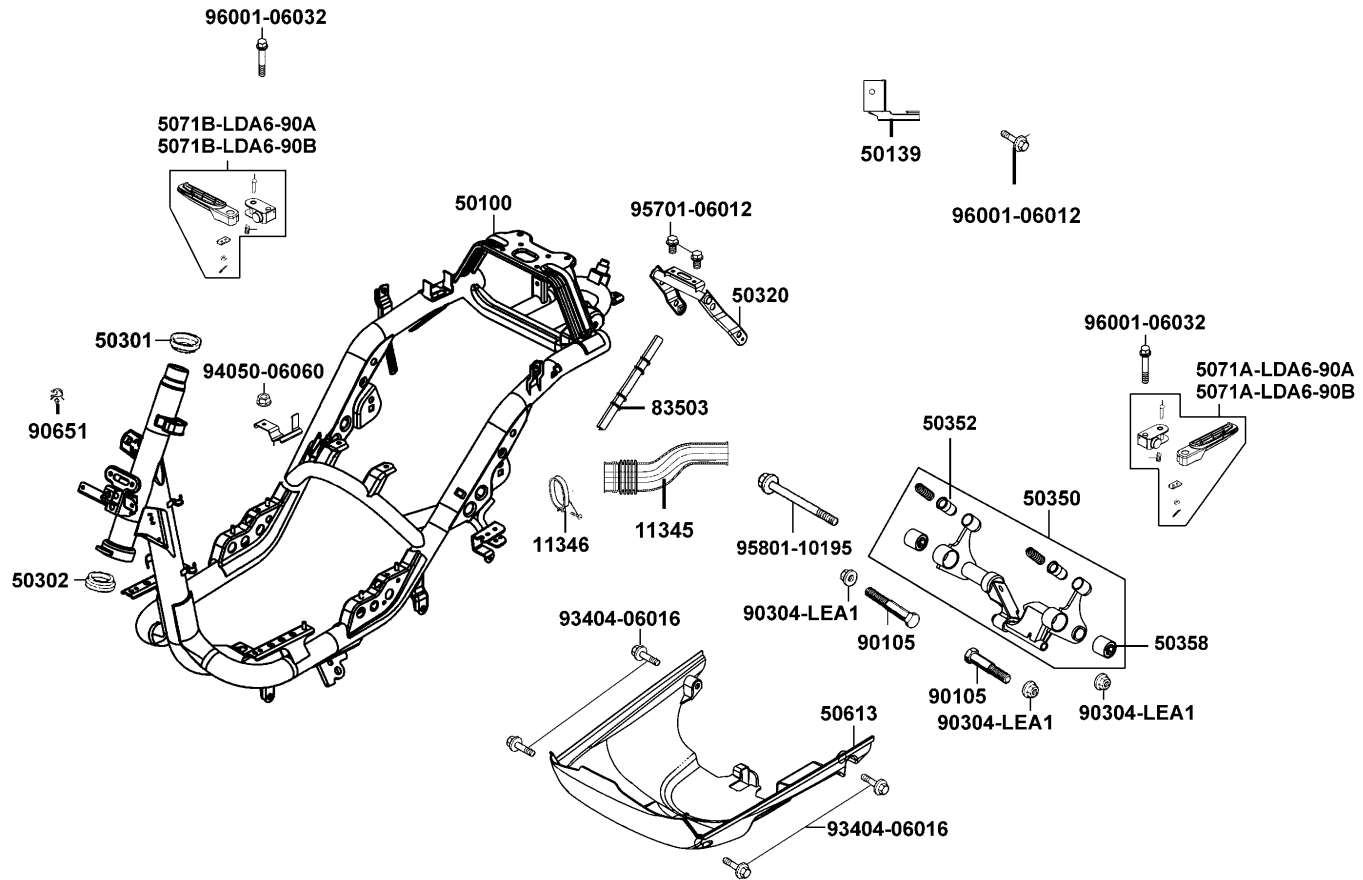


Sales mark 配色標註	Ref no 參考號碼	Part no 零件號碼	Description 英文名稱	Reg description 中文名稱	Regd no 需求用量	F18
	35109-LBC6-90A	35109-LBC6-90A	PROTECTING COVER CABLE	防水蓋	1	
	35109-LBC6-90B	35109-LBC6-90B	PROTECTING COVER CABLE	防水蓋	1	
	35111-LDC1-305-M1	35111-LDC1-305-M1	KEY COMP (R TANGENT PLANE/SD)	未加工主開關鑰匙/右切/SD	1	
	35111-LDC1-305-M2	35111-LDC1-305-M2	KEY COMP (R TANGENT PLANE/TJ)	未加工主開關鑰匙/右切/TJ	1	
	35111-LDC1-306-M1	35111-LDC1-306-M1	KEY COMP (L TANGENT PLANE/SD)	未加工主開關鑰匙/左切/SD	1	
	35111-LDC1-306-M2	35111-LDC1-306-M2	KEY COMP (L TANGENT PLANE/TJ)	未加工主開關鑰匙/左切/TJ	1	
	35111-LDC1-307-M1	35111-LDC1-307-M1	KEY COMP SHOTTER MAGNETIC (SD)	磁石鑰匙/SD	1	
	35111-LDC1-307-M2	35111-LDC1-307-M2	KEY COMP SHOTTER MAGNETIC (TJ)	磁石鑰匙/TJ	1	
	35119-LBC6-90A	35119-LBC6-90A	COVER SEAT CABLE	座墊外蓋導線	1	
	35119-LBC6-90B	35119-LBC6-90B	COVER SEAT CABLE	座墊外蓋導線	1	
	35380	35380-LEA2-900	SENSOR ANGLE DETECT	傾倒角度感知器	1	
	35850-KHD8-900	35850-KHD8-900	SET START MAG	起動開關組	1	
	35850-KHD8-90A	35850-KHD8-90A	SET START MAG	起動開關組	1	
	38110-KEB7-90A	38110-KEB7-90A	HORN COMP	喇叭	1	
	38110-KEB7-90B	38110-KEB7-90B	HORN COMP	喇叭	1	
	38300	38300-LEA2-900	RELAY COMP. WINKER	方向燈繼電器	1	
	38500-KHD8-900	38500-KHD8-900	RELAY ASSY LIGHT	繼電器	1	
	38500-KHD8-90A	38500-KHD8-90A	RELAY ASSY LIGHT	繼電器	1	
	77240	77240-LEA2-900	CABLE SEAT LOCK	座墊導線	1	
	90302	90302-GFY6-940	BOLT-WASH 5*16	螺絲 5*16	2	

Sales mark 配色標註	Ref no 參考號碼	Part no 零件號碼	Description 英文名稱	Reg description 中文名稱	Regd no 需求用量	F18
**	90656-KUDU	90656-KUDU-900	BAND HARNESS WIRE	束帶	1	
	93401-04025	93401-04025-08	BOLT WASHER 4*25	墊圈	2	
	93500-04020	93500-04020-0G	SCREW PAN 4*20	螺絲 4*20	3	
	93500-KHC4	93500-KHC4-90A	SCREW PAN 5*10	螺絲 5*10	2	
	93903	93903-35360	SCREW TAPPING 5*16	螺釘 5*16	1	
	94050-06080	94050-06080	NUT FLANGE 6MM	螺帽 6MM	2	
	95701-06012	95701-06012-08	BOLT FLANGE 6*12	螺絲 6*12	5	
	95701-06014	95701-06014-06	BOLT FLANGE 6*14	螺絲 6X14	1	
	95701-08025	95701-08025-06	BOLT FLANGE 8*25	螺絲 8*25	2	
	98200-31000	98200-31000	BLADE FUSE 10A	保險絲10A	1	
	98200-31500	98200-31500	BLADE FUSE 15A	保險絲15A	1	



Sales mark 配色標註	Ref no 參考號碼	Part no 零件號碼	Description 英文名稱	Reg description 中文名稱	Regd no 需求用量	F19
	11345	11345-LEA2-900	DUCT L COVER	通氣管	1	
	11346	11346-KEBE-900	BAND L COVER DUCT	導管束帶	1	
	50100	50100-LEA2-910	BODY COMP., FRAME	車體	1	
	50139	50139-LEA2-900	STAY, AICV	STAY, AICV	1	
	50301	50301-KGN7-671	RACE UP STRG BALL	上珠碗	1	
	50302	50302-2H68-011	RACE STRG BOT BALL	下珠碗	1	
	50320	50320-LEA2-900	STAY, RR FENDER	STAY, RR FENDER	1	
	50350	50350-LEA2-900	HANGER ASSY , ENG.	HANGER ASSY , ENG.	1	
	50352	50352-LEA2-900	RUBBER STOPPER	引擎吊架止滑橡皮	2	
	50358	50358-KHC4-900	RUBBER BUSH ENG HANGER	引擎吊架橡皮襯套	2	
	50613	50613-LEA2-900	COVER UNDER	電瓶底蓋	1	
	5071A-LDA6-90A	5071A-LDA6-90A	BAR R STEP ASSY	右後踏板桿組	1	
	5071A-LDA6-90B	5071A-LDA6-90B	BAR R STEP ASSY	右後踏板桿組	1	
	5071B-LDA6-90A	5071B-LDA6-90A	BAR L STEP ASSY	左後踏板桿組	1	
	5071B-LDA6-90B	5071B-LDA6-90B	BAR L STEP ASSY	左後踏板桿組	1	
**	83503	83503-KHD6-900	COVER PROTECT SEAT WIRE FR	前防護座墊線外蓋	1	
	90105	90105-KHC4-900	SQUARE BOLT M10X50	螺絲 10X50	2	
	90304-LEA1	90304-LEA1-900	NUT U FLANGE 10MM	螺帽 10MM	3	
	90651	90651-LEA2-900	CLIP, TUBE	扣件	1	
	93404-06016	93404-06016-06	BOLT WASHER 6*16	螺絲 6*16	4	

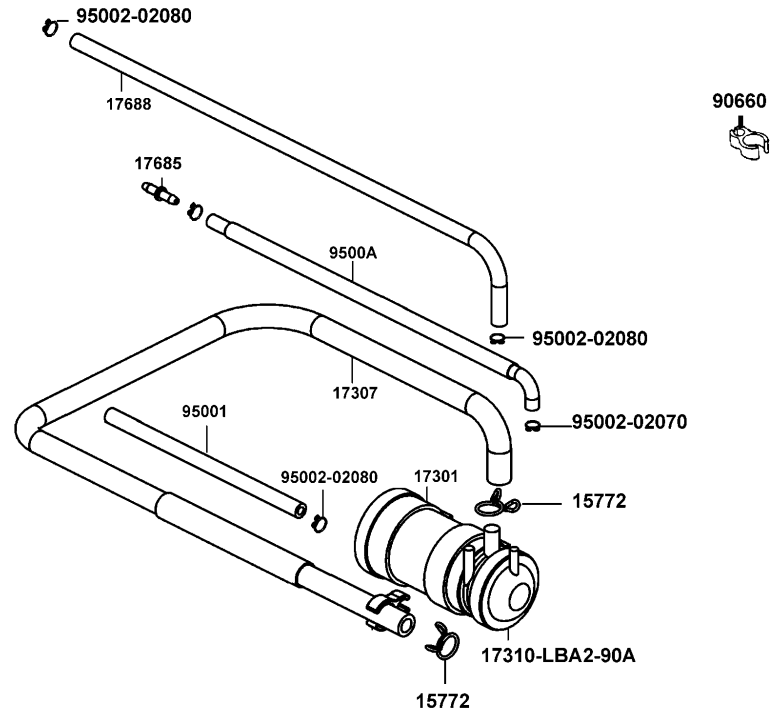


Sales mark 配色標註	Ref no 參考號碼	Part no 零件號碼	Description 英文名稱	Reg description 中文名稱	Regd no 需求用量	F19
	94050-06060	94050-06060	NUT FLANGE 6MM	螺帽 6MM	1	
	95701-06012	95701-06012-06	BOLT FLANGE 6*12	螺絲 6*12	2	
	95801-10195	95801-10195-06	BOLT FLANGE 10*195	螺絲 10*195	1	
	96001-06012	96001-06012-06	BOLT FLANGE SH 6*12	螺絲 6*12	2	
	96001-06032	96001-06032-06	BOLT FLANGE 6*32	螺絲 6*32	4	

F20

Canister

活性炭罐

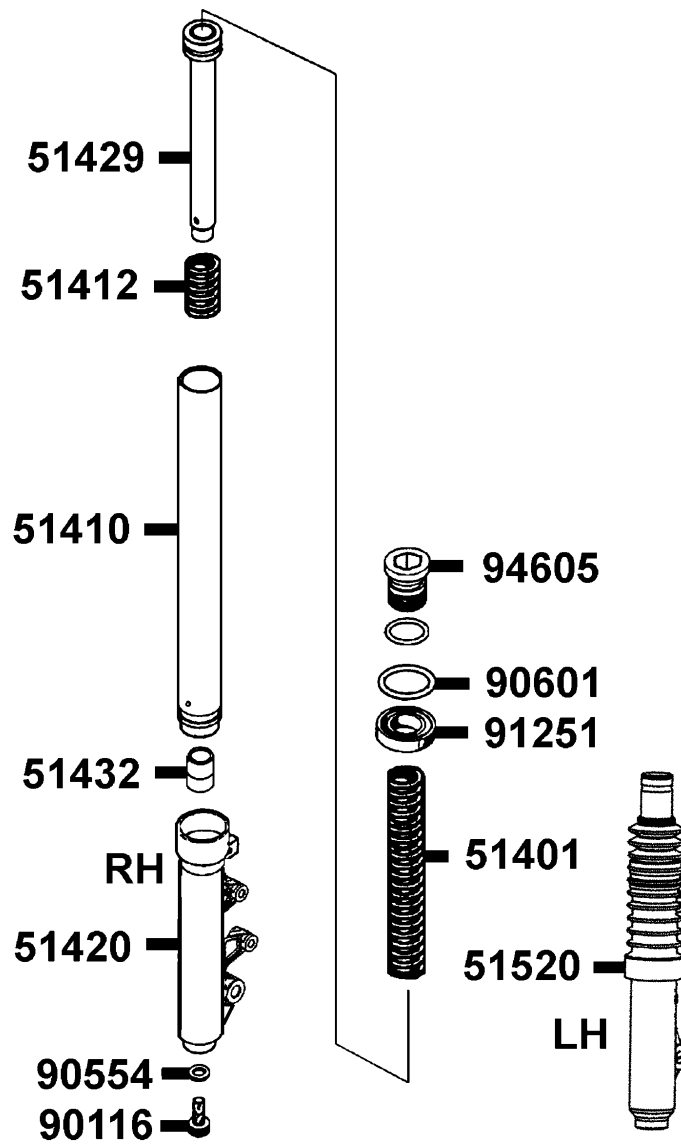


Sales mark 配色標註	Ref no 參考號碼	Part no 零件號碼	Description 英文名稱	Reg description 中文名稱	Regd no 需求用量	F20
	15772	15772-5L00-013	CLIP B14.5 TUBE	管夾	2	
	17301	17301-KNBN-960	RUBBER CANISTER MOUNT	活性碳罐懸掛橡皮	1	
	17307	17307-LEA2-900	TUBE ASSY.,CANISTER-A/C	TUBE ASSY.,CANISTER-A/C	1	
	17310-LBA2-90A	17310-LBA2-90A	CANISTER COMP	活性碳罐	1	
	17685	17685-GLE0-301	JOINT COCK-CARB TUBE	油管接頭	1	
	17688	17688-KEC8-900	TUBE TANK-CANISTER	通氣管	1	
	90660	90660-KNBN-921	CLAMP TUBE	管夾	1	
	95001	95001-LEA2-900	TUBE CANISTER-AIR	TUBE CANISTER-AIR	1	
	95002-02070	95002-02070	CLIP B7 TUBE	管夾	2	
	95002-02080	95002-02080	CLIP B8 TUBE	管夾	3	
	9500A	9500A-LEA1-900	TUBE ASSY INLET PIPE-CANISTER	油管組	1	

F21

Separated Parts Of Fr Fork

前叉附件



Sales mark 配色標註	Ref no 參考號碼	Part no 零件號碼	Description 英文名稱	Reg description 中文名稱	Regd no 需求用量	F21
	51401	51401-LEA2-900	SPRING	彈簧	2	
	51410	51410-LBC6-900	FORK PIPE COMP	前避震器管	2	
	51412	51412-KFA1-900	REBOUND SPRING	回位彈簧	2	
**	51420	51420-LBC6-800	BOTTOM CASE R	右前避震器底管	1	
	51429	51429-KFA1-900	PIPE SEAT COMP	避震器管座	2	
	51432	51432-KFA1-900	OIL LOCK PIECE	止油接頭	2	
**	51520	51520-LBC6-800	BOTTOM CASE L	左前避震器底管	1	
	90116	90116-3C83-72A	BOLT	螺絲	2	
	90554	90554-2C83-001	PACKING	墊片	2	
	90601	90601-GAR1-900	RING OIL SEAL STOPPER	油封止位環	2	
	91251	91251-LAB4-900	OIL SEAL	前避震器油封	2	
	94605	94605-KFA1-900	FORK BOLT	螺絲	2	

<ul style="list-style-type: none"> □ 請戴安全帽行駛。 □ 行駛時，請勿超過法定速度。 □ 因排氣管溫度很高，停車時請停置於他人不易碰觸之場所。 □ 為了駕駛安全及性能維護，請勿任意違法改造。 	<ul style="list-style-type: none"> □ 請確實做好定期保養工作及行車前之安全檢查。
--	---

◀ 行 駛 前 檢 查 項 目 ▶

剎車性能 輪胎 機油量
燈光 喇叭 儀表板


◎ 敬請熟讀駕駛手冊，確保行車安全 GY6-900

87560-GFY6-900

注 意

在 引 擎 發 動 前 ， 請
先 將 側 支 架 扳 起 ，
以 策 安 全 。

87541-GGS7-901


**拆電瓶前請
先關閉電源**
87502-LEB2-900

87502-LEB2-900

注 意

後 側 蓋 與 引 擎 之 間 ，
請 勿 放 入 任 何 物 品 ，
以 免 妨 礙 行 駛 。

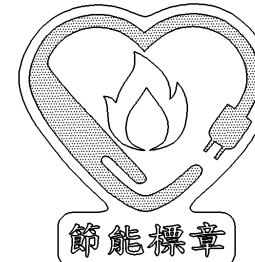
GMS-300

87542-GKM9-301

零件號碼	零件名稱	規格	單位	備註
1	P0017	引擎機油	公升	原廠機油
2	P0055	引擎機油	公升	原廠機油
3	P1190	引擎機油	公升	原廠機油
4	P1191	引擎機油	公升	原廠機油
5	P1192	引擎機油	公升	原廠機油
6	P0580	引擎機油	公升	原廠機油
7	P0110	引擎機油	公升	原廠機油
8	P0010	引擎機油	公升	原廠機油
9	P0008	引擎機油	公升	原廠機油
10	P0251	引擎機油	公升	原廠機油
11	P0320	引擎機油	公升	原廠機油
12	P0230	引擎機油	公升	原廠機油
13	P0213	引擎機油	公升	原廠機油
14	P1550	引擎機油	公升	原廠機油
15	P0300	引擎機油	公升	原廠機油
16	P0115	引擎機油	公升	原廠機油
17	P1561	引擎機油	公升	原廠機油
18	P0650	引擎機油	公升	原廠機油
19	P0100	引擎機油	公升	原廠機油
20	P1110	引擎機油	公升	原廠機油
21	P0136	引擎機油	公升	原廠機油
22	P0141	引擎機油	公升	原廠機油
23	P0171	引擎機油	公升	原廠機油

87546-LEB2-900

87546-LEB2-900



86700

注 意

輪胎最大胎壓：前輪 2.50kgf/cm² 後輪 2.50kgf/cm²
 一人騎乘時：前輪 1.50kgf/cm² 後輪 1.75kgf/cm²
 二人騎乘時：前輪 1.75kgf/cm² 後輪 2.00kgf/cm²
 輪胎規格：前輪 90/90-10 後輪 100/80-10

載物限重：前行李箱（依實車配備為準）1.5kg
 置物掛鉤 3.0kg

KGBG-900

87505-KGBG-900

Sales mark 配色標註	Ref no 參考號碼	Part no 零件號碼	Description 英文名稱	Reg description 中文名稱	Regd no 需求用量	F22
**	86700	86700-LFG7-900	STRIPE ENERGY LOGO	節能標章	1	
**	87502-LEB2-900	87502-LEB2-900	CAUTION BATTERY	標籤	1	
**	87505-KGBG-900	87505-KGBG-900	LABEL TIRE	胎壓	1	
**	87541-GGS7-901	87541-GGS7-901	CAUTION SIDE STAND	標籤	1	
**	87542-GKM9-301	87542-GKM9-301	MARK MAINT CAUTION	標籤	1	
**	87546-LEB2-900	87546-LEB2-900	CAUTION AFI	標籤	1	
**	87560-GFY6-900	87560-GFY6-900	MARK DRIVE CAUTION	標誌	1	

F23

Emblem Stripe 標徽 貼紙



86102



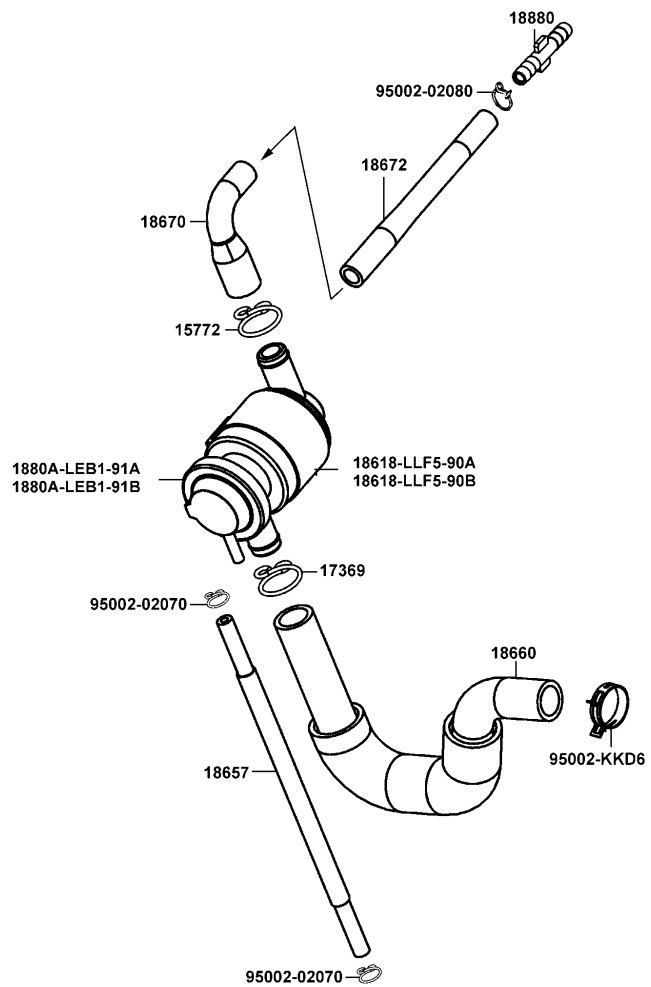
86201



86202

Sales mark 配色標註	Ref no 參考號碼	Part no 零件號碼	Description 英文名稱	Reg description 中文名稱	Regd no 需求用量
**	86102	86102-LKC7-900	EMB FR COVER	貼紙	1
**	86201	86201-LKC7-900	STRIPE BODY COVER	邊蓋貼紙	1
**	86202	86202-LKC7-900	EMB BODY COVER	邊蓋貼紙	1

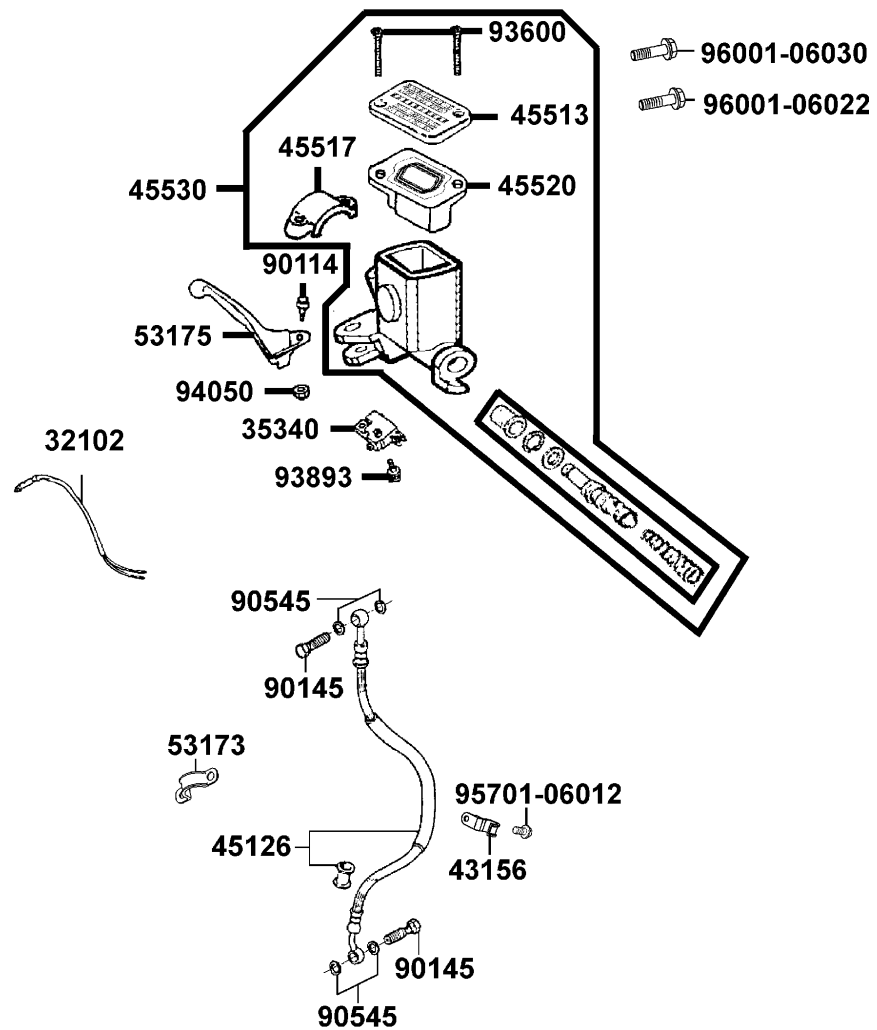
F23



Sales mark 配色標註	Ref no 參考號碼	Part no 零件號碼	Description 英文名稱	Reg description 中文名稱	Regd no 需求用量	F24
	15772	15772-5A51-001	CLIP BREATHER TUBE	通氣管夾	1	
	17369	17369-KDB4-671	CLIP BREATHER TUBE	通氣管夾	1	
	18618-LLF5-90A	18618-LLF5-90A	RUBBER AICV MOUNT	ACV橡皮	1	
	18618-LLF5-90B	18618-LLF5-90B	RUBBER AICV MOUNT	橡皮	1	
	18657	18657-LKC6-900	TUBE ASSY AICV INLET PIPE	通氣管	1	
	18660	18660-LEB1-910	DUCT AICV-REED VALVE	通氣管	1	
	18670	18670-LEB1-910	DUCT AICV-JOINT	二次空氣濾清導管	1	
	18672	18672-LEA1-900	TUBE AICV AIR/C	AICV管	1	
	1880A-LEB1-91A	1880A-LEB1-91A	AI/C-AICV ASSY	空氣噴射控制閥	1	
	1880A-LEB1-91B	1880A-LEB1-91B	AI/C-AICV ASSY	空氣噴射控制閥	1	
	18880	18880-KKD7-E00	"BODY, FLOW CONTROL "	流量控制器	1	
	95002-02070	95002-02070	CLIP B7 TUBE	管夾	2	
	95002-02080	95002-02080	CLIP B8 TUBE	管夾	1	
	95002-KKD6	95002-KKD6-E05	CLAMP D18 TUBE	管夾	1	

F25

Cylinder Assy Fr 前煞車主油缸



Sales mark 配色標註	Ref no 參考號碼	Part no 零件號碼	Description 英文名稱	Reg description 中文名稱	Regd no 需求用量	F25
	32102	32102-GFY6-901	SUB CORD R	煞車燈開關右配線	1	
	35340	35340-KNBN-901	SW ASSY FR STOP	煞車燈前置開關	1	
	43156	43156-KKC4-900	CLAMPER HOSE RR	後煞車管夾	1	
	45126	45126-LEA2-900	HOSE ASSY,FR BRK	HOSE ASSY,FR BRK	1	
	45513	45513-LEA2-900	CAP,MASTER CYLINDER.	CAP,MASTER CYLINDER.	1	
	45517	45517-KFAF-900	HOLDER M/C	主油缸固定座	1	
	45520	45520-GLW0-91A	DIAPHRAGM	橫隔板	1	
	45530	45530-LEA2-305	CYLINDER SET FR	前煞車主油缸	1	
	53173	53173-LEA2-900	HOLDER , MASTER CYLINDER.	HOLDER , MASTER CYLINDER.	1	
**	53175	53175-LEA2-910	LEVER R STRG HANDLE	LEVER R STRG HANDLE	1	
	90114	90114-KKAK-900	BOLT HANDLE LEVER	右拉桿固定螺栓	1	
	90145	90145-MKS9-61A	OIL BOLT 10*22	油管螺絲 10*22	2	
	90545	90545-3L00-001	WASHER OIL BOLT	華司	4	
	93600	93600-04012-1A	SCREW FLAT 4*12	螺絲 4*12	2	
	93893	93893-04012-18	SCREW WASHER 4*12	螺絲 4*12	1	
	94050	94050-06000	NUT FLANGE 6MM	螺帽 6MM	1	
	95701-06012	95701-06012-06	BOLT FLANGE 6*12	螺絲 6*12	1	
	96001-06022	96001-06022-06	BOLT FLANGE 6*20	螺絲 6*20	1	
	96001-06030	96001-06030-06	BOLT FLANGE SH 6*30 (G)	凸緣螺絲(墨綠色)	1	

PART NO. INDEX

零件號碼索引

PART NO. 零件號碼	VERSION 版數	PAGE 頁次	PART NO. 零件號碼	VERSION 版數	PAGE 頁次	PART NO. 零件號碼	VERSION 版數	PAGE 頁次
11000			12000			14110-LEB1-900	3	E02
11100-LEA2-305	0	E01	12100-LKC6-900	0	E03	14321-LEB1-900	3	E02
11102-1G87-004	3	E01	12191-LEA2-900	3	E03	14401-LEA2-900	2	E03
11192-LEA2-900	5	E01	12200-LKC6-900	1	E02	14420-LEA2-900	3	E02
11200-LEA2-305	0	E01	12209-LEA2-90A	2	E02	14430-LEA2-900	4	E02
11203-GGC7-301	2	E01	12216-LEB1-900	2	E02	14433-LEB1-900	1	E02
11203-KHG8-301	2	E01	12217-LEA2-900	2	E02	14434-LEB1-900	1	E02
11204-LEA1-900	1	E01	12251-LKC6-900	1	E02	14452-LKC6-900	0	E02
11205-LEA2-900	3	E01	12310-LEA2-900	6	E02	14453-LKC6-900	1	E02
11205-LEA2-900	3	E04	12361-GFY6-901	1	E04	14510-LEA2-900	2	E03
11206-LEA1-900	1	E06	12391-LEA2-900	4	E02	14520-GFY6-90A	1	E03
11208-LEA2-900	0	E04				14523-GFY6-901	0	E03
11211-LEA1-900	2	F12	13000			14531-GLR0-001	1	E03
1122A-LEA1-900	2	E01	13000-LKC7-900	2	E03	14610-LEA2-900	5	E03
11330-LEA2-900	10	E04	13011-LKC6-90B	1	E03	14711-LEA2-900	3	E02
11342-LEA1-900	6	E01	13101-LKC6-900	3	E03	14721-LEA2-900	3	E02
11345-LEA2-900	1	F19	13111-0G87-001	3	E03	14751-LEA2-900	3	E02
11346-KEBE-900	0	F19	13115-0A01-001	0	E03	14771-LEA2-900	2	E02
1134A-LEA2-900	2	E01	13406-LEA2-900	0	E02	14781-KKE5-E00	1	E02
11353-LEB2-900	1	E01				15000		
11383-LEA1-900	1	E07				15100-LEA2-900	6	E06
11386-GFY6-900	0	E07	14000			15131-LEA2-900	1	E03
11394-LEA2-900	5	E04	14100-LEA2-900	8	E02	15421-1G07-001	1	E04
11395-LEA1-900	3	E01				15426-GAE1-921	0	E04

PART NO. INDEX

零件號碼索引

PART NO. 零件號碼	VERSION 版數	PAGE 頁次	PART NO. 零件號碼	VERSION 版數	PAGE 頁次	PART NO. 零件號碼	VERSION 版數	PAGE 頁次
1565A-GFY6-900	0	E04				1756C-KKE2-900	1	F09
15772-5A51-001	1	F24	17000			17620-LBA2-90A	0	F18
15772-5L00-013	1	F20				17620-LBA2-90B	0	F18
16000			17110-LEA1-900	5	E02	17623-KKE5-E1A	0	F18
			17208-GAR1-011	0	F12	17623-KKE5-E1B	0	F18
			17211-LEA1-900	2	F12	17685-GLE0-301	2	F20
16056-LEB2-900	2	E09	17214-LEA2-900	0	F12	17688-KEC8-900	1	F20
16068-LEB2-900	3	E09	17215-LEA1-900	1	F12	17910-LEA2-900	1	F03
16074-KEC3-900	4	E09	17236-KFBF-910	1	F12			
16100-LKC7-900	0	E09	17239-LEA1-900	1	F12	18000		
16110-KKE3-900	2	E09	1723A-LEA2-900	0	F12			
16110-LEA1-900	0	F14	1723B-LEA2-900	0	F12	18291-KEBE-900	0	F13
16112-KKE3-900	1	E09	17255-KGBG-900	1	F12	18291-LBD4-900	2	F13
16118-KEC3-900	0	E09	17301-KNBN-960	0	F20	18292-KEBE-900	0	F13
16122-KEC3-900	0	E09	17307-LEA2-900	1	F20	18293-KEBE-900	0	F13
16123-LEA1-900	1	E09	17310-LBA2-90A	1	F20	18294-KEBE-900	0	F13
16133-KEC3-900	1	E09	17359-4K19-671	0	F12	1830A-LEA2-900	2	F13
16134-KKE3-900	5	E09	17369-KDB4-671	1	F24	18318-LEA2-910	2	F13
16138-KEC3-900	1	E09	17370-4K19-701	0	F12	18618-LLF5-90A	2	F24
16154-KKE3-900	4	E09	17370-LEA2-900	0	F12	18618-LLF5-90B	1	F24
16170-KEC3-900	0	E09	17371-1D74-671	0	F12	18646-GFY6-941	0	E02
16195-KEC3-900	0	E09	17510-LEA2-900	1	F09	18657-LKC6-900	1	F24
16201-GFY6-901	0	E02	17520-LEA2-900	0	F18	18660-LEB1-910	2	F24
1621A-LEA1-900	1	E02	17527-LBA2-900	0	F18	18670-LEB1-910	2	F24
			17550-LEA2-900	0	F09	18672-LEA1-900	1	F24
			17560-LEA2-900	0	F09	1880A-LEB1-91A	2	F24

PART NO. INDEX

零件號碼索引

PART NO. 零件號碼	VERSION 版數	PAGE 頁次	PART NO. 零件號碼	VERSION 版數	PAGE 頁次	PART NO. 零件號碼	VERSION 版數	PAGE 頁次
1880A-LEB1-91B	2	F24	22102-LEA2-900	4	E05	23431-LKC7-900	1	E08
18880-KKD7-E00	2	F24	22105-LEA2-900	2	E05	23432-LKC6-900	1	E08
19000			22110-LEA2-900	2	E05	28000		
			22112-GFY6-90A	0	E05			
			22121-LEA2-900	2	E05			
19504-LBA2-E00	3	F09	22131-LEA2-900	1	E05	28101-LEA2-900	1	E06
19505-LEA2-900	0	F09	22132-LEA2-900	2	E05	28102-LEA2-900	2	E06
19510-GBW2-901	3	E07	22300-LEA2-900	3	E05	28110-LEA2-900	2	E06
19613-GFY6-901	0	E07	22350-KHC4-900	0	E05	28120-LEA2-900	5	E06
1961A-LEA2-900	7	E07	22401-KEB8-900	0	E05	28125-4F26-001	0	E06
19625-LEA2-900	1	E07	22530-LBC6-900	1	E05	28125-LEA2-900	2	E06
19626-LEA2-900	2	E07	22804-1H48-001	0	E05	28126-KNBN-901	0	E06
1962A-LEA2-900	7	E07				28211-LBC6-900	2	E05
19633-GFY6-901	0	E07	23000					
19635-LEA2-900	1	E07				30000		
19636-LEA2-900	2	E07	2301A-LKC6-900	5	E05			
1963A-LEA1-900	3	E07	23100-LKC6-900	1	E05	3051A-LEA1-900	2	F18
21000			23200-LKC6-900	3	E05	30700-LEA1-900	2	F18
			23220-LKC6-900	3	E05			
			23225-GHC8-004	0	E05	31000		
21301-LEA2-305	0	E08	23226-GHC8-004	0	E05			
21395-LEA2-900	6	E08	23233-LFE2-910	1	E05	31110-LEA1-90B	2	E07
22000			23237-GFY6-941	0	E05	31110-LEA1-90C	2	E07
			23238-LEA2-900	3	E05	31120-LEA1-90B	3	E07
			23411-LKC6-900	2	E08	31120-LEA1-90C	2	E07
22100-LKC6-900	1	E05	23420-LKC6-900	1	E08	31205-KGN7-670	0	E06

PART NO. INDEX

零件號碼索引

PART NO. 零件號碼	VERSION 版數	PAGE 頁次	PART NO. 零件號碼	VERSION 版數	PAGE 頁次	PART NO. 零件號碼	VERSION 版數	PAGE 頁次
31210-KKC3-900	3	E06	33401-LEA2-900	0	F16			
31210-KKC3-90C	2	E06	33403-LEA2-900	0	F16	34000		
31500-GFY6-94A-YU	4	F10	33406-LEA2-305	0	F16			
31500-GFY6-94B-KY	4	F10	33450-LEA2-900	0	F16	34901-KTCT-900	0	F01
31600-LEA2-900	0	F18	33451-LEA2-900	0	F16	34903-KALA-900	0	F01
31701-LEA2-700	1	F18	33453-LEA2-900	0	F16			
32000			33456-LEA2-305	0	F16	35000		
			33500-LKC7-900	0	F04			
			33505-LEA2-900	1	F04	35101-LGE3-306-M1	0	F18
32100-LEA2-900	2	F18	33600-LEA2-900	0	F16	35101-LGE3-306-M2	0	F18
32102-GFY6-901	1	F25	33601-LEA2-900	0	F16	35102-LDC1-305-M1	0	F18
32106-KKE3-900	2	E06	33602-LEA2-305	0	F16	35102-LDC1-305-M2	0	F18
32108-GAR1-711	0	F18	33603-LEA2-900	0	F16	35104-LBC6-90A	0	F18
32410-LDA6-900	1	E06	33604-LEA2-900	0	F16	35104-LBC6-90B	0	F18
32411-LEA2-900	1	F10	33650-LEA2-900	0	F16	35109-LBC6-90A	1	F18
32411-LEA2-900	1	F18	33651-LEA2-900	0	F16	35109-LBC6-90B	1	F18
32412-LEA2-900	0	E04	33652-LEA2-305	0	F16	35111-LDC1-305-M1	0	F18
32413-LEA1-900	4	F18	33653-LEA2-900	0	F16	35111-LDC1-305-M2	0	F18
33000			33654-LEA2-900	0	F16	35111-LDC1-306-M1	0	F18
			33701-LKC7-900	0	F17	35111-LDC1-306-M2	0	F18
			33702-LEA2-900	0	F17	35111-LDC1-307-M1	0	F18
33100-LKC7-900	0	F01	33703-LEA2-900	0	F17	35111-LDC1-307-M2	0	F18
33104-LEA2-305	0	F01	33704-LEA2-900	0	F17	35119-LBC6-90A	0	F18
33106-LEA2-900	0	F01	33705-LEA2-900	0	F17	35119-LBC6-90B	0	F18
33120-LEA2-305	0	F01	33706-LEA2-900	0	F17	35151-LEA2-305	0	F03
33400-LEA2-900	0	F16	33741-KEC8-900	0	F17	35152-LEA2-910	0	F03

PART NO. INDEX

零件號碼索引

PART NO. 零件號碼	VERSION 版數	PAGE 頁次	PART NO. 零件號碼	VERSION 版數	PAGE 頁次	PART NO. 零件號碼	VERSION 版數	PAGE 頁次
35201-LEA2-305	0	F03	38500-KHD8-900	0	F18	43416-LEA1-900	3	F07
35202-LEA2-900	0	F03	38500-KHD8-90A	0	F18	43450-LEA2-900	4	F03
35340-GBN2-770	3	F03				43472-1A61-001	2	F03
35340-KNBN-901	0	F25	39000					
35380-LEA2-900	1	F18				44000		
35850-KHD8-900	1	F18	39300-LEB2-800	1	E02			
35850-KHD8-90A	0	F18	39301-LEA1-900	1	E02	44301-LGE3-900	1	F06
			39302-KKE3-900	2	E02	44311-GLW0-901	0	F06
37000			39303-LEB2-900	2	E02	44610-KHC4-305	0	F06
			39400-KKE3-800	2	E02	44620-KSBS-900	0	F06
37200-LKC7-90A	1	F02	39450-LEA6-800	2	F13	44705-KHC4-900	2	F06
37200-LKC7-90B	1	F02				44710-LAB4-90A-G304	3	F06
37212-LEA2-90A	0	F02	42000			44710-LAB4-90A-G304	3	F07
37212-LEA2-90B	0	F02				44710-LAB4-90B-G303	2	F06
37215-LEA2-900	0	F04	42610-GKAK-901	4	F07	44710-LAB4-90B-G303	2	F07
37215-LGM9-900	0	F04	42705-KHC4-900	5	F07	44800-KNBN-901	6	F06
37230-LEA2-90A	0	F02	42753-KXCX-900	1	F06	44830-LEA2-900	1	F02
37230-LEA2-90B	0	F02	42753-KXCX-900	1	F07			
37801-LLJ3-E00	1	F09				45000		
3780A-LEA2-900	1	F09	43000					
						45105-LEA1-306	0	F06
38000			4314A-LEA1-900	3	F07	45107-MEN5-007	0	F06
			43156-KKC4-900	1	F25	45108-MDL4-007	2	F06
38110-KEB7-90A	2	F18	43352-5H68-004	3	F06	45109-GBE2-007	0	F06
38110-KEB7-90B	2	F18	43353-4A61-77A	0	F06	45121-GAR1-950	2	F06
38300-LEA2-900	1	F18	43410-LEA2-900	1	F07	45126-LEA2-900	2	F25

PART NO. INDEX

零件號碼索引

PART NO. 零件號碼	VERSION 版數	PAGE 頁次	PART NO. 零件號碼	VERSION 版數	PAGE 頁次	PART NO. 零件號碼	VERSION 版數	PAGE 頁次	
45128-KFC9-900	0	F05	50301-KGN7-671	2	F19	51000			
4512A-LCB4-910	1	F07	50302-2H68-011	2	F19				
45132-1F66-017	0	F06	50306-1F96-001	0	F05				
45133-LDA3-900	1	F07	50320-LEA2-900	1	F19		51401-LEA2-900	0	F21
45133-MCA3-007	0	F06	50323-LEB1-900	1	F10		51407-LBC6-900	1	F05
45156-KEC6-900	2	F05	50325-LEA2-900	1	F10		51408-LBC6-900	2	F05
45200-LEA1-900	2	F06	50327-LEA2-900	1	F10		5140A-LEA2-900	0	F05
45209-GBE2-007	0	F06	50328-LEA2-900	0	F10		51410-LBC6-900	0	F21
45210-LEA1-306	0	F06	5032A-LEA2-900	1	F10		51412-KFA1-900	0	F21
45215-KECE-900	0	F06	50350-LEA2-900	0	F19		51420-LBC6-800	0	F21
45513-LEA2-900	0	F25	50352-LEA2-900	1	F19		51429-KFA1-900	0	F21
45517-KFAF-900	0	F25	50358-KHC4-900	1	F19		51432-KFA1-900	0	F21
45520-GLW0-91A	0	F25	50500-LEA2-900	0	F14		5150A-LEA2-900	0	F05
45530-LEA2-305	0	F25	50502-LEA1-910	2	F14		51520-LBC6-800	0	F21
45531-GAR1-951	0	F06	50505-LAD9-900	3	F14	52000			
46000			50530-LEA2-900	0	F14				
			50560-LEA2-900	0	E04				
			50570-LEA2-900	0	E01		52400-LEA2-900	1	F15
46513-LEB1-900	1	F07	50613-LEA2-900	1	F19	53000			
46514-LEA1-900	3	F03	5071A-LDA6-90A	1	F19				
50000			5071A-LDA6-90B	1	F19				
			5071B-LDA6-90A	1	F19		53100-LEA2-800	3	F03
			5071B-LDA6-90B	1	F19		53125-GEN5-901	0	F03
50100-LEA2-910	0	F19			53140-LCB4-700	1	F03		
50139-LEA2-900	0	F19			53140-LCB4-700	2	F03		
50140-LEA2-900	3	F09			53150-LCB4-700	3	F03		

PART NO. INDEX

零件號碼索引

PART NO. 零件號碼	VERSION 版數	PAGE 頁次	PART NO. 零件號碼	VERSION 版數	PAGE 頁次	PART NO. 零件號碼	VERSION 版數	PAGE 頁次
53173-LEA2-900	0	F03	64303-LEA2-900	1	F04			
53173-LEA2-900	0	F25	64308-LEA2-900	1	F04	81000		
53175-LEA2-910	0	F03	64310-LEA2-900	2	F04			
53175-LEA2-910	0	F25	64316-LEA2-900	1	F04	81131-LEA2-910	0	F04
53178-LEA2-900	0	F03				81132-LEA2-900	0	F04
53200-LEA2-900	1	F05	77000			81132-LFG6-900	2	F04
53205-LEA2-900	1	F03				81133-LEA2-910	1	F04
53206-LEA2-900	0	F03	77200-LKC7-900	3	F08	81141-LEA2-900	1	F04
53206-LEA2-900	2	F03	77206-KEB7-900	0	F08	81142-KUDU-900	1	F04
53207-LEA2-900	2	F03	77235-LEA1-900	3	F08	81251-LEA2-900	2	F11
53211-GFY6-940	1	F05	77240-LEA2-900	0	F18	81252-LEA2-900	0	F11
53212-2L50-011	1	F05	77300-LEA2-900	1	F08	81260-LEA2-900	2	F11
53214-2L50-001	0	F05	77304-LEA2-900	0	F08	81300-LEA2-900	0	F11
53215-2L50-001	0	F05				83000		
61000			80000					
			80100-LEA2-900	1	F17	83500-LEA2-345	0	F11
61100-LEA2-900	0	F05	80102-LEA2-900	1	F17	83503-KHD6-900	2	F19
61101-LEA2-900	0	F05	80104-LEA2-900	0	F17	83600-LEA2-345	0	F11
61102-LEA2-900	0	F05	80105-LEA2-900	1	F17	83602-LEA2-900	1	F17
64000			80107-KHLH-900	0	F13	83750-LEA2-900	2	F11
			80108-LEB1-900	0	F17	8376A-KECE-901	2	F04
			80151-LEA2-900	1	F11			
64206-MLJ0-001	1	F11	80152-LEA2-900	2	F04	86000		
64222-LBC6-900	1	F11						
64301-LEA2-345	0	F04				86102-LKC7-900	2	F23

PART NO. INDEX

零件號碼索引

PART NO. 零件號碼	VERSION 版數	PAGE 頁次	PART NO. 零件號碼	VERSION 版數	PAGE 頁次	PART NO. 零件號碼	VERSION 版數	PAGE 頁次
86201-LKC7-900	0	F23				90111-1G87-001	1	F11
86202-LKC7-900	0	F23	89000			90114-KKAK-900	0	F25
86404-LGE3-900	1	F05				90115-LBC6-900	1	F03
86700-LFG7-900	2	F22	89010-LEA2-900	0	F08	90116-3C83-72A	0	F21
87000			90000			90131-LEB1-900	1	F06
						90145-MKS9-61A	1	F25
						90164-MDR4-901	0	F04
87122-LKC7-950	1	F08	90001-GBHB-661	0	E03	90201-GFY6-901	0	E06
87502-LEB2-900	1	F11	90001-GFY6-901	1	E02	90201-PHB8-001	0	E05
87502-LEB2-900	1	F22	90005-KAW1-901	1	E03	90202-1G87-001	0	E05
87503-LEA1-900	1	E07	9000A-KTDT-900	1	E01	90206-0A01-001	1	E02
87505-KGBG-900	2	F22	9000B-KHD6-900	2	E02	90301-6D34-671	1	F17
87541-GGS7-901	2	F22	90012-3C33-001	0	E02	90301-GFY6-901	2	F13
87541-LEA1-900	1	E07	90031-KUDU-900	0	E01	90302-GFY6-901	1	F04
87542-GKM9-301	3	F22	90032-LEA1-900	2	E01	90302-GFY6-901	1	F05
87546-LEB2-900	1	F22	90033-GFY6-900	0	E02	90302-GFY6-901	1	F09
87560-GFY6-900	3	F22	90101-KGC4-E00	1	F08	90302-GFY6-901	1	F17
88000			90105-KCR3-001	1	F06	90302-GFY6-940	1	F09
			90105-KHC4-900	1	F19	90302-GFY6-940	1	F10
			90105-LBC6-900	0	F11	90302-GFY6-940	1	F18
88110-LKC7-900	2	F03	90106-GEN5-901	0	F03	90302-KEC8-900	1	F03
88114-LGE3-900	0	F03	90108-KUDU-900	1	F14	90302-KNBN-900	1	F12
88114-LKC7-900	1	F03	90110-KHD8-900	0	F13	90302-LLB1-E00	2	F09
88120-LKC7-900	2	F03	90110-KHG8-901	0	F06	90302-SDA4-004	2	F04
			90110-KHG8-901	0	F07	90302-SDA4-004	2	F05
			90110-LBC6-900	0	F05	90302-SDA4-004	2	F11

PART NO. INDEX

零件號碼索引

PART NO. 零件號碼	VERSION 版數	PAGE 頁次	PART NO. 零件號碼	VERSION 版數	PAGE 頁次	PART NO. 零件號碼	VERSION 版數	PAGE 頁次
90304-4H38-001	2	E02	90652-LFB5-900	0	F04	91106-KHC4-90B	0	E08
90304-GHE8-004	0	F03	90652-LGJ9-900	2	E02	91202-GFY6-90A	1	E04
90304-LEA1-900	1	F19	90656-KCBC-900	0	F03	91202-GFY6-90B	1	E04
90305-GHK8-001	1	E07	90656-KUDU-900	0	F18	91202-LEA1-90A	3	E08
90305-KNBN-90A	0	F07	90660-KNBN-921	0	F20	91202-LEA2-900	3	E01
90305-KNBN-90B	0	F07	90677-GAR1-004	1	F10	91211-GHK8-014	0	E05
90306-LFE2-900	1	F06	90701-HFB6-011	1	E03	91251-LAB4-900	0	F21
90309-GLW0-90A	1	F06	90741-0E35-001	0	E03	91255-GLE0-006	0	E01
90309-GLW0-90A	1	F07	90754-GHC8-00A	1	F06	91258-KAM1-00A	1	F06
90309-KLF0-004-SY	1	E01	90754-GHC8-00B	1	F06	91301-0C53-001	0	E01
90403-LEA2-900	2	E06	90912-GHC8-00A	0	F06	91301-0H28-001	0	E02
90442-0D44-001	0	E05	90912-GHC8-00D	0	F06	91301-GLR0-005	1	E03
90442-LEA1-900	1	E02				91302-0A01-021	0	E04
90443-8D44-001	0	E01	91000			91302-KHD6-900	0	E02
90443-8D44-001	0	E04				91306-1E05-691	0	E03
90451-KUDU-900	0	E08	91001-GFY6-90A	2	E05	91307-0E35-001	0	E04
90474-3C33-001	1	E01	91001-KGBG-90A	0	E01	91309-4E25-004	0	E06
90481-LEA1-900	1	E02	91001-KGBG-90B	1	E01	91351-6B42-000	0	E05
90501-KNBN-901	0	F07	91001-KHC4-90B	0	E08	91352-KHG8-83B	0	F07
9052A-LEB1-900	1	E01	91002-GGA7-70A	0	E05	91353-GFY6-900	0	F07
90545-3L00-001	2	F25	91009-GLE0-004	1	E01	91981-KGN7-670	0	E06
90554-2C83-001	0	F21	91014-LLJ3-E00	1	F05			
90601-GAR1-900	0	F21	91015-LLJ3-E00	1	F05	92000		
90603-0D44-001	0	E05	91101-GFY6-90A	0	E06			
90605-2L00-001	0	E08	91101-LEA2-900	1	E06	92101-05012-0H	0	E07
90651-LEA2-900	0	F19	91106-KHC4-90A	0	E08	92101-06014-0H	1	E02

PART NO. INDEX

零件號碼索引

PART NO. 零件號碼	VERSION 版數	PAGE 頁次	PART NO. 零件號碼	VERSION 版數	PAGE 頁次	PART NO. 零件號碼	VERSION 版數	PAGE 頁次	
92712-06028-0B	0	E02	93903-24360	0	F05	94050-06060	0	F10	
92900-06060-0B	0	E02	93903-25360	0	F17	94050-06060	0	F19	
93000			93903-25460	0	F12	94050-06080	0	E02	
			93903-34360	0	F01	94050-06080	0	E09	
			93903-34360	0	F03	94050-06080	0	F18	
			93903-34360	0	F04	94050-08080	0	E02	
			93903-34360	0	F10	94050-10080	0	E07	
93401-04025-08	0	F18	93903-34360	0	F11	94050-12080	0	E05	
93404-06012-06	0	F17	93903-34360	0	F16	94101-06200	0	F13	
93404-06016-06	0	F04	93903-34360	0	F17	94101-KKE3-900	1	E09	
93404-06016-06	0	F19	93903-34360	0	F03	94111-05800	0	E06	
93404-06030-06	0	F12	93903-35260	0	F02	94111-06800	0	E02	
93404-KKC2-900	1	F17	93903-35320	0	F09	94111-06800	0	E09	
93500-03010-1A	0	E06	93903-35360	0	F17	94301-08140	0	E01	
93500-04020-0G	0	F18	93903-35360	0	F18	94301-08140	0	E04	
93500-04025-0A	0	F12	93903-35360	0	F04	94301-10160	0	E02	
93500-KHC4-90A	0	F18	93903-GFY6-900	1	F11	94301-10160	0	E03	
93600-04012-1A	0	F25	93903-GFY6-900	1	E01	94520-28000	0	E05	
93600-06020-06	0	E06	93904-35360	0	E07	94540-05018	0	E06	
93600-LEA2-900	1	E06	93904-35360	0		94591-27000	0	F04	
93700-05018-0H	0	F02	94000			94591-KFBF-900	2	E02	
93892-04006-08	0	E06					94591-KFBF-900	2	F09
93892-04010-08	0	E09					94605-KFA1-900	0	F21
93892-05010-08	0	E09							
93893-04012-18	0	F25		94001-05000-0S	0	F03			
93901-LEA2-305	0	F03	94050-06000	0	F25				
93901-LEA2-306	0	F03	94050-06060	0	F08				
93903-14460	0	F04	94050-06060	0	F09				

PART NO. INDEX

零件號碼索引

PART NO. 零件號碼	VERSION 版數	PAGE 頁次	PART NO. 零件號碼	VERSION 版數	PAGE 頁次	PART NO. 零件號碼	VERSION 版數	PAGE 頁次	
95000			95701-06025-08	0	F07	96001-06030-06	0	F25	
			95701-06032-06	0	F12	96001-06032-06	0	F19	
			95701-08012-08	0	E01	96001-06032-08	0	E01	
	95001-LEA2-900	1	F20	95701-08025-06	0	F18	96001-06032-08	0	E04
	95002-02070	0	E09	95701-08050-06	0	F13	96001-06050-08	0	E01
	95002-02070	0	F20	95801-08025-06	0	E01	96001-06090-08	0	E04
	95002-02070	0	F24	95801-08025-06	0	E04	96001-06095-08	0	E02
	95002-02080	0	F12	95801-08032-06	1	F15	96001-06100-08	0	E04
	95002-02080	0	F20	95801-08040-08	0	F05	96001-GFY6-900	1	E02
	95002-02080	0	F24	95801-10035-06	0	F15	96001-GFY6-900	1	F12
	95002-02120	0	F12	95801-10195-06	0	F19	96100-60020-00	0	E01
	95002-50000	0	E01	95801-LEA1-900	1	F14	96100-62030-00	0	E08
	95002-KKD6-E05	0	F24				96100-63040-00	1	E08
	95003-23024-60	0	F12	96000			96220-20118	0	E06
	9500A-LEA1-900	1	F20				96220-40080	0	E06
	95014-72204	0	F14	96001-06008-07	0	F13			
	95014-LBC6-900	0	F14	96001-06012-06	0	F03	98000		
	95015-32001	0	F03	96001-06012-06	0	F08			
	95015-42000	0	F03	96001-06012-06	0	F19	98059-57916-00	2	E02
	95701-06012-06	1	F05	96001-06014-08	0	E02	98200-31000	1	F10
95701-06012-06	1	F10	96001-06016-08	0	E07	98200-31000	1	F18	
95701-06012-06	1	F19	96001-06018-08	0	E06	98200-31500	0	F10	
95701-06012-06	1	F25	96001-06022-06	1	F25	98200-31500	0	F18	
95701-06012-08	0	F09	96001-06022-08	0	E07				
95701-06012-08	0	F18	96001-06025-08	0	E01				
95701-06014-06	0	F18	96001-06025-08	0	E07				