

PARTS CATALOGUE



SCOOTERS

SP20FB

SO EASY 100



Date : 2010/01/12

前言

- 本零件型錄適用於 SP20FB 機種，訂購零件時，請參照本冊。
- 本冊之配色表僅供參考，若與實車不符之處，以實車為準。
- 配色記號(Color Mark)
註明 "***" 記號，表示訂購該零件時，請參照機種相片及配色表，並請在基本零件號碼最後加上色碼。
- 本冊若有錯誤或遺漏之處，敬請不吝賜教指正。

ABOUT THIS PARTS LIST

- This parts list is compiled all service parts for model SP20FB.
- Any difference between color chart and motorcycle will be revised according to motorcycle.
- The sales mark:
 - 1.marking "***" must add color code in the end before ordering parts.
- When modification or additions to this parts list are made a revised edition at an appropriate time.

目次

● 前言	1
● SP20FB 配色表	3
● 引擎結構圖	9
● 車架結構圖	10
● 引擎號碼表	13
● 車架零件號碼表	43
● 零件號碼索引	105

CONTENTS

● ABOUT THIS PARTS LIST	1
● COLOR CHART OF SP20FB	3
● CONTENTS-ENGINE GROUP	9
● CONTENTS-FRAME GROUP	10
● ENGINE PARTS LIST	13
● FRAME PARTS LIST	43
● PART NO. INDEX	105

NO	MODEL			SP20FB COLOR CHART			
	PHOTO NO			NO. 1	NO. 2	NO. 3	NO. 4
	BASIC COLOR			淺晶藍	銀粉紅	亮銀	珍珠白
	CODE			Light Blue Metallic	Pink Metallic	Bright Silver	Pearly White
	PARTS NAME	PARTS NO.	VERSION	PB078MA	RR222MA	NH045MA	NH193PA
1	LEVER L STRG HANDLE	53178-KKE2-900	2	M2A			
2	LEVER R STRG HANDLE	53175-KHC3-900	0	N1A			
3	COVER FR	64301-KHC3-375	3	CGP	EAP	N8P	NVP
4	COVER SET R BODY	83500-KHC4-375	1				
5	COVER SET L BODY	83600-KHC3-375	0	CGP	P3P	N8P	NVP
6	COVER FR HANDLE	53205-KHC3-900	1				
7	FENDER FR INNER	61110-KFA2-900	1				
8	GRIP RR COMP	8120A-LFG6-900	3	H5R			
9	FENDER FR DOWN	61120-KFA2-900	0				
10	FRONT MOLD	64302-KHC3-900	1				
11	MOLDING ASSY R SIDE	83501-LFG6-900	5				
12	SIDE MOLD L	83601-LFG6-900	5				
13	PROTECTOR COMP	18318-LDC1-90A	1	N1R			
14	PROTECTOR COMP	18318-LDC1-90B	1				
15	BATTERY CASE	50329-LGM9-900	0				
16	COVER UNDER	50613-LFG6-900	2				
17	GRIP COMP THROT	53140-KFA1-900	2				
18	GRIP L HANDLE	53166-KFA1-900	2				
19	COVER HANDLE RR	53206-KHC4-900	2				
20	PANEL FLOOR	64310-LFG6-900	5				
21	PLUG FLOOR	64316-KHE2-900	0				
22	FENDER RR TIRE	80100-KHC4-800	1				
23	COVER CENTER	80151-KHC4-900	1				
24	COVER FR INNER UP	81131-KHC4-900	2				
25	HOOK LUGGAGE	81132-LFG6-900	2				
DATE OF STARTING-SALES							
DATE OF END-SALES							

NO	MODEL			SP20FB COLOR CHART			
	PHOTO NO			NO. 5			
	BASIC COLOR			黒			
	CODE			Black			
	PARTS NAME	PARTS NO.	VERSION	NH001SA			
1	LEVER L STRG HANDLE	53178-KKE2-900	2	M2A			
2	LEVER R STRG HANDLE	53175-KHC3-900	0	N1A			
3	COVER FR	64301-KHC3-375	3	N1P			
4	COVER SET R BODY	83500-KHC4-375	1				
5	COVER SET L BODY	83600-KHC3-375	0				
6	COVER FR HANDLE	53205-KHC3-900	1				
7	FENDER FR INNER	61110-KFA2-900	1				
8	GRIP RR COMP	8120A-LFG6-900	3				
9	FENDER FR DOWN	61120-KFA2-900	0				
10	FRONT MOLD	64302-KHC3-900	1	N1R			
11	MOLDING ASSY R SIDE	83501-LFG6-900	5				
12	SIDE MOLD L	83601-LFG6-900	5				
13	PROTECTOR COMP	18318-LDC1-90A	1				
14	PROTECTOR COMP	18318-LDC1-90B	1				
15	BATTERY CASE	50329-LGM9-900	0				
16	COVER UNDER	50613-LFG6-900	2				
17	GRIP COMP THROT	53140-KFA1-900	2				
18	GRIP L HANDLE	53166-KFA1-900	2				
19	COVER HANDLE RR	53206-KHC4-900	2				
20	PANEL FLOOR	64310-LFG6-900	5				
21	PLUG FLOOR	64316-KHE2-900	0				
22	FENDER RR TIRE	80100-KHC4-800	1				
23	COVER CENTER	80151-KHC4-900	1				
24	COVER FR INNER UP	81131-KHC4-900	2				
25	HOOK LUGGAGE	81132-LFG6-900	2				
DATE OF STARTING-SALES							
DATE OF END-SALES							

NO	MODEL			SP20FB COLOR CHART			
	PHOTO NO			NO. 1	NO. 2	NO. 3	NO. 4
	BASIC COLOR			淺晶藍	銀粉紅	亮銀	珍珠白
	CODE			Light Blue Metallic	Pink Metallic	Bright Silver	Pearly White
	PARTS NAME	PARTS NO.	VERSION	PB078MA	RR222MA	NH045MA	NH193PA
26	COVER FR INNER LOW	81141-KHC4-900	5	N1R			
27	LID LEG SHIELD	81142-KUDU-900	1				
28	COVER PROTR SEAT	83503-KHD6-900	2				
29	COVER L SIDE	11341-KHC4-900	5	N8A			
30	HUB SUB COMP RR	42610-GKAK-901	4	NJA			
31	HUB SUB ASSY FR	44610-GLW0-305	2				
32	PANEL SUB COMP FR	45000-LGM9-900	2				
33	FORK SET R FR	51400-LFG6-900	2				
34	BOTTOM CASE R	51420-LFG6-900	0				
35	FORK SET L FR	5150A-LFG6-900	2				
36	BOTTOM CASE L	51520-LFG6-900	0				
37	RIM COMP WHEEL	42705-KHC4-900	5	NJS			
38	RIM COMP FR WHEEL	44705-KHC4-900	2	R8S			
39	CUSHION ASSY REAR	52400-KHC5-E00	0				
40	SEAT ASSY.	77200-LGM1-900	0	T01			
41	EMB K-LOGO 24MM	86102-LAB4-900	1				
42	STRIPE BODY COVER	86201-LGM1-900	0				
43	STRIPE ENERGY LOGO	86700-LFG7-900	2				
44	MARK E/M 5th STAGE	87122-LGK8-950	2				
45	LABEL E/M 5 MARK	87501-LEB2-950	1				
46	CAUTION BATTERY	87502-LEB2-900	1				
47	CAUTION MUFFLER	87503-LEB2-900	2				
48	LABEL TIRE	87505-KGBG-900	2				
49	CAUTION SIDE STAND	87541-GGS7-901	2				
50	LABE OIL CAP	87541-KHC4-900	1				
DATE OF STARTING-SALES							
DATE OF END-SALES							

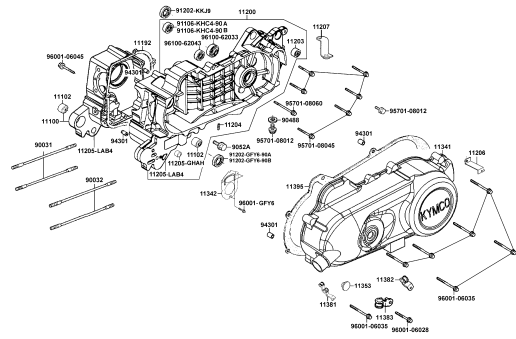
NO	MODEL			SP20FB COLOR CHART			
	PHOTO NO			NO. 5			
	BASIC COLOR			黒			
	CODE			Black			
	PARTS NAME	PARTS NO.	VERSION	NH001SA			
26	COVER FR INNER LOW	81141-KHC4-900	5	N1R			
27	LID LEG SHIELD	81142-KUDU-900	1				
28	COVER PROTR SEAT	83503-KHD6-900	2				
29	COVER L SIDE	11341-KHC4-900	5	N8A			
30	HUB SUB COMP RR	42610-GKAK-901	4	NJA			
31	HUB SUB ASSY FR	44610-GLW0-305	2				
32	PANEL SUB COMP FR	45000-LGM9-900	2				
33	FORK SET R FR	51400-LFG6-900	2				
34	BOTTOM CASE R	51420-LFG6-900	0				
35	FORK SET L FR	5150A-LFG6-900	2				
36	BOTTOM CASE L	51520-LFG6-900	0				
37	RIM COMP WHEEL	42705-KHC4-900	5	NJS			
38	RIM COMP FR WHEEL	44705-KHC4-900	2				
39	CUSHION ASSY REAR	52400-KHC5-E00	0	R8S			
40	SEAT ASSY.	77200-LGM1-900	0	T01			
41	EMB K-LOGO 24MM	86102-LAB4-900	1				
42	STRIPE BODY COVER	86201-LGM1-900	0				
43	STRIPE ENERGY LOGO	86700-LFG7-900	2				
44	MARK E/M 5th STAGE	87122-LGK8-950	2				
45	LABEL E/M 5 MARK	87501-LEB2-950	1				
46	CAUTION BATTERY	87502-LEB2-900	1				
47	CAUTION MUFFLER	87503-LEB2-900	2				
48	LABEL TIRE	87505-KGBG-900	2				
49	CAUTION SIDE STAND	87541-GGS7-901	2				
50	LABE OIL CAP	87541-KHC4-900	1				
DATE OF STARTING-SALES							
DATE OF END-SALES							

NO	MODEL			SP20FB COLOR CHART			
	PHOTO NO			NO. 1	NO. 2	NO. 3	NO. 4
	BASIC COLOR			淺晶藍	銀粉紅	亮銀	珍珠白
	CODE			Light Blue Metallic	Pink Metallic	Bright Silver	Pearly White
	PARTS NAME	PARTS NO.	VERSION	PB078MA	RR222MA	NH045MA	NH193PA
51	MARK MAINT CAUTION	87542-GKM9-301	3	T01			
52	CAUTION AFI	87546-LGM1-900	0				
53	MARK DRIVE CAUTION	87560-GFY6-900	3				
DATE OF STARTING-SALES							
DATE OF END-SALES							

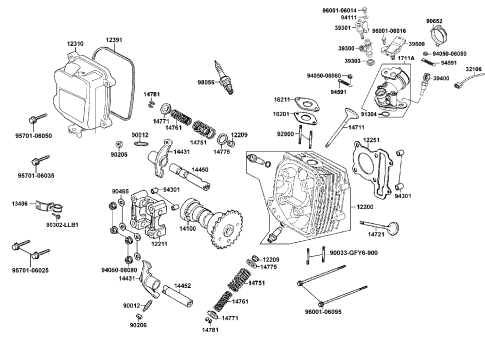
NO	MODEL			SP20FB COLOR CHART			
	PHOTO NO			NO. 5			
	BASIC COLOR			黒			
	CODE			Black			
	PARTS NAME	PARTS NO.	VERSION	NH001SA			
51	MARK MAINT CAUTION	87542-GKM9-301	3	T01			
52	CAUTION AFI	87546-LGM1-900	0				
53	MARK DRIVE CAUTION	87560-GFY6-900	3				
DATE OF STARTING-SALES							
DATE OF END-SALES							

CONTENTS - ENGINE GROUP

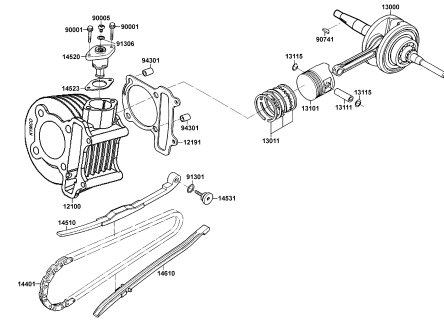
E01 曲軸箱



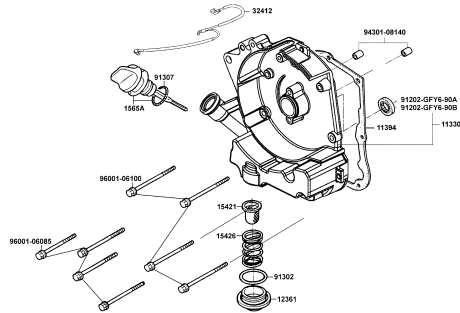
E02 汽缸頭蓋 汽缸頭



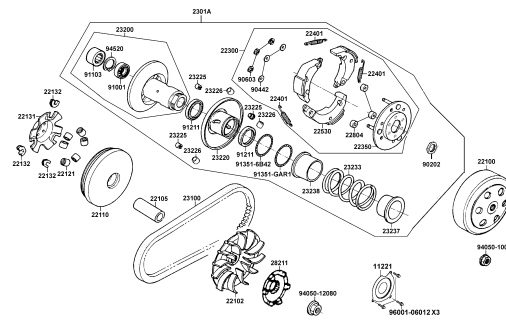
E03 汽缸 活塞 曲軸



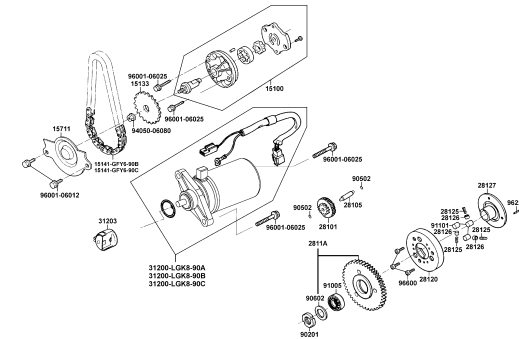
E04 右曲軸箱蓋



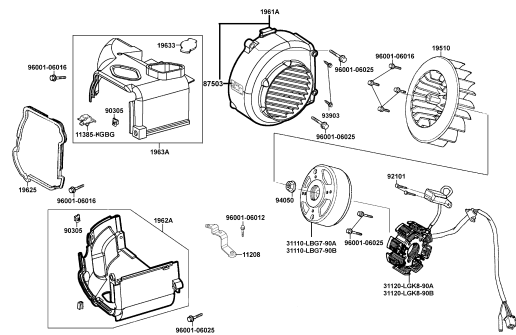
E05 皮帶輪



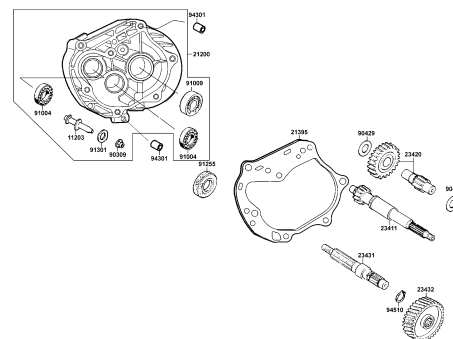
E06 起動馬達 機油泵



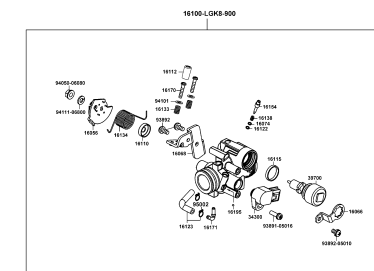
E07 風扇蓋 發電機



E08 傳動系

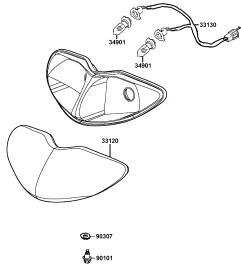


E09 化油器

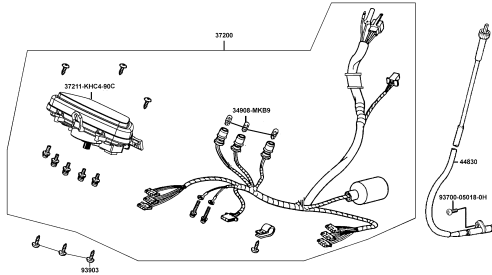


CONTENTS - FRAME GROUP

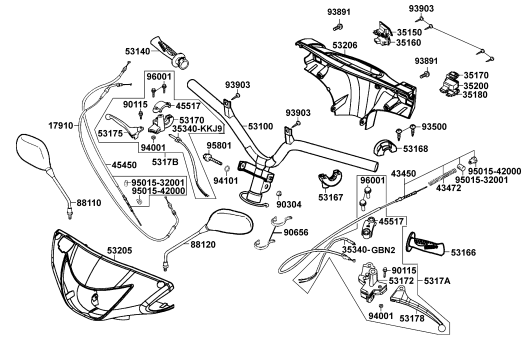
F01 前燈



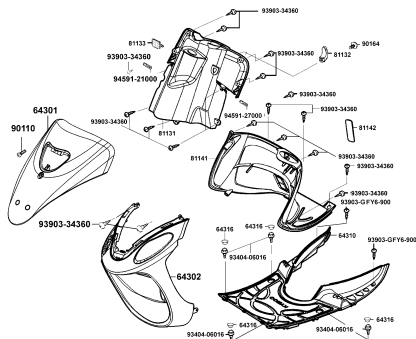
F02 儀錶



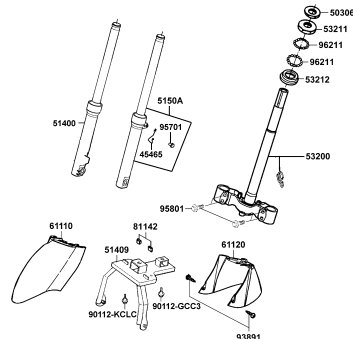
F03 轉向手柄 手柄蓋



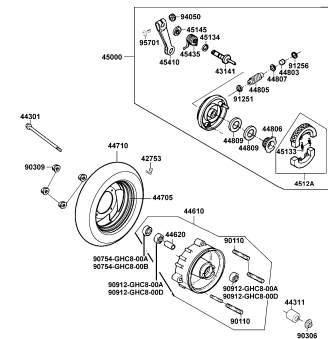
F04 前蓋 前土除



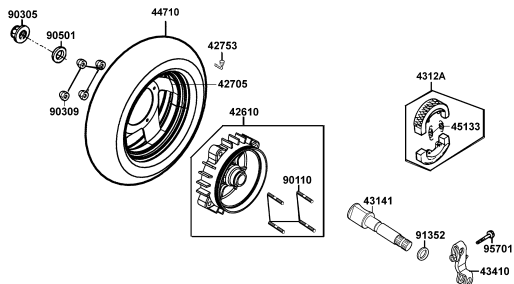
F05 轉向桿 前避震器



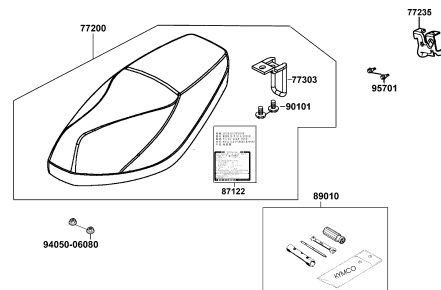
F06 前輪



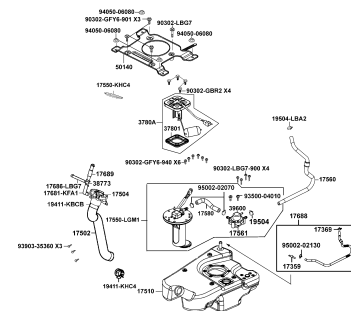
F07 後輪



F08 座墊

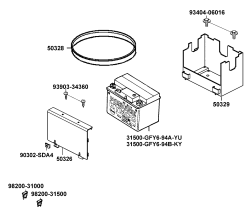


F09 油箱

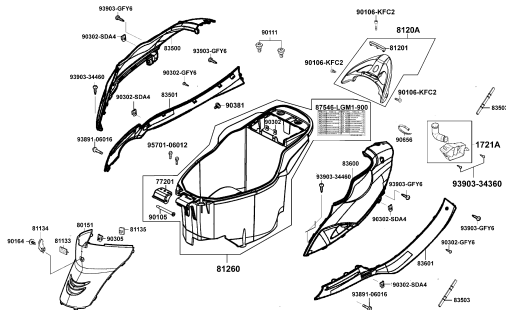


CONTENTS - FRAME GROUP

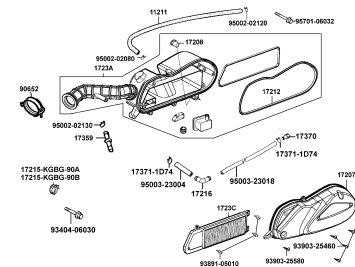
F10 電瓶



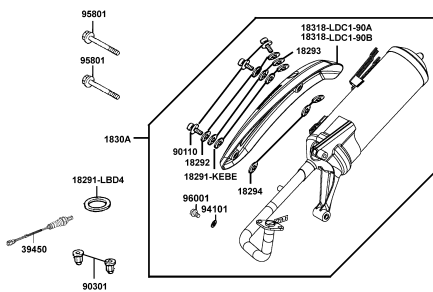
F11 車體蓋 行李箱



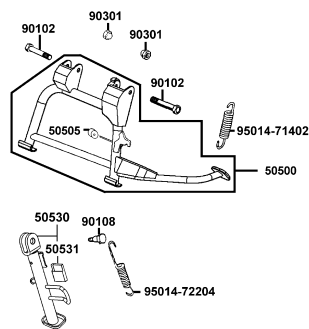
F12 空氣濾清器



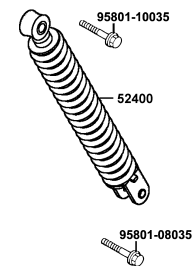
F13 排氣管



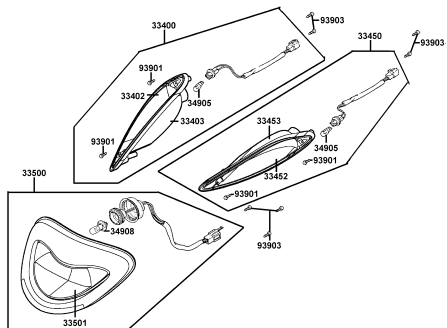
F14 腳架 起動踏桿



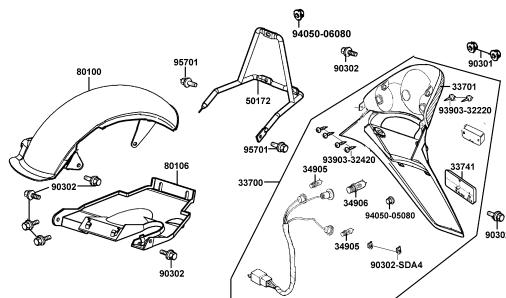
F15 後避震器



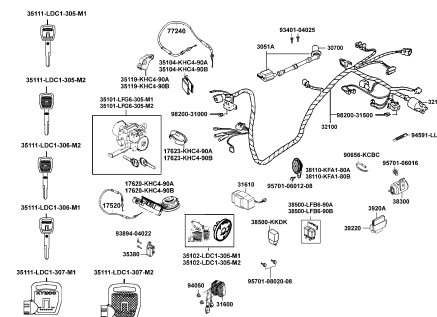
F16 前方向燈



F17 後燈

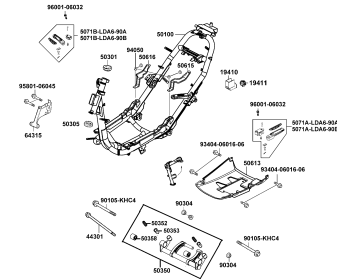


F18 主電路配線

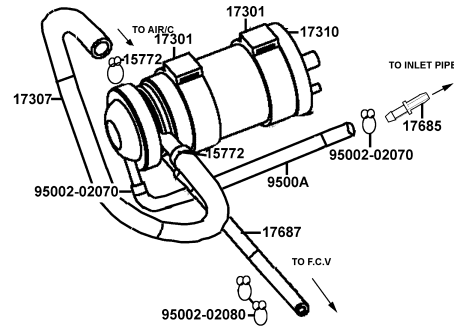


CONTENTS - FRAME GROUP

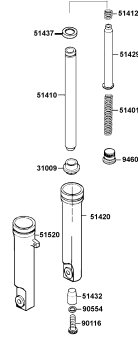
F19 車體



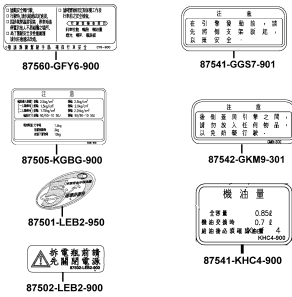
F20 活性炭罐



F21 前避震器細件



F22 注意標籤

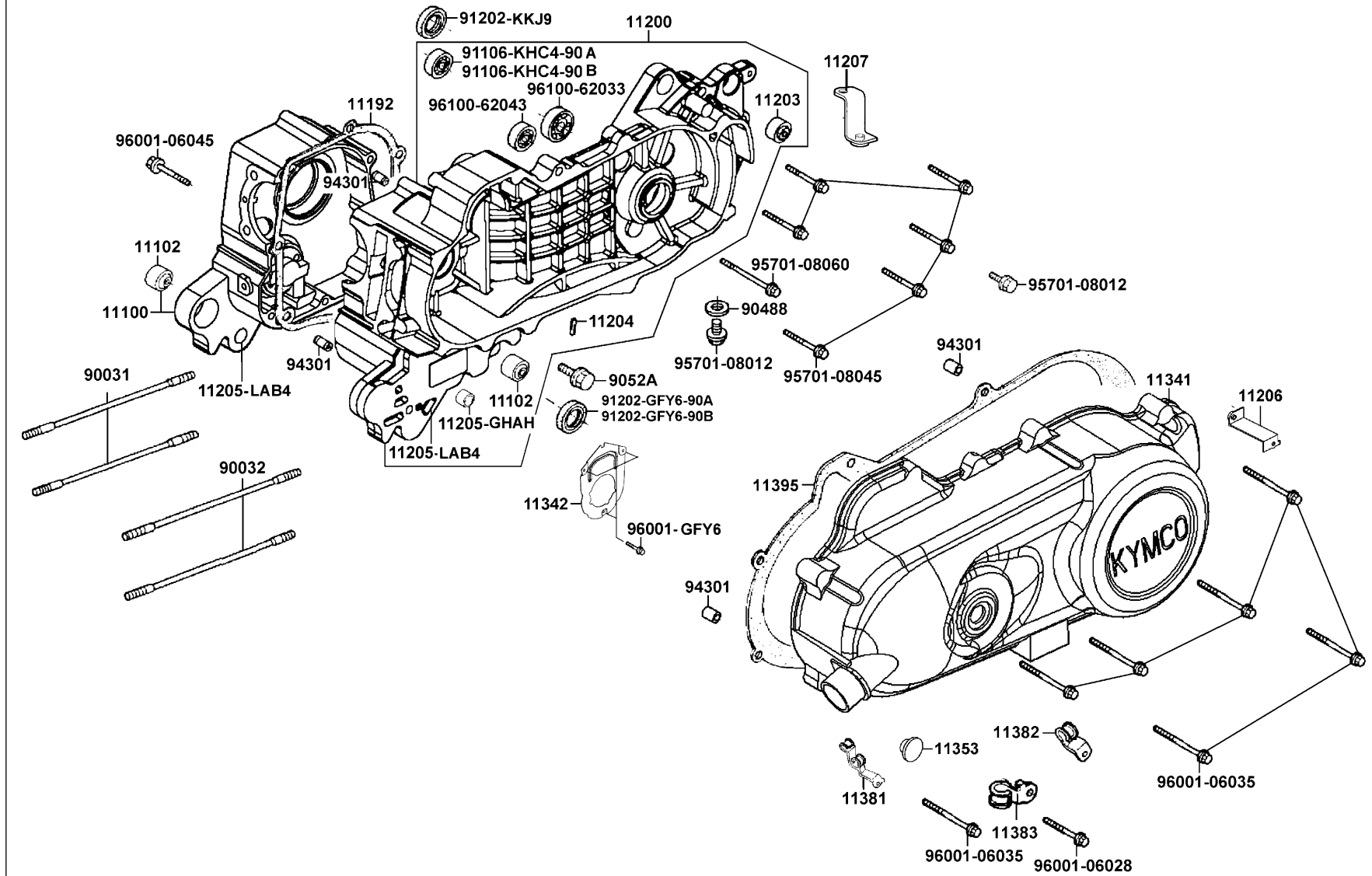


F23 [not define]



E01

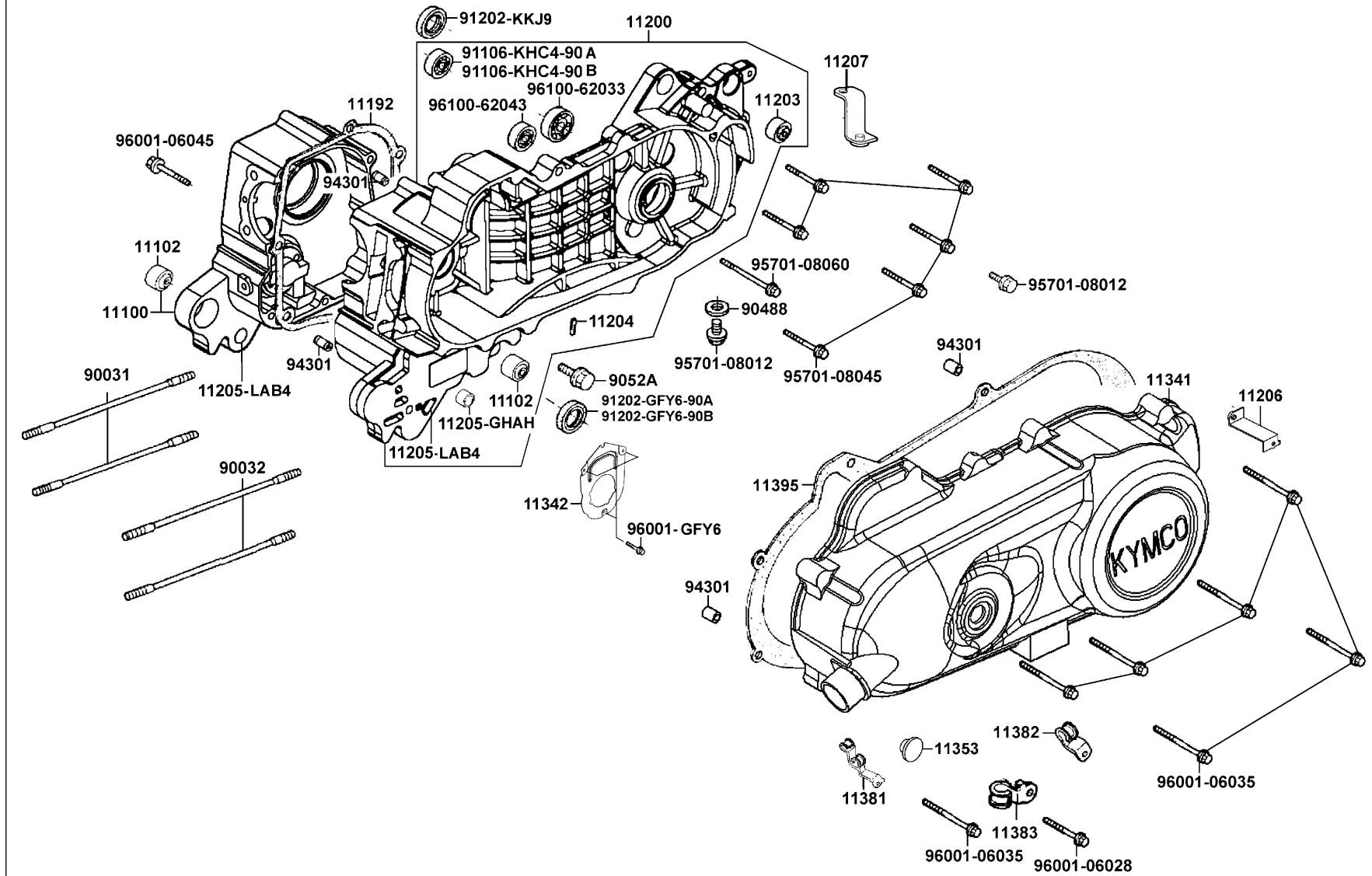
Crank Case 曲軸箱



Sales mark 配色標註	Ref no 參考號碼	Part no 零件號碼	Description 英文名稱	Reg description 中文名稱	Regd no 需求用量	E01
	11100	11100-LAE3-305	CRANK CASE COMP RIGHT	右曲軸箱組	1	
	11102	11102-1G87-004	RUB BUSH ENG HANGER	引擎吊架襯套	2	
	11192	11192-KHC4-900	GASTER CRANK CASE @ A	曲軸箱墊片 A	1	
	11200	11200-KHC4-305	CRANK CASE SET LEFT	左曲軸箱組	1	
	11203	11203-GGC7-301	UNDER RUBBER BUSH REAR CUSHION	後緩衝下襯套	1	
	11204	11204-KNBN-901	PIN SPG HOOK	固定銷	1	
	11205-GHAH	11205-GHAH-004	BUSH 8*12*8	襯套	1	
	11205-LAB4	11205-LAB4-900	BUSH MAIN STAND	主腳架襯套	2	
	11206	11206-KHC4-800	STAY A RR FENDER	後土除支架 A	1	
	11207	11207-KHC4-800	STAY B RR FENDER	後土除支架	1	
**	11341	11341-KHC4-900	COVER L SIDE	左曲軸箱蓋	1	
	11342	11342-LAB4-900	PLATE L COVER	通氣導管	1	
	11353	11353-LEA6-900	RUBBER PLUG L COVER KICK	橡皮塞蓋	1	
	11381	11381-KHC4-900	CLAMPER THROTTLE CABLE	節流導線夾	1	
	11382	11382-LAB4-900	CLAMPER BRAKE WIRE	煞車導線夾	1	
	11383	11383-KHC4-900	CLAMPER BREATHER	通氣管夾	1	
	11395	11395-KHC4-900	GASKET L COVER @A	左曲軸箱蓋墊片 A	1	
	90031	90031-KHC4-900	BOLT A STUD 7*168	雙頭螺絲 7*168	2	
	90032	90032-KHC4-900	BOLT B STUD 8*190.5	雙頭螺絲 8*190.5	2	
	90488	90488-7L00-001	WASHER 8MM	華司 8MM	1	

E01

Crank Case 曲軸箱



Sales mark 配色標註	Ref no 參考號碼	Part no 零件號碼	Description 英文名稱	Reg description 中文名稱	Regd no 需求用量	E01
	9052A	9052A-GFY6-950	BOLT ASSY DRAIN PLUG	洩油螺絲	1	
	91106-KHC4-90A	91106-KHC4-90A	BRG NEEDLE 15MM	滾針軸承	1	
	91106-KHC4-90B	91106-KHC4-90B	BRG NEEDLE 15MM	滾針軸承	1	
	91202-GFY6-90A	91202-GFY6-90A	OIL SEAL 19.8*30*5	油封 19.8*30*5	1	
	91202-GFY6-90B	91202-GFY6-90B	OIL SEAL 19.8*30*5	油封 19.8*30*5	1	
	91202-KKJ9	91202-KKJ9-004	OIL SEAL 20*32*6	油封 20X32X6	1	
	94301	94301-08140	DOWEL PIN 8*14	定位銷 8X14	4	
	95701-08012	95701-08012-08	BOLT FLANGE 8*12	螺絲 8*12	2	
	95701-08045	95701-08045-08	BOLT FLANGE 8*45	螺絲 8*45	6	
	95701-08060	95701-08060-08	BOLT FLANGE 8*60	螺絲 8*60	1	
#	96001-06028	96001-06028-08	BOLT FLANGE SH 6*28	螺絲 6*28	1	
	96001-06035	96001-06035-08	BOLT FLANGE 6*35	螺絲 6*35	7	
	96001-06045	96001-06045-08	BOLT FLANGE SH 6*45	螺栓 6*45	1	
	96001-GFY6	96001-GFY6-900	BOLT SPECIAL 5*10	螺絲 5*10	3	
	96100-62033	96100-62033-00	BEARING BALL RADIAL 6203	徑向滾珠軸承	1	
	96100-62043	96100-62043-00	BEARING BALL RADIAL 6204	軸承 6204	1	

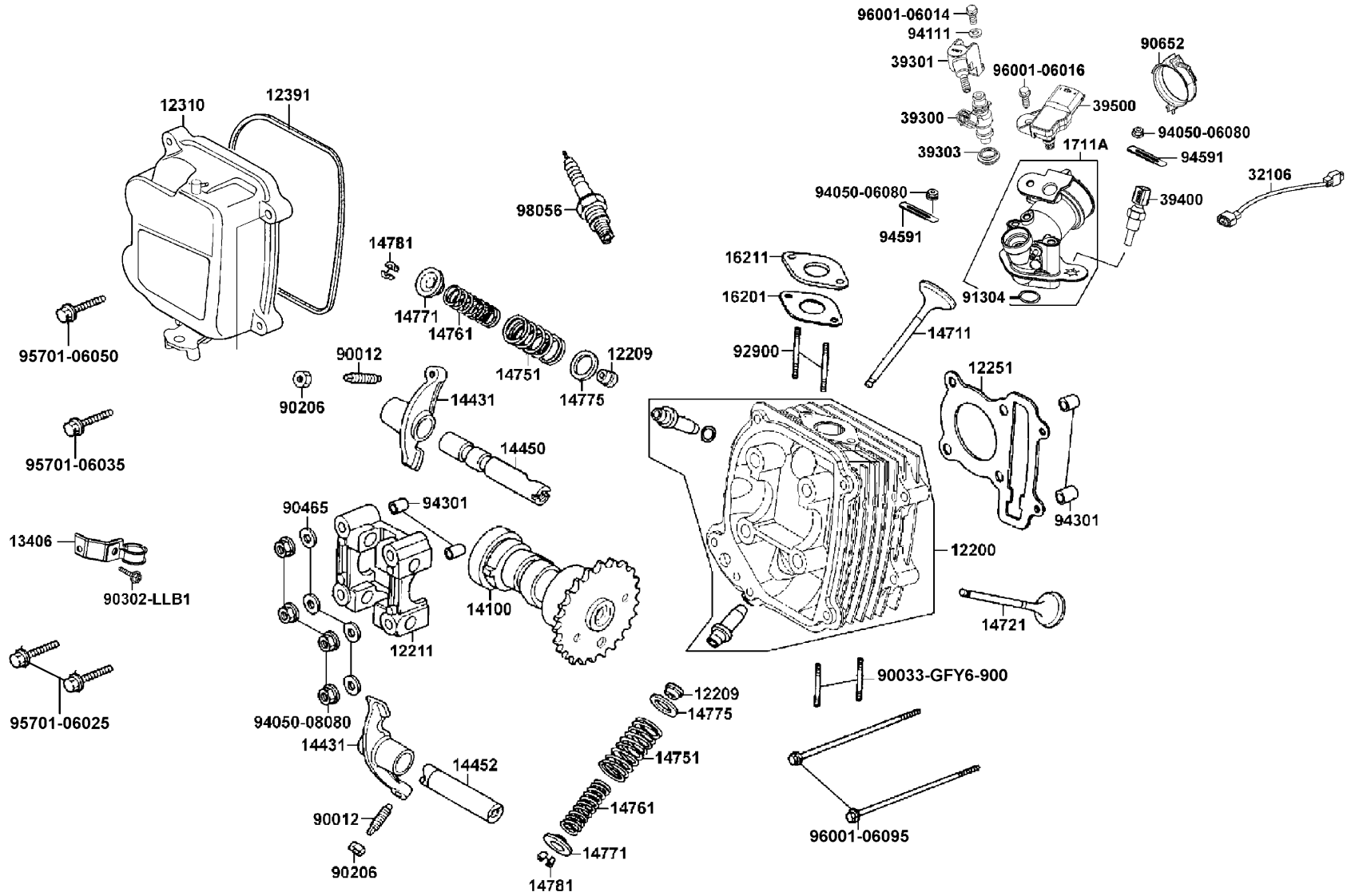
E02

Cylinder Head Cover

Cylinder Head

汽缸頭蓋

汽缸頭



Sales mark 配色標註	Ref no 參考號碼	Part no 零件號碼	Description 英文名稱	Reg description 中文名稱	Regd no 需求用量	E02
	12200	12200-LGM9-900	HEAD COMP., CYLN	汽缸頭總成	1	
	12209	12209-GDB4-68A	SEAL VALVE STEM	門閥徑封	2	
	12211	12211-KUDU-900	HOLDER CAM SHAFT	凸輪軸固定座	1	
	12251	12251-KHC4-900	GASKET CYLINDER HEAD	汽缸頭墊片	1	
	12310	12310-KHC4-B00	COVER COMP HEAD	汽缸頭蓋	1	
	12391	12391-GFY6-941	GASKET HEAD COVER	汽缸頭蓋墊片	1	
	13406	13406-LGK8-900	PLATE, FUEL INJECTOR	油管固定板	1	
	14100	14100-KHC4-220	SHAFT COMP CAM	凸輪軸	1	
	14431	14431-GFY6-901	ARM VALVE ROCKER	閥門搖臂	2	
	14450	14450-GFY6-901	SHAFT COMP IN ROCKER ARM	進氣閥搖臂軸	1	
	14452	14452-GFY6-901	SHAFT EXH ROCKER ARM	排氣閥搖臂軸	1	
	14711	14711-KHC4-900	VALVE INLET	進氣閥門	1	
	14721	14721-KHC4-900	VALVE EXHAUST	排氣閥門	1	
	14751	14751-KFBF-900	SPRING VALVE OUTER	閥門外彈簧	2	
	14761	14761-KFBF-900	SPG VALVE INNER	閥門內彈簧	2	
	14771	14771-GDB4-680	RETAINER VALVE SPRING	閥門彈簧保持器	2	
	14775	14775-MFA6-001	SEAT VALVE SPG OUTER	門閥彈簧外座	2	
	14781	14781-MFA6-001	COTTER VALVE	閥門鎖扣	4	
	16201	16201-KHC4-900	GASKET CARB INSULATOR @A	化油器隔熱板墊片 A	1	
	16211	16211-KHC4-900	INSULATOR CARB	化油器隔熱板	1	

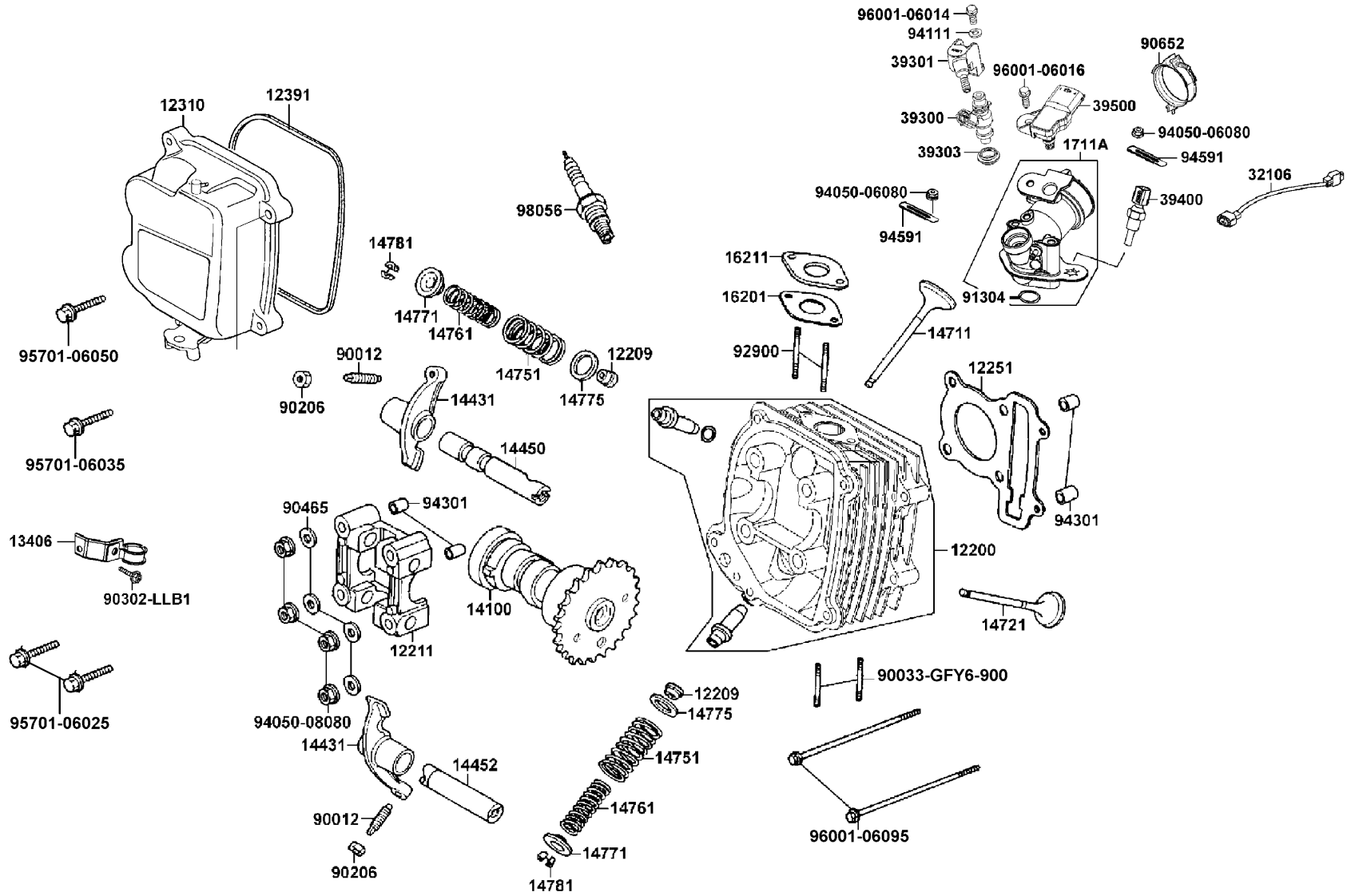
E02

Cylinder Head Cover

Cylinder Head

汽缸頭蓋

汽缸頭



Sales mark 配色標註	Ref no 參考號碼	Part no 零件號碼	Description 英文名稱	Reg description 中文名稱	Regd no 需求用量	E02
	1711A	1711A-LGK8-900	PIPE ASSY, INLET	進氣管	1	
	32106	32106-KKE3-900	SUB HARNESS A	汽缸頭溫度感應器配線	1	
	39300	39300-LGM5-800	INJECTOR,FUEL	燃油噴嘴	1	
	39301	39301-LGK8-900	HOLDER ASSY, FUEL INJECTOR	燃油噴嘴支架組	1	
	39303	39303-LGK8-900	SEAL, HIGH TENSION FUEL INJECTOR	高張力燃油噴嘴墊圈	1	
	39400	39400-KKE3-800	SENSOR HEAD TEMPERATURE	汽缸頭溫度感應器	1	
	39500	39500-LGA2-900	MAP SENSOR	歧管負壓感知器(BOSCH A 261 260 276)	1	
	90012	90012-3C33-001	SCREW TAPPET ADJUSTING	樞軸調整螺絲	2	
	90033-GFY6-900	90033-GFY6-900	BOLT STUD 8*32	螺絲 8X32	2	
	90206	90206-0A01-001	NUT TAPPET ADJG	挺桿調整螺帽	2	
	90302-LLB1	90302-LLB1-E00	BOLT-WASHER 5*12	螺絲 5X12	1	
	90465	90465-MDC4-001	WASHER 8MM	華司 8MM	4	
	90652	90652-LGK8-900	BAND 47, INLET-PIPE	進氣歧管束環(47)	1	
	91304	91304-KHC4-900	O- RING 22*2.0	O環 22*2.0	1	
	92900	92900-06060-0B	BOLT STUD 6*60	雙頭螺絲 6*60	2	
	94050-06080	94050-06080	NUT FLANGE 6MM	螺帽 6MM	2	
	94050-08080	94050-08080	NUT FLANGE 8MM	螺帽 8MM	4	
	94111	94111-06800	WASHER SPG 6MM	華司 6MM	1	
	94301	94301-10160	DOWEL PIN 10*16	定位銷 10X16	4	
	94591	94591-KFBF-900	CLIP 2*70	環夾	2	

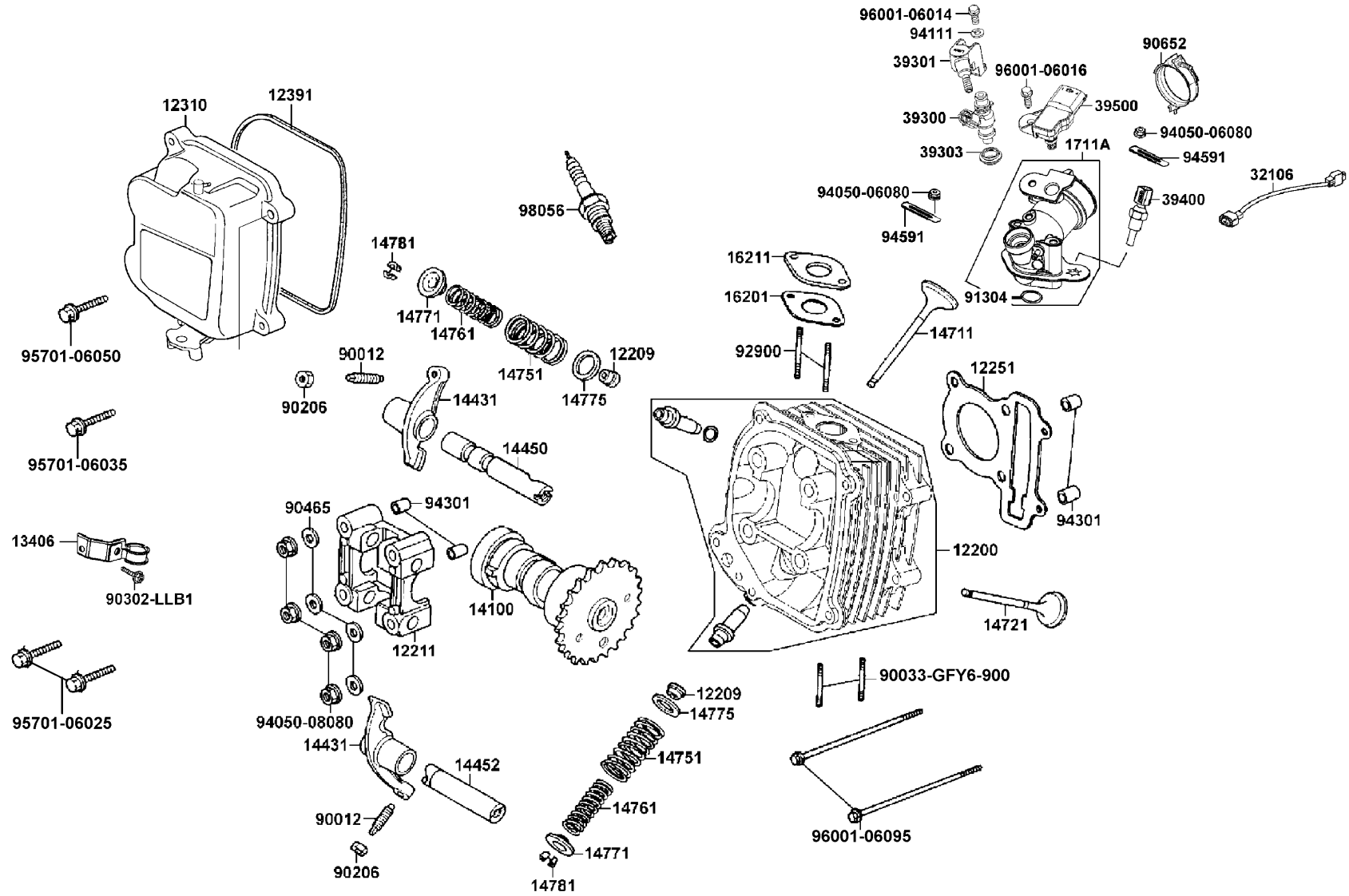
E02

Cylinder Head Cover

Cylinder Head

汽缸頭蓋

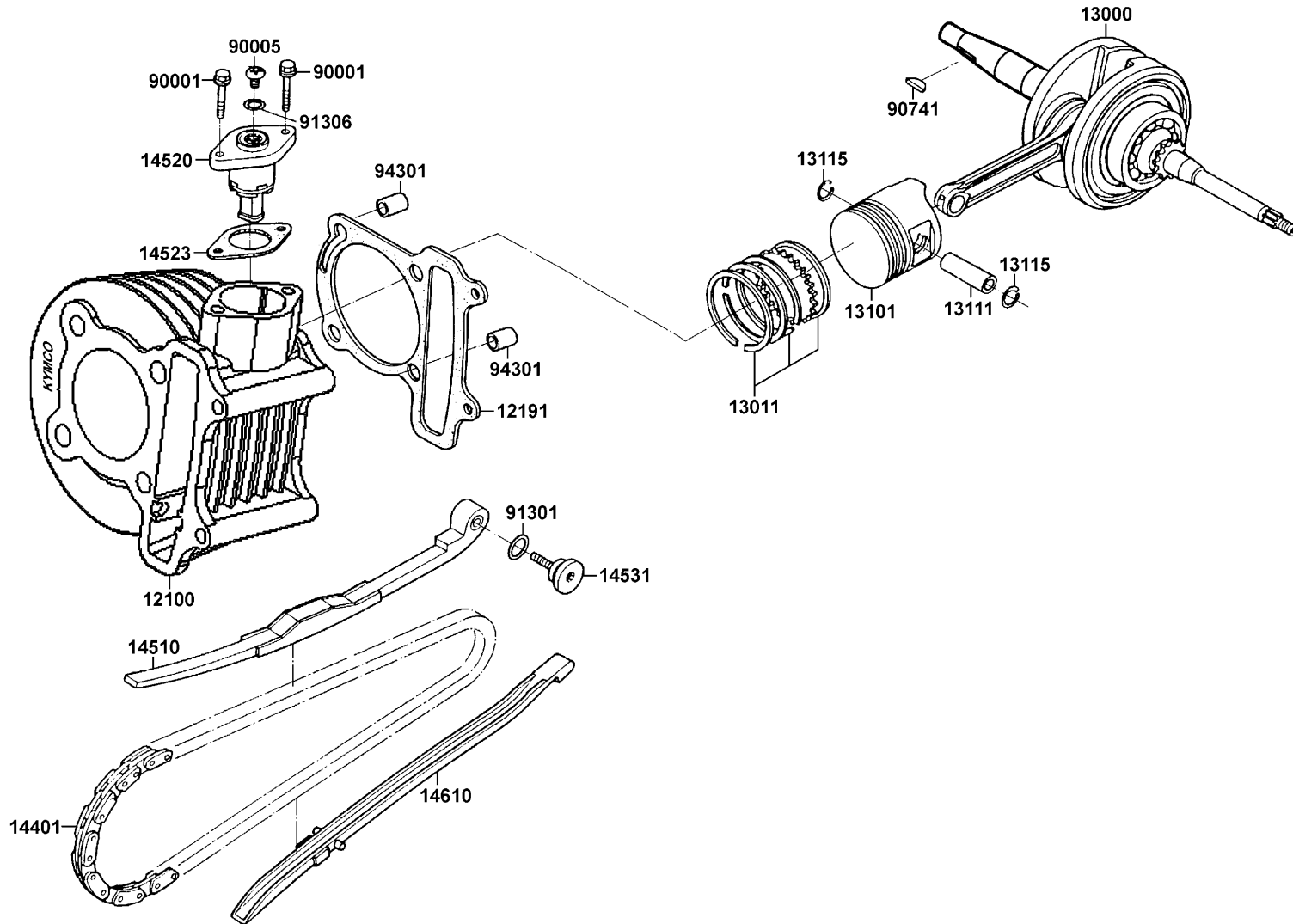
汽缸頭



Sales mark 配色標註	Ref no 參考號碼	Part no 零件號碼	Description 英文名稱	Reg description 中文名稱	Regd no 需求用量	E02
	95701-06025	95701-06025-08	BOLT FLANGE 6*25	螺絲 6*25	2	
	95701-06035	95701-06035-08	BOLT FLANGE SH 6*35	螺絲 6*35	1	
	95701-06050	95701-06050-08	BOLT FLANGE 6*50	螺絲 6*50	1	
	96001-06014	96001-06014-08	BOLT FLANGE 6*14	螺絲 6X14	1	
#	96001-06016	96001-06016-08	BOLT FLANGE SH 6*16	凸緣螺栓	1	
	96001-06095	96001-06095-08	BOLT FLANGE 6*95	螺絲 6*95	2	
	98056	98056-5771R-00	SPARK PLUG (CR7HSA)	火星塞 (CR7HSA)	1	

E03

Cylinder Piston Crankshaft 汽缸 活塞 曲軸

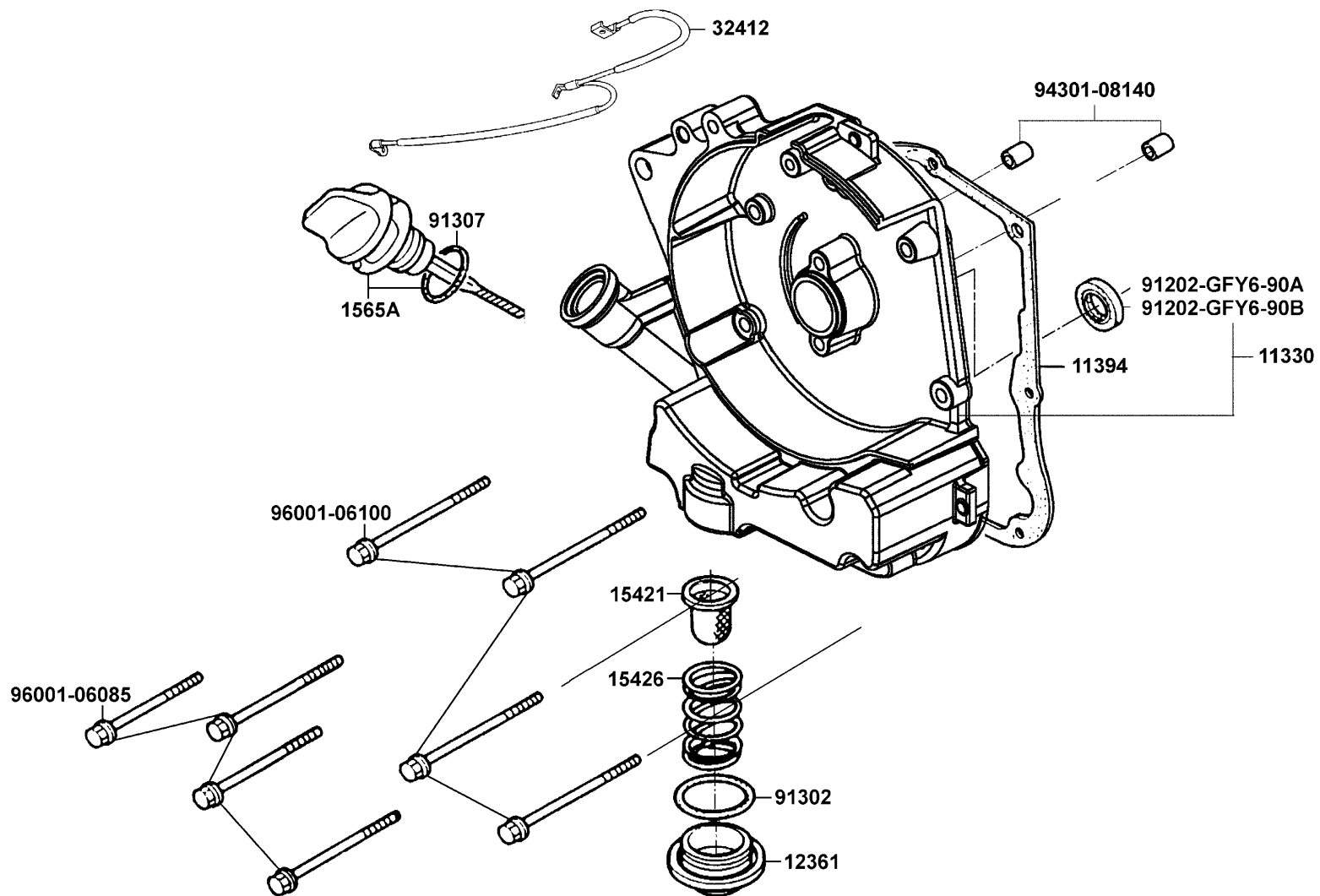


Sales mark 配色標註	Ref no 參考號碼	Part no 零件號碼	Description 英文名稱	Reg description 中文名稱	Regd no 需求用量	E03
	12100	12100-LAB4-700	CYLINDER COMP	汽缸	1	
	12191	12191-KHC4-900	GASTET CYLINDER @ A	汽缸墊片 A	1	
	13000	13000-LBD4-900	CRANK SHAFT COMP	曲軸	1	
	13011	13011-LBC6-900	RING SET PISTON	活塞環組	1	
	13101	13101-LGM9-900	PISTON	活塞	1	
	13111	13111-0G87-001	PIN PISTON	活塞銷	1	
	13115	13115-0A01-001	PISTON PIN CLIP	活塞銷夾	2	
	14401	14401-KHC4-900	CHAIN CAM	凸輪軸內鏈條	1	
	14510	14510-KHC4-900	TENSIONER CAM CHAIN	內鏈條拉力桿	1	
	14520	14520-GFY6-90A	LIFTER ASSY TENSIONER	內鏈條調整器	1	
	14523	14523-GFY6-901	GASKET TENSIONER LIFTER @ A	內鏈條調整器墊片	1	
	14531	14531-GLR0-001	PIVOT CAM CHAIN TENSIONER	拉力桿螺絲	1	
	14610	14610-KHC4-900	GUIDE COMP CAM CHAIN	鏈條導件	1	
	90001	90001-GBHB-661	BOLT FLANGE SH 6*22	螺絲 6*22	2	
	90005	90005-KAW1-901	SCREW PAN 6*6	螺絲 6*6	1	
	90741	90741-0E35-001	KEY WOODRUFF	固定鍵	1	
	91301	91301-GLR0-005	O RING 15.2*1.5	O環 15.2X1.5	1	
	91306	91306-1E05-691	O-RING 1.5*9.5	O環 1.5*9.5	1	
	94301	94301-10160	DOWEL PIN 10*16	定位銷 10X16	2	

E04

Right Crankcase Cover

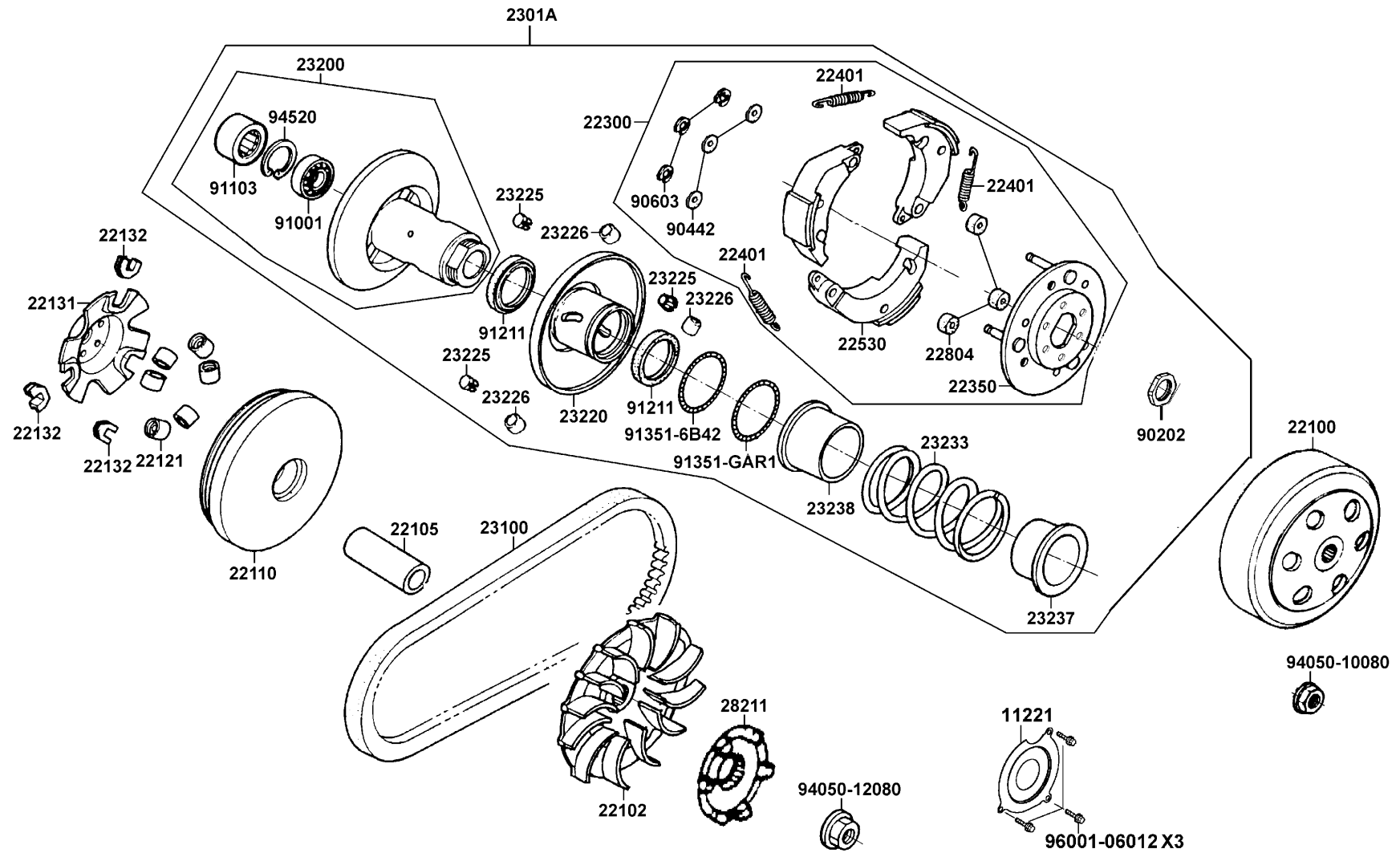
右曲軸箱蓋



Sales mark 配色標註	Ref no 參考號碼	Part no 零件號碼	Description 英文名稱	Reg description 中文名稱	Regd no 需求用量	E04
	11330	11330-LAB4-900	COVER R CRANK CASE	右曲軸箱蓋	1	
	11394	11394-KHC4-900	GASTER R COVER @ A	右曲軸箱蓋墊片 A	1	
	12361	12361-GFY6-901	HOLE CAP TAPPET ADJUSTING	調節螺帽	1	
	15421	15421-1G07-001	SCREEN OIL FILTER	濾油網	1	
	15426	15426-GAE1-921	SPG OIL FILTER SCREEN	濾油網彈簧	1	
	1565A	1565A-GFY6-900	GAUGE OIL LEVEL ASSY	機油尺組	1	
	32412	32412-LGK8-900	CABLE EARTH	接地導線	1	
	91202-GFY6-90A	91202-GFY6-90A	OIL SEAL 19.8*30*5	油封 19.8*30*5	1	
	91202-GFY6-90B	91202-GFY6-90B	OIL SEAL 19.8*30*5	油封 19.8*30*5	1	
	91302	91302-0A01-021	O-RING 30.8M/M	O環 30.8MM	1	
	91307	91307-0E35-001	O RING 18*3	O環 18X3	1	
	94301-08140	94301-08140	DOWEL PIN 8*14	定位銷 8X14	2	
	96001-06085	96001-06085-06	BOLT FLANGE 6*85	螺絲 6*85	4	
	96001-06100	96001-06100-08	BOLT FLANGE SH 6*100	特殊螺絲 6*100	4	

E05

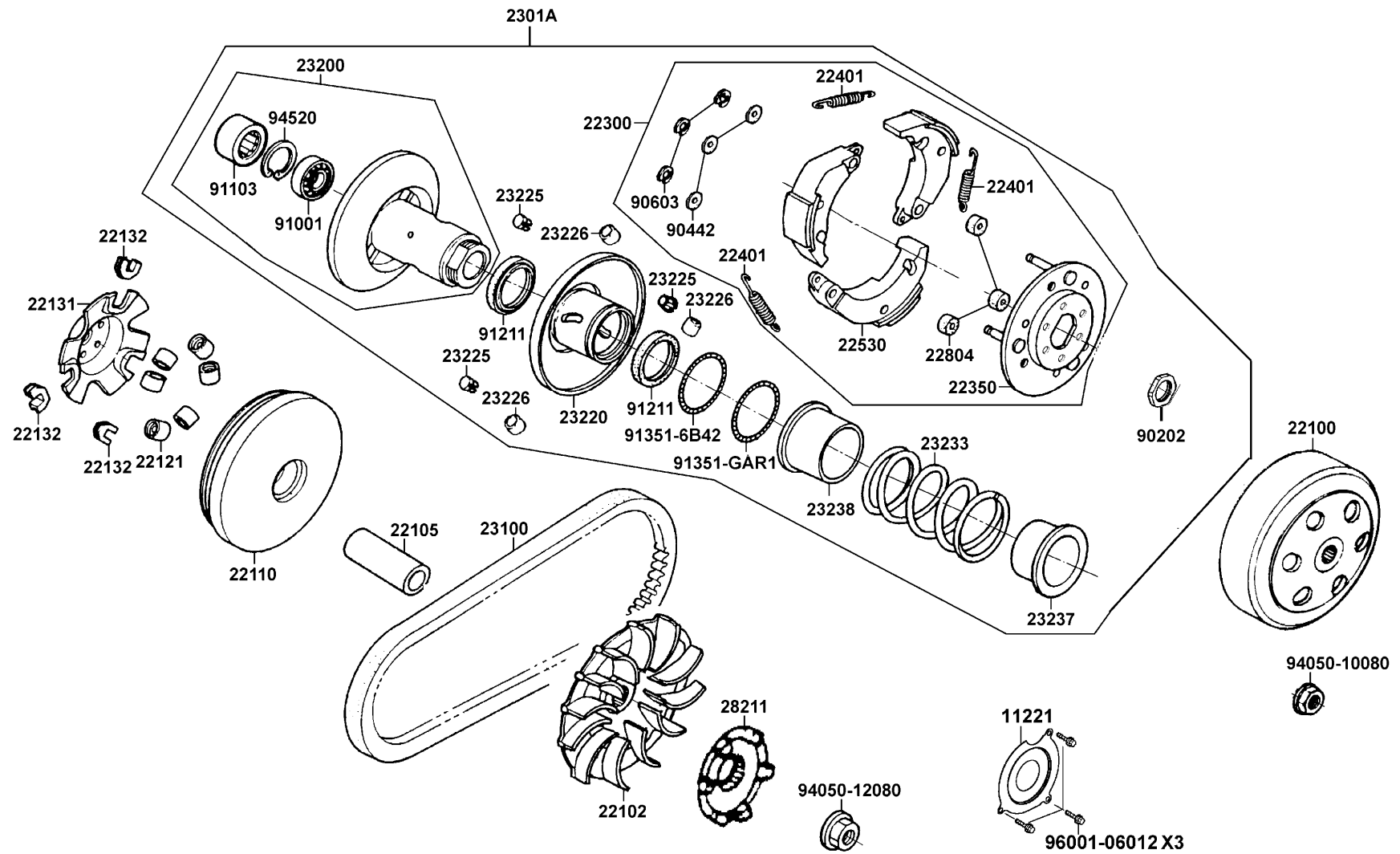
Driven Pulley 皮帶輪



Sales mark 配色標註	Ref no 參考號碼	Part no 零件號碼	Description 英文名稱	Reg description 中文名稱	Regd no 需求用量	E05
	11221	11221-KHC4-900	INSULATOR DUST	通氣管	1	
	22100	22100-KNBN-902	CLUTCH OUTER	離合器外套	1	
	22102	22102-KHC4-900	FACE DRIVE	驅動盤	1	
	22105	22105-KHC4-900	BOSS DRIVE FACE	襯套	1	
	22110	22110-KHC4-900	FACE COMP MOVABLE DRIVE	滑動式驅動盤	1	
	22121	22121-GHT8-602	ROLLER COMP WEIGHT 7.5 GR	配重滾子	6	
	22131	22131-GCW3-901	PLATE RAMP	斜坡板	1	
	22132	22132-LAB4-900	PIECE SLIDE	斜板邊件	3	
	22300	22300-KHC4-900	PLATE ASSY DRIVE	驅動板組	1	
	22350	22350-KHC4-900	PLATE COMP DRIVE	驅動板	1	
	22401	22401-KED5-900	SPRING CLUTCH	離合器彈簧	3	
	22530	22530-KHC4-900	WEIGHT SET CLUTCH	離合器配重組	3	
	22804	22804-1H48-001	RUBBER CLUTCH DUMPER	橡皮	3	
	2301A	2301A-LGK8-900	PULLEY SUB ASSY DRIVEN	從動皮帶輪組	1	
	23100	23100-KHC4-900	BELT DRIVE	驅動皮帶	1	
	23200	23200-GCW3-001	FACE ASSY DRIVEN	從動皮帶盤組	1	
	23220	23220-KHC4-900	FACE COMP MOVABLE DRIVEN	滑動式從動皮帶盤	1	
	23225	23225-GCW3-001	PIN GUIDE	導銷	3	
	23226	23226-GCW3-001	ROLLER GUIDE	套筒環	3	
	23233	23233-KED5-900	SPG DRIVEN FACE	驅動彈簧	1	

E05

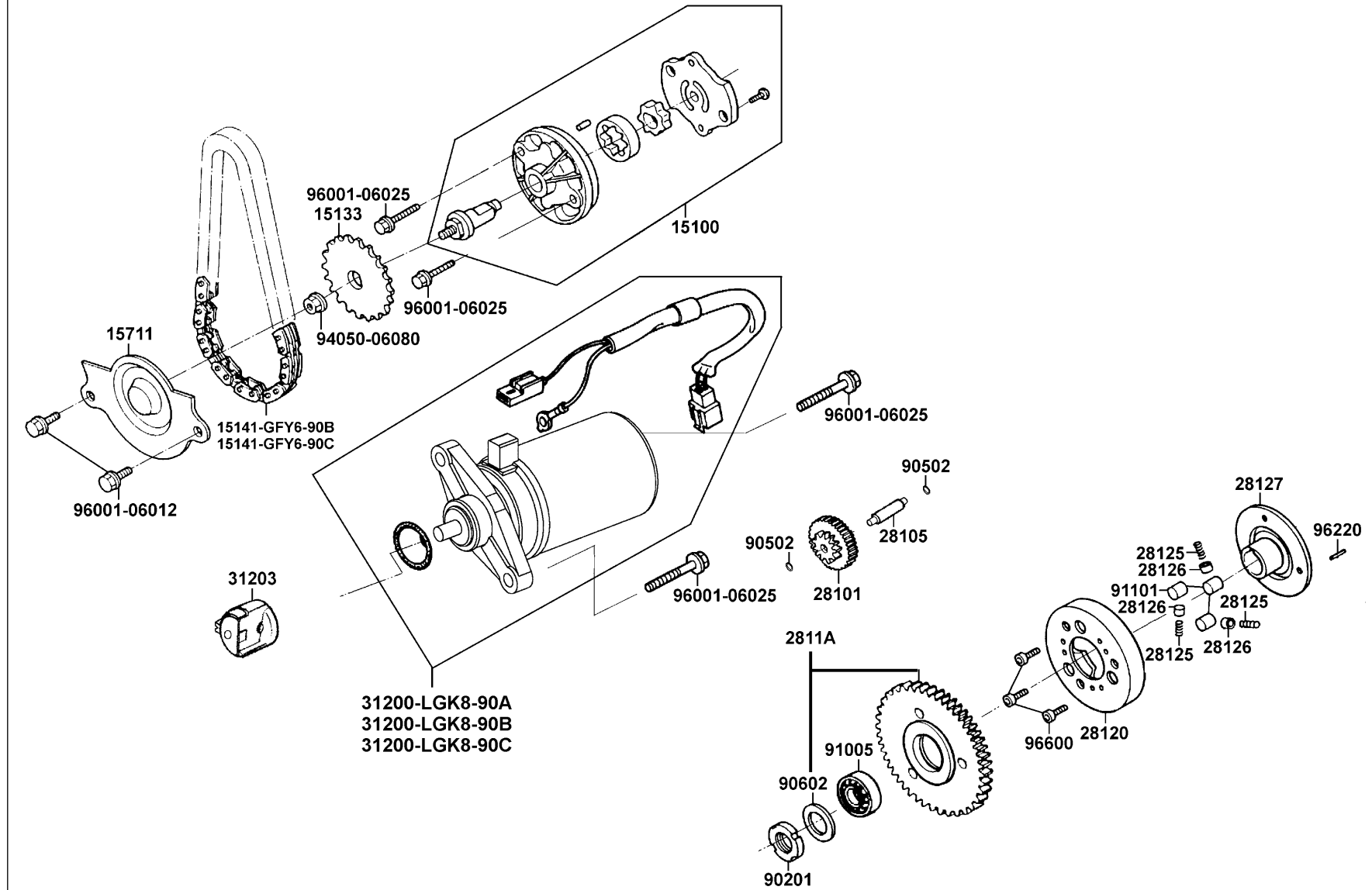
Driven Pulley 皮帶輪



Sales mark 配色標註	Ref no 參考號碼	Part no 零件號碼	Description 英文名稱	Reg description 中文名稱	Regd no 需求用量	E05
	23237	23237-GCW3-001	COLLAR SEAL	套筒油封	1	
	23238	23238-LEA2-900	COLLAR SPRING	套筒	1	
	28211	28211-KNBN-901	RATCHET KICK STARTER	起動棘齒輪	1	
	90202	90202-1G87-001	NUT SPECIAL 28MM	螺帽	1	
	90442	90442-0D44-001	6M/M THRUST WASHER	華司	3	
	90603	90603-0D44-001	CIR CLIP 6MM	環夾 6MM	3	
	91001	91001-GGA7-70A	BRG RADIAL BALL 6901U	軸承	1	
	91103	91103-GAR1-004	BRG NEEDLE 17*25*18 WS	滾針軸承	1	
	91211	91211-GHK8-014	OIL SEAL 34*39*3	驅動油封	2	
	91351-6B42	91351-6B42-000	O-RING PINION CAP	O環	1	
	91351-GAR1	91351-GAR1-001	O-RING 38.5*2	O環 38.5*2	1	
	94050-10080	94050-10080	NUT FLANGE 10MM	螺帽	1	
	94050-12080	94050-12080	NUT C FLANGE 12MM	螺帽 12MM	1	
	94520	94520-24000	CIR CLIP IN 24	夾環	1	
	96001	96001-06012-08	BOLT FLANGE 6*12	螺絲 6*12	3	

E06

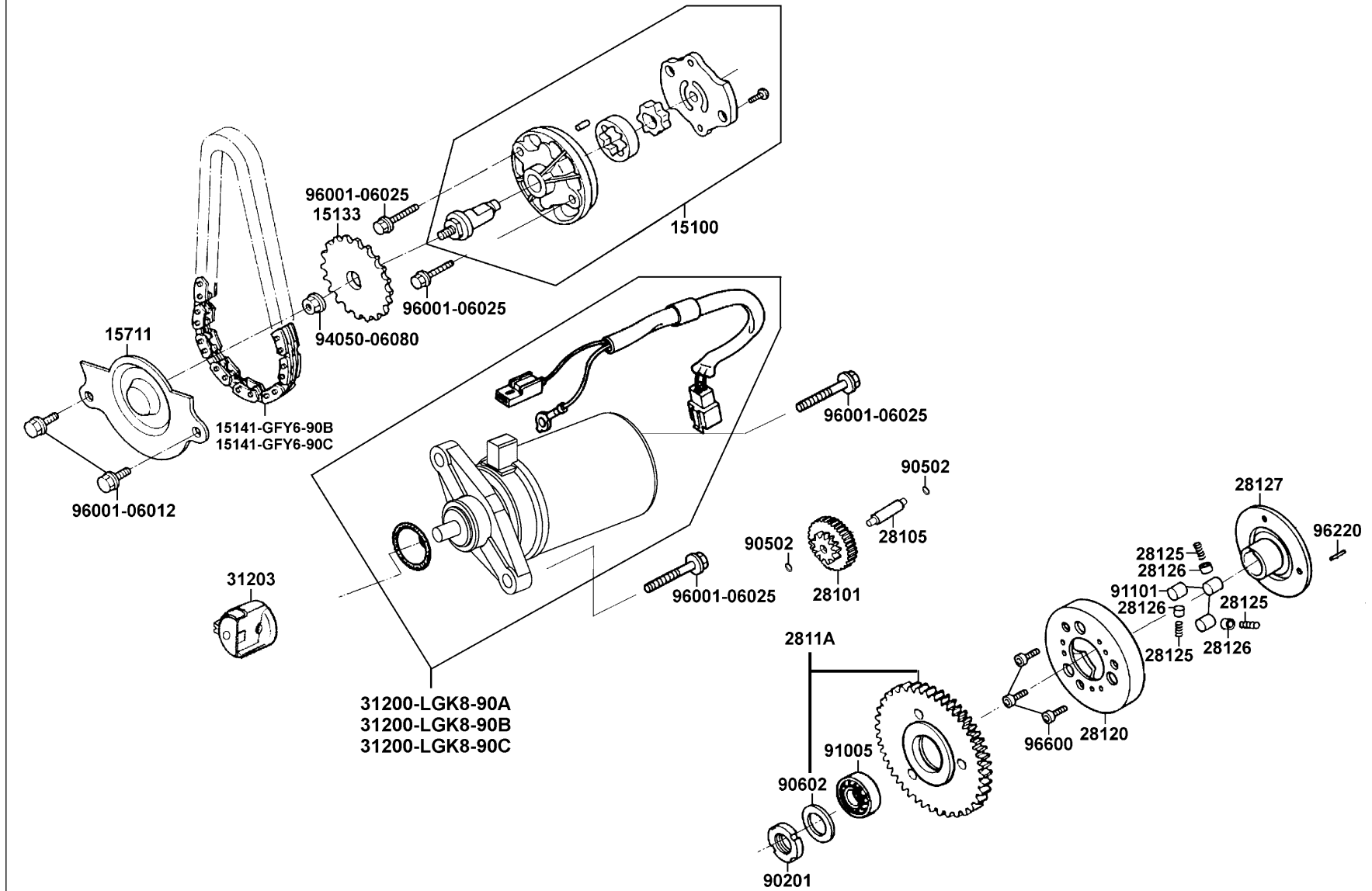
Starting Motor Oil Pump 起動馬達 機油泵



Sales mark 配色標註	Ref no 參考號碼	Part no 零件號碼	Description 英文名稱	Reg description 中文名稱	Regd no 需求用量	E06
	15100	15100-GFY6-901	PUMP ASSY OIL	機油泵浦組	1	
	15133	15133-GFY6-901	SPRKT OIL PUMP DRIVEN	機油泵驅動齒輪	1	
	15141-GFY6-90B	15141-GFY6-90B	CHAIN OIL PUMP	機油泵驅動鏈條	1	
	15141-GFY6-90C	15141-GFY6-90C	CHAIN OIL PUMP	機油泵驅動鏈條	1	
	15711	15711-GFY6-901	SEPARATER OIL	機油分隔板	1	
	28101	28101-KNBN-901	GEAR COMP STARTER REDUCTION	減速齒輪	1	
	28105	28105-KNBN-901	SHAFT STARTER REDUCTION	減速齒輪軸	1	
	2811A	2811A-KNBN-940	GEAR COMP STARTER DRIVEN	起動離合器齒輪	1	
	28120	28120-KNBN-901	OUTER COMP ST CLUCH	離合器外套	1	
	28125	28125-3C23-001	SPRING ROLLER ST CLUTCH	滾子彈簧	3	
	28126	28126-KNBN-901	CAP SPGING ROLLER SP	滾子彈簧蓋	3	
	28127	28127-KNBN-901	BOSS STARTER CLUTCH	起動離合器凸緣	1	
	31200-LGK8-90A	31200-LGK8-90A	MOTOR ASS'Y, START	起動馬達組	1	
	31200-LGK8-90B	31200-LGK8-90B	MOTOR ASS'Y, START	起動馬達組	1	
	31200-LGK8-90C	31200-LGK8-90C	MOTOR ASS'Y, START	起動馬達組	1	
	31203	31203-KHC4-900	HOLDER COMP STARTER REDUCTION	起動齒輪組支撐座	1	
	90201	90201-KNBN-901	NUT SPECIAL 24MM	螺帽 24MM	1	
	90502	90502-MBS2-001	WASHER 24*8.5	華司 24*8.5	2	
	90602	90602-PDX4-001	CIR CLIP B IN 47	內環夾	1	
	91005	91005-KNBN-901	BRG RADIAL 6005-2NKG	滾針軸承 6005-2NKG	1	

E06

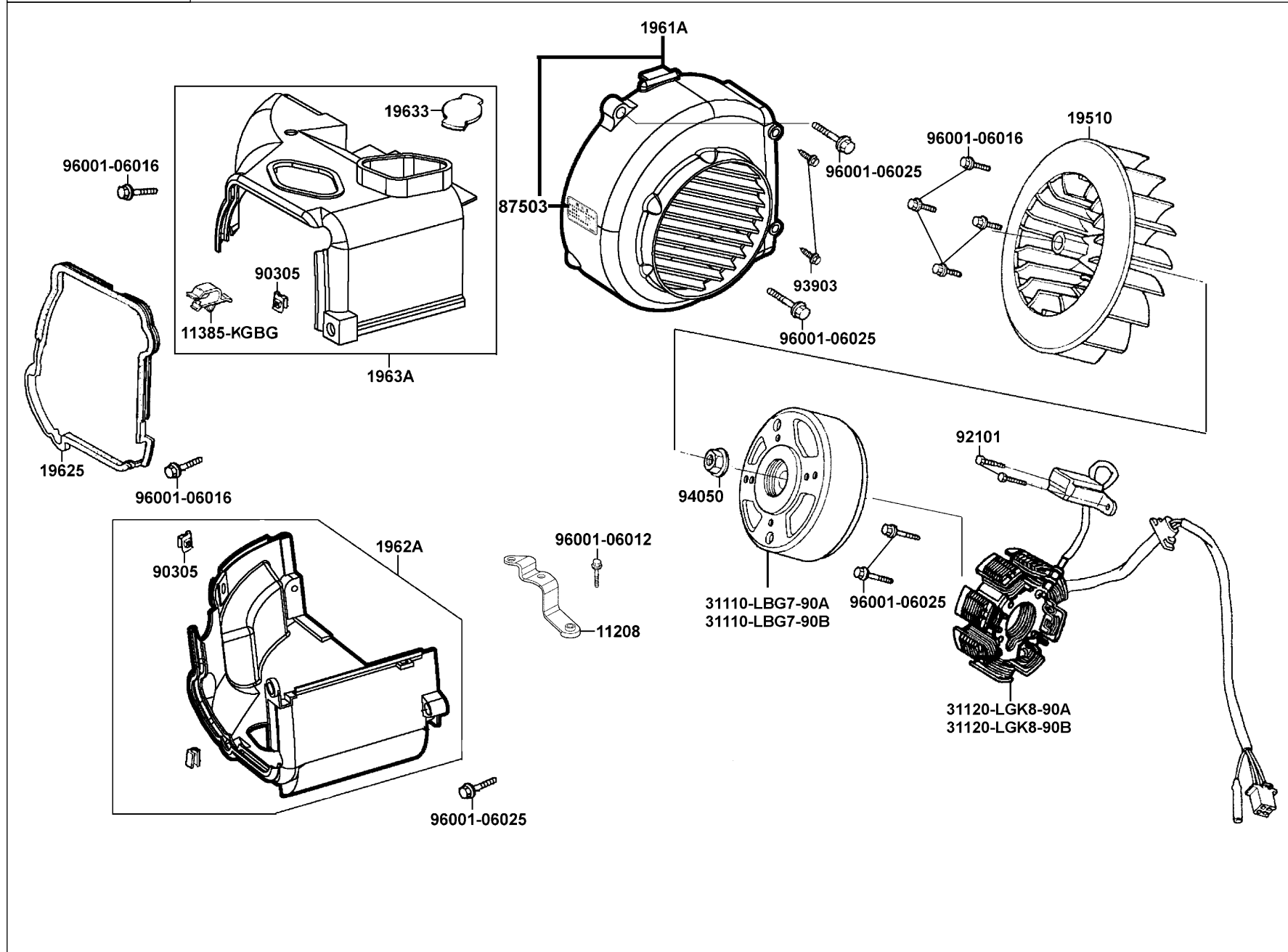
Starting Motor Oil Pump 起動馬達 機油泵



Sales mark 配色標註	Ref no 參考號碼	Part no 零件號碼	Description 英文名稱	Reg description 中文名稱	Regd no 需求用量	E06
	91101	91101-KNBN-901	ROLLER 10.2*11.5	滾子10.2*11.5	3	
	94050-06080	94050-06080	NUT FLANGE 6MM	螺帽 6MM	1	
	96001-06012	96001-06012-08	BOLT FLANGE 6*12	螺絲 6*12	2	
#	96001-06025	96001-06025-08	BOLT FLANGE SH 6*25	螺絲 6*25	4	
	96220	96220-60100	ROLLER 6*10	定位銷 6X10	1	
	96600	96600-06012-10	SOCKET BOLT 6*12	螺絲 6*12	3	

E07

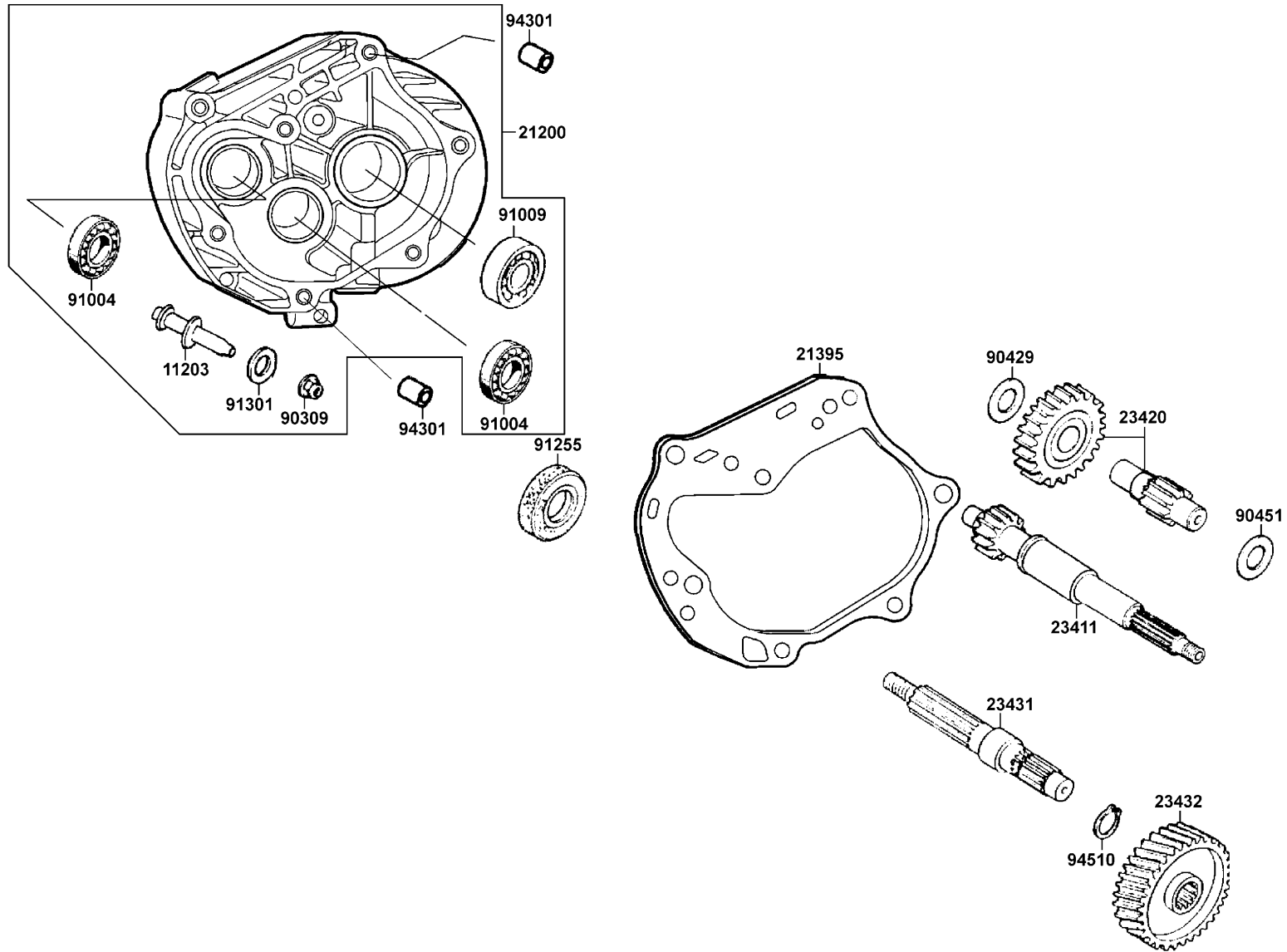
Fan Cover Generator 風扇蓋 發電機



Sales mark 配色標註	Ref no 參考號碼	Part no 零件號碼	Description 英文名稱	Reg description 中文名稱	Regd no 需求用量	E07
	11208	11208-KHC4-800	STAY C RR FENDER	後土除支架 C	1	
	11385-KGBG	11385-KGBG-900	CLIP VACUUM TUBE	管夾	1	
	19510	19510-GBW2-901	FAN COMP COOLING	冷卻風扇	1	
	1961A	1961A-LBG7-800	COVER ASSY FAN	冷卻風扇蓋	1	
	19625	19625-KHC4-900	SEAL SHROUD	罩蓋油封	1	
	1962A	1962A-KHC4-900	SHROUD ASSY A	罩蓋 A	1	
	19633	19633-GFY6-901	GROMET SHROUD B	橡皮蓋	1	
	1963A	1963A-LGM9-900	SHROUD ASSY., B	罩蓋B總成	1	
	31110-LBG7-90A	31110-LBG7-90A	FLYWHEEL COMP	飛輪蓋	1	
	31110-LBG7-90B	31110-LBG7-90B	FLYWHEEL COMP	飛輪蓋	1	
	31120-LGK8-90A	31120-LGK8-90A	STATOR COMP	定子組	1	
	31120-LGK8-90B	31120-LGK8-90B	STATOR COMP	定子組	1	
**	87503	87503-LEB2-900	CAUTION MUFFLER	標籤	1	
	90305	90305-GHK8-001	NUT CLIP 6MM	夾螺帽	3	
	92101	92101-05012-0H	BOLT HEX 5*12	螺絲 5*12	2	
	93903	93903-35360	SCREW TAPPING 5*16	螺釘 5*16	2	
	94050	94050-10080	NUT FLANGE 10MM	螺帽	1	
	96001-06012	96001-06012-08	BOLT FLANGE 6*12	螺絲 6*12	1	
#	96001-06016	96001-06016-08	BOLT FLANGE SH 6*16	凸緣螺栓	6	
#	96001-06025	96001-06025-08	BOLT FLANGE SH 6*25	螺絲 6*25	5	

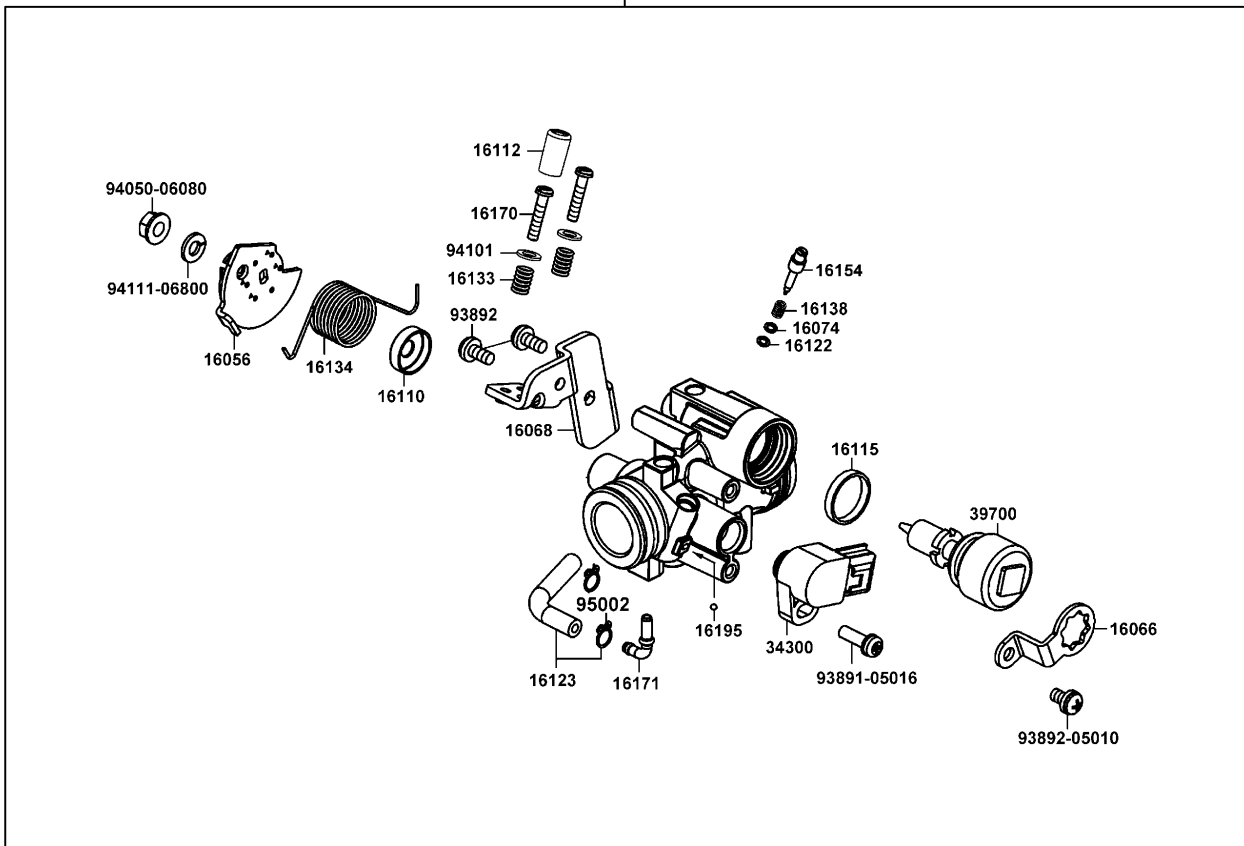
E08

Transmission 傳動系



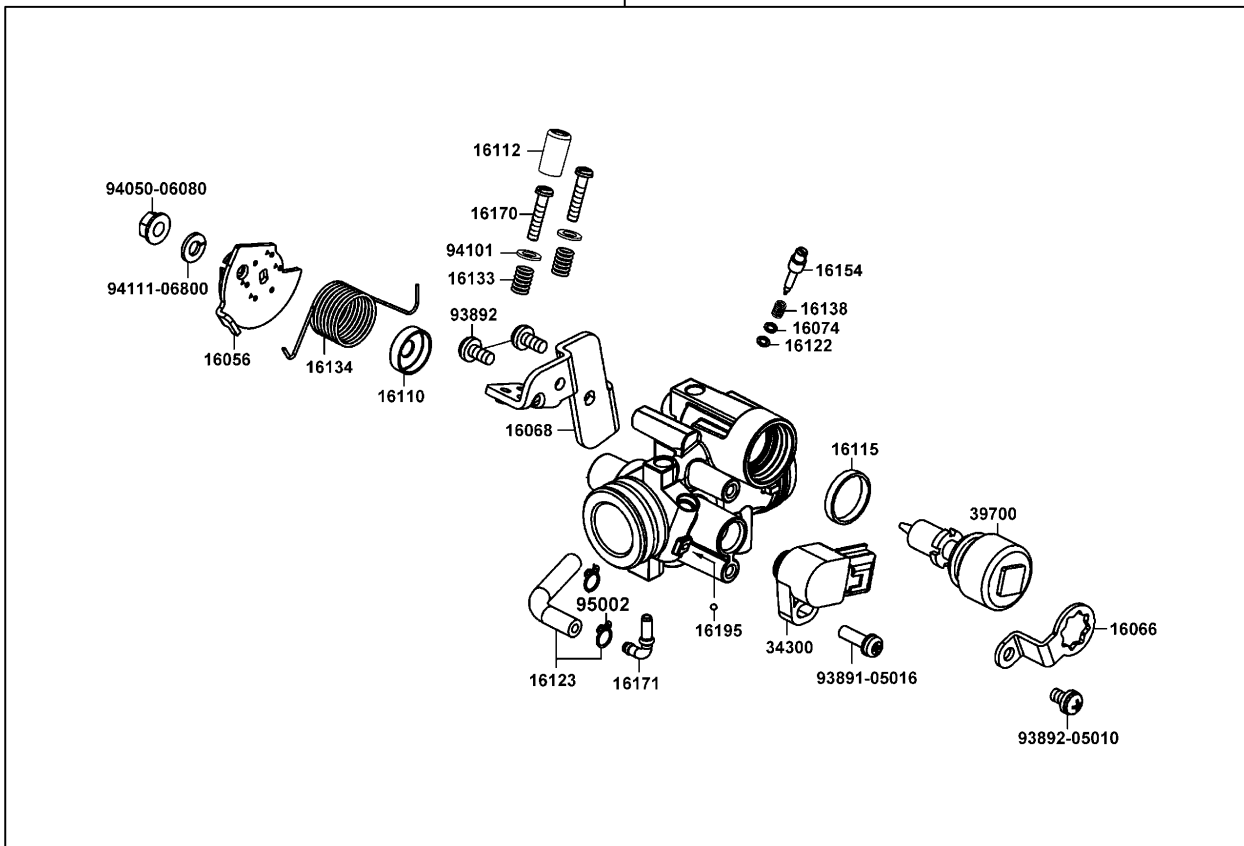
Sales mark 配色標註	Ref no 參考號碼	Part no 零件號碼	Description 英文名稱	Reg description 中文名稱	Regd no 需求用量	E08
	11203	11203-KHG8-301	PIN BRAKE SHOE ANCHOR	煞車鼓固定銷	1	
	21200	21200-KFA3-305	CASE ASSY MISSION	主軸箱組	1	
	21395	21395-KNBN-901	GASKET MISSION CASE A	主軸蓋墊片 A	1	
	23411	23411-KHC4-900	SHAFT DRIVE	驅動軸	1	
	23420	23420-KHC4-900	SHAFT COMP COUNTER	副軸組	1	
	23431	23431-KDLD-901	SHAFT FINAL	最終軸	1	
	23432	23432-KNBN-901	GEAR FINAL	最終齒輪	1	
	90309	90309-KLF0-004-SY	NUT FLANGE 8MM	平螺帽	1	
	90429	90429-KNBN-901	WASHER SIDE 12MM	華司	1	
	90451	90451-1G07-001	WASHER THRUST 15MM	華司 15MM	1	
	91004	91004-KBN2-90A	BRG BALL RADIAL 6201	軸承	2	
	91009	91009-GLE0-004	BRG BALL RADIAL 6004 UU	軸承	1	
	91255	91255-GLE0-006	OIL SEAL 27*42*7	油封	1	
	91301	91301-0C53-001	O RING 7.5*1.5	O 環	1	
	94301	94301-10200	DOWEL PIN 10*20	插銷	2	
	94510	94510-20000	CIR CLIP EX 20	夾環	1	

16100-LGK8-900



Sales mark 配色標註	Ref no 參考號碼	Part no 零件號碼	Description 英文名稱	Reg description 中文名稱	Regd no 需求用量	E09
	16056	16056-LGK8-900	LEVER ASSY.,THROTTLE	節流閥拉桿組	1	
	16066	16066-LGK8-900	PLATE, ISC	怠速旁通閥固定板	1	
	16068	16068-LGK8-900	PLATE WIRE FIXED	固定線板	1	
	16074	16074-KEC3-900	WASHER IDLE SCREW	華司	1	
	16100	16100-LGK8-900	THROTTLE BODY ASSY	節流閥本體組	1	
	16110	16110-KKE3-900	WASHER THROTTLE COMP	華司	1	
	16112	16112-KKE3-900	COVER IDLE SCREW	蓋	1	
	16115	16115-LGM5-900	COLLAR ISC	ISC 軸環	1	
	16122	16122-KEC3-900	O-RING IDLE SCREW	O型環	1	
	16123	16123-KGC5-900	TUBE COMP 3.5X180	油管3.5X180	1	
	16133	16133-KEC3-900	SPG THROTTLE ADJUST SCREW	彈簧	2	
	16134	16134-LGK8-900	SPRING, THROTTLE SHAFT	彈簧	1	
	16138	16138-KEC3-900	SPG IDLE ADJ SCREW	彈簧	1	
	16154	16154-KKE3-900	SCREW IDLE ADJUST	螺絲	1	
	16170	16170-KEC3-900	SCREW THROTTLE ADJUST	調整螺絲	2	
	16171	16171-LGK8-900	JOINT COMP, BREATHER	通氣管接頭	1	
	16195	16195-KEC3-900	BALL 2.1	滾珠	1	
	34300	34300-LFG7-900	THROTTLE POSITION SENSOR	節流閥感應器	1	
	39700	39700-LGM5-800	VALVE,ISC	怠速控制閥	1	
	93891-05016	93891-05016-08	SCREW WASHER 5*16	螺絲 5X16	1	

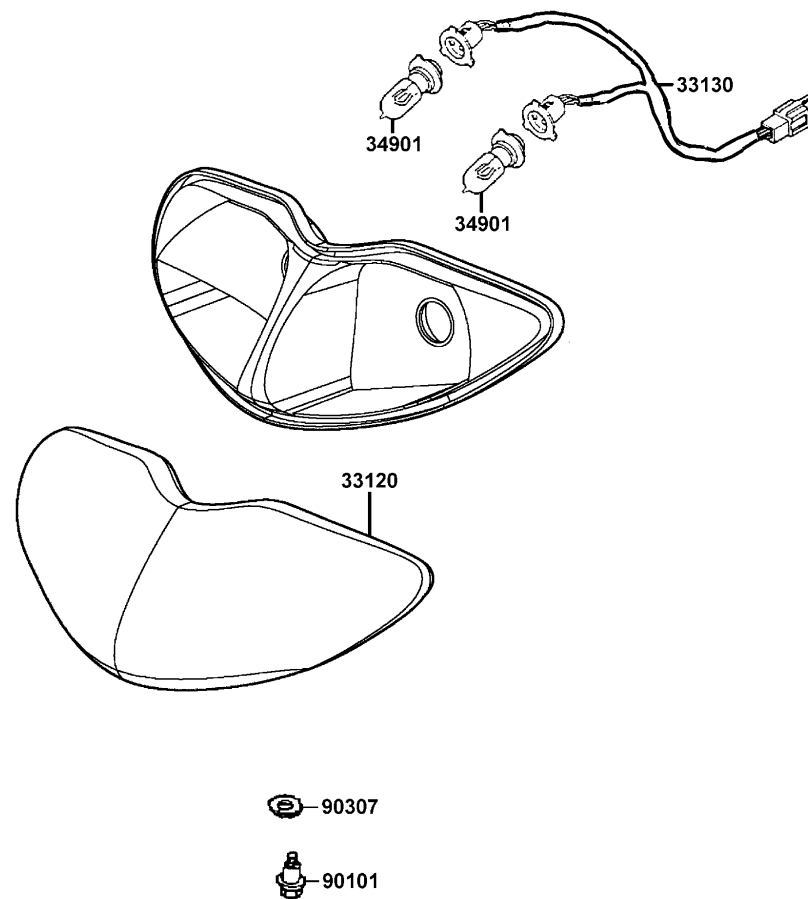
16100-LGK8-900



Sales mark 配色標註	Ref no 參考號碼	Part no 零件號碼	Description 英文名稱	Reg description 中文名稱	Regd no 需求用量	E09
	93892-05010	93892-05010-08	SCREW WASH 5*10	螺絲	1	
	93892	93892-05012-18	SCREW WASH 5*12	螺絲 5*12	2	
	94050-06080	94050-06080	NUT FLANGE 6MM	螺帽 6MM	1	
	94101	94101-KKE3-900	WASHER PLAN 4.5*8*0.8	墊圈	2	
	94111-06800	94111-06800	WASHER SPG 6MM	華司 6MM	1	
	95002	95002-02070	CLIP B7 TUBE	管夾	2	

F01

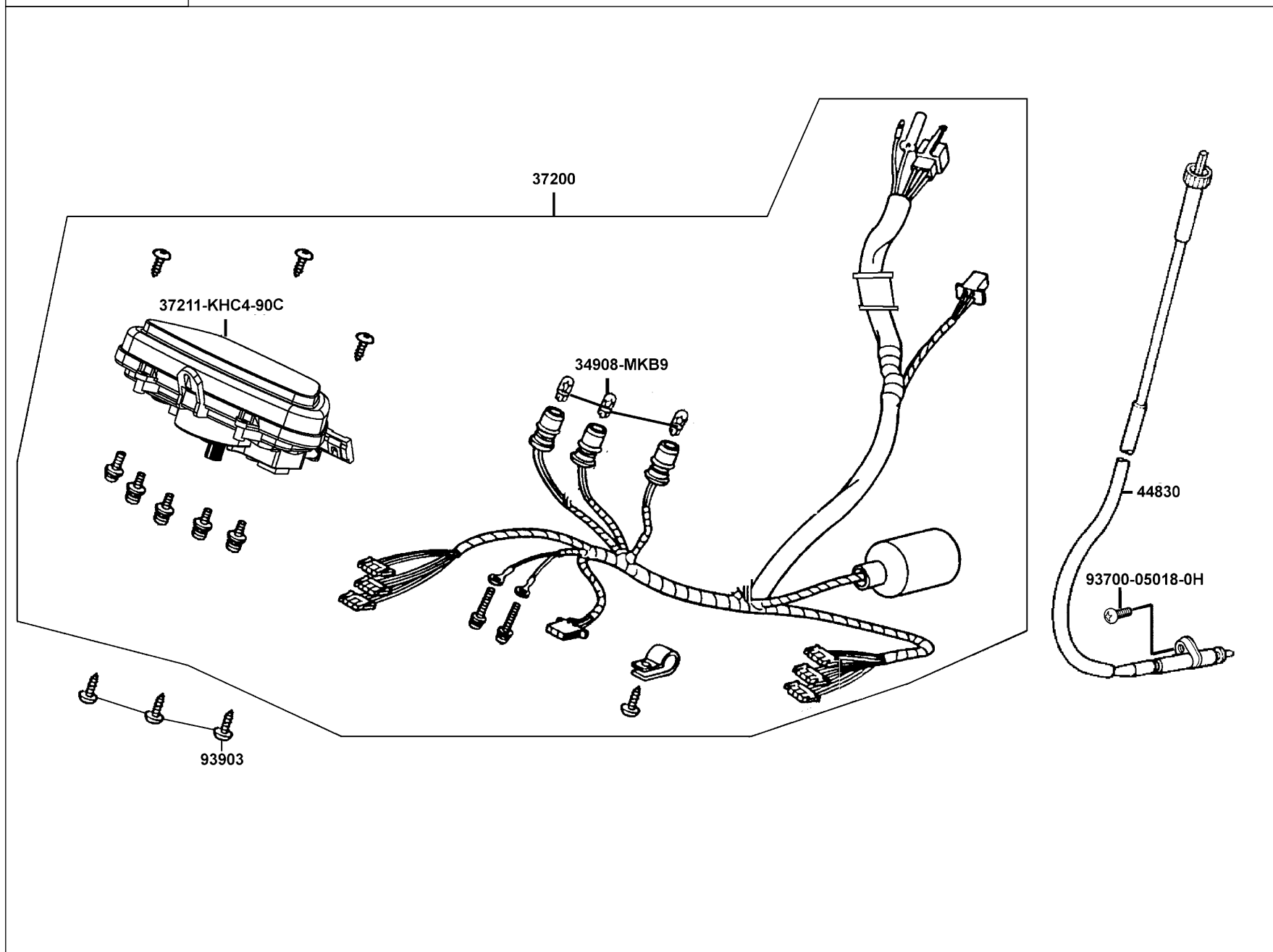
Head Light 前燈



Sales mark 配色標註	Ref no 參考號碼	Part no 零件號碼	Description 英文名稱	Reg description 中文名稱	Regd no 需求用量	F01
	33120	33120-KHC4-900	UNIT HEAD LIGHT	前燈殼	1	
	33130	33130-KHC4-900	SOCKET COMP	前燈配線	1	
	34901	34901-KYBY-900	BULB HEAD LIGHT	前燈泡(12V18W/18W)	2	
	90101	90101-GAR1-001	BOLT ADJUST	調整螺絲	1	
	90307	90307-GFJ6-004	WASHER LOCK 6MM	華司	1	

F02

Speedometer 儀錶

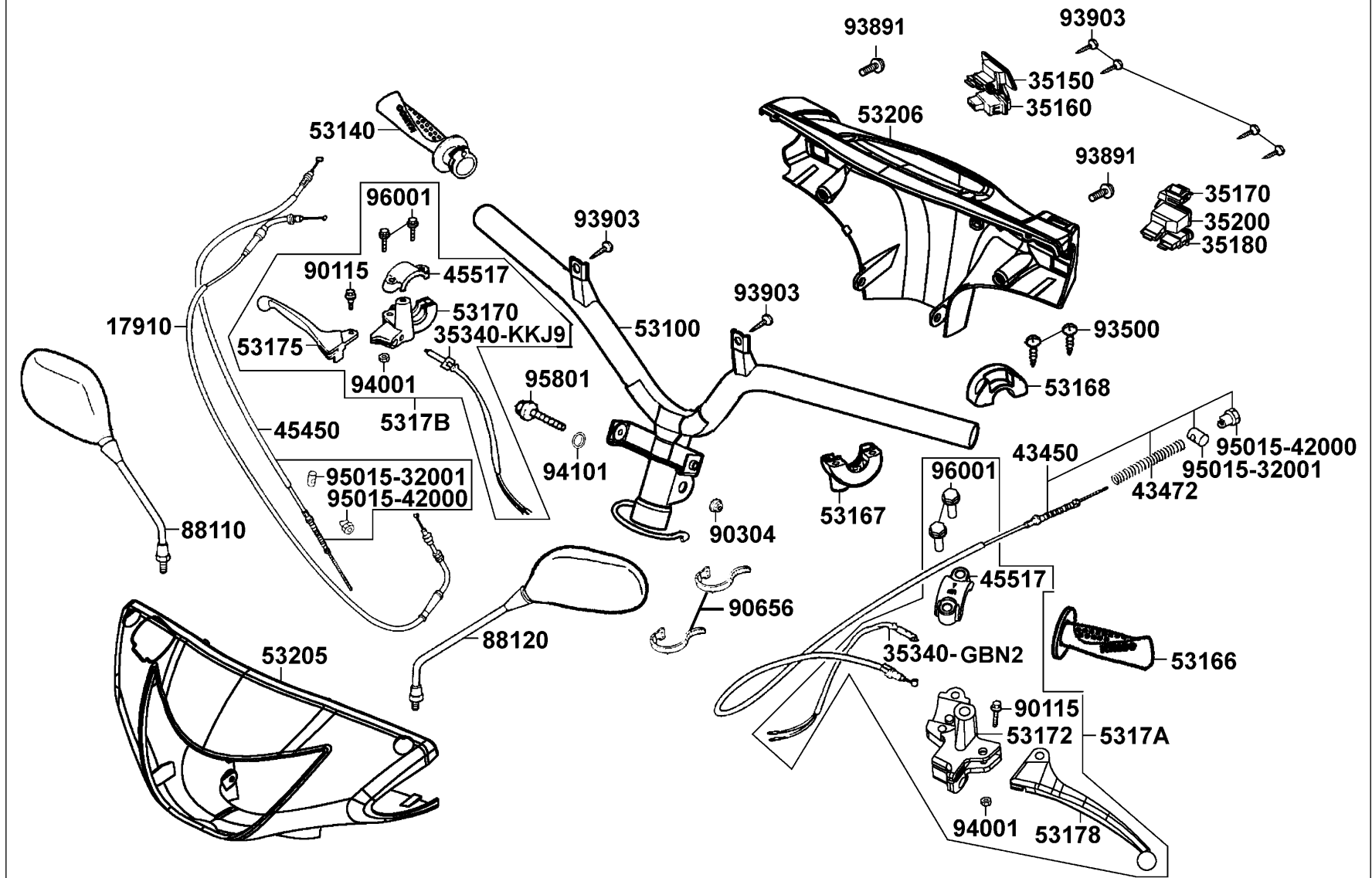


Sales mark 配色標註	Ref no 參考號碼	Part no 零件號碼	Description 英文名稱	Reg description 中文名稱	Regd no 需求用量	F02
	34908	34908-MKB9-87A	BULB WEDGE BASE	儀錶內指示燈泡	3	
	37200	37200-LGM1-900	METER ASS'Y, SPEED	速度儀錶組	1	
	37211	37211-KHC4-90C	LENS	儀錶蓋	1	
	44830	44830-KHC4-800	CABLE COMP SPDMT	速度錶導線	1	
	93700	93700-05018-0H	SCREW OVAL 5*18	螺絲 5*18	1	
	93903	93903-35320	SCREW TAPPING 5*16	螺絲 5*16	3	

F03

Handle Steering Handle Cover

轉向手柄 手柄蓋

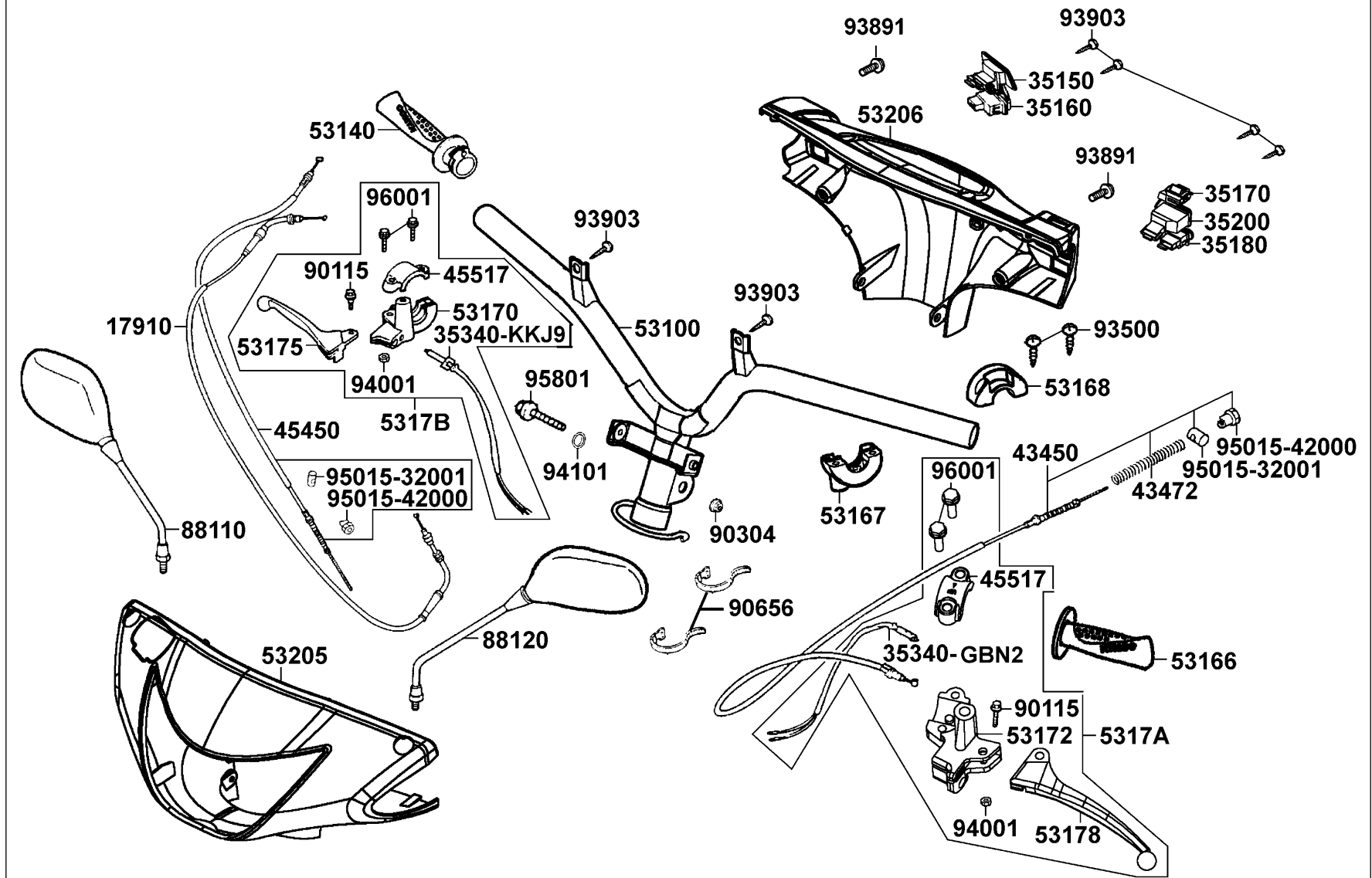


Sales mark 配色標註	Ref no 參考號碼	Part no 零件號碼	Description 英文名稱	Reg description 中文名稱	Regd no 需求用量	F03
	17910	17910-LGM1-900	CABLE COMP.,THROT	CABLE COMP.,THROT	1	
	35150	35150-GFY6-900	SW UNIT LIGHTING	前燈開關	1	
	35160	35160-GGS7-900	SW UNIT STARTER	起動開關	1	
	35170	35170-GGS7-900	SW UNIT DIMMER	遠近燈開關	1	
	35180	35180-GGS7-900	SW UNIT HORN	喇叭開關	1	
	35200	35200-GFY6-910	SW UNIT WINKER	方向燈開關	1	
	35340-GBN2	35340-GBN2-770	SW ASSY FR STOP	剎車燈前置開關	1	
	35340-KKJ9	35340-KKJ9-010	SW ASSY FR STOP	煞車燈前置開關組	1	
	43450	43450-LFG6-900	CABLE COMP RR BRK	後煞車導線組	1	
	43472	43472-1A61-001	SPG RR BRK ARM	後煞車臂彈簧	1	
	45450	45450-KFA2-900	CABLE COMP FR BRK	前煞車導線	1	
	45517	45517-GFY6-900	HOLDER HNDL BRKT	手柄固定座夾板	2	
	53100	53100-KHC4-900	HANDLE COMP STRG	轉向手柄	1	
**	53140	53140-KFA1-900	GRIP COMP THROT **(1) C.2005.04.25	節流管套組/黑色 **(1) C.2005.04.25	1	
**	53166	53166-KFA1-900	GRIP L HANDLE **(1) C.2005.04.25	手柄左橡皮套/黑色 **(1) C.2005.04.25	1	
	53167	53167-KFA1-900	HOUSING UND THROT	節流管套下固定座	1	
	53168	53168-KFA1-900	HOUSING UP THROT	節流管套上固定座	1	
	53170	53170-KHC3-900	BRKT HANDLE RH	手柄支架	1	
	53172	53172-KKE2-900	BRKT L STRG HANDLE	手柄左托架	1	
**	53175	53175-KHC3-900	LEVER STRG HANDLE	手柄拉桿/黑色	1	

F03

Handle Steering Handle Cover

轉向手柄 手柄蓋

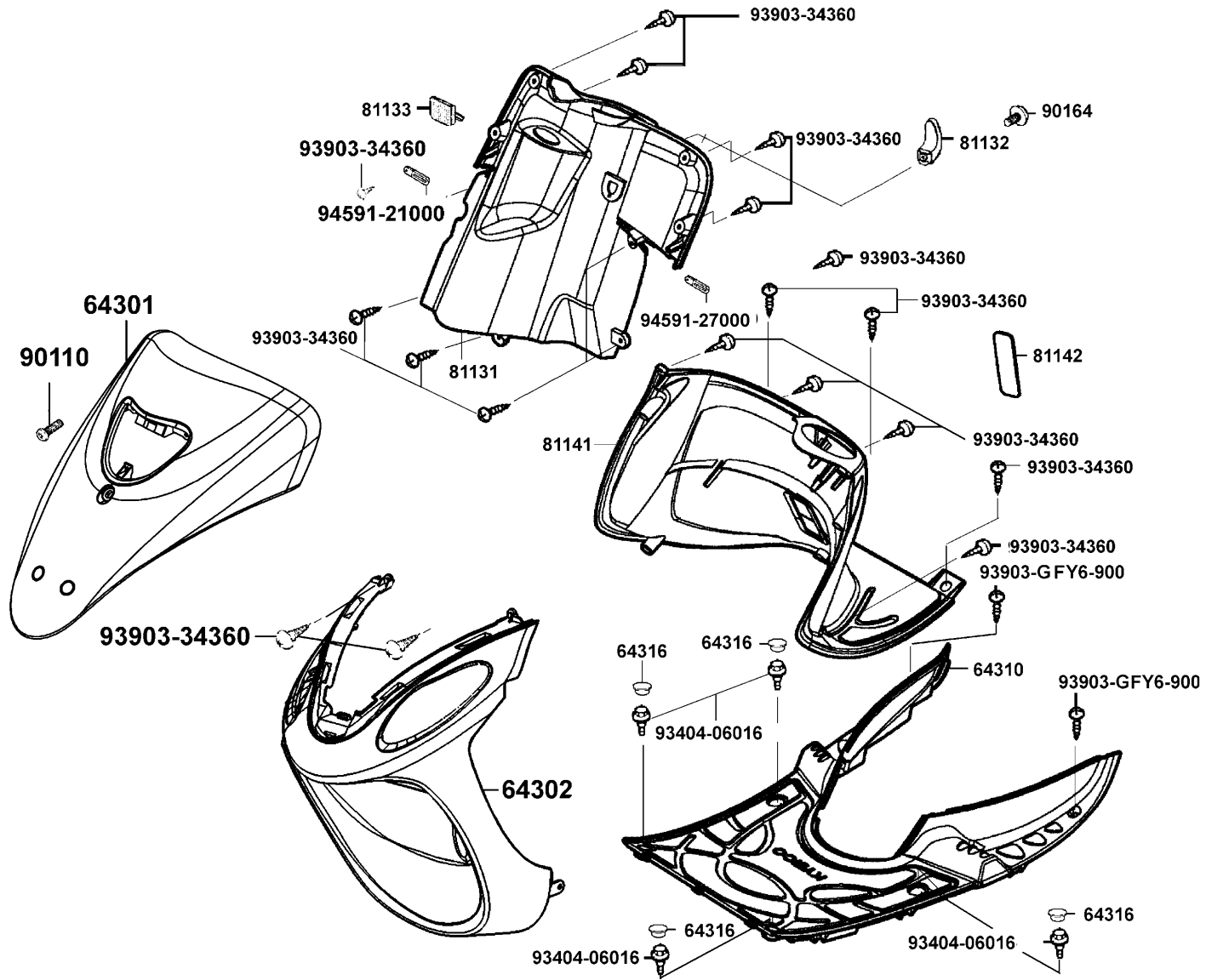


Sales mark 配色標註	Ref no 參考號碼	Part no 零件號碼	Description 英文名稱	Reg description 中文名稱	Regd no 需求用量
**	53178	53178-KKE2-900	LEVER L STRG HANDLE	左拉桿	1
	5317A	5317A-KKE2-900	BRKT ASSY HNDL L	手柄左托架組	1
	5317B	5317B-KHC3-900	BRKT ASSY HNDL R	手柄右拉桿組	1
**	53205	53205-KHC3-900	COVER FR HANDLE	轉向手柄前蓋	1
**	53206	53206-KHC4-900	COVER HANDLE RR	轉向手柄後蓋	1
	88110	88110-LFG6-900	MIRROR ASSY R BACK	右後視鏡	1
	88120	88120-LFG6-900	MIRROR ASSY L BACK	左後視鏡	1
	90115	90115-GLE0-001	BOLT HNDL LEVER PIVOT	拉桿螺絲	2
	90304	90304-GHE8-004	NUT U 10MM	螺帽 10MM	1
	90656	90656-GFY6-911	BAND OIL HOSE	油管束帶	2
	93500	93500-05022-06	SCREW PAN 5*22	螺絲 5*22	2
	93891	93891-05012-06	SCREW WASHER 5*12	螺絲 5*12	2
	93903	93903-34360	SCREW TAPPING 4*12	螺絲 4*12	6
	94001	94001-05080-0S	NUT HEX 5MM	螺帽 5MM	2
	94101	94101-10800	WASHER PLAIN 10MM	華司 10MM	1
	95015-32001	95015-32001	JOINT B BRAKE ARM	煞車導線接頭銷	2
	95015-42000	95015-42000	NUT B ADJUST	調整螺帽	2
	95801	95801-10040-08	BOLT FLANGE 10*40	特殊螺絲 10*40	1
	96001	96001-06025-06	BOLT FLANGE 6*25	螺絲 6*25	2

F03

F04

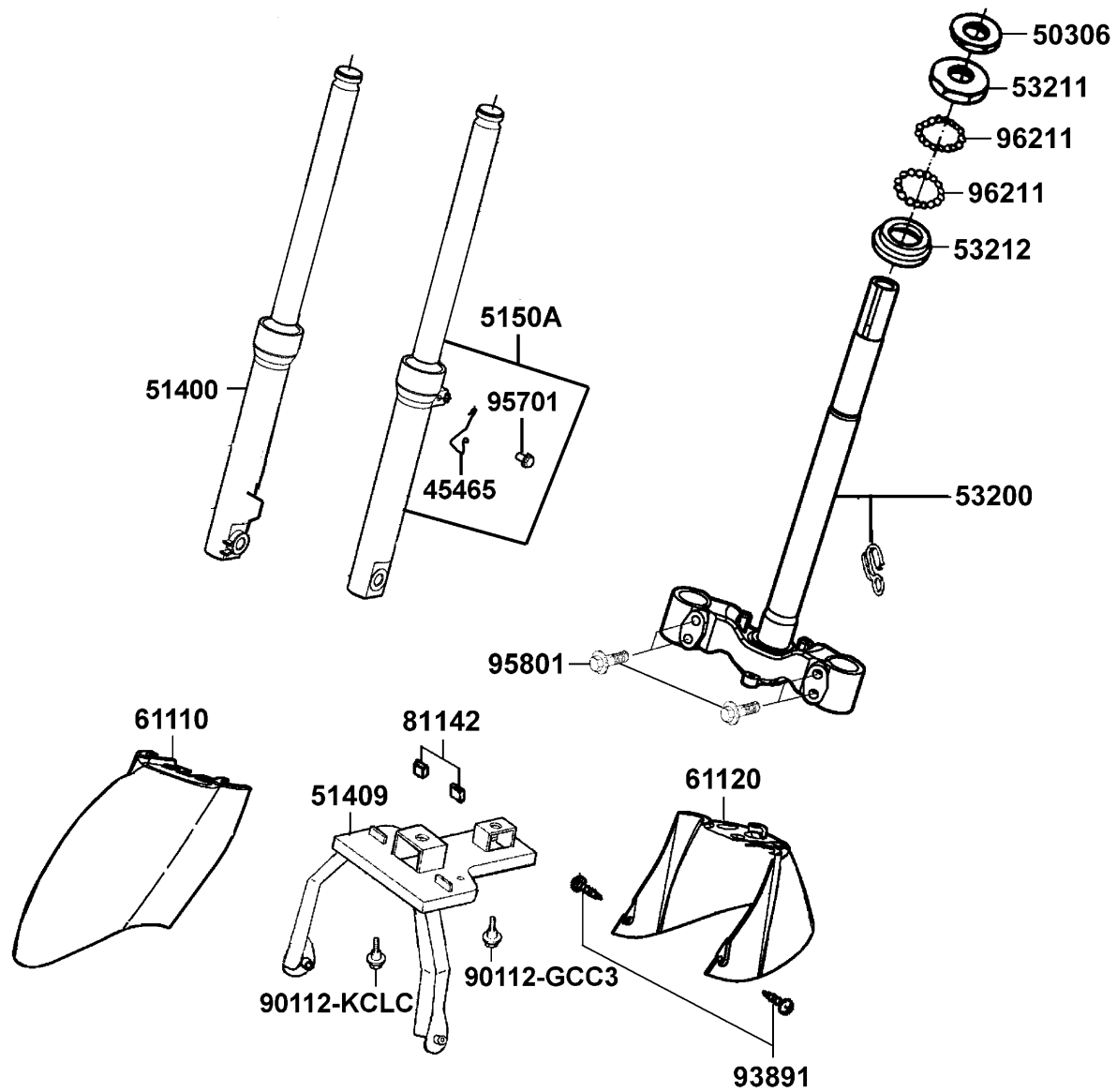
Front Cover Fr Fender 前蓋 前土除



Sales mark 配色標註	Ref no 參考號碼	Part no 零件號碼	Description 英文名稱	Reg description 中文名稱	Regd no 需求用量	F04
**	64301	64301-KHC3-375	COVER FR	前外蓋	1	
**	64302	64302-KHC3-900	MOLDING FRONT	前護板	1	
**	64310	64310-LFG6-900	PANEL FLOOR	腳踏板	1	
**	64316	64316-KHE2-900	PLUG FLOOR	踏板塞子	4	
**	81131	81131-KHC4-900	COVER FR INNER UP	內箱上蓋	1	
**	81132	81132-LFG6-900	HOOK LUGGAGE	安全帽掛鉤	1	
	81133	81133-KNBN-901	STOPPER LUGGAGE	內箱襯蓋	1	
**	81141	81141-KHC4-900	LEG SHIELD LOW	前下內箱	1	
**	81142	81142-KUDU-900	LID LEG SHIELD	內箱蓋	1	
	90110	90110-GLW0-001	SCREW SPECIAL 6*14	螺絲 6*14	1	
	90164	90164-MDR4-901	SCREW SPECIAL 6MM	特殊螺絲 6MM	1	
	93404-06016	93404-06016-06	BOLT WASHER 6*16	螺絲 6*16	4	
	93903-34360	93903-34360	SCREW TAPPING 4*12	螺絲 4*12	18	
	93903-GFY6-900	93903-GFY6-900	SCREW TAPPING 4*14	螺絲 4*14	2	
	94591-21000	94591-21000	CLIP 2*100	導線夾	1	
	94591-27000	94591-27000	CLIP 2*70	夾子 2*70	2	

F05

Steering Stem Front Fork 轉向桿 前避震器

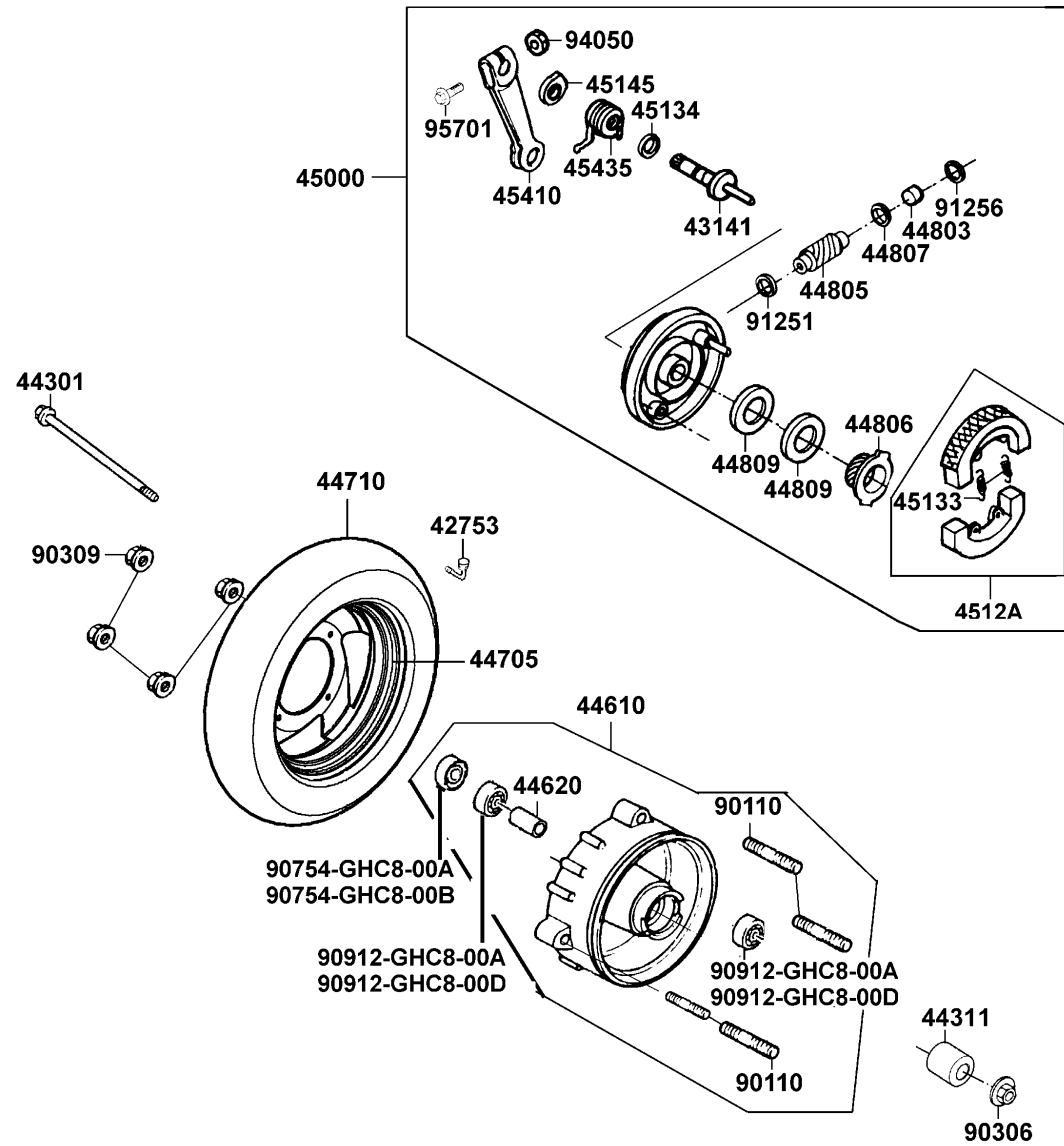


Sales mark 配色標註	Ref no 參考號碼	Part no 零件號碼	Description 英文名稱	Reg description 中文名稱	Regd no 需求用量	F05
	45465	45465-KHC4-800	GUIDE HOSE FR	前煞車管夾	1	
	50306	50306-1F96-001	NUT STRG STEM LOCK	主幹螺帽	1	
**	51400	51400-LFG6-900	FORK SET R FR	右前避震器	1	
	51409	51409-KFA2-900	STAY FENDER FR	前土除支架	1	
**	5150A	5150A-LFG6-900	FORK SET L FR	左前避震器	1	
	53200	53200-KFA2-900	STEM COMP STRG	轉向桿	1	
	53211	53211-GFY6-940	RACE STRG TOP CONE	上錐體座圈	1	
	53212	53212-GHC8-004	RACE (STRG BOTTOM) CONE	下錐體座圈	1	
**	61110	61110-KFA2-900	FENDER FR A	前土除A	1	
**	61120	61120-KFA2-900	FENDER FR DOWN	前下土除	1	
	81142	81142-KCLC-900	RUBBER LID STOPPER	橡皮	2	
	90112-GCC3	90112-GCC3-001	BOLT SPECIAL 5MM	螺絲 5MM	1	
	90112-KCLC	90112-KCLC-900	BOLT SPECIAL 5MM	特殊螺絲 5MM	1	
	93891	93891-06016-06	SCREW WASHER 6X16	螺絲 6X12	2	
	95701	95701-06012-08	BOLT FLANGE 6*12	螺絲 6*12	1	
	95801	95801-08040-08	BOLT FLANGE 8*40	螺絲 8*40	4	
	96211	96211-05000	BALL STEEL # 5	上端鋼珠 #5	55	

F06

Front Wheel

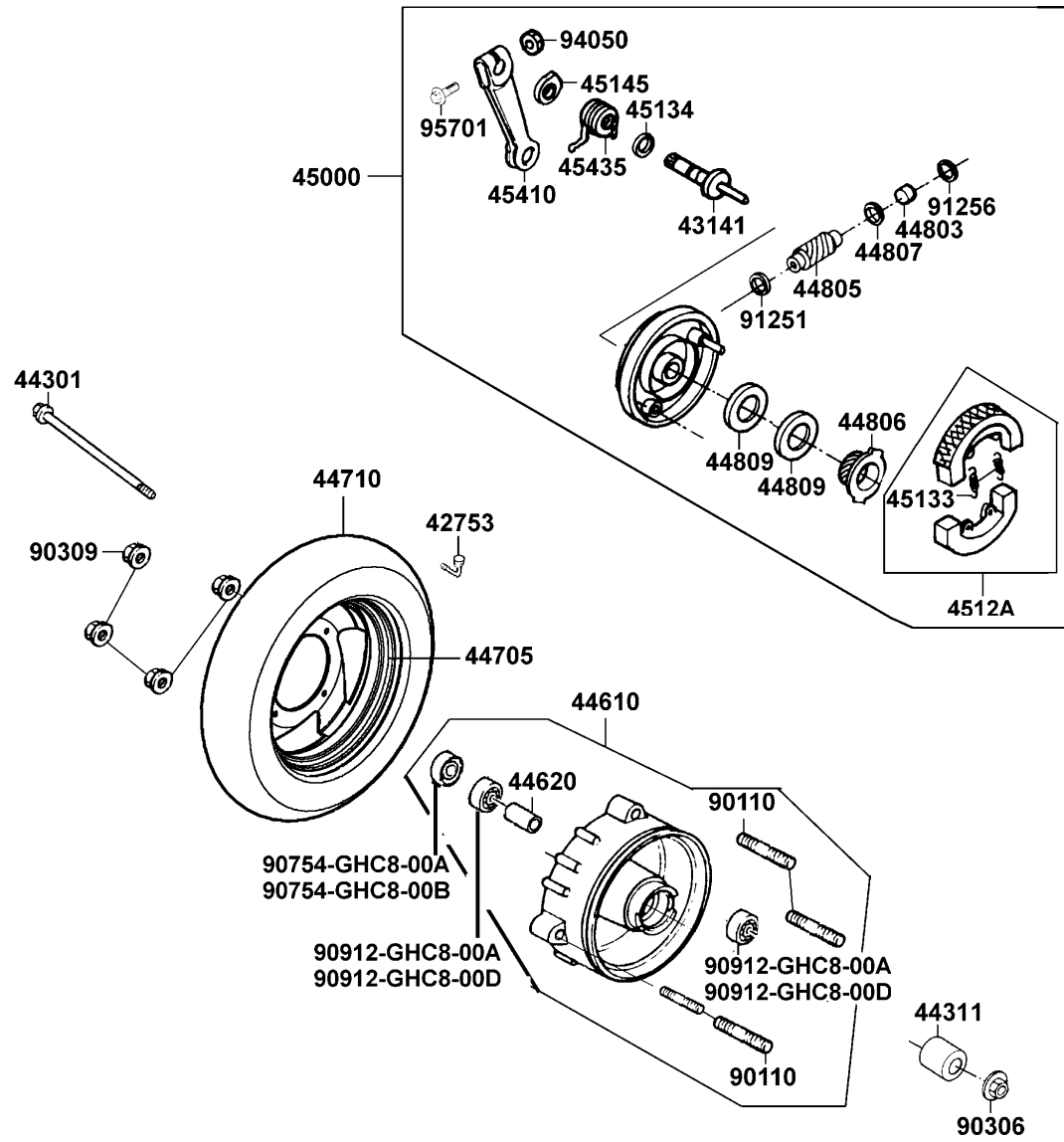
前輪



Sales mark 配色標註	Ref no 參考號碼	Part no 零件號碼	Description 英文名稱	Reg description 中文名稱	Regd no 需求用量	F06
	42753	42753-KXCX-900	VALVE (PVR-70B) & CAP	打氣嘴	1	
	43141	43141-4L00-011	CAM REAR BRAKE	後煞車凸輪	1	
	44301	44301-KBE2-981	AXLE FR WHEEL	前輪軸	1	
	44311	44311-LAB4-800	COLLAR FR WHEEL SIDE	前輪套筒	1	
**	44610	44610-GLW0-305	HUB SUB ASSY FR	前輪殼組	1	
	44620	44620-GHC8-001	COLLAR FR AXLE DISTANCE	前輪軸距套筒	1	
**	44705	44705-KHC4-900	RIM COMP FR WHEEL	前輪圈	1	
	44710	44710-KGBG-90A-G303	TIRE ASSY RR	後輪胎	1	
	44803	44803-GFY6-90A	BUSH PINION	速度錶小齒輪襯套	1	
	44805	44805-KECE-800	PINION SPDMT	速度錶小齒輪	1	
	44806	44806-KECE-800	GEAR SPDMT	速度錶齒輪	1	
	44807	44807-0A01-004	WASHER GEAR BOX PINION	華司	1	
	44809	44809-1L70-004	WASHER SPEEDOMETER GEAR	華司	2	
**	45000	45000-LGM9-900	PANEL SUB COMP FR BRAKE	前煞車板組	1	
#	4512A	4512A-LCB4-910	SHOE COMP RR BRAKE	後煞車鞋	1	
	45133	45133-0H28-001	SPRING BRAKE SHOE	煞車鞋彈簧	2	
	45134	45134-2L50-001	BRAKE CAM DUST SEAL	凸輪防塵封	1	
	45145	45145-0F96-651	INDICATOR FRONT BRAKE	前煞車指示器	1	
	45410	45410-GBB2-001	ARM FRONT BRAKE	前煞車臂	1	
	45435	45435-GBB2-721	SPG BRK ARM RETURN	煞車臂回位彈簧	1	

F06

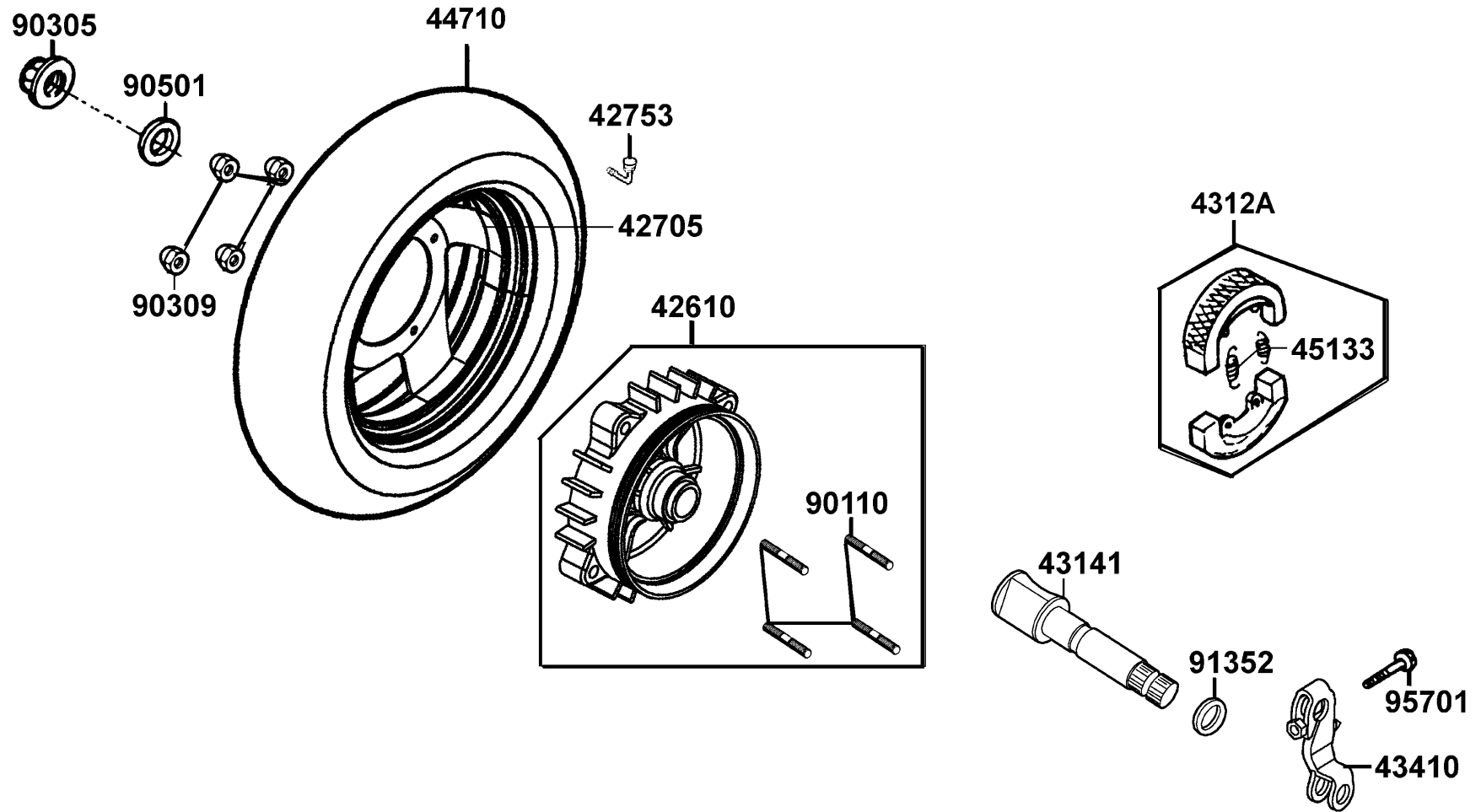
Front Wheel 前輪



Sales mark 配色標註	Ref no 參考號碼	Part no 零件號碼	Description 英文名稱	Reg description 中文名稱	Regd no 需求用量	F06
	90110	90110-KHG8-901	BOLT STUD2 8*22	雙頭螺絲 8X22	4	
	90306	90306-KLF0-004-SY	NUT FLANGE 12MM	螺帽 12MM	1	
	90309	90309-GLW0-90A	NUT U FLANGE 8MM	螺帽 8MM	4	
	90754-GHC8-00A	90754-GHC8-00A	SEAL DUST 20*32*5	油封 20*32*5	1	
	90754-GHC8-00B	90754-GHC8-00B	SEAL DUST 20*32*5	油封 20*32*5	1	
	90912-GHC8-00A	90912-GHC8-00A	BEARING 6201	軸承	2	
	90912-GHC8-00D	90912-GHC8-00D	BEARING 6201	軸承	1	
	91251	91251-GHC8-004	SEAL OIL 41*51*5	油封	1	
	91256	91256-GAC1-004	SEAL DUST	防塵封	1	
	94050	94050-06080	NUT FLANGE 6MM	螺帽 6MM	1	
	95701	95701-06028-08	BOLT FLANGE 6*28	螺絲 6X28	1	

F07

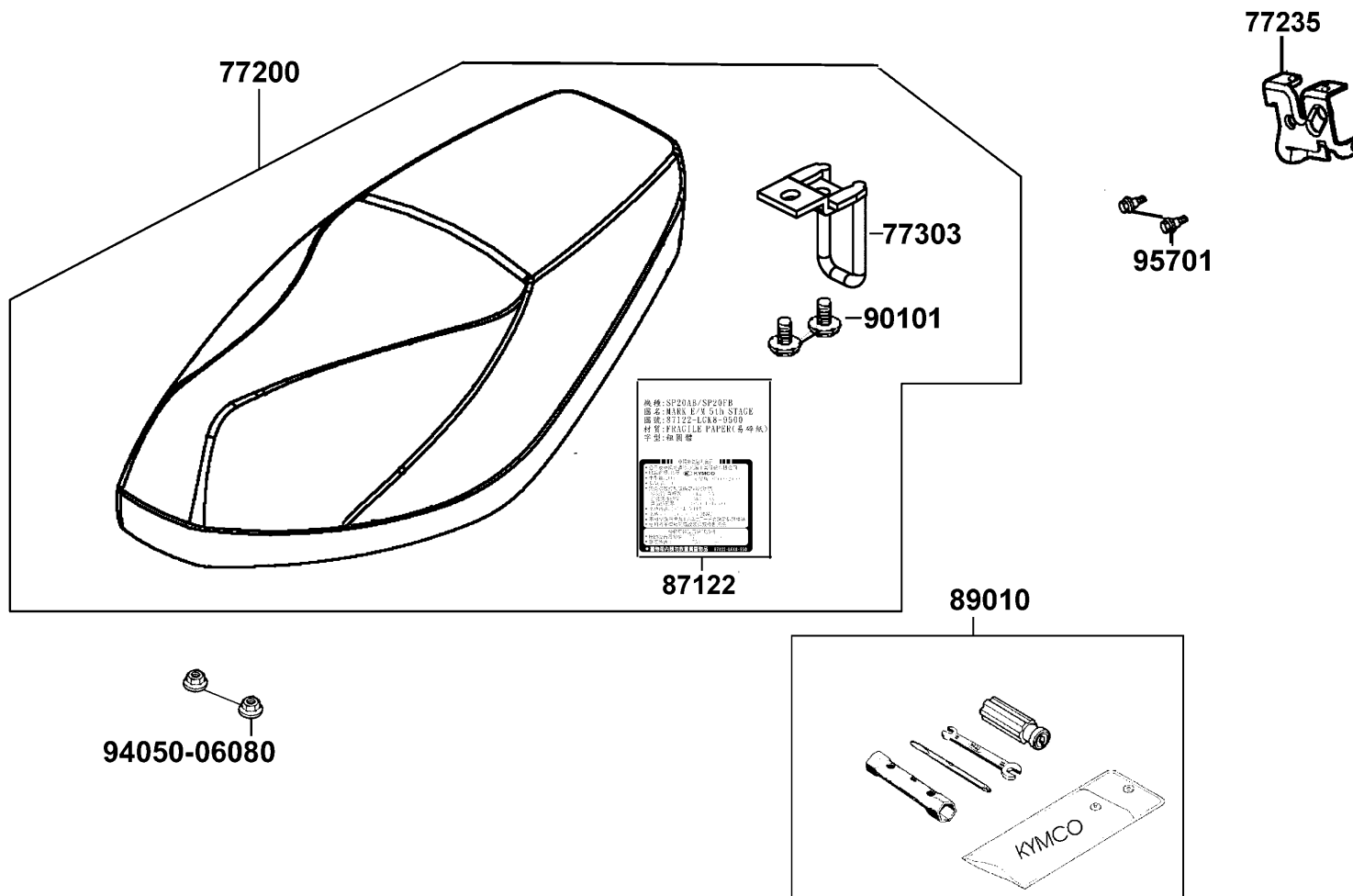
Rear Wheel 後輪



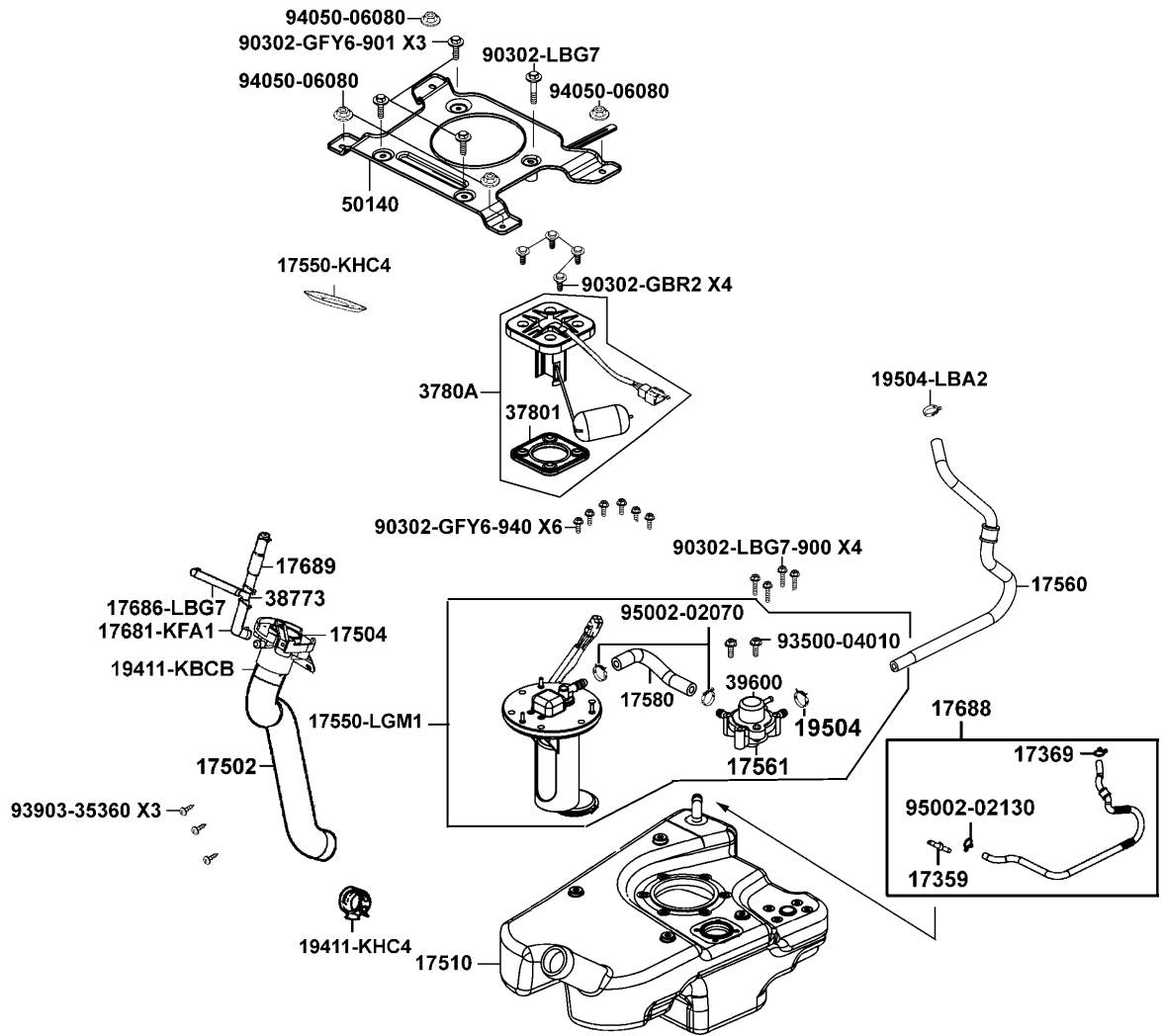
Sales mark 配色標註	Ref no 參考號碼	Part no 零件號碼	Description 英文名稱	Reg description 中文名稱	Regd no 需求用量	F07
**	42610	42610-GKAK-901	HUB SUB COMP RR	後輪轂	1	
**	42705	42705-KHC4-900	RIM COMP WHEEL	後輪鋼圈	1	
	42753	42753-KXCX-900	VALVE (PVR-70B) & CAP	打氣嘴	1	
#	4312A	4312A-LDA3-900	SHOE COMP BRAKE	前煞車鞋	1	
	43141	43141-GKAK-901	CAM RR BRAKE	後煞車凸輪	1	
	43410	43410-KFA1-900	ARM COMP RR BRAKE	後煞車臂	1	
	44710	44710-KGBG-90A-G303	TIRE ASSY RR	後輪胎	1	
	45133	45133-LDA3-900	SPRING BRAKE SHOE REAR	彈簧	2	
	90110	90110-KHG8-901	BOLT STUD2 8*22	雙頭螺絲 8X22	4	
	90305	90305-KNBN-90B	NUT U 16MM	螺帽 16MM	1	
	90309	90309-GLW0-90A	NUT U FLANGE 8MM	螺帽 8MM	4	
	90501	90501-KNBN-901	WASHER 16MM	華司 16MM	1	
	91352	91352-KHG8-83B	O-RING 11.3*1.3	O環 11.3*1.3	1	
	95701	95701-06032-08	BOLT FLANGE 6*32	螺絲 6*32	1	

F08

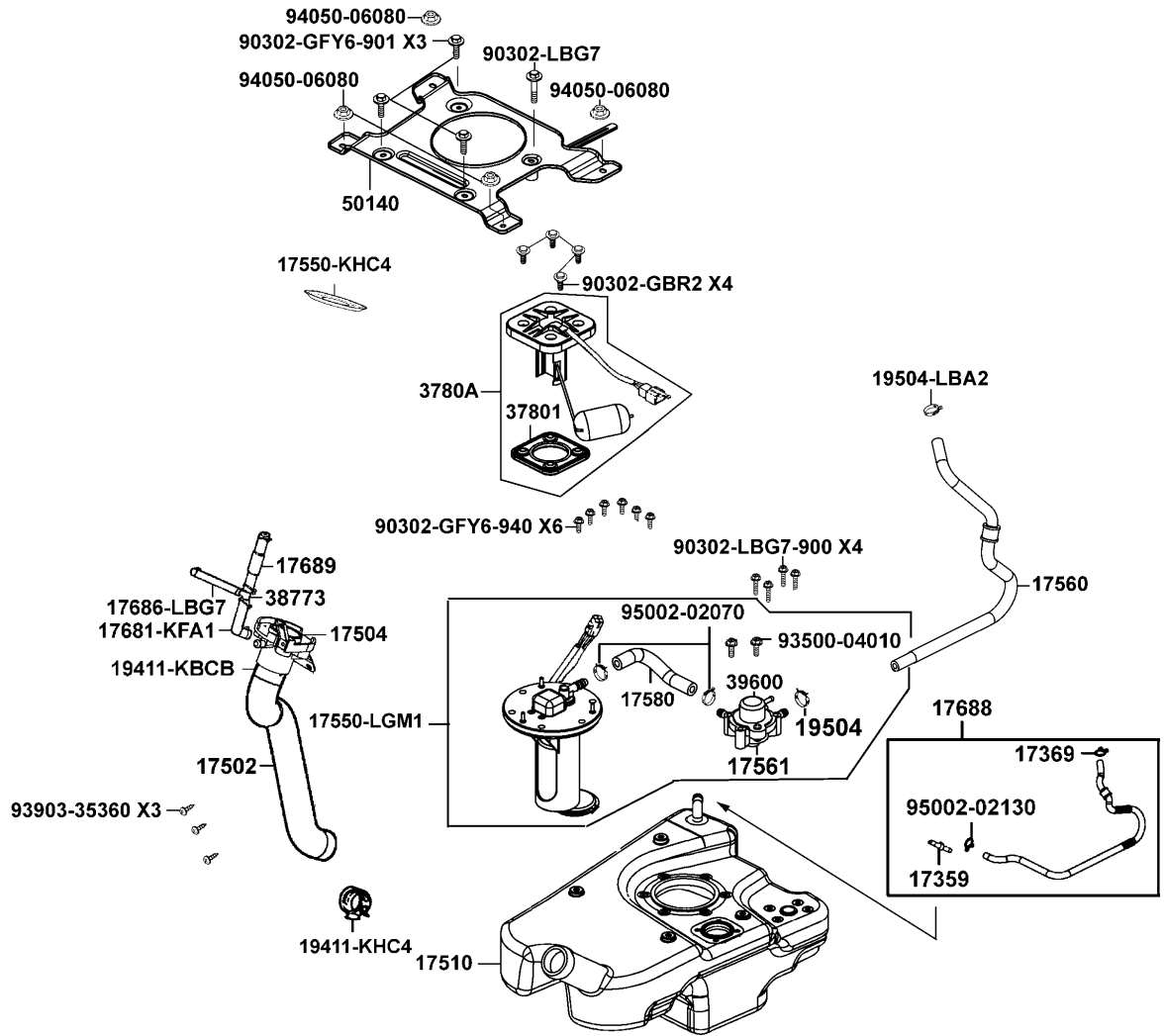
Seat 座墊



Sales mark 配色標註	Ref no 參考號碼	Part no 零件號碼	Description 英文名稱	Reg description 中文名稱	Regd no 需求用量	F08
**	77200	77200-LGM1-900	SEAT ASSY.	座墊	1	
	77235	77235-KHC4-900	SEAT CATCH COMP	座墊鉤	1	
	77303	77303-KHC4-900	HOOK SEAT LOCK	座墊掛鉤鎖	2	
**	87122	87122-LGK8-950	MARK E/M 5th STAGE	法規貼紙	1	
	89010	89010-KGBG-900	TOOL SET	手工具組	1	
	90101	90101-KGC4-E00	SCREW SPECIAL 6*15	特殊螺絲 6*15	2	
	94050-06080	94050-06080	NUT FLANGE 6MM	螺帽 6MM	2	
	95701	95701-06016-08	BOLT FLANGE 6*16	螺絲 6*16	1	



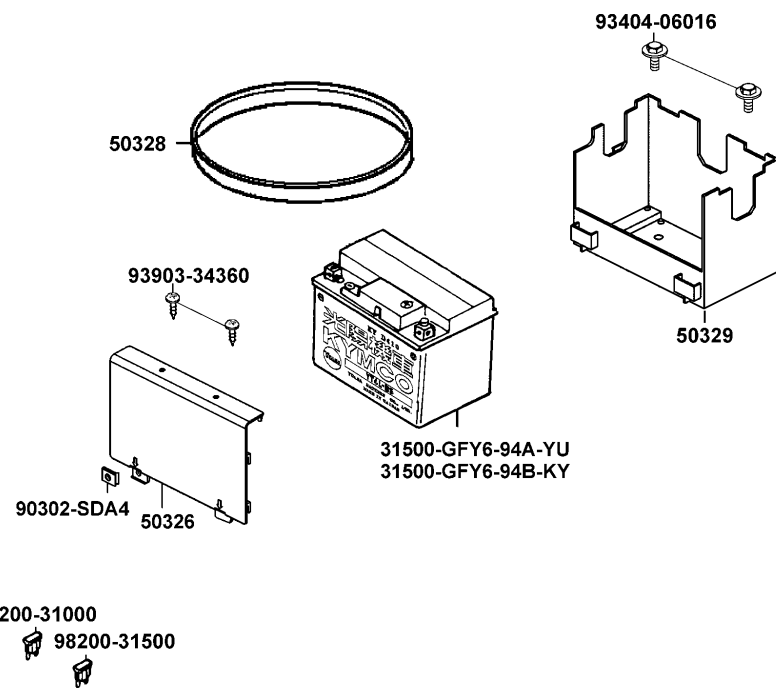
Sales mark 配色標註	Ref no 參考號碼	Part no 零件號碼	Description 英文名稱	Reg description 中文名稱	Regd no 需求用量	F09
	17359	17359-4K19-671	JOINT BREATHER TUBE	通氣管接頭	1	
	17369	17369-KHC4-900	CLIP BREATHER TUBE	通氣管夾	1	
	17502	17502-KHC4-900	HOSE FUEL	油管	1	
	17504	17504-KHC4-900	PIPE COMP FUEL FILLER	加油漏斗	1	
	17510	17510-LGM1-900	TANK COMP.,FUEL	TANK COMP.,FUEL	1	
	17550-KHC4	17550-KHC4-900	TRAY FUEL CAP	油箱護蓋	1	
	17550-LGM1	17550-LGM1-900	FUEL TUEL ASS'Y	汽油幫浦總成	1	
	17560	17560-LGK8-900	TUBE,PUMP-INJECTOR	TUBE,PUMP-INJECTOR	1	
#	17561	17561-LGK8-900	RUBBER BUSH	襯套橡皮	1	
	17580	17580-LBG7-900	TUBE PUMP REGULATOR COMP	油管組	1	
	17681-KFA1	17681-KFA1-900	TUBE JOINT 3 WAY	油管	1	
	17686-LBG7	17686-LBG7-900	TUBE ASSY FUEL	油管	1	
	17688	17688-LBG7-900	TUBE TANK-FUEL FILLER	活性碳貫通氣管	1	
	17689	17689-LFG6-900	TUBE TANK-JOINT	油管	1	
	19411-KBCB	19411-KBCB-900	CLIP HOSE	油管鎖環	1	
	19411-KHC4	19411-KHC4-900	CLIP HOSE	管夾	1	
#	19504-LBA2	19504-LBA2-E00	CLAMP D 16.8	管夾	1	
	37801	37801-LAB4-910	PACKING BASE	墊圈	1	
	3780A	3780A-LFG6-900	FUEL UNIT ASSY	燃料量指示器組	1	
	38773	38773-KBCB-900	JOINT 3 WAY	3通管	1	



Sales mark 配色標註	Ref no 參考號碼	Part no 零件號碼	Description 英文名稱	Reg description 中文名稱	Regd no 需求用量	F09
	39600	39600-LGK8-800	"REGULATOR,FUEL"	"REGULATOR,FUEL"	1	
	50140	50140-LFG6-900	PLATE FLOOR	前踏板支板	1	
	90302-GBR2	90302-GBR2-001	BOLT WASH 5*16	螺絲 5*16	4	
	90302-GFY6-901	90302-GFY6-901	BOLT WASH 5*12	螺絲 5*12	3	
	90302-GFY6-940	90302-GFY6-940	BOLT-WASH 5*16	螺絲 5*16	6	
	90302-LBG7-900	90302-LBG7-900	BOLT-WASH 5X35 (G)	螺絲5X35	5	
	93500-04010	93500-04010-06	SCREW 4*10	螺絲 4*10	2	
	93903-35360	93903-35360	SCREW TAPPING 5*16	螺釘 5*16	3	
	94050-06080	94050-06080	NUT FLANGE 6MM	螺帽 6MM	4	
	95002-02070	95002-02070	CLIP B7 TUBE	管夾	2	
	95002-02130	95002-02130	CLIP B 12.5 TURE	管夾	1	

F10

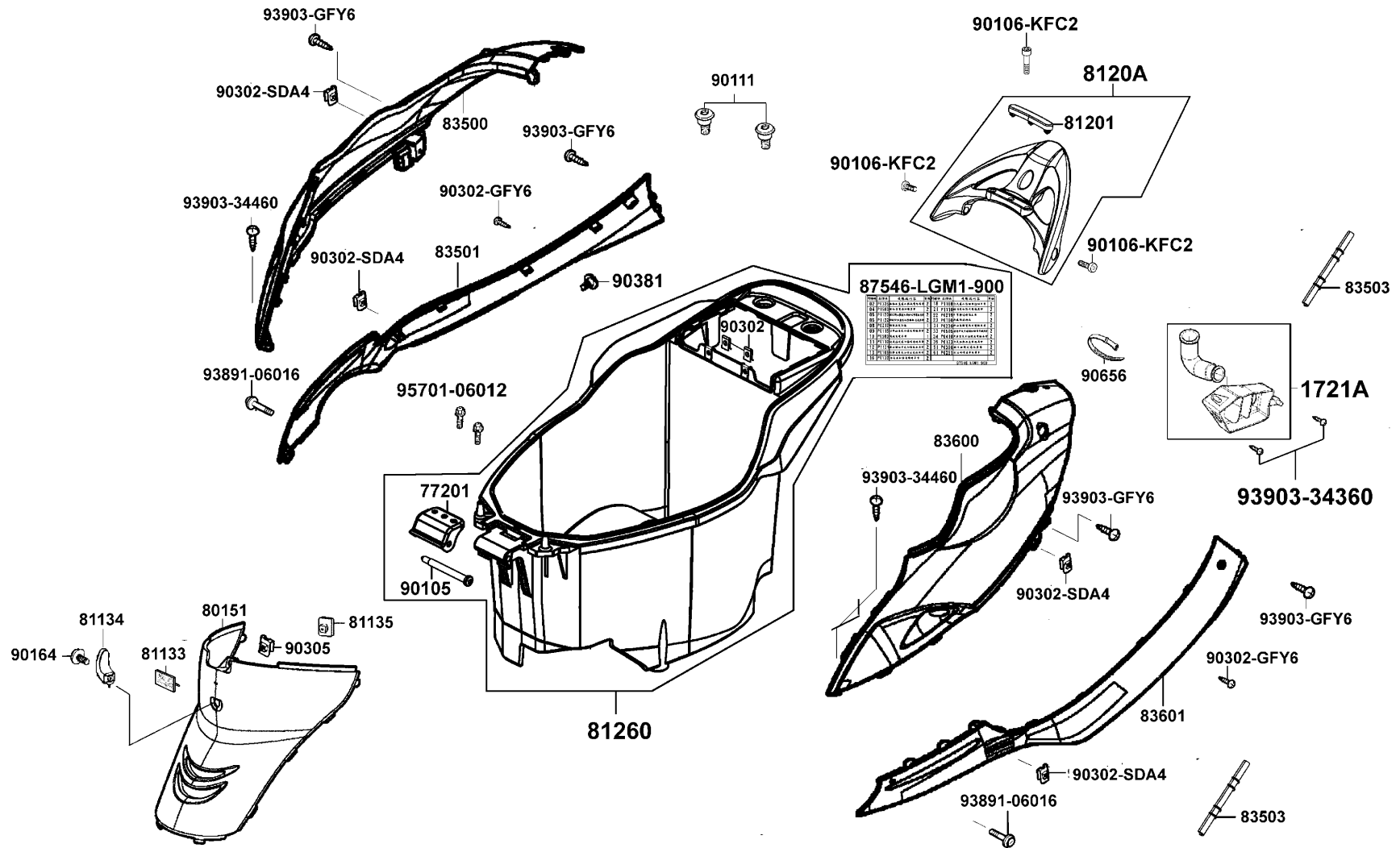
Battery 电瓶



Sales mark 配色標註	Ref no 參考號碼	Part no 零件號碼	Description 英文名稱	Reg description 中文名稱	Regd no 需求用量	F10
	31500-GFY6-94A-YU	31500-GFY6-94A-YU	BATTERY YTX7A-BS	電瓶	1	
	31500-GFY6-94B-KY	31500-GFY6-94B-KY	BATTERY GTX7A-BS	電瓶	1	
	50326	50326-LGM9-900	COVER,BATTERY	COVER,BATTERY	1	
	50328	50328-KNBN-200	BAND BATTERY	電瓶束帶	1	
**	50329	50329-LGM9-900	BATTERY CASE	電池盒	1	
	90302-SDA4	90302-SDA4-004	NUT SPRING 4MM	螺帽 4MM	1	
	93404-06016	93404-06016-06	BOLT WASHER 6*16	螺絲 6*16	2	
	93903-34360	93903-34360	SCREW TAPPING 4*12	螺絲 4*12	2	
	98200-31000	98200-31000	BLADE FUSE 10A	保險絲10A	1	
	98200-31500	98200-31500	BLADE FUSE 15A	保險絲15A	1	

F11

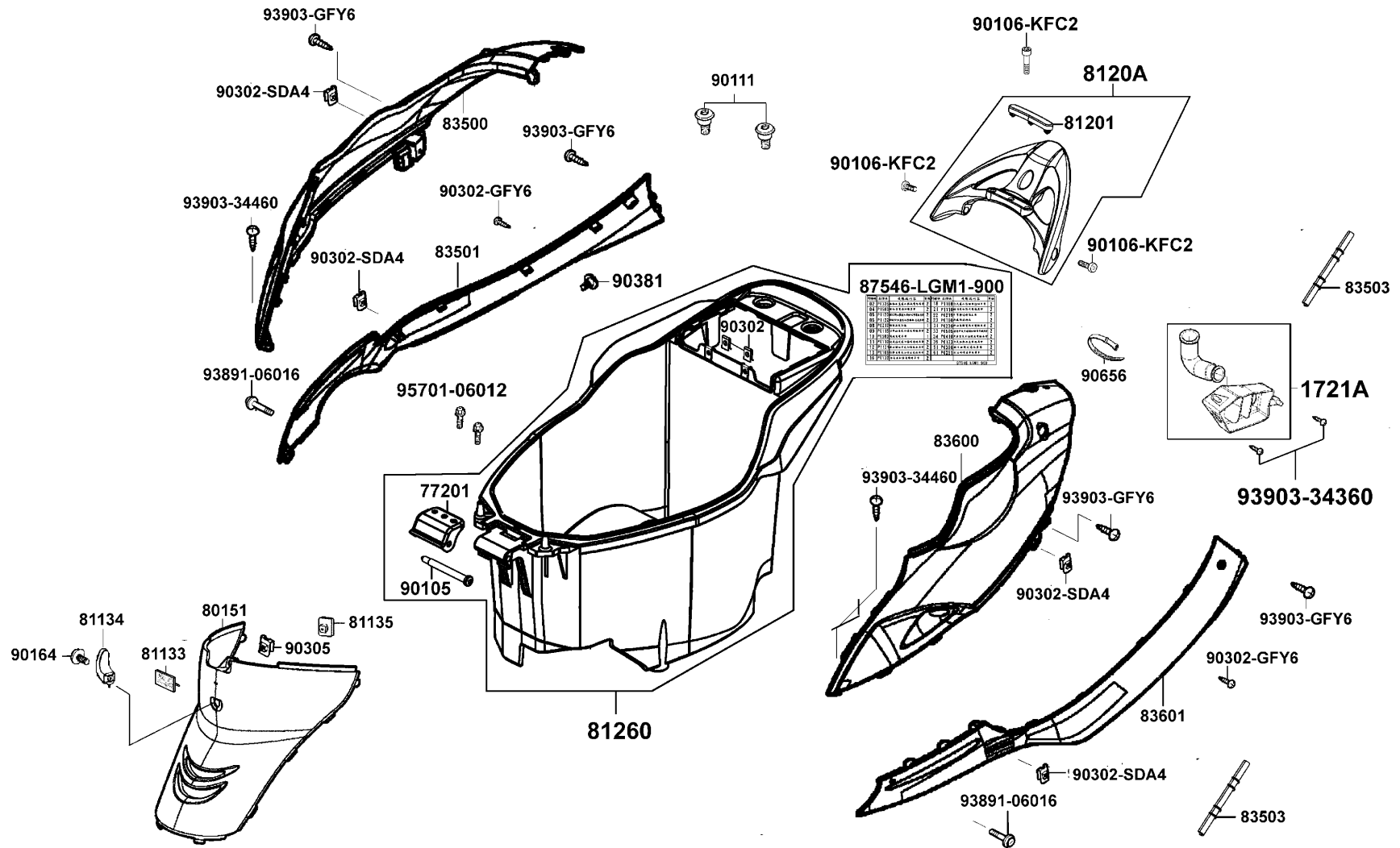
Body Cover Luggage Box 車體蓋 行李箱



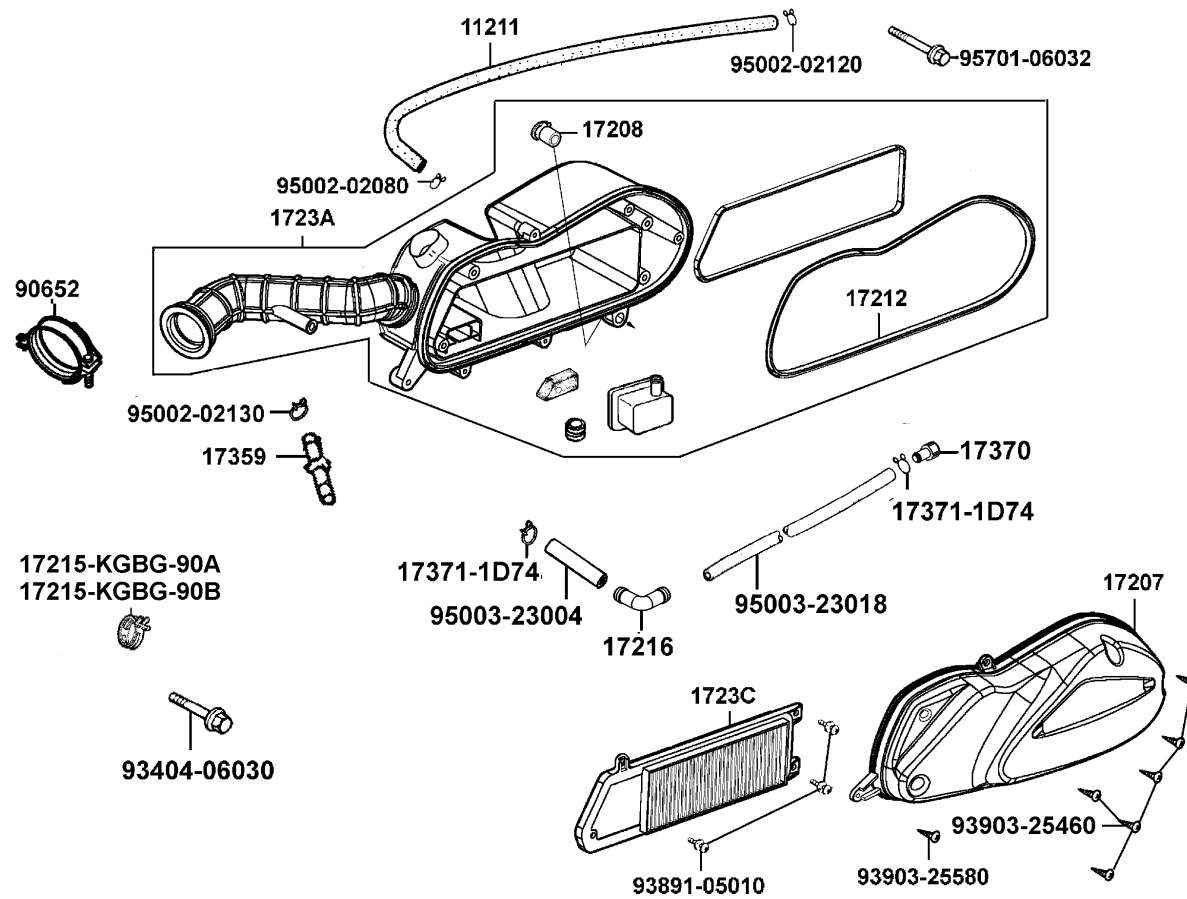
Sales mark 配色標註	Ref no 參考號碼	Part no 零件號碼	Description 英文名稱	Reg description 中文名稱	Regd no 需求用量	F11
	1721A	1721A-KHC4-900	DUCT ASSY A/C	空氣濾清器導管	1	
	77201	77201-GFS6-001	HINGE SEAT	座墊鉸鏈	1	
**	80151	80151-KHC4-900	COVER CENTER	中心蓋	1	
	81133	81133-KGBG-900	STOPPER LUGGAGE	內箱襯蓋	1	
	81134	81134-KGBG-900	HOOK LUGGAGE	掛鉤	1	
	81135	81135-KGBG-900	STAY LUGGAGE HOOK	掛鉤座	1	
	81201	81201-LFG6-900	RUBBER CARRIER	RUBBER CARRIER	1	
**	8120A	8120A-LFG6-900	GRIP RR COMP	GRIP RR COMP	1	
	81260	81260-LGK8-900	BOX LUGGAGE ASSY.	置物箱組	1	
**	83500	83500-KHC4-375	COVER SET R BODY	右邊蓋組	1	
**	83501	83501-LFG6-900	MOLDING ASSY R SIDE	右邊蓋嵌條	1	
**	83503	83503-KHD6-900	COVER PROTECT SEAT WIRE FR	前防護座墊線外蓋	2	
**	83600	83600-KHC3-375	COVER SET L BODY	左邊蓋組	1	
**	83601	83601-LFG6-900	SIDE MOLD L	左邊蓋嵌條	1	
**	87546-LGM1-900	87546-LGM1-900	CAUTION AFI	噴射系統維修貼紙	1	
	90105	90105-GFS6-001	PIN HINGE	座墊鉸鏈銷	1	
	90106-KFC2	90106-KFC2-900	BOLT WASH 8MM	螺絲 8MM	3	
	90111	90111-1G87-001	BOLT FLANGE 6MM	螺絲 6MM	2	
	90164	90164-KGBG-900	SCREW SPECIAL 6MM	特殊螺絲 6MM	1	
	90302-GFY6	90302-GFY6-901	BOLT WASH 5*12	螺絲 5*12	2	

F11

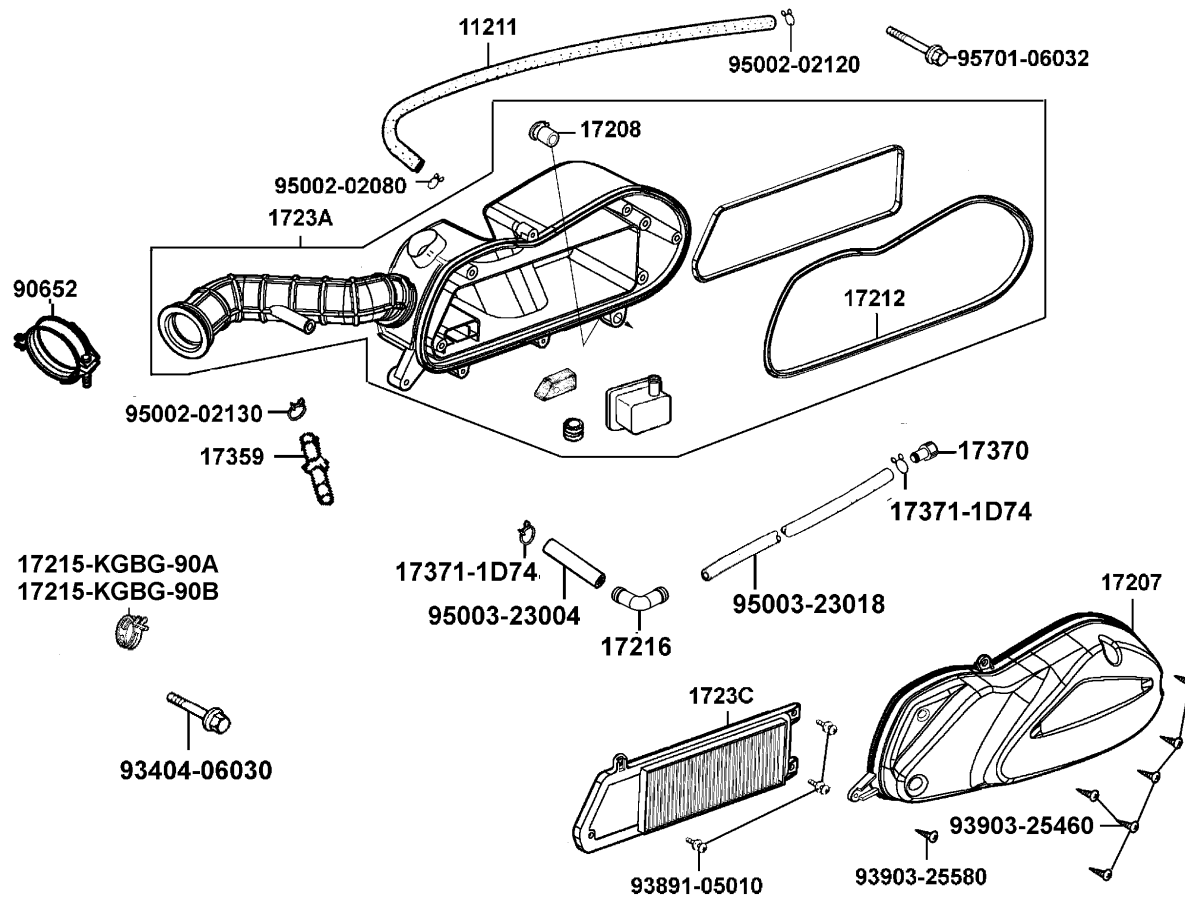
Body Cover Luggage Box 車體蓋 行李箱



Sales mark 配色標註	Ref no 參考號碼	Part no 零件號碼	Description 英文名稱	Reg description 中文名稱	Regd no 需求用量	F11
	90302-SDA4	90302-SDA4-004	NUT SPRING 4MM	螺帽 4MM	6	
	90305	90305-GHK8-001	NUT CLIP 6MM	夾螺帽	1	
	90381	90381-GEZ5-001	SCREW SPECIAL 6*17	螺絲 6*17	1	
	90656	90656-KCBC-900	BAND OIL HOSE	油管束帶	1	
	93891-06016	93891-06016-06	SCREW WASHER 6X16	螺絲 6X12	2	
	93903-34360	93903-34360	SCREW TAPPING 4*12	螺絲 4*12	3	
	93903-34460	93903-34460	SCREW TAPPING 4*16	螺釘 4*16	2	
	93903-GFY6	93903-GFY6-900	SCREW TAPPING 4*14	螺絲 4*14	4	
	95701-06012	95701-06012-08	BOLT FLANGE 6*12	螺絲 6*12	2	



Sales mark 配色標註	Ref no 參考號碼	Part no 零件號碼	Description 英文名稱	Reg description 中文名稱	Regd no 需求用量	F12
	11211	11211-LGK8-900	TUBE, BREATHER	吹漏氣管	1	
	17207	17207-KHC4-900	COVER COMP AIR/C	空氣濾清箱蓋	1	
	17208	17208-GAR1-011	COLLAR AIR/C SET	套筒	1	
	17212	17212-KHC4-900	SEAL AIR/C CASE	空氣濾清箱蓋塵封	1	
	17215-KGBG-90B	17215-KGBG-90A	CLIP ASSY A/C DUCT	固定管夾	1	
	17215-KGBG-90A	17215-KGBG-90B	CLIP ASSY AIR/C DUCT	固定管夾	1	
	17216	17216-KHC4-900	L JOINT BREATHER TUBE	L 型管	1	
	1723A	1723A-LGK8-900	CASE ASSY AIR/C	空氣濾清器箱組	1	
	1723C	1723C-KHC4-900	ELEMENT ASSY AIR/C	空氣濾清器濾芯	1	
	17359	17359-4K19-671	JOINT BREATHER TUBE	通氣管接頭	1	
	17370	17370-4K19-701	PLUG BREATHER TUBE	管塞	1	
	17371-1D74	17371-1D74-671	CLIP BREATHER TUBE	通氣管夾	2	
	90652	90652-GFY6-901	BAND 49 AIR/C CONNECTING TUBE	連接管固定帶	1	
	93404-06030	93404-06030-06	BOLT WASHER 6*30	螺絲6*30	1	
	93891-05010	93891-05010-08	SCREW WASHER 5*10	螺絲 5*10	3	
	93903-25460	93903-25460	SCREW TAPPING 4*12	螺釘 4*12	6	
	93903-25580	93903-25580	SCREW TAPPING 5X25	螺絲 5X25	1	
	95002-02080	95002-02080	CLIP B8 TUBE	管夾	1	
	95002-02120	95002-02120	CLIP B12 TUBE	管夾 B12	1	
	95002-02130	95002-02130	CLIP B 12.5 TURE	管夾	1	

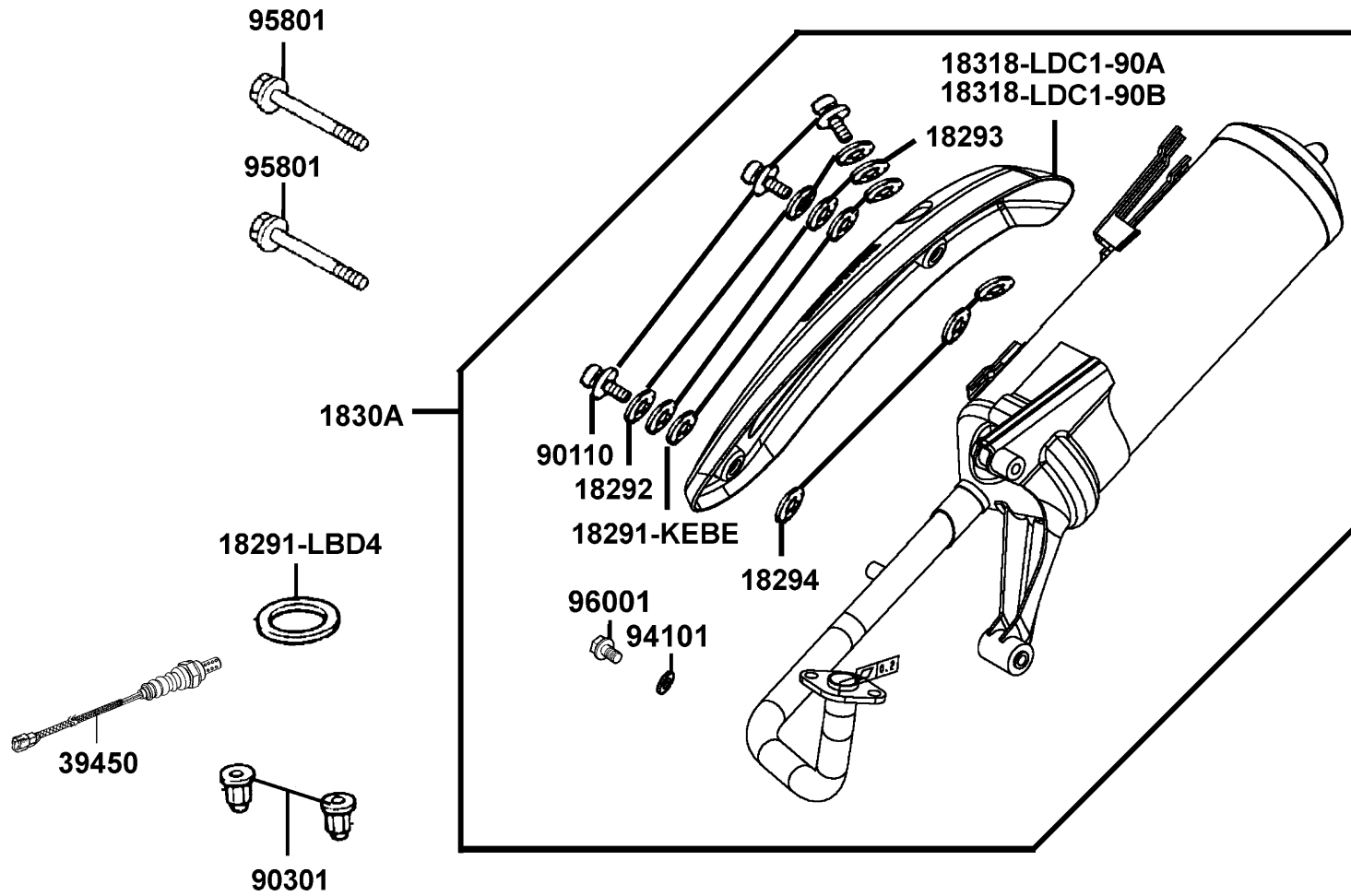


Sales mark 配色標註	Ref no 參考號碼	Part no 零件號碼	Description 英文名稱	Reg description 中文名稱	Regd no 需求用量
	95003-23004	95003-23004-60	V TUBE 8*12*40	通氣管 8*12*40	1
	95003-23018	95003-23018-60	V TUBE 8*12*185	通氣管 8*12*185	1
	95701-06032	95701-06032-08	BOLT FLANGE 6*32	螺絲 6*32	1

F12

F13

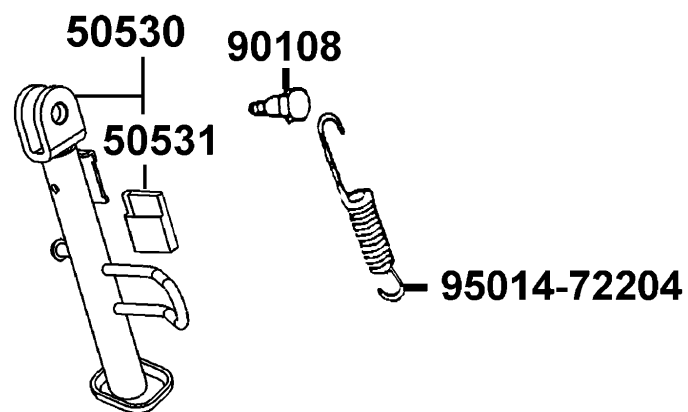
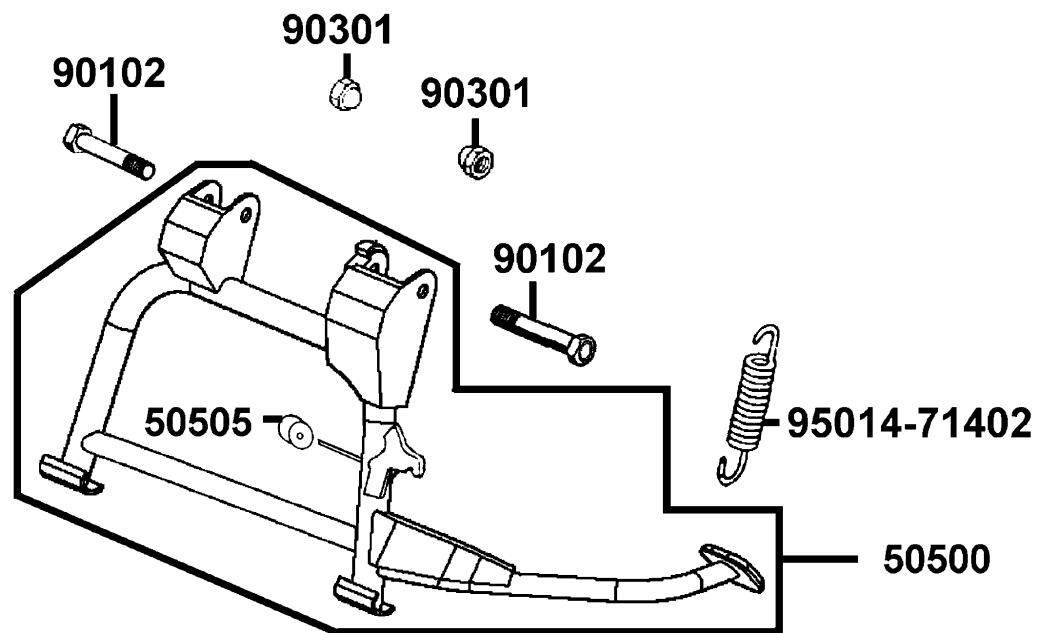
Exhaust Muffler 排氣管



Sales mark 配色標註	Ref no 參考號碼	Part no 零件號碼	Description 英文名稱	Reg description 中文名稱	Regd no 需求用量	F13
	18291-KEBE	18291-KEBE-900	COLLAR	套筒	3	
	18291-LBD4	18291-LBD4-900	GASKET EXH PIPE	排氣管墊圈	1	
	18292	18292-KEBE-900	PACKING PROTECTOR	墊片	3	
	18293	18293-KEBE-900	RUBBER PKG PROTR	橡皮	3	
	18294	18294-KEBE-900	PACKING PROTECTOR	防熱墊片	3	
	1830A	1830A-LGM1-900	MUFFLER ASSY., EXH	排氣管組	1	
**	18318-LDC1-90A	18318-LDC1-90A	PROTECTOR COMP MUFFLER	排氣管護蓋	1	
**	18318-LDC1-90B	18318-LDC1-90B	PROTECTOR COMP MUFFLER	排氣管護蓋	1	
	39450	39450-LGM5-800	SENSOR ASS'Y.,O2	含氧感知器	1	
	90110	90110-KEBE-900	SCREW SPECIAL 6*22	螺絲 6*22	3	
	90301	90301-GFY6-901	NUT (HEX) CAP 8MM	圓螺帽 8MM	2	
	94101	94101-06200	WASHER PLAIN 6MM	平華司	1	
	95801	95801-08055-06	BOLT FLANGE 8X55	螺絲 8X55	2	
	96001	96001-06008-07	BOLT FLANGE SH 6*8	螺絲 6*8	1	

F14

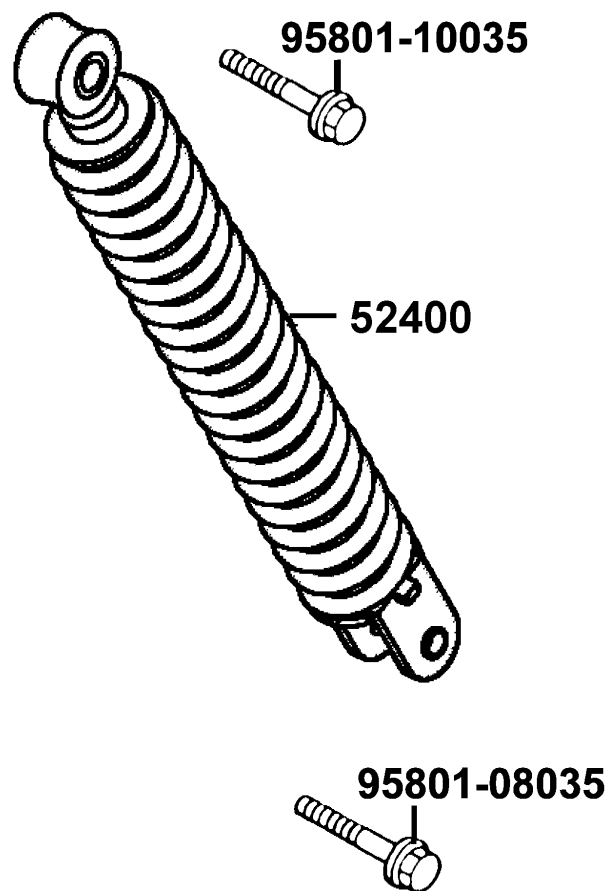
Stand Kick Starter Arm 腳架 起動踏桿



Sales mark 配色標註	Ref no 參考號碼	Part no 零件號碼	Description 英文名稱	Reg description 中文名稱	Regd no 需求用量	F14
	50500	50500-KHC4-910	STAND COMP MAIN	主腳架組	1	
	50505	50505-KKD7-900	RUBBER STOPPER MAIN	主腳架橡皮	1	
	50530	50530-LDC1-900	BAR SIDE STAND	側支架	1	
	50531	50531-KHC4-900	STOPPER RUBBER	側腳架止住橡皮	1	
	90102	90102-GLE0-001	BOLT HINGE PIVOT	螺絲	2	
	90108	90108-GFY6-901	SCREW SIDE STAND PIVOT	側腳架螺絲	1	
	90301	90301-4C73-004	NUT U 6MM	螺帽 6MM	2	
	95014-71402	95014-71402	SPRING D MAIN STAND	主腳架彈簧	1	
	95014-72204	95014-72204	SPG B1 SIDE STAND	側腳架彈簧	1	

F15

Rear Cushion 後避震器

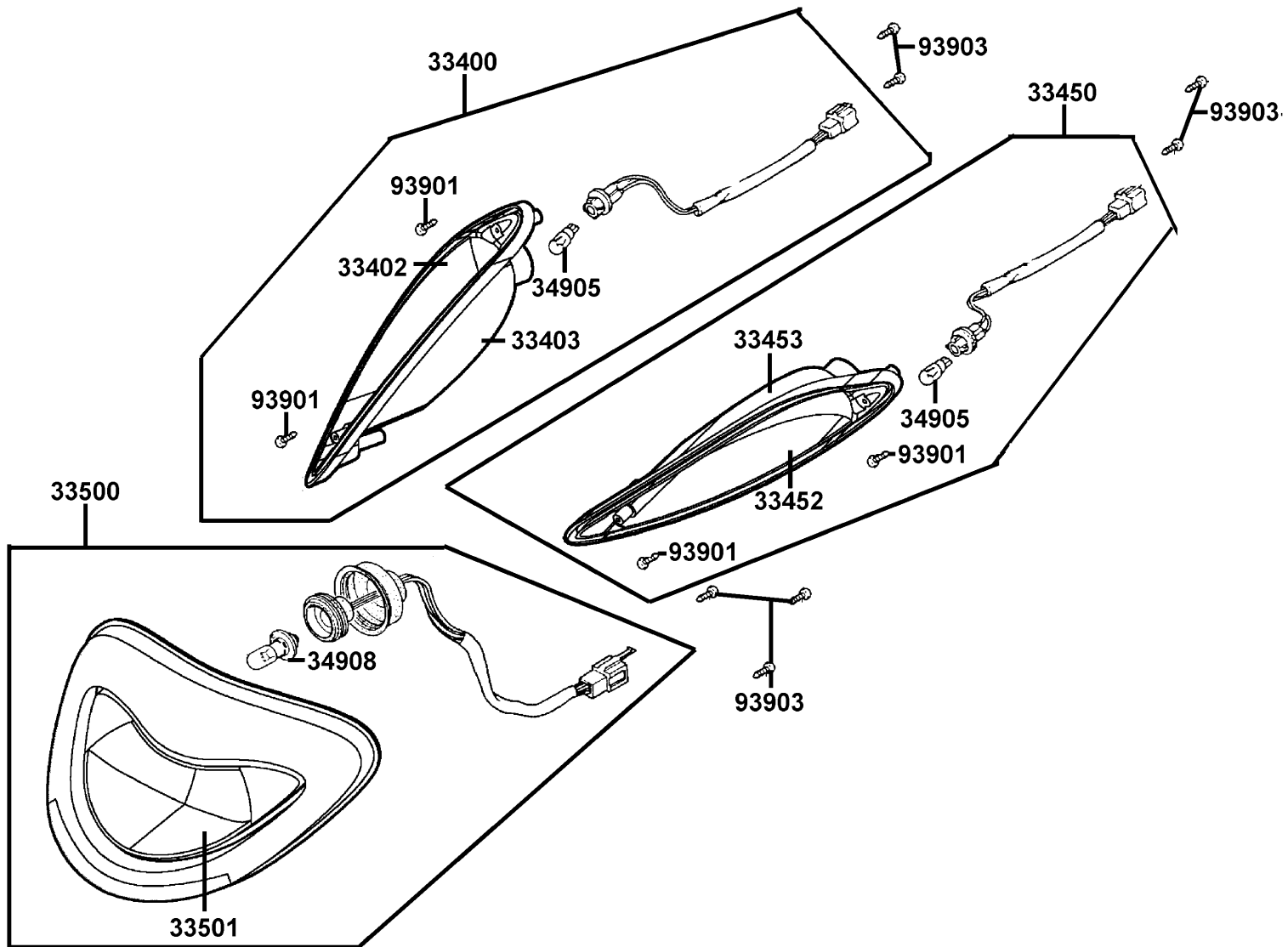


Sales mark 配色標註	Ref no 參考號碼	Part no 零件號碼	Description 英文名稱	Reg description 中文名稱	Regd no 需求用量
**	52400	52400-KHC5-E00	CUSHION ASSY REAR	後避震器	1
	95801-08035	95801-08035-08	BOLT FLANGE 8*35	螺絲 8*35	1
	95801-10035	95801-10035-08	BOLT FLANGE 10*35	螺絲 10*35	1

F15

F16

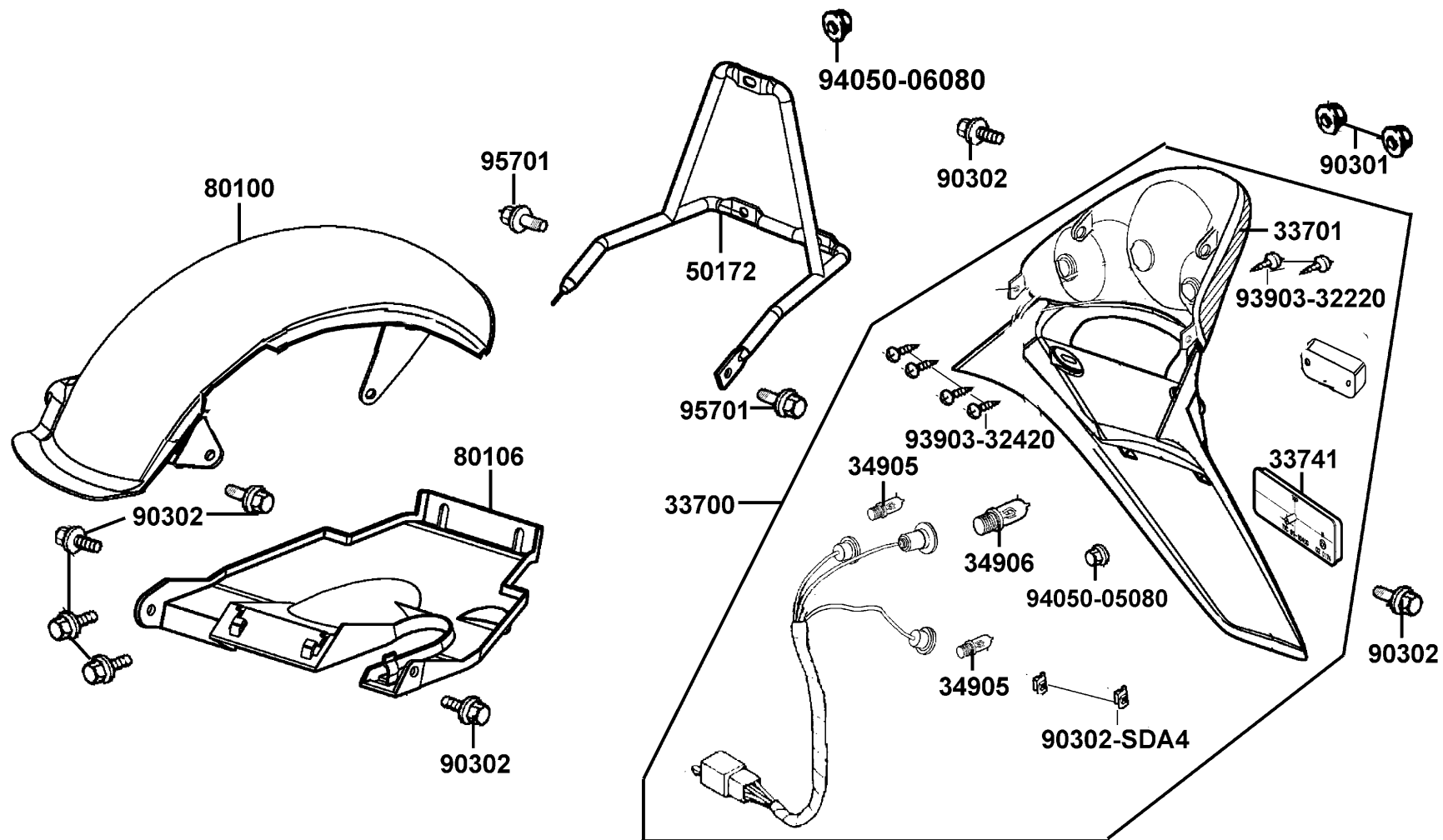
Front Winker 前方向燈



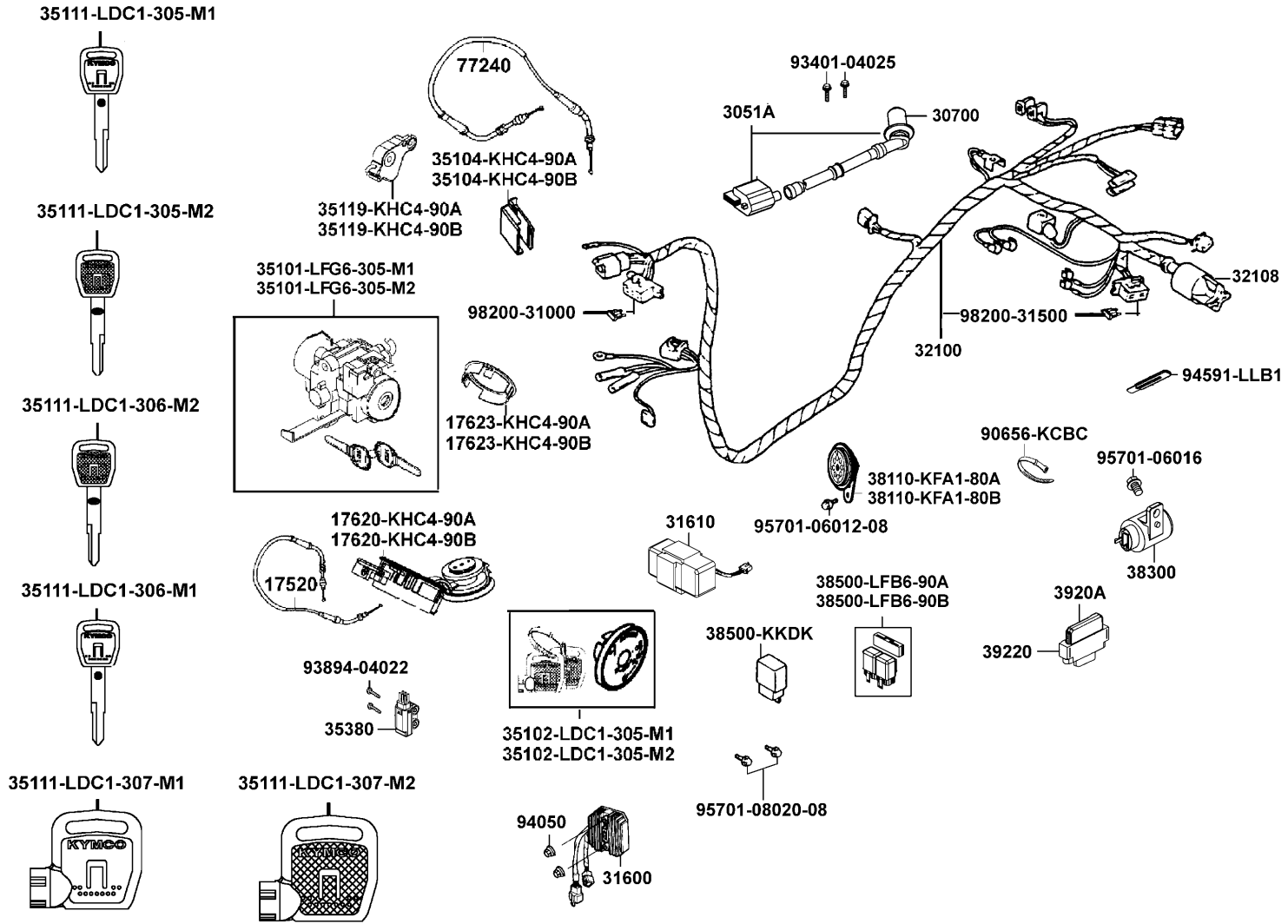
Sales mark 配色標註	Ref no 參考號碼	Part no 零件號碼	Description 英文名稱	Reg description 中文名稱	Regd no 需求用量	F16
	33400	33400-KHC5-920	WINKER ASSY R FR	右前方向燈組	1	
	33402	33402-KHC5-E00	LENS R FR WINKER	右前方向燈殼	1	
	33403	33403-KHC5-E00	BASE COMP R FR WINKER	右前方向燈座	1	
	33450	33450-KHC5-920	WINKER ASSY L FR	左前方向燈組	1	
	33452	33452-KHC5-E00	LENS L FR WINKER	左前方向燈殼	1	
	33453	33453-KHC5-E00	BASE COMP L FR WINKER	左前方向燈座	1	
	33500	33500-KHC4-910	LIGHT ASSY FR POSITION	前位置燈組	1	
	33501	33501-KHC4-900	LENS POSITION LIGHT	前位置燈殼	1	
	34905	34905-KHC4-900	BULB WINKER	方向燈泡	1	
	34908	34908-GGA7-70A	BULB WEDGE BASE 12V*3.4W	儀錶內指示燈泡	1	
	93901	93901-32320	SCREW TAPPING 3*12	螺絲 3*12	2	
	93903	93903-34360	SCREW TAPPING 4*12	螺絲 4*12	7	

F17

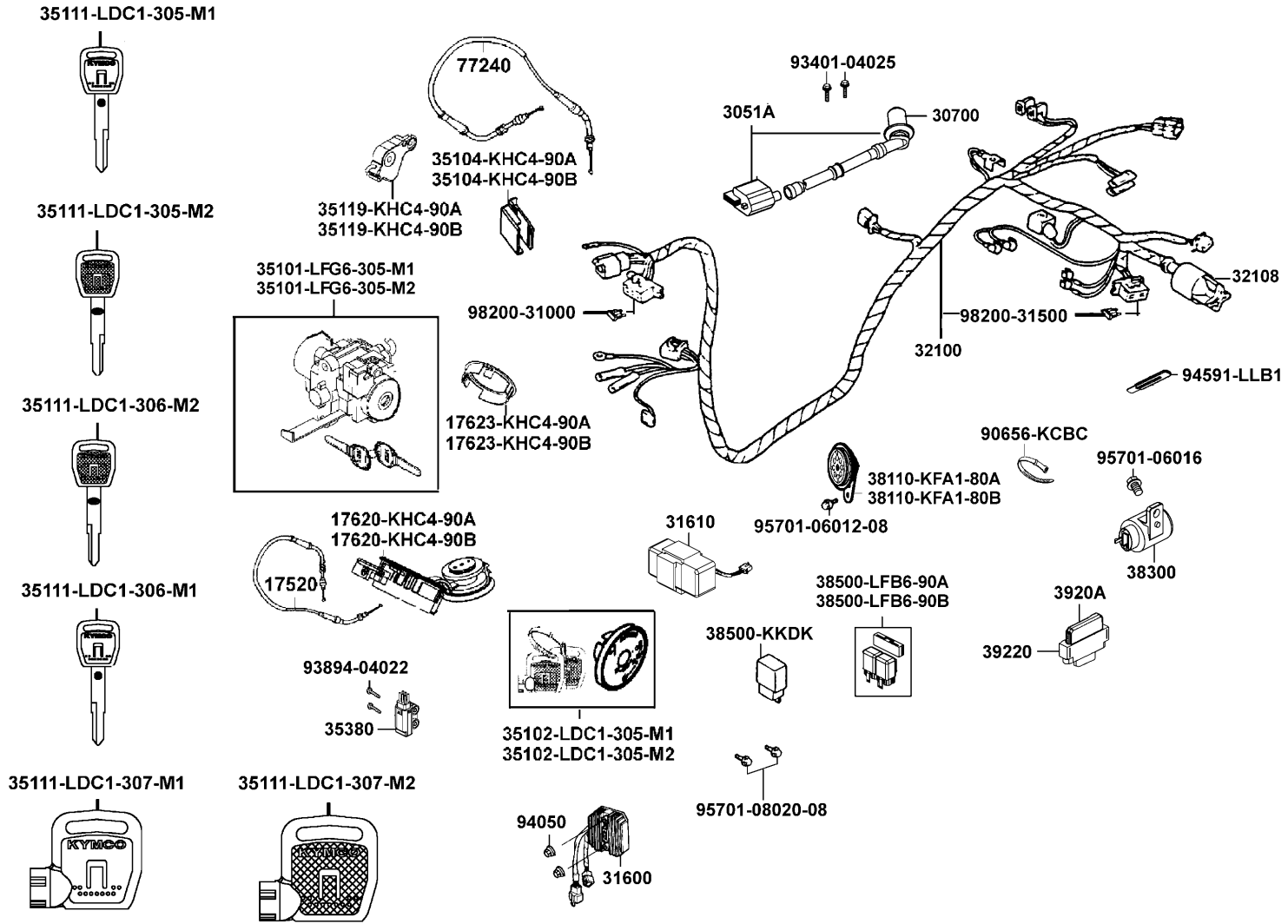
Tail Light 後燈



Sales mark 配色標註	Ref no 參考號碼	Part no 零件號碼	Description 英文名稱	Reg description 中文名稱	Regd no 需求用量	F17
	33700	33700-KHC4-920	LIGHT ASSY RR COMB	後燈組	1	
	33701	33701-KHC4-910	LENS COMP TAIL LIGHT	後燈殼組	1	
	33741	33741-KEBE-900	REFLEX REFLECTOR	反光鏡片	1	
	34905	34905-KHC4-900	BULB WINKER	方向燈泡	2	
	34906	34906-2H68-601	BULB TAIL LIGHT	後燈泡	1	
	50172	50172-KHC4-900	STAY TAIL LIGHT	後燈座	1	
**	80100	80100-KHC4-800	FENDER RR TIRE	後土除	1	
	80106	80106-KHC4-900	FENDER RR INNER	後內土除	1	
	90301	90301-6D34-671	NUT FLANGE 6MM	螺帽 6MM	2	
	90302	90302-GFY6-901	BOLT WASH 5*12	螺絲 5*12	7	
	90302-SDA4	90302-SDA4-004	NUT SPRING 4MM	螺帽 4MM	2	
	93903-32220	93903-32220	SCREW TAPPING 3*10 (C)	鐵鉋牙(黃色)	2	
	93903-32420	93903-32420	SCREW TAPPING 3X12	螺釘 3X12	4	
	94050-05080	94050-05080	NUT FLANGE 5MM	螺帽 5MM	1	
	94050-06080	94050-06080	NUT FLANGE 6MM	螺帽 6MM	1	
	95701	95701-06012-08	BOLT FLANGE 6*12	螺絲 6*12	2	

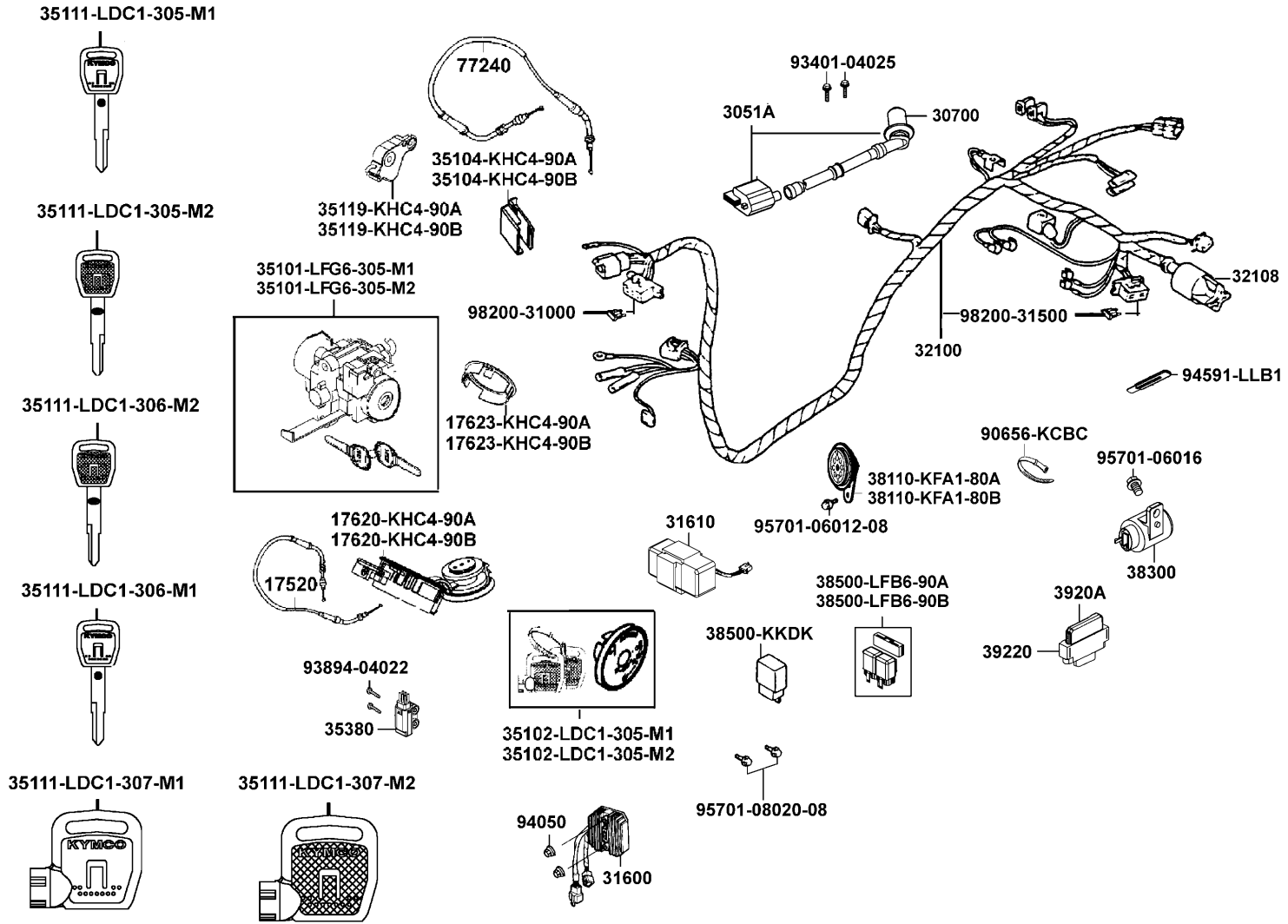


Sales mark 配色標註	Ref no 參考號碼	Part no 零件號碼	Description 英文名稱	Reg description 中文名稱	Regd no 需求用量	F18
	17520	17520-KHC4-900	CABLE COMP FUEL CAP	油箱蓋導線	1	
	17620-KHC4-90A	17620-KHC4-90A	CAP COMP FUEL FILLER	油箱蓋	1	
	17620-KHC4-90B	17620-KHC4-90B	CAP COMP FUEL FILLER	油箱蓋	1	
	17623-KHC4-90A	17623-KHC4-90A	COLLAR FUEL CAP	油箱蓋套筒	1	
	17623-KHC4-90B	17623-KHC4-90B	COLLAR FUEL CAP	油箱蓋套筒	1	
	3051A	3051A-LGK8-900	COIL ASS'Y.,IGN	點火線圈	1	
	30700	30700-KKE3-900	CAP ASSY NOISE SUPPRESOR	火星塞蓋	1	
	31600	31600-LEA5-E00	REG REC COMP	整流器	1	
	31610	31610-LBF2-900	FILTER CAPACITOR	電容器	1	
	32100	32100-LGM1-900	HARNESS WIRE	車體主配線	1	
	32108	32108-GAR1-711	COVER HARNESS WIRE	主配線蓋	2	
	35101-LFG6-305-M1	35101-LFG6-305-M1	SW COMB & LOCK	主開關	1	
	35101-LFG6-305-M2	35101-LFG6-305-M2	SW COMB & LOCK	主開關	1	
	35102-LDC1-305-M1	35102-LDC1-305-M1	SHUTIER SET MAGNETIC LOCK	磁石鎖組/2合1KEY	1	
	35102-LDC1-305-M2	35102-LDC1-305-M2	SHUTIER SET MAGNETIC LOCK	磁石鎖組/2合1KEY	1	
	35104-KHC4-90A	35104-KHC4-90A	PLATE COVER FUEL CAP CABLE	油箱蓋導線防數蓋	1	
	35104-KHC4-90B	35104-KHC4-90B	PLATE COVER FUEL CAP CABLE	油箱蓋導線防數蓋	1	
	35111-LDC1-305-M1	35111-LDC1-305-M1	KEY COMP (R TANGENT PLANE/SD)	未加工主開關鑰匙/右切/SD	1	
	35111-LDC1-305-M2	35111-LDC1-305-M2	KEY COMP (R TANGENT PLANE/TJ)	未加工主開關鑰匙/右切/TJ	1	
	35111-LDC1-306-M1	35111-LDC1-306-M1	KEY COMP (L TANGENT PLANE/SD)	未加工主開關鑰匙/左切/SD	1	

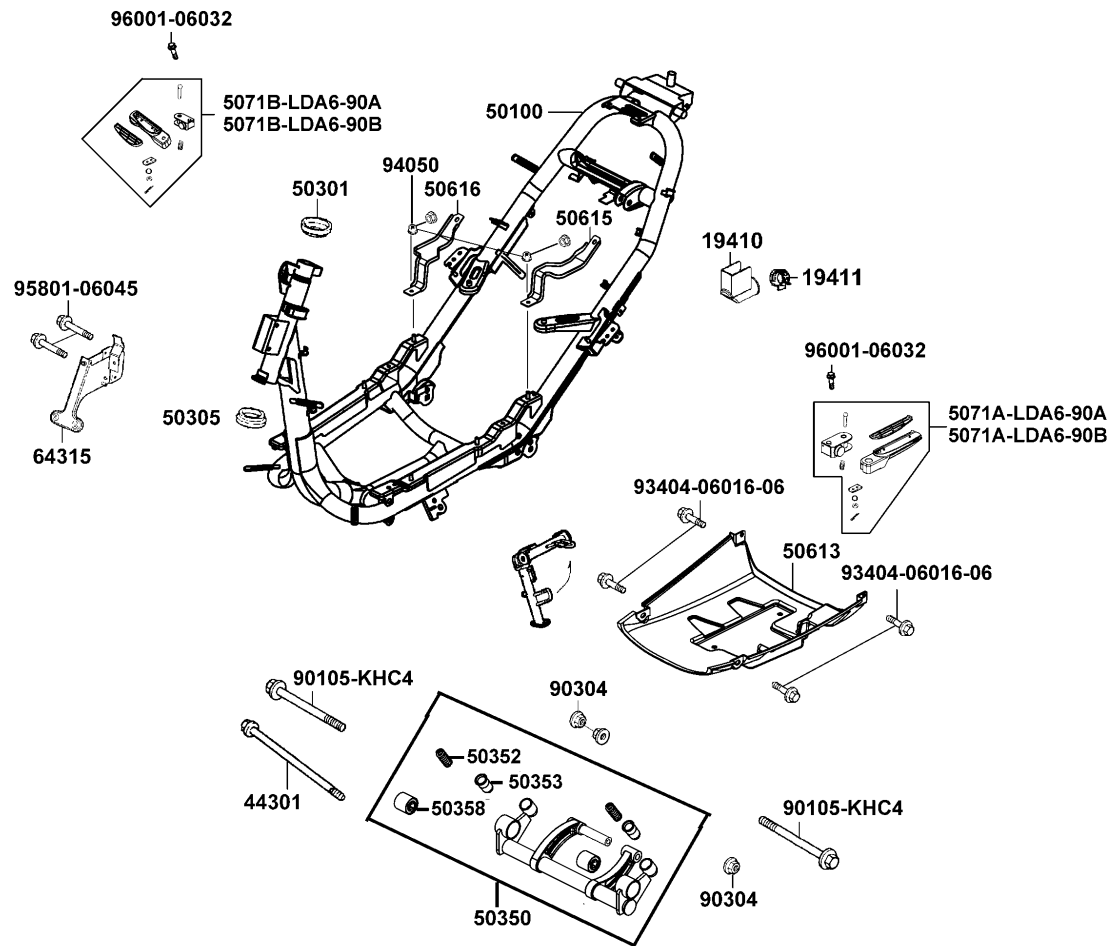


Sales mark 配色標註	Ref no 參考號碼	Part no 零件號碼	Description 英文名稱	Reg description 中文名稱	Regd no 需求用量
	35111-LDC1-306-M2	35111-LDC1-306-M2	KEY COMP (L TANGENT PLANE/TJ)	未加工主開關鑰匙/左切/TJ	1
	35111-LDC1-307-M1	35111-LDC1-307-M1	KEY COMP SHOTTER MAGNETIC (SD)	磁石鑰匙/SD	1
	35111-LDC1-307-M2	35111-LDC1-307-M2	KEY COMP SHOTTER MAGNETIC (TJ)	磁石鑰匙/TJ	1
	35119-KHC4-90A	35119-KHC4-90A	COVER SEAT CABLE	座墊外蓋導線	1
	35119-KHC4-90B	35119-KHC4-90B	COVER SEAT CABLE	座墊外蓋導線	1
	35380	35380-LDF2-900	SENSOR ANGLE DETECT	檢測角度感應組	1
	38110-KFA1-80A	38110-KFA1-80A	HORN COMP	喇叭	1
	38110-KFA1-80B	38110-KFA1-80B	HORN COMP	喇叭	1
	38300	38300-LBC6-90A	RELAY COMP WINKER	方向燈繼電器	1
	38500-KKDK	38500-KKDK-900	RELAY ASSY START	起動繼電器	1
	38500-LFB6-90A	38500-LFB6-90A	RELAY ASS'Y.,LIGHT	繼電器組	1
	38500-LFB6-90B	38500-LFB6-90B	RELAY ASSY LIGHT	前燈繼電器	1
	3920A	3920A-LGM1-800	ASSY ECU	ASSY ECU	1
	39220	39220-LGM5-900	CUSHION CASE,ECU	ECU固定膠套	1
	77240	77240-KHC4-900	CABLE COMP SEAT LOCK	座墊導線	1
	90656-KCBC	90656-KCBC-900	BAND OIL HOSE	油管束帶	1
	93401-04025	93401-04025-08	BOLT WASHER 4*25	墊圈	2
	93894-04022	93894-04022-08	SCREW PLAIN WASHER 4*22	螺絲 4*22	2
	94050	94050-06080	NUT FLANGE 6MM	螺帽 6MM	2
	94591-LLB1	94591-LLB1-900	CLIP 2*100	環夾	1

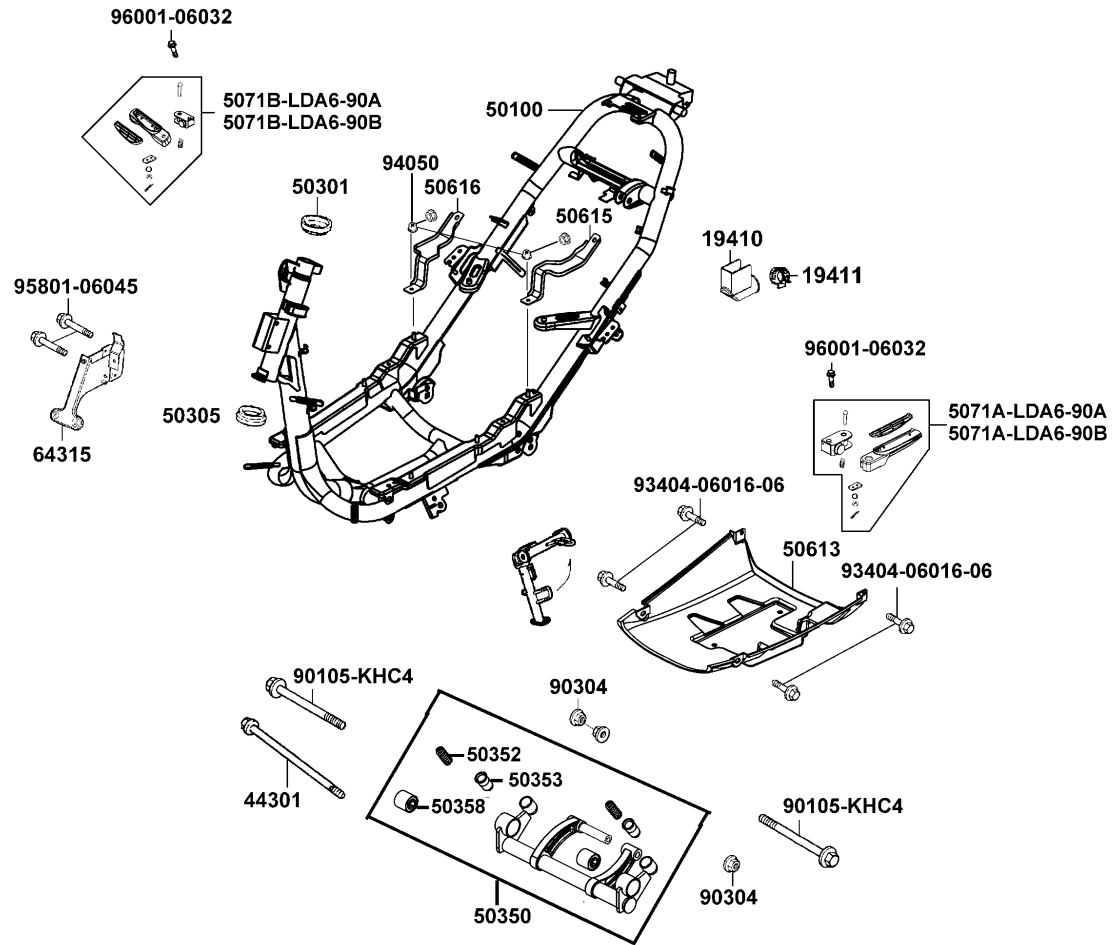
F18



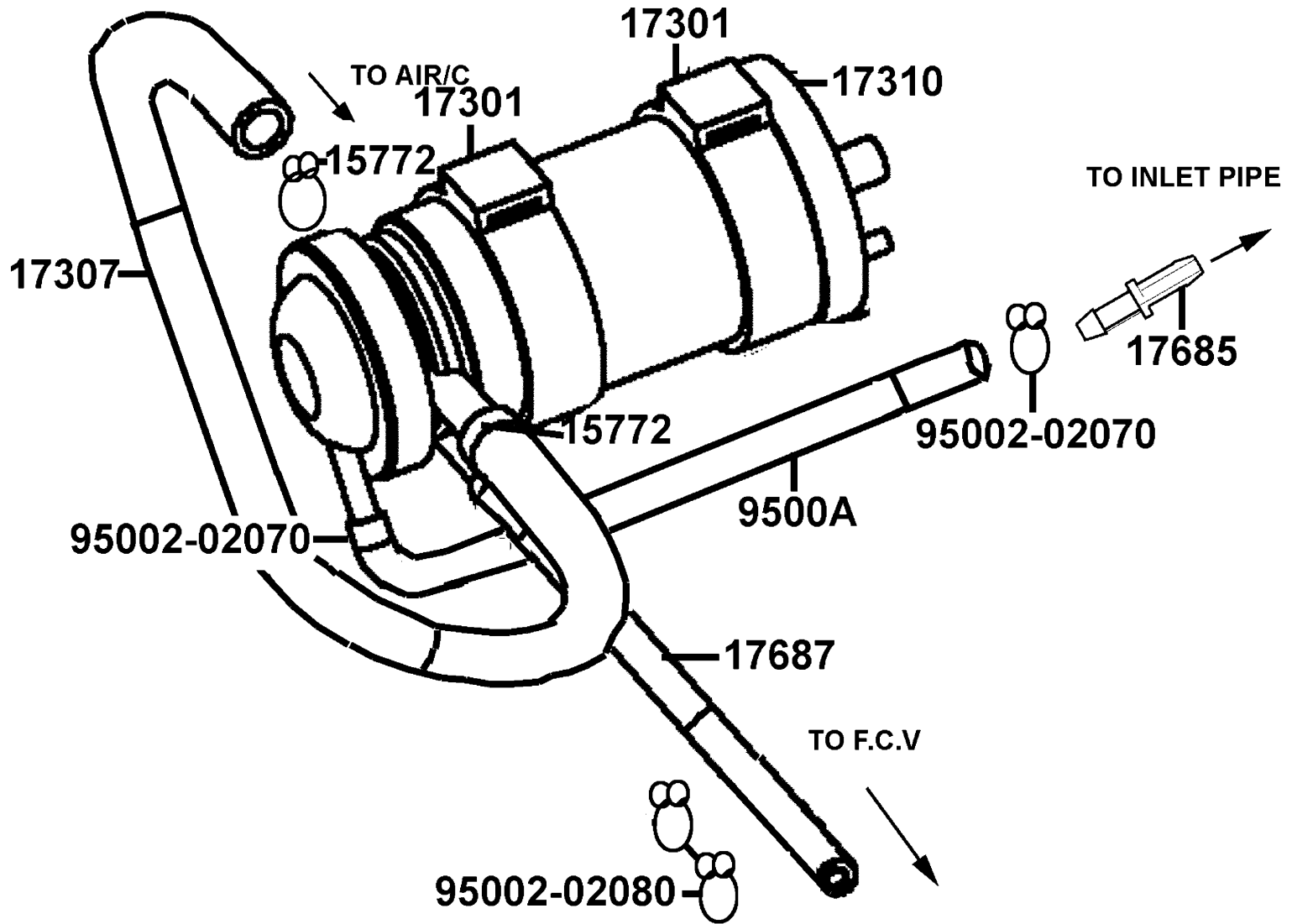
Sales mark 配色標註	Ref no 參考號碼	Part no 零件號碼	Description 英文名稱	Reg description 中文名稱	Regd no 需求用量	F18
	95701-06012-08	95701-06012-08	BOLT FLANGE 6*12	螺絲 6*12	1	
	95701-06016	95701-06016-08	BOLT FLANGE 6*16	螺絲 6*16	1	
	95701-08020-08	95701-08020-08	BOLT FLANGE 8*20	螺絲 8*20	2	
	98200-31000	98200-31000	BLADE FUSE 10A	保險絲10A	1	
	98200-31500	98200-31500	BLADE FUSE 15A	保險絲15A	1	



Sales mark 配色標註	Ref no 參考號碼	Part no 零件號碼	Description 英文名稱	Reg description 中文名稱	Regd no 需求用量	F19
	19410	19410-LGK8-900	DUCT COOLING	冷卻導管	1	
	19411	19411-KNBN-900	CLIP HOSE	管夾	1	
	44301	44301-LDC1-900	"BOLT,FLANGE 10*200"	螺絲10*200	1	
	50100	50100-LGM1-900	BODY COMP.,FRAME	BODY COMP.,FRAME	1	
	50301	50301-GLM0-001	RACE UP STRG BALL	上珠碗	1	
	50305	50305-GHC8-004	RACE (UNDER STR) BALL	下珠碗	1	
	50350	50350-LDC1-900	HANGER ASSY ENG	引擎吊架	1	
	50352	50352-KHC4-900	SPRING	引擎吊架彈簧	2	
	50353	50353-KHC4-900	RUBBER SEAT SPRING	引擎吊架橡膠座	2	
	50358	50358-KHC4-900	RUBBER BUSH ENG HANGER	引擎吊架橡皮襯套	2	
**	50613	50613-LFG6-900	COVER UNDER	下罩	1	
	50615	50615-LFG6-900	"PATCH, R FLOOR"	踏板右支架	1	
	50616	50616-LFG6-900	"PATCH, L FLOOR"	踏板左支架	1	
	5071A-LDA6-90A	5071A-LDA6-90A	BAR R STEP ASSY	右後踏板桿組	1	
	5071A-LDA6-90B	5071A-LDA6-90B	BAR R STEP ASSY	右後踏板桿組	1	
	5071B-LDA6-90A	5071B-LDA6-90A	BAR L STEP ASSY	左後踏板桿組	1	
	5071B-LDA6-90B	5071B-LDA6-90B	BAR L STEP ASSY	左後踏板桿組	1	
	64315	64315-LGK8-900	STAY,FR. COVER	STAY,FR. COVER	1	
	90105-KHC4	90105-KHC4-900	SQUARE BOLT M10X50	螺絲 10X50	2	
	90304	90304-GHE8-004	NUT U 10MM	螺帽 10MM	3	



Sales mark 配色標註	Ref no 參考號碼	Part no 零件號碼	Description 英文名稱	Reg description 中文名稱	Regd no 需求用量	F19
	93404-06016-06	93404-06016-06	BOLT WASHER 6*16	螺絲 6*16	4	
	94050	94050-06080	NUT FLANGE 6MM	螺帽 6MM	4	
	95801-06045	95801-06045-08	BOLT FLANGE 6*45	螺絲	2	
	96001-06032	96001-06032-06	BOLT FLANGE 6*32	螺絲 6*32	2	

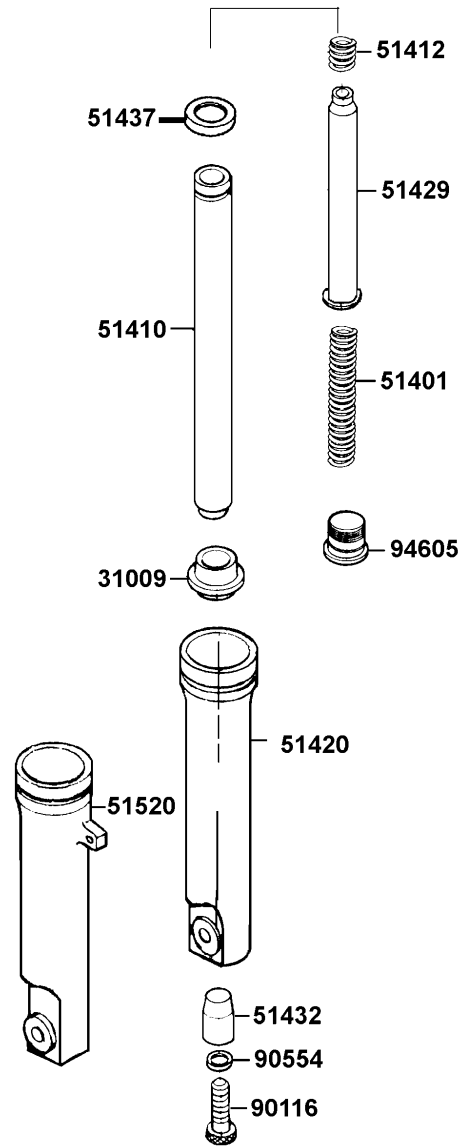


Sales mark 配色標註	Ref no 參考號碼	Part no 零件號碼	Description 英文名稱	Reg description 中文名稱	Regd no 需求用量	F20
	15772	15772-5L00-013	CLIP B14.5 TUBE	管夾	2	
	17301	17301-KNBN-960	RUBBER CANISTER MOUNT	活性碳罐懸掛橡皮	2	
	17307	17307-KHC4-900	TUBE ASSY CANISTER – AIR/C	通氣管	1	
	17310	17310-KHC4-90A	CANISTER COMP	活性碳罐	1	
	17685	17685-GLE0-301	JOINT COCK-CARB TUBE	油管接頭	1	
	17687	17687-KHC4-900	TUBE ASSY CANISTER-FCV	活性碳罐通氣管	1	
	95002-02070	95002-02070	CLIP B7 TUBE	管夾	2	
	95002-02080	95002-02080	CLIP B8 TUBE	管夾	2	
	9500A	9500A-KHC4-900	TUBE ASSY INLET PIPE-CANISTER	通氣管	1	

F21

Separated Parts Of Fr Fork

前避震器細件



Sales mark 配色標註	Ref no 參考號碼	Part no 零件號碼	Description 英文名稱	Reg description 中文名稱	Regd no 需求用量	F21
	31009	31009-GAR1-900	DUST SEAL	防塵封	2	
	51401	51401-KHC5-E00	SPRING	彈簧	2	
	51410	51410-KNBN-900	FORK PIPE COMP	前避震器管	2	
	51412	51412-KFA1-900	REBOUND SPRING	回位彈簧	2	
**	51420	51420-LFG6-900	BOTTOM CASE R	右前避震器底管	1	
	51429	51429-LFG6-900	PIPE SEAT COMP	避震器管座	2	
	51432	51432-KFA1-900	OIL LOCK PIECE	止油接頭	2	
	51437	51437-LFG6-900	PISTON RING	O環	2	
**	51520	51520-LFG6-900	BOTTOM CASE L	左前避震器底管	1	
	90116	90116-3C83-72A	BOLT	螺絲	2	
	90554	90554-2C83-001	PACKING	墊片	2	
	94605	94605-KFA1-900	FORK BOLT	螺絲	2	

<ul style="list-style-type: none"> □ 請戴安全帽行駛。 □ 行駛時，請勿超過法定速度。 □ 因排氣管溫度很高，停車時請停置於他人不易碰觸之場所。 □ 為了駕駛安全及性能維護，請勿任意違法改造。 	<ul style="list-style-type: none"> □ 請確實做好定期保養工作及行車前之安全檢查。 <p style="text-align: center;"><行車前檢查項目></p> <p>剎車性能 輪胎 機油量 燈光 喇叭 儀表板</p>
--	---

◎ 敬請熟讀駕駛手冊，確保行車安全 GY6-900

87560-GFY6-900

注 意

在引擎發動前，請先將側支架扳起，以策安全。

87541-GGS7-901

注 意

輪胎最大載重：前輪 2.5kg/cm ²	後輪 2.5kg/cm ²
(一人騎乘時)：前輪 1.5kg/cm ²	後輪 2.0kg/cm ²
(二人騎乘時)：前輪 1.75kg/cm ²	後輪 2.25kg/cm ²
輪胎尺寸：前輪 90/90-10 50J	後輪 90/90-10 50J

載物限重：行李箱	1.5kg
前置物限重	3kg
前置下置物限	10kg

GYS6-900

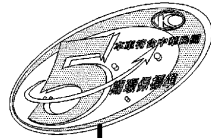
87505-KGBG-900

注 意

後側蓋與引擎之間，請勿放入任何物品，以免妨礙行駛。

GMS-300

87542-GKM9-301



87501-LEB2-950

機 油 量

全容量	0.85l
機油交換時	0.7 l
給油後必須確認油重	4

KHC4-900

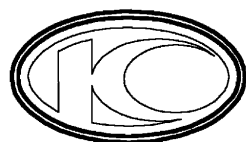
87541-KHC4-900

拆電瓶前請先關閉電源

87502-LEB2-900

87502-LEB2-900

Sales mark 配色標註	Ref no 參考號碼	Part no 零件號碼	Description 英文名稱	Reg description 中文名稱	Regd no 需求用量	F22
**	87501	87501-LEB2-950	LABEL E/M 5 MARK	標籤	1	
**	87502	87502-LEB2-900	CAUTION BATTERY	標籤	1	
**	87505	87505-KGBG-900	LABEL TIRE	胎壓	1	
**	87541-GGS7	87541-GGS7-901	CAUTION SIDE STAND	標籤	1	
**	87541-KHC4	87541-KHC4-900	LABE OIL CAP	標籤	1	
**	87542	87542-GKM9-301	MARK MAINT CAUTION	標籤	1	
**	87560	87560-GFY6-900	MARK DRIVE CAUTION	標誌	1	



86102-LAB4-900



86700-LFG7-900



86201-LGM1-900

Sales mark 配色標註	Ref no 參考號碼	Part no 零件號碼	Description 英文名稱	Reg description 中文名稱	Regd no 需求用量	F23
**	86102-LAB4-900	86102-LAB4-900	EMB K-LOGO 24MM	KYMCO貼紙	1	
**	86201-LGM1-900	86201-LGM1-900	STRIPE BODY COVER	COVER FR/COVER BODY R/L主貼紙	3	
**	86700-LFG7-900	86700-LFG7-900	STRIPE ENERGY LOGO	節能標章	1	

PART NO. INDEX

零件號碼索引

PART NO. 零件號碼	VERSION 版數	PAGE 頁次	PART NO. 零件號碼	VERSION 版數	PAGE 頁次	PART NO. 零件號碼	VERSION 版數	PAGE 頁次
11000			11395-KHC4-900	1	E01	14401-KHC4-900	0	E03
			12000			14431-GFY6-901	5	E02
11100-LAE3-305	0	E01				14450-GFY6-901	0	E02
11102-1G87-004	3	E01	12100-LAB4-700	2	E03	14452-GFY6-901	0	E02
11192-KHC4-900	0	E01	12191-KHC4-900	0	E03	14510-KHC4-900	1	E03
11200-KHC4-305	5	E01	12200-LGM9-900	0	E02	14520-GFY6-90A	1	E03
11203-GGC7-301	2	E01	12209-GDB4-68A	0	E02	14523-GFY6-901	0	E03
11203-KHG8-301	2	E08	12211-KUDU-900	4	E02	14531-GLR0-001	1	E03
11204-KNBN-901	0	E01	12251-KHC4-900	0	E02	14610-KHC4-900	0	E03
11205-GHAH-004	0	E01	12310-KHC4-B00	1	E02	14711-KHC4-900	1	E02
11205-LAB4-900	1	E01	12361-GFY6-901	1	E04	14721-KHC4-900	1	E02
11206-KHC4-800	0	E01	12391-GFY6-941	0	E02	14751-KFBF-900	1	E02
11207-KHC4-800	0	E01				14761-KFBF-900	1	E02
11208-KHC4-800	1	E07	13000			14771-GDB4-680	2	E02
11211-LGK8-900	0	F12				14775-MFA6-001	0	E02
11221-KHC4-900	2	E05	13000-LBD4-900	3	E03	14781-MFA6-001	0	E02
11330-LAB4-900	5	E04	13011-LBC6-900	1	E03	15000		
11341-KHC4-900	5	E01	13101-LGM9-900	1	E03			
11342-LAB4-900	1	E01	13111-0G87-001	3	E03	15100-GFY6-901	2	E06
11353-LEA6-900	1	E01	13115-0A01-001	0	E03	15133-GFY6-901	0	E06
11381-KHC4-900	0	E01	13406-LGK8-900	1	E02	15141-GFY6-90B	0	E06
11382-LAB4-900	3	E01				15141-GFY6-90C	1	E06
11383-KHC4-900	0	E01	14000			15421-1G07-001	1	E04
11385-KGBG-900	0	E07				15426-GAE1-921	0	E04
11394-KHC4-900	1	E04	14100-KHC4-220	1	E02	1565A-GFY6-900	0	E04

PART NO. INDEX

零件號碼索引

PART NO. 零件號碼	VERSION 版數	PAGE 頁次	PART NO. 零件號碼	VERSION 版數	PAGE 頁次	PART NO. 零件號碼	VERSION 版數	PAGE 頁次
15711-GFY6-901	0	E06				17550-LGM1-900	1	F09
15772-5L00-013	1	F20	17000			17560-LGK8-900	1	F09
16000			1711A-LGK8-900	1	E02	17561-LGK8-900	1	F09
			17207-KHC4-900	0	F12	17580-LBG7-900	0	F09
16056-LGK8-900	1	E09	17208-GAR1-011	0	F12	17620-KHC4-90A	3	F18
16066-LGK8-900	2	E09	17212-KHC4-900	0	F12	17620-KHC4-90B	1	F18
16068-LGK8-900	1	E09	17215-KGBG-90A	2	F12	17623-KHC4-90A	6	F18
16074-KEC3-900	4	E09	17215-KGBG-90B	0	F12	17623-KHC4-90B	1	F18
16100-LGK8-900	3	E09	17216-KHC4-900	0	F12	17681-KFA1-900	0	F09
16110-KKE3-900	2	E09	1721A-KHC4-900	1	F11	17685-GLE0-301	2	F20
16112-KKE3-900	1	E09	1723A-LGK8-900	0	F12	17686-LBG7-900	1	F09
16115-LGM5-900	0	E09	1723C-KHC4-900	0	F12	17687-KHC4-900	0	F20
16122-KEC3-900	0	E09	17301-KNBN-960	0	F20	17688-LBG7-900	1	F09
16123-KGC5-900	1	E09	17307-KHC4-900	2	F20	17689-LFG6-900	1	F09
16133-KEC3-900	1	E09	17310-KHC4-90A	3	F20	17910-LGM1-900	0	F03
16134-LGK8-900	0	E09	17359-4K19-671	0	F09	18000		
16138-KEC3-900	1	E09	17359-4K19-671	0	F12			
16154-KKE3-900	4	E09	17369-KHC4-900	0	F09	18291-KEBE-900	0	F13
16170-KEC3-900	0	E09	17370-4K19-701	0	F12	18291-LBD4-900	2	F13
16171-LGK8-900	1	E09	17371-1D74-671	0	F12	18292-KEBE-900	0	F13
16195-KEC3-900	0	E09	17502-KHC4-900	1	F09	18293-KEBE-900	0	F13
16201-KHC4-900	0	E02	17504-KHC4-900	1	F09	18294-KEBE-900	0	F13
16211-KHC4-900	0	E02	17510-LGM1-900	0	F09	1830A-LGM1-900	0	F13
			17520-KHC4-900	4	F18	18318-LDC1-90A	1	F13
			17550-KHC4-900	0	F09	18318-LDC1-90B	1	F13

PART NO. INDEX

零件號碼索引

PART NO. 零件號碼	VERSION 版數	PAGE 頁次	PART NO. 零件號碼	VERSION 版數	PAGE 頁次	PART NO. 零件號碼	VERSION 版數	PAGE 頁次
19000			22121-GHT8-602	1	E05	28000		
			22131-GCW3-901	1	E05			
			22132-LAB4-900	1	E05			
19410-LGK8-900	0	F19	22300-KHC4-900	0	E05	28101-KNBN-901	0	E06
19411-KBCB-900	0	F09	22350-KHC4-900	0	E05	28105-KNBN-901	1	E06
19411-KHC4-900	0	F09	22401-KED5-900	0	E05	2811A-KNBN-940	0	E06
19411-KNBN-900	1	F19	22530-KHC4-900	1	E05	28120-KNBN-901	0	E06
19504-LBA2-E00	3	F09	22804-1H48-001	0	E05	28125-3C23-001	0	E06
19510-GBW2-901	3	E07				28126-KNBN-901	0	E06
1961A-LBG7-800	1	E07	23000			28127-KNBN-901	0	E06
19625-KHC4-900	0	E07				28211-KNBN-901	0	E05
1962A-KHC4-900	1	E07	2301A-LGK8-900	0	E05			
19633-GFY6-901	0	E07	23100-KHC4-900	1	E05	30000		
1963A-LGM9-900	0	E07	23200-GCW3-001	0	E05			
21000			23220-KHC4-900	1	E05	3051A-LGK8-900	1	F18
			23225-GCW3-001	0	E05	30700-KKE3-900	1	F18
			23226-GCW3-001	0	E05			
21200-KFA3-305	5	E08	23233-KED5-900	0	E05	31000		
21395-KNBN-901	1	E08	23237-GCW3-001	0	E05			
22000			23238-LEA2-900	3	E05	31009-GAR1-900	0	F21
			23411-KHC4-900	0	E08	31110-LBG7-90A	1	E07
			23420-KHC4-900	4	E08	31110-LBG7-90B	1	E07
22100-KNBN-902	0	E05	23431-KDLD-901	2	E08	31120-LGK8-90A	0	E07
22102-KHC4-900	2	E05	23432-KNBN-901	3	E08	31120-LGK8-90B	0	E07
22105-KHC4-900	1	E05				31200-LGK8-90A	0	E06
22110-KHC4-900	1	E05				31200-LGK8-90B	0	E06

PART NO. INDEX

零件號碼索引

PART NO. 零件號碼	VERSION 版數	PAGE 頁次	PART NO. 零件號碼	VERSION 版數	PAGE 頁次	PART NO. 零件號碼	VERSION 版數	PAGE 頁次
31200-LGK8-90C	0	E06	33700-KHC4-920	0	F17	35111-LDC1-307-M1	0	F18
31203-KHC4-900	3	E06	33701-KHC4-910	0	F17	35111-LDC1-307-M2	0	F18
31500-GFY6-94A-YU	4	F10	33741-KEBE-900	0	F17	35119-KHC4-90A	0	F18
31500-GFY6-94B-KY	4	F10				35119-KHC4-90B	0	F18
31600-LEA5-E00	2	F18	34000			35150-GFY6-900	4	F03
31610-LBF2-900	2	F18				35160-GGS7-900	1	F03
32000			34300-LFG7-900	1	E09	35170-GGS7-900	0	F03
			34901-KYBY-900	0	F01	35180-GGS7-900	1	F03
			34905-KHC4-900	0	F16	35200-GFY6-910	1	F03
32100-LGM1-900	2	F18	34905-KHC4-900	0	F17	35340-GBN2-770	3	F03
32106-KKE3-900	2	E02	34906-2H68-601	0	F17	35340-KKJ9-010	5	F03
32108-GAR1-711	0	F18	34908-GGA7-70A	1	F16	35380-LDF2-900	2	F18
32412-LGK8-900	1	E04	34908-MKB9-87A	0	F02	37000		
33000			35000					
						37200-LGM1-900	0	F02
33120-KHC4-900	1	F01	35101-LFG6-305-M1	0	F18	37211-KHC4-90C	0	F02
33130-KHC4-900	2	F01	35101-LFG6-305-M2	0	F18	37801-LAB4-910	1	F09
33400-KHC5-920	0	F16	35102-LDC1-305-M1	0	F18	3780A-LFG6-900	0	F09
33402-KHC5-E00	0	F16	35102-LDC1-305-M2	0	F18	38000		
33403-KHC5-E00	0	F16	35104-KHC4-90A	0	F18			
33450-KHC5-920	0	F16	35104-KHC4-90B	0	F18			
33452-KHC5-E00	0	F16	35111-LDC1-305-M1	0	F18	38110-KFA1-80A	1	F18
33453-KHC5-E00	0	F16	35111-LDC1-305-M2	0	F18	38110-KFA1-80B	1	F18
33500-KHC4-910	0	F16	35111-LDC1-306-M1	0	F18	38300-LBC6-90A	2	F18
33501-KHC4-900	0	F16	35111-LDC1-306-M2	0	F18	38500-KKDK-900	4	F18

PART NO. INDEX

零件號碼索引

PART NO. 零件號碼	VERSION 版數	PAGE 頁次	PART NO. 零件號碼	VERSION 版數	PAGE 頁次	PART NO. 零件號碼	VERSION 版數	PAGE 頁次
38500-LFB6-90A	0	F18						
38500-LFB6-90B	0	F18	43000			45000		
38773-KBCB-900	0	F09						
39000			4312A-LDA3-900	1	F07	45000-LGM9-900	2	F06
			43141-4L00-011	1	F06	4512A-LCB4-910	1	F06
			43141-GKAK-901	3	F07	45133-0H28-001	1	F06
3920A-LGM1-800	1	F18	43410-KFA1-900	0	F07	45133-LDA3-900	1	F07
39220-LGM5-900	0	F18	43450-LFG6-900	0	F03	45134-2L50-001	0	F06
39300-LGM5-800	0	E02	43472-1A61-001	2	F03	45145-0F96-651	2	F06
39301-LGK8-900	2	E02				45410-GBB2-001	1	F06
39303-LGK8-900	0	E02	44000			45435-GBB2-721	1	F06
39400-KKE3-800	2	E02				45450-KFA2-900	1	F03
39450-LGM5-800	0	F13	44301-KBE2-981	5	F06	45465-KHC4-800	0	F05
39500-LGA2-900	0	E02	44301-LDC1-900	1	F19	45517-GFY6-900	5	F03
39600-LGK8-800	1	F09	44311-LAB4-800	2	F06			
39700-LGM5-800	0	E09	44610-GLW0-305	2	F06	50000		
42000			44620-GHC8-001	1	F06			
			44705-KHC4-900	2	F06	50100-LGM1-900	1	F19
			44710-KGBG-90A-G303	1	F06	50140-LFG6-900	2	F09
42610-GKAK-901	4	F07	44710-KGBG-90A-G303	1	F07	50172-KHC4-900	1	F17
42705-KHC4-900	5	F07	44803-GFY6-90A	0	F06	50301-GLM0-001	0	F19
42753-KXCX-900	1	F06	44805-KECE-800	4	F06	50305-GHC8-004	0	F19
42753-KXCX-900	1	F07	44806-KECE-800	2	F06	50306-1F96-001	0	F05
			44807-0A01-004	1	F06	50326-LGM9-900	2	F10
			44809-1L70-004	1	F06	50328-KNBN-200	0	F10
			44830-KHC4-800	3	F02	50329-LGM9-900	0	F10

PART NO. INDEX

零件號碼索引

PART NO. 零件號碼	VERSION 版數	PAGE 頁次	PART NO. 零件號碼	VERSION 版數	PAGE 頁次	PART NO. 零件號碼	VERSION 版數	PAGE 頁次
50350-LDC1-900	2	F19	51437-LFG6-900	0	F21			
50352-KHC4-900	1	F19	5150A-LFG6-900	2	F05	61000		
50353-KHC4-900	1	F19	51520-LFG6-900	0	F21			
50358-KHC4-900	1	F19				61110-KFA2-900	1	F05
50500-KHC4-910	0	F14	52000			61120-KFA2-900	0	F05
50505-KKD7-900	1	F14						
50530-LDC1-900	4	F14	52400-KHC5-E00	0	F15	64000		
50531-KHC4-900	0	F14						
50613-LFG6-900	2	F19	53000			64301-KHC3-375	3	F04
50615-LFG6-900	1	F19				64302-KHC3-900	1	F04
50616-LFG6-900	1	F19	53100-KHC4-900	3	F03	64310-LFG6-900	5	F04
5071A-LDA6-90A	1	F19	53140-KFA1-900	2	F03	64315-LGK8-900	2	F19
5071A-LDA6-90B	1	F19	53166-KFA1-900	2	F03	64316-KHE2-900	0	F04
5071B-LDA6-90A	1	F19	53167-KFA1-900	0	F03			
5071B-LDA6-90B	1	F19	53168-KFA1-900	1	F03	77000		
			53170-KHC3-900	0	F03			
51000			53172-KKE2-900	2	F03	77200-LGM1-900	0	F08
			53175-KHC3-900	0	F03	77201-GFS6-001	0	F11
51400-LFG6-900	2	F05	53178-KKE2-900	2	F03	77235-KHC4-900	2	F08
51401-KHC5-E00	0	F21	5317A-KKE2-900	3	F03	77240-KHC4-900	1	F18
51409-KFA2-900	0	F05	5317B-KHC3-900	1	F03	77303-KHC4-900	0	F08
51410-KNBN-900	0	F21	53200-KFA2-900	5	F05			
51412-KFA1-900	0	F21	53205-KHC3-900	1	F03	80000		
51420-LFG6-900	0	F21	53206-KHC4-900	2	F03			
51429-LFG6-900	0	F21	53211-GFY6-940	1	F05	80100-KHC4-800	1	F17
51432-KFA1-900	0	F21	53212-GHC8-004	1	F05	80106-KHC4-900	2	F17

PART NO. INDEX

零件號碼索引

PART NO. 零件號碼	VERSION 版數	PAGE 頁次	PART NO. 零件號碼	VERSION 版數	PAGE 頁次	PART NO. 零件號碼	VERSION 版數	PAGE 頁次
80151-KHC4-900	1	F11	86000			89000		
81000			86102-LAB4-900	1	F23	89010-KGBG-900	0	F08
81131-KHC4-900	2	F04	86201-LGM1-900	0	F23			
81132-LFG6-900	2	F04	86700-LFG7-900	2	F23	90000		
81133-KGBG-900	0	F11				90001-GBHB-661	0	E03
81133-KNBN-901	0	F04	87000			90005-KAW1-901	1	E03
81134-KGBG-900	2	F11				90012-3C33-001	0	E02
81135-KGBG-900	2	F11	87122-LGK8-950	2	F08	90031-KHC4-900	0	E01
81141-KHC4-900	5	F04	87501-LEB2-950	1	F22	90032-KHC4-900	0	E01
81142-KCLC-900	0	F05	87502-LEB2-900	1	F22	90033-GFY6-900	0	E02
81142-KUDU-900	1	F04	87503-LEB2-900	2	E07	90101-GAR1-001	0	F01
81201-LFG6-900	2	F11	87505-KGBG-900	2	F22	90101-KGC4-E00	1	F08
8120A-LFG6-900	3	F11	87541-GGS7-901	2	F22	90102-GLE0-001	0	F14
81260-LGK8-900	0	F11	87541-KHC4-900	1	F22	90105-GFS6-001	0	F11
83000			87542-GKM9-301	3	F22	90105-KHC4-900	1	F19
			87546-LGM1-900	0	F11	90106-KFC2-900	0	F11
			87560-GFY6-900	3	F22	90108-GFY6-901	0	F14
83500-KHC4-375	1	F11				90110-GLW0-001	0	F04
83501-LFG6-900	5	F11	88000			90110-KEBE-900	0	F13
83503-KHD6-900	2	F11				90110-KHG8-901	0	F06
83600-KHC3-375	0	F11	88110-LFG6-900	1	F03	90110-KHG8-901	0	F07
83601-LFG6-900	5	F11	88120-LFG6-900	1	F03	90111-1G87-001	1	F11
						90112-GCC3-001	1	F05

PART NO. INDEX

零件號碼索引

PART NO. 零件號碼	VERSION 版數	PAGE 頁次	PART NO. 零件號碼	VERSION 版數	PAGE 頁次	PART NO. 零件號碼	VERSION 版數	PAGE 頁次	
90112-KCLC-900	0	F05	90306-KLF0-004-SY	1	F06	90912-GHC8-00D	0	F06	
90115-GLE0-001	0	F03	90307-GFJ6-004	0	F01	91000			
90116-3C83-72A	0	F21	90309-GLW0-90A	1	F06				
90164-KGBG-900	1	F11	90309-GLW0-90A	1	F07				
90164-MDR4-901	0	F04	90309-KLF0-004-SY	1	E08		91001-GGA7-70A	2	E05
90201-KNBN-901	0	E06	90381-GEZ5-001	1	F11		91004-KBN2-90A	0	E08
90202-1G87-001	0	E05	90429-KNBN-901	0	E08		91005-KNBN-901	0	E06
90206-0A01-001	1	E02	90442-0D44-001	0	E05		91009-GLE0-004	1	E08
90301-4C73-004	0	F14	90451-1G07-001	1	E08		91101-KNBN-901	0	E06
90301-6D34-671	1	F17	90465-MDC4-001	0	E02		91103-GAR1-004	0	E05
90301-GFY6-901	2	F13	90488-7L00-001	0	E01		91106-KHC4-90A	0	E01
90302-GBR2-001	1	F09	90501-KNBN-901	0	F07		91106-KHC4-90B	0	E01
90302-GFY6-901	1	F09	90502-MBS2-001	0	E06		91202-GFY6-90A	1	E01
90302-GFY6-901	1	F11	9052A-GFY6-950	1	E01		91202-GFY6-90A	1	E04
90302-GFY6-901	1	F17	90554-2C83-001	0	F21		91202-GFY6-90B	1	E01
90302-GFY6-940	1	F09	90602-PDX4-001	0	E06		91202-GFY6-90B	1	E04
90302-LBG7-900	3	F09	90603-0D44-001	0	E05		91202-KKJ9-004	0	E01
90302-LLB1-E00	2	E02	90652-GFY6-901	1	F12		91211-GHK8-014	0	E05
90302-SDA4-004	2	F10	90652-LGK8-900	0	E02	91251-GHC8-004	0	F06	
90302-SDA4-004	2	F11	90656-GFY6-911	0	F03	91255-GLE0-006	0	E08	
90302-SDA4-004	2	F17	90656-KCBC-900	0	F11	91256-GAC1-004	0	F06	
90304-GHE8-004	0	F03	90656-KCBC-900	0	F18	91301-0C53-001	0	E08	
90304-GHE8-004	0	F19	90741-0E35-001	0	E03	91301-GLR0-005	1	E03	
90305-GHK8-001	1	E07	90754-GHC8-00A	1	F06	91302-0A01-021	0	E04	
90305-GHK8-001	1	F11	90754-GHC8-00B	1	F06	91304-KHC4-900	0	E02	
90305-KNBN-90B	0	F07	90912-GHC8-00A	0	F06	91306-1E05-691	0	E03	

PART NO. INDEX

零件號碼索引

PART NO. 零件號碼	VERSION 版數	PAGE 頁次	PART NO. 零件號碼	VERSION 版數	PAGE 頁次	PART NO. 零件號碼	VERSION 版數	PAGE 頁次
91307-0E35-001	0	E04	93892-05012-18	0	E09	94050-06080	0	F06
91351-6B42-000	0	E05	93894-04022-08	1	F18	94050-06080	0	F08
91351-GAR1-001	0	E05	93901-32320	0	F16	94050-06080	0	F09
91352-KHG8-83B	0	F07	93903-25460	0	F12	94050-06080	0	F17
			93903-25580	0	F12	94050-06080	0	F18
92000			93903-32220	0	F17	94050-06080	0	F19
			93903-32420	0	F17	94050-08080	0	E02
92101-05012-0H	0	E07	93903-34360	0	F03	94050-10080	0	E05
92900-06060-0B	0	E02	93903-34360	0	F04	94050-10080	0	E07
			93903-34360	0	F10	94050-12080	0	E05
93000			93903-34360	0	F11	94101-06200	0	F13
			93903-34360	0	F16	94101-10800	0	F03
93401-04025-08	0	F18	93903-34460	0	F11	94101-KKE3-900	1	E09
93404-06016-06	0	F04	93903-35320	0	F02	94111-06800	0	E02
93404-06016-06	0	F10	93903-35360	0	E07	94111-06800	0	E09
93404-06016-06	0	F19	93903-35360	0	F09	94301-08140	0	E01
93404-06030-06	0	F12	93903-GFY6-900	1	F04	94301-08140	0	E04
93500-04010-06	0	F09	93903-GFY6-900	1	F11	94301-10160	0	E02
93500-05022-06	0	F03				94301-10160	0	E03
93700-05018-0H	0	F02	94000			94301-10200	0	E08
93891-05010-08	0	F12				94510-20000	0	E08
93891-05012-06	0	F03	94001-05080-0S	0	F03	94520-24000	1	E05
93891-05016-08	0	E09	94050-05080	0	F17	94591-21000	0	F04
93891-06016-06	0	F05	94050-06080	0	E02	94591-27000	0	F04
93891-06016-06	0	F11	94050-06080	0	E06	94591-KFBF-900	2	E02
93892-05010-08	0	E09	94050-06080	0	E09	94591-LLB1-900	0	F18

PART NO. INDEX

零件號碼索引

PART NO. 零件號碼	VERSION 版數	PAGE 頁次	PART NO. 零件號碼	VERSION 版數	PAGE 頁次	PART NO. 零件號碼	VERSION 版數	PAGE 頁次	
94605-KFA1-900	0	F21	95701-06028-08	0	F06	96001-06025-08	0	E06	
95000			95701-06032-08	0	F07	96001-06025-08	0	E07	
			95701-06032-08	0	F12	96001-06028-08	0	E01	
			95701-06035-08	0	E02	96001-06032-06	0	F19	
			95701-06050-08	0	E02	96001-06035-08	0	E01	
95002-02070	0	E09	95701-08012-08	0	E01	96001-06045-08	0	E01	
95002-02070	0	F09	95701-08020-08	0	F18	96001-06085-06	0	E04	
95002-02070	0	F20	95701-08045-08	0	E01	96001-06095-08	0	E02	
95002-02080	0	F12	95701-08060-08	0	E01	96001-06100-08	0	E04	
95002-02080	0	F20	95801-06045-08	0	F19	96001-GFY6-900	1	E01	
95002-02120	0	F12	95801-08035-08	0	F15	96100-62033-00	0	E01	
95002-02130	0	F09	95801-08040-08	0	F05	96100-62043-00	0	E01	
95002-02130	0	F12	95801-08055-06	0	F13	96211-05000	0	F05	
95003-23004-60	0	F12	95801-10035-08	0	F15	96220-60100	0	E06	
95003-23018-60	0	F12	95801-10040-08	0	F03	96600-06012-10	0	E06	
9500A-KHC4-900	1	F20							
95014-71402	0	F14	96000			98000			
95014-72204	0	F14							
95015-32001	0	F03							
95015-42000	0	F03		96001-06008-07	0		F13	98056-5771R-00	0
95701-06012-08	0	F05	96001-06012-08	0	E05	98200-31000	1	F10	
95701-06012-08	0	F11	96001-06012-08	0	E06	98200-31000	1	F18	
95701-06012-08	0	F17	96001-06012-08	0	E07	98200-31500	0	F10	
95701-06012-08	0	F18	96001-06014-08	0	E02	98200-31500	0	F18	
95701-06016-08	0	F08	96001-06016-08	0	E02				
95701-06016-08	0	F18	96001-06016-08	0	E07				
95701-06025-08	0	E02	96001-06025-06	0	F03				