

# PARTS CATALOGUE



## SCOOTERS

SE20BA

MANY 100



Date : 2010/01/12

## 前言

- 本零件型錄適用於 SE20BA 機種，訂購零件時，請參照本冊。
- 本冊之配色表僅供參考，若與實車不符之處，以實車為準。
- 配色記號(Color Mark)  
註明 "\*\*\*" 記號，表示訂購該零件時，請參照機種相片及配色表，並請在基本零件號碼最後加上色碼。
- 本冊若有錯誤或遺漏之處，敬請不吝賜教指正。

## ABOUT THIS PARTS LIST

- This parts list is compiled all service parts for model SE20BA.
- Any difference between color chart and motorcycle will be revised according to motorcycle.
- The sales mark:
  - 1.marking "\*\*\*" must add color code in the end before ordering parts.
- When modification or additions to this parts list are made a revised edition at an appropriate time.

## 目次

● 前言 .....	1
● SE20BA 配色表 .....	3
● 引擎結構圖 .....	12
● 車架結構圖 .....	13
● 引擎號碼表 .....	16
● 車架零件號碼表 .....	48
● 零件號碼索引 .....	114

## CONTENTS

● ABOUT THIS PARTS LIST .....	1
● COLOR CHART OF SE20BA .....	3
● CONTENTS-ENGINE GROUP .....	12
● CONTENTS-FRAME GROUP .....	13
● ENGINE PARTS LIST .....	16
● FRAME PARTS LIST .....	48
● PART NO. INDEX .....	114

NO	MODEL			SE20BA COLOR CHART							
	PHOTO NO			NO. 1	NO. 2	NO. 3	NO. 4				
	BASIC COLOR			淺晶藍	銀粉紅	亮紅	象牙白				
	CODE			Light Blue Metallic	Pink Metallic	Bright Red	Ivory White				
	PARTS NAME	PARTS NO.	VERSION	PB078MA	RR222MA	RR339PA	NH190PA				
1	GRIP COMP THROT	53140-GFY6-960	0	E3R							
2	GRIP L HANDLE	53166-GBW2-001	1								
3	LEVER R STRG HANDLE	53175-LEA2-910	0	M5A							
4	LEVER L STRG HANDLE	53178-LEA2-900	0								
5	COVER, R BODY	83500-LEA2-305	0	CGB	EAB	EBB	NH190				
6	COVER, L BODY	83600-LEA2-305	2								
7	COVER, UP HANDLE	53205-LEA2-900	1	CGP	EAP	EBP	HXP				
8	COVER, LOW HANDLE	53206-LEA2-900	0								
9	COVER, FR. HANDLE	53207-LEA2-900	2								
10	FENDER, FR. A INNER	61100-LEA2-900	0								
11	FENDER, FR. B INNER	61101-LEA2-900	0								
12	COVER, FRONT	64301-LEA2-900	2								
13	COVER CENTER UP	80151-LEA2-900	1								
14	COVER CENTER RR	83750-LEA2-900	2								
15	PROTECTOR, MUFF.	18318-LEA2-900	1					N1R			
16	PROTECTOR MUFF	18318-LEA2-910	2								
17	FENDER, FR. C INNER	61102-LEA2-900	0								
18	MOLDING, LOW FR.	64308-LEA2-900	1								
19	FLOOR, PANEL	64310-LEA2-900	2								
20	PLUG FLOOR	64316-KHE2-900	0								
21	COVER CENTER LOW	80152-LEA2-900	2								
22	LEG SHIELD UP	81131-LEA2-900	2								
23	CAP LEG SHIELD	81132-LEA2-900	0								
24	HOOK LUGGAGE	81132-LFG6-900	2								
25	LEG SHIELD LOW	81141-LEA2-900	1								
DATE OF STARTING-SALES											
DATE OF END-SALES											

NO	MODEL			SE20BA COLOR CHART			
	PHOTO NO			NO. 5	NO. 6	NO. 7	NO. 8
	BASIC COLOR			平光銀	黒	銀	淺黃綠
	CODE			Met Silver	Black	Silver	Light Yellow Green
	PARTS NAME	PARTS NO.	VERSION	NH040FA	NH001SA	NH131MA	YG022MA
1	GRIP COMP THROT	53140-GFY6-960	0	E3R			
2	GRIP L HANDLE	53166-GBW2-001	1				
3	LEVER R STRG HANDLE	53175-LEA2-910	0	M5A			
4	LEVER L STRG HANDLE	53178-LEA2-900	0				
5	COVER, R BODY	83500-LEA2-305	0	HZP	N1B	NH131B	W2B
6	COVER, L BODY	83600-LEA2-305	2				
7	COVER, UP HANDLE	53205-LEA2-900	1	HZP	N1P	NJP	W2P
8	COVER, LOW HANDLE	53206-LEA2-900	0				
9	COVER, FR. HANDLE	53207-LEA2-900	2				
10	FENDER, FR. A INNER	61100-LEA2-900	0				
11	FENDER, FR. B INNER	61101-LEA2-900	0				
12	COVER, FRONT	64301-LEA2-900	2				
13	COVER CENTER UP	80151-LEA2-900	1				
14	COVER CENTER RR	83750-LEA2-900	2				
15	PROTECTOR, MUFF.	18318-LEA2-900	1	N1R			
16	PROTECTOR MUFF	18318-LEA2-910	2				
17	FENDER, FR. C INNER	61102-LEA2-900	0				
18	MOLDING, LOW FR.	64308-LEA2-900	1				
19	FLOOR, PANEL	64310-LEA2-900	2				
20	PLUG FLOOR	64316-KHE2-900	0				
21	COVER CENTER LOW	80152-LEA2-900	2				
22	LEG SHIELD UP	81131-LEA2-900	2				
23	CAP LEG SHIELD	81132-LEA2-900	0				
24	HOOK LUGGAGE	81132-LFG6-900	2				
25	LEG SHIELD LOW	81141-LEA2-900	1				
DATE OF STARTING-SALES							
DATE OF END-SALES							

NO	MODEL			SE20BA COLOR CHART				
	PHOTO NO			NO. 9				
	BASIC COLOR			霧棕金				
	CODE			Brown Crystal				
	PARTS NAME	PARTS NO.	VERSION	YR167MA				
1	GRIP COMP THROT	53140-GFY6-960	0	E3R				
2	GRIP L HANDLE	53166-GBW2-001	1					
3	LEVER R STRG HANDLE	53175-LEA2-910	0	M5A				
4	LEVER L STRG HANDLE	53178-LEA2-900	0					
5	COVER, R BODY	83500-LEA2-305	0	YR167				
6	COVER, L BODY	83600-LEA2-305	2					
7	COVER, UP HANDLE	53205-LEA2-900	1	YZP				
8	COVER, LOW HANDLE	53206-LEA2-900	0					
9	COVER, FR. HANDLE	53207-LEA2-900	2					
10	FENDER, FR. A INNER	61100-LEA2-900	0					
11	FENDER, FR. B INNER	61101-LEA2-900	0					
12	COVER, FRONT	64301-LEA2-900	2					
13	COVER CENTER UP	80151-LEA2-900	1					
14	COVER CENTER RR	83750-LEA2-900	2					
15	PROTECTOR, MUFF.	18318-LEA2-900	1		N1R			
16	PROTECTOR MUFF	18318-LEA2-910	2					
17	FENDER, FR. C INNER	61102-LEA2-900	0					
18	MOLDING, LOW FR.	64308-LEA2-900	1					
19	FLOOR, PANEL	64310-LEA2-900	2					
20	PLUG FLOOR	64316-KHE2-900	0					
21	COVER CENTER LOW	80152-LEA2-900	2					
22	LEG SHIELD UP	81131-LEA2-900	2					
23	CAP LEG SHIELD	81132-LEA2-900	0					
24	HOOK LUGGAGE	81132-LFG6-900	2					
25	LEG SHIELD LOW	81141-LEA2-900	1					
DATE OF STARTING-SALES								
DATE OF END-SALES								

NO	MODEL			SE20BA COLOR CHART			
	PHOTO NO			NO. 1	NO. 2	NO. 3	NO. 4
	BASIC COLOR			淺晶藍	銀粉紅	亮紅	象牙白
	CODE			Light Blue Metallic	Pink Metallic	Bright Red	Ivory White
	PARTS NAME	PARTS NO.	VERSION	PB078MA	RR222MA	RR339PA	NH190PA
26	LID LEG SHIELD	81142-KUDU-900	1	N1R			
27	BAND HARNESS WIRE	90656-KUDU-900	0				
28	CUSHION ASSY,RR	52400-LEA2-900	1	N1S			
29	HUB SUB COMP RR	42610-GKAK-901	4				
30	HUB SUB SET FR	44610-KHC4-305	0	NJA			
31	GEAR BOX ASSY	44800-KNBN-901	6				
32	FORK SET , FR R	5140A-LEA2-900	0				
33	BOTTOM CASE R	51420-LBC6-900	0				
34	FORK SET , FR L.	5150A-LEA2-900	0				
35	BOTTOM CASE L	51520-LBC6-900	0				
36	RIM COMP WHEEL	42705-KHC4-900	5				
37	RIM COMP FR WHEEL	44705-KHC4-900	2				
38	COVER, TOP FRONT	64303-LEA2-900	1				
39	SEAT ASSY.	77200-LEA2-900	3				
40	EMB BODY COVER(KIWI	86202-LEA2-900	0				
41	STRIPE FR FORK	86404-LGE3-900	1				
42	STRIPE ENERGY LOGO	86700-LFG7-900	2				
43	MARK EVAPORATIVE	87122-LEA2-950	0				
44	CAUTION BATTERY	87502-LEB2-900	1				
45	CAUTION MUFFLER	87503-LEA1-900	1				
46	LABEL TIRE	87505-LEA2-900	1				
47	CAUTION SIDE STAND	87541-GGS7-901	2				
48	LABEL CAP	87541-LEA1-900	1				
49	MARK MAINT CAUTION	87542-GKM9-301	3				
50	CAUTION AFI	87546-LEB2-900	1				
DATE OF STARTING-SALES							
DATE OF END-SALES							

NO	MODEL			SE20BA COLOR CHART			
	PHOTO NO			NO. 5	NO. 6	NO. 7	NO. 8
	BASIC COLOR			平光銀	黒	銀	淺黃綠
	CODE			Met Silver	Black	Silver	Light Yellow Green
	PARTS NAME	PARTS NO.	VERSION	NH040FA	NH001SA	NH131MA	YG022MA
26	LID LEG SHIELD	81142-KUDU-900	1	N1R			
27	BAND HARNESS WIRE	90656-KUDU-900	0				
28	CUSHION ASSY,RR	52400-LEA2-900	1	N1S			
29	HUB SUB COMP RR	42610-GKAK-901	4				
30	HUB SUB SET FR	44610-KHC4-305	0	NJA			
31	GEAR BOX ASSY	44800-KNBN-901	6				
32	FORK SET , FR R	5140A-LEA2-900	0				
33	BOTTOM CASE R	51420-LBC6-900	0				
34	FORK SET , FR L.	5150A-LEA2-900	0				
35	BOTTOM CASE L	51520-LBC6-900	0				
36	RIM COMP WHEEL	42705-KHC4-900	5	NJS			
37	RIM COMP FR WHEEL	44705-KHC4-900	2				
38	COVER, TOP FRONT	64303-LEA2-900	1	T01			
39	SEAT ASSY.	77200-LEA2-900	3				
40	EMB BODY COVER(KIWI	86202-LEA2-900	0				
41	STRIPE FR FORK	86404-LGE3-900	1				
42	STRIPE ENERGY LOGO	86700-LFG7-900	2				
43	MARK EVAPORATIVE	87122-LEA2-950	0				
44	CAUTION BATTERY	87502-LEB2-900	1				
45	CAUTION MUFFLER	87503-LEA1-900	1				
46	LABEL TIRE	87505-LEA2-900	1				
47	CAUTION SIDE STAND	87541-GGS7-901	2				
48	LABEL CAP	87541-LEA1-900	1				
49	MARK MAINT CAUTION	87542-GKM9-301	3				
50	CAUTION AFI	87546-LEB2-900	1				
DATE OF STARTING-SALES							
DATE OF END-SALES							

NO	MODEL			SE20BA COLOR CHART				
	PHOTO NO			NO. 9				
	BASIC COLOR			霧棕金				
	CODE			Brown Crystal				
	PARTS NAME	PARTS NO.	VERSION	YR167MA				
26	LID LEG SHIELD	81142-KUDU-900	1	N1R				
27	BAND HARNESS WIRE	90656-KUDU-900	0					
28	CUSHION ASSY,RR	52400-LEA2-900	1	N1S				
29	HUB SUB COMP RR	42610-GKAK-901	4	NJA				
30	HUB SUB SET FR	44610-KHC4-305	0					
31	GEAR BOX ASSY	44800-KNBN-901	6					
32	FORK SET , FR R	5140A-LEA2-900	0					
33	BOTTOM CASE R	51420-LBC6-900	0					
34	FORK SET , FR L.	5150A-LEA2-900	0					
35	BOTTOM CASE L	51520-LBC6-900	0					
36	RIM COMP WHEEL	42705-KHC4-900	5		NJS			
37	RIM COMP FR WHEEL	44705-KHC4-900	2					
38	COVER, TOP FRONT	64303-LEA2-900	1		T01			
39	SEAT ASSY.	77200-LEA2-900	3					
40	EMB BODY COVER(KIWI	86202-LEA2-900	0					
41	STRIPE FR FORK	86404-LGE3-900	1					
42	STRIPE ENERGY LOGO	86700-LFG7-900	2					
43	MARK EVAPORATIVE	87122-LEA2-950	0					
44	CAUTION BATTERY	87502-LEB2-900	1					
45	CAUTION MUFFLER	87503-LEA1-900	1					
46	LABEL TIRE	87505-LEA2-900	1					
47	CAUTION SIDE STAND	87541-GGS7-901	2					
48	LABEL CAP	87541-LEA1-900	1					
49	MARK MAINT CAUTION	87542-GKM9-301	3					
50	CAUTION AFI	87546-LEB2-900	1					
DATE OF STARTING-SALES								
DATE OF END-SALES								







# CONTENTS - ENGINE GROUP

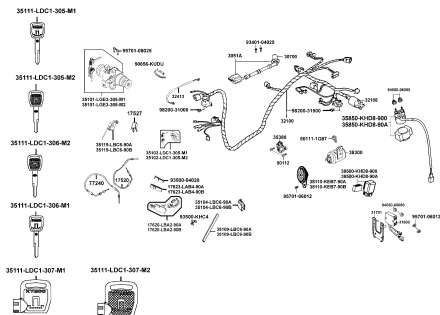
<b>E01 曲軸箱</b>	<b>E02 汽缸頭</b>	<b>E03 汽缸 活塞 曲軸</b>
<b>E04 右曲軸箱蓋</b>	<b>E05 傳動皮帶輪</b>	<b>E06 起動馬達 機油泵</b>
<b>E07 風扇蓋 發電機</b>	<b>E08 傳動系</b>	<b>E09 化油器</b>



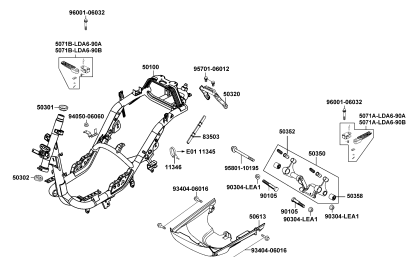


# CONTENTS - FRAME GROUP

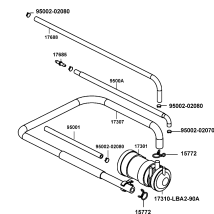
## F19 主電路配線



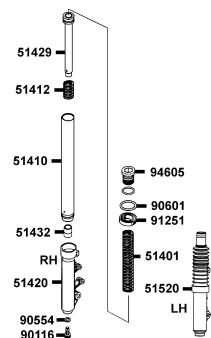
## F20 車體



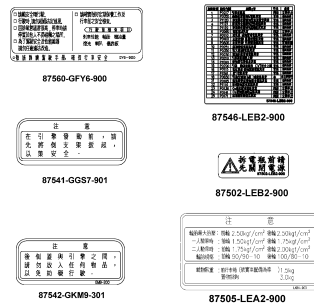
## F21 活性炭罐



## F22 前叉附件



## F23 注意標籤

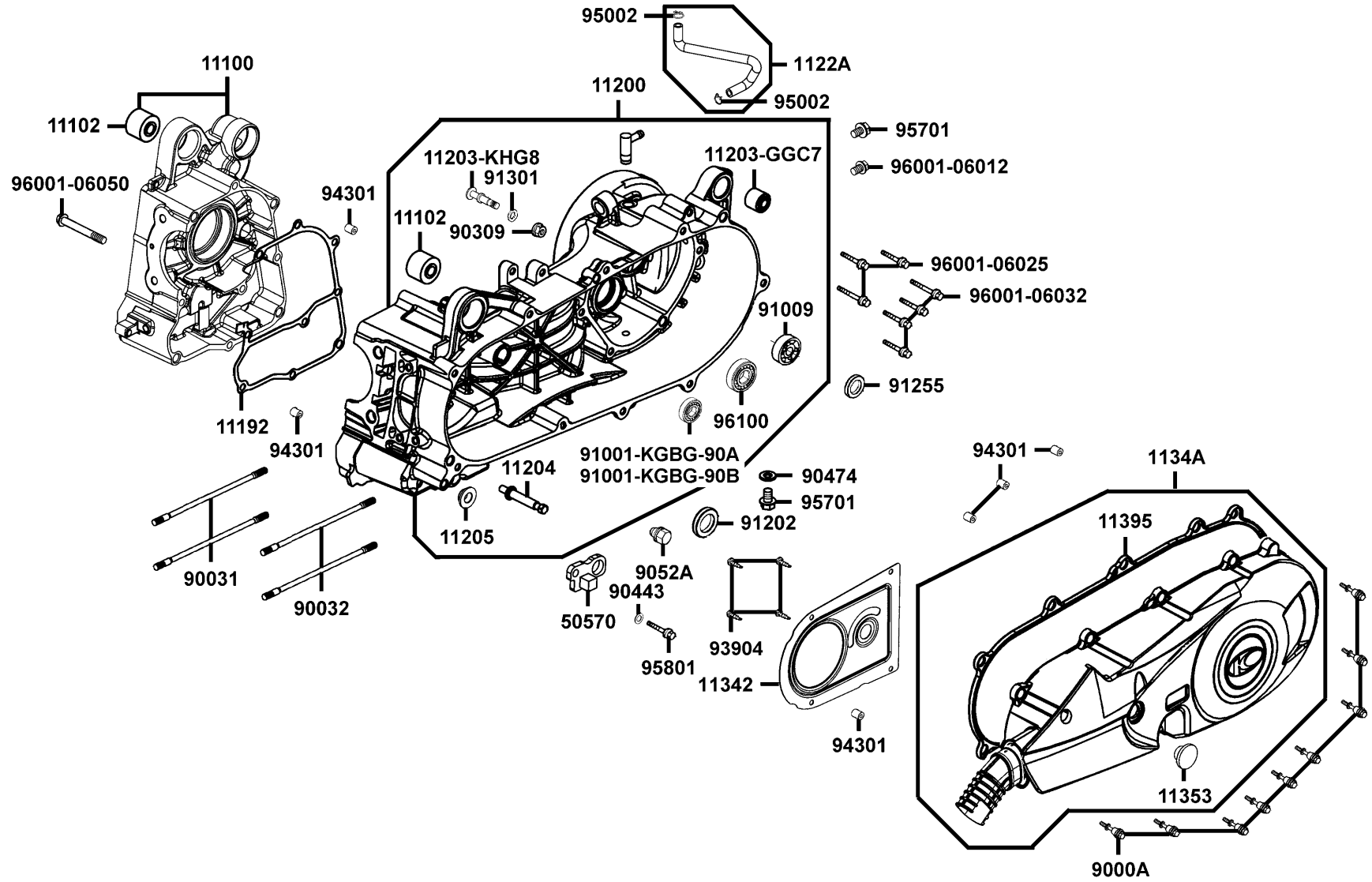


## F24 標徽 貼紙



E01

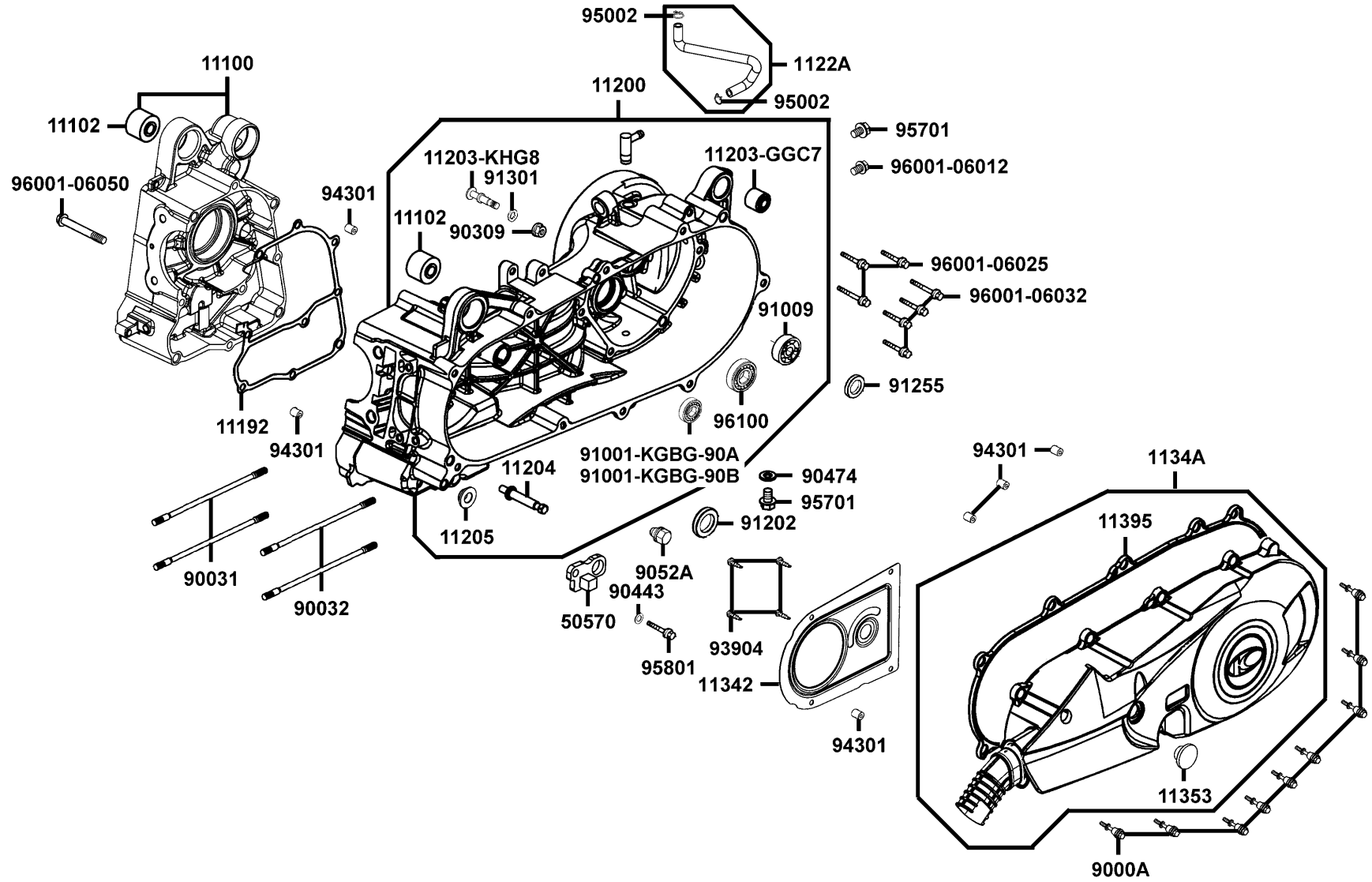
Crank Case 曲軸箱



Sales mark 配色標註	Ref no 參考號碼	Part no 零件號碼	Description 英文名稱	Reg description 中文名稱	Regd no 需求用量	E01
	11100	11100-LEA2-305	CRANK CASE SET R	右曲軸箱組	1	
	11102	11102-1G87-004	RUB BUSH ENG HANGER	引擎吊架襯套	2	
	11192	11192-LEA2-900	GASKET CRANK CASE A	曲軸箱墊片 A	1	
	11200	11200-LEA2-305	CRANKCASE SET L	左曲軸箱組	1	
	11203-GGC7	11203-GGC7-301	UNDER RUBBER BUSH REAR CUSHION	後緩衝下襯套	1	
	11203-KHG8	11203-KHG8-301	PIN BRAKE SHOE ANCHOR	煞車鼓固定銷	1	
	11204	11204-LEA1-900	PIN SPG HOOK	定位銷	1	
	11205	11205-LEA2-900	BUSH M STAND	襯套	1	
	1122A	1122A-LEA1-900	TUBE ASSY BREATHER	通氣管	1	
	11342	11342-LEA1-900	PLATE L COVER	導流板	1	
	1134A	1134A-LEA2-900	COVER ASSY., L SIDE	曲軸箱左蓋總成	1	
#	11353	11353-LEB2-900	RUBBER PLUG, L COVER KICK	冷風入口蓋	1	
	11395	11395-LEA1-900	GASKET L COVER	左曲軸箱蓋墊片	1	
	50570	50570-LEA2-900	STOPPER L., MAIN STAND	主腳架左邊制止器	1	
	9000A	9000A-KTDT-900	BOLT ASSY SPECIAL 6*29.5	特殊螺絲6*29.5	9	
	90031	90031-KUDU-900	BOLT A STUD 8*200.5	雙頭螺絲 8*200.5	2	
	90032	90032-LEA1-900	BOLT B STUD 8*206	雙頭螺絲 8*206	2	
	90309	90309-KLF0-004-SY	NUT FLANGE 8MM	平螺帽	1	
	90443	90443-8D44-001	WASHER THRUST 8MM	華司 8MM	1	
	90474	90474-3C33-001	WASHER 8MM	華司	1	

E01

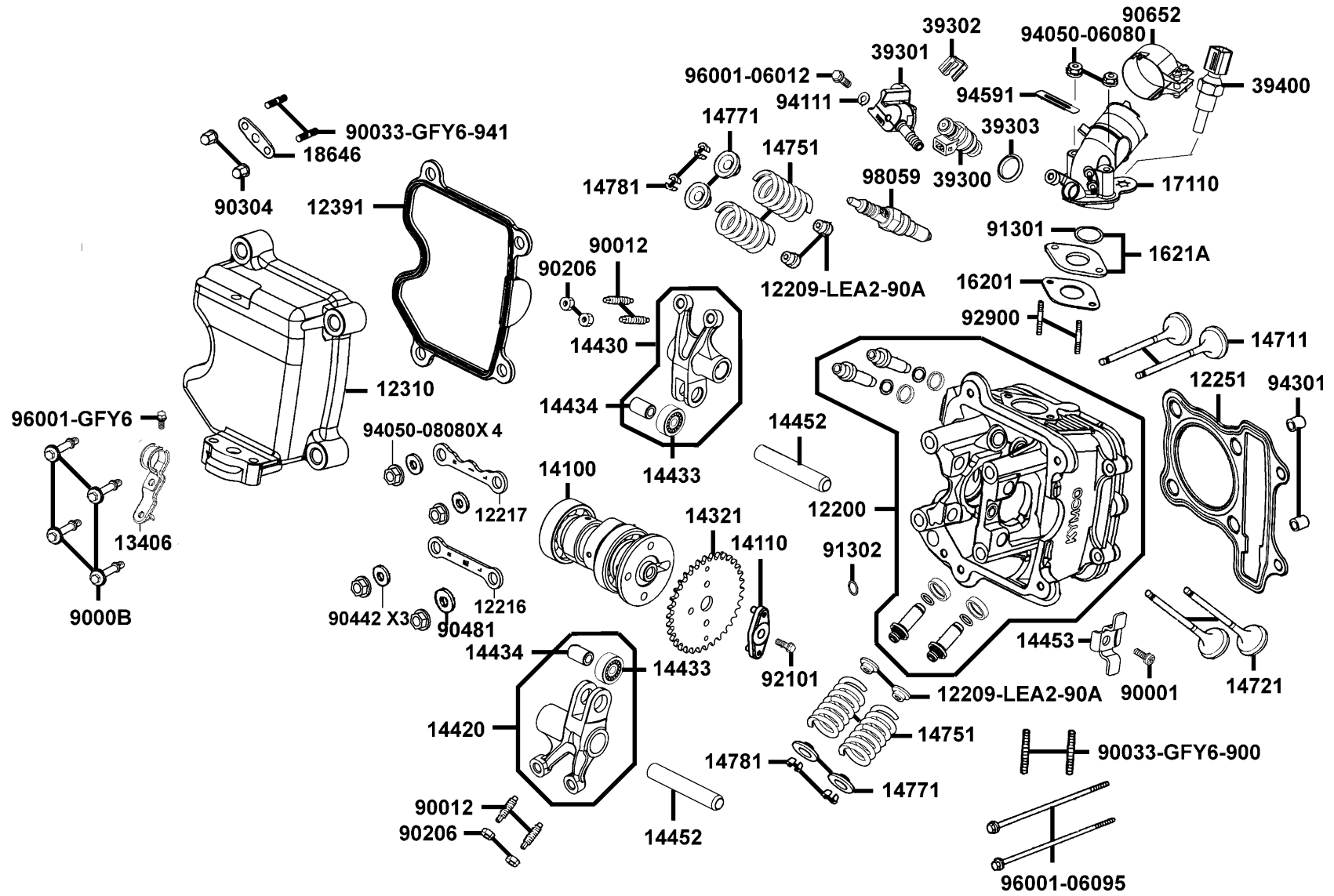
Crank Case 曲軸箱



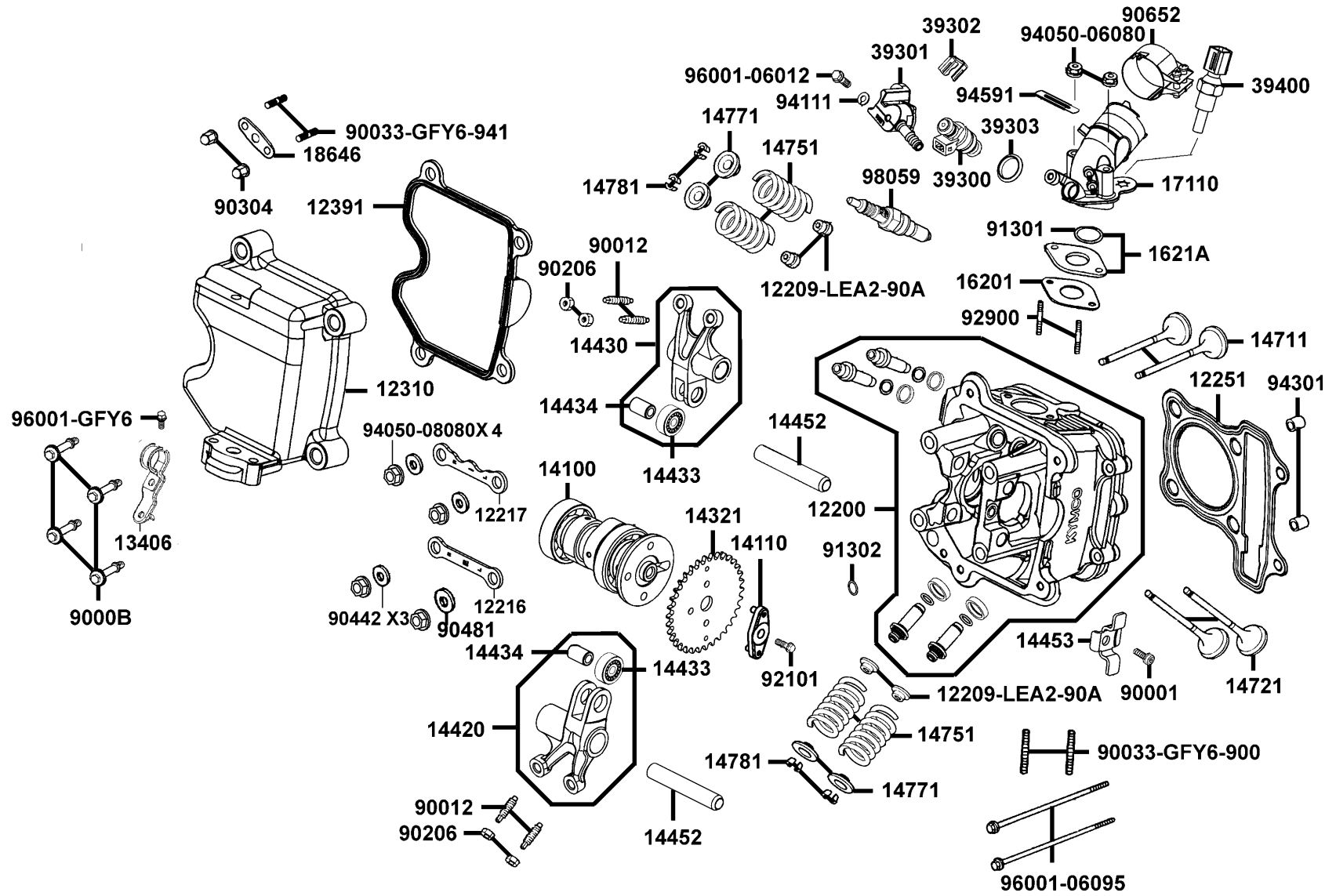
Sales mark 配色標註	Ref no 參考號碼	Part no 零件號碼	Description 英文名稱	Reg description 中文名稱	Regd no 需求用量	E01
	9052A	9052A-LEB1-900	BOLT ASSY DRAIN PLUG	洩油螺絲	1	
	91001-KGBG-90A	91001-KGBG-90A	BRG BALL RADIAL TM-SC03A	軸承	1	
	91001-KGBG-90B	91001-KGBG-90B	BRG BALL RADIAL TM-SC03A	軸承	1	
	91009	91009-GLE0-004	BRG BALL RADIAL 6004 UU	軸承	1	
	91202	91202-LEA2-900	OIL SEAL 22*32*5(2007.04.04~)	左曲軸箱油封 22*32*5	1	
#	91255	91255-GLE0-006	OIL SEAL 27*42*7	油封	1	
	91301	91301-0C53-001	O RING 7.5*1.5	O環	1	
	93904	93904-35360	SCREW TAPPING 5*12	螺釘 5*12	4	
	94301	94301-08140	DOWEL PIN 8*14	定位銷 8X14	6	
	95002	95002-50000	CLIP C9 TUBE	管夾	2	
	95701	95701-08012-08	BOLT FLANGE 8*12	螺絲 8*12	2	
	95801	95801-08025-06	BOLT FLANGE 8x25 (G)	有邊緣螺絲8*25	1	
#	96001-06012	96001-06012-08	BOLT FLANGE 6*12	螺絲 6*12	1	
	96001-06025	96001-06025-08	BOLT FLANGE SH 6*25	螺絲 6*25	3	
	96001-06032	96001-06032-08	BOLT FLANGE SH 6*32	螺栓 6*32	4	
	96001-06050	96001-06050-08	BOLT FLANGE 6*50	螺絲 6X50	1	
	96100	96100-60020-00	BRG BALL RADIAL 6002	軸承 6002	1	



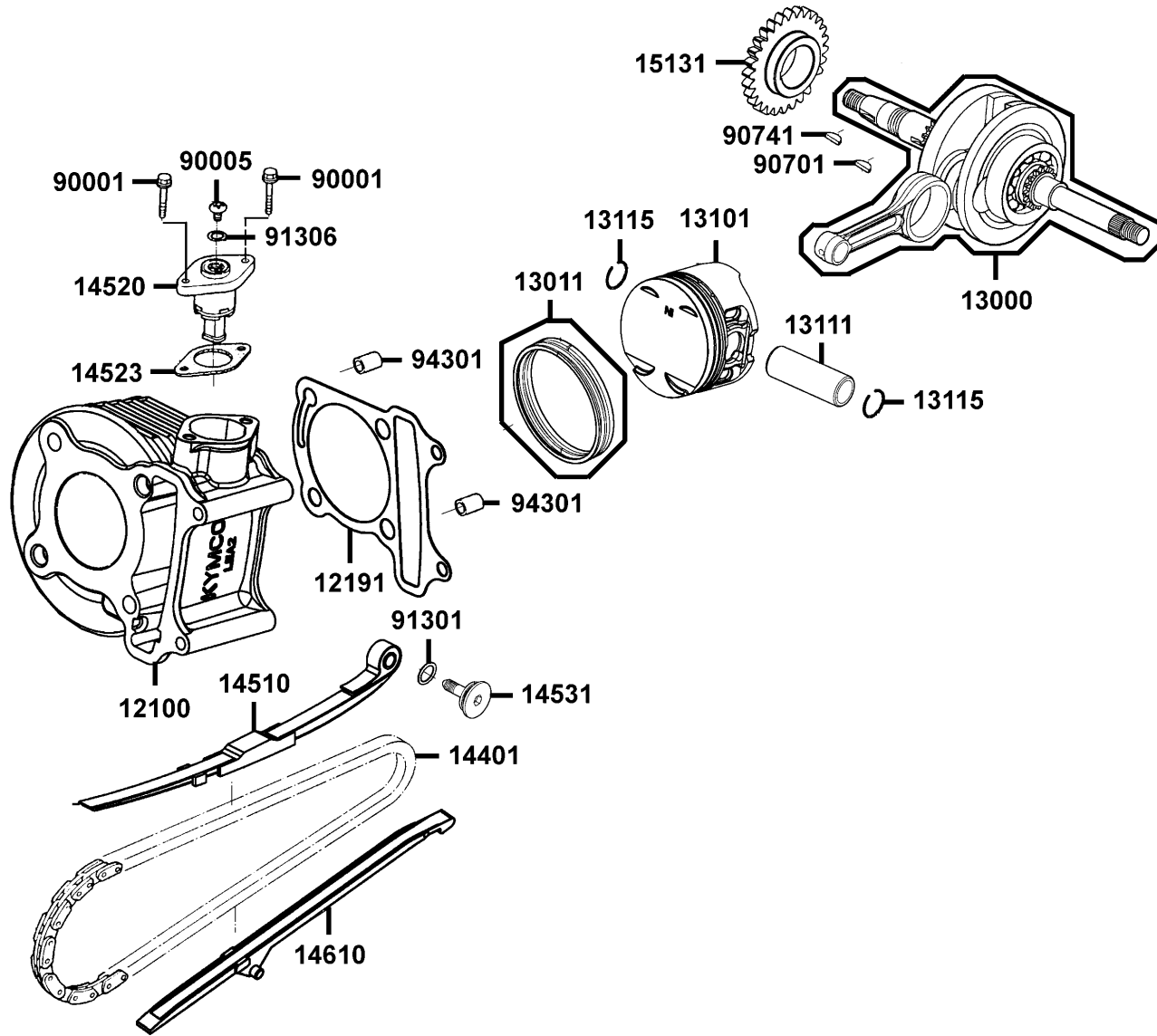
Sales mark 配色標註	Ref no 參考號碼	Part no 零件號碼	Description 英文名稱	Reg description 中文名稱	Regd no 需求用量	E02
12200	12200-LEA2-910	HEAD COMP CYLINDER	汽缸頭	1		
12209	12209-LEA2-90A	SEAL VALVE STEM	汽門導桿油封	4		
12216	12216-LEB1-900	FORK A HOLDER	固定座前叉	1		
12217	12217-LEA2-900	FORK B HOLDER	固定座前叉	1		
12251	12251-LEA2-900	GASKET CYLINDER HEAD	汽缸頭墊片	1		
12310	12310-LEA2-900	COVER COMP HEAD	汽缸頭蓋	1		
12391	12391-LEA2-900	GASKET HEAD COVER	墊片	1		
13406	13406-LEA2-900	PLATE FUEL INJECTOR	噴射進氣支板	1		
14100	14100-LEA2-900	SHAFT COMP CAM	凸輪軸	1		
14110	14110-LEB1-900	FIXTURE CAMSHAFT	凸輪軸固定件	1		
14321	14321-LEB1-900	SPROCKET CAM	凸輪扣鏈齒輪	1		
14420	14420-LEA2-900	ARM COMP EXH VALVE ROCKER	排氣閥搖臂	1		
14430	14430-LEA2-900	ARM COMP IN VALVE ROCKER	進氣閥搖臂	1		
14433	14433-LEB1-900	ROLLER ASSY ROCKER ARM	軸承	2		
14434	14434-LEB1-900	PIN ROCKER ARM	套筒	2		
14452	14452-LEB1-900	SHAFT EXH ROCKER ARM	排氣閥搖臂軸	2		
14453	14453-LEA2-900	SET PLATE ROCKER ARM SHAFT	搖臂托架	1		
14711	14711-LEA2-900	VALVE INLET	進氣閥	2		
14721	14721-LEA2-900	VALVE EXHAUST	排氣閥	2		
14751	14751-LEA2-900	SPG VALVE OUTER	門閥外彈簧	4		



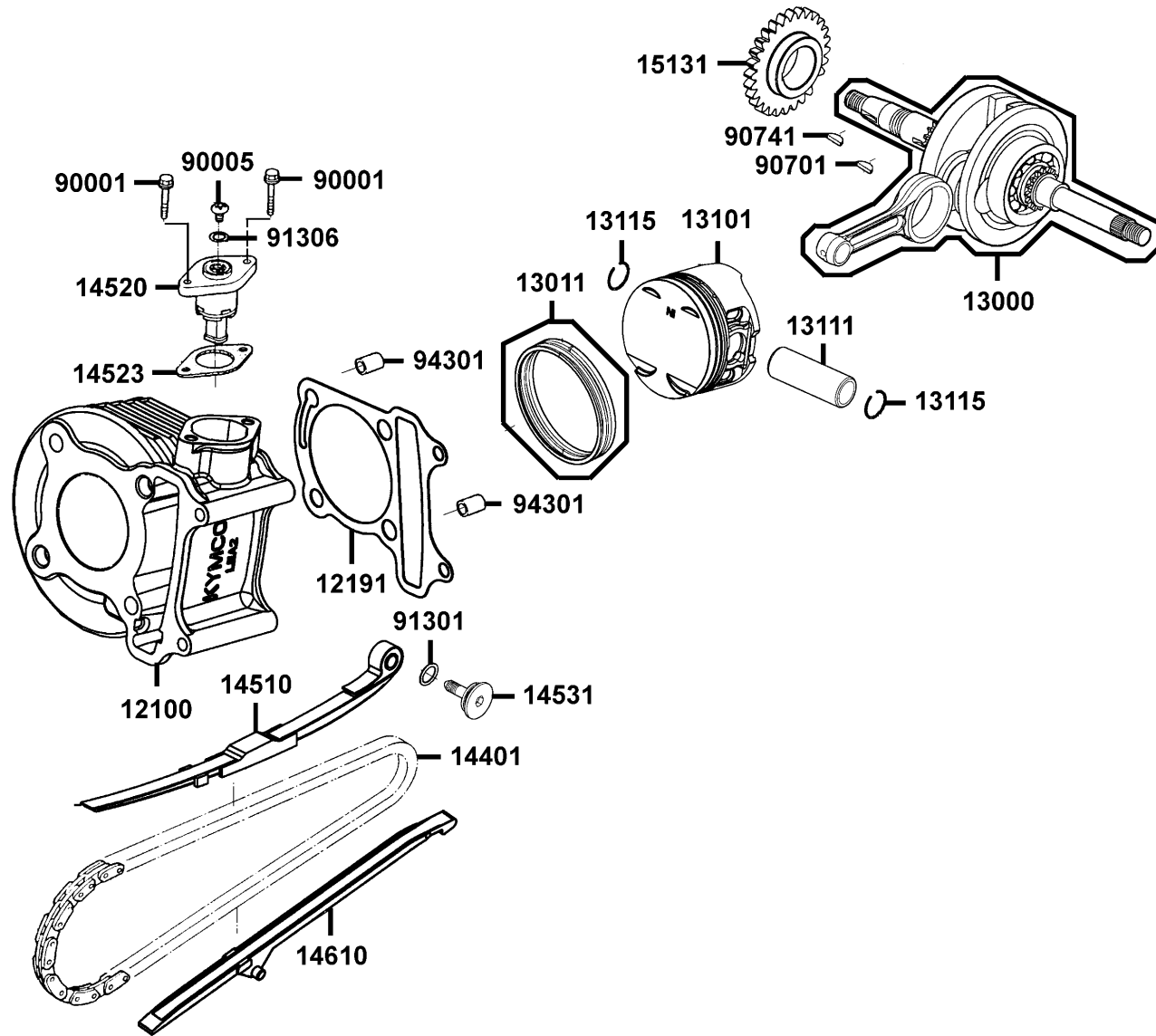
Sales mark 配色標註	Ref no 參考號碼	Part no 零件號碼	Description 英文名稱	Reg description 中文名稱	Regd no 需求用量	E02
14771	14771-LEA2-900	14771-LEA2-900	RETAINER, UPPER SPRING	門閥彈簧扣環	4	
14781	14781-KKE5-E00	14781-KKE5-E00	COTTER VALVE	門閥扣環	8	
16201	16201-GFY6-901	16201-GFY6-901	GASKET CARB INSULATOR @ A	隔熱板墊片	1	
1621A	1621A-LEA1-900	1621A-LEA1-900	INSULATOR CARB	化油器隔熱板	1	
17110	17110-LEA1-910	17110-LEA1-910	PIPE ASSY INLET	進氣管	1	
18646	18646-GFY6-941	18646-GFY6-941	GAKT A/I PIPE	通氣管墊片	1	
39300	39300-LEB2-800	39300-LEB2-800	FUEL INJECTOR	燃油噴嘴	1	
39301	39301-LEA1-900	39301-LEA1-900	HOLDER ASSY FUEL	燃油噴嘴托蓋組	1	
39302	39302-KKE3-900	39302-KKE3-900	CLIP SPRING FUEL INJECTOR	噴嘴彈簧夾	1	
39303	39303-LEB2-900	39303-LEB2-900	SEAL HIGH TENSION FUEL INJECT	拉力封	1	
39400	39400-KKE3-800	39400-KKE3-800	SENSOR HEAD TEMPERATURE	汽缸頭溫度感應器	1	
90001	90001-GFY6-901	90001-GFY6-901	SOCKET BOLT 6*10	螺絲 6X10	1	
9000B	9000B-KHD6-900	9000B-KHD6-900	BOLT ASSY SPECIAL 6*41.5	螺絲 6*41.5	4	
90012	90012-3C33-001	90012-3C33-001	SCREW TAPPET ADJUSTING	樞軸調整螺絲	4	
90033-GFY6-900	90033-GFY6-900	90033-GFY6-900	BOLT STUD 8*32	螺絲 8X32	2	
90033-GFY6-941	90033-GFY6-941	90033-GFY6-941	BOLT STUD 6*16	特殊螺絲 6*16	2	
90206	90206-0A01-001	90206-0A01-001	NUT TAPPET ADJG	挺桿調整螺帽	4	
90304	90304-4H38-001	90304-4H38-001	NUT HEX CAP 6MM	螺帽 6MM	2	
90442	90442-LEA1-900	90442-LEA1-900	WASHER SEALING 8MM	華司	3	
90481	90481-LEA1-900	90481-LEA1-900	WASHER, PLAIN 8.1MM	平面墊圈	1	



Sales mark 配色標註	Ref no 參考號碼	Part no 零件號碼	Description 英文名稱	Reg description 中文名稱	Regd no 需求用量	E02
	90652	90652-LGJ9-900	BAND 48, INLET-PIPE	進氣管夾	1	
	91301	91301-0H28-001	O RING 27*2	O環 27X2.0	1	
	91302	91302-KHD6-900	O-RING 6.0*1.78	O環	1	
	92101	92101-06014-0H	BOLT HEX 6*14	螺絲 6*14	1	
	92900	92900-06060-0B	BOLT STUD 6*60	雙頭螺絲 6*60	2	
	94050-06080	94050-06080	NUT FLANGE 6MM	螺帽 6MM	2	
	94050-08080	94050-08080	NUT FLANGE 8MM	螺帽 8MM	4	
	94111	94111-06800	WASHER SPG 6MM	華司 6MM	1	
	94301	94301-10160	DOWEL PIN 10*16	定位銷 10X16	2	
	94591	94591-KFBF-900	CLIP 2*70	環夾	1	
#	96001-06012	96001-06012-08	BOLT FLANGE 6*12	螺絲 6*12	1	
	96001-06095	96001-06095-08	BOLT FLANGE 6*95	螺絲 6*95	2	
	96001-GFY6	96001-GFY6-900	BOLT SPECIAL 5*10	螺絲 5*10	1	
	98059	98059-57916-00	SPARK PLUG CR7E	火星塞	1	



Sales mark 配色標註	Ref no 參考號碼	Part no 零件號碼	Description 英文名稱	Reg description 中文名稱	Regd no 需求用量	E03
	12100	12100-LEA2-900	CYLINDER COMP	汽缸	1	
	12191	12191-LEA2-900	GASKET CYLINDER A	汽缸墊片 A	1	
	13000	13000-LEA2-900	CRANK SHAFT COMP	曲軸	1	
	13011	13011-LEA2-900	RING ASSY PISTON	活塞環組	1	
	13101	13101-LEA2-900	PISTON	活塞	1	
	13111	13111-0G87-001	PIN PISTON	活塞銷	1	
	13115	13115-0A01-001	PISTON PIN CLIP	活塞銷夾	2	
	14401	14401-LEA2-900	CHAIN CAM	凸輪軸驅動鏈條	1	
	14510	14510-LEA2-900	TENSIONER CAM CHAIN	內鏈條拉力桿	1	
	14520	14520-GFY6-90A	LIFTER ASSY TENSIONER	內鏈條調整器	1	
	14523	14523-GFY6-901	GASKET TENSIONER LIFTER @ A	內鏈條調整器墊片	1	
	14531	14531-GLR0-001	PIVOT CAM CHAIN TENSIONER	拉力桿螺絲	1	
	14610	14610-LEA2-900	GUIDE COMP CAM CHAIN	鏈條導件	1	
	15131	15131-LEA2-900	GEAR OIL DRIVE	機油泵驅動齒輪	1	
	90001	90001-GBHB-661	BOLT FLANGE SH 6*22	螺絲 6*22	2	
	90005	90005-KAW1-901	SCREW PAN 6*6	螺絲 6*6	1	
	90701	90701-HFB6-011	KEY WOODRUFF 25*14*4	固定鍵 25X14X4	1	
	90741	90741-0E35-001	KEY WOODRUFF	固定鍵	1	
	91301	91301-GLR0-005	O RING 15.2*1.5	O環 15.2X1.5	1	
	91306	91306-1E05-691	O-RING 1.5*9.5	O環 1.5*9.5	1	

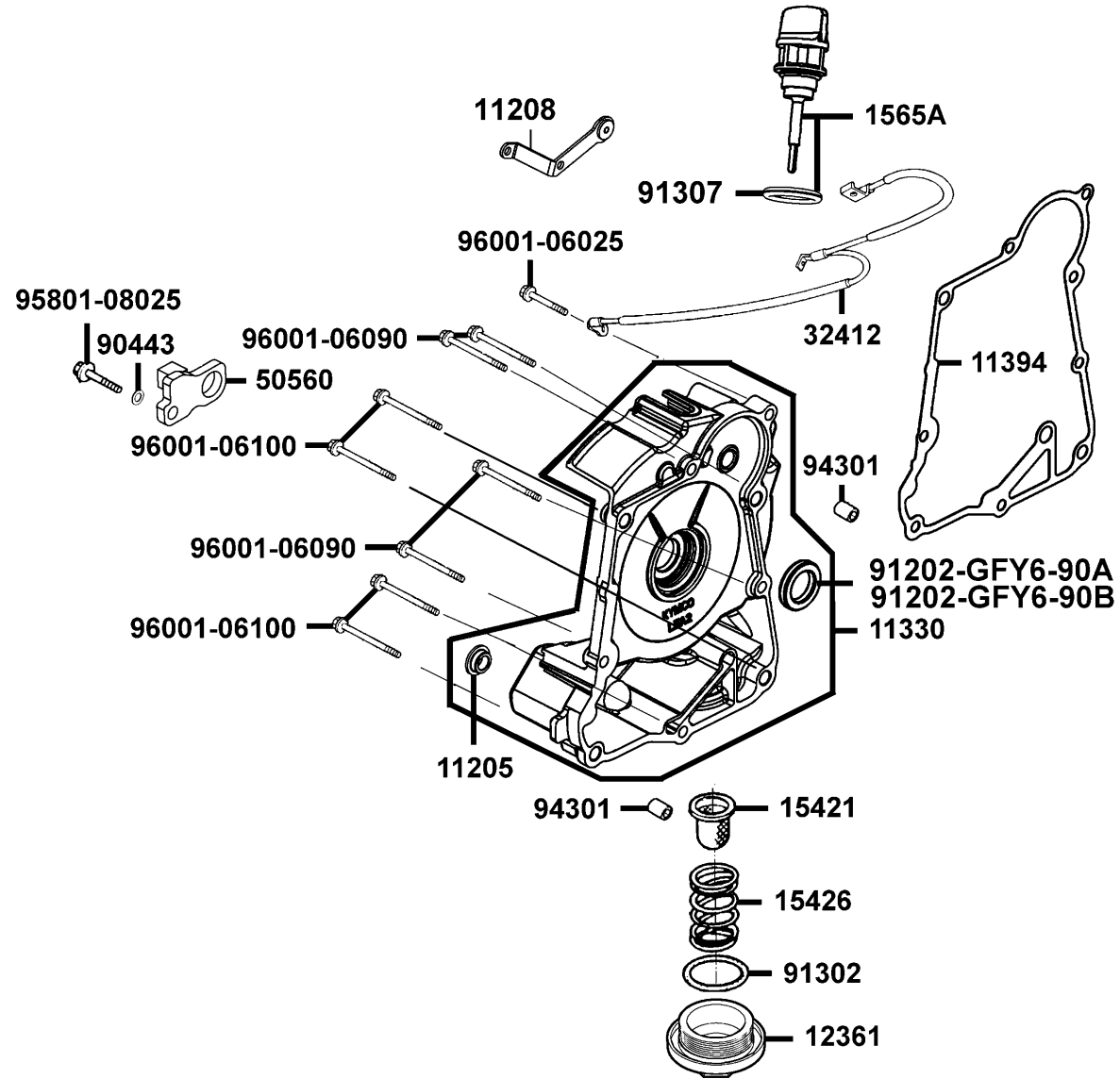


Sales mark 配色標註	Ref no 參考號碼	Part no 零件號碼	Description 英文名稱	Reg description 中文名稱	Regd no 需求用量	E03
	94301	94301-10160	DOWEL PIN 10*16	定位銷 10X16	2	

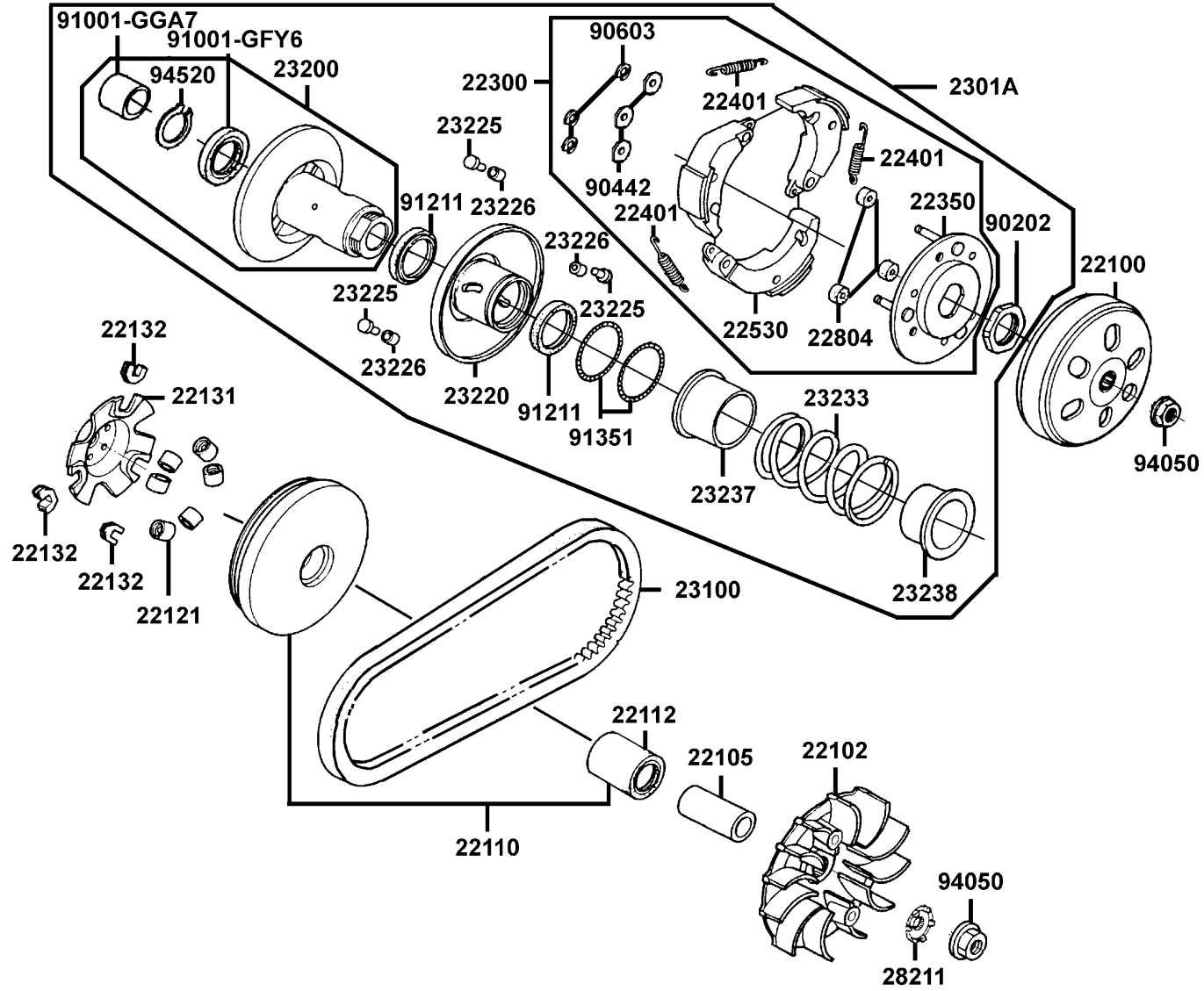
E04

Right Crankcase Cover

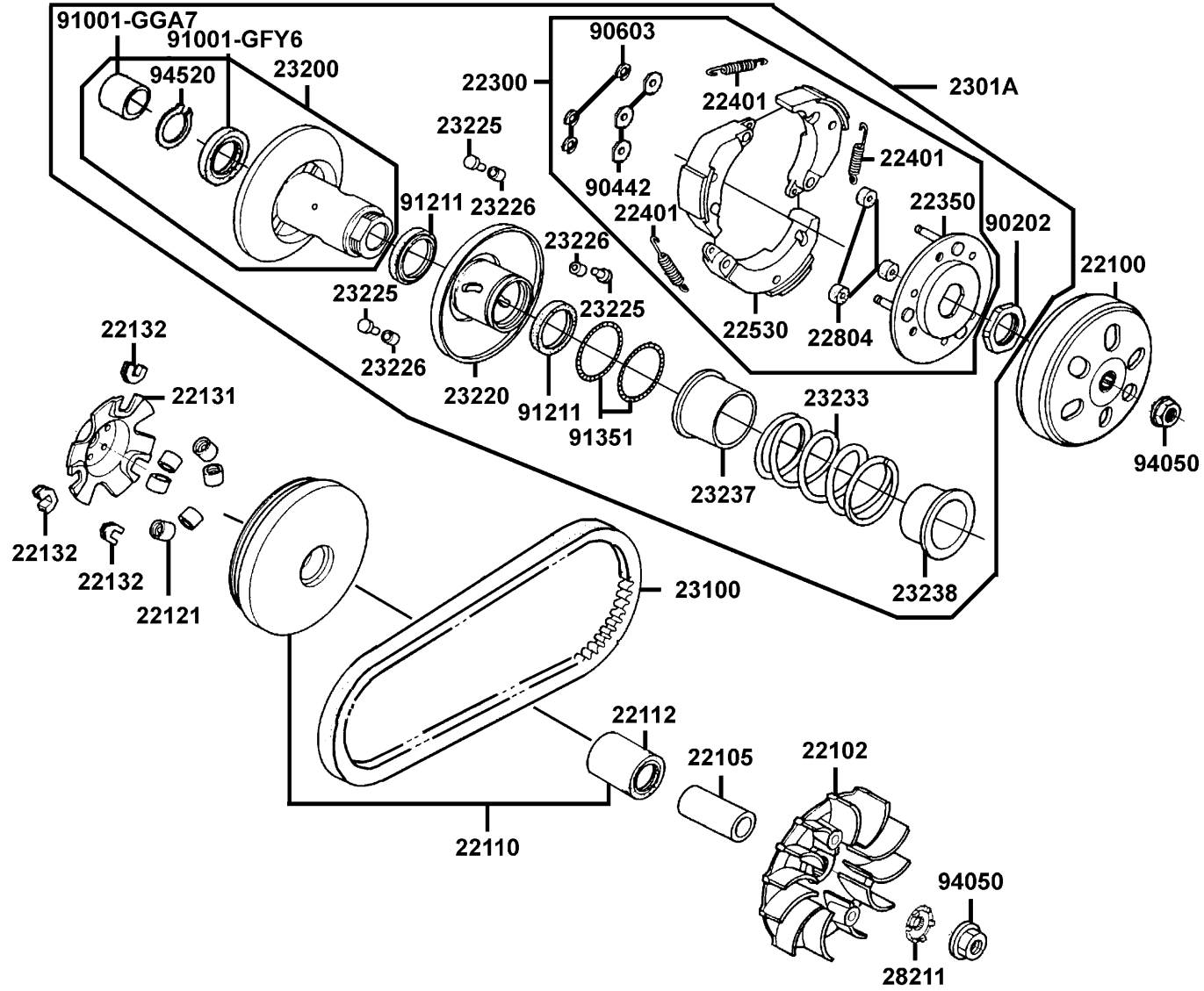
右曲軸箱蓋



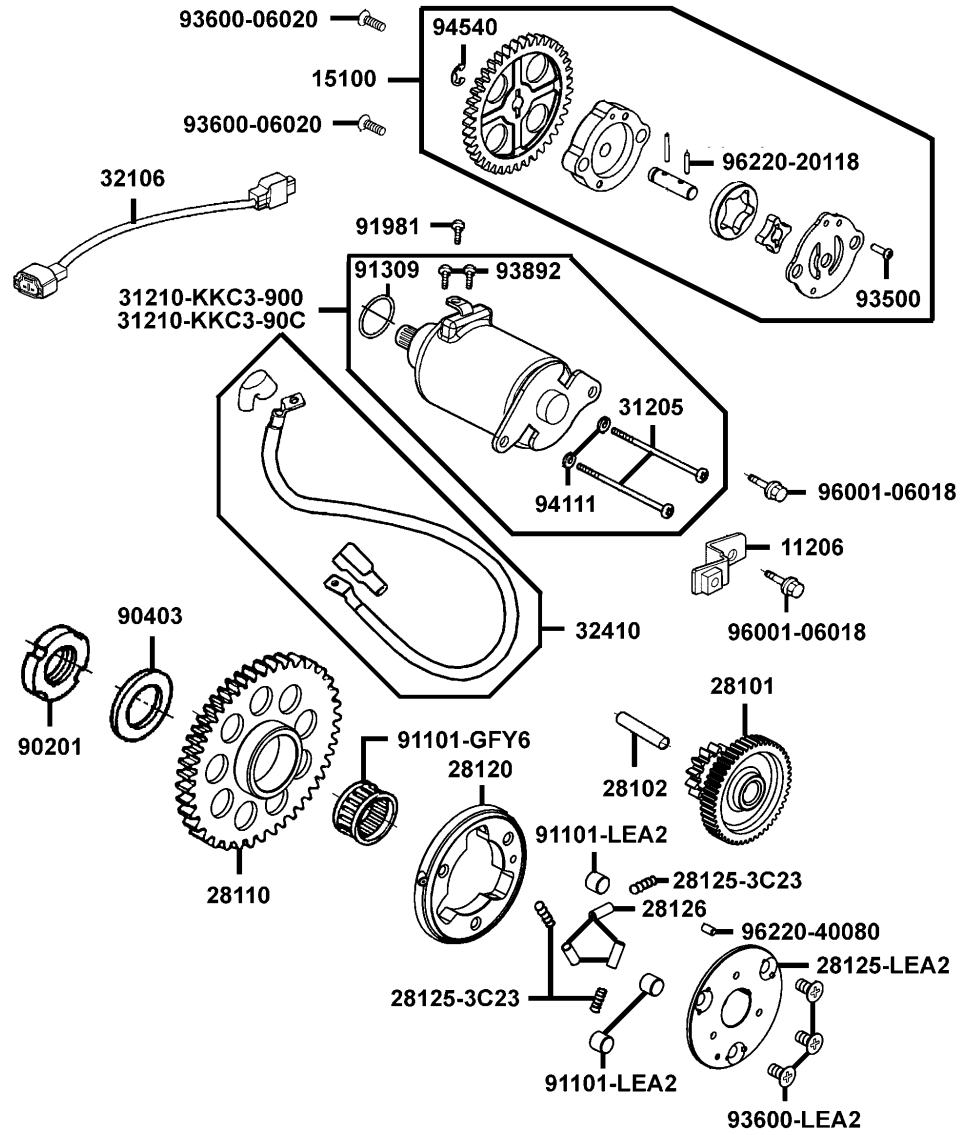
Sales mark 配色標註	Ref no 參考號碼	Part no 零件號碼	Description 英文名稱	Reg description 中文名稱	Regd no 需求用量	E04
11205	11205-LEA2-900	11205-LEA2-900	BUSH M STAND	襯套	1	
11208	11208-LEA2-900	11208-LEA2-900	STAY C, RR FENDER	C型後土除支架	1	
11330	11330-LEA2-900	11330-LEA2-900	COVER R CRANK CASE	右曲軸箱蓋	1	
11394	11394-LEA2-900	11394-LEA2-900	GASKET R COVER	右曲軸箱蓋墊片	1	
12361	12361-GFY6-901	12361-GFY6-901	HOLE CAP TAPPET ADJUSTING	調節螺帽	1	
15421	15421-1G07-001	15421-1G07-001	SCREEN OIL FILTER	濾油網	1	
15426	15426-GAE1-921	15426-GAE1-921	SPG OIL FILTER SCREEN	濾油網彈簧	1	
1565A	1565A-GFY6-900	1565A-GFY6-900	GAUGE OIL LEVEL ASSY	機油尺組	1	
32412	32412-LEA2-900	32412-LEA2-900	CABLE EARTH	接地導線	1	
50560	50560-LEA2-900	50560-LEA2-900	STOPPER R MAIN STAND	主腳架右止件	1	
90443	90443-8D44-001	90443-8D44-001	WASHER THRUST 8MM	華司 8MM	1	
91202-GFY6-90A	91202-GFY6-90A	91202-GFY6-90A	OIL SEAL 19.8*30*5	油封 19.8*30*5	1	
91202-GFY6-90B	91202-GFY6-90B	91202-GFY6-90B	OIL SEAL 19.8*30*5	油封 19.8*30*5	1	
91302	91302-0A01-021	91302-0A01-021	O-RING 30.8MM	O環 30.8MM	1	
91307	91307-0E35-001	91307-0E35-001	O RING 18*3	O環 18X3	1	
94301	94301-08140	94301-08140	DOWEL PIN 8*14	定位銷 8X14	2	
95801	95801-08025-06	95801-08025-06	BOLT FLANGE 8x25 (G)	有邊緣螺絲8*25	1	
96001-06025	96001-06025-08	96001-06025-08	BOLT FLANGE SH 6*25	螺絲 6*25	1	
96001-06090	96001-06090-08	96001-06090-08	BOLT FLANGE SH 6*90	螺絲 6*90	4	
96001-06100	96001-06100-08	96001-06100-08	BOLT FLANGE SH 6*100	特殊螺絲 6*100	4	



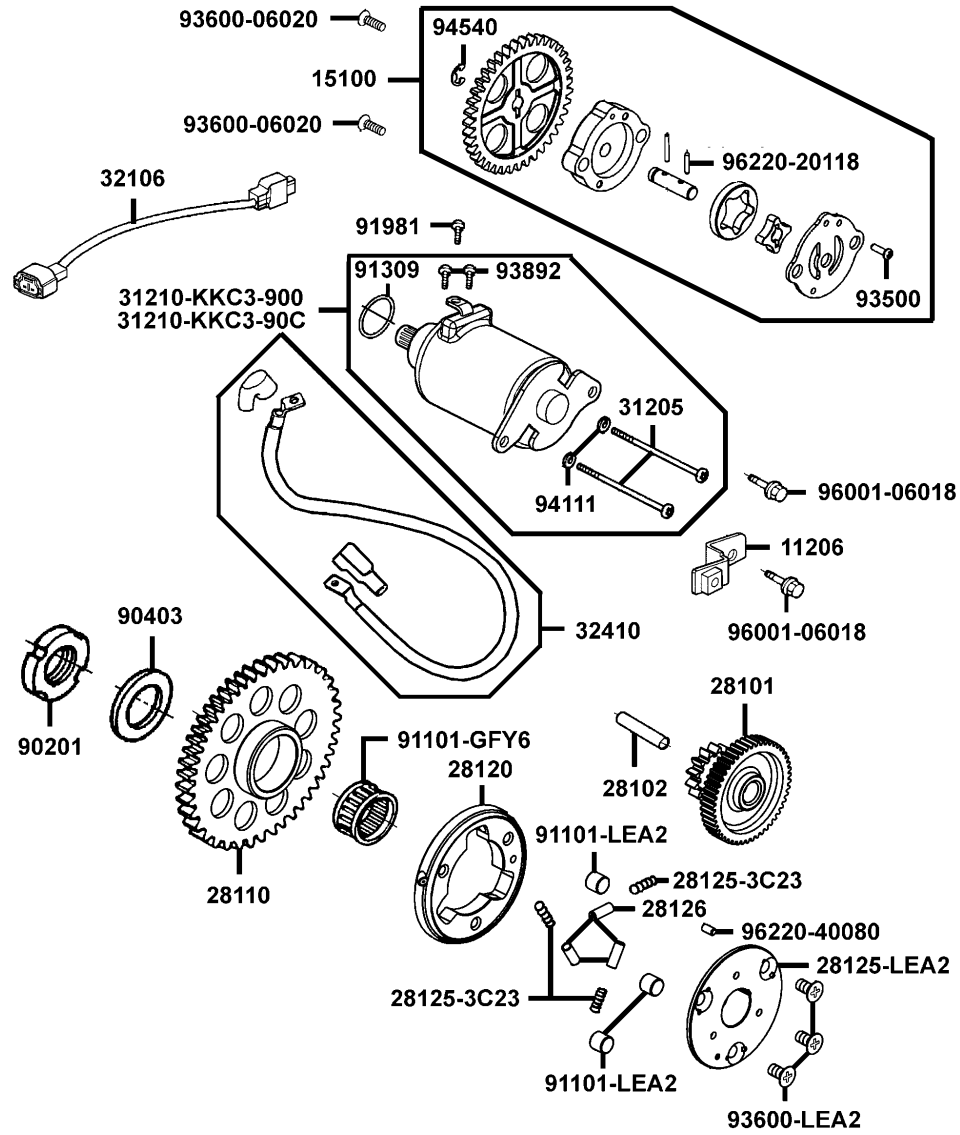
Sales mark 配色標註	Ref no 參考號碼	Part no 零件號碼	Description 英文名稱	Reg description 中文名稱	Regd no 需求用量	E05
	22100	22100-KNBN-902	CLUTCH OUTER	離合器外套	1	
	22102	22102-LEA2-900	FACE DRIVE	驅動皮帶扇葉盤	1	
	22105	22105-LEA2-900	BOSS DRIVE FACE	襯套	1	
	22110	22110-LEA2-900	FACE COMP MOVABLE DRIVE	滑動式驅動盤	1	
	22112	22112-GFY6-90A	BUSH 24*28*30	襯套	1	
	22121	22121-LEA2-900	ROLLER COMP WEIGHT	配重滾子	6	
	22131	22131-LEA2-900	PLATE RAMP	斜坡板	1	
#	22132	22132-LBE3-900	PIECE SLIDE	斜坡板邊件	1	
	22300	22300-LEA2-900	PLATE ASSY DRIVE	驅動板組	1	
	22350	22350-KHC4-900	PLATE COMP DRIVE	驅動板	1	
	22401	22401-KEB8-900	SPRING CLUTCH	離合器彈簧	3	
	22530	22530-LBC6-900	WEIGHT SET CLUTCH	離合器配重組	3	
	22804	22804-1H48-001	RUBBER CLUTCH DUMPER	橡皮	3	
	2301A	2301A-LEA2-900	PULLEY ASSY DRIVEN	從動皮帶輪組	1	
	23100	23100-LEA2-900	BELT DRIVE	驅動皮帶	1	
	23200	23200-LEA2-900	FACE ASSY DRIVEN(2007.04.04-)	平面傳動盤組	1	
	23220	23220-LEA2-900	FACE COMP MOVABLE DRIVEN	滑動式從動皮帶盤	1	
	23225	23225-GCW3-001	PIN GUIDE	導銷	3	
	23226	23226-GCW3-001	ROLLER GUIDE	套筒環	3	
	23233	23233-LFE2-910	SPG DRIVEN FACE	驅動彈簧	1	



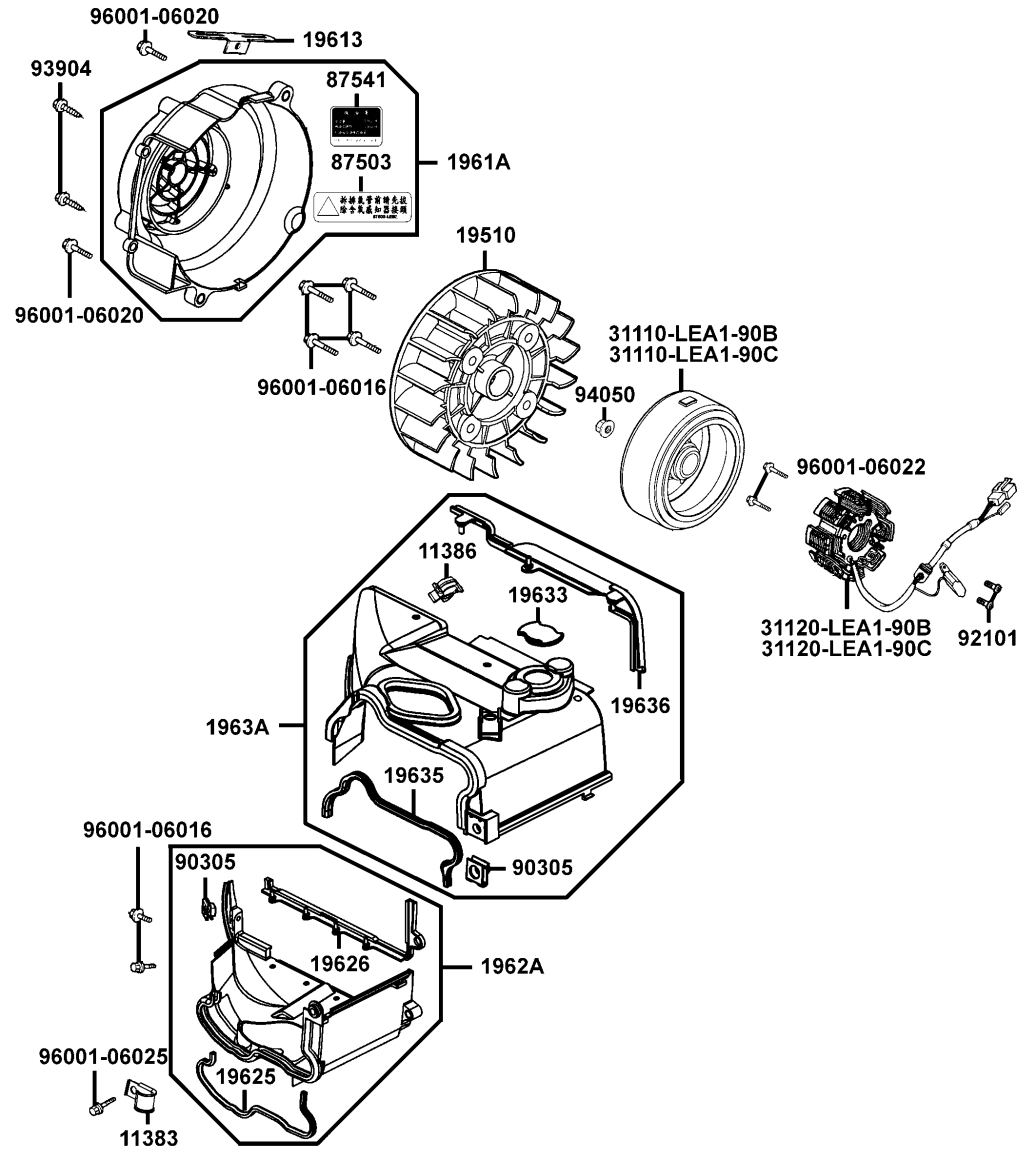
Sales mark 配色標註	Ref no 參考號碼	Part no 零件號碼	Description 英文名稱	Reg description 中文名稱	Regd no 需求用量	E05
	23237	23237-GFY6-941	COLLAR SEAL	套筒油封	1	
	23238	23238-LEA2-900	COLLAR SPRING	套筒	1	
	28211	28211-LBC6-900	RATCHET KICK STARTER	起動棘齒輪	1	
	90202	90202-1G87-001	NUT SPECIAL 28MM	螺帽	1	
	90442	90442-0D44-001	6M/M THRUST WASHER	華司	3	
	90603	90603-0D44-001	CIR CLIP 6MM	環夾 6MM	3	
	91001-GFY6	91001-GFY6-90A	BRG NDL 20*29*18	軸承 20X29X18	1	
	91001-GGA7	91001-GGA7-70A	BRG RADIAL BALL 6901U	軸承	1	
	91211	91211-GHK8-014	OIL SEAL 34*39*3	驅動油封	2	
	91351	91351-6B42-000	O-RING PINION CAP	O環	2	
	94050	94050-12080	NUT C FLANGE 12MM	螺帽 12MM	2	
	94520	94520-24000	CIR CLIP IN 24	夾環	1	



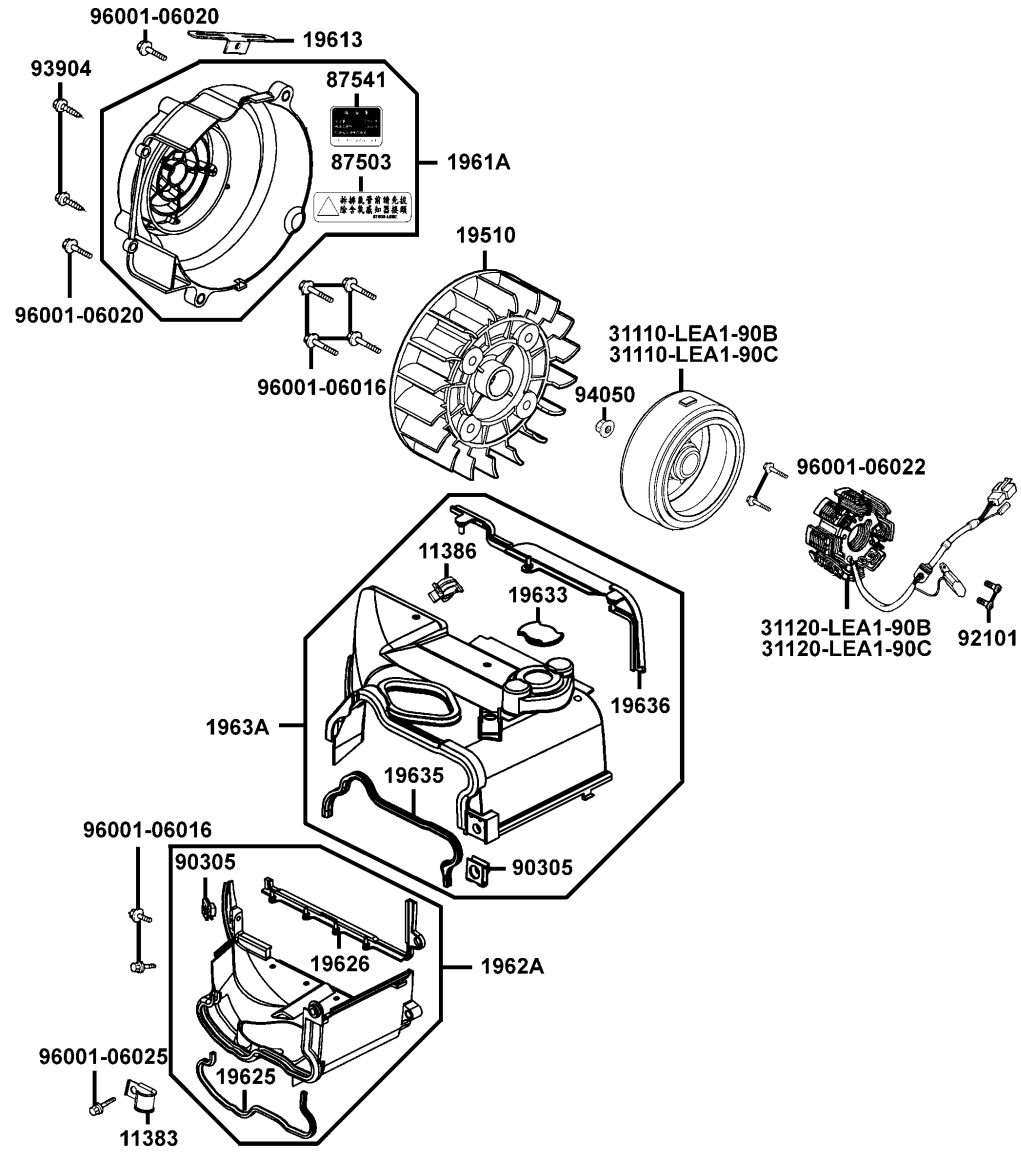
Sales mark 配色標註	Ref no 參考號碼	Part no 零件號碼	Description 英文名稱	Reg description 中文名稱	Regd no 需求用量	E06
	11206	11206-LEA1-900	STAY A RR FENDER	後土除支架 A	1	
	15100	15100-LEA2-900	PUMP ASSY OIL	機油泵浦	1	
	28101	28101-LEA2-900	GEAR STARTER REDUCTION	起動減速齒輪	1	
	28102	28102-LEA2-900	SHAFT STARTER REDUCTION GEAR	減速齒輪軸	1	
	28110	28110-LEA2-900	GEAR COMP STARTING CLUTCH	起動齒輪	1	
	28120	28120-LEA2-900	OUTER COMP STARTING CLUTCH	離合器外套	1	
#	28125-3C23	28125-3C23-001	SPRING ROLLER ST CLUTCH	滾子彈簧	3	
	28125-LEA2	28125-LEA2-900	FLANGE STARTING CLUTCH	起動離合器凸緣	1	
#	28126	28126-KUDU-900	CAP STARTING ROLLER SPRING	滾子彈簧蓋	3	
	31205	31205-KGN7-670	BOLT SET	螺絲	2	
	31210-KKC3-900	31210-KKC3-900	MOTOR UNIT START	起動馬達組	1	
	31210-KKC3-90C	31210-KKC3-90C	MOTOR UNIT START	起動馬達組	1	
	32106	32106-KKE3-900	SUB HARNESS A	汽缸頭溫度感應器配線	1	
	32410	32410-LDA6-900	CABLE START MOTOR	起動馬達配線	1	
	90201	90201-GFY6-901	NUT LOCK 22MM	螺帽 22MM	1	
	90403	90403-LEA2-900	WASHER THRUST 22. 2*31*2.5	華司 22.2*31*2.5	1	
	91101-GFY6	91101-GFY6-90A	BRG CON-ROD	軸承	1	
	91101-LEA2	91101-LEA2-900	ROLLER 10*9	滾子 10*9	3	
	91309	91309-4E25-004	O-RING 24.4*3.1	O環 24.4X3.1	1	
	91981	91981-KGN7-670	SCREW WASH 5X8	螺絲 5X8	1	



Sales mark 配色標註	Ref no 參考號碼	Part no 零件號碼	Description 英文名稱	Reg description 中文名稱	Regd no 需求用量	E06
	93500	93500-03010-1A	SCREW PAN 3*10	螺絲 3*10	1	
	93600-06020	93600-06020-06	SCREW FLAT 6*20	螺絲 6*20	2	
	93600-LEA2	93600-LEA2-900	SCREW PLAT 6*12	螺絲 6*12	3	
	93892	93892-04006-08	SCREW WASH 4*6	螺絲 4*6	2	
	94111	94111-05800	WASHER SPRING 5MM	華司 5MM	2	
	94540	94540-05018	E RING 5	E型環	1	
	96001	96001-06018-08	BOLT FLANGE SH 6*18	螺絲 6X18	2	
	96220-20118	96220-20118	ROLLER 2*11.8	滾子	1	
	96220-40080	96220-40080	ROLLER 4*8	滾子 4*8	1	



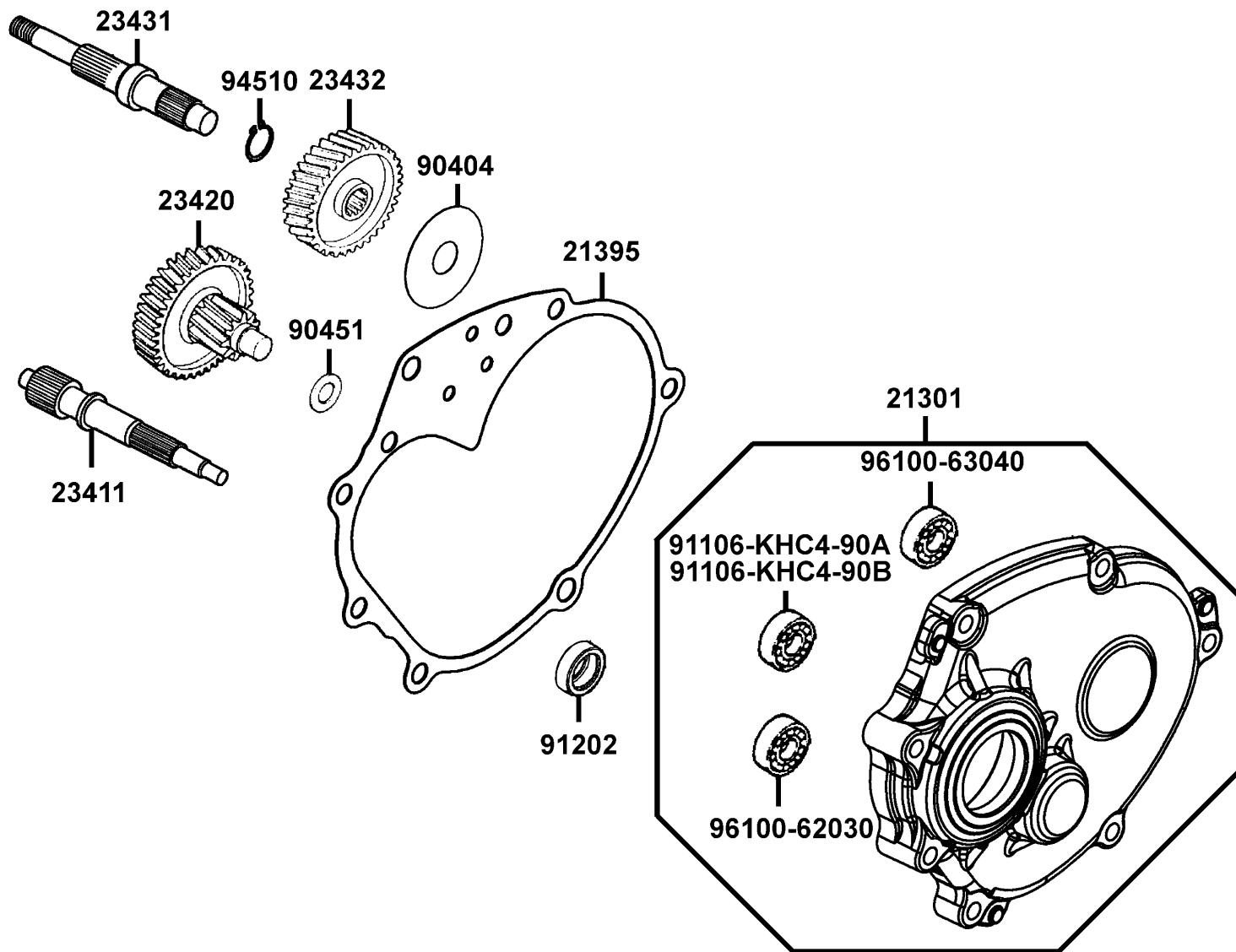
Sales mark 配色標註	Ref no 參考號碼	Part no 零件號碼	Description 英文名稱	Reg description 中文名稱	Regd no 需求用量	E07
	11383	11383-LEA1-900	CLAMPER DRAIN TUBE	通氣管夾	1	
	11386	11386-GFY6-900	CLIP VACUUM TUBE	管夾	1	
	19510	19510-GBW2-901	FAN COMP COOLING	冷卻風扇	1	
	19613	19613-GFY6-901	CLAMPER STARTER MOTOR	起動馬達導線夾	1	
	1961A	1961A-LEA2-900	COVER ASSY FAN	風扇蓋組	1	
	19625	19625-LEA2-900	SEAL SHROUD A	罩蓋油封 A	1	
	19626	19626-LEA2-900	SEAL SHROUD A	罩蓋油封 A	1	
	1962A	1962A-LEA2-900	SHROUD ASSY A	罩蓋 A	1	
	19633	19633-GFY6-901	GROMET SHROUD B	橡皮蓋	1	
	19635	19635-LEA2-900	SEAL SHROUD B	罩蓋油封 B	1	
	19636	19636-LEA2-900	SEAL SHROUD B	罩蓋油封 B	1	
	1963A	1963A-LEA1-900	SHROUD ASSY B	罩蓋B	1	
	31110-LEA1-90B	31110-LEA1-90B	FLYWHEEL COMP	飛輪	1	
	31110-LEA1-90C	31110-LEA1-90C	FLYWHEEL COMP	飛輪	1	
	31120-LEA1-90B	31120-LEA1-90B	STATOR COMP	轉子線圈	1	
	31120-LEA1-90C	31120-LEA1-90C	STATOR COMP	轉子線圈	1	
**	87503	87503-LEA1-900	CAUTION MUFFLER	標籤	1	
**	87541	87541-LEA1-900	LABEL CAP	機油量標籤	1	
	90305	90305-GHK8-001	NUT CLIP 6MM	夾螺帽	2	
	92101	92101-05012-0H	BOLT HEX 5*12	螺絲 5*12	2	



Sales mark 配色標註	Ref no 參考號碼	Part no 零件號碼	Description 英文名稱	Reg description 中文名稱	Regd no 需求用量	E07
	93904	93904-35360	SCREW TAPPING 5*12	螺釘 5*12	2	
#	94050	94050-10080	NUT FLANGE 10MM	螺帽	1	
#	96001-06016	96001-06016-08	BOLT FLANGE SH 6*16	凸緣螺栓	6	
	96001-06020	96001-06020-08	BOLT FLANGE SH 6*20	螺絲 6X20	2	
	96001-06022	96001-06022-08	BOLT FLANGE SH 6*22	螺栓	2	
	96001-06025	96001-06025-08	BOLT FLANGE SH 6*25	螺絲 6*25	1	

E08

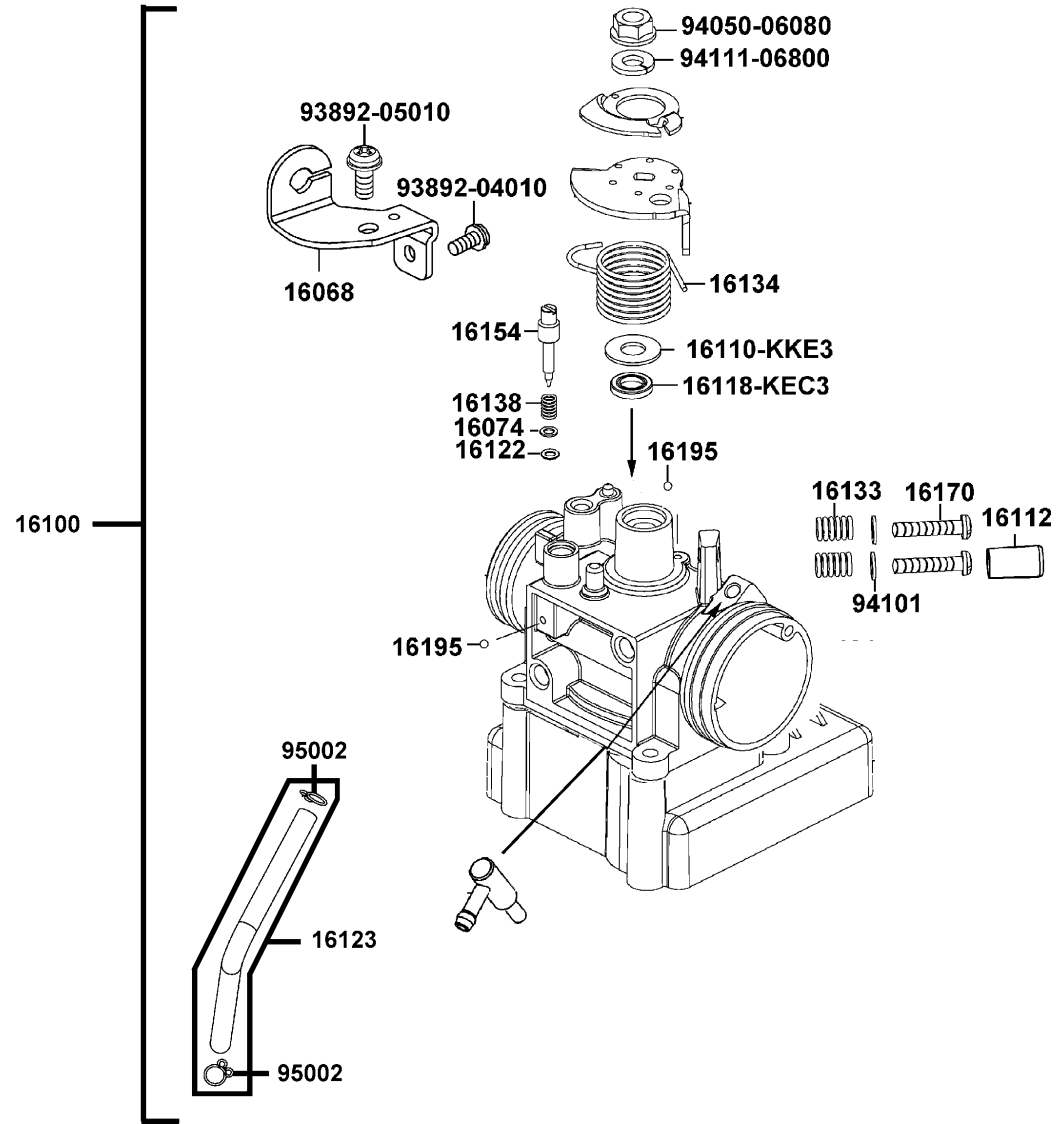
Transmission 傳動系



Sales mark 配色標註	Ref no 參考號碼	Part no 零件號碼	Description 英文名稱	Reg description 中文名稱	Regd no 需求用量	E08
	21301	21301-LEA2-305	COVER MISSION(2007.04.04)	變速箱蓋	1	
	21395	21395-LEA2-900	GASKET MISSION CASE	主軸蓋墊片	1	
	23411	23411-LEA2-900	SHAFT DRIVE(2007.04.03)	驅動軸	1	
	23420	23420-LEA2-900	SHAFT COMP COUNTER	副軸組	1	
	23431	23431-LEA2-900	SHAFT FINAL	最終軸	1	
	23432	23432-LEA2-900	GEAR FINAL	最終齒輪	1	
	90404	90404-LEB1-900	WASHER BELLEVILLE 20MM	貝氏彈簧墊片 20MM	1	
	90451	90451-KUDU-900	WASHER THRUST 15M/M	華司	1	
	91106-KHC4-90A	91106-KHC4-90A	BRG NEEDLE 15MM	滾針軸承	1	
	91106-KHC4-90B	91106-KHC4-90B	BRG NEEDLE 15MM	滾針軸承	1	
	91202	91202-LEA1-90A	OIL SEAL 22*32*5	左曲軸箱油封 22*32*5	1	
#	94510	94510-20000	CIR CLIP EX 20	夾環	1	
	96100-62030	96100-62030-00	BRG BALL RADIAL 6203	軸承 6203	0	
	96100-63040	96100-63040-00	BRG BALL RADIAL 6304	軸承 6304	1	

E09

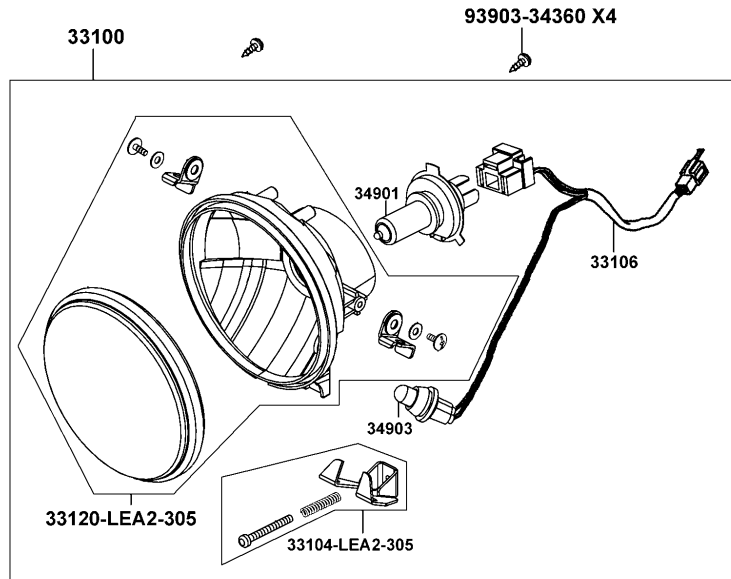
Carburetor 化油器



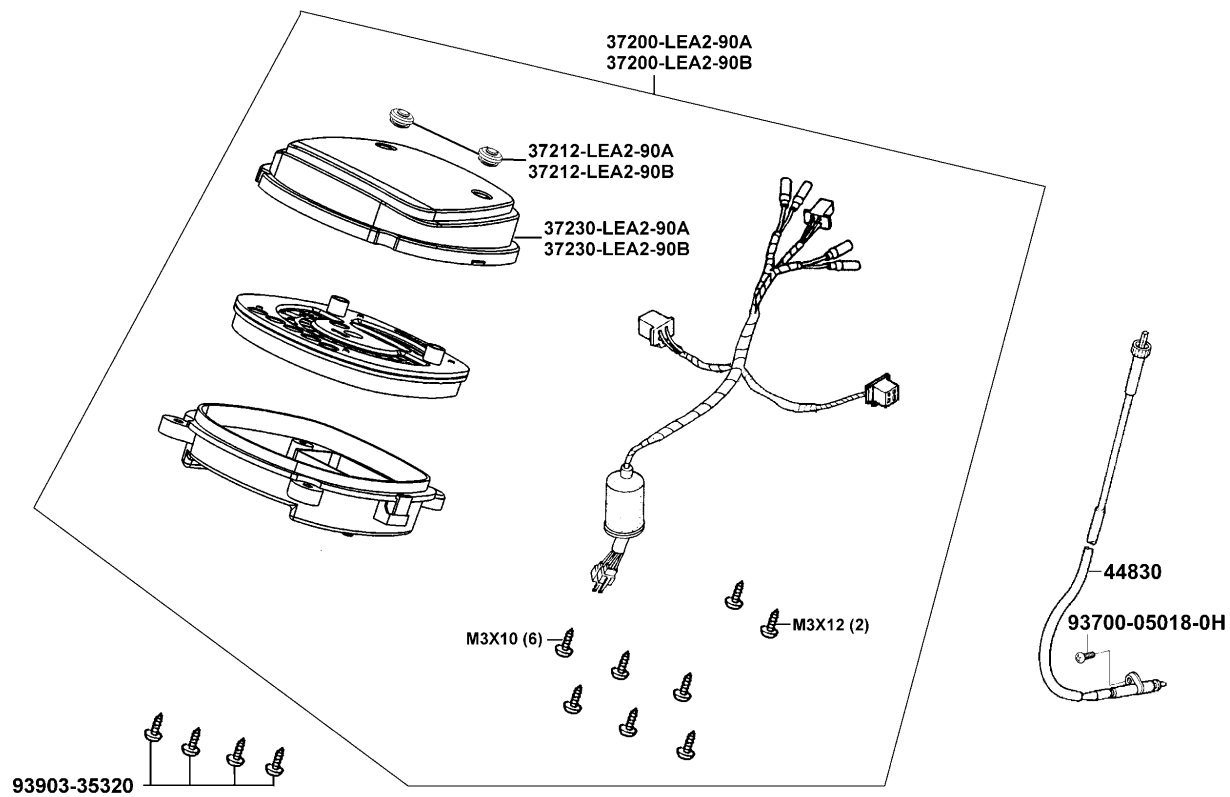
Sales mark 配色標註	Ref no 參考號碼	Part no 零件號碼	Description 英文名稱	Reg description 中文名稱	Regd no 需求用量	E09
	16068	16068-LEB2-900	PLATE WIRE FIXED	節流導線固定板	1	
	16074	16074-KEC3-900	WASHER IDLE SCREW	華司	1	
	16100	16100-LEA2-900	THROTTLE BODY ASSY.	節流閥本體總成	1	
	16110	16110-KKE3-900	WASHER THROTTLE COMP	華司	1	
	16112	16112-KKE3-900	COVER IDLE SCREW	蓋	1	
	16118	16118-KEC3-900	SEAL THROTTLE SHAFT	節流閥封軸	1	
	16122	16122-KEC3-900	O-RING IDLE SCREW	O型環	1	
	16123	16123-LEA1-900	TUBE COMPL. 3.5x540	油管	1	
	16133	16133-KEC3-900	SPG THROTTLE ADJUST SCREW	彈簧	2	
	16134	16134-KKE3-900	SPG THROTTLE SHAFT	節流閥軸彈簧	1	
	16138	16138-KEC3-900	SPG IDLE ADJ SCREW	彈簧	1	
	16154	16154-KKE3-900	SCREW IDLE ADJUST	螺絲	1	
	16170	16170-KEC3-900	SCREW THROTTLE ADJUST	調整螺絲	2	
	16195	16195-KEC3-900	BALL 2.1	滾珠	3	
	93892-04010	93892-04010-08	SCREW WASHER 4*10	螺絲	1	
	93892-05010	93892-05010-08	SCREW WASH 5*10	螺絲	1	
	94050	94050-06080	NUT FLANGE 6MM	螺帽 6MM	1	
	94101	94101-KKE3-900	WASHER PLAN 4.5*8*0.8	墊圈	2	
	94111	94111-06800	WASHER SPG 6MM	華司 6MM	1	
	95002	95002-02070	CLIP B7 TUBE	管夾	2	

F01

Head Light 前燈



Sales mark 配色標註	Ref no 參考號碼	Part no 零件號碼	Description 英文名稱	Reg description 中文名稱	Regd no 需求用量	F01
	33100	33100-LEA2-900	LIGHT ASSY HEAD	大燈	1	
	33104	33104-LEA2-305	ASSY PLATE	固定版組	1	
	33106	33106-LEA2-900	SOCKET COMP	前燈配線	1	
	33120-LEA2-305	33120-LEA2-305	COMB HEAD LIGHT	前燈殼組	1	
	34901	34901-KKA8-900	BULB HEAD LIGHT (12V35/35W)	前燈燈泡	1	
	34903	34903-KALA-900	BULB POSITION	位置燈燈泡	1	
	93903	93903-34360	SCREW TAPPING 4*12	螺絲 4*12	4	

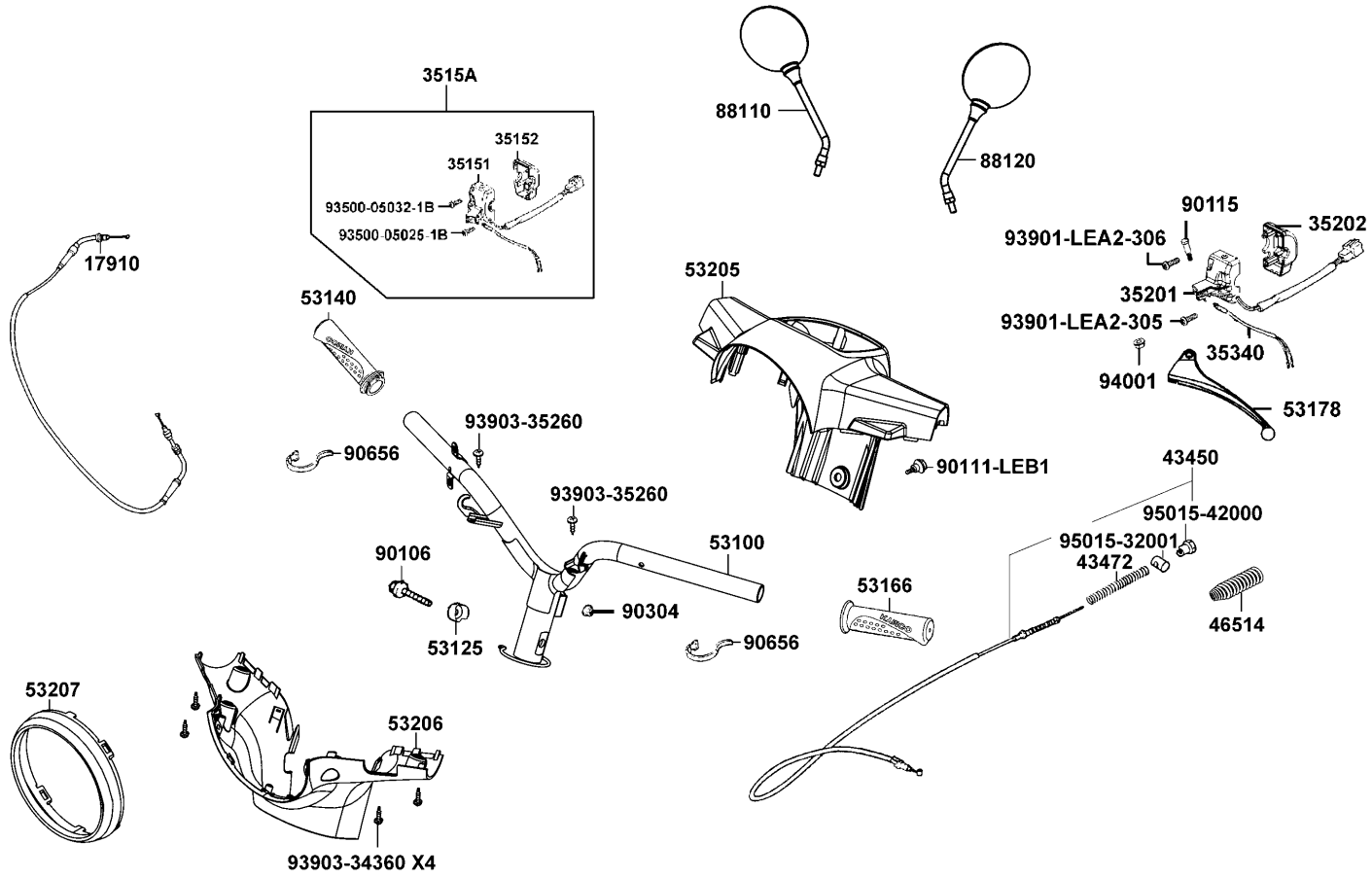


Sales mark 配色標註	Ref no 參考號碼	Part no 零件號碼	Description 英文名稱	Reg description 中文名稱	Regd no 需求用量	F02
	37200-LEA2-90A	37200-LEA2-90A	METER ASS'Y, SPEED	速度儀錶組	1	
	37200-LEA2-90B	37200-LEA2-90B	METER ASS'Y, SPEED	速度儀錶組	1	
	37212-LEA2-90A	37212-LEA2-90A	PACKING	PACKING	2	
	37212-LEA2-90B	37212-LEA2-90B	PACKING	調整按鈕	1	
	37230-LEA2-90A	37230-LEA2-90A	LENS ASSY	LENS ASSY	1	
	37230-LEA2-90B	37230-LEA2-90B	LENS ASSY	儀錶蓋	1	
	44830	44830-LEA2-900	CABLE COMP,SPDMT	CABLE COMP,SPDMT	1	
	93700	93700-05018-0H	SCREW OVAL 5*18	螺絲 5*18	1	
	93903	93903-35320	SCREW TAPPING 5*16	螺絲 5*16	4	

F03

Handle Steering Handle Cover

轉向手柄 手柄蓋

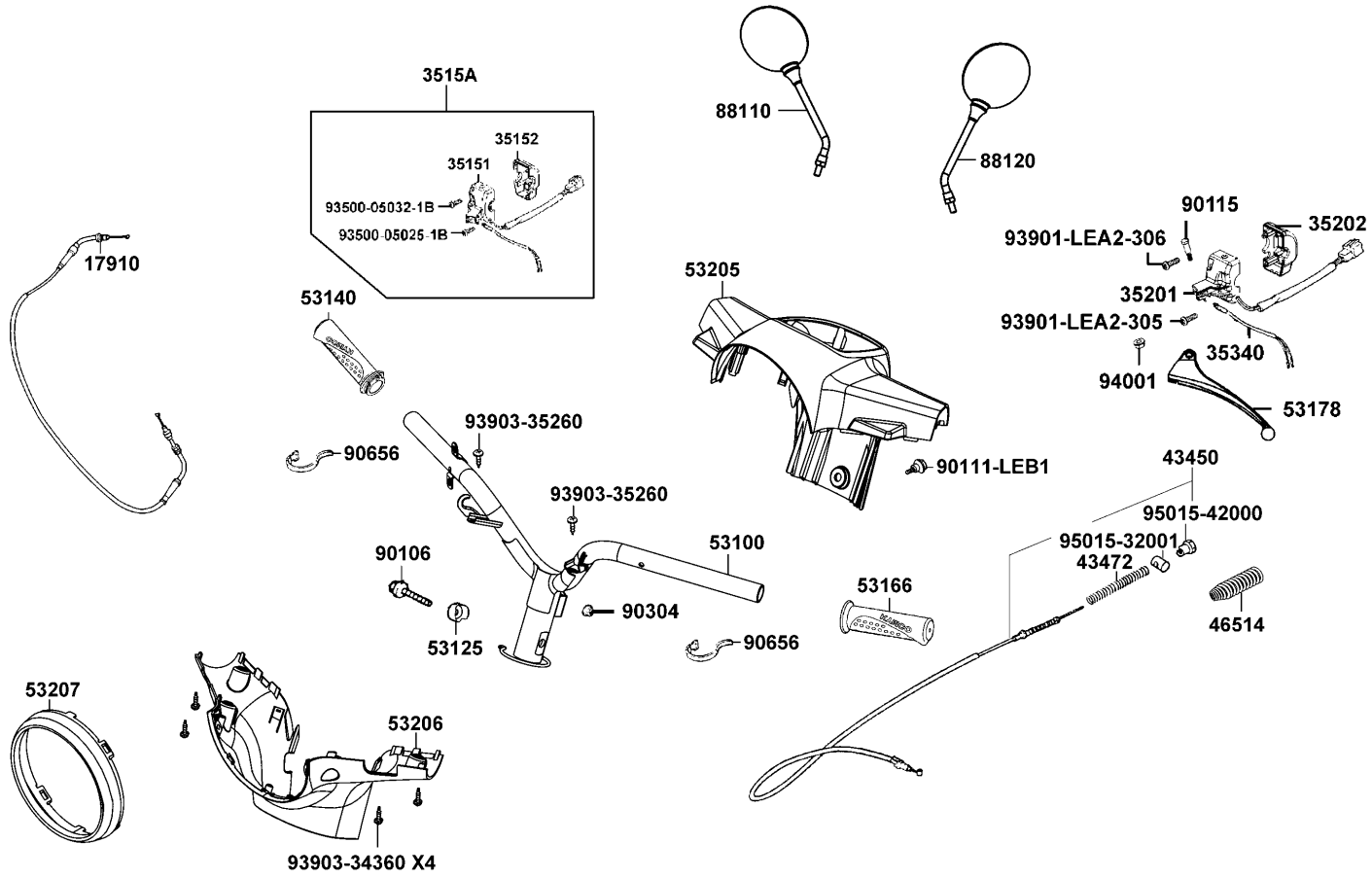


Sales mark 配色標註	Ref no 參考號碼	Part no 零件號碼	Description 英文名稱	Reg description 中文名稱	Regd no 需求用量	F03
	17910	17910-LEA2-900	CABLE COMP., THROT	CABLE COMP., THROT	1	
	35151	35151-LEA2-305	FR CASE COMP	手柄右開關前本體組	1	
	35152	35152-LEA2-910	RR CASE RH	手柄右開關後本體	1	
	3515A	3515A-LEA2-910	SW ASS'Y, RH HNDL COMP.	右手把開關組	1	
	35201	35201-LEA2-305	FR CASE COMP	手柄左開關前本體	1	
	35202	35202-LEA2-900	RR CASE LH	手柄左開關後本體	1	
	35340	35340-GBN2-770	SW ASSY FR STOP	剎車燈前置開關	1	
	43450	43450-LEA2-900	CABLE COMP,RR BRK	CABLE COMP,RR BRK	1	
	43472	43472-1A61-001	SPG RR BRK ARM	後煞車臂彈簧	1	
	46514	46514-LEA1-900	SPG BRK ARM	後煞車導線回位彈簧	1	
	53100	53100-LEA2-900	HANDLE COMP., STRG	HANDLE COMP., STRG	1	
	53125	53125-GEN5-901	COLLAR HANDLE SET	套筒	1	
**	53140	53140-GFY6-960	GRIP COMP THROT	節流管套組	1	
**	53166	53166-GBW2-001	GRIP L HANDLE	手柄左橡皮套	1	
**	53178	53178-LEA2-900	LEVER L STRG HANDLE	左拉桿	1	
**	53205	53205-LEA2-900	COVER, UP HANDLE	手柄上蓋	1	
**	53206	53206-LEA2-900	COVER, LOW HANDLE	手柄下蓋	1	
**	53207	53207-LEA2-900	COVER, FR. HANDLE	手柄前蓋	1	
	88110	88110-LGE3-900	MIRROR ASSY R BACK	右後視鏡	1	
	88120	88120-LGE3-900	MIRROR ASSY L BACK	左後視鏡	1	

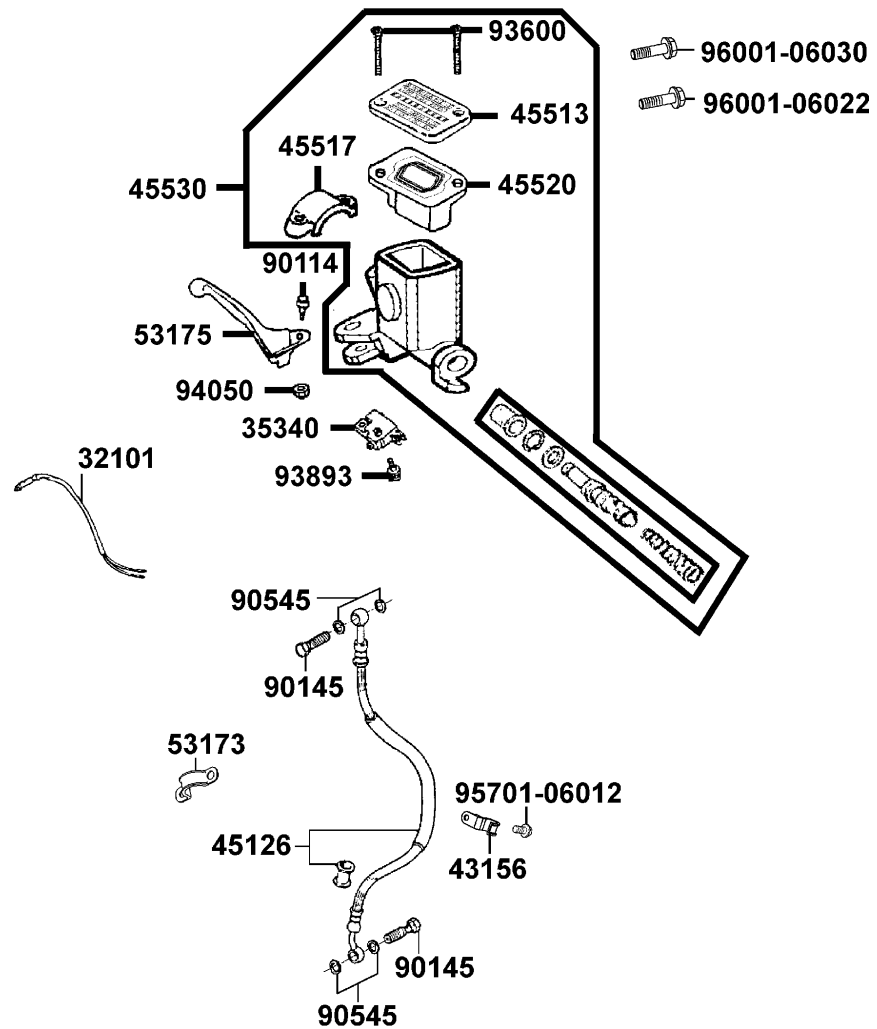
F03

Handle Steering Handle Cover

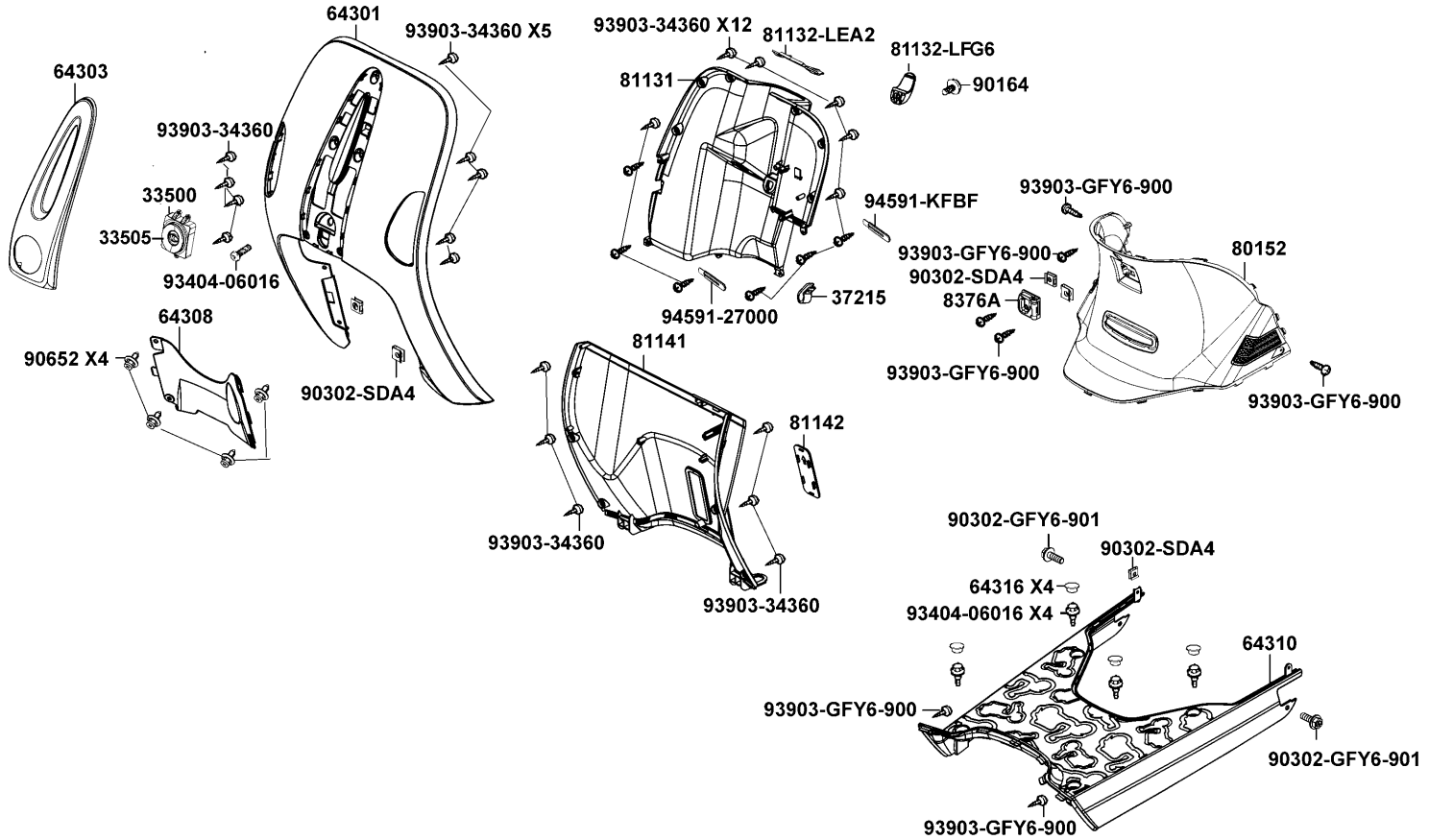
轉向手柄 手柄蓋



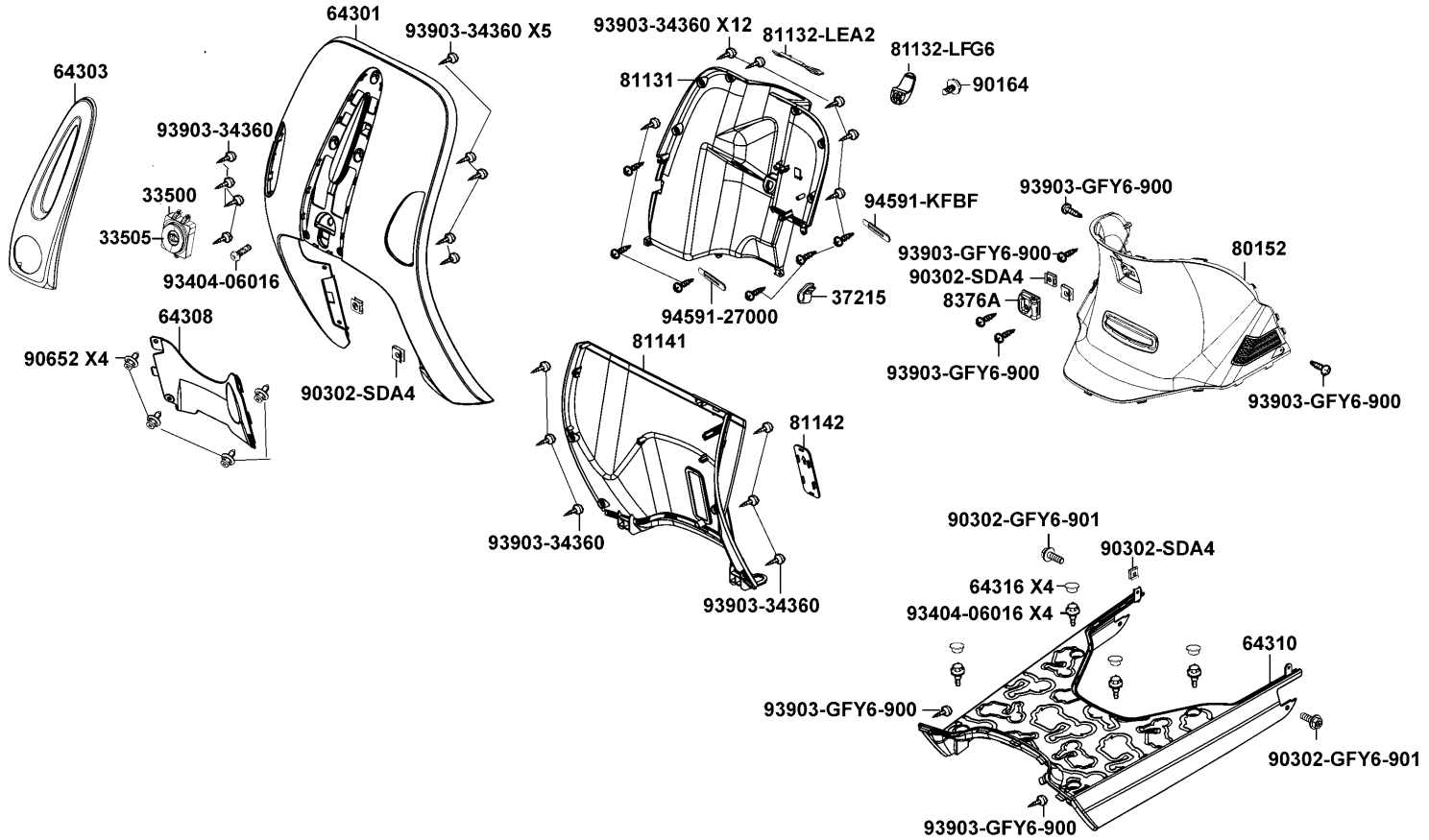
Sales mark 配色標註	Ref no 參考號碼	Part no 零件號碼	Description 英文名稱	Reg description 中文名稱	Regd no 需求用量	F03
	90106	90106-GEN5-901	BOLT FLANGE 10*50	特殊螺絲 10*50	1	
	90111	90111-LEB1-900	BOLT FLANGE 6MM	螺絲 6MM	1	
	90115	90115-LBC6-900	BOLT HNDL LEVER PIVOT	拉桿螺絲	1	
	90304	90304-GHE8-004	NUT U 10MM	螺帽 10MM	1	
	90656	90656-KCBC-900	BAND OIL HOSE	油管束帶	1	
	93500-05025-1B	93500-05025-1B	SCREW PAN 5*25	螺絲 5X25	2	
	93500-05032-1B	93500-05032-1B	SCREW PAN 5*32	螺絲 5X32	2	
	93901-LEA2-305	93901-LEA2-305	SCREW PAN 5X32	螺絲 5X32	1	
	93901-LEA2-306	93901-LEA2-306	SCREW PAN 5*22	螺絲 5X22	1	
	93903-34360	93903-34360	SCREW TAPPING 4*12	螺絲 4*12	4	
	93903-35260	93903-35260	SCREW TAPPING 5*12	螺釘 5*12	2	
	94001	94001-05000-0S	NUT HEX 5MM	螺帽	1	
	95015-32001	95015-32001	JOINT B BRAKE ARM	煞車導線接頭銷	1	
	95015-42000	95015-42000	NUT B ADJUST	調整螺帽	1	



Sales mark 配色標註	Ref no 參考號碼	Part no 零件號碼	Description 英文名稱	Reg description 中文名稱	Regd no 需求用量	F04
	32101	32101-GFY6-901	SUB CORD R/H	煞車燈開關右配線	1	
	35340	35340-KNBN-901	SW ASSY FR STOP	煞車燈前置開關	1	
	43156	43156-KKC4-900	CLAMPER HOSE RR	後煞車管夾	1	
	45126	45126-LEA2-900	HOSE ASSY,FR BRK	HOSE ASSY,FR BRK	1	
	45513	45513-LEA2-900	CAP,MASTER CYLINDER.	CAP,MASTER CYLINDER.	1	
	45517	45517-KFAF-910	HOLDER M/C	煞車主油缸固定座	1	
	45520	45520-GLW0-91A	DIAPHRAGM	橫隔板	1	
	45530	45530-LEA2-305	CYLINDER SET FR	前煞車主油缸	1	
	53173	53173-LEA2-900	HOLDER , MASTER CYLINDER.	HOLDER , MASTER CYLINDER.	1	
**	53175	53175-LEA2-910	LEVER R STRG HANDLE	LEVER R STRG HANDLE	1	
	90114	90114-KKAK-900	BOLT HANDLE LEVER	右拉桿固定螺栓	1	
	90145	90145-MKS9-61A	OIL BOLT 10*22	油管螺絲 10*22	2	
	90545	90545-3L00-001	WASHER OIL BOLT	華司	4	
	93600	93600-04012-1A	SCREW FLAT 4*12	螺絲 4*12	2	
	93893	93893-04012-18	SCREW WASHER 4*12	螺絲 4*12	1	
	94050	94050-06000	NUT FLANGE 6MM	螺帽 6MM	1	
	95701	95701-06012-06	BOLT FLANGE 6*12	螺絲 6*12	1	
	96001-06022	96001-06022-06	BOLT FLANGE 6*20	螺絲 6*20	1	
	96001-06030	96001-06030-06	BOLT FLANGE SH 6*30 (G)	凸緣螺絲(墨綠色)	1	



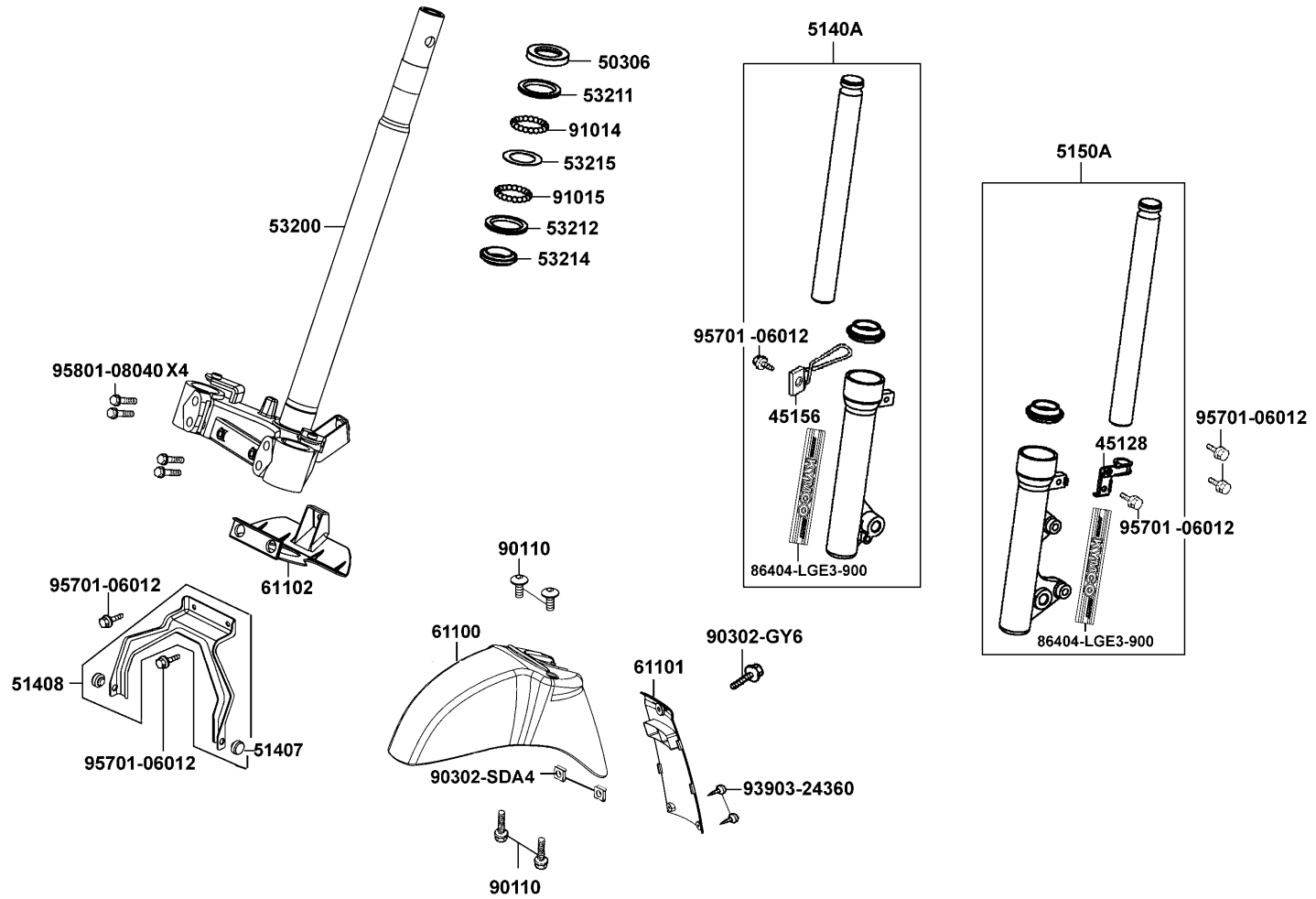
Sales mark 配色標註	Ref no 參考號碼	Part no 零件號碼	Description 英文名稱	Reg description 中文名稱	Regd no 需求用量	F05
	33500	33500-LEA2-900	LIGHT ASSY FR POSITION	前位置燈	1	
	33505	33505-LEA2-900	C0VER K LOGO	標誌蓋	1	
#	37215	37215-KFLF-900	CLAMP	夾子	1	
**	64301	64301-LEA2-900	COVER, FRONT	前蓋	1	
**	64303	64303-LEA2-900	COVER, TOP FRONT	前上外蓋	1	
**	64308	64308-LEA2-900	MOLDING, LOW FR.	前下護條	1	
**	64310	64310-LEA2-900	FLOOR, PANEL	腳踏板	1	
# **	64316	64316-KHE2-900	PLUG FLOOR	踏板塞子	4	
**	80152	80152-LEA2-900	COVER CENTER LOW	中心蓋下蓋	1	
**	81131	81131-LEA2-900	LEG SHIELD UP	行旅內箱	1	
**	81132-LEA2	81132-LEA2-900	CAP LEG SHIELD	cap leg shield	1	
**	81132-LFG6	81132-LFG6-900	HOOK LUGGAGE	安全帽掛鉤	1	
**	81141	81141-LEA2-900	LEG SHIELD LOW	下內箱	1	
**	81142	81142-KUDU-900	LID LEG SHIELD	內箱蓋	1	
	8376A	8376A-KECE-901	CLIP ASSY CENTER	中心掛鉤	1	
	90164	90164-MDR4-901	SCREW SPECIAL 6MM	特殊螺絲 6MM	1	
	90302-GFY6-901	90302-GFY6-901	BOLT WASH 5*12	螺絲 5*12	2	
#	90302-SDA4	90302-SDA4-004	NUT SPRING 4MM	螺帽 4MM	3	
	90652	90652-LFB5-900	CLIP MUDGUARD	塑膠螺絲	4	
	93404-06016	93404-06016-06	BOLT WASHER 6*16	螺絲 6*16	5	



Sales mark 配色標註	Ref no 參考號碼	Part no 零件號碼	Description 英文名稱	Reg description 中文名稱	Regd no 需求用量	F05
	93903-34360	93903-34360	SCREW TAPPING 4*12	螺絲 4*12	27	
#	93903-GFY6-900	93903-GFY6-900	SCREW TAPPING 4*14	螺絲 4*14	6	
#	94591-27000	94591-27000	CLIP 2*70	夾子 2*70	1	
	94591-KFBF	94591-KFBF-900	CLIP 2*70	環夾	1	

F06

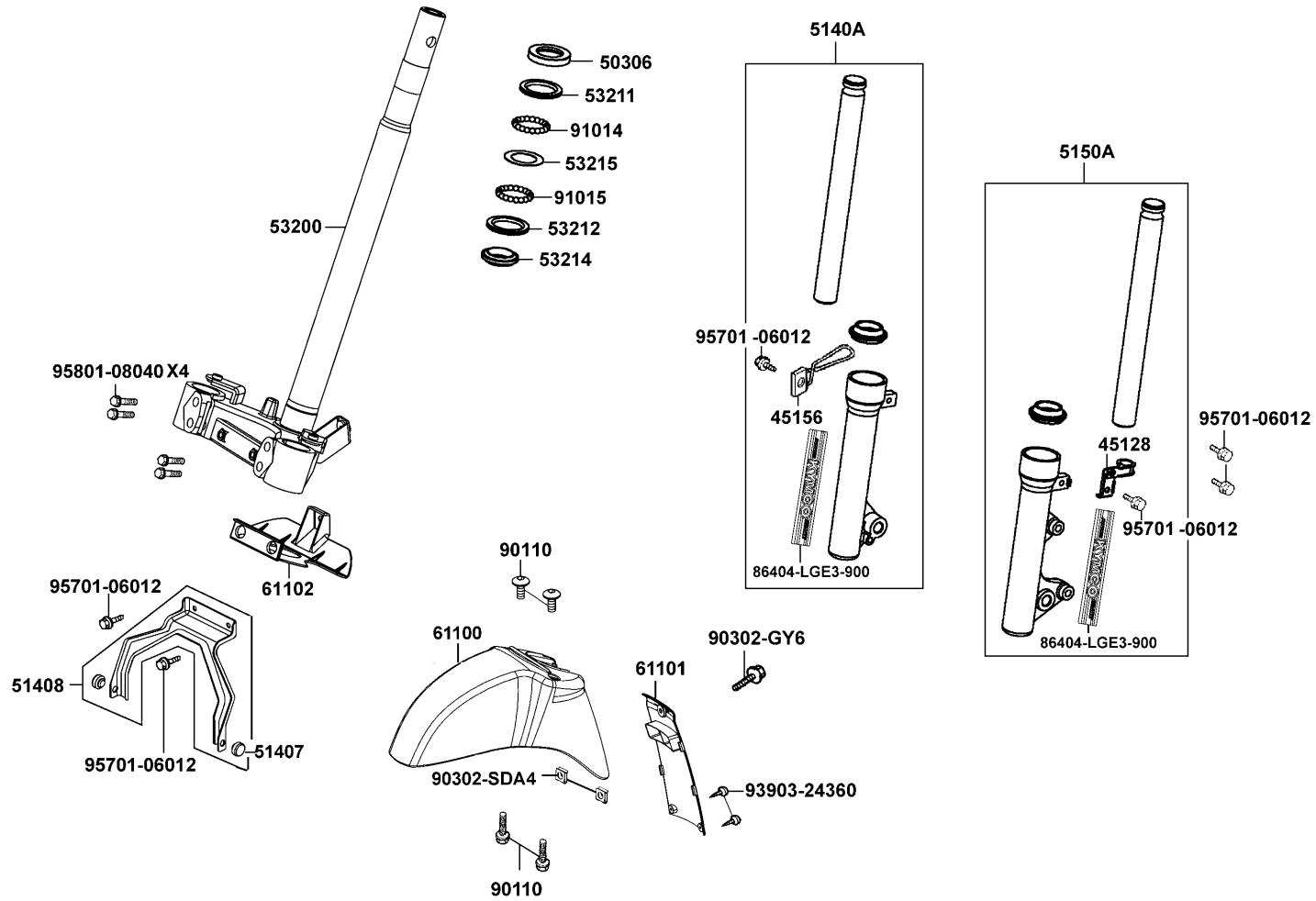
Front Fork Front Cushion 轉向桿 前避震器



Sales mark 配色標註	Ref no 參考號碼	Part no 零件號碼	Description 英文名稱	Reg description 中文名稱	Regd no 需求用量	F06
	45128	45128-KFC9-900	CLAMPER FR BRAKE HOSE	煞車油管夾	1	
	45156	45156-KEC6-900	CLAMPER RR BRAKE HOSE	後煞車油管夾	1	
	50306	50306-1F96-001	NUT STRG STEM LOCK	主幹螺帽	1	
	51407	51407-LBC6-900	RUBBER FR COVER STAY	前護蓋支架橡皮	2	
#	51408	51408-LBC6-900	STAY FR COVER	前護蓋支架	1	
**	5140A	5140A-LEA2-900	FORK SET , FR R	FORK SET , FR R	1	
**	5150A	5150A-LEA2-900	FORK SET , FR L.	FORK SET , FR L.	1	
	53200	53200-LEA2-900	STEM,COMP,STRG	STEM,COMP,STRG	1	
	53211	53211-GFY6-940	RACE STRG TOP CONE	上錐體座圈	1	
	53212	53212-2L50-011	RACE STRG BOT CONE	下錐體座圈	1	
	53214	53214-2L50-001	DUST SEAL STRG(HEAD)	墊片	1	
	53215	53215-2L50-001	WASH STRG HDL DUST-SEAL	轉向桿華司	1	
**	61100	61100-LEA2-900	FENDER, FR. A INNER	前下外蓋	1	
**	61101	61101-LEA2-900	FENDER, FR. B INNER	B型前土除內	1	
**	61102	61102-LEA2-900	FENDER, FR. C INNER	FENDER, FR. C INNER	1	
**	86404	86404-LGE3-900	STRIPE FR FORK	前叉貼紙	2	
	90110	90110-LBC6-900	SCREW SPECIAL 6X8	螺絲 6X8	2	
	90302-GFY6	90302-GFY6-901	BOLT WASH 5*12	螺絲 5*12	1	
#	90302-SDA4	90302-SDA4-004	NUT SPRING 4MM	螺帽 4MM	2	
	91014	91014-LLJ3-E00	CAGE STEERING TOP	鋼珠座	1	

F06

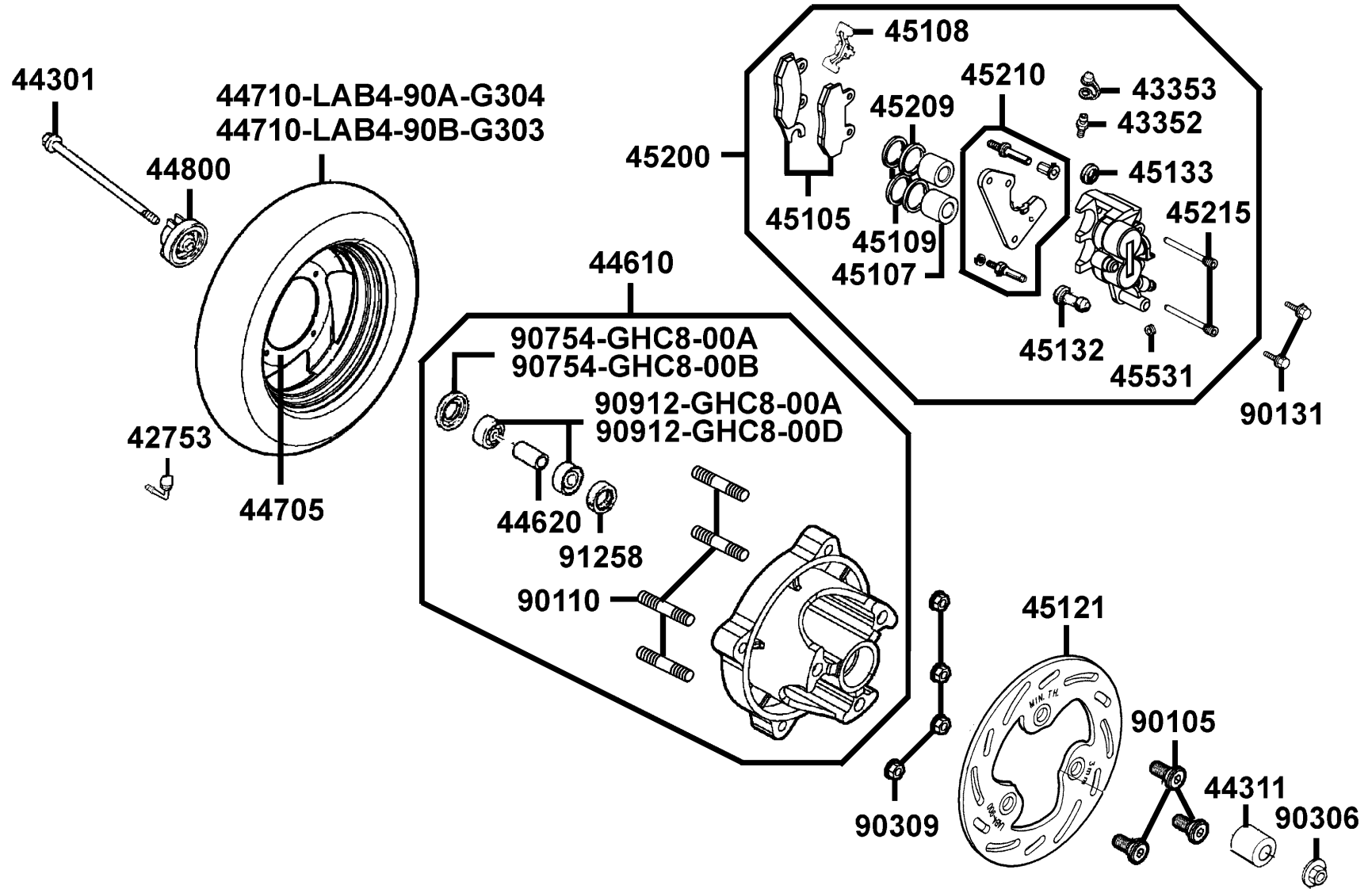
Front Fork Front Cushion 轉向桿 前避震器



Sales mark 配色標註	Ref no 參考號碼	Part no 零件號碼	Description 英文名稱	Reg description 中文名稱	Regd no 需求用量	F06
	91015	91015-LLJ3-E00	CAGE STEERING BOT	鋼珠座	1	
	93903	93903-24360	SCREW TAPPING 4*12	螺釘 4*12	2	
	95701-06012	95701-06012-06	BOLT FLANGE 6*12	螺絲 6*12	6	
	95801	95801-08040-08	BOLT FLANGE 8*40	螺絲 8*40	4	

F07

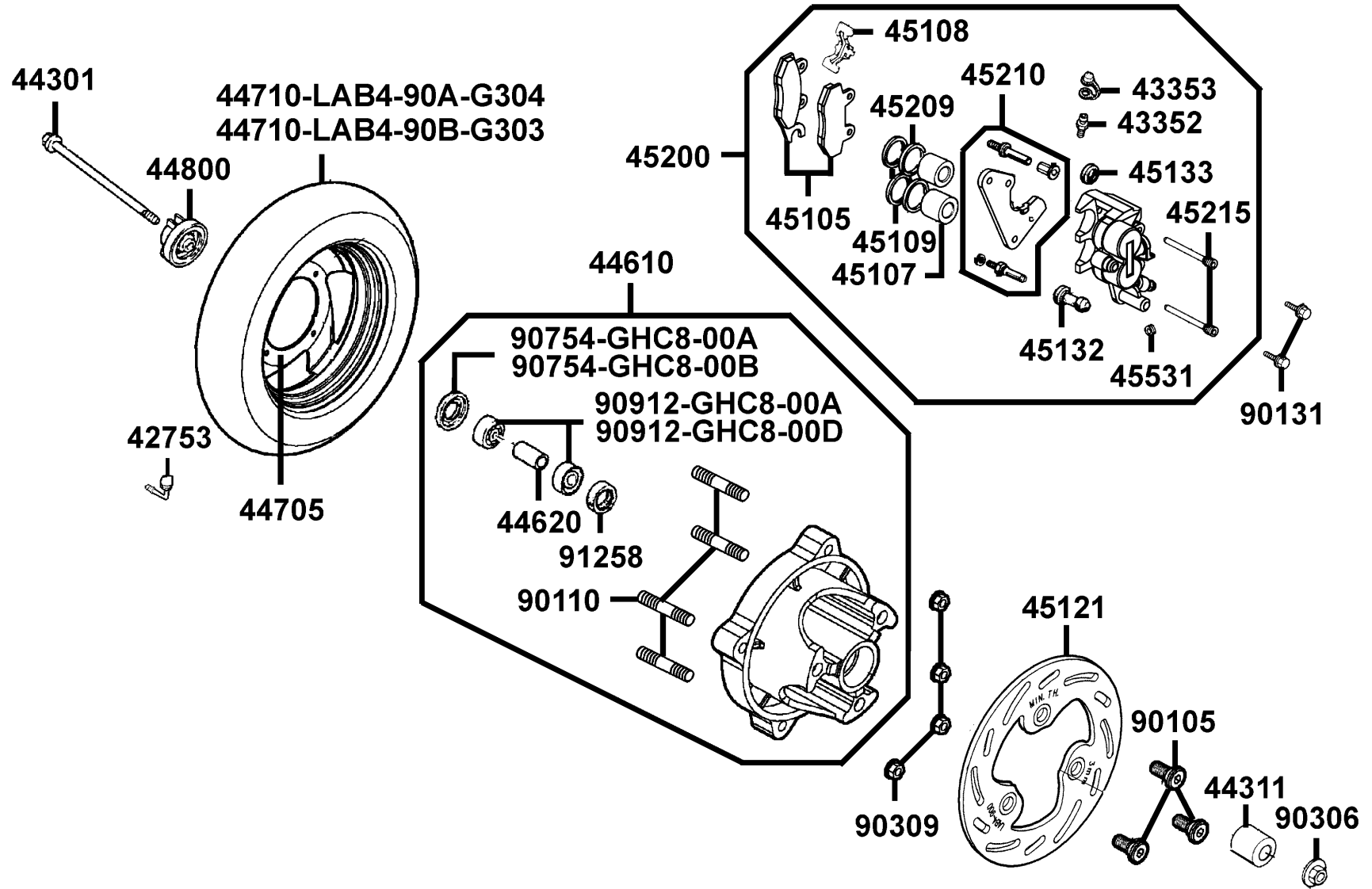
Front Wheel 前輪



Sales mark 配色標註	Ref no 參考號碼	Part no 零件號碼	Description 英文名稱	Reg description 中文名稱	Regd no 需求用量	F07
	42753	42753-KXCX-900	VALVE (PVR-70B) & CAP	打氣嘴	1	
	43352	43352-5H68-004	SCREW BLEEDER	加油嘴	1	
	43353	43353-4A61-77A	CAP BLEEDER	加油嘴蓋	1	
	44301	44301-LGE3-900	AXLE FR WHEEL	前輪軸	1	
	44311	44311-GLW0-911	COLLAR FR WHEEL SIDE	前輪邊套筒	1	
**	44610	44610-KHC4-305	HUB SUB SET FR	前輪轂組	1	
	44620	44620-KSBS-900	COLLAR FR DIST	套筒	1	
**	44705	44705-KHC4-900	RIM COMP FR WHEEL	前輪圈	1	
	44710-LAB4-90A	44710-LAB4-90A-G304	TIRE ASSY FR	前輪胎	1	
	44710-LAB4-90B	44710-LAB4-90B-G303	TIRE ASSY FR	前輪胎	1	
**	44800	44800-KNBN-901	GEAR BOX ASSY SPDMT	速度齒輪箱組	1	
	45105	45105-LEA1-306	PAD SET	前煞車摩擦板組	1	
	45107	45107-MEN5-007	PISTON	卡鉗活塞	2	
	45108	45108-MDL4-007	PAD SPG	摩擦板彈簧	1	
	45109	45109-GBE2-007	DUST SEAL	防塵封	1	
	45121	45121-GAR1-950	DISK FR BRK	前煞車圓盤	1	
	45132	45132-1F66-017	BUSH BOOT PIN	襯套	1	
	45133	45133-MCA3-007	BOOT B	襯套 B	1	
**	45200	45200-LEA1-900	CALIPER ASSY FR	前煞車卡鉗	1	
	45209	45209-GBE2-007	SEAL PISTON	油封	2	

F07

Front Wheel 前輪

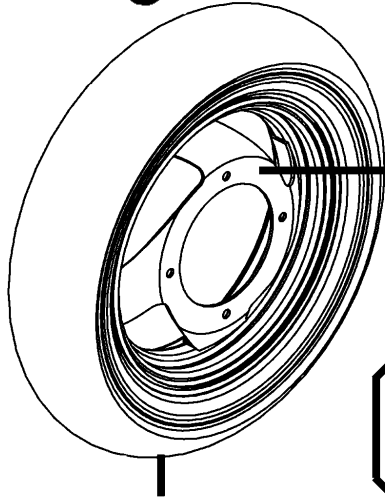
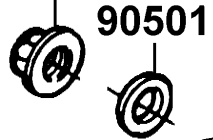


Sales mark 配色標註	Ref no 參考號碼	Part no 零件號碼	Description 英文名稱	Reg description 中文名稱	Regd no 需求用量	F07
45210	45210-LEA1-306	BRKT FR CALIPER	前煞車卡鉗托架	1		
45215	45215-KECE-900	PIN HANGER	卡鉗吊架銷	1		
45531	45531-GAR1-951	PLUG	塞子	1		
90105	90105-KCR3-001	BOLT FR DISK 8*24	前煞車圓盤螺絲 8*24	3		
90110	90110-KHG8-901	BOLT STUD2 8*22	雙頭螺絲 8X22	4		
90131	90131-LEB1-900	BOLT FLANGE 8*35	螺絲 8*35	2		
90306	90306-LFE2-900	NUT FLANGE 12MM	螺帽 12MM	1		
90309	90309-GLW0-90A	NUT U FLANGE 8MM	螺帽 8MM	4		
90754-GHC8-00A	90754-GHC8-00A	SEAL DUST 20*32*5	油封 20*32*5	1		
90754-GHC8-00B	90754-GHC8-00B	SEAL DUST 20*32*5	油封 20*32*5	1		
90912-GHC8-00A	90912-GHC8-00A	BEARING 6201	軸承	2		
90912-GHC8-00D	90912-GHC8-00D	BEARING 6201	軸承	1		
91258	91258-KAM1-00A	SEAL SPDMT GEAR BOX	油封	1		

F08

Rear Wheel 後輪

90305-KNBN-90A  
90305-KNBN-90B



42705



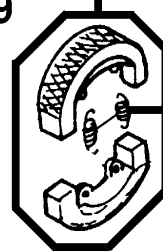
90110

42710-LAB4-90A  
42710-LAB4-90B

42610



90309

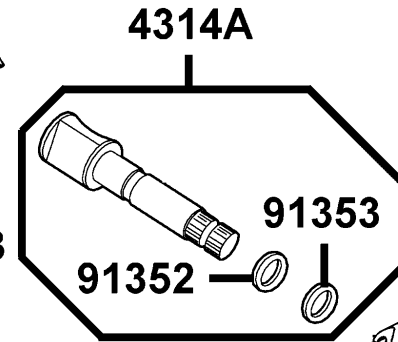


4312A



46513

43416



4314A

91352

91353

95701

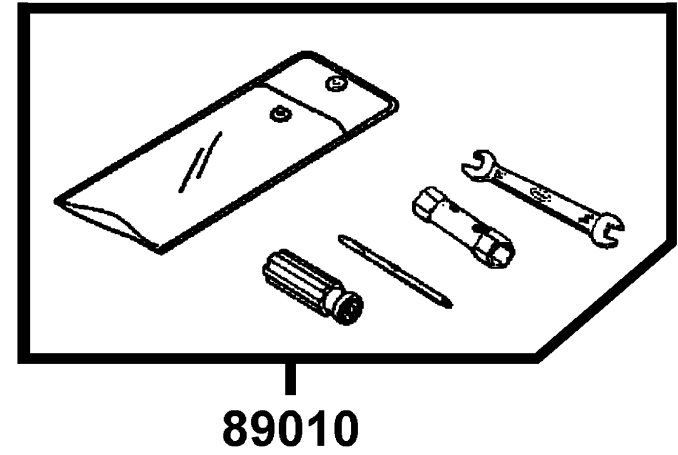
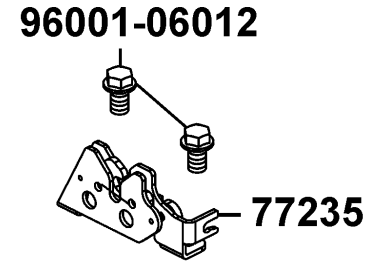
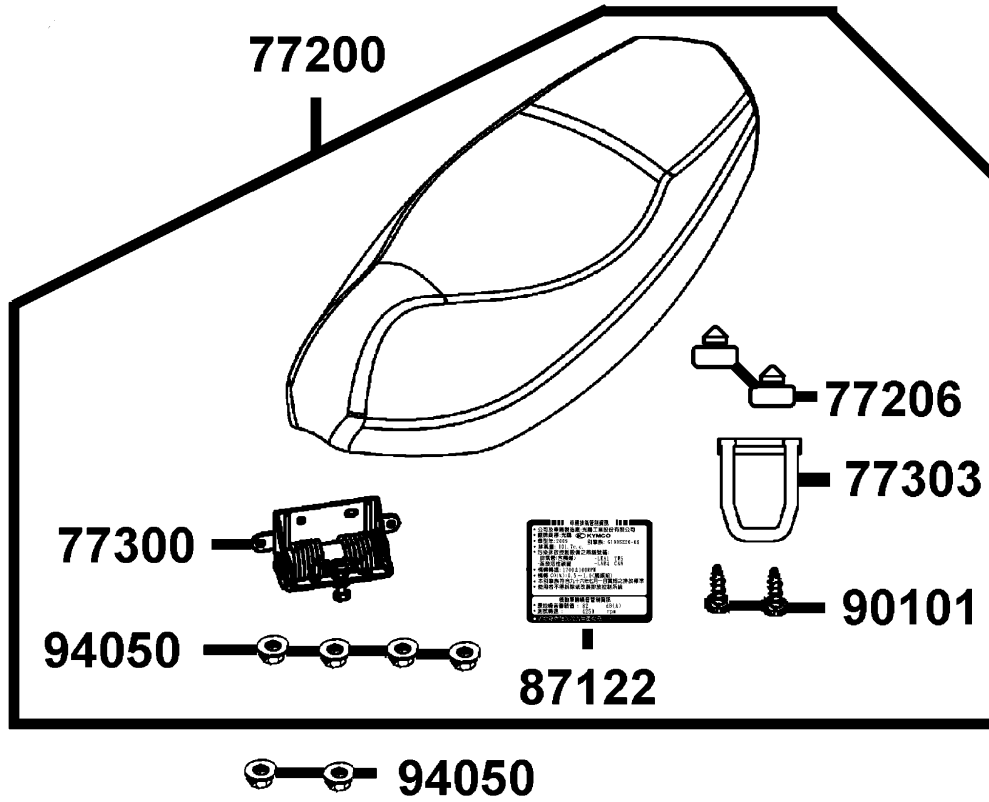
43410



Sales mark 配色標註	Ref no 參考號碼	Part no 零件號碼	Description 英文名稱	Reg description 中文名稱	Regd no 需求用量	F08
**	42610	42610-GKAK-901	HUB SUB COMP RR	後輪轂	1	
**	42705	42705-KHC4-900	RIM COMP WHEEL	後輪鋼圈	1	
	42710-LAB4-90A	42710-LAB4-90A-G304	TIRE ASSY RR	後輪胎	1	
	42710-LAB4-90B	42710-LAB4-90B-G303	TIRE ASSY RR	後輪胎	1	
	42753	42753-KXCX-900	VALVE (PVR-70B) & CAP	打氣嘴	1	
	4312A	4312A-LDA3-900	SHOE COMP BRAKE	前煞車鞋	1	
	4314A	4314A-LEA1-900	CAM RR BRAKE	後煞車凸輪	1	
	43410	43410-LEA1-910	ARM COMP RR BRAKE	後煞車臂	1	
	43416	43416-LEA1-900	GUARD RR BRK ARM	後煞車臂護蓋	1	
	45133	45133-LDA3-900	SPRING BRAKE SHOE REAR	彈簧	2	
	46513	46513-LEB1-900	SPG ASSY BRK ARM	煞車踏板彈簧	1	
	90110	90110-KHG8-901	BOLT STUD2 8*22	雙頭螺絲 8X22	4	
	90305-KNBN-90A	90305-KNBN-90A	NUT U 16MM(C)	安全螺帽 16MM	1	
	90305-KNBN-90B	90305-KNBN-90B	NUT U 16MM	螺帽 16MM	1	
	90309	90309-GLW0-90A	NUT U FLANGE 8MM	螺帽 8MM	4	
	90501	90501-KNBN-901	WASHER 16MM	華司 16MM	1	
	91352	91352-KHG8-83B	O-RING 11.3*1.3	O環 11.3*1.3	1	
	91353	91353-GFY6-900	O-RING 13.1*10	O環13.1*10	1	
	95701	95701-06025-08	BOLT FLANGE 6*25	螺絲 6*25	1	

F09

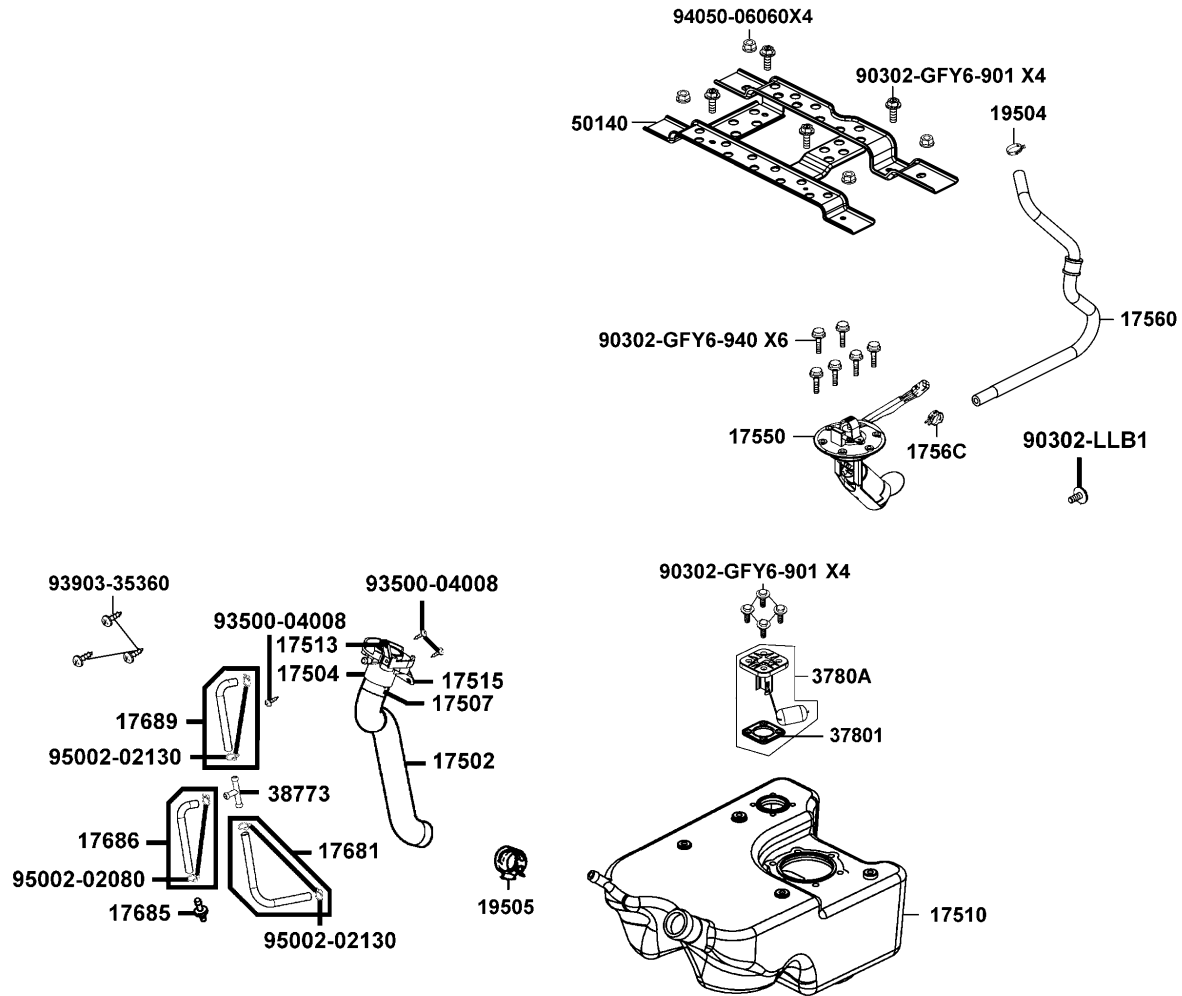
Seat 座墊



Sales mark 配色標註	Ref no 參考號碼	Part no 零件號碼	Description 英文名稱	Reg description 中文名稱	Regd no 需求用量	F09
**	77200	77200-LEA2-900	SEAT ASSY.	座墊組	1	
	77206	77206-KEB7-900	RUBBER SEAT CUSH	橡皮	2	
	77235	77235-LEA1-900	CATCH COMP SEAT	座墊掛鉤	1	
	77300	77300-LEA2-900	HINGE COMP.,SEAT	HINGE COMP.,SEAT	1	
#	77303	77303-LEA1-900	HOOK SEAT LOCK	座墊鉤	1	
**	87122	87122-LEA2-950	MARK EVAPORATIVE E/M	貼紙	1	
	89010	89010-LEA2-900	TOOL SET	TOOL SET	1	
	90101	90101-KGC4-E00	SCREW SPECIAL 6*15	特殊螺絲 6*15	2	
	94050	94050-06060	NUT FLANGE 6MM	螺帽 6MM	6	
	96001	96001-06012-06	BOLT FLANGE SH 6*12	螺絲 6*12	2	

F10

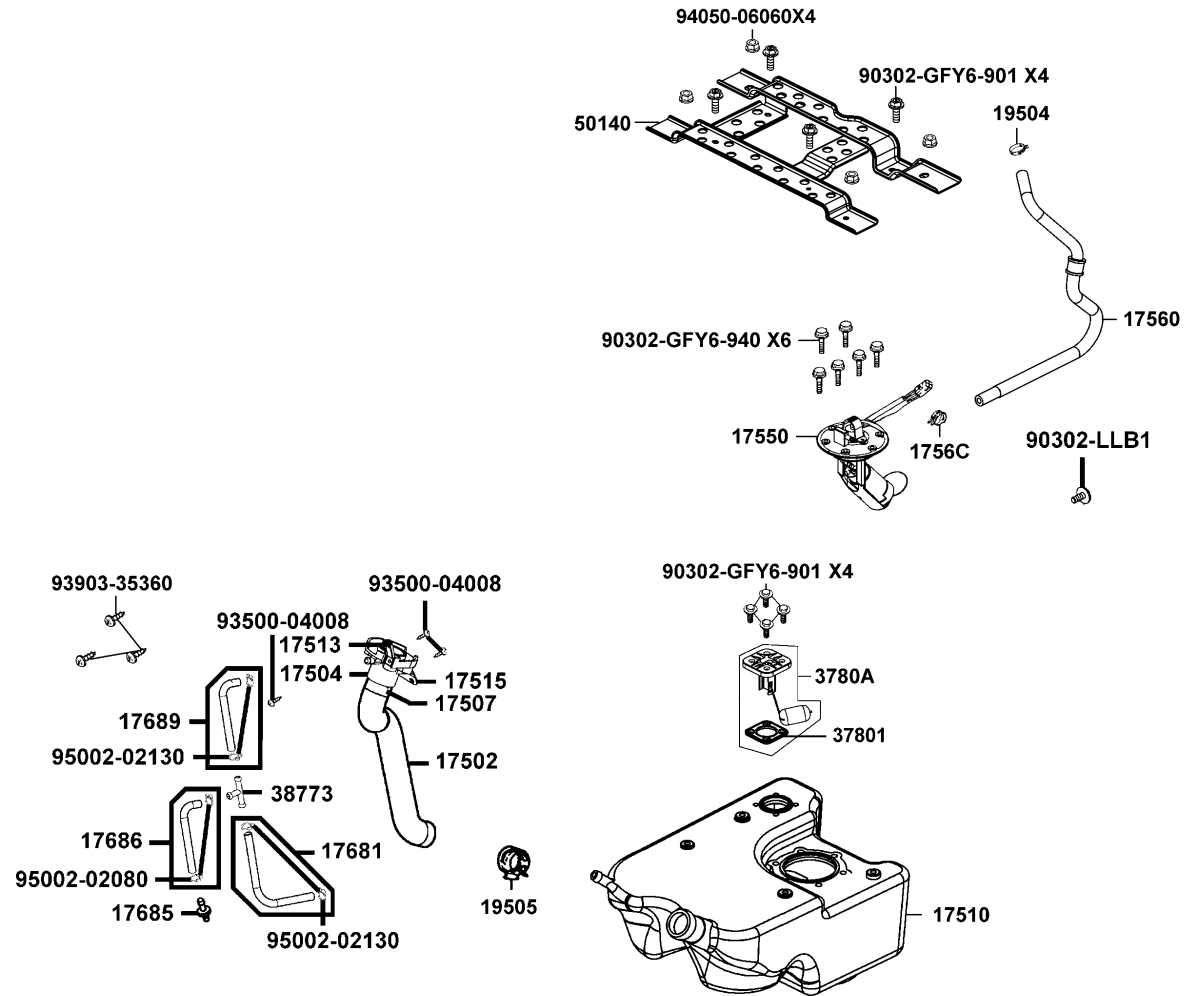
Fuel Tank 油箱



Sales mark 配色標註	Ref no 參考號碼	Part no 零件號碼	Description 英文名稱	Reg description 中文名稱	Regd no 需求用量	F10
	17502	17502-LEA2-900	TUBE FUEL	油管	1	
	17504	17504-LAB4-900	FUEL FILLER	加油漏斗	1	
	17507	17507-LAB4-900	BAND FUEL HOSE	油管束夾	1	
	17510	17510-LEA2-900	TANK,FUEL	TANK,FUEL	1	
	17513	17513-LEA2-900	FUEL PIPE STAY A	加油漏斗支架 A	1	
	17515	17515-LAB4-900	STAY B FUEL FILLER	加油漏斗支架 B	1	
	17550	17550-LEA2-900	FUEL PUMP ASS'Y,	燃油幫浦組	1	
	17560	17560-LEA2-900	TUBE PUMP INJECTOR	TUBE PUMP INJECTOR	1	
	1756C	1756C-KKE2-900	CLIC R 89-115	高壓管夾	1	
	17681	17681-KFA1-900	TUBE JOINT 3 WAY	油管	1	
	17685	17685-KZCZ-900	JOINT TUBE	油管接頭	1	
	17686	17686-KHE2-900	TUBE ASSY FUEL	油管(F.C.V.)	1	
	17689	17689-LEA2-900	TUBE TANK-JOINT	油管	1	
	19504	19504-LBA2-E00	CLAMP D 16.8	管夾	1	
	19505	19505-LEA2-900	CLAMP., HOSE	CLAMP., HOSE	1	
	37801	37801-LLJ3-E00	PACKING BASE	汽油量指示器墊圈	1	
	3780A	3780A-LEA2-900	FUEL UNIT ASS'Y,	燃油計組	1	
	38773	38773-KBCB-900	JOINT 3 WAY	3通管	1	
	50140	50140-LEA2-900	BRKT., FLOOR	BRKT., FLOOR	1	
	90302-GFY6-901	90302-GFY6-901	BOLT WASH 5*12	螺絲 5*12	8	

F10

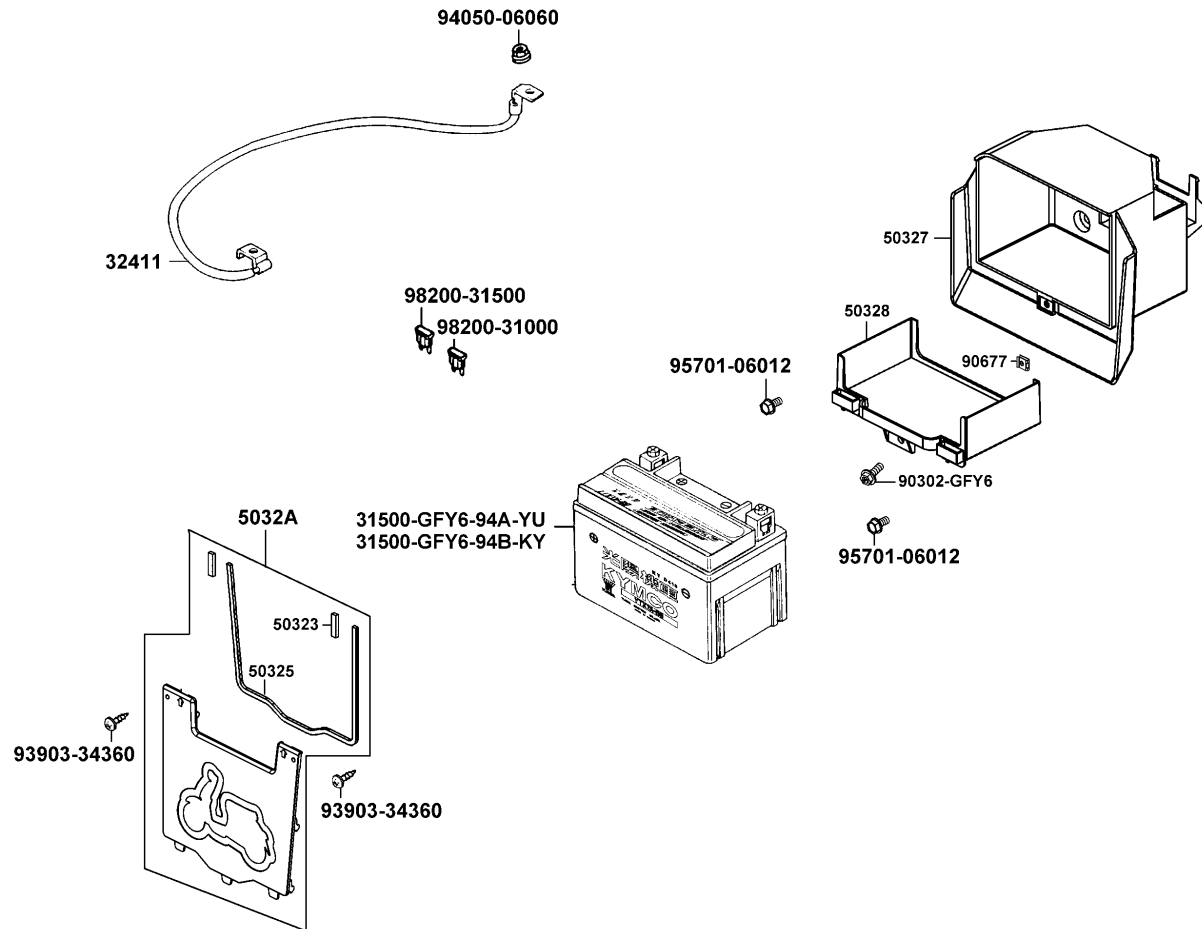
Fuel Tank 油箱



Sales mark 配色標註	Ref no 參考號碼	Part no 零件號碼	Description 英文名稱	Reg description 中文名稱	Regd no 需求用量	F10
	90302-GFY6-940	90302-GFY6-940	BOLT-WASH 5*16	螺絲 5*16	6	
#	90302-LLB1	90302-LLB1-E00	BOLT-WASHER 5*12	螺絲 5X12	1	
	93500	93500-04008-0G	SCREW PAN 4*8	螺絲 4*8	3	
	93903	93903-35360	SCREW TAPPING 5*16	螺釘 5*16	3	
	94050	94050-06060	NUT FLANGE 6MM	螺帽 6MM	2	
	95002-02080	95002-02080	CLIP B8 TUBE	管夾	2	
	95002-02130	95002-02130	CLIP B 12.5 TURE	管夾	4	

F11

Battery 電瓶

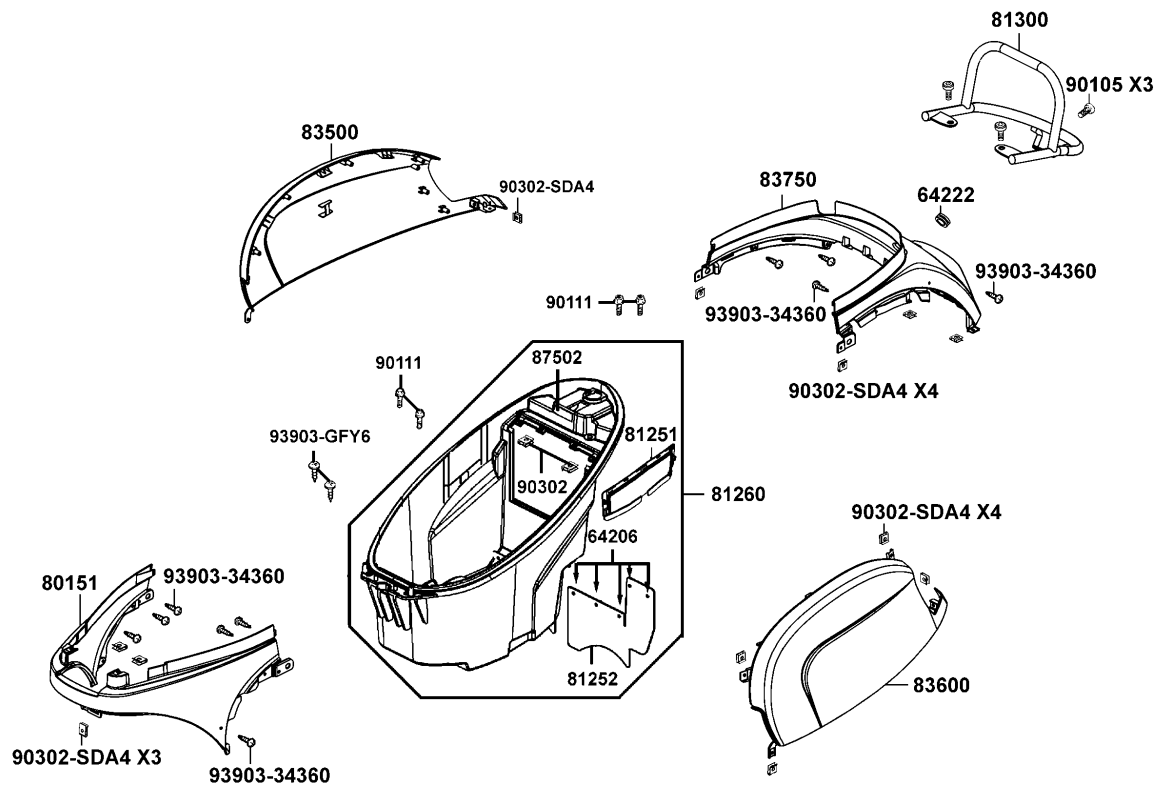


Sales mark 配色標註	Ref no 參考號碼	Part no 零件號碼	Description 英文名稱	Reg description 中文名稱	Regd no 需求用量	F11
	31500-GFY6-94A	31500-GFY6-94A-YU	BATTERY YTX7A-BS	電瓶	1	
	31500-GFY6-94B	31500-GFY6-94B-KY	BATTERY GTX7A-BS	電瓶	1	
	32411	32411-LEA2-900	CABLE, BATTERY	電池正極導線	1	
	50323	50323-LEB1-900	SEAL C,COVER BATTERY	SEAL C,COVER BATTERY	2	
	50325	50325-LEA2-900	SEAL A ,COVER BATTERY	SEAL A ,COVER BATTERY	1	
	50327	50327-LEA2-900	BATTEY CASE	電池盒	1	
	50328	50328-LEA2-900	BATTERY DRAWER	電池抽屜	1	
	5032A	5032A-LEA2-900	ASSY.COVER BATTERY	ASSY.COVER BATTERY	1	
	90302	90302-GFY6-940	BOLT-WASH 5*16	螺絲 5*16	1	
#	90677	90677-GAR1-004	NUT CLIP 5MM	彈簧螺帽 5MM	1	
	93903	93903-34360	SCREW TAPPING 4*12	螺絲 4*12	2	
	94050	94050-06060	NUT FLANGE 6MM	螺帽 6MM	1	
	95701	95701-06012-06	BOLT FLANGE 6*12	螺絲 6*12	2	
	98200-31000	98200-31000	BLADE FUSE 10A	保險絲10A	1	
	98200-31500	98200-31500	BLADE FUSE 15A	保險絲15A	1	

F12

Body Cover Luggage Box

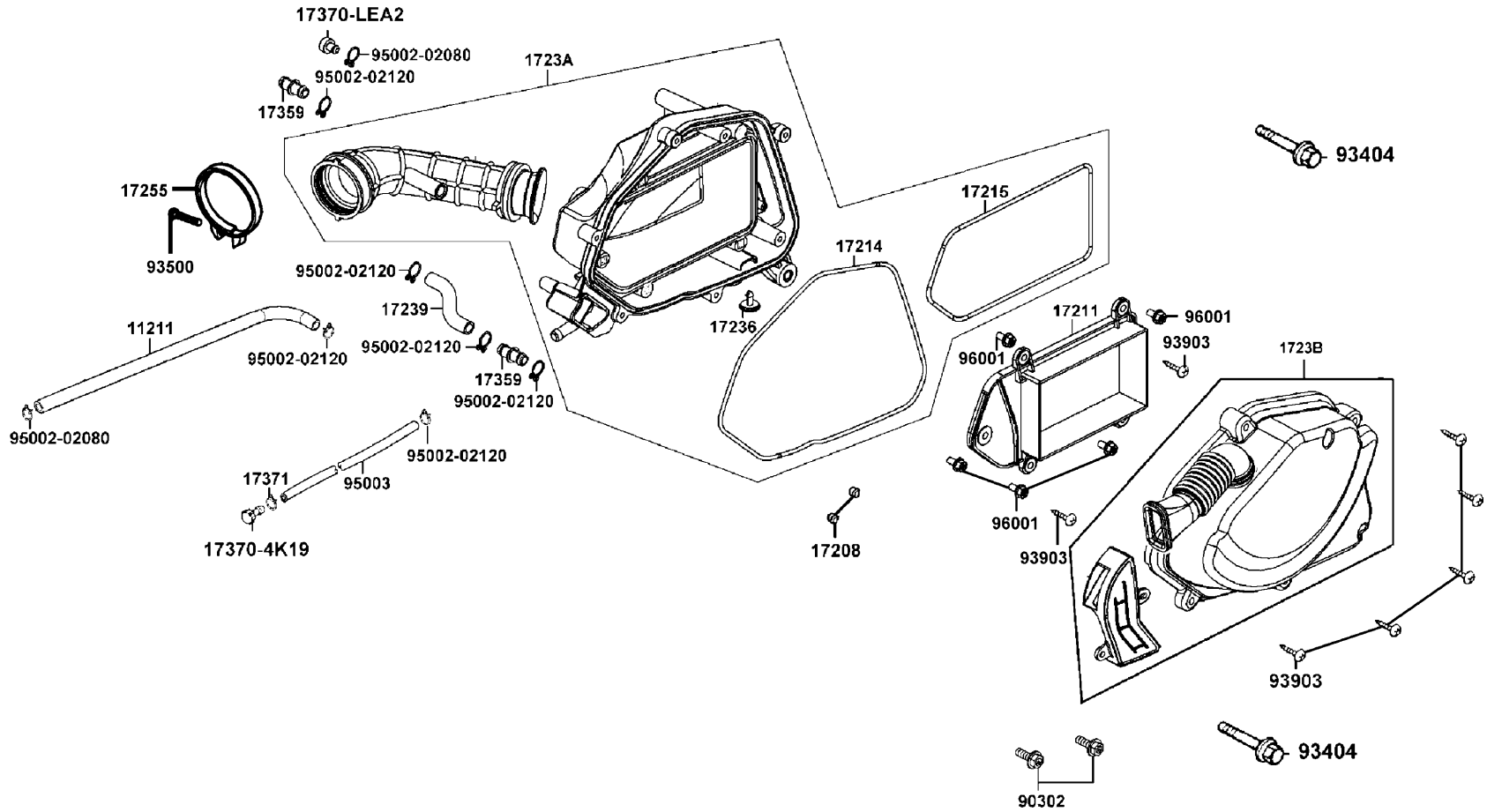
車體邊蓋 置物箱



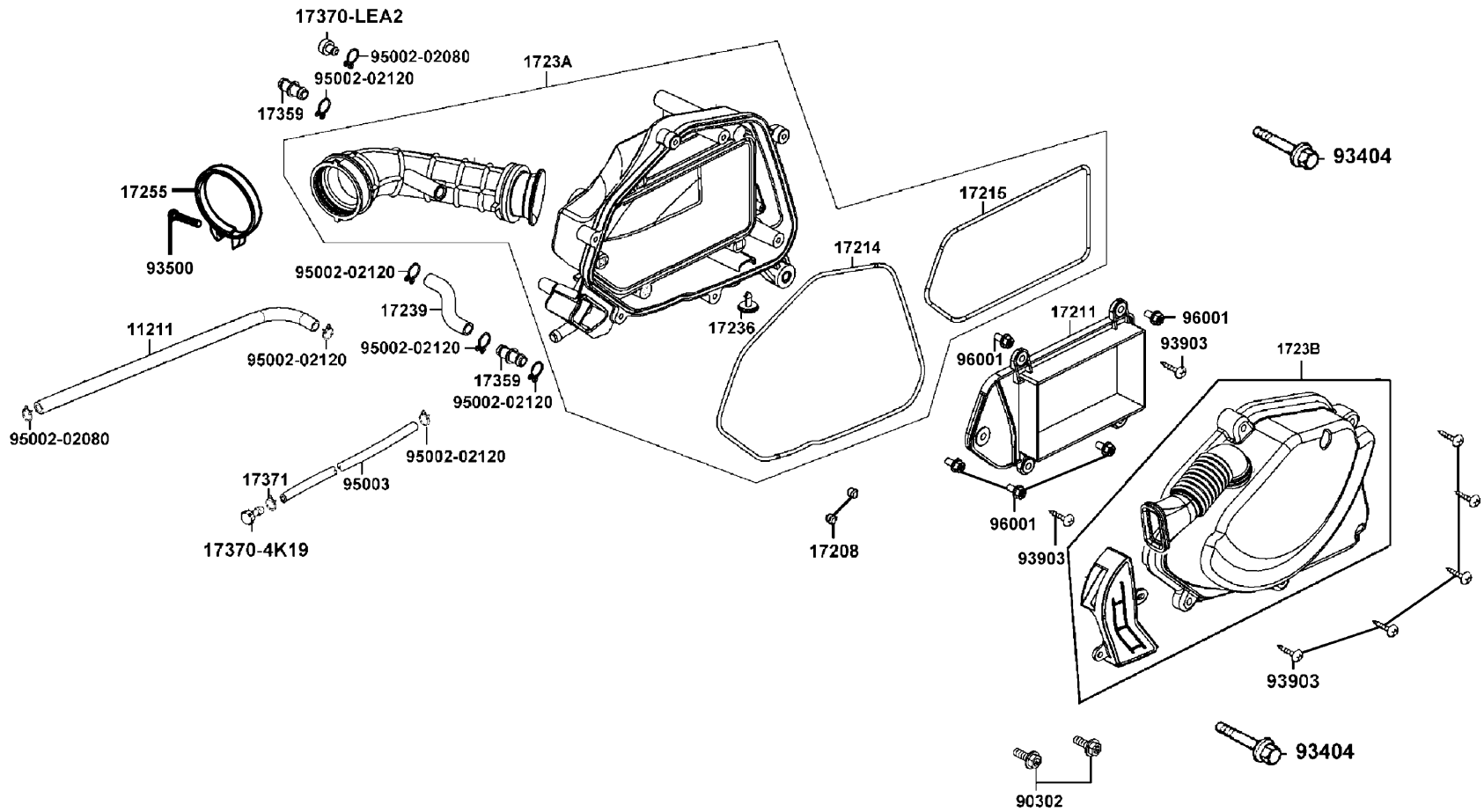
Sales mark 配色標註	Ref no 參考號碼	Part no 零件號碼	Description 英文名稱	Reg description 中文名稱	Regd no 需求用量	F12
	64206	64206-MLJ0-001	NUT SPEED 4MM	螺帽 4MM	4	
	64222	64222-LBC6-900	CUSHION RR GRIP	後握桿減震橡皮環	1	
**	80151	80151-LEA2-900	COVER CENTER UP	中心蓋上蓋	1	
	81251	81251-LEA2-900	COVER L BODY MAINT	左邊蓋維修蓋	1	
	81252	81252-LEA2-900	PLATE C SPLASH GUARD	PLATE C SPLASH GUARD	1	
	81260	81260-LEA2-900	ASSY.BOX,LUGGAGE	ASSY.BOX,LUGGAGE	1	
#	81300	81300-LEA2-900	GRIP REAR	GRIP REAR	1	
**	83500	83500-LEA2-305	COVER, R BODY	右外蓋本體	1	
**	83600	83600-LEA2-305	COVER, L BODY	左外蓋本體	1	
**	83750	83750-LEA2-900	COVER CENTER RR	後中心蓋	1	
	90105	90105-LBC6-900	BOLT-WASH 8MM	螺絲 8MM	3	
	90111	90111-1G87-001	BOLT FLANGE 6MM	螺絲 6MM	4	
#	90302-SDA4	90302-SDA4-004	NUT SPRING 4MM	螺帽 4MM	12	
	93903-34360	93903-34360	SCREW TAPPING 4*12	螺絲 4*12	10	
#	93903-GFY6	93903-GFY6-900	SCREW TAPPING 4*14	螺絲 4*14	2	

F13

Air Cleaner 空氣濾清器



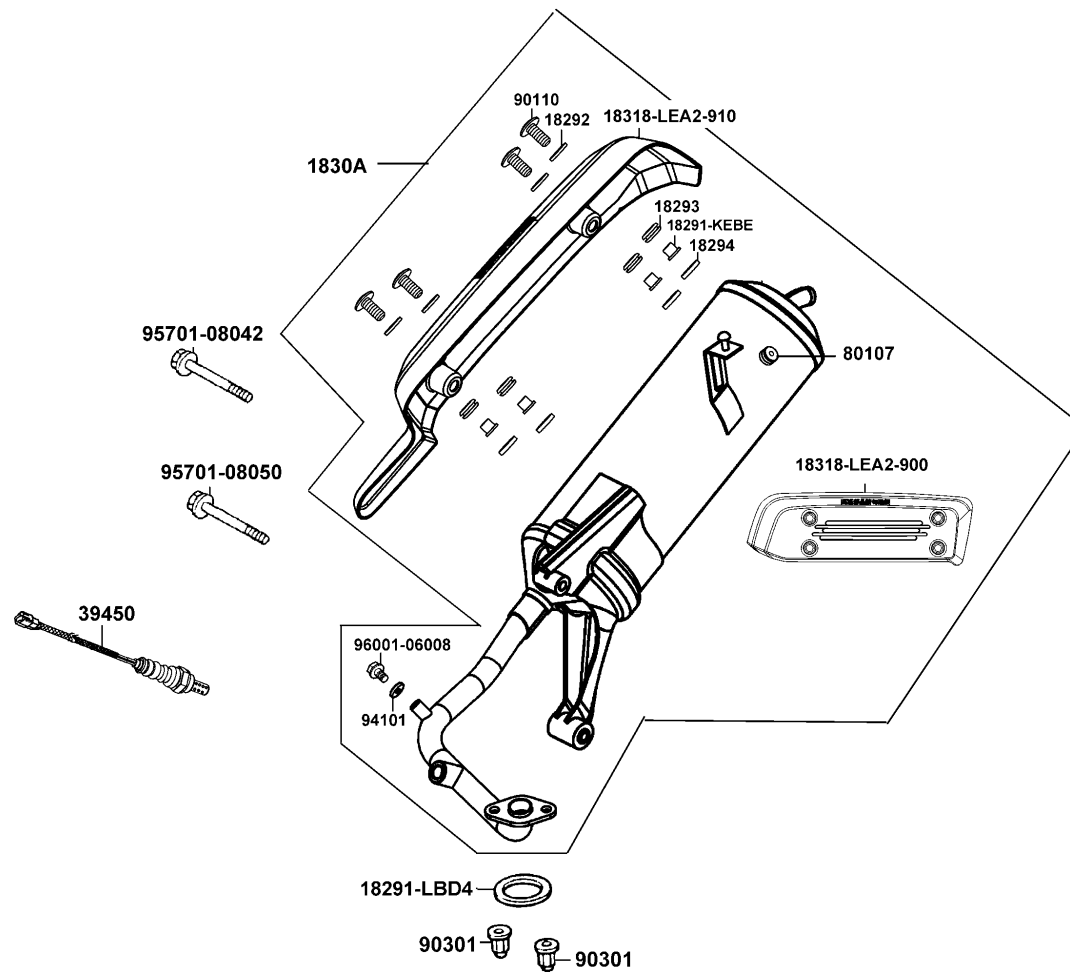
Sales mark 配色標註	Ref no 參考號碼	Part no 零件號碼	Description 英文名稱	Reg description 中文名稱	Regd no 需求用量	F13
	11211	11211-LEA1-900	TUBE BRTHR	通氣管	1	
	17208	17208-GAR1-011	COLLAR AIR/C SET	套筒	2	
	17211	17211-LEA1-900	ELEMENT COMP AIR/C	空氣濾清器濾芯	1	
	17214	17214-LEA2-900	SEAL, AIR/C	墊圈	1	
	17215	17215-LEA1-900	SEAL, ELEMENT	墊圈	1	
	17236	17236-KFBF-910	PLATE AIR/C CASE	隔板	1	
	17239	17239-LEA1-900	TUBE AIR/C BLOW-BY	空氣濾清濾負壓管	1	
	1723A	1723A-LEA2-900	CASE ASSY., AIR/C	空氣濾清器箱體	1	
	1723B	1723B-LEA2-900	COVER, AIR/C	空氣濾清器箱蓋	1	
	17255	17255-KGBG-900	BAND ASSY AIR/C CONN TUBE	連結管束帶	1	
	17359	17359-4K19-671	JOINT BREATHER TUBE	通氣管接頭	2	
	17370-4K19	17370-4K19-701	PLUG BREATHER TUBE	管塞	1	
	17370-LEA2	17370-LEA2-900	PLUG BREATHER TUBE	通氣管塞	1	
	17371	17371-1D74-671	CLIP BREATHER TUBE	通氣管夾	2	
	90302	90302-KNBN-900	BOLT PAN 5*10	螺釘 5*10	2	
	93404	93404-06030-06	BOLT WASHER 6*30	螺絲6*30	2	
	93500	93500-04025-0A	SCREW PAN 4*25	螺絲 4*25	1	
	93903	93903-25460	SCREW TAPPING 4*12	螺釘 4*12	7	
	95002-02080	95002-02080	CLIP B8 TUBE	管夾	2	
	95002-02120	95002-02120	CLIP B12 TUBE	管夾 B12	6	



Sales mark 配色標註	Ref no 參考號碼	Part no 零件號碼	Description 英文名稱	Reg description 中文名稱	Regd no 需求用量	F13
	95003	95003-23024-60	V TUBE 8*12*240	通氣管	1	
	96001	96001-GFY6-900	BOLT SPECIAL 5*10	螺絲 5*10	5	

F14

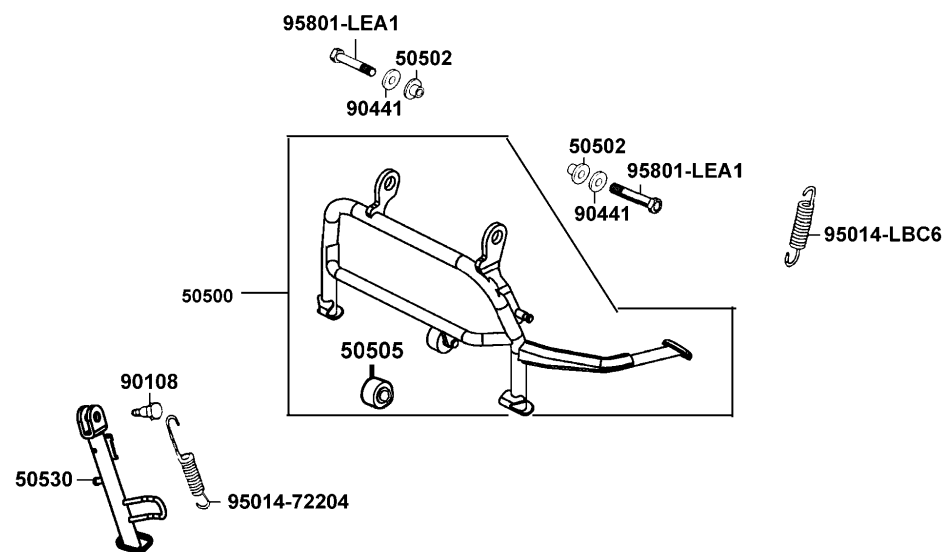
Exhaust Muffler 排氣管



Sales mark 配色標註	Ref no 參考號碼	Part no 零件號碼	Description 英文名稱	Reg description 中文名稱	Regd no 需求用量	F14
	18291-KEBE	18291-KEBE-900	COLLAR	套筒	4	
	18291-LBD4	18291-LBD4-900	GASKET EXH PIPE	排氣管墊圈	1	
	18292	18292-KEBE-900	PACKING PROTECTOR	墊片	4	
	18293	18293-KEBE-900	RUBBER PKG PROTR	橡皮	4	
	18294	18294-KEBE-900	PACKING PROTECTOR	防熱墊片	4	
	1830A	1830A-LEA2-900	MUFFLER ASSY.	排氣管總成	1	
**	18318-LEA2-900	18318-LEA2-900	PROTECTOR, MUFF.	護熱蓋	1	
# **	18318-LEA2-910	18318-LEA2-910	PROTECTOR MUFF	護熱蓋	1	
	39450	39450-LEA6-800	O2 SENSOR	氧氣感測器	1	
	80107	80107-KHLH-900	RUBBER A RR FENDER	後土除橡皮	1	
	90110	90110-KHD8-900	SCREW SPECIAL 6*20	特殊螺絲 6*20	4	
	90301	90301-GFY6-901	NUT (HEX) CAP 8MM	圓螺帽 8MM	2	
	94101	94101-06200	WASHER PLAIN 6MM	平華司	1	
	95701-08042	95701-08042-06	BOLT FLANGE 8*42(G)	有邊緣螺絲 8*42(墨綠色)	1	
	95701-08050	95701-08050-06	BOLT FLANGE 8*50	螺絲	1	
	96001	96001-06008-07	BOLT FLANGE SH 6*8	螺絲 6*8	1	

F15

Stand Kick Starter Arm 腳架 起動踏桿

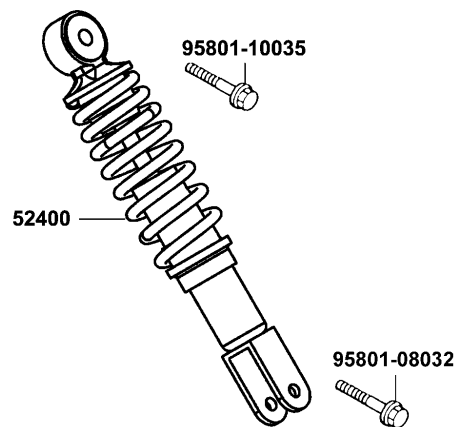


Sales mark 配色標註	Ref no 參考號碼	Part no 零件號碼	Description 英文名稱	Reg description 中文名稱	Regd no 需求用量	F15
	50500	50500-LEA2-900	STAND COMP., MAIN	STAND COMP., MAIN	1	
#	50502	50502-LEA1-900	COLLAR MAIN STAND	主腳架套環	2	
	50505	50505-LAD9-900	RUBBER STOPPER MAIN	主腳架橡皮	1	
	50530	50530-LEA2-900	STAND COMP., SIDE	STAND COMP., SIDE	1	
	90108	90108-KUDU-900	SCREW SIDE STAND PIVOT	側腳架螺絲	1	
#	90441	90441-KKC4-800	WASHER PLAIN 15.5*23*0.5	華司 15.5*23*0.5	2	
	95014-72204	95014-72204	SPG B1 SIDE STAND	側腳架彈簧	1	
	95014-LBC6	95014-LBC6-900	SPG D MAIN STAND	主腳架彈簧	1	
	95801-LEA1	95801-LEA1-900	BOLT FLANGE 10*25	螺絲 10*25	2	

F16

Rear Cushion

後避震器

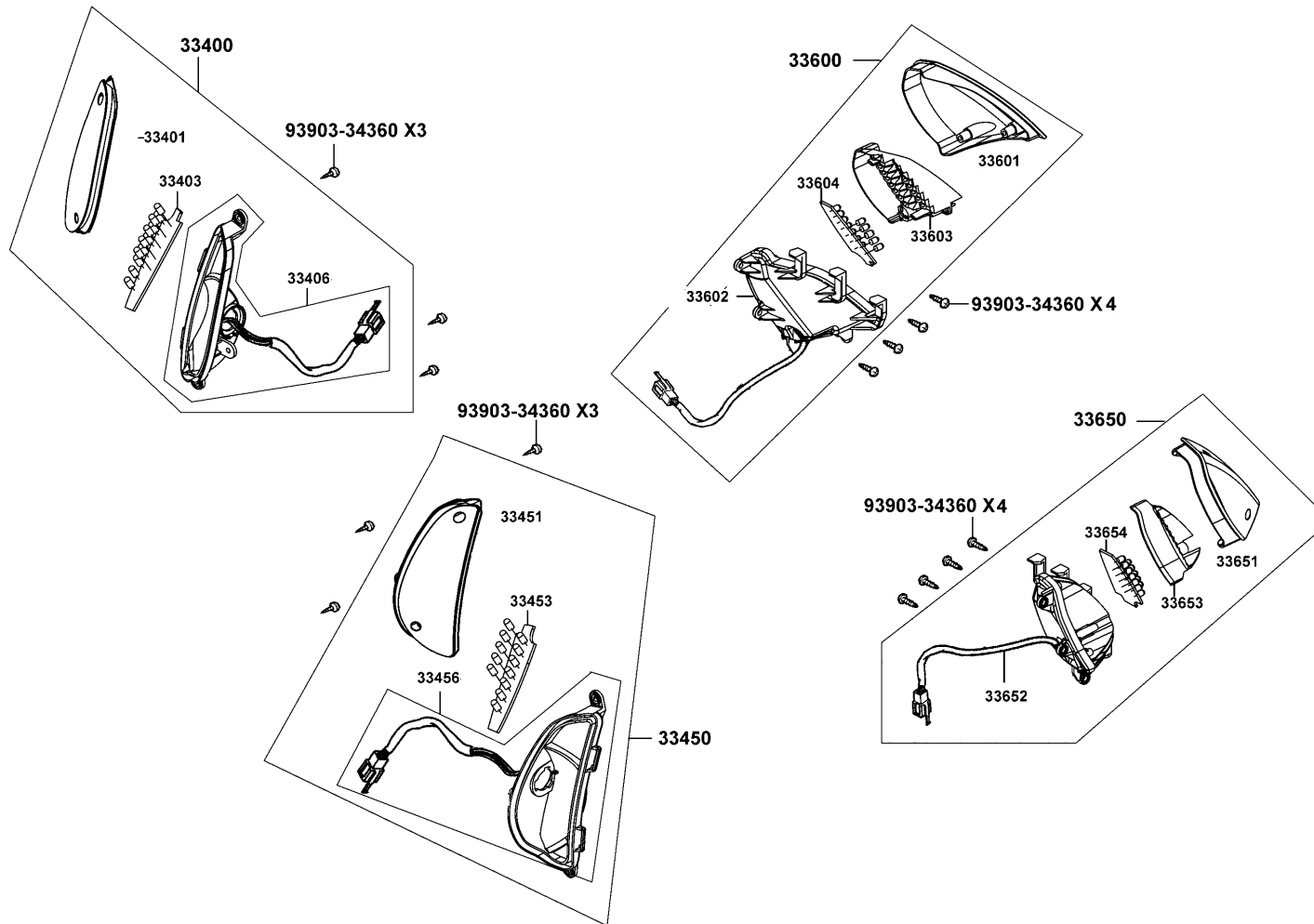


Sales mark 配色標註	Ref no 參考號碼	Part no 零件號碼	Description 英文名稱	Reg description 中文名稱	Regd no 需求用量
**	52400	52400-LEA2-900	CUSHION ASSY,RR	52400-LEA2-9000	1
	95801-08032	95801-08032-06	BOLT FLANGE 8*32	螺絲 8*32	1
	95801-10035	95801-10035-06	BOLT FLANGE 10*35	螺絲 10*35	1

**F16**

F17

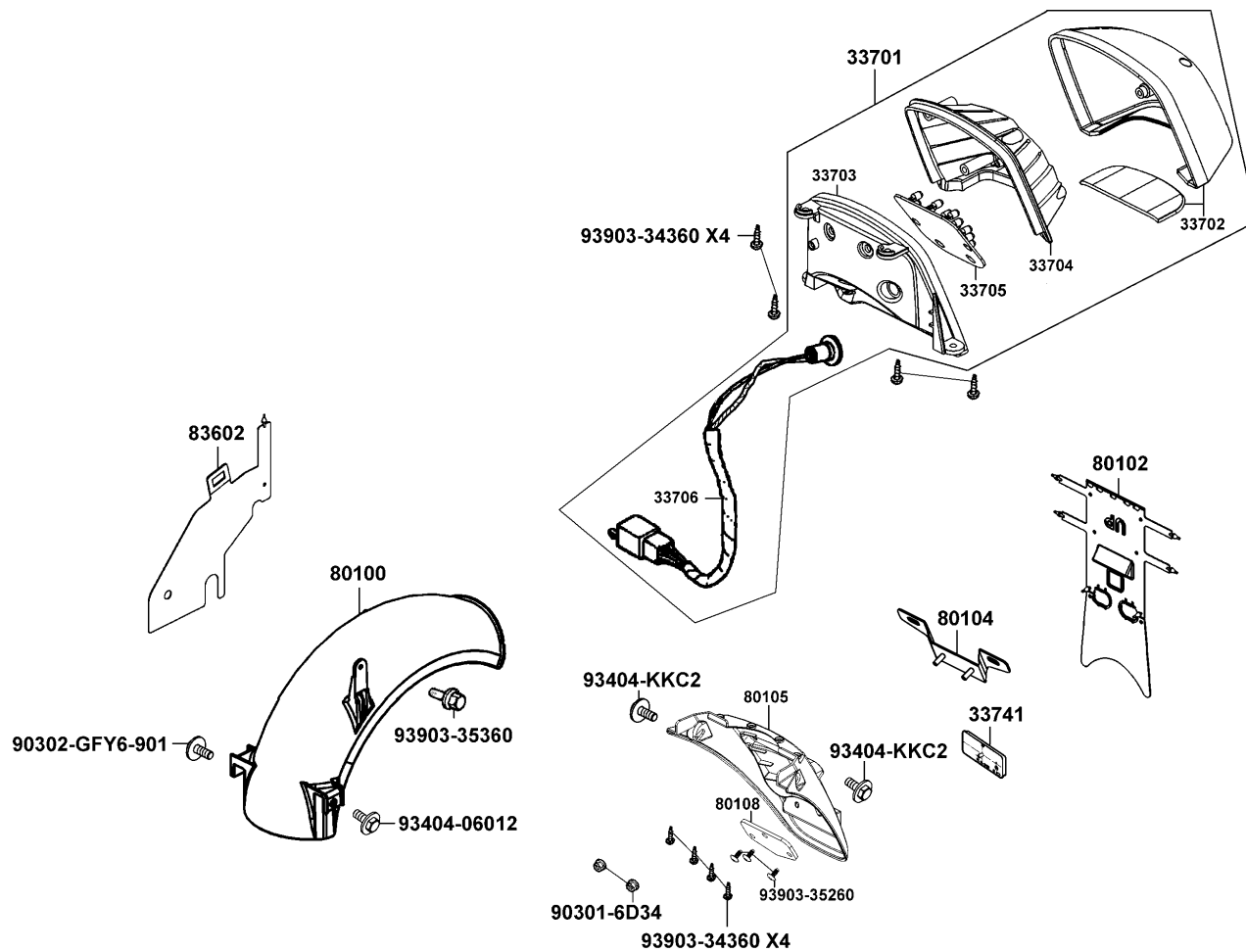
Front Winker 前方向燈



Sales mark 配色標註	Ref no 參考號碼	Part no 零件號碼	Description 英文名稱	Reg description 中文名稱	Regd no 需求用量	F17
	33400	33400-LEA2-900	WINKER ASSY FR R	右方向燈	1	
	33401	33401-LEA2-900	LENS R FR WINKER	右前方向燈殼	1	
	33403	33403-LEA2-900	LED COMP	右前方向燈泡/LED	1	
	33406	33406-LEA2-305	BASE COMP R FR WINKER	右前方向燈座組	1	
	33450	33450-LEA2-900	WINKER ASSY FR L	左方向燈	1	
	33451	33451-LEA2-900	LENS L FR WINKER	左前方向燈殼	1	
	33453	33453-LEA2-900	LED COMP	左前方向燈泡/LED	1	
	33456	33456-LEA2-305	BASE COMP L FR WINKER	左前方向燈座組	1	
	33600	33600-LEA2-900	WINKER ASSY RR R	右后方向燈	1	
	33601	33601-LEA2-900	LENS R RR WINKER	右後方向燈殼	1	
	33602	33602-LEA2-305	BASE L RR WINKER	右後方向燈座組	1	
	33603	33603-LEA2-900	BASE R RR WINKER	右後方向燈座	1	
	33604	33604-LEA2-900	LED PLATE COMP	右後方向LED燈版組	1	
	33650	33650-LEA2-900	WINKER ASSY RR L	左后方向燈	1	
	33651	33651-LEA2-900	LENS L RR WINKER	左後方向燈殼	1	
	33652	33652-LEA2-305	WINKER ASSY L RR	左後方向燈座組	1	
	33653	33653-LEA2-900	BASE L RR WINKER	左後方向燈座	1	
	33654	33654-LEA2-900	LED PLATE COMP	左後方向LED燈版組	1	
	93903-34360	93903-34360	SCREW TAPPING 4*12	螺絲 4*12	14	

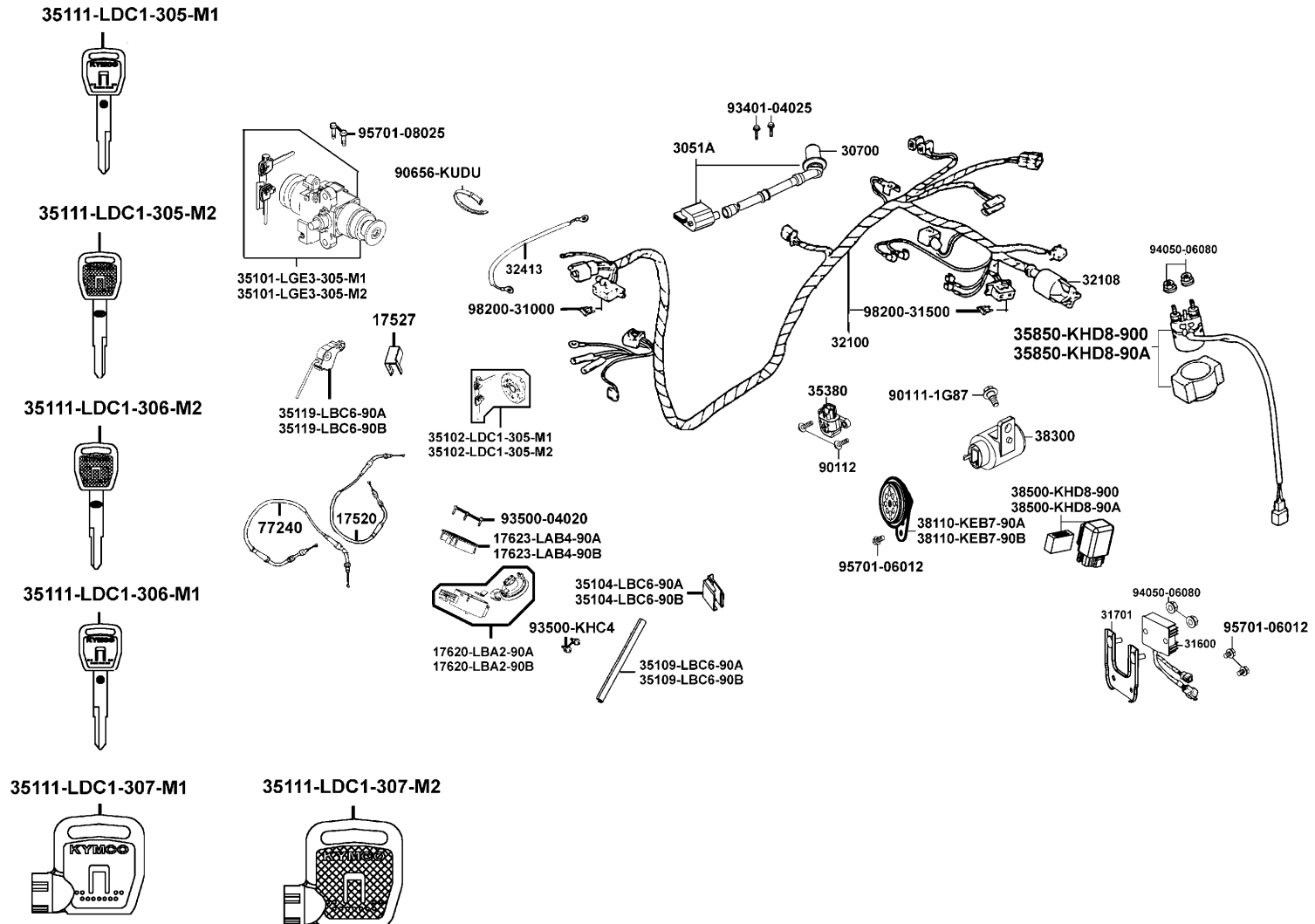
F18

Tail Light 後燈

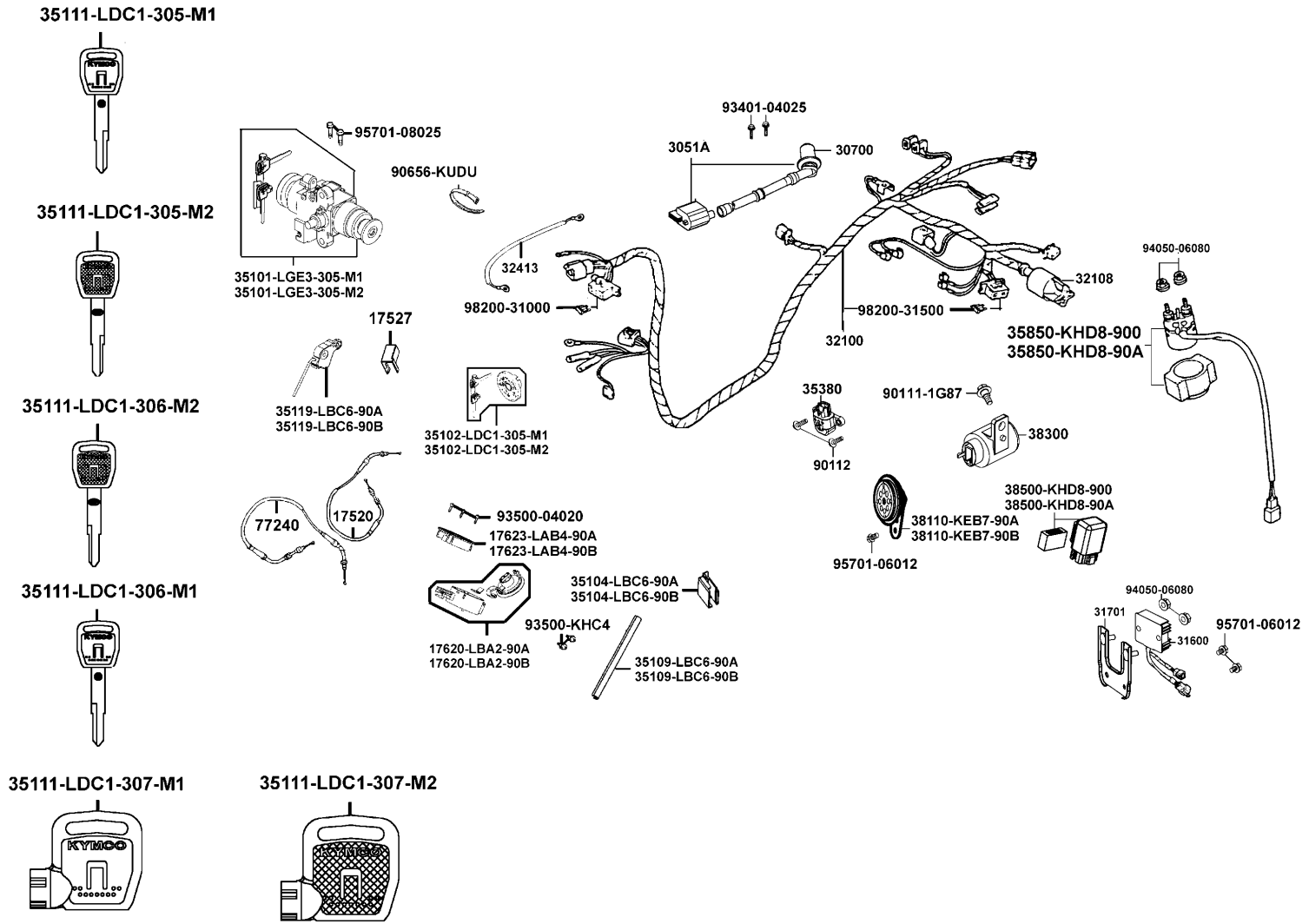


Sales mark 配色標註	Ref no 參考號碼	Part no 零件號碼	Description 英文名稱	Reg description 中文名稱	Regd no 需求用量
	33701	33701-LEA2-900	UNIT TAIL LIGHT	后燈	1
	33702	33702-LEA2-900	LENS TAIL LIGHT	後燈殼	1
	33703	33703-LEA2-900	BASE	後燈板組	1
	33704	33704-LEA2-900	RS TALL LIGHT	內飾板	1
	33705	33705-LEA2-900	BASE COMP TAIL LIGHT	後燈座	1
	33706	33706-LEA2-900	COMP ASSY	後燈配線	1
	33741	33741-KEC8-900	REFLEX REFLECTOR	反光鏡片	1
	80100	80100-LEA2-900	FENDER TIRE , RR.	後土除輪胎	1
	80102	80102-LEA2-900	PLATE A SPLASH GUARD	PLATE A SPLASH GUARD	1
	80104	80104-LEA2-900	STAY LICENSE PLATE	牌照板支架	1
	80105	80105-LEA2-900	FENDER , RR.	後土除	1
	80108	80108-LEB1-900	PLATE, RR FENDER	固定鐵片	1
	83602	83602-LEA2-900	PLATE B SPLASH GUARD	PLATE B SPLASH GUARD	1
	90301	90301-6D34-671	NUT FLANGE 6MM	螺帽 6MM	2
	90302	90302-GFY6-901	BOLT WASH 5*12	螺絲 5*12	1
	93404-06012	93404-06012-06	BOLT WASH 6*12	螺絲 6*12	1
#	93404-KKC2	93404-KKC2-900	BOLT WASH 6*16	螺絲6*16	2
	93903-34360	93903-34360	SCREW TAPPING 4*12	螺絲 4*12	8
	93903-35260	93903-35260	SCREW TAPPING 5*12	螺釘 5*12	3
	93903-35360	93903-35360	SCREW TAPPING 5*16	螺釘 5*16	1

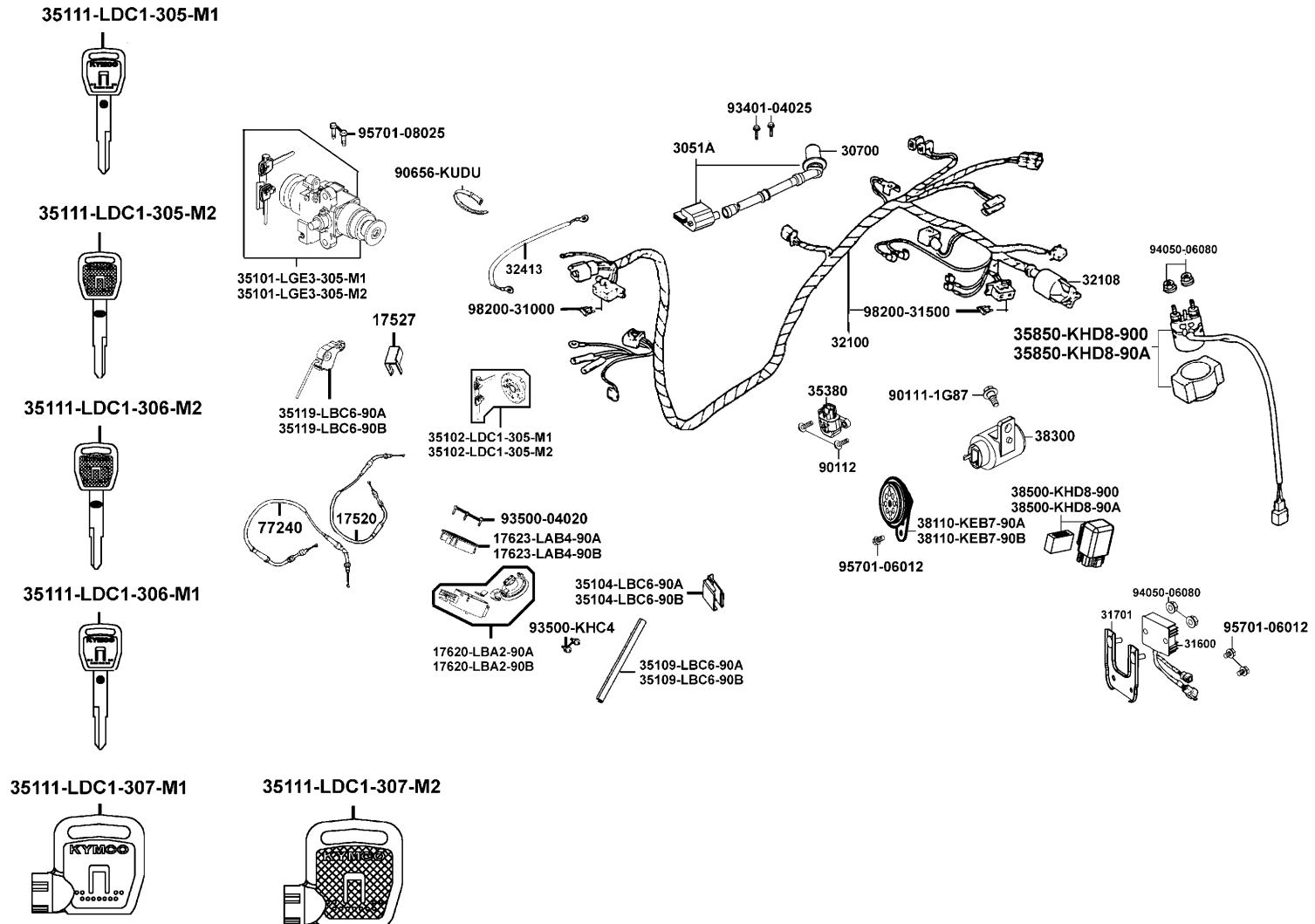
F18



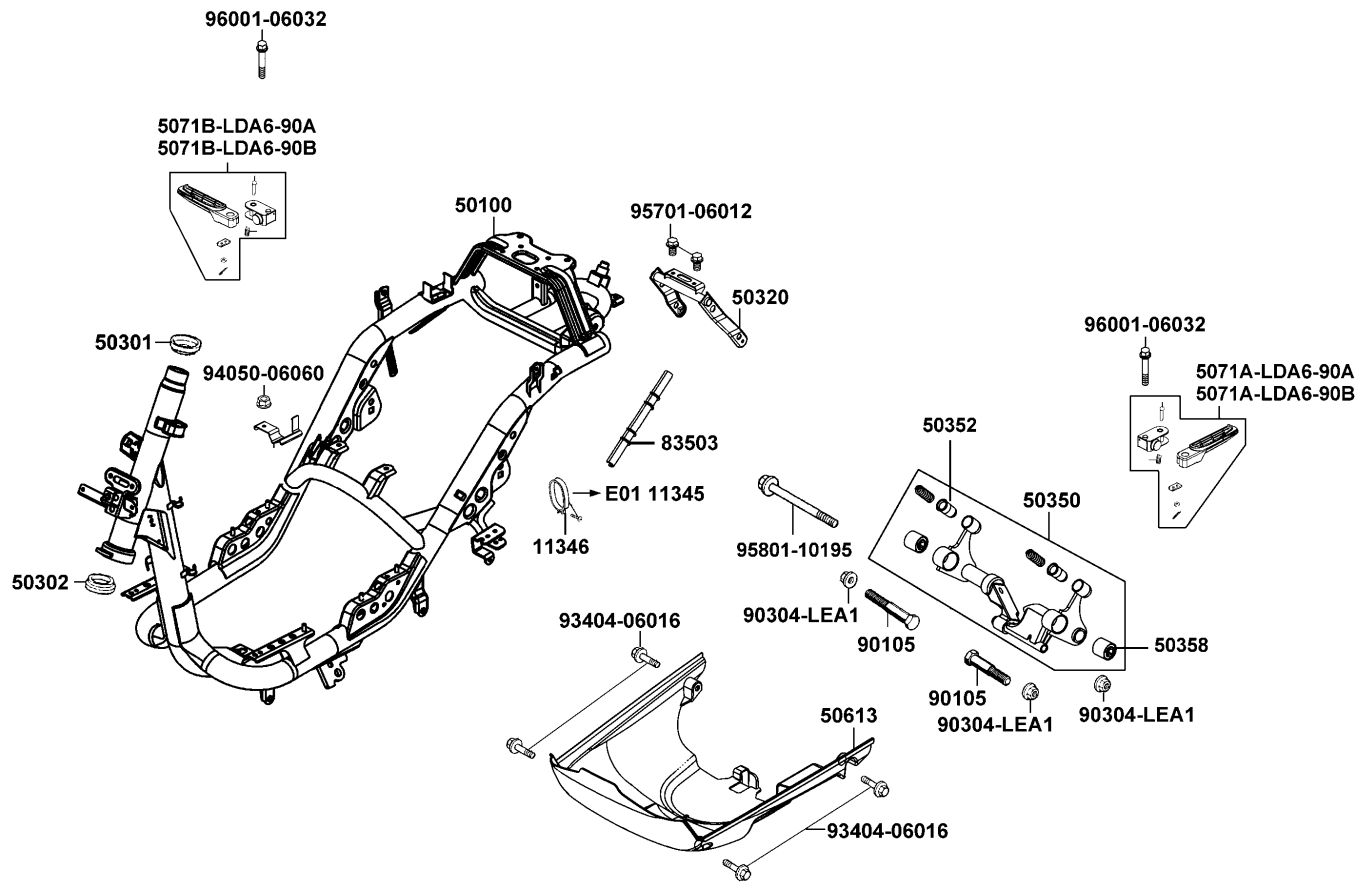
Sales mark 配色標註	Ref no 參考號碼	Part no 零件號碼	Description 英文名稱	Reg description 中文名稱	Regd no 需求用量	F19
	17520	17520-LEA2-900	CABLE COMP FUEL CAP	油箱蓋導線	1	
	17527	17527-LBA2-900	SLIDE COVER FUEL CAP	油箱蓋導線防塵蓋	1	
	17620-LBA2-90A	17620-LBA2-90A	CAP COMP FUEL FILLER	油箱蓋	1	
	17620-LBA2-90B	17620-LBA2-90B	CAP COMP FUEL FILLER	油箱蓋	1	
	17623-LAB4-90A	17623-LAB4-90A	COLLAR FUEL CAP	油箱蓋套筒	1	
	17623-LAB4-90B	17623-LAB4-90B	COLLAR FUEL CAP	油箱蓋套筒	1	
	3051A	3051A-LEA1-900	COIL ASSY IGN	點火線圈	1	
	30700	30700-LEA1-900	CAP ASSY NOISE SUPPRESOR	火星塞蓋	1	
	31600	31600-LEA2-900	REG. REC. COMP.	穩壓整流器	1	
	31701	31701-LEA2-900	STAY RECTIFIRE	整流器固定座	1	
	32100	32100-LEA2-900	HARNESS WIRE	車體主配線	1	
	32108	32108-GAR1-711	COVER HARNESS WIRE	主配線蓋	1	
	32413	32413-LEA1-900	CABLE BAT EARTH	電瓶接地線	1	
	35101-LGE3-306-M1	35101-LGE3-306-M1	SW COMP LOCK	主開關鎖	1	
	35101-LGM3-306-M2	35101-LGE3-306-M2	SW COMP LOCK	主開關鎖	1	
	35102-LDC1-305-M1	35102-LDC1-305-M1	SHUTIER SET MAGNETIC LOCK	磁石鎖組/2合1KEY	1	
	35102-LDC1-305-M2	35102-LDC1-305-M2	SHUTIER SET MAGNETIC LOCK	磁石鎖組/2合1KEY	1	
	35104-LBC6-90A	35104-LBC6-90A	PLATE COVER FUEL CAP CABLE	油箱蓋導線防水蓋	1	
	35104-LBC6-90B	35104-LBC6-90B	PLATE COVER FUEL CAP CABLE	蓋燃料外蓋薄板導線	1	
	35109-LBC6-90A	35109-LBC6-90A	PROTECTING COVER CABLE	防水蓋	1	



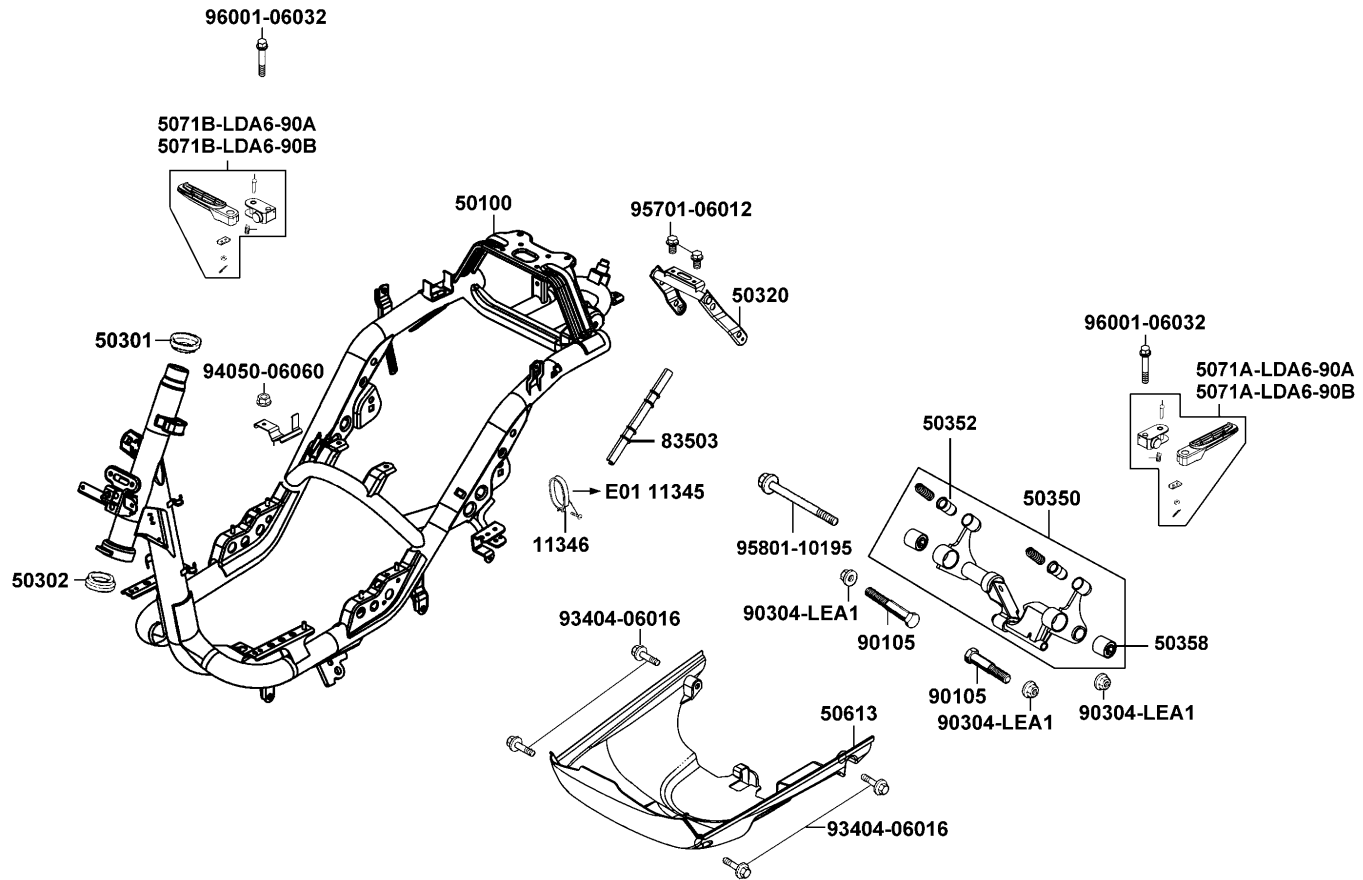
Sales mark 配色標註	Ref no 參考號碼	Part no 零件號碼	Description 英文名稱	Reg description 中文名稱	Regd no 需求用量	F19
	35109-LBC6-90B	35109-LBC6-90B	PROTECTING COVER CABLE	防水蓋	1	
	35111-LDC1-305-M1	35111-LDC1-305-M1	KEY COMP (R TANGENT PLANE/SD)	未加工主開關鑰匙/右切/SD	1	
	35111-LDC1-305-M2	35111-LDC1-305-M2	KEY COMP (R TANGENT PLANE/TJ)	未加工主開關鑰匙/右切/TJ	1	
	35111-LDC1-306-M1	35111-LDC1-306-M1	KEY COMP (L TANGENT PLANE/SD)	未加工主開關鑰匙/左切/SD	1	
	35111-LDC1-306-M2	35111-LDC1-306-M2	KEY COMP (L TANGENT PLANE/TJ)	未加工主開關鑰匙/左切/TJ	1	
	35111-LDC1-307-M1	35111-LDC1-307-M1	KEY COMP SHOTTER MAGNETIC (SD)	磁石鑰匙/SD	1	
	35111-LDC1-307-M2	35111-LDC1-307-M2	KEY COMP SHOTTER MAGNETIC (TJ)	磁石鑰匙/TJ	1	
	35119-LBC6-90A	35119-LBC6-90A	COVER SEAT CABLE	座墊外蓋導線	1	
	35119-LBC6-90B	35119-LBC6-90B	COVER SEAT CABLE	座墊外蓋導線	1	
	35380	35380-LEA2-900	SENSOR ANGLE DETECT	傾倒角度感知器	1	
	35850-KHD8-900	35850-KHD8-900	SET START MAG	起動開關組	1	
	35850-KHD8-90A	35850-KHD8-90A	SET START MAG	起動開關組	1	
	38110-KEB7-90A	38110-KEB7-90A	HORN COMP	喇叭	1	
	38110-KEB7-90B	38110-KEB7-90B	HORN COMP	喇叭	1	
	38300	38300-LEA2-900	RELAY COMP. WINKER	方向燈繼電器	1	
	38500-KHD8-900	38500-KHD8-900	RELAY ASSY LIGHT	繼電器	1	
	38500-KHD8-90A	38500-KHD8-90A	RELAY ASSY LIGHT	繼電器	1	
	77240	77240-LEA2-900	CABLE SEAT LOCK	座墊導線	1	
	90111-1G87	90111-1G87-001	BOLT FLANGE 6MM	螺絲 6MM	1	
	90112	90112-KRDR-900	BOLT FLANGE 5*22	螺絲 5*22	2	



Sales mark 配色標註	Ref no 參考號碼	Part no 零件號碼	Description 英文名稱	Reg description 中文名稱	Regd no 需求用量	F19
**	90656-KUDU	90656-KUDU-900	BAND HARNESS WIRE	束帶	1	
	93401-04025	93401-04025-08	BOLT WASHER 4*25	墊圈	2	
	93500-04020	93500-04020-0G	SCREW PAN 4*20	螺絲 4*20	3	
	93500-KHC4	93500-KHC4-90A	SCREW PAN 5*10	螺絲 5*10	2	
	94050-06080	94050-06080	NUT FLANGE 6MM	螺帽 6MM	4	
	95701-06012	95701-06012-08	BOLT FLANGE 6*12	螺絲 6*12	5	
	95701-08025	95701-08025-06	BOLT FLANGE 8*25	螺絲 8*25	2	
	98200-31000	98200-31000	BLADE FUSE 10A	保險絲10A	1	
	98200-31500	98200-31500	BLADE FUSE 15A	保險絲15A	1	



Sales mark 配色標註	Ref no 參考號碼	Part no 零件號碼	Description 英文名稱	Reg description 中文名稱	Regd no 需求用量	F20
	11345	11345-LEA2-900	DUCT L COVER	通氣管	1	
	11346	11346-KEBE-900	BAND L COVER DUCT	導管束帶	1	
	50100	50100-LEA2-900	BODY COMP., FRAME	BODY COMP., FRAME	1	
	50301	50301-KGN7-671	RACE UP STRG BALL	上珠碗	1	
	50302	50302-2H68-011	RACE STRG BOT BALL	下珠碗	1	
	50320	50320-LEA2-900	STAY, RR FENDER	STAY, RR FENDER	1	
	50350	50350-LEA2-900	HANGER ASSY , ENG.	HANGER ASSY , ENG.	1	
	50352	50352-LEA2-900	RUBBER STOPPER	引擎吊架止滑橡皮	2	
	50358	50358-KHC4-900	RUBBER BUSH ENG HANGER	引擎吊架橡皮襯套	2	
	50613	50613-LEA2-900	COVER UNDER	電瓶底蓋	1	
	5071A-LDA6-90A	5071A-LDA6-90A	BAR R STEP ASSY	右後踏板桿組	1	
	5071A-LDA6-90B	5071A-LDA6-90B	BAR R STEP ASSY	右後踏板桿組	1	
	5071B-LDA6-90A	5071B-LDA6-90A	BAR L STEP ASSY	左後踏板桿組	1	
	5071B-LDA6-90B	5071B-LDA6-90B	BAR L STEP ASSY	左後踏板桿組	1	
	83503	83503-KHD6-900	COVER PROTECTOR SEAT WIRE	座墊線保護蓋	1	
	90105	90105-KHC4-900	SQUARE BOLT M10X50	螺絲 10X50	2	
	90304-LEA1	90304-LEA1-900	NUT U FLANGE 10MM	螺帽 10MM	3	
	93404-06016	93404-06016-06	BOLT WASHER 6*16	螺絲 6*16	4	
	94050-06060	94050-06060	NUT FLANGE 6MM	螺帽 6MM	1	
	95701-06012	95701-06012-06	BOLT FLANGE 6*12	螺絲 6*12	2	

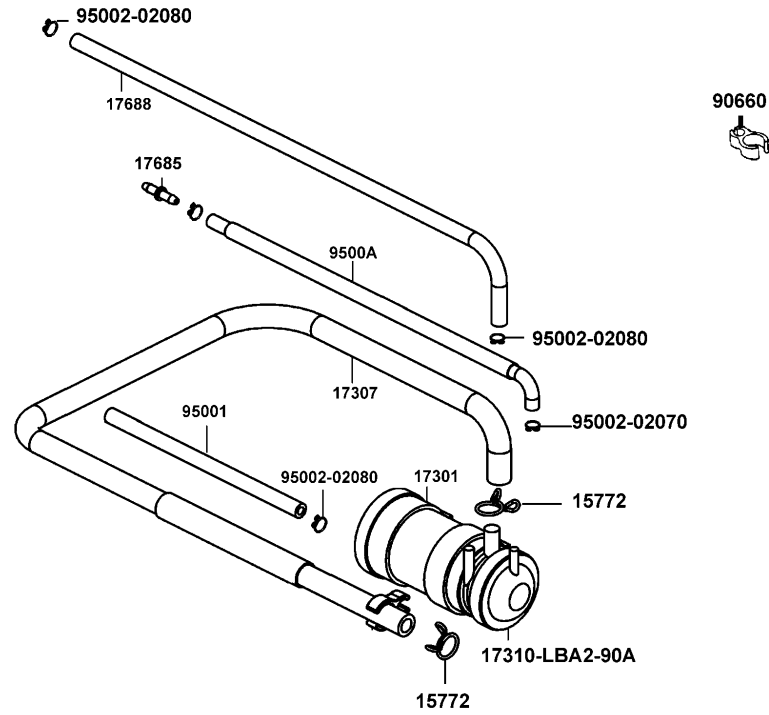


Sales mark 配色標註	Ref no 參考號碼	Part no 零件號碼	Description 英文名稱	Reg description 中文名稱	Regd no 需求用量	F20
	95801-10195	95801-10195-06	BOLT FLANGE 10*195	螺絲 10*195	1	
	96001-06032	96001-06032-06	BOLT FLANGE 6*32	螺絲 6*32	4	

F21

Canister

活性炭罐

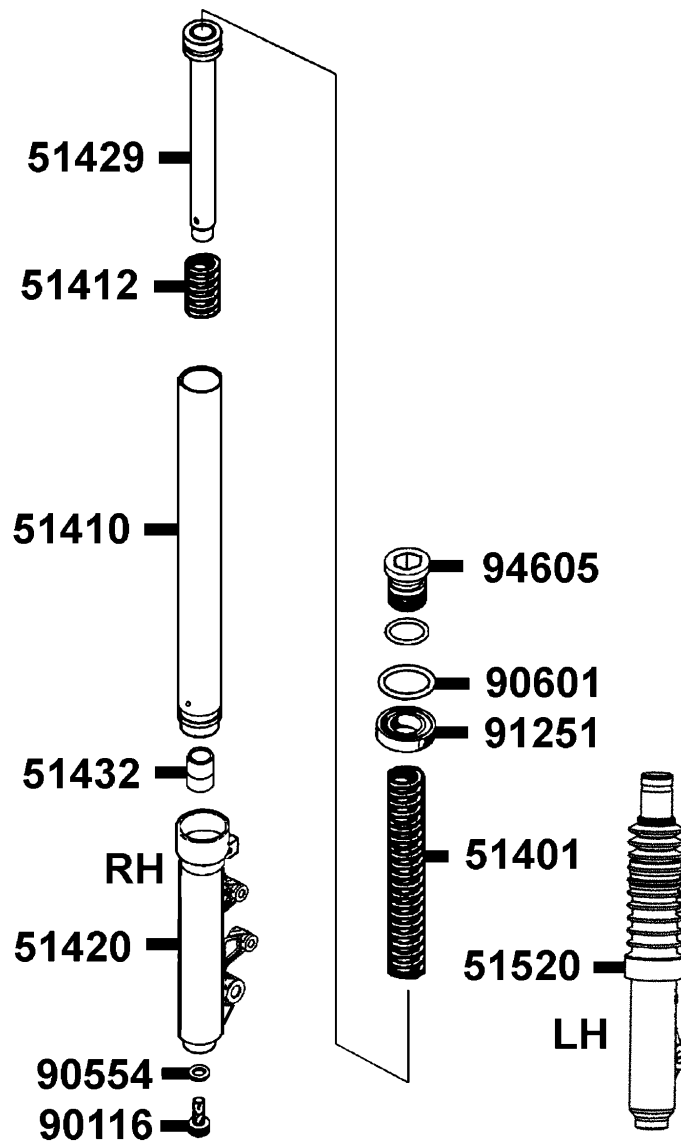


Sales mark 配色標註	Ref no 參考號碼	Part no 零件號碼	Description 英文名稱	Reg description 中文名稱	Regd no 需求用量	F21
	15772	15772-5L00-013	CLIP B14.5 TUBE	管夾	2	
	17301	17301-KNBN-960	RUBBER CANISTER MOUNT	活性碳罐懸掛橡皮	1	
	17307	17307-LEA2-900	TUBE ASSY.,CANISTER-A/C	TUBE ASSY.,CANISTER-A/C	1	
	17310-LBA2	17310-LBA2-90A	CANISTER COMP	活性碳罐	1	
	17685	17685-GLE0-301	JOINT COCK-CARB TUBE	油管接頭	1	
	17688	17688-KEC8-900	TUBE TANK-CANISTER	通氣管	1	
	90660	90660-KNBN-921	CLAMP TUBE	管夾	1	
	95001	95001-LEA2-900	TUBE CANISTER-AIR	TUBE CANISTER-AIR	1	
	95002-02070	95002-02070	CLIP B7 TUBE	管夾	2	
	95002-02080	95002-02080	CLIP B8 TUBE	管夾	3	
	9500A	9500A-LEA1-900	TUBE ASSY INLET PIPE-CANISTER	油管組	1	

F22

Separated Parts Of Fr Fork

前叉附件



Sales mark 配色標註	Ref no 參考號碼	Part no 零件號碼	Description 英文名稱	Reg description 中文名稱	Regd no 需求用量	F22
	51401	51401-LEA2-900	SPRING	彈簧	2	
	51410	51410-LBC6-900	FORK PIPE COMP	前避震器管	2	
	51412	51412-KFA1-900	REBOUND SPRING	回位彈簧	2	
**	51420	51420-LBC6-900	BOTTOM CASE R	右前避震器底管	1	
	51429	51429-KFA1-900	PIPE SEAT COMP	避震器管座	2	
	51432	51432-KFA1-900	OIL LOCK PIECE	止油接頭	2	
**	51520	51520-LBC6-900	BOTTOM CASE L	左前避震器底管	1	
	90116	90116-3C83-72A	BOLT	螺絲	2	
	90554	90554-2C83-001	PACKING	墊片	2	
	90601	90601-GAR1-900	RING OIL SEAL STOPPER	油封止位環	2	
	91251	91251-LAB4-900	OIL SEAL	前避震器油封	2	
	94605	94605-KFA1-900	FORK BOLT	螺絲	2	

<ul style="list-style-type: none"> <li><input type="checkbox"/> 請戴安全帽行駛。</li> <li><input type="checkbox"/> 行駛時，請勿超過法定速度。</li> <li><input type="checkbox"/> 因排氣管溫度很高，停車時請停置於他人不易碰觸之場所。</li> <li><input type="checkbox"/> 為了駕駛安全及性能維護，請勿任意違法改造。</li> </ul>	<ul style="list-style-type: none"> <li><input type="checkbox"/> 請確實做好定期保養工作及行車前之安全檢查。</li> </ul> <p style="text-align: center;">◀ 行 駛 前 檢 查 項 目 ▶</p> <p>剎車性能 輪胎 機油量 燈光 喇叭 儀表板</p>
--	--

◎ 敬請熟讀駕駛手冊，確保行車安全 GY6-900

87560-GFY6-900

編號	零件名稱	規格	單位	備註
1	P0017	螺絲	個	引擎
2	P0050	螺絲	個	引擎
3	P1181	螺絲	個	引擎
4	P1182	螺絲	個	引擎
5	P0580	螺絲	個	引擎
6	P0110	螺絲	個	引擎
7	P0410	螺絲	個	引擎
8	P0406	螺絲	個	引擎
9	P0251	螺絲	個	引擎
10	P0350	螺絲	個	引擎
11	P0230	螺絲	個	引擎
12	P0213	螺絲	個	引擎
13	P1560	螺絲	個	引擎
14	P0500	螺絲	個	引擎
15	P0115	螺絲	個	引擎
16	P1561	螺絲	個	引擎
17	P0650	螺絲	個	引擎
18	P0005	螺絲	個	引擎
19	P1110	螺絲	個	引擎
20	P0136	螺絲	個	引擎
21	P0141	螺絲	個	引擎
22	P0171	螺絲	個	引擎

87546-LEB2-900

87546-LEB2-900

注 意

在 引 擎 發 動 前 ， 請  
先 將 側 支 架 扳 起 ，  
以 策 安 全 。

87541-GGS7-901



87502-LEB2-900

注 意

後 側 蓋 與 引 擎 之 間 ，  
請 勿 放 入 任 何 物 品 ，  
以 免 妨 礙 行 駛 。

GMS-300

87542-GKM9-301

注 意

輪胎最大胎壓：前輪 2.50kgf/cm<sup>2</sup> 後輪 2.50kgf/cm<sup>2</sup>  
一人騎乘時：前輪 1.50kgf/cm<sup>2</sup> 後輪 1.75kgf/cm<sup>2</sup>  
二人騎乘時：前輪 1.75kgf/cm<sup>2</sup> 後輪 2.00kgf/cm<sup>2</sup>  
輪胎規格：前輪 90/90-10 後輪 100/80-10

載物限重：前行李箱 (依實車配備為準) 1.5kg  
置物掛鉤 3.0kg

LAB4-900

87505-LEA2-900

Sales mark 配色標註	Ref no 參考號碼	Part no 零件號碼	Description 英文名稱	Reg description 中文名稱	Regd no 需求用量	F23
**	87502	87502-LEB2-900	CAUTION BATTERY	標籤	1	
**	87505	87505-LEA2-900	LABEL TIRE	輪胎規格	1	
**	87541	87541-GGS7-901	CAUTION SIDE STAND	標籤	1	
**	87542	87542-GKM9-301	MARK MAINT CAUTION	標籤	1	
**	87546	87546-LEB2-900	CAUTION AFI	標籤	1	
**	87560	87560-GFY6-900	MARK DRIVE CAUTION	標誌	1	

many

86202-LEA2-900

86700-LFG7-900



Sales mark 配色標註	Ref no 參考號碼	Part no 零件號碼	Description 英文名稱	Reg description 中文名稱	Regd no 需求用量	F24
**	86202	86202-LEA2-900	EMB BODY COVER(KIWI 100)	車體邊蓋貼紙(KIWI 100)	2	
**	86700	86700-LFG7-900	STRIPE ENERGY LOGO	節能標章	1	

## PART NO. INDEX

## 零件號碼索引

PART NO. 零件號碼	VERSION 版數	PAGE 頁次	PART NO. 零件號碼	VERSION 版數	PAGE 頁次	PART NO. 零件號碼	VERSION 版數	PAGE 頁次
<b>11000</b>			<b>12000</b>			14110-LEB1-900	3	E02
11100-LEA2-305	0	E01	12100-LEA2-900	10	E03	14321-LEB1-900	3	E02
11102-1G87-004	3	E01	12191-LEA2-900	3	E03	14401-LEA2-900	2	E03
11192-LEA2-900	5	E01	12200-LEA2-910	4	E02	14420-LEA2-900	3	E02
11200-LEA2-305	0	E01	12209-LEA2-90A	2	E02	14430-LEA2-900	4	E02
11203-GGC7-301	2	E01	12216-LEB1-900	2	E02	14433-LEB1-900	1	E02
11203-KHG8-301	2	E01	12217-LEA2-900	2	E02	14434-LEB1-900	1	E02
11204-LEA1-900	1	E01	12251-LEA2-900	4	E02	14452-LEB1-900	4	E02
11205-LEA2-900	3	E01	12310-LEA2-900	6	E02	14453-LEA2-900	5	E02
11205-LEA2-900	3	E04	12361-GFY6-901	1	E04	14510-LEA2-900	2	E03
11206-LEA1-900	1	E06	12391-LEA2-900	4	E02	14520-GFY6-90A	1	E03
11208-LEA2-900	0	E04				14523-GFY6-901	0	E03
11211-LEA1-900	2	F13	<b>13000</b>			14531-GLR0-001	1	E03
1122A-LEA1-900	2	E01				14610-LEA2-900	5	E03
11330-LEA2-900	10	E04	13000-LEA2-900	5	E03	14711-LEA2-900	3	E02
11342-LEA1-900	6	E01	13011-LEA2-900	1	E03	14721-LEA2-900	3	E02
11345-LEA2-900	1	F20	13101-LEA2-900	8	E03	14751-LEA2-900	3	E02
11346-KEBE-900	0	F20	13111-0G87-001	3	E03	14771-LEA2-900	2	E02
1134A-LEA2-900	2	E01	13115-0A01-001	0	E03	14781-KKE5-E00	1	E02
11353-LEB2-900	1	E01	13406-LEA2-900	0	E02	<b>15000</b>		
11383-LEA1-900	1	E07				15100-LEA2-900	6	E06
11386-GFY6-900	0	E07	<b>14000</b>			15131-LEA2-900	1	E03
11394-LEA2-900	5	E04				15421-1G07-001	1	E04
11395-LEA1-900	3	E01	14100-LEA2-900	8	E02	15426-GAE1-921	0	E04

## PART NO. INDEX

## 零件號碼索引

PART NO. 零件號碼	VERSION 版數	PAGE 頁次	PART NO. 零件號碼	VERSION 版數	PAGE 頁次	PART NO. 零件號碼	VERSION 版數	PAGE 頁次	
1565A-GFY6-900	0	E04	17211-LEA1-900	2	F13	17620-LBA2-90A	0	F19	
15772-5L00-013	1	F21	17214-LEA2-900	0	F13	17620-LBA2-90B	0	F19	
<b>16000</b>			17215-LEA1-900	1	F13	17623-LAB4-90A	1	F19	
			17236-KFBF-910	1	F13	17623-LAB4-90B	1	F19	
			17239-LEA1-900	1	F13	17681-KFA1-900	0	F10	
			1723A-LEA2-900	0	F13	17685-GLE0-301	2	F21	
			1723B-LEA2-900	0	F13	17685-KZCZ-900	0	F10	
16068-LEB2-900	3	E09	17255-KGBG-900	1	F13	17686-KHE2-900	0	F10	
16074-KEC3-900	4	E09	17301-KNBN-960	0	F21	17688-KEC8-900	1	F21	
16100-LEA2-900	0	E09	17307-LEA2-900	1	F21	17689-LEA2-900	0	F10	
16110-KKE3-900	2	E09	17310-LBA2-90A	1	F21	17910-LEA2-900	1	F03	
16112-KKE3-900	1	E09	17359-4K19-671	0	F13	<b>18000</b>			
16118-KEC3-900	0	E09	17370-4K19-701	0	F13				
16122-KEC3-900	0	E09	17370-LEA2-900	0	F13				
16123-LEA1-900	1	E09	17371-1D74-671	0	F13		18291-KEBE-900	0	F14
16133-KEC3-900	1	E09	17502-LEA2-900	1	F10		18291-LBD4-900	2	F14
16134-KKE3-900	5	E09	17504-LAB4-900	2	F10		18292-KEBE-900	0	F14
16138-KEC3-900	1	E09	17507-LAB4-900	2	F10		18293-KEBE-900	0	F14
16154-KKE3-900	4	E09	17510-LEA2-900	1	F10		18294-KEBE-900	0	F14
16170-KEC3-900	0	E09	17513-LEA2-900	0	F10		1830A-LEA2-900	2	F14
16195-KEC3-900	0	E09	17515-LAB4-900	1	F10		18318-LEA2-900	1	F14
16201-GFY6-901	0	E02	17520-LEA2-900	0	F19	18318-LEA2-910	2	F14	
1621A-LEA1-900	1	E02	17527-LBA2-900	0	F19	18646-GFY6-941	0	E02	
<b>17000</b>			17550-LEA2-900	0	F10				
			17560-LEA2-900	0	F10				
			1756C-KKE2-900	1	F10				
17110-LEA1-910	3	E02							
17208-GAR1-011	0	F13							

## PART NO. INDEX

## 零件號碼索引

PART NO. 零件號碼	VERSION 版數	PAGE 頁次	PART NO. 零件號碼	VERSION 版數	PAGE 頁次	PART NO. 零件號碼	VERSION 版數	PAGE 頁次
<b>19000</b>			22110-LEA2-900	2	E05	<b>28000</b>		
			22112-GFY6-90A	0	E05			
			22121-LEA2-900	2	E05			
19504-LBA2-E00	3	F10	22131-LEA2-900	1	E05	28101-LEA2-900	1	E06
19505-LEA2-900	0	F10	22132-LBE3-900	1	E05	28102-LEA2-900	2	E06
19510-GBW2-901	3	E07	22300-LEA2-900	3	E05	28110-LEA2-900	2	E06
19613-GFY6-901	0	E07	22350-KHC4-900	0	E05	28120-LEA2-900	5	E06
1961A-LEA2-900	7	E07	22401-KEB8-900	0	E05	28125-3C23-001	0	E06
19625-LEA2-900	1	E07	22530-LBC6-900	1	E05	28125-LEA2-900	2	E06
19626-LEA2-900	2	E07	22804-1H48-001	0	E05	28126-KUDU-900	1	E06
1962A-LEA2-900	7	E07				28211-LBC6-900	2	E05
19633-GFY6-901	0	E07	<b>23000</b>					
19635-LEA2-900	1	E07				<b>30000</b>		
19636-LEA2-900	2	E07	2301A-LEA2-900	7	E05			
1963A-LEA1-900	3	E07	23100-LEA2-900	2	E05	3051A-LEA1-900	2	F19
<b>21000</b>			23200-LEA2-900	1	E05	30700-LEA1-900	2	F19
			23220-LEA2-900	1	E05	<b>31000</b>		
			23225-GCW3-001	0	E05			
21301-LEA2-305	0	E08	23226-GCW3-001	0	E05			
21395-LEA2-900	6	E08	23233-LFE2-910	1	E05	31110-LEA1-90B	2	E07
<b>22000</b>			23237-GFY6-941	0	E05	31110-LEA1-90C	2	E07
			23238-LEA2-900	3	E05	31120-LEA1-90B	3	E07
			23411-LEA2-900	9	E08	31120-LEA1-90C	2	E07
22100-KNBN-902	0	E05	23420-LEA2-900	8	E08	31205-KGN7-670	0	E06
22102-LEA2-900	4	E05	23431-LEA2-900	2	E08	31210-KKC3-900	3	E06
22105-LEA2-900	2	E05	23432-LEA2-900	4	E08	31210-KKC3-90C	2	E06

## PART NO. INDEX

## 零件號碼索引

PART NO. 零件號碼	VERSION 版數	PAGE 頁次	PART NO. 零件號碼	VERSION 版數	PAGE 頁次	PART NO. 零件號碼	VERSION 版數	PAGE 頁次
31500-GFY6-94A-YU	4	F11	33450-LEA2-900	0	F17			
31500-GFY6-94B-KY	4	F11	33451-LEA2-900	0	F17	<b>34000</b>		
31600-LEA2-900	0	F19	33453-LEA2-900	0	F17			
31701-LEA2-900	2	F19	33456-LEA2-305	0	F17	34901-KKA8-900	1	F01
<b>32000</b>			33500-LEA2-900	0	F05	34903-KALA-900	0	F01
			33505-LEA2-900	1	F05	<b>35000</b>		
			33600-LEA2-900	0	F17			
32100-LEA2-900	2	F19	33601-LEA2-900	0	F17			
32101-GFY6-901	1	F04	33602-LEA2-305	0	F17	35101-LGE3-306-M1	0	F19
32106-KKE3-900	2	E06	33603-LEA2-900	0	F17	35101-LGE3-306-M2	0	F19
32108-GAR1-711	0	F19	33604-LEA2-900	0	F17	35102-LDC1-305-M1	0	F19
32410-LDA6-900	1	E06	33650-LEA2-900	0	F17	35102-LDC1-305-M2	0	F19
32411-LEA2-900	1	F11	33651-LEA2-900	0	F17	35104-LBC6-90A	0	F19
32412-LEA2-900	0	E04	33652-LEA2-305	0	F17	35104-LBC6-90B	0	F19
32413-LEA1-900	4	F19	33653-LEA2-900	0	F17	35109-LBC6-90A	1	F19
<b>33000</b>			33654-LEA2-900	0	F17	35109-LBC6-90B	1	F19
			33701-LEA2-900	0	F18	35111-LDC1-305-M1	0	F19
			33702-LEA2-900	0	F18	35111-LDC1-305-M2	0	F19
33100-LEA2-900	1	F01	33703-LEA2-900	0	F18	35111-LDC1-306-M1	0	F19
33104-LEA2-305	0	F01	33704-LEA2-900	0	F18	35111-LDC1-306-M2	0	F19
33106-LEA2-900	0	F01	33705-LEA2-900	0	F18	35111-LDC1-307-M1	0	F19
33120-LEA2-305	0	F01	33706-LEA2-900	0	F18	35111-LDC1-307-M2	0	F19
33400-LEA2-900	0	F17	33741-KEC8-900	0	F18	35119-LBC6-90A	0	F19
33401-LEA2-900	0	F17				35119-LBC6-90B	0	F19
33403-LEA2-900	0	F17				35151-LEA2-305	0	F03
33406-LEA2-305	0	F17				35152-LEA2-910	0	F03

## PART NO. INDEX

## 零件號碼索引

PART NO. 零件號碼	VERSION 版數	PAGE 頁次	PART NO. 零件號碼	VERSION 版數	PAGE 頁次	PART NO. 零件號碼	VERSION 版數	PAGE 頁次
3515A-LEA2-910	0	F03	38500-KHD8-900	0	F19	43156-KKC4-900	1	F04
35201-LEA2-305	0	F03	38500-KHD8-90A	0	F19	43352-5H68-004	3	F07
35202-LEA2-900	0	F03	38773-KBCB-900	0	F10	43353-4A61-77A	0	F07
35340-GBN2-770	3	F03				43410-LEA1-910	5	F08
35340-KNBN-901	0	F04	<b>39000</b>			43416-LEA1-900	3	F08
35380-LEA2-900	1	F19				43450-LEA2-900	4	F03
35850-KHD8-900	1	F19	39300-LEB2-800	1	E02	43472-1A61-001	2	F03
35850-KHD8-90A	0	F19	39301-LEA1-900	1	E02			
<b>37000</b>			39302-KKE3-900	2	E02	<b>44000</b>		
			39303-LEB2-900	2	E02			
			39400-KKE3-800	2	E02	44301-LGE3-900	1	F07
37200-LEA2-90A	1	F02	39450-LEA6-800	2	F14	44311-GLW0-911	0	F07
37200-LEA2-90B	1	F02				44610-KHC4-305	0	F07
37212-LEA2-90A	0	F02	<b>42000</b>			44620-KSBS-900	0	F07
37212-LEA2-90B	0	F02				44705-KHC4-900	2	F07
37215-KFLF-900	0	F05	42610-GKAK-901	4	F08	44710-LAB4-90A-G304	3	F07
37230-LEA2-90A	0	F02	42705-KHC4-900	5	F08	44710-LAB4-90B-G303	2	F07
37230-LEA2-90B	0	F02	42710-LAB4-90A-G304	3	F08	44800-KNBN-901	6	F07
37801-LLJ3-E00	1	F10	42710-LAB4-90B-G303	2	F08	44830-LEA2-900	1	F02
3780A-LEA2-900	1	F10	42753-KXCX-900	1	F07			
<b>38000</b>			42753-KXCX-900	1	F08	<b>45000</b>		
			<b>43000</b>					
38110-KEB7-90A	2	F19				45105-LEA1-306	0	F07
38110-KEB7-90B	2	F19	4312A-LDA3-900	1	F08	45107-MEN5-007	0	F07
38300-LEA2-900	1	F19	4314A-LEA1-900	3	F08	45108-MDL4-007	2	F07
						45109-GBE2-007	0	F07

## PART NO. INDEX

## 零件號碼索引

PART NO. 零件號碼	VERSION 版數	PAGE 頁次	PART NO. 零件號碼	VERSION 版數	PAGE 頁次	PART NO. 零件號碼	VERSION 版數	PAGE 頁次	
45121-GAR1-950	2	F07	50301-KGN7-671	2	F20	<b>51000</b>			
45126-LEA2-900	2	F04	50302-2H68-011	2	F20				
45128-KFC9-900	0	F06	50306-1F96-001	0	F06				
45132-1F66-017	0	F07	50320-LEA2-900	1	F20		51401-LEA2-900	0	F22
45133-LDA3-900	1	F08	50323-LEB1-900	1	F11		51407-LBC6-900	1	F06
45133-MCA3-007	0	F07	50325-LEA2-900	1	F11		51408-LBC6-900	2	F06
45156-KEC6-900	2	F06	50327-LEA2-900	1	F11		5140A-LEA2-900	0	F06
45200-LEA1-900	2	F07	50328-LEA2-900	0	F11		51410-LBC6-900	0	F22
45209-GBE2-007	0	F07	5032A-LEA2-900	1	F11		51412-KFA1-900	0	F22
45210-LEA1-306	0	F07	50350-LEA2-900	0	F20		51420-LBC6-900	0	F22
45215-KECE-900	0	F07	50352-LEA2-900	1	F20		51429-KFA1-900	0	F22
45513-LEA2-900	0	F04	50358-KHC4-900	1	F20		51432-KFA1-900	0	F22
45517-KFAF-910	0	F04	50500-LEA2-900	0	F15		5150A-LEA2-900	0	F06
45520-GLW0-91A	0	F04	50502-LEA1-900	3	F15		51520-LBC6-900	0	F22
45530-LEA2-305	0	F04	50505-LAD9-900	3	F15				
45531-GAR1-951	0	F07	50530-LEA2-900	0	F15	<b>52000</b>			
			50560-LEA2-900	0	E04				
<b>46000</b>			50570-LEA2-900	0	E01	52400-LEA2-900	1	F16	
			50613-LEA2-900	1	F20				
46513-LEB1-900	1	F08	5071A-LDA6-90A	1	F20	<b>53000</b>			
46514-LEA1-900	3	F03	5071A-LDA6-90B	1	F20				
			5071B-LDA6-90A	1	F20	53100-LEA2-900	3	F03	
<b>50000</b>			5071B-LDA6-90B	1	F20	53125-GEN5-901	0	F03	
						53140-GFY6-960	0	F03	
50100-LEA2-900	1	F20				53166-GBW2-001	1	F03	
50140-LEA2-900	3	F10				53173-LEA2-900	0	F04	

## PART NO. INDEX

## 零件號碼索引

PART NO. 零件號碼	VERSION 版數	PAGE 頁次	PART NO. 零件號碼	VERSION 版數	PAGE 頁次	PART NO. 零件號碼	VERSION 版數	PAGE 頁次
53175-LEA2-910	0	F04	64316-KHE2-900	0	F05	81132-LFG6-900	2	F05
53178-LEA2-900	0	F03				81141-LEA2-900	1	F05
53200-LEA2-900	1	F06	<b>77000</b>			81142-KUDU-900	1	F05
53205-LEA2-900	1	F03				81251-LEA2-900	2	F12
53206-LEA2-900	0	F03	77200-LEA2-900	3	F09	81252-LEA2-900	0	F12
53206-LEA2-900	2	F03	77206-KEB7-900	0	F09	81260-LEA2-900	2	F12
53207-LEA2-900	2	F03	77235-LEA1-900	3	F09	81300-LEA2-900	0	F12
53211-GFY6-940	1	F06	77240-LEA2-900	0	F19			
53212-2L50-011	1	F06	77300-LEA2-900	1	F09	<b>83000</b>		
53214-2L50-001	0	F06	77303-LEA1-900	1	F09			
53215-2L50-001	0	F06				83500-LEA2-305	0	F12
			<b>80000</b>			83500-LEA2-305	2	F12
<b>61000</b>						83503-KHD6-900	2	F20
			80100-LEA2-900	1	F18	83600-LEA2-305	2	F12
61100-LEA2-900	0	F06	80102-LEA2-900	1	F18	83602-LEA2-900	1	F18
61101-LEA2-900	0	F06	80104-LEA2-900	0	F18	83750-LEA2-900	2	F12
61102-LEA2-900	0	F06	80105-LEA2-900	1	F18	8376A-KECE-901	2	F05
			80107-KHLH-900	0	F14			
<b>64000</b>			80108-LEB1-900	0	F18	<b>86000</b>		
			80151-LEA2-900	1	F12			
64206-MLJ0-001	1	F12	80152-LEA2-900	2	F05	86202-LEA2-900	0	F24
64222-LBC6-900	1	F12				86404-LGE3-900	1	F06
64301-LEA2-900	2	F05	<b>81000</b>			86700-LFG7-900	2	F24
64303-LEA2-900	1	F05						
64308-LEA2-900	1	F05	81131-LEA2-900	2	F05			
64310-LEA2-900	2	F05	81132-LEA2-900	0	F05			

## PART NO. INDEX

## 零件號碼索引

PART NO. 零件號碼	VERSION 版數	PAGE 頁次	PART NO. 零件號碼	VERSION 版數	PAGE 頁次	PART NO. 零件號碼	VERSION 版數	PAGE 頁次
<b>87000</b>			90001-GFY6-901	1	E02	90131-LEB1-900	1	F07
			90005-KAW1-901	1	E03	90145-MKS9-61A	1	F04
			9000A-KTDT-900	1	E01	90164-MDR4-901	0	F05
87122-LEA2-950	0	F09	9000B-KHD6-900	2	E02	90201-GFY6-901	0	E06
87502-LEB2-900	1	F12	90012-3C33-001	0	E02	90202-1G87-001	0	E05
87502-LEB2-900	1	F23	90031-KUDU-900	0	E01	90206-0A01-001	1	E02
87503-LEA1-900	1	E07	90032-LEA1-900	2	E01	90301-6D34-671	1	F18
87505-LEA2-900	1	F23	90033-GFY6-900	0	E02	90301-GFY6-901	2	F14
87541-GGS7-901	2	F23	90033-GFY6-941	0	E02	90302-GFY6-901	1	F05
87541-LEA1-900	1	E07	90101-KGC4-E00	1	F09	90302-GFY6-901	1	F06
87542-GKM9-301	3	F23	90105-KCR3-001	1	F07	90302-GFY6-901	1	F10
87546-LEB2-900	1	F23	90105-KHC4-900	1	F20	90302-GFY6-901	1	F18
87560-GFY6-900	3	F23	90105-LBC6-900	0	F12	90302-GFY6-940	1	F10
<b>88000</b>			90106-GEN5-901	0	F03	90302-GFY6-940	1	F11
			90108-KUDU-900	1	F15	90302-KNBN-900	1	F13
			90110-KHD8-900	0	F14	90302-LLB1-E00	2	F10
88110-LGE3-900	1	F03	90110-KHG8-901	0	F07	90302-SDA4-004	2	F05
88120-LGE3-900	1	F03	90110-KHG8-901	0	F08	90302-SDA4-004	2	F06
<b>89000</b>			90110-LBC6-900	0	F06	90302-SDA4-004	2	F12
			90111-1G87-001	1	F12	90304-4H38-001	2	E02
			90111-1G87-001	1	F19	90304-GHE8-004	0	F03
89010-LEA2-900	0	F09	90111-LEB1-900	1	F03	90304-LEA1-900	1	F20
<b>90000</b>			90112-KRDR-900	0	F19	90305-GHK8-001	1	E07
			90114-KKAK-900	0	F04	90305-KNBN-90A	0	F08
			90115-LBC6-900	1	F03	90305-KNBN-90B	0	F08
90001-GBHB-661	0	E03	90116-3C83-72A	0	F22	90306-LFE2-900	1	F07

## PART NO. INDEX

## 零件號碼索引

PART NO. 零件號碼	VERSION 版數	PAGE 頁次	PART NO. 零件號碼	VERSION 版數	PAGE 頁次	PART NO. 零件號碼	VERSION 版數	PAGE 頁次
90309-GLW0-90A	1	F07	90741-0E35-001	0	E03	91258-KAM1-00A	1	F07
90309-GLW0-90A	1	F08	90754-GHC8-00A	1	F07	91301-0C53-001	0	E01
90309-KLF0-004-SY	1	E01	90754-GHC8-00B	1	F07	91301-0H28-001	0	E02
90403-LEA2-900	2	E06	90912-GHC8-00A	0	F07	91301-GLR0-005	1	E03
90404-LEB1-900	1	E08	90912-GHC8-00D	0	F07	91302-0A01-021	0	E04
90441-KKC4-800	0	F15				91302-KHD6-900	0	E02
90442-0D44-001	0	E05	<b>91000</b>			91306-1E05-691	0	E03
90442-LEA1-900	1	E02				91307-0E35-001	0	E04
90443-8D44-001	0	E01	91001-GFY6-90A	2	E05	91309-4E25-004	0	E06
90443-8D44-001	0	E04	91001-GGA7-70A	2	E05	91351-6B42-000	0	E05
90451-KUDU-900	0	E08	91001-KGBG-90A	0	E01	91352-KHG8-83B	0	F08
90474-3C33-001	1	E01	91001-KGBG-90B	1	E01	91353-GFY6-900	0	F08
90481-LEA1-900	1	E02	91009-GLE0-004	1	E01	91981-KGN7-670	0	E06
90501-KNBN-901	0	F08	91014-LLJ3-E00	1	F06			
9052A-LEB1-900	1	E01	91015-LLJ3-E00	1	F06	<b>92000</b>		
90545-3L00-001	2	F04	91101-GFY6-90A	0	E06			
90554-2C83-001	0	F22	91101-LEA2-900	1	E06	92101-05012-0H	0	E07
90601-GAR1-900	0	F22	91106-KHC4-90A	0	E08	92101-06014-0H	1	E02
90603-0D44-001	0	E05	91106-KHC4-90B	0	E08	92900-06060-0B	0	E02
90652-LFB5-900	0	F05	91202-GFY6-90A	1	E04			
90652-LGJ9-900	2	E02	91202-GFY6-90B	1	E04	<b>93000</b>		
90656-KCBC-900	0	F03	91202-LEA1-90A	3	E08			
90656-KUDU-900	0	F19	91202-LEA2-900	3	E01	93401-04025-08	0	F19
90660-KNBN-921	0	F21	91211-GHK8-014	0	E05	93404-06012-06	0	F18
90677-GAR1-004	1	F11	91251-LAB4-900	0	F22	93404-06016-06	0	F05
90701-HFB6-011	1	E03	91255-GLE0-006	0	E01	93404-06016-06	0	F20

## PART NO. INDEX

## 零件號碼索引

PART NO. 零件號碼	VERSION 版數	PAGE 頁次	PART NO. 零件號碼	VERSION 版數	PAGE 頁次	PART NO. 零件號碼	VERSION 版數	PAGE 頁次
93404-06030-06	0	F13	93903-34360	0	F17	94101-06200	0	F14
93404-KKC2-900	1	F18	93903-34360	0	F18	94101-KKE3-900	1	E09
93500-03010-1A	0	E06	93903-35260	0	F03	94111-05800	0	E06
93500-04008-0G	0	F10	93903-35260	0	F18	94111-06800	0	E02
93500-04020-0G	0	F19	93903-35320	0	F02	94111-06800	0	E09
93500-04025-0A	0	F13	93903-35360	0	F10	94301-08140	0	E01
93500-05025-1B	0	F03	93903-35360	0	F18	94301-08140	0	E04
93500-05032-1B	0	F03	93903-GFY6-900	1	F05	94301-10160	0	E02
93500-KHC4-90A	0	F19	93903-GFY6-900	1	F12	94301-10160	0	E03
93600-04012-1A	0	F04	93904-35360	0	E01	94510-20000	0	E08
93600-06020-06	0	E06	93904-35360	0	E07	94520-24000	1	E05
93600-LEA2-900	1	E06				94540-05018	0	E06
93700-05018-0H	0	F02	<b>94000</b>			94591-27000	0	F05
93892-04006-08	0	E06				94591-KFBF-900	2	E02
93892-04010-08	0	E09	94001-05000-0S	0	F03	94591-KFBF-900	2	F05
93892-05010-08	0	E09	94050-06000	0	F04	94605-KFA1-900	0	F22
93893-04012-18	0	F04	94050-06060	0	F09			
93901-LEA2-305	0	F03	94050-06060	0	F10	<b>95000</b>		
93901-LEA2-306	0	F03	94050-06060	0	F11			
93903-24360	0	F06	94050-06060	0	F20	95001-LEA2-900	1	F21
93903-25460	0	F13	94050-06080	0	E02	95002-02070	0	E09
93903-34360	0	F01	94050-06080	0	E09	95002-02070	0	F21
93903-34360	0	F03	94050-06080	0	F19	95002-02080	0	F10
93903-34360	0	F05	94050-08080	0	E02	95002-02080	0	F13
93903-34360	0	F11	94050-10080	0	E07	95002-02080	0	F21
93903-34360	0	F12	94050-12080	0	E05	95002-02120	0	F13

## PART NO. INDEX

## 零件號碼索引

PART NO. 零件號碼	VERSION 版數	PAGE 頁次	PART NO. 零件號碼	VERSION 版數	PAGE 頁次	PART NO. 零件號碼	VERSION 版數	PAGE 頁次
95002-02130	0	F10				96100-63040-00	1	E08
95002-50000	0	E01	<b>96000</b>			96220-20118	0	E06
95003-23024-60	0	F13				96220-40080	0	E06
9500A-LEA1-900	1	F21	96001-06008-07	0	F14			
95014-72204	0	F15	96001-06012-06	0	F09	<b>98000</b>		
95014-LBC6-900	0	F15	96001-06012-08	0	E01			
95015-32001	0	F03	96001-06012-08	0	E02	98059-57916-00	2	E02
95015-42000	0	F03	96001-06016-08	0	E07	98200-31000	1	F11
95701-06012-06	1	F04	96001-06018-08	0	E06	98200-31000	1	F19
95701-06012-06	1	F06	96001-06020-08	0	E07	98200-31500	0	F11
95701-06012-06	1	F11	96001-06022-06	1	F04	98200-31500	0	F19
95701-06012-06	1	F20	96001-06022-08	0	E07			
95701-06012-08	0	F19	96001-06025-08	0	E01			
95701-06025-08	0	F08	96001-06025-08	0	E04			
95701-08012-08	0	E01	96001-06025-08	0	E07			
95701-08025-06	0	F19	96001-06030-06	0	F04			
95701-08042-06	0	F14	96001-06032-06	0	F20			
95701-08050-06	0	F14	96001-06032-08	0	E01			
95801-08025-06	0	E01	96001-06050-08	0	E01			
95801-08025-06	0	E04	96001-06090-08	0	E04			
95801-08032-06	1	F16	96001-06095-08	0	E02			
95801-08040-08	0	F06	96001-06100-08	0	E04			
95801-10035-06	0	F16	96001-GFY6-900	1	E02			
95801-10195-06	0	F20	96001-GFY6-900	1	F13			
95801-LEA1-900	1	F15	96100-60020-00	0	E01			
			96100-62030-00	0	E08			