

PARTS CATALOGUE



SCOOTERS

SN20DA

KIWI 100



Date : 2010/01/12

前言

- 本零件型錄適用於 SN20DA 機種，訂購零件時，請參照本冊。
- 本冊之配色表僅供參考，若與實車不符之處，以實車為準。
- 配色記號(Color Mark)
註明 "***" 記號，表示訂購該零件時，請參照機種相片及配色表，並請在基本零件號碼最後加上色碼。
- 本冊若有錯誤或遺漏之處，敬請不吝賜教指正。

ABOUT THIS PARTS LIST

- This parts list is compiled all service parts for model SN20DA.
- Any difference between color chart and motorcycle will be revised according to motorcycle.
- The sales mark:
 - 1.marking "***" must add color code in the end before ordering parts.
- When modification or additions to this parts list are made a revised edition at an appropriate time.

目次

| | |
|--------------------|-----|
| ● 前言 | 1 |
| ● SN20DA 配色表 | 3 |
| ● 引擎結構圖 | 6 |
| ● 車架結構圖 | 7 |
| ● 引擎號碼表 | 10 |
| ● 車架零件號碼表 | 40 |
| ● 零件號碼索引 | 102 |

CONTENTS

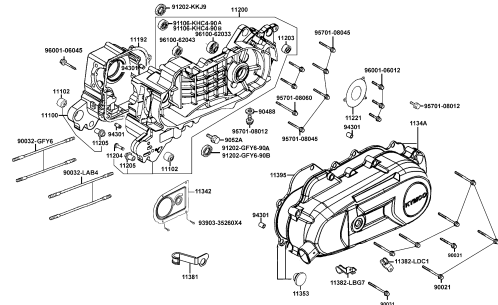
| | |
|-------------------------------|-----|
| ● ABOUT THIS PARTS LIST | 1 |
| ● COLOR CHART OF SN20DA | 3 |
| ● CONTENTS-ENGINE GROUP | 6 |
| ● CONTENTS-FRAME GROUP | 7 |
| ● ENGINE PARTS LIST | 10 |
| ● FRAME PARTS LIST | 40 |
| ● PART NO. INDEX | 102 |

| NO | MODEL | | | SN20DA COLOR CHART | | | |
|------------------------|-------------------|----------------|---------|---------------------|------------|---------|--------------|
| | PHOTO NO | | | NO. 1 | NO. 2 | NO. 3 | NO. 4 |
| | BASIC COLOR | | | 淺晶藍 | 亮紅 | 黑 | 珍珠白 |
| | CODE | | | Light Blue Metallic | Bright Red | Black | Pearly White |
| | PARTS NAME | PARTS NO. | VERSION | PB078MA | RR339PA | NH001SA | NH193PA |
| 1 | CUSHION ASSY RR | 52400-KHC4-900 | 1 | M2S | | | |
| 2 | LEVER R STRG HNDL | 53175-KFA6-E00 | 0 | M5A | | | |
| 3 | LEVER L STRG HNDL | 53178-KXCX-E00 | 0 | | | | |
| 4 | FORK ASSY R FR | 5140A-LGE3-900 | 2 | N1A | | | |
| 5 | BOTTOM CASE R | 51420-LBC6-900 | 0 | | | | |
| 6 | FORK ASSY L FR | 5150A-LGE3-900 | 2 | | | | |
| 7 | BOTTOM CASE L | 51520-LBC6-900 | 0 | | | | |
| 8 | COVER FR HANDLE | 53205-LGE3-900 | 2 | CGP | EBP | N1P | NVP |
| 9 | COVER HANDLE RR | 53206-LGE3-900 | 2 | | | | |
| 10 | "COVER,LOW B | 53207-LGE3-900 | 3 | | | | |
| 11 | FENDER B FR INNER | 61101-LBC6-900 | 1 | | | | |
| 12 | FENDER A FR INNER | 6110A-LGE3-900 | 0 | | | | |
| 13 | MOLDING,FR. | 64302-LGE3-347 | 4 | | | | |
| 14 | SKIRT R SIDE | 64305-LBC6-900 | 1 | | | | |
| 15 | SKIRT L SIDE | 64306-LBC6-900 | 1 | | | | |
| 16 | COVER SET R BODY | 83500-LBC6-347 | 1 | | | | |
| 17 | COVER SET L BODY | 83600-LBC6-347 | 1 | | | | |
| 18 | COVER FRONT | 64301-LGE3-900 | 3 | NVP | | N1P | NVP |
| 19 | COVER CENTER | 80151-LBC6-900 | 2 | H4R | | | |
| 20 | COVER REAR CENTER | 83750-LBC6-900 | 2 | | | | |
| 21 | COVER BATTERY | 50326-LBC6-900 | 3 | | | | |
| 22 | PANEL FLOOR | 64310-LBC6-900 | 2 | | | | |
| 23 | PLUG FLOOR | 64316-KHE2-900 | 0 | | | | |
| 24 | COVER LOW CENTER | 80152-LBC6-900 | 2 | | | | |
| 25 | COVER FR INNER UP | 81131-LGE3-900 | 2 | | | | |
| DATE OF STARTING-SALES | | | | | | | |
| DATE OF END-SALES | | | | | | | |

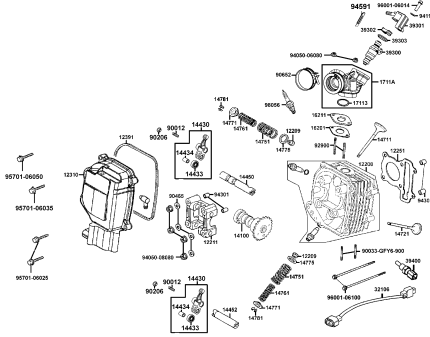
| NO | MODEL | | | SN20DA COLOR CHART | | | | | | | |
|------------------------|--------------------|----------------|---------|---------------------|------------|---------|--------------|-----|--|--|--|
| | PHOTO NO | | | NO. 1 | NO. 2 | NO. 3 | NO. 4 | | | | |
| | BASIC COLOR | | | 淺晶藍 | 亮紅 | 黑 | 珍珠白 | | | | |
| | CODE | | | Light Blue Metallic | Bright Red | Black | Pearly White | | | | |
| | PARTS NAME | PARTS NO. | VERSION | PB078MA | RR339PA | NH001SA | NH193PA | | | | |
| 26 | HOOK LUGGAGE | 81132-LFG6-900 | 2 | H4R | N1R | | | | | | |
| 27 | CAP LEG SHIELD | 81132-LGE3-900 | 2 | | | | | | | | |
| 28 | LID LEG SHIELD | 81142-KUDU-900 | 1 | | | | | | | | |
| 29 | PROTECTOR MUFFLER | 18317-KHC4-900 | 2 | N1R | | | | | | | |
| 30 | GRIP COMP THROT | 53140-KFA1-900 | 2 | | | | | | | | |
| 31 | GRIP L HANDLE | 53166-KFA1-900 | 2 | | | | | | | | |
| 32 | MOLDING.LOW FR. | 64308-LGE3-900 | 5 | | | | | | | | |
| 33 | BAND HARNESS WIRE | 90656-KUDU-900 | 0 | | | | | | | | |
| 34 | HUB SUB COMP RR | 42610-GKAK-901 | 4 | | | | | | | | |
| 35 | HUB SUB SET FR | 44610-KHC4-305 | 0 | | | | | | | | |
| 36 | GEAR BOX ASSY | 44800-KNBN-901 | 6 | | | | | | | | |
| 37 | RIM COMP WHEEL | 42705-KHC4-900 | 5 | | | | | | | | |
| 38 | RIM COMP FR WHEEL | 44705-KHC4-900 | 2 | | | | | NJA | | | |
| 39 | CLAMPER ASSY FR L | 45200-KHC4-900 | 3 | NJS | | | | | | | |
| 40 | EMB K-LOGO 28.5MM | 86102-KKC4-900 | 1 | R8A | | | | | | | |
| 41 | EMB BODY COVER | 86202-LGF6-900 | 2 | | | | | | | | |
| 42 | STRIPE ENERGY LOGO | 86700-LFG7-900 | 2 | | | | | | | | |
| 43 | MARK E/M 5th STAGE | 87122-LGF6-950 | 2 | | | | | | | | |
| 44 | CAUTION BATTERY | 87502-LEB2-900 | 1 | | | | | | | | |
| 45 | CAUTION MUFFLER | 87503-LEA1-900 | 1 | | | | | | | | |
| 46 | LABEL TIRE | 87505-LAB4-900 | 2 | | | | | | | | |
| 47 | CAUTION SIDE STAND | 87541-GGS7-901 | 2 | | | | | | | | |
| 48 | LABE OIL CAP | 87541-KHC4-900 | 1 | | | | | | | | |
| 49 | MARK MAINT CAUTION | 87542-GKM9-301 | 3 | | | | | | | | |
| 50 | CAUTION AFI | 87546-LEB2-900 | 1 | | | | | T01 | | | |
| DATE OF STARTING-SALES | | | | | | | | | | | |
| DATE OF END-SALES | | | | | | | | | | | |

CONTENTS - ENGINE GROUP

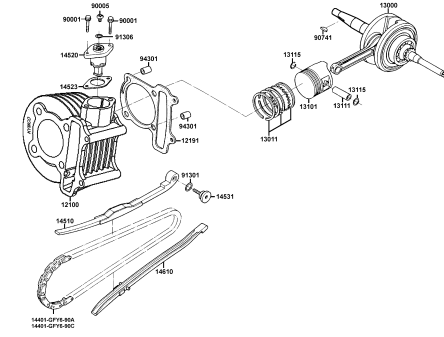
E01 曲軸箱



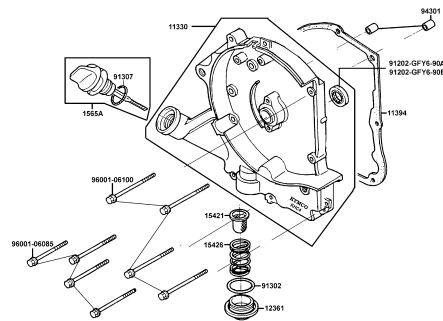
E02 汽缸頭蓋 汽缸頭



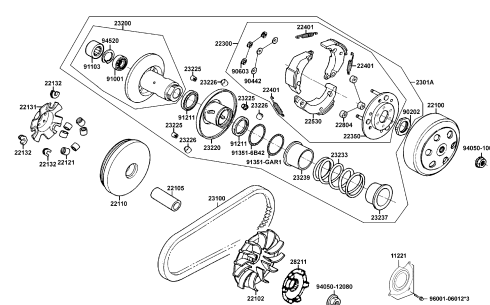
E03 汽缸 活塞 曲軸



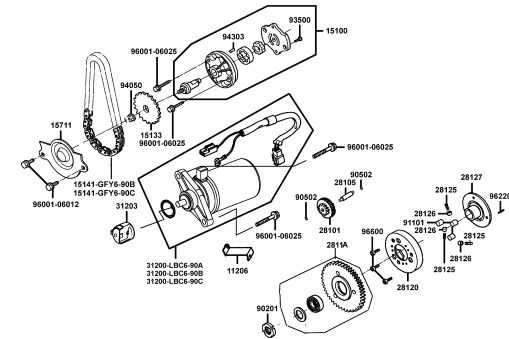
E04 右曲軸箱蓋



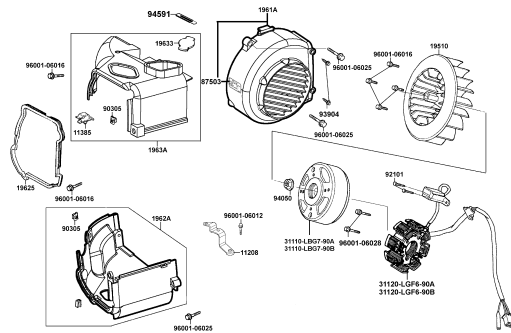
E05 皮帶輪



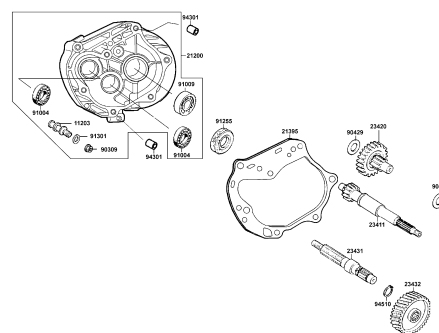
E06 起動馬達 機油泵



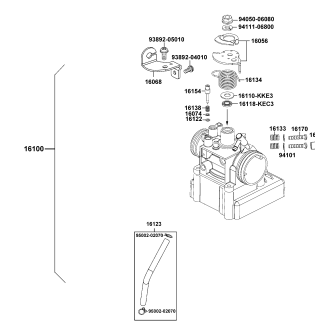
E07 風扇蓋 發電機



E08 傳動系

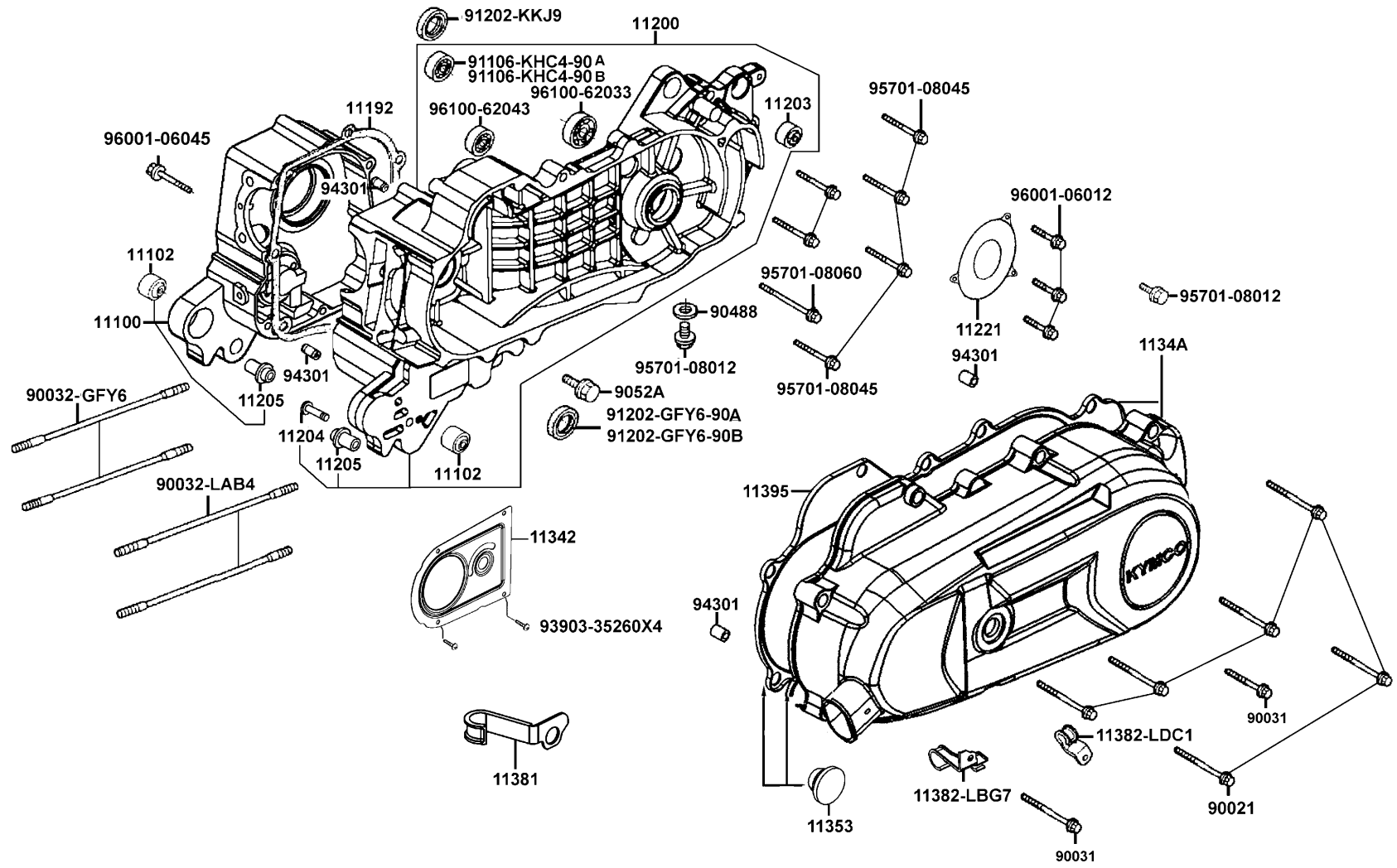


E09 化油器



E01

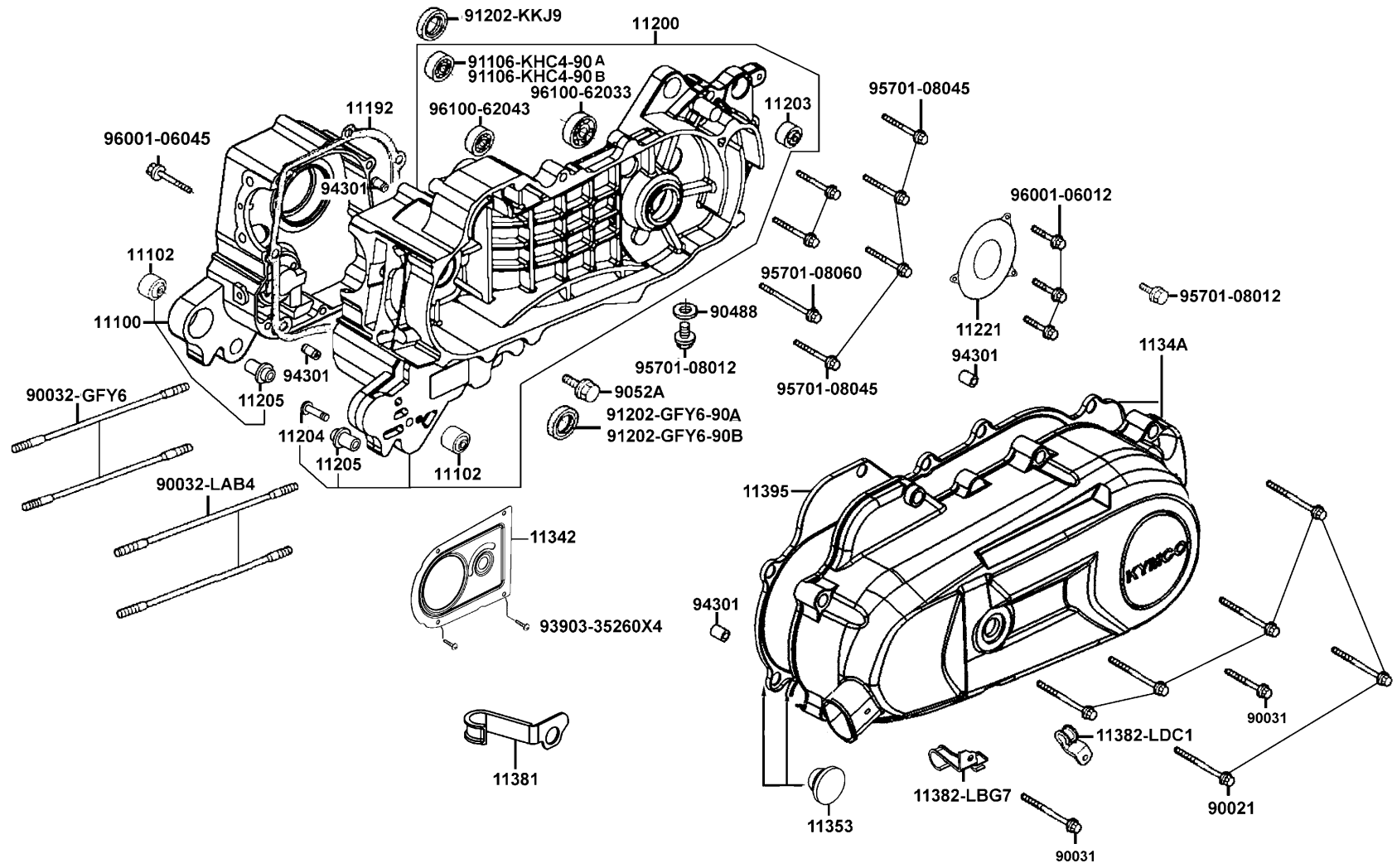
Crank Case 曲軸箱



| Sales mark 配色標註 | Ref no 參考號碼 | Part no 零件號碼 | Description 英文名稱 | Reg description 中文名稱 | Regd no 需求用量 | E01 |
|--------------------|----------------|-----------------|--------------------------------|-------------------------|-----------------|-----|
| | 11100 | 11100-LAE3-305 | CRANK CASE COMP RIGHT | 右曲軸箱組 | 1 | |
| | 11102 | 11102-1G87-004 | RUB BUSH ENG HANGER | 引擎吊架襯套 | 2 | |
| | 11192 | 11192-KHC4-900 | GASTER CRANK CASE @ A | 曲軸箱墊片 A | 1 | |
| | 11200 | 11200-LBC6-305 | CRANK CASE SET LEFT | 左曲軸箱組 | 1 | |
| | 11203 | 11203-GGC7-301 | UNDER RUBBER BUSH REAR CUSHION | 後緩衝下襯套 | 1 | |
| | 11204 | 11204-KNBN-901 | PIN SPG HOOK | 固定銷 | 1 | |
| | 11205 | 11205-LAB4-900 | BUSH MAIN STAND | 主腳架襯套 | 2 | |
| | 11221 | 11221-KHC4-900 | INSULATOR DUST | 通氣管 | 1 | |
| | 11342 | 11342-LDC1-900 | PLATE L COVER | 通氣導板 | 1 | |
| | 1134A | 1134A-LGF6-305 | COVER L SIDE | 左曲軸箱蓋 | 1 | |
| | 11353 | 11353-LGF6-900 | RUBBER PLUG ,L COVER KICK | 冷風入口蓋 | 1 | |
| | 11381 | 11381-LGF6-900 | CLAMPER, OIL CATCH TUBE | 節流導線夾 | 1 | |
| | 11382-LBG7 | 11382-LBG7-900 | CLAMPER B FUEL HOSE | 油管夾 B | 1 | |
| | 11382-LDC1 | 11382-LDC1-900 | CLAMPER BRAKE WIRE | 煞車導線夾 | 1 | |
| | 11395 | 11395-LGF6-900 | GASKET, L COVER | 左曲軸箱蓋墊片 | 1 | |
| | 90021 | 90021-LDC1-900 | BOLT FLANGE 6*38 | 螺絲 6*38 | 6 | |
| | 90031 | 90031-LDC1-900 | BOLT B STUD 8*182.5 | 雙頭螺絲 8*182.5 | 2 | |
| | 90032-GFY6 | 90032-GFY6-901 | BOLT B STUD 8*195.5 | 雙頭螺絲 8*195.5 | 2 | |
| | 90032-LAB4 | 90032-LAB4-900 | BOLT B STUD 8*203.5 | 雙頭螺絲 8*203.5 | 2 | |
| | 90488 | 90488-7L00-001 | WASHER 8MM | 華司 8MM | 1 | |

E01

Crank Case 曲軸箱



| Sales mark 配色標註 | Ref no 參考號碼 | Part no 零件號碼 | Description 英文名稱 | Reg description 中文名稱 | Regd no 需求用量 | E01 |
|--------------------|----------------|-----------------|--------------------------|-------------------------|-----------------|-----|
| | 9052A | 9052A-GFY6-950 | BOLT ASSY DRAIN PLUG | 洩油螺絲 | 1 | |
| | 91106-KHC4-90A | 91106-KHC4-90A | BRG NEEDLE 15MM | 滾針軸承 | 1 | |
| | 91106-KHC4-90B | 91106-KHC4-90B | BRG NEEDLE 15MM | 滾針軸承 | 1 | |
| | 91202-GFY6-90A | 91202-GFY6-90A | OIL SEAL 19.8*30*5 | 油封 19.8*30*5 | 1 | |
| | 91202-GFY6-90B | 91202-GFY6-90B | OIL SEAL 19.8*30*5 | 油封 19.8*30*5 | 1 | |
| | 91202-KKJ9 | 91202-KKJ9-004 | OIL SEAL 20*32*6 | 油封 20X32X6 | 1 | |
| | 93903-35260 | 93903-35260 | SCREW TAPPING 5*12 | 螺釘 5*12 | 4 | |
| | 94301 | 94301-08140 | DOWEL PIN 8*14 | 定位銷 8X14 | 4 | |
| | 95701-08012 | 95701-08012-08 | BOLT FLANGE 8*12 | 螺絲 8*12 | 2 | |
| | 95701-08045 | 95701-08045-08 | BOLT FLANGE 8*45 | 螺絲 8*45 | 6 | |
| | 95701-08060 | 95701-08060-08 | BOLT FLANGE 8*60 | 螺絲 8*60 | 1 | |
| | 96001-06012 | 96001-06012-08 | BOLT FLANGE 6*12 | 螺絲 6*12 | 3 | |
| | 96001-06045 | 96001-06045-08 | BOLT FLANGE SH 6*45 | 螺栓 6*45 | 1 | |
| | 96100-62033 | 96100-62033-00 | BEARING BALL RADIAL 6203 | 徑向滾珠軸承 | 1 | |
| | 96100-62043 | 96100-62043-00 | BEARING BALL RADIAL 6204 | 軸承 6204 | 1 | |

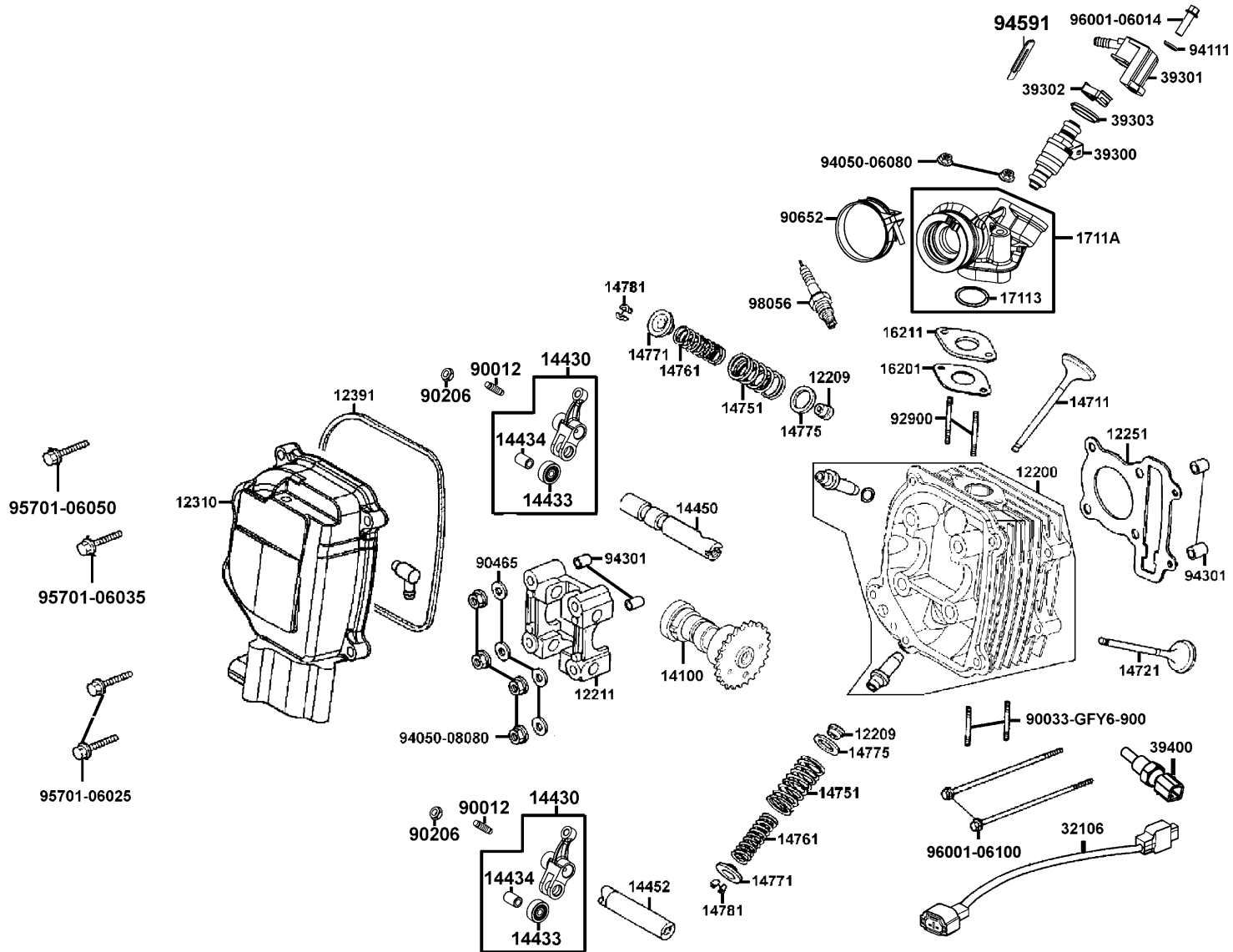
E02

Cylinder Head Cover

Cylinder Head

汽缸頭蓋

汽缸頭



| Sales mark 配色標註 | Ref no 參考號碼 | Part no 零件號碼 | Description 英文名稱 | Reg description 中文名稱 | Regd no 需求用量 | E02 |
|--------------------|----------------|-----------------|--------------------------|-------------------------|-----------------|-----|
| | 12200 | 12200-LGF6-900 | HEAD COMP CYLINDER | 汽缸頭 | 1 | |
| | 12209 | 12209-GDB4-68A | SEAL VALVE STEM | 門閥徑封 | 2 | |
| | 12211 | 12211-LFD7-900 | HOLDER CAM SHAFT | 凸輪軸固定座 | 1 | |
| | 12251 | 12251-KHC4-900 | GASKET CYLINDER HEAD | 汽缸頭墊片 | 1 | |
| | 12310 | 12310-LGF6-900 | COVER COMP,HEAD | 汽缸頭蓋 | 1 | |
| | 12391 | 12391-GFY6-941 | GASKET HEAD COVER | 汽缸頭蓋墊片 | 1 | |
| | 14100 | 14100-LBG7-800 | SHAFT COMP CAM | 凸輪軸 | 1 | |
| | 14430 | 14430-LFD7-900 | ARM VALVE ROCKER | 閥門搖臂 | 2 | |
| | 14433 | 14433-LEB1-900 | ROLLER ASSY ROCKER ARM | 軸承 | 2 | |
| | 14434 | 14434-LEB1-900 | PIN ROCKER ARM | 套筒 | 2 | |
| | 14450 | 14450-GFY6-901 | SHAFT COMP IN ROCKER ARM | 進氣閥搖臂軸 | 1 | |
| | 14452 | 14452-GFY6-901 | SHAFT EXH ROCKER ARM | 排氣閥搖臂軸 | 1 | |
| | 14711 | 14711-LAB4-900 | VALVE INLET | 進氣閥門 | 1 | |
| | 14721 | 14721-LAB4-900 | VALVE EXHAUST | 排氣閥門 | 1 | |
| | 14751 | 14751-LFD7-900 | SPG VALVE OUTER | 閥門外彈簧 | 2 | |
| | 14761 | 14761-KKJ9-003 | SPG VALVE INNER | 門閥內彈簧 | 2 | |
| | 14771 | 14771-GDB4-680 | RETAINER VALVE SPRING | 閥門彈簧保持器 | 2 | |
| | 14775 | 14775-MFA6-001 | SEAT VALVE SPG OUTER | 門閥彈簧外座 | 2 | |
| | 14781 | 14781-MFA6-001 | COTTER VALVE | 閥門鎖扣 | 4 | |
| | 16201 | 16201-LAB4-900 | GASKET CARB INSULATOR @A | 化油器隔熱板墊片 A | 1 | |

| Sales mark 配色標註 | Ref no 參考號碼 | Part no 零件號碼 | Description 英文名稱 | Reg description 中文名稱 | Regd no 需求用量 | E02 |
|--------------------|----------------|-----------------|-------------------------------|-------------------------|-----------------|-----|
| 16211 | | 16211-LGF6-900 | INSULATOR CARB | 化油器隔熱板 | 1 | |
| 17113 | | 17113-KKE3-900 | O-RING INLET PIPE | O環 | 1 | |
| 1711A | | 1711A-LGF6-900 | PIPE ASSY.,INLET | 進氣管 | 1 | |
| 32106 | | 32106-KKE3-900 | SUB HARNESS A | 汽缸頭溫度感應器配線 | 1 | |
| 39300 | | 39300-LEA6-800 | FUEL INJECTOR | 燃油噴嘴 | 1 | |
| 39301 | | 39301-LEB2-900 | HOLDER ASSY FUEL | 燃油噴嘴托蓋組 | 1 | |
| 39302 | | 39302-KKE3-900 | CLIP SPRING FUEL INJECTOR | 噴嘴彈簧夾 | 1 | |
| 39303 | | 39303-LEB2-900 | SEAL HIGH TENSION FUEL INJECT | 拉力封 | 1 | |
| 39400 | | 39400-KKE3-800 | SENSOR HEAD TEMPERATURE | 汽缸頭溫度感應器 | 1 | |
| 90012 | | 90012-3C33-001 | SCREW TAPPET ADJUSTING | 樞軸調整螺絲 | 2 | |
| 90033-GFY6-900 | | 90033-GFY6-900 | BOLT STUD 8*32 | 螺絲 8X32 | 2 | |
| 90206 | | 90206-0A01-001 | NUT TAPPET ADJG | 挺桿調整螺帽 | 2 | |
| 90465 | | 90465-MDC4-001 | WASHER 8MM | 華司 8MM | 4 | |
| 90652 | | 90652-LGJ9-900 | BAND 48, INLET-PIPE | 進氣管夾 | 1 | |
| 92900 | | 92900-06060-0B | BOLT STUD 6*60 | 雙頭螺絲 6*60 | 2 | |
| 94050-06080 | | 94050-06080 | NUT FLANGE 6MM | 螺帽 6MM | 2 | |
| 94050-08080 | | 94050-08080 | NUT FLANGE 8MM | 螺帽 8MM | 4 | |
| 94111 | | 94111-06800 | WASHER SPG 6MM | 華司 6MM | 1 | |
| 94301 | | 94301-10160 | DOWEL PIN 10*16 | 定位銷 10X16 | 4 | |
| 94591 | | 94591-KFBF-900 | CLIP 2*70 | 環夾 | 1 | |

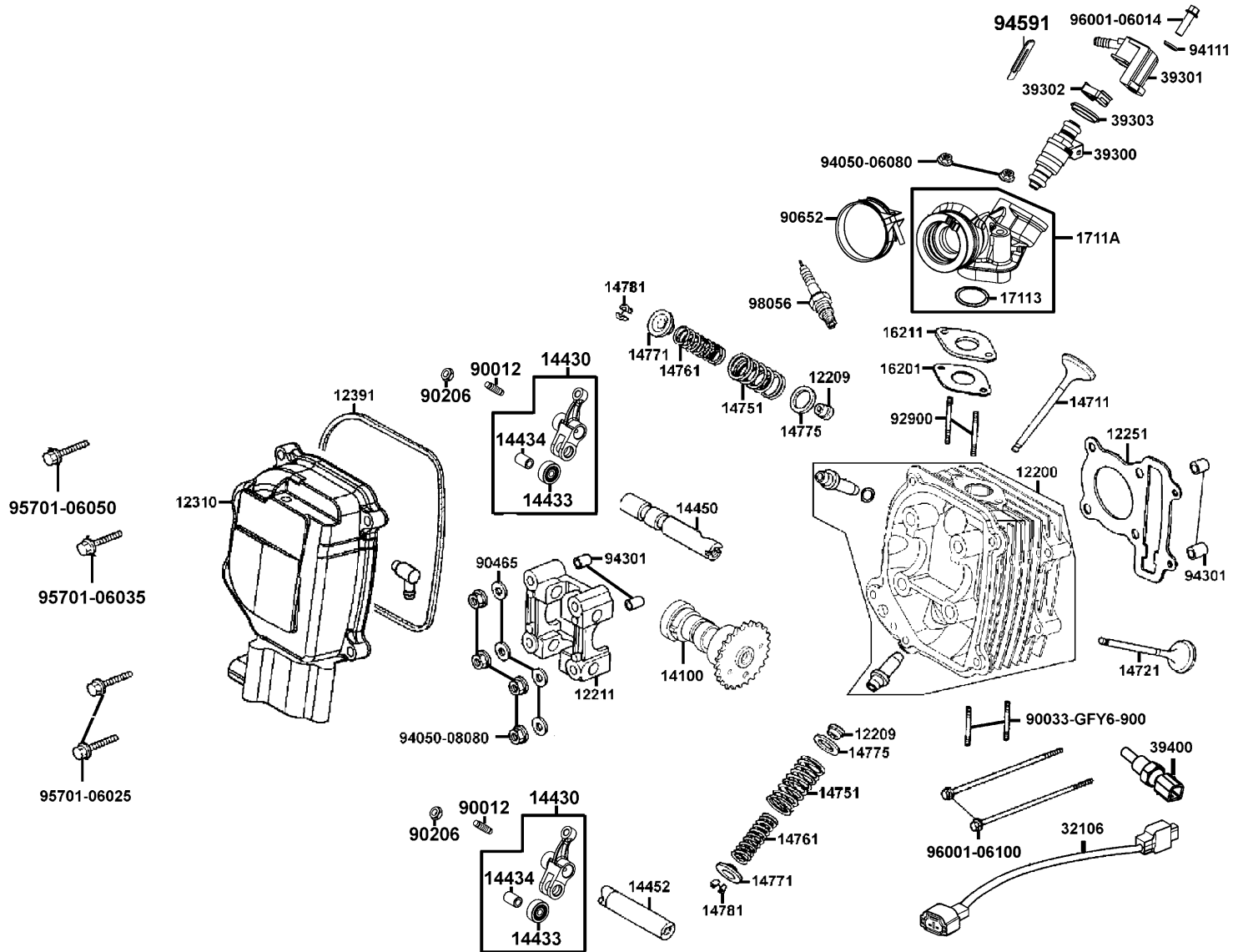
E02

Cylinder Head Cover

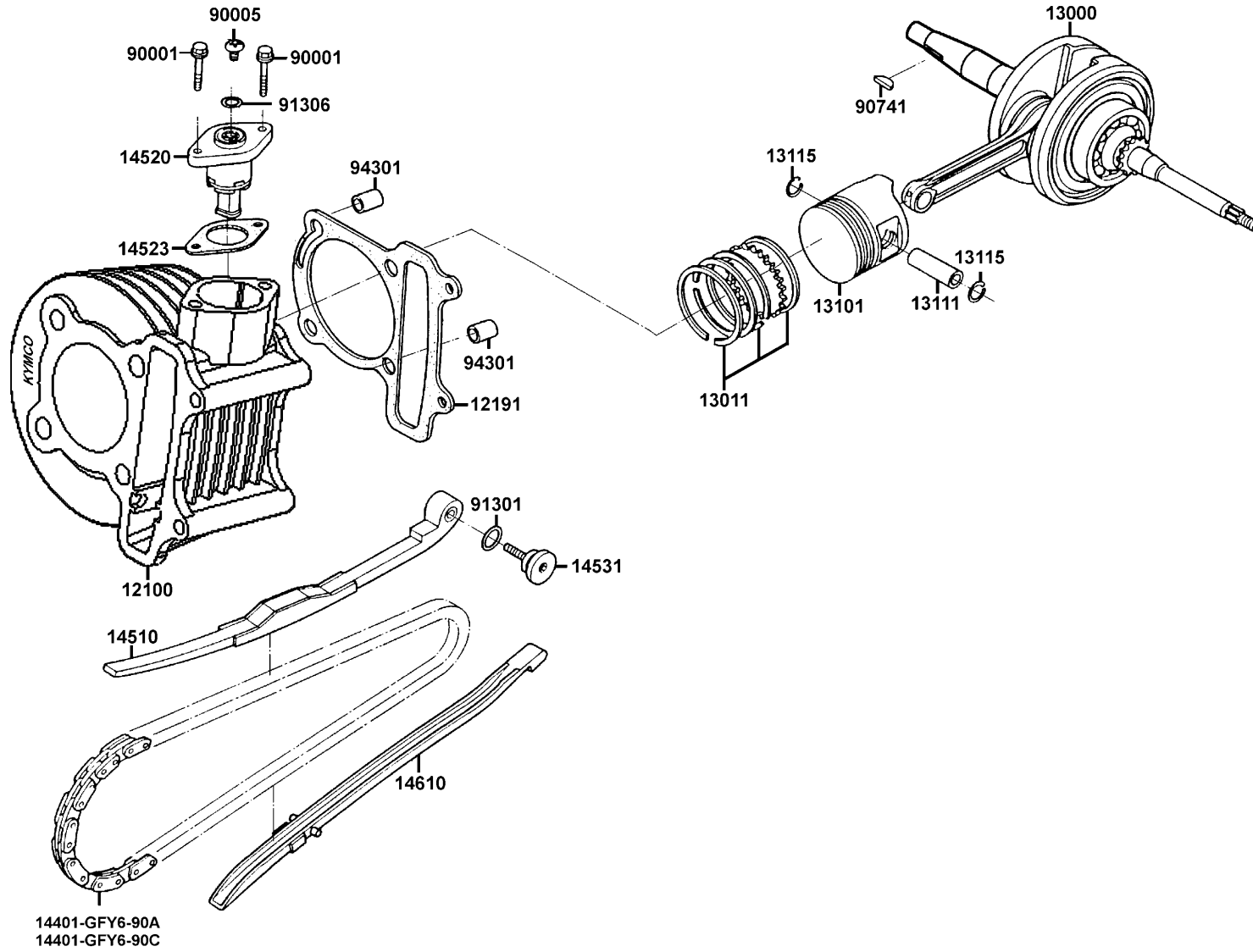
Cylinder Head

汽缸頭蓋

汽缸頭



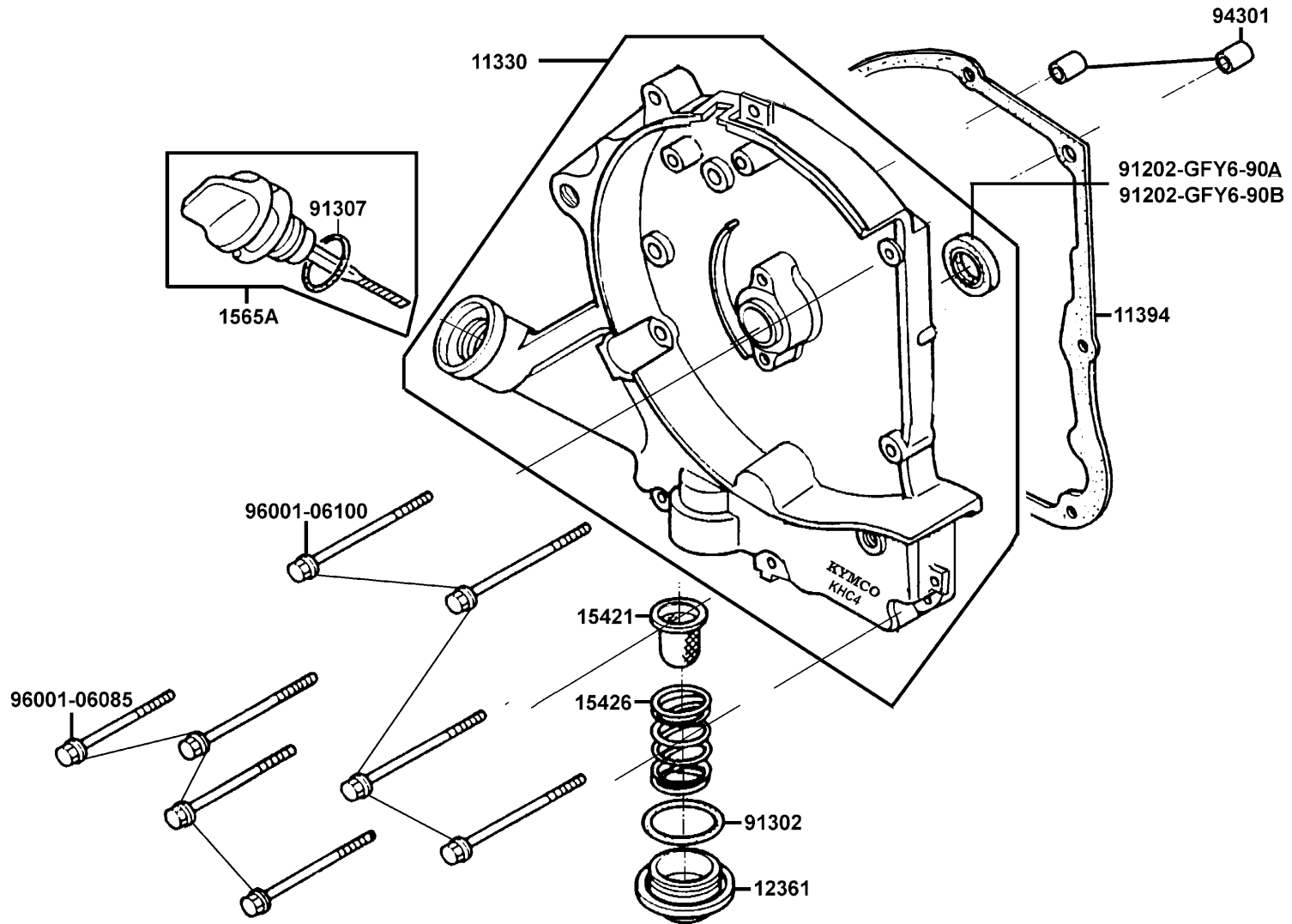
| Sales mark 配色標註 | Ref no 參考號碼 | Part no 零件號碼 | Description 英文名稱 | Reg description 中文名稱 | Regd no 需求用量 | E02 |
|--------------------|----------------|-----------------|----------------------|-------------------------|-----------------|-----|
| | 95701-06025-08 | 95701-06025-08 | BOLT FLANGE 6*25 | 螺絲 6*25 | 2 | |
| | 95701-06035 | 95701-06035-08 | BOLT FLANGE SH 6*35 | 螺絲 6*35 | 1 | |
| | 95701-06050 | 95701-06050-08 | BOLT FLANGE 6*50 | 螺絲 6*50 | 1 | |
| | 96001-06014 | 96001-06014-08 | BOLT FLANGE 6*14 | 螺絲 6X14 | 1 | |
| | 96001-06100 | 96001-06100-08 | BOLT FLANGE SH 6*100 | 特殊螺絲 6*100 | 2 | |
| | 98056 | 98056-5671R-00 | SPARK PLUG (CR6HSA) | 火星塞 | 1 | |



| Sales mark 配色標註 | Ref no 參考號碼 | Part no 零件號碼 | Description 英文名稱 | Reg description 中文名稱 | Regd no 需求用量 | E03 |
|--------------------|----------------|-----------------|-----------------------------|-------------------------|-----------------|-----|
| | 12100 | 12100-LAB4-700 | CYLINDER COMP | 汽缸 | 1 | |
| | 12191 | 12191-KHC4-900 | GASTET CYLINDER @ A | 汽缸墊片 A | 1 | |
| | 13000 | 13000-LBD4-900 | CRANK SHAFT COMP | 曲軸 | 1 | |
| | 13011 | 13011-LBG7-900 | RING SET PISTON | 活塞環組 | 1 | |
| | 13101 | 13101-LCB4-900 | PISTON | 活塞 | 1 | |
| | 13111 | 13111-0G87-001 | PIN PISTON | 活塞銷 | 1 | |
| | 13115 | 13115-0A01-001 | PISTON PIN CLIP | 活塞銷夾 | 2 | |
| | 14401-GFY6-90A | 14401-GFY6-90A | CHAIN CAM | 凸輪軸驅動鏈條 | 1 | |
| | 14401-GFY6-90C | 14401-GFY6-90C | CHAIN CAM | 凸輪軸驅動鏈條 | 1 | |
| | 14510 | 14510-LAB4-900 | TENSIONER CAM CHAIN | 內鏈條拉力桿 | 1 | |
| | 14520 | 14520-GFY6-90A | LIFTER ASSY TENSIONER | 內鏈條調整器 | 1 | |
| | 14523 | 14523-GFY6-901 | GASKET TENSIONER LIFTER @ A | 內鏈條調整器墊片 | 1 | |
| | 14531 | 14531-GLR0-001 | PIVOT CAM CHAIN TENSIONER | 拉力桿螺絲 | 1 | |
| | 14610 | 14610-LAB4-900 | GUIDE COMP CAM CHAIN | 鏈條導件 | 1 | |
| | 90001 | 90001-GBHB-661 | BOLT FLANGE SH 6*22 | 螺絲 6*22 | 2 | |
| | 90005 | 90005-KAW1-901 | SCREW PAN 6*6 | 螺絲 6*6 | 1 | |
| | 90741 | 90741-0E35-001 | KEY WOODRUFF | 固定鍵 | 1 | |
| | 91301 | 91301-GLR0-005 | O RING 15.2*1.5 | O環 15.2X1.5 | 1 | |
| | 91306 | 91306-1E05-691 | O-RING 1.5*9.5 | O環 1.5*9.5 | 1 | |
| | 94301 | 94301-10160 | DOWEL PIN 10*16 | 定位銷 10X16 | 2 | |

E04

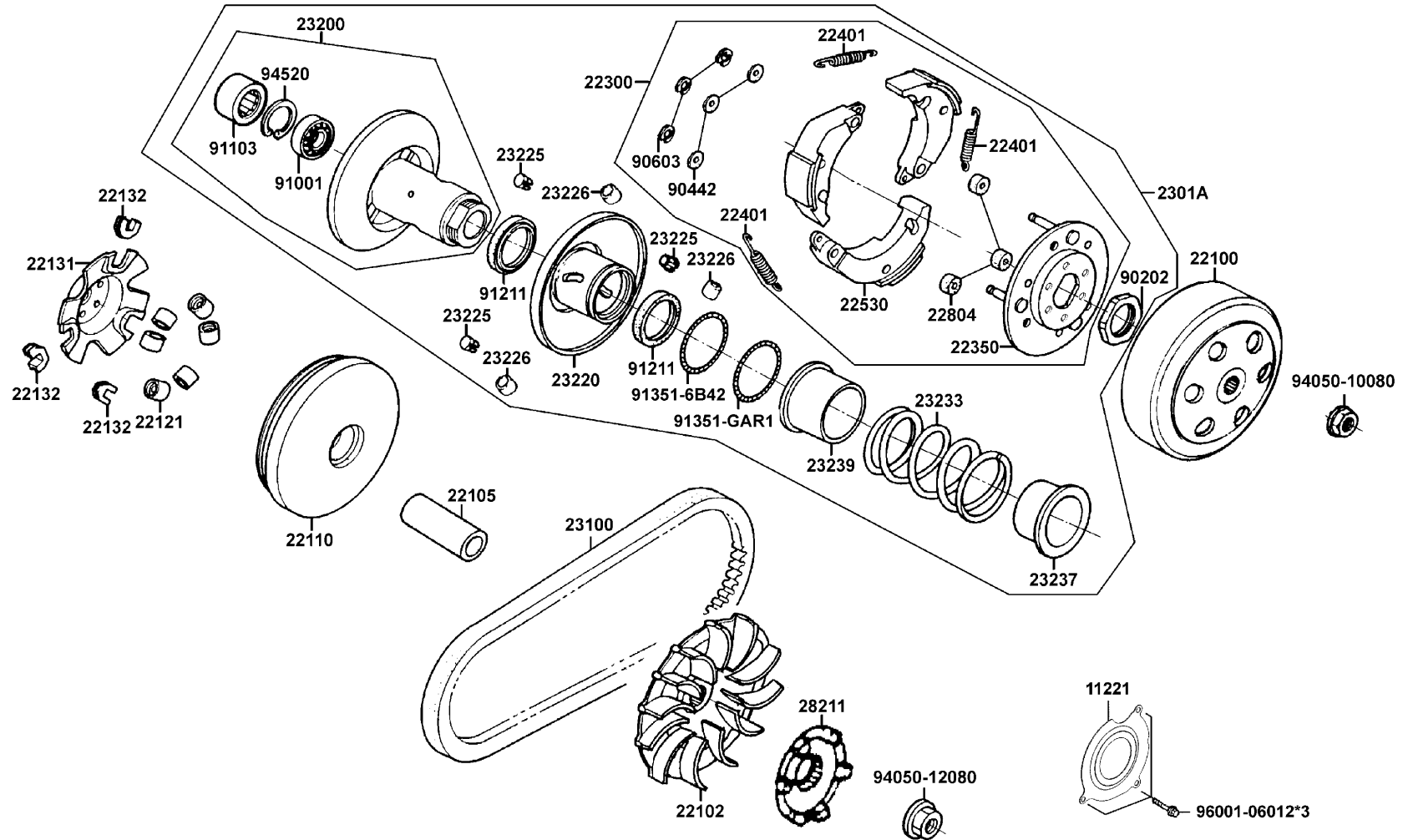
Right Crankcase Cover 右曲軸箱蓋



| Sales mark 配色標註 | Ref no 參考號碼 | Part no 零件號碼 | Description 英文名稱 | Reg description 中文名稱 | Regd no 需求用量 | E04 |
|--------------------|----------------|-----------------|---------------------------|-------------------------|-----------------|-----|
| | 11330 | 11330-LBG7-900 | COVER R CRANK CASE | 右曲軸箱蓋 | 1 | |
| | 11394 | 11394-KHC4-900 | GASTER R COVER @ A | 右曲軸箱蓋墊片 A | 1 | |
| | 12361 | 12361-GFY6-901 | HOLE CAP TAPPET ADJUSTING | 調節螺帽 | 1 | |
| | 15421 | 15421-1G07-001 | SCREEN OIL FILTER | 濾油網 | 1 | |
| | 15426 | 15426-GAE1-921 | SPG OIL FILTER SCREEN | 濾油網彈簧 | 1 | |
| | 1565A | 1565A-GFY6-900 | GAUGE OIL LEVEL ASSY | 機油尺組 | 1 | |
| | 91202-GFY6-90A | 91202-GFY6-90A | OIL SEAL 19.8*30*5 | 油封 19.8*30*5 | 1 | |
| | 91202-GFY6-90B | 91202-GFY6-90B | OIL SEAL 19.8*30*5 | 油封 19.8*30*5 | 1 | |
| | 91302 | 91302-0A01-021 | O-RING 30.8MM | O環 30.8MM | 1 | |
| | 91307 | 91307-0E35-001 | O RING 18*3 | O環 18X3 | 1 | |
| | 94301 | 94301-08140 | DOWEL PIN 8*14 | 定位銷 8X14 | 2 | |
| | 96001-06085 | 96001-06085-06 | BOLT FLANGE 6*85 | 螺絲 6*85 | 4 | |
| | 96001-06100 | 96001-06100-08 | BOLT FLANGE SH 6*100 | 特殊螺絲 6*100 | 4 | |

E05

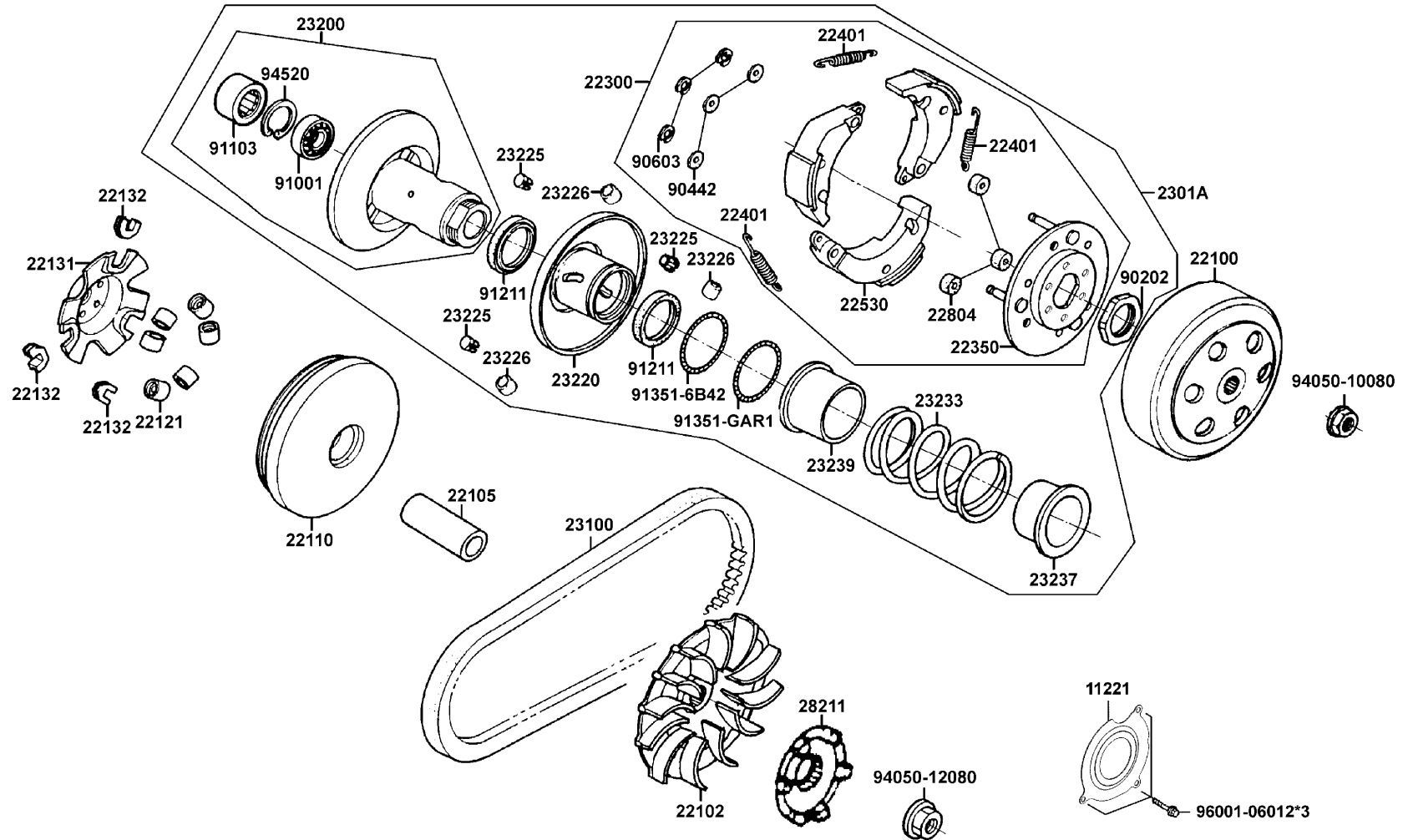
Driven Pulley 皮帶輪



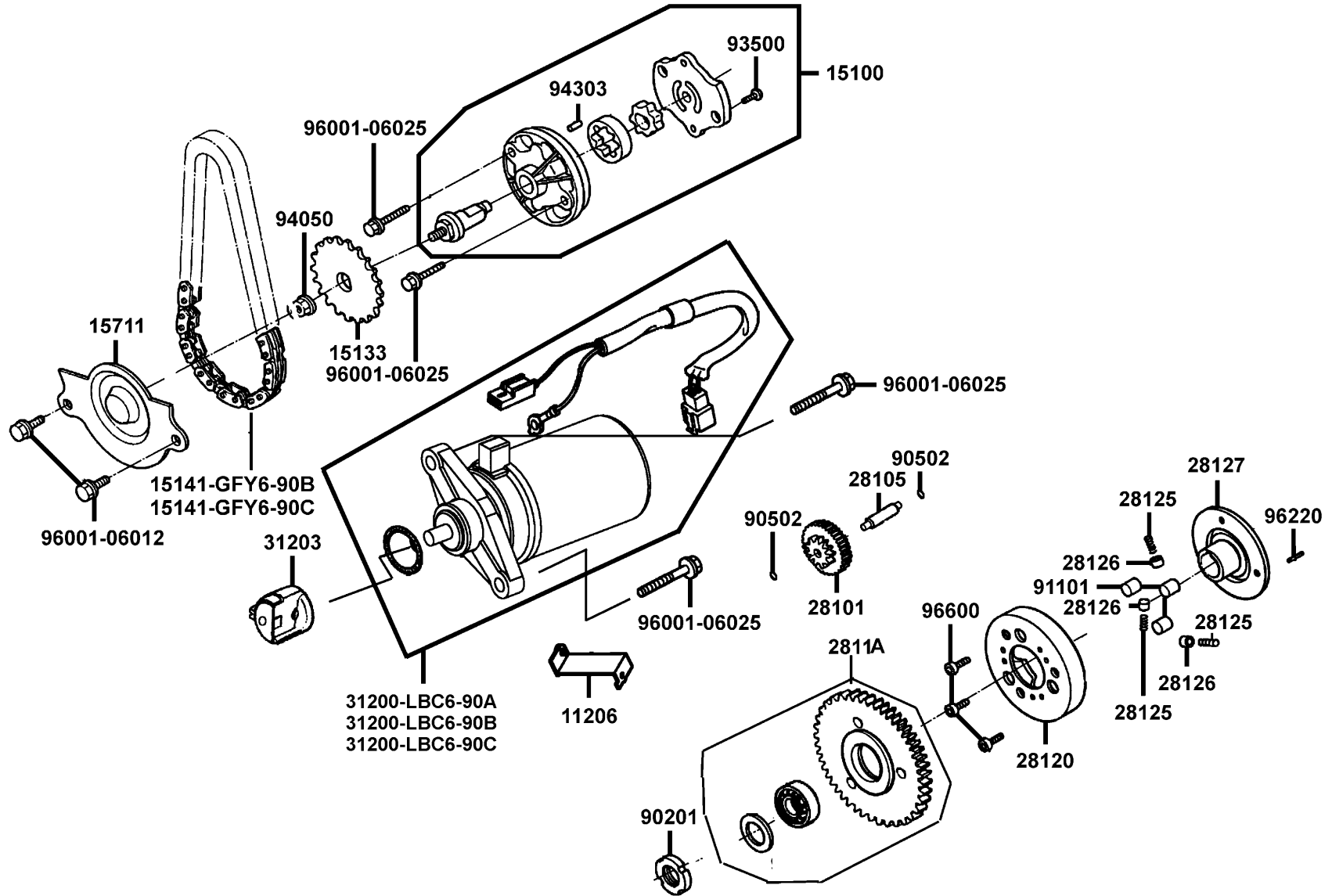
| Sales mark 配色標註 | Ref no 參考號碼 | Part no 零件號碼 | Description 英文名稱 | Reg description 中文名稱 | Regd no 需求用量 | E05 |
|--------------------|----------------|-----------------|---------------------------|-------------------------|-----------------|-----|
| | 11221 | 11221-KHC4-900 | INSULATOR DUST | 通氣管 | 1 | |
| | 22100 | 22100-KNBN-902 | CLUTCH OUTER | 離合器外套 | 1 | |
| | 22102 | 22102-KED5-900 | FACE DRIVE | 驅動皮帶扇葉盤 | 1 | |
| | 22105 | 22105-KHC4-900 | BOSS DRIVE FACE | 襯套 | 1 | |
| | 22110 | 22110-KHC4-900 | FACE COMP MOVABLE DRIVE | 滑動式驅動盤 | 1 | |
| | 22121 | 22121-GHT8-602 | ROLLER COMP WEIGHT 7.5 GR | 配重滾子 | 6 | |
| | 22131 | 22131-GCW3-901 | PLATE RAMP | 斜坡板 | 1 | |
| | 22132 | 22132-LAB4-900 | PIECE SLIDE | 斜板邊件 | 3 | |
| | 22300 | 22300-LCB4-900 | PLATE ASSY DRIVE | 驅動板組 | 1 | |
| | 22350 | 22350-KHC4-900 | PLATE COMP DRIVE | 驅動板 | 1 | |
| | 22401 | 22401-GFY6-90A | SPG CLUTCH | 彈簧 | 3 | |
| | 22530 | 22530-KHC4-900 | WEIGHT SET CLUTCH | 離合器配重組 | 3 | |
| | 22804 | 22804-1H48-001 | RUBBER CLUTCH DUMPER | 橡皮 | 3 | |
| | 2301A | 2301A-LBG7-900 | PULLEY SUB ASSY DRIVEN | 從動皮帶輪組 | 1 | |
| | 23100 | 23100-LBG7-800 | BELT, DRIVE | 驅動皮帶 | 1 | |
| | 23200 | 23200-GCW3-001 | FACE ASSY DRIVEN | 從動皮帶盤組 | 1 | |
| | 23220 | 23220-KHC4-900 | FACE COMP MOVABLE DRIVEN | 滑動式從動皮帶盤 | 1 | |
| | 23225 | 23225-GCW3-001 | PIN GUIDE | 導銷 | 3 | |
| | 23226 | 23226-GCW3-001 | ROLLER GUIDE | 套筒環 | 3 | |
| | 23233 | 23233-LBG7-900 | SPG DRIVEN FACE | 驅動彈簧 | 1 | |

E05

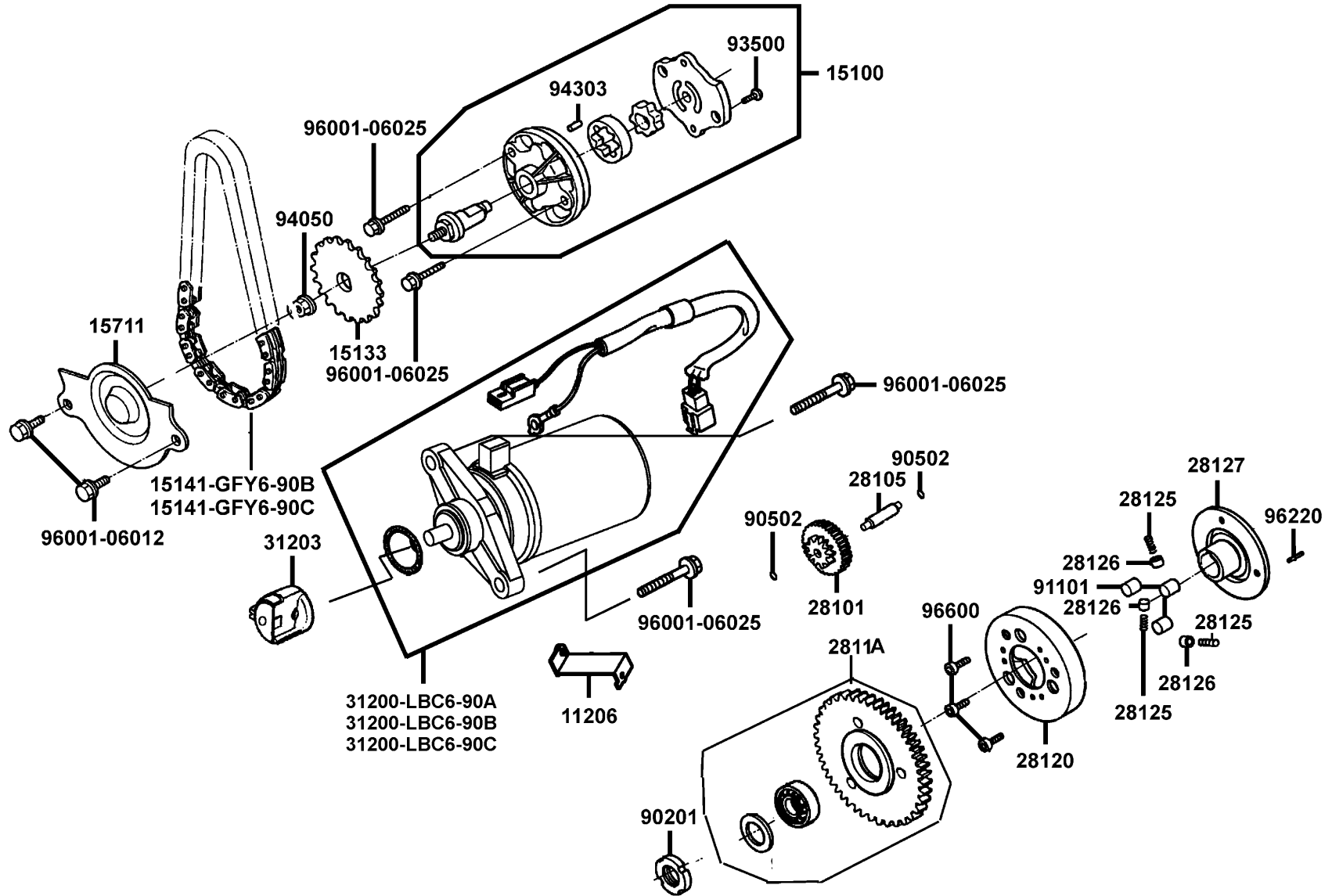
Driven Pulley 皮帶輪



| Sales mark 配色標註 | Ref no 參考號碼 | Part no 零件號碼 | Description 英文名稱 | Reg description 中文名稱 | Regd no 需求用量 | E05 |
|--------------------|----------------|-----------------|------------------------|-------------------------|-----------------|-----|
| | 23237 | 23237-GCW3-001 | COLLAR SEAL | 套筒油封 | 1 | |
| | 23239 | 23239-GCW3-851 | GUIDE SPG | 套筒 | 1 | |
| | 28211 | 28211-KNBN-901 | RATCHET KICK STARTER | 起動棘齒輪 | 1 | |
| | 90202 | 90202-1G87-001 | NUT SPECIAL 28MM | 螺帽 | 1 | |
| | 90442 | 90442-0D44-001 | 6M/M THRUST WASHER | 華司 | 3 | |
| | 90603 | 90603-0D44-001 | CIR CLIP 6MM | 環夾 6MM | 3 | |
| | 91001 | 91001-GGA7-70A | BRG RADIAL BALL 6901U | 軸承 | 1 | |
| | 91103 | 91103-GAR1-004 | BRG NEEDLE 17*25*18 WS | 滾針軸承 | 1 | |
| | 91211 | 91211-GHK8-014 | OIL SEAL 34*39*3 | 驅動油封 | 2 | |
| | 91351-6B42 | 91351-6B42-000 | O-RING PINION CAP | O環 | 1 | |
| | 91351-GAR1 | 91351-GAR1-001 | O-RING 38.5*2 | O環 38.5*2 | 1 | |
| | 94050-10080 | 94050-10080 | NUT FLANGE 10MM | 螺帽 | 1 | |
| | 94050-12080 | 94050-12080 | NUT C FLANGE 12MM | 螺帽 12MM | 1 | |
| | 94520 | 94520-24000 | CIR CLIP IN 24 | 夾環 | 1 | |
| | 96001-06012 | 96001-06012-08 | BOLT FLANGE 6*12 | 螺絲 6*12 | 3 | |



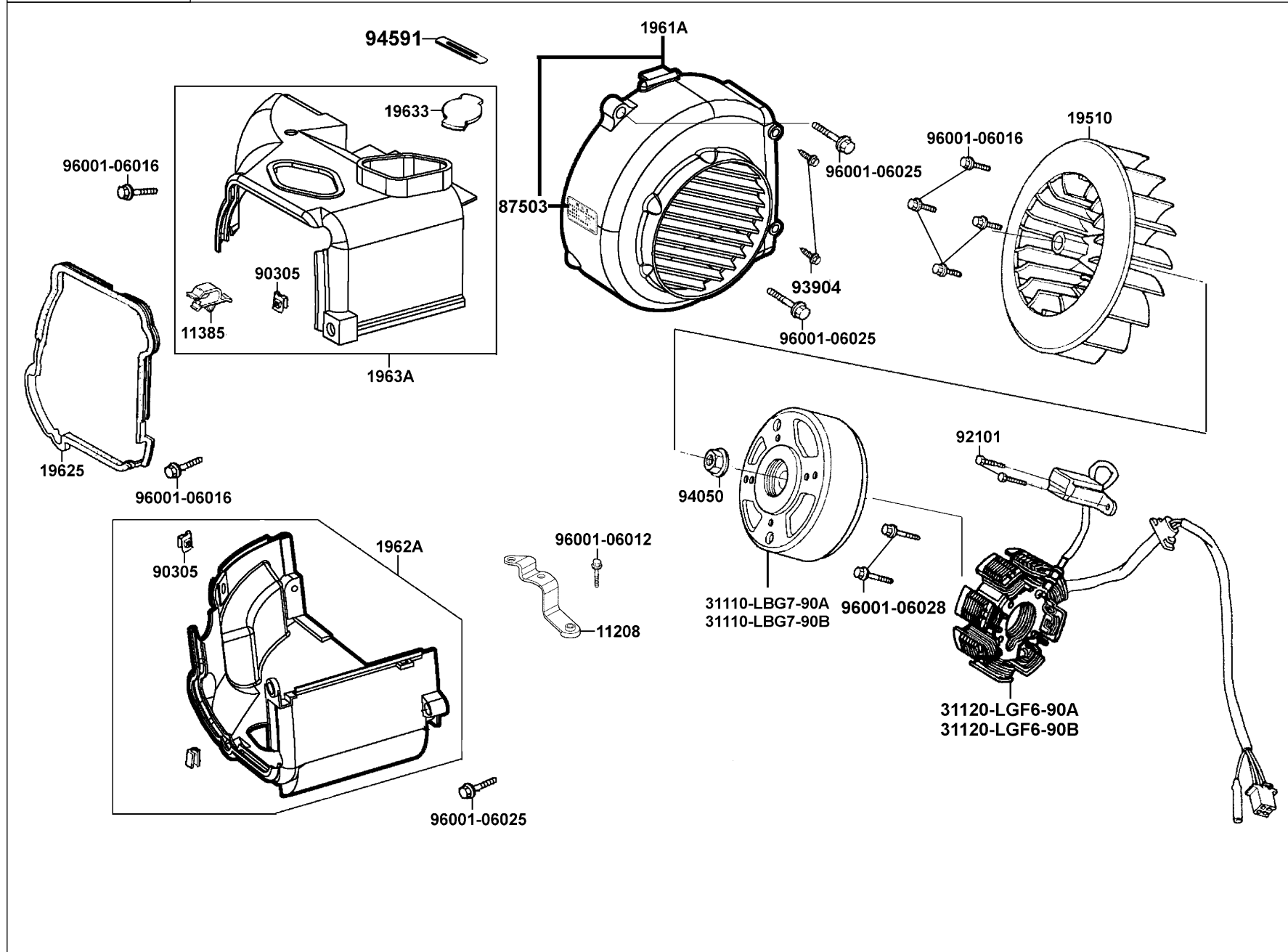
| Sales mark 配色標註 | Ref no 參考號碼 | Part no 零件號碼 | Description 英文名稱 | Reg description 中文名稱 | Regd no 需求用量 | E06 |
|--------------------|----------------|-----------------|-------------------------------|-------------------------|-----------------|-----|
| | 11206 | 11206-LAB4-900 | STAY A RR FENDER | 後土除支架 A | 1 | |
| | 15100 | 15100-GFY6-901 | PUMP ASSY OIL | 機油泵浦組 | 1 | |
| | 15133 | 15133-GFY6-901 | SPRKT OIL PUMP DRIVEN | 機油泵驅動齒輪 | 1 | |
| | 15141-GFY6-90B | 15141-GFY6-90B | CHAIN OIL PUMP | 機油泵驅動鏈條 | 1 | |
| | 15141-GFY6-90C | 15141-GFY6-90C | CHAIN OIL PUMP | 機油泵驅動鏈條 | 1 | |
| | 15711 | 15711-GFY6-901 | SEPARATER OIL | 機油分隔板 | 1 | |
| | 28101 | 28101-LBC6-900 | GEAR COMP STARTER REDUCTION | 減速齒輪 | 1 | |
| | 28105 | 28105-KNBN-901 | SHAFT STARTER REDUCTION | 減速齒輪軸 | 1 | |
| | 2811A | 2811A-KNBN-940 | GEAR COMP STARTER DRIVEN | 起動離合器齒輪 | 1 | |
| | 28120 | 28120-KNBN-901 | OUTER COMP ST CLUCH | 離合器外套 | 1 | |
| | 28125 | 28125-3C23-001 | SPRING ROLLER ST CLUTCH | 滾子彈簧 | 3 | |
| | 28126 | 28126-KNBN-901 | CAP SPGING ROLLER SP | 滾子彈簧蓋 | 3 | |
| | 28127 | 28127-KNBN-901 | BOSS STARTER CLUTCH | 起動離合器凸緣 | 1 | |
| | 31200-LBC6-90A | 31200-LBC6-90A | MOTOR ASSY START | 起動馬達 | 1 | |
| | 31200-LBC6-90B | 31200-LBC6-90B | MOTOR ASSY START | 起動馬達 | 1 | |
| | 31200-LBC6-90C | 31200-LBC6-90C | MOTOR ASSY START | 起動馬達 | 1 | |
| | 31203 | 31203-KHC4-900 | HOLDER COMP STARTER REDUCTION | 起動齒輪組支撐座 | 1 | |
| | 90201 | 90201-KNBN-901 | NUT SPECIAL 24MM | 螺帽 24MM | 1 | |
| | 90502 | 90502-MBS2-001 | WASHER 24*8.5 | 華司 24*8.5 | 2 | |
| | 91101 | 91101-KNBN-901 | ROLLER 10.2*11.5 | 滾子10.2*11.5 | 3 | |



| Sales mark 配色標註 | Ref no 參考號碼 | Part no 零件號碼 | Description 英文名稱 | Reg description 中文名稱 | Regd no 需求用量 | E06 |
|--------------------|----------------|-----------------|---------------------|-------------------------|-----------------|-----|
| | 93500 | 93500-03010-1A | SCREW PAN 3*10 | 螺絲 3*10 | 1 | |
| | 94050 | 94050-06080 | NUT FLANGE 6MM | 螺帽 6MM | 1 | |
| | 94303 | 94303-04065 | PIN DOWEL 4*6.5 | 定位銷4*6.5 | 1 | |
| | 96001-06012 | 96001-06012-08 | BOLT FLANGE 6*12 | 螺絲 6*12 | 2 | |
| | 96001-06025 | 96001-06025-06 | BOLT FLANGE 6*25 | 螺絲 6*25 | 4 | |
| | 96220 | 96220-60100 | ROLLER 6*10 | 定位銷 6X10 | 1 | |
| | 96600 | 96600-06012-10 | SOCKET BOLT 6*12 | 螺絲 6*12 | 3 | |

E07

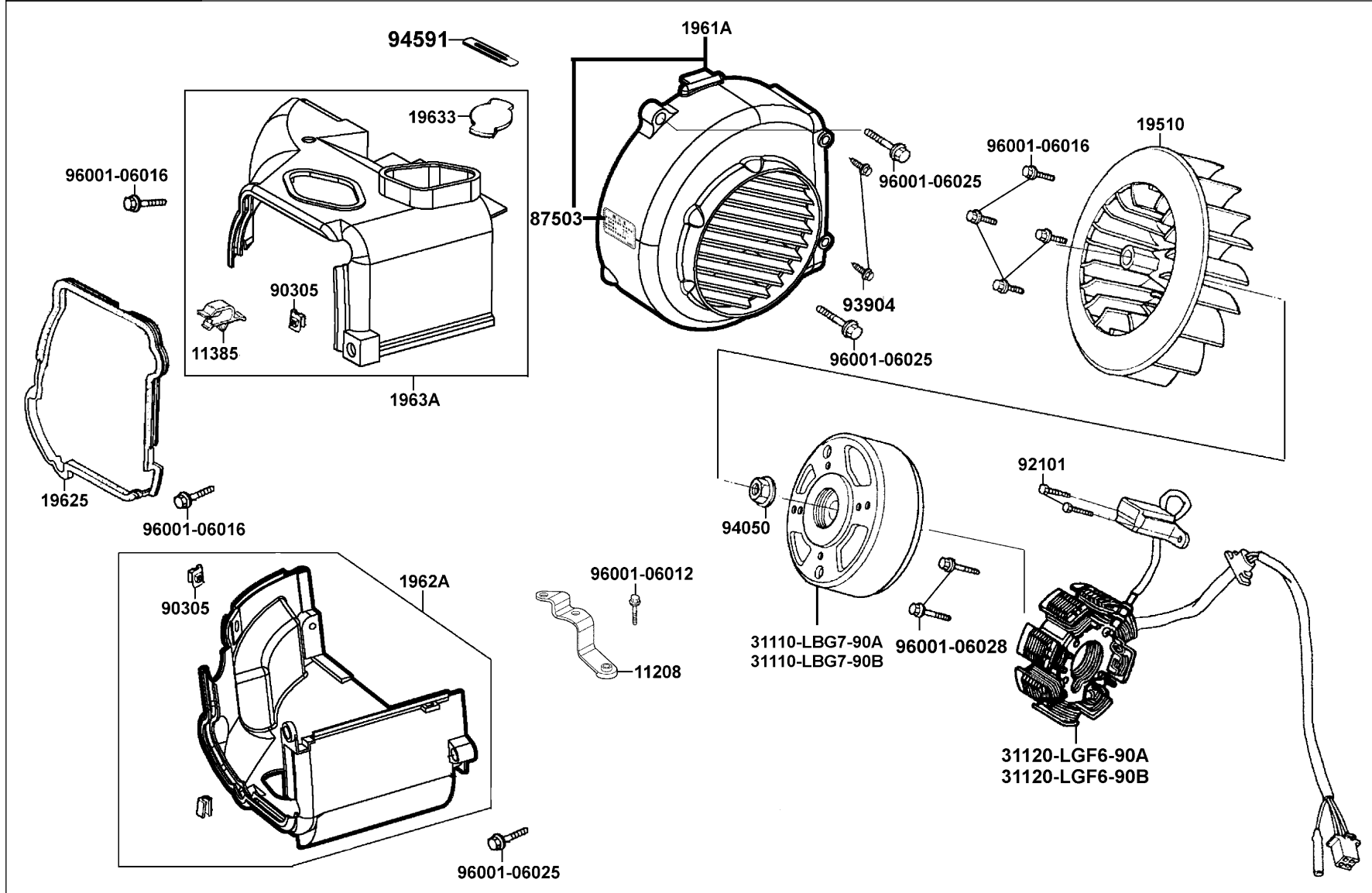
Fan Cover Generator 風扇蓋 發電機



| Sales mark 配色標註 | Ref no 參考號碼 | Part no 零件號碼 | Description 英文名稱 | Reg description 中文名稱 | Regd no 需求用量 | E07 |
|--------------------|----------------|-----------------|---------------------|-------------------------|-----------------|-----|
| | 11208 | 11208-KHC4-800 | STAY C RR FENDER | 後土除支架 C | 1 | |
| | 11385 | 11385-KGBG-900 | CLIP VACUUM TUBE | 管夾 | 1 | |
| | 19510 | 19510-GBW2-901 | FAN COMP COOLING | 冷卻風扇 | 1 | |
| | 1961A | 1961A-LBG7-800 | COVER ASSY FAN | 冷卻風扇蓋 | 1 | |
| | 19625 | 19625-KHC4-900 | SEAL SHROUD | 罩蓋油封 | 1 | |
| | 1962A | 1962A-LBG7-900 | SHROUD ASSY A | 罩蓋 A組 | 1 | |
| | 19633 | 19633-GFY6-901 | GROMET SHROUD B | 橡皮蓋 | 1 | |
| | 1963A | 1963A-LGF6-900 | SHROUD ASSY B | 罩蓋 B組 | 1 | |
| | 31110-LBG7-90A | 31110-LBG7-90A | FLYWHEEL COMP | 飛輪蓋 | 1 | |
| | 31110-LBG7-90B | 31110-LBG7-90B | FLYWHEEL COMP | 飛輪蓋 | 1 | |
| | 31120-LGF6-90A | 31120-LGF6-90A | STATOR COMP | 轉子線圈 | 1 | |
| | 31120-LGF6-90B | 31120-LGF6-90B | STATOR COMP | 轉子線圈 | 1 | |
| ** | 87503 | 87503-LEA1-900 | CAUTION MUFFLER | 標籤 | 1 | |
| | 90305 | 90305-GHK8-001 | NUT CLIP 6MM | 夾螺帽 | 2 | |
| | 92101 | 92101-05012-0H | BOLT HEX 5*12 | 螺絲 5*12 | 2 | |
| | 93904 | 93904-35380 | SCREW TAPPING 5*16 | 螺釘 5*16 | 2 | |
| | 94050 | 94050-10080 | NUT FLANGE 10MM | 螺帽 | 1 | |
| | 94591 | 94591-KFBF-900 | CLIP 2*70 | 環夾 | 1 | |
| | 96001-06012 | 96001-06012-08 | BOLT FLANGE 6*12 | 螺絲 6*12 | 3 | |
| | 96001-06016 | 96001-06016-08 | BOLT FLANGE SH 6*16 | 凸緣螺栓 | 6 | |

E07

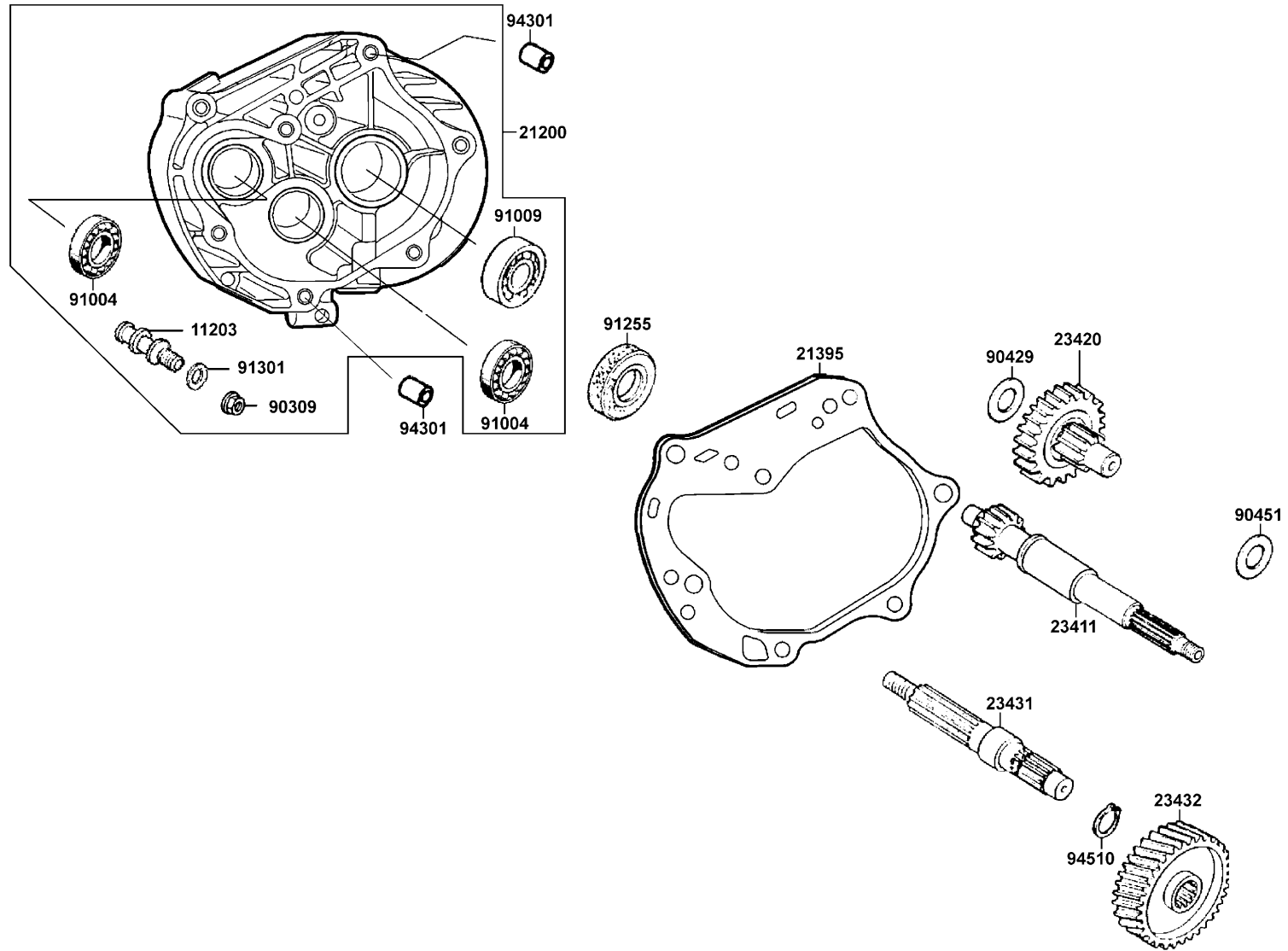
Fan Cover Generator 風扇蓋 發電機



| Sales mark 配色標註 | Ref no 參考號碼 | Part no 零件號碼 | Description 英文名稱 | Reg description 中文名稱 | Regd no 需求用量 | E07 |
|--------------------|----------------|-----------------|---------------------|-------------------------|-----------------|-----|
| | 96001-06025 | 96001-06025-06 | BOLT FLANGE 6*25 | 螺絲 6*25 | 5 | |
| | 96001-06028 | 96001-06028-08 | BOLT FLANGE SH 6*28 | 螺絲 6*28 | 2 | |

E08

Transmission 傳動系

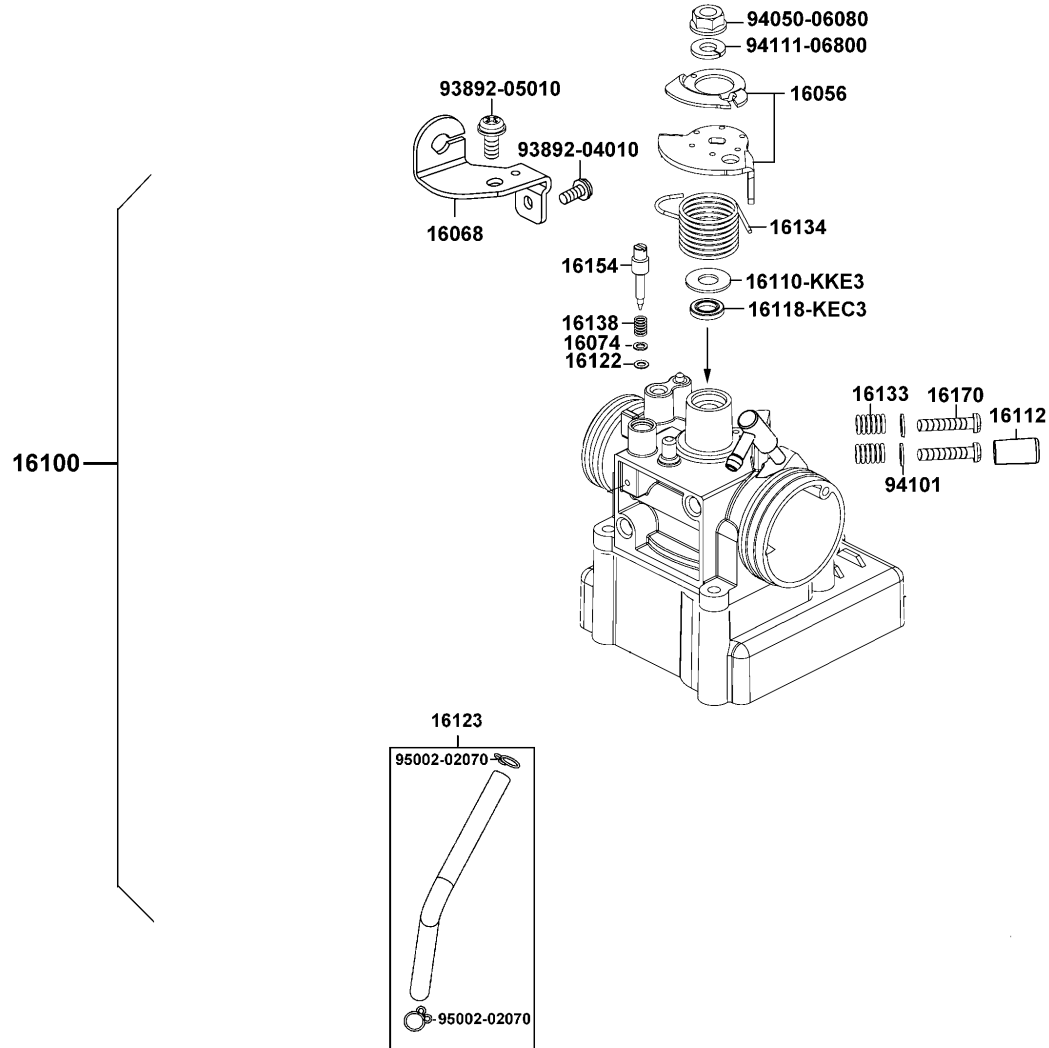


| Sales mark 配色標註 | Ref no 參考號碼 | Part no 零件號碼 | Description 英文名稱 | Reg description 中文名稱 | Regd no 需求用量 | E08 |
|--------------------|----------------|-------------------|-------------------------|-------------------------|-----------------|-----|
| | 11203 | 11203-KHG8-301 | PIN BRAKE SHOE ANCHOR | 煞車鼓固定銷 | 1 | |
| | 21200 | 21200-KFA3-305 | CASE ASSY MISSION | 主軸箱組 | 1 | |
| | 21395 | 21395-KNBN-901 | GASKET MISSION CASE A | 主軸蓋墊片 A | 1 | |
| | 23411 | 23411-KHC4-900 | SHAFT DRIVE | 驅動軸 | 1 | |
| | 23420 | 23420-KHC4-900 | SHAFT COMP COUNTER | 副軸組 | 1 | |
| | 23431 | 23431-KDLD-901 | SHAFT FINAL | 最終軸 | 1 | |
| | 23432 | 23432-KNBN-901 | GEAR FINAL | 最終齒輪 | 1 | |
| | 90309 | 90309-KLF0-004-SY | NUT FLANGE 8MM | 平螺帽 | 1 | |
| | 90429 | 90429-KNBN-901 | WASHER SIDE 12MM | 華司 | 1 | |
| | 90451 | 90451-1G07-001 | WASHER THRUST 15MM | 華司 15MM | 1 | |
| | 91004 | 91004-KBN2-90A | BRG BALL RADIAL 6201 | 軸承 | 2 | |
| | 91009 | 91009-GLE0-004 | BRG BALL RADIAL 6004 UU | 軸承 | 1 | |
| # | 91255 | 91255-GLE0-006 | OIL SEAL 27*42*7 | 油封 | 1 | |
| | 91301 | 91301-0C53-001 | O RING 7.5*1.5 | O 環 | 1 | |
| | 94301 | 94301-10200 | DOWEL PIN 10*20 | 插銷 | 2 | |
| | 94510 | 94510-20000 | CIR CLIP EX 20 | 夾環 | 1 | |

E09

Throttle Body

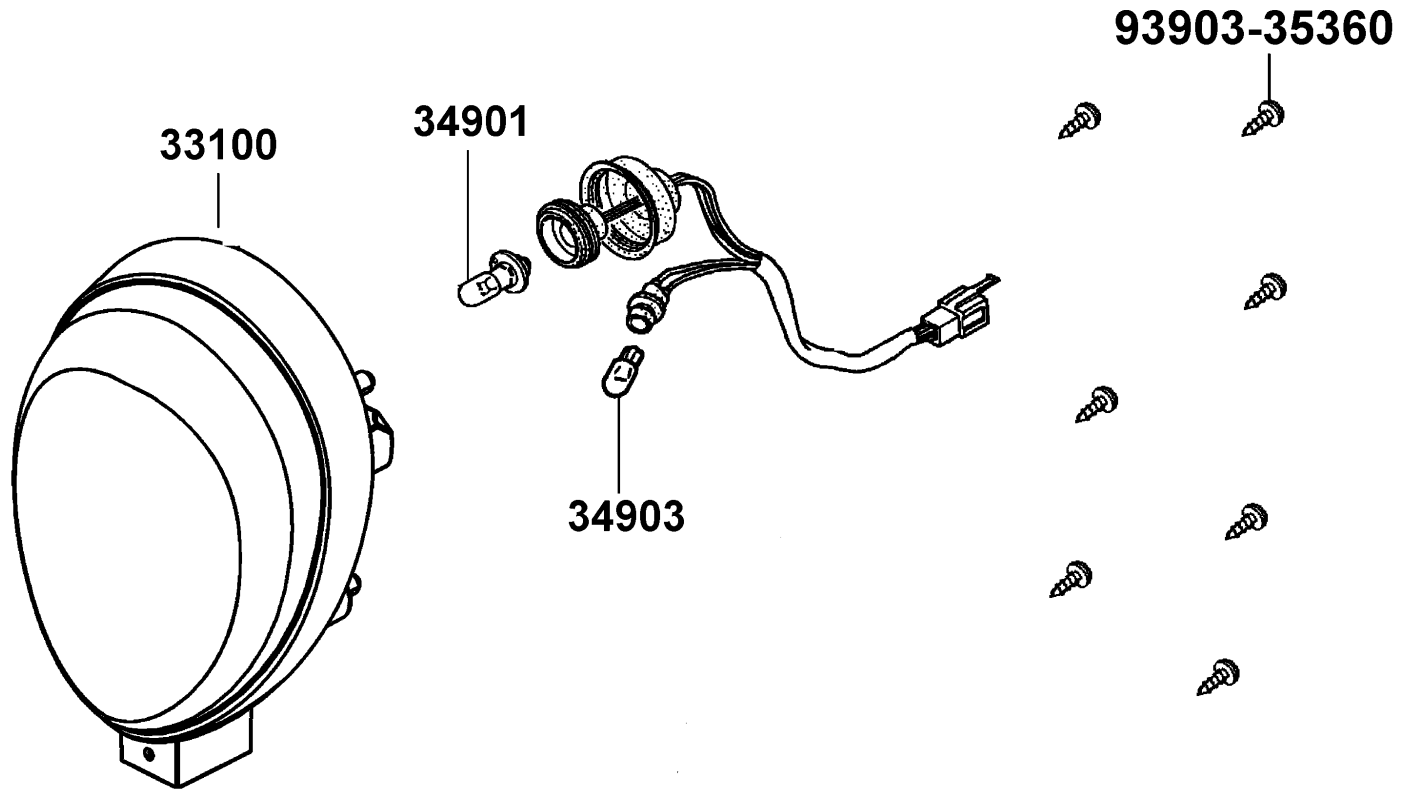
化油器



| Sales mark 配色標註 | Ref no 參考號碼 | Part no 零件號碼 | Description 英文名稱 | Reg description 中文名稱 | Regd no 需求用量 | E09 |
|--------------------|----------------|-----------------|---------------------------|-------------------------|-----------------|-----|
| | 16056 | 16056-LEB2-900 | LEVER ASSY THROTTLE | 拉桿節流閥 | 1 | |
| | 16068 | 16068-LEB2-900 | PLATE WIRE FIXED | 節流導線固定板 | 1 | |
| | 16074 | 16074-KEC3-900 | WASHER IDLE SCREW | 華司 | 1 | |
| | 16100 | 16100-LGF6-900 | THROTTLE BODY ASSY. | 噴射節流閥組 | 1 | |
| | 16110-KKE3 | 16110-KKE3-900 | WASHER THROTTLE COMP | 華司 | 1 | |
| | 16112 | 16112-KKE3-900 | COVER IDLE SCREW | 蓋 | 1 | |
| | 16118-KEC3 | 16118-KEC3-900 | SEAL THROTTLE SHAFT | 節流閥封軸 | 1 | |
| | 16122 | 16122-KEC3-900 | O-RING IDLE SCREW | O型環 | 1 | |
| | 16123 | 16123-LHB6-900 | TUBE COMPL. 3.5x540 | 油管 | 1 | |
| | 16133 | 16133-KEC3-900 | SPG THROTTLE ADJUST SCREW | 彈簧 | 2 | |
| | 16134 | 16134-KKE3-900 | SPG THROTTLE SHAFT | 節流閥軸彈簧 | 1 | |
| | 16138 | 16138-KEC3-900 | SPG IDLE ADJ SCREW | 彈簧 | 1 | |
| | 16154 | 16154-KKE3-900 | SCREW IDLE ADJUST | 螺絲 | 1 | |
| | 16170 | 16170-KEC3-900 | SCREW THROTTLE ADJUST | 調整螺絲 | 2 | |
| | 93892-04010 | 93892-04010-08 | SCREW WASHER 4*10 | 螺絲 | 1 | |
| | 93892-05010 | 93892-05010-08 | SCREW WASH 5*10 | 螺絲 | 1 | |
| | 94050-06080 | 94050-06080 | NUT FLANGE 6MM | 螺帽 6MM | 1 | |
| | 94101 | 94101-KKE3-900 | WASHER PLAN 4.5*8*0.8 | 墊圈 | 1 | |
| | 94111-06800 | 94111-06800 | WASHER SPG 6MM | 華司 6MM | 1 | |
| | 95002-02070 | 95002-02070 | CLIP B7 TUBE | 管夾 | 2 | |

F01

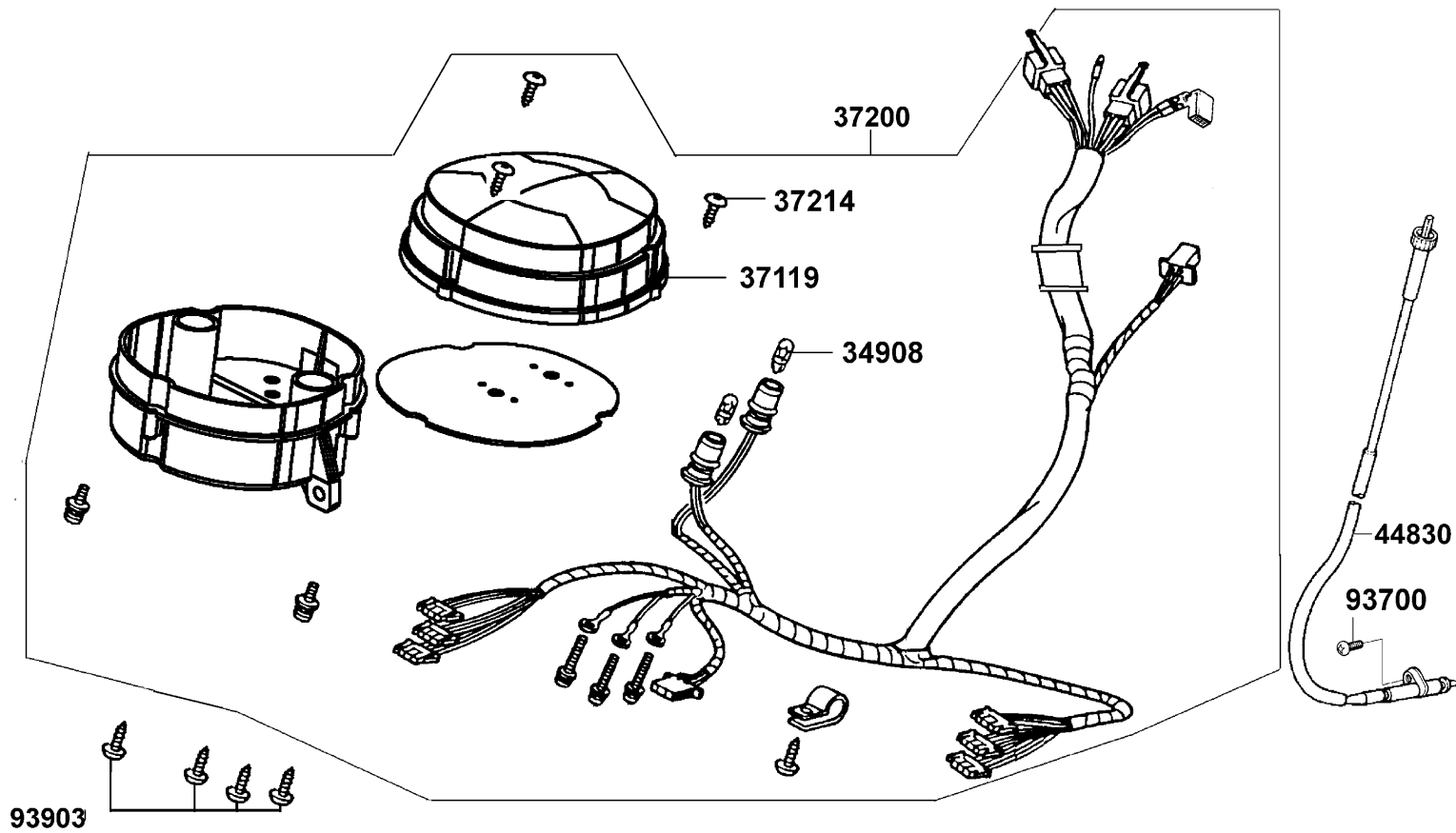
Head Light 前燈



| Sales mark 配色標註 | Ref no 參考號碼 | Part no 零件號碼 | Description 英文名稱 | Reg description 中文名稱 | Regd no 需求用量 | F01 |
|--------------------|----------------|-----------------|---------------------|-------------------------|-----------------|-----|
| | 33100 | 33100-LGE3-305 | LIGHT ASSY FR COMB | 前燈總成 | 1 | |
| | 34901 | 34901-KTCT-900 | BULB HEAD LIGHT | 前燈泡 | 1 | |
| | 34903 | 34903-KALA-900 | BULB POSITION | 位置燈燈泡 | 1 | |
| | 93903-35360 | 93903-35360 | SCREW TAPPING 5*16 | 螺釘 5*16 | 7 | |

F02

Speedometer 儀錶



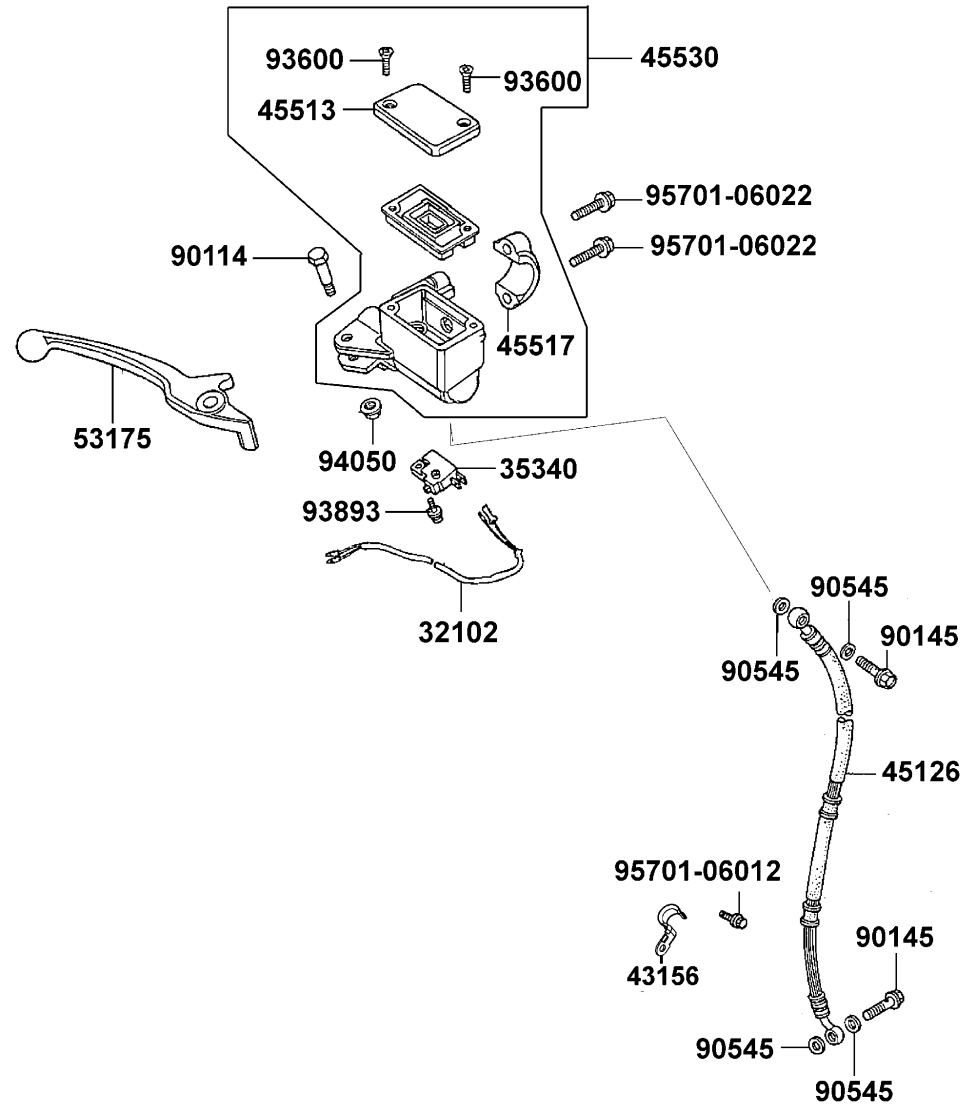
| Sales mark 配色標註 | Ref no 參考號碼 | Part no 零件號碼 | Description 英文名稱 | Reg description 中文名稱 | Regd no 需求用量 | F02 |
|--------------------|----------------|-----------------|---------------------|-------------------------|-----------------|-----|
| | 34908 | 34908-MKB9-87A | BULB WEDGE BASE | 儀錶內指示燈泡 | 2 | |
| | 37119 | 37119-LGE3-900 | LENS | 儀錶蓋 | 1 | |
| | 37200 | 37200-LGF6-900 | SPEED METER ASSY | 儀錶組 | 1 | |
| | 37214 | 37214-KGV7-67A | SCREW TAPPING 3*12 | 螺釘 3*12 | 3 | |
| | 44830 | 44830-LGF3-E90 | CABLE COMP SPDMT | 速度錶導線 | 1 | |
| | 93700 | 93700-05018-0H | SCREW OVAL 5*18 | 螺絲 5*18 | 1 | |
| | 93903 | 93903-35320 | SCREW TAPPING 5*16 | 螺絲 5*16 | 4 | |

| Sales mark 配色標註 | Ref no 參考號碼 | Part no 零件號碼 | Description 英文名稱 | Reg description 中文名稱 | Regd no 需求用量 | F03 |
|--------------------|----------------|-----------------|------------------------------------|------------------------------|-----------------|-----|
| | 17910 | 17910-LEA1-900 | CABLE COMP., THROT | 加油導線 | 1 | |
| | 3515A | 3515A-LBC6-900 | SW ASSY RH HANDLE COMP | 轉向手柄右開關 | 1 | |
| | 3520A | 3520A-LBC6-900 | SW ASSY LH HANDLE COMP | 轉向手柄左開關 | 1 | |
| | 35340 | 35340-KFLF-900 | SW ASSY FR STOP | 煞車燈前置開關 | 1 | |
| | 43450 | 43450-LGE3-900 | CABLE COMP RR BRK | 後煞車導線 | 1 | |
| | 43472 | 43472-1A61-001 | SPG RR BRK ARM | 後煞車臂彈簧 | 1 | |
| | 45517 | 45517-KFA5-E00 | BRKT HANDLE BAND | 手柄左托架固定板 | 1 | |
| | 53100 | 53100-LGE3-800 | HANDLE COMP STRG | 轉向手柄 | 1 | |
| | 53125 | 53125-GEN5-901 | COLLAR HANDLE SET | 套筒 | 1 | |
| ** | 53140 | 53140-KFA1-900 | GRIP COMP THROT **(1) C.2005.04.25 | 節流管套組/黑色 **(1) C.2005.04.25 | 1 | |
| ** | 53166 | 53166-KFA1-900 | GRIP L HANDLE **(1) C.2005.04.25 | 手柄左橡皮套/黑色 **(1) C.2005.04.25 | 1 | |
| | 53172 | 53172-LBC6-900 | BRKT HNDL L | 手柄左托架組 | 1 | |
| ** | 53178 | 53178-KXCX-E00 | LEVER L STRG HNDL | 手柄左拉桿 | 1 | |
| | 5317B | 5317B-LBC6-900 | BRKT ASSY HNDL L | 手柄左托架組 | 1 | |
| ** | 53205 | 53205-LGE3-900 | COVER FR HANDLE | 轉向手柄前蓋 | 1 | |
| ** | 53206 | 53206-LGE3-900 | COVER HANDLE RR | 轉向手柄後蓋 | 1 | |
| ** | 53207 | 53207-LGE3-900 | "COVER,LOW B HANDLE" | 把手蓋外蓋 | 1 | |
| | 88110 | 88110-LGE3-900 | MIRROR ASSY R BACK | 右後視鏡 | 1 | |
| | 88120 | 88120-LGE3-900 | MIRROR ASSY L BACK | 左後視鏡 | 1 | |
| | 90106 | 90106-GEN5-901 | BOLT FLANGE 10*50 | 特殊螺絲 10*50 | 1 | |

| Sales mark 配色標註 | Ref no 參考號碼 | Part no 零件號碼 | Description 英文名稱 | Reg description 中文名稱 | Regd no 需求用量 | F03 |
|--------------------|----------------|-----------------|-----------------------|-------------------------|-----------------|-----|
| | 90115 | 90115-LBC6-900 | BOLT HNDL LEVER PIVOT | 拉桿螺絲 | 1 | |
| | 90302 | 90302-GFY6-940 | BOLT-WASH 5*16 | 螺絲 5*16 | 3 | |
| # | 90304 | 90304-GLW0-90A | NUT U FLANGE 10MM | 螺帽 10MM | 1 | |
| | 90656 | 90656-KCBC-900 | BAND OIL HOSE | 油管束帶 | 2 | |
| | 93500 | 93500-LBC6-900 | SCREW TAPPING 5X25L | 螺釘5X25L | 4 | |
| | 93903-35360 | 93903-35360 | SCREW TAPPING 5*16 | 螺釘 5*16 | 1 | |
| | 94001 | 94001-05080-0S | NUT HEX 5MM | 螺帽 5MM | 1 | |
| | 95015-32001 | 95015-32001 | JOINT B BRAKE ARM | 煞車導線接頭銷 | 1 | |
| | 95015-42000 | 95015-42000 | NUT B ADJUST | 調整螺帽 | 1 | |
| | 96001-06025 | 96001-06025-02 | BOLT FLANGE SH 6*25 | 螺絲 6*25 | 2 | |

F04

Front Master Cylinder 前煞車主油缸

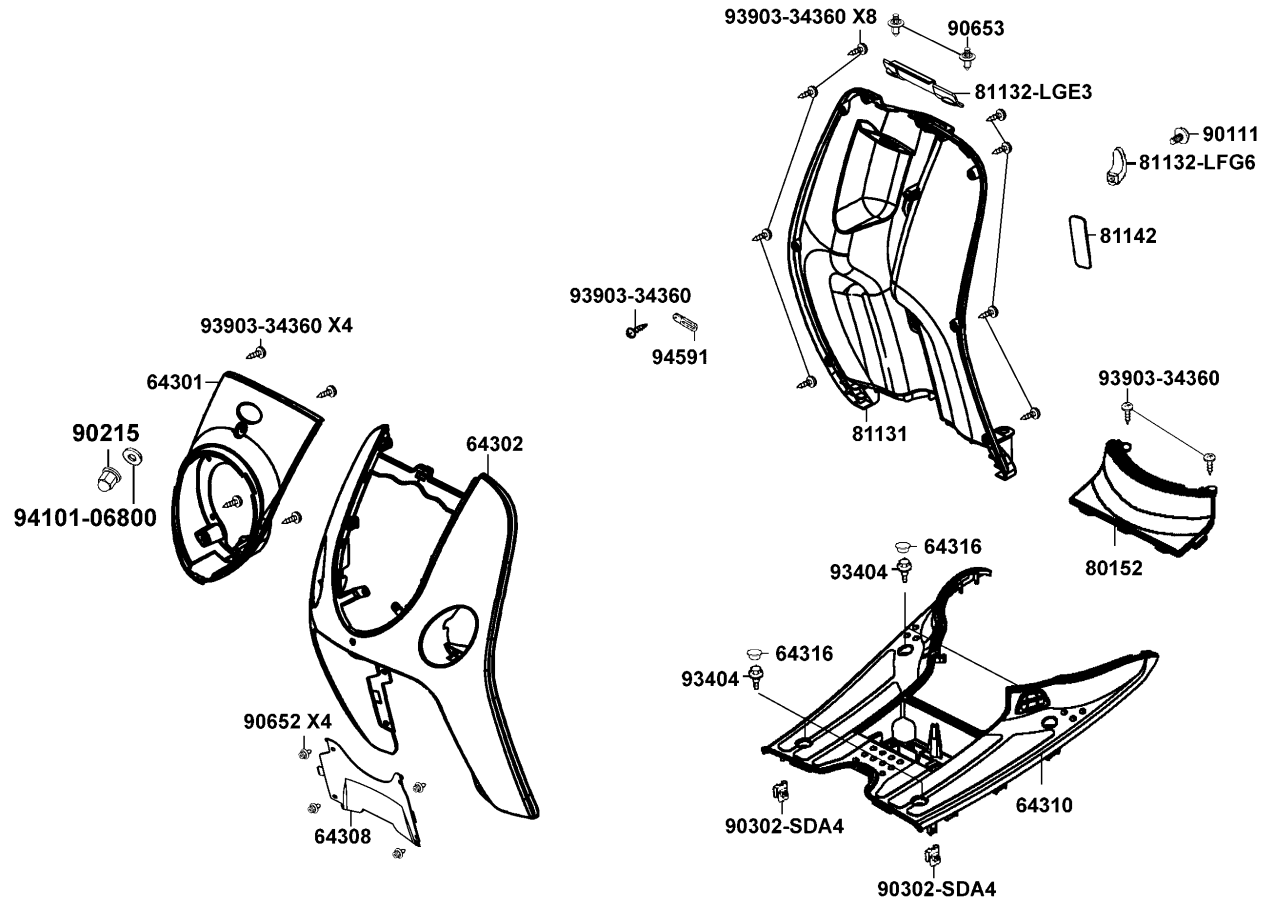


| Sales mark 配色標註 | Ref no 參考號碼 | Part no 零件號碼 | Description 英文名稱 | Reg description 中文名稱 | Regd no 需求用量 | F04 |
|--------------------|----------------|-----------------|---------------------|-------------------------|-----------------|-----|
| | 32102 | 32102-GFY6-901 | SUB CORD R | 煞車燈開關右配線 | 1 | |
| | 35340 | 35340-KNBN-901 | SW ASSY FR STOP | 煞車燈前置開關 | 1 | |
| | 43156 | 43156-KKC4-900 | CLAMPER HOSE RR | 後煞車管夾 | 1 | |
| | 45126 | 45126-LGF3-E90 | HOSE ASSY FR BRK | 前煞車油管組 | 1 | |
| | 45513 | 45513-LBC6-900 | CAP MASTER CYLINDER | 煞車主油缸蓋 | 1 | |
| | 45517 | 45517-KKAK-900 | HOLDER M/C | 主油缸固定座 | 1 | |
| | 45530 | 45530-LBC6-306 | CYLINDER SET FR | 前煞車主油缸組 | 1 | |
| ** | 53175 | 53175-KFA6-E00 | LEVER R STRG HNDL | 手柄右拉桿 | 1 | |
| | 90114 | 90114-KKAK-900 | BOLT HANDLE LEVER | 右拉桿固定螺栓 | 1 | |
| | 90145 | 90145-MKS9-61A | OIL BOLT 10*22 | 油管螺絲 10*22 | 2 | |
| | 90545 | 90545-3L00-001 | WASHER OIL BOLT | 華司 | 4 | |
| | 93600 | 93600-04012-1A | SCREW FLAT 4*12 | 螺絲 4*12 | 2 | |
| | 93893 | 93893-04012-18 | SCREW WASHER 4*12 | 螺絲 4*12 | 1 | |
| | 94050 | 94050-06080 | NUT FLANGE 6MM | 螺帽 6MM | 1 | |
| # | 95701-06012 | 95701-06012-08 | BOLT FLANGE 6*12 | 螺絲 6*12 | 1 | |
| | 95701-06022 | 95701-06022-02 | BOLT FLANGE 6*22 | 螺絲 6*22 | 2 | |

F05

Front Cover Floor Panel

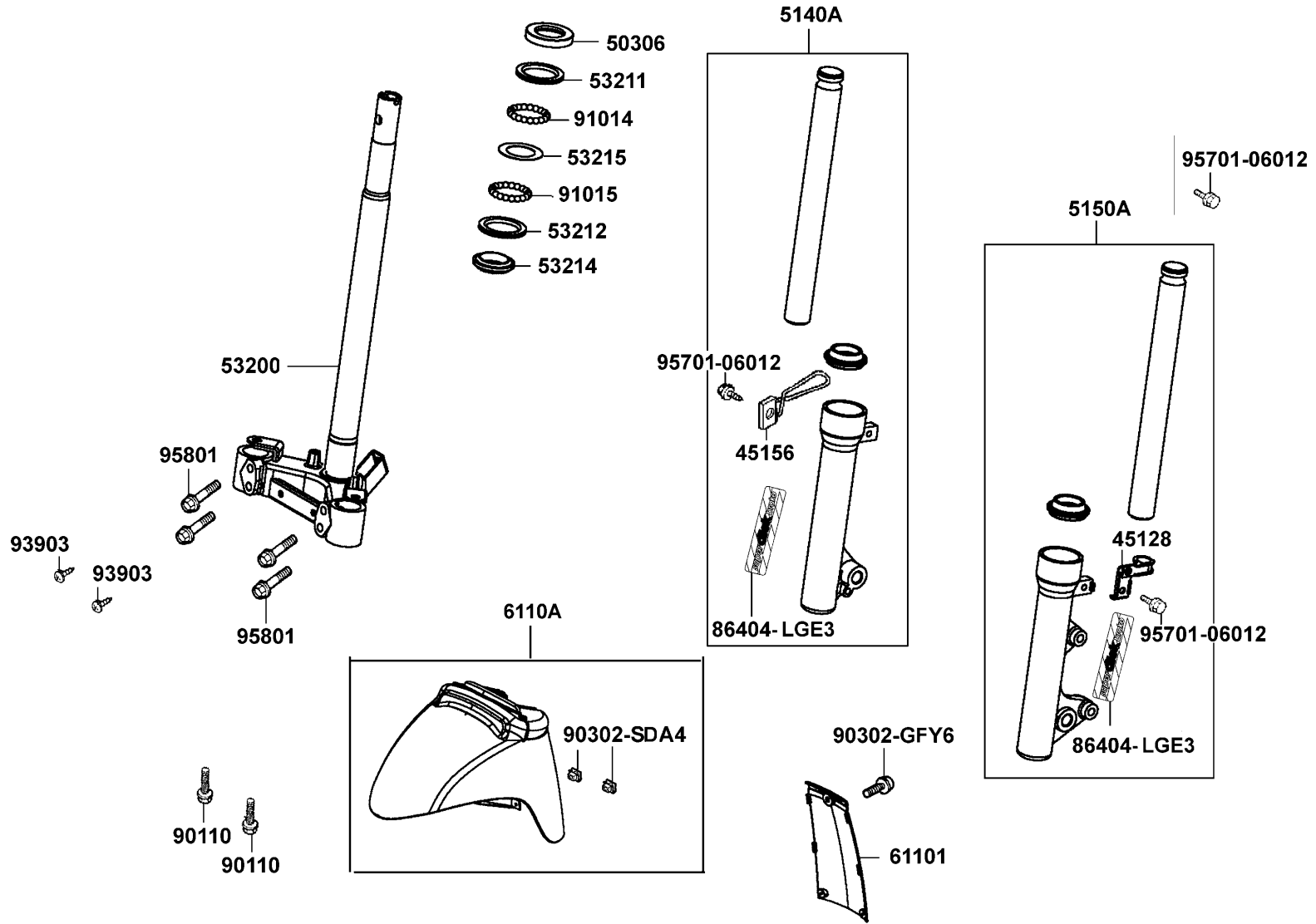
前護蓋 腳踏板



| Sales mark 配色標註 | Ref no 參考號碼 | Part no 零件號碼 | Description 英文名稱 | Reg description 中文名稱 | Regd no 需求用量 | F05 |
|--------------------|----------------|-----------------|---------------------|-------------------------|-----------------|-----|
| ** | 64301 | 64301-LGE3-900 | COVER FRONT | 前護蓋 | 1 | |
| ** | 64302 | 64302-LGE3-347 | MOLDING,FR. | 前護條 | 1 | |
| ** | 64308 | 64308-LGE3-900 | "MOLDING,LOW FR." | 內箱蓋 | 1 | |
| ** | 64310 | 64310-LBC6-900 | PANEL FLOOR | 腳踏板 | 1 | |
| ** | 64316 | 64316-KHE2-900 | PLUG FLOOR | 踏板塞子 | 4 | |
| ** | 80152 | 80152-LBC6-900 | COVER LOW CENTER | 下中心蓋 | 1 | |
| ** | 81131 | 81131-LGE3-900 | COVER FR INNER UP | 內箱上蓋 | 1 | |
| ** | 81132-LFG6 | 81132-LFG6-900 | HOOK LUGGAGE | 安全帽掛鉤 | 1 | |
| ** | 81132-LGE3 | 81132-LGE3-900 | CAP LEG SHIELD | 前內蓋 | 1 | |
| ** | 81142 | 81142-KUDU-900 | LID LEG SHIELD | 內箱小蓋 | 1 | |
| # | 90111 | 90111-LGE3-900 | BOLT,FLANGE 6MM | 螺絲 6MM | 1 | |
| | 90215 | 90215-GLM0-910 | NUT CAP 6MM | 螺帽 6MM | 1 | |
| | 90302-SDA4 | 90302-SDA4-004 | NUT SPRING 4MM | 螺帽 4MM | 2 | |
| # | 90652 | 90652-LFB5-900 | CLIP MUDGUARD | 塑膠螺絲 | 4 | |
| # | 90653 | 90653-LCA4-E00 | CLIP MUDGUARD | 束夾 | 2 | |
| | 93404 | 93404-06016-06 | BOLT WASHER 6*16 | 螺絲 6*16 | 4 | |
| | 93903-34360 | 93903-34360 | SCREW TAPPING 4*12 | 螺絲 4*12 | 15 | |
| | 94101-06800 | 94101-06800 | WASHER PLAIN 6MM | 華司 6MM | 1 | |
| | 94591 | 94591-27000 | CLIP 2*70 | 夾子 2*70 | 1 | |

F06

Front Fork 前避震器



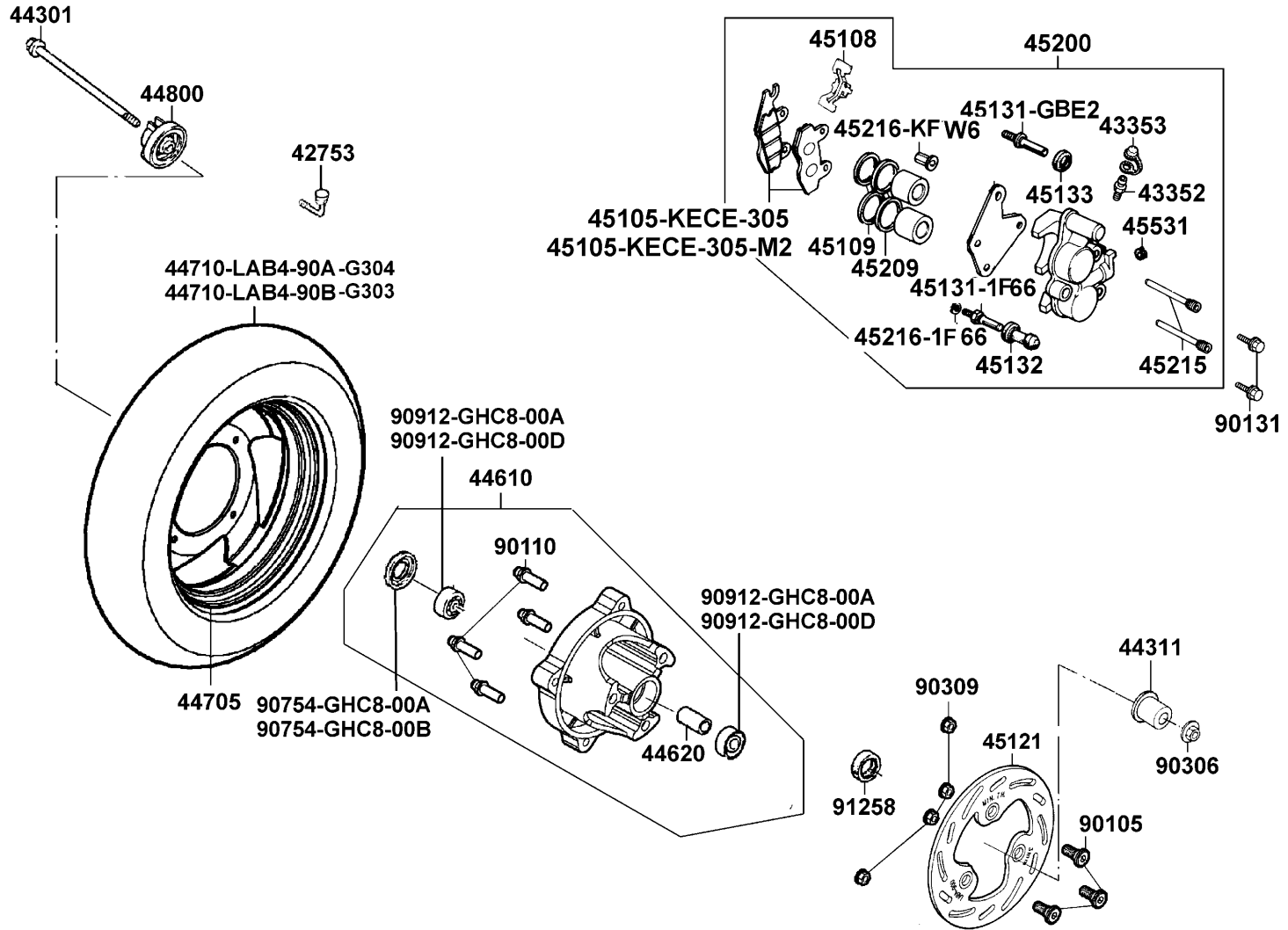
| Sales mark 配色標註 | Ref no 參考號碼 | Part no 零件號碼 | Description 英文名稱 | Reg description 中文名稱 | Regd no 需求用量 | F06 |
|--------------------|----------------|-----------------|-------------------------|-------------------------|-----------------|-----|
| | 45128 | 45128-KFC9-900 | CLAMPER FR BRAKE HOSE | 煞車油管夾 | 1 | |
| | 45156 | 45156-KEC6-900 | CLAMPER RR BRAKE HOSE | 後煞車油管夾 | 1 | |
| | 50306 | 50306-1F96-001 | NUT STRG STEM LOCK | 主幹螺帽 | 1 | |
| ** | 5140A | 5140A-LGE3-900 | FORK ASSY R FR | 右前避震器 | 1 | |
| ** | 5150A | 5150A-LGE3-900 | FORK ASSY L FR | 左前避震器 | 1 | |
| | 53200 | 53200-LGE3-900 | STEM COMP,STRG. | 轉向主桿 | 1 | |
| | 53211 | 53211-GFY6-940 | RACE STRG TOP CONE | 上錐體座圈 | 1 | |
| | 53212 | 53212-2L50-011 | RACE STRG BOT CONE | 下錐體座圈 | 1 | |
| | 53214 | 53214-2L50-001 | DUST SEAL STRG(HEAD) | 墊片 | 1 | |
| | 53215 | 53215-2L50-001 | WASH STRG HDL DUST-SEAL | 轉向桿華司 | 1 | |
| ** | 61101 | 61101-LBC6-900 | FENDER B FR INNER | 前土除 B | 1 | |
| ** | 6110A | 6110A-LGE3-900 | FENDER A FR INNER | 前土除 A | 1 | |
| ** | 86404-LGE3 | 86404-LGE3-900 | STRIPE FR FORK | 前叉貼紙 | 1 | |
| | 90110 | 90110-LBC6-900 | SCREW SPECIAL 6X8 | 螺絲 6X8 | 2 | |
| | 90302-GFY6 | 90302-GFY6-901 | BOLT WASH 5*12 | 螺絲 5*12 | 1 | |
| | 90302-SDA4 | 90302-SDA4-004 | NUT SPRING 4MM | 螺帽 4MM | 2 | |
| | 91014 | 91014-LLJ3-E00 | CAGE STEERING TOP | 鋼珠座 | 1 | |
| | 91015 | 91015-LLJ3-E00 | CAGE STEERING BOT | 鋼珠座 | 1 | |
| | 93903 | 93903-24360 | SCREW TAPPING 4*12 | 螺釘 4*12 | 2 | |
| # | 95701-06012 | 95701-06012-08 | BOLT FLANGE 6*12 | 螺絲 6*12 | 3 | |

| Sales mark 配色標註 | Ref no 參考號碼 | Part no 零件號碼 | Description 英文名稱 | Reg description 中文名稱 | Regd no 需求用量 | F06 |
|--------------------|----------------|-----------------|---------------------|-------------------------|-----------------|-----|
| | 95801 | 95801-08040-08 | BOLT FLANGE 8*40 | 螺絲 8*40 | 4 | |

F07

Front Wheel

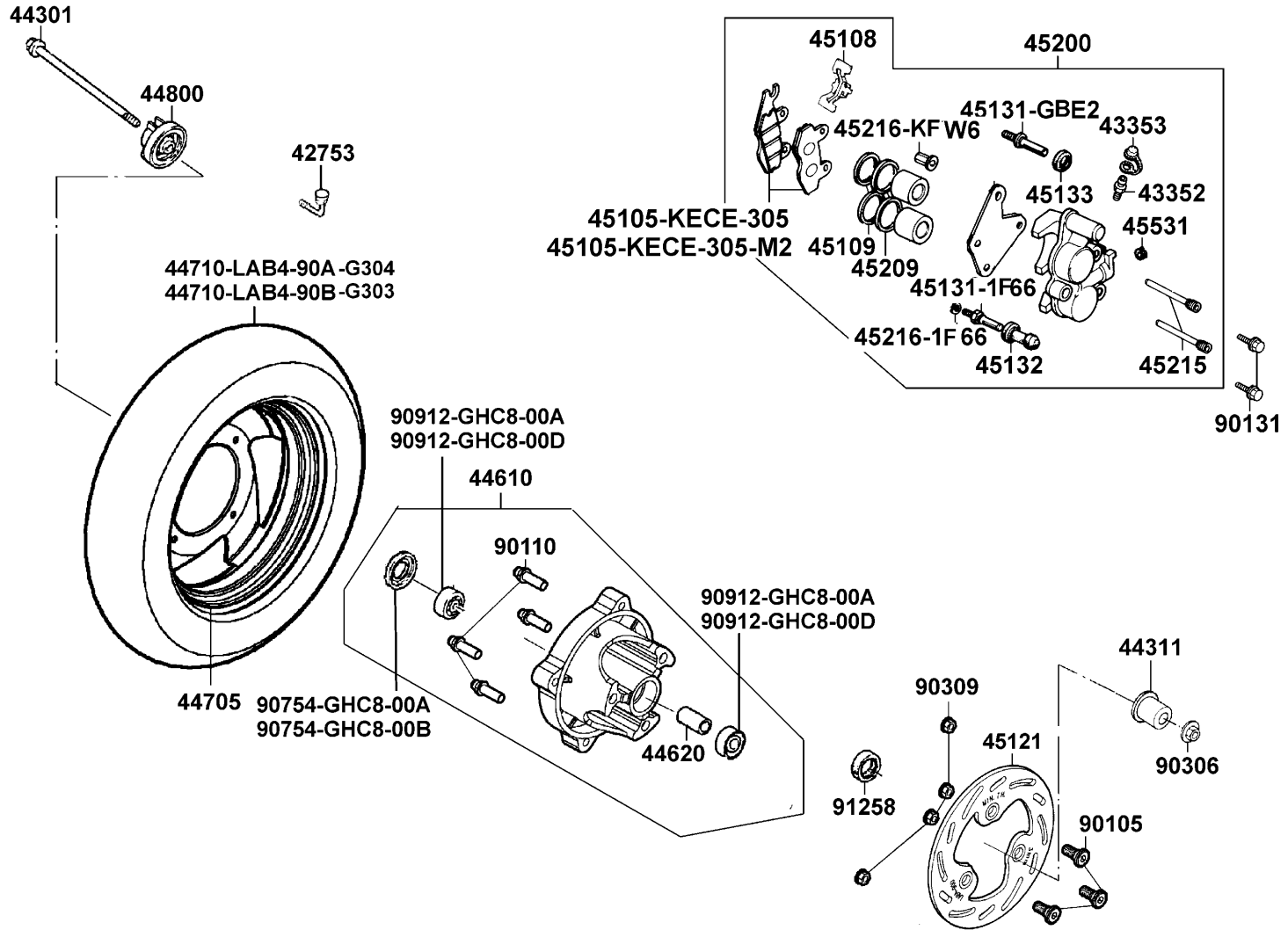
前輪



| Sales mark 配色標註 | Ref no 參考號碼 | Part no 零件號碼 | Description 英文名稱 | Reg description 中文名稱 | Regd no 需求用量 | F07 |
|--------------------|-------------------|---------------------|-----------------------|-------------------------|-----------------|-----|
| | 42753 | 42753-KXCX-900 | VALVE (PVR-70B) & CAP | 打氣嘴 | 1 | |
| | 43352 | 43352-5H68-004 | SCREW BLEEDER | 加油嘴 | 1 | |
| | 43353 | 43353-4A61-77A | CAP BLEEDER | 加油嘴蓋 | 1 | |
| | 44301 | 44301-LGE3-900 | AXLE FR WHEEL | 前輪軸 | 1 | |
| | 44311 | 44311-GLW0-911 | COLLAR FR WHEEL SIDE | 前輪邊套筒 | 1 | |
| ** | 44610 | 44610-KHC4-305 | HUB SUB SET FR | 前輪轂組 | 1 | |
| | 44620 | 44620-KSBS-900 | COLLAR FR DIST | 套筒 | 1 | |
| ** | 44705 | 44705-KHC4-900 | RIM COMP FR WHEEL | 前輪圈 | 1 | |
| | 44710-LAB4-90A- | 44710-LAB4-90A-G304 | TIRE ASSY FR | 前輪胎 | 1 | |
| | 44710-LAB4-90A- | 44710-LAB4-90B-G303 | TIRE ASSY FR | 前輪胎 | 1 | |
| ** | 44800 | 44800-KNBN-901 | GEAR BOX ASSY SPDMT | 速度齒輪箱組 | 1 | |
| | 45105-KECE-305 | 45105-KECE-305 | PAD ASSY | 摩擦板組 | 1 | |
| | 45105-KECE-305-M2 | 45105-KECE-305-M2 | PAD ASSY | 摩擦板組 | 1 | |
| | 45108 | 45108-MDL4-007 | PAD SPG | 摩擦板彈簧 | 1 | |
| | 45109 | 45109-GBE2-007 | DUST SEAL | 防塵封 | 2 | |
| | 45121 | 45121-GAR1-950 | DISK FR BRK | 前煞車圓盤 | 1 | |
| | 45131-1F66 | 45131-1F66-017 | PIN BOLT | 螺絲銷 | 1 | |
| | 45131-GBE2 | 45131-GBE2-007 | PIN BOLT A | 螺絲銷 A | 1 | |
| | 45132 | 45132-1F66-017 | BUSH BOOT PIN | 襯套 | 1 | |
| | 45133 | 45133-MCA3-007 | BOOT B | 襯套 B | 1 | |

F07

Front Wheel 前輪

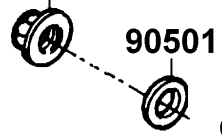


| Sales mark 配色標註 | Ref no 參考號碼 | Part no 零件號碼 | Description 英文名稱 | Reg description 中文名稱 | Regd no 需求用量 | F07 |
|--------------------|----------------|-----------------|---------------------|-------------------------|-----------------|-----|
| ** | 45200 | 45200-KHC4-900 | CLAMPER ASSY FR L | 前煞車卡鉗 | 1 | |
| | 45209 | 45209-GBE2-007 | SEAL PISTON | 油封 | 2 | |
| | 45215 | 45215-KECE-900 | PIN HANGER | 卡鉗吊架銷 | 2 | |
| | 45216-1F66 | 45216-1F66-007 | WASHER WAVE | 華司 | 1 | |
| | 45216-KFW6 | 45216-KFW6-90A | TORQUE NUT | 螺帽 | 1 | |
| | 45531 | 45531-GAR1-951 | PLUG | 塞子 | 1 | |
| | 90105 | 90105-KCR3-001 | BOLT FR DISK 8*24 | 前煞車圓盤螺絲 8*24 | 3 | |
| | 90110 | 90110-KHG8-901 | BOLT STUD2 8*22 | 雙頭螺絲 8X22 | 4 | |
| | 90131 | 90131-LEB1-900 | BOLT FLANGE 8*35 | 螺絲 8*35 | 2 | |
| | 90306 | 90306-LFE2-900 | NUT FLANGE 12MM | 螺帽 12MM | 1 | |
| | 90309 | 90309-GLW0-90A | NUT U FLANGE 8MM | 螺帽 8MM | 4 | |
| | 90754-GHC8-00A | 90754-GHC8-00A | SEAL DUST 20*32*5 | 油封 20*32*5 | 1 | |
| | 90754-GHC8-00B | 90754-GHC8-00B | SEAL DUST 20*32*5 | 油封 20*32*5 | 1 | |
| | 90912-GHC8-00A | 90912-GHC8-00A | BEARING 6201 | 軸承 | 2 | |
| | 90912-GHC8-00D | 90912-GHC8-00D | BEARING 6201 | 軸承 | 2 | |
| | 91258 | 91258-KAM1-00A | SEAL SPDMT GEAR BOX | 油封 | 1 | |

F08

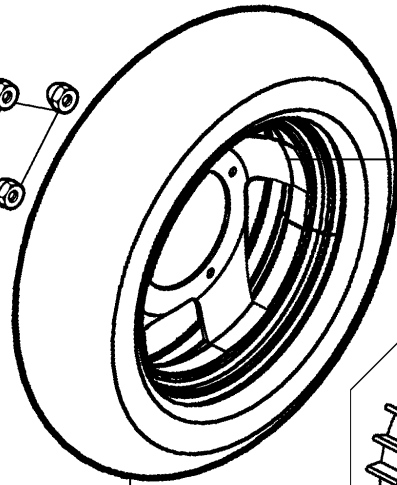
Rear Wheel 後輪

90305-KNBN-90A
90305-KNBN-90B



90501

90309

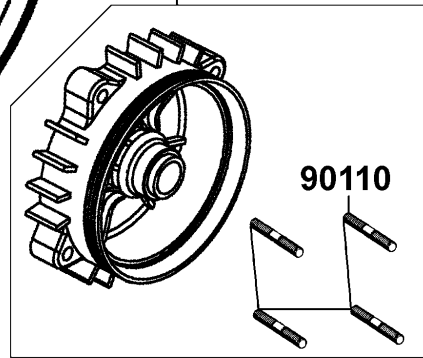


42753

42705

42610

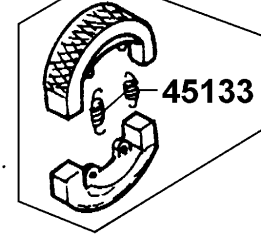
42710-LAB4-90A -G304
42710-LAB4-90B -G303



90110

4512A

45133

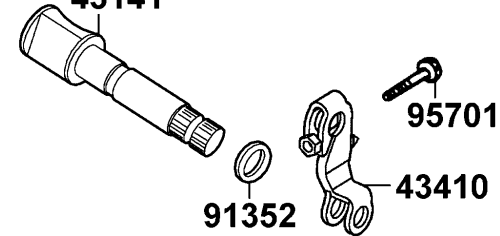


43141

91352

95701

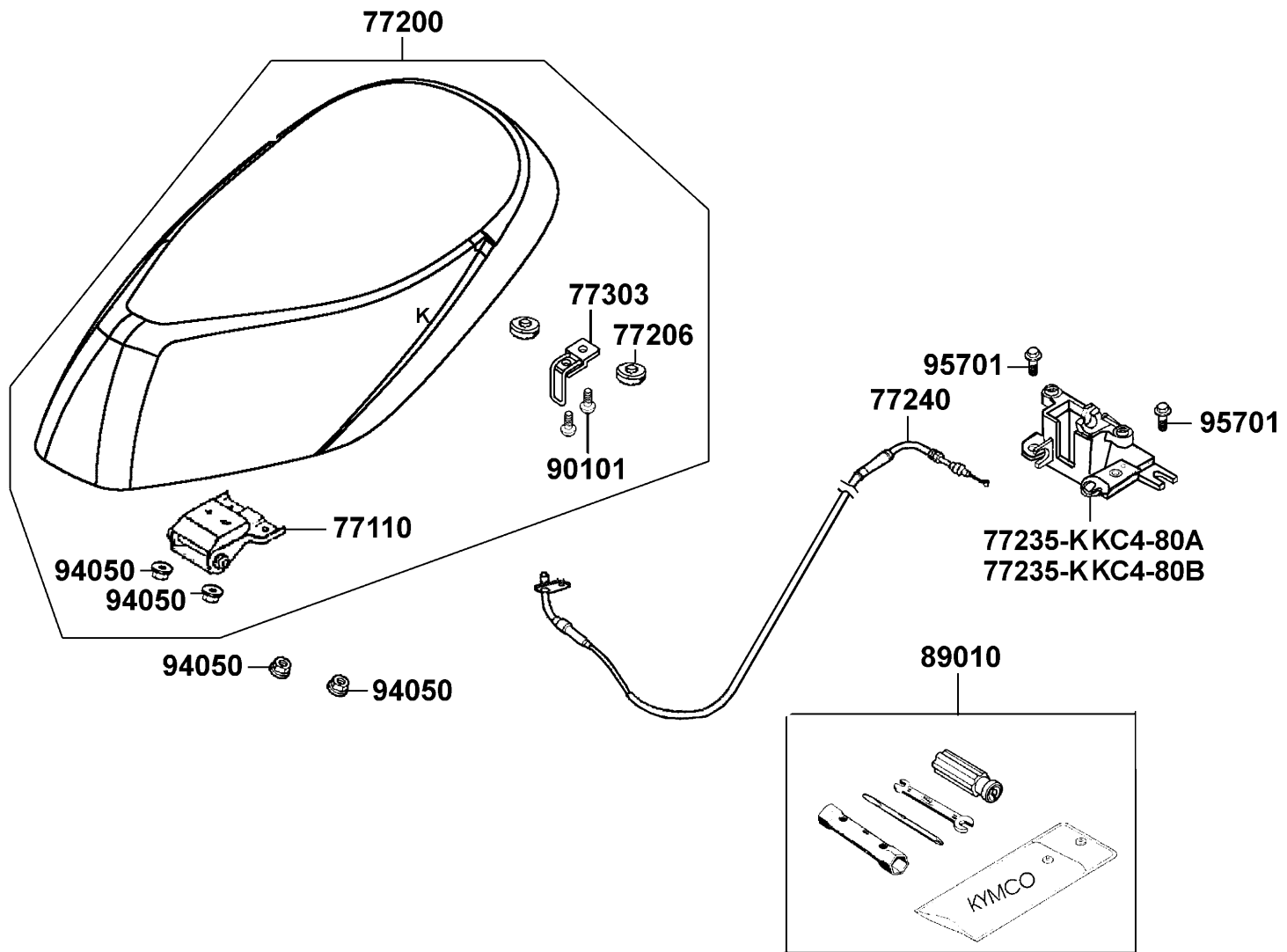
43410



| Sales mark 配色標註 | Ref no 參考號碼 | Part no 零件號碼 | Description 英文名稱 | Reg description 中文名稱 | Regd no 需求用量 | F08 |
|--------------------|-----------------|---------------------|------------------------|-------------------------|-----------------|-----|
| ** | 42610 | 42610-GKAK-901 | HUB SUB COMP RR | 後輪轂 | 1 | |
| ** | 42705 | 42705-KHC4-900 | RIM COMP WHEEL | 後輪鋼圈 | 1 | |
| | 42710-LAB4-90A- | 42710-LAB4-90A-G304 | TIRE ASSY RR | 後輪胎 | 1 | |
| | 42710-LAB4-90B- | 42710-LAB4-90B-G303 | TIRE ASSY RR | 後輪胎 | 1 | |
| | 42753 | 42753-KXCX-900 | VALVE (PVR-70B) & CAP | 打氣嘴 | 1 | |
| | 43141 | 43141-LAB4-900 | CAM RR BRK | 煞車鞋凸輪 | 1 | |
| | 43410 | 43410-KFA1-900 | ARM COMP RR BRAKE | 後煞車臂 | 1 | |
| | 4512A | 4512A-LCB4-910 | SHOE COMP RR BRAKE | 後煞車鞋 | 2 | |
| | 45133 | 45133-LDA3-900 | SPRING BRAKE SHOE REAR | 彈簧 | 2 | |
| | 90110 | 90110-KHG8-901 | BOLT STUD2 8*22 | 雙頭螺絲 8X22 | 4 | |
| | 90305-KNBN-90A | 90305-KNBN-90A | NUT U 16MM(C) | 安全螺帽 16MM | 1 | |
| | 90305-KNBN-90B | 90305-KNBN-90B | NUT U 16MM | 螺帽 16MM | 1 | |
| | 90309 | 90309-GLW0-90A | NUT U FLANGE 8MM | 螺帽 8MM | 4 | |
| | 90501 | 90501-KNBN-901 | WASHER 16MM | 華司 16MM | 1 | |
| | 91352 | 91352-KHG8-83B | O-RING 11.3*1.3 | O環 11.3*1.3 | 1 | |
| | 95701 | 95701-06032-08 | BOLT FLANGE 6*32 | 螺絲 6*32 | 1 | |

F09

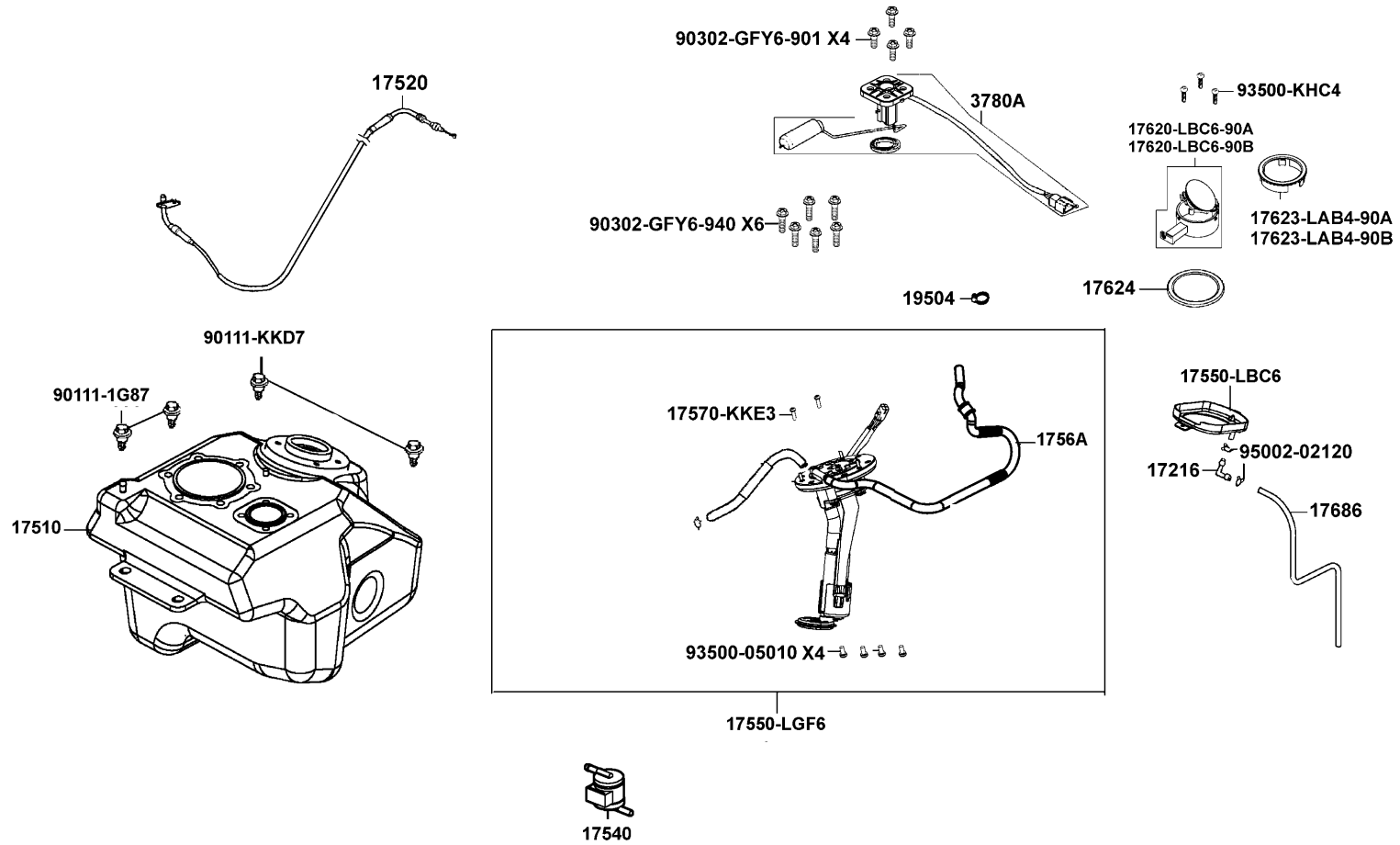
Seat 座墊



| Sales mark 配色標註 | Ref no 參考號碼 | Part no 零件號碼 | Description 英文名稱 | Reg description 中文名稱 | Regd no 需求用量 | F09 |
|--------------------|----------------|-----------------|----------------------|-------------------------|-----------------|-----|
| | 77110 | 77110-LBC6-900 | HINGE COMP SEAT | 坐墊鉸鏈 | 1 | |
| ** | 77200 | 77200-LGF6-900 | SEAT ASSY. | 座墊組 | 1 | |
| | 77206 | 77206-KEB7-900 | RUBBER SEAT CUSH | 橡皮 | 2 | |
| | 77235-KKC4-80A | 77235-KKC4-80A | SEAT CATCH | 座墊檔器 | 1 | |
| | 77235-KKC4-80B | 77235-KKC4-80B | SEAT CATCH | 座墊檔器 | 1 | |
| | 77240 | 77240-LBC6-900 | CABLE COMP SEAT LOCK | 坐墊導線 | 1 | |
| | 77303 | 77303-LAB4-900 | HOOK SEAT LOCK | 座墊掛鉤鎖 | 1 | |
| | 89010 | 89010-LAD9-900 | TOOL SET | 手工具組 | 1 | |
| | 90101 | 90101-KGC4-E00 | SCREW SPECIAL 6*15 | 特殊螺絲 6*15 | 2 | |
| | 94050 | 94050-06080 | NUT FLANGE 6MM | 螺帽 6MM | 2 | |
| # | 95701 | 95701-06012-08 | BOLT FLANGE 6*12 | 螺絲 6*12 | 2 | |

F10

Fuel Tank 油箱

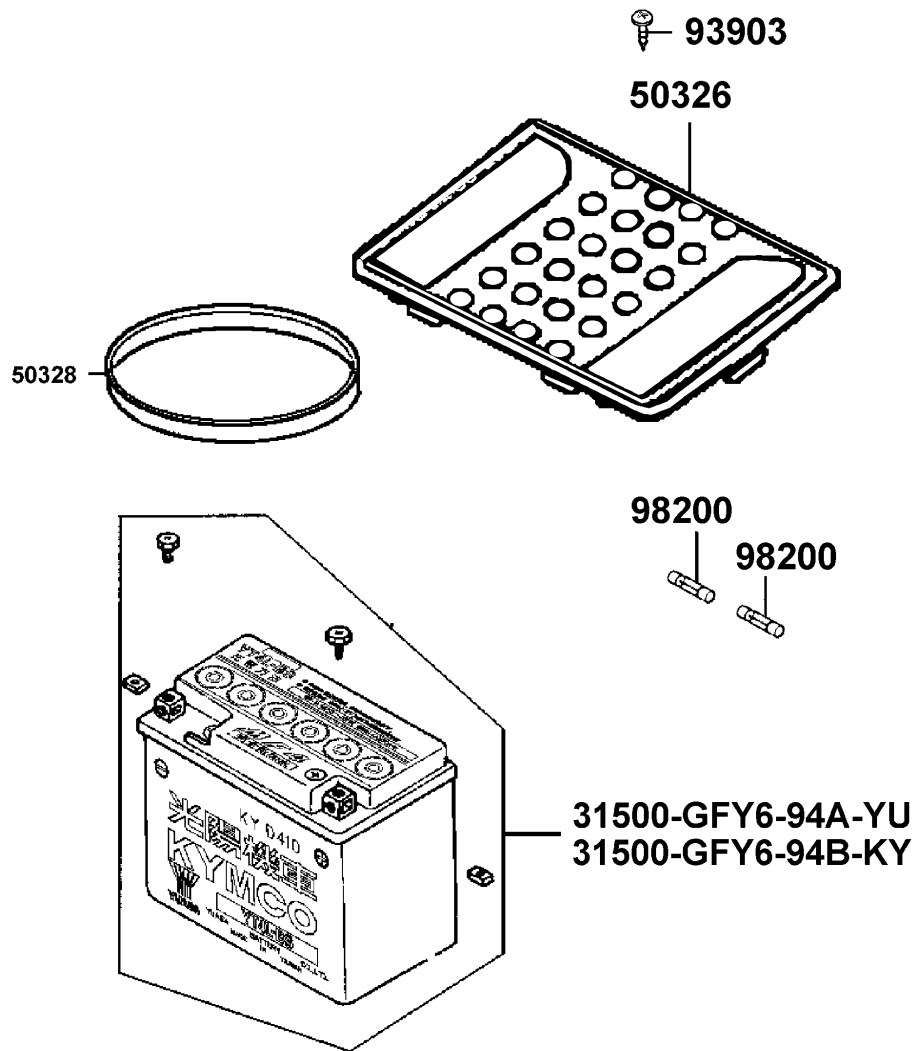


| Sales mark 配色標註 | Ref no 參考號碼 | Part no 零件號碼 | Description 英文名稱 | Reg description 中文名稱 | Regd no 需求用量 | F10 |
|--------------------|----------------|-----------------|-------------------------|-------------------------|-----------------|-----|
| | 17216 | 17216-KHC4-900 | L JOINT BREATHER TUBE | L 型管 | 1 | |
| | 17510 | 17510-LGF6-900 | FUEL TANK COMP | 油箱 | 1 | |
| | 17520 | 17520-LBC6-900 | CABLE COMP FUEL CAP | 加油蓋導線 | 1 | |
| | 17540 | 17540-LGF6-900 | 2 WAY VALVE ASSY. | 雙通閥 | 1 | |
| | 17550-LBC6 | 17550-LBC6-900 | TRAY FUEL CAP | 加油口托盤 | 1 | |
| | 17550-LGF6 | 17550-LGF6-800 | TRAY FUEL CAP | 加油口托盤 | 1 | |
| | 1756A | 1756A-LGF6-900 | TUBE PUMP INJECTOR COMP | 噴嘴油管 | 1 | |
| | 17570-KKE3 | 17570-KKE3-900 | SCREW BOLT M 4*13 | 螺絲 4*13 | 1 | |
| | 17620-LBC6-90A | 17620-LBC6-90A | CAP COMP FUEL FILLER | 加油蓋 | 1 | |
| | 17620-LBC6-90B | 17620-LBC6-90B | CAP COMP FUEL FILLER | 加油蓋 | 1 | |
| | 17623-LAB4-90A | 17623-LAB4-90A | COLLAR FUEL CAP | 油箱蓋套筒 | 1 | |
| | 17623-LAB4-90B | 17623-LAB4-90B | COLLAR FUEL CAP | 油箱蓋套筒 | 1 | |
| | 17624 | 17624-LBC6-900 | PACKING FUEL CAP | 油箱蓋套環橡皮 | 1 | |
| | 17686 | 17686-LBC6-900 | TUBE ASSY DRAIN | 油管組 | 1 | |
| | 19504 | 19504-LBA2-E00 | CLAMP D 16.8 | 管夾 | 1 | |
| | 3780A | 3780A-LGF6-900 | FUEL UNIT ASSY | 燃料量指示器組 | 1 | |
| # | 90111-1G87 | 90111-1G87-001 | BOLT FLANGE 6MM | 螺絲 6MM | 2 | |
| | 90111-KKD7 | 90111-KKD7-900 | BOLT FLANGE 6MM | 螺絲 6MM | 2 | |
| | 90302-GFY6-901 | 90302-GFY6-901 | BOLT WASH 5*12 | 螺絲 5*12 | 4 | |
| | 90302-GFY6-940 | 90302-GFY6-940 | BOLT-WASH 5*16 | 螺絲 5*16 | 6 | |

| Sales mark 配色標註 | Ref no 參考號碼 | Part no 零件號碼 | Description 英文名稱 | Reg description 中文名稱 | Regd no 需求用量 | F10 |
|--------------------|----------------|-----------------|---------------------|-------------------------|-----------------|-----|
| | 93500-05010 | 93500-05010-0G | SCREW PAN 5*10 | 螺絲 5*10 | 4 | |
| | 93500-KHC4 | 93500-KHC4-90A | SCREW PAN 5*10 | 螺絲 5*10 | 3 | |
| | 95002-02120 | 95002-02120 | CLIP B12 TUBE | 管夾 B12 | 2 | |

F11

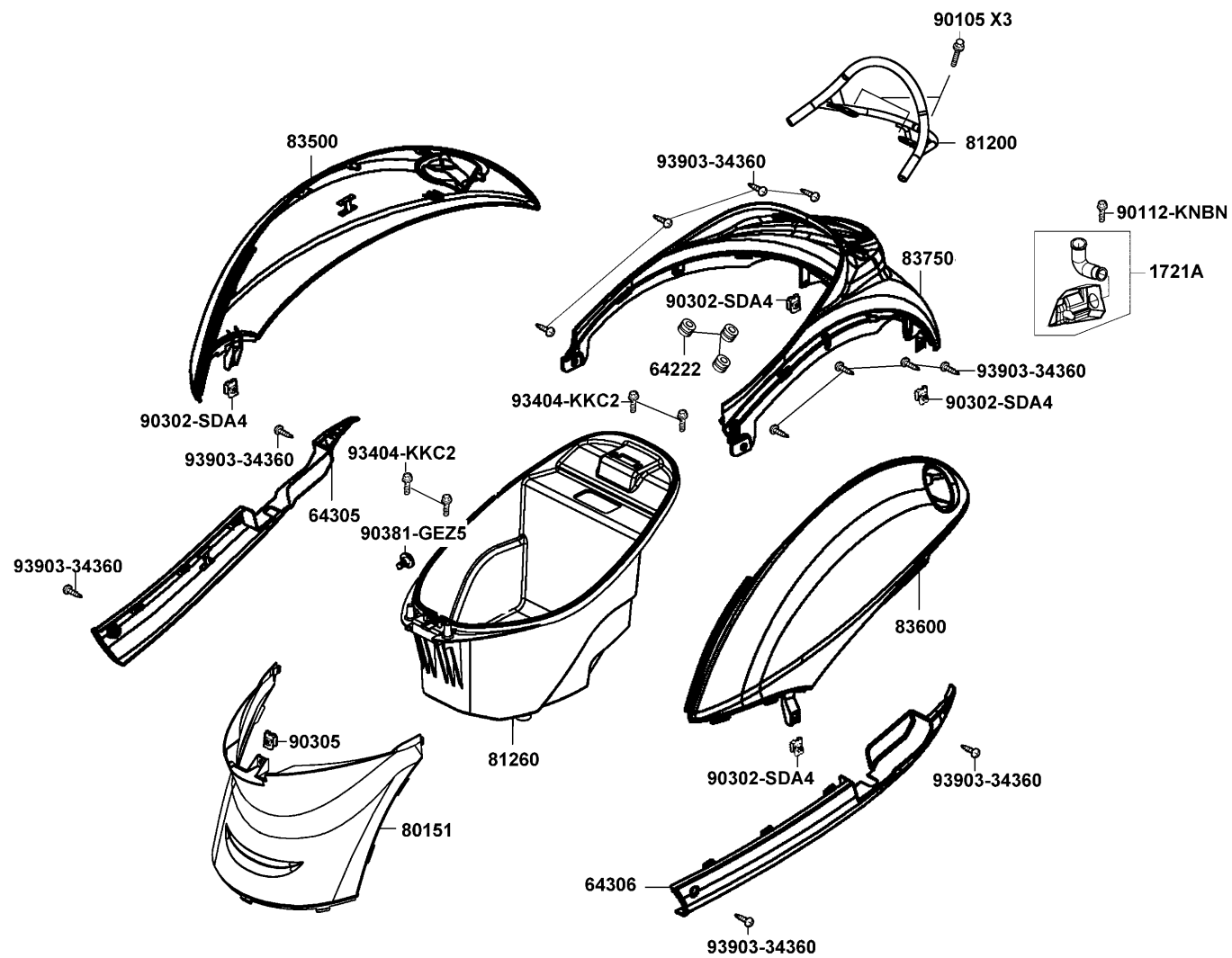
Battery 電瓶



| Sales mark 配色標註 | Ref no 參考號碼 | Part no 零件號碼 | Description 英文名稱 | Reg description 中文名稱 | Regd no 需求用量 | F11 |
|--------------------|-------------------|-------------------|---------------------|-------------------------|-----------------|-----|
| | 31500-GFY6-94A-YU | 31500-GFY6-94A-YU | BATTERY YTX7A-BS | 電瓶 | 1 | |
| | 31500-GFY6-94B-KY | 31500-GFY6-94B-KY | BATTERY GTX7A-BS | 電瓶 | 1 | |
| ** | 50326 | 50326-LBC6-900 | COVER BATTERY | 電瓶蓋 | 1 | |
| | 50328 | 50328-KNBN-200 | BAND BATTERY | 電瓶束帶 | 1 | |
| | 93903 | 93903-35360 | SCREW TAPPING 5*16 | 螺釘 5*16 | 1 | |
| | 98200 | 98200-10700 | FUSE A7 | 保險絲 A7 | 2 | |

F12

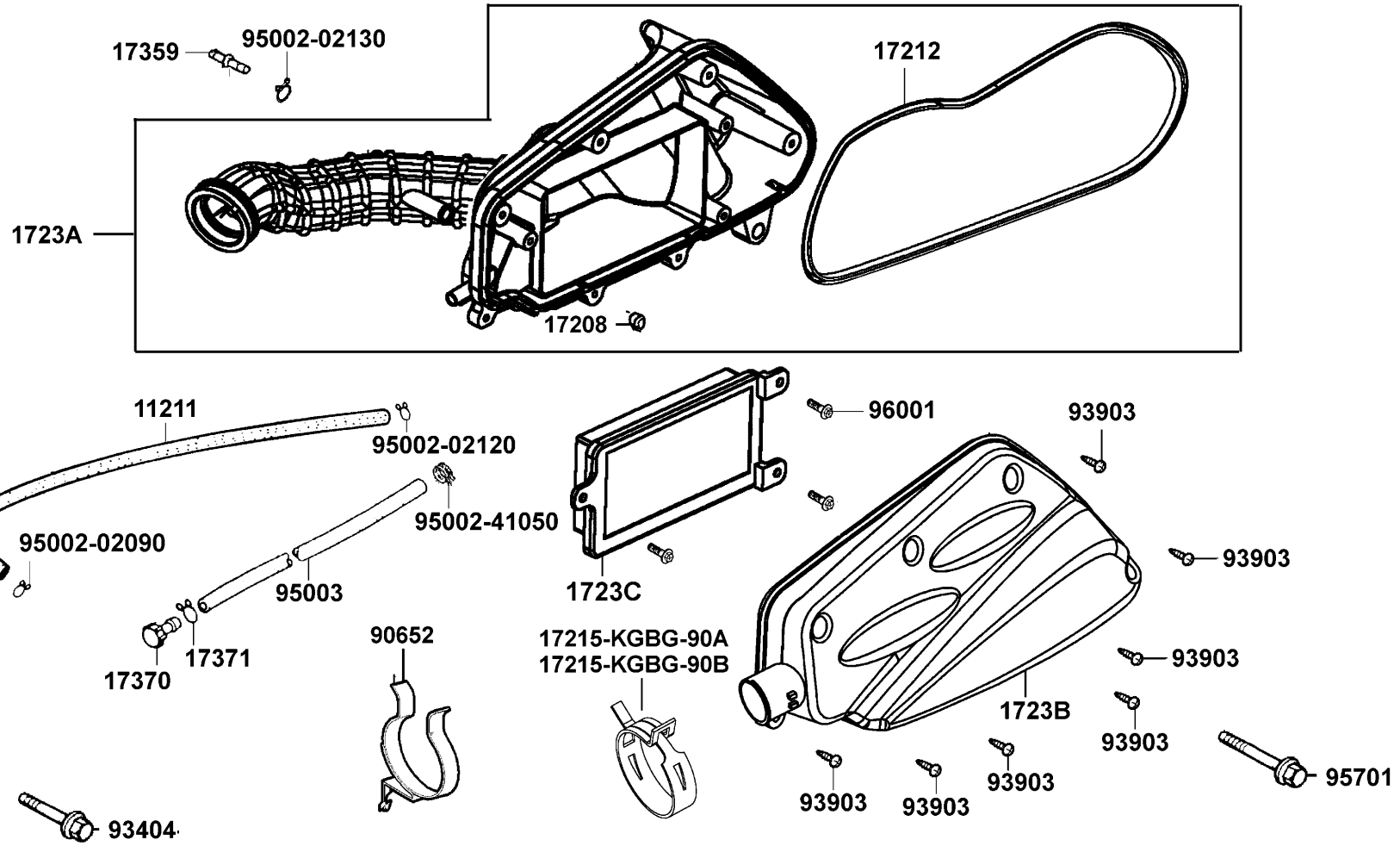
Body Cover Luggage Box 車體蓋 行李箱



| Sales mark 配色標註 | Ref no 參考號碼 | Part no 零件號碼 | Description 英文名稱 | Reg description 中文名稱 | Regd no 需求用量 | F12 |
|--------------------|----------------|-----------------|---------------------|-------------------------|-----------------|-----|
| | 1721A | 1721A-LBC6-900 | DUCT ASSY A/C | 空氣濾清器導管 | 1 | |
| | 64222 | 64222-LBC6-900 | CUSHION RR GRIP | 後握桿減震橡皮環 | 3 | |
| ** | 64305 | 64305-LBC6-900 | SKIRT R SIDE | 右邊軌 | 1 | |
| ** | 64306 | 64306-LBC6-900 | SKIRT L SIDE | 左邊軌 | 1 | |
| ** | 80151 | 80151-LBC6-900 | COVER CENTER | 中心蓋 | 1 | |
| | 81200 | 81200-LBC6-800 | GRIP RR | 後握桿 | 1 | |
| | 81260 | 81260-LGF6-900 | BOX ASSY LUGGAGE | 置物箱組 | 1 | |
| ** | 83500 | 83500-LBC6-347 | COVER SET R BODY | 右邊蓋組 | 1 | |
| ** | 83600 | 83600-LBC6-347 | COVER SET L BODY | 左邊蓋組 | 1 | |
| ** | 83750 | 83750-LBC6-900 | COVER REAR CENTER | 後中心蓋 | 1 | |
| | 90105 | 90105-LBC6-900 | BOLT-WASH 8MM | 螺絲 8MM | 3 | |
| | 90112-KNBN | 90112-KNBN-901 | BOLT FLANGE 6MM | 螺絲 6MM | 1 | |
| | 90302-SDA4 | 90302-SDA4-004 | NUT SPRING 4MM | 螺帽 4MM | 4 | |
| | 90305 | 90305-GHK8-001 | NUT CLIP 6MM | 夾螺帽 | 2 | |
| | 90381-GEZ5 | 90381-GEZ5-001 | SCREW SPECIAL 6*17 | 螺絲 6*17 | 1 | |
| | 93404-KKC2 | 93404-KKC2-900 | BOLT WASH 6*16 | 螺絲6*16 | 4 | |
| | 93903-34360 | 93903-34360 | SCREW TAPPING 4*12 | 螺絲 4*12 | 12 | |

F13

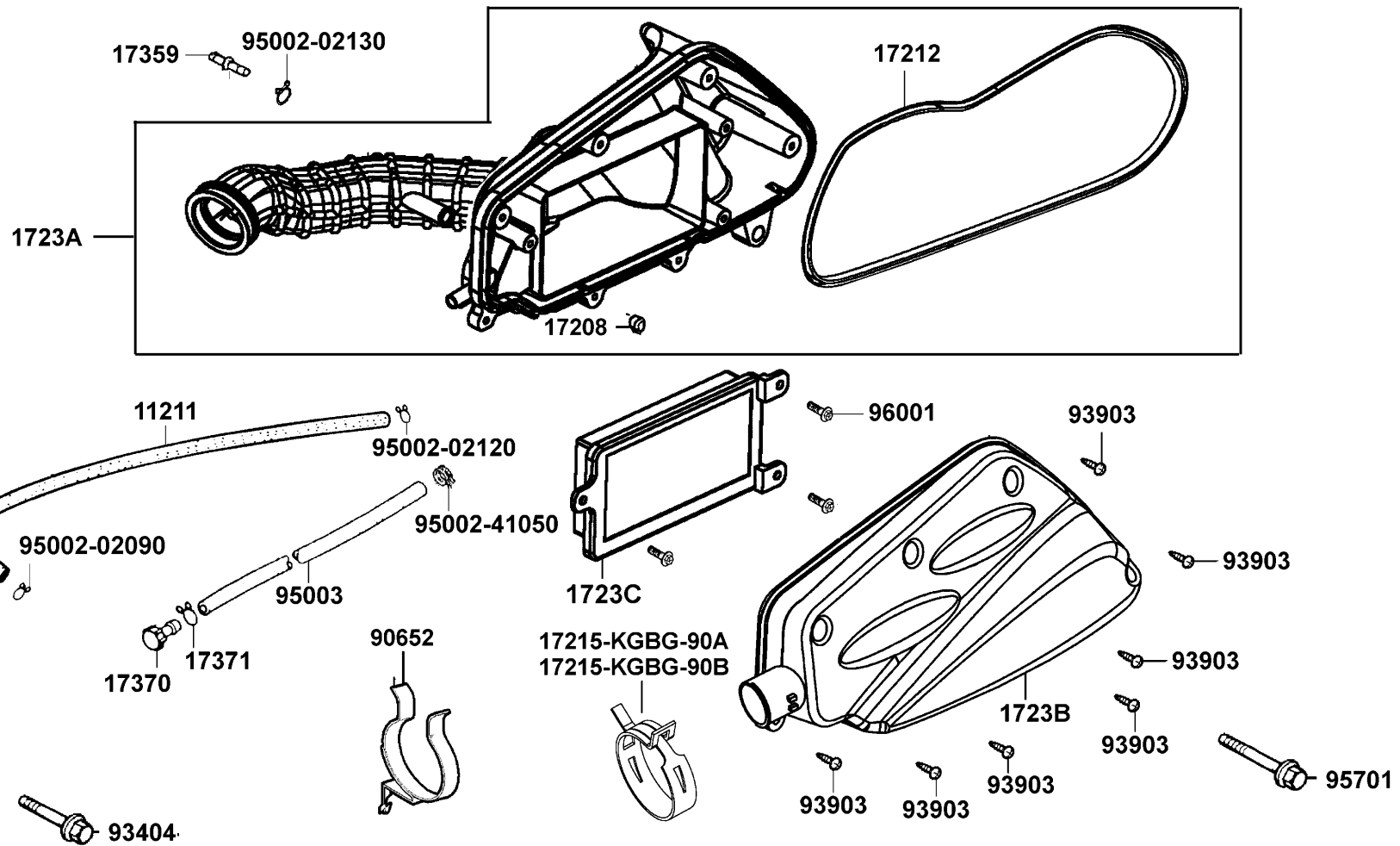
Air Cleaner 空氣濾清器



| Sales mark 配色標註 | Ref no 參考號碼 | Part no 零件號碼 | Description 英文名稱 | Reg description 中文名稱 | Regd no 需求用量 | F13 |
|--------------------|----------------|-----------------|-------------------------------|-------------------------|-----------------|-----|
| | 11211 | 11211-LBC6-900 | TUBE BREATHER | 通氣管 | 1 | |
| | 17208 | 17208-GAR1-011 | COLLAR AIR/C SET | 套筒 | 2 | |
| | 17212 | 17212-LAB4-900 | SEAL AIR/C CASE | 空氣濾清器箱蓋油封 | 1 | |
| | 17215-KGBG-90A | 17215-KGBG-90A | CLIP ASSY A/C DUCT | 固定管夾 | 1 | |
| | 17215-KGBG-90B | 17215-KGBG-90B | CLIP ASSY AIR/C DUCT | 固定管夾 | 1 | |
| | 1723A | 1723A-LGF6-900 | CASE ASSY., AIR/C | 空氣濾清器箱組 | 1 | |
| | 1723B | 1723B-LBC6-900 | COVER COMP AIR/C | 空氣濾清器蓋組 | 1 | |
| | 1723C | 1723C-LAB4-900 | ELEMENT COMP AIR/C | 空氣濾清器海綿 | 1 | |
| | 17359 | 17359-4K19-671 | JOINT BREATHER TUBE | 通氣管接頭 | 1 | |
| | 17370 | 17370-4K19-670 | PLUG BREATHER TUBE | 溢油管管塞 | 1 | |
| | 17371 | 17371-1D74-671 | CLIP BREATHER TUBE | 通氣管夾 | 2 | |
| | 90652 | 90652-GFY6-901 | BAND 49 AIR/C CONNECTING TUBE | 連接管固定帶 | 1 | |
| | 93404 | 93404-06030-06 | BOLT WASHER 6*30 | 螺絲6*30 | 1 | |
| | 93903 | 93903-25380 | SCREW TAPP 5*16 | 螺釘 5X16 | 7 | |
| | 95002-02090 | 95002-02090 | CLIP B9 TUBE | 管夾 | 1 | |
| | 95002-02120 | 95002-02120 | CLIP B12 TUBE | 管夾 B12 | 1 | |
| | 95002-02130 | 95002-02130 | CLIP B 12.5 TURE | 管夾 | 2 | |
| | 95002-41050 | 95002-41050-00 | CLIP D10.5 TUBE | 管夾 | 1 | |
| | 95003 | 95003-23018-60 | V TUBE 8*12*185 | 通氣管 8*12*185 | 1 | |
| | 95701 | 95701-06032-08 | BOLT FLANGE 6*32 | 螺絲 6*32 | 1 | |

F13

Air Cleaner 空氣濾清器

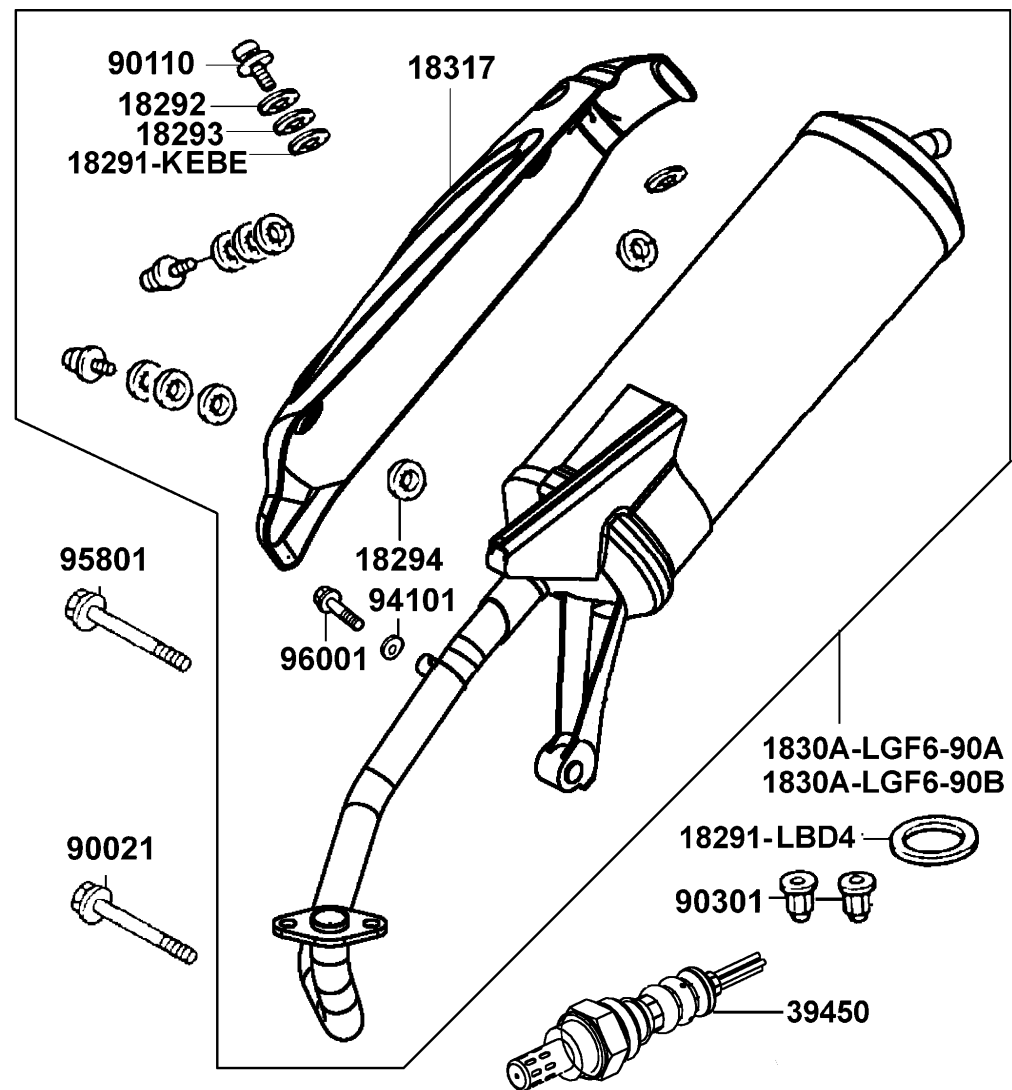


| Sales mark 配色標註 | Ref no 參考號碼 | Part no 零件號碼 | Description 英文名稱 | Reg description 中文名稱 | Regd no 需求用量 |
|--------------------|----------------|-------------------|---------------------|-------------------------|-----------------|
| 96001 | 96001-LAB4-900 | BOLT SPECIAL 5*16 | 螺絲 5*16 | 3 | |

F13

F14

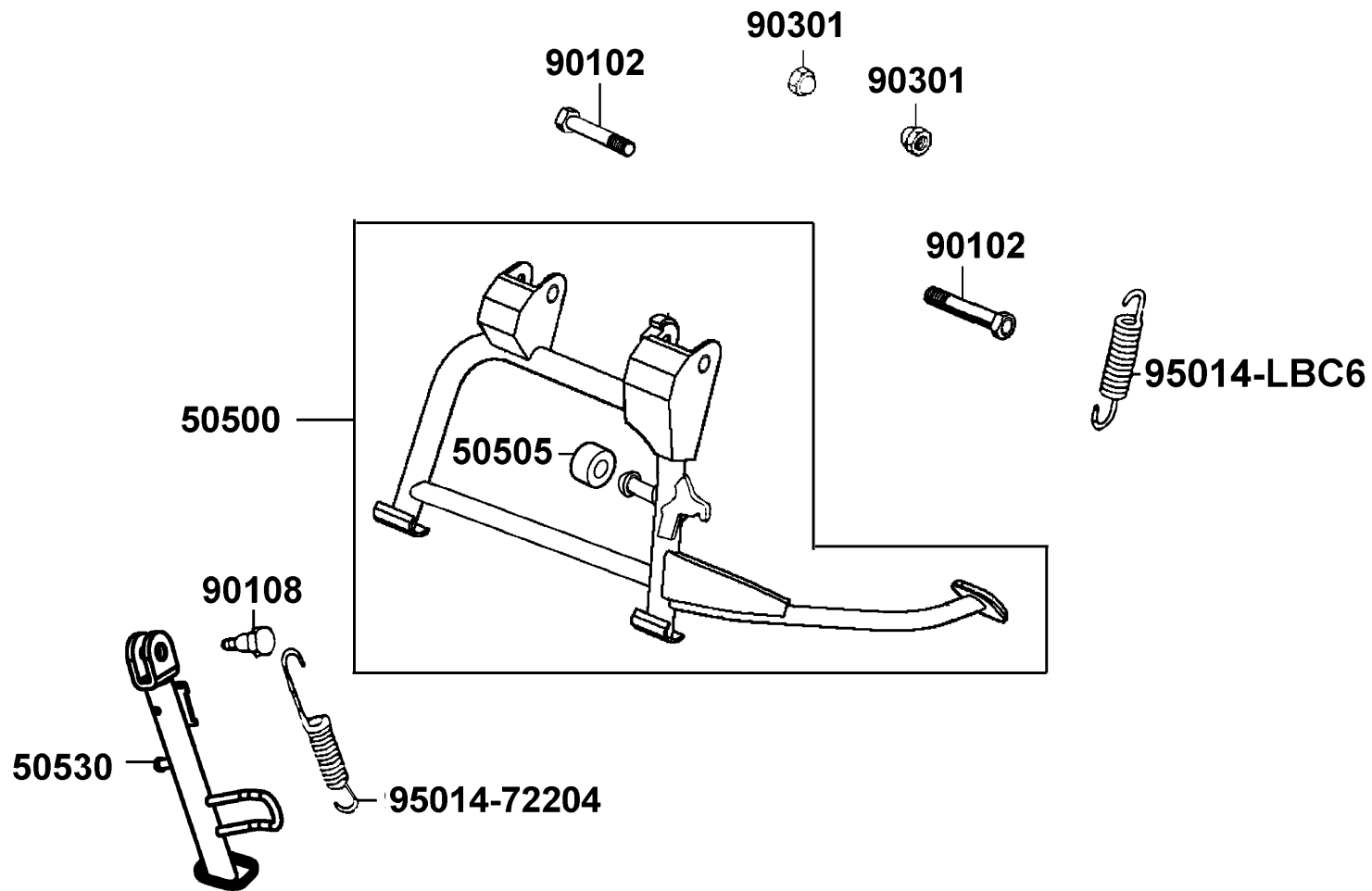
Exhaust Muffler 排氣管



| Sales mark 配色標註 | Ref no 參考號碼 | Part no 零件號碼 | Description 英文名稱 | Reg description 中文名稱 | Regd no 需求用量 | F14 |
|--------------------|----------------|-----------------|------------------------|-------------------------|-----------------|-----|
| | 18291-KEBE | 18291-KEBE-900 | COLLAR | 套筒 | 3 | |
| | 18291-LBD4 | 18291-LBD4-900 | GASKET EXH PIPE | 排氣管墊圈 | 1 | |
| | 18292 | 18292-KEBE-900 | PACKING PROTECTOR | 墊片 | 3 | |
| | 18293 | 18293-KEBE-900 | RUBBER PKG PROTR | 橡皮 | 3 | |
| | 18294 | 18294-KEBE-900 | PACKING PROTECTOR | 防熱墊片 | 3 | |
| | 1830A-LGF6-90A | 1830A-LGF6-90A | MUFFLER ASSY., EXHAUST | 排氣管組 | 1 | |
| | 1830A-LGF6-90B | 1830A-LGF6-90B | MUFFLER ASSY EXHAUST | 排氣管組 | 1 | |
| ** | 18317 | 18317-KHC4-900 | PROTECTOR COMP MUFFLER | 排氣管護板 | 1 | |
| | 39450 | 39450-LEA6-800 | O2 SENSOR | 氧氣感測器 | 1 | |
| | 90021 | 90021-GFY6-900 | BOLT WASHER COMP | 螺絲 | 1 | |
| | 90110 | 90110-KFA6-900 | SCREW SPECIAL 6*18 | 螺絲 6*18 | 3 | |
| | 90301 | 90301-GFY6-901 | NUT (HEX) CAP 8MM | 圓螺帽 8MM | 2 | |
| | 94101 | 94101-06200 | WASHER PLAIN 6MM | 平華司 | 1 | |
| | 95801 | 95801-08042-06 | BOLT FLANGE 8*42 | 螺絲 8*42 | 1 | |
| | 96001 | 96001-06008-07 | BOLT FLANGE SH 6*8 | 螺絲 6*8 | 1 | |

F15

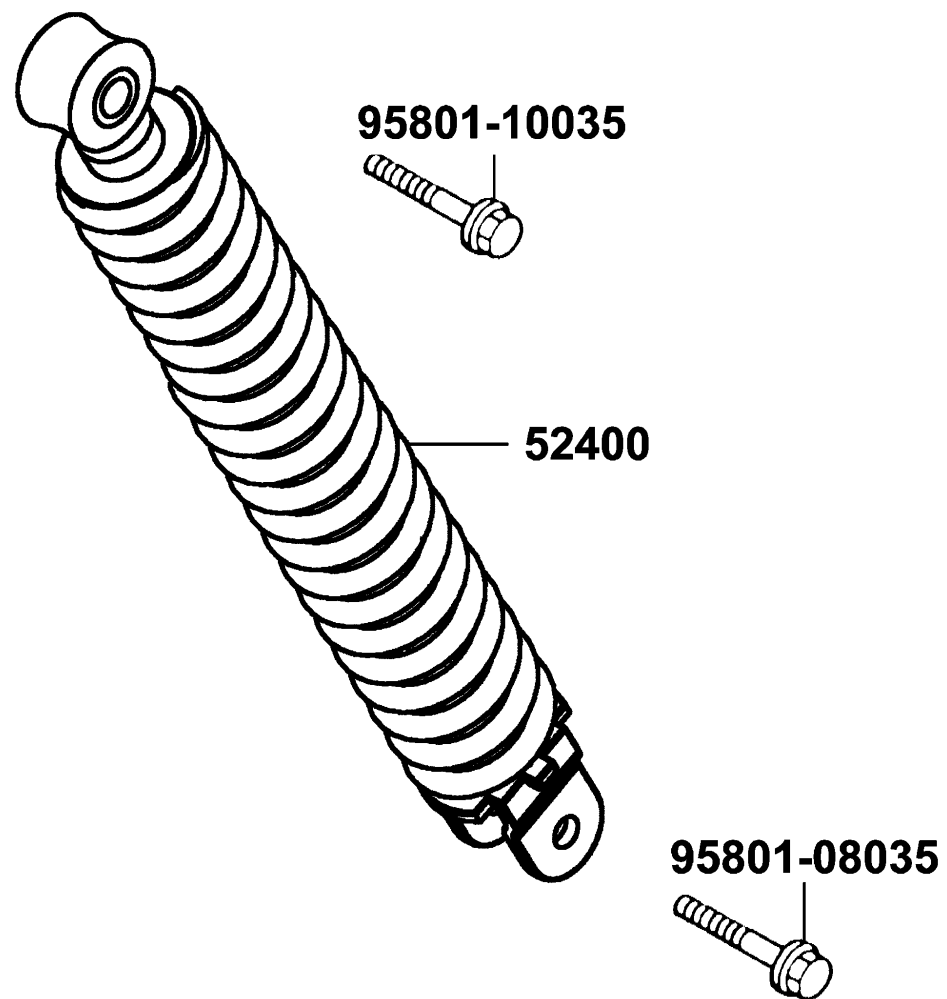
Stand Kick Starter Arm 腳架 起動踏桿



| Sales mark 配色標註 | Ref no 參考號碼 | Part no 零件號碼 | Description 英文名稱 | Reg description 中文名稱 | Regd no 需求用量 | F15 |
|--------------------|----------------|-----------------|------------------------|-------------------------|-----------------|-----|
| | 50500 | 50500-LBC6-900 | STAND COMP MAIN | 主腳架組 | 1 | |
| | 50505 | 50505-KKD7-900 | RUBBER STOPPER MAIN | 主腳架橡皮 | 1 | |
| | 50530 | 50530-LBC6-900 | BAR SIDE STAND | 側支架 | 1 | |
| | 90102 | 90102-GLE0-001 | BOLT HINGE PIVOT | 螺絲 | 2 | |
| | 90108 | 90108-LBC6-900 | SCREW SIDE STAND PIVOT | 側腳架螺絲 | 1 | |
| | 90301 | 90301-4C73-004 | NUT U 6MM | 螺帽 6MM | 2 | |
| | 95014-72204 | 95014-72204 | SPG B1 SIDE STAND | 側腳架彈簧 | 1 | |
| | 95014-LBC6 | 95014-LBC6-900 | SPG D MAIN STAND | 主腳架彈簧 | 1 | |

F16

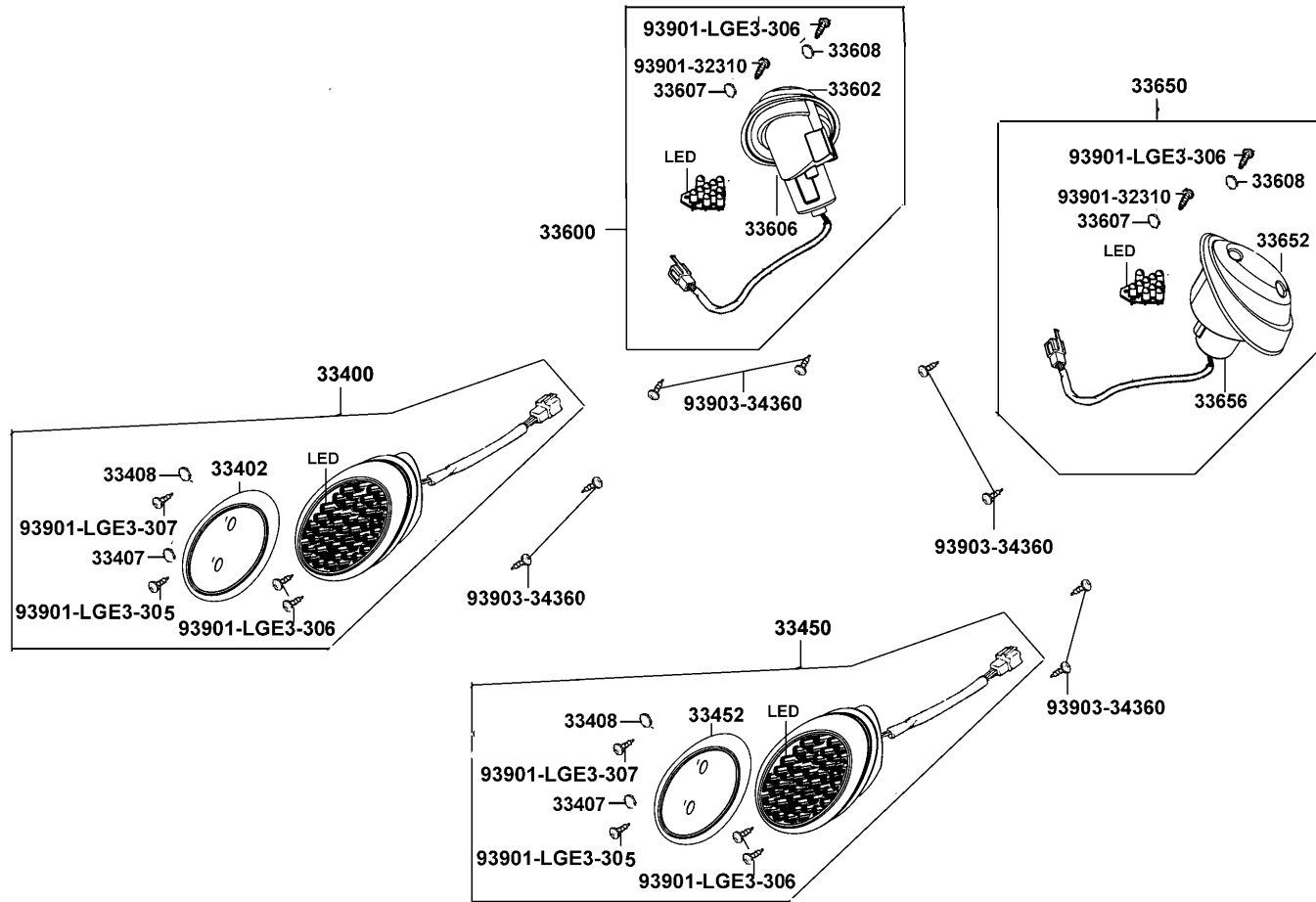
Rear Cushion 後避震器



| Sales mark 配色標註 | Ref no 參考號碼 | Part no 零件號碼 | Description 英文名稱 | Reg description 中文名稱 | Regd no 需求用量 | F16 |
|--------------------|----------------|-----------------|---------------------|-------------------------|-----------------|-----|
| ** | 52400 | 52400-KHC4-900 | CUSHION ASSY REAR | 後避震器 | 1 | |
| | 95801-08035 | 95801-08035-08 | BOLT FLANGE 8*35 | 螺絲 8*35 | 1 | |
| | 95801-10035 | 95801-10035-08 | BOLT FLANGE 10*35 | 螺絲 10*35 | 1 | |

F17

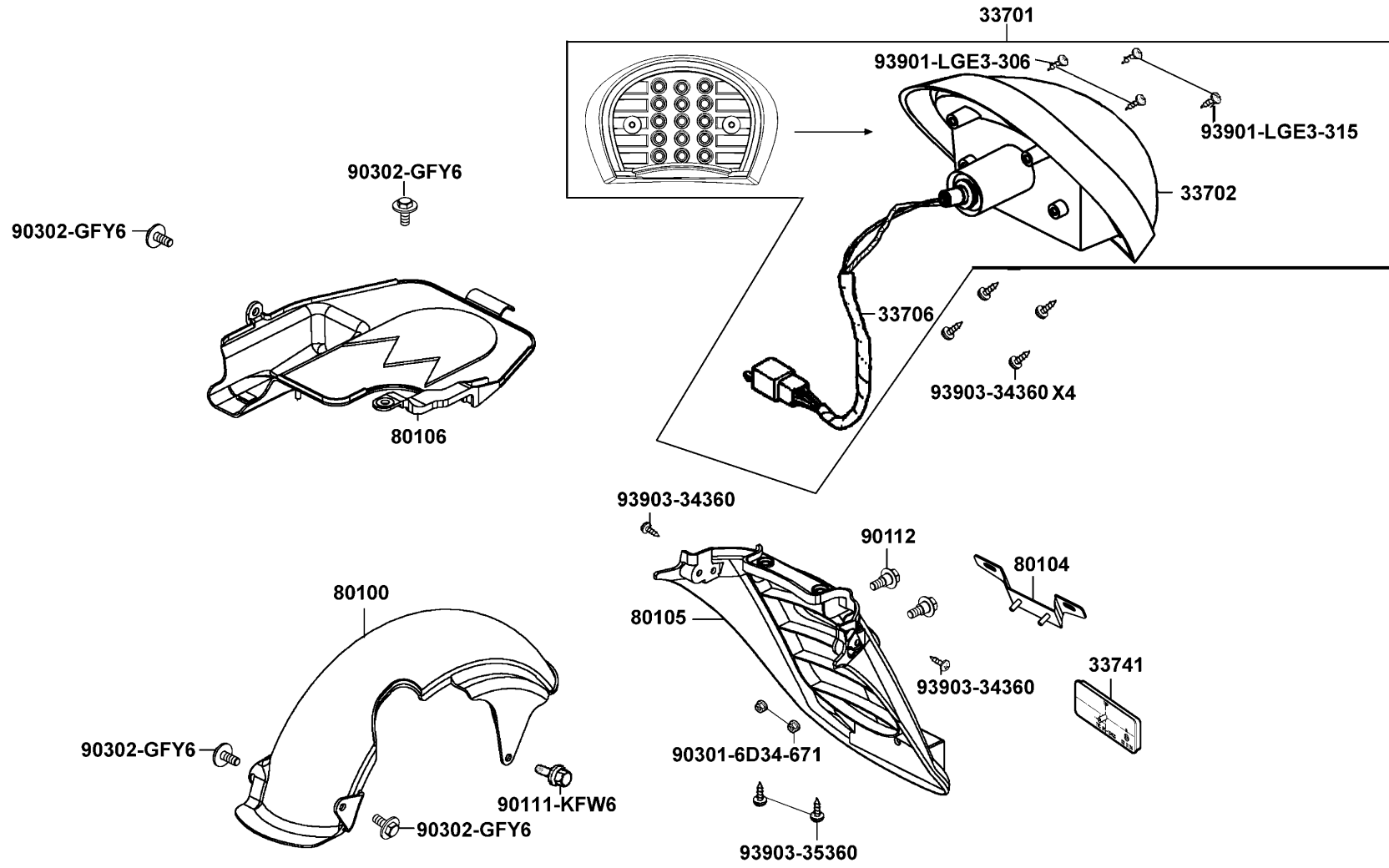
Front Winker 前方向燈



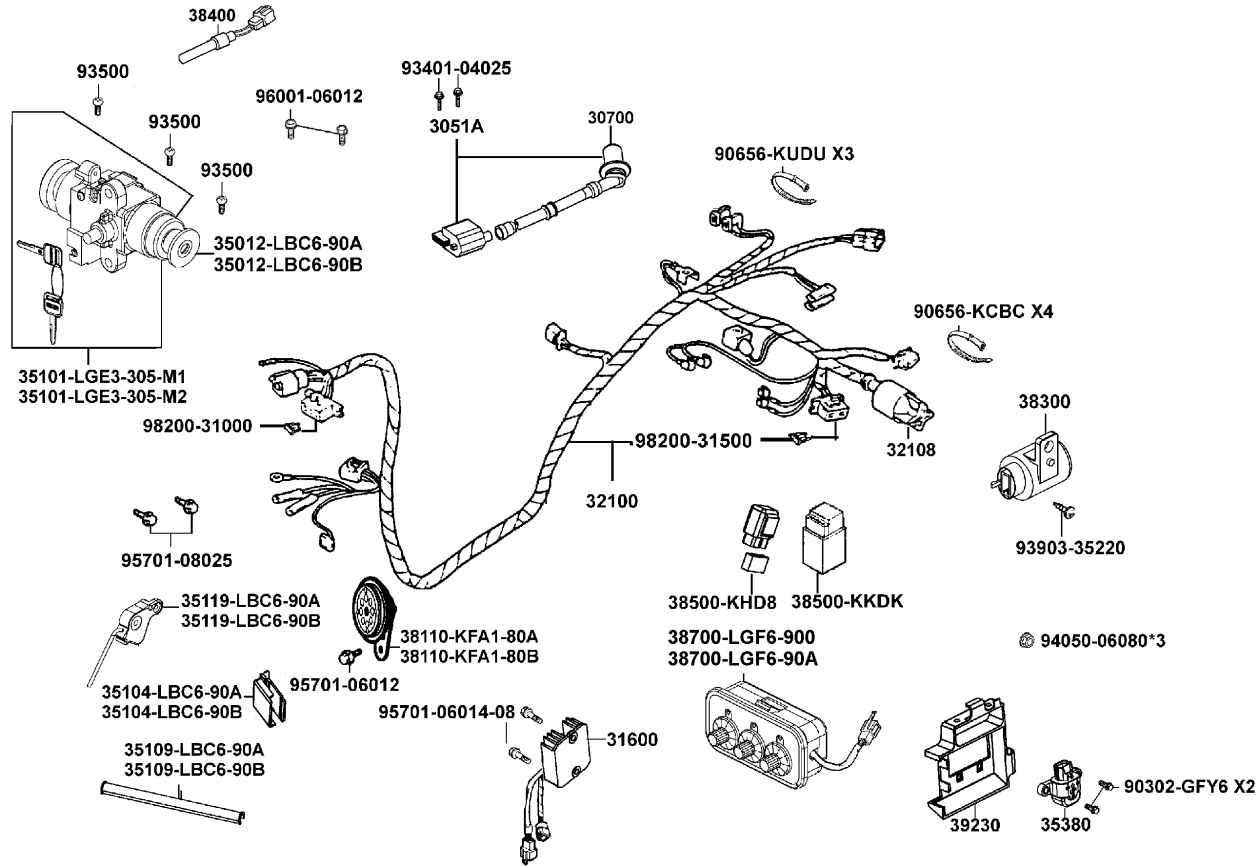
| Sales mark 配色標註 | Ref no 參考號碼 | Part no 零件號碼 | Description 英文名稱 | Reg description 中文名稱 | Regd no 需求用量 | F17 |
|--------------------|----------------|-----------------|---------------------|-------------------------|-----------------|-----|
| | 33400 | 33400-LGE3-900 | WINKER ASSY R FR | 右前方向燈組 | 1 | |
| | 33402 | 33402-LGE3-900 | LENS R FR WINKER | 右前方向燈殼 | 1 | |
| | 33407 | 33407-LGE3-900 | PCASTICS WASHER | 墊片 | 2 | |
| | 33408 | 33408-LGE3-900 | RUBBER WASHER | 墊片 | 2 | |
| | 33450 | 33450-LGE3-900 | WINKER ASSY L FR | 左前方向燈組 | 1 | |
| | 33452 | 33452-LGE3-900 | LENS L FR WINKER | 左前方向燈殼 | 1 | |
| | 33600 | 33600-LGE3-900 | WINKER ASSY R RR | 右後方向燈組 | 1 | |
| | 33602 | 33602-LGE3-900 | LENS R FR WINKER | 右後方向燈殼 | 1 | |
| | 33606 | 33606-LGE3-E00 | SOCKET R RR WINKER | 右後方向燈配線 | 1 | |
| | 33607 | 33607-LGE3-900 | PCASTICS WASHER | 墊片 | 2 | |
| | 33608 | 33608-LGE3-900 | RUBBER WASHER | 墊片 | 2 | |
| | 33650 | 33650-LGE3-900 | WINKER ASSY L RR | 左後方向燈組 | 1 | |
| | 33652 | 33652-LGE3-900 | LENS L FR WINKER | 左後方向燈殼 | 1 | |
| | 33656 | 33656-LGE3-E00 | SOCKET L RR WINKER | 左後方向燈配線 | 1 | |
| | 93901-32310 | 93901-32310 | SCREW TAPPING 3*12 | 螺釘 3*12 | 2 | |
| | 93901-LGE3-305 | 93901-LGE3-305 | SCREW TAPPING 4X54 | 螺釘4X54 | 2 | |
| | 93901-LGE3-306 | 93901-LGE3-306 | SCREW TAPPING 2X8 | 螺釘2X8 | 6 | |
| | 93901-LGE3-307 | 93901-LGE3-307 | SCREW TAPPING 4X38 | 螺釘4X38 | 2 | |
| | 93903-34360 | 93903-34360 | SCREW TAPPING 4*12 | 螺絲 4*12 | 8 | |

F18

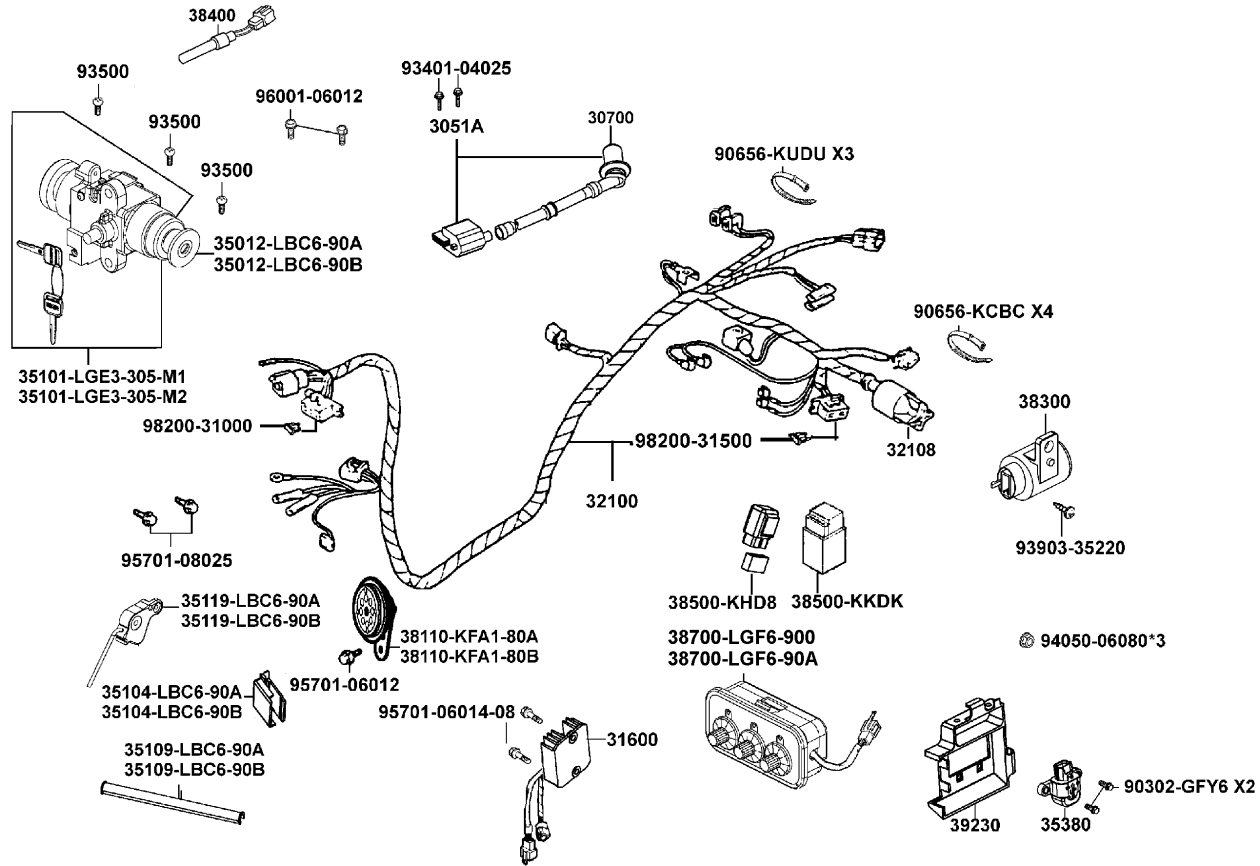
Tail Light 後燈



| Sales mark 配色標註 | Ref no 參考號碼 | Part no 零件號碼 | Description 英文名稱 | Reg description 中文名稱 | Regd no 需求用量 | F18 |
|--------------------|----------------|-----------------|---------------------|-------------------------|-----------------|-----|
| | 33701 | 33701-LGE3-900 | UNIT TAIL LIGHT | 後燈組 | 1 | |
| | 33702 | 33702-LGE3-900 | LENS TAIL LIGHT | 後燈殼 | 1 | |
| | 33706 | 33706-LGE3-E00 | WINKER SOCKET | 後燈燈配線 | 1 | |
| | 33741 | 33741-KEC8-900 | REFLEX REFLECTOR | 反光鏡片 | 1 | |
| | 80100 | 80100-LBC6-900 | FENDER RR TIRE | 後輪擋泥板 | 1 | |
| | 80104 | 80104-LBC6-900 | STAY LICENSE PLATE | 牌照板支架 | 1 | |
| | 80105 | 80105-LBC6-900 | FENDER RR | 後輪擋泥板 | 1 | |
| | 80106 | 80106-LBC6-900 | FENDER RR INNER | 後內擋泥板 | 1 | |
| | 90111-KFW6 | 90111-KFW6-001 | BOLT FLANGE 6MM | 螺帽 6MM | 1 | |
| | 90112 | 90112-KNBN-901 | BOLT FLANGE 6MM | 螺絲 6MM | 2 | |
| | 90301-6D34 | 90301-6D34-671 | NUT FLANGE 6MM | 螺帽 6MM | 2 | |
| | 90302-GFY6 | 90302-GFY6-901 | BOLT WASH 5*12 | 螺絲 5*12 | 7 | |
| | 93901-LGE3-306 | 93901-LGE3-306 | SCREW TAPPING 2X8 | 螺釘2X8 | 2 | |
| | 93901-LGE3-315 | 93901-LGE3-315 | SCREW TAPPING 4X25 | 螺釘4X25 | 2 | |
| | 93903-34360 | 93903-34360 | SCREW TAPPING 4*12 | 螺絲 4*12 | 8 | |
| | 93903-35360 | 93903-35360 | SCREW TAPPING 5*16 | 螺釘 5*16 | 2 | |



| Sales mark 配色標註 | Ref no 參考號碼 | Part no 零件號碼 | Description 英文名稱 | Reg description 中文名稱 | Regd no 需求用量 | F19 |
|--------------------|-------------------|-------------------|----------------------------|-------------------------|-----------------|-----|
| | 3051A | 3051A-LBG7-900 | COIL ASSY IGN | 高壓線圈 | 1 | |
| | 30700 | 30700-LBG7-900 | CAP ASSY NOISE SUPPRESOR | 火星塞蓋 | 1 | |
| | 31600 | 31600-LGF6-900 | REG REC COMP | 穩壓整流器 | 1 | |
| | 32100 | 32100-LGF6-900 | HARNESS WIRE | 主配線 | 1 | |
| | 32108 | 32108-GAR1-711 | COVER HARNESS WIRE | 主配線蓋 | 1 | |
| | 35101-LGE3-305-M1 | 35101-LGE3-305-M1 | SW COMB & LOCK | 主開關 | 1 | |
| | 35101-LGE3-305-M2 | 35101-LGE3-305-M2 | SW COMB & LOCK | 主開關 | 1 | |
| | 35102-LBC6-90A | 35102-LBC6-90A | COLLAR MAIN SW | 主開關套筒 | 1 | |
| | 35102-LBC6-90B | 35102-LBC6-90B | COLLAR MAIN SW | 主開關套筒 | 1 | |
| | 35104-LBC6-90A | 35104-LBC6-90A | PLATE COVER FUEL CAP CABLE | 油箱蓋導線防水蓋 | 1 | |
| | 35104-LBC6-90B | 35104-LBC6-90B | PLATE COVER FUEL CAP CABLE | 蓋燃料外蓋薄板導線 | 1 | |
| | 35109-LBC6-90A | 35109-LBC6-90A | PROTECTING COVER CABLE | 防水蓋 | 1 | |
| | 35109-LBC6-90B | 35109-LBC6-90B | PROTECTING COVER CABLE | 防水蓋 | 1 | |
| | 35119-LBC6-90A | 35119-LBC6-90A | COVER SEAT CABLE | 座墊外蓋導線 | 1 | |
| | 35119-LBC6-90B | 35119-LBC6-90B | COVER SEAT CABLE | 座墊外蓋導線 | 1 | |
| | 35380 | 35380-LEA2-900 | SENSOR ANGLE DETECT | 傾倒角度感知器 | 1 | |
| # | 38110-KFA1-80A | 38110-KFA1-80A | HORN COMP | 喇叭 | 1 | |
| # | 38110-KFA1-80B | 38110-KFA1-80B | HORN COMP | 喇叭 | 1 | |
| | 38300 | 38300-KKE5-E00 | RELAY COMP.,WINKER | 方向燈繼電器 | 1 | |
| | 38400 | 38400-LGF6-900 | BUZZER | 蜂鳴器 | 1 | |

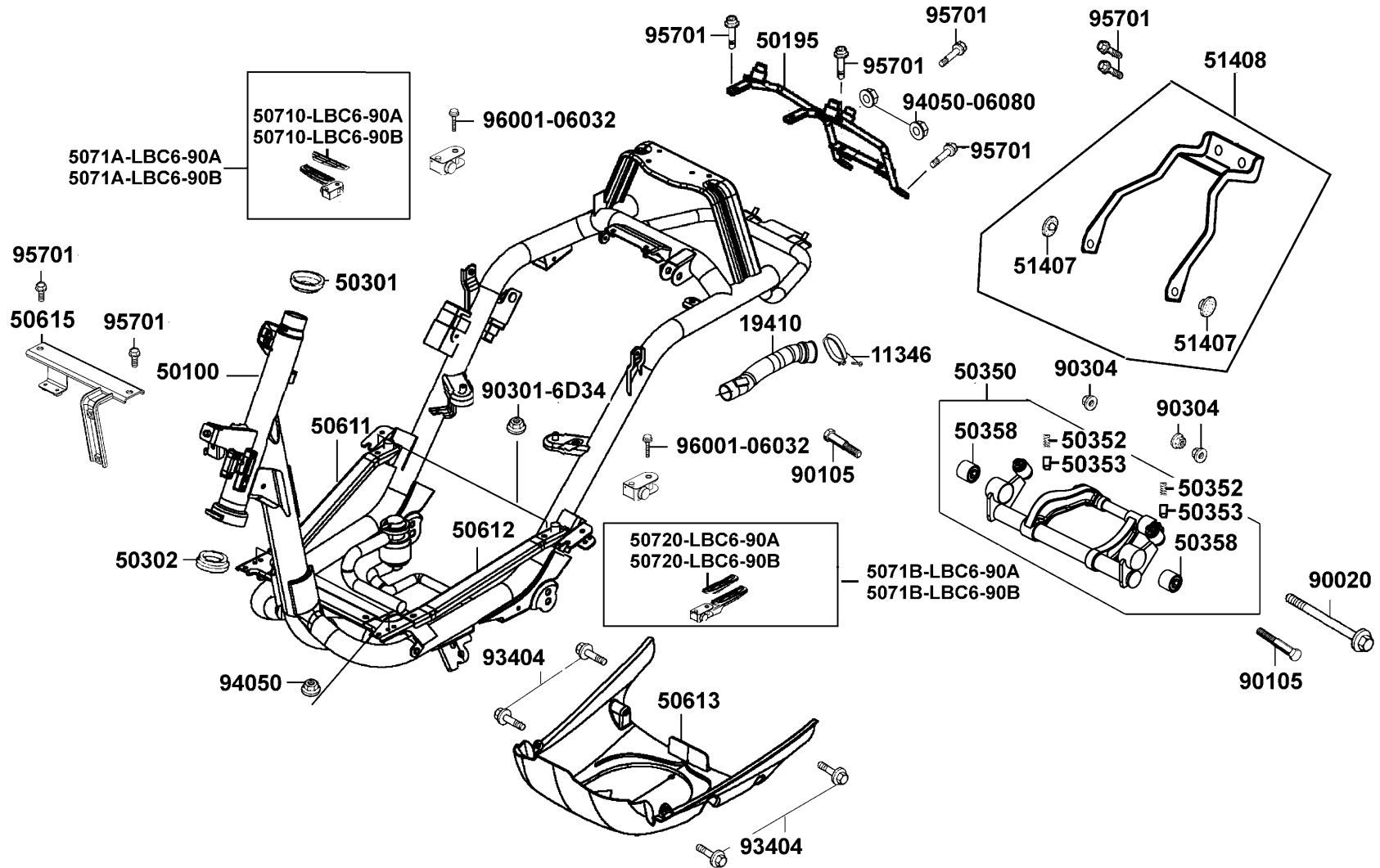


| Sales mark 配色標註 | Ref no 參考號碼 | Part no 零件號碼 | Description 英文名稱 | Reg description 中文名稱 | Regd no 需求用量 | F19 |
|--------------------|----------------|-----------------|---------------------------|-------------------------|-----------------|-----|
| | 38500-KHD8 | 38500-KHD8-900 | RELAY ASSY LIGHT | 繼電器 | 1 | |
| | 38500-KKDK | 38500-KKDK-900 | RELAY ASSY START | 起動繼電器 | 1 | |
| | 38700-LGF6-900 | 38700-LGF6-900 | ROTARY SW ASSY ANTI-THIEF | 密碼轉盤鎖 | 1 | |
| | 38700-LGF6-90A | 38700-LGF6-90A | ROTARY SW ASSY ANTI-THIEF | 密碼轉盤鎖 | 1 | |
| | 39230 | 39230-LGF6-900 | FIXED, ECU | 電子噴油控制器支座 | 2 | |
| | 90302-GFY6 | 90302-GFY6-940 | BOLT-WASH 5*16 | 螺絲 5*16 | 2 | |
| | 90656-KCBC | 90656-KCBC-900 | BAND OIL HOSE | 油管束帶 | 4 | |
| ** | 90656-KUDU | 90656-KUDU-900 | BAND HARNESS WIRE | 束帶 | 3 | |
| | 93401-04025 | 93401-04025-08 | BOLT WASHER 4*25 | 墊圈 | 1 | |
| | 93500 | 93500-04020-0G | SCREW PAN 4*20 | 螺絲 4*20 | 3 | |
| | 93903-35220 | 93903-35220 | SCREW TAPPING 5*12 | 螺釘 5*12 | 1 | |
| | 94050-06080 | 94050-06080 | NUT FLANGE 6MM | 螺帽 6MM | 3 | |
| # | 95701-06012 | 95701-06012-08 | BOLT FLANGE 6*12 | 螺絲 6*12 | 1 | |
| | 95701-06014 | 95701-06014-08 | BOLT FLANGE 6*14 | 螺絲 6*14 | 1 | |
| | 95701-08025 | 95701-08025-08 | BOLT FLANGE 8*25 | 螺絲 8*25 | 2 | |
| | 96001-06012 | 96001-06012-08 | BOLT FLANGE 6*12 | 螺絲 6*12 | 2 | |
| | 98200-31000 | 98200-31000 | BLADE FUSE 10A | 保險絲10A | 1 | |
| | 98200-31500 | 98200-31500 | BLADE FUSE 15A | 保險絲15A | 1 | |

F20

Frame Body

車體

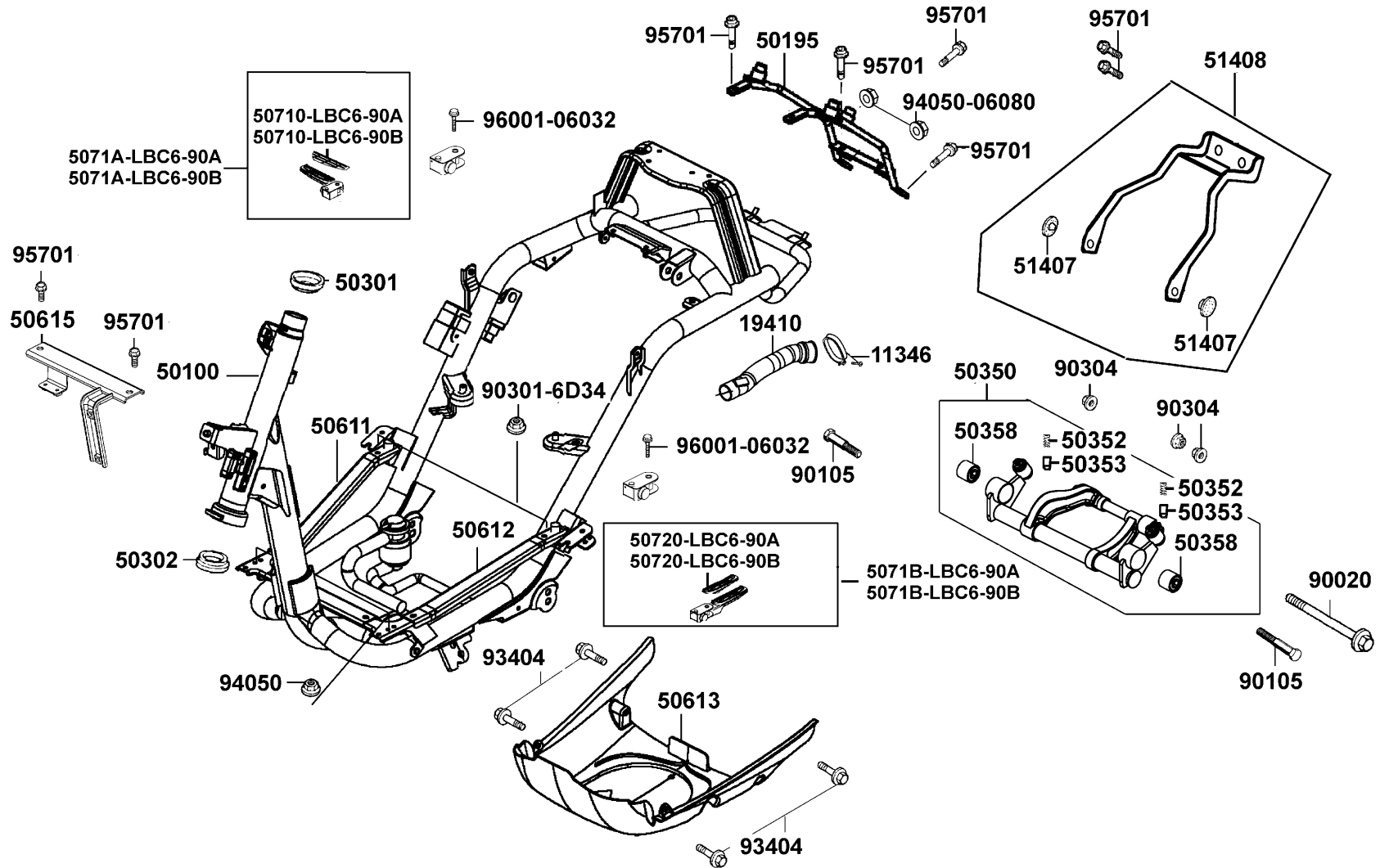


| Sales mark 配色標註 | Ref no 參考號碼 | Part no 零件號碼 | Description 英文名稱 | Reg description 中文名稱 | Regd no 需求用量 | F20 |
|--------------------|----------------|-----------------|------------------------|-------------------------|-----------------|-----|
| | 11346 | 11346-KEBE-900 | BAND L COVER DUCT | 導管束帶 | 1 | |
| | 19410 | 19410-LDC1-900 | DUCT COOLING | 冷卻導管 | 1 | |
| | 50100 | 50100-LGF6-900 | BODY COMP., FRAME | 車體 | 1 | |
| | 50195 | 50195-LBC6-900 | STAY RR GRIP | 後握桿支架 | 1 | |
| | 50301 | 50301-KGN7-671 | RACE UP STRG BALL | 上珠碗 | 1 | |
| | 50302 | 50302-2H68-011 | RACE STRG BOT BALL | 下珠碗 | 1 | |
| | 50350 | 50350-LBC6-900 | HANGER ASSY ENG | 引擎吊架 | 1 | |
| | 50352 | 50352-KHC4-900 | SPRING | 引擎吊架彈簧 | 2 | |
| | 50353 | 50353-KHC4-900 | RUBBER SEAT SPRING | 引擎吊架橡膠座 | 2 | |
| | 50358 | 50358-KHC4-900 | RUBBER BUSH ENG HANGER | 引擎吊架橡皮襯套 | 2 | |
| | 50611 | 50611-LBC6-900 | RNFCT R FLOOR | 踏板右支架 | 1 | |
| | 50612 | 50612-LBC6-900 | RNFCT L FLOOR | 踏板左支架 | 1 | |
| | 50613 | 50613-LBC6-900 | COVER UNDER | 下罩 | 1 | |
| | 50615 | 50615-LGF6-900 | STAY, FLOOR CROSS | 前踏板托架 | 1 | |
| | 50710-LBC6-90A | 50710-LBC6-90A | RUBBER R STOP | 後座右踏板止滑橡皮 | 1 | |
| | 50710-LBC6-90B | 50710-LBC6-90B | RUBBER R STOP | 後座右踏板止滑橡皮 | 1 | |
| | 5071A-LBC6-90A | 5071A-LBC6-90A | BAR STEP R ASSY | 右後踏桿組 | 1 | |
| | 5071A-LBC6-90B | 5071A-LBC6-90B | BAR STEP R ASSY | 右後踏桿組 | 1 | |
| | 5071B-LBC6-90A | 5071B-LBC6-90A | BAR STEP L ASSY | 右後踏桿組 | 1 | |
| | 5071B-LBC6-90B | 5071B-LBC6-90B | BAR STEP L ASSY | 右後踏桿組 | 1 | |

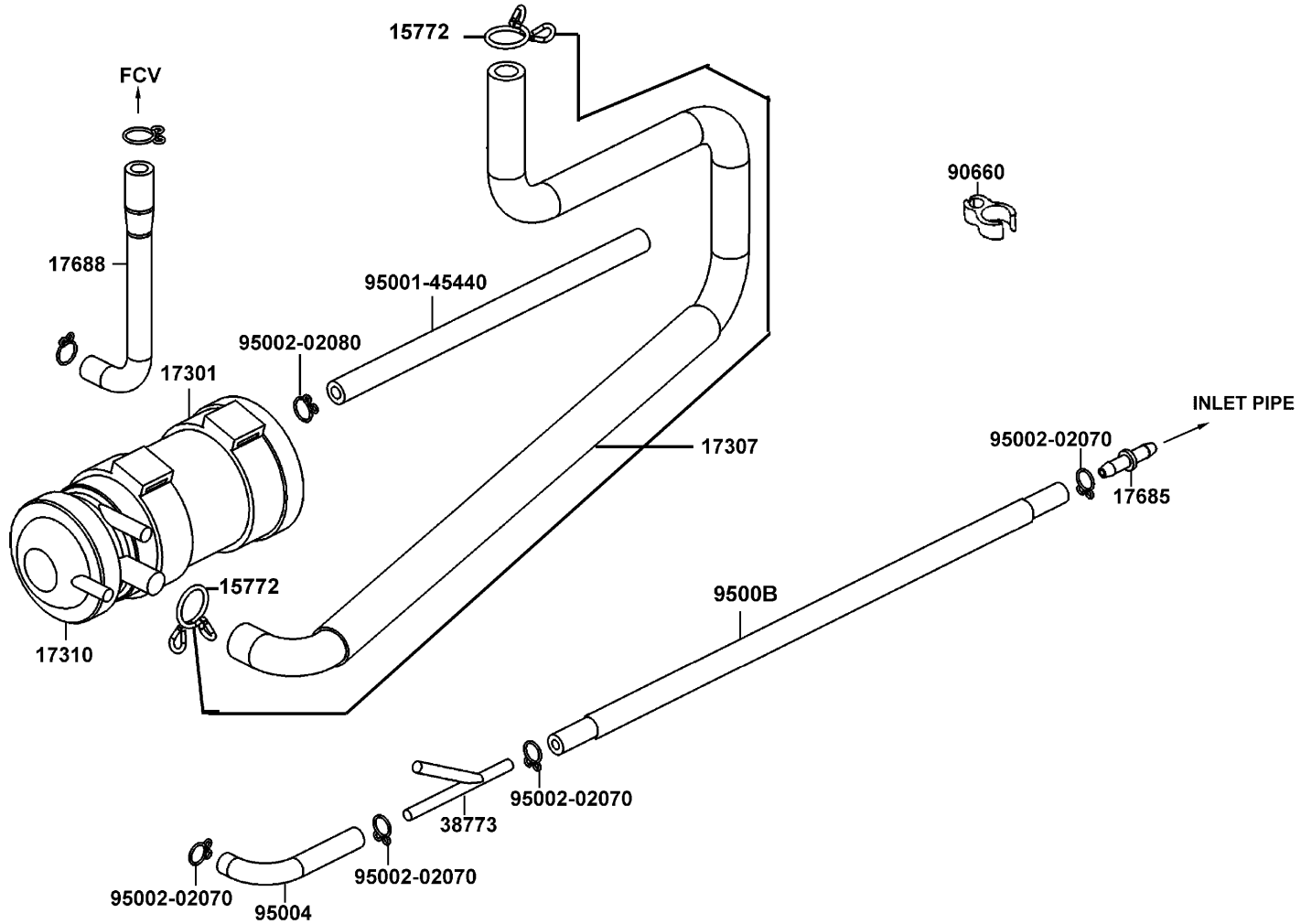
F20

Frame Body

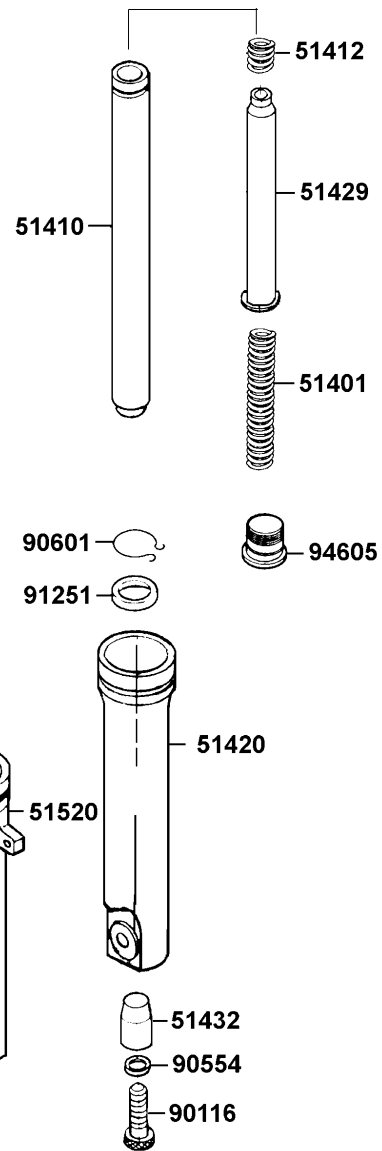
車體



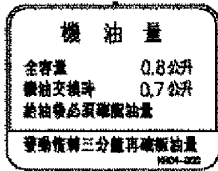
| Sales mark 配色標註 | Ref no 參考號碼 | Part no 零件號碼 | Description 英文名稱 | Reg description 中文名稱 | Regd no 需求用量 | F20 |
|--------------------|----------------|-----------------|----------------------|-------------------------|-----------------|-----|
| | 50720-LBC6-90A | 50720-LBC6-90A | RUBBER L STOP | 後座右踏板止滑橡皮 | 1 | |
| | 50720-LBC6-90B | 50720-LBC6-90B | RUBBER L STOP | 後座右踏板止滑橡皮 | 1 | |
| | 51407 | 51407-LBC6-900 | RUBBER FR COVER STAY | 前護蓋支架橡皮 | 1 | |
| | 51408 | 51408-LBC6-900 | STAY FR COVER | 前護蓋支架 | 1 | |
| | 90020 | 90020-KFW6-001 | BOLT FLANGE 10X170 | 螺絲 10X170 | 1 | |
| | 90105 | 90105-KHC4-900 | SQUARE BOLT M10X50 | 螺絲 10X50 | 2 | |
| | 90301-6D34 | 90301-6D34-671 | NUT FLANGE 6MM | 螺帽 6MM | 2 | |
| # | 90304 | 90304-GLW0-90A | NUT U FLANGE 10MM | 螺帽 10MM | 3 | |
| | 93404 | 93404-06016-06 | BOLT WASHER 6*16 | 螺絲 6*16 | 4 | |
| | 94050-06080 | 94050-06080 | NUT FLANGE 6MM | 螺帽 6MM | 3 | |
| # | 95701 | 95701-06012-08 | BOLT FLANGE 6*12 | 螺絲 6*12 | 2 | |
| | 96001-06032 | 96001-06032-06 | BOLT FLANGE 6*32 | 螺絲 6*32 | 2 | |



| Sales mark 配色標註 | Ref no 參考號碼 | Part no 零件號碼 | Description 英文名稱 | Reg description 中文名稱 | Regd no 需求用量 | F21 |
|--------------------|----------------|-----------------|-------------------------|-------------------------|-----------------|-----|
| | 15772 | 15772-5L00-013 | CLIP B14.5 TUBE | 管夾 | 2 | |
| | 17301 | 17301-KNBN-960 | RUBBER CANISTER MOUNT | 活性碳罐懸掛橡皮 | 2 | |
| | 17307 | 17307-LAB4-900 | TUBE CANISTER – AIR/C | 通氣管 | 1 | |
| | 17310 | 17310-LBA2-90A | CANISTER COMP | 活性碳罐 | 1 | |
| | 17685 | 17685-GLE0-301 | JOINT COCK-CARB TUBE | 油管接頭 | 1 | |
| | 17688 | 17688-LGF6-900 | TUBE ASSY. CANISTER-FCV | 通氣管 | 1 | |
| | 38773 | 38773-KEC3-900 | JOINT ASSY TANK CAP | 油箱連接管蓋組 | 1 | |
| | 90660 | 90660-KNBN-921 | CLAMP TUBE | 管夾 | 1 | |
| | 95001 | 95001-45440-40 | TUBE FUEL4.5X440 | 通氣管 | 1 | |
| | 95002-02070 | 95002-02070 | CLIP B7 TUBE | 管夾 | 2 | |
| | 95002-02080 | 95002-02080 | CLIP B8 TUBE | 管夾 | 3 | |
| | 95004 | 95004-LGF6-900 | TUBE FUEL | 通氣管 | 1 | |
| # | 9500B | 9500B-LGF6-900 | TUBE ASSY | 油管組 | 1 | |



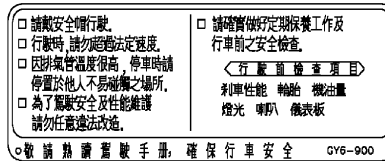
| Sales mark 配色標註 | Ref no 參考號碼 | Part no 零件號碼 | Description 英文名稱 | Reg description 中文名稱 | Regd no 需求用量 | F22 |
|--------------------|----------------|-----------------|-----------------------|-------------------------|-----------------|-----|
| | 51401 | 51401-LBC6-900 | SPRING | 彈簧 | 2 | |
| | 51410 | 51410-LBC6-900 | FORK PIPE COMP | 前避震器管 | 2 | |
| | 51412 | 51412-KFA1-900 | REBOUND SPRING | 回位彈簧 | 2 | |
| ** | 51420 | 51420-LBC6-900 | BOTTOM CASE R | 右前避震器底管 | 1 | |
| | 51429 | 51429-LBC6-900 | PIPE SEAT COMP | 避震器管座 | 2 | |
| | 51432 | 51432-KFA1-900 | OIL LOCK PIECE | 止油接頭 | 2 | |
| ** | 51520 | 51520-LBC6-900 | BOTTOM CASE L | 左前避震器底管 | 1 | |
| | 90116 | 90116-3C83-72A | BOLT | 螺絲 | 2 | |
| | 90554 | 90554-2C83-001 | PACKING | 墊片 | 2 | |
| | 90601 | 90601-GAR1-900 | RING OIL SEAL STOPPER | 油封止位環 | 2 | |
| | 91251 | 91251-LAB4-900 | OIL SEAL | 前避震器油封 | 2 | |
| | 94605 | 94605-KFA1-900 | FORK BOLT | 螺絲 | 2 | |



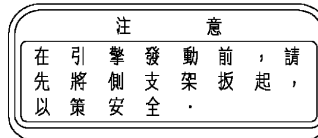
87541-KHC4-900



87502-LEB2-900



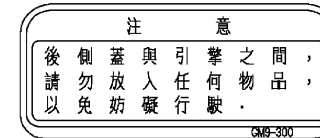
87560-GFY6-900



87541-GGS7-901



87505-LAB4-900



87542-GKM9-301



87122-LGF6-950

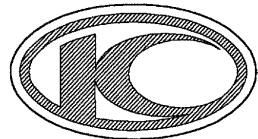
| Sales mark 配色標註 | Ref no 參考號碼 | Part no 零件號碼 | Description 英文名稱 | Reg description 中文名稱 | Regd no 需求用量 | F23 |
|--------------------|----------------|-----------------|---------------------|-------------------------|-----------------|-----|
| ** | 87122-LGF6-950 | 87122-LGF6-950 | MARK E/M 5th STAGE | 5期小貼紙 | 1 | |
| ** | 87502-LEB2-900 | 87502-LEB2-900 | CAUTION BATTERY | 標籤 | 1 | |
| ** | 87505-LAB4-900 | 87505-LAB4-900 | LABEL TIRE | 貼紙 | 1 | |
| ** | 87541-GGS7-901 | 87541-GGS7-901 | CAUTION SIDE STAND | 標籤 | 1 | |
| ** | 87541-KHC4-900 | 87541-KHC4-900 | LABE OIL CAP | 標籤 | 1 | |
| ** | 87542-GKM9-301 | 87542-GKM9-301 | MARK MAINT CAUTION | 標籤 | 1 | |
| ** | 87560-GFY6-900 | 87560-GFY6-900 | MARK DRIVE CAUTION | 標誌 | 1 | |



86700-LFG7-900



86201-LGF6-900



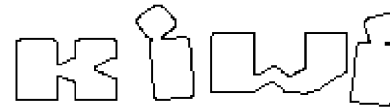
86102-KKC4-900



86281-LGF6-900

| 品號/規格 | 品名/說明 | 單位 | 備註 |
|-------|--------------|----|------|
| 1 | P0017 安全檢驗標章 | 張 | 25張裝 |
| 2 | P0255 檢驗合格標章 | 張 | 25張裝 |
| 3 | P1170 檢驗合格標章 | 張 | 25張裝 |
| 4 | P1171 檢驗合格標章 | 張 | 25張裝 |
| 5 | P1172 檢驗合格標章 | 張 | 25張裝 |
| 6 | P0250 檢驗合格標章 | 張 | 25張裝 |
| 7 | P0110 檢驗合格標章 | 張 | 25張裝 |
| 8 | P0410 檢驗合格標章 | 張 | 25張裝 |
| 9 | P0252 檢驗合格標章 | 張 | 25張裝 |
| 10 | P0241 檢驗合格標章 | 張 | 25張裝 |
| 11 | P0251 檢驗合格標章 | 張 | 25張裝 |
| 12 | P0220 檢驗合格標章 | 張 | 25張裝 |
| 13 | P0210 檢驗合格標章 | 張 | 25張裝 |
| 14 | P1560 檢驗合格標章 | 張 | 25張裝 |
| 15 | P0700 檢驗合格標章 | 張 | 25張裝 |
| 16 | P0111 檢驗合格標章 | 張 | 25張裝 |
| 17 | P1561 檢驗合格標章 | 張 | 25張裝 |
| 18 | P0620 檢驗合格標章 | 張 | 25張裝 |
| 21 | P0102 檢驗合格標章 | 張 | 25張裝 |
| 22 | P1110 檢驗合格標章 | 張 | 25張裝 |
| 23 | P0150 檢驗合格標章 | 張 | 25張裝 |
| 24 | P0141 檢驗合格標章 | 張 | 25張裝 |
| 25 | P0171 檢驗合格標章 | 張 | 25張裝 |

87546-LEB2-900



86202-LGF6-900

| Sales mark 配色標註 | Ref no 參考號碼 | Part no 零件號碼 | Description 英文名稱 | Reg description 中文名稱 | Regd no 需求用量 | F24 |
|--------------------|----------------|-----------------|---------------------|-------------------------|-----------------|-----|
| ** | 86102-KKC4-900 | 86102-KKC4-900 | EMB K-LOGO 28.5MM | 標誌 28.5MM | 1 | |
| ** | 86201-LGF6-900 | 86201-LGF6-900 | STRIPE BODY COVER | 碟版噴射仕樣貼紙 | 1 | |
| ** | 86202-LGF6-900 | 86202-LGF6-900 | EMB BODY COVER | 鋁製KIWI字型貼紙 | 1 | |
| ** | 86281-LGF6-900 | 86281-LGF6-900 | STRIPE FR MOLD | FI 噴射仕樣貼紙 | 1 | |
| ** | 86700-LFG7-900 | 86700-LFG7-900 | STRIPE ENERGY LOGO | 節能標章 | 1 | |
| ** | 87546-LEB2-900 | 87546-LEB2-900 | CAUTION AFI | 標籤 | 1 | |

PART NO. INDEX

零件號碼索引

| PART NO. 零件號碼 | VERSION 版數 | PAGE 頁次 | PART NO. 零件號碼 | VERSION 版數 | PAGE 頁次 | PART NO. 零件號碼 | VERSION 版數 | PAGE 頁次 |
|------------------|---------------|------------|------------------|---------------|------------|------------------|---------------|------------|
| 11000 | | | 11395-LGF6-900 | 0 | E01 | 14401-GFY6-90C | 0 | E03 |
| | | | 12000 | | | 14430-LFD7-900 | 4 | E02 |
| 11100-LAE3-305 | 0 | E01 | | | | 14433-LEB1-900 | 1 | E02 |
| 11102-1G87-004 | 3 | E01 | 12100-LAB4-700 | 2 | E03 | 14434-LEB1-900 | 1 | E02 |
| 11192-KHC4-900 | 0 | E01 | 12191-KHC4-900 | 0 | E03 | 14450-GFY6-901 | 0 | E02 |
| 11200-LBC6-305 | 1 | E01 | 12200-LGF6-900 | 0 | E02 | 14452-GFY6-901 | 0 | E02 |
| 11203-GGC7-301 | 2 | E01 | 12209-GDB4-68A | 0 | E02 | 14510-LAB4-900 | 2 | E03 |
| 11203-KHG8-301 | 2 | E08 | 12211-LFD7-900 | 2 | E02 | 14520-GFY6-90A | 1 | E03 |
| 11204-KNBN-901 | 0 | E01 | 12251-KHC4-900 | 0 | E02 | 14523-GFY6-901 | 0 | E03 |
| 11205-LAB4-900 | 1 | E01 | 12310-LGF6-900 | 1 | E02 | 14531-GLR0-001 | 1 | E03 |
| 11206-LAB4-900 | 1 | E06 | 12361-GFY6-901 | 1 | E04 | 14610-LAB4-900 | 2 | E03 |
| 11208-KHC4-800 | 1 | E07 | 12391-GFY6-941 | 0 | E02 | 14711-LAB4-900 | 1 | E02 |
| 11211-LBC6-900 | 2 | F13 | | | | 14721-LAB4-900 | 1 | E02 |
| 11221-KHC4-900 | 2 | E01 | 13000 | | | 14751-LFD7-900 | 2 | E02 |
| 11221-KHC4-900 | 2 | E05 | | | | 14761-KKJ9-003 | 1 | E02 |
| 11330-LBG7-900 | 1 | E04 | 13000-LBD4-900 | 3 | E03 | 14771-GDB4-680 | 2 | E02 |
| 11342-LDC1-900 | 2 | E01 | 13011-LBG7-900 | 1 | E03 | 14775-MFA6-001 | 0 | E02 |
| 11346-KEBE-900 | 0 | F20 | 13101-LCB4-900 | 0 | E03 | 14781-MFA6-001 | 0 | E02 |
| 1134A-LGF6-305 | 1 | E01 | 13111-0G87-001 | 3 | E03 | 15000 | | |
| 11353-LGF6-900 | 0 | E01 | 13115-0A01-001 | 0 | E03 | | | |
| 11381-LGF6-900 | 0 | E01 | | | | 15100-GFY6-901 | 2 | E06 |
| 11382-LBG7-900 | 1 | E01 | 14000 | | | 15133-GFY6-901 | 0 | E06 |
| 11382-LDC1-900 | 1 | E01 | | | | 15141-GFY6-90B | 0 | E06 |
| 11385-KGBG-900 | 0 | E07 | 14100-LBG7-800 | 1 | E02 | 15141-GFY6-90C | 1 | E06 |
| 11394-KHC4-900 | 1 | E04 | 14401-GFY6-90A | 0 | E03 | 15421-1G07-001 | 1 | E04 |

PART NO. INDEX

零件號碼索引

| PART NO. 零件號碼 | VERSION 版數 | PAGE 頁次 | PART NO. 零件號碼 | VERSION 版數 | PAGE 頁次 | PART NO. 零件號碼 | VERSION 版數 | PAGE 頁次 |
|------------------|---------------|------------|------------------|---------------|------------|------------------|---------------|------------|
| 15426-GAE1-921 | 0 | E04 | | | | 17570-KKE3-900 | 0 | F10 |
| 1565A-GFY6-900 | 0 | E04 | 17000 | | | 17620-LBC6-90A | 0 | F10 |
| 15711-GFY6-901 | 0 | E06 | | | | 17620-LBC6-90B | 0 | F10 |
| 15772-5L00-013 | 1 | F21 | 17113-KKE3-900 | 1 | E02 | 17623-LAB4-90A | 1 | F10 |
| | | | 1711A-LGF6-900 | 2 | E02 | 17623-LAB4-90B | 1 | F10 |
| 16000 | | | 17208-GAR1-011 | 0 | F13 | 17624-LBC6-900 | 0 | F10 |
| | | | 17212-LAB4-900 | 1 | F13 | 17685-GLE0-301 | 2 | F21 |
| 16056-LEB2-900 | 2 | E09 | 17215-KGBG-90A | 2 | F13 | 17686-LBC6-900 | 1 | F10 |
| 16068-LEB2-900 | 3 | E09 | 17215-KGBG-90B | 0 | F13 | 17688-LGF6-900 | 2 | F21 |
| 16074-KEC3-900 | 4 | E09 | 17216-KHC4-900 | 0 | F10 | 17910-LEA1-900 | 2 | F03 |
| 16100-LGF6-900 | 5 | E09 | 1721A-LBC6-900 | 1 | F12 | | | |
| 16110-KKE3-900 | 2 | E09 | 1723A-LGF6-900 | 1 | F13 | 18000 | | |
| 16112-KKE3-900 | 1 | E09 | 1723B-LBC6-900 | 2 | F13 | | | |
| 16118-KEC3-900 | 0 | E09 | 1723C-LAB4-900 | 0 | F13 | 18291-KEBE-900 | 0 | F14 |
| 16122-KEC3-900 | 0 | E09 | 17301-KNBN-960 | 0 | F21 | 18291-LBD4-900 | 2 | F14 |
| 16123-LHB6-900 | 0 | E09 | 17307-LAB4-900 | 1 | F21 | 18292-KEBE-900 | 0 | F14 |
| 16133-KEC3-900 | 1 | E09 | 17310-LBA2-90A | 1 | F21 | 18293-KEBE-900 | 0 | F14 |
| 16134-KKE3-900 | 5 | E09 | 17359-4K19-671 | 0 | F13 | 18294-KEBE-900 | 0 | F14 |
| 16138-KEC3-900 | 1 | E09 | 17370-4K19-670 | 0 | F13 | 1830A-LGF6-90A | 2 | F14 |
| 16154-KKE3-900 | 4 | E09 | 17371-1D74-671 | 0 | F13 | 1830A-LGF6-90B | 2 | F14 |
| 16170-KEC3-900 | 0 | E09 | 17510-LGF6-900 | 2 | F10 | 18317-KHC4-900 | 2 | F14 |
| 16201-LAB4-900 | 2 | E02 | 17520-LBC6-900 | 1 | F10 | | | |
| 16211-LGF6-900 | 0 | E02 | 17540-LGF6-900 | 4 | F10 | 19000 | | |
| | | | 17550-LBC6-900 | 1 | F10 | | | |
| | | | 17550-LGF6-800 | 3 | F10 | 19410-LDC1-900 | 1 | F20 |
| | | | 1756A-LGF6-900 | 0 | F10 | 19504-LBA2-E00 | 3 | F10 |

PART NO. INDEX

零件號碼索引

| PART NO. 零件號碼 | VERSION 版數 | PAGE 頁次 | PART NO. 零件號碼 | VERSION 版數 | PAGE 頁次 | PART NO. 零件號碼 | VERSION 版數 | PAGE 頁次 |
|------------------|---------------|------------|------------------|---------------|------------|-------------------|---------------|------------|
| 19510-GBW2-901 | 3 | E07 | | | | 28211-KNBN-901 | 0 | E05 |
| 1961A-LBG7-800 | 1 | E07 | 23000 | | | | | |
| 19625-KHC4-900 | 0 | E07 | | | | 30000 | | |
| 1962A-LBG7-900 | 1 | E07 | 2301A-LBG7-900 | 1 | E05 | | | |
| 19633-GFY6-901 | 0 | E07 | 23100-LBG7-800 | 0 | E05 | 3051A-LBG7-900 | 2 | F19 |
| 1963A-LGF6-900 | 1 | E07 | 23200-GCW3-001 | 0 | E05 | 30700-LBG7-900 | 0 | F19 |
| 21000 | | | 23220-KHC4-900 | 1 | E05 | | | |
| | | | 23225-GCW3-001 | 0 | E05 | 31000 | | |
| | | | 23226-GCW3-001 | 0 | E05 | | | |
| 21200-KFA3-305 | 5 | E08 | 23233-LBG7-900 | 1 | E05 | 31110-LBG7-90A | 1 | E07 |
| 21395-KNBN-901 | 1 | E08 | 23237-GCW3-001 | 0 | E05 | 31110-LBG7-90B | 1 | E07 |
| 22000 | | | 23239-GCW3-851 | 0 | E05 | 31120-LGF6-90A | 1 | E07 |
| | | | 23411-KHC4-900 | 0 | E08 | 31120-LGF6-90B | 1 | E07 |
| | | | 23420-KHC4-900 | 4 | E08 | 31200-LBC6-90A | 0 | E06 |
| 22100-KNBN-902 | 0 | E05 | 23431-KDLD-901 | 2 | E08 | 31200-LBC6-90B | 0 | E06 |
| 22102-KED5-900 | 2 | E05 | 23432-KNBN-901 | 3 | E08 | 31200-LBC6-90C | 0 | E06 |
| 22105-KHC4-900 | 1 | E05 | | | | 31203-KHC4-900 | 3 | E06 |
| 22110-KHC4-900 | 1 | E05 | 28000 | | | 31500-GFY6-94A-YU | 4 | F11 |
| 22121-GHT8-602 | 1 | E05 | | | | 31500-GFY6-94B-KY | 4 | F11 |
| 22131-GCW3-901 | 1 | E05 | 28101-LBC6-900 | 0 | E06 | 31600-LGF6-900 | 1 | F19 |
| 22132-LAB4-900 | 1 | E05 | 28105-KNBN-901 | 1 | E06 | | | |
| 22300-LCB4-900 | 1 | E05 | 2811A-KNBN-940 | 0 | E06 | 32000 | | |
| 22350-KHC4-900 | 0 | E05 | 28120-KNBN-901 | 0 | E06 | | | |
| 22401-GFY6-90A | 1 | E05 | 28125-3C23-001 | 0 | E06 | 32100-LGF6-900 | 7 | F19 |
| 22530-KHC4-900 | 1 | E05 | 28126-KNBN-901 | 0 | E06 | 32102-GFY6-901 | 1 | F04 |
| 22804-1H48-001 | 0 | E05 | 28127-KNBN-901 | 0 | E06 | 32106-KKE3-900 | 2 | E02 |

PART NO. INDEX

零件號碼索引

| PART NO. 零件號碼 | VERSION 版數 | PAGE 頁次 | PART NO. 零件號碼 | VERSION 版數 | PAGE 頁次 | PART NO. 零件號碼 | VERSION 版數 | PAGE 頁次 |
|------------------|---------------|------------|-------------------|---------------|------------|------------------|---------------|------------|
| 32108-GAR1-711 | 0 | F19 | 34000 | | | 37000 | | |
| 33000 | | | 34901-KTCT-900 | 0 | F01 | 37119-LGE3-900 | 0 | F02 |
| 33100-LGE3-305 | 0 | F01 | 34903-KALA-900 | 0 | F01 | 37200-LGF6-900 | 1 | F02 |
| 33400-LGE3-900 | 0 | F17 | 34908-MKB9-87A | 0 | F02 | 37214-KGV7-67A | 0 | F02 |
| 33402-LGE3-900 | 0 | F17 | | | | 3780A-LGF6-900 | 1 | F10 |
| 33407-LGE3-900 | 0 | F17 | 35000 | | | 38000 | | |
| 33408-LGE3-900 | 0 | F17 | | | | | | |
| 33450-LGE3-900 | 0 | F17 | 35101-LGE3-305-M1 | 0 | F19 | | | |
| 33452-LGE3-900 | 0 | F17 | 35101-LGE3-305-M2 | 0 | F19 | 38110-KFA1-80A | 1 | F19 |
| 33600-LGE3-900 | 0 | F17 | 35102-LBC6-90A | 0 | F19 | 38110-KFA1-80B | 1 | F19 |
| 33602-LGE3-900 | 0 | F17 | 35102-LBC6-90B | 0 | F19 | 38300-KKE5-E00 | 1 | F19 |
| 33606-LGE3-E00 | 0 | F17 | 35104-LBC6-90A | 0 | F19 | 38400-LGF6-900 | 1 | F19 |
| 33607-LGE3-900 | 0 | F17 | 35104-LBC6-90B | 0 | F19 | 38500-KHD8-900 | 0 | F19 |
| 33608-LGE3-900 | 0 | F17 | 35109-LBC6-90A | 1 | F19 | 38500-KKDK-900 | 4 | F19 |
| 33650-LGE3-900 | 0 | F17 | 35109-LBC6-90B | 1 | F19 | 38700-LGF6-900 | 1 | F19 |
| 33652-LGE3-900 | 0 | F17 | 35119-LBC6-90A | 0 | F19 | 38700-LGF6-90A | 1 | F19 |
| 33656-LGE3-E00 | 0 | F17 | 35119-LBC6-90B | 0 | F19 | 38773-KEC3-900 | 0 | F21 |
| 33701-LGE3-900 | 0 | F18 | 3515A-LBC6-900 | 4 | F03 | | | |
| 33702-LGE3-900 | 0 | F18 | 3520A-LBC6-900 | 3 | F03 | 39000 | | |
| 33706-LGE3-E00 | 0 | F18 | 35340-KFLF-900 | 2 | F03 | | | |
| 33741-KEC8-900 | 0 | F18 | 35340-KNBN-901 | 0 | F04 | 39230-LGF6-900 | 2 | F19 |
| | | | 35380-LEA2-900 | 1 | F19 | 39300-LEA6-800 | 3 | E02 |
| | | | | | | 39301-LEB2-900 | 3 | E02 |
| | | | | | | 39302-KKE3-900 | 2 | E02 |

PART NO. INDEX

零件號碼索引

| PART NO. 零件號碼 | VERSION 版數 | PAGE 頁次 | PART NO. 零件號碼 | VERSION 版數 | PAGE 頁次 | PART NO. 零件號碼 | VERSION 版數 | PAGE 頁次 |
|---------------------|---------------|------------|---------------------|---------------|------------|------------------|---------------|------------|
| 39303-LEB2-900 | 2 | E02 | 44311-GLW0-911 | 0 | F07 | 45209-GBE2-007 | 0 | F07 |
| 39400-KKE3-800 | 2 | E02 | 44610-KHC4-305 | 0 | F07 | 45215-KECE-900 | 0 | F07 |
| 39450-LEA6-800 | 2 | F14 | 44620-KSBS-900 | 0 | F07 | 45216-1F66-007 | 0 | F07 |
| 42000 | | | 44705-KHC4-900 | 2 | F07 | 45216-KFW6-90A | 0 | F07 |
| | | | 44710-LAB4-90A-G304 | 3 | F07 | 45513-LBC6-900 | 1 | F04 |
| | | | 44710-LAB4-90B-G303 | 2 | F07 | 45517-KFA5-E00 | 0 | F03 |
| 42610-GKAK-901 | 4 | F08 | 44800-KNBN-901 | 6 | F07 | 45517-KKAK-900 | 0 | F04 |
| 42705-KHC4-900 | 5 | F08 | 44830-LGF3-E90 | 1 | F02 | 45530-LBC6-306 | 0 | F04 |
| 42710-LAB4-90A-G304 | 3 | F08 | 45000 | | | 45531-GAR1-951 | 0 | F07 |
| 42710-LAB4-90B-G303 | 2 | F08 | | | | 50000 | | |
| 42753-KXCX-900 | 1 | F07 | | | | | | |
| 42753-KXCX-900 | 1 | F08 | 45105-KECE-305 | 3 | F07 | | | |
| 43000 | | | 45105-KECE-305-M2 | 0 | F07 | 50100-LGF6-900 | 1 | F20 |
| | | | 45108-MDL4-007 | 2 | F07 | 50195-LBC6-900 | 4 | F20 |
| | | | 45109-GBE2-007 | 0 | F07 | 50301-KGN7-671 | 2 | F20 |
| 43141-LAB4-900 | 4 | F08 | 45121-GAR1-950 | 2 | F07 | 50302-2H68-011 | 2 | F20 |
| 43156-KKC4-900 | 1 | F04 | 45126-LGF3-E90 | 4 | F04 | 50306-1F96-001 | 0 | F06 |
| 43352-5H68-004 | 3 | F07 | 45128-KFC9-900 | 0 | F06 | 50326-LBC6-900 | 3 | F11 |
| 43353-4A61-77A | 0 | F07 | 4512A-LCB4-910 | 1 | F08 | 50328-KNBN-200 | 0 | F11 |
| 43410-KFA1-900 | 0 | F08 | 45131-1F66-017 | 0 | F07 | 50350-LBC6-900 | 4 | F20 |
| 43450-LGE3-900 | 3 | F03 | 45131-GBE2-007 | 1 | F07 | 50352-KHC4-900 | 1 | F20 |
| 43472-1A61-001 | 2 | F03 | 45132-1F66-017 | 0 | F07 | 50353-KHC4-900 | 1 | F20 |
| 44000 | | | 45133-LDA3-900 | 1 | F08 | 50358-KHC4-900 | 1 | F20 |
| | | | 45133-MCA3-007 | 0 | F07 | 50500-LBC6-900 | 2 | F15 |
| | | | 45156-KEC6-900 | 2 | F06 | 50505-KKD7-900 | 1 | F15 |
| 44301-LGE3-900 | 1 | F07 | 45200-KHC4-900 | 3 | F07 | 50530-LBC6-900 | 3 | F15 |

PART NO. INDEX

零件號碼索引

| PART NO. 零件號碼 | VERSION 版數 | PAGE 頁次 | PART NO. 零件號碼 | VERSION 版數 | PAGE 頁次 | PART NO. 零件號碼 | VERSION 版數 | PAGE 頁次 |
|------------------|---------------|------------|------------------|---------------|------------|------------------|---------------|------------|
| 50611-LBC6-900 | 3 | F20 | | | | | | |
| 50612-LBC6-900 | 3 | F20 | 52000 | | | 61000 | | |
| 50613-LBC6-900 | 1 | F20 | | | | | | |
| 50615-LGF6-900 | 2 | F20 | 52400-KHC4-900 | 1 | F16 | 61101-LBC6-900 | 1 | F06 |
| 50710-LBC6-90A | 2 | F20 | | | | 6110A-LGE3-900 | 0 | F06 |
| 50710-LBC6-90B | 2 | F20 | 53000 | | | | | |
| 5071A-LBC6-90A | 3 | F20 | | | | 64000 | | |
| 5071A-LBC6-90B | 3 | F20 | 53100-LGE3-800 | 1 | F03 | | | |
| 5071B-LBC6-90A | 3 | F20 | 53125-GEN5-901 | 0 | F03 | 64222-LBC6-900 | 1 | F12 |
| 5071B-LBC6-90B | 3 | F20 | 53140-KFA1-900 | 2 | F03 | 64301-LGE3-900 | 3 | F05 |
| 50720-LBC6-90A | 2 | F20 | 53166-KFA1-900 | 2 | F03 | 64302-LGE3-347 | 4 | F05 |
| 50720-LBC6-90B | 2 | F20 | 53172-LBC6-900 | 1 | F03 | 64305-LBC6-900 | 1 | F12 |
| | | | 53175-KFA6-E00 | 0 | F04 | 64306-LBC6-900 | 1 | F12 |
| 51000 | | | 53178-KXCX-E00 | 0 | F03 | 64308-LGE3-900 | 5 | F05 |
| | | | 5317B-LBC6-900 | 4 | F03 | 64310-LBC6-900 | 2 | F05 |
| 51401-LBC6-900 | 0 | F22 | 53200-LGE3-900 | 1 | F06 | 64316-KHE2-900 | 0 | F05 |
| 51407-LBC6-900 | 1 | F20 | 53205-LGE3-900 | 2 | F03 | | | |
| 51408-LBC6-900 | 2 | F20 | 53206-LGE3-900 | 2 | F03 | 77000 | | |
| 5140A-LGE3-900 | 2 | F06 | 53207-LGE3-900 | 3 | F03 | | | |
| 51410-LBC6-900 | 0 | F22 | 53211-GFY6-940 | 1 | F06 | 77110-LBC6-900 | 1 | F09 |
| 51412-KFA1-900 | 0 | F22 | 53212-2L50-011 | 1 | F06 | 77200-LGF6-900 | 1 | F09 |
| 51420-LBC6-900 | 0 | F22 | 53214-2L50-001 | 0 | F06 | 77206-KEB7-900 | 0 | F09 |
| 51429-LBC6-900 | 0 | F22 | 53215-2L50-001 | 0 | F06 | 77235-KKC4-80A | 0 | F09 |
| 51432-KFA1-900 | 0 | F22 | | | | 77235-KKC4-80B | 0 | F09 |
| 5150A-LGE3-900 | 2 | F06 | | | | 77240-LBC6-900 | 1 | F09 |
| 51520-LBC6-900 | 0 | F22 | | | | 77303-LAB4-900 | 0 | F09 |

PART NO. INDEX

零件號碼索引

| PART NO. 零件號碼 | VERSION 版數 | PAGE 頁次 | PART NO. 零件號碼 | VERSION 版數 | PAGE 頁次 | PART NO. 零件號碼 | VERSION 版數 | PAGE 頁次 |
|------------------|---------------|------------|------------------|---------------|------------|------------------|---------------|------------|
| 80000 | | | 86000 | | | 89000 | | |
| 80100-LBC6-900 | 3 | F18 | 86102-KKC4-900 | 1 | F24 | 89010-LAD9-900 | 0 | F09 |
| 80104-LBC6-900 | 1 | F18 | 86201-LGF6-900 | 2 | F24 | | | |
| 80105-LBC6-900 | 1 | F18 | 86202-LGF6-900 | 2 | F24 | 90000 | | |
| 80106-LBC6-900 | 3 | F18 | 86281-LGF6-900 | 1 | F24 | | | |
| 80151-LBC6-900 | 2 | F12 | 86404-LGE3-900 | 1 | F06 | 90001-GBHB-661 | 0 | E03 |
| 80152-LBC6-900 | 2 | F05 | 86700-LFG7-900 | 2 | F24 | 90005-KAW1-901 | 1 | E03 |
| | | | | | | 90012-3C33-001 | 0 | E02 |
| 81000 | | | 87000 | | | 90020-KFW6-001 | 0 | F20 |
| 81131-LGE3-900 | 2 | F05 | 87122-LGF6-950 | 2 | F23 | 90021-GFY6-900 | 2 | F14 |
| 81132-LFG6-900 | 2 | F05 | 87502-LEB2-900 | 1 | F23 | 90021-LDC1-900 | 2 | E01 |
| 81132-LGE3-900 | 2 | F05 | 87503-LEA1-900 | 1 | E07 | 90031-LDC1-900 | 2 | E01 |
| 81142-KUDU-900 | 1 | F05 | 87505-LAB4-900 | 2 | F23 | 90032-GFY6-901 | 0 | E01 |
| 81200-LBC6-800 | 5 | F12 | 87541-GGS7-901 | 2 | F23 | 90032-LAB4-900 | 1 | E01 |
| 81260-LGF6-900 | 2 | F12 | 87541-KHC4-900 | 1 | F23 | 90033-GFY6-900 | 0 | E02 |
| | | | 87542-GKM9-301 | 3 | F23 | 90101-KGC4-E00 | 1 | F09 |
| 83000 | | | 87546-LEB2-900 | 1 | F24 | 90102-GLE0-001 | 0 | F15 |
| 83500-LBC6-347 | 1 | F12 | 87560-GFY6-900 | 3 | F23 | 90105-KCR3-001 | 1 | F07 |
| 83600-LBC6-347 | 1 | F12 | | | | 90105-KHC4-900 | 1 | F20 |
| 83750-LBC6-900 | 2 | F12 | 88000 | | | 90105-LBC6-900 | 0 | F12 |
| | | | 88110-LGE3-900 | 1 | F03 | 90106-GEN5-901 | 0 | F03 |
| | | | 88120-LGE3-900 | 1 | F03 | 90108-LBC6-900 | 1 | F15 |
| | | | | | | 90110-KFA6-900 | 0 | F14 |
| | | | | | | 90110-KHG8-901 | 0 | F07 |

PART NO. INDEX

零件號碼索引

| PART NO. 零件號碼 | VERSION 版數 | PAGE 頁次 | PART NO. 零件號碼 | VERSION 版數 | PAGE 頁次 | PART NO. 零件號碼 | VERSION 版數 | PAGE 頁次 |
|------------------|---------------|------------|-------------------|---------------|------------|------------------|---------------|------------|
| 90110-KHG8-901 | 0 | F08 | 90302-GFY6-940 | 1 | F19 | 90603-0D44-001 | 0 | E05 |
| 90110-LBC6-900 | 0 | F06 | 90302-SDA4-004 | 2 | F05 | 90652-GFY6-901 | 1 | F13 |
| 90111-1G87-001 | 1 | F10 | 90302-SDA4-004 | 2 | F06 | 90652-LFB5-900 | 0 | F05 |
| 90111-KFW6-001 | 0 | F18 | 90302-SDA4-004 | 2 | F12 | 90652-LGJ9-900 | 2 | E02 |
| 90111-KKD7-900 | 1 | F10 | 90304-GLW0-90A | 1 | F03 | 90653-LCA4-E00 | 1 | F05 |
| 90111-LGE3-900 | 0 | F05 | 90304-GLW0-90A | 1 | F20 | 90656-KCBC-900 | 0 | F03 |
| 90112-KNBN-901 | 1 | F12 | 90305-GHK8-001 | 1 | E07 | 90656-KCBC-900 | 0 | F19 |
| 90112-KNBN-901 | 1 | F18 | 90305-GHK8-001 | 1 | F12 | 90656-KUDU-900 | 0 | F19 |
| 90114-KKAK-900 | 0 | F04 | 90305-KNBN-90A | 0 | F08 | 90660-KNBN-921 | 0 | F21 |
| 90115-LBC6-900 | 1 | F03 | 90305-KNBN-90B | 0 | F08 | 90741-0E35-001 | 0 | E03 |
| 90116-3C83-72A | 0 | F22 | 90306-LFE2-900 | 1 | F07 | 90754-GHC8-00A | 1 | F07 |
| 90131-LEB1-900 | 1 | F07 | 90309-GLW0-90A | 1 | F07 | 90754-GHC8-00B | 1 | F07 |
| 90145-MKS9-61A | 1 | F04 | 90309-GLW0-90A | 1 | F08 | 90912-GHC8-00A | 0 | F07 |
| 90201-KNBN-901 | 0 | E06 | 90309-KLF0-004-SY | 1 | E08 | 90912-GHC8-00D | 0 | F07 |
| 90202-1G87-001 | 0 | E05 | 90381-GEZ5-001 | 1 | F12 | | | |
| 90206-0A01-001 | 1 | E02 | 90429-KNBN-901 | 0 | E08 | 91000 | | |
| 90215-GLM0-910 | 1 | F05 | 90442-0D44-001 | 0 | E05 | | | |
| 90301-4C73-004 | 0 | F15 | 90451-1G07-001 | 1 | E08 | 91001-GGA7-70A | 2 | E05 |
| 90301-6D34-671 | 1 | F18 | 90465-MDC4-001 | 0 | E02 | 91004-KBN2-90A | 0 | E08 |
| 90301-6D34-671 | 1 | F20 | 90488-7L00-001 | 0 | E01 | 91009-GLE0-004 | 1 | E08 |
| 90301-GFY6-901 | 2 | F14 | 90501-KNBN-901 | 0 | F08 | 91014-LLJ3-E00 | 1 | F06 |
| 90302-GFY6-901 | 1 | F06 | 90502-MBS2-001 | 0 | E06 | 91015-LLJ3-E00 | 1 | F06 |
| 90302-GFY6-901 | 1 | F10 | 9052A-GFY6-950 | 1 | E01 | 91101-KNBN-901 | 0 | E06 |
| 90302-GFY6-901 | 1 | F18 | 90545-3L00-001 | 2 | F04 | 91103-GAR1-004 | 0 | E05 |
| 90302-GFY6-940 | 1 | F03 | 90554-2C83-001 | 0 | F22 | 91106-KHC4-90A | 0 | E01 |
| 90302-GFY6-940 | 1 | F10 | 90601-GAR1-900 | 0 | F22 | 91106-KHC4-90B | 0 | E01 |

PART NO. INDEX

零件號碼索引

| PART NO. 零件號碼 | VERSION 版數 | PAGE 頁次 | PART NO. 零件號碼 | VERSION 版數 | PAGE 頁次 | PART NO. 零件號碼 | VERSION 版數 | PAGE 頁次 |
|------------------|---------------|------------|------------------|---------------|------------|------------------|---------------|------------|
| 91202-GFY6-90A | 1 | E01 | 93404-06016-06 | 0 | F05 | 93903-35220 | 0 | F19 |
| 91202-GFY6-90A | 1 | E04 | 93404-06016-06 | 0 | F20 | 93903-35260 | 0 | E01 |
| 91202-GFY6-90B | 1 | E01 | 93404-06030-06 | 0 | F13 | 93903-35320 | 0 | F02 |
| 91202-GFY6-90B | 1 | E04 | 93404-KKC2-900 | 1 | F12 | 93903-35360 | 0 | F01 |
| 91202-KKJ9-004 | 0 | E01 | 93500-03010-1A | 0 | E06 | 93903-35360 | 0 | F03 |
| 91211-GHK8-014 | 0 | E05 | 93500-04020-0G | 0 | F19 | 93903-35360 | 0 | F11 |
| 91251-LAB4-900 | 0 | F22 | 93500-05010-0G | 0 | F10 | 93903-35360 | 0 | F18 |
| 91255-GLE0-006 | 0 | E08 | 93500-KHC4-90A | 0 | F10 | 93904-35380 | 0 | E07 |
| 91258-KAM1-00A | 1 | F07 | 93500-LBC6-900 | 0 | F03 | | | |
| 91301-0C53-001 | 0 | E08 | 93600-04012-1A | 0 | F04 | 94000 | | |
| 91301-GLR0-005 | 1 | E03 | 93700-05018-0H | 0 | F02 | | | |
| 91302-0A01-021 | 0 | E04 | 93892-04010-08 | 0 | E09 | 94001-05080-0S | 0 | F03 |
| 91306-1E05-691 | 0 | E03 | 93892-05010-08 | 0 | E09 | 94050-06080 | 0 | E02 |
| 91307-0E35-001 | 0 | E04 | 93893-04012-18 | 0 | F04 | 94050-06080 | 0 | E06 |
| 91351-6B42-000 | 0 | E05 | 93901-32310 | 0 | F17 | 94050-06080 | 0 | E09 |
| 91351-GAR1-001 | 0 | E05 | 93901-LGE3-305 | 0 | F17 | 94050-06080 | 0 | F04 |
| 91352-KHG8-83B | 0 | F08 | 93901-LGE3-306 | 0 | F17 | 94050-06080 | 0 | F09 |
| | | | 93901-LGE3-306 | 0 | F18 | 94050-06080 | 0 | F19 |
| 92000 | | | 93901-LGE3-307 | 0 | F17 | 94050-06080 | 0 | F20 |
| | | | 93901-LGE3-315 | 0 | F18 | 94050-08080 | 0 | E02 |
| 92101-05012-0H | 0 | E07 | 93903-24360 | 0 | F06 | 94050-10080 | 0 | E05 |
| 92900-06060-0B | 0 | E02 | 93903-25380 | 0 | F13 | 94050-10080 | 0 | E07 |
| | | | 93903-34360 | 0 | F05 | 94050-12080 | 0 | E05 |
| 93000 | | | 93903-34360 | 0 | F12 | 94101-06200 | 0 | F14 |
| | | | 93903-34360 | 0 | F17 | 94101-06800 | 0 | F05 |
| 93401-04025-08 | 0 | F19 | 93903-34360 | 0 | F18 | 94101-KKE3-900 | 1 | E09 |

PART NO. INDEX

零件號碼索引

| PART NO. 零件號碼 | VERSION 版數 | PAGE 頁次 | PART NO. 零件號碼 | VERSION 版數 | PAGE 頁次 | PART NO. 零件號碼 | VERSION 版數 | PAGE 頁次 |
|------------------|---------------|------------|------------------|---------------|------------|------------------|---------------|------------|
| 94111-06800 | 0 | E02 | 95003-23018-60 | 0 | F13 | 95801-10035-08 | 0 | F16 |
| 94111-06800 | 0 | E09 | 95004-LGF6-900 | 0 | F21 | | | |
| 94301-08140 | 0 | E01 | 9500B-LGF6-900 | 0 | F21 | 96000 | | |
| 94301-08140 | 0 | E04 | 95014-72204 | 0 | F15 | | | |
| 94301-10160 | 0 | E02 | 95014-LBC6-900 | 0 | F15 | 96001-06008-07 | 0 | F14 |
| 94301-10160 | 0 | E03 | 95015-32001 | 0 | F03 | 96001-06012-08 | 0 | E01 |
| 94301-10200 | 0 | E08 | 95015-42000 | 0 | F03 | 96001-06012-08 | 0 | E05 |
| 94303-04065 | 0 | E06 | 95701-06012-08 | 0 | F04 | 96001-06012-08 | 0 | E06 |
| 94510-20000 | 0 | E08 | 95701-06012-08 | 0 | F06 | 96001-06012-08 | 0 | E07 |
| 94520-24000 | 1 | E05 | 95701-06012-08 | 0 | F09 | 96001-06012-08 | 0 | F19 |
| 94591-27000 | 0 | F05 | 95701-06012-08 | 0 | F19 | 96001-06014-08 | 0 | E02 |
| 94591-KFBF-900 | 2 | E02 | 95701-06012-08 | 0 | F20 | 96001-06016-08 | 0 | E07 |
| 94591-KFBF-900 | 2 | E07 | 95701-06014-08 | 0 | F19 | 96001-06025-02 | 0 | F03 |
| 94605-KFA1-900 | 0 | F22 | 95701-06022-02 | 0 | F04 | 96001-06025-06 | 0 | E06 |
| | | | 95701-06025-08 | 0 | E02 | 96001-06025-06 | 0 | E07 |
| 95000 | | | 95701-06032-08 | 0 | F08 | 96001-06028-08 | 0 | E07 |
| | | | 95701-06032-08 | 0 | F13 | 96001-06032-06 | 0 | F20 |
| 95001-45440-40 | 0 | F21 | 95701-06035-08 | 0 | E02 | 96001-06045-08 | 0 | E01 |
| 95002-02070 | 0 | E09 | 95701-06050-08 | 0 | E02 | 96001-06085-06 | 0 | E04 |
| 95002-02070 | 0 | F21 | 95701-08012-08 | 0 | E01 | 96001-06100-08 | 0 | E02 |
| 95002-02080 | 0 | F21 | 95701-08025-08 | 0 | F19 | 96001-06100-08 | 0 | E04 |
| 95002-02090 | 0 | F13 | 95701-08045-08 | 0 | E01 | 96001-LAB4-900 | 1 | F13 |
| 95002-02120 | 0 | F10 | 95701-08060-08 | 0 | E01 | 96100-62033-00 | 0 | E01 |
| 95002-02120 | 0 | F13 | 95801-08035-08 | 0 | F16 | 96100-62043-00 | 0 | E01 |
| 95002-02130 | 0 | F13 | 95801-08040-08 | 0 | F06 | 96220-60100 | 0 | E06 |
| 95002-41050-00 | 0 | F13 | 95801-08042-06 | 0 | F14 | 96600-06012-10 | 0 | E06 |

PART NO. INDEX
零件號碼索引

| PART NO. 零件號碼 | VERSION 版數 | PAGE 頁次 | PART NO. 零件號碼 | VERSION 版數 | PAGE 頁次 | PART NO. 零件號碼 | VERSION 版數 | PAGE 頁次 |
|------------------|---------------|------------|------------------|---------------|------------|------------------|---------------|------------|
| 98000 | | | | | | | | |
| 98056-5671R-00 | 0 | E02 | | | | | | |
| 98200-10700 | 0 | F11 | | | | | | |
| 98200-31000 | 1 | F19 | | | | | | |
| 98200-31500 | 0 | F19 | | | | | | |