

PARTS CATALOGUE



SCOOTERS

SJ25HE

JOCKEY V1 125



Date : 2010/01/12

前言

- 本零件型錄適用於 SJ25HE 機種，訂購零件時，請參照本冊。
- 本冊之配色表僅供參考，若與實車不符之處，以實車為準。
- 配色記號(Color Mark)
註明 "***" 記號，表示訂購該零件時，請參照機種相片及配色表，並請在基本零件號碼最後加上色碼。
- 本冊若有錯誤或遺漏之處，敬請不吝賜教指正。

ABOUT THIS PARTS LIST

- This parts list is compiled all service parts for model SJ25HE.
- Any difference between color chart and motorcycle will be revised according to motorcycle.
- The sales mark:
 - 1.marking "***" must add color code in the end before ordering parts.
- When modification or additions to this parts list are made a revised edition at an appropriate time.

目次

● 前言	1
● SJ25HE 配色表	3
● 引擎結構圖	9
● 車架結構圖	10
● 引擎號碼表	13
● 車架零件號碼表	47
● 零件號碼索引	115

CONTENTS

● ABOUT THIS PARTS LIST	1
● COLOR CHART OF SJ25HE	3
● CONTENTS-ENGINE GROUP	9
● CONTENTS-FRAME GROUP	10
● ENGINE PARTS LIST	13
● FRAME PARTS LIST	47
● PART NO. INDEX	115

NO	MODEL			SJ25HE COLOR CHART					
	PHOTO NO			NO. 1	NO. 2	NO. 3	NO. 4		
	BASIC COLOR			黒藍	淺晶藍	白	白		
	CODE			Black Blue	Light Blue Metallic	White	White		
	PARTS NAME	PARTS NO.	VERSION	PB184PA	PB281MA	NH138SA	NH138SAB		
1	LEVER R STRG HANDLE	53175-KFC9-W00	1	M2A					
2	LEVER L STRG HANDLE	53178-GKAK-901	0						
3	COVER LEFT	11341-LDA6-900	8	N1A					
4	COVER UNDER	50613-KHE2-900	7						
5	FENDER RR	80105-KEC6-900	8	N1R		CCR			
6	MUFFLER ASSY EXH	1830A-LGL3-90A	2						
7	MUFFLER ASSY EXH	1830A-LGL3-90B	2	N1R					
8	PROTECTOR COMP	18317-LLF5-900	3						
9	COVER BATTERY	50326-KHE2-900	2						
10	GRIP COMP THROT	53140-KFA1-900	2						
11	GRIP L HANDLE	53166-KFA1-900	2						
12	FENDER A FR INNER	61100-KKC8-900	2						
13	FENDER FRONT INNER	61110-LGL3-900	3						
14	DISK FR BRAKE	45121-KUDU-900	2	N1S					
15	MOLD FR	64302-KKC8-900	4						
16	SKIRT R SIDE	64305-KHE2-900	4	BJP					
17	SKIRT L SIDE	64306-KHE2-900	4						
18	MOLD R RR SIDE	83501-KHE2-900	5						
19	MOLD L RR SIDE	83601-KHE2-900	5						
20	MOLD RR CENTER	83751-KHE2-900	0	N8P					
21	COVER FR HANDLE	53205-LCB3-900	3						
22	CARRIER REAR	81200-LGJ8-900	4	BJP		CAP		CCR	
23	COVER SET FRONT	64301-LGL3-315	0						
24	COVER SET R BODY	83500-LGL3-315	0	NMP					
25	COVER SET L BODY	83600-LGL3-315	0						
DATE OF STARTING-SALES									
DATE OF END-SALES									

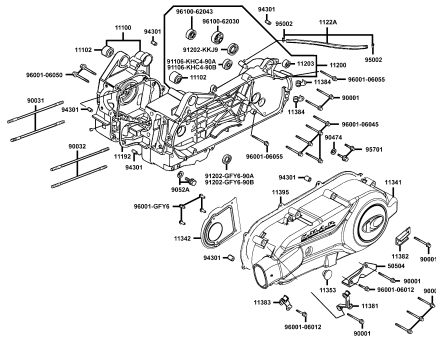
NO	MODEL			SJ25HE COLOR CHART			
	PHOTO NO			NO. 5			
	BASIC COLOR			亮銀			
	CODE			Bright Silver			
	PARTS NAME	PARTS NO.	VERSION	NH045MA			
1	LEVER R STRG HANDLE	53175-KFC9-W00	1	M2A			
2	LEVER L STRG HANDLE	53178-GKAK-901	0				
3	COVER LEFT	11341-LDA6-900	8	N1A			
4	COVER UNDER	50613-KHE2-900	7	N1R			
5	FENDER RR	80105-KEC6-900	8				
6	MUFFLER ASSY EXH	1830A-LGL3-90A	2				
7	MUFFLER ASSY EXH	1830A-LGL3-90B	2				
8	PROTECTOR COMP	18317-LLF5-900	3				
9	COVER BATTERY	50326-KHE2-900	2				
10	GRIP COMP THROT	53140-KFA1-900	2				
11	GRIP L HANDLE	53166-KFA1-900	2				
12	FENDER A FR INNER	61100-KKC8-900	2				
13	FENDER FRONT INNER	61110-LGL3-900	3				
14	DISK FR BRAKE	45121-KUDU-900	2	N1S			
15	MOLD FR	64302-KKC8-900	4	N8P			
16	SKIRT R SIDE	64305-KHE2-900	4				
17	SKIRT L SIDE	64306-KHE2-900	4				
18	MOLD R RR SIDE	83501-KHE2-900	5				
19	MOLD L RR SIDE	83601-KHE2-900	5				
20	MOLD RR CENTER	83751-KHE2-900	0				
21	COVER FR HANDLE	53205-LCB3-900	3				
22	CARRIER REAR	81200-LGJ8-900	4				
23	COVER SET FRONT	64301-LGL3-315	0				
24	COVER SET R BODY	83500-LGL3-315	0				
25	COVER SET L BODY	83600-LGL3-315	0				
DATE OF STARTING-SALES							
DATE OF END-SALES							

NO	MODEL			SJ25HE COLOR CHART			
	PHOTO NO			NO. 1	NO. 2	NO. 3	NO. 4
	BASIC COLOR			黑藍	淺晶藍	白	白
	CODE			Black Blue	Light Blue Metallic	White	White
	PARTS NAME	PARTS NO.	VERSION	PB184PA	PB281MA	NH138SA	NH138SAB
26	FORK SET R FR	5140A-KHD6-W00	0	NGA			
27	BOTTOM CASE R	51420-KUDU-W00	0				
28	FORK SET L FR	5150A-KHD6-W00	0				
29	BOTTOM CASE L	51520-KUDU-W00	0				
30	HUB COMP RR WHEEL	42601-KUDU-90D	2				
31	WHEEL SET FR	44650-KUDU-305	2	NJA			
32	BAND HARNESS WIRE	90656-KUDU-900	0	NMR			
33	FLOOR PANEL	64310-KHE2-900	3	NRR			
34	PLUG FLOOR	64316-KHE2-900	0				
35	COWL UNDER	64400-KHE2-900	1				
36	COVER CENTER	80152-KHE2-900	5				
37	LEG SHIELD UP	81131-KHE2-910	4				
38	CAP LEG SHIELD UP	81132-KHE2-900	0				
39	LID LEG SHIELD	81142-KUDU-900	1				
40	COVER R RR SIDE	83510-KHE2-900	2				
41	COVER L RR SIDE	83610-KHE2-900	2				
42	COVER HANDLE RR	53206-KUDU-901	3				
43	LEG SHIELD LOW	81141-KHE2-930	1	CCR			
44	CALIPER ASSY FR	45200-KUDU-W00	3	R8A			
45	CUSHION ASSY RR	52400-KEC6-900	3	R8S			
46	EMB K-LOGO 28.5MM	86102-KKC4-900	1	T01			
47	MARK E/M 5th STAGE	87122-LGL3-950	2				
48	CAUTION BATTERY	87502-LEB2-900	1				
49	CAUTION MUFFLER	87503-LEB2-900	2				
50	LABEL TIRE	87505-KUDU-900	1				
DATE OF STARTING-SALES							
DATE OF END-SALES							

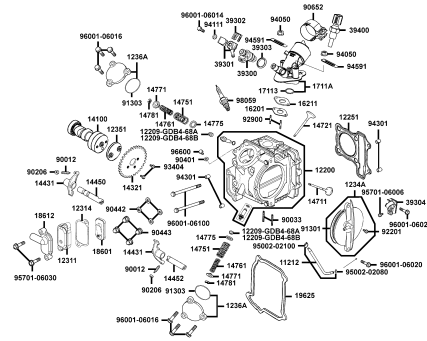
NO	MODEL			SJ25HE COLOR CHART			
	PHOTO NO			NO. 5			
	BASIC COLOR			亮銀			
	CODE			Bright Silver			
	PARTS NAME	PARTS NO.	VERSION	NH045MA			
26	FORK SET R FR	5140A-KHD6-W00	0	NGA			
27	BOTTOM CASE R	51420-KUDU-W00	0				
28	FORK SET L FR	5150A-KHD6-W00	0				
29	BOTTOM CASE L	51520-KUDU-W00	0				
30	HUB COMP RR WHEEL	42601-KUDU-90D	2	NJA			
31	WHEEL SET FR	44650-KUDU-305	2				
32	BAND HARNESS WIRE	90656-KUDU-900	0	NMR			
33	FLOOR PANEL	64310-KHE2-900	3	NRR			
34	PLUG FLOOR	64316-KHE2-900	0				
35	COWL UNDER	64400-KHE2-900	1				
36	COVER CENTER	80152-KHE2-900	5				
37	LEG SHIELD UP	81131-KHE2-910	4				
38	CAP LEG SHIELD UP	81132-KHE2-900	0				
39	LID LEG SHIELD	81142-KUDU-900	1				
40	COVER R RR SIDE	83510-KHE2-900	2				
41	COVER L RR SIDE	83610-KHE2-900	2				
42	COVER HANDLE RR	53206-KUDU-901	3				
43	LEG SHIELD LOW	81141-KHE2-930	1				
44	CALIPER ASSY FR	45200-KUDU-W00	3	R8A			
45	CUSHION ASSY RR	52400-KEC6-900	3	R8S			
46	EMB K-LOGO 28.5MM	86102-KKC4-900	1	T01			
47	MARK E/M 5th STAGE	87122-LGL3-950	2				
48	CAUTION BATTERY	87502-LEB2-900	1				
49	CAUTION MUFFLER	87503-LEB2-900	2				
50	LABEL TIRE	87505-KUDU-900	1				
DATE OF STARTING-SALES							
DATE OF END-SALES							

CONTENTS - ENGINE GROUP

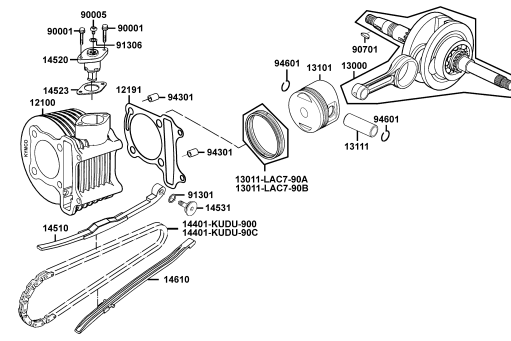
E01 曲軸箱



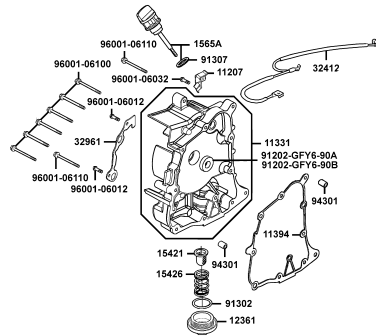
E02 汽缸頭



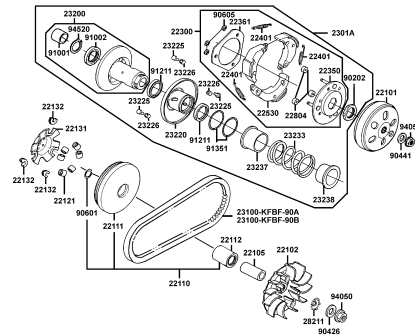
E03 汽缸 活塞 曲軸



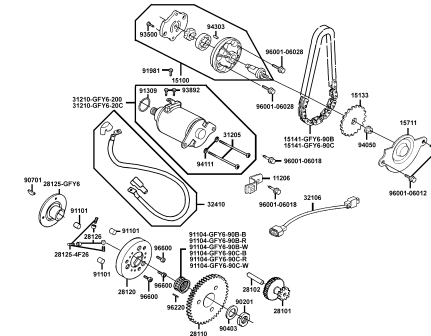
E04 右曲軸箱蓋



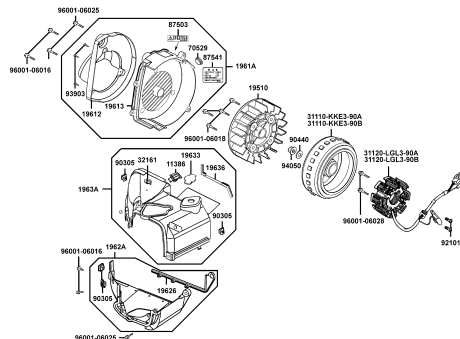
E05 傳動皮帶輪



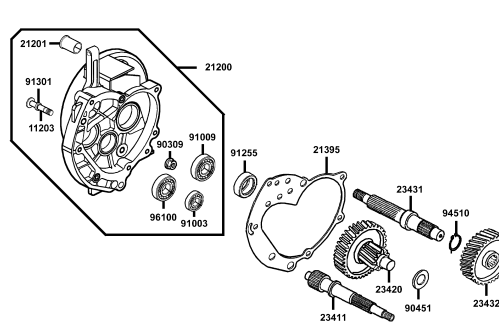
E06 起動馬達 機油泵



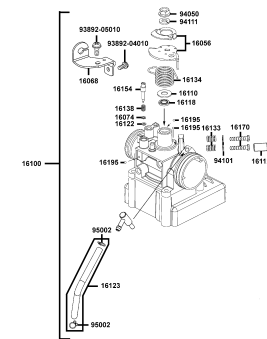
E07 風扇蓋 發電機



E08 傳動系

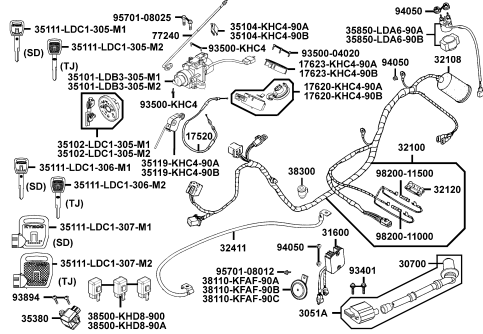


E09 化油器

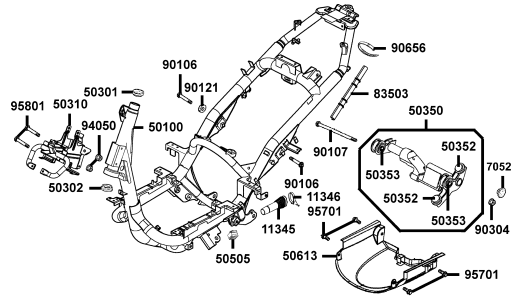


CONTENTS - FRAME GROUP

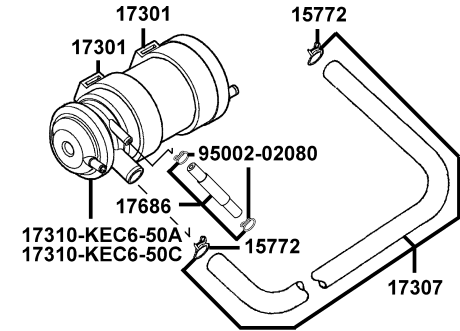
F19 主電路配線



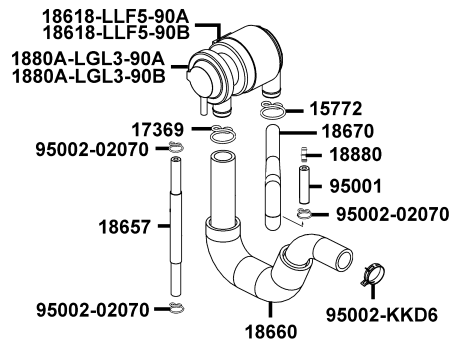
F20 車體



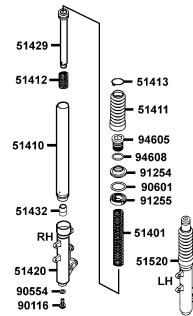
F21 活性炭罐



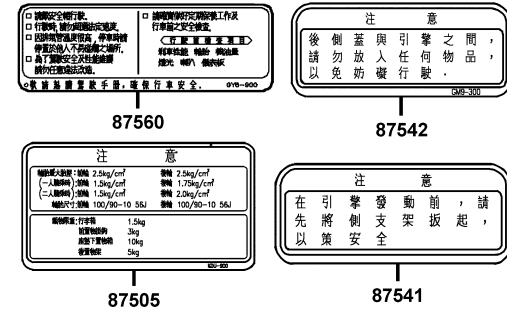
F22 二次空氣濾清器



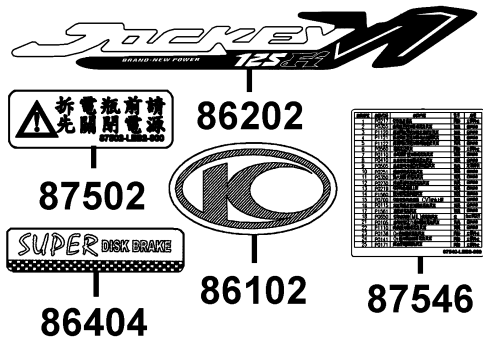
F23 前叉附件



F24 注意標籤

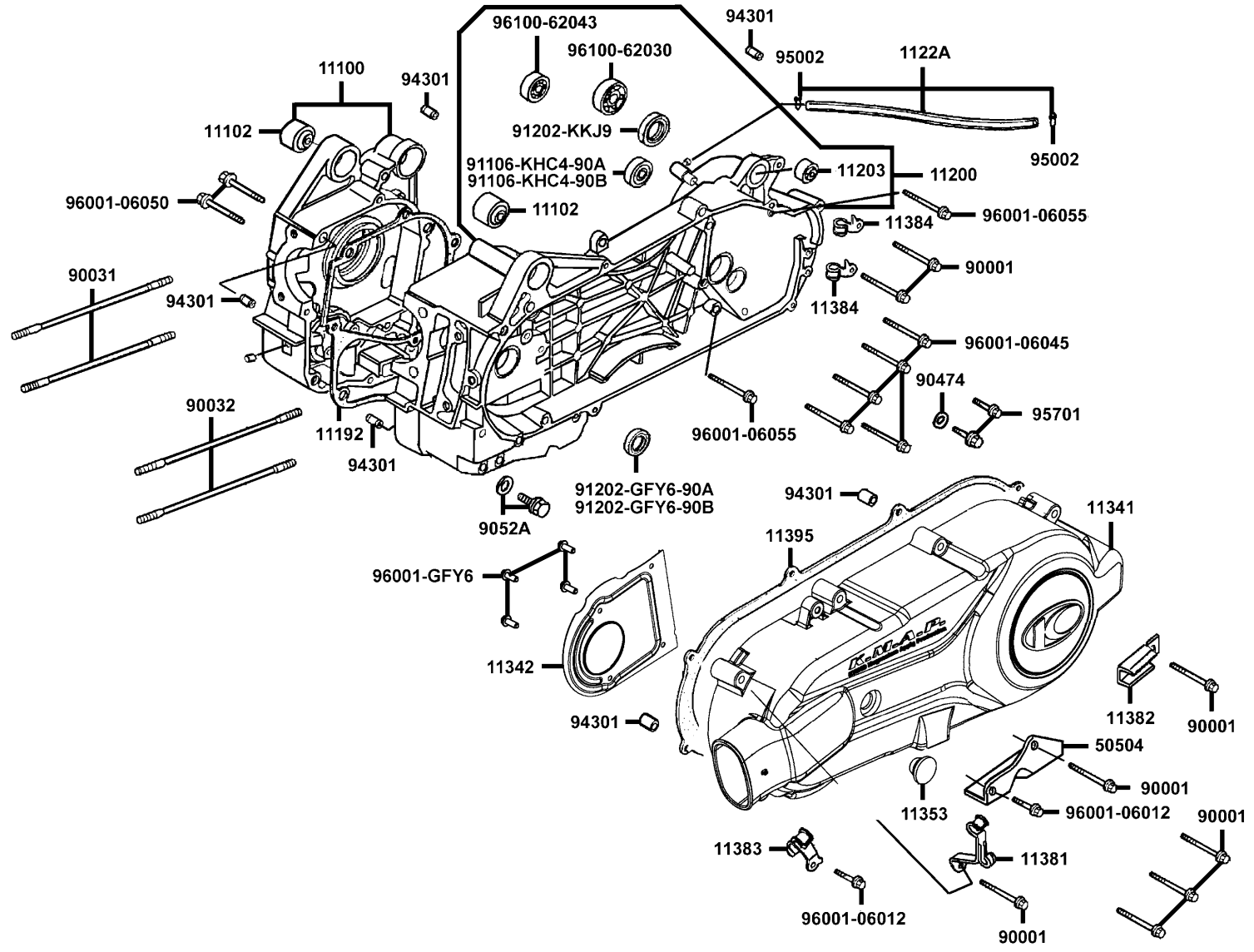


F25 標徽 貼紙



E01

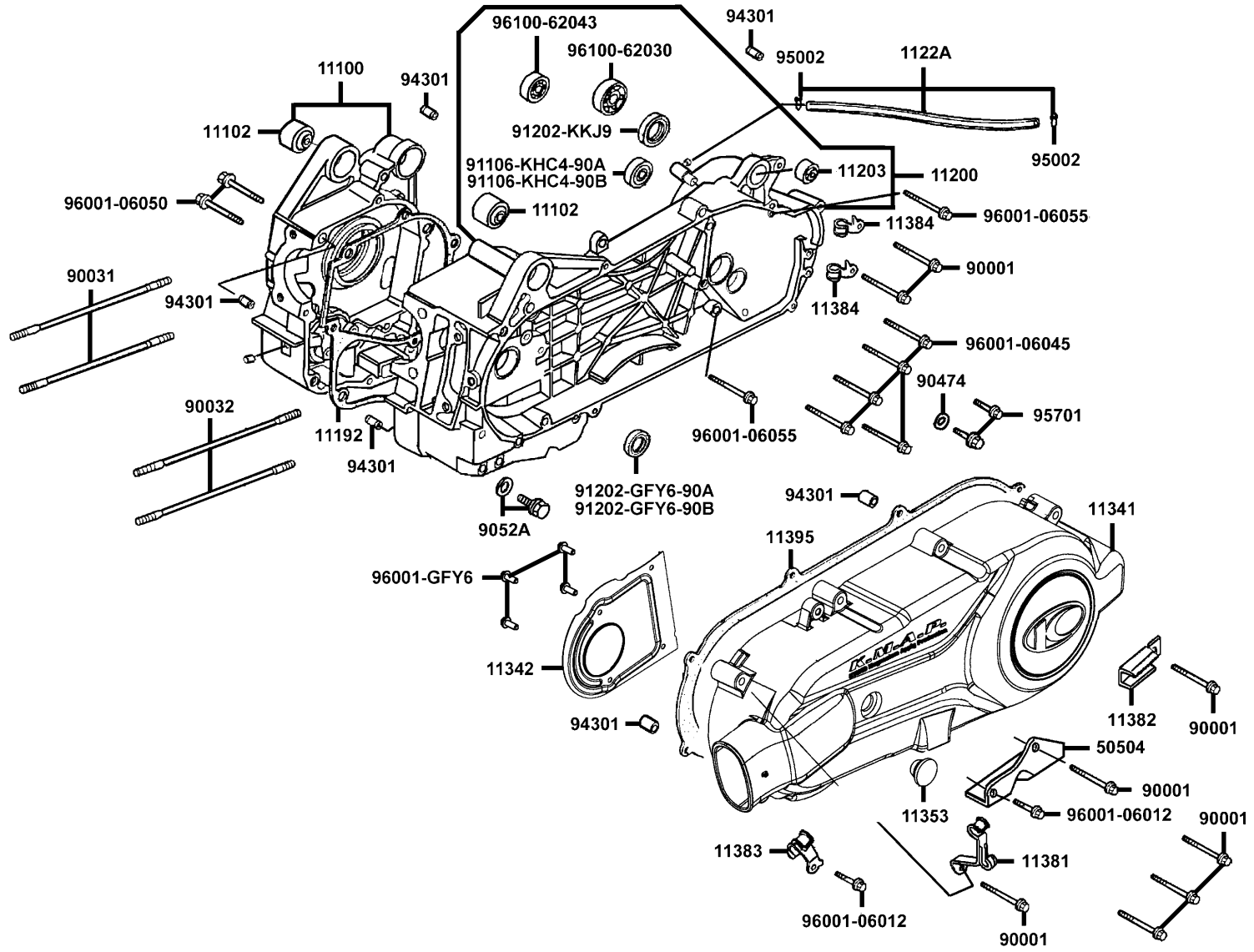
Crank Case 曲軸箱



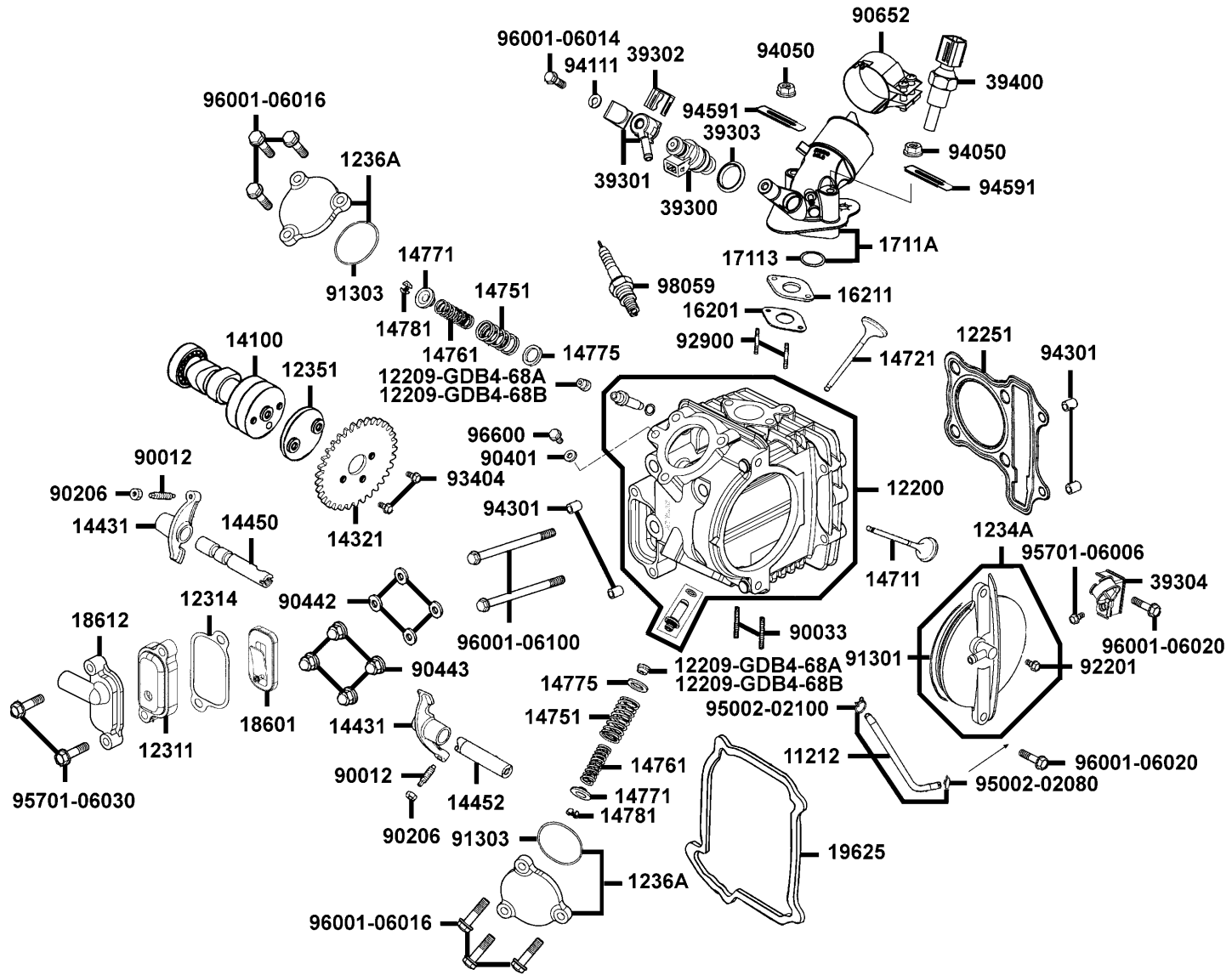
Sales mark 配色標註	Ref no 參考號碼	Part no 零件號碼	Description 英文名稱	Reg description 中文名稱	Regd no 需求用量	E01
	11100	11100-LDA6-305	CRANKCASE SET R	右曲軸箱組	1	
	11102	11102-1G87-004	RUB BUSH ENG HANGER	引擎吊架襯套	2	
	11192	11192-LDA6-900	GASKET CRANK CASE A	曲軸箱墊片	1	
	11200	11200-LED9-305	CRANKCASE SET L	左曲軸箱組	1	
	11203	11203-GGC7-301	UNDER RUBBER BUSH REAR CUSHION	後緩衝下襯套	1	
	1122A	1122A-LGL3-900	TUBE ASSY., MISSION BREATHER	變速箱通氣管組	1	
**	11341	11341-LDA6-900	COVER LEFT	左曲軸箱蓋	1	
	11342	11342-LDA7-900	PLATE L COVER	左曲軸箱蓋板	1	
	11353	11353-LEA6-900	RUBBER PLUG L COVER KICK	橡皮塞蓋	1	
	11381	11381-KUDU-900	CLAMPER THROTTLE CABLE	加油導線夾	1	
	11382	11382-KUDU-900	CLAMPER BRAKE CABLE	煞車導線夾	1	
	11383	11383-KUDU-900	CLAMPER BRTH DRAIN TUBE	通氣管夾	1	
	11384	11384-KUDU-900	CLAMPER BREATHER TUBE	通氣管夾	2	
	11395	11395-KUDU-900	GASKET L COVER A	左曲軸箱蓋墊片	1	
	50504	50504-KUDU-900-G	STAY MAIN STAND STOPPER	主腳架止動座	1	
	90001	90001-GBHB-711	BOLT FLANGE SHF 6*40	螺絲 6X40	8	
	90031	90031-KHD6-900	BOLT A STUD 8*218	雙頭螺絲 8*218	2	
	90032	90032-KHD6-900	BOLT B STUD 8*210	雙頭螺絲 8*210	2	
	90474	90474-3C33-001	WASHER 8MM	華司	1	
	9052A	9052A-GFY6-950	BOLT ASSY DRAIN PLUG	洩油螺絲	1	

E01

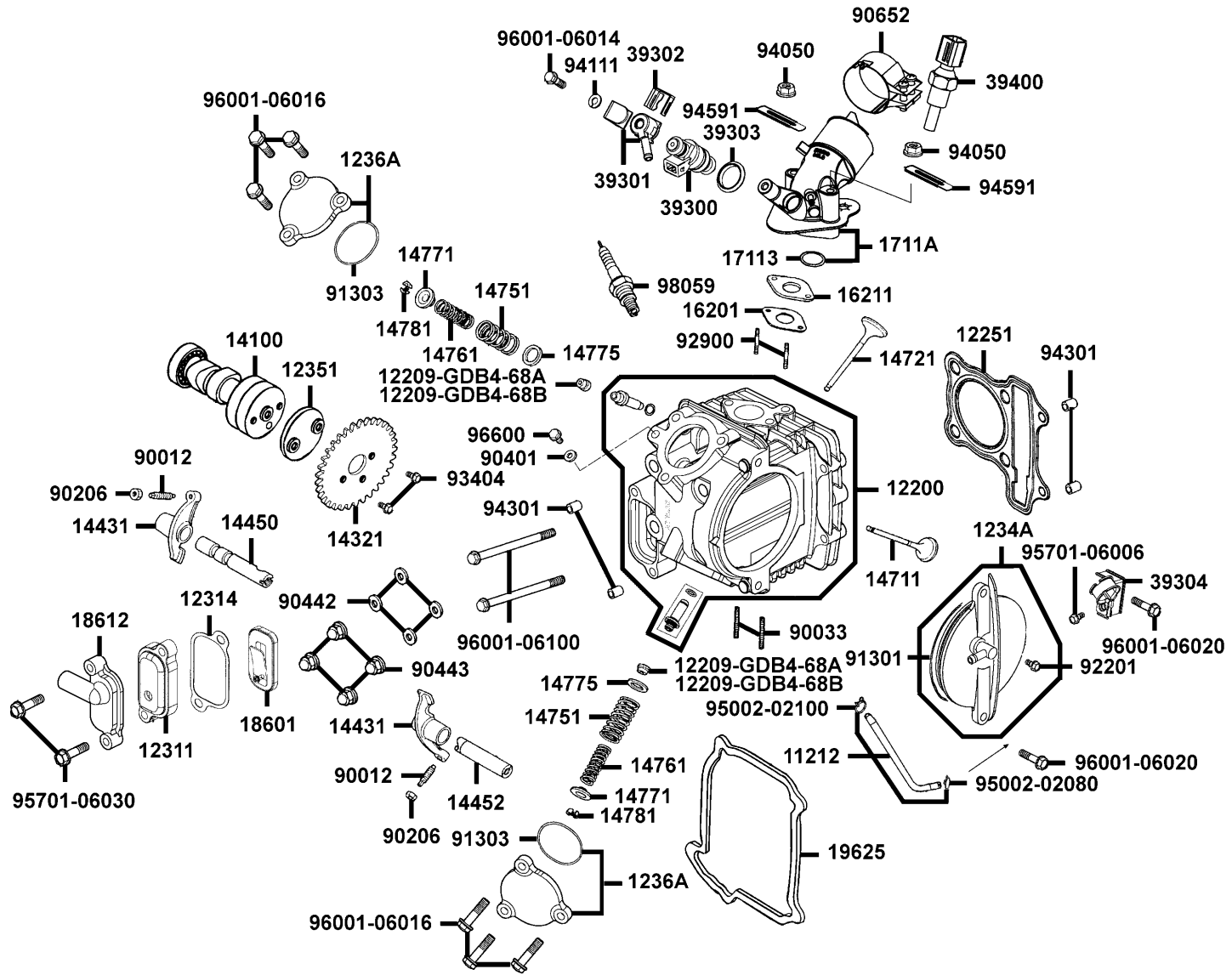
Crank Case 曲軸箱



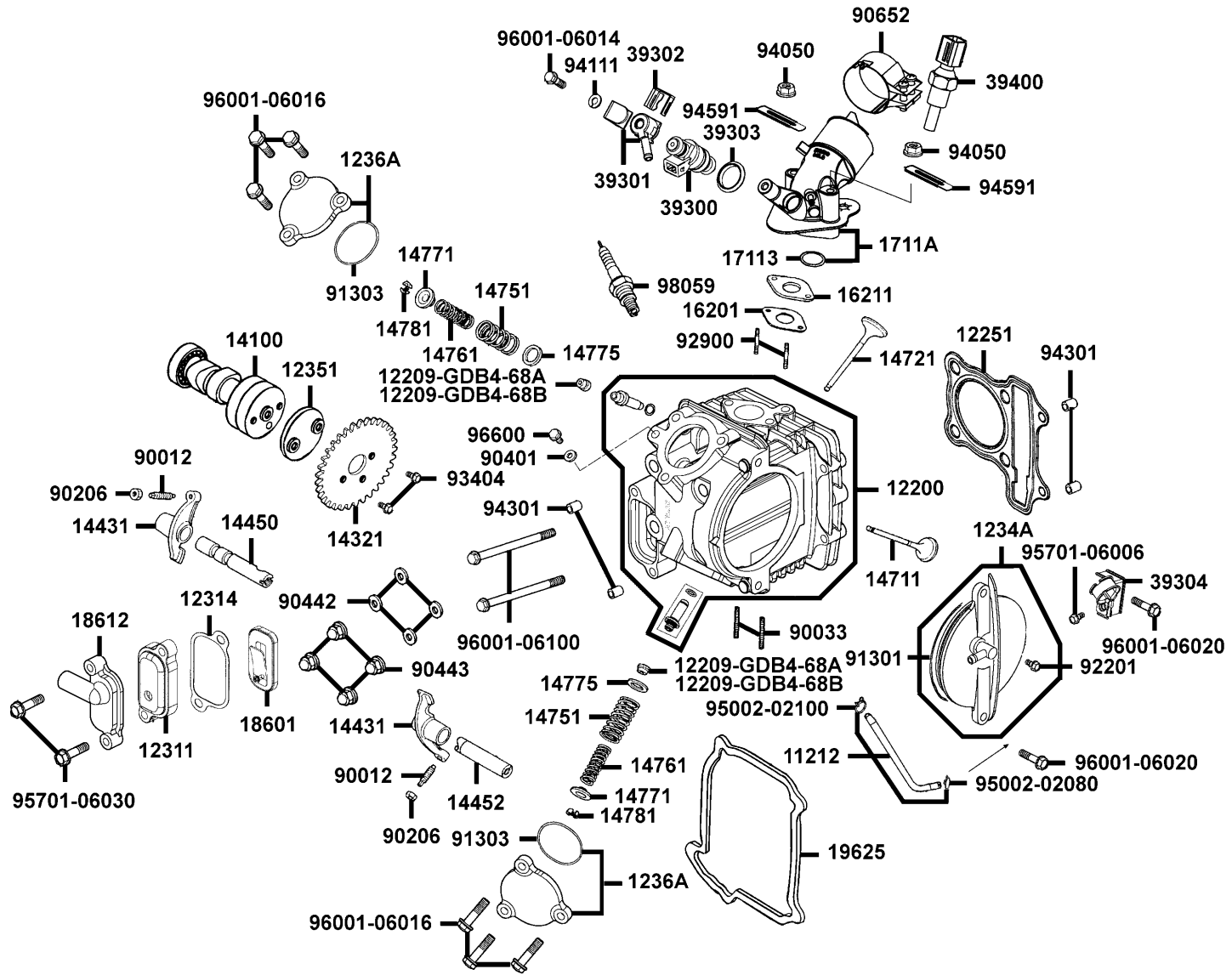
Sales mark 配色標註	Ref no 參考號碼	Part no 零件號碼	Description 英文名稱	Reg description 中文名稱	Regd no 需求用量	E01
	91106-KHC4-90A	91106-KHC4-90A	BRG NEEDLE 15MM	滾針軸承	1	
	91106-KHC4-90B	91106-KHC4-90B	BRG NEEDLE 15MM	滾針軸承	1	
	91202-GFY6-90A	91202-GFY6-90A	OIL SEAL 19.8*30*5	油封 19.8*30*5	1	
	91202-GFY6-90B	91202-GFY6-90B	OIL SEAL 19.8*30*5	油封 19.8*30*5	1	
	91202-KKJ9	91202-KKJ9-004	OIL SEAL 20*32*6	油封 20X32X6	1	
	94301	94301-10160	DOWEL PIN 10*16	定位銷 10X16	6	
	95002	95002-02080	CLIP B8 TUBE	管夾	2	
	95701	95701-08012-08	BOLT FLANGE 8*12	螺絲 8*12	2	
	96001-06012	96001-06012-08	BOLT FLANGE 6*12	螺絲 6*12	2	
	96001-06045	96001-06045-08	BOLT FLANGE SH 6*45	螺栓 6*45	5	
	96001-06050	96001-06050-08	BOLT FLANGE 6*50	螺絲 6X50	2	
	96001-06055	96001-06055-08	BOLT FLANGE SH 6*55	螺栓 6*55	2	
	96001-GFY6	96001-GFY6-900	BOLT SPECIAL 5*10	螺絲 5*10	4	
	96100-62030	96100-62030-00	BRG BALL RADIAL 6203	軸承 6203	1	
	96100-62043	96100-62043-00	BEARING BALL RADIAL 6204	軸承 6204	1	



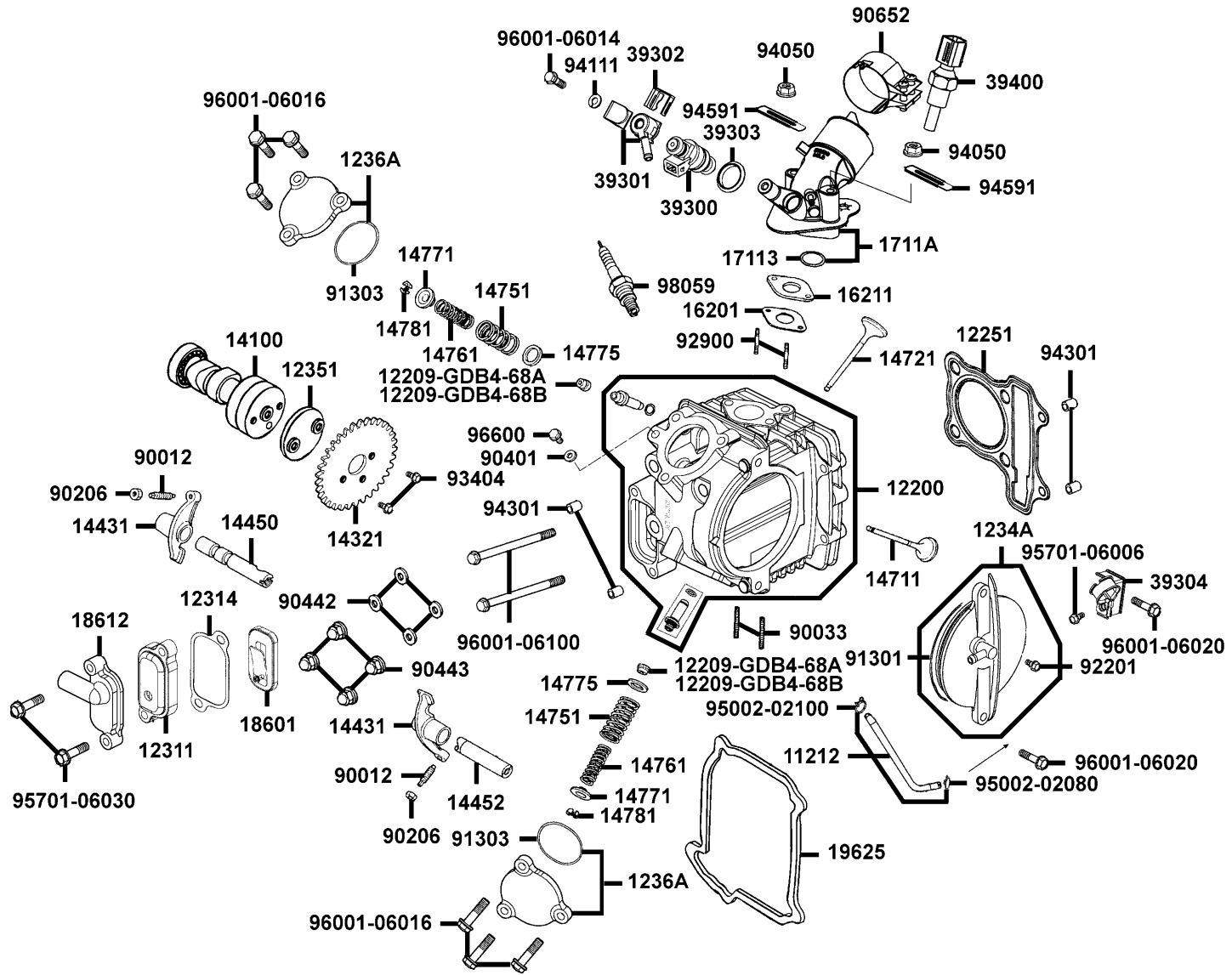
Sales mark 配色標註	Ref no 參考號碼	Part no 零件號碼	Description 英文名稱	Reg description 中文名稱	Regd no 需求用量	E02
	11212	11212-LBE3-900	TUBE, B BREATHER	連接管B	1	
	12200	12200-LBE3-900	HEAD COMP CYLINDER	汽缸頭	1	
	12209-GDB4-68A	12209-GDB4-68A	SEAL VALVE STEM	門閥徑封	2	
	12209-GDB4-68B	12209-GDB4-68B	SEAL VALVE STEM	門閥徑封	2	
	12251	12251-GFY6-90A	GASKET CYLINDER HEAD	汽缸頭墊片	1	
	12311	12311-LAC7-900	BODY REED VAIVE	單向閥蓋	1	
	12314	12314-LAC7-900	BODY REED VAIVE	單向閥蓋	1	
	1234A	1234A-LBE3-900	COVER ASSY CYLN	汽缸外蓋組	1	
	12351	12351-LLF5-900	STOPPER CAM SHAFT	止動凸輪軸	1	
	1236A	1236A-LLF5-900	CAP ASSY TAPPET ADJUSTING HOLE	汽門間隙調整蓋	2	
#	14100	14100-LGJ9-900	CAM SHAFT COMP	凸輪軸	1	
	14321	14321-LLF5-900	SPROCKET CAM	凸輪扣鏈齒輪	1	
	14431	14431-KUDU-900	ARM VALVE ROCKER	門閥搖臂	2	
	14450	14450-GFY6-901	SHAFT COMP IN ROCKER ARM	進氣閥搖臂軸	1	
	14452	14452-GFY6-901	SHAFT EXH ROCKER ARM	排氣閥搖臂軸	1	
	14711	14711-KUDU-900	VALVE INLET	進氣閥	1	
	14721	14721-KUDU-900	VALVE EXHAUST	排氣閥	1	
	14751	14751-LFD7-900	SPG VALVE OUTER	閥門外彈簧	2	
	14761	14761-KKJ9-003	SPG VALVE INNER	門閥內彈簧	2	
	14771	14771-GDB4-680	RETAINER VALVE SPRING	閥門彈簧保持器	2	



Sales mark 配色標註	Ref no 參考號碼	Part no 零件號碼	Description 英文名稱	Reg description 中文名稱	Regd no 需求用量	E02
	14775	14775-MFA6-001	SEAT VALVE SPG OUTER	門閥彈簧外座	2	
	14781	14781-MFA6-001	COTTER VALVE	閥門鎖扣	4	
	16201	16201-GFY6-901	GASKET CARB INSULATOR @ A	隔熱板墊片	1	
	16211	16211-GFY6-901	INSULATOR CARB	化油器隔熱板	1	
	17113	17113-KKE3-900	O-RING INLET PIPE	O環	1	
	1711A	1711A-LGL3-900	PIPE ASSY., INLET	進氣管	1	
	18601	18601-MAJ1-791	REED VALVE COMP	簧片單向閥	1	
	18612	18612-LLF5-900	COVER REED VALVE	簧片單向閥蓋	1	
	19625	19625-KUDU-910	SEAL SHROUD	罩蓋油封	1	
	39300	39300-LEA6-800	FUEL INJECTOR	燃油噴嘴	1	
	39301	39301-LEB2-900	HOLDER ASSY FUEL	燃油噴嘴托蓋組	1	
	39302	39302-KKE3-900	CLIP SPRING FUEL INJECTOR	噴嘴彈簧夾	1	
	39303	39303-LEB2-900	SEAL HIGH TENSION FUEL INJECT	拉力封	1	
	39304	39304-LBE3-900	CLAMPER FUEL TUBE	管夾	1	
	39400	39400-KKE3-800	SENSOR HEAD TEMPERATURE	汽缸頭溫度感應器	1	
	90012	90012-3C33-001	SCREW TAPPET ADJUSTING	樞軸調整螺絲	2	
	90033	90033-GFY6-900	BOLT STUD 8*32	螺絲 8X32	2	
	90206	90206-0A01-001	NUT TAPPET ADJG	挺桿調整螺帽	2	
	90401	90401-LLF5-900	WASHER 6.2*20*1	華司 6.2*20*1	1	
	90442	90442-0H28-001	WASHER SEALING 8M/M	華司 8MM	4	



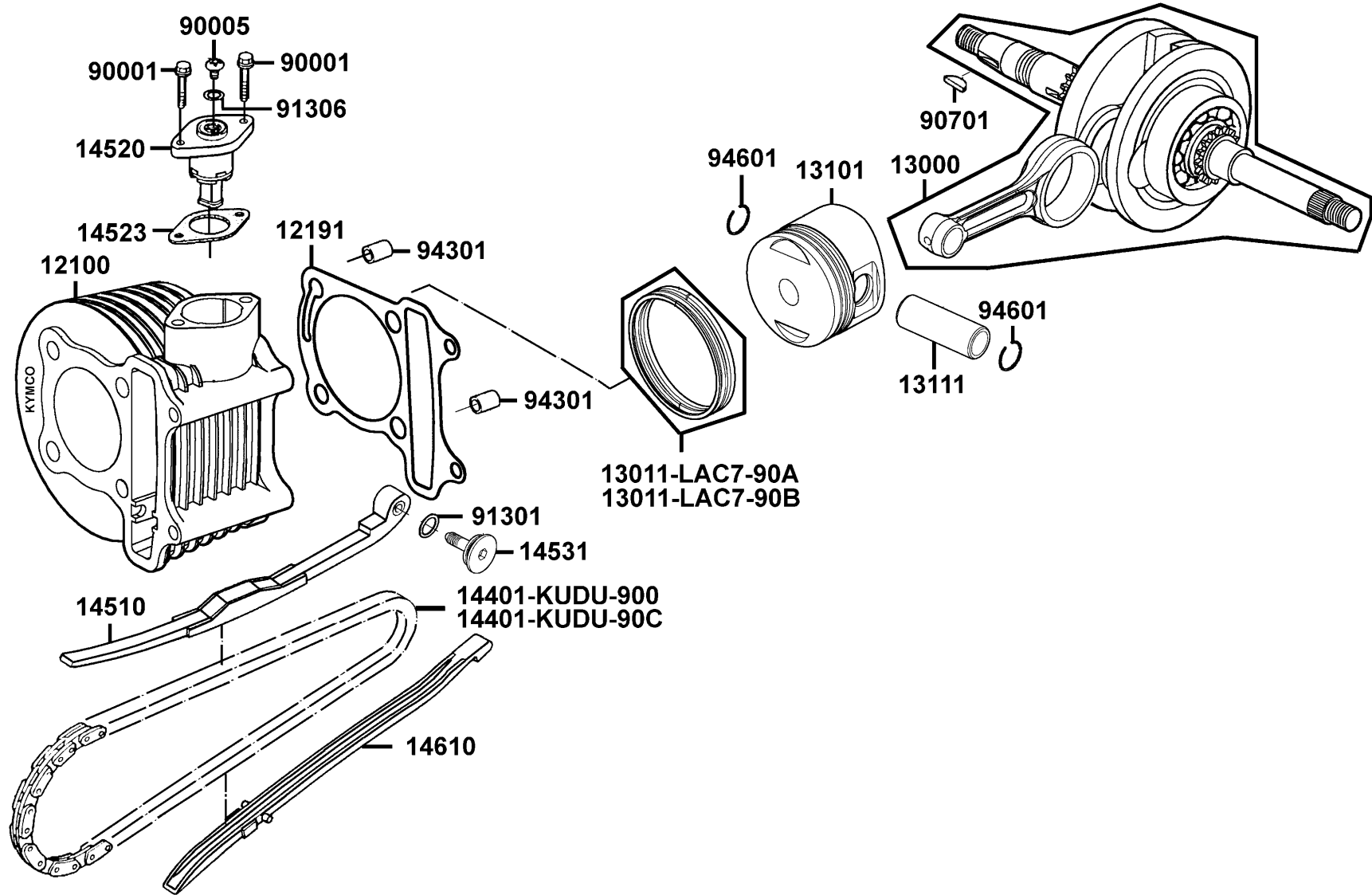
Sales mark 配色標註	Ref no 參考號碼	Part no 零件號碼	Description 英文名稱	Reg description 中文名稱	Regd no 需求用量	E02
	90443	90443-KHD6-900	NUT CAP 8MM	螺帽 8MM	4	
	90652	90652-LGJ9-900	BAND 48, INLET-PIPE	進氣管夾	1	
	91301	91301-LLF5-900	O-RING 78*2	O環78*2	1	
	91303	91303-LLF5-900	O-RING SPECIAL	O環	2	
	92201	92201-05006-0H	BOLT HEX 5*6	螺絲 5*6	1	
	92900	92900-06060-0B	BOLT STUD 6*60	雙頭螺絲 6*60	2	
	93404	93404-LLF5-900	BOLT-WASH 6*12	螺絲 6*12	2	
	94050	94050-06080	NUT FLANGE 6MM	螺帽 6MM	2	
	94111	94111-06800	WASHER SPG 6MM	華司 6MM	1	
	94301	94301-10160	DOWEL PIN 10*16	定位銷 10X16	4	
	94591	94591-KFBF-900	CLIP 2*70	環夾	2	
	95002-02080	95002-02080	CLIP B8 TUBE	管夾	1	
	95002-02100	95002-02100	CLIP B15 TUBE	管夾	1	
	95701-06006	95701-06006-08	BOLT FLANGE 6*6	螺絲 6X6	1	
	95701-06030	95701-06030-08	BOLT FLANGE 6*30	螺絲 6*30	2	
	96001-06014	96001-06014-08	BOLT FLANGE 6*14	螺絲 6X14	1	
	96001-06016	96001-06016-08	BOLT FLANGE SH 6*16	凸緣螺栓	6	
	96001-06020	96001-06020-08	BOLT FLANGE SH 6*20	螺絲 6X20	2	
	96001-06100	96001-06100-08	BOLT FLANGE SH 6*100	特殊螺絲 6*100	2	
	96600	96600-06012-10	SOCKET BOLT 6*12	螺絲 6*12	1	



Sales mark 配色標註	Ref no 參考號碼	Part no 零件號碼	Description 英文名稱	Reg description 中文名稱	Regd no 需求用量	E02
	98059	98059-57916-00	SPARK PLUG CR7E	火星塞	1	

E03

Cylinder Piston Crankshaft 汽缸 活塞 曲軸

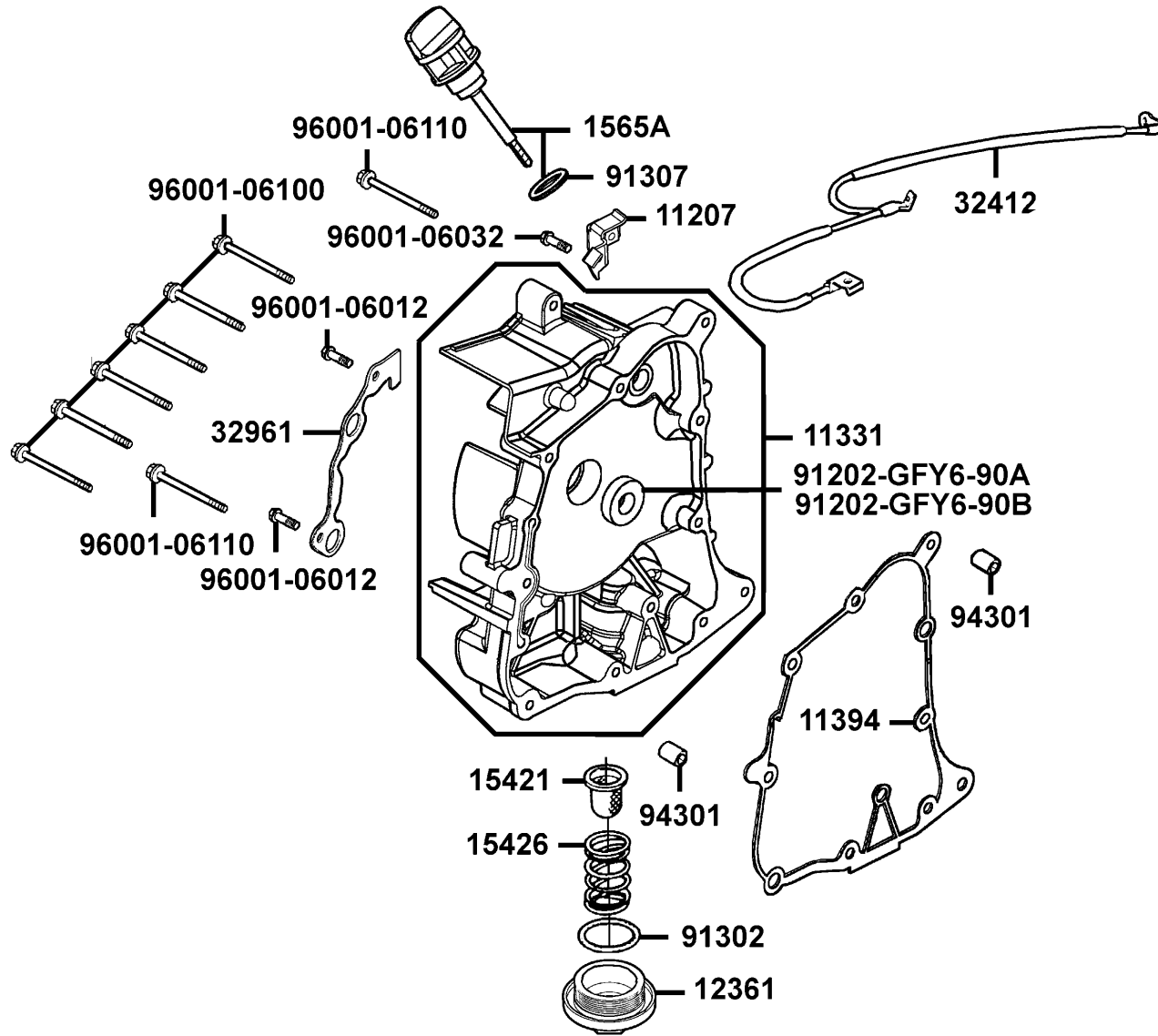


Sales mark 配色標註	Ref no 參考號碼	Part no 零件號碼	Description 英文名稱	Reg description 中文名稱	Regd no 需求用量	E03
	12100	12100-KFA9-C00	CYLINDER COMP	汽缸/陶瓷	1	
	12191	12191-GFY6-901	GASKET CYLINDER @ A	汽缸墊片	1	
	13000	13000-KUDU-900	CRANK SHAFT COMP	曲軸	1	
	13011-LAC7-90A	13011-LAC7-90A	RING ASSY PISTON	活塞環組	1	
	13011-LAC7-90B	13011-LAC7-90B	RING ASSY PISTON	活塞環組	1	
	13101	13101-LAC7-900	PISTON	活塞	1	
	13111	13111-3D84-001	PIN PISTON	活塞銷	1	
	14401-KUDU-900	14401-KUDU-900	CHAIN CAM	凸輪軸驅動鏈條	1	
	14401-KUDU-90C	14401-KUDU-90C	CHAIN CAM	凸輪軸驅動鏈條	1	
	14510	14510-KUDU-C00	TENSIONER CAM CHAIN	內鏈條拉力桿	1	
	14523	14523-GFY6-901	GASKET TENSIONER LIFTER @ A	內鏈條調整器墊片	1	
	14531	14531-GLR0-001	PIVOT CAM CHAIN TENSIONER	拉力桿螺絲	1	
	14610	14610-KUDU-C00	GUIDE COMP CAM CHAIN	鏈條導件	1	
	90001	90001-GBHB-661	BOLT FLANGE SH 6*22	螺絲 6*22	2	
	90005	90005-KAW1-901	SCREW PAN 6*6	螺絲 6*6	1	
	90701	90701-HFB6-011	KEY WOODRUFF 25*14*4	固定鍵 25X14X4	1	
	91301	91301-GLR0-005	O RING 15.2*1.5	O環 15.2X1.5	1	
	91306	91306-1E05-691	O-RING 1.5*9.5	O環 1.5*9.5	1	
	94301	94301-10160	DOWEL PIN 10*16	定位銷 10X16	2	
	94601	94601-15000	CLIP PISTON PIN 15MM	活塞銷環夾 15MM	2	

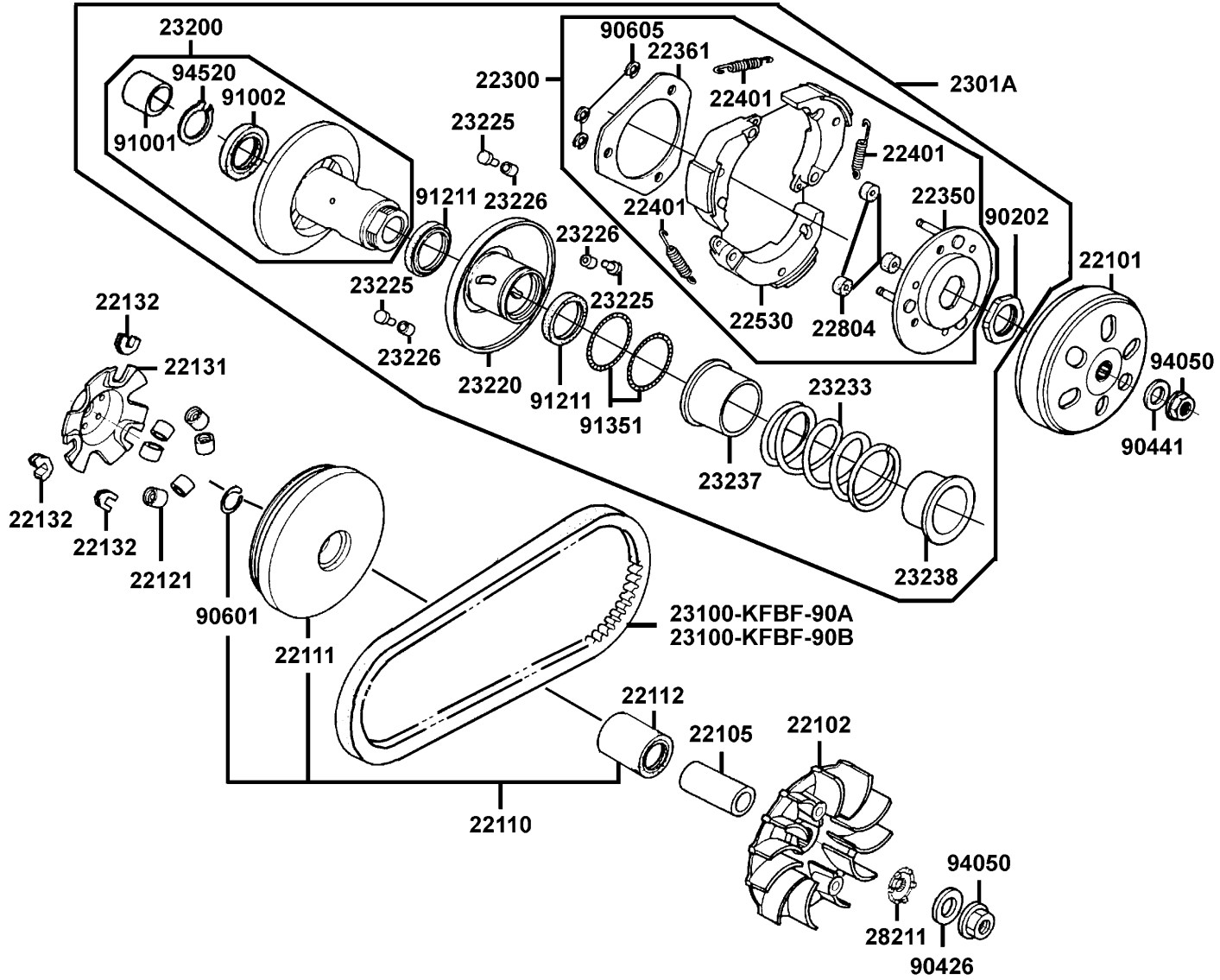
E04

Right Crankcase Cover

右曲軸箱蓋

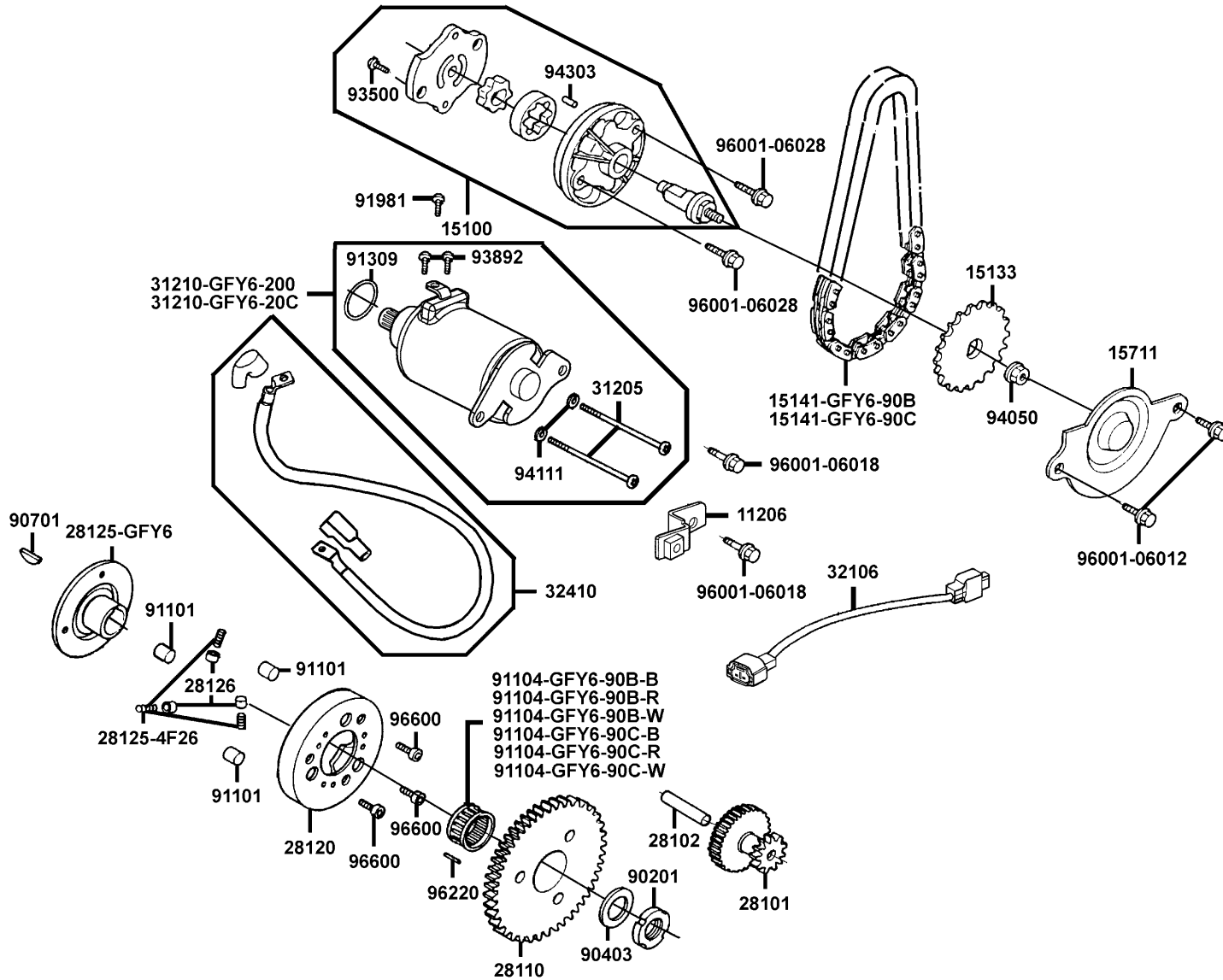


Sales mark 配色標註	Ref no 參考號碼	Part no 零件號碼	Description 英文名稱	Reg description 中文名稱	Regd no 需求用量	E04
	11207	11207-KKE3-900	STAY B RR FENDER*	後土除支架B	1	
	11331	11331-KUDU-900	COVER R CRANK CASE	右曲軸箱蓋	1	
	11394	11394-KUDU-900	GASKET R COVER	右曲軸箱蓋墊片	1	
	12361	12361-GFY6-901	HOLE CAP TAPPET ADJUSTING	調節螺帽	1	
	15421	15421-1G07-001	SCREEN OIL FILTER	濾油網	1	
	15426	15426-GAE1-921	SPG OIL FILTER SCREEN	濾油網彈簧	1	
	1565A	1565A-KUDU-900	GAUGE OIL LEVEL ASSY	機油尺組	1	
	32412	32412-LGL3-900	32412-LGL3-900 2	CABLE EARTH	1	
	32961	32961-KUDU-900	CLAMPER ACG CORD	A.C.G 線夾	1	
	91202-GFY6-90A	91202-GFY6-90A	OIL SEAL 19.8*30*5	油封 19.8*30*5	1	
	91202-GFY6-90B	91202-GFY6-90B	OIL SEAL 19.8*30*5	油封 19.8*30*5	1	
	91302	91302-0A01-021	O-RING 30.8MM	O環 30.8MM	1	
	91307	91307-0E35-001	O RING 18*3	O環 18X3	1	
	94301	94301-10160	DOWEL PIN 10*16	定位銷 10X16	2	
	96001-06012	96001-06012-08	BOLT FLANGE 6*12	螺絲 6*12	2	
	96001-06032	96001-06032-08	BOLT FLANGE SH 6*32	螺栓 6*32	1	
	96001-06100	96001-06100-08	BOLT FLANGE SH 6*100	特殊螺絲 6*100	6	
	96001-06110	96001-06110-08	BOLT FLANGE SH 6*110	螺絲 6X110	2	



Sales mark 配色標註	Ref no 參考號碼	Part no 零件號碼	Description 英文名稱	Reg description 中文名稱	Regd no 需求用量	E05
	22101	22101-GFY6-941	OUTER CLUTCH	離合器外套	1	
	22102	22102-KUDU-220	FACE DRIVE	驅動皮帶扇葉盤	1	
	22105	22105-GFY6-220	BOSS DRIVE FACE	襯套	1	
	22110	22110-KKE3-900	FACE COMP MOVABLE DRIVE	滑動式驅動盤組	1	
	22111	22111-KKE3-900	FACE MOVABLE DRIVE	滑動式驅動盤	1	
	22112	22112-GFY6-90A	BUSH 24*28*30	襯套	1	
	22121	22121-GFY6-92A	ROLLER COMP WEIGHT 13gr	配重滾子	6	
	22131	22131-LDA6-900	PLATE RAMP	斜坡板	1	
	22132	22132-LBE3-900	PIECE SLIDE	斜坡板邊件	3	
	22300	22300-KEC6-900	PLATE ASSY DRIVE	驅動板組	1	
	22350	22350-GFY6-90A	PLATE COMP DRIVE	驅動板	1	
	22361	22361-KGN7-671	PLATE CLUTCH SIDE	離合器舉升板	1	
	22401	22401-GFY6-90A	SPG CLUTCH	彈簧	3	
	22530	22530-KFAF-90A	WEIGHT CLUTCH	離合器配重	3	
	22804	22804-GBB2-001	RUBBER CLUTCH DUMPER	橡皮	3	
#	2301A	2301A-KFA9-900	PULLEY SUB ASSY	從動皮帶輪組	1	
	23100-KFBF-90A	23100-KFBF-90A	BELT DRIVE	驅動皮帶	1	
	23100-KFBF-90B	23100-KFBF-90B	BELT DRIVE	驅動皮帶	1	
	23200	23200-GFY6-901	FACE ASSY DRIVEN	平面轉動組	1	
	23220	23220-GFY6-921	FACE COMP MOVABLE DRIVEN	滑動式從動皮帶盤	1	

Sales mark 配色標註	Ref no 參考號碼	Part no 零件號碼	Description 英文名稱	Reg description 中文名稱	Regd no 需求用量	E05
	23225	23225-GHC8-004	PIN ROLLER GUIDE	滾導銷	3	
	23226	23226-GHC8-004	ROLLER GUIDE	滾子	3	
	23233	23233-GCW3-011	SPG DRIVEN FACE	驅動彈簧	1	
	23237	23237-GFY6-941	COLLAR SEAL	套筒油封	1	
	23238	23238-GFY6-941	COLLAR SPG	套筒	1	
	28211	28211-KUDU-900	RATCHET KICK STARTER	起動齒盤	1	
	90202	90202-1G87-001	NUT SPECIAL 28MM	螺帽	1	
	90426	90426-KNBN-901	WASHER SPECIAL 12MM	華司	1	
	90441	90441-GFY6-941	WASHER 12.2*29*2.5	華司 12.2*29*2.5	1	
	90601	90601-GFY6-901	CLIP 28MM	夾子 28MM	1	
	90605	90605-1F66-721	CIR CLIP 7MM	環夾 7MM	3	
	91001	91001-GFY6-90A	BRG NDL 20*29*18	軸承 20X29X18	1	
	91002	91002-GGA7-70A	BRG BALL RADIAL 6902U	軸承 6902U	1	
	91211	91211-KEBE-900	SEAL DRIVEN FACE 34*41*4	驅動油封 34X41X4	2	
	91351	91351-6B42-000	O-RING PINION CAP	O環	2	
	94050	94050-12080	NUT C FLANGE 12MM	螺帽 12MM	2	
	94520	94520-28000	CIR CLIP IN 28	內環夾 28MM	1	

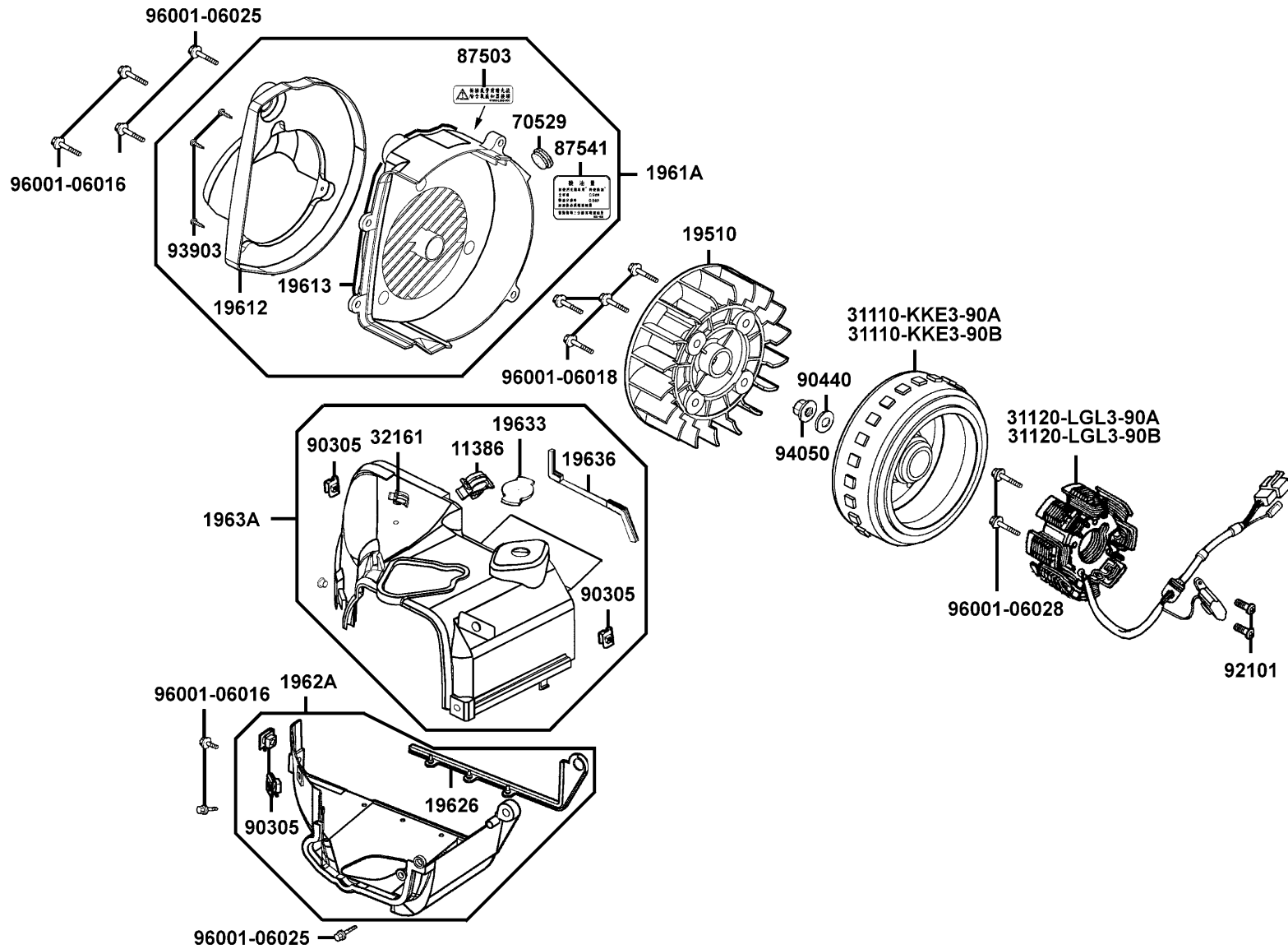


Sales mark 配色標註	Ref no 參考號碼	Part no 零件號碼	Description 英文名稱	Reg description 中文名稱	Regd no 需求用量	E06
	11206	11206-KKE3-900	STAY A RR FENDER	後土除支架 A	1	
#	15100	15100-KFB7-900	PUMP ASSY OIL	機油泵浦	1	
	15133	15133-GFY6-901	SPRKT OIL PUMP DRIVEN	機油泵驅動齒輪	1	
	15141-GFY6-90B	15141-GFY6-90B	CHAIN OIL PUMP	機油泵驅動鏈條	1	
	15141-GFY6-90C	15141-GFY6-90C	CHAIN OIL PUMP	機油泵驅動鏈條	1	
	15711	15711-KUDU-900	SEPARATER OIL	機油分隔板	1	
	28101	28101-GFY6-901	GEAR STARTER REDUCTION	起動減速齒輪	1	
	28102	28102-GFY6-901	SHAFT STARTER REDUCTION GEAR	起動減速齒輪軸	1	
	28110	28110-GFY6-901	GEAR COMP STARTING CLUTCH	起動齒輪	1	
	28120	28120-GFY6-315	OUTER COMP STARTING CLUTCH	離合器外套	1	
	28125-4F26	28125-4F26-001	SPRING ROLLER STARTER CLUTCH	離合器滾子彈簧	3	
	28125-GFY6	28125-GFY6-960	FLANGE STARTING CLUTCH	起動離合器盤	1	
	28126	28126-KUDU-900	CAP STARTING ROLLER SPRING	滾子彈簧蓋	3	
	31205	31205-KGN7-670	BOLT SET	螺絲	2	
	31210-GFY6-200	31210-GFY6-200	MOTOR UNIT START	起動馬達組	1	
	31210-GFY6-20C	31210-GFY6-20C	MOTOR UNIT START	起動馬達組	1	
	32106	32106-KKE3-900	SUB HARNESS A	汽缸頭溫度感應器配線	1	
	32410	32410-LED9-900	CABLE START MOTOR	起動馬達配線	1	
	90201	90201-GFY6-901	NUT LOCK 22MM	螺帽 22MM	1	
	90403	90403-KUDU-900	WASHER THRUST 22.2*39*2.5	華司	1	

Sales mark 配色標註	Ref no 參考號碼	Part no 零件號碼	Description 英文名稱	Reg description 中文名稱	Regd no 需求用量	E06
	90701	90701-HFB6-011	KEY WOODRUFF 25*14*4	固定鍵 25X14X4	1	
	91101	91101-1K79-711	ROLLER 10*10	滾子 10X10	3	
	91104-GFY6-90B-B	91104-GFY6-90B-B	BRG NEEDLE 28*32*17	滾針軸承	1	
	91104-GFY6-90B-R	91104-GFY6-90B-R	BRG NEEDLE 28*32*17	滾針軸承	1	
	91104-GFY6-90B-W	91104-GFY6-90B-W	BRG NEEDLE 28*32*17	滾針軸承	1	
	91104-GFY6-90C-B	91104-GFY6-90C-B	BRG NEEDLE 28*32*17	滾針軸承	1	
	91104-GFY6-90C-R	91104-GFY6-90C-R	BRG NEEDLE 28*32*17	滾針軸承	1	
	91104-GFY6-90C-W	91104-GFY6-90C-W	BRG NEEDLE 28*32*17	滾針軸承	1	
	91309	91309-4E25-004	O-RING 24.4*3.1	O環 24.4X3.1	1	
	91981	91981-KGN7-670	SCREW WASH 5X8	螺絲 5X8	1	
	93500	93500-03010-1A	SCREW PAN 3*10	螺絲 3*10	1	
	93892	93892-04006-08	SCREW WASH 4*6	螺絲 4*6	2	
	94050	94050-06080	NUT FLANGE 6MM	螺帽 6MM	1	
	94111	94111-05800	WASHER SPRING 5MM	華司 5MM	2	
	94303	94303-04065	PIN DOWEL 4*6.5	定位銷4*6.5	1	
	96001-06012	96001-06012-08	BOLT FLANGE 6*12	螺絲 6*12	2	
	96001-06018	96001-06018-08	BOLT FLANGE SH 6*18	螺絲 6X18	2	
	96001-06028	96001-06028-08	BOLT FLANGE SH 6*28	螺絲 6*28	2	
	96220	96220-60100	ROLLER 6*10	定位銷 6X10	1	
	96600	96600-08010-10	SOCKET BOLT 8*10	內六角螺絲 8X10	3	

E07

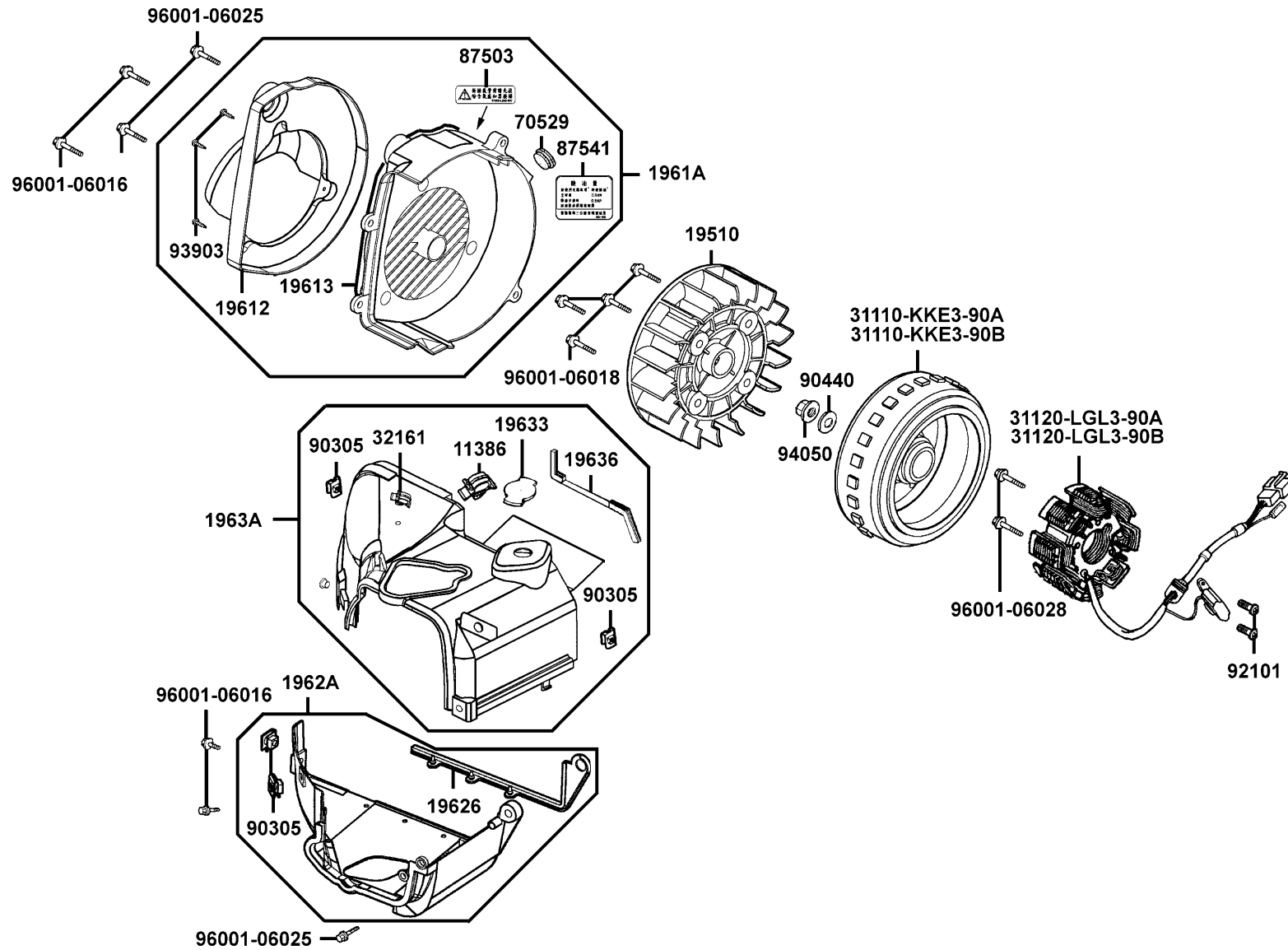
Fan Cover Generator 風扇蓋 發電機



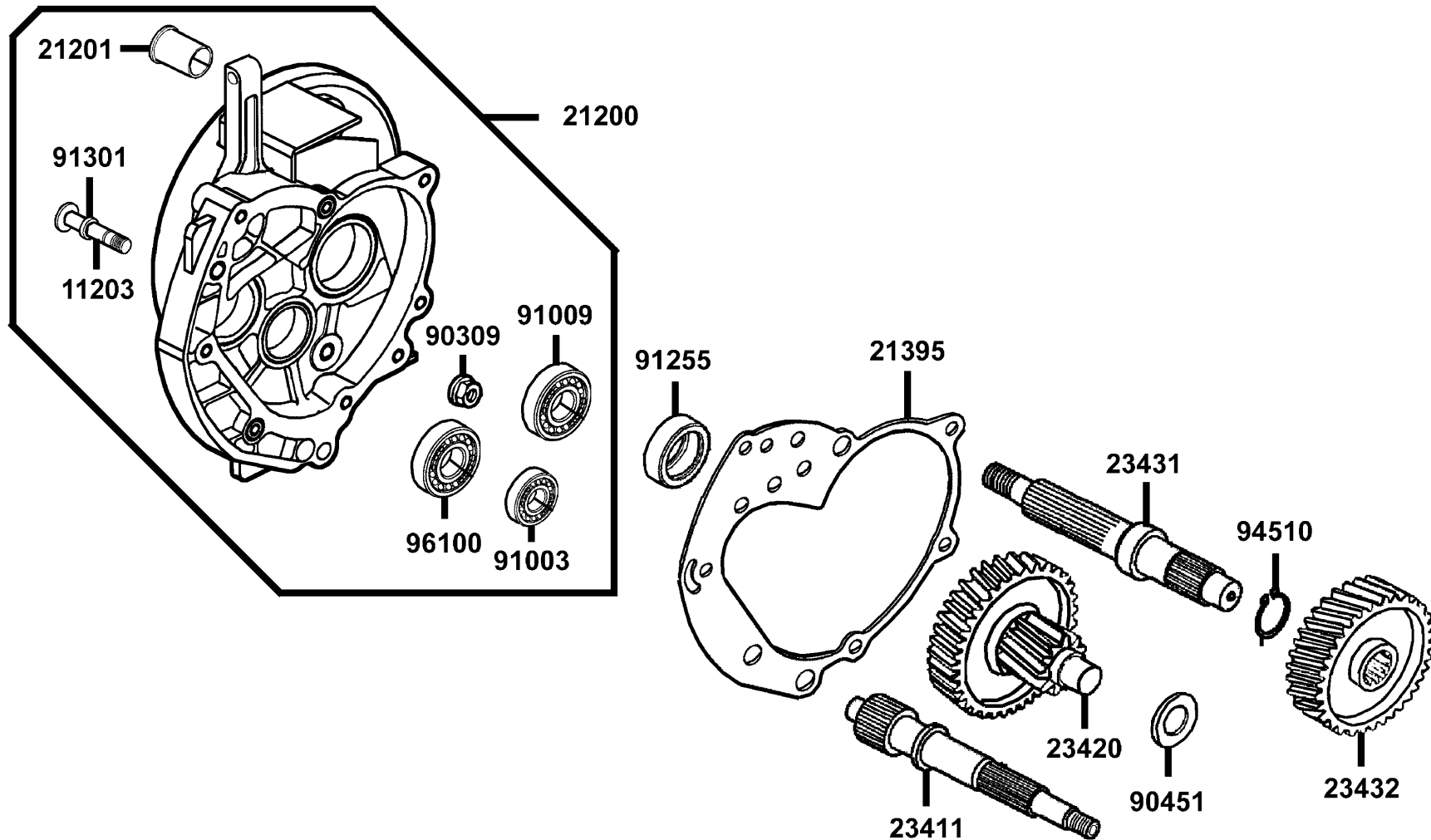
Sales mark 配色標註	Ref no 參考號碼	Part no 零件號碼	Description 英文名稱	Reg description 中文名稱	Regd no 需求用量	E07
	11386	11386-GFY6-900	CLIP VACUUM TUBE	管夾	1	
	19510	19510-KKE3-900	FAN COMP COOLING	冷卻風扇	1	
	19612	19612-KUDU-900	COVER FAN COVER	風扇蓋外蓋	1	
	19613	19613-KUDU-900	ELEMENT FAN COVER	風扇蓋	1	
	1961A	1961A-LGL3-900	COVER ASSY FAN	風扇蓋組	1	
	19626	19626-KUDU-900	SEAL SHROUD A	罩蓋油封A	1	
	1962A	1962A-LBB8-900	SHROUD ASSY A	罩蓋 A	1	
	19633	19633-GFY6-901	GROMET SHROUD B	橡皮蓋	1	
	19636	19636-KUDU-900	SEAL SHROUD B	罩蓋B油封	1	
	1963A	1963A-KKE3-900	SHROUD ASSY B	罩蓋 B	1	
	31110-KKE3-90A	31110-KKE3-90A	FLYWHEEL COMP	飛輪	1	
	31110-KKE3-90B	31110-KKE3-90B	FLYWHEEL COMP	飛輪	1	
	31120-LGL3-90A	31120-LGL3-90A	STATOR COMP	轉子線圈	1	
	31120-LGL3-90B	31120-LGL3-90B	STATOR COMP	轉子線圈	1	
	32161	32161-3C93-004	CLIP HARNESS WIRE	主配線夾	1	
	70529	70529-6G57-671	GROM B SIDE PNL	橡皮塞	1	
**	87503	87503-LEB2-900	CAUTION MUFFLER	標籤	1	
**	87541	87541-KUDU-900	LABEL OIL CAP	標籤	1	
	90305	90305-GHK8-001	NUT CLIP 6MM	夾螺帽	4	
	90440	90440-1F66-001	WASHER PLAIN 12MM	華司 12MM	1	

E07

Fan Cover Generator 風扇蓋 發電機



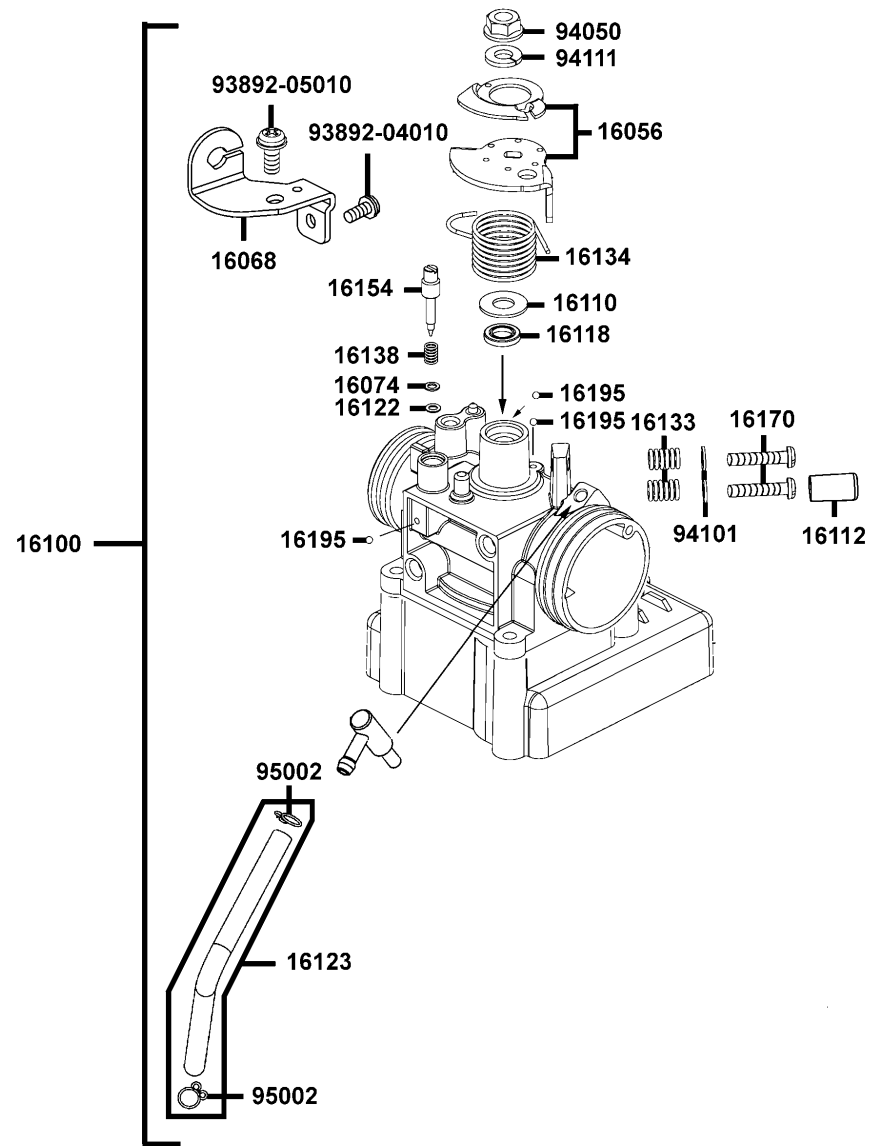
Sales mark 配色標註	Ref no 參考號碼	Part no 零件號碼	Description 英文名稱	Reg description 中文名稱	Regd no 需求用量	E07
	92101	92101-05012-0H	BOLT HEX 5*12	螺絲 5*12	2	
	93903	93903-34360	SCREW TAPPING 4*12	螺絲 4*12	3	
	94050	94050-12080	NUT C FLANGE 12MM	螺帽 12MM	1	
	96001-06016	96001-06016-08	BOLT FLANGE SH 6*16	凸緣螺栓	4	
	96001-06018	96001-06018-08	BOLT FLANGE SH 6*18	螺絲 6X18	4	
	96001-06025	96001-06025-08	BOLT FLANGE SH 6*25	螺絲 6*25	3	
	96001-06028	96001-06028-08	BOLT FLANGE SH 6*28	螺絲 6*28	2	



Sales mark 配色標註	Ref no 參考號碼	Part no 零件號碼	Description 英文名稱	Reg description 中文名稱	Regd no 需求用量	E08
	11203	11203-KUDU-900	PIN BRAKE SHOE ANCHOR	煞車鼓固定銷	1	
	21200	21200-LDA6-305	MISSION CASE SET	主軸蓋組	1	
	21201	21201-KUDU-900	BUSH MISSION	主軸襯套	1	
	21395	21395-KUDU-900	GASKET MISSION CASE	主軸蓋墊片	1	
	23411	23411-KUDU-900	SHAFT DRIVE	驅動軸	1	
	23420	23420-GFY6-901	SHAFT COMP COUNTER	副軸組	1	
	23431	23431-KUDU-900	SHAFT FINAL	最終軸	1	
	23432	23432-GFY6-901	GEAR FINAL	最終齒輪	1	
	90309	90309-KLF0-004-SY	NUT FLANGE 8MM	平螺帽	1	
	90451	90451-KUDU-900	WASHER THRUST 15M/M	華司	1	
	91003	91003-KDS4-004	BRG BALL RADIAL 6301TMB	軸承 6301	1	
	91009	91009-GLE0-004	BRG BALL RADIAL 6004 UU	軸承	1	
	91255	91255-GLE0-006	OIL SEAL 27*42*7	油封	1	
	91301	91301-0C53-001	O RING 7.5*1.5	O環	1	
	94510	94510-20000	CIR CLIP EX 20	夾環	1	
	96100	96100-60020-00	BRG BALL RADIAL 6002	軸承 6002	1	

E09

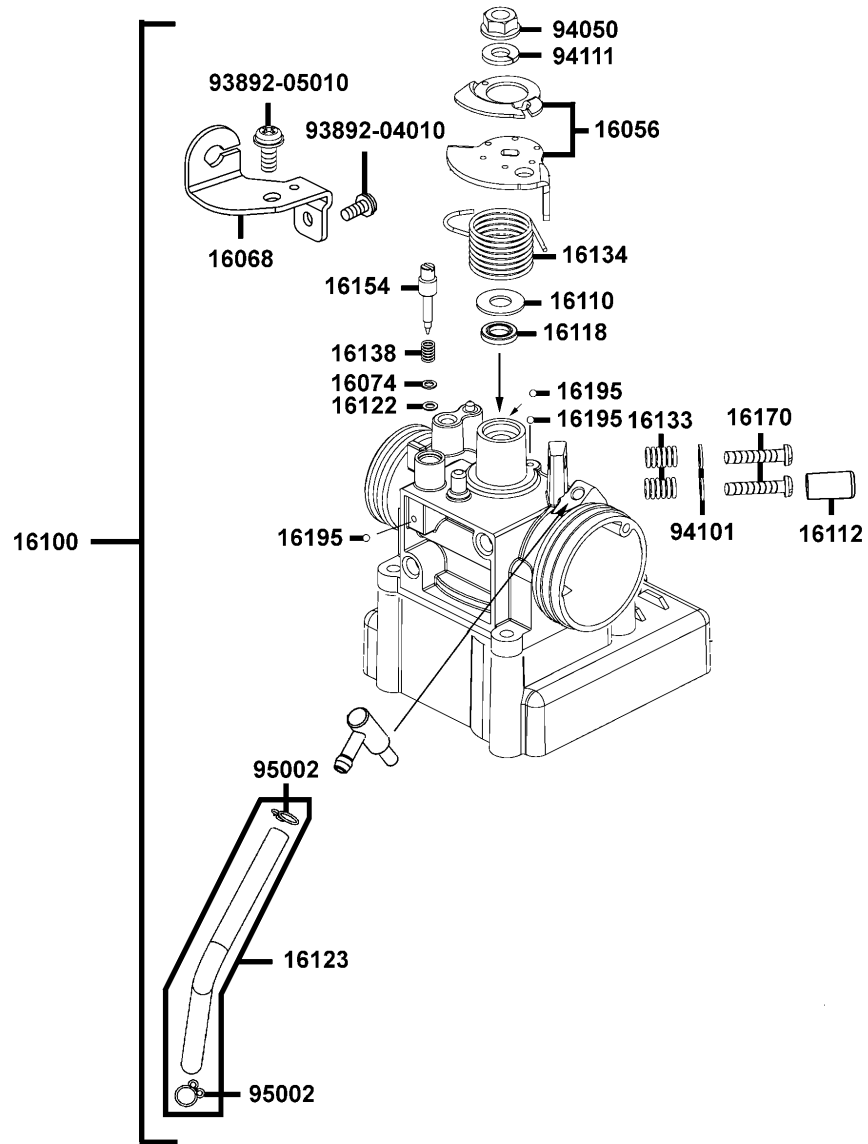
Carburetor 化油器



Sales mark 配色標註	Ref no 參考號碼	Part no 零件號碼	Description 英文名稱	Reg description 中文名稱	Regd no 需求用量	E09
	16056	16056-LEB2-900	LEVER ASSY THROTTLE	拉桿節流閥	1	
	16068	16068-LEB2-900	PLATE WIRE FIXED	節流導線固定板	1	
	16074	16074-KEC3-900	WASHER IDLE SCREW	華司	1	
	16100	16100-LGL3-900	THROTTLE BODY ASSY	噴射閥組	1	
	16110	16110-KKE3-900	WASHER THROTTLE COMP	華司	1	
	16112	16112-KKE3-900	COVER IDLE SCREW	蓋	1	
	16118	16118-KEC3-900	SEAL THROTTLE SHAFT	節流閥封軸	1	
	16122	16122-KEC3-900	O-RING IDLE SCREW	O型環	1	
	16123	16123-LGL3-900	TUBE COMPL.,3.5X600	負壓管3.5X600	1	
	16133	16133-KEC3-900	SPG THROTTLE ADJUST SCREW	彈簧	2	
	16134	16134-KKE3-900	SPG THROTTLE SHAFT	節流閥軸彈簧	1	
	16138	16138-KEC3-900	SPG IDLE ADJ SCREW	彈簧	1	
	16154	16154-KKE3-900	SCREW IDLE ADJUST	螺絲	1	
	16170	16170-KEC3-900	SCREW THROTTLE ADJUST	調整螺絲	2	
	16195	16195-KEC3-900	BALL 2.1	滾珠	3	
	93892-04010	93892-04010-08	SCREW WASHER 4*10	螺絲	1	
	93892-05010	93892-05010-08	SCREW WASH 5*10	螺絲	1	
	94050	94050-06080	NUT FLANGE 6MM	螺帽 6MM	1	
	94101	94101-KKE3-900	WASHER PLAN 4.5*8*0.8	墊圈	2	
	94111	94111-06800	WASHER SPG 6MM	華司 6MM	1	

E09

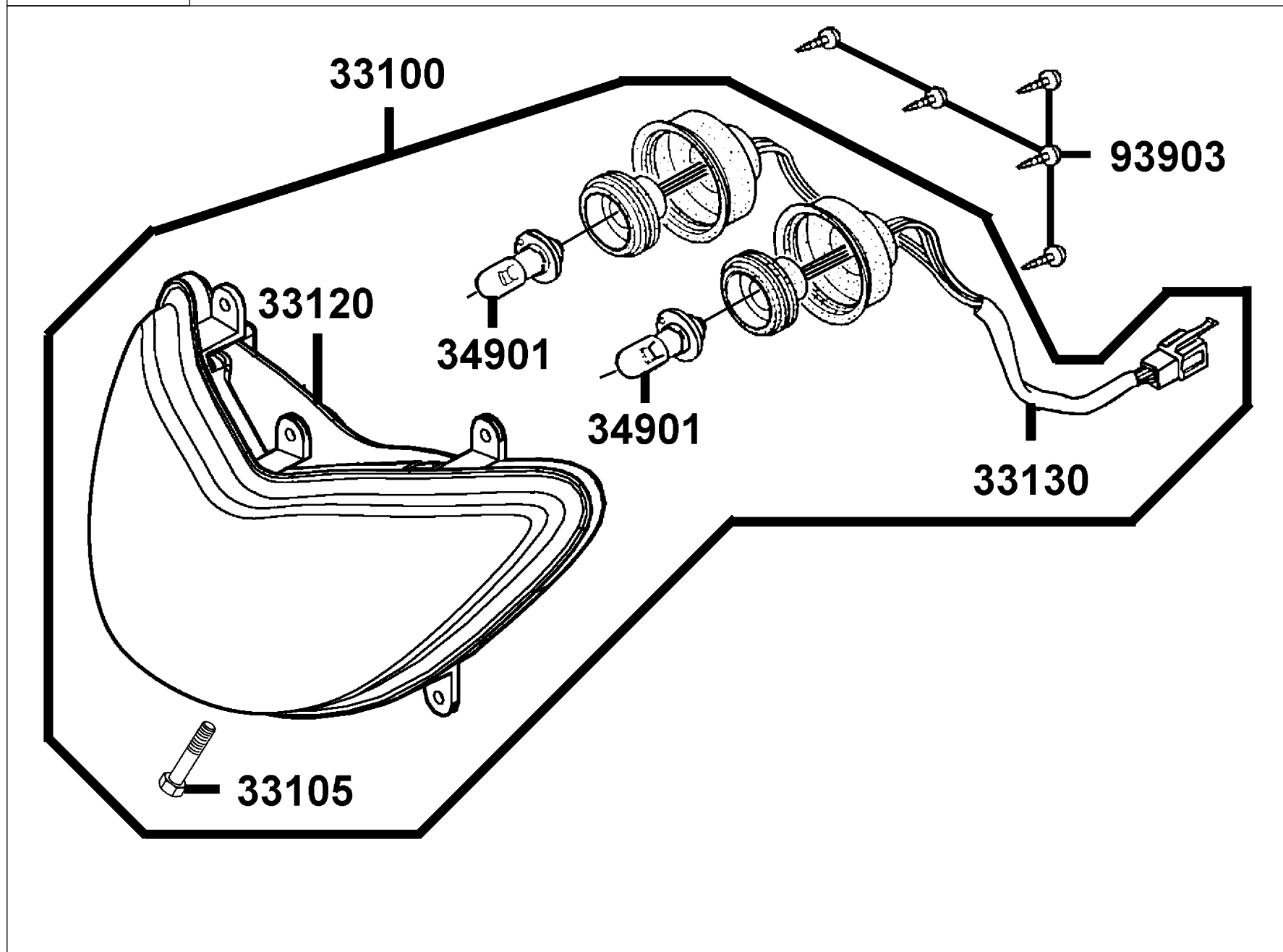
Carburetor 化油器



Sales mark 配色標註	Ref no 參考號碼	Part no 零件號碼	Description 英文名稱	Reg description 中文名稱	Regd no 需求用量	E09
95002	95002-02070	95002-02070	CLIP B7 TUBE	管夾	2	

F01

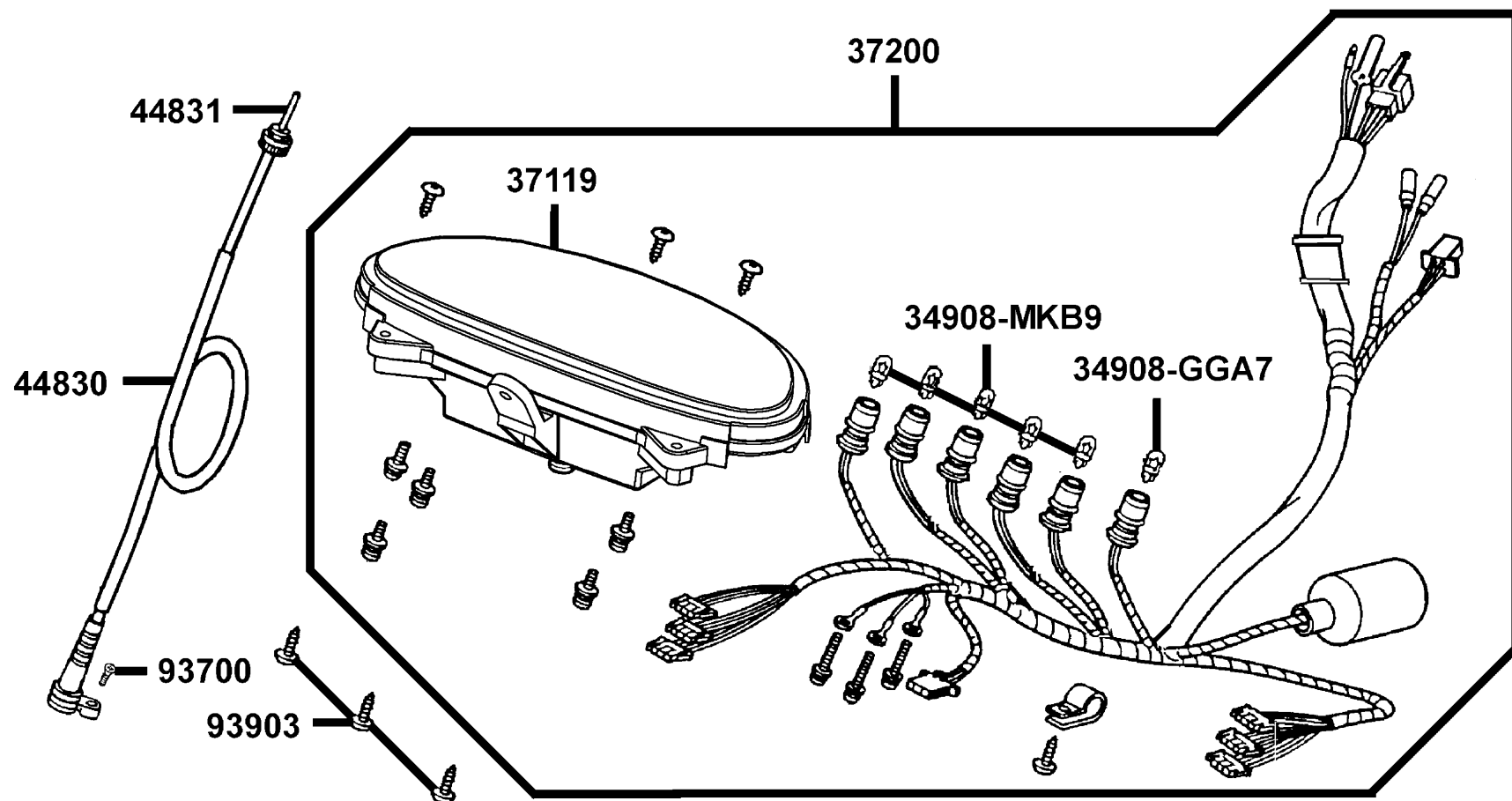
Head Light 前燈



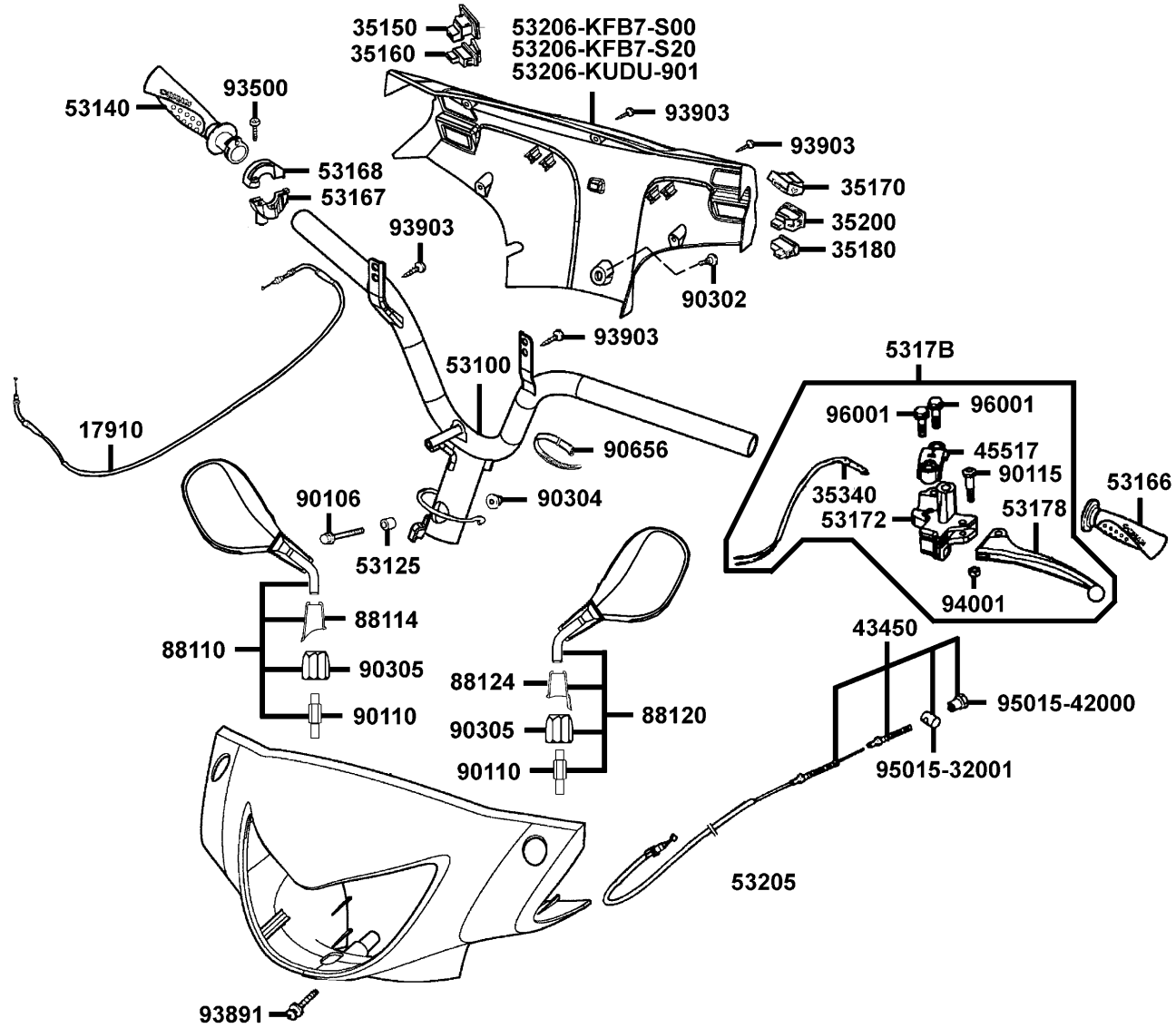
Sales mark 配色標註	Ref no 參考號碼	Part no 零件號碼	Description 英文名稱	Reg description 中文名稱	Regd no 需求用量	F01
	33100	33100-KHE2-900	LIGHT ASSY HEAD	前燈組	1	
	33105	33105-KHE2-900	BOLT ADJUST	調整螺絲	1	
	33120	33120-KHE2-900	UNIT HEAD LIGHT	前燈殼	1	
	33130	33130-KHE2-900	SOCKET COMP	前燈配線	1	
	34901	34901-KYBY-900	BULB HEAD LIGHT	前燈泡(12V18W/18W)	2	
	93903	93903-35360	SCREW TAPPING 5*16	螺釘 5*16	5	

F02

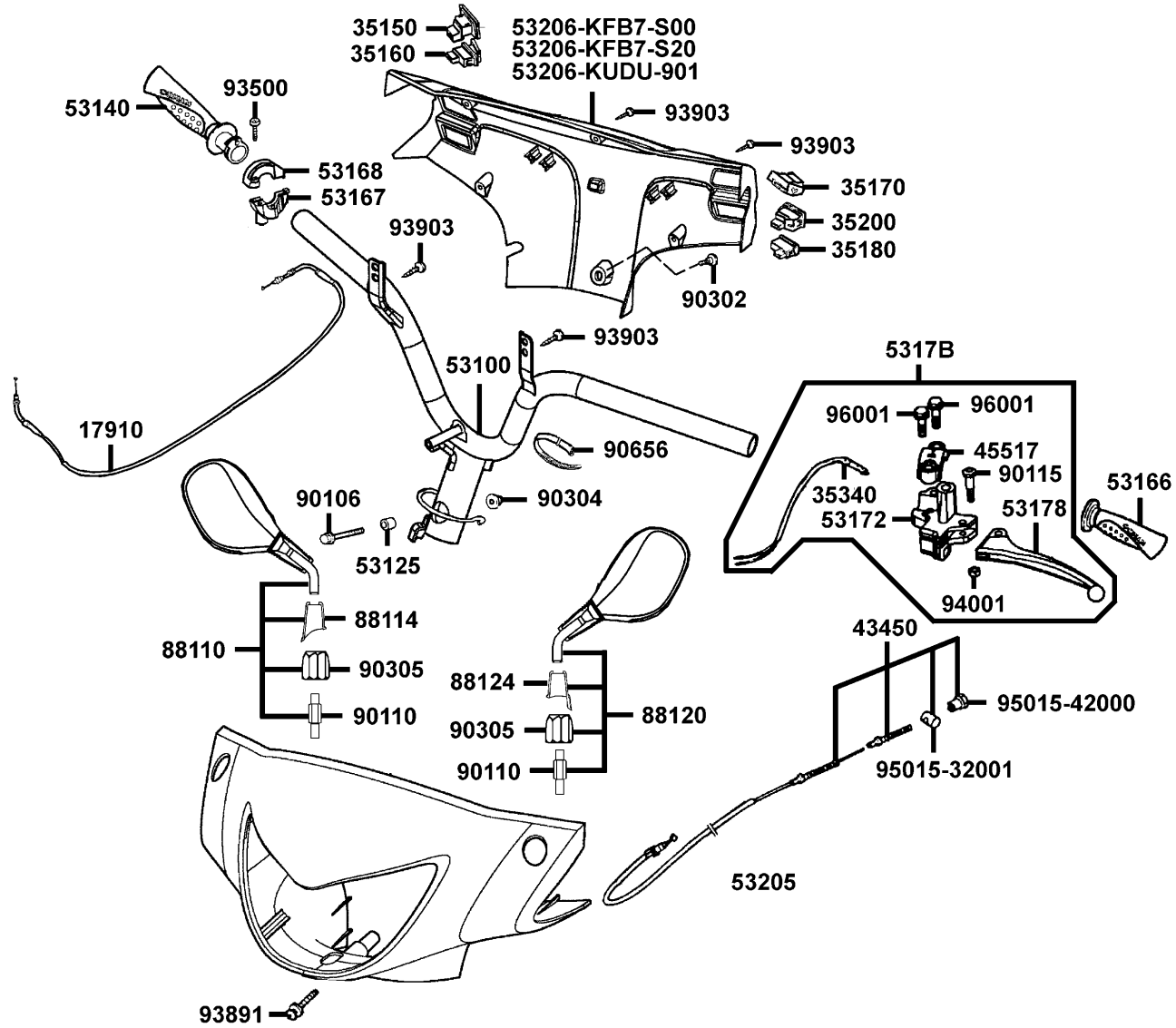
Speedometer 儀錶



Sales mark 配色標註	Ref no 參考號碼	Part no 零件號碼	Description 英文名稱	Reg description 中文名稱	Regd no 需求用量	F02
	34908-GGA7	34908-GGA7-70A	BULB WEDGE BASE 12V*3.4W	儀錶內指示燈泡	1	
	34908-MKB9	34908-MKB9-87A	BULB WEDGE BASE	儀錶內指示燈泡	5	
	37119	37119-KUDU-90C	LENS	儀錶蓋	1	
	37200	37200-LGL3-90C	SPEED METER ASSY	速度錶組	1	
	44830	44830-KUDU-900	CABLE COMP SPDMT	碼錶導線	1	
	44831	44831-KUDU-900	CABLE INNER	速度錶內導線	1	
	93700	93700-05018-0H	SCREW OVAL 5*18	螺絲 5*18	1	
	93903	93903-35320	SCREW TAPPING 5*16	螺絲 5*16	3	



Sales mark 配色標註	Ref no 參考號碼	Part no 零件號碼	Description 英文名稱	Reg description 中文名稱	Regd no 需求用量	F03
	17910	17910-KKE3-900	CABLE COMP THROT	節流導線	1	
	35150	35150-GFY6-900	SW UNIT LIGHTING	前燈開關	1	
	35160	35160-GFY6-900	SW UNIT STARTER	起動開關	1	
	35170	35170-KNBN-910	SW UNIT DIMMER	遠近燈開關	1	
	35180	35180-GFY6-900	SW UNIT HORN	喇叭開關	1	
	35200	35200-GFY6-910	SW UNIT WINKER	方向燈開關	1	
	35340	35340-KFLF-900	SW ASSY FR STOP	煞車燈前置開關	1	
	43450	43450-LGL3-900	CABLE COMP RR BRK	後煞車導線	1	
	45517	45517-GFY6-900	HOLDER HNDL BRKT	手柄固定座夾板	1	
	53100	53100-KHE1-900	HNDL COMP STRG	轉向手柄	1	
	53125	53125-GEN5-901	COLLAR HANDLE SET	套筒	1	
**	53140	53140-KFA1-900	GRIP COMP THROT *(1) C.2005.04.25	節流管套組/黑色 *(1) C.2005.04.25	1	
**	53166	53166-KFA1-900	GRIP L HANDLE *(1) C.2005.04.25	手柄左橡皮套/黑色 *(1) C.2005.04.25	1	
	53167	53167-GAR1-951	HOUSING UND THROT	節流管下固定座	1	
	53168	53168-GAR1-951	HOUSING UP THROT	節流管上固定座	1	
	53172	53172-LBE3-900	BRKT HNDL L	手柄左托架組	1	
**	53178	53178-GKAK-901	LEVER L STRG HANDLE	左拉桿	1	
	5317B	5317B-LGK2-900	BRKT ASSY L/H HANDLE	手柄左拉桿組	1	
**	53205	53205-LCB3-900	COVER FR HANDLE	手柄前蓋	1	
**	53206-KFB7-S00	53206-KFB7-S00	COVER HANDLE RR	手柄後蓋	0	

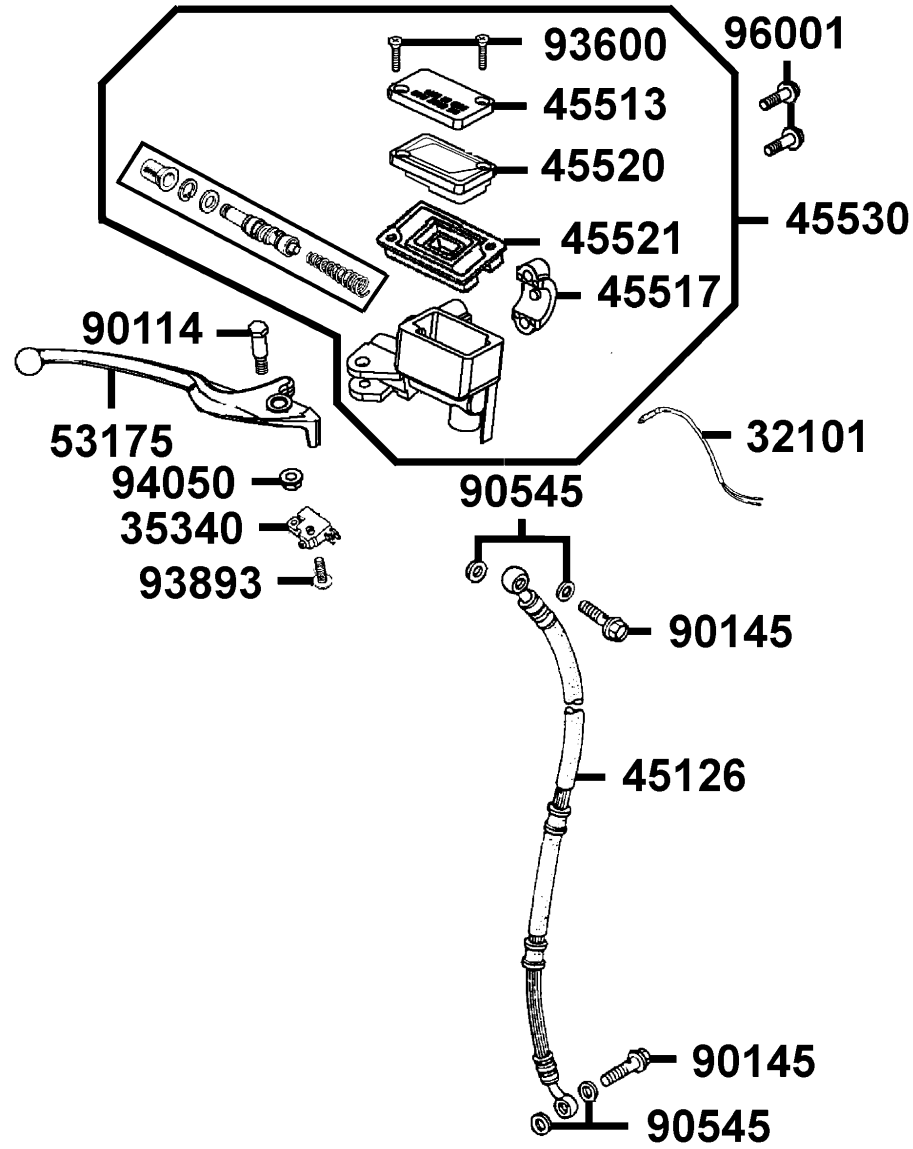


Sales mark 配色標註	Ref no 參考號碼	Part no 零件號碼	Description 英文名稱	Reg description 中文名稱	Regd no 需求用量	F03
	88110	88110-LGL5-900	MIRROR ASSY R BACK	右後視鏡	1	
	88114	88114-KFB7-700	BOOT R MIRROR	右後視鏡護套	1	
	88120	88120-LGL5-900	MIRROR ASSY L BACK	左後視鏡	1	
	88124	88124-KFB7-700	BOOT L MIRROR	左後視鏡護套	1	
	90106	90106-GEN5-901	BOLT FLANGE 10*50	特殊螺絲 10*50	1	
	90110	90110-LGL5-900	BOLT SPECIAL 10MM	螺絲 10MM	2	
	90115	90115-GLE0-001	BOLT HNDL LEVER PIVOT	拉桿螺絲	1	
	90302	90302-KNBN-900	BOLT PAN 5*10	螺釘 5*10	1	
	90304	90304-GHE8-004	NUT U 10MM	螺帽 10MM	1	
	90305	90305-KNCN-900	NUT SPECIAL 12MM	後視鏡特殊螺帽 12MM	2	
	93500	93500-05022-06	SCREW PAN 5*22	螺絲 5*22	1	
	93891	93891-05040-06	SCREW WASHER 5*340	螺絲 5*40	1	
	93903	93903-34360	SCREW TAPPING 4*12	螺絲 4*12	4	
	94001	94001-05080-0S	NUT HEX 5MM	螺帽 5MM	1	
	95015-32001	95015-32001	JOINT B BRAKE ARM	煞車導線接頭銷	1	
	95015-42000	95015-42000	NUT B ADJUST	調整螺帽	1	
	96001	96001-06025-06	BOLT FLANGE 6*25	螺絲 6*25	2	

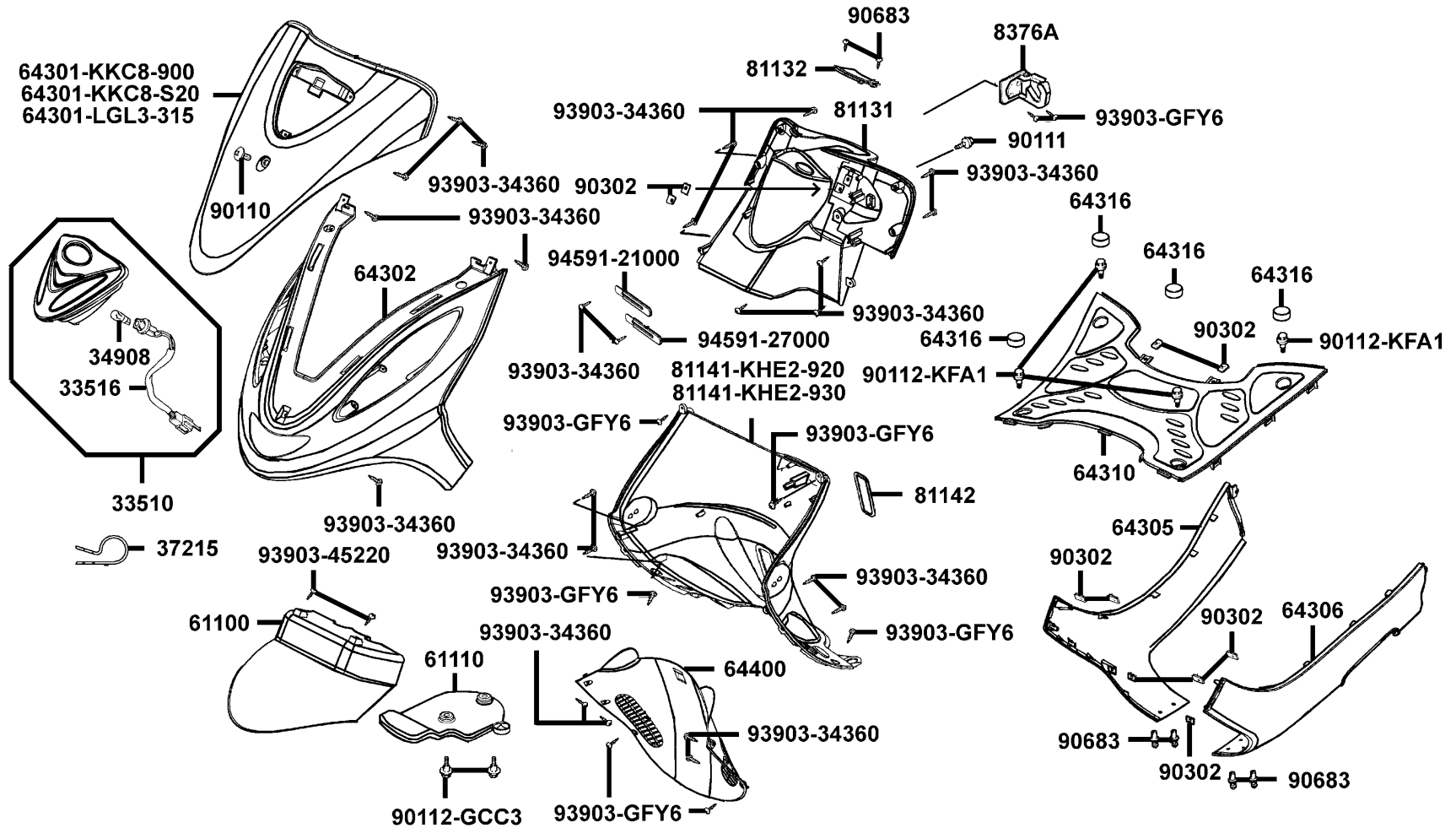
F04

HOLDER M/C

煞車主油缸



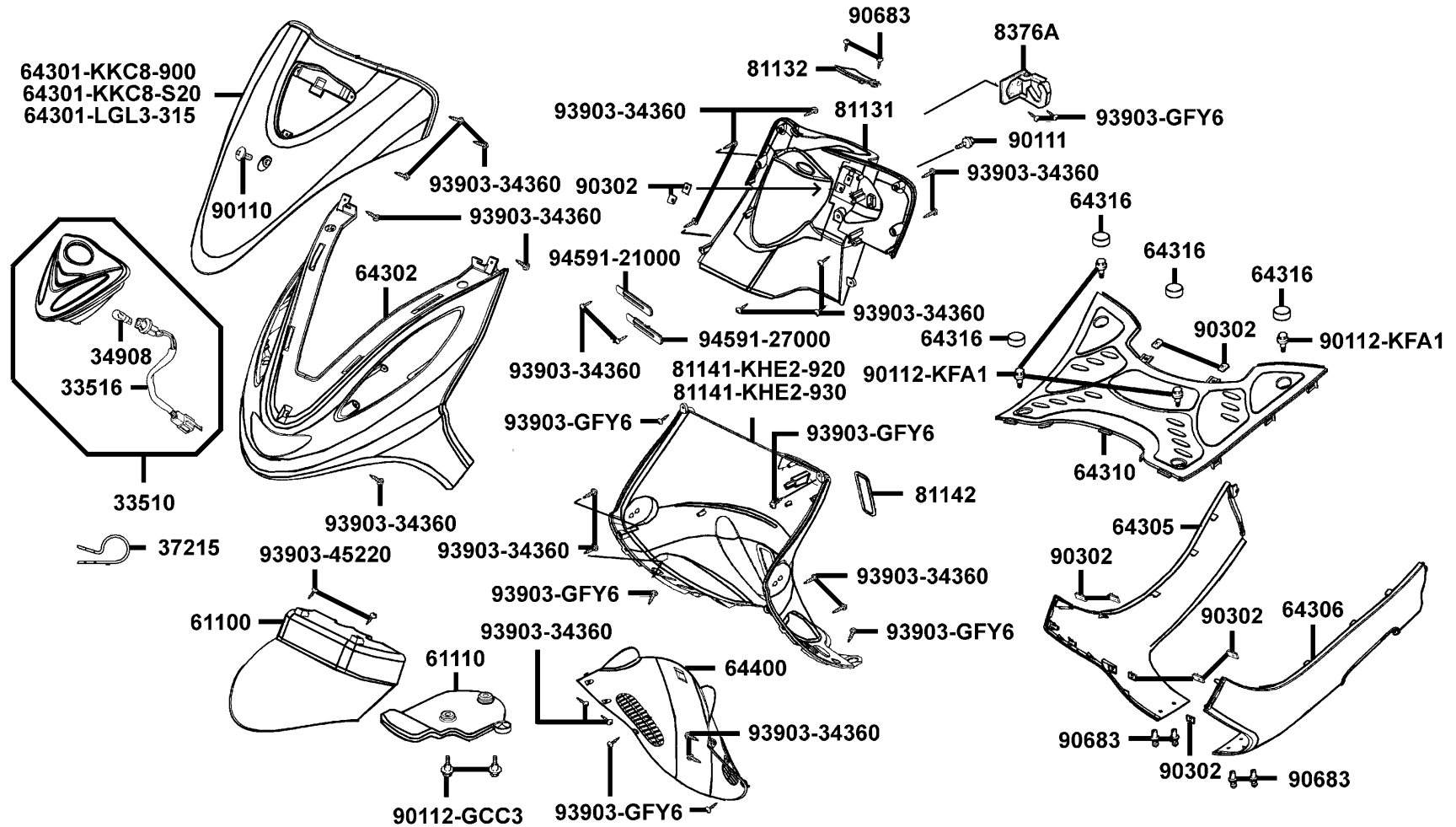
Sales mark 配色標註	Ref no 參考號碼	Part no 零件號碼	Description 英文名稱	Reg description 中文名稱	Regd no 需求用量	F04
	32101	32101-KFA6-W00	SUB CORD R/H	煞車燈開關右配線	1	
	35340	35340-KFA6-W00	SW ASSY FR STOP	煞車燈前置開關組	1	
	45126	45126-KFC9-900	HOSE ASSY FR BRK	前煞車油管	1	
	45513	45513-KFC9-W00	CAP MASTER CYLINDER	煞車主油缸蓋	1	
	45517	45517-KFC9-W00	HOLDER M/C	煞車主油缸固定座	1	
	45520	45520-KFC9-W00	DIAPHRAGM	煞車主油缸橫隔板	1	
	45521	45521-KFC9-W00	PLATE DIAPHRAGM	煞車主油缸隔膜固定板	1	
	45530	45530-LGK2-305	CYLINDER SET MASTER	煞車主油缸	1	
**	53175	53175-KFC9-W00	LEVER R STRG HANDLE	手柄右拉桿	1	
	90114	90114-KFC9-W00	BOLT HANDLE LEVER	螺絲	1	
	90145	90145-MKS9-61A	OIL BOLT 10*22	油管螺絲 10*22	2	
	90545	90545-3L00-001	WASHER OIL BOLT	華司	4	
	93600	93600-KFC9-W00	SCREW FLAT	螺絲	2	
	93893	93893-KFC9-W00	SCREW WASH	螺絲	1	
	94050	94050-KFC9-W00	NUT FLANGE	螺帽	1	
	96001	96001-06022-06	BOLT FLANGE 6*20	螺絲 6*20	2	



Sales mark 配色標註	Ref no 參考號碼	Part no 零件號碼	Description 英文名稱	Reg description 中文名稱	Regd no 需求用量	F05
	33510	33510-KKC8-510	COVER ASSY FR LIGHTING	前位置燈組	1	
	33516	33516-KKC8-500	SOCKET COMP LIGHTING COVER	前位置燈配線	1	
	34908	34908-GGA7-70A	BULB WEDGE BASE 12V*3.4W	儀錶內指示燈泡	1	
#	37215	37215-LGM9-900	CLAMP	配線夾	1	
**	61100	61100-KKC8-900	FENDER A FR INNER	前土除 A	1	
**	61110	61110-LGL3-900	FENDER FRONT INNER	前內土除	1	
**	64301-KKC8-900	64301-KKC8-900	COVER SET FRONT	前蓋	1	
**	64301-KKC8-S20	64301-KKC8-S20	COVER SET FRONT	前蓋	1	
**	64302	64302-KKC8-900	MOLD FR	前護板	1	
**	64305	64305-KHE2-900	SKIRT R SIDE	右邊軌	1	
**	64306	64306-KHE2-900	SKIRT L SIDE	左邊軌	1	
**	64310	64310-KHE2-900	FLOOR PANEL	腳踏板	1	
**	64316	64316-KHE2-900	PLUG FLOOR	腳踏板蓋	4	
**	64400	64400-KHE2-900	COWL UNDER	前下擋泥板	1	
**	81131	81131-KHE2-910	LEG SHIELD UP	內箱上殼	1	
**	81132	81132-KHE2-900	CAP LEG SHIELD UP	內箱上套蓋	1	
**	81141-KHE2-920	81141-KHE2-920	LEG SHIELD LOW	內箱下殼	0	
**	81142	81142-KUDU-900	LID LEG SHIELD	內箱蓋	1	
	8376A	8376A-KECE-901	CLIP ASSY CENTER	中心掛鉤	1	
	90110	90110-GLW0-001	SCREW SPECIAL 6*14	螺絲 6*14	1	

F05

COVER SET FRONT FENDER FRONT 前蓋 前土除



Sales mark 配色標註	Ref no 參考號碼	Part no 零件號碼	Description 英文名稱	Reg description 中文名稱	Regd no 需求用量	F05
#	90111	90111-1G87-001	BOLT FLANGE 6MM	螺絲 6MM	1	
	90112-GCC3	90112-GCC3-001	BOLT SPECIAL 5MM	螺絲 5MM	2	
	90112-KFA1	90112-KFA1-900	BOLT FLANGE 6MM	螺絲 6MM	4	
	90302	90302-SDA4-004	NUT SPRING 4MM	螺帽 4MM	10	
	90683	90683-GAR1-004	CLIP BODY COVER	邊蓋夾	6	
	93903-34360	93903-34360	SCREW TAPPING 4*12	螺絲 4*12	24	
	93903-45220	93903-45220	SCREW TAPPING 5*12	螺釘 5*12	2	
#	93903-GFY6	93903-GFY6-900	SCREW TAPPING 4*14	螺絲 4*14	8	
#	94591-21000	94591-21000	CLIP 2*100	導線夾	1	
#	94591-27000	94591-27000	CLIP 2*70	夾子 2*70	1	

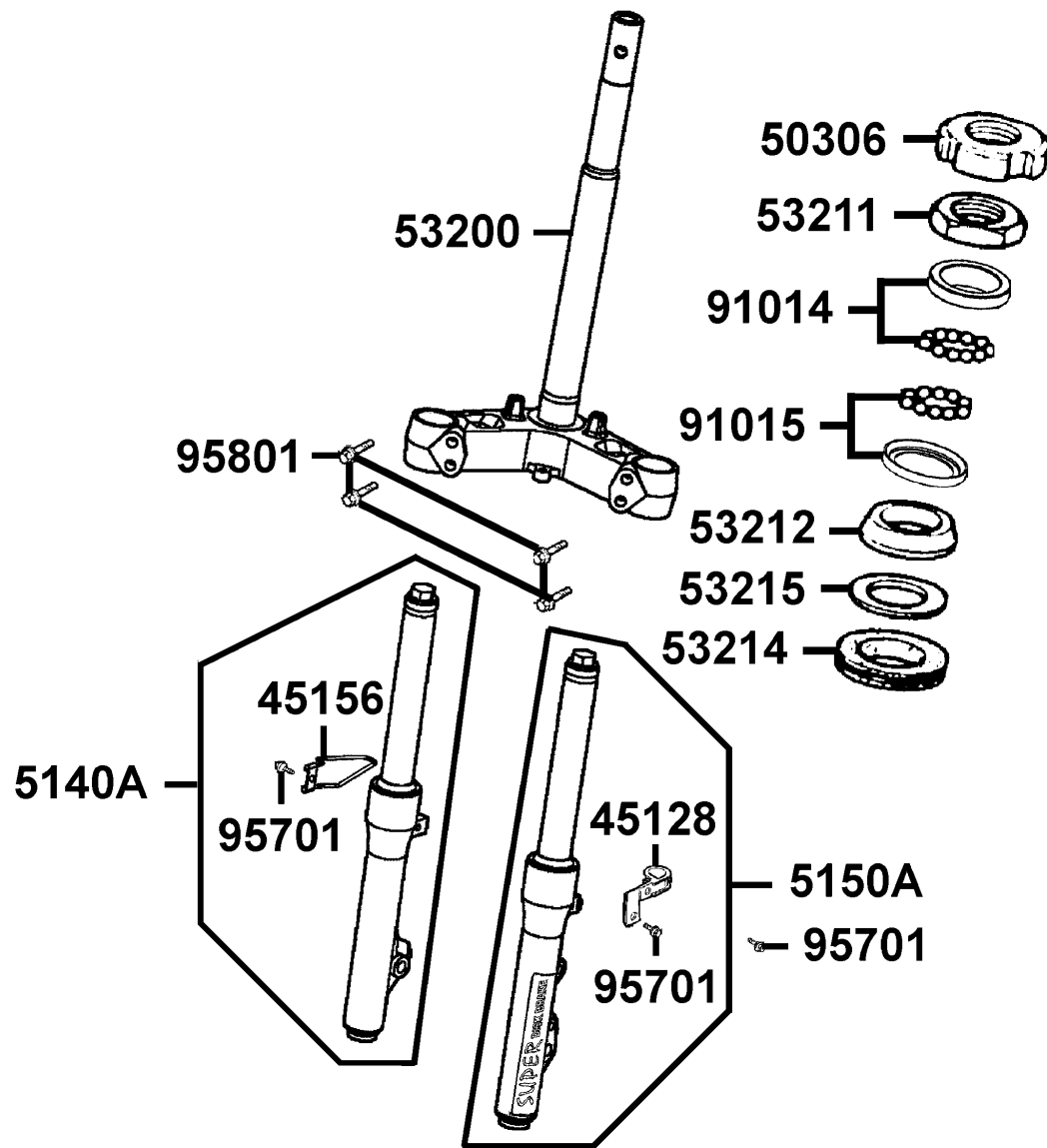
F06

Front Fork

Front Cushion

轉向桿

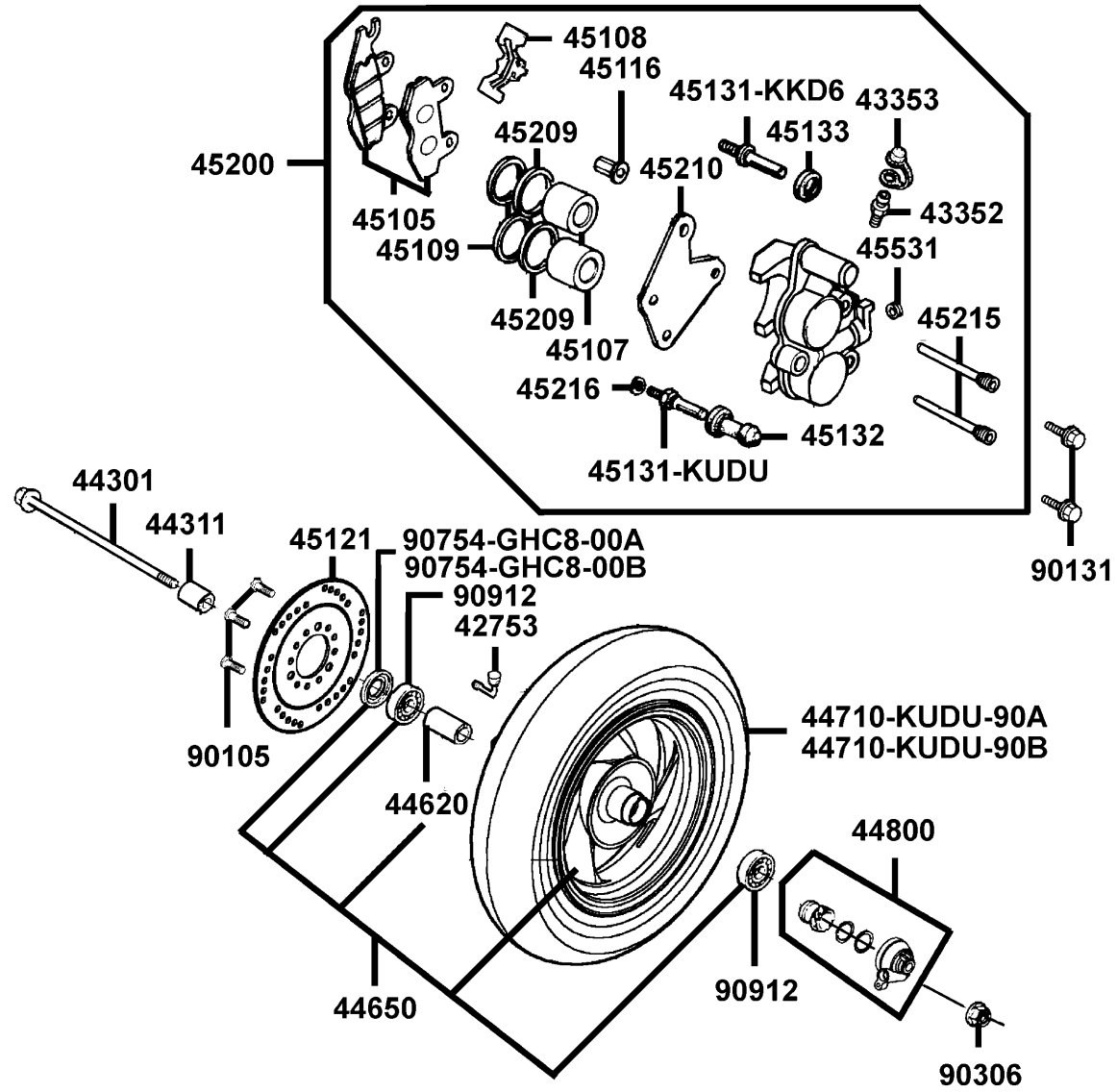
前避震器



Sales mark 配色標註	Ref no 參考號碼	Part no 零件號碼	Description 英文名稱	Reg description 中文名稱	Regd no 需求用量	F06
	45128	45128-KFC9-900	CLAMPER FR BRAKE HOSE	煞車油管夾	1	
	45156	45156-KECE-900	CLAMPER FR BRK CABLE	導線夾	1	
	50306	50306-1F96-001	NUT STRG STEM LOCK	主幹螺帽	1	
**	5140A	5140A-KHD6-W00	FORK SET R FR	右前避震器	1	
**	5150A	5150A-KHD6-W00	FORK SET L FR	左前避震器	1	
	53200	53200-KHE1-900	STEM COMP STEERING	轉向桿	1	
	53211	53211-GFY6-940	RACE STRG TOP CONE	上錐體座圈	1	
	53212	53212-2L50-011	RACE STRG BOT CONE	下錐體座圈	1	
	53214	53214-2L50-001	DUST SEAL STRG(HEAD)	墊片	1	
	53215	53215-2L50-001	WASH STRG HDL DUST-SEAL	轉向桿華司	1	
	91014	91014-LLJ3-E00	CAGE STEERING TOP	鋼珠座	1	
	91015	91015-LLJ3-E00	CAGE STEERING BOT	鋼珠座	1	
#	95701	95701-06012-08	BOLT FLANGE 6*12	螺絲 6*12	3	
	95801	95801-08040-08	BOLT FLANGE 8*40	螺絲 8*40	4	

F07

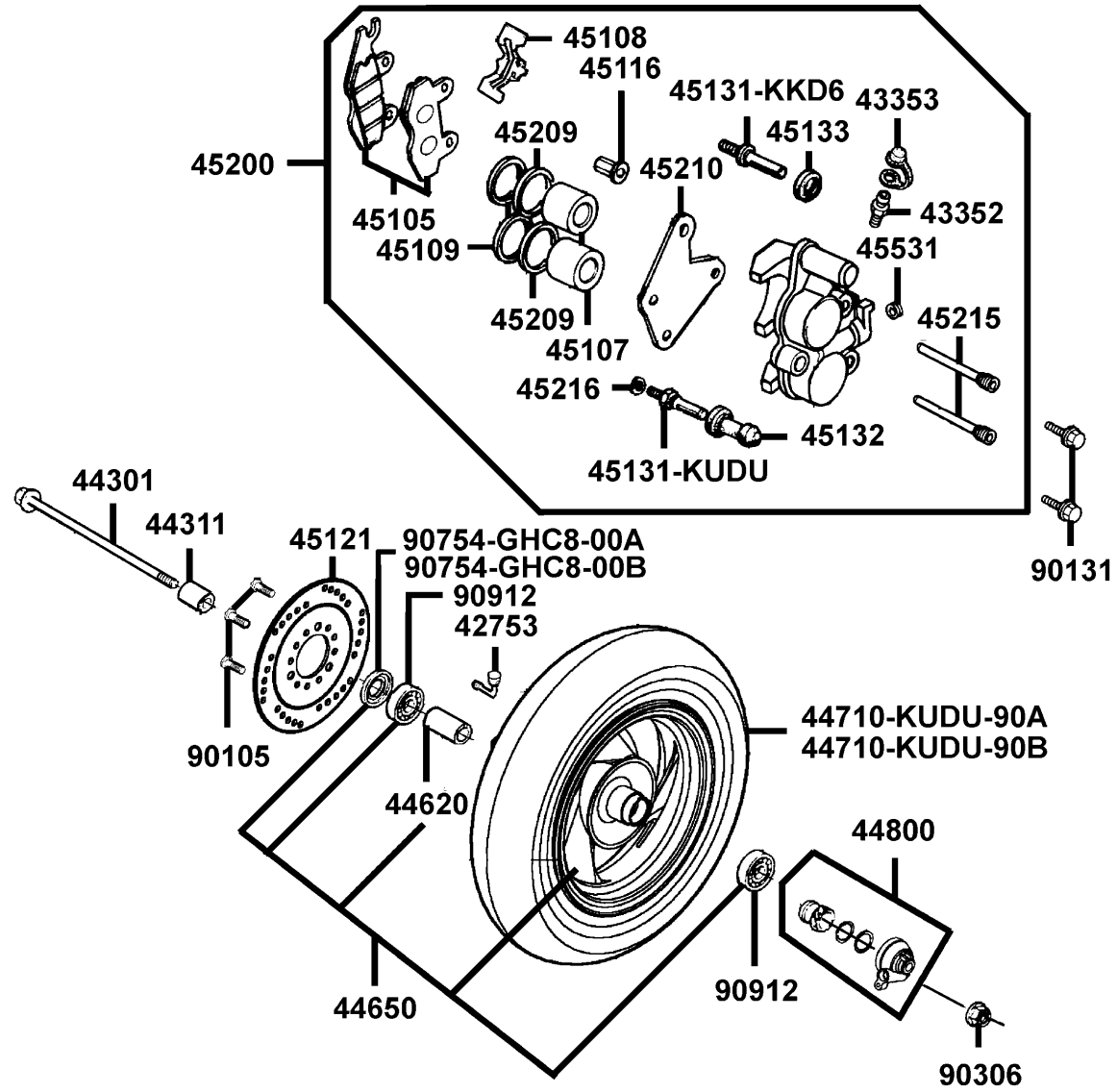
Front Wheel 前輪



Sales mark 配色標註	Ref no 參考號碼	Part no 零件號碼	Description 英文名稱	Reg description 中文名稱	Regd no 需求用量	F07
	42753	42753-0D04-900	RIM VALVE (PVR 70)	打氣嘴	1	
	43352	43352-KKD6-W00	BLEEDER	加油嘴	1	
	43353	43353-KKD6-W00	CAP BLEEDER	加油嘴蓋	1	
	44301	44301-KKB1-E00	AXLE FR WHEEL	前輪軸	1	
	44311	44311-KUDU-900	COLLAR FR WHEEL SIDE	前輪邊套筒	1	
	44620	44620-KFLF-930	COLLAR FR DIST	前輪軸距套筒	1	
**	44650	44650-KUDU-305	WHEEL SET FR	前輪圈	1	
	44710-KUDU-90A	44710-KUDU-90A-G303	TIRE ASSY FR 100/90/10	前輪胎 100/90/10	1	
	44710-KUDU-90B	44710-KUDU-90B-G304	TIRE ASSY FR 100/90/10	前輪胎 100/90/10	1	
#	44800	44800-KECE-900	GEAR BOX ASSY	速度齒輪箱組	1	
	45105	45105-KKD6-315	PAD ASSY FR	前煞車摩擦板組	1	
	45107	45107-KKD6-W00	PISTON	卡鉗活塞	2	
	45108	45108-KKD6-W00	SPRING PAD	煞車摩擦片彈簧	1	
	45109	45109-KKD6-W00	DUST SEAL	油封	2	
	45116	45116-KKD6-W00	TORQUE NUT	特殊螺帽	1	
**	45121	45121-KUDU-900	DISK FR BRAKE	前煞車圓盤	1	
	45131-KKD6	45131-KKD6-W00	PIN BOLT A	卡鉗螺絲銷A	1	
	45131-KUDU	45131-KUDU-W00	PIN BOLT B	插銷	1	
	45132	45132-KKD6-W00	BUST BOOT PIN	卡鉗襯套	1	
	45133	45133-KKD6-W00	BOOT B	襯套	1	

F07

Front Wheel 前輪

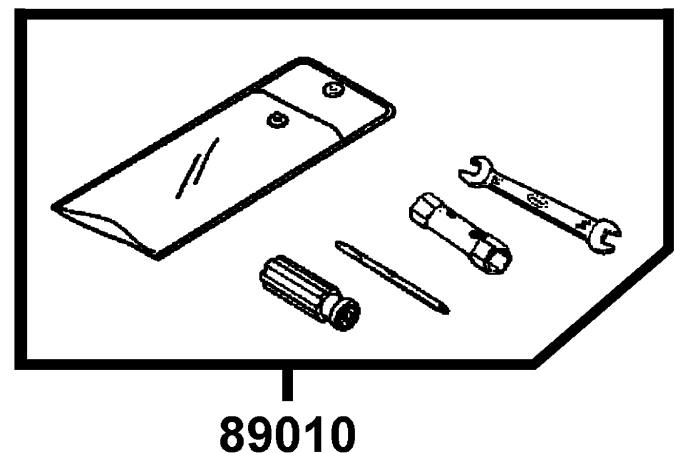
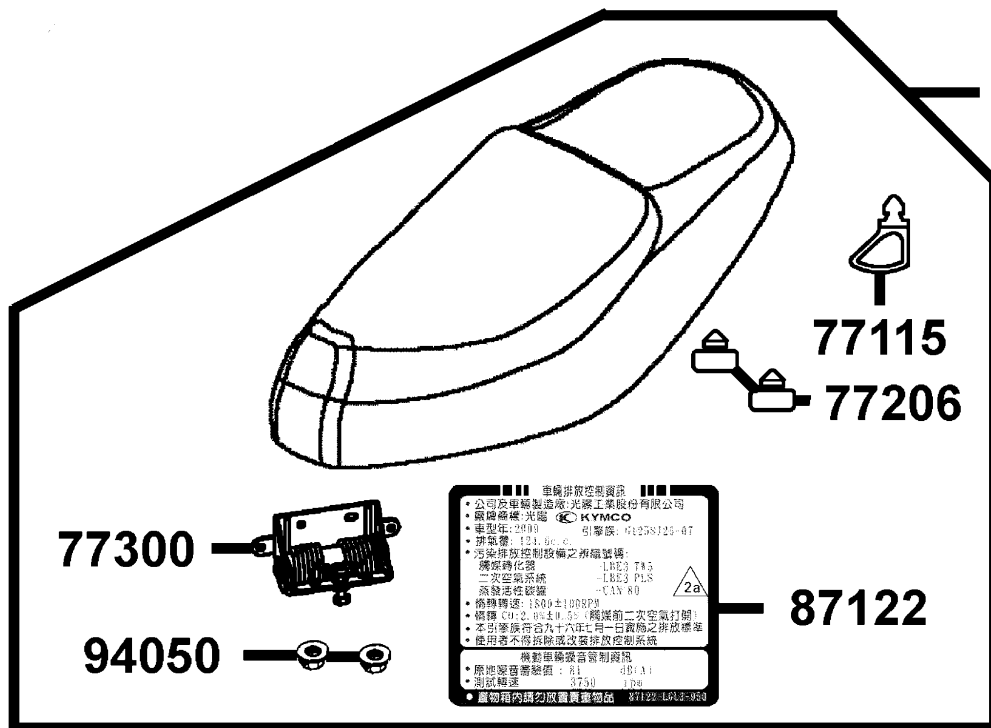


Sales mark 配色標註	Ref no 參考號碼	Part no 零件號碼	Description 英文名稱	Reg description 中文名稱	Regd no 需求用量	F07
**	45200	45200-KUDU-W00	CALIPER ASSY FR	前煞車卡鉗	1	
	45209	45209-KKD6-W00	SEAL PISTON	油封	2	
	45210	45210-KUDU-W00	BRKT FR CALIPER	前煞車卡鉗托架	1	
	45215	45215-KKD6-W00	PIN HANGER	卡鉗吊架銷	2	
	45216	45216-KKD6-W00	WASH WAVE	華司	1	
	45531	45531-KKD6-W00	PLUG	塞蓋	1	
	90105	90105-KCR3-001	BOLT FR DISK 8*24	前煞車圓盤螺絲 8*24	3	
	90131	90131-GLW0-911	BOLT FLANGE 8*35	螺絲 8*35	2	
	90306	90306-KLF0-004-SY	NUT FLANGE 12MM	螺帽 12MM	1	
	90754-GHC8-00A	90754-GHC8-00A	SEAL DUST 20*32*5	油封 20*32*5	1	
	90754-GHC8-00B	90754-GHC8-00B	SEAL DUST 20*32*5	油封 20*32*5	1	
	90912	90912-KFLF-00A	BEARING 6201 LLU	軸承 6201	2	

Sales mark 配色標註	Ref no 參考號碼	Part no 零件號碼	Description 英文名稱	Reg description 中文名稱	Regd no 需求用量	F08
**	42601	42601-KUDU-90D	HUB COMP RR WHEEL	後輪殼	1	
	42710-KUDU-90A	42710-KUDU-90A-CS	TIRE ASSY RR	後輪胎	1	
	42710-KUDU-90B	42710-KUDU-90B-KD	TIRE ASSY RR	後輪胎	1	
	42753	42753-KNBN-90B	VALVE (TR 412) & CAP (E)	打氣嘴	1	
	4312A	4312A-LEB1-900	SHOE ASSY REAR BRAKE	後煞車鞋	1	
	4314A	4314A-LDF7-E10	CAM ASSY RR BRK	後煞車凸輪組	1	
	43151	43151-LEB1-900	SPRING BRAKE SHOE REAR	彈簧	2	
	43410	43410-LAD9-900	ARM COMP RR BRAKE	後煞車臂	1	
	43416	43416-KUDU-900	GUARD RR BRK ARM	後剎車臂護蓋	1	
	46513	46513-KUDU-900	SPG ASSY BRK ARM	煞車踏板彈簧	1	
	90305-KNBN-90A	90305-KNBN-90A	NUT U 16MM(C)	安全螺帽 16MM	1	
	90305-KNBN-90B	90305-KNBN-90B	NUT U 16MM	螺帽 16MM	1	
	90501	90501-KNBN-901	WASHER 16MM	華司 16MM	1	
	91352	91352-KHG8-83B	O-RING 11.3*1.3	O環 11.3*1.3	1	
	95701	95701-06035-08	BOLT FLANGE SH 6*35	螺絲 6*35	1	

F09

Seat 座墊

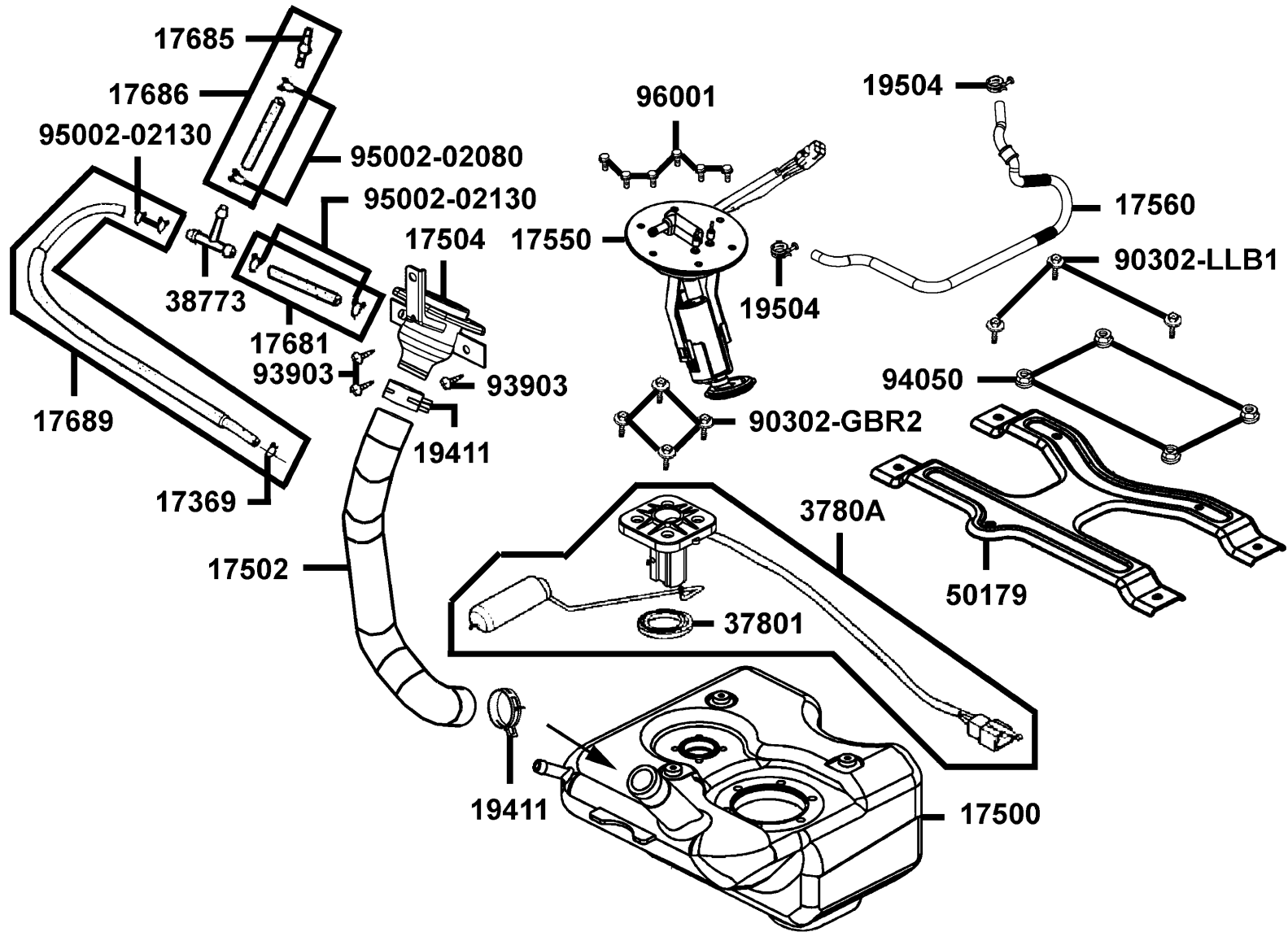


94050

Sales mark 配色標註	Ref no 參考號碼	Part no 零件號碼	Description 英文名稱	Reg description 中文名稱	Regd no 需求用量	F09
	77115	77115-LBA2-E00	RUBBER SEAL	橡皮封	1	
**	77200-LGL3-S00	77200-LGL3-S00	SEAT ASSY	座墊	1	
	77206	77206-KGBG-900	RUBBER SEAT CUSHION	橡皮	2	
	77300	77300-LGL3-900	HINGE ASSY SEAT	座墊鉸鍊	1	
**	87122	87122-LGL3-950	MARK E/M 5th STAGE	5期空污染排放管制貼紙	1	
#	89010	89010-LAD9-900	TOOL SET	手工具組	1	
	94050	94050-06080	NUT FLANGE 6MM	螺帽 6MM	4	

F10

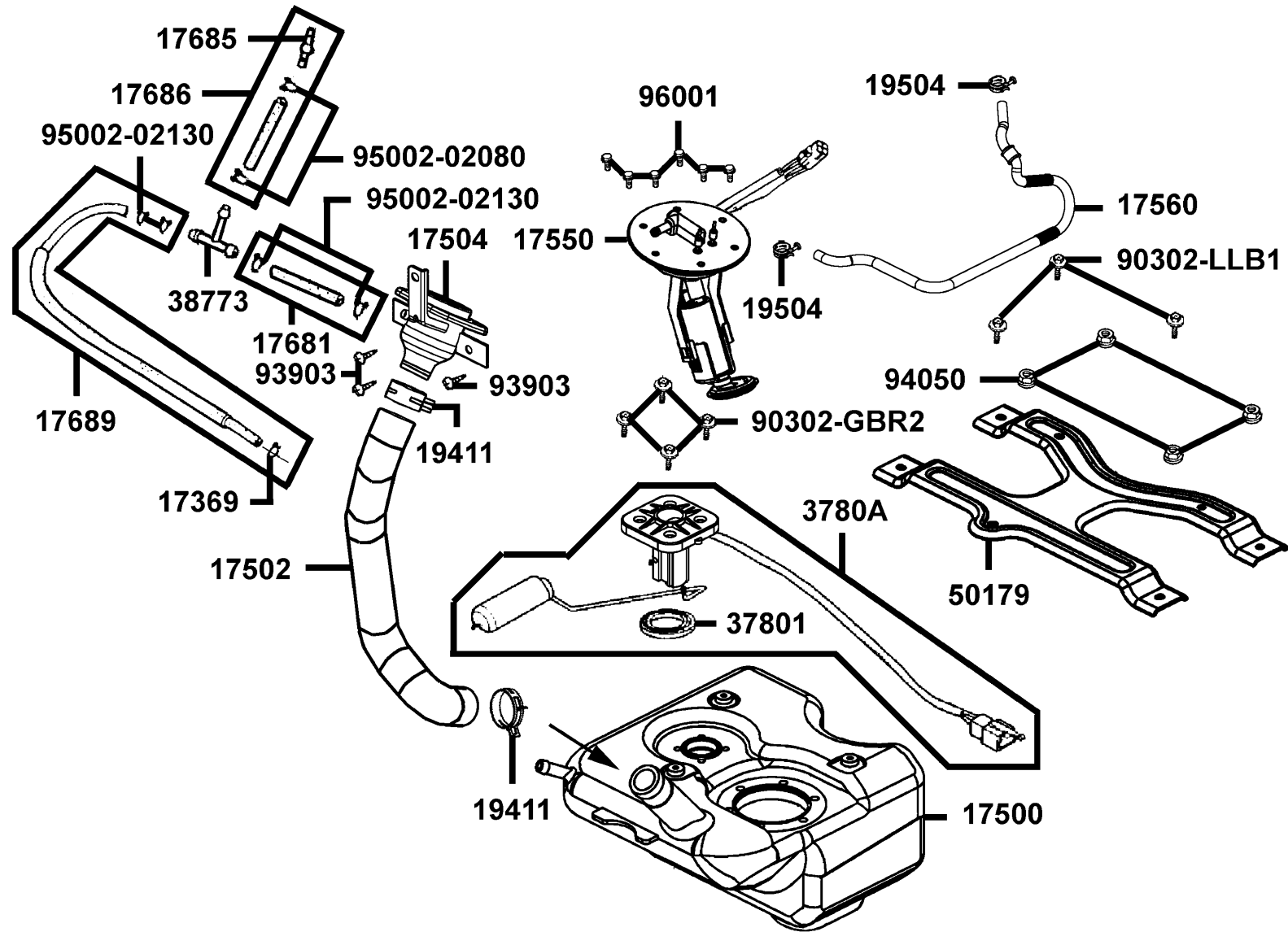
Fuel Tank 油箱



Sales mark 配色標註	Ref no 參考號碼	Part no 零件號碼	Description 英文名稱	Reg description 中文名稱	Regd no 需求用量	F10
	17369	17369-KHC4-900	CLIP BREATHER TUBE	通氣管夾	1	
	17500	17500-LFG7-900	TANK COMP FUEL	油箱	1	
	17502	17502-LGL3-900	HOSE FUET	油管組	1	
	17504	17504-KKC8-B00	PIPE COMP FUEL FILLER	加油漏斗	1	
	17550	17550-LGL3-900	FUEL PUMP ASSY.	FUEL PUMP ASSY.	1	
	17560	17560-LGL3-900	FUEL PUMP INJECTOR	噴嘴燃料管	1	
	17681	17681-KFA1-900	TUBE JOINT 3 WAY	油管	1	
	17685	17685-KZCZ-900	JOINT TUBE	油管接頭	1	
	17686	17686-KHE2-900	TUBE ASSY FUEL	油管(F.C.V.)	1	
	17689	17689-LFB5-900	TUBE ASSY FILLER	油管	1	
	19411	19411-KBCB-900	CLIP HOSE	油管鎖環	2	
	19504	19504-LBA2-E00	CLAMP D 16.8	管夾	2	
	37801	37801-LAB4-910	PACKING BASE	墊圈	1	
	3780A	3780A-LGL5-900	FUEL UNIT ASSY	燃料量指示器組	1	
	38773	38773-KBCB-900	JOINT 3 WAY	3通管	1	
	50179	50179-LGL3-900	BRKT FLOOR PANEL	油箱支架	1	
	90302-GBR2	90302-GBR2-001	BOLT WASH 5*16	螺絲 5*16	4	
	90302-LLB1	90302-LLB1-E00	BOLT-WASHER 5*12	螺絲 5X12	3	
	93903	93903-35360	SCREW TAPPING 5*16	螺釘 5*16	3	
	94050	94050-06080	NUT FLANGE 6MM	螺帽 6MM	4	

F10

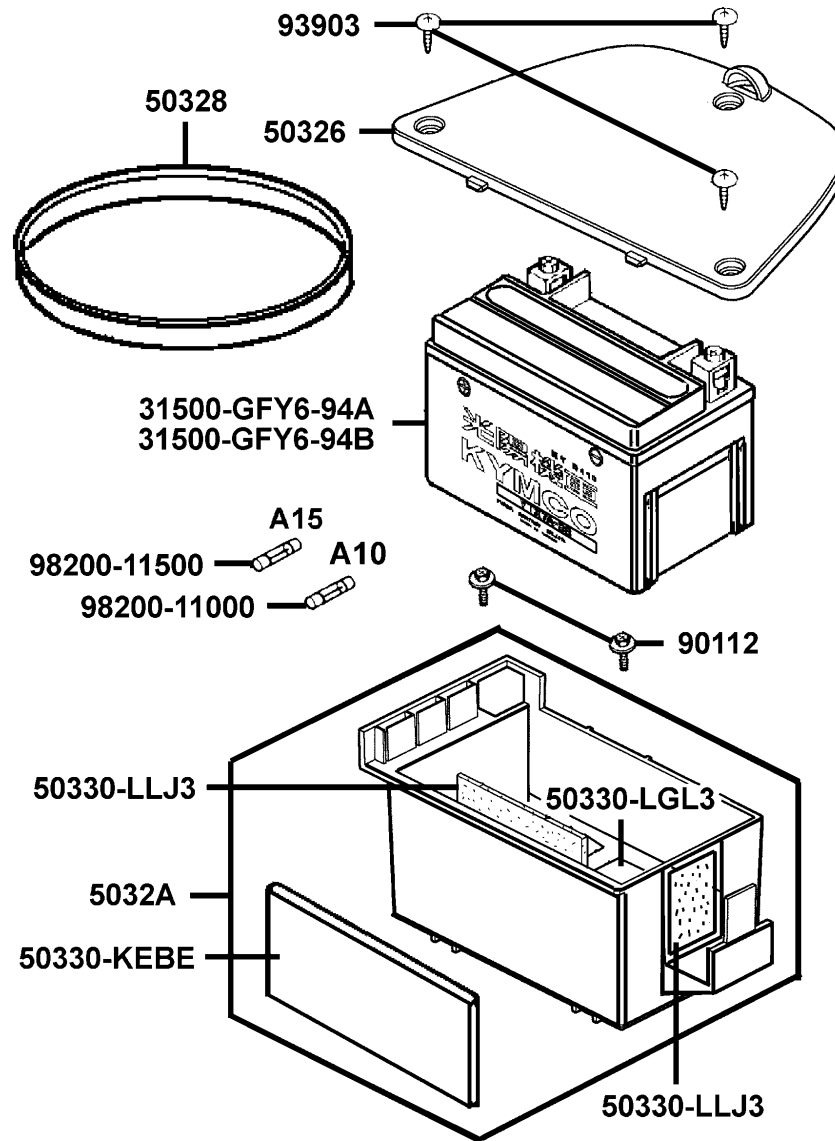
Fuel Tank 油箱



Sales mark 配色標註	Ref no 參考號碼	Part no 零件號碼	Description 英文名稱	Reg description 中文名稱	Regd no 需求用量	F10
	95002-02080	95002-02080	CLIP B8 TUBE	管夾	2	
	95002-02130	95002-02130	CLIP B 12.5 TURE	管夾	4	
	96001	96001-06014-08	BOLT FLANGE 6*14	螺絲 6X14	6	

F11

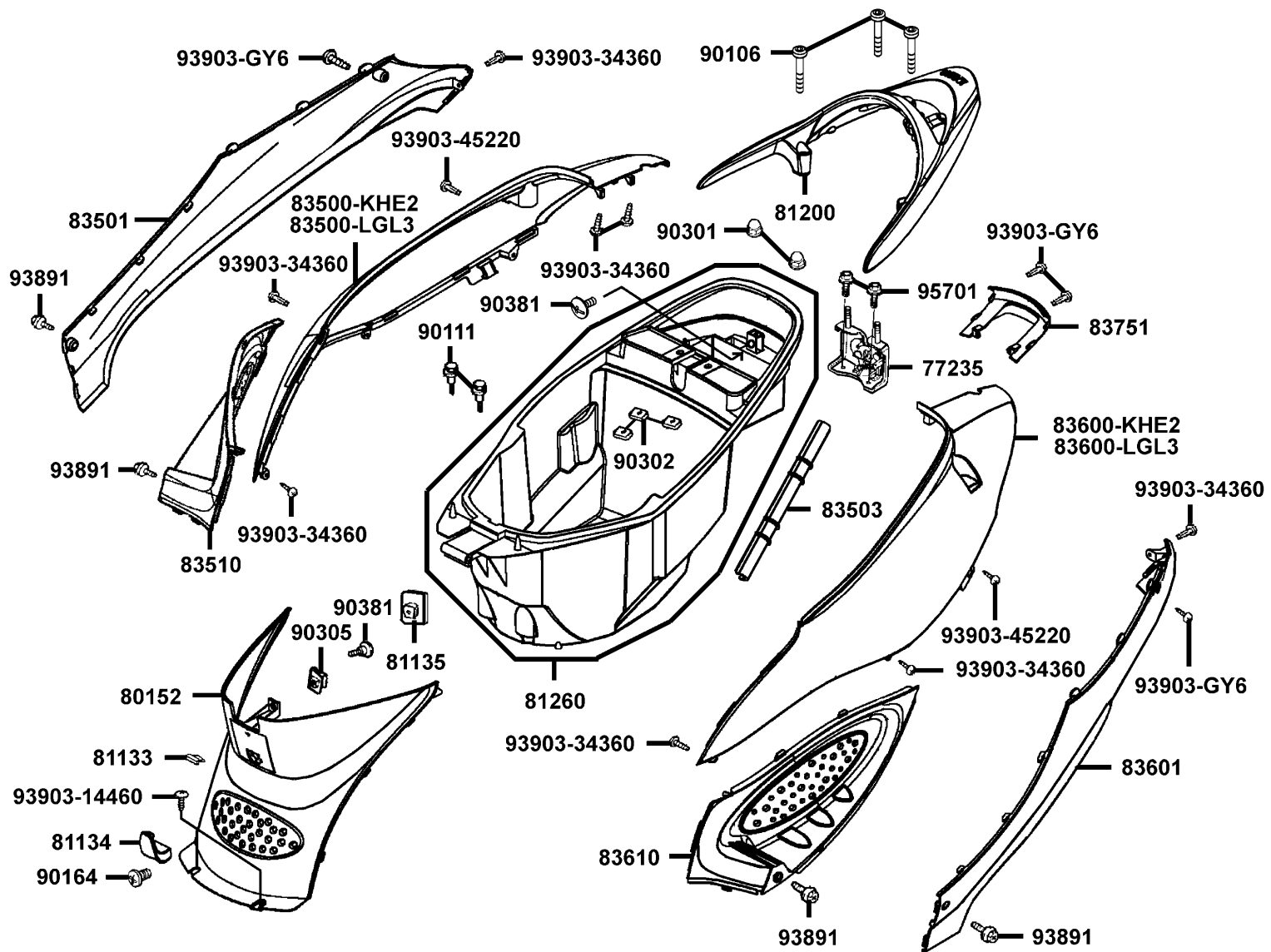
Battery 電瓶



Sales mark 配色標註	Ref no 參考號碼	Part no 零件號碼	Description 英文名稱	Reg description 中文名稱	Regd no 需求用量	F11
	31500-GFY6-94A	31500-GFY6-94A-YU	BATTERY YTX7A-BS	電瓶	1	
	31500-GFY6-94B	31500-GFY6-94B-KY	BATTERY GTX7A-BS	電瓶	1	
**	50326	50326-KHE2-900	COVER BATTERY	電瓶蓋	1	
	50328	50328-KNBN-200	BAND BATTERY	電瓶束帶	1	
#	5032A	5032A-LGL3-900	CASE ASSY BATTERY	電瓶箱組	1	
	50330-KEBE	50330-KEBE-900	SEAL BATTERY FR	油封	1	
	50330-LGL3	50330-LGL3-910	SPONGE BATTERY 2	減震橡皮2	1	
	50330-LLJ3	50330-LLJ3-E00	SPONGE BATTERY	橡皮	2	
	90112	90112-KNBN-901	BOLT FLANGE 6MM	螺絲 6MM	2	
#	93903	93903-GFY6-900	SCREW TAPPING 4*14	螺絲 4*14	3	
	98200-11000	98200-11000	FUSE 10A	保險絲 10A	1	
	98200-11500	98200-11500	FUSE A15	保險絲 A15	1	

Sales mark 配色標註	Ref no 參考號碼	Part no 零件號碼	Description 英文名稱	Reg description 中文名稱	Regd no 需求用量
	77235	77235-GGS7-901	SEAT CATCH COMP	座墊檔器	2
**	80152	80152-KHE2-900	COVER CENTER	中心蓋	1
	81133	81133-KGBG-900	STOPPER LUGGAGE	內箱襯蓋	1
	81134	81134-KGBG-900	HOOK LUGGAGE	掛鉤	1
	81135	81135-KGBG-900	STAY LUGGAGE HOOK	掛鉤座	1
**	81200	81200-LGJ8-900	CARRIER REAR	後架	1
	81260	81260-LGL3-900	BOX ASSY LUGGAGE	置物箱	1
**	83500-KHE2	83500-KHE2-S00	COVER R BODY	右邊蓋	1
**	83501	83501-KHE2-900	MOLD R RR SIDE	右邊蓋嵌條	1
**	83510	83510-KHE2-900	COVER R RR SIDE	右後邊蓋	1
**	83600-KHE2	83600-KHE2-S00	COVER L BODY	左邊蓋	1
**	83601	83601-KHE2-900	MOLD L RR SIDE	左邊蓋嵌條	1
**	83610	83610-KHE2-900	COVER L RR SIDE	左後邊蓋	1
**	83751	83751-KHE2-900	MOLD RR CENTER	後中心蓋護條	1
	90106	90106-KKD6-E00	BOLT SPECIAL 8*42	螺絲 8*42	3
#	90111	90111-1G87-001	BOLT FLANGE 6MM	螺絲 6MM	2
	90164	90164-KGBG-900	SCREW SPECIAL 6MM	特殊螺絲 6MM	1
	90301	90301-6D34-671	NUT FLANGE 6MM	螺帽 6MM	2
	90302	90302-SDA4-004	NUT SPRING 4MM	螺帽 4MM	3
	90305	90305-GHK8-001	NUT CLIP 6MM	夾螺帽	1

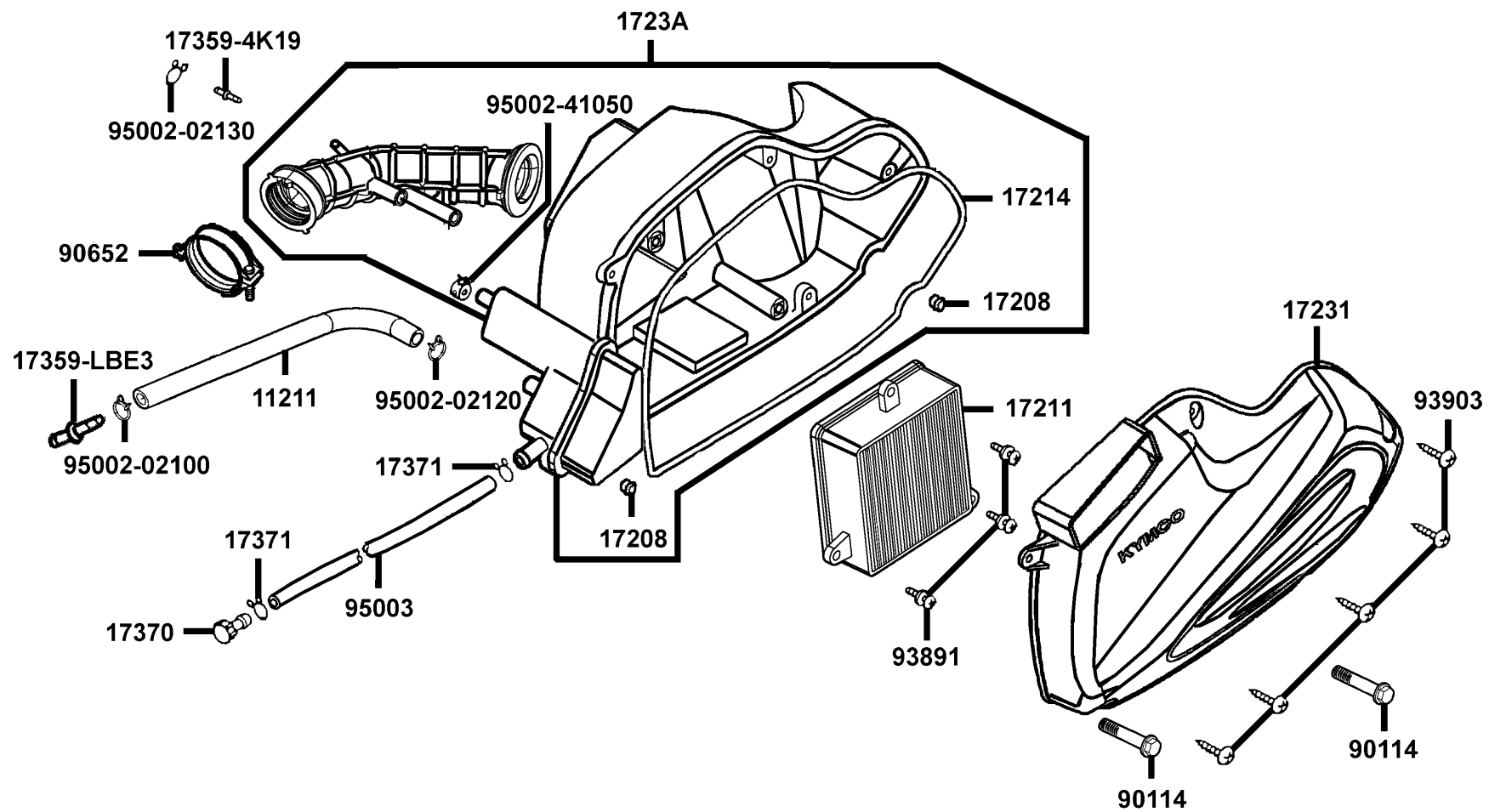
F12



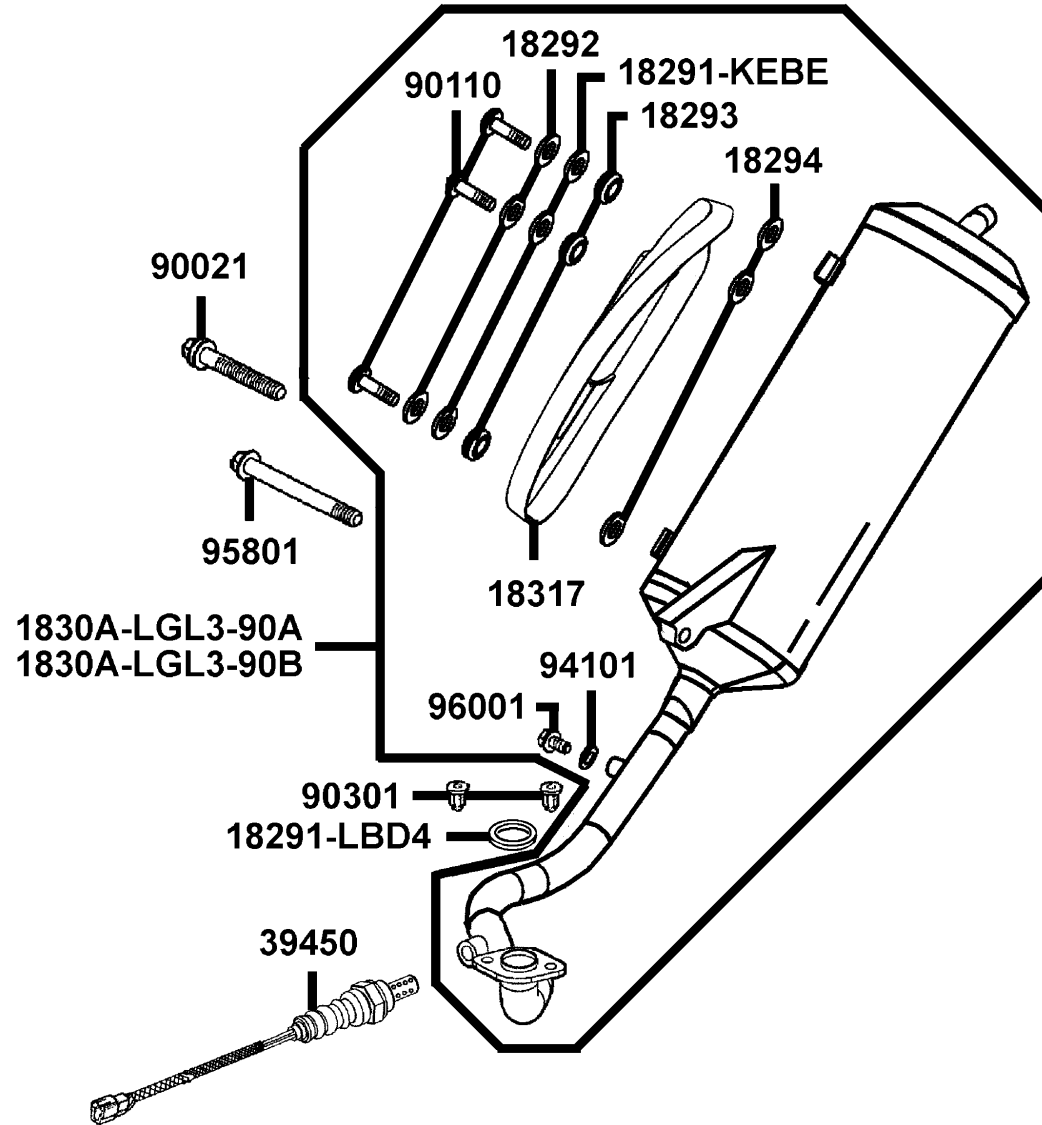
Sales mark 配色標註	Ref no 參考號碼	Part no 零件號碼	Description 英文名稱	Reg description 中文名稱	Regd no 需求用量	F12
	90381	90381-GEZ5-001	SCREW SPECIAL 6*17	螺絲 6*17	2	
	93891	93891-05016-06	SCREW WASHER 5* 16	螺絲 5*16	4	
#	93903-14460	93903-14460	SCREW TAPPING 4*16	螺釘 4*16	2	
	93903-34360	93903-34360	SCREW TAPPING 4*12	螺絲 4*12	8	
	93903-45220	93903-45220	SCREW TAPPING 5*12	螺釘 5*12	2	
#	93903-GFY6	93903-GFY6-900	SCREW TAPPING 4*14	螺絲 4*14	4	
#	95701	95701-06012-08	BOLT FLANGE 6*12	螺絲 6*12	2	

F13

Air Cleaner 空氣濾清器



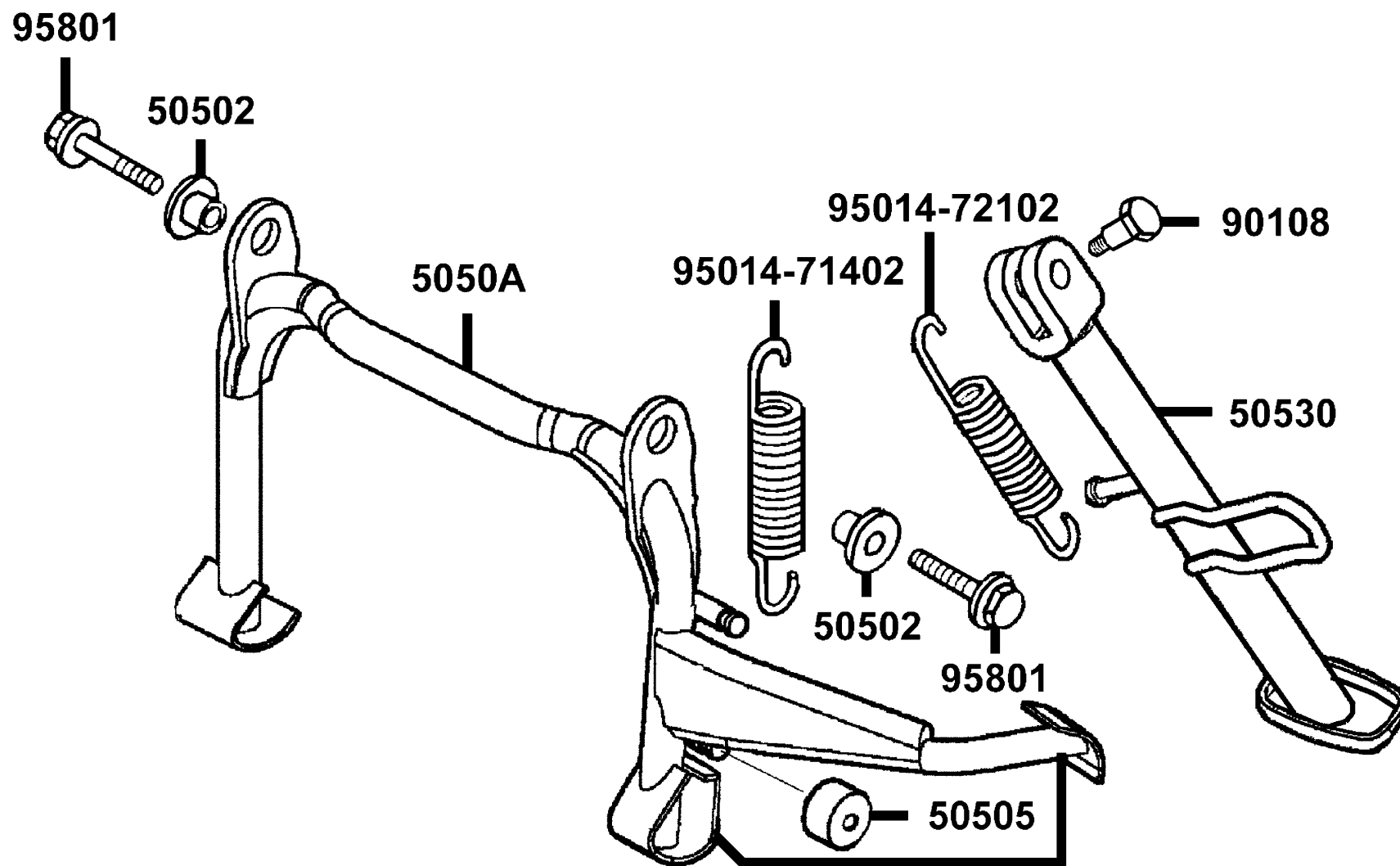
Sales mark 配色標註	Ref no 參考號碼	Part no 零件號碼	Description 英文名稱	Reg description 中文名稱	Regd no 需求用量	F13
	11211	11211-LBE3-900	TUBE BREATHER	通氣管	1	
	17208	17208-GAR1-011	COLLAR AIR/C SET	套筒	2	
	17211	17211-KEC6-900	ELEMENT COMP AIR/C	空氣濾清器	1	
	17214	17214-KEC6-900	SEAL AIR/C COVER	空氣濾清器箱蓋油封	1	
	17231	17231-LAD9-900	COVER COMP AIR/C	空氣濾清器蓋	1	
	1723A	1723A-LGL3-900	CASE ASSY AIR/C	空氣濾清器箱組	1	
	17359-4K19	17359-4K19-671	JOINT BREATHER TUBE	通氣管接頭	1	
	17359-LBE3	17359-LBE3-900	JOINT BREATHER TUBE	通氣管接頭	1	
	17370	17370-4K19-701	PLUG BREATHER TUBE	管塞	1	
	17371	17371-1D74-671	CLIP BREATHER TUBE	通氣管夾	2	
	90114	90114-GDM4-011	BOLT FLANGE 6*28	螺絲 6*28	2	
	90652	90652-GFY6-901	BAND 49 AIR/C CONNECTING TUBE	連接管固定帶	1	
	93891	93891-05016-08	SCREW WASHER 5*16	螺絲 5X16	3	
	93903	93903-25460	SCREW TAPPING 4*12	螺釘 4*12	5	
	95002-02100	95002-02100	CLIP B15 TUBE	管夾	1	
	95002-02120	95002-02120	CLIP B12 TUBE	管夾 B12	1	
	95002-02130	95002-02130	CLIP B 12.5 TURE	管夾	1	
	95002-41050	95002-41050-00	CLIP D10.5 TUBE	管夾	1	
	95003	95003-23024-60	V TUBE 8*12*240	通氣管	1	



Sales mark 配色標註	Ref no 參考號碼	Part no 零件號碼	Description 英文名稱	Reg description 中文名稱	Regd no 需求用量	F14
	18291-KEBE	18291-KEBE-900	COLLAR	套筒	3	
	18291-LBD4	18291-LBD4-900	GASKET EXH PIPE	排氣管墊圈	1	
	18292	18292-KEBE-900	PACKING PROTECTOR	墊片	3	
	18293	18293-KEBE-900	RUBBER PKG PROTR	橡皮	3	
	18294	18294-KEBE-900	PACKING PROTECTOR	防熱墊片	3	
**	1830A-LGL3-90A	1830A-LGL3-90A	MUFFLER ASSY EXH	排氣管組	1	
**	1830A-LGL3-90B	1830A-LGL3-90B	MUFFLER ASSY EXH	排氣管組	1	
**	18317	18317-LLF5-900	PROTECTOR COMP MUFFLER	排氣管護蓋 ** (0) C.2005.12.07	1	
	39450	39450-LEA6-800	O2 SENSOR	氧氣感測器	1	
	90021	90021-GFY6-900	BOLT WASHER COMP	螺絲	1	
	90110	90110-KEBE-900	SCREW SPECIAL 6*22	螺絲 6*22	3	
	90301	90301-GFY6-901	NUT (HEX) CAP 8MM	圓螺帽 8MM	2	
	94101	94101-06200	WASHER PLAIN 6MM	平華司	1	
	95801	95801-08042-06	BOLT FLANGE 8*42	螺絲 8*42	1	
	96001	96001-06008-07	BOLT FLANGE SH 6*8	螺絲 6*8	1	

F15

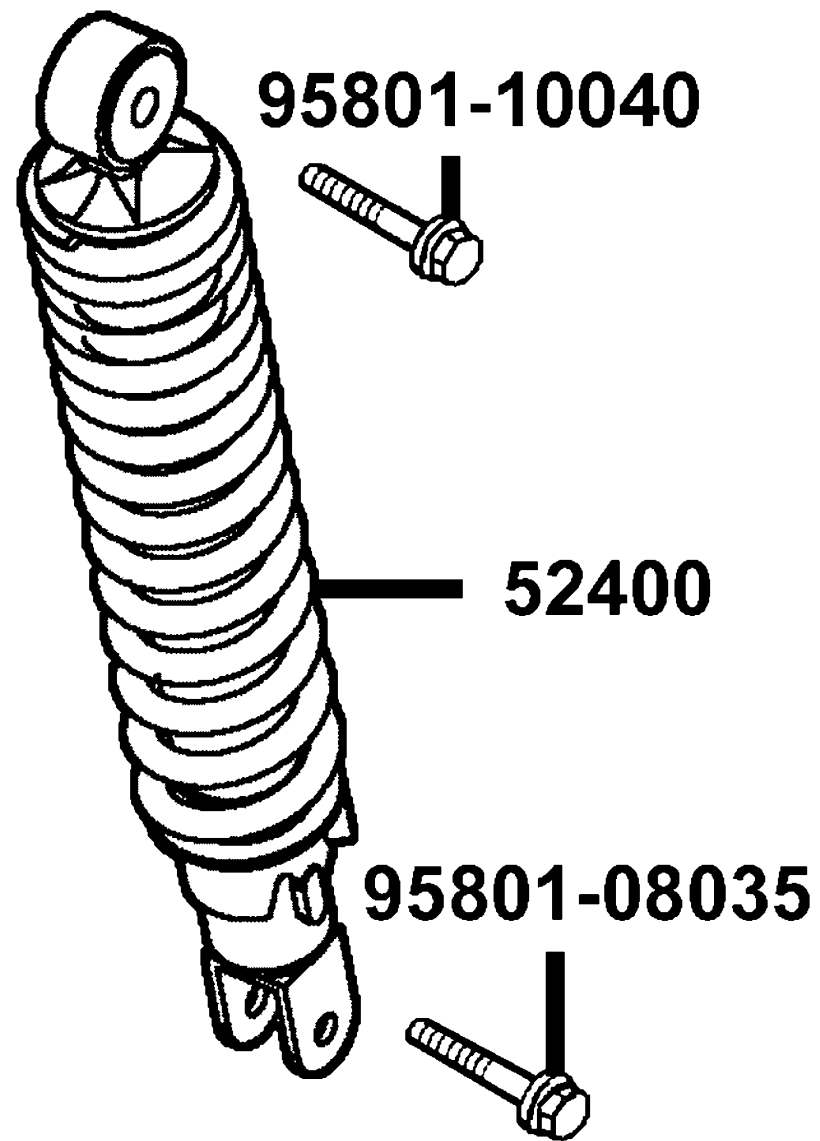
Stand Kick Starter Arm 腳架 起動踏桿



Sales mark 配色標註	Ref no 參考號碼	Part no 零件號碼	Description 英文名稱	Reg description 中文名稱	Regd no 需求用量	F15
	50502	50502-GFY6-901	COLLAR MAIN STAND	主腳架套環	2	
	50505	50505-KKD7-900	RUBBER STOPPER MAIN	主腳架橡皮	1	
	5050A	5050A-KHE2-800	STAND ASSY MAIN	主腳架	1	
	50530	50530-KHD6-900	SIDE STAND COMP	側腳架	1	
	90108	90108-KUDU-900	SCREW SIDE STAND PIVOT	側腳架螺絲	1	
	95014-71402	95014-71402	SPRING D MAIN STAND	主腳架彈簧	1	
	95014-72102	95014-72102	SPG A SIDE STAND	側腳架彈簧	1	
	95801	95801-10025-08	BOLT FLANGE 10*25	螺絲 10*25	2	

F16

Rear Cushion 後避震器

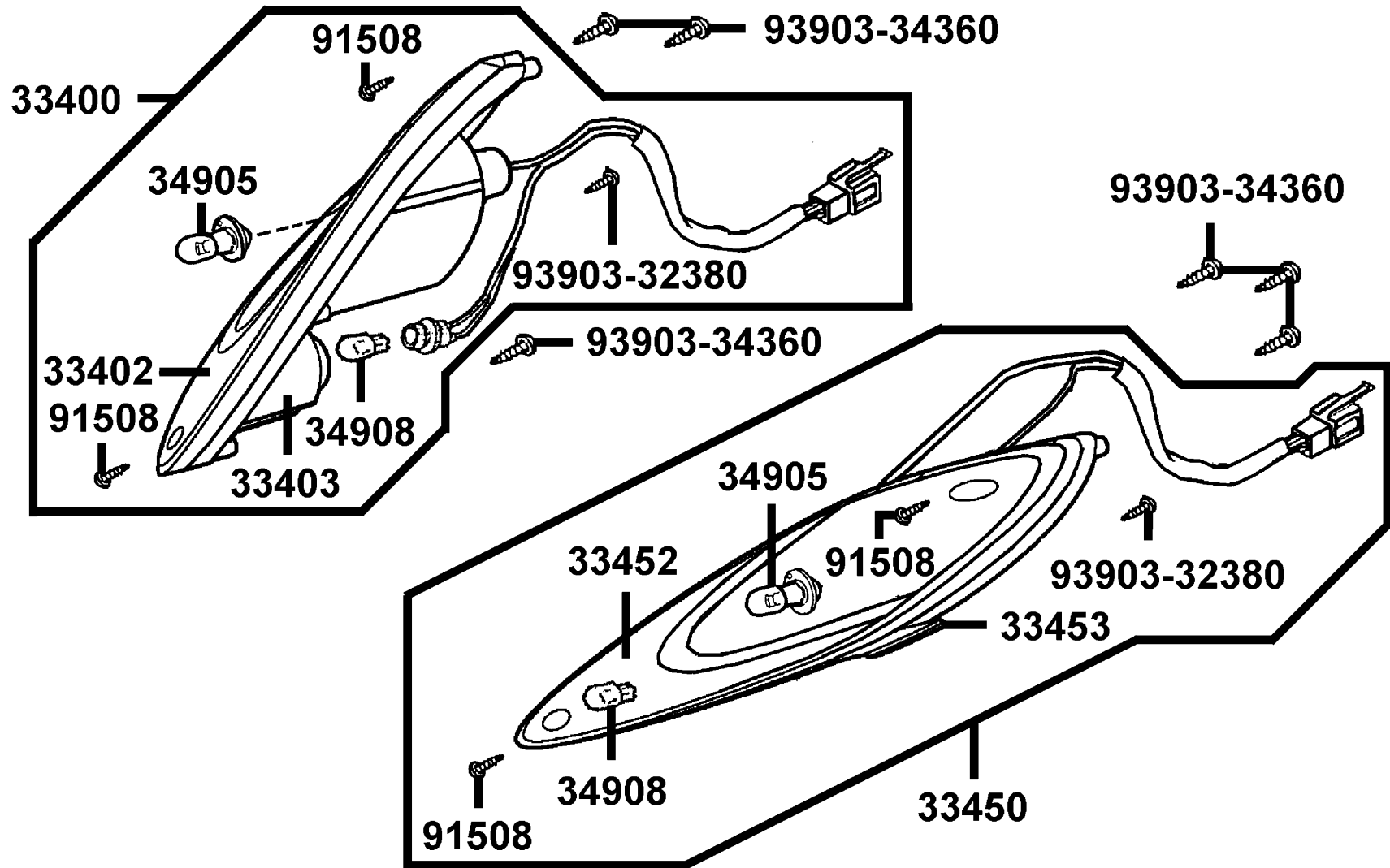


Sales mark 配色標註	Ref no 參考號碼	Part no 零件號碼	Description 英文名稱	Reg description 中文名稱	Regd no 需求用量	F16
**	52400	52400-KEC6-900	CUSHION ASSY RR	後避震器	1	
	95801-08035	95801-08035-08	BOLT FLANGE 8*35	螺絲 8*35	1	
#	95801-10040	95801-10040-08	BOLT FLANGE 10*40	特殊螺絲 10*40	1	

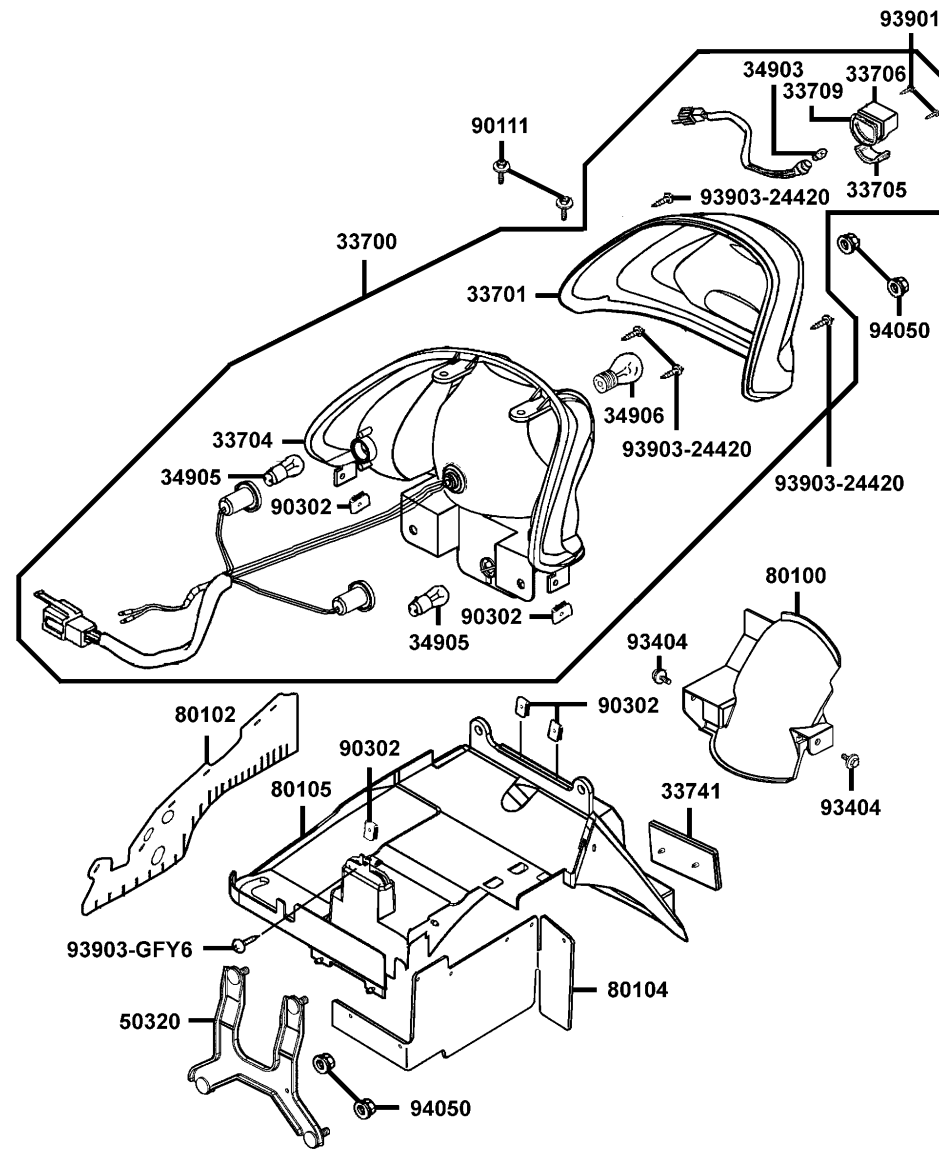
F17

Front Winker

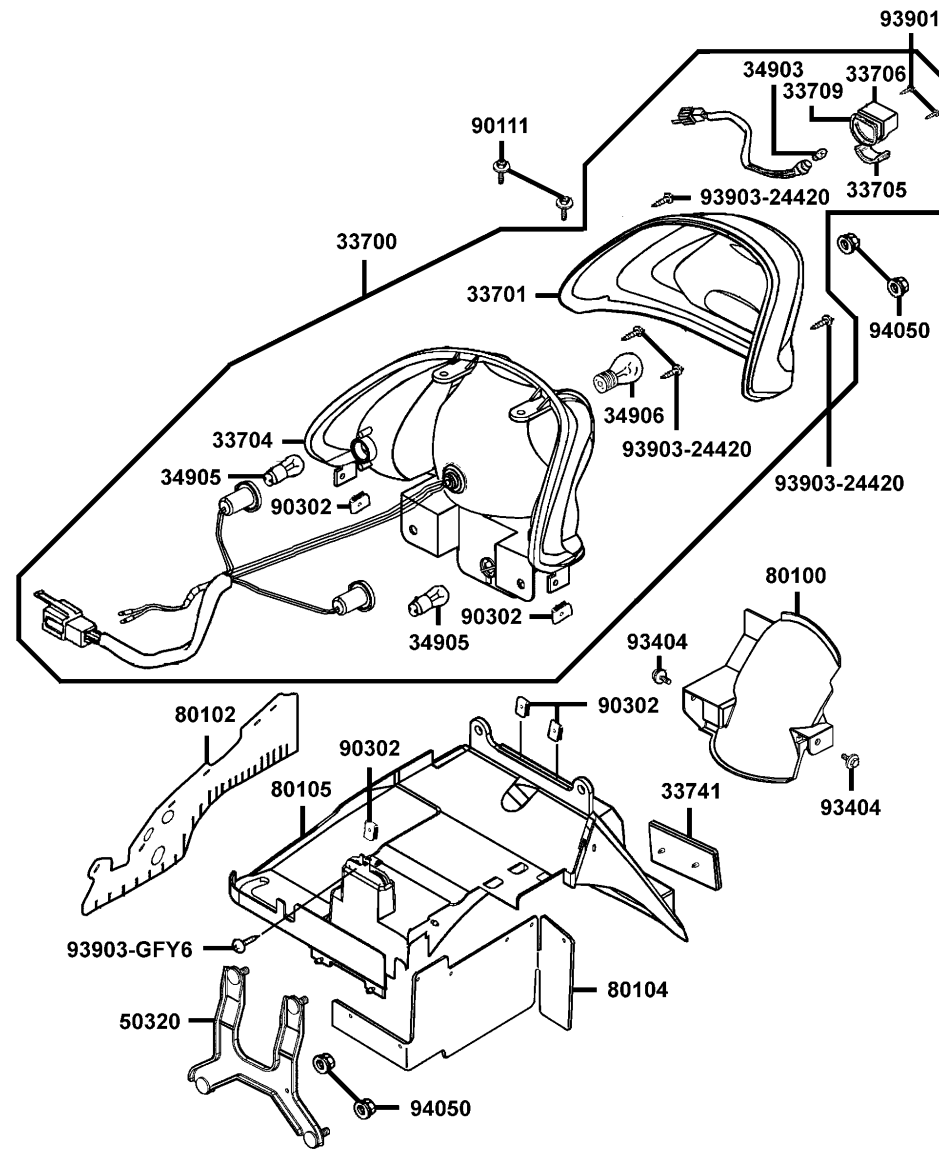
前方向燈



Sales mark 配色標註	Ref no 參考號碼	Part no 零件號碼	Description 英文名稱	Reg description 中文名稱	Regd no 需求用量	F17
	33400	33400-KKC8-900	WINKER ASSY R FR	右前方向燈組	1	
	33402	33402-KKC8-900	LENS R FR WINKER	右前方向燈殼	1	
	33403	33403-KKC8-900	BASE R FR WINKER	右前方向燈座	1	
	33450	33450-KKC8-900	WINKER ASSY L FR	左前方向燈組	1	
	33452	33452-KKC8-900	LENS L FR WINKER	左前方向燈殼	1	
	33453	33453-KKC8-900	BASE L FR WINKER	左前方向燈座	1	
	34905	34905-KHC4-900	BULB WINKER	方向燈泡	2	
	34908	34908-GGA7-70A	BULB WEDGE BASE 12V*3.4W	儀錶內指示燈泡	2	
	91508	91508-KGV7-67A	SCREW TAPPING 4*14	螺絲 4*14	4	
	93903-32380	93903-32380	SCREW TAPPING 3*12 (K)	鐵鉸牙Torus(平尾有溝)黑色	2	
	93903-34360	93903-34360	SCREW TAPPING 4*12	螺絲 4*12	6	

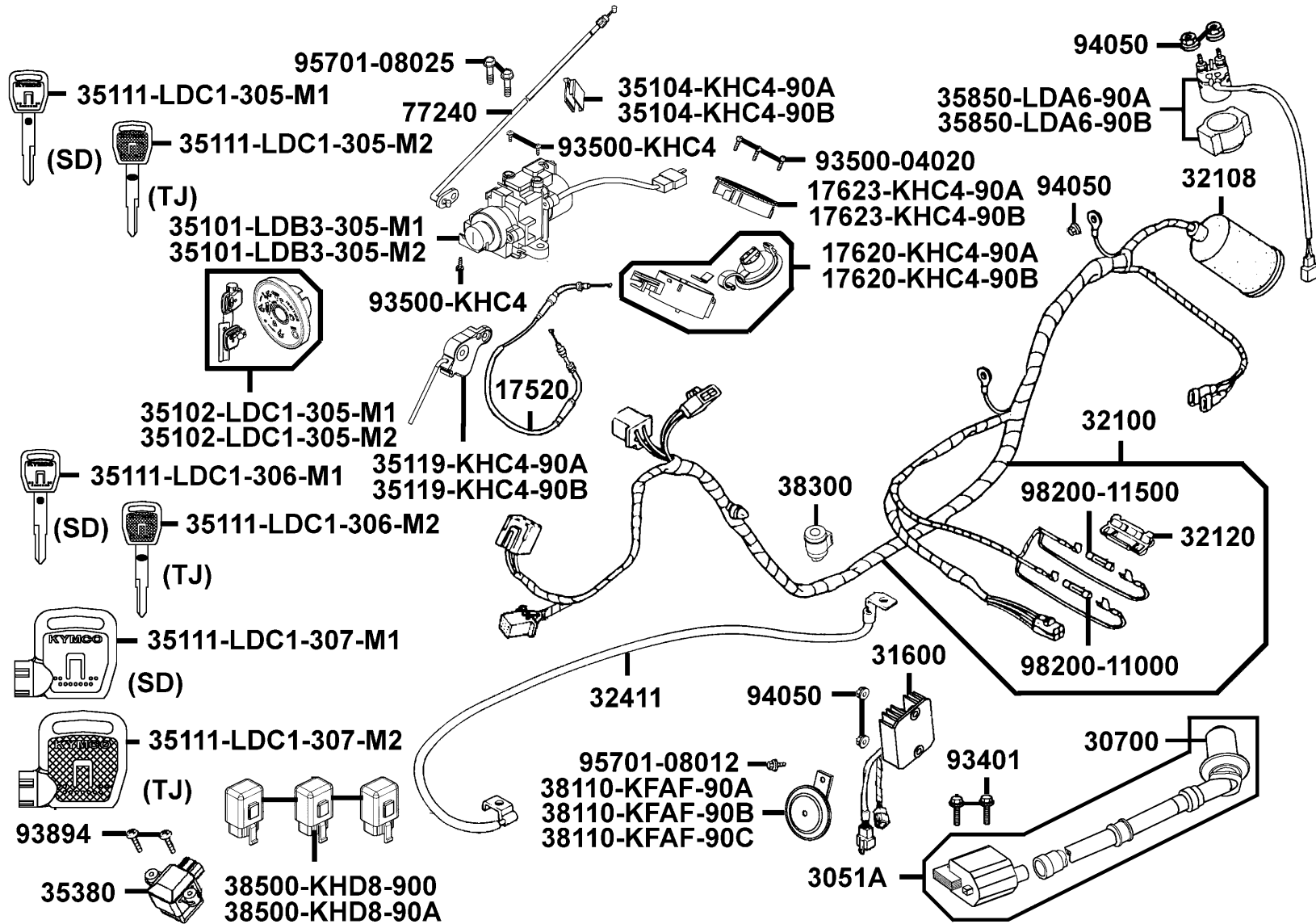


Sales mark 配色標註	Ref no 參考號碼	Part no 零件號碼	Description 英文名稱	Reg description 中文名稱	Regd no 需求用量	F18
	33700	33700-KHE2-920	LIGHT SET RR COMB	後燈組	1	
	33701	33701-KHE2-900	LENS COMP TAIL LIGHT	後燈殼	1	
	33704	33704-KHE2-900	BASE COMP TAIL LIGHT	後燈座	1	
	33705	33705-GCN3-67A	LENS LICENSE	牌照燈殼	1	
	33706	33706-GCN3-67A	COVER LICENSE	後牌照燈蓋	1	
	33709	33709-KBAB-003	PACKING LICENSE	牌照燈墊圈	1	
	33741	33741-KEC8-900	REFLEX REFLECTOR	反光鏡片	1	
	34903	34903-KALA-900	BULB POSITION	位置燈燈泡	1	
	34905	34905-LBC9-900	BULB WINKER 12C5W	燈泡	2	
	34906	34906-2H68-601	BULB TAIL LIGHT	後燈泡	1	
	50320	50320-KEC6-900	STAY TAIL LIGHT	後燈支架	1	
	80100	80100-KKE3-900	FENDER RR TIRE	後輪上土除	1	
	80102	80102-KUDU-900	PLATE SPLASH BOARD	防濺橡皮	1	
	80104	80104-KHE2-900	PLATE SPLASH GUARD	防濺橡皮	1	
**	80105	80105-KEC6-900	FENDER REAR	後土除	1	
#	90111	90111-1G87-001	BOLT FLANGE 6MM	螺絲 6MM	2	
	90302	90302-SDA4-004	NUT SPRING 4MM	螺帽 4MM	5	
	93404	93404-06016-06	BOLT WASHER 6*16	螺絲 6*16	2	
	93901	93901-32310	SCREW TAPPING 3*12	螺釘 3*12	2	
	93903-24420	93903-24420	SCREW TAPPING 4*16	螺釘 4*16	4	



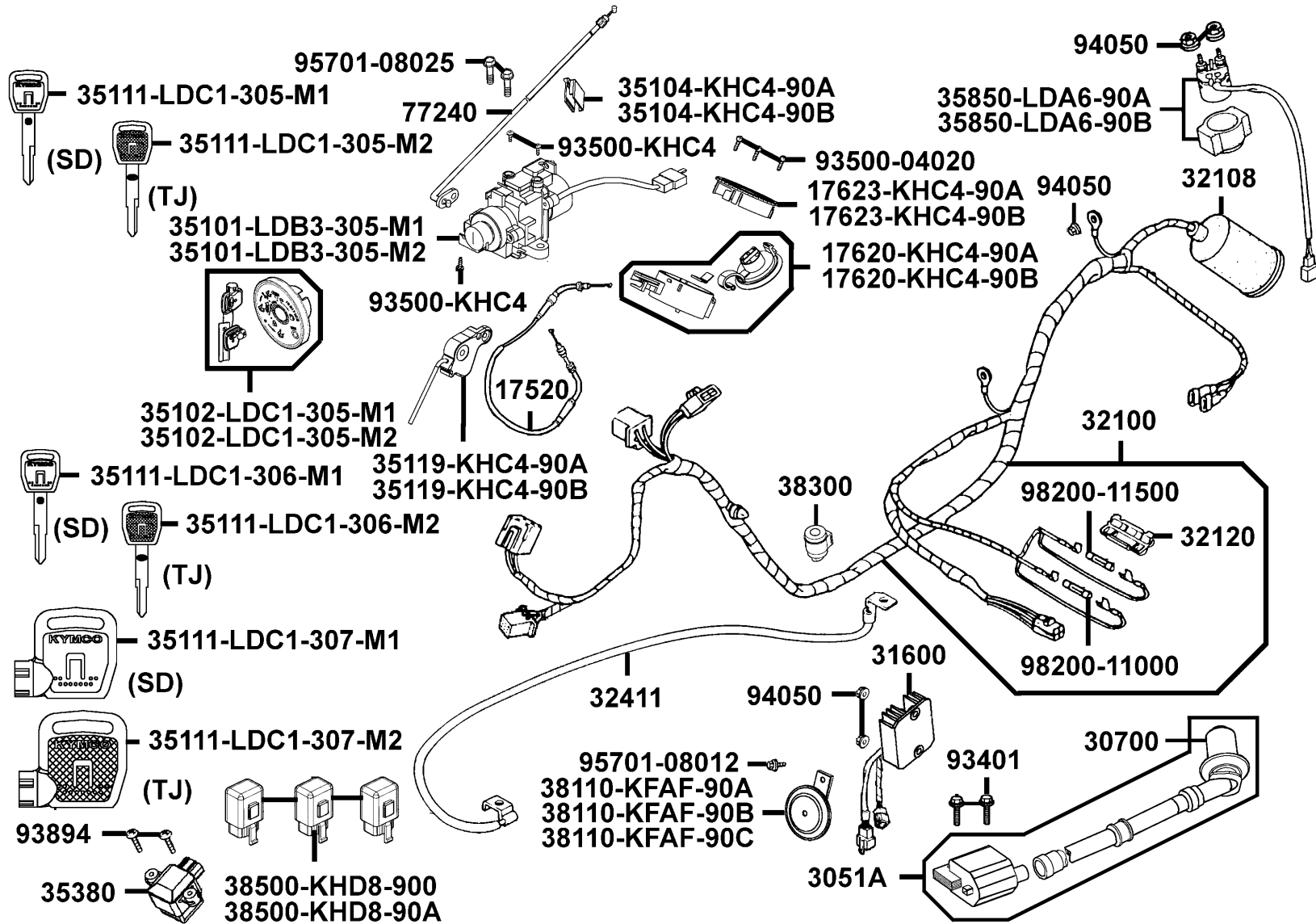
Sales mark 配色標註	Ref no 參考號碼	Part no 零件號碼	Description 英文名稱	Reg description 中文名稱	Regd no 需求用量
#	93903-GFY6	93903-GFY6-900	SCREW TAPPING 4*14	螺絲 4*14	1
	94050	94050-06080	NUT FLANGE 6MM	螺帽 6MM	4

F18



Sales mark 配色標註	Ref no 參考號碼	Part no 零件號碼	Description 英文名稱	Reg description 中文名稱	Regd no 需求用量	F19
	17520	17520-LLF5-900	CABLE COMP FUEL CAP	油箱蓋導線	1	
	17620-KHC4-90A	17620-KHC4-90A	CAP COMP FUEL FILLER	油箱蓋	1	
	17620-KHC4-90B	17620-KHC4-90B	CAP COMP FUEL FILLER	油箱蓋	1	
	17623-KHC4-90A	17623-KHC4-90A	COLLAR FUEL CAP	油箱蓋套筒	1	
	17623-KHC4-90B	17623-KHC4-90B	COLLAR FUEL CAP	油箱蓋套筒	1	
	3051A	3051A-LGL3-900	COIL ASS'Y IGN	點火線圈	1	
	30700	30700-LGL3-900	CAP ASSY NOISE SUPPRESOR	火星塞蓋	1	
	31600	31600-LEA5-E00	REG REC COMP	整流器	1	
	32100	32100-LGL3-900	HARNESS WIRE	主配線	1	
	32108	32108-GAR1-711	COVER HARNESS WIRE	主配線蓋	1	
	32120	32120-3C83-831	CASE 10A FUSE	保險絲盒	2	
	32411	32411-KHE2-900	CABLE BAT	電瓶導線	1	
	35101-LDB3-305-M1	35101-LDB3-305-M1	SW COMB LOCK FOR SERVICE	主開關	1	
	35101-LDB3-305-M2	35101-LDB3-305-M2	SW COMB LOCK FOR SERVICE	主開關	1	
	35102-LDC1-305-M1	35102-LDC1-305-M1	SHUTIER SET MAGNETIC LOCK	磁石鎖組/2合1KEY	1	
	35102-LDC1-305-M2	35102-LDC1-305-M2	SHUTIER SET MAGNETIC LOCK	磁石鎖組/2合1KEY	1	
	35104-KHC4-90A	35104-KHC4-90A	PLATE COVER FUEL CAP CABLE	油箱蓋導線防數蓋	1	
	35104-KHC4-90B	35104-KHC4-90B	PLATE COVER FUEL CAP CABLE	油箱蓋導線防數蓋	1	
	35111-LDC1-305-M1	35111-LDC1-305-M1	KEY COMP (R TANGENT PLANE/SD)	未加工主開關鑰匙/右切/SD	2	
	35111-LDC1-305-M2	35111-LDC1-305-M2	KEY COMP (R TANGENT PLANE/TJ)	未加工主開關鑰匙/右切/TJ	2	

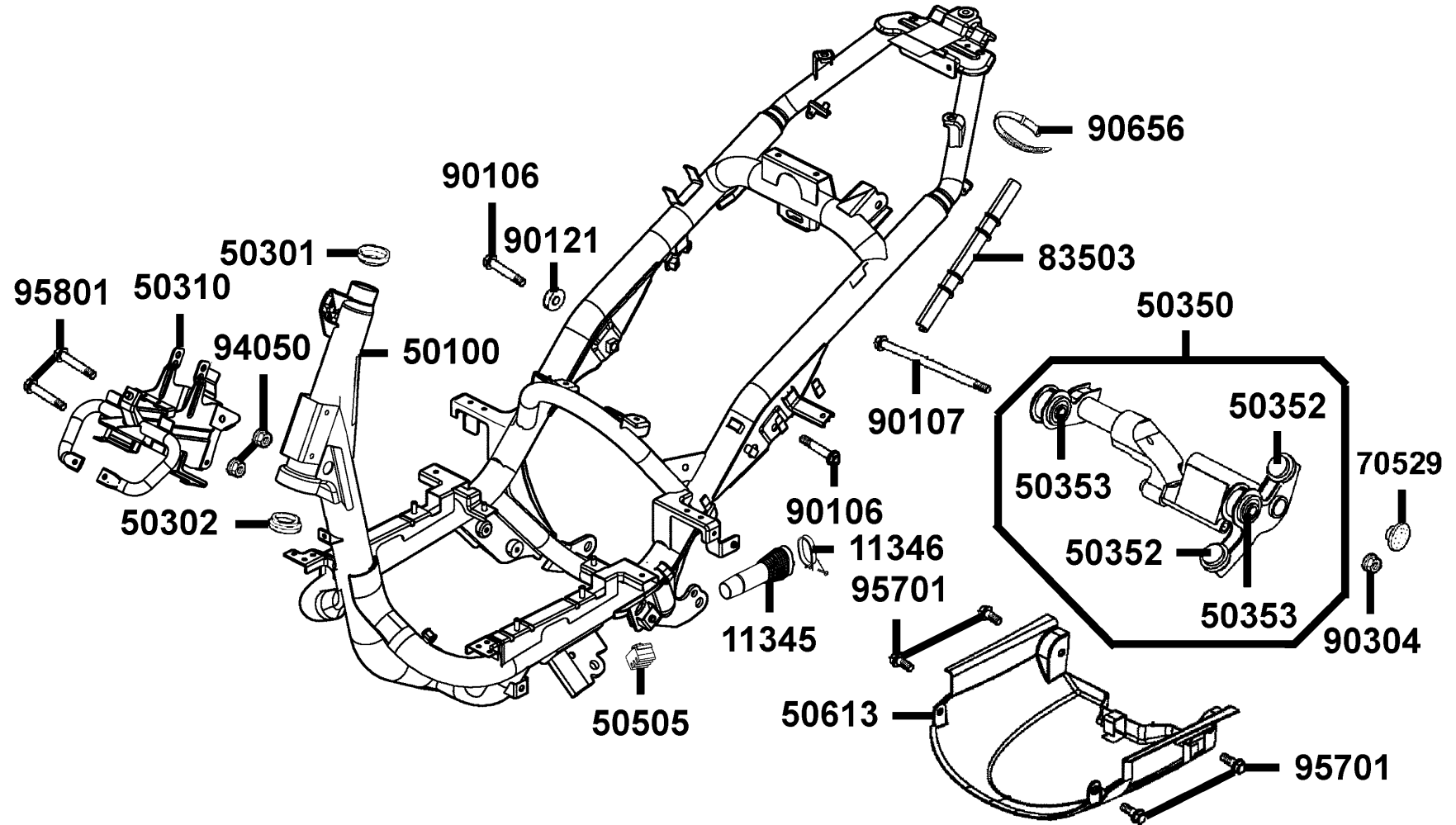
Sales mark 配色標註	Ref no 參考號碼	Part no 零件號碼	Description 英文名稱	Reg description 中文名稱	Regd no 需求用量	F19
	35111-LDC1-306-M1	35111-LDC1-306-M1	KEY COMP (L TANGENT PLANE/SD)	未加工主開關鑰匙/左切/SD	2	
	35111-LDC1-306-M2	35111-LDC1-306-M2	KEY COMP (L TANGENT PLANE/TJ)	未加工主開關鑰匙/左切/TJ	2	
	35111-LDC1-307-M1	35111-LDC1-307-M1	KEY COMP SHOTTER MAGNETIC (SD)	磁石鑰匙/SD	2	
	35111-LDC1-307-M2	35111-LDC1-307-M2	KEY COMP SHOTTER MAGNETIC (TJ)	磁石鑰匙/TJ	2	
	35119-KHC4-90A	35119-KHC4-90A	COVER SEAT CABLE	座墊外蓋導線	1	
	35119-KHC4-90B	35119-KHC4-90B	COVER SEAT CABLE	座墊外蓋導線	1	
	35380	35380-LEA2-900	SENSOR ANGLE DETECT	傾倒角度感知器	1	
	35850-LDA6-90A	35850-LDA6-90A	SET START MAG	起動開關組	1	
	35850-LDA6-90B	35850-LDA6-90B	SET START MAG	起動開關組	1	
	38110-KFAF-90A	38110-KFAF-90A	HORN COMP	喇叭	1	
	38110-KFAF-90B	38110-KFAF-90B	HORN COMP	喇叭	1	
	38110-KFAF-90C	38110-KFAF-90C	HORN COMP	喇叭	1	
#	38300	38300-LBC6-90A	RELAY COMP WINKER	方向燈繼電器	1	
	38500-KHD8-900	38500-KHD8-900	RELAY ASSY LIGHT	繼電器	3	
	38500-KHD8-90A	38500-KHD8-90A	RELAY ASSY LIGHT	繼電器	3	
	77240	77240-KKC8-900	CABLE COMP SEAT LOCK	座墊導線	1	
	93401	93401-04025-08	BOLT WASHER 4*25	墊圈	2	
	93500-04020	93500-04020-0G	SCREW PAN 4*20	螺絲 4*20	3	
	93500-KHC4	93500-KHC4-90A	SCREW PAN 5*10	螺絲 5*10	3	
	93894	93894-04022-08	SCREW PLAIN WASHER 4*22	螺絲 4*22	2	



Sales mark 配色標註	Ref no 參考號碼	Part no 零件號碼	Description 英文名稱	Reg description 中文名稱	Regd no 需求用量	F19
	94050	94050-06080	NUT FLANGE 6MM	螺帽 6MM	5	
	95701-08012	95701-08012-08	BOLT FLANGE 8*12	螺絲 8*12	1	
	95701-08025	95701-08025-08	BOLT FLANGE 8*25	螺絲 8*25	2	
	98200-11000	98200-11000	FUSE 10A	保險絲 10A	1	
	98200-11500	98200-11500	FUSE A15	保險絲 A15	1	

F20

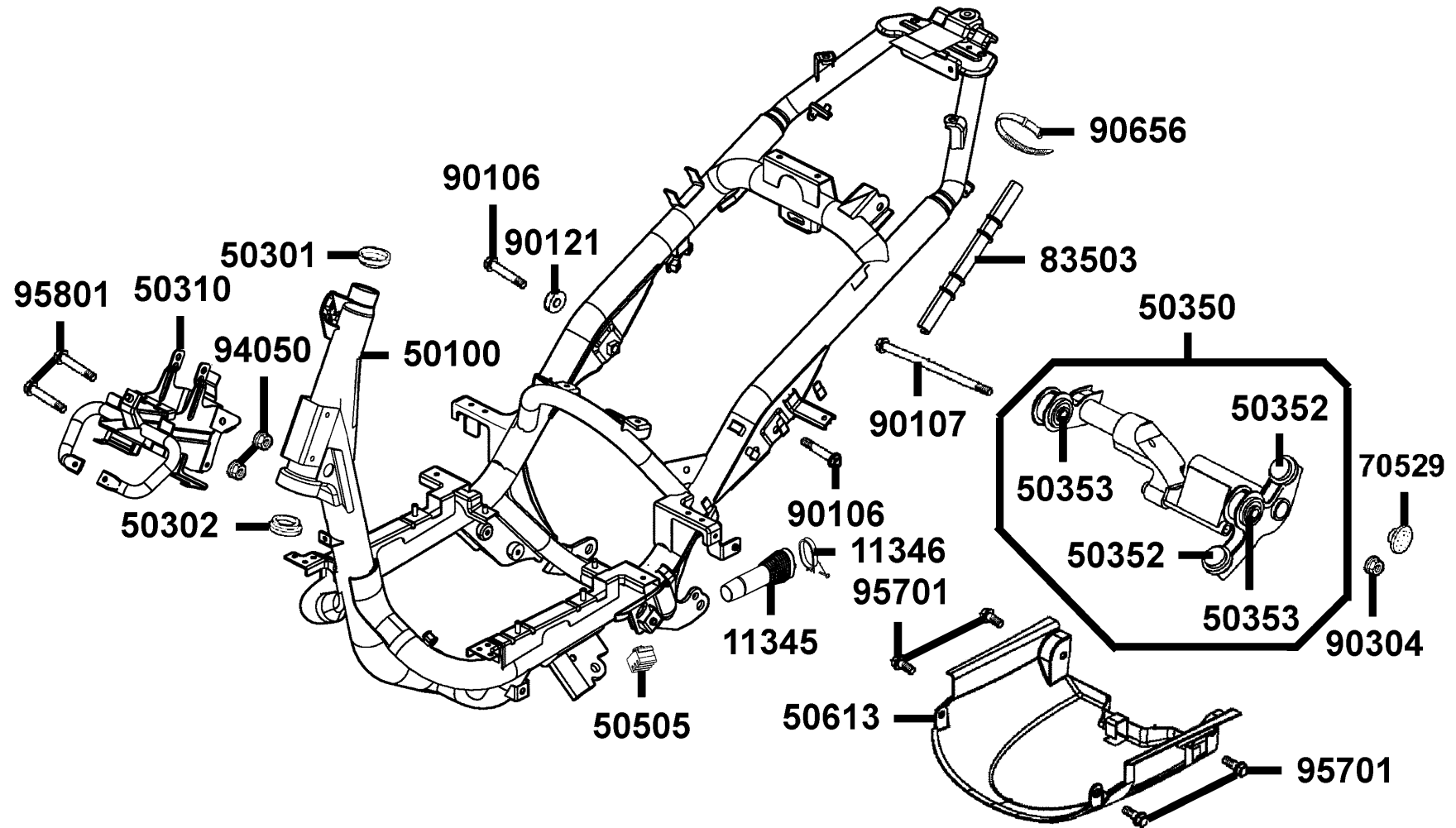
Frame Body 車體



Sales mark 配色標註	Ref no 參考號碼	Part no 零件號碼	Description 英文名稱	Reg description 中文名稱	Regd no 需求用量	F20
	11345	11345-LAD9-900	DUCT L COVER	冷卻導管	1	
	11346	11346-GFY6-901	BAND L COVER DUCT	導管束帶	1	
	50100	50100-LGL3-900	BODY COMP FRAME	車體	1	
	50301	50301-KGN7-671	RACE UP STRG BALL	上珠碗	1	
	50302	50302-2H68-011	RACE STRG BOT BALL	下珠碗	1	
	50310	50310-LGJ9-900	STAY,LEG SHIELD	內箱幹殼支架	1	
	50350	50350-LLF5-900	ENG HANGER ASSY	引擎吊架	1	
	50352	50352-GFY6-901	RUBBER STOPPER	吊架橡皮	2	
	50353	50353-LEB1-900	BUSH SWING LOCK	襯套	2	
	50505	50505-KUDU-900	STOPPER RUBBER	主腳架橡皮	1	
**	50613	50613-KHE2-900	COVER UNDER	電瓶底蓋	1	
	70529	70529-KUDU-900	GROM B SIDE PNL	橡皮塞	1	
	83503	83503-KHC4-900	COVER PROTECT SEAT WIRE FR	座墊導線護蓋	1	
	90106	90106-GFY6-901	BOLT FLANGE 10*55	螺絲 10*55	2	
	90107	90107-KUDU-900	BOLT FLANGE 10*188	螺絲 10*188	1	
	90121	90121-GFY6-901	COLLAR DISTANCE	套筒	1	
	90304	90304-GHE8-004	NUT U 10MM	螺帽 10MM	1	
**	90656	90656-KUDU-900	BAND HARNESS WIRE	束帶	1	
	94050	94050-06080	NUT FLANGE 6MM	螺帽 6MM	2	
#	95701	95701-06012-08	BOLT FLANGE 6*12	螺絲 6*12	4	

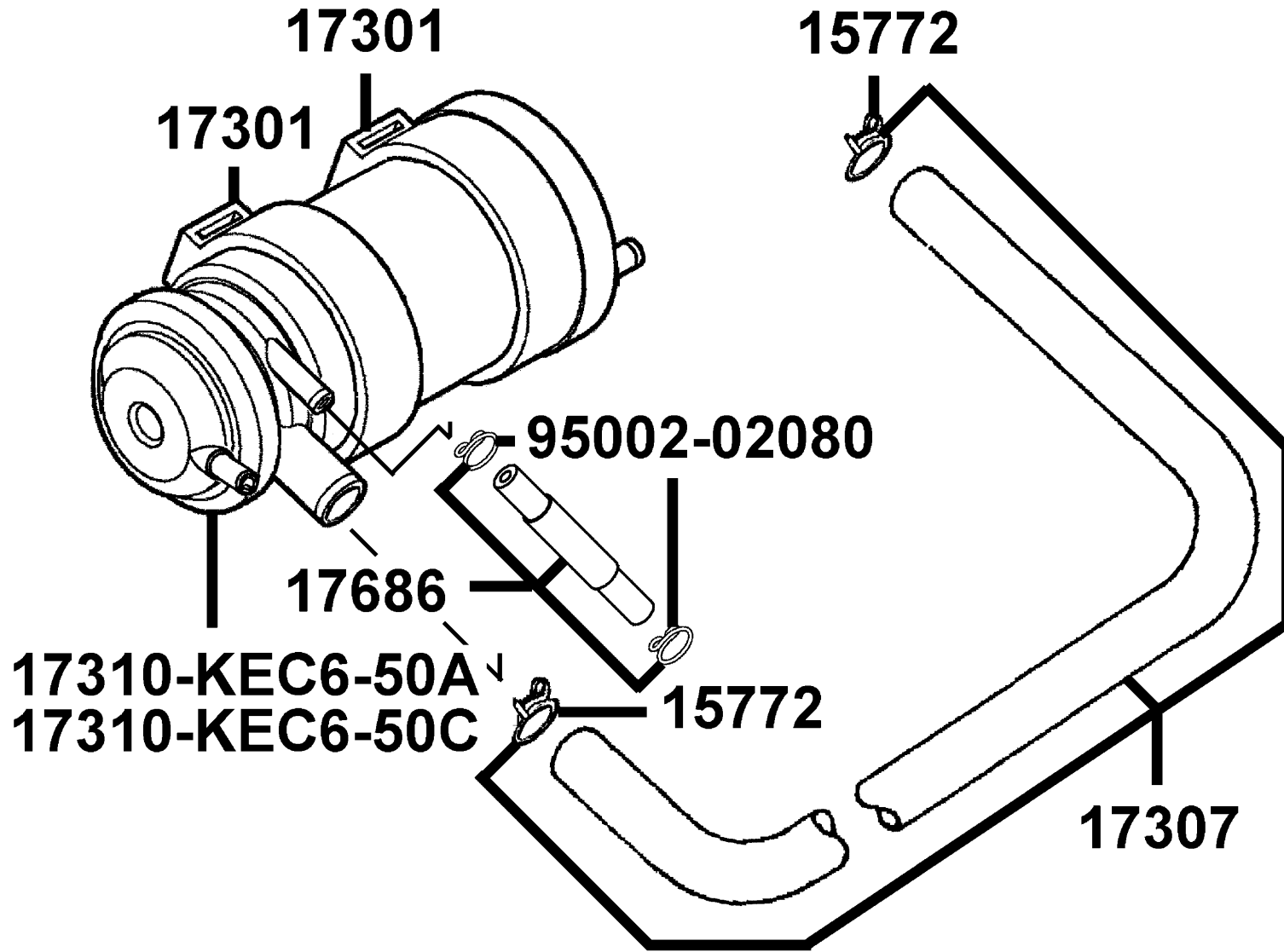
F20

Frame Body 車體

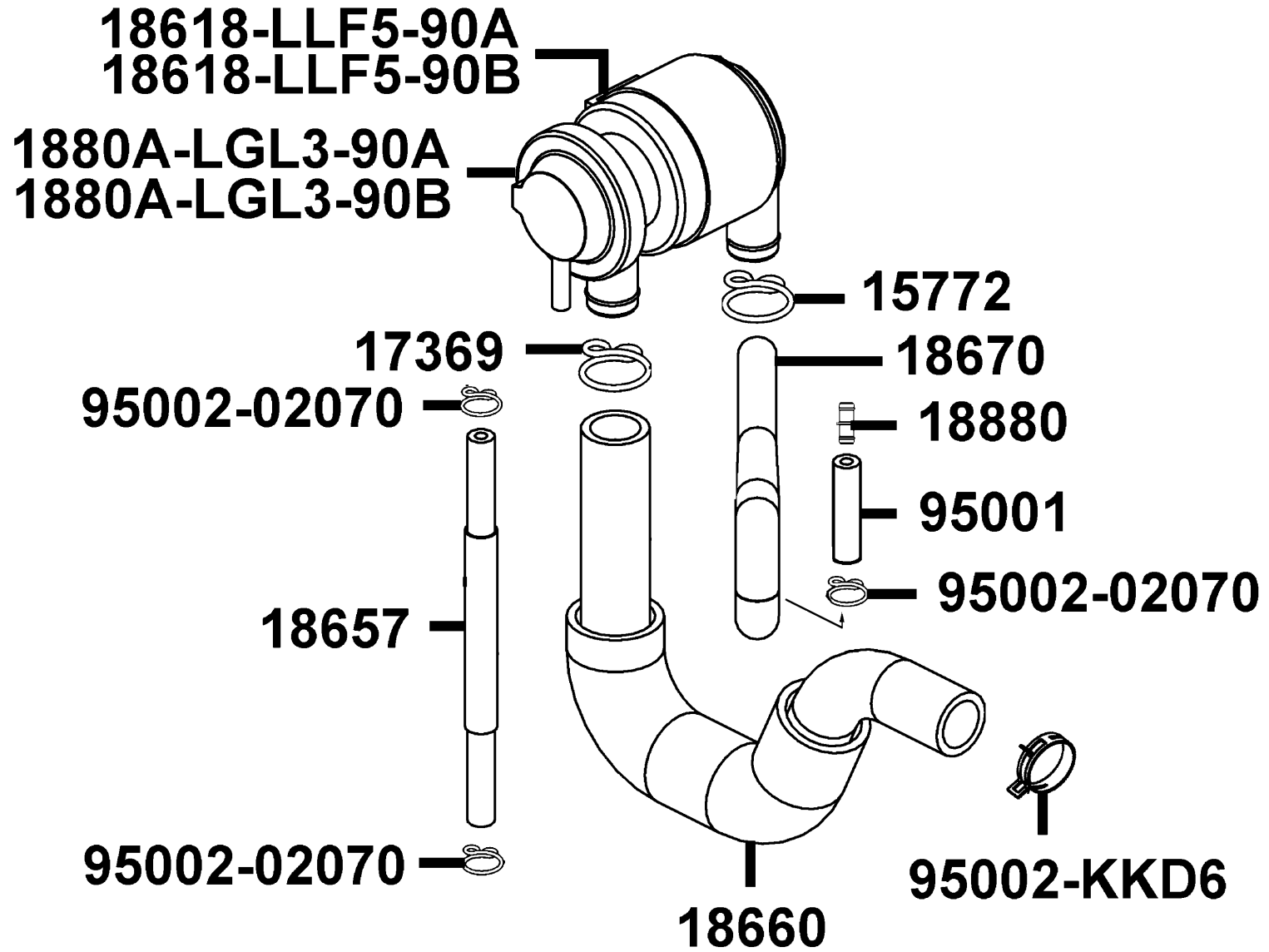


Sales mark 配色標註	Ref no 參考號碼	Part no 零件號碼	Description 英文名稱	Reg description 中文名稱	Regd no 需求用量
	95801	95801-06050-08	BOLT FLANGE 6*50	螺絲 6*50	2

F20



Sales mark 配色標註	Ref no 參考號碼	Part no 零件號碼	Description 英文名稱	Reg description 中文名稱	Regd no 需求用量	F21
	15772	15772-5L00-013	CLIP B14.5 TUBE	管夾	2	
	17301	17301-KNBN-960	RUBBER CANISTER MOUNT	活性碳罐懸掛橡皮	2	
	17307	17307-LGJ8-900	TUBE ASSY CANISTER-AIR/C	通氣管	1	
	17310-KEC6-50A	17310-KEC6-50A	CANISTER COMP	活性碳罐	1	
	17310-KEC6-50C	17310-KEC6-50C	CANISTER COMP	活性碳罐	1	
	17686	17686-KBCB-900	TUBE FUEL FILLER-CANISTER	油管	1	
	95002-02080	95002-02080	CLIP B8 TUBE	管夾	2	

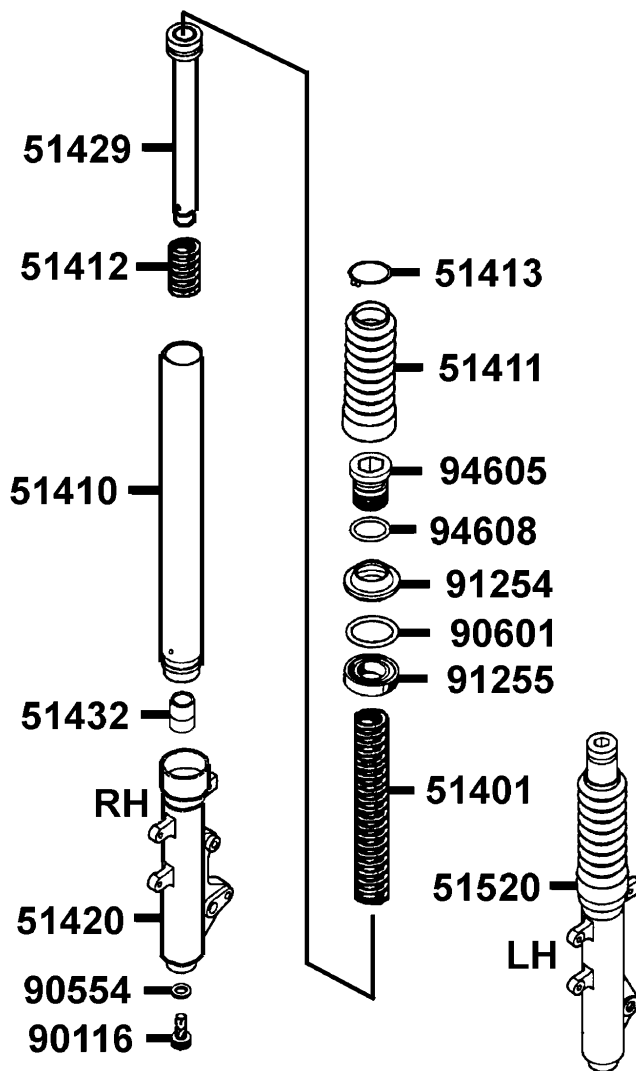


Sales mark 配色標註	Ref no 參考號碼	Part no 零件號碼	Description 英文名稱	Reg description 中文名稱	Regd no 需求用量	F22
	15772	15772-5A51-001	CLIP BREATHER TUBE	通氣管夾	1	
	17369	17369-KDB4-671	CLIP BREATHER TUBE	通氣管夾	1	
	18618-LLF5-90A	18618-LLF5-90A	RUBBER AICV MOUNT	ACV橡皮	1	
	18618-LLF5-90B	18618-LLF5-90B	RUBBER AICV MOUNT	橡皮	1	
	18657	18657-LGJ8-900	TUBE ASSY AICV-INLET PIPE	通氣管	1	
	18660	18660-LGL3-900	DUCT AICV-REED VALVE	通氣管	1	
	18670	18670-LGL3-900	DUCT AICV-JOINT	二次空氣濾清導管	1	
	1880A-LGL3-90A	1880A-LGL3-90A	AI/C-AICV ASSY	空氣噴射控制閥	1	
	1880A-LGL3-90B	1880A-LGL3-90B	AI/C-AICV ASSY	空氣噴射控制閥	1	
	18880	18880-KKD7-E00	"BODY, FLOW CONTROL "	流量控制器	1	
	95001	95001-45065-40	TUBE FUEL 4.5*65	油管 4.5*65	1	
	95002-02070	95002-02070	CLIP B7 TUBE	管夾	3	
	95002-KKD6	95002-KKD6-E05	CLAMP D18 TUBE	管夾	1	

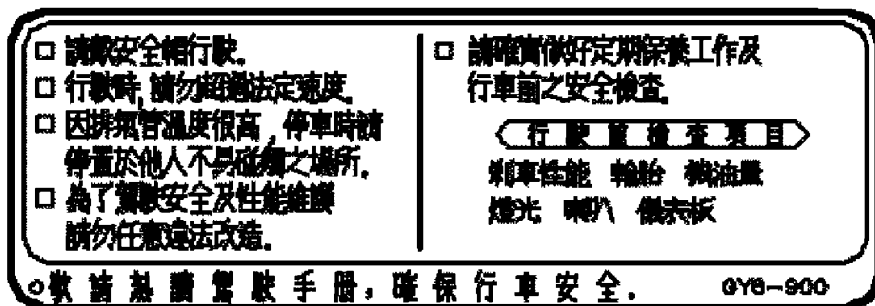
F23

Separated Parts Of Fr Fork

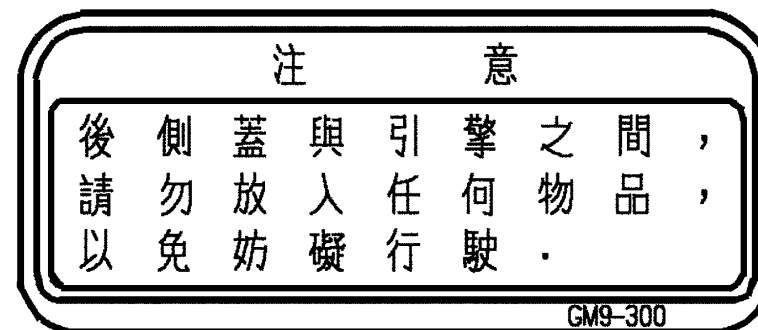
前叉附件



Sales mark 配色標註	Ref no 參考號碼	Part no 零件號碼	Description 英文名稱	Reg description 中文名稱	Regd no 需求用量	F23
	51401	51401-KHD6-800	SPRING	彈簧	2	
	51410	51410-KEC6-800	FORK PIPE COMP	前避震器管	2	
	51411	51411-KEBE-E00	BOOT	護套	2	
	51412	51412-KECE-900	REBOUND SPRING	回位彈簧	2	
	51413	51413-KEBE-E00	BOOT BAND	橡皮護套扣環	2	
**	51420	51420-KUDU-W00	BOTTOM CASE R	右前避震器底管	1	
	51429	51429-KHD6-900	PIPE SEAT COMP	避震管座	2	
	51432	51432-KGM7-911	OIL LOCK PIECE	止油接頭	2	
**	51520	51520-KUDU-W00	BOTTOM CASE L	左前避震器底管	1	
	90116	90116-3C83-72A	BOLT	螺絲	2	
	90554	90554-2C83-001	PACKING	墊片	2	
	90601	90601-3D54-001	RING OIL-SEAL STOPPER	油封止位環	2	
	91254	91254-KEC5-004	DUST SEAL	前避震器防塵封	2	
	91255	91255-4F46-014	OIL SEAL	油封	2	
	94605	94605-KUDU-900	FORK BOLT	螺絲	2	
	94608	94608-30000	O-RING	O環	2	



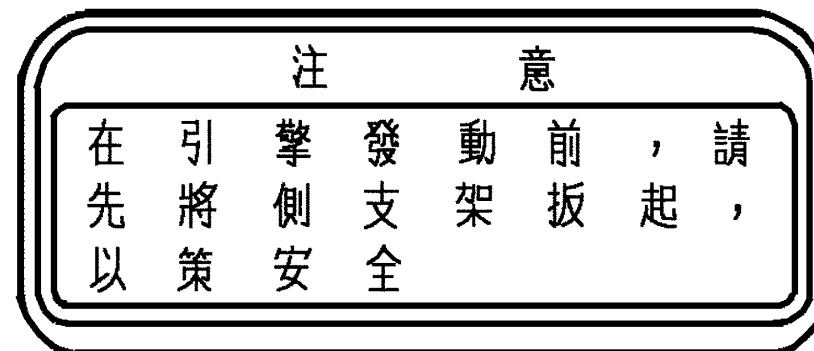
87560



87542



87505



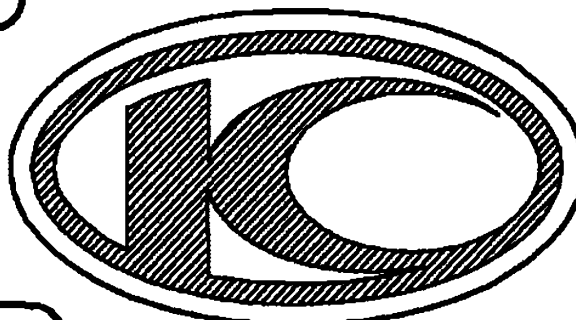
87541

Sales mark 配色標註	Ref no 參考號碼	Part no 零件號碼	Description 英文名稱	Reg description 中文名稱	Regd no 需求用量	F24
**	87505	87505-KUDU-900	LABEL TIRE	標籤	1	
**	87541	87541-GGS7-901	CAUTION SIDE STAND	標籤	1	
**	87542	87542-GKM9-301	MARK MAINT CAUTION	標籤	1	
**	87560	87560-GFY6-900	MARK DRIVE CAUTION	標誌	1	



86202

87502



86404

86102

NO.	CODE	NAME	UNIT	QTY
1	P0217
2	P0555
3	P1120
4	P1121
5	P1122
6	P0560
7	P0110
8	P0410
9	P0505
10	P0251
11	P0350
12	P0230
13	P0219
14	P1560
15	P0700
16	P0115
17	P1561
18	P0550
21	P0105
22	P1110
23	P0136
24	P0141
25	P0171

87546-L882-000

87546

Sales mark 配色標註	Ref no 參考號碼	Part no 零件號碼	Description 英文名稱	Reg description 中文名稱	Regd no 需求用量	F25
**	86102	86102-KKC4-900	EMB K-LOGO 28.5MM	標誌 28.5MM	1	
**	86404	86404-KFA1-900	STRIPE FR FORK	標籤	2	
**	87502	87502-LEB2-900	CAUTION BATTERY	標籤	1	
**	87546	87546-LEB2-900	CAUTION AFI	標籤	1	

PART NO. INDEX

零件號碼索引

PART NO. 零件號碼	VERSION 版數	PAGE 頁次	PART NO. 零件號碼	VERSION 版數	PAGE 頁次	PART NO. 零件號碼	VERSION 版數	PAGE 頁次
11000			11395-KUDU-900	0	E01	14000		
11100-LDA6-305	1	E01	12000			14100-LGJ9-900	2	E02
11102-1G87-004	3	E01	12100-KFA9-C00	3	E03	14321-LLF5-900	3	E02
11192-LDA6-900	1	E01	12191-GFY6-901	1	E03	14401-KUDU-900	0	E03
11200-LED9-305	0	E01	12200-LBE3-900	1	E02	14401-KUDU-90C	0	E03
11203-GGC7-301	2	E01	12209-GDB4-68A	0	E02	14431-KUDU-900	3	E02
11203-KUDU-900	2	E08	12209-GDB4-68B	0	E02	14450-GFY6-901	0	E02
11206-KKE3-900	4	E06	12251-GFY6-90A	1	E02	14452-GFY6-901	0	E02
11207-KKE3-900	6	E04	12311-LAC7-900	0	E02	14510-KUDU-C00	0	E03
11211-LBE3-900	1	F13	12314-LAC7-900	2	E02	14520-GFY6-90A	1	E03
11212-LBE3-900	1	E02	1234A-LBE3-900	3	E02	14523-GFY6-901	0	E03
1122A-LGL3-900	1	E01	12351-LLF5-900	3	E02	14531-GLR0-001	1	E03
11331-KUDU-900	6	E04	12361-GFY6-901	1	E04	14610-KUDU-C00	0	E03
11341-LDA6-900	8	E01	1236A-LLF5-900	3	E02	14711-KUDU-900	1	E02
11342-LDA7-900	3	E01	13000			14721-KUDU-900	0	E02
11345-LAD9-900	1	F20	13000-KUDU-900	7	E03	14751-LFD7-900	2	E02
11346-GFY6-901	0	F20	13011-LAC7-90A	3	E03	14761-KKJ9-003	1	E02
11353-LEA6-900	1	E01	13011-LAC7-90B	1	E03	14771-GDB4-680	2	E02
11381-KUDU-900	3	E01	13101-LAC7-900	1	E03	14775-MFA6-001	0	E02
11382-KUDU-900	0	E01	13111-3D84-001	3	E03	14781-MFA6-001	0	E02
11383-KUDU-900	0	E01				15000		
11384-KUDU-900	0	E01				15100-KFB7-900	0	E06
11386-GFY6-900	0	E07						
11394-KUDU-900	0	E04						

PART NO. INDEX

零件號碼索引

PART NO. 零件號碼	VERSION 版數	PAGE 頁次	PART NO. 零件號碼	VERSION 版數	PAGE 頁次	PART NO. 零件號碼	VERSION 版數	PAGE 頁次
15133-GFY6-901	0	E06	16195-KEC3-900	0	E09	17520-LLF5-900	1	F19
15141-GFY6-90B	0	E06	16201-GFY6-901	0	E02	17550-LGL3-900	5	F10
15141-GFY6-90C	1	E06	16211-GFY6-901	0	E02	17560-LGL3-900	2	F10
15421-1G07-001	1	E04				17620-KHC4-90A	3	F19
15426-GAE1-921	0	E04	17000			17620-KHC4-90B	1	F19
1565A-KUDU-900	0	E04				17623-KHC4-90A	6	F19
15711-KUDU-900	0	E06	17113-KKE3-900	1	E02	17623-KHC4-90B	1	F19
15772-5A51-001	1	F22	1711A-LGL3-900	4	E02	17681-KFA1-900	0	F10
15772-5L00-013	1	F21	17208-GAR1-011	0	F13	17685-KZCZ-900	0	F10
			17211-KEC6-900	3	F13	17686-KBCB-900	0	F21
16000			17214-KEC6-900	0	F13	17686-KHE2-900	0	F10
			17231-LAD9-900	1	F13	17689-LFB5-900	1	F10
16056-LEB2-900	2	E09	1723A-LGL3-900	4	F13	17910-KKE3-900	3	F03
16068-LEB2-900	3	E09	17301-KNBN-960	0	F21			
16074-KEC3-900	4	E09	17307-LGJ8-900	3	F21	18000		
16100-LGL3-900	6	E09	17310-KEC6-50A	4	F21			
16110-KKE3-900	2	E09	17310-KEC6-50C	2	F21	18291-KEBE-900	0	F14
16112-KKE3-900	1	E09	17359-4K19-671	0	F13	18291-LBD4-900	2	F14
16118-KEC3-900	0	E09	17359-LBE3-900	0	F13	18292-KEBE-900	0	F14
16122-KEC3-900	0	E09	17369-KDB4-671	1	F22	18293-KEBE-900	0	F14
16123-LGL3-900	1	E09	17369-KHC4-900	0	F10	18294-KEBE-900	0	F14
16133-KEC3-900	1	E09	17370-4K19-701	0	F13	1830A-LGL3-90A	2	F14
16134-KKE3-900	5	E09	17371-1D74-671	0	F13	1830A-LGL3-90B	2	F14
16138-KEC3-900	1	E09	17500-LFG7-900	5	F10	18317-LLF5-900	3	F14
16154-KKE3-900	4	E09	17502-LGL3-900	2	F10	18601-MAJ1-791	1	E02
16170-KEC3-900	0	E09	17504-KKC8-B00	0	F10	18612-LLF5-900	2	E02

PART NO. INDEX

零件號碼索引

PART NO. 零件號碼	VERSION 版數	PAGE 頁次	PART NO. 零件號碼	VERSION 版數	PAGE 頁次	PART NO. 零件號碼	VERSION 版數	PAGE 頁次
18618-LLF5-90A	2	F22						
18618-LLF5-90B	1	F22	21000			23000		
18657-LGJ8-900	1	F22						
18660-LGL3-900	1	F22	21200-LDA6-305	1	E08	2301A-KFA9-900	0	E05
18670-LGL3-900	2	F22	21201-KUDU-900	0	E08	23100-KFBF-90A	2	E05
1880A-LGL3-90A	1	F22	21395-KUDU-900	0	E08	23100-KFBF-90B	1	E05
1880A-LGL3-90B	1	F22				23200-GFY6-901	3	E05
18880-KKD7-E00	2	F22	22000			23220-GFY6-921	1	E05
						23225-GHC8-004	0	E05
19000			22101-GFY6-941	3	E05	23226-GHC8-004	0	E05
			22102-KUDU-220	1	E05	23233-GCW3-011	0	E05
19411-KBCB-900	0	F10	22105-GFY6-220	1	E05	23237-GFY6-941	0	E05
19504-LBA2-E00	3	F10	22110-KKE3-900	1	E05	23238-GFY6-941	0	E05
19510-KKE3-900	2	E07	22111-KKE3-900	1	E05	23411-KUDU-900	1	E08
19612-KUDU-900	2	E07	22112-GFY6-90A	0	E05	23420-GFY6-901	4	E08
19613-KUDU-900	0	E07	22121-GFY6-92A	2	E05	23431-KUDU-900	2	E08
1961A-LGL3-900	3	E07	22131-LDA6-900	1	E05	23432-GFY6-901	3	E08
19625-KUDU-910	0	E02	22132-LBE3-900	1	E05			
19626-KUDU-900	0	E07	22300-KEC6-900	0	E05	28000		
1962A-LBB8-900	1	E07	22350-GFY6-90A	1	E05			
19633-GFY6-901	0	E07	22361-KGN7-671	1	E05	28101-GFY6-901	2	E06
19636-KUDU-900	0	E07	22401-GFY6-90A	1	E05	28102-GFY6-901	0	E06
1963A-KKE3-900	7	E07	22530-KFAF-90A	1	E05	28110-GFY6-901	2	E06
			22804-GBB2-001	0	E05	28120-GFY6-315	6	E06
						28125-4F26-001	0	E06
						28125-GFY6-960	3	E06

PART NO. INDEX

零件號碼索引

PART NO. 零件號碼	VERSION 版數	PAGE 頁次	PART NO. 零件號碼	VERSION 版數	PAGE 頁次	PART NO. 零件號碼	VERSION 版數	PAGE 頁次	
28126-KUDU-900	1	E06	32108-GAR1-711	0	F19	33706-GCN3-67A	0	F18	
28211-KUDU-900	4	E05	32120-3C83-831	0	F19	33709-KBAB-003	0	F18	
30000			32161-3C93-004	0	E07	33741-KEC8-900	0	F18	
			32410-LED9-900	1	E06	34000			
			32411-KHE2-900	1	F19				
			32412-LGL3-900	3	E04				
3051A-LGL3-900	6	F19	32961-KUDU-900	0	E04	34901-KYBY-900	0	F01	
30700-LGL3-900	2	F19	33000			34903-KALA-900	0	F18	
31000							34905-KHC4-900	0	F17
							34905-LBC9-900	0	F18
							34906-2H68-601	0	F18
						34908-GGA7-70A	1	F02	
31110-KKE3-90A	3	E07	33100-KHE2-900	1	F01	34908-GGA7-70A	1	F05	
31110-KKE3-90B	3	E07	33105-KHE2-900	0	F01	34908-GGA7-70A	1	F17	
31120-LGL3-90A	1	E07	33120-KHE2-900	0	F01	34908-GGA7-70A	1	F02	
31120-LGL3-90B	1	E07	33130-KHE2-900	0	F01	35000			
31205-KGN7-670	0	E06	33400-KKC8-900	3	F17				
31210-GFY6-200	7	E06	33402-KKC8-900	0	F17				
31210-GFY6-20C	4	E06	33403-KKC8-900	0	F17				
31500-GFY6-94A-YU	4	F11	33450-KKC8-900	3	F17	35101-LDB3-305-M1	0	F19	
31500-GFY6-94B-KY	4	F11	33452-KKC8-900	0	F17	35101-LDB3-305-M2	0	F19	
31600-LEA5-E00	2	F19	33453-KKC8-900	0	F17	35102-LDC1-305-M1	0	F19	
32000			33510-KKC8-510	1	F05	35102-LDC1-305-M2	0	F19	
			33516-KKC8-500	0	F05	35104-KHC4-90A	0	F19	
			33700-KHE2-920	2	F18	35104-KHC4-90B	0	F19	
			33701-KHE2-900	0	F18	35111-LDC1-305-M1	0	F19	
32100-LGL3-900	12	F19	33704-KHE2-900	0	F18	35111-LDC1-305-M2	0	F19	
32101-KFA6-W00	1	F04	33705-GCN3-67A	0	F18				
32106-KKE3-900	2	E06							

PART NO. INDEX

零件號碼索引

PART NO. 零件號碼	VERSION 版數	PAGE 頁次	PART NO. 零件號碼	VERSION 版數	PAGE 頁次	PART NO. 零件號碼	VERSION 版數	PAGE 頁次
35111-LDC1-306-M1	0	F19				42753-0D04-900	1	F07
35111-LDC1-306-M2	0	F19	38000			42753-KNBN-90B	1	F08
35111-LDC1-307-M1	0	F19				43000		
35111-LDC1-307-M2	0	F19	38110-KFAF-90A	2	F19			
35119-KHC4-90A	0	F19	38110-KFAF-90B	2	F19			
35119-KHC4-90B	0	F19	38110-KFAF-90C	0	F19	4312A-LEB1-900	3	F08
35150-GFY6-900	4	F03	38300-LBC6-90A	2	F19	4314A-LDF7-E10	1	F08
35160-GFY6-900	2	F03	38500-KHD8-900	0	F19	43151-LEB1-900	2	F08
35170-KNBN-910	1	F03	38500-KHD8-90A	0	F19	43352-KKD6-W00	0	F07
35180-GFY6-900	2	F03	38773-KBCB-900	0	F10	43353-KKD6-W00	0	F07
35200-GFY6-910	1	F03				43410-LAD9-900	1	F08
35340-KFA6-W00	0	F04	39000			43416-KUDU-900	0	F08
35340-KFLF-900	2	F03				43450-LGL3-900	2	F03
35380-LEA2-900	1	F19	39300-LEA6-800	3	E02			
35850-LDA6-90A	2	F19	39301-LEB2-900	3	E02	44000		
35850-LDA6-90B	2	F19	39302-KKE3-900	2	E02			
37000			39303-LEB2-900	2	E02	44301-KKB1-E00	3	F07
			39304-LBE3-900	3	E02	44311-KUDU-900	3	F07
			39400-KKE3-800	2	E02	44620-KFLF-930	1	F07
			39450-LEA6-800	2	F14	44650-KUDU-305	2	F07
37119-KUDU-90C	0	F02				44710-KUDU-90A-G303	1	F07
37200-LGL3-90C	6	F02	42000			44710-KUDU-90B-G304	1	F07
37215-LGM9-900	0	F05				44800-KECE-900	9	F07
37801-LAB4-910	1	F10				44830-KUDU-900	6	F02
3780A-LGL5-900	4	F10	42601-KUDU-90D	2	F08	44831-KUDU-900	0	F02
			42710-KUDU-90A-CS	4	F08			
			42710-KUDU-90B-KD	2	F08			

PART NO. INDEX

零件號碼索引

PART NO. 零件號碼	VERSION 版數	PAGE 頁次	PART NO. 零件號碼	VERSION 版數	PAGE 頁次	PART NO. 零件號碼	VERSION 版數	PAGE 頁次
45000			45530-LGK2-305	0	F04	50504-KUDU-900-G	0	E01
			45531-KKD6-W00	0	F07	50505-KKD7-900	1	F15
45105-KKD6-315	0	F07	46000			50505-KUDU-900	1	F20
45107-KKD6-W00	0	F07				5050A-KHE2-800	2	F15
45108-KKD6-W00	0	F07	46513-KUDU-900	2	F08	50530-KHD6-900	3	F15
45109-KKD6-W00	0	F07	50000			50613-KHE2-900	7	F20
45116-KKD6-W00	0	F07				51000		
45121-KUDU-900	2	F07	50100-LGL3-900	8	F20			
45126-KFC9-900	0	F04	50179-LGL3-900	1	F10	51410-KEC6-800	0	F23
45128-KFC9-900	0	F06	50301-KGN7-671	2	F20	51411-KEBE-E00	0	F23
45131-KKD6-W00	0	F07	50302-2H68-011	2	F20	51412-KECE-900	0	F23
45131-KUDU-W00	0	F07	50306-1F96-001	0	F06	51413-KEBE-E00	0	F23
45132-KKD6-W00	0	F07	50310-LGJ9-900	5	F20	51420-KUDU-W00	0	F23
45133-KKD6-W00	0	F07	50320-KEC6-900	2	F18	51429-KHD6-900	0	F23
45156-KECE-900	2	F06	50326-KHE2-900	2	F11	51432-KGM7-911	0	F23
45200-KUDU-W00	3	F07	50328-KNBN-200	0	F11	5150A-KHD6-W00	0	F06
45209-KKD6-W00	0	F07	5032A-LGL3-900	6	F11	51520-KUDU-W00	0	F23
45210-KUDU-W00	0	F07	50330-KEBE-900	0	F11	52000		
45215-KKD6-W00	0	F07	50330-LGL3-910	0	F11			
45216-KKD6-W00	0	F07	50330-LLJ3-E00	1	F11	52400-KEC6-900	3	F16
45513-KFC9-W00	0	F04	50350-LLF5-900	2	F20			
45517-GFY6-900	5	F03	50352-GFY6-901	0	F20			
45517-KFC9-W00	0	F04	50353-LEB1-900	1	F20			
45520-KFC9-W00	0	F04	50502-GFY6-901	3	F15			
45521-KFC9-W00	0	F04						

PART NO. INDEX

零件號碼索引

PART NO. 零件號碼	VERSION 版數	PAGE 頁次	PART NO. 零件號碼	VERSION 版數	PAGE 頁次	PART NO. 零件號碼	VERSION 版數	PAGE 頁次
53000			61110-LGL3-900	3	F05	77235-GGS7-901	0	F12
			64000			77240-KKC8-900	2	F19
53100-KHE1-900	1	F03				77300-LGL3-900	2	F09
53125-GEN5-901	0	F03	64301-KKC8-900	6	F05	80000		
53140-KFA1-900	2	F03	64301-KKC8-S20	0	F05			
53166-KFA1-900	2	F03	64301-LGL3-315	0	F05	80100-KKE3-900	1	F18
53167-GAR1-951	0	F03	64302-KKC8-900	4	F05	80102-KUDU-900	4	F18
53168-GAR1-951	0	F03	64305-KHE2-900	4	F05	80104-KHE2-900	0	F18
53172-LBE3-900	1	F03	64306-KHE2-900	4	F05	80105-KEC6-900	8	F18
53175-KFC9-W00	1	F04	64310-KHE2-900	3	F05	80152-KHE2-900	5	F12
53178-GKAK-901	0	F03	64310-KHE2-900	6	F05			
5317B-LGK2-900	1	F03	64316-KHE2-900	0	F05	81000		
53200-KHE1-900	0	F06	64400-KHE2-900	1	F05			
53205-LCB3-900	3	F03				81131-KHE2-910	4	F05
53206-KFB7-S00	2	F03	70000			81132-KHE2-900	0	F05
53206-KFB7-S20	2	F03				81133-KGBG-900	0	F12
53206-KUDU-901	3	F03	70529-6G57-671	0	E07	81134-KGBG-900	2	F12
53211-GFY6-940	1	F06	70529-KUDU-900	0	F20	81135-KGBG-900	2	F12
53212-2L50-011	1	F06				81141-KHE2-920	0	F05
53214-2L50-001	0	F06	77000			81141-KHE2-930	1	F05
53215-2L50-001	0	F06				81142-KUDU-900	1	F05
			77115-LBA2-E00	3	F09	81200-LGJ8-900	4	F12
61000			77200-LGL3-900	4	F09	81260-LGL3-900	3	F12
			77200-LGL3-S00	0	F09			
61100-KKC8-900	2	F05	77206-KGBG-900	0	F09			

PART NO. INDEX

零件號碼索引

PART NO. 零件號碼	VERSION 版數	PAGE 頁次	PART NO. 零件號碼	VERSION 版數	PAGE 頁次	PART NO. 零件號碼	VERSION 版數	PAGE 頁次
83000			87503-LEB2-900	2	E07	90031-KHD6-900	2	E01
			87505-KUDU-900	1	F24	90032-KHD6-900	2	E01
			87541-GGS7-901	2	F24	90033-GFY6-900	0	E02
83500-KHE2-S00	1	F12	87541-KUDU-900	2	E07	90105-KCR3-001	1	F07
83500-LGL3-315	0	F12	87542-GKM9-301	3	F24	90106-GEN5-901	0	F03
83501-KHE2-900	5	F12	87546-LEB2-900	1	F25	90106-GFY6-901	0	F20
83503-KHC4-900	2	F20	87560-GFY6-900	3	F24	90106-KKD6-E00	0	F12
83503-KHD6-900	2	F12				90107-KUDU-900	2	F20
83510-KHE2-900	2	F12	88000			90108-KUDU-900	1	F15
83600-KHE2-S00	1	F12				90110-GLW0-001	0	F05
83600-LGL3-315	0	F12	88110-LGL5-900	1	F03	90110-KEBE-900	0	F14
83601-KHE2-900	5	F12	88114-KFB7-700	0	F03	90110-LGL5-900	0	F03
83610-KHE2-900	2	F12	88120-LGL5-900	1	F03	90111-1G87-001	1	F05
83751-KHE2-900	0	F12	88124-KFB7-700	0	F03	90111-1G87-001	1	F12
8376A-KECE-901	2	F05				90111-1G87-001	1	F18
86000			89000			90112-GCC3-001	1	F05
						90112-KFA1-900	1	F05
			89010-LAD9-900	0	F09	90112-KNBN-901	1	F11
86102-KKC4-900	1	F25				90114-GDM4-011	1	F13
86202-LGL3-800	1	F25	90000			90114-KFC9-W00	0	F04
86404-KFA1-900	2	F25				90115-GLE0-001	0	F03
87000			90001-GBHB-661	0	E03	90116-3C83-72A	0	F23
			90001-GBHB-711	0	E01	90121-GFY6-901	1	F20
			90005-KAW1-901	1	E03	90131-GLW0-911	0	F07
87122-LGL3-950	2	F09	90012-3C33-001	0	E02	90145-MKS9-61A	1	F04
87502-LEB2-900	1	F25	90021-GFY6-900	2	F14	90164-KGBG-900	1	F12

PART NO. INDEX

零件號碼索引

PART NO. 零件號碼	VERSION 版數	PAGE 頁次	PART NO. 零件號碼	VERSION 版數	PAGE 頁次	PART NO. 零件號碼	VERSION 版數	PAGE 頁次
90201-GFY6-901	0	E06	90442-0H28-001	0	E02	91003-KDS4-004	1	E08
90202-1G87-001	0	E05	90443-KHD6-900	0	E02	91009-GLE0-004	1	E08
90206-0A01-001	1	E02	90451-KUDU-900	0	E08	91014-LLJ3-E00	1	F06
90301-6D34-671	1	F12	90474-3C33-001	1	E01	91015-LLJ3-E00	1	F06
90301-GFY6-901	2	F14	90501-KNBN-901	0	F08	91101-1K79-711	1	E06
90302-GBR2-001	1	F10	9052A-GFY6-950	1	E01	91104-GFY6-90B-B	1	E06
90302-KNBN-900	1	F03	90545-3L00-001	2	F04	91104-GFY6-90B-R	1	E06
90302-LLB1-E00	2	F10	90554-2C83-001	0	F23	91104-GFY6-90B-W	1	E06
90302-SDA4-004	2	F05	90601-3D54-001	0	F23	91104-GFY6-90C-B	0	E06
90302-SDA4-004	2	F12	90601-GFY6-901	0	E05	91104-GFY6-90C-R	0	E06
90302-SDA4-004	2	F18	90605-1F66-721	0	E05	91104-GFY6-90C-W	0	E06
90304-GHE8-004	0	F03	90652-GFY6-901	1	F13	91106-KHC4-90A	0	E01
90304-GHE8-004	0	F20	90652-LGJ9-900	2	E02	91106-KHC4-90B	0	E01
90305-GHK8-001	1	E07	90656-GFY6-911	0	F03	91202-GFY6-90A	1	E01
90305-GHK8-001	1	F12	90656-KUDU-900	0	F20	91202-GFY6-90A	1	E04
90305-KNBN-90A	0	F08	90683-GAR1-004	4	F05	91202-GFY6-90B	1	E01
90305-KNBN-90B	0	F08	90701-HFB6-011	1	E03	91202-GFY6-90B	1	E04
90305-KNCN-900	1	F03	90701-HFB6-011	1	E06	91202-KKJ9-004	0	E01
90306-KLF0-004-SY	1	F07	90754-GHC8-00A	1	F07	91211-KEBE-900	0	E05
90309-KLF0-004-SY	1	E08	90754-GHC8-00B	1	F07	91254-KEC5-004	0	F23
90381-GEZ5-001	1	F12	90912-KFLF-00A	0	F07	91255-4F46-014	0	F23
90401-LLF5-900	1	E02				91255-GLE0-006	0	E08
90403-KUDU-900	0	E06	91000			91301-0C53-001	0	E08
90426-KNBN-901	0	E05				91301-GLR0-005	1	E03
90440-1F66-001	0	E07	91001-GFY6-90A	2	E05	91301-LLF5-900	1	E02
90441-GFY6-941	0	E05	91002-GGA7-70A	0	E05	91302-0A01-021	0	E04

PART NO. INDEX

零件號碼索引

PART NO. 零件號碼	VERSION 版數	PAGE 頁次	PART NO. 零件號碼	VERSION 版數	PAGE 頁次	PART NO. 零件號碼	VERSION 版數	PAGE 頁次
91303-LLF5-900	2	E02	93891-05016-06	0	F12	93903-GFY6-900	1	F18
91306-1E05-691	0	E03	93891-05016-08	0	F13			
91307-0E35-001	0	E04	93891-05040-06	0	F03	94000		
91309-4E25-004	0	E06	93892-04006-08	0	E06			
91351-6B42-000	0	E05	93892-04010-08	0	E09	94001-05080-0S	0	F03
91352-KHG8-83B	0	F08	93892-05010-08	0	E09	94050-06080	0	E02
91508-KGV7-67A	0	F17	93893-KFC9-W00	0	F04	94050-06080	0	E06
91981-KGN7-670	0	E06	93894-04022-08	1	F19	94050-06080	0	E09
			93901-32310	0	F18	94050-06080	0	F09
92000			93903-14460	0	F12	94050-06080	0	F10
			93903-24420	0	F18	94050-06080	0	F18
92101-05012-0H	0	E07	93903-25460	0	F13	94050-06080	0	F19
92201-05006-0H	1	E02	93903-32380	0	F17	94050-06080	0	F20
92900-06060-0B	0	E02	93903-34360	0	E07	94050-12080	0	E05
			93903-34360	0	F03	94050-12080	0	E07
93000			93903-34360	0	F05	94050-KFC9-W00	0	F04
			93903-34360	0	F12	94101-06200	0	F14
93401-04025-08	0	F19	93903-34360	0	F17	94101-KKE3-900	1	E09
93404-06016-06	0	F18	93903-35320	0	F02	94111-05800	0	E06
93404-LLF5-900	1	E02	93903-35360	0	F01	94111-06800	0	E02
93500-03010-1A	0	E06	93903-35360	0	F10	94111-06800	0	E09
93500-04020-0G	0	F19	93903-45220	0	F05	94301-10160	0	E01
93500-05022-06	0	F03	93903-45220	0	F12	94301-10160	0	E02
93500-KHC4-90A	0	F19	93903-GFY6-900	1	F05	94301-10160	0	E03
93600-KFC9-W00	0	F04	93903-GFY6-900	1	F11	94301-10160	0	E04
93700-05018-0H	0	F02	93903-GFY6-900	1	F12	94303-04065	0	E06

PART NO. INDEX

零件號碼索引

PART NO. 零件號碼	VERSION 版數	PAGE 頁次	PART NO. 零件號碼	VERSION 版數	PAGE 頁次	PART NO. 零件號碼	VERSION 版數	PAGE 頁次
94510-20000	0	E08	95014-71402	0	F15	96001-06014-08	0	E02
94520-28000	0	E05	95014-72102	0	F15	96001-06014-08	0	F10
94591-21000	0	F05	95015-32001	0	F03	96001-06016-08	0	E02
94591-27000	0	F05	95015-42000	0	F03	96001-06016-08	0	E07
94591-KFBF-900	2	E02	95701-06006-08	0	E02	96001-06018-08	0	E06
94601-15000	0	E03	95701-06012-08	0	F06	96001-06018-08	0	E07
94605-KUDU-900	1	F23	95701-06012-08	0	F12	96001-06020-08	0	E02
94608-30000	0	F23	95701-06012-08	0	F20	96001-06022-06	1	F04
			95701-06030-08	0	E02	96001-06025-06	0	F03
95000			95701-06035-08	0	F08	96001-06025-08	0	E07
			95701-08012-08	0	E01	96001-06028-08	0	E06
95001-45065-40	0	F22	95701-08012-08	0	F19	96001-06028-08	0	E07
95002-02070	0	E09	95701-08025-08	0	F19	96001-06032-08	0	E04
95002-02070	0	F22	95801-06050-08	0	F20	96001-06045-08	0	E01
95002-02080	0	E01	95801-08035-08	0	F16	96001-06050-08	0	E01
95002-02080	0	E02	95801-08040-08	0	F06	96001-06055-08	0	E01
95002-02080	0	F10	95801-08042-06	0	F14	96001-06100-08	0	E02
95002-02080	0	F21	95801-10025-08	0	F15	96001-06100-08	0	E04
95002-02100	0	E02	95801-10040-08	0	F16	96001-06110-08	0	E04
95002-02100	0	F13				96001-GFY6-900	1	E01
95002-02120	0	F13	96000			96100-60020-00	0	E08
95002-02130	0	F10				96100-62030-00	0	E01
95002-02130	0	F13	96001-06008-07	0	F14	96100-62043-00	0	E01
95002-41050-00	0	F13	96001-06012-08	0	E01	96220-60100	0	E06
95002-KKD6-E05	0	F22	96001-06012-08	0	E04	96600-06012-10	0	E02
95003-23024-60	0	F13	96001-06012-08	0	E06	96600-08010-10	1	E06

PART NO. INDEX
零件號碼索引

PART NO. 零件號碼	VERSION 版數	PAGE 頁次	PART NO. 零件號碼	VERSION 版數	PAGE 頁次	PART NO. 零件號碼	VERSION 版數	PAGE 頁次
98000								
98059-57916-00	2	E02						
98200-11000	0	F11						
98200-11000	0	F19						
98200-11500	0	F11						
98200-11500	0	F19						