

PARTS CATALOGUE



SCOOTERS

SN20GA

JR100



Date : 2010/01/12

前言

- 本零件型錄適用於 SN20GA 機種，訂購零件時，請參照本冊。
- 本冊之配色表僅供參考，若與實車不符之處，以實車為準。
- 配色記號(Color Mark)
註明 "***" 記號，表示訂購該零件時，請參照機種相片及配色表，並請在基本零件號碼最後加上色碼。
- 本冊若有錯誤或遺漏之處，敬請不吝賜教指正。

ABOUT THIS PARTS LIST

- This parts list is compiled all service parts for model SN20GA.
- Any difference between color chart and motorcycle will be revised according to motorcycle.
- The sales mark:
 - 1.marking "***" must add color code in the end before ordering parts.
- When modification or additions to this parts list are made a revised edition at an appropriate time.

目次

● 前言	1
● SN20GA 配色表	3
● 引擎結構圖	9
● 車架結構圖	10
● 引擎號碼表	13
● 車架零件號碼表	45
● 零件號碼索引	109

CONTENTS

● ABOUT THIS PARTS LIST	1
● COLOR CHART OF SN20GA	3
● CONTENTS-ENGINE GROUP	9
● CONTENTS-FRAME GROUP	10
● ENGINE PARTS LIST	13
● FRAME PARTS LIST	45
● PART NO. INDEX	109

NO	MODEL			SN20GA COLOR CHART			
	PHOTO NO			NO. 1	NO. 2	NO. 3	NO. 4
	BASIC COLOR			淺晶藍	亮紅	晶鑽銀	黑
	CODE			Light Blue Metallic	Bright Red	Silver Crystal	Black
	PARTS NAME	PARTS NO.	VERSION	PB078MA	RR339PA	NH263MA	NH001SA
1	MIRROR ASSY R BACK	88110-LCB5-810	1	L9R			
2	MIRROR ASSY L BACK	88120-LCB5-810	1				
3	COVER L SIDE	1134A-LGF6-900	1	N1A			
4	HUB SUB COMP RR	42610-GKAK-901	4				
5	HUB SUB SET FR	44610-KHC4-305	0				
6	GEAR BOX ASSY	44800-KNBN-901	6				
7	FORK ASSY R FR	5140A-LCB4-900	1				
8	BOTTOM CASE R	51420-KNBN-900	0				
9	FORK ASSY L FR	5150A-LCB4-900	1				
10	BOTTOM CASE L	51520-KHC4-900	0				
11	LEVER R STRG HANDLE	53175-KFA1-900	1				
12	LEVER L STRG HANDLE	53178-KKE2-900	2				
13	COVER FR HANDLE	53205-LBG7-900	4	CGP EBP HUP N1P			
14	COVER FRONT	64301-LBG7-316	0				
15	FRONT MOLD	64302-LBG7-800	2				
16	SKIRT R SIDE	64305-LBG7-316	0				
17	SKIRT L SIDE	64306-LBG7-316	0				
18	GRIP RR	81200-LBG7-900	1				
19	COVER SET R BODY	83500-LBG7-316	0				
20	COVER SET L BODY	83600-LBG7-316	0				
21	PROTECTOR COMP	18317-LLF5-900	3	N1R			
22	COVER BATTERY	50326-LAB4-900	4				
23	COVER UNDER	50613-LBG7-900	1				
24	GRIP COMP THROT	53140-KFA1-900	2				
25	GRIP L HANDLE	53166-KFA1-900	2				
DATE OF STARTING-SALES							
DATE OF END-SALES							

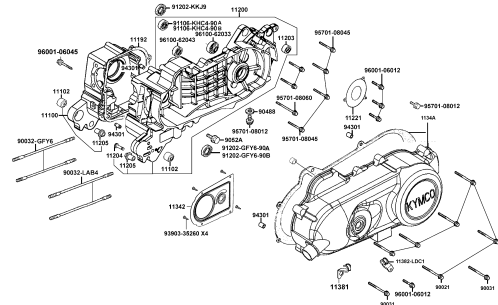
NO	MODEL			SN20GA COLOR CHART			
	PHOTO NO			NO. 5			
	BASIC COLOR			珍珠白			
	CODE			Pearly White			
	PARTS NAME	PARTS NO.	VERSION	NH193PA			
1	MIRROR ASSY R BACK	88110-LCB5-810	1	L9R			
2	MIRROR ASSY L BACK	88120-LCB5-810	1				
3	COVER L SIDE	1134A-LGF6-900	1	N1A			
4	HUB SUB COMP RR	42610-GKAK-901	4				
5	HUB SUB SET FR	44610-KHC4-305	0				
6	GEAR BOX ASSY	44800-KNBN-901	6				
7	FORK ASSY R FR	5140A-LCB4-900	1				
8	BOTTOM CASE R	51420-KNBN-900	0				
9	FORK ASSY L FR	5150A-LCB4-900	1				
10	BOTTOM CASE L	51520-KHC4-900	0				
11	LEVER R STRG HANDLE	53175-KFA1-900	1				
12	LEVER L STRG HANDLE	53178-KKE2-900	2				
13	COVER FR HANDLE	53205-LBG7-900	4	NVP			
14	COVER FRONT	64301-LBG7-316	0				
15	FRONT MOLD	64302-LBG7-800	2				
16	SKIRT R SIDE	64305-LBG7-316	0				
17	SKIRT L SIDE	64306-LBG7-316	0				
18	GRIP RR	81200-LBG7-900	1				
19	COVER SET R BODY	83500-LBG7-316	0				
20	COVER SET L BODY	83600-LBG7-316	0				
21	PROTECTOR COMP	18317-LLF5-900	3	N1R			
22	COVER BATTERY	50326-LAB4-900	4				
23	COVER UNDER	50613-LBG7-900	1				
24	GRIP COMP THROT	53140-KFA1-900	2				
25	GRIP L HANDLE	53166-KFA1-900	2				
DATE OF STARTING-SALES							
DATE OF END-SALES							

NO	MODEL			SN20GA COLOR CHART							
	PHOTO NO			NO. 1	NO. 2	NO. 3	NO. 4				
	BASIC COLOR			淺晶藍	亮紅	晶鑽銀	黑				
	CODE			Light Blue Metallic	Bright Red	Silver Crystal	Black				
	PARTS NAME	PARTS NO.	VERSION	PB078MA	RR339PA	NH263MA	NH001SA				
26	COVER HANDLE RR	53206-LBG7-900	1	N1R							
27	PANEL FLOOR	64310-LBG7-900	3								
28	PLUG FLOOR	64316-KHE2-900	0								
29	FENDER RR TIRE	80100-LBG7-900	1								
30	COVER CENTER	80151-LBG7-900	2								
31	COVER FR INNER UP	81131-LBG7-900	1								
32	HOOK LEG SHIELD	81134-LAB4-900	4								
33	LEG SHIELD LOW	81141-LBG7-900	1								
34	LID LEG SHIELD	81142-KUDU-900	1								
35	COVER R SIDE	83510-LBG7-900	2								
36	COVER L SIDE	83610-LBG7-900	2								
37	RIM COMP WHEEL	42705-KHC4-900	5					N1S			
38	RIM COMP FR WHEEL	44705-KHC4-900	2					NMR			
39	BAND HARNESS WIRE	90656-KUDU-900	0					R8A			
40	CLAMPER ASSY FR L	45200-KHC4-900	3	R8S							
41	CUSHION ASSY REAR	52400-LCB4-900	2	T01							
42	SEAT ASSY.	77200-LHB6-900	0								
43	EMB K-LOGO 28.5MM	86102-KKC4-900	1								
44	STRIPE ENERGY LOGO	86700-LFG7-900	2								
45	FRAGILE PAPER	87122-LHB6-950	0								
46	LABEL E/M 5 MARK	87501-LEB2-950	1								
47	CAUTION BATTERY	87502-LEB2-900	1								
48	CAUTION MUFFLER	87503-LEB2-900	2								
49	LABEL TIRE	87505-LAB4-900	2								
50	CAUTION SIDE STAND	87541-GGS7-901	2								
DATE OF STARTING-SALES											
DATE OF END-SALES											

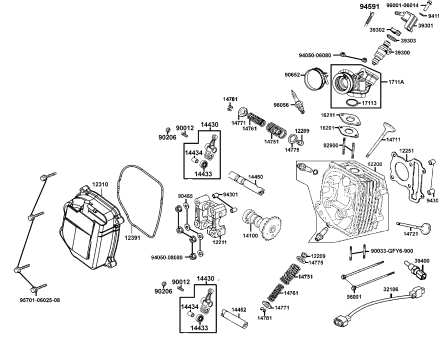
NO	MODEL			SN20GA COLOR CHART			
	PHOTO NO			NO. 5			
	BASIC COLOR			珍珠白			
	CODE			Pearly White			
	PARTS NAME	PARTS NO.	VERSION	NH193PA			
26	COVER HANDLE RR	53206-LBG7-900	1	N1R			
27	PANEL FLOOR	64310-LBG7-900	3				
28	PLUG FLOOR	64316-KHE2-900	0				
29	FENDER RR TIRE	80100-LBG7-900	1				
30	COVER CENTER	80151-LBG7-900	2				
31	COVER FR INNER UP	81131-LBG7-900	1				
32	HOOK LEG SHIELD	81134-LAB4-900	4				
33	LEG SHIELD LOW	81141-LBG7-900	1				
34	LID LEG SHIELD	81142-KUDU-900	1				
35	COVER R SIDE	83510-LBG7-900	2				
36	COVER L SIDE	83610-LBG7-900	2				
37	RIM COMP WHEEL	42705-KHC4-900	5	N1S			
38	RIM COMP FR WHEEL	44705-KHC4-900	2				
39	BAND HARNESS WIRE	90656-KUDU-900	0	NMR			
40	CLAMPER ASSY FR L	45200-KHC4-900	3	R8A			
41	CUSHION ASSY REAR	52400-LCB4-900	2	R8S			
42	SEAT ASSY.	77200-LHB6-900	0	T01			
43	EMB K-LOGO 28.5MM	86102-KKC4-900	1				
44	STRIPE ENERGY LOGO	86700-LFG7-900	2				
45	FRAGILE PAPER	87122-LHB6-950	0				
46	LABEL E/M 5 MARK	87501-LEB2-950	1				
47	CAUTION BATTERY	87502-LEB2-900	1				
48	CAUTION MUFFLER	87503-LEB2-900	2				
49	LABEL TIRE	87505-LAB4-900	2				
50	CAUTION SIDE STAND	87541-GGS7-901	2				
DATE OF STARTING-SALES							
DATE OF END-SALES							

CONTENTS - ENGINE GROUP

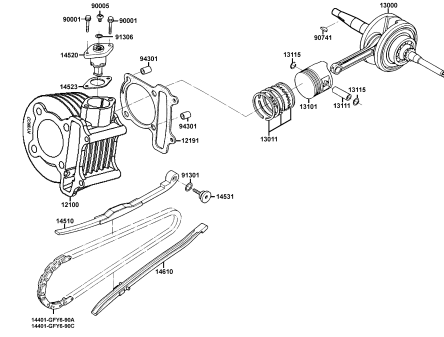
E01 曲軸箱



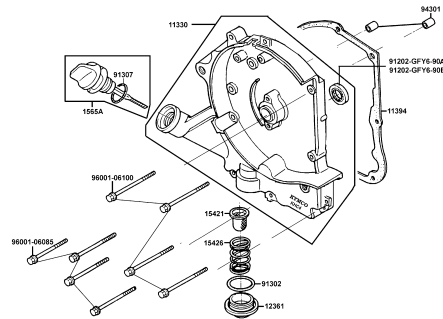
E02 汽缸頭蓋 汽缸頭



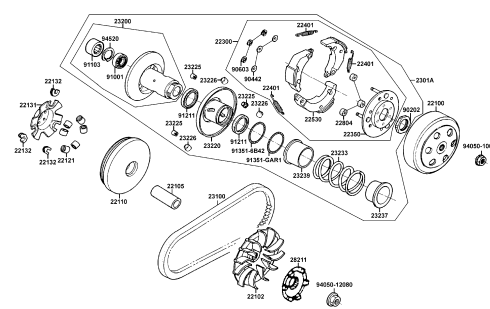
E03 汽缸 活塞 曲軸



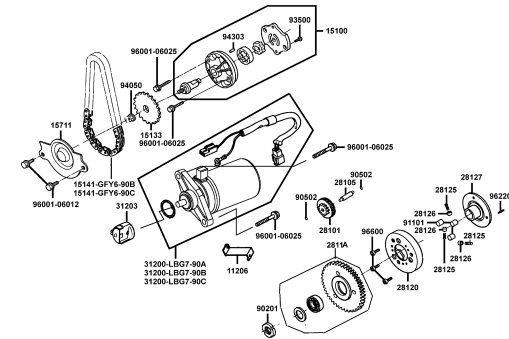
E04 右曲軸箱蓋



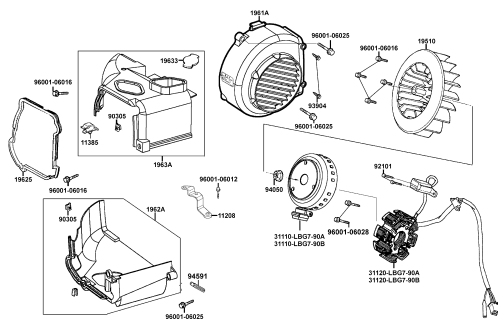
E05 皮帶輪



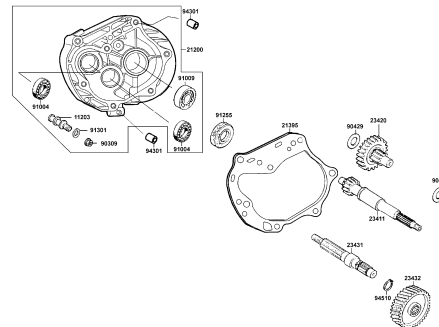
E06 起動馬達 機油泵



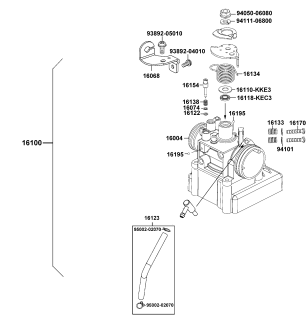
E07 風扇蓋 發電機



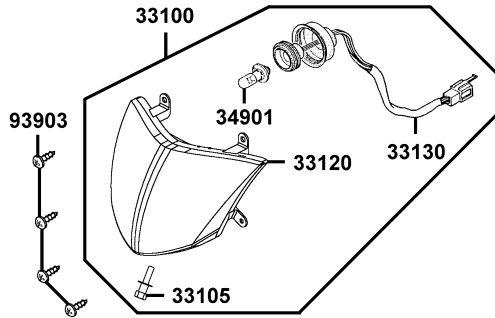
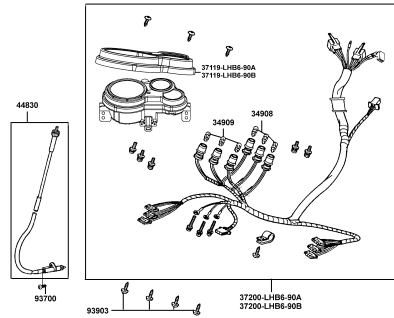
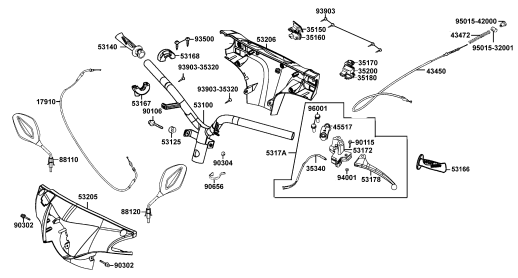
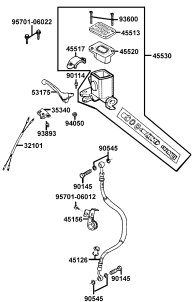
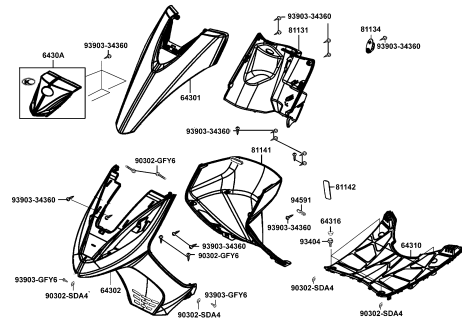
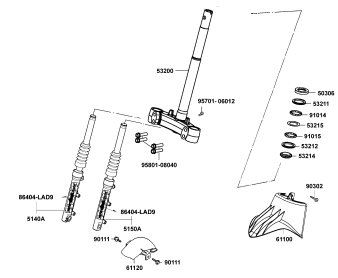
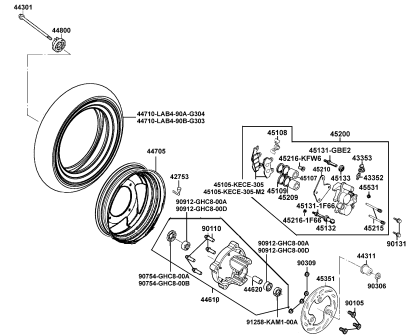
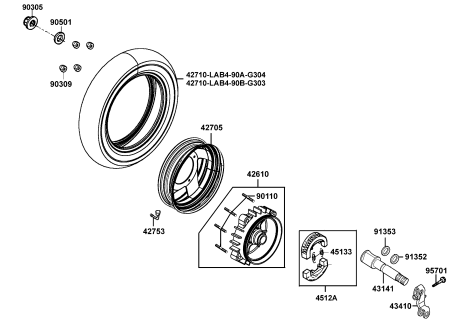
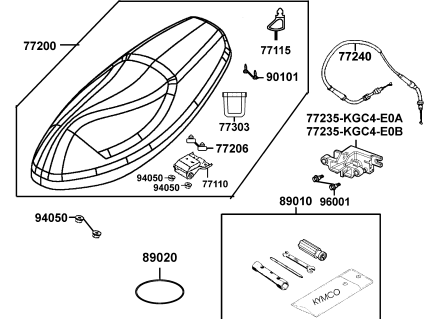
E08 傳動系



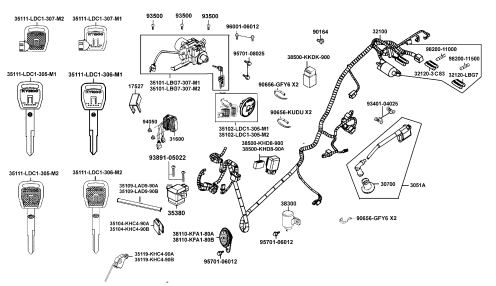
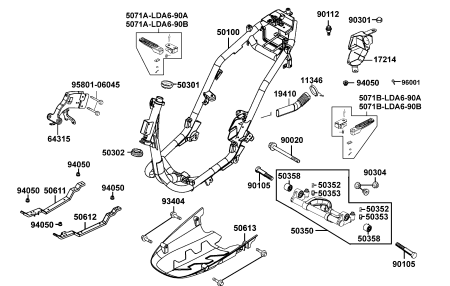
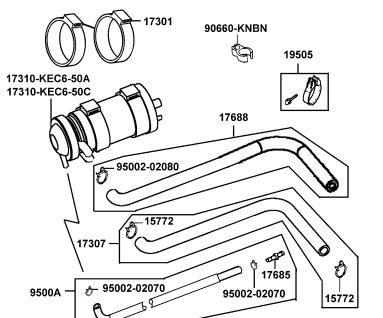
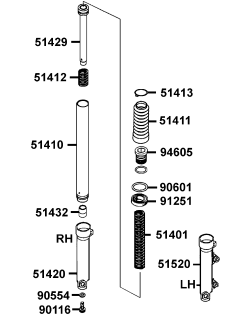
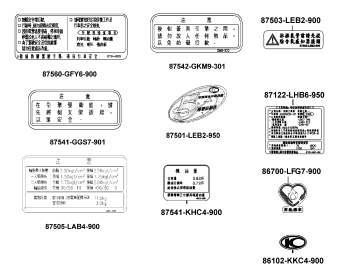
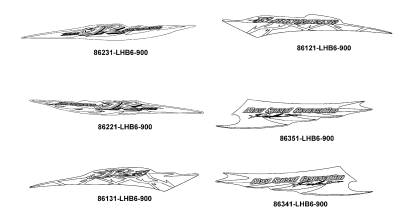
E09 節流閥本體



CONTENTS - FRAME GROUP

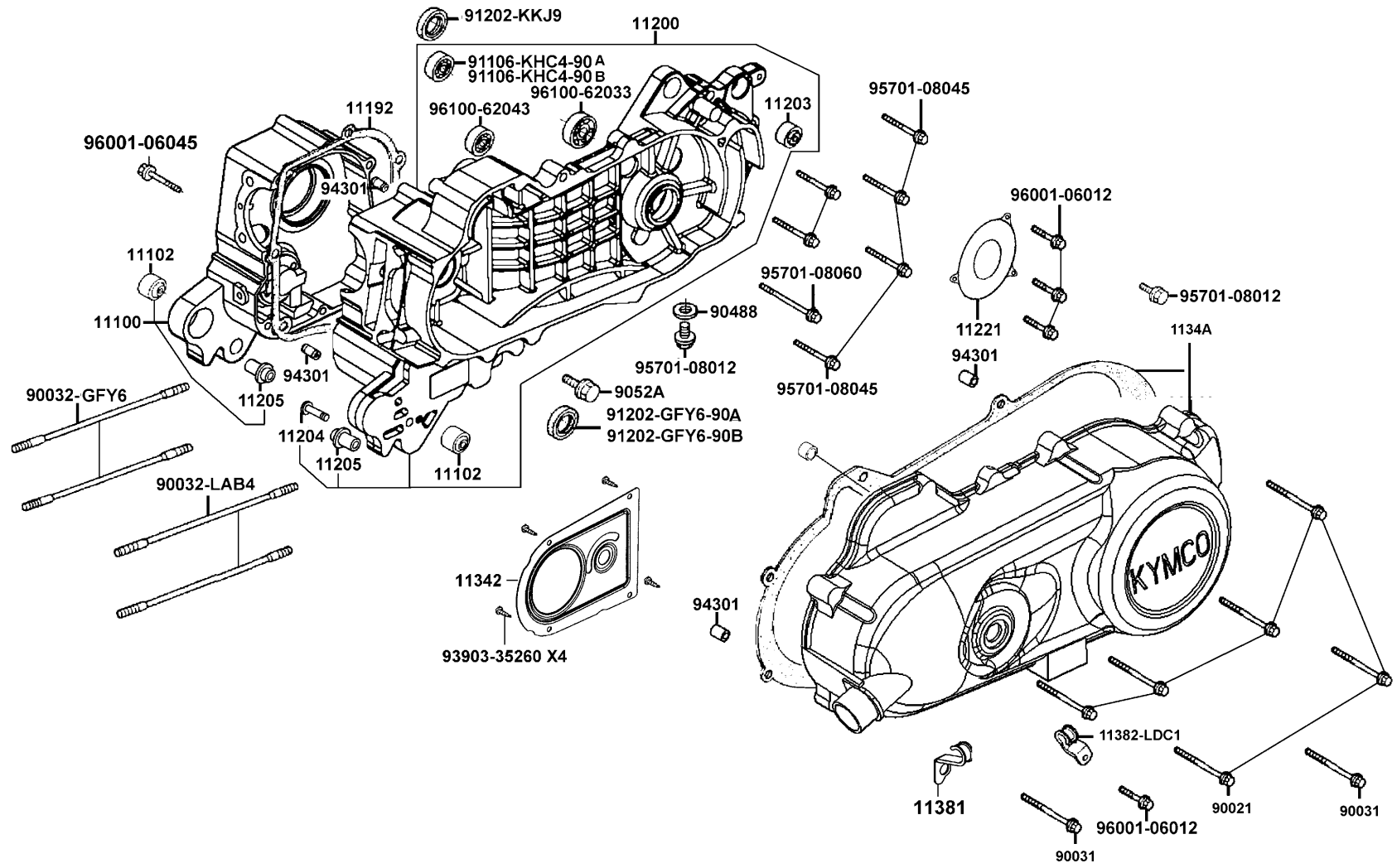
<p>F01 前燈</p> 	<p>F02 儀錶</p> 	<p>F03 轉向手柄 手柄蓋</p> 
<p>F04 煞車主油缸</p> 	<p>F05 前護蓋 腳踏板</p> 	<p>F06 前避震器</p> 
<p>F07 前輪</p> 	<p>F08 後輪</p> 	<p>F09 座墊</p> 

CONTENTS - FRAME GROUP

<p>F19 主電路配線</p> 	<p>F20 車體</p> 	<p>F21 活性炭罐</p> 
<p>F22 前避震器組件</p> 	<p>F23 注意標籤</p> 	<p>F24 標徽 貼紙</p> 

E01

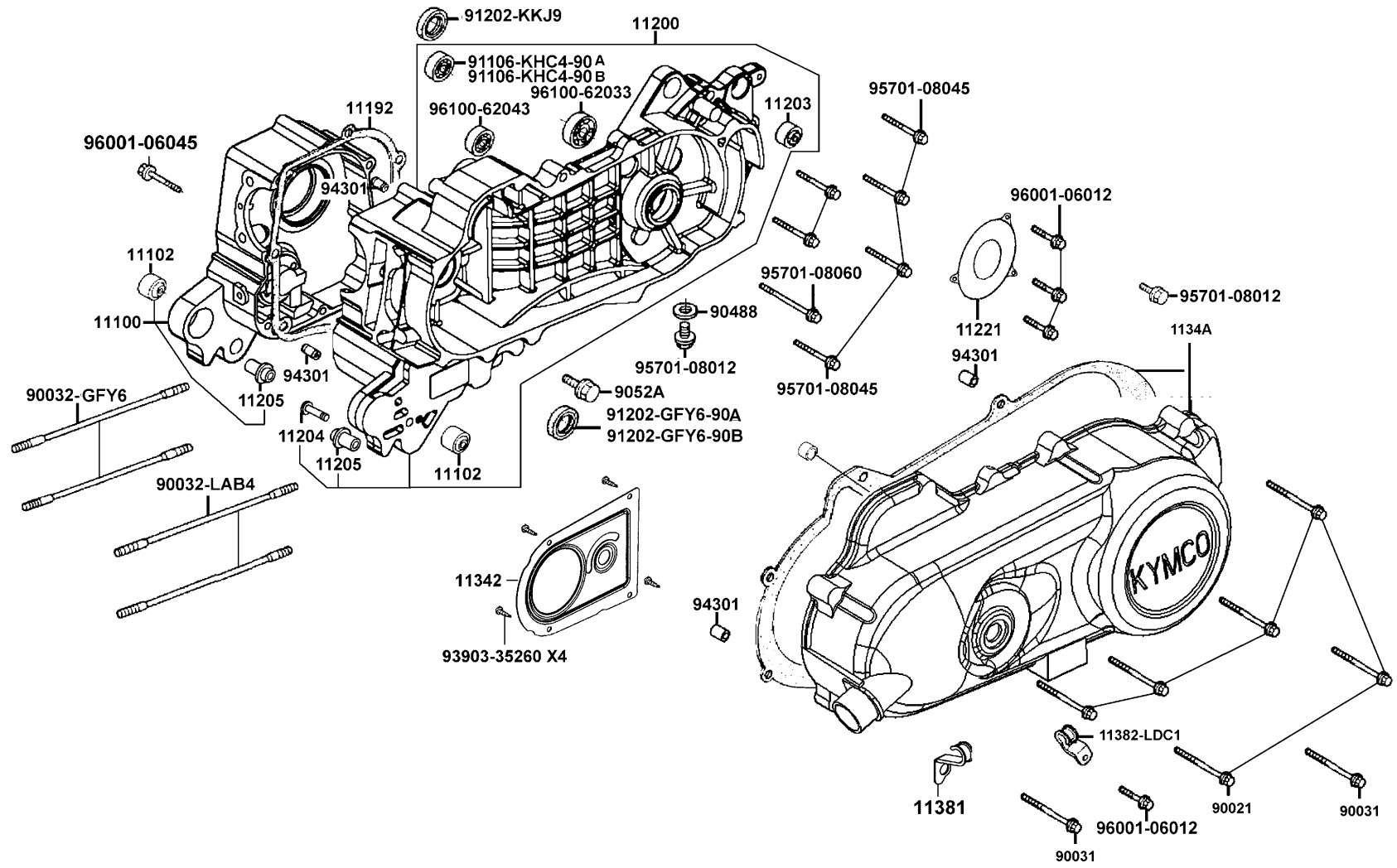
Crank Case 曲軸箱



Sales mark 配色標註	Ref no 參考號碼	Part no 零件號碼	Description 英文名稱	Reg description 中文名稱	Regd no 需求用量	E01
	11100	11100-LAE3-305	CRANK CASE COMP RIGHT	右曲軸箱組	1	
	11102	11102-1G87-004	RUB BUSH ENG HANGER	引擎吊架襯套	1	
	11192	11192-KHC4-900	GASTER CRANK CASE @ A	曲軸箱墊片 A	1	
	11200	11200-LBC6-305	CRANK CASE SET LEFT	左曲軸箱組	1	
	11203	11203-GGC7-301	UNDER RUBBER BUSH REAR CUSHION	後緩衝下襯套	1	
	11204	11204-KNBN-901	PIN SPG HOOK	固定銷	1	
	11205	11205-LAB4-900	BUSH MAIN STAND	主腳架襯套	2	
	11221	11221-KHC4-900	INSULATOR DUST	通氣管	1	
	11342	11342-LDC1-900	PLATE L COVER	通氣導板	1	
**	1134A	1134A-LGF6-900	COVER L SIDE	左曲軸箱蓋	1	
	11381	11381-LGF6-900	CLAMPER, OIL CATCH TUBE	節流導線夾	1	
	11382	11382-LDC1-900	CLAMPER BRAKE WIRE	煞車導線夾	1	
	90021	90021-LDC1-900	BOLT FLANGE 6*38	螺絲 6*38	6	
	90031	90031-LDC1-900	BOLT B STUD 8*182.5	雙頭螺絲 8*182.5	1	
	90032-GFY6	90032-GFY6-901	BOLT B STUD 8*195.5	雙頭螺絲 8*195.5	2	
	90032-LAB4	90032-LAB4-900	BOLT B STUD 8*203.5	雙頭螺絲 8*203.5	2	
	90488	90488-7L00-001	WASHER 8MM	華司 8MM	1	
	9052A	9052A-GFY6-950	BOLT ASSY DRAIN PLUG	洩油螺絲	1	
	91106-KHC4-90A	91106-KHC4-90A	BRG NEEDLE 15MM	滾針軸承	1	
	91106-KHC4-90B	91106-KHC4-90B	BRG NEEDLE 15MM	滾針軸承	1	

E01

Crank Case 曲軸箱



Sales mark 配色標註	Ref no 參考號碼	Part no 零件號碼	Description 英文名稱	Reg description 中文名稱	Regd no 需求用量	E01
	91202-GFY6-90A	91202-GFY6-90A	OIL SEAL 19.8*30*5	油封 19.8*30*5	1	
	91202-GFY6-90B	91202-GFY6-90B	OIL SEAL 19.8*30*5	油封 19.8*30*5	1	
	91202-KKJ9	91202-KKJ9-004	OIL SEAL 20*32*6	油封 20X32X6	1	
	93903	93903-35260	SCREW TAPPING 5*12	螺釘 5*12	4	
	94301	94301-08140	DOWEL PIN 8*14	定位銷 8X14	4	
	95701-08012	95701-08012-08	BOLT FLANGE 8*12	螺絲 8*12	2	
	95701-08045	95701-08045-08	BOLT FLANGE 8*45	螺絲 8*45	6	
	95701-08060	95701-08060-08	BOLT FLANGE 8*60	螺絲 8*60	1	
	96001-06012	96001-06012-08	BOLT FLANGE 6*12	螺絲 6*12	4	
	96001-06045	96001-06045-08	BOLT FLANGE SH 6*45	螺栓 6*45	1	
	96100-62033	96100-62033-00	BEARING BALL RADIAL 6203	徑向滾珠軸承	1	
	96100-62043	96100-62043-00	BEARING BALL RADIAL 6204	軸承 6204	1	

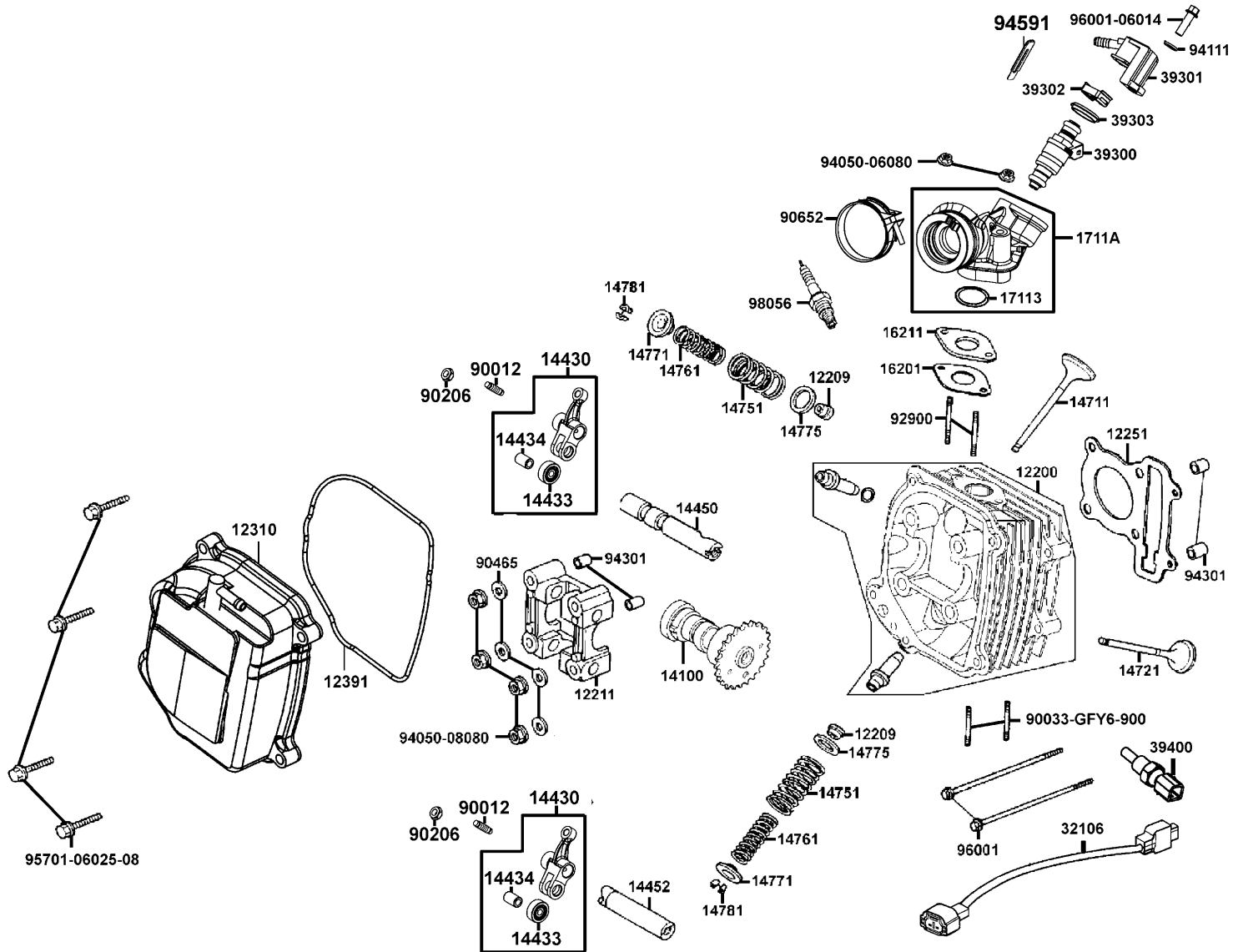
E02

Cylinder Head Cover

Cylinder Head

汽缸頭蓋

汽缸頭



Sales mark 配色標註	Ref no 參考號碼	Part no 零件號碼	Description 英文名稱	Reg description 中文名稱	Regd no 需求用量	E02
	12200	12200-LGF6-900	HEAD COMP CYLINDER	汽缸頭	1	
	12209	12209-GDB4-68A	SEAL VALVE STEM	門閥徑封	2	
	12211	12211-LFD7-900	HOLDER CAM SHAFT	凸輪軸固定座	1	
	12251	12251-KHC4-900	GASKET CYLINDER HEAD	汽缸頭墊片	1	
	12310	12310-LGF6-900	COVER COMP,HEAD	汽缸頭蓋	1	
	12391	12391-GFY6-941	GASKET HEAD COVER	汽缸頭蓋墊片	1	
	14100	14100-LBG7-800	SHAFT COMP CAM	凸輪軸	1	
	14430	14430-LFD7-900	ARM VALVE ROCKER	閥門搖臂	1	
	14433	14433-LEB1-900	ROLLER ASSY ROCKER ARM	軸承	1	
	14434	14434-LEB1-900	PIN ROCKER ARM	套筒	1	
	14450	14450-GFY6-901	SHAFT COMP IN ROCKER ARM	進氣閥搖臂軸	1	
	14452	14452-GFY6-901	SHAFT EXH ROCKER ARM	排氣閥搖臂軸	1	
	14711	14711-LAB4-900	VALVE INLET	進氣閥門	1	
	14721	14721-LAB4-900	VALVE EXHAUST	排氣閥門	1	
	14751	14751-LFD7-900	SPG VALVE OUTER	閥門外彈簧	2	
	14761	14761-KKJ9-003	SPG VALVE INNER	門閥內彈簧	2	
	14771	14771-GDB4-680	RETAINER VALVE SPRING	閥門彈簧保持器	2	
	14775	14775-MFA6-001	SEAT VALVE SPG OUTER	門閥彈簧外座	2	
	14781	14781-MFA6-001	COTTER VALVE	閥門鎖扣	4	
	16201	16201-LAB4-900	GASKET CARB INSULATOR @A	化油器隔熱板墊片 A	1	

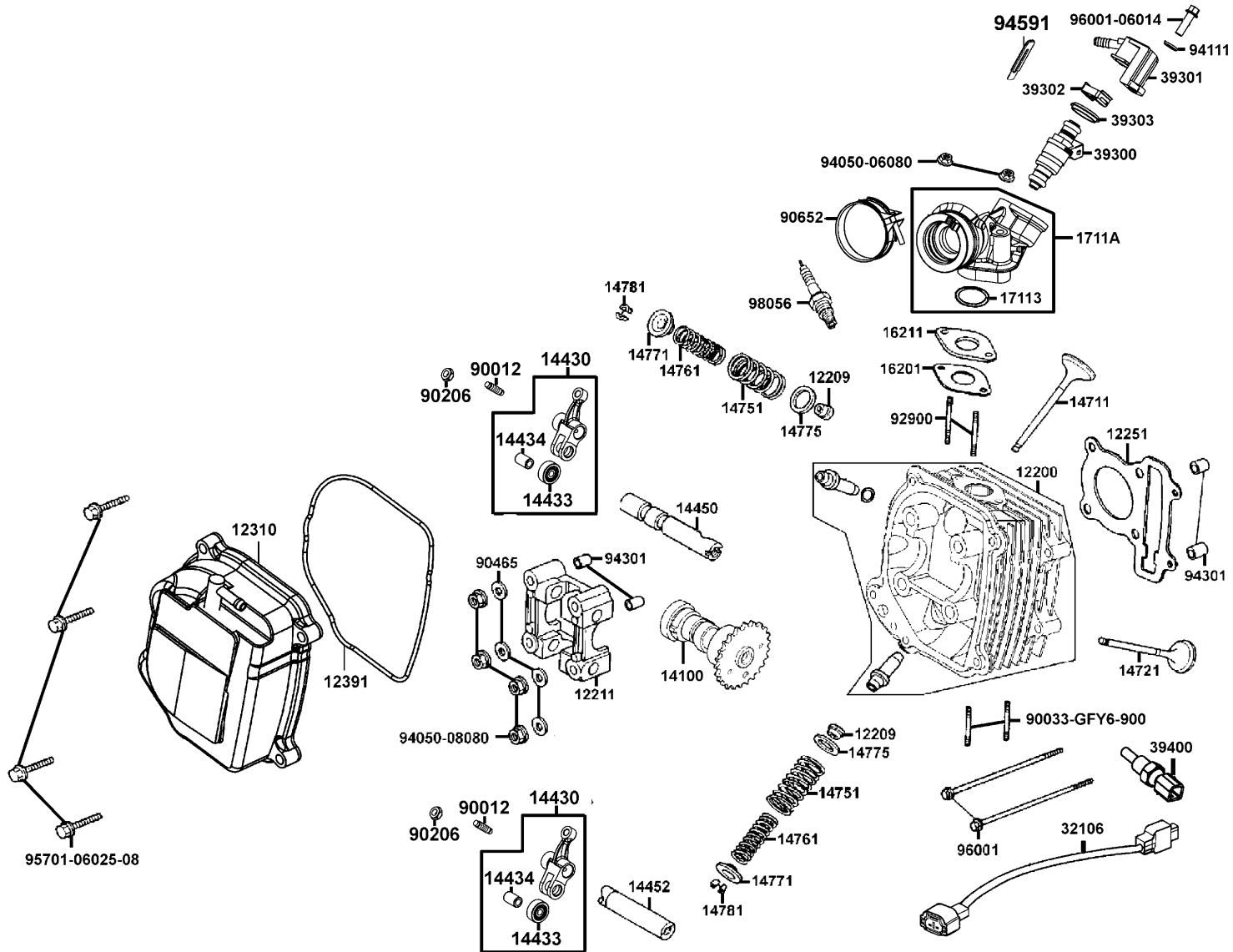
E02

Cylinder Head Cover

Cylinder Head

汽缸頭蓋

汽缸頭



Sales mark 配色標註	Ref no 參考號碼	Part no 零件號碼	Description 英文名稱	Reg description 中文名稱	Regd no 需求用量	E02
	16211	16211-LGF6-900	INSULATOR CARB	化油器隔熱板	1	
	17113	17113-KKE3-900	O-RING INLET PIPE	O環	1	
	1711A	1711A-LHB6-900	PIPE ASSY., INLET	進氣管	1	
	32106	32106-KKE3-900	SUB HARNESS A	汽缸頭溫度感應器配線	1	
	39300	39300-LEA6-800	FUEL INJECTOR	燃油噴嘴	1	
#	39301	39301-LEB2-900	HOLDER ASSY FUEL	燃油噴嘴托蓋組	1	
	39302	39302-KKE3-900	CLIP SPRING FUEL INJECTOR	噴嘴彈簧夾	1	
	39303	39303-LEB2-900	SEAL HIGH TENSION FUEL INJECT	拉力封	1	
	39400	39400-KKE3-800	SENSOR HEAD TEMPERATURE	汽缸頭溫度感應器	1	
	90012	90012-3C33-001	SCREW TAPPET ADJUSTING	樞軸調整螺絲	1	
	90033	90033-GFY6-900	BOLT STUD 8*32	螺絲 8X32	2	
	90206	90206-0A01-001	NUT TAPPET ADJG	挺桿調整螺帽	1	
	90465	90465-MDC4-001	WASHER 8MM	華司 8MM	4	
	90652	90652-LGJ9-900	BAND 48, INLET-PIPE	進氣管夾	1	
	92900	92900-06060-0B	BOLT STUD 6*60	雙頭螺絲 6*60	2	
	94050-06080	94050-06080	NUT FLANGE 6MM	螺帽 6MM	2	
	94050-08080	94050-08080	NUT FLANGE 8MM	螺帽 8MM	4	
	94111	94111-06800	WASHER SPG 6MM	華司 6MM	1	
	94301	94301-10160	DOWEL PIN 10*16	定位銷 10X16	4	
	94591	94591-KFBF-900	CLIP 2*70	環夾	1	

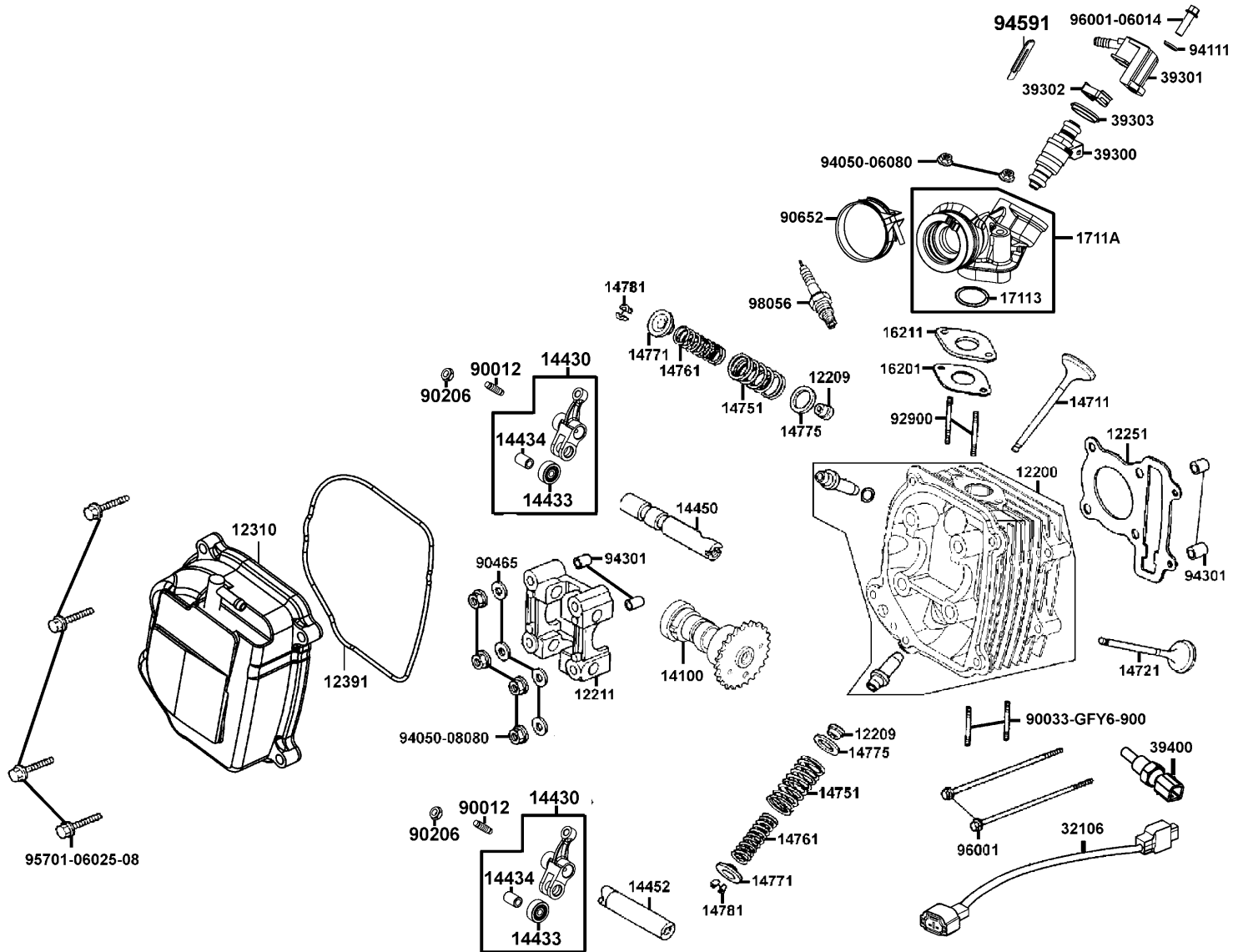
E02

Cylinder Head Cover

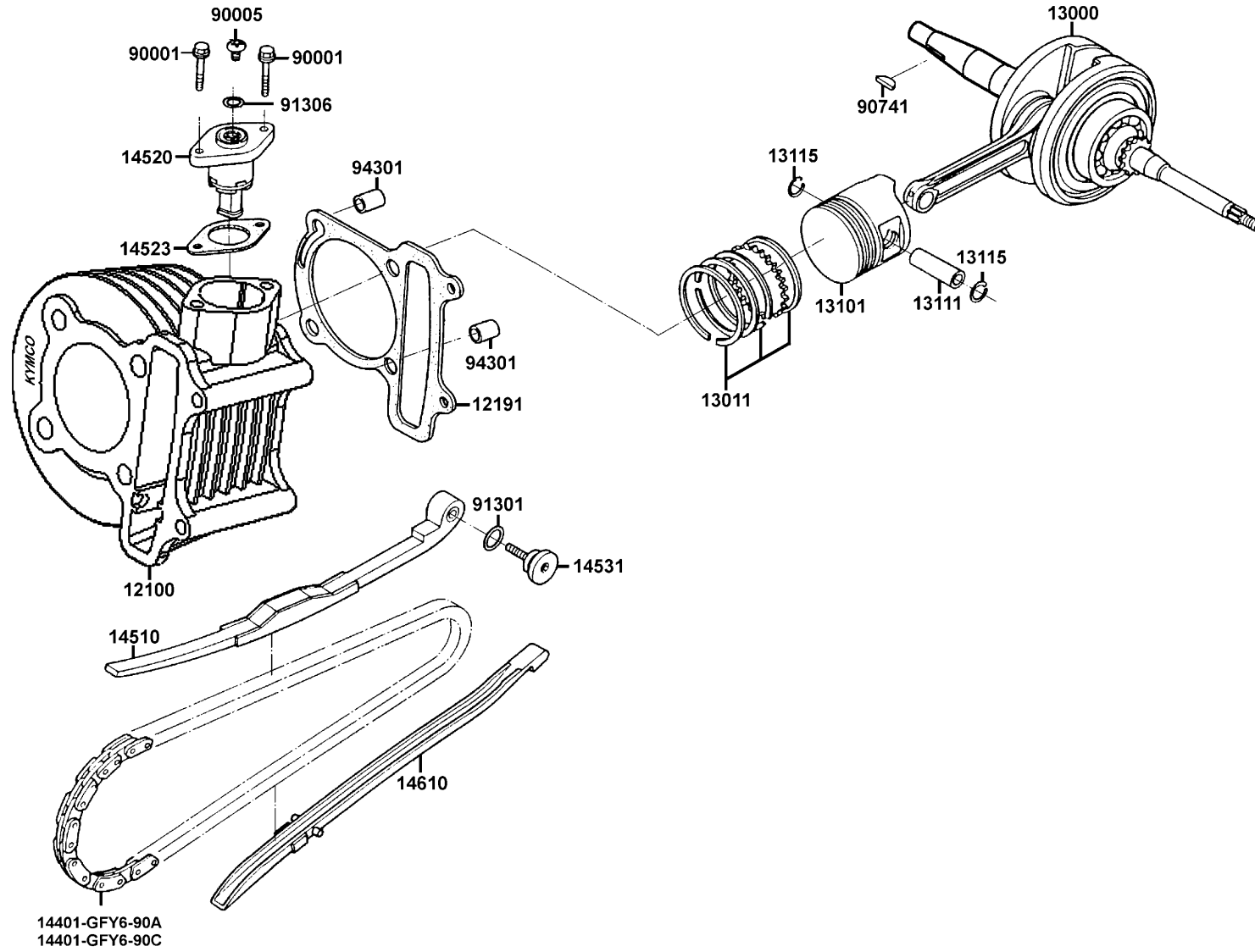
Cylinder Head

汽缸頭蓋

汽缸頭



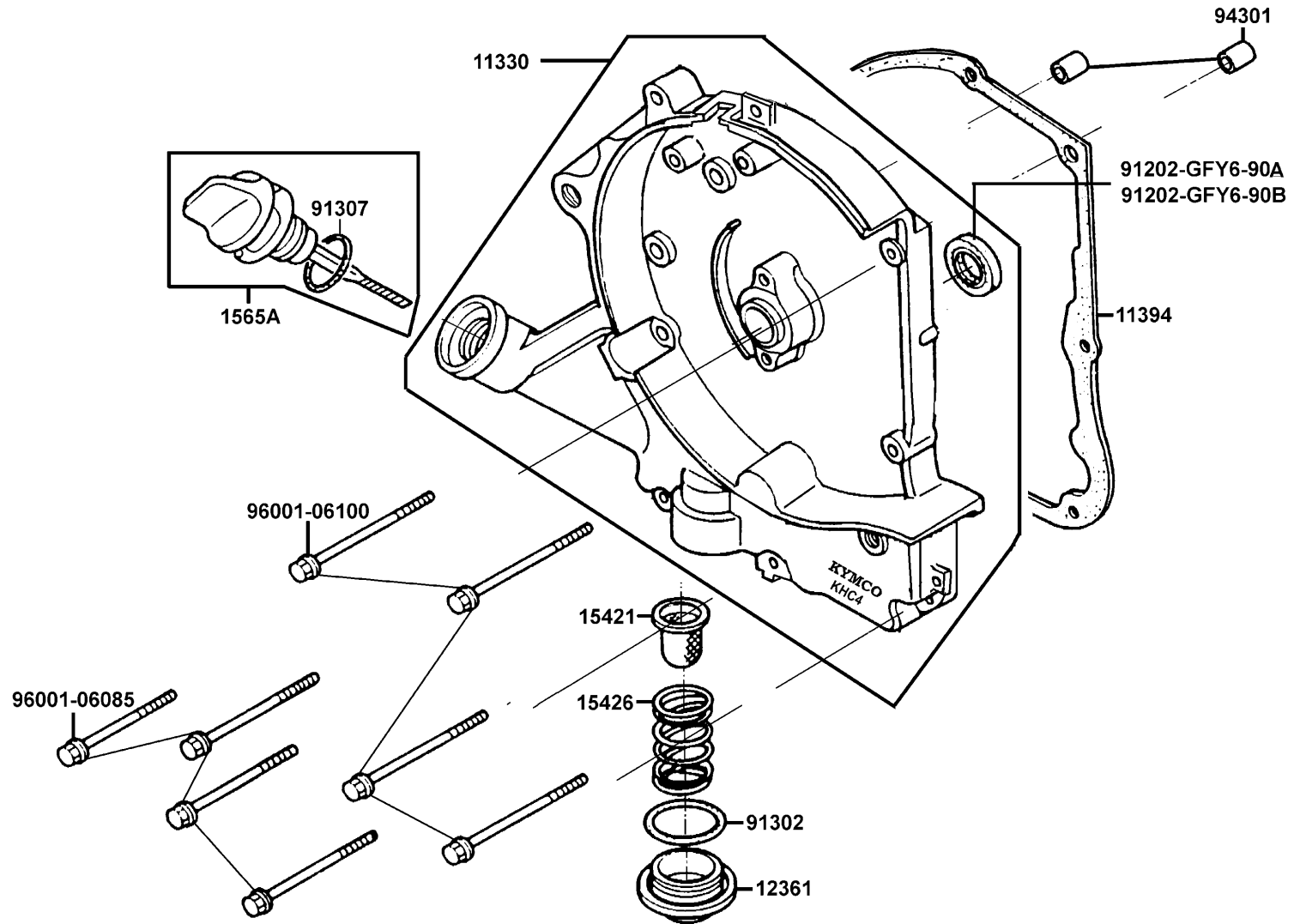
Sales mark 配色標註	Ref no 參考號碼	Part no 零件號碼	Description 英文名稱	Reg description 中文名稱	Regd no 需求用量	E02
	95701	95701-06025-08	BOLT FLANGE 6*25	螺絲 6*25	4	
	96001-06014	96001-06014-08	BOLT FLANGE 6*14	螺絲 6X14	1	
	96001-06100	96001-06100-08	BOLT FLANGE SH 6*100	特殊螺絲 6*100	2	
	98056	98056-5671R-00	SPARK PLUG (CR6HSA)	火星塞	1	



Sales mark 配色標註	Ref no 參考號碼	Part no 零件號碼	Description 英文名稱	Reg description 中文名稱	Regd no 需求用量	E03
	12100	12100-LAB4-700	CYLINDER COMP	汽缸	1	
	12191	12191-KHC4-900	GASTET CYLINDER @ A	汽缸墊片 A	1	
	13000	13000-LBD4-900	CRANK SHAFT COMP	曲軸	1	
	13011	13011-LBG7-900	RING SET PISTON	活塞環組	1	
	13101	13101-LCB4-900	PISTON	活塞	1	
	13111	13111-0G87-001	PIN PISTON	活塞銷	1	
	13115	13115-0A01-001	PISTON PIN CLIP	活塞銷夾	2	
	14401-GFY6-90A	14401-GFY6-90A	CHAIN CAM	凸輪軸驅動鏈條	1	
	14401-GFY6-90C	14401-GFY6-90C	CHAIN CAM	凸輪軸驅動鏈條	1	
	14510	14510-LAB4-900	TENSIONER CAM CHAIN	內鏈條拉力桿	1	
	14520	14520-GFY6-90A	LIFTER ASSY TENSIONER	內鏈條調整器	1	
	14523	14523-GFY6-901	GASKET TENSIONER LIFTER @ A	內鏈條調整器墊片	1	
	14531	14531-GLR0-001	PIVOT CAM CHAIN TENSIONER	拉力桿螺絲	1	
	14610	14610-LAB4-900	GUIDE COMP CAM CHAIN	鏈條導件	1	
	90001	90001-GBHB-661	BOLT FLANGE SH 6*22	螺絲 6*22	2	
	90005	90005-KAW1-901	SCREW PAN 6*6	螺絲 6*6	1	
	90741	90741-0E35-001	KEY WOODRUFF	固定鍵	1	
	91301	91301-GLR0-005	O RING 15.2*1.5	O環 15.2X1.5	1	
	91306	91306-1E05-691	O-RING 1.5*9.5	O環 1.5*9.5	1	
	94301	94301-10160	DOWEL PIN 10*16	定位銷 10X16	2	

E04

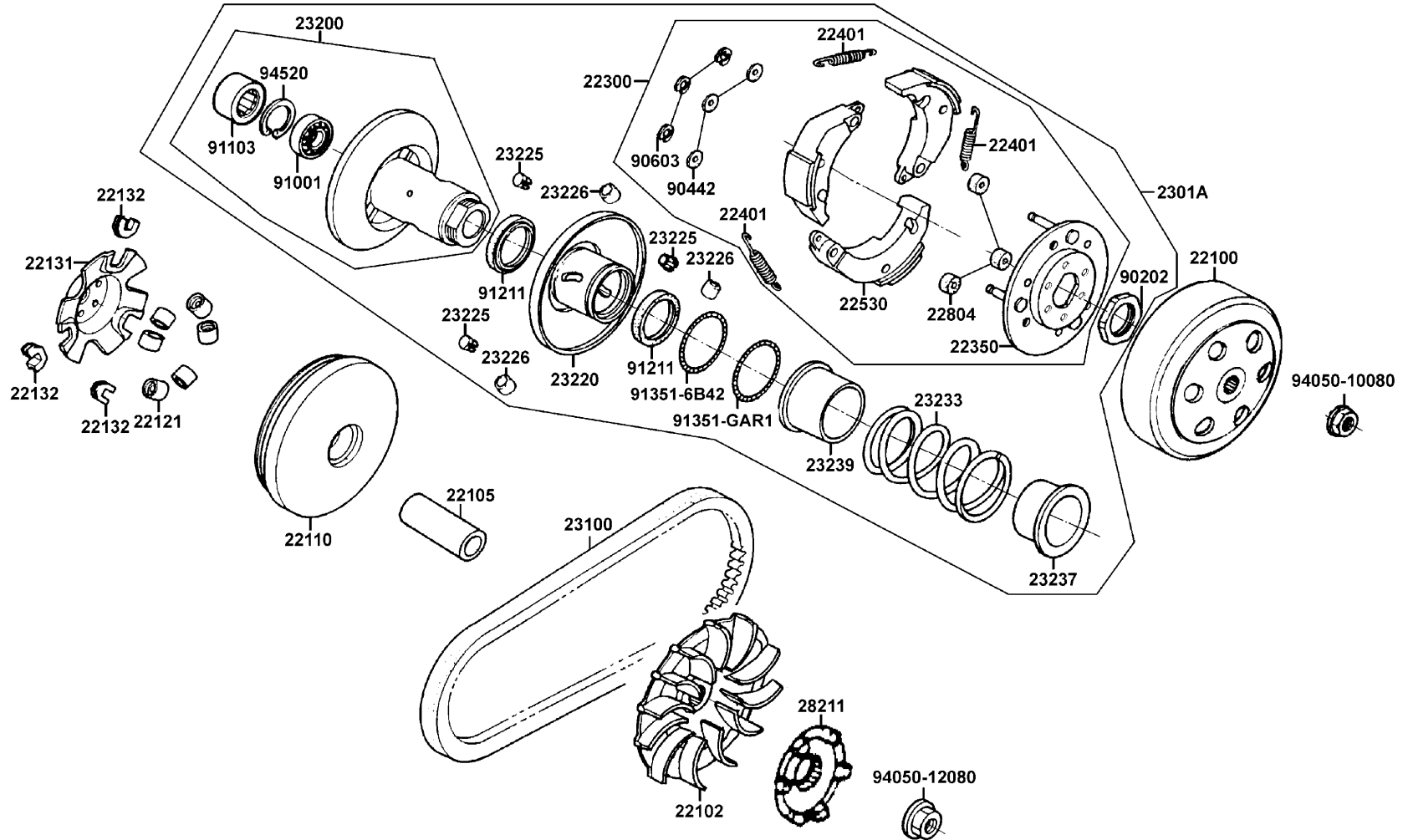
Right Crankcase Cover 右曲軸箱蓋



Sales mark 配色標註	Ref no 參考號碼	Part no 零件號碼	Description 英文名稱	Reg description 中文名稱	Regd no 需求用量	E04
	11330	11330-LBG7-900	COVER R CRANK CASE	右曲軸箱蓋	1	
	11394	11394-KHC4-900	GASTER R COVER @ A	右曲軸箱蓋墊片 A	1	
	12361	12361-GFY6-901	HOLE CAP TAPPET ADJUSTING	調節螺帽	1	
	15421	15421-1G07-001	SCREEN OIL FILTER	濾油網	1	
	15426	15426-GAE1-921	SPG OIL FILTER SCREEN	濾油網彈簧	1	
	1565A	1565A-GFY6-900	GAUGE OIL LEVEL ASSY	機油尺組	1	
	91202-GFY6-90A	91202-GFY6-90A	OIL SEAL 19.8*30*5	油封 19.8*30*5	1	
	91202-GFY6-90B	91202-GFY6-90B	OIL SEAL 19.8*30*5	油封 19.8*30*5	1	
	91302	91302-0A01-021	O-RING 30.8MM	O環 30.8MM	1	
	91307	91307-0E35-001	O RING 18*3	O環 18X3	1	
	94301	94301-08140	DOWEL PIN 8*14	定位銷 8X14	2	
	96001-06085	96001-06085-06	BOLT FLANGE 6*85	螺絲 6*85	4	
	96001-06100	96001-06100-08	BOLT FLANGE SH 6*100	特殊螺絲 6*100	4	

E05

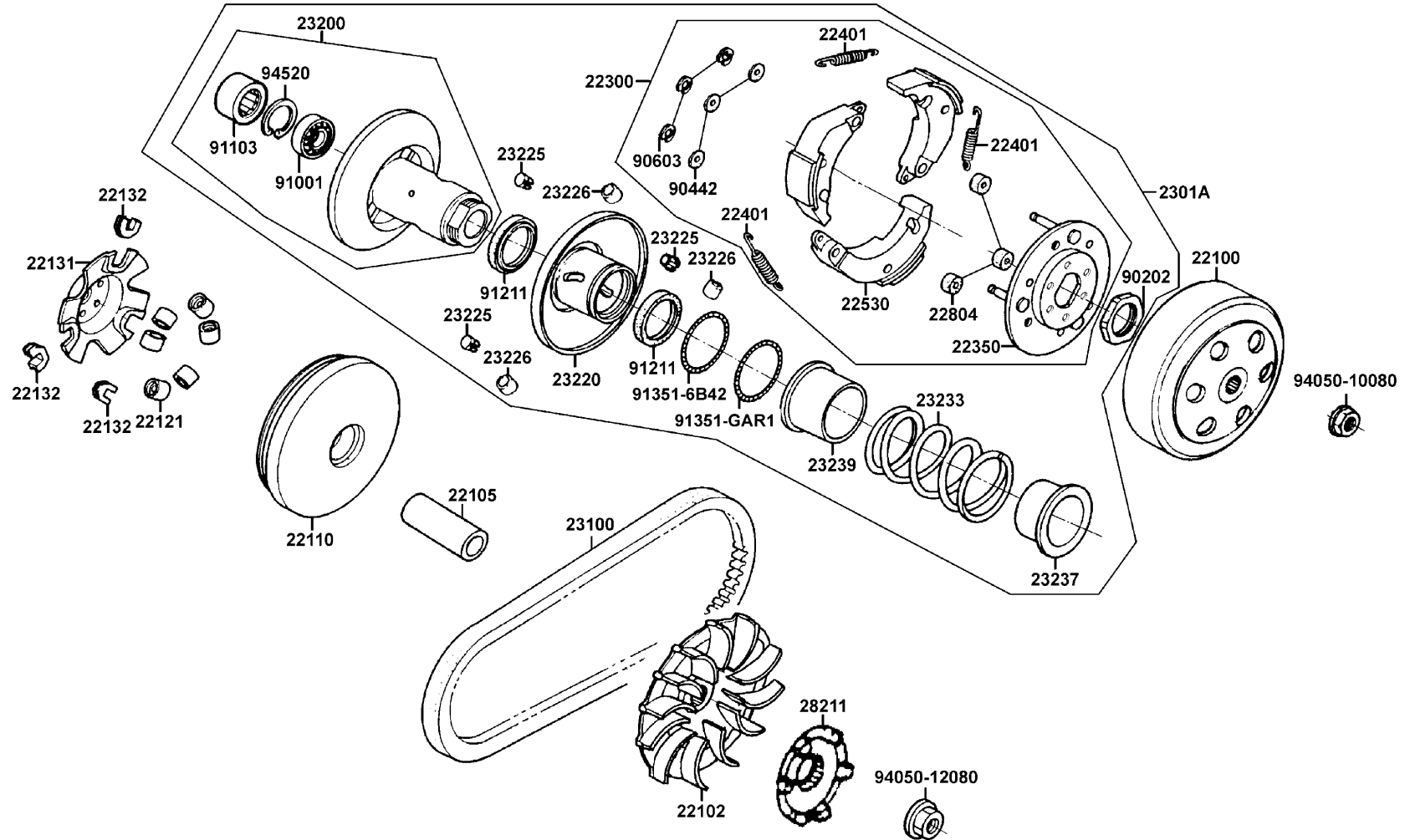
Transmission Pulley 皮帶輪



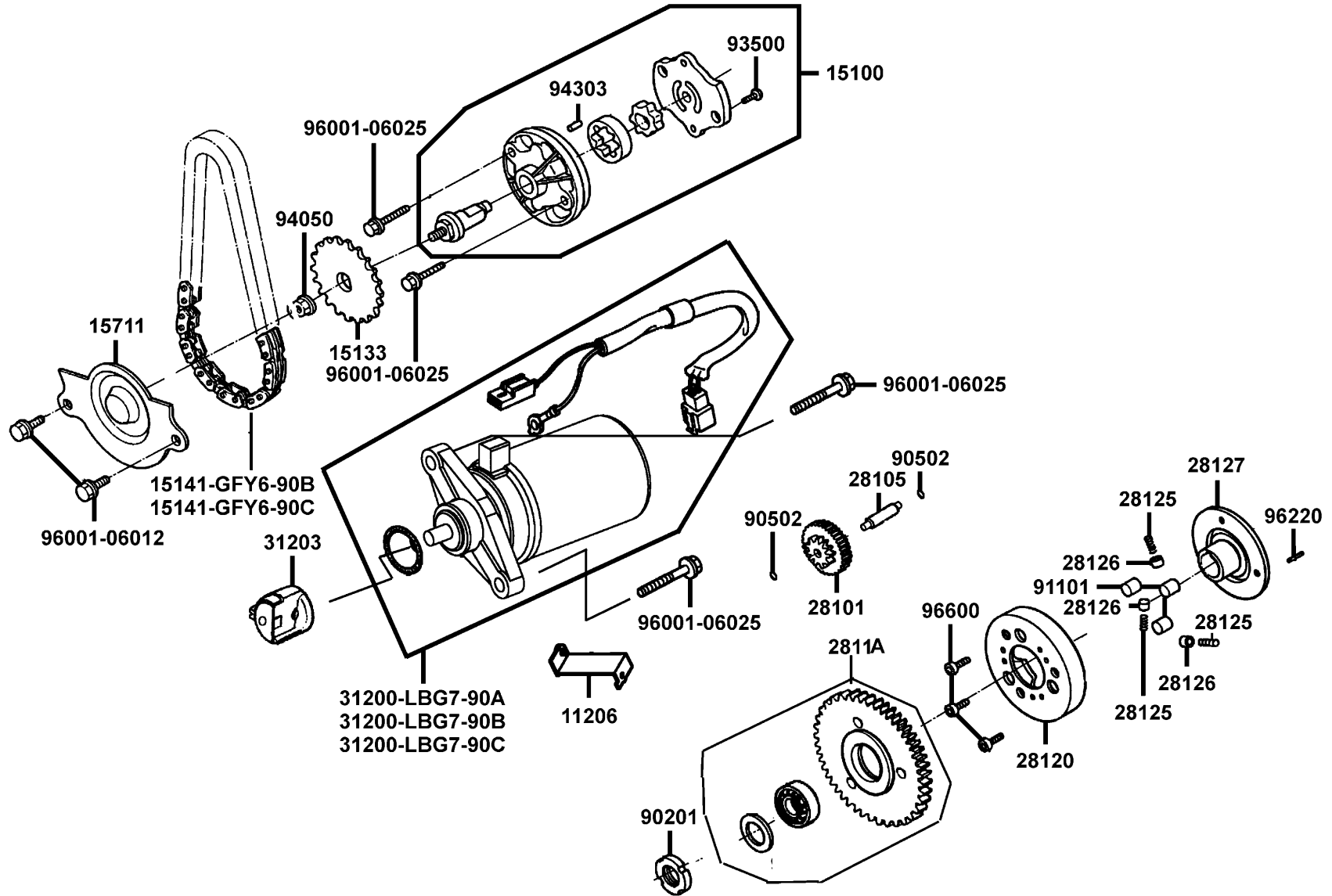
Sales mark 配色標註	Ref no 參考號碼	Part no 零件號碼	Description 英文名稱	Reg description 中文名稱	Regd no 需求用量	E05
	22100	22100-KNBN-902	CLUTCH OUTER	離合器外套	1	
	22102	22102-KED5-900	FACE DRIVE	驅動皮帶扇葉盤	1	
	22105	22105-KHC4-900	BOSS DRIVE FACE	襯套	1	
	22110	22110-KHC4-900	FACE COMP MOVABLE DRIVE	滑動式驅動盤	1	
	22121	22121-GHT8-602	ROLLER COMP WEIGHT 7.5 GR	配重滾子	6	
	22131	22131-GCW3-901	PLATE RAMP	斜坡板	1	
	22132	22132-LAB4-900	PIECE SLIDE	斜板邊件	3	
	22300	22300-LCB4-900	PLATE ASSY DRIVE	驅動板組	1	
	22350	22350-KHC4-900	PLATE COMP DRIVE	驅動板	1	
	22401	22401-GFY6-90A	SPG CLUTCH	彈簧	3	
	22530	22530-KHC4-900	WEIGHT SET CLUTCH	離合器配重組	3	
	22804	22804-1H48-001	RUBBER CLUTCH DUMPER	橡皮	3	
	2301A	2301A-LBG7-900	PULLEY SUB ASSY DRIVEN	從動皮帶輪組	1	
	23100	23100-LBG7-800	BELT, DRIVE	驅動皮帶	1	
	23200	23200-GCW3-001	FACE ASSY DRIVEN	從動皮帶盤組	1	
	23220	23220-KHC4-900	FACE COMP MOVABLE DRIVEN	滑動式從動皮帶盤	1	
	23225	23225-GCW3-001	PIN GUIDE	導銷	3	
	23226	23226-GCW3-001	ROLLER GUIDE	套筒環	3	
	23233	23233-LBG7-900	SPG DRIVEN FACE	驅動彈簧	1	
	23237	23237-GCW3-001	COLLAR SEAL	套筒油封	1	

E05

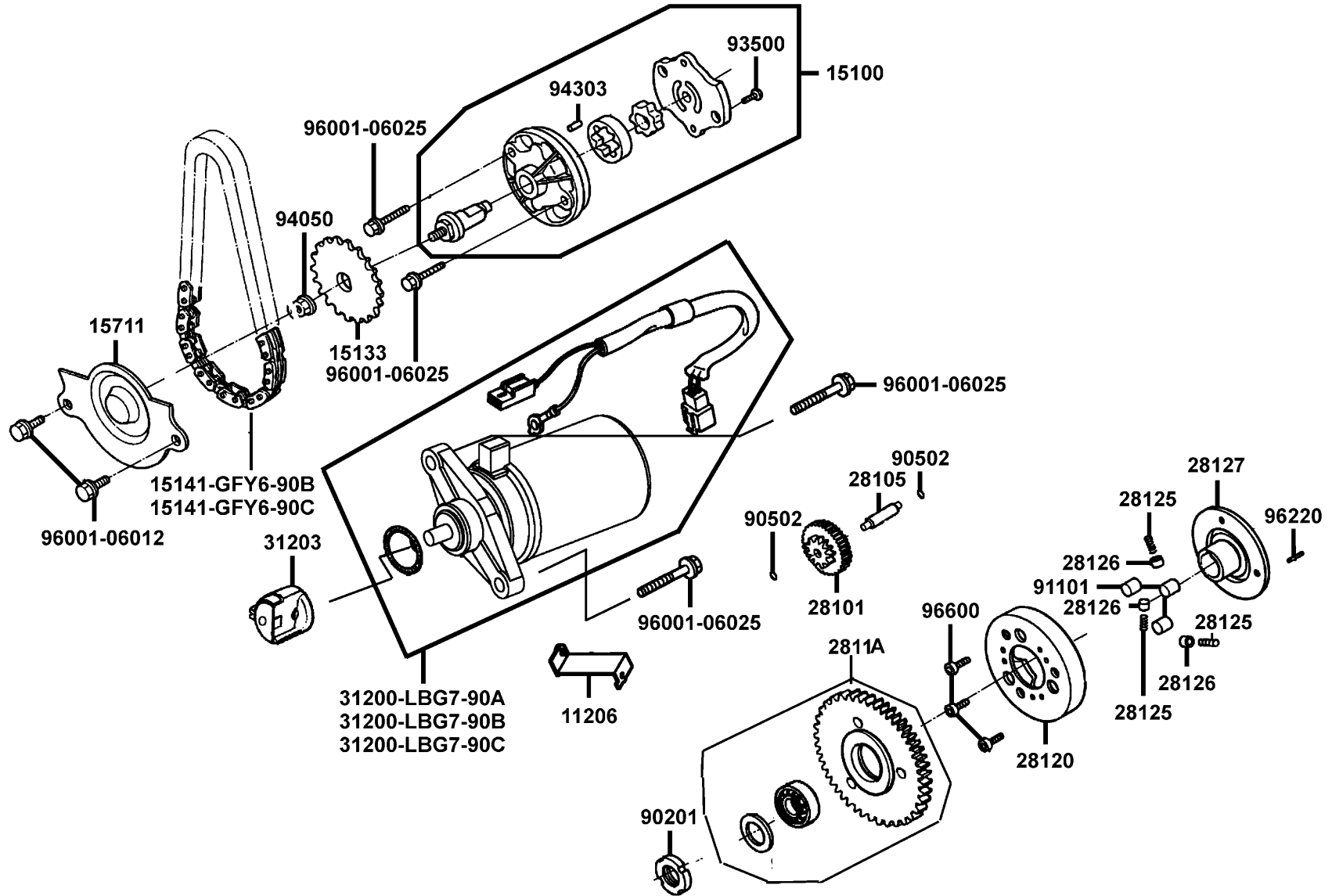
Transmission Pulley 皮帶輪



Sales mark 配色標註	Ref no 參考號碼	Part no 零件號碼	Description 英文名稱	Reg description 中文名稱	Regd no 需求用量	E05
	23239	23239-GCW3-851	GUIDE SPG	套筒	1	
	28211	28211-KNBN-901	RATCHET KICK STARTER	起動棘齒輪	1	
	90202	90202-1G87-001	NUT SPECIAL 28MM	螺帽	1	
	90442	90442-0D44-001	6M/M THRUST WASHER	華司	3	
	90603	90603-0D44-001	CIR CLIP 6MM	環夾 6MM	3	
	91001	91001-GGA7-70A	BRG RADIAL BALL 6901U	軸承	1	
	91103	91103-GAR1-004	BRG NEEDLE 17*25*18 WS	滾針軸承	1	
	91211	91211-GHK8-014	OIL SEAL 34*39*3	驅動油封	2	
	91351-6B42	91351-6B42-000	O-RING PINION CAP	O環	1	
	91351-GAR1	91351-GAR1-001	O-RING 38.5*2	O環 38.5*2	1	
	94050-10080	94050-10080	NUT FLANGE 10MM	螺帽	1	
	94050-12080	94050-12080	NUT C FLANGE 12MM	螺帽 12MM	1	
	94520	94520-24000	CIR CLIP IN 24	夾環	1	



Sales mark 配色標註	Ref no 參考號碼	Part no 零件號碼	Description 英文名稱	Reg description 中文名稱	Regd no 需求用量	E06
	11206	11206-LAB4-900	STAY A RR FENDER	後土除支架 A	1	
	15100	15100-GFY6-901	PUMP ASSY OIL	機油泵浦組	1	
	15133	15133-GFY6-901	SPRKT OIL PUMP DRIVEN	機油泵驅動齒輪	1	
	15141-GFY6-90B	15141-GFY6-90B	CHAIN OIL PUMP	機油泵驅動鏈條	1	
	15141-GFY6-90C	15141-GFY6-90C	CHAIN OIL PUMP	機油泵驅動鏈條	1	
	15711	15711-GFY6-901	SEPARATER OIL	機油分隔板	1	
	28101	28101-LBC6-900	GEAR COMP STARTER REDUCTION	減速齒輪	1	
	28105	28105-KNBN-901	SHAFT STARTER REDUCTION	減速齒輪軸	1	
	2811A	2811A-KNBN-940	GEAR COMP STARTER DRIVEN	起動離合器齒輪	1	
	28120	28120-KNBN-901	OUTER COMP ST CLUCH	離合器外套	1	
	28125	28125-3C23-001	SPRING ROLLER ST CLUTCH	滾子彈簧	3	
	28126	28126-KNBN-901	CAP SPGING ROLLER SP	滾子彈簧蓋	3	
	28127	28127-KNBN-901	BOSS STARTER CLUTCH	起動離合器凸緣	1	
	31200-LBG7-90A	31200-LBG7-90A	MOTOR ASSY START	起動馬達	1	
	31200-LBG7-90B	31200-LBG7-90B	MOTOR ASSY START	起動馬達	1	
	31200-LBG7-90C	31200-LBG7-90C	MOTOR ASSY START	起動馬達	1	
	31203	31203-KHC4-900	HOLDER COMP STARTER REDUCTION	起動齒輪組支撐座	1	
	90201	90201-KNBN-901	NUT SPECIAL 24MM	螺帽 24MM	1	
	90502	90502-MBS2-001	WASHER 24*8.5	華司 24*8.5	2	
	91101	91101-KNBN-901	ROLLER 10.2*11.5	滾子10.2*11.5	3	

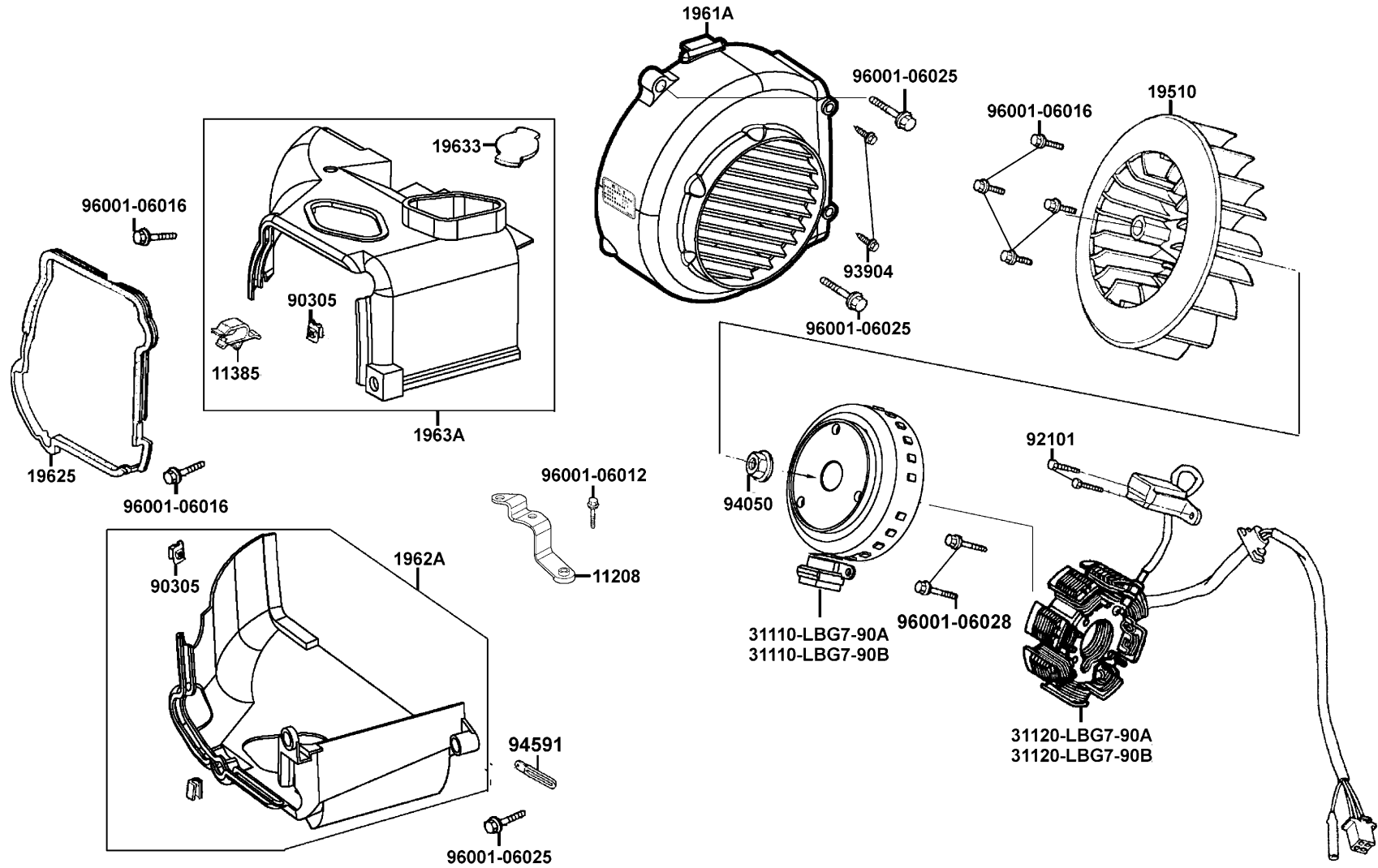


Sales mark 配色標註	Ref no 參考號碼	Part no 零件號碼	Description 英文名稱	Reg description 中文名稱	Regd no 需求用量	E06
	93500	93500-03010-1A	SCREW PAN 3*10	螺絲 3*10	1	
	94050	94050-06080	NUT FLANGE 6MM	螺帽 6MM	1	
	94303	94303-04065	PIN DOWEL 4*6.5	定位銷4*6.5	1	
	96001-06012	96001-06012-08	BOLT FLANGE 6*12	螺絲 6*12	2	
	96001-06025	96001-06025-06	BOLT FLANGE 6*25	螺絲 6*25	4	
	96220	96220-60100	ROLLER 6*10	定位銷 6X10	1	
	96600	96600-06012-10	SOCKET BOLT 6*12	螺絲 6*12	3	

E07

Fan Cover Generator

風扇蓋 發電機

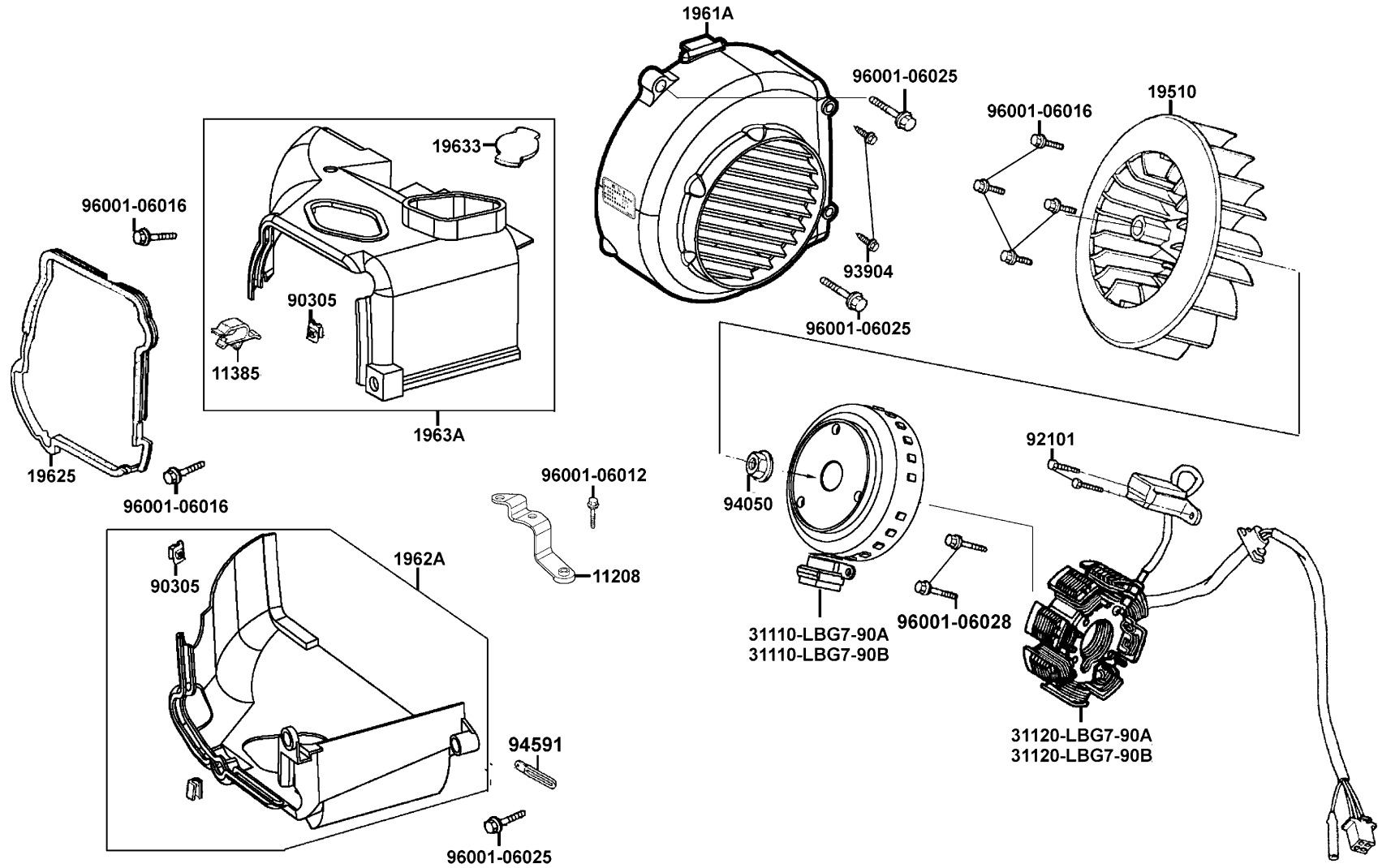


Sales mark 配色標註	Ref no 參考號碼	Part no 零件號碼	Description 英文名稱	Reg description 中文名稱	Regd no 需求用量	E07
	11208	11208-KHC4-800	STAY C RR FENDER	後土除支架 C	1	
	11385	11385-KGBG-900	CLIP VACUUM TUBE	管夾	1	
	19510	19510-GBW2-901	FAN COMP COOLING	冷卻風扇	1	
	1961A	1961A-LBG7-800	COVER ASSY FAN	冷卻風扇蓋	1	
	19625	19625-KHC4-900	SEAL SHROUD	罩蓋油封	1	
	1962A	1962A-LBG7-900	SHROUD ASSY A	罩蓋 A組	1	
	19633	19633-GFY6-901	GROMET SHROUD B	橡皮蓋	1	
	1963A	1963A-LGF6-900	SHROUD ASSY B	罩蓋 B組	1	
	31110-LBG7-90A	31110-LBG7-90A	FLYWHEEL COMP	飛輪蓋	1	
	31110-LBG7-90B	31110-LBG7-90B	FLYWHEEL COMP	飛輪蓋	1	
	31120-LBG7-90A	31120-LBG7-90A	STATOR COMP	轉子線圈	1	
	31120-LBG7-90B	31120-LBG7-90B	STATOR COMP	轉子線圈	1	
	90305	90305-GHK8-001	NUT CLIP 6MM	夾螺帽	2	
	92101	92101-05012-0H	BOLT HEX 5*12	螺絲 5*12	2	
	93904	93904-35380	SCREW TAPPING 5*16	螺釘 5*16	2	
	94050	94050-10080	NUT FLANGE 10MM	螺帽	1	
	94591	94591-KFBF-900	CLIP 2*70	環夾	1	
	96001-06012	96001-06012-08	BOLT FLANGE 6*12	螺絲 6*12	3	
	96001-06016	96001-06016-08	BOLT FLANGE SH 6*16	凸緣螺栓	6	
	96001-06025	96001-06025-06	BOLT FLANGE 6*25	螺絲 6*25	5	

E07

Fan Cover Generator

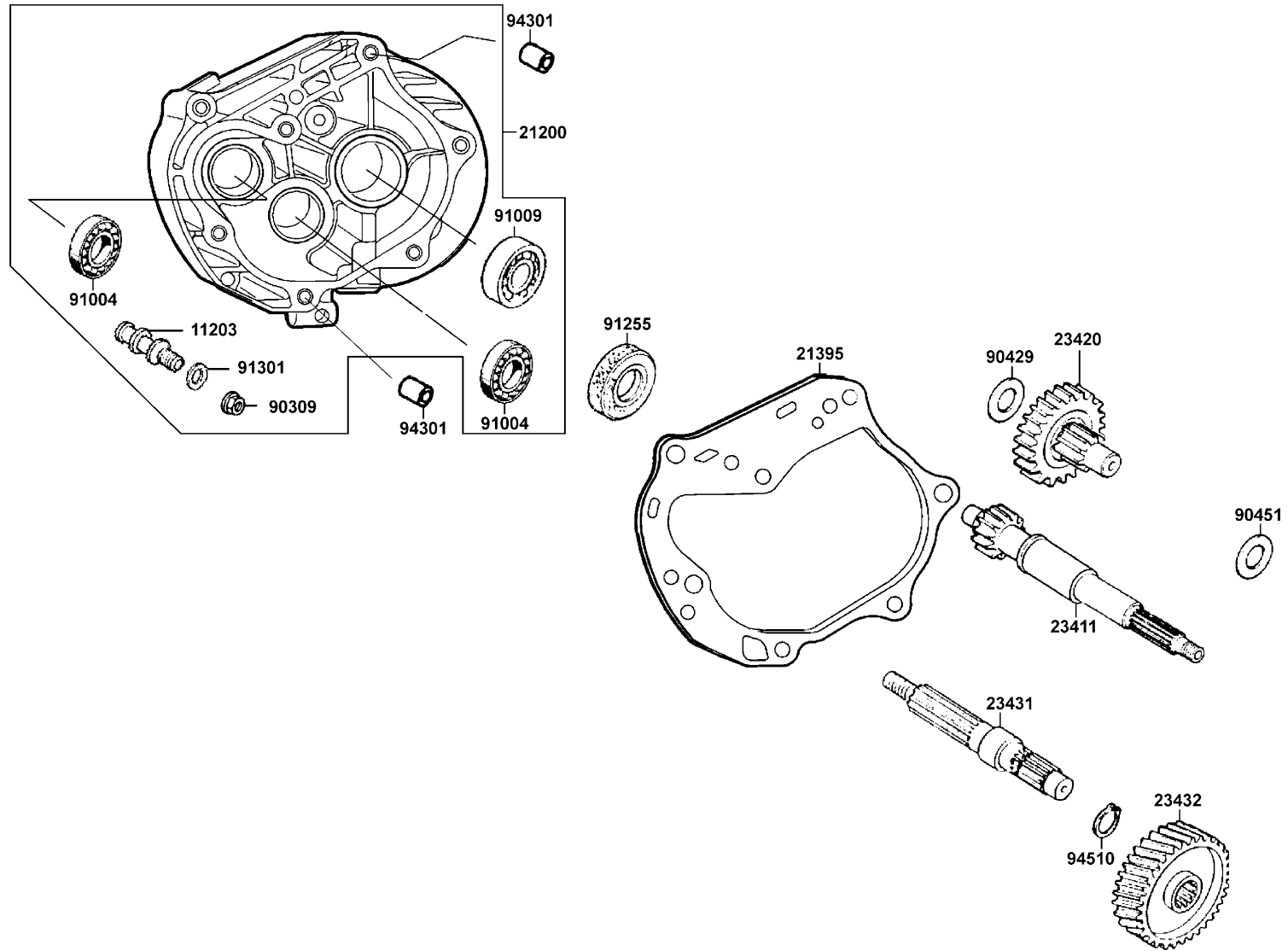
風扇蓋 發電機



Sales mark 配色標註	Ref no 參考號碼	Part no 零件號碼	Description 英文名稱	Reg description 中文名稱	Regd no 需求用量	E07
	96001-06028	96001-06028-08	BOLT FLANGE SH 6*28	螺絲 6*28	2	

E08

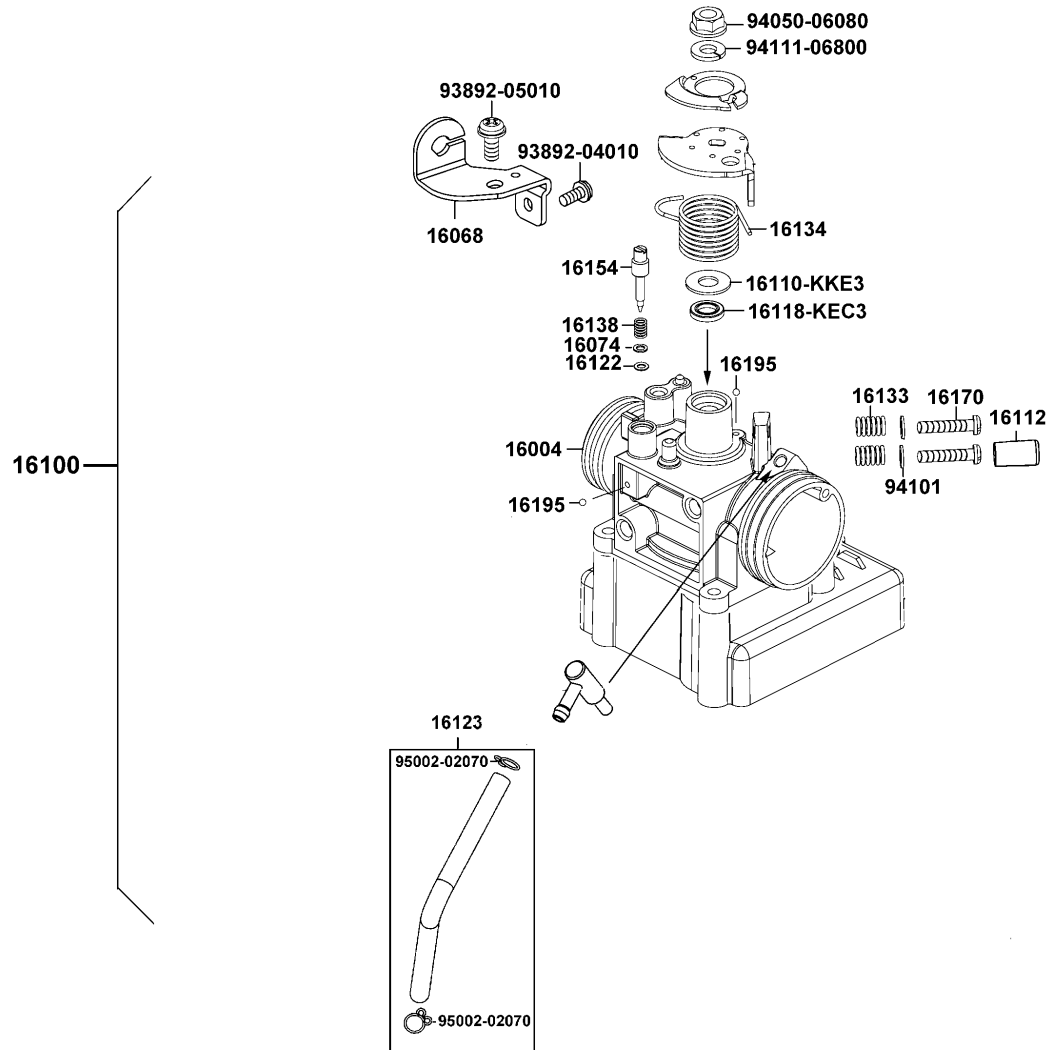
Transmission 傳動系



Sales mark 配色標註	Ref no 參考號碼	Part no 零件號碼	Description 英文名稱	Reg description 中文名稱	Regd no 需求用量	E08
	11203	11203-KHG8-301	PIN BRAKE SHOE ANCHOR	煞車鼓固定銷	1	
	21200	21200-KFA3-305	CASE ASSY MISSION	主軸箱組	1	
	21395	21395-KNBN-901	GASKET MISSION CASE A	主軸蓋墊片 A	1	
	23411	23411-KHC4-900	SHAFT DRIVE	驅動軸	1	
	23420	23420-KHC4-900	SHAFT COMP COUNTER	副軸組	1	
	23431	23431-KDLD-901	SHAFT FINAL	最終軸	1	
	23432	23432-KNBN-901	GEAR FINAL	最終齒輪	1	
	90309	90309-KLF0-004-SY	NUT FLANGE 8MM	平螺帽	1	
	90429	90429-KNBN-901	WASHER SIDE 12MM	華司	1	
	90451	90451-1G07-001	WASHER THRUST 15MM	華司 15MM	1	
	91004	91004-KBN2-90A	BRG BALL RADIAL 6201	軸承	2	
	91009	91009-GLE0-004	BRG BALL RADIAL 6004 UU	軸承	1	
#	91255	91255-GLE0-006	OIL SEAL 27*42*7	油封	1	
	91301	91301-0C53-001	O RING 7.5*1.5	O 環	1	
	94301	94301-10200	DOWEL PIN 10*20	插銷	2	
	94510	94510-20000	CIR CLIP EX 20	夾環	1	

E09

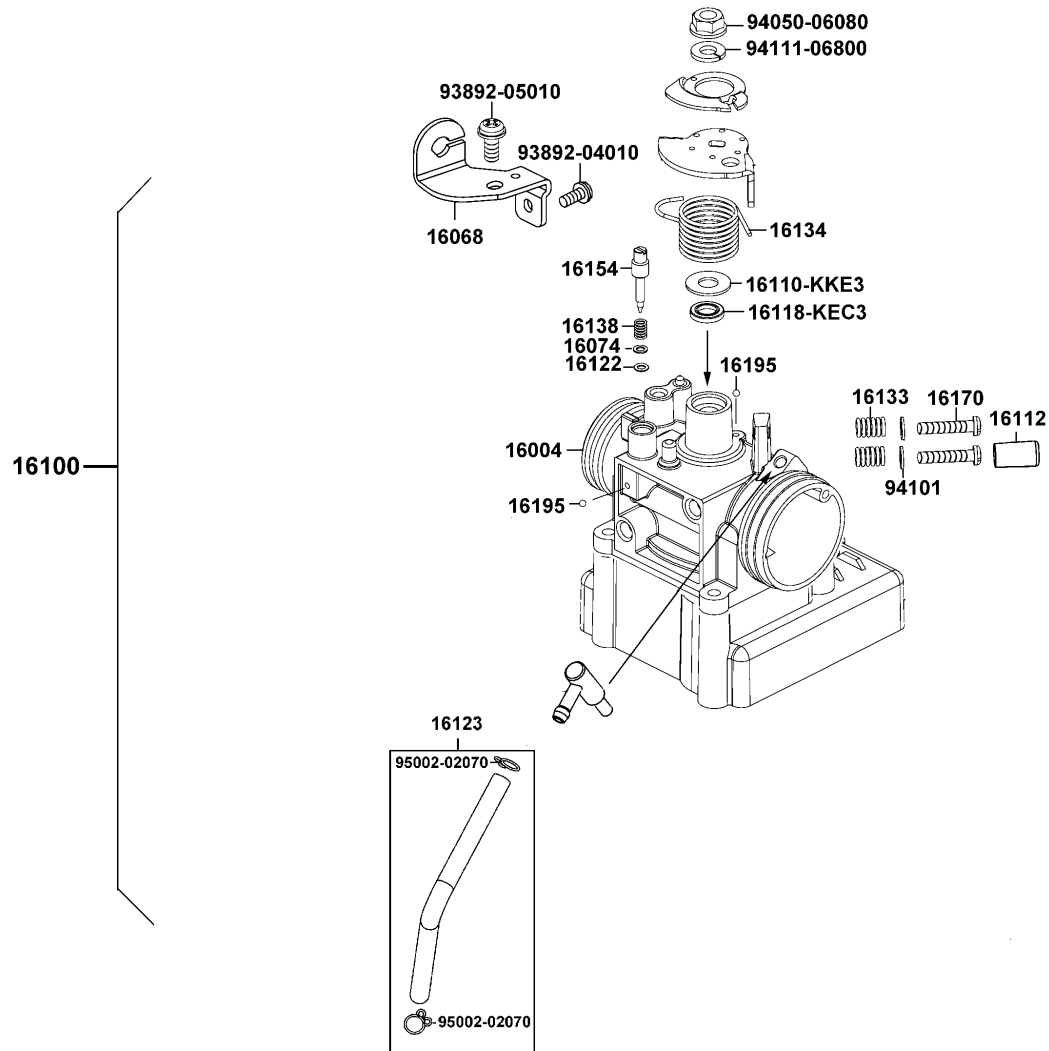
THROTTLE BODY 節流閥本體



Sales mark 配色標註	Ref no 參考號碼	Part no 零件號碼	Description 英文名稱	Reg description 中文名稱	Regd no 需求用量	E09
	16004	16004-LEA1-900	THROTTLE BODY	節流閥本體	1	
	16068	16068-LEB2-900	PLATE WIRE FIXED	節流導線固定板	1	
	16074	16074-KEC3-900	WASHER IDLE SCREW	華司	1	
	16100	16100-LHB6-900	THROTTLE BODY ASSY	THROTTLE BODY ASSY	1	
	16110	16110-KKE3-900	WASHER THROTTLE COMP	華司	1	
	16112	16112-KKE3-900	COVER IDLE SCREW	蓋	1	
	16118	16118-KEC3-900	SEAL THROTTLE SHAFT	節流閥封軸	1	
	16122	16122-KEC3-900	O-RING IDLE SCREW	O型環	1	
	16123	16123-LGF6-900	TUBE COMP. 3.5x300	通氣管3.5x300	1	
	16133	16133-KEC3-900	SPG THROTTLE ADJUST SCREW	彈簧	2	
	16134	16134-KKE3-900	SPG THROTTLE SHAFT	節流閥軸彈簧	1	
	16138	16138-KEC3-900	SPG IDLE ADJ SCREW	彈簧	1	
	16154	16154-KKE3-900	SCREW IDLE ADJUST	螺絲	1	
	16170	16170-KEC3-900	SCREW THROTTLE ADJUST	調整螺絲	2	
	16195	16195-KEC3-900	BALL 2.1	滾珠	1	
	93892-04010	93892-04010-08	SCREW WASHER 4*10	螺絲	1	
	93892-05010	93892-05010-08	SCREW WASH 5*10	螺絲	3	
	94050	94050-06080	NUT FLANGE 6MM	螺帽 6MM	1	
	94101	94101-KKE3-900	WASHER PLAN 4.5*8*0.8	墊圈	2	
	94111	94111-06800	WASHER SPG 6MM	華司 6MM	1	

E09

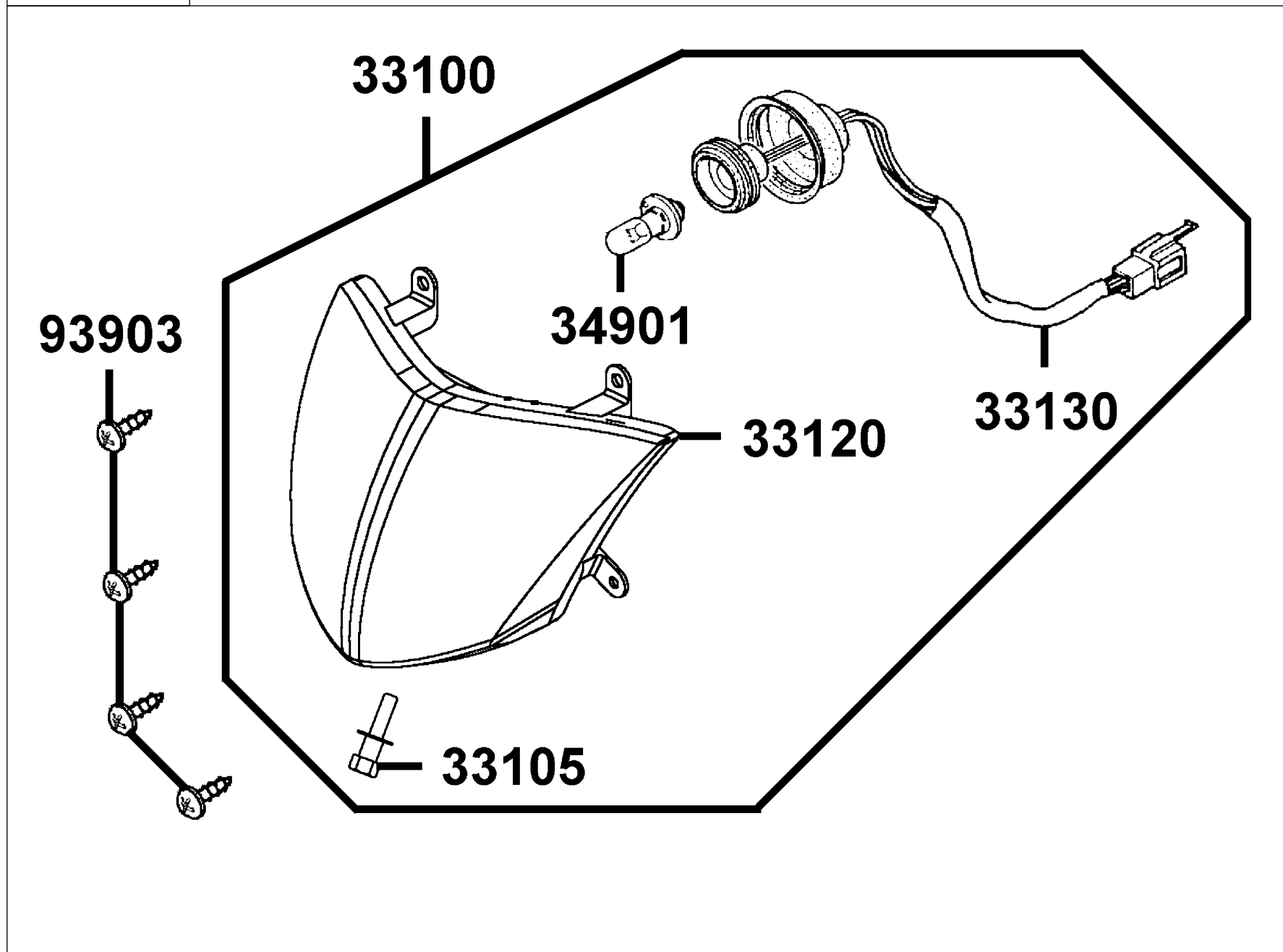
THROTTLE BODY 節流閥本體



Sales mark 配色標註	Ref no 參考號碼	Part no 零件號碼	Description 英文名稱	Reg description 中文名稱	Regd no 需求用量	E09
95002	95002-02070	95002-02070	CLIP B7 TUBE	管夾	1	

F01

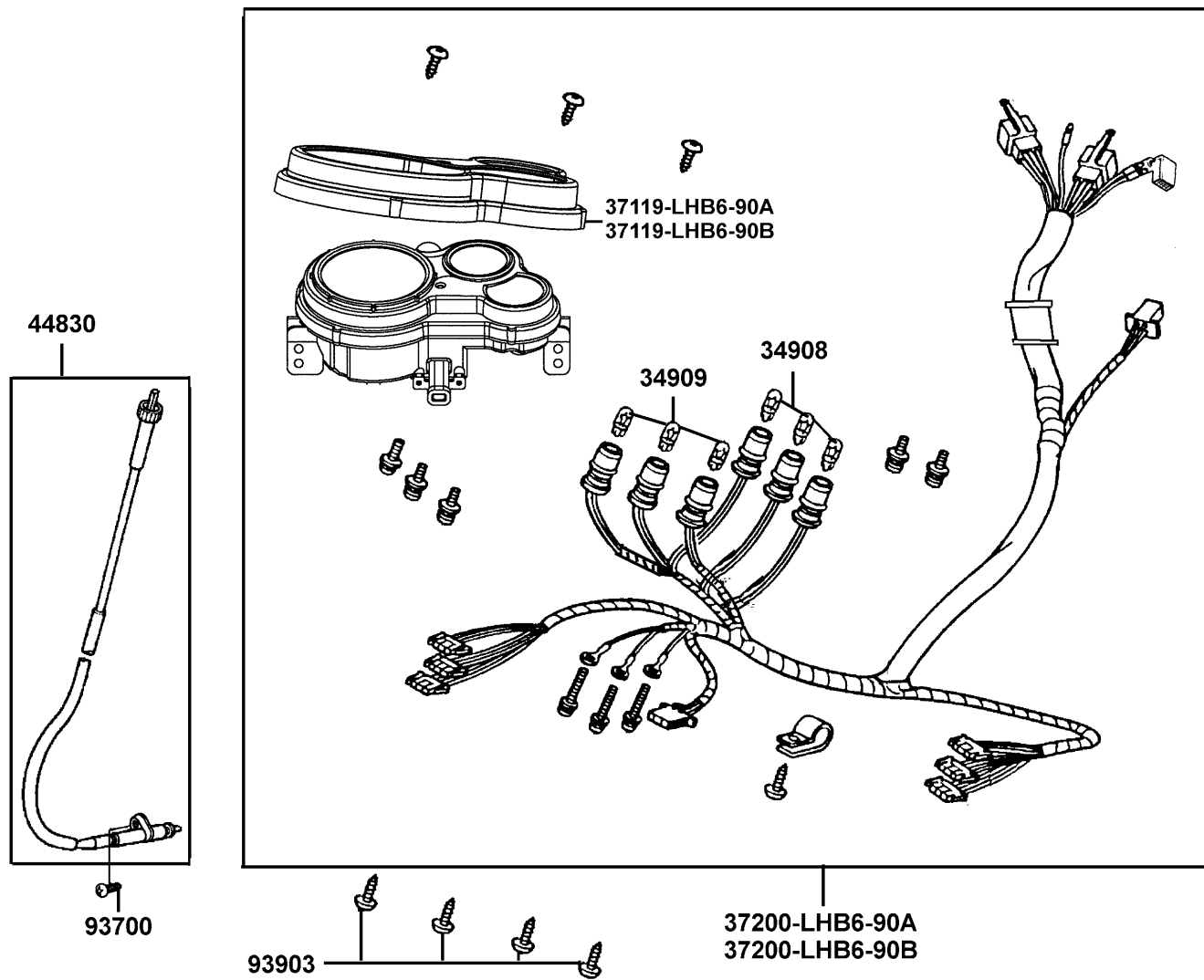
Head Light 前燈



Sales mark 配色標註	Ref no 參考號碼	Part no 零件號碼	Description 英文名稱	Reg description 中文名稱	Regd no 需求用量	F01
	33100	33100-LBG7-900	LIGHT ASSY HEAD	前燈組	1	
	33105	33105-LBG7-900	BOLT ADJUST	前燈調整螺絲	1	
	33120	33120-LBG7-900	UNIT HEAD LIGHT	前燈殼	1	
	33130	33130-LBG7-900	SOCKET COMP	前燈配線	1	
	34901	34901-KTCT-900	BULB HEAD LIGHT	前燈泡	1	
	93903	93903-35360	SCREW TAPPING 5*16	螺釘 5*16	4	

F02

Speedometer 儀錶

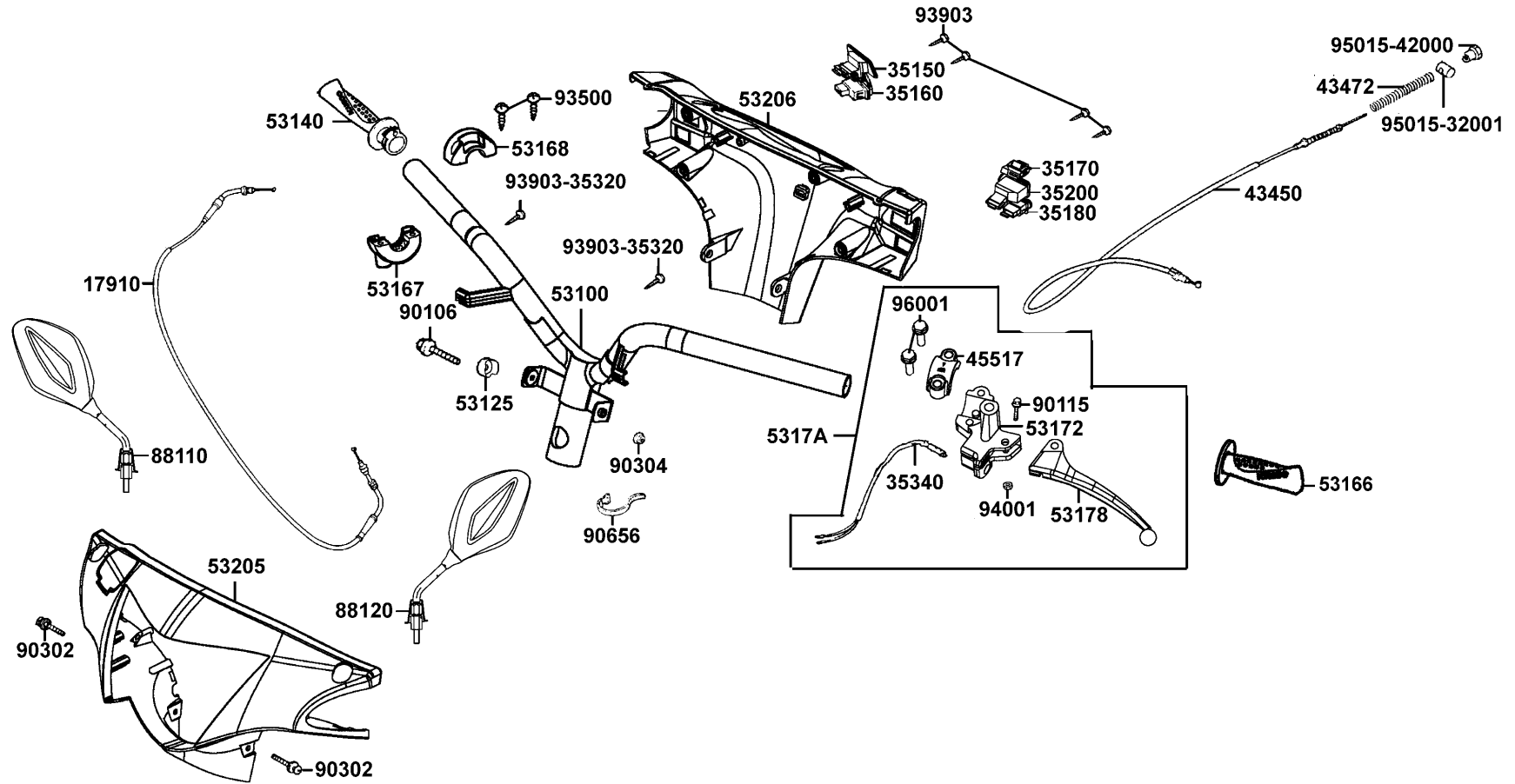


Sales mark 配色標註	Ref no 參考號碼	Part no 零件號碼	Description 英文名稱	Reg description 中文名稱	Regd no 需求用量	F02
	34908	34908-LBE8-900	BULB WEDGE BASE (12V3.4W)	儀表燈泡/藍色燈泡	3	
	34909	34909-KEBE-900	BULB WEDGE BASE T6.5	儀錶內指示燈泡	3	
	37119-LHB6-90A	37119-LHB6-90A	LENS	儀錶蓋	1	
	37119-LHB6-90B	37119-LHB6-90B	LENS	儀錶蓋	1	
	37200-LHB6-90A	37200-LHB6-90A	SPEED METER ASSY	儀錶組	1	
	37200-LHB6-90B	37200-LHB6-90B	SPEED METER ASSY	儀錶組	1	
	44830	44830-LBG7-900	CABLE COMP SPDMT	速度錶導線	1	
	93700	93700-05018-0H	SCREW OVAL 5*18	螺絲 5*18	1	
	93903	93903-35320	SCREW TAPPING 5*16	螺絲 5*16	4	

F03

Handle Steering Handle Cover

轉向手柄 手柄蓋

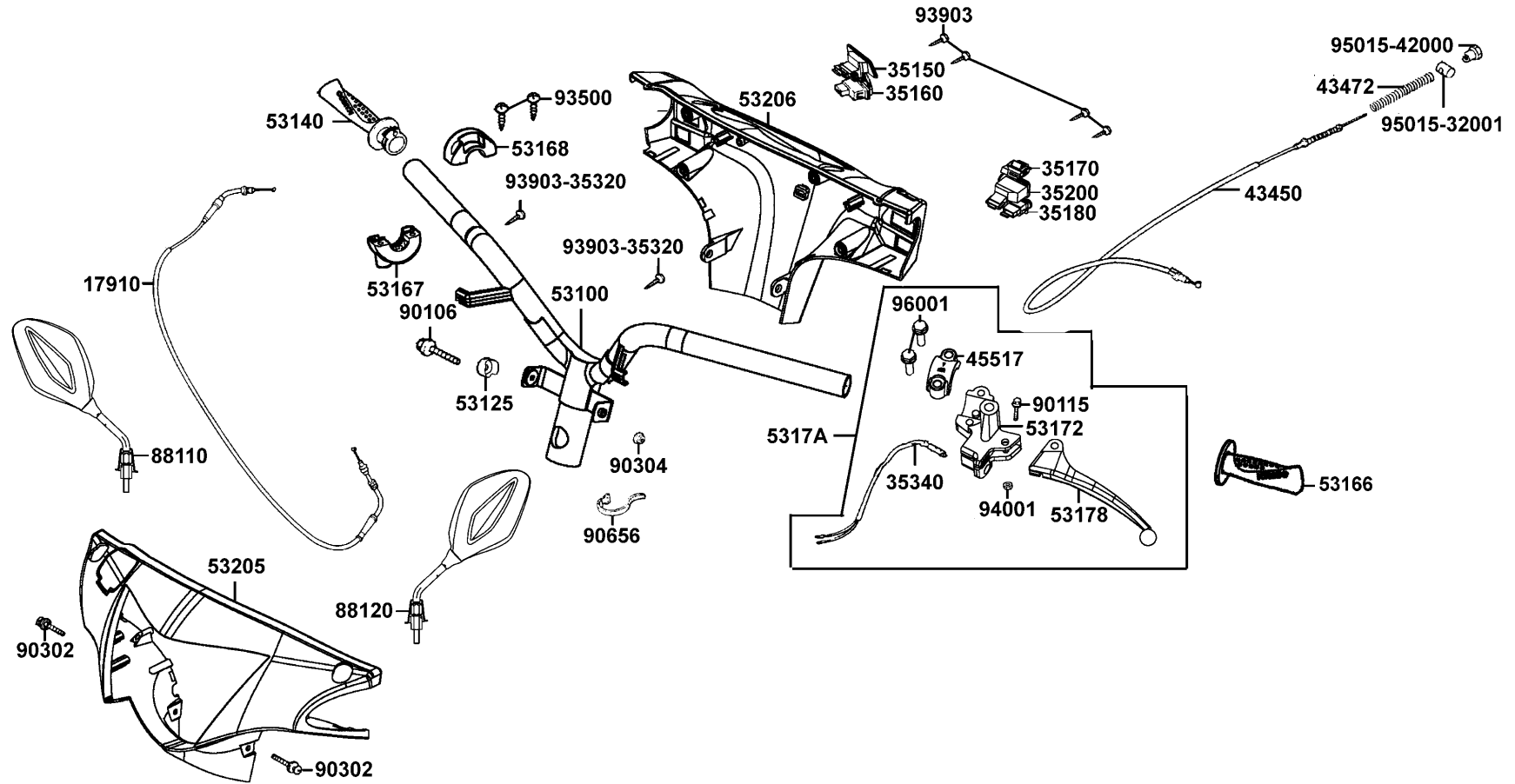


Sales mark 配色標註	Ref no 參考號碼	Part no 零件號碼	Description 英文名稱	Reg description 中文名稱	Regd no 需求用量	F03
	17910	17910-LBG7-900	CABLE COMP THROT	加油導線	1	
	35150	35150-GFY6-900	SW UNIT LIGHTING	前燈開關	1	
	35160	35160-GGS7-900	SW UNIT STARTER	起動開關	1	
	35170	35170-GGS7-900	SW UNIT DIMMER	遠近燈開關	1	
	35180	35180-GGS7-900	SW UNIT HORN	喇叭開關	1	
	35200	35200-GFY6-910	SW UNIT WINKER	方向燈開關	1	
	35340	35340-GBN2-770	SW ASSY FR STOP	剎車燈前置開關	1	
	43450	43450-LBG7-900	CABLE COMP RR BRK	後煞車導線組	1	
	43472	43472-1A61-001	SPG RR BRK ARM	後煞車臂彈簧	1	
	45517	45517-GFY6-900	HOLDER HNDL BRKT	手柄固定座夾板	1	
	53100	53100-LBG7-900	HANDLE COMP STRG	轉向手柄	1	
	53125	53125-GEN5-901	COLLAR HANDLE SET	套筒	1	
**	53140	53140-KFA1-900	GRIP COMP THROT **(1) C.2005.04.25	節流管套組/黑色 **(1) C.2005.04.25	1	
**	53166	53166-KFA1-900	GRIP L HANDLE **(1) C.2005.04.25	手柄左橡皮套/黑色 **(1) C.2005.04.25	1	
	53167	53167-KFA1-900	HOUSING UND THROT	節流管套下固定座	1	
	53168	53168-KFA1-900	HOUSING UP THROT	節流管套上固定座	1	
	53172	53172-KKE2-900	BRKT L STRG HANDLE	手柄左托架	1	
**	53178	53178-KKE2-900	LEVER L STRG HANDLE	左拉桿	1	
	5317A	5317A-KKE2-900	BRKT ASSY HNDL L	手柄左托架組	1	
**	53205	53205-LBG7-900	COVER FR HANDLE	轉向手柄前蓋	1	

F03

Handle Steering Handle Cover

轉向手柄 手柄蓋

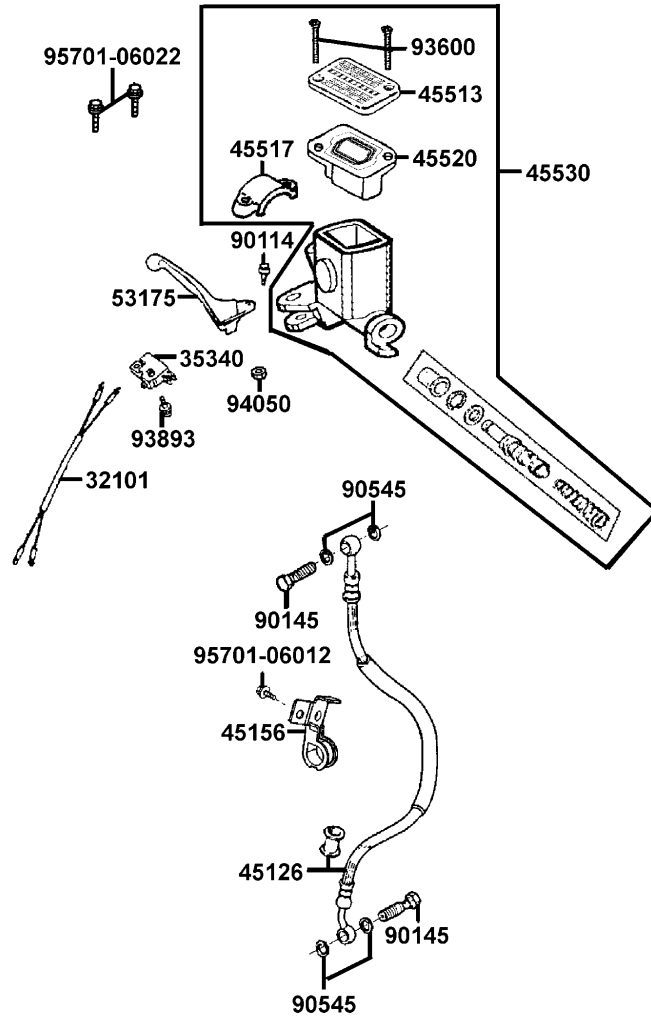


Sales mark 配色標註	Ref no 參考號碼	Part no 零件號碼	Description 英文名稱	Reg description 中文名稱	Regd no 需求用量	F03
**	53206	53206-LBG7-900	COVER HANDLE RR	轉向手柄後蓋	1	
**	88110	88110-LCB5-810	MIRROR ASSY R BACK	右後視鏡	1	
**	88120	88120-LCB5-810	MIRROR ASSY L BACK	左後視鏡	1	
	90106	90106-GEN5-901	BOLT FLANGE 10*50	特殊螺絲 10*50	1	
	90115	90115-GLE0-001	BOLT HNDL LEVER PIVOT	拉桿螺絲	1	
	90302	90302-LLB1-E00	BOLT-WASHER 5*12	螺絲 5X12	2	
#	90304	90304-GHE8-004	NUT U 10MM	螺帽 10MM	1	
	90656	90656-GFY6-911	BAND OIL HOSE	油管束帶	1	
	93500	93500-05022-06	SCREW PAN 5*22	螺絲 5*22	2	
	93903-34360	93903-34360	SCREW TAPPING 4*12	螺絲 4*12	4	
	93903-35320	93903-35320	SCREW TAPPING 5*16	螺絲 5*16	1	
	94001	94001-05080-0S	NUT HEX 5MM	螺帽 5MM	1	
	95015-32001	95015-32001	JOINT B BRAKE ARM	煞車導線接頭銷	1	
	95015-42000	95015-42000	NUT B ADJUST	調整螺帽	1	
	96001	96001-06025-06	BOLT FLANGE 6*25	螺絲 6*25	2	

F04

Brake Master Cylinder

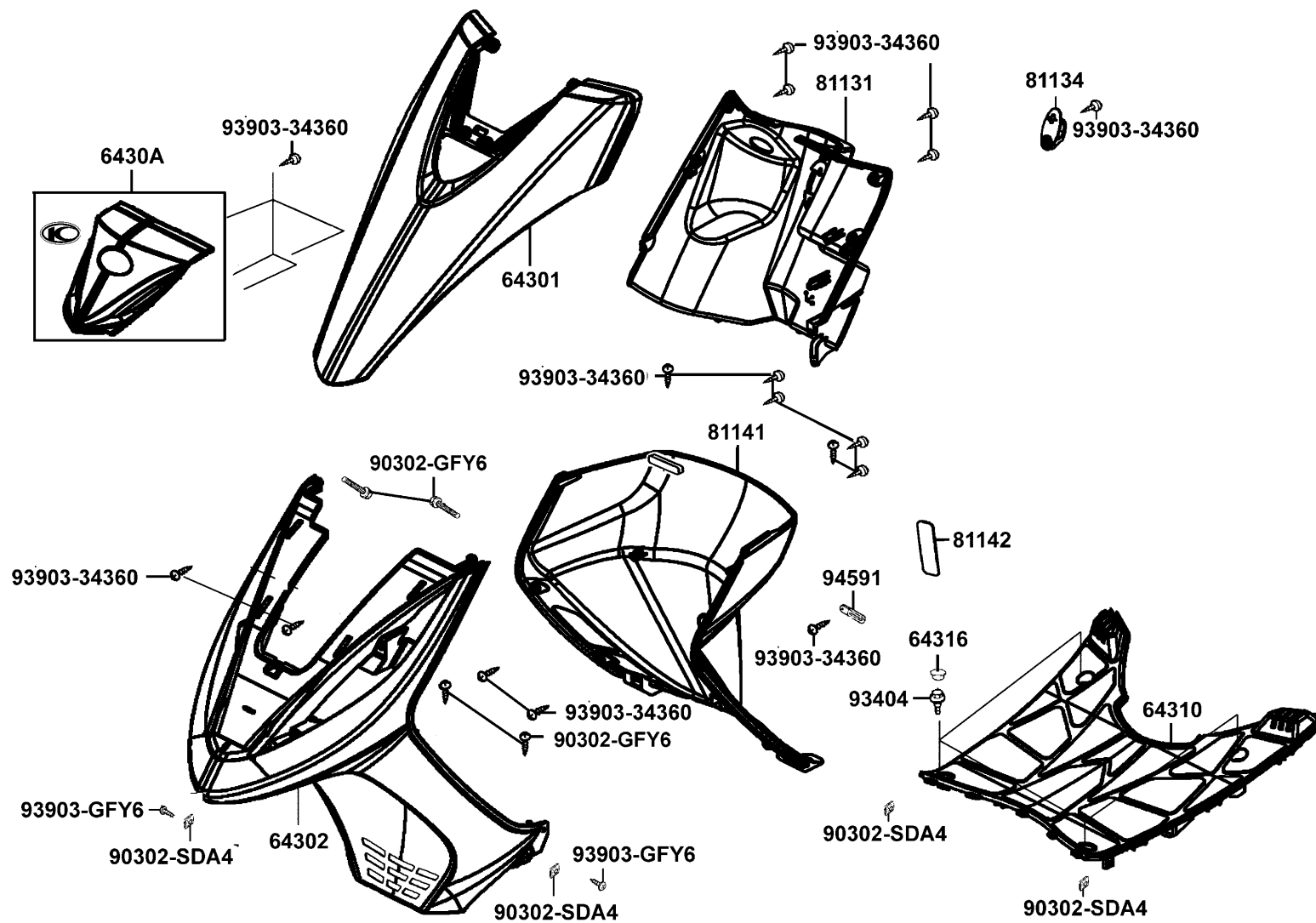
煞車主油缸



Sales mark 配色標註	Ref no 參考號碼	Part no 零件號碼	Description 英文名稱	Reg description 中文名稱	Regd no 需求用量	F04
	32101	32101-GFY6-901	SUB CORD R/H	煞車燈開關右配線	1	
	35340	35340-KNBN-901	SW ASSY FR STOP	煞車燈前置開關	1	
	45126	45126-LBG7-900	HOSE ASSY FR BRK	前煞車油管組	1	
	45156	45156-KNBN-902	CLAMPER FR BRK HOSE	油管	1	
	45513	45513-GLW0-91A	CAP MASTER CYLINDER	煞車主油缸蓋	1	
	45517	45517-KFAF-900	HOLDER M/C	主油缸固定座	1	
	45520	45520-GLW0-91A	DIAPHRAGM	橫隔板	1	
	45530	45530-KHC4-305	CYLINDER SET MASTER	煞車主油缸	1	
**	53175	53175-KFA1-900	LEVER R STRG HANDLE	手柄右拉桿	1	
	90114	90114-1F66-007	BOLT HANDLE LEVER	右拉桿固定螺栓	1	
	90145	90145-MKS9-61A	OIL BOLT 10*22	油管螺絲 10*22	2	
	90545	90545-3L00-001	WASHER OIL BOLT	華司	4	
	93600	93600-04012-1G	SCREW FLAT 4*12	螺絲 4*12	2	
	93893	93893-04012-18	SCREW WASHER 4*12	螺絲 4*12	1	
	94050	94050-06080	NUT FLANGE 6MM	螺帽 6MM	1	
	95701-06012	95701-06012-08	BOLT FLANGE 6*12	螺絲 6*12	1	
	95701-06022	95701-06022-06	BOLT FLANGE 6*22	螺絲 6X22	2	

F05

Front Cover Floor Panel 前護蓋 腳踏板

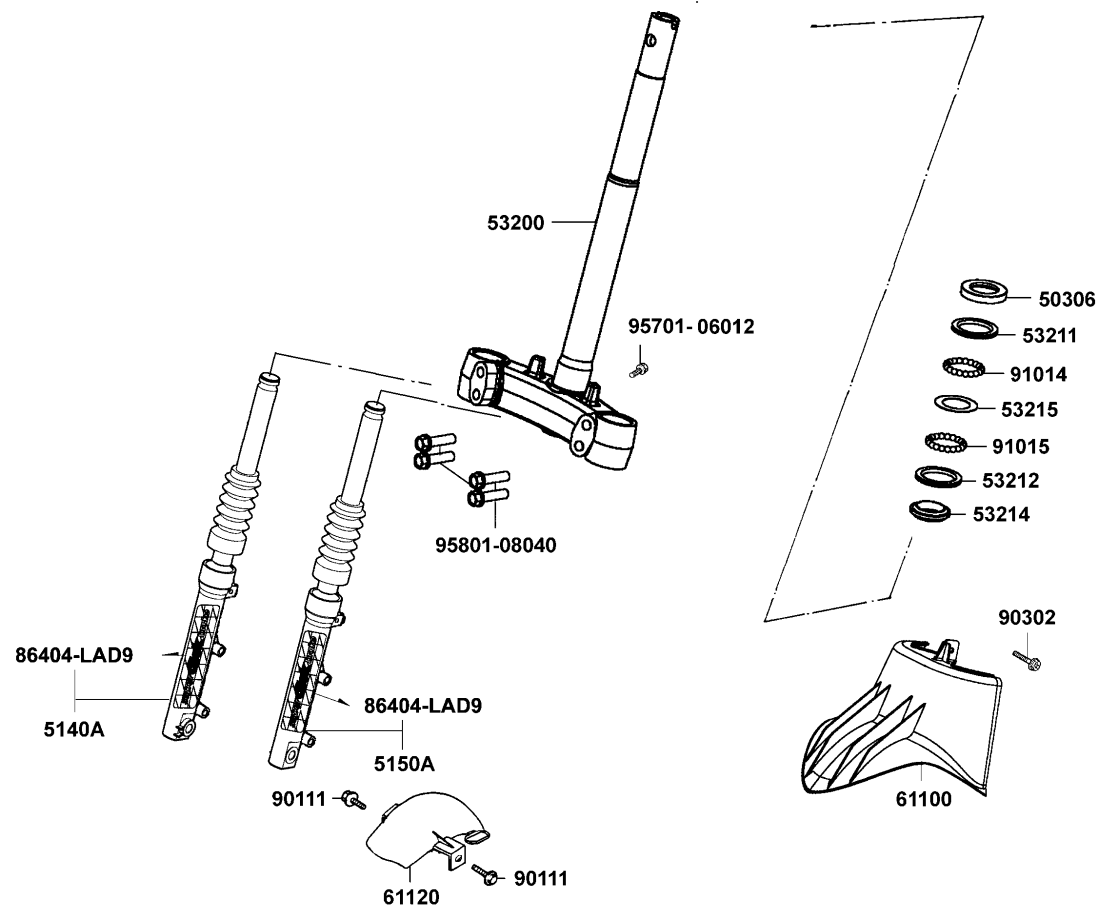


Sales mark 配色標註	Ref no 參考號碼	Part no 零件號碼	Description 英文名稱	Reg description 中文名稱	Regd no 需求用量	F05
**		64301-LBG7-316	COVER FRONT	前護蓋	1	
**	64302	64302-LBG7-800	FRONT MOLD	前護板	1	
**	6430A	6430A-LCB4-900	COVER ASSY FR TOP	前頂蓋	1	
**	64310	64310-LBG7-900	PANEL FLOOR	腳踏板	1	
**	64316	64316-KHE2-900	PLUG FLOOR	踏板塞子	4	
**	81131	81131-LBG7-900	COVER FR INNER UP	內箱上蓋	1	
**	81134	81134-LAB4-900	"HOOK,LEG SHIELD"	前置物箱掛鉤	1	
**	81141	81141-LBG7-900	LEG SHIELD LOW	下內務箱	1	
**	81142	81142-KUDU-900	LID LEG SHIELD	內箱蓋	1	
	90302-GFY6	90302-GFY6-901	BOLT WASH 5*12	螺絲 5*12	4	
	90302-SDA4	90302-SDA4-004	NUT SPRING 4MM	螺帽 4MM	4	
	93404	93404-06020-06	BOLT WASH 6*20	螺絲 6*20	4	
	93903-34360	93903-34360	SCREW TAPPING 4*12	螺絲 4*12	19	
	93903-GFY6	93903-GFY6-900	SCREW TAPPING 4*14	螺絲 4*14	2	
	94591	94591-27000	CLIP 2*70	夾子 2*70	1	

F06

Front Cushion

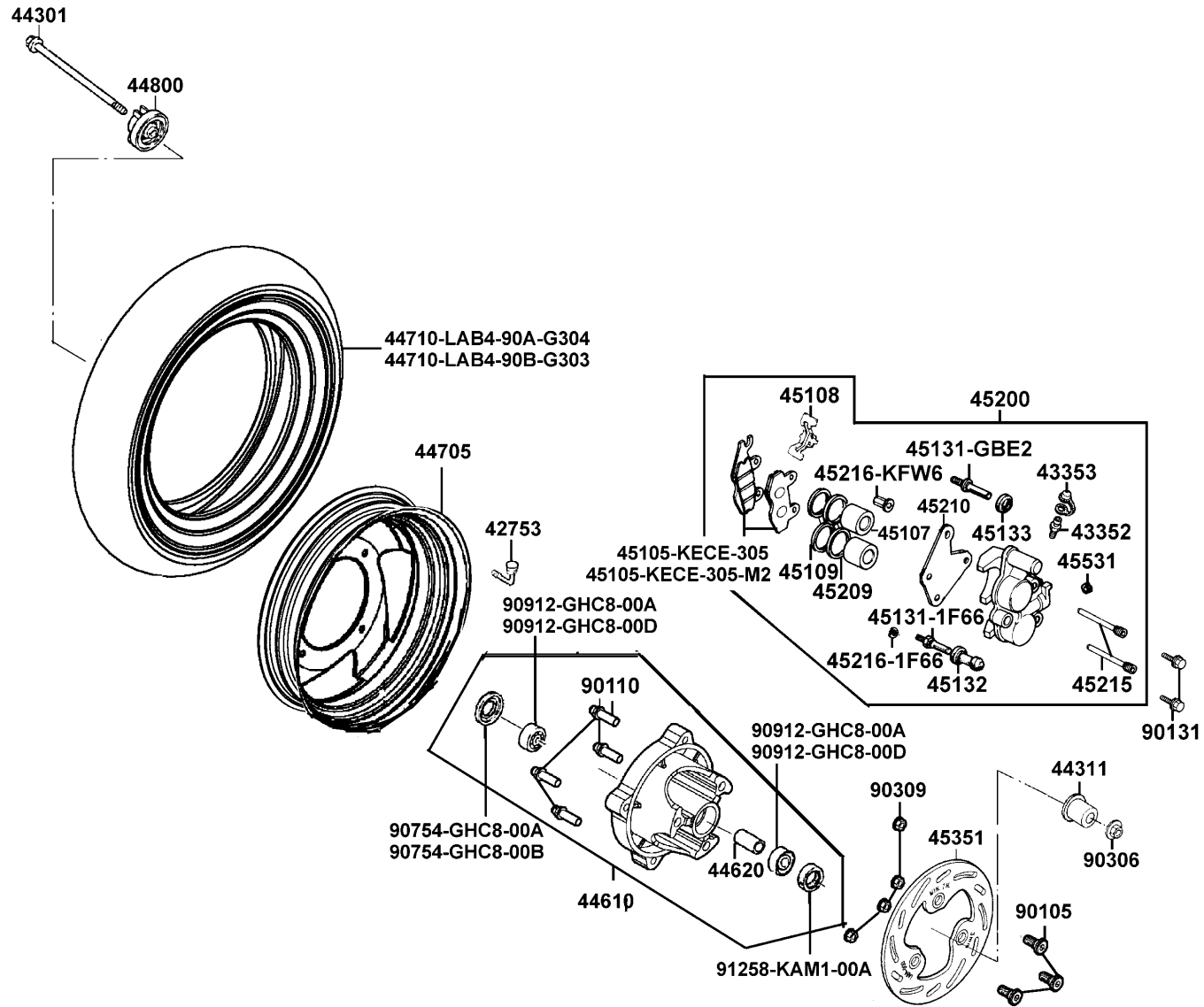
前避震器



Sales mark 配色標註	Ref no 參考號碼	Part no 零件號碼	Description 英文名稱	Reg description 中文名稱	Regd no 需求用量	F06
	50306	50306-1F96-001	NUT STRG STEM LOCK	主幹螺帽	1	
**	5140A	5140A-LCB4-900	FORK ASSY R FR	右前避震器	1	
**	5150A	5150A-LCB4-900	FORK ASSY L FR	左前避震器	1	
	53200	53200-LBG7-900	STEM COMP STRG	轉向主桿	1	
	53211	53211-GFY6-940	RACE STRG TOP CONE	上錐體座圈	1	
	53212	53212-2L50-011	RACE STRG BOT CONE	下錐體座圈	1	
	53214	53214-2L50-001	DUST SEAL STRG(HEAD)	墊片	1	
	53215	53215-2L50-001	WASH STRG HDL DUST-SEAL	轉向桿華司	1	
	61100	61100-LBG7-900	FENDER A FR INNER	前土除	1	
	61120	61120-KFA1-900	FENDER FR DOWN	前下土除	1	
**	86404	86404-LAD9-900	STRIPE FR FORK	前叉貼紙	2	
	90111	90111-1G87-001	BOLT FLANGE 6MM	螺絲 6MM	2	
	90302	90302-GFY6-901	BOLT WASH 5*12	螺絲 5*12	1	
	91014	91014-LLJ3-E00	CAGE STEERING TOP	鋼珠座	1	
	91015	91015-LLJ3-E00	CAGE STEERING BOT	鋼珠座	1	
	95701	95701-06012-08	BOLT FLANGE 6*12	螺絲 6*12	1	
	95801	95801-08040-08	BOLT FLANGE 8*40	螺絲 8*40	4	

F07

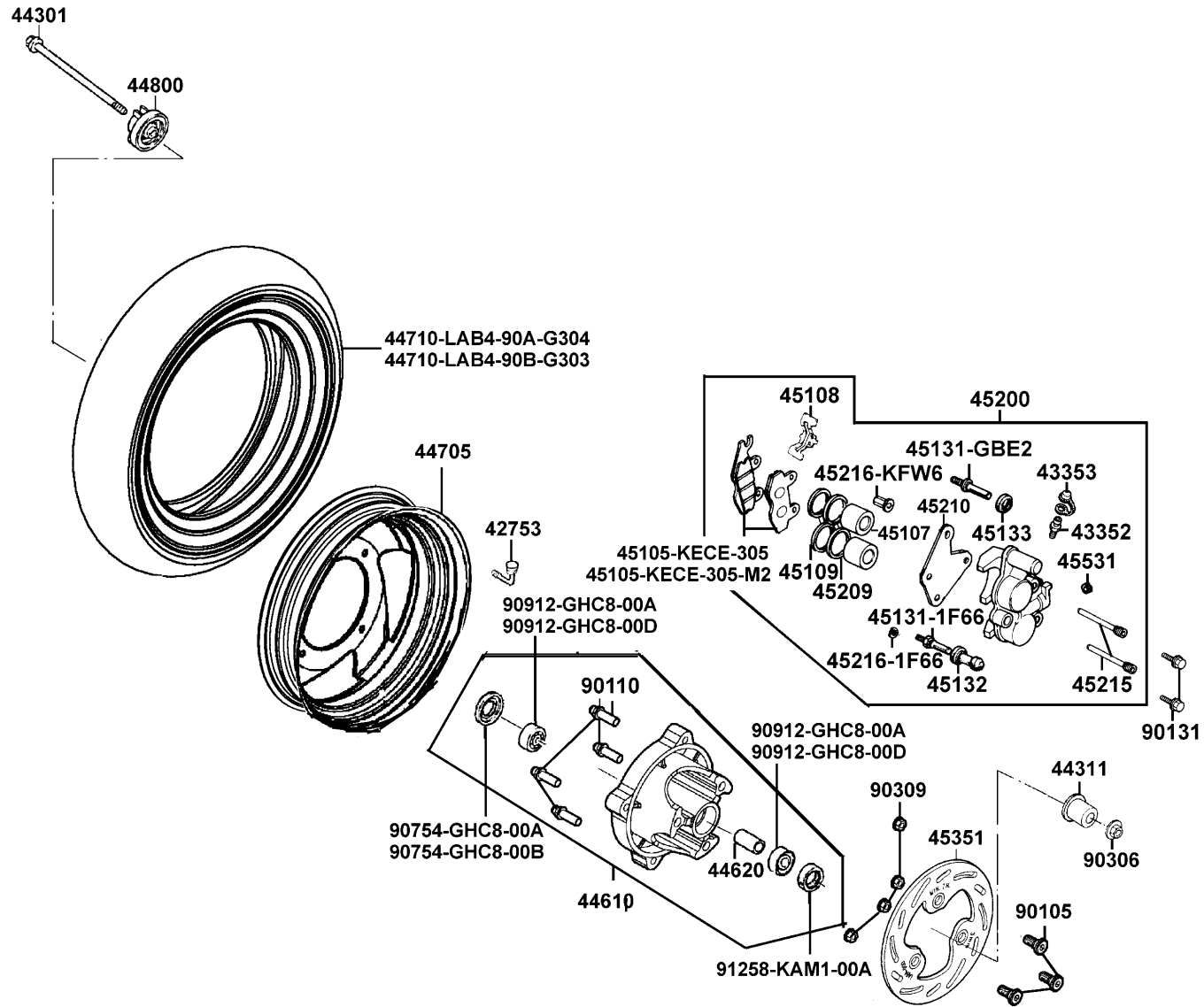
Front Wheel 前輪



Sales mark 配色標註	Ref no 參考號碼	Part no 零件號碼	Description 英文名稱	Reg description 中文名稱	Regd no 需求用量	F07
	42753	42753-KXCX-900	VALVE (PVR-70B) & CAP	打氣嘴	1	
	43352	43352-5H68-004	SCREW BLEEDER	加油嘴	1	
	43353	43353-4A61-77A	CAP BLEEDER	加油嘴蓋	1	
	44301	44301-KBE2-981	AXLE FR WHEEL	前輪軸	1	
	44311	44311-GLW0-911	COLLAR FR WHEEL SIDE	前輪邊套筒	1	
**	44610	44610-KHC4-305	HUB SUB SET FR	前輪轂組	1	
	44620	44620-KSBS-900	COLLAR FR DIST	套筒	1	
**	44705	44705-KHC4-900	RIM COMP FR WHEEL	前輪圈	1	
	44710-LAB4-90A	44710-LAB4-90A-G304	TIRE ASSY FR	前輪胎	1	
	44710-LAB4-90B	44710-LAB4-90B-G303	TIRE ASSY FR	前輪胎	1	
**	44800	44800-KNBN-901	GEAR BOX ASSY SPDMT	速度齒輪箱組	1	
	45105-KECE-305	45105-KECE-305	PAD ASSY	摩擦板組	1	
	45105-KECE-305-M2	45105-KECE-305-M2	PAD ASSY	摩擦板組	1	
	45107	45107-MEN5-007	PISTON	卡鉗活塞	2	
	45108	45108-MDL4-007	PAD SPG	摩擦板彈簧	1	
	45109	45109-GBE2-007	DUST SEAL	防塵封	2	
	45131-1F66	45131-1F66-017	PIN BOLT	螺絲銷	1	
	45131-GBE2	45131-GBE2-007	PIN BOLT A	螺絲銷 A	1	
	45132	45132-1F66-017	BUSH BOOT PIN	襯套	1	
	45133	45133-MCA3-007	BOOT B	襯套 B	1	

F07

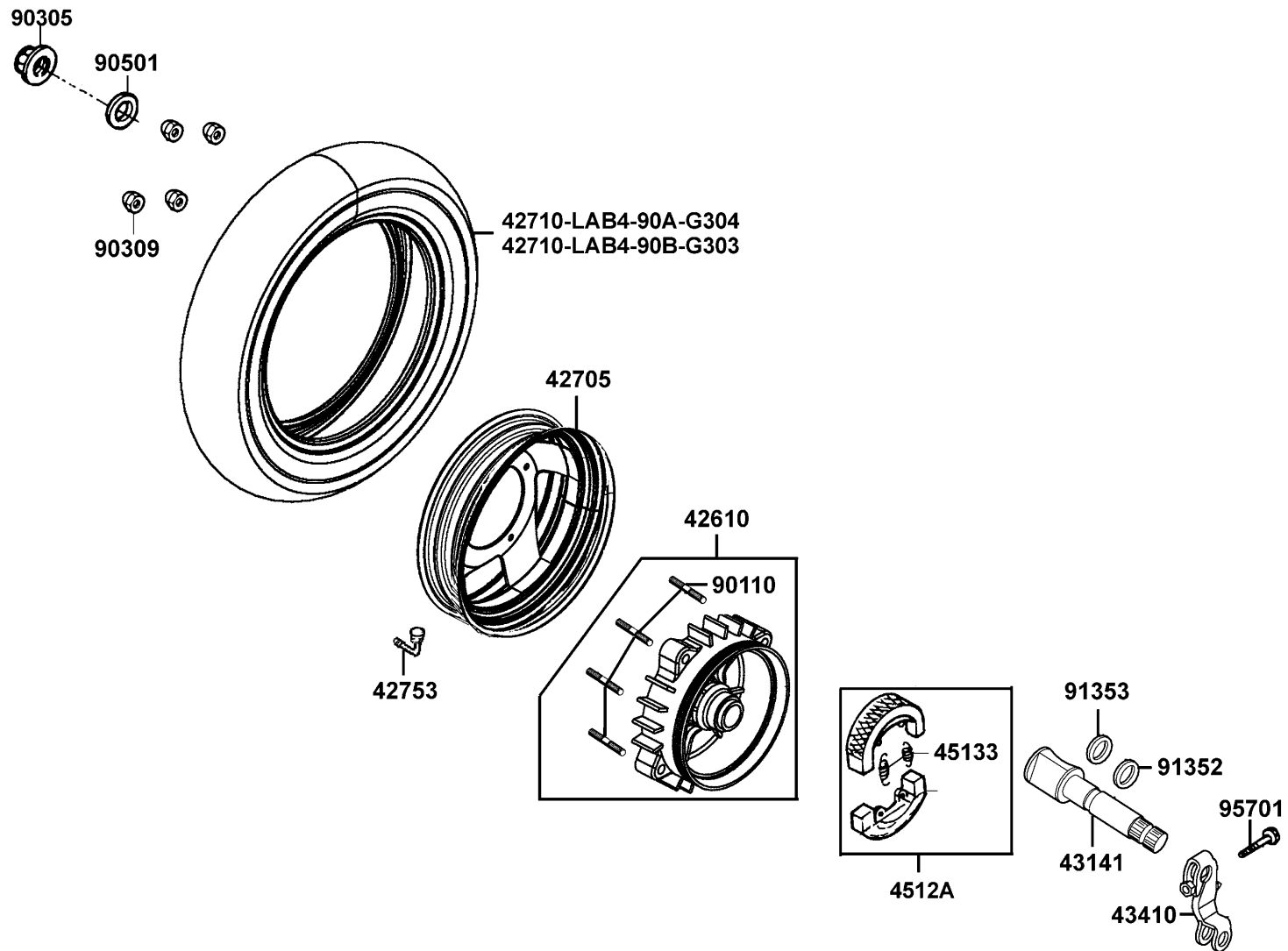
Front Wheel 前輪



Sales mark 配色標註	Ref no 參考號碼	Part no 零件號碼	Description 英文名稱	Reg description 中文名稱	Regd no 需求用量	F07
**	45200	45200-KHC4-900	CLAMPER ASSY FR L	前煞車卡鉗	1	
	45209	45209-GBE2-007	SEAL PISTON	油封	2	
	45210	45210-KHC4-900	BRACKET FR CALIPER	前煞車卡鉗托架	1	
	45215	45215-KECE-900	PIN HANGER	卡鉗吊架銷	2	
	45216-1F66	45216-1F66-007	WASHER WAVE	華司	1	
	45216-KFW6	45216-KFW6-90A	TORQUE NUT	螺帽	1	
	45351	45351-LAB4-900	DISK FR BRK	前煞車圓盤	1	
	45531	45531-GAR1-951	PLUG	塞子	1	
	90105	90105-KCR3-001	BOLT FR DISK 8*24	前煞車圓盤螺絲 8*24	3	
	90110	90110-KHG8-901	BOLT STUD2 8*22	雙頭螺絲 8X22	4	
	90131	90131-GLW0-911	BOLT FLANGE 8*35	螺絲 8*35	2	
	90306	90306-KLF0-004-SY	NUT FLANGE 12MM	螺帽 12MM	1	
	90309	90309-GLW0-90A	NUT U FLANGE 8MM	螺帽 8MM	4	
	90754-GHC8-00A	90754-GHC8-00A	SEAL DUST 20*32*5	油封 20*32*5	1	
	90754-GHC8-00B	90754-GHC8-00B	SEAL DUST 20*32*5	油封 20*32*5	1	
	90912-GHC8-00A	90912-GHC8-00A	BEARING 6201	軸承	2	
	90912-GHC8-00D	90912-GHC8-00D	BEARING 6201	軸承	2	
	91258	91258-KAM1-00A	SEAL SPDMT GEAR BOX	油封	1	

F08

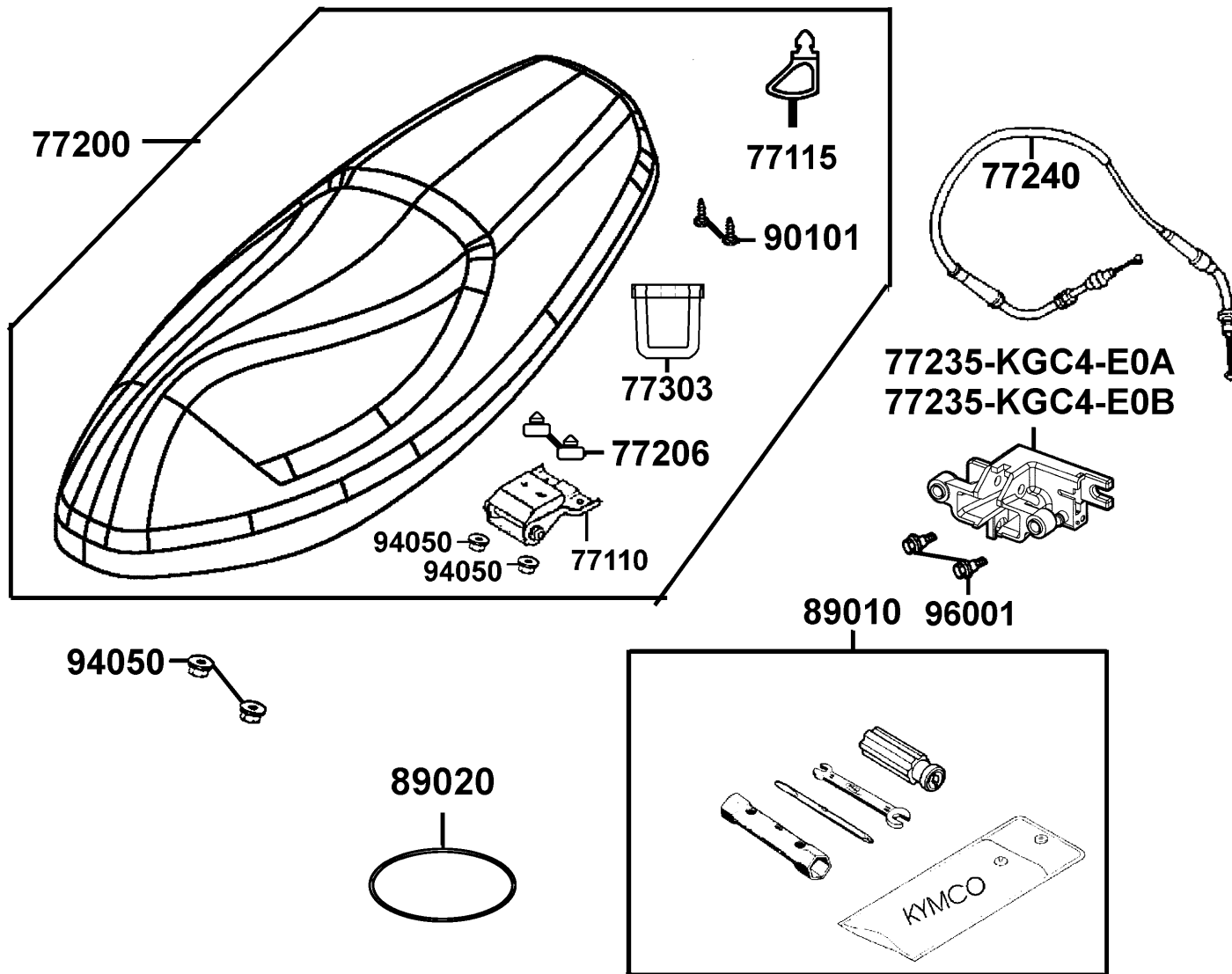
Rear Wheel 後輪



Sales mark 配色標註	Ref no 參考號碼	Part no 零件號碼	Description 英文名稱	Reg description 中文名稱	Regd no 需求用量	F08
**	42610	42610-GKAK-901	HUB SUB COMP RR	後輪轂	1	
**	42705	42705-KHC4-900	RIM COMP WHEEL	後輪鋼圈	1	
	42710-LAB4-90A	42710-LAB4-90A-G304	TIRE ASSY RR	後輪胎	1	
	42710-LAB4-90B	42710-LAB4-90B-G303	TIRE ASSY RR	後輪胎	1	
	42753	42753-KXCX-900	VALVE (PVR-70B) & CAP	打氣嘴	1	
	43141	43141-LAB4-900	CAM RR BRK	煞車鞋凸輪	1	
	43410	43410-KFA1-900	ARM COMP RR BRAKE	後煞車臂	1	
#	4512A	4512A-LCB4-910	SHOE COMP RR BRAKE	後煞車鞋	1	
	45133	45133-LDA3-900	SPRING BRAKE SHOE REAR	彈簧	2	
	90110	90110-KHG8-901	BOLT STUD2 8*22	雙頭螺絲 8X22	4	
	90305	90305-KNBN-90B	NUT U 16MM	螺帽 16MM	1	
	90309	90309-GLW0-90A	NUT U FLANGE 8MM	螺帽 8MM	4	
	90501	90501-KNBN-901	WASHER 16MM	華司 16MM	1	
	91352	91352-KHG8-83B	O-RING 11.3*1.3	O環 11.3*1.3	1	
	91353	91353-GFY6-900	O-RING 13.1*10	O環13.1*10	1	
	95701	95701-06032-08	BOLT FLANGE 6*32	螺絲 6*32	1	

F09

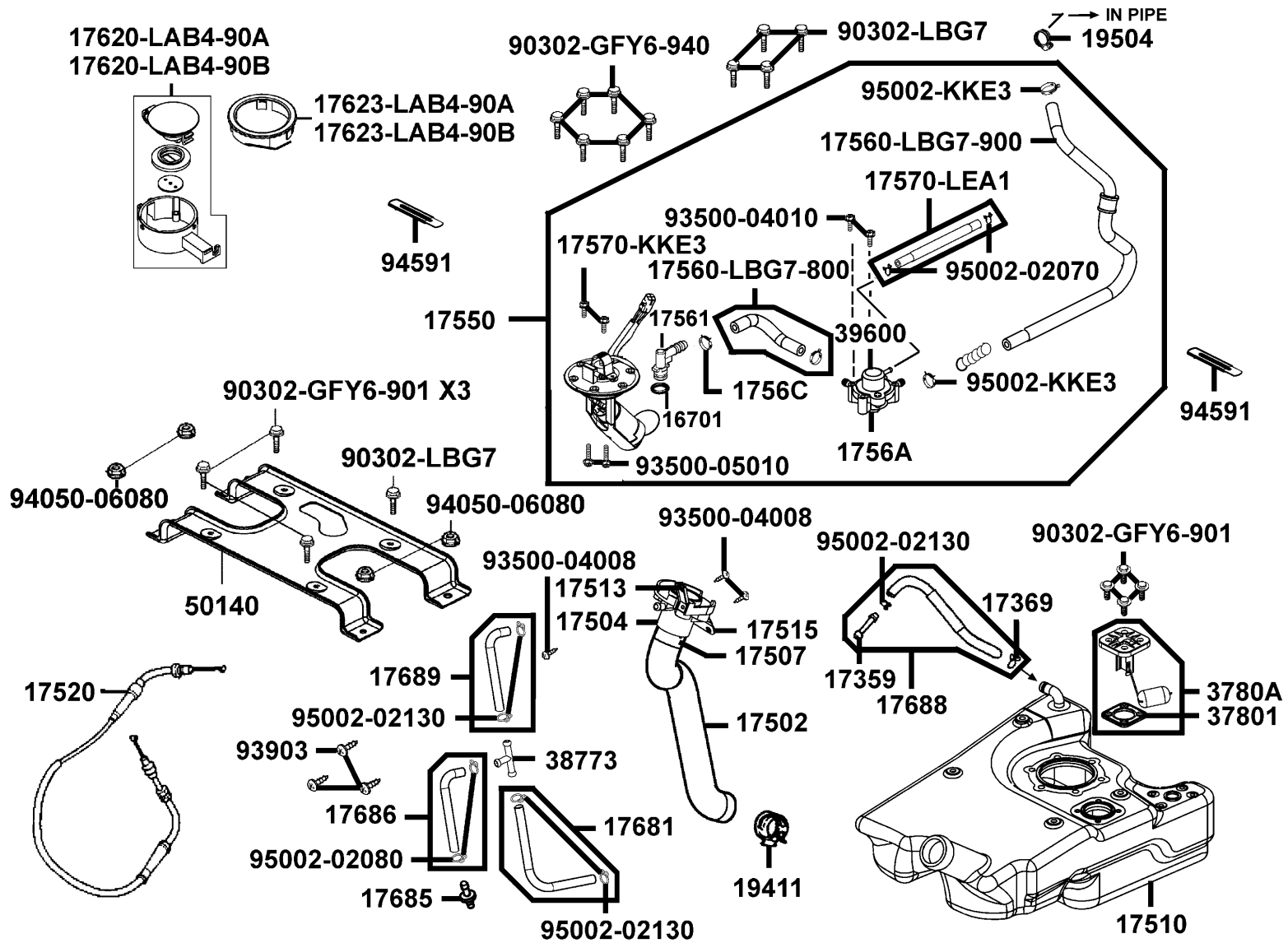
Seat 座墊



Sales mark 配色標註	Ref no 參考號碼	Part no 零件號碼	Description 英文名稱	Reg description 中文名稱	Regd no 需求用量	F09
	77110	77110-LBC6-900	HINGE COMP SEAT	坐墊鉸鏈	1	
	77115	77115-LBA2-E00	RUBBER SEAL	橡皮封	1	
**	77200	77200-LHB6-900	SEAT ASSY.	座墊組	1	
	77206	77206-KEB7-900	RUBBER SEAT CUSH	橡皮	2	
	77235-KGC4-E0A	77235-KGC4-E0A	SEAT CATCH	座墊檔器	1	
	77235-KGC4-E0B	77235-KGC4-E0B	SEAT CATCH	座墊檔器	1	
	77240	77240-LAB4-900	CABLE COMP SEAT LOCK	座墊導線	1	
	77303	77303-LAB4-900	HOOK SEAT LOCK	座墊掛鉤鎖	1	
	89010	89010-LAD9-900	TOOL SET	手工具組	1	
	89020	89020-KKC4-900	BAND TOOL SET	束帶	1	
	90101	90101-KGC4-E00	SCREW SPECIAL 6*15	特殊螺絲 6*15	2	
	94050	94050-06080	NUT FLANGE 6MM	螺帽 6MM	4	
	96001	96001-06012-08	BOLT FLANGE 6*12	螺絲 6*12	2	

F10

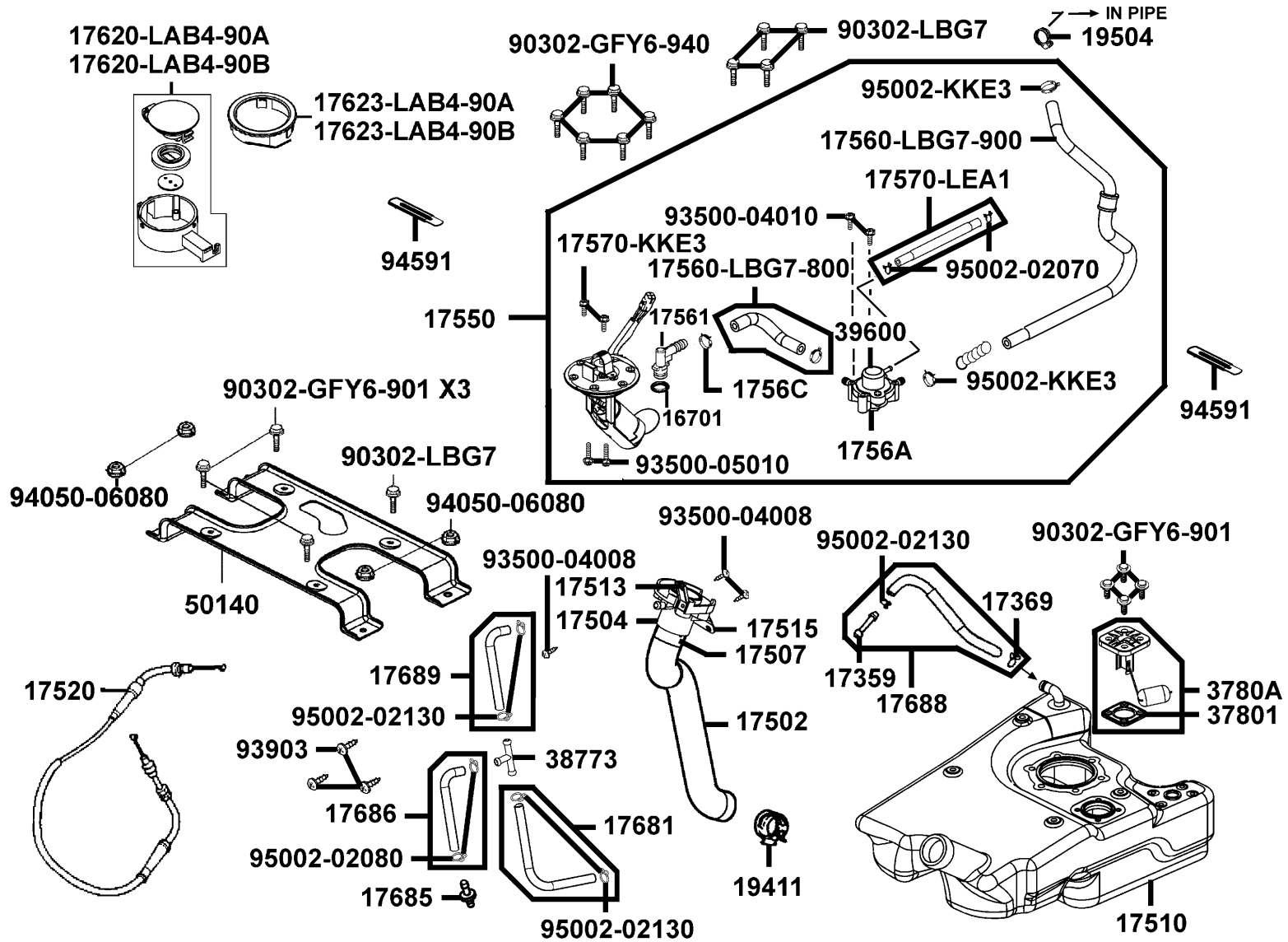
Fuel Tank 油箱



Sales mark 配色標註	Ref no 參考號碼	Part no 零件號碼	Description 英文名稱	Reg description 中文名稱	Regd no 需求用量	F10
	16701	16701-LEB2-900	O RING	O RING	1	
	17359	17359-4K19-671	JOINT BREATHER TUBE	通氣管接頭	1	
	17369	17369-KHC4-900	CLIP BREATHER TUBE	通氣管夾	1	
	17502	17502-LBG7-900	HOSE FUEL	油管	1	
	17504	17504-LAB4-900	FUEL FILLER	加油漏斗	1	
	17507	17507-LAB4-900	BAND FUEL HOSE	油管束夾	1	
	17510	17510-LBG7-900	FUEL TANK COMP	油箱	1	
	17513	17513-LBG7-900	STAY A FUEL FILLER	加油漏斗支架 A	1	
	17515	17515-LAB4-900	STAY B FUEL FILLER	加油漏斗支架 B	1	
	17520	17520-LBG7-900	CABLE COMP FUEL CAP	油箱蓋導線	1	
#	17550	17550-LBG7-900	FUEL PUMP ASSY	燃料泵組	1	
	17560-LBG7-800	17560-LBG7-800	TUBE REGULATOR ENGINE COMP	油管組	1	
	17560-LBG7-900	17560-LBG7-900	TUBE REGULATOR ENGINE COMP	油管組	1	
	17561	17561-LEB2-900	JOINT	JOINT	1	
	1756A	1756A-LBG7-900	REUGLATOR COMP	汽油流量調整器	1	
	1756C	1756C-KKE2-900	CLIC R 89-115	高壓管夾	1	
	17570-KKE3	17570-KKE3-900	SCREW BOLT M 4*13	螺絲 4*13	2	
	17570-LEA1	17570-LEA1-900	TUBE SET	通氣管組	1	
	17620-LAB4-90A	17620-LAB4-90A	CAP COMP FUEL FILLER	油箱蓋	1	
	17620-LAB4-90B	17620-LAB4-90B	CAP COMP FUEL FILLER	油箱蓋	1	

F10

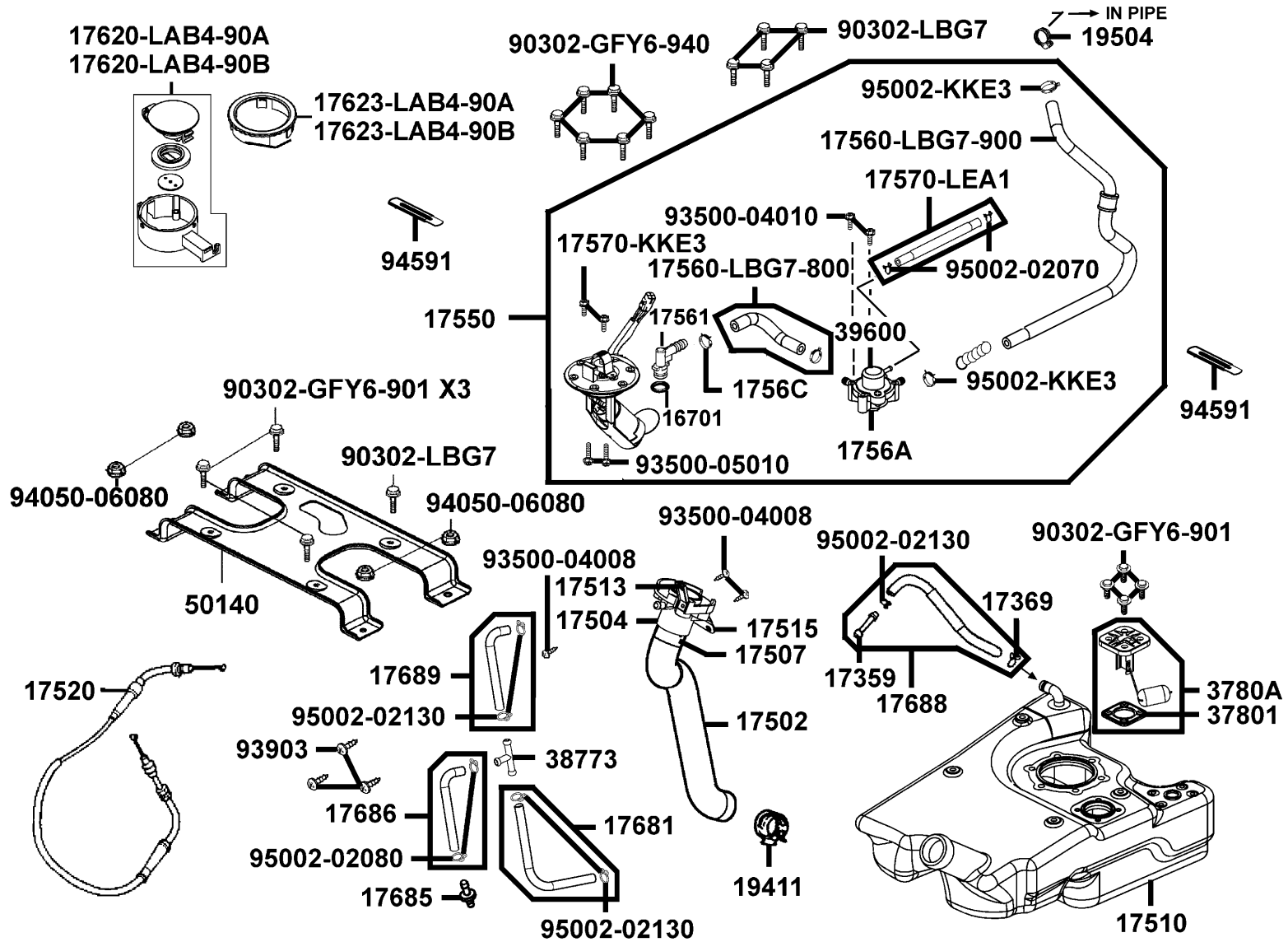
Fuel Tank 油箱



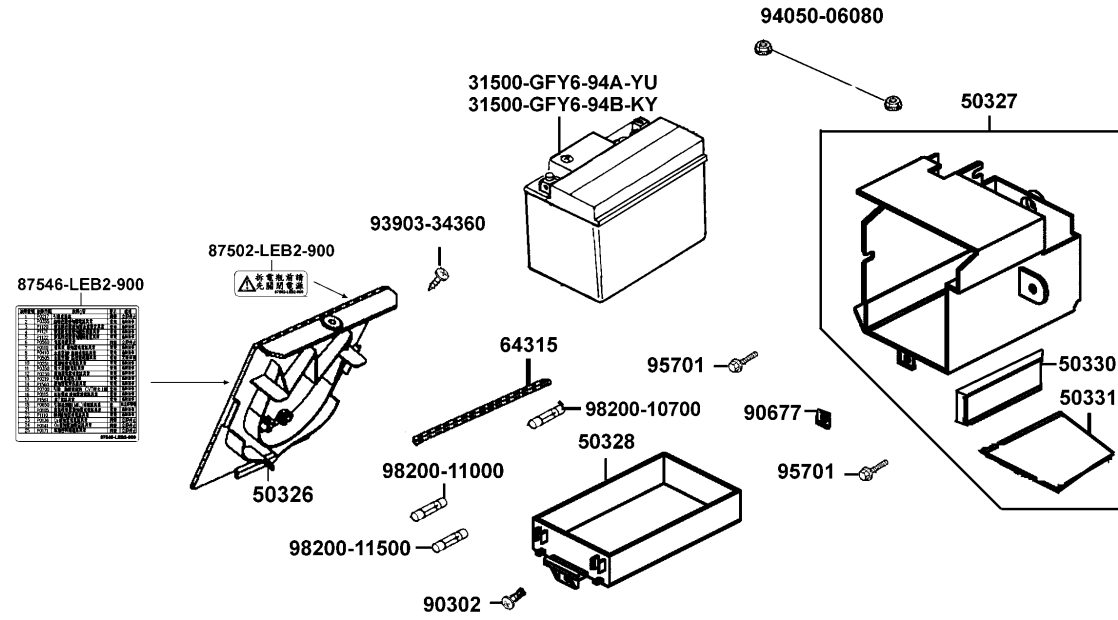
Sales mark 配色標註	Ref no 參考號碼	Part no 零件號碼	Description 英文名稱	Reg description 中文名稱	Regd no 需求用量	F10
	17623-LAB4-90A	17623-LAB4-90A	COLLAR FUEL CAP	油箱蓋套筒	1	
	17623-LAB4-90B	17623-LAB4-90B	COLLAR FUEL CAP	油箱蓋套筒	1	
	17681	17681-KFA1-900	TUBE JOINT 3 WAY	油管	1	
	17685	17685-KZCZ-900	JOINT TUBE	油管接頭	1	
	17686	17686-LBG7-900	TUBE ASSY FUEL	油管	1	
	17688	17688-LBG7-900	TUBE TANK-FUEL FILLER	活性碳貫通氣管	1	
	17689	17689-LBG7-900	TUBE TANK-JOINT	油管	1	
	19411	19411-KHC4-900	CLIP HOSE	管夾	1	
	19504	19504-LBA2-E00	CLAMP D 16.8	管夾	1	
	37801	37801-LLJ3-E00	PACKING BASE	汽油量指示器墊圈	1	
	3780A	3780A-LBG7-900	FUEL UNIT ASSY	燃料量指示器組	1	
	38773	38773-KBCB-900	JOINT 3 WAY	3通管	1	
	39600	39600-KKE3-800	REGULATOR	油路壓力調諧器	1	
	50140	50140-LBG7-900	PLATE FLOOR	前踏板支板	1	
	90302-GFY6-901	90302-GFY6-901	BOLT WASH 5*12	螺絲 5*12	7	
	90302-GFY6-940	90302-GFY6-940	BOLT-WASH 5*16	螺絲 5*16	6	
#	90302-LBG7	90302-LBG7-900	BOLT-WASH 5X35 (G)	螺絲5X35	5	
	93500-04008	93500-04008-0H	SCREW PAN 4*8	螺絲 4*8	3	
	93500-04010	93500-04010-0G	SCREW PAN 4X10	螺絲 4X10	2	
	93500-05010	93500-05010-0G	SCREW PAN 5*10	螺絲 5*10	2	

F10

Fuel Tank 油箱



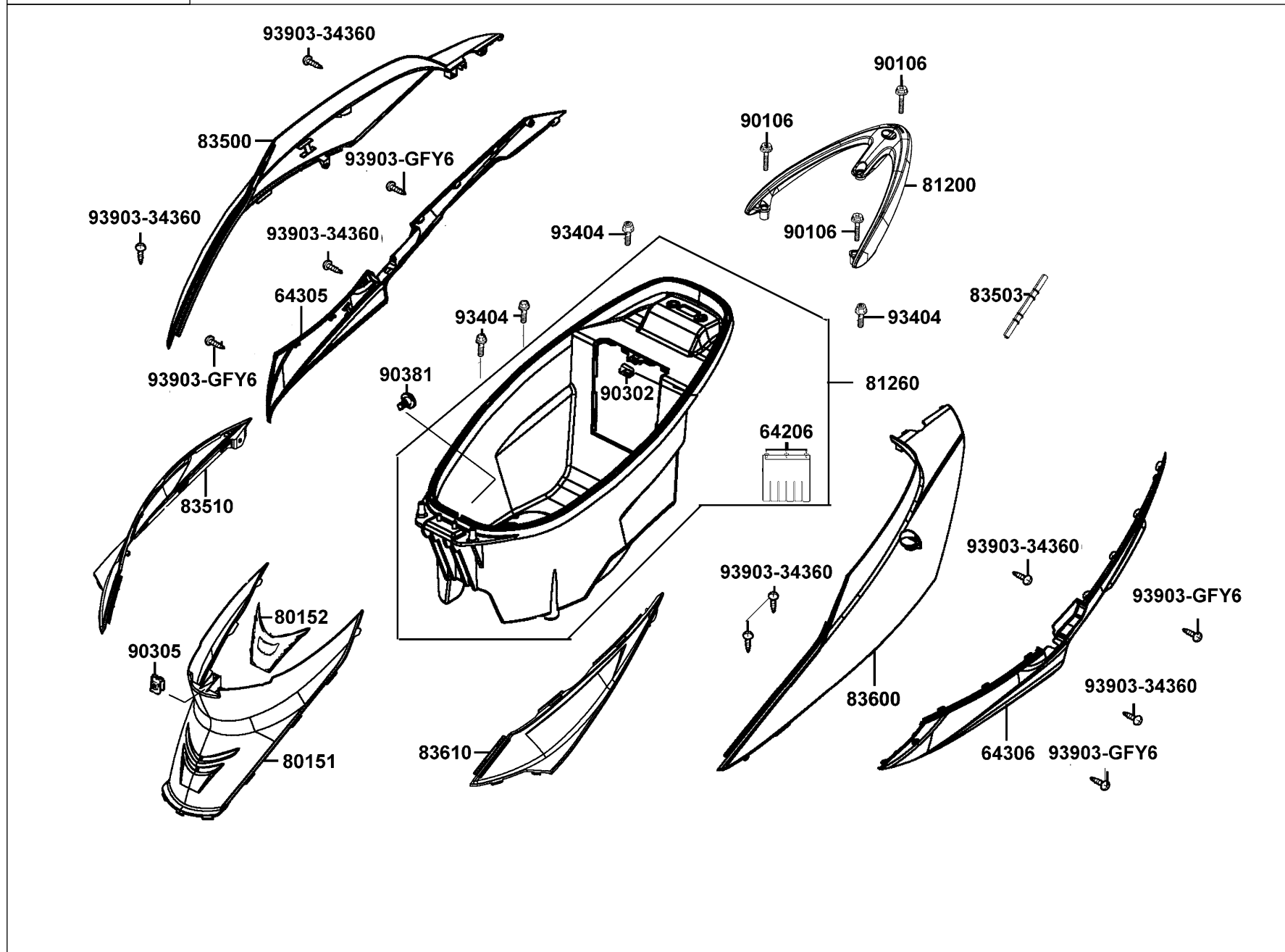
Sales mark 配色標註	Ref no 參考號碼	Part no 零件號碼	Description 英文名稱	Reg description 中文名稱	Regd no 需求用量	F10
	93903	93903-35360	SCREW TAPPING 5*16	螺釘 5*16	3	
	94050	94050-06080	NUT FLANGE 6MM	螺帽 6MM	4	
	94591	94591-KFBF-900	CLIP 2*70	環夾	2	
	95002-02070	95002-02070	CLIP B7 TUBE	管夾	2	
	95002-02080	95002-02080	CLIP B8 TUBE	管夾	2	
	95002-02130	95002-02130	CLIP B 12.5 TURE	管夾	5	
	95002-KKE3	95002-KKE3-900	CLIP SPA 13	管夾	1	



Sales mark 配色標註	Ref no 參考號碼	Part no 零件號碼	Description 英文名稱	Reg description 中文名稱	Regd no 需求用量	F11
	31500-GFY6-94A	31500-GFY6-94A-YU	BATTERY YTX7A-BS	電瓶	1	
	31500-GFY6-94B	31500-GFY6-94B-KY	BATTERY GTX7A-BS	電瓶	1	
**	50326	50326-LAB4-900	COVER BATTERY	電瓶蓋	1	
	50327	50327-LBG7-305	COMP SPONGE CASE	電瓶盒	1	
	50328	50328-LBG7-900	BATTERY DRAWER	電瓶滑動底座	1	
	50330	50330-LBG7-900	SPONGE BATTERY A	防震海棉	1	
	50331	50331-LBG7-900	SPONGE BATTERY B	防震海棉	1	
	64315	64315-LAB4-900	SEAL BATTERY COVER	電瓶防水封	1	
**	87502	87502-LEB2-900	CAUTION BATTERY	標籤	1	
**	87546	87546-LEB2-900	CAUTION AFI	標籤	1	
	90302	90302-GFY6-940	BOLT-WASH 5*16	螺絲 5*16	1	
	90677	90677-GAR1-004	NUT CLIP 5MM	彈簧螺帽 5MM	4	
	93903	93903-34360	SCREW TAPPING 4*12	螺絲 4*12	1	
	94050	94050-06080	NUT FLANGE 6MM	螺帽 6MM	2	
	95701	95701-06012-08	BOLT FLANGE 6*12	螺絲 6*12	1	
	98200-10700	98200-10700	FUSE A7	保險絲 A7	1	
	98200-11000	98200-11000	FUSE 10A	保險絲 10A	1	
	98200-11500	98200-11500	FUSE A15	保險絲 A15	1	

F12

Body Cover Luggage Box 車體蓋 行李箱

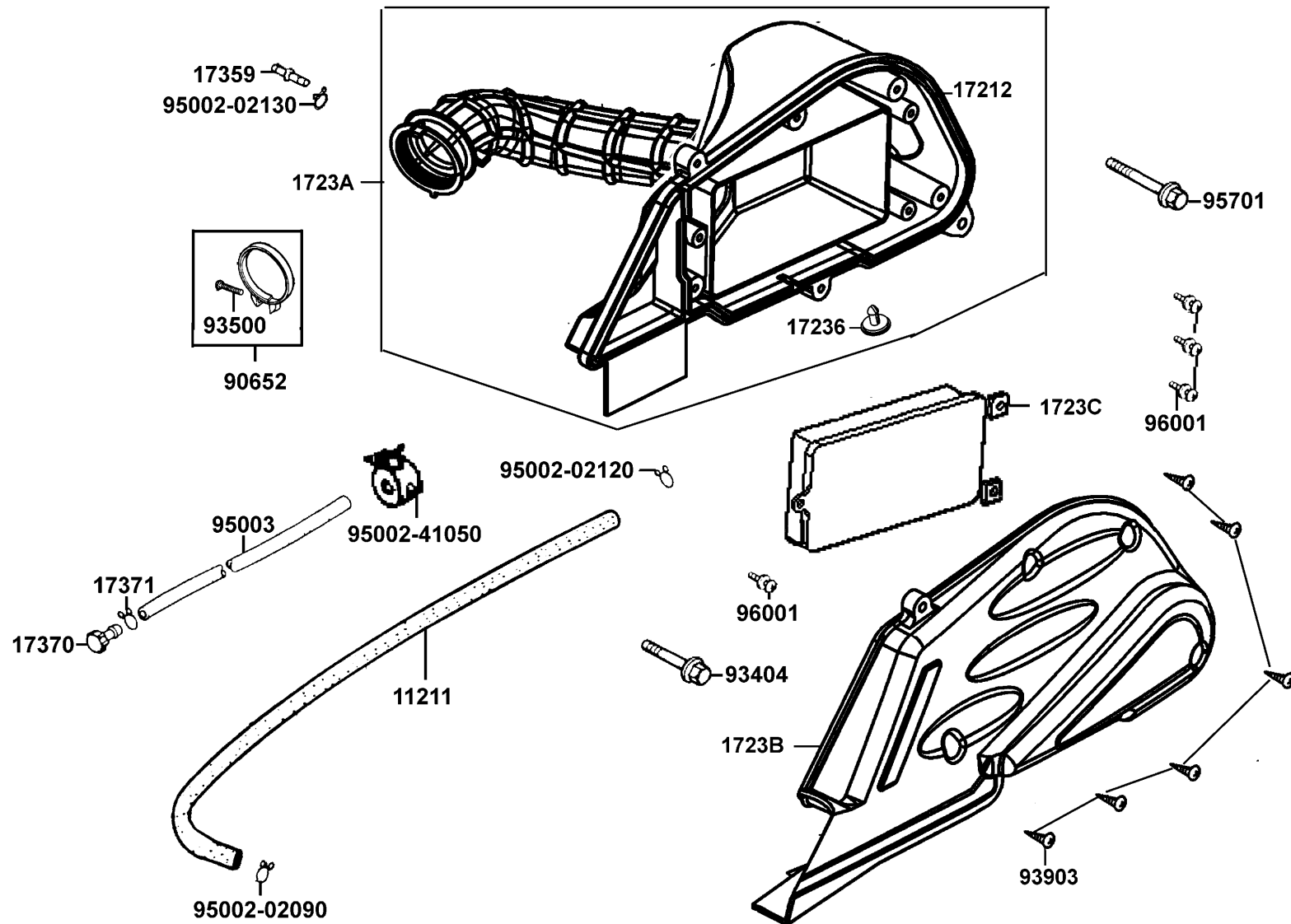


Sales mark 配色標註	Ref no 參考號碼	Part no 零件號碼	Description 英文名稱	Reg description 中文名稱	Regd no 需求用量
	64206	64206-MLJ0-001	NUT SPEED 4MM	螺帽 4MM	3
**		64305-LBG7-316	SKIRT R SIDE	右邊蓋	1
**		64306-LBG7-316	SKIRT L SIDE	左邊蓋	1
**	80151	80151-LBG7-900	COVER CENTER	中心蓋	1
	80152	80152-LBG7-900	HEAT GUARD CENTER	置物箱隔熱紙	1
**	81200	81200-LBG7-900	GRIP RR	後載物架	1
	81260	81260-LHB6-900	BOX ASSY. LUG.	置物箱	1
**		83500-LBG7-316	COVER SET R BODY	右邊蓋組	1
	83503	83503-KHC4-900	COVER PROTECT SEAT WIRE FR	座墊導線護蓋	1
**	83510	83510-LBG7-900	COVER R SIDE	右側蓋	1
**		83600-LBG7-316	COVER SET L BODY	左邊蓋組	1
**	83610	83610-LBG7-900	COVER L SIDE	左側蓋	1
	90106	90106-KFC2-900	BOLT WASH 8MM	螺絲 8MM	3
	90302	90302-SDA4-004	NUT SPRING 4MM	螺帽 4MM	1
	90305	90305-GHK8-001	NUT CLIP 6MM	夾螺帽	1
	90381	90381-GEZ5-001	SCREW SPECIAL 6*17	螺絲 6*17	1
	93404	93404-KKC2-900	BOLT WASH 6*16	螺絲6*16	4
	93903-34360	93903-34360	SCREW TAPPING 4*12	螺絲 4*12	6
	93903-GFY6	93903-GFY6-900	SCREW TAPPING 4*14	螺絲 4*14	4

F12

F13

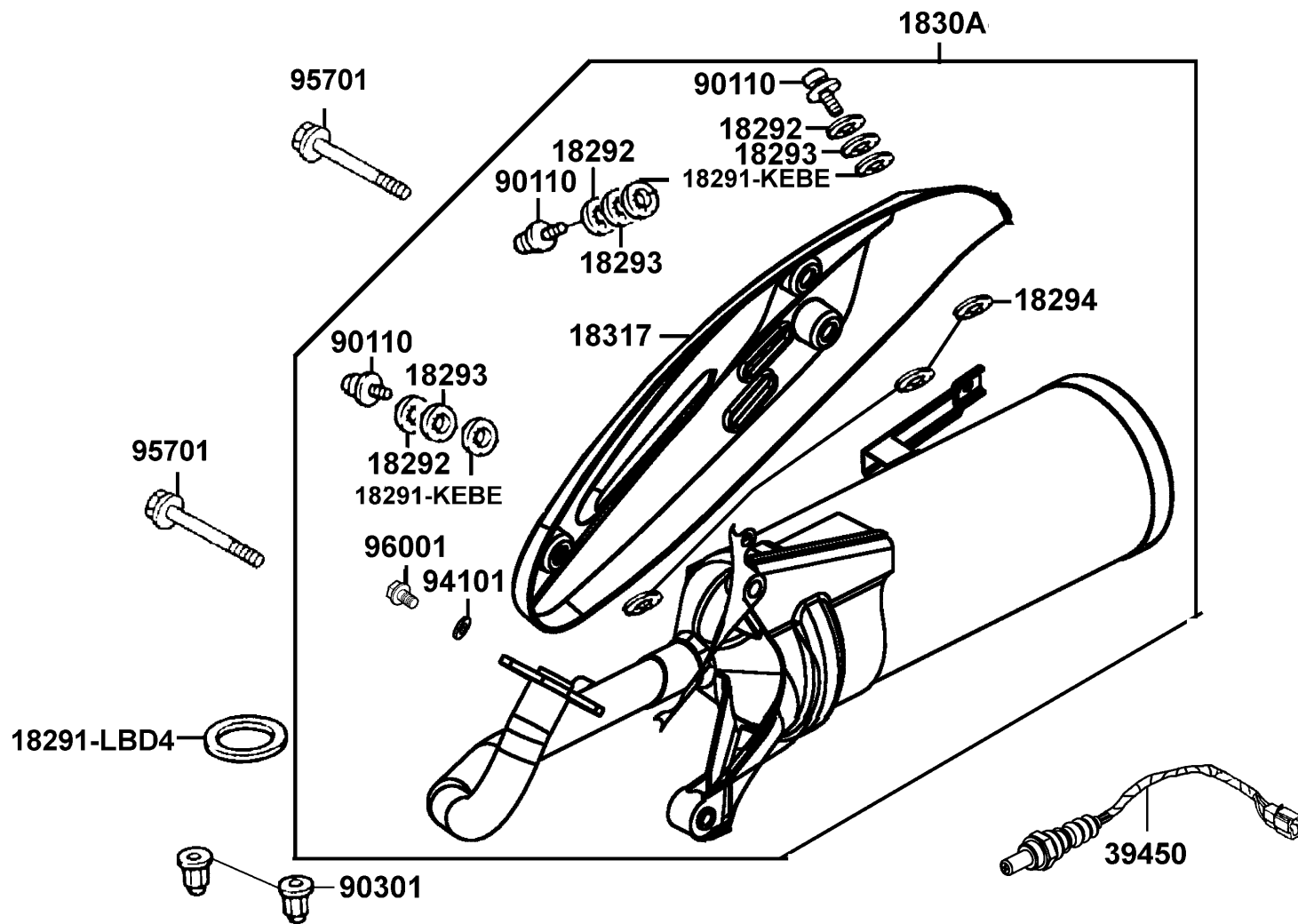
Air Cleaner 空氣濾清器



Sales mark 配色標註	Ref no 參考號碼	Part no 零件號碼	Description 英文名稱	Reg description 中文名稱	Regd no 需求用量	F13
	11211	11211-LBC6-900	TUBE BREATHER	通氣管	1	
	17212	17212-LBG7-900	SEAL AIR/C CASE	空氣濾清箱蓋塵封	1	
	17236	17236-KFBF-910	PLATE AIR/C CASE	隔板	1	
	1723A	1723A-LHB6-900	CASE ASSY., AIR/C	空氣濾清器箱組	1	
	1723B	1723B-LBG7-900	COVER COMP AIR/C	空氣濾清器蓋組	1	
	1723C	1723C-LAB4-900	ELEMENT COMP AIR/C	空氣濾清器海綿	1	
	17359	17359-4K19-671	JOINT BREATHER TUBE	通氣管接頭	1	
	17370	17370-4K19-670	PLUG BREATHER TUBE	溢油管管塞	1	
	17371	17371-1D74-671	CLIP BREATHER TUBE	通氣管夾	1	
	90652	90652-GFY6-901	BAND 49 AIR/C CONNECTING TUBE	連接管固定帶	1	
	93404	93404-06030-06	BOLT WASHER 6*30	螺絲6*30	1	
	93500	93500-04025-0G	SCREW PAN	螺絲 4*25	1	
	93903	93903-25460	SCREW TAPPING 4*12	螺釘 4*12	6	
	95002-02090	95002-02090	CLIP B9 TUBE	管夾	1	
	95002-02120	95002-02120	CLIP B12 TUBE	管夾 B12	1	
	95002-02130	95002-02130	CLIP B 12.5 TURE	管夾	2	
	95002-41050	95002-41050-00	CLIP D10.5 TUBE	管夾	1	
	95003	95003-23018-60	V TUBE 8*12*185	通氣管 8*12*185	1	
	95701	95701-06032-08	BOLT FLANGE 6*32	螺絲 6*32	1	
	96001	96001-LAB4-900	BOLT SPECIAL 5*16	螺絲 5*16	3	

F14

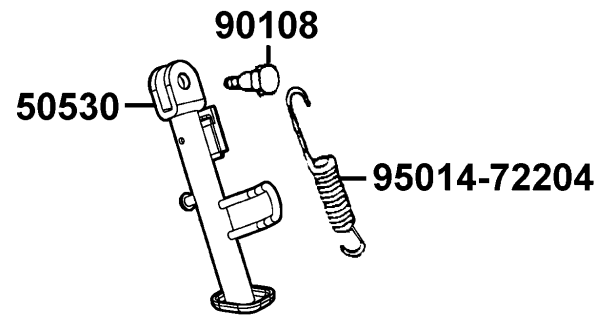
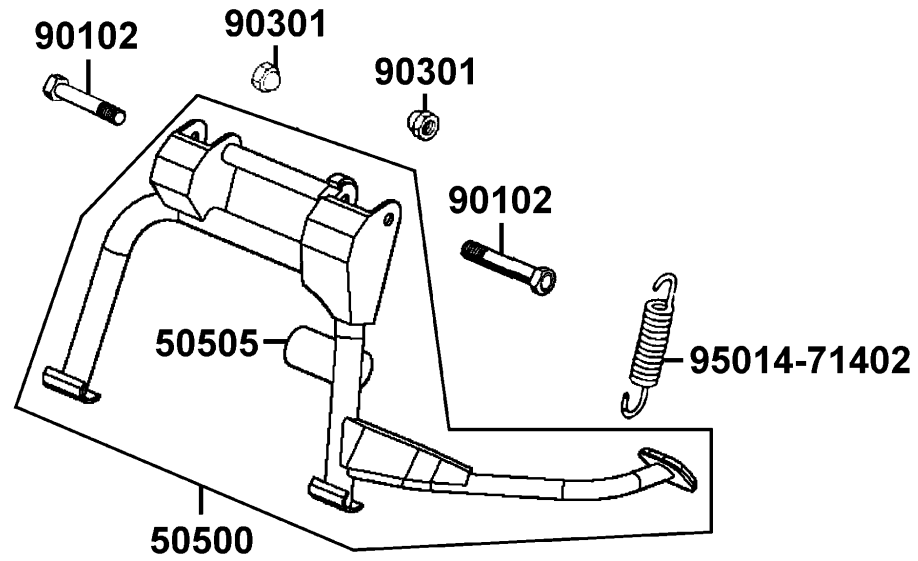
Exhaust Muffler 排氣管



Sales mark 配色標註	Ref no 參考號碼	Part no 零件號碼	Description 英文名稱	Reg description 中文名稱	Regd no 需求用量	F14
	18291-KEBE	18291-KEBE-900	COLLAR	套筒	3	
	18291-LBD4	18291-LBD4-900	GASKET EXH PIPE	排氣管墊圈	1	
	18292	18292-KEBE-900	PACKING PROTECTOR	墊片	3	
	18293	18293-KEBE-900	RUBBER PKG PROTR	橡皮	3	
	18294	18294-KEBE-900	PACKING PROTECTOR	防熱墊片	3	
	1830A	1830A-LBG7-80B	MUFFLER ASSY EXHAUST	排氣管組	1	
**	18317	18317-LLF5-900	PROTECTOR COMP MUFFLER	排氣管護蓋 ** (0) C.2005.12.07	1	
	39450	39450-LEA6-800	O2 SENSOR	氧氣感測器	1	
	90110	90110-KEBE-900	SCREW SPECIAL 6*22	螺絲 6*22	3	
	90301	90301-GFY6-901	NUT (HEX) CAP 8MM	圓螺帽 8MM	2	
	94101	94101-06200	WASHER PLAIN 6MM	平華司	1	
	95701	95701-08055-08	BOLT FLANGE 8*55	螺絲 8*55	2	
	96001	96001-06008-07	BOLT FLANGE SH 6*8	螺絲 6*8	1	

F15

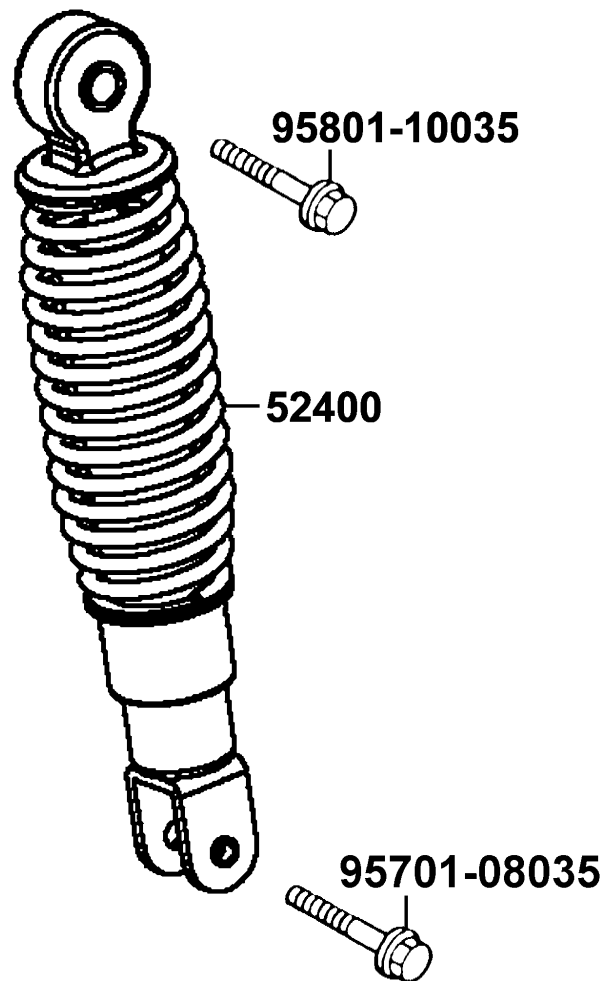
Stand Kick Starter Arm 腳架 起動踏桿



Sales mark 配色標註	Ref no 參考號碼	Part no 零件號碼	Description 英文名稱	Reg description 中文名稱	Regd no 需求用量	F15
	50500	50500-LAB4-900	STAND COMP MAIN	主腳架組	1	
	50505	50505-KKD7-900	RUBBER STOPPER MAIN	主腳架橡皮	1	
	50530	50530-LBC6-900	BAR SIDE STAND	側支架	1	
	90102	90102-GLE0-001	BOLT HINGE PIVOT	螺絲	2	
	90108	90108-GFY6-901	SCREW SIDE STAND PIVOT	側腳架螺絲	1	
	90301	90301-4C73-004	NUT U 6MM	螺帽 6MM	2	
	95014-71402	95014-71402	SPRING D MAIN STAND	主腳架彈簧	1	
	95014-72204	95014-72204	SPG B1 SIDE STAND	側腳架彈簧	1	

F16

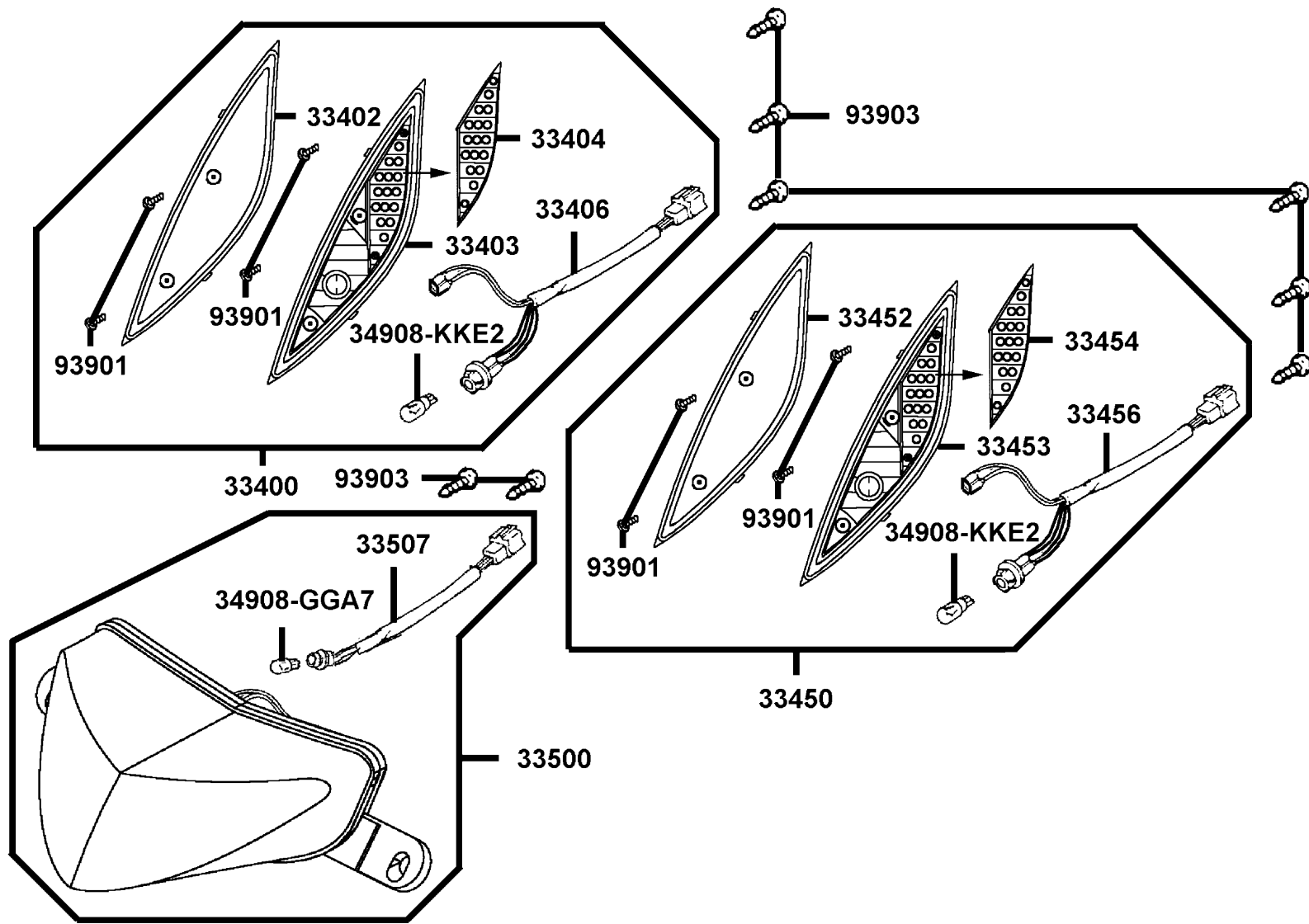
Rear Cushion 後避震器



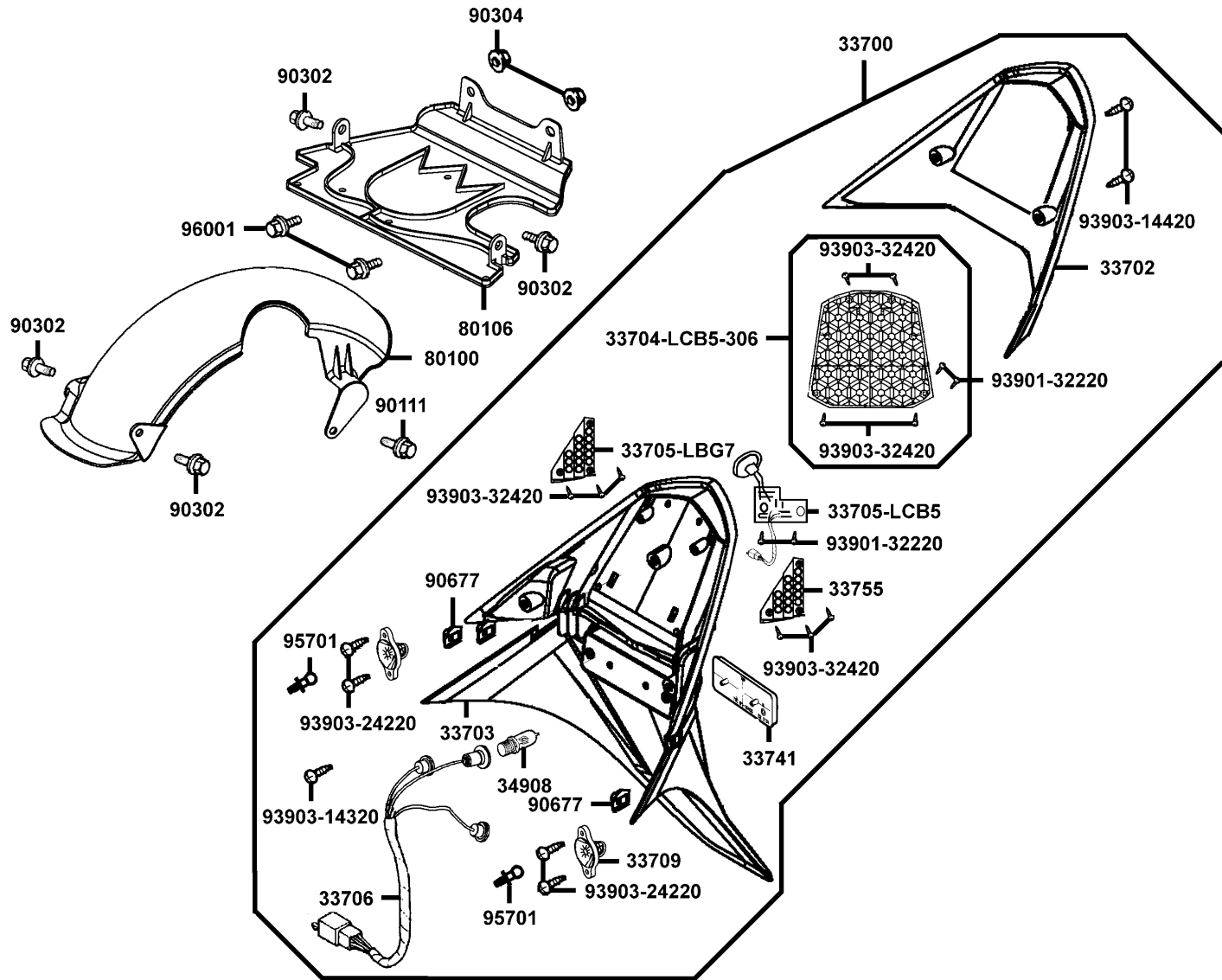
Sales mark 配色標註	Ref no 參考號碼	Part no 零件號碼	Description 英文名稱	Reg description 中文名稱	Regd no 需求用量	F16
**	52400	52400-LCB4-900	CUSHION ASSY REAR	後避震器	1	
	95701	95701-08035-08	BOLT FLANGE 8*35	螺絲 8*35	1	
	95801	95801-10035-08	BOLT FLANGE 10*35	螺絲 10*35	1	

F17

Front Winker 前方向燈

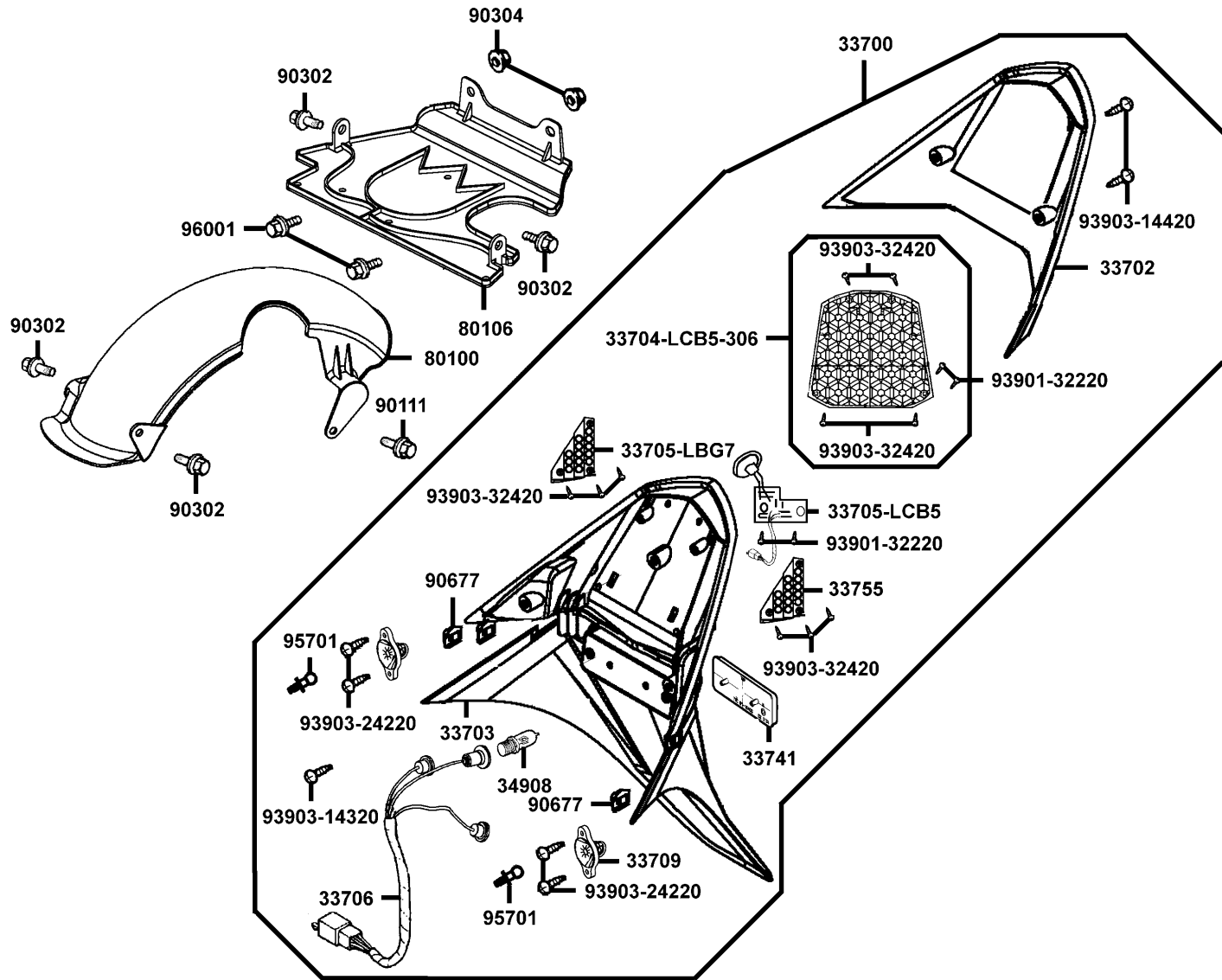


Sales mark 配色標註	Ref no 參考號碼	Part no 零件號碼	Description 英文名稱	Reg description 中文名稱	Regd no 需求用量	F17
	33400	33400-LBG7-910	WINKER ASSY R FR	右前方向燈組	1	
	33402	33402-LBG7-900	LENS R FR WINKER	右前方向燈殼	1	
	33403	33403-LBG7-900	BASE COMP R FR WINKER	右前方向燈座	1	
	33404	33404-LBG7-910	R WINKER LED COMP	右前方向燈泡/LED	1	
	33406	33406-LBG7-900	SCOKET COMP R FR WINKER	右前方向燈配線	1	
	33450	33450-LBG7-910	WINKER ASSY L FR	左前方向燈組	1	
	33452	33452-LBG7-900	LENS L FR WINKER	左前方向燈殼	1	
	33453	33453-LBG7-900	BASE COMP L FR WINKER	左前方向燈座	1	
	33454	33454-LBG7-910	L WINKER LED COMP	右前方向燈泡/LED	1	
	33456	33456-LBG7-900	SCOKET COMP L FR WINKER	左前方向燈配線	1	
	33500	33500-LBG7-900	LIGHT ASSY FR POSITION	前位置燈	1	
	33507	33507-LAD9-900	SOCKET COMP FR POSITION LIGHT	前位置燈配線	1	
	34908-GGA7	34908-GGA7-70A	BULB WEDGE BASE 12V*3.4W	儀錶內指示燈泡	1	
	34908-KKE2	34908-KKE2-900	BULB WEDGE BASE	燈泡	1	
	93901	93901-32310	SCREW TAPPING 3*12	螺釘 3*12	8	
	93903	93903-34360	SCREW TAPPING 4*12	螺絲 4*12	8	

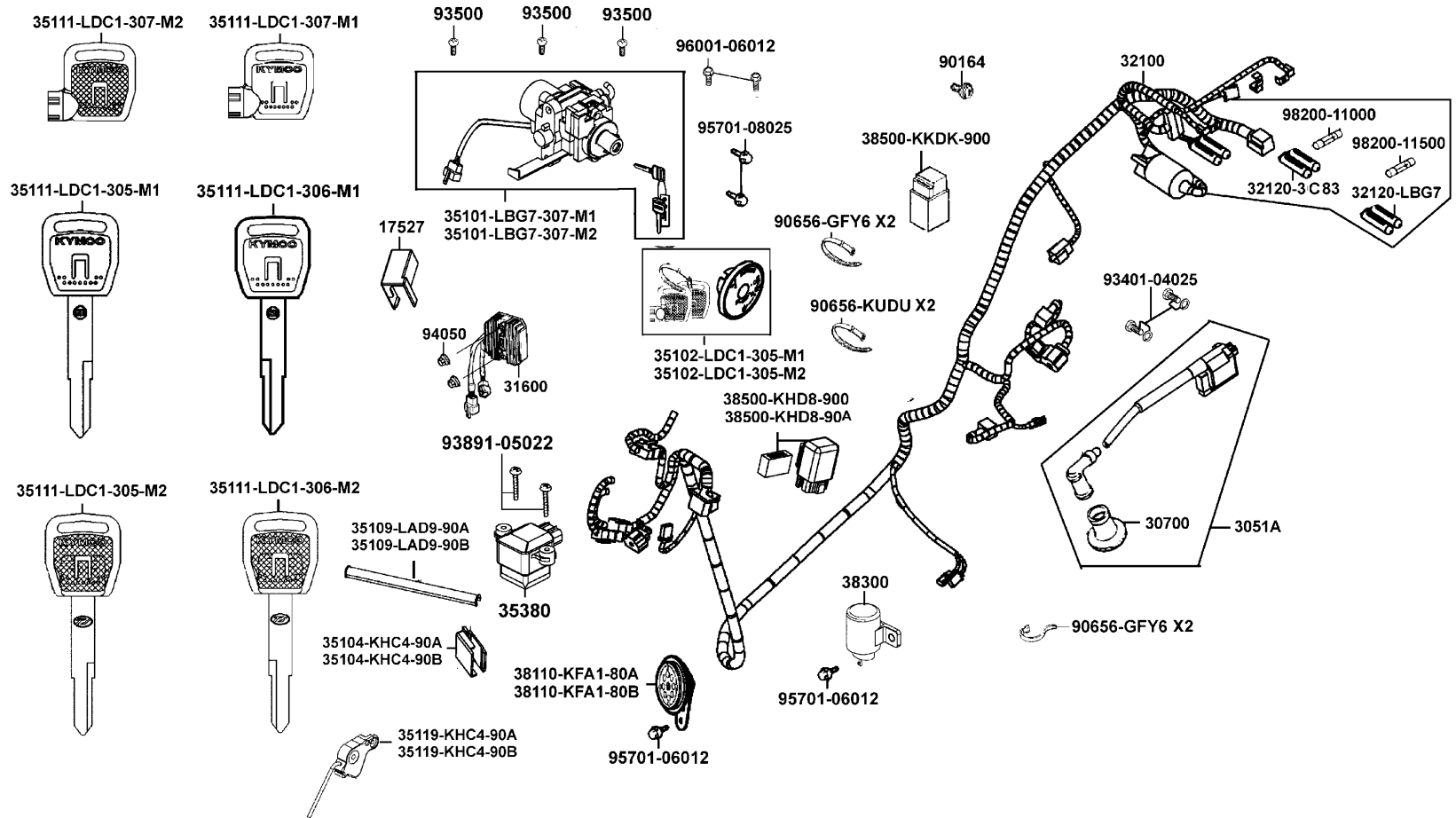


Sales mark 配色標註	Ref no 參考號碼	Part no 零件號碼	Description 英文名稱	Reg description 中文名稱	Regd no 需求用量
	33700	33700-LBG7-910	UNIT TAIL LIGHT	後燈組/LED	1
	33702	33702-LBG7-900	LENS LIGHT	後燈殼	1
	33703	33703-LBG7-900	BASE TAIL LIGHT	後燈座	1
	33704	33704-LCB5-306	RS & PCB ASSY TAIL LIGHT LED	LED排燈總成	1
	33705-LBG7	33705-LBG7-910	PCB COMP R WINKER LED COMP	右後方向燈泡/LED	1
	33705-LCB5	33705-LCB5-900	SOCKET COMP TAIL LIGHT LED	LED配線	1
	33706	33706-LCB5-900	TAIL LIGHT COMP SOCKET	後燈配線	1
	33709	33709-LBG7-900	SPG HOOK	固定座	2
	33741	33741-KEC8-900	REFLEX REFLECTOR	反光鏡片	1
	33755	33755-LBG7-910	PCB COMP L WINKER LED	左後方向燈泡/LED	1
	34908	34908-GGA7-70A	BULB WEDGE BASE 12V*3.4W	儀錶內指示燈泡	1
**	80100	80100-LBG7-900	FENDER RR TIRE	後輪檔泥板	1
	80106	80106-LBG7-900	FENDER RR INNER	後檔泥板	1
	90111	90111-KFW6-001	BOLT FLANGE 6MM	螺帽 6MM	1
	90302	90302-GFY6-901	BOLT WASH 5*12	螺絲 5*12	4
	90304	90304-4H38-001	NUT HEX CAP 6MM	螺帽 6MM	2
	90677	90677-KFC9-900	NUT CLIP 4MM	螺帽夾	2
	93901	93901-32220	SCREW TAPPING 3*10	螺絲 3*10	4
	93903-14320	93903-14320	SCREW TAPPING 4*12	螺絲 4*12	1
	93903-14420	93903-14420	TAPPING SCREW 4*16	螺栓 4*16	2

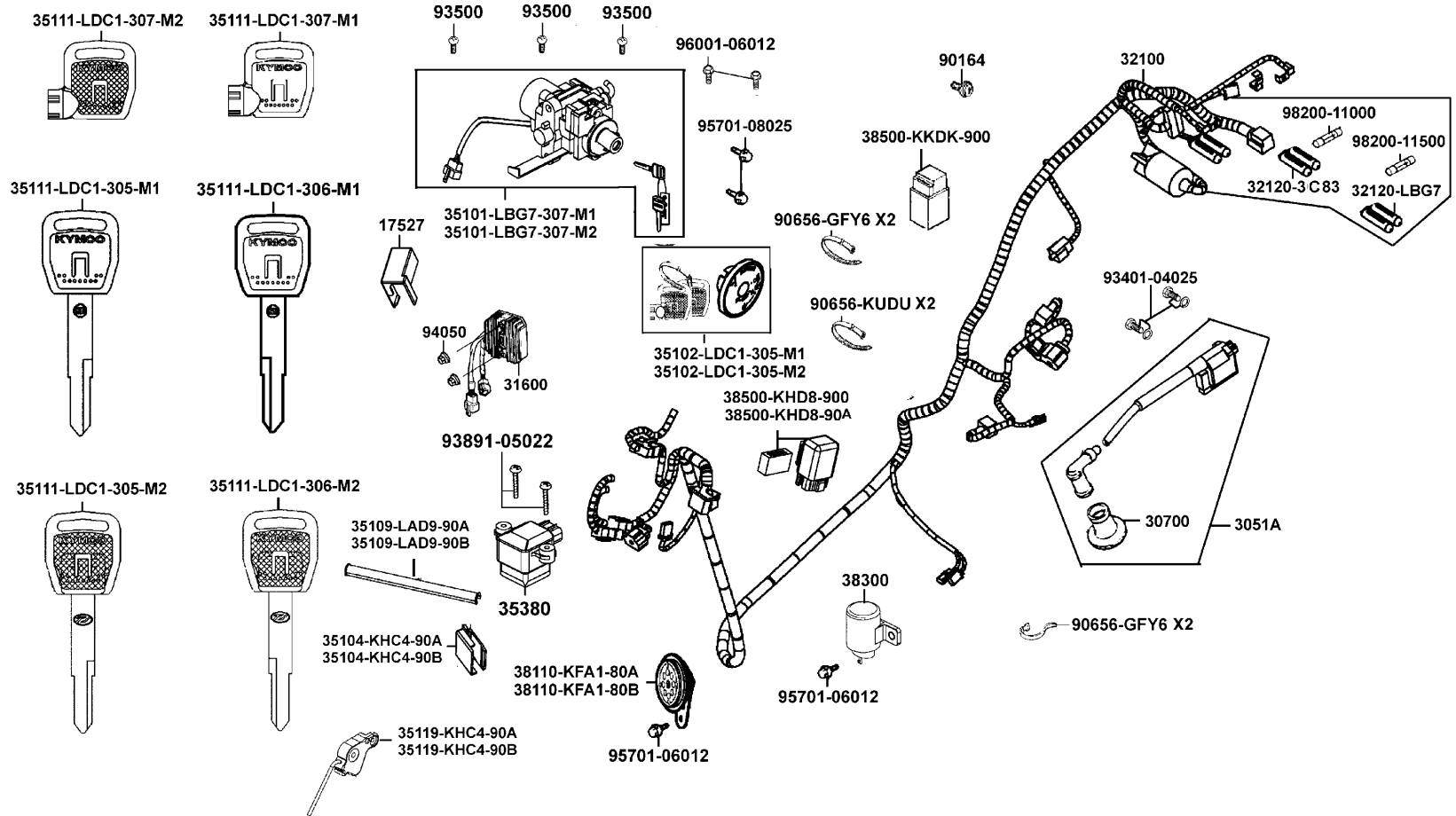
F18



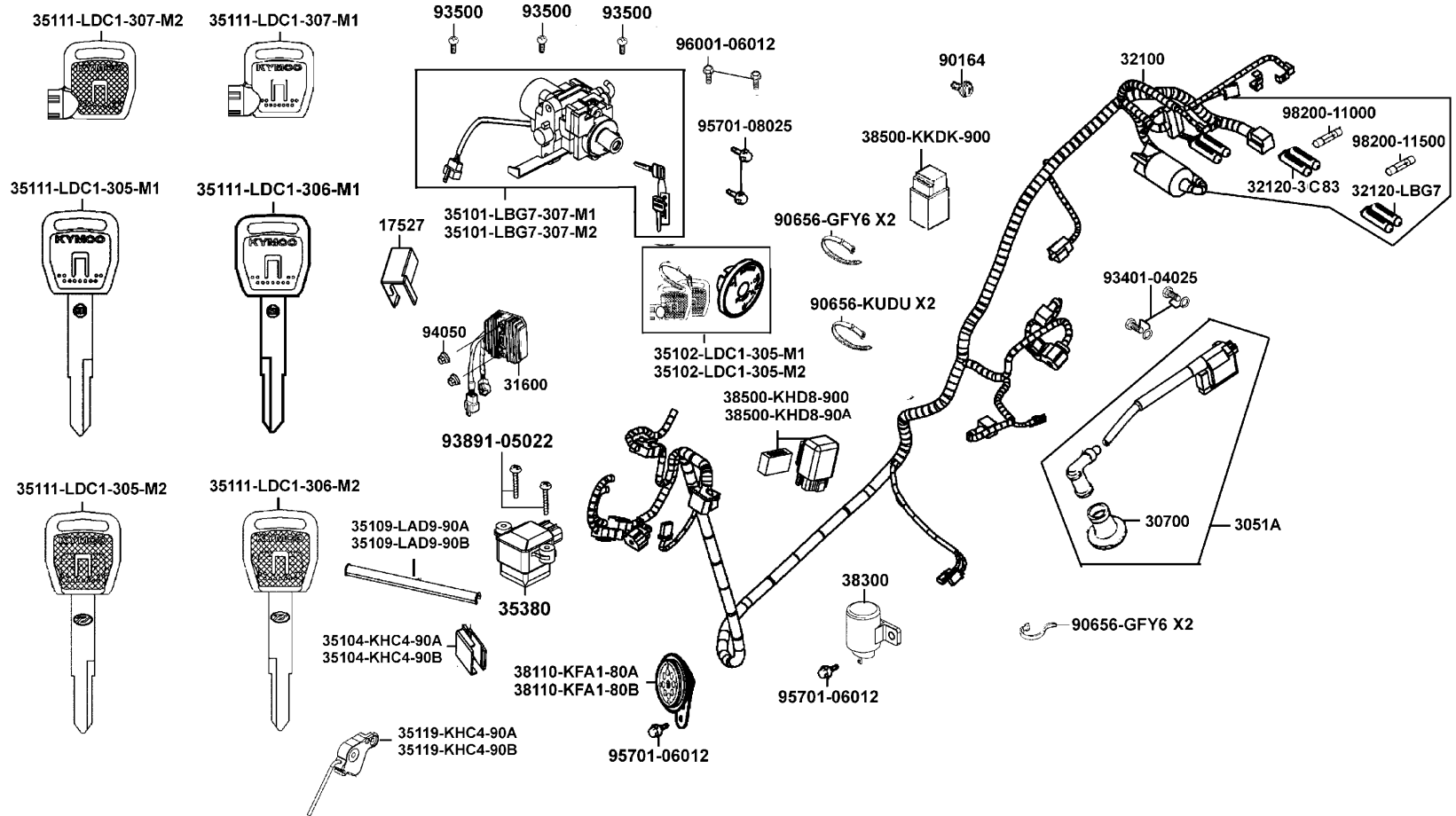
Sales mark 配色標註	Ref no 參考號碼	Part no 零件號碼	Description 英文名稱	Reg description 中文名稱	Regd no 需求用量	F18
	93903-24220	93903-24220	SCREW TAPPING 4*10	螺釘 4*10	4	
	93903-32420	93903-32420	SCREW TAPPING 3X12	螺釘 3X12	10	
	95701	95701-LBG7-900	HOLD BOLT	螺絲	2	
	96001	96001-06025-06	BOLT FLANGE 6*25	螺絲 6*25	2	



Sales mark 配色標註	Ref no 參考號碼	Part no 零件號碼	Description 英文名稱	Reg description 中文名稱	Regd no 需求用量	F19
	17527	17527-LBA2-900	SLIDE COVER FUEL CAP	油箱蓋導線防塵蓋	1	
	3051A	3051A-LBG7-900	COIL ASSY IGN	高壓線圈	1	
	30700	30700-LBG7-900	CAP ASSY NOISE SUPPRESOR	火星塞蓋	1	
	31600	31600-LEA5-E00	REG REC COMP	整流器	1	
	32100	32100-LHB6-900	HARNESS WIRE	主配線	1	
	32120-3C83	32120-3C83-831	CASE 10A FUSE	保險絲盒	1	
	32120-LBG7	32120-LBG7-900	CASE FUSE	保險絲盒	1	
	35101-LBG7-307-M1	35101-LBG7-307-M1	SW COMB & LOCK	主開關	1	
	35101-LBG7-307-M2	35101-LBG7-307-M2	SW COMB & LOCK	主開關	1	
	35102-LDC1-305-M1	35102-LDC1-305-M1	SHUTIER SET MAGNETIC LOCK	磁石鎖組/2合1KEY	1	
	35102-LDC1-305-M2	35102-LDC1-305-M2	SHUTIER SET MAGNETIC LOCK	磁石鎖組/2合1KEY	1	
	35104-KHC4-90A	35104-KHC4-90A	PLATE COVER FUEL CAP CABLE	油箱蓋導線防數蓋	1	
	35104-KHC4-90B	35104-KHC4-90B	PLATE COVER FUEL CAP CABLE	油箱蓋導線防數蓋	1	
	35109-LAD9-90A	35109-LAD9-90A	PROTECTOR COVER CABLE	防水蓋	1	
	35109-LAD9-90B	35109-LAD9-90B	PROTECTING COVER CABLE	防水蓋	1	
	35111-LDC1-305-M1	35111-LDC1-305-M1	KEY COMP (R TANGENT PLANE/SD)	未加工主開關鑰匙/右切/SD	1	
	35111-LDC1-305-M2	35111-LDC1-305-M2	KEY COMP (R TANGENT PLANE/TJ)	未加工主開關鑰匙/右切/TJ	1	
	35111-LDC1-306-M1	35111-LDC1-306-M1	KEY COMP (L TANGENT PLANE/SD)	未加工主開關鑰匙/左切/SD	1	
	35111-LDC1-306-M2	35111-LDC1-306-M2	KEY COMP (L TANGENT PLANE/TJ)	未加工主開關鑰匙/左切/TJ	1	
	35111-LDC1-307-M1	35111-LDC1-307-M1	KEY COMP SHOTTER MAGNETIC (SD)	磁石鑰匙/SD	1	

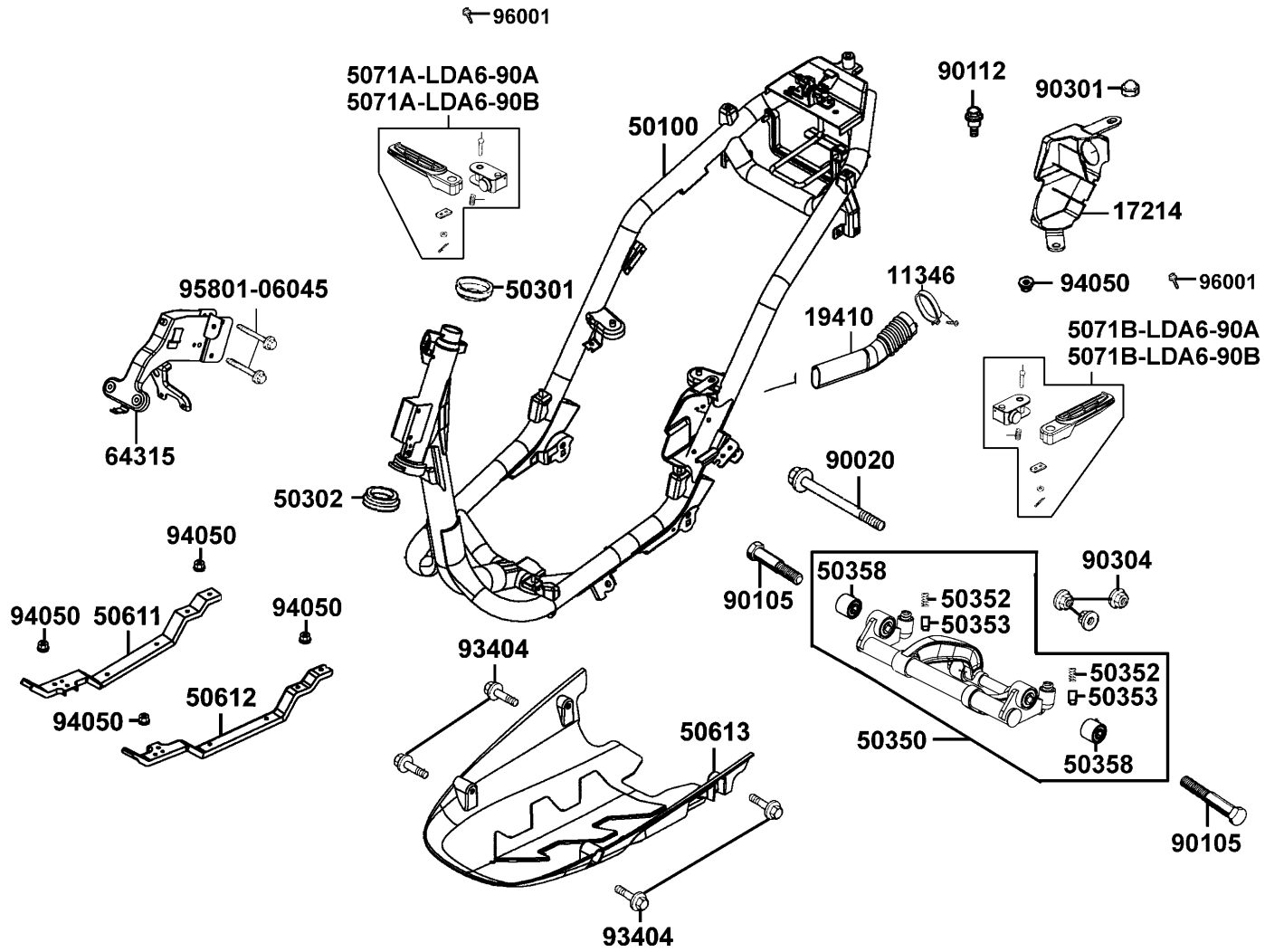


Sales mark 配色標註	Ref no 參考號碼	Part no 零件號碼	Description 英文名稱	Reg description 中文名稱	Regd no 需求用量	F19
	35111-LDC1-307-M2	35111-LDC1-307-M2	KEY COMP SHOTTER MAGNETIC (TJ)	磁石鑰匙/TJ	1	
	35119-KHC4-90A	35119-KHC4-90A	COVER SEAT CABLE	座墊外蓋導線	1	
	35119-KHC4-90B	35119-KHC4-90B	COVER SEAT CABLE	座墊外蓋導線	1	
	35380	35380-LEA2-900	SENSOR ANGLE DETECT	傾倒角度感知器	1	
	38110-KFA1-80A	38110-KFA1-80A	HORN COMP	喇叭	1	
	38110-KFA1-80B	38110-KFA1-80B	HORN COMP	喇叭	1	
	38300	38300-LBG7-900	RELAY COMP WINKER	方向繼電器	1	
	38500-KHD8-900	38500-KHD8-900	RELAY ASSY LIGHT	繼電器	1	
	38500-KHD8-90A	38500-KHD8-90A	RELAY ASSY LIGHT	繼電器	1	
	38500-KKDK	38500-KKDK-900	RELAY ASSY START	起動繼電器	1	
	90164	90164-MDR4-901	SCREW SPECIAL 6MM	特殊螺絲 6MM	1	
	90656-GFY6	90656-GFY6-911	BAND OIL HOSE	油管束帶	2	
**	90656-KUDU	90656-KUDU-900	BAND HARNESS WIRE	束帶	2	
	93401	93401-04025-08	BOLT WASHER 4*25	墊圈	2	
	93500	93500-04020-0G	SCREW PAN 4*20	螺絲 4*20	3	
	93891	93891-05022-08	SCREW WASHER 5*22 (C)	螺絲 5*22	2	
	94050	94050-06080	NUT FLANGE 6MM	螺帽 6MM	2	
	95701-06012	95701-06012-08	BOLT FLANGE 6*12	螺絲 6*12	2	
	95701-08025	95701-08025-08	BOLT FLANGE 8*25	螺絲 8*25	2	
	96001	96001-06012-08	BOLT FLANGE 6*12	螺絲 6*12	2	

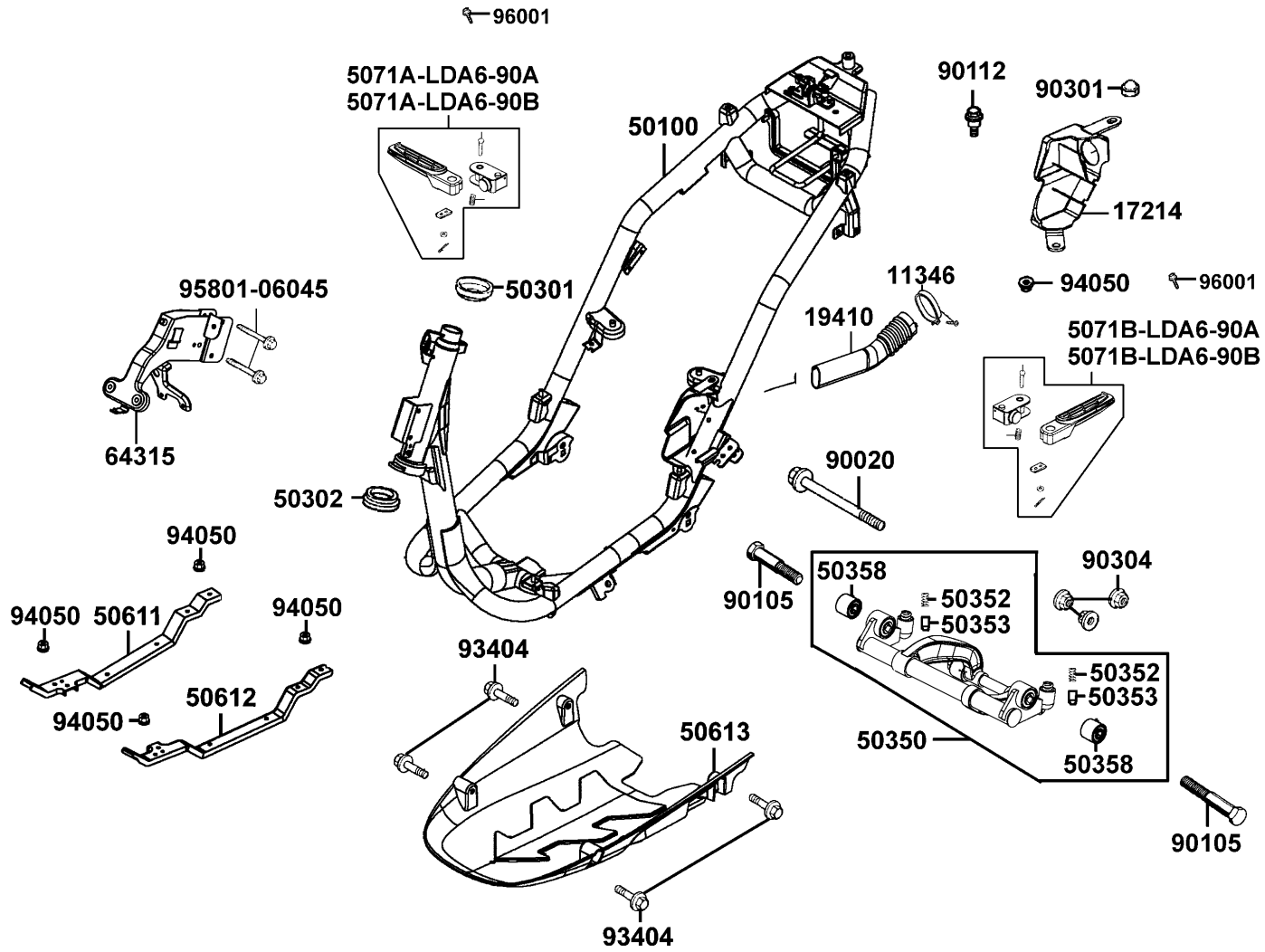


Sales mark 配色標註	Ref no 參考號碼	Part no 零件號碼	Description 英文名稱	Reg description 中文名稱	Regd no 需求用量
	98200-11000	98200-11000	FUSE 10A	保險絲 10A	1
	98200-11500	98200-11500	FUSE A15	保險絲 A15	1

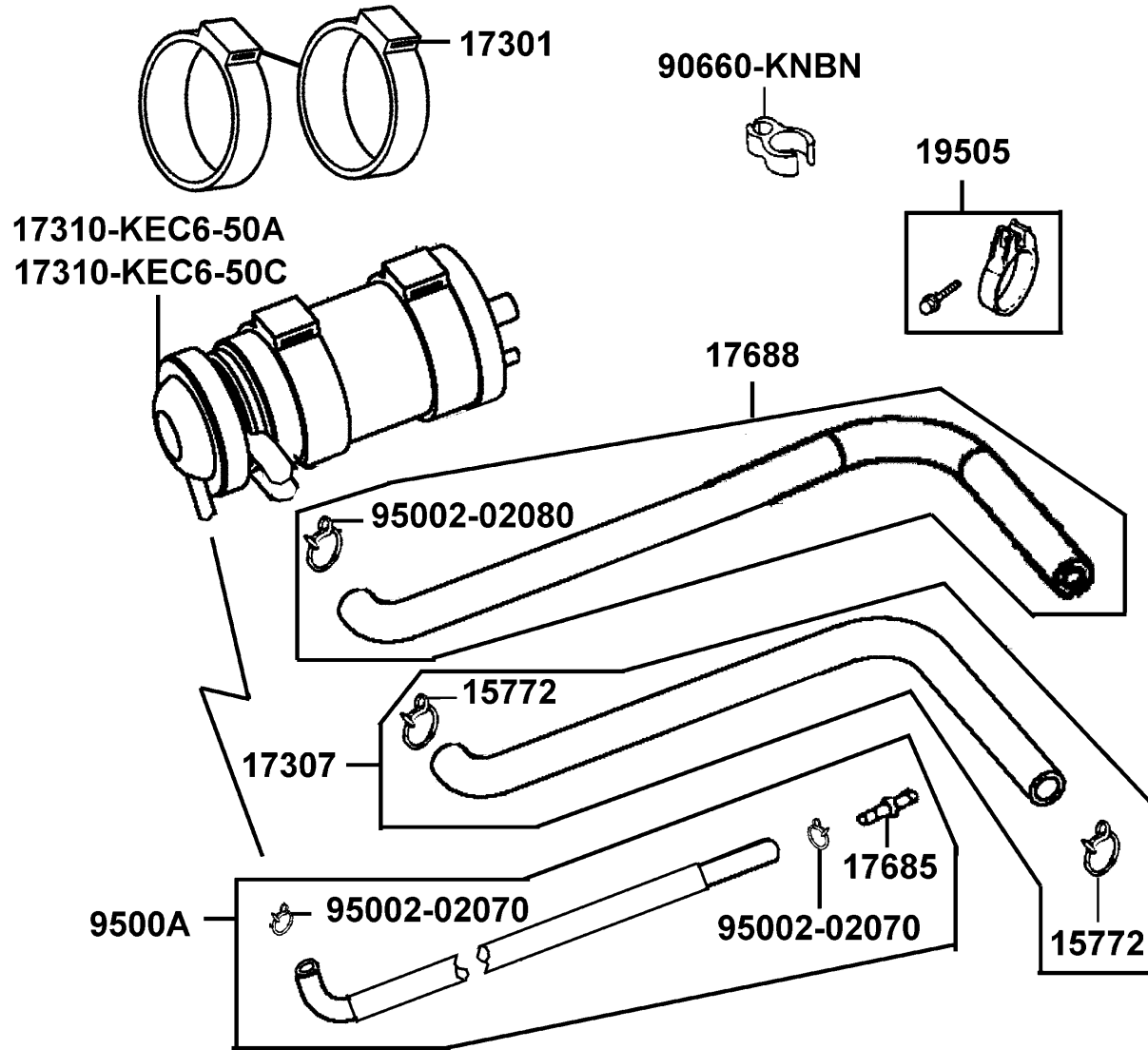
F19



Sales mark 配色標註	Ref no 參考號碼	Part no 零件號碼	Description 英文名稱	Reg description 中文名稱	Regd no 需求用量	F20
	11346	11346-KEBE-900	BAND L COVER DUCT	導管束帶	1	
	17214	17214-LBG7-E00	CHMBER AIR/C	空氣室	1	
	19410	19410-LDC1-900	DUCT COOLING	冷卻導管	1	
	50100	50100-LBG7-900	BODY COMP FRAME	車體	1	
	50301	50301-KGN7-671	RACE UP STRG BALL	上珠碗	1	
	50302	50302-2H68-011	RACE STRG BOT BALL	下珠碗	1	
	50350	50350-LBC6-900	HANGER ASSY ENG	引擎吊架	1	
	50352	50352-KHC4-900	SPRING	引擎吊架彈簧	2	
	50353	50353-KHC4-900	RUBBER SEAT SPRING	引擎吊架橡膠座	2	
	50358	50358-KHC4-900	RUBBER BUSH ENG HANGER	引擎吊架橡皮襯套	2	
	50611	50611-LBG7-900	RNFCT R FLOOR	踏板右支架	1	
	50612	50612-LBG7-900	RNFCT L FLOOR	踏板左支架	1	
**	50613	50613-LBG7-900	COVER UNDER	下罩	1	
#	5071A-LDA6-90A	5071A-LDA6-90A	BAR R STEP ASSY	右後踏板桿組	1	
#	5071A-LDA6-90B	5071A-LDA6-90B	BAR R STEP ASSY	右後踏板桿組	1	
#	5071B-LDA6-90A	5071B-LDA6-90A	BAR L STEP ASSY	左後踏板桿組	1	
#	5071B-LDA6-90B	5071B-LDA6-90B	BAR L STEP ASSY	左後踏板桿組	1	
	64315	64315-LHB6-900	STAY,FR COVER	STAY,FR COVER	1	
	90020	90020-KFW6-001	BOLT FLANGE 10X170	螺絲 10X170	1	
	90105	90105-KHC4-900	SQUARE BOLT M10X50	螺絲 10X50	2	



Sales mark 配色標註	Ref no 參考號碼	Part no 零件號碼	Description 英文名稱	Reg description 中文名稱	Regd no 需求用量	F20
	90112	90112-KNBN-901	BOLT FLANGE 6MM	螺絲 6MM	1	
	90301	90301-6D34-671	NUT FLANGE 6MM	螺帽 6MM	1	
#	90304	90304-GHE8-004	NUT U 10MM	螺帽 10MM	3	
	93404	93404-06016-06	BOLT WASHER 6*16	螺絲 6*16	4	
	94050	94050-06080	NUT FLANGE 6MM	螺帽 6MM	2	
	95801	95801-06045-08	BOLT FLANGE 6*45	螺絲	2	
	96001	96001-06032-06	BOLT FLANGE 6*32	螺絲 6*32	2	

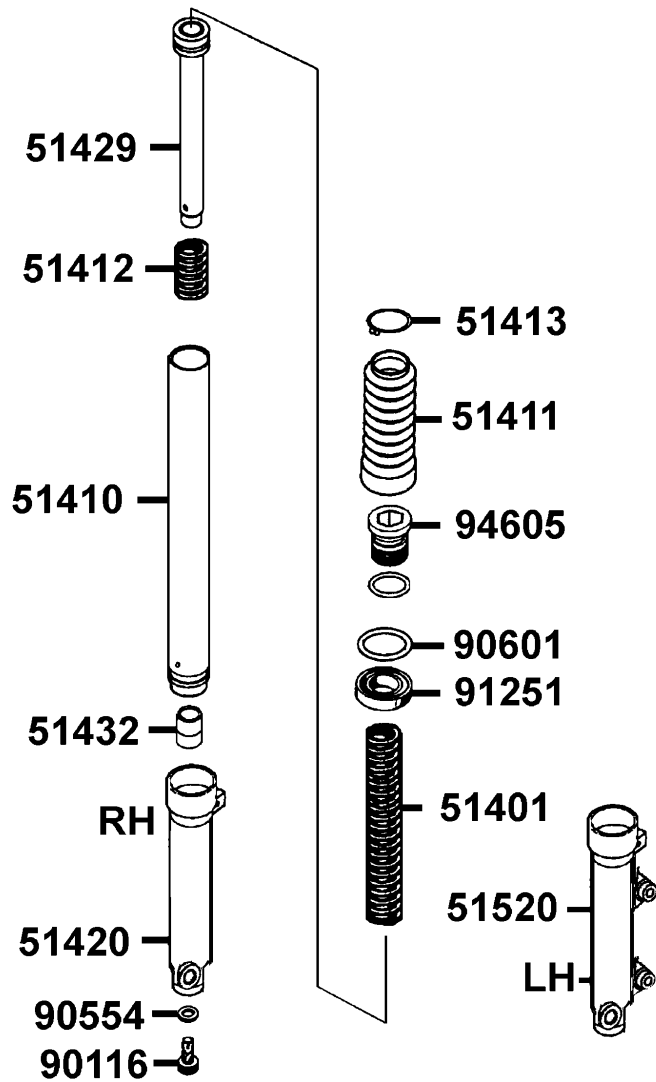


Sales mark 配色標註	Ref no 參考號碼	Part no 零件號碼	Description 英文名稱	Reg description 中文名稱	Regd no 需求用量	F21
	15772	15772-5L00-013	CLIP B14.5 TUBE	管夾	1	
	17301	17301-KNBN-960	RUBBER CANISTER MOUNT	活性碳罐懸掛橡皮	2	
	17307	17307-LBG7-900	TUBE CANISTER – AIR/C	通氣管	1	
	17310-KEC6-50A	17310-KEC6-50A	CANISTER COMP	活性碳罐	1	
	17310-KEC6-50C	17310-KEC6-50C	CANISTER COMP	活性碳罐	1	
	17685	17685-GLE0-301	JOINT COCK-CARB TUBE	油管接頭	1	
	17688	17688-KHB4-900	TUBE ASSY CANISTER-FCV	活性碳罐通氣管	1	
	19505	19505-GFY6-940	CLAMP A WATER HOSE	管夾	1	
	90660	90660-KNBN-921	CLAMP TUBE	管夾	1	
	95002-02070	95002-02070	CLIP B7 TUBE	管夾	2	
	95002-02080	95002-02080	CLIP B8 TUBE	管夾	2	
	9500A	9500A-LBG7-900	TUBE ASSY INLET PIPE-CANISTER	通氣管	1	

F22

Separated Parts Of Fr Fork

前避震器細件



Sales mark 配色標註	Ref no 參考號碼	Part no 零件號碼	Description 英文名稱	Reg description 中文名稱	Regd no 需求用量	F22
	51401	51401-LCB4-900	SPRING FR CUSHION	彈簧	2	
	51410	51410-KFA1-900	FORK PIPE COMP	前避震器管	2	
	51411	51411-KNBN-900	BOOT	護套	2	
	51412	51412-KFA1-900	REBOUND SPRING	回位彈簧	2	
	51413	51413-KNBN-900	BOOT BAND	護套夾	2	
**	51420	51420-KNBN-900	BOTTOM CASE R	右前避震器底管	1	
	51429	51429-LAB4-900	PIPE SEAT COMP	避震管座	2	
	51432	51432-KFA1-900	OIL LOCK PIECE	止油接頭	2	
**	51520	51520-KHC4-900	BOTTOM CASE L	左前避震器底管	1	
	90116	90116-3C83-72A	BOLT	螺絲	2	
	90554	90554-2C83-001	PACKING	墊片	2	
	90601	90601-GAR1-900	RING OIL SEAL STOPPER	油封止位環	2	
	91251	91251-LAB4-900	OIL SEAL	前避震器油封	2	
	94605	94605-KFA1-900	FORK BOLT	螺絲	2	

<ul style="list-style-type: none"> 請戴安全帽行駛。 行駛時，請勿超越法定速度。 因排氣管溫度很高，停車時請停置於他人不易觸摸之場所。 為了駕駛安全及性能維護，請勿任意違法改裝。 	<ul style="list-style-type: none"> 請確實做好定期保養工作及行車前之安全檢查。 <p>◀ 行駛前檢查項目 ▶</p> <p>剎車性能 輪胎 機油量 燈光 喇叭 儀表板</p>
--	---

◎ 敬請熟讀駕駛手冊，確保行車安全 GY6-900

87560-GFY6-900

注 意

在引擎發動前，請先將側支架扳起，以策安全。

87541-GGS7-901

注 意

輪胎最大胎壓：前輪 2.50kgf/cm² 後輪 2.50kgf/cm²
 一人騎乘時：前輪 1.50kgf/cm² 後輪 1.75kgf/cm²
 二人騎乘時：前輪 1.75kgf/cm² 後輪 2.00kgf/cm²
 輪胎規格：前輪 90/90 10 後輪 100/80 10

載物限重：前行李箱 (依買車配備為準) 1.5kg
 置物掛鉤 3.0kg

LAB4-900

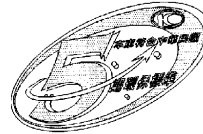
87505-LAB4-900

注 意

後側蓋與引擎之間，請勿放入任何物品，以免妨礙行駛。

GMS-300

87542-GKM9-301



87501-LEB2-950

機 油 量

全容量 0.8公升
 機油交換時 0.7公升
 給油後必須確認油量

發動機轉三分鐘再確認油量
 KHC-900

87541-KHC4-900

87503-LEB2-900

拆排氣管前請先拔除含氧感測器接頭

87503-LEB2-900

87122-LHB6-950

◎ 請將排氣管控制開關關閉 ◎

◎ 公司名稱：光陽工業股份有限公司 ◎
 ◎ 引擎型號：G100SG0-07 車架號：2008 ◎
 ◎ 引擎製造商：精進字號 ◎
 一、噴射裝置：L6E7 TMS
 二、空壓機系統：LAB4 PLUS
 三、通氣系統：CAN-90
 ◎ 機油容量：1.86±100RPM ◎
 ◎ 發動機有人不得影響機油液面 ◎ 免保養機油 ◎
 ◎ 本引擎機油之類型符合中華國家標準 CNS 11541-1 ◎
 ◎ 請參閱之說明書 (轉車第五層車架號碼)

請參閱轉車說明書第 10 頁

◎ 原始機油容量 < : 75 db(A)
 ◎ 測試距離 : 3750 rpm ◎
 ◎ 圖解機油添加位置及量物品。 87122-LHB6-950

86700-LFG7-900



86102-KKC4-900



Sales mark 配色標註	Ref no 參考號碼	Part no 零件號碼	Description 英文名稱	Reg description 中文名稱	Regd no 需求用量	F23
**	86102	86102-KKC4-900	EMB K-LOGO 28.5MM	標誌 28.5MM	1	
**	86700	86700-LFG7-900	STRIPE ENERGY LOGO	節能標章	1	
**	87122	87122-LHB6-950	FRAGILE PAPER	5期E/M法規小貼紙	1	
**	87501	87501-LEB2-950	LABEL E/M 5 MARK	標籤	1	
**	87503	87503-LEB2-900	CAUTION MUFFLER	標籤	1	
**	87505	87505-LAB4-900	LABEL TIRE	貼紙	1	
**	87541-GGS7	87541-GGS7-901	CAUTION SIDE STAND	標籤	1	
**	87541-KHC4	87541-KHC4-900	LABE OIL CAP	標籤	1	
**	87542	87542-GKM9-301	MARK MAINT CAUTION	標籤	1	
**	87560	87560-GFY6-900	MARK DRIVE CAUTION	標誌	1	



86231-LHB6-900



86121-LHB6-900



86221-LHB6-900



86351-LHB6-900



86131-LHB6-900



86341-LHB6-900

Sales mark 配色標註	Ref no 參考號碼	Part no 零件號碼	Description 英文名稱	Reg description 中文名稱	Regd no 需求用量	F24
**	86121-LHB6-900	86121-LHB6-900	STRIPE R FR COVER	右前貼紙	1	
**	86131-LHB6-900	86131-LHB6-900	STRIPE L FR COVER	左前貼紙	1	
**	86221-LHB6-900	86221-LHB6-900	STRIPE R BODY COVER	右側貼紙	1	
**	86231-LHB6-900	86231-LHB6-900	STRIPE L BODY COVER	左側貼紙	1	
**	86341-LHB6-900	86341-LHB6-900	STRIPE R SKIRT	右側裙貼紙	1	
**	86351-LHB6-900	86351-LHB6-900	STRIPE L SKIRT	左側裙貼紙	1	

PART NO. INDEX

零件號碼索引

PART NO. 零件號碼	VERSION 版數	PAGE 頁次	PART NO. 零件號碼	VERSION 版數	PAGE 頁次	PART NO. 零件號碼	VERSION 版數	PAGE 頁次
11000			12000			14430-LFD7-900	4	E02
11100-LAE3-305	0	E01	12100-LAB4-700	2	E03	14433-LEB1-900	1	E02
11102-1G87-004	3	E01	12191-KHC4-900	0	E03	14434-LEB1-900	1	E02
11192-KHC4-900	0	E01	12200-LGF6-900	0	E02	14450-GFY6-901	0	E02
11200-LBC6-305	1	E01	12209-GDB4-68A	0	E02	14452-GFY6-901	0	E02
11203-GGC7-301	2	E01	12211-LFD7-900	2	E02	14510-LAB4-900	2	E03
11203-KHG8-301	2	E08	12251-KHC4-900	0	E02	14520-GFY6-90A	1	E03
11204-KNBN-901	0	E01	12310-LGF6-900	1	E02	14523-GFY6-901	0	E03
11205-LAB4-900	1	E01	12361-GFY6-901	1	E04	14531-GLR0-001	1	E03
11206-LAB4-900	1	E06	12391-GFY6-941	0	E02	14610-LAB4-900	2	E03
11208-KHC4-800	1	E07				14711-LAB4-900	1	E02
11211-LBC6-900	2	F13	13000			14721-LAB4-900	1	E02
11221-KHC4-900	2	E01	13000-LBD4-900	3	E03	14751-LFD7-900	2	E02
11330-LBG7-900	1	E04	13011-LBG7-900	1	E03	14761-KKJ9-003	1	E02
11342-LDC1-900	2	E01	13101-LCB4-900	0	E03	14771-GDB4-680	2	E02
11346-KEBE-900	0	F20	13111-0G87-001	3	E03	14775-MFA6-001	0	E02
1134A-LGF6-900	1	E01	13115-0A01-001	0	E03	14781-MFA6-001	0	E02
11381-LGF6-900	0	E01				15000		
11382-LDC1-900	1	E01				15100-GFY6-901	2	E06
11385-KGBG-900	0	E07	14000			15133-GFY6-901	0	E06
11394-KHC4-900	1	E04	14100-LBG7-800	1	E02	15141-GFY6-90B	0	E06
			14401-GFY6-90A	0	E03	15141-GFY6-90C	1	E06
			14401-GFY6-90C	0	E03	15421-1G07-001	1	E04
						15426-GAE1-921	0	E04

PART NO. INDEX

零件號碼索引

PART NO. 零件號碼	VERSION 版數	PAGE 頁次	PART NO. 零件號碼	VERSION 版數	PAGE 頁次	PART NO. 零件號碼	VERSION 版數	PAGE 頁次
1565A-GFY6-900	0	E04				17520-LBG7-900	1	F10
15711-GFY6-901	0	E06	17000			17527-LBA2-900	0	F19
15772-5L00-013	1	F21				17550-LBG7-900	3	F10
16000			17113-KKE3-900	1	E02	17560-LBG7-800	0	F10
			1711A-LHB6-900	0	E02	17560-LBG7-900	0	F10
			17212-LBG7-900	1	F13	17561-LEB2-900	0	F10
16004-LEA1-900	3	E09	17214-LBG7-E00	1	F20	1756A-LBG7-900	0	F10
16068-LEB2-900	3	E09	17236-KFBF-910	1	F13	1756C-KKE2-900	1	F10
16074-KEC3-900	4	E09	1723A-LHB6-900	0	F13	17570-KKE3-900	0	F10
16100-LHB6-900	0	E09	1723B-LBG7-900	3	F13	17570-LEA1-900	0	F10
16110-KKE3-900	2	E09	1723C-LAB4-900	0	F13	17620-LAB4-90A	1	F10
16112-KKE3-900	1	E09	17301-KNBN-960	0	F21	17620-LAB4-90B	1	F10
16118-KEC3-900	0	E09	17307-LBG7-900	1	F21	17623-LAB4-90A	1	F10
16122-KEC3-900	0	E09	17310-KEC6-50A	4	F21	17623-LAB4-90B	1	F10
16123-LGF6-900	2	E09	17310-KEC6-50C	2	F21	17681-KFA1-900	0	F10
16133-KEC3-900	1	E09	17359-4K19-671	0	F10	17685-GLE0-301	2	F21
16134-KKE3-900	5	E09	17359-4K19-671	0	F13	17685-KZCZ-900	0	F10
16138-KEC3-900	1	E09	17369-KHC4-900	0	F10	17686-LBG7-900	1	F10
16154-KKE3-900	4	E09	17370-4K19-670	0	F13	17688-KHB4-900	0	F21
16170-KEC3-900	0	E09	17371-1D74-671	0	F13	17688-LBG7-900	1	F10
16195-KEC3-900	0	E09	17502-LBG7-900	3	F10	17689-LBG7-900	2	F10
16201-LAB4-900	2	E02	17504-LAB4-900	2	F10	17910-LBG7-900	2	F03
16211-LGF6-900	0	E02	17507-LAB4-900	2	F10			
16701-LEB2-900	0	F10	17510-LBG7-900	4	F10	18000		
			17513-LBG7-900	1	F10			
			17515-LAB4-900	1	F10	18291-KEBE-900	0	F14

PART NO. INDEX

零件號碼索引

PART NO. 零件號碼	VERSION 版數	PAGE 頁次	PART NO. 零件號碼	VERSION 版數	PAGE 頁次	PART NO. 零件號碼	VERSION 版數	PAGE 頁次
18291-LBD4-900	2	F14				23239-GCW3-851	0	E05
18292-KEBE-900	0	F14	22000			23411-KHC4-900	0	E08
18293-KEBE-900	0	F14				23420-KHC4-900	4	E08
18294-KEBE-900	0	F14	22100-KNBN-902	0	E05	23431-KDLD-901	2	E08
1830A-LBG7-80B	0	F14	22102-KED5-900	2	E05	23432-KNBN-901	3	E08
18317-LLF5-900	3	F14	22105-KHC4-900	1	E05			
19000			22110-KHC4-900	1	E05	28000		
			22121-GHT8-602	1	E05			
			22131-GCW3-901	1	E05	28101-LBC6-900	0	E06
19410-LDC1-900	1	F20	22132-LAB4-900	1	E05	28105-KNBN-901	1	E06
19411-KHC4-900	0	F10	22300-LCB4-900	1	E05	2811A-KNBN-940	0	E06
19504-LBA2-E00	3	F10	22350-KHC4-900	0	E05	28120-KNBN-901	0	E06
19505-GFY6-940	3	F21	22401-GFY6-90A	1	E05	28125-3C23-001	0	E06
19510-GBW2-901	3	E07	22530-KHC4-900	1	E05	28126-KNBN-901	0	E06
1961A-LBG7-800	1	E07	22804-1H48-001	0	E05	28127-KNBN-901	0	E06
19625-KHC4-900	0	E07				28211-KNBN-901	0	E05
1962A-LBG7-900	1	E07	23000					
19633-GFY6-901	0	E07				30000		
1963A-LGF6-900	1	E07	2301A-LBG7-900	1	E05			
21000			23100-LBG7-800	0	E05	3051A-LBG7-900	2	F19
			23200-GCW3-001	0	E05	30700-LBG7-900	0	F19
			23220-KHC4-900	1	E05			
21200-KFA3-305	5	E08	23225-GCW3-001	0	E05	31000		
21395-KNBN-901	1	E08	23226-GCW3-001	0	E05			
			23233-LBG7-900	1	E05	31110-LBG7-90A	1	E07
			23237-GCW3-001	0	E05	31110-LBG7-90B	1	E07

PART NO. INDEX

零件號碼索引

PART NO. 零件號碼	VERSION 版數	PAGE 頁次	PART NO. 零件號碼	VERSION 版數	PAGE 頁次	PART NO. 零件號碼	VERSION 版數	PAGE 頁次
31120-LBG7-90A	2	E07	33403-LBG7-900	0	F17	34908-KKE2-900	0	F17
31120-LBG7-90B	2	E07	33404-LBG7-910	0	F17	34908-LBE8-900	0	F02
31200-LBG7-90A	3	E06	33406-LBG7-900	0	F17	34909-KEBE-900	0	F02
31200-LBG7-90B	4	E06	33450-LBG7-910	1	F17			
31200-LBG7-90C	3	E06	33452-LBG7-900	0	F17	35000		
31203-KHC4-900	3	E06	33453-LBG7-900	0	F17			
31500-GFY6-94A-YU	4	F11	33454-LBG7-910	0	F17	35101-LBG7-307-M1	0	F19
31500-GFY6-94B-KY	4	F11	33456-LBG7-900	0	F17	35101-LBG7-307-M2	0	F19
31600-LEA5-E00	2	F19	33500-LBG7-900	1	F17	35102-LDC1-305-M1	0	F19
			33507-LAD9-900	0	F17	35102-LDC1-305-M2	0	F19
32000			33700-LBG7-910	1	F18	35104-KHC4-90A	0	F19
			33702-LBG7-900	0	F18	35104-KHC4-90B	0	F19
32100-LHB6-900	1	F19	33703-LBG7-900	0	F18	35109-LAD9-90A	0	F19
32101-GFY6-901	1	F04	33704-LCB5-306	0	F18	35109-LAD9-90B	0	F19
32106-KKE3-900	2	E02	33705-LBG7-910	0	F18	35111-LDC1-305-M1	0	F19
32120-3C83-831	0	F19	33705-LCB5-900	0	F18	35111-LDC1-305-M2	0	F19
32120-LBG7-900	0	F19	33706-LCB5-900	0	F18	35111-LDC1-306-M1	0	F19
			33709-LBG7-900	0	F18	35111-LDC1-306-M2	0	F19
33000			33741-KEC8-900	0	F18	35111-LDC1-307-M1	0	F19
			33755-LBG7-910	0	F18	35111-LDC1-307-M2	0	F19
33100-LBG7-900	3	F01				35119-KHC4-90A	0	F19
33105-LBG7-900	0	F01	34000			35119-KHC4-90B	0	F19
33120-LBG7-900	0	F01				35150-GFY6-900	4	F03
33130-LBG7-900	0	F01	34901-KTCT-900	0	F01	35160-GGS7-900	1	F03
33400-LBG7-910	1	F17	34908-GGA7-70A	1	F17	35170-GGS7-900	0	F03
33402-LBG7-900	0	F17	34908-GGA7-70A	1	F18	35180-GGS7-900	1	F03

PART NO. INDEX

零件號碼索引

PART NO. 零件號碼	VERSION 版數	PAGE 頁次	PART NO. 零件號碼	VERSION 版數	PAGE 頁次	PART NO. 零件號碼	VERSION 版數	PAGE 頁次
35200-GFY6-910	1	F03				43450-LBG7-900	2	F03
35340-GBN2-770	3	F03	39000			43472-1A61-001	2	F03
35340-KNBN-901	0	F04						
35380-LEA2-900	1	F19	39300-LEA6-800	3	E02	44000		
37000			39301-LEB2-900	3	E02			
			39302-KKE3-900	2	E02	44301-KBE2-981	5	F07
			39303-LEB2-900	2	E02	44311-GLW0-911	0	F07
37119-LHB6-90A	0	F02	39400-KKE3-800	2	E02	44610-KHC4-305	0	F07
37119-LHB6-90B	0	F02	39450-LEA6-800	2	F14	44620-KSBS-900	0	F07
37200-LHB6-90A	0	F02	39600-KKE3-800	1	F10	44705-KHC4-900	2	F07
37200-LHB6-90B	0	F02				44710-LAB4-90A-G304	3	F07
37801-LLJ3-E00	1	F10	42000			44710-LAB4-90B-G303	2	F07
3780A-LBG7-900	3	F10				44800-KNBN-901	6	F07
38000			42610-GKAK-901	4	F08	44830-LBG7-900	2	F02
			42705-KHC4-900	5	F08			
			42710-LAB4-90A-G304	3	F08	45000		
38110-KFA1-80A	1	F19	42710-LAB4-90B-G303	2	F08			
38110-KFA1-80B	1	F19	42753-KXCX-900	1	F07	45105-KECE-305	3	F07
38300-LBG7-900	2	F19	42753-KXCX-900	1	F08	45105-KECE-305-M2	0	F07
38500-KHD8-900	0	F19				45107-MEN5-007	0	F07
38500-KHD8-90A	0	F19	43000			45108-MDL4-007	2	F07
38500-KKDK-900	4	F19				45109-GBE2-007	0	F07
38773-KBCB-900	0	F10	43141-LAB4-900	4	F08	45126-LBG7-900	3	F04
			43352-5H68-004	3	F07	4512A-LCB4-910	1	F08
			43353-4A61-77A	0	F07	45131-1F66-017	0	F07
			43410-KFA1-900	0	F08	45131-GBE2-007	1	F07

PART NO. INDEX

零件號碼索引

PART NO. 零件號碼	VERSION 版數	PAGE 頁次	PART NO. 零件號碼	VERSION 版數	PAGE 頁次	PART NO. 零件號碼	VERSION 版數	PAGE 頁次
45132-1F66-017	0	F07	50327-LBG7-305	2	F11	51413-KNBN-900	0	F22
45133-LDA3-900	1	F08	50328-LBG7-900	1	F11	51420-KNBN-900	0	F22
45133-MCA3-007	0	F07	50330-LBG7-900	2	F11	51429-LAB4-900	0	F22
45156-KNBN-902	0	F04	50331-LBG7-900	2	F11	51432-KFA1-900	0	F22
45200-KHC4-900	3	F07	50350-LBC6-900	4	F20	5150A-LCB4-900	1	F06
45209-GBE2-007	0	F07	50352-KHC4-900	1	F20	51520-KHC4-900	0	F22
45210-KHC4-900	2	F07	50353-KHC4-900	1	F20			
45215-KECE-900	0	F07	50358-KHC4-900	1	F20	52000		
45216-1F66-007	0	F07	50500-LAB4-900	4	F15			
45216-KFW6-90A	0	F07	50505-KKD7-900	1	F15	52400-LCB4-900	2	F16
45351-LAB4-900	3	F07	50530-LBC6-900	3	F15			
45513-GLW0-91A	0	F04	50611-LBG7-900	1	F20	53000		
45517-GFY6-900	5	F03	50612-LBG7-900	1	F20			
45517-KFAF-900	0	F04	50613-LBG7-900	1	F20	53100-LBG7-900	5	F03
45520-GLW0-91A	0	F04	5071A-LDA6-90A	1	F20	53125-GEN5-901	0	F03
45530-KHC4-305	3	F04	5071A-LDA6-90B	1	F20	53140-KFA1-900	2	F03
45531-GAR1-951	0	F07	5071B-LDA6-90A	1	F20	53166-KFA1-900	2	F03
			5071B-LDA6-90B	1	F20	53167-KFA1-900	0	F03
50000			51000			53168-KFA1-900	1	F03
						53172-KKE2-900	2	F03
50100-LBG7-900	3	F20				53175-KFA1-900	1	F04
50140-LBG7-900	6	F10	51401-LCB4-900	0	F22	53178-KKE2-900	2	F03
50301-KGN7-671	2	F20	5140A-LCB4-900	1	F06	5317A-KKE2-900	3	F03
50302-2H68-011	2	F20	51410-KFA1-900	0	F22	53200-LBG7-900	3	F06
50306-1F96-001	0	F06	51411-KNBN-900	0	F22	53205-LBG7-900	4	F03
50326-LAB4-900	4	F11	51412-KFA1-900	0	F22	53206-LBG7-900	1	F03

PART NO. INDEX

零件號碼索引

PART NO. 零件號碼	VERSION 版數	PAGE 頁次	PART NO. 零件號碼	VERSION 版數	PAGE 頁次	PART NO. 零件號碼	VERSION 版數	PAGE 頁次
53211-GFY6-940	1	F06	77115-LBA2-E00	3	F09			
53212-2L50-011	1	F06	77200-LHB6-900	0	F09	83000		
53214-2L50-001	0	F06	77206-KEB7-900	0	F09			
53215-2L50-001	0	F06	77235-KGC4-E0A	2	F09	83500-LBG7-316	0	F12
			77235-KGC4-E0B	2	F09	83503-KHC4-900	2	F12
61000			77240-LAB4-900	2	F09	83510-LBG7-900	2	F12
			77303-LAB4-900	0	F09	83600-LBG7-316	0	F12
61100-LBG7-900	1	F06				83610-LBG7-900	2	F12
61120-KFA1-900	1	F06	80000					
						86000		
64000			80100-LBG7-900	1	F18			
			80106-LBG7-900	1	F18	86102-KKC4-900	1	F23
64206-MLJ0-001	1	F12	80151-LBG7-900	2	F12	86121-LHB6-900	1	F24
64301-LBG7-316	0	F05	80152-LBG7-900	2	F12	86131-LHB6-900	1	F24
64302-LBG7-800	2	F05				86221-LHB6-900	1	F24
64305-LBG7-316	0	F12	81000			86231-LHB6-900	1	F24
64306-LBG7-316	0	F12				86341-LHB6-900	1	F24
6430A-LCB4-900	2	F05	81131-LBG7-900	1	F05	86351-LHB6-900	1	F24
64310-LBG7-900	3	F05	81134-LAB4-900	4	F05	86404-LAD9-900	1	F06
64315-LAB4-900	0	F11	81141-LBG7-900	1	F05	86700-LFG7-900	2	F23
64315-LHB6-900	1	F20	81142-KUDU-900	1	F05			
64316-KHE2-900	0	F05	81200-LBG7-900	1	F12	87000		
			81260-LHB6-900	1	F12			
77000						87122-LHB6-950	0	F23
						87501-LEB2-950	1	F23
77110-LBC6-900	1	F09				87502-LEB2-900	1	F11

PART NO. INDEX

零件號碼索引

PART NO. 零件號碼	VERSION 版數	PAGE 頁次	PART NO. 零件號碼	VERSION 版數	PAGE 頁次	PART NO. 零件號碼	VERSION 版數	PAGE 頁次
87503-LEB2-900	2	F23	90032-GFY6-901	0	E01	90301-6D34-671	1	F20
87505-LAB4-900	2	F23	90032-LAB4-900	1	E01	90301-GFY6-901	2	F14
87541-GGS7-901	2	F23	90033-GFY6-900	0	E02	90302-GFY6-901	1	F05
87541-KHC4-900	1	F23	90101-KGC4-E00	1	F09	90302-GFY6-901	1	F06
87542-GKM9-301	3	F23	90102-GLE0-001	0	F15	90302-GFY6-901	1	F10
87546-LEB2-900	1	F11	90105-KCR3-001	1	F07	90302-GFY6-901	1	F18
87560-GFY6-900	3	F23	90105-KHC4-900	1	F20	90302-GFY6-940	1	F10
			90106-GEN5-901	0	F03	90302-GFY6-940	1	F11
88000			90106-KFC2-900	0	F12	90302-LBG7-900	3	F10
			90108-GFY6-901	0	F15	90302-LLB1-E00	2	F03
88110-LCB5-810	1	F03	90110-KEBE-900	0	F14	90302-SDA4-004	2	F05
88120-LCB5-810	1	F03	90110-KHG8-901	0	F07	90302-SDA4-004	2	F12
			90110-KHG8-901	0	F08	90304-4H38-001	2	F18
89000			90111-1G87-001	1	F06	90304-GHE8-004	0	F03
			90111-KFW6-001	0	F18	90304-GHE8-004	0	F20
89010-LAD9-900	0	F09	90112-KNBN-901	1	F20	90305-GHK8-001	1	E07
89020-KKC4-900	1	F09	90114-1F66-007	2	F04	90305-GHK8-001	1	F12
			90115-GLE0-001	0	F03	90305-KNBN-90B	0	F08
90000			90116-3C83-72A	0	F22	90306-KLF0-004-SY	1	F07
			90131-GLW0-911	0	F07	90309-GLW0-90A	1	F07
90001-GBHB-661	0	E03	90145-MKS9-61A	1	F04	90309-GLW0-90A	1	F08
90005-KAW1-901	1	E03	90164-MDR4-901	0	F19	90309-KLF0-004-SY	1	E08
90012-3C33-001	0	E02	90201-KNBN-901	0	E06	90381-GEZ5-001	1	F12
90020-KFW6-001	0	F20	90202-1G87-001	0	E05	90429-KNBN-901	0	E08
90021-LDC1-900	2	E01	90206-0A01-001	1	E02	90442-0D44-001	0	E05
90031-LDC1-900	2	E01	90301-4C73-004	0	F15	90451-1G07-001	1	E08

PART NO. INDEX

零件號碼索引

PART NO. 零件號碼	VERSION 版數	PAGE 頁次	PART NO. 零件號碼	VERSION 版數	PAGE 頁次	PART NO. 零件號碼	VERSION 版數	PAGE 頁次
90465-MDC4-001	0	E02	91004-KBN2-90A	0	E08			
90488-7L00-001	0	E01	91009-GLE0-004	1	E08	92000		
90501-KNBN-901	0	F08	91014-LLJ3-E00	1	F06			
90502-MBS2-001	0	E06	91015-LLJ3-E00	1	F06	92101-05012-0H	0	E07
9052A-GFY6-950	1	E01	91101-KNBN-901	0	E06	92900-06060-0B	0	E02
90545-3L00-001	2	F04	91103-GAR1-004	0	E05			
90554-2C83-001	0	F22	91106-KHC4-90A	0	E01	93000		
90601-GAR1-900	0	F22	91106-KHC4-90B	0	E01			
90603-0D44-001	0	E05	91202-GFY6-90A	1	E01	93401-04025-08	0	F19
90652-GFY6-901	1	F13	91202-GFY6-90A	1	E04	93404-06016-06	0	F20
90652-LGJ9-900	2	E02	91202-GFY6-90B	1	E01	93404-06020-06	1	F05
90656-GFY6-911	0	F03	91202-GFY6-90B	1	E04	93404-06030-06	0	F13
90656-GFY6-911	0	F19	91202-KKJ9-004	0	E01	93404-KKC2-900	1	F12
90656-KUDU-900	0	F19	91211-GHK8-014	0	E05	93500-03010-1A	0	E06
90660-KNBN-921	0	F21	91251-LAB4-900	0	F22	93500-04008-0H	0	F10
90677-GAR1-004	1	F11	91255-GLE0-006	0	E08	93500-04010-0G	0	F10
90677-KFC9-900	0	F18	91258-KAM1-00A	1	F07	93500-04020-0G	0	F19
90741-0E35-001	0	E03	91301-0C53-001	0	E08	93500-04025-0G	0	F13
90754-GHC8-00A	1	F07	91301-GLR0-005	1	E03	93500-05010-0G	0	F10
90754-GHC8-00B	1	F07	91302-0A01-021	0	E04	93500-05022-06	0	F03
90912-GHC8-00A	0	F07	91306-1E05-691	0	E03	93600-04012-1G	0	F04
90912-GHC8-00D	0	F07	91307-0E35-001	0	E04	93700-05018-0H	0	F02
			91351-6B42-000	0	E05	93891-05022-08	0	F19
91000			91351-GAR1-001	0	E05	93892-04010-08	0	E09
			91352-KHG8-83B	0	F08	93892-05010-08	0	E09
91001-GGA7-70A	2	E05	91353-GFY6-900	0	F08	93893-04012-18	0	F04

PART NO. INDEX

零件號碼索引

PART NO. 零件號碼	VERSION 版數	PAGE 頁次	PART NO. 零件號碼	VERSION 版數	PAGE 頁次	PART NO. 零件號碼	VERSION 版數	PAGE 頁次
93901-32220	0	F18	94050-06080	0	E09	94591-KFBF-900	2	F10
93901-32310	0	F17	94050-06080	0	F04	94605-KFA1-900	0	F22
93903-14320	0	F18	94050-06080	0	F09			
93903-14420	0	F18	94050-06080	0	F10	95000		
93903-24220	0	F18	94050-06080	0	F11			
93903-25460	0	F13	94050-06080	0	F19	95002-02070	0	E09
93903-32420	0	F18	94050-06080	0	F20	95002-02070	0	F10
93903-34360	0	F03	94050-08080	0	E02	95002-02070	0	F21
93903-34360	0	F05	94050-10080	0	E05	95002-02080	0	F10
93903-34360	0	F11	94050-10080	0	E07	95002-02080	0	F21
93903-34360	0	F12	94050-12080	0	E05	95002-02090	0	F13
93903-34360	0	F17	94101-06200	0	F14	95002-02120	0	F13
93903-35260	0	E01	94101-KKE3-900	1	E09	95002-02130	0	F10
93903-35320	0	F02	94111-06800	0	E02	95002-02130	0	F13
93903-35320	0	F03	94111-06800	0	E09	95002-41050-00	0	F13
93903-35360	0	F01	94301-08140	0	E01	95002-KKE3-900	2	F10
93903-35360	0	F10	94301-08140	0	E04	95003-23018-60	0	F13
93903-GFY6-900	1	F05	94301-10160	0	E02	9500A-LBG7-900	2	F21
93903-GFY6-900	1	F12	94301-10160	0	E03	95014-71402	0	F15
93904-35380	0	E07	94301-10200	0	E08	95014-72204	0	F15
			94303-04065	0	E06	95015-32001	0	F03
94000			94510-20000	0	E08	95015-42000	0	F03
			94520-24000	1	E05	95701-06012-08	0	F04
94001-05080-0S	0	F03	94591-27000	0	F05	95701-06012-08	0	F06
94050-06080	0	E02	94591-KFBF-900	2	E02	95701-06012-08	0	F11
94050-06080	0	E06	94591-KFBF-900	2	E07	95701-06012-08	0	F19

PART NO. INDEX

零件號碼索引

PART NO. 零件號碼	VERSION 版數	PAGE 頁次	PART NO. 零件號碼	VERSION 版數	PAGE 頁次	PART NO. 零件號碼	VERSION 版數	PAGE 頁次
95701-06022-06	1	F04	96001-06025-06	0	E07			
95701-06025-08	0	E02	96001-06025-06	0	F03			
95701-06032-08	0	F08	96001-06025-06	0	F18			
95701-06032-08	0	F13	96001-06028-08	0	E07			
95701-08012-08	0	E01	96001-06032-06	0	F20			
95701-08025-08	0	F19	96001-06045-08	0	E01			
95701-08035-08	0	F16	96001-06085-06	0	E04			
95701-08045-08	0	E01	96001-06100-08	0	E02			
95701-08055-08	0	F14	96001-06100-08	0	E04			
95701-08060-08	0	E01	96001-LAB4-900	1	F13			
95701-LBG7-900	0	F18	96100-62033-00	0	E01			
95801-06045-08	0	F20	96100-62043-00	0	E01			
95801-08040-08	0	F06	96220-60100	0	E06			
95801-10035-08	0	F16	96600-06012-10	0	E06			
96000			98000					
96001-06008-07	0	F14	98056-5671R-00	0	E02			
96001-06012-08	0	E01	98200-10700	0	F11			
96001-06012-08	0	E06	98200-11000	0	F11			
96001-06012-08	0	E07	98200-11000	0	F19			
96001-06012-08	0	F09	98200-11500	0	F11			
96001-06012-08	0	F19	98200-11500	0	F19			
96001-06014-08	0	E02						
96001-06016-08	0	E07						
96001-06025-06	0	E06						