

PARTS CATALOGUE



SCOOTERS

SJ25KB

GP 125-FI



Date : 2010/01/12

前言

- 本零件型錄適用於 SJ25KB 機種，訂購零件時，請參照本冊。
- 本冊之配色表僅供參考，若與實車不符之處，以實車為準。
- 配色記號(Color Mark)
註明 "***" 記號，表示訂購該零件時，請參照機種相片及配色表，並請在基本零件號碼最後加上色碼。
- 本冊若有錯誤或遺漏之處，敬請不吝賜教指正。

ABOUT THIS PARTS LIST

- This parts list is compiled all service parts for model SJ25KB.
- Any difference between color chart and motorcycle will be revised according to motorcycle.
- The sales mark:
 - 1.marking "***" must add color code in the end before ordering parts.
- When modification or additions to this parts list are made a revised edition at an appropriate time.

目次

● 前言	1
● SJ25KB 配色表	3
● 引擎結構圖	9
● 車架結構圖	10
● 引擎號碼表	13
● 車架零件號碼表	45
● 零件號碼索引	107

CONTENTS

● ABOUT THIS PARTS LIST	1
● COLOR CHART OF SJ25KB	3
● CONTENTS-ENGINE GROUP	9
● CONTENTS-FRAME GROUP	10
● ENGINE PARTS LIST	13
● FRAME PARTS LIST	45
● PART NO. INDEX	107

NO	MODEL			SJ25KB COLOR CHART			
	PHOTO NO			NO. 1	NO. 2	NO. 3	NO. 4
	BASIC COLOR			淺晶藍	亮紅	晶鑽銀	黑
	CODE			Light Blue Metallic	Bright Red	Silver Crystal	Black
	PARTS NAME	PARTS NO.	VERSION	PB281MA	RR339PA	NH263MA	NH001SA
1	TOP FR COVER	64303-LDA6-900	1	F1P			
2	LEVER R STRG HANDLE	53175-KCLC-901	0	M2A			
3	LEVER L STRG HANDLE	53178-GKAK-901	0				
4	BRKT FLOOR PANEL	50179-LFG7-900	2	M2S			
5	HUB SUB COMP RR	42610-KUDU-900	2	N1A			
6	HUB SUB ASSY FR	44610-GLW0-305	2				
7	FORK SET R FR	51400-KHD6-W01	1				
8	FORK SET L FR	5150A-KHD6-W01	1				
9	COVER FR HANDLE	53205-LDA6-800	2	CAP	EBP	HUP	N1P
10	COVER SET FRONT	64301-LDA6-306	0				
11	MOLD FR	64302-LDA6-900	2				
12	SKIRT R SIDE	64305-LDA6-900	2				
13	SKIRT L SIDE	64306-LDA6-900	2				
14	CARRIER RR	81200-LDA6-900	1				
15	COVER R BODY	83500-LDA6-346	0				
16	COVER L BODY	83600-LDA6-346	0				
17	MIRROR ASSY R BACK	88110-LEB1-900	2				
18	MIRROR ASSY L BACK	88120-LEB1-900	2				
19	PROTECTOR COMP	18317-LHB8-900	1	N1R			
20	COVER UNDER	50613-LAD9-900	2				
21	GRIP COMP THROT	53140-KFA1-900	2				
22	GRIP L HANDLE	53166-KFA1-900	2				
23	COVER HANDLE RR	53206-LDA6-900	3				
24	FENDER A FR INNER	61100-LDA6-900	2				
25	FENDER FRONT INNER	61110-KKC8-900	2				
DATE OF STARTING-SALES							
DATE OF END-SALES							

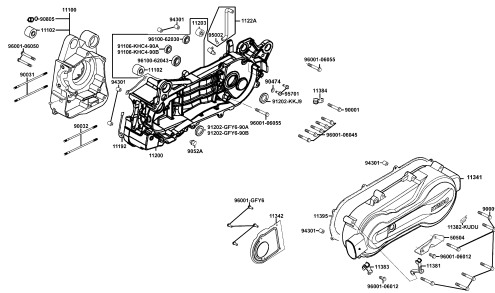
NO	MODEL			SJ25KB COLOR CHART			
	PHOTO NO			NO. 5			
	BASIC COLOR			珍珠白			
	CODE			Pearly White			
	PARTS NAME	PARTS NO.	VERSION	NH193PA			
1	TOP FR COVER	64303-LDA6-900	1	F1P			
2	LEVER R STRG HANDLE	53175-KCLC-901	0	M2A			
3	LEVER L STRG HANDLE	53178-GKAK-901	0				
4	BRKT FLOOR PANEL	50179-LFG7-900	2	M2S			
5	HUB SUB COMP RR	42610-KUDU-900	2	N1A			
6	HUB SUB ASSY FR	44610-GLW0-305	2				
7	FORK SET R FR	51400-KHD6-W01	1				
8	FORK SET L FR	5150A-KHD6-W01	1				
9	COVER FR HANDLE	53205-LDA6-800	2	NVP			
10	COVER SET FRONT	64301-LDA6-306	0				
11	MOLD FR	64302-LDA6-900	2				
12	SKIRT R SIDE	64305-LDA6-900	2				
13	SKIRT L SIDE	64306-LDA6-900	2				
14	CARRIER RR	81200-LDA6-900	1				
15	COVER R BODY	83500-LDA6-346	0				
16	COVER L BODY	83600-LDA6-346	0				
17	MIRROR ASSY R BACK	88110-LEB1-900	2				
18	MIRROR ASSY L BACK	88120-LEB1-900	2				
19	PROTECTOR COMP	18317-LHB8-900	1	N1R			
20	COVER UNDER	50613-LAD9-900	2				
21	GRIP COMP THROT	53140-KFA1-900	2				
22	GRIP L HANDLE	53166-KFA1-900	2				
23	COVER HANDLE RR	53206-LDA6-900	3				
24	FENDER A FR INNER	61100-LDA6-900	2				
25	FENDER FRONT INNER	61110-KKC8-900	2				
DATE OF STARTING-SALES							
DATE OF END-SALES							

NO	MODEL			SJ25KB COLOR CHART							
	PHOTO NO			NO. 1	NO. 2	NO. 3	NO. 4				
	BASIC COLOR			淺晶藍	亮紅	晶鑽銀	黑				
	CODE			Light Blue Metallic	Bright Red	Silver Crystal	Black				
	PARTS NAME	PARTS NO.	VERSION	PB281MA	RR339PA	NH263MA	NH001SA				
26	GRILL FRONT COVER	64304-LDA6-900	1	N1R							
27	FLOOR PANEL	64310-LDA6-900	2								
28	PLUG FLOOR A	64317-KHD6-900	0								
29	COVER CENTER	80151-LDA6-900	2								
30	LEG SHIELD UP	81131-LDA6-900	2								
31	LEG SHIELD LOW	81141-LDA6-900	4								
32	LID LEG SHIELD	81142-KUDU-900	1								
33	MOLD R SIDE	83520-LDA6-900	2								
34	MOLD L SIDE	83620-LDA6-900	0								
35	CAP MIRROR BRKT	88115-LBA2-E02	1								
36	BAND HARNESS WIRE	90656-KUDU-900	0								
37	RIM COMP RR WHEEL	42705-KUDU-900	4					N1S			
38	PANEL ASSY FR BRK	45000-LCB3-910	1					NEA			
39	COVER LEFT	11341-LDA6-900	8	R8S							
40	CUSHION ASSY RR	52400-LAD9-900	2	T01							
41	EMB K-LOGO 28.5MM	86102-LDA6-900	1								
42	EMB BODY COVER	86202-LHE9-800	1								
43	STRIPE ENERGY LOGO	86700-LFG7-900	2								
44	MARK E/M 5th STANG	87122-LHE9-950	1								
45	CAUTION BATTERY	87502-LEB2-900	1								
46	CAUTION MUFFLER	87503-LEB2-900	2								
47	LABEL TIRE	87505-KUDU-900	1								
48	CAUTION SIDE STAND	87541-GGS7-901	2								
49	LABEL OIL CAP	87541-KUDU-900	2								
50	MARK MAINT CAUTION	87542-GKM9-301	3								
DATE OF STARTING-SALES											
DATE OF END-SALES											

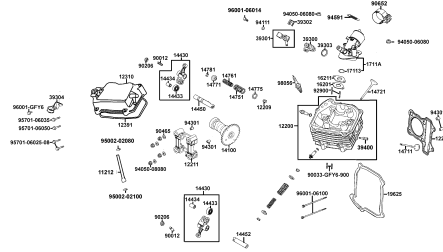
NO	MODEL			SJ25KB COLOR CHART			
	PHOTO NO			NO. 5			
	BASIC COLOR			珍珠白			
	CODE			Pearly White			
	PARTS NAME	PARTS NO.	VERSION	NH193PA			
26	GRILL FRONT COVER	64304-LDA6-900	1	N1R			
27	FLOOR PANEL	64310-LDA6-900	2				
28	PLUG FLOOR A	64317-KHD6-900	0				
29	COVER CENTER	80151-LDA6-900	2				
30	LEG SHIELD UP	81131-LDA6-900	2				
31	LEG SHIELD LOW	81141-LDA6-900	4				
32	LID LEG SHIELD	81142-KUDU-900	1				
33	MOLD R SIDE	83520-LDA6-900	2				
34	MOLD L SIDE	83620-LDA6-900	0				
35	CAP MIRROR BRKT	88115-LBA2-E02	1				
36	BAND HARNESS WIRE	90656-KUDU-900	0	N1S			
37	RIM COMP RR WHEEL	42705-KUDU-900	4				
38	PANEL ASSY FR BRK	45000-LCB3-910	1				
39	COVER LEFT	11341-LDA6-900	8	NEA			
40	CUSHION ASSY RR	52400-LAD9-900	2	R8S			
41	EMB K-LOGO 28.5MM	86102-LDA6-900	1	T01			
42	EMB BODY COVER	86202-LHE9-800	1				
43	STRIPE ENERGY LOGO	86700-LFG7-900	2				
44	MARK E/M 5th STANG	87122-LHE9-950	1				
45	CAUTION BATTERY	87502-LEB2-900	1				
46	CAUTION MUFFLER	87503-LEB2-900	2				
47	LABEL TIRE	87505-KUDU-900	1				
48	CAUTION SIDE STAND	87541-GGS7-901	2				
49	LABEL OIL CAP	87541-KUDU-900	2				
50	MARK MAINT CAUTION	87542-GKM9-301	3				
DATE OF STARTING-SALES							
DATE OF END-SALES							

CONTENTS - ENGINE GROUP

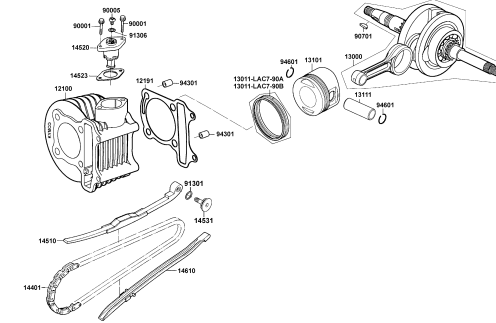
E01 曲軸箱



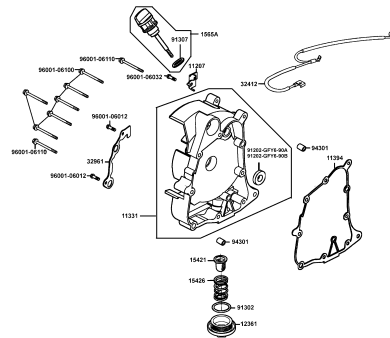
E02 汽缸頭蓋 汽缸頭



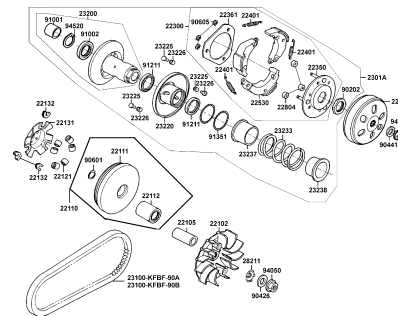
E03 汽缸 活塞 曲軸



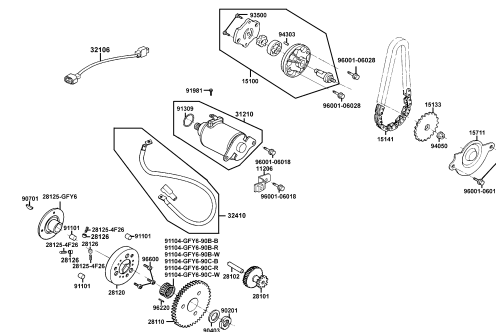
E04 右曲軸箱蓋



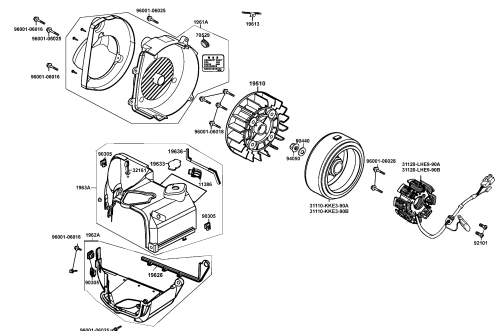
E05 傳動皮帶輪



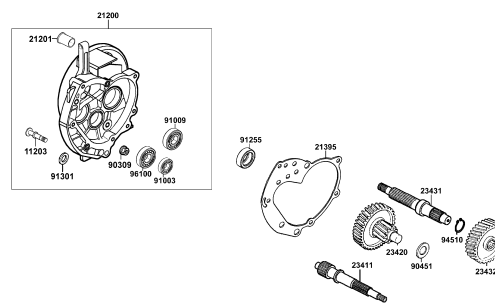
E06 起動馬達 機油泵



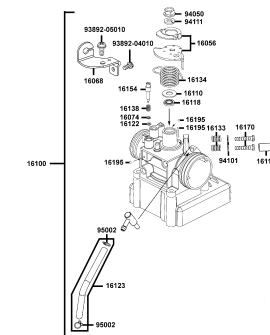
E07 風扇蓋 發電機



E08 傳動系

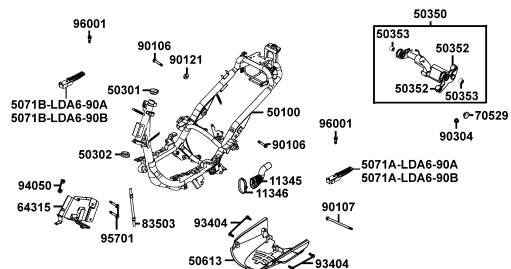


E09 噴射節流閥

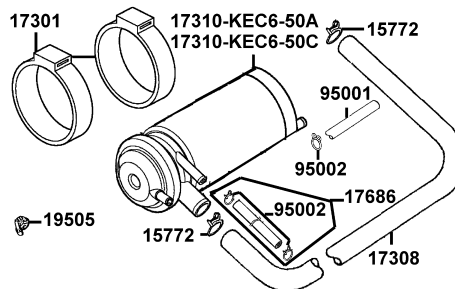


CONTENTS - FRAME GROUP

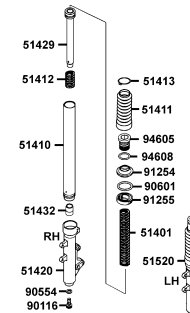
F19 車體



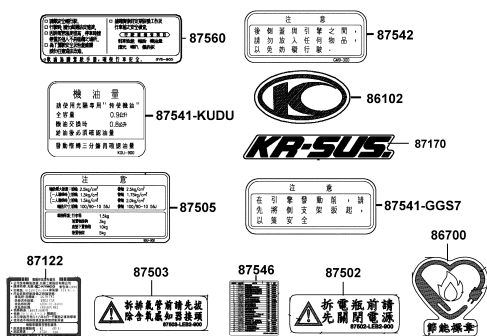
F20 活性炭罐



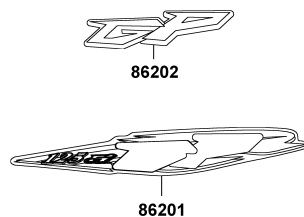
F21 前叉附件



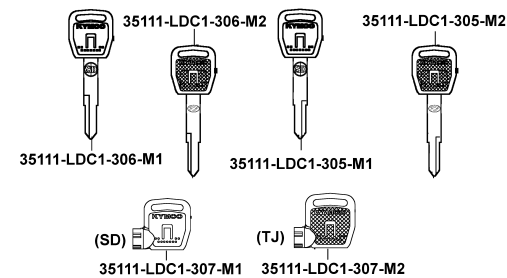
F22 注意標籤



F23 標徽 貼紙

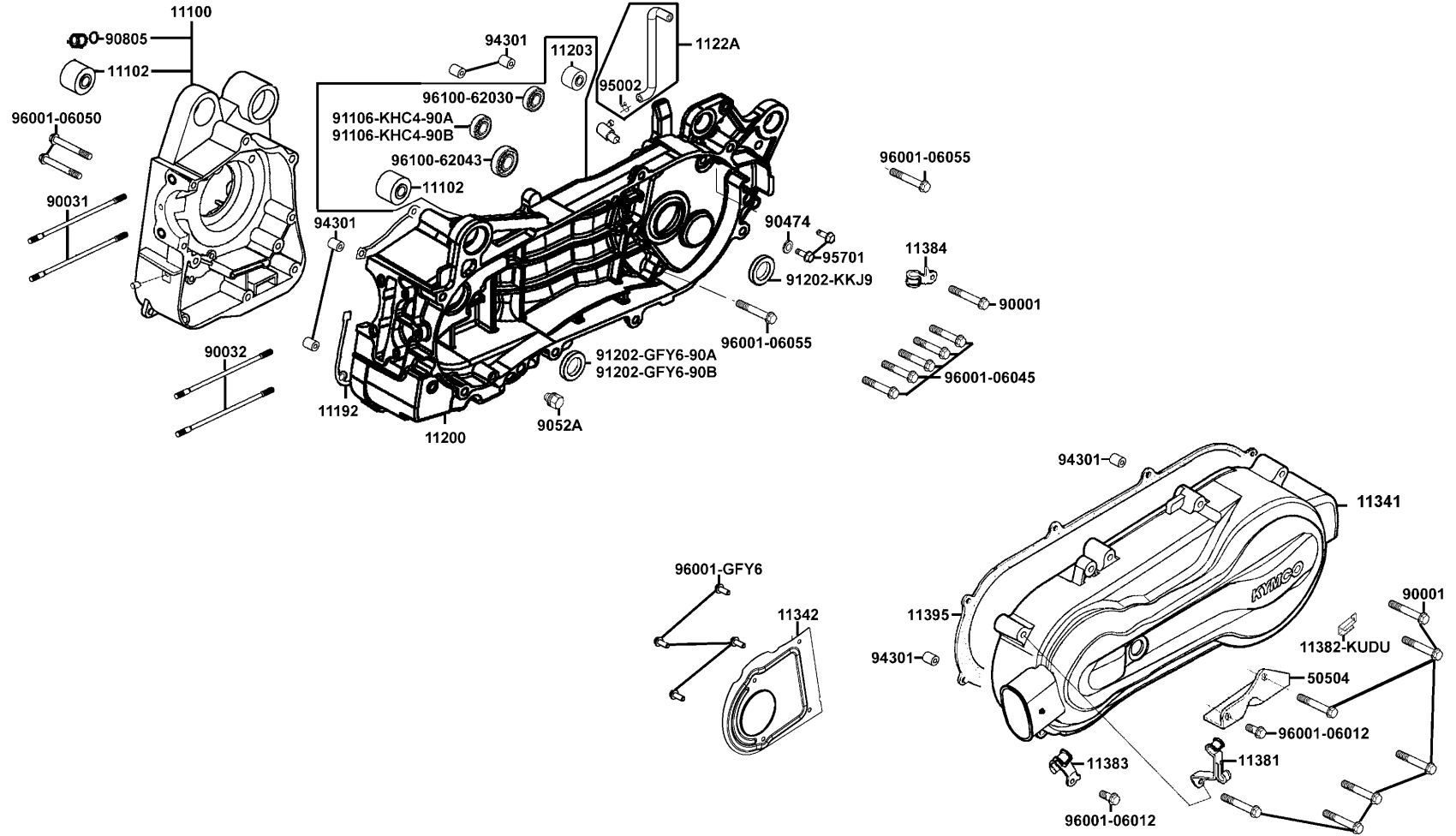


F24 鑰匙組



E01

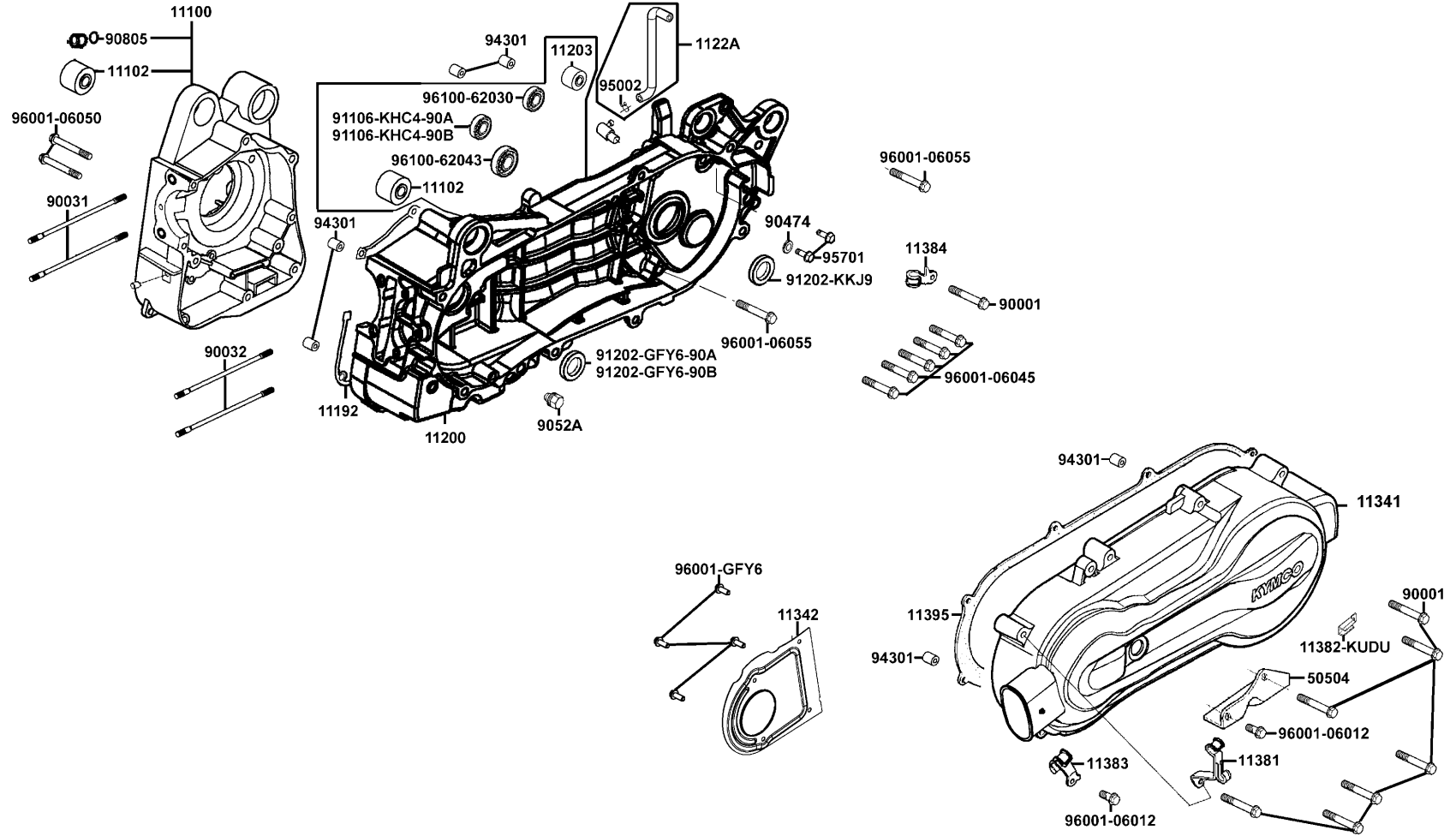
Crank Case 曲軸箱



Sales mark 配色標註	Ref no 參考號碼	Part no 零件號碼	Description 英文名稱	Reg description 中文名稱	Regd no 需求用量	E01
	11100	11100-LBB8-305	CASE SET R CRANK	右曲軸箱組	1	
	11102	11102-1G87-004	RUB BUSH ENG HANGER	引擎吊架襯套	2	
	11192	11192-LDA6-900	GASKET CRANK CASE A	曲軸箱墊片	1	
	11200	11200-LDA6-305	CASE SET L CRANK	左曲軸箱組	1	
	11203	11203-GGC7-301	UNDER RUBBER BUSH REAR CUSHION	後緩衝下襯套	1	
	1122A	1122A-LAD9-900	TUBE ASSY MISSION BREATHER	通氣管	1	
**	11341	11341-LDA6-900	COVER LEFT	左曲軸箱蓋	1	
	11342	11342-LDA7-900	PLATE L COVER	左曲軸箱蓋板	1	
	11381	11381-KUDU-900	CLAMPER THROTTLE CABLE	加油導線夾	1	
	11382-KUDU	11382-KUDU-900	CLAMPER BRAKE CABLE	煞車導線夾	1	
	11383	11383-KUDU-900	CLAMPER BRTH DRAIN TUBE	通氣管夾	1	
	11384	11384-KUDU-900	CLAMPER BREATHER TUBE	通氣管夾	1	
	11395	11395-KUDU-900	GASKET L COVER A	左曲軸箱蓋墊片	1	
	50504	50504-KUDU-900-G	STAY MAIN STAND STOPPER	主腳架止動座	1	
	90001	90001-GBHB-711	BOLT FLANGE SHF 6*40	螺絲 6X40	8	
	90031	90031-KUDU-900	BOLT A STUD 8*200.5	雙頭螺絲 8*200.5	2	
	90032	90032-KUDU-900	BOLT B STUD 8*208.5	雙頭螺絲 8*208.5	2	
	90474	90474-3C33-001	WASHER 8MM	華司	1	
	9052A	9052A-GFY6-950	BOLT ASSY DRAIN PLUG	洩油螺絲	1	
	90805	90805-GBHB-901	CONE TYPE PLUG 6*7	油路栓	1	

E01

Crank Case 曲軸箱



Sales mark 配色標註	Ref no 參考號碼	Part no 零件號碼	Description 英文名稱	Reg description 中文名稱	Regd no 需求用量	E01
	91106-KHC4-90A	91106-KHC4-90A	BRG NEEDLE 15MM	滾針軸承	1	
	91106-KHC4-90B	91106-KHC4-90B	BRG NEEDLE 15MM	滾針軸承	1	
	91202-GFY6-90A	91202-GFY6-90A	OIL SEAL 19.8*30*5	油封 19.8*30*5	1	
	91202-GFY6-90B	91202-GFY6-90B	OIL SEAL 19.8*30*5	油封 19.8*30*5	1	
	91202-KKJ9	91202-KKJ9-004	OIL SEAL 20*32*6	油封 20X32X6	1	
	94301	94301-10160	DOWEL PIN 10*16	定位銷 10X16	6	
	95002	95002-02080	CLIP B8 TUBE	管夾	1	
	95701	95701-08012-08	BOLT FLANGE 8*12	螺絲 8*12	2	
	96001-06012	96001-06012-08	BOLT FLANGE 6*12	螺絲 6*12	2	
	96001-06045	96001-06045-08	BOLT FLANGE SH 6*45	螺栓 6*45	5	
	96001-06050	96001-06050-08	BOLT FLANGE 6*50	螺絲 6X50	2	
	96001-06055	96001-06055-08	BOLT FLANGE SH 6*55	螺栓 6*55	2	
	96001-GFY6	96001-GFY6-900	BOLT SPECIAL 5*10	螺絲 5*10	4	
	96100-62030	96100-62030-00	BRG BALL RADIAL 6203	軸承 6203	1	
	96100-62043	96100-62043-00	BEARING BALL RADIAL 6204	軸承 6204	1	

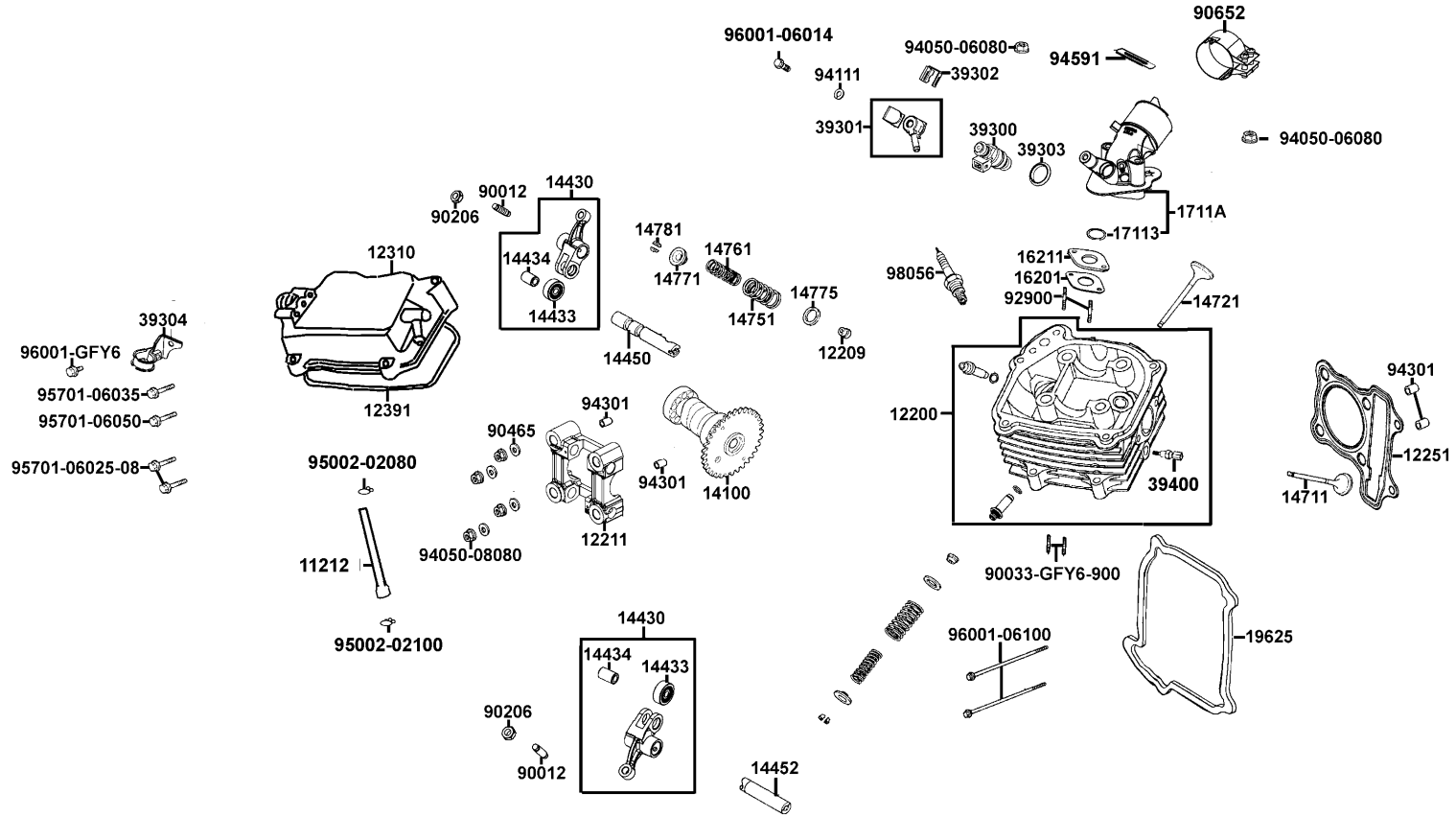
E02

Cylinder Head Cover

Cylinder Head

汽缸頭蓋

汽缸頭



Sales mark 配色標註	Ref no 參考號碼	Part no 零件號碼	Description 英文名稱	Reg description 中文名稱	Regd no 需求用量	E02
	11212	11212-LGK2-900	TUBE, B BREATHER	TUBE, B BREATHER	1	
	12200	12200-KKE3-900	HEAD COMP CYLINDER	汽缸頭	1	
	12209	12209-GDB4-68A	SEAL VALVE STEM	門閥徑封	2	
	12211	12211-LFD7-900	HOLDER CAM SHAFT	凸輪軸固定座	1	
	12251	12251-GFY6-90A	GASKET CYLINDER HEAD	汽缸頭墊片	1	
	12310	12310-LHE9-900	COVER COMP HEAD	汽缸頭蓋	1	
	12391	12391-GFY6-941	GASKET HEAD COVER	汽缸頭蓋墊片	1	
	14100	14100-LFD7-900	CAM SHAFT COMP	凸輪軸	1	
	14430	14430-LFD7-900	ARM VALVE ROCKER	閥門搖臂	2	
	14433	14433-LEB1-900	ROLLER ASSY ROCKER ARM	軸承	2	
	14434	14434-LEB1-900	PIN ROCKER ARM	套筒	2	
	14450	14450-GFY6-901	SHAFT COMP IN ROCKER ARM	進氣閥搖臂軸	1	
	14452	14452-GFY6-901	SHAFT EXH ROCKER ARM	排氣閥搖臂軸	1	
	14711	14711-KUDU-900	VALVE INLET	進氣閥	1	
	14721	14721-KUDU-900	VALVE EXHAUST	排氣閥	1	
	14751	14751-LFD7-900	SPG VALVE OUTER	閥門外彈簧	2	
	14761	14761-KKJ9-003	SPG VALVE INNER	門閥內彈簧	2	
	14771	14771-GDB4-680	RETAINER VALVE SPRING	閥門彈簧保持器	2	
	14775	14775-MFA6-001	SEAT VALVE SPG OUTER	門閥彈簧外座	2	
	14781	14781-MFA6-001	COTTER VALVE	閥門鎖扣	4	

Sales mark 配色標註	Ref no 參考號碼	Part no 零件號碼	Description 英文名稱	Reg description 中文名稱	Regd no 需求用量	E02
	16201	16201-GFY6-901	GASKET CARB INSULATOR @ A	隔熱板墊片	1	
	16211	16211-GFY6-901	INSULATOR CARB	化油器隔熱板	1	
	17113	17113-KKE3-900	O-RING INLET PIPE	O環	1	
	1711A	1711A-LGL3-90A	PIPE ASSY., INLET	進氣管組	1	
	19625	19625-KUDU-910	SEAL SHROUD	罩蓋油封	1	
	39300	39300-LEA6-800	FUEL INJECTOR	燃油噴嘴	1	
	39301	39301-LEB2-900	HOLDER ASSY FUEL	燃油噴嘴托蓋組	1	
	39302	39302-KKE3-900	CLIP SPRING FUEL INJECTOR	噴嘴彈簧夾	1	
	39303	39303-LEB2-900	SEAL HIGH TENSION FUEL INJECT	拉力封	1	
	39304	39304-LFG7-900	CLAMPER FUEL TUBE	進氣管固定夾	1	
	39400	39400-KKE3-800	SENSOR HEAD TEMPERATURE	汽缸頭溫度感應器	1	
	90012	90012-3C33-001	SCREW TAPPET ADJUSTING	樞軸調整螺絲	2	
	90033-GFY6-900	90033-GFY6-900	BOLT STUD 8*32	螺絲 8X32	2	
	90206	90206-0A01-001	NUT TAPPET ADJG	挺桿調整螺帽	2	
	90465	90465-MDC4-001	WASHER 8MM	華司 8MM	4	
	90652	90652-LGJ9-900	BAND 48, INLET-PIPE	進氣管夾	1	
	92900	92900-06060-0B	BOLT STUD 6*60	雙頭螺絲 6*60	2	
	94050-06080	94050-06080	NUT FLANGE 6MM	螺帽 6MM	2	
	94050-08080	94050-08080	NUT FLANGE 8MM	螺帽 8MM	4	
	94111	94111-06800	WASHER SPG 6MM	華司 6MM	1	

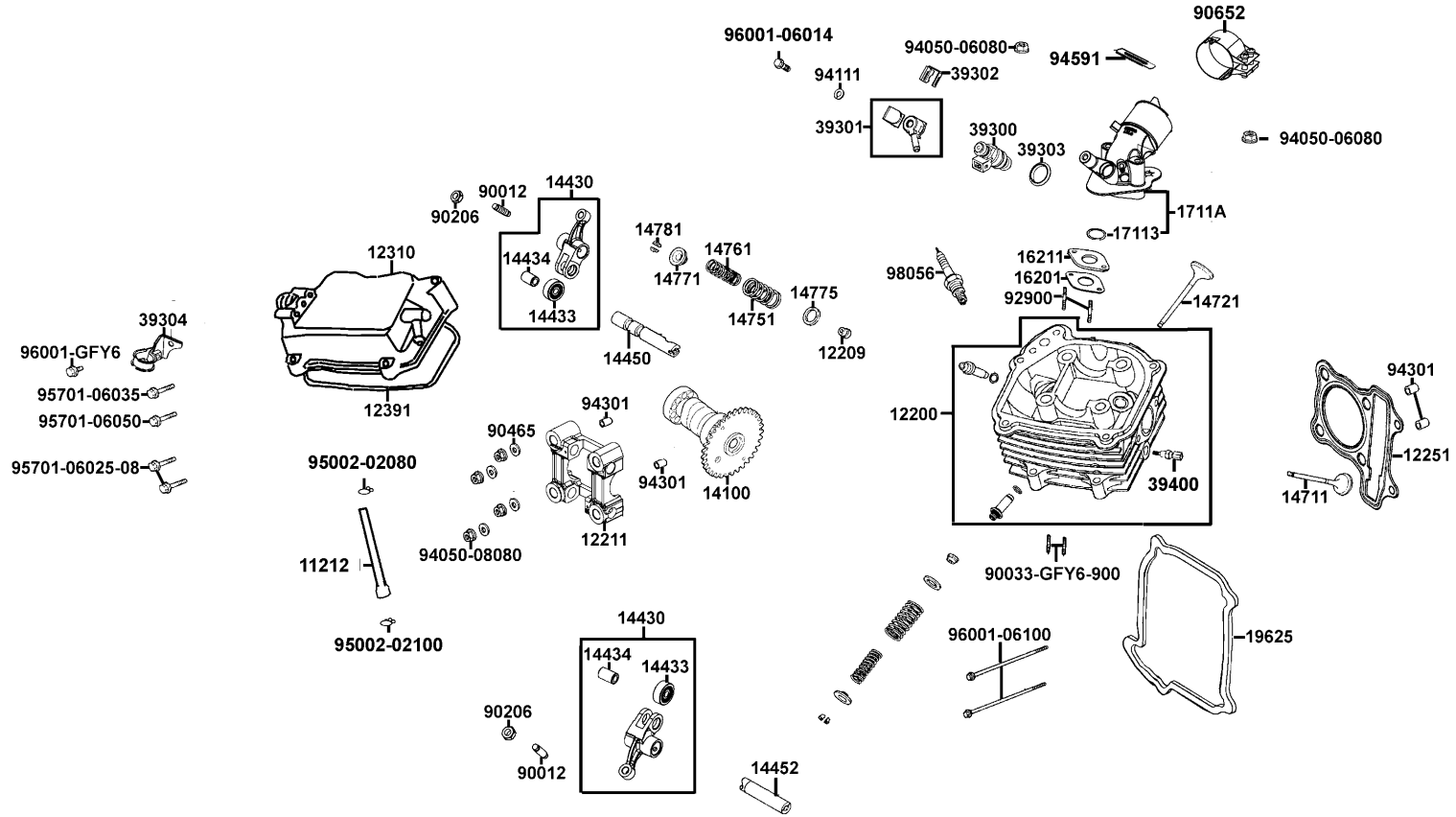
E02

Cylinder Head Cover

Cylinder Head

汽缸頭蓋

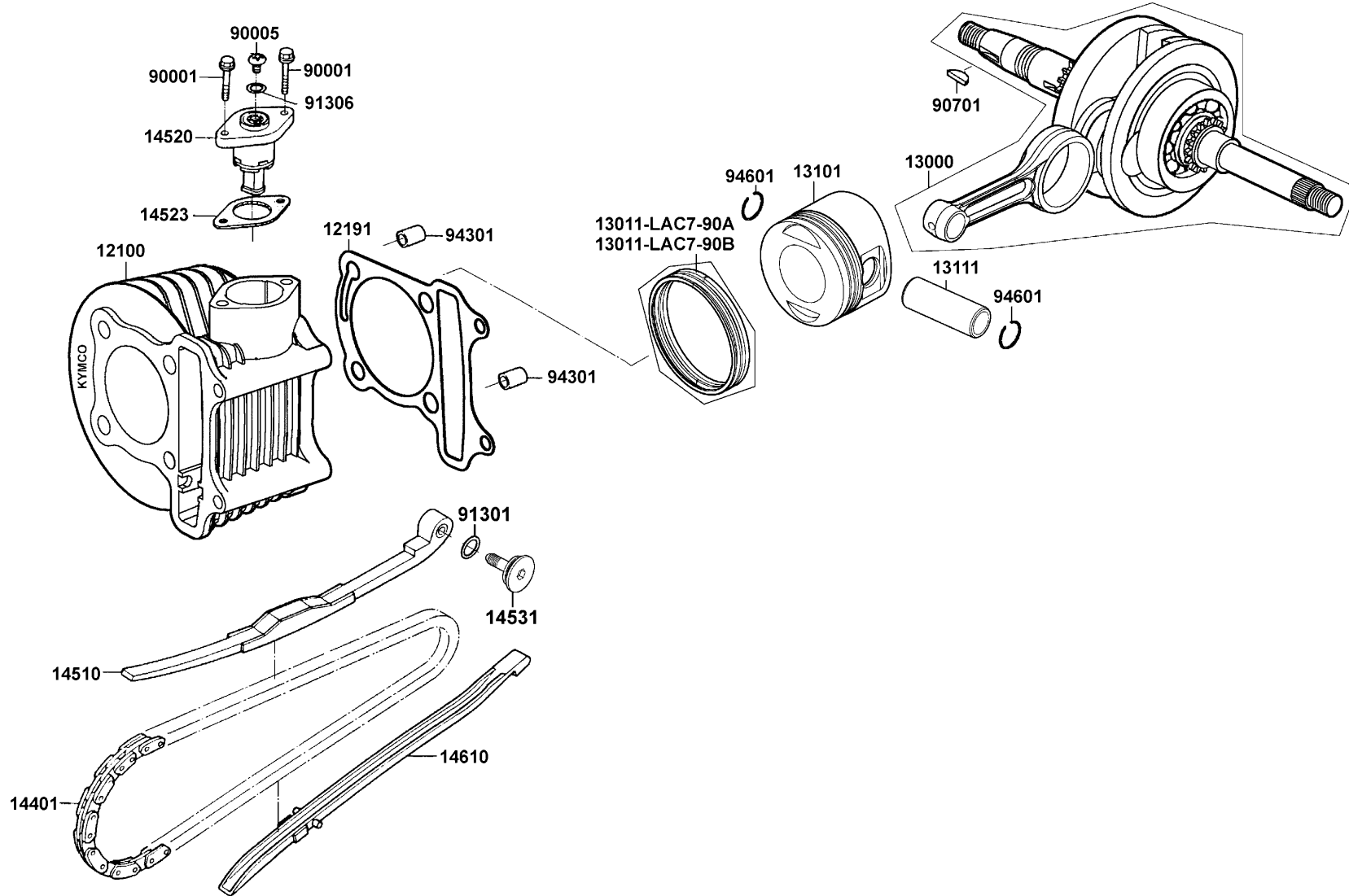
汽缸頭



Sales mark 配色標註	Ref no 參考號碼	Part no 零件號碼	Description 英文名稱	Reg description 中文名稱	Regd no 需求用量	E02
	94301	94301-10160	DOWEL PIN 10*16	定位銷 10X16	4	
	94591	94591-KFBF-900	CLIP 2*70	環夾	1	
	95002-02080	95002-02080	CLIP B8 TUBE	管夾	1	
	95002-02100	95002-02100	CLIP B15 TUBE	管夾	1	
	95701-06025-08	95701-06025-08	BOLT FLANGE 6*25	螺絲 6*25	2	
	95701-06035	95701-06035-08	BOLT FLANGE SH 6*35	螺絲 6*35	1	
	95701-06050	95701-06050-08	BOLT FLANGE 6*50	螺絲 6*50	1	
	96001-06014	96001-06014-08	BOLT FLANGE 6*14	螺絲 6X14	1	
	96001-06100	96001-06100-08	BOLT FLANGE SH 6*100	特殊螺絲 6*100	2	
	96001-GFY6	96001-GFY6-900	BOLT SPECIAL 5*10	螺絲 5*10	1	
	98056	98056-5771R-00	SPARK PLUG (CR7HSA)	火星塞 (CR7HSA)	1	

E03

Cylinder Piston Crankshaft 汽缸 活塞 曲軸

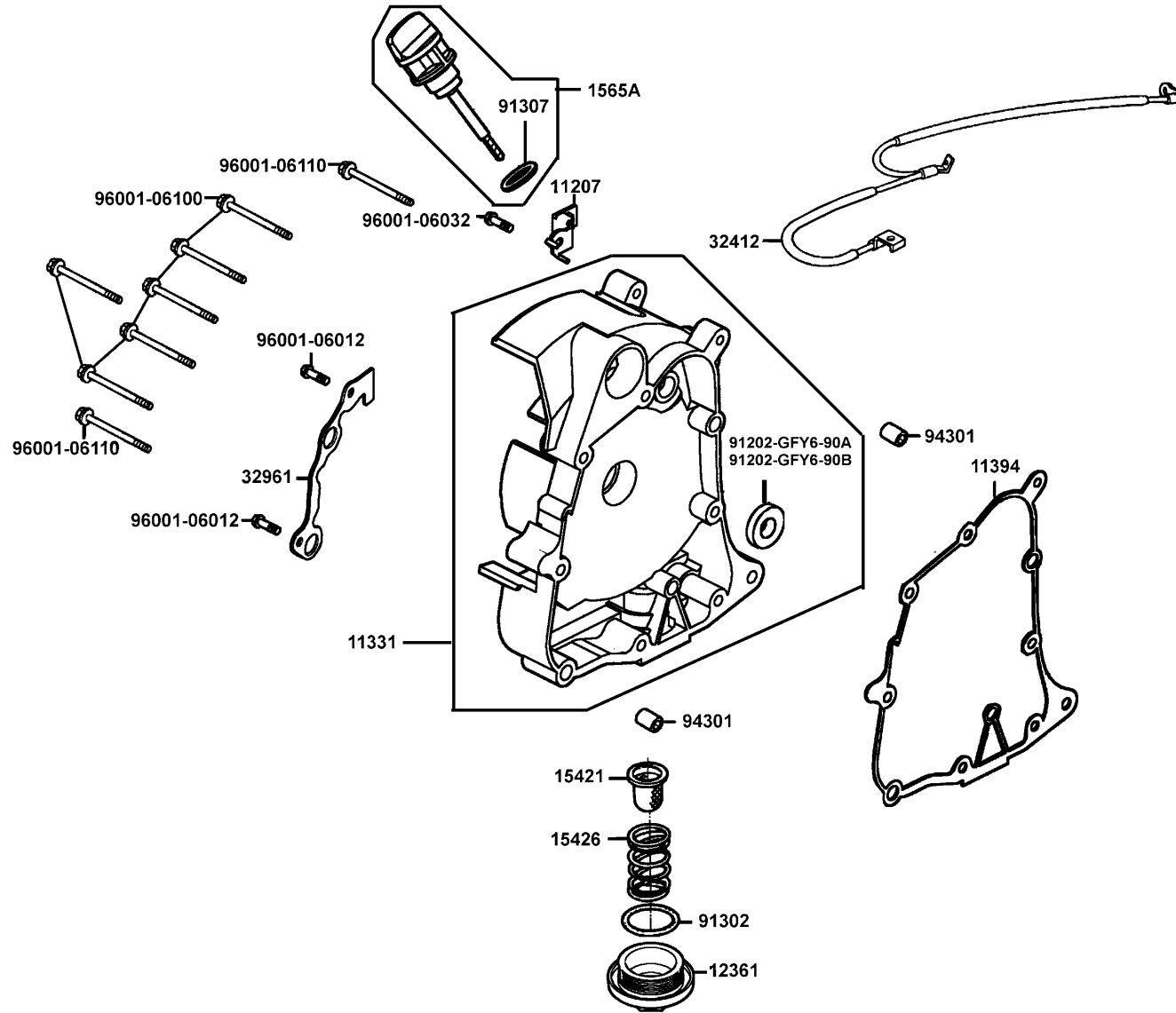


Sales mark 配色標註	Ref no 參考號碼	Part no 零件號碼	Description 英文名稱	Reg description 中文名稱	Regd no 需求用量	E03
	12100	12100-KFA9-C00	CYLINDER COMP	汽缸/陶瓷	1	
	12191	12191-GFY6-901	GASKET CYLINDER @ A	汽缸墊片	1	
	13000	13000-KUDU-900	CRANK SHAFT COMP	曲軸	1	
	13011-LAC7-90A	13011-LAC7-90A	RING ASSY PISTON	活塞環組	1	
	13011-LAC7-90B	13011-LAC7-90B	RING ASSY PISTON	活塞環組	1	
	13101	13101-LAD9-950	PISTON A	活塞 A	1	
	13111	13111-3D84-001	PIN PISTON	活塞銷	1	
	14401	14401-KUDU-900	CHAIN CAM	凸輪軸驅動鏈條	1	
	14510	14510-KUDU-C00	TENSIONER CAM CHAIN	內鏈條拉力桿	1	
	14520	14520-GFY6-90A	LIFTER ASSY TENSIONER	內鏈條調整器	1	
	14523	14523-GFY6-901	GASKET TENSIONER LIFTER @ A	內鏈條調整器墊片	1	
	14531	14531-GLR0-001	PIVOT CAM CHAIN TENSIONER	拉力桿螺絲	1	
	14610	14610-KUDU-C00	GUIDE COMP CAM CHAIN	鏈條導件	1	
	90001	90001-GBHB-661	BOLT FLANGE SH 6*22	螺絲 6*22	2	
	90005	90005-KAW1-901	SCREW PAN 6*6	螺絲 6*6	1	
	90701	90701-HFB6-011	KEY WOODRUFF 25*14*4	固定鍵 25X14X4	1	
	91301	91301-GLR0-005	O RING 15.2*1.5	O環 15.2X1.5	1	
	91306	91306-1E05-691	O-RING 1.5*9.5	O環 1.5*9.5	1	
	94301	94301-10160	DOWEL PIN 10*16	定位銷 10X16	2	
	94601	94601-15000	CLIP PISTON PIN 15MM	活塞銷環夾 15MM	2	

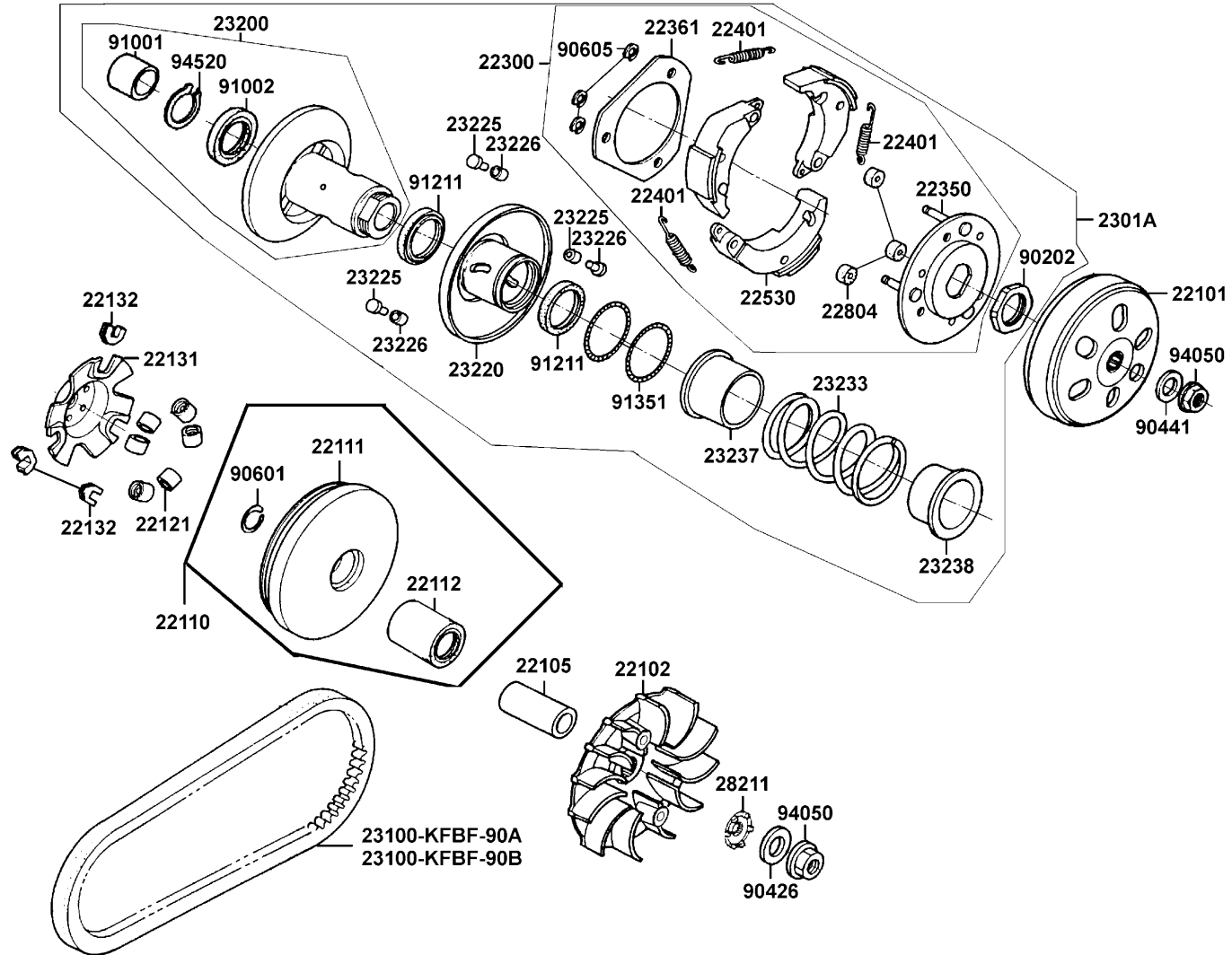
E04

Right Crankcase Cover

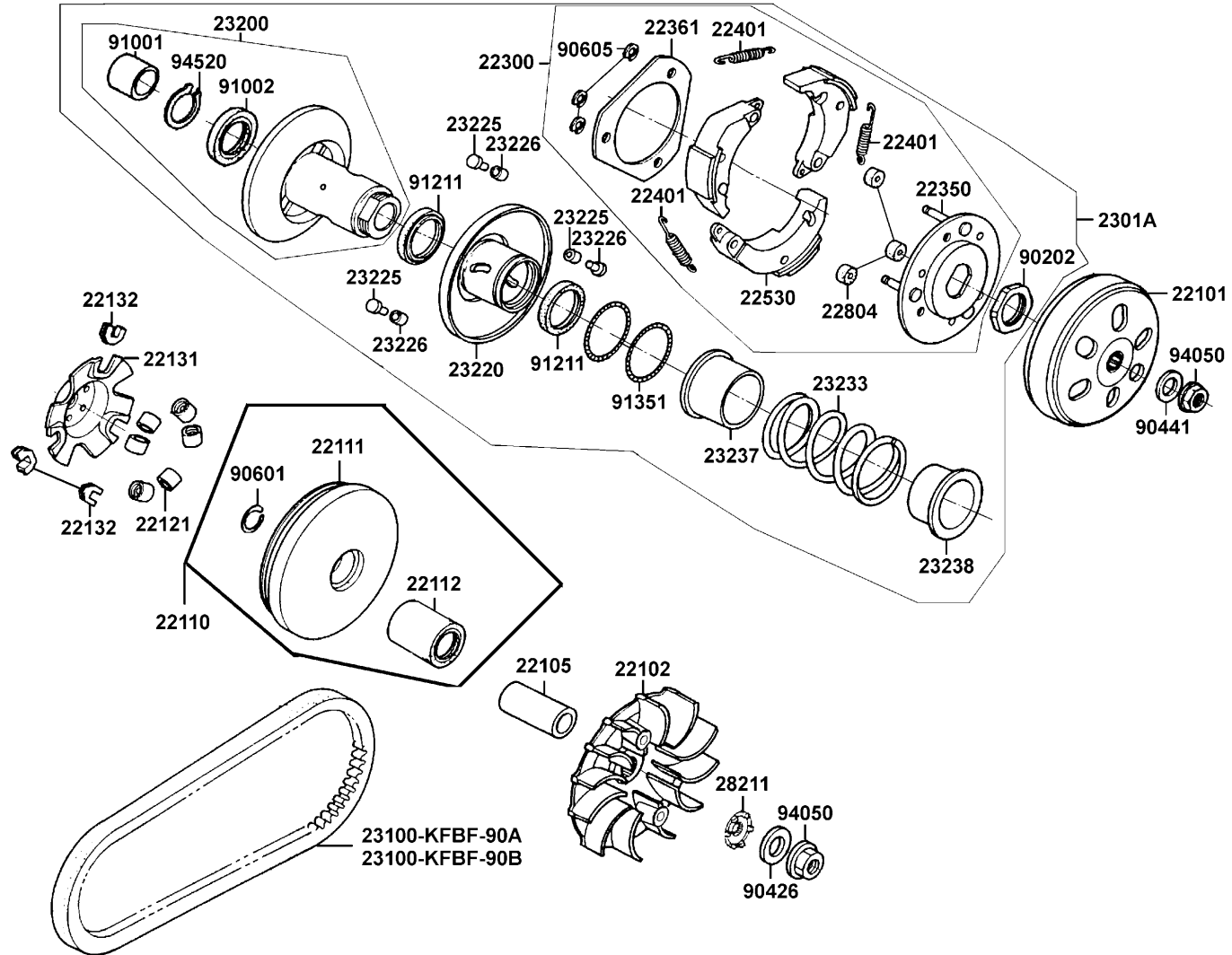
右曲軸箱蓋



Sales mark 配色標註	Ref no 參考號碼	Part no 零件號碼	Description 英文名稱	Reg description 中文名稱	Regd no 需求用量	E04
	11207	11207-KKE3-900	STAY B RR FENDER*	後土除支架B	1	
	11331	11331-KUDU-900	COVER R CRANK CASE	右曲軸箱蓋	1	
	11394	11394-KUDU-900	GASKET R COVER	右曲軸箱蓋墊片	1	
	12361	12361-GFY6-901	HOLE CAP TAPPET ADJUSTING	調節螺帽	1	
	15421	15421-1G07-001	SCREEN OIL FILTER	濾油網	1	
	15426	15426-GAE1-921	SPG OIL FILTER SCREEN	濾油網彈簧	1	
	1565A	1565A-KUDU-900	GAUGE OIL LEVEL ASSY	機油尺組	1	
	32412	32412-LHB8-900	CABLE, EARTH	接地導線	1	
	32961	32961-KUDU-900	CLAMPER ACG CORD	A.C.G 線夾	1	
	91202-GFY6-90A	91202-GFY6-90A	OIL SEAL 19.8*30*5	油封 19.8*30*5	1	
	91202-GFY6-90B	91202-GFY6-90B	OIL SEAL 19.8*30*5	油封 19.8*30*5	1	
	91302	91302-0A01-021	O-RING 30.8MM	O環 30.8MM	1	
	91307	91307-0E35-001	O RING 18*3	O環 18X3	1	
	94301	94301-10160	DOWEL PIN 10*16	定位銷 10X16	2	
	96001-06012	96001-06012-08	BOLT FLANGE 6*12	螺絲 6*12	2	
	96001-06032	96001-06032-08	BOLT FLANGE SH 6*32	螺栓 6*32	2	
	96001-06100	96001-06100-08	BOLT FLANGE SH 6*100	特殊螺絲 6*100	6	
	96001-06110	96001-06110-08	BOLT FLANGE SH 6*110	螺絲 6X110	2	



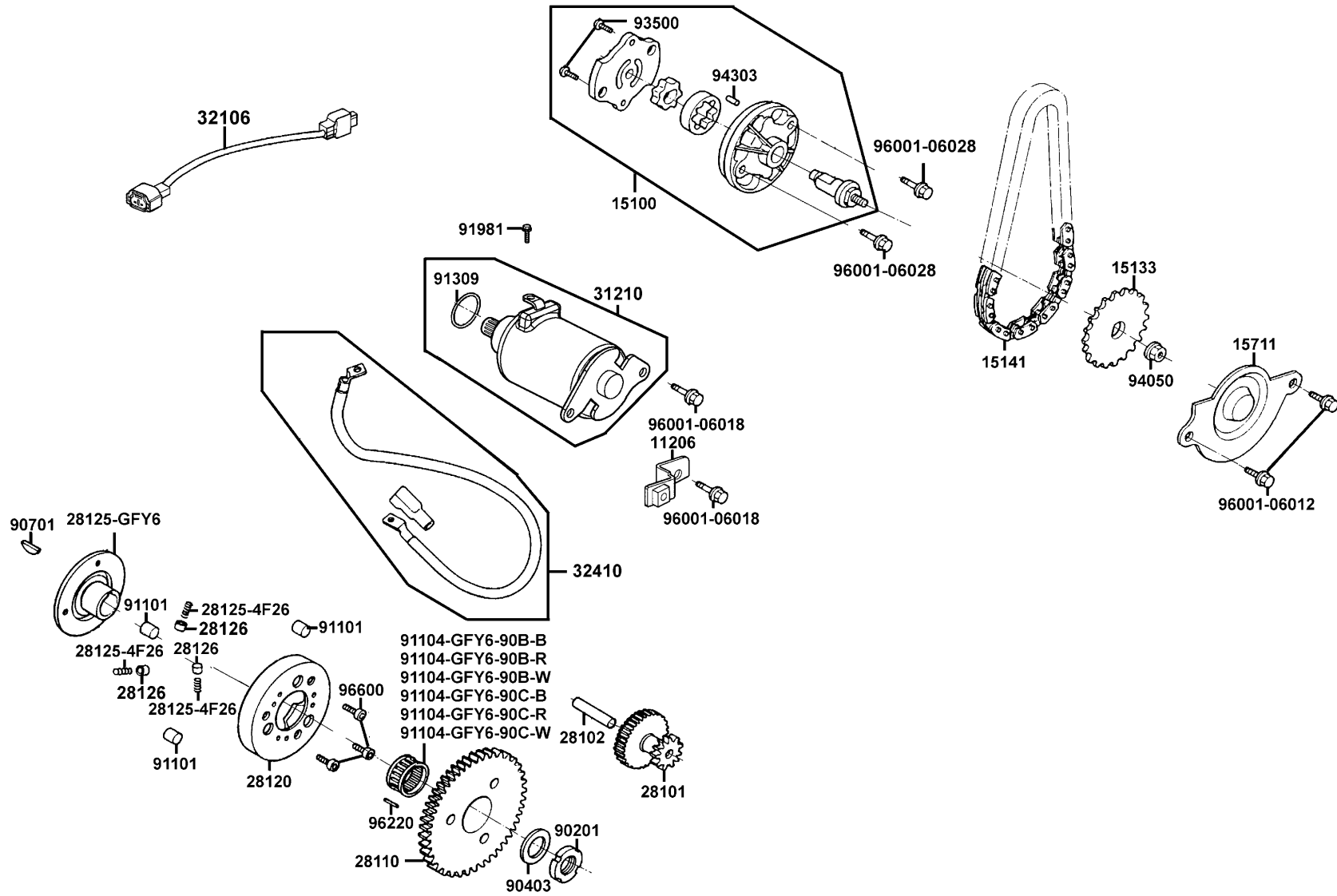
Sales mark 配色標註	Ref no 參考號碼	Part no 零件號碼	Description 英文名稱	Reg description 中文名稱	Regd no 需求用量	E05
	22101	22101-LCD3-E00	OUTER CLUTCH	離合器外套	1	
	22102	22102-KUDU-220	FACE DRIVE	驅動皮帶扇葉盤	1	
	22105	22105-GFY6-220	BOSS DRIVE FACE	襯套	1	
	22110	22110-KKE3-900	FACE COMP MOVABLE DRIVE	滑動式驅動盤組	1	
	22111	22111-KKE3-220	FACE MOVABLE DRIVE	滑動式驅動盤	1	
	22112	22112-GFY6-90A	BUSH 24*28*30	襯套	1	
	22121	22121-KKE3-90A	ROLLER COMP WEIGHT	配重滾子	6	
	22131	22131-LDA6-900	PLATE RAMP	斜坡板	1	
	22132	22132-KBN2-901	PIECE SLIDE	斜坡板邊件	3	
	22300	22300-LFD7-900	PLATE ASSY DRIVE	驅動板組	1	
	22350	22350-GFY6-90A	PLATE COMP DRIVE	驅動板	1	
	22361	22361-KGN7-671	PLATE CLUTCH SIDE	離合器舉升板	1	
	22401	22401-KEB8-900	SPRING CLUTCH	離合器彈簧	3	
	22530	22530-LCD3-E00	WEIGHT CLUTCH	離合器配重	3	
	22804	22804-GBB2-001	RUBBER CLUTCH DUMPER	橡皮	3	
	2301A	2301A-LFD7-900	PULLEY SUB ASSY	從動皮帶輪組	1	
	23100-KFBF-90A	23100-KFBF-90A	BELT DRIVE	驅動皮帶	1	
	23100-KFBF-90B	23100-KFBF-90B	BELT DRIVE	驅動皮帶	1	
	23200	23200-GFY6-901	FACE ASSY DRIVEN	平面轉動組	1	
	23220	23220-GFY6-921	FACE COMP MOVABLE DRIVEN	滑動式從動皮帶盤	1	



Sales mark 配色標註	Ref no 參考號碼	Part no 零件號碼	Description 英文名稱	Reg description 中文名稱	Regd no 需求用量	E05
	23225	23225-GHC8-004	PIN ROLLER GUIDE	滾導銷	3	
	23226	23226-GHC8-004	ROLLER GUIDE	滾子	3	
	23233	23233-GCW3-011	SPG DRIVEN FACE	驅動彈簧	1	
	23237	23237-GFY6-941	COLLAR SEAL	套筒油封	1	
	23238	23238-GFY6-941	COLLAR SPG	套筒	1	
	28211	28211-KUDU-900	RATCHET KICK STARTER	起動齒盤	1	
	90202	90202-1G87-001	NUT SPECIAL 28MM	螺帽	1	
	90426	90426-KNBN-901	WASHER SPECIAL 12MM	華司	1	
	90441	90441-GFY6-941	WASHER 12.2*29*2.5	華司 12.2*29*2.5	1	
	90601	90601-GFY6-901	CLIP 28MM	夾子 28MM	1	
	90605	90605-1F66-721	CIR CLIP 7MM	環夾 7MM	3	
	91001	91001-GFY6-90A	BRG NDL 20*29*18	軸承 20X29X18	1	
	91002	91002-GGA7-70A	BRG BALL RADIAL 6902U	軸承 6902U	1	
	91211	91211-KEBE-900	SEAL DRIVEN FACE 34*41*4	驅動油封 34X41X4	2	
	91351	91351-6B42-000	O-RING PINION CAP	O環	2	
	94050	94050-12080	NUT C FLANGE 12MM	螺帽 12MM	2	
	94520	94520-28000	CIR CLIP IN 28	內環夾 28MM	1	

E06

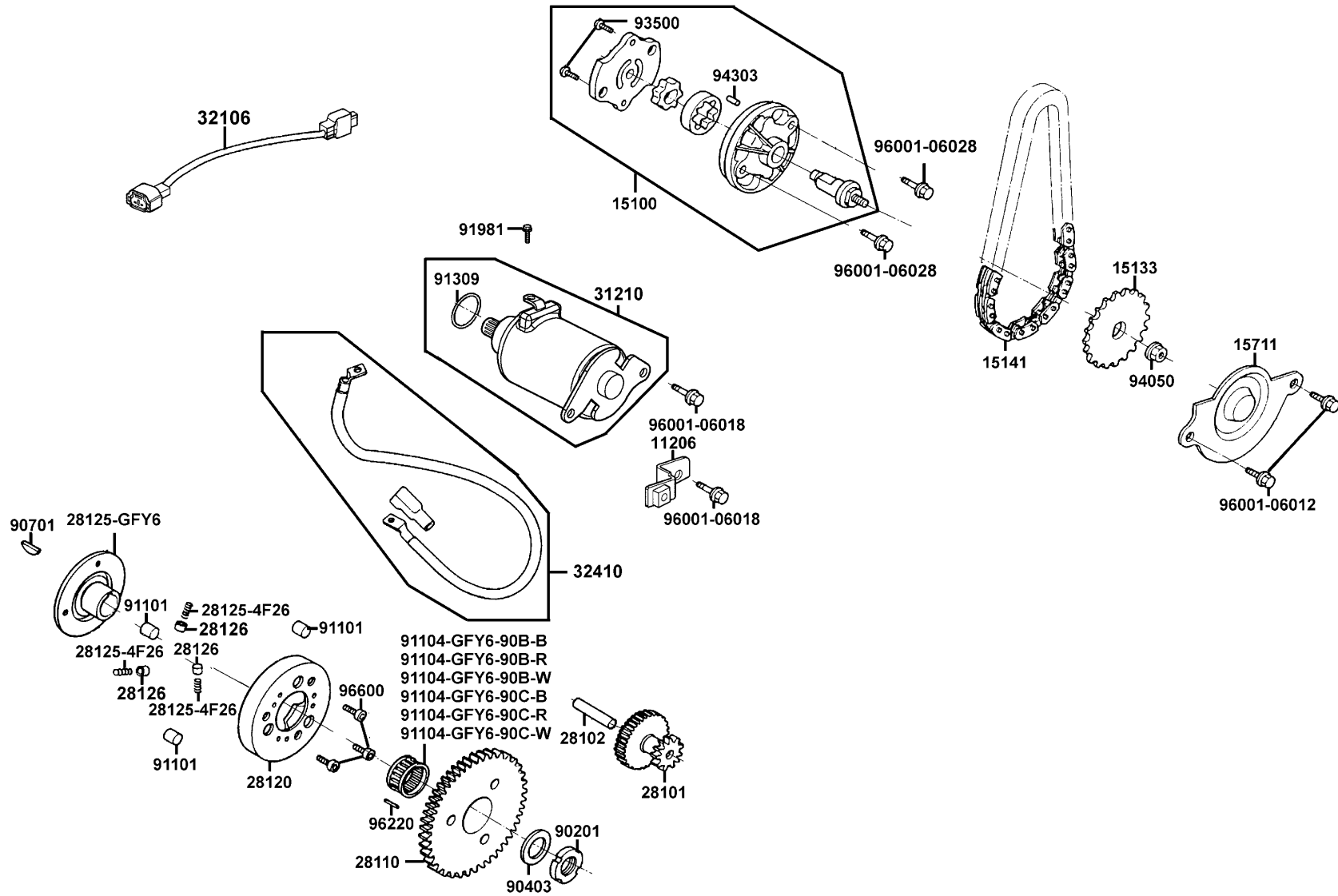
Starting Motor Oil Pump 起動馬達 機油泵



Sales mark 配色標註	Ref no 參考號碼	Part no 零件號碼	Description 英文名稱	Reg description 中文名稱	Regd no 需求用量	E06
	11206	11206-KKE3-900	STAY A RR FENDER	後土除支架 A	1	
	15100	15100-KFB7-900	PUMP ASSY OIL	機油泵浦	1	
	15133	15133-GFY6-901	SPRKT OIL PUMP DRIVEN	機油泵驅動齒輪	1	
	15141	15141-GFY6-90B	CHAIN OIL PUMP	機油泵驅動鏈條	1	
	15711	15711-KUDU-900	SEPARATER OIL	機油分隔板	1	
	28101	28101-GFY6-901	GEAR STARTER REDUCTION	起動減速齒輪	1	
	28102	28102-GFY6-901	SHAFT STARTER REDUCTION GEAR	起動減速齒輪軸	1	
	28110	28110-GFY6-901	GEAR COMP STARTING CLUTCH	起動齒輪	1	
	28120	28120-GFY6-315	OUTER COMP STARTING CLUTCH	離合器外套	1	
	28125-4F26	28125-4F26-001	SPRING ROLLER STARTER CLUTCH	離合器滾子彈簧	3	
	28125-GFY6	28125-GFY6-960	FLANGE STARTING CLUTCH	起動離合器盤	1	
	28126	28126-KUDU-900	CAP STARTING ROLLER SPRING	滾子彈簧蓋	3	
	31210	31210-GFY6-200	MOTOR UNIT START	起動馬達組	1	
	32106	32106-KKE3-900	SUB HARNESS A	汽缸頭溫度感應器配線	1	
	32410	32410-LDA6-900	CABLE START MOTOR	起動馬達配線	1	
	90201	90201-GFY6-901	NUT LOCK 22MM	螺帽 22MM	1	
	90403	90403-KUDU-900	WASHER THRUST 22.2*39*2.5	華司	1	
	90701	90701-HFB6-011	KEY WOODRUFF 25*14*4	固定鍵 25X14X4	1	
	91101	91101-1K79-711	ROLLER 10*10	滾子 10X10	3	
	91104-GFY6-90B-B	91104-GFY6-90B-B	BRG NEEDLE 28*32*17	滾針軸承	1	

E06

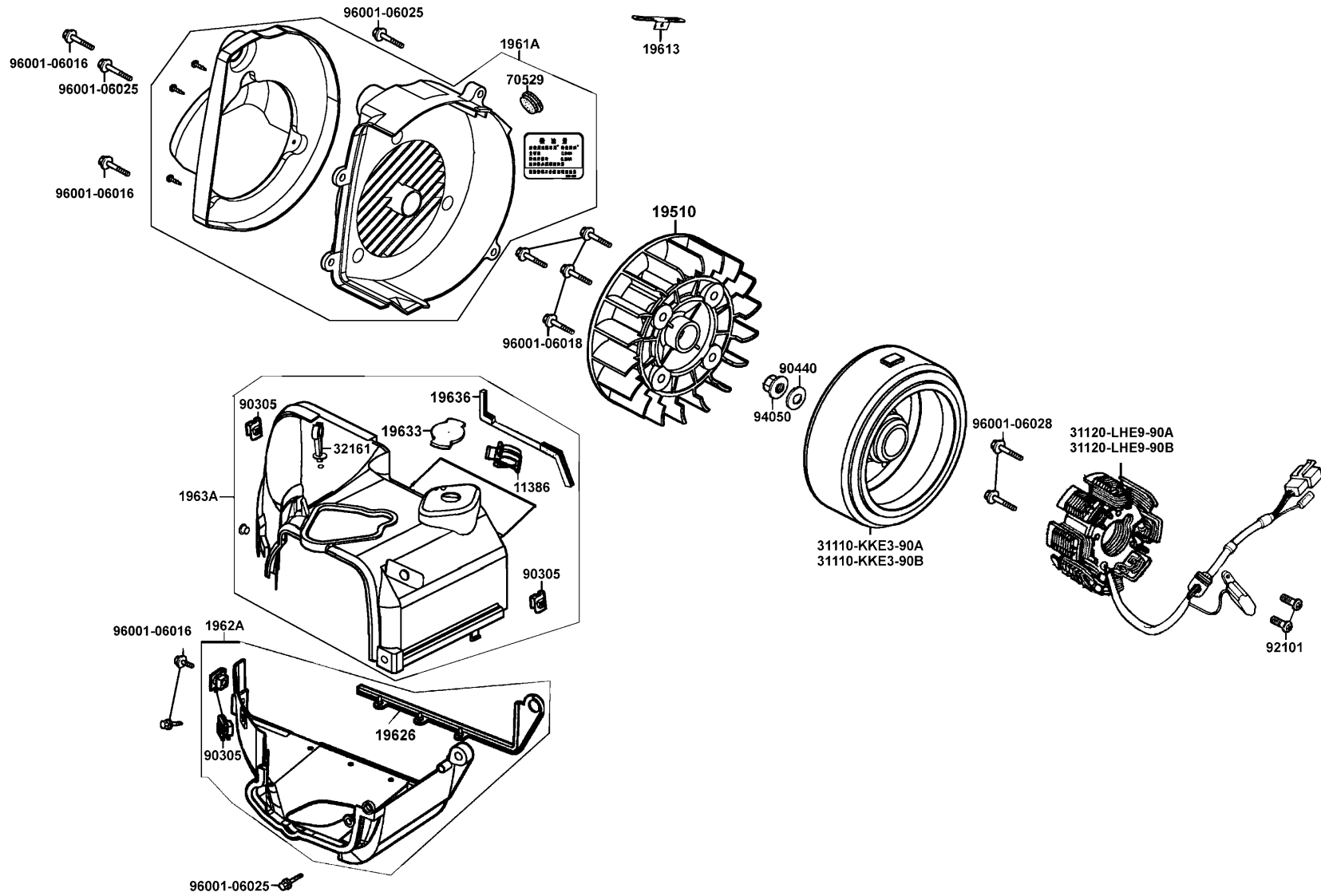
Starting Motor Oil Pump 起動馬達 機油泵



Sales mark 配色標註	Ref no 參考號碼	Part no 零件號碼	Description 英文名稱	Reg description 中文名稱	Regd no 需求用量	E06
	91104-GFY6-90B-R	91104-GFY6-90B-R	BRG NEEDLE 28*32*17	滾針軸承	1	
	91104-GFY6-90B-W	91104-GFY6-90B-W	BRG NEEDLE 28*32*17	滾針軸承	1	
	91104-GFY6-90C-B	91104-GFY6-90C-B	BRG NEEDLE 28*32*17	滾針軸承	1	
	91104-GFY6-90C-R	91104-GFY6-90C-R	BRG NEEDLE 28*32*17	滾針軸承	1	
	91104-GFY6-90C-W	91104-GFY6-90C-W	BRG NEEDLE 28*32*17	滾針軸承	1	
	91309	91309-4E25-004	O-RING 24.4*3.1	O環 24.4X3.1	1	
	91981	91981-KGN7-670	SCREW WASH 5X8	螺絲 5X8	1	
	93500	93500-03010-1A	SCREW PAN 3*10	螺絲 3*10	2	
	94050	94050-06080	NUT FLANGE 6MM	螺帽 6MM	1	
	94303	94303-04065	PIN DOWEL 4*6.5	定位銷4*6.5	1	
	96001-06012	96001-06012-08	BOLT FLANGE 6*12	螺絲 6*12	2	
	96001-06018	96001-06018-08	BOLT FLANGE SH 6*18	螺絲 6X18	2	
	96001-06028	96001-06028-08	BOLT FLANGE SH 6*28	螺絲 6*28	2	
	96220	96220-60100	ROLLER 6*10	定位銷 6X10	1	
	96600	96600-08010-10	SOCKET BOLT 8*10	內六角螺絲 8X10	3	

E07

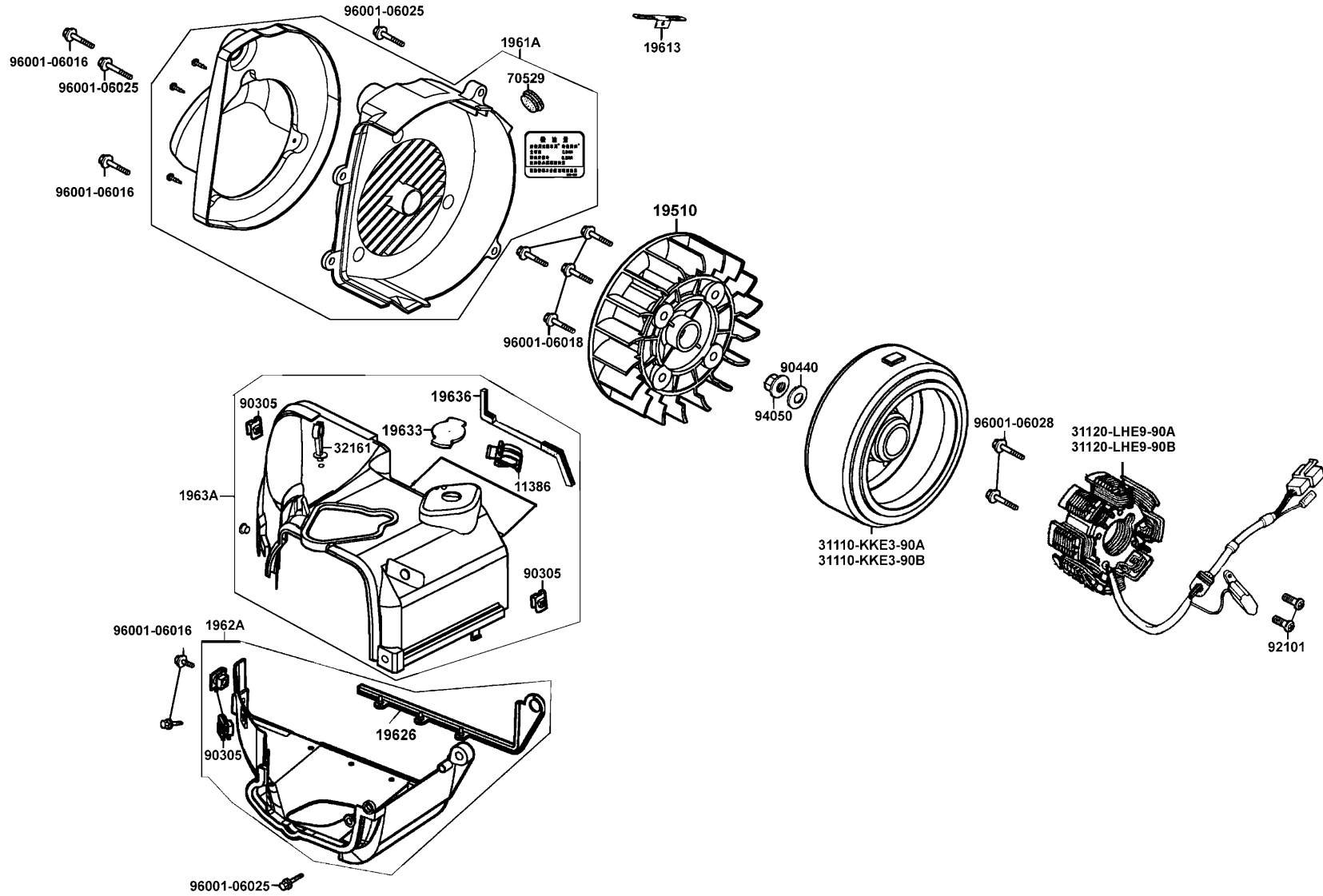
Fan Cover Generator 風扇蓋 發電機



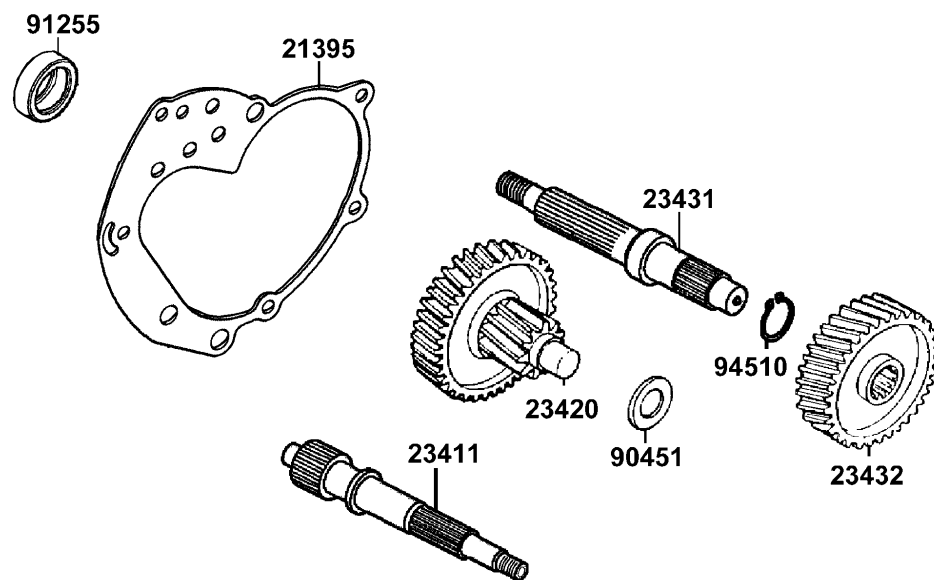
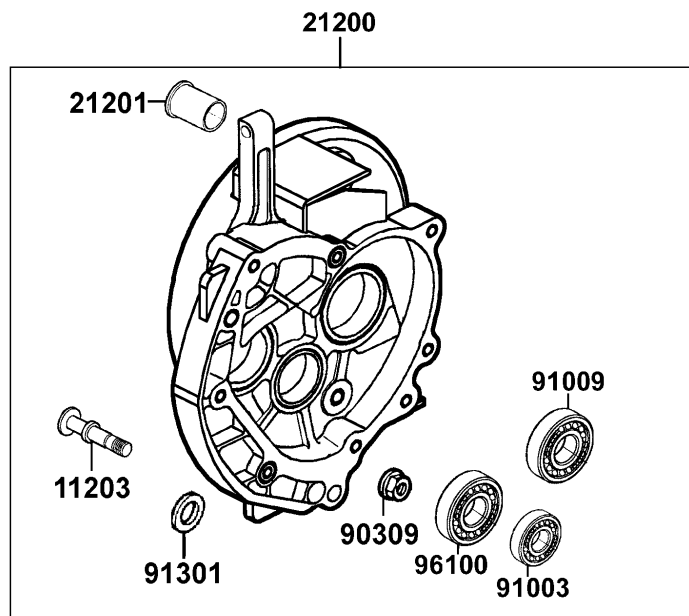
Sales mark 配色標註	Ref no 參考號碼	Part no 零件號碼	Description 英文名稱	Reg description 中文名稱	Regd no 需求用量	E07
11386		11386-GFY6-900	CLIP VACUUM TUBE	管夾	1	
19510		19510-LDA7-900	FAN COMP COOLING	冷卻風扇	1	
19613		19613-GFY6-901	CLAMPER STARTER MOTOR	起動馬達導線夾	1	
1961A		1961A-LGL3-900	COVER ASSY FAN	風扇蓋組	1	
19626		19626-KUDU-900	SEAL SHROUD A	罩蓋油封A	1	
1962A		1962A-LBB8-900	SHROUD ASSY A	罩蓋 A	1	
19633		19633-GFY6-901	GROMET SHROUD B	橡皮蓋	1	
19636		19636-KUDU-900	SEAL SHROUD B	罩蓋B油封	1	
1963A		1963A-KKE3-900	SHROUD ASSY B	罩蓋 B	1	
31110-KKE3-90A		31110-KKE3-90A	FLYWHEEL COMP	飛輪	1	
31110-KKE3-90B		31110-KKE3-90B	FLYWHEEL COMP	飛輪	1	
31120-LHE9-90A		31120-LHE9-90A	STATOR COMP	定子組	1	
31120-LHE9-90B		31120-LHE9-90B	STATOR COMP	定子組	1	
32161		32161-3C93-004	CLIP HARNESS WIRE	主配線夾	1	
70529		70529-6G57-671	GROM B SIDE PNL	橡皮塞	1	
90305		90305-GHK8-001	NUT CLIP 6MM	夾螺帽	4	
90440		90440-1F66-001	WASHER PLAIN 12MM	華司 12MM	1	
92101		92101-05012-0H	BOLT HEX 5*12	螺絲 5*12	2	
94050		94050-12080	NUT C FLANGE 12MM	螺帽 12MM	1	
96001-06016		96001-06016-08	BOLT FLANGE SH 6*16	凸緣螺栓	4	

E07

Fan Cover Generator 風扇蓋 發電機



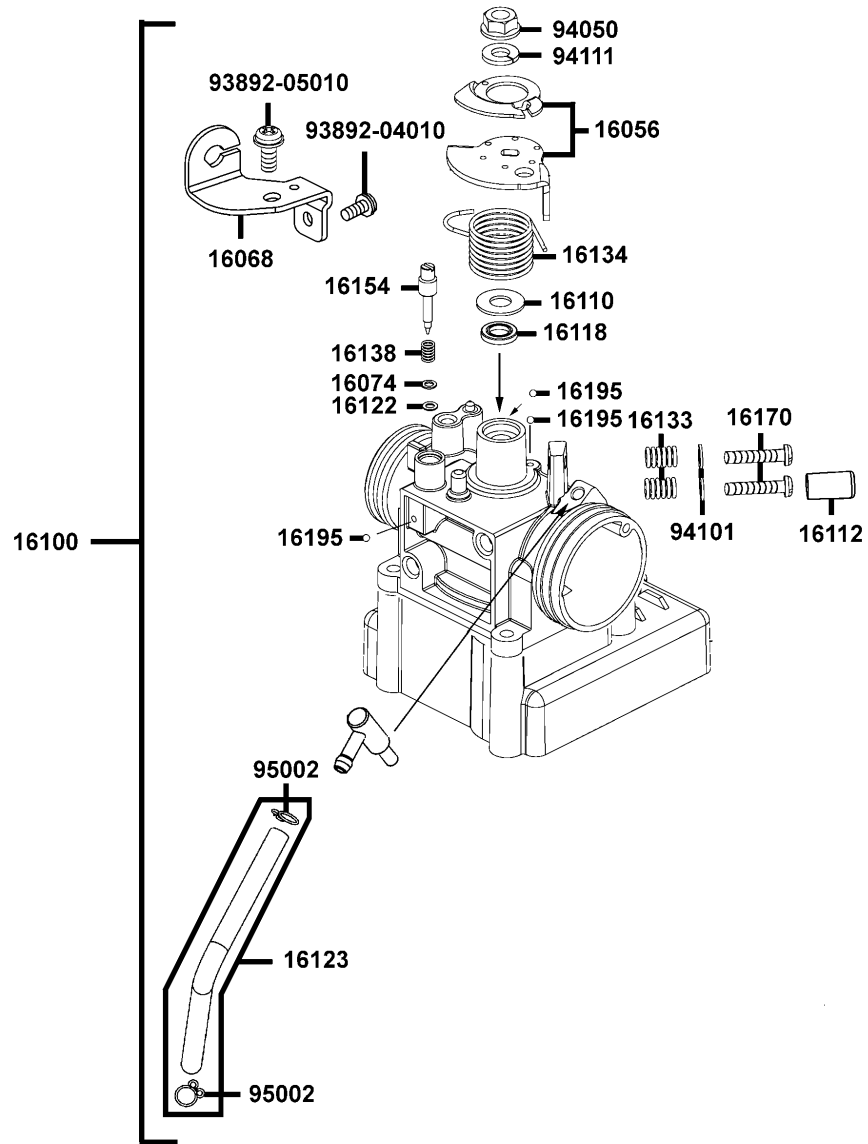
Sales mark 配色標註	Ref no 參考號碼	Part no 零件號碼	Description 英文名稱	Reg description 中文名稱	Regd no 需求用量	E07
	96001-06018	96001-06018-08	BOLT FLANGE SH 6*18	螺絲 6X18	8	
	96001-06025	96001-06025-08	BOLT FLANGE SH 6*25	螺絲 6*25	3	
	96001-06028	96001-06028-08	BOLT FLANGE SH 6*28	螺絲 6*28	2	



Sales mark 配色標註	Ref no 參考號碼	Part no 零件號碼	Description 英文名稱	Reg description 中文名稱	Regd no 需求用量	E08
11203		11203-KUDU-900	PIN BRAKE SHOE ANCHOR	煞車鼓固定銷	1	
21200		21200-LDA6-305	MISSION CASE SET	主軸蓋組	1	
21201		21201-KUDU-900	BUSH MISSION	主軸襯套	1	
21395		21395-KUDU-900	GASKET MISSION CASE	主軸蓋墊片	1	
23411		23411-KUDU-900	SHAFT DRIVE	驅動軸	1	
23420		23420-GFY6-901	SHAFT COMP COUNTER	副軸組	1	
23431		23431-KUDU-900	SHAFT FINAL	最終軸	1	
23432		23432-GFY6-901	GEAR FINAL	最終齒輪	1	
90309		90309-KLF0-004-SY	NUT FLANGE 8MM	平螺帽	1	
90451		90451-KUDU-900	WASHER THRUST 15M/M	華司	1	
91003		91003-KDS4-004	BRG BALL RADIAL 6301TMB	軸承 6301	1	
91009		91009-GLE0-004	BRG BALL RADIAL 6004 UU	軸承	1	
91255		91255-GLE0-006	OIL SEAL 27*42*7	油封	1	
91301		91301-0C53-001	O RING 7.5*1.5	O環	1	
94510		94510-20000	CIR CLIP EX 20	夾環	1	
96100		96100-60020-00	BRG BALL RADIAL 6002	軸承 6002	1	

E09

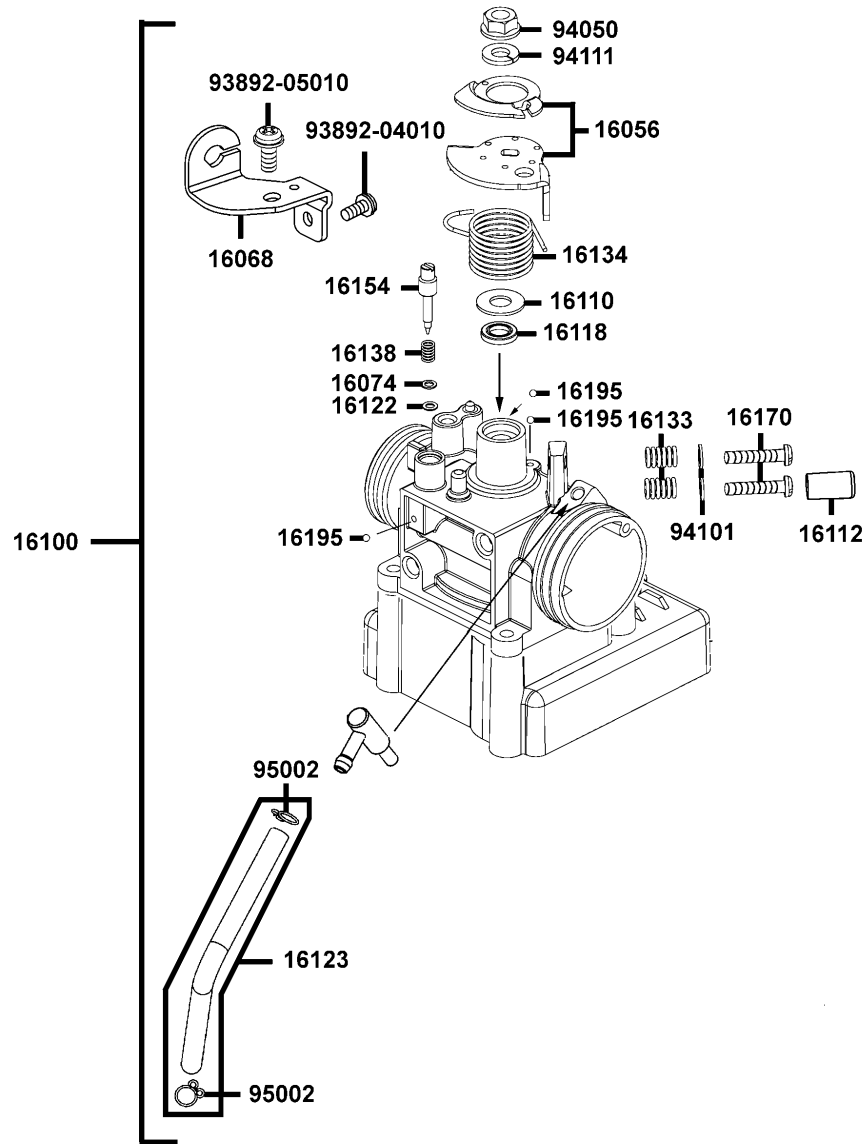
Throttle Body Assy 噴射節流閥



Sales mark 配色標註	Ref no 參考號碼	Part no 零件號碼	Description 英文名稱	Reg description 中文名稱	Regd no 需求用量	E09
	16056	16056-LEB2-900	LEVER ASSY THROTTLE	拉桿節流閥	1	
	16068	16068-LEB2-900	PLATE WIRE FIXED	節流導線固定板	1	
	16074	16074-KEC3-900	WASHER IDLE SCREW	華司	1	
	16100	16100-LHE9-900	THROTTLE BODY ASSY	節流閥體組	1	
	16110	16110-KKE3-900	WASHER THROTTLE COMP	華司	1	
	16112	16112-KKE3-900	COVER IDLE SCREW	蓋	1	
	16118	16118-KEC3-900	SEAL THROTTLE SHAFT	節流閥封軸	1	
	16122	16122-KEC3-900	O-RING IDLE SCREW	O型環	1	
	16123	16123-LGL5-900	TUBE COMPL.,3.5X500	負壓管3.5X500	1	
	16133	16133-KEC3-900	SPG THROTTLE ADJUST SCREW	彈簧	2	
	16134	16134-KKE3-900	SPG THROTTLE SHAFT	節流閥軸彈簧	1	
	16138	16138-KEC3-900	SPG IDLE ADJ SCREW	彈簧	1	
	16154	16154-KKE3-900	SCREW IDLE ADJUST	螺絲	1	
	16170	16170-KEC3-900	SCREW THROTTLE ADJUST	調整螺絲	2	
	16195	16195-KEC3-900	BALL 2.1	滾珠	3	
	93892-04010	93892-04010-08	SCREW WASHER 4*10	螺絲	1	
	93892-05010	93892-05010-08	SCREW WASH 5*10	螺絲	1	
	94050	94050-06080	NUT FLANGE 6MM	螺帽 6MM	1	
	94101	94101-KKE3-900	WASHER PLAN 4.5*8*0.8	墊圈	2	
	94111	94111-06800	WASHER SPG 6MM	華司 6MM	1	

E09

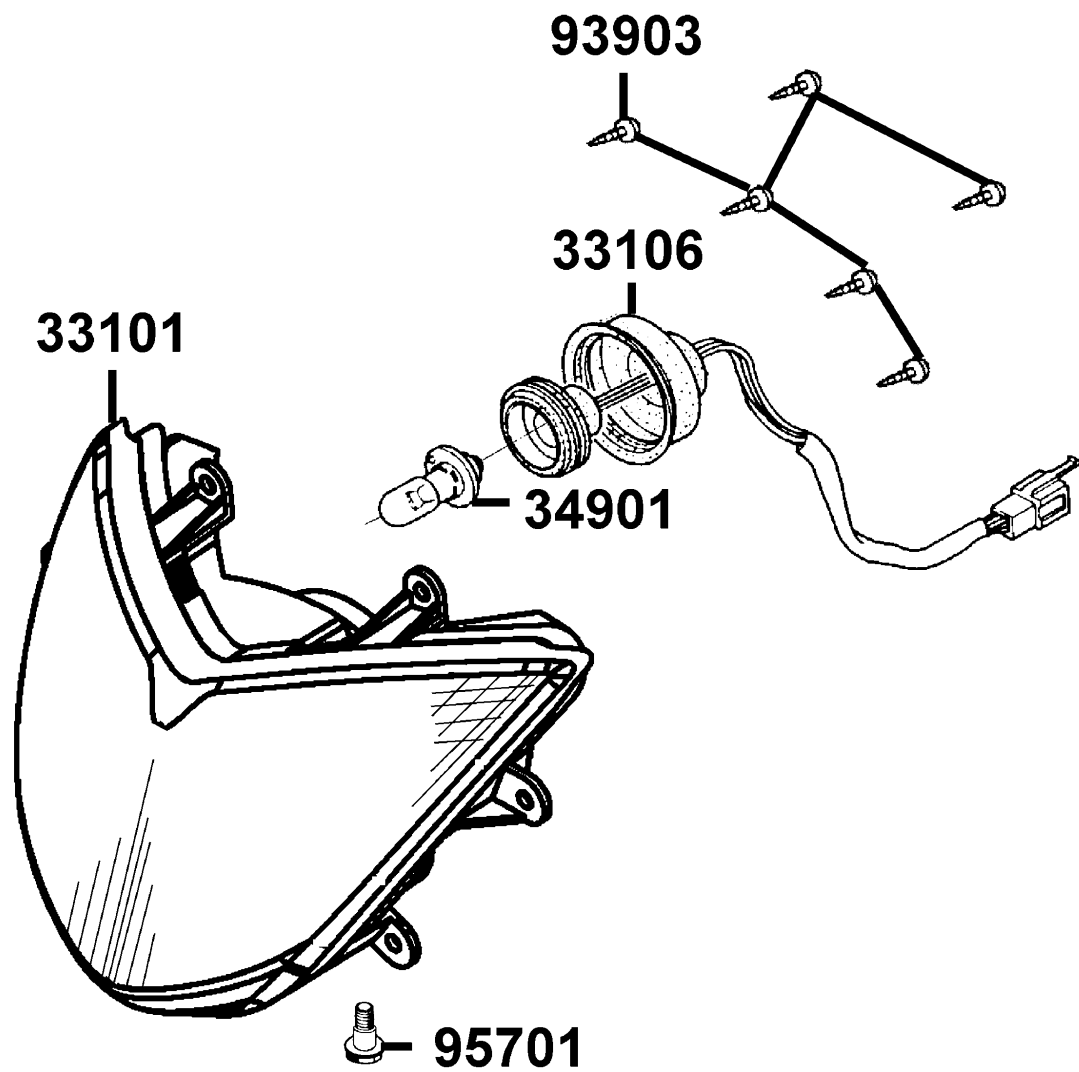
Throttle Body Assy 噴射節流閥



Sales mark 配色標註	Ref no 參考號碼	Part no 零件號碼	Description 英文名稱	Reg description 中文名稱	Regd no 需求用量	E09
95002	95002-02070	95002-02070	CLIP B7 TUBE	管夾	2	

F01

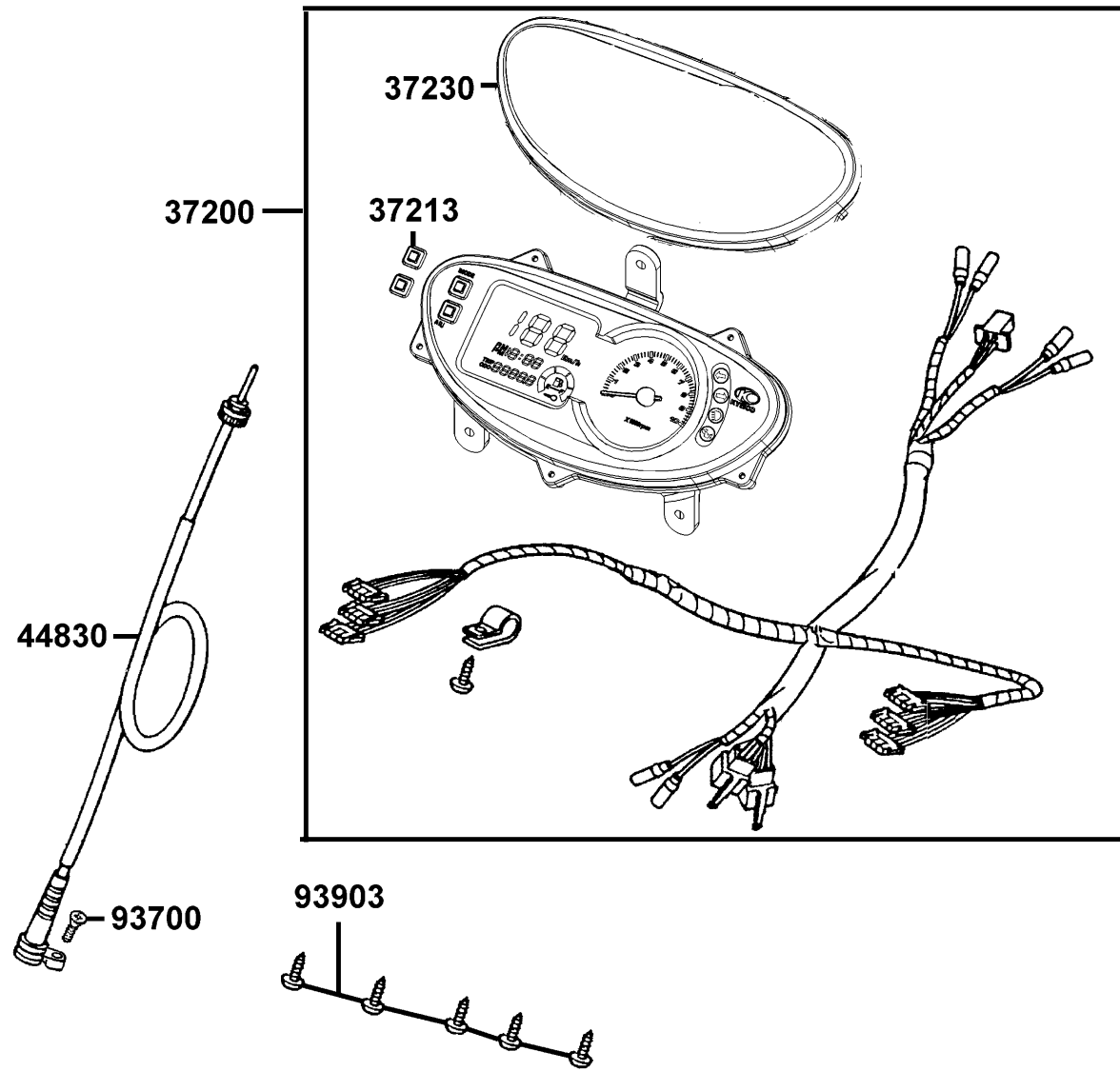
Head Light 前燈



Sales mark 配色標註	Ref no 參考號碼	Part no 零件號碼	Description 英文名稱	Reg description 中文名稱	Regd no 需求用量	F01
	33101	33101-LDA6-305	COMB HEAD LIGHT	前燈殼組	1	
	33106	33106-LDA6-900	SOCKET COMP	前燈配線	1	
	34901	34901-KED9-900	BULB HEAD LIGHT	前燈泡	1	
	93903	93903-34360	SCREW TAPPING 4*12	螺絲 4*12	6	
	95701	95701-LDA6-900	BOLT ADJUST	調整螺絲	1	

F02

Speedometer 儀錶

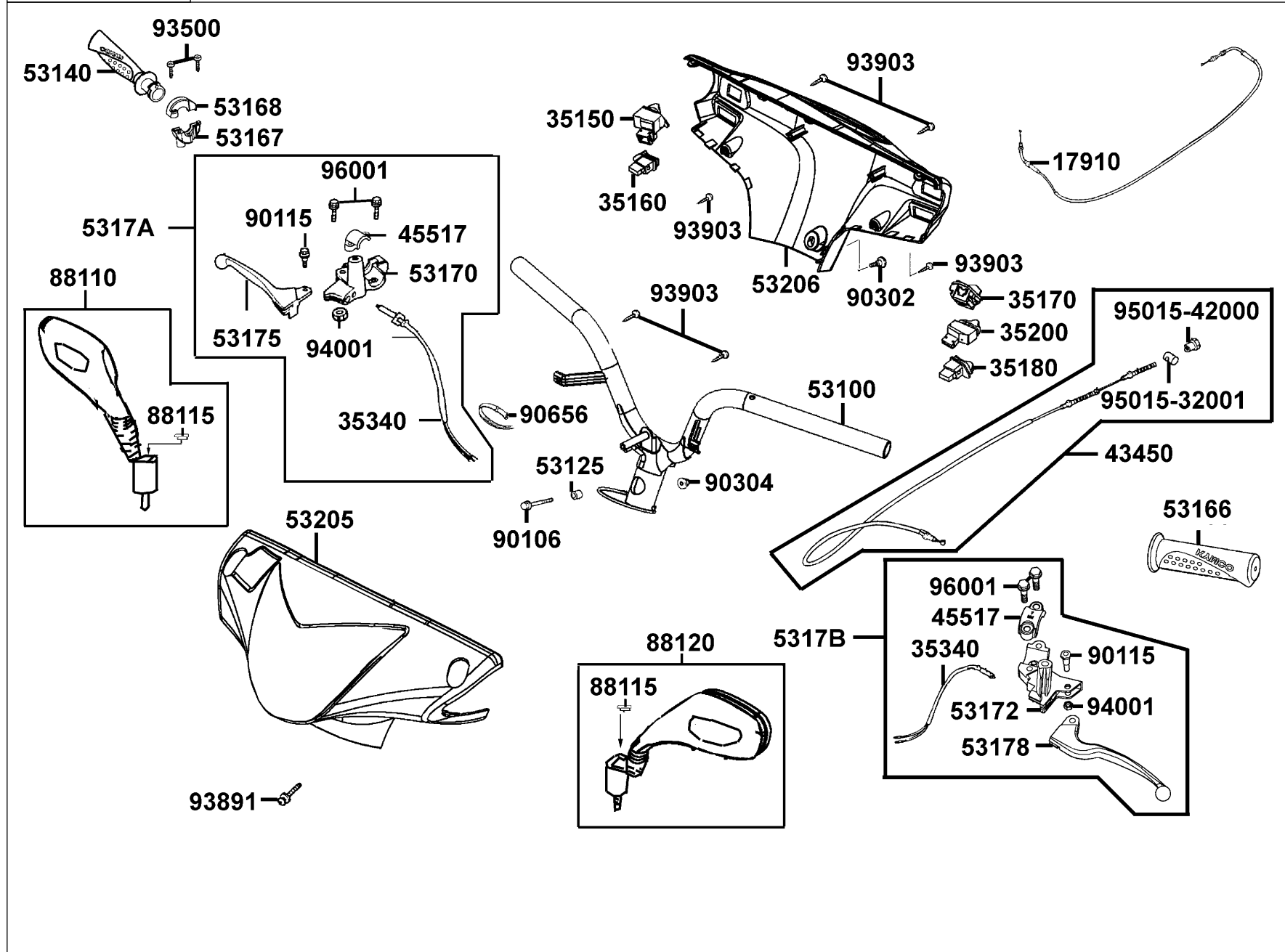


Sales mark 配色標註	Ref no 參考號碼	Part no 零件號碼	Description 英文名稱	Reg description 中文名稱	Regd no 需求用量	F02
	37200	37200-LHE9-900	METER ASSY SPEED	儀表組	1	
	37213	37213-LDA6-900	BUTTON / RUBBER	電子鐘按鍵橡皮	2	
	37230	37230-LFG7-900	LENS ASSY	儀錶蓋	1	
	44830	44830-KECE-800	CABLE COMP SPDMT	碼錶導線	1	
	93700	93700-05018-0H	SCREW OVAL 5*18	螺絲 5*18	1	
	93903	93903-35320	SCREW TAPPING 5*16	螺絲 5*16	5	

F03

Handle Steering Handle Cover

轉向手柄 手柄蓋

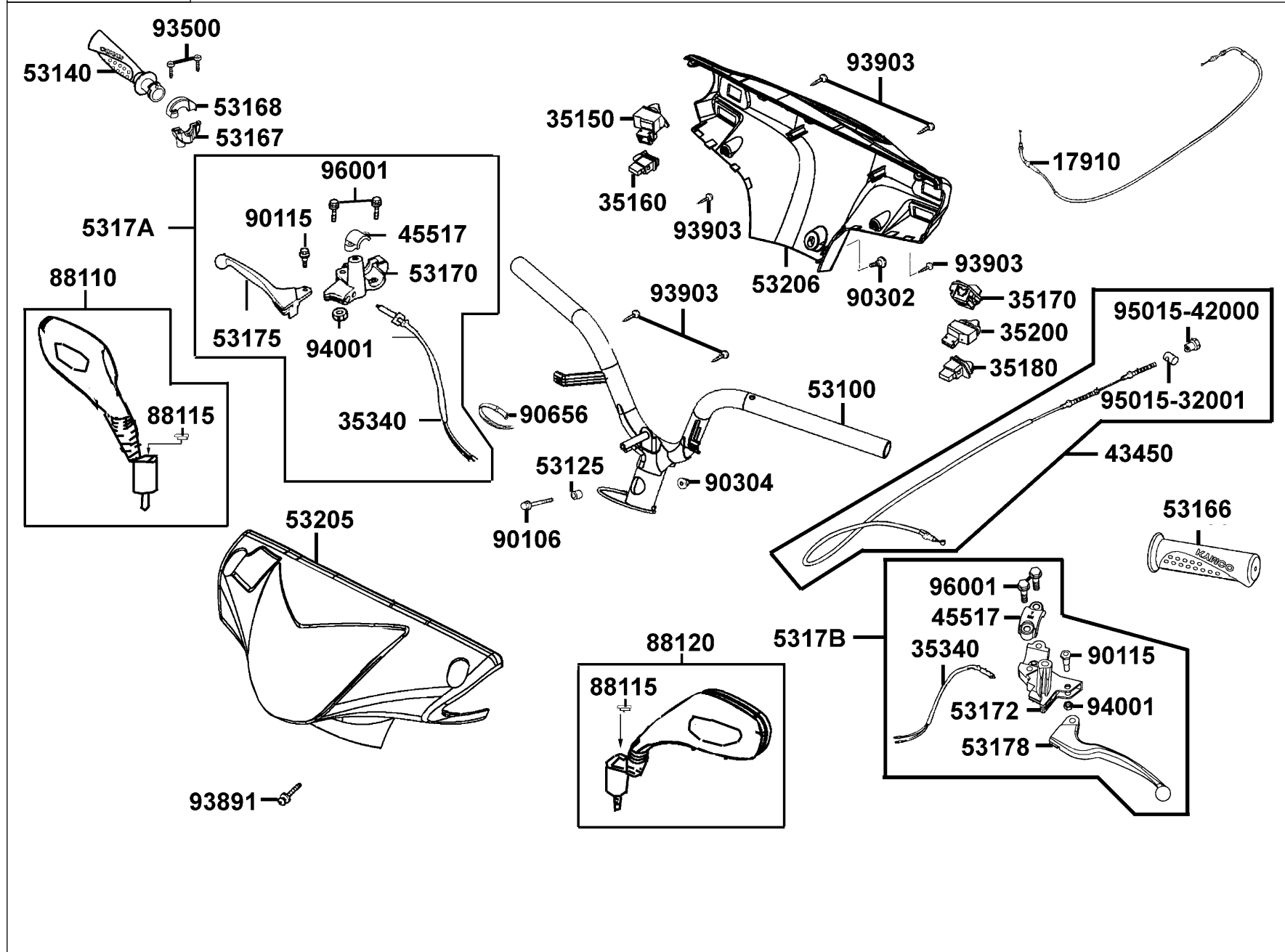


Sales mark 配色標註	Ref no 參考號碼	Part no 零件號碼	Description 英文名稱	Reg description 中文名稱	Regd no 需求用量	F03
	17910	17910-LHE9-900	CABLE COMP THROT	節流閥線	1	
	35150	35150-GFY6-900	SW UNIT LIGHTING	前燈開關	1	
	35160	35160-GFY6-900	SW UNIT STARTER	起動開關	1	
	35170	35170-KNBN-910	SW UNIT DIMMER	遠近燈開關	1	
	35180	35180-GFY6-900	SW UNIT HORN	喇叭開關	1	
	35200	35200-GFY6-910	SW UNIT WINKER	方向燈開關	1	
	35340	35340-KFLF-900	SW ASSY FR STOP	煞車燈前置開關	2	
#	43450	43450-LFG7-900	CABLE COMP RR BRK	後煞車導線	1	
	45517	45517-GFY6-900	HOLDER HNDL BRKT	手柄固定座夾板	2	
	53100	53100-LDA6-900	HANDLE COMP STRG	轉向手柄	1	
	53125	53125-GEN5-901	COLLAR HANDLE SET	套筒	1	
**	53140	53140-KFA1-900	GRIP COMP THROT *(1) C.2005.04.25	節流管套組/黑色 *(1) C.2005.04.25	1	
**	53166	53166-KFA1-900	GRIP L HANDLE *(1) C.2005.04.25	手柄左橡皮套/黑色 *(1) C.2005.04.25	1	
	53167	53167-KFA1-900	HOUSING UND THROT	節流管套下固定座	1	
	53168	53168-KFA1-900	HOUSING UP THROT	節流管套上固定座	1	
	53170	53170-LGJ9-900	BRKT HANDLE R	手柄右托架組	1	
	53172	53172-LBE3-900	BRKT HNDL L	手柄左托架組	1	
**	53175	53175-KCLC-901	LEVER R STRG HANDLE **KLC-901-M2A	手柄右拉桿/黑色 **KLC-901-M2A C.2005.09	1	
**	53178	53178-GKAK-901	LEVER L STRG HANDLE	左拉桿	1	
	5317A	5317A-LGJ9-900	BRKT ASSY HANDLE R/H	手柄右拉桿組	1	

F03

Handle Steering Handle Cover

轉向手柄 手柄蓋

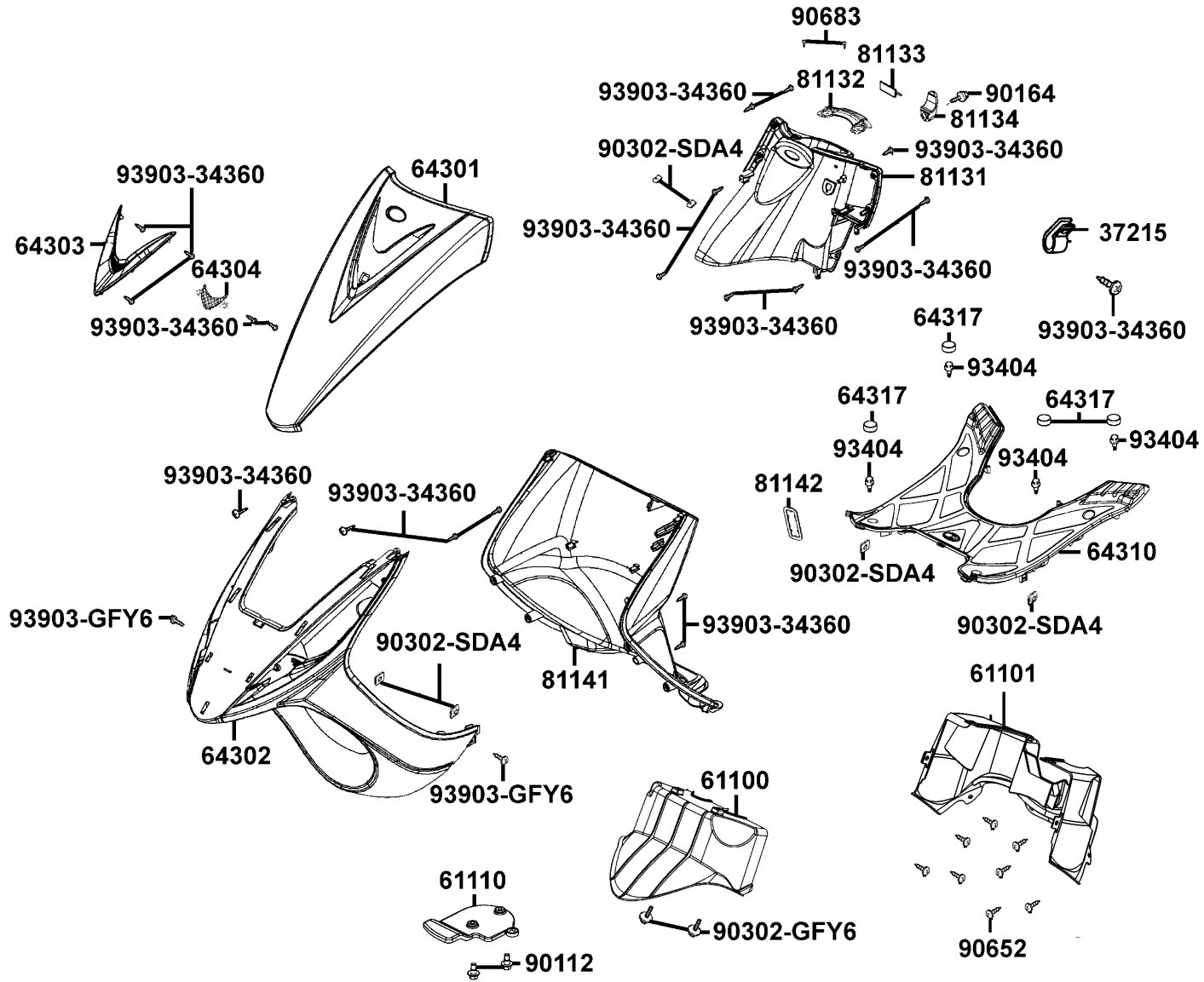


Sales mark 配色標註	Ref no 參考號碼	Part no 零件號碼	Description 英文名稱	Reg description 中文名稱	Regd no 需求用量	F03
	5317B	5317B-LFG7-900	BRKT ASSY L/H HANDLE	手柄左拉桿托架組	1	
**	53205	53205-LDA6-800	COVER FR HANDLE	手柄前蓋	1	
**	53206	53206-LDA6-900	COVER HANDLE RR	手柄後蓋	1	
**	88110	88110-LEB1-900	MIRROR ASSY R BACK	右後視鏡	1	
**	88115	88115-LBA2-E02	CAP MIRROR BRKT	後視鏡小蓋	2	
**	88120	88120-LEB1-900	MIRROR ASSY L BACK	左後視鏡	1	
	90106	90106-GEN5-901	BOLT FLANGE 10*50	特殊螺絲 10*50	1	
	90115	90115-GLE0-001	BOLT HNDL LEVER PIVOT	拉桿螺絲	2	
	90302	90302-KNBN-900	BOLT PAN 5*10	螺釘 5*10	1	
	90304	90304-GLW0-90A	NUT U FLANGE 10MM	螺帽 10MM	1	
	90656	90656-KCBC-900	BAND OIL HOSE	油管束帶	1	
	93500	93500-05022-06	SCREW PAN 5*22	螺絲 5*22	2	
	93891	93891-05025-06	SCREW WASH 5*25	螺絲 5*25	1	
	93903	93903-34360	SCREW TAPPING 4*12	螺絲 4*12	6	
	94001	94001-05080-0S	NUT HEX 5MM	螺帽 5MM	2	
	95015-32001	95015-32001	JOINT B BRAKE ARM	煞車導線接頭銷	1	
	95015-42000	95015-42000	NUT B ADJUST	調整螺帽	1	
	96001	96001-06025-06	BOLT FLANGE 6*25	螺絲 6*25	4	

F04

Front Cover Front Fender

前護蓋 前土除

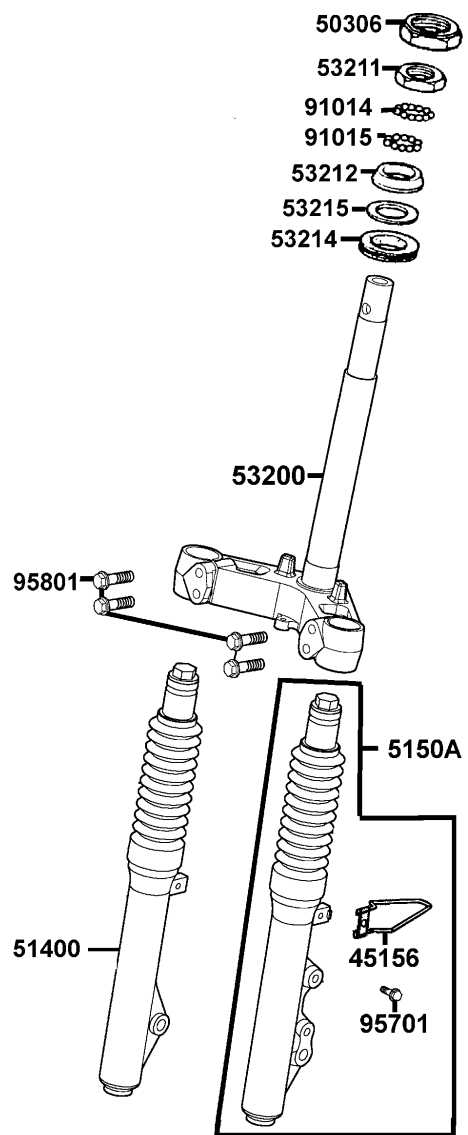


Sales mark 配色標註	Ref no 參考號碼	Part no 零件號碼	Description 英文名稱	Reg description 中文名稱	Regd no 需求用量	F04
#	37215	37215-LGM9-900	CLAMP	配線夾	1	
**	61100	61100-LDA6-900	FENDER A FR INNER	前土除 A	1	
	61101	61101-LHE9-900	FENDER B FR	前土除B	1	
**	61110	61110-KKC8-900	FENDER FRONT INNER	前內土除	1	
**	64301	64301-LDA6-306	COVER SET FRONT	前蓋組	1	
**	64302	64302-LDA6-900	MOLD FR	前護板	1	
**	64303	64303-LDA6-900	TOP FR COVER	前頂蓋/電鍍銀	1	
**	64304	64304-LDA6-900	GRILL FRONT COVER	前護蓋進氣窗	1	
**	64310	64310-LDA6-900	FLOOR PANEL	腳踏板	1	
**	64317	64317-KHD6-900	PLUG FLOOR A	A型踏板塞	4	
**	81131	81131-LDA6-900	LEG SHIELD UP	內箱上殼	1	
	81132	81132-LDA6-900	LID LEG SHIELD	內箱下殼下蓋	1	
	81133	81133-KGBG-900	STOPPER LUGGAGE	內箱襯蓋	1	
	81134	81134-KGBG-900	HOOK LUGGAGE	掛鉤	1	
**	81141	81141-LDA6-900	LEG SHIELD LOW	內箱下殼	1	
**	81142	81142-KUDU-900	LID LEG SHIELD	內箱蓋	1	
	90112	90112-GCC3-001	BOLT SPECIAL 5MM	螺絲 5MM	2	
	90164	90164-MDR4-901	SCREW SPECIAL 6MM	特殊螺絲 6MM	1	
	90302-GFY6	90302-GFY6-901	BOLT WASH 5*12	螺絲 5*12	2	
	90302-SDA4	90302-SDA4-004	NUT SPRING 4MM	螺帽 4MM	6	

Sales mark 配色標註	Ref no 參考號碼	Part no 零件號碼	Description 英文名稱	Reg description 中文名稱	Regd no 需求用量	F04
	90652	90652-LFB5-900	CLIP MUDGUARD	塑膠螺絲	8	
	90683	90683-GAR1-004	CLIP BODY COVER	邊蓋夾	2	
	93404	93404-06016-06	BOLT WASHER 6*16	螺絲 6*16	4	
	93903-34360	93903-34360	SCREW TAPPING 4*12	螺絲 4*12	20	
	93903-GFY6	93903-GFY6-900	SCREW TAPPING 4*14	螺絲 4*14	2	

F05

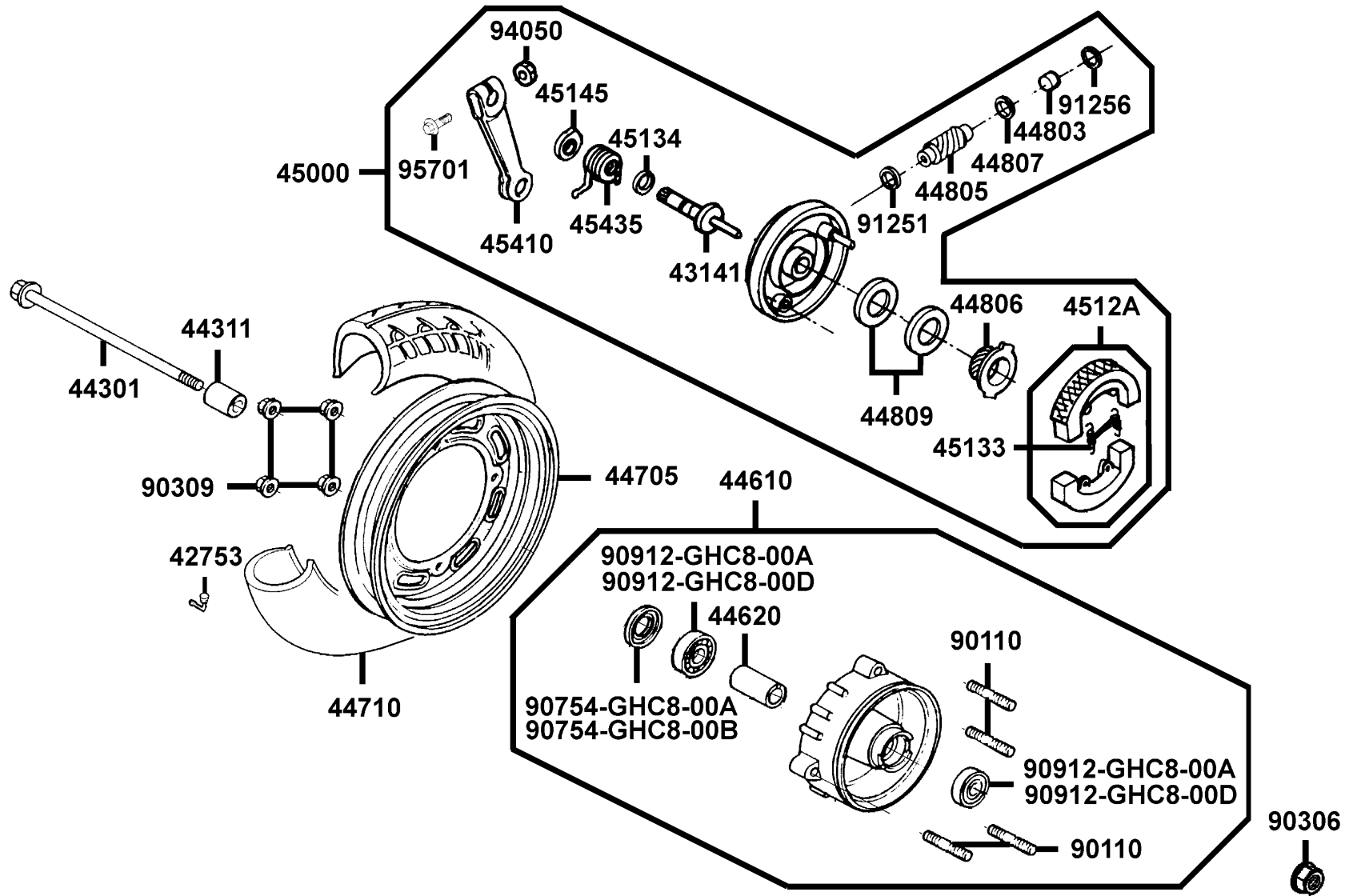
Stem Steering Front Fork 轉向軸 前避震器



Sales mark 配色標註	Ref no 參考號碼	Part no 零件號碼	Description 英文名稱	Reg description 中文名稱	Regd no 需求用量	F05
	45156	45156-LGL3-800	CLAMPER FR BRK CABLE	煞車導線夾	1	
	50306	50306-1F96-001	NUT STRG STEM LOCK	主幹螺帽	1	
**	51400	51400-KHD6-W01	FORK ASSY R FR	右前避震器	1	
**	5150A	5150A-KHD6-W01	FORK SET L FR	左前避震器	1	
#	53200	53200-KHE1-900	STEM COMP STEERING	轉向桿	1	
	53211	53211-GFY6-940	RACE STRG TOP CONE	上錐體座圈	1	
	53212	53212-2L50-011	RACE STRG BOT CONE	下錐體座圈	1	
	53214	53214-2L50-001	DUST SEAL STRG(HEAD)	墊片	1	
	53215	53215-2L50-001	WASH STRG HDL DUST-SEAL	轉向桿華司	1	
	91014	91014-LLJ3-E00	CAGE STEERING TOP	鋼珠座	1	
	91015	91015-LLJ3-E00	CAGE STEERING BOT	鋼珠座	1	
	95701	95701-06012-08	BOLT FLANGE 6*12	螺絲 6*12	1	
	95801	95801-08040-08	BOLT FLANGE 8*40	螺絲 8*40	4	

F06

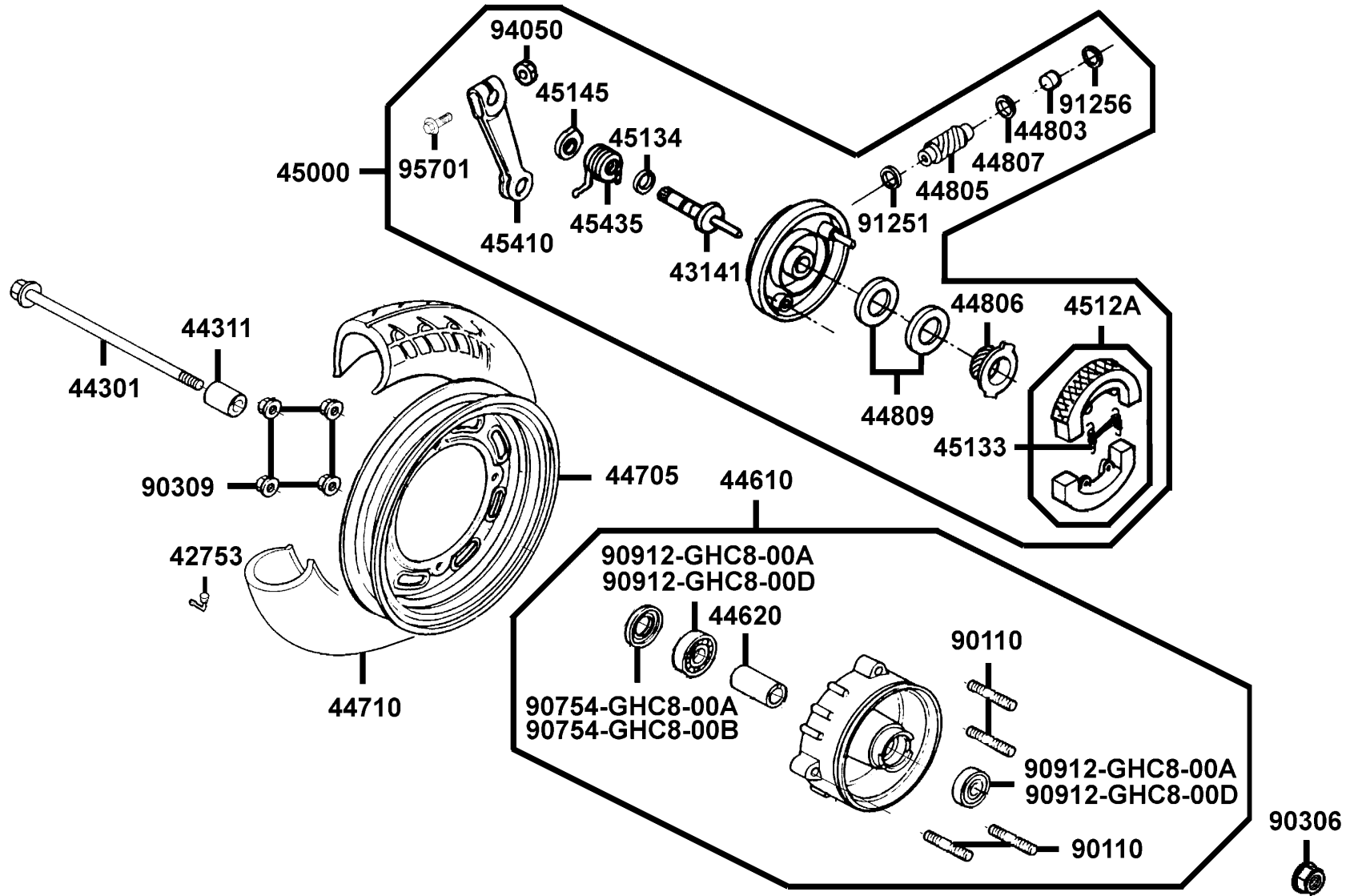
Front Wheel 前輪



Sales mark 配色標註	Ref no 參考號碼	Part no 零件號碼	Description 英文名稱	Reg description 中文名稱	Regd no 需求用量	F06
	42753	42753-0D04-900	RIM VALVE (PVR 70)	打氣嘴	1	
	43141	43141-4L00-011	CAM REAR BRAKE	後煞車凸輪	1	
	44301	44301-KECE-900	AXLE FR WHEEL	前輪軸	1	
	44311	44311-GKM9-001	COLLAR FR WHEEL SIDE	前輪邊套筒	1	
**	44610	44610-GLW0-305	HUB SUB ASSY FR	前輪轂組	1	
	44620	44620-GHC8-001	COLLAR FR AXLE DISTANCE	前輪軸距套筒	1	
	44705	44705-KUDU-900	RIM COMP FR WHEEL	前輪圈	1	
	44710	44710-LAD9-800-G304	TIRE ASSY FR	前輪胎	1	
	44803	44803-GFY6-90A	BUSH PINION	速度錶小齒輪襯套	1	
	44805	44805-KECE-800	PINION SPDMT	速度錶小齒輪	1	
	44806	44806-KECE-800	GEAR SPDMT	速度錶齒輪	1	
	44807	44807-0A01-004	WASHER GEAR BOX PINION	華司	1	
	44809	44809-1L70-004	WASHER SPEEDOMETER GEAR	華司	2	
**	45000	45000-LCB3-910	PANEL ASSY FR BRK	前煞車板組	1	
	4512A	4512A-LCB4-305	SHOE ASSY FR	前煞車鞋	1	
	45133	45133-0H28-001	SPRING BRAKE SHOE	煞車鞋彈簧	2	
	45134	45134-2L50-001	BRAKE CAM DUST SEAL	凸輪防塵封	1	
	45145	45145-0F96-651	INDICATOR FRONT BRAKE	前煞車指示器	1	
	45410	45410-GBB2-001	ARM FRONT BRAKE	前煞車臂	1	
	45435	45435-GBB2-721	SPG BRK ARM RETURN	煞車臂回位彈簧	1	

F06

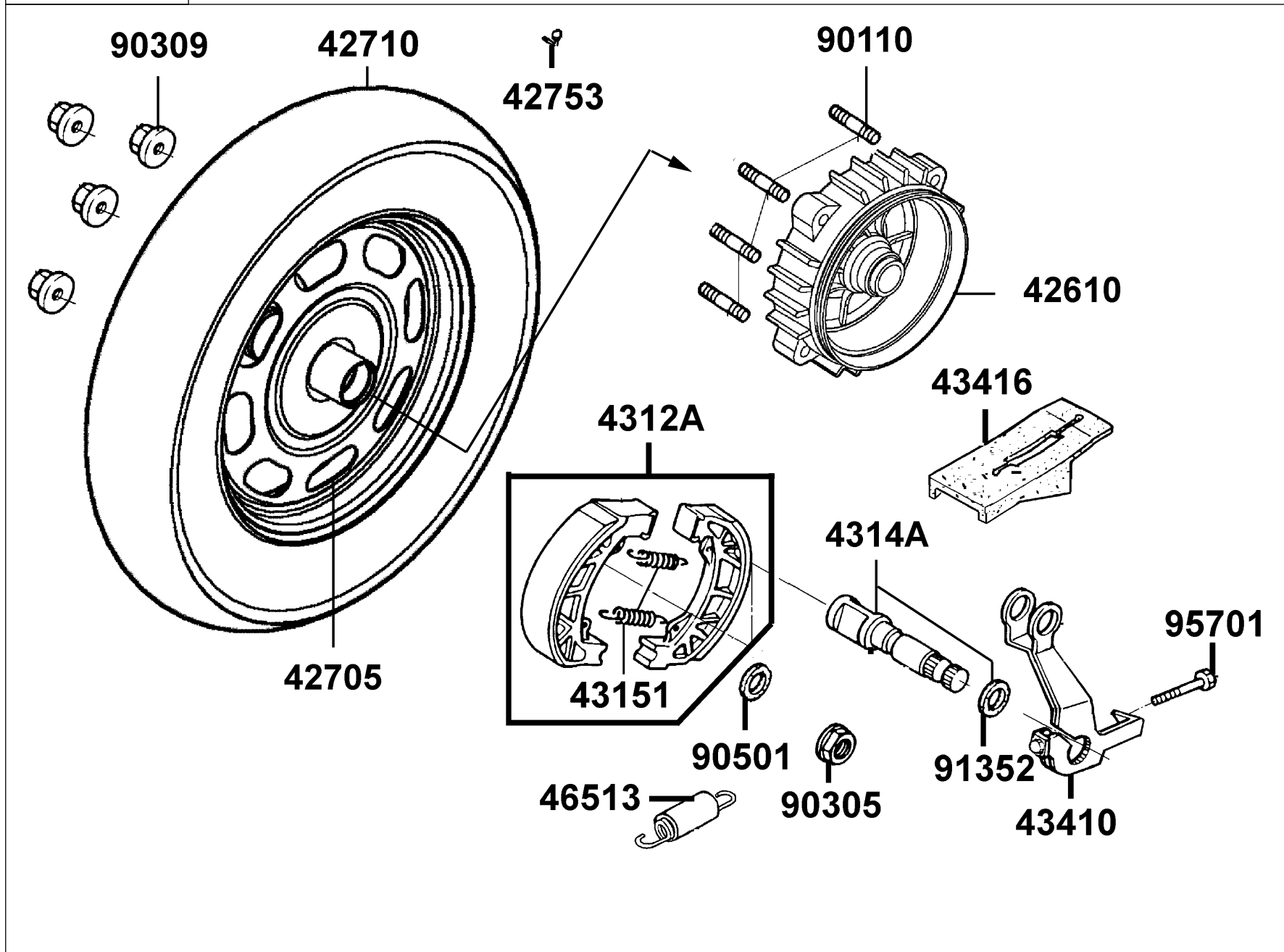
Front Wheel 前輪



Sales mark 配色標註	Ref no 參考號碼	Part no 零件號碼	Description 英文名稱	Reg description 中文名稱	Regd no 需求用量	F06
	90110	90110-KHG8-901	BOLT STUD2 8*22	雙頭螺絲 8X22	4	
	90306	90306-KLF0-004-SY	NUT FLANGE 12MM	螺帽 12MM	1	
	90309	90309-GLW0-90A	NUT U FLANGE 8MM	螺帽 8MM	4	
	90754-GHC8-00A	90754-GHC8-00A	SEAL DUST 20*32*5	油封 20*32*5	1	
	90754-GHC8-00B	90754-GHC8-00B	SEAL DUST 20*32*5	油封 20*32*5	1	
	90912-GHC8-00A	90912-GHC8-00A	BEARING 6201	軸承	2	
	90912-GHC8-00D	90912-GHC8-00D	BEARING 6201	軸承	2	
	91251	91251-GHC8-004	SEAL OIL 41*51*5	油封	1	
	91256	91256-GAC1-004	SEAL DUST	防塵封	1	
	94050	94050-06080	NUT FLANGE 6MM	螺帽 6MM	1	
	95701	95701-06028-08	BOLT FLANGE 6*28	螺絲 6X28	1	

F07

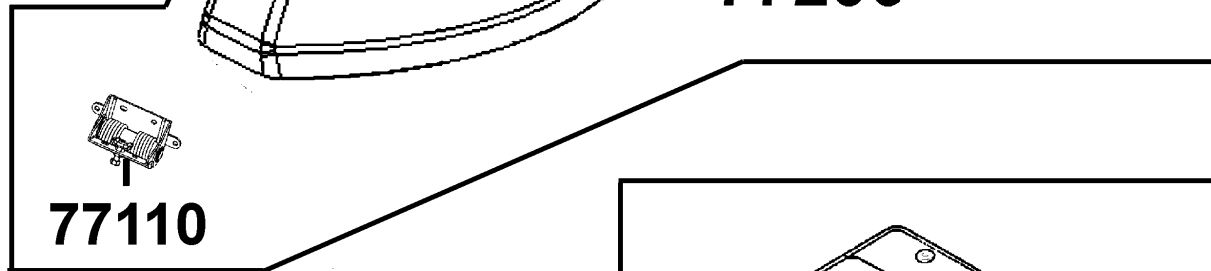
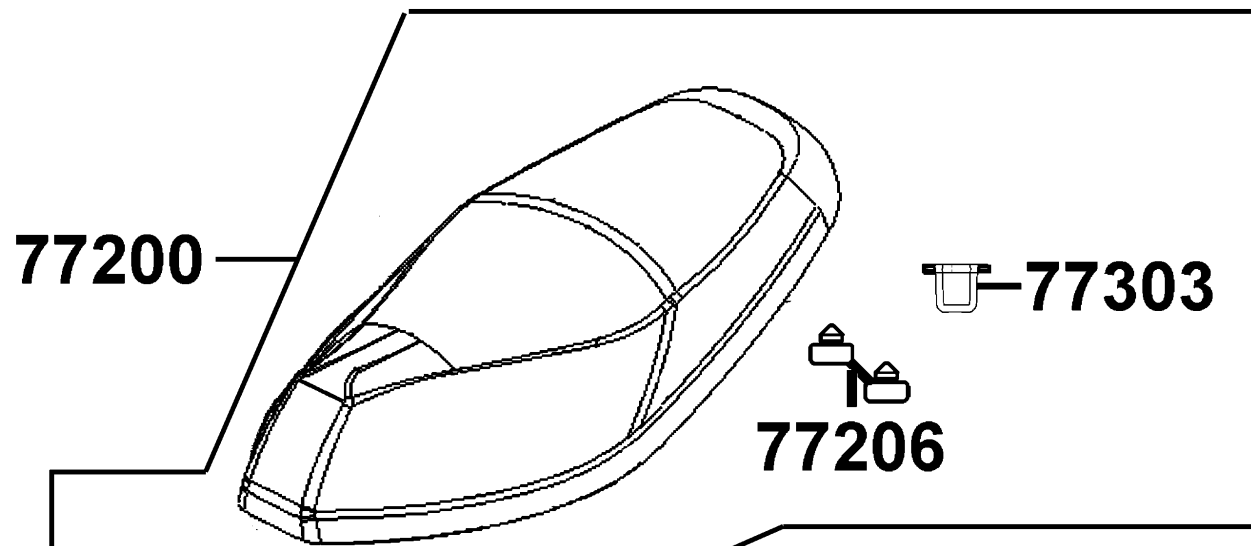
Rear Wheel 後輪



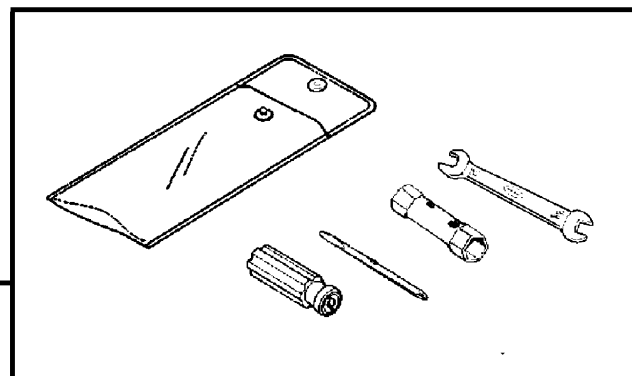
Sales mark 配色標註	Ref no 參考號碼	Part no 零件號碼	Description 英文名稱	Reg description 中文名稱	Regd no 需求用量	F07
**	42610	42610-KUDU-900	HUB SUB COMP RR	後輪殼	1	
**	42705	42705-KUDU-900	RIM COMP RR WHEEL	後輪鋼圈	1	
	42710	42710-LAD9-800-G304	TIRE ASSY FR	後輪胎	1	
	42753	42753-KXCX-900	VALVE (PVR-70B) & CAP	打氣嘴	1	
	4312A	4312A-LEB1-900	SHOE ASSY REAR BRAKE	後煞車鞋	1	
	4314A	4314A-LDF7-E10	CAM ASSY RR BRK	後煞車凸輪組	1	
	43151	43151-LEB1-900	SPRING BRAKE SHOE REAR	彈簧	2	
	43410	43410-LAD9-900	ARM COMP RR BRAKE	後煞車臂	1	
	43416	43416-KUDU-900	GUARD RR BRK ARM	後剎車臂護蓋	1	
	46513	46513-KUDU-900	SPG ASSY BRK ARM	煞車踏板彈簧	1	
	90110	90110-KHG8-901	BOLT STUD2 8*22	雙頭螺絲 8X22	4	
	90305	90305-KNBN-90B	NUT U 16MM	螺帽 16MM	1	
	90309	90309-GLW0-90A	NUT U FLANGE 8MM	螺帽 8MM	4	
	90501	90501-KNBN-901	WASHER 16MM	華司 16MM	1	
	91352	91352-KHG8-83B	O-RING 11.3*1.3	O環 11.3*1.3	1	
	95701	95701-06035-08	BOLT FLANGE SH 6*35	螺絲 6*35	1	

F08

Seat 座墊



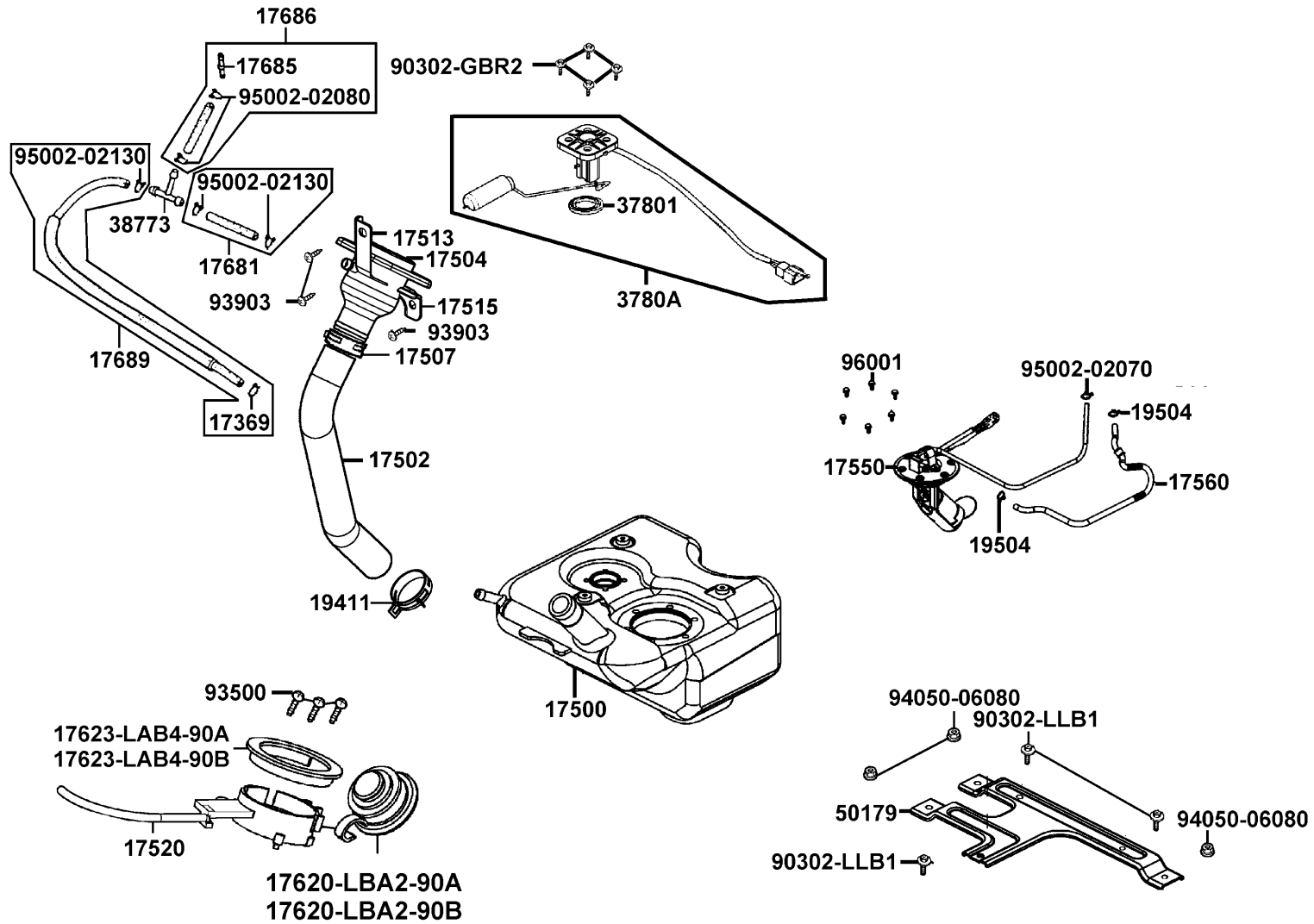
89010



Sales mark 配色標註	Ref no 參考號碼	Part no 零件號碼	Description 英文名稱	Reg description 中文名稱	Regd no 需求用量	F08
	77110	77110-LDA6-900	HINGE COMP SEAT	坐墊自動彈起鉸鏈	1	
**	77200	77200-LHE9-800	SEAT ASSY	座墊組	1	
	77206	77206-KEB7-900	RUBBER SEAT CUSH	橡皮	2	
	77303	77303-LHE9-900	HOOK SEAT LOCK	座墊鉤	1	
	89010	89010-LAD9-900	TOOL SET	手工具組	1	
	94050	94050-06080	NUT FLANGE 6MM	螺帽 6MM	2	

F09

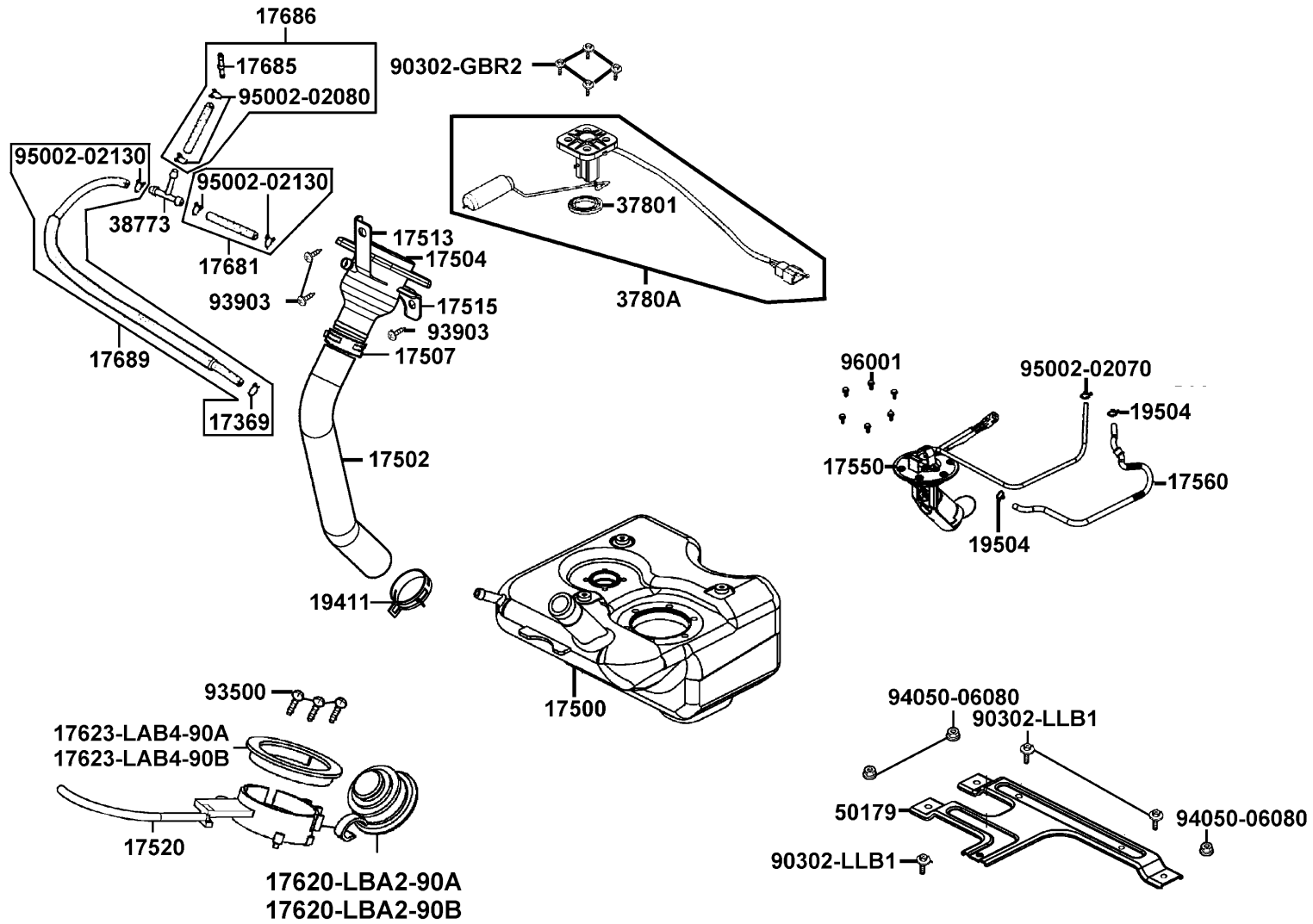
Fuel Tank 油箱



Sales mark 配色標註	Ref no 參考號碼	Part no 零件號碼	Description 英文名稱	Reg description 中文名稱	Regd no 需求用量	F09
17369	17369-KHC4-900	17369-KHC4-900	CLIP BREATHER TUBE	通氣管夾	1	
17500	17500-LFG7-900	17500-LFG7-900	TANK COMP FUEL	油箱	1	
17502	17502-LDA6-900	17502-LDA6-900	TUBE FUEL	油管	1	
17504	17504-LAB4-900	17504-LAB4-900	FUEL FILLER	加油漏斗	1	
17507	17507-LAB4-900	17507-LAB4-900	BAND FUEL HOSE	油管束夾	1	
17513	17513-LDA6-900	17513-LDA6-900	STAY A FUEL FILLER	加油漏斗支架 A	1	
17515	17515-LAB4-900	17515-LAB4-900	STAY B FUEL FILLER	加油漏斗支架 B	1	
17520	17520-LLF5-900	17520-LLF5-900	CABLE COMP FUEL CAP	油箱蓋導線	1	
17550	17550-LHE9-900	17550-LHE9-900	PUMP ASSY FUEL	燃油泵	1	
17560	17560-LFG7-900	17560-LFG7-900	TUBE PUMP INJECTOR	油管	1	
17620-LBA2-90A	17620-LBA2-90A	17620-LBA2-90A	CAP COMP FUEL FILLER	油箱蓋	1	
17620-LBA2-90B	17620-LBA2-90B	17620-LBA2-90B	CAP COMP FUEL FILLER	油箱蓋	1	
17623-LAB4-90A	17623-LAB4-90A	17623-LAB4-90A	COLLAR FUEL CAP	油箱蓋套筒	1	
17623-LAB4-90B	17623-LAB4-90B	17623-LAB4-90B	COLLAR FUEL CAP	油箱蓋套筒	1	
17681	17681-KFA1-900	17681-KFA1-900	TUBE JOINT 3 WAY	油管	1	
17685	17685-KZCZ-900	17685-KZCZ-900	JOINT TUBE	油管接頭	1	
17686	17686-KHE2-900	17686-KHE2-900	TUBE ASSY FUEL	油管(F.C.V.)	1	
17689	17689-LAD9-900	17689-LAD9-900	TUBE ASSY FILLER	油管	1	
19411	19411-KBCB-900	19411-KBCB-900	CLIP HOSE	油管鎖環	1	
19504	19504-LBA2-E00	19504-LBA2-E00	CLAMP D 16.8	管夾	2	

F09

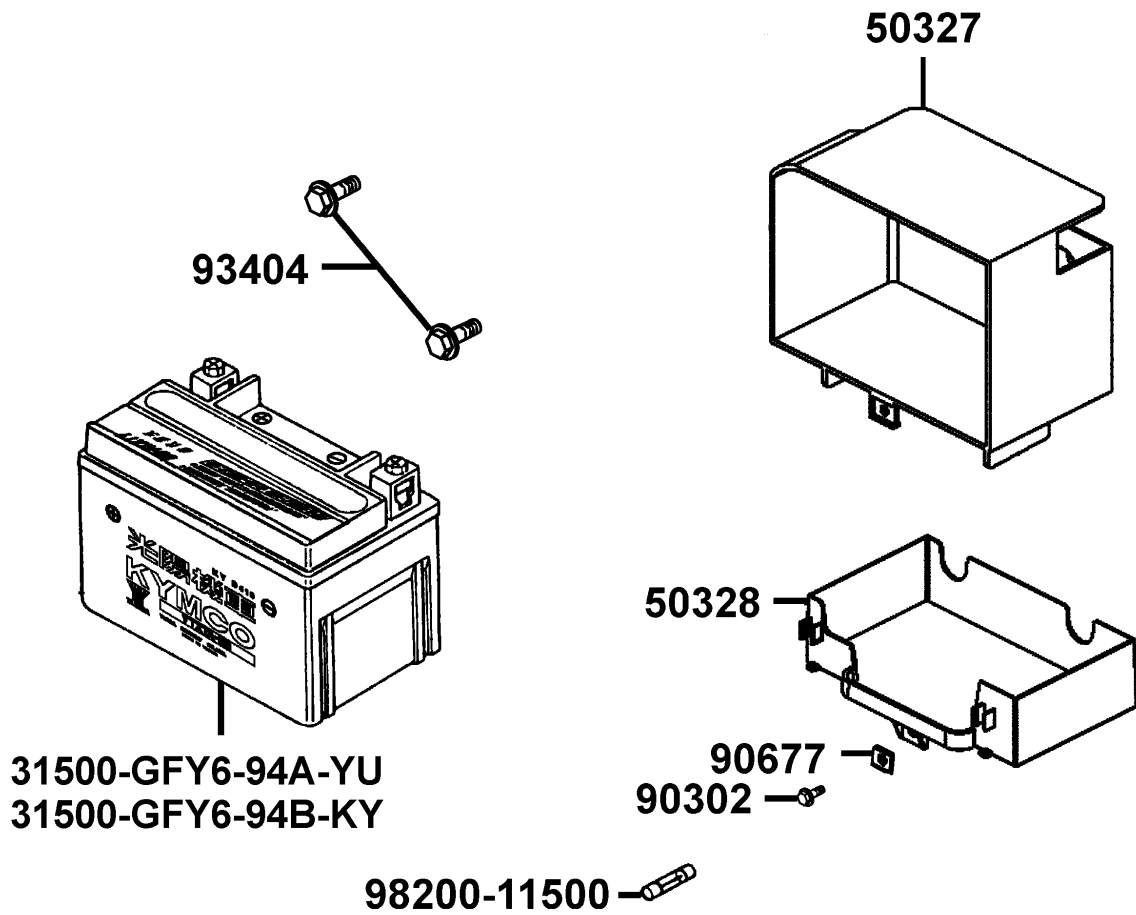
Fuel Tank 油箱



Sales mark 配色標註	Ref no 參考號碼	Part no 零件號碼	Description 英文名稱	Reg description 中文名稱	Regd no 需求用量	F09
	37801	37801-LAB4-910	PACKING BASE	墊圈	1	
	3780A	3780A-LFG7-900	FUEL UNIT ASSY	燃料量指示器組	1	
	38773	38773-KBCB-900	JOINT 3 WAY	3通管	1	
**	50179	50179-LFG7-900	BRKT FLOOR PANEL	腳踏板支架	1	
	90302-GBR2	90302-GBR2-001	BOLT WASH 5*16	螺絲 5*16	4	
	90302-LLB1	90302-LLB1-E00	BOLT-WASHER 5*12	螺絲 5X12	3	
	93500	93500-04008-0G	SCREW PAN 4*8	螺絲 4*8	3	
	93903	93903-35360	SCREW TAPPING 5*16	螺釘 5*16	3	
	94050-06080	94050-06080	NUT FLANGE 6MM	螺帽 6MM	3	
	95002-02070	95002-02070	CLIP B7 TUBE	管夾	1	
	95002-02080	95002-02080	CLIP B8 TUBE	管夾	1	
	95002-02130	95002-02130	CLIP B 12.5 TURE	管夾	3	
	96001	96001-06014-08	BOLT FLANGE 6*14	螺絲 6X14	6	

F10

Battery 電瓶

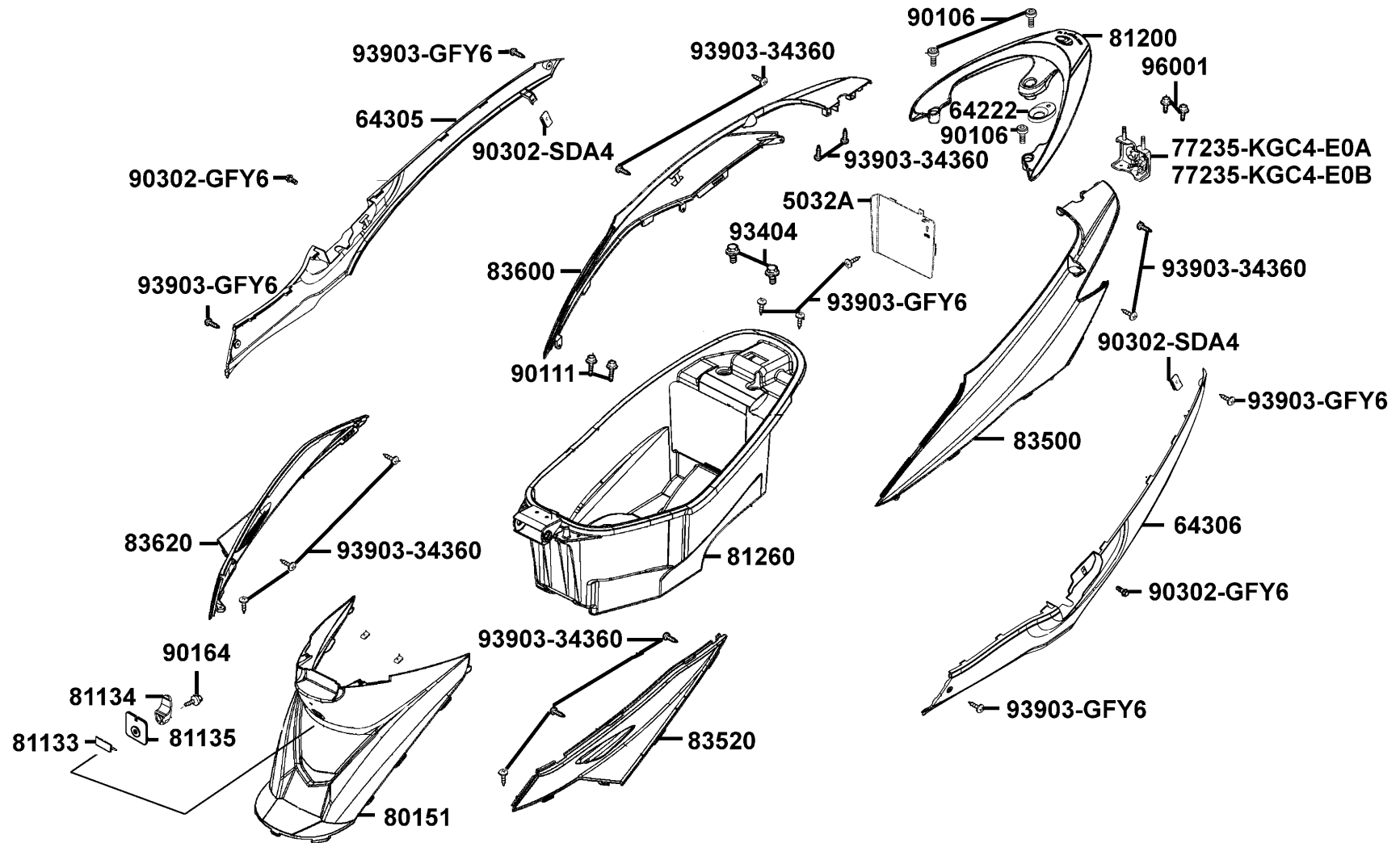


Sales mark 配色標註	Ref no 參考號碼	Part no 零件號碼	Description 英文名稱	Reg description 中文名稱	Regd no 需求用量	F10
	31500-GFY6-94A-YU	31500-GFY6-94A-YU	BATTERY YTX7A-BS	電瓶	1	
	31500-GFY6-94B-KY	31500-GFY6-94B-KY	BATTERY GTX7A-BS	電瓶	1	
	50327	50327-LHB8-900	BATTERY CASE	電池盒本體	1	
	50328	50328-LBB8-900	BATTERY DRAWER	電瓶滑動底座	1	
	90302	90302-GFY6-940	BOLT-WASH 5*16	螺絲 5*16	1	
	90677	90677-GAR1-004	NUT CLIP 5MM	彈簧螺帽 5MM	1	
	93404	93404-06020-06	BOLT WASH 6*20	螺絲 6*20	2	
	98200-11500	98200-11500	FUSE A15	保險絲 A15	1	

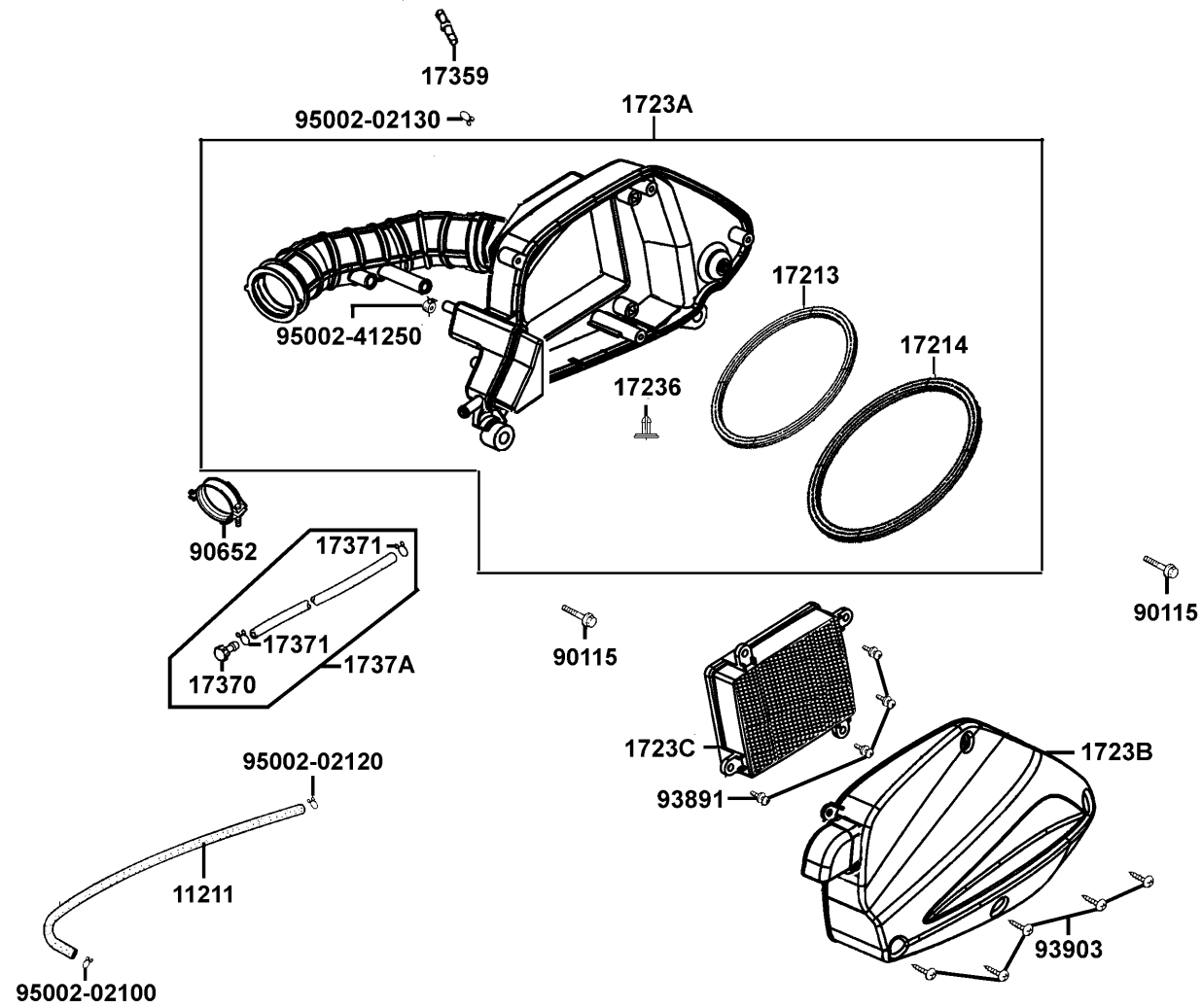
Sales mark 配色標註	Ref no 參考號碼	Part no 零件號碼	Description 英文名稱	Reg description 中文名稱	Regd no 需求用量	F11
	5032A	5032A-LFG7-900	COVER ASSY BATTERY MAINT	電瓶蓋	1	
	64222	64222-LDA6-900	CUSHION RR GRIP	後架緩衝橡皮	1	
**	64305	64305-LDA6-900	SKIRT R SIDE	右邊軌	1	
**	64306	64306-LDA6-900	SKIRT L SIDE	左邊軌	1	
	77235-KGC4-E0A	77235-KGC4-E0A	SEAT CATCH	座墊檔器	1	
	77235-KGC4-E0B	77235-KGC4-E0B	SEAT CATCH	座墊檔器	1	
**	80151	80151-LDA6-900	COVER CENTER	中心蓋	1	
	81133	81133-KGBG-900	STOPPER LUGGAGE	內箱襯蓋	1	
	81134	81134-KGBG-900	HOOK LUGGAGE	掛鉤	1	
	81135	81135-KGBG-900	STAY LUGGAGE HOOK	掛鉤座	1	
**	81200	81200-LDA6-900	CARRIER RR	後架	1	
	81260	81260-LHB8-900	BOX ASSY.,LUG.	置物箱組	1	
**	83500	83500-LDA6-346	COVER R BODY	車體右邊蓋組	1	
**	83520	83520-LDA6-900	MOLD R SIDE	車體右下蓋	1	
**	83600	83600-LDA6-346	COVER L BODY	車體左邊蓋組	1	
**	83620	83620-LDA6-900	MOLD L SIDE	車體左下蓋	1	
	90106	90106-KFAF-900	BOLT SPECIAL	後握桿螺絲	3	
	90111	90111-1G87-001	BOLT FLANGE 6MM	螺絲 6MM	2	
	90164	90164-KGBG-900	SCREW SPECIAL 6MM	特殊螺絲 6MM	1	
	90302-GFY6	90302-GFY6-901	BOLT WASH 5*12	螺絲 5*12	2	

F11

Body Cover Luggage Box 車體邊蓋 行李箱



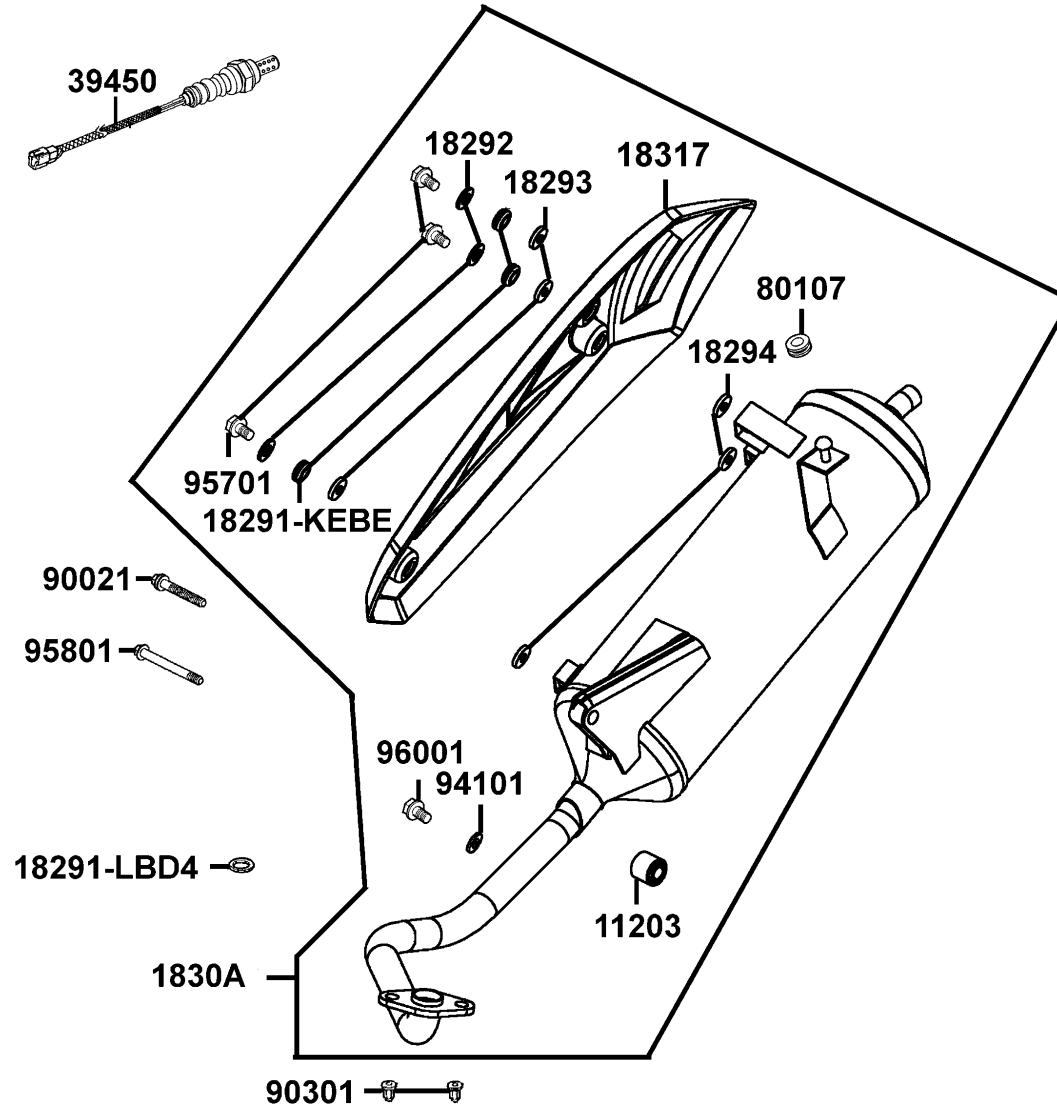
Sales mark 配色標註	Ref no 參考號碼	Part no 零件號碼	Description 英文名稱	Reg description 中文名稱	Regd no 需求用量	F11
	90302-SDA4	90302-SDA4-004	NUT SPRING 4MM	螺帽 4MM	4	
	93404	93404-KKC2-900-06	BOLT-WASH 6X16	螺栓(墨綠)	2	
	93903-34360	93903-34360	SCREW TAPPING 4*12	螺絲 4*12	12	
	93903-GFY6	93903-GFY6-900	SCREW TAPPING 4*14	螺絲 4*14	7	
	96001	96001-06012-08	BOLT FLANGE 6*12	螺絲 6*12	2	



Sales mark 配色標註	Ref no 參考號碼	Part no 零件號碼	Description 英文名稱	Reg description 中文名稱	Regd no 需求用量	F12
	11211	11211-LGK2-900	TUBE, BREATHER	通氣管	1	
	17213	17213-LDA6-900	SEAL ELEMENT	濾清器油封	1	
	17214	17214-LDA6-900	SEAL AIR/C CASE	空氣濾清器箱防水封	1	
	17236	17236-KFBF-910	PLATE AIR/C CASE	隔板	1	
	1723A	1723A-LHB8-900	CASE COMP., AIR/C	空氣濾清器箱	1	
	1723B	1723B-LDA6-900	COVER COMP AIR/C	空氣濾清器蓋	1	
	1723C	1723C-LDA6-900	ELEMENT COMP AIR/C	空氣濾清器	1	
	17359	17359-4K19-671	JOINT BREATHER TUBE	通氣管接頭	1	
	17370	17370-4K19-701	PLUG BREATHER TUBE	管塞	1	
	17371	17371-1D74-671	CLIP BREATHER TUBE	通氣管夾	2	
	1737A	1737A-LDA6-900	V TUBE ASSY	空氣管	1	
	90115	90115-KXCX-900	BOLT FLANGE SH 6*32	螺絲 6*32	2	
	90652	90652-GFY6-901	BAND 49 AIR/C CONNECTING TUBE	連接管固定帶	1	
	93891	93891-05016-08	SCREW WASHER 5*16	螺絲 5X16	4	
	93903	93903-25460	SCREW TAPPING 4*12	螺釘 4*12	5	
	95002-02100	95002-02100	CLIP B15 TUBE	管夾	1	
	95002-02120	95002-02120	CLIP B12 TUBE	管夾 B12	1	
	95002-02130	95002-02130	CLIP B 12.5 TURE	管夾	1	
	95002-41250	95002-41250-00	CLIP D12.5 TUBE	管夾	1	

F13

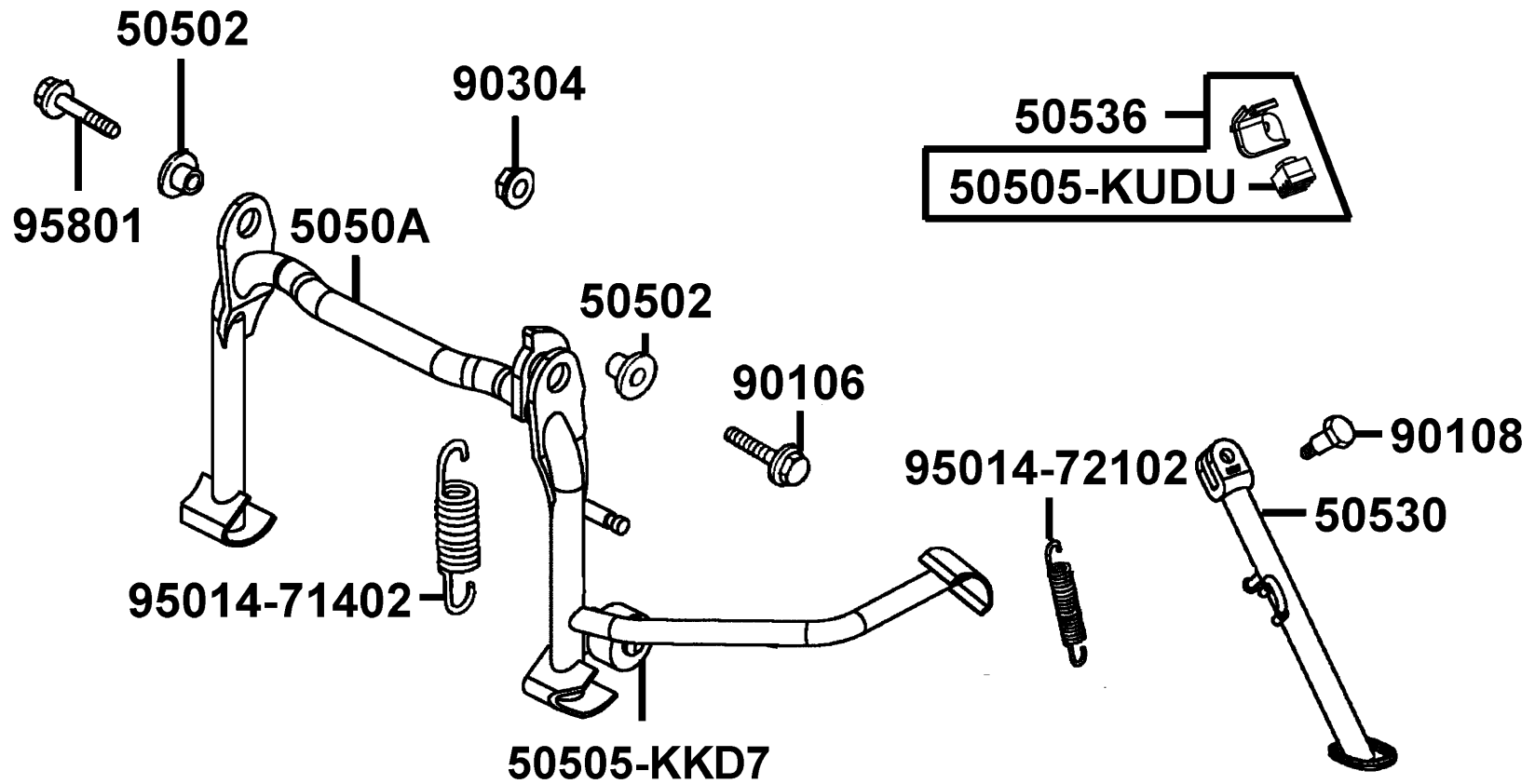
Exhaust Muffler 排氣管



Sales mark 配色標註	Ref no 參考號碼	Part no 零件號碼	Description 英文名稱	Reg description 中文名稱	Regd no 需求用量	F13
	11203	11203-GFY6-901	RUBBER BUSH MUFFER STAY	橡皮襯套	1	
	18291-KEBE	18291-KEBE-900	COLLAR	套筒	3	
	18291-LBD4	18291-LBD4-900	GASKET EXH PIPE	排氣管墊圈	1	
	18292	18292-KEBE-900	PACKING PROTECTOR	墊片	3	
	18293	18293-KEBE-900	RUBBER PKG PROTR	橡皮	3	
	18294	18294-KEBE-900	PACKING PROTECTOR	防熱墊片	3	
	1830A	1830A-LHB8-900	MUFFLER ASSY.,EXH	排氣管組	1	
**	18317	18317-LHB8-900	PROTECTOR COMP MUFFLER	排氣管護熱蓋	1	
	39450	39450-LEA6-800	O2 SENSOR	氧氣感測器	1	
	80107	80107-KHLH-900	RUBBER A RR FENDER	後土除橡皮	1	
	90021	90021-GFY6-900	BOLT WASHER COMP	螺絲	1	
	90301	90301-GFY6-901	NUT (HEX) CAP 8MM	圓螺帽 8MM	2	
	94101	94101-06700	WASHER PLAIN 6MM	平華司	1	
	95701	95701-06022-06	BOLT FLANGE 6*22	螺絲 6X22	3	
	95801	95801-08042-06	BOLT FLANGE 8*42	螺絲 8*42	1	
	96001	96001-06008-07	BOLT FLANGE SH 6*8	螺絲 6*8	1	

F14

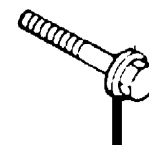
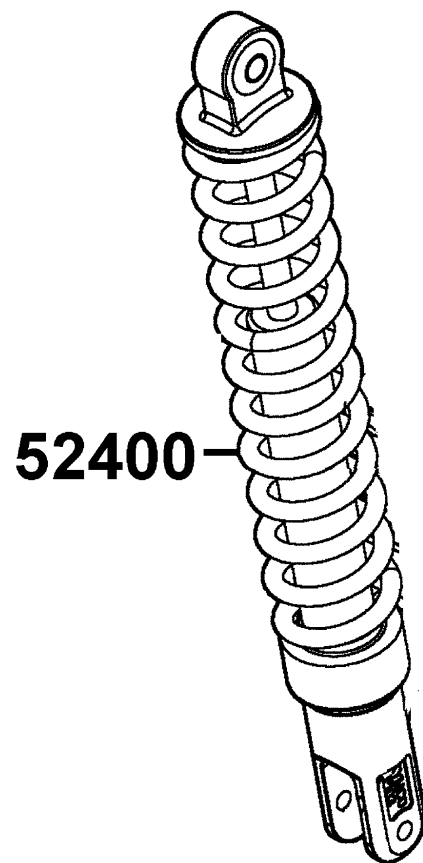
Kick Starter Arm Stand 起動踏桿 腳架



Sales mark 配色標註	Ref no 參考號碼	Part no 零件號碼	Description 英文名稱	Reg description 中文名稱	Regd no 需求用量	F14
	50502	50502-GFY6-901	COLLAR MAIN STAND	主腳架套環	2	
	50505-KKD7	50505-KKD7-900	RUBBER STOPPER MAIN	主腳架橡皮	1	
	50505-KUDU	50505-KUDU-900	STOPPER RUBBER	主腳架橡皮	1	
	5050A	5050A-KHE2-800	STAND ASSY MAIN	主腳架	1	
	50530	50530-LLF5-900	SIDE STAND COMP	側腳架	1	
	50536	50536-LBE3-900	STOPPER RUBBER ASSY SIDE STAND	主腳架停止橡皮	1	
	90106	90106-LBA7-900	BOLT FLANGE 8*25	螺絲 8*25	1	
	90108	90108-KUDU-900	SCREW SIDE STAND PIVOT	側腳架螺絲	1	
	90304	90304-GHE8-004-SW	NUT U FLANGE 10MM	螺帽 10MM	1	
	95014-71402	95014-71402	SPRING D MAIN STAND	主腳架彈簧	1	
	95014-72102	95014-72102	SPG A SIDE STAND	側腳架彈簧	1	
	95801	95801-10025-08	BOLT FLANGE 10*25	螺絲 10*25	1	

F15

Rear Cushion 後避震器



95801-10040

95801-08035



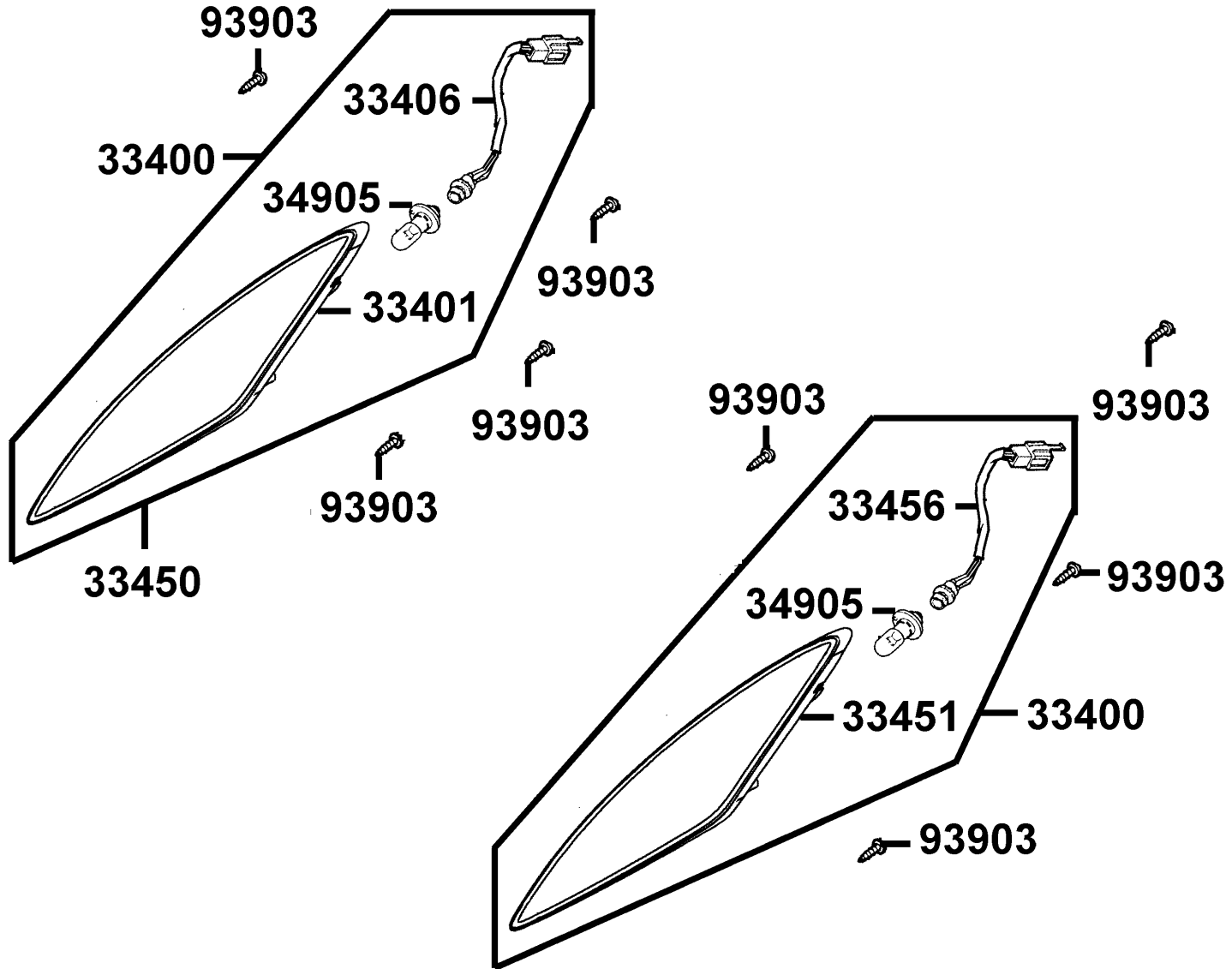
Sales mark 配色標註	Ref no 參考號碼	Part no 零件號碼	Description 英文名稱	Reg description 中文名稱	Regd no 需求用量
**	52400	52400-LAD9-900	CUSHION ASSY RR	後避震	1
	95801-08035	95801-08035-08	BOLT FLANGE 8*35	螺絲 8*35	1
	95801-10040	95801-10040-08	BOLT FLANGE 10*40	特殊螺絲 10*40	1

F15

F16

Front Winker

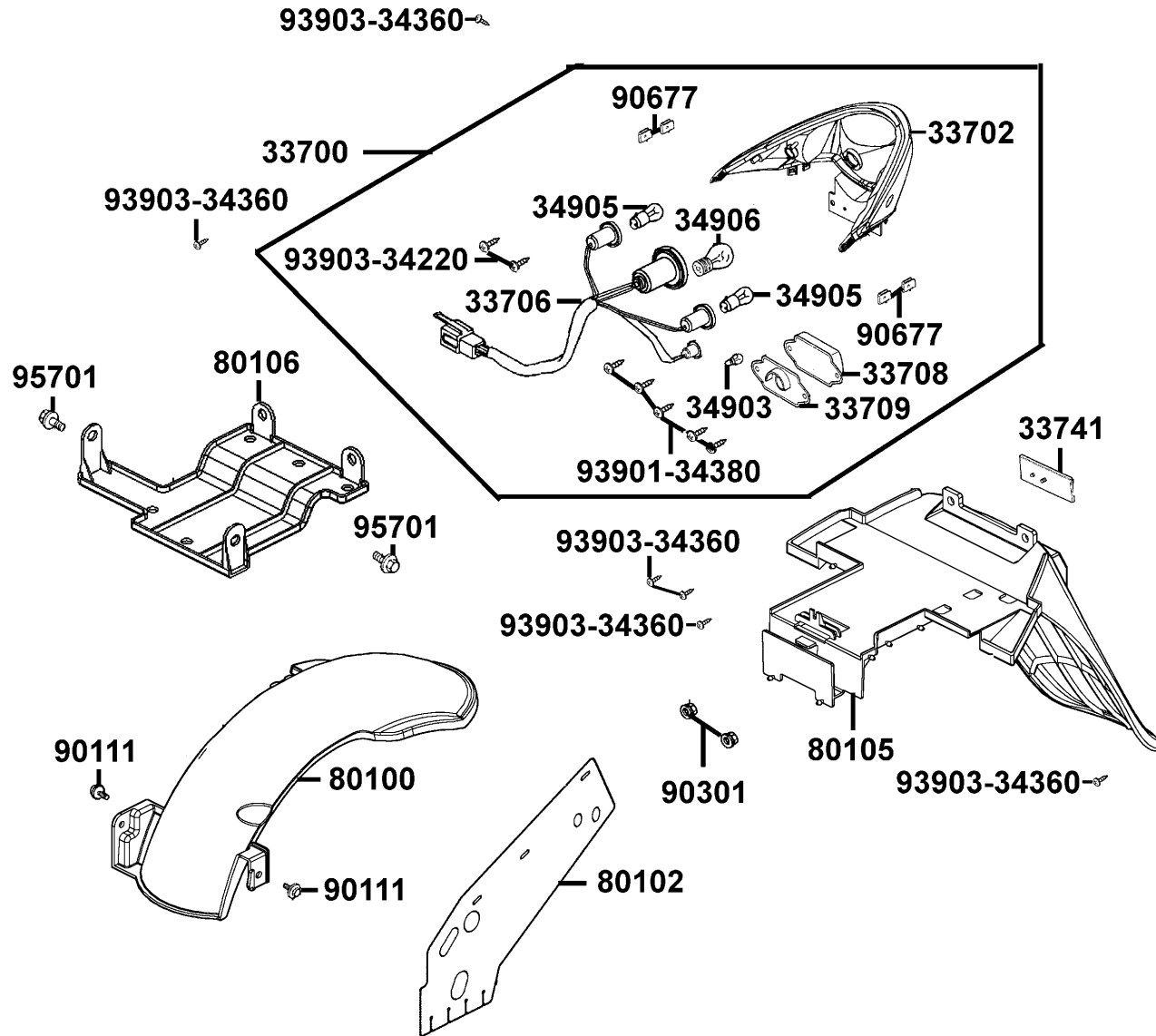
前方向燈



Sales mark 配色標註	Ref no 參考號碼	Part no 零件號碼	Description 英文名稱	Reg description 中文名稱	Regd no 需求用量	F16
	33400	33400-LDA6-900	WINKER ASSY R FR	右前方向燈組	1	
	33401	33401-LDA6-305	BASE COMP R FR WINKER	右前方向燈殼組	1	
	33406	33406-LDA6-900	SOCKET COMP	右前方向燈配線	1	
	33450	33450-LDA6-900	WINKER ASSY L FR	左前方向燈組	1	
	33451	33451-LDA6-305	BASE COMP R FR WINKER	右前方向燈殼組	1	
	33456	33456-LDA6-900	SOCKET COMP	左前方向燈配線	1	
	34905	34905-KMCM-900	BULB WINKER	方向燈泡	2	
	93903	93903-34360	SCREW TAPPING 4*12	螺絲 4*12	8	

F17

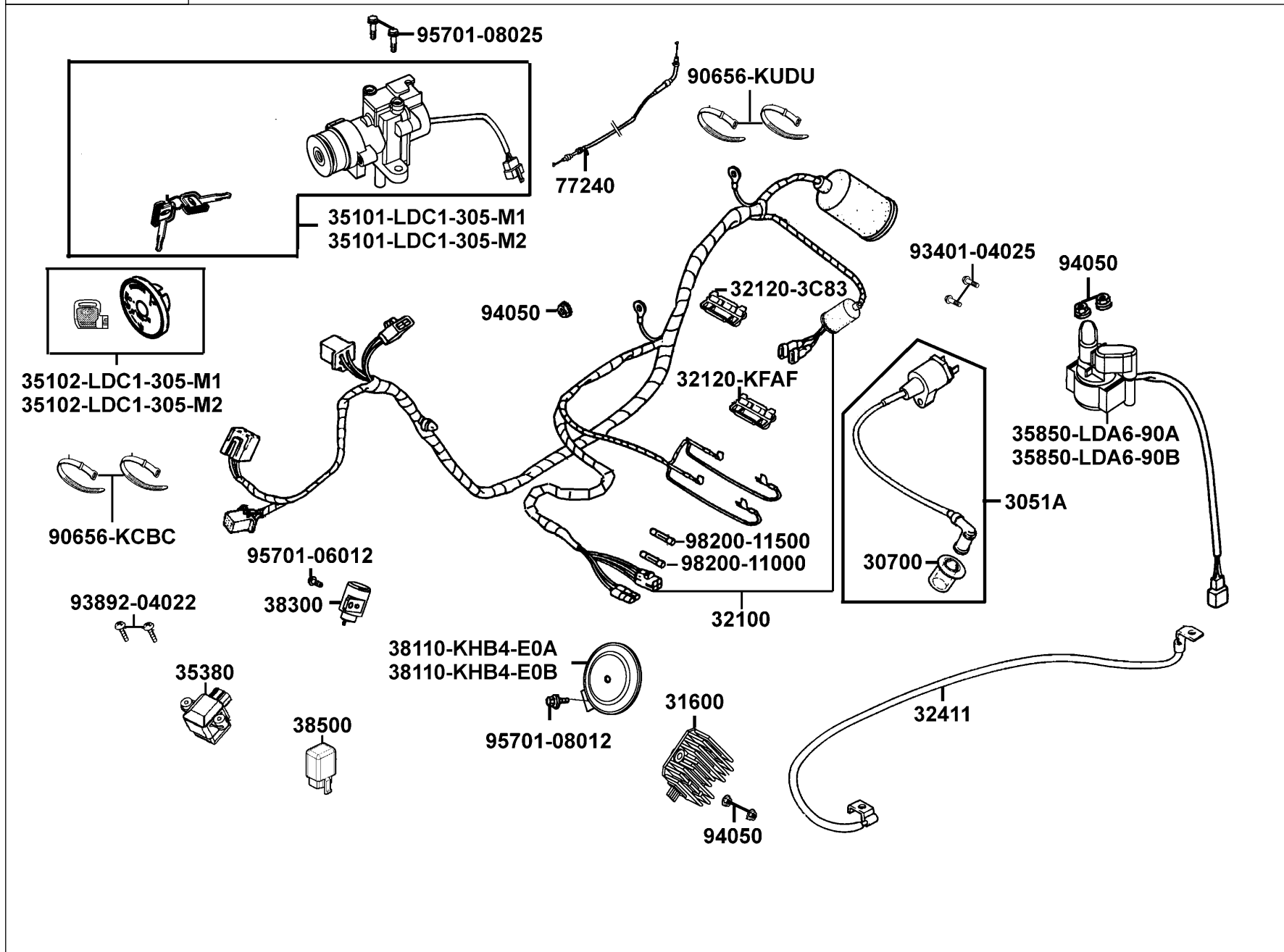
Tail Light 後燈



Sales mark 配色標註	Ref no 參考號碼	Part no 零件號碼	Description 英文名稱	Reg description 中文名稱	Regd no 需求用量	F17
	33700	33700-LDA7-900	LIGHT SET RR COMB	後燈組	1	
	33702	33702-LDA6-900	LENS COMP TAIL LIGHT	後燈殼	1	
	33706	33706-LDA6-900	SOCKET TAIL LIGHT	配線	1	
	33708	33708-KHE7-E00	LENS LICENSE	牌照燈殼	1	
	33709	33709-KHE7-E00	BASE LICENSE	牌照燈座	1	
	33741	33741-KEC8-900	REFLEX REFLECTOR	反光鏡片	1	
	34903	34903-KPCP-900	BULB POSITION	位置燈燈泡	1	
	34905	34905-KMCM-900	BULB WINKER	方向燈泡	2	
	34906	34906-2H68-601	BULB TAIL LIGHT	後燈泡	1	
	80100	80100-LAD9-900	FENDER RR TIRE	後輪上土除	1	
	80102	80102-LDA6-900	PLATE SPLASH BOARD	防濺板	1	
	80105	80105-LDA6-900	FENDER RR	後土除	1	
	80106	80106-LDA6-900	FENDER INNER RR	後內檔泥板	1	
	90111	90111-KFW6-001	BOLT FLANGE 6MM	螺帽 6MM	2	
	90301	90301-6D34-671	NUT FLANGE 6MM	螺帽 6MM	2	
	90677	90677-KFC9-900	NUT CLIP 4MM	螺帽夾	4	
	93901-34380	93901-34380	SCREW TAPPING 4*12	螺絲 4*12	5	
	93903-34220	93903-34220	SCREW TAPPING 4*10	螺釘 4*10	2	
	93903-34360	93903-34360	SCREW TAPPING 4*12	螺絲 4*12	6	
	95701	95701-06012-08	BOLT FLANGE 6*12	螺絲 6*12	2	

F18

Wire Harness 主電路配線

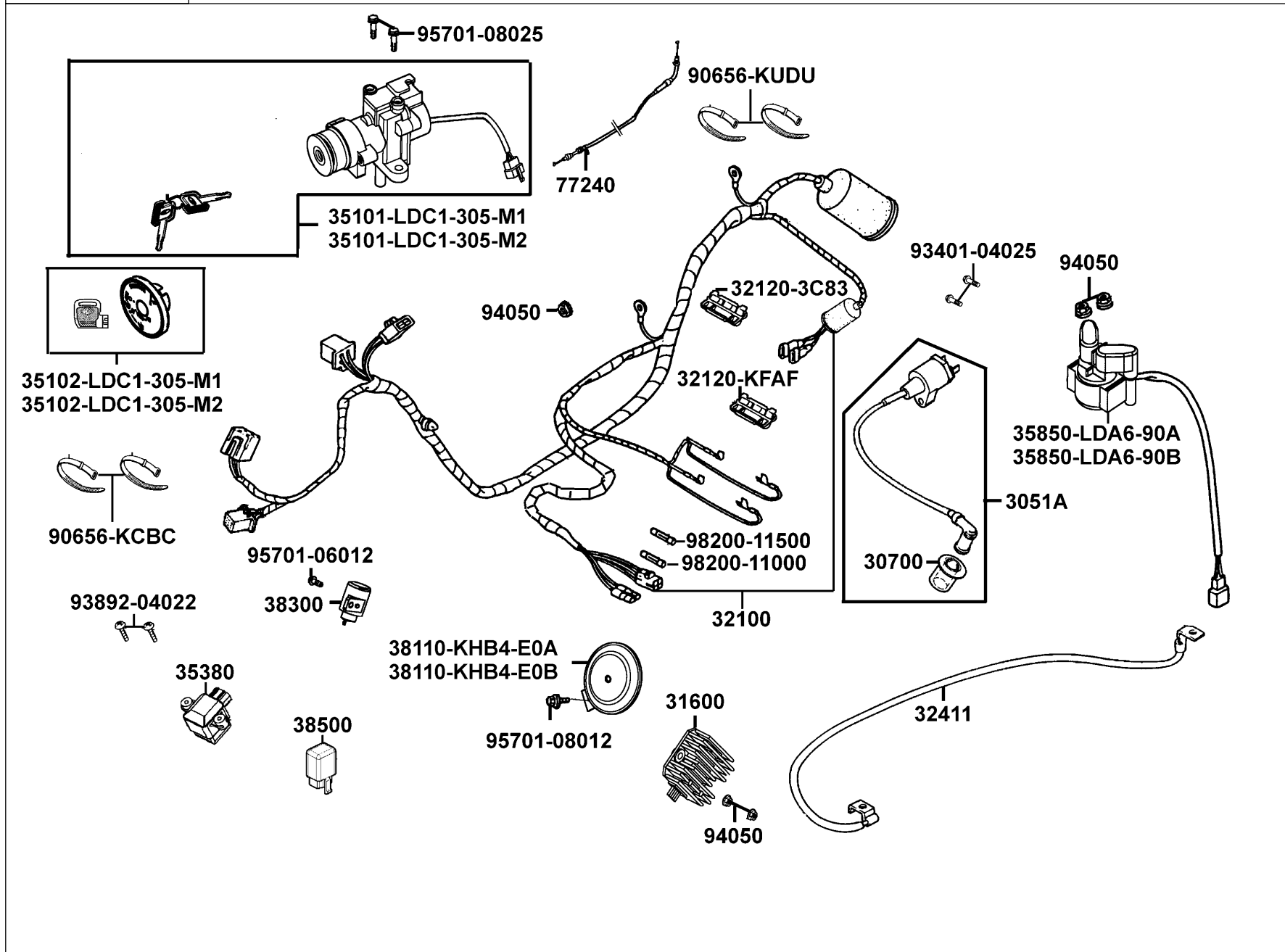


Sales mark 配色標註	Ref no 參考號碼	Part no 零件號碼	Description 英文名稱	Reg description 中文名稱	Regd no 需求用量
	3051A	3051A-LHE9-900	COIL ASSY IGN	點火線圈	1
	30700	30700-KKE3-900	CAP ASSY NOISE SUPPRESOR	火星塞蓋	1
	31600	31600-LEA5-E00	REG REC COMP	整流器	1
	32100	32100-LHE9-900	HARNESS WIRE	主配線	1
	32120-3C83	32120-3C83-831	CASE 10A FUSE	保險絲盒	1
	32120-KFAF	32120-KFAF-900	CASE 15A FUSE	保險絲盒	1
	32411	32411-LDA6-900	CABLE BAT	電瓶導線	1
	35101-LDC1-305-M1	35101-LDC1-305-M1	SW COMB & LOCK	主開關	1
	35101-LDC1-305-M2	35101-LDC1-305-M2	SW COMB & LOCK	主開關	1
	35102-LDC1-305-M1	35102-LDC1-305-M1	SHUTIER SET MAGNETIC LOCK	磁石鎖組/2合1KEY	1
	35102-LDC1-305-M2	35102-LDC1-305-M2	SHUTIER SET MAGNETIC LOCK	磁石鎖組/2合1KEY	1
	35380	35380-LEA2-900	SENSOR ANGLE DETECT	傾倒角度感知器	1
	35850-LDA6-90A	35850-LDA6-90A	SET START MAG	起動開關組	1
	35850-LDA6-90B	35850-LDA6-90B	SET START MAG	起動開關組	1
	38110-KHB4-E0A	38110-KHB4-E0A	HORN COMP	喇叭	1
	38110-KHB4-E0B	38110-KHB4-E0B	HORN COMP	喇叭	1
	38300	38300-LEA5-E0A	RELAY ASSY WINKER	方向燈繼電器	1
	38500	38500-KHD8-900	RELAY ASSY LIGHT	繼電器	1
	77240	77240-LAB4-900	CABLE COMP SEAT LOCK	座墊導線	1
	90656-KCBC	90656-KCBC-900	BAND OIL HOSE	油管束帶	2

F18

F18

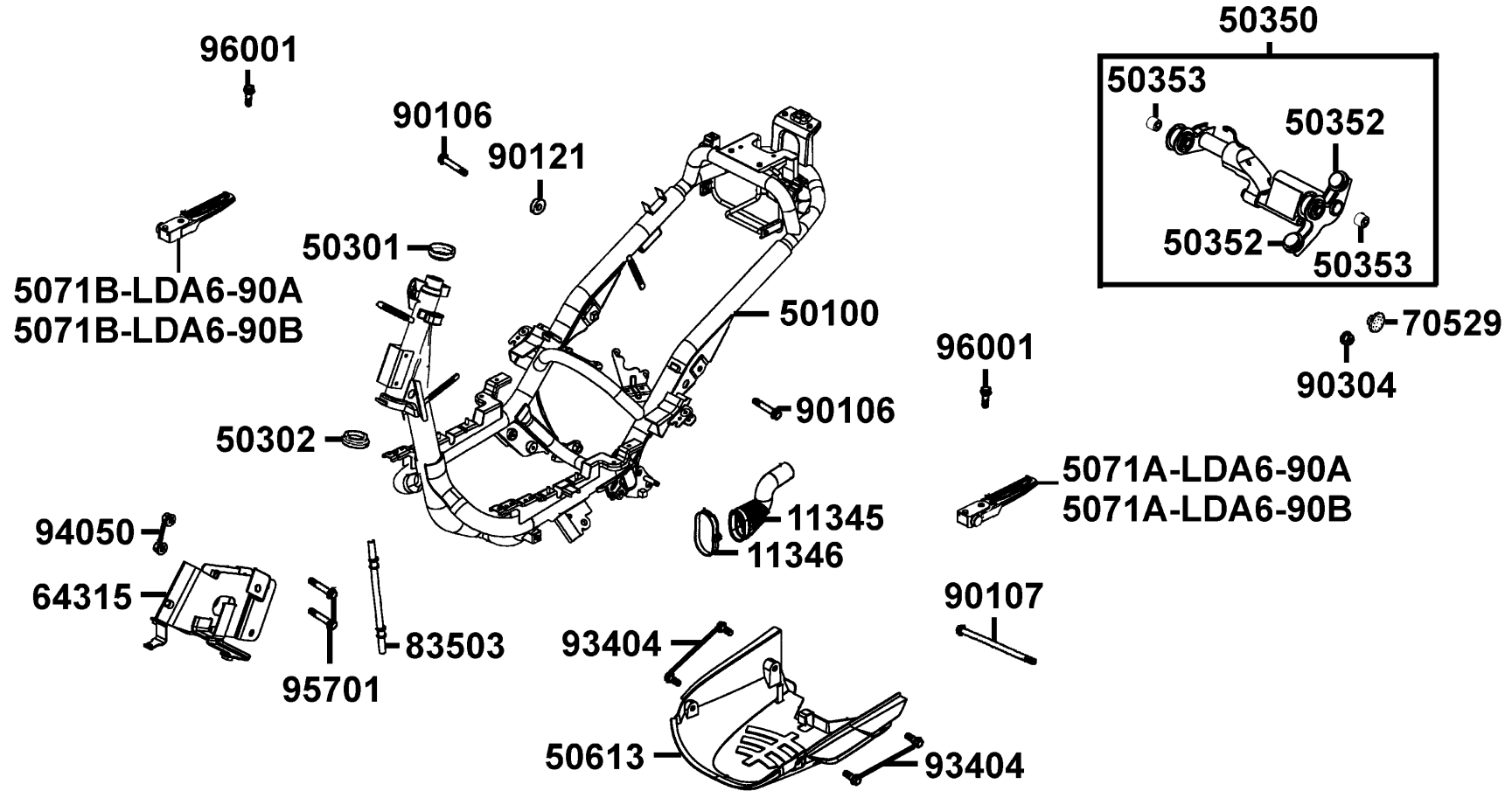
Wire Harness 主電路配線



Sales mark 配色標註	Ref no 參考號碼	Part no 零件號碼	Description 英文名稱	Reg description 中文名稱	Regd no 需求用量	F18
**	90656-KUDU	90656-KUDU-900	BAND HARNESS WIRE	束帶	2	
	93401-04025	93401-04025-08	BOLT WASHER 4*25	墊圈	2	
	93892-04022	93892-04022-08	SCREW WASHER 4*22	螺絲 4*22	2	
	94050	94050-06080	NUT FLANGE 6MM	螺帽 6MM	5	
	95701-06012	95701-06012-08	BOLT FLANGE 6*12	螺絲 6*12	1	
	95701-08012	95701-08012-08	BOLT FLANGE 8*12	螺絲 8*12	1	
	95701-08025	95701-08025-08	BOLT FLANGE 8*25	螺絲 8*25	2	
	98200-11000	98200-11000	FUSE 10A	保險絲 10A	1	
	98200-11500	98200-11500	FUSE A15	保險絲 A15	1	

F19

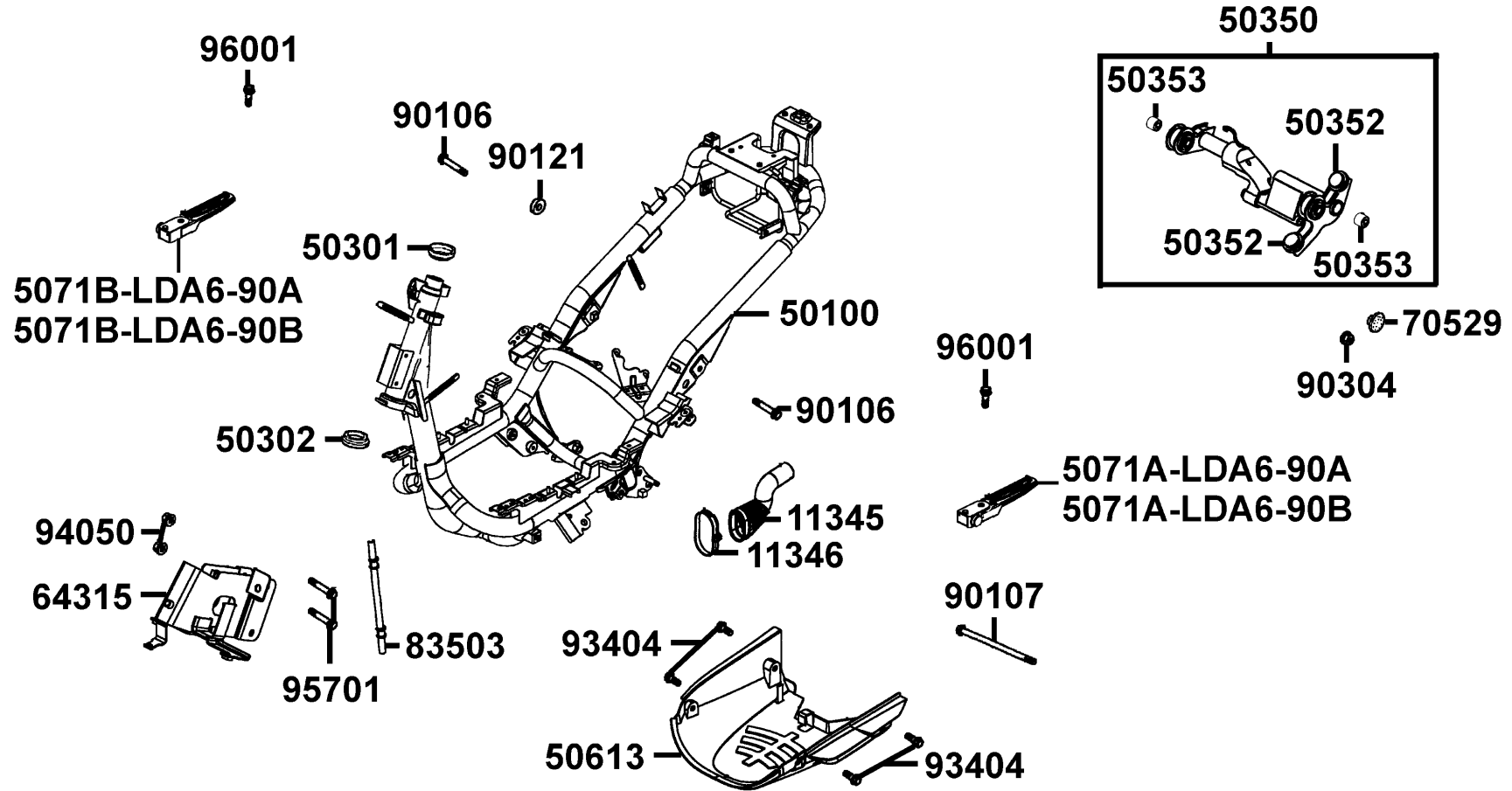
Frame Body 車體



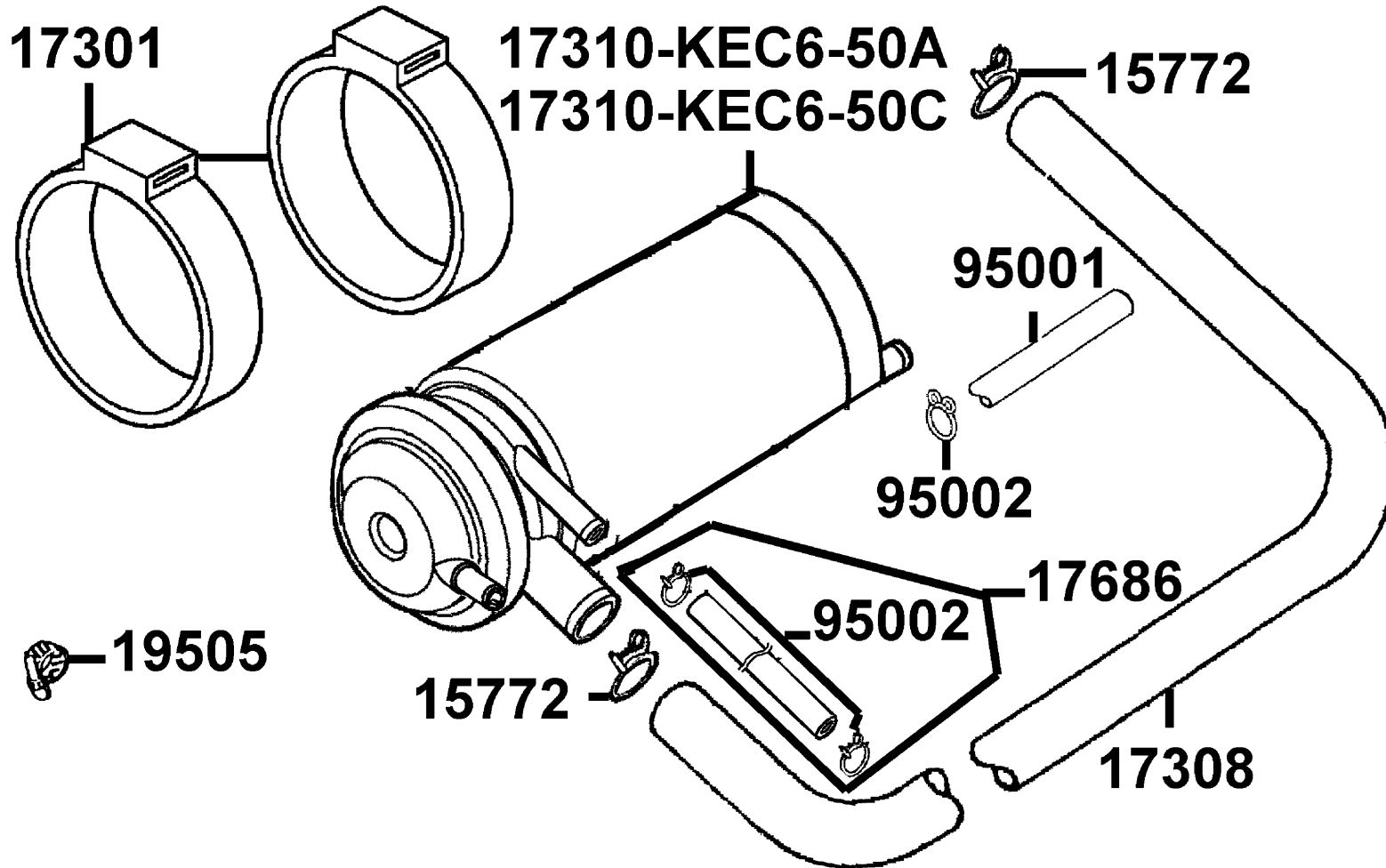
Sales mark 配色標註	Ref no 參考號碼	Part no 零件號碼	Description 英文名稱	Reg description 中文名稱	Regd no 需求用量	F19
	11345	11345-LAD9-900	DUCT L COVER	冷卻導管	1	
	11346	11346-GFY6-901	BAND L COVER DUCT	導管束帶	1	
	50100	50100-LHE9-700	BODY COMP FRAME	車台	1	
	50301	50301-KGN7-671	RACE UP STRG BALL	上珠碗	1	
	50302	50302-2H68-011	RACE STRG BOT BALL	下珠碗	1	
	50350	50350-LLF5-900	ENG HANGER ASSY	引擎吊架	1	
	50352	50352-GFY6-901	RUBBER STOPPER	吊架橡皮	2	
	50353	50353-LEB1-900	BUSH SWING LOCK	襯套	2	
**	50613	50613-LAD9-900	COVER UNDER	電瓶底蓋	1	
	5071A-LDA6-90A	5071A-LDA6-90A	BAR R STEP ASSY	右後踏板桿組	1	
	5071A-LDA6-90B	5071A-LDA6-90B	BAR R STEP ASSY	右後踏板桿組	1	
	5071B-LDA6-90A	5071B-LDA6-90A	BAR L STEP ASSY	左後踏板桿組	1	
	5071B-LDA6-90B	5071B-LDA6-90B	BAR L STEP ASSY	左後踏板桿組	1	
	64315	64315-LHE9-900	STAY FR COVER	前蓋支架	1	
	70529	70529-KUDU-900	GROM B SIDE PNL	橡皮塞	1	
	83503	83503-KHC4-900	COVER PROTECT SEAT WIRE FR	座墊導線護蓋	1	
	90106	90106-GFY6-901	BOLT FLANGE 10*55	螺絲 10*55	2	
	90107	90107-KUDU-900	BOLT FLANGE 10*188	螺絲 10*188	1	
	90121	90121-GFY6-901	COLLAR DISTANCE	套筒	1	
	90304	90304-GHE8-004-SW	NUT U FLANGE 10MM	螺帽 10MM	1	

F19

Frame Body 車體



Sales mark 配色標註	Ref no 參考號碼	Part no 零件號碼	Description 英文名稱	Reg description 中文名稱	Regd no 需求用量	F19
	93404	93404-06016-06	BOLT WASHER 6*16	螺絲 6*16	4	
	94050	94050-06080	NUT FLANGE 6MM	螺帽 6MM	2	
	95701	95701-06050-08	BOLT FLANGE 6*50	螺絲 6*50	2	
	96001	96001-06032-06	BOLT FLANGE 6*32	螺絲 6*32	2	

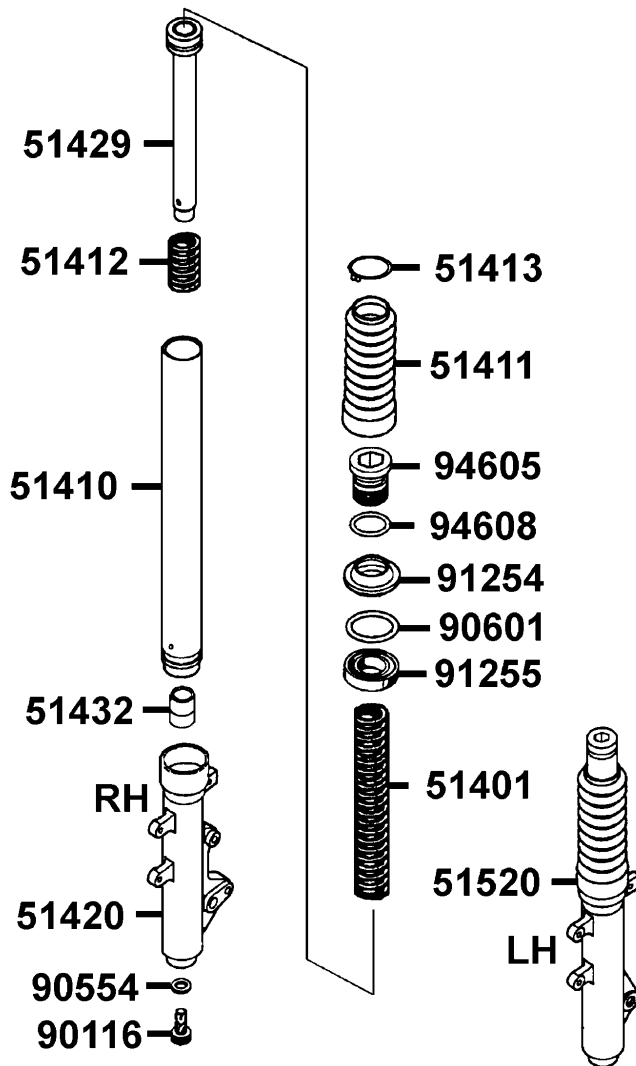


Sales mark 配色標註	Ref no 參考號碼	Part no 零件號碼	Description 英文名稱	Reg description 中文名稱	Regd no 需求用量	F20
	15772	15772-5L00-013	CLIP B14.5 TUBE	管夾	2	
	17301	17301-KNBN-960	RUBBER CANISTER MOUNT	活性碳罐懸掛橡皮	2	
	17308	17308-LHB8-900	TUBE ASSY.,CANISTER-AIR/C	通氣管	1	
	17310-KEC6-50A	17310-KEC6-50A	CANISTER COMP	活性碳罐	1	
	17310-KEC6-50C	17310-KEC6-50C	CANISTER COMP	活性碳罐	1	
	17686	17686-LDA6-900	TUBE FUEL FILLER-CANISTER	通氣管	1	
	19505	19505-GFY6-940	CLAMP A WATER HOSE	管夾	1	
	95001	95001-45500-40	TUBE FUEL 4.5*500	通氣管	1	
	95002	95002-02080	CLIP B8 TUBE	管夾	3	

F21

Separated Parts Of Fr Fork

前叉附件



Sales mark 配色標註	Ref no 參考號碼	Part no 零件號碼	Description 英文名稱	Reg description 中文名稱	Regd no 需求用量	F21
	51401	51401-KHD6-800	SPRING	彈簧	2	
	51410	51410-KEC6-800	FORK PIPE COMP	前避震器管	2	
	51411	51411-KEBE-E00	BOOT	護套	2	
	51412	51412-KECE-900	REBOUND SPRING	回位彈簧	2	
	51413	51413-KEBE-E00	BOOT BAND	橡皮護套扣環	2	
	51420	51420-KECE-W01	BOTTOM CASE R	右前避震器底管	1	
	51429	51429-KHD6-900	PIPE SEAT COMP	避震管座	2	
	51432	51432-KGM7-911	OIL LOCK PIECE	止油接頭	2	
	51520	51520-KECE-W01	BOTTOM CASE L	左前避震器底管	1	
	90116	90116-3C83-72A	BOLT	螺絲	2	
	90554	90554-2C83-001	PACKING	墊片	2	
	90601	90601-3D54-001	RING OIL-SEAL STOPPER	油封止位環	2	
	91254	91254-KEC5-004	DUST SEAL	前避震器防塵封	2	
	91255	91255-4F46-014	OIL SEAL	油封	2	
	94605	94605-KUDU-900	FORK BOLT	螺絲	2	
	94608	94608-30000	O-RING	O環	2	

請安全慢行駛。
 行駛時，請勿超過法定速度。
 因排氣管溫度很高，停車時請停留於他人不易接觸之場所。
 為了駕駛安全及性能維護，請勿任意違法改裝。

請確實作好定期保養工作及行車前之安全檢查。
行車前檢查項目
 1. 檢查性能：輪胎 機油量
 2. 燈光 喇叭 保險板

○ 請詳閱原廠駕駛手冊，確保行車安全。 0YB-900

87560

注 意

後側蓋與引擎之間，請勿放入任何物品，以免妨礙行駛。

GM9-300

87542

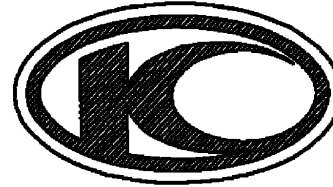
機 油 量

請使用光陽專用"特使機油"

全容量 0.9公升
機油交換時 0.8公升
給油後必須確認油量

發動機轉三分鐘再確認油量
KDU-900

87541-KUDU



86102



87170

注 意

輪胎最大胎壓：前輪 2.5kg/cm ²	後輪 2.5kg/cm ²
(一人騎乘時)：前輪 1.5kg/cm ²	後輪 1.75kg/cm ²
(二人騎乘時)：前輪 1.5kg/cm ²	後輪 2.0kg/cm ²
輪胎尺寸：前輪 100/90-10 55J	後輪 100/90-10 55J

載物重量：行李箱 1.5kg
前置物掛鉤 3kg
座墊下置物箱 10kg
後置物架 5kg

KDU-900

87505

注 意

在引擎發動前，請先將側支架板起，以策安全。

87541-GGS7

87122

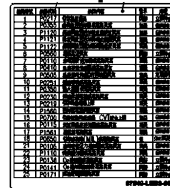
● 公司註冊商標
 ● 原廠商標：KYMCO 車型年：2009
 ● 引擎廠：G125S1204-09 ● 排氣量：124.6c.c.
 ● 引擎排氣控制設備之規格說明
 ● 原廠型 空濾機：L140 VV
 ● 原廠活性碳罐：KBE2 CAN
 ● 空氣濾清器：AZD0101-BA001
 ● 空氣濾清器：CERADAX 802
 ● 旋轉轉速：1800±100RPM
 ● 空轉 (0.5:1.0:1.5~1.2:轉速約)
 ● 本引擎符合九十九年七月一日實施之排放標準
 ● 適用於各種新式及舊式摩托車
 ● 贈送車身鎖管等零件
 ● 原廠聲音響亮：81 4(BA)
 ● 測試轉速：3730 rpm
 ● 備有詳細說明書及保養手冊

87503

拆排氣管前請先拔除含氧感知器接頭

87503-LEB2-900

87546

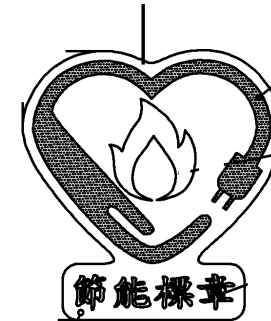


87502

拆電瓶前請先關閉電源

87502-LEB2-900

86700

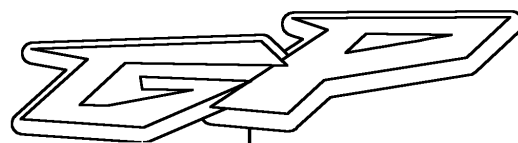


節能標章

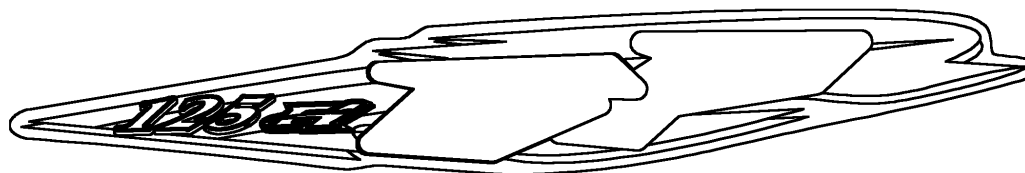
Sales mark 配色標註	Ref no 參考號碼	Part no 零件號碼	Description 英文名稱	Reg description 中文名稱	Regd no 需求用量	F22
**	86102	86102-LDA6-900	EMB K-LOGO 28.5 MM	貼紙	1	
**	86700	86700-LFG7-900	STRIPE ENERGY LOGO	節能標章	1	
**	87122	87122-LHE9-950	MARK E/M 5th STANG	標籤	1	
**	87170	87170-GLE0-001	MARK FR FORK	標籤	2	
**	87502	87502-LEB2-900	CAUTION BATTERY	標籤	1	
**	87503	87503-LEB2-900	CAUTION MUFFLER	標籤	1	
**	87505	87505-KUDU-900	LABEL TIRE	標籤	1	
**	87541-GGS7	87541-GGS7-901	CAUTION SIDE STAND	標籤	1	
**	87541-KUDU	87541-KUDU-900	LABEL OIL CAP	標籤	1	
**	87542	87542-GKM9-301	MARK MAINT CAUTION	標籤	1	
**	87546	87546-LEB2-900	CAUTION AFI	標籤	1	
**	87560	87560-GFY6-900	MARK DRIVE CAUTION	標誌	1	

F23

Emblem Stripe 標徽 貼紙



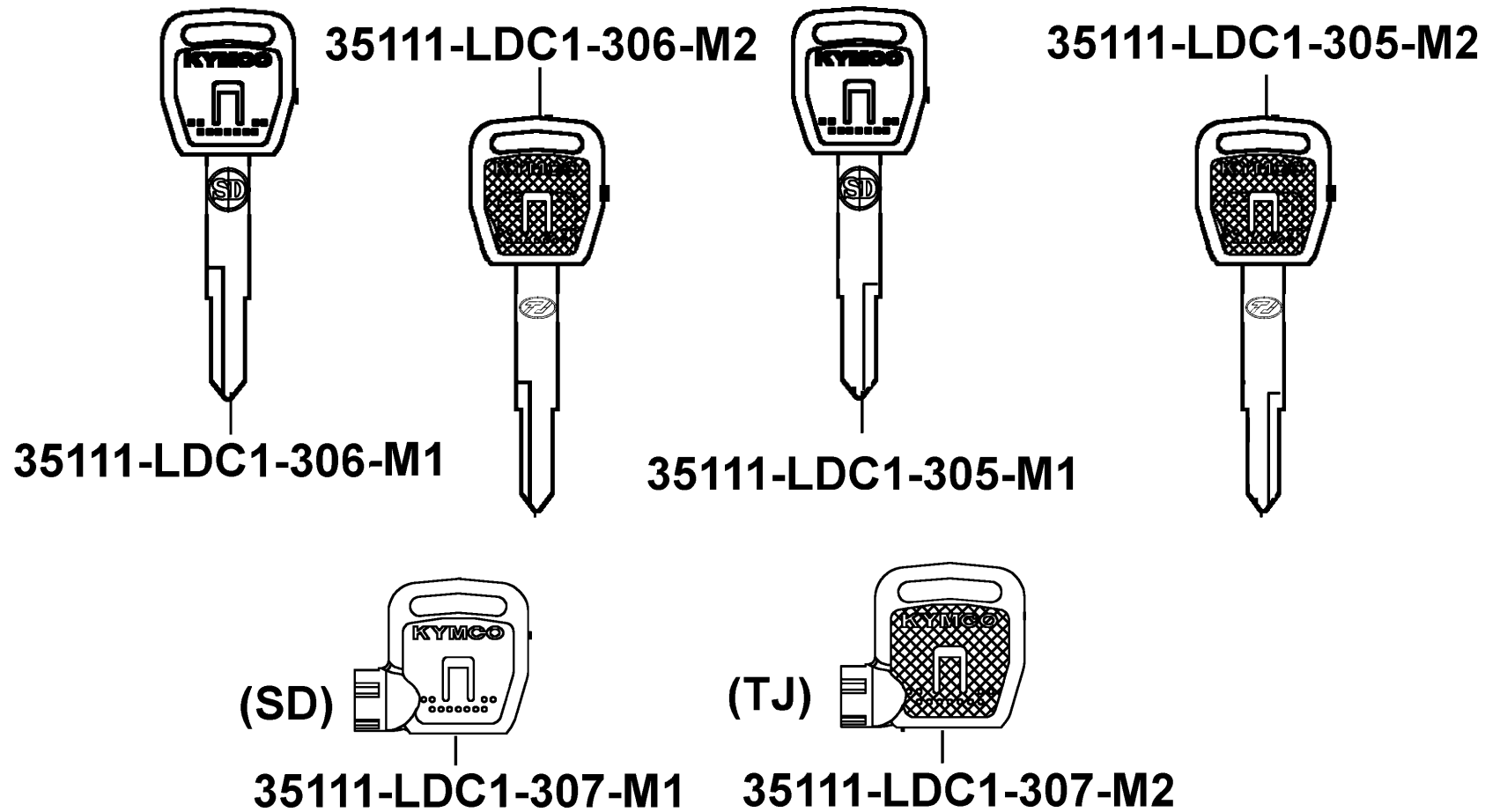
86202



86201

Sales mark 配色標註	Ref no 參考號碼	Part no 零件號碼	Description 英文名稱	Reg description 中文名稱	Regd no 需求用量
**	86201	86201-LHE9-800	STRIPE BODY COVER	貼紙	1
**	86202	86202-LHE9-800	EMB BODY COVER	貼紙	1

F23



Sales mark 配色標註	Ref no 參考號碼	Part no 零件號碼	Description 英文名稱	Reg description 中文名稱	Regd no 需求用量	F24
	35111-LDC1-305-M1	35111-LDC1-305-M1	KEY COMP (R TANGENT PLANE/SD)	未加工主開關鑰匙/右切/SD	1	
	35111-LDC1-305-M2	35111-LDC1-305-M2	KEY COMP (R TANGENT PLANE/TJ)	未加工主開關鑰匙/右切/TJ	1	
	35111-LDC1-306-M1	35111-LDC1-306-M1	KEY COMP (L TANGENT PLANE/SD)	未加工主開關鑰匙/左切/SD	1	
	35111-LDC1-306-M2	35111-LDC1-306-M2	KEY COMP (L TANGENT PLANE/TJ)	未加工主開關鑰匙/左切/TJ	1	
	35111-LDC1-307-M1	35111-LDC1-307-M1	KEY COMP SHOTTER MAGNETIC (SD)	磁石鑰匙/SD	1	
	35111-LDC1-307-M2	35111-LDC1-307-M2	KEY COMP SHOTTER MAGNETIC (TJ)	磁石鑰匙/TJ	1	

PART NO. INDEX

零件號碼索引

PART NO. 零件號碼	VERSION 版數	PAGE 頁次	PART NO. 零件號碼	VERSION 版數	PAGE 頁次	PART NO. 零件號碼	VERSION 版數	PAGE 頁次
11000			11395-KUDU-900	0	E01	14430-LFD7-900	4	E02
			12000			14433-LEB1-900	1	E02
11100-LBB8-305	0	E01				14434-LEB1-900	1	E02
11102-1G87-004	3	E01	12100-KFA9-C00	3	E03	14450-GFY6-901	0	E02
11192-LDA6-900	1	E01	12191-GFY6-901	1	E03	14452-GFY6-901	0	E02
11200-LDA6-305	2	E01	12200-KKE3-900	0	E02	14510-KUDU-C00	0	E03
11203-GFY6-901	0	F13	12209-GDB4-68A	0	E02	14520-GFY6-90A	1	E03
11203-GGC7-301	2	E01	12211-LFD7-900	2	E02	14523-GFY6-901	0	E03
11203-KUDU-900	2	E08	12251-GFY6-90A	1	E02	14531-GLR0-001	1	E03
11206-KKE3-900	4	E06	12310-LHE9-900	1	E02	14610-KUDU-C00	0	E03
11207-KKE3-900	6	E04	12361-GFY6-901	1	E04	14711-KUDU-900	1	E02
11211-LGK2-900	1	F12	12391-GFY6-941	0	E02	14721-KUDU-900	0	E02
11212-LGK2-900	1	E02				14751-LFD7-900	2	E02
1122A-LAD9-900	1	E01	13000			14761-KKJ9-003	1	E02
11331-KUDU-900	6	E04				14771-GDB4-680	2	E02
11341-LDA6-900	8	E01	13000-KUDU-900	7	E03	14775-MFA6-001	0	E02
11342-LDA7-900	3	E01	13011-LAC7-90A	3	E03	14781-MFA6-001	0	E02
11345-LAD9-900	1	F19	13011-LAC7-90B	1	E03	15000		
11346-GFY6-901	0	F19	13101-LAD9-950	4	E03			
11381-KUDU-900	3	E01	13111-3D84-001	3	E03	15100-KFB7-900	0	E06
11382-KUDU-900	0	E01				15133-GFY6-901	0	E06
11383-KUDU-900	0	E01	14000			15141-GFY6-90B	0	E06
11384-KUDU-900	0	E01				15421-1G07-001	1	E04
11386-GFY6-900	0	E07	14100-LFD7-900	2	E02	15426-GAE1-921	0	E04
11394-KUDU-900	0	E04	14401-KUDU-900	0	E03	1565A-KUDU-900	0	E04

PART NO. INDEX

零件號碼索引

PART NO. 零件號碼	VERSION 版數	PAGE 頁次	PART NO. 零件號碼	VERSION 版數	PAGE 頁次	PART NO. 零件號碼	VERSION 版數	PAGE 頁次	
15711-KUDU-900	0	E06	1711A-LGL3-90A	4	E02	17620-LBA2-90B	0	F09	
15772-5L00-013	1	F20	17213-LDA6-900	1	F12	17623-LAB4-90A	1	F09	
16000			17214-LDA6-900	1	F12	17623-LAB4-90B	1	F09	
			17236-KFBF-910	1	F12	17681-KFA1-900	0	F09	
			1723A-LHB8-900	2	F12	17685-KZCZ-900	0	F09	
			1723B-LDA6-900	0	F12	17686-KHE2-900	0	F09	
			1723C-LDA6-900	0	F12	17686-LDA6-900	1	F20	
16056-LEB2-900	2	E09	17301-KNBN-960	0	F20	17689-LAD9-900	1	F09	
16068-LEB2-900	3	E09	17308-LHB8-900	0	F20	17910-LHE9-900	0	F03	
16074-KEC3-900	4	E09	17310-KEC6-50A	4	F20	18000			
16100-LHE9-900	1	E09	17310-KEC6-50C	2	F20				
16110-KKE3-900	2	E09	17359-4K19-671	0	F12				
16112-KKE3-900	1	E09	17369-KHC4-900	0	F09		18291-KEBE-900	0	F13
16118-KEC3-900	0	E09	17370-4K19-701	0	F12		18291-LBD4-900	2	F13
16122-KEC3-900	0	E09	17371-1D74-671	0	F12	18292-KEBE-900	0	F13	
16123-LGL5-900	3	E09	1737A-LDA6-900	0	F12	18293-KEBE-900	0	F13	
16133-KEC3-900	1	E09	17500-LFG7-900	5	F09	18294-KEBE-900	0	F13	
16134-KKE3-900	5	E09	17502-LDA6-900	1	F09	1830A-LHB8-900	2	F13	
16138-KEC3-900	1	E09	17504-LAB4-900	2	F09	18317-LHB8-900	1	F13	
16154-KKE3-900	4	E09	17507-LAB4-900	2	F09	19000			
16170-KEC3-900	0	E09	17513-LDA6-900	1	F09				
16195-KEC3-900	0	E09	17515-LAB4-900	1	F09				
16201-GFY6-901	0	E02	17520-LLF5-900	1	F09		19411-KBCB-900	0	F09
16211-GFY6-901	0	E02	17550-LHE9-900	1	F09		19504-LBA2-E00	3	F09
17000			17560-LFG7-900	6	F09	19505-GFY6-940	3	F20	
			17620-LBA2-90A	0	F09	19510-LDA7-900	2	E07	
17113-KKE3-900	1	E02							

PART NO. INDEX

零件號碼索引

PART NO. 零件號碼	VERSION 版數	PAGE 頁次	PART NO. 零件號碼	VERSION 版數	PAGE 頁次	PART NO. 零件號碼	VERSION 版數	PAGE 頁次
19613-GFY6-901	0	E07	22300-LFD7-900	1	E05			
1961A-LGL3-900	3	E07	22350-GFY6-90A	1	E05	28000		
19625-KUDU-910	0	E02	22361-KGN7-671	1	E05			
19626-KUDU-900	0	E07	22401-KEB8-900	0	E05	28101-GFY6-901	2	E06
1962A-LBB8-900	1	E07	22530-LCD3-E00	1	E05	28102-GFY6-901	0	E06
19633-GFY6-901	0	E07	22804-GBB2-001	0	E05	28110-GFY6-901	2	E06
19636-KUDU-900	0	E07				28120-GFY6-315	6	E06
1963A-KKE3-900	7	E07	23000			28125-4F26-001	0	E06
21000			2301A-LFD7-900	1	E05	28125-GFY6-960	3	E06
			23100-KFBF-90A	2	E05	28126-KUDU-900	1	E06
21200-LDA6-305	1	E08	23100-KFBF-90B	1	E05	28211-KUDU-900	4	E05
21201-KUDU-900	0	E08	23200-GFY6-901	3	E05	30000		
21395-KUDU-900	0	E08	23220-GFY6-921	1	E05			
22000			23225-GHC8-004	0	E05	3051A-LHE9-900	0	F18
			23226-GHC8-004	0	E05	30700-KKE3-900	1	F18
			23233-GCW3-011	0	E05	31000		
22101-LCD3-E00	1	E05	23237-GFY6-941	0	E05			
22102-KUDU-220	1	E05	23238-GFY6-941	0	E05			
22105-GFY6-220	1	E05	23411-KUDU-900	1	E08	31110-KKE3-90A	3	E07
22110-KKE3-900	1	E05	23420-GFY6-901	4	E08	31110-KKE3-90B	3	E07
22111-KKE3-220	1	E05	23431-KUDU-900	2	E08	31120-LHE9-90A	1	E07
22112-GFY6-90A	0	E05	23432-GFY6-901	3	E08	31120-LHE9-90B	1	E07
22121-KKE3-90A	3	E05				31210-GFY6-200	7	E06
22131-LDA6-900	1	E05				31500-GFY6-94A-YU	4	F10
22132-KBN2-901	4	E05				31500-GFY6-94B-KY	4	F10

PART NO. INDEX

零件號碼索引

PART NO. 零件號碼	VERSION 版數	PAGE 頁次	PART NO. 零件號碼	VERSION 版數	PAGE 頁次	PART NO. 零件號碼	VERSION 版數	PAGE 頁次
31600-LEA5-E00	2	F18	33706-LDA6-900	0	F17	35160-GFY6-900	2	F03
32000			33708-KHE7-E00	0	F17	35170-KNBN-910	1	F03
			33709-KHE7-E00	0	F17	35180-GFY6-900	2	F03
			33741-KEC8-900	0	F17	35200-GFY6-910	1	F03
32100-LHE9-900	5	F18				35340-KFLF-900	2	F03
32106-KKE3-900	2	E06	34000			35380-LEA2-900	1	F18
32120-3C83-831	0	F18				35850-LDA6-90A	2	F18
32120-KFAF-900	0	F18	34901-KED9-900	0	F01	35850-LDA6-90B	2	F18
32161-3C93-004	0	E07	34903-KPCP-900	0	F17			
32410-LDA6-900	1	E06	34905-KMCM-900	0	F16	37000		
32411-LDA6-900	4	F18	34905-KMCM-900	0	F17			
32412-LHB8-900	1	E04	34906-2H68-601	0	F17	37200-LHE9-900	1	F02
32961-KUDU-900	0	E04				37213-LDA6-900	0	F02
33000			35000			37215-LGM9-900	0	F04
						37230-LFG7-900	2	F02
			35101-LDC1-305-M1	0	F18	37801-LAB4-910	1	F09
33101-LDA6-305	0	F01	35101-LDC1-305-M2	0	F18	3780A-LFG7-900	1	F09
33106-LDA6-900	0	F01	35102-LDC1-305-M1	0	F18			
33400-LDA6-900	1	F16	35102-LDC1-305-M2	0	F18	38000		
33401-LDA6-305	0	F16	35111-LDC1-305-M1	0	F24			
33406-LDA6-900	0	F16	35111-LDC1-305-M2	0	F24	38110-KHB4-E0A	0	F18
33450-LDA6-900	1	F16	35111-LDC1-306-M1	0	F24	38110-KHB4-E0B	0	F18
33451-LDA6-305	0	F16	35111-LDC1-306-M2	0	F24	38300-LEA5-E0A	1	F18
33456-LDA6-900	0	F16	35111-LDC1-307-M1	0	F24	38500-KHD8-900	0	F18
33700-LDA7-900	1	F17	35111-LDC1-307-M2	0	F24	38773-KBCB-900	0	F09
33702-LDA6-900	0	F17	35150-GFY6-900	4	F03			

PART NO. INDEX

零件號碼索引

PART NO. 零件號碼	VERSION 版數	PAGE 頁次	PART NO. 零件號碼	VERSION 版數	PAGE 頁次	PART NO. 零件號碼	VERSION 版數	PAGE 頁次
39000			43416-KUDU-900	0	F07	45410-GBB2-001	1	F06
			43450-LFG7-900	1	F03	45435-GBB2-721	1	F06
						45517-GFY6-900	5	F03
				44000				
	39300-LEA6-800	3	E02					
	39301-LEB2-900	3	E02			46000		
	39302-KKE3-900	2	E02	44301-KECE-900	3	F06		
39303-LEB2-900	2	E02	44311-GKM9-001	4	F06	46513-KUDU-900	2	F07
39304-LFG7-900	1	E02	44610-GLW0-305	2	F06			
39400-KKE3-800	2	E02	44620-GHC8-001	1	F06	50000		
39450-LEA6-800	2	F13	44705-KUDU-900	3	F06			
			44710-LAD9-800-G304	2	F06	50100-LHE9-700	0	F19
42000			44803-GFY6-90A	0	F06	50179-LFG7-900	2	F09
			44805-KECE-800	4	F06	50301-KGN7-671	2	F19
42610-KUDU-900	2	F07	44806-KECE-800	2	F06	50302-2H68-011	2	F19
42705-KUDU-900	4	F07	44807-0A01-004	1	F06	50306-1F96-001	0	F05
42710-LAD9-800-G304	2	F07	44809-1L70-004	1	F06	50327-LHB8-900	2	F10
42753-0D04-900	1	F06	44830-KECE-800	4	F02	50328-LBB8-900	1	F10
42753-KXCX-900	1	F07				5032A-LFG7-900	3	F11
			45000			50350-LLF5-900	2	F19
			45000-LCB3-910	1	F06	50352-GFY6-901	0	F19
			4512A-LCB4-305	1	F06	50353-LEB1-900	1	F19
4312A-LEB1-900	3	F07	45133-0H28-001	1	F06	50502-GFY6-901	3	F14
43141-4L00-011	1	F06	45134-2L50-001	0	F06	50504-KUDU-900-G	0	E01
4314A-LDF7-E10	1	F07	45145-0F96-651	2	F06	50505-KKD7-900	1	F14
43151-LEB1-900	2	F07	45156-LGL3-800	2	F05	50505-KUDU-900	1	F14
43410-LAD9-900	1	F07				5050A-KHE2-800	2	F14

PART NO. INDEX

零件號碼索引

PART NO. 零件號碼	VERSION 版數	PAGE 頁次	PART NO. 零件號碼	VERSION 版數	PAGE 頁次	PART NO. 零件號碼	VERSION 版數	PAGE 頁次
50530-LLF5-900	1	F14				61101-LHE9-900	0	F04
50536-LBE3-900	0	F14	53000			61110-KKC8-900	2	F04
50613-LAD9-900	2	F19						
5071A-LDA6-90A	1	F19	53100-LDA6-900	2	F03	64000		
5071A-LDA6-90B	1	F19	53125-GEN5-901	0	F03			
5071B-LDA6-90A	1	F19	53140-KFA1-900	2	F03	64222-LDA6-900	2	F11
5071B-LDA6-90B	1	F19	53166-KFA1-900	2	F03	64301-LDA6-306	0	F04
			53167-KFA1-900	0	F03	64302-LDA6-900	2	F04
51000			53168-KFA1-900	1	F03	64303-LDA6-900	1	F04
			53170-LGJ9-900	0	F03	64304-LDA6-900	1	F04
51400-KHD6-W01	1	F05	53172-LBE3-900	1	F03	64305-LDA6-900	2	F11
51401-KHD6-800	0	F21	53175-KCLC-901	0	F03	64306-LDA6-900	0	F11
51410-KEC6-800	0	F21	53178-GKAK-901	0	F03	64306-LDA6-900	2	F11
51411-KEBE-E00	0	F21	5317A-LGJ9-900	2	F03	64310-LDA6-900	2	F04
51412-KECE-900	0	F21	5317B-LFG7-900	0	F03	64315-LHE9-900	2	F19
51413-KEBE-E00	0	F21	53200-KHE1-900	0	F05	64317-KHD6-900	0	F04
51420-KECE-W01	0	F21	53205-LDA6-800	2	F03			
51429-KHD6-900	0	F21	53206-LDA6-900	3	F03	70000		
51432-KGM7-911	0	F21	53211-GFY6-940	1	F05			
5150A-KHD6-W01	1	F05	53212-2L50-011	1	F05	70529-6G57-671	0	E07
51520-KECE-W01	0	F21	53214-2L50-001	0	F05	70529-KUDU-900	0	F19
			53215-2L50-001	0	F05			
52000			61000			77000		
52400-LAD9-900	2	F15				77110-LDA6-900	1	F08
			61100-LDA6-900	2	F04	77200-LHE9-800	0	F08

PART NO. INDEX

零件號碼索引

PART NO. 零件號碼	VERSION 版數	PAGE 頁次	PART NO. 零件號碼	VERSION 版數	PAGE 頁次	PART NO. 零件號碼	VERSION 版數	PAGE 頁次
77206-KEB7-900	0	F08	81200-LDA6-900	1	F11	87541-KUDU-900	2	F22
77235-KGC4-E0A	2	F11	81260-LHB8-900	1	F11	87542-GKM9-301	3	F22
77235-KGC4-E0B	2	F11				87546-LEB2-900	1	F22
77240-LAB4-900	2	F18	83000			87560-GFY6-900	3	F22
77303-LHE9-900	0	F08						
80000			83500-LDA6-346	0	F11	88000		
			83503-KHC4-900	2	F19			
			83520-LDA6-900	2	F11	88110-LEB1-900	2	F03
80100-LAD9-900	5	F17	83600-LDA6-346	0	F11	88115-LBA2-E02	1	F03
80102-LDA6-900	2	F17	83620-LDA6-900	0	F11	88120-LEB1-900	2	F03
80105-LDA6-900	2	F17						
80106-LDA6-900	2	F17	86000			89000		
80107-KHLH-900	0	F13						
80151-LDA6-900	2	F11	86102-LDA6-900	1	F22	89010-LAD9-900	0	F08
81000			86201-LHE9-800	1	F23			
			86202-LHE9-800	1	F23	90000		
			86700-LFG7-900	2	F22			
81131-LDA6-900	2	F04				90001-GBHB-661	0	E03
81132-LDA6-900	2	F04	87000			90001-GBHB-711	0	E01
81133-KGBG-900	0	F04				90005-KAW1-901	1	E03
81133-KGBG-900	0	F11	87122-LHE9-950	1	F22	90012-3C33-001	0	E02
81134-KGBG-900	2	F04	87170-GLE0-001	4	F22	90021-GFY6-900	2	F13
81134-KGBG-900	2	F11	87502-LEB2-900	1	F22	90031-KUDU-900	0	E01
81135-KGBG-900	2	F11	87503-LEB2-900	2	F22	90032-KUDU-900	0	E01
81141-LDA6-900	4	F04	87505-KUDU-900	1	F22	90033-GFY6-900	0	E02
81142-KUDU-900	1	F04	87541-GGS7-901	2	F22	90106-GEN5-901	0	F03

PART NO. INDEX

零件號碼索引

PART NO. 零件號碼	VERSION 版數	PAGE 頁次	PART NO. 零件號碼	VERSION 版數	PAGE 頁次	PART NO. 零件號碼	VERSION 版數	PAGE 頁次
90106-GFY6-901	0	F19	90302-LLB1-E00	2	F09	90652-LFB5-900	0	F04
90106-KFAF-900	2	F11	90302-SDA4-004	2	F04	90652-LGJ9-900	2	E02
90106-LBA7-900	1	F14	90302-SDA4-004	2	F11	90656-KCBC-900	0	F03
90107-KUDU-900	2	F19	90304-GHE8-004-SW	0	F14	90656-KCBC-900	0	F18
90108-KUDU-900	1	F14	90304-GHE8-004-SW	0	F19	90656-KUDU-900	0	F18
90110-KHG8-901	0	F06	90304-GLW0-90A	1	F03	90677-GAR1-004	1	F10
90110-KHG8-901	0	F07	90305-GHK8-001	1	E07	90677-KFC9-900	0	F17
90111-1G87-001	1	F11	90305-KNBN-90B	0	F07	90683-GAR1-004	4	F04
90111-KFW6-001	0	F17	90306-KLF0-004-SY	1	F06	90701-HFB6-011	1	E03
90112-GCC3-001	1	F04	90309-GLW0-90A	1	F06	90701-HFB6-011	1	E06
90115-GLE0-001	0	F03	90309-GLW0-90A	1	F07	90754-GHC8-00A	1	F06
90115-KXCX-900	1	F12	90309-KLF0-004-SY	1	E08	90754-GHC8-00B	1	F06
90116-3C83-72A	0	F21	90403-KUDU-900	0	E06	90805-GBHB-901	1	E01
90121-GFY6-901	1	F19	90426-KNBN-901	0	E05	90912-GHC8-00A	0	F06
90164-KGBG-900	1	F11	90440-1F66-001	0	E07	90912-GHC8-00D	0	F06
90164-MDR4-901	0	F04	90441-GFY6-941	0	E05			
90201-GFY6-901	0	E06	90451-KUDU-900	0	E08	91000		
90202-1G87-001	0	E05	90465-MDC4-001	0	E02			
90206-0A01-001	1	E02	90474-3C33-001	1	E01	91001-GFY6-90A	2	E05
90301-6D34-671	1	F17	90501-KNBN-901	0	F07	91002-GGA7-70A	0	E05
90301-GFY6-901	2	F13	9052A-GFY6-950	1	E01	91003-KDS4-004	1	E08
90302-GBR2-001	1	F09	90554-2C83-001	0	F21	91009-GLE0-004	1	E08
90302-GFY6-901	1	F04	90601-3D54-001	0	F21	91014-LLJ3-E00	1	F05
90302-GFY6-901	1	F11	90601-GFY6-901	0	E05	91015-LLJ3-E00	1	F05
90302-GFY6-940	1	F10	90605-1F66-721	0	E05	91101-1K79-711	1	E06
90302-KNBN-900	1	F03	90652-GFY6-901	1	F12	91104-GFY6-90B-B	1	E06

PART NO. INDEX

零件號碼索引

PART NO. 零件號碼	VERSION 版數	PAGE 頁次	PART NO. 零件號碼	VERSION 版數	PAGE 頁次	PART NO. 零件號碼	VERSION 版數	PAGE 頁次
91104-GFY6-90B-R	1	E06	91981-KGN7-670	0	E06	93903-34360	0	F01
91104-GFY6-90B-W	1	E06				93903-34360	0	F03
91104-GFY6-90C-B	0	E06	92000			93903-34360	0	F04
91104-GFY6-90C-R	0	E06				93903-34360	0	F11
91104-GFY6-90C-W	0	E06	92101-05012-0H	0	E07	93903-34360	0	F16
91106-KHC4-90A	0	E01	92900-06060-0B	0	E02	93903-34360	0	F17
91106-KHC4-90B	0	E01				93903-35320	0	F02
91202-GFY6-90A	1	E01	93000			93903-35360	0	F09
91202-GFY6-90A	1	E04				93903-GFY6-900	1	F04
91202-GFY6-90B	1	E01	93401-04025-08	0	F18	93903-GFY6-900	1	F11
91202-GFY6-90B	1	E04	93404-06016-06	0	F04			
91202-KKJ9-004	0	E01	93404-06016-06	0	F19	94000		
91211-KEBE-900	0	E05	93404-06020-06	1	F10			
91251-GHC8-004	0	F06	93404-KKC2-900-06	1	F11	94001-05080-0S	0	F03
91254-KEC5-004	0	F21	93500-03010-1A	0	E06	94050-06080	0	E02
91255-4F46-014	0	F21	93500-04008-0G	0	F09	94050-06080	0	E06
91255-GLE0-006	0	E08	93500-05022-06	0	F03	94050-06080	0	E09
91256-GAC1-004	0	F06	93700-05018-0H	0	F02	94050-06080	0	F06
91301-0C53-001	0	E08	93891-05016-08	0	F12	94050-06080	0	F08
91301-GLR0-005	1	E03	93891-05025-06	0	F03	94050-06080	0	F09
91302-0A01-021	0	E04	93892-04010-08	0	E09	94050-06080	0	F18
91306-1E05-691	0	E03	93892-04022-08	0	F18	94050-06080	0	F19
91307-0E35-001	0	E04	93892-05010-08	0	E09	94050-08080	0	E02
91309-4E25-004	0	E06	93901-34380	0	F17	94050-12080	0	E05
91351-6B42-000	0	E05	93903-25460	0	F12	94050-12080	0	E07
91352-KHG8-83B	0	F07	93903-34220	0	F17	94101-06700	0	F13

PART NO. INDEX

零件號碼索引

PART NO. 零件號碼	VERSION 版數	PAGE 頁次	PART NO. 零件號碼	VERSION 版數	PAGE 頁次	PART NO. 零件號碼	VERSION 版數	PAGE 頁次
94101-KKE3-900	1	E09	95002-02120	0	F12	95801-10040-08	0	F15
94111-06800	0	E02	95002-02130	0	F09			
94111-06800	0	E09	95002-02130	0	F12	96000		
94301-10160	0	E01	95002-41250-00	0	F12			
94301-10160	0	E02	95014-71402	0	F14	96001-06008-07	0	F13
94301-10160	0	E03	95014-72102	0	F14	96001-06012-08	0	E01
94301-10160	0	E04	95015-32001	0	F03	96001-06012-08	0	E04
94303-04065	0	E06	95015-42000	0	F03	96001-06012-08	0	E06
94510-20000	0	E08	95701-06012-08	0	F05	96001-06012-08	0	F11
94520-28000	0	E05	95701-06012-08	0	F17	96001-06014-08	0	E02
94591-KFBF-900	2	E02	95701-06012-08	0	F18	96001-06014-08	0	F09
94601-15000	0	E03	95701-06022-06	1	F13	96001-06016-08	0	E07
94605-KUDU-900	1	F21	95701-06025-08	0	E02	96001-06018-08	0	E06
94608-30000	0	F21	95701-06028-08	0	F06	96001-06018-08	0	E07
			95701-06035-08	0	E02	96001-06025-06	0	F03
95000			95701-06035-08	0	F07	96001-06025-08	0	E07
			95701-06050-08	0	E02	96001-06028-08	0	E06
95001-45500-40	0	F20	95701-06050-08	0	F19	96001-06028-08	0	E07
95002-02070	0	E09	95701-08012-08	0	E01	96001-06032-06	0	F19
95002-02070	0	F09	95701-08012-08	0	F18	96001-06032-08	0	E04
95002-02080	0	E01	95701-08025-08	0	F18	96001-06045-08	0	E01
95002-02080	0	E02	95701-LDA6-900	0	F01	96001-06050-08	0	E01
95002-02080	0	F09	95801-08035-08	0	F15	96001-06055-08	0	E01
95002-02080	0	F20	95801-08040-08	0	F05	96001-06100-08	0	E02
95002-02100	0	E02	95801-08042-06	0	F13	96001-06100-08	0	E04
95002-02100	0	F12	95801-10025-08	0	F14	96001-06110-08	0	E04

PART NO. INDEX

零件號碼索引

PART NO. 零件號碼	VERSION 版數	PAGE 頁次	PART NO. 零件號碼	VERSION 版數	PAGE 頁次	PART NO. 零件號碼	VERSION 版數	PAGE 頁次
96001-GFY6-900	1	E01						
96001-GFY6-900	1	E02						
96100-60020-00	0	E08						
96100-62030-00	0	E01						
96100-62043-00	0	E01						
96220-60100	0	E06						
96600-08010-10	1	E06						
98000								
98056-5771R-00	0	E02						
98200-11000	0	F18						
98200-11500	0	F10						
98200-11500	0	F18						