

# PARTS CATALOGUE



## SCOOTERS

SJ25KA

GP 125



Date : 2010/01/12

## 前言

- 本零件型錄適用於 SJ25KA 機種，訂購零件時，請參照本冊。
- 本冊之配色表僅供參考，若與實車不符之處，以實車為準。
- 配色記號(Color Mark)  
註明 "\*\*\*" 記號，表示訂購該零件時，請參照機種相片及配色表，並請在基本零件號碼最後加上色碼。
- 本冊若有錯誤或遺漏之處，敬請不吝賜教指正。

## ABOUT THIS PARTS LIST

- This parts list is compiled all service parts for model SJ25KA.
- Any difference between color chart and motorcycle will be revised according to motorcycle.
- The sales mark:
  - 1.marking "\*\*\*" must add color code in the end before ordering parts.
- When modification or additions to this parts list are made a revised edition at an appropriate time.

## 目次

● 前言 .....	1
● SJ25KA 配色表 .....	3
● 引擎結構圖 .....	9
● 車架結構圖 .....	10
● 引擎號碼表 .....	13
● 車架零件號碼表 .....	45
● 零件號碼索引 .....	109

## CONTENTS

● ABOUT THIS PARTS LIST .....	1
● COLOR CHART OF SJ25KA .....	3
● CONTENTS-ENGINE GROUP .....	9
● CONTENTS-FRAME GROUP .....	10
● ENGINE PARTS LIST .....	13
● FRAME PARTS LIST .....	45
● PART NO. INDEX .....	109

NO	MODEL			SJ25KA COLOR CHART			
	PHOTO NO			NO. 1	NO. 2	NO. 3	NO. 4
	BASIC COLOR			淺晶藍	黑	亮紅	晶鑽銀
	CODE			Light Blue Metallic	Black	Bright Red	Silver Crystal
	PARTS NAME	PARTS NO.	VERSION	PB281MA	NH001SA	RR339PA	NH263MA
1	COVER SET FRONT	64301-LDA6-395	0	PB281P	D01	RR339P	NH263P
2	TOP FR COVER	64303-LDA6-900	1	F1P			
3	LEVER L STRG HANDLE	53178-GKAK-901	0	M2A			
4	BRKT FLOOR PANEL	50179-LFG7-900	2	M2S			
5	HUB COMP RR WHEEL	42601-KUDU-90D	2	N1A			
6	WHEEL SET FR	44650-LDA6-305	0				
7	FORK SET R FR	5140A-LAD9-W00	1				
8	FORK SET L FR	5150A-LAD9-W00	2				
9	LEVER R STRG HANDLE	53175-KNBN-901	1				
10	COVER FR HANDLE	53205-LDA6-900	2	CAP	N1P	EBP	HUP
11	MOLD FR	64302-LDA6-900	2				
12	SKIRT R SIDE	64305-LDA6-900	2				
13	SKIRT L SIDE	64306-LDA6-900	2				
14	CARRIER RR	81200-LDA6-900	1				
15	COVER R BODY	83500-LDA6-356	0				
16	COVER L BODY	83600-LDA6-356	0				
17	MIRROR ASSY R BACK	88110-LEB1-900	2				
18	MIRROR ASSY L BACK	88120-LEB1-900	2				
19	PROTECTOR COMP	18317-LHB8-900	1				
20	COVER UNDER	50613-LAD9-900	2				
21	GRIP COMP THROT	53140-LCB4-700	2				
22	GRIP L HANDLE	53150-LCB4-700	3				
23	COVER HANDLE RR	53206-LDA6-900	3				
24	FENDER A FR INNER	61100-LDA6-900	2				
25	FENDER FRONT INNER	61110-KKC8-900	2				
DATE OF STARTING-SALES							
DATE OF END-SALES							

NO	MODEL			SJ25KA COLOR CHART			
	PHOTO NO			NO. 5			
	BASIC COLOR			珍珠白			
	CODE			Pearly White			
	PARTS NAME	PARTS NO.	VERSION	NH193PA			
1	COVER SET FRONT	64301-LDA6-395	0	NH193P			
2	TOP FR COVER	64303-LDA6-900	1	F1P			
3	LEVER L STRG HANDLE	53178-GKAK-901	0	M2A			
4	BRKT FLOOR PANEL	50179-LFG7-900	2	M2S			
5	HUB COMP RR WHEEL	42601-KUDU-90D	2	N1A			
6	WHEEL SET FR	44650-LDA6-305	0				
7	FORK SET R FR	5140A-LAD9-W00	1				
8	FORK SET L FR	5150A-LAD9-W00	2				
9	LEVER R STRG HANDLE	53175-KNBN-901	1				
10	COVER FR HANDLE	53205-LDA6-900	2	NVP			
11	MOLD FR	64302-LDA6-900	2				
12	SKIRT R SIDE	64305-LDA6-900	2				
13	SKIRT L SIDE	64306-LDA6-900	2				
14	CARRIER RR	81200-LDA6-900	1				
15	COVER R BODY	83500-LDA6-356	0				
16	COVER L BODY	83600-LDA6-356	0				
17	MIRROR ASSY R BACK	88110-LEB1-900	2				
18	MIRROR ASSY L BACK	88120-LEB1-900	2				
19	PROTECTOR COMP	18317-LHB8-900	1	N1R			
20	COVER UNDER	50613-LAD9-900	2				
21	GRIP COMP THROT	53140-LCB4-700	2				
22	GRIP L HANDLE	53150-LCB4-700	3				
23	COVER HANDLE RR	53206-LDA6-900	3				
24	FENDER A FR INNER	61100-LDA6-900	2				
25	FENDER FRONT INNER	61110-KKC8-900	2				
DATE OF STARTING-SALES							
DATE OF END-SALES							

NO	MODEL			SJ25KA COLOR CHART							
	PHOTO NO			NO. 1	NO. 2	NO. 3	NO. 4				
	BASIC COLOR			淺晶藍	黑	亮紅	晶鑽銀				
	CODE			Light Blue Metallic	Black	Bright Red	Silver Crystal				
	PARTS NAME	PARTS NO.	VERSION	PB281MA	NH001SA	RR339PA	NH263MA				
26	GRILL FRONT COVER	64304-LDA6-900	1	N1R							
27	FLOOR PANEL	64310-LDA6-900	2								
28	PLUG FLOOR A	64317-KHD6-900	0								
29	COVER CENTER	80151-LDA6-900	2								
30	LEG SHIELD UP	81131-LDA6-900	2								
31	LEG SHIELD LOW	81141-LDA6-900	4								
32	LID LEG SHIELD	81142-KUDU-900	1								
33	MOLD R SIDE	83520-LDA6-900	2								
34	MOLD L SIDE	83620-LDA6-900	0								
35	CAP MIRROR BRKT	88115-LBA2-E02	1								
36	BAND HARNESS WIRE	90656-KUDU-900	0								
37	COVER LEFT	11341-LDA6-900	8					NEA			
38	CALIPER ASSY FR	45200-LDA6-900	2					R8A			
39	DISK FR BRAKE	45351-LDA6-900	1					R8S			
40	CUSHION ASSY RR	52400-LAD9-900	2					T01			
41	EMB K-LOGO 28.5MM	86102-LDA6-900	1								
42	STRIPE ENERGY LOGO	86700-LFG7-900	2								
43	MARK E/M 5th STANG	87122-LHE9-950	1								
44	CAUTION BATTERY	87502-LEB2-900	1								
45	CAUTION MUFFLER	87503-LEB2-900	2								
46	LABEL TIRE	87505-KUDU-900	1								
47	CAUTION SIDE STAND	87541-GGS7-901	2								
48	LABEL OIL CAP	87541-KUDU-900	2								
49	MARK MAINT CAUTION	87542-GKM9-301	3								
50	CAUTION AFI	87546-LEB2-900	1								
DATE OF STARTING-SALES											
DATE OF END-SALES											

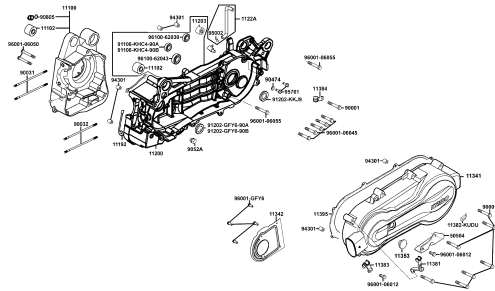
NO	MODEL			SJ25KA COLOR CHART							
	PHOTO NO			NO. 5							
	BASIC COLOR			珍珠白							
	CODE			Pearly White							
	PARTS NAME	PARTS NO.	VERSION	NH193PA							
26	GRILL FRONT COVER	64304-LDA6-900	1	N1R							
27	FLOOR PANEL	64310-LDA6-900	2								
28	PLUG FLOOR A	64317-KHD6-900	0								
29	COVER CENTER	80151-LDA6-900	2								
30	LEG SHIELD UP	81131-LDA6-900	2								
31	LEG SHIELD LOW	81141-LDA6-900	4								
32	LID LEG SHIELD	81142-KUDU-900	1								
33	MOLD R SIDE	83520-LDA6-900	2								
34	MOLD L SIDE	83620-LDA6-900	0								
35	CAP MIRROR BRKT	88115-LBA2-E02	1								
36	BAND HARNESS WIRE	90656-KUDU-900	0								
37	COVER LEFT	11341-LDA6-900	8					NEA			
38	CALIPER ASSY FR	45200-LDA6-900	2					R8A			
39	DISK FR BRAKE	45351-LDA6-900	1	R8S							
40	CUSHION ASSY RR	52400-LAD9-900	2								
41	EMB K-LOGO 28.5MM	86102-LDA6-900	1	T01							
42	STRIPE ENERGY LOGO	86700-LFG7-900	2								
43	MARK E/M 5th STANG	87122-LHE9-950	1								
44	CAUTION BATTERY	87502-LEB2-900	1								
45	CAUTION MUFFLER	87503-LEB2-900	2								
46	LABEL TIRE	87505-KUDU-900	1								
47	CAUTION SIDE STAND	87541-GGS7-901	2								
48	LABEL OIL CAP	87541-KUDU-900	2								
49	MARK MAINT CAUTION	87542-GKM9-301	3								
50	CAUTION AFI	87546-LEB2-900	1								
DATE OF STARTING-SALES											
DATE OF END-SALES											



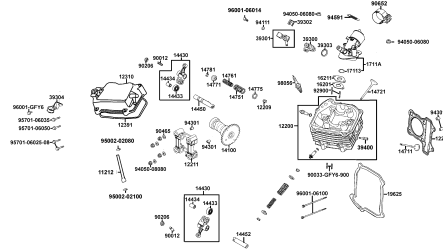


# CONTENTS - ENGINE GROUP

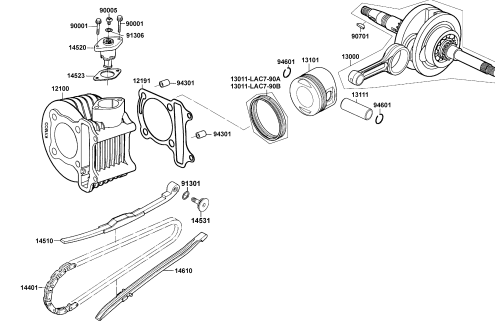
## E01 曲軸箱



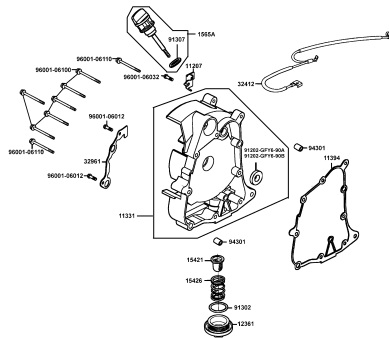
## E02 汽缸頭蓋 汽缸頭



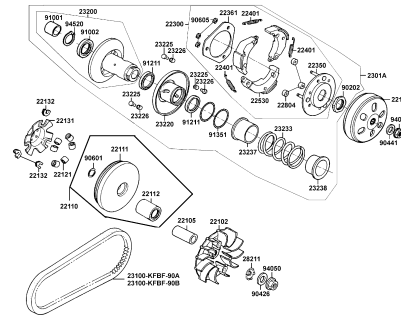
## E03 汽缸 活塞 曲軸



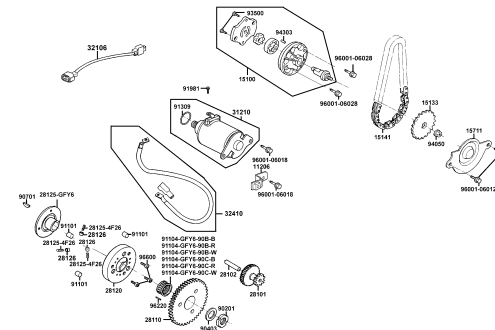
## E04 右曲軸箱蓋



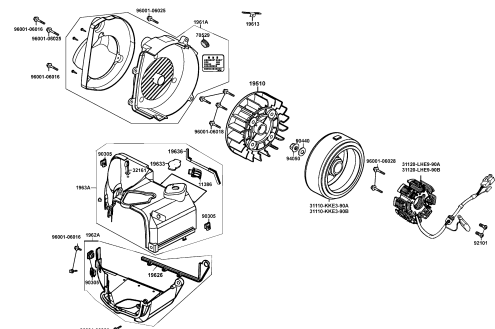
## E05 傳動皮帶輪



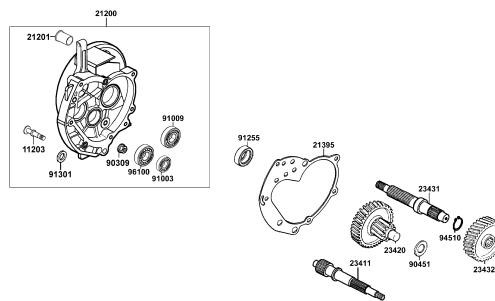
## E06 起動馬達 機油泵



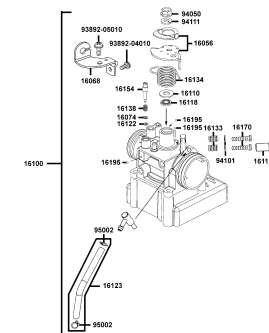
## E07 風扇蓋 發電機



## E08 傳動系

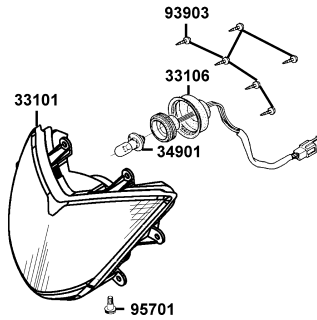


## E09 噴射節流閥

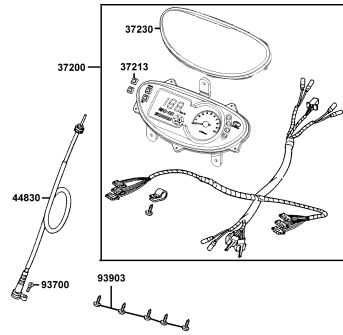


# CONTENTS - FRAME GROUP

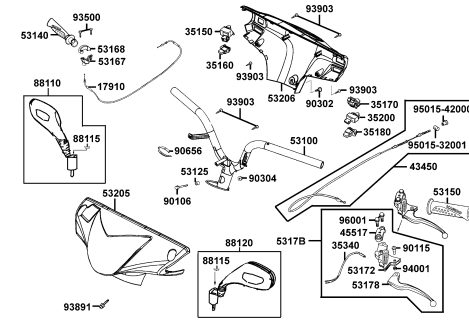
**F01 前燈**



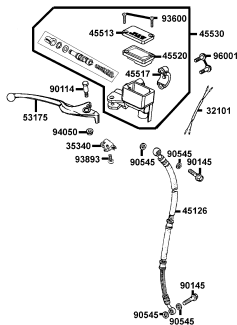
**F02 儀錶**



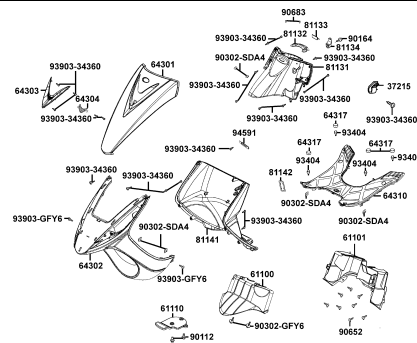
**F03 轉向手柄 手柄蓋**



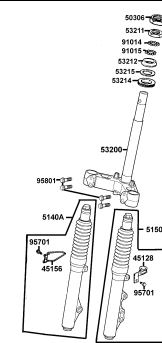
**F04 煞車主油缸**



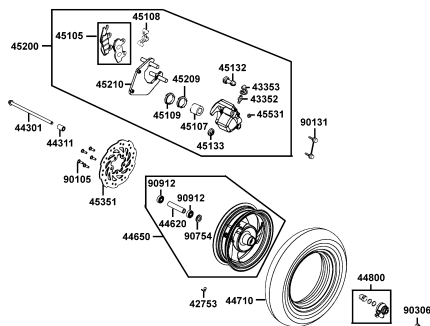
**F05 前護蓋 前土除**



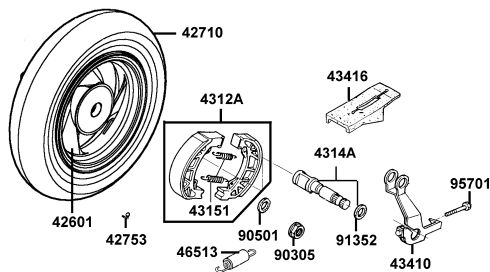
**F06 轉向軸 前避震器**



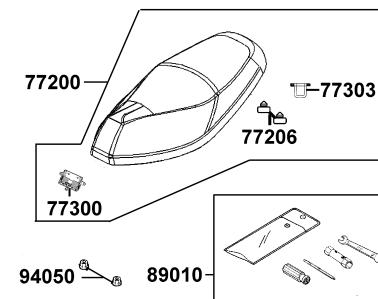
**F07 前輪**



**F08 後輪**

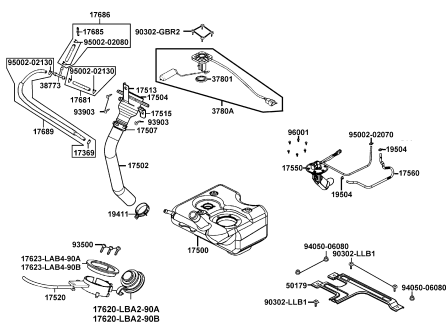


**F09 座墊**

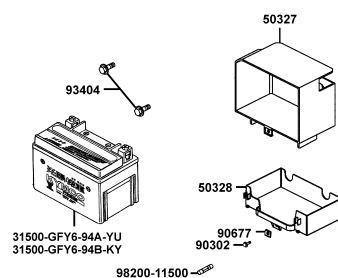


# CONTENTS - FRAME GROUP

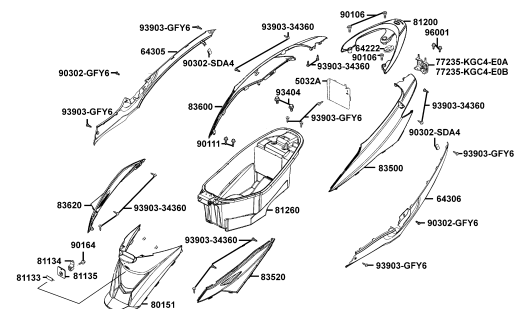
## F10 油箱



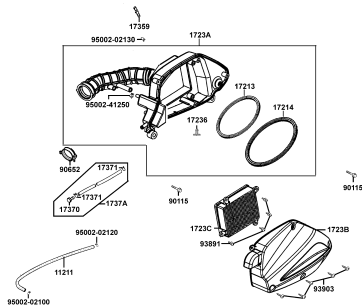
## F11 電瓶



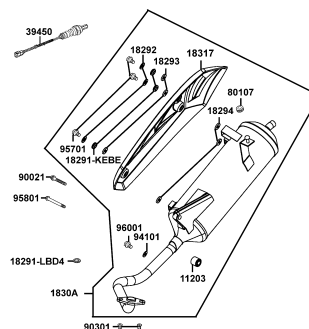
## F12 車體邊蓋 行李箱



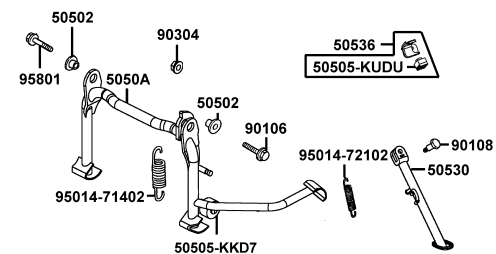
## F13 空氣濾清器



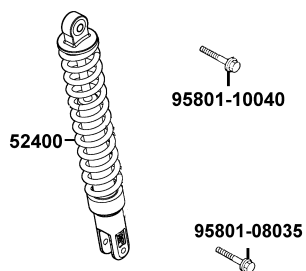
## F14 排氣管



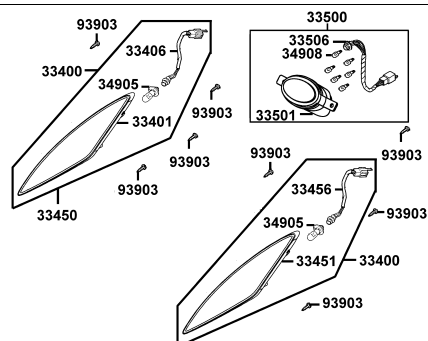
## F15 起動踏桿 腳架



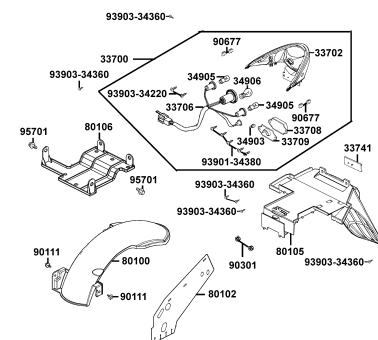
## F16 後避震器



## F17 前方向燈

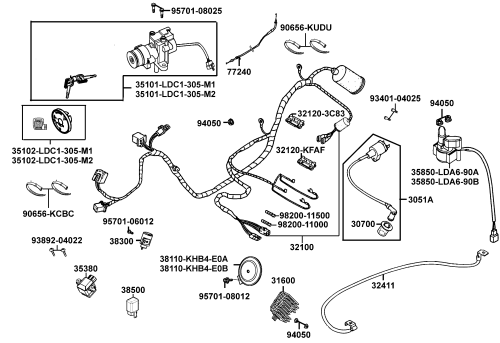


## F18 後燈

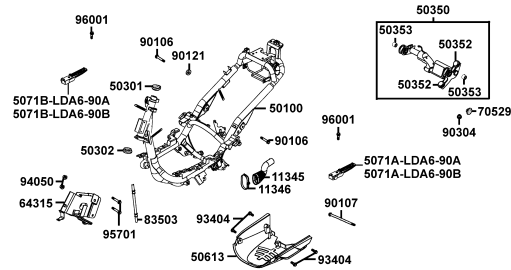


# CONTENTS - FRAME GROUP

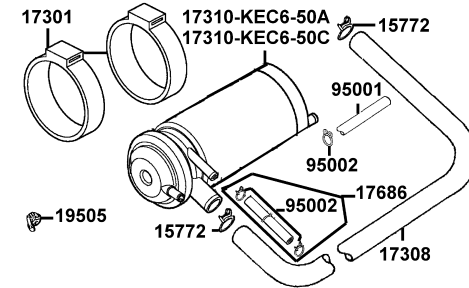
## F19 主電路配線



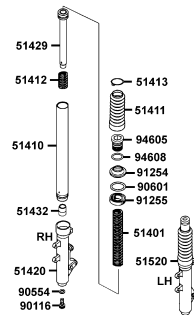
## F20 車體



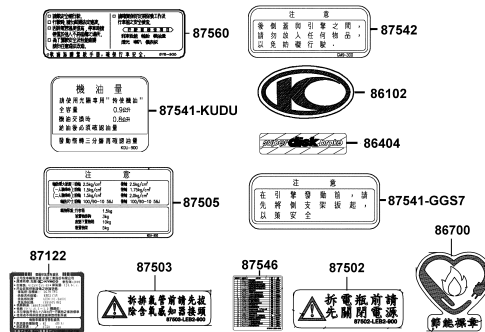
## F21 活性炭罐



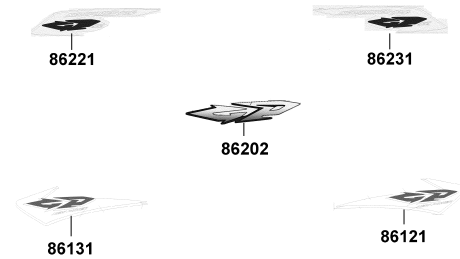
## F22 前叉附件



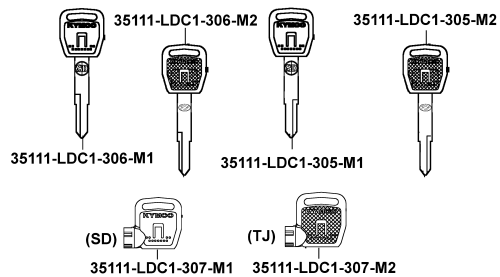
## F23 注意標籤



## F24 標徽 貼紙

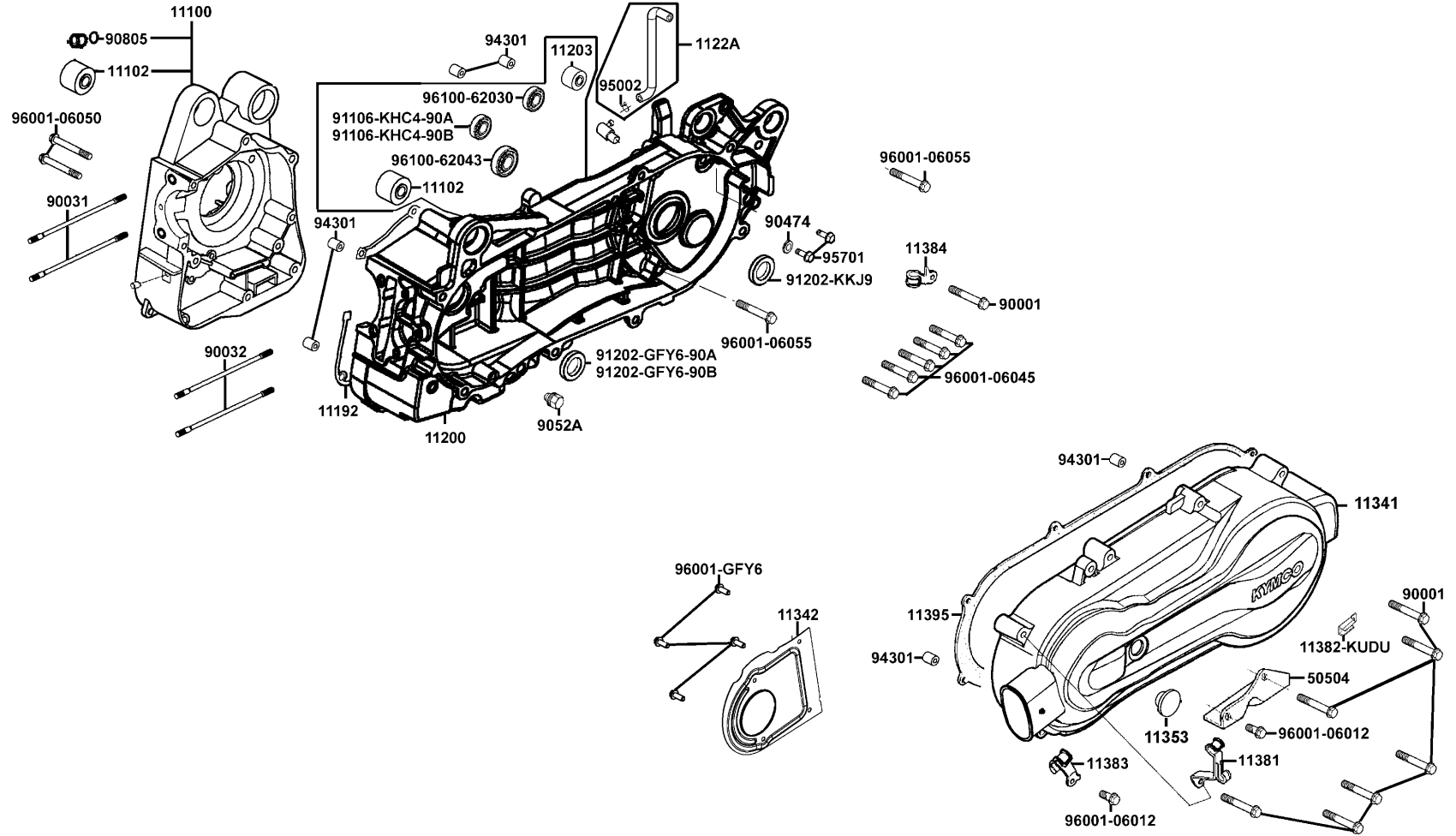


## F25 鑰匙組



E01

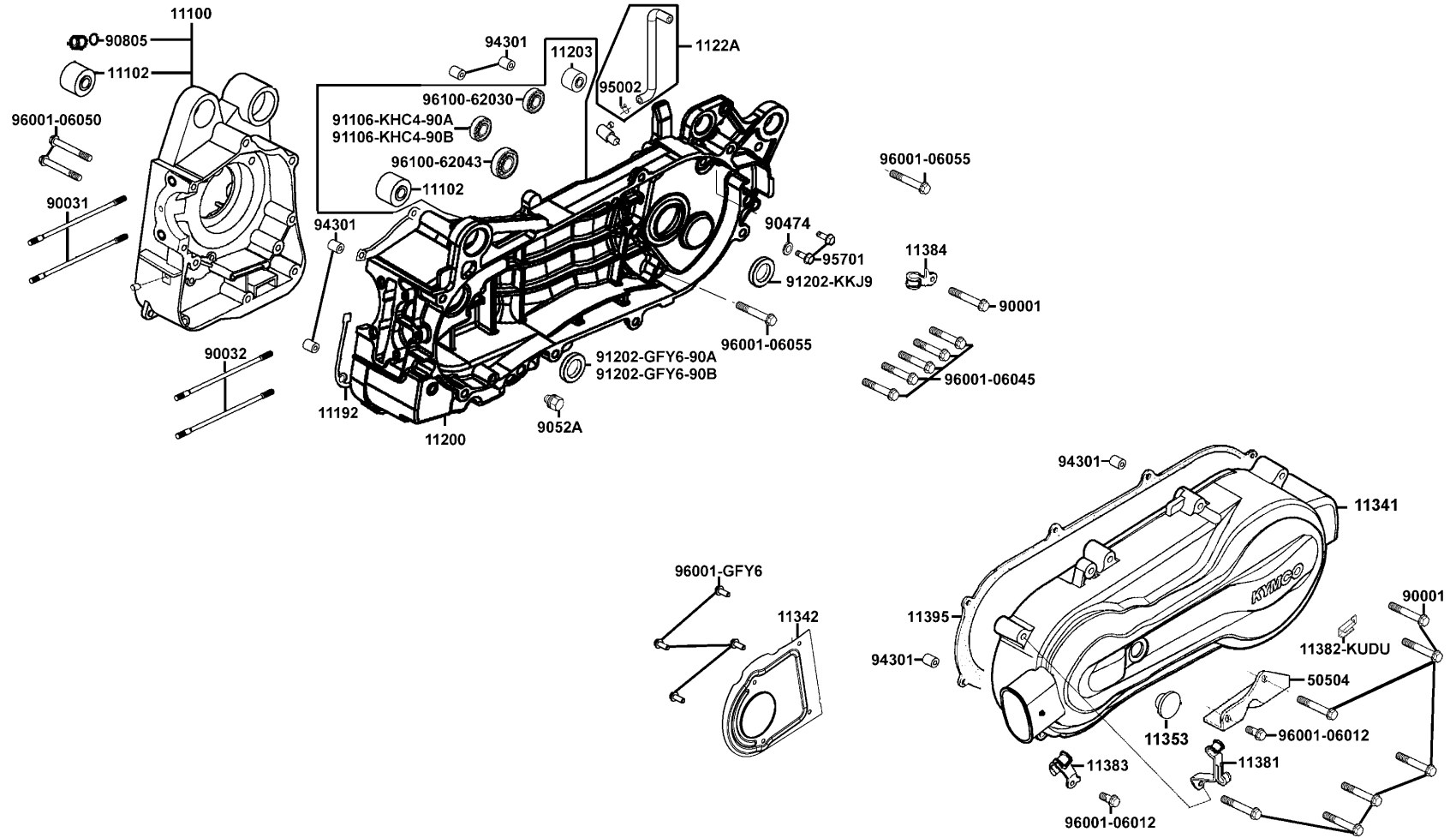
Crank Case 曲軸箱



Sales mark 配色標註	Ref no 參考號碼	Part no 零件號碼	Description 英文名稱	Reg description 中文名稱	Regd no 需求用量	E01
	11100	11100-LBB8-305	CASE SET R CRANK	右曲軸箱組	1	
	11102	11102-1G87-004	RUB BUSH ENG HANGER	引擎吊架襯套	2	
	11192	11192-LDA6-900	GASKET CRANK CASE A	曲軸箱墊片	1	
	11200	11200-LDA6-305	CASE SET L CRANK	左曲軸箱組	1	
	11203	11203-GGC7-301	UNDER RUBBER BUSH REAR CUSHION	後緩衝下襯套	1	
	1122A	1122A-LAD9-900	TUBE ASSY MISSION BREATHER	通氣管	1	
**	11341	11341-LDA6-900	COVER LEFT	左曲軸箱蓋	1	
	11342	11342-LDA7-900	PLATE L COVER	左曲軸箱蓋板	1	
	11353	11353-LEA6-900	RUBBER PLUG L COVER KICK	橡皮塞蓋	1	
	11381	11381-KUDU-900	CLAMPER THROTTLE CABLE	加油導線夾	1	
	11382-KUDU	11382-KUDU-900	CLAMPER BRAKE CABLE	煞車導線夾	1	
	11383	11383-KUDU-900	CLAMPER BRTH DRAIN TUBE	通氣管夾	1	
	11384	11384-KUDU-900	CLAMPER BREATHER TUBE	通氣管夾	1	
	11395	11395-KUDU-900	GASKET L COVER A	左曲軸箱蓋墊片	1	
	50504	50504-KUDU-900-G	STAY MAIN STAND STOPPER	主腳架止動座	1	
	90001	90001-GBHB-711	BOLT FLANGE SHF 6*40	螺絲 6X40	8	
	90031	90031-KUDU-900	BOLT A STUD 8*200.5	雙頭螺絲 8*200.5	2	
	90032	90032-KUDU-900	BOLT B STUD 8*208.5	雙頭螺絲 8*208.5	2	
	90474	90474-3C33-001	WASHER 8MM	華司	1	
	9052A	9052A-GFY6-950	BOLT ASSY DRAIN PLUG	洩油螺絲	1	

E01

Crank Case 曲軸箱



Sales mark 配色標註	Ref no 參考號碼	Part no 零件號碼	Description 英文名稱	Reg description 中文名稱	Regd no 需求用量	E01
	90805	90805-GBHB-901	CONE TYPE PLUG 6*7	油路栓	1	
	91106-KHC4-90A	91106-KHC4-90A	BRG NEEDLE 15MM	滾針軸承	1	
	91106-KHC4-90B	91106-KHC4-90B	BRG NEEDLE 15MM	滾針軸承	1	
	91202-GFY6-90A	91202-GFY6-90A	OIL SEAL 19.8*30*5	油封 19.8*30*5	1	
	91202-GFY6-90B	91202-GFY6-90B	OIL SEAL 19.8*30*5	油封 19.8*30*5	1	
	91202-KKJ9	91202-KKJ9-004	OIL SEAL 20*32*6	油封 20X32X6	1	
	94301	94301-10160	DOWEL PIN 10*16	定位銷 10X16	6	
	95002	95002-02080	CLIP B8 TUBE	管夾	1	
	95701	95701-08012-08	BOLT FLANGE 8*12	螺絲 8*12	2	
	96001-06012	96001-06012-08	BOLT FLANGE 6*12	螺絲 6*12	2	
	96001-06045	96001-06045-08	BOLT FLANGE SH 6*45	螺栓 6*45	5	
	96001-06050	96001-06050-08	BOLT FLANGE 6*50	螺絲 6X50	2	
	96001-06055	96001-06055-08	BOLT FLANGE SH 6*55	螺栓 6*55	2	
	96001-GFY6	96001-GFY6-900	BOLT SPECIAL 5*10	螺絲 5*10	4	
	96100-62030	96100-62030-00	BRG BALL RADIAL 6203	軸承 6203	1	
	96100-62043	96100-62043-00	BEARING BALL RADIAL 6204	軸承 6204	1	

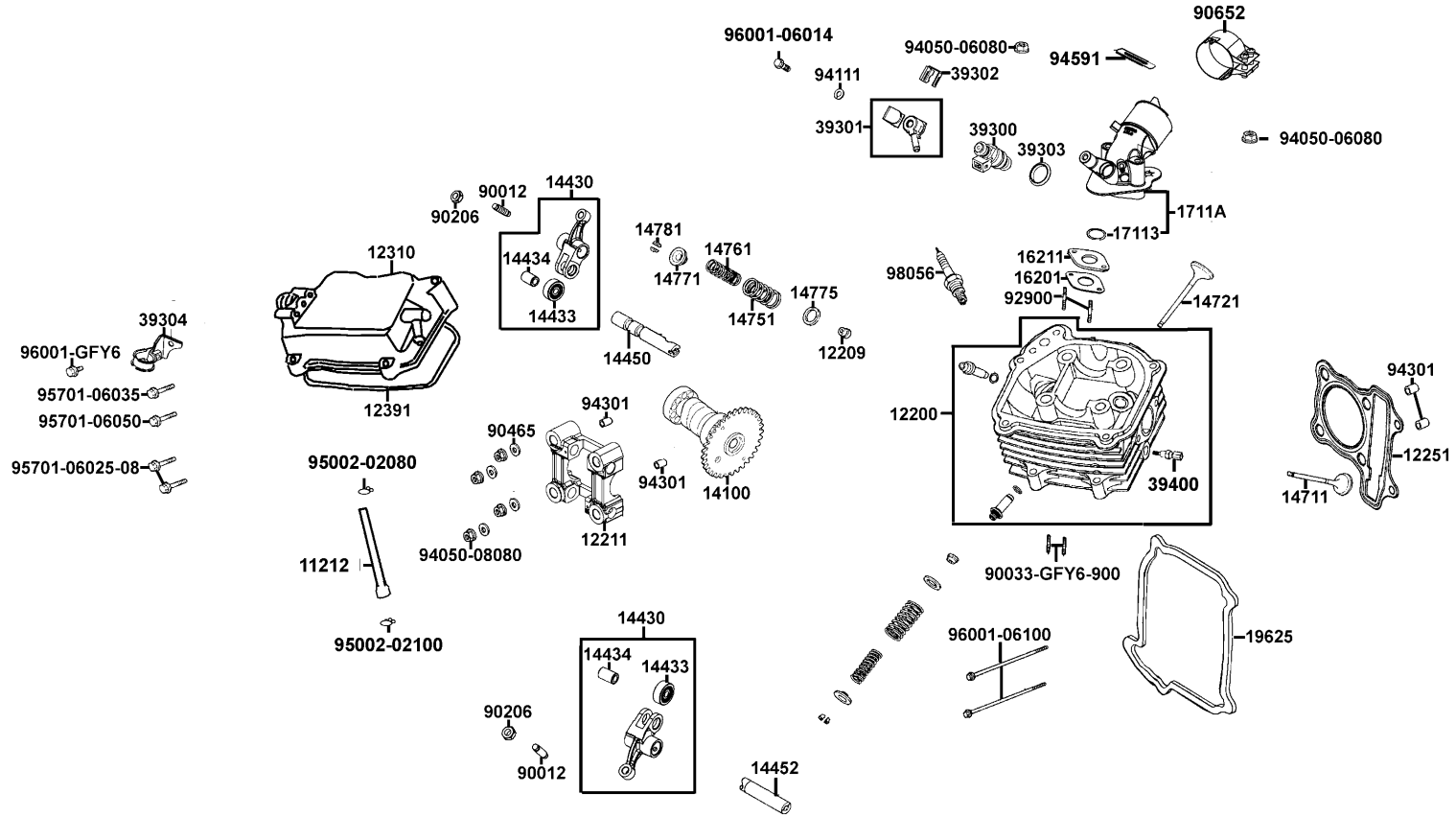
E02

Cylinder Head Cover

Cylinder Head

汽缸頭蓋

汽缸頭



Sales mark 配色標註	Ref no 參考號碼	Part no 零件號碼	Description 英文名稱	Reg description 中文名稱	Regd no 需求用量	E02
	11212	11212-LGK2-900	TUBE, B BREATHER	TUBE, B BREATHER	1	
	12200	12200-KKE3-900	HEAD COMP CYLINDER	汽缸頭	1	
	12209	12209-GDB4-68A	SEAL VALVE STEM	門閥徑封	2	
	12211	12211-LFD7-900	HOLDER CAM SHAFT	凸輪軸固定座	1	
	12251	12251-GFY6-90A	GASKET CYLINDER HEAD	汽缸頭墊片	1	
	12310	12310-LHE9-900	COVER COMP HEAD	汽缸頭蓋	1	
	12391	12391-GFY6-941	GASKET HEAD COVER	汽缸頭蓋墊片	1	
	14100	14100-LFD7-900	CAM SHAFT COMP	凸輪軸	1	
	14430	14430-LFD7-900	ARM VALVE ROCKER	閥門搖臂	2	
	14433	14433-LEB1-900	ROLLER ASSY ROCKER ARM	軸承	2	
	14434	14434-LEB1-900	PIN ROCKER ARM	套筒	2	
	14450	14450-GFY6-901	SHAFT COMP IN ROCKER ARM	進氣閥搖臂軸	1	
	14452	14452-GFY6-901	SHAFT EXH ROCKER ARM	排氣閥搖臂軸	1	
	14711	14711-KUDU-900	VALVE INLET	進氣閥	1	
	14721	14721-KUDU-900	VALVE EXHAUST	排氣閥	1	
	14751	14751-LFD7-900	SPG VALVE OUTER	閥門外彈簧	2	
	14761	14761-KKJ9-003	SPG VALVE INNER	門閥內彈簧	2	
	14771	14771-GDB4-680	RETAINER VALVE SPRING	閥門彈簧保持器	2	
	14775	14775-MFA6-001	SEAT VALVE SPG OUTER	門閥彈簧外座	2	
	14781	14781-MFA6-001	COTTER VALVE	閥門鎖扣	4	

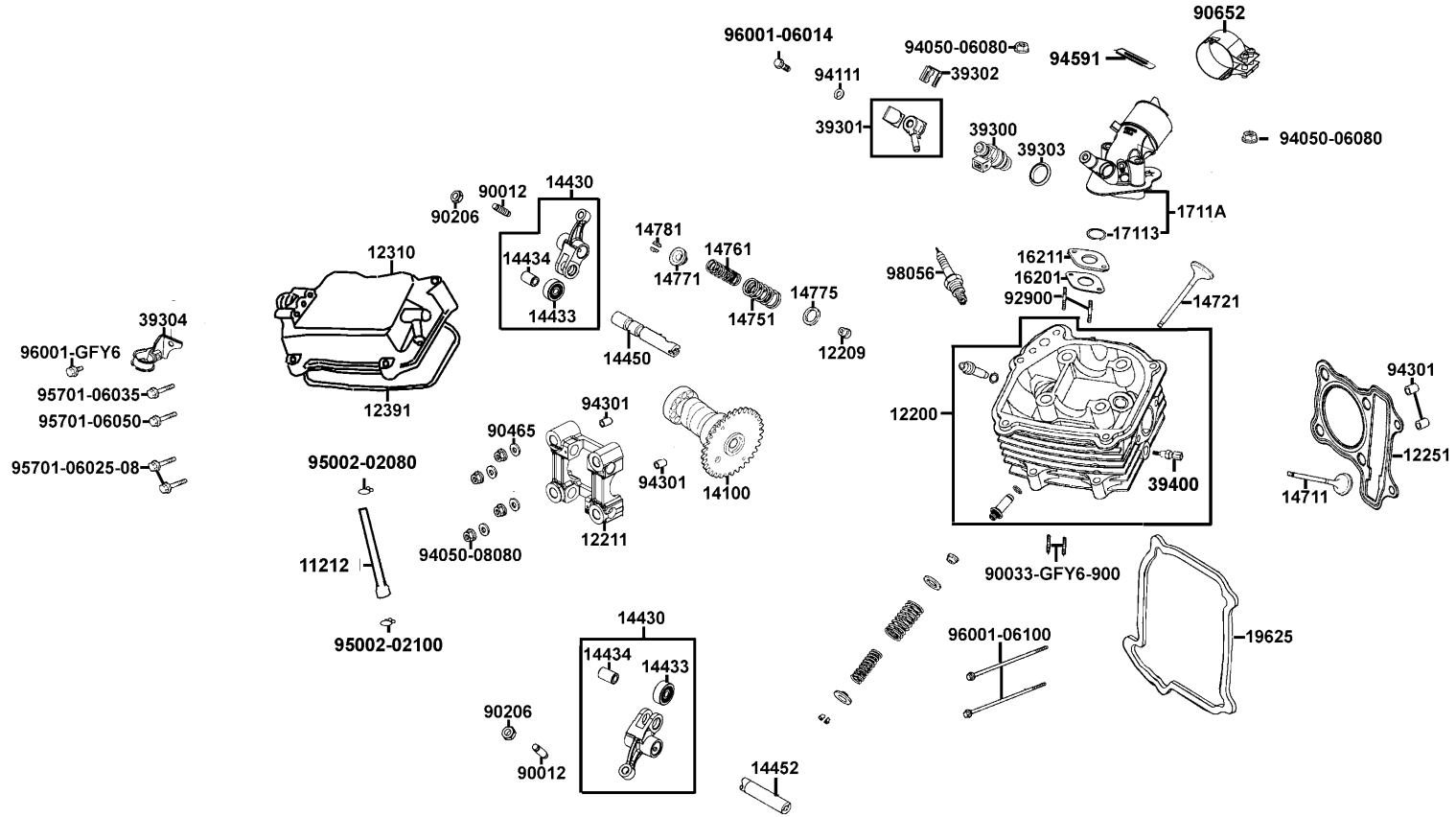
E02

Cylinder Head Cover

Cylinder Head

汽缸頭蓋

汽缸頭



Sales mark 配色標註	Ref no 參考號碼	Part no 零件號碼	Description 英文名稱	Reg description 中文名稱	Regd no 需求用量	E02
	16201	16201-GFY6-901	GASKET CARB INSULATOR @ A	隔熱板墊片	1	
	16211	16211-GFY6-901	INSULATOR CARB	化油器隔熱板	1	
	17113	17113-KKE3-900	O-RING INLET PIPE	O環	1	
	1711A	1711A-LGL3-90A	PIPE ASSY., INLET	進氣管組	1	
	19625	19625-KUDU-910	SEAL SHROUD	罩蓋油封	1	
	39300	39300-LEA6-800	FUEL INJECTOR	燃油噴嘴	1	
	39301	39301-LEB2-900	HOLDER ASSY FUEL	燃油噴嘴托蓋組	1	
	39302	39302-KKE3-900	CLIP SPRING FUEL INJECTOR	噴嘴彈簧夾	1	
	39303	39303-LEB2-900	SEAL HIGH TENSION FUEL INJECT	拉力封	1	
	39304	39304-LFG7-900	CLAMPER FUEL TUBE	進氣管固定夾	1	
	39400	39400-KKE3-800	SENSOR HEAD TEMPERATURE	汽缸頭溫度感應器	1	
	90012	90012-3C33-001	SCREW TAPPET ADJUSTING	樞軸調整螺絲	2	
	90033-GFY6-900	90033-GFY6-900	BOLT STUD 8*32	螺絲 8X32	2	
	90206	90206-0A01-001	NUT TAPPET ADJG	挺桿調整螺帽	2	
	90465	90465-MDC4-001	WASHER 8MM	華司 8MM	4	
	90652	90652-LGJ9-900	BAND 48, INLET-PIPE	進氣管夾	1	
	92900	92900-06060-0B	BOLT STUD 6*60	雙頭螺絲 6*60	2	
	94050-06080	94050-06080	NUT FLANGE 6MM	螺帽 6MM	2	
	94050-08080	94050-08080	NUT FLANGE 8MM	螺帽 8MM	4	
	94111	94111-06800	WASHER SPG 6MM	華司 6MM	1	

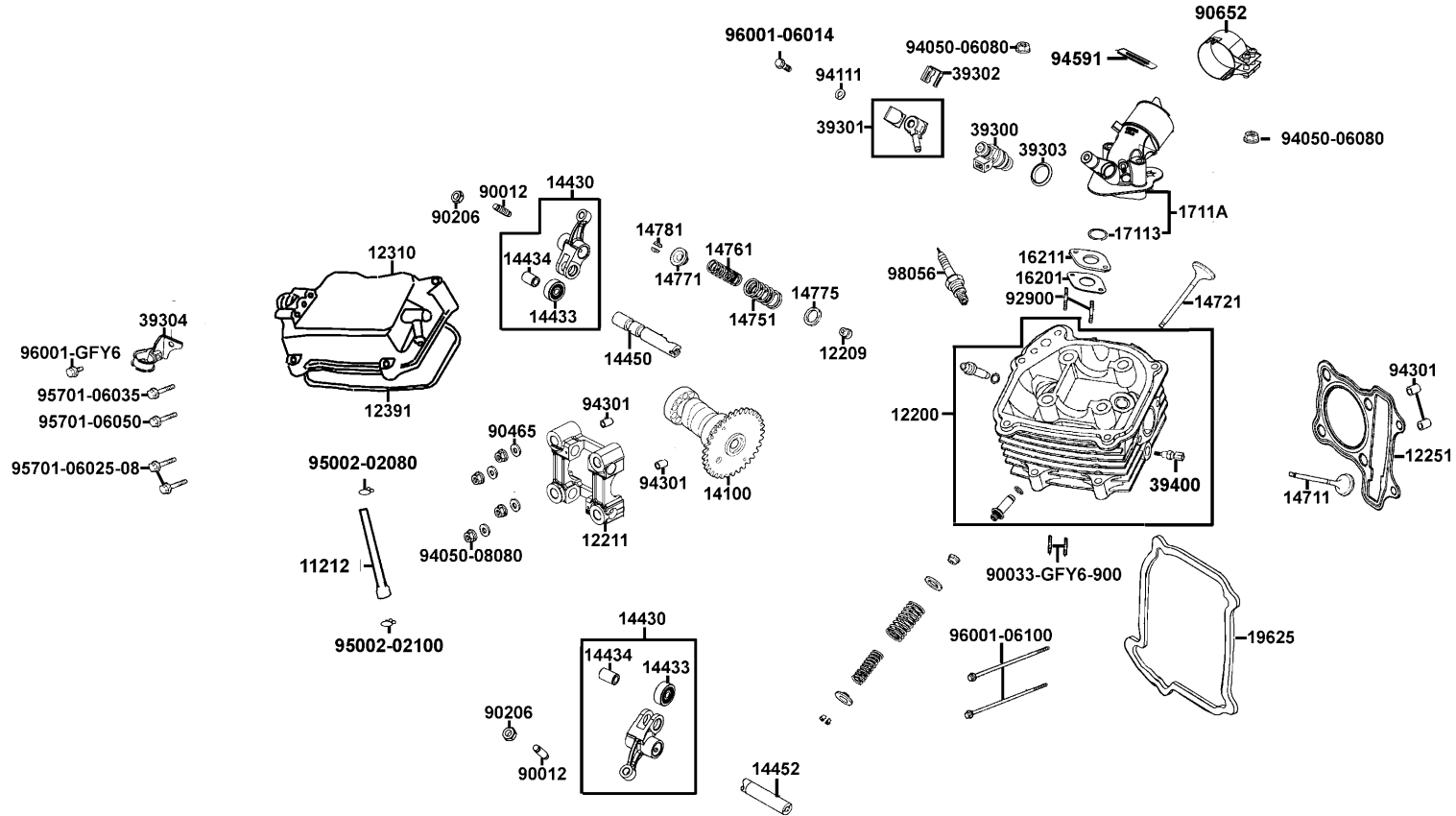
E02

Cylinder Head Cover

Cylinder Head

汽缸頭蓋

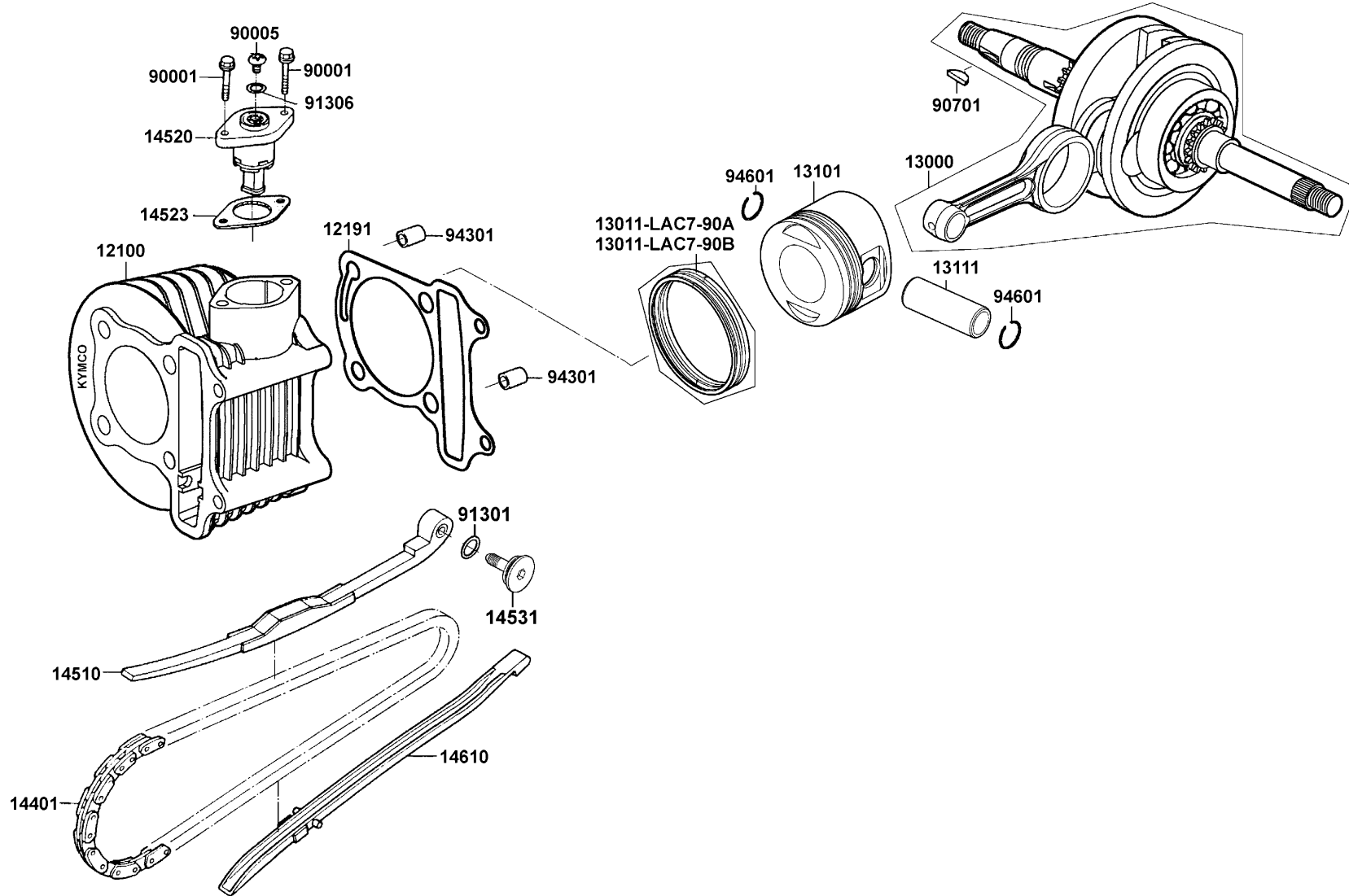
汽缸頭



Sales mark 配色標註	Ref no 參考號碼	Part no 零件號碼	Description 英文名稱	Reg description 中文名稱	Regd no 需求用量	E02
	94301	94301-10160	DOWEL PIN 10*16	定位銷 10X16	4	
	94591	94591-KFBF-900	CLIP 2*70	環夾	1	
	95002-02080	95002-02080	CLIP B8 TUBE	管夾	1	
	95002-02100	95002-02100	CLIP B15 TUBE	管夾	1	
	95701-06025-08	95701-06025-08	BOLT FLANGE 6*25	螺絲 6*25	2	
	95701-06035	95701-06035-08	BOLT FLANGE SH 6*35	螺絲 6*35	1	
	95701-06050	95701-06050-08	BOLT FLANGE 6*50	螺絲 6*50	1	
	96001-06014	96001-06014-08	BOLT FLANGE 6*14	螺絲 6X14	1	
	96001-06100	96001-06100-08	BOLT FLANGE SH 6*100	特殊螺絲 6*100	2	
	96001-GFY6	96001-GFY6-900	BOLT SPECIAL 5*10	螺絲 5*10	1	
	98056	98056-5771R-00	SPARK PLUG (CR7HSA)	火星塞 (CR7HSA)	1	

E03

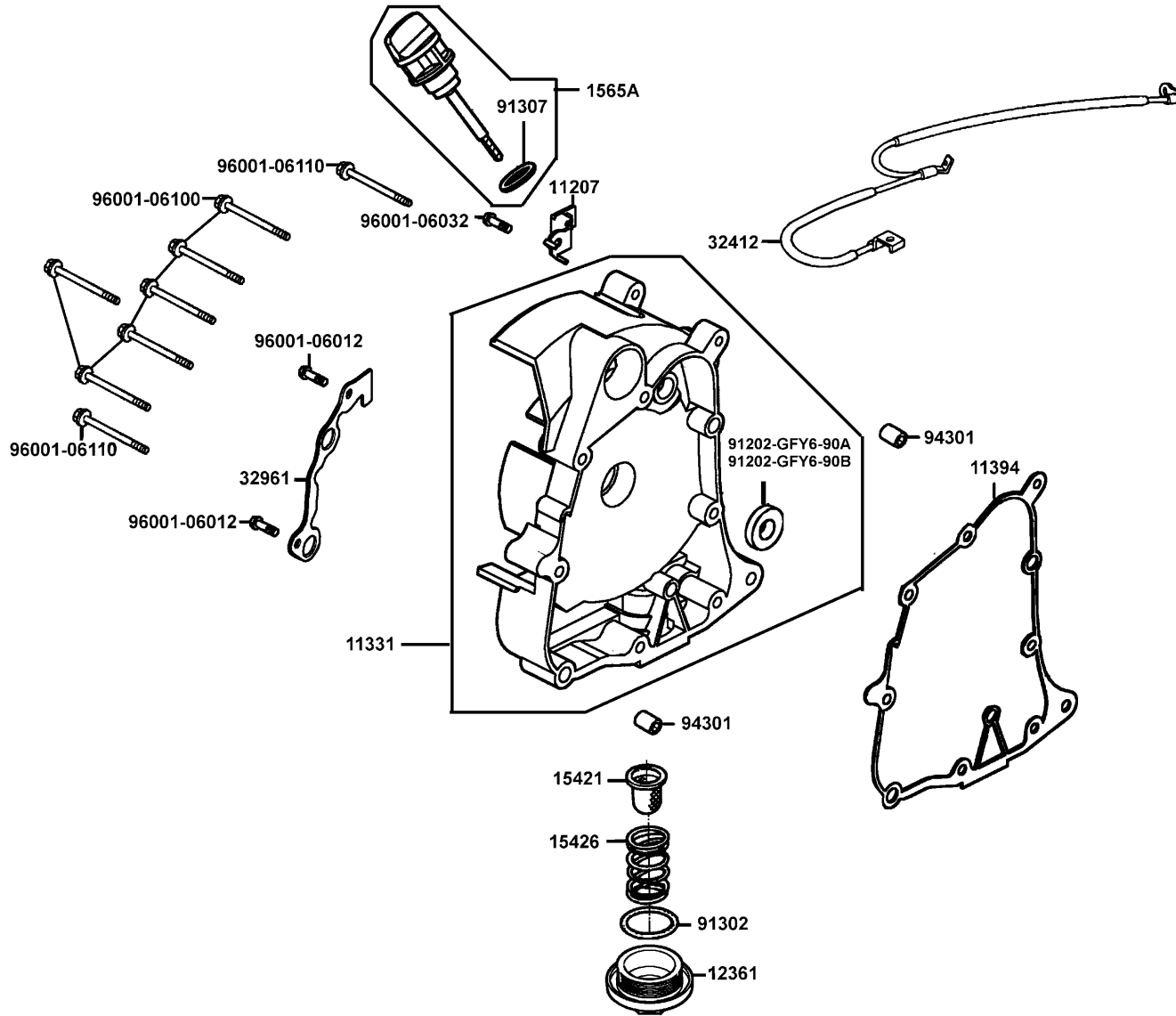
Cylinder Piston Crankshaft 汽缸 活塞 曲軸



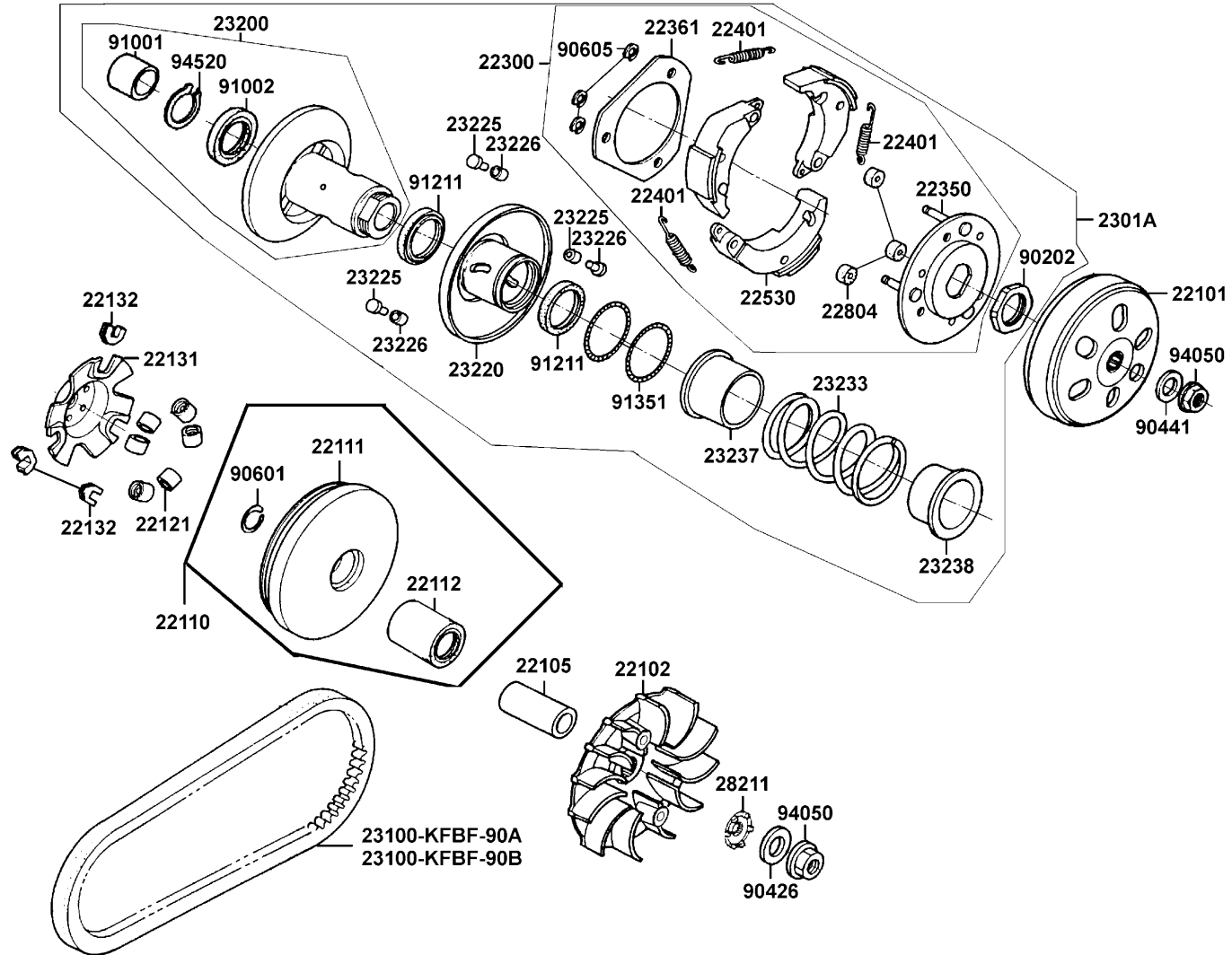
Sales mark 配色標註	Ref no 參考號碼	Part no 零件號碼	Description 英文名稱	Reg description 中文名稱	Regd no 需求用量	E03
	12100	12100-KFA9-C00	CYLINDER COMP	汽缸/陶瓷	1	
	12191	12191-GFY6-901	GASKET CYLINDER @ A	汽缸墊片	1	
	13000	13000-KUDU-900	CRANK SHAFT COMP	曲軸	1	
	13011-LAC7-90A	13011-LAC7-90A	RING ASSY PISTON	活塞環組	1	
	13011-LAC7-90B	13011-LAC7-90B	RING ASSY PISTON	活塞環組	1	
	13101	13101-LAD9-950	PISTON A	活塞 A	1	
	13111	13111-3D84-001	PIN PISTON	活塞銷	1	
	14401	14401-KUDU-900	CHAIN CAM	凸輪軸驅動鏈條	1	
	14510	14510-KUDU-C00	TENSIONER CAM CHAIN	內鏈條拉力桿	1	
	14523	14523-GFY6-901	GASKET TENSIONER LIFTER @ A	內鏈條調整器墊片	1	
	14531	14531-GLR0-001	PIVOT CAM CHAIN TENSIONER	拉力桿螺絲	1	
	14610	14610-KUDU-C00	GUIDE COMP CAM CHAIN	鏈條導件	1	
	90001	90001-GBHB-661	BOLT FLANGE SH 6*22	螺絲 6*22	2	
	90005	90005-KAW1-901	SCREW PAN 6*6	螺絲 6*6	1	
	90701	90701-HFB6-011	KEY WOODRUFF 25*14*4	固定鍵 25X14X4	1	
	91301	91301-GLR0-005	O RING 15.2*1.5	O環 15.2X1.5	1	
	91306	91306-1E05-691	O-RING 1.5*9.5	O環 1.5*9.5	1	
	94301	94301-10160	DOWEL PIN 10*16	定位銷 10X16	2	
	94601	94601-15000	CLIP PISTON PIN 15MM	活塞銷環夾 15MM	2	

E04

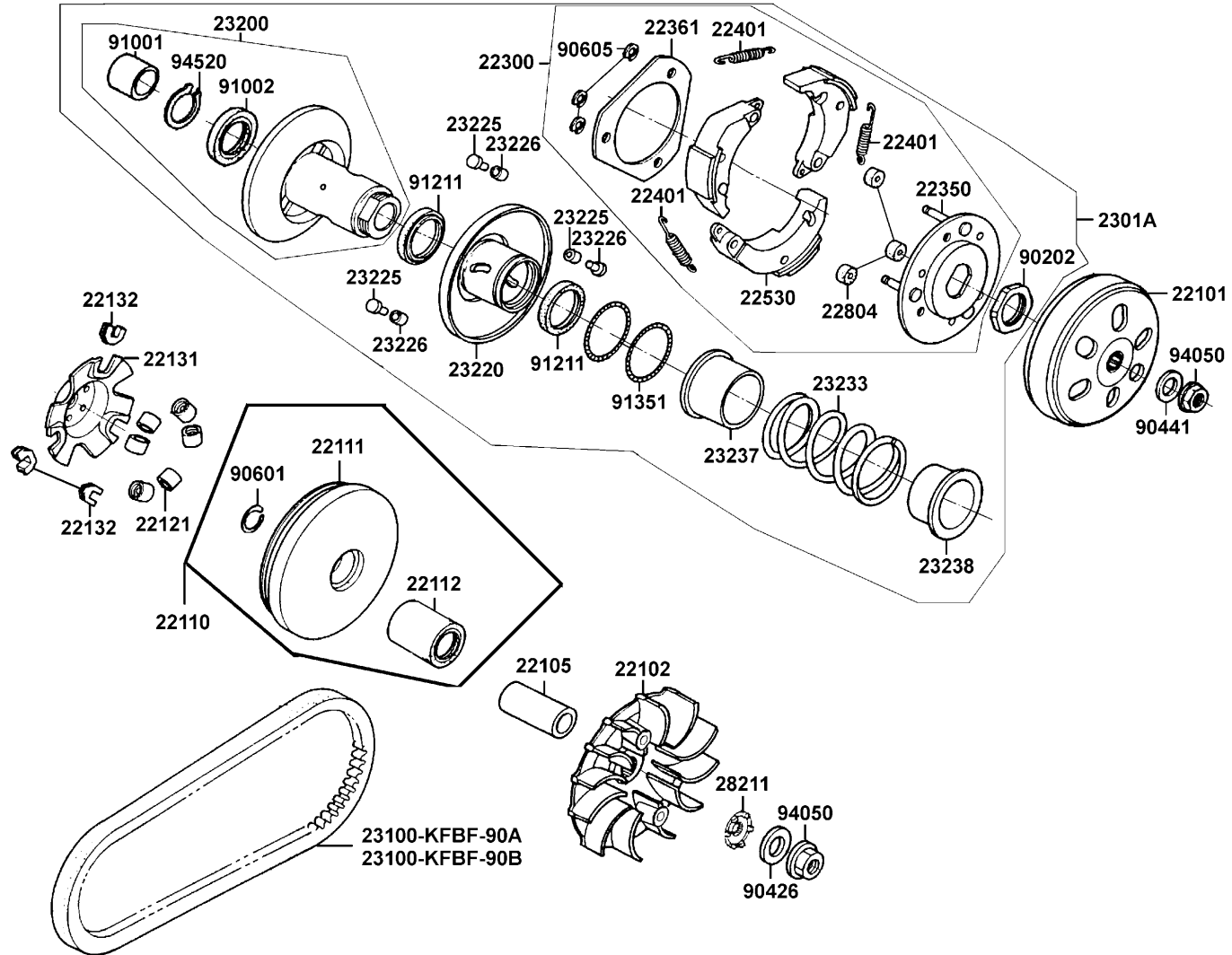
Right Crankcase Cover 右曲軸箱蓋



Sales mark 配色標註	Ref no 參考號碼	Part no 零件號碼	Description 英文名稱	Reg description 中文名稱	Regd no 需求用量	E04
	11207	11207-KKE3-900	STAY B RR FENDER*	後土除支架B	1	
	11331	11331-KUDU-900	COVER R CRANK CASE	右曲軸箱蓋	1	
	11394	11394-KUDU-900	GASKET R COVER	右曲軸箱蓋墊片	1	
	12361	12361-GFY6-901	HOLE CAP TAPPET ADJUSTING	調節螺帽	1	
	15421	15421-1G07-001	SCREEN OIL FILTER	濾油網	1	
	15426	15426-GAE1-921	SPG OIL FILTER SCREEN	濾油網彈簧	1	
	1565A	1565A-KUDU-900	GAUGE OIL LEVEL ASSY	機油尺組	1	
	32412	32412-LHB8-900	CABLE, EARTH	接地導線	1	
	32961	32961-KUDU-900	CLAMPER ACG CORD	A.C.G 線夾	1	
	91202-GFY6-90A	91202-GFY6-90A	OIL SEAL 19.8*30*5	油封 19.8*30*5	1	
	91202-GFY6-90B	91202-GFY6-90B	OIL SEAL 19.8*30*5	油封 19.8*30*5	1	
	91302	91302-0A01-021	O-RING 30.8MM	O環 30.8MM	1	
	91307	91307-0E35-001	O RING 18*3	O環 18X3	1	
	94301	94301-10160	DOWEL PIN 10*16	定位銷 10X16	2	
	96001-06012	96001-06012-08	BOLT FLANGE 6*12	螺絲 6*12	2	
	96001-06032	96001-06032-08	BOLT FLANGE SH 6*32	螺栓 6*32	2	
	96001-06100	96001-06100-08	BOLT FLANGE SH 6*100	特殊螺絲 6*100	6	
	96001-06110	96001-06110-08	BOLT FLANGE SH 6*110	螺絲 6X110	2	



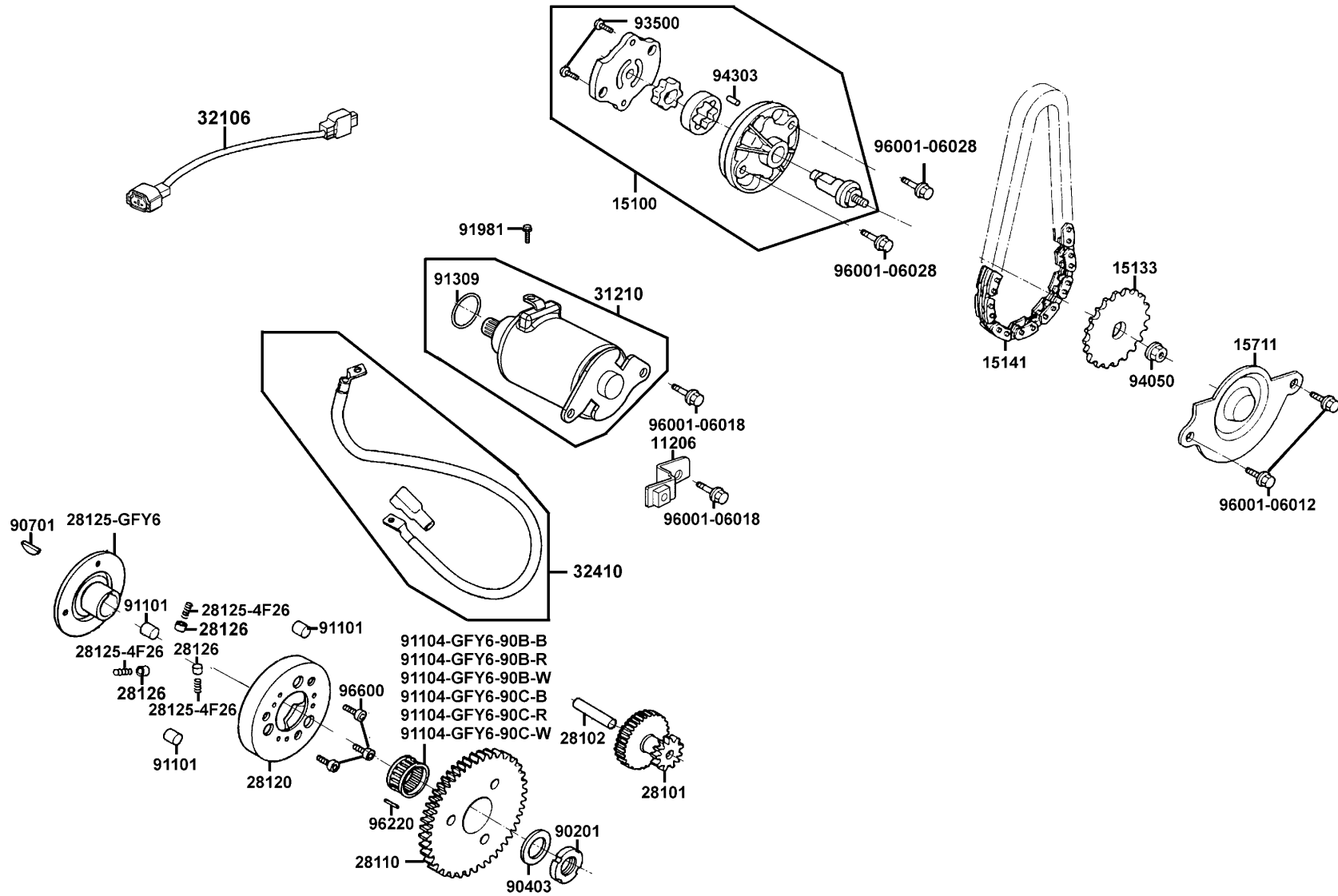
Sales mark 配色標註	Ref no 參考號碼	Part no 零件號碼	Description 英文名稱	Reg description 中文名稱	Regd no 需求用量	E05
	22101	22101-LCD3-E00	OUTER CLUTCH	離合器外套	1	
	22102	22102-KUDU-220	FACE DRIVE	驅動皮帶扇葉盤	1	
	22105	22105-GFY6-220	BOSS DRIVE FACE	襯套	1	
	22110	22110-KKE3-900	FACE COMP MOVABLE DRIVE	滑動式驅動盤組	1	
	22111	22111-KKE3-220	FACE MOVABLE DRIVE	滑動式驅動盤	1	
	22112	22112-GFY6-90A	BUSH 24*28*30	襯套	1	
	22121	22121-KKD7-900	ROLLER COMP WEIGHT	配重滾子	6	
	22131	22131-LDA6-900	PLATE RAMP	斜坡板	1	
	22132	22132-KBN2-901	PIECE SLIDE	斜坡板邊件	3	
	22300	22300-LFD7-900	PLATE ASSY DRIVE	驅動板組	1	
	22350	22350-GFY6-90A	PLATE COMP DRIVE	驅動板	1	
	22361	22361-KGN7-671	PLATE CLUTCH SIDE	離合器舉升板	1	
	22401	22401-KEB8-900	SPRING CLUTCH	離合器彈簧	3	
	22530	22530-LCD3-E00	WEIGHT CLUTCH	離合器配重	3	
	22804	22804-GBB2-001	RUBBER CLUTCH DUMPER	橡皮	3	
	2301A	2301A-LFD7-900	PULLEY SUB ASSY	從動皮帶輪組	1	
	23100-KFBF-90A	23100-KFBF-90A	BELT DRIVE	驅動皮帶	1	
	23100-KFBF-90B	23100-KFBF-90B	BELT DRIVE	驅動皮帶	1	
	23200	23200-GFY6-901	FACE ASSY DRIVEN	平面轉動組	1	
	23220	23220-GFY6-921	FACE COMP MOVABLE DRIVEN	滑動式從動皮帶盤	1	



Sales mark 配色標註	Ref no 參考號碼	Part no 零件號碼	Description 英文名稱	Reg description 中文名稱	Regd no 需求用量	E05
	23225	23225-GHC8-004	PIN ROLLER GUIDE	滾導銷	3	
	23226	23226-GHC8-004	ROLLER GUIDE	滾子	3	
	23233	23233-GCW3-011	SPG DRIVEN FACE	驅動彈簧	1	
	23237	23237-GFY6-941	COLLAR SEAL	套筒油封	1	
	23238	23238-GFY6-941	COLLAR SPG	套筒	1	
	28211	28211-KUDU-900	RATCHET KICK STARTER	起動齒盤	1	
	90202	90202-1G87-001	NUT SPECIAL 28MM	螺帽	1	
	90426	90426-KNBN-901	WASHER SPECIAL 12MM	華司	1	
	90441	90441-GFY6-941	WASHER 12.2*29*2.5	華司 12.2*29*2.5	1	
	90601	90601-GFY6-901	CLIP 28MM	夾子 28MM	1	
	90605	90605-1F66-721	CIR CLIP 7MM	環夾 7MM	3	
	91001	91001-GFY6-90A	BRG NDL 20*29*18	軸承 20X29X18	1	
	91002	91002-GGA7-70A	BRG BALL RADIAL 6902U	軸承 6902U	1	
	91211	91211-KEBE-900	SEAL DRIVEN FACE 34*41*4	驅動油封 34X41X4	2	
	91351	91351-6B42-000	O-RING PINION CAP	O環	2	
	94050	94050-12080	NUT C FLANGE 12MM	螺帽 12MM	2	
	94520	94520-28000	CIR CLIP IN 28	內環夾 28MM	1	

E06

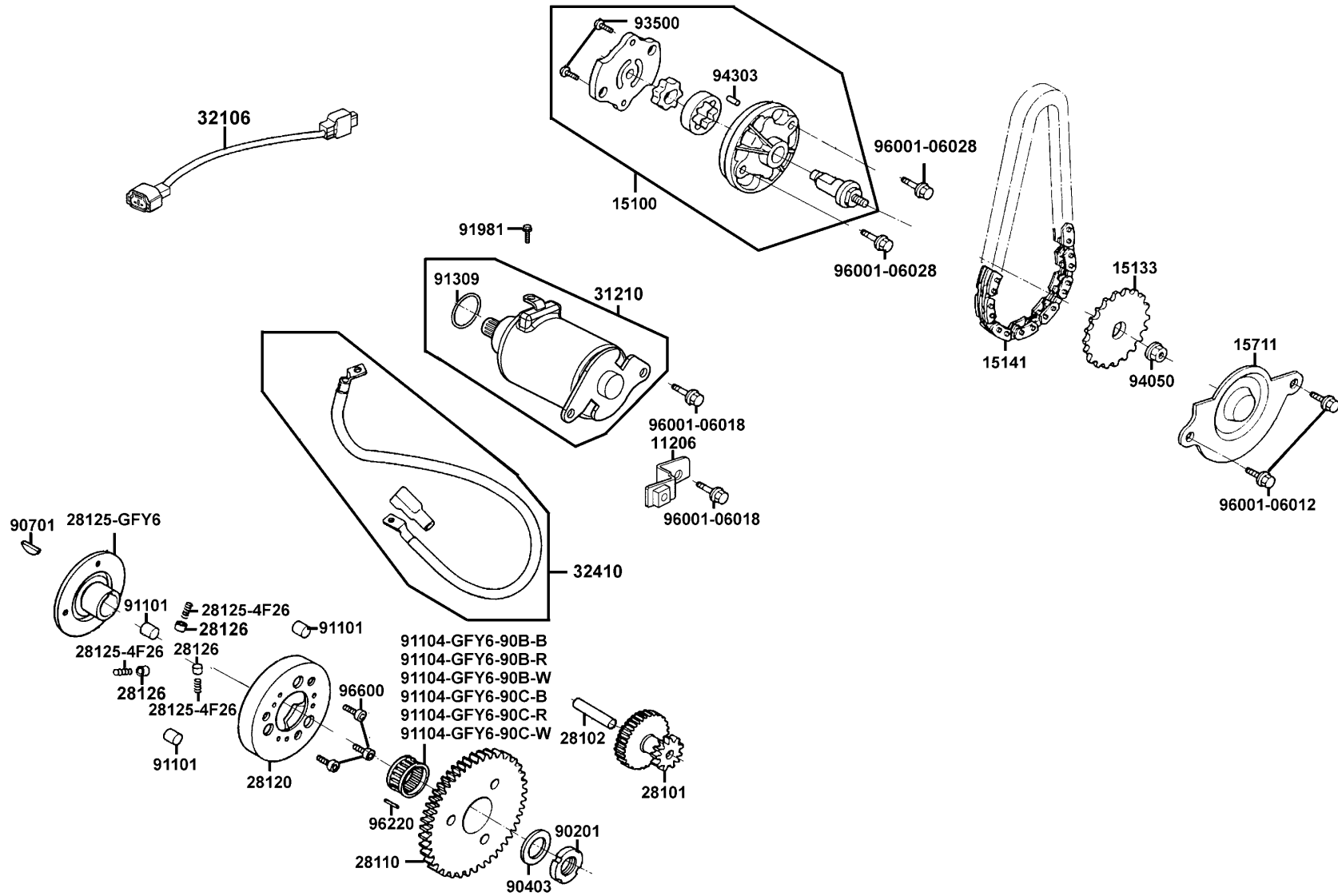
Starting Motor Oil Pump 起動馬達 機油泵



Sales mark 配色標註	Ref no 參考號碼	Part no 零件號碼	Description 英文名稱	Reg description 中文名稱	Regd no 需求用量	E06
	11206	11206-KKE3-900	STAY A RR FENDER	後土除支架 A	1	
	15100	15100-KFB7-900	PUMP ASSY OIL	機油泵浦	1	
	15133	15133-GFY6-901	SPRKT OIL PUMP DRIVEN	機油泵驅動齒輪	1	
	15141	15141-GFY6-90B	CHAIN OIL PUMP	機油泵驅動鏈條	1	
	15711	15711-KUDU-900	SEPARATER OIL	機油分隔板	1	
	28101	28101-GFY6-901	GEAR STARTER REDUCTION	起動減速齒輪	1	
	28102	28102-GFY6-901	SHAFT STARTER REDUCTION GEAR	起動減速齒輪軸	1	
	28110	28110-GFY6-901	GEAR COMP STARTING CLUTCH	起動齒輪	1	
	28120	28120-GFY6-315	OUTER COMP STARTING CLUTCH	離合器外套	1	
	28125-4F26	28125-4F26-001	SPRING ROLLER STARTER CLUTCH	離合器滾子彈簧	3	
	28125-GFY6	28125-GFY6-960	FLANGE STARTING CLUTCH	起動離合器盤	1	
	28126	28126-KUDU-900	CAP STARTING ROLLER SPRING	滾子彈簧蓋	3	
	31210	31210-GFY6-200	MOTOR UNIT START	起動馬達組	1	
	32106	32106-KKE3-900	SUB HARNESS A	汽缸頭溫度感應器配線	1	
	32410	32410-LDA6-900	CABLE START MOTOR	起動馬達配線	1	
	90201	90201-GFY6-901	NUT LOCK 22MM	螺帽 22MM	1	
	90403	90403-KUDU-900	WASHER THRUST 22.2*39*2.5	華司	1	
	90701	90701-HFB6-011	KEY WOODRUFF 25*14*4	固定鍵 25X14X4	1	
	91101	91101-1K79-711	ROLLER 10*10	滾子 10X10	3	
	91104-GFY6-90B-B	91104-GFY6-90B-B	BRG NEEDLE 28*32*17	滾針軸承	1	

E06

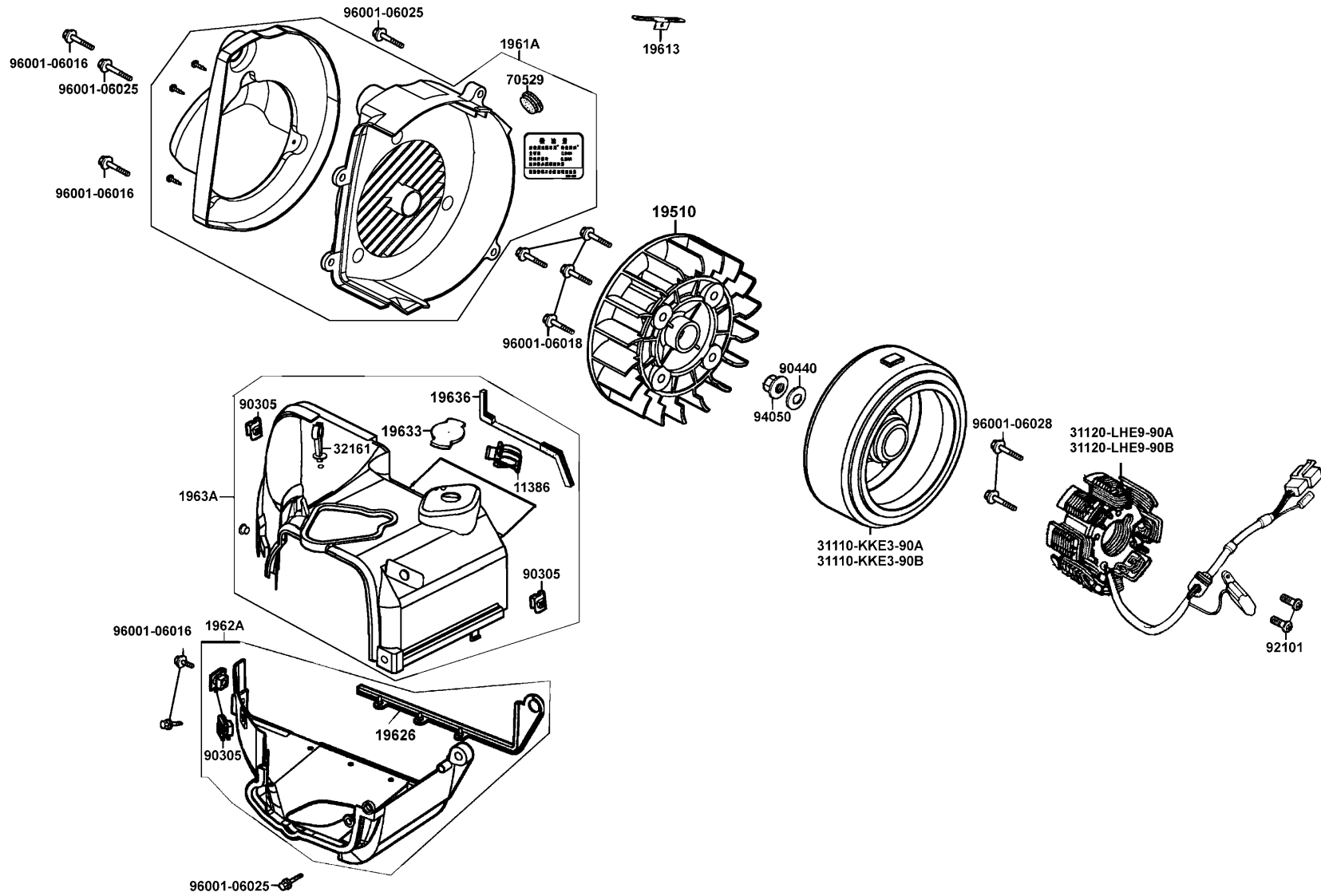
Starting Motor Oil Pump 起動馬達 機油泵



Sales mark 配色標註	Ref no 參考號碼	Part no 零件號碼	Description 英文名稱	Reg description 中文名稱	Regd no 需求用量	E06
	91104-GFY6-90B-R	91104-GFY6-90B-R	BRG NEEDLE 28*32*17	滾針軸承	1	
	91104-GFY6-90B-W	91104-GFY6-90B-W	BRG NEEDLE 28*32*17	滾針軸承	1	
	91104-GFY6-90C-B	91104-GFY6-90C-B	BRG NEEDLE 28*32*17	滾針軸承	1	
	91104-GFY6-90C-R	91104-GFY6-90C-R	BRG NEEDLE 28*32*17	滾針軸承	1	
	91104-GFY6-90C-W	91104-GFY6-90C-W	BRG NEEDLE 28*32*17	滾針軸承	1	
	91309	91309-4E25-004	O-RING 24.4*3.1	O環 24.4X3.1	1	
	91981	91981-KGN7-670	SCREW WASH 5X8	螺絲 5X8	1	
	93500	93500-03010-1A	SCREW PAN 3*10	螺絲 3*10	2	
	94050	94050-06080	NUT FLANGE 6MM	螺帽 6MM	1	
	94303	94303-04065	PIN DOWEL 4*6.5	定位銷4*6.5	1	
	96001-06012	96001-06012-08	BOLT FLANGE 6*12	螺絲 6*12	2	
	96001-06018	96001-06018-08	BOLT FLANGE SH 6*18	螺絲 6X18	2	
	96001-06028	96001-06028-08	BOLT FLANGE SH 6*28	螺絲 6*28	2	
	96220	96220-60100	ROLLER 6*10	定位銷 6X10	1	
	96600	96600-08010-10	SOCKET BOLT 8*10	內六角螺絲 8X10	3	

E07

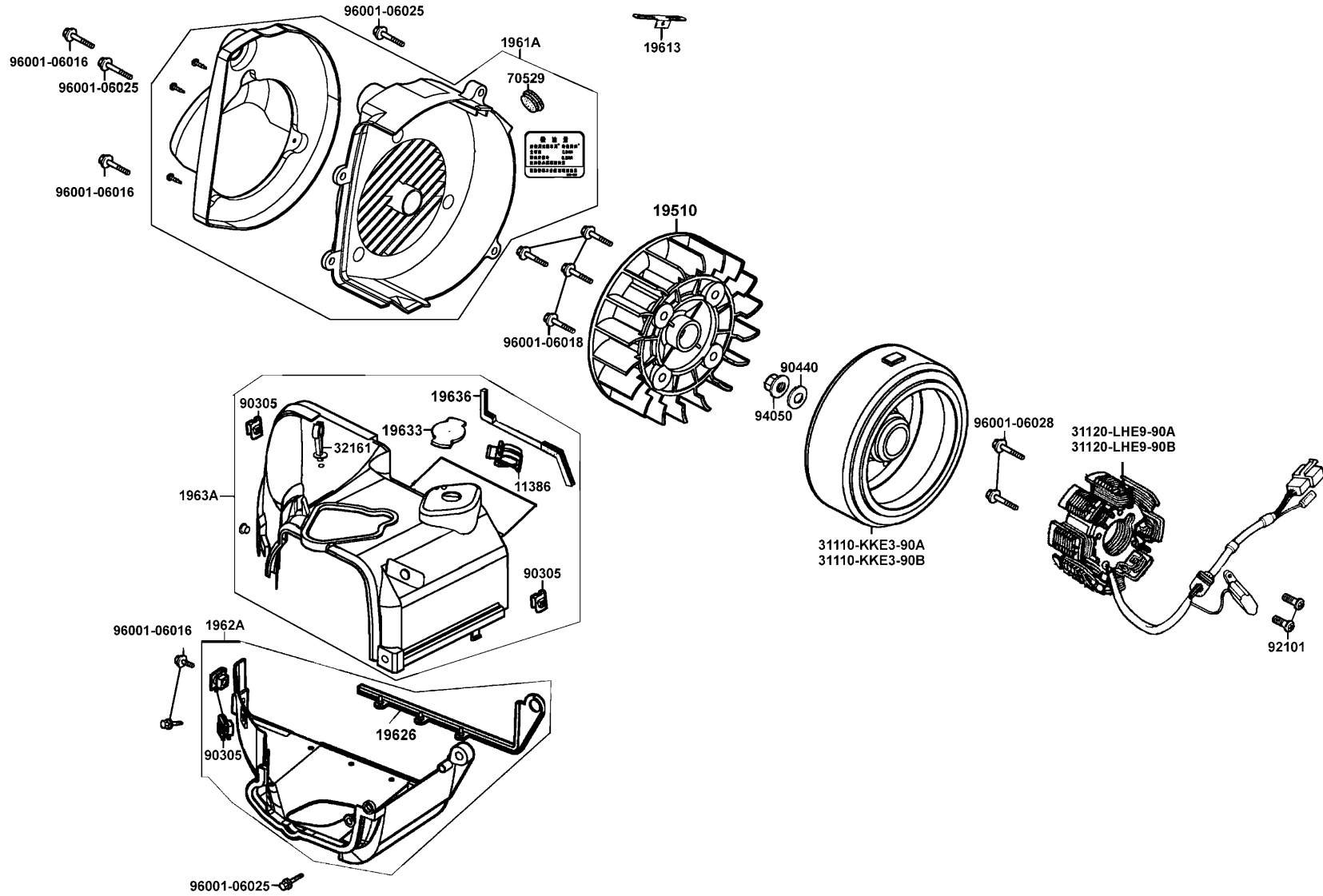
Fan Cover Generator 風扇蓋 發電機



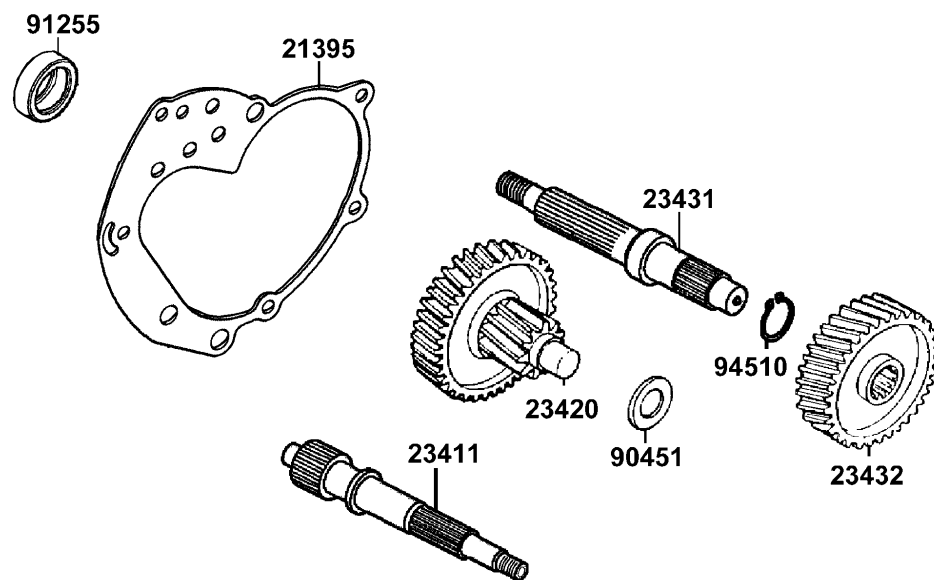
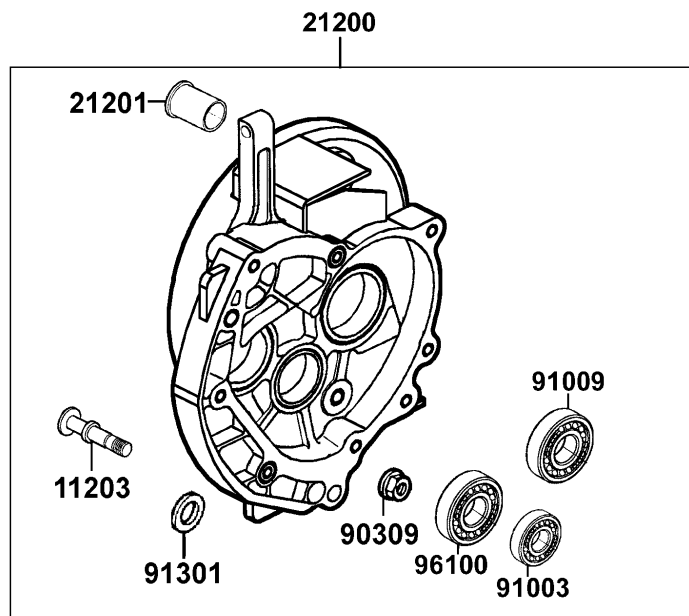
Sales mark 配色標註	Ref no 參考號碼	Part no 零件號碼	Description 英文名稱	Reg description 中文名稱	Regd no 需求用量	E07
	11386	11386-GFY6-900	CLIP VACUUM TUBE	管夾	1	
	19510	19510-LDA7-900	FAN COMP COOLING	冷卻風扇	1	
	19613	19613-GFY6-901	CLAMPER STARTER MOTOR	起動馬達導線夾	1	
	1961A	1961A-LGL3-900	COVER ASSY FAN	風扇蓋組	1	
	19626	19626-KUDU-900	SEAL SHROUD A	罩蓋油封A	1	
	1962A	1962A-LBB8-900	SHROUD ASSY A	罩蓋 A	1	
	19633	19633-GFY6-901	GROMET SHROUD B	橡皮蓋	1	
	19636	19636-KUDU-900	SEAL SHROUD B	罩蓋B油封	1	
	1963A	1963A-KKE3-900	SHROUD ASSY B	罩蓋 B	1	
	31110-KKE3-90A	31110-KKE3-90A	FLYWHEEL COMP	飛輪	1	
	31110-KKE3-90B	31110-KKE3-90B	FLYWHEEL COMP	飛輪	1	
	31120-LHE9-90A	31120-LHE9-90A	STATOR COMP	定子組	1	
	31120-LHE9-90B	31120-LHE9-90B	STATOR COMP	定子組	1	
	32161	32161-3C93-004	CLIP HARNESS WIRE	主配線夾	1	
	70529	70529-6G57-671	GROM B SIDE PNL	橡皮塞	1	
	90305	90305-GHK8-001	NUT CLIP 6MM	夾螺帽	4	
	90440	90440-1F66-001	WASHER PLAIN 12MM	華司 12MM	1	
	92101	92101-05012-0H	BOLT HEX 5*12	螺絲 5*12	2	
	94050	94050-12080	NUT C FLANGE 12MM	螺帽 12MM	1	
	96001-06016	96001-06016-08	BOLT FLANGE SH 6*16	凸緣螺栓	4	

E07

Fan Cover Generator 風扇蓋 發電機



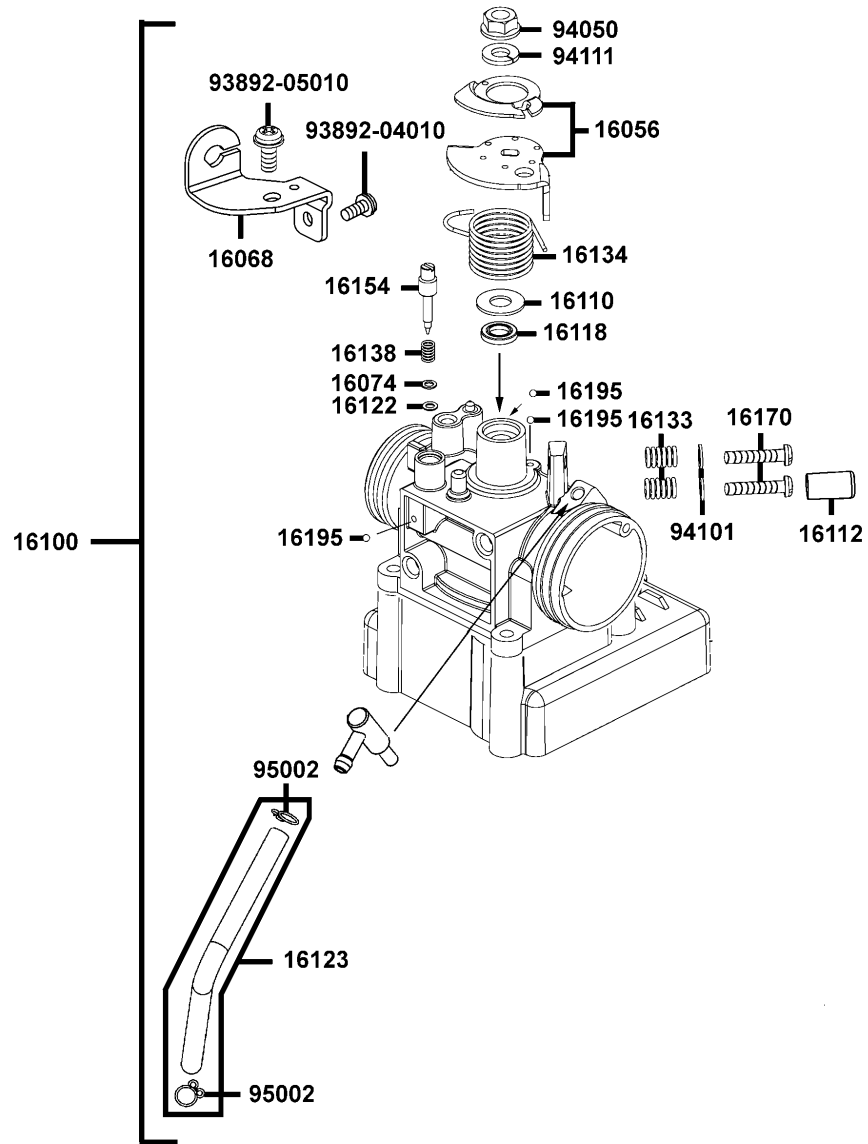
Sales mark 配色標註	Ref no 參考號碼	Part no 零件號碼	Description 英文名稱	Reg description 中文名稱	Regd no 需求用量	E07
	96001-06018	96001-06018-08	BOLT FLANGE SH 6*18	螺絲 6X18	8	
	96001-06025	96001-06025-08	BOLT FLANGE SH 6*25	螺絲 6*25	3	
	96001-06028	96001-06028-08	BOLT FLANGE SH 6*28	螺絲 6*28	2	



Sales mark 配色標註	Ref no 參考號碼	Part no 零件號碼	Description 英文名稱	Reg description 中文名稱	Regd no 需求用量	E08
	11203	11203-KUDU-900	PIN BRAKE SHOE ANCHOR	煞車鼓固定銷	1	
	21200	21200-LDA6-305	MISSION CASE SET	主軸蓋組	1	
	21201	21201-KUDU-900	BUSH MISSION	主軸襯套	1	
	21395	21395-KUDU-900	GASKET MISSION CASE	主軸蓋墊片	1	
	23411	23411-KUDU-900	SHAFT DRIVE	驅動軸	1	
	23420	23420-GFY6-901	SHAFT COMP COUNTER	副軸組	1	
	23431	23431-KUDU-900	SHAFT FINAL	最終軸	1	
	23432	23432-GFY6-901	GEAR FINAL	最終齒輪	1	
	90309	90309-KLF0-004-SY	NUT FLANGE 8MM	平螺帽	1	
	90451	90451-KUDU-900	WASHER THRUST 15M/M	華司	1	
	91003	91003-KDS4-004	BRG BALL RADIAL 6301TMB	軸承 6301	1	
	91009	91009-GLE0-004	BRG BALL RADIAL 6004 UU	軸承	1	
	91255	91255-GLE0-006	OIL SEAL 27*42*7	油封	1	
	91301	91301-0C53-001	O RING 7.5*1.5	O環	1	
	94510	94510-20000	CIR CLIP EX 20	夾環	1	
	96100	96100-60020-00	BRG BALL RADIAL 6002	軸承 6002	1	

E09

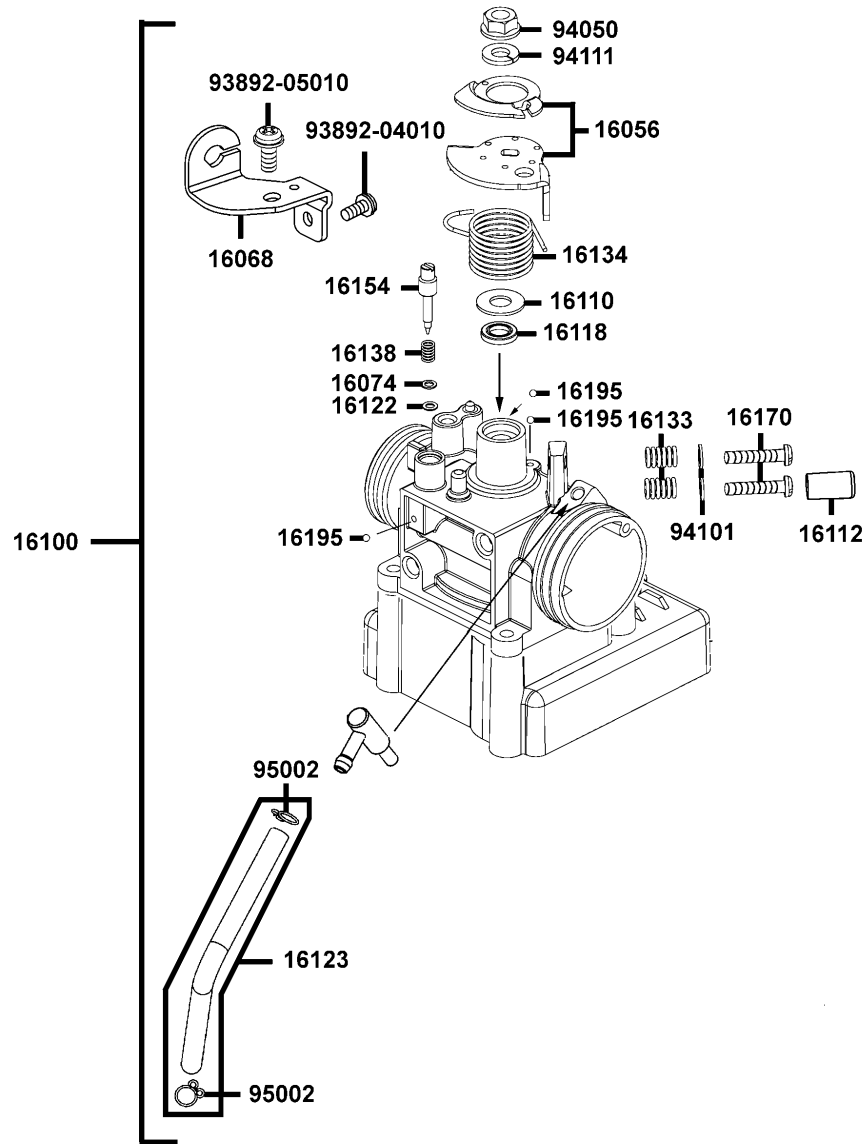
Throttle Body Assy 噴射節流閥



Sales mark 配色標註	Ref no 參考號碼	Part no 零件號碼	Description 英文名稱	Reg description 中文名稱	Regd no 需求用量	E09
	16056	16056-LEB2-900	LEVER ASSY THROTTLE	拉桿節流閥	1	
	16068	16068-LEB2-900	PLATE WIRE FIXED	節流導線固定板	1	
	16074	16074-KEC3-900	WASHER IDLE SCREW	華司	1	
	16100	16100-LHE9-900	THROTTLE BODY ASSY	節流閥體組	1	
	16110	16110-KKE3-900	WASHER THROTTLE COMP	華司	1	
	16112	16112-KKE3-900	COVER IDLE SCREW	蓋	1	
	16118	16118-KEC3-900	SEAL THROTTLE SHAFT	節流閥封軸	1	
	16122	16122-KEC3-900	O-RING IDLE SCREW	O型環	1	
	16123	16123-LGL5-900	TUBE COMPL.,3.5X500	負壓管3.5X500	1	
	16133	16133-KEC3-900	SPG THROTTLE ADJUST SCREW	彈簧	2	
	16134	16134-KKE3-900	SPG THROTTLE SHAFT	節流閥軸彈簧	1	
	16138	16138-KEC3-900	SPG IDLE ADJ SCREW	彈簧	1	
	16154	16154-KKE3-900	SCREW IDLE ADJUST	螺絲	1	
	16170	16170-KEC3-900	SCREW THROTTLE ADJUST	調整螺絲	2	
	16195	16195-KEC3-900	BALL 2.1	滾珠	3	
	93892-04010	93892-04010-08	SCREW WASHER 4*10	螺絲	1	
	93892-05010	93892-05010-08	SCREW WASH 5*10	螺絲	1	
	94050	94050-06080	NUT FLANGE 6MM	螺帽 6MM	1	
	94101	94101-KKE3-900	WASHER PLAN 4.5*8*0.8	墊圈	2	
	94111	94111-06800	WASHER SPG 6MM	華司 6MM	1	

E09

Throttle Body Assy 噴射節流閥

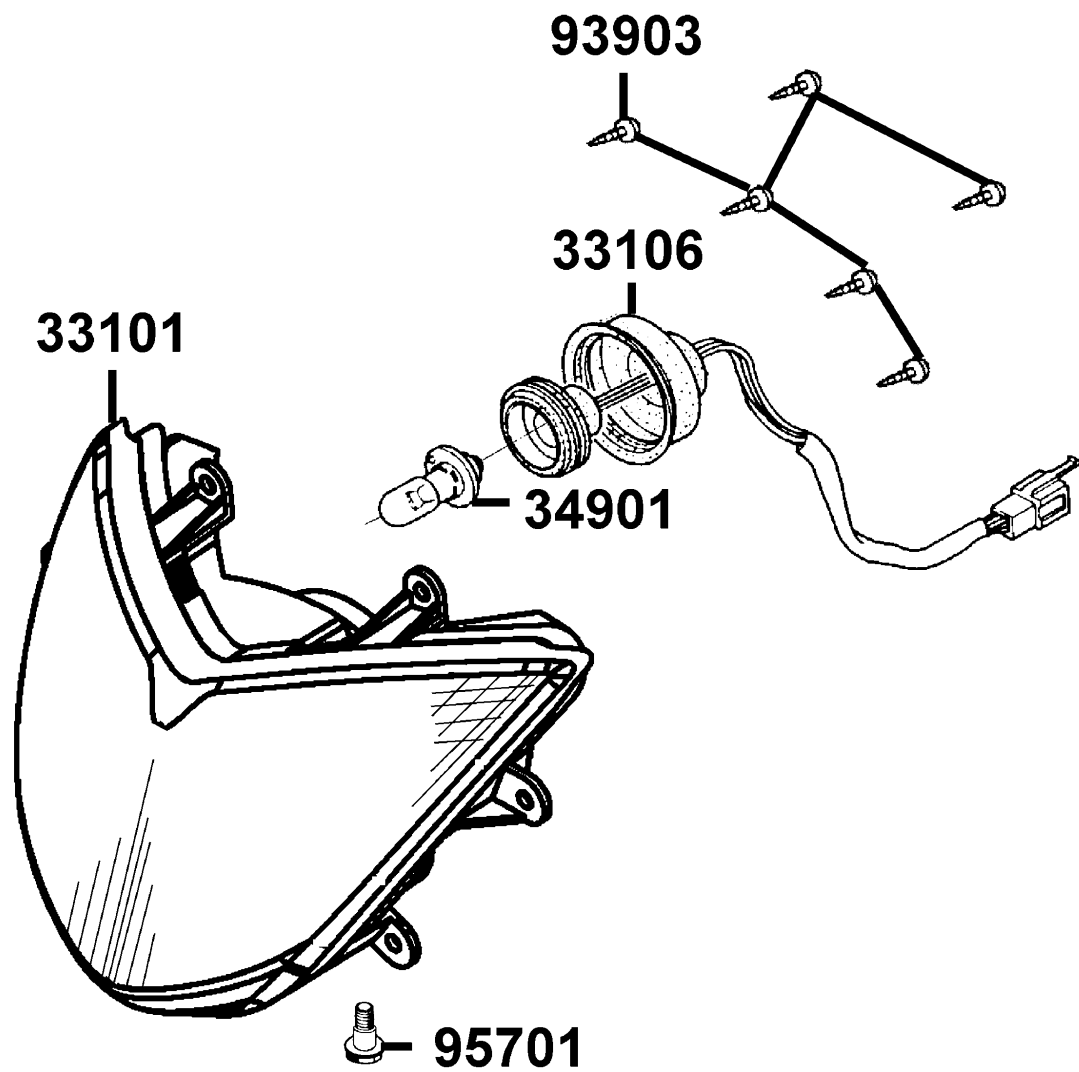


Sales mark 配色標註	Ref no 參考號碼	Part no 零件號碼	Description 英文名稱	Reg description 中文名稱	Regd no 需求用量
95002	95002-02070	95002-02070	CLIP B7 TUBE	管夾	2

**E09**

F01

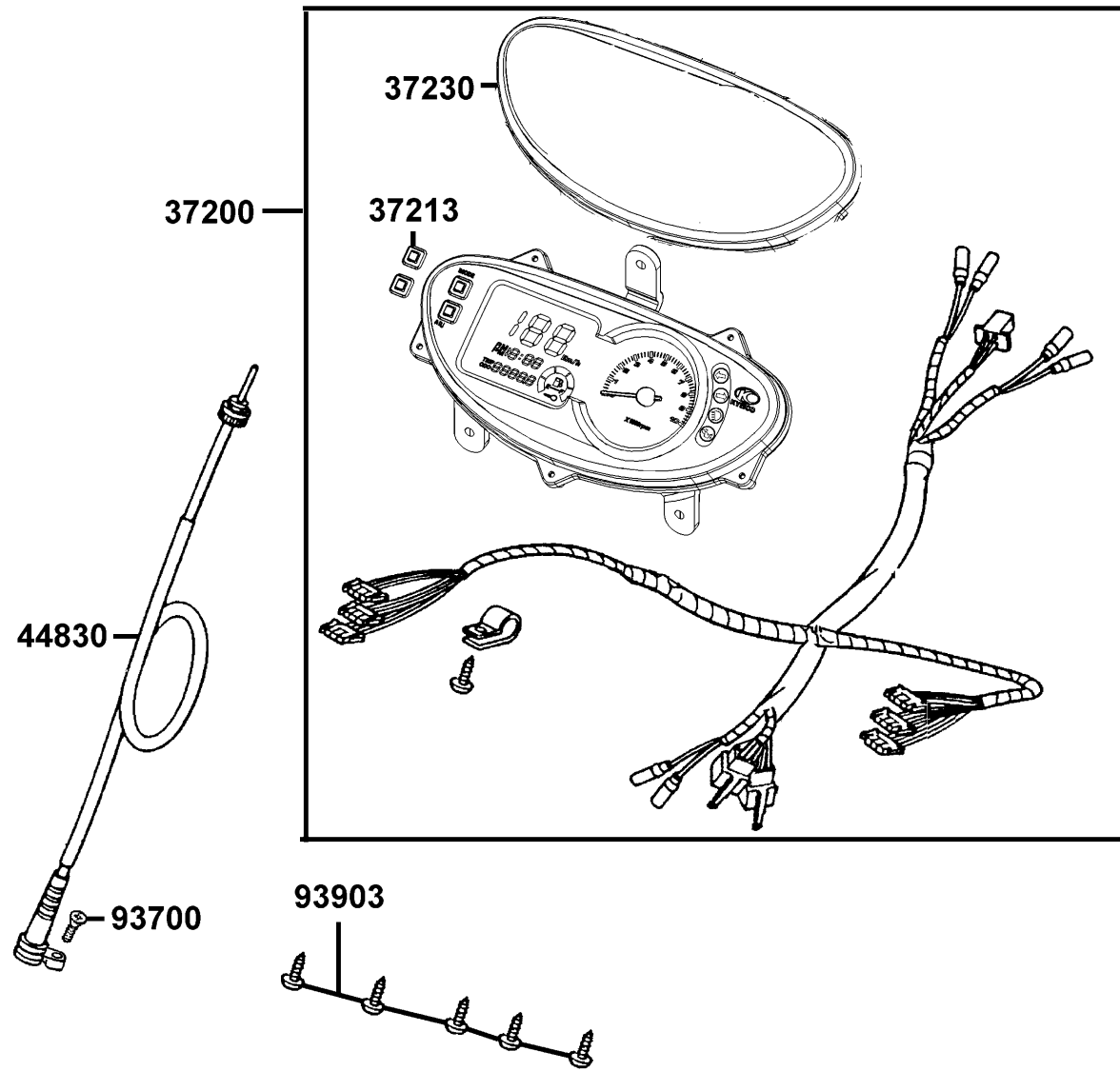
Head Light 前燈



Sales mark 配色標註	Ref no 參考號碼	Part no 零件號碼	Description 英文名稱	Reg description 中文名稱	Regd no 需求用量	F01
	33101	33101-LDA6-305	COMB HEAD LIGHT	前燈殼組	1	
	33106	33106-LEB1-900	SOCKET COMP	前燈配線	1	
	34901	34901-KED9-900	BULB HEAD LIGHT	前燈泡	1	
	93903	93903-34360	SCREW TAPPING 4*12	螺絲 4*12	6	
	95701	95701-LDA6-900	BOLT ADJUST	調整螺絲	1	

F02

Speedometer 儀錶

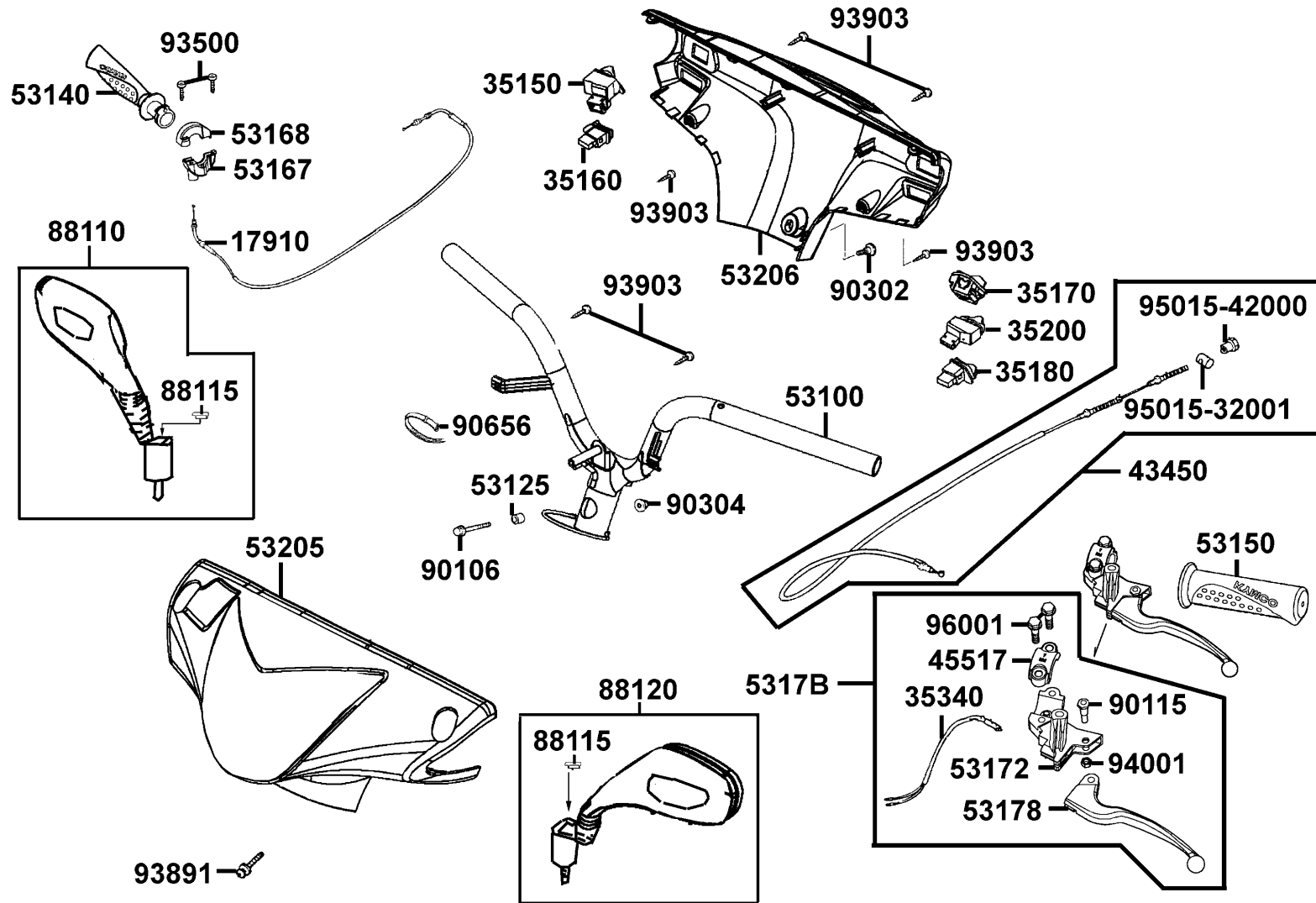


Sales mark 配色標註	Ref no 參考號碼	Part no 零件號碼	Description 英文名稱	Reg description 中文名稱	Regd no 需求用量	F02
	37200	37200-LHE9-900	METER ASSY SPEED	儀表組	1	
	37213	37213-LDA6-900	BUTTON / RUBBER	電子鐘按鍵橡皮	2	
	37230	37230-LFG7-900	LENS ASSY	儀錶蓋	1	
	44830	44830-KUDU-900	CABLE COMP SPDMT	碼錶導線	1	
	93700	93700-05018-0H	SCREW OVAL 5*18	螺絲 5*18	1	
	93903	93903-35320	SCREW TAPPING 5*16	螺絲 5*16	5	

F03

Handle Steering Handle Cover

轉向手柄 手柄蓋

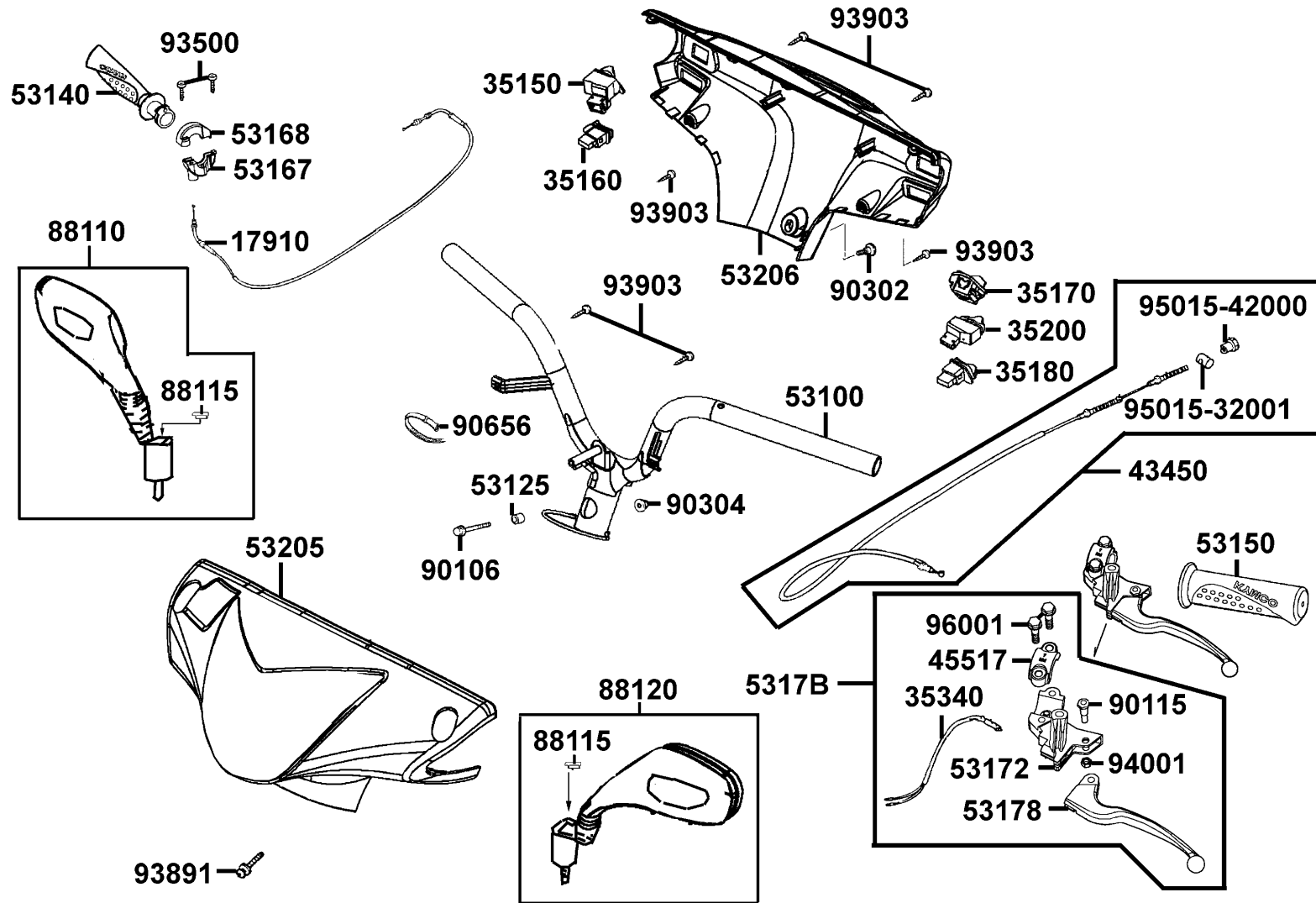


Sales mark 配色標註	Ref no 參考號碼	Part no 零件號碼	Description 英文名稱	Reg description 中文名稱	Regd no 需求用量	F03
	17910	17910-LHE9-900	CABLE COMP THROT	節流閥線	1	
	35150	35150-GFY6-900	SW UNIT LIGHTING	前燈開關	1	
	35160	35160-GFY6-900	SW UNIT STARTER	起動開關	1	
	35170	35170-KNBN-910	SW UNIT DIMMER	遠近燈開關	1	
	35180	35180-GFY6-900	SW UNIT HORN	喇叭開關	1	
	35200	35200-GFY6-910	SW UNIT WINKER	方向燈開關	1	
	35340	35340-KFLF-900	SW ASSY FR STOP	煞車燈前置開關	1	
#	43450	43450-LDA7-900	CABLE COMP RR BRK	後煞車導線	1	
	45517	45517-GFY6-900	HOLDER HNDL BRKT	手柄固定座夾板	1	
	53100	53100-LDA6-900	HANDLE COMP STRG	轉向手柄	1	
	53125	53125-GEN5-901	COLLAR HANDLE SET	套筒	1	
**	53140	53140-LCB4-700	GRIP COMP THROT	節流管套組	1	
**	53150	53150-LCB4-700	GRIP COMP L HANDLE	手柄左橡皮套	1	
	53167	53167-KFA1-900	HOUSING UND THROT	節流管套下固定座	1	
	53168	53168-KFA1-900	HOUSING UP THROT	節流管套上固定座	1	
	53172	53172-LBE3-900	BRKT HNDL L	手柄左托架組	1	
**	53178	53178-GKAK-901	LEVER L STRG HANDLE	左拉桿	1	
	5317B	5317B-LFG7-900	BRKT ASSY L/H HANDLE	手柄左拉桿托架組	1	
**	53205	53205-LDA6-900	COVER FR HANDLE	手柄前蓋	1	
**	53206	53206-LDA6-900	COVER HANDLE RR	手柄後蓋	1	

F03

Handle Steering Handle Cover

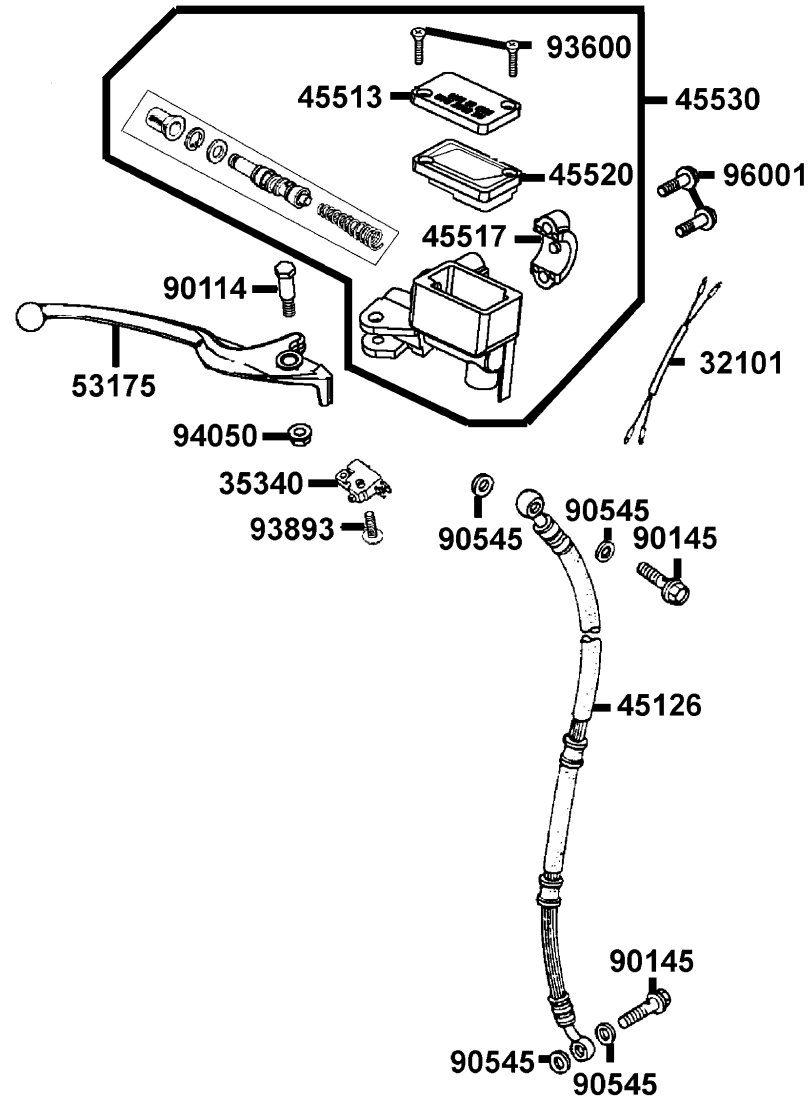
轉向手柄 手柄蓋



Sales mark 配色標註	Ref no 參考號碼	Part no 零件號碼	Description 英文名稱	Reg description 中文名稱	Regd no 需求用量	F03
**	88110	88110-LEB1-900	MIRROR ASSY R BACK	右後視鏡	1	
**	88115	88115-LBA2-E02	CAP MIRROR BRKT	後視鏡小蓋	2	
**	88120	88120-LEB1-900	MIRROR ASSY L BACK	左後視鏡	1	
	90106	90106-GEN5-901	BOLT FLANGE 10*50	特殊螺絲 10*50	1	
	90115	90115-GLE0-001	BOLT HNDL LEVER PIVOT	拉桿螺絲	1	
	90302	90302-KNBN-900	BOLT PAN 5*10	螺釘 5*10	1	
	90304	90304-GHE8-004-SW	NUT U FLANGE 10MM	螺帽 10MM	1	
	90656	90656-KCBC-900	BAND OIL HOSE	油管束帶	1	
	93500	93500-05022-06	SCREW PAN 5*22	螺絲 5*22	2	
	93891	93891-05025-06	SCREW WASH 5*25	螺絲 5*25	1	
	93903	93903-34360	SCREW TAPPING 4*12	螺絲 4*12	6	
	94001	94001-05080-0S	NUT HEX 5MM	螺帽 5MM	1	
	95015-32001	95015-32001	JOINT B BRAKE ARM	煞車導線接頭銷	1	
	95015-42000	95015-42000	NUT B ADJUST	調整螺帽	1	
	96001	96001-06025-06	BOLT FLANGE 6*25	螺絲 6*25	2	

F04

Brake Master Cylinder 煞車主油缸

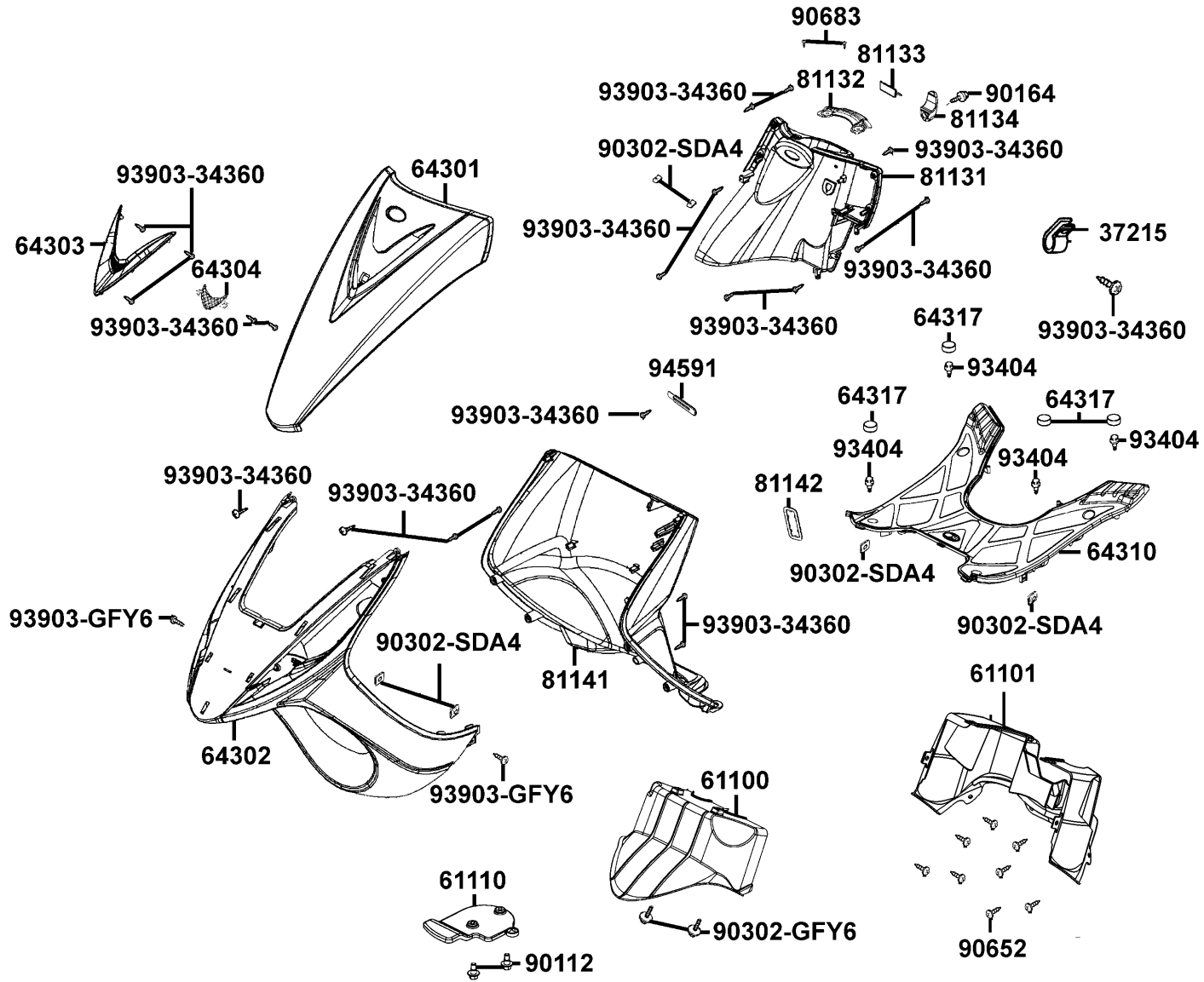


Sales mark 配色標註	Ref no 參考號碼	Part no 零件號碼	Description 英文名稱	Reg description 中文名稱	Regd no 需求用量	F04
	32101	32101-KALA-901	SUB HARNESS	配線	1	
	35340	35340-KNBN-901	SW ASSY FR STOP	煞車燈前置開關	1	
	45126	45126-LDA6-900	HOSE ASSY FR BRK	前煞車油管組	1	
	45513	45513-KCCC-900	CAP M/C	煞車主油缸蓋	1	
	45517	45517-KFAF-910	HOLDER M/C	煞車主油缸固定座	1	
	45520	45520-KCCC-900	DIAPHRAGM	隔膜	1	
	45530	45530-LFG7-305	CYLINDER SET MASTER	前煞車主油缸組	1	
**	53175	53175-KNBN-901	LEVER R STRG HANDLE	手柄右拉桿	1	
	90114	90114-1F66-007	BOLT HANDLE LEVER	右拉桿固定螺栓	1	
	90145	90145-MKS9-61A	OIL BOLT 10*22	油管螺絲 10*22	2	
	90545	90545-3L00-001	WASHER OIL BOLT	華司	4	
	93600	93600-04012-1G	SCREW FLAT 4*12	螺絲 4*12	2	
	93893	93893-04012-18	SCREW WASHER 4*12	螺絲 4*12	1	
	94050	94050-06060	NUT FLANGE 6MM	螺帽 6MM	1	
	96001	96001-06022-06	BOLT FLANGE 6*20	螺絲 6*20	2	

F05

Front Cover Front Fender

前護蓋 前土除

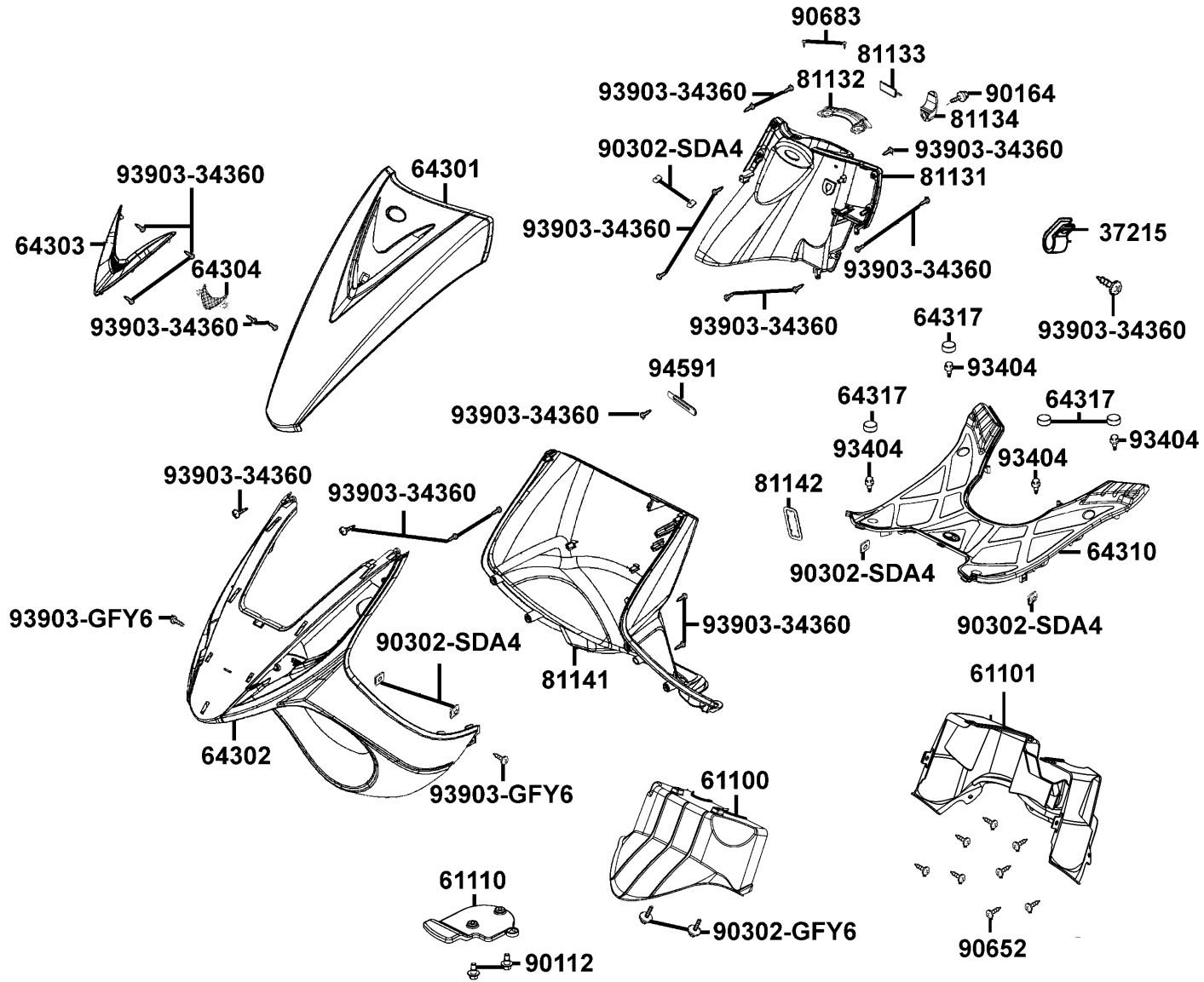


Sales mark 配色標註	Ref no 參考號碼	Part no 零件號碼	Description 英文名稱	Reg description 中文名稱	Regd no 需求用量	F05
#	37215	37215-LGM9-900	CLAMP	配線夾	1	
**	61100	61100-LDA6-900	FENDER A FR INNER	前土除 A	1	
	61101	61101-LHE9-900	FENDER B FR	前土除B	1	
**	61110	61110-KKC8-900	FENDER FRONT INNER	前內土除	1	
**	64301	64301-LDA6-395	COVER SET FRONT	前蓋組	1	
**	64302	64302-LDA6-900	MOLD FR	前護板	1	
**	64303	64303-LDA6-900	TOP FR COVER	前頂蓋/電鍍銀	1	
**	64304	64304-LDA6-900	GRILL FRONT COVER	前護蓋進氣窗	1	
**	64310	64310-LDA6-900	FLOOR PANEL	腳踏板	1	
**	64317	64317-KHD6-900	PLUG FLOOR A	A型踏板塞	4	
**	81131	81131-LDA6-900	LEG SHIELD UP	內箱上殼	1	
	81132	81132-LDA6-900	LID LEG SHIELD	內箱下殼下蓋	1	
	81133	81133-KGBG-900	STOPPER LUGGAGE	內箱襯蓋	1	
	81134	81134-KGBG-900	HOOK LUGGAGE	掛鉤	1	
**	81141	81141-LDA6-900	LEG SHIELD LOW	內箱下殼	1	
**	81142	81142-KUDU-900	LID LEG SHIELD	內箱蓋	1	
	90112	90112-GCC3-001	BOLT SPECIAL 5MM	螺絲 5MM	2	
	90164	90164-MDR4-901	SCREW SPECIAL 6MM	特殊螺絲 6MM	1	
	90302-GFY6	90302-GFY6-901	BOLT WASH 5*12	螺絲 5*12	2	
	90302-SDA4	90302-SDA4-004	NUT SPRING 4MM	螺帽 4MM	6	

F05

Front Cover Front Fender

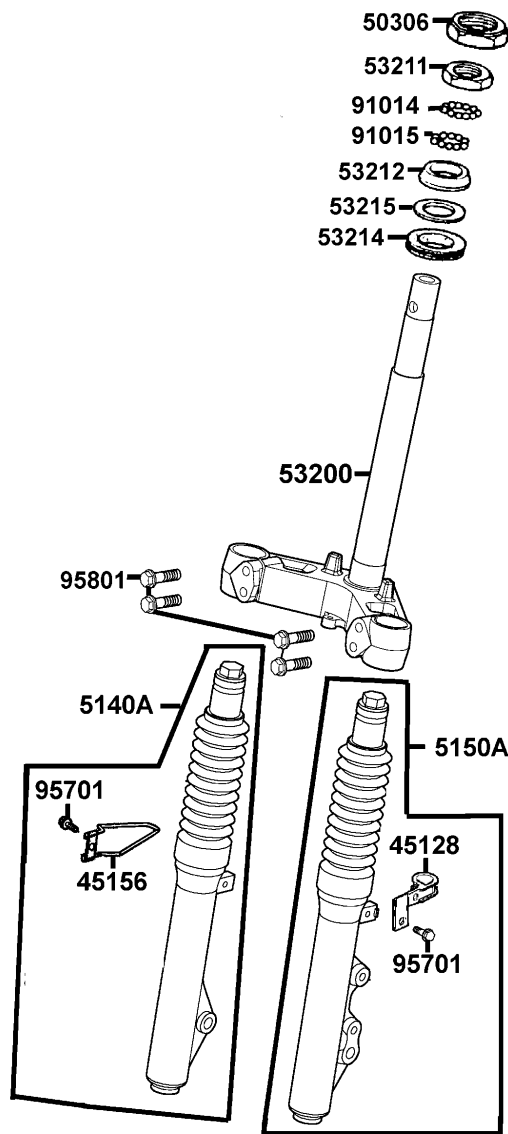
前護蓋 前土除



Sales mark 配色標註	Ref no 參考號碼	Part no 零件號碼	Description 英文名稱	Reg description 中文名稱	Regd no 需求用量	F05
	90652	90652-LFB5-900	CLIP MUDGUARD	塑膠螺絲	8	
	90683	90683-GAR1-004	CLIP BODY COVER	邊蓋夾	2	
	93404	93404-06016-06	BOLT WASHER 6*16	螺絲 6*16	4	
	93903-34360	93903-34360	SCREW TAPPING 4*12	螺絲 4*12	21	
	93903-GFY6	93903-GFY6-900	SCREW TAPPING 4*14	螺絲 4*14	2	
#	94591	94591-27000	CLIP 2*70	夾子 2*70	1	

F06

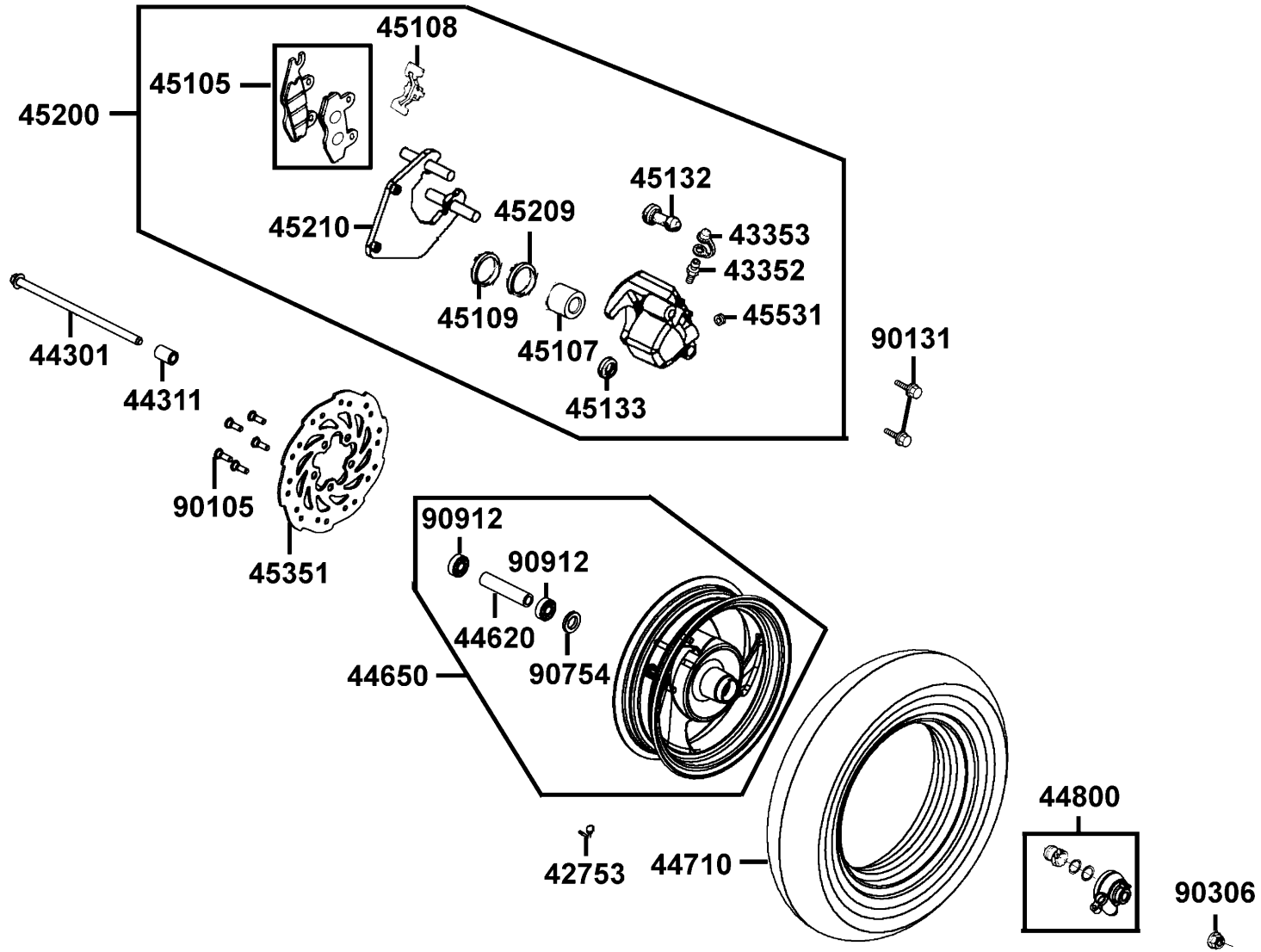
Stem Steering Front Fork 轉向軸 前避震器



Sales mark 配色標註	Ref no 參考號碼	Part no 零件號碼	Description 英文名稱	Reg description 中文名稱	Regd no 需求用量	F06
	45128	45128-KFC9-900	CLAMPER FR BRAKE HOSE	煞車油管夾	1	
	45156	45156-KECE-900	CLAMPER FR BRK CABLE	導線夾	1	
	50306	50306-1F96-001	NUT STRG STEM LOCK	主幹螺帽	1	
**	5140A	5140A-LAD9-W00	FORK SET R FR	右前避震器	1	
**	5150A	5150A-LAD9-W00	FORK SET L FR	左前避震器	1	
	53200	53200-LDA6-900	STEM COMP STRG	轉向桿	1	
	53211	53211-GFY6-940	RACE STRG TOP CONE	上錐體座圈	1	
	53212	53212-2L50-011	RACE STRG BOT CONE	下錐體座圈	1	
	53214	53214-2L50-001	DUST SEAL STRG(HEAD)	墊片	1	
	53215	53215-2L50-001	WASH STRG HDL DUST-SEAL	轉向桿華司	1	
	91014	91014-LLJ3-E00	CAGE STEERING TOP	鋼珠座	1	
	91015	91015-LLJ3-E00	CAGE STEERING BOT	鋼珠座	1	
	95701	95701-06012-08	BOLT FLANGE 6*12	螺絲 6*12	2	
	95801	95801-08040-08	BOLT FLANGE 8*40	螺絲 8*40	4	

F07

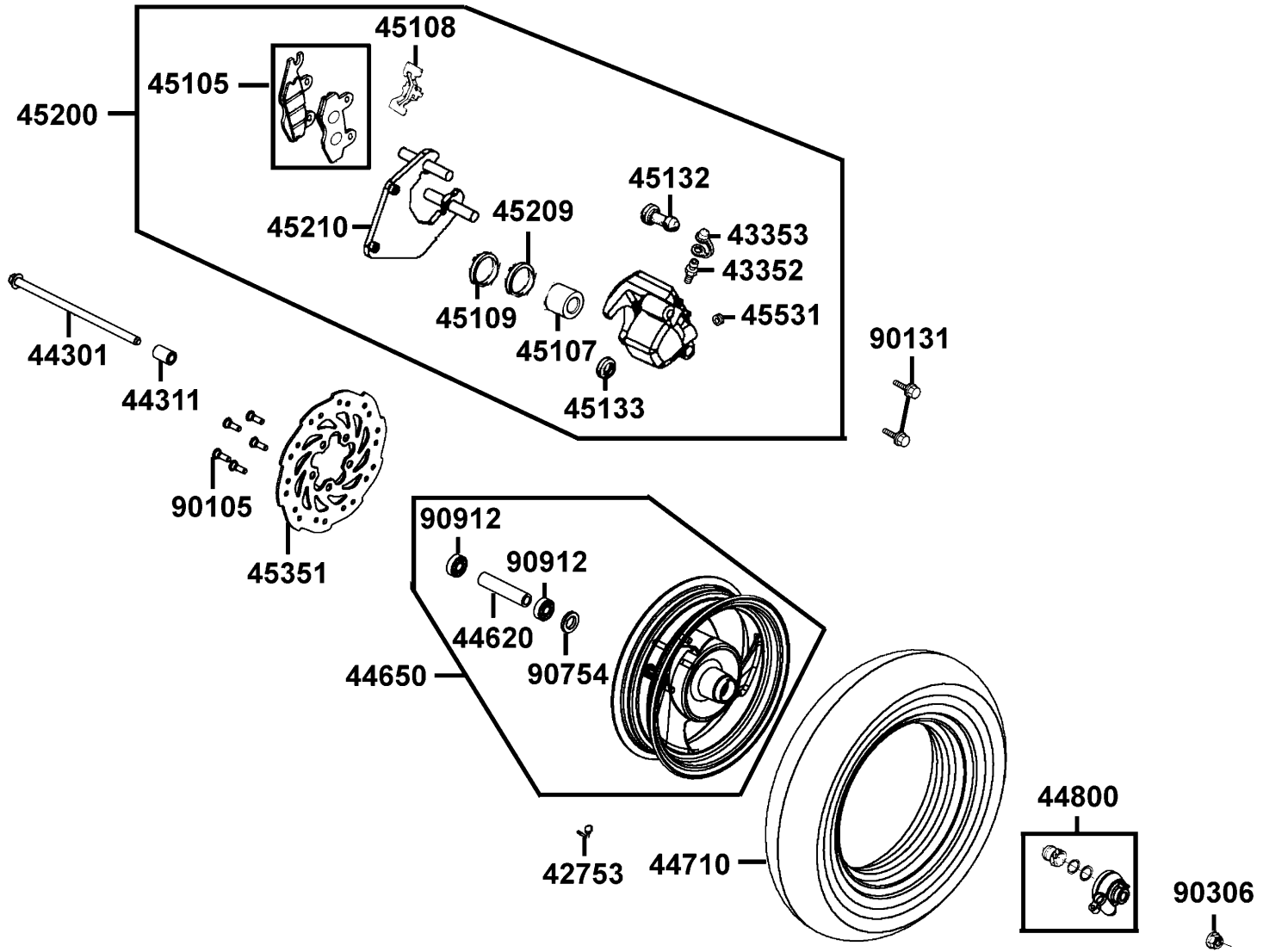
Front Wheel 前輪



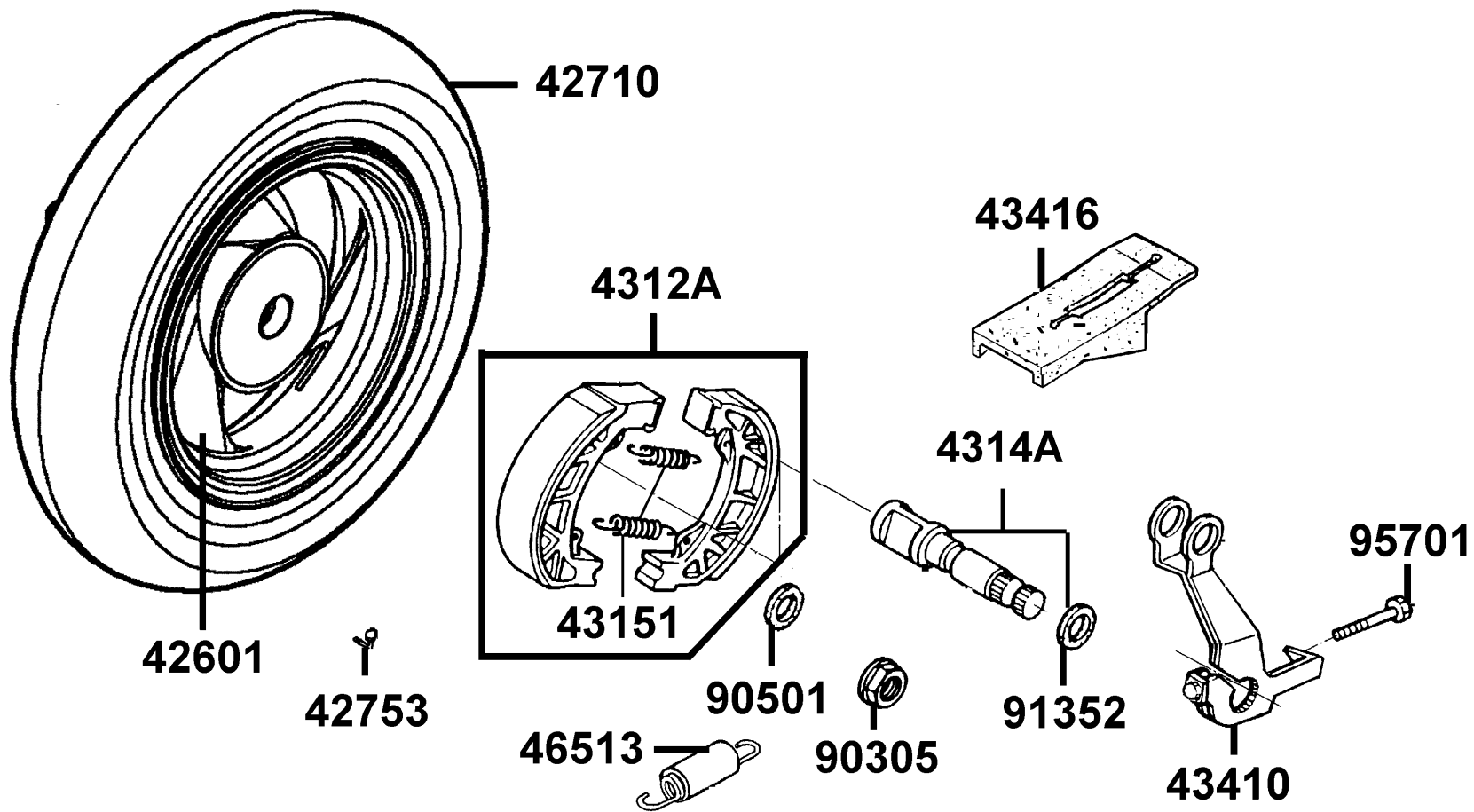
Sales mark 配色標註	Ref no 參考號碼	Part no 零件號碼	Description 英文名稱	Reg description 中文名稱	Regd no 需求用量	F07
	42753	42753-0D04-900	RIM VALVE (PVR 70)	打氣嘴	1	
	43352	43352-5H68-004	SCREW BLEEDER	加油嘴	1	
	43353	43353-4A61-77A	CAP BLEEDER	加油嘴蓋	1	
	44301	44301-LDA6-900	AXLE FR WHEEL	前輪軸	1	
	44311	44311-KUDU-900	COLLAR FR WHEEL SIDE	前輪邊套筒	1	
	44620	44620-LDA6-900	COLLAR FR DIST	前輪軸邊套筒	1	
**	44650	44650-LDA6-305	WHEEL SET FR	前輪圈組	1	
	44710	44710-LAD9-90A-G303	TIRE ASSY FR	前輪胎	1	
	44800	44800-KECE-900	GEAR BOX ASSY	速度齒輪箱組	1	
	45105	45105-KKE3-305	PAD ASSY FR	前煞車摩擦板組	1	
	45107	45107-KKE3-900	PISTON	卡鉗活賽塞	1	
	45108	45108-KFA6-900	SPRING PAD	摩擦板彈簧	1	
	45109	45109-KKE3-900	DUST SEAL	油封	1	
	45132	45132-KFA6-900	BUSH BOOT PIN	卡鉗螺絲銷	1	
	45133	45133-KFA6-900	BOOT B	襯套 B	1	
**	45200	45200-LDA6-900	CALIPER ASSY FR	前煞車卡鉗	1	
	45209	45209-KKE3-900	SEAL PISTON	油封	1	
	45210	45210-LDA6-305	BRKT FR CALIPER	前煞車卡鉗托架	1	
**	45351	45351-LDA6-900	DISK FR BRAKE	前煞車圓盤	1	
	90105	90105-KCR3-001	BOLT FR DISK 8*24	前煞車圓盤螺絲 8*24	5	

F07

Front Wheel 前輪



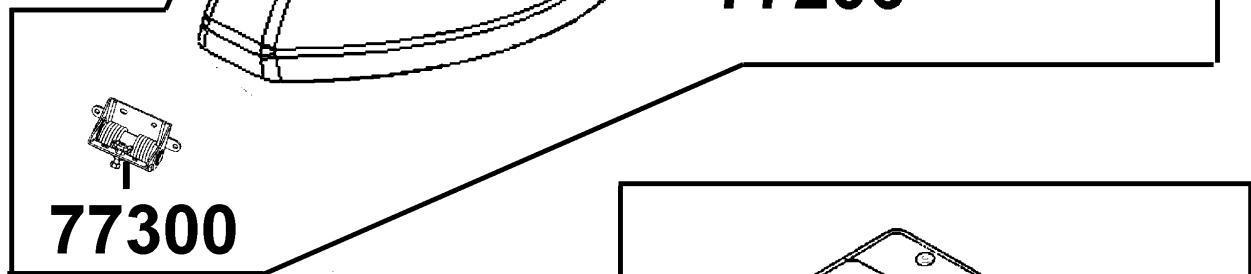
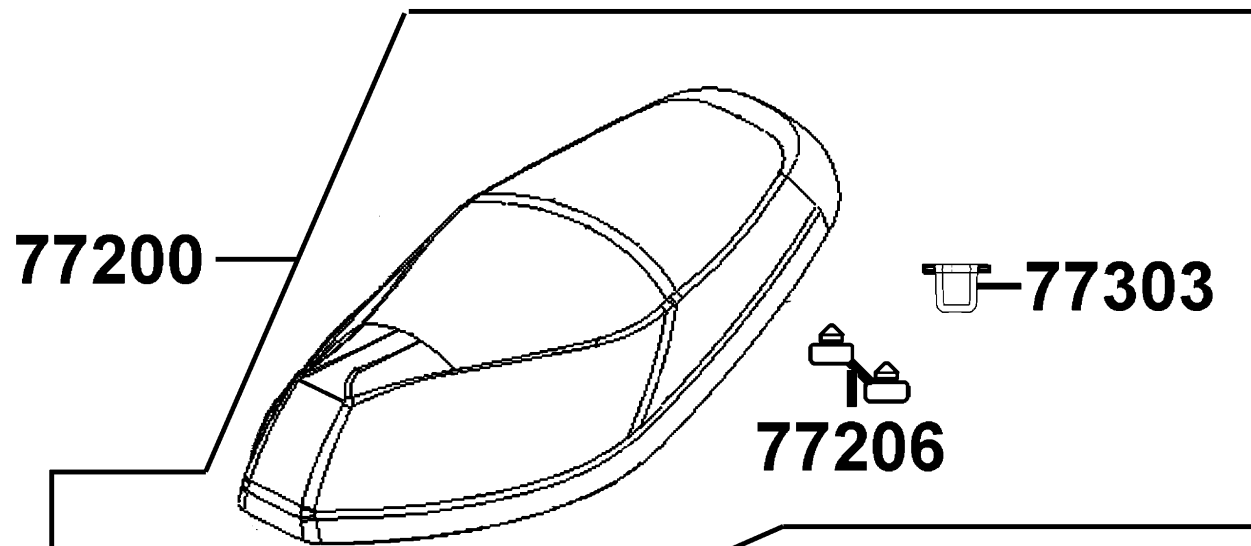
Sales mark 配色標註	Ref no 參考號碼	Part no 零件號碼	Description 英文名稱	Reg description 中文名稱	Regd no 需求用量	F07
	90131	90131-GLW0-911	BOLT FLANGE 8*35	螺絲 8*35	2	
	90306	90306-KLF0-004-SY	NUT FLANGE 12MM	螺帽 12MM	1	
	90754	90754-GHC8-00A	SEAL DUST 20*32*5	油封 20*32*5	1	
	90912	90912-KFLF-00A	BEARING 6201 LLU	軸承 6201	2	



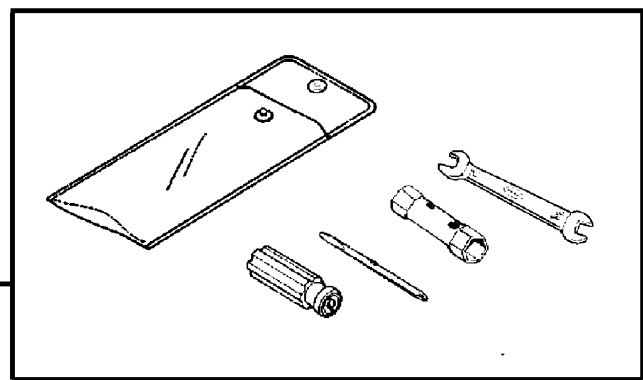
Sales mark 配色標註	Ref no 參考號碼	Part no 零件號碼	Description 英文名稱	Reg description 中文名稱	Regd no 需求用量	F08
**	42601	42601-KUDU-90D	HUB COMP RR WHEEL	後輪殼	1	
	42710	42710-LAD9-90A-G303	TIRE ASSY RR	後輪胎	1	
	42753	42753-KNBN-90B	VALVE (TR 412) & CAP (E)	打氣嘴	1	
	4312A	4312A-LEB1-900	SHOE ASSY REAR BRAKE	後煞車鞋	1	
	4314A	4314A-LDF7-E10	CAM ASSY RR BRK	後煞車凸輪組	1	
	43151	43151-LEB1-900	SPRING BRAKE SHOE REAR	彈簧	2	
	43410	43410-LAD9-900	ARM COMP RR BRAKE	後煞車臂	1	
	43416	43416-KUDU-900	GUARD RR BRK ARM	後剎車臂護蓋	1	
	46513	46513-KUDU-900	SPG ASSY BRK ARM	煞車踏板彈簧	1	
	90305	90305-KNBN-90B	NUT U 16MM	螺帽 16MM	1	
	90501	90501-KNBN-901	WASHER 16MM	華司 16MM	1	
	91352	91352-KHG8-83B	O-RING 11.3*1.3	O環 11.3*1.3	1	
	95701	95701-06035-08	BOLT FLANGE SH 6*35	螺絲 6*35	1	

F09

Seat 座墊



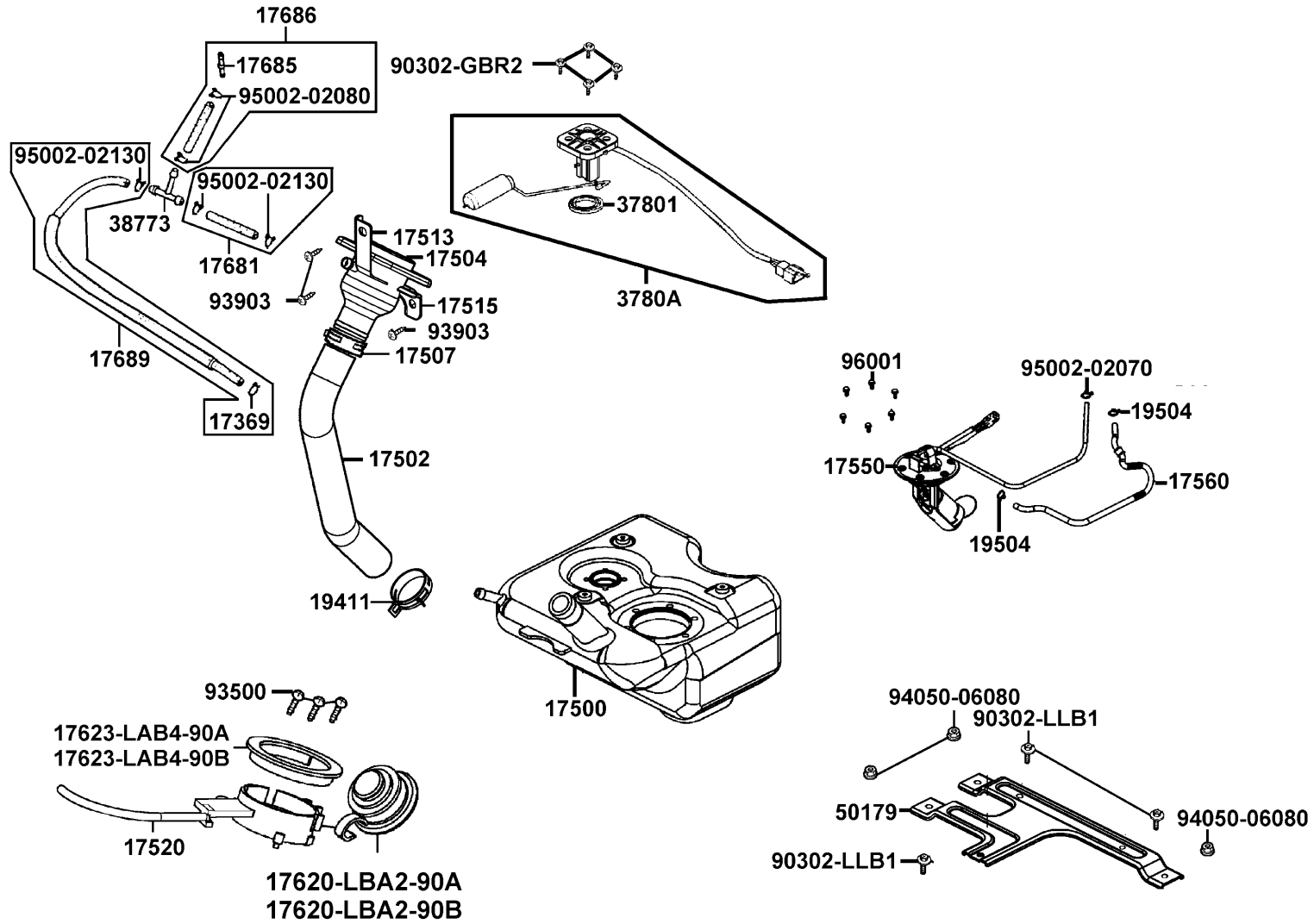
89010



Sales mark 配色標註	Ref no 參考號碼	Part no 零件號碼	Description 英文名稱	Reg description 中文名稱	Regd no 需求用量	F09
**	77200	77200-LHE9-305	SEAT ASSY	座墊組	1	
	77206	77206-KEB7-900	RUBBER SEAT CUSH	橡皮	2	
	77300	77300-LBE3-900	HINGE COMP SEAT	坐墊自動彈起鉸鏈	1	
	77303	77303-LHE9-900	HOOK SEAT LOCK	座墊鉤	1	
	89010	89010-LAD9-900	TOOL SET	手工具組	1	
	94050	94050-06080	NUT FLANGE 6MM	螺帽 6MM	2	

F10

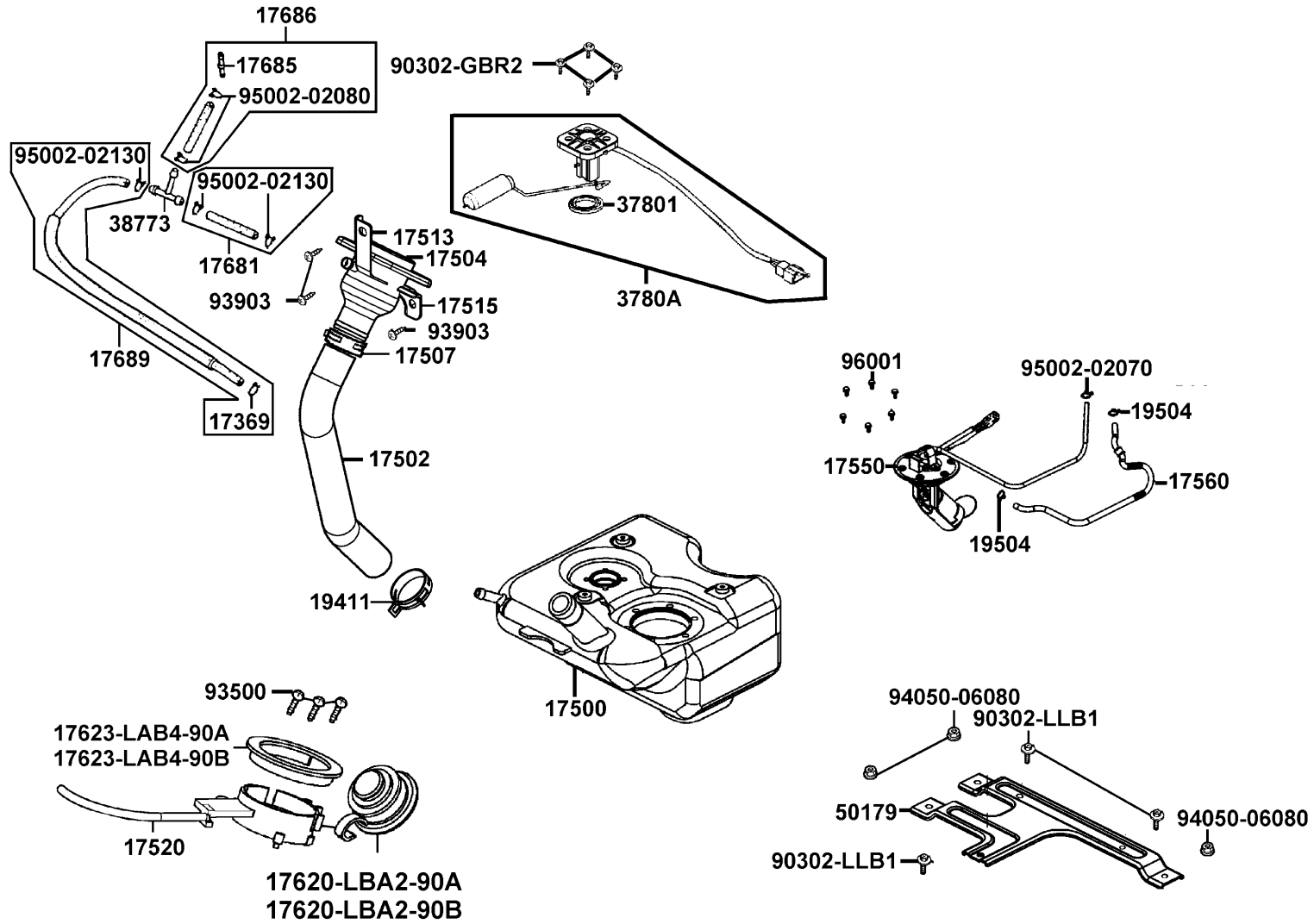
Fuel Tank 油箱



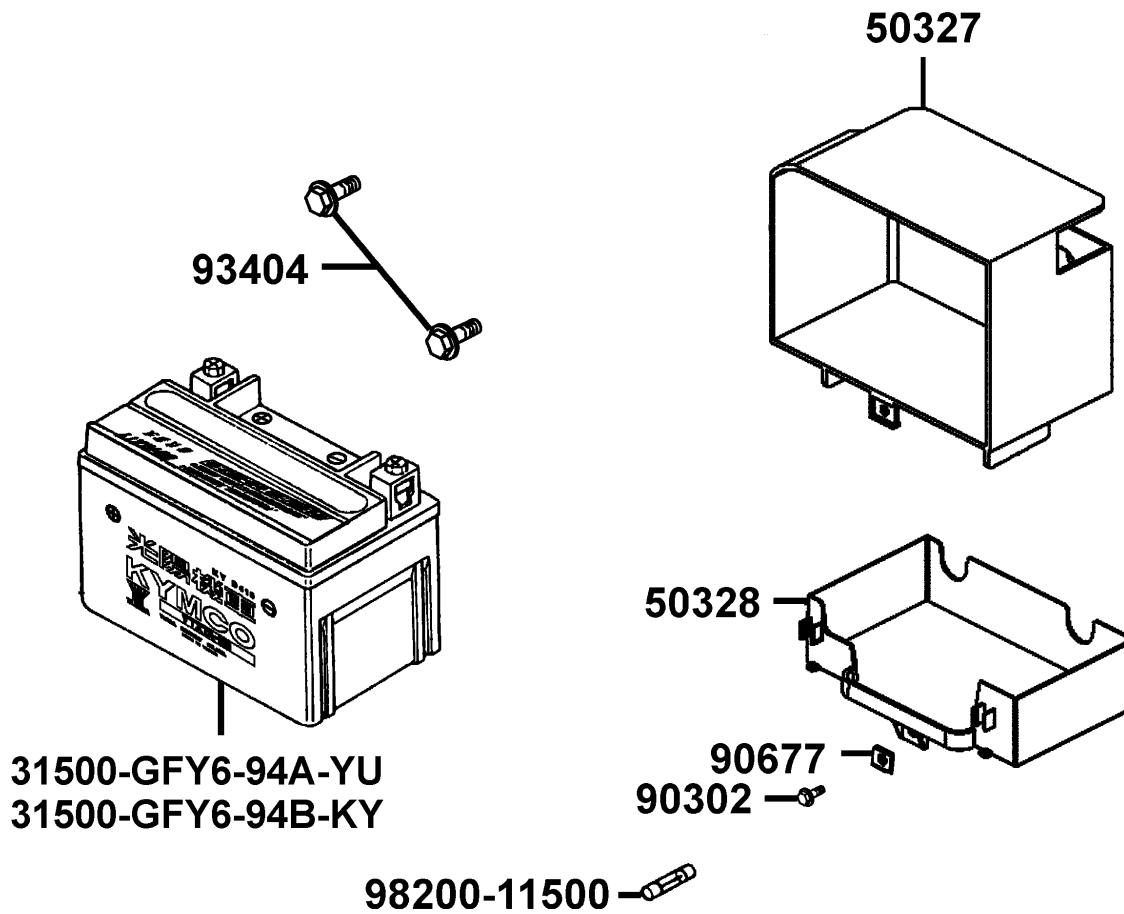
Sales mark 配色標註	Ref no 參考號碼	Part no 零件號碼	Description 英文名稱	Reg description 中文名稱	Regd no 需求用量	F10
	17369	17369-KHC4-900	CLIP BREATHER TUBE	通氣管夾	1	
	17500	17500-LFG7-900	TANK COMP FUEL	油箱	1	
	17502	17502-LDA6-900	TUBE FUEL	油管	1	
	17504	17504-LAB4-900	FUEL FILLER	加油漏斗	1	
	17507	17507-LAB4-900	BAND FUEL HOSE	油管束夾	1	
	17513	17513-LDA6-900	STAY A FUEL FILLER	加油漏斗支架 A	1	
	17515	17515-LAB4-900	STAY B FUEL FILLER	加油漏斗支架 B	1	
	17520	17520-LLF5-900	CABLE COMP FUEL CAP	油箱蓋導線	1	
	17550	17550-LHE9-900	PUMP ASSY FUEL	燃油泵	1	
	17560	17560-LFG7-900	TUBE PUMP INJECTOR	油管	1	
	17620-LBA2-90A	17620-LBA2-90A	CAP COMP FUEL FILLER	油箱蓋	1	
	17620-LBA2-90B	17620-LBA2-90B	CAP COMP FUEL FILLER	油箱蓋	1	
	17623-LAB4-90A	17623-LAB4-90A	COLLAR FUEL CAP	油箱蓋套筒	1	
	17623-LAB4-90B	17623-LAB4-90B	COLLAR FUEL CAP	油箱蓋套筒	1	
	17681	17681-KFA1-900	TUBE JOINT 3 WAY	油管	1	
	17685	17685-KZCZ-900	JOINT TUBE	油管接頭	1	
	17686	17686-KHE2-900	TUBE ASSY FUEL	油管(F.C.V.)	1	
	17689	17689-LAD9-900	TUBE ASSY FILLER	油管	1	
	19411	19411-KBCB-900	CLIP HOSE	油管鎖環	1	
	19504	19504-LBA2-E00	CLAMP D 16.8	管夾	2	

F10

Fuel Tank 油箱



Sales mark 配色標註	Ref no 參考號碼	Part no 零件號碼	Description 英文名稱	Reg description 中文名稱	Regd no 需求用量	F10
	37801	37801-LAB4-910	PACKING BASE	墊圈	1	
	3780A	3780A-LFG7-900	FUEL UNIT ASSY	燃料量指示器組	1	
	38773	38773-KBCB-900	JOINT 3 WAY	3通管	1	
**	50179	50179-LFG7-900	BRKT FLOOR PANEL	腳踏板支架	1	
	90302-GBR2	90302-GBR2-001	BOLT WASH 5*16	螺絲 5*16	4	
	90302-LLB1	90302-LLB1-E00	BOLT-WASHER 5*12	螺絲 5X12	3	
	93500	93500-04008-0G	SCREW PAN 4*8	螺絲 4*8	3	
	93903	93903-35360	SCREW TAPPING 5*16	螺釘 5*16	3	
	94050-06080	94050-06080	NUT FLANGE 6MM	螺帽 6MM	3	
	95002-02070	95002-02070	CLIP B7 TUBE	管夾	1	
	95002-02080	95002-02080	CLIP B8 TUBE	管夾	1	
	95002-02130	95002-02130	CLIP B 12.5 TURE	管夾	3	
	96001	96001-06014-08	BOLT FLANGE 6*14	螺絲 6X14	6	



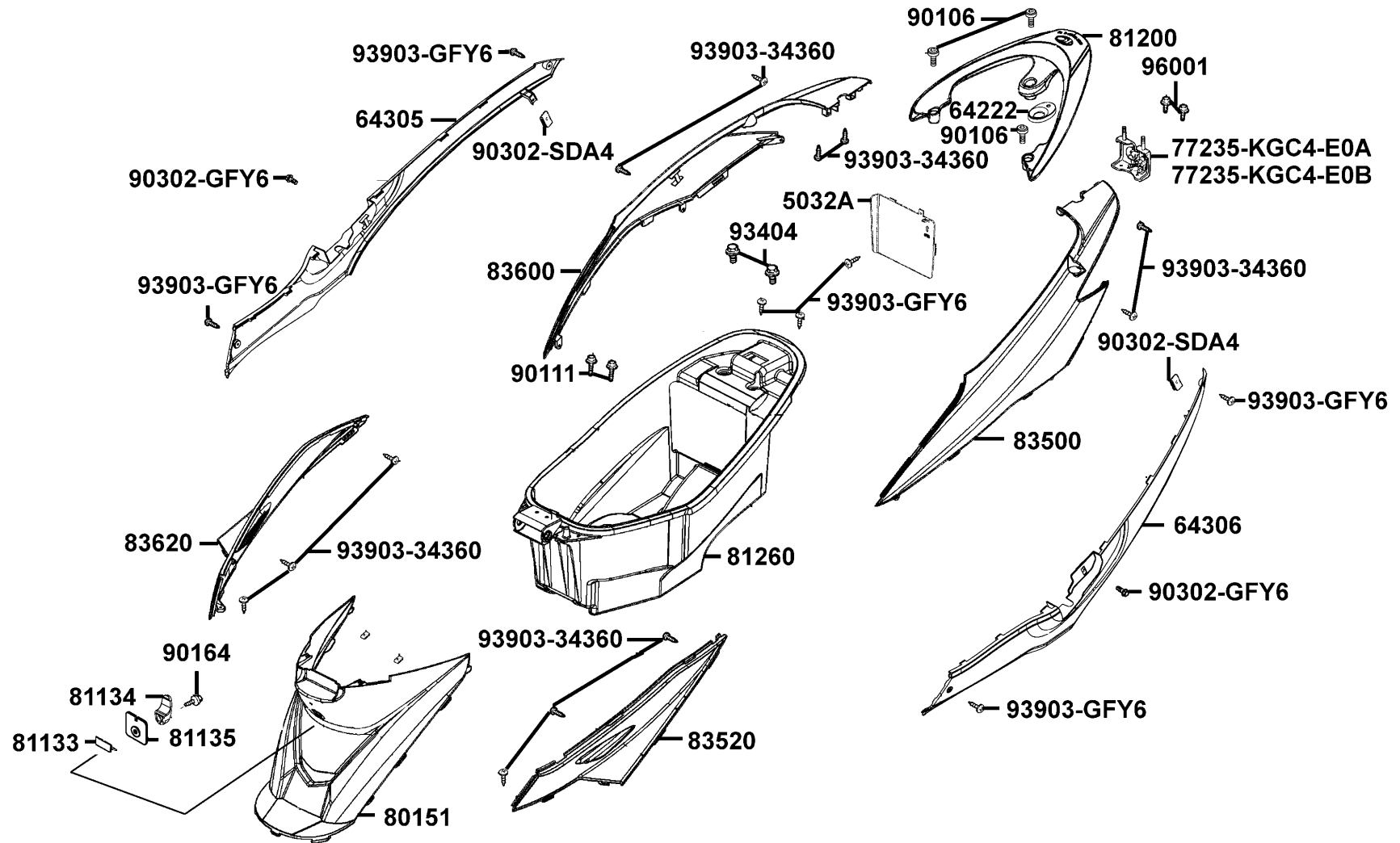
Sales mark 配色標註	Ref no 參考號碼	Part no 零件號碼	Description 英文名稱	Reg description 中文名稱	Regd no 需求用量	F11
	31500-GFY6-94A-YU	31500-GFY6-94A-YU	BATTERY YTX7A-BS	電瓶	1	
	31500-GFY6-94B-KY	31500-GFY6-94B-KY	BATTERY GTX7A-BS	電瓶	1	
	50327	50327-LHB8-900	BATTERY CASE	電池盒本體	1	
	50328	50328-LBB8-900	BATTERY DRAWER	電瓶滑動底座	1	
	90302	90302-GFY6-940	BOLT-WASH 5*16	螺絲 5*16	1	
	90677	90677-GAR1-004	NUT CLIP 5MM	彈簧螺帽 5MM	1	
	93404	93404-06020-06	BOLT WASH 6*20	螺絲 6*20	2	
	98200-11500	98200-11500	FUSE A15	保險絲 A15	1	



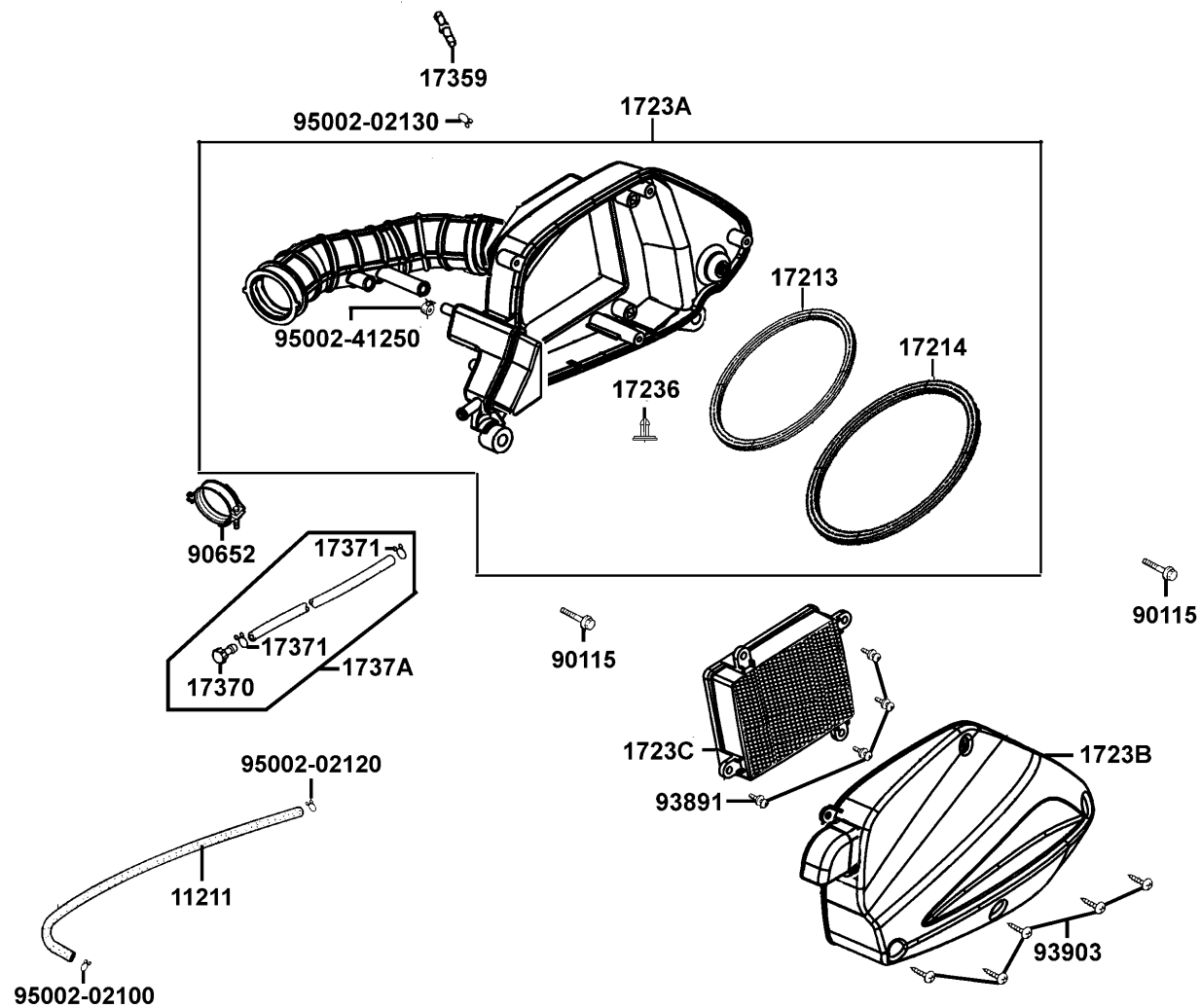
Sales mark 配色標註	Ref no 參考號碼	Part no 零件號碼	Description 英文名稱	Reg description 中文名稱	Regd no 需求用量	F12
	5032A	5032A-LFG7-900	COVER ASSY BATTERY MAINT	電瓶蓋	1	
	64222	64222-LDA6-900	CUSHION RR GRIP	後架緩衝橡皮	1	
**	64305	64305-LDA6-900	SKIRT R SIDE	右邊軌	1	
**	64306	64306-LDA6-900	SKIRT L SIDE	左邊軌	1	
	77235-KGC4-E0A	77235-KGC4-E0A	SEAT CATCH	座墊檔器	1	
	77235-KGC4-E0B	77235-KGC4-E0B	SEAT CATCH	座墊檔器	1	
**	80151	80151-LDA6-900	COVER CENTER	中心蓋	1	
	81133	81133-KGBG-900	STOPPER LUGGAGE	內箱襯蓋	1	
	81134	81134-KGBG-900	HOOK LUGGAGE	掛鉤	1	
	81135	81135-KGBG-900	STAY LUGGAGE HOOK	掛鉤座	1	
**	81200	81200-LDA6-900	CARRIER RR	後架	1	
	81260	81260-LHB8-900	BOX ASSY.,LUG.	置物箱組	1	
**	83500	83500-LDA6-356	COVER R BODY	右邊蓋組	1	
**	83520	83520-LDA6-900	MOLD R SIDE	車體右下蓋	1	
**	83600	83600-LDA6-356	COVER L BODY	左邊蓋組	1	
**	83620	83620-LDA6-900	MOLD L SIDE	車體左下蓋	1	
	90106	90106-KFAF-900	BOLT SPECIAL	後握桿螺絲	3	
	90111	90111-1G87-001	BOLT FLANGE 6MM	螺絲 6MM	2	
	90164	90164-KGBG-900	SCREW SPECIAL 6MM	特殊螺絲 6MM	1	
	90302-GFY6	90302-GFY6-901	BOLT WASH 5*12	螺絲 5*12	2	

F12

Body Cover Luggage Box 車體邊蓋 行李箱



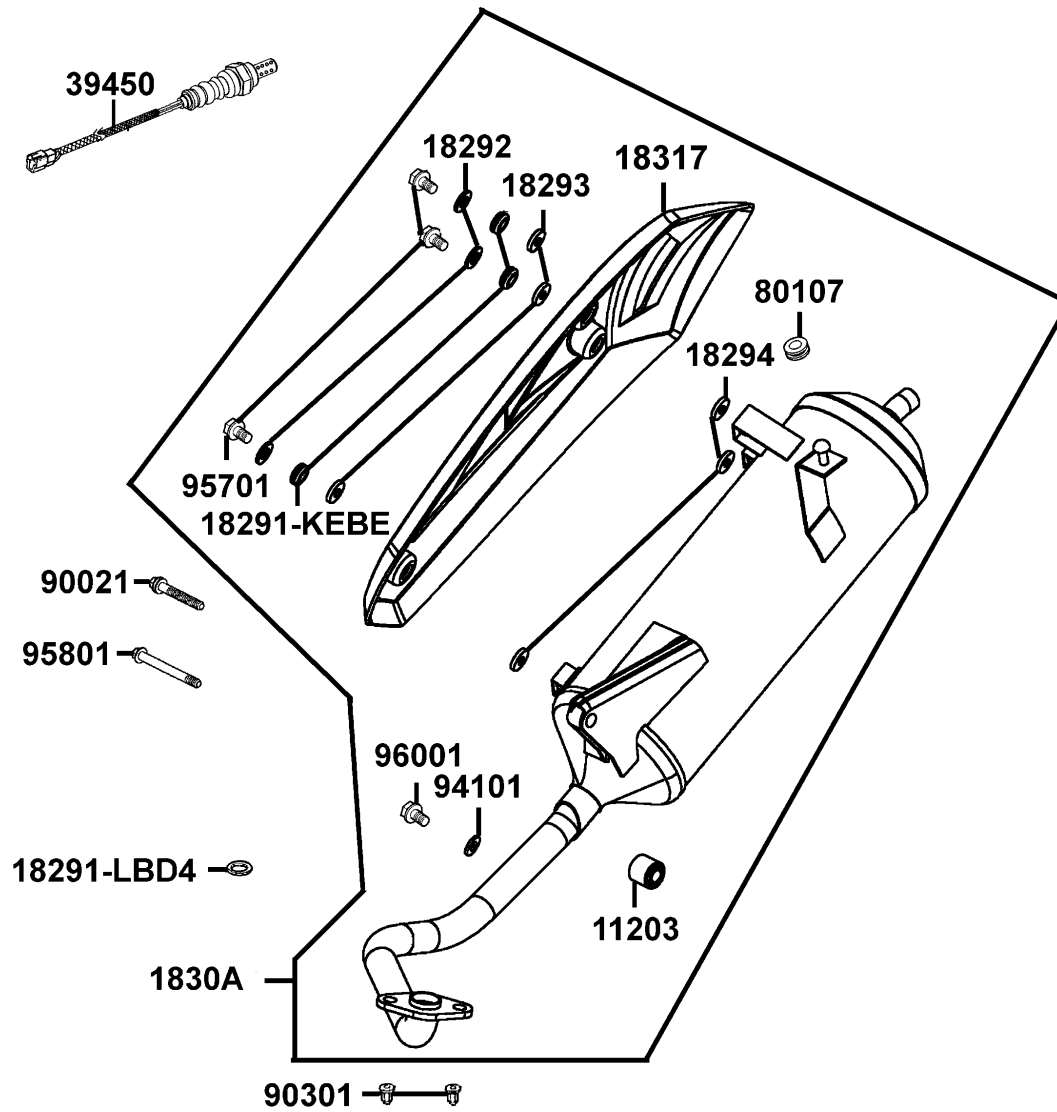
Sales mark 配色標註	Ref no 參考號碼	Part no 零件號碼	Description 英文名稱	Reg description 中文名稱	Regd no 需求用量	F12
	90302-SDA4	90302-SDA4-004	NUT SPRING 4MM	螺帽 4MM	4	
	93404	93404-KKC2-900-06	BOLT-WASH 6X16	螺栓(墨綠)	2	
	93903-34360	93903-34360	SCREW TAPPING 4*12	螺絲 4*12	12	
	93903-GFY6	93903-GFY6-900	SCREW TAPPING 4*14	螺絲 4*14	7	
	96001	96001-06012-08	BOLT FLANGE 6*12	螺絲 6*12	2	



Sales mark 配色標註	Ref no 參考號碼	Part no 零件號碼	Description 英文名稱	Reg description 中文名稱	Regd no 需求用量	F13
	11211	11211-LGK2-900	TUBE, BREATHER	通氣管	1	
	17213	17213-LDA6-900	SEAL ELEMENT	濾清器油封	1	
	17214	17214-LDA6-900	SEAL AIR/C CASE	空氣濾清器箱防水封	1	
	17236	17236-KFBF-910	PLATE AIR/C CASE	隔板	1	
	1723A	1723A-LHB8-900	CASE COMP., AIR/C	空氣濾清器箱	1	
	1723B	1723B-LDA6-900	COVER COMP AIR/C	空氣濾清器蓋	1	
	1723C	1723C-LDA6-900	ELEMENT COMP AIR/C	空氣濾清器	1	
	17359	17359-4K19-671	JOINT BREATHER TUBE	通氣管接頭	1	
	17370	17370-4K19-701	PLUG BREATHER TUBE	管塞	1	
	17371	17371-1D74-671	CLIP BREATHER TUBE	通氣管夾	2	
	1737A	1737A-LDA6-900	V TUBE ASSY	空氣管	1	
	90115	90115-KXCX-900	BOLT FLANGE SH 6*32	螺絲 6*32	2	
	90652	90652-GFY6-901	BAND 49 AIR/C CONNECTING TUBE	連接管固定帶	1	
	93891	93891-05016-08	SCREW WASHER 5*16	螺絲 5X16	4	
	93903	93903-25460	SCREW TAPPING 4*12	螺釘 4*12	5	
	95002-02100	95002-02100	CLIP B15 TUBE	管夾	1	
	95002-02120	95002-02120	CLIP B12 TUBE	管夾 B12	1	
	95002-02130	95002-02130	CLIP B 12.5 TURE	管夾	1	
	95002-41250	95002-41250-00	CLIP D12.5 TUBE	管夾	1	

F14

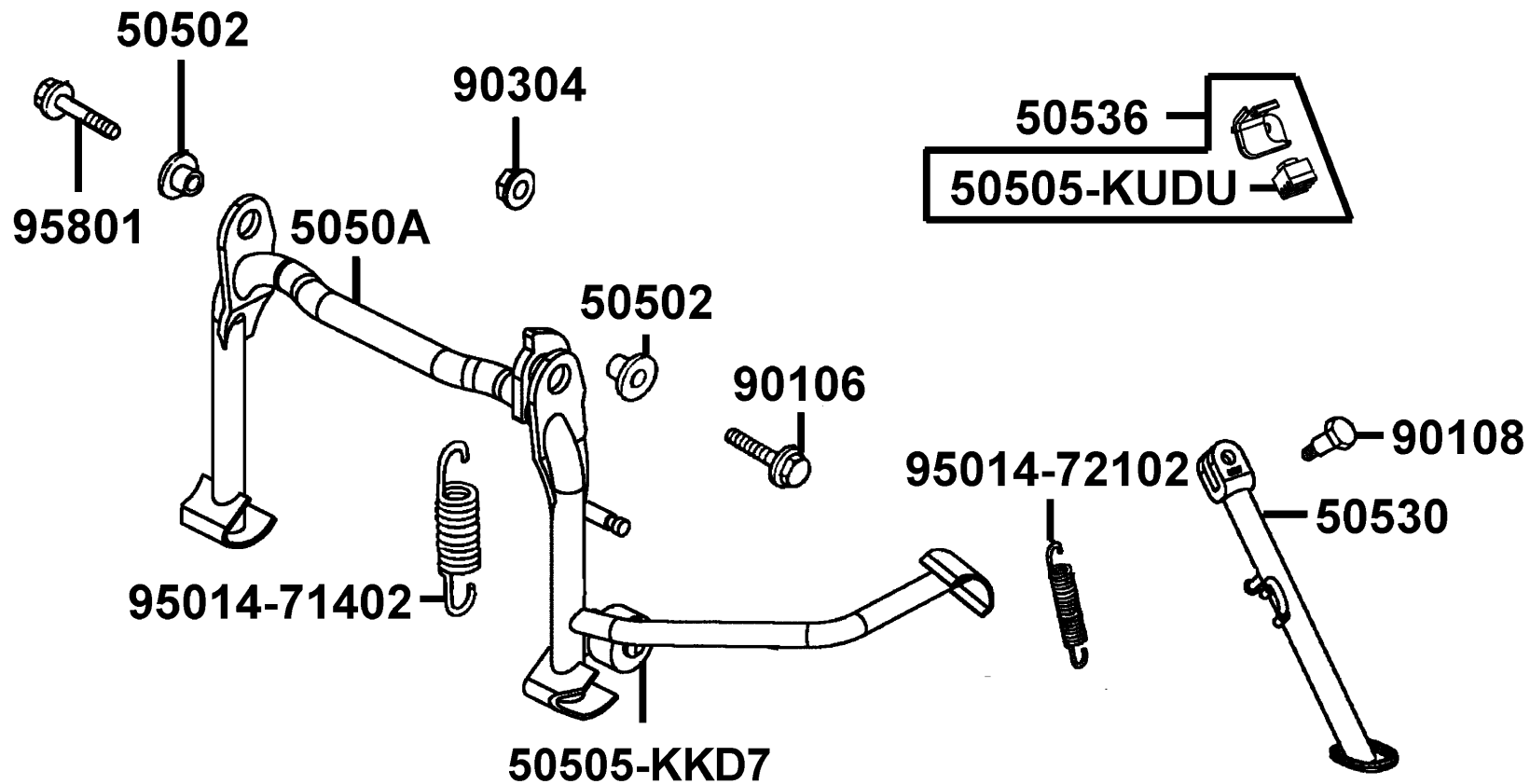
Exhaust Muffler 排氣管



Sales mark 配色標註	Ref no 參考號碼	Part no 零件號碼	Description 英文名稱	Reg description 中文名稱	Regd no 需求用量	F14
	11203	11203-GFY6-901	RUBBER BUSH MUFFER STAY	橡皮襯套	1	
	18291-KEBE	18291-KEBE-900	COLLAR	套筒	3	
	18291-LBD4	18291-LBD4-900	GASKET EXH PIPE	排氣管墊圈	1	
	18292	18292-KEBE-900	PACKING PROTECTOR	墊片	3	
	18293	18293-KEBE-900	RUBBER PKG PROTR	橡皮	3	
	18294	18294-KEBE-900	PACKING PROTECTOR	防熱墊片	3	
	1830A	1830A-LHB8-900	MUFFLER ASSY.,EXH	排氣管組	1	
**	18317	18317-LHB8-900	PROTECTOR COMP MUFFLER	排氣管護熱蓋	1	
	39450	39450-LEA6-800	O2 SENSOR	氧氣感測器	1	
	90021	90021-GFY6-900	BOLT WASHER COMP	螺絲	1	
	90301	90301-GFY6-901	NUT (HEX) CAP 8MM	圓螺帽 8MM	2	
	94101	94101-06700	WASHER PLAIN 6MM	平華司	1	
	95701	95701-06022-06	BOLT FLANGE 6*22	螺絲 6X22	3	
	95801	95801-08042-06	BOLT FLANGE 8*42	螺絲 8*42	1	
	96001	96001-06008-07	BOLT FLANGE SH 6*8	螺絲 6*8	1	

F15

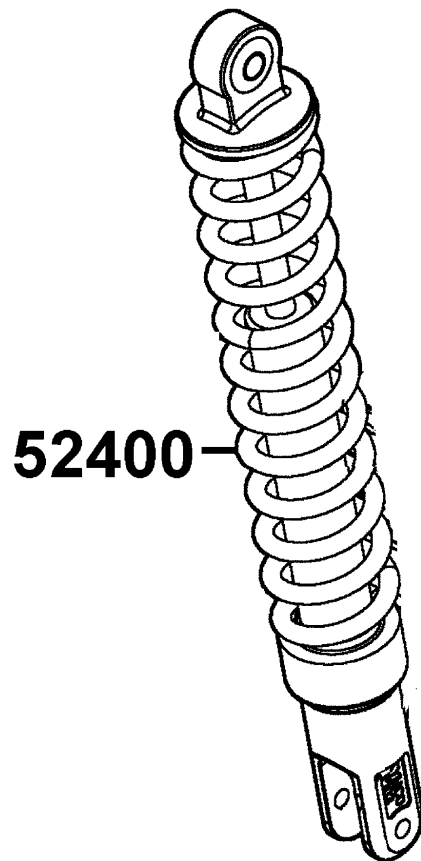
Kick Starter Arm Stand 起動踏桿 腳架



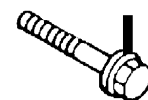
Sales mark 配色標註	Ref no 參考號碼	Part no 零件號碼	Description 英文名稱	Reg description 中文名稱	Regd no 需求用量	F15
	50502	50502-GFY6-901	COLLAR MAIN STAND	主腳架套環	2	
	50505-KKD7	50505-KKD7-900	RUBBER STOPPER MAIN	主腳架橡皮	1	
	50505-KUDU	50505-KUDU-900	STOPPER RUBBER	主腳架橡皮	1	
	5050A	5050A-KHE2-800	STAND ASSY MAIN	主腳架	1	
	50530	50530-LLF5-900	SIDE STAND COMP	側腳架	1	
	50536	50536-LBE3-900	STOPPER RUBBER ASSY SIDE STAND	主腳架停止橡皮	1	
	90106	90106-LBA7-900	BOLT FLANGE 8*25	螺絲 8*25	1	
	90108	90108-KUDU-900	SCREW SIDE STAND PIVOT	側腳架螺絲	1	
	90304	90304-GHE8-004-SW	NUT U FLANGE 10MM	螺帽 10MM	1	
	95014-71402	95014-71402	SPRING D MAIN STAND	主腳架彈簧	1	
	95014-72102	95014-72102	SPG A SIDE STAND	側腳架彈簧	1	
	95801	95801-10025-08	BOLT FLANGE 10*25	螺絲 10*25	1	

F16

Rear Cushion 後避震器



95801-08035

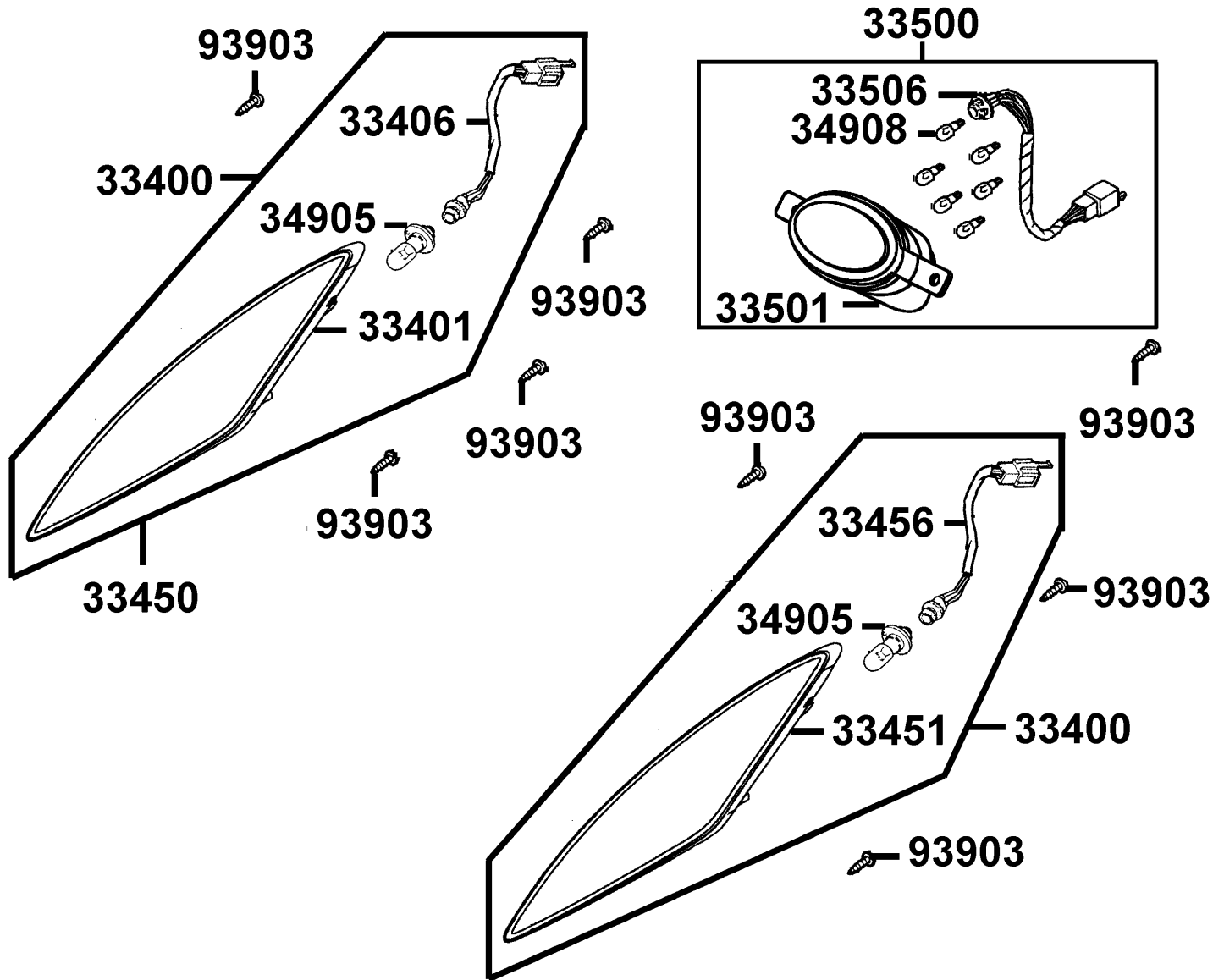


Sales mark 配色標註	Ref no 參考號碼	Part no 零件號碼	Description 英文名稱	Reg description 中文名稱	Regd no 需求用量	F16
**	52400	52400-LAD9-900	CUSHION ASSY RR	後避震	1	
	95801-08035	95801-08035-08	BOLT FLANGE 8*35	螺絲 8*35	1	
	95801-10040	95801-10040-08	BOLT FLANGE 10*40	特殊螺絲 10*40	1	

F17

Front Winker

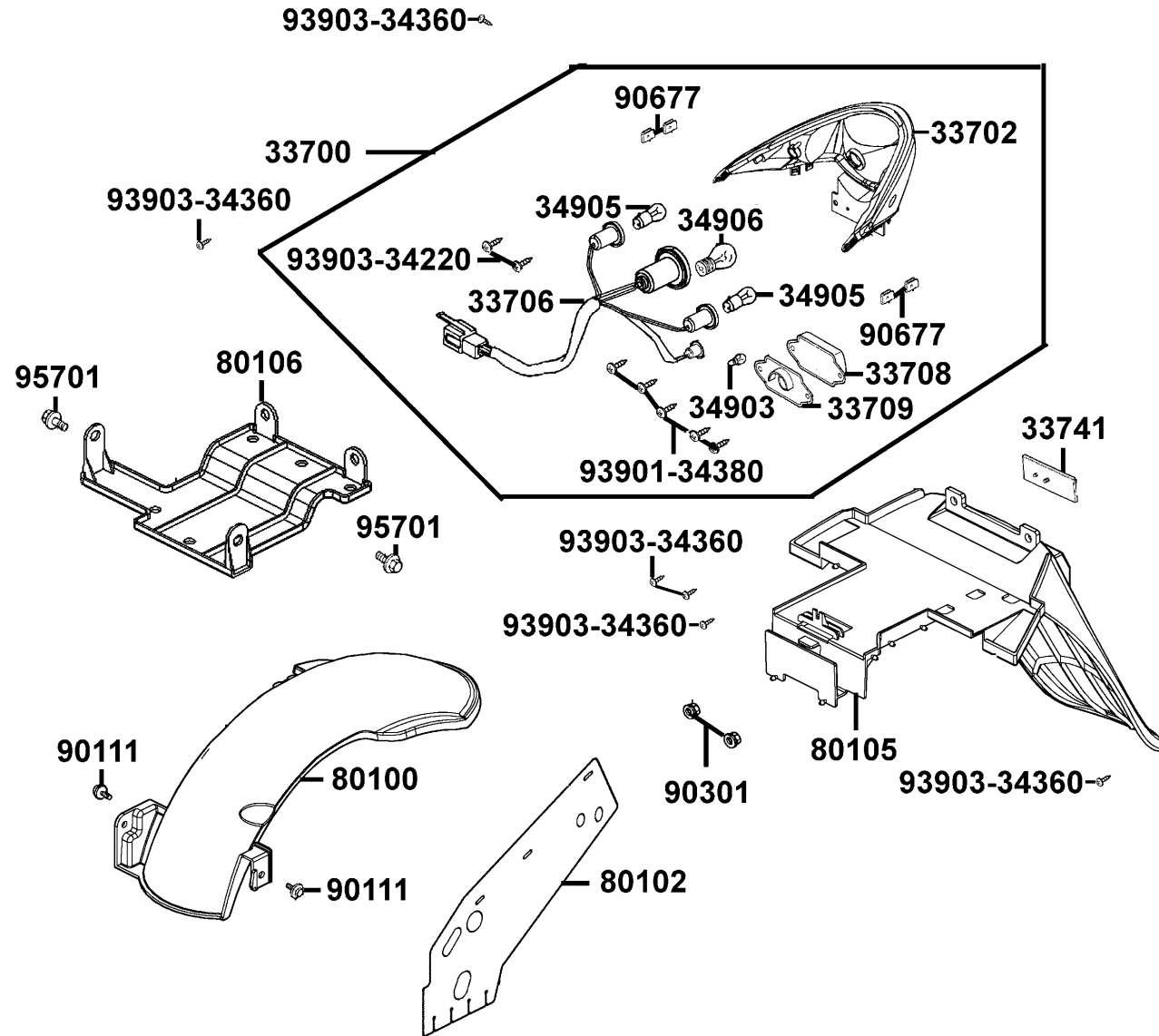
前方向燈



Sales mark 配色標註	Ref no 參考號碼	Part no 零件號碼	Description 英文名稱	Reg description 中文名稱	Regd no 需求用量	F17
	33400	33400-LDA6-900	WINKER ASSY R FR	右前方向燈組	1	
	33401	33401-LDA6-305	BASE COMP R FR WINKER	右前方向燈殼組	1	
	33406	33406-LDA6-900	SOCKET COMP	右前方向燈配線	1	
	33450	33450-LDA6-900	WINKER ASSY L FR	左前方向燈組	1	
	33451	33451-LDA6-305	BASE COMP R FR WINKER	右前方向燈殼組	1	
	33456	33456-LDA6-900	SOCKET COMP	左前方向燈配線	1	
	33500	33500-LDA6-900	LIGHT ASSY FR POSITION	前位置燈組	1	
	33501	33501-LDA6-305	FR POSITION LIGHT COMP	前位置燈燈殼	1	
	33506	33506-LDA6-900	LIGHT ASSY FR POSITION	前位置燈燈配線	1	
	34905	34905-KMCM-900	BULB WINKER	方向燈泡	2	
	34908	34908-LDA6-900	LED WEDGE BASE	LED燈	6	
	93903	93903-34360	SCREW TAPPING 4*12	螺絲 4*12	8	

F18

Tail Light 後燈

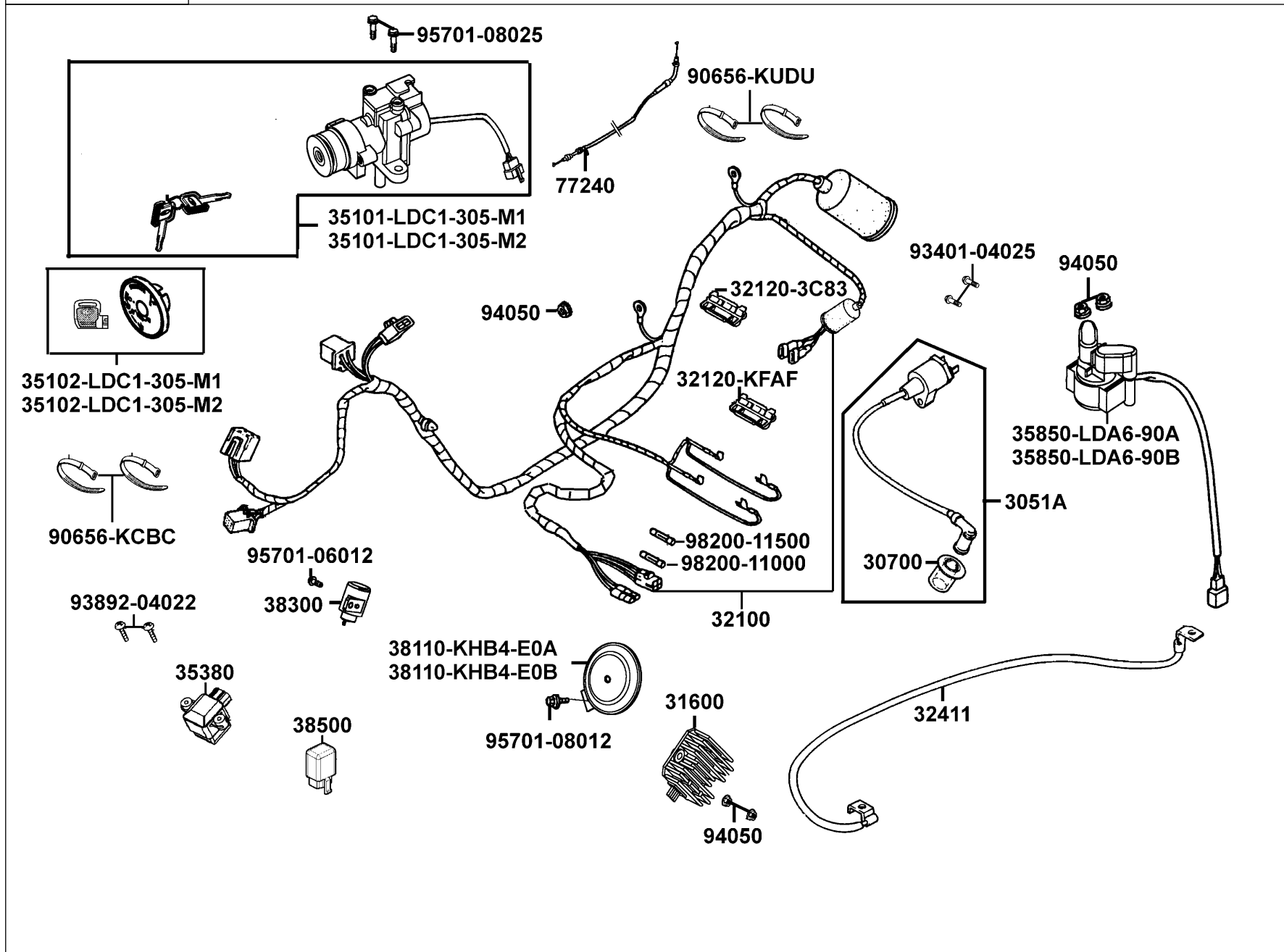


Sales mark 配色標註	Ref no 參考號碼	Part no 零件號碼	Description 英文名稱	Reg description 中文名稱	Regd no 需求用量
	33700	33700-LDA7-900	LIGHT SET RR COMB	後燈組	1
	33702	33702-LDA6-900	LENS COMP TAIL LIGHT	後燈殼	1
	33706	33706-LDA6-900	SOCKET TAIL LIGHT	配線	1
	33708	33708-KHE7-E00	LENS LICENSE	牌照燈殼	1
	33709	33709-KHE7-E00	BASE LICENSE	牌照燈座	1
	33741	33741-KEC8-900	REFLEX REFLECTOR	反光鏡片	1
	34903	34903-KPCP-900	BULB POSITION	位置燈燈泡	1
	34905	34905-KMCM-900	BULB WINKER	方向燈泡	2
	34906	34906-2H68-601	BULB TAIL LIGHT	後燈泡	1
	80100	80100-LAD9-900	FENDER RR TIRE	後輪上土除	1
	80102	80102-LDA6-900	PLATE SPLASH BOARD	防濺板	1
	80105	80105-LDA6-900	FENDER RR	後土除	1
	80106	80106-LDA6-900	FENDER INNER RR	後內檔泥板	1
	90111	90111-KFW6-001	BOLT FLANGE 6MM	螺帽 6MM	2
	90301	90301-6D34-671	NUT FLANGE 6MM	螺帽 6MM	2
	90677	90677-KFC9-900	NUT CLIP 4MM	螺帽夾	4
	93901	93901-34380	SCREW TAPPING 4*12	螺絲 4*12	5
	93903-34220	93903-34220	SCREW TAPPING 4*10	螺釘 4*10	2
	93903-34360	93903-34360	SCREW TAPPING 4*12	螺絲 4*12	6
	95701	95701-06012-08	BOLT FLANGE 6*12	螺絲 6*12	2

**F18**

F19

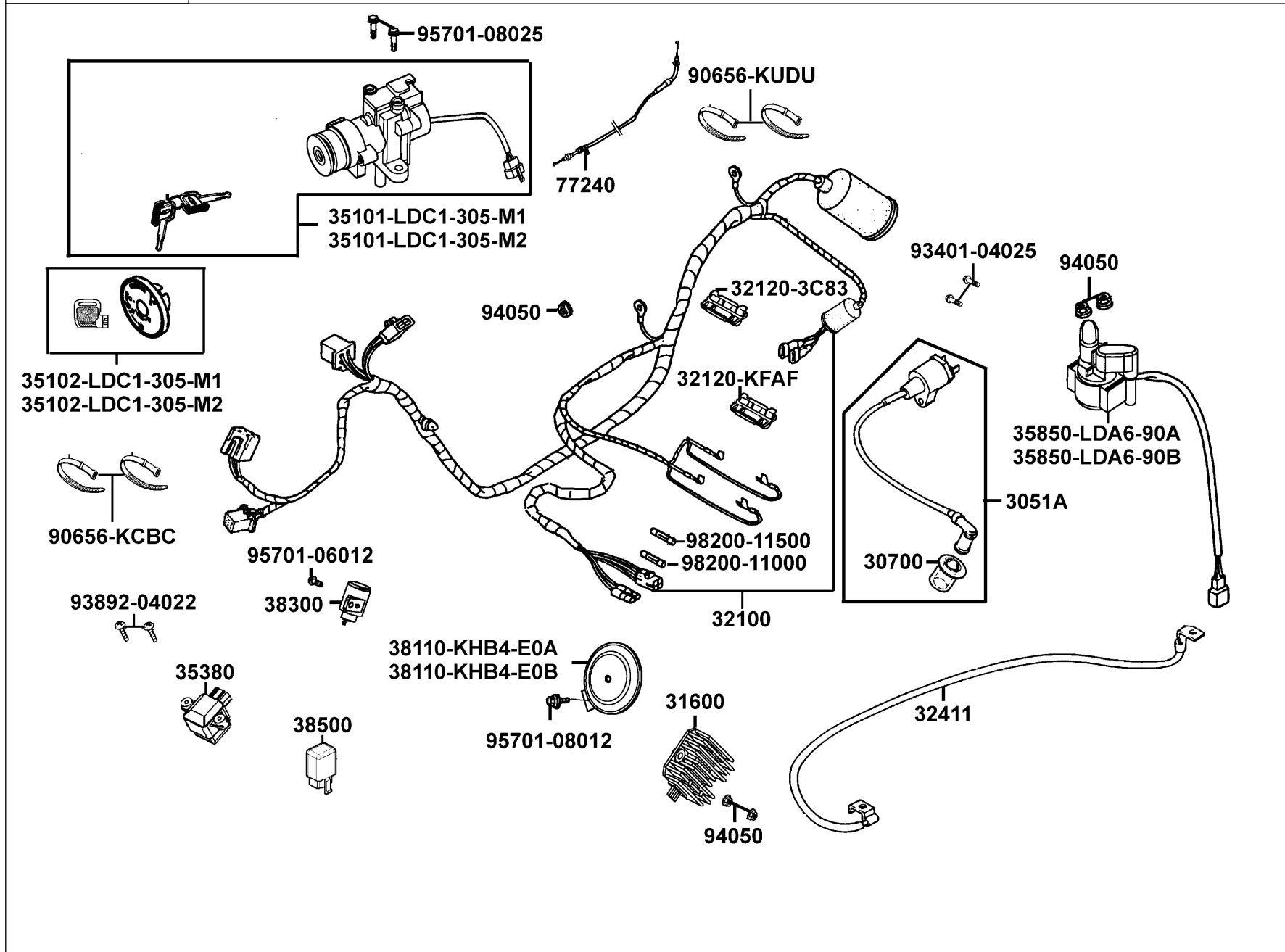
Wire Harness 主電路配線



Sales mark 配色標註	Ref no 參考號碼	Part no 零件號碼	Description 英文名稱	Reg description 中文名稱	Regd no 需求用量	F19
	3051A	3051A-LHE9-900	COIL ASSY IGN	點火線圈	1	
	30700	30700-KKE3-900	CAP ASSY NOISE SUPPRESOR	火星塞蓋	1	
	31600	31600-LEA5-E00	REG REC COMP	整流器	1	
	32100	32100-LHE9-900	HARNESS WIRE	主配線	1	
	32120-3C83	32120-3C83-831	CASE 10A FUSE	保險絲盒	1	
	32120-KFAF	32120-KFAF-900	CASE 15A FUSE	保險絲盒	1	
	32411	32411-LDA6-900	CABLE BAT	電瓶導線	1	
	35101-LDC1-305-M1	35101-LDC1-305-M1	SW COMB & LOCK	主開關	1	
	35101-LDC1-305-M2	35101-LDC1-305-M2	SW COMB & LOCK	主開關	1	
	35102-LDC1-305-M1	35102-LDC1-305-M1	SHUTIER SET MAGNETIC LOCK	磁石鎖組/2合1KEY	1	
	35102-LDC1-305-M2	35102-LDC1-305-M2	SHUTIER SET MAGNETIC LOCK	磁石鎖組/2合1KEY	1	
	35380	35380-LEA2-900	SENSOR ANGLE DETECT	傾倒角度感知器	1	
	35850-LDA6-90A	35850-LDA6-90A	SET START MAG	起動開關組	1	
	35850-LDA6-90B	35850-LDA6-90B	SET START MAG	起動開關組	1	
	38110-KHB4-E0A	38110-KHB4-E0A	HORN COMP	喇叭	1	
	38110-KHB4-E0B	38110-KHB4-E0B	HORN COMP	喇叭	1	
	38300	38300-LEA5-E0A	RELAY ASSY WINKER	方向燈繼電器	1	
	38500	38500-KHD8-900	RELAY ASSY LIGHT	繼電器	1	
	77240	77240-LAB4-900	CABLE COMP SEAT LOCK	座墊導線	1	
	90656-KCBC	90656-KCBC-900	BAND OIL HOSE	油管束帶	2	

F19

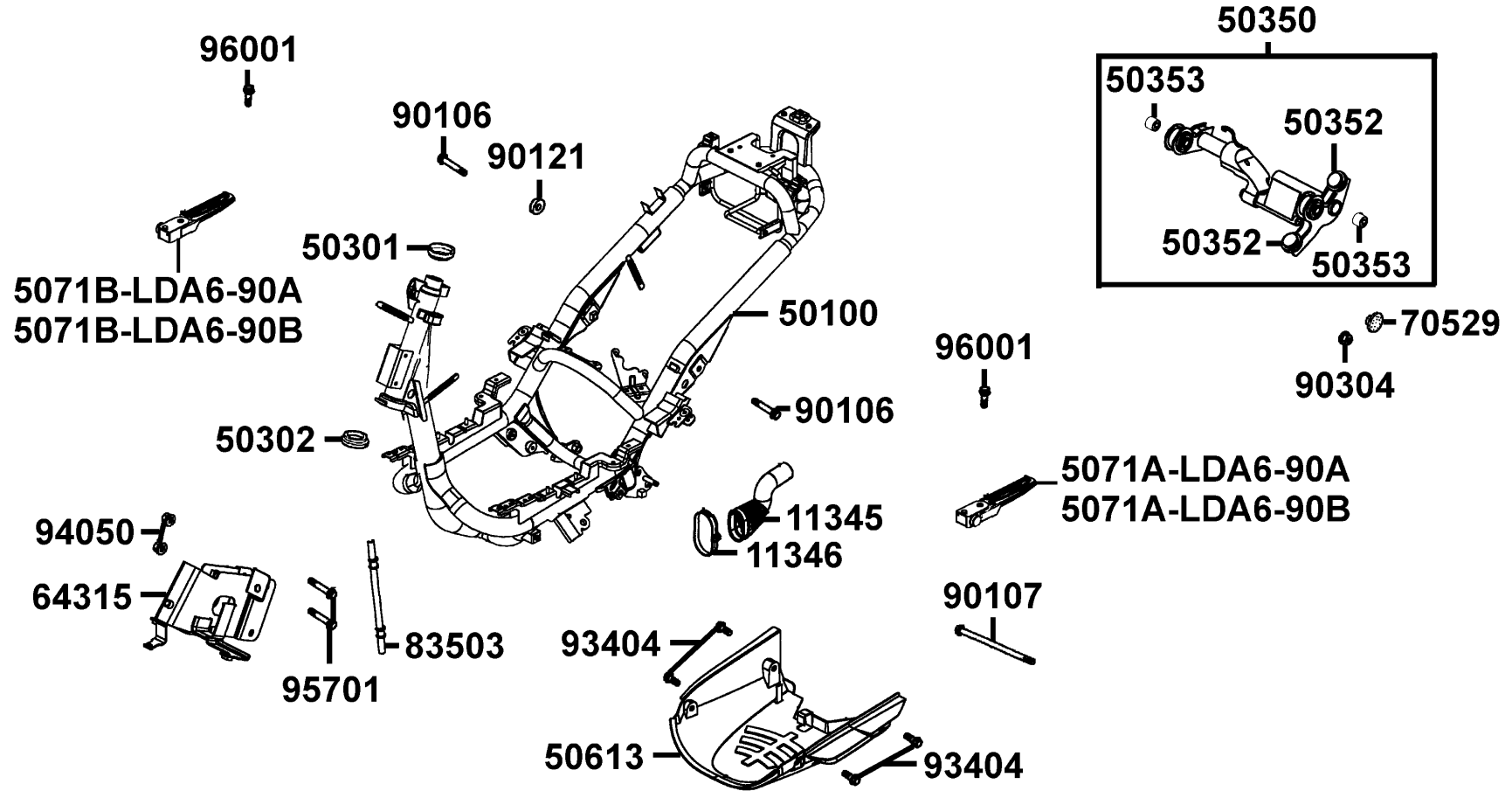
Wire Harness 主電路配線



Sales mark 配色標註	Ref no 參考號碼	Part no 零件號碼	Description 英文名稱	Reg description 中文名稱	Regd no 需求用量	F19
**	90656-KUDU	90656-KUDU-900	BAND HARNESS WIRE	束帶	2	
	93401-04025	93401-04025-08	BOLT WASHER 4*25	墊圈	2	
	93892-04022	93892-04022-08	SCREW WASHER 4*22	螺絲 4*22	2	
	94050	94050-06080	NUT FLANGE 6MM	螺帽 6MM	5	
	95701-06012	95701-06012-08	BOLT FLANGE 6*12	螺絲 6*12	1	
	95701-08012	95701-08012-08	BOLT FLANGE 8*12	螺絲 8*12	1	
	95701-08025	95701-08025-08	BOLT FLANGE 8*25	螺絲 8*25	2	
	98200-11000	98200-11000	FUSE 10A	保險絲 10A	1	
	98200-11500	98200-11500	FUSE A15	保險絲 A15	1	

F20

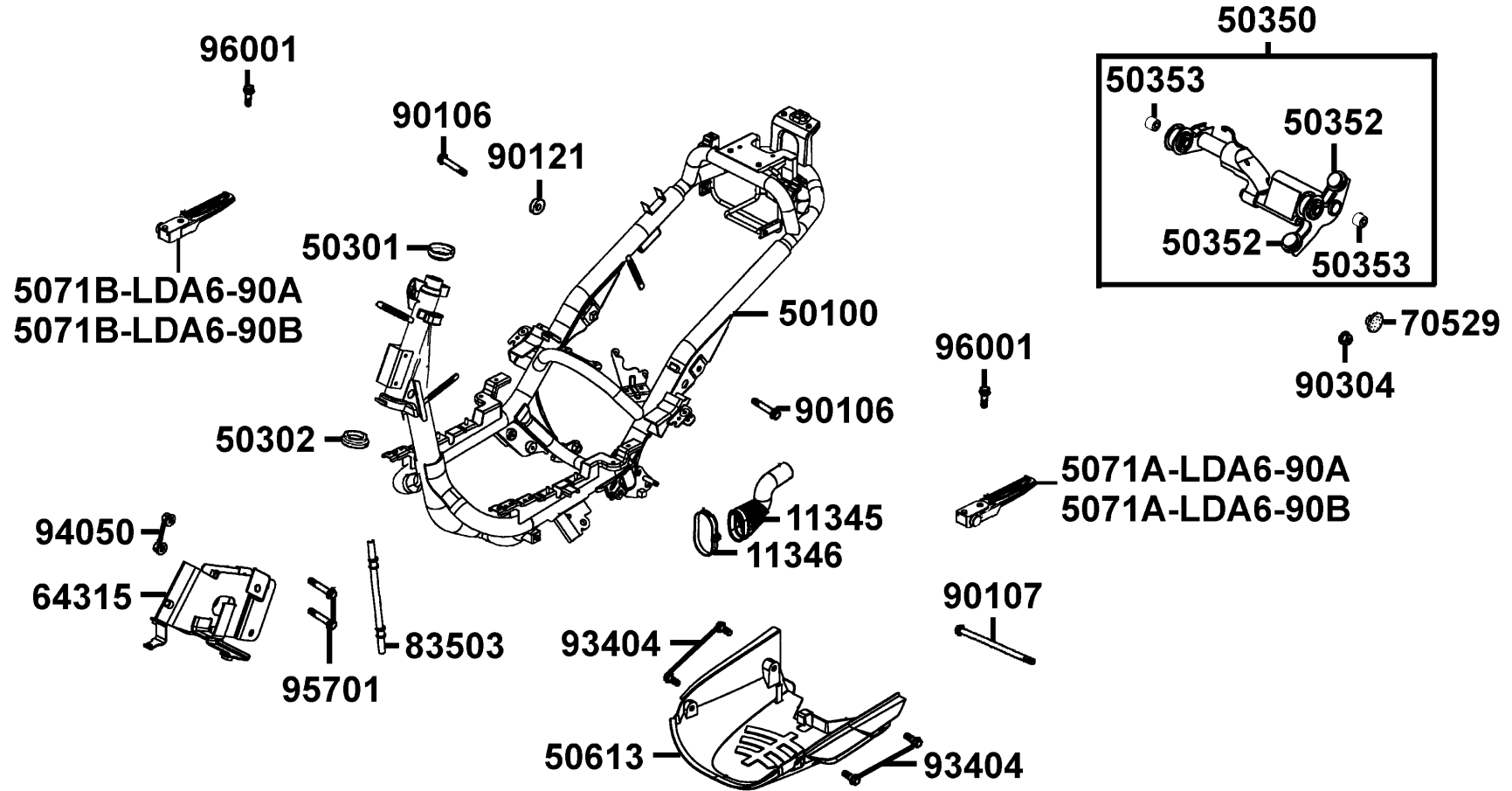
Frame Body 車體



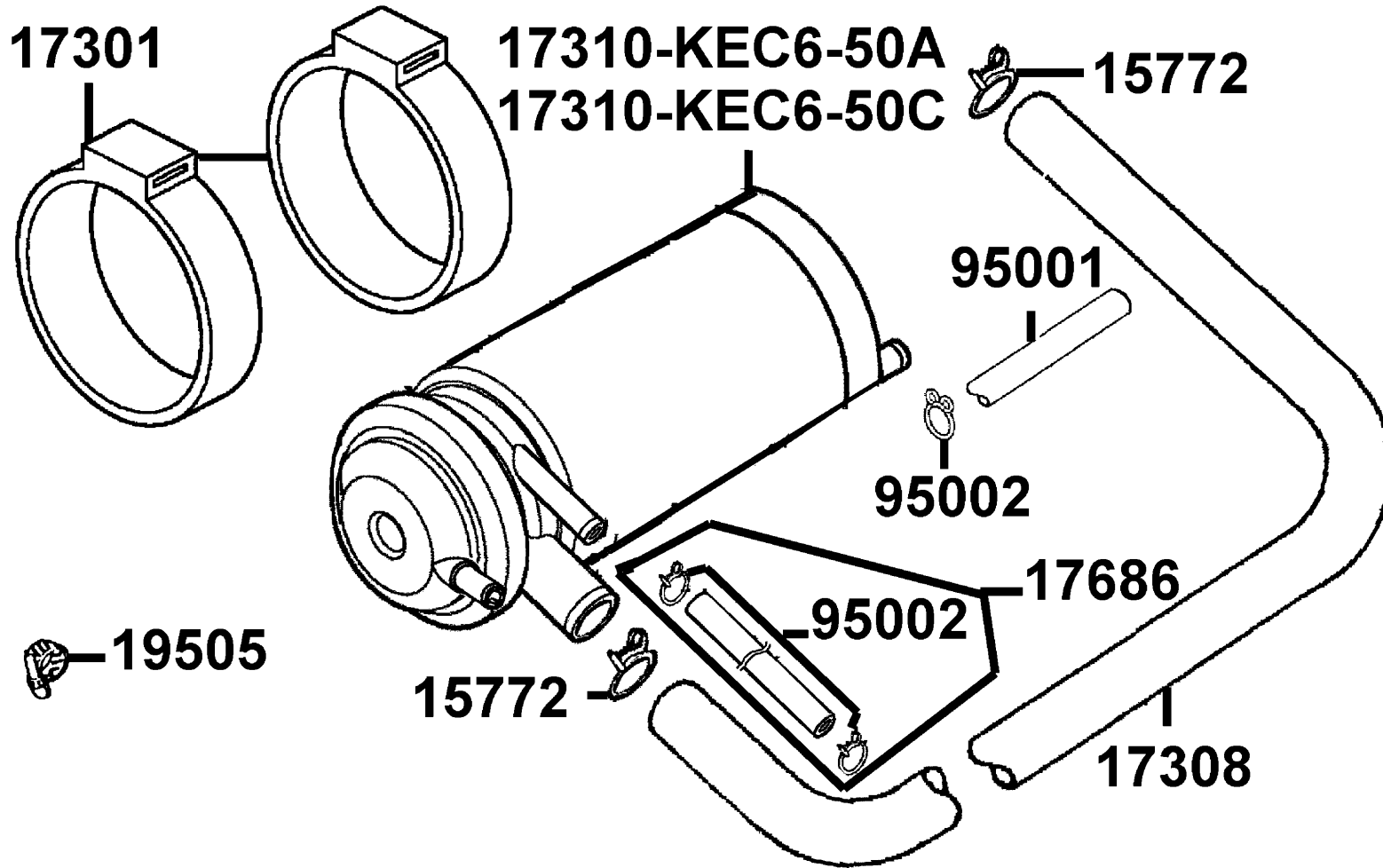
Sales mark 配色標註	Ref no 參考號碼	Part no 零件號碼	Description 英文名稱	Reg description 中文名稱	Regd no 需求用量	F20
	11345	11345-LAD9-900	DUCT L COVER	冷卻導管	1	
	11346	11346-GFY6-901	BAND L COVER DUCT	導管束帶	1	
	50100	50100-LHE9-700	BODY COMP FRAME	車台	1	
	50301	50301-KGN7-671	RACE UP STRG BALL	上珠碗	1	
	50302	50302-2H68-011	RACE STRG BOT BALL	下珠碗	1	
	50350	50350-LLF5-900	ENG HANGER ASSY	引擎吊架	1	
	50352	50352-GFY6-901	RUBBER STOPPER	吊架橡皮	2	
	50353	50353-LEB1-900	BUSH SWING LOCK	襯套	2	
**	50613	50613-LAD9-900	COVER UNDER	電瓶底蓋	1	
	5071A-LDA6-90A	5071A-LDA6-90A	BAR R STEP ASSY	右後踏板桿組	1	
	5071A-LDA6-90B	5071A-LDA6-90B	BAR R STEP ASSY	右後踏板桿組	1	
	5071B-LDA6-90A	5071B-LDA6-90A	BAR L STEP ASSY	左後踏板桿組	1	
	5071B-LDA6-90B	5071B-LDA6-90B	BAR L STEP ASSY	左後踏板桿組	1	
	64315	64315-LHE9-900	STAY FR COVER	前蓋支架	1	
	70529	70529-KUDU-900	GROM B SIDE PNL	橡皮塞	1	
	83503	83503-KHC4-900	COVER PROTECT SEAT WIRE FR	座墊導線護蓋	1	
	90106	90106-GFY6-901	BOLT FLANGE 10*55	螺絲 10*55	2	
	90107	90107-KUDU-900	BOLT FLANGE 10*188	螺絲 10*188	1	
	90121	90121-GFY6-901	COLLAR DISTANCE	套筒	1	
	90304	90304-GHE8-004-SW	NUT U FLANGE 10MM	螺帽 10MM	1	

F20

Frame Body 車體



Sales mark 配色標註	Ref no 參考號碼	Part no 零件號碼	Description 英文名稱	Reg description 中文名稱	Regd no 需求用量	F20
	93404	93404-06016-06	BOLT WASHER 6*16	螺絲 6*16	4	
	94050	94050-06080	NUT FLANGE 6MM	螺帽 6MM	2	
	95701	95701-06050-08	BOLT FLANGE 6*50	螺絲 6*50	2	
	96001	96001-06032-06	BOLT FLANGE 6*32	螺絲 6*32	2	

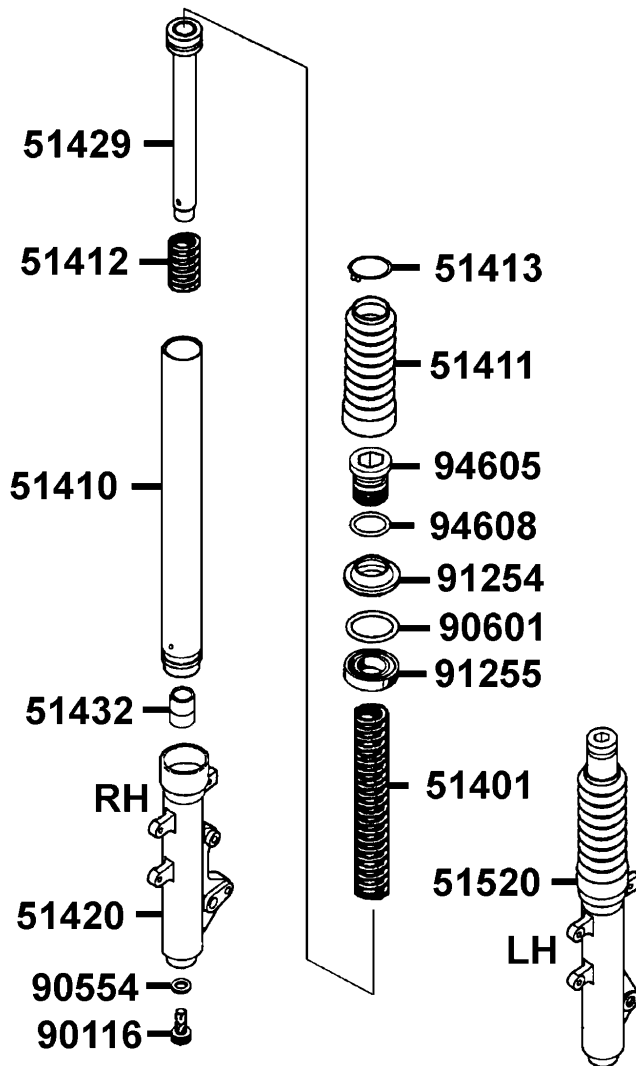


Sales mark 配色標註	Ref no 參考號碼	Part no 零件號碼	Description 英文名稱	Reg description 中文名稱	Regd no 需求用量	F21
	15772	15772-5L00-013	CLIP B14.5 TUBE	管夾	2	
	17301	17301-KNBN-960	RUBBER CANISTER MOUNT	活性碳罐懸掛橡皮	2	
	17308	17308-LHB8-900	TUBE ASSY.,CANISTER-AIR/C	通氣管	1	
	17310-KEC6-50A	17310-KEC6-50A	CANISTER COMP	活性碳罐	1	
	17310-KEC6-50C	17310-KEC6-50C	CANISTER COMP	活性碳罐	1	
	17686	17686-LDA6-900	TUBE FUEL FILLER-CANISTER	通氣管	1	
	19505	19505-GFY6-940	CLAMP A WATER HOSE	管夾	1	
	95001	95001-45500-40	TUBE FUEL 4.5*500	通氣管	1	
	95002	95002-02080	CLIP B8 TUBE	管夾	3	

F22

Separated Parts Of Fr Fork

前叉附件



Sales mark 配色標註	Ref no 參考號碼	Part no 零件號碼	Description 英文名稱	Reg description 中文名稱	Regd no 需求用量	F22
51401	51401-KHD6-800	SPRING	彈簧	2		
51410	51410-KEC6-800	FORK PIPE COMP	前避震器管	2		
51411	51411-KEBE-E00	BOOT	護套	2		
51412	51412-KECE-900	REBOUND SPRING	回位彈簧	2		
51413	51413-KEBE-E00	BOOT BAND	橡皮護套扣環	2		
51429	51429-KHD6-900	PIPE SEAT COMP	避震管座	2		
51432	51432-KGM7-911	OIL LOCK PIECE	止油接頭	2		
90116	90116-3C83-72A	BOLT	螺絲	2		
90554	90554-2C83-001	PACKING	墊片	2		
90601	90601-3D54-001	RING OIL-SEAL STOPPER	油封止位環	2		
91254	91254-KEC5-004	DUST SEAL	前避震器防塵封	2		
91255	91255-4F46-014	OIL SEAL	油封	2		
94605	94605-KUDU-900	FORK BOLT	螺絲	2		
94608	94608-30000	O-RING	O環	2		

請安全慢行駛。  
 行駛時，請勿超過法定速度。  
 因排氣管溫度很高，停車時請停留於他人不易接觸之場所。  
 為了駕駛安全及性能，請勿任意違法改裝。

請確實做好定期保養工作及行車前之安全檢查。  
**行車前檢查項目**  
 車胎性能 輪胎 機油量  
 燈光 喇叭 儀表板

○ 請詳閱原廠手冊，確保行車安全。 0YB-900

87560

注意

後側蓋與引擎之間，請勿放入任何物品，以免妨礙行駛。

GM9-300

87542

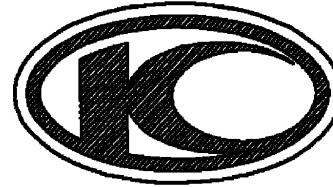
機油量

請使用光陽專用"特使機油"

全容量 0.9公升  
機油交換時 0.8公升  
給油後必須確認油量

發動機轉三分鐘再確認油量  
KDU-900

87541-KUDU



86102



86404

注意

輪胎最大胎壓：前輪 2.5kg/cm <sup>2</sup>	後輪 2.5kg/cm <sup>2</sup>
(一人騎乘時)：前輪 1.5kg/cm <sup>2</sup>	後輪 1.75kg/cm <sup>2</sup>
(二人騎乘時)：前輪 1.5kg/cm <sup>2</sup>	後輪 2.0kg/cm <sup>2</sup>
輪胎尺寸：前輪 100/90-10 55J	後輪 100/90-10 55J

載物重量：行李箱 1.5kg
前置物掛鈎 3kg
座墊下置物箱 10kg
後置物架 5kg

KDU-900

87505

注意

在引擎發動前，請先將側支架板起，以策安全。

87541-GGS7

87122

電鍍排氣管製成資訊

• 公司名稱：光陽工業股份有限公司  
 • 廠址：光陽 KYMCO 車牌：2609  
 • 引擎廠：G125S1204-09 • 排氣管：124.6c.c.  
 • 引擎排氣管控制設備之規格說明  
 • 排氣管名稱：L120 VV  
 • 排氣管型號：KBE2 CAN  
 • 排氣管號碼：AZD0101-BA001  
 • 零件號碼：CER43EX 802  
 • 規格：180±100mm  
 • 規格：0.5~1.5~1.2(規格)  
 • 本引擎符合九十九年七月一日實施之排放標準  
 • 及所有各項新設排放標準及限制

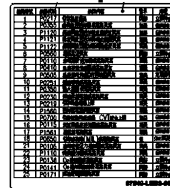
• 輸出聲量：81 dBA  
 • 測試轉速：3750 rpm

87503

拆排氣管前請先拔除含氧感知器接頭

87503-LEB2-900

87546

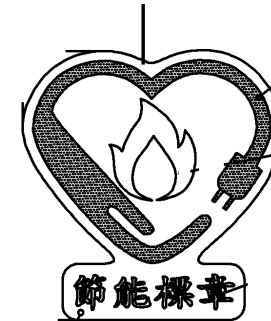


87502

拆電瓶前請先關閉電源

87502-LEB2-900

86700



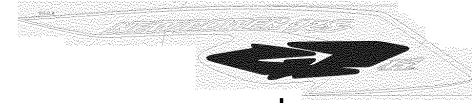
Sales mark 配色標註	Ref no 參考號碼	Part no 零件號碼	Description 英文名稱	Reg description 中文名稱	Regd no 需求用量	F23
**	86102	86102-LDA6-900	EMB K-LOGO 28.5 MM	貼紙	1	
**	86404	86404-LAD9-900	STRIPE FR FORK	前叉貼紙	2	
**	86700	86700-LFG7-900	STRIPE ENERGY LOGO	節能標章	1	
**	87122	87122-LHE9-950	MARK E/M 5th STANG	標籤	1	
**	87502	87502-LEB2-900	CAUTION BATTERY	標籤	1	
**	87503	87503-LEB2-900	CAUTION MUFFLER	標籤	1	
**	87505	87505-KUDU-900	LABEL TIRE	標籤	1	
**	87541-GGS7	87541-GGS7-901	CAUTION SIDE STAND	標籤	1	
**	87541-KUDU	87541-KUDU-900	LABEL OIL CAP	標籤	1	
**	87542	87542-GKM9-301	MARK MAINT CAUTION	標籤	1	
**	87546	87546-LEB2-900	CAUTION AFI	標籤	1	
**	87560	87560-GFY6-900	MARK DRIVE CAUTION	標誌	1	

F24

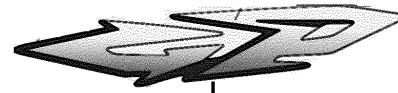
Emblem Stripe 標徽 貼紙



86221



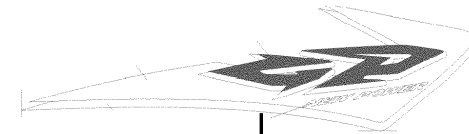
86231



86202

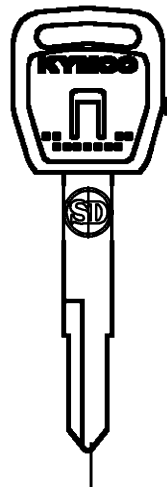


86131

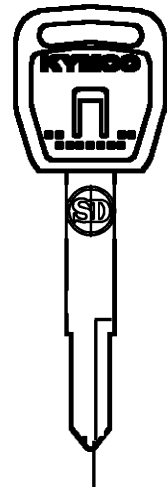
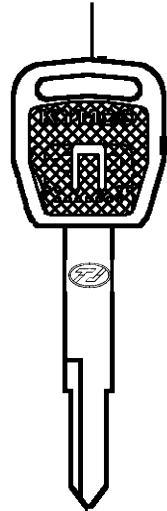


86121

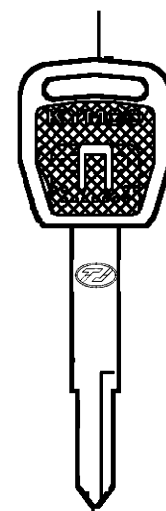
Sales mark 配色標註	Ref no 參考號碼	Part no 零件號碼	Description 英文名稱	Reg description 中文名稱	Regd no 需求用量	F24
**	86121	86121-LHE9-900	STRIPE R FR COVER	貼紙	1	
**	86131	86131-LHE9-900	STRIPE L FR COVER	貼紙	1	
**	86202	86202-LHE9-900	EMB BODY COVER	貼紙	1	
**	86221	86221-LHE9-900	STRIPE R BODY COVER	貼紙	1	
**	86231	86231-LHE9-900	STRIPE L BODY COVER	貼紙	1	



35111-LDC1-306-M2

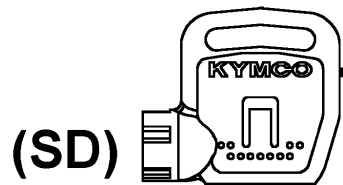


35111-LDC1-305-M2



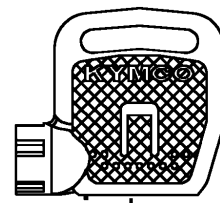
35111-LDC1-306-M1

35111-LDC1-305-M1



(SD)

35111-LDC1-307-M1



(TJ)

35111-LDC1-307-M2

Sales mark 配色標註	Ref no 參考號碼	Part no 零件號碼	Description 英文名稱	Reg description 中文名稱	Regd no 需求用量	F25
	35111-LDC1-305-M1	35111-LDC1-305-M1	KEY COMP (R TANGENT PLANE/SD)	未加工主開關鑰匙/右切/SD	1	
	35111-LDC1-305-M2	35111-LDC1-305-M2	KEY COMP (R TANGENT PLANE/TJ)	未加工主開關鑰匙/右切/TJ	1	
	35111-LDC1-306-M1	35111-LDC1-306-M1	KEY COMP (L TANGENT PLANE/SD)	未加工主開關鑰匙/左切/SD	1	
	35111-LDC1-306-M2	35111-LDC1-306-M2	KEY COMP (L TANGENT PLANE/TJ)	未加工主開關鑰匙/左切/TJ	1	
	35111-LDC1-307-M1	35111-LDC1-307-M1	KEY COMP SHOTTER MAGNETIC (SD)	磁石鑰匙/SD	1	
	35111-LDC1-307-M2	35111-LDC1-307-M2	KEY COMP SHOTTER MAGNETIC (TJ)	磁石鑰匙/TJ	1	

## PART NO. INDEX

## 零件號碼索引

PART NO. 零件號碼	VERSION 版數	PAGE 頁次	PART NO. 零件號碼	VERSION 版數	PAGE 頁次	PART NO. 零件號碼	VERSION 版數	PAGE 頁次			
<b>11000</b>			11394-KUDU-900	0	E04	14401-KUDU-900	0	E03			
			11395-KUDU-900	0	E01	14430-LFD7-900	4	E02			
			<b>12000</b>			14433-LEB1-900	1	E02			
	11100-LBB8-305	0		E01			14434-LEB1-900	1	E02		
	11102-1G87-004	3		E01			14450-GFY6-901	0	E02		
	11192-LDA6-900	1		E01	12100-KFA9-C00	3	E03	14452-GFY6-901	0	E02	
	11200-LDA6-305	2		E01	12191-GFY6-901	1	E03	14510-KUDU-C00	0	E03	
	11203-GFY6-901	0		F14	12200-KKE3-900	0	E02	14520-GFY6-90A	1	E03	
	11203-GGC7-301	2		E01	12209-GDB4-68A	0	E02	14523-GFY6-901	0	E03	
	11203-KUDU-900	2		E08	12211-LFD7-900	2	E02	14531-GLR0-001	1	E03	
	11206-KKE3-900	4		E06	12251-GFY6-90A	1	E02	14610-KUDU-C00	0	E03	
	11207-KKE3-900	6		E04	12310-LHE9-900	1	E02	14711-KUDU-900	1	E02	
	11211-LGK2-900	1		F13	12361-GFY6-901	1	E04	14721-KUDU-900	0	E02	
	11212-LGK2-900	1		E02	12391-GFY6-941	0	E02	14751-LFD7-900	2	E02	
	1122A-LAD9-900	1		E01	<b>13000</b>			14761-KKJ9-003	1	E02	
	11331-KUDU-900	6		E04				14771-GDB4-680	2	E02	
	11341-LDA6-900	8		E01				14775-MFA6-001	0	E02	
	11342-LDA7-900	3		E01		13000-KUDU-900	7	E03	14781-MFA6-001	0	E02
	11345-LAD9-900	1		F20		13011-LAC7-90A	3	E03	<b>15000</b>		
11346-GFY6-901	0	F20		13011-LAC7-90B		1	E03				
11353-LEA6-900	1	E01		13101-LAD9-950		4	E03				
11381-KUDU-900	3	E01	13111-3D84-001	3		E03	15100-KFB7-900	0		E06	
11382-KUDU-900	0	E01	<b>14000</b>				15133-GFY6-901	0		E06	
11383-KUDU-900	0	E01					15141-GFY6-90B	0		E06	
11384-KUDU-900	0	E01					15421-1G07-001	1		E04	
11386-GFY6-900	0	E07		14100-LFD7-900		2	E02	15426-GAE1-921		0	E04

## PART NO. INDEX

## 零件號碼索引

PART NO. 零件號碼	VERSION 版數	PAGE 頁次	PART NO. 零件號碼	VERSION 版數	PAGE 頁次	PART NO. 零件號碼	VERSION 版數	PAGE 頁次
1565A-KUDU-900	0	E04				17520-LLF5-900	1	F10
15711-KUDU-900	0	E06	<b>17000</b>			17550-LHE9-900	1	F10
15772-5L00-013	1	F21				17560-LFG7-900	6	F10
<b>16000</b>			17113-KKE3-900	1	E02	17620-LBA2-90A	0	F10
			1711A-LGL3-90A	4	E02	17620-LBA2-90B	0	F10
			17213-LDA6-900	1	F13	17623-LAB4-90A	1	F10
16056-LEB2-900	2	E09	17214-LDA6-900	1	F13	17623-LAB4-90B	1	F10
16068-LEB2-900	3	E09	17236-KFBF-910	1	F13	17681-KFA1-900	0	F10
16074-KEC3-900	4	E09	1723A-LHB8-900	2	F13	17685-KZCZ-900	0	F10
16100-LHE9-900	1	E09	1723B-LDA6-900	0	F13	17686-KHE2-900	0	F10
16110-KKE3-900	2	E09	1723C-LDA6-900	0	F13	17686-LDA6-900	1	F21
16112-KKE3-900	1	E09	17301-KNBN-960	0	F21	17689-LAD9-900	1	F10
16118-KEC3-900	0	E09	17308-LHB8-900	0	F21	17910-LHE9-900	0	F03
16122-KEC3-900	0	E09	17310-KEC6-50A	4	F21			
16123-LGL5-900	3	E09	17310-KEC6-50C	2	F21	<b>18000</b>		
16133-KEC3-900	1	E09	17359-4K19-671	0	F13			
16134-KKE3-900	5	E09	17369-KHC4-900	0	F10	18291-KEBE-900	0	F14
16138-KEC3-900	1	E09	17370-4K19-701	0	F13	18291-LBD4-900	2	F14
16154-KKE3-900	4	E09	17371-1D74-671	0	F13	18292-KEBE-900	0	F14
16170-KEC3-900	0	E09	1737A-LDA6-900	0	F13	18293-KEBE-900	0	F14
16195-KEC3-900	0	E09	17500-LFG7-900	5	F10	18294-KEBE-900	0	F14
16201-GFY6-901	0	E02	17502-LDA6-900	1	F10	1830A-LHB8-900	2	F14
16211-GFY6-901	0	E02	17504-LAB4-900	2	F10	18317-LHB8-900	1	F14
			17507-LAB4-900	2	F10			
			17513-LDA6-900	1	F10			
			17515-LAB4-900	1	F10			

## PART NO. INDEX

## 零件號碼索引

PART NO. 零件號碼	VERSION 版數	PAGE 頁次	PART NO. 零件號碼	VERSION 版數	PAGE 頁次	PART NO. 零件號碼	VERSION 版數	PAGE 頁次
<b>19000</b>			22105-GFY6-220	1	E05	23411-KUDU-900	1	E08
			22110-KKE3-900	1	E05	23420-GFY6-901	4	E08
			22111-KKE3-220	1	E05	23431-KUDU-900	2	E08
19411-KBCB-900	0	F10	22112-GFY6-90A	0	E05	23432-GFY6-901	3	E08
19504-LBA2-E00	3	F10	22121-KKD7-900	1	E05			
19505-GFY6-940	3	F21	22131-LDA6-900	1	E05	<b>28000</b>		
19510-LDA7-900	2	E07	22132-KBN2-901	4	E05			
19613-GFY6-901	0	E07	22300-LFD7-900	1	E05	28101-GFY6-901	2	E06
1961A-LGL3-900	3	E07	22350-GFY6-90A	1	E05	28102-GFY6-901	0	E06
19625-KUDU-910	0	E02	22361-KGN7-671	1	E05	28110-GFY6-901	2	E06
19626-KUDU-900	0	E07	22401-KEB8-900	0	E05	28120-GFY6-315	6	E06
1962A-LBB8-900	1	E07	22530-LCD3-E00	1	E05	28125-4F26-001	0	E06
19633-GFY6-901	0	E07	22804-GBB2-001	0	E05	28125-GFY6-960	3	E06
19636-KUDU-900	0	E07				28126-KUDU-900	1	E06
1963A-KKE3-900	7	E07	<b>23000</b>			28211-KUDU-900	4	E05
<b>21000</b>			2301A-LFD7-900	1	E05	<b>30000</b>		
			23100-KFBF-90A	2	E05			
21200-LDA6-305	1	E08	23100-KFBF-90B	1	E05	3051A-LHE9-900	0	F19
21201-KUDU-900	0	E08	23200-GFY6-901	3	E05	30700-KKE3-900	1	F19
21395-KUDU-900	0	E08	23220-GFY6-921	1	E05			
<b>22000</b>			23225-GHC8-004	0	E05	<b>31000</b>		
			23226-GHC8-004	0	E05			
			23233-GCW3-011	0	E05	31110-KKE3-90A	3	E07
22101-LCD3-E00	1	E05	23237-GFY6-941	0	E05	31110-KKE3-90B	3	E07
22102-KUDU-220	1	E05	23238-GFY6-941	0	E05	31120-LHE9-90A	1	E07

## PART NO. INDEX

## 零件號碼索引

PART NO. 零件號碼	VERSION 版數	PAGE 頁次	PART NO. 零件號碼	VERSION 版數	PAGE 頁次	PART NO. 零件號碼	VERSION 版數	PAGE 頁次
31120-LHE9-90B	1	E07	33450-LDA6-900	1	F17	35102-LDC1-305-M1	0	F19
31210-GFY6-200	7	E06	33451-LDA6-305	0	F17	35102-LDC1-305-M2	0	F19
31500-GFY6-94A-YU	4	F11	33456-LDA6-900	0	F17	35111-LDC1-305-M1	0	F25
31500-GFY6-94B-KY	4	F11	33500-LDA6-900	1	F17	35111-LDC1-305-M2	0	F25
31600-LEA5-E00	2	F19	33501-LDA6-305	0	F17	35111-LDC1-306-M1	0	F25
<b>32000</b>			33506-LDA6-900	0	F17	35111-LDC1-306-M2	0	F25
			33700-LDA7-900	1	F18	35111-LDC1-307-M1	0	F25
			33702-LDA6-900	0	F18	35111-LDC1-307-M2	0	F25
32100-LHE9-900	5	F19	33706-LDA6-900	0	F18	35150-GFY6-900	4	F03
32101-KALA-901	0	F04	33708-KHE7-E00	0	F18	35160-GFY6-900	2	F03
32106-KKE3-900	2	E06	33709-KHE7-E00	0	F18	35170-KNBN-910	1	F03
32120-3C83-831	0	F19	33741-KEC8-900	0	F18	35180-GFY6-900	2	F03
32120-KFAF-900	0	F19				35200-GFY6-910	1	F03
32161-3C93-004	0	E07	<b>34000</b>			35340-KFLF-900	2	F03
32410-LDA6-900	1	E06				35340-KNBN-901	0	F04
32411-LDA6-900	4	F19	34901-KED9-900	0	F01	35380-LEA2-900	1	F19
32412-LHB8-900	1	E04	34903-KPCP-900	0	F18	35850-LDA6-90A	2	F19
32961-KUDU-900	0	E04	34905-KMCM-900	0	F17	35850-LDA6-90B	2	F19
<b>33000</b>			34905-KMCM-900	0	F18	<b>37000</b>		
			34906-2H68-601	0	F18			
			34908-LDA6-900	0	F17			
33101-LDA6-305	0	F01				37200-LHE9-900	1	F02
33106-LEB1-900	0	F01	<b>35000</b>			37213-LDA6-900	0	F02
33400-LDA6-900	1	F17				37215-LGM9-900	0	F05
33401-LDA6-305	0	F17	35101-LDC1-305-M1	0	F19	37230-LFG7-900	2	F02
33406-LDA6-900	0	F17	35101-LDC1-305-M2	0	F19	37801-LAB4-910	1	F10

## PART NO. INDEX

## 零件號碼索引

PART NO. 零件號碼	VERSION 版數	PAGE 頁次	PART NO. 零件號碼	VERSION 版數	PAGE 頁次	PART NO. 零件號碼	VERSION 版數	PAGE 頁次	
3780A-LFG7-900	1	F10	<b>43000</b>			45108-KFA6-900	2	F07	
<b>38000</b>						45109-KKE3-900	0	F07	
				4312A-LEB1-900	3	F08	45126-LDA6-900	2	F04
38110-KHB4-E0A	0	F19		4314A-LDF7-E10	1	F08	45128-KFC9-900	0	F06
38110-KHB4-E0B	0	F19		43151-LEB1-900	2	F08	45132-KFA6-900	0	F07
38300-LEA5-E0A	1	F19		43352-5H68-004	3	F07	45133-KFA6-900	0	F07
38500-KHD8-900	0	F19		43353-4A61-77A	0	F07	45156-KECE-900	2	F06
38773-KBCB-900	0	F10		43410-LAD9-900	1	F08	45200-LDA6-900	2	F07
<b>39000</b>				43416-KUDU-900	0	F08	45209-KKE3-900	0	F07
				43450-LDA7-900	1	F03	45210-LDA6-305	2	F07
39300-LEA6-800	3	E02	<b>44000</b>			45351-LDA6-900	1	F07	
39301-LEB2-900	3	E02				45513-KCCC-900	0	F04	
39302-KKE3-900	2	E02	44301-LDA6-900	3	F07	45517-GFY6-900	5	F03	
39303-LEB2-900	2	E02	44311-KUDU-900	3	F07	45517-KFAF-910	0	F04	
39304-LFG7-900	1	E02	44620-LDA6-900	1	F07	45520-KCCC-900	0	F04	
39400-KKE3-800	2	E02	44650-LDA6-305	0	F07	45530-LFG7-305	0	F04	
39450-LEA6-800	2	F14	44710-LAD9-90A-G303	1	F07	45531-GAR1-951	0	F07	
<b>42000</b>			44800-KECE-900	9	F07	<b>46000</b>			
			44830-KUDU-900	6	F02	46513-KUDU-900	2	F08	
42601-KUDU-90D	2	F08	<b>45000</b>			<b>50000</b>			
42710-LAD9-90A-G303	2	F08							
42753-0D04-900	1	F07	45105-KKE3-305	0	F07	50100-LHE9-700	0	F20	
42753-KNBN-90B	1	F08	45107-KKE3-900	0	F07	50179-LFG7-900	2	F10	

## PART NO. INDEX

## 零件號碼索引

PART NO. 零件號碼	VERSION 版數	PAGE 頁次	PART NO. 零件號碼	VERSION 版數	PAGE 頁次	PART NO. 零件號碼	VERSION 版數	PAGE 頁次
50301-KGN7-671	2	F20	51410-KEC6-800	0	F22	53178-GKAK-901	0	F03
50302-2H68-011	2	F20	51411-KEBE-E00	0	F22	5317B-LFG7-900	0	F03
50306-1F96-001	0	F06	51412-KECE-900	0	F22	53200-LDA6-900	8	F06
50327-LHB8-900	2	F11	51413-KEBE-E00	0	F22	53205-LDA6-900	2	F03
50328-LBB8-900	1	F11	51420-KUDU-W00	0	F22	53206-LDA6-900	3	F03
5032A-LFG7-900	3	F12	51429-KHD6-900	0	F22	53211-GFY6-940	1	F06
50350-LLF5-900	2	F20	51432-KGM7-911	0	F22	53212-2L50-011	1	F06
50352-GFY6-901	0	F20	5150A-LAD9-W00	1	F06	53214-2L50-001	0	F06
50353-LEB1-900	1	F20	5150A-LAD9-W00	2	F06	53215-2L50-001	0	F06
50502-GFY6-901	3	F15	51520-KUDU-W00	0	F22			
50504-KUDU-900-G	0	E01				<b>61000</b>		
50505-KKD7-900	1	F15	<b>52000</b>					
50505-KUDU-900	1	F15				61100-LDA6-900	2	F05
5050A-KHE2-800	2	F15	52400-LAD9-900	2	F16	61101-LHE9-900	0	F05
50530-LLF5-900	1	F15				61110-KKC8-900	2	F05
50536-LBE3-900	0	F15	<b>53000</b>					
50613-LAD9-900	2	F20				<b>64000</b>		
5071A-LDA6-90A	1	F20	53100-LDA6-900	2	F03			
5071A-LDA6-90B	1	F20	53125-GEN5-901	0	F03	64222-LDA6-900	2	F12
5071B-LDA6-90A	1	F20	53140-LCB4-700	1	F03	64301-LDA6-395	0	F05
5071B-LDA6-90B	1	F20	53140-LCB4-700	2	F03	64302-LDA6-900	2	F05
			53150-LCB4-700	3	F03	64303-LDA6-900	1	F05
<b>51000</b>			53167-KFA1-900	0	F03	64304-LDA6-900	1	F05
			53168-KFA1-900	1	F03	64305-LDA6-900	2	F12
51401-KHD6-800	0	F22	53172-LBE3-900	1	F03	64306-LDA6-900	0	F12
5140A-LAD9-W00	1	F06	53175-KNBN-901	1	F04	64306-LDA6-900	2	F12

## PART NO. INDEX

## 零件號碼索引

PART NO. 零件號碼	VERSION 版數	PAGE 頁次	PART NO. 零件號碼	VERSION 版數	PAGE 頁次	PART NO. 零件號碼	VERSION 版數	PAGE 頁次	
64310-LDA6-900	2	F05	80151-LDA6-900	2	F12	<b>86000</b>			
64315-LHE9-900	2	F20							
64317-KHD6-900	0	F05	<b>81000</b>						
<b>70000</b>			81131-LDA6-900	2	F05		86102-LDA6-900	1	F23
70529-6G57-671	0	E07	81132-LDA6-900	2	F05		86121-LHE9-900	0	F24
70529-KUDU-900	0	F20	81133-KGBG-900	0	F05		86131-LHE9-900	0	F24
<b>77000</b>			81133-KGBG-900	0	F12		86202-LHE9-900	0	F24
77200-LHE9-305	0	F09	81134-KGBG-900	2	F05		86221-LHE9-900	0	F24
77206-KEB7-900	0	F09	81134-KGBG-900	2	F12		86231-LHE9-900	0	F24
77235-KGC4-E0A	2	F12	81135-KGBG-900	2	F12		86404-LAD9-900	1	F23
77235-KGC4-E0B	2	F12	81141-LDA6-900	4	F05	86700-LFG7-900	2	F23	
77240-LAB4-900	2	F19	81142-KUDU-900	1	F05	<b>87000</b>			
77300-LBE3-900	0	F09	81200-LDA6-900	1	F12	87122-LHE9-950	1	F23	
77303-LHE9-900	0	F09	81260-LHB8-900	1	F12	87502-LEB2-900	1	F23	
<b>80000</b>			<b>83000</b>			87503-LEB2-900	2	F23	
80100-LAD9-900	5	F18	83500-LDA6-356	0	F12	87505-KUDU-900	1	F23	
80102-LDA6-900	2	F18	83503-KHC4-900	2	F20	87541-GGS7-901	2	F23	
80105-LDA6-900	2	F18	83520-LDA6-900	2	F12	87541-KUDU-900	2	F23	
80106-LDA6-900	2	F18	83600-LDA6-356	0	F12	87542-GKM9-301	3	F23	
80107-KHLH-900	0	F14	83620-LDA6-900	0	F12	87546-LEB2-900	1	F23	
						87560-GFY6-900	3	F23	

## PART NO. INDEX

## 零件號碼索引

PART NO. 零件號碼	VERSION 版數	PAGE 頁次	PART NO. 零件號碼	VERSION 版數	PAGE 頁次	PART NO. 零件號碼	VERSION 版數	PAGE 頁次
<b>88000</b>			90107-KUDU-900	2	F20	90302-SDA4-004	2	F12
			90108-KUDU-900	1	F15	90304-GHE8-004-SW	0	F03
			90111-1G87-001	1	F12	90304-GHE8-004-SW	0	F15
88110-LEB1-900	2	F03	90111-KFW6-001	0	F18	90304-GHE8-004-SW	0	F20
88115-LBA2-E02	1	F03	90112-GCC3-001	1	F05	90305-GHK8-001	1	E07
88120-LEB1-900	2	F03	90114-1F66-007	2	F04	90305-KNBN-90B	0	F08
<b>89000</b>			90115-GLE0-001	0	F03	90306-KLF0-004-SY	1	F07
			90115-KXCX-900	1	F13	90309-KLF0-004-SY	1	E08
			90116-3C83-72A	0	F22	90403-KUDU-900	0	E06
89010-LAD9-900	0	F09	90121-GFY6-901	1	F20	90426-KNBN-901	0	E05
<b>90000</b>			90131-GLW0-911	0	F07	90440-1F66-001	0	E07
			90145-MKS9-61A	1	F04	90441-GFY6-941	0	E05
			90164-KGBG-900	1	F12	90451-KUDU-900	0	E08
90001-GBHB-661	0	E03	90164-MDR4-901	0	F05	90465-MDC4-001	0	E02
90001-GBHB-711	0	E01	90201-GFY6-901	0	E06	90474-3C33-001	1	E01
90005-KAW1-901	1	E03	90202-1G87-001	0	E05	90501-KNBN-901	0	F08
90012-3C33-001	0	E02	90206-0A01-001	1	E02	9052A-GFY6-950	1	E01
90021-GFY6-900	2	F14	90301-6D34-671	1	F18	90545-3L00-001	2	F04
90031-KUDU-900	0	E01	90301-GFY6-901	2	F14	90554-2C83-001	0	F22
90032-KUDU-900	0	E01	90302-GBR2-001	1	F10	90601-3D54-001	0	F22
90033-GFY6-900	0	E02	90302-GFY6-901	1	F05	90601-GFY6-901	0	E05
90105-KCR3-001	1	F07	90302-GFY6-901	1	F12	90605-1F66-721	0	E05
90106-GEN5-901	0	F03	90302-GFY6-940	1	F11	90652-GFY6-901	1	F13
90106-GFY6-901	0	F20	90302-KNBN-900	1	F03	90652-LFB5-900	0	F05
90106-KFAF-900	2	F12	90302-LLB1-E00	2	F10	90652-LGJ9-900	2	E02
90106-LBA7-900	1	F15	90302-SDA4-004	2	F05	90656-KCBC-900	0	F03

# PART NO. INDEX

## 零件號碼索引

PART NO. 零件號碼	VERSION 版數	PAGE 頁次	PART NO. 零件號碼	VERSION 版數	PAGE 頁次	PART NO. 零件號碼	VERSION 版數	PAGE 頁次	
90656-KCBC-900	0	F19	91106-KHC4-90A	0	E01	<b>93000</b>			
90656-KUDU-900	0	F19	91106-KHC4-90B	0	E01				
90677-GAR1-004	1	F11	91202-GFY6-90A	1	E01				
90677-KFC9-900	0	F18	91202-GFY6-90A	1	E04		93401-04025-08	0	F19
90683-GAR1-004	4	F05	91202-GFY6-90B	1	E01		93404-06016-06	0	F05
90701-HFB6-011	1	E03	91202-GFY6-90B	1	E04		93404-06016-06	0	F20
90701-HFB6-011	1	E06	91202-KKJ9-004	0	E01		93404-06020-06	1	F11
90754-GHC8-00A	1	F07	91211-KEBE-900	0	E05		93404-KKC2-900-06	1	F12
90805-GBHB-901	1	E01	91254-KEC5-004	0	F22		93500-03010-1A	0	E06
90912-KFLF-00A	0	F07	91255-4F46-014	0	F22		93500-04008-0G	0	F10
<b>91000</b>			91255-GLE0-006	0	E08	93500-05022-06	0	F03	
			91301-0C53-001	0	E08	93600-04012-1G	0	F04	
			91301-GLR0-005	1	E03	93700-05018-0H	0	F02	
			91302-0A01-021	0	E04	93891-05016-08	0	F13	
			91306-1E05-691	0	E03	93891-05025-06	0	F03	
91001-GFY6-90A	2	E05	91307-0E35-001	0	E04	93892-04010-08	0	E09	
91002-GGA7-70A	0	E05	91309-4E25-004	0	E06	93892-04022-08	0	F19	
91003-KDS4-004	1	E08	91351-6B42-000	0	E05	93892-05010-08	0	E09	
91009-GLE0-004	1	E08	91352-KHG8-83B	0	F08	93893-04012-18	0	F04	
91014-LLJ3-E00	1	F06	91981-KGN7-670	0	E06	93901-34380	0	F18	
91015-LLJ3-E00	1	F06				93903-25460	0	F13	
91101-1K79-711	1	E06				93903-34220	0	F18	
91104-GFY6-90B-B	1	E06				93903-34360	0	F01	
91104-GFY6-90B-R	1	E06	<b>92000</b>			93903-34360	0	F03	
91104-GFY6-90B-W	1	E06	92101-05012-0H	0	E07	93903-34360	0	F05	
91104-GFY6-90C-B	0	E06	92900-06060-0B	0	E02	93903-34360	0	F12	
91104-GFY6-90C-R	0	E06							
91104-GFY6-90C-W	0	E06							

## PART NO. INDEX

## 零件號碼索引

PART NO. 零件號碼	VERSION 版數	PAGE 頁次	PART NO. 零件號碼	VERSION 版數	PAGE 頁次	PART NO. 零件號碼	VERSION 版數	PAGE 頁次
93903-34360	0	F17	94301-10160	0	E02	95002-41250-00	0	F13
93903-34360	0	F18	94301-10160	0	E03	95014-71402	0	F15
93903-35320	0	F02	94301-10160	0	E04	95014-72102	0	F15
93903-35360	0	F10	94303-04065	0	E06	95015-32001	0	F03
93903-GFY6-900	1	F05	94510-20000	0	E08	95015-42000	0	F03
93903-GFY6-900	1	F12	94520-28000	0	E05	95701-06012-08	0	F06
			94591-27000	0	F05	95701-06012-08	0	F18
<b>94000</b>			94591-KFBF-900	2	E02	95701-06012-08	0	F19
			94601-15000	0	E03	95701-06022-06	1	F14
94001-05080-0S	0	F03	94605-KUDU-900	1	F22	95701-06025-08	0	E02
94050-06060	0	F04	94608-30000	0	F22	95701-06035-08	0	E02
94050-06080	0	E02				95701-06035-08	0	F08
94050-06080	0	E06	<b>95000</b>			95701-06050-08	0	E02
94050-06080	0	E09				95701-06050-08	0	F20
94050-06080	0	F09	95001-45500-40	0	F21	95701-08012-08	0	E01
94050-06080	0	F10	95002-02070	0	E09	95701-08012-08	0	F19
94050-06080	0	F19	95002-02070	0	F10	95701-08025-08	0	F19
94050-06080	0	F20	95002-02080	0	E01	95701-LDA6-900	0	F01
94050-08080	0	E02	95002-02080	0	E02	95801-08035-08	0	F16
94050-12080	0	E05	95002-02080	0	F10	95801-08040-08	0	F06
94050-12080	0	E07	95002-02080	0	F21	95801-08042-06	0	F14
94101-06700	0	F14	95002-02100	0	E02	95801-10025-08	0	F15
94101-KKE3-900	1	E09	95002-02100	0	F13	95801-10040-08	0	F16
94111-06800	0	E02	95002-02120	0	F13			
94111-06800	0	E09	95002-02130	0	F10			
94301-10160	0	E01	95002-02130	0	F13			

## PART NO. INDEX

## 零件號碼索引

PART NO. 零件號碼	VERSION 版數	PAGE 頁次	PART NO. 零件號碼	VERSION 版數	PAGE 頁次	PART NO. 零件號碼	VERSION 版數	PAGE 頁次
<b>96000</b>			96001-GFY6-900	1	E01			
			96001-GFY6-900	1	E02			
			96100-60020-00	0	E08			
96001-06008-07	0	F14	96100-62030-00	0	E01			
96001-06012-08	0	E01	96100-62043-00	0	E01			
96001-06012-08	0	E04	96220-60100	0	E06			
96001-06012-08	0	E06	96600-08010-10	1	E06			
96001-06012-08	0	F12						
96001-06014-08	0	E02	<b>98000</b>					
96001-06014-08	0	F10						
96001-06016-08	0	E07	98056-5771R-00	0	E02			
96001-06018-08	0	E06	98200-11000	0	F19			
96001-06018-08	0	E07	98200-11500	0	F11			
96001-06022-06	1	F04	98200-11500	0	F19			
96001-06025-06	0	F03						
96001-06025-08	0	E07						
96001-06028-08	0	E06						
96001-06028-08	0	E07						
96001-06032-06	0	F20						
96001-06032-08	0	E04						
96001-06045-08	0	E01						
96001-06050-08	0	E01						
96001-06055-08	0	E01						
96001-06100-08	0	E02						
96001-06100-08	0	E04						
96001-06110-08	0	E04						