

# PARTS CATALOGUE



## SCOOTERS

SP20AB

EASY 100



Date : 2010/01/12

## 前言

- 本零件型錄適用於 SP20AB 機種，訂購零件時，請參照本冊。
- 本冊之配色表僅供參考，若與實車不符之處，以實車為準。
- 配色記號(Color Mark)  
註明 "\*\*\*" 記號，表示訂購該零件時，請參照機種相片及配色表，並請在基本零件號碼最後加上色碼。
- 本冊若有錯誤或遺漏之處，敬請不吝賜教指正。

## ABOUT THIS PARTS LIST

- This parts list is compiled all service parts for model SP20AB.
- Any difference between color chart and motorcycle will be revised according to motorcycle.
- The sales mark:
  - 1.marking "\*\*\*" must add color code in the end before ordering parts.
- When modification or additions to this parts list are made a revised edition at an appropriate time.

## 目次

● 前言 .....	1
● SP20AB 配色表 .....	3
● 引擎結構圖 .....	5
● 車架結構圖 .....	6
● 引擎號碼表 .....	9
● 車架零件號碼表 .....	39
● 零件號碼索引 .....	97

## CONTENTS

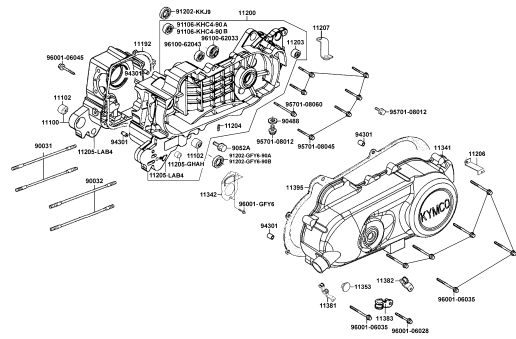
● ABOUT THIS PARTS LIST .....	1
● COLOR CHART OF SP20AB .....	3
● CONTENTS-ENGINE GROUP .....	5
● CONTENTS-FRAME GROUP .....	6
● ENGINE PARTS LIST .....	9
● FRAME PARTS LIST .....	39
● PART NO. INDEX .....	97

NO	MODEL			SP20AB COLOR CHART			
	PHOTO NO			NO. 1	NO. 2	NO. 3	NO. 4
	BASIC COLOR			淺晶藍	銀粉紅	亮銀	黑
	CODE			Light Blue Metallic	Pink Metallic	Bright Silver	Black
	PARTS NAME	PARTS NO.	VERSION	PB281MA	RR222MA	NH045MA	NH001SA
1	LEVER R STRG HANDLE	53175-KHC3-900	0	N1A			
2	LEVER L STRG HANDLE	53178-KHC4-900	0				
3	COVER FR HANDLE	53205-KHC3-900	1	CAP	EAP	N8P	N1P
4	FENDER FR INNER	61110-KFA2-900	1				
5	COVER FR	64301-KHC3-365	3				
6	GRIP RR	81200-KHC4-900	3				
7	COVER SET R BODY	83500-KHC4-365	1				
8	COVER SET L BODY	83600-KHC3-365	1				
9	FENDER FR DOWN	61120-KFA2-900	0				
10	FRONT MOLD	64302-KHC3-900	1				
11	SIDE MOLD R	83501-KHC4-900	2	H5R			N1R
12	SIDE MOLD L	83601-KHC4-900	2				
13	PROTECTOR MUFFLER	18317-KHC4-900	2	N1R			
14	BATTERY CASE	50329-LGM9-900	0				
15	GRIP COMP THROT	53140-KFA1-900	2				
16	GRIP L HANDLE	53166-KFA1-900	2				
17	COVER HANDLE RR	53206-KHC4-900	2				
18	PANEL FLOOR	64310-KHC4-900	0				
19	PLUG FLOOR	64316-KHC4-900	1				
20	FENDER RR TIRE	80100-KHC4-800	1				
21	COVER CENTER	80151-KHC4-900	1				
22	COVER FR INNER UP	81131-KHC4-900	2				
23	HOOK LUGGAGE	81132-GHAH-001	2				
24	COVER FR INNER LOW	81141-KHC4-900	5				
25	LID LEG SHIELD	81142-KUDU-900	1				
DATE OF STARTING-SALES							
DATE OF END-SALES							

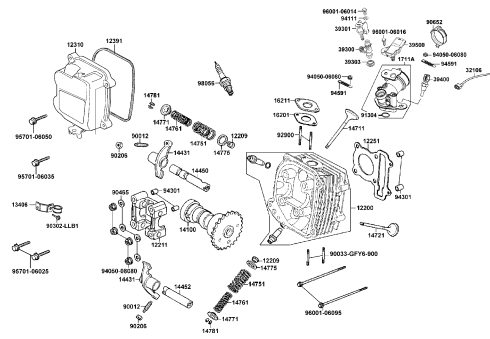
NO	MODEL			SP20AB COLOR CHART			
	PHOTO NO			NO. 1	NO. 2	NO. 3	NO. 4
	BASIC COLOR			淺晶藍	銀粉紅	亮銀	黑
	CODE			Light Blue Metallic	Pink Metallic	Bright Silver	Black
	PARTS NAME	PARTS NO.	VERSION	PB281MA	RR222MA	NH045MA	NH001SA
26	COVER L SIDE	11341-KHC4-900	5	N8A			
27	HUB SUB COMP RR	42610-GKAK-901	4	NJA			
28	HUB SUB ASSY FR	44610-GLW0-305	2				
29	FORK SET R FR	51400-KHC3-900	1				
30	BOTTOM CASE R	51421-KCLC-900	0				
31	FORK SET L FR	5150A-KHC3-900	1				
32	BOTTOM CASE L	51521-KCLC-900	0				
33	RIM COMP WHEEL	42705-KHC4-900	5				
34	RIM COMP FR WHEEL	44705-KHC4-900	2				
35	PANEL SUB COMP FR	45000-LGM9-900	2				
36	CUSHION ASSY RR	52400-KHC4-900	1	R8S			
37	SEAT ASSY.	77200-LGK8-900	2	T01			
38	STRIPE ENERGY LOGO	86700-LFG7-900	2				
39	MARK E/M 5th STAGE	87122-LGK8-950	2				
40	LABEL E/M 5 MARK	87501-LEB2-950	1				
41	CAUTION BATTERY	87502-LEB2-900	1				
42	CAUTION MUFFLER	87503-LEA1-900	1				
43	LABEL TIRE	87505-KGBG-900	2				
44	CAUTION SIDE STAND	87541-GGS7-901	2				
45	LABE OIL CAP	87541-KHC4-900	1				
46	MARK MAINT CAUTION	87542-GKM9-301	3				
47	CAUTION AFI	87546-LGM1-900	0				
48	MARK DRIVE CAUTION	87560-GFY6-900	3				
49	STRIPE BODY COVER	86201-LGK8-900	0				
50	EMB K-LOGO 24MM	86102-LAB4-900	1	T02			
DATE OF STARTING-SALES							
DATE OF END-SALES							

# CONTENTS - ENGINE GROUP

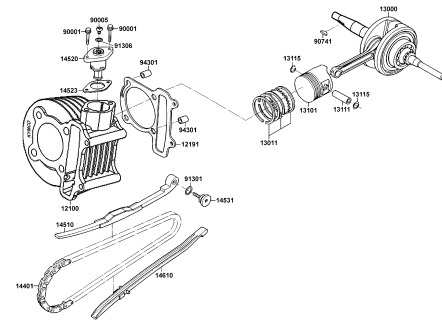
## E01 曲軸箱



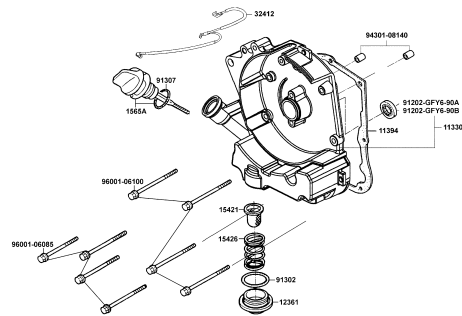
## E02 汽缸頭蓋 汽缸頭



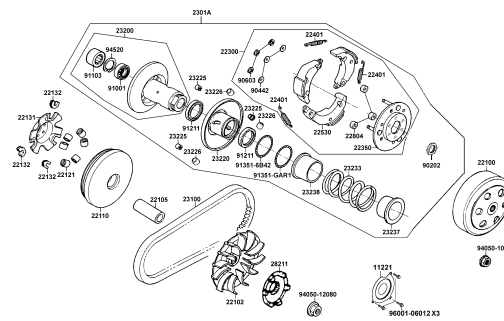
## E03 汽缸 活塞 曲軸



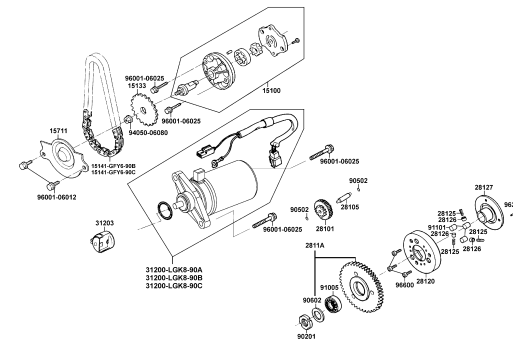
## E04 右曲軸箱蓋



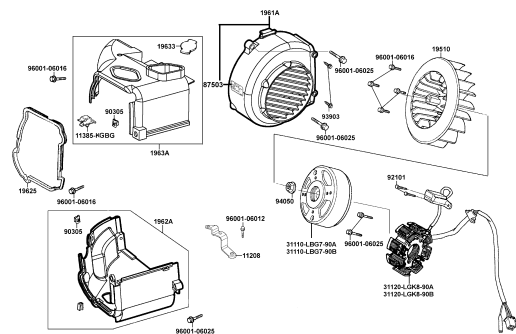
## E05 皮帶輪



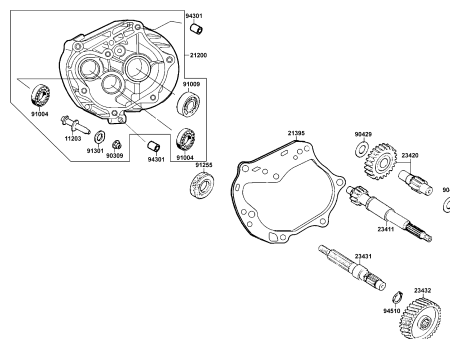
## E06 起動馬達 機油泵



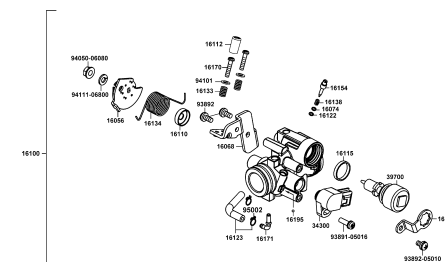
## E07 風扇蓋 發電機



## E08 傳動系



## E09 化油器



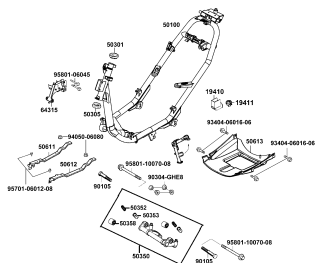
# CONTENTS - FRAME GROUP

<p><b>F01 前燈</b></p>	<p><b>F02 儀錶</b></p>	<p><b>F03 轉向手柄 手柄蓋</b></p>
<p><b>F04 前護蓋 腳踏板</b></p>	<p><b>F05 前避震器</b></p>	<p><b>F06 前輪</b></p>
<p><b>F07 後輪</b></p>	<p><b>F08 座墊</b></p>	<p><b>F09 油箱</b></p>

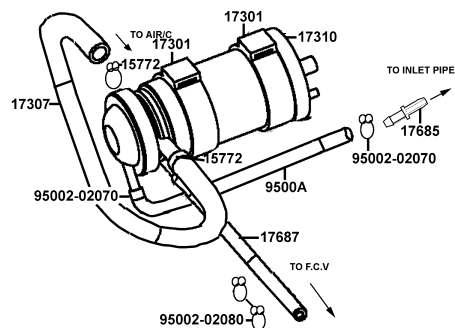


# CONTENTS - FRAME GROUP

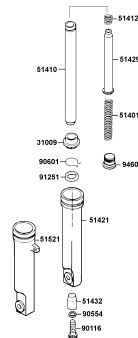
## F19 車體



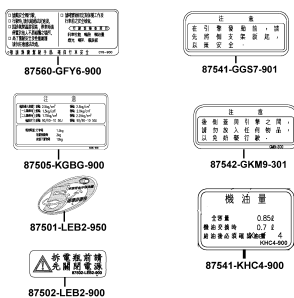
## F20 活性炭罐



## F21 前避震器細件



## F22 注意標籤

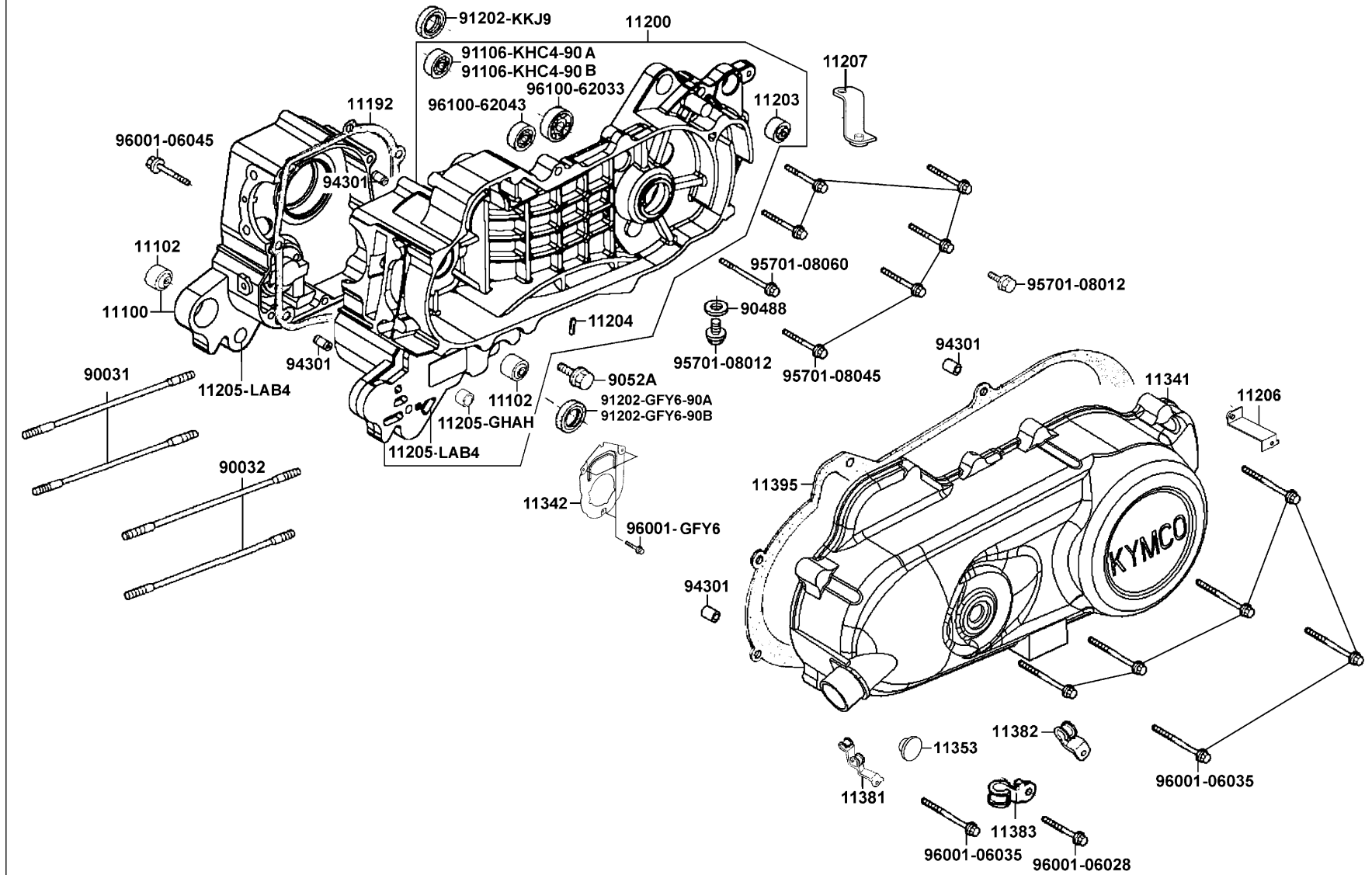


## F23 標誌 貼紙



E01

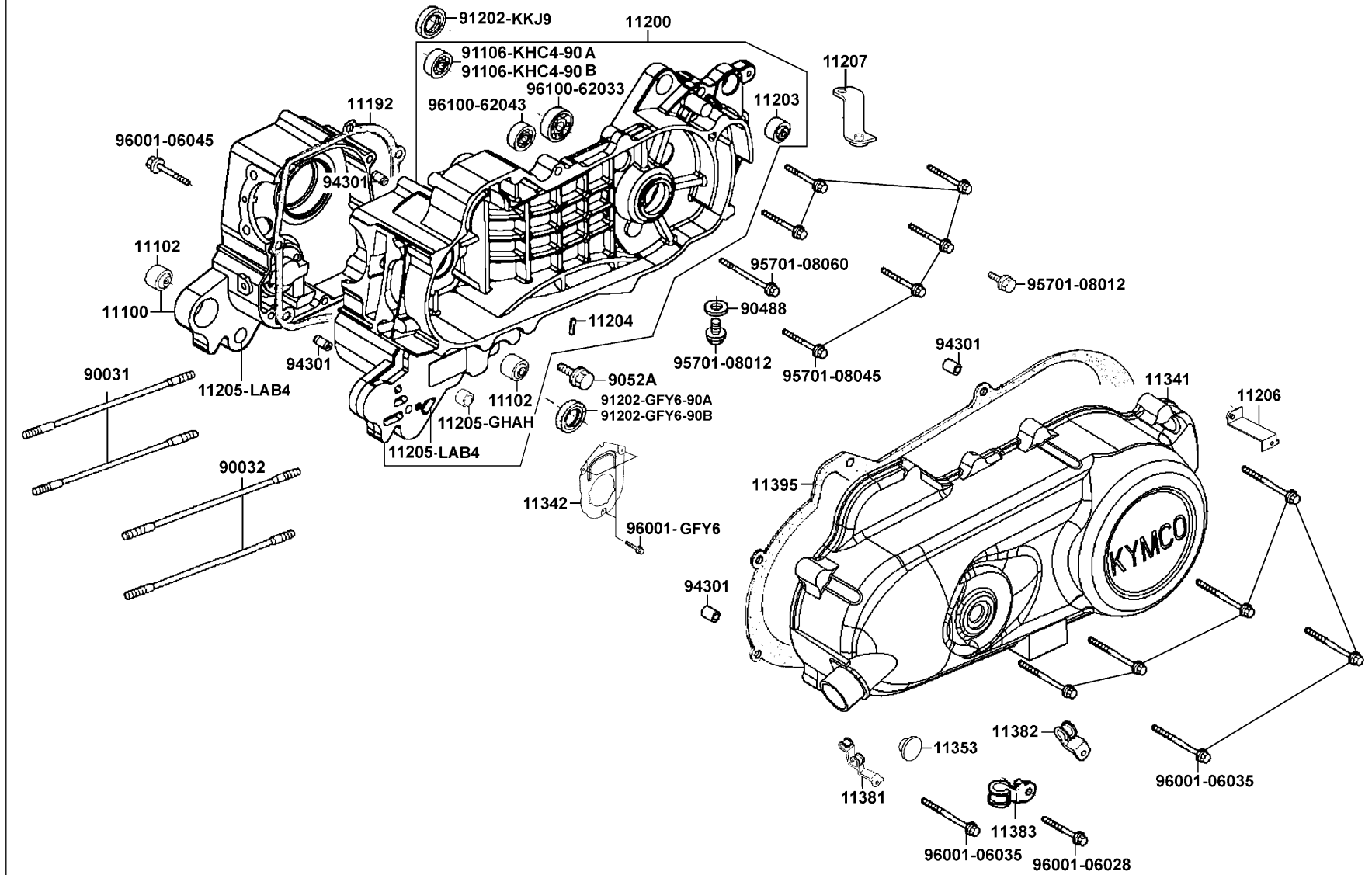
Crank Case 曲軸箱



Sales mark 配色標註	Ref no 參考號碼	Part no 零件號碼	Description 英文名稱	Reg description 中文名稱	Regd no 需求用量	E01
	11100	11100-LAE3-305	CRANK CASE COMP RIGHT	右曲軸箱組	1	
	11102	11102-1G87-004	RUB BUSH ENG HANGER	引擎吊架襯套	1	
	11192	11192-KHC4-900	GASTER CRANK CASE @ A	曲軸箱墊片 A	1	
	11200	11200-KHC4-305	CRANK CASE SET LEFT	左曲軸箱組	1	
	11203	11203-GGC7-301	UNDER RUBBER BUSH REAR CUSHION	後緩衝下襯套	1	
	11204	11204-KNBN-901	PIN SPG HOOK	固定銷	1	
	11205-GHAH	11205-GHAH-004	BUSH 8*12*8	襯套	1	
	11205-LAB4	11205-LAB4-900	BUSH MAIN STAND	主腳架襯套	1	
	11206	11206-KHC4-800	STAY A RR FENDER	後土除支架 A	1	
	11207	11207-KHC4-800	STAY B RR FENDER	後土除支架	1	
**	11341	11341-KHC4-900	COVER L SIDE	左曲軸箱蓋	1	
	11342	11342-LAB4-900	PLATE L COVER	通氣導管	1	
	11353	11353-LEA6-900	RUBBER PLUG L COVER KICK	橡皮塞蓋	1	
	11381	11381-KHC4-900	CLAMPER THROTTLE CABLE	節流導線夾	1	
	11382	11382-LAB4-900	CLAMPER BRAKE WIRE	煞車導線夾	1	
	11383	11383-KHC4-900	CLAMPER BREATHER	通氣管夾	1	
	11395	11395-KHC4-900	GASKET L COVER @A	左曲軸箱蓋墊片 A	1	
	90031	90031-KHC4-900	BOLT A STUD 7*168	雙頭螺絲 7*168	2	
	90032	90032-KHC4-900	BOLT B STUD 8*190.5	雙頭螺絲 8*190.5	2	
	90488	90488-7L00-001	WASHER 8MM	華司 8MM	1	

E01

Crank Case 曲軸箱



Sales mark 配色標註	Ref no 參考號碼	Part no 零件號碼	Description 英文名稱	Reg description 中文名稱	Regd no 需求用量	E01
	9052A	9052A-GFY6-950	BOLT ASSY DRAIN PLUG	洩油螺絲	1	
	91106-KHC4-90A	91106-KHC4-90A	BRG NEEDLE 15MM	滾針軸承	1	
	91106-KHC4-90B	91106-KHC4-90B	BRG NEEDLE 15MM	滾針軸承	1	
	91202-GFY6-90A	91202-GFY6-90A	OIL SEAL 19.8*30*5	油封 19.8*30*5	1	
	91202-GFY6-90B	91202-GFY6-90B	OIL SEAL 19.8*30*5	油封 19.8*30*5	1	
	91202-KKJ9	91202-KKJ9-004	OIL SEAL 20*32*6	油封 20X32X6	1	
	94301	94301-08140	DOWEL PIN 8*14	定位銷 8X14	4	
	95701-08012	95701-08012-08	BOLT FLANGE 8*12	螺絲 8*12	2	
	95701-08045	95701-08045-08	BOLT FLANGE 8*45	螺絲 8*45	6	
	95701-08060	95701-08060-08	BOLT FLANGE 8*60	螺絲 8*60	1	
#	96001-06028	96001-06028-08	BOLT FLANGE SH 6*28	螺絲 6*28	1	
	96001-06035	96001-06035-08	BOLT FLANGE 6*35	螺絲 6*35	7	
	96001-06045	96001-06045-08	BOLT FLANGE SH 6*45	螺栓 6*45	1	
	96001-GFY6	96001-GFY6-900	BOLT SPECIAL 5*10	螺絲 5*10	3	
	96100-62033	96100-62033-00	BEARING BALL RADIAL 6203	徑向滾珠軸承	1	
	96100-62043	96100-62043-00	BEARING BALL RADIAL 6204	軸承 6204	1	

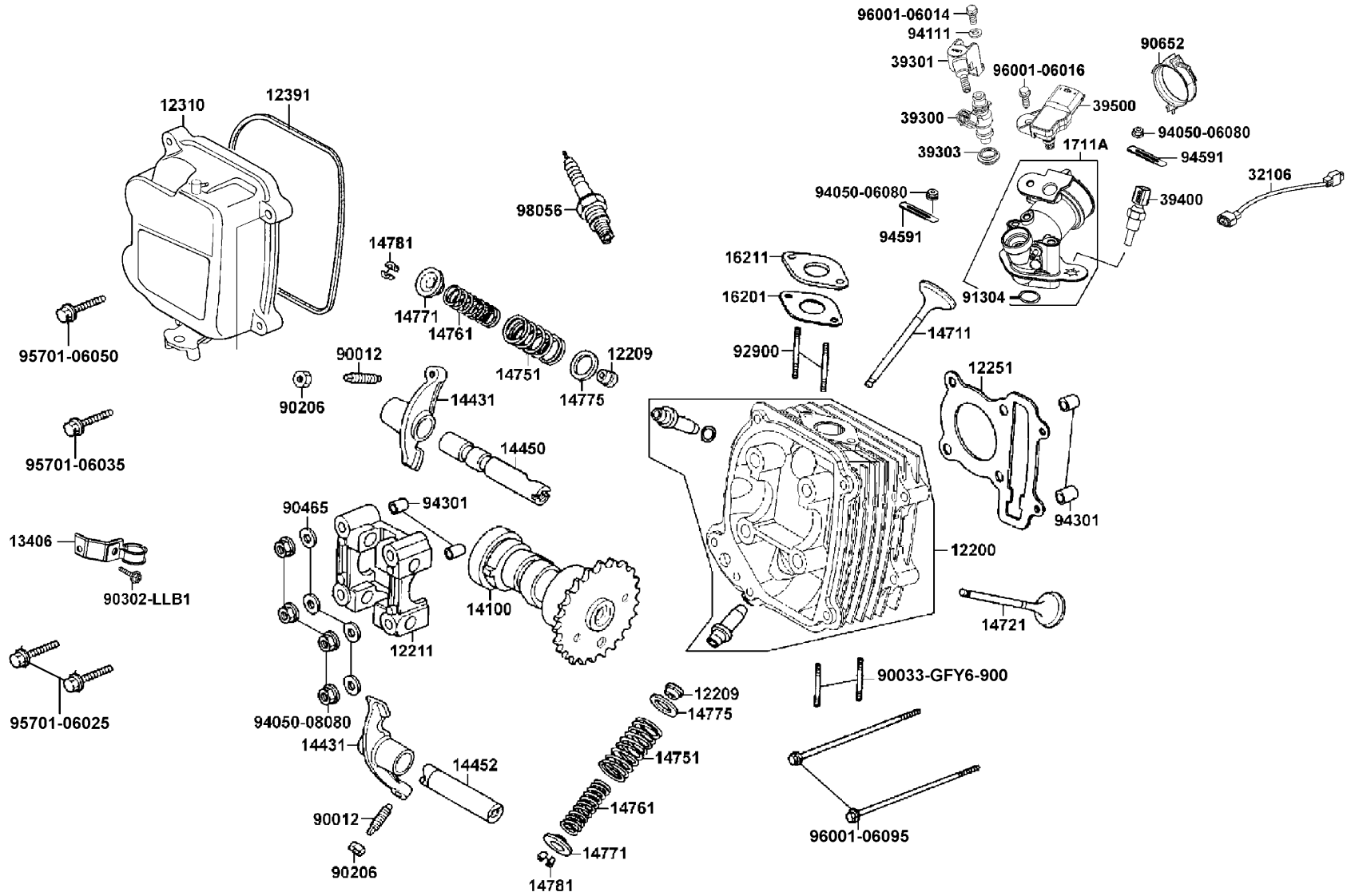
E02

Cylinder Head Cover

Cylinder Head

汽缸頭蓋

汽缸頭



Sales mark 配色標註	Ref no 參考號碼	Part no 零件號碼	Description 英文名稱	Reg description 中文名稱	Regd no 需求用量	E02
	12200	12200-LGM9-900	HEAD COMP., CYLN	汽缸頭總成	1	
	12209	12209-GDB4-68A	SEAL VALVE STEM	門閥徑封	2	
	12211	12211-KUDU-900	HOLDER CAM SHAFT	凸輪軸固定座	1	
	12251	12251-KHC4-900	GASKET CYLINDER HEAD	汽缸頭墊片	1	
	12310	12310-KHC4-B00	COVER COMP HEAD	汽缸頭蓋	1	
	12391	12391-GFY6-941	GASKET HEAD COVER	汽缸頭蓋墊片	1	
	13406	13406-LGK8-900	PLATE, FUEL INJECTOR	油管固定板	1	
	14100	14100-KHC4-220	SHAFT COMP CAM	凸輪軸	1	
	14431	14431-GFY6-901	ARM VALVE ROCKER	閥門搖臂	2	
	14450	14450-GFY6-901	SHAFT COMP IN ROCKER ARM	進氣閥搖臂軸	1	
	14452	14452-GFY6-901	SHAFT EXH ROCKER ARM	排氣閥搖臂軸	1	
	14711	14711-KHC4-900	VALVE INLET	進氣閥門	1	
	14721	14721-KHC4-900	VALVE EXHAUST	排氣閥門	1	
	14751	14751-KFBF-900	SPRING VALVE OUTER	閥門外彈簧	2	
	14761	14761-KFBF-900	SPG VALVE INNER	閥門內彈簧	2	
	14771	14771-GDB4-680	RETAINER VALVE SPRING	閥門彈簧保持器	2	
	14775	14775-MFA6-001	SEAT VALVE SPG OUTER	門閥彈簧外座	2	
	14781	14781-MFA6-001	COTTER VALVE	閥門鎖扣	4	
	16201	16201-KHC4-900	GASKET CARB INSULATOR @A	化油器隔熱板墊片 A	1	
	16211	16211-KHC4-900	INSULATOR CARB	化油器隔熱板	1	

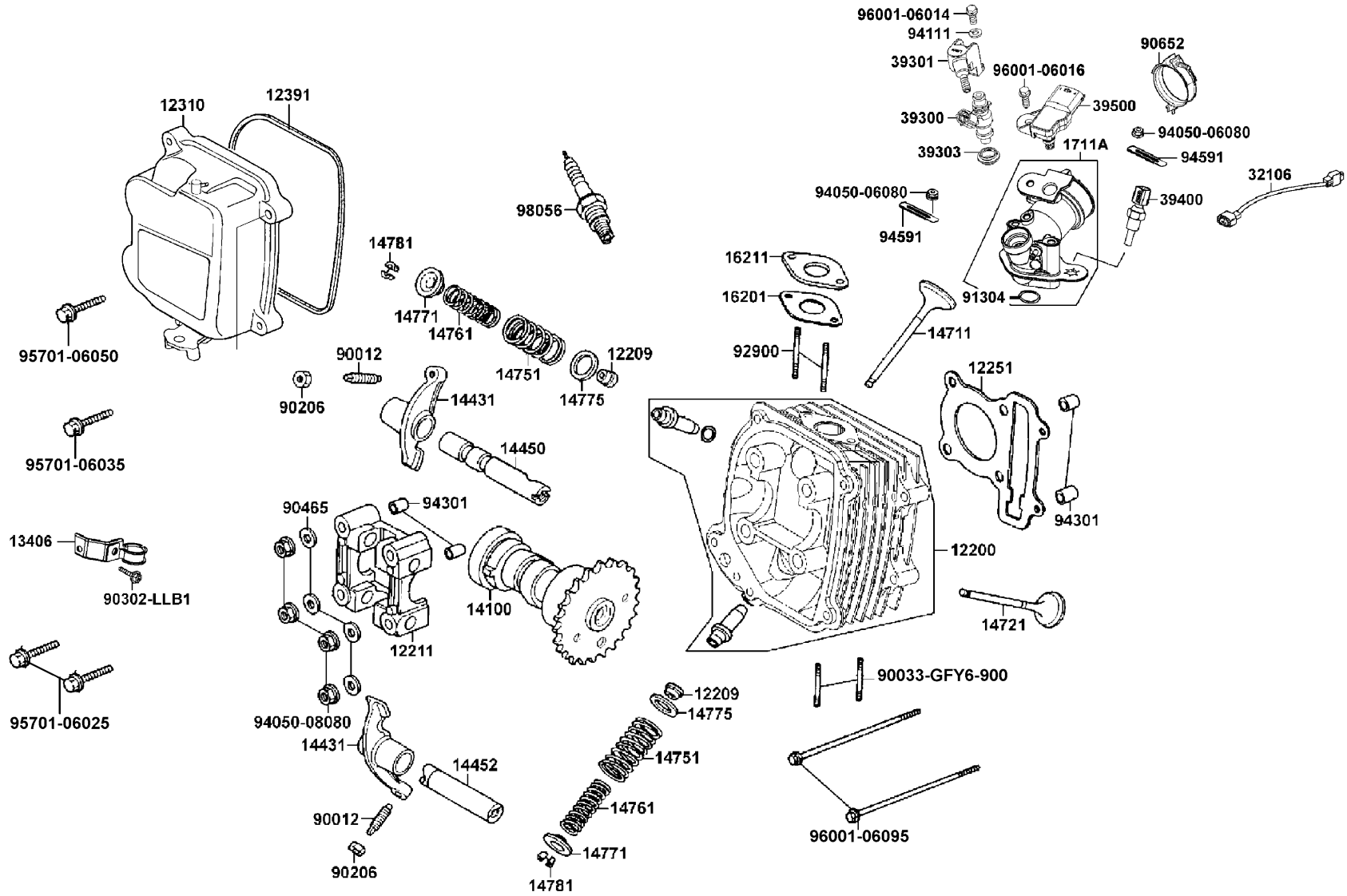
E02

Cylinder Head Cover

Cylinder Head

汽缸頭蓋

汽缸頭



Sales mark 配色標註	Ref no 參考號碼	Part no 零件號碼	Description 英文名稱	Reg description 中文名稱	Regd no 需求用量	E02
	1711A	1711A-LGK8-900	PIPE ASSY, INLET	進氣管	1	
	32106	32106-KKE3-900	SUB HARNESS A	汽缸頭溫度感應器配線	1	
	39300	39300-LGM5-800	INJECTOR,FUEL	燃油噴嘴	1	
	39301	39301-LGK8-900	HOLDER ASSY, FUEL INJECTOR	燃油噴嘴支架組	1	
	39303	39303-LGK8-900	SEAL, HIGH TENSION FUEL INJECTOR	高張力燃油噴嘴墊圈	1	
	39400	39400-KKE3-800	SENSOR HEAD TEMPERATURE	汽缸頭溫度感應器	1	
	39500	39500-LGA2-900	MAP SENSOR	歧管負壓感知器(BOSCH A 261 260 276)	1	
	90012	90012-3C33-001	SCREW TAPPET ADJUSTING	樞軸調整螺絲	2	
	90033-GFY6-900	90033-GFY6-900	BOLT STUD 8*32	螺絲 8X32	2	
	90206	90206-0A01-001	NUT TAPPET ADJG	挺桿調整螺帽	2	
	90302	90302-LLB1-E00	BOLT-WASHER 5*12	螺絲 5X12	1	
	90465	90465-MDC4-001	WASHER 8MM	華司 8MM	4	
	90652	90652-LGK8-900	BAND 47, INLET-PIPE	進氣歧管束環(47)	1	
	91304	91304-KHC4-900	O- RING 22*2.0	O環 22*2.0	1	
	92900	92900-06060-0B	BOLT STUD 6*60	雙頭螺絲 6*60	2	
	94050-06080	94050-06080	NUT FLANGE 6MM	螺帽 6MM	2	
	94050-08080	94050-08080	NUT FLANGE 8MM	螺帽 8MM	4	
	94111	94111-06800	WASHER SPG 6MM	華司 6MM	1	
	94301	94301-10160	DOWEL PIN 10*16	定位銷 10X16	4	
	94591	94591-KFBF-900	CLIP 2*70	環夾	2	

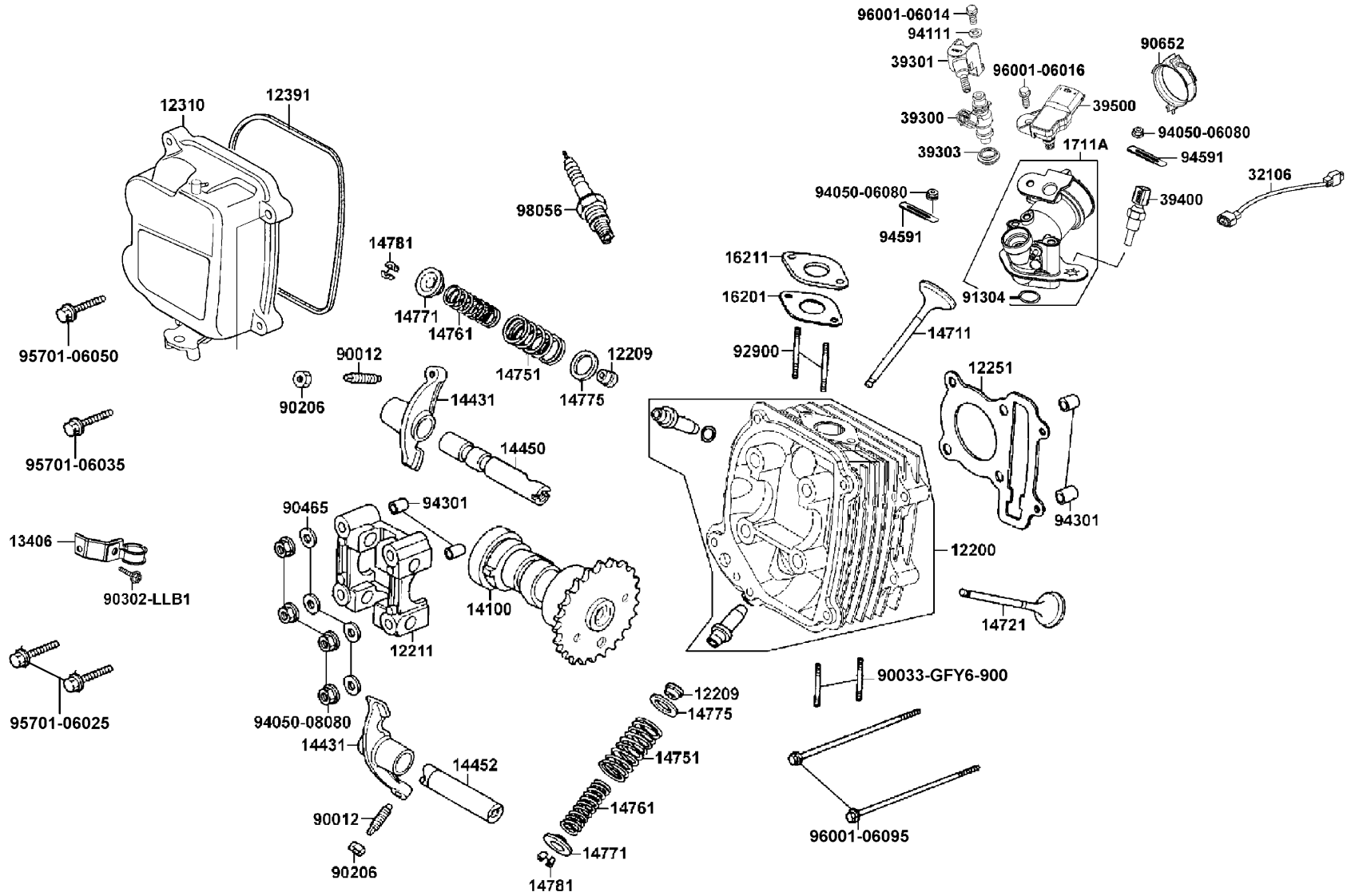
E02

Cylinder Head Cover

Cylinder Head

汽缸頭蓋

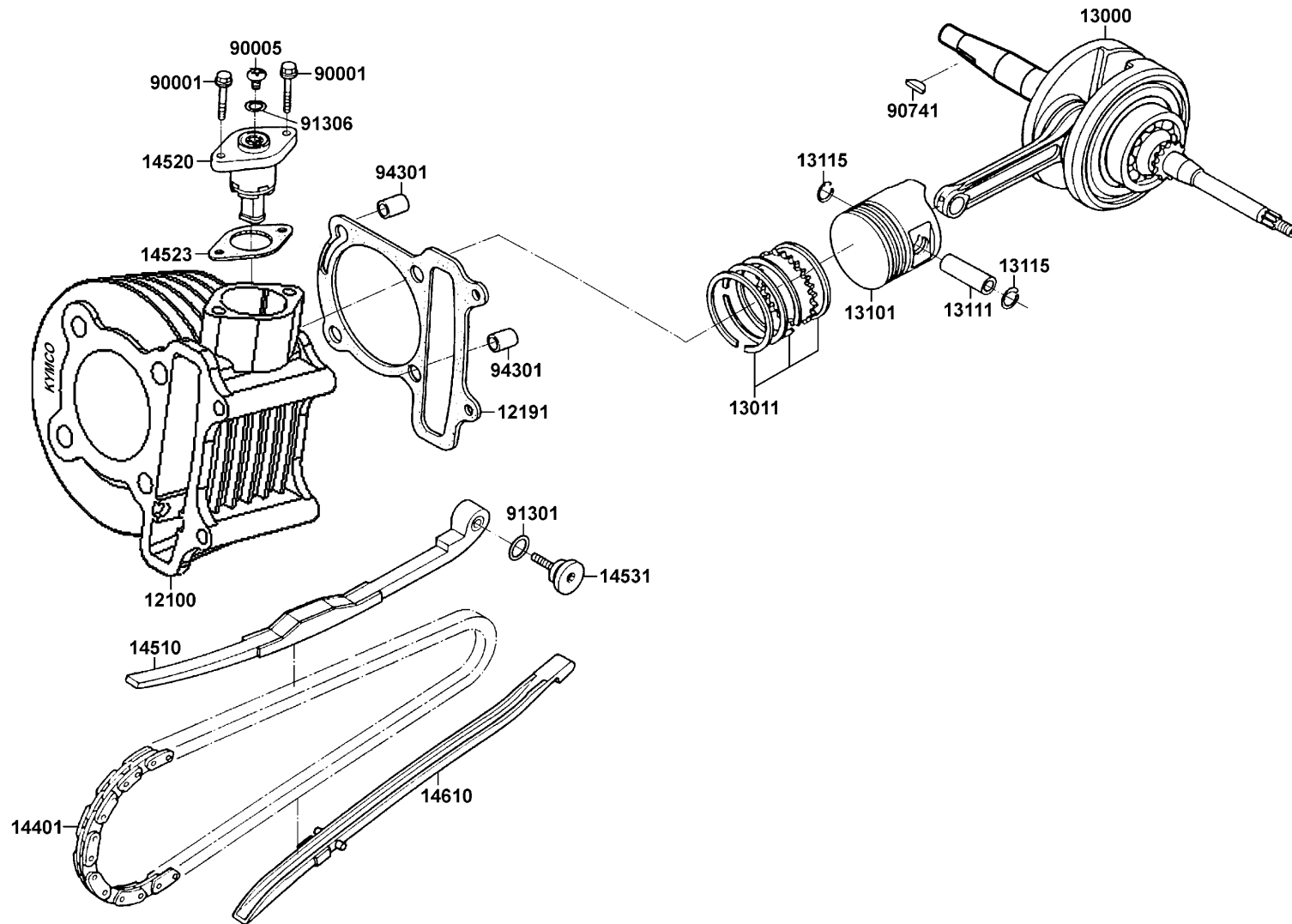
汽缸頭



Sales mark 配色標註	Ref no 參考號碼	Part no 零件號碼	Description 英文名稱	Reg description 中文名稱	Regd no 需求用量	E02
	95701-06025	95701-06025-08	BOLT FLANGE 6*25	螺絲 6*25	2	
	95701-06035	95701-06035-08	BOLT FLANGE SH 6*35	螺絲 6*35	1	
	95701-06050	95701-06050-08	BOLT FLANGE 6*50	螺絲 6*50	1	
	96001-06014	96001-06014-08	BOLT FLANGE 6*14	螺絲 6X14	1	
#	96001-06016	96001-06016-08	BOLT FLANGE SH 6*16	凸緣螺栓	1	
	96001-06095	96001-06095-08	BOLT FLANGE 6*95	螺絲 6*95	2	
	98056	98056-5771R-00	SPARK PLUG (CR7HSA)	火星塞 (CR7HSA)	1	

E03

Cylinder Piston Crankshaft 汽缸 活塞 曲軸

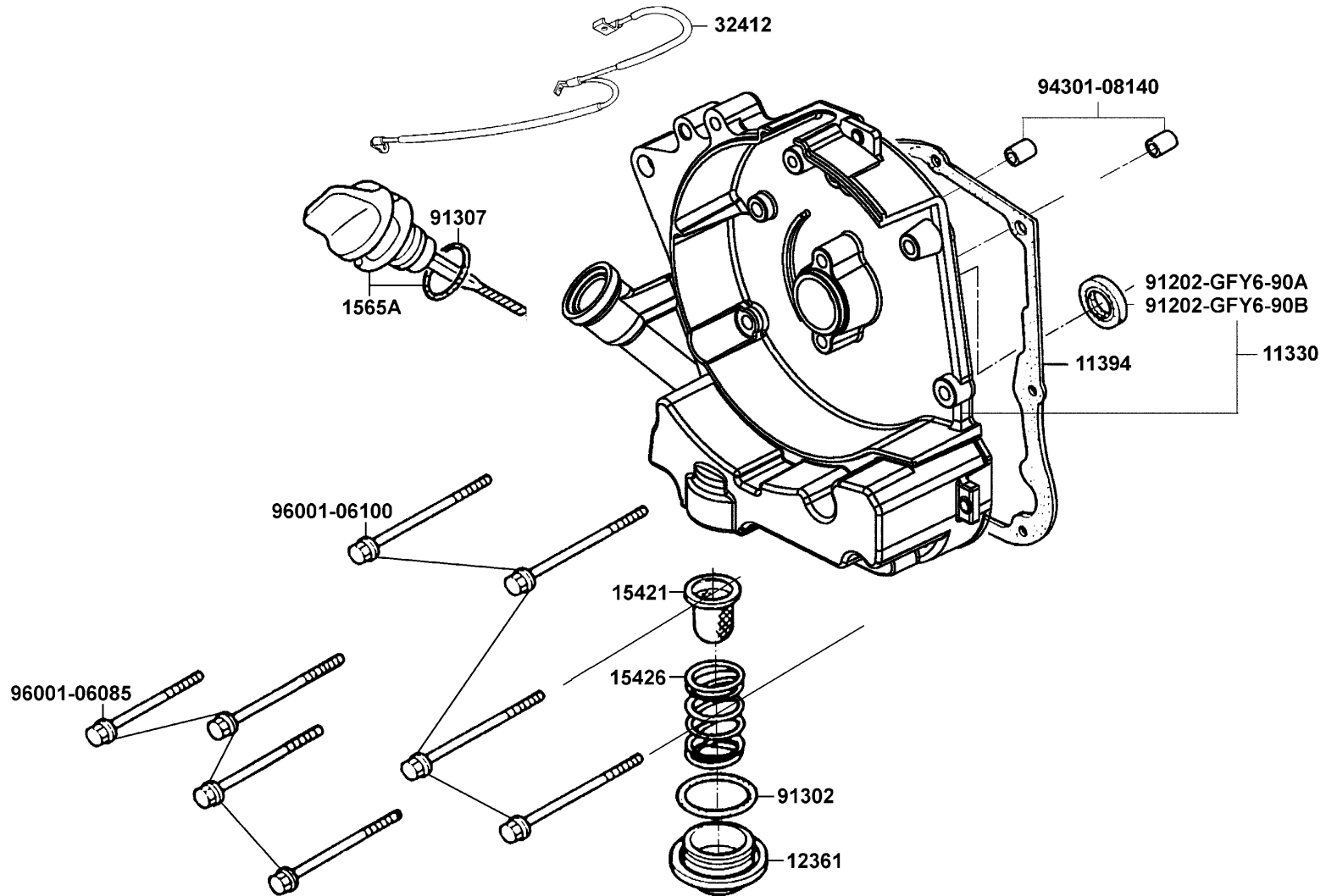


Sales mark 配色標註	Ref no 參考號碼	Part no 零件號碼	Description 英文名稱	Reg description 中文名稱	Regd no 需求用量	E03
	12100	12100-LAB4-700	CYLINDER COMP	汽缸	1	
	12191	12191-KHC4-900	GASTET CYLINDER @ A	汽缸墊片 A	1	
	13000	13000-LBD4-900	CRANK SHAFT COMP	曲軸	1	
	13011	13011-LBC6-900	RING SET PISTON	活塞環組	1	
	13101	13101-LGM9-900	PISTON	活塞	1	
	13111	13111-0G87-001	PIN PISTON	活塞銷	1	
	13115	13115-0A01-001	PISTON PIN CLIP	活塞銷夾	2	
	14401	14401-KHC4-900	CHAIN CAM	凸輪軸內鏈條	1	
	14510	14510-KHC4-900	TENSIONER CAM CHAIN	內鏈條拉力桿	1	
	14520	14520-GFY6-90A	LIFTER ASSY TENSIONER	內鏈條調整器	1	
	14523	14523-GFY6-901	GASKET TENSIONER LIFTER @ A	內鏈條調整器墊片	1	
	14531	14531-GLR0-001	PIVOT CAM CHAIN TENSIONER	拉力桿螺絲	1	
	14610	14610-KHC4-900	GUIDE COMP CAM CHAIN	鏈條導件	1	
	90001	90001-GBHB-661	BOLT FLANGE SH 6*22	螺絲 6*22	2	
	90005	90005-KAW1-901	SCREW PAN 6*6	螺絲 6*6	1	
	90741	90741-0E35-001	KEY WOODRUFF	固定鍵	1	
	91301	91301-GLR0-005	O RING 15.2*1.5	O環 15.2X1.5	2	
	91306	91306-1E05-691	O-RING 1.5*9.5	O環 1.5*9.5	1	
	94301	94301-10160	DOWEL PIN 10*16	定位銷 10X16	2	

E04

Right Crankcase Cover

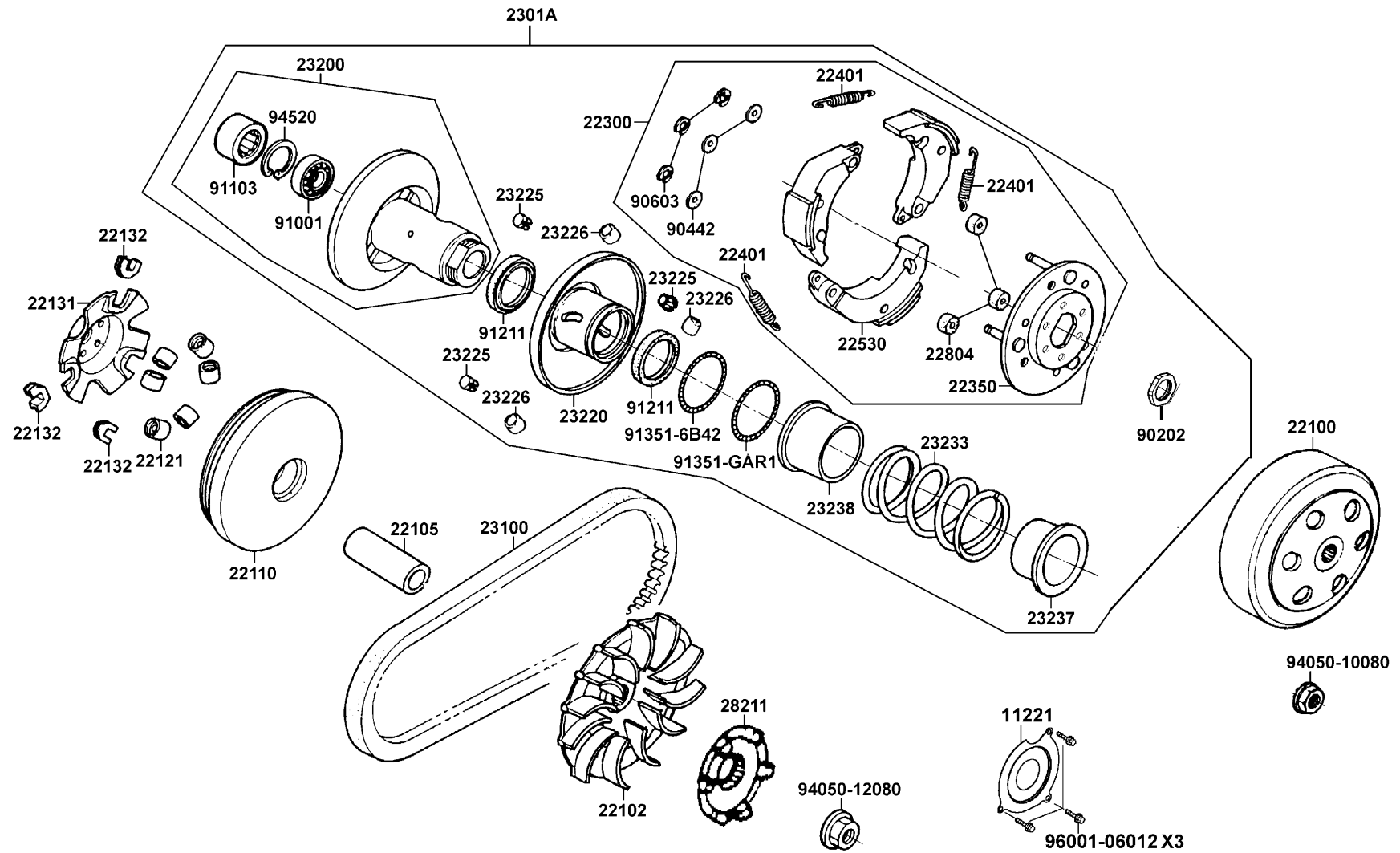
右曲軸箱蓋



Sales mark 配色標註	Ref no 參考號碼	Part no 零件號碼	Description 英文名稱	Reg description 中文名稱	Regd no 需求用量	E04
	11330	11330-LBG7-900	COVER R CRANK CASE	右曲軸箱蓋	1	
	11394	11394-KHC4-900	GASTER R COVER @ A	右曲軸箱蓋墊片 A	1	
	12361	12361-GFY6-901	HOLE CAP TAPPET ADJUSTING	調節螺帽	1	
	15421	15421-1G07-001	SCREEN OIL FILTER	濾油網	1	
	15426	15426-GAE1-921	SPG OIL FILTER SCREEN	濾油網彈簧	1	
	1565A	1565A-GFY6-900	GAUGE OIL LEVEL ASSY	機油尺組	1	
	32412	32412-LGK8-900	CABLE EARTH	接地導線	1	
	91202-GFY6-90A	91202-GFY6-90A	OIL SEAL 19.8*30*5	油封 19.8*30*5	1	
	91202-GFY6-90B	91202-GFY6-90B	OIL SEAL 19.8*30*5	油封 19.8*30*5	1	
	91302	91302-0A01-021	O-RING 30.8M/M	O環 30.8MM	1	
	91307	91307-0E35-001	O RING 18*3	O環 18X3	1	
	94301	94301-08140	DOWEL PIN 8*14	定位銷 8X14	2	
	96001-06085	96001-06085-06	BOLT FLANGE 6*85	螺絲 6*85	4	
	96001-06100	96001-06100-08	BOLT FLANGE SH 6*100	特殊螺絲 6*100	4	

E05

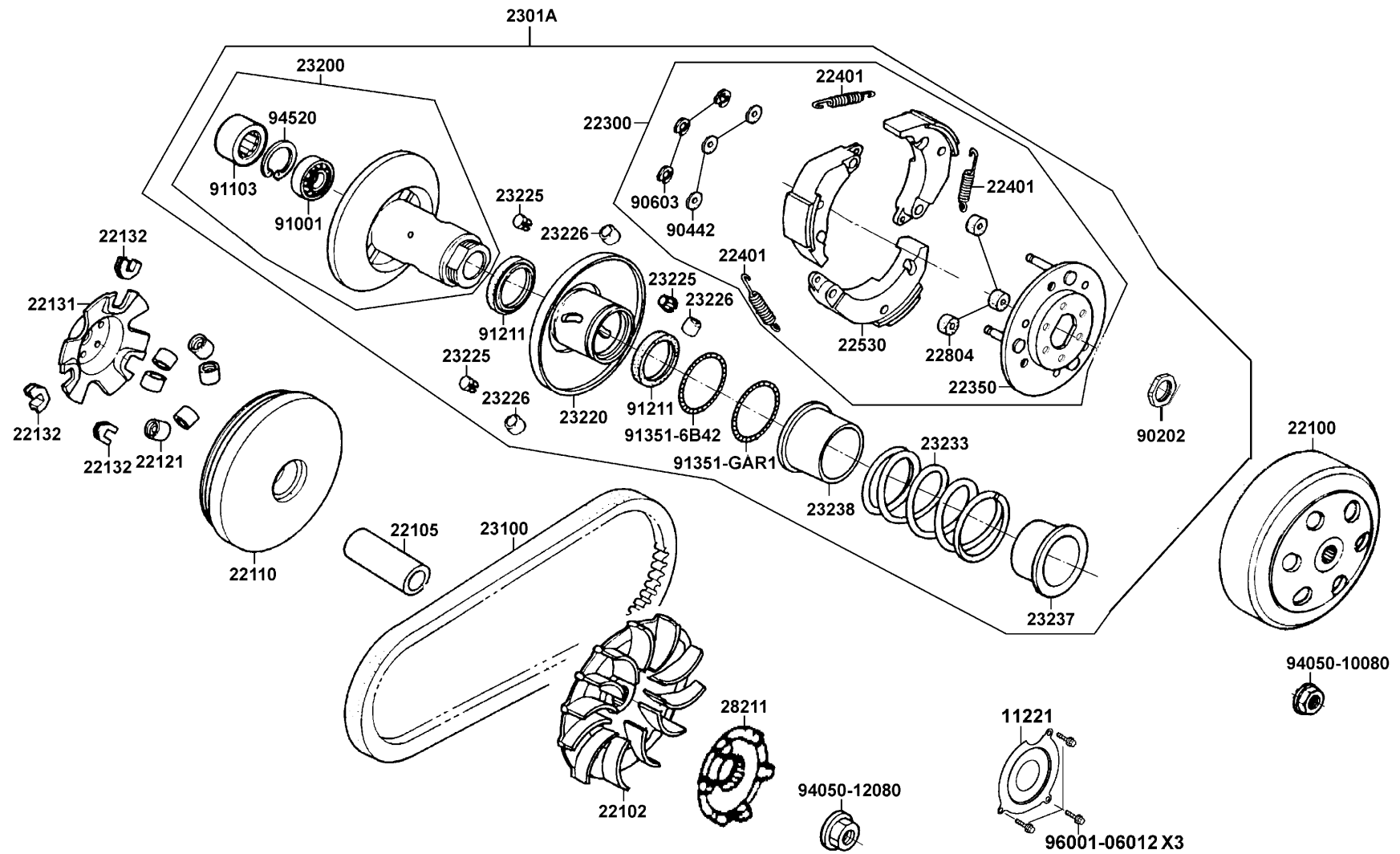
Transmission Pulley 皮帶輪



Sales mark 配色標註	Ref no 參考號碼	Part no 零件號碼	Description 英文名稱	Reg description 中文名稱	Regd no 需求用量	E05
11221		11221-KHC4-900	INSULATOR DUST	通氣管	1	
22100		22100-KNBN-902	CLUTCH OUTER	離合器外套	1	
22102		22102-KHC4-900	FACE DRIVE	驅動盤	1	
22105		22105-KHC4-900	BOSS DRIVE FACE	襯套	1	
22110		22110-KHC4-900	FACE COMP MOVABLE DRIVE	滑動式驅動盤	1	
22121		22121-GHT8-602	ROLLER COMP WEIGHT 7.5 GR	配重滾子	6	
22131		22131-GCW3-901	PLATE RAMP	斜坡板	1	
22132		22132-LAB4-900	PIECE SLIDE	斜板邊件	3	
22300		22300-KHC4-900	PLATE ASSY DRIVE	驅動板組	1	
22350		22350-KHC4-900	PLATE COMP DRIVE	驅動板	1	
22401		22401-KED5-900	SPRING CLUTCH	離合器彈簧	3	
22530		22530-KHC4-900	WEIGHT SET CLUTCH	離合器配重組	3	
22804		22804-1H48-001	RUBBER CLUTCH DUMPER	橡皮	3	
2301A		2301A-LGK8-900	PULLEY SUB ASSY DRIVEN	從動皮帶輪組	1	
23100		23100-KHC4-900	BELT DRIVE	驅動皮帶	1	
23200		23200-GCW3-001	FACE ASSY DRIVEN	從動皮帶盤組	1	
23220		23220-KHC4-900	FACE COMP MOVABLE DRIVEN	滑動式從動皮帶盤	1	
23225		23225-GCW3-001	PIN GUIDE	導銷	3	
23226		23226-GCW3-001	ROLLER GUIDE	套筒環	3	
23233		23233-KED5-900	SPG DRIVEN FACE	驅動彈簧	1	

E05

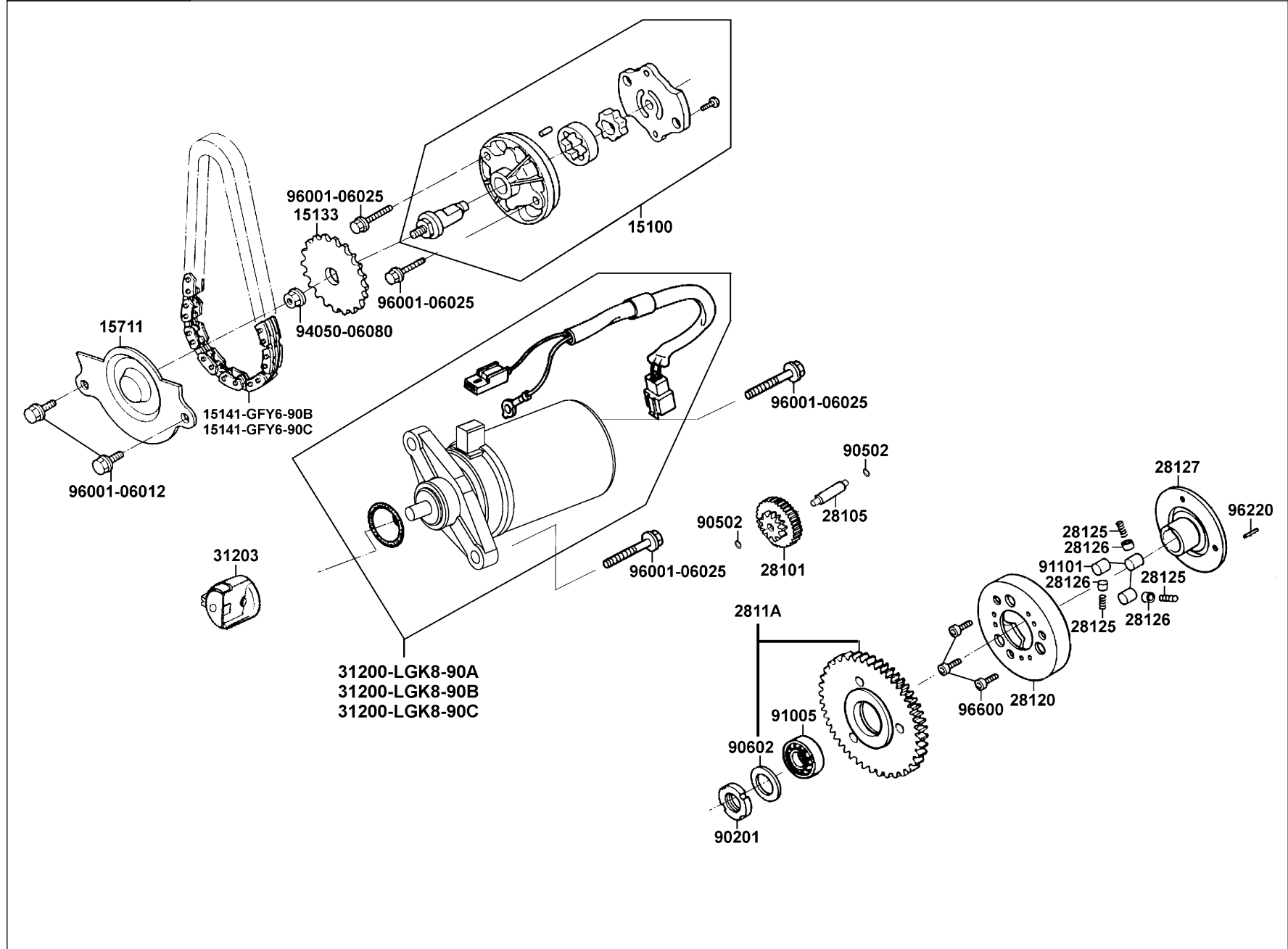
Transmission Pulley 皮帶輪



Sales mark 配色標註	Ref no 參考號碼	Part no 零件號碼	Description 英文名稱	Reg description 中文名稱	Regd no 需求用量	E05
	23237	23237-GCW3-001	COLLAR SEAL	套筒油封	1	
	23238	23238-LEA2-900	COLLAR SPRING	套筒	1	
	28211	28211-KNBN-901	RATCHET KICK STARTER	起動棘齒輪	1	
	90202	90202-1G87-001	NUT SPECIAL 28MM	螺帽	1	
	90442	90442-0D44-001	6M/M THRUST WASHER	華司	3	
	90603	90603-0D44-001	CIR CLIP 6MM	環夾 6MM	3	
	91001	91001-GGA7-70A	BRG RADIAL BALL 6901U	軸承	1	
	91103	91103-GAR1-004	BRG NEEDLE 17*25*18 WS	滾針軸承	1	
	91211	91211-GHK8-014	OIL SEAL 34*39*3	驅動油封	2	
	91351-6B42	91351-6B42-000	O-RING PINION CAP	O環	1	
	91351-GAR1	91351-GAR1-001	O-RING 38.5*2	O環 38.5*2	1	
	94050-10080	94050-10080	NUT FLANGE 10MM	螺帽	1	
	94050-12080	94050-12080	NUT C FLANGE 12MM	螺帽 12MM	1	
	94520	94520-24000	CIR CLIP IN 24	夾環	1	
	96001	96001-06012-08	BOLT FLANGE 6*12	螺絲 6*12	3	

E06

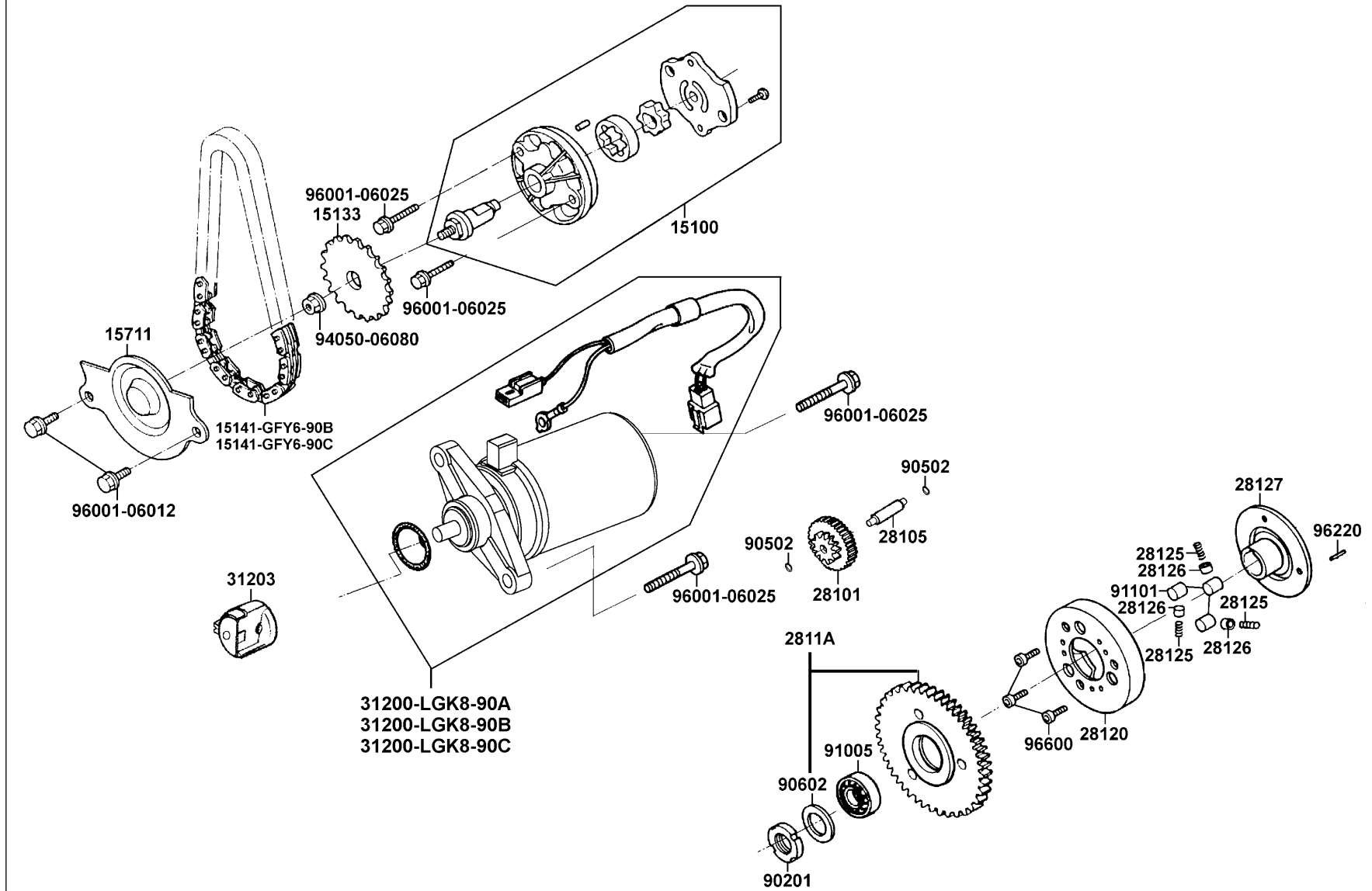
Starting Motor Oil Pump 起動馬達 機油泵



Sales mark 配色標註	Ref no 參考號碼	Part no 零件號碼	Description 英文名稱	Reg description 中文名稱	Regd no 需求用量	E06
	15100	15100-GFY6-901	PUMP ASSY OIL	機油泵浦組	1	
	15133	15133-GFY6-901	SPRKT OIL PUMP DRIVEN	機油泵驅動齒輪	1	
	15141-GFY6-90B	15141-GFY6-90B	CHAIN OIL PUMP	機油泵驅動鏈條	1	
	15141-GFY6-90C	15141-GFY6-90C	CHAIN OIL PUMP	機油泵驅動鏈條	1	
	15711	15711-GFY6-901	SEPARATER OIL	機油分隔板	1	
	28101	28101-KNBN-901	GEAR COMP STARTER REDUCTION	減速齒輪	1	
	28105	28105-KNBN-901	SHAFT STARTER REDUCTION	減速齒輪軸	1	
	2811A	2811A-KNBN-940	GEAR COMP STARTER DRIVEN	起動離合器齒輪	1	
	28120	28120-KNBN-901	OUTER COMP ST CLUCH	離合器外套	1	
	28125	28125-3C23-001	SPRING ROLLER ST CLUTCH	滾子彈簧	3	
	28126	28126-KNBN-901	CAP SPGING ROLLER SP	滾子彈簧蓋	3	
	28127	28127-KNBN-901	BOSS STARTER CLUTCH	起動離合器凸緣	1	
	31200-LGK8-90A	31200-LGK8-90A	MOTOR ASS'Y, START	起動馬達組	1	
	31200-LGK8-90B	31200-LGK8-90B	MOTOR ASS'Y, START	起動馬達組	1	
	31200-LGK8-90C	31200-LGK8-90C	MOTOR ASS'Y, START	起動馬達組	1	
	31203	31203-KHC4-900	HOLDER COMP STARTER REDUCTION	起動齒輪組支撐座	1	
	90201	90201-KNBN-901	NUT SPECIAL 24MM	螺帽 24MM	1	
	90502	90502-MBS2-001	WASHER 24*8.5	華司 24*8.5	2	
	90602	90602-PDX4-001	CIR CLIP B IN 47	內環夾	1	
	91005	91005-KNBN-901	BRG RADIAL 6005-2NKG	滾針軸承 6005-2NKG	1	

E06

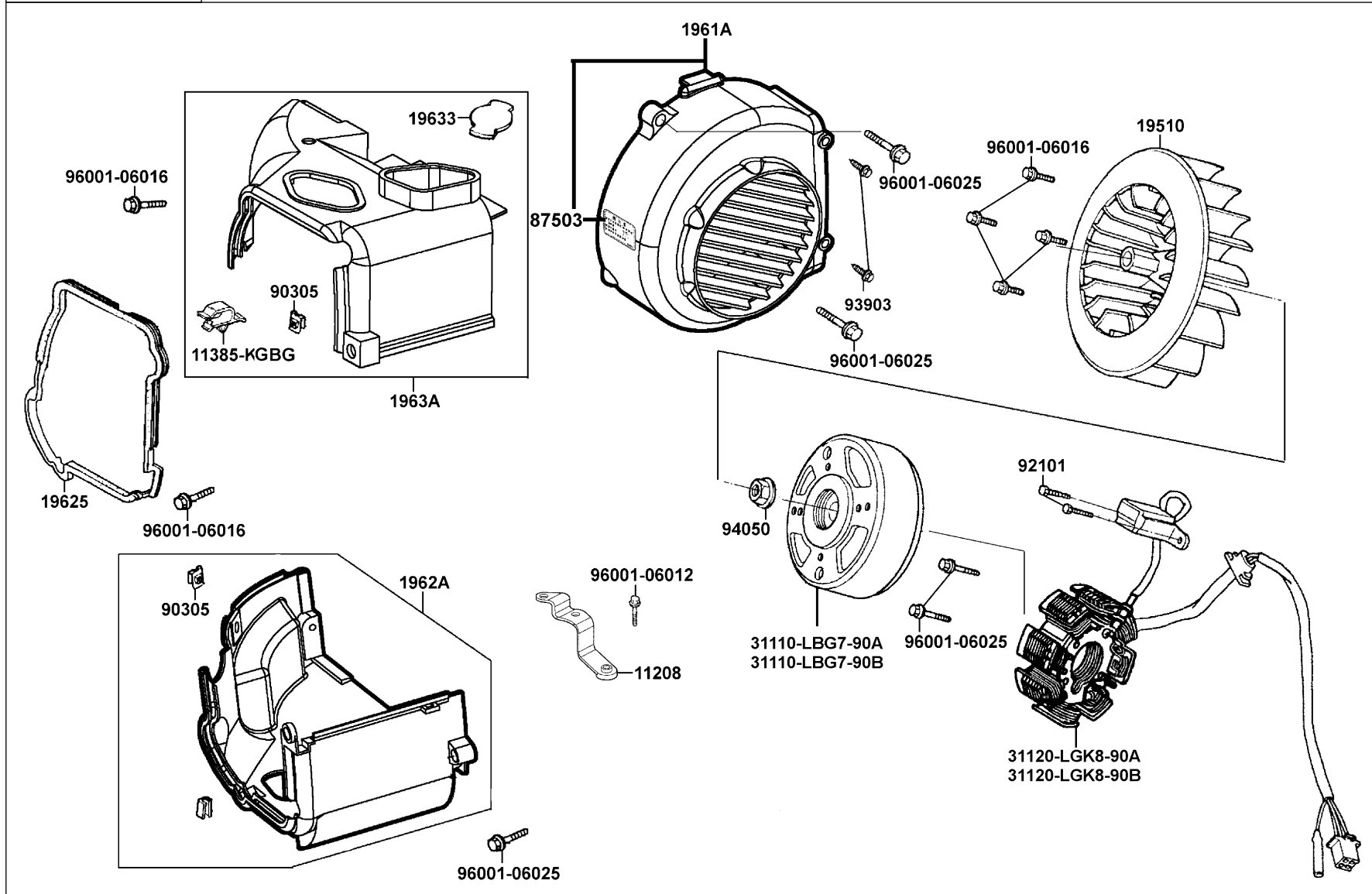
Starting Motor Oil Pump 起動馬達 機油泵



Sales mark 配色標註	Ref no 參考號碼	Part no 零件號碼	Description 英文名稱	Reg description 中文名稱	Regd no 需求用量	E06
	91101	91101-KNBN-901	ROLLER 10.2*11.5	滾子10.2*11.5	3	
	94050-06080	94050-06080	NUT FLANGE 6MM	螺帽 6MM	1	
	96001-06012	96001-06012-08	BOLT FLANGE 6*12	螺絲 6*12	2	
#	96001-06025	96001-06025-08	BOLT FLANGE SH 6*25	螺絲 6*25	4	
	96220	96220-60100	ROLLER 6*10	定位銷 6X10	1	
	96600	96600-06012-10	SOCKET BOLT 6*12	螺絲 6*12	3	

E07

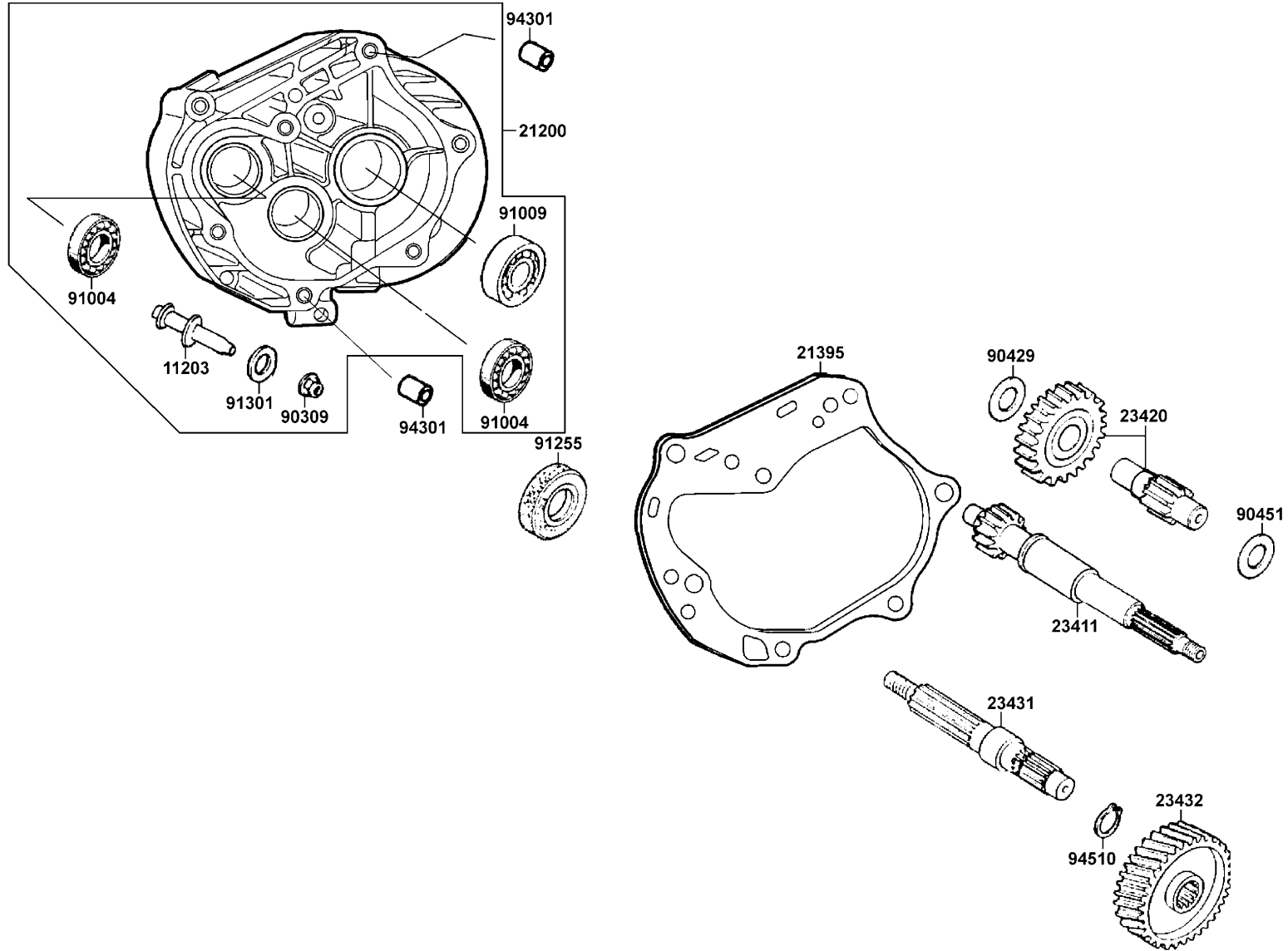
Fan Cover Generator 風扇蓋 發電機



Sales mark 配色標註	Ref no 參考號碼	Part no 零件號碼	Description 英文名稱	Reg description 中文名稱	Regd no 需求用量	E07
	11208	11208-KHC4-800	STAY C RR FENDER	後土除支架 C	1	
	11385	11385-KGBG-900	CLIP VACUUM TUBE	管夾	1	
	19510	19510-GBW2-901	FAN COMP COOLING	冷卻風扇	1	
	1961A	1961A-LBG7-800	COVER ASSY FAN	冷卻風扇蓋	1	
	19625	19625-KHC4-900	SEAL SHROUD	罩蓋油封	1	
	1962A	1962A-KHC4-900	SHROUD ASSY A	罩蓋 A	1	
	19633	19633-GFY6-901	GROMET SHROUD B	橡皮蓋	1	
	1963A	1963A-LGM9-900	SHROUD ASSY., B	罩蓋B總成	1	
	31110-LBG7-90A	31110-LBG7-90A	FLYWHEEL COMP	飛輪蓋	1	
	31110-LBG7-90B	31110-LBG7-90B	FLYWHEEL COMP	飛輪蓋	1	
	31120-LGK8-90A	31120-LGK8-90A	STATOR COMP	定子組	1	
	31120-LGK8-90B	31120-LGK8-90B	STATOR COMP	定子組	1	
**	87503	87503-LEA1-900	CAUTION MUFFLER	標籤	1	
	90305	90305-GHK8-001	NUT CLIP 6MM	夾螺帽	2	
	92101	92101-05012-0H	BOLT HEX 5*12	螺絲 5*12	2	
	93903	93903-35360	SCREW TAPPING 5*16	螺釘 5*16	2	
	94050	94050-10080	NUT FLANGE 10MM	螺帽	1	
	96001-06012	96001-06012-08	BOLT FLANGE 6*12	螺絲 6*12	1	
#	96001-06016	96001-06016-08	BOLT FLANGE SH 6*16	凸緣螺栓	6	
#	96001-06025	96001-06025-08	BOLT FLANGE SH 6*25	螺絲 6*25	5	

E08

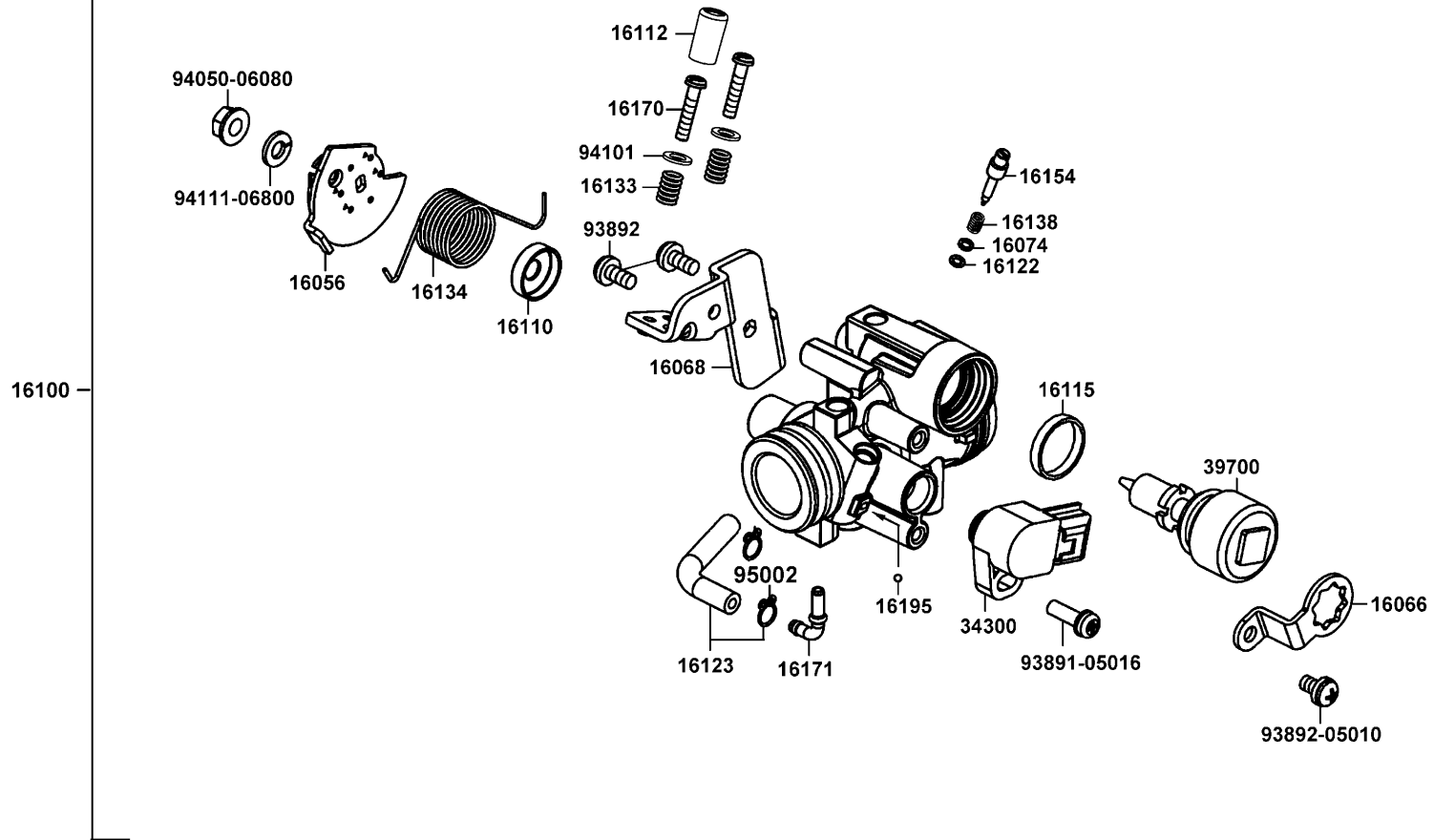
Transmission 傳動系



Sales mark 配色標註	Ref no 參考號碼	Part no 零件號碼	Description 英文名稱	Reg description 中文名稱	Regd no 需求用量	E08
	11203	11203-KHG8-301	PIN BRAKE SHOE ANCHOR	煞車鼓固定銷	1	
	21200	21200-KFA3-305	CASE ASSY MISSION	主軸箱組	1	
	21395	21395-KNBN-901	GASKET MISSION CASE A	主軸蓋墊片 A	1	
	23411	23411-KHC4-900	SHAFT DRIVE	驅動軸	1	
	23420	23420-KHC4-900	SHAFT COMP COUNTER	副軸組	1	
	23431	23431-KDLD-901	SHAFT FINAL	最終軸	1	
	23432	23432-KNBN-901	GEAR FINAL	最終齒輪	1	
	90309	90309-KLF0-004-SY	NUT FLANGE 8MM	平螺帽	1	
	90429	90429-KNBN-901	WASHER SIDE 12MM	華司	1	
	90451	90451-1G07-001	WASHER THRUST 15MM	華司 15MM	1	
	91004	91004-KBN2-90A	BRG BALL RADIAL 6201	軸承	2	
	91009	91009-GLE0-004	BRG BALL RADIAL 6004 UU	軸承	1	
#	91255	91255-GLE0-006	OIL SEAL 27*42*7	油封	1	
	91301	91301-0C53-001	O RING 7.5*1.5	O 環	1	
	94301	94301-10200	DOWEL PIN 10*20	插銷	2	
	94510	94510-20000	CIR CLIP EX 20	夾環	1	

E09

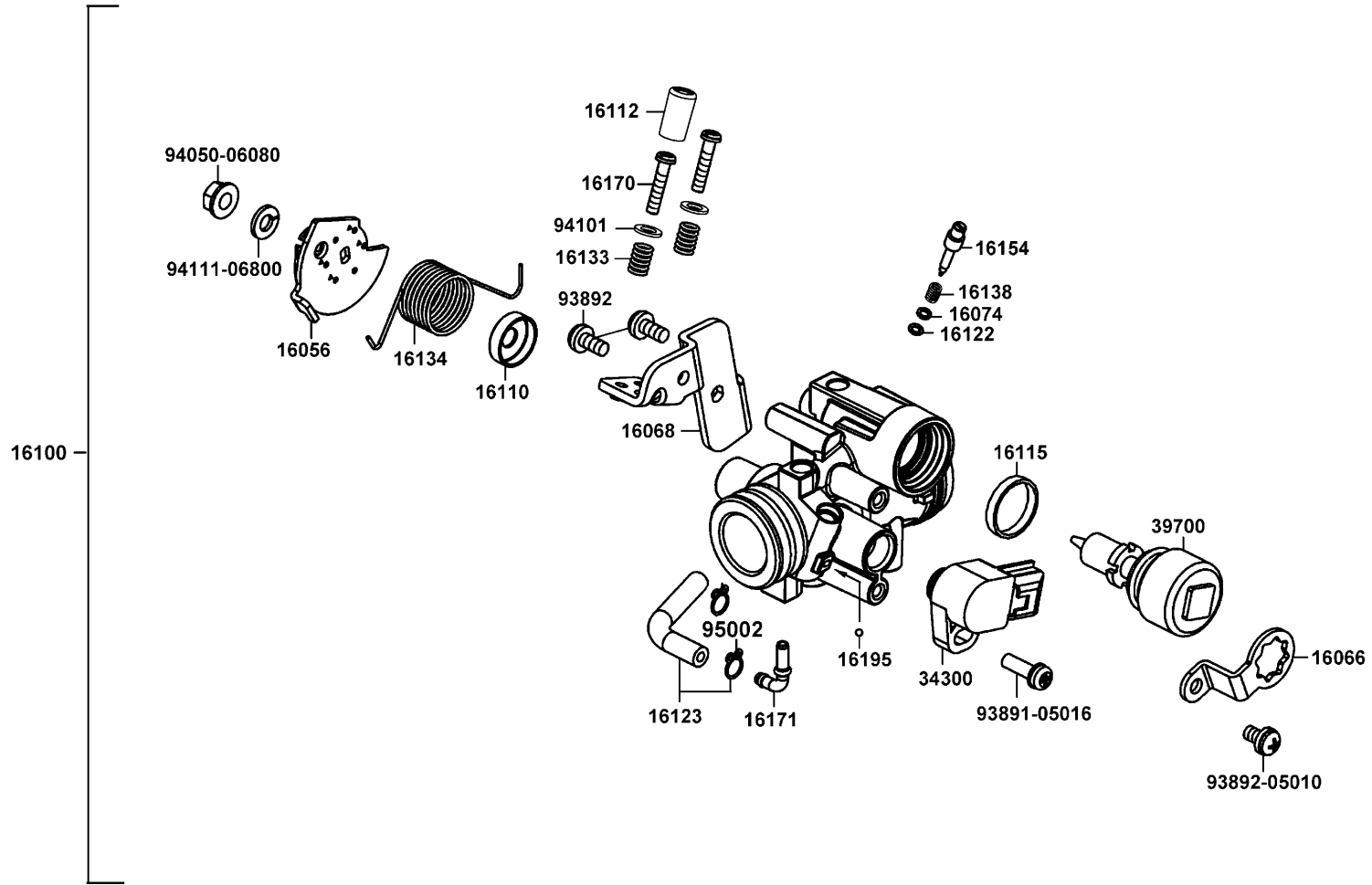
Carburetor 化油器



Sales mark 配色標註	Ref no 參考號碼	Part no 零件號碼	Description 英文名稱	Reg description 中文名稱	Regd no 需求用量	E09
	16056	16056-LGK8-900	LEVER ASSY.,THROTTLE	節流閥拉桿組	1	
	16066	16066-LGK8-900	PLATE, ISC	怠速旁通閥固定板	1	
	16068	16068-LGK8-900	PLATE WIRE FIXED	固定線板	1	
	16074	16074-KEC3-900	WASHER IDLE SCREW	華司	1	
	16100	16100-LGK8-900	THROTTLE BODY ASSY	節流閥本體組	1	
	16110	16110-KKE3-900	WASHER THROTTLE COMP	華司	1	
	16112	16112-KKE3-900	COVER IDLE SCREW	蓋	1	
	16115	16115-LGM5-900	COLLAR ISC	ISC 軸環	1	
	16122	16122-KEC3-900	O-RING IDLE SCREW	O型環	1	
	16123	16123-LFG6-900	TUBE COMPL 3.5X180	TUBE COMPL 3.5X180	1	
	16133	16133-KEC3-900	SPG THROTTLE ADJUST SCREW	彈簧	2	
	16134	16134-LGK8-900	SPRING, THROTTLE SHAFT	彈簧	1	
	16138	16138-KEC3-900	SPG IDLE ADJ SCREW	彈簧	1	
	16154	16154-KKE3-900	SCREW IDLE ADJUST	螺絲	1	
	16170	16170-KEC3-900	SCREW THROTTLE ADJUST	調整螺絲	2	
	16171	16171-LGK8-900	JOINT COMP, BREATHER	通氣管接頭	1	
	16195	16195-KEC3-900	BALL 2.1	滾珠	1	
	34300	34300-LFG7-900	THROTTLE POSITION SENSOR	節流閥感應器	1	
	39700	39700-LGM5-800	VALVE,ISC	怠速控制閥	1	
	93891-05016	93891-05016-08	SCREW WASHER 5*16	螺絲 5X16	1	

E09

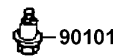
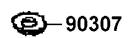
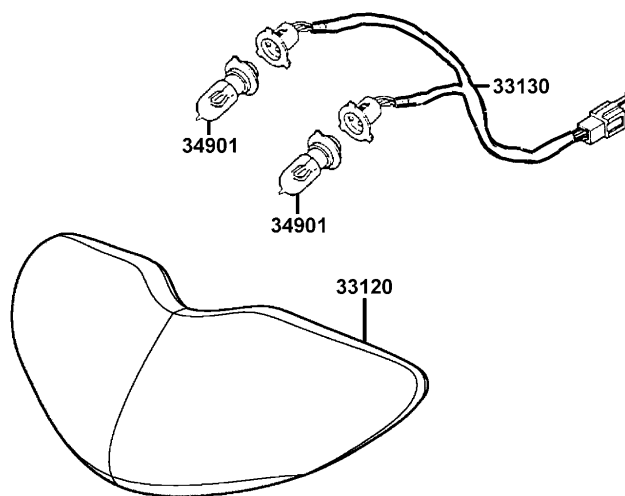
Carburetor 化油器



Sales mark 配色標註	Ref no 參考號碼	Part no 零件號碼	Description 英文名稱	Reg description 中文名稱	Regd no 需求用量	E09
	93892-05010	93892-05010-08	SCREW WASH 5*10	螺絲	1	
	93892	93892-05012-18	SCREW WASH 5*12	螺絲 5*12	2	
	94050-06080	94050-06080	NUT FLANGE 6MM	螺帽 6MM	1	
	94101	94101-KKE3-900	WASHER PLAN 4.5*8*0.8	墊圈	2	
	94111-06800	94111-06800	WASHER SPG 6MM	華司 6MM	1	
	95002	95002-02070	CLIP B7 TUBE	管夾	2	

F01

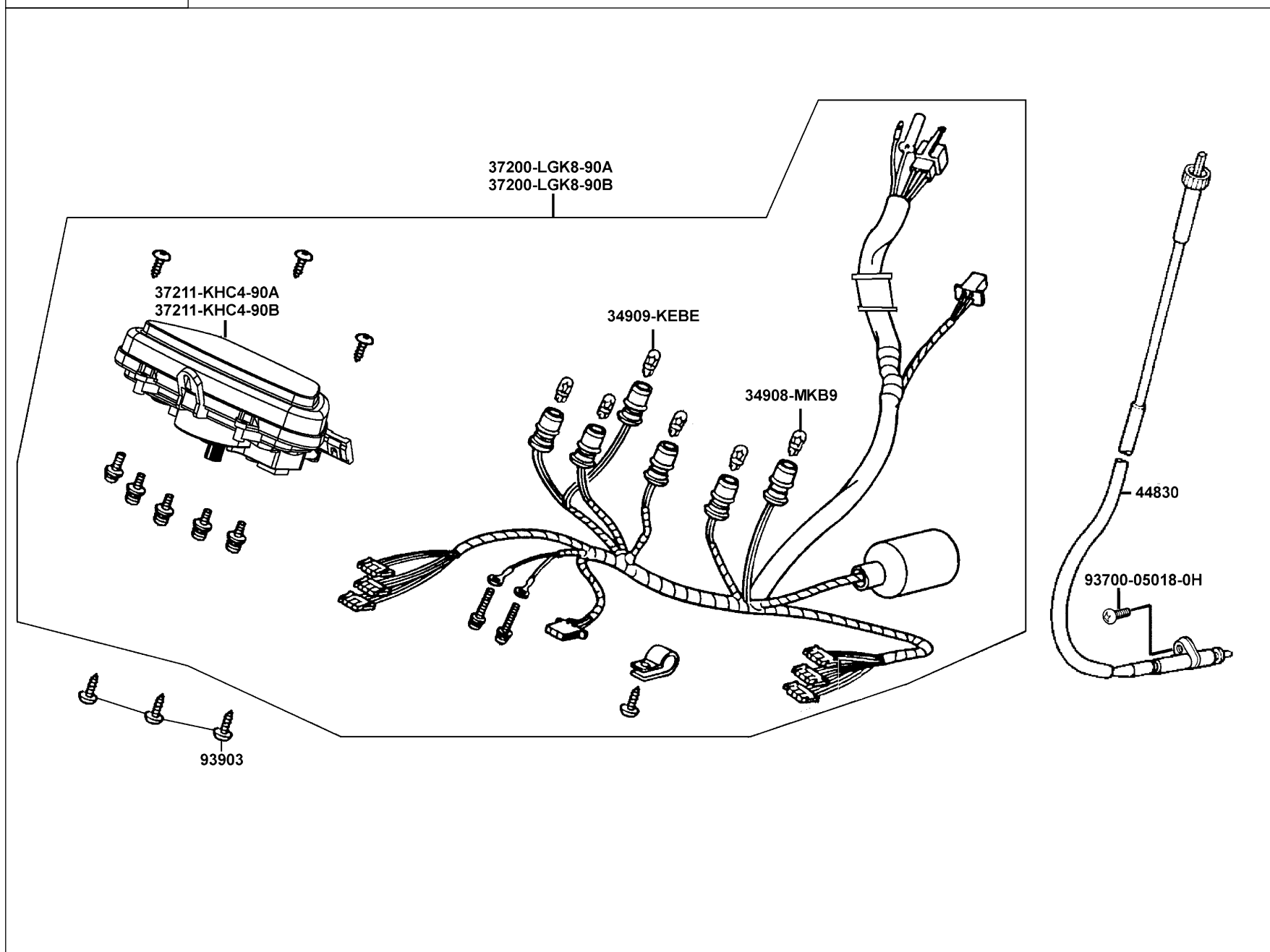
Head Light 前燈



Sales mark 配色標註	Ref no 參考號碼	Part no 零件號碼	Description 英文名稱	Reg description 中文名稱	Regd no 需求用量	F01
	33120	33120-KHC4-900	UNIT HEAD LIGHT	前燈殼	1	
	33130	33130-KHC4-900	SOCKET COMP	前燈配線	1	
	34901	34901-KYBY-900	BULB HEAD LIGHT	前燈泡(12V18W/18W)	2	
	90101	90101-GAR1-001	BOLT ADJUST	調整螺絲	1	
	90307	90307-GFJ6-004	WASHER LOCK 6MM	華司	1	

F02

Speedometer 儀錶



Sales mark 配色標註	Ref no 參考號碼	Part no 零件號碼	Description 英文名稱	Reg description 中文名稱	Regd no 需求用量	F02
	34908	34908-MKB9-87A	BULB WEDGE BASE	儀錶內指示燈泡	3	
	34909	34909-KEBE-900	BULB WEDGE BASE T6.5	儀錶內指示燈泡	2	
	37200-LGK8-90A	37200-LGK8-90A	METER ASS'Y, SPEED	速度儀錶組	1	
	37200-LGK8-90B	37200-LGK8-90B	METER ASS'Y, SPEED	速度儀錶組	1	
	37211-KHC4-90A	37211-KHC4-90A	LENS	儀錶蓋	1	
	37211-KHC4-90B	37211-KHC4-90B	LENS	儀錶蓋	1	
	44830	44830-KHC4-800	CABLE COMP SPDMT	速度錶導線	1	
	93700	93700-05018-0H	SCREW OVAL 5*18	螺絲 5*18	1	
	93903	93903-35320	SCREW TAPPING 5*16	螺絲 5*16	3	

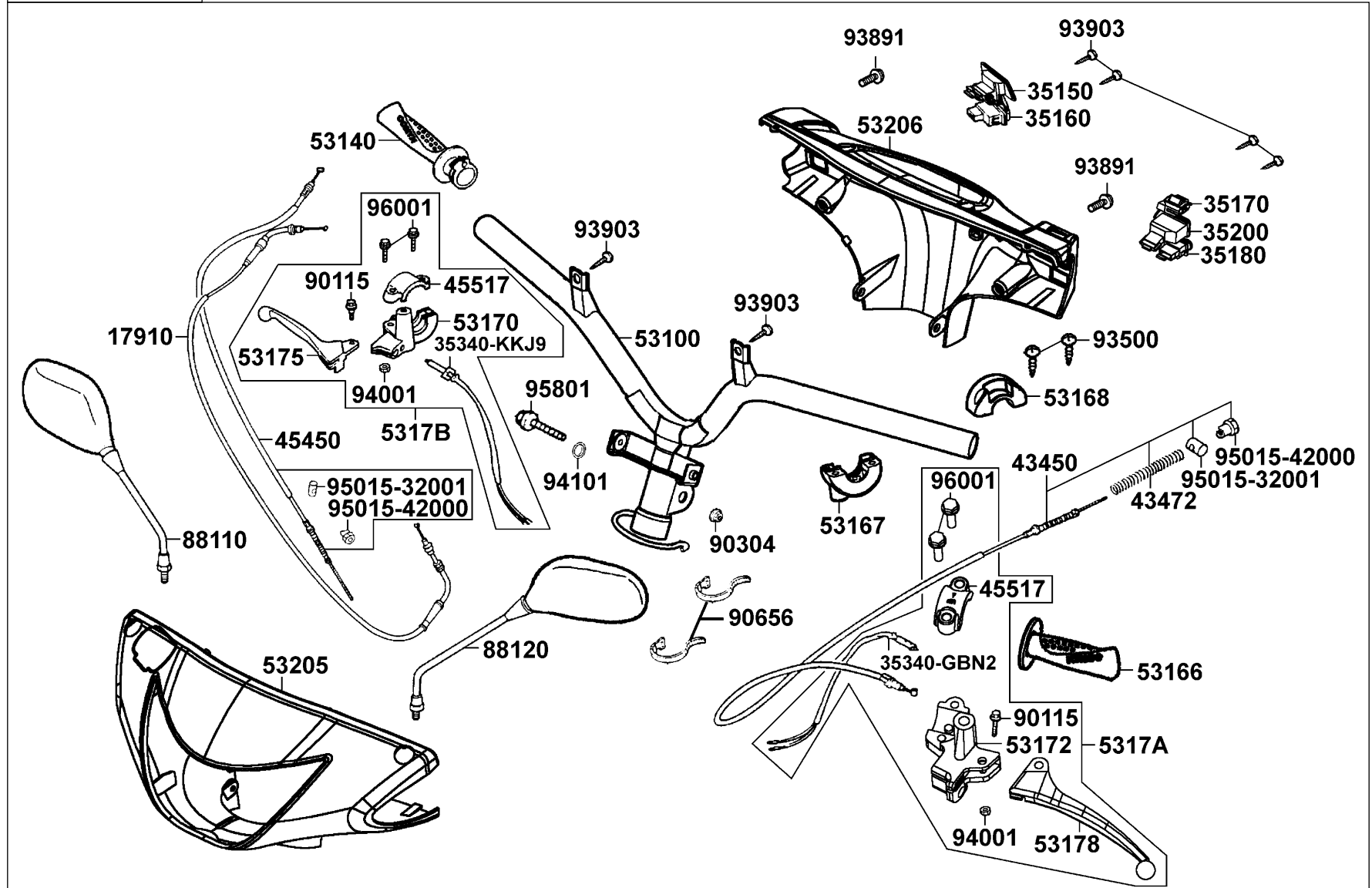


Sales mark 配色標註	Ref no 參考號碼	Part no 零件號碼	Description 英文名稱	Reg description 中文名稱	Regd no 需求用量	F03
	17910	17910-LGK8-900	CABLE COMP.,THROT	CABLE COMP.,THROT	1	
	35150	35150-GFY6-900	SW UNIT LIGHTING	前燈開關	1	
	35160	35160-GGS7-900	SW UNIT STARTER	起動開關	1	
	35170	35170-GGS7-900	SW UNIT DIMMER	遠近燈開關	1	
	35180	35180-GGS7-900	SW UNIT HORN	喇叭開關	1	
	35200	35200-GFY6-910	SW UNIT WINKER	方向燈開關	1	
	35340-GBN2	35340-GBN2-770	SW ASSY FR STOP	剎車燈前置開關	1	
	35340-KKJ9	35340-KKJ9-010	SW ASSY FR STOP	煞車燈前置開關組	1	
	43450	43450-KHC4-910	CABLE COMP RR BRK	後煞車導線組	1	
	43472	43472-1A61-001	SPG RR BRK ARM	後煞車臂彈簧	1	
	45450	45450-KFA2-900	CABLE COMP FR BRK	前煞車導線	1	
	45517	45517-GFY6-900	HOLDER HNDL BRKT	手柄固定座夾板	2	
	53100	53100-KHC4-900	HANDLE COMP STRG	轉向手柄	1	
**	53140	53140-KFA1-900	GRIP COMP THROT **(1) C.2005.04.25	節流管套組/黑色 **(1) C.2005.04.25	1	
**	53166	53166-KFA1-900	GRIP L HANDLE **(1) C.2005.04.25	手柄左橡皮套/黑色 **(1) C.2005.04.25	1	
	53167	53167-KFA1-900	HOUSING UND THROT	節流管套下固定座	1	
	53168	53168-KFA1-900	HOUSING UP THROT	節流管套上固定座	1	
	53170	53170-KHC3-900	BRKT HANDLE RH	手柄支架	1	
	53172	53172-KHC4-900	BRKT L STRG HANDLE	手柄左托架	1	
**	53175	53175-KHC3-900	LEVER STRG HANDLE	手柄拉桿/黑色	1	

F03

Handle Steering Handle Cover

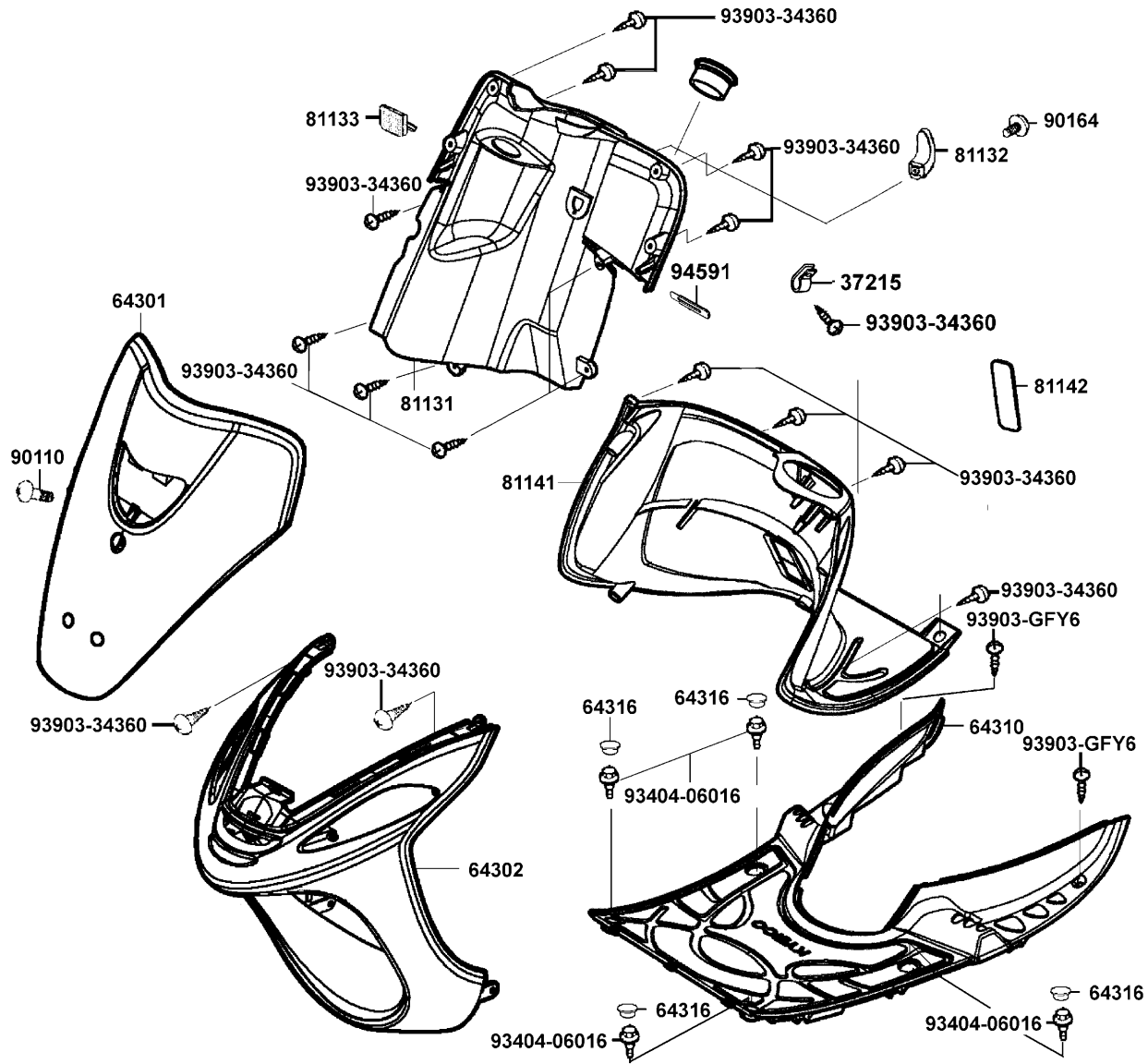
轉向手柄 手柄蓋



Sales mark 配色標註	Ref no 參考號碼	Part no 零件號碼	Description 英文名稱	Reg description 中文名稱	Regd no 需求用量	F03
**	53178	53178-KHC4-900	LEVER L STRG HANDLE	左拉桿	1	
	5317A	5317A-KHC4-900	BRKT ASSY HNDL L	手柄左托架組	1	
	5317B	5317B-KHC3-900	BRKT ASSY HNDL R	手柄右拉桿組	1	
**	53205	53205-KHC3-900	COVER FR HANDLE	轉向手柄前蓋	1	
**	53206	53206-KHC4-900	COVER HANDLE RR	轉向手柄後蓋	1	
	88110	88110-KHC4-900	MIRROR ASSY R BACK	右後視鏡	1	
	88120	88120-KHC4-900	MIRROR ASSY L BACK	左後視鏡	1	
	90115	90115-GLE0-001	BOLT HNDL LEVER PIVOT	拉桿螺絲	2	
	90304	90304-GHE8-004	NUT U 10MM	螺帽 10MM	1	
	90656	90656-GFY6-911	BAND OIL HOSE	油管束帶	2	
	93500	93500-05022-06	SCREW PAN 5*22	螺絲 5*22	2	
	93891	93891-05012-06	SCREW WASHER 5*12	螺絲 5*12	2	
	93903	93903-34360	SCREW TAPPING 4*12	螺絲 4*12	4	
	94001	94001-05080-0S	NUT HEX 5MM	螺帽 5MM	2	
	94101	94101-10800	WASHER PLAIN 10MM	華司 10MM	1	
	95015-32001	95015-32001	JOINT B BRAKE ARM	煞車導線接頭銷	2	
	95015-42000	95015-42000	NUT B ADJUST	調整螺帽	2	
	95801	95801-10040-08	BOLT FLANGE 10*40	特殊螺絲 10*40	1	
	96001	96001-06025-06	BOLT FLANGE 6*25	螺絲 6*25	4	

F04

Front Cover Floor Panel 前護蓋 腳踏板

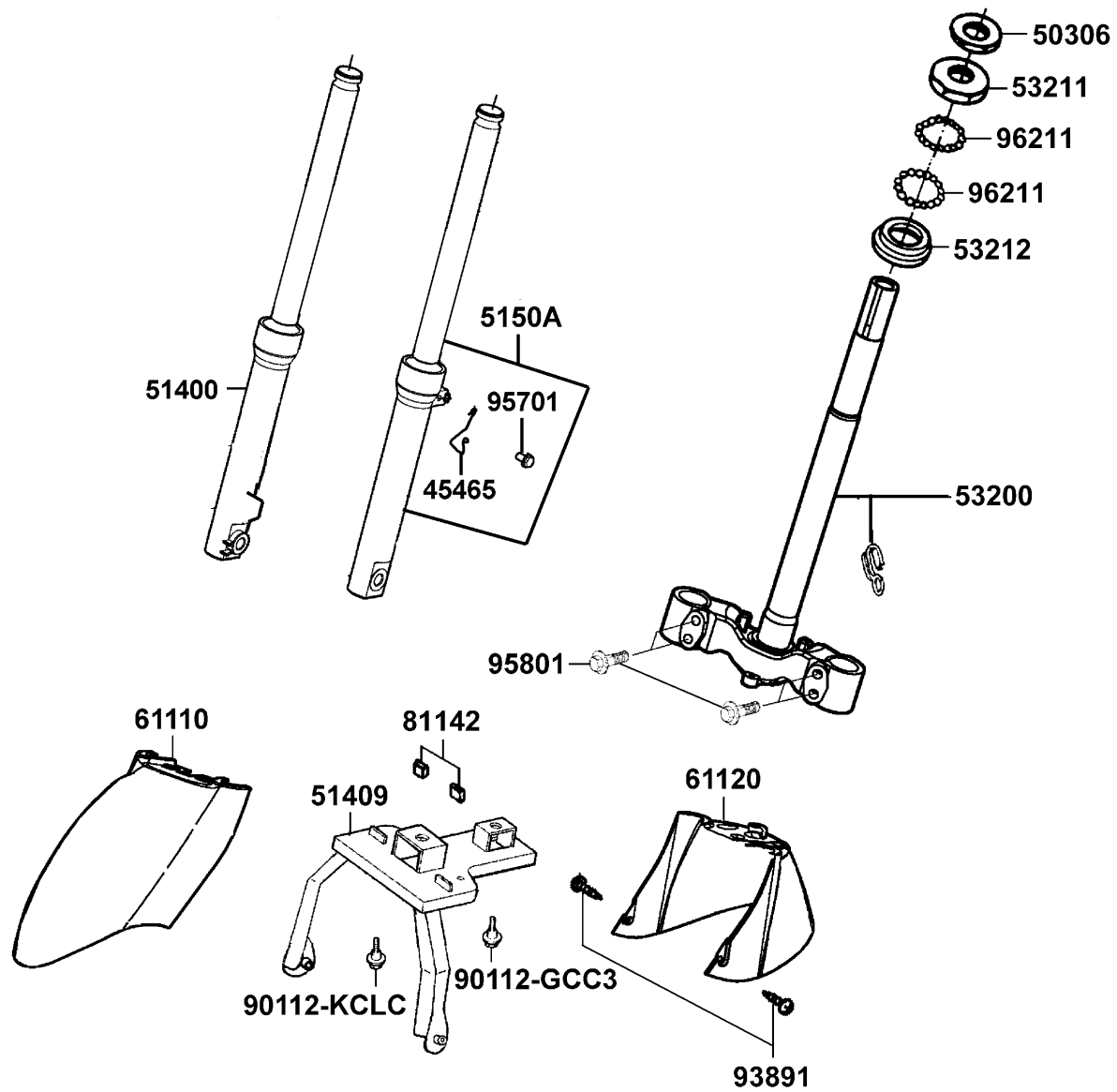


Sales mark 配色標註	Ref no 參考號碼	Part no 零件號碼	Description 英文名稱	Reg description 中文名稱	Regd no 需求用量	F04
	37215	37215-LEA2-900	CLAMP	夾子	1	
**	64301	64301-KHC3-365	COVER FR	前外蓋	1	
**	64302	64302-KHC3-900	FRONT MOLD	前護條	1	
**	64310	64310-KHC4-900	PANEL FLOOR	腳踏板	1	
**	64316	64316-KHC4-900	PLUG FLOOR	腳踏板蓋	4	
**	81131	81131-KHC4-900	COVER FR INNER UP	內箱上蓋	1	
**	81132	81132-GHAH-001	HOOK LUGGAGE	安全帽掛鉤	1	
	81133	81133-KNBN-901	STOPPER LUGGAGE	內箱襯蓋	1	
**	81141	81141-KHC4-900	LEG SHIELD LOW	前下內箱	1	
**	81142	81142-KUDU-900	LID LEG SHIELD	內箱蓋	1	
	90110	90110-GLW0-001	SCREW SPECIAL 6*14	螺絲 6*14	1	
	90164	90164-MDR4-901	SCREW SPECIAL 6MM	特殊螺絲 6MM	1	
	93404-06016	93404-06016-06	BOLT WASHER 6*16	螺絲 6*16	4	
	93903-34360	93903-34360	SCREW TAPPING 4*12	螺絲 4*12	16	
	93903-GFY6	93903-GFY6-900	SCREW TAPPING 4*14	螺絲 4*14	2	
	94591	94591-27000	CLIP 2*70	夾子 2*70	1	

F05

Front Cushion

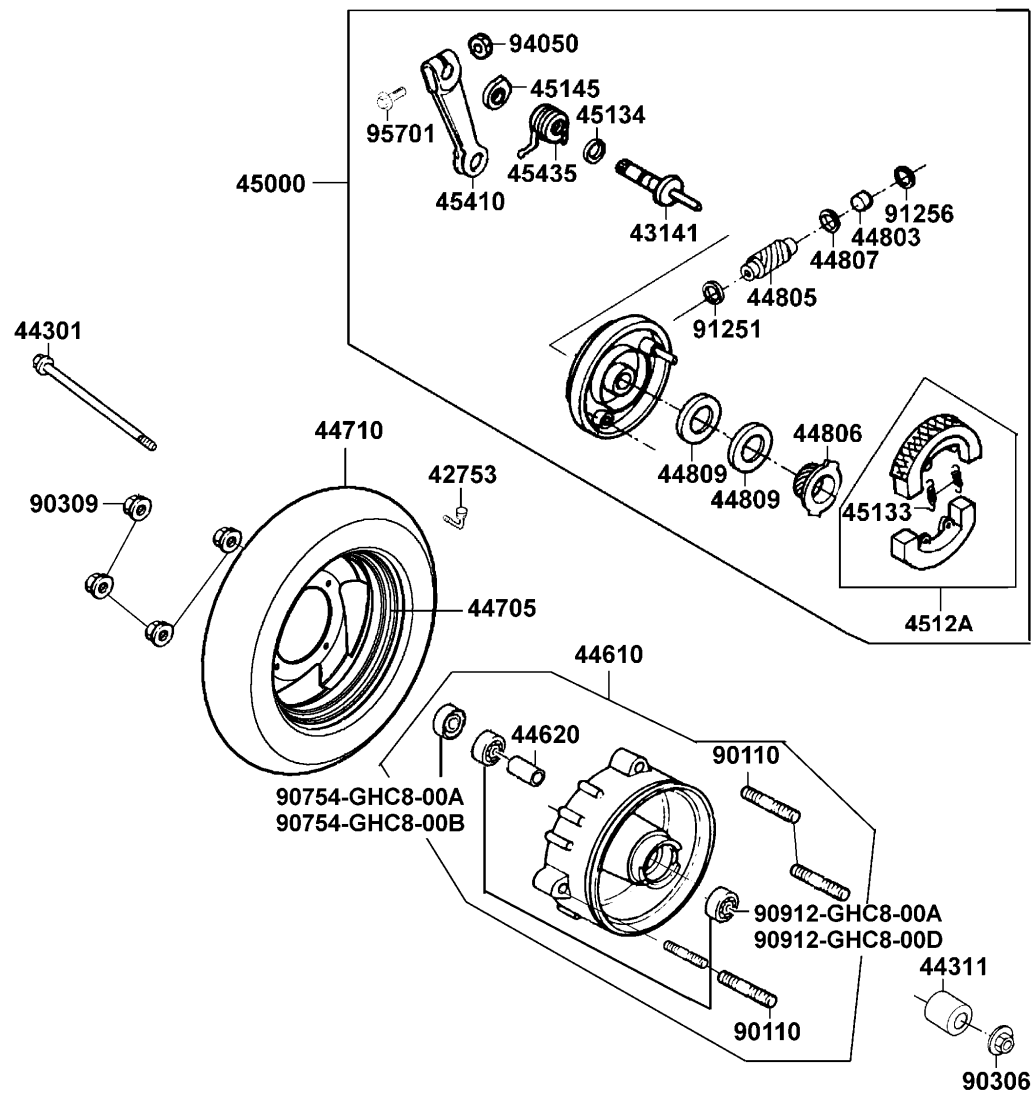
前避震器



Sales mark 配色標註	Ref no 參考號碼	Part no 零件號碼	Description 英文名稱	Reg description 中文名稱	Regd no 需求用量	F05
	45465	45465-KFB5-900	GUIDE CABLE SPDMT	導線夾	1	
	50306	50306-1F96-001	NUT STRG STEM LOCK	主幹螺帽	1	
**	51400	51400-KHC3-900	FORK ASSY R FR	右前避震器	1	
	51409	51409-KFA2-900	STAY FENDER FR	前土除支架	1	
**	5150A	5150A-KHC3-900	FORK ASSY L FR	左前避震器	1	
	53200	53200-KFA2-900	STEM COMP STRG	轉向桿	1	
	53211	53211-GFY6-940	RACE STRG TOP CONE	上錐體座圈	1	
	53212	53212-GHC8-004	RACE (STRG BOTTOM) CONE	下錐體座圈	1	
**	61110	61110-KFA2-900	FENDER A FR	前土除 A	1	
**	61120	61120-KFA2-900	FENDER FR B	前土除B	1	
	81142	81142-KCLC-900	RUBBER LID STOPPER	橡皮	2	
	90112-GCC3	90112-GCC3-001	BOLT SPECIAL 5MM	螺絲 5MM	1	
	90112-KCLC	90112-KCLC-900	BOLT SPECIAL 5MM	特殊螺絲 5MM	1	
	93891	93891-06016-06	SCREW WASHER 6X16	螺絲 6X12	2	
	95701	95701-06012-08	BOLT FLANGE 6*12	螺絲 6*12	1	
	95801	95801-08040-08	BOLT FLANGE 8*40	螺絲 8*40	4	
	96211	96211-05000	BALL STEEL # 5	上端鋼珠 #5	55	

F06

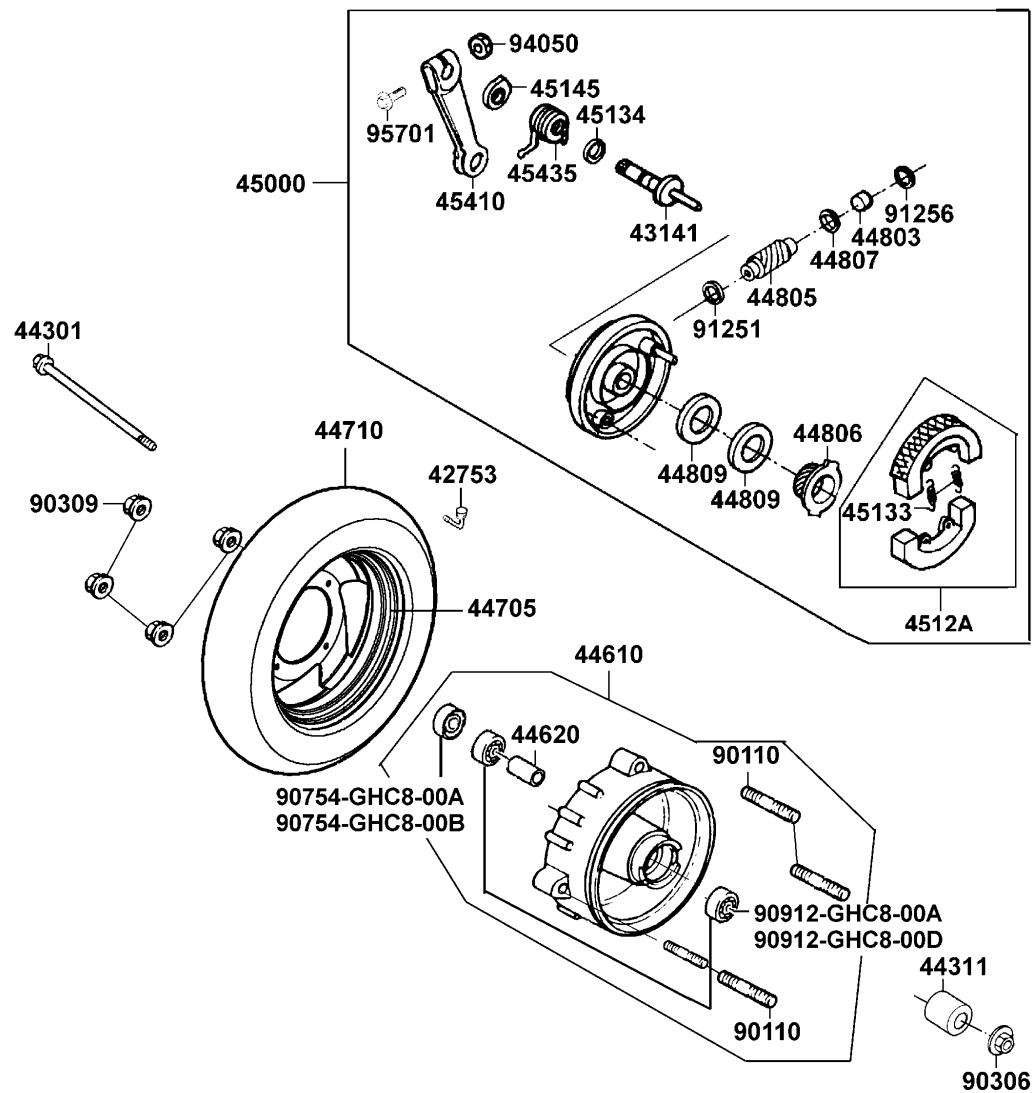
Front Wheel 前輪



Sales mark 配色標註	Ref no 參考號碼	Part no 零件號碼	Description 英文名稱	Reg description 中文名稱	Regd no 需求用量	F06
	42753	42753-0D04-900	RIM VALVE (PVR 70)	打氣嘴	1	
	43141	43141-4L00-011	CAM REAR BRAKE	後煞車凸輪	1	
	44301	44301-KBE2-981	AXLE FR WHEEL	前輪軸	1	
	44311	44311-GLW0-901	COLLAR FR WHEEL SIDE	前輪邊套筒	1	
**	44610	44610-GLW0-305	HUB SUB ASSY FR	前輪轂組	1	
	44620	44620-GHC8-001	COLLAR FR AXLE DISTANCE	前輪軸距套筒	1	
**	44705	44705-KHC4-900	RIM COMP FR WHEEL	前輪圈	1	
	44710	44710-KGBG-90A-G303	TIRE ASSY RR	後輪胎	1	
	44803	44803-GFY6-90A	BUSH PINION	速度錶小齒輪襯套	1	
	44805	44805-KECE-800	PINION SPDMT	速度錶小齒輪	1	
	44806	44806-KECE-800	GEAR SPDMT	速度錶齒輪	1	
	44807	44807-0A01-004	WASHER GEAR BOX PINION	華司	1	
	44809	44809-1L70-004	WASHER SPEEDOMETER GEAR	華司	1	
**	45000	45000-LGM9-900	PANEL SUB COMP FR BRAKE	前煞車板組	1	
#	4512A	4512A-LCB4-910	SHOE COMP RR BRAKE	後煞車鞋	1	
	45133	45133-0H28-001	SPRING BRAKE SHOE	煞車鞋彈簧	2	
	45134	45134-2L50-001	BRAKE CAM DUST SEAL	凸輪防塵封	1	
	45145	45145-0F96-651	INDICATOR FRONT BRAKE	前煞車指示器	1	
	45410	45410-GBB2-001	ARM FRONT BRAKE	前煞車臂	1	
	45435	45435-GBB2-721	SPG BRK ARM RETURN	煞車臂回位彈簧	1	

F06

Front Wheel 前輪

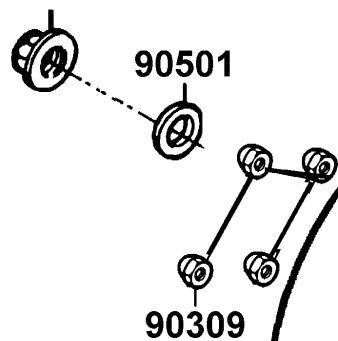


Sales mark 配色標註	Ref no 參考號碼	Part no 零件號碼	Description 英文名稱	Reg description 中文名稱	Regd no 需求用量	F06
	90110	90110-KHG8-901	BOLT STUD2 8*22	雙頭螺絲 8X22	4	
	90306	90306-KLF0-004-SY	NUT FLANGE 12MM	螺帽 12MM	1	
	90309	90309-GLW0-90A	NUT U FLANGE 8MM	螺帽 8MM	4	
	90754-GHC8-00A	90754-GHC8-00A	SEAL DUST 20*32*5	油封 20*32*5	1	
	90754-GHC8-00B	90754-GHC8-00B	SEAL DUST 20*32*5	油封 20*32*5	1	
	90912-GHC8-00A	90912-GHC8-00A	BEARING 6201	軸承	2	
	90912-GHC8-00D	90912-GHC8-00D	BEARING 6201	軸承	2	
	91251	91251-GHC8-004	SEAL OIL 41*51*5	油封	1	
	91256	91256-GAC1-004	SEAL DUST	防塵封	1	
	94050	94050-06080	NUT FLANGE 6MM	螺帽 6MM	1	
	95701	95701-06028-08	BOLT FLANGE 6*28	螺絲 6X28	1	

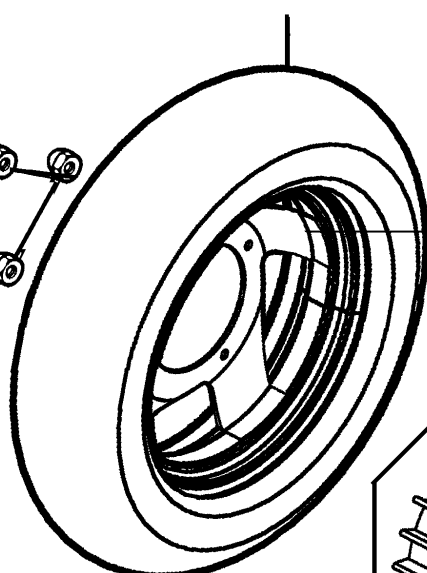
F07

Rear Wheel 後輪

90305-KNBN-90A  
90305-KNBN-90B



44710

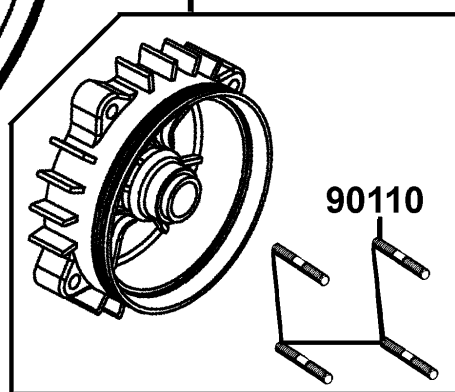


42753

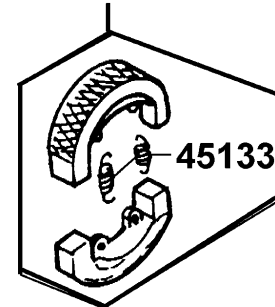


42705

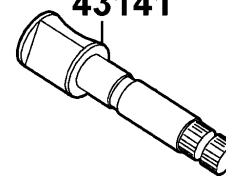
42610



4312A



43141



91352



95701

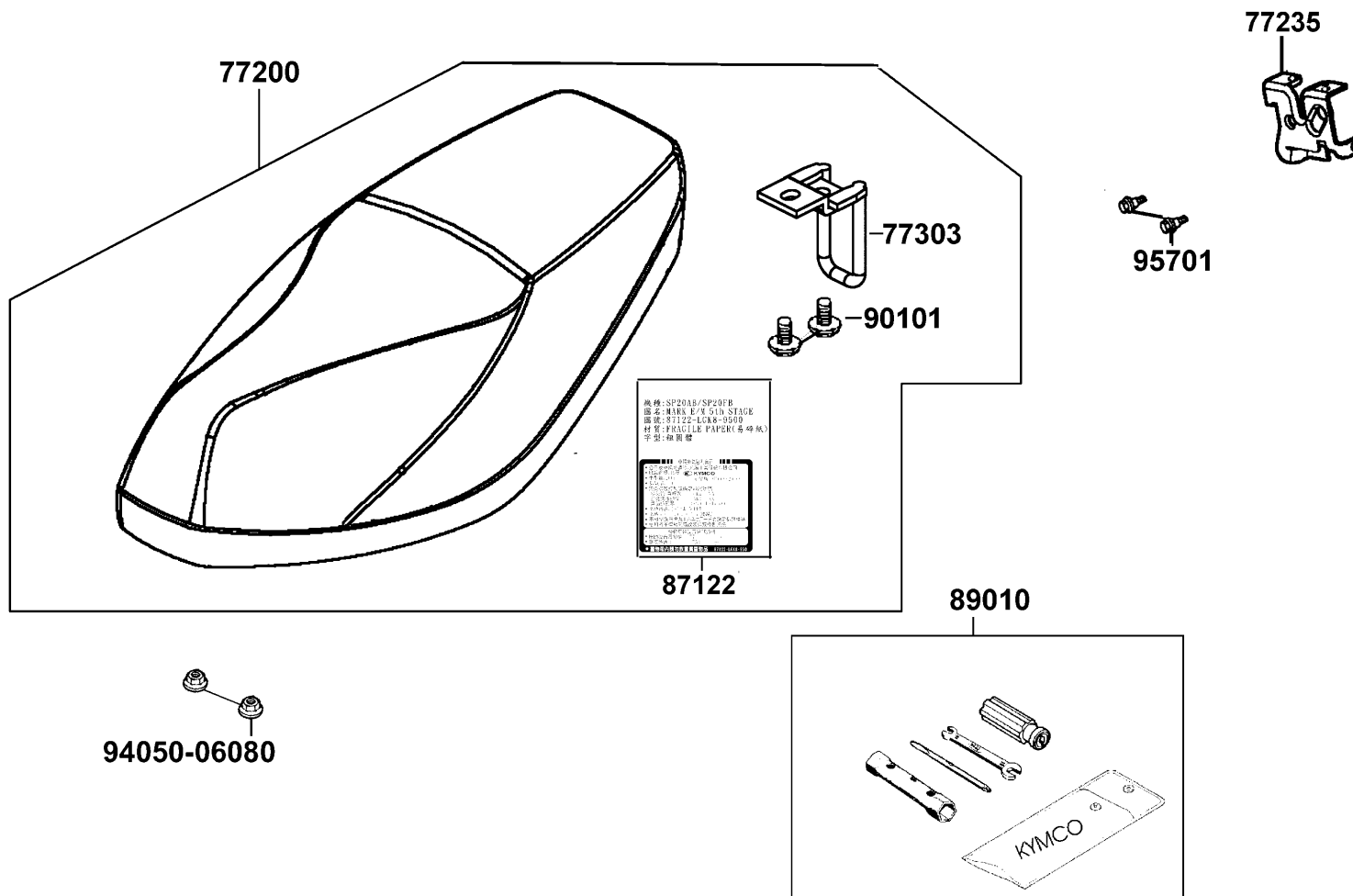
43410



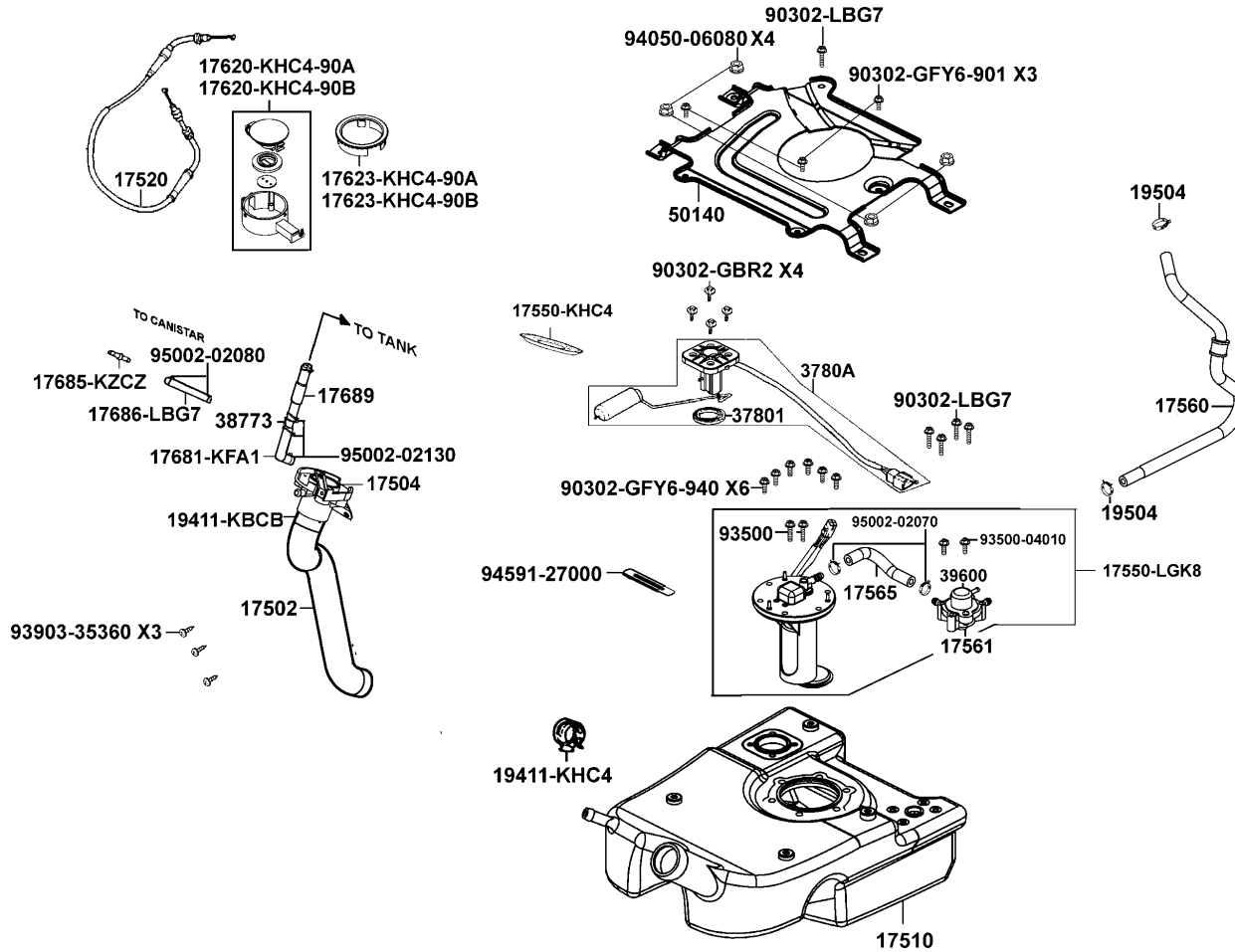
Sales mark 配色標註	Ref no 參考號碼	Part no 零件號碼	Description 英文名稱	Reg description 中文名稱	Regd no 需求用量	F07
**	42610	42610-GKAK-901	HUB SUB COMP RR	後輪轂	1	
**	42705	42705-KHC4-900	RIM COMP WHEEL	後輪鋼圈	1	
	42753	42753-0D04-900	RIM VALVE (PVR 70)	打氣嘴	1	
#	4312A	4312A-LGM1-900	SHOE ASSY ,RR BRAKE	後煞車鞋組	1	
	43141	43141-GKAK-901	CAM RR BRAKE	後煞車凸輪	1	
	43410	43410-KFA1-900	ARM COMP RR BRAKE	後煞車臂	1	
	44710	44710-KGBG-90A-G303	TIRE ASSY RR	後輪胎	1	
	45133	45133-0H28-001	SPRING BRAKE SHOE	煞車鞋彈簧	2	
	90110	90110-KHG8-901	BOLT STUD2 8*22	雙頭螺絲 8X22	4	
	90305-KNBN-90A	90305-KNBN-90A	NUT U 16MM(C)	安全螺帽 16MM	1	
	90305-KNBN-90B	90305-KNBN-90B	NUT U 16MM	螺帽 16MM	1	
	90309	90309-GLW0-90A	NUT U FLANGE 8MM	螺帽 8MM	4	
	90501	90501-KNBN-901	WASHER 16MM	華司 16MM	1	
	91352	91352-KHG8-83B	O-RING 11.3*1.3	O環 11.3*1.3	1	
	95701	95701-06032-08	BOLT FLANGE 6*32	螺絲 6*32	1	

F08

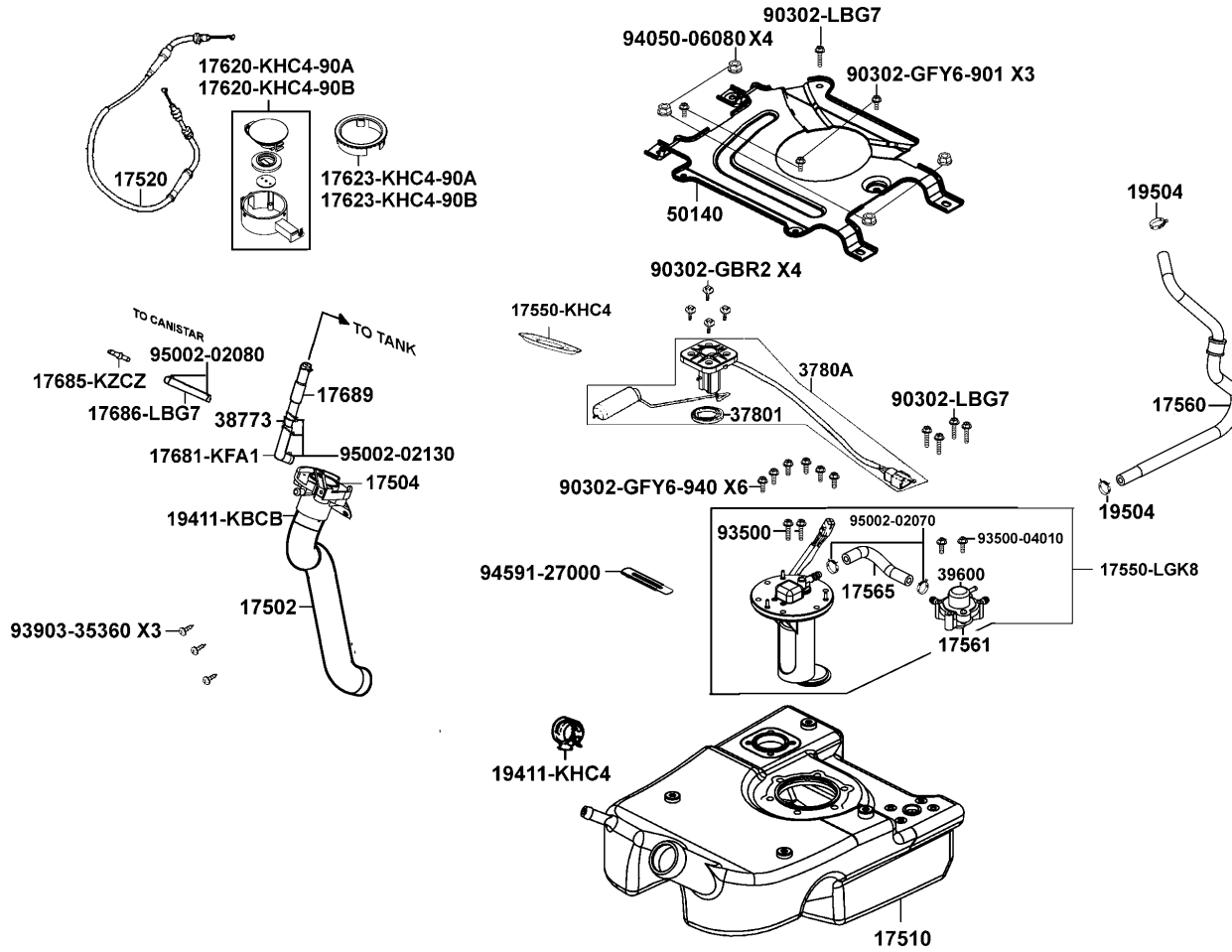
Seat 座墊



Sales mark 配色標註	Ref no 參考號碼	Part no 零件號碼	Description 英文名稱	Reg description 中文名稱	Regd no 需求用量	F08
**	77200	77200-LGK8-900	SEAT ASSY.	座墊	1	
	77235	77235-KHC4-900	SEAT CATCH COMP	座墊鉤	1	
	77303	77303-KHC4-900	HOOK SEAT LOCK	座墊掛鉤鎖	1	
**	87122	87122-LGK8-950	MARK E/M 5th STAGE	法規貼紙	1	
	89010	89010-KGBG-900	TOOL SET	手工具組	1	
	90101	90101-KGC4-E00	SCREW SPECIAL 6*15	特殊螺絲 6*15	2	
	94050	94050-06080	NUT FLANGE 6MM	螺帽 6MM	2	
	95701	95701-06016-08	BOLT FLANGE 6*16	螺絲 6*16	1	



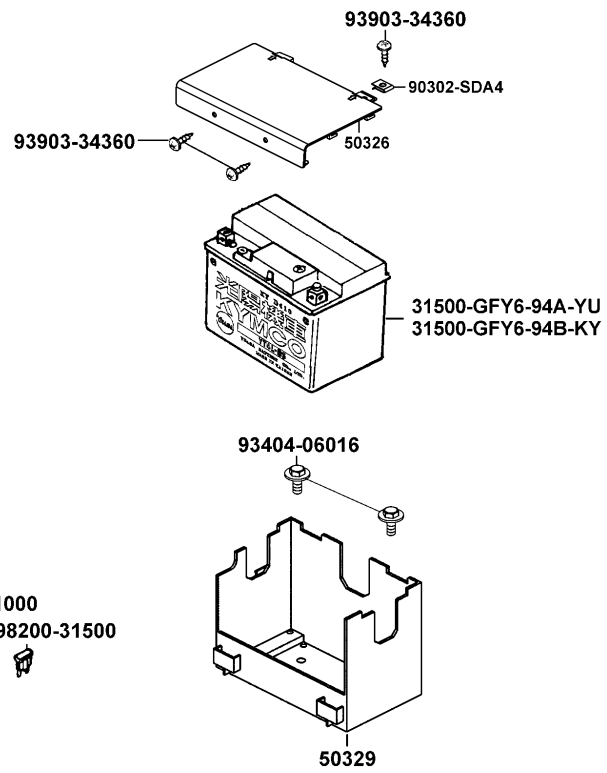
Sales mark 配色標註	Ref no 參考號碼	Part no 零件號碼	Description 英文名稱	Reg description 中文名稱	Regd no 需求用量	F09
	17502	17502-KHC4-900	HOSE FUEL	油管	1	
	17504	17504-KHC4-900	PIPE COMP FUEL FILLER	加油漏斗	1	
	17510	17510-LGK8-900	TANK COMP.,FUEL	TANK COMP.,FUEL	1	
	17520	17520-KHC4-900	CABLE COMP FUEL CAP	油箱蓋導線	1	
	17550-KHC4	17550-KHC4-900	TRAY FUEL CAP	油箱護蓋	1	
	17550-LGK8	17550-LGK8-900	FUEL PUMP,ASS'Y.	汽油幫浦總成	1	
	17560	17560-LGK8-900	TUBE,PUMP-INJECTOR	TUBE,PUMP-INJECTOR	1	
#	17561	17561-LGK8-900	RUBBER BUSH	襯套橡皮	1	
	17565	17565-LGK8-900	TUBE PUMP-REC	通風管	1	
	17620-KHC4-90A	17620-KHC4-90A	CAP COMP FUEL FILLER	油箱蓋	1	
	17620-KHC4-90B	17620-KHC4-90B	CAP COMP FUEL FILLER	油箱蓋	1	
	17623-KHC4-90A	17623-KHC4-90A	COLLAR FUEL CAP	油箱蓋套筒	1	
	17623-KHC4-90B	17623-KHC4-90B	COLLAR FUEL CAP	油箱蓋套筒	1	
	17681	17681-KFA1-900	TUBE JOINT 3 WAY	油管	1	
	17685	17685-KZCZ-900	JOINT TUBE	油管接頭	1	
	17686	17686-LBG7-900	TUBE ASSY FUEL	油管	1	
	17689	17689-LEB1-900	TUBE ASSY FILLER	油管	1	
	19411-KBCB	19411-KBCB-900	CLIP HOSE	油管鎖環	1	
	19411-KHC4	19411-KHC4-900	CLIP HOSE	管夾	1	
#	19504	19504-LBA2-E00	CLAMP D 16.8	管夾	2	



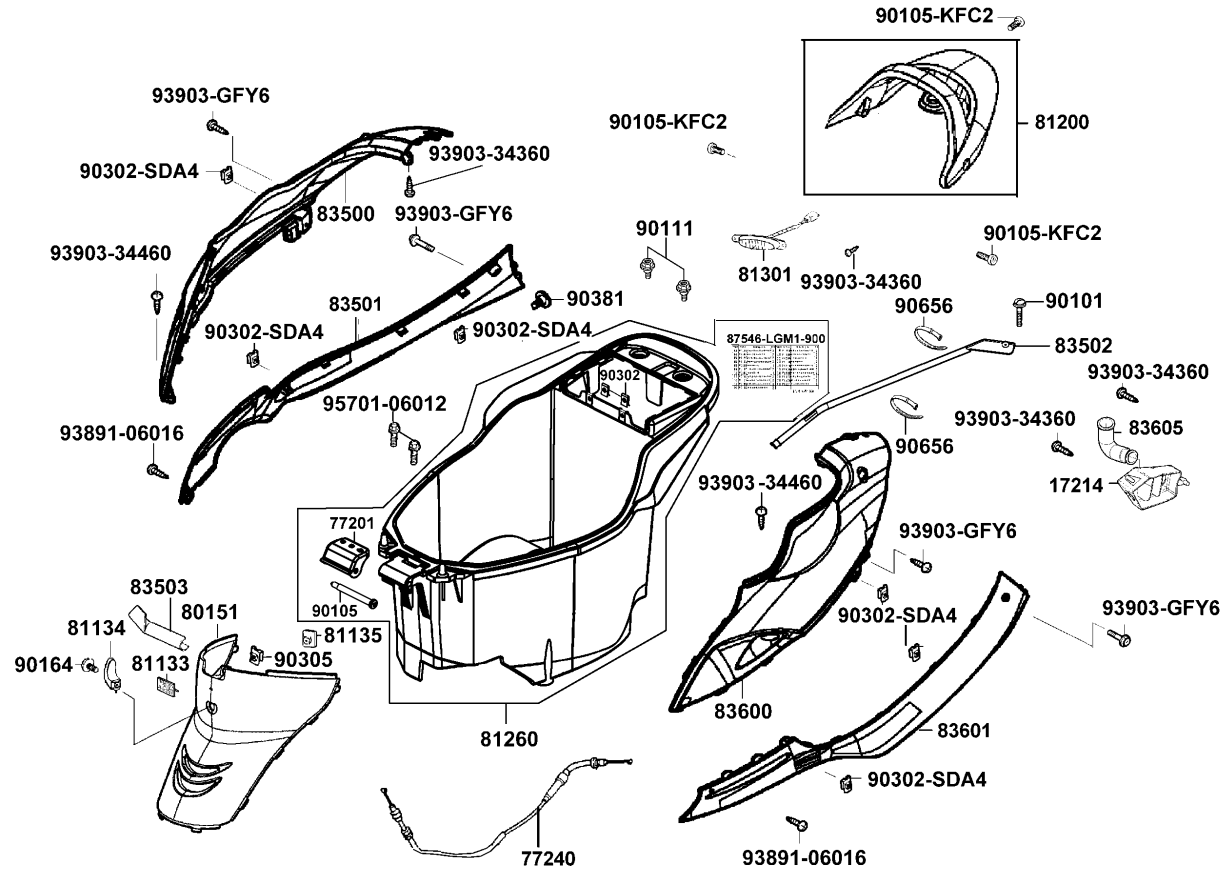
Sales mark 配色標註	Ref no 參考號碼	Part no 零件號碼	Description 英文名稱	Reg description 中文名稱	Regd no 需求用量	F09
	37801	37801-LAB4-910	PACKING BASE	墊圈	1	
#	3780A	3780A-LGM9-900	FUEL UNIT ASS'Y,	燃油指示器組	1	
	38773	38773-KBCB-900	JOINT 3 WAY	3通管	1	
	39600	39600-LGK8-800	"REGULATOR,FUEL"	"REGULATOR,FUEL"	1	
	50140	50140-LGM9-900	BRKT., FLOOR	BRKT., FLOOR	1	
	90302-GBR2	90302-GBR2-001	BOLT WASH 5*16	螺絲 5*16	4	
	90302-GFY6-901	90302-GFY6-901	BOLT WASH 5*12	螺絲 5*12	3	
	90302-GFY6-940	90302-GFY6-940	BOLT-WASH 5*16	螺絲 5*16	6	
	90302-LBG7	90302-LBG7-900	BOLT-WASH 5X35 (G)	螺絲5X35	5	
	93500-04010	93500-04010-0G	SCREW PAN 4X10	螺絲 4X10	2	
	93500-05010	93500-05010-0H	SCREW PAN 5*10	螺絲 5*10	1	
	93903	93903-35360	SCREW TAPPING 5*16	螺釘 5*16	3	
	94050	94050-06080	NUT FLANGE 6MM	螺帽 6MM	4	
	94591	94591-27000	CLIP 2*70	夾子 2*70	1	
	95002-02070	95002-02070	CLIP B7 TUBE	管夾	2	
	95002-02080	95002-02080	CLIP B8 TUBE	管夾	2	
	95002-02130	95002-02130	CLIP B 12.5 TURE	管夾	2	

F10

Battery 電瓶



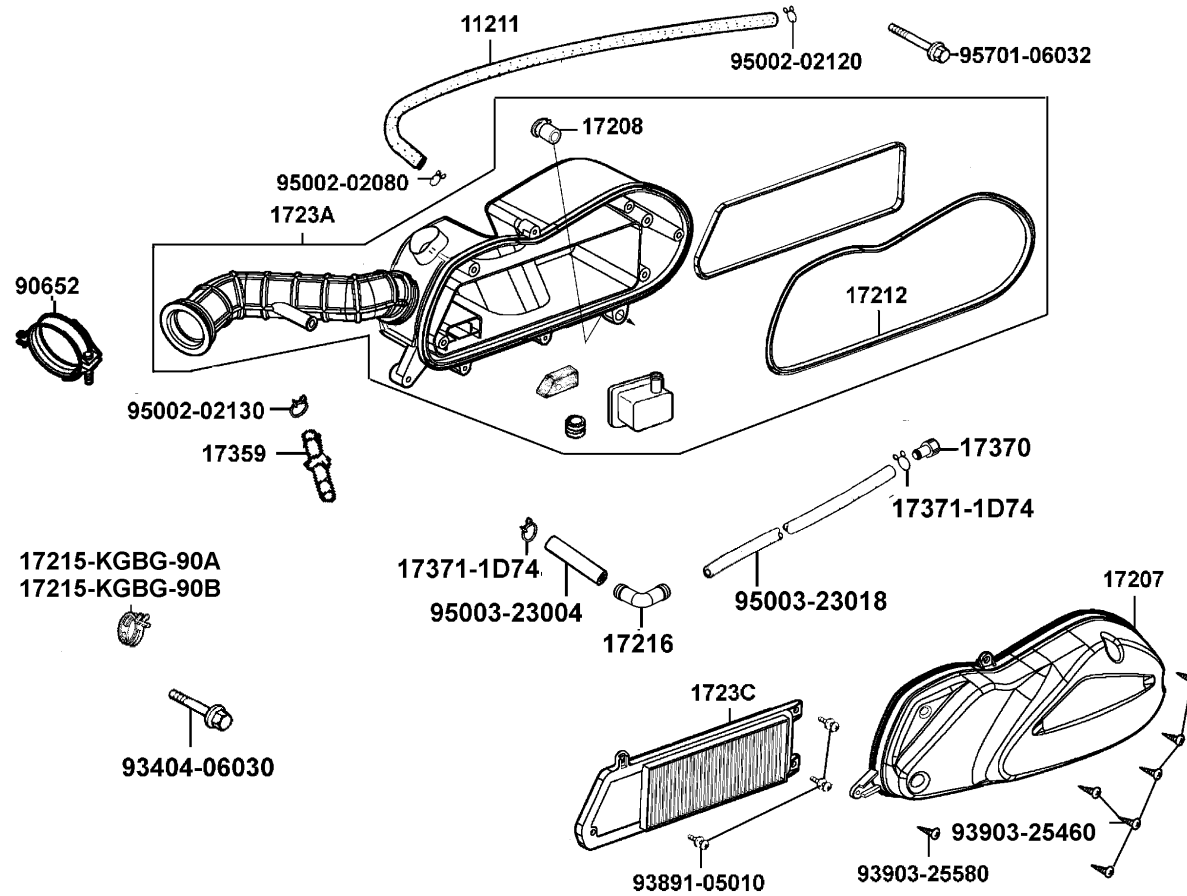
Sales mark 配色標註	Ref no 參考號碼	Part no 零件號碼	Description 英文名稱	Reg description 中文名稱	Regd no 需求用量	F10
	31500-GFY6-94A-YU	31500-GFY6-94A-YU	BATTERY YTX7A-BS	電瓶	1	
	31500-GFY6-94B-KY	31500-GFY6-94B-KY	BATTERY GTX7A-BS	電瓶	1	
	50326	50326-LGM9-900	COVER,BATTERY	COVER,BATTERY	1	
**	50329	50329-LGM9-900	BATTERY CASE	電池盒	1	
	90302	90302-SDA4-004	NUT SPRING 4MM	螺帽 4MM	1	
	93404	93404-06016-06	BOLT WASHER 6*16	螺絲 6*16	2	
	93903	93903-34360	SCREW TAPPING 4*12	螺絲 4*12	3	
	98200-31000	98200-31000	BLADE FUSE 10A	保險絲10A	1	
	98200-31500	98200-31500	BLADE FUSE 15A	保險絲15A	1	



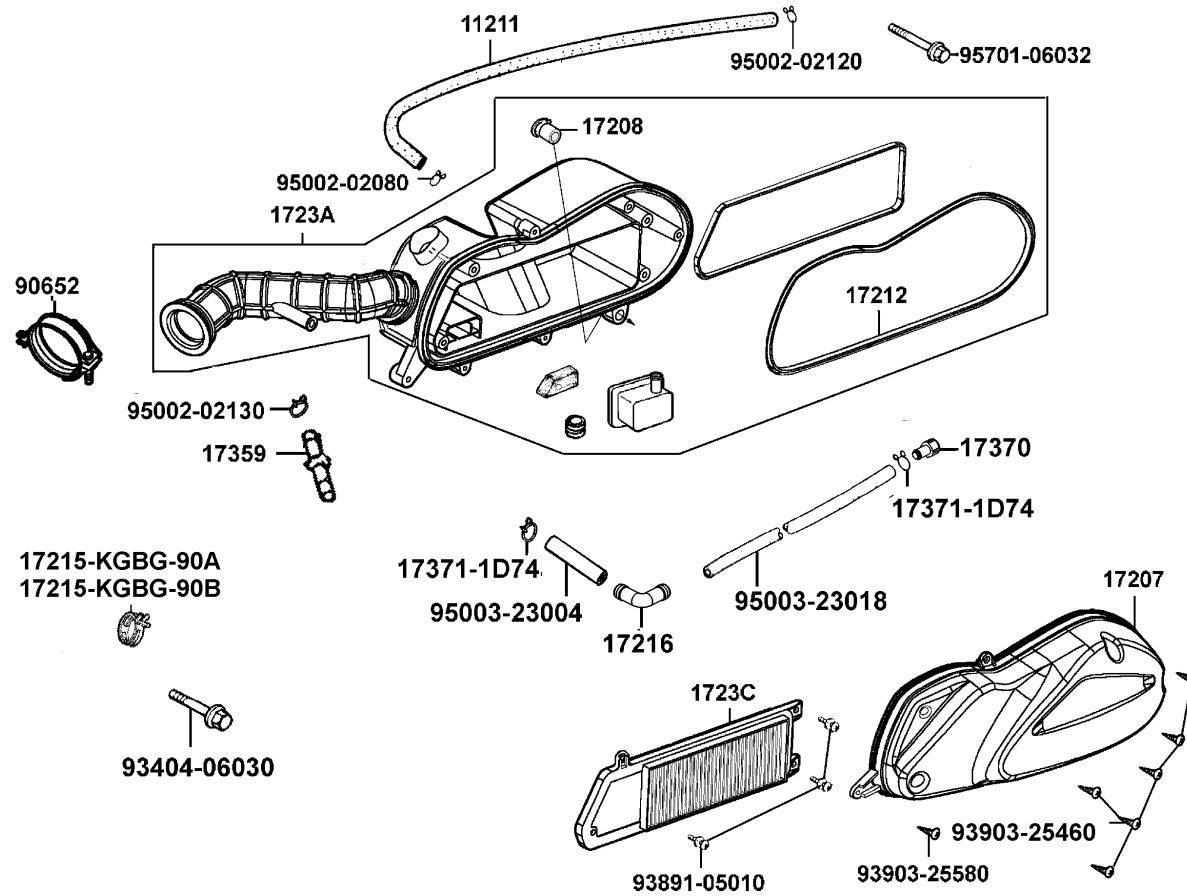
Sales mark 配色標註	Ref no 參考號碼	Part no 零件號碼	Description 英文名稱	Reg description 中文名稱	Regd no 需求用量	F11
	17214	17214-KHC4-900	DUCT A/C CASE	空氣濾清箱導管	1	
	77201	77201-GFS6-001	HINGE SEAT	座墊鉸鏈	1	
	77240	77240-KHC4-900	CABLE COMP SEAT LOCK	座墊導線	1	
**	80151	80151-KHC4-900	COVER CENTER	中心蓋	1	
	81133	81133-KGBG-900	STOPPER LUGGAGE	內箱襯蓋	1	
	81134	81134-KGBG-900	HOOK LUGGAGE	掛鉤	1	
	81135	81135-KGBG-900	STAY LUGGAGE HOOK	掛鉤座	1	
**	81200	81200-KHC4-900	GRIP RR	後載物架	1	
	81260	81260-LGK8-900	BOX LUGGAGE ASSY.	置物箱組	1	
	81301	81301-KHC4-800	LID RR GRIP	後架小蓋	1	
**	83500	83500-KHC4-365	COVER SET R BODY	右邊蓋組	1	
**	83501	83501-KHC4-900	SIDE MOLD R	右邊條	1	
	83502	83502-KHC4-900	PROTECTOR SEAT CABLE	座墊導線護套	1	
	83503	83503-KHC4-900	COVER PROTECT SEAT WIRE FR	座墊導線護蓋	1	
**	83600	83600-KHC3-365	COVER SET L BODY	左邊蓋組	1	
**	83601	83601-KHC4-900	SIDE MOLD L	左邊條	1	
	83605	83605-KHC4-900	DUCT A/C INT	進氣導管	1	
**	87546-LGM1-900	87546-LGM1-900	CAUTION AFI	噴射系統維修貼紙	1	
	90101	90101-0G87-721	SCREW HEAD LIGHTT SET	螺絲	1	
	90105	90105-GFS6-001	PIN HINGE	座墊鉸鏈銷	1	



Sales mark 配色標註	Ref no 參考號碼	Part no 零件號碼	Description 英文名稱	Reg description 中文名稱	Regd no 需求用量	F11
	90105-KFC2	90105-KFC2-900	BOLT WASH 8*32	螺絲 8*32	3	
	90111	90111-1G87-001	BOLT FLANGE 6MM	螺絲 6MM	2	
	90164	90164-KGBG-900	SCREW SPECIAL 6MM	特殊螺絲 6MM	1	
	90302-SDA4	90302-SDA4-004	NUT SPRING 4MM	螺帽 4MM	6	
	90305	90305-GHK8-001	NUT CLIP 6MM	夾螺帽	1	
	90381	90381-GEZ5-001	SCREW SPECIAL 6*17	螺絲 6*17	1	
	90656	90656-KCBC-900	BAND OIL HOSE	油管束帶	2	
	93891-06016	93891-06016-06	SCREW WASHER 6X16	螺絲 6X12	2	
	93903-34360	93903-34360	SCREW TAPPING 4*12	螺絲 4*12	4	
	93903-34460	93903-34460	SCREW TAPPING 4*16	螺釘 4*16	2	
	93903-GFY6	93903-GFY6-900	SCREW TAPPING 4*14	螺絲 4*14	4	
	95701-06012	95701-06012-08	BOLT FLANGE 6*12	螺絲 6*12	2	



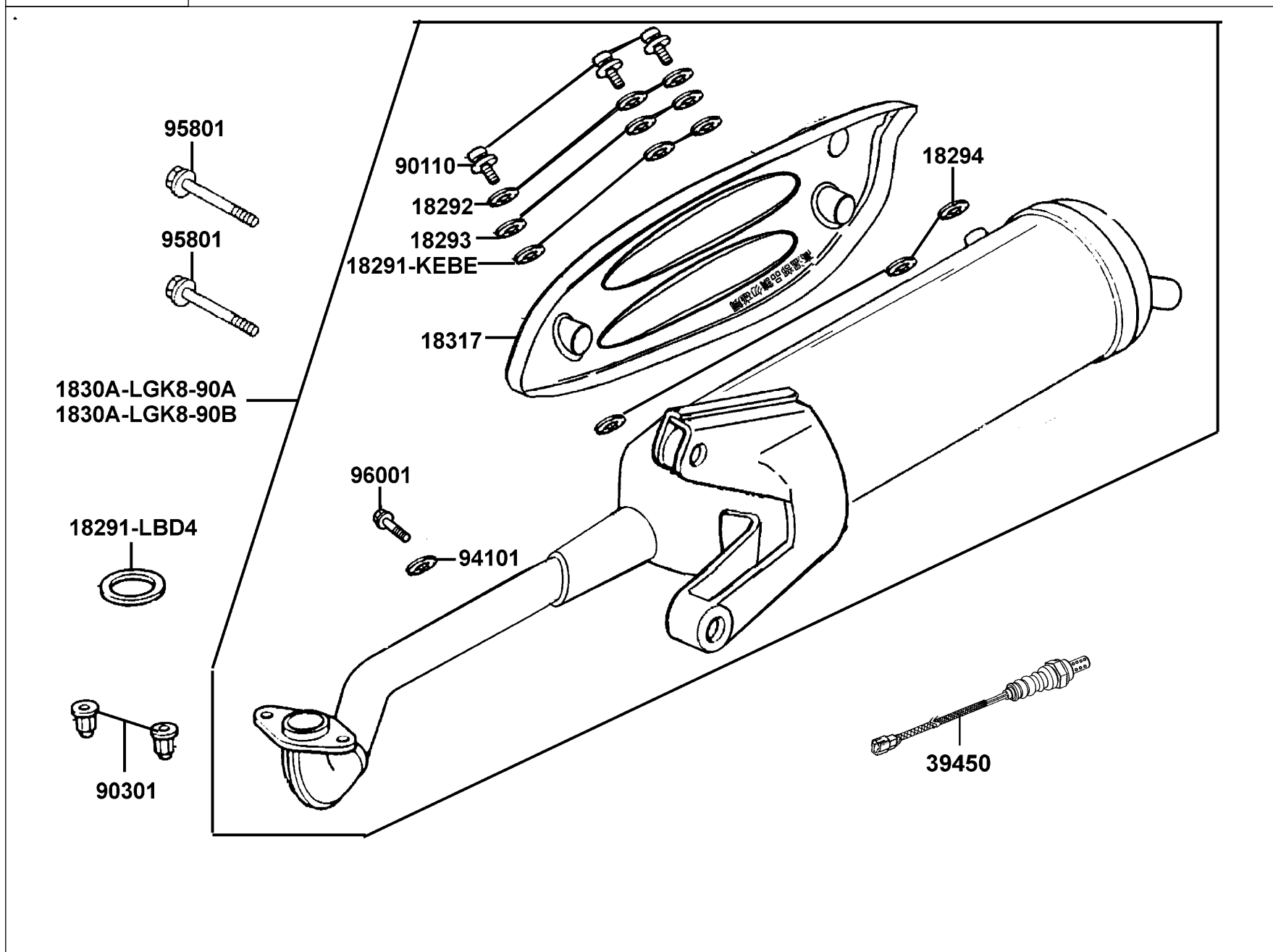
Sales mark 配色標註	Ref no 參考號碼	Part no 零件號碼	Description 英文名稱	Reg description 中文名稱	Regd no 需求用量	F12
	11211	11211-LGK8-900	TUBE, BREATHER	吹漏氣管	1	
	17207	17207-KHC4-900	COVER COMP AIR/C	空氣濾清箱蓋	1	
	17208	17208-GAR1-011	COLLAR AIR/C SET	套筒	1	
	17212	17212-KHC4-900	SEAL AIR/C CASE	空氣濾清箱蓋塵封	1	
	17215-KGBG-90A	17215-KGBG-90A	CLIP ASSY A/C DUCT	固定管夾	1	
	17215-KGBG-90B	17215-KGBG-90B	CLIP ASSY AIR/C DUCT	固定管夾	1	
	17216	17216-KHC4-900	L JOINT BREATHER TUBE	L 型管	1	
	1723A	1723A-LGK8-900	CASE ASSY AIR/C	空氣濾清器箱組	1	
	1723C	1723C-KHC4-900	ELEMENT ASSY AIR/C	空氣濾清器濾芯	1	
	17359	17359-4K19-671	JOINT BREATHER TUBE	通氣管接頭	1	
	17370	17370-4K19-701	PLUG BREATHER TUBE	管塞	1	
	17371-1D74	17371-1D74-671	CLIP BREATHER TUBE	通氣管夾	2	
	90652	90652-GFY6-901	BAND 49 AIR/C CONNECTING TUBE	連接管固定帶	1	
	93404-06030	93404-06030-06	BOLT WASHER 6*30	螺絲6*30	1	
	93891-05010	93891-05010-08	SCREW WASHER 5*10	螺絲 5*10	3	
	93903-25460	93903-25460	SCREW TAPPING 4*12	螺釘 4*12	6	
	93903-25580	93903-25580	SCREW TAPPING 5X25	螺絲 5X25	1	
	95002-02080	95002-02080	CLIP B8 TUBE	管夾	1	
	95002-02120	95002-02120	CLIP B12 TUBE	管夾 B12	1	
	95002-02130	95002-02130	CLIP B 12.5 TURE	管夾	1	



Sales mark 配色標註	Ref no 參考號碼	Part no 零件號碼	Description 英文名稱	Reg description 中文名稱	Regd no 需求用量	F12
	95003-23004	95003-23004-60	V TUBE 8*12*40	通氣管 8*12*40	1	
	95003-23018	95003-23018-60	V TUBE 8*12*185	通氣管 8*12*185	1	
	95701-06032	95701-06032-08	BOLT FLANGE 6*32	螺絲 6*32	1	

F13

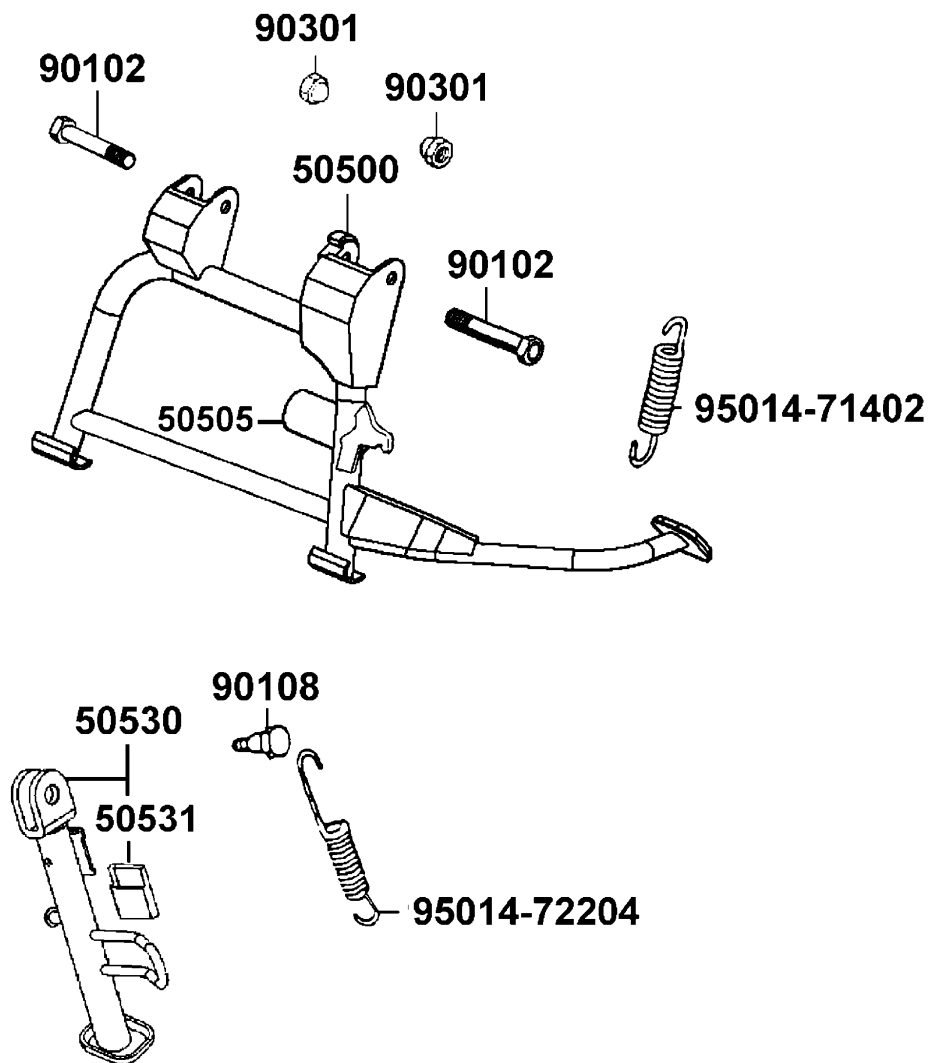
Exhaust Muffler 排氣管



Sales mark 配色標註	Ref no 參考號碼	Part no 零件號碼	Description 英文名稱	Reg description 中文名稱	Regd no 需求用量	F13
	18291-KEBE	18291-KEBE-900	COLLAR	套筒	3	
	18291-LBD4	18291-LBD4-900	GASKET EXH PIPE	排氣管墊圈	1	
	18292	18292-KEBE-900	PACKING PROTECTOR	墊片	3	
	18293	18293-KEBE-900	RUBBER PKG PROTR	橡皮	3	
	18294	18294-KEBE-900	PACKING PROTECTOR	防熱墊片	3	
	1830A-LGK8-90A	1830A-LGK8-90A	MUFFLER ASSY., EXH	排氣管	1	
	1830A-LGK8-90B	1830A-LGK8-90B	MUFFLER ASSY., EXH	排氣管	1	
**	18317	18317-KHC4-900	PROTECTOR COMP MUFFLER	排氣管護板	1	
	39450	39450-LGM5-800	SENSOR ASS'Y.,O2	含氧感知器	1	
	90110	90110-KEBE-900	SCREW SPECIAL 6*22	螺絲 6*22	3	
	90301	90301-GFY6-901	NUT (HEX) CAP 8MM	圓螺帽 8MM	2	
	94101	94101-06200	WASHER PLAIN 6MM	平華司	1	
	95801	95801-08055-06	BOLT FLANGE 8X55	螺絲 8X55	2	
	96001	96001-06008-07	BOLT FLANGE SH 6*8	螺絲 6*8	1	

F14

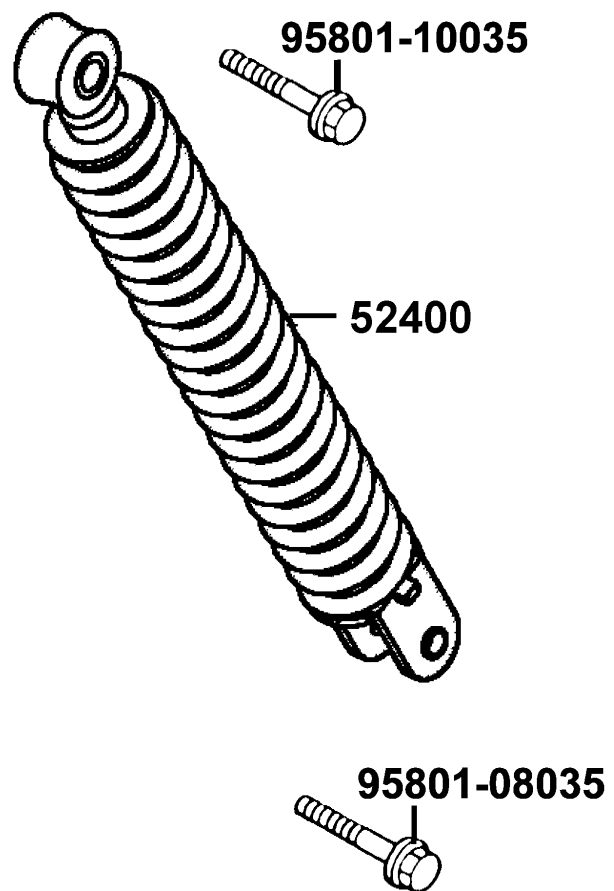
Stand Kick Starter Arm 腳架 起動踏桿



Sales mark 配色標註	Ref no 參考號碼	Part no 零件號碼	Description 英文名稱	Reg description 中文名稱	Regd no 需求用量	F14
	50500	50500-KHC4-910	STAND COMP MAIN	主腳架組	1	
	50505	50505-KKD7-900	RUBBER STOPPER MAIN	主腳架橡皮	1	
	50530	50530-KHC4-900	BAR SIDE STAND	側支架	1	
	50531	50531-KHC4-900	STOPPER RUBBER	側腳架止住橡皮	1	
	90102	90102-GLE0-001	BOLT HINGE PIVOT	螺絲	2	
	90108	90108-GFY6-901	SCREW SIDE STAND PIVOT	側腳架螺絲	1	
	90301	90301-4C73-004	NUT U 6MM	螺帽 6MM	2	
	95014-71402	95014-71402	SPRING D MAIN STAND	主腳架彈簧	1	
	95014-72204	95014-72204	SPG B1 SIDE STAND	側腳架彈簧	1	

F15

Rear Cushion 後避震器

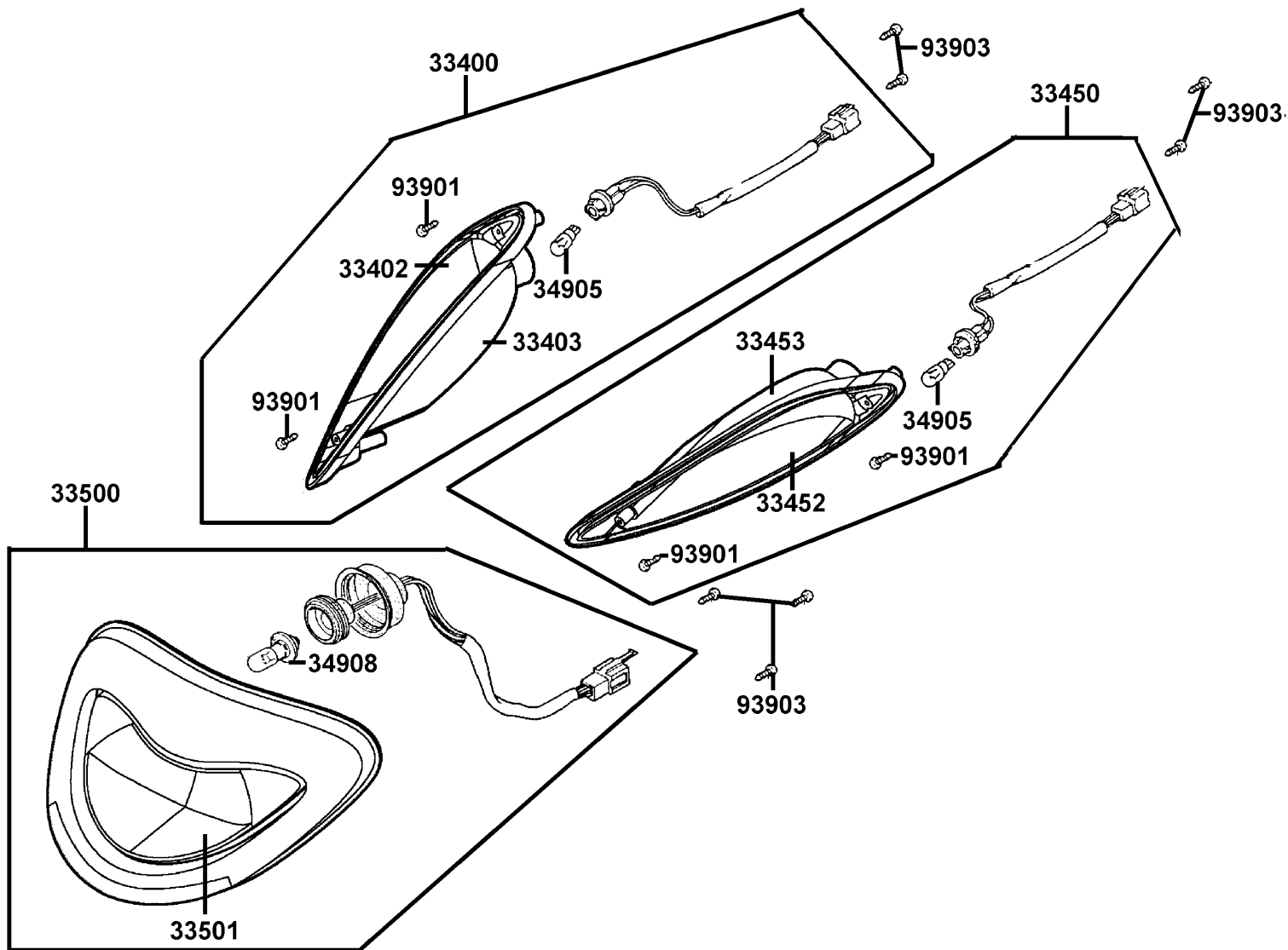


Sales mark 配色標註	Ref no 參考號碼	Part no 零件號碼	Description 英文名稱	Reg description 中文名稱	Regd no 需求用量
**	52400	52400-KHC4-900	CUSHION ASSY REAR	後避震器	1
	95801-08035	95801-08035-08	BOLT FLANGE 8*35	螺絲 8*35	1
	95801-10035	95801-10035-08	BOLT FLANGE 10*35	螺絲 10*35	1

**F15**

F16

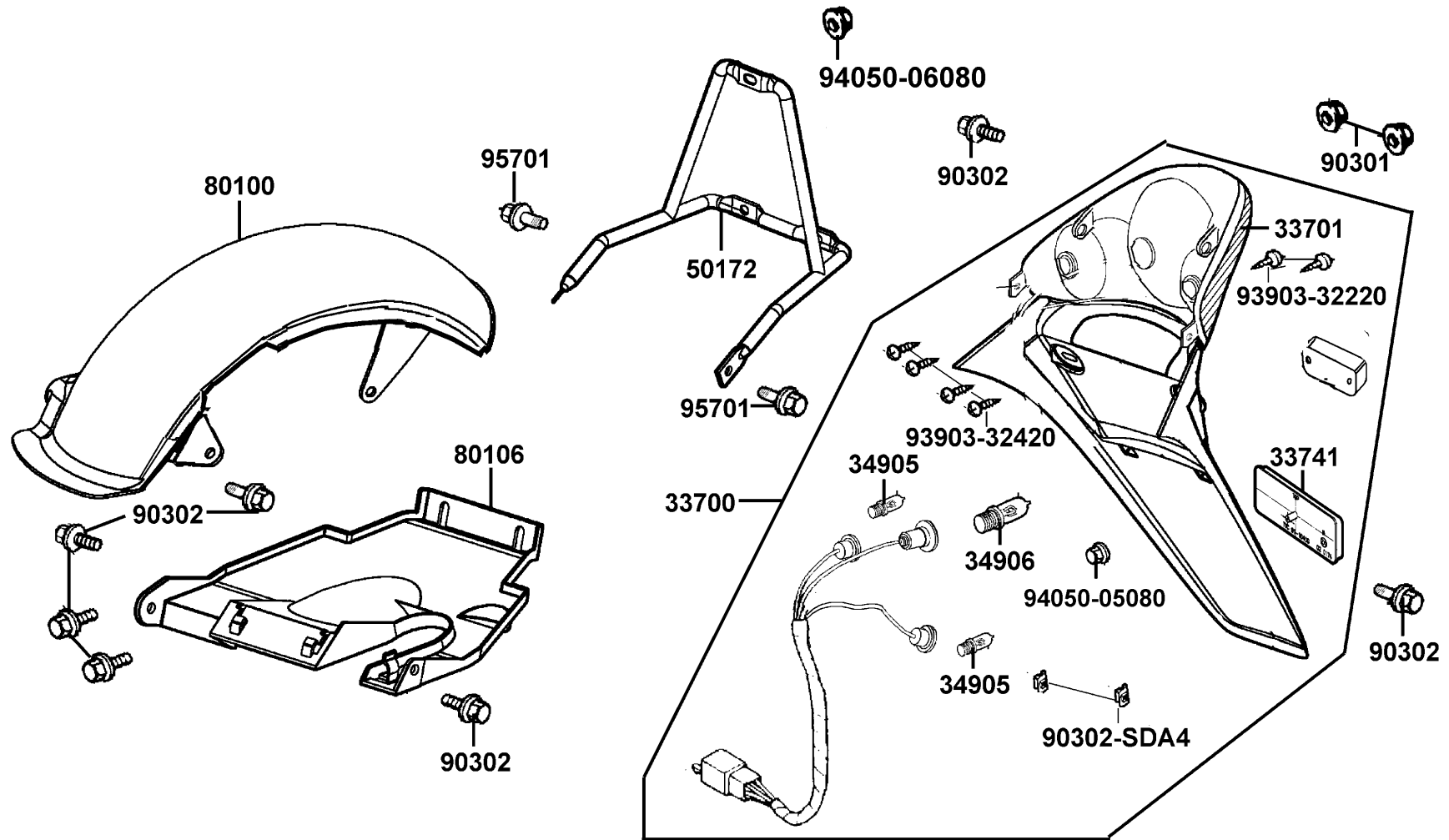
Front Winker 前方向燈



Sales mark 配色標註	Ref no 參考號碼	Part no 零件號碼	Description 英文名稱	Reg description 中文名稱	Regd no 需求用量	F16
	33400	33400-KHC5-920	WINKER ASSY R FR	右前方向燈組	1	
	33402	33402-KHC5-E00	LENS R FR WINKER	右前方向燈殼	1	
	33403	33403-KHC5-E00	BASE COMP R FR WINKER	右前方向燈座	1	
	33450	33450-KHC5-920	WINKER ASSY L FR	左前方向燈組	1	
	33452	33452-KHC5-E00	LENS L FR WINKER	左前方向燈殼	1	
	33453	33453-KHC5-E00	BASE COMP L FR WINKER	左前方向燈座	1	
	33500	33500-KHC4-910	LIGHT ASSY FR POSITION	前位置燈組	1	
	33501	33501-KHC4-900	LENS POSITION LIGHT	前位置燈殼	1	
	34905	34905-KHC4-900	BULB WINKER	方向燈泡	2	
	34908	34908-GGA7-70A	BULB WEDGE BASE 12V*3.4W	儀錶內指示燈泡	1	
	93901	93901-32320	SCREW TAPPING 3*12	螺絲 3*12	2	
	93903	93903-34360	SCREW TAPPING 4*12	螺絲 4*12	7	

F17

Rear Light Fender Rr Tire 後燈 後檔泥板



Sales mark 配色標註	Ref no 參考號碼	Part no 零件號碼	Description 英文名稱	Reg description 中文名稱	Regd no 需求用量	F17
	33700	33700-KHC4-920	LIGHT ASSY RR COMB	後燈組	1	
	33701	33701-KHC4-910	LENS COMP TAIL LIGHT	後燈殼組	1	
	33741	33741-KEBE-900	REFLEX REFLECTOR	反光鏡片	1	
	34905	34905-KHC4-900	BULB WINKER	方向燈泡	2	
	34906	34906-2H68-601	BULB TAIL LIGHT	後燈泡	1	
	50172	50172-KHC4-900	STAY TAIL LIGHT	後燈座	1	
**	80100	80100-KHC4-800	FENDER RR TIRE	後土除	1	
	80106	80106-KHC4-900	FENDER RR INNER	後內土除	1	
	90301	90301-6D34-671	NUT FLANGE 6MM	螺帽 6MM	2	
	90302	90302-GFY6-901	BOLT WASH 5*12	螺絲 5*12	7	
	90302-SDA4	90302-SDA4-004	NUT SPRING 4MM	螺帽 4MM	2	
	93903-32220	93903-32220	SCREW TAPPING 3*10 (C)	鐵鉋牙(黃色)	2	
	93903-32420	93903-32420	SCREW TAPPING 3X12	螺釘 3X12	4	
	94050-05080	94050-05080	NUT FLANGE 5MM	螺帽 5MM	1	
	94050-06080	94050-06080	NUT FLANGE 6MM	螺帽 6MM	1	
	95701	95701-06012-08	BOLT FLANGE 6*12	螺絲 6*12	2	

35111-LDC1-305-M1



35111-LDC1-305-M2



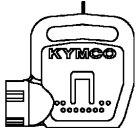
35111-LDC1-306-M2



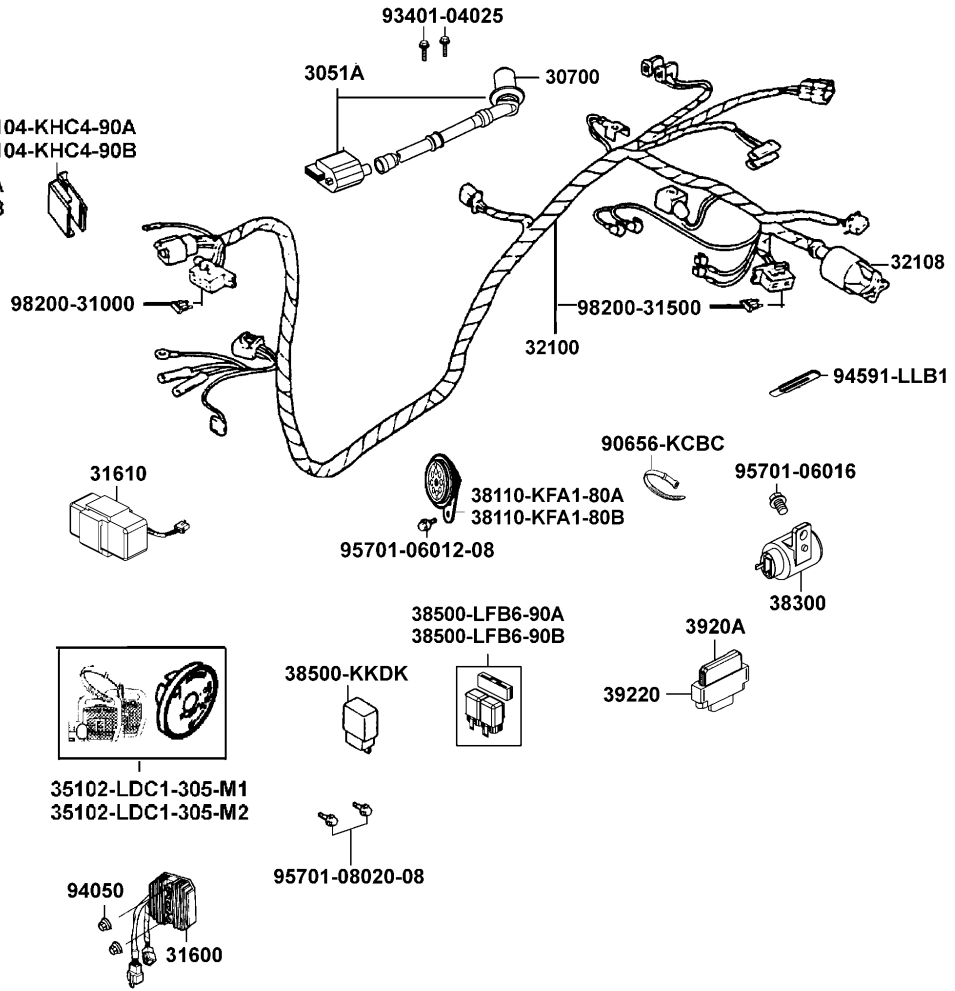
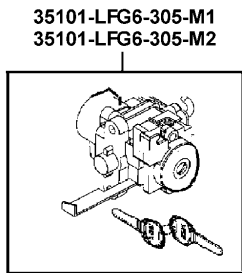
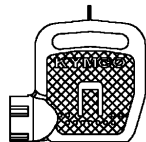
35111-LDC1-306-M1



35111-LDC1-307-M1



35111-LDC1-307-M2



Sales mark 配色標註	Ref no 參考號碼	Part no 零件號碼	Description 英文名稱	Reg description 中文名稱	Regd no 需求用量
	3051A	3051A-LGK8-900	COIL ASS'Y.,IGN	點火線圈	1
	30700	30700-KKE3-900	CAP ASSY NOISE SUPPRESOR	火星塞蓋	1
	31600	31600-LEA5-E00	REG REC COMP	整流器	1
	31610	31610-LBF2-900	FILTER CAPACITOR	電容器	1
	32100	32100-LGK8-900	HARNESS WIRE	車體主配線	1
	32108	32108-GAR1-711	COVER HARNESS WIRE	主配線蓋	1
	35101-LFG6-305-M1	35101-LFG6-305-M1	SW COMB & LOCK	主開關	1
	35101-LFG6-305-M2	35101-LFG6-305-M2	SW COMB & LOCK	主開關	1
	35102-LDC1-305-M1	35102-LDC1-305-M1	SHUTIER SET MAGNETIC LOCK	磁石鎖組/2合1KEY	1
	35102-LDC1-305-M2	35102-LDC1-305-M2	SHUTIER SET MAGNETIC LOCK	磁石鎖組/2合1KEY	1
	35104-KHC4-90A	35104-KHC4-90A	PLATE COVER FUEL CAP CABLE	油箱蓋導線防數蓋	1
	35104-KHC4-90B	35104-KHC4-90B	PLATE COVER FUEL CAP CABLE	油箱蓋導線防數蓋	1
	35111-LDC1-305-M1	35111-LDC1-305-M1	KEY COMP (R TANGENT PLANE/SD)	未加工主開關鑰匙/右切/SD	1
	35111-LDC1-305-M2	35111-LDC1-305-M2	KEY COMP (R TANGENT PLANE/TJ)	未加工主開關鑰匙/右切/TJ	1
	35111-LDC1-306-M1	35111-LDC1-306-M1	KEY COMP (L TANGENT PLANE/SD)	未加工主開關鑰匙/左切/SD	1
	35111-LDC1-306-M2	35111-LDC1-306-M2	KEY COMP (L TANGENT PLANE/TJ)	未加工主開關鑰匙/左切/TJ	1
	35111-LDC1-307-M1	35111-LDC1-307-M1	KEY COMP SHOTTER MAGNETIC (SD)	磁石鑰匙/SD	1
	35111-LDC1-307-M2	35111-LDC1-307-M2	KEY COMP SHOTTER MAGNETIC (TJ)	磁石鑰匙/TJ	1
	35119-KHC4-90A	35119-KHC4-90A	COVER SEAT CABLE	座墊外蓋導線	1
	35119-KHC4-90B	35119-KHC4-90B	COVER SEAT CABLE	座墊外蓋導線	1

F18

35111-LDC1-305-M1



35111-LDC1-305-M2



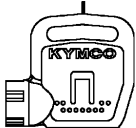
35111-LDC1-306-M2



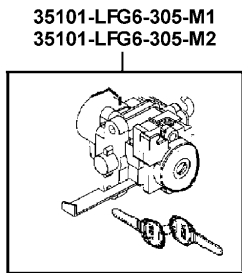
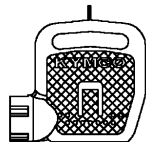
35111-LDC1-306-M1



35111-LDC1-307-M1



35111-LDC1-307-M2

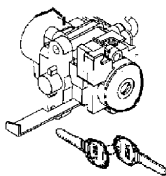


35101-LFG6-305-M1  
35101-LFG6-305-M2

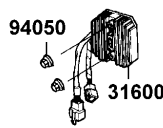


35104-KHC4-90A  
35104-KHC4-90B

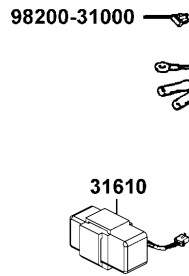
35119-KHC4-90A  
35119-KHC4-90B



35102-LDC1-305-M1  
35102-LDC1-305-M2

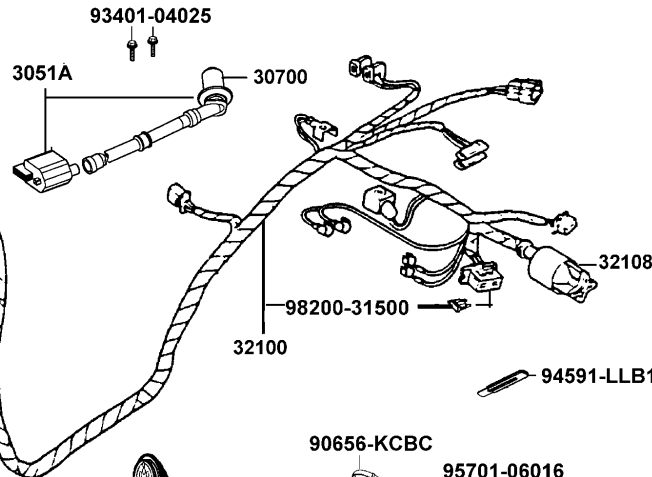


94050  
31600



31610

98200-31000



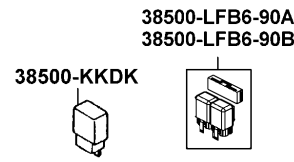
93401-04025  
3051A  
30700  
32100  
98200-31500  
32108  
94591-LLB1  
90656-KCBC  
95701-06016  
38110-KFA1-80A  
38110-KFA1-80B  
95701-06012-08  
38300



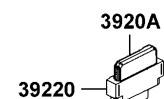
93894-04022  
35380



35102-LDC1-305-M1  
35102-LDC1-305-M2



38500-LFB6-90A  
38500-LFB6-90B  
38500-KKDK

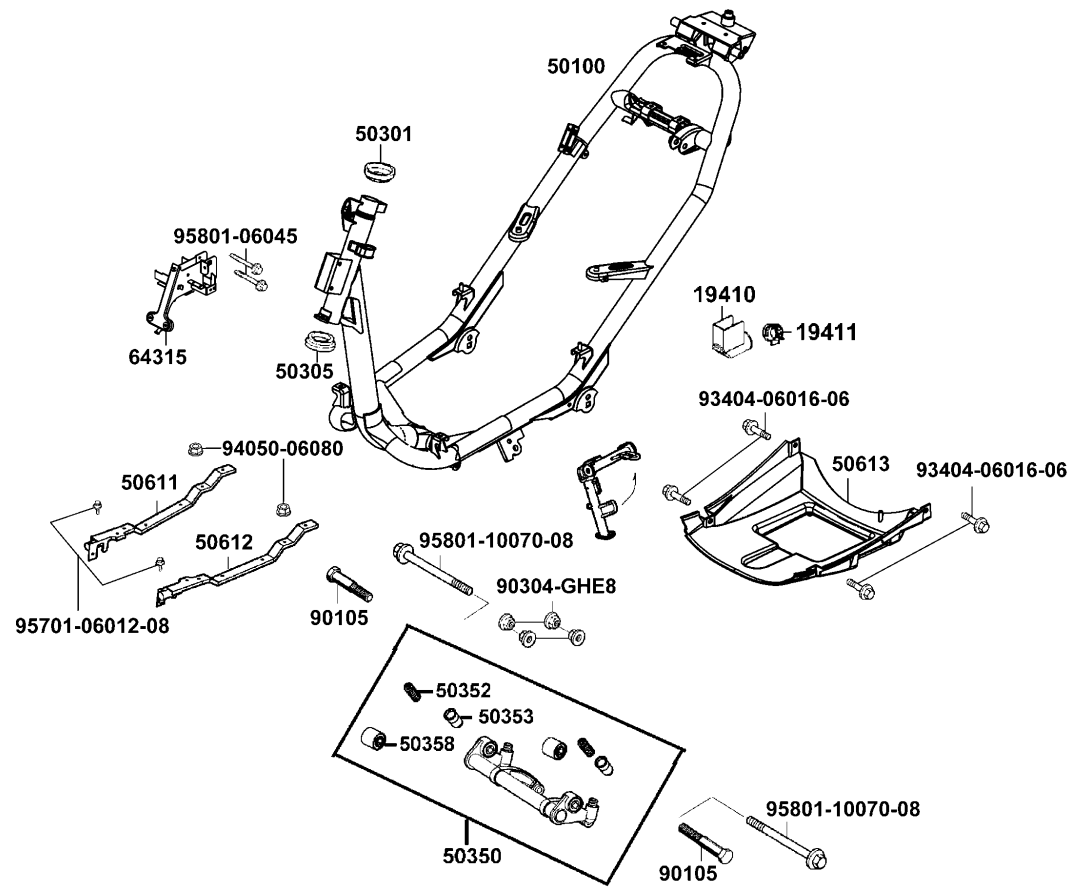


3920A  
39220

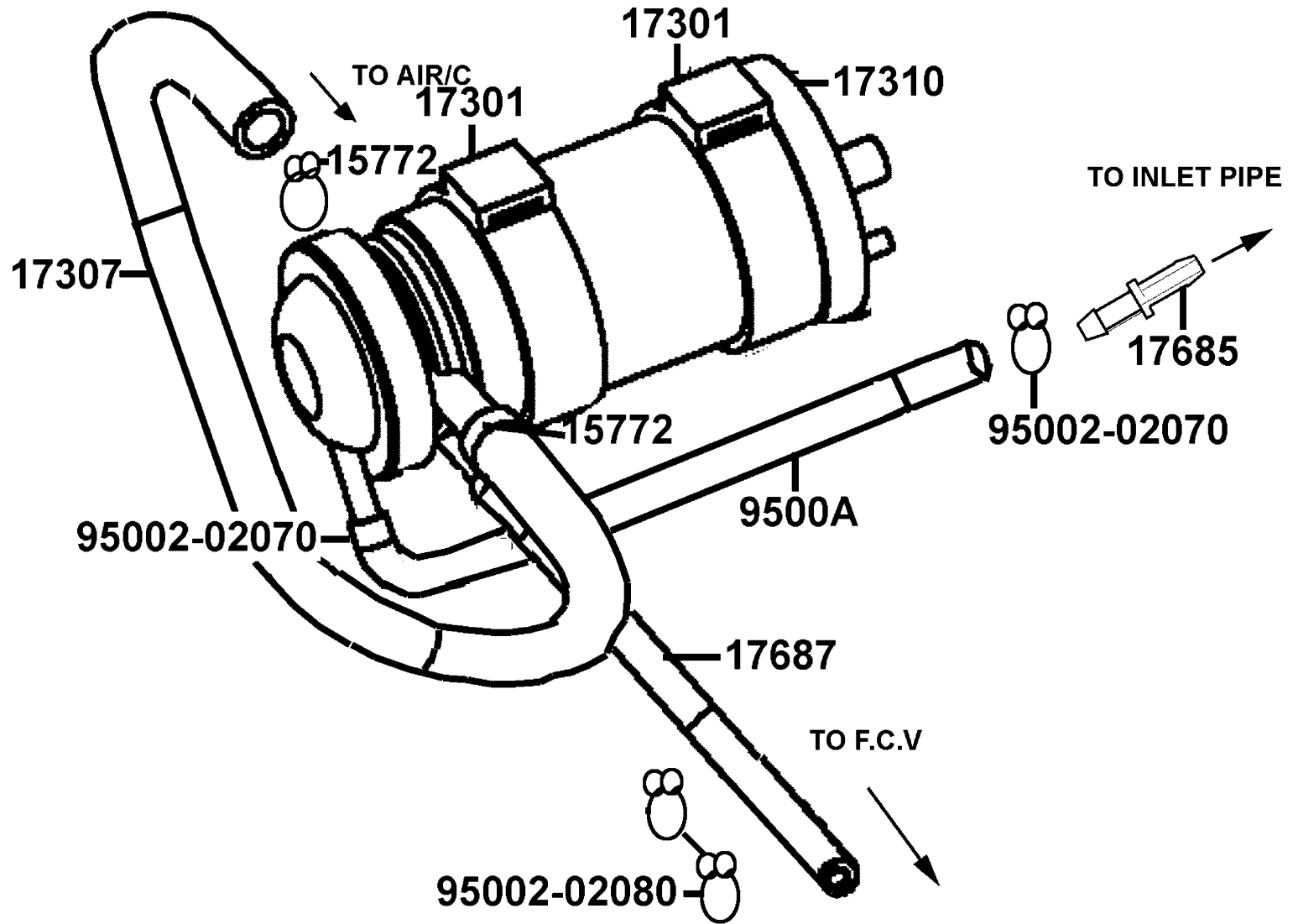


95701-08020-08

Sales mark 配色標註	Ref no 參考號碼	Part no 零件號碼	Description 英文名稱	Reg description 中文名稱	Regd no 需求用量	F18
	35380	35380-LDF2-900	SENSOR ANGLE DETECT	檢測角度感應組	1	
	38110-KFA1-80A	38110-KFA1-80A	HORN COMP	喇叭	1	
	38110-KFA1-80B	38110-KFA1-80B	HORN COMP	喇叭	1	
	38300	38300-LBC6-90A	RELAY COMP WINKER	方向燈繼電器	1	
	38500-KKDK	38500-KKDK-900	RELAY ASSY START	起動繼電器	1	
	38500-LFB6-90A	38500-LFB6-90A	RELAY ASS'Y.,LIGHT	繼電器組	1	
	38500-LFB6-90B	38500-LFB6-90B	RELAY ASSY LIGHT	前燈繼電器	1	
	3920A	3920A-LGK8-800	ASSY ECU	電子控制器	1	
	39220	39220-LGM5-900	CUSHION CASE,ECU	ECU固定膠套	1	
	90656	90656-KCBC-900	BAND OIL HOSE	油管束帶	1	
	93401	93401-04025-08	BOLT WASHER 4*25	墊圈	2	
	93894	93894-04022-08	SCREW PLAIN WASHER 4*22	螺絲 4*22	2	
	94050	94050-06080	NUT FLANGE 6MM	螺帽 6MM	2	
	94591	94591-LLB1-900	CLIP 2*100	環夾	1	
	95701-06012	95701-06012-08	BOLT FLANGE 6*12	螺絲 6*12	2	
	95701-06016	95701-06016-08	BOLT FLANGE 6*16	螺絲 6*16	1	
	95701-08020	95701-08020-08	BOLT FLANGE 8*20	螺絲 8*20	2	
	98200-31000	98200-31000	BLADE FUSE 10A	保險絲10A	1	
	98200-31500	98200-31500	BLADE FUSE 15A	保險絲15A	1	



Sales mark 配色標註	Ref no 參考號碼	Part no 零件號碼	Description 英文名稱	Reg description 中文名稱	Regd no 需求用量	F19
	19410	19410-LGK8-900	DUCT COOLING	冷卻導管	1	
	19411	19411-KNBN-900	CLIP HOSE	管夾	1	
	50100	50100-LGK8-900	BODY COMP.,FRAME	BODY COMP.,FRAME	1	
	50301	50301-GLM0-001	RACE UP STRG BALL	上珠碗	1	
	50305	50305-GHC8-004	RACE (UNDER STR ) BALL	下珠碗	1	
	50350	50350-KHC4-900	HANGER ASSY ENG	引擎吊架	1	
	50352	50352-KHC4-900	SPRING	引擎吊架彈簧	2	
	50353	50353-KHC4-900	RUBBER SEAT SPRING	引擎吊架橡膠座	2	
	50358	50358-KHC4-900	RUBBER BUSH ENG HANGER	引擎吊架橡皮襯套	2	
	50611	50611-LGK8-900	RNFCT R,FLOOR	RNFCT R,FLOOR	1	
	50612	50612-LGK8-900	RNFCT L,FLOOR	RNFCT L,FLOOR	1	
	50613	50613-KHC4-900	COVER UNDER	下罩	1	
	64315	64315-LGK8-900	STAY,FR. COVER	STAY,FR. COVER	1	
	90105	90105-KHC4-900	SQUARE BOLT M10X50	螺絲 10X50	2	
	90304	90304-GHE8-004	NUT U 10MM	螺帽 10MM	4	
	93404	93404-06016-06	BOLT WASHER 6*16	螺絲 6*16	4	
	94050	94050-06080	NUT FLANGE 6MM	螺帽 6MM	2	
	95701	95701-06012-08	BOLT FLANGE 6*12	螺絲 6*12	2	
	95801-06045	95801-06045-08	BOLT FLANGE 6*45	螺絲	2	
	95801-10070	95801-10070-08	BOLT FLANGE 10*70	螺絲 10*70	2	

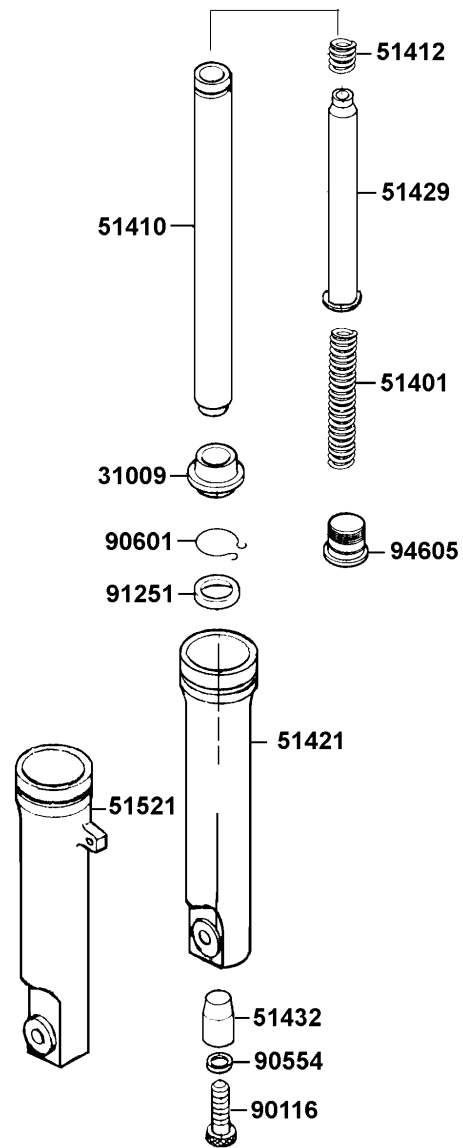


Sales mark 配色標註	Ref no 參考號碼	Part no 零件號碼	Description 英文名稱	Reg description 中文名稱	Regd no 需求用量	F20
	15772	15772-5L00-013	CLIP B14.5 TUBE	管夾	2	
	17301	17301-KNBN-960	RUBBER CANISTER MOUNT	活性碳罐懸掛橡皮	2	
	17307	17307-KHC4-900	TUBE ASSY CANISTER – AIR/C	通氣管	1	
	17310	17310-KHC4-90A	CANISTER COMP	活性碳罐	1	
	17685	17685-GLE0-301	JOINT COCK-CARB TUBE	油管接頭	1	
	17687	17687-KHC4-900	TUBE ASSY CANISTER-FCV	活性碳罐通氣管	1	
	95002-02070	95002-02070	CLIP B7 TUBE	管夾	2	
	95002-02080	95002-02080	CLIP B8 TUBE	管夾	2	
	9500A	9500A-KHC4-900	TUBE ASSY INLET PIPE-CANISTER	通氣管	1	

F21

Separated Parts Of Fr Fork

前避震器細件



Sales mark 配色標註	Ref no 參考號碼	Part no 零件號碼	Description 英文名稱	Reg description 中文名稱	Regd no 需求用量	F21
	31009	31009-GAR1-900	DUST SEAL	防塵封	2	
	51401	51401-KHC4-900	SPRING	彈簧	2	
	51410	51410-KNBN-900	FORK PIPE COMP	前避震器管	2	
	51412	51412-KFA1-900	REBOUND SPRING	回位彈簧	2	
**	51421	51421-KCLC-900	BOTTOM CASE R	右前避震器底管	1	
	51429	51429-LAB4-900	PIPE SEAT COMP	避震管座	2	
	51432	51432-KFA1-900	OIL LOCK PIECE	止油接頭	2	
**	51521	51521-KCLC-900	BOTTOM CASE L	左前避震器底管	1	
	90116	90116-3C83-72A	BOLT	螺絲	2	
	90554	90554-2C83-001	PACKING	墊片	2	
	90601	90601-GAR1-900	RING OIL SEAL STOPPER	油封止位環	2	
	91251	91251-LAB4-900	OIL SEAL	前避震器油封	2	
	94605	94605-KFA1-900	FORK BOLT	螺絲	2	

<ul style="list-style-type: none"> <li>□ 請戴安全帽行駛。</li> <li>□ 行駛時，請勿超過法定速度。</li> <li>□ 因排氣管溫度很高，停車時請停置於他人不易碰觸之場所。</li> <li>□ 為了駕駛安全及性能維護，請勿任意違法改造。</li> </ul>	<ul style="list-style-type: none"> <li>□ 請確實做好定期保養工作及行車前之安全檢查。</li> </ul> <p style="text-align: center;">&lt;行車前檢查項目&gt;</p> <p>剎車性能 輪胎 機油量 燈光 喇叭 儀表板</p>
--	---

◎ 敬請熟讀駕駛手冊，確保行車安全 GY6-900

87560-GFY6-900

注 意

在引擎發動前，請先將側支架扳起，以策安全。

87541-GGS7-901

注 意

輪胎最大載重：前輪 2.5kg/cm <sup>2</sup>	後輪 2.5kg/cm <sup>2</sup>
(一人騎乘時)：前輪 1.5kg/cm <sup>2</sup>	後輪 2.0kg/cm <sup>2</sup>
(二人騎乘時)：前輪 1.75kg/cm <sup>2</sup>	後輪 2.25kg/cm <sup>2</sup>
輪胎尺寸：前輪 90/90-10 50J	後輪 90/90-10 50J

載物限重：行李箱	1.5kg
前置物限重	3kg
前置下置物限重	10kg

GYS6-900

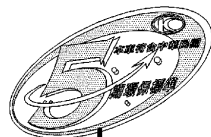
87505-KGBG-900

注 意

後側蓋與引擎之間，請勿放入任何物品，以免妨礙行駛。

GMS-300

87542-GKM9-301



87501-LEB2-950

機 油 量

全容量	0.85l
機油交換時	0.7 l
給油後必須確認油重	4

KHC4-900

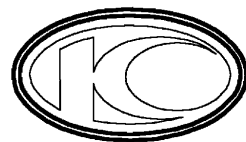
87541-KHC4-900

拆電瓶前請先關閉電源

87502-LEB2-900

87502-LEB2-900

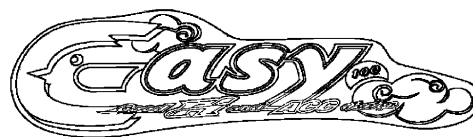
Sales mark 配色標註	Ref no 參考號碼	Part no 零件號碼	Description 英文名稱	Reg description 中文名稱	Regd no 需求用量	F22
**	87501	87501-LEB2-950	LABEL E/M 5 MARK	標籤	1	
**	87502	87502-LEB2-900	CAUTION BATTERY	標籤	1	
**	87505	87505-KGBG-900	LABEL TIRE	胎壓	1	
**	87541-GGS7	87541-GGS7-901	CAUTION SIDE STAND	標籤	1	
**	87541-KHC4	87541-KHC4-900	LABE OIL CAP	標籤	1	
**	87542	87542-GKM9-301	MARK MAINT CAUTION	標籤	1	
**	87560	87560-GFY6-900	MARK DRIVE CAUTION	標誌	1	



86102-LAB4-900



86700-LFG7-900



86201-LGK8-900

Sales mark 配色標註	Ref no 參考號碼	Part no 零件號碼	Description 英文名稱	Reg description 中文名稱	Regd no 需求用量	F23
**	86102	86102-LAB4-900	EMB K-LOGO 24MM	KYMCO貼紙	1	
**	86201	86201-LGK8-900	STRIPE BODY COVER	車身貼紙	3	
**	86700	86700-LFG7-900	STRIPE ENERGY LOGO	節能標章	1	

## PART NO. INDEX

## 零件號碼索引

PART NO. 零件號碼	VERSION 版數	PAGE 頁次	PART NO. 零件號碼	VERSION 版數	PAGE 頁次	PART NO. 零件號碼	VERSION 版數	PAGE 頁次
<b>11000</b>			11395-KHC4-900	1	E01	14401-KHC4-900	0	E03
			<b>12000</b>			14431-GFY6-901	5	E02
11100-LAE3-305	0	E01				14450-GFY6-901	0	E02
11102-1G87-004	3	E01	12100-LAB4-700	2	E03	14452-GFY6-901	0	E02
11192-KHC4-900	0	E01	12191-KHC4-900	0	E03	14510-KHC4-900	1	E03
11200-KHC4-305	5	E01	12200-LGM9-900	0	E02	14520-GFY6-90A	1	E03
11203-GGC7-301	2	E01	12209-GDB4-68A	0	E02	14523-GFY6-901	0	E03
11203-KHG8-301	2	E08	12211-KUDU-900	4	E02	14531-GLR0-001	1	E03
11204-KNBN-901	0	E01	12251-KHC4-900	0	E02	14610-KHC4-900	0	E03
11205-GHAH-004	0	E01	12310-KHC4-B00	1	E02	14711-KHC4-900	1	E02
11205-LAB4-900	1	E01	12361-GFY6-901	1	E04	14721-KHC4-900	1	E02
11206-KHC4-800	0	E01	12391-GFY6-941	0	E02	14751-KFBF-900	1	E02
11207-KHC4-800	0	E01				14761-KFBF-900	1	E02
11208-KHC4-800	1	E07	<b>13000</b>			14771-GDB4-680	2	E02
11211-LGK8-900	0	F12				14775-MFA6-001	0	E02
11221-KHC4-900	2	E05	13000-LBD4-900	3	E03	14781-MFA6-001	0	E02
11330-LBG7-900	1	E04	13011-LBC6-900	1	E03	<b>15000</b>		
11341-KHC4-900	5	E01	13101-LGM9-900	1	E03			
11342-LAB4-900	1	E01	13111-0G87-001	3	E03	15100-GFY6-901	2	E06
11353-LEA6-900	1	E01	13115-0A01-001	0	E03	15133-GFY6-901	0	E06
11381-KHC4-900	0	E01	13406-LGK8-900	1	E02	15141-GFY6-90B	0	E06
11382-LAB4-900	3	E01				15141-GFY6-90C	1	E06
11383-KHC4-900	0	E01	<b>14000</b>			15421-1G07-001	1	E04
11385-KGBG-900	0	E07				15426-GAE1-921	0	E04
11394-KHC4-900	1	E04	14100-KHC4-220	1	E02	1565A-GFY6-900	0	E04

## PART NO. INDEX

## 零件號碼索引

PART NO. 零件號碼	VERSION 版數	PAGE 頁次	PART NO. 零件號碼	VERSION 版數	PAGE 頁次	PART NO. 零件號碼	VERSION 版數	PAGE 頁次
15711-GFY6-901	0	E06				17561-LGK8-900	1	F09
15772-5L00-013	1	F20	<b>17000</b>			17565-LGK8-900		F09
<b>16000</b>			1711A-LGK8-900	1	E02	17620-KHC4-90A	3	F09
			17207-KHC4-900	0	F12	17620-KHC4-90B	1	F09
16056-LGK8-900	1	E09	17208-GAR1-011	0	F12	17623-KHC4-90A	6	F09
16066-LGK8-900	2	E09	17212-KHC4-900	0	F12	17623-KHC4-90B	1	F09
16068-LGK8-900	1	E09	17214-KHC4-900	1	F11	17681-KFA1-900	0	F09
16074-KEC3-900	4	E09	17215-KGBG-90A	2	F12	17685-GLE0-301	2	F20
16100-LGK8-900	3	E09	17215-KGBG-90B	0	F12	17685-KZCZ-900	0	F09
16110-KKE3-900	2	E09	17216-KHC4-900	0	F12	17686-LBG7-900	1	F09
16112-KKE3-900	1	E09	1723A-LGK8-900	0	F12	17687-KHC4-900	0	F20
16115-LGM5-900	0	E09	1723C-KHC4-900	0	F12	17689-LEB1-900	5	F09
16122-KEC3-900	0	E09	17301-KNBN-960	0	F20	17910-LGK8-900	0	F03
16123-LFG6-900	1	E09	17307-KHC4-900	2	F20	<b>18000</b>		
16133-KEC3-900	1	E09	17310-KHC4-90A	3	F20			
16134-LGK8-900	0	E09	17359-4K19-671	0	F12	18291-KEBE-900	0	F13
16138-KEC3-900	1	E09	17370-4K19-701	0	F12	18291-LBD4-900	2	F13
16154-KKE3-900	4	E09	17371-1D74-671	0	F12	18292-KEBE-900	0	F13
16170-KEC3-900	0	E09	17502-KHC4-900	1	F09	18293-KEBE-900	0	F13
16171-LGK8-900	1	E09	17504-KHC4-900	1	F09	18294-KEBE-900	0	F13
16195-KEC3-900	0	E09	17510-LGK8-900	1	F09	1830A-LGK8-90A	0	F13
16201-KHC4-900	0	E02	17520-KHC4-900	4	F09	1830A-LGK8-90B	1	F13
16211-KHC4-900	0	E02	17550-KHC4-900	0	F09	18317-KHC4-900	2	F13
			17550-LGK8-900	1	F09			
			17560-LGK8-900	1	F09			

## PART NO. INDEX

## 零件號碼索引

PART NO. 零件號碼	VERSION 版數	PAGE 頁次	PART NO. 零件號碼	VERSION 版數	PAGE 頁次	PART NO. 零件號碼	VERSION 版數	PAGE 頁次
<b>19000</b>			22121-GHT8-602	1	E05	<b>28000</b>		
			22131-GCW3-901	1	E05			
			22132-LAB4-900	1	E05			
19410-LGK8-900	0	F19	22300-KHC4-900	0	E05	28101-KNBN-901	0	E06
19411-KBCB-900	0	F09	22350-KHC4-900	0	E05	28105-KNBN-901	1	E06
19411-KHC4-900	0	F09	22401-KED5-900	0	E05	2811A-KNBN-940	0	E06
19411-KNBN-900	1	F19	22530-KHC4-900	1	E05	28120-KNBN-901	0	E06
19504-LBA2-E00	3	F09	22804-1H48-001	0	E05	28125-3C23-001	0	E06
19510-GBW2-901	3	E07				28126-KNBN-901	0	E06
1961A-LBG7-800	1	E07	<b>23000</b>			28127-KNBN-901	0	E06
19625-KHC4-900	0	E07				28211-KNBN-901	0	E05
1962A-KHC4-900	1	E07	2301A-LGK8-900	0	E05			
19633-GFY6-901	0	E07	23100-KHC4-900	1	E05	<b>30000</b>		
1963A-LGM9-900	0	E07	23200-GCW3-001	0	E05			
<b>21000</b>			23220-KHC4-900	1	E05	3051A-LGK8-900	1	F18
			23225-GCW3-001	0	E05	30700-KKE3-900	1	F18
			23226-GCW3-001	0	E05			
21200-KFA3-305	5	E08	23233-KED5-900	0	E05	<b>31000</b>		
21395-KNBN-901	1	E08	23237-GCW3-001	0	E05			
<b>22000</b>			23238-LEA2-900	3	E05	31009-GAR1-900	0	F21
			23411-KHC4-900	0	E08	31110-LBG7-90A	1	E07
			23420-KHC4-900	4	E08	31110-LBG7-90B	1	E07
22100-KNBN-902	0	E05	23431-KDLD-901	2	E08	31120-LGK8-90A	0	E07
22102-KHC4-900	2	E05	23432-KNBN-901	3	E08	31120-LGK8-90B	0	E07
22105-KHC4-900	1	E05				31200-LGK8-90A	0	E06
22110-KHC4-900	1	E05				31200-LGK8-90B	0	E06

## PART NO. INDEX

## 零件號碼索引

PART NO. 零件號碼	VERSION 版數	PAGE 頁次	PART NO. 零件號碼	VERSION 版數	PAGE 頁次	PART NO. 零件號碼	VERSION 版數	PAGE 頁次
31200-LGK8-90C	0	E06	33700-KHC4-920	0	F17	35111-LDC1-306-M2	0	F18
31203-KHC4-900	3	E06	33701-KHC4-910	0	F17	35111-LDC1-307-M1	0	F18
31500-GFY6-94A-YU	4	F10	33741-KEBE-900	0	F17	35111-LDC1-307-M2	0	F18
31500-GFY6-94B-KY	4	F10				35119-KHC4-90A	0	F18
31600-LEA5-E00	2	F18	<b>34000</b>			35119-KHC4-90B	0	F18
31610-LBF2-900	2	F18				35150-GFY6-900	4	F03
<b>32000</b>			34300-LFG7-900	1	E09	35160-GGS7-900	1	F03
			34901-KYBY-900	0	F01	35170-GGS7-900	0	F03
			34905-KHC4-900	0	F16	35180-GGS7-900	1	F03
32100-LGK8-900	1	F18	34905-KHC4-900	0	F17	35200-GFY6-910	1	F03
32106-KKE3-900	2	E02	34906-2H68-601	0	F17	35340-GBN2-770	3	F03
32108-GAR1-711	0	F18	34908-GGA7-70A	1	F16	35340-KKJ9-010	5	F03
32412-LGK8-900	1	E04	34908-MKB9-87A	0	F02	35380-LDF2-900	2	F18
<b>33000</b>			34909-KEBE-900	0	F02	<b>37000</b>		
			<b>35000</b>					
33120-KHC4-900	1	F01				37200-LGK8-90A	0	F02
33130-KHC4-900	2	F01	35101-LFG6-305-M1	0	F18	37200-LGK8-90B	0	F02
33400-KHC5-920	0	F16	35101-LFG6-305-M2	0	F18	37211-KHC4-90A	0	F02
33402-KHC5-E00	0	F16	35102-LDC1-305-M1	0	F18	37211-KHC4-90B	0	F02
33403-KHC5-E00	0	F16	35102-LDC1-305-M2	0	F18	37215-LEA2-900	0	F04
33450-KHC5-920	0	F16	35104-KHC4-90A	0	F18	37801-LAB4-910	1	F09
33452-KHC5-E00	0	F16	35104-KHC4-90B	0	F18	3780A-LGM9-900	2	F09
33453-KHC5-E00	0	F16	35111-LDC1-305-M1	0	F18			
33500-KHC4-910	0	F16	35111-LDC1-305-M2	0	F18			
33501-KHC4-900	0	F16	35111-LDC1-306-M1	0	F18			

## PART NO. INDEX

## 零件號碼索引

PART NO. 零件號碼	VERSION 版數	PAGE 頁次	PART NO. 零件號碼	VERSION 版數	PAGE 頁次	PART NO. 零件號碼	VERSION 版數	PAGE 頁次
<b>38000</b>			<b>42000</b>			44803-GFY6-90A	0	F06
38110-KFA1-80A	1	F18	42610-GKAK-901	4	F07	44805-KECE-800	4	F06
38110-KFA1-80B	1	F18	42705-KHC4-900	5	F07	44806-KECE-800	2	F06
38300-LBC6-90A	2	F18	42753-0D04-900	1	F06	44807-0A01-004	1	F06
38500-KKDK-900	4	F18	42753-0D04-900	1	F07	44809-1L70-004	1	F06
38500-LFB6-90A	0	F18				44830-KHC4-800	3	F02
38500-LFB6-90B	0	F18	<b>43000</b>			<b>45000</b>		
38773-KBCB-900	0	F09				45000-LGM9-900	2	F06
<b>39000</b>			4312A-LGM1-900	0	F07	4512A-LCB4-910	1	F06
			43141-4L00-011	1	F06	45133-0H28-001	1	F06
			43141-GKAK-901	3	F07	45133-0H28-001	1	F07
3920A-LGK8-800	0	F18	43410-KFA1-900	0	F07	45134-2L50-001	0	F06
39220-LGM5-900	0	F18	43450-KHC4-910	0	F03	45145-0F96-651	2	F06
39300-LGM5-800	0	E02	43472-1A61-001	2	F03	45410-GBB2-001	1	F06
39301-LGK8-900	2	E02				45435-GBB2-721	1	F06
39303-LGK8-900	0	E02	<b>44000</b>			45450-KFA2-900	1	F03
39400-KKE3-800	2	E02				45465-KFB5-900	0	F05
39450-LGM5-800	0	F13	44301-KBE2-981	5	F06	45517-GFY6-900	5	F03
39500-LGA2-900	0	E02	44311-GLW0-901	0	F06			
39600-LGK8-800	1	F09	44610-GLW0-305	2	F06	<b>50000</b>		
39700-LGM5-800	0	E09	44620-GHC8-001	1	F06			
			44705-KHC4-900	2	F06	50100-LGK8-900	2	F19
			44710-KGBG-90A-G303	1	F06	50140-LGM9-900	1	F09
			44710-KGBG-90A-G303	1	F07	50172-KHC4-900	1	F17

## PART NO. INDEX

## 零件號碼索引

PART NO. 零件號碼	VERSION 版數	PAGE 頁次	PART NO. 零件號碼	VERSION 版數	PAGE 頁次	PART NO. 零件號碼	VERSION 版數	PAGE 頁次
50301-GLM0-001	0	F19	51429-LAB4-900	0	F21	53211-GFY6-940	1	F05
50305-GHC8-004	0	F19	51432-KFA1-900	0	F21	53212-GHC8-004	1	F05
50306-1F96-001	0	F05	5150A-KHC3-900	1	F05			
50326-LGM9-900	2	F10	51521-KCLC-900	0	F21	<b>61000</b>		
50329-LGM9-900	0	F10	51521-KCLC-900	5	F21			
50350-KHC4-900	5	F19				61110-KFA2-900	1	F05
50352-KHC4-900	1	F19	<b>52000</b>			61120-KFA2-900	0	F05
50353-KHC4-900	1	F19						
50358-KHC4-900	1	F19	52400-KHC4-900	1	F15	<b>64000</b>		
50500-KHC4-910	0	F14						
50505-KKD7-900	1	F14	<b>53000</b>			64301-KHC3-365	3	F04
50530-KHC4-900	2	F14				64302-KHC3-900	1	F04
50531-KHC4-900	0	F14	53100-KHC4-900	3	F03	64310-KHC4-900	0	F04
50611-LGK8-900	0	F19	53140-KFA1-900	2	F03	64315-LGK8-900	2	F19
50612-LGK8-900	0	F19	53166-KFA1-900	2	F03	64316-KHC4-900	1	F04
50613-KHC4-900	3	F19	53167-KFA1-900	0	F03			
			53168-KFA1-900	1	F03	<b>77000</b>		
<b>51000</b>			53170-KHC3-900	0	F03			
			53172-KHC4-900	0	F03	77200-LGK8-900	2	F08
51400-KHC3-900	1	F05	53175-KHC3-900	0	F03	77201-GFS6-001	0	F11
51401-KHC4-900	0	F21	53178-KHC4-900	0	F03	77235-KHC4-900	2	F08
51409-KFA2-900	0	F05	5317A-KHC4-900	1	F03	77240-KHC4-900	1	F11
51410-KNBN-900	0	F21	5317B-KHC3-900	1	F03	77303-KHC4-900	0	F08
51412-KFA1-900	0	F21	53200-KFA2-900	5	F05			
51421-KCLC-900	0	F21	53205-KHC3-900	1	F03			
51421-KCLC-900	2	F21	53206-KHC4-900	2	F03			

## PART NO. INDEX

## 零件號碼索引

PART NO. 零件號碼	VERSION 版數	PAGE 頁次	PART NO. 零件號碼	VERSION 版數	PAGE 頁次	PART NO. 零件號碼	VERSION 版數	PAGE 頁次
<b>80000</b>			83502-KHC4-900	2	F11			
			83503-KHC4-900	2	F11	<b>88000</b>		
			83600-KHC3-365	1	F11			
80100-KHC4-800	1	F17	83601-KHC4-900	2	F11	88110-KHC4-900	1	F03
80106-KHC4-900	2	F17	83605-KHC4-900	0	F11	88120-KHC4-900	1	F03
80151-KHC4-900	1	F11						
<b>81000</b>			<b>86000</b>			<b>89000</b>		
			86102-LAB4-900	1	F23	89010-KGBG-900	0	F08
81131-KHC4-900	2	F04	86201-LGK8-900	0	F23			
81132-GHAH-001	2	F04	86700-LFG7-900	2	F23	<b>90000</b>		
81133-KGBG-900	0	F11						
81133-KNBN-901	0	F04	<b>87000</b>			90001-GBHB-661	0	E03
81134-KGBG-900	2	F11				90005-KAW1-901	1	E03
81135-KGBG-900	2	F11	87122-LGK8-950	2	F08	90012-3C33-001	0	E02
81141-KHC4-900	5	F04	87501-LEB2-950	1	F22	90031-KHC4-900	0	E01
81142-KCLC-900	0	F05	87502-LEB2-900	1	F22	90032-KHC4-900	0	E01
81142-KUDU-900	1	F04	87503-LEA1-900	1	E07	90033-GFY6-900	0	E02
81200-KHC4-900	3	F11	87505-KGBG-900	2	F22	90101-0G87-721	2	F11
81260-LGK8-900	0	F11	87541-GGS7-901	2	F22	90101-GAR1-001	0	F01
81301-KHC4-800	0	F11	87541-KHC4-900	1	F22	90101-KGC4-E00	1	F08
			87542-GKM9-301	3	F22	90102-GLE0-001	0	F14
<b>83000</b>			87546-LGM1-900	0	F11	90105-GFS6-001	0	F11
			87560-GFY6-900	3	F22	90105-KFC2-900	0	F11
83500-KHC4-365	1	F11				90105-KHC4-900	1	F19
83501-KHC4-900	2	F11				90108-GFY6-901	0	F14

## PART NO. INDEX

## 零件號碼索引

PART NO. 零件號碼	VERSION 版數	PAGE 頁次	PART NO. 零件號碼	VERSION 版數	PAGE 頁次	PART NO. 零件號碼	VERSION 版數	PAGE 頁次
90110-GLW0-001	0	F04	90304-GHE8-004	0	F03	90656-GFY6-911	0	F03
90110-KEBE-900	0	F13	90304-GHE8-004	0	F19	90656-KCBC-900	0	F11
90110-KHG8-901	0	F06	90305-GHK8-001	1	E07	90656-KCBC-900	0	F18
90110-KHG8-901	0	F07	90305-GHK8-001	1	F11	90741-0E35-001	0	E03
90111-1G87-001	1	F11	90305-KNBN-90A	0	F07	90754-GHC8-00A	1	F06
90112-GCC3-001	1	F05	90305-KNBN-90B	0	F07	90754-GHC8-00B	1	F06
90112-KCLC-900	0	F05	90306-KLF0-004-SY	1	F06	90912-GHC8-00A	0	F06
90115-GLE0-001	0	F03	90307-GFJ6-004	0	F01	90912-GHC8-00D	0	F06
90116-3C83-72A	0	F21	90309-GLW0-90A	1	F06			
90164-KGBG-900	1	F11	90309-GLW0-90A	1	F07	<b>91000</b>		
90164-MDR4-901	0	F04	90309-KLF0-004-SY	1	E08			
90201-KNBN-901	0	E06	90381-GEZ5-001	1	F11	91001-GGA7-70A	2	E05
90202-1G87-001	0	E05	90429-KNBN-901	0	E08	91004-KBN2-90A	0	E08
90206-0A01-001	1	E02	90442-0D44-001	0	E05	91005-KNBN-901	0	E06
90301-4C73-004	0	F14	90451-1G07-001	1	E08	91009-GLE0-004	1	E08
90301-6D34-671	1	F17	90465-MDC4-001	0	E02	91101-KNBN-901	0	E06
90301-GFY6-901	2	F13	90488-7L00-001	0	E01	91103-GAR1-004	0	E05
90302-GBR2-001	1	F09	90501-KNBN-901	0	F07	91106-KHC4-90A	0	E01
90302-GFY6-901	1	F09	90502-MBS2-001	0	E06	91106-KHC4-90B	0	E01
90302-GFY6-901	1	F17	9052A-GFY6-950	1	E01	91202-GFY6-90A	1	E01
90302-GFY6-940	1	F09	90554-2C83-001	0	F21	91202-GFY6-90A	1	E04
90302-LBG7-900	3	F09	90601-GAR1-900	0	F21	91202-GFY6-90B	1	E01
90302-LLB1-E00	2	E02	90602-PDX4-001	0	E06	91202-GFY6-90B	1	E04
90302-SDA4-004	2	F10	90603-0D44-001	0	E05	91202-KKJ9-004	0	E01
90302-SDA4-004	2	F11	90652-GFY6-901	1	F12	91211-GHK8-014	0	E05
90302-SDA4-004	2	F17	90652-LGK8-900	0	E02	91251-GHC8-004	0	F06

## PART NO. INDEX

## 零件號碼索引

PART NO. 零件號碼	VERSION 版數	PAGE 頁次	PART NO. 零件號碼	VERSION 版數	PAGE 頁次	PART NO. 零件號碼	VERSION 版數	PAGE 頁次
91251-LAB4-900	0	F21	93500-05010-0H	0	F09	93903-GFY6-900	1	F11
91255-GLE0-006	0	E08	93500-05022-06	0	F03			
91256-GAC1-004	0	F06	93700-05018-0H	0	F02	<b>94000</b>		
91301-0C53-001	0	E08	93891-05010-08	0	F12			
91301-GLR0-005	1	E03	93891-05012-06	0	F03	94001-05080-0S	0	F03
91302-0A01-021	0	E04	93891-05016-08	0	E09	94050-05080	0	F17
91304-KHC4-900	0	E02	93891-06016-06	0	F05	94050-06080	0	E02
91306-1E05-691	0	E03	93891-06016-06	0	F11	94050-06080	0	E06
91307-0E35-001	0	E04	93892-05010-08	0	E09	94050-06080	0	E09
91351-6B42-000	0	E05	93892-05012-18	0	E09	94050-06080	0	F06
91351-GAR1-001	0	E05	93894-04022-08	1	F18	94050-06080	0	F08
91352-KHG8-83B	0	F07	93901-32320	0	F16	94050-06080	0	F09
			93903-25460	0	F12	94050-06080	0	F17
<b>92000</b>			93903-25580	0	F12	94050-06080	0	F18
			93903-32220	0	F17	94050-06080	0	F19
92101-05012-0H	0	E07	93903-32420	0	F17	94050-08080	0	E02
92900-06060-0B	0	E02	93903-34360	0	F03	94050-10080	0	E05
			93903-34360	0	F04	94050-10080	0	E07
<b>93000</b>			93903-34360	0	F10	94050-12080	0	E05
			93903-34360	0	F11	94101-06200	0	F13
93401-04025-08	0	F18	93903-34360	0	F16	94101-10800	0	F03
93404-06016-06	0	F04	93903-34460	0	F11	94101-KKE3-900	1	E09
93404-06016-06	0	F10	93903-35320	0	F02	94111-06800	0	E02
93404-06016-06	0	F19	93903-35360	0	E07	94111-06800	0	E09
93404-06030-06	0	F12	93903-35360	0	F09	94301-08140	0	E01
93500-04010-0G	0	F09	93903-GFY6-900	1	F04	94301-08140	0	E04

## PART NO. INDEX

## 零件號碼索引

PART NO. 零件號碼	VERSION 版數	PAGE 頁次	PART NO. 零件號碼	VERSION 版數	PAGE 頁次	PART NO. 零件號碼	VERSION 版數	PAGE 頁次
94301-10160	0	E02	95014-72204	0	F14	95801-10070-08	0	F19
94301-10160	0	E03	95015-32001	0	F03			
94301-10200	0	E08	95015-42000	0	F03	<b>96000</b>		
94510-20000	0	E08	95701-06012-08	0	F05			
94520-24000	1	E05	95701-06012-08	0	F11	96001-06008-07	0	F13
94591-27000	0	F04	95701-06012-08	0	F17	96001-06012-08	0	E05
94591-27000	0	F09	95701-06012-08	0	F18	96001-06012-08	0	E06
94591-KFBF-900	2	E02	95701-06012-08	0	F19	96001-06012-08	0	E07
94591-LLB1-900	0	F18	95701-06016-08	0	F08	96001-06014-08	0	E02
94605-KFA1-900	0	F21	95701-06016-08	0	F18	96001-06016-08	0	E02
			95701-06025-08	0	E02	96001-06016-08	0	E07
<b>95000</b>			95701-06028-08	0	F06	96001-06025-06	0	F03
			95701-06032-08	0	F07	96001-06025-08	0	E06
95002-02070	0	E09	95701-06032-08	0	F12	96001-06025-08	0	E07
95002-02070	0	F09	95701-06035-08	0	E02	96001-06028-08	0	E01
95002-02070	0	F20	95701-06050-08	0	E02	96001-06035-08	0	E01
95002-02080	0	F09	95701-08012-08	0	E01	96001-06045-08	0	E01
95002-02080	0	F12	95701-08020-08	0	F18	96001-06085-06	0	E04
95002-02080	0	F20	95701-08045-08	0	E01	96001-06095-08	0	E02
95002-02120	0	F12	95701-08060-08	0	E01	96001-06100-08	0	E04
95002-02130	0	F09	95801-06045-08	0	F19	96001-GFY6-900	1	E01
95002-02130	0	F12	95801-08035-08	0	F15	96100-62033-00	0	E01
95003-23004-60	0	F12	95801-08040-08	0	F05	96100-62043-00	0	E01
95003-23018-60	0	F12	95801-08055-06	0	F13	96211-05000	0	F05
9500A-KHC4-900	1	F20	95801-10035-08	0	F15	96220-60100	0	E06
95014-71402	0	F14	95801-10040-08	0	F03	96600-06012-10	0	E06

## PART NO. INDEX

## 零件號碼索引

PART NO. 零件號碼	VERSION 版數	PAGE 頁次	PART NO. 零件號碼	VERSION 版數	PAGE 頁次	PART NO. 零件號碼	VERSION 版數	PAGE 頁次
<b>98000</b>								
98056-5771R-00	0	E02						
98200-31000	1	F10						
98200-31000	1	F18						
98200-31500	0	F10						
98200-31500	0	F18						