

# PARTS CATALOGUE



## SCOOTERS

SN20EB

CHERRY 100



Date : 2010/01/12

## 前言

- 本零件型錄適用於 SN20EB 機種，訂購零件時，請參照本冊。
- 本冊之配色表僅供參考，若與實車不符之處，以實車為準。
- 配色記號(Color Mark)  
註明 "\*\*\*" 記號，表示訂購該零件時，請參照機種相片及配色表，並請在基本零件號碼最後加上色碼。
- 本冊若有錯誤或遺漏之處，敬請不吝賜教指正。

## ABOUT THIS PARTS LIST

- This parts list is compiled all service parts for model SN20EB.
- Any difference between color chart and motorcycle will be revised according to motorcycle.
- The sales mark:
  - 1.marking "\*\*\*" must add color code in the end before ordering parts.
- When modification or additions to this parts list are made a revised edition at an appropriate time.

## 目次

● 前言 .....	1
● SN20EB 配色表 .....	3
● 引擎結構圖 .....	9
● 車架結構圖 .....	10
● 引擎號碼表 .....	13
● 車架零件號碼表 .....	43
● 零件號碼索引 .....	107

## CONTENTS

● ABOUT THIS PARTS LIST .....	1
● COLOR CHART OF SN20EB .....	3
● CONTENTS-ENGINE GROUP .....	9
● CONTENTS-FRAME GROUP .....	10
● ENGINE PARTS LIST .....	13
● FRAME PARTS LIST .....	43
● PART NO. INDEX .....	107

NO	MODEL			SN20EB COLOR CHART							
	PHOTO NO			NO. 1	NO. 2	NO. 3	NO. 4				
	BASIC COLOR			淺晶藍	銀粉紅	亮銀	珍珠白				
	CODE			Light Blue Metallic	Pink Metallic	Bright Silver	Pearly White				
	PARTS NAME	PARTS NO.	VERSION	PB281MA	RR222MA	NH045MA	NH193PA				
1	"COVER ASSY.,FR. TOP"	6430D-LDC1-900	1	F1P							
2	LEVER R STRG HANDLE	53175-KHC3-900	0	N1A							
3	LEVER L STRG HANDLE	53178-KKE2-900	2								
4	COVER FR HANDLE	53205-LDC1-900	1								
5	FENDER FR INNER	61100-LDC1-900	1								
6	COVER SET FRONT	64301-LDC1-325	0								
7	MOLDING FRONT	6430A-LDC1-800	2								
8	"SKIRT, R SIDE.,ASSY"	6430B-LDC1-800	2								
9	"SKIRT, L SIDE.,ASSY"	6430C-LDC1-800	2								
10	GRIP RR	81200-LDC1-900	2								
11	COVER SET R BODY	83500-LDC1-325	0								
12	COVER SET L BODY	83600-LDC1-325	0								
13	FENDER B FR	61101-LDC1-900	1					H5R			
14	PROTECTOR COMP	18318-LDC1-90A	1					N1R			
15	BATTERY CASE	50329-LGM9-900	0								
16	COVER UNDER	50613-LDC1-900	2								
17	GRIP COMP THROT	53140-KFA1-900	2								
18	GRIP L HANDLE	53166-KFA1-900	2								
19	COVER HANDLE RR	53206-LDC1-900	3								
20	FENDER, FR. B	61101-LGM9-900	0								
21	GRILL FRONT COVER	64304-LDC1-900	1								
22	PLUG FLOOR	64316-KHE2-900	0								
23	"FLOOR PANEL. , ASSY"	6431A-LDC1-900	1								
24	COVER CENTER	80151-LDC1-900	1								
25	COVER FR INNER UP	81131-LDC1-900	1								
DATE OF STARTING-SALES											
DATE OF END-SALES											

NO	MODEL			SN20EB COLOR CHART			
	PHOTO NO			NO. 5			
	BASIC COLOR			黒			
	CODE			Black			
	PARTS NAME	PARTS NO.	VERSION	NH001SA			
1	"COVER ASSY.,FR. TOP"	6430D-LDC1-900	1	F1P			
2	LEVER R STRG HANDLE	53175-KHC3-900	0	N1A			
3	LEVER L STRG HANDLE	53178-KKE2-900	2				
4	COVER FR HANDLE	53205-LDC1-900	1				
5	FENDER FR INNER	61100-LDC1-900	1	N1P			
6	COVER SET FRONT	64301-LDC1-325	0				
7	MOLDING FRONT	6430A-LDC1-800	2				
8	"SKIRT, R SIDE.,ASSY"	6430B-LDC1-800	2				
9	"SKIRT, L SIDE.,ASSY"	6430C-LDC1-800	2				
10	GRIP RR	81200-LDC1-900	2				
11	COVER SET R BODY	83500-LDC1-325	0				
12	COVER SET L BODY	83600-LDC1-325	0				
13	FENDER B FR	61101-LDC1-900	1				
14	PROTECTOR COMP	18318-LDC1-90A	1				
15	BATTERY CASE	50329-LGM9-900	0	N1R			
16	COVER UNDER	50613-LDC1-900	2				
17	GRIP COMP THROT	53140-KFA1-900	2				
18	GRIP L HANDLE	53166-KFA1-900	2				
19	COVER HANDLE RR	53206-LDC1-900	3				
20	FENDER, FR. B	61101-LGM9-900	0				
21	GRILL FRONT COVER	64304-LDC1-900	1				
22	PLUG FLOOR	64316-KHE2-900	0				
23	"FLOOR PANEL. , ASSY"	6431A-LDC1-900	1				
24	COVER CENTER	80151-LDC1-900	1				
25	COVER FR INNER UP	81131-LDC1-900	1				
DATE OF STARTING-SALES							
DATE OF END-SALES							

NO	MODEL			SN20EB COLOR CHART			
	PHOTO NO			NO. 1	NO. 2	NO. 3	NO. 4
	BASIC COLOR			淺晶藍	銀粉紅	亮銀	珍珠白
	CODE			Light Blue Metallic	Pink Metallic	Bright Silver	Pearly White
	PARTS NAME	PARTS NO.	VERSION	PB281MA	RR222MA	NH045MA	NH193PA
26	LEG SHIELD LOW	81141-LDC1-900	1	N1R			
27	LID LEG SHIELD	81142-KUDU-900	1				
28	CHAMBER AIR	83606-LDC1-900	2				
29	BAND HARNESS WIRE	90656-KUDU-900	0				
30	HUB SUB COMP RR	42610-GKAK-901	4	NJA			
31	HUB SUB ASSY FR	44610-GLW0-305	2				
32	FORK SET R FR	5140A-LDC1-910	0				
33	BOTTOM CASE R	51421-KCLC-900	0				
34	FORK SET L FR	5150A-LDC1-910	0				
35	BOTTOM CASE L	51521-KCLC-900	0				
36	RIM COMP WHEEL	42705-KHC4-900	5	NJS			
37	RIM COMP FR WHEEL	44705-KHC4-900	2				
38	PANEL SUB COMP FR	45000-LGM9-900	2				
39	CUSHION ASSY RR	52400-KHC4-900	1	R8S			
40	SEAT ASSY	77200-LGM9-900	1	T01			
41	EMB K-LOGO 24MM	86102-LAB4-900	1				
42	STRIPE ENERGY LOGO	86700-LFG7-900	2				
43	MARK E/M 5th STAGE	87122-LGM9-950	0				
44	MARK FR FORK	87170-GLE0-001	4				
45	LABEL E/M 5 MARK	87501-LEB2-950	1				
46	CAUTION BATTERY	87502-LEB2-900	1				
47	CAUTION MUFFLER	87503-LEB2-900	2				
48	LABEL TIRE	87505-KGBG-900	2				
49	CAUTION SIDE STAND	87541-GGS7-901	2				
50	LABE OIL CAP	87541-KHC4-900	1				
DATE OF STARTING-SALES							
DATE OF END-SALES							

NO	MODEL			SN20EB COLOR CHART			
	PHOTO NO			NO. 5			
	BASIC COLOR			黒			
	CODE			Black			
	PARTS NAME	PARTS NO.	VERSION	NH001SA			
26	LEG SHIELD LOW	81141-LDC1-900	1	N1R			
27	LID LEG SHIELD	81142-KUDU-900	1				
28	CHAMBER AIR	83606-LDC1-900	2				
29	BAND HARNESS WIRE	90656-KUDU-900	0				
30	HUB SUB COMP RR	42610-GKAK-901	4	NJA			
31	HUB SUB ASSY FR	44610-GLW0-305	2				
32	FORK SET R FR	5140A-LDC1-910	0				
33	BOTTOM CASE R	51421-KCLC-900	0				
34	FORK SET L FR	5150A-LDC1-910	0				
35	BOTTOM CASE L	51521-KCLC-900	0				
36	RIM COMP WHEEL	42705-KHC4-900	5	NJS			
37	RIM COMP FR WHEEL	44705-KHC4-900	2				
38	PANEL SUB COMP FR	45000-LGM9-900	2				
39	CUSHION ASSY RR	52400-KHC4-900	1	R8S			
40	SEAT ASSY	77200-LGM9-900	1	T01			
41	EMB K-LOGO 24MM	86102-LAB4-900	1				
42	STRIPE ENERGY LOGO	86700-LFG7-900	2				
43	MARK E/M 5th STAGE	87122-LGM9-950	0				
44	MARK FR FORK	87170-GLE0-001	4				
45	LABEL E/M 5 MARK	87501-LEB2-950	1				
46	CAUTION BATTERY	87502-LEB2-900	1				
47	CAUTION MUFFLER	87503-LEB2-900	2				
48	LABEL TIRE	87505-KGBG-900	2				
49	CAUTION SIDE STAND	87541-GGS7-901	2				
50	LABE OIL CAP	87541-KHC4-900	1				
DATE OF STARTING-SALES							
DATE OF END-SALES							

NO	MODEL			SN20EB COLOR CHART			
	PHOTO NO			NO. 1	NO. 2	NO. 3	NO. 4
	BASIC COLOR			淺晶藍	銀粉紅	亮銀	珍珠白
	CODE			Light Blue Metallic	Pink Metallic	Bright Silver	Pearly White
	PARTS NAME	PARTS NO.	VERSION	PB281MA	RR222MA	NH045MA	NH193PA
51	MARK MAINT CAUTION	87542-GKM9-301	3	T01			
52	CAUTION AFI	87546-LEB2-900	1				
53	MARK DRIVE CAUTION	87560-GFY6-900	3				
54	STRIPE FR COVER	86101-LGM9-900	0				
55	STRIPE BODY COVER	86201-LGM9-900	0				
DATE OF STARTING-SALES							
DATE OF END-SALES							



NO	MODEL			SN20EB COLOR CHART			
	PHOTO NO			NO. 5			
	BASIC COLOR			黒			
	CODE			Black			
	PARTS NAME	PARTS NO.	VERSION	NH001SA			
51	MARK MAINT CAUTION	87542-GKM9-301	3	T01			
52	CAUTION AFI	87546-LEB2-900	1				
53	MARK DRIVE CAUTION	87560-GFY6-900	3				
54	STRIPE FR COVER	86101-LGM9-900	0	T02			
55	STRIPE BODY COVER	86201-LGM9-900	0				
DATE OF STARTING-SALES							
DATE OF END-SALES							

# CONTENTS - ENGINE GROUP

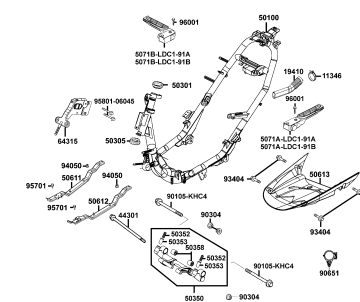
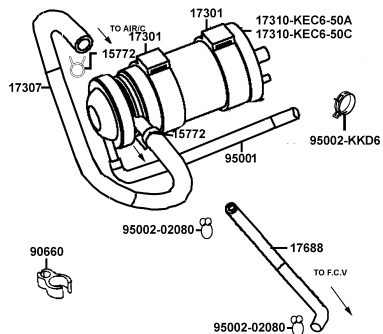
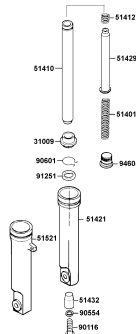
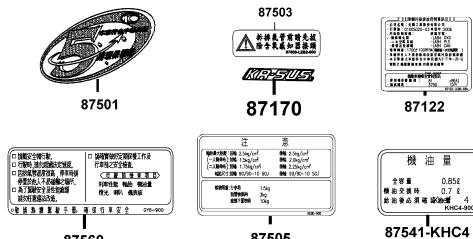
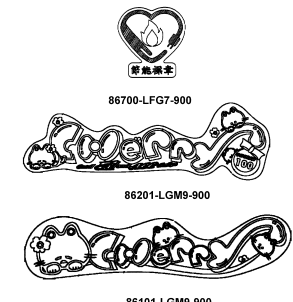
<p><b>E01 曲軸箱</b></p>	<p><b>E02 汽缸頭蓋 汽缸頭</b></p>	<p><b>E03 汽缸 活塞 曲軸</b></p>
<p><b>E04 右曲軸箱蓋</b></p>	<p><b>E05 傳動皮帶輪</b></p>	<p><b>E06 起動馬達 機油泵</b></p>
<p><b>E07 風扇蓋 發電機</b></p>	<p><b>E08 傳動系</b></p>	<p><b>E09 化油器</b></p>

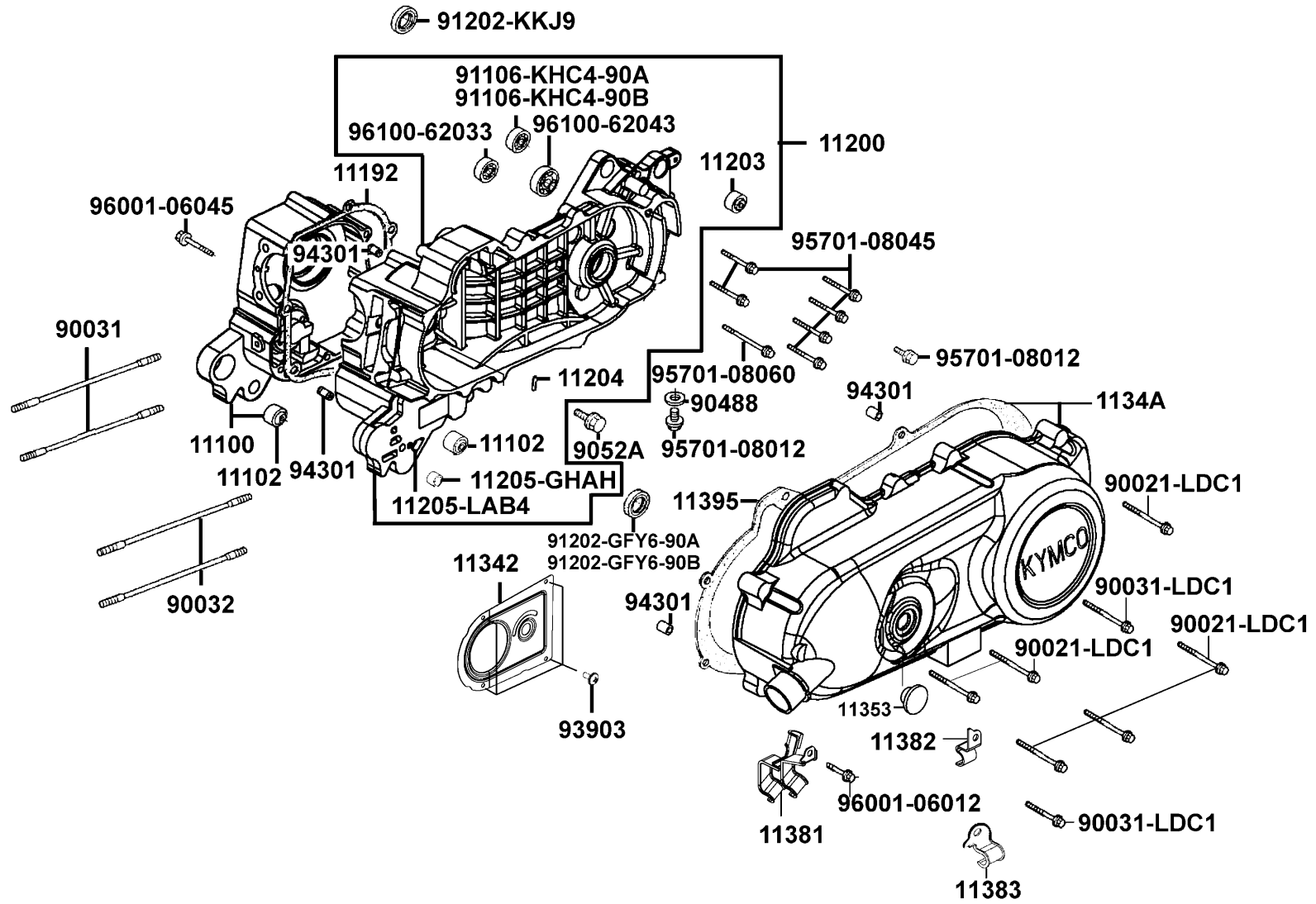


# CONTENTS - FRAME GROUP

<p><b>F10 電瓶</b></p>	<p><b>F11 車體蓋 行李箱</b></p>	<p><b>F12 空氣濾清器</b></p>
<p><b>F13 排氣管</b></p>	<p><b>F14 腳架 起動踏桿</b></p>	<p><b>F15 後避震器</b></p>
<p><b>F16 前方向燈</b></p>	<p><b>F17 後燈 後檔泥板</b></p>	<p><b>F18 主電路配線</b></p>

# CONTENTS - FRAME GROUP

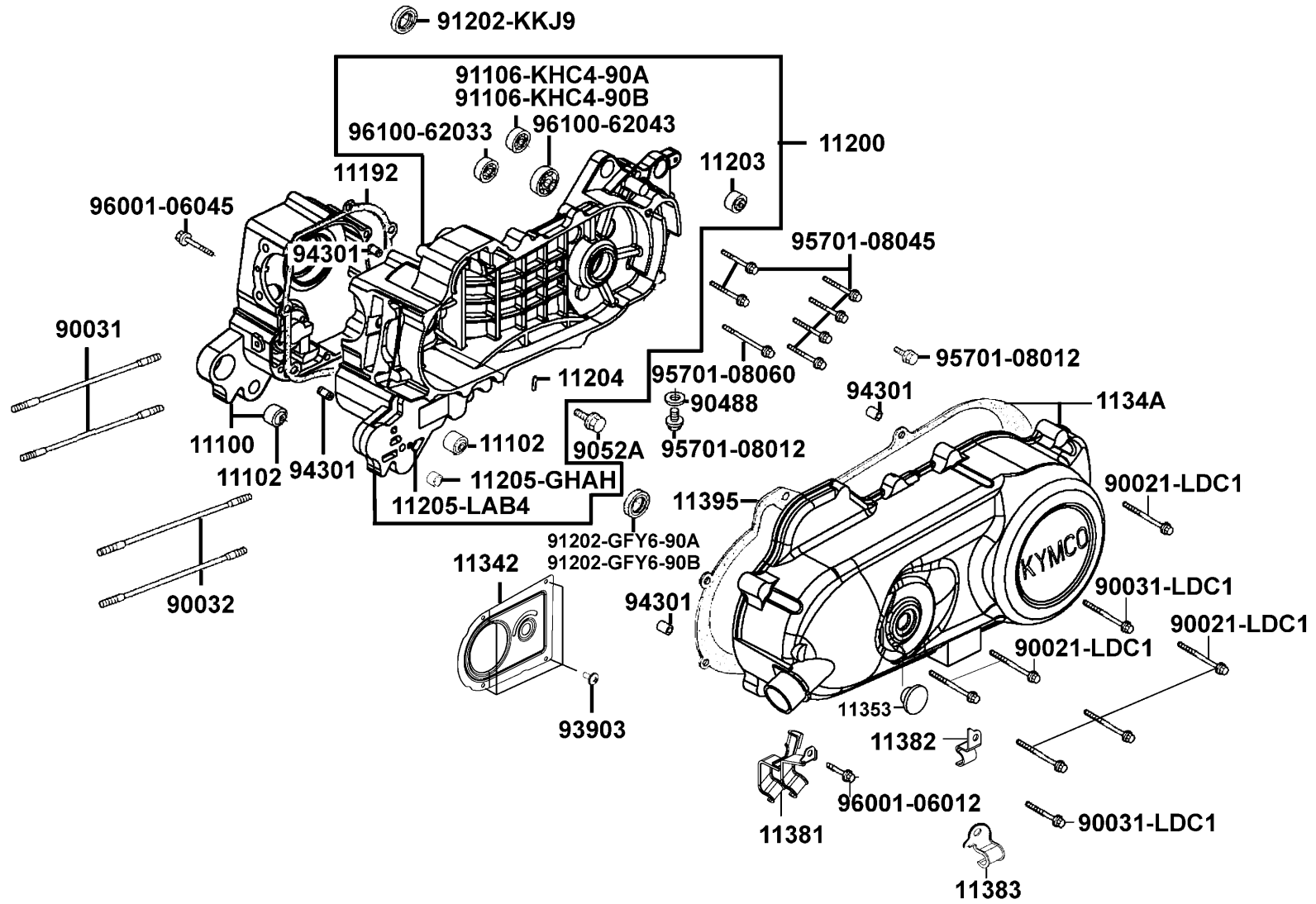
F19 車體	F20 活性炭罐	F21 前避震器細件
		
<b>F22 注意標籤</b>	<b>F23 標誌 貼紙</b>	
		



Sales mark 配色標註	Ref no 參考號碼	Part no 零件號碼	Description 英文名稱	Reg description 中文名稱	Regd no 需求用量	E01
	11100	11100-LAE3-305	CRANK CASE COMP RIGHT	右曲軸箱組	1	
	11102	11102-1G87-004	RUB BUSH ENG HANGER	引擎吊架襯套	2	
	11192	11192-KHC4-900	GASTER CRANK CASE @ A	曲軸箱墊片 A	1	
	11200	11200-LDC1-305	CASE SET LEFT CRANK	左曲軸箱	1	
	11203	11203-GGC7-301	UNDER RUBBER BUSH REAR CUSHION	後緩衝下襯套	1	
	11204	11204-KNBN-901	PIN SPG HOOK	固定銷	1	
	11205-GHAH	11205-GHAH-004	BUSH 8*12*8	襯套	1	
	11205-LAB4	11205-LAB4-900	BUSH MAIN STAND	主腳架襯套	1	
	11342	11342-LDC1-900	PLATE L COVER	通氣導板	1	
	1134A	1134A-LDC1-900	COVER L SIDE	左曲軸箱蓋	1	
	11353	11353-LGF6-900	RUBBER PLUG ,L COVER KICK	冷風入口蓋	1	
	11381	11381-LDC1-900	CLAMPER THROTTLE CABLE	節流導線夾	1	
	11382	11382-LDC1-900	CLAMPER BRAKE WIRE	煞車導線夾	1	
	11383	11383-LEA1-900	CLAMPER DRAIN TUBE	通氣管夾	1	
	11395	11395-KHC4-900	GASKET L COVER @A	左曲軸箱蓋墊片 A	1	
	90021	90021-LDC1-900	BOLT FLANGE 6*38	螺絲 6*38	1	
	90031-KHC4	90031-KHC4-900	BOLT A STUD 7*168	雙頭螺絲 7*168	2	
	90031-LDC1	90031-LDC1-900	BOLT B STUD 8*182.5	雙頭螺絲 8*182.5	2	
	90032	90032-KHC4-900	BOLT B STUD 8*190.5	雙頭螺絲 8*190.5	2	
	90488	90488-7L00-001	WASHER 8MM	華司 8MM	1	

E01

Crank Case 曲軸箱



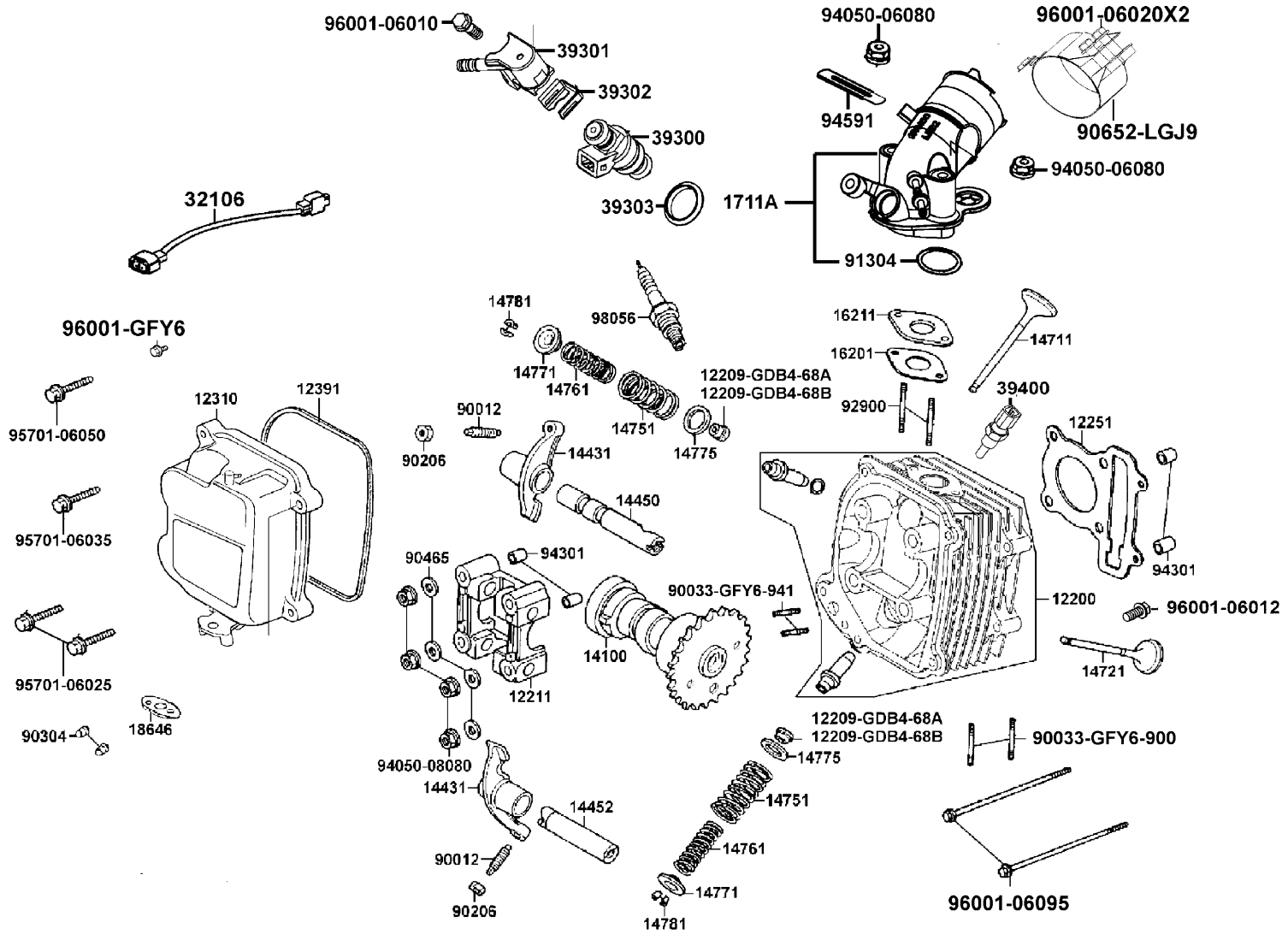


Sales mark 配色標註	Ref no 參考號碼	Part no 零件號碼	Description 英文名稱	Reg description 中文名稱	Regd no 需求用量	E01
	9052A	9052A-GFY6-950	BOLT ASSY DRAIN PLUG	洩油螺絲	1	
	91106-KHC4-90A	91106-KHC4-90A	BRG NEEDLE 15MM	滾針軸承	1	
	91106-KHC4-90B	91106-KHC4-90B	BRG NEEDLE 15MM	滾針軸承	1	
	91202-GFY6-90A	91202-GFY6-90A	OIL SEAL 19.8*30*5	油封 19.8*30*5	1	
	91202-GFY6-90B	91202-GFY6-90B	OIL SEAL 19.8*30*5	油封 19.8*30*5	1	
	91202-KKJ9	91202-KKJ9-004	OIL SEAL 20*32*6	油封 20X32X6	1	
	93903	93903-35260	SCREW TAPPING 5*12	螺釘 5*12	4	
	94301	94301-08140	DOWEL PIN 8*14	定位銷 8X14	4	
	95701-08012	95701-08012-08	BOLT FLANGE 8*12	螺絲 8*12	2	
	95701-08045	95701-08045-08	BOLT FLANGE 8*45	螺絲 8*45	6	
	95701-08060	95701-08060-08	BOLT FLANGE 8*60	螺絲 8*60	1	
	96001-06012	96001-06012-08	BOLT FLANGE 6*12	螺絲 6*12	1	
	96001-06045	96001-06045-08	BOLT FLANGE SH 6*45	螺栓 6*45	1	
	96100-62033	96100-62033-00	BEARING BALL RADIAL 6203	徑向滾珠軸承	1	
	96100-62043	96100-62043-00	BEARING BALL RADIAL 6204	軸承 6204	1	

E02

Cylinder Head Cover Cylinder Head

汽缸頭蓋 汽缸頭

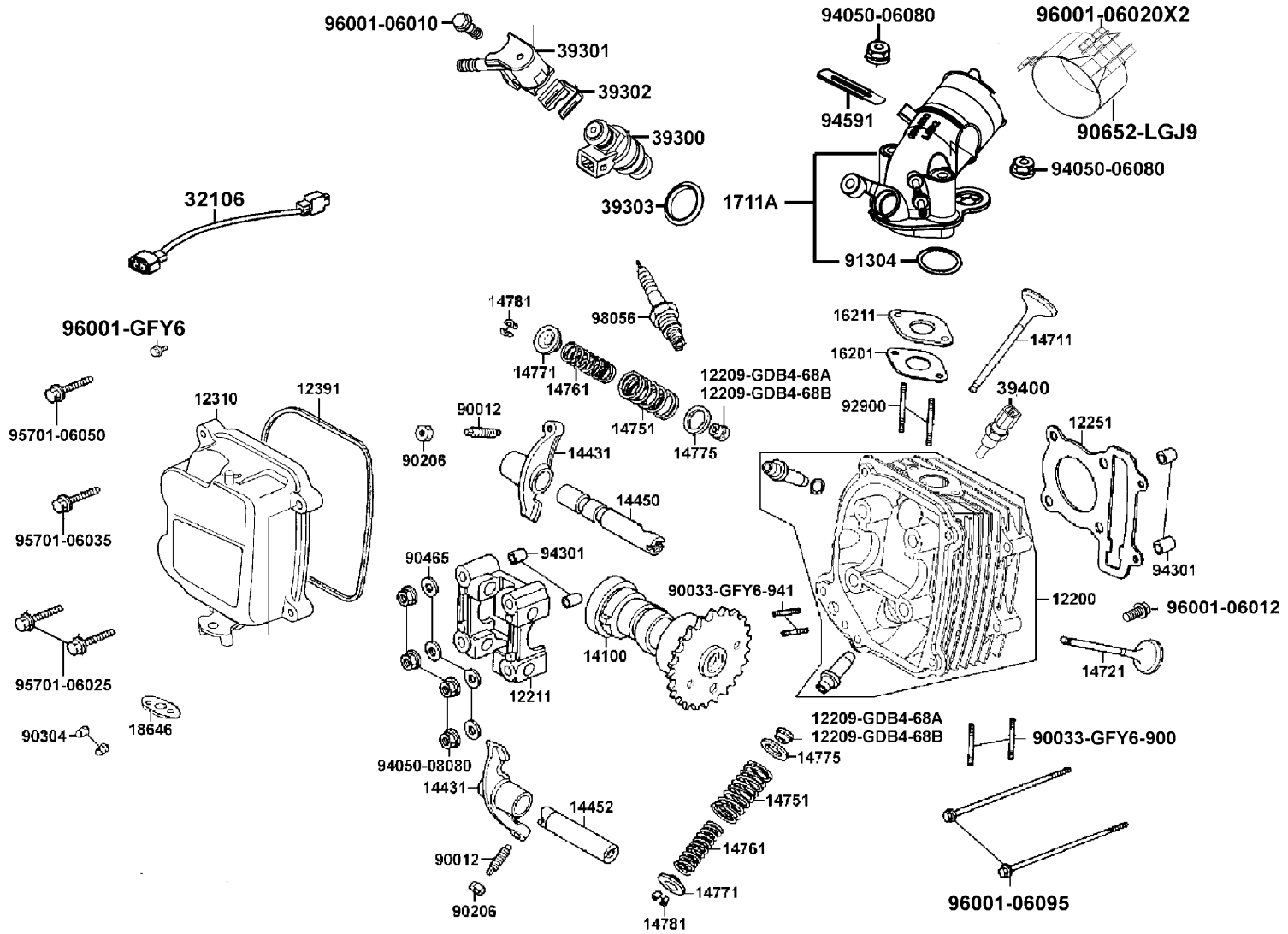


Sales mark 配色標註	Ref no 參考號碼	Part no 零件號碼	Description 英文名稱	Reg description 中文名稱	Regd no 需求用量	E02
	12200	12200-LGM9-900	HEAD COMP., CYLN	汽缸頭總成	1	
	12209-GDB4-68A	12209-GDB4-68A	SEAL VALVE STEM	門閥徑封	2	
	12209-GDB4-68B	12209-GDB4-68B	SEAL VALVE STEM	門閥徑封	2	
	12211	12211-KUDU-900	HOLDER CAM SHAFT	凸輪軸固定座	1	
	12251	12251-KHC4-900	GASKET CYLINDER HEAD	汽缸頭墊片	1	
	12310	12310-LGF6-900	COVER COMP,HEAD	汽缸頭蓋	1	
	12391	12391-GFY6-941	GASKET HEAD COVER	汽缸頭蓋墊片	1	
	14100	14100-GFY6-220	SHAFT COMP CAM	凸輪軸	1	
	14431	14431-GFY6-901	ARM VALVE ROCKER	閥門搖臂	2	
	14450	14450-GFY6-901	SHAFT COMP IN ROCKER ARM	進氣閥搖臂軸	1	
	14452	14452-GFY6-901	SHAFT EXH ROCKER ARM	排氣閥搖臂軸	1	
	14711	14711-KHC4-900	VALVE INLET	進氣閥門	1	
	14721	14721-KHC4-900	VALVE EXHAUST	排氣閥門	1	
	14751	14751-KFBF-900	SPRING VALVE OUTER	閥門外彈簧	2	
	14761	14761-KFBF-900	SPG VALVE INNER	閥門內彈簧	2	
	14771	14771-GDB4-680	RETAINER VALVE SPRING	閥門彈簧保持器	2	
	14775	14775-MFA6-001	SEAT VALVE SPG OUTER	門閥彈簧外座	2	
	14781	14781-MFA6-001	COTTER VALVE	閥門鎖扣	4	
	16201	16201-KHC4-900	GASKET CARB INSULATOR @A	化油器隔熱板墊片 A	1	
	16211	16211-LGM9-900	INSULATOR, CARB.	隔熱板	1	

E02

Cylinder Head Cover Cylinder Head

汽缸頭蓋 汽缸頭

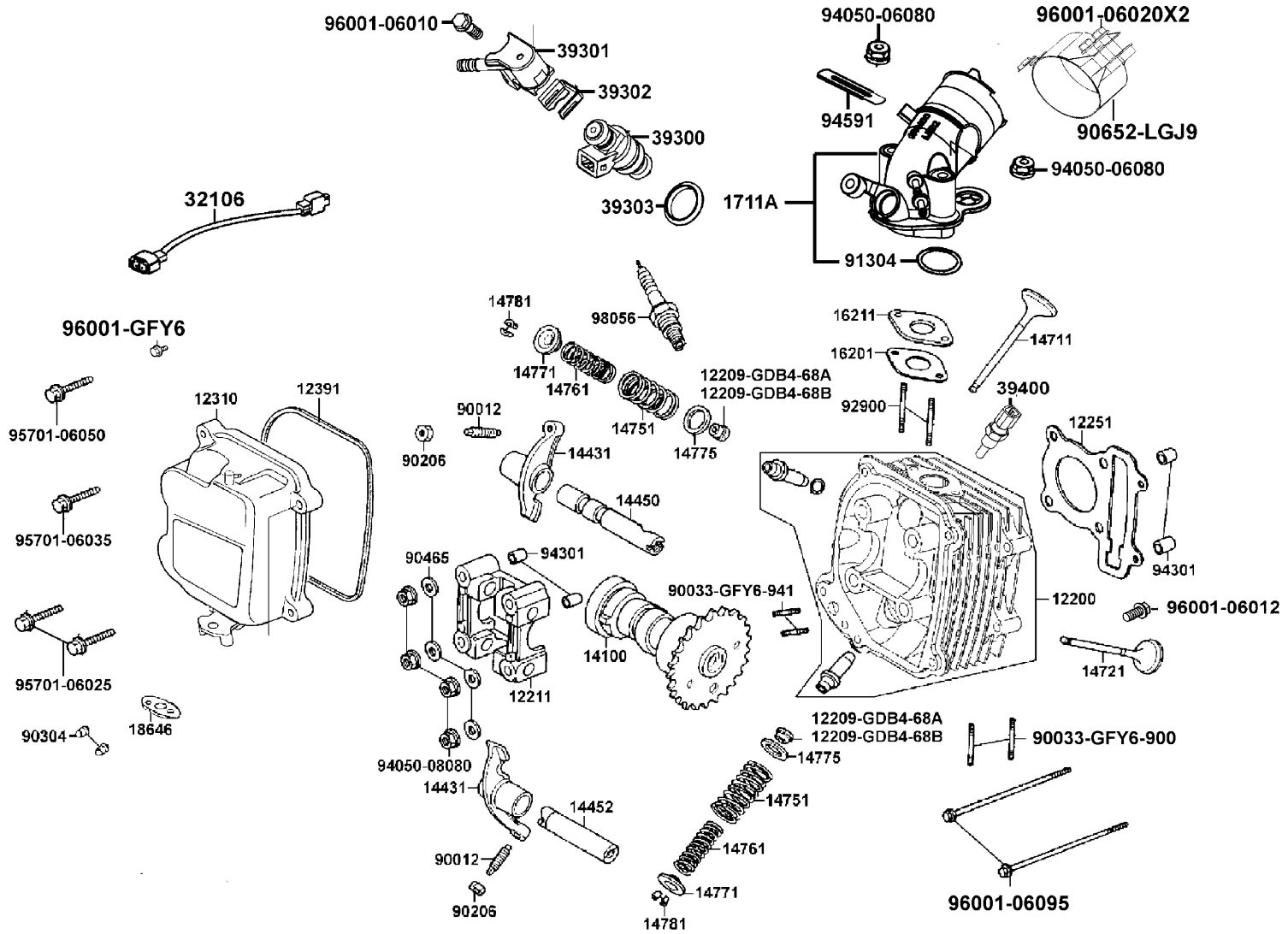


Sales mark 配色標註	Ref no 參考號碼	Part no 零件號碼	Description 英文名稱	Reg description 中文名稱	Regd no 需求用量	E02
	1711A	1711A-LGM9-900	PIPE ASSY., INLET	進氣歧管總成	1	
	18646	18646-GFY6-941	GAKT A/I PIPE	通氣管墊片	1	
	32106	32106-KKE3-900	SUB HARNESS A	汽缸頭溫度感應器配線	1	
	39300	39300-LEA6-800	FUEL INJECTOR	燃油噴嘴	1	
	39301	39301-LGM9-900	HOLDER ASSY FUEL	燃油噴嘴托蓋組	1	
	39302	39302-KKE3-900	CLIP SPRING FUEL INJECTOR	噴嘴彈簧夾	1	
	39303	39303-LEB2-900	SEAL HIGH TENSION FUEL INJECT	拉力封	1	
	39400	39400-KKE3-800	SENSOR HEAD TEMPERATURE	汽缸頭溫度感應器	1	
	90012	90012-3C33-001	SCREW TAPPET ADJUSTING	樞軸調整螺絲	2	
	90033-GFY6-900	90033-GFY6-900	BOLT STUD 8*32	螺絲 8X32	2	
#	90033-GFY6-941	90033-GFY6-941	BOLT STUD 6*16	特殊螺絲 6*16	2	
	90206	90206-0A01-001	NUT TAPPET ADJG	挺桿調整螺帽	2	
	90304	90304-4H38-001	NUT HEX CAP 6MM	螺帽 6MM	2	
	90465	90465-MDC4-001	WASHER 8MM	華司 8MM	4	
#	90652	90652-LGJ9-900	BAND 48, INLET-PIPE	進氣管夾	1	
	91304	91304-KHC4-900	O- RING 22*2.0	O環 22*2.0	1	
	92900	92900-06060-0B	BOLT STUD 6*60	雙頭螺絲 6*60	1	
#	94050-06080	94050-06080	NUT FLANGE 6MM	螺帽 6MM	2	
	94050-08080	94050-08080	NUT FLANGE 8MM	螺帽 8MM	4	
	94301	94301-10160	DOWEL PIN 10*16	定位銷 10X16	4	

E02

Cylinder Head Cover Cylinder Head

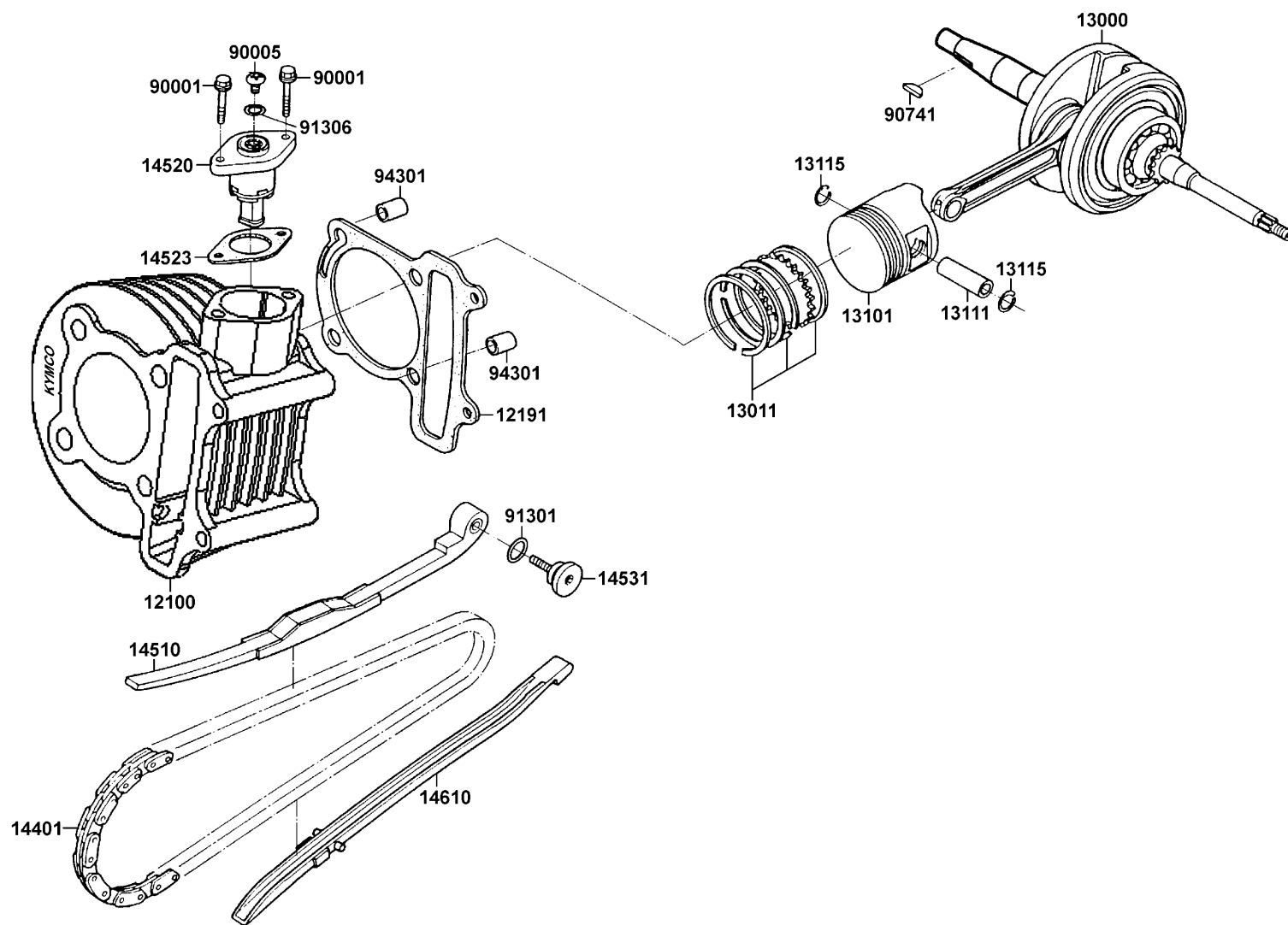
汽缸頭蓋 汽缸頭



Sales mark 配色標註	Ref no 參考號碼	Part no 零件號碼	Description 英文名稱	Reg description 中文名稱	Regd no 需求用量	E02
	94591	94591-KFBF-900	CLIP 2*70	環夾	1	
	95701-06025	95701-06025-08	BOLT FLANGE 6*25	螺絲 6*25	3	
	95701-06035	95701-06035-08	BOLT FLANGE SH 6*35	螺絲 6*35	1	
	95701-06050	95701-06050-08	BOLT FLANGE 6*50	螺絲 6*50	1	
	96001-06010	96001-06010-08	BOLT FLANGE SH 6*10	螺絲 6X10	1	
	96001-06012	96001-06012-08	BOLT FLANGE 6*12	螺絲 6*12	1	
	96001-06020	96001-06020-00	BOLT FLANGE SH 6*20	螺絲 6*20	2	
	96001-06095	96001-06095-08	BOLT FLANGE 6*95	螺絲 6*95	2	
	96001-GFY6	96001-GFY6-900	BOLT SPECIAL 5*10	螺絲 5*10	1	
	98056	98056-5771R-00	SPARK PLUG (CR7HSA)	火星塞 (CR7HSA)	1	

E03

Cylinder Piston Crankshaft 汽缸 活塞 曲軸

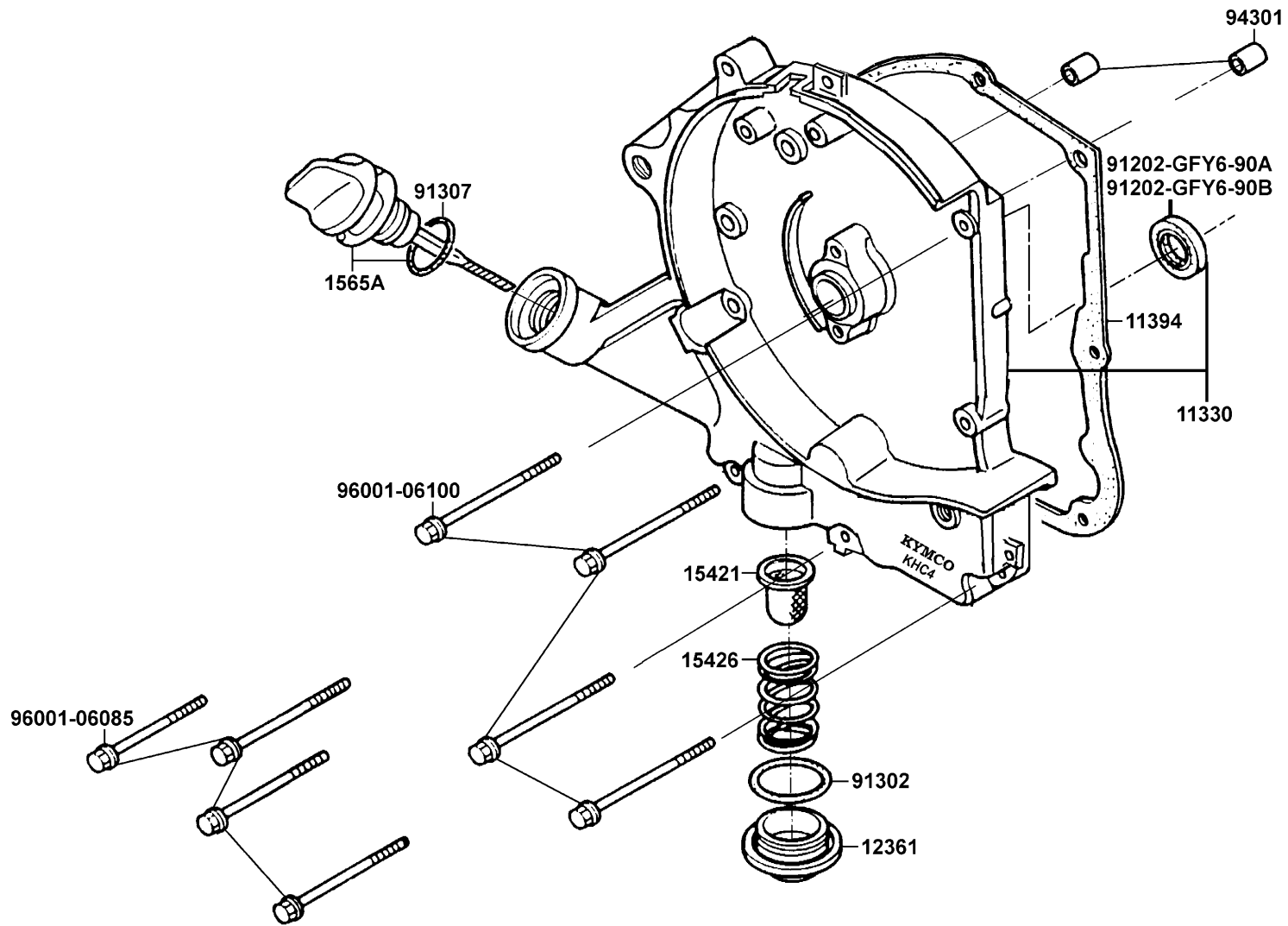




Sales mark 配色標註	Ref no 參考號碼	Part no 零件號碼	Description 英文名稱	Reg description 中文名稱	Regd no 需求用量	E03
	12100	12100-LAB4-700	CYLINDER COMP	汽缸	1	
	12191	12191-KHC4-900	GASTET CYLINDER @ A	汽缸墊片 A	1	
	13000	13000-LBD4-900	CRANK SHAFT COMP	曲軸	1	
	13011	13011-LBC6-900	RING SET PISTON	活塞環組	1	
	13101	13101-LGM9-900	PISTON	活塞	1	
	13111	13111-0G87-001	PIN PISTON	活塞銷	1	
	13115	13115-0A01-001	PISTON PIN CLIP	活塞銷夾	2	
	14401	14401-KHC4-900	CHAIN CAM	凸輪軸內鏈條	1	
	14510	14510-KHC4-900	TENSIONER CAM CHAIN	內鏈條拉力桿	1	
	14520	14520-GFY6-90A	LIFTER ASSY TENSIONER	內鏈條調整器	1	
	14523	14523-GFY6-901	GASKET TENSIONER LIFTER @ A	內鏈條調整器墊片	1	
	14531	14531-GLR0-001	PIVOT CAM CHAIN TENSIONER	拉力桿螺絲	1	
	14610	14610-KHC4-900	GUIDE COMP CAM CHAIN	鏈條導件	1	
	90001	90001-GBHB-661	BOLT FLANGE SH 6*22	螺絲 6*22	2	
	90005	90005-KAW1-901	SCREW PAN 6*6	螺絲 6*6	1	
	90741	90741-0E35-001	KEY WOODRUFF	固定鍵	1	
	91301	91301-GLR0-005	O RING 15.2*1.5	O環 15.2X1.5	1	
	91306	91306-1E05-691	O-RING 1.5*9.5	O環 1.5*9.5	1	
	94301	94301-10160	DOWEL PIN 10*16	定位銷 10X16	2	

E04

Right Crankcase Cover 右曲軸箱蓋

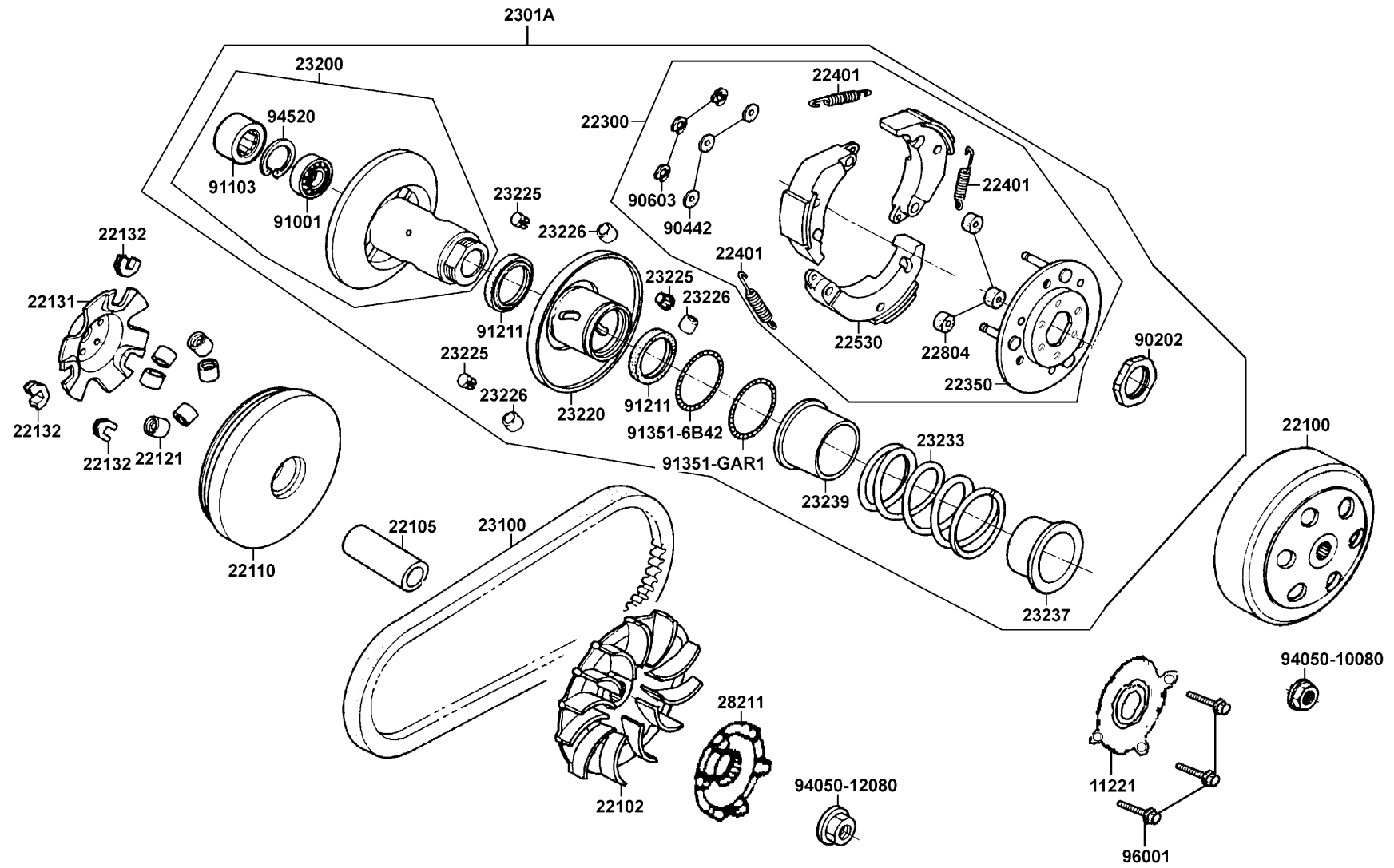


Sales mark 配色標註	Ref no 參考號碼	Part no 零件號碼	Description 英文名稱	Reg description 中文名稱	Regd no 需求用量	E04
	11330	11330-LBG7-900	COVER R CRANK CASE	右曲軸箱蓋	1	
	11394	11394-KHC4-900	GASTER R COVER @ A	右曲軸箱蓋墊片 A	1	
	12361	12361-GFY6-901	HOLE CAP TAPPET ADJUSTING	調節螺帽	1	
	15421	15421-1G07-001	SCREEN OIL FILTER	濾油網	1	
	15426	15426-GAE1-921	SPG OIL FILTER SCREEN	濾油網彈簧	1	
	1565A	1565A-GFY6-900	GAUGE OIL LEVEL ASSY	機油尺組	1	
	91202-GFY6-90A	91202-GFY6-90A	OIL SEAL 19.8*30*5	油封 19.8*30*5	1	
	91202-GFY6-90B	91202-GFY6-90B	OIL SEAL 19.8*30*5	油封 19.8*30*5	1	
	91302	91302-0A01-021	O-RING 30.8MM	O環 30.8MM	1	
	91307	91307-0E35-001	O RING 18*3	O環 18X3	1	
	94301	94301-08140	DOWEL PIN 8*14	定位銷 8X14	2	
	96001-06085	96001-06085-06	BOLT FLANGE 6*85	螺絲 6*85	4	
	96001-06100	96001-06100-08	BOLT FLANGE SH 6*100	特殊螺絲 6*100	4	

E05

Driven Pulley

傳動皮帶輪

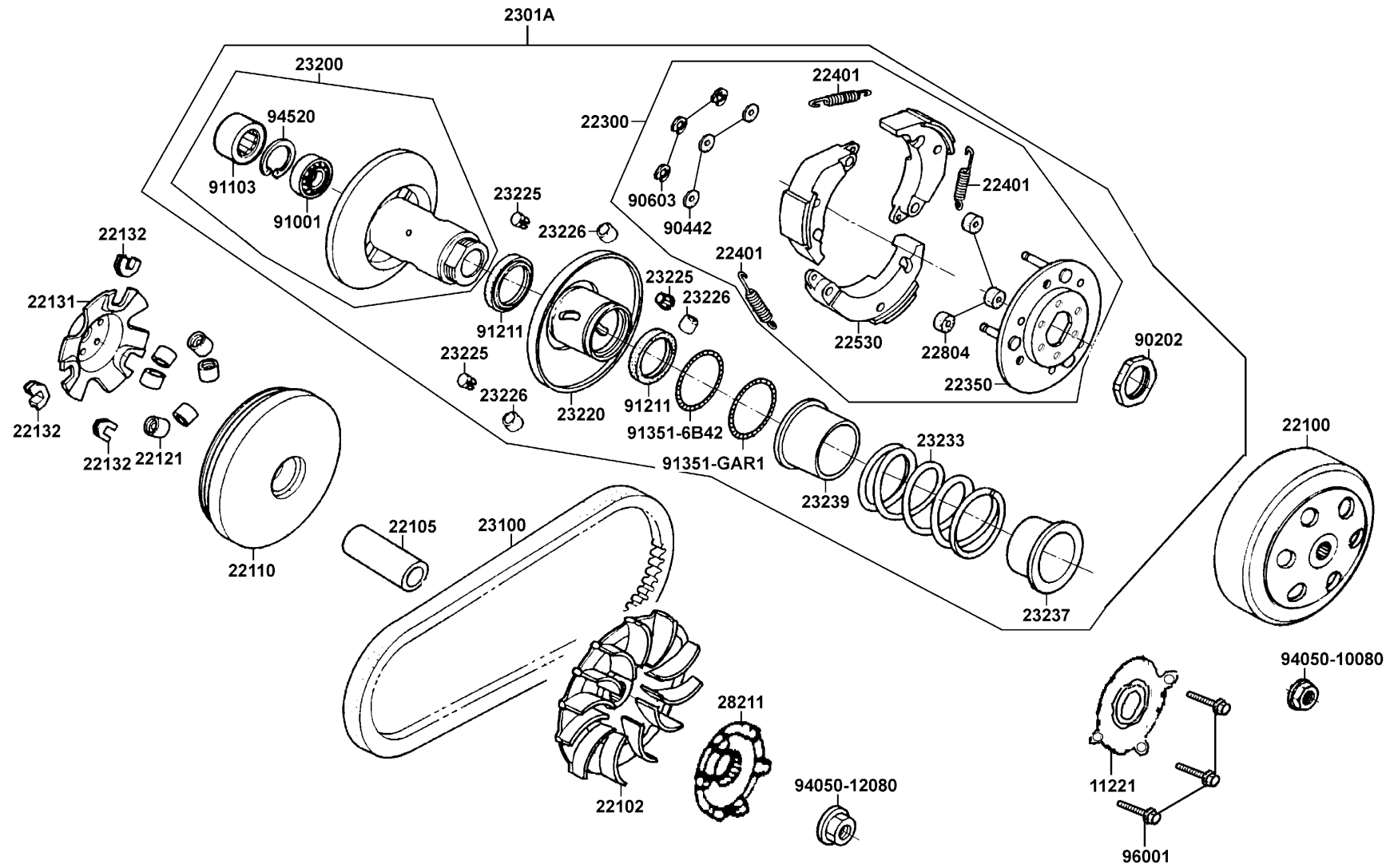


Sales mark 配色標註	Ref no 參考號碼	Part no 零件號碼	Description 英文名稱	Reg description 中文名稱	Regd no 需求用量	E05
	11221	11221-KHC4-900	INSULATOR DUST	通氣管	1	
	22100	22100-KNBN-902	CLUTCH OUTER	離合器外套	1	
	22102	22102-KED5-900	FACE DRIVE	驅動皮帶扇葉盤	1	
	22105	22105-KHC4-900	BOSS DRIVE FACE	襯套	1	
	22110	22110-KHC4-900	FACE COMP MOVABLE DRIVE	滑動式驅動盤	1	
	22121	22121-GHT8-602	ROLLER COMP WEIGHT 7.5 GR	配重滾子	6	
	22131	22131-GCW3-901	PLATE RAMP	斜坡板	1	
	22132	22132-LAB4-900	PIECE SLIDE	斜板邊件	3	
	22300	22300-LBC6-900	PLATE ASSY DRIVE	驅動板組	1	
	22350	22350-KHC4-900	PLATE COMP DRIVE	驅動板	1	
	22401	22401-LAB4-900	SPG CLUTCH	離合器彈簧	3	
	22530	22530-LBC6-900	WEIGHT SET CLUTCH	離合器配重組	3	
	22804	22804-1H48-001	RUBBER CLUTCH DUMPER	橡皮	3	
	2301A	2301A-LBC6-900	PULLEY SUB ASSY DRIVEN	從動皮帶輪組	1	
	23100	23100-KHC4-900	BELT DRIVE	驅動皮帶	1	
	23200	23200-GCW3-001	FACE ASSY DRIVEN	從動皮帶盤組	1	
	23220	23220-KHC4-900	FACE COMP MOVABLE DRIVEN	滑動式從動皮帶盤	1	
	23225	23225-GCW3-001	PIN GUIDE	導銷	3	
	23226	23226-GCW3-001	ROLLER GUIDE	套筒環	3	
	23233	23233-LAB4-900	SPG DRIVEN FACE	驅動彈簧	1	

E05

Driven Pulley

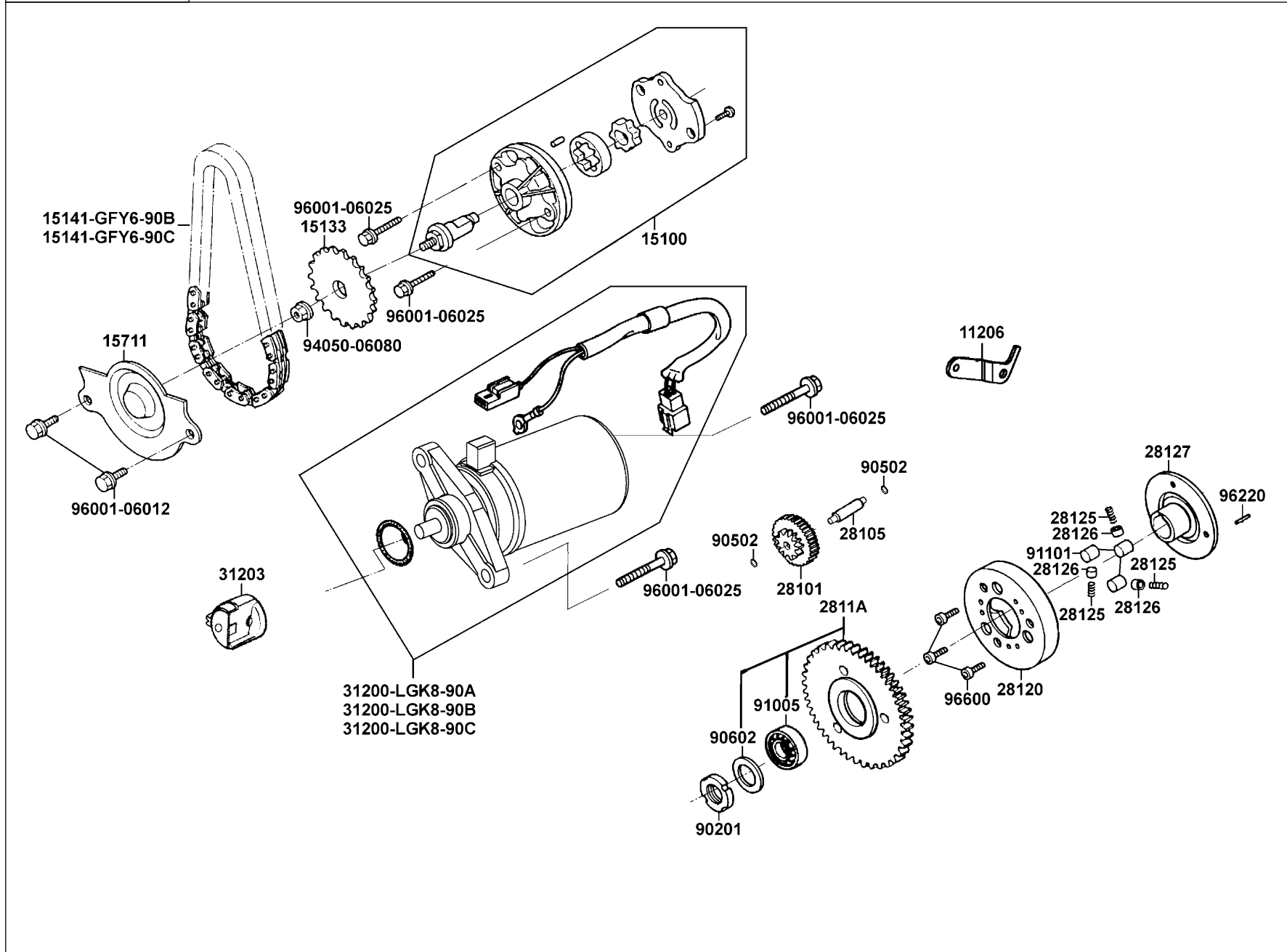
傳動皮帶輪



Sales mark 配色標註	Ref no 參考號碼	Part no 零件號碼	Description 英文名稱	Reg description 中文名稱	Regd no 需求用量	E05
	23237	23237-GCW3-001	COLLAR SEAL	套筒油封	1	
	23239	23239-GCW3-851	GUIDE SPG	套筒	1	
	28211	28211-KNBN-901	RATCHET KICK STARTER	起動棘齒輪	1	
	90202	90202-1G87-001	NUT SPECIAL 28MM	螺帽	1	
	90442	90442-0D44-001	6M/M THRUST WASHER	華司	3	
	90603	90603-0D44-001	CIR CLIP 6MM	環夾 6MM	3	
	91001	91001-GGA7-70A	BRG RADIAL BALL 6901U	軸承	1	
	91103	91103-GAR1-004	BRG NEEDLE 17*25*18 WS	滾針軸承	1	
	91211	91211-GHK8-014	OIL SEAL 34*39*3	驅動油封	2	
	91351-6B42	91351-6B42-000	O-RING PINION CAP	O環	1	
	91351-GAR1	91351-GAR1-001	O-RING 38.5*2	O環 38.5*2	1	
	94050-10080	94050-10080	NUT FLANGE 10MM	螺帽	1	
	94050-12080	94050-12080	NUT C FLANGE 12MM	螺帽 12MM	1	
	94520	94520-24000	CIR CLIP IN 24	夾環	1	
	96001	96001-06012-08	BOLT FLANGE 6*12	螺絲 6*12	3	

E06

Starting Motor Oil Pump 起動馬達 機油泵

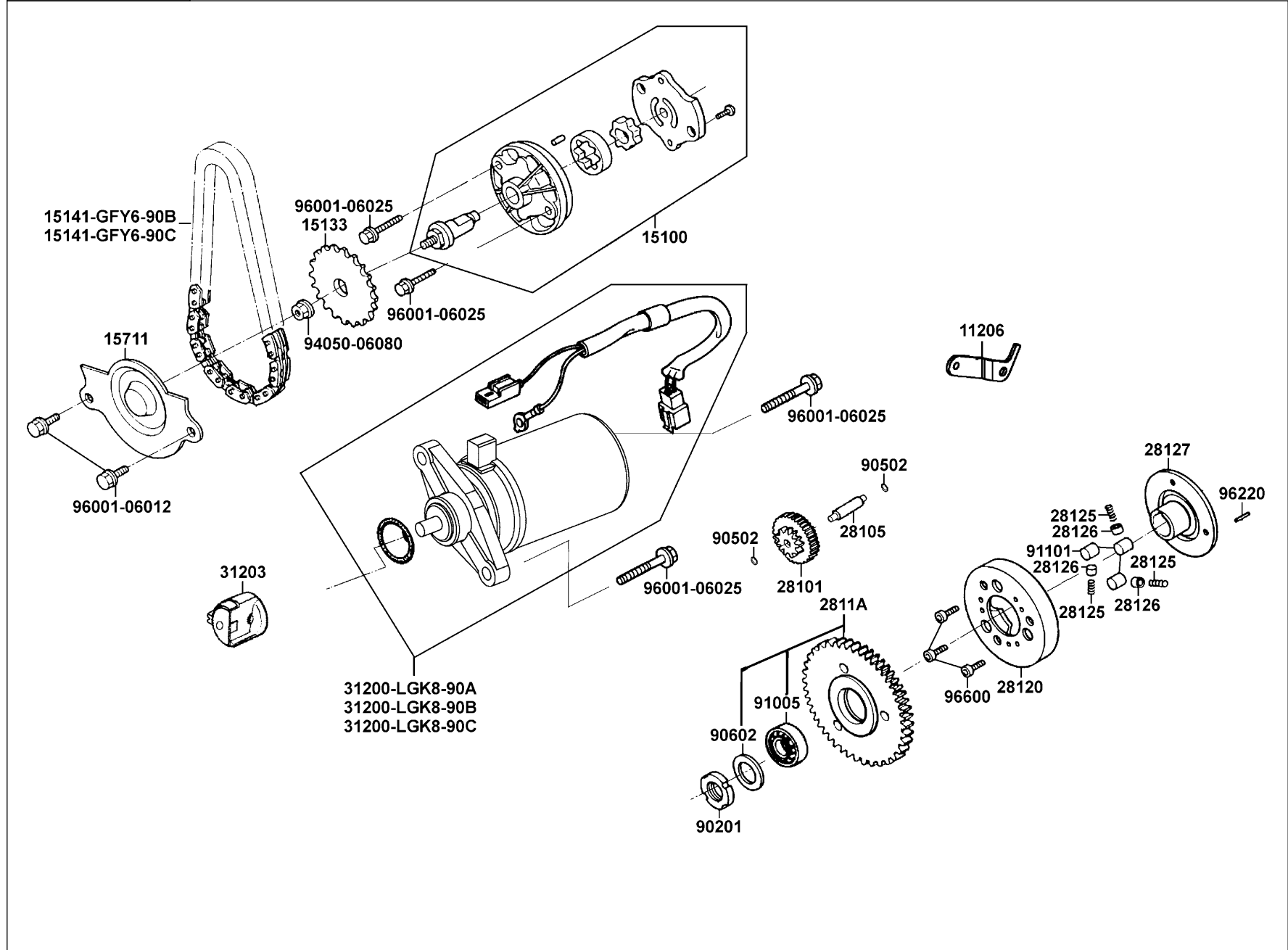




Sales mark 配色標註	Ref no 參考號碼	Part no 零件號碼	Description 英文名稱	Reg description 中文名稱	Regd no 需求用量	E06
	11206	11206-LAB4-900	STAY A RR FENDER	後土除支架 A	1	
	15100	15100-GFY6-901	PUMP ASSY OIL	機油泵浦組	1	
	15133	15133-GFY6-901	SPRKT OIL PUMP DRIVEN	機油泵驅動齒輪	1	
	15141-GFY6-90B	15141-GFY6-90B	CHAIN OIL PUMP	機油泵驅動鏈條	1	
	15141-GFY6-90C	15141-GFY6-90C	CHAIN OIL PUMP	機油泵驅動鏈條	1	
	15711	15711-GFY6-901	SEPARATER OIL	機油分隔板	1	
	28101	28101-KNBN-901	GEAR COMP STARTER REDUCTION	減速齒輪	1	
	28105	28105-KNBN-901	SHAFT STARTER REDUCTION	減速齒輪軸	1	
	2811A	2811A-KNBN-940	GEAR COMP STARTER DRIVEN	起動離合器齒輪	1	
	28120	28120-KNBN-901	OUTER COMP ST CLUCH	離合器外套	1	
	28125	28125-3C23-001	SPRING ROLLER ST CLUTCH	滾子彈簧	3	
	28126	28126-KNBN-901	CAP SPGING ROLLER SP	滾子彈簧蓋	3	
	28127	28127-KNBN-901	BOSS STARTER CLUTCH	起動離合器凸緣	1	
	31200-LGK8-90A	31200-LGK8-90A	MOTOR ASS'Y, START	起動馬達組	1	
	31200-LGK8-90B	31200-LGK8-90B	MOTOR ASS'Y, START	起動馬達組	1	
	31200-LGK8-90C	31200-LGK8-90C	MOTOR ASS'Y, START	起動馬達組	1	
	31203	31203-KHC4-900	HOLDER COMP STARTER REDUCTION	起動齒輪組支撐座	1	
	90201	90201-KNBN-901	NUT SPECIAL 24MM	螺帽 24MM	1	
	90502	90502-MBS2-001	WASHER 24*8.5	華司 24*8.5	2	
	90602	90602-PDX4-001	CIR CLIP B IN 47	內環夾	1	

E06

Starting Motor Oil Pump 起動馬達 機油泵

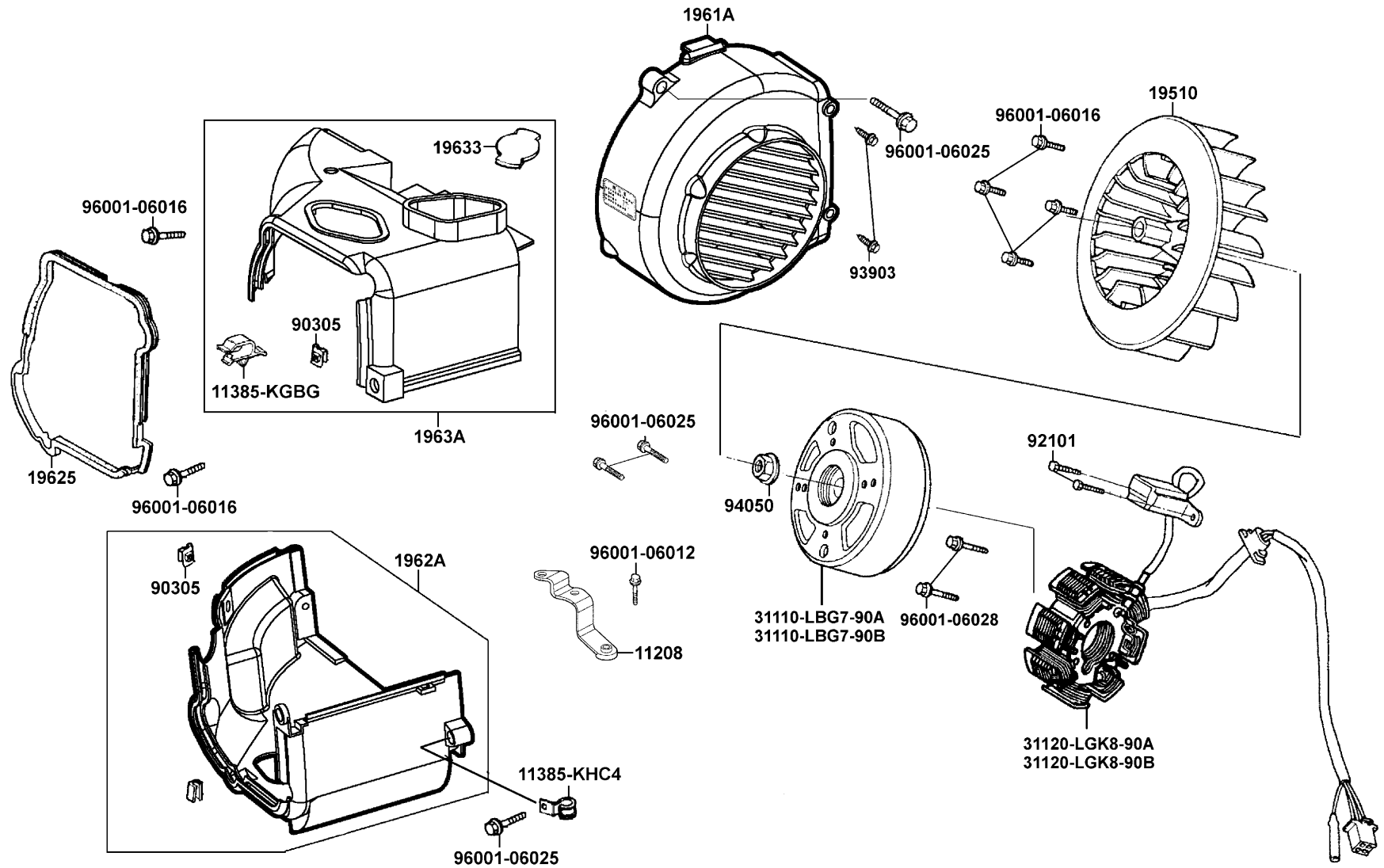


Sales mark 配色標註	Ref no 參考號碼	Part no 零件號碼	Description 英文名稱	Reg description 中文名稱	Regd no 需求用量	E06
	91005	91005-KNBN-901	BRG RADIAL 6005-2NKG	滾針軸承 6005-2NKG	1	
	91101	91101-KNBN-901	ROLLER 10.2*11.5	滾子10.2*11.5	3	
#	94050-06080	94050-06080	NUT FLANGE 6MM	螺帽 6MM	1	
	96001-06012	96001-06012-08	BOLT FLANGE 6*12	螺絲 6*12	2	
#	96001-06025	96001-06025-08	BOLT FLANGE SH 6*25	螺絲 6*25	4	
	96220	96220-60100	ROLLER 6*10	定位銷 6X10	1	
	96600	96600-06012-10	SOCKET BOLT 6*12	螺絲 6*12	3	

E07

Fan Cover Generator

風扇蓋 發電機

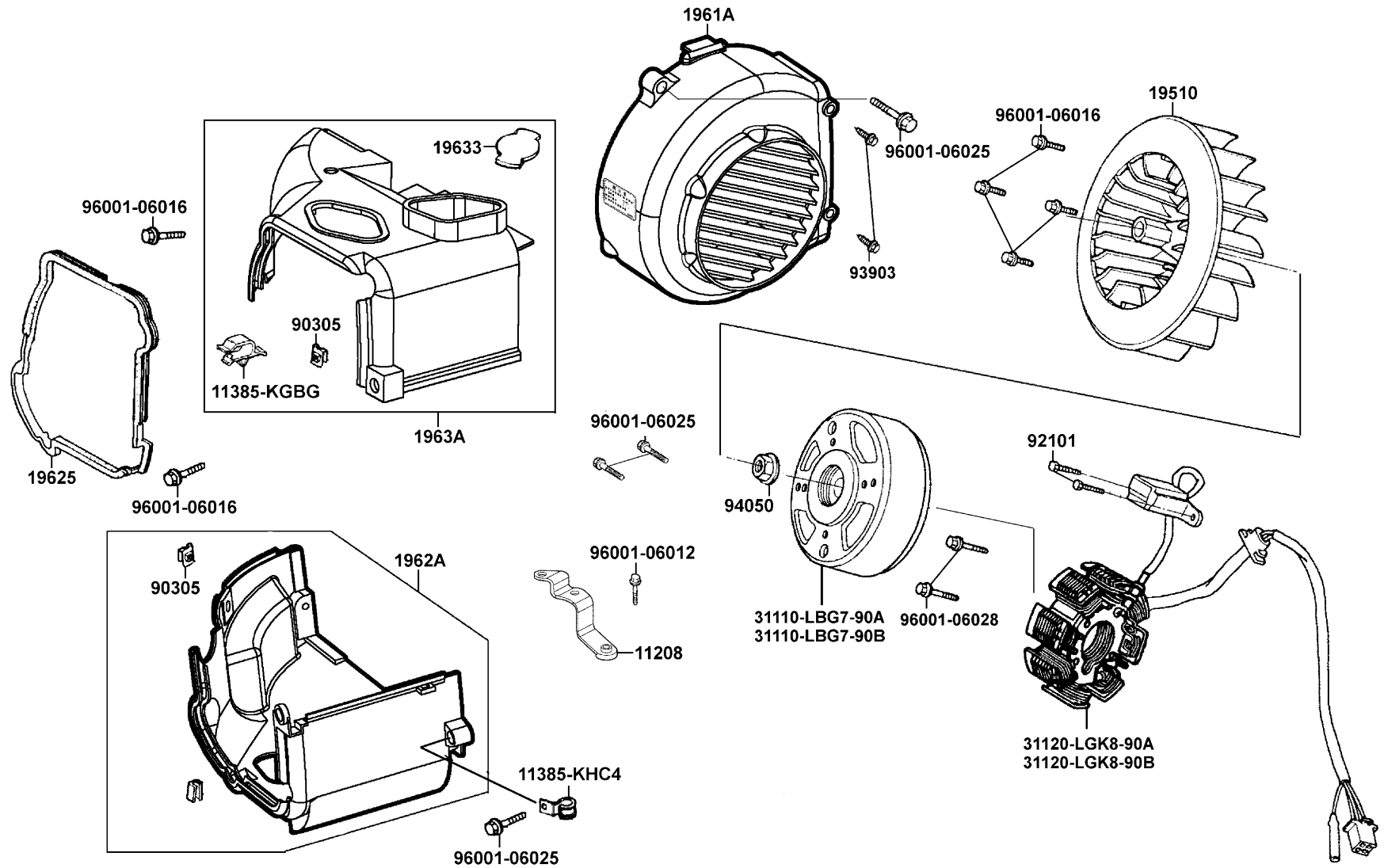


Sales mark 配色標註	Ref no 參考號碼	Part no 零件號碼	Description 英文名稱	Reg description 中文名稱	Regd no 需求用量	E07
	11208	11208-KHC4-800	STAY C RR FENDER	後土除支架 C	1	
	11385-KGBG	11385-KGBG-900	CLIP VACUUM TUBE	管夾	1	
	11385-KHC4	11385-KHC4-900	CLAMPER CARB DRAIN TUBE	油管夾	1	
	19510	19510-PUA3-B50	FAN COMP COOLING	冷卻風扇	1	
	1961A	1961A-LBG7-800	COVER ASSY FAN	冷卻風扇蓋	1	
	19625	19625-KHC4-900	SEAL SHROUD	罩蓋油封	1	
	1962A	1962A-KHC4-900	SHROUD ASSY A	罩蓋 A	1	
	19633	19633-GFY6-901	GROMET SHROUD B	橡皮蓋	1	
	1963A	1963A-LGM9-900	SHROUD ASSY., B	罩蓋B總成	1	
	31110-LBG7-90A	31110-LBG7-90A	FLYWHEEL COMP	飛輪蓋	1	
	31110-LBG7-90B	31110-LBG7-90B	FLYWHEEL COMP	飛輪蓋	1	
	31120-LGK8-90A	31120-LGK8-90A	STATOR COMP	定子組	1	
	31120-LGK8-90B	31120-LGK8-90B	STATOR COMP	定子組	1	
	90305	90305-GHK8-001	NUT CLIP 6MM	夾螺帽	2	
	92101	92101-05012-0H	BOLT HEX 5*12	螺絲 5*12	2	
	93903	93903-35360	SCREW TAPPING 5*16	螺釘 5*16	2	
	94050	94050-10080	NUT FLANGE 10MM	螺帽	1	
	96001-06012	96001-06012-08	BOLT FLANGE 6*12	螺絲 6*12	1	
	96001-06016	96001-06016-08	BOLT FLANGE SH 6*16	凸緣螺栓	6	
#	96001-06025	96001-06025-08	BOLT FLANGE SH 6*25	螺絲 6*25	3	

E07

Fan Cover Generator

風扇蓋 發電機



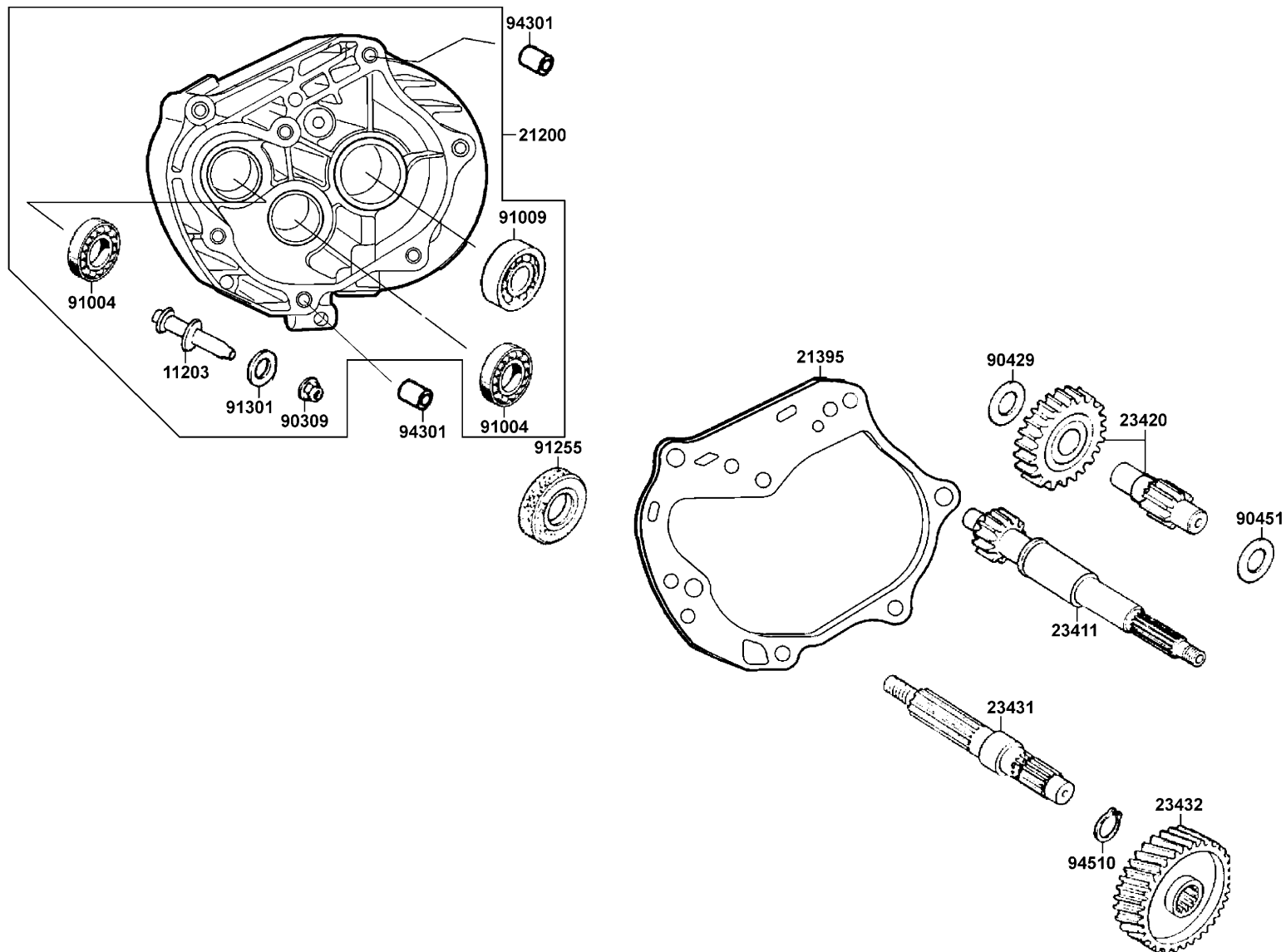
Sales mark 配色標註	Ref no 參考號碼	Part no 零件號碼	Description 英文名稱	Reg description 中文名稱	Regd no 需求用量
--------------------	----------------	-----------------	---------------------	-------------------------	-----------------

**E07**

#	96001-06028	96001-06028-08	BOLT FLANGE SH 6*28	螺絲 6*28	2
---	-------------	----------------	---------------------	---------	---

E08

Transmission 傳動系

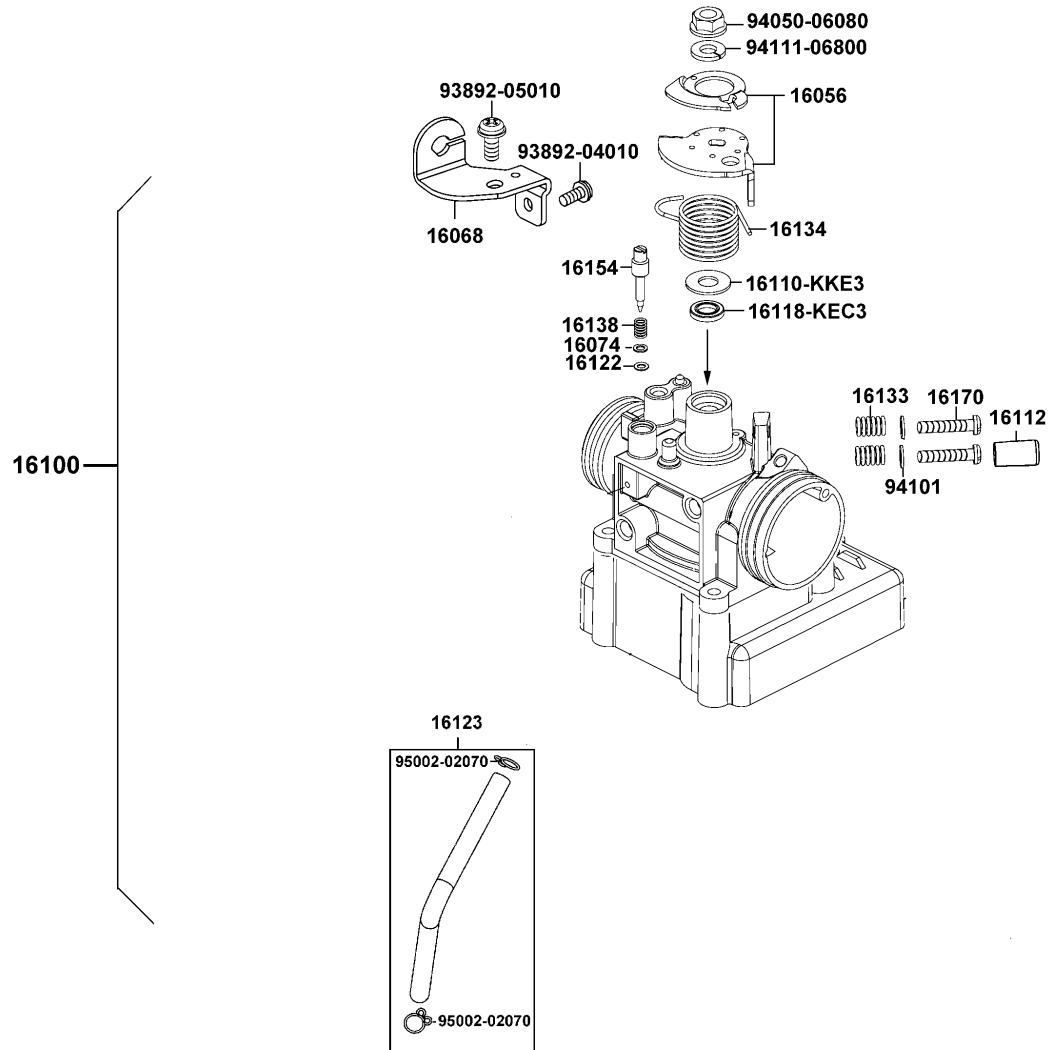




Sales mark 配色標註	Ref no 參考號碼	Part no 零件號碼	Description 英文名稱	Reg description 中文名稱	Regd no 需求用量	E08
	11203	11203-KHG8-301	PIN BRAKE SHOE ANCHOR	煞車鼓固定銷	1	
	21200	21200-KFA3-305	CASE ASSY MISSION	主軸箱組	1	
	21395	21395-KNBN-901	GASKET MISSION CASE A	主軸蓋墊片 A	1	
	23411	23411-KHC4-900	SHAFT DRIVE	驅動軸	1	
	23420	23420-KHC4-900	SHAFT COMP COUNTER	副軸組	1	
	23431	23431-KDLD-901	SHAFT FINAL	最終軸	1	
	23432	23432-KNBN-901	GEAR FINAL	最終齒輪	1	
	90309	90309-KLF0-004-SY	NUT FLANGE 8MM	平螺帽	1	
	90429	90429-KNBN-901	WASHER SIDE 12MM	華司	1	
	90451	90451-1G07-001	WASHER THRUST 15MM	華司 15MM	1	
	91004	91004-KBN2-90A	BRG BALL RADIAL 6201	軸承	2	
	91009	91009-GLE0-004	BRG BALL RADIAL 6004 UU	軸承	1	
#	91255	91255-GLE0-006	OIL SEAL 27*42*7	油封	1	
	91301	91301-0C53-001	O RING 7.5*1.5	O 環	1	
	94301	94301-10200	DOWEL PIN 10*20	插銷	2	
	94510	94510-20000	CIR CLIP EX 20	夾環	1	

E09

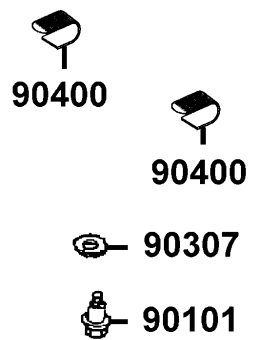
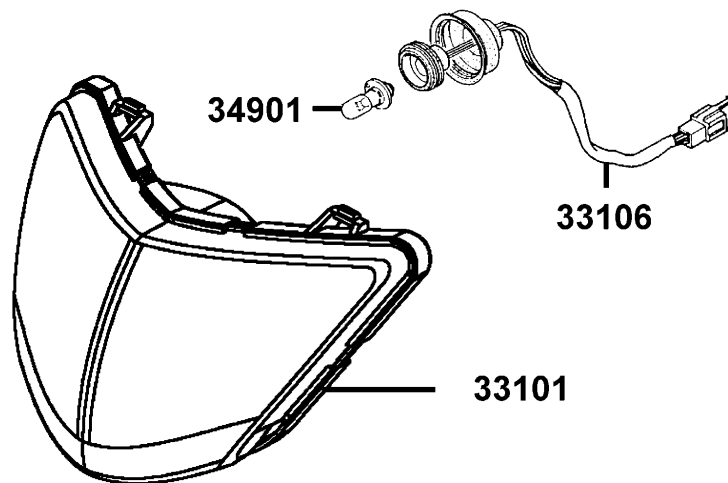
Carburetor 化油器



Sales mark 配色標註	Ref no 參考號碼	Part no 零件號碼	Description 英文名稱	Reg description 中文名稱	Regd no 需求用量	E09
	16056	16056-LEB2-900	LEVER ASSY THROTTLE	拉桿節流閥	1	
	16068	16068-LEB2-900	PLATE WIRE FIXED	節流導線固定板	1	
	16074	16074-KEC3-900	WASHER IDLE SCREW	華司	1	
	16100	16100-LGM9-900	THROTTLE BODY ASSY.	節流閥本體總成	1	
	16110-KKE3	16110-KKE3-900	WASHER THROTTLE COMP	華司	1	
	16112	16112-KKE3-900	COVER IDLE SCREW	蓋	1	
	16118-KEC3	16118-KEC3-900	SEAL THROTTLE SHAFT	節流閥封軸	1	
	16122	16122-KEC3-900	O-RING IDLE SCREW	O型環	1	
	16123	16123-LEA1-900	TUBE COMPL. 3.5x540	油管	1	
	16133	16133-KEC3-900	SPG THROTTLE ADJUST SCREW	彈簧	2	
	16134	16134-KKE3-900	SPG THROTTLE SHAFT	節流閥軸彈簧	1	
	16138	16138-KEC3-900	SPG IDLE ADJ SCREW	彈簧	1	
	16154	16154-KKE3-900	SCREW IDLE ADJUST	螺絲	1	
	16170	16170-KEC3-900	SCREW THROTTLE ADJUST	調整螺絲	2	
	93892-04010	93892-04010-08	SCREW WASHER 4*10	螺絲	1	
	93892-05010	93892-05010-08	SCREW WASH 5*10	螺絲	1	
#	94050-06080	94050-06080	NUT FLANGE 6MM	螺帽 6MM	1	
	94101	94101-KKE3-900	WASHER PLAN 4.5*8*0.8	墊圈	2	
	94111-06800	94111-06800	WASHER SPG 6MM	華司 6MM	1	
	95002-02070	95002-02070	CLIP B7 TUBE	管夾	2	

F01

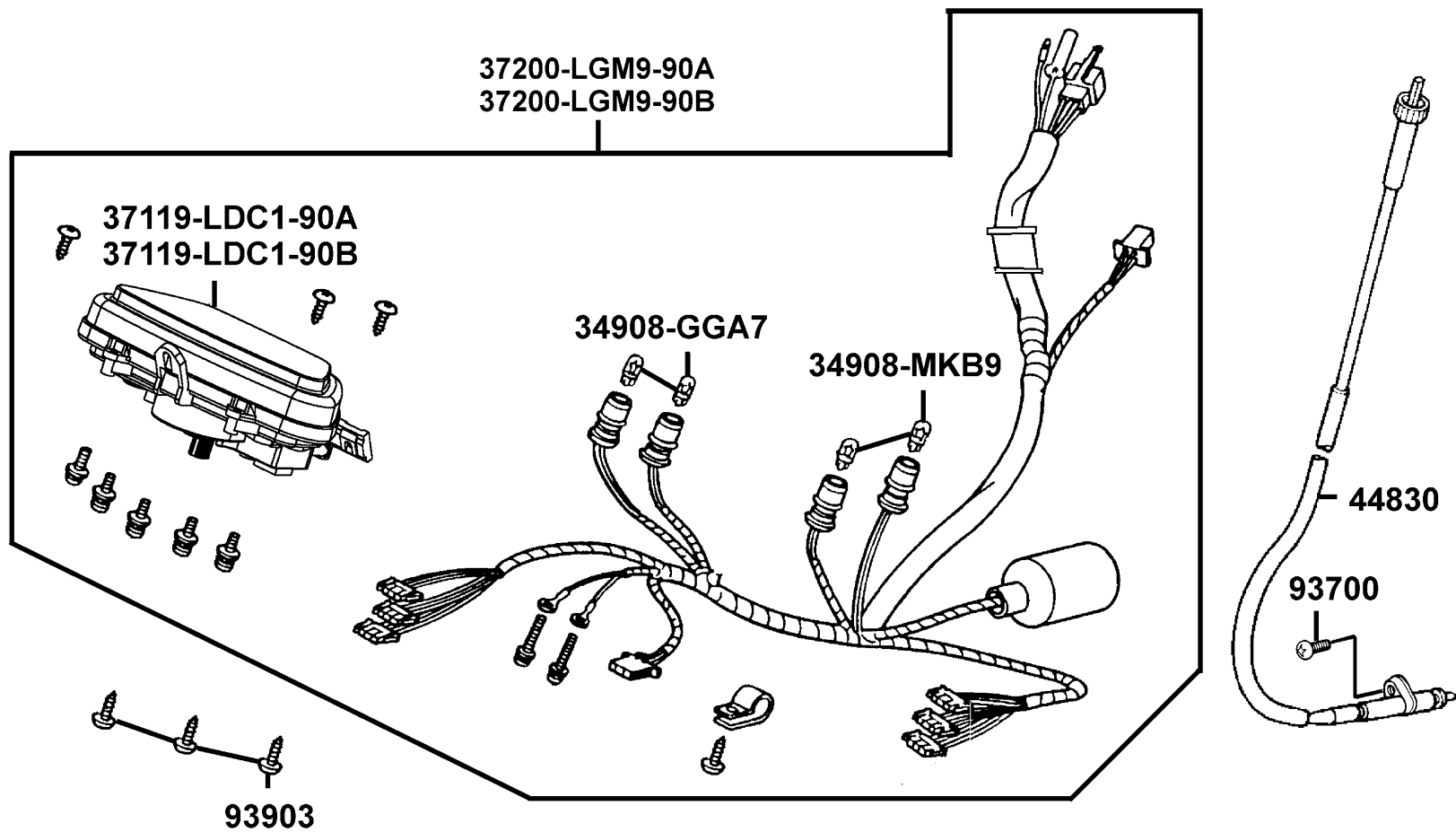
Head Light 前燈



Sales mark 配色標註	Ref no 參考號碼	Part no 零件號碼	Description 英文名稱	Reg description 中文名稱	Regd no 需求用量	F01
	33101	33101-LDC1-900	UNIT HEAD LIGHT	頭燈組	1	
	33106	33106-LDC1-900	SOCKET COMP	前燈配線	1	
	34901	34901-KTCT-900	BULB HEAD LIGHT	前燈泡	2	
	90101	90101-LDC1-900	BOLT ADJUST	大燈照高調整螺絲	1	
	90307	90307-GFJ6-004	WASHER LOCK 6MM	華司	1	
	90400	90400-KTDT-900	CLIP SPRING	彈簧夾	2	

F02

Speedometer 儀錶

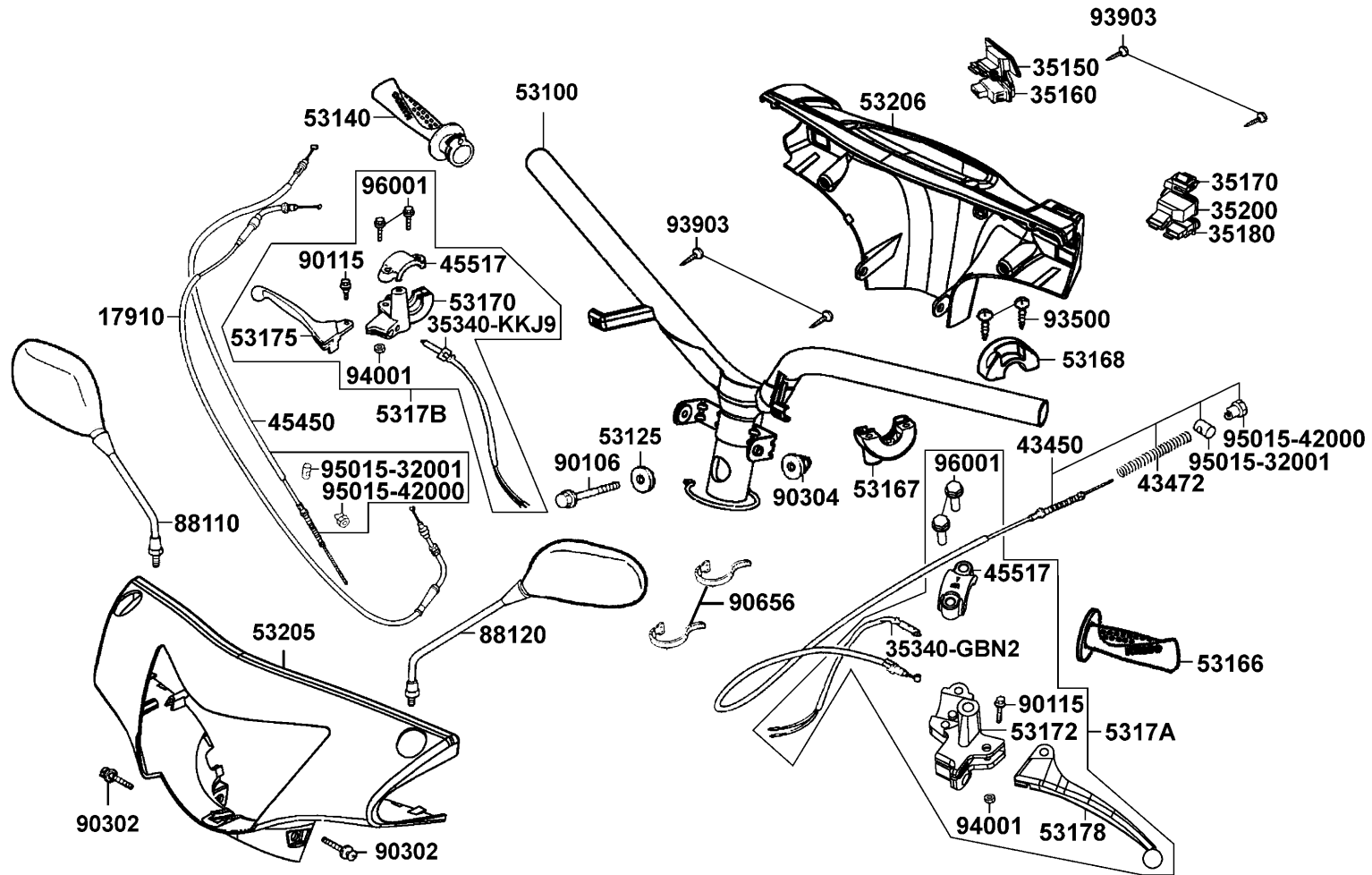


Sales mark 配色標註	Ref no 參考號碼	Part no 零件號碼	Description 英文名稱	Reg description 中文名稱	Regd no 需求用量	F02
	34908-GGA7	34908-GGA7-70A	BULB WEDGE BASE 12V*3.4W	儀錶內指示燈泡	2	
	34908-MKB9	34908-MKB9-87A	BULB WEDGE BASE	儀錶內指示燈泡	2	
	37119-LDC1-90A	37119-LDC1-90A	LENS	儀錶蓋	1	
	37119-LDC1-90B	37119-LDC1-90B	LENS	儀錶蓋	1	
	37200-LGM9-90A	37200-LGM9-90A	METER ASS'Y, SPEED	速度儀錶總成	1	
	37200-LGM9-90B	37200-LGM9-90B	METER ASS'Y, SPEED	速度儀錶總成	1	
	44830	44830-KHC4-800	CABLE COMP SPDMT	速度錶導線	1	
	93700	93700-05018-0H	SCREW OVAL 5*18	螺絲 5*18	1	
	93903	93903-35320	SCREW TAPPING 5*16	螺絲 5*16	3	

F03

Handle Steering Handle Cover

轉向手柄 手柄蓋



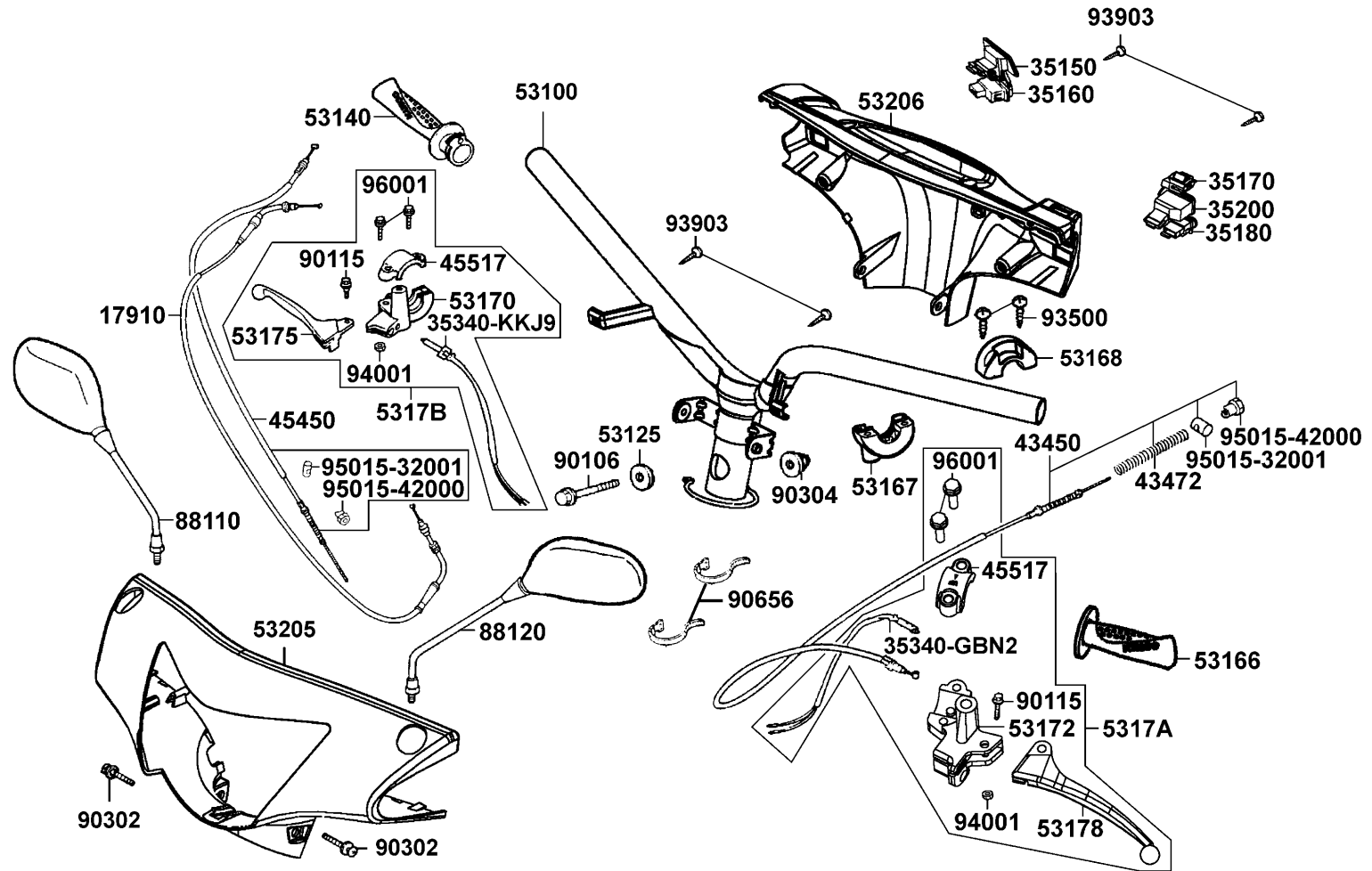


Sales mark 配色標註	Ref no 參考號碼	Part no 零件號碼	Description 英文名稱	Reg description 中文名稱	Regd no 需求用量	F03
	17910	17910-LEA1-900	CABLE COMP., THROT	加油導線	1	
	35150	35150-GFY6-900	SW UNIT LIGHTING	前燈開關	1	
	35160	35160-GGS7-900	SW UNIT STARTER	起動開關	1	
	35170	35170-GGS7-900	SW UNIT DIMMER	遠近燈開關	1	
	35180	35180-GGS7-900	SW UNIT HORN	喇叭開關	1	
	35200	35200-GFY6-910	SW UNIT WINKER	方向燈開關	1	
	35340-GBN2	35340-GBN2-770	SW ASSY FR STOP	剎車燈前置開關	1	
	35340-KKJ9	35340-KKJ9-010	SW ASSY FR STOP	煞車燈前置開關組	1	
	43450	43450-LDC1-900	CABLE COMP RR BRK	後煞車導線組	1	
	43472	43472-LAB4-900	SPG RR BRK ARM	後煞車臂彈簧	1	
	45450	45450-KFA2-900	CABLE COMP FR BRK	前煞車導線	1	
	45517	45517-GFY6-900	HOLDER HNDL BRKT	手柄固定座夾板	2	
	53100	53100-LDC1-900	HANDLE COMP STRG	轉向手柄	1	
	53125	53125-GEN5-901	COLLAR HANDLE SET	套筒	1	
**	53140	53140-KFA1-900	GRIP COMP THROT **(1) C.2005.04.25	節流管套組/黑色 **(1) C.2005.04.25	1	
**	53166	53166-KFA1-900	GRIP L HANDLE **(1) C.2005.04.25	手柄左橡皮套/黑色 **(1) C.2005.04.25	1	
	53167	53167-KFA1-900	HOUSING UND THROT	節流管套下固定座	1	
	53168	53168-KFA1-900	HOUSING UP THROT	節流管套上固定座	1	
	53170	53170-KHC3-900	BRKT HANDLE RH	手柄支架	1	
	53172	53172-KKE2-900	BRKT L STRG HANDLE	手柄左托架	1	

F03

Handle Steering Handle Cover

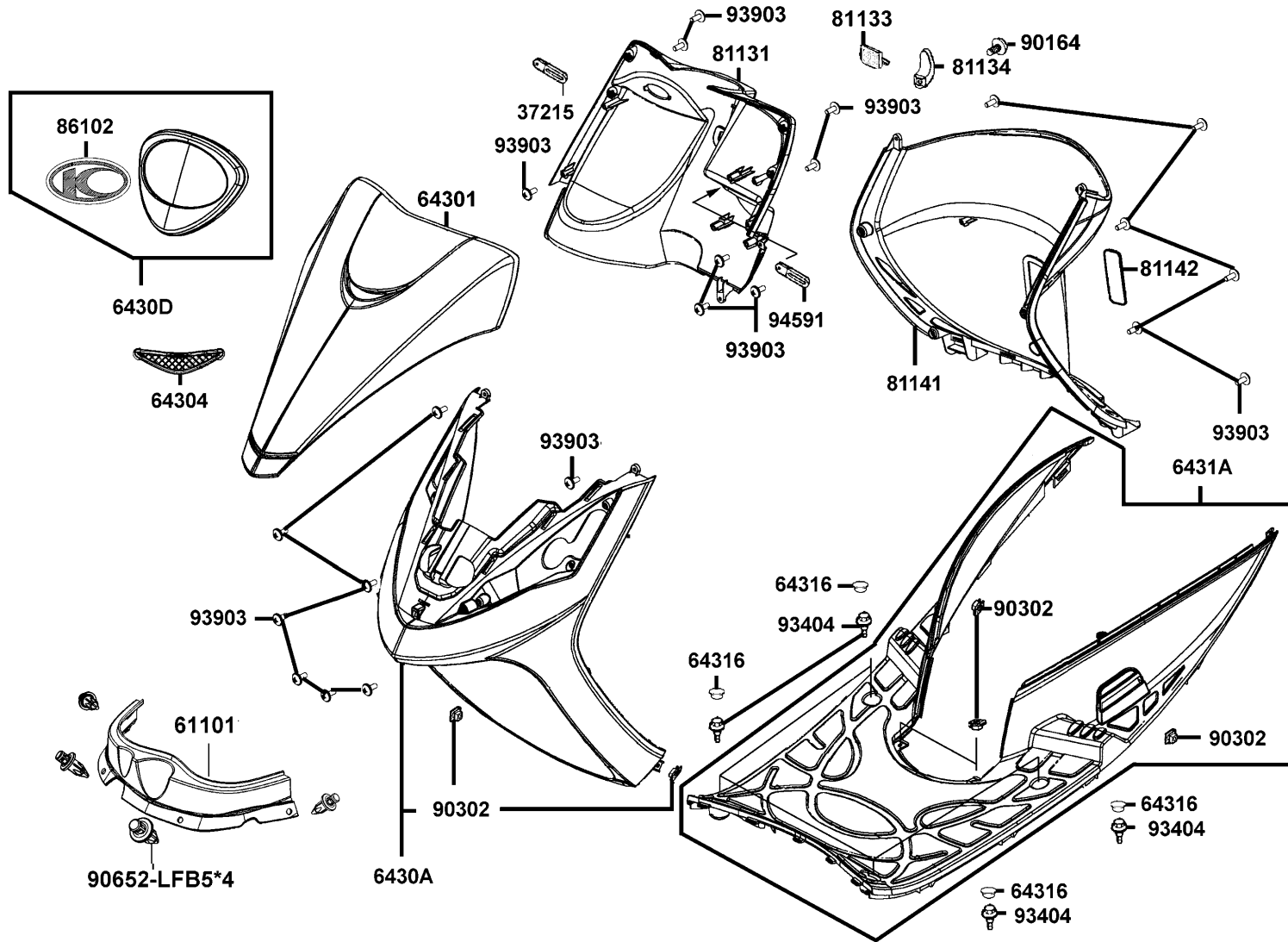
轉向手柄 手柄蓋



Sales mark 配色標註	Ref no 參考號碼	Part no 零件號碼	Description 英文名稱	Reg description 中文名稱	Regd no 需求用量	F03
**	53175	53175-KHC3-900	LEVER STRG HANDLE	手柄拉桿/黑色	1	
**	53178	53178-KKE2-900	LEVER L STRG HANDLE	左拉桿	1	
	5317A	5317A-KKE2-900	BRKT ASSY HNDL L	手柄左托架組	1	
	5317B	5317B-KHC3-900	BRKT ASSY HNDL R	手柄右拉桿組	1	
**	53205	53205-LDC1-900	COVER FR HANDLE	轉向手柄前蓋	1	
**	53206	53206-LDC1-900	COVER HANDLE RR	轉向手柄後蓋	1	
	88110	88110-LDC1-910	MIRROR ASSY. ,R BACK	右後視鏡	1	
	88120	88120-LDC1-910	MIRROR ASSY. ,R BACK	左後視鏡	1	
	90106	90106-GEN5-901	BOLT FLANGE 10*50	特殊螺絲 10*50	1	
	90115	90115-GLE0-001	BOLT HNDL LEVER PIVOT	拉桿螺絲	2	
	90302	90302-LLB1-E00	BOLT-WASHER 5*12	螺絲 5X12	2	
	90304	90304-GHE8-004	NUT U 10MM	螺帽 10MM	1	
	90656	90656-GFY6-911	BAND OIL HOSE	油管束帶	2	
	93500	93500-05022-0G	SCREW PAN 5*22	螺絲 5*22	2	
	93903	93903-34360	SCREW TAPPING 4*12	螺絲 4*12	6	
	94001	94001-05080-0S	NUT HEX 5MM	螺帽 5MM	2	
	95015-32001	95015-32001	JOINT B BRAKE ARM	煞車導線接頭銷	2	
	95015-42000	95015-42000	NUT B ADJUST	調整螺帽	2	
	96001	96001-06025-06	BOLT FLANGE 6*25	螺絲 6*25	4	

F04

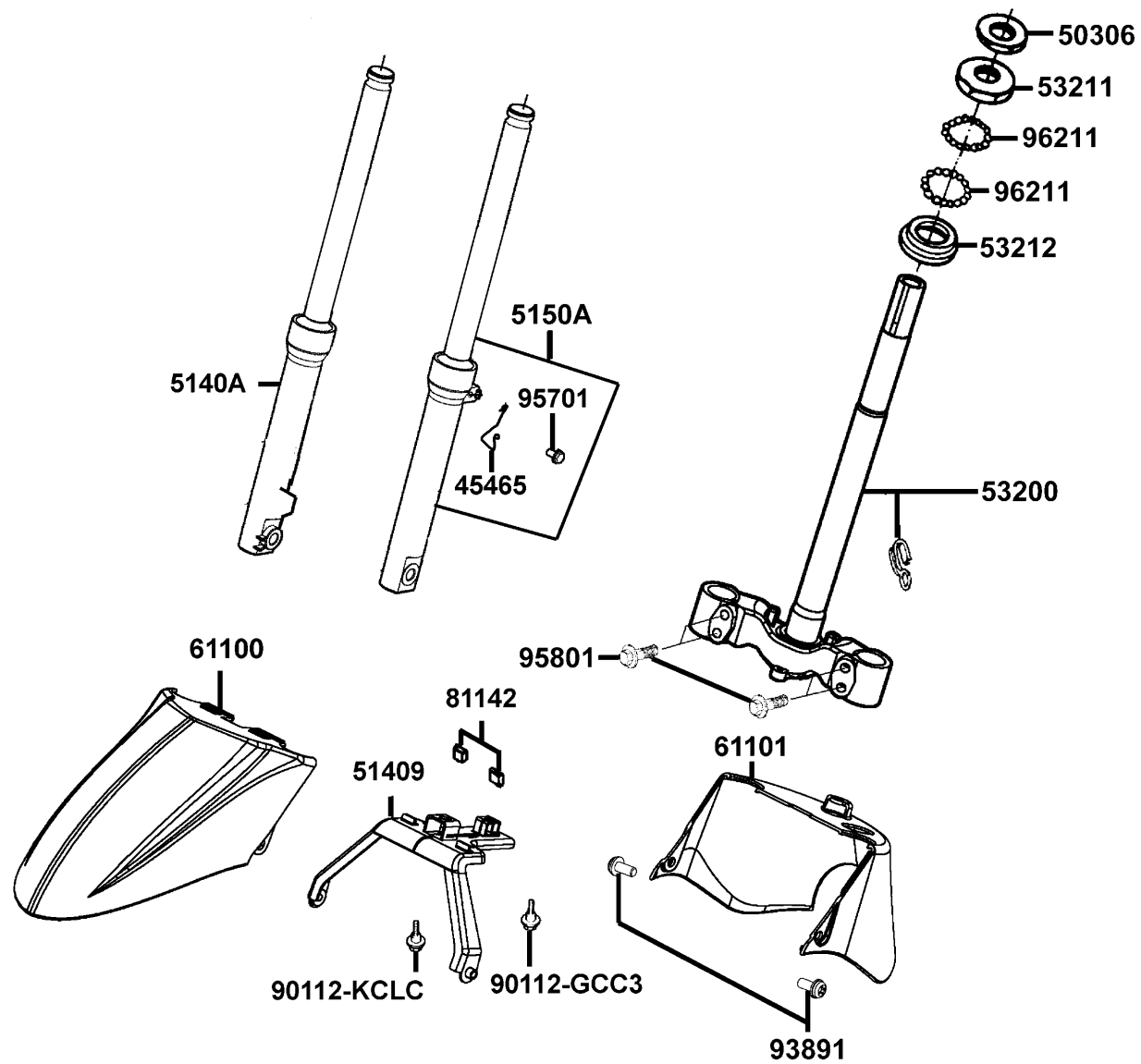
Front Cover Floor Panel 前護蓋 腳踏板



Sales mark 配色標註	Ref no 參考號碼	Part no 零件號碼	Description 英文名稱	Reg description 中文名稱	Regd no 需求用量	F04
#	37215	37215-KFLF-900	CLAMP	夾子	1	
**	61101	61101-LGM9-900	FENDER, FR. B	前內土除	1	
**	64301	64301-LDC1-325	COVER SET FRONT	前護蓋	1	
**	64304	64304-LDC1-900	GRILL FRONT COVER	前面板葉片	1	
**	6430A	6430A-LDC1-800	MOLDING FRONT	前護板	1	
**	6430D	6430D-LDC1-900	"COVER ASSY.,FR. TOP"	前上蓋組件	1	
**	64316	64316-KHE2-900	PLUG FLOOR	踏板塞子	4	
**	6431A	6431A-LDC1-900	"FLOOR PANEL. , ASSY"	腳踏板套組	1	
**	81131	81131-LDC1-900	COVER FR INNER UP	內箱上蓋	1	
	81133	81133-KGBG-900	STOPPER LUGGAGE	內箱襯蓋	1	
	81134	81134-KGBG-900	HOOK LUGGAGE	掛鉤	1	
**	81141	81141-LDC1-900	LEG SHIELD LOW	前下內箱	1	
**	81142	81142-KUDU-900	LID LEG SHIELD	內箱蓋	1	
**	86102	86102-LAB4-900	EMB K-LOGO 24MM	KYMCO貼紙	1	
	90164	90164-MDR4-901	SCREW SPECIAL 6MM	特殊螺絲 6MM	1	
	90302	90302-SDA4-004	NUT SPRING 4MM	螺帽 4MM	6	
	90652	90652-LFB5-900	CLIP MUDGUARD	塑膠螺絲	4	
	93404	93404-06016-06	BOLT WASHER 6*16	螺絲 6*16	4	
	93903	93903-34360	SCREW TAPPING 4*12	螺絲 4*12	22	
	94591	94591-KFBF-900	CLIP 2*70	環夾	1	

F05

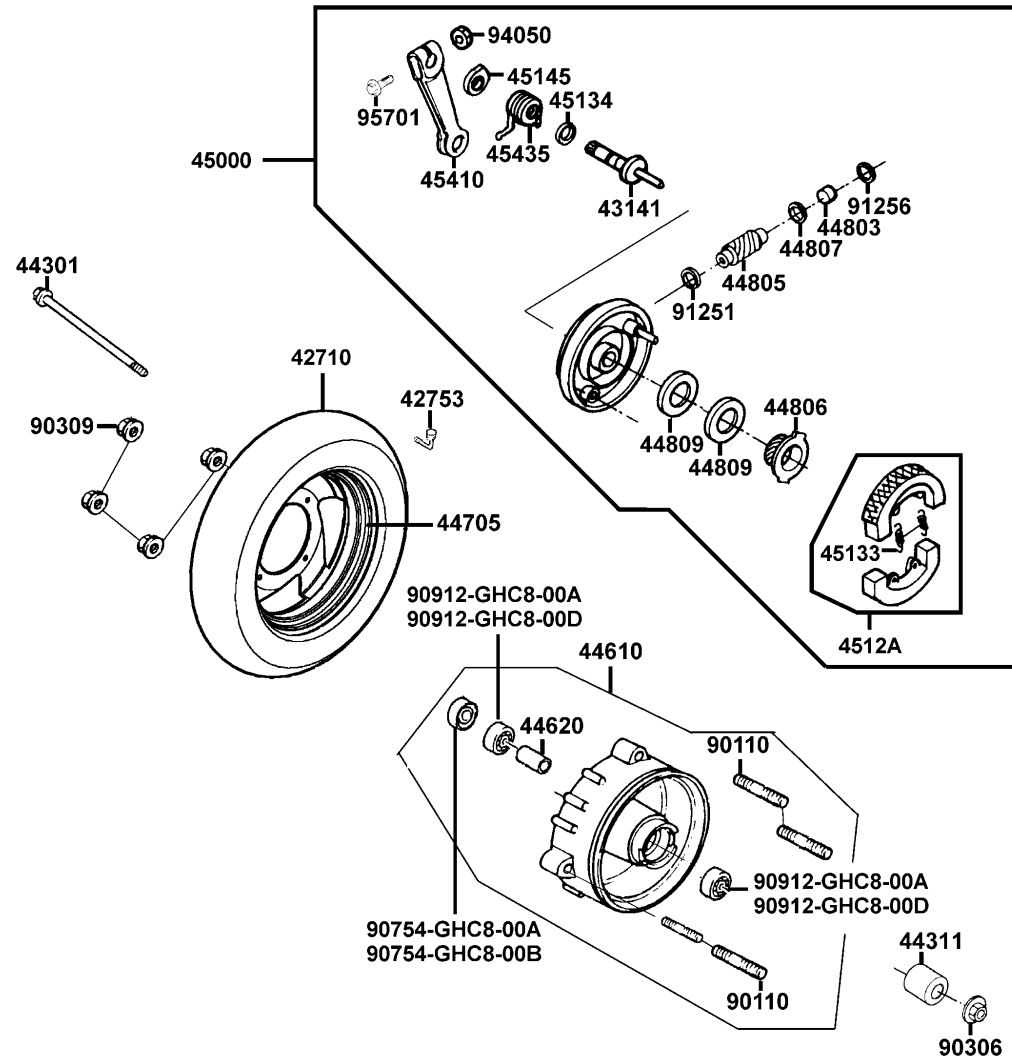
Stem Steering Front Fork 轉向桿 前避震器



Sales mark 配色標註	Ref no 參考號碼	Part no 零件號碼	Description 英文名稱	Reg description 中文名稱	Regd no 需求用量	F05
	45465	45465-KFB5-900	GUIDE CABLE SPDMT	導線夾	1	
	50306	50306-1F96-001	NUT STRG STEM LOCK	主幹螺帽	1	
	51409	51409-LDC1-900	STAY FR FENDER	前擋泥土支架	1	
**	5140A	5140A-LDC1-910	FORK SET R FR	右前避震器	1	
**	5150A	5150A-LDC1-910	FORK SET L FR	左前避震器	1	
	53200	53200-LDC1-900	STEM COMP STRG	轉向主桿	1	
	53211	53211-GFY6-940	RACE STRG TOP CONE	上錐體座圈	1	
	53212	53212-GHC8-004	RACE (STRG BOTTOM) CONE	下錐體座圈	1	
**	61100	61100-LDC1-900	FENDER A FR INNER	前土除	1	
**	61101	61101-LDC1-900	FENDER B FR	前土除	1	
	81142	81142-KCLC-900	RUBBER LID STOPPER	橡皮	2	
	90112-GCC3	90112-GCC3-001	BOLT SPECIAL 5MM	螺絲 5MM	1	
	90112-KCLC	90112-KCLC-900	BOLT SPECIAL 5MM	特殊螺絲 5MM	1	
	93891	93891-06016-06	SCREW WASHER 6X16	螺絲 6X12	2	
	95701	95701-06012-08	BOLT FLANGE 6*12	螺絲 6*12	1	
	95801	95801-08040-08	BOLT FLANGE 8*40	螺絲 8*40	4	
	96211	96211-05000	BALL STEEL # 5	上端鋼珠 #5	55	

F06

Front Wheel 前輪

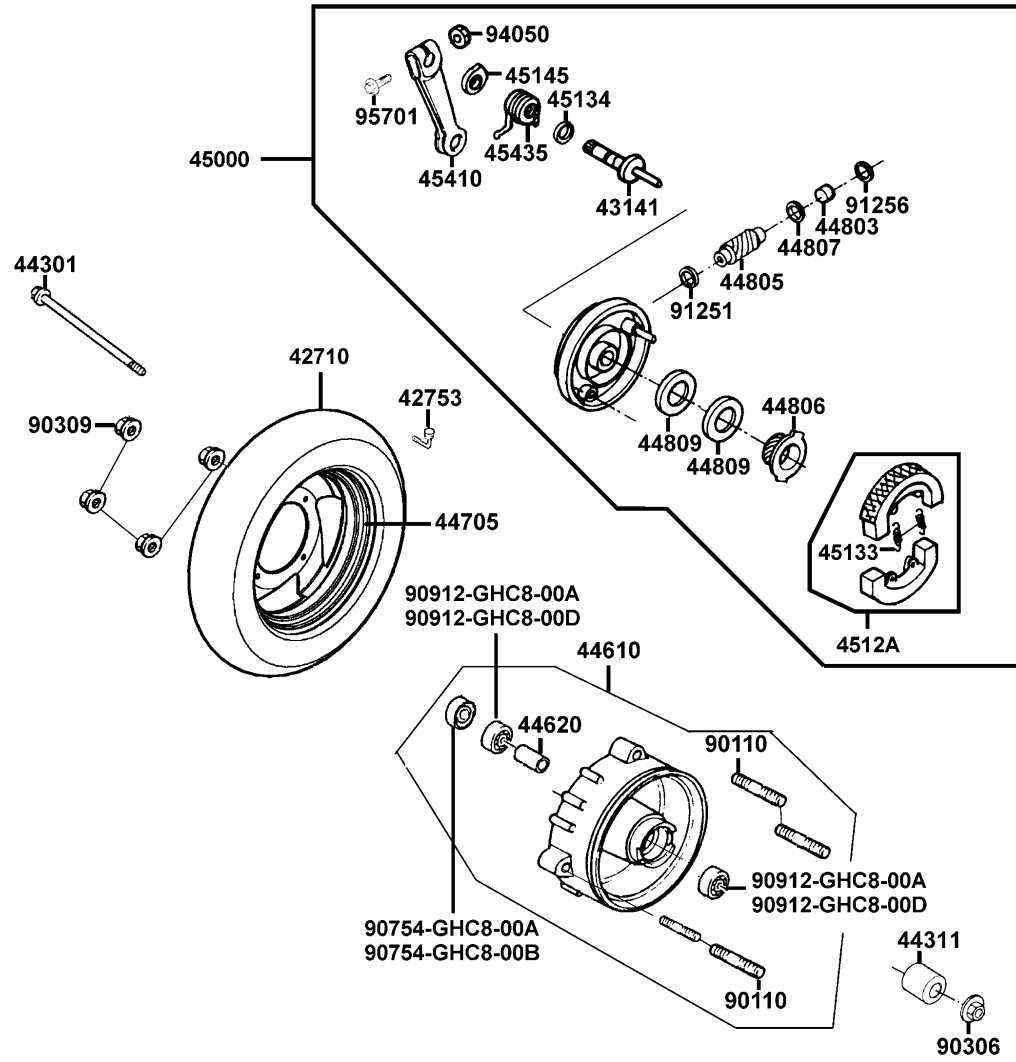




Sales mark 配色標註	Ref no 參考號碼	Part no 零件號碼	Description 英文名稱	Reg description 中文名稱	Regd no 需求用量	F06
	42710	42710-LBC9-900-G304	TIRE ASSY FR (90/90-10)	前輪胎	1	
	42753	42753-KXCX-900	VALVE (PVR-70B) & CAP	打氣嘴	1	
	43141	43141-4L00-011	CAM REAR BRAKE	後煞車凸輪	1	
	44301	44301-KBE2-981	AXLE FR WHEEL	前輪軸	1	
	44311	44311-GLW0-901	COLLAR FR WHEEL SIDE	前輪邊套筒	1	
**	44610	44610-GLW0-305	HUB SUB ASSY FR	前輪轂組	1	
	44620	44620-GHC8-001	COLLAR FR AXLE DISTANCE	前輪軸距套筒	1	
**	44705	44705-KHC4-900	RIM COMP FR WHEEL	前輪圈	1	
	44803	44803-GFY6-90A	BUSH PINION	速度錶小齒輪襯套	1	
	44805	44805-GGC7-004	PINION SPDMT	碼錶小齒輪	1	
	44806	44806-KECE-800	GEAR SPDMT	速度錶齒輪	1	
	44807	44807-0A01-004	WASHER GEAR BOX PINION	華司	1	
	44809	44809-1L70-004	WASHER SPEEDOMETER GEAR	華司	2	
**	45000	45000-LGM9-900	PANEL SUB COMP FR BRAKE	前煞車板組	1	
	4512A	4512A-LCB4-305	SHOE ASSY FR	前煞車鞋	1	
	45133	45133-LDA3-900	SPRING BRAKE SHOE REAR	彈簧	1	
	45134	45134-2L50-001	BRAKE CAM DUST SEAL	凸輪防塵封	1	
	45145	45145-0F96-651	INDICATOR FRONT BRAKE	前煞車指示器	1	
	45410	45410-GBB2-001	ARM FRONT BRAKE	前煞車臂	1	
	45435	45435-GBB2-721	SPG BRK ARM RETURN	煞車臂回位彈簧	1	

F06

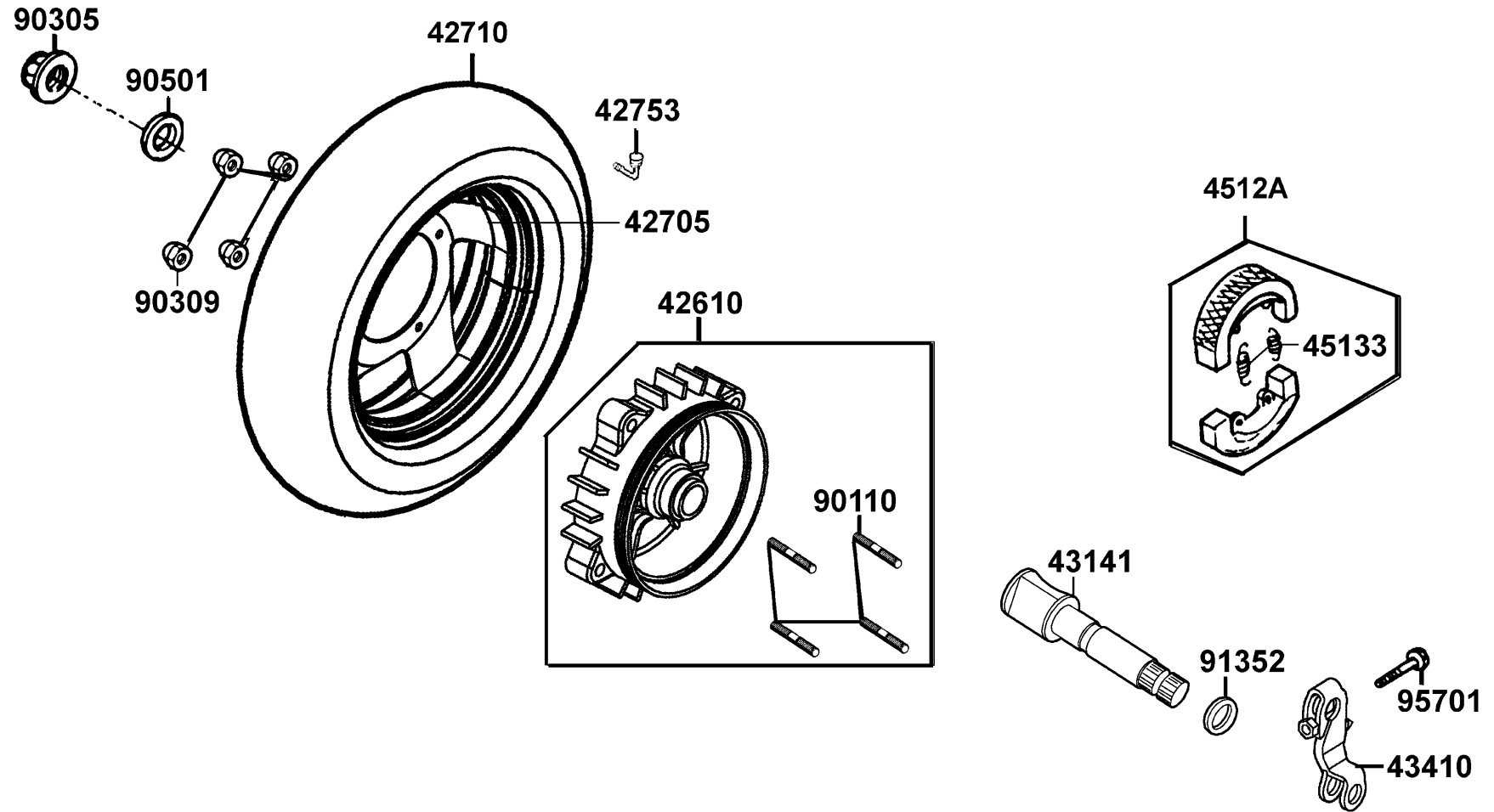
Front Wheel 前輪



Sales mark 配色標註	Ref no 參考號碼	Part no 零件號碼	Description 英文名稱	Reg description 中文名稱	Regd no 需求用量	F06
	90110	90110-KHG8-901	BOLT STUD2 8*22	雙頭螺絲 8X22	4	
	90306	90306-KLF0-901	NUT FLANGE 12MM	螺帽 12MM	1	
	90309	90309-GLW0-90A	NUT U FLANGE 8MM	螺帽 8MM	4	
	90754-GHC8-00A	90754-GHC8-00A	SEAL DUST 20*32*5	油封 20*32*5	1	
	90754-GHC8-00B	90754-GHC8-00B	SEAL DUST 20*32*5	油封 20*32*5	1	
	90912-GHC8-00A	90912-GHC8-00A	BEARING 6201	軸承	2	
	90912-GHC8-00D	90912-GHC8-00D	BEARING 6201	軸承	2	
	91251	91251-GHC8-004	SEAL OIL 41*51*5	油封	1	
	91256	91256-GAC1-004	SEAL DUST	防塵封	1	
#	94050	94050-06080	NUT FLANGE 6MM	螺帽 6MM	1	
	95701	95701-06028-08	BOLT FLANGE 6*28	螺絲 6X28	1	

F07

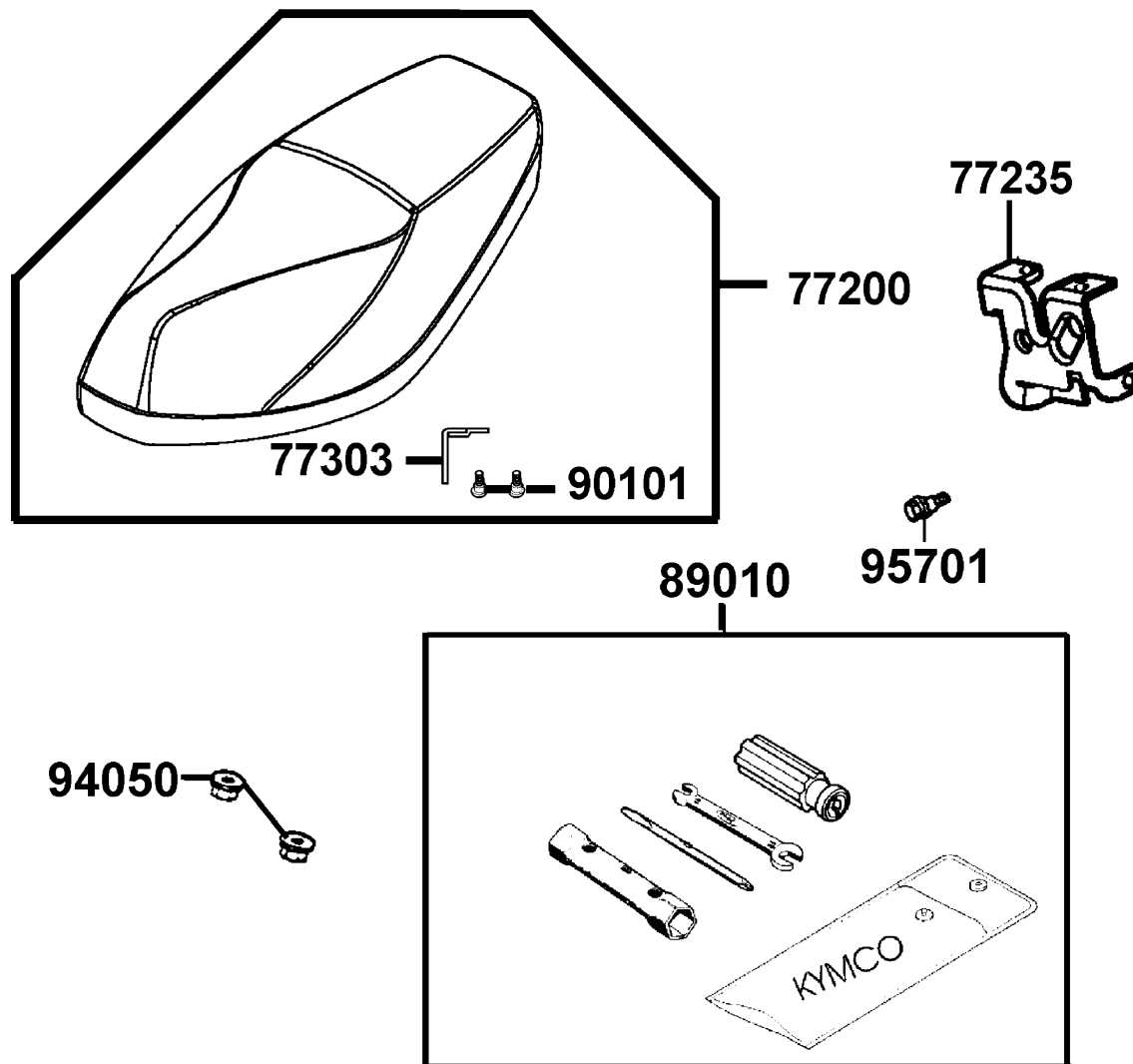
Rear Wheel 後輪



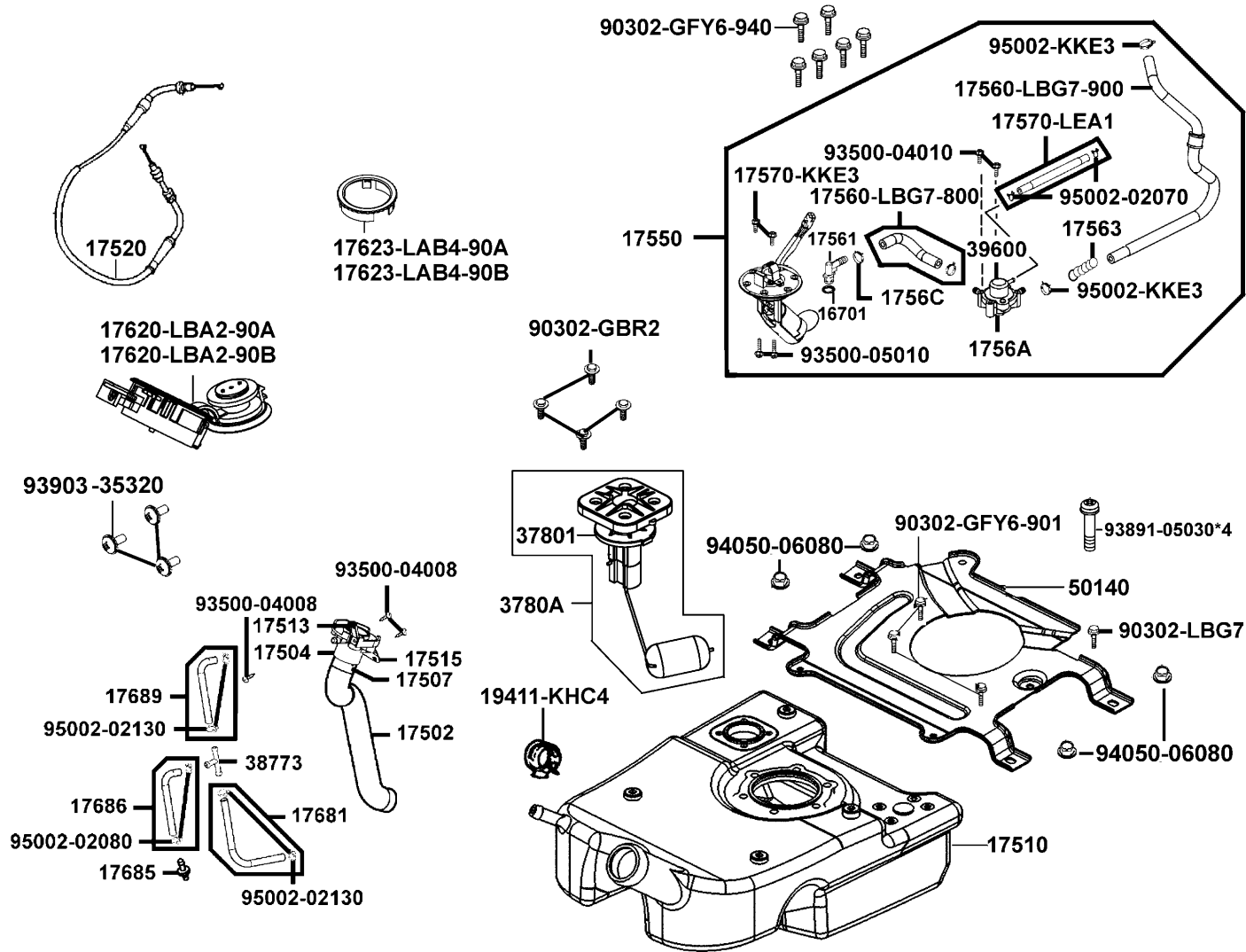
Sales mark 配色標註	Ref no 參考號碼	Part no 零件號碼	Description 英文名稱	Reg description 中文名稱	Regd no 需求用量	F07
**	42610	42610-GKAK-901	HUB SUB COMP RR	後輪轂	1	
**	42705	42705-KHC4-900	RIM COMP WHEEL	後輪鋼圈	1	
	42710	42710-LBC9-900-G304	TIRE ASSY FR (90/90-10)	前輪胎	1	
	42753	42753-KXCX-900	VALVE (PVR-70B) & CAP	打氣嘴	1	
	43141	43141-LAB4-900	CAM RR BRK	煞車鞋凸輪	1	
	43410	43410-LDA2-900	ARM COMP RR BRAKE	後煞車臂	1	
#	4512A	4512A-LCB4-910	SHOE COMP RR BRAKE	後煞車鞋	1	
	45133	45133-LDA3-900	SPRING BRAKE SHOE REAR	彈簧	2	
	90110	90110-KHG8-901	BOLT STUD2 8*22	雙頭螺絲 8X22	4	
	90305	90305-KNBN-90B	NUT U 16MM	螺帽 16MM	1	
	90309	90309-GLW0-90A	NUT U FLANGE 8MM	螺帽 8MM	4	
	90501	90501-KNBN-901	WASHER 16MM	華司 16MM	1	
	91352	91352-KHG8-83B	O-RING 11.3*1.3	O環 11.3*1.3	1	
	95701	95701-06032-08	BOLT FLANGE 6*32	螺絲 6*32	1	

F08

Seat 座墊

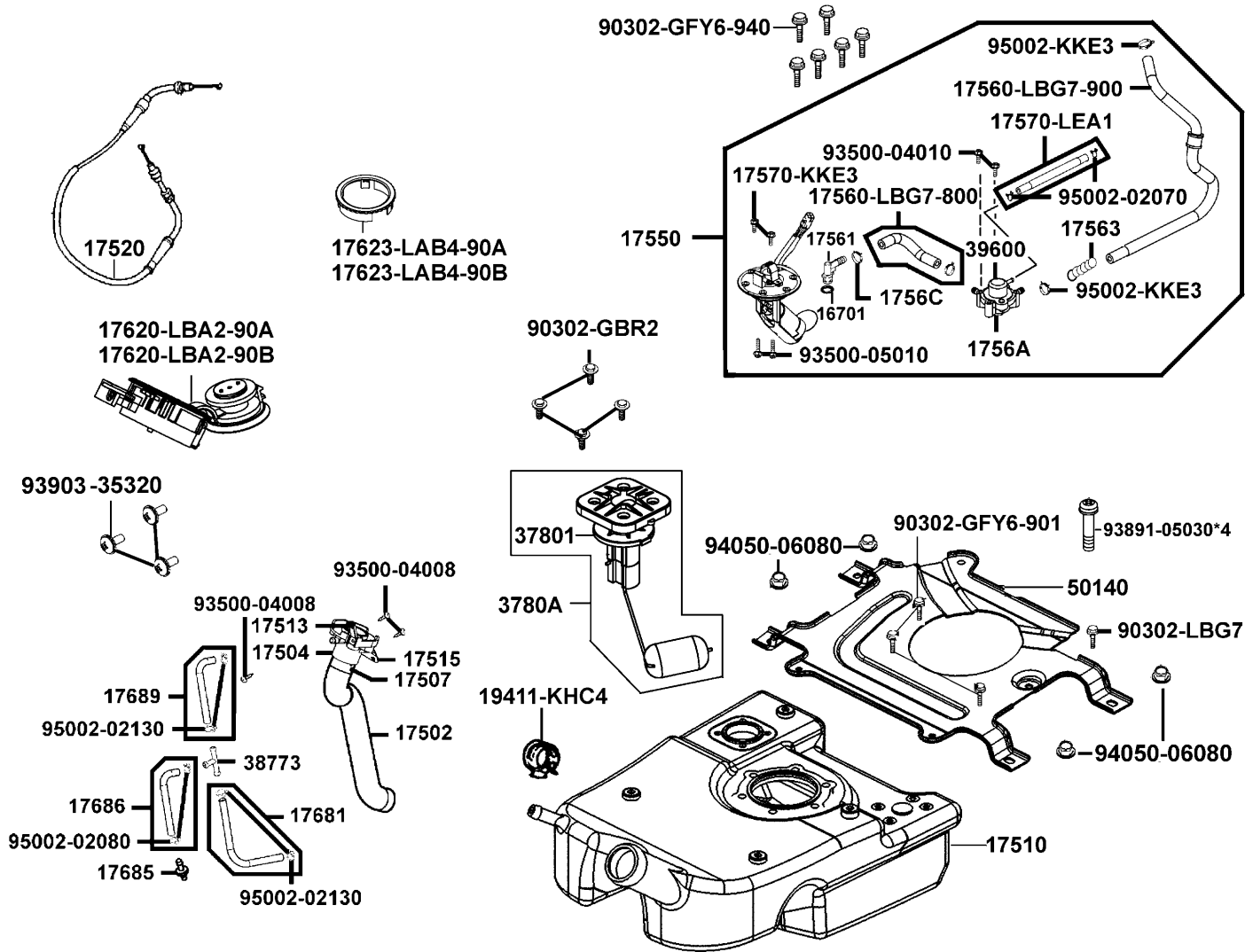


Sales mark 配色標註	Ref no 參考號碼	Part no 零件號碼	Description 英文名稱	Reg description 中文名稱	Regd no 需求用量	F08
**	77200	77200-LGM9-900	SEAT ASSY	座墊	1	
	77235	77235-KHC4-900	SEAT CATCH COMP	座墊鉤	1	
	77303	77303-KHC4-900	HOOK SEAT LOCK	座墊掛鉤鎖	1	
	89010	89010-LAD9-900	TOOL SET	手工具組	1	
	90101	90101-KGC4-E00	SCREW SPECIAL 6*15	特殊螺絲 6*15	2	
	#	94050	94050-06080	NUT FLANGE 6MM	2	
	95701	95701-06012-08	BOLT FLANGE 6*12	螺絲 6*12	1	

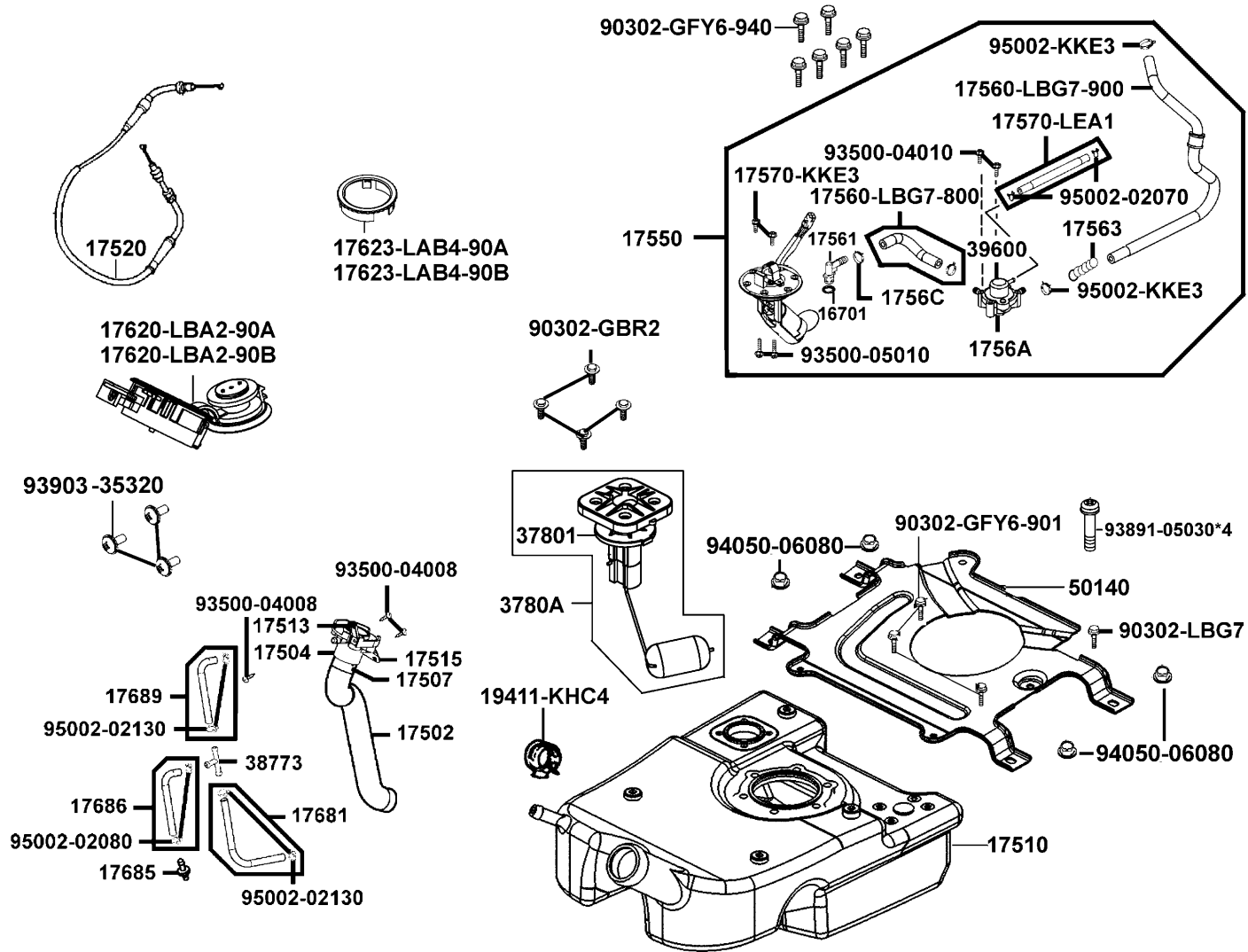




Sales mark 配色標註	Ref no 參考號碼	Part no 零件號碼	Description 英文名稱	Reg description 中文名稱	Regd no 需求用量	F09
	16701	16701-LEB2-900	O RING	O RING	1	
	17502	17502-LDC1-900	HOSE FUEL	油管	1	
	17504	17504-LAB4-900	FUEL FILLER	加油漏斗	1	
	17507	17507-LAB4-900	BAND FUEL HOSE	油管束夾	1	
	17510	17510-LGK8-900	TANK COMP.,FUEL	TANK COMP.,FUEL	1	
	17513	17513-LBG7-900	STAY A FUEL FILLER	加油漏斗支架 A	1	
	17515	17515-LAB4-900	STAY B FUEL FILLER	加油漏斗支架 B	1	
	17520	17520-LDC1-900	CABLE COMP.FUEL CAP	油箱蓋鋼索	1	
#	17550	17550-LBG7-800	PUMP ASSY	燃料泵組	1	
	17560-LBG7-800	17560-LBG7-800	TUBE REGULATOR ENGINE COMP	油管組	1	
	17560-LBG7-900	17560-LBG7-900	TUBE REGULATOR ENGINE COMP	油管組	1	
	17561	17561-LEB2-900	JOINT	JOINT	1	
	17563	17563-LEA1-900	SPRING TUBE	彈簧	1	
	1756A	1756A-LBG7-900	REUGLATOR COMP	汽油流量調整器	1	
	1756C	1756C-KKE2-900	CLIC R 89-115	高壓管夾	1	
	17570-KKE3	17570-KKE3-900	SCREW BOLT M 4*13	螺絲 4*13	2	
	17570-LEA1	17570-LEA1-900	TUBE SET	通氣管組	1	
	17620-LBA2-90A	17620-LBA2-90A	CAP COMP FUEL FILLER	油箱蓋	1	
	17620-LBA2-90B	17620-LBA2-90B	CAP COMP FUEL FILLER	油箱蓋	1	
	17623-LAB4-90A	17623-LAB4-90A	COLLAR FUEL CAP	油箱蓋套筒	1	



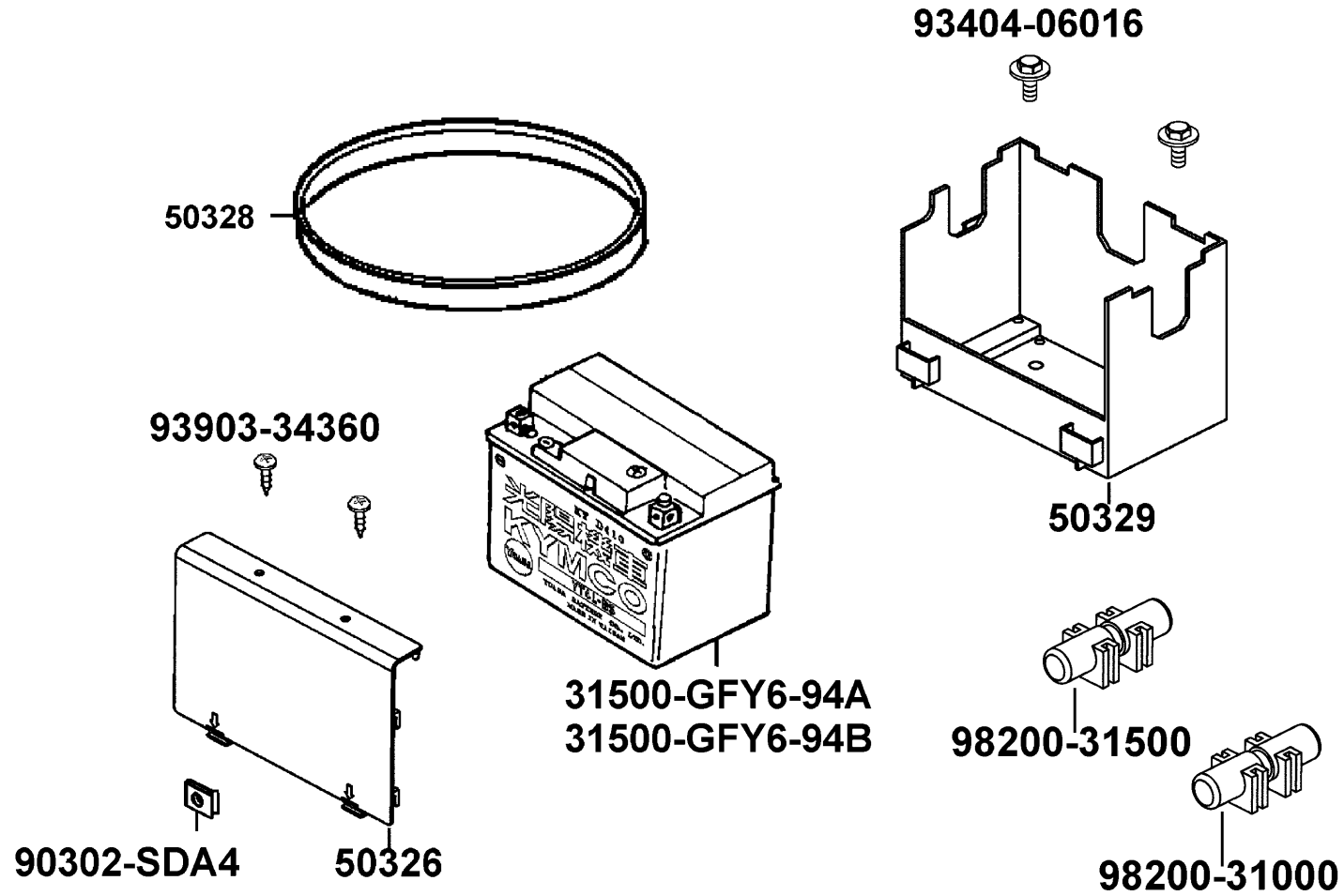
Sales mark 配色標註	Ref no 參考號碼	Part no 零件號碼	Description 英文名稱	Reg description 中文名稱	Regd no 需求用量	F09
	17623-LAB4-90B	17623-LAB4-90B	COLLAR FUEL CAP	油箱蓋套筒	1	
	17681	17681-KFA1-900	TUBE JOINT 3 WAY	油管	1	
	17685	17685-KZCZ-900	JOINT TUBE	油管接頭	1	
	17686	17686-LBG7-900	TUBE ASSY FUEL	油管	1	
	17689	17689-LAD9-900	TUBE ASSY FILLER	油管	1	
	19411-KHC4	19411-KHC4-900	CLIP HOSE	管夾	1	
	37801	37801-LAB4-910	PACKING BASE	墊圈	1	
#	3780A	3780A-LGM9-900	FUEL UNIT ASS'Y,	燃油指示器組	1	
	38773	38773-KBCB-900	JOINT 3 WAY	3通管	1	
	39600	39600-KKE3-800	REGULATOR	油路壓力調諧器	1	
	50140	50140-LGM9-900	BRKT., FLOOR	BRKT., FLOOR	1	
	90302-GBR2	90302-GBR2-001	BOLT WASH 5*16	螺絲 5*16	4	
	90302-GFY6-901	90302-GFY6-901	BOLT WASH 5*12	螺絲 5*12	3	
	90302-GFY6-940	90302-GFY6-940	BOLT-WASH 5*16	螺絲 5*16	6	
#	90302-LBG7	90302-LBG7-900	BOLT-WASH 5X35 (G)	螺絲5X35	1	
	93500-04008	93500-04008-0G	SCREW PAN 4*8	螺絲 4*8	3	
	93500-04010	93500-04010-0G	SCREW PAN 4X10	螺絲 4X10	2	
	93500-05010	93500-05010-0G	SCREW PAN 5*10	螺絲 5*10	2	
	93891-05030	93891-05030-06	SCREW WASHER 5*30	螺絲 5*30	4	
	93903-35320	93903-35320	SCREW TAPPING 5*16	螺絲 5*16	3	



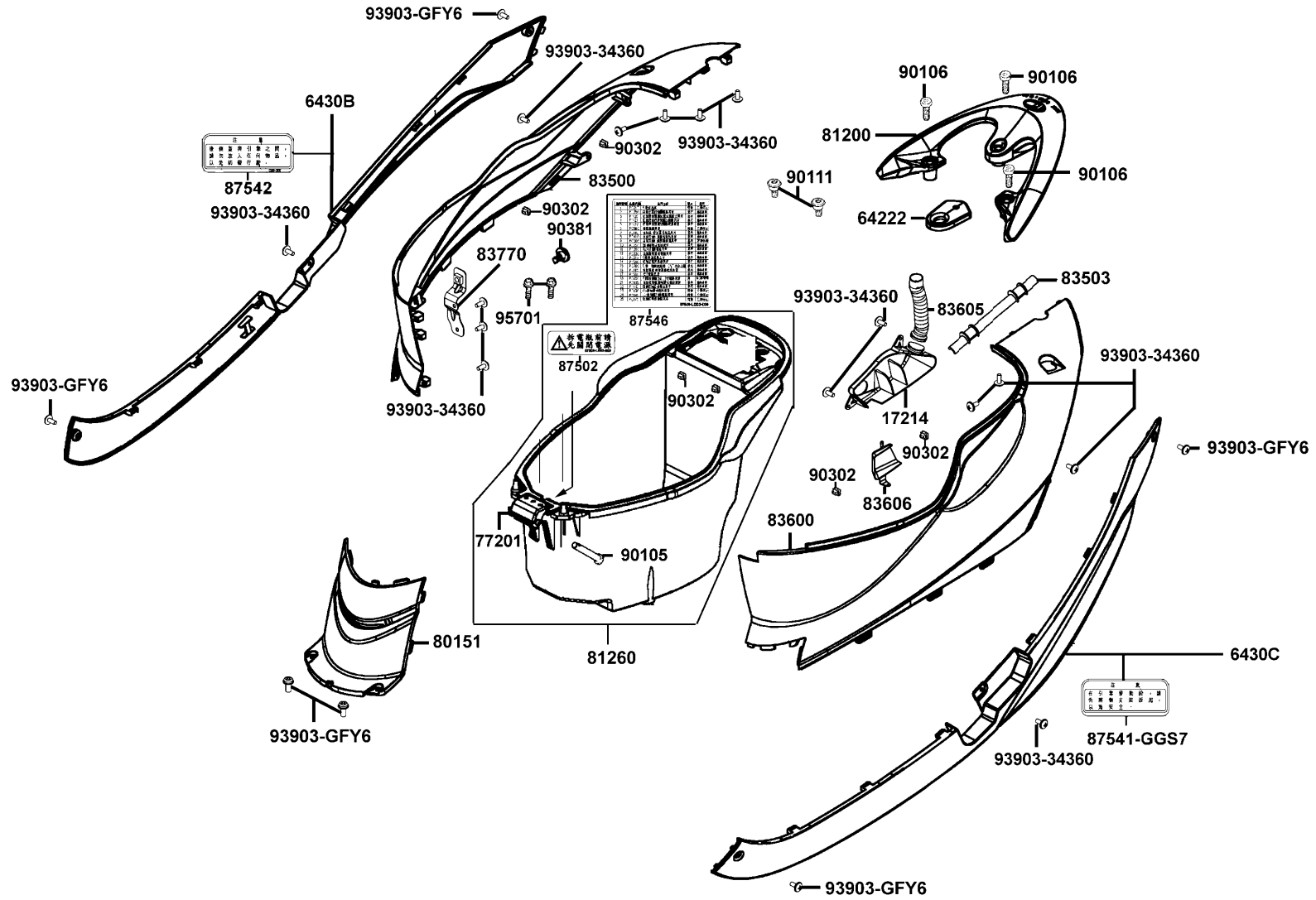
Sales mark 配色標註	Ref no 參考號碼	Part no 零件號碼	Description 英文名稱	Reg description 中文名稱	Regd no 需求用量	F09
#	94050-06080	94050-06080	NUT FLANGE 6MM	螺帽 6MM	6	
	95002-02070	95002-02070	CLIP B7 TUBE	管夾	1	
	95002-02080	95002-02080	CLIP B8 TUBE	管夾	2	
	95002-02130	95002-02130	CLIP B 12.5 TURE	管夾	4	
	95002-KKE3	95002-KKE3-900	CLIP SPA 13	管夾	1	

F10

Battery 電瓶

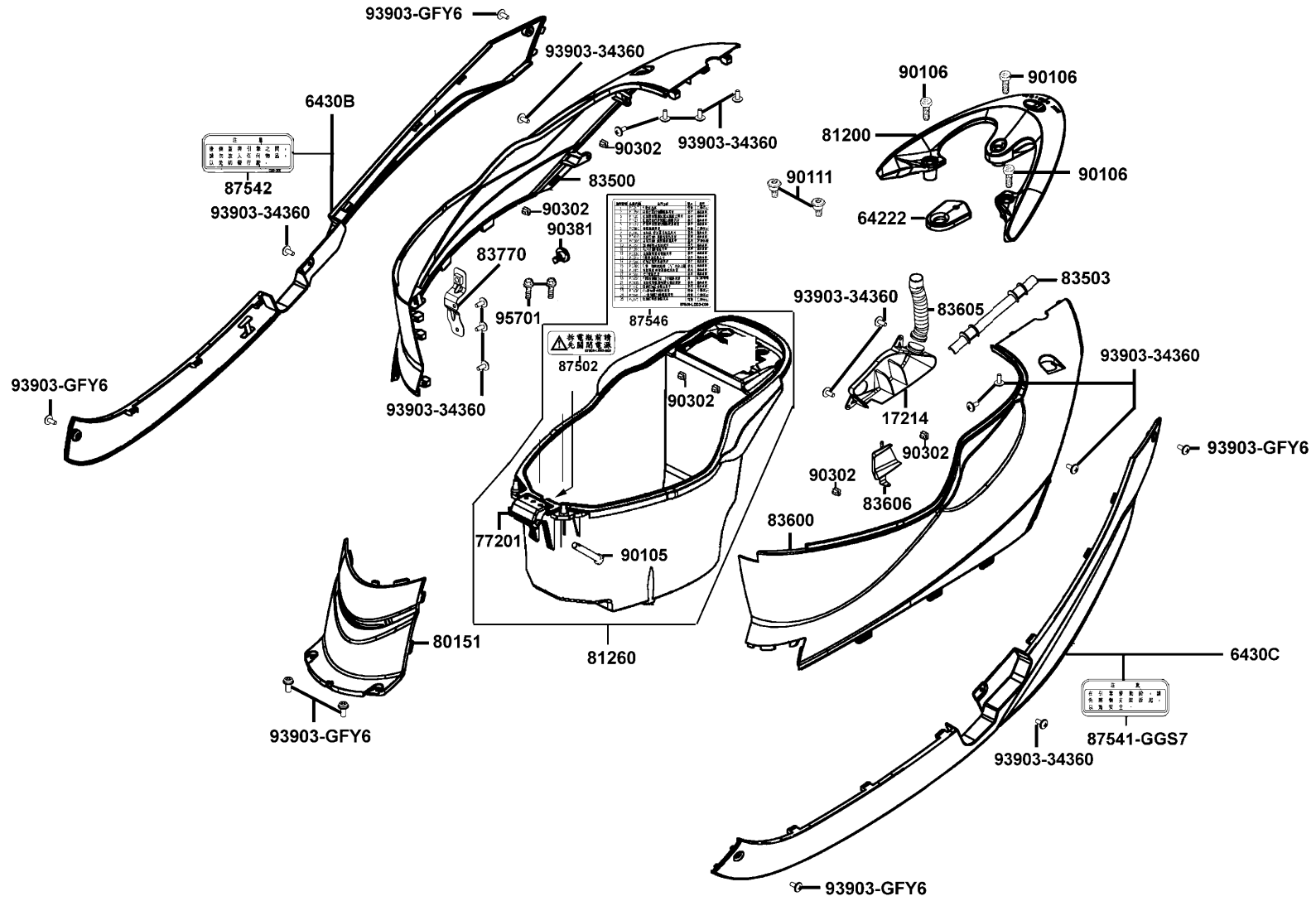


Sales mark 配色標註	Ref no 參考號碼	Part no 零件號碼	Description 英文名稱	Reg description 中文名稱	Regd no 需求用量	F10
	31500-GFY6-94A	31500-GFY6-94A-YU	BATTERY YTX7A-BS	電瓶	1	
	31500-GFY6-94B	31500-GFY6-94B-KY	BATTERY GTX7A-BS	電瓶	1	
	50326	50326-LGM9-900	COVER,BATTERY	COVER,BATTERY	1	
	50328	50328-KNBN-200	BAND BATTERY	電瓶束帶	1	
**	50329	50329-LGM9-900	BATTERY CASE	電池盒	1	
	90302	90302-SDA4-004	NUT SPRING 4MM	螺帽 4MM	1	
	93404	93404-06016-06	BOLT WASHER 6*16	螺絲 6*16	1	
	93903	93903-34360	SCREW TAPPING 4*12	螺絲 4*12	2	
	98200-31000	98200-31000	BLADE FUSE 10A	保險絲10A	1	
	98200-31500	98200-31500	BLADE FUSE 15A	保險絲15A	1	





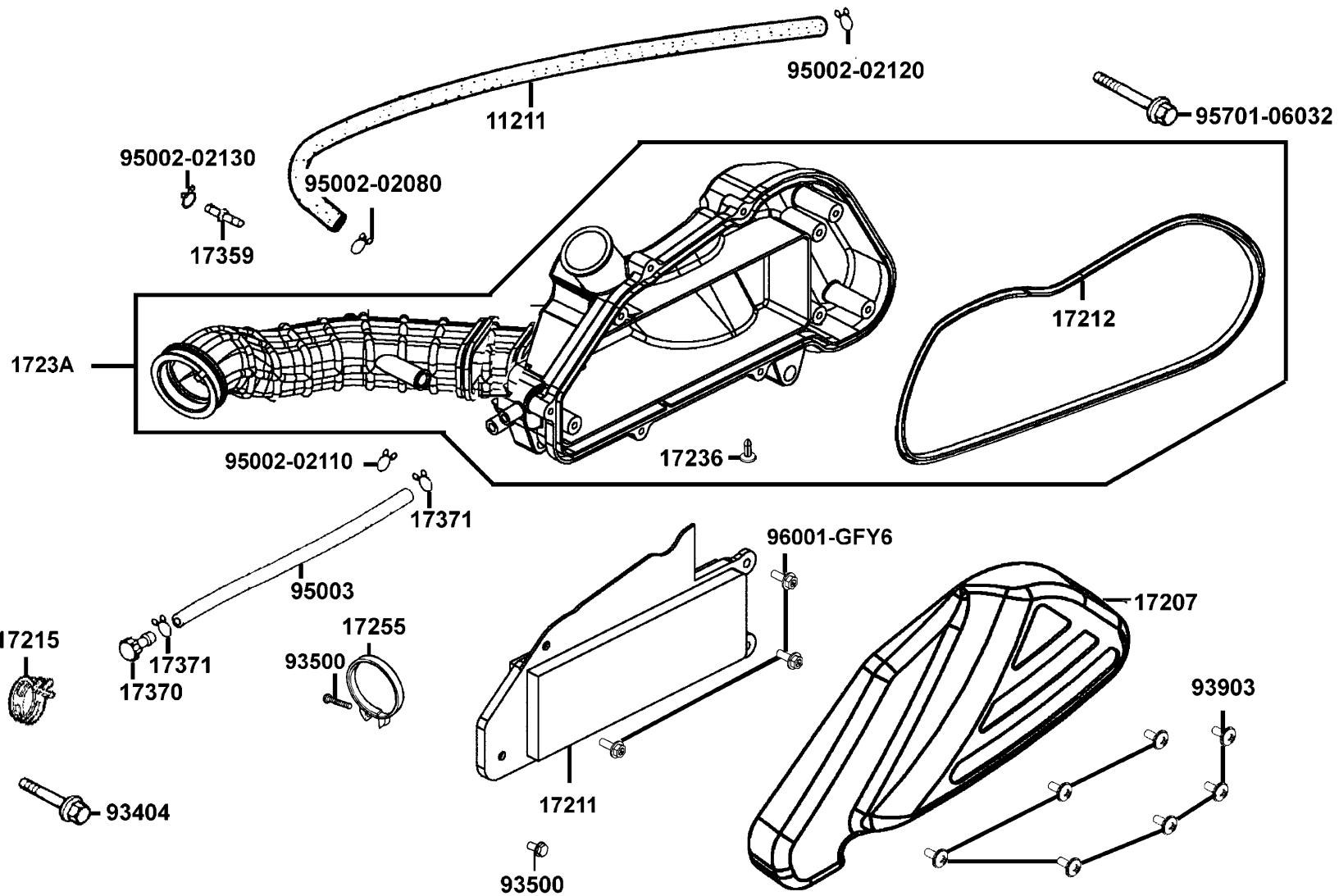
Sales mark 配色標註	Ref no 參考號碼	Part no 零件號碼	Description 英文名稱	Reg description 中文名稱	Regd no 需求用量	F11
	17214	17214-LDC1-900	DUCT A/C CASE	空氣濾清箱導管	1	
	64222	64222-LDC1-900	"CUSHION,RR. GRIP"	後握把緩衝墊	1	
**	6430B	6430B-LDC1-800	"SKIRT, R SIDE.,ASSY"	軌組	1	
**	6430C	6430C-LDC1-800	"SKIRT, L SIDE.,ASSY"	左邊軌組	1	
	77201	77201-GFS6-001	HINGE SEAT	座墊鉸鏈	1	
**	80151	80151-LDC1-900	COVER CENTER	中心蓋	1	
**	81200	81200-LDC1-900	GRIP RR	後載物架	1	
	81260	81260-LGM9-900	BOX LUGGAGE ASSY.	置物箱組	1	
	81260	81260-LGM9-910	BOX LUGGAGE ASSY.	置物箱組	1	
**	83500	83500-LDC1-325	COVER SET R BODY	右邊蓋組	1	
	83503	83503-KHC4-900	COVER PROTECT SEAT WIRE FR	座墊導線護蓋	1	
**	83600	83600-LDC1-325	COVER SET L BODY	左邊蓋組	1	
	83605	83605-KHC4-900	DUCT A/C INT	進氣導管	1	
**	83606	83606-LDC1-900	CHAMBER AIR	空氣導管空氣室	1	
	83770	83770-LDC1-900	STAY.CENTER CLIP	中心掛鉤支架	1	
**	87502	87502-LEB2-900	CAUTION BATTERY	標籤	1	
**	87541	87541-GGS7-901	CAUTION SIDE STAND	標籤	1	
**	87542	87542-GKM9-301	MARK MAINT CAUTION	標籤	1	
**	87546	87546-LEB2-900	CAUTION AFI	標籤	1	
	90105	90105-GFS6-001	PIN HINGE	座墊鉸鏈銷	1	



Sales mark 配色標註	Ref no 參考號碼	Part no 零件號碼	Description 英文名稱	Reg description 中文名稱	Regd no 需求用量	F11
	90106	90106-KFC2-900	BOLT WASH 8MM	螺絲 8MM	3	
	90111	90111-1G87-001	BOLT FLANGE 6MM	螺絲 6MM	2	
	90302	90302-SDA4-004	NUT SPRING 4MM	螺帽 4MM	2	
	90381	90381-GEZ5-001	SCREW SPECIAL 6*17	螺絲 6*17	2	
	93903-34360	93903-34360	SCREW TAPPING 4*12	螺絲 4*12	15	
	93903-GFY6	93903-GFY6-900	SCREW TAPPING 4*14	螺絲 4*14	6	
	95701	95701-06012-08	BOLT FLANGE 6*12	螺絲 6*12	2	

F12

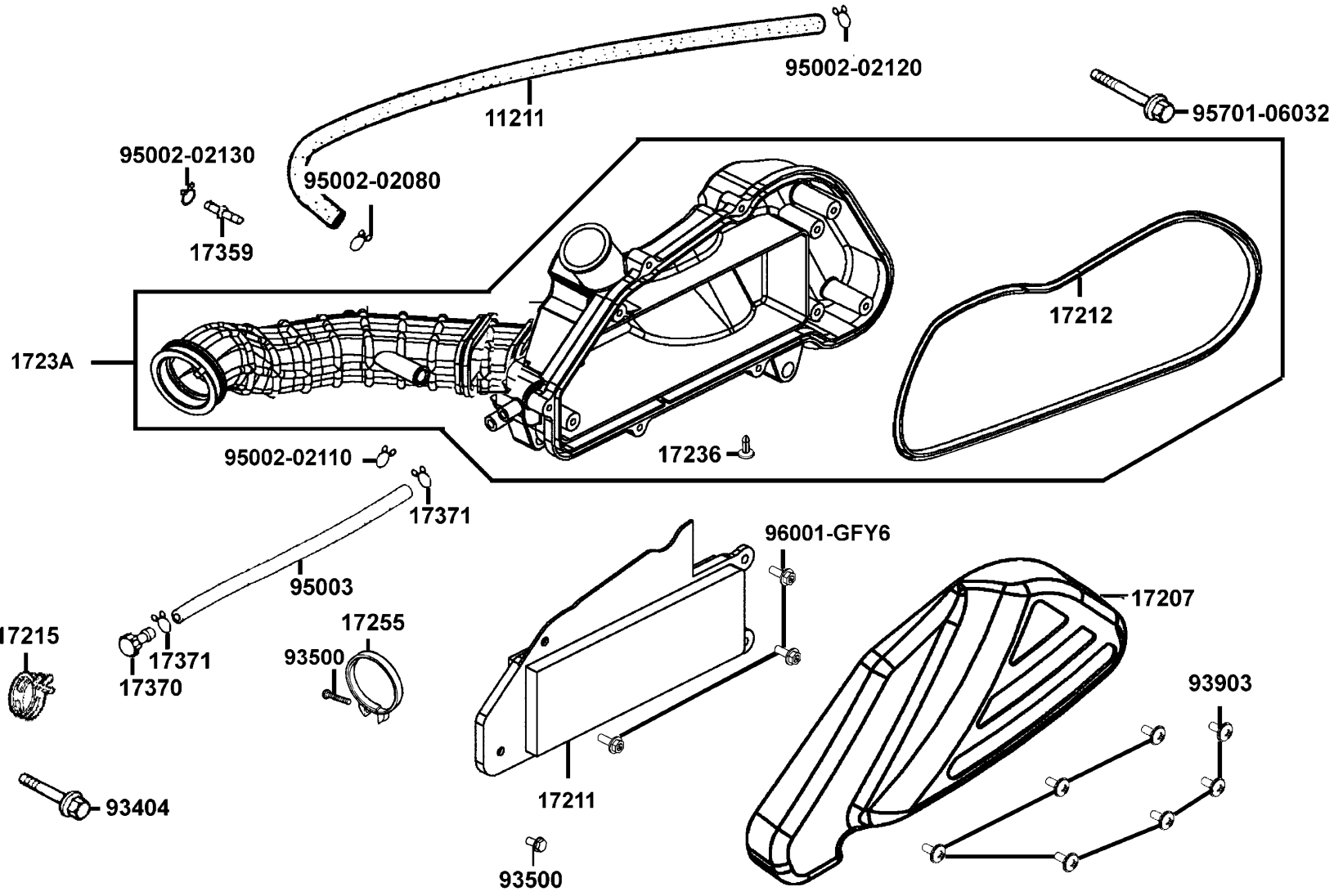
Air Cleaner 空氣濾清器



Sales mark 配色標註	Ref no 參考號碼	Part no 零件號碼	Description 英文名稱	Reg description 中文名稱	Regd no 需求用量	F12
	11211	11211-LDC1-900	TUBE BREATHER	通氣管	1	
	17207	17207-LDC1-900	COVER COMP AIR/C	空氣濾清器蓋組	1	
	17211	17211-LDC1-900	ELEMENT ASSY AIR/C	空氣濾清器濾芯	1	
	17212	17212-KFA6-900	SEAL AIR/C CASE	空氣濾清箱蓋防塵封	1	
	17215	17215-KGBG-90A	CLIP ASSY A/C DUCT	固定管夾	1	
	17236	17236-KFBF-910	PLATE AIR/C CASE	隔板	1	
	1723A	1723A-LGM9-900	CASE ASSY., AIR/C	空氣濾清器總成	1	
	17255	17255-KGBG-900	BAND ASSY AIR/C CONN TUBE	連結管束帶	1	
	17359	17359-4K19-671	JOINT BREATHER TUBE	通氣管接頭	1	
	17370	17370-4K19-701	PLUG BREATHER TUBE	管塞	1	
	17371	17371-1D74-671	CLIP BREATHER TUBE	通氣管夾	2	
	93404	93404-06030-06	BOLT WASHER 6*30	螺絲6*30	1	
	93500	93500-04025-0A	SCREW PAN 4*25	螺絲 4*25	2	
	93903	93903-25360	SCREW TAPPING 5*16	螺絲釘 5*16	7	
	95002-02080	95002-02080	CLIP B8 TUBE	管夾	1	
	95002-02110	95002-02110	CLIP	管夾	1	
	95002-02120	95002-02120	CLIP B12 TUBE	管夾 B12	1	
	95002-02130	95002-02130	CLIP B 12.5 TURE	管夾	1	
	95003	95003-23024-60	V TUBE 8*12*240	通氣管	1	
	95701	95701-06032-08	BOLT FLANGE 6*32	螺絲 6*32	1	

F12

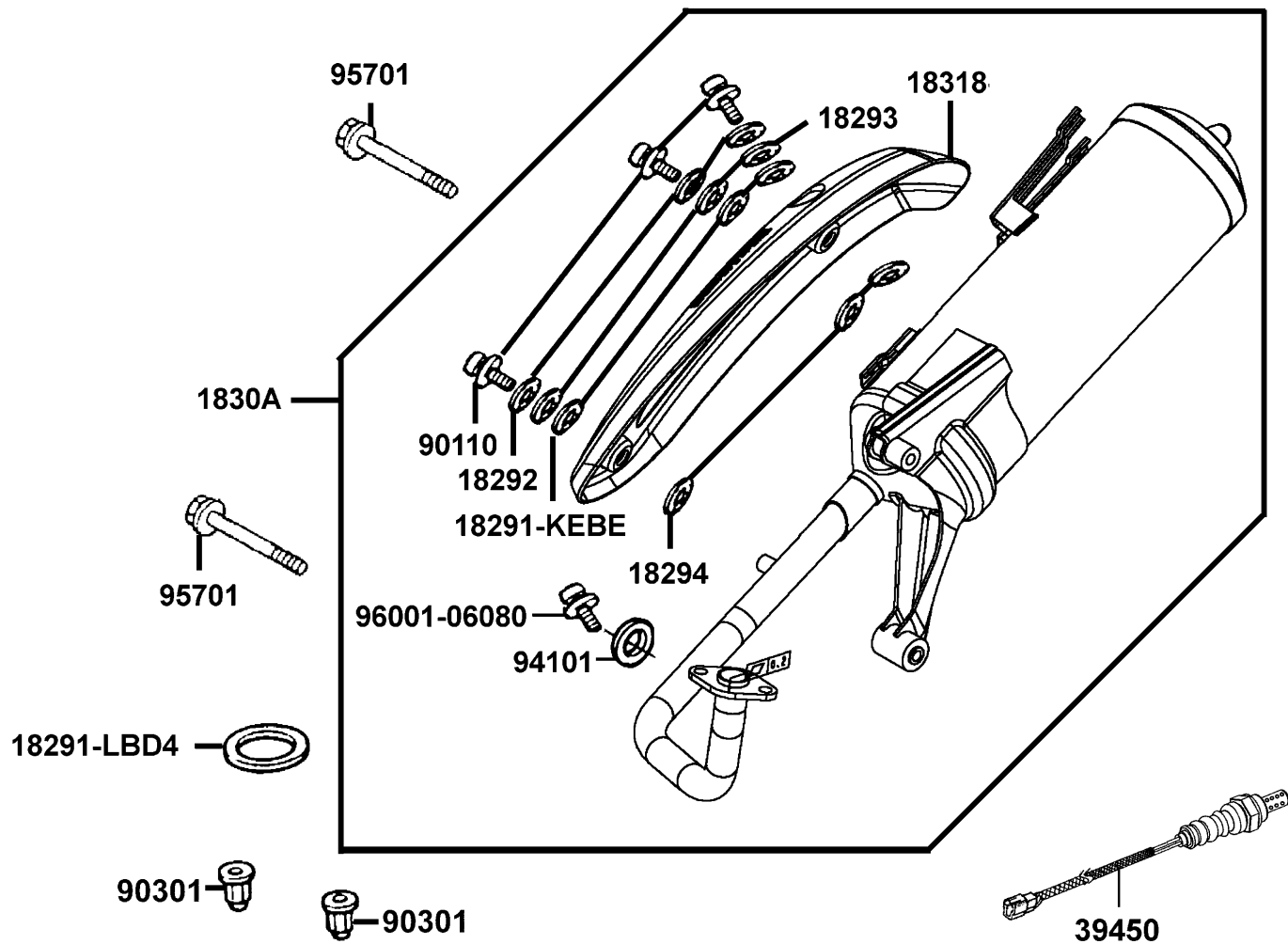
Air Cleaner 空氣濾清器



Sales mark 配色標註	Ref no 參考號碼	Part no 零件號碼	Description 英文名稱	Reg description 中文名稱	Regd no 需求用量	F12
	96001	96001-GFY6-900	BOLT SPECIAL 5*10	螺絲 5*10	4	

F13

Exhaust Muffler 排氣管

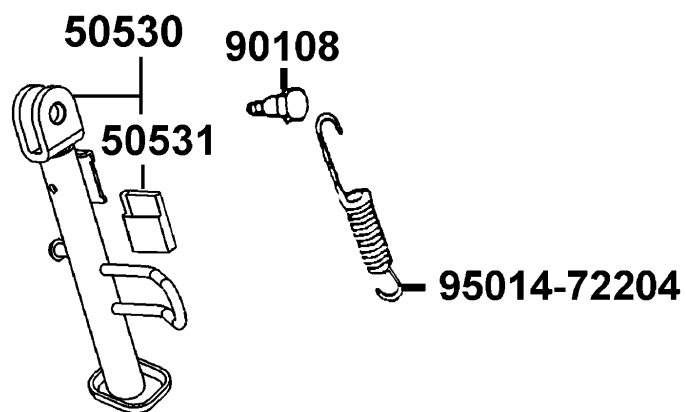
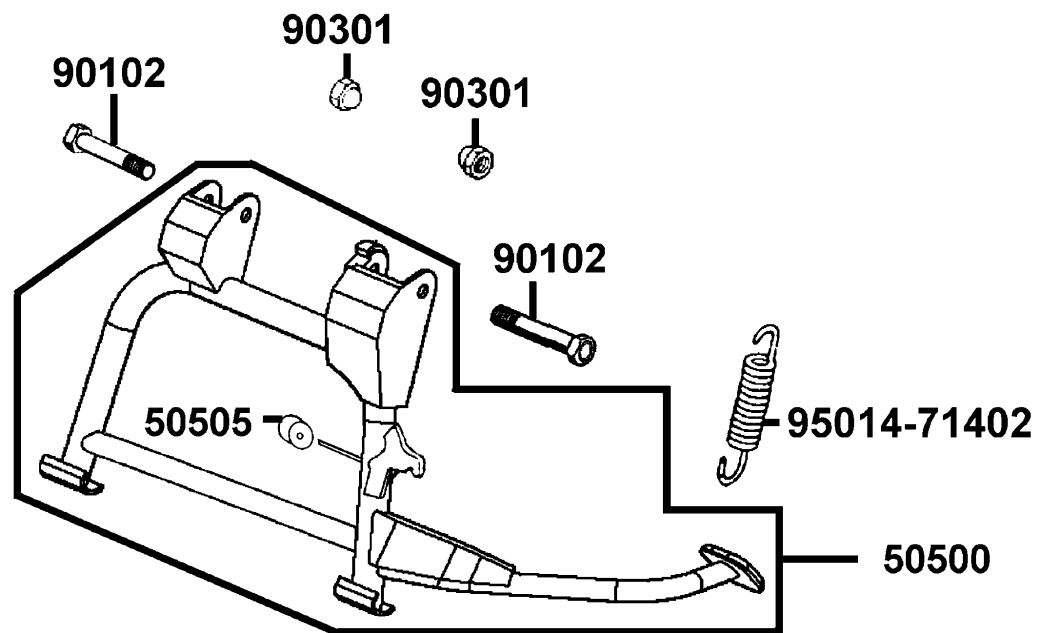




Sales mark 配色標註	Ref no 參考號碼	Part no 零件號碼	Description 英文名稱	Reg description 中文名稱	Regd no 需求用量	F13
	18291-KEBE	18291-KEBE-900	COLLAR	套筒	3	
	18291-LBD4	18291-LBD4-900	GASKET EXH PIPE	排氣管墊圈	1	
	18292	18292-KEBE-900	PACKING PROTECTOR	墊片	3	
	18293	18293-KEBE-900	RUBBER PKG PROTR	橡皮	3	
	18294	18294-KEBE-900	PACKING PROTECTOR	防熱墊片	3	
	1830A	1830A-LGM9-900	MUFFLER ASSY., EXHAUST	排氣管總成	1	
**	18318	18318-LDC1-90A	PROTECTOR COMP MUFFLER	排氣管護蓋	1	
	39450	39450-LEA6-800	O2 SENSOR	氧氣感測器	1	
	90110	90110-KEBE-900	SCREW SPECIAL 6*22	螺絲 6*22	3	
	90301	90301-GFY6-901	NUT (HEX) CAP 8MM	圓螺帽 8MM	2	
	94101	94101-06200	WASHER PLAIN 6MM	平華司	1	
	95701	95701-08055-06	BOLT FLANGE 8*55	螺絲 8*55	1	
	96001	96001-06008-07	BOLT FLANGE SH 6*8	螺絲 6*8	1	

F14

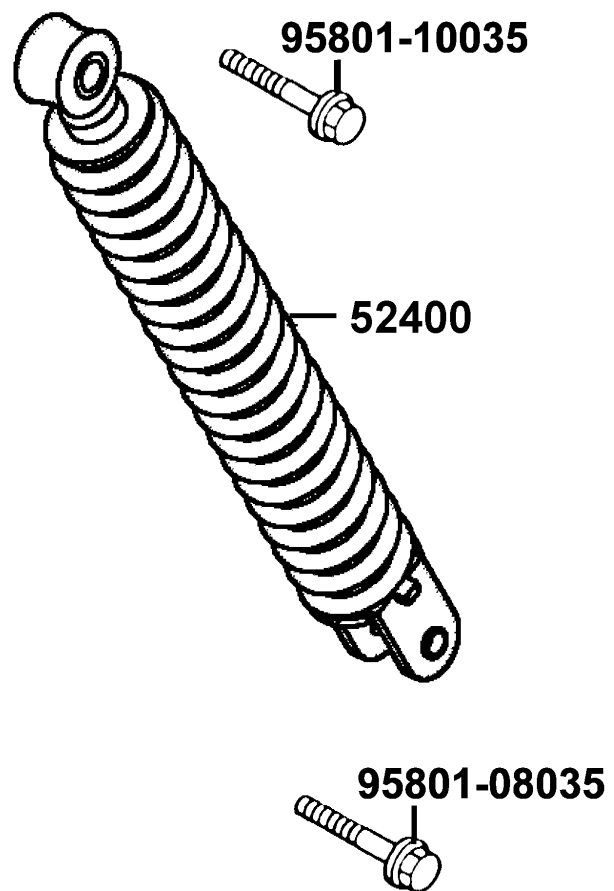
Stand Kick Starter Arm 腳架 起動踏桿



Sales mark 配色標註	Ref no 參考號碼	Part no 零件號碼	Description 英文名稱	Reg description 中文名稱	Regd no 需求用量	F14
	50500	50500-KHC4-910	STAND COMP MAIN	主腳架組	1	
	50505	50505-KKD7-900	RUBBER STOPPER MAIN	主腳架橡皮	1	
	50530	50530-LDC1-900	BAR SIDE STAND	側支架	1	
	50531	50531-KHC4-900	STOPPER RUBBER	側腳架止住橡皮	1	
	90102	90102-GLE0-001	BOLT HINGE PIVOT	螺絲	1	
	90108	90108-GFY6-901	SCREW SIDE STAND PIVOT	側腳架螺絲	1	
	90301	90301-4C73-004	NUT U 6MM	螺帽 6MM	1	
	95014-71402	95014-71402	SPRING D MAIN STAND	主腳架彈簧	1	
	95014-72204	95014-72204	SPG B1 SIDE STAND	側腳架彈簧	1	

F15

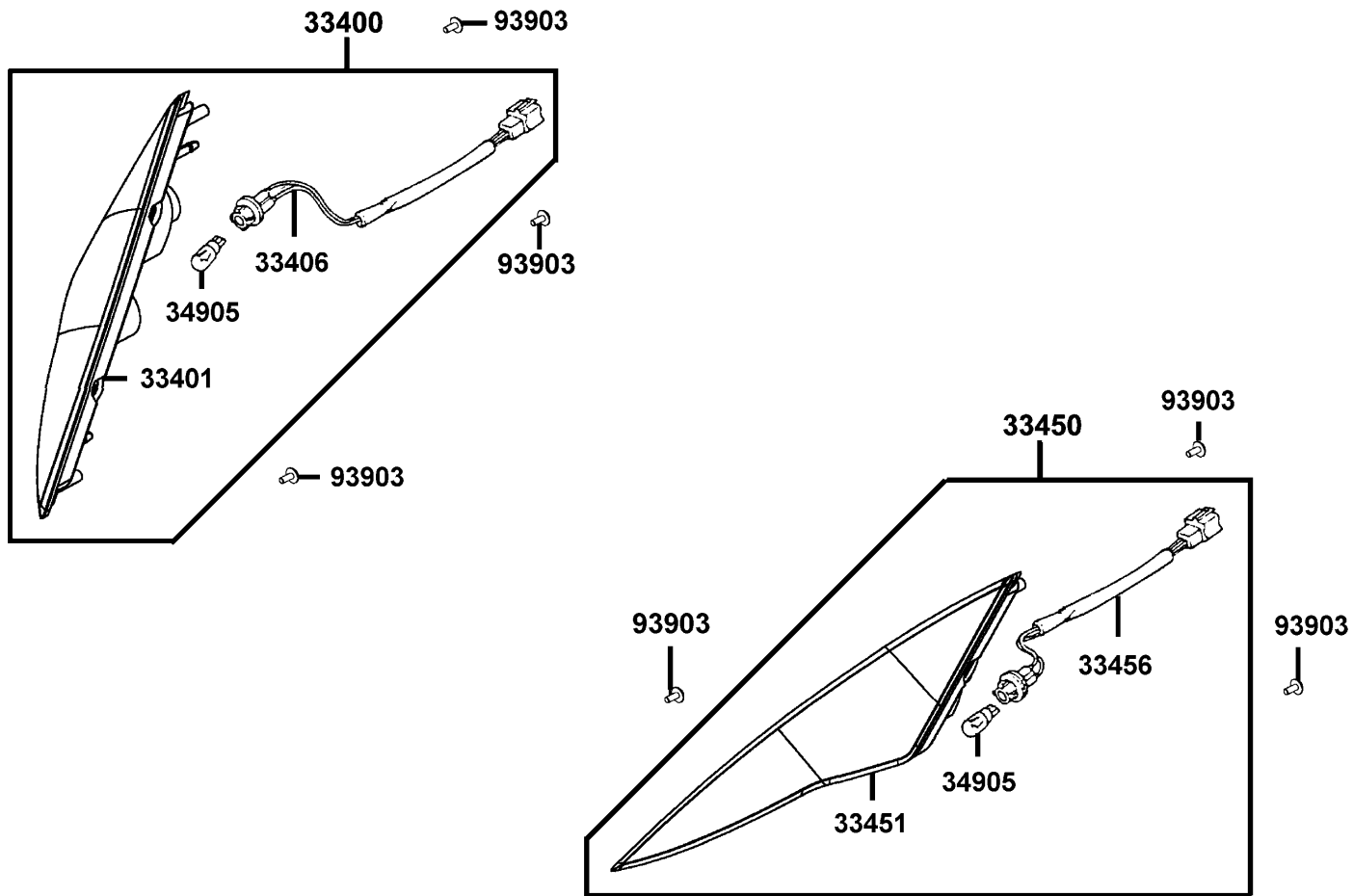
Rear Cushion 後避震器



Sales mark 配色標註	Ref no 參考號碼	Part no 零件號碼	Description 英文名稱	Reg description 中文名稱	Regd no 需求用量	F15
**	52400	52400-KHC4-900	CUSHION ASSY REAR	後避震器	1	
	95801-08035	95801-08035-08	BOLT FLANGE 8*35	螺絲 8*35	1	
	95801-10035	95801-10035-08	BOLT FLANGE 10*35	螺絲 10*35	1	

F16

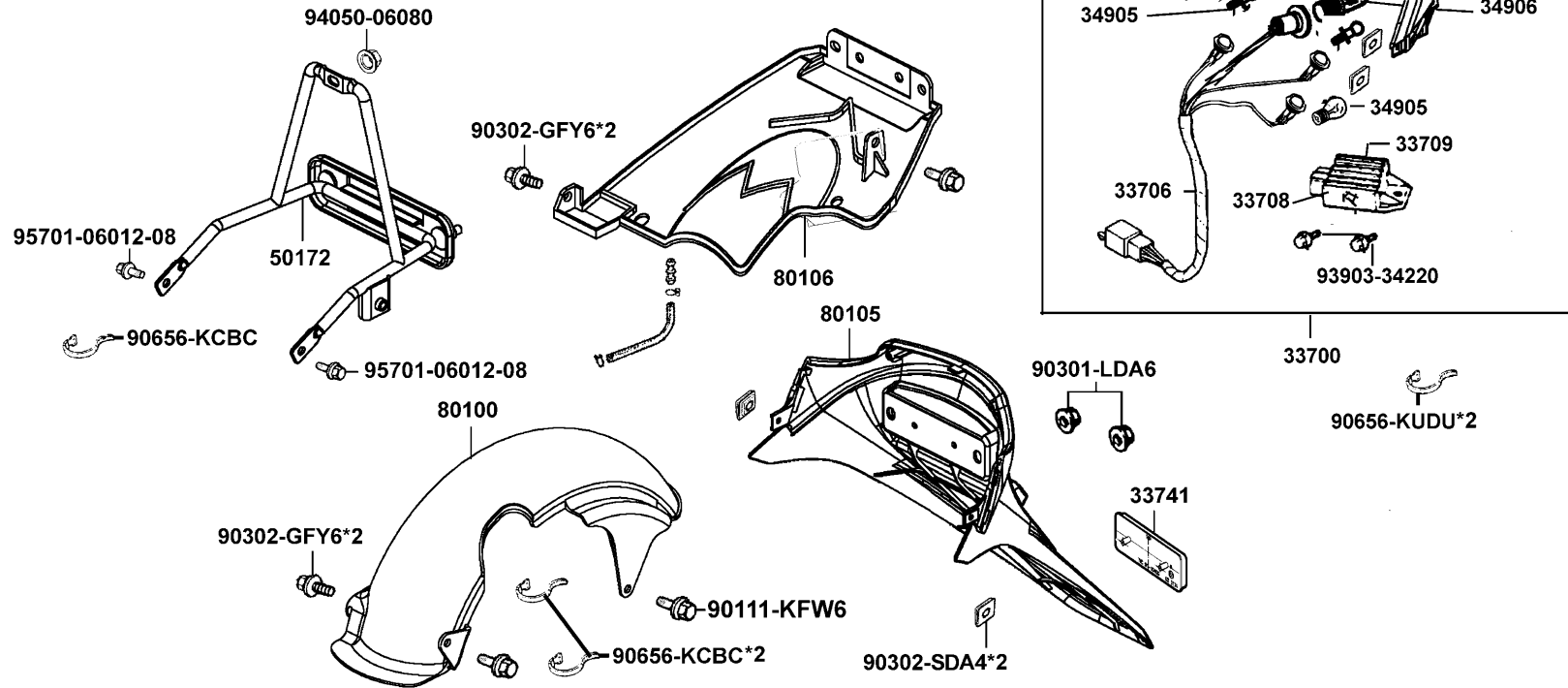
Front Winker 前方向燈



Sales mark 配色標註	Ref no 參考號碼	Part no 零件號碼	Description 英文名稱	Reg description 中文名稱	Regd no 需求用量	F16
	33400	33400-LDC1-900	WINKER ASSY R FR	右前方向燈組	1	
	33401	33401-LDC1-305	LENS R FR WINKER	右前方向燈殼	1	
	33406	33406-LDC1-900	SCOKET COMP R FR WINKER	右前方向燈配線	1	
	33450	33450-LDC1-900	WINKER ASSY L FR	左前方向燈組	1	
	33451	33451-LDC1-305	LENS L FR WINKER	左前方向燈殼	1	
	33456	33456-LDC1-900	SCOKET COMP L FR WINKER	左前方向燈配線	1	
	34905	34905-KMCM-900	BULB WINKER	方向燈泡	2	
	93903	93903-34360	SCREW TAPPING 4*12	螺絲 4*12	6	

F17

Rear Light Fender Rr Tire 後燈 後檔泥板

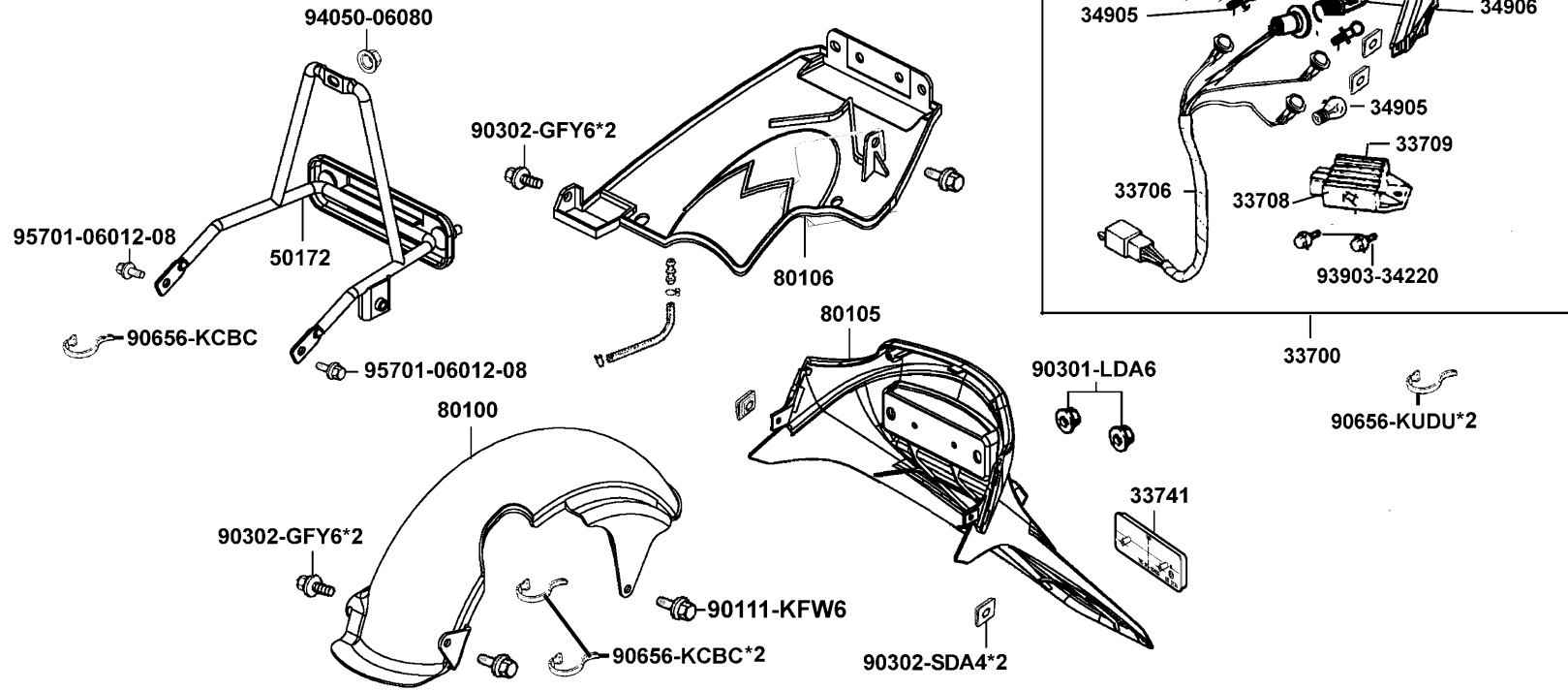




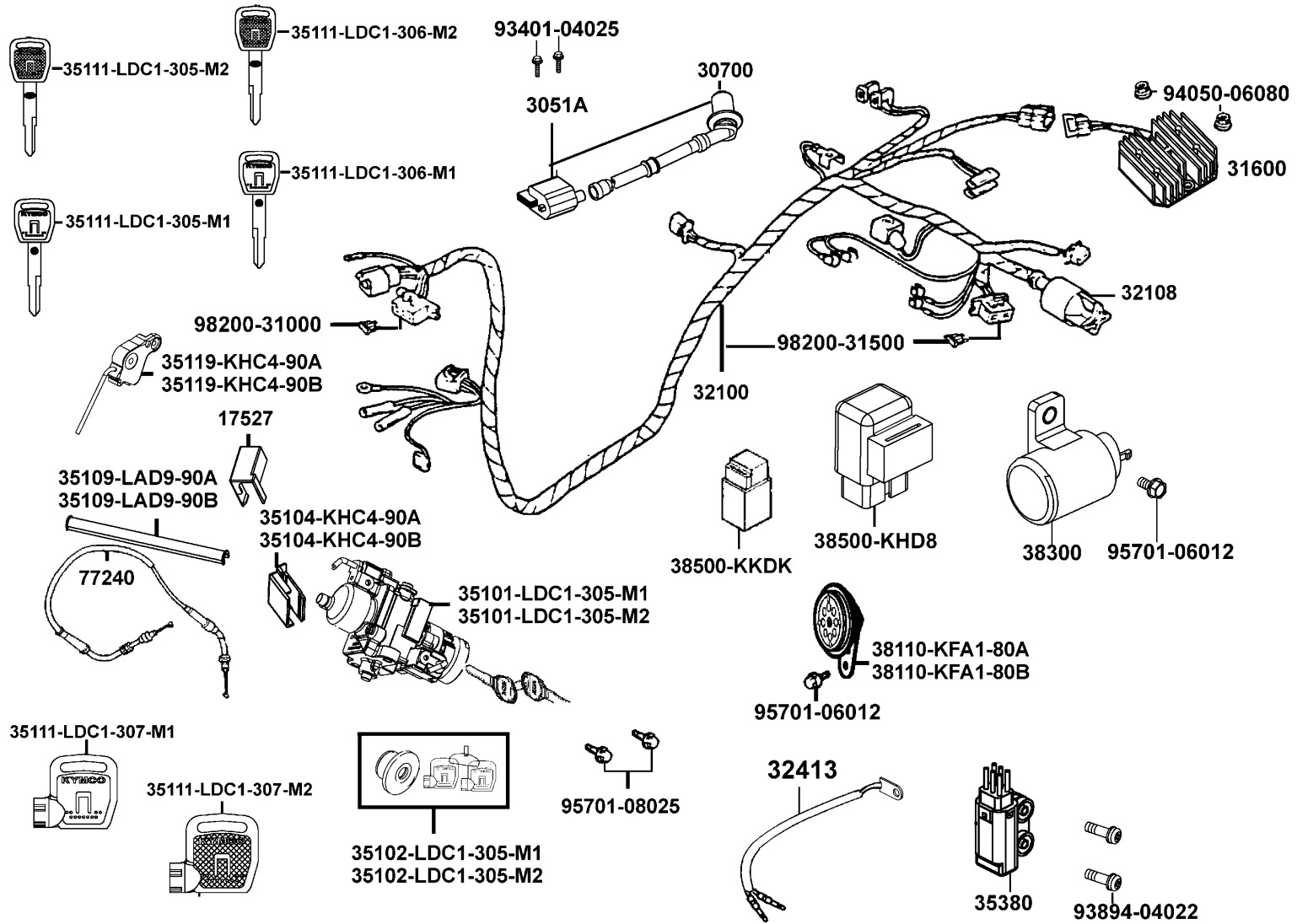
Sales mark 配色標註	Ref no 參考號碼	Part no 零件號碼	Description 英文名稱	Reg description 中文名稱	Regd no 需求用量	F17
	33700	33700-LDC1-900	UNIT TAIL LIGHT	後燈組/LED	1	
	33702	33702-LDC1-900	LENS TAIL LIGHT	後燈蓋	1	
	33706	33706-LDC1-900	SOCKET COMP RR COMB	後燈配線	1	
	33708	33708-KHE7-E00	LENS LICENSE	牌照燈殼	1	
	33709	33709-KHE7-E00	BASE LICENSE	牌照燈座	1	
	33741	33741-KEC8-900	REFLEX REFLECTOR	反光鏡片	1	
	34905	34905-KMCM-900	BULB WINKER	方向燈泡	2	
	34906	34906-2H68-601	BULB TAIL LIGHT	後燈泡	1	
	50172	50172-LDC1-900	"STAY, TAIL LIGHT"	"STAY, TAIL LIGHT"	1	
	80100	80100-LBC6-900	FENDER RR TIRE	後輪檔泥板	1	
	80105	80105-LDC1-900	FENDER RR.	后土除	1	
	80106	80106-LDC1-900	FENDER RR INNER	後檔泥板	1	
	90111	90111-KFW6-001	BOLT FLANGE 6MM	螺帽 6MM	14	
#	90301	90301-LDA6-900	NUT FLANGE 6MM	NUT FLANGE 6MM	2	
	90302-GFY6	90302-GFY6-901	BOLT WASH 5*12	螺絲 5*12	4	
	90302-SDA4	90302-SDA4-004	NUT SPRING 4MM	螺帽 4MM	6	
	90656-KCBC	90656-KCBC-900	BAND OIL HOSE	油管束帶	2	
**	90656-KUDU	90656-KUDU-900	BAND HARNESS WIRE	束帶	2	
	90677	90677-KFC9-900	NUT CLIP 4MM	螺帽夾	2	
	93901	93901-34310	SCREW TAPPING 4*12	螺釘 4*12	2	

F17

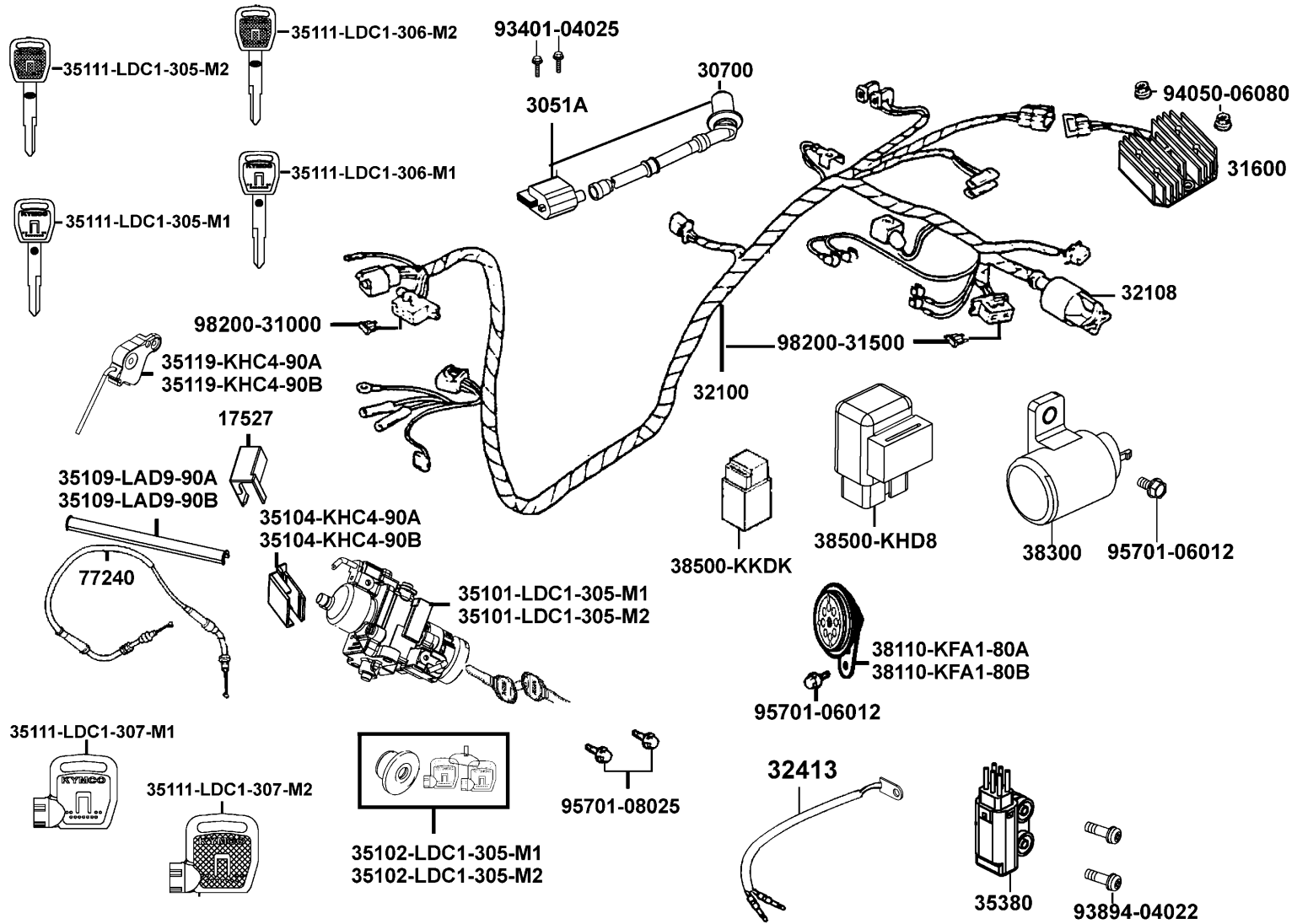
Rear Light Fender Rr Tire 後燈 後檔泥板



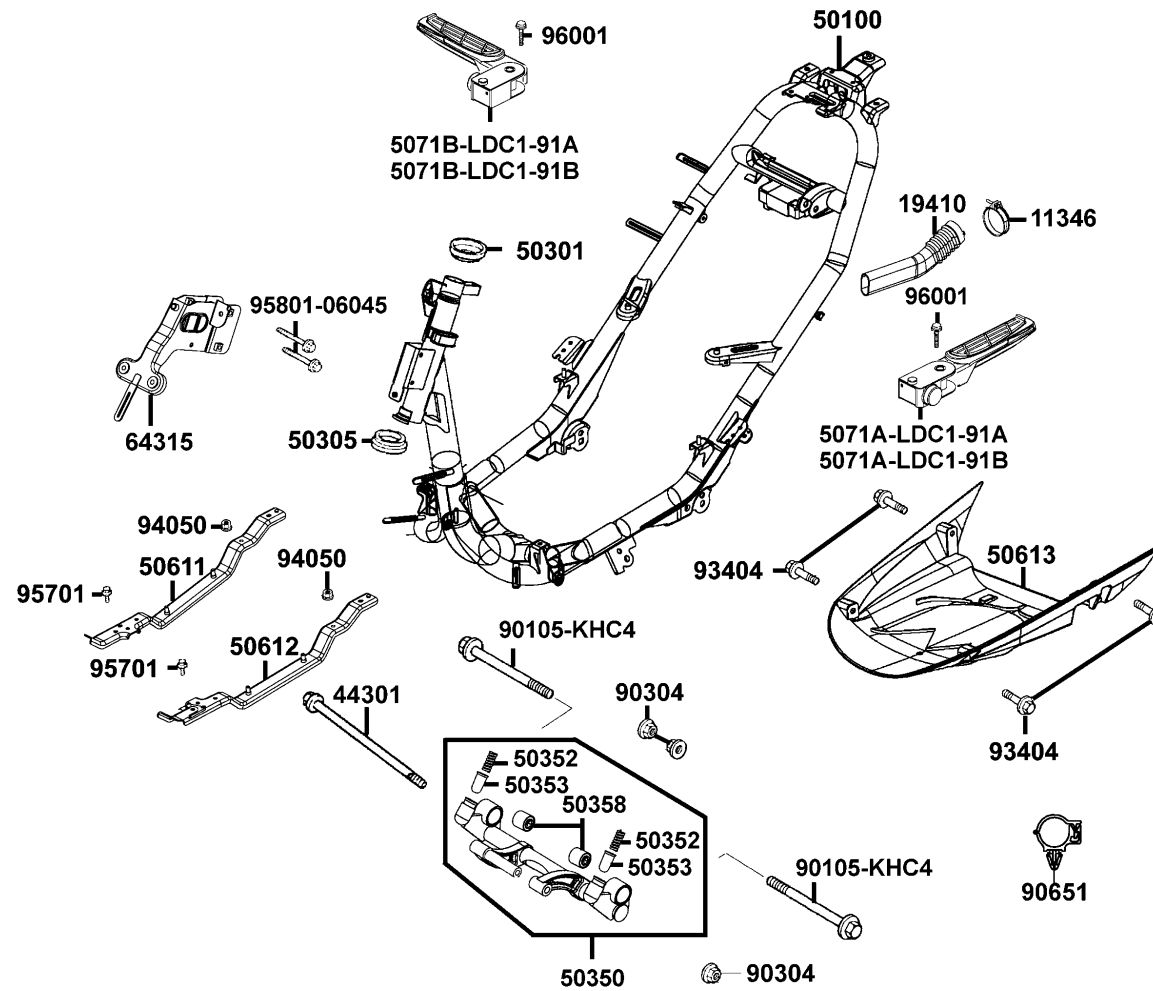
Sales mark 配色標註	Ref no 參考號碼	Part no 零件號碼	Description 英文名稱	Reg description 中文名稱	Regd no 需求用量	F17
	93903	93903-34220	SCREW TAPPING 4*10	螺釘 4*10	2	
#	94050	94050-06080	NUT FLANGE 6MM	螺帽 6MM	1	
	95701	95701-06012-08	BOLT FLANGE 6*12	螺絲 6*12	2	



Sales mark 配色標註	Ref no 參考號碼	Part no 零件號碼	Description 英文名稱	Reg description 中文名稱	Regd no 需求用量	F18
	17527	17527-LBA2-900	SLIDE COVER FUEL CAP	油箱蓋導線防塵蓋	1	
	3051A	3051A-KKE3-900	COIL ASSY IGN	點火線圈	1	
	30700	30700-KKE3-900	CAP ASSY NOISE SUPPRESOR	火星塞蓋	1	
	31600	31600-LEA5-E00	REG REC COMP	整流器	1	
	32100	32100-LGM9-900	HARNESS WIRE	主配線	1	
	32108	32108-GAR1-711	COVER HARNESS WIRE	主配線蓋	1	
	32413	32413-LGM9-900	CORD EARTH	接地副線	1	
	35101-LDC1-305-M1	35101-LDC1-305-M1	SW COMB & LOCK	主開關	1	
	35101-LDC1-305-M2	35101-LDC1-305-M2	SW COMB & LOCK	主開關	1	
	35102-LDC1-305-M1	35102-LDC1-305-M1	SHUTIER SET MAGNETIC LOCK	磁石鎖組/2合1KEY	1	
	35102-LDC1-305-M2	35102-LDC1-305-M2	SHUTIER SET MAGNETIC LOCK	磁石鎖組/2合1KEY	1	
	35104-KHC4-90A	35104-KHC4-90A	PLATE COVER FUEL CAP CABLE	油箱蓋導線防塵蓋	1	
	35104-KHC4-90B	35104-KHC4-90B	PLATE COVER FUEL CAP CABLE	油箱蓋導線防塵蓋	1	
	35109-LAD9-90A	35109-LAD9-90A	PROTECTOR COVER CABLE	防水蓋	1	
	35109-LAD9-90B	35109-LAD9-90B	PROTECTING COVER CABLE	防水蓋	1	
	35111-LDC1-305-M1	35111-LDC1-305-M1	KEY COMP (R TANGENT PLANE/SD)	未加工主開關鑰匙/右切/SD	1	
	35111-LDC1-305-M2	35111-LDC1-305-M2	KEY COMP (R TANGENT PLANE/TJ)	未加工主開關鑰匙/右切/TJ	1	
	35111-LDC1-306-M1	35111-LDC1-306-M1	KEY COMP (L TANGENT PLANE/SD)	未加工主開關鑰匙/左切/SD	1	
	35111-LDC1-306-M2	35111-LDC1-306-M2	KEY COMP (L TANGENT PLANE/TJ)	未加工主開關鑰匙/左切/TJ	1	
	35111-LDC1-307-M1	35111-LDC1-307-M1	KEY COMP SHOTTER MAGNETIC (SD)	磁石鑰匙/SD	1	

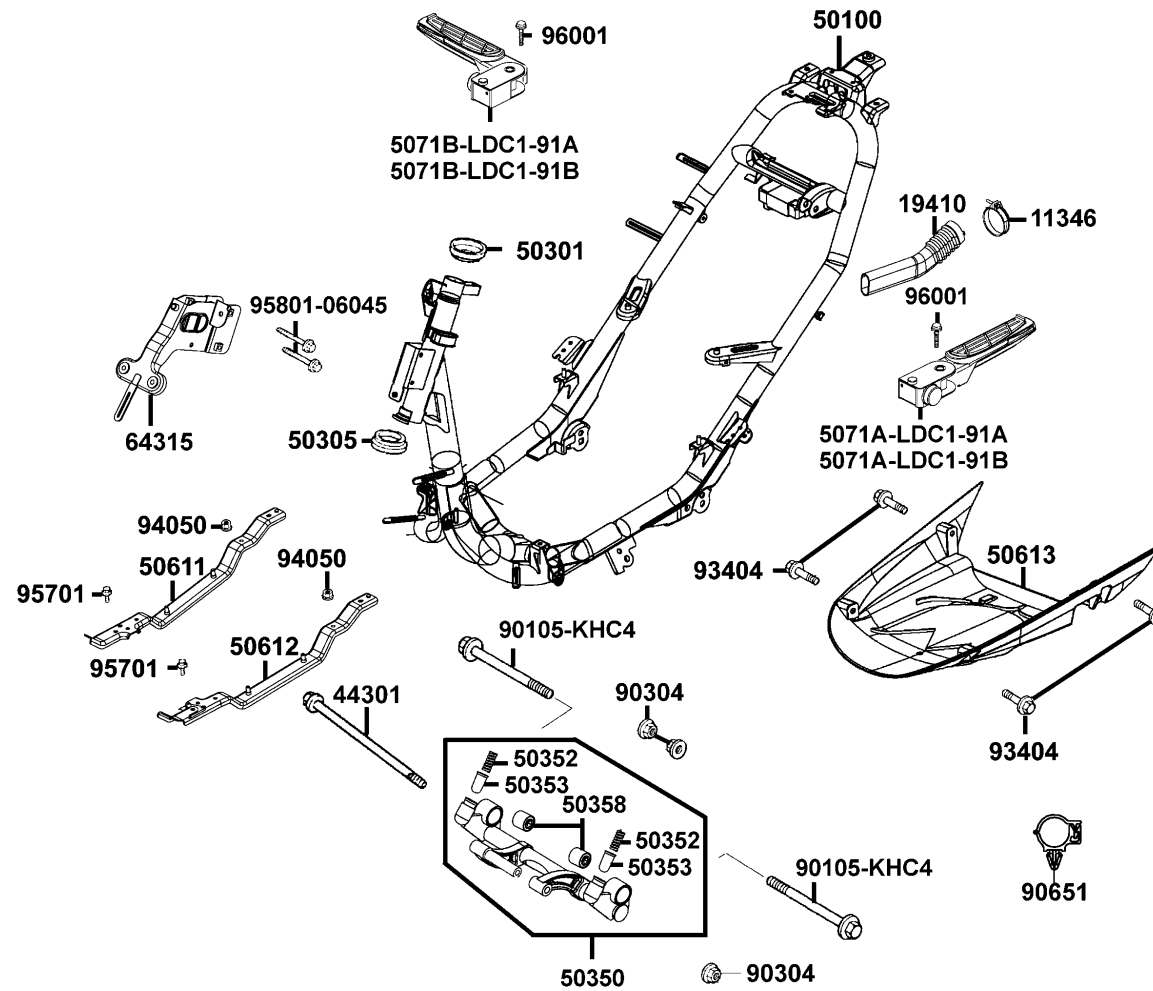


Sales mark 配色標註	Ref no 參考號碼	Part no 零件號碼	Description 英文名稱	Reg description 中文名稱	Regd no 需求用量	F18
	35111-LDC1-307-M2	35111-LDC1-307-M2	KEY COMP SHOTTER MAGNETIC (TJ)	磁石鑰匙/TJ	1	
	35119-KHC4-90A	35119-KHC4-90A	COVER SEAT CABLE	座墊外蓋導線	1	
	35119-KHC4-90B	35119-KHC4-90B	COVER SEAT CABLE	座墊外蓋導線	1	
	35380	35380-LDF2-900	SENSOR ANGLE DETECT	檢測角度感應組	1	
	38110-KFA1-80A	38110-KFA1-80A	HORN COMP	喇叭	1	
	38110-KFA1-80B	38110-KFA1-80B	HORN COMP	喇叭	1	
	38300	38300-LBC6-90A	RELAY COMP WINKER	方向燈繼電器	1	
	38500-KHD8	38500-KHD8-900	RELAY ASSY LIGHT	繼電器	1	
	38500-KKDK	38500-KKDK-900	RELAY ASSY START	起動繼電器	1	
	77240	77240-LDC1-900	"CABLE ASSY., SEAT LOCK"	座墊鎖導線	1	
	93401	93401-04025-08	BOLT WASHER 4*25	墊圈	2	
	93894	93894-04022-08	SCREW PLAIN WASHER 4*22	螺絲 4*22	2	
#	94050	94050-06080	NUT FLANGE 6MM	螺帽 6MM	2	
	95701-06012	95701-06012-08	BOLT FLANGE 6*12	螺絲 6*12	2	
	95701-08025	95701-08025-08	BOLT FLANGE 8*25	螺絲 8*25	2	
	98200-31000	98200-31000	BLADE FUSE 10A	保險絲10A	1	
	98200-31500	98200-31500	BLADE FUSE 15A	保險絲15A	1	





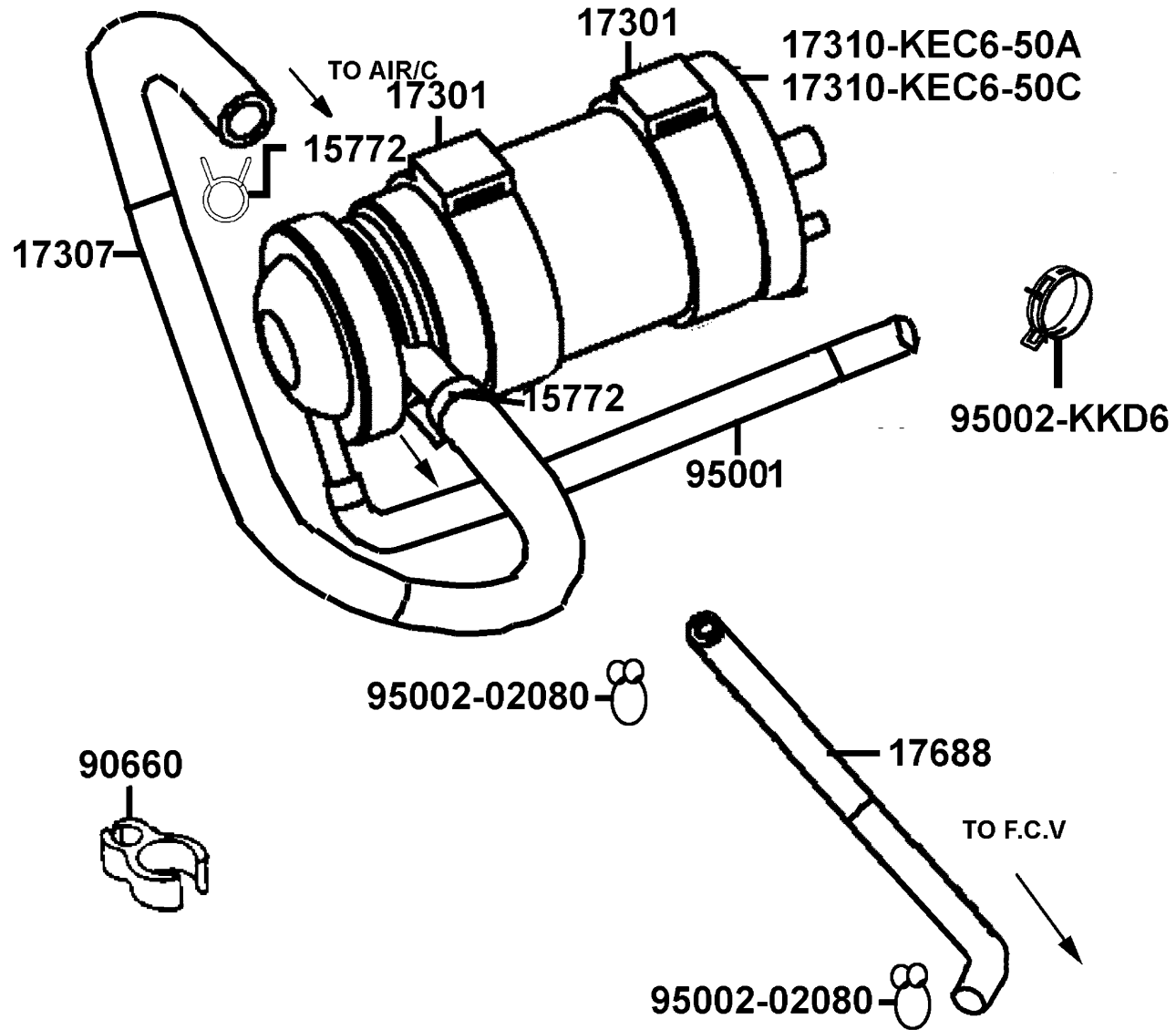
Sales mark 配色標註	Ref no 參考號碼	Part no 零件號碼	Description 英文名稱	Reg description 中文名稱	Regd no 需求用量	F19
	11346	11346-KEBE-900	BAND L COVER DUCT	導管束帶	0	
	19410	19410-LDC1-900	DUCT COOLING	冷卻導管	1	
	44301	44301-LDC1-900	"BOLT,FLANGE 10*200"	螺絲10*200	1	
	50100	50100-LGM9-900	BODY COMP., FRAME	車體	1	
	50301	50301-GLM0-001	RACE UP STRG BALL	上珠碗	1	
	50305	50305-GHC8-004	RACE (UNDER STR ) BALL	下珠碗	1	
	50350	50350-LDC1-900	HANGER ASSY ENG	引擎吊架	1	
	50352	50352-KHC4-900	SPRING	引擎吊架彈簧	2	
	50353	50353-KHC4-900	RUBBER SEAT SPRING	引擎吊架橡膠座	2	
	50358	50358-KHC4-900	RUBBER BUSH ENG HANGER	引擎吊架橡皮襯套	2	
	50611	50611-LGM9-900	RNFCT, R FLOOR	踏板右支架	1	
	50612	50612-LGM9-900	RNFCT, L FLOOR	踏板左支架	1	
**	50613	50613-LDC1-900	COVER UNDER	下罩	1	
	5071A-LDC1-91A	5071A-LDC1-91A	BAR STEP R ASSY	右後踏桿組	1	
	5071A-LDC1-91B	5071A-LDC1-91B	BAR STEP R ASSY	右後踏桿組	1	
	5071B-LDC1-91A	5071B-LDC1-91A	BAR STEP L ASSY	右後踏桿組	1	
	5071B-LDC1-91B	5071B-LDC1-91B	BAR STEP L ASSY	右後踏桿組	1	
	64315	64315-LGM9-900	STAY, FR. COVER	前護蓋支柱	1	
	90105	90105-KHC4-900	SQUARE BOLT M10X50	螺絲 10X50	2	
	90304	90304-GHE8-004	NUT U 10MM	螺帽 10MM	3	



Sales mark 配色標註	Ref no 參考號碼	Part no 零件號碼	Description 英文名稱	Reg description 中文名稱	Regd no 需求用量	F19
	90651	90651-LGM9-900	CLIP, CABLE	CLIP, CABLE	1	
	93404	93404-06016-06	BOLT WASHER 6*16	螺絲 6*16	4	
#	94050	94050-06080	NUT FLANGE 6MM	螺帽 6MM	2	
	95701	95701-06012-08	BOLT FLANGE 6*12	螺絲 6*12	2	
	95801	95801-06045-08	BOLT FLANGE 6*45	螺絲	2	
	96001	96001-06032-06	BOLT FLANGE 6*32	螺絲 6*32	2	

F20

Canister 活性炭罐

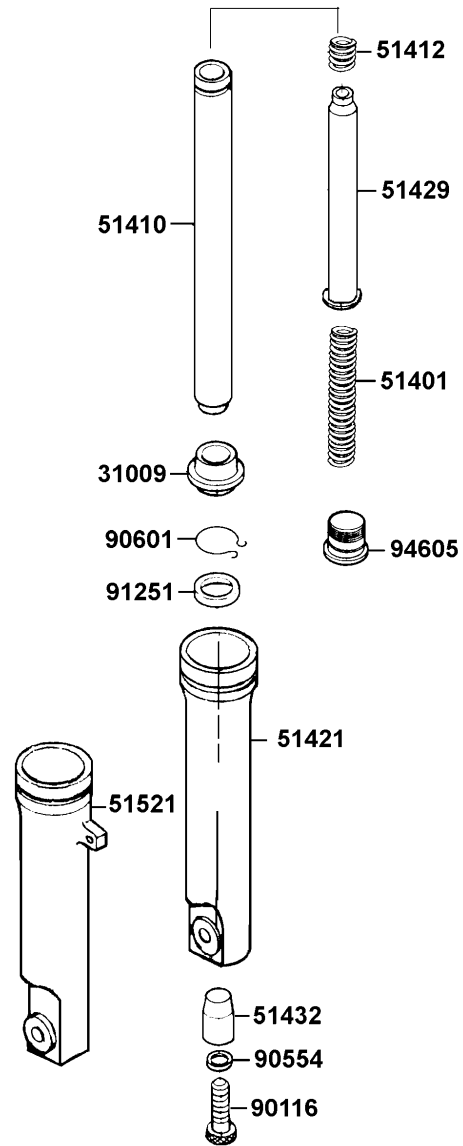


Sales mark 配色標註	Ref no 參考號碼	Part no 零件號碼	Description 英文名稱	Reg description 中文名稱	Regd no 需求用量	F20
	15772	15772-5L00-013	CLIP B14.5 TUBE	管夾	2	
	17301	17301-KNBN-960	RUBBER CANISTER MOUNT	活性碳罐懸掛橡皮	2	
	17307	17307-LAB4-900	TUBE CANISTER – AIR/C	通氣管	1	
	17310-KEC6-50A	17310-KEC6-50A	CANISTER COMP	活性碳罐	1	
	17310-KEC6-50C	17310-KEC6-50C	CANISTER COMP	活性碳罐	1	
	17688	17688-KHB4-900	TUBE ASSY CANISTER-FCV	活性碳罐通氣管	1	
	90660	90660-KNBN-921	CLAMP TUBE	管夾	1	
	95001	95001-45260-40	TUBE FUEL 3.5*320	燃油軟管	1	
	95002	95002-02080	CLIP B8 TUBE	管夾	2	
	95002-KKD6	95002-KKD6-E05	CLAMP D18 TUBE	管夾	1	

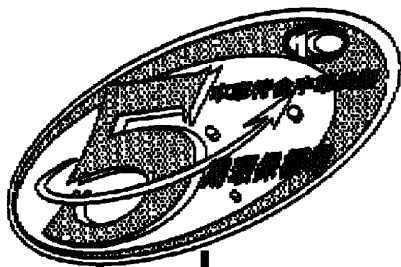
F21

Separated Parts Of Fr Fork

前避震器細件

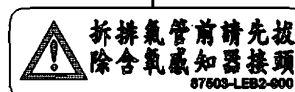


Sales mark 配色標註	Ref no 參考號碼	Part no 零件號碼	Description 英文名稱	Reg description 中文名稱	Regd no 需求用量	F21
	31009	31009-GAR1-900	DUST SEAL	防塵封	2	
	51401	51401-KHC4-900	SPRING	彈簧	2	
	51410	51410-KNBN-900	FORK PIPE COMP	前避震器管	2	
	51412	51412-KFA1-900	REBOUND SPRING	回位彈簧	2	
**	51421	51421-KCLC-900	BOTTOM CASE R	右前避震器底管	1	
	51429	51429-LAB4-900	PIPE SEAT COMP	避震管座	2	
	51432	51432-KFA1-900	OIL LOCK PIECE	止油接頭	2	
**	51521	51521-KCLC-900	BOTTOM CASE L	左前避震器底管	1	
	90116	90116-3C83-72A	BOLT	螺絲	2	
	90554	90554-2C83-001	PACKING	墊片	2	
	90601	90601-GAR1-900	RING OIL SEAL STOPPER	油封止位環	2	
	91251	91251-LAB4-900	OIL SEAL	前避震器油封	2	
	94605	94605-KFA1-900	FORK BOLT	螺絲	2	



87501

87503



87170

車輛污染排放控制資訊

- 公司名稱：光陽工業股份有限公司
- 引擎廠：G100SG20-03 車型年：2006
- 污染防制設備：
  - 廢氣轉化器：-LAB4 OXD
  - 二次空氣系統：-LAB4 PLS
  - 蒸發系統：-LAB4 CAN
- 備用轉速：1700±100RPM (轉速=水空濾網開)
- 車輛所有人不得拆裝或改變空氣污染防制設備
- 本引擎廠之車型符合中華民國九十三年一月一日實施之機油標準第四期排放標準

Yref. is 904  
機油車輛噪音資訊

- 原裝噪音音響值：81 dB(A)
- 測試轉速：3750 rpm

87122-LCB5-940

87122

<ul style="list-style-type: none"> <li>□ 請戴安全帽行駛。</li> <li>□ 行駛時，請勿超過法定速度。</li> <li>□ 因排氣管溫度很高，停車時請停置於他人不易碰觸之場所。</li> <li>□ 為了駕駛安全及性能維護，請勿任意違法改造。</li> </ul>	<ul style="list-style-type: none"> <li>□ 請確實做好定期保養工作及行車前之安全檢查。</li> </ul> <p>◀ 行 駛 前 檢 查 項 目 ▶</p> <p>剎車性能 輪胎 機油量 燈光 喇叭 儀表板</p>
--	---

◎ 敬請熟讀駕駛手冊，確保行車安全 CY6-900

87560

注 意

輪胎最大胎壓：前輪 2.5kg/cm <sup>2</sup>	後輪 2.5kg/cm <sup>2</sup>
(一人騎乘時)：前輪 1.5kg/cm <sup>2</sup>	後輪 2.0kg/cm <sup>2</sup>
(二人騎乘時)：前輪 1.75kg/cm <sup>2</sup>	後輪 2.25kg/cm <sup>2</sup>
輪胎尺寸：前輪 90/90-10 50J	後輪 90/90-10 50J

載物限重：行李箱	1.5kg
前置物掛鉤	3kg
座墊下置物箱	10kg

KC3C-900

87505

機 油 量

全容量 0.85ℓ

機油交換時 0.7 ℓ

給油後必須確認油重 4

KHC4-900

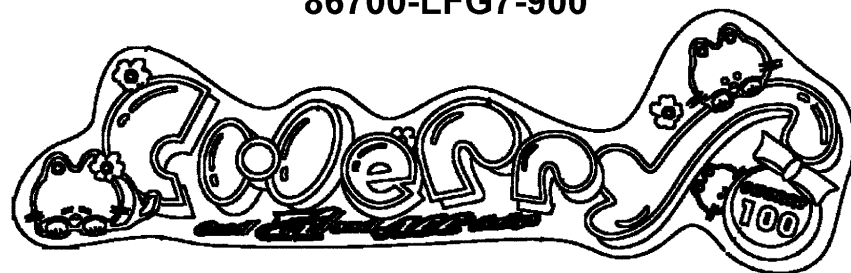
87541-KHC4



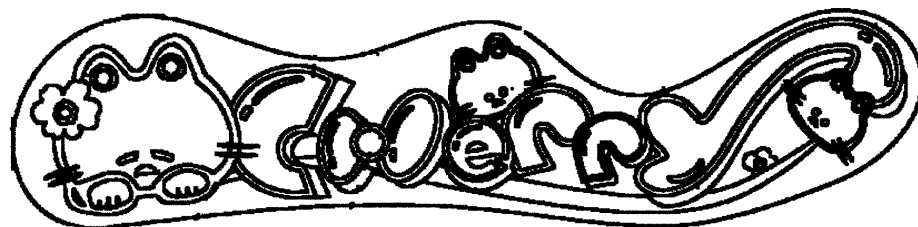
Sales mark 配色標註	Ref no 參考號碼	Part no 零件號碼	Description 英文名稱	Reg description 中文名稱	Regd no 需求用量	F22
**	87122	87122-LGM9-950	MARK E/M 5th STAGE	E/M貼紙	1	
**	87170	87170-GLE0-001	MARK FR FORK	前叉貼紙HR-SUS	2	
**	87501	87501-LEB2-950	LABEL E/M 5 MARK	標籤	1	
**	87503	87503-LEB2-900	CAUTION MUFFLER	標籤	1	
**	87505	87505-KGBG-900	LABEL TIRE	胎壓	1	
**	87541	87541-KHC4-900	LABE OIL CAP	標籤	1	
**	87560	87560-GFY6-900	MARK DRIVE CAUTION	標誌	1	



86700-LFG7-900



86201-LGM9-900



86101-LGM9-900

Sales mark 配色標註	Ref no 參考號碼	Part no 零件號碼	Description 英文名稱	Reg description 中文名稱	Regd no 需求用量	F23
**	86101	86101-LGM9-900	STRIPE FR COVER	前貼紙	1	
**	86201	86201-LGM9-900	STRIPE BODY COVER	車身貼紙	2	
**	86700	86700-LFG7-900	STRIPE ENERGY LOGO	節能標章	1	

## PART NO. INDEX

## 零件號碼索引

PART NO. 零件號碼	VERSION 版數	PAGE 頁次	PART NO. 零件號碼	VERSION 版數	PAGE 頁次	PART NO. 零件號碼	VERSION 版數	PAGE 頁次
<b>11000</b>			11394-KHC4-900	1	E04	<b>14000</b>		
			11395-KHC4-900	1	E01			
11100-LAE3-305	0	E01	<b>12000</b>			14100-GFY6-220	0	E02
11102-1G87-004	3	E01				14401-KHC4-900	0	E03
11192-KHC4-900	0	E01	12100-LAB4-700	2	E03	14431-GFY6-901	5	E02
11200-LDC1-305	2	E01	12191-KHC4-900	0	E03	14450-GFY6-901	0	E02
11203-GGC7-301	2	E01	12200-LGM9-900	0	E02	14452-GFY6-901	0	E02
11203-KHG8-301	2	E08	12209-GDB4-68A	0	E02	14510-KHC4-900	1	E03
11204-KNBN-901	0	E01	12209-GDB4-68B	0	E02	14520-GFY6-90A	1	E03
11205-GHAH-004	0	E01	12211-KUDU-900	4	E02	14523-GFY6-901	0	E03
11205-LAB4-900	1	E01	12251-KHC4-900	0	E02	14531-GLR0-001	1	E03
11206-LAB4-900	1	E06	12310-LGF6-900	1	E02	14610-KHC4-900	0	E03
11208-KHC4-800	1	E07	12361-GFY6-901	1	E04	14711-KHC4-900	1	E02
11211-LDC1-900	1	F12	12391-GFY6-941	0	E02	14721-KHC4-900	1	E02
11221-KHC4-900	2	E05	<b>13000</b>			14751-KFBF-900	1	E02
11330-LBG7-900	1	E04				14761-KFBF-900	1	E02
11342-LDC1-900	2	E01	13000-LBD4-900	3	E03	14771-GDB4-680	2	E02
11346-KEBE-900	0	F19	13011-LBC6-900	1	E03	14775-MFA6-001	0	E02
1134A-LDC1-900	3	E01	13101-LGM9-900	1	E03	14781-MFA6-001	0	E02
11353-LGF6-900	0	E01	13111-0G87-001	3	E03	<b>15000</b>		
11381-LDC1-900	3	E01	13115-0A01-001	0	E03			
11382-LDC1-900	1	E01				15100-GFY6-901	2	E06
11383-LEA1-900	1	E01				15133-GFY6-901	0	E06
11385-KGBG-900	0	E07				15141-GFY6-90B	0	E06
11385-KHC4-900	2	E07						

## PART NO. INDEX

## 零件號碼索引

PART NO. 零件號碼	VERSION 版數	PAGE 頁次	PART NO. 零件號碼	VERSION 版數	PAGE 頁次	PART NO. 零件號碼	VERSION 版數	PAGE 頁次
15141-GFY6-90C	1	E06				17527-LBA2-900	0	F18
15421-1G07-001	1	E04	<b>17000</b>			17550-LBG7-800	3	F09
15426-GAE1-921	0	E04				17560-LBG7-800	0	F09
1565A-GFY6-900	0	E04	1711A-LGM9-900	0	E02	17560-LBG7-900	0	F09
15711-GFY6-901	0	E06	17207-LDC1-900	2	F12	17561-LEB2-900	0	F09
15772-5L00-013	1	F20	17211-LDC1-900	2	F12	17563-LEA1-900	0	F09
<b>16000</b>			17212-KFA6-900	0	F12	1756A-LBG7-900	0	F09
			17214-LDC1-900	2	F11	1756C-KKE2-900	1	F09
			17215-KGBG-90A	2	F12	17570-KKE3-900	0	F09
16056-LEB2-900	2	E09	17236-KFBF-910	1	F12	17570-LEA1-900	0	F09
16068-LEB2-900	3	E09	1723A-LGM9-900	0	F12	17620-LBA2-90A	0	F09
16074-KEC3-900	4	E09	17255-KGBG-900	1	F12	17620-LBA2-90B	0	F09
16100-LGM9-900	0	E09	17301-KNBN-960	0	F20	17623-LAB4-90A	1	F09
16110-KKE3-900	2	E09	17307-LAB4-900	1	F20	17623-LAB4-90B	1	F09
16112-KKE3-900	1	E09	17310-KEC6-50A	4	F20	17681-KFA1-900	0	F09
16118-KEC3-900	0	E09	17310-KEC6-50C	2	F20	17685-KZCZ-900	0	F09
16122-KEC3-900	0	E09	17359-4K19-671	0	F12	17686-LBG7-900	1	F09
16123-LEA1-900	1	E09	17370-4K19-701	0	F12	17688-KHB4-900	0	F20
16133-KEC3-900	1	E09	17371-1D74-671	0	F12	17689-LAD9-900	1	F09
16134-KKE3-900	5	E09	17502-LDC1-900	1	F09	17910-LEA1-900	2	F03
16138-KEC3-900	1	E09	17504-LAB4-900	2	F09			
16154-KKE3-900	4	E09	17507-LAB4-900	2	F09	<b>18000</b>		
16170-KEC3-900	0	E09	17510-LGK8-900	1	F09			
16201-KHC4-900	0	E02	17513-LBG7-900	1	F09	18291-KEBE-900	0	F13
16211-LGM9-900	1	E02	17515-LAB4-900	1	F09	18291-LBD4-900	2	F13
16701-LEB2-900	0	F09	17520-LDC1-900	0	F09	18292-KEBE-900	0	F13

## PART NO. INDEX

## 零件號碼索引

PART NO. 零件號碼	VERSION 版數	PAGE 頁次	PART NO. 零件號碼	VERSION 版數	PAGE 頁次	PART NO. 零件號碼	VERSION 版數	PAGE 頁次	
18293-KEBE-900	0	F13	22105-KHC4-900	1	E05	<b>28000</b>			
18294-KEBE-900	0	F13	22110-KHC4-900	1	E05				
1830A-LGM9-900	0	F13	22121-GHT8-602	1	E05				
18318-LDC1-90A	1	F13	22131-GCW3-901	1	E05		28101-KNBN-901	0	E06
18646-GFY6-941	0	E02	22132-LAB4-900	1	E05		28105-KNBN-901	1	E06
<b>19000</b>			22300-LBC6-900	1	E05		2811A-KNBN-940	0	E06
			22350-KHC4-900	0	E05		28120-KNBN-901	0	E06
			22401-LAB4-900	1	E05		28125-3C23-001	0	E06
			22530-LBC6-900	1	E05		28126-KNBN-901	0	E06
19410-LDC1-900	1	F19	22804-1H48-001	0	E05		28127-KNBN-901	0	E06
19411-KHC4-900	0	F09	<b>23000</b>			28211-KNBN-901	0	E05	
19510-PUA3-B50	0	E07							
1961A-LBG7-800	1	E07							
19625-KHC4-900	0	E07				<b>30000</b>			
1962A-KHC4-900	1	E07		2301A-LBC6-900	2	E05			
19633-GFY6-901	0	E07		23100-KHC4-900	1	E05	3051A-KKE3-900	6	F18
1963A-LGM9-900	0	E07		23200-GCW3-001	0	E05	30700-KKE3-900	1	F18
<b>21000</b>				23220-KHC4-900	1	E05			
				23225-GCW3-001	0	E05	<b>31000</b>		
				23226-GCW3-001	0	E05			
			23233-LAB4-900	2	E05	31009-GAR1-900	0	F21	
21200-KFA3-305	5	E08	23237-GCW3-001	0	E05	31110-LBG7-90A	1	E07	
21395-KNBN-901	1	E08	23239-GCW3-851	0	E05	31110-LBG7-90B	1	E07	
<b>22000</b>			23411-KHC4-900	0	E08	31120-LGK8-90A	0	E07	
			23420-KHC4-900	4	E08	31120-LGK8-90B	0	E07	
			23431-KDLD-901	2	E08	31200-LGK8-90A	0	E06	
			23432-KNBN-901	3	E08	31200-LGK8-90B	0	E06	
22100-KNBN-902	0	E05							
22102-KED5-900	2	E05							

## PART NO. INDEX

## 零件號碼索引

PART NO. 零件號碼	VERSION 版數	PAGE 頁次	PART NO. 零件號碼	VERSION 版數	PAGE 頁次	PART NO. 零件號碼	VERSION 版數	PAGE 頁次
31200-LGK8-90C	0	E06	33708-KHE7-E00	0	F17	35111-LDC1-306-M2	0	F18
31203-KHC4-900	3	E06	33709-KHE7-E00	0	F17	35111-LDC1-307-M1	0	F18
31500-GFY6-94A-YU	4	F10	33741-KEC8-900	0	F17	35111-LDC1-307-M2	0	F18
31500-GFY6-94B-KY	4	F10				35119-KHC4-90A	0	F18
31600-LEA5-E00	2	F18	<b>34000</b>			35119-KHC4-90B	0	F18
<b>32000</b>			34901-KTCT-900	0	F01	35150-GFY6-900	4	F03
			34905-KMCM-900	0	F16	35160-GGS7-900	1	F03
32100-LGM9-900	1	F18	34905-KMCM-900	0	F17	35170-GGS7-900	0	F03
32106-KKE3-900	2	E02	34906-2H68-601	0	F17	35180-GGS7-900	1	F03
32108-GAR1-711	0	F18	34908-GGA7-70A	1	F02	35200-GFY6-910	1	F03
32413-LGM9-900	1	F18	34908-MKB9-87A	0	F02	35340-GBN2-770	3	F03
<b>33000</b>			<b>35000</b>			35340-KKJ9-010	5	F03
						35380-LDF2-900	2	F18
						<b>37000</b>		
33101-LDC1-900	0	F01	35101-LDC1-305-M1	0	F18			
33106-LDC1-900	0	F01	35101-LDC1-305-M2	0	F18	37119-LDC1-90A	0	F02
33400-LDC1-900	1	F16	35102-LDC1-305-M1	0	F18	37119-LDC1-90B	0	F02
33401-LDC1-305	1	F16	35102-LDC1-305-M2	0	F18	37200-LGM9-90A	0	F02
33406-LDC1-900	0	F16	35104-KHC4-90A	0	F18	37200-LGM9-90B	0	F02
33450-LDC1-900	1	F16	35104-KHC4-90B	0	F18	37215-KFLF-900	0	F04
33451-LDC1-305	1	F16	35109-LAD9-90A	0	F18	37801-LAB4-910	1	F09
33456-LDC1-900	1	F16	35109-LAD9-90B	0	F18	3780A-LGM9-900	2	F09
33700-LDC1-900	0	F17	35111-LDC1-305-M1	0	F18			
33702-LDC1-900	0	F17	35111-LDC1-305-M2	0	F18			
33706-LDC1-900	0	F17	35111-LDC1-306-M1	0	F18			

## PART NO. INDEX

## 零件號碼索引

PART NO. 零件號碼	VERSION 版數	PAGE 頁次	PART NO. 零件號碼	VERSION 版數	PAGE 頁次	PART NO. 零件號碼	VERSION 版數	PAGE 頁次
<b>38000</b>			42753-KXCX-900	1	F06	<b>45000</b>		
			42753-KXCX-900	1	F07			
38110-KFA1-80A	1	F18	<b>43000</b>			45000-LGM9-900	2	F06
38110-KFA1-80B	1	F18				4512A-LCB4-305	1	F06
38300-LBC6-90A	2	F18	43141-4L00-011	1	F06	4512A-LCB4-910	1	F07
38500-KHD8-900	0	F18	43141-LAB4-900	4	F07	45133-LDA3-900	1	F06
38500-KKDK-900	4	F18	43410-LDA2-900	1	F07	45133-LDA3-900	1	F07
38773-KBCB-900	0	F09	43450-LDC1-900	2	F03	45134-2L50-001	0	F06
			43472-LAB4-900	2	F03	45145-0F96-651	2	F06
<b>39000</b>			<b>44000</b>			45410-GBB2-001	1	F06
39300-LEA6-800	3	E02				45435-GBB2-721	1	F06
39301-LGM9-900	0	E02	44301-KBE2-981	5	F06	45450-KFA2-900	1	F03
39302-KKE3-900	2	E02	44301-LDC1-900	1	F19	45465-KFB5-900	0	F05
39303-LEB2-900	2	E02	44311-GLW0-901	0	F06	45517-GFY6-900	5	F03
39400-KKE3-800	2	E02	44610-GLW0-305	2	F06	<b>50000</b>		
39450-LEA6-800	2	F13	44620-GHC8-001	1	F06			
39600-KKE3-800	1	F09	44705-KHC4-900	2	F06	50100-LGM9-900	0	F19
			44803-GFY6-90A	0	F06	50140-LGM9-900	1	F09
<b>42000</b>			44805-GGC7-004	4	F06	50172-LDC1-900	2	F17
			44806-KECE-800	2	F06	50301-GLM0-001	0	F19
42610-GKAK-901	4	F07	44807-0A01-004	1	F06	50305-GHC8-004	0	F19
42705-KHC4-900	5	F07	44809-1L70-004	1	F06	50306-1F96-001	0	F05
42710-LBC9-900-G304	2	F06	44830-KHC4-800	3	F02	50326-LGM9-900	2	F10
42710-LBC9-900-G304	2	F07				50328-KNBN-200	0	F10



## PART NO. INDEX

## 零件號碼索引

PART NO. 零件號碼	VERSION 版數	PAGE 頁次	PART NO. 零件號碼	VERSION 版數	PAGE 頁次	PART NO. 零件號碼	VERSION 版數	PAGE 頁次
50329-LGM9-900	0	F10	51429-LAB4-900	0	F21	53206-LDC1-900	3	F03
50350-LDC1-900	2	F19	51432-KFA1-900	0	F21	53211-GFY6-940	1	F05
50352-KHC4-900	1	F19	5150A-LDC1-910	0	F05	53212-GHC8-004	1	F05
50353-KHC4-900	1	F19	51521-KCLC-900	0	F21			
50358-KHC4-900	1	F19	51521-KCLC-900	5	F21	<b>61000</b>		
50500-KHC4-910	0	F14						
50505-KKD7-900	1	F14	<b>52000</b>			61100-LDC1-900	1	F05
50530-LDC1-900	4	F14				61101-LDC1-900	1	F05
50531-KHC4-900	0	F14	52400-KHC4-900	1	F15	61101-LGM9-900	0	F04
50611-LGM9-900	0	F19						
50612-LGM9-900	0	F19	<b>53000</b>			<b>64000</b>		
50613-LDC1-900	2	F19						
5071A-LDC1-91A	1	F19	53100-LDC1-900	2	F03	64222-LDC1-900	3	F11
5071A-LDC1-91B	1	F19	53125-GEN5-901	0	F03	64301-LDC1-325	0	F04
5071B-LDC1-91A	1	F19	53140-KFA1-900	2	F03	64304-LDC1-900	1	F04
5071B-LDC1-91B	1	F19	53166-KFA1-900	2	F03	6430A-LDC1-800	2	F04
			53167-KFA1-900	0	F03	6430B-LDC1-800	2	F11
<b>51000</b>			53168-KFA1-900	1	F03	6430C-LDC1-800	2	F11
			53170-KHC3-900	0	F03	6430D-LDC1-900	1	F04
51401-KHC4-900	0	F21	53172-KKE2-900	2	F03	64315-LGM9-900	1	F19
51409-LDC1-900	1	F05	53175-KHC3-900	0	F03	64316-KHE2-900	0	F04
5140A-LDC1-910	0	F05	53178-KKE2-900	2	F03	6431A-LDC1-900	1	F04
51410-KNBN-900	0	F21	5317A-KKE2-900	3	F03			
51412-KFA1-900	0	F21	5317B-KHC3-900	1	F03	<b>77000</b>		
51421-KCLC-900	0	F21	53200-LDC1-900	3	F05			
51421-KCLC-900	2	F21	53205-LDC1-900	1	F03	77200-LGM9-900	1	F08

## PART NO. INDEX

## 零件號碼索引

PART NO. 零件號碼	VERSION 版數	PAGE 頁次	PART NO. 零件號碼	VERSION 版數	PAGE 頁次	PART NO. 零件號碼	VERSION 版數	PAGE 頁次
77201-GFS6-001	0	F11				87541-KHC4-900	1	F22
77235-KHC4-900	2	F08	<b>83000</b>			87542-GKM9-301	3	F11
77240-LDC1-900	0	F18				87546-LEB2-900	1	F11
77303-KHC4-900	0	F08	83500-LDC1-325	0	F11	87560-GFY6-900	3	F22
			83503-KHC4-900	2	F11			
<b>80000</b>			83600-LDC1-325	0	F11	<b>88000</b>		
			83605-KHC4-900	0	F11			
80100-LBC6-900	3	F17	83606-LDC1-900	2	F11	88110-LDC1-910	1	F03
80105-LDC1-900	1	F17	83770-LDC1-900	1	F11	88120-LDC1-910		F03
80106-LDC1-900	2	F17						
80151-LDC1-900	1	F11	<b>86000</b>			<b>89000</b>		
<b>81000</b>			86101-LGM9-900	0	F23	89010-LAD9-900	0	F08
			86102-LAB4-900	1	F04			
81131-LDC1-900	1	F04	86201-LGM9-900	0	F23	<b>90000</b>		
81133-KGBG-900	0	F04	86700-LFG7-900	2	F23			
81134-KGBG-900	2	F04				90001-GBHB-661	0	E03
81141-LDC1-900	1	F04	<b>87000</b>			90005-KAW1-901	1	E03
81142-KCLC-900	0	F05				90012-3C33-001	0	E02
81142-KUDU-900	1	F04	87122-LGM9-950	0	F22	90021-LDC1-900	2	E01
81200-LDC1-900	2	F11	87170-GLE0-001	4	F22	90031-KHC4-900	0	E01
81260-LGM9-900	0	F11	87501-LEB2-950	1	F22	90031-LDC1-900	2	E01
81260-LGM9-910	0	F11	87502-LEB2-900	1	F11	90032-KHC4-900	0	E01
			87503-LEB2-900	2	F22	90033-GFY6-900	0	E02
			87505-KGBG-900	2	F22	90033-GFY6-941	0	E02
			87541-GGS7-901	2	F11	90101-KGC4-E00	1	F08

## PART NO. INDEX

## 零件號碼索引

PART NO. 零件號碼	VERSION 版數	PAGE 頁次	PART NO. 零件號碼	VERSION 版數	PAGE 頁次	PART NO. 零件號碼	VERSION 版數	PAGE 頁次
90101-LDC1-900	1	F01	90302-GFY6-940	1	F09	9052A-GFY6-950	1	E01
90102-GLE0-001	0	F14	90302-LBG7-900	3	F09	90554-2C83-001	0	F21
90105-GFS6-001	0	F11	90302-LLB1-E00	2	F03	90601-GAR1-900	0	F21
90105-KHC4-900	1	F19	90302-SDA4-004	2	F04	90602-PDX4-001	0	E06
90106-GEN5-901	0	F03	90302-SDA4-004	2	F10	90603-0D44-001	0	E05
90106-KFC2-900	0	F11	90302-SDA4-004	2	F11	90651-LGM9-900	0	F19
90108-GFY6-901	0	F14	90302-SDA4-004	2	F17	90652-LFB5-900	0	F04
90110-KEBE-900	0	F13	90304-4H38-001	2	E02	90652-LGJ9-900	2	E02
90110-KHG8-901	0	F06	90304-GHE8-004	0	F03	90656-GFY6-911	0	F03
90110-KHG8-901	0	F07	90304-GHE8-004	0	F19	90656-KCBC-900	0	F17
90111-1G87-001	1	F11	90305-GHK8-001	1	E07	90656-KUDU-900	0	F17
90111-KFW6-001	0	F17	90305-KNBN-90B	0	F07	90660-KNBN-921	0	F20
90112-GCC3-001	1	F05	90306-KLF0-901	0	F06	90677-KFC9-900	0	F17
90112-KCLC-900	0	F05	90307-GFJ6-004	0	F01	90741-0E35-001	0	E03
90115-GLE0-001	0	F03	90309-GLW0-90A	1	F06	90754-GHC8-00A	1	F06
90116-3C83-72A	0	F21	90309-GLW0-90A	1	F07	90754-GHC8-00B	1	F06
90164-MDR4-901	0	F04	90309-KLF0-004-SY	1	E08	90912-GHC8-00A	0	F06
90201-KNBN-901	0	E06	90381-GEZ5-001	1	F11	90912-GHC8-00D	0	F06
90202-1G87-001	0	E05	90400-KTDT-900	0	F01			
90206-0A01-001	1	E02	90429-KNBN-901	0	E08	<b>91000</b>		
90301-4C73-004	0	F14	90442-0D44-001	0	E05			
90301-GFY6-901	2	F13	90451-1G07-001	1	E08	91001-GGA7-70A	2	E05
90301-LDA6-900	1	F17	90465-MDC4-001	0	E02	91004-KBN2-90A	0	E08
90302-GBR2-001	1	F09	90488-7L00-001	0	E01	91005-KNBN-901	0	E06
90302-GFY6-901	1	F09	90501-KNBN-901	0	F07	91009-GLE0-004	1	E08
90302-GFY6-901	1	F17	90502-MBS2-001	0	E06	91101-KNBN-901	0	E06

## PART NO. INDEX

## 零件號碼索引

PART NO. 零件號碼	VERSION 版數	PAGE 頁次	PART NO. 零件號碼	VERSION 版數	PAGE 頁次	PART NO. 零件號碼	VERSION 版數	PAGE 頁次
91103-GAR1-004	0	E05	92900-06060-0B	0	E02	93903-34360	0	F11
91106-KHC4-90A	0	E01				93903-34360	0	F16
91106-KHC4-90B	0	E01	<b>93000</b>			93903-35260	0	E01
91202-GFY6-90A	1	E01				93903-35320	0	F02
91202-GFY6-90A	1	E04	93401-04025-08	0	F18	93903-35320	0	F09
91202-GFY6-90B	1	E01	93404-06016-06	0	F04	93903-35360	0	E07
91202-GFY6-90B	1	E04	93404-06016-06	0	F10	93903-GFY6-900	1	F11
91202-KKJ9-004	0	E01	93404-06016-06	0	F19			
91211-GHK8-014	0	E05	93404-06030-06	0	F12	<b>94000</b>		
91251-GHC8-004	0	F06	93500-04008-0G	0	F09			
91251-LAB4-900	0	F21	93500-04010-0G	0	F09	94001-05080-0S	0	F03
91255-GLE0-006	0	E08	93500-04025-0A	0	F12	94050-06080	0	E02
91256-GAC1-004	0	F06	93500-05010-0G	0	F09	94050-06080	0	E06
91301-0C53-001	0	E08	93500-05022-0G	0	F03	94050-06080	0	E09
91301-GLR0-005	1	E03	93700-05018-0H	0	F02	94050-06080	0	F06
91302-0A01-021	0	E04	93891-05030-06	0	F09	94050-06080	0	F08
91304-KHC4-900	0	E02	93891-06016-06	0	F05	94050-06080	0	F09
91306-1E05-691	0	E03	93892-04010-08	0	E09	94050-06080	0	F17
91307-0E35-001	0	E04	93892-05010-08	0	E09	94050-06080	0	F18
91351-6B42-000	0	E05	93894-04022-08	1	F18	94050-06080	0	F19
91351-GAR1-001	0	E05	93901-34310	0	F17	94050-08080	0	E02
91352-KHG8-83B	0	F07	93903-25360	0	F12	94050-10080	0	E05
			93903-34220	0	F17	94050-10080	0	E07
<b>92000</b>			93903-34360	0	F03	94050-12080	0	E05
			93903-34360	0	F04	94101-06200	0	F13
92101-05012-0H	0	E07	93903-34360	0	F10	94101-KKE3-900	1	E09

## PART NO. INDEX

## 零件號碼索引

PART NO. 零件號碼	VERSION 版數	PAGE 頁次	PART NO. 零件號碼	VERSION 版數	PAGE 頁次	PART NO. 零件號碼	VERSION 版數	PAGE 頁次	
94111-06800	0	E09	95003-23024-60	0	F12	<b>96000</b>			
94301-08140	0	E01	95014-71402	0	F14				
94301-08140	0	E04	95014-72204	0	F14				
94301-10160	0	E02	95015-32001	0	F03		96001-06008-07	0	F13
94301-10160	0	E03	95015-42000	0	F03		96001-06010-08	0	E02
94301-10200	0	E08	95701-06012-08	0	F05		96001-06012-08	0	E01
94510-20000	0	E08	95701-06012-08	0	F08		96001-06012-08	0	E02
94520-24000	1	E05	95701-06012-08	0	F11		96001-06012-08	0	E05
94591-KFBF-900	2	E02	95701-06012-08	0	F17		96001-06012-08	0	E06
94591-KFBF-900	2	F04	95701-06012-08	0	F18		96001-06012-08	0	E07
94605-KFA1-900	0	F21	95701-06012-08	0	F19		96001-06016-08	0	E07
<b>95000</b>			95701-06025-08	0	E02	96001-06020-00	0	E02	
			95701-06028-08	0	F06	96001-06025-06	0	F03	
			95701-06032-08	0	F07	96001-06025-08	0	E06	
95001-45260-40	0	F20	95701-06032-08	0	F12	96001-06025-08	0	E07	
95002-02070	0	E09	95701-06035-08	0	E02	96001-06028-08	0	E07	
95002-02070	0	F09	95701-06050-08	0	E02	96001-06032-06	0	F19	
95002-02080	0	F09	95701-08012-08	0	E01	96001-06045-08	0	E01	
95002-02080	0	F12	95701-08025-08	0	F18	96001-06085-06	0	E04	
95002-02080	0	F20	95701-08045-08	0	E01	96001-06095-08	0	E02	
95002-02110	0	F12	95701-08055-06	0	F13	96001-06100-08	0	E04	
95002-02120	0	F12	95701-08060-08	0	E01	96001-GFY6-900	1	E02	
95002-02130	0	F09	95801-06045-08	0	F19	96001-GFY6-900	1	F12	
95002-02130	0	F12	95801-08035-08	0	F15	96100-62033-00	0	E01	
95002-KKD6-E05	0	F20	95801-08040-08	0	F05	96100-62043-00	0	E01	
95002-KKE3-900	2	F09	95801-10035-08	0	F15	96211-05000	0	F05	

## PART NO. INDEX

## 零件號碼索引

PART NO. 零件號碼	VERSION 版數	PAGE 頁次	PART NO. 零件號碼	VERSION 版數	PAGE 頁次	PART NO. 零件號碼	VERSION 版數	PAGE 頁次
96220-60100	0	E06						
96600-06012-10	0	E06						
<b>98000</b>								
98056-5771R-00	0	E02						
98200-31000	1	F10						
98200-31000	1	F18						
98200-31500	0	F10						
98200-31500	0	F18						