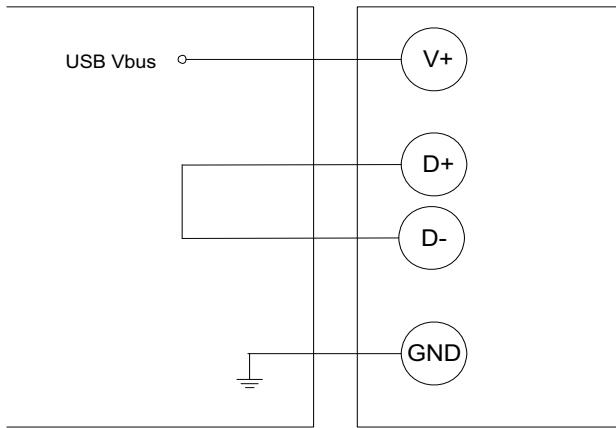


USB-A Receptacle:Port A



USB-A Receptacle:Port B

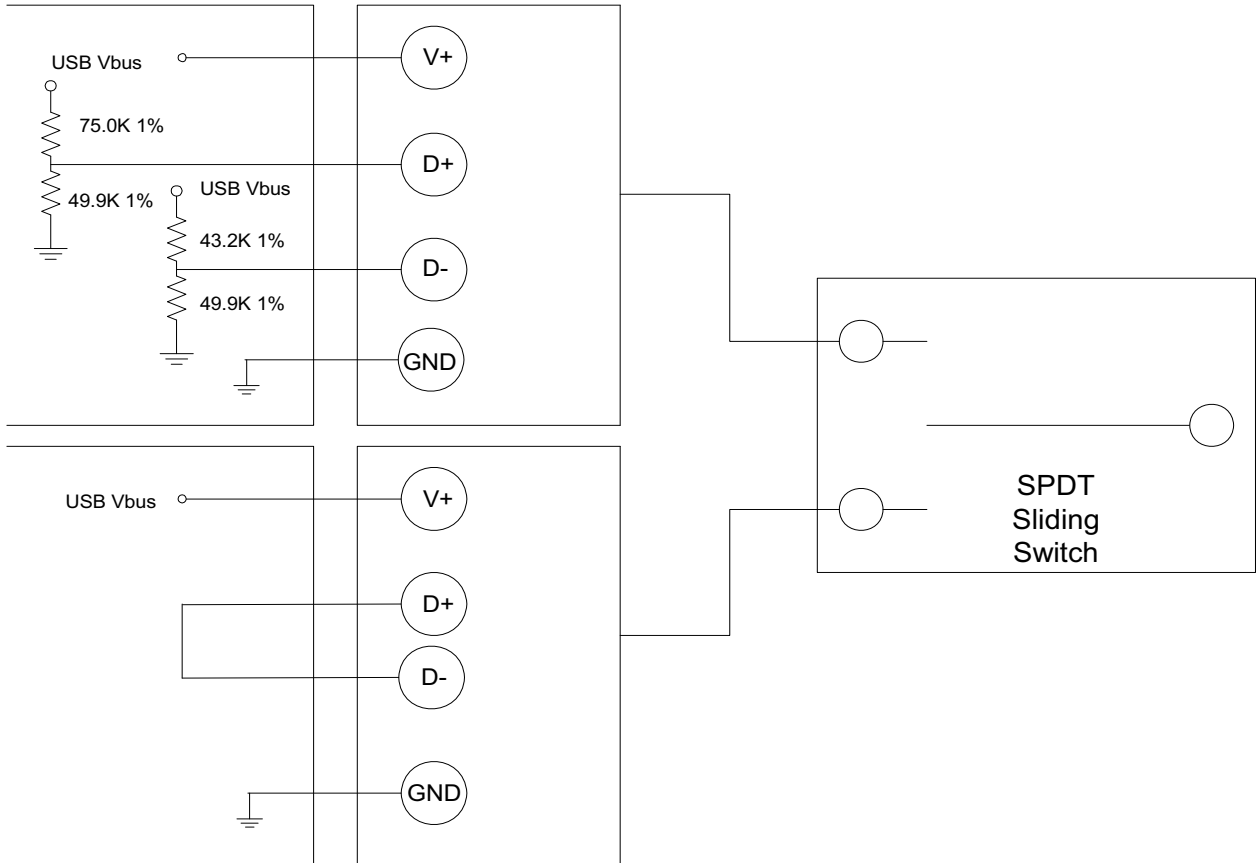


Figure 5: USB-A Output Receptacle Block Diagram and Pin Assignment for Ports A & B