

## COLOR & STRIPE SET FOR GTS/JOYMAX 250 EFI



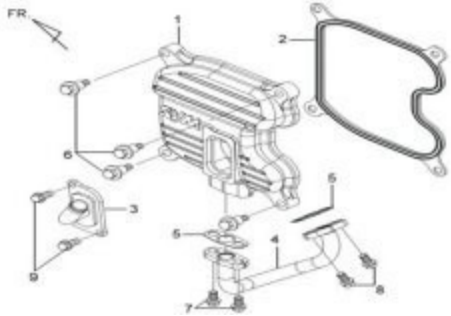
Pictures reference only

N O	MODEL		BLACK		GRAY		WHITE		SILVER	
	BASIC COLOR		BK		GY		W		S	
	CODE		BK-433S		GY-517S		WH-300P		S-421S	
Item	Parts Number	Description	Basic Color	Code	Basic Color	Code	Basic Color	Code	Basic Color	Code
1	61100-HMA-000	FR FENDER	BK-433S	JG	GY-517S	IP	WH-300P	QU	S-421S	SO
2	53205-HMA-900	UP HANDLE COVER	BK-001U	KA	BK-001U	KA	BK-001U	KA	BK-001U	KA
3	64300-HMA-000	FR UNDER SPOILER	BK-433S	JG	GY-517S	IP	WH-300P	QU	S-421S	SO
4	64301-HWA-000	FR COVER	BK-433S	JG	GY-517S	IP	WH-300P	QU	S-421S	SO
4	64301-HWA-010	FR COVER	BK-433S	JG	GY-517S	IP	WH-300P	QU	S-421S	SO
5	81131-HMA-000	INNER BOX COMP	BK-001U	KA	BK-001U	KA	BK-001U	KA	BK-001U	KA
6	81200-HWA-000	RR CARRIER ASSY	BK-433S	JG	GY-517S	IP	WH-300P	QU	S-421S	SO
7	81211-HWA-000	RR CARRIER CAP	BK-433S	JG	GY-517S	IP	WH-300P	QU	S-421S	SO
8	77400-HWA-000	RR BACK SEAT ASSY	BK-433S	JG	GY-517S	IP	WH-300P	QU	S-421S	SO
9	8125A-HMA-000	LUGGAGE BOX ASSY	BK-001U	●	BK-001U	●	BK-001U	●	BK-001U	●
10	83501-HMA-000	R BODY COVER GARNISH	S-877U/BK-001U	OL	S-877U/BK-001U	OL	S-877U/BK-001U	OL	S-877U/BK-001U	OL
11	8350G-HM1-000	R BODY CVOER ASSY	BK-433S	JG	GY-517S	IP	WH-300P	QU	S-421S	SO
11-1	87126-HM1-000	RH. BODY COVER EMBLEM		●		●		●		●
11-2	87129-HML-000	I MARK		●		●		●		●
12	83601-HMA-000	L BODY COVER GARNISH	S-877U/BK-001U	OL	S-877U/BK-001U	OL	S-877U/BK-001U	OL	S-877U/BK-001U	OL
13	8360G-HM1-000	L BODY COVER ASSY	BK-433S	JG	GY-517S	IP	WH-300P	QU	S-421S	SO
13-1	87127-HM1-000	LH. BODY COVER EMBLEM		●		●		●		●
13-2	87129-HML-000	I MARK		●		●		●		●
14	8352G-HWA-000	R. SIDE COVER SET	BK-433S	JG	GY-517S	IP	WH-300P	QU	S-421S	SO
14-1	87123-HWA-000	SYM STRIPE	S-480S	S	S-480S	S	S-480S	S	S-480S	S
15	8362G-HWA-000	L. SIDE COVER SET	BK-433S	JG	GY-517S	IP	WH-300P	QU	S-421S	SO
15-1	87123-HWA-000	SYM STRIPE	S-480S	S	S-480S	S	S-480S	S	S-480S	S
16	88110-HMA-900	R BACK MIRROR ASSY	BK-433S	JG	GY-517S	IP	WH-300P	QU	S-421S	SO
17	88120-HMA-900	L BACK MIRROR ASSY	BK-433S	JG	GY-517S	IP	WH-300P	QU	S-421S	SO
STRIPE										
11-1(BK/GY1/S/W)	11-1(BK2/GY2)	11-2/13-2	13-1(BK/GY1/S/W)							
13-1(BK2/GY2)	14-1/15-1									

# CONTENTS ENGINE GRO

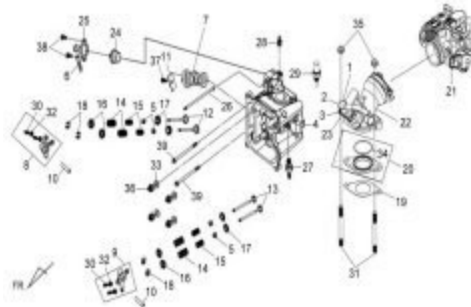
**E01**

CYLINDER HEAD COVER



**E02**

CYLINDER HEAD ASSY



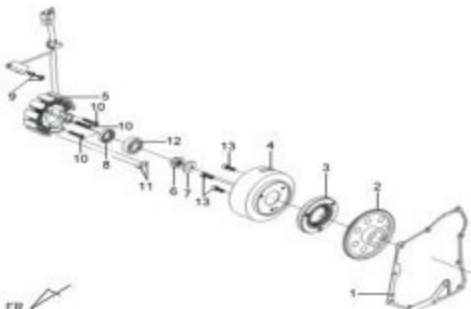
**E04**

CYLINDER HEAD SIDE COVER



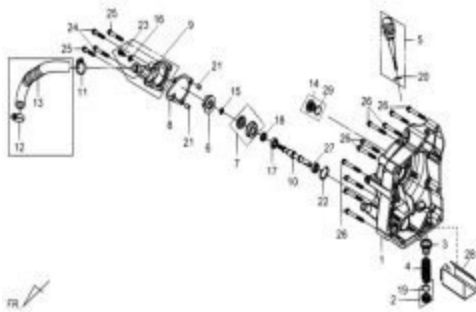
**E05**

A.C.G. ASSY



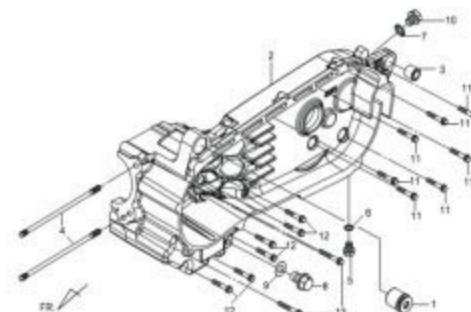
**E07**

R. CASE COVER



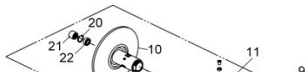
**E08**

L. CRANK CASE COMP.



**E10**

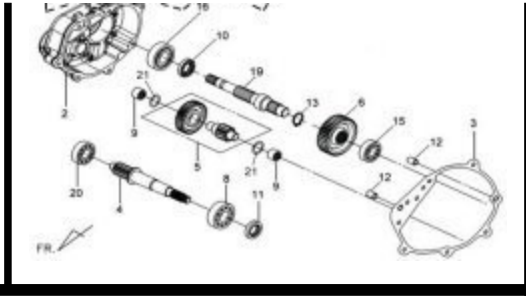
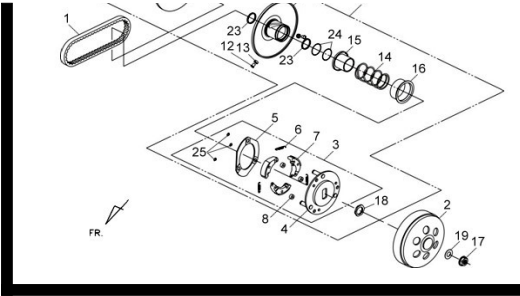
DRIVEN PULLEY ASSY.



**E11**

MISSION CASE

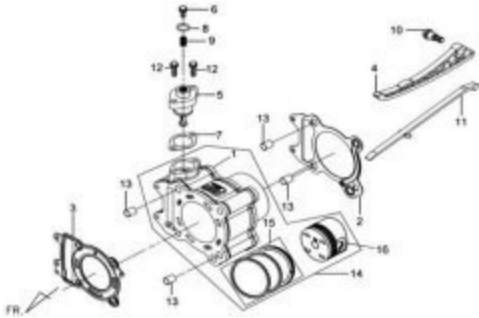




DUP

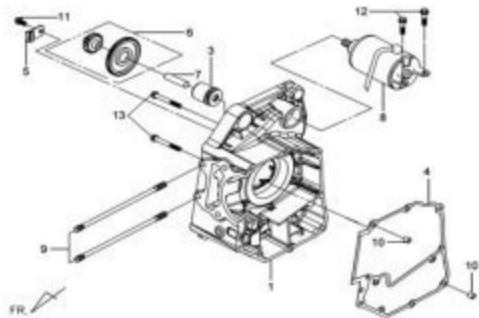
E03

CYLINDER COMP



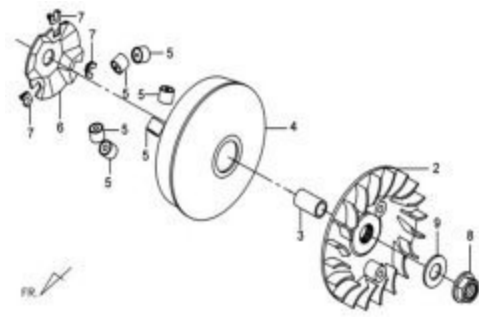
E06

R. CRANK CASE COMP.



E09

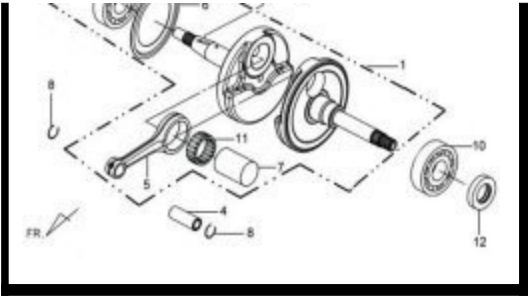
MOVABLE DRIVE FACE ASSY.



E12

CRANK SHAFT

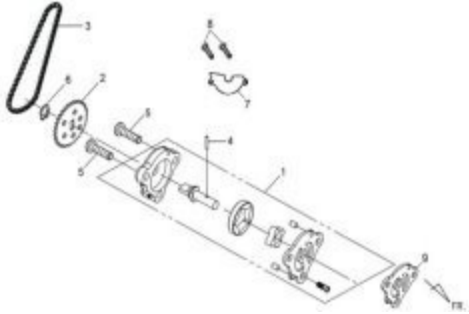




# CONTENTS ENGINE GRO

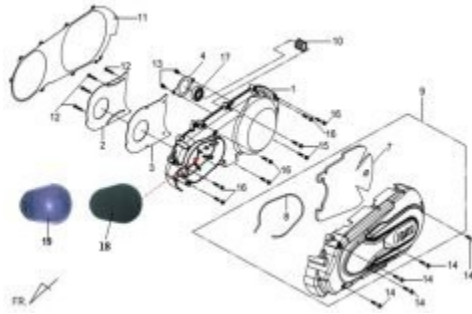
E13

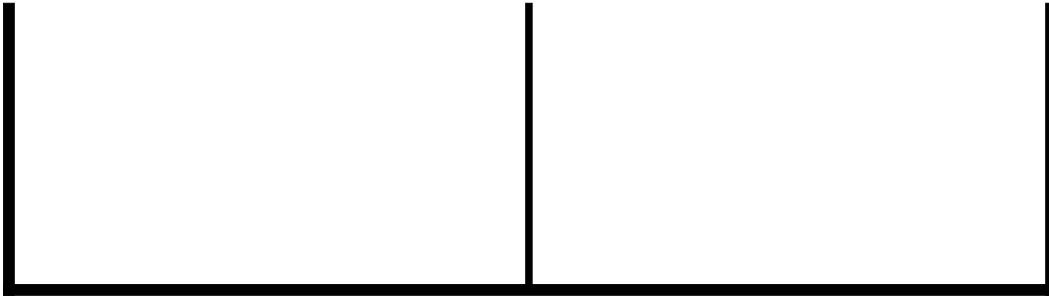
OIL PUMP ASSY.



E14

L. CRANK CASE COVER

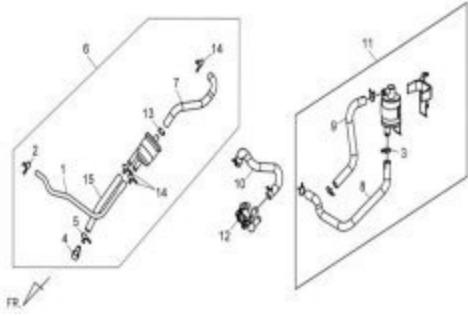




DUP

E15

BREATHER CHAMBER ASSY.

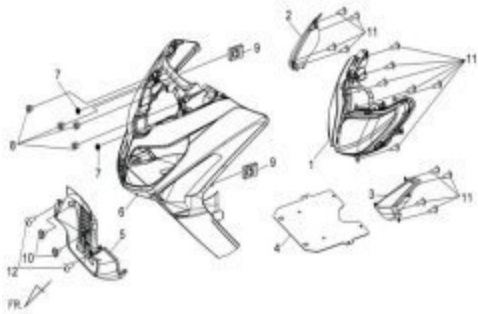




# CONTENTS ENGINE GRO

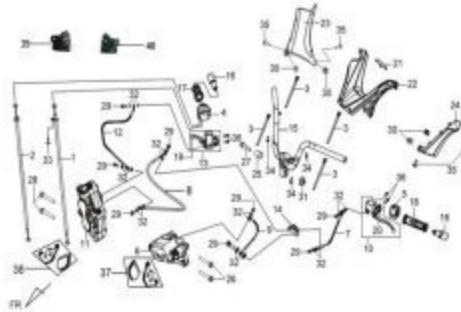
**F01**

FRONT COVER & HEAD LIGHT



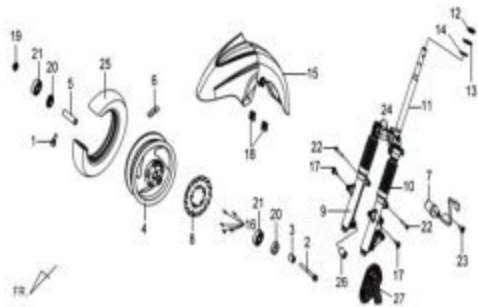
**F02**

HANDLE & BRAKE ASSY



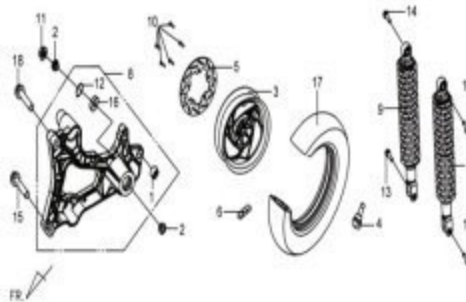
**F04**

FRONT WHEEL & FORK ASSY



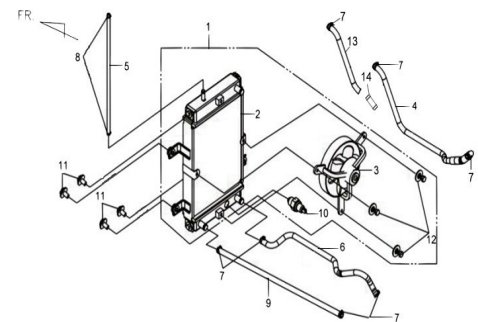
**F05**

REAR. WHEEL ASSY



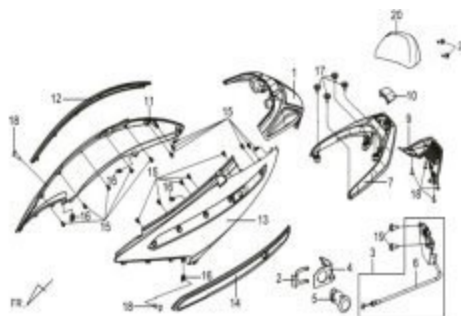
**F07**

RADIATOR ASSY.



**F08**

BODY COVER & TAIL LIGHT



**F10**

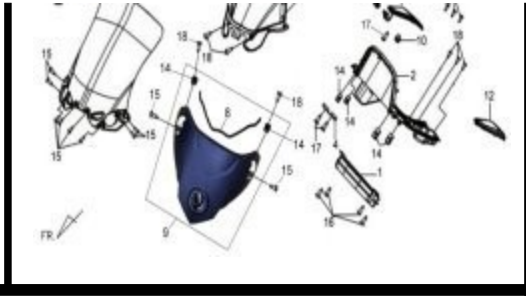
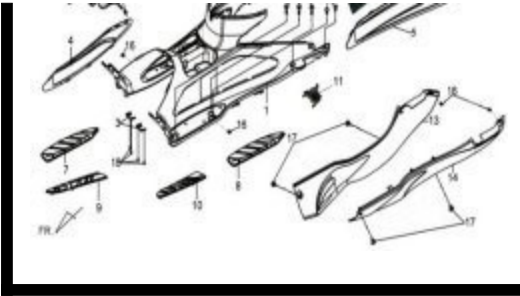
FLOOR PANEL & SIDE COVER



**F11**

WIND SCREEN & METER VISOR

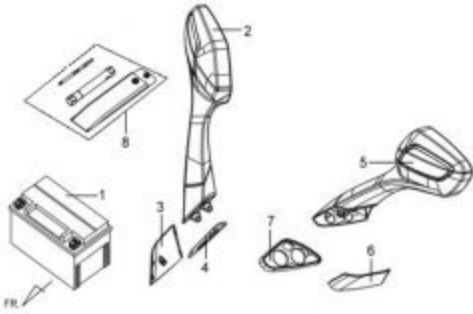




DUP

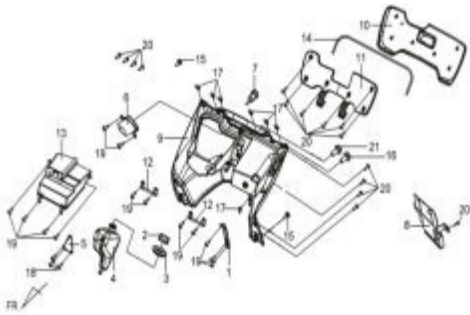
F03

BACK MIRROR & BATTERY



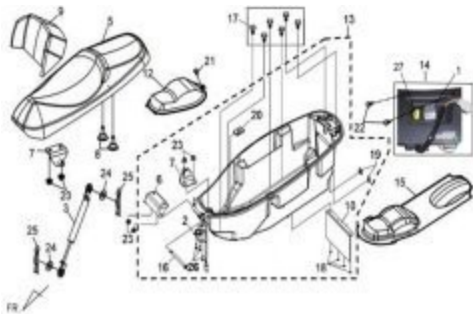
F06

INNER BOX & RESERVE TANK



F09

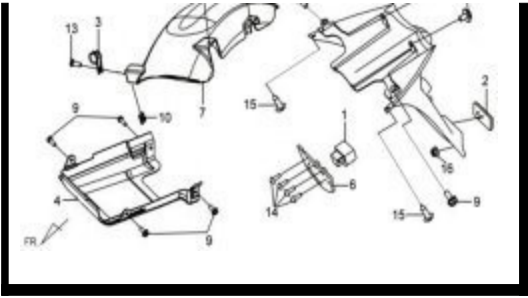
SEAT & LUGGAGE BOX



F12

RR. FENDER ASSY

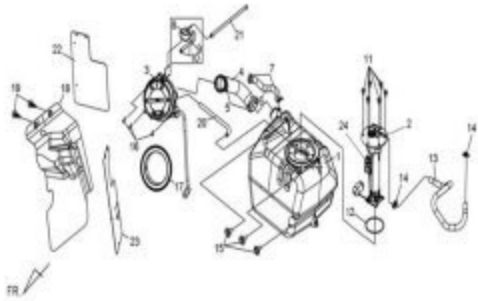




# CONTENTS ENGINE GRO

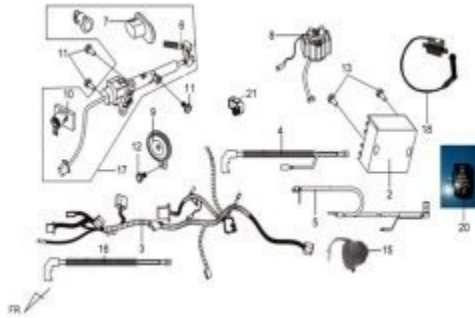
F13

FUEL TANK ASSY



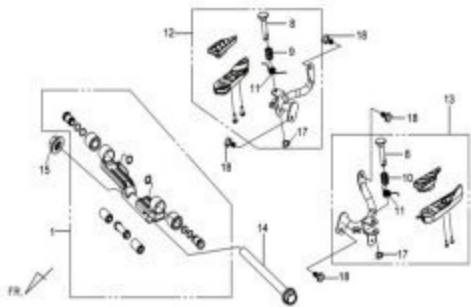
F14

WIRE HARNESS & ELECTRIC PART



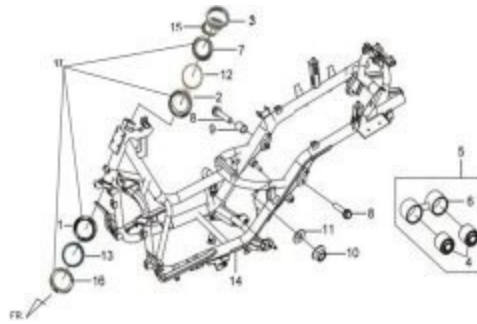
F16

PILLION STEP



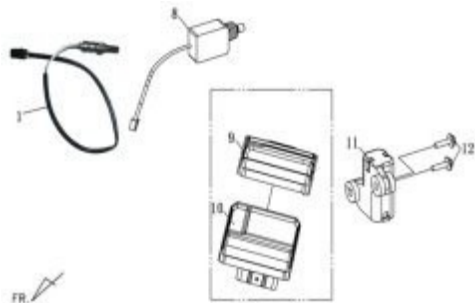
F17

FRAME BODY



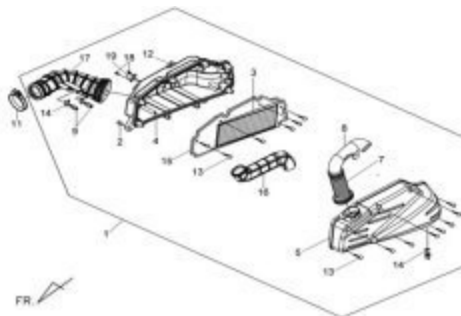
F19

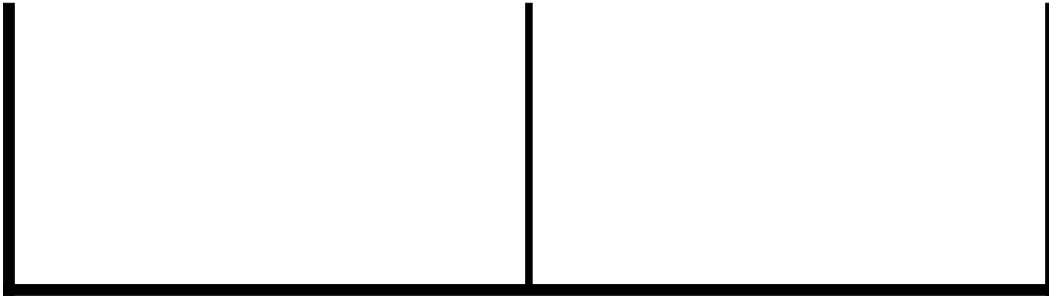
ECU ASSY



F20

AIRCLEANER ASSY

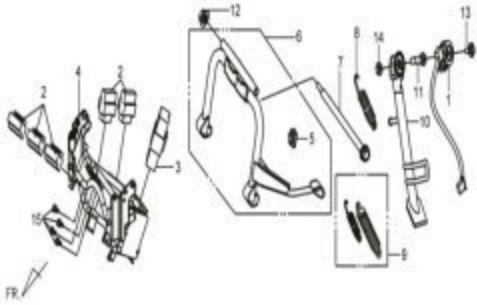




DUP

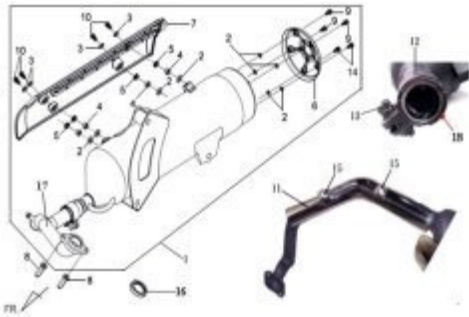
**F15**

MAIN STAND & FR. COVER STAY



**F18**

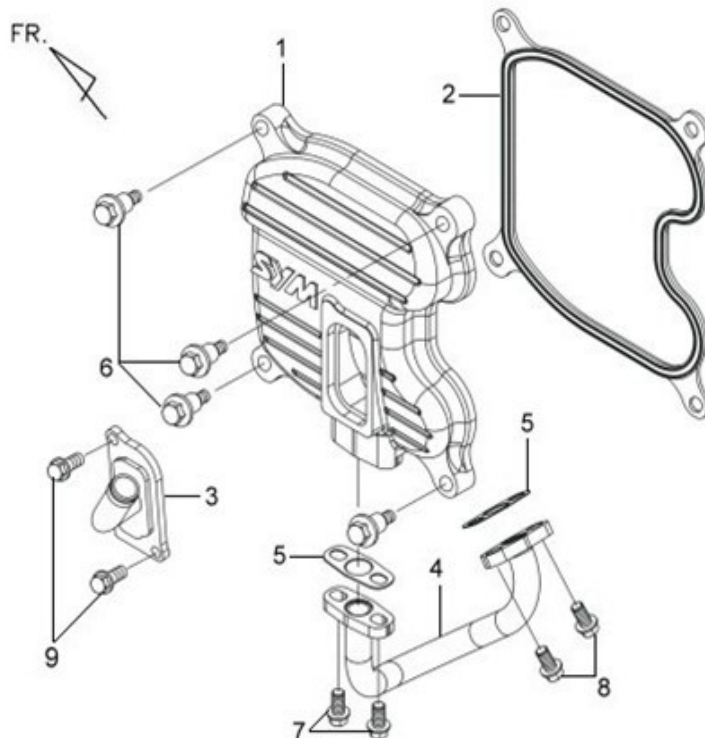
MUFFLER ASSY





E01 CYLINDER HEAD COVER

LM25W5-MC(GTS250 EFI CKD TO 馬來西亞)



Pictures reference only

PARTS NUMBER		DESCRIPTION	QTY	EFFECTIVE DATE
1	12301-HMA-000	CYLINDER HEAD COVER	1	
2	12391-HMA-000	CYLINDER HEAD COVER GASKE	1	
3	18610-HKA-000	REED VALVE COMP	1	
4	18647-HMA-000	AIR PIPE COMP	1	
5	18654-N14-000	AIR PIPE GASKET	2	
6	90002-HMA-000	CYLINDER HEAD COVER BOLT	4	
7	96001-06014-00	FLANGE BOLT SH 6X14	2	
8	96001-06016-00	FLANGE BOLT SH 6X16	2	
9	96001-06016-00	FLANGE BOLT SH 6X16	2	

\* Please check the color & stripe information according to the color index !



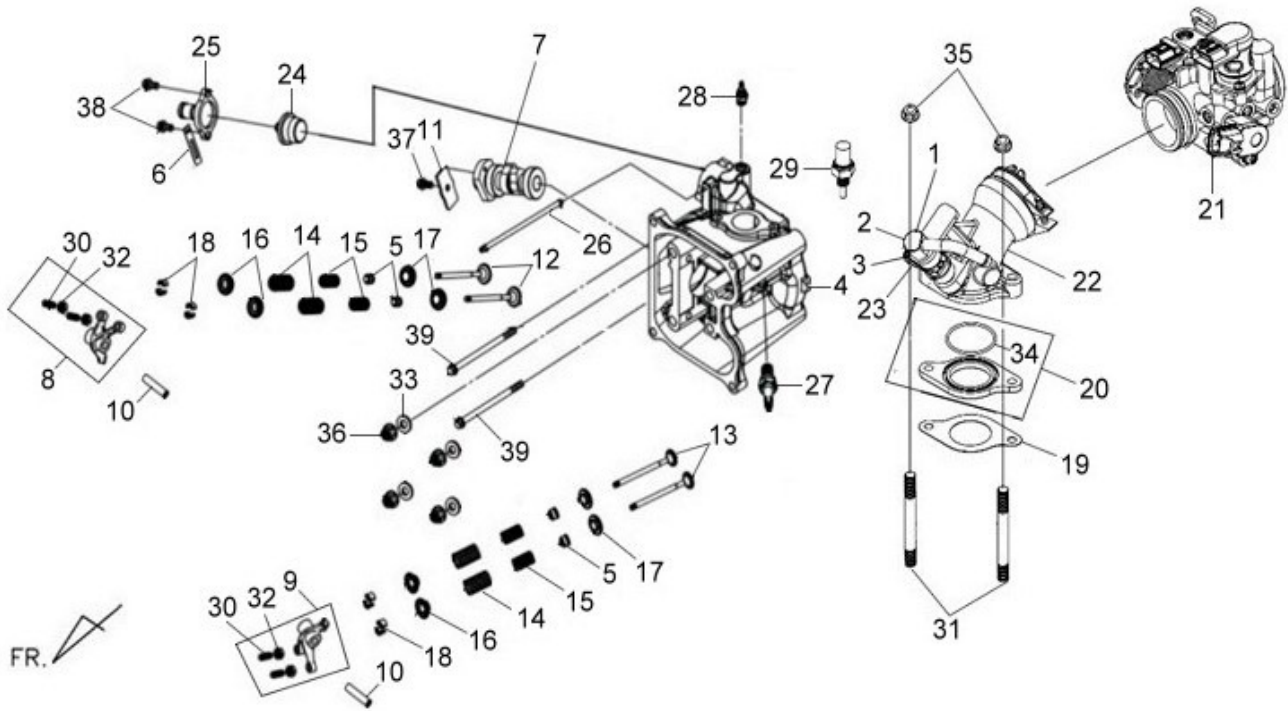
\*N/A = SUBSTITUTE

\*Y = EXCHANGEABLE

\*N =NOT EXCHANGEABLE

**2009.08**


---



Pictures reference only

PARTS NUMBER	DESCRIPTION	QTY	EFFECTIVE DATE
1 06414-HMC-000	FUEL INJECTOR	1	
2 06415-A5L-000	O-RING	1	
3 06416-A5L-000	SEAL-RING	1	
4 12200-HMC-000	CYLINDER HEAD COMP	1	
5 12209-H6B-900	VALVE STEM SEAL	4	
6 12342-X01-000	CLAMP	1	
7 14100-HML-000	CAM SHAFT COMP	1	
8 1443A-HMA-000	IN. VALVE ROCKER ARM ASSY	1	
9 1444A-HMA-000	EX. VALVE ROCKER ARM ASSY	1	
10 14451-HMA-000	ROCKER ARM SHAFT	2	
11 14457-HMA-000	CAM SHAFT SETTING PLATE1.	1	
12 14711-HMA-000	INLET VALVE	2	
13 14721-HMA-000	EXHAUST VALVE	2	
14 14751-HMA-000	VALVE OUTER SPRING	4	
15 14761-HMA-000	INNER VALVE SPRING	4	
16 14771-M8Q-000	N/A SETA INNER VALVE SPRING	4	
17 14777-KN7-670	VALVE SPRING SEAT	4	
18 14781-M9Q-000-A	VALVE COTTER SET(1SET/4PCS)	8	
19 16201-HMC-000	CARB. INSULATOR GASKET	1	
20 1621A-HMC-000	CARBURETOR INSULATOR ASSY	1	
21 16401-HWA-000	THROTTLE BODY ASSY	1	
22 1711A-HMC-000	INLET PIPE ASSY	1	
23 17120-HMC-000	FUEL INJECTOR CUP	1	
24 19300-HMA-000	THERMOSTAT ASSY.	1	

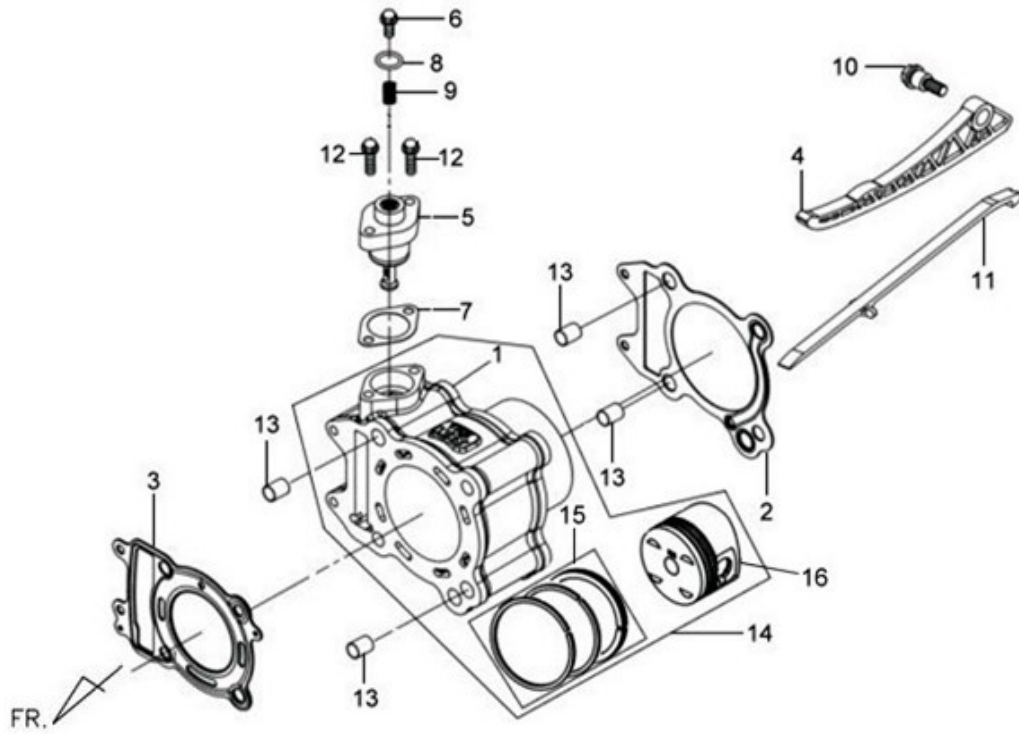
25	19315-KJ9-000	THERMOSTAT COVER	1	
26	1951A-HMA-000	THERMOSTAT TUBE ASSY.	1	
27	1PCR8E-3	PLUG CR8E	1	
28	37750-PC1-004	THERMO UNIT ASSY	1	
29	37880-HMC-000	TW SENSOR	1	
30	90012-HLK-000	TAPPET ADJUSTING SCREW	4	
31	90032-HMA-000	CYLINDER STUD BOLT B	2	
32	90206-HLK-000	TAPPET ADJUSTING NUT	4	
33	90442-HMA-000	SEAL WASHER	4	
34	91308-HMA-000	O-RING 34*2.0	1	
35	94050-06000	FLANGE NUT 6MM	2	
36	94050-10080	FLANGE NUT 10MM	4	
37	96001-06014-00	FLANGE BOLT SH 6X14	1	
38	96001-06016-00	FLANGE BOLT SH 6X16	2	
39	96001-06090-00	FLANGE SH BOLT 6X90	2	

※ Please check the color & stripe information according to the color index !  **TEAMWORLD IND. 2009.08**

※N/A = SUBSTITUTE

※Y = EXCHANGEABLE

※N =NOT EXCHANGEABLE



Pictures reference only

PARTS NUMBER		DESCRIPTION	QTY	EFFECTIVE DATE	
1	12100-HMA-000	CYLINDER COMP	1		
2	12191-HMA-000	CYLINDER GASKET	1		
3	12251-HMA-000	CYLINDER HEAD GASKET	1		
4	14510-RFA-000	CAM CHAIN TENSIONER	1		
5	14520-H6T-000	TENSIONER LIFTER	1		
6	14522-H6T-000	TENSIONER ADJUSTER BOLT	1		
7	14523-M9Q-000	TENSIONER LIFTER GASKET	1		
8	14524-H6T-000	OIL-RING	1		
9	14525-H6T-000	ADJUSTER SPRING	1		
10	14531-KJ9-000	CAM CHAIN TENSIONERPIVOT	1		
11	14610-RFA-000	CAM CHAIN GUIDE	1		
12	90001-M9Q-000	FLANGE SHF BOLT 6X22	2		
13	94301-12200	DOWEL PIN 12*20	4		
14	12100-HMA-000-A	CYLINDER SET	1		
15	13010-HMA-000	PISTON RING SET	1		
16	13101-HMA-000	PISTON	1		



\*N/A = SUBSTITUTE

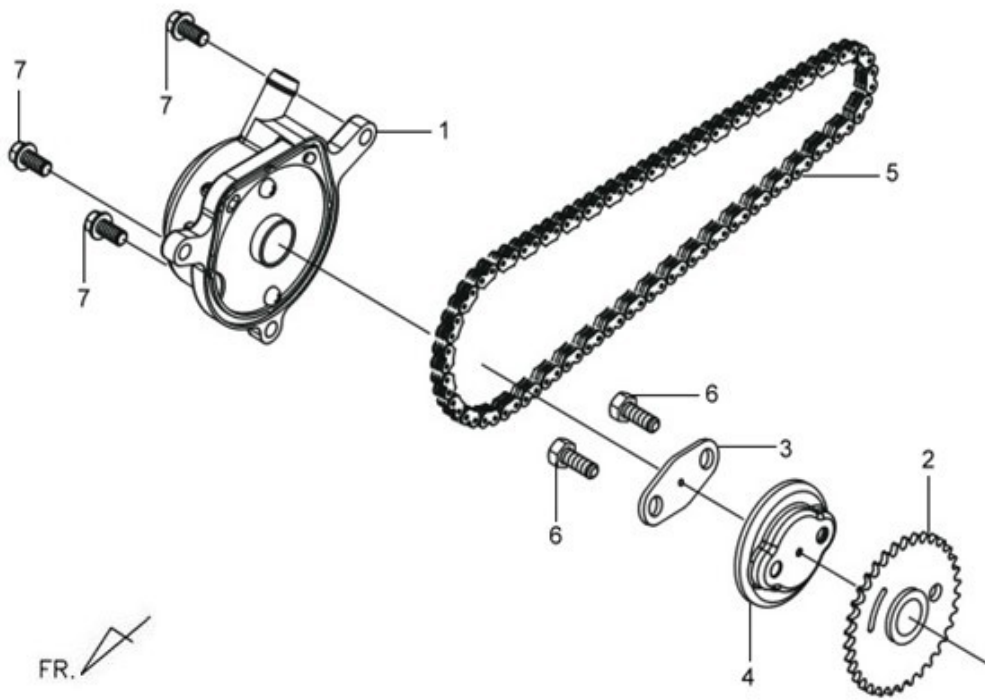
\*Y = EXCHANGEABLE

\*N =NOT EXCHANGEABLE

**2009.08**

---

**E04 CYLINDER HEAD SIDE COVER LM25W5-MC(GTS250 EFI CKD TO 馬來西亞)**



Pictures reference only

PARTS NUMBER		DESCRIPTION	QTY	EFFECTIVE DATE
1	1231A-HMA-000	CYLINDER HEAD COVER ASSY	1	
1-1	91301-HMA-000	HEAD SIDE COVER O-RING	1	
2	14105-RFA-000	CAM SPROCKET	1	
3	14105-X01-000	CAM SPROCKET WASHER	1	
4	14108-M36-000	CENTRIFUGAL DISK	1	
5	1C14401-RFA-000	CAM CHAIN 92RH2010-100L	1	
6	92101-06016-0H	HEX BOLT 6*16	2	
7	96001-06018-00	FLANGE BOLT SH 6X18	3	



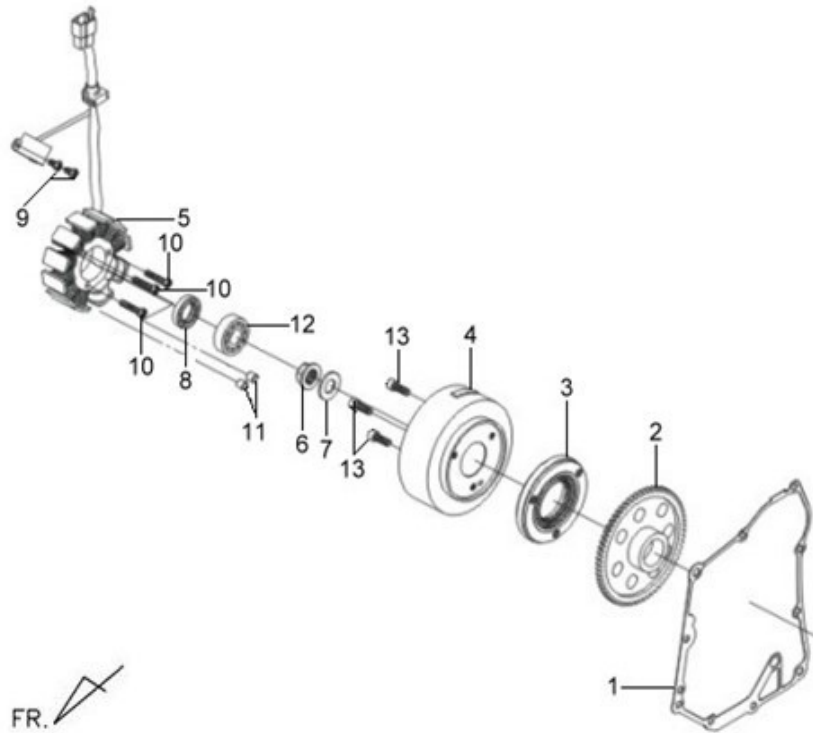
\*N/A = SUBSTITUTE

\*Y = EXCHANGEABLE

\*N =NOT EXCHANGEABLE

**2009.08**

---



Pictures reference only

PARTS NUMBER	DESCRIPTION	QTY	EFFECTIVE DATE		
1	11394-HMA-000	R. CRANK CASE COVER GASKET	1		
2	28110-HMA-000	STARTING CLUTCH GEAR COMP	1		
3	2812A-HMA-000	ONE WAY CLUTCH ASSY	1		
4	31110-HMC-000	FLYWHEEL COMP	1		
5	31120-HMC-000	STATOR COMP	1		
6	90201-KR8-751-M1	FLANGE NUT 14MM	1		
7	90401-KJ9-000	THRUST WASHER 14X28X2	1		
8	91202-HMA-000	OIL SEAL	1		
9	93500-05016-0A	PAN SCREW 5X16	2		
11	94301-08140	DOWEL PIN 8X14	2		
12	96140-62013-10	RADIAL BALL BRG. 6201LUC3	1		
13	90157-F3G-000	SOCKET BOLT 8X20	3		



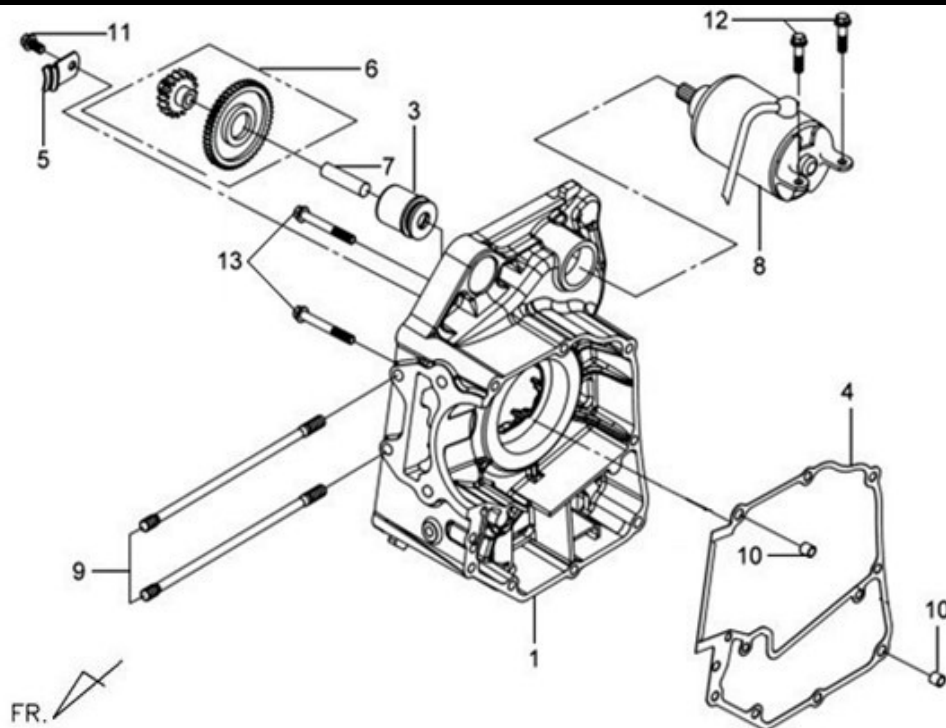
\*N/A = SUBSTITUTE

\*Y = EXCHANGEABLE

\*N =NOT EXCHANGEABLE

**2009.08**

---



Pictures reference only

PARTS NUMBER		DESCRIPTION	QTY	EFFECTIVE DATE	
1	11100-HMA-001	R. CRANK CASE COMP	1		
3	11120-HMA-000	ENG. HANGER BUSH ASSY	1		
4	11191-HMA-000	CRANK CASE GASKET	1		
5	14151-RFA-000	CAM CHAIN SETTING PLATE	1		
6	28100-HMA-000	STARTER RED.GEAR COMP	1		
7	28102-HMA-000	START.REDUCTION GEAR SHAFT	1		
8	31200-HMA-000	START MOTOR ASSY.	1		
9	90031-HMA-000	CYLINDER STUD BOLT A	2		
10	94301-08140	DOWEL PIN 8X14	2		
11	96001-06010-08	FLANGE BOLT SH 6X10	1		
12	96001-06022-00	FLANGE BOLT SH 6X22	2		
13	96001-06055-00	BOLT FLANGE SH 6X55	2		



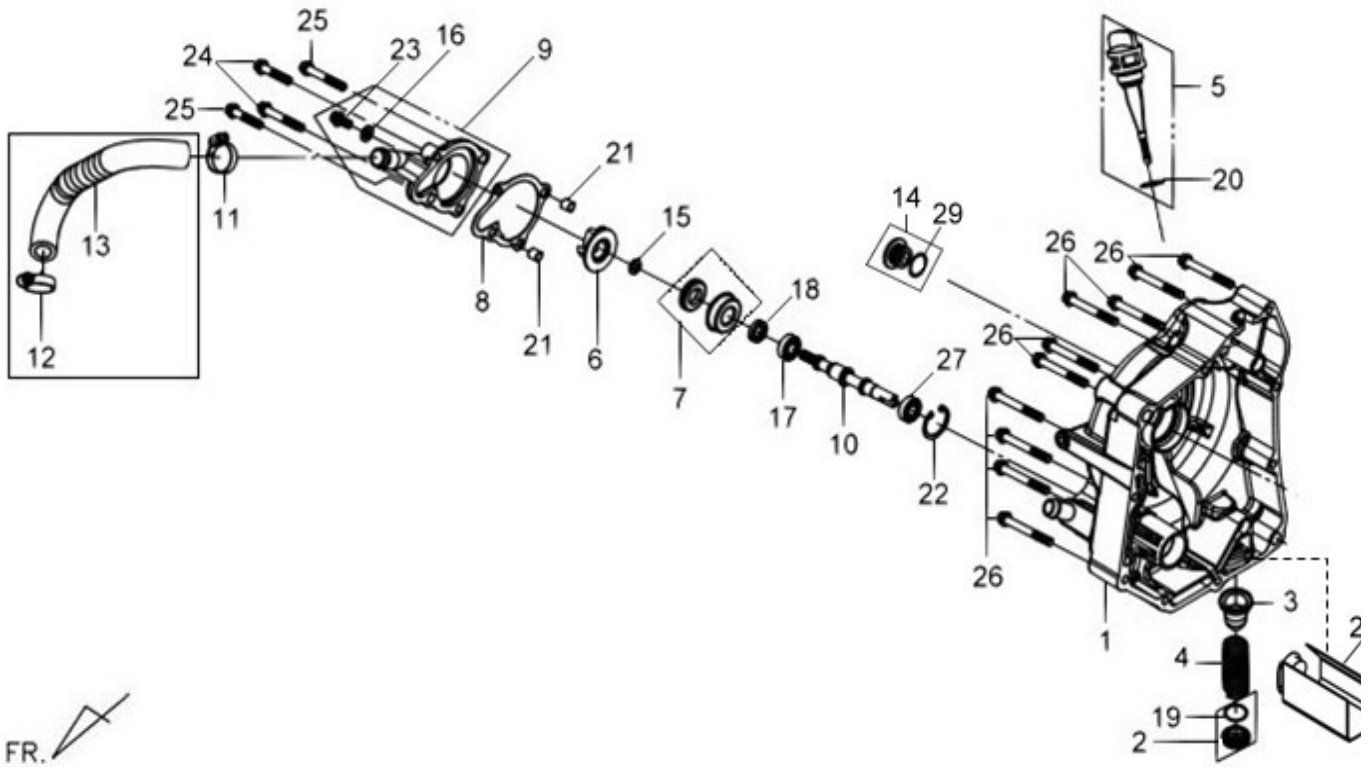
\*N/A = SUBSTITUTE

\*Y = EXCHANGEABLE

\*N =NOT EXCHANGEABLE

**2009.08**


---



Pictures reference

PARTS NUMBER		DESCRIPTION	QTY	EFFECTIVE DATE
1	11330-HMA-000	R. CASE CRANK COVER COMP	1	
1	<b>11330-LEA-000</b>	R. CASE CRANK COVER COMP	1	2009/6/2
2	1236A-V02-000	TAPPET ADJ HOLE CAP ASSY	1	
3	15421-M9Q-000	N/A OIL FILTER SCREN	1	
4	15426-M9Q-000	N/A OIL FILTER SCREWSPG.	1	
5	1565A-HMA-000	OIL LEVEL GAUGE ASSY	1	
6	19215-HLA-000	WATER PUMP IMPELLER	1	
7	19217-H9A-300	MECHANICAL SEAL	1	
8	19229-H9A-000	WATER PUMP GASKET	1	
9	1922A-HMA-000	WATER PUMP COVER ASSY	1	
9	<b>1922A-LEA-000</b>	WATER PUMP COVER ASSY.	1	2010/3/9
10	19231-HMA-000	WATER PUMP SHAFT	1	
11	19505-KS6-700	WATER HOSE CLAMP A	1	
12	1950A-HMA-000	WATER HOSE ASSY	1	
13	19604-H01-000	LH. WATER HOSE GUARD WIRE	1	
14	9008A-H9A-000	A.C.G. CAP ASSY 14MM	1	
15	90423-KJ9-000	WASHER 7.2X13X1.2	1	
16	90478-700-000	WASHER A. 6MM	1	
17	91001-KJ9-005	RADIAL BALL BRG.6901	1	

18	91205-KF0-003		OIL SEAL 12X20X5	1
19	91302-M9Q-000		O-RING 30.8MM	1
20	91307-M9Q-000	N/A	O-RING 18X3	1
21	94301-08140		DOWEL PIN 8X14	2
22	94520-26000		CIRCLIP IN 26MM	1
23	96001-06010-00		SH FLANGE BOLT 6X10	1
24	96001-06022-00		FLANGE BOLT SH 6X22	2
25	96001-06032-00		FLANGE BOLT SH 6X32	2
26	96001-06045-00		FLANGE BOLT 6X45	10
27	96100-60000-00		RADIAL BALL BRG. 6000CM	1
28	11107-HMA-000		MAGNET PLATE	1
29	91303-M2Q-000	N/A	O-RING	1

\* Please check the color & stripe information according to the color index ! 

**TEAMWORLD I**  
**2009**

\*N/A = SUBSTITUTE

\*Y = EXCHANGEABLE

\*N =NOT EXCHANGEABLE

EE)

8



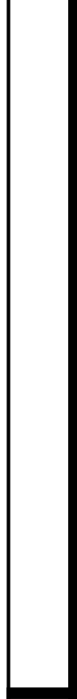
only



N

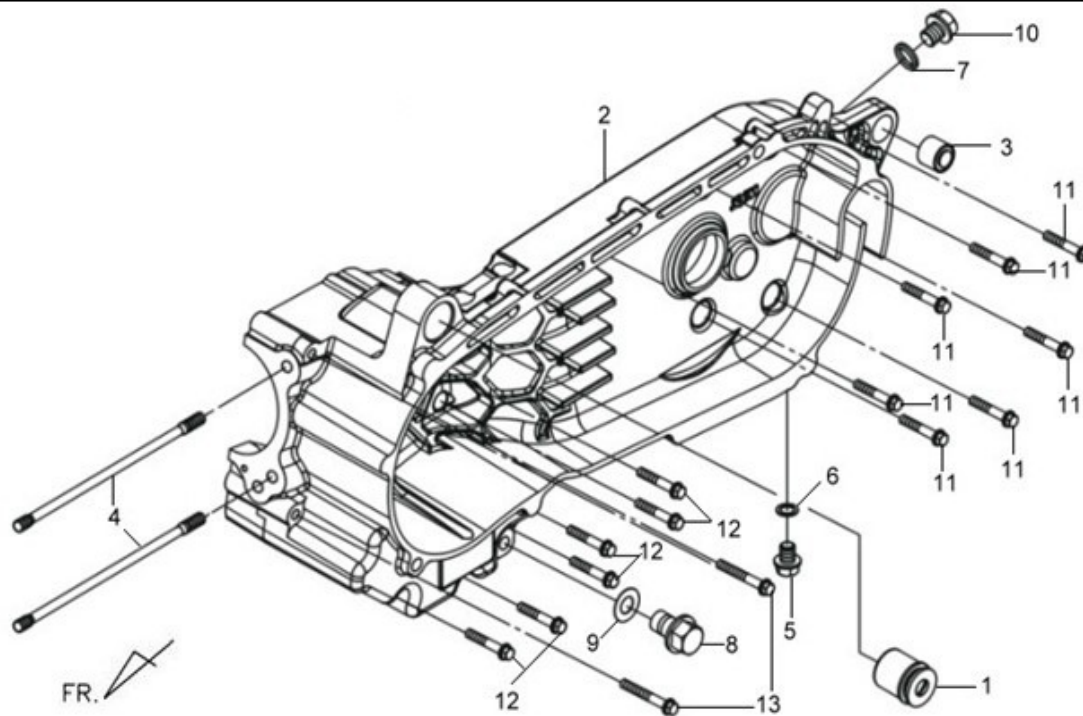


N



**IND.**  
**9.08**





Pictures reference only

PARTS NUMBER	DESCRIPTION	QTY	EFFECTIVE DATE
1	11120-HMA-000 ENG. HANGER BUSH ASSY	1	
2	11200-HMA-000 L CRANK CASE COMP	1	
3	11203-M9Q-300 N/A RR.CUSHION RUBBER BUSH	1	
4	90032-HMA-000 CYLINDER STUD BOLT B	2	
5	90103-M9Q-000 N/A SPECIAL BOLT 8MM	1	
6	90474-M9Q-000 WASHER 8X17	1	
7	90481-M9Q-000 PLAIN WASHER 10.2MM	1	
8	92800-12000 DRAIN PLUG BOLT 12MM	1	
9	94109-12000 DRAIN PLUG WASHER 12MM	1	
10	95701-10012-08 FLANGE BOLT 10X12	1	
11	95801-08050-08 FLANGE BOLT 8*50	7	
12	96001-06050-00 FLANGE BOLT SH 6X50	6	
13	96001-06070-00 FLANGE SH BOLT 6X70	2	



\*N/A = SUBSTITUTE

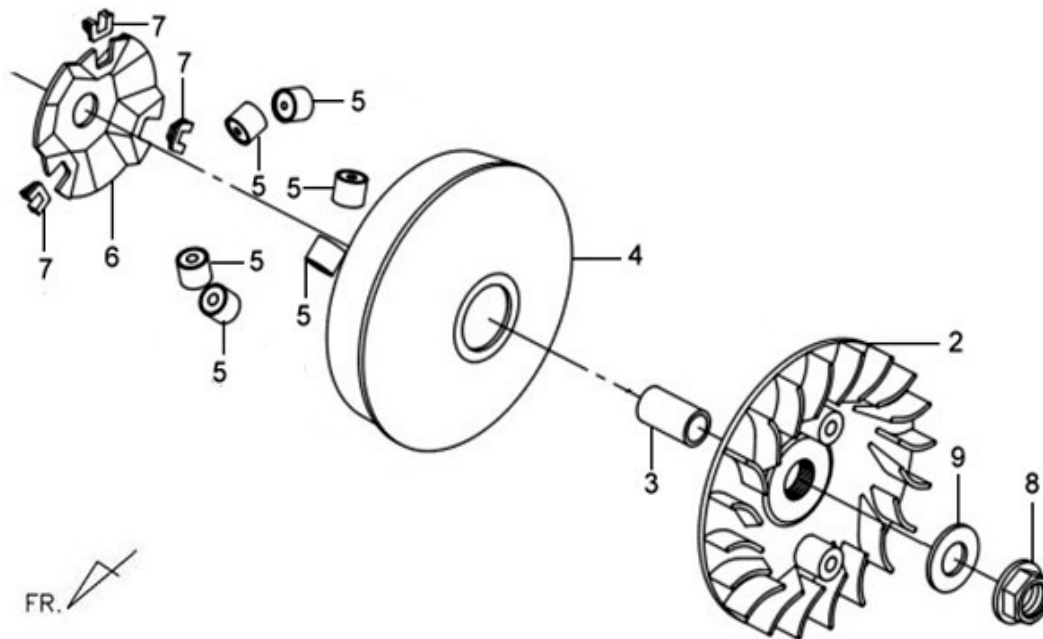
\*Y = EXCHANGEABLE

\*N =NOT EXCHANGEABLE

**2009.08**

---

**E09 MOVABLE DRIVE FACE ASSY. LM25W5-MC(GTS250 EFI CKD TO 馬來西亞)**



Pictures reference only

PARTS NUMBER		DESCRIPTION	QTY	EFFECTIVE DATE	
2	22102-HMA-000	DRIVE FACE	1		
3	22105-HMA-000	DRIVE FACE BOSS	1		
4	22110-HMA-000	MOVABLE DRIVE FACE COMP	1		
5	22121-RB1-000-A	WEIGHT ROLLER COMP(6PCS)(18G)	1		
6	22131-HMA-000	RAMP PLATE	1		
7	22132-HMA-000-A	SLIDE PIECE SET	1		
8	90201-KR8-751-M1	FLANGE NUT 14MM	1		
9	90401-KJ9-000	THRUST WASHER 14X28X2	1		

※ Please check the color & stripe information according to the color index ! 

**TEAMWORLD IND.**

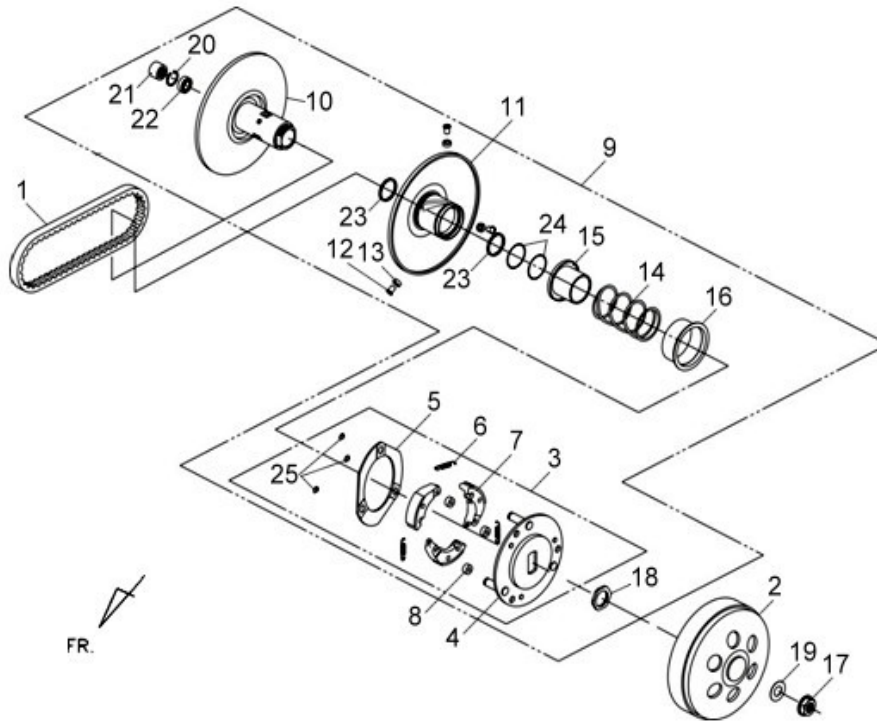
\*N/A = SUBSTITUTE

\*Y = EXCHANGEABLE

\*N =NOT EXCHANGEABLE

**2009.08**

---



Pictures reference only

PARTS NUMBER		DESCRIPTION	QTY	EFFECTIVE DATE
1	1B01HMA01	DRIVE BELT(924X24.4X30)	1	
2	22101-HMA-000	CLUTCH OUTER	1	
3	22300-HMB-000	DRIVE PLATE ASSY.	1	
4	22350-HMA-000	DRIVE PLATE COMP.	1	
5	22361-HMA-000	CLUTCH SIDE PLATE	1	
6	22401-HMA-000	CLUTCH SPRING	3	
7	22530-HMB-000-A	CLUTCH WEIGHT(3PCS)	1	
8	22804-HMA-000	CLUTCH DAMPER RUBBER	3	
9	23010-HMB-000	DRIVE PULLEY ASSY	1	
10	23200-HMA-000	DRIVEN FACE ASSY	1	
11	23220-HMA-000	MOVABLE DRIVEN FACE COMP	1	
12	23225-HMA-000	ROLLER GUIDE PIN	3	
13	23226-HMA-000	GUIDE ROLLER	3	
14	23233-HMA-000	DRIVEN FACE SPRING	1	
15	23237-HMA-000	SEAL COLLAR	1	
16	23238-HMA-000	SPRING COLLAR	1	
17	90201-KR8-751-M1	FLANGE NUT 14MM	1	
18	90202-HMA-000	SPECIAL NUT	1	
19	90401-KJ9-000	THRUST WASHER 14X28X2	1	
20	90602-HMA-000	IN. CIRCLE CLIP	1	
21	91006-HMA-300	NEEDLE BEARING	1	
22	91007-HMA-300	RADIAL BALL BRG.	1	
23	91211-HMA-000	OIL SEAL	2	
24	91305-HMA-000	O-RING 47*2.0	2	

25 94540-08010

E-RING

3

\* Please check the color & stripe information according to the color index !

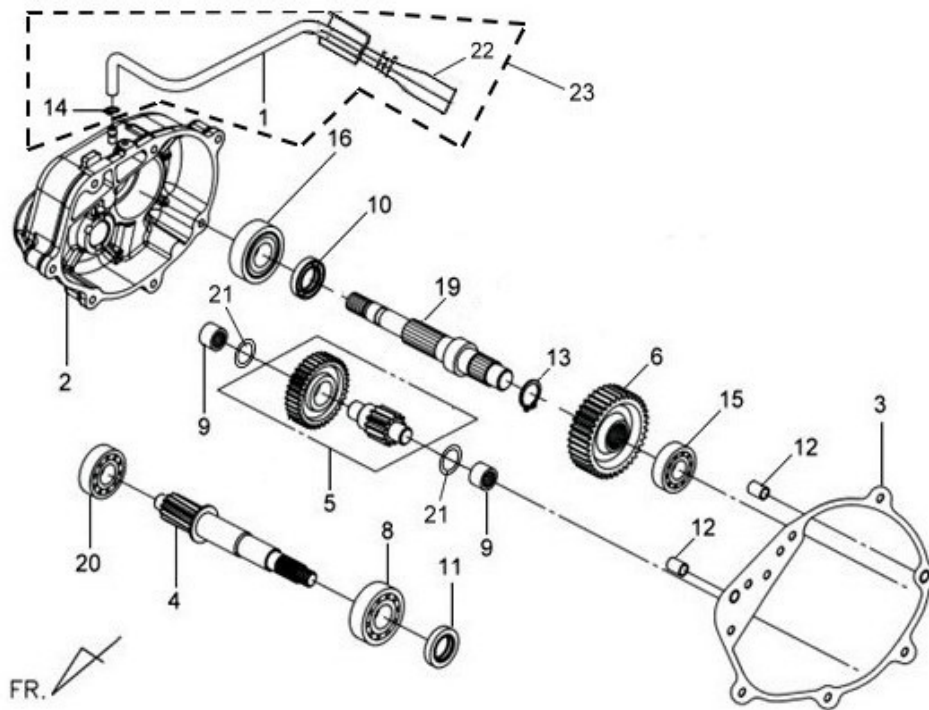


**TEAMWORLD IND.**  
**2009.08**

\*N/A = SUBSTITUTE

\*Y = EXCHANGEABLE

\*N =NOT EXCHANGEABLE



Pictures reference only

PARTS NUMBER	DESCRIPTION	QTY	EFFECTIVE DATE
1 11221-HMA-000	MISSION BREATHER TUBE	1	
2 21200-HMA-000	MISSION CASE COMP	1	
3 21395-HMA-000	MISSION COVER GASKET	1	
4 23411-HMA-000	DRIVE SHAFT	1	
5 23420-HMA-000	COUNTER SHAFT COMP	1	
6 23432-HMA-000	FINAL GEAR	1	
8 91009-HMC-000	BALL RADIAL BRG.CSB205 JR2C3	1	
9 91002-HMA-000	NEEDLE BRG.	2	
10 91203-HMA-000	OIL SEAL	1	
11 91204-HMA-000	OIL SEAL	1	
12 94301-08140	DOWEL PIN 8X14	2	
13 94510-25000	EX. CIR CLIP	1	
14 95002-02080	BREATHER TUBE CLIP B8	1	
15 96100-62040-10	RADIAL BALL BRG. 6204	1	
16 96150-62050-10	RADIAL BALL BRG. 6205LLU	1	
17 23421-HMA-300	COUNTER SHAFT	1	
18 23422-HMA-300	COUNTER GAER	1	
19 23431-HMA-000	FINAL SHAFT	1	
20 96100-63020-00	RAD.BALL.BRG.6302	1	
21 90401-HMA-000	THRUST WASHER 15MM	2	
22 5520A-KBN-900	OIL STRN. JOINT ASSY	1	
23 1122A-HMA-000	MISSION BREATHER TUBE ASSY	1	

※N/A = SUBSTITUTE

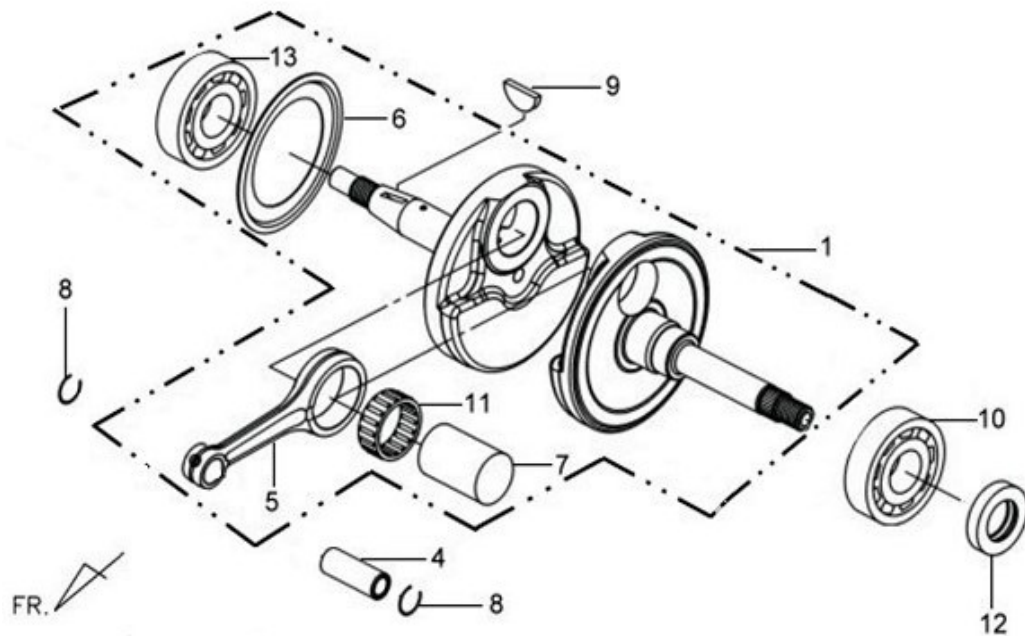
※Y = EXCHANGEABLE

※N =NOT EXCHANGEABLE

---

E12 CRANK SHAFT

LM25W5-MC(GTS250 EFI CKD TO 馬來西亞)



Pictures reference only

PARTS NUMBER	DESCRIPTION	QTY	EFFECTIVE DATE
1	13000-HML-010	1	
4	13111-HMA-000	1	
5	13201-LEA-000	1	
6	13371-HMA-300	1	
7	13381-HMA-300	1	
8	90601-HMA-000	2	
9	90701-HB6-010	1	
10	91001-HMA-000	1	
11	91003-HML-000	1	
12	91201-HMA-300	1	
13	96100-62070-10	1	

※ Please check the color & stripe information according to the color index !



TEAMWORLD IND.

\*N/A = SUBSTITUTE

\*Y = EXCHANGEABLE

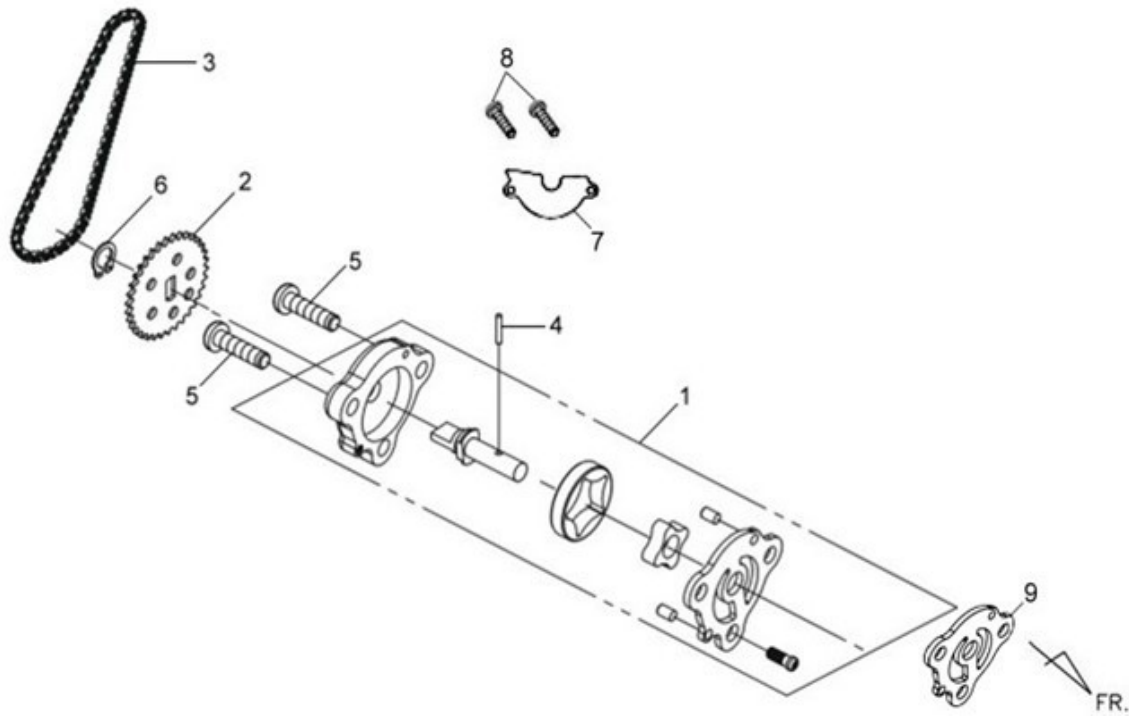
\*N =NOT EXCHANGEABLE

**2009.08**

---

E13 OIL PUMP ASSY.

LM25W5-MC(GTS250 EFI CKD TO 馬來西亞)



Pictures reference only

PARTS NUMBER	DESCRIPTION	QTY	EFFECTIVE DATE
1	15100-HMA-000	OIL PUMP ASSY.	1
2	15133-HMA-000	OIL PUMP DRIVEN SPROCKET	1
3	1C15141-HMA-000	OIL PUMP CHAIN 92RH2005-48	1
4	91101-HMA-000	PIN 2.5*11.8	1
5	93500-06025-0H	PAN SCREW	1
6	94510-10000	CIR CLIP 10MM	1
7	15711-HML-000	OIL SEPARATER	1
8	96001-06010-08	FLANGE BOLT SH 6X10	2
9	15126-B8A-000	OIL PUMP GASKET	1

※ Please check the color & stripe information according to the color index !



TEAMWORLD IND.

\*N/A = SUBSTITUTE

\*Y = EXCHANGEABLE

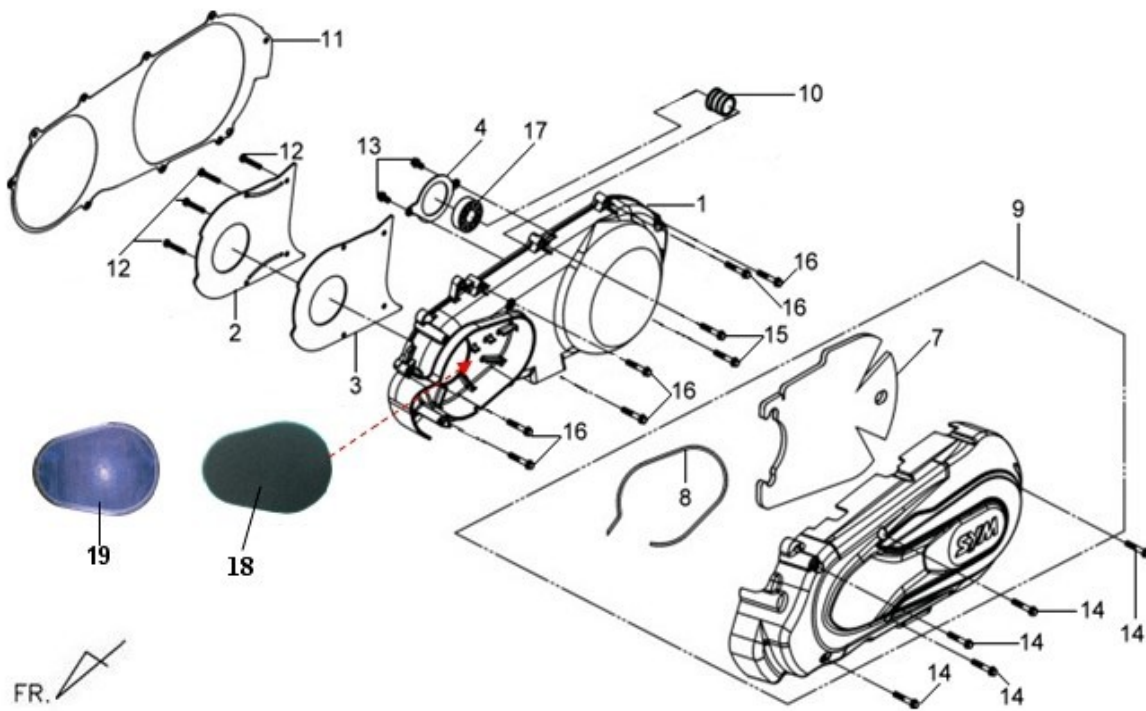
\*N =NOT EXCHANGEABLE

**2009.08**

---

E14 L. CRANK CASE COVER

LM25W5-MC(GTS250 EFI CKD TO 馬來西亞)



Pictures reference only

PARTS NUMBER	DESCRIPTION	QTY	EFFECTIVE DATE
1 11341-HMA-000	L. CASE COVER	1	
2 11342-HMA-000	L. CASE COVER PLATE	1	
3 11343-HMA-000	L. CASE COVER PLATE GASKET	1	
4 11346-HMA-000	L. BEARING SETTING PLATE	1	
7 11352-HMA-000	L. OUTER COVER SPONGE	1	
8 11353-HMA-000	L. OUTER COVER SEAL	1	
9 1135A-HMA-000-KB	L OUTER COVER ASSY.BK-001U/BK-001C	1	
10 1137A-HMA-000	BERING STAY COLLAR ASSY	1	
11 11395-HMA-000	L. CRANK CASE COVER GASKET	1	
12 93500-05012-0H	PAN SCREW 5X12	4	
13 96001-06012-00	FLANGE BOLT SH 6X12	1	
14 96001-06018-07	SH. FLANGE BOLT	5	
15 96001-06030-00	FLANGE BOLT SH 6X30	2	
16 96001-06035-00	FLANGE SH BOLT 6X35	6	
17 96150-60060-10	RADIAL BALL BEARING 6006LLU	1	
18 11344-HMA-000	L. SIDE CVOER ELEMENT	1	
19 17221-HMA-000	TRAP COMP.	1	

※ Please check the color & stripe information according to the color index !



\*N/A = SUBSTITUTE

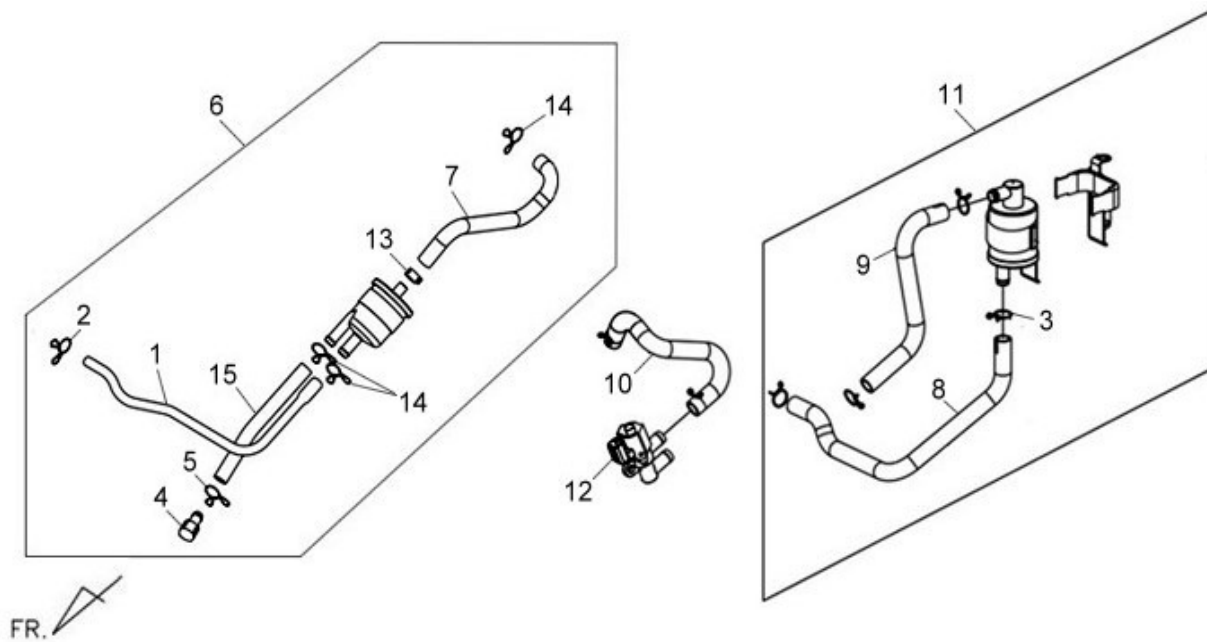
\*Y = EXCHANGEABLE

\*N =NOT EXCHANGEABLE

**2009.08**

---

**E15 BREATHER CHAMBER ASSY. LM25W5-MC(GTS250 EFI CKD TO 馬來西亞)**



Pictures reference only

PARTS NUMBER	DESCRIPTION	QTY	EFFECTIVE DATE
1	11211-HMA-000	BREATHER TUBE	1
2	15772-500-013	BREATHER TUBE CLIP	1
3	17369-KB4-670	TUBE CLIP	2
4	17370-M9Q-000	PLUG,BREATHER TUBE.	1
5	17371-M9Q-000	BREATHER TUBE CLIP	1
6	1738A-HMB-000	BREATHER CHAMPER ASSY	1
7	17562-HMA-000	P.C.V./A.C. TUBE	1
8	17571-HMC-000	A.I.C.V. TUBE A	1
9	17574-HMC-000	A.I.C.V. TUBE B	1
10	17576-HMC-000	A.I.S.V.-REED VALVE JOINT TUBE	1
11	1757A-HMC-000	A.I.A.C. ASSY.	1
12	17590-HMC-000	A.I.S.V. ASSY	1
13	90682-V02-900	TUBE CLAMPER D11.5	1
14	95002-80000	TUBE CLIP C12	2
15	95003-23032-60	V TUBE	1

\*N/A = SUBSTITUTE

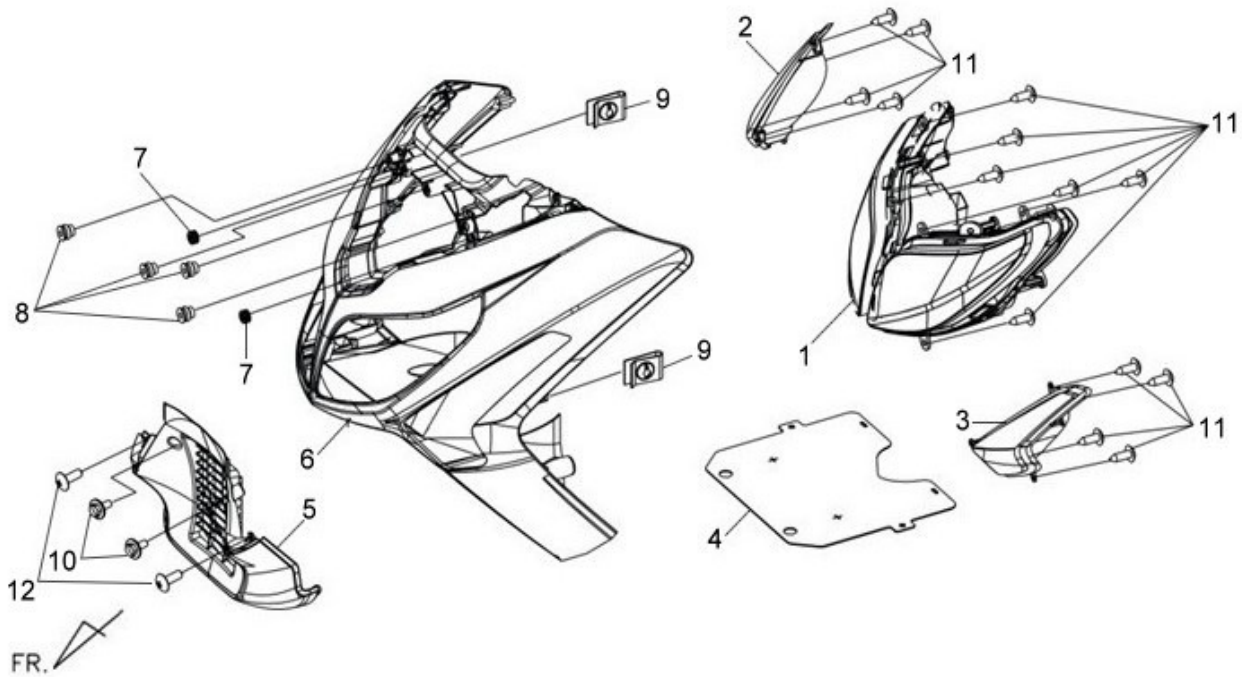
\*Y = EXCHANGEABLE

\*N =NOT EXCHANGEABLE

**2009.08**

---


**F01 FRONT COVER & HEAD LIGHT LM25W5-MC(GTS250 EFI CKD TO 馬來西亞)**



Pictures reference only

PARTS NUMBER		DESCRIPTION	QTY	EFFECTIVE DATE	
1	33100-HWA-000	HEAD LIGHT ASSY	1		
1-1	34901-LVA-000	HEAD LIGHT BULB (H11/55W)	2		
1-2	33101-HWA-000	R HEAD LIGHT COMP	1		
1-3	33151-HWA-000	L HEAD LIGHT COMP	1		
1-4	33102-HWA-000	R HEAD LIGHT LENS UNIT	1		
1-5	33152-HWA-000	L HEAD LIGHT LENS UNIT	1		
1-6	33124-HWA-000	HEAD LIGHT BRKT	1		
1-7	33190-HWA-000	R HEAD LIGHT LED COUPLER	1		
1-8	33195-HWA-000	L HEAD LIGHT LED COUPLER	1		
2	33400-HMA-000	R FR WINKER & FOGGY LAMP	1		
2-1	34905-HMA-000	BULB WINKER 12V/21W	2		
2-2	34909-HMA-000	FOGGY BULB 27W	2		
3	33450-HMA-000	L FR WINKER & FOGGY LAMP	1		
3-1	34905-HMA-000	BULB WINKER 12V/21W	2		
3-2	34909-HMA-000	FOGGY BULB 27W	2		
4	61101-HWA-000	DUST GUARD PLATE	1		
5	64300-HMA-000-JG	FR UNDER SPOILER BK-433S	1		
5	64300-HMA-000-IP	FR UNDER SPOILER GY-517S	1		
5	64300-HMA-000-QU	FR UNDER SPOILER WH-300P	1		
5	64300-HMA-000-SO	FR UNDER SPOILER S-421S	1		
6	64301-HWA-000-JG	FR COVER BK-433S	1		
6	<b>64301-HWA-010-JG</b>	FR COVER BK-433S	1	2009/12/4	Y
6-1	<b>87129-LEA-000</b>	BODY COVER EMBLEM A	1	2009/12/4	N
6	64301-HWA-000-IP	FR COVER GY-517S	1		

6	<b>64301-HWA-010-IP</b>	FR COVER GY-517S	1	2009/12/4	Y
6-1	<b>87129-LEA-000</b>	BODY COVER EMBLEM A	1	2009/12/4	N
6	64301-HWA-000-QU	FR COVER WH-300P	1		
6	<b>64301-HWA-010-QU</b>	FR COVER WH-300P	1	2009/12/4	Y
6-1	<b>87129-LEA-000</b>	BODY COVER EMBLEM A	1	2009/12/4	N
6	64301-HWA-000-SO	FR COVER S-421S	1		
6	<b>64301-HWA-010-SO</b>	FR COVER S-421S	1	2009/12/4	Y
6-1	<b>87129-LEA-000</b>	BODY COVER EMBLEM A	1	2009/12/4	N
7	64304-X01-000	FR.COVER RUBBER	2		
8	90118-HLK-000	GROMMET NUT 5MM	6		
9	90302-M92-000	SPRING NUT 4MM	2		
10	93404-06016-07	BOLT WASHER 6X16	2		
11	93903-25320	TAPPING SCREW 5X16	12		
12	93903-34320	TAPPING SCREW 4X12	2		

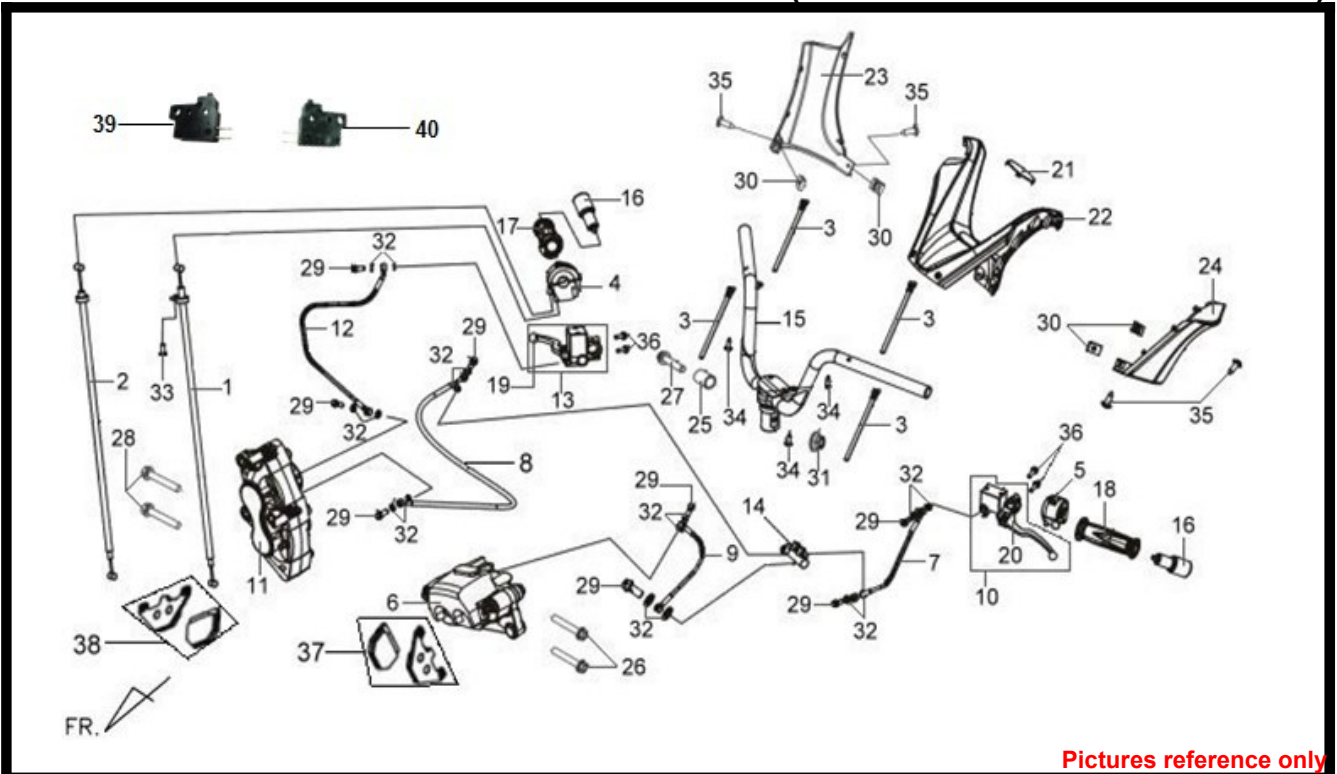
※ Please check the color & stripe information according to the color index ! 

**TEAMWORLD IND.**  
**2009.08**

※N/A = SUBSTITUTE

※Y = EXCHANGEABLE


※N =NOT EXCHANGEABLE



Pictures reference only

PARTS NUMBER		DESCRIPTION	QTY	EFFECTIVE DATE
1	17910-HMA-000	THROTTLE CABLE A	1	
2	17920-HMA-000	THROTTLE CABLE B	1	
3	32160-A3A-900	WIRE BAND 200X8	4	
4	35150-HM1-000	R HANDLE SW ASSY	1	
5	35200-HNL-000	L. HANDLE SW. ASSY	1	
6	43100-HMA-000	RR.CALIPER ASSY S-421S	1	
6-1	222Y-0035	CALIPER PAD PIN	1	
6-2	222Y-0038	CALIPER PAD PIN	1	
7	43311-HMA-000	RR BRAKE HOSE A	1	
8	43312-HMA-000	RR BRAKE HOSE B	1	
9	43313-HMA-000	RR BRAKE HOSE C	1	
10	43500-HMA-000	RR. M/C ASSY	1	
11	45100-HMA-000	FR. CALIPER ASSY	1	
11-1	2E34-0016	FR. CALIPER PAD PIN	2	
12	45126-HMA-000	FR. BRAKE HOSE	1	
13	45500-HMA-000	FR. M/C ASSY	1	
14	46300-HMA-000	DELAY VALVE ASSY	1	
15	53100-HMA-000	STRG HANDLE COMP	1	
16	53104-N02-000	HANDLE PIPE WT. ASSY.	2	
17	53140-HMA-900	THROT GRIP COMP	1	
18	53166-H85-000	L HANDLE GRIP BK-004U	1	
19	53175-HMA-000	R.HANDLE LEVER	1	
20	53178-HMA-000	L.HANDLE LEVER	1	
21	53204-HMA-900	UP HANDLE COVER CAP(BK-001U)	1	

21-1	87123-HEB-000	S-LOGO MARK(30MM)	1		
22	53205-HMA-900-KA	UP HANDLE COVER (BK-001U)	1		
23	53206-HMA-900	R HANDLE COVER	1		
24	53207-HMA-900	L. HANDLE COVER	1		
25	53125-M9Q-000	HANDLE SET COLLAR	1		
26	90104-H9A-000	FLANGE BOLT 8X45	2		
27	90106-M9Q-000	FLANGE BOLT 10X50	1		
28	90104-H5K-000	FLANGE BOLT 8X40	2		
29	90145-M9Q-000	OIL BOLT 10X22	2		
30	90302-M92-000	SPRING NUT 4MM	4		
31	90304-M9Q-000	NUT U FLANGE 10MM	1		
32	90545-M9Q-000	OIL BOLT WASHER	16		
33	93891-05012-07	WASHER SCREW 5X12	1		
34	93903-34320	TAPPING SCREW 4X12	3		
35	93903-34380	TAPPING SCREW 4X12	4		
36	95801-06022-07	FLANGE BOLT 6X22	4		
37	43105-HMA-000-A	N/A RR. BRAKE PAD SET	1		
38	45105-HMA-000-A	FR. BRAKE PAD SET	1		
39	35340-KBN-900	FR. STOP SW. ASSY(R)	1		
40	35350-KBN-900	RR. STOP SWITCH ASSY(L)	1		

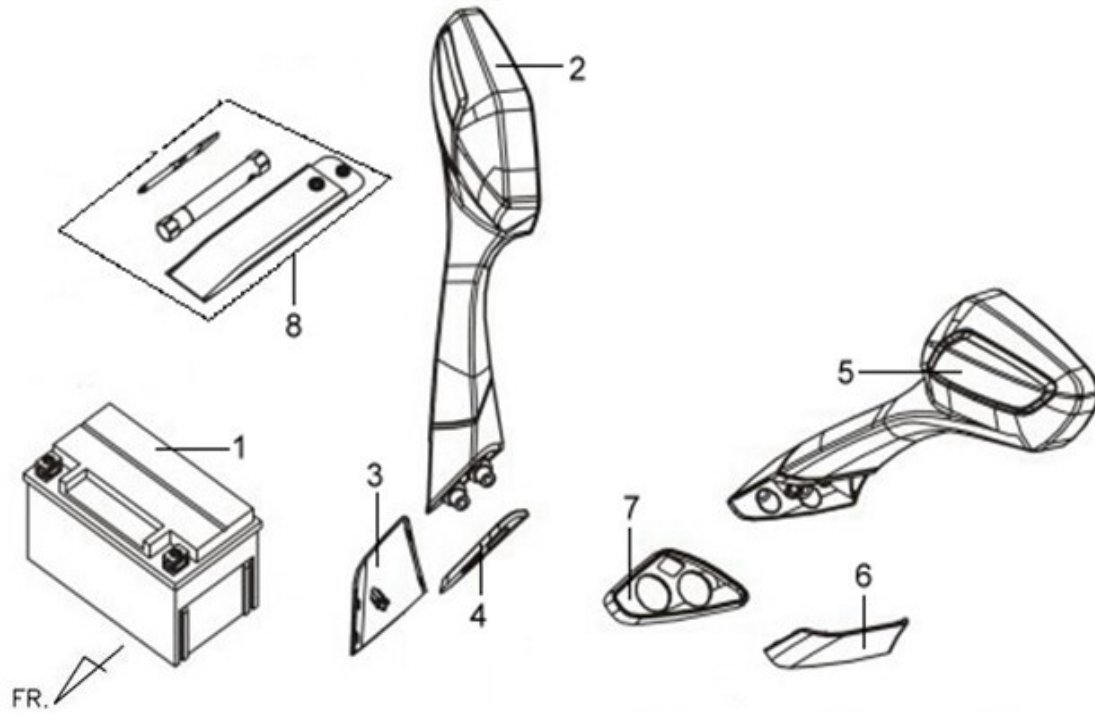
\* Please check the color & stripe information according to the color index ! 

**TEAMWORLD IND.**  
**2009.08**

\*N/A = SUBSTITUTE

\*Y = EXCHANGEABLE

\*N =NOT EXCHANGEABLE



Pictures reference only

PARTS NUMBER	DESCRIPTION	QTY	EFFECTIVE DATE
1	1Y01HMA01-Y	BATTERY ASSY.(YTX12-BS 12AH)	1
2	88110-HMA-900-JG	R BACK MIRROR ASSY.BK-433S	1
2	88110-HMA-900-IP	R BACK MIRROR ASSY.GY-517S	1
2	88110-HMA-900-QU	R BACK MIRROR ASSY.WH-300P	1
2	88110-HMA-900-SO	R BACK MIRROR ASSY.S-421S	1
3	88111-HMA-000	R. BASE COVER	1
4	88112-HMA-000	BACK MIRROR PAD	1
5	88120-HMA-900-JG	L BACK MIRROR ASSY.BK-433S	1
5	88120-HMA-900-IP	L BACK MIRROR ASSY.GY-517S	1
5	88120-HMA-900-QU	L BACK MIRROR ASSY.WH-300P	1
5	88120-HMA-900-SO	L BACK MIRROR ASSY.S-421S	1
6	88121-HMA-000	L. BASE COVER	1
7	88122-HMA-000	BACK MIRROR PAD	1
8	89010-M92-000	TOOL SET	1



\*N/A = SUBSTITUTE

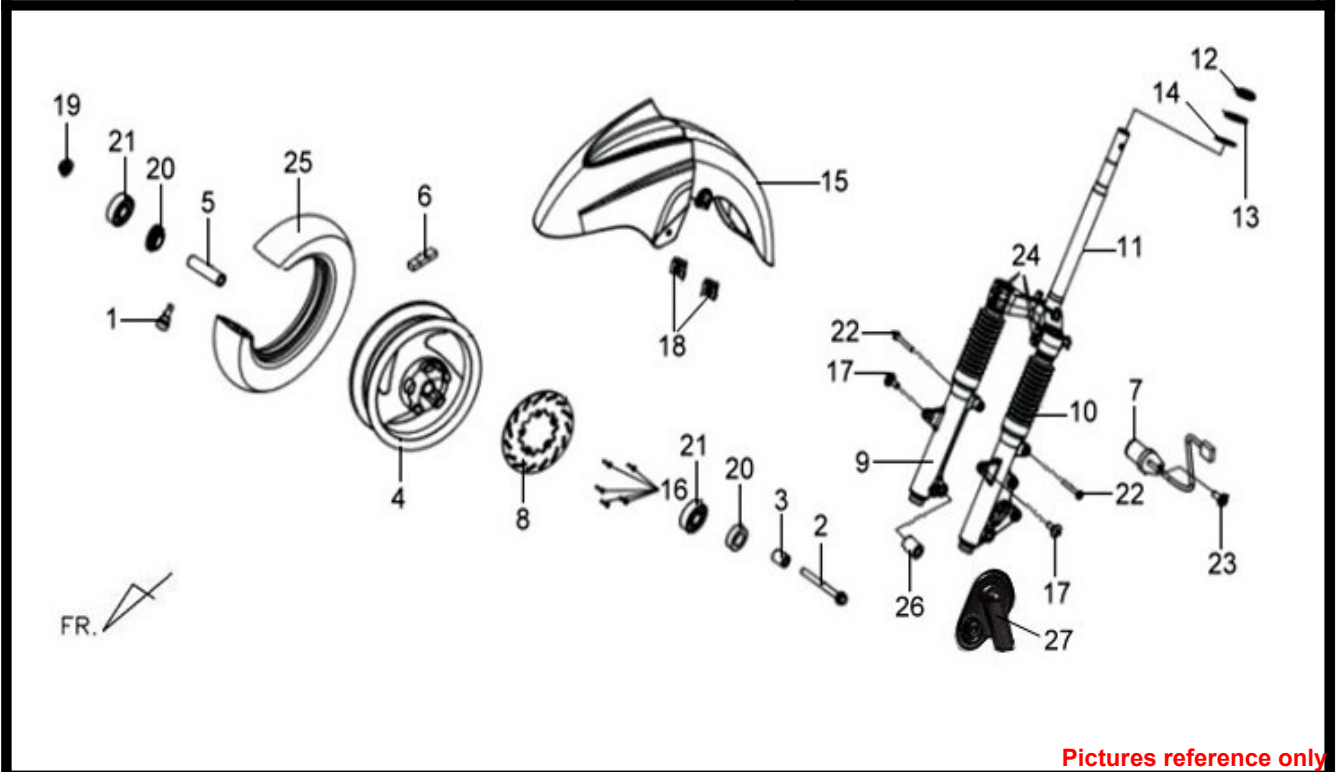
\*Y = EXCHANGEABLE

\*N =NOT EXCHANGEABLE

**2009.08**

---


**F04 FRONT WHEEL & FORK ASSY LM25W5-MC(GTS250 EFI CKD TO 馬來西亞)**



Pictures reference only

PARTS NUMBER		DESCRIPTION	QTY	EFFECTIVE DATE
1	42753-KBN-902	N/A VALVE RIM	1	
2	44301-G22-000	FR. WHEEL AXLE	1	
3	44311-GW0-910	COLLAR FR. WHEEL SIDE	1	
4	44601-HMA-000	FR. CAST WHEEL COMP	1	
5	44620-H3A-000	FR. AXLE DISTANCE COLLAR	1	
6	44720-H9A-000	BALANCE WEIGHT	1	
7	44800-HMB-000	SPEED SENSOR ASSY	1	
8	45121-HMB-000-SH	FR. BRAKE DISK(SILVER)	1	
9	51400-HWA-000	R.CUSHION ASSY	1	
9-1	91255-HWA-000	FR.CUSHION OIL SEAL	1	
9-2	91256-HWA-000	OIL SEAL	1	
9-3	91259-HWA-000	OIL SEAL STOP RING	1	
9-4	91309-HWA-000	O-RING	1	
9-5	90103-HWA-000	FORK BOLT	1	
10	51500-HWA-000	L.CUSHION ASSY	1	
10-1	91255-HWA-000	FR.CUSHION OIL SEAL	1	
10-2	91256-HWA-000	OIL SEAL	1	
10-3	91259-HWA-000	OIL SEAL STOP RING	1	
10-4	91309-HWA-000	O-RING	1	
10-5	90103-HWA-000	FORK BOLT	1	
11	53200-HWA-000	STEM COMP STRG.	1	
12	53212-VA3-000	STRG BOTTOM CONE RACE	1	
13	53214-HMA-000	STRG. DUST SEAL	1	
14	53215-HHA-000	S DUST SEAL WASHER(34.5X52X.6)	1	

15	61100-HMA-000-JG	FR FENDER BK-433S	1		
15	61100-HMA-000-IP	FR FENDER GY-517S	1		
15	61100-HMA-000-QU	FR FENDER WH-300P	1		
15	61100-HMA-000-SO	FR FENDER S-421S	1		
16	90105-KR3-000	FR. DISK BOLT 8X24	5		
17	90164-M9Q-000	SCREW SPECIAL 6mm	2		
18	90305-M9Q-000	CLIP NUT 6MM	2		
19	90306-M9Q-000	SELF LOCK NUT 12MM	1		
20	90754-M9Q-000-M2	DUST SEAL 20X32X5	2		
21	90912-M9Q-000-M1	BEARING 6201LU/2A	2		
22	93891-06050-07	WASHER SCREW 6X45	2		
23	93893-06016-07	SCREW WASHER	1		
24	95801-10040-08	FLANGE BOLT 10X40	4		
25	44710-HMA-010	FR. TIRE ASSY	1		
26	44312-HMA-000	FR. WHEEL SIDE COLLAR	1		
27	51106-LEA-000	SPDMT SENSOR COVER	1		

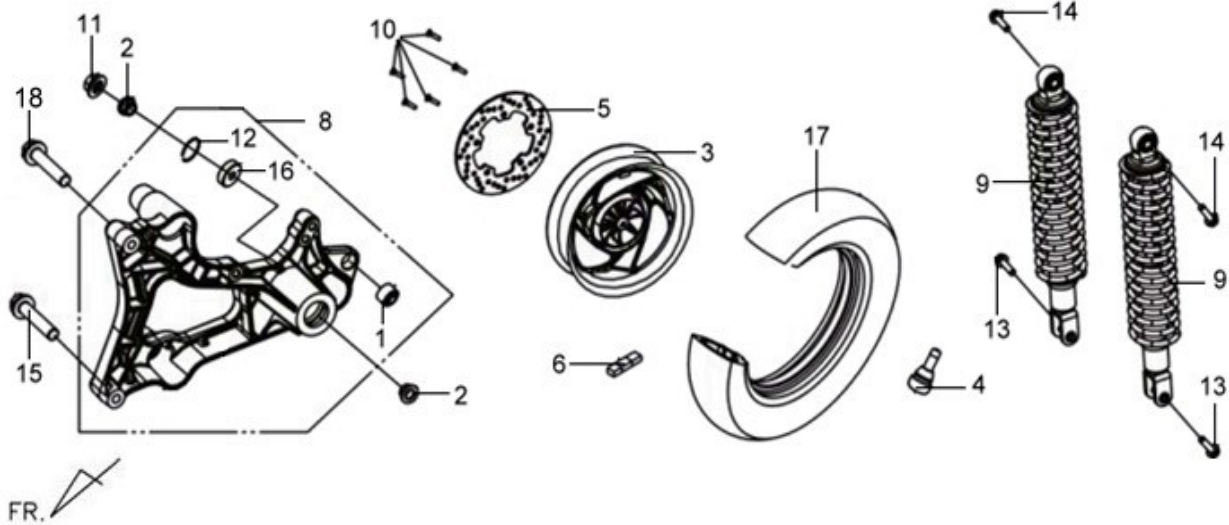
\* Please check the color & stripe information according to the color index ! 

**TEAMWORLD IND.**  
**2009.08**

\*N/A = SUBSTITUTE

\*Y = EXCHANGEABLE

\*N =NOT EXCHANGEABLE



Pictures reference only

PARTS NUMBER	DESCRIPTION	QTY	EFFECTIVE DATE
1	11203-M9Q-300 N/A RR.CUSHION RUBBER BUSH	1	
2	42311-H9A-000 RR. AXLE COLLAR	1	
3	42601-HMA-000 RR. CAST WHEEL COMP	1	
4	42753-M92-300 VALVE RIM	1	
5	43121-HMA-000 RR. BRAKE DISK	1	
6	44720-H9A-000 BALANCE WEIGHT	1	
8	5210A-HMA-005 RR. FORK ASSY	1	
9	52400-HMA-000 RR. CUSHION ASSY	2	
10	90105-KR3-000 FR. DISK BOLT 8X24	5	
11	90305-M9Q-900 U NUT 16 MM	1	
12	94524-47000 CIR CLIP IN47	1	
13	95801-08035-07 FLANGE BOLT M8X35	2	
14	95801-10040-08 FLANGE BOLT 10X40	2	
15	95801-10065-07 FLANGE BOLT	1	
16	96150-63033-10 RADIAL BALL BEARING 6303U	1	
17	1T011307013-4PR-6029 TIRE 130/70-13	1	
18	95801-10075-07 FLANGE BOLT	1	



\*N/A = SUBSTITUTE

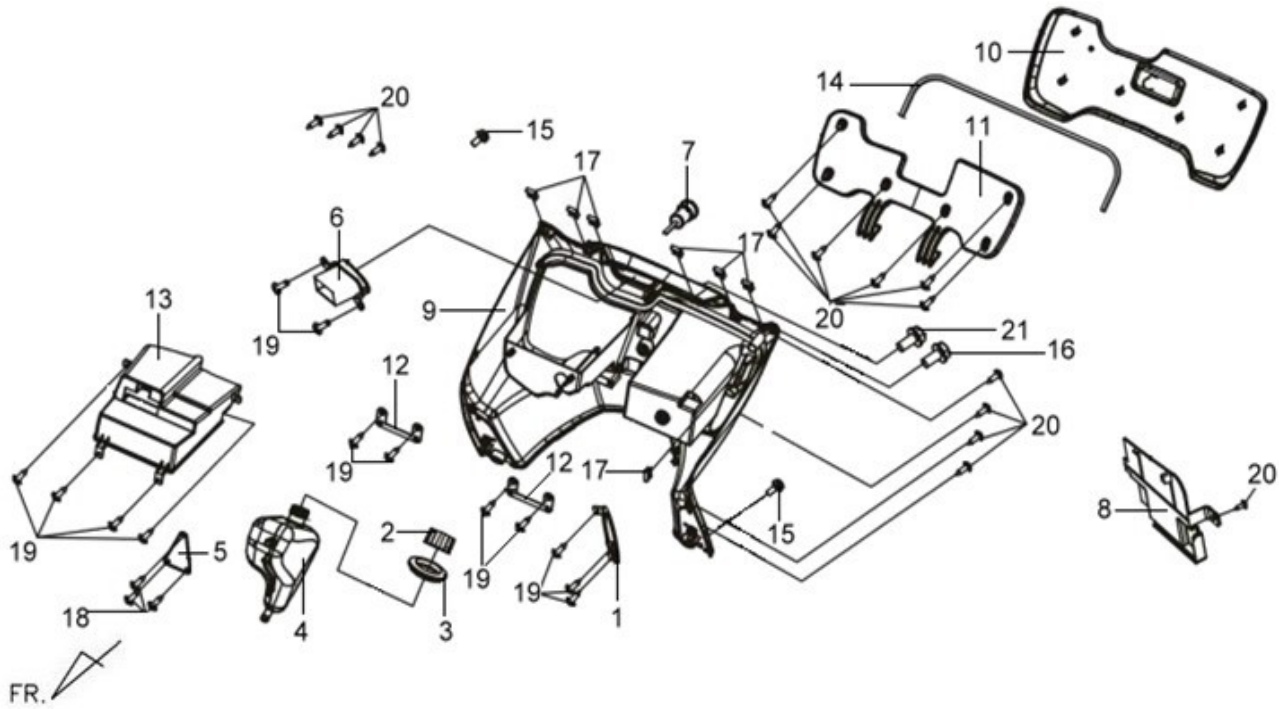
\*Y = EXCHANGEABLE

\*N =NOT EXCHANGEABLE

**2009.08**

---

**F06 INNER BOX & RESERVE TANK LM25W5-MC(GTS250 EFI CKD TO 馬來西亞)**



Pictures reference only

PARTS NUMBER	DESCRIPTION	QTY	EFFECTIVE DATE
1	17661-HMA-000	3	
2	19015-HMA-000	1	
3	19016-HMA-000	1	
4	19101-HMA-000	1	
5	19102-HMA-000	1	
6	35360-HMA-000	1	
7	38600-RA1-000	1	
8	50326-HMA-000	1	
9	81131-HMA-000-KA	1	
10	81141-HMA-000	1	
11	81142-HMA-000	1	
12	81143-HMA-000	1	
13	81144-HMA-000	1	
14	81146-HMA-000	1	
15	90111-HKD-000	2	
16	90111-M9Q-900	1	
17	90302-M92-000	6	
18	93903-25320	3	
19	93903-34320	13	
20	93903-34380	15	
21	95801-06012-07	1	

※ Please check the color & stripe information according to the color index !



**TEAMWORLD IND.**

\*N/A = SUBSTITUTE

\*Y = EXCHANGEABLE

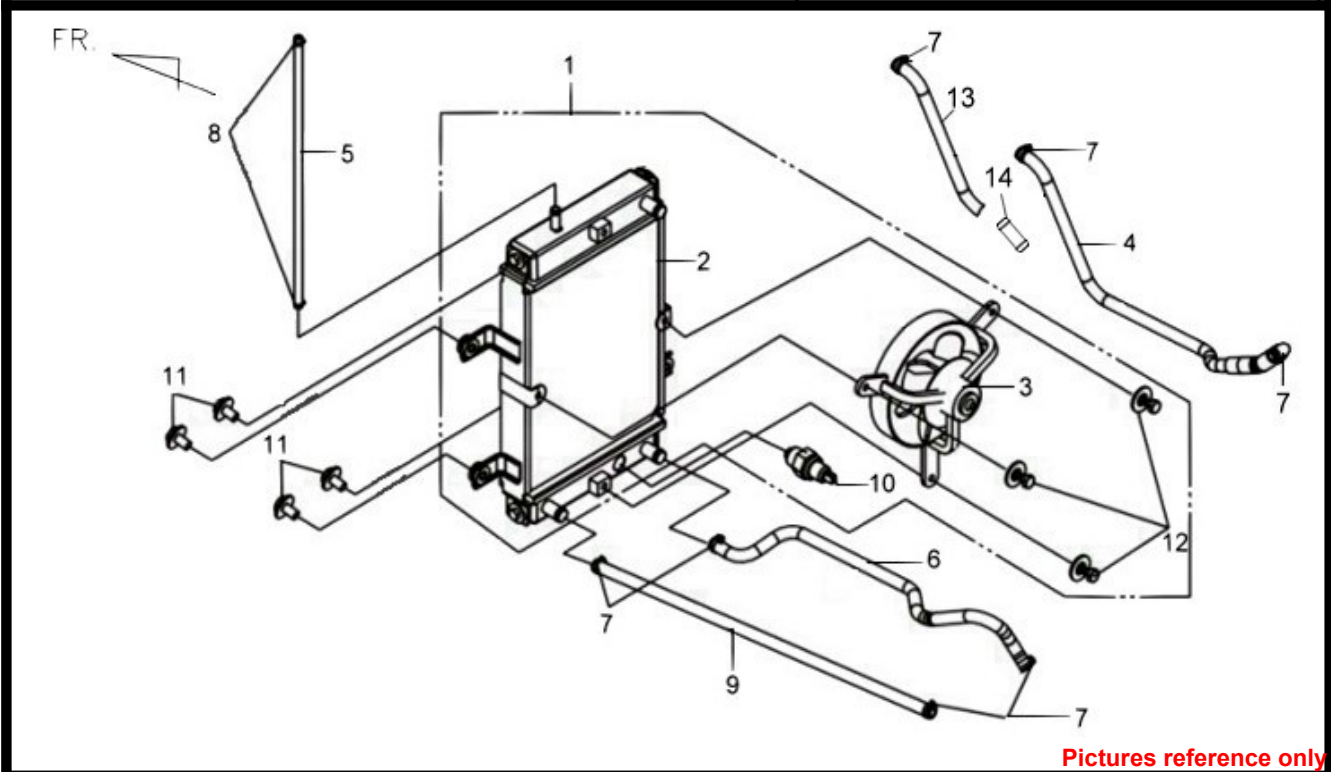
\*N =NOT EXCHANGEABLE

**2009.08**

---

F07 RADIATOR ASSY.

LM25W5-MC(GTS250 EFI CKD TO 馬來西亞)



Pictures reference only

PARTS NUMBER	DESCRIPTION	QTY	EFFECTIVE DATE	
1 19000-HMA-000	RADIATOR ASSY	1		
1 <b>19000-HMA-900</b>	RADIATOR ASSY	1	4/26/2010	N
2 19010-HMA-000	RADIATOR COMP	1		
2 <b>19010-HMA-900</b>	RADIATOR COMP	1	2010/4/26	N
3 19020-HMA-000	N/A SHROUD ASSY	1		
4 19501-HTA-000	RADIATOR IN. WATER HOSE	1		
4 <b>19501-HTA-900</b>	RADIATOR IN. WATER HOSE	1	2010/4/26	N
5 19503-HMA-000	RES. TANK IN. WATER HOSE	1		
6 19505-HMA-000	ENG. INLET WATER HOSE	1		
6 <b>19505-HMA-900</b>	ENG. INLET WATER HOSE	1	2010/4/26	N
7 19505-KS6-700	WATER HOSE CLAMP A	6		
8 19505-M8Q-000	N/A WATER HOSE CLAMP A	2		
9 19507-HMA-000	RES. TANK OUT. WATER HOSE	1		
10 37760-HMA-000	THERMO. SW	1		
11 93404-06020-08	WASHER BOLT	4		
12 93405-06012-08	WASHER BOLT	3		
13 19506-HMA-000	RADIATOR INLET WATER HOSE B	1		
13 <b>19506-HMA-900</b>	RADIATOR INLET WATER HOSE B	1	2010/4/26	N
14 19509-HTA-900	WATER HOSE 2 WAY JOINT	1		
14 <b>19509-HWA-000</b>	WATER HOSE 2 WAY JOINT	1	2010/4/26	N

※ Please check the color & stripe information according to the color index !



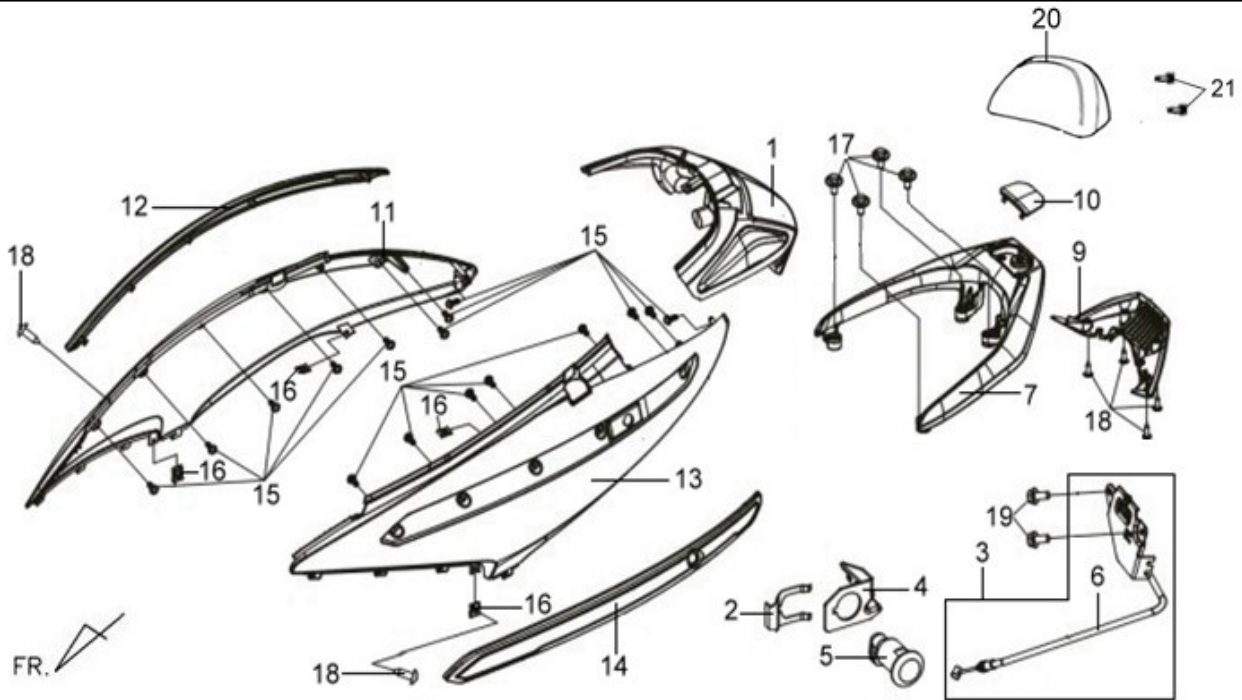
\*N/A = SUBSTITUTE

\*Y = EXCHANGEABLE

\*N =NOT EXCHANGEABLE

**2009.08**

---



Pictures reference only

PARTS NUMBER		DESCRIPTION	QTY	EFFECTIVE DATE
1	33700-HMA-000	RR. COMB LIGHT ASSY	1	
1-1	33701-HMA-000	RR COMB.LIGHT LENS	1	
1-2	33711-HMA-000	RR. R. WINKER LENS	2	
1-3	34905-HMA-000	BULB WINKER 12V/21W	2	
1-4	34906-HMA-000	TAIL LIGHT BULB	1	
2	75581-M9Q-000	N/A LOCK KEY SET SPRING	1	
3	77230-HMB-000	SEAT CATCH ASSY	1	
4	77236-HAA-000	SEAT LOCK WASHER	1	
5	77239-HMA-000	SEAT LOCK KEY COMP	1	
6	77240-HMA-000	SEAT LOCK CABLE	1	
7	81200-HWA-000-JG	RR CARRIER COMP BK-433S	1	
7	81200-HWA-000-IP	RR CARRIER COMP GY-517S	1	
7	81200-HWA-000-QU	RR CARRIER COMP WH-300P	1	
7	81200-HWA-000-SO	RR CARRIER COMP S-421S	1	
9	81210-HMA-000	RR. CARRIER COVER BK-001U	1	
10	81211-HWA-000-JG	RR CARRIER CAP BK-433S	1	
10	81211-HWA-000-IP	RR CARRIER CAP GY-517S	1	
10	81211-HWA-000-QU	RR CARRIER CAP WH-300P	1	
10	81211-HWA-000-SO	RR CARRIER CAP S-421S	1	
11	8350G-HM1-000-JG	R BODY CVOER ASSY.BK-433S	1	
11-1	87126-HM1-000	RH. BODY COVER EMBLEM	1	
11-2	87129-HML-000	i MARK	1	
11	8350G-HM1-000-IP	R BODY CVOER ASSY.GY-517S	1	
11-1	87126-HM1-000	RH. BODY COVER EMBLEM	1	

11-2	87129-HML-000	i MARK	1
11	8350G-HM1-000-QU	R BODY CVOER ASSY.WH-300P	1
11-1	87126-HM1-000	RH. BODY COVER EMBLEM	1
11-2	87129-HML-000	i MARK	1
11	8350G-HM1-000-SO	R BODY CVOER ASSY.S-421S	1
11-1	87126-HM1-000	RH. BODY COVER EMBLEM	1
11-2	87129-HML-000	i MARK	1
12	83501-HMA-000-OL	R BODY COVER GARNISH S-877U/BK-001U	1
13	8360G-HM1-000-JG	L BODY COVER ASSY.BK-433S	1
13-1	87127-HM1-000	LH. BODY COVER EMBLEM	1
13-2	87129-HML-000	i MARK	1
13	8360G-HM1-000-IP	L BODY COVER ASSY.GY-517S	1
13-1	87127-HM1-000	LH. BODY COVER EMBLEM	1
13-2	87129-HML-000	i MARK	1
13	8360G-HM1-000-QU	L BODY COVER ASSY.WH-300P	1
13-1	87127-HM1-000	LH. BODY COVER EMBLEM	1
13-2	87129-HML-000	i MARK	1
13	8360G-HM1-000-SO	L BODY COVER ASSY.S-421S	1
13-1	87127-HM1-000	LH. BODY COVER EMBLEM	1
13-2	87129-HML-000	i MARK	1
14	83601-HMA-000-OL	L BODY COVER GARNISH S-877U/BK-001U	1
15	90106-H2G-000	FLANGE BOLT 4X12	10
16	90302-M92-000	SPRING NUT 4MM	4
17	93406-08012-00	WASHER BOLT 8X12	4
18	93903-34380	TAPPING SCREW 4X12	6
19	95801-06012-08	FLANGE BOLT	2
20	77400-HWA-000-JG	RR BACK SEAT ASSY BK-433S	1
20	77400-HWA-000-IP	RR BACK SEAT ASSY GY-517S	1
20	77400-HWA-000-QU	RR BACK SEAT ASSY WH-300P	1
20	77400-HWA-000-SO	RR BACK SEAT ASSY S-421S	1
21	93406-08020-07	WASHER BOLT 8*20	2

※ Please check the color & stripe information according to the color index !

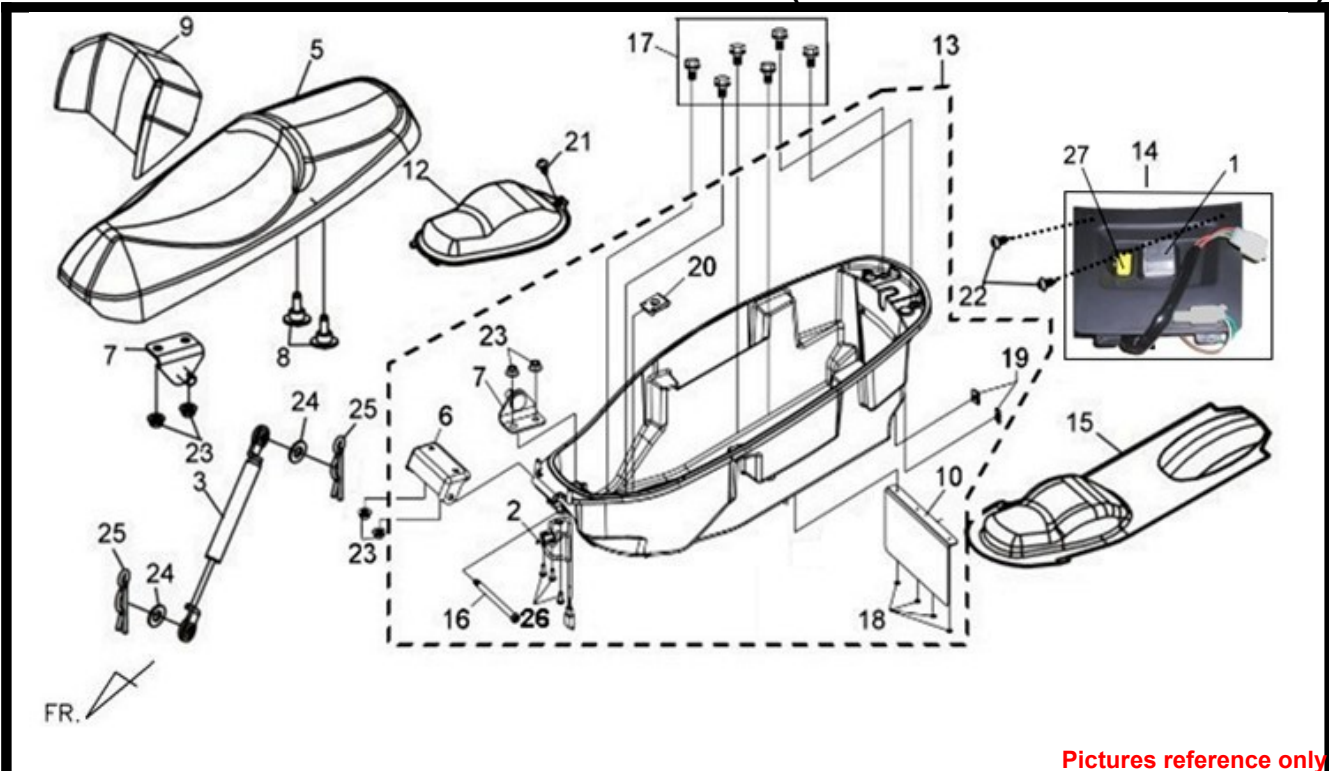


**TEAMWORLD IND.**  
**2009.08**

※N/A = SUBSTITUTE

※Y = EXCHANGEABLE


※N =NOT EXCHANGEABLE



Pictures reference only

PARTS NUMBER	DESCRIPTION	QTY	EFFECTIVE DATE	
1	35370-M9P-000 LUGGAGE BOX LIGHT ASSY	1		
2	35380-HMA-000 SEAT OPEN LAMP SW	1		
3	74480-HMA-010 OPEN STAY	1		
5	77200-HWA-000 DOUBLE SEAT COMP BK-001L	1		
5	<b>77200-HWA-010-T1</b> DOUBLE SEAT COMP BK-001L	1	2009/12/4	Y
6	77201-HMA-900 SEAT HINGE	1		
7	74481-HMA-000 SEAT OPEN STAY BRKT.	1		
8	77203-HMA-010 BACK SEAT SET BOLT	2		
9	77300-HWA-000 BACK SEAT ASSY	1		
9	<b>77300-HWA-010-T1</b> BACK SEAT ASSY BK-001L	1	2009/12/4	Y
10	80104-HMA-000 SPLASH GUARD PLATE	1		
12	81257-HMA-000 MAINT COVER	1		
13	8125A-HMA-008 LUGGAGE BOX ASSY(BK-001U)	1		
13-1	87505-HMA-000 TIRE CAUTION MARK	1		
14	8125B-HML-000 LUG BOX RR COVER ASSY.	1		
15	83630-HMA-000 LUGGAGE BOX MAT	1		
16	90106-HMA-000 HINGE PIN	1		
17	90111-M9Q-800 FLANGE BOLT 6MM	6		
18	90301-GE0-000 CLIP NUT	4		
19	90302-M92-000 SPRING NUT 4MM	2		
20	90677-M9Q-000 N/A CLIP NUT 5MMX0.8	1		
21	93891-05016-07 WASH SCREW 5X16	1		
22	93903-34380 TAPPING SCREW 4X12	2		
23	94050-06080 FLANGE NUT 6MM	6		

24	94101-08800	PLAIN WASHER 8MM	2		
25	94251-08400	LOCK PIN 8MM (LATCH PIN)	2		
26	93903-34380	TAPPING SCREW 4X12	3		
27	36600-A1A-000	ENG.START CONTROL SWITCH	1		

\* Please check the color & stripe information according to the color index ! 

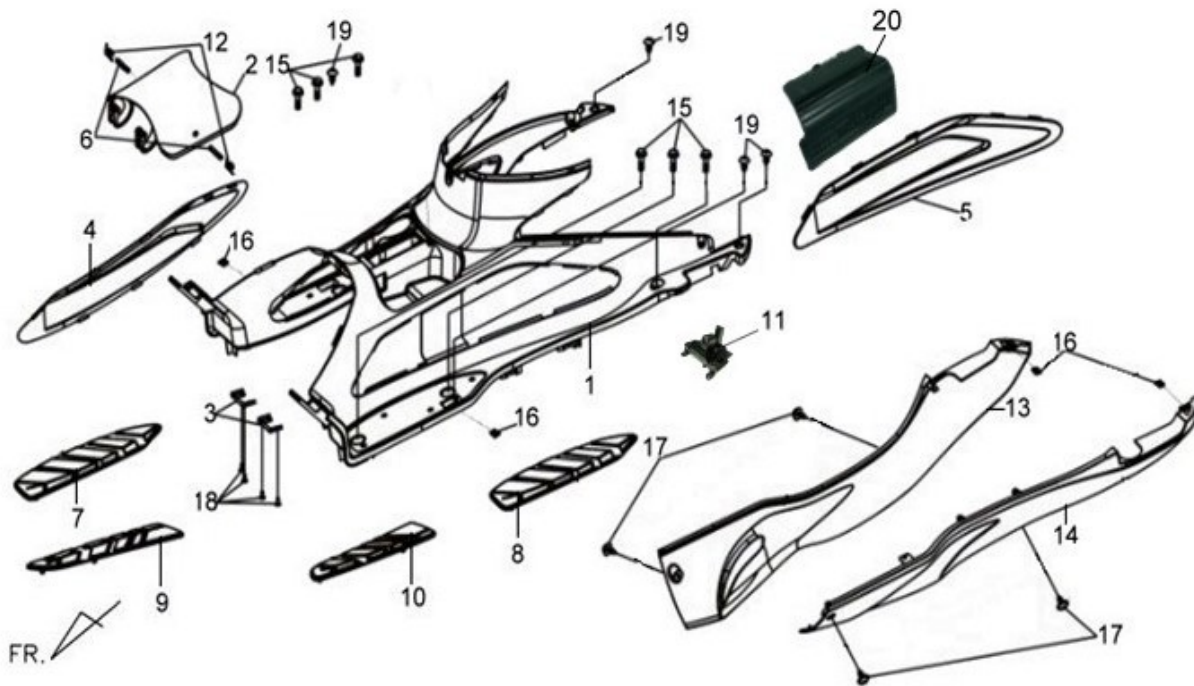
**TEAMWORLD IND.**  
**2009.08**

\*N/A = SUBSTITUTE

\*Y = EXCHANGEABLE

\*N =NOT EXCHANGEABLE

**F10 FLOOR PANEL & SIDE COVER LM25W5-MC(GTS250 EFI CKD TO 馬來西亞)**



Pictures reference only

PARTS NUMBER		DESCRIPTION	QTY	EFFECTIVE DATE
1	64310-HMA-020-KA	FLOOR PANEL BK-001U	1	
2	64311-HMA-020-KA	FLOOR BOX LID	1	
3	64312-HMA-000	FLOOR BOX LID HINGE STAY	1	
4	64313-HMA-000	R. FLOOR GARNISH	1	
5	64314-HMA-000	L. FLOOR GARNISH	1	
6	64315-HMA-000	LID HINGE PIN	2	
7	64321-HMA-000	R FLOOR MAT A	1	
8	64322-HMA-000	L FLOOR MAT A	1	
9	64323-HMA-000	R FLOOR MAT B	1	
10	64324-HMA-000	L FLOOR MAT B	1	
11	6432C-HMA-000	FLOOR BOX LID SPG ASSY	1	
12	81153-HMA-010	COIN BOX LID SPRING	1	
13	8352G-HWA-000-JG	R.SIDE COVER SET BK-433S	1	
13-1	87123-HWA-000-S	SYM STRIPE S-480S	1	
13	8352G-HWA-000-IP	R.SIDE COVER SET GY-517S	1	
13-1	87123-HWA-000-S	SYM STRIPE S-480S	1	
13	8352G-HWA-000-QU	R.SIDE COVER SET WH-300P	1	
13-1	87123-HWA-000-S	SYM STRIPE S-480S	1	
13	8352G-HWA-000-SO	R.SIDE COVER SET S-421S	1	
13-1	87123-HWA-000-S	SYM STRIPE S-480S	1	
14	8362G-HWA-000-JG	L.SIDE COVER SET BK-433S	1	
14-1	87123-HWA-000-S	SYM STRIPE S-480S	1	
14	8362G-HWA-000-IP	L.SIDE COVER SET GY-517S	1	
14-1	87123-HWA-000-S	SYM STRIPE S-480S	1	

14	8362G-HWA-000-QU	L.SIDE COVER SET WH-300P	1		
14-1	87123-HWA-000-S	SYM STRIPE S-480S	1		
14	8362G-HWA-000-SO	L.SIDE COVER SET S-421S	1		
14-1	87123-HWA-000-S	SYM STRIPE S-480S	1		
15	93903-44380	TAPPING SCREW 4X12	6		
16	90302-M92-000	SPRING NUT 4MM	4		
17	93891-05016-07	WASH SCREW 5X16	4		
18	93903-34320	TAPPING SCREW 4X12	4		
19	93903-34380	TAPPING SCREW 4X12	4		
20	64319-HMA-000-KA	FRAME NUMBER LID (BK-001U)	1		

\* Please check the color & stripe information according to the color index !



**TEAMWORLD IND.**

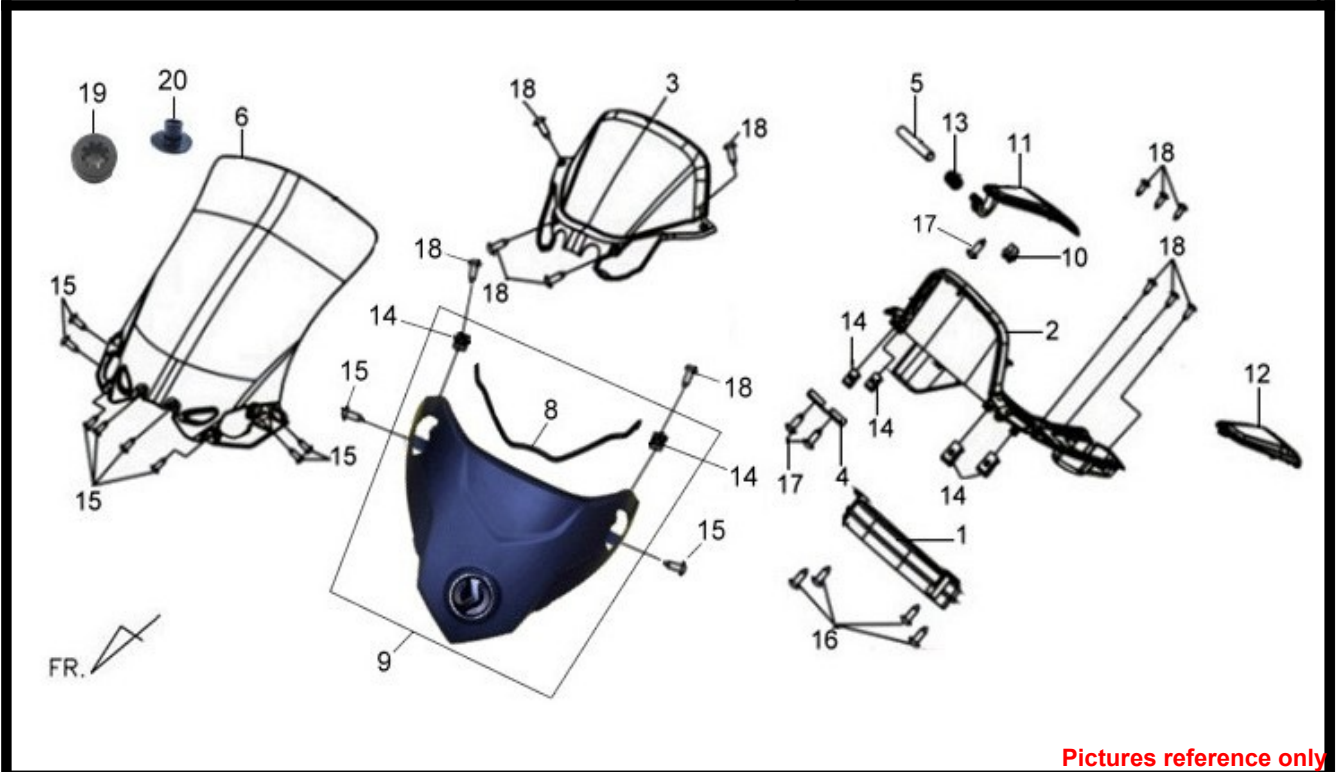
**2009.08**

\*N/A = SUBSTITUTE

\*Y = EXCHANGEABLE

\*N =NOT EXCHANGEABLE

F11 WIND SCREEN & METER VISOR M25W5-MC(GTS250 EFI CKD TO 馬來西亞)



Pictures reference only

PARTS NUMBER		DESCRIPTION	QTY	EFFECTIVE DATE	
1	37200-HT2-000	METER ASSY	1		
1-1	34902-HMA-000	BULB(T4)	4		
1-2	34907-HMA-000	BULB(T4.7)1.4W	2		
1-3	37211-HMA-000	METER LENS	1		
2	53208-HMA-020	METER PANEL	1		
2	<b>53208-HMA-030</b>	METER PANEL	1	2010/1/26	N
3	53209-HMA-000	METER VISOR	1		
4	64312-HMA-000	FLOOR BOX LID HINGE STAY	1		
5	64315-HMA-000	LID HINGE PIN	1		
6	6710A-HWA-000	WIND SCREEN SET	1		
6-1	87121-H85-000	SYM MARK(POLY)	1		
6-2	87125-HMA-000	WIND SCREEN STRIPE	1		
8	67111-HWA-000	WIND SCREEN GARNISH RUB.SEAL	1		
9	6711A-HWA-000	WIND SCREEN GARNISH ASSY.GY-7450U	1		
9-1	87123-TFS-000	S-LOGO 50MM(POLY)	1		
10	81134-HMA-000	INNER BOX HOOK	1		
10	<b>8115B-HMA-000</b>	COIN BOX LOCK ASSY	1	2010/4/1	N
11	81151-HMA-020	COIN BOX LID BK-001U	1		
11	<b>81151-HMA-030</b>	COIN BOX LID BK-001U	1	2010/1/26	N
11	<b>8115A-HMA-010</b>	COIN BOX LID ASSY BK-001U	1	2010/4/1	N
12	81152-HMA-000	RES TANK LID	1		
13	81153-HMA-010	COIN BOX LID SPRING	1		
14	90302-M92-000	SPRING NUT 4MM	6		
15	90119-HMA-000	SCREW WASHER 5X18	6		

16	93903-25320	TAPPING SCREW 5X16	4		
17	93903-34320	TAPPING SCREW 4X12	3		
18	93903-34380	TAPPING SCREW 4X12	12		
19	64304-X01-000	FR.COVER RUBBER	2		
20	67101-HMA-000	WINDSCREEN SCREW CAP	2		

\* Please check the color & stripe information according to the color index !



**TEAMWORLD IND.**

\*N/A = SUBSTITUTE

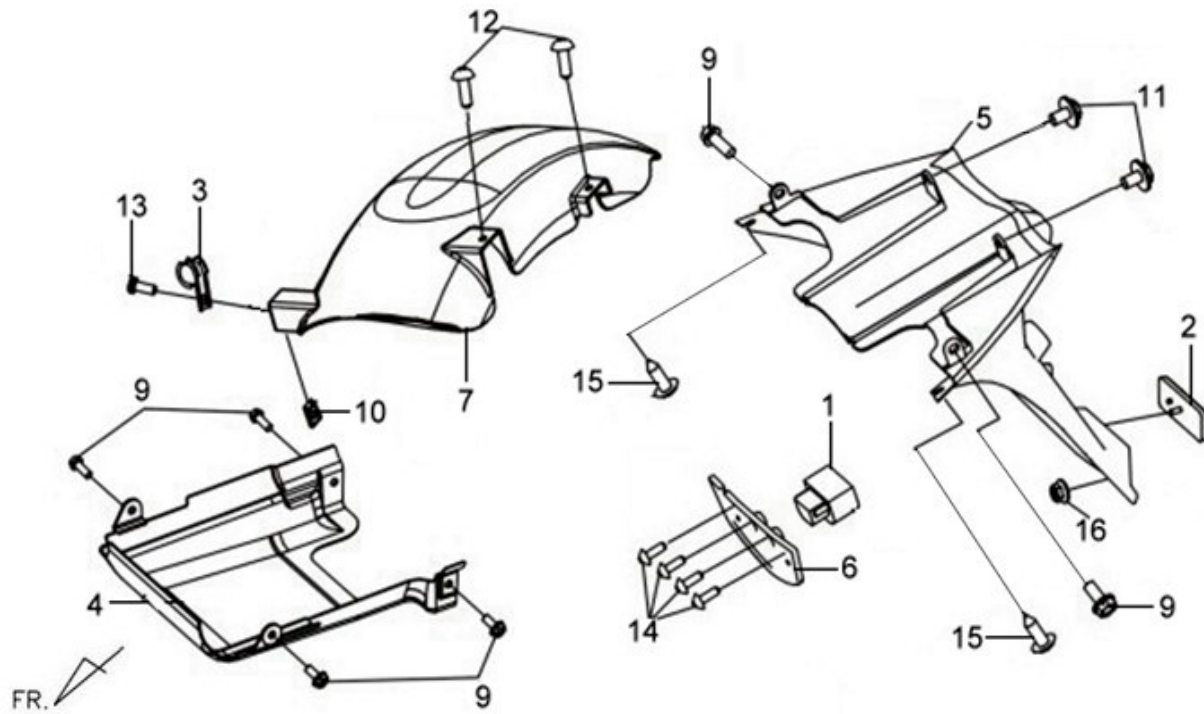
\*Y = EXCHANGEABLE

\*N =NOT EXCHANGEABLE

**2009.08**

F12 RR. FENDER ASSY

LM25W5-MC(GTS250 EFI CKD TO 馬來西亞)



Pictures reference only

PARTS NUMBER	DESCRIPTION	QTY	EFFECTIVE DATE
1	33740-HMA-000 LICENSE LIGHT ASSY	1	
2	33741-M9A-000 RR. REFLECTOR	1	
3	45156-H3C-000 RR. BRAKE HOSE CLAMP	1	
4	50611-HMA-000 UNDER COVER BK-001U	1	
5	80100-HMA-000 RR.FENDER	1	
6	80102-HMA-000 LICENSE LIGHT BRKT.	1	
7	80106-HMA-000 RR. MUDGUARD (BK-001U)	1	
9	90111-M9Q-900 FLANGE BOLT(MFZn2-C)6MM	6	
10	90677-M9Q-000 N/A CLIP NUT 5MMX0.8	1	
11	93404-06016-08 BOLT WASHER 6X16	2	
12	93891-05016-07 WASH SCREW 5X16	2	
13	93891-05040-07 WASHER XCREW	1	
14	93903-34320 TAPPING SCREW 4X12	4	
15	93903-34380 TAPPING SCREW 4X12	2	
16	94050-05080 FLANGE NUT 5MM	1	

※ Please check the color & stripe information according to the color index !



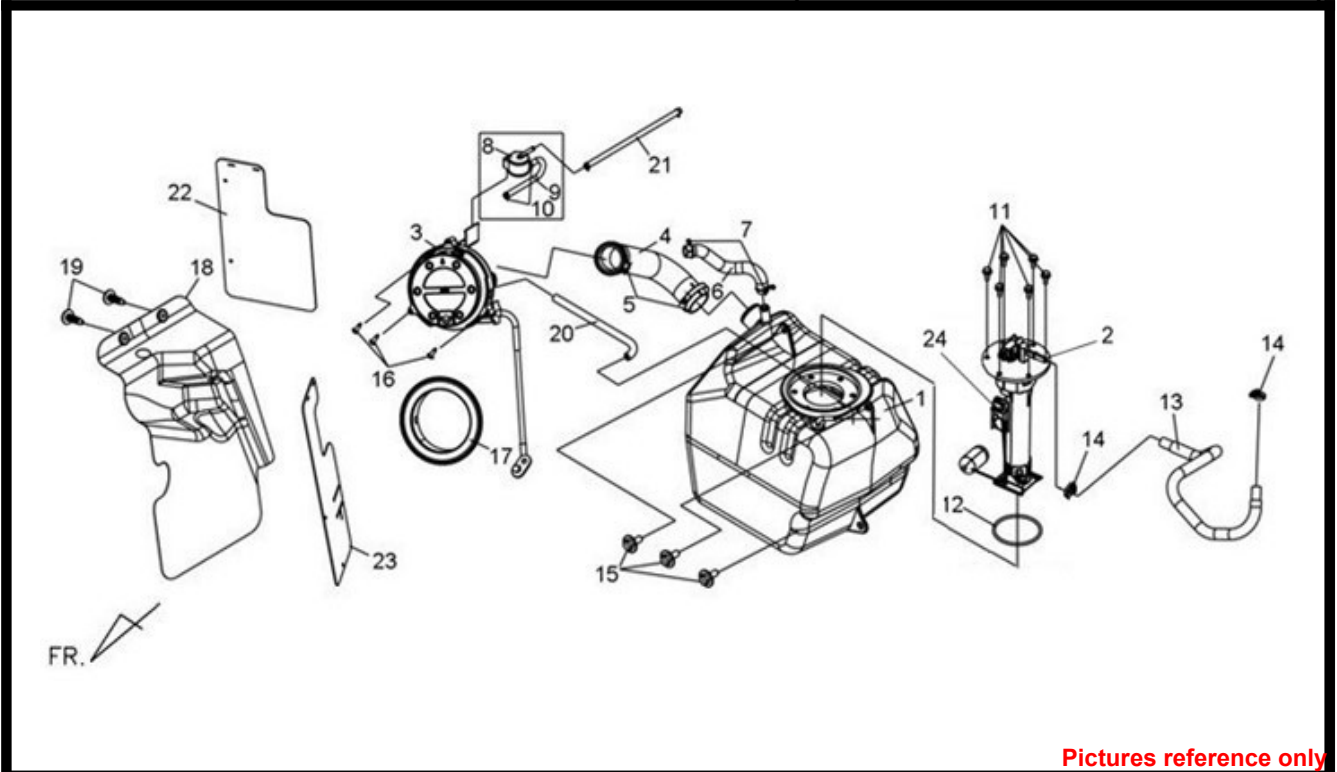
\*N/A = SUBSTITUTE

\*Y = EXCHANGEABLE

\*N =NOT EXCHANGEABLE

**2009.08**

---



Pictures reference only

PARTS NUMBER		DESCRIPTION	QTY	EFFECTIVE DATE
1	17500-HMC-000	FUEL TANK	1	
2	1670A-LEA-000	FUEL PUMP ASSY.	1	
3	1766A-HMA-000	FILLER PIPE ASSY	1	
4	17651-HMA-000	FUEL TANK TUBE	1	
5	17652-TAA-000	FILLER TUBE CLIP	2	
6	17653-HMA-000	BREATHER TUBE	1	
7	17369-KB4-670	TUBE CLIP	2	
8	17581-HMA-000	FUEL CUT VALVE(LIYANG)	1	
9	95005-45100-20	TUBE	1	
10	95002-02080	BREATHER TUBE CLIP B8	2	
11	90105-HMC-000	FUEL PUMP BOLT	6	
12	37801-A5L-000	FUEL FILTER PACKING	1	
13	16730-HMC-000	FUEL TUBE	1	
14	19505-H5D-900	HOSE CLAMP	2	
15	93404-06016-08	BOLT WASHER 6X16	3	
16	93903-34380	TAPPING SCREW 4X12	3	
17	17509-HMA-000	FILLER PIPE COVER	1	
18	17508-HMA-000	FUEL TANK HEAT GUARD	1	
19	93893-06016-07	SCREW WASHER	2	
20	17654-HMA-000	BREATHER TUBE	1	
21	17585-HMA-000	TANK-FCV TUBE	1	
22	19017-HMA-000	RH. HEAT GUARD PLATE	1	
23	19018-HMA-000	LH. HEAT GUARD PLATE	1	
24	37800-HWA-000	FUEL UNIT COMP	1	

※ Please check the color & stripe information according to the color index !



TEAMWORLD IND.

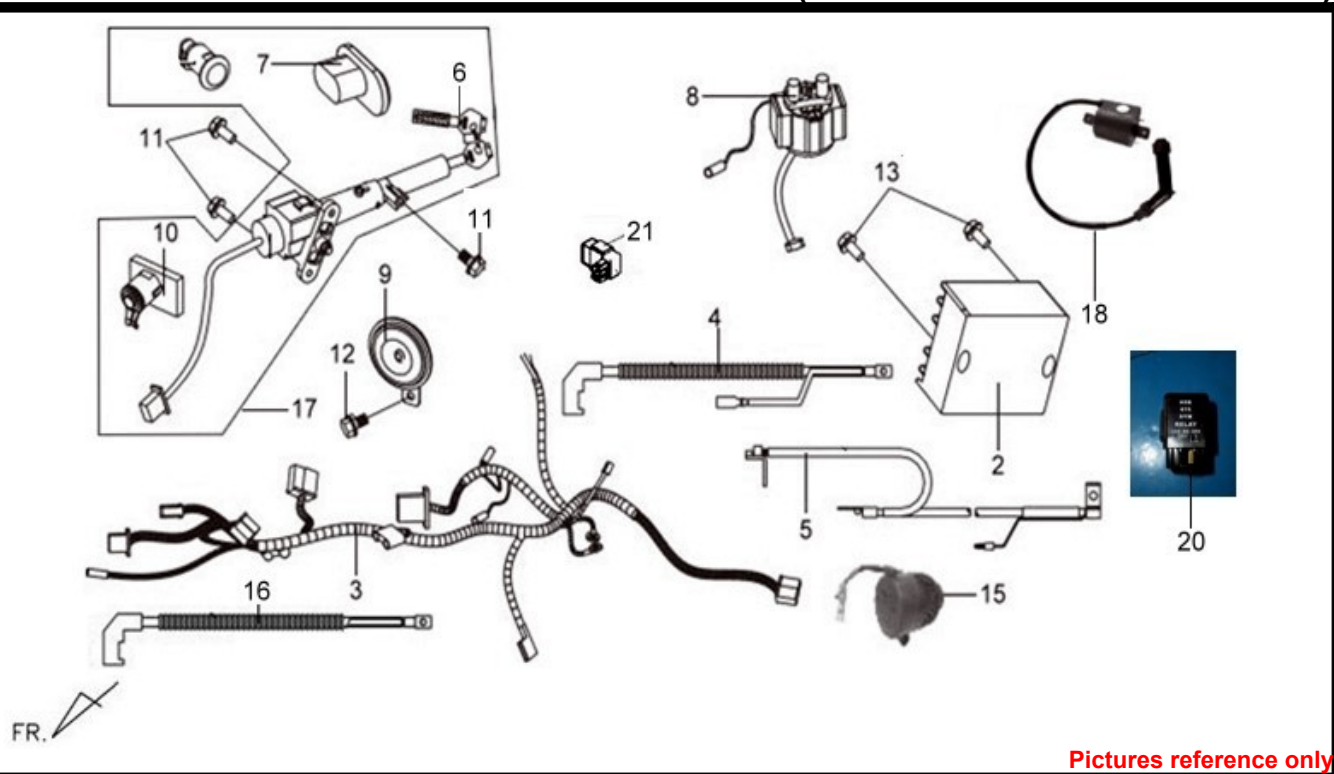
※N/A = SUBSTITUTE

※Y = EXCHANGEABLE

※N =NOT EXCHANGEABLE

2009.08

F14 WIRE HARNESS & ELECTRIC PARTS (M25W5-MC(GTS250 EFI CKD TO 馬來西亞)



Pictures reference only

PARTS NUMBER	DESCRIPTION	QTY	EFFECTIVE DATE	
2 31600-HMA-000	REG. REC. COMP	1		
2 <b>31600-HMA-010</b>	REG. REC ASSY.	1	2009/12/21	N
3 32100-HML-010	WIRE HARNESS	1		
4 32411-HMA-000	CABLE BATTERY	1		
5 32412-HMA-000	CABLE EARTH	1		
6 35111-HMA-100-A01/20	KEY	1		
6 35111-HMA-100-B01/20	KEY	1		
7 35110-HMA-000	SHUTTER COMP	1		
8 35860-HMC-000	START MAG. SET	1		
8 <b>35860-HMC-010</b>	START MAG. SET	1	2010/10/18	Y
9 38110-HMA-000	HORN COMP	1		
10 77233-HMA-000	INNER BOX LOCK ASSY	1		
11 90085-HHA-900	SELF LOCKING BOLT 6*16	3		
12 95801-08016-08	FLANGE BOLT 8X16	1		
13 95801-06016-08	FLANGE BOLT 6X16	2		
15 38600-RA1-000	DC. POWER OUTLET	1		
16 32415-HMA-010	EARTH CABLE B	1		
17 35010-HMA-100	KET SET	1		
18 3051A-HMA-010	IGNITION COIL ASSY	1		
20 38800-H5B-000	ELECTRIC RELAY UNIT	1		
21 3043A-REA-000	BATTERY OPEN CONTROL ASSY	1		

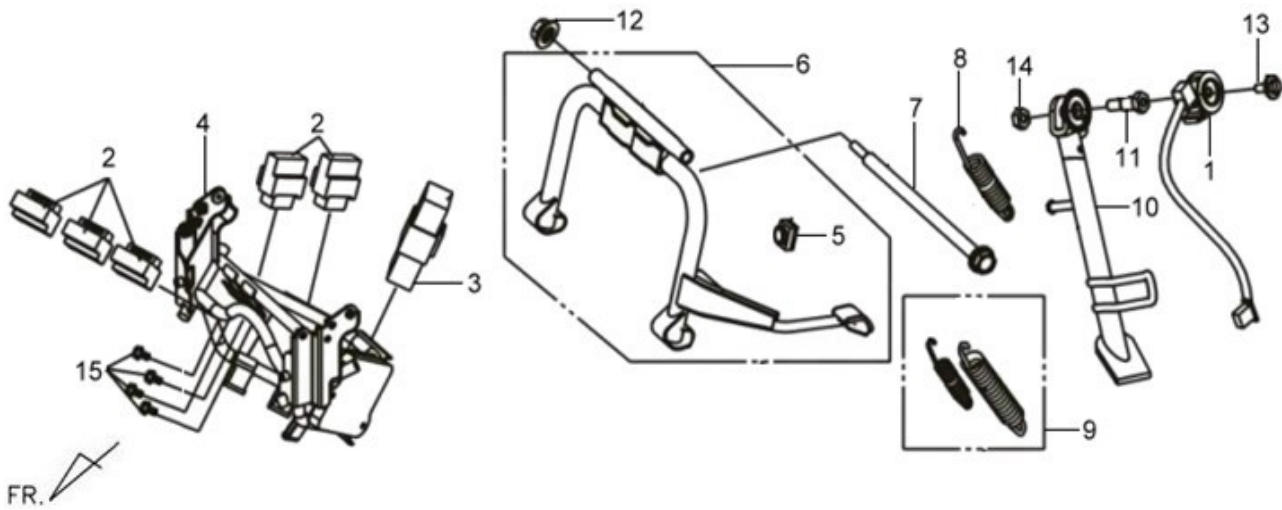
※N/A = SUBSTITUTE

※Y = EXCHANGEABLE

※N =NOT EXCHANGEABLE


---

F15 MAIN STAND & FR. COVER STAM25W5-MC(GTS250 EFI CKD TO 馬來西亞)



Pictures reference only

PARTS NUMBER	DESCRIPTION	QTY	EFFECTIVE DATE	
1	36500-HMA-000	1		
2	3850A-HLA-000	5		
2	<b>3850A-HLA-010</b>	5	2010/11/23	N
3	38720-HMA-000	1		
4	50315-HMA-000	1		
5	50505-M92-010	1		
6	5050A-HMA-000	1		
7	50512-H6B-000	1		
8	5053A-HMA-000	1		
9	5052A-H9A-000	1		
10	50530-HMA-000	1		
11	90108-HMA-000	1		
12	90304-M9Q-000	1		
13	93404-06016-07	1		
14	94002-08080-0S	1		
15	95801-06012-08	4		

※ Please check the color & stripe information according to the color index ! 

**TEAMWORLD IND.**

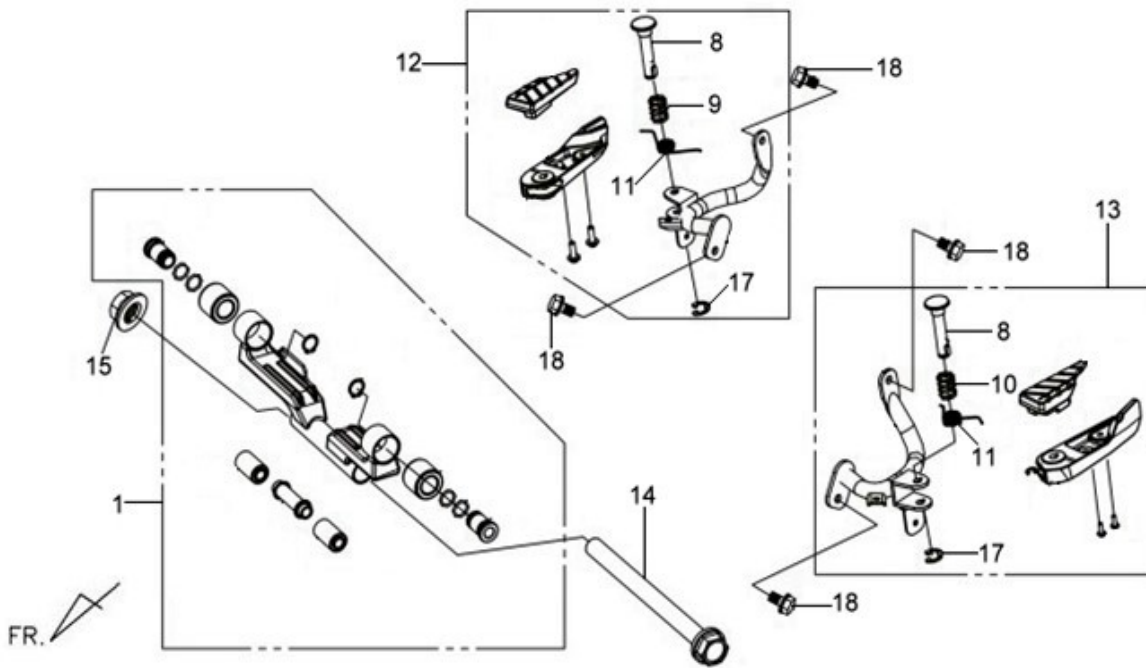
※N/A = SUBSTITUTE

※Y = EXCHANGEABLE

※N =NOT EXCHANGEABLE

**2009.08**

---



Pictures reference only

PARTS NUMBER		DESCRIPTION	QTY	EFFECTIVE DATE
1	50350-HMA-010	ENG. HANGER LINK ASSY.	1	
8	50625-HMA-000	PILLION STEP PIN	2	
9	50626-HMA-000	R. PILLION STEP SPG	1	
10	50627-HMA-000	L. PILLION STEP SPG	1	
11	50629-HMA-000	RETURN SPG	2	
12	5062A-HMA-000	R PILLION STEP ASSY.	1	
13	5062B-HMA-000	L PILLION STEP ASSY.	1	
14	90105-HMA-000	FLANGE BOLT	1	
15	90306-M9Q-000	SELF LOCK NUT 12MM	1	
17	94540-07010	N/A E-RING 7MM	2	
18	95801-08020-08	FLANGE BOLT	4	



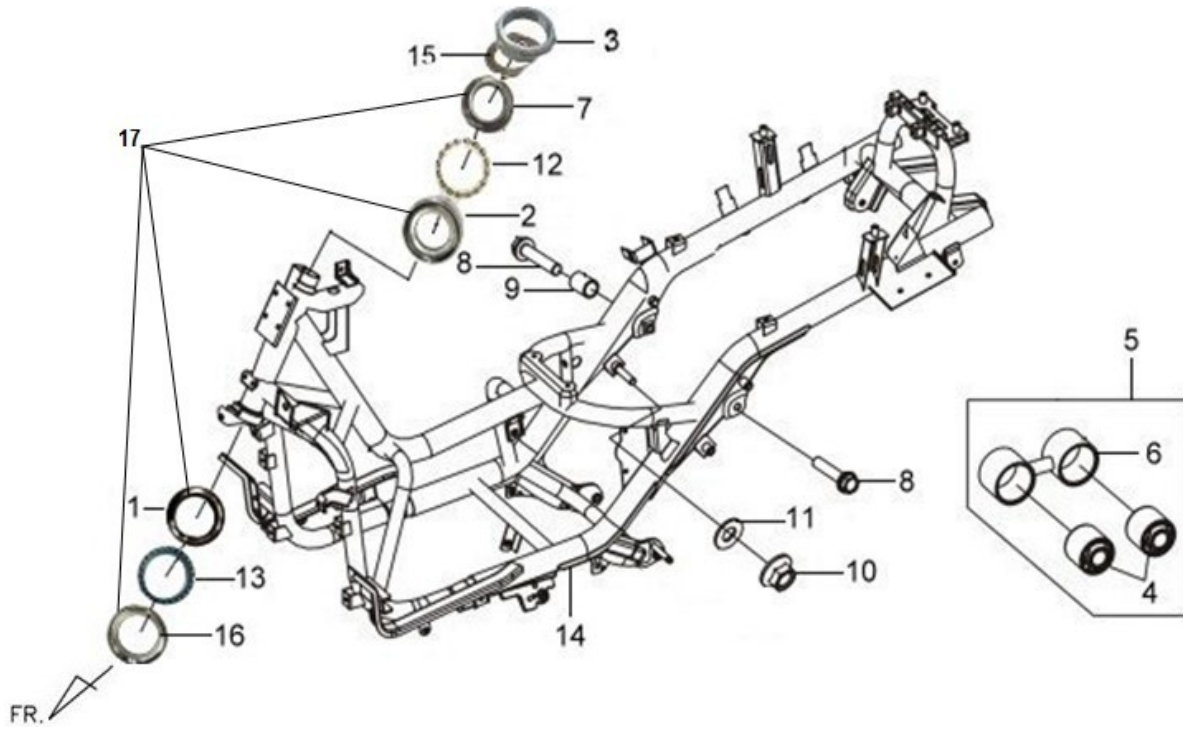
\*N/A = SUBSTITUTE

\*Y = EXCHANGEABLE

\*N =NOT EXCHANGEABLE

**2009.08**

---



Pictures reference only

PARTS NUMBER	DESCRIPTION	QTY	EFFECTIVE DATE
1	50305-VA3-000	1	
2	50301-HMA-000	1	
3	50306-M9Q-000	1	
4	50356-HMA-000	2	
5	50380-HMA-000	1	
6	50381-HMA-000	1	
7	53211-HMA-000	1	
8	90106-HHA-000	2	
9	90121-HHA-000	1	
10	90306-M9Q-000	1	
11	94103-12800	1	
12	53215-HMA-000	1	
13	53225-HMA-000	1	
14	50100-HML-000	1	
15	50308-HMA-000	1	
16	53212-VA3-000	1	
17	50300-HMA-000	1	



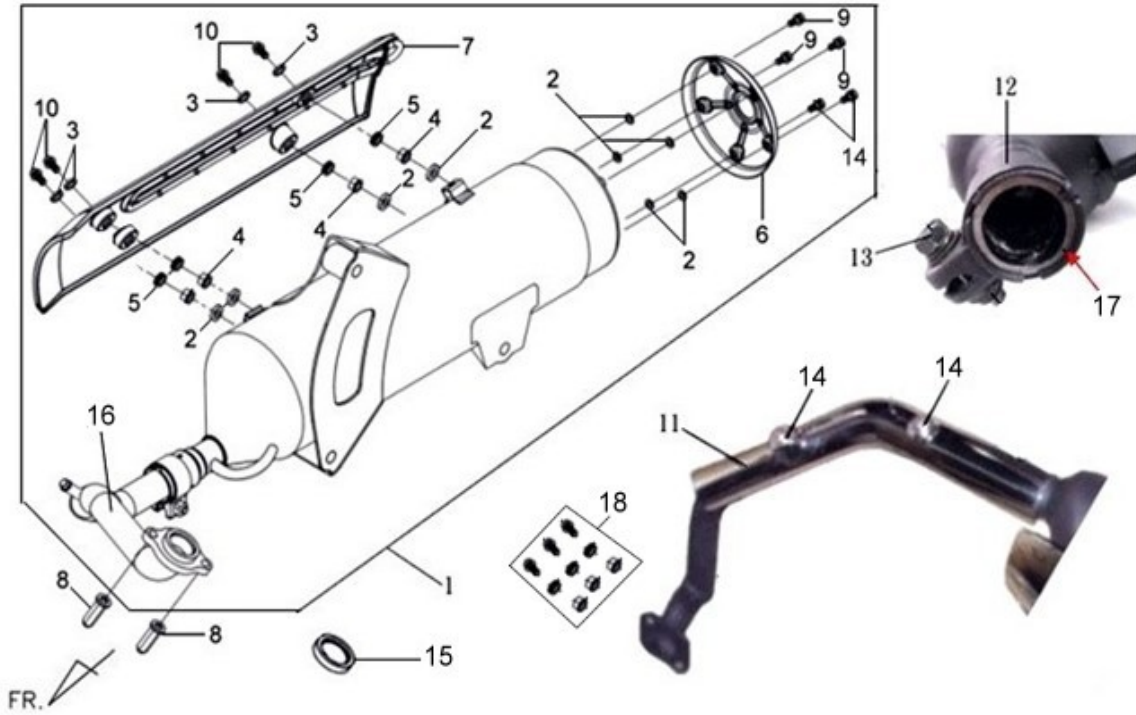
\*N/A = SUBSTITUTE

\*Y = EXCHANGEABLE

\*N =NOT EXCHANGEABLE

**2009.08**

---



Pictures reference only

PARTS NUMBER	DESCRIPTION	QTY	EFFECTIVE DATE	
1	18000-HML-000	EXH.MUFFLER ASSY	1	
2	18292-F3E-000	PROTECTOR PACKING A	8	
3	18293-F3E-000	PROTECTOR PACKING	3	
4	18295-A1A-000	COLLAR M6	3	
5	18320-F3E-000	PROTECTOR RUBBER	3	
6	18328-HLK-000	MUFFLER REAR PROTECTOCR	1	
7	18318-HMA-300	MUFFLER PROTECTOR	1	
8	90043-HMA-000	CAP NUT	2	
9	90103-H13-000	SH. FLANGE BOLT 6X16	3	
10	93401-06022-07	WASHER BOLT 6X22	4	
11	18241-HMA-020	EXH. PIPE PROTECTOR	1	
12	18321-HMA-000	MUFFLER BAND 37MM	1	
13	95801-08035-07	FLANGE BOLT M8X35	1	
14	90103-V02-000	FLANGE SH BOLT SET 6X12(SILVER)	2	
14	90103-V02-100	FLANGE SH BOLT SET 6X12(BLACK)	2	
15	18291-H9A-000	EXHAUST PIPE GASKET	1	
16	18320-HML-300	EXHAUST PIPE	1	
17	18319-HMA-300	MUFFLER GASKET	1	
18	H2B-6	MUFFLER COVER NUT SET	1	

※ Please check the color & stripe information according to the color index !



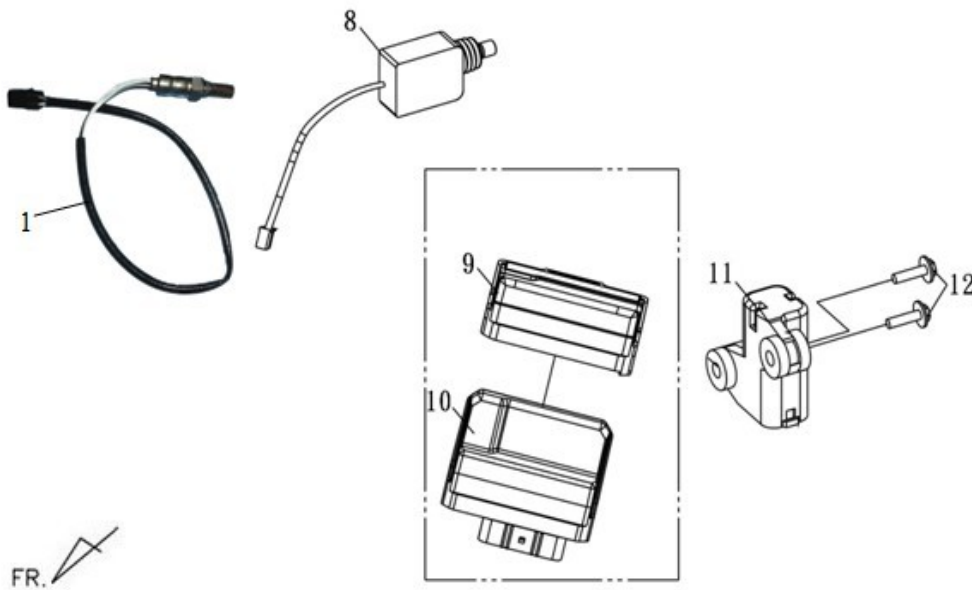
\*N/A = SUBSTITUTE

\*Y = EXCHANGEABLE

\*N =NOT EXCHANGEABLE


**2009.08**

---



Pictures reference only

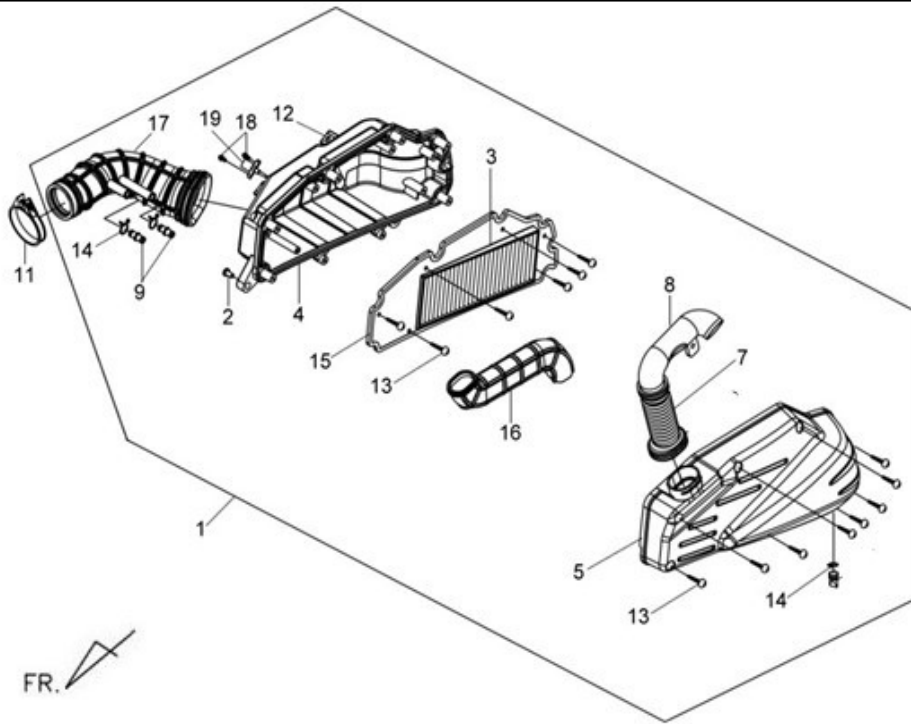
PARTS NUMBER	DESCRIPTION	QTY	EFFECTIVE DATE
1 37890-A5L-000	O2 SENSOR	1	
8 35880-HMB-000	LINER MOTOR ASSY.	1	
9 64321-A5L-000	ECU SUSPENSION	1	
10 38710-HML-000	N/A ENG. CONT UNIT	1	
11 36100-A5L-100	ROLL OVER SENSOR ASSY	1	
12 93894-04022-08	WASHER SCREW	2	

\* Please check the color & stripe information according to the color index ! 

\*N/A = SUBSTITUTE

\*Y = EXCHANGEABLE

\*N = NOT EXCHANGEABLE



Pictures reference only

PARTS NUMBER	DESCRIPTION	QTY	EFFECTIVE DATE
1	17200-HML-000 AIR/C ASSY	1	
2	17208-HMA-000 AIR/C SET COLLAR	2	
3	17211-HMA-000 AIR/C ELEMENT COMP	1	
4	17230-HMC-000 AIR/C CASE COMP	1	
5	17231-HMA-000 AIR CLEANER CASE.	1	
7	17257-HMA-000 AIR/C DUCT A	1	
8	17258-H9A-000 AIR/C CASE DUCT	1	
9	17359-M9Q-000 BREATHER TUBE JOINT	2	
11	90652-HMA-000 AIR/C CONN.TUBE BAND 48	1	
12	90677-M9Q-000 N/A CLIP NUT 5MMX0.8	2	
13	93903-25480 TAPPING SCREW 5X20	14	
14	95002-80000 TUBE CLIP C12	2	
15	17214-HMA-000 AIR/C COVER SEAL	1	
16	17255-HMA-000 AIR/C INLET DUCT	1	
17	17253-HMA-000 AIR/C CONN TUBE	1	
18	93891-05016-07 WASH SCREW 5X16	2	
19	37830-HMC-000 AIR TEMP SENSOR	1	



\*N/A = SUBSTITUTE

\*Y = EXCHANGEABLE

\*N =NOT EXCHANGEABLE

**2009.08**

---

PARTS NO.	NO.	PARTS NO.	NO.	PARTS NO.	NO.
<b>06000</b>		12391-HMA-000	E01	1565A-HMA-000	E07
06414-HMC-000	E02	<b>13000</b>		15711-HML-000	E13
06415-A5L-000	E02	13000-HML-010	E12	15772-500-013	E15
06416-A5L-000	E02	13010-HMA-000	E03	<b>16000</b>	
<b>11000</b>		13101-HMA-000	E03	16201-HMC-000	E02
11100-HMA-001	E06	13111-HMA-000	E12	1621A-HMC-000	E02
11107-HMA-000	E07	13201-LEA-000	E12	16401-HWA-000	E02
11120-HMA-000	E06	13371-HMA-300	E12	1670A-LEA-000	F13
11120-HMA-000	E08	13381-HMA-300	E12	16730-HMC-000	F13
11191-HMA-000	E06	<b>14000</b>		<b>17000</b>	
11200-HMA-000	E08	14100-HML-000	E02	1711A-HMC-000	E02
11203-M9Q-300	E08	14105-RFA-000	E04	17120-HMC-000	E02
11203-M9Q-300	F05	14105-X01-000	E04	17200-HML-000	F20
11211-HMA-000	E15	14108-M36-000	E04	17208-HMA-000	F20
11221-HMA-000	E11	14151-RFA-000	E06	17211-HMA-000	F20
1122A-HMA-000	E11	1443A-HMA-000	E02	17214-HMA-000	F20
11330-HMA-000	E07	1444A-HMA-000	E02	17221-HMA-000	E14
<b>11330-LEA-000</b>	E07	14451-HMA-000	E02	17230-HMC-000	F20
11341-HMA-000	E14	14457-HMA-000	E02	17231-HMA-000	F20
11342-HMA-000	E14	14510-RFA-000	E03	17253-HMA-000	F20
11343-HMA-000	E14	14520-H6T-000	E03	17255-HMA-000	F20
11344-HMA-000	E14	14522-H6T-000	E03	17257-HMA-000	F20
11346-HMA-000	E14	14523-M9Q-000	E03	17258-H9A-000	F20
11352-HMA-000	E14	14524-H6T-000	E03	17359-M9Q-000	F20
11353-HMA-000	E14	14525-H6T-000	E03	17369-KB4-670	E15
1135A-HMA-000-KB	E14	14531-KJ9-000	E03	17369-KB4-670	F13
1137A-HMA-000	E14	14610-RFA-000	E03	17370-M9Q-000	E15
11394-HMA-000	E05	14711-HMA-000	E02	17371-M9Q-000	E15
11395-HMA-000	E14	14721-HMA-000	E02	1738A-HMB-000	E15
<b>12000</b>		14751-HMA-000	E02	17500-HMC-000	F13
12100-HMA-000	E03	14761-HMA-000	E02	17508-HMA-000	F13
12100-HMA-000-A	E03	14771-M8Q-000	E02	17509-HMA-000	F13
12191-HMA-000	E03	14777-KN7-670	E02	17562-HMA-000	E15
12200-HMC-000	E02	14781-M9Q-000-A	E02	17571-HMC-000	E15
12209-H6B-900	E02	<b>15000</b>		17574-HMC-000	E15
12251-HMA-000	E03	15100-HMA-000	E13	17576-HMC-000	E15
12301-HMA-000	E01	15126-B8A-000	E13	1757A-HMC-000	E15
1231A-HMA-000	E04	15133-HMA-000	E13	17581-HMA-000	F13

12342-X01-000	E02	15421-M9Q-000	E07	17585-HMA-000	F13
1236A-V02-000	E07	15426-M9Q-000	E07	17590-HMC-000	E15

PARTS NO.	NO.	PARTS NO.	NO.	PARTS NO.	NO.
17651-HMA-000	F13	<b>1922A-LEA-000</b>	E07	<b>23000</b>	
17652-TAA-000	F13	19231-HMA-000	E07	23010-HMB-000	E10
17653-HMA-000	F13	19300-HMA-000	E02	23200-HMA-000	E10
17654-HMA-000	F13	19315-KJ9-000	E02	23220-HMA-000	E10
17661-HMA-000	F06	19501-HTA-000	F07	23225-HMA-000	E10
1766A-HMA-000	F13	<b>19501-HTA-900</b>	F07	23226-HMA-000	E10
17910-HMA-000	F02	19503-HMA-000	F07	23233-HMA-000	E10
17920-HMA-000	F02	19505-H5D-900	F13	23237-HMA-000	E10
<b>18000</b>		19505-HMA-000	F07	23238-HMA-000	E10
18000-HML-000	F18	<b>19505-HMA-900</b>	F07	23411-HMA-000	E11
18241-HMA-020	F18	19505-KS6-700	E07	23420-HMA-000	E11
18291-H9A-000	F18	19505-KS6-700	F07	23421-HMA-300	E11
18292-F3E-000	F18	19505-M8Q-000	F07	23422-HMA-300	E11
18293-F3E-000	F18	19506-HMA-000	F07	23431-HMA-000	E11
18295-A1A-000	F18	<b>19506-HMA-900</b>	F07	23432-HMA-000	E11
18318-HMA-300	F18	19507-HMA-000	F07	<b>28000</b>	
18319-HMA-300	F18	19509-HTA-900	F07	28100-HMA-000	E06
18320-F3E-000	F18	<b>19509-HWA-000</b>	F07	28102-HMA-000	E06
18320-HML-300	F18	1950A-HMA-000	E07	28110-HMA-000	E05
18321-HMA-000	F18	1951A-HMA-000	E02	2812A-HMA-000	E05
18328-HLK-000	F18	19604-H01-000	E07	<b>30000</b>	
18610-HKA-000	E01	<b>21000</b>		3043A-REA-000	F14
18647-HMA-000	E01	21200-HMA-000	E11	3051A-HMA-010	F14
18654-N14-000	E01	21395-HMA-000	E11	<b>31000</b>	
<b>19000</b>		<b>22000</b>		31110-HMC-000	E05
19000-HMA-000	F07	22101-HMA-000	E10	31120-HMC-000	E05
<b>19000-HMA-900</b>	F07	22102-HMA-000	E09	31200-HMA-000	E06
19010-HMA-000	F07	22105-HMA-000	E09	31600-HMA-000	F14
<b>19010-HMA-900</b>	F07	22110-HMA-000	E09	<b>31600-HMA-010</b>	F14
19015-HMA-000	F06	22121-RB1-000-A	E09	<b>32000</b>	
19016-HMA-000	F06	22131-HMA-000	E09	32100-HML-010	F14
19017-HMA-000	F13	22132-HMA-000-A	E09	32160-A3A-900	F02
19018-HMA-000	F13	222Y-0035	F02	32411-HMA-000	F14
19020-HMA-000	F07	222Y-0038	F02	32412-HMA-000	F14
19101-HMA-000	F06	22300-HMB-000	E10	32415-HMA-010	F14
19102-HMA-000	F06	22350-HMA-000	E10	<b>33000</b>	
19215-HLA-000	E07	22361-HMA-000	E10	33100-HWA-000	F01
19217-H9A-300	E07	22401-HMA-000	E10	33101-HWA-000	F01

19229-H9A-000	E07	22530-HMB-000-A	E10	33102-HWA-000	F01
1922A-HMA-000	E07	22804-HMA-000	E10	33124-HWA-000	F01

PARTS NO.	NO.	PARTS NO.	NO.	PARTS NO.	NO.
33151-HWA-000	F01	<b>37000</b>		44720-H9A-000	F05
33152-HWA-000	F01	37200-HT2-000	F11	44800-HMB-000	F04
33190-HWA-000	F01	37211-HMA-000	F11	<b>45000</b>	
33195-HWA-000	F01	37750-PC1-004	E02	45100-HMA-000	F02
33400-HMA-000	F01	37760-HMA-000	F07	45105-HMA-000-A	F02
33450-HMA-000	F01	37800-HWA-000	F13	45121-HMB-000-SH	F04
33700-HMA-000	F08	37801-A5L-000	F13	45126-HMA-000	F02
33701-HMA-000	F08	37830-HMC-000	F20	45156-H3C-000	F12
33711-HMA-000	F08	37880-HMC-000	E02	45500-HMA-000	F02
33740-HMA-000	F12	37890-A5L-000	F19	<b>46000</b>	
33741-M9A-000	F12	<b>38000</b>		46300-HMA-000	F02
<b>34000</b>		38110-HMA-000	F14	<b>50000</b>	
34901-LVA-000	F01	3850A-HLA-000	F15	50100-HML-000	F17
34902-HMA-000	F11	<b>3850A-HLA-010</b>	F15	50300-HMA-000	F17
34905-HMA-000	F01	38600-RA1-000	F06	50301-HMA-000	F17
34905-HMA-000	F01	38600-RA1-000	F14	50305-VA3-000	F17
34905-HMA-000	F08	38710-HML-000	F19	50306-M9Q-000	F17
34906-HMA-000	F08	38720-HMA-000	F15	50308-HMA-000	F17
34907-HMA-000	F11	38800-H5B-000	F14	50315-HMA-000	F15
34909-HMA-000	F01	<b>42000</b>		50326-HMA-000	F06
34909-HMA-000	F01	42311-H9A-000	F05	50350-HMA-010	F16
<b>35000</b>		42601-HMA-000	F05	50356-HMA-000	F17
35010-HMA-100	F14	42753-KBN-902	F04	50380-HMA-000	F17
35110-HMA-000	F14	42753-M92-300	F05	50381-HMA-000	F17
35111-HMA-100-A01	F14	<b>43000</b>		50505-M92-010	F15
35111-HMA-100-B01	F14	43100-HMA-000	F02	5050A-HMA-000	F15
35150-HM1-000	F02	43105-HMA-000-A	F02	50512-H6B-000	F15
35200-HNL-000	F02	43121-HMA-000	F05	5052A-H9A-000	F15
35340-KBN-900	F02	43311-HMA-000	F02	50530-HMA-000	F15
35350-KBN-900	F02	43312-HMA-000	F02	5053A-HMA-000	F15
35360-HMA-000	F06	43313-HMA-000	F02	50611-HMA-000	F12
35370-M9P-000	F09	43500-HMA-000	F02	50625-HMA-000	F16
35380-HMA-000	F09	<b>44000</b>		50626-HMA-000	F16
35860-HMC-000	F14	44301-G22-000	F04	50627-HMA-000	F16
<b>35860-HMC-010</b>	F14	44311-GW0-910	F04	50629-HMA-000	F16
35880-HMB-000	F19	44312-HMA-000	F04	5062A-HMA-000	F16
<b>36000</b>		44601-HMA-000	F04	5062B-HMA-000	F16
36100-A5L-100	F19	44620-H3A-000	F04	<b>51000</b>	

36500-HMA-000	F15	44710-HMA-010	F04	51106-LEA-000	F04
36600-A1A-000	F09	44720-H9A-000	F04	51400-HWA-000	F04

PARTS NO.	NO.	PARTS NO.	NO.	PARTS NO.	NO.
51500-HWA-000	F04	64301-HWA-000-IP	F01	77230-HMB-000	F08
<b>52000</b>		64301-HWA-000-JG	F01	77233-HMA-000	F14
5210A-HMA-005	F05	64301-HWA-000-QU	F01	77236-HAA-000	F08
52400-HMA-000	F05	64301-HWA-000-SO	F01	77239-HMA-000	F08
<b>53000</b>		64301-HWA-010-IP	F01	77240-HMA-000	F08
53100-HMA-000	F02	64301-HWA-010-JG	F01	77300-HWA-000	F09
53104-N02-000	F02	64301-HWA-010-QU	F01	77300-HWA-010-T1	F09
53125-M9Q-000	F02	64301-HWA-010-SO	F01	77400-HWA-000-IP	F08
53140-HMA-900	F02	64304-X01-000	F01	77400-HWA-000-JG	F08
53166-H85-000	F02	64304-X01-000	F11	77400-HWA-000-QU	F08
53175-HMA-000	F02	64310-HMA-020-KA	F10	77400-HWA-000-SO	F08
53178-HMA-000	F02	64311-HMA-020-KA	F10	<b>80000</b>	
53200-HWA-000	F04	64312-HMA-000	F10	80100-HMA-000	F12
53204-HMA-900	F02	64312-HMA-000	F11	80102-HMA-000	F12
53205-HMA-900-KA	F02	64313-HMA-000	F10	80104-HMA-000	F09
53206-HMA-900	F02	64314-HMA-000	F10	80106-HMA-000	F12
53207-HMA-900	F02	64315-HMA-000	F10	<b>81000</b>	
53208-HMA-020	F11	64315-HMA-000	F11	81131-HMA-000-KA	F06
53208-HMA-030	F11	64319-HMA-000-KA	F10	81134-HMA-000	F11
53209-HMA-000	F11	64321-A5L-000	F19	81141-HMA-000	F06
53211-HMA-000	F17	64321-HMA-000	F10	81142-HMA-000	F06
53212-VA3-000	F04	64322-HMA-000	F10	81143-HMA-000	F06
53212-VA3-000	F17	64323-HMA-000	F10	81144-HMA-000	F06
53214-HMA-000	F04	64324-HMA-000	F10	81146-HMA-000	F06
53215-HHA-000	F04	6432C-HMA-000	F10	81151-HMA-020	F11
53215-HMA-000	F17	<b>67000</b>		81151-HMA-030	F11
53225-HMA-000	F17	67101-HMA-000	F11	81152-HMA-000	F11
<b>55000</b>		6710A-HWA-000	F11	81153-HMA-010	F10
5520A-KBN-900	E11	67111-HWA-000	F11	81153-HMA-010	F11
<b>61000</b>		6711A-HWA-000	F11	8115A-HMA-010	F11
61100-HMA-000-IP	F04	<b>74000</b>		8115B-HMA-000	F11
61100-HMA-000-JG	F04	74480-HMA-010	F09	81200-HWA-000-IP	F08
61100-HMA-000-QU	F04	74481-HMA-000	F09	81200-HWA-000-JG	F08
61100-HMA-000-SO	F04	<b>75000</b>		81200-HWA-000-QU	F08
61101-HWA-000	F01	75581-M9Q-000	F08	81200-HWA-000-SO	F08
<b>64000</b>		<b>77000</b>		81210-HMA-000	F08
64300-HMA-000-IP	F01	77200-HWA-000	F09	81211-HWA-000-IP	F08
64300-HMA-000-JG	F01	77200-HWA-010-T1	F09	81211-HWA-000-JG	F08

64300-HMA-000-QU	F01	77201-HMA-900	F09	81211-HWA-000-QU	F08
64300-HMA-000-SO	F01	77203-HMA-010	F09	81211-HWA-000-SO	F08

PARTS NO.	NO.	PARTS NO.	NO.	PARTS NO.	NO.
81257-HMA-000	F09	87127-HM1-000	F08	90085-HHA-900	F14
8125A-HMA-008	F09	87127-HM1-000	F08	9008A-H9A-000	E07
8125B-HML-000	F09	87127-HM1-000	F08	90103-H13-000	F18
<b>83000</b>		87127-HM1-000	F08	90103-HWA-000	F04
83501-HMA-000-OL	F08	87129-HML-000	F08	90103-HWA-000	F04
8350G-HM1-000-IP	F08	87129-HML-000	F08	90103-M9Q-000	E08
8350G-HM1-000-JG	F08	87129-HML-000	F08	90103-V02-000	F18
8350G-HM1-000-QU	F08	87129-HML-000	F08	90103-V02-100	F18
8350G-HM1-000-SO	F08	87129-HML-000	F08	90104-H5K-000	F02
8352G-HWA-000-IP	F10	87129-HML-000	F08	90104-H9A-000	F02
8352G-HWA-000-JG	F10	87129-HML-000	F08	90105-HMA-000	F16
8352G-HWA-000-QU	F10	87129-HML-000	F08	90105-HMC-000	F13
8352G-HWA-000-SO	F10	87129-LEA-000	F01	90105-KR3-000	F04
83601-HMA-000-OL	F08	87129-LEA-000	F01	90105-KR3-000	F05
8360G-HM1-000-IP	F08	87129-LEA-000	F01	90106-H2G-000	F08
8360G-HM1-000-JG	F08	87129-LEA-000	F01	90106-HHA-000	F17
8360G-HM1-000-QU	F08	87505-HMA-000	F09	90106-HMA-000	F09
8360G-HM1-000-SO	F08	<b>88000</b>		90106-M9Q-000	F02
8362G-HWA-000-IP	F10	88110-HMA-900-IP	F03	90108-HMA-000	F15
8362G-HWA-000-JG	F10	88110-HMA-900-JG	F03	90111-HKD-000	F06
8362G-HWA-000-QU	F10	88110-HMA-900-QU	F03	90111-M9Q-800	F09
8362G-HWA-000-SO	F10	88110-HMA-900-SO	F03	90111-M9Q-900	F06
83630-HMA-000	F09	88111-HMA-000	F03	90111-M9Q-900	F12
<b>87000</b>		88112-HMA-000	F03	90118-HLK-000	F01
87121-H85-000	F11	88120-HMA-900-IP	F03	90119-HMA-000	F11
87123-HEB-000	F02	88120-HMA-900-JG	F03	90121-HHA-000	F17
87123-HWA-000-S	F10	88120-HMA-900-QU	F03	90145-M9Q-000	F02
87123-HWA-000-S	F10	88120-HMA-900-SO	F03	90157-F3G-000	E05
87123-HWA-000-S	F10	88121-HMA-000	F03	90164-M9Q-000	F04
87123-HWA-000-S	F10	88122-HMA-000	F03	90201-KR8-751-M1	E05
87123-HWA-000-S	F10	<b>89000</b>		90201-KR8-751-M1	E09
87123-HWA-000-S	F10	89010-M92-000	F03	90201-KR8-751-M1	E10
87123-HWA-000-S	F10	<b>90000</b>		90202-HMA-000	E10
87123-HWA-000-S	F10	90001-M9Q-000	E03	90206-HLK-000	E02
87123-TFS-000	F11	90002-HMA-000	E01	90301-GE0-000	F09
87125-HMA-000	F11	90012-HLK-000	E02	90302-M92-000	F01
87126-HM1-000	F08	90031-HMA-000	E06	90302-M92-000	F02
87126-HM1-000	F08	90032-HMA-000	E02	90302-M92-000	F06

87126-HM1-000	F08	90032-HMA-000	E08	90302-M92-000	F08
87126-HM1-000	F08	90043-HMA-000	F18	90302-M92-000	F09

PARTS NO.	NO.	PARTS NO.	NO.	PARTS NO.	NO.
90302-M92-000	F10	91203-HMA-000	E11	93891-06050-07	F04
90302-M92-000	F11	91204-HMA-000	E11	93893-06016-07	F04
90304-M9Q-000	F02	91205-KF0-003	E07	93893-06016-07	F13
90304-M9Q-000	F15	91211-HMA-000	E10	93894-04022-08	F19
90305-M9Q-000	F04	91255-HWA-000	F04	93903-25320	F01
90305-M9Q-900	F05	91255-HWA-000	F04	93903-25320	F06
90306-M9Q-000	F04	91256-HWA-000	F04	93903-25320	F11
90306-M9Q-000	F16	91256-HWA-000	F04	93903-25480	F20
90306-M9Q-000	F17	91259-HWA-000	F04	93903-34320	F01
90401-HMA-000	E11	91259-HWA-000	F04	93903-34320	F02
90401-KJ9-000	E05	91301-HMA-000	E04	93903-34320	F06
90401-KJ9-000	E09	91302-M9Q-000	E07	93903-34320	F10
90401-KJ9-000	E10	91303-M2Q-000	E07	93903-34320	F11
90423-KJ9-000	E07	91305-HMA-000	E10	93903-34320	F12
90442-HMA-000	E02	91307-M9Q-000	E07	93903-34380	F02
90474-M9Q-000	E08	91308-HMA-000	E02	93903-34380	F06
90478-700-000	E07	91309-HWA-000	F04	93903-34380	F08
90481-M9Q-000	E08	91309-HWA-000	F04	93903-34380	F09
90545-M9Q-000	F02	<b>92000</b>		93903-34380	F09
90601-HMA-000	E12	92101-06016-0H	E04	93903-34380	F10
90602-HMA-000	E10	92800-12000	E08	93903-34380	F11
90652-HMA-000	F20	<b>93000</b>		93903-34380	F12
90677-M9Q-000	F09	93401-06022-07	F18	93903-34380	F13
90677-M9Q-000	F12	93404-06016-07	F01	93903-44380	F10
90677-M9Q-000	F20	93404-06016-07	F15	<b>94000</b>	
90682-V02-900	E15	93404-06016-08	F12	94002-08080-0S	F15
90701-HB6-010	E12	93404-06016-08	F13	94050-05080	F12
90754-M9Q-000-M2	F04	93404-06020-08	F07	94050-06000	E02
90912-M9Q-000-M1	F04	93405-06012-08	F07	94050-06080	F09
<b>91000</b>		93406-08012-00	F08	94050-10080	E02
91001-HMA-000	E12	93406-08020-07	F08	94101-08800	F09
91001-KJ9-005	E07	93500-05012-0H	E14	94103-12800	F17
91002-HMA-000	E11	93500-05016-0A	E05	94109-12000	E08
91003-HML-000	E12	93500-06025-0H	E13	94251-08400	F09
91006-HMA-300	E10	93891-05012-07	F02	94301-08140	E05
91007-HMA-300	E10	93891-05016-07	F09	94301-08140	E06
91009-HMC-000	E11	93891-05016-07	F10	94301-08140	E07
91101-HMA-000	E13	93891-05016-07	F12	94301-08140	E11

91201-HMA-300	E12	93891-05016-07	F20	94301-12200	E03
91202-HMA-000	E05	93891-05040-07	F12	94510-10000	E13

PARTS NO.	NO.		PARTS NO.	NO.		PARTS NO.	NO.	
94510-25000	E11		96001-06022-00	E07				
94520-26000	E07		96001-06030-00	E14				
94524-47000	F05		96001-06032-00	E07				
94540-07010	F16		96001-06035-00	E14				
94540-08010	E10		96001-06045-00	E07				
<b>95000</b>			96001-06050-00	E08				
95002-02080	E11		96001-06055-00	E06				
95002-02080	F13		96001-06070-00	E08				
95002-80000	E15		96001-06090-00	E02				
95002-80000	F20		96100-60000-00	E07				
95003-23032-60	E15		96100-62040-10	E11				
95005-45100-20	F13		96100-62070-10	E12				
95701-10012-08	E08		96100-63020-00	E11				
95801-06012-07	F06		96140-62013-10	E05				
95801-06012-08	F08		96150-60060-10	E14				
95801-06012-08	F15		96150-62050-10	E11				
95801-06016-08	F14		96150-63033-10	F05				
95801-06022-07	F02		<b>DRIVE BELT</b>					
95801-08016-08	F14		1B01HMA01	E10				
95801-08020-08	F16		<b>CAM CHAIN</b>					
95801-08035-07	F05		1C14401-RFA-000	E04				
95801-08035-07	F18		1C15141-HMA-000	E13				
95801-08050-08	E08		<b>SPARK PLUG</b>					
95801-10040-08	F04		1PCR8E-3	E02				
95801-10040-08	F05		<b>TIRE</b>					
95801-10065-07	F05		1T011307013-4PR-60	F05				
95801-10075-07	F05		<b>BATTERY</b>					
<b>96000</b>			1Y01HMA01-Y	F03				
96001-06010-00	E07		<b>FR.CALIPER PAD PIN</b>					
96001-06010-08	E06		2E34-0016	F02				
96001-06010-08	E13	<b>MUFFLER COVER NUT SET</b>						
96001-06012-00	E14		H2B-6	F18				
96001-06014-00	E01							
96001-06014-00	E02							
96001-06016-00	E01							
96001-06016-00	E01							
96001-06016-00	E02							
96001-06018-00	E04							

96001-06018-07

E14

96001-06022-00

E06

## MODEL: LM25W5-MC

ITEM	PAGE	ORIGINAL NUMBER	DESCRIPTION	REVISED NUMBER	EFFECTIVE DATE	REVISE DATE
1	F11		METER LENS	37211-HMA-000		8/26/2009
2	F01		FR UNDER SPOILER WH-300P	64300-HMA-000-QU		9/11/2009
3	F01		FR COVER WH-300P	64301-HWA-000-QU		9/11/2009
4	F03		R BACK MIRROR ASSY.WH-300P	88110-HMA-900-QU		9/11/2009
5	F03		L BACK MIRROR ASSY.WH-300P	88120-HMA-900-QU		9/11/2009
6	F04		FR FENDER WH-300P	61100-HMA-000-QU		9/11/2009
7	F08		RR CARRIER COMP WH-300P	81200-HWA-000-QU		9/11/2009
8	F08		RR CARRIER CAP WH-300P	81211-HWA-000-QU		9/11/2009
9	F08		R BODY CVOER ASSY.WH-300P	8350G-HM1-000-QU		9/11/2009
10	F08		L BODY COVER ASSY.WH-300P	8360G-HM1-000-QU		9/11/2009
11	F08		RR BACK SEAT ASSY WH-300P	77400-HWA-000-QU		9/11/2009
12	F10		R.SIDE COVER SET WH-300P	8352G-HWA-000-QU		9/11/2009
13	F10		L.SIDE COVER SET WH-300P	8362G-HWA-000-QU		9/11/2009
14	F11		S LOGO	87123-TFS-000		12/3/2009
15	F01		FR UNDER SPOILER S-421S	64300-HMA-000-SO		12/4/2009
16	F01		FR COVER S-421S	64301-HWA-000-SO		12/4/2009
17	F03		R BACK MIRROR ASSY.S-421S	88110-HMA-900-SO		12/4/2009
18	F03		L BACK MIRROR ASSY.S-421S	88120-HMA-900-SO		12/4/2009
19	F04		FR FENDER S-421S	61100-HMA-000-SO		12/4/2009
20	F08		RR CARRIER COMP S-421S	81200-HWA-000-SO		12/4/2009
21	F08		RR CARRIER CAP S-421S	81211-HWA-000-SO		12/4/2009
22	F08		R BODY CVOER ASSY.S-421S	8350G-HM1-000-SO		12/4/2009
23	F08		L BODY COVER ASSY.S-421S	8360G-HM1-000-SO		12/4/2009
24	F08		RR BACK SEAT ASSY S-421S	77400-HWA-000-SO		12/4/2009
25	F10		R.SIDE COVER SET S-421S	8352G-HWA-000-SO		12/4/2009
26	F10		L.SIDE COVER SET S-421S	8362G-HWA-000-SO		12/4/2009
27	F01	64301-HWA-000-JG	FR COVER BK-433S	64301-HWA-010-JG	2009/12/4	2009/12/28
28	F01		BODY COVER EMBLEM A	87129-LEA-000	2009/12/4	2009/12/28
29	F01	64301-HWA-000-IP	FR COVER GY-517S	64301-HWA-010-IP	2009/12/4	2009/12/28
30	F01	64301-HWA-000-QU	FR COVER WH-300P	64301-HWA-010-QU	2009/12/4	2009/12/28
31	F01	64301-HWA-000-SO	FR COVER S-421S	64301-HWA-010-SO	2009/12/4	2009/12/28
32	F09	77200-HWA-000	DOUBLE SEAT COMP BK-001L	77200-HWA-010-T1	2009/12/4	2009/12/28
33	F09	77300-HWA-000	BACK SEAT ASSY	77300-HWA-010-T1	2009/12/4	2009/12/28

34	F14	31600-HMA-000	REG. REC. COMP	31600-HMA-010	2009/12/21	2010/2/25
35	F11	53208-HMA-020	METER PANEL (BK-001U)	53208-HMA-030	2010/1/26	2010/3/8
36	F11	81151-HMA-020	COIN BOX LID BK-001U	81151-HMA-030	2010/1/26	2010/3/8
37	F09		BACK SEAT SET BOLT	77203-HMA-010		2010/3/16
38	F01	34901-HMA-000	HEAD LIGHT BULB (H11/55W)	34901-LVA-000		2010/3/25
39	E07	1922A-HMA-000	WATER PUMP COVER ASSY	1922A-LEA-000	2010/3/9	2010/6/7
40	F07	19000-HMA-000	RADIATOR ASSY	19000-HMA-900	2010/4/26	2010/6/7
41	E13		OIL PUMP GASKET	15126-B8A-000		2010/6/28
42	F07	19010-HMA-000	RADIATOR COMP	19010-HMA-900	2010/4/26	2010/6/29
43	F07	19501-HTA-000	RADIATOR IN. WATER HOSE	19501-HTA-900	2010/4/26	2010/6/29
44	F07	19505-HMA-000	ENG.INLET WATER HOSE	19505-HMA-900	2010/4/26	2010/6/29
45	E07	11330-HMA-000	R. CASE CRANK COVER COMP	11330-LEA-000	2009/6/2	2010/7/28
46	F14	35860-HMA-000	START MAG. SET	35860-HMC-000	2009/6/19	2010/11/1
47	F18		FLANGE SH BOLT SET 6X12(BLAC	90103-V02-100		2010/12/9
48	F07	19506-HMA-000	RADIATOR INLET WATER HOSE B	19506-HMA-900	2010/4/26	2010/12/27
49	F07		WATER HOSE 2 WAY JOINT	19509-HTA-900		2010/12/27
50	F07	19509-HTA-900	WATER HOSE 2 WAY JOINT	19509-HWA-000	2010/4/26	2011/1/3
51	F15	3850A-HLA-000	ELEC RELAY ASSY	3850A-HLA-010	2010/11/23	2/14/2011
52	F11	81134-HMA-000	INNER BOX HOOK	8115B-HMA-000	2010/4/1	2011/2/15
53	F11	81151-HMA-030	COIN BOX LID BK-001U	8115A-HMA-010	2010/4/1	2011/2/15
54	E10		DRIVE PLATE COMP.	22350-HMA-000		2011/3/3
55	E10		CLUTCH SIDE PLATE	22361-HMA-000		2011/3/3
56	E10		CLUTCH SPRING	22401-HMA-000		2011/3/3
57	E10		CLUTCH WEIGHT(3PCS)	22530-HMB-000-A		2011/3/3
58	E10		CLUTCH DAMPER RUBBER	22804-HMA-000		2011/3/3
59	E10		SPRING COLLAR	23238-HMA-000		2011/3/3
60	E10		E-RING	94540-08010		2011/3/3
61						
62						
63						
64						
65						
66						
67						
68						
69						

70						
71						
72						
73						
74						
75						
76						
77						
78						
79						
80						
81						
82						
83						
84						
85						
86						
87						
88						
89						
90						
91						
92						
93						
94						
95						
96						
97						
98						
99						
100						
101						
102						
103						
104						
105						

106						
107						
108						
109						
110						
111						









零件書各部分件確認

引擎件			須注意的零件料號	
中文名稱	英文名稱	確認	料號	英文名稱
	CYLINDER HEAD COVER	○	06414-XXX-000	FUEL INJECTOR
	CYLINDER HEAD ASSY	○	12100-XXX-000-A	CYLINDER SET
	CYLINDER COMP	○	17200-XXX-000	AIR/C ASSY
	CYLINDER HEAD SIDE COVER	○	18000-XXX-000	EX. MUFFLER ASSY
	A.C.G. ASSY	○	18318-XXX-000	MUFFLER PROTECTOR
	R. CRANK CASE COMP	○	1961A-XXX-000	FAN COVER ASSY
	R. CASE COVER	○	1962A-XXX-000	SHROUD A ASSY
	L. CRANK CASE COMP.	○	1963A-XXX-000	SHROUD B ASSY
	MOVABLE DRIVE FACE ASSY.	○	33100-XXX-000	HADEL LIGHT ASSY
	DRIVEN PULLEY ASSY.	○	37200-XXX-000	METER ASSY
	MISSION CASE	○	45100-XXX-000	CALIPER ASSY
	CRANK SHAFT	○	45105-XXX-000-A	BRAKE PAD SET
	OIL PUMP ASSY.	○		
	L. CRANK CASE COVER	○		
	BREATHER CHAMBER ASSY.	○		
車架件				
中文名稱	英文名稱	確認		
	FRONT COVER & HEAD LIGHT	○		
	HANDLE & BRAKE ASSY	○		
	BACK MIRROR & BATTERY	○		
	FRONT WHEEL & FORK ASSY	○		
	REAR. WHEEL ASSY	○		
	INNER BOX & RESERVE TANK	○		
	RADIATOR ASSY.	○		
	BODY COVER & TAIL LIGHT	○		
	SEAT & LUGGAGE BOX	○		
	FLOOR PANEL & SIDE COVER	○		
	WIND SCREEN & METER VISOR	○		
	RR. FENDER ASSY	○		
	FUEL TANK ASSY	○		
	WIRE HARNESS & ELECTRIC PAF	○		
	MAIN STAND & FR. COVER STAY	○		
	PILLION STEP	○		
	FRAME BODY	○		
	MUFFLER ASSY	○		
	ECU ASSY	○		
	AIRCLEANER ASSY	○		
			自建碼	
			1B	DRIVE BELT
			1C	CAM CHAIN
			1M	OIL
			1P	SPARK PLUGS
			1T	TIRE
			1Y	BATTERY
			機種圖面代號	CARB. FIXING SET
			U	RADIATOR COMP
			W/Z	WIND SHIELD PART
			機車式樣圖面	審核
				吳宏安
			零件書製作人	審核
				吳宏安

○代表完成

備註

噴射專用

分件是否可拆

分件是否可拆

煞車片

驅動皮帶

凸輪鏈條

油類

火星塞

輪胎

電池

化油器修理包

散熱器

風鏡

製作人

蕭裕憲

製作日期

2009.8.18

